



BRYANT®



Full Line Catalog
Wiring Devices
for the
Industrial
Commercial
Institutional and
Residential Markets

www.bryant-electric.com

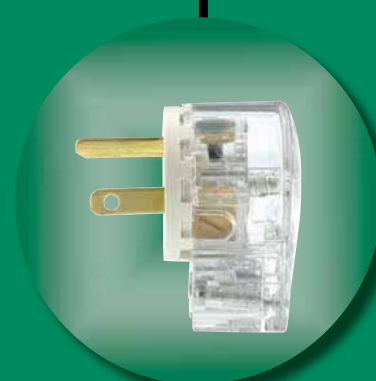
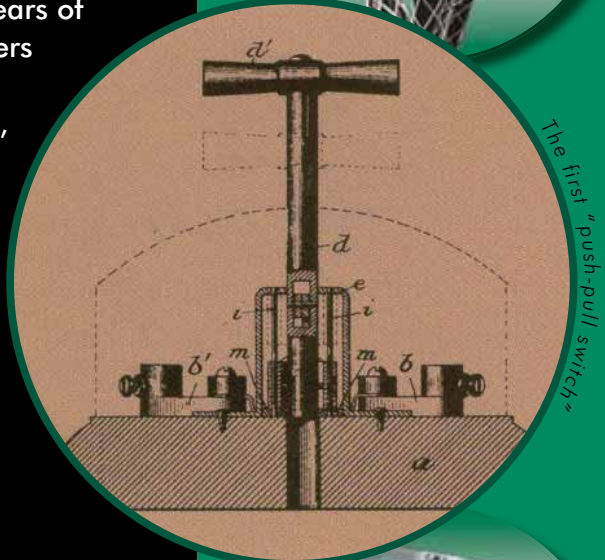
More than a Century of World Class Innovation, Quality and Experience

Building on more than 122 years of excellence, Bryant Electric offers an expanded and enhanced product offering for industrial, commercial, institutional and residential markets. Our new product lines and product enhancements showcased in this latest catalog continue to combine the innovation, value, quality and superior performance you've grown to expect from Bryant.

Innovation and Value

In 1888, Waldo Calvin Bryant received a patent for the first push-pull switch that established the wiring device industry. Bryant's product development and innovation continues today with systems and solutions that provide better value through safety and labor savings.

Bryant's Quick-Tech™ connectorized receptacles provide an innovative quick and simple wiring method to cut down on installation costs. The CIRCUITPRO® Self-Test GFCI receptacles not only continuously monitor for ground fault conditions, but also test themselves every 60 seconds to ensure their continued ability to provide safety and protection. Bryant Motor Controllers are suitable as motor disconnects, providing a solution that saves material, space and cost. Bryant's metal raceway product line incorporates the features customers asked for but could not find. And building on our industrial and commercial experience, Bryant has also introduced a complete line of residential wiring devices and voice/data/communication products that incorporate innovation, value and leading-edge features and style for today's homes.





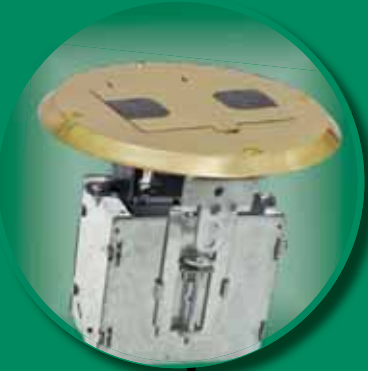
Quality and Superior Performance

Bryant's new product offering serves to enhance our existing wiring device product line with better safety, ease-of-use and lower installation costs. Our plugs and connectors provide a full range of features from the Triple Gripper® cord grip and dust shield, to the durable impact-resistant nylon construction that Bryant introduced to the industry more than 40 years ago. Our hospital grade and industrial specification grade receptacles continue to incorporate a "true" one-piece grounding system, and the product offering has expanded to include tamper resistant, weather-resistant and connectorized devices. Bryant's feature-rich devices continue to be preferred by specifiers, contractors and original equipment manufacturers for their quality and superior performance.

Our Growing Portfolio

Bryant's commitment to distributors and customers is reflected in our continued growth and product line expansions. Since 1888, Bryant Electric has been a pioneer in the wiring device industry, and we continue to expand the brand by offering innovative solutions for the industrial, commercial, institutional and residential markets. Our proven track record of engineering dependable and durable products continues to make Bryant a respected leader in the industry. Whether it's to receive technical expertise, design guidance or product information, we are ready to service your needs.

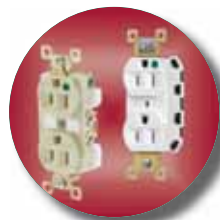
Contact us toll-free at 1-800-323-2792, or visit us on the web at www.bryant-electric.com.



Bryant Quick-Tech™ Receptacles



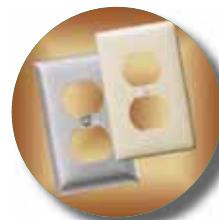
Table of Contents



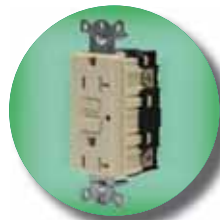
Section A
Straight Blade
Devices



Section H
Locking
Devices



Section O
Wallplates



Section B
Ground Fault
Devices



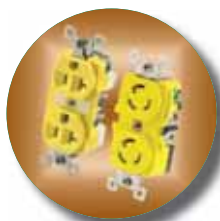
Section I
Watertight/
Dust-Tight
Products



Section P
Network
Wiring



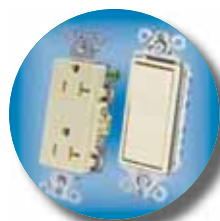
Section C
Surge and
Isolated Ground
Devices



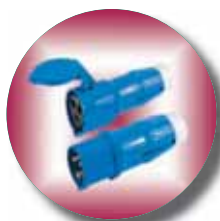
Section J
Corrosion-
Resistant
Devices



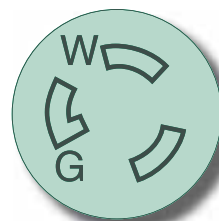
Section Q
Technical
Information



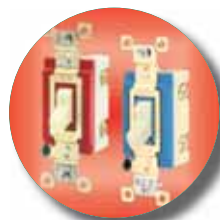
Section D
Decorator
Products



Section K
Pin & Sleeve
Devices



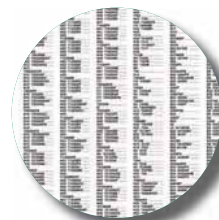
Section R
NEMA
Configuration
Charts



Section E
Switches



Section L
Wire
Management
Products



Section S
Alphanumeric
Index



Section F
Lighting
Controls



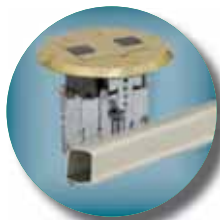
Section M
Lampholders,
Starters and
Adapters



Section T
RoHS Index



Section G
Control
Products



Section N
Delivery
Systems



General Information

Associations



NEMA promotes the competitiveness of its member companies by providing a forum for the development of technical standards that are in the best interests of the industry and the users of its products.



National Association of Electrical Distributors

Since 1908, NAED has served as the trade association for the electrical distribution industry. To be an NAED associate member, your company must be a manufacturer or value-added reseller.



Restriction of Hazardous Substances

The RoHS Directive stands for “the restriction of the use of certain hazardous substances in electrical and electronic equipment”.



U.S. Green Building Council Member

Bryant is a US Green Building Council (USGBC) member dedicated to advancing buildings that are environmentally responsible in the way they are designed, built and operated.



International Organization for Standardization

ISO (International Organization for Standardization) is the world’s largest developer and publisher of International Standards.

Bryant Trademarks

Since 1888, Bryant Electric has been a pioneer in the wiring industry. Just as the Bryant name is recognized as a mark of durability and quality, so are many of the trade names we use with our devices. These include:

- | | |
|-----------------|-----------------|
| CIRCUITPRO® | QUADCAB® |
| Cobra® | QUADPLEX® |
| Fashion Series® | Quick-Tech™ |
| JLOAD™ | RE-BOX® |
| netSELECT® | Speakon® |
| Plugbox® | TechSpec® |
| Quad Gripper® | Triple Gripper® |

General Information

No material will be accepted for return unless permission is granted in writing by Bryant. All orders received on special items are accepted as firm orders and are not subject to cancellation by the customer.

Claims for freight charges or allowances of any kind will not be considered after 30 days from receipt of goods and our responsibility ceases when we have delivered such shipments to the carriers and hold their receipts.

All Bryant devices are UL Listed and CSA Certified unless otherwise indicated.

Product dimensions in this catalog are nominal and are provided for the convenience of our customers. We reserve the right to make changes from time to time, without notice, which may change the dimensions shown. Therefore, we recommend verifying dimensions with us before using them for product developments or prints.

The designs and dimensions of the products listed in this catalog, correct at the date of publication, are subject to change without notice.

This catalog is published solely for information purposes and should not be considered all-inclusive.

Typographical or pictorial errors which are brought to our attention will be corrected in subsequent issues.



How To Use This Catalog

This catalog has been revised and updated to include the most current information on the complete line of Bryant products. Selecting the right product is simple. Everything you need—including description, catalog number, dimensions (including metric), and specifications are in the listing.

How to find what you need quickly and efficiently

Search Features

Table of Contents

Each product section is color-coded to guide you to the exact information you want.



Section Index

Quickly turn to the section you need with the help of the color-coded page corners. The first page of each section provides a detailed index of products. General descriptions are bold and sub-categories with rating and/or type information help to speed the selection process.



Alphanumeric and RoHS Index

The alphanumeric index at the back of the catalog allows you to easily locate specific catalog numbers and the pages on which they appear. The RoHS index follows providing a current list of compliant product at the time of this printing

Catalog Pages

Catalog Pages

Feature pages are located throughout the catalog sections. These pages offer detailed photos or illustrations and highlight the benefits of each featured product.



Technical Information

Technical information pertaining to each product group is located at the back of each section and is listed in the index. In addition, Section Q's General Technical Information provides useful information on industry standards.



Product Information

These pages provide valuable product details such as photos, ratings, dimensions, NEMA configurations, and catalog numbers, as well as important ordering information.

Products have been positioned in each section in the following order:

- Hospital Grade
- Industrial
- Commercial
- Residential



Online Virtual Catalog

How to get the most functionality from Bryant's newest online tool.

With the on-line dynamic PDF catalog, users have the power to view the catalog the way they wish. Click on the table of contents to jump to the specific catalog page or flip the pages like a paper catalog to browse.

This functional tool allows users to examine the product detail by zooming and panning catalog pages, search with the full-text search function and print or PDF one or more catalog pages.





INDEX	PAGE
Straight Blade Devices	
NEMA Configuration Chart	A-2
Hospital Grade Devices	
Hospital Grade Product Features	A-3
TECH-SPEC® - 15 and 20 Amp 125V; 20 Amp 250V; 2-Pole 3-Wire	A-4
Fashion Series™ 9000 - 15 and 20 Amp 125V; 2-Pole 3-Wire	A-5
Quick-Tech™ Product Features	A-6
Quick-Tech™ Connectorized Receptacles - 15 and 20 Amp 125V; 2-Pole 3-Wire	A-7
QUADPLEX® Product Features	A-8
QUADPLEX® Receptacles - 15 and 20 Amp 125V; 2-Pole 3-Wire	A-9
Plugs and Connectors Product Features	A-10
Plugs and Connectors - 15 and 20 Amp 125V; 15 and 20 Amp 250V; 2-Pole 3-Wire	A-11
Industrial Grade	
Product Features	A-12
TECH-SPEC® Extra Heavy-Duty Receptacles - 15 and 20 Amp 125V; 2-Pole 3-Wire	A-13
Heavy-Duty - 15 Amp 125V; 2-Pole 3-Wire	A-15
TECH-SPEC® Extra Heavy-Duty Receptacles - 15 and 20 Amp 250V; 2-Pole 3-Wire	A-16
TECH-SPEC® Extra Heavy-Duty Combination Receptacles - 15 and 20 Amp 125V; 2-Pole 3-Wire	A-17
Receptacles and Attachment Plugs - 15 Amp 277V and 347V; 2-Pole 3-Wire	A-18
Heavy-Duty Specification Grade - 15 and 20 Amp 125V; 2-Pole 3-Wire	A-19
Commercial Grade	
Commercial Grade Product Features and Receptacles - 15 and 20 Amp 125V; 2-Pole 3-Wire	A-20
QUADPLEX® Product Features and Receptacles - 15 and 20 Amp 125V; 2-Pole 3-Wire	A-24
QUADPLEX® Portable Cord Sets - 15 Amp 125V; 2-Pole 3-Wire	A-26
Special Use Products - 15 and 20 Amp 125V; 2-Pole 3-Wire	A-27
Residential Grade	
Quick Thread Product Features	A-28
Receptacles - 15 and 20 Amp 125V; 15 and 20 Amp 250V; 2-Pole 3-Wire	A-29
Plugs and Connectors	
Triple Gripper® Product Features	A-30
Triple Gripper® - 15 and 20 Amp 125V; 15 and 20 Amp 250V; 2-Pole 3-Wire	A-31
Cobra® Product Features	A-32
Cobra® - 15 and 20 Amp 125V; 15 and 20 Amp 250V; 2-Pole 3-Wire	A-33
Plugs and Connectors - 15 and 20 Amp 125V; 2-Pole 3-Wire	A-34
TECH-SPEC® - 15 and 20 Amp 250V; 2-Pole 3-Wire	A-36
Industrial Grade - 15 Amp 125V; 2-Pole 2-Wire and 20 Amp 125/250V; 3-Pole 3-Wire	A-38
Residential Grade - 15 Amp 125V; 2-Pole 2-Wire	A-40
High Amperage Devices	
20 Amp 3ØY 120/208V; 4-Pole 4-Wire	A-41
30 Amp 125V and 250V; 2-Pole 3-Wire and 125V/250V AC; 3-Pole 3-Wire	A-42
30 Amp 125/250V AC and 3Ø 250V AC; 3-Pole 4-Wire	A-43
50 Amp 125V and 250V; 2-Pole 3-Wire and 125/250V AC; 3-Pole 3-Wire	A-44
50 Amp 125/250V and 3Ø 250V AC; 3-Pole 4-Wire and 3ØY 120/208V AC; 4-Pole 4-Wire	A-45
60 Amp 125/250V AC and 3Ø 250V AC; 3-Pole 4-Wire and 3ØY 120/208V AC; 4-Pole 4-Wire	A-46
Weather Protective Boots; 5200 and 7400 BP, BC and BSR Series	A-47
Plugbox® Devices	A-48
Technical Specifications	A-49



Straight Blade Devices

NEMA Configuration Chart



	15 Ampere		20 Ampere		30 Ampere		50 Ampere		60 Ampere		
	Receptacle	Plug	Receptacle	Plug	Receptacle	Plug	Receptacle	Plug	Receptacle	Plug	
2-Pole 2-Wire	1	125V A-38, 40 	A-38, 40 								
	2	250V	2-15P 	2-20R 	2-20P 	2-30R 	2-30P 				
	3	277V			(RESERVED FOR FUTURE CONFIGURATIONS)						
	4	600V			(RESERVED FOR FUTURE CONFIGURATIONS)						
2-Pole 3-Wire Grounding	5	125V A-4 - 15, 19 - 33, 35 	A-11, 15, 31 - 34 	A-4 - 15, 19 - 25, 27, 31 - 35 	A-11, 15, 31, 33, 34 	A-42 	A-42 	A-44 	A-44 		
	6	250V A-16, 29, 31, 33, 37 	A-11, 16, 31, 33, 36 	A-16, 29, 31, 33, 37 	A-11, 16, 31, 33, 36 	A-42 	A-42 	A-44 	A-44 		
	7	277V AC A-18 	A-18 	7-20R 	7-20P 	7-30R 	7-30P 	7-50R 	7-50P 		
	24	347V AC 	A-18 	24-20R 	24-20P 	24-30R 	24-30P 	24-50R 	24-50P 		
	8	480V AC			(RESERVED FOR FUTURE CONFIGURATIONS)						
	9	600V AC			(RESERVED FOR FUTURE CONFIGURATIONS)						
3-Pole 3-Wire	10	125/250V		A-39 	A-39 	A-42 	A-42 	A-44 	A-44 		
	11	3Ø 250V 									
	12	3Ø 480V			(RESERVED FOR FUTURE CONFIGURATIONS)						
	13	3Ø 600V			(RESERVED FOR FUTURE CONFIGURATIONS)						
3-Pole 4-Wire Grounding	14	125/250V 				A-43 	A-43 	A-45 	A-45 	A-46 	A-46
	15	3Ø 250V AC 				A-43 	A-43 	A-45 	A-45 	A-46 	A-46
	16	3Ø 480V AC			(RESERVED FOR FUTURE CONFIGURATIONS)						
	17	3Ø 600V AC			(RESERVED FOR FUTURE CONFIGURATIONS)						
4-Pole 4-Wire	18	3ØY 120/208V AC 		A-41 	A-41 			A-45 	A-45 	A-46 	A-46
	19	3ØY 277/480V AC			(RESERVED FOR FUTURE CONFIGURATIONS)						
	20	3ØY 347/600V AC			(RESERVED FOR FUTURE CONFIGURATIONS)						
4-P-5-W Grdg	21	3ØY 120/208V AC			(RESERVED FOR FUTURE CONFIGURATIONS)						
	22	3ØY 277/480V AC			(RESERVED FOR FUTURE CONFIGURATIONS)						
	23	3ØY 347/600V AC			(RESERVED FOR FUTURE CONFIGURATIONS)						

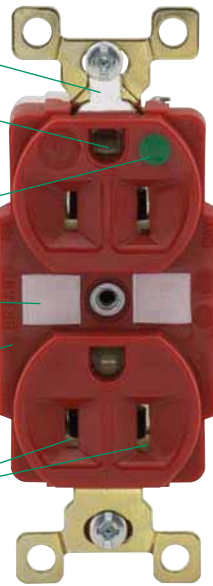
Straight Blade Devices

Hospital Grade Product Features



TECH-SPEC®

- Heavy-duty; copper-alloy self-grounding system (tin plated)
- Double-wipe; copper-alloy grounding contacts
- Green dot signifies UL hospital grade compliance; assures maximum toughness in high-abuse applications
- ID surface for marking identification of circuits
- Full face; wrap-around design; high-impact; chemical-resistant nylon
- One-piece; triple-wipe brass line contacts (nickel plated) to resist corrosion



- Heavy-duty; brass over nickel plated wrap-around steel yoke locked in for maximum strength and security
- High-impact molded nylon base provides strong support for current-carrying parts
- Back wiring: eight wiring pockets for convenient feed-thru wiring; clamp-type terminals
- Strip gauge for accurate back wiring
- Entire device meets or exceeds UL, CSA, NEMA/ANSI and Federal Specifications

BRY8200RED

Super-Safe Design

Bryant hospital grade receptacles are specifically designed to provide maximum safety and withstand severe abuse in hospitals and heavy-duty industrial applications. The green dot ● signifying UL hospital grade listing is more than just a symbol of compliance. It is your assurance that each device has passed the most stringent requirements for grounding reliability, security of assembly, strength and durability.

Available Hospital Grade Receptacles

- 15 amp 125V; 20 amp 125V and 250V
- Single and duplex receptacles
- Fashion Series™ 9000 receptacles
- Quick-Tech™ duplex receptacles
- Ground fault receptacles
- Isolated ground receptacles
- Surge suppression receptacles
- Lighted face receptacles



**Fashion Series™
9000**



GFCI



Quick-Tech™



**Lighted
Face**



**Single
Receptacle**

Straight Blade Devices

Hospital Grade; 15 and 20 Amp 125V; 20 Amp 250V; 2-Pole 3-Wire Grounding



TECH·SPEC®



BRY8300RED



BRY8200ITR





BRY8200IG



8310I

HOSPITAL GRADE ● DUPLEX RECEPTACLES




Description	Color	Catalog Number	
Nylon construction; self-grounding; back and side wired	Brown	BRY8200	BRY8300
	Gray	BRY8200GRY	BRY8300GRY
	Ivory	BRY8200I	BRY8300I
	Light Almond	BRY8200LA	BRY8300LA
	Red	BRY8200RED	BRY8300RED
	White	BRY8200W	BRY8300W
Isolated ground ^Δ ; nylon construction; self-grounding; back and side wired	Orange	BRY8200IG	BRY8300IG
Tamper-resistant*; thermoplastic polyester; self-grounding; stranded wire leads 	Almond	BRY8200ALTR	BRY8300ALTR
	Brown	BRY8200TR	BRY8300TR
	Gray	BRY8200GTR	BRY8300GTR
	Ivory	BRY8200ITR	BRY8300ITR
	Light Almond	BRY8200LATR	BRY8300LATR
	Red	BRY8200RTR	BRY8300RTR
White	BRY8200WTR	BRY8300WTR	
Weather resistant*; thermoplastic polyester; self-grounding; back and side wired 	Brown	BRY8200WR	BRY8300WR
	Gray	BRY8200GRYWR	BRY8300GRYWR
	Ivory	BRY8200IWR	BRY8300IWR
	Light Almond	BRY8200LAWR	BRY8300LAWR
	Red	BRY8200REDWR	BRY8300REDWR
	White	BRY8200WWR	BRY8300WWR
Lighted face; nylon face; self-grounding; back and side wired	Gray	BRY8200GRYL	BRY8300GRYL
	Ivory	BRY8200IL	BRY8300IL
	Red	BRY8200REDL	BRY8300REDL
	White	BRY8200WL	BRY8300WL

Note: ^ΔSee page C-7 for isolated ground product features.

*See page Q-6 for tamper-resistant and weather resistant descriptions.

HOSPITAL GRADE ● SINGLE RECEPTACLES



Description	Color	Catalog Number		
Nylon construction; self-grounding; back and side wired	Brown	8210	8310	8410BRN
	Gray	8210GRY	8310GRY	8410GRY
	Ivory	8210I	8310I	8410I
	Light Almond	8210LA	8310LA	—
	Red	8210RED	8310RED	8410RED
	White	8210W	8310W	8410W
Weather resistant*; nylon construction; self-grounding; back and side wired 	Brown	8210WR	8310WR	—
	Gray	8210GRYWR	8310GRYWR	—
	Ivory	8210IWR	8310IWR	—
	Light Almond	8210LAWR	8310LAWR	—
	Red	8210REDWR	8310REDWR	—
	White	8210WWR	8310WWR	—
Isolated ground ^Δ ; nylon construction; back and side wired	Orange	8210IG	8310IG	8410IG

Note: ^ΔSee page C-7 for isolated ground product features.

*See page Q-6 for tamper-resistant and weather resistant descriptions.

Straight Blade Devices

Hospital Grade; 15 and 20 Amp 125V; 2-Pole 3-Wire Grounding



FASHION SERIES™
9000

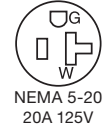


9200GRY



9200RED

HOSPITAL GRADE ● FASHION SERIES DUPLEX RECEPTACLES



Description	Color	Catalog Number	
Nylon construction; self-grounding; back and side wired	Brown	9200	9300
	Gray	9200GRY	9300GRY
	Ivory	9200I	9300I
	Red	9200RED	9300RED
	White	9200W	9300W
Isolated ground ^A ; nylon construction; back and side wired	Orange	9200IG	9300IG
	Gray	9200IGGRY	9300IGGRY
	Ivory	9200IGI	9300IGI
	Red	9200IGRED	9300IGRED
	White	9200IGW	9300IGW
Lighted, nylon face; self-grounding; back and side wired	Gray	9200GRYL	9300GRYL
	Ivory	9200IL	9300IL
	Red	9200REDL	9300REDL
	White	9200WL	9300WL

Note: ^ASee page C-7 for isolated ground product features.

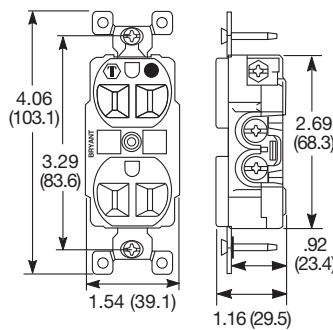
PRODUCT DIMENSIONS Inches (mm)



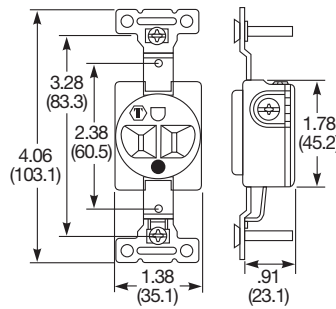
9300I



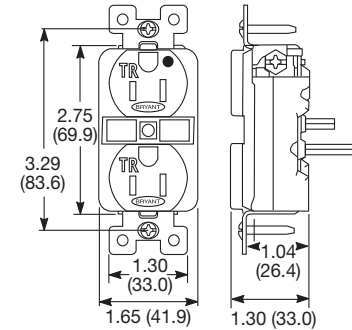
9200IG



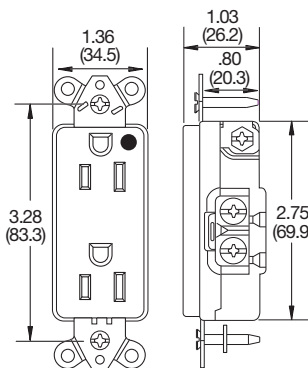
**Duplex Receptacle
Standard, Lighted and
Isolated Ground
BRY8200**



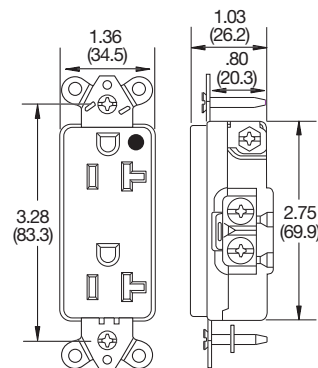
**Single Receptacle
Standard and
Isolated Ground
8210**



**Tamper-Resistant
Receptacle
BRY8200TR**



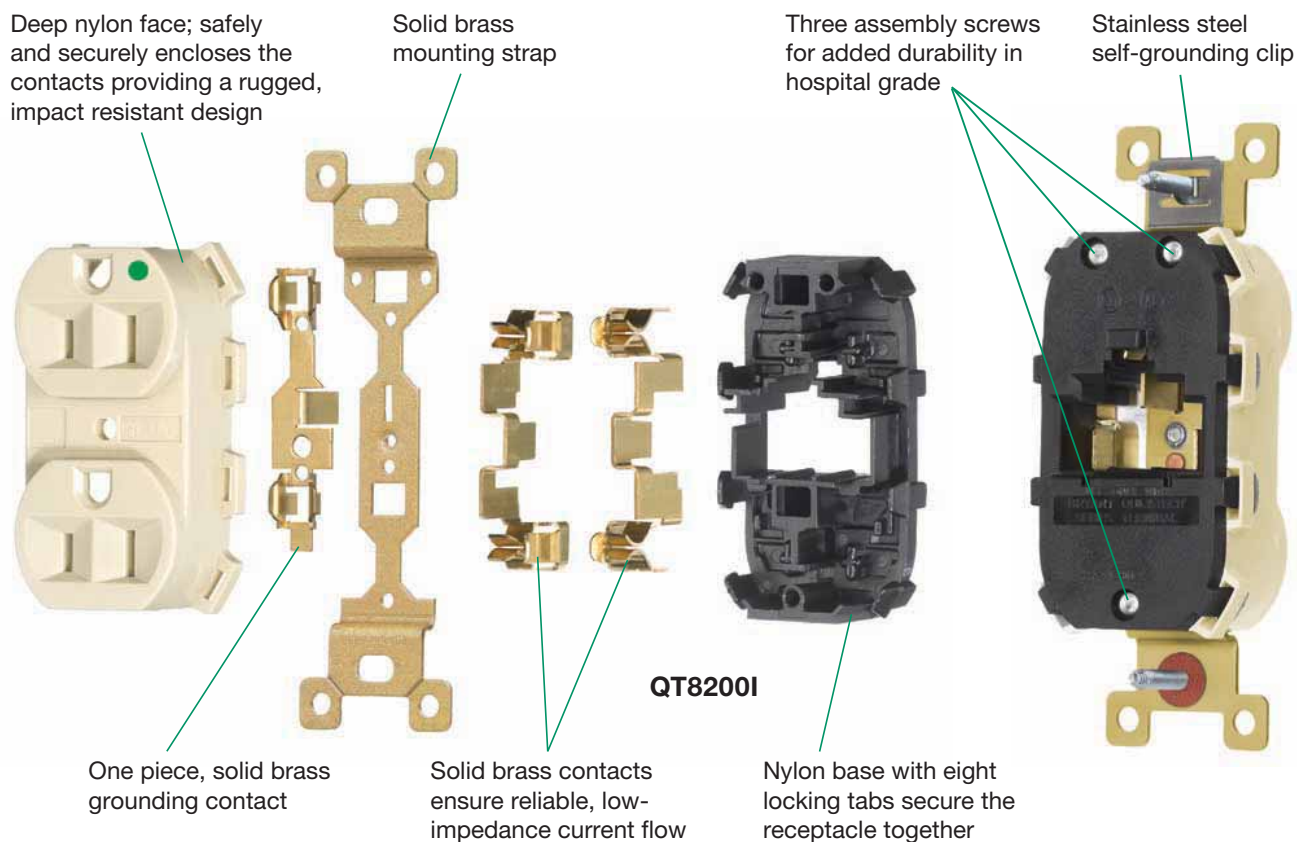
9200



9300

Straight Blade Devices

Hospital Grade; Quick-Tech™ Product Features



- Modular design eliminates screw terminals and speeds installation
- Straight and 90° angle Quick-Tech™ pigtail terminals maximize wiring space
- Quick-Tech™ receptacles eliminate screw terminals, wire stripping, and taping to provide a fast consistent installation every time

Bryant's Quick-Tech™ receptacle provides a quick and simple method to wire a receptacle. Easy as 1, 2, 3.



Straight Blade Devices

Hospital Grade; Quick-Tech™; 15 and 20 Amp 125V; 2-Pole 3-Wire Grounding



QT8200W

HOSPITAL GRADE ● QUICK-TECH™ CONNECTORIZED DUPLEX RECEPTACLES*



NEMA 5-15
15A 125V



NEMA 5-20
20A 125V

Description	Color	Catalog Number	
Nylon face; requires pigtail terminal below	Almond	QT8200AL	QT8300AL
	Black	QT8200BK	QT8300BK
	Brown	QT8200	QT8300
	Gray	QT8200GY	QT8300GY
	Ivory	QT8200I	QT8300I
	Light Almond	QT8200LA	QT8300LA
	Red	QT8200R	QT8300R
	White	QT8200W	QT8300W

Note: *Fed. Spec. Listed.



QT9200

HOSPITAL GRADE ● QUICK-TECH™ CONNECTORIZED FASHION SERIES DUPLEX RECEPTACLES



NEMA 5-15
15A 125V



NEMA 5-20
20A 125V

Description	Color	Catalog Number	
Nylon face; requires pigtail terminal below	Almond	QT9200AL	QT9300AL
	Black	QT9200BK	QT9300BK
	Brown	QT9200	QT9300
	Gray	QT9200GY	QT9300GY
	Ivory	QT9200I	QT9300I
	Light Almond	QT9200LA	QT9300LA
	Red	QT9200R	QT9300R
	White	QT9200W	QT9300W



QT1R

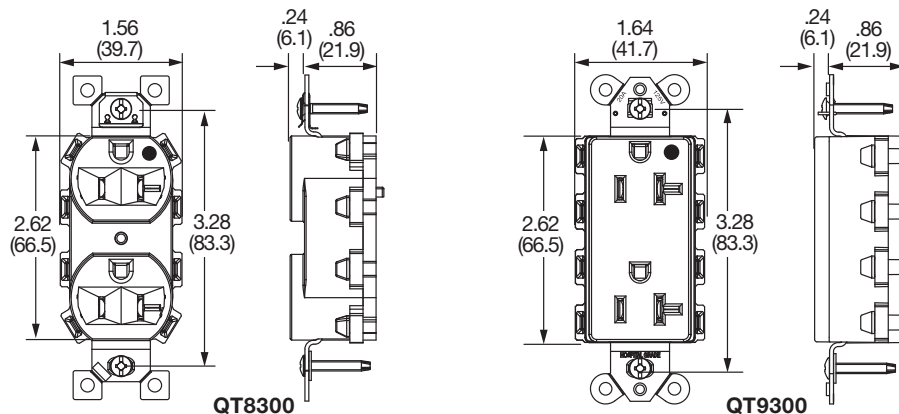
QUICK-TECH™ PIGTAIL TERMINALS

Description	Catalog Number
Angle pigtail terminal; clear connector with 6" leads; solid wire	QT1R
Angle pigtail terminal; clear connector with 6" leads; stranded wire	QT2R
Straight pigtail terminal; clear connector with 6" leads; solid wire	QT6R1
Straight pigtail terminal; clear connector with 6" leads; stranded wire	QT6R2



QT6R1

PRODUCT DIMENSIONS Inches (mm)



Straight Blade Devices

Hospital Grade; QUADPLEX® Product Features



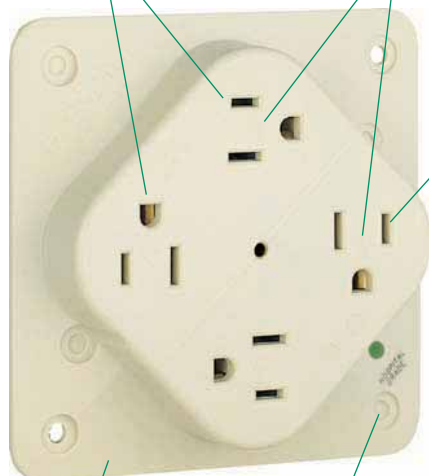
QUADPLEX®

Accepts up to four straight or angle plugs

“A” and “B” circuits molded into face for easy identification

Heavy-duty; triple-wipe; high performance brass line contacts for excellent retention and conductivity

Snub hole for fast, easy terminations



1254HI

Strip gauge



All four outlets internally connected

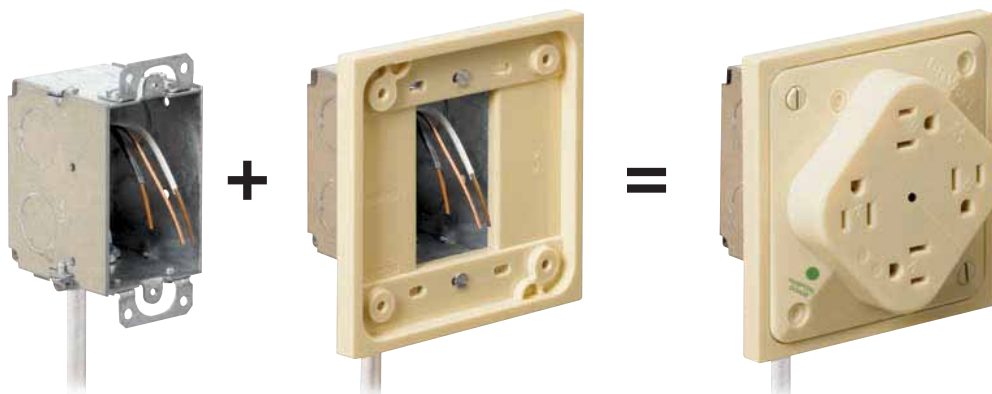
Rugged Lexan® construction

Easily removable knockouts for mounting to octagon concrete ring or box

Break-off tabs for split circuit wiring (except surge units)

Large #8 combination Slot/Robertson head terminal screws accept up to #12 solid or stranded wire

- Receptacles meet or exceed all UL tests for hospital grade ● and are listed to UL Standards 498
- Mounts directly to 4 inch square or octagon boxes; no cover plate required; meets NEC®
- Adapter plate required for mounting on 1- and 2-gang device boxes; 4 inch square boxes and 4¹/₁₆ inch square boxes with mud rings
- Break off tabs for split circuit wiring (except surge units)
- Saves wiring and installation time



Lexan® is a registered trademark of Sabic Innovative Plastics.
NEC® is a registered trademark of the National Fire Protection Association (NFPA).

A

8

BRYANT®

www.bryant-electric.com

Specifications are subject to change without notice.

Straight Blade Devices

Hospital Grade; QUADPLEX®; 15 and 20 Amp 125V; 2-Pole 3-Wire Grounding



QUADPLEX®



1254HI w/ ADAPI



21254HI



21254HR



ADAPI



4SQBXI

HOSPITAL GRADE ● QUADPLEX® RECEPTACLES



NEMA 5-15
15A 125V



NEMA 5-20
20A 125V

Description	Color	Catalog Number	
QUADPLEX® receptacles; Lexan®; with terminal screws	Brown	1254HB	21254HB
	Gray	1254HGY	21254HGY
	Ivory	1254HI	21254HI
	Red	1254HR	21254HR
	White	1254HW	21254HW
With wire leads	Brown	—	21254HBL
	Ivory	—	21254HIL
Isolated ground; Lexan®; with terminal screws	Orange	1254HIGO	21254HIGO
Surge suppression*; isolated ground; Lexan®; with terminal screws	Blue	1254HSA	21254HSA
	Ivory	1254HSIA	21254HSIA

Note: *See page C-5 for additional information on QUADPLEX® surge receptacles.

ADAPTER PLATES

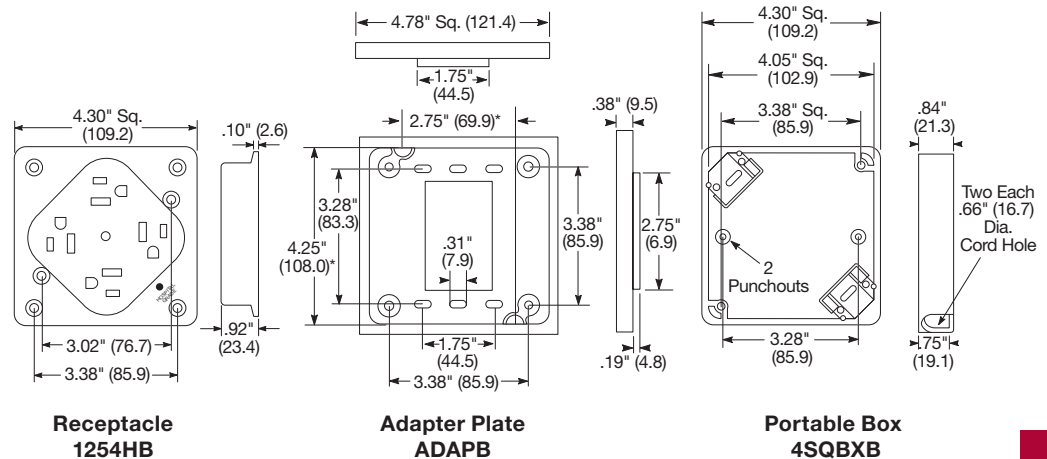
Description	Color	Catalog Number
For 1- and 2-gang device boxes	Black	ADAPBLK
	Blue	ADAPBLU
	Brown	ADAPB
	Gray	ADAPGRY
	Ivory	ADAPI
	Orange	ADAPO
	Red	ADAPR
	White	ADAPW
For 4 ¹ / ₁₆ " boxes	Ivory	ADAPIS

PORTABLE BOXES** Inches (mm)

Description	Color	Catalog Number
4.0 (101.6) square with cord grip	Black	4SQBXBLK
	Blue	4SQBXBLU
	Brown	4SQBXB
	Gray	4SQBXGRY
	Ivory	4SQBXI
	Orange	4SQBXO
4.0 (101.6) square feed-thru with two cord grips	Black	4SQBXFBLK
	Ivory	4SQBXFI
	Red	4SQBXFR

Note: **Portable boxes not UL Listed or CSA Certified.

PRODUCT DIMENSIONS Inches (mm)



Note: *Mounting dimensions for 4¹/₁₆" adapter plate.

Lexan® is a registered trademark of Sabic Innovative Plastics.

Straight Blade Devices

Hospital Grade; Plugs and Connectors Product Features



TECH·SPEC®

Device meets or exceeds UL, CSA, NEMA/ANSI and Federal Specification requirements

UL hospital grade listing assures maximum toughness in high-abuse applications

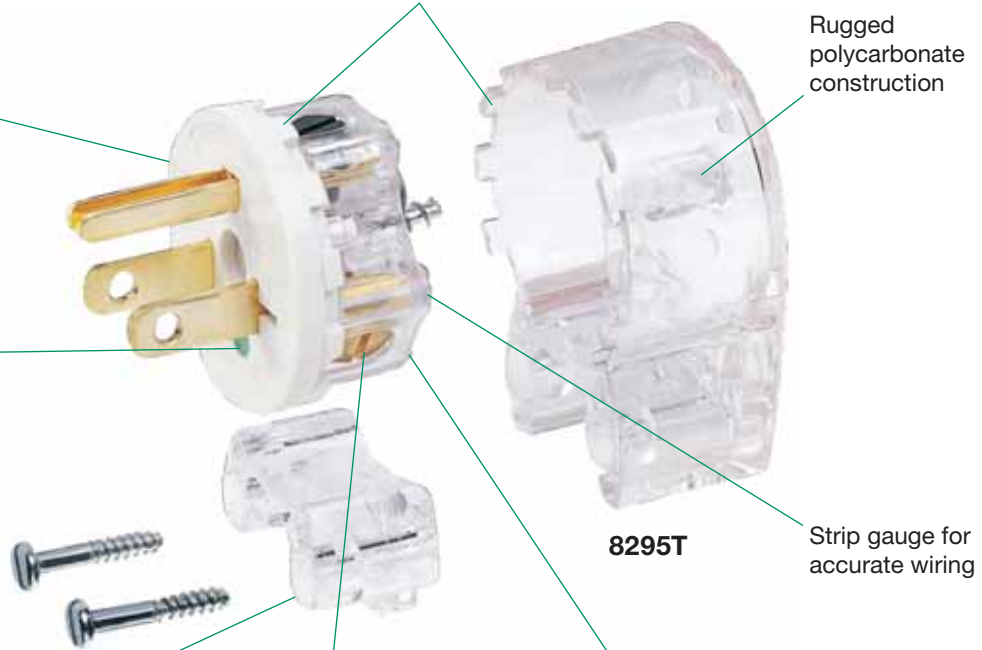
Thermoplastic cord grip firmly grips power cord; assures maximum strain relief; accepts 3-conductor cords .300-.625 in. (7.6-15.9mm) diameter

Clamp-type terminals provide secure terminations; terminal screws are color-coded for easy identification

Transparent wiring chamber and cover for visual inspection of wire terminations without disassembly

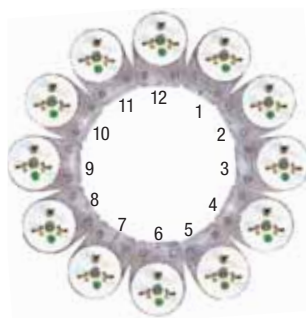
Interlocking teeth assure integrity of assembly for each of 12 angle positions

Rugged polycarbonate construction



8295T

Strip gauge for accurate wiring



12 Angle Positions

The Bryant transparent angle plug can be assembled in any one of 12 different angle positions from 1 o'clock to 12 o'clock (see illustration above). Unique design provides optimum application flexibility. Angle plugs are also available in standard white nylon.



BRY8266NP

BRY8269NC

8266T

8269T

Complete Line

In addition to the transparent angle plug, Bryant offers a complete line of straight body design hospital grade plugs and connectors in white and transparent thermoplastic, 15 amp and 20 amp, 125 and 250V. Hospital grade devices meet or exceed UL's toughest hospital grade test requirements and Listed to UL Standard 498.



Suitable for Space Restricted Areas

All Bryant angle devices are ideally suited for any location where space restrictions or obstructions require the power cord to lay close to the wall or flat against the floor.

Bryant hospital grade transparent angle plugs are designed for straight blade applications in hospitals, as well as industrial, commercial and institutional environments – wherever attachment plugs must withstand severe abuse.

No matter which angle position you choose, you're assured of the safety of straight-in wiring. Power cord exits parallel to receptacle face, eliminating the space needed for cord to bend. Allows machinery to be placed close to the wall; minimizes the possibility of cord breakage and internal shorts.

Straight Blade Devices; Plugs and Connectors

Hospital Grade; 15 and 20 Amp 125V; 15 and 20 Amp 250V; 2-Pole 3-Wire



TECH-SPEC®

- Impact-resistant thermoplastic construction with automatic cord grip
- Available with transparent polycarbonate cover; allows visual inspection of wire terminations without disassembly
- Pre-attached TPE (thermoplastic elastomer) dust seal helps prevent contaminants from entering wiring chamber
- Two quick-fasten captive assembly screws automatically tighten cord grip
- Single side terminal screws reduce wiring time and are color coded for proper terminations
- Transparent terminal cover allows visual inspection for proper terminations
- Tapered individual wire pockets speed wiring termination



BRY8266NP BRY8269NC

HOSPITAL GRADE PLUGS

Inches (mm)



NEMA 5-15
15A 125V



NEMA 5-20
20A 125V



NEMA 6-20
20A 250V

Description	Catalog Number		
White; thermoplastic; .245-.655 (6.2-16.6) cord diameter	BRY8266NP	BRY8366NP	BRY8466NP
Transparent; nylon/polycarbonate; .245-.655 (6.2-16.6) cord diameter	8266T	8366T	—



8266T 8269T

HOSPITAL GRADE CONNECTORS

Inches (mm)



NEMA 5-15
15A 125V



NEMA 5-20
20A 125V



NEMA 6-20
20A 250V

Description	Catalog Number		
White; thermoplastic; .245-.655 (6.2-16.6) cord diameter	BRY8269NC	BRY8369NC	BRY8469NC
Transparent; nylon/polycarbonate; .245-.655 (6.2-16.6) cord diameter	8269T	8369T	—



8295T

HOSPITAL GRADE TRANSPARENT ANGLE PLUGS

Inches (mm)



NEMA 5-15
15A 125V



NEMA 5-20
20A 125V



NEMA 6-15
15A 250V

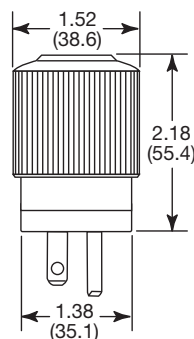


NEMA 6-20
20A 250V

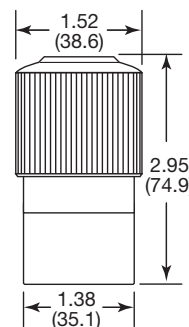
Description	Catalog Number			
Transparent; nylon/polycarbonate; .300-.625 (7.6-15.9) cord diameter	8295T	8395T	8695T	8495T

PRODUCT DIMENSIONS

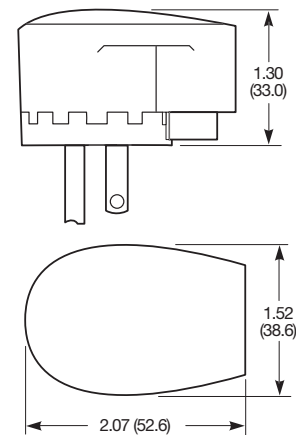
Inches (mm)



BRY8266NP



BRY8269NC



8295T

Straight Blade Devices

Industrial Grade; Product Features



TECH·SPEC®

1 Heavy-duty, copper-alloy self-grounding system

1 Back wire ground clamp

1 One-piece grounding system with integral solid brass grounding contacts

2 One-piece, triple-wipe line contacts

Circuit ID marking area

Thread-cleaning, captive mounting screws

Back wiring: eight wiring pockets for convenient feed-thru wiring; clamp-type terminals

Easy access break-off tab for two-circuit wiring

BRY5362

Heavy-duty nickel and brass plated steel wrap-around yoke

3 Thick-walled, high-impact nylon wrap-around face and base

Brass terminal screws; accepts up to #10 wire

UL Listed; CSA Certified; Complies with NEMA Standards WD-1 and WD-6; Listed to UL 498; Verified under Federal Specification WC596

THE BRY5362 DESIGN

1 One-piece ground system. Provides a more reliable continuity to ground than riveted designs.

2 Triple-wipe brass line contacts deliver excellent conductivity for low resistance, low heat rise. Superior spring properties provide reliable, long-life blade retention.

3 All nylon, wrap-around, full-face design provides secure assembly, even under stress.

4 Heavy-duty, nickel and brass plated .050 in. (1.3mm) steel yoke is wrapped around the receptacle to provide excellent mechanical strength.

AVAILABLE TYPES

- 15 and 20 amp
- 125V, 250V and 277V
- Single and duplex receptacles
- Isolated ground (also see section C)
- Hospital grade
- Corrosion-resistant (also see section J)

AVAILABLE COLORS



Straight Blade Devices

Industrial Grade; 15 and 20 Amp 125V; 2-Pole 3-Wire Grounding



TECH·SPEC®





BRY5262I



BRY5362IG

EXTRA HEAVY-DUTY INDUSTRIAL SPECIFICATION GRADE DUPLEX RECEPTACLES Inches (mm)



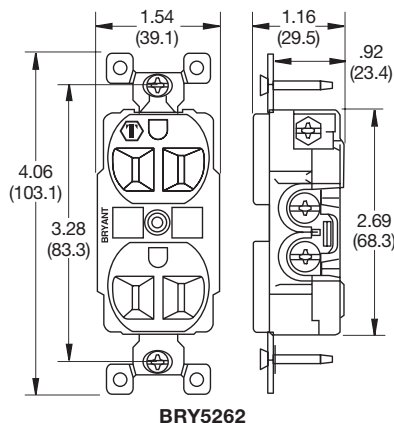
Description	Color	Catalog Number	
Nylon construction; self-grounding; back and side wired	Black	BRY5262BLK	BRY5362BLK
	Blue	BRY5262BU	BRY5362BU
	Brown	BRY5262	BRY5362
	Gray	BRY5262GRY	BRY5362GRY
	Ivory	BRY5262I	BRY5362I
	Red	BRY5262RED	BRY5362RED
	White	BRY5262W	BRY5362W
Weather resistant*; nylon construction; self-grounding; back and side wired 	Black	BRY5262BLKWR	BRY5362BLKWR
	Blue	BRY5262BUWR	BRY5362BUWR
	Brown	BRY5262WR	BRY5362WR
	Gray	BRY5262GRYWR	BRY5362GRYWR
	Ivory	BRY5262IWR	BRY5362IWR
	Red	BRY5262REDWR	BRY5362REDWR
	White	BRY5262WWR	BRY5362WWR
Isolated ground ^Δ ; nylon construction; back and side wired	Brown	BRY5262IGB	BRY5362IGB
	Gray	BRY5262IGGRY	BRY5362IGGRY
	Ivory	BRY5262IGI	BRY5362IGI
	Orange	BRY5262IG	BRY5362IG
	White	BRY5262IGW	BRY5362IGW
Weather resistant*; Isolated ground ^Δ ; nylon construction; back and side wired 	Gray	BRY5262IGGRYWR	BRY5362IGGRYWR
	Ivory	BRY5262IGIWR	BRY5362IGIWR
	Orange	BRY5262IGWR	BRY5362IGWR
	White	BRY5262IGWWR	BRY5362IGWWR
Corrosion-resistant**; nylon construction; self-grounding; back and side wired	Brown	BRY5262BCR	—
	Yellow	BRY5262CR	BRY5362CR
BRY5262/BRY5362 on 4.0 (101.6) round metal box cover	Brown	BRY5282	BRY5382

Note: ^ΔSee page C-7 for isolated ground product features.

*See page Q-6 for weather resistant description.

**See page I-3 for corrosion-resistant product features.

PRODUCT DIMENSIONS Inches (mm)



Straight Blade Devices

Industrial Grade; 15 and 20 Amp 125V; 2-Pole 3-Wire Grounding



TECH·SPEC®

EXTRA HEAVY-DUTY INDUSTRIAL SPECIFICATION GRADE SINGLE RECEPTACLES Inches (mm)



5261I



5284

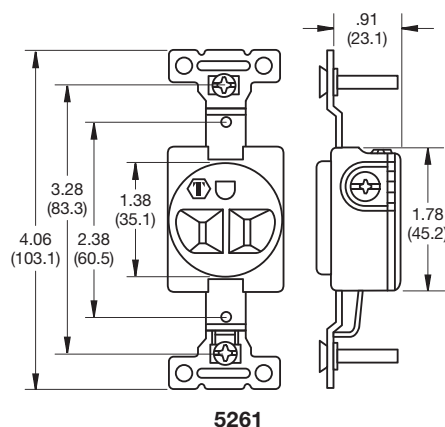


5258

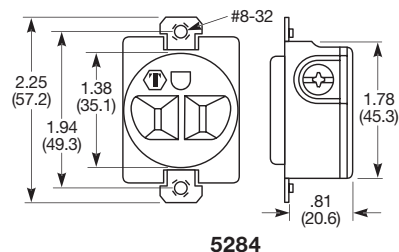
Description	Color	Catalog Number	
Nylon construction; self-grounding; back and side wired	Black	5261BLK	5361BLK
	Brown	5261	5361
	Gray	5261GRY	5361GRY
	Ivory	5261I	5361I
	Red	5261RED	5361RED
	White	5261W	5361W
Weather resistant*; nylon construction; self-grounding; back and side wired	Black	5261BLKWR	5361BLKWR
	Brown	5261WR	5361WR
	Gray	5261GRYWR	5361GRYWR
	Ivory	5261IWR	5361IWR
	Red	5261REDWR	5361REDWR
	White	5261WWR	5361WWR
Isolated ground ^Δ ; nylon construction; back and side wired	Gray	5261IGGRY	5361IGGRY
	Ivory	5261IGI	5361IGI
	Orange	5261IG	5361IG
	White	5261IGW	5361IGW
	Weather resistant*; isolated ground ^Δ ; nylon construction; back and side wired	Gray	5261IGGRYWR
	Ivory	5261IGIWR	5361IGIWR
	Orange	5261IGWR	5361IGWR
	White	5261IGWWR	5361IGWWR
Corrosion-resistant**; nylon construction; self-grounding; back and side wired	Yellow	5261CR	5361CR
Short yoke; nylon construction; self-grounding; back and side wired; 1.94 (49.3) mounting dimension	Brown	5284	—
Weather resistant*; short yoke; nylon construction; self-grounding; back and side wired; 1.94 (49.3) mounting dimension	Brown	5284WR	5384WR
	Short yoke; urea face; side wired; 1.75 (44.5) mounting dimension	Brown	5258
5261 on 4.0 (101.6) round metal box cover	Brown	5281	—

Note: ^ΔSee page C-7 for isolated ground product features.
^{*}See page Q-6 for weather resistant description.
^{**}See page I-3 for corrosion-resistant product features.

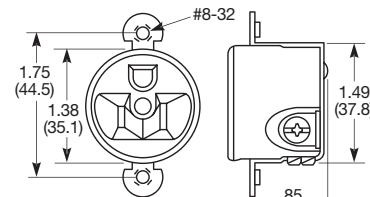
PRODUCT DIMENSIONS Inches (mm)



5261



5284



5258

Straight Blade Devices

Heavy-Duty; 15 Amp 125V; 2-Pole 3-Wire Grounding



5252I



5342



5351I

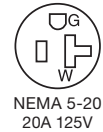


5378



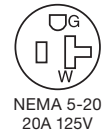
5379

HEAVY-DUTY COMPACT INDUSTRIAL SPECIFICATION GRADE DUPLEX RECEPTACLES



Description	Color	Catalog Number	
Nylon construction; self-grounding; back and side wired	Almond	5252AL	5352AL
	Black	5252BLK	5352BLK
	Blue	—	5352BU
	Brown	5252	5352
	Gray	5252GRY	5352GRY
	Ivory	5252I	5352I
	Red	5252RED	5352RED
	White	5252W	5352W
Nylon construction; self-grounding; side wired	Black	5242BLK	5342BLK
	Brown	5242	5342
	Gray	5242GRY	5342GRY
	Ivory	5242I	5342I
	Red	5242RED	5342RED
	White	5242W	5342W

HEAVY-DUTY SPECIFICATION GRADE SINGLE RECEPTACLES

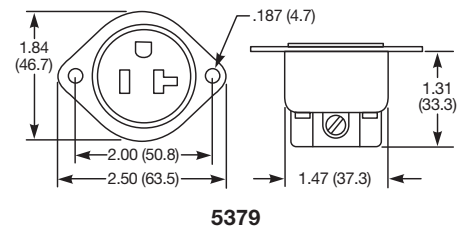
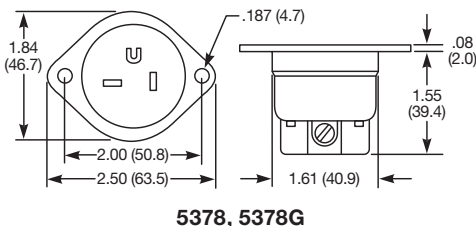
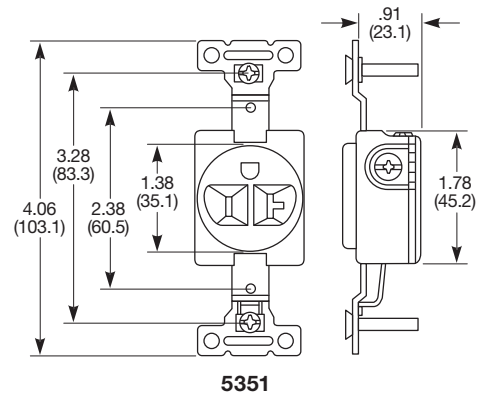
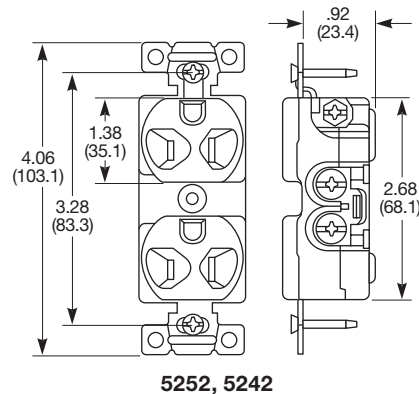


Description	Color	Catalog Number	
Nylon construction; self-grounding; side wired	Almond	5251AL	5351AL
	Black	—	5351BLK
	Brown	5251	5351
	Ivory	5251I	5351I

EQUIPMENT DEVICES

Description	Color	Catalog Number	
Male equipment base; white nylon cup; clamp-type back wiring	White	5278	5378
Male equipment base; black thermoplastic with self-grounding strap; clamp type back wiring	Black	5278G	5378G
Female equipment receptacle; white nylon cup; clamp-type back wiring	White	5279	5379

PRODUCT DIMENSIONS Inches (mm)



Straight Blade Devices

Industrial Grade; 15 and 20 Amp 250V; 2-Pole 3-Wire Grounding



TECH·SPEC®

EXTRA HEAVY-DUTY INDUSTRIAL SPECIFICATION GRADE DUPLEX RECEPTACLES



BRY5662I

Description	Color	Catalog Number	
Nylon construction; self-grounding; back and side wired	Black	BRY5662BLK	BRY5462BLK
	Brown	BRY5662	BRY5462
	Gray	BRY5662GRY	BRY5462GRY
	Ivory	BRY5662I	BRY5462I
	Red	BRY5662RED	BRY5462RED
	White	BRY5662W	BRY5462W
Isolated ground ^A ; nylon construction; back and side wired	Orange	BRY5662IG	BRY5462IG
Corrosion-resistant*; nylon construction; self-grounding; back and side wired	Yellow	BRY5662CR	BRY5462CR
Heavy-duty; nylon construction; self-grounding; side wired	Brown	5642	5442
	Ivory	5642I	5442I

EXTRA HEAVY-DUTY INDUSTRIAL SPECIFICATION GRADE SINGLE RECEPTACLES



5661I

Description	Color	Catalog Number	
Nylon construction; self-grounding; back and side wired	Black	5661BLK	5461BLK
	Brown	5661	5461
	Gray	5661GRY	5461GRY
	Ivory	5661I	5461I
	Red	5661RED	5461RED
	White	5661W	5461W
Corrosion-resistant*; nylon construction; self-grounding; back and side wired	Yellow	—	5461CR
Nylon construction; self-grounding; back and side wired; 1.94 (49.3) mounting dimension	Brown	5684	5484

EQUIPMENT DEVICES



5684

Description	Color	Catalog Number	
Male equipment base; white nylon cup; clamp-type back wiring	White	5678	5478
Male equipment base; white nylon cup; self-grounding strap	White	5678G	—
Female equipment base; white nylon cup; clamp-type back wiring	White	5679	5479

Note: ^ASee page C-7 for isolated ground product features.
*See page I-3 for corrosion-resistant product features.

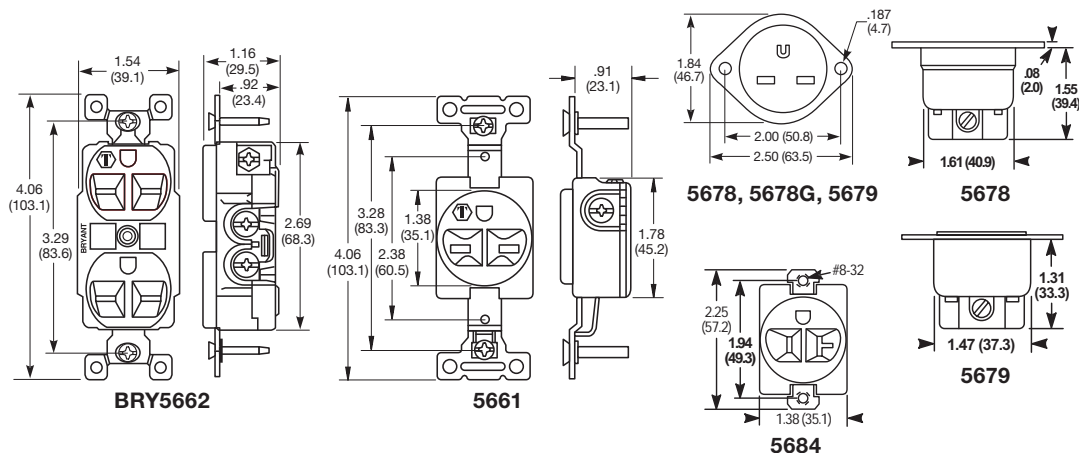
PRODUCT DIMENSIONS



5678



5679



Straight Blade Devices

Industrial Grade; 15 and 20 Amp; 125V and 250V; 2-Pole 3-Wire Grounding

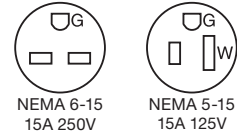


TECH-SPEC®



BRY5292I

EXTRA HEAVY-DUTY INDUSTRIAL SPECIFICATION GRADE COMBINATION 15A DUPLEX RECEPTACLES

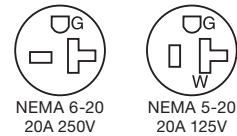


Description	Color	Catalog Number
Nylon construction; self-grounding; back and side wired	Brown Gray Ivory	BRY5292 BRY5292GRY BRY5292I



BRY5492I

EXTRA HEAVY-DUTY INDUSTRIAL SPECIFICATION GRADE COMBINATION 20A DUPLEX RECEPTACLES

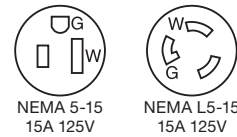


Description	Color	Catalog Number
Nylon construction; self-grounding; back and side wired	Brown Gray Ivory	BRY5492 BRY5492GRY BRY5492I



4792DR

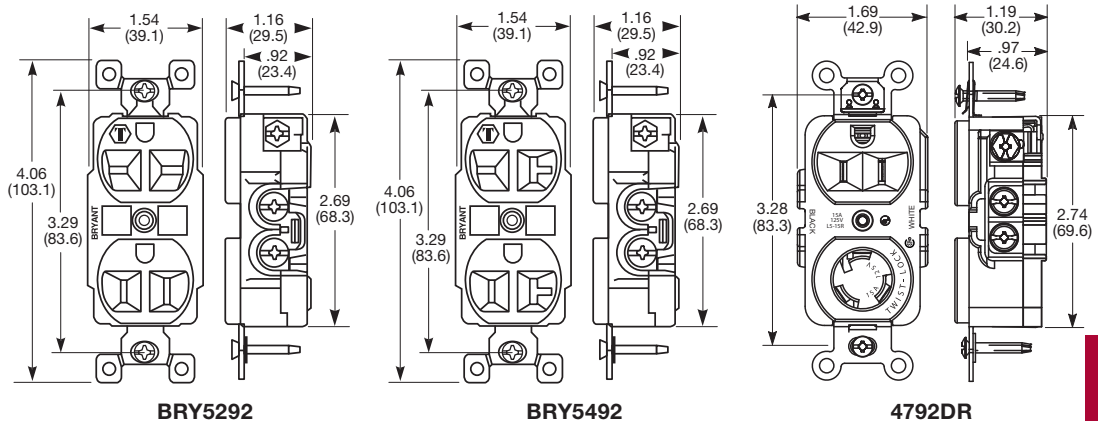
EXTRA HEAVY-DUTY INDUSTRIAL SPECIFICATION GRADE COMBINATION 15A STRAIGHT BLADE AND LOCKING RECEPTACLE



Description	Color	Catalog Number
RTP*; self-grounding; back and side wired; 1 feed; 1 return	Brown	4792DR**

Note: *Reinforced Thermoplastic Polyester.
**Combination devices accommodate standard duplex wall plates.

PRODUCT DIMENSIONS Inches (mm)



Straight Blade Devices

Industrial Grade; 15 Amp 277V; 15 Amp 347V; 2-Pole 3-Wire Grounding



5762

HEAVY-DUTY INDUSTRIAL SPECIFICATION GRADE DUPLEX RECEPTACLES 15 AMP 277V GROUNDING Inches (mm)



Description	Color	Catalog Number
Self-grounding; back and side wired	Brown	5762
Catalog number 5762 on 4.0 (101.6) round metal box cover		5782*

Note: *Not UL Listed or CSA Certified.



5782

ATTACHMENT PLUG 15 AMP 277V GROUNDING Inches (mm)



Description	Color	Cord Diameter	Catalog Number
Black phenolic; clamp-type terminals; dead front	Black	.296-.625 (7.5-15.9)	5756



5756

ATTACHMENT PLUG 15 AMP 347V GROUNDING Inches (mm)



Description	Color	Cord Diameter	Catalog Number
Black thermoset; clamp-type terminals; dead front	Black	.296-.625 (7.5-15.9)	5856

Note: See page Q-8 for horsepower ratings.



5856

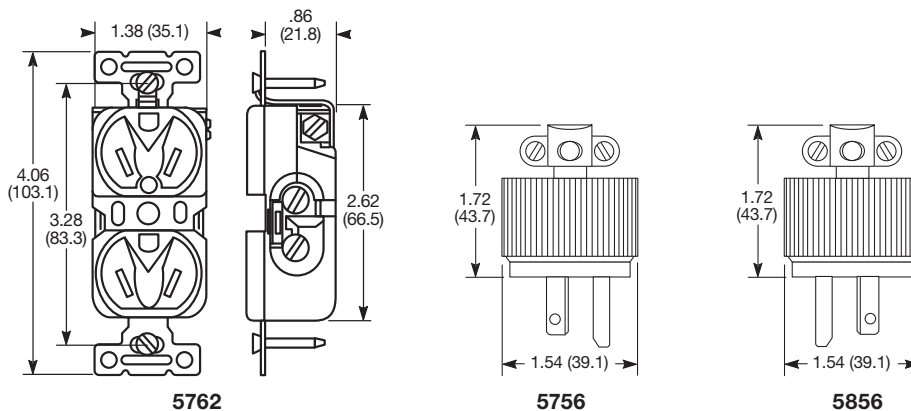
RECEPTACLE POLARITY TESTER

Description	Catalog Number
Circuit tester with neon indicator lamps to check NEMA 5-15 and 5-20 receptacles	5266PT



5266PT

PRODUCT DIMENSIONS Inches (mm)



Straight Blade Devices

Heavy-Duty Specification Grade; 15 and 20 Amp 125V; 2-Pole 3-Wire Grounding



QT5362GY

HEAVY-DUTY SPECIFICATION GRADE QUICK-TECH™ CONNECTORIZED DUPLEX RECEPTACLES



NEMA 5-15
15A 125V



NEMA 5-20
20A 125V

Description	Color	Catalog Number	
Nylon face; requires pigtail terminal below	Almond	QT5262AL	QT5362AL
	Black	QT5262BLK	QT5362BLK
	Brown	QT5262	QT5362
	Gray	QT5262GY	QT5362GY
	Ivory	QT5262I	QT5362I
	Light Almond	QT5262LA	QT5362LA
	Red	QT5262R	QT5362R
	White	QT5262W	QT5362W

Note: See page A-6 for Quick-Tech™ product features.

QUICK-TECH™ PIGTAIL TERMINALS*

Description	Catalog Number
Angle pigtail terminal; clear connector with 6" leads; solid wire	QT1R
Angle pigtail terminal; clear connector with 6" leads; stranded wire	QT2R
Straight pigtail terminal; clear connector with 6" leads; solid wire	QT6R1
Straight pigtail terminal; clear connector with 6" leads; stranded wire	QT6R2

Note: *Not Fed. Spec. Listed.

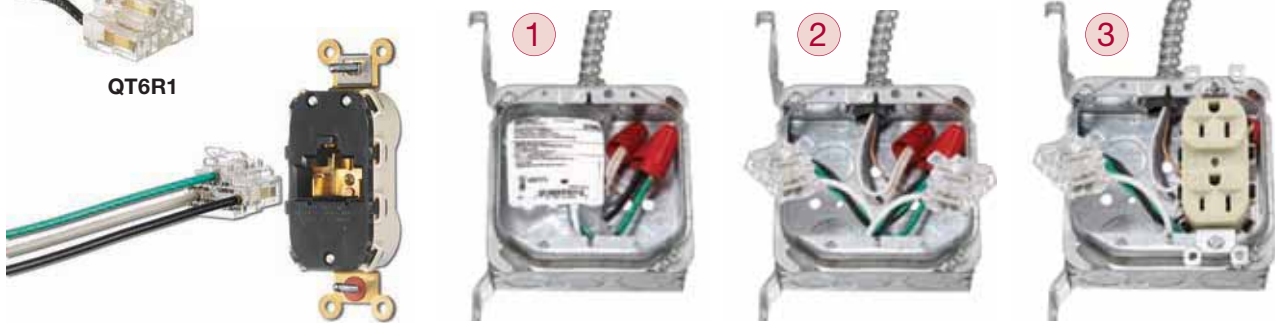
Bryant's Quick-Tech™ receptacle provides a quick and simple method to wire a receptacle. Easy as 1, 2, 3.



QT1R



QT6R1



5362BI

HEAVY-DUTY SPECIFICATION GRADE DUPLEX RECEPTACLES



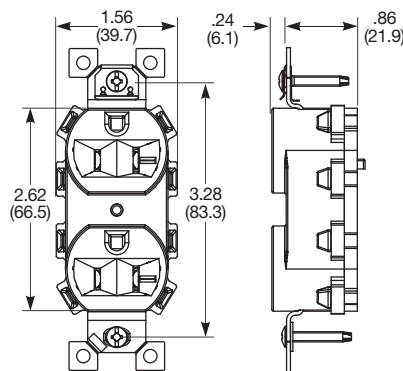
NEMA 5-15
15A 125V



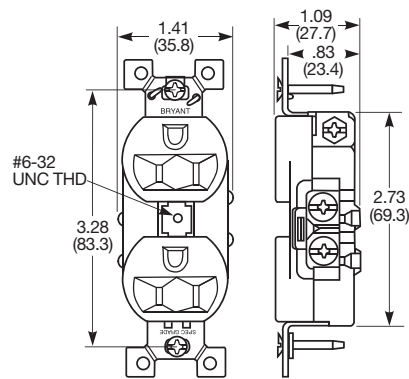
NEMA 5-20
20A 125V

Description	Color	Catalog Number	
Nylon construction; self-grounding; back and side wired	Black	5262BBLK	5362BBLK
	Brown	5262BN	5362BN
	Gray	5262BGRY	5362BGRY
	Ivory	5262BI	5362BI
	Red	5262BRED	5362BRED
	White	5262BW	5362BW

PRODUCT DIMENSIONS Inches (mm)



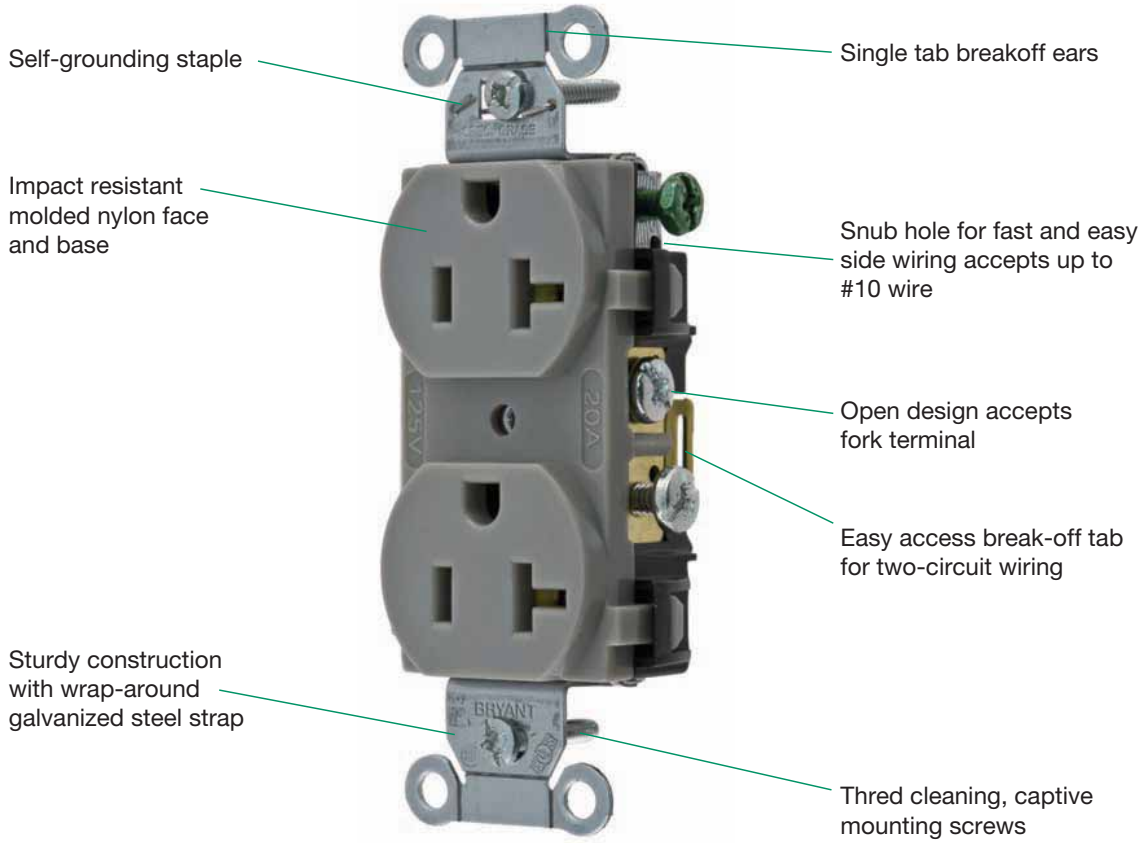
QT5362



5262BN

Straight Blade Devices

Commercial Grade; Product Features



CRS20GRY



CRS15BLK



CRS15IP1

COMMERCIAL SPECIFICATION GRADE DUPLEX RECEPTACLES



Description	Color	Catalog Number	
Smooth nylon face; self-grounding; side wired	Almond	CRS15AL	CRS20AL
	Black	CRS15BLK	CRS20BLK
	Brown	CRS15	CRS20
	Gray	CRS15GRY	CRS20GRY
	Ivory	CRS15I	CRS20I
	Light Almond	CRS15LA	CRS20LA
	White	CRS15W	CRS20W
	Smooth nylon face; self-grounding; solid wire leads	Almond	CRS15ALP1
Black		CRS15BLKP1	CRS20BLKP1
Brown		CRS15P1	CRS20P1
Gray		CRS15GRYP1	CRS20GRYP1
Ivory		CRS15IP1	CRS20IP1
Light Almond		CRS15LAP1	CRS20LAP1
White		CRS15WP1	CRS20WP1
Smooth nylon face; self-grounding; stranded wire leads		Almond	CRS15ALP2
	Black	CRS15BLKP2	CRS20BLKP2
	Brown	CRS15P2	CRS20P2
	Gray	CRS15GRYP2	CRS20GRYP2
	Ivory	CRS15IP2	CRS20IP2
	Light Almond	CRS15LAP2	CRS20LAP2
	White	CRS15WP2	CRS20WP2

Straight Blade Devices

Commercial Grade; 15 and 20 Amp 125V; 2-Pole 3-Wire Grounding



CRS15BLKTR



CRS15ITRP1



CR20IG




COMMERCIAL SPECIFICATION GRADE TAMPER-RESISTANT DUPLEX RECEPTACLES



NEMA 5-15
15A 125V



NEMA 5-20
20A 125V

Description	Color	Catalog Number	
Smooth nylon face; self-grounding; side wired 	Almond	CRS15ALTR	CRS20ALTR
	Black	CRS15BLKTR	CRS20BLKTR
	Brown	CRS15TR	CRS20TR
	Gray	CRS15GRYTR	CRS20GRYTR
	Ivory	CRS15ITR	CRS20ITR
	Light Almond	CRS15LATR	CRS20LATR
	White	CRS15WTR	CRS20WTR
Smooth nylon face; self-grounding; solid wire leads 	Almond	CRS15ALTRP1	CRS20ALTRP1
	Black	CRS15BLKTRP1	CRS20BLKTRP1
	Brown	CRS15TRP1	CRS20TRP1
	Gray	CRS15GRYTRP1	CRS20GRYTRP1
	Ivory	CRS15ITRP1	CRS20ITRP1
	Light Almond	CRS15LATRP1	CRS20LATRP1
	White	CRS15WTRP1	CRS20WTRP1
Smooth nylon face; self-grounding; stranded wire leads 	Almond	CRS15ALTRP2	CRS20ALTRP2
	Black	CRS15BLKTRP2	CRS20BLKTRP2
	Brown	CRS15TRP2	CRS20TRP2
	Gray	CRS15GRYTRP2	CRS20GRYTRP2
	Ivory	CRS15ITRP2	CRS20ITRP2
	Light Almond	CRS15LATRP2	CRS20LATRP2
	White	CRS15WTRP2	CRS20WTRP2

Note: *See page Q-6 for tamper-resistant description.

COMMERCIAL SPECIFICATION GRADE ISOLATED GROUND DUPLEX RECEPTACLES



NEMA 5-15
15A 125V

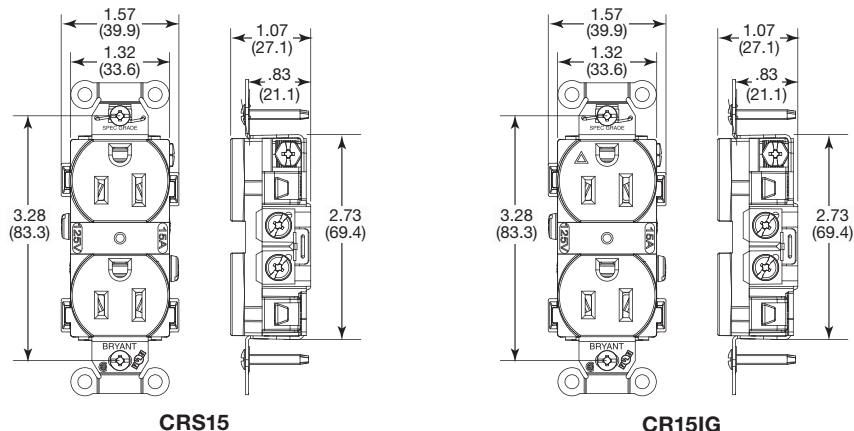


NEMA 5-20
20A 125V

Description	Color	Catalog Number	
Isolated ground ^Δ ; smooth nylon face; self-grounding; side wired	Gray	CR15IGRY	CR20IGRY
	Ivory	CR15IGI	CR20IGI
	Orange	CR15IG	CR20IG
	White	CR15IGW	CR20IGW

Note: ^ΔSee page C-7 for isolated ground product features.

PRODUCT DIMENSIONS Inches (mm)



Straight Blade Devices

Commercial Grade; 15 and 20 Amp 125V; 2-Pole 3-Wire Grounding



CBRS20I

COMMERCIAL SPECIFICATION GRADE DUPLEX RECEPTACLES*



NEMA 5-15
15A 125V



NEMA 5-20
20A 125V

Description	Color	Catalog Number	
Smooth nylon face; self-grounding; back and side wired	Almond	CBRS15AL	CBRS20AL
	Black	CBRS15BLK	CBRS20BLK
	Brown	CBRS15	CBRS20
	Gray	CBRS15GRY	CBRS20GRY
	Ivory	CBRS15I	CBRS20I
	Light Almond	CBRS15LA	CBRS20LA
	White	CBRS15W	CBRS20W

Note: *Fed. Spec. Listed.



CBRS20BLKTR

COMMERCIAL SPECIFICATION GRADE TAMPER-RESISTANT DUPLEX RECEPTACLES



NEMA 5-15
15A 125V

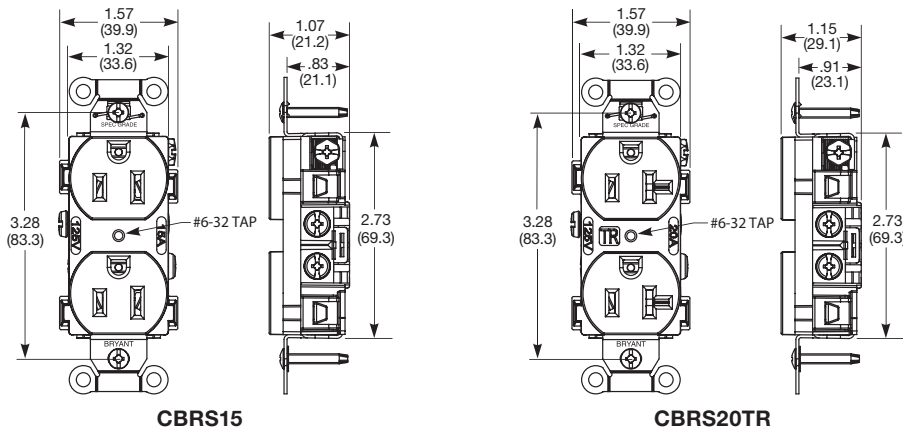


NEMA 5-20
20A 125V

Description	Color	Catalog Number	
Smooth nylon face; self-grounding; back and side wired	Almond	CBRS15ALTR	CBRS20ALTR
	Black	CBRS15BLKTR	CBRS20BLKTR
	Brown	CBRS15TR	CBRS20TR
	Gray	CBRS15GRYTR	CBRS20GRYTR
	Ivory	CBRS15ITR	CBRS20ITR
	Light Almond	CBRS15LATR	CBRS20LATR
	White	CBRS15WTR	CBRS20WTR

Note: **See page Q-6 for tamper-resistant description.

PRODUCT DIMENSIONS Inches (mm)



Straight Blade Devices

Commercial Grade; 15 and 20 Amp 125V; 2-Pole 3-Wire Grounding



CBRS15BLKWR


COMMERCIAL SPECIFICATION GRADE WEATHER RESISTANT DUPLEX RECEPTACLES*



NEMA 5-15
15A 125V



NEMA 5-20
20A 125V

Description	Color	Catalog Number	
Smooth nylon face; self-grounding; back and side wired  **	Almond	CBRS15ALWR	CBRS20ALWR
	Black	CBRS15BLKWR	CBRS20BLKWR
	Brown	CBRS15WR	CBRS20WR
	Gray	CBRS15GRYWR	CBRS20GRYWR
	Ivory	CBRS15IWR	CBRS20IWR
	Light Almond	CBRS15LAWR	CBRS20LAWR
	White	CBRS15WWR	CBRS20WWR

Note: *Fed. Spec. Listed.



CBRS20BLKWRTR

COMMERCIAL SPECIFICATION GRADE WEATHER RESISTANT AND TAMPER-RESISTANT DUPLEX RECEPTACLES



NEMA 5-15
15A 125V

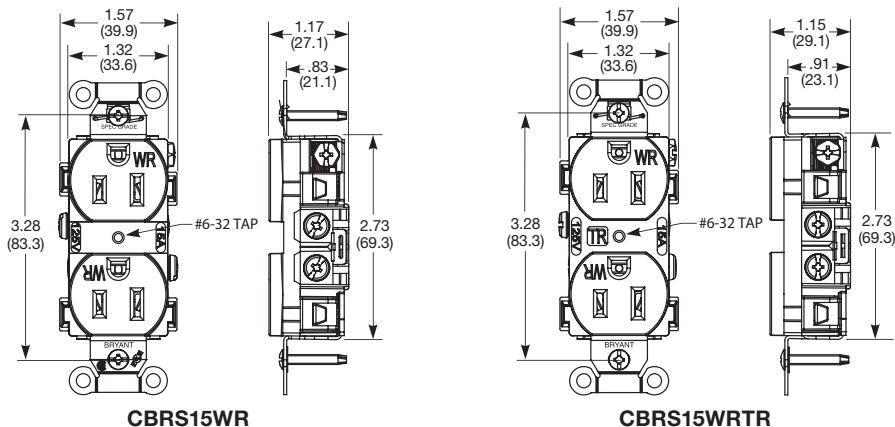


NEMA 5-20
20A 125V

Description	Color	Catalog Number	
Smooth nylon face; self-grounding; back and side wired  **  **	Almond	CBRS15ALWRTR	CBRS20ALWRTR
	Black	CBRS15BLKWRTR	CBRS20BLKWRTR
	Brown	CBRS15WRTR	CBRS20WRTR
	Gray	CBRS15GRYWRTR	CBRS20GRYWRTR
	Ivory	CBRS15IWRTR	CBRS20IWRTR
	Light Almond	CBRS15LAWRTR	CBRS20LAWRTR
	White	CBRS15WWRTR	CBRS20WWRTR

Note: **See page Q-6 for tamper-resistant and weather resistant descriptions.

PRODUCT DIMENSIONS Inches (mm)



Straight Blade Devices

QUADPLEX®; Product Features



QUADPLEX®

Accepts up to four straight or angle plugs

"A" and "B" circuits molded into face for easy identification

Heavy-duty; triple-wipe; high performance brass line contacts for excellent retention and conductivity

Snub hole for fast, easy terminations



1254I

Strip gauge



All four outlets internally connected

Rugged Lexan® construction

Easily removable knockouts for mounting to octagon concrete ring or box

Break-off tabs for split circuit wiring (except surge units)

Large #8 combination Slot/Robertson head terminal screws accept up to #12 solid or stranded wire



For new or retrofit applications, QUADPLEX® receptacles mount to one and two-gang device boxes with adapter plate.



QUADPLEX® mounts directly to 4" square box, eliminating the need for cover. Complies with NEC® Article 410-56(i). Mounting screws are color-matched to the face of receptacle.



QUADPLEX® receptacles can be mounted to non-metallic portable box for temporary power applications.



Pre-assembled QUADPLEX® Cord Sets offer portable ground fault protection with the convenience of a four-outlet receptacle. Surge Suppression and standard units also available.



Wide Selection - QUADPLEX® receptacles, adapter plates and portable boxes are available in eight colors: black, blue (surge suppression), red, brown, orange (isolated ground), white, ivory and gray. Receptacle ratings include 15 amp and 20 amp 125V. Types: Industrial Grade, Hospital Grade, Wire Leads, Isolated Ground, Surge Suppression.

Straight Blade Devices

QUADPLEX®; 15 and 20 Amp 125V; 2-Pole 3-Wire Grounding



QUADPLEX®



QUADPLEX® RECEPTACLES



1254I with ADAPI



21254SA



ADAPI



4SQBXI

Description	Color	Catalog Number	Catalog Number
QUADPLEX® receptacles; Lexan®; with terminal screws	Black	1254BLK	21254BLK
	Brown	1254B	21254B
	Gray	1254GY	21254GY
	Ivory	1254I	21254I
	Red	1254R	21254R
	White	1254W	21254W
Isolated ground; with terminal screws	Orange	1254IGO	21254IGO
Isolated ground; bulk package; with terminal screws	Orange	1254IGOB	—
Isolated ground; with wire leads	Orange	—	21254IGOL
Surge suppression*; isolated ground; with terminal screws	Blue	1254SA	21254SA
	Ivory	1254SIA	21254SIA
Surge suppression; isolated ground; with wire leads	Blue	—	21254SLA
	Ivory	—	21254SILA

Note: *See page C-5 for additional information on QUADPLEX® surge receptacles.

ADAPTER PLATES

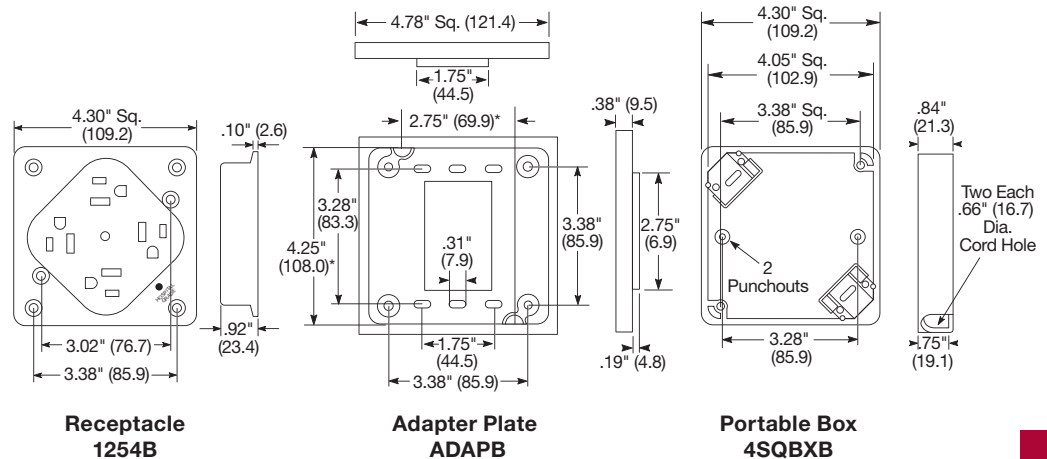
Description	Color	Catalog Number
For 1- and 2-gang device boxes	Black	ADAPBLK
	Blue	ADAPBLU
	Brown	ADAPB
	Gray	ADAPGRY
	Ivory	ADAPI
	Orange	ADAPO
	Red	ADAPR
White	ADAPW	
For 4 ¹ / ₁₆ " boxes	Ivory	ADAPIS

PORTABLE BOXES** Inches (mm)

Description	Color	Catalog Number
4.0 (101.6) square with cord grip	Black	4SQBXBLK
	Blue	4SQBXBLU
	Brown	4SQBXB
	Gray	4SQBXGRY
	Ivory	4SQBXI
	Orange	4SQBXO
4.0 (101.6) square feed-thru with 2 cord grips	Black	4SQBXFBLK
	Ivory	4SQBXFI
	Red	4SQBXFR

Note: **Portable boxes not UL Listed or CSA Certified.

PRODUCT DIMENSIONS Inches (mm)



Note: *Mounting dimensions for 4¹/₁₆" adapter plate.

Lexan® is a registered trademark of Sabic Innovative Plastics.

Straight Blade Devices

QUADPLEX®; Portable Cord Sets; 15 Amp 125V; 2-Pole 3-Wire



T1254SI6A



T1254GF6



NEMA 5-15
15A 125V

CORD SETS Feet (m)

Description	Color	Catalog Number
6 ft. (182.9) 12/3 SJO; surge suppression; Lexan®	Ivory	T1254SI6A
6 ft. (182.9) 12/3 SJO; GFCI protection; Lexan®	Yellow	T1254GF6

ELECTRICAL SPECIFICATIONS

Catalog Number T1254SI6A – Surge Suppression

- Transient suppression capacity peak energy 80 joules for a 10 X 1000 μ S* pulse
- Common and normal mode protection; common mode transients: hot to ground and neutral to ground; normal mode transients: hot to neutral
- Maximum clamping voltage test current 100 amperes peak (8X20 μ S); 360 volts
- Varistor peak clamping voltage 212 volts minimum; 243 volts maximum @ 1 milliamperes DC
- Varistor size: 20mm
- Varistor continuous RMS voltage rating: 150 volts
- Capacitance @ 1 kHz; 2000 pf \pm 30%
- Response time: approximately 5ns (nanoseconds)
- Suppressed voltage
 - 530V (3000 amp) nominal
 - 436V (750 amp)
 - 412V (500 amp)
 - 400V (125 amp)
 - 212V (1 mA)
- Input voltage 125V AC; 60 Hz
- Current 20 ampere max branch circuit
- Receptacle rating 15 and 20 ampere 125V

Catalog Number T1254GF6 – Ground Fault Protection

- Rated supply voltage 120V AC; 60 Hz
- Rated current 15 amps
- Operating voltage range 102 to 132V AC
- Ground fault trip current 5 \pm 1 milliamperes
- Ground neutral resistance 4 ohms minimum
- Trip response time for ground fault and grounded neutral trip Less than 25mS
- Contacts Two pole; normally open
- Voltage surge withstand 6kV impulse; 1/2 microsecond rise time 100 kHz ringing frequency with 40% decay per cycle
- Endurance Exceeds 10,000 operations typical
- Overload current 78 amp; 0.45 p.f.; 2 sec. max.
- Insulation voltage 4000 VRMS - 1 min.
- Operating temperature range -35° C to +66° C
- Power on indication Mechanical trip indicator
- Connections input 3 pin grounding plug; NEMA 5-15P

Note: * μ S (microseconds).

Lexan® is a registered trademark of Sabic Innovative Plastics.

Straight Blade Devices

Special Use Products; 15 and 20 Amp 125V; 2-Pole 3-Wire Grounding



NEMA 5-15
15A 125V



NEMA 5-20
20A 125V



5236BOX

FLOOR BOX ASSEMBLIES Inches (mm)

Description	Color/Material	Catalog Number	
Specification grade single receptacle; .040 (1.0) brushed brass plate; gasketing and floor rated single-gang steel box	Brushed Brass Plate	5236BOX	—
Specification grade isolated ground receptacle; .040 (1.0) brushed brass plate; gasketing and floor rated single-gang steel box	Brushed Brass Plate	5236IGBOX	—



3799G

DISPLAY RECEPTACLES Inches (mm)

Description	Color/Material	Catalog Number	
Specification grade single receptacle; .040 (1.0) brass plate; smooth brushed brass finish	Smooth Brushed Brass Finish	3799G	—
Specification grade single receptacle; type 302 stainless steel; .031 (.8) plate; smooth brushed stainless finish	Smooth Brushed Brass Finish	3799GS	—

SPECIFICATION GRADE CLOCK HANGERS Inches (mm)

Description	Color/Material	Catalog Number	
Specification grade single receptacle; .040 (1.0) brass plate; smooth brushed brass finish	Smooth Brushed Brass Finish	2828G	—
Specification grade single receptacle; type 302 stainless steel; .031 (.8) plate; smooth brushed stainless finish	Smooth Brushed Stainless Finish	2828GS	—



2828GS

RESIDENTIAL CLOCK HANGERS Inches (mm)

Description	Color/Material	Catalog Number	
Clock hanger/recessed receptacle; grounding; side wire terminations	Brass	RR151CHBS	RR201CHBS
	Stainless Steel	RR151CHSS	RR201CHSS
	Ivory (Nylon)	RR151CHI	RR201CHI
	White (Nylon)	RR151CHW	RR201CHW
Tamper-resistant; clock hanger/recessed receptacle; grounding; side wire terminations	Brass	RR151CHBSTR	RR201CHBSTR
	Stainless Steel	RR151CHSSTR	RR201CHSSTR
	Ivory (Nylon)	RR151CHI TR	RR201CHI TR
	White (Nylon)	RR151CHWTR	RR201CHWTR

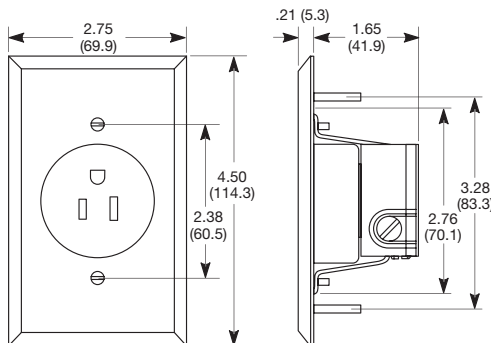


Note: See section N for floor and under cabinet box options.
*See page Q-6 for tamper-resistant description.

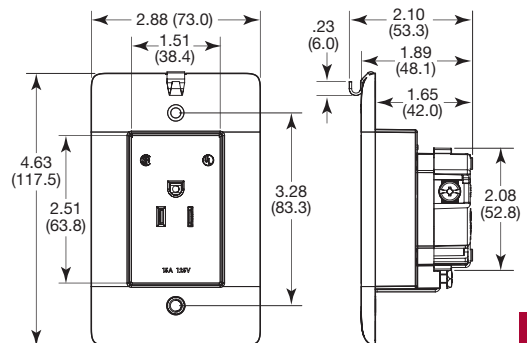


RR151CHW

PRODUCT DIMENSIONS Inches (mm)



Receptacle and Plate
3799G



RR151CHW

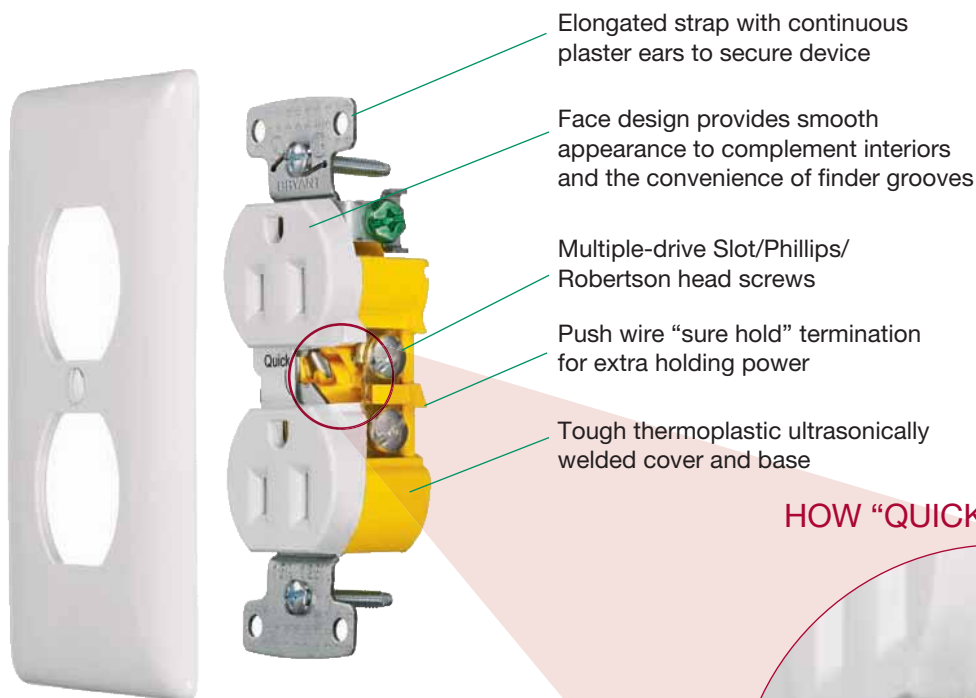
Straight Blade Devices

Residential Grade; Product Features



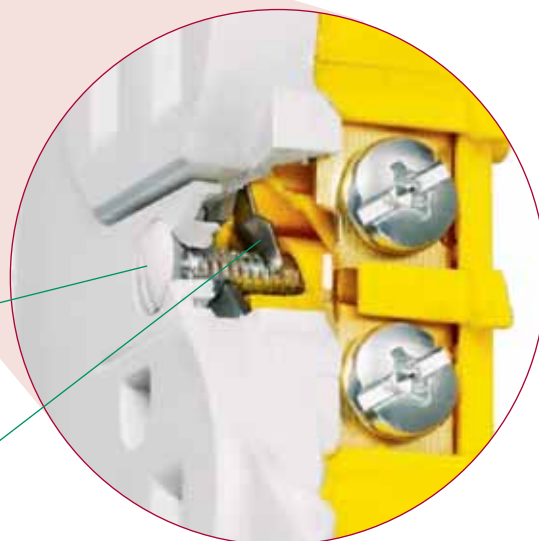
Quick and Easy Does It

Residential Grade exclusive “Quick Thread” makes installation of wallplates and receptacles quicker and easier. One push for a snug fit. Just push in the screw and turn.



RR15QW

HOW “QUICK THREAD” WORKS



Just push the screw in with a screwdriver

A stainless steel spring grabs the threads and locks the screw in place; “Quick Thread” works with any wallplate screw



RR15QW

QUICK THREAD DUPLEX RECEPTACLES



NEMA 5-15
15A 125V

Description	Color	Tamper-Resistant	Standard
Quick thread duplex receptacle; self-grounding; push and side wire terminations	Almond	RR15QALTR	RR15QAL
	Black	RR15QBKTR	RR15QBK
	Brown	RR15QTR	RR15Q
	Ivory	RR15QITR	RR15QI
	Light Almond	RR15QLATR	RR15QLA
	White	RR15QWTR	RR15QW
Quick thread duplex receptacle; eight push wire holes only; #14 AWG	Almond	RR15EQALTR	RR15EQAL
	Black	RR15EQBKTR	RR15EQBK
	Brown	RR15EQTR	RR15EQ
	Ivory	RR15EQITR	RR15EQI
	Light Almond	RR15EQLATR	RR15EQLA
	White	RR15EQWTR	RR15EQW

Note: *See page Q-6 for tamper-resistant description.

Straight Blade Devices

Residential Grade; 15 and 20 Amp; 125V and 250V; 2-Pole 3-Wire



DUPLEX RECEPTACLES



Description	Color	Weather and Tamper-Resistant	Tamper-Resistant	Standard
Duplex receptacle; grounding; push and side wire terminations	Almond	—	—	RR15AL
	Black	—	—	RR15BK
	Brown	—	—	RR15
	Ivory	—	—	RR15I
	Light Almond	—	—	RR15LA
	White	—	—	RR15W
Duplex receptacle; self-grounding; push and side wire terminations	Almond	RR15SALWRTR	RR15SALTR	RR15SAL
	Brown	RR15SWRTR	RR15STR	RR15S
	Black	RR15SBKWRTR	RR15SBKTR	RR15SBK
	Gray	RR15SGYWRTR	—	—
	Ivory	RR15SIWRTR	RR15SITR	RR15SI
	Light Almond	RR15SLAWRTR	RR15SLATR	RR15SLA
Duplex receptacle; grounding; eight push wire holes only #14 AWG	Almond	—	RR15EALTR	RR15EAL
	Black	—	RR15EBKTR	RR15EBK
	Brown	—	RR15ETR	RR15E
	Ivory	—	RR15EITR	RR15EI
	Light Almond	—	RR15ELATR	RR15ELA
	White	—	RR15EWTR	RR15EW
Duplex receptacle; without ears; grounding; push and side wire terminations; 100 per case; bulk packed; mounting screws inserted into strap	Almond	—	RR15KALTR	RR15KAL
	Brown	—	RR15KTR	RR15K
	Ivory	—	RR15KITR	RR15KI
	Light Almond	—	RR15KLATR	RR15KLA
	White	—	RR15KWTR	RR15KW

Note: *See page Q-6 for tamper-resistant and weather resistant descriptions.

SINGLE RECEPTACLES 15 AMP 125V AND 250V



Description	Color	Weather and Tamper-Resistant	Tamper-Resistant	Standard
Single receptacle; self-grounding; side wire terminations; 15A 125V; NEMA 5-15R	Almond	RR151ALWRTR	RR151ALTR	RR151AL
	Black	RR151BKWRTR	RR151BKTR	RR151BK
	Brown	RR151WRTR	RR151TR	RR151
	Gray	RR151GYWRTR	RR151GYTR	RR151GY
	Ivory	RR151IWRTR	RR151ITR	RR151I
	Light Almond	RR151LAWRTR	RR151LATR	RR151LA
Single receptacle; self-grounding; side wire terminations; 15A 250V; NEMA 6-15R	Almond	RR155ALWR	—	RR155AL
	Black	RR155BKWR	—	RR155BK
	Brown	RR155WR	—	RR155
	Gray	RR155GYWR	—	RR155GY
	Ivory	RR155IWR	—	RR155I
	Light Almond	RR155LAWR	—	RR155LA
White	RR155WWR	—	RR155W	

SINGLE RECEPTACLES 20 AMP 125V AND 250V

Description	Color	Weather and Tamper-Resistant	Tamper-Resistant	Standard
Single receptacle; self-grounding; side wire terminations; 20A 125V; NEMA 5-20R	Almond	RR201ALWRTR	RR201ALTR	RR201AL
	Black	RR201BKWRTR	RR201BKTR	RR201BK
	Brown	RR201WRTR	RR201TR	RR201
	Gray	RR201GYWRTR	RR201GYTR	RR201GY
	Ivory	RR201IWRTR	RR201ITR	RR201I
	Light Almond	RR201LAWRTR	RR201LATR	RR201LA
Single receptacle; self-grounding; side wire terminations; 20A 250V; NEMA 6-20R	Almond	RR205ALWR	—	RR205AL
	Black	RR205BKWR	—	RR205BK
	Brown	RR205WR	—	RR205
	Gray	RR205GYWR	—	RR205GY
	Ivory	RR205IWR	—	RR205I
	Light Almond	RR205LAWR	—	RR205LA
White	RR205WWR	—	RR205W	

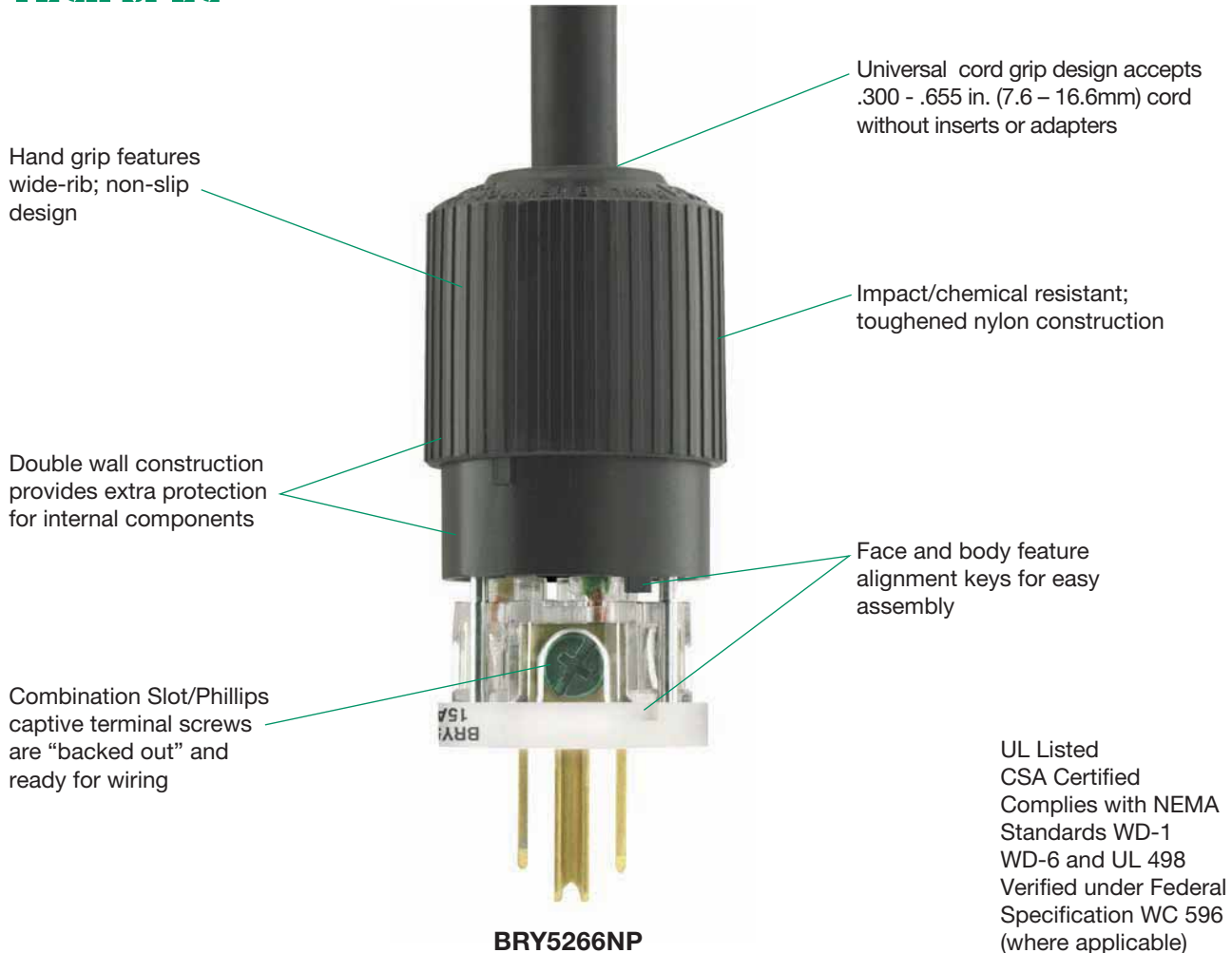
Note: *See page Q-6 for tamper-resistant and weather resistant descriptions.

Straight Blade Devices

Triple Gripper® Product Features



TECH·SPEC®



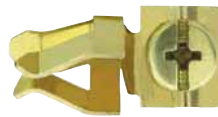
TPE dust seal surrounds cord, helping to prevent conductive dust, moisture and contaminants from entering the wiring chamber, thus minimizing the possibility of internal shorts. Tapered cover eliminates snagging of cord when dragged along floors.



Amperage, voltage and NEMA configuration imprinted on face for easy identification. Catalog number and rating are also visible “while in use.” Three combination Phillips/slotted quick-fasten assembly screws simultaneously secure Triple Gripper® cord grip as device is assembled.



Transparent terminal cover features a see-thru window to permit visual inspection for proper wiring. Individual wire pockets provide maximum conductor separation. “Teardrop” design provides ease of entry for stranded conductors. Terminal designations are imprinted on terminal cover for easy identification.



One-piece, rivetless connector power contact design reduces chances for resistance and heat buildup. High performance, triple-wipe copper-alloy contacts have excellent spring properties and provide superior contact pressure and conductivity.



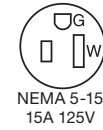
Triple Gripper® cord grip with exclusive “radius teeth” design provides secure cord retention without damaging the cord jacket or electrical conductors. It automatically centers and secures cord as three assembly screws are tightened, eliminating the need for separate external cord grip screws.

Straight Blade Devices

Triple Gripper®; 15 and 20 Amp; 125V and 250V; 2-Pole 3-Wire



TECH-SPEC®



BRY5266NPCR

EXTRA HEAVY-DUTY INDUSTRIAL PLUGS Inches (mm)

Description	Color	Cord Diameter	Catalog Number	
Hospital grade; white nylon/polymer	White	.245-.655 (6.2-16.6)	BRY8266NP	BRY8366NP
Hospital grade; water/dust-tight; black and white nylon	Black/White	.300-.655 (7.6-16.6)	8266TSP	8366TSP
Sentinel yellow; nylon/polymer	Yellow	.245-.655 (6.2-16.6)	BRY5266NPSY	BRY5366NPSY
Corrosion-resistant; sentinel yellow; nylon/polymer	Yellow	.245-.655 (6.2-16.6)	BRY5266NPCR	BRY5366NPCR
Black/white nylon	Black/White	.300-.655 (7.6-16.6)	BRY5266NP	BRY5366NP
Nylon/polymer	Black Orange	.245-.655 (6.2-16.6)	BRY5266NPB BRY5266NPOR	— —



BRY5269NCCR

EXTRA HEAVY-DUTY INDUSTRIAL CONNECTORS Inches (mm)

Description	Color	Cord Diameter	Catalog Number	
Hospital grade; white nylon/polymer	White	.245-.655 (6.2-16.6)	BRY8269NC	BRY8369NC
Hospital grade; water/dust-tight; black and white nylon	Black/White	.300-.655 (7.6-16.6)	8269TSC	8369TSC
Sentinel yellow; nylon/polymer	Yellow	.245-.655 (6.2-16.6)	BRY5269NCSY	BRY5369NCSY
Corrosion-resistant; sentinel yellow; nylon/polymer	Yellow	.245-.655 (6.2-16.6)	BRY5269NCCR	BRY5369NCCR
Black/white nylon	Black/White	.300-.655 (7.6-16.6)	BRY5269NC	BRY5369NC
Nylon/polymer	Black	.245-.655 (6.2-16.6)	BRY5269NCB	—



BRY5266NP

EXTRA HEAVY-DUTY INDUSTRIAL PLUGS Inches (mm)

Description	Color	Cord Diameter	Catalog Number	
Hospital grade; white nylon/polymer	White	.245-.655 (6.2-16.6)	—	BRY8466NP
Sentinel yellow; nylon/polymer	Yellow	.245-.655 (6.2-16.6)	BRY5666NPSY	BRY5466NPSY
Black/white nylon	Black/White	.300-.655 (7.6-16.6)	BRY5666NP	BRY5466NP

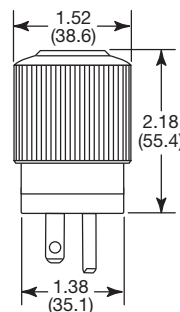
EXTRA HEAVY-DUTY INDUSTRIAL CONNECTORS Inches (mm)

Description	Color	Cord Diameter	Catalog Number	
Hospital grade; white nylon/polymer	White	.245-.655 (6.2-16.6)	—	BRY8469NC
Sentinel yellow; nylon/polymer	Yellow	.245-.655 (6.2-16.6)	—	BRY5469NCSY
Black/white nylon	Black/White	.300-.655 (7.6-16.6)	BRY5669NC	BRY5469NC

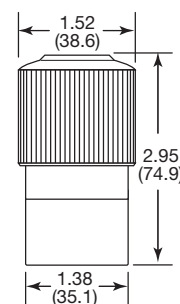


BRY5269NC

PRODUCT DIMENSIONS Inches (mm)



BRY5266NP



BRY5269NC

Straight Blade Devices

Cobra® Product Features



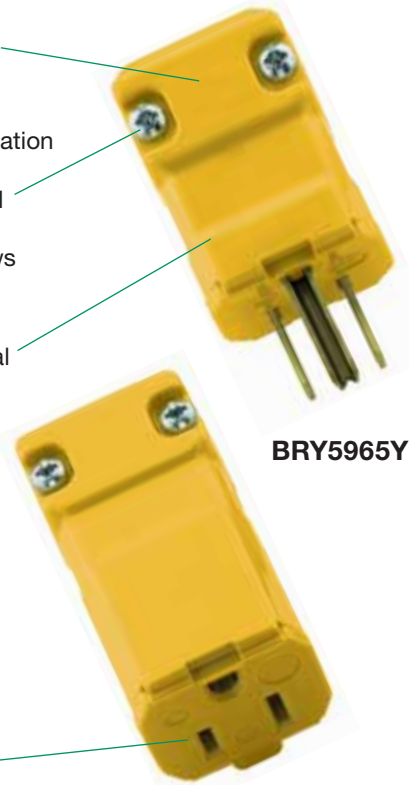
COBRA®

High visibility yellow for easy identification

Captive combination Slot/Phillips/Robertson head terminal and assembly screws

Impact/chemical resistant nylon construction

Amperage/voltage rating molded in face



BRY5965Y

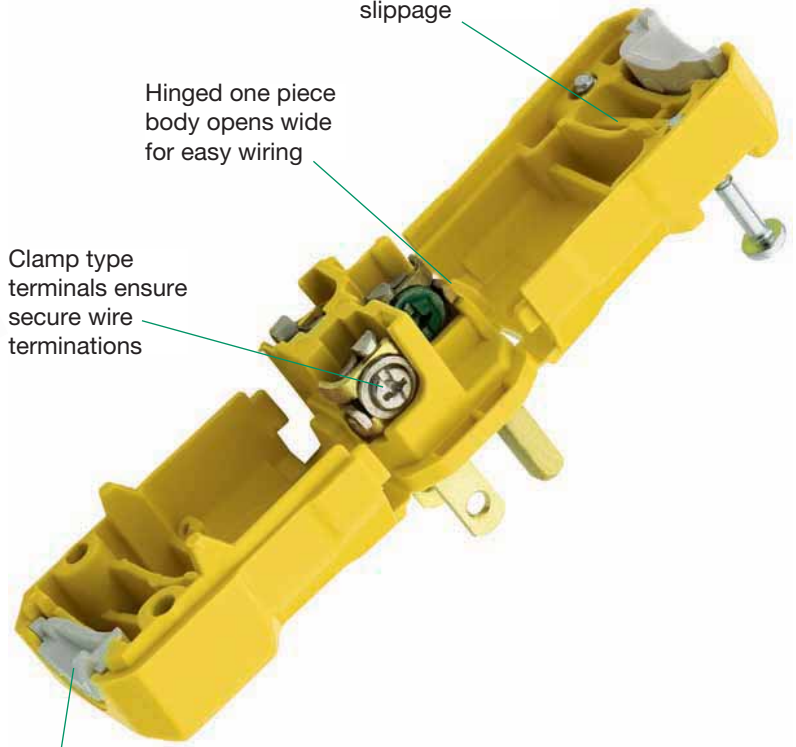
BRY5969Y

Internal cord grips prevent conductor slippage

Hinged one piece body opens wide for easy wiring

Clamp type terminals ensure secure wire terminations

Adjustable cord inserts accommodate .220 - .660 in. (5.6 - 16.8mm) diameter cord



Insulation Displacement Plugs and Connectors

Captive combination Slot/Phillips/Robertson head assembly screws

Accommodates #18/3 SV - #16/3 SJ cord

Impact/chemical resistant nylon construction



5966VBK

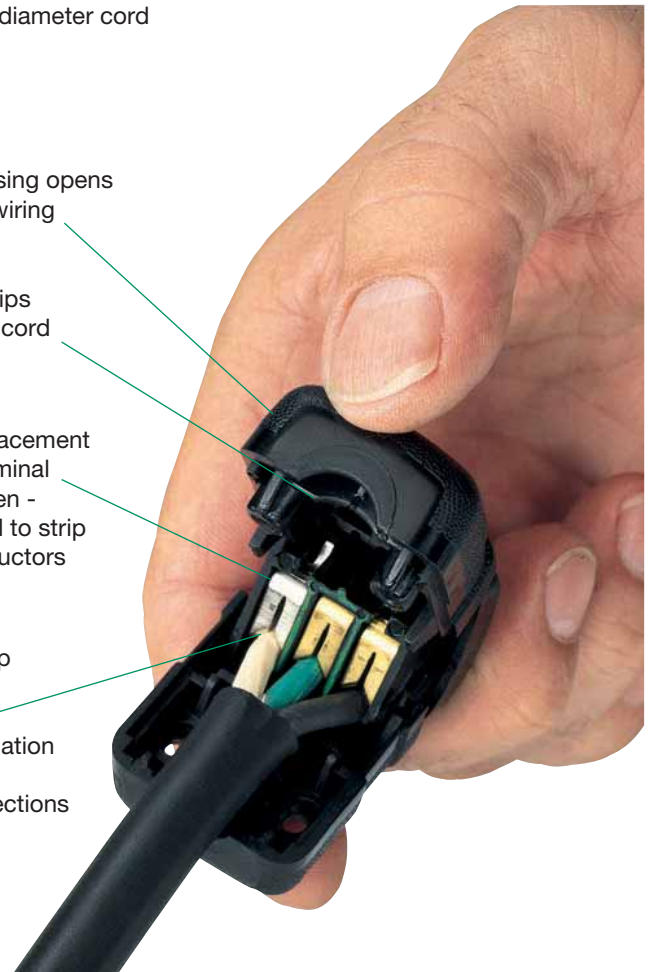
5969VBK

One-piece housing opens wide for lay in wiring

Internal cord grips provide secure cord retention

Insulation displacement blades - no terminal screws to tighten - eliminates need to strip individual conductors

As "jaws" clamp down, blades displace the conductor insulation to make proper electrical connections



Straight Blade Devices

Cobra® Plugs and Connectors; 15 and 20 Amp; 125V and 250V; 2-Pole 3-Wire



COBRA®



BRY5965Y

HEAVY-DUTY PLUGS Inches (mm)



Description	Color	Cord Diameter	Catalog Number	
High visibility; nylon	Yellow	.220-.660 (7.6-16.8)	BRY5965Y	5364Y
Nylon; insulation displacement	Black	.220-.660 (7.6-16.8)	5966VBK	—



BRY5969Y

HEAVY-DUTY CONNECTORS Inches (mm)

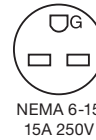


Description	Color	Cord Diameter	Catalog Number	
High visibility; nylon	Yellow	.220-.660 (7.6-16.8)	BRY5969Y	5369Y
Nylon; insulation displacement	Black	.220-.660 (7.6-16.8)	5969VBK	—



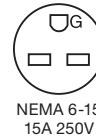
5966VBK

HEAVY-DUTY PLUGS Inches (mm)



Description	Color	Cord Diameter	Catalog Number	
High visibility; nylon	Yellow	.220-.660 (7.6-16.8)	5666Y	5464Y

HEAVY-DUTY CONNECTORS Inches (mm)

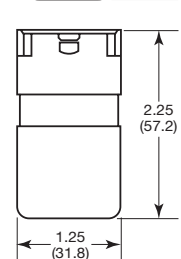
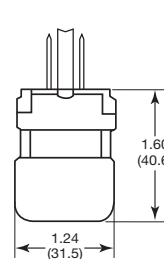
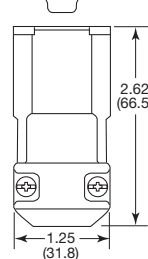
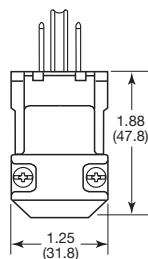
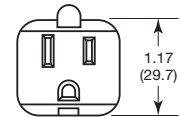
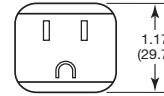
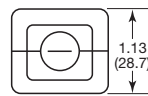


Description	Color	Cord Diameter	Catalog Number	
High visibility; nylon	Yellow	.220-.660 (7.6-16.8)	5669Y	5469Y



5969VBK

PRODUCT DIMENSIONS Inches (mm)



BRY5965Y

BRY5969Y

5966VBK

5969VBK

Straight Blade Devices

Plugs; 15 and 20 Amp 125V; 2-Pole 3-Wire



5965B

PLUGS Inches (mm)



NEMA 5-15
15A 125V



NEMA 5-20
20A 125V

Description	Color	Cord Diameter	Catalog Number	
Hospital grade; water/dust-tight; white nylon	White	.300-.655 (7.6-16.6)	8266TSP	8366TSP
Hospital grade; transparent nylon/polycarbonate	Transparent	.245-.655 (6.2-16.6)	8266T	8366T
Thermoplastic	Black Gray Yellow	.245-.655 (6.2-16.6)	5965B 5965BGRY 5965BY	5364B — 5364BY
Watertight; elastomeric	Yellow	.300-.655 (7.6-16.6)	14W47BRY	14W33BRY
Dust-tight; elastomeric	Yellow	.300-.655 (7.6-16.6)	1447BRY	1433BRY



5295

ANGLE PLUGS Inches (mm)



NEMA 5-15
15A 125V



NEMA 5-20
20A 125V

Description	Color	Cord Diameter	Catalog Number	
Hospital grade; angle 12 position; transparent nylon/polycarbonate	Transparent	.300-.625 (7.6-15.9)	8295T	8395T
Angle 12 position; black and white nylon	Black/White	.300-.625 (7.6-15.9)	5295	5395



5200BPB,
5200BCB
w/5200BSRB

WEATHER PROTECTIVE BOOTS

Description	Color	Catalog Number
Thermoplastic elastomer boot for use with 5266N and 5965B series plugs	Black Yellow	5200BPB* 5200BP*

Note: *Not UL Listed or CSA Certified.

See page Q-8 for horsepower ratings.

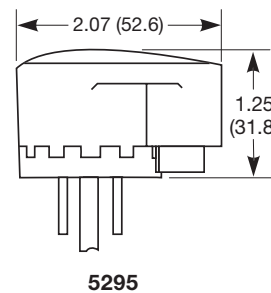
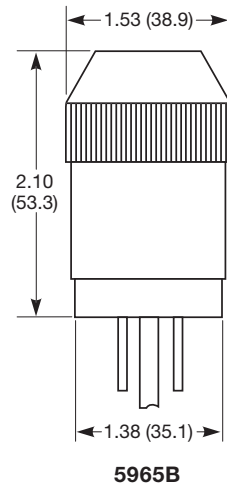
See page A-10 for hospital grade features and specifications.

See page J-2 for corrosion-resistant features and specifications.

See page I-2 for water/dust-tight features and specifications.

See page A-43 for more information on weather protective boots.

PRODUCT DIMENSIONS Inches (mm)



Straight Blade Devices

Connectors; 15 and 20 Amp 125V; 2-Pole 3-Wire



5369B

CONNECTORS Inches (mm)



NEMA 5-15
15A 125V



NEMA 5-20
20A 125V

Description	Color	Cord Diameter	Catalog Number	
Hospital grade; water/dust-tight; white nylon	White	.300-.655 (7.6-16.6)	8269TSC	8369TSC
Hospital grade; transparent nylon/polycarbonate	Transparent	.245-.655 (6.2-16.6)	8269T	8369T
Thermoplastic	Black Gray Yellow	.245-.655 (6.2-16.6)	5969B 5969BGRY 5969BY	5369B — 5369BY
Watertight; elastomeric	Yellow	.300-.655 (7.6-16.6)	15W47BRY	15W33BRY
Dust-tight; elastomeric	Yellow	.300-.655 (7.6-16.6)	1547BRY	1533BRY



5393

Weather protective pigtail outlet inches (mm)

Description	Color	Cord Diameter	Catalog Number	
Yellow neoprene with three 6" (152.4) No. 14 wire leads	Yellow	.300-.625 (7.6-15.9)	—	5393

WEATHER PROTECTIVE BOOTS

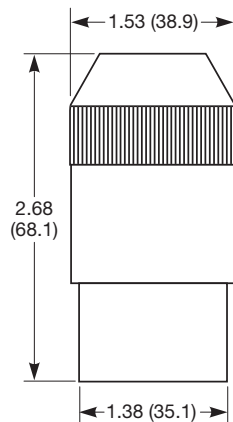


5200BPB,
5200BCB
w/5200BSRB

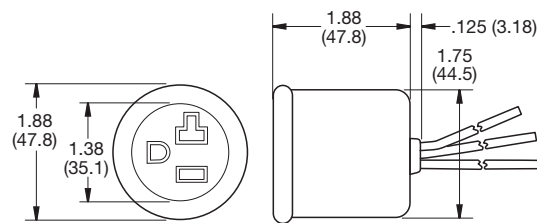
Description	Color	Catalog Number
Thermoplastic elastomer boot for use with 5369N and 5369B series connectors	Black Yellow	5200BCB* 5200BC*
Thermoplastic elastomer sealing ring for use with 5200 series connector boot	Black Yellow	5200BSRB* 5200BSR*

Note: *Not UL Listed or CSA Certified.
See page Q-8 for horsepower ratings.
See page A-10 for hospital grade features and specifications.
See page J-2 for corrosion-resistant features and specifications.
See page I-2 for water/dust-tight features and specifications.
See page A-43 for more information on weather protective boots.

PRODUCT DIMENSIONS Inches (mm)



5969B



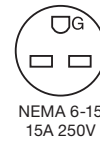
5393

Straight Blade Devices

Plugs; 15 and 20 Amp 250V; 2-Pole 3-Wire



TECH·SPEC®



5666B

PLUGS Inches (mm)

Description	Color	Cord Diameter	Catalog Number	
Hospital grade; water/dust-tight; white nylon	White	.300-.655 (7.6-16.6)	8666TSP	8466TSP
Sentinel yellow; nylon/polymer	Yellow	.245-.655 (6.2-16.6)	BRY5666NSY	BRY5466NSY
Thermoplastic	Black	.245-.655 (6.2-16.6)	5666B	5464B
Dust-tight; elastomeric	Yellow	.300-.655 (7.6-16.6)	1449BRY	1448BRY



5464B

ANGLE PLUGS Inches (mm)

Description	Color	Cord Diameter	Catalog Number	
Hospital grade; angle 12 position; transparent nylon/polycarbonate	Transparent	.300-.625 (7.6-15.9)	8695T	8495T
Angle 12 position; black and white nylon	Black/White	.300-.625 (7.6-15.9)	5695	5475



5695

WEATHER PROTECTIVE BOOTS

Description	Color	Catalog Number
Thermoplastic elastomer boot for use with 5266N and 5965B series plugs	Black Yellow	5200BPB* 5200BP*

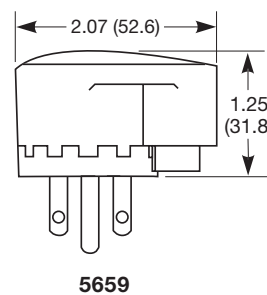
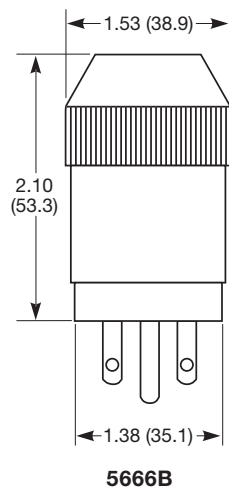
Note: *Not UL Listed or CSA Certified.

See page Q-8 for horsepower ratings.
 See page A-10 for hospital grade features and specifications.
 See page J-2 for corrosion-resistant features and specifications.
 See page I-2 for water/dust-tight features and specifications.
 See page A-43 for more information on weather protective boots.
 Not all TECH-SPEC® features apply to these devices; consult factory.



5200BPB,
5200BCB
w/5200BSRB

PRODUCT DIMENSIONS Inches (mm)



Straight Blade Devices

Connectors; 15 and 20 Amp 250V; 2-Pole 3-Wire



TECH-SPEC®



NEMA 6-15
15A 250V



NEMA 6-20
20A 250V



5669B

CONNECTORS Inches (mm)

Description	Color	Cord Diameter	Catalog Number	
Hospital grade; water/dust-tight; white nylon	White	.300-.655 (7.6-16.6)	8669TSC	8469TSC
Sentinel yellow; nylon/polymer	Yellow	.245-.655 (6.2-16.6)	BRY5669NSY	BRY5469NSY
Thermoplastic	Black	.245-.655 (6.2-16.6)	5669B	5469B
Dust-tight; elastomeric	Yellow	.300-.655 (7.6-16.6)	1549BRY	1548BRY



5469B

WEATHER PROTECTIVE BOOTS

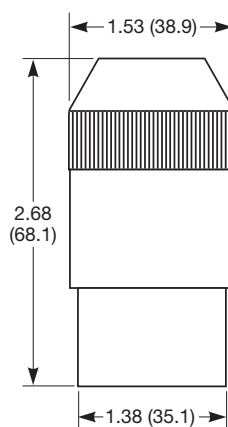
Description	Color	Catalog Number
Thermoplastic elastomer boot for use with 5369N and 5369B series connectors	Black Yellow	5200BCB* 5200BC*
Thermoplastic elastomer sealing ring for use with 5200 series connector boot	Black Yellow	5200BSRB* 5200BSR*

Note: *Not UL Listed or CSA Certified.
See page A-10 for hospital grade features and specifications.
See page J-2 for corrosion-resistant features and specifications.
See page I-2 for water/dust-tight features and specifications.
See page A-43 for more information on weather protective boots.
Not all TECH-SPEC® features apply to these devices; consult factory.



**5200BPB,
5200BCB
w/5200BSRB**

PRODUCT DIMENSIONS Inches (mm)



5669B

Straight Blade Devices

Industrial Grade; 15 Amp 125V; 2-Pole 2-Wire



9754NS

PLUGS Inches (mm)

Description	Color	Cord Diameter	Catalog Number
Black/white nylon; polarized	Black/White	.281-.625 (7.1-15.9)	9754NS



NEMA 1-15
15A 125V



9755N

CONNECTORS Inches (mm)

Description	Color	Cord Diameter	Catalog Number
Black/white nylon; polarized	Black/White	.281-.625 (7.1-15.9)	9755N



NEMA 1-15
15A 125V

ADAPTER SLEEVES

Description	Color	Catalog Number
Sleeve; strain relief; converts SPT cord to round	White	9700S*



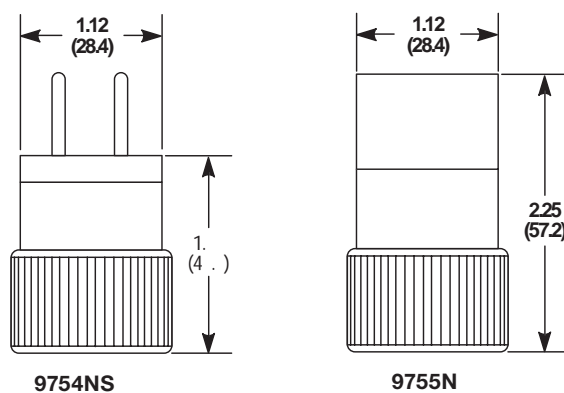
9700S

WEATHER PROTECTIVE BOOTS

Description	Color	Catalog Number
Yellow neoprene boot for use on both 9754NS and 9755N	Yellow	7400BCR*

Note: *Not UL Listed.

PRODUCT DIMENSIONS Inches (mm)





9326

SINGLE RECEPTACLES



NEMA 10-20
20A 250V

Description	Color	Catalog Number
Black thermoset; side wired	Black	9326



NEMA 10-20
20A 250V

PLUGS Inches (mm)

Description	Color	Cord Diameter	Catalog Number
Black and white nylon; with cord grip	Black/White	.320-.910 (8.1-23.1)	9151N



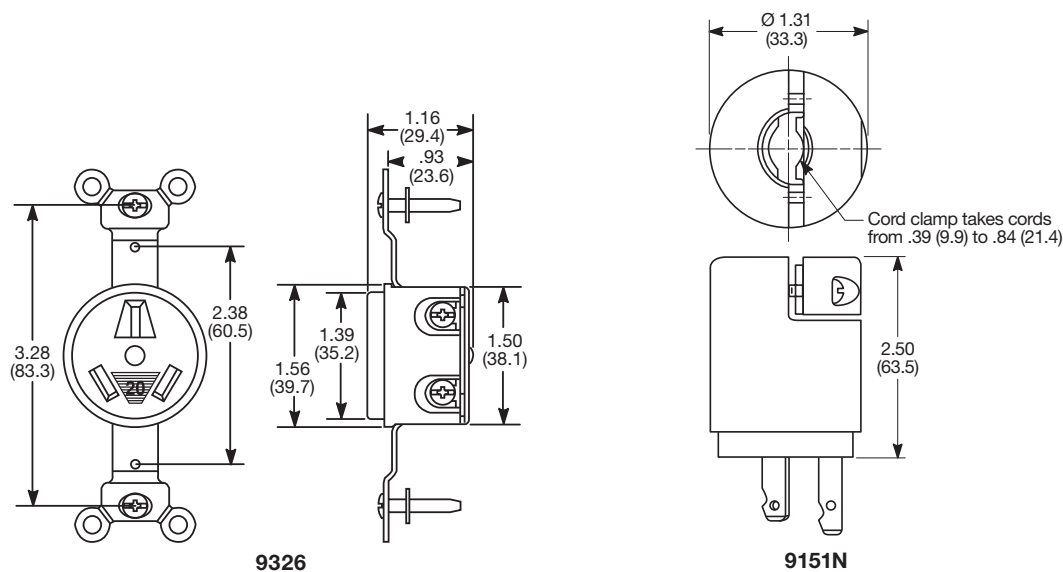
9151N

PLATES FOR SINGLE RECEPTACLES*

Description	Material	Catalog Number
1-Gang type 302/304 stainless steel	Stainless Steel	SS7
2-Gang type 302/304 stainless steel	Stainless Steel	SS747
Outdoor cast aluminum plate with lift cover	Cast Aluminum	7418B

Note: *See section O more information on plates.

PRODUCT DIMENSIONS Inches (mm)



Straight Blade Devices

Residential Grade; 15 Amp 125V; 2-Pole 2-Wire








Polarized and non-polarized plugs and connectors for lamps and appliances.

- Plug replacement and repair
- Made of high impact-resistant thermoplastic for safety and long-term durability
- UL Listed and CSA Certified



NEMA 1-15
15A 125V



RESIDENTIAL GRADE PLUGS Inches (mm)

Description	Color	Catalog Number
 RP123I	Ivory White	RP123I RP123W
Straight plug; non-polarized; two blade; SPT 1 and 2 cord 18/2 and 16/2 AWG		
 RP123PI	Ivory White	RP123PI RP123PW
Straight plug; polarized; two blade; SPT 1 and 2 cord 18/2 and 16/2 AWG		
 RP101BK	Black White	RP101BK RP101W
Straight plug; polarized; two blade; light-duty; wire range: #16, 18 AWG; up to .25 (6.4) diameter cord		
 RP646	Black	RP646
Straight plug; non-polarized; two blade; heavy-duty; wire range: #14-18 AWG; up to .33 (8.4) diameter cord		
 RP648	Black	RP648
Straight plug; polarized; two blade; heavy-duty; wire range: #14-18 AWG; up to .33 (8.4) diameter cord		



NEMA 1-15
15A 125V

RESIDENTIAL GRADE CONNECTORS Inches (mm)

Description	Color	Catalog Number
 RP102BK	Black White	RP102BK RP102W
Straight connector; polarized; two blade; light-duty; wire range: #16, 18 AWG; up to .25 (6.4) diameter cord		
 RP649	Black	RP649
Straight connector; polarized; two blade; heavy-duty; wire range: #14-18 AWG; up to .33 (8.4) diameter cord		

Straight Blade Devices

20 Amp 3ØY 120/208V AC; 4-Pole 4-Wire



7251N



7250



NEMA 18-20
20A 3ØY 120/208V AC

PLUGS Inches (mm)

Description	Color	Cord Diameter	Catalog Number
Thermoplastic construction	Gray	.375-1.000 (9.5-25.4)	7251N*



NEMA 18-20
20A 3ØY 125/208V AC

FLUSH RECEPTACLES

Description	Color	Catalog Number
Flush phenolic	Black	7250*

PLATES FOR SINGLE RECEPTACLES** Inches (mm)

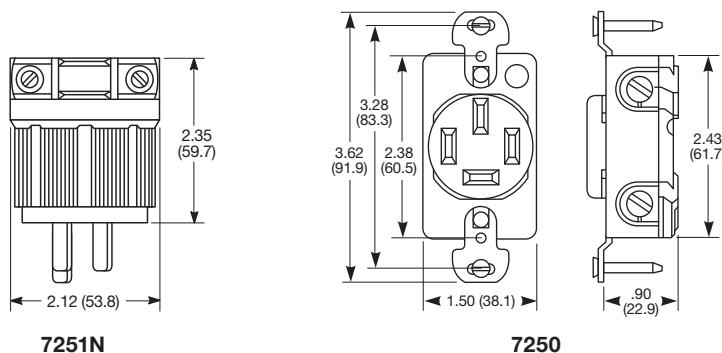
Description	Material	Catalog Number
1-Gang type 302/304 stainless steel	Stainless Steel	SS7
2-Gang type 302/304 stainless steel	Stainless Steel	SS747
Outdoor cast aluminum plate with lift cover	Cast Aluminum	7418B

Note: *Device has no provision for a grounding conductor. Intended for use in applications where a separate grounding means is provided.

**See section O for more information on plates.

Receptacles fit standard boxes 4¹/₁₆" square and not less than 2.23 (54.0) deep.

PRODUCT DIMENSIONS Inches (mm)



Straight Blade Devices

30 Amp 125V and 250V; 2-Pole 3-Wire and 125/250V AC; 3-Pole 3-Wire



9630NP



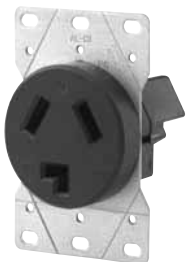
9530ANPB



9630NC



9530FR



9303



NEMA 5-30
30A 125V



NEMA 6-30
30A 250V



NEMA 10-30
30A 125/250V AC

PLUGS Inches (mm)

Description	Color	Cord Diameter	Catalog Number
Thermoplastic	Gray	.425-1.320 (10.8-33.5)	9530NP 9630NP 9337NP**

ANGLE PLUGS Inches (mm)

Description	Color	Cord Diameter	Catalog Number
Nylon	Black/ White	.625-1.380 (15.9-35.1)	9530ANPB 9630ANPB —
Residential grade; without ground; 3-pole, 3-wire; plugs supplied with interchangeable blades for 30 or 50 amp configuration	Black	.600-1.110 (15.2-28.2)	— — RR335P**

CONNECTORS Inches (mm)

Description	Color	Cord Diameter	Catalog Number
Thermoplastic	Gray	.425-1.320 (10.8-33.5)	9530NC 9630NC 9337NC**

FLUSH RECEPTACLES

Description	Color	Catalog Number
RTP*	Black	9530FR 9630FR 9303**
Isolated ground; RTP*	Orange	9530IG 9630IG —
Residential grade; without ground; 3-pole, 3-wire	Black	— — RR330F**

SURFACE RECEPTACLES

Description	Color	Catalog Number
Residential grade; without ground; 3-pole, 3-wire	Black	— — RR330**

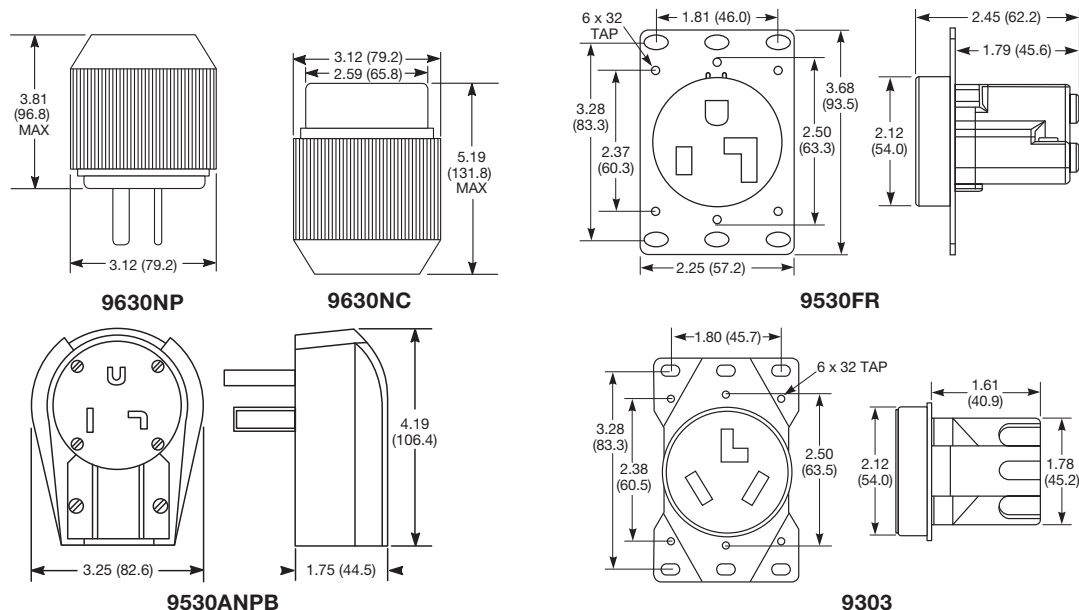
Note: *RTP – Reinforced Thermoplastic Polyester.

**Device has no provision for a grounding conductor. Intended for use in applications where a separate grounding means is provided.

See section O for more information on plates.

Receptacles can be mounted in single or two-gang boxes.

PRODUCT DIMENSIONS Inches (mm)



Straight Blade Devices

30 Amp 125/250V AC and 3Ø 250V AC; 3-Pole 4-Wire



8430NP



9432ANPB



9430FR



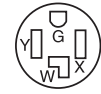
RR430FW



RR430PM

PLUGS Inches (mm)

Description	Color	Cord Diameter	Catalog Number
Thermoplastic	Gray	.425-1.320 (10.8-33.5)	8430NP



NEMA 14-30
30A 125/250V AC



NEMA 15-30
30A 3Ø 250V AC

ATTACHMENT ANGLE PLUGS Inches (mm)

Description	Color	Cord Diameter	Catalog Number
Nylon	Black/White	.625-1.320 (15.9-33.5)	9432ANPB
Residential grade; without ground; 3-pole, 4-wire; plugs supplied with interchangeable blades for 30 or 50 amp configuration	Black	.600-1.110 (15.2-28.2)	RR435P

FLUSH RECEPTACLES

Description	Color	Catalog Number
RTP*	Black	9430FR
Residential grade; without ground; 3-pole, 3-wire; mounts on 1- or 2-gang box	Black White	RR430F RR430FW

PANEL MOUNT RECEPTACLES

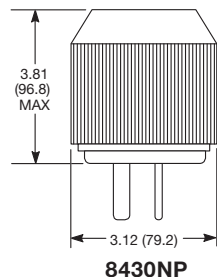
Description	Color	Catalog Number
Residential grade; with ground; 3-pole, 4-wire	Black	RR430PM

SURFACE RECEPTACLES

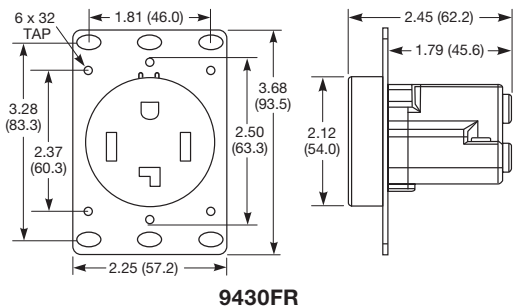
Description	Color	Catalog Number
Residential grade; with ground; 3-pole, 3-wire	Black	RR430

Note: *RTP - Reinforced Thermoplastic Polyester.
See section O for more information on plates.
Receptacles fit standard boxes 4¹/₁₆" square and not less than 2.23 (54.0) deep.

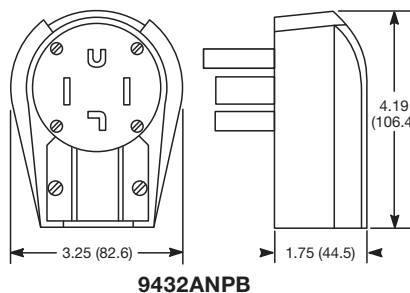
PRODUCT DIMENSIONS Inches (mm)



8430NP



9430FR



9432ANPB

Straight Blade Devices

50 Amp 125V and 250V; 2-Pole 3-Wire and 125/250V AC; 3-Pole 3-Wire



9650NP



9550ANPB



9650NC



9550FR



NEMA 5-50
50A 125V



NEMA 6-50
50A 250V



NEMA 10-50
50A 125/250V AC

PLUGS Inches (mm)

Description	Color	Cord Diameter		Catalog Number
Thermoplastic	Gray	.425-1.320 (10.8-33.5)	—	9650NP 7513NP**

ANGLE PLUGS Inches (mm)

Description	Color	Cord Diameter		Catalog Number
Angle plug; nylon	Black/ White	.625-1.380 (15.9-35.1)	9550ANPB	9650ANPB —
Residential grade; without ground; 3-pole, 3-wire; plugs supplied with interchangeable blades for 30 or 50 amp config.	Black	.600-1.110 (15.2-28.2)	—	RR335P**

CONNECTORS Inches (mm)

Description	Color	Cord Diameter		Catalog Number
Thermoplastic	Gray	.425-1.320 (10.8-33.5)	—	9650NC 7516NC**

FLUSH RECEPTACLES

Description	Color		Catalog Number
RTP*	Black Brown	9550FR	9650FR — 9306**
Isolated ground; RTP*	Orange	9550IG	9650IG —

SURFACE RECEPTACLES

Description	Color		Catalog Number
Phenolic; aluminum enclosure	Black	—	— 3926BRY**
Residential grade; without ground; 3-pole, 3-wire	Black	—	— RR350**

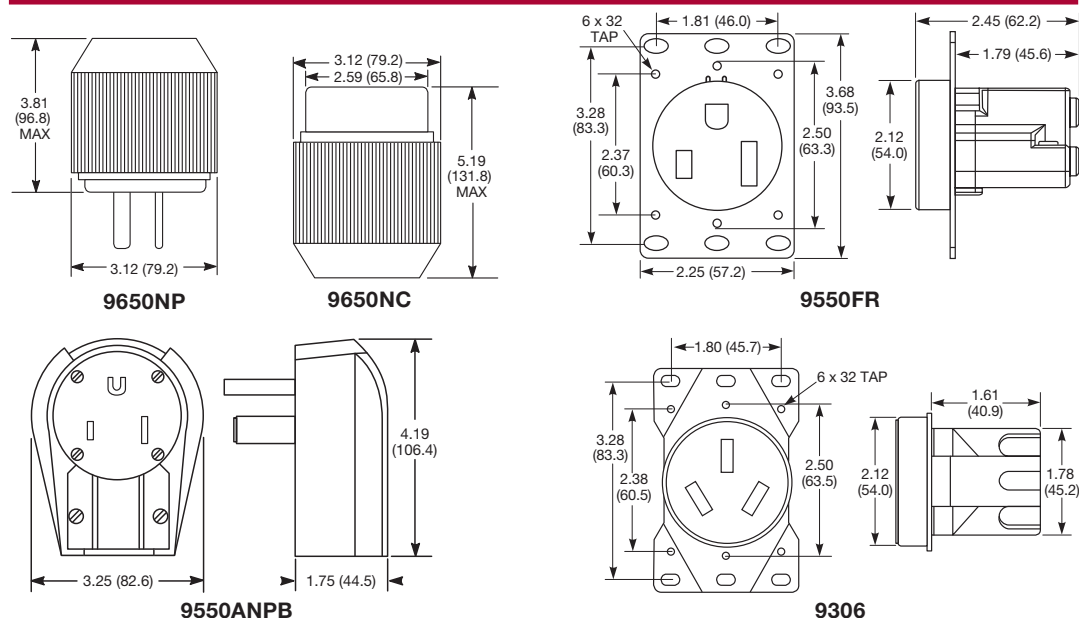
Note: *RTP - Reinforced Thermoplastic Polyester.

**Device has no provision for a grounding conductor. Intended for use in applications where a separate grounding means is provided.

See section O for more information on plates.

Receptacles can be mounted in single or two-gang boxes.

PRODUCT DIMENSIONS Inches (mm)



Straight Blade Devices

50 Amp 125/250V and 3Ø 250V AC; 3-Pole 4-Wire and 3ØY 120/208V AC; 4-Pole 4-Wire



9450NP

PLUGS Inches (mm)

Description	Color	Cord Diameter	Catalog Number	Catalog Number	Catalog Number
Thermoplastic	Gray	.425-1.320 (10.8-33.5)	9450NP	8450NP	—



NEMA 14-50
50A 125/250V



NEMA 15-50
50A 3Ø 250V



NEMA 18-50
50A 3ØY 120/208V AC



9452ANPB

ANGLE PLUGS Inches (mm)

Description	Color	Cord Diameter	Catalog Number	Catalog Number	Catalog Number
Nylon	Black/ White	.625-1.320 (15.9-33.5)	9452ANPB	8452ANPB	8352ANPB
Residential grade; with ground; 3-pole, 4-wire; plugs supplied with interchangeable blades for 30 or 50 amp config.	Black	.600-1.110 (15.2-28.2)	RR435P	—	—

FLUSH RECEPTACLES

Description	Color	Catalog Number	Catalog Number	Catalog Number
RTP*	Black	9450FR	8450FR	8350FR
Residential grade; without ground; 3-pole, 4-wire; mounts on 1- or 2-gang box	Black White	RR450F RR450FW	—	—



9450FR

PANEL MOUNT RECEPTACLES

Description	Color	Catalog Number	Catalog Number	Catalog Number
Residential grade; with ground; 3-pole, 4-wire	Black	RR450PM	—	—

SURFACE RECEPTACLES

Description	Color	Catalog Number	Catalog Number	Catalog Number
Residential grade; with ground; 3-pole, 4-wire	Black	RR450	—	—



RR450FW

WALLPLATES FOR FLUSH RECEPTACLES Inches (mm)

Description	Color	Standard	Mid-Size	Material	Catalog Number
1-Gang; 2.15 in. (54.6) diameter opening	Ivory White	NP724I NP724W	NPJ724I NPJ724W	Chrome Stainless Steel	SCH723 SS723
2-Gang; 2.15 in. (54.6) diameter opening	Ivory White	NP703I NP703W	NPJ703I NPJ703W	Stainless Steel	SS703

Note: *RTP – Reinforced Thermoplastic Polyester.

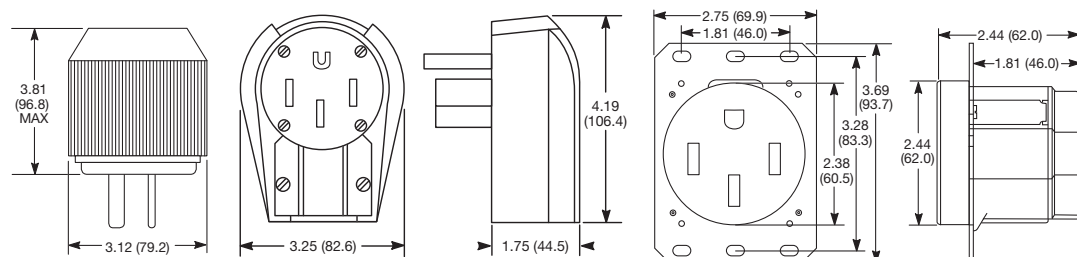
See section O for more information on plates.

Receptacles fit standard boxes 4 1/16" square and not less than 2.23 (54.0) deep.

PRODUCT DIMENSIONS Inches (mm)



RR450



9450NP

9452ANPB

9450FR

Straight Blade Devices

60 Amp 125/250V AC and 3Ø 250V AC; 3-Pole 4-Wire and 3ØY 120/208V AC; 4-Pole 4-Wire



8460NP



NEMA 14-60
60A 125/250V



NEMA 15-60
60A 3Ø 250V AC



NEMA 18-60
60A 3ØY 120/208V AC

PLUGS Inches (mm)

Description	Color	Cord Diameter	Catalog Number		
Thermoplastic	Gray	.425-1.320 (10.8-33.5)	9460NP	8460NP	—



8462ANPB

ANGLE PLUGS Inches (mm)

Description	Color	Cord Diameter	Catalog Number		
Nylon	Black/ White	.625-1.320 (15.9-33.5)	9462ANPB	8462ANPB	8362ANPB**

FLUSH RECEPTACLES

Description	Color	Catalog Number		
RTP*	Black	9460FR	8460FR	8360FR**



8460FR

WALLPLATES FOR FLUSH RECEPTACLES Inches (mm)

Description	Color	Standard	Mid-Size	Material	Catalog Number
1-Gang; 2.15 in. (54.6) diameter opening	Ivory	NP724I	NPJ724I	Chrome	SCH723
	White	NP724W	NPJ724W	Stainless Steel	SS723
2-Gang; 2.15 in. (54.6) diameter opening	Ivory	NP703I	NPJ703I	Stainless Steel	SS703
	White	NP703W	NPJ703W		

Note: *RTP – Reinforced Thermoplastic Polyester.

**Device has no provision for a grounding conductor. Intended for use in applications where a separate grounding means is provided.

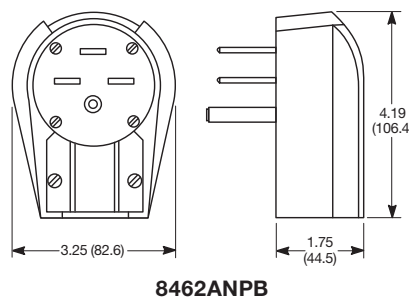
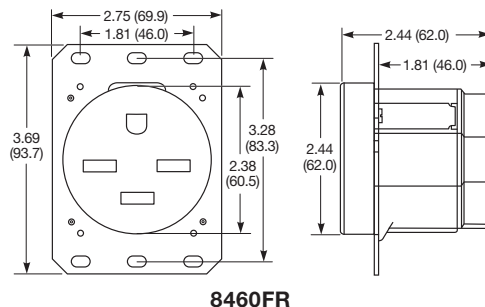
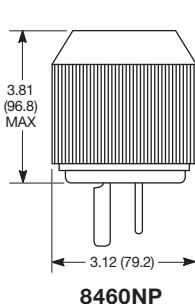
See section O for more information on plates.

Receptacles fit standard boxes 4¹/₁₆" square and not less than 2.23 (54.0) deep.



8360FR

PRODUCT DIMENSIONS Inches (mm)



Straight Blade Devices

Weather Protective Boots; 5200 and 7400 BP, BC and BSR Series



5200BPB



5200BCB with
5200BSRB

- For use with Bryant Tech-Spec® and 5900 Series straight blade plugs and connectors
- Help prevent moisture, dust and other contaminants from infiltrating plugs and connectors
- Available in high-visibility yellow or standard black
- Thermoplastic elastomer construction
- Excellent ozone and weather resistance
- Resistant to deterioration by oils and heat
- Connector sealing ring provides extra protection when plug and connector are not mated
- Ribbed exterior provides firm grip

WEATHER PROTECTIVE BOOTS



5200BCB



7400BCR



7460BP



7460BC



5200S



9700S

Description	Catalog Number
Yellow thermoplastic elastomer boot for use with 15 amp nylon locking and straight blade plugs	5200BP
Yellow thermoplastic elastomer boot for use with 15 amp nylon locking and straight blade connectors	5200BC
Yellow thermoplastic elastomer sealing cap for use with 5200BC connector boot	5200BSR
Black thermoplastic elastomer boot for use with 15 amp nylon locking and straight blade plugs	5200BPB
Black thermoplastic elastomer boot for use with 15 amp nylon locking and straight blade connectors	5200BCB
Black thermoplastic elastomer sealing cap for use with 5200BCB connector boot	5200BSRB
Yellow neoprene boot for use with 15 amp nylon locking plugs and connectors	5200BCR*
Yellow neoprene boot for use with 2-pole 2-wire straight blade nylon plugs and connectors; NEMA 1-15	7400BCR
Black thermoplastic elastomer boot for use with 7465N plug when used with 7464N connector or 7468N female equipment receptacle; also for use with connector when used with 7466N male base	7460BP
Black thermoplastic elastomer boot for use with 7464N connector when used with 7465N plug	7460BC

Note: *To be discontinued when supplies are exhausted.

ADAPTER SLEEVES

Description	Catalog Number
Rubber adapter sleeve; strain relief; black; for Triple Gripper® nylon plugs and connectors	5200S
Rubber adapter sleeve; strain relief; white; for use with 2-pole 2-wire straight blade nylon plugs and connectors; NEMA 1-15	9700S



Plugbox®

- Complies with OSHA Lockout/Tagout regulation 29CFR 1910.147
- Protect against unexpected start-up of equipment during maintenance and repair work
- Discourages unauthorized use of tools and equipment
- UV stabilized polypropylene housing
- High-visibility red for easy identification

PLUGBOX® DEVICES



BLDMP

Description	Catalog Number
Red polypropylene lockout device accommodates: 3-wire; 15A locking molded-on plugs up to 277V rating	BLDMP



BLD

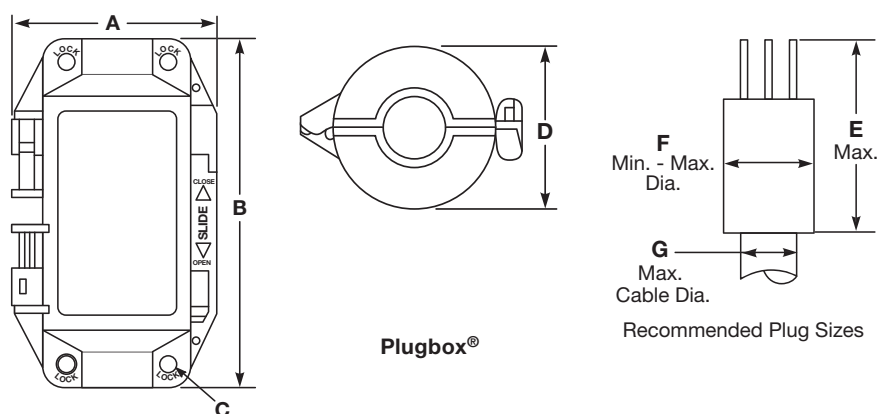
Red polypropylene lockout device accommodates: 2- and 3-wire; 15A locking plugs up to 277V rating; 3-wire; 20A 125V power interrupting plugs and 3-, 4- and 5-wire; 20A and 30A NEMA and non-NEMA locking plugs	BLD
--	------------



BLD2

Red polypropylene lockout device accommodates: 4- and 5-wire; 30A power interrupting plugs and 3- and 4-wire; 50A locking plugs	BLD2
--	-------------

PRODUCT DIMENSIONS Inches (mm)



	A	B	C	D	Max E	Dia. Min-Max F	G
BLDMP	3.14 (79.8)	4.22 (107.2)	(2) .32 (8.1)	2.57 (65.3)	3.70 (94.0)	.79 - 1.73 (20.1 - 43.9)	.64 (16.3)
BLD	4.27 (108.5)	7.27 (184.7)	(4) .39 (9.9)	3.10 (78.7)	4.75 (120.7)	1.50 - 2.75 (38.1 - 69.9)	1.11 (28.2)
BLD2	6.31 (160.3)	12.51 (317.8)	(4) .39 (9.9)	5.00 (127.0)	10.15 (257.8)	1.90 - 4.50 (48.3 - 114.3)	1.45 (36.8)



BRY82001

HOSPITAL GRADE STRAIGHT BLADE DUPLEX RECEPTACLE

DESCRIPTION

Typical specification – Catalog number BRY8200
Manufacturer's identification – Bryant BRY8200
Description – Hospital grade straight blade duplex receptacle; back and side wired
Type – 2-pole, 3-wire; Grounding
Rating – 15A 125V; NEMA 5-15R

CERTIFICATION

- UL Listed to 498
- Verified under Fed. Spec. WC596
- Complies with NEMA WD-1 and WD-6 requirements
- CSA Certified to C22.2; No. 42

COMPONENTS

Cover and base
 Line contacts
 Clamp nut
 Mounting yoke
 Terminal screws
 Grounding screw
 Grounding contacts
 Auto. Grounding assembly
 Mounting screws
 Circuit ID

MATERIALS

Nylon
 High performance copper alloy (nickel plated)
 Brass
 Steel, nickel and brass plated .05" (1.3mm)
 Combination brass #10-32
 Combination brass (green) #8-32
 High-performance copper alloy
 High-performance copper alloy; tin plated
 Combination steel-zinc plated
 Hot stamp

PERFORMANCE

Electrical

Dielectric voltage	Withstands 2,000V minimum
Max. working voltage	250V
Current interrupting	Certified for current interrupting at full rated current
Temperature rise	Max 30°C temperature rise at full rated current after 50 cycles of overload at 150% of rated direct current

Mechanical

Terminal identification	Terminals identified in accordance with UL 498 (brass, white, green)
Terminal accommodation	#14-10 AWG solid or stranded copper conductor only
Product identification	Ratings are a permanent part of the device

Environmental

Flammability	Top: UL 94 V2; Base: UL 94 V2
Operating temperatures	Maximum continuous 60°C; minimum -40°C (without impact)



92001

HOSPITAL GRADE STRAIGHT BLADE FASHION SERIES DUPLEX

DESCRIPTION

Typical specification – Catalog number 9200
Manufacturer's identification – Bryant 9200
Description – Hospital grade straight blade duplex receptacle; back and side wired
Type – 2-pole, 3-wire; grounding
Rating – 15A 125V; NEMA 5-15R

CERTIFICATION

- UL Listed to 498
- CSA Certified to C22.2; No. 42

COMPONENTS

Cover and base
 Line contacts
 Clamp nut
 Mounting yoke
 Terminal screws
 Grounding screw
 Grounding contacts
 Auto. grounding assembly
 Mounting screws

MATERIALS

Nylon
 High performance copper alloy
 Brass
 Steel .05" (1.3mm)
 Combination brass #10-32
 Combination brass (Green) #8-32
 High-performance copper alloy
 High-performance copper alloy; tin plated
 Combination steel-zinc plated

PERFORMANCE

Electrical

Dielectric voltage	Withstands 2,000V minimum
Max. working voltage	125V or 250V as rated
Current interrupting	Certified for current interrupting at full rated current
Temperature rise	Max 30°C temperature rise at full rated current after 50 cycles of overload at 150% of rated direct current

Mechanical

Terminal identification	Terminals identified in accordance with UL 498 (brass, white, green)
Terminal accommodation	#14-10 AWG solid or stranded copper conductor only
Product identification	Ratings are a permanent part of the device

Environmental

Flammability	Top: UL 94 V2; Base: UL 94 V2
Operating temperatures	Maximum continuous 60°C; minimum -40°C (without impact)



QT8200W

QUICK-TECH™ DUPLEX RECEPTACLE

DESCRIPTION

Typical specification – Catalog number QT8200
Manufacturer's identification – Bryant QT8200
Description – Straight blade duplex receptacle
Type – 2-pole, 3-wire; grounding
Rating – 15A 125V; NEMA 5-15R

CERTIFICATION

- UL Listed to 498
- Fed. Spec. WC596
- Complies with NEMA WD-1 and WD-6 requirements
- CSA Certified to C22.2; No. 42

COMPONENTS

Cover and base
 Triple wipe power contacts
 Mounting yoke
 Automatic grounding clip
 Flat head mounting screws

MATERIALS

Nylon
 Brass
 Brass
 Stainless steel
 Steel-zinc plated/self tapping

PERFORMANCE

Electrical

Dielectric voltage	Withstands 2,000V minimum
Max. working voltage	125V as rated
Current interrupting	Receptacle certified for current interrupting at full rated current with equivalently rated NEMA plug
Temperature rise	Max 30°C temperature rise at full rated current after 100 cycles of overload at 150% of rated DC current

Mechanical

Terminal identification	Terminals identified in accordance with UL 498 (black, white, green)
Product identification	Ratings are a permanent part of the device

Environmental

Flammability	UL 94V-2
Operating temperatures	Maximum continuous 75°C; minimum -40°C (without impact)



QT1R



QT6R1

QUICK-TECH™ PIGTAIL TERMINAL

DESCRIPTION

Terminal – Catalog number QT1R, QT6R1

CERTIFICATION

- UL Listed to UL 498
- CSA Certified to C22.2; No. 42

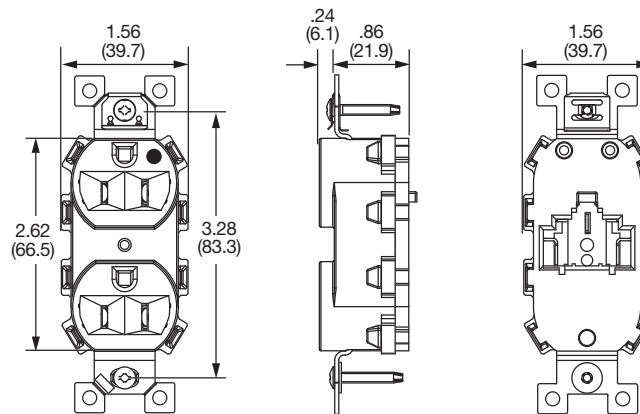
COMPONENTS

Contact
 Terminal body
 Wire

MATERIALS

Brass
 Clear polycarbonate
 Solid #12 AWG THHN/THWN-2 600V;
 T90 nylon FT-1; PVC 90C (min)

PRODUCT DIMENSIONS Inches (mm)



QT8200

Straight Blade Devices; Industrial Grade Technical Specifications



BRY5262I

STRAIGHT BLADE DUPLEX RECEPTACLE

DESCRIPTION

Typical specification – Catalog number BRY5262

Manufacturer's identification – Bryant BRY5262

Description – Industrial grade straight blade duplex receptacle; back and side wired

Type – 2-pole, 3-wire; grounding

Rating – 15A 125V; NEMA 5-15R

CERTIFICATION

- UL Listed to 498
- Verified under Fed. Spec. WC596
- Complies with NEMA WD-1 and WD-6 requirements
- CSA Certified to C22.2; No. 42 where applicable

COMPONENTS

Cover and base
Line contacts
Clamp nut
Mounting yoke
Terminal screws
Grounding screw
Grounding clamp nut
Circuit ID
Auto. grounding assembly
Mounting screws

MATERIALS

Nylon
High performance copper alloy
Steel-zinc plated
Steel, nickel and brass plated .050" (1.3mm)
Combination brass #10-32
Combination brass (green) #8-32
Brass
Hot stamp
High performance copper alloy
Combination steel-zinc plated

PERFORMANCE

Electrical

Dielectric voltage	Withstands 2,000V minimum
Max. Working voltage	125V or 250V as rated
Current interrupting	Certified for current interrupting at full rated current
Temperature rise	Max 30°C temperature rise at full rated current after 50 cycles of overload at 150% of rated direct current

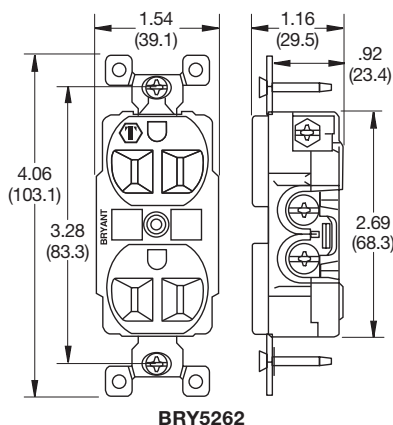
Mechanical

Terminal identification	Terminals identified in accordance with UL 498 (brass, white, green)
Terminal accommodation	#14-10 AWG solid or stranded copper conductor only
Product identification	Ratings are a permanent part of the device

Environmental

Flammability	Top: UL 94 V2 Base: UL 94 V2
Operating temperatures	Maximum continuous 60°C; minimum -40°C (without impact)

PRODUCT DIMENSIONS Inches (mm)





STRAIGHT BLADE PLUG AND CONNECTOR



BRY5266NP



BRY5269NC

DESCRIPTION

Typical specification – Catalog number BRY5266NP, BRY5269NC

Manufacturer's identification – Bryant BRY5266NP, BRY5269NC

Description – Heavy-duty straight blade plug/connector

Type – 2-pole, 3-wire; grounding

Rating – 15A 125V; NEMA 5-15

CERTIFICATION

- UL Listed; Guide AXUT
- CSA Certified; Guide 20T2
- Listed to UL Standard 498 (attachment plug and receptacles)
- CSA Certified to C22.2; No. 42 (general use receptacles)
- Fed. Spec. WC596 (where applicable)
- Complies with NEMA Standards WD-1, WD-6

COMPONENTS

- Face/cord grip
- Cover (housing)
- Terminal cover
- Dust seal
- Plug blades
- Connector contacts
- Terminal clamp nut
- Terminal screws

MATERIALS

- Impact modified nylon
- High-impact, V-O Valox®
- Clear polycarbonate
- Thermoplastic elastomer
- Brass
- High performance copper alloy
- Zinc-plated steel
- #8-32 brass; silver finish on neutral screw; green finish on grounding screw
- Zinc-plated steel

PERFORMANCE

Electrical

Dielectric Voltage	Withstands 1500V per UL498
Max. Working Voltage	250V AC or DC
Current Interrupting	Certified for current interrupting at full rated current
Temperature Rise	Max 30°C temperature rise at full rated current after 50 cycles of overload at 150% of rated direct current

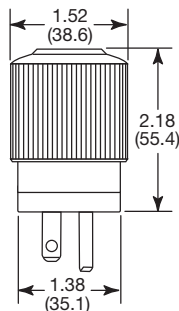
Mechanical

Terminal Identification	Terminals identified in accordance with UL 498 (brass, white, green)
Terminal Accommodation	#18-10 AWG flexible cord
Product Identification	Ratings and NEMA identification are permanently marked on device
Cord Accommodation	Round portable service cords in accordance with device ratings as defined in UL Standard 62; CSA C22.2 No. 49
Cord Grip Range	.25-.66" (6.2-16.6mm)

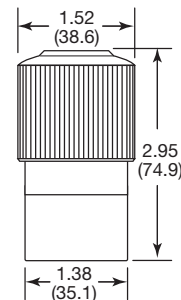
Environmental

Flammability	HB or better per UL 94
Operating Temperatures	Maximum continuous 60°C; minimum -40°C (without impact)

PRODUCT DIMENSIONS Inches (mm)



BRY5266NP



BRY5269NC

Valox® is a registered trademark of Sabic Innovative Plastics.



INDEX	PAGE
Product Features	
Ground Fault Receptacle Devices	B-2
Tamper-Resistant and Weather Resistant GFCI Receptacles	B-3
Heavy Duty Commercial and Hospital Grade	
Tamper-Resistant and Weather Resistant GFCI Receptacles, LED	B-4
GFCI Receptacles with Auto Grounding, LED	B-6
Self Test GFCI Receptacles	B-8
GFCI Sensing Module	
GFCI Sensing Modules and Circuit Breakers	B-10
Portable GFCI Products and Temporary Power	
Commercial Grade, Manual Set GFCI Line Cords	B-11
Manual Set GFCI Line Cords	B-12
Plug-In Portable GFCI	B-13
Temporary Power Distribution Boxes	B-14
Technical Specifications	
Ground Fault Receptacles	B-16





Hospital Grade Self Test



GF82WST

LED GFR



GFTR15W

Self Test GFR



GFST20I

The LED With a GFCI Message!

The **Bryant LED** indicates the ability of the GFCI to perform its “ground fault protection” function when tested.

There has been a **common industry indicator** for the past 30 years that has been recognized when GFCI receptacles are tested. If a ground fault receptacle was unable to provide protection when the test button is pressed, the reset button would remain recessed. When the reset button was no longer “popping out”, it signified that GFCI protection was no longer available.

Today, the **new Bryant GFCI receptacle** provides additional helpful information regarding protection. When tested, a **rapid-flashing red LED** will be activated if the ability of the GFCI to provide protection is no longer present.

Additional Features

- **Miswire Protection:** If the line and load are miswired, there will be no power at both the face and downstream. In addition, the unit will not be able to be reset.
- The LED provides an **“end of life”** indicator. GFCI Protection Indicator: Upon test, **rapid-flashing red LED** indicates discontinuation of GFCI protection.
- **Meets UL943** surge testing (3kA, 6kV) without having to resort to an inoperative power condition that denies power and locks out the end user.

Self Test Ground Fault Receptacle With Diagnostic Technology!

Today, most GFCI manufacturers rely entirely on the end user to **“test and verify”** the functionality and protection capability of their ground fault receptacles. End users are advised by manufacturers to test every GFR at a minimum interval of once per month. Operation of the **“test and reset”** function on a GFR provides the user with vital information relating to its ability to protect. Unfortunately, end users seldom heed this advice and only on a rare occasion actually test their GFCI receptacle. It is with this in mind that Bryant has expanded the functionality of the ground fault receptacle.

The **Bryant Self Test GFR** breaks new ground, utilizing patented design technology along with **unique and innovative** safety features. Benefiting from a superior printed circuit board design and programmed software, a self test diagnostic evaluation is performed **every sixty seconds**. This means that not only is the Bryant GFCI continuously monitoring for a ground fault condition but also the unit is monitoring the ability to protect. This is a significant **benefit that surpasses** the previous monthly test. In addition, the “test and reset” function can also be operated manually similar to a standard ground fault receptacle.

Note: Available as a combination switch and ground fault receptacle.

Ground Fault Devices

Tamper-Resistant and Weather Resistant GFCI Receptacles



Why Tamper-Resistant?

The tamper-resistant code requirement is all about safety.

- Approximately 2,400 children per year suffer electrical outlet related injuries
- For years, the design and use of tamper-resistant receptacles has been proven effective in pediatric areas and hospital installations nationwide. It makes sense to have them in homes as well
- The additional cost per device is minimal and well worth it
- Required by states that adopt 2008 NEC®

Tamper-Resistant



Tamper-Resistant Duplex Receptacles

Complies with NEC 406.11
Complies with NEC 210.52
Complies with NEC 511.12

“Tamper-Resistant Receptacles in Dwelling Units”. All 125V, 15A and 20A receptacles shall be listed tamper-resistant receptacles per NEC Article 406.11,

What Do These Code Requirements Mean?



Schools



Pediatric Healthcare Facilities



Lobbies



Day-Care Centers

Tamper-Resistant (TR) receptacles incorporate internal mechanisms to limit access to energized internal components.

Tamper-Resistant receptacles are a mandatory requirement in the 2008 NEC® for use in dwelling unit outlets. There are also many other applications where the use of Tamper-Resistant receptacles can provide an additional level of electrical safety such as schools, pediatric facilities, lobbies and day-care centers.

Weather Resistant



These symbols appear throughout for easy identification.

Weather Resistant Duplex Receptacles

Complies with NEC 406.8(A)

“Receptacles in Damp and Wet Locations”. All 125V and 250V, 15A and 20A receptacles shall be listed as weather resistant type per NEC Article 406.8,



Transit Centers



Washdown Areas



Amusement Parks



Open Air Markets

Weather Resistant (WR) receptacles installed outdoors or in wet and damp locations are subject to more demanding temperature variations, direct sunlight and unusual mechanical abuse than those in a typical dry environment. Bryant's Weather Resistant receptacles are specifically designed to withstand these environments and conditions.

NEC® is a registered trademark of the National Fire Protection Association (NFPA).

Ground Fault Devices

Heavy Duty Hospital Grade GFCI Tamper-Resistant Receptacles



10kA Short Circuit Current Rating

Patented tamper-resistant protection

Open circuit condition eliminates false assumption of protection at face



Rapid-flashing RED indicates device has lost capability to provide ground fault protection

Open terminal design



Internal back wiring; automatic grounding feature; captive mounting screws

GF83ITR

HOSPITAL GRADE ● GFCI RECEPTACLES TAMPER-RESISTANT, WEATHER RESISTANT



GF83ITR

Description	Color	Catalog Number	
Hospital grade; flush; thermoplastic face; brass bridge; back and side wired; multiple drive screws; automatic grounding clip  *  *	Almond	GF82ALTR	GF83ALTR
	Black	GF82BKTR	GF83BKTR
	Brown	GF82TR	GF83TR
	Gray	GF82GYTR	GF83GYTR
	Ivory	GF82ITR	GF83ITR
	Light Almond	GF82LATR	GF83LATR
	Office White	GF82OWTR	GF83OWTR
	Red	GF82RTR	GF83RTR
	White	GF82WTR	GF83WTR

Note: *See page B-3 for tamper-resistant and weather resistant descriptions. GFCI type receptacles should not be used in critical care patient areas or for electrical life support equipment applications because of the possibility of power interruption. All GFCI receptacles listed above are furnished with a matching color nylon wallplate. 20 amp feedthrough capability.

Ground Fault Devices

Heavy Duty Commercial Grade GFCI Tamper-Resistant Receptacles



GFTR20I


COMMERCIAL GFCI RECEPTACLES TAMPER-RESISTANT, WEATHER RESISTANT



NEMA 5-15
15A 125V AC



NEMA 5-20
20A 125V AC

Description	Color	Catalog Number	
Flush; thermoplastic face; back and side wired; multiple drive screws; automatic grounding clip  *  *	Almond	GFTR15AL	GFTR20AL
	Black	GFTR15BK	GFTR20BK
	Brown	GFTR15	GFTR20
	Gray	GFTR15GY	GFTR20GY
	Ivory	GFTR15I	GFTR20I
	Light Almond	GFTR15LA	GFTR20LA
	Office White	GFTR15OW	GFTR20OW
	Red	GFTR15R	GFTR20R
	White	GFTR15W	GFTR20W

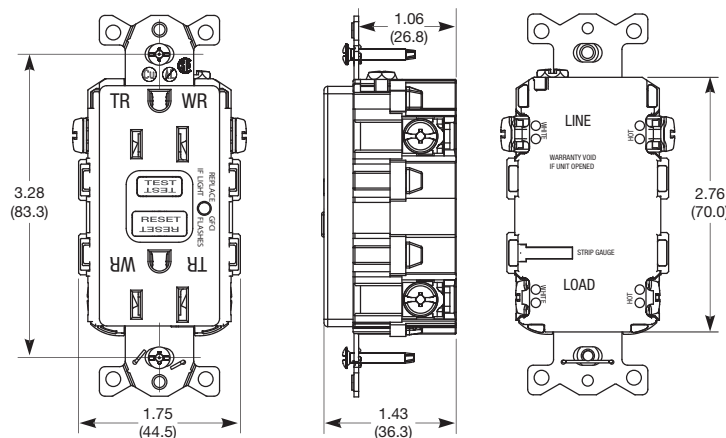
Note: *See page B-3 for tamper-resistant and weather resistant descriptions.

GFCI type receptacles should not be used in critical care patient areas or for electrical life support equipment applications because of the possibility of power interruption. All GFCI receptacles listed above are furnished with a matching color nylon wallplate. 20 amp feedthrough capability.

ALL GFCI RECEPTACLE SPECIFICATIONS

Trip level	4 to 6 mA
Trip time	.025 sec. nominal
Frequency	60 Hz
Voltage	120V AC +10% - 15%
Amperage	15A/20A; 20A feed thru
Maximum interrupting capacity	10,000 Amps
Operating temperature	-35°C to +66°C or -30°F to +150°F
Maximum humidity	95%
Listings and standards	Meets UL498 for receptacles; UL943 Class A for GFCIs UL Listed; CSA Certified
Codes	Meets all NEC® and CEC requirements

PRODUCT DIMENSIONS Inches (mm)



NEC® is a registered trademark of the National Fire Protection Association (NFPA).

Ground Fault Devices

Heavy Duty GFCI Receptacles with Auto Grounding



10kA Short Circuit Current Rating

When test button is actuated, both the electronic components and mechanical trip mechanism are functionally tested

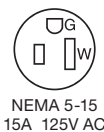
Open circuit condition eliminates false assumption of protection at face



Rapid-flashing **RED** indicates device has lost capability to provide ground fault protection

Internal back wiring; automatic grounding features; captive mounting screws

GF15ILA



HOSPITAL GRADE ● GFCI RECEPTACLES



GF82OWLA

Description	Color	Catalog Number	
Hospital grade; flush; nylon face; brass bridge; back and side wired; multiple drive screws; automatic grounding clip	Almond	GF82ALLA	GF83ALLA
	Black	GF82BKLA	GF83BKLA
	Brown	GF82LA	GF83LA
	Gray	GF82GYLA	GF83GYLA
	Ivory	GF82ILA	GF83ILA
	Light Almond	GF82LALA	GF83LALA
	Office White	GF82OWLA	GF83OWLA
	Red	GF82RLA	GF83RLA
	White	GF82WLA	GF83WLA

COMMERCIAL GFCI RECEPTACLES



GF15ILA

Description	Color	Catalog Number	
Flush; nylon face; back and side wired; multiple drive screws; automatic grounding clip	Almond	GF15ALLA	GF20ALLA
	Black	GF15BKLA	GF20BKLA
	Brown	GF15LA	GF20LA
	Gray	GF15GYLA	GF20GYLA
	Ivory	GF15ILA	GF20ILA
	Light Almond	GF15LALA	GF20LALA
	Office White	GF15OWLA	GF20OWLA
	Red	GF15RLA	GF20RLA
	White	GF15WLA	GF20WLA

Note: GFCI type receptacles should not be used in critical care patient areas or for electrical life support equipment applications because of the possibility of power interruption. All GFCI receptacles listed above are furnished with a matching color nylon wallplate. 20 amp feedthrough capability.

Ground Fault Devices

Heavy Duty GFCI Receptacles with Auto Grounding



NEMA 5-15
15A 125V AC



NEMA 5-20
20A 125V AC



GF15LABULK

COMMERCIAL GFCI RECEPTACLES

Description	Color	Catalog Number	
Bulk packed; 50 pieces	Almond	GF15ALLABULK	GF20ALLABULK
	Black	GF15BKLABULK	GF20BKLABULK
	Brown	GF15LABULK	GF20LABULK
	Gray	GF15GYLABULK	GF20GYLABULK
	Ivory	GF15ILABULK	GF20ILABULK
	Light Almond	GF15LALABULK	GF20LALABULK
	Office White	GF15OVLABULK	GF20OVLABULK
	Red	GF15RLABULK	GF20RLABULK
	White	GF15WLABULK	GF20WLABULK



GFBF20ILA

COMMERCIAL FACELESS GFCI

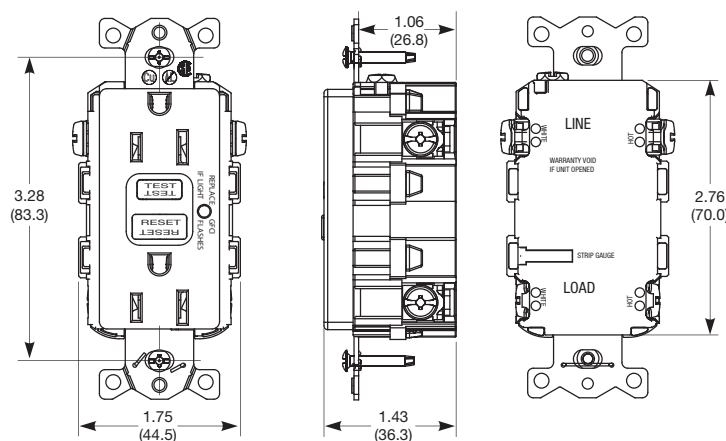
Description	Color	Catalog Number
Faceless; nylon top; back and side wired; multiple drive screws; automatic grounding clip	Almond	GFBF20ALLA
	Black	GFBF20BKLA
	Brown	GFBF20LA
	Gray	GFBF20GYLA
	Ivory	GFBF20ILA
	Light Almond	GFBF20LALA
	Office White	GFBF20OWLA
	Red	GFBF20RLA
	White	GFBF20WLA

Note: GFCI type receptacles should not be used in critical care patient areas or for electrical life support equipment applications because of the possibility of power interruption. All GFCI receptacles listed above are furnished with a matching color nylon wallplate.

ALL GFCI RECEPTACLE SPECIFICATIONS

Trip level	4 to 6 mA
Trip time	.025 sec. nominal
Frequency	60 Hz
Voltage	120V AC +10% - 15%
Amperage	15A/20A; 20A feed thru
Maximum interrupting capacity	10,000 Amps
Operating temperature	-35°C to +66°C or -30°F to +150°F
Maximum humidity	95%
Listings and standards	Meets UL498 for receptacles; UL943 Class A for GFCIs UL Listed; CSA Certified
Codes	Meets all NEC® and GEC requirements

PRODUCT DIMENSIONS Inches (mm)



NEC® is a registered trademark of the National Fire Protection Association (NFPA).

10kA Short Circuit Current Rating

Continually tests and monitors for people protection automatically; patented self test diagnostics

Steady "ON" GREEN LED provides indication of power

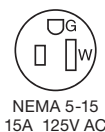


Steady "ON" RED LED provides visual indication of a ground fault condition; rapid-flashing RED indicates device has lost capability to provide ground fault protection

Open circuit condition eliminates false assumption of protection at face

GFST20I

HOSPITAL GRADE ● CIRCUITPRO® SELF TEST GFCI RECEPTACLES



GF82WST

Description	Color	Catalog Number	
Hospital grade; flush; nylon face; brass bridge; back and side wired; multiple drive screws	Almond	GF82ALST	GF83ALST
	Black	GF82BKST	GF83BKST
	Brown	GF82ST	GF83ST
	Gray	GF82GYST	GF83GYST
	Ivory	GF82IST	GF83IST
	Office White	GF82OWST	GF83OWST
	Red	GF82RST	GF83RST
	White	GF82WST	GF83WST

CIRCUITPRO® SELF TEST COMMERCIAL GFCI RECEPTACLES



GFST20I

Description	Color	Catalog Number	
Flush; nylon face; back and side wired; multiple drive screws	Almond	GFST15AL	GFST20AL
	Black	GFST15BK	GFST20BK
	Brown	GFST15	GFST20
	Gray	GFST15GY	GFST20GY
	Ivory	GFST15I	GFST20I
	Light Almond	GFST15LA	GFST20LA
	Office White	GFST15OW	GFST20OW
	Red	GFST15R	GFST20R
	White	GFST15W	GFST20W

Note: GFCI type receptacles should not be used in critical care patient areas or for electrical life support equipment applications because of the possibility of power interruption. All GFCI receptacles listed above are furnished with a matching color nylon wallplate. 20 amp feedthrough capability.



GFST20IBULK



GFSTBF20I

CIRCUITPRO® SELF TEST COMMERCIAL GFCI RECEPTACLES



NEMA 5-15
15A 125V AC



NEMA 5-20
20A 125V AC

Description	Color	Catalog Number	
Bulk packed; 50 pieces	Almond	GFST15ALBULK	GFST20ALBULK
	Black	GFST15BK BULK	GFST20BK BULK
	Brown	GFST15BULK	GFST20BULK
	Gray	GFST15GYBULK	GFST20GYBULK
	Ivory	GFST15IBULK	GFST20IBULK
	Light Almond	GFST15LABULK	GFST20LABULK
	Office White	GFST15OWBULK	GFST20OWBULK
	Red	GFST15RBULK	GFST20RBULK
	White	GFST15WBULK	GFST20WBULK

CIRCUITPRO® SELF TEST, FACELESS COMMERCIAL GFCI

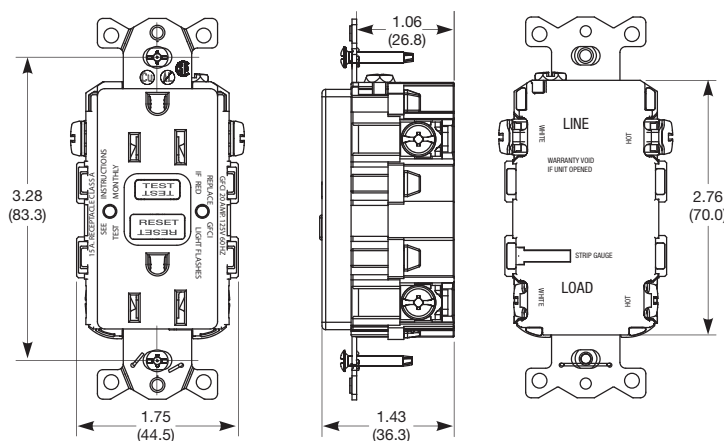
Description	Color	Catalog Number
Faceless; nylon top; back and side wired; multiple drive screws	Almond	GFSTBF20AL
	Black	GFSTBF20BK
	Brown	GFSTBF20
	Gray	GFSTBF20GY
	Ivory	GFSTBF20I
	Light Almond	GFSTBF20LA
	Office White	GFSTBF20OW
	Red	GFSTBF20R
	White	GFSTBF20W

Note: GFCI type receptacles should not be used in critical care patient areas or for electrical life support equipment applications because of the possibility of power interruption. All GFCI receptacles listed above are furnished with a matching color nylon wallplate. 20 amp feedthrough capability.

ALL GFCI RECEPTACLE SPECIFICATIONS

Trip level	4 to 6 mA
Trip time	.025 sec. nominal
Frequency	60 Hz
Voltage	120V AC +10% - 15%
Amperage	15A/20A; 20A feed thru
Maximum interrupting capacity	10,000 Amps
Operating temperature	-35°C to +66°C or -30°F to +150°F
Maximum humidity	95%
Listings and standards	Meets UL498 for receptacles; UL943 Class A for GFCIs UL Listed; CSA Certified
Codes	Meets all NEC® and CEC requirements

PRODUCT DIMENSIONS Inches (mm)



NEC® is a registered trademark of the National Fire Protection Association (NFPA).

Ground Fault Devices

GFCI Sensing Modules and Circuit Breakers



The sensing module functions interdependently with a magnetic branch circuit breaker. The module monitors the electrical circuit by use of an external differential current transformer. No direct load is present at the module. In the event of a ground fault, the load is interrupted by way of the hydraulic magnetic circuit breaker utilizing a shunt trip coil.

This line of Sensing Modules is rated from 1 to 50 Amps and circuit current-carrying conductors from 1 to 3 poles.



Product is available with an automatic or manual "safe start" reset feature. The enclosure, when mounted with the supplied gasket, achieves a NEMA 4X Rating.

This module and breaker system is ideal for portable generator integration protecting all outlets on a generator. This system meets the proposed requirements for generators Underwriters Laboratory Subject 2201.

UL/cUL 943 Listed, Class A 4-6mA trip level and UL 1053 Compliant.

Typical Applications Include:

Power Generators, Spas, High Pressure Washers, Power Centers, Refineries and Agricultural Equipment.



GFMD120M

GFCI SENSING MODULES – 50A MAXIMUM

Description	Catalog Number
120V AC Sensing Module Auto	GFMD120A
120V AC Sensing Module Manual	GFMD120M
240V AC Sensing Module Auto	GFMD240A
240V AC Sensing Module Manual	GFMD240M



GFMD240M

GFCI SENSING MODULE CIRCUIT BREAKERS

Catalog Number Configurator

Example Catalog Number: GFMDCB120401P			
GFMDCB*	120	40	1P
G ROUND F AULT	120V AC	1 thru 50	1P
M ODULE	240V AC	Amp	2P
C IRCUIT B REAKER	120/240V AC		3P

Other Examples:

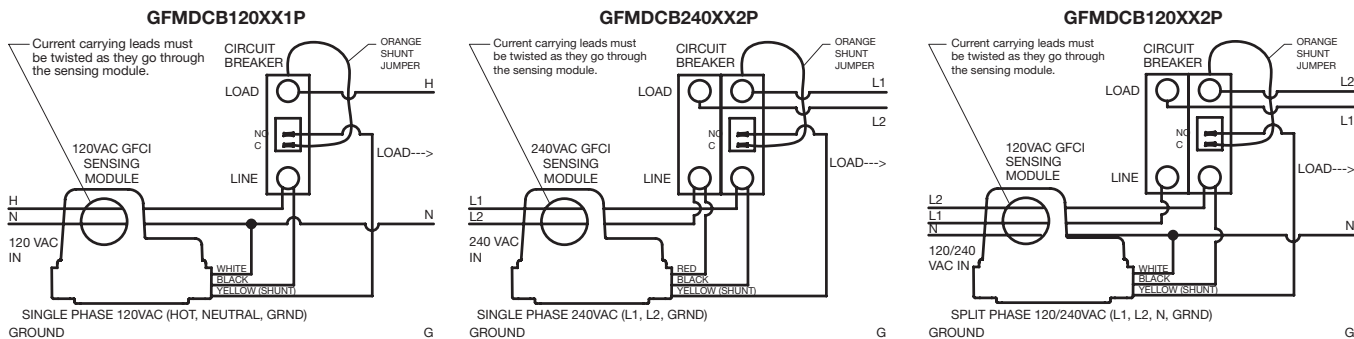
GFMDCB240502P: 240V 50A 2P

GFMDCB240203P: 240V 20A 3P

*GFMDCB = Ground Fault Module Circuit Breaker



WIRING SCHEMATICS

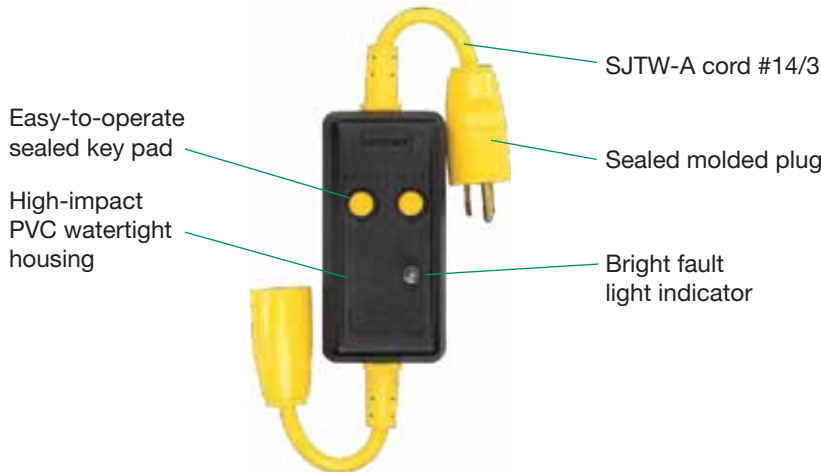


Ground Fault Devices

Manual Set GFCI Line Cords



Portable GFCI Line Cords provide ground fault protection both indoors and out. They interrupt electrical power to protect personnel when leakage to ground is 4-6 milliamperes. Available in lengths of 18" (45.7 cm), 6' (182.9 cm), and 25' (762 cm). A 15' (457.2 cm) OEM version with stripped leads is also available. They are offered with Manual Set feature to meet your application.



GFCI115

IP20
SUITABILITY

MANUAL SET PORTABLE GFCI LINE CORDS

15A 120V AC

Description	Catalog Number
18" (45.7 cm) GFCI line cord	GFCI115
6' (182.9 cm) GFCI line cord	GFCI615
25' (762.0 cm) GFCI line cord	GFCI2515

QUADPLEX® GROUND FAULT CORD SETS

15A 120V AC

Description	Catalog Number
6' (182.9 cm) 12/3 SJO cord; pilot light; yellow; thermoplastic	T1254GF6



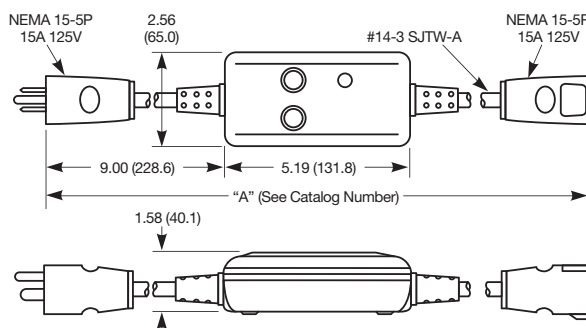
T1254GF6

SPECIFICATIONS

Portable GFCI Line Cords

Trip level	4 to 6 mA
Trip time	.025 sec. nominal
Frequency	60 Hz
Voltage	120V AC +10% - 15%; incorporates no voltage release feature
Current	15 Amps
Maximum interrupting capacity	2,000 Amps
Operating temperature	-35°C to +66°C or -30°F to +150°F
Maximum humidity	95%
Housing	High-impact; UV stabilized PVC; UL 94V-0 flammability classification Meets UL and CSA watertight requirements; adhesive bonded
Input	NEMA 5-15P
Power "ON" indication	LED indicator light
Cord type	#14 AWG SJTW-A (UL); SJTW (CSA)
Visual fault indication light on	Indicates fault
Listing and standards	Meets UL943 Class A; UL Listed; CSA Certified
Codes	Meets all NEC® and CEC requirements

PRODUCT DIMENSIONS Inches (mm)



NEC® is a registered trademark of the National Fire Protection Association (NFPA).



GFC2A



GFC2TRIA



GFCI15125A



GFCI15125TRIM



GFCL15A



GFP15A

PORTABLE GFCI – SINGLE AND TRIPLE TAP

Description	Catalog Number
2' (60.9 cm) GFCI line cord; single; automatic set	GFC2A
2' (60.9 cm) GFCI line cord; single; manual set	GFC2M
25' (762.0 cm) GFCI line cord; single; manual set	GFC25M
2' (60.9 cm) GFCI line cord; triple tap; automatic set	GFC2TRIA
2' (60.9 cm) GFCI line cord; triple tap; manual set	GFC2TRIM

15A 120V AC

GFCI IN LINE GFCI – SINGLE AND TRIPLE TAP

Description	Catalog Number
2' (60.9 cm); 5-15 single tap; automatic set	GFCI15125A
2' (60.9 cm); 5-15 single tap; manual set	GFCI15125M
2' (60.9 cm); 5-15 triple tap; automatic set	GFCI15125TRIA
2' (60.9 cm); 5-15 triple tap; manual set	GFCI15125TRIM

15A 120V AC

OEM EQUIPMENT INTEGRATED CORD SETS

Description	Catalog Number
15' (457.2 cm) GFCI with flying leads; automatic set	GFCL15A
GFCI black plug; field wireable; automatic set	GFP15A
GFCI black plug; field wireable; manual set	GFP15MA

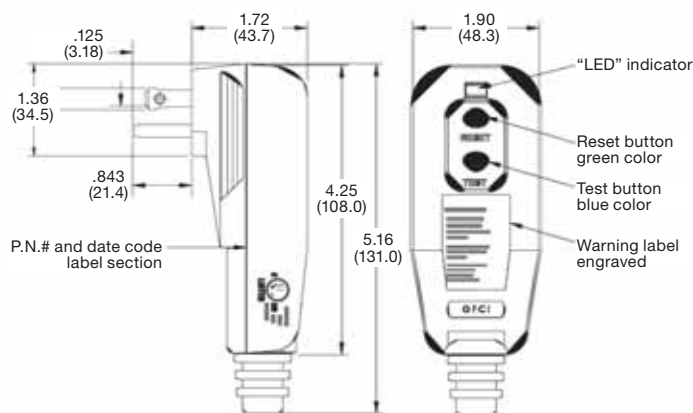
15A 120V AC

SPECIFICATIONS

Portable GFCI Line Cords

Trip Level	4 to 6 mA
Trip Time	.025 sec. nominal
Frequency	60 Hz
Voltage	120V AC +10% - 15%; incorporates no voltage release feature
Current	15 Amps
Maximum Interrupting Capacity	2,000 Amps
Operating Temperature	-35°C to +66°C or -30°F to +150°F
Maximum Humidity	95%
Housing	High-impact; UV stabilized PVC; UL 94V-0 flammability classification; Meets UL and CSA watertight requirements; adhesive bonded
Cord Type	#14 AWG SJTW-A (UL); SJTW
Visual Fault Indication Light On	LED indicates fault
Listing and Standards	Meets UL943 Class A; UL Listed
Codes	Meets all NEC® and CEC requirements

PRODUCT DIMENSIONS Inches (mm)

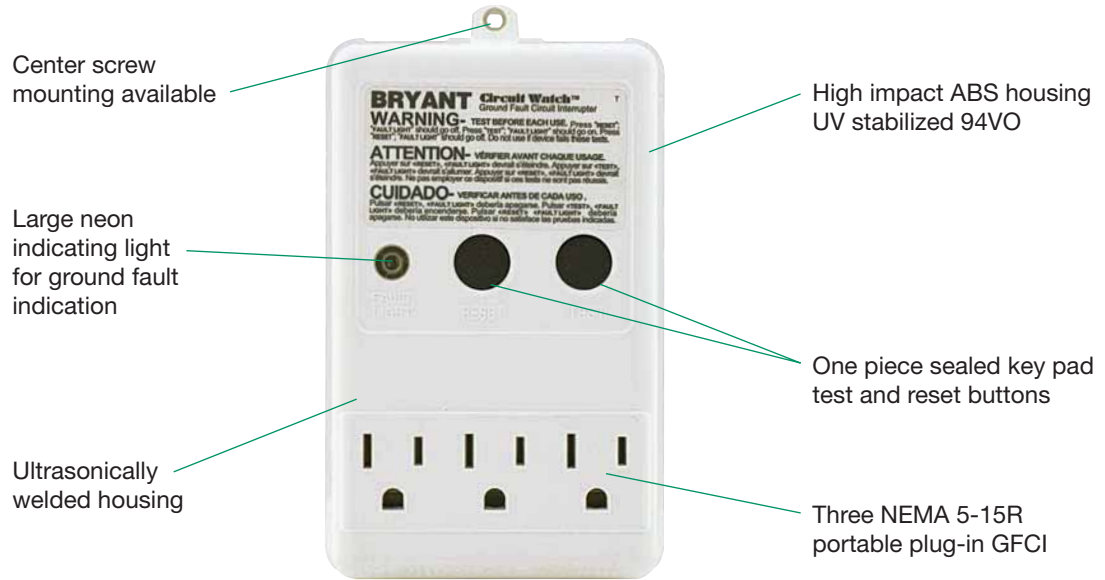


GFP15 Series

NEC® is a registered trademark of the National Fire Protection Association (NFPA).

Ground Fault Devices

Bryant® Plug-In Portable GFCI



GFP153R

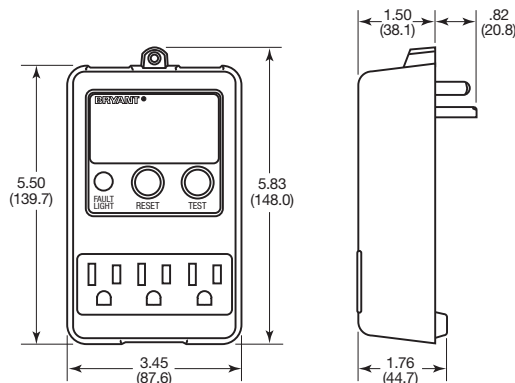
BRYANT® PLUG-IN PORTABLE GFCI

Description	Rating	Catalog Number
Three outlet plug-in	15A, 120V AC	GFP153R

SPECIFICATIONS

GFP153R	
Trip level	4 to 6 mA
Trip time	.025 sec. nominal
Frequency	60 Hz
Voltage	120V AC +10% - 15%; incorporates no voltage release feature
Current	15 Amps
Maximum interrupting capacity	2,000 Amps
Operating temperature	-35°C to +66°C or -30°F to +150°F
Maximum humidity	95%
Housing	High-impact ABS
Input	NEMA 5-15P
Output	Three NEMA 5-15R
Fault indication	Indicator light
Center screw	For optional permanent mounting
Listings and standards	Meets UL498 for receptacles; UL943 Class A for GFCIs UL Listed; CSA Certified
Codes	Meets all NEC® and CEC requirements

PRODUCT DIMENSIONS Inches (mm)



NEC® is a registered trademark of the National Fire Protection Association (NFPA).

Ground Fault Devices

Temporary Power Distribution Boxes Product Features



TPDLB

Temporary Power Distribution Boxes

- Designed to address temporary power needs on construction sites and outdoor events
- Boxes are UL Type 3R for outdoor rainproof applications
- Weatherproof boots available for connecting plugs for additional protection from elements

Certifications

- Bryant's Temporary Power Distribution Boxes meet NEC® 305.6 requirements for personal protection
- Listed to the latest UL 1640 standard for Portable Power Distribution Equipment

Applications

Construction Sites

- Renovations
- New Construction
- Demolition



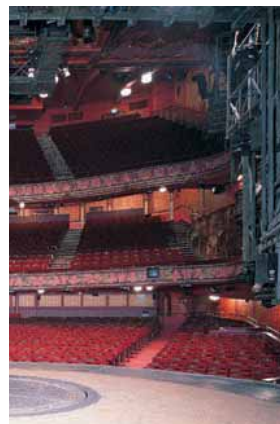
Universities/Schools

- Graduation Ceremonies
- Concerts/Lectures
- Sporting Events



Stage/Theater

- Movie/Broadcasting
- Concerts
- Plays/Musicals



Outdoor Entertainment

- Carnivals
- Festivals
- Professional Sports



NEC® is a registered trademark of the National Fire Protection Association (NFPA).

Ground Fault Devices

Temporary Power Distribution Boxes



TEMPORARY POWER DISTRIBUTION BOXES



TPDLB

Rating	Type	Qty	Receptacle Ratings	Protection Overload	GFCI Protected	Catalog Number
50A, 120/240V AC (Max.)	Straight Blade	6	20A, 125V	Yes	Yes	TPDSB
	Locking	1	30A, 250V	Yes	No	
	Locking (inlet)	1	50A, 125/250V	No	No	
	Locking (outlet)	1	50A, 125/250V	No	No	
50A, 120/240V AC (Max.)	Locking	6	20A, 125V	Yes	Yes	TPDLB
	Locking	1	30A, 250V	Yes	No	
	Locking (inlet)	1	50A, 125/250V	No	No	
	Locking (outlet)	1	50A, 125/250V	No	No	



TPC50B

CABLE SETS

Description	Catalog Number
50A cord set; 50 foot cable; 6/3, 8/1 cable type; with 50A locking plug and connector	TPC50B*
50A cord set; 100 foot cable; 6/3, 8/1 cable type; with 50A locking plug and connector	TPC100B*

Note: *Not UL Listed or CSA Certified.



CS6365L

REPLACEMENT PARTS

Description	Catalog Number
20A, 125V straight blade receptacle	CRS20
30A, 250V locking receptacle	70530FR
50A, 125/250V locking receptacle	CS6369L
50A, 125/250V locking plug	CS6365L
50A, 125/250V locking connector	CS6364L
50A, 125/250V locking inlet	CS6375L
Weather protective plate for 20A receptacle	RW51470
Weather protective plate for 30A receptacle	7420B
Weather protective plate for 50A receptacle	7774CR
Weather protective plate for 50A inlet	7780



CS6375L

SPECIFICATIONS

Boxes		Cables	
Listings/Certifications	UL 1640, UL 943	Listings/Certifications	Connectors: UL/CSA; Cable: MSHA
Environment	Indoor and outdoor wet and dry locations	Environment	Indoor and outdoor wet and dry locations
Enclosure type	3R, rainproof, suitable for use in damp locations		
Code compliance	NEC®, ANSI/NFPA 70		

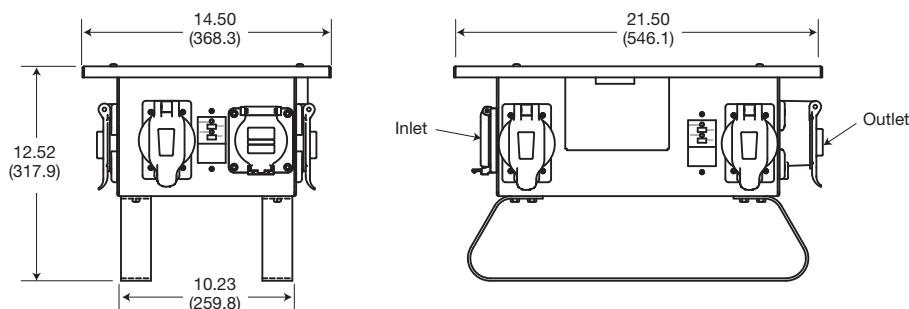


7774CR



7780

PRODUCT DIMENSIONS Inches (mm)



NEC® is a registered trademark of the National Fire Protection Association (NFPA).

Ground Fault Receptacles

Technical Specifications



GFCI DUPLEX RECEPTACLES



GF82WST

DESCRIPTION

Typical Specification – Catalog No. GF82ILA, GF82IST

Manufacturer's Identification – GF82ILA, GF82IST

Description – Straight blade ground fault receptacle

Type – 2-pole, 3-wire; grounding

Rating – 15A, 125V; NEMA 5-15

CERTIFICATION

- Meets UL 943 Class A GFCIs and UL 498 for receptacles
- Complies to NEC® and CEC requirements; UL Listed; CSA Certified

COMPONENTS

Cover and base
Line contacts
Mounting yoke
Terminal screws
Back wire clamp
Grounding screw
Test/reset buttons
Mounting screws

MATERIALS

Thermoplastic
Brass
Hospital grade - brass
#8-32
Steel
Steel (green) #8-32
Thermoplastic
Plated steel



GF82OWLA

PERFORMANCE

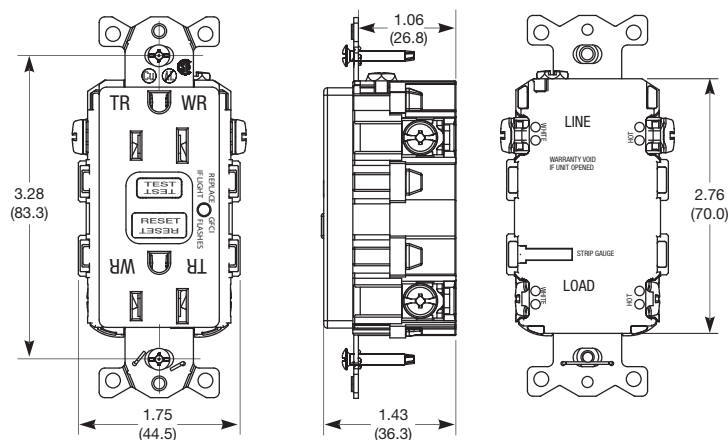
Electrical

Trip level	4 – 6 mA
Trip time	.025 sec
Frequency	60Hz
Voltage	120V AC +10% - 15%
Amperage	15A/20A; 20A feed thru
Maximum interrupting capacity	10,000 Amps
Terminal accommodations	#14-10 AWG stranded or solid copper conductors only

Environmental

Operating temperature	-35° C to +66° C (-30° F to +150° F)
Maximum humidity	95%

PRODUCT DIMENSIONS Inches (mm)





INDEX

PAGE

Surge Suppression Receptacles

Product FeaturesC-2
 Hospital and Specification Grade ReceptaclesC-3

QUADPLEX® Surge Suppression Receptacles

Product FeaturesC-4
 Hospital Grade and Surge Suppression ReceptaclesC-5

Portable Surge Devices

Product Features and Ordering DataC-6

Isolated Ground Straight Blade Receptacles

Product FeaturesC-7
 Hospital Grade and 15 and 20 Amp; Back and Side WiredC-8
 QUADPLEX® ReceptaclesC-9
 30 and 50 Amp; Back WiredC-10

Isolated Ground Locking Receptacles

15, 20 and 30A; Back or Side WiredC-11

Isolated Ground Surge Suppression Receptacles

Technical SpecificationsC-12



Surge and Isolated Ground Devices

Surge Suppression Receptacle Features



Damage-alert alarm sounds when surge protection is no longer functioning; muting screw allows damage-alert alarm to be silenced until device is replaced

Power-on indicator light verifies that suppression circuit is fully functional; light off means power has been interrupted; flashing light indicates surge protection circuitry has been damaged

Automatic grounding clip attached to bridge meets NEC® requirements



High-impact nylon face resists breakage

Distinctive surge symbol provides quick visual identification of surge suppression receptacle

Fits standard wall box

SP83A

Plug Into Protection

Eliminate costly equipment damage and subsequent downtime from transient voltage fluctuations with Bryant's CIRCUIT WATCH isolated ground duplex surge suppression receptacles. These devices stop virtually all voltage transients from internal and external sources. All CIRCUIT WATCH devices are UL Listed and CSA Certified.

Specifications

Bryant surge receptacles conform to the following specifications.

- Transient suppression capacity peak energy will be 240 joules for a 10 x 1000 microsecond pulse
- Common and normal mode protection; normal mode (L-N), common mode (L-G) (N-G)
- Response time less than 5 nano-seconds
- MCOV rating: 150 volts maximum continuous operating voltage rating
- Receptacle rating are 15 or 20 amps, 125 volts
- Base and cover are constructed of high-impact thermoplastic

- Available with and without isolated ground feature
- Receptacles meet the following standards: IEEE 587, Category A and B; UL 1449, UL 498, CSA C22.2, No. 42

Available Types

- 2-pole 3-wire; 15 and 20 amp
- Receptacles available in brown, blue, ivory, white, and gray
- Hospital grade/industrial grade
- 240 joule Isolated Ground terminal receptacles

Isolated Ground Surge Receptacle

Combines isolated ground feature with 240 joule surge suppression protection in one easy-to-wire duplex receptacle. Large #8 brass binding head terminal accepts up to #10 solid or stranded wire.

NEC® is a registered trademark of the National Fire Protection Association (NFPA).

Surge and Isolated Ground Devices Hospital and Specification Grade Surge Supression Receptacles



SP831A

HOSPITAL GRADE DUPLEX RECEPTACLES



NEMA 5-15
15A 125V



NEMA 5-20
20A 125V

Description	Color	Catalog Number	
Surge suppression receptacles with light and alarm; 240 joules/15,000 amps per mode	Blue	SP82A	SP83A
	Gray	SP82GYA	SP83GYA
	Ivory	SP82IA	SP83IA
	White	SP82WA	SP83WA
Isolated ground; surge suppression receptacles with light and alarm; 240 joules/15,000 amps per mode	Blue	SP82IGA	SP83IGA
	Gray	SP82IGGYA	SP83IGGYA
	Ivory	SP82IGIA	SP83IGIA
	Orange	SP82IGOA	SP83IGOA
	Red	SP82IGRA	SP83IGRA
	White	SP82IGWA	SP83IGWA



SP521GA

SPECIFICATION GRADE DUPLEX RECEPTACLES



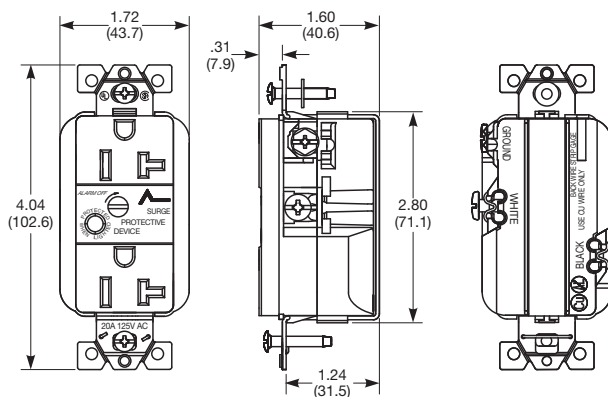
NEMA 5-15
15A 125V



NEMA 5-20
20A 125V

Description	Color	Catalog Number	
Surge suppression receptacles with light and alarm; 240 joules/15,000 amps per mode	Almond	SP52ALA	SP53ALA
	Blue	SP52A	SP53A
	Gray	SP52GYA	SP53GYA
	Ivory	SP52IA	SP53IA
	White	SP52WA	SP53WA
Isolated ground; surge suppression receptacles with light and alarm; 240 joules/15,000 amps per mode	Almond	SP52IGALA	SP53IGALA
	Blue	SP52IGA	SP53IGA
	Gray	SP52IGGYA	SP53IGGYA
	Ivory	SP52IGIA	SP53IGIA
	Orange	SP52IGOA	SP53IGOA
	White	SP52IGWA	SP53IGWA

PRODUCT DIMENSIONS Inches (mm)



Surge Duplex Receptacle Series

Surge and Isolated Ground Devices

QUADPLEX® Surge Suppression Receptacle Features



QUADPLEX®

Accepts up to four straight or angle plugs

“A” and “B” circuits molded into face for easy identification

Heavy-duty; triple-wipe; high performance brass line contacts for excellent retention and conductivity

Snub hole for fast, easy terminations



1254HI

Strip gauge



All four outlets internally connected

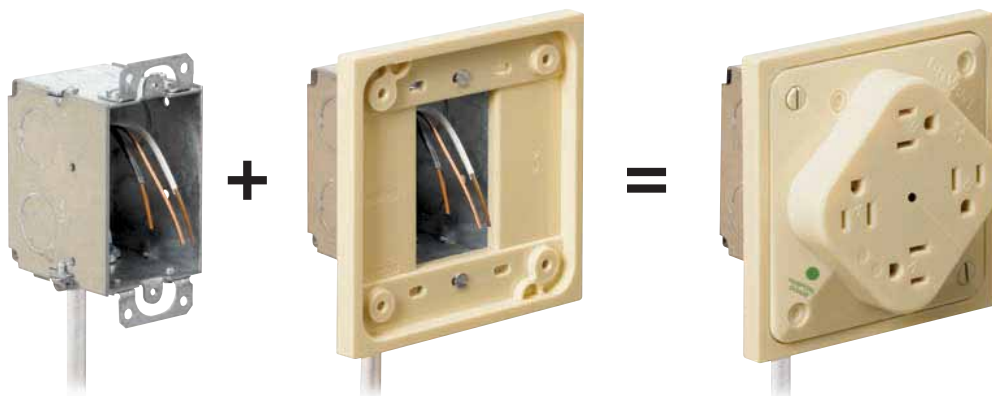
Rugged Lexan® construction

Easily removable knockouts for mounting to octagon concrete ring or box

Break-off tabs for split circuit wiring (except surge units)

Large #8 combination Slot/Robertson head terminal screws accept up to #12 solid or stranded wire

- Receptacles meet or exceed all UL tests for hospital grade and are listed to UL Standards 498
- Mounts directly to 4 inch square or octagon boxes; no cover plate required; meets NEC®
- Adapter plate required for mounting on 1- and 2-gang device boxes; 4 inch square boxes and 4¹/₁₆ inch square boxes with mud rings
- Break off tabs for split circuit wiring (except surge units)
- Saves wiring and installation time



Lexan® is a registered trademark of Sabic Innovative Plastics.
NEC® is a registered trademark of the National Fire Protection Association (NFPA).

Surge and Isolated Ground Devices

QUADPLEX® Surge Supression Receptacles



QUADPLEX®



1254HSIA

HOSPITAL GRADE ● QUADPLEX® RECEPTACLES



NEMA 5-15
15A 125V
0.5 HP



NEMA 5-20
20A 125V
1.0 HP

Description	Color	Catalog Number	
Hospital grade; surge suppression; Lexan®	Blue	1254HSA	21254HSA
	Ivory	1254HSIA	21254HSIA



21254SA

SURGE SUPPRESSION QUADPLEX® RECEPTACLES



NEMA 5-15
15A 125V
0.5 HP



NEMA 5-20
20A 125V
1.0 HP

Description	Color	Catalog Number	
Surge suppression; Lexan®; with terminal screws	Blue	1254SA	21254SA
	Ivory	1254SIA	21254SIA
Wire leads; isolated ground; Lexan®	Blue	—	21254SLA
	Ivory	—	21254SILA

Note: See page A-9 for additional information on Quadplex® receptacles.



ADAPI

ADAPTER PLATES

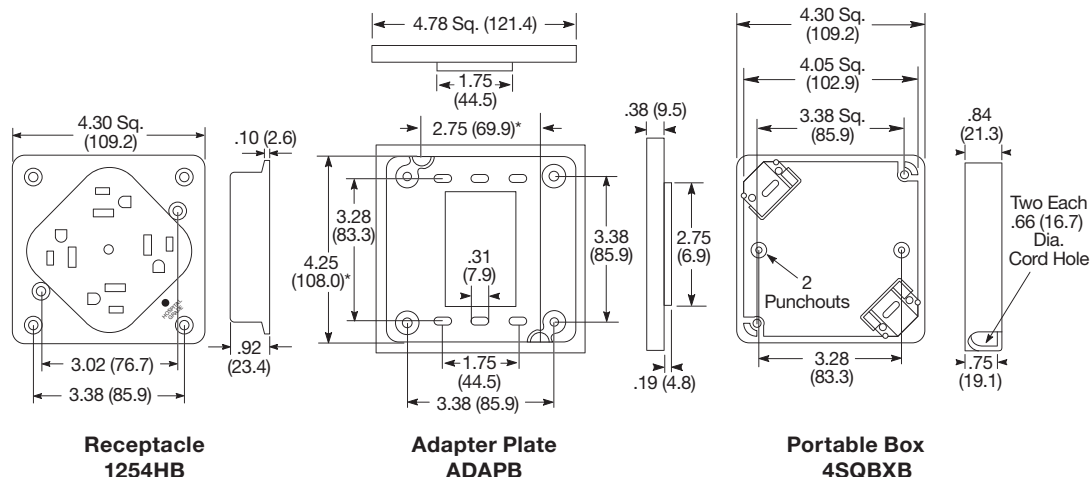
Description	Color	Catalog Number
For 1- and 2-gang device boxes	Blue	ADAPBLU
	Ivory	ADAPI

PORTABLE BOXES Inches (mm)

Description	Color	Catalog Number
4 in. (101.6) square with two cord grips	Blue	4SQBXBLU*
	Ivory	4SQBXI*

Note: *Portable boxes not UL Listed or CSA Certified.
For indoor use only.

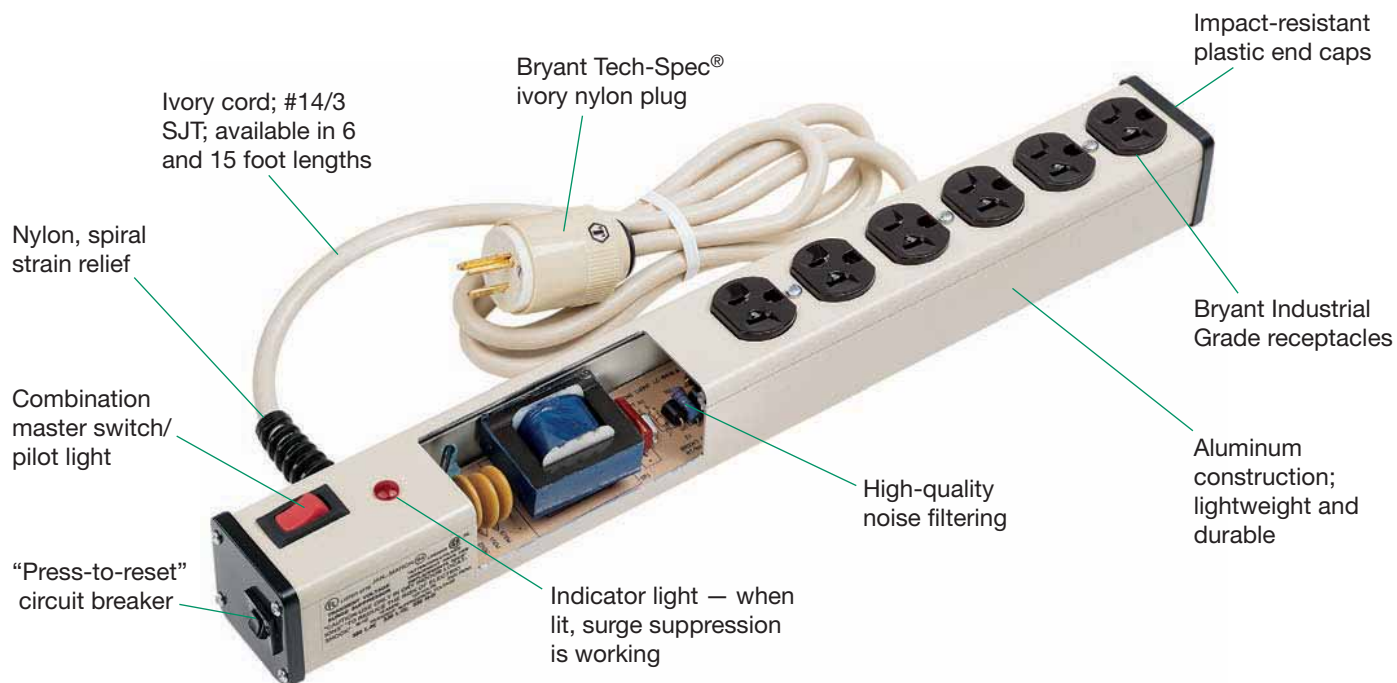
PRODUCT DIMENSIONS Inches (mm)



Lexan® is a registered trademark of Sabic Innovative Plastics.

Surge and Isolated Ground Devices

Portable Surge Protective Devices



Portable Surge Strips

- #14/3 SJT ivory cord 6 foot (1.83 m) and 15 foot (4.57 m) available
- Tech-Spec® ivory nylon plug
- Plug-in unit has phone line protection

- Press-to-reset circuit breaker
- Lightweight and durable aluminum construction
- Impact-resistant plastic end caps
- Nylon, spiral strain relief

All Units

- Surge protection "ON" indicator light
- 140 joule rated
- Quality EMI/RFI filtering



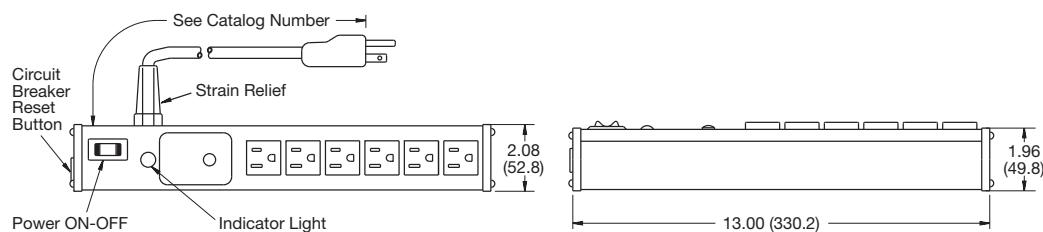
PORTABLE SURGE STRIPS

NEMA 5-15 15 AMP 125V Feet (m)



Description	Color	Circuit Breaker Rating	Joule Rating	Catalog Number
6 outlets; 6 ft. (1.83) cord; competitive protection	Ivory	15A	140	ST16
6 outlets; 15 ft. (4.57) cord; competitive protection	Ivory	15A	140	ST115

PRODUCT DIMENSIONS Inches (mm)



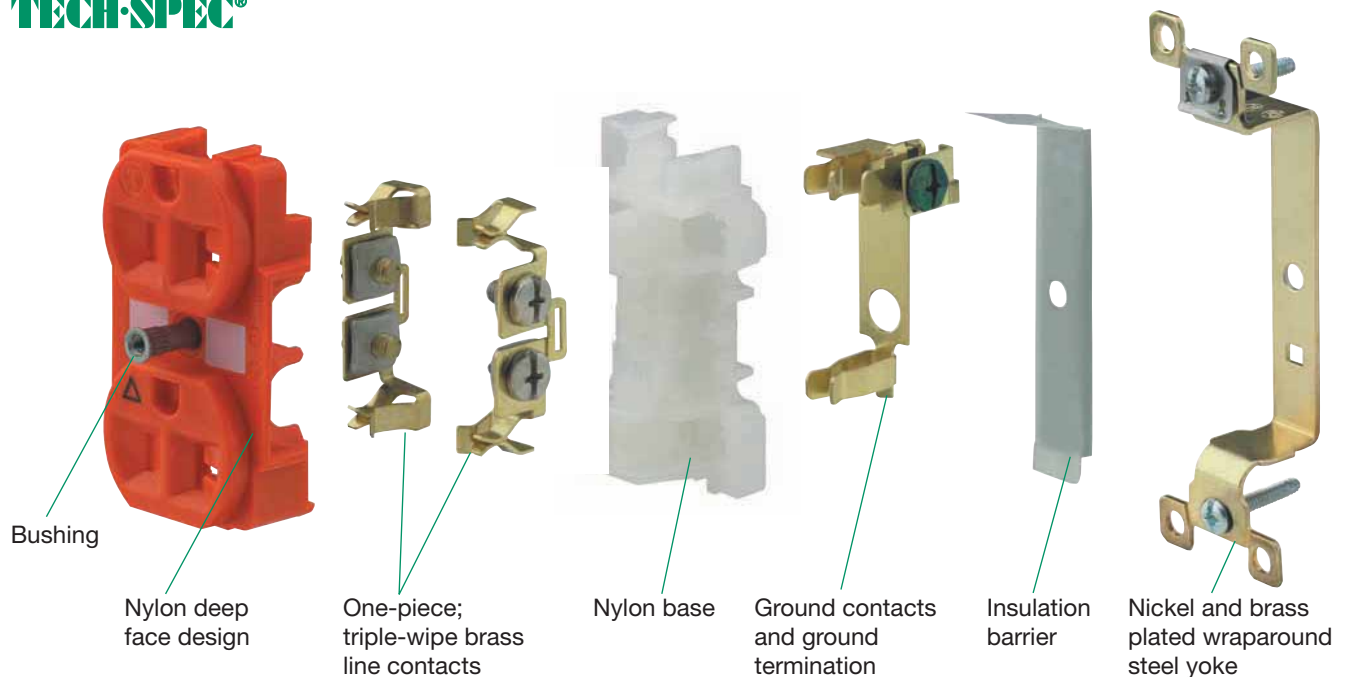
ST16

Surge and Isolated Ground Devices

Isolated Ground Receptacle Features



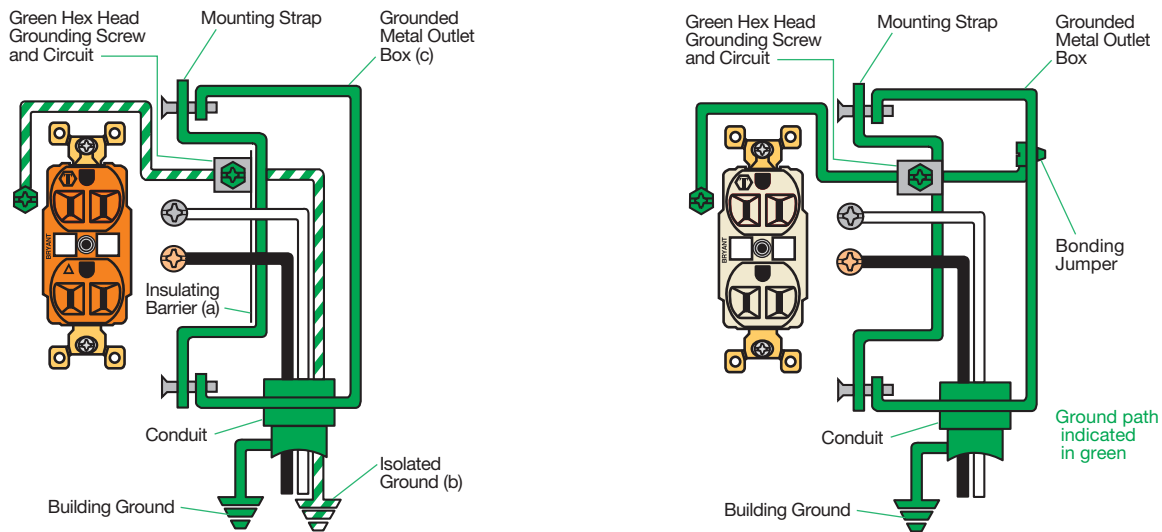
TECH·SPEC®



Characteristics of Isolated Ground Wiring Devices

Isolated ground devices help limit electrical noise on the equipment grounding circuit by providing two grounding paths for the installation. The device grounding circuit terminal and grounding contacts are isolated from the grounding path of the metal outlet box, device mounting means, and metal cover or wall plate, thus establishing a separate, dedicated equipment grounding path for connecting noise-sensitive equipment.

Principles of Operation



Isolated Ground Receptacle

Isolated ground receptacles are not grounded to building ground at the receptacle location. Grounding of this device requires that an isolated ground path be established from the receptacle grounding terminal to a suitable equipment grounding point "upstream" from the device.

Insulating barrier (a) prevents isolated grounding circuit (b) from making contact with the outlet box (c) which otherwise would ground the receptacle through the building ground.

Conventional Receptacle

Conventional receptacles are grounded to building ground at the receptacle outlet. When mounted in the box, a single grounding path is established through the grounded metal outlet box and the building ground system.

Surge and Isolated Ground Devices

Isolated Ground Straight Blade Receptacles



BRY8200IG

HOSPITAL GRADE ● 15 AND 20 AMP, 120V RECEPTACLES



Description	Color	Catalog Number	
Duplex; nylon; back and side wired	Orange	BRY8200IG	BRY8300IG
Single; nylon; back and side wired	Orange	8210IG	8310IG
Fashion Series™; duplex; nylon; back and side wired	Gray	9200IGGRY	9300IGGRY
	Ivory	9200IGI	9300IGI
	Orange	9200IG	9300IG
	Red	9200IGRED	9300IGRED
	White	9200IGW	9300IGW



9200IG

EXTRA HEAVY DUTY, INDUSTRIAL 15 AND 20 AMP, 125V RECEPTACLES

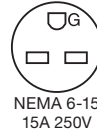


Description	Color	Catalog Number	
Duplex; nylon; back and side wired	Gray	BRY5262IGGRY	BRY5362IGGRY
	Ivory	BRY5262IGI	BRY5362IGI
	Orange	BRY5262IG	BRY5362IG
	White	BRY5262IGW	BRY5362IGW
Single; nylon; back and side wired	Gray	5261IGGRY	5361IGGRY
	Ivory	5261IGI	5361IGI
	Orange	5261IG	5361IG
	White	5261IGW	5361IGW



BRY5262IG

EXTRA HEAVY DUTY, INDUSTRIAL 15 AND 20 AMP, 250V RECEPTACLES

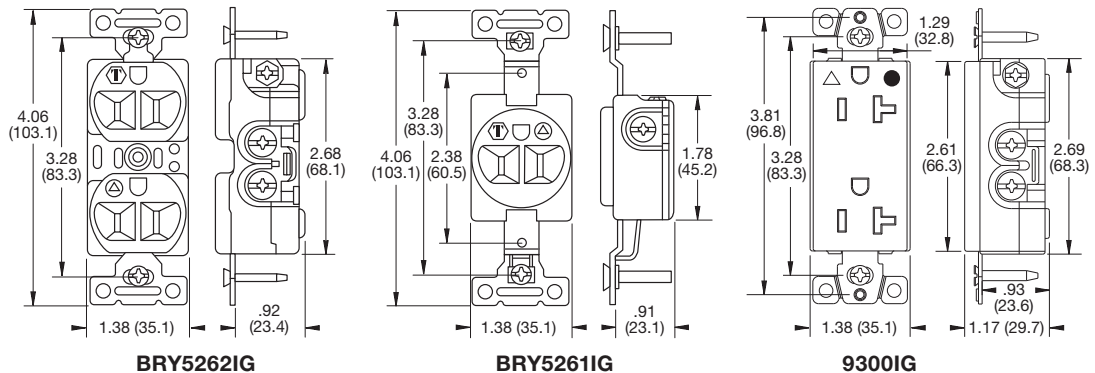


Description	Color	Catalog Number	
Duplex; nylon; back and side wired	Orange	BRY5662IG	BRY5462IG
Single; nylon; back and side wired	Orange	—	8410IG



5261IG

PRODUCT DIMENSIONS Inches (mm)



Surge and Isolated Ground Devices

Isolated Ground Straight Blade Receptacles



CR15IG

COMMERCIAL, SPECIFICATION GRADE 15 AND 20 AMP, 125V RECEPTACLES



NEMA 5-15
15A 125V



NEMA 5-20
20A 125V

Description	Color	Catalog Number	
Smooth nylon face; side wired only	Gray	CR15IGRY	CR20IGRY
	Ivory	CR15IGI	CR20IGI
	Light Almond	CR15IGLA	CR20IGLA
	Orange	CR15IG	CR20IG
	White	CR15IGW	CR20IGW

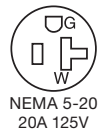


1254IGO

ISOLATED GROUND QUADPLEX® RECEPTACLES



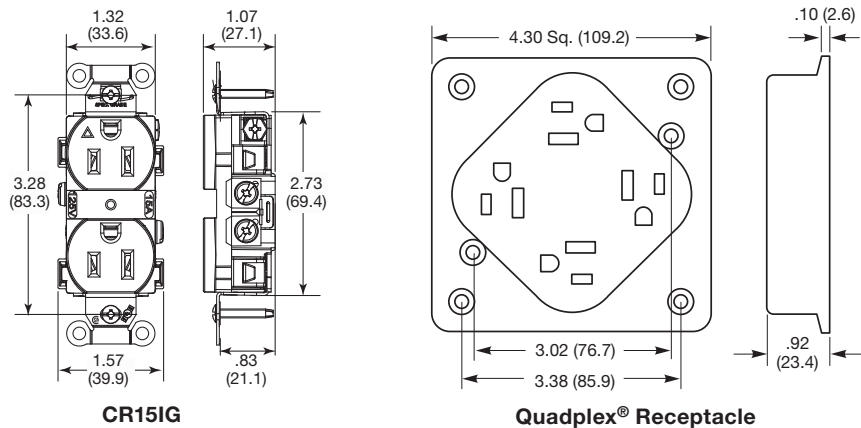
NEMA 5-15
15A 125V



NEMA 5-20
20A 125V

Description	Color	Catalog Number	
Isolated ground; Lexan® with terminal screws	Orange	1254IGO	21254IGO
Isolated ground; Lexan® with wire leads	Orange	—	21254IGOL

PRODUCT DIMENSIONS Inches (mm)



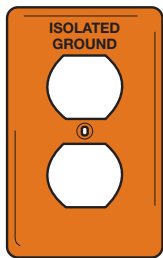
Lexan® is a registered trademark of Sabic Innovative Plastics.



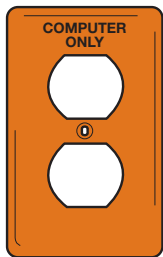
9530IG



9550IG



NP80IG



NPJ8CO

30 AMP STRAIGHT BLADE DEVICES



NEMA 5-30R
30A 125V



NEMA 6-30R
30A 250V

Description	Color	Catalog Number	
Single; flush; RTP* nylon face; 2-pole, 3-wire; back wired	Orange	9530IG	9630IG



NEMA 5-50R
50A 125V



NEMA 6-50R
50A 250V

50 AMP STRAIGHT BLADE DEVICES

Description	Color	Catalog Number	
Single; flush; RTP* nylon face; 2-pole, 3-wire; back wired	Orange	9550IG	9650IG

"ISOLATED GROUND" WALLPLATES**

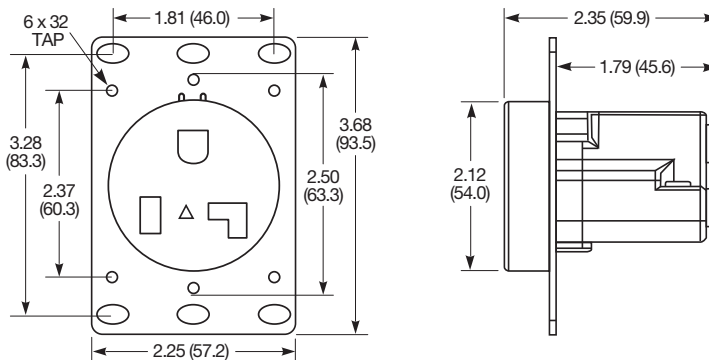
Description	Opening	Color	Catalog Number
Nylon; standard size; 1-gang; hot stamped; recessed black lettering	Duplex	Orange	NP80IG
	Single receptacle	Orange	NP70IG
	Locking 1.60 (40.6) ID	Orange	NP7200IG
	Fashion type	Orange	NP260IG

"COMPUTER ONLY" WALLPLATES**

Description	Opening	Color	Catalog Number
Nylon; mid-size; 1-gang; hot stamped; recessed black lettering	Duplex	Orange	NPJ8CO
	Duplex	Ivory	NPJ8C
	Fashion type	Ivory	NPJ26C

Note: *Reinforced Thermoplastic Polyester.
**See section O for more information on wallplates.

PRODUCT DIMENSIONS Inches (mm)



9530IG, 9630IG, 9550IG & 9650IG

Surge and Isolated Ground Devices

Isolated Ground Locking Receptacles



4700DRIG

15 AMP LOCKING RECEPTACLES

Description	Color	Catalog Number	
Duplex; RTP* nylon face; 2-pole, 3-wire; back and side wired	Orange	4700DRIG	70615DRIG**
Single; nylon face; 2-pole, 3-wire; back and side wired	Orange	4710IG**	70615IG**



NEMA L5-15R
15A 125V



NEMA L6-15R
15A 250V



4710IG

20 AMP LOCKING RECEPTACLES

Description	Color	Catalog Number	
Single; nylon face; 2-pole, 3-wire; back and side wired	Orange	70520IG	70620IG



NEMA L5-20R
20A 125V



NEMA L6-20R
20A 250V



70520IG

20 AMP LOCKING RECEPTACLES

Description	Color	Catalog Number	
Single; nylon face; 3-pole, 4-wire; back and side wired	Orange	71420IG	71430IG



NEMA L14-20R
20A 125/250V



NEMA L14-30R
30A 125/250V



72130IG

30 AMP LOCKING RECEPTACLES

Description	Color	Catalog Number	
Single; nylon face; 2-pole, 3-wire; back and side wired	Orange	70530IG	70630IG



NEMA L5-30R
30A 125V



NEMA L6-30R
30A 250V

30 AMP LOCKING RECEPTACLES

Description	Color	Catalog Number	
Single; nylon face; 4-pole, 5-wire; back and side wired	Orange	72120IG	72130IG



NEMA L21-20R
20A 120/208V 3ØY

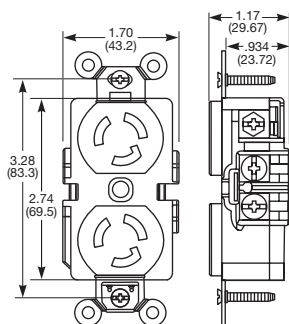


NEMA L21-30R
30A 120/208V 3ØY

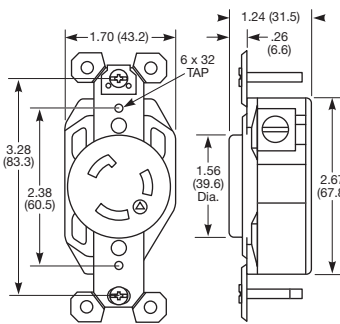
Note: *Reinforced Thermoplastic Polyester.

**See page H-8 for dimensions on 4710 and 70615 series receptacles.

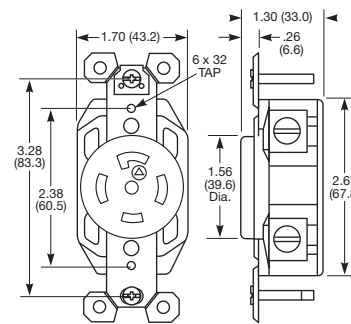
PRODUCT DIMENSIONS Inches (mm)



4700DRIG



70520IG



72130IG



SP521G

STRAIGHT BLADE DUPLEX RECEPTACLE

DESCRIPTION

Manufacturer's Identification — Bryant SP521G Series

Description — Industrial grade isolated ground surge suppression duplex receptacle

Type — 2-pole, 3-wire; grounding

Rating — 15A, 125V

CERTIFICATION

- UL Listed
- UL Standards 1449 surge protective devices and 498 receptacles
- Certified to CSA; C22.2, No. 42
- ANSI/IEEE C62.41 (IEEE 587) categories "A" and "B"
- NEMA WD-6
- Meets UL and CSA varistor thermal protection requirements

COMPONENTS

Cover
Base
Line contacts
Clamp nut
Mounting yoke
Terminal screws
Grounding screw
Ground contacts
Auto grounding assembly
Flat head mounting screws

MATERIALS

Nylon
Nylon
High performance brass alloy
.03 inch (.8) brass
.05 inch (1.3)
Brass #8-32
Brass (green) #8-32
High performance
Stainless steel
Zinc-plated steel

PERFORMANCE

Electrical

UL voltage protection level	500V
Operating voltage	125V AC
Frequency	60 Hz
Protection modes	Normal mode (L-N); common mode (L-G) (N-G)
Noise filtration	RFI and EMI 100KHz; 4MHz-10DB to -20DB
Response time	Less than 5 nanoseconds (ns)
Peak energy 10X 1000µs	240 joules
Peak current 8X 20µs	15,000 Amps

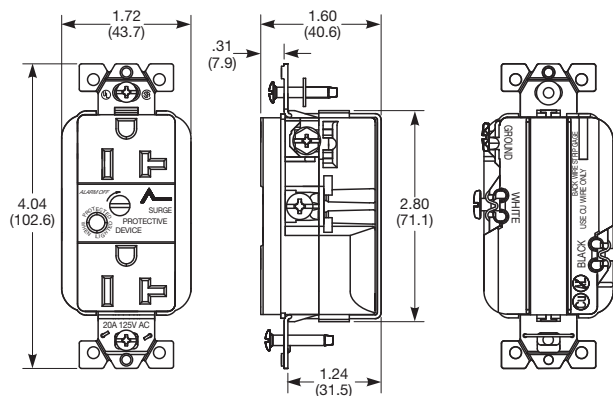
Mechanical

Terminal identification	Terminals identified in accordance with UL 498 (brass, white, green)
Terminal accommodation	#14-10 AWG copper conductor only; solid or stranded
Product identification	Ratings are a permanent part of the device

Environmental

Flammability	Cover: UL 94 V2 Base: UL 94 V2
Operating temperatures	Maximum continuous 20°C to 55°C

PRODUCT DIMENSIONS Inches (mm)



SP521G



INDEX

PAGE

Switches

Commercial Product Features	D-2
Commercial 15 and 20 Amp 120-277V AC Back and Side Wired	D-3
Residential Product Features	D-4
Residential Quiet Rocker Switches	D-5
Combination Quiet Rocker Switches/Devices	D-6

Receptacles

Tamper-Resistant and Weather Resistant	D-8
Hospital Grade and Industrial Product Features	D-9
Hospital Grade Receptacles; 15 and 20 Amp 125V; 2-Pole 3-Wire	D-10
Industrial and Specification Grade; 15 and 20 Amp 125V; 2-Pole 3-Wire	D-11
Commercial Grade Receptacles; 15 and 20 Amp 125V; 2-Pole 3-Wire	D-12
Residential Grade Receptacles; 15 and 20 Amp, 125 and 250V; 2-Pole 3-Wire	D-13
Surge Suppression and Isolated Ground Receptacles; 15 and 20 Amp 125V; 2-Pole 3-Wire	D-14
JLOAD™ Multimedia Outlet; 15 and 20 Amp 125V; 2-Pole 3-Wire	D-15

Wallplates

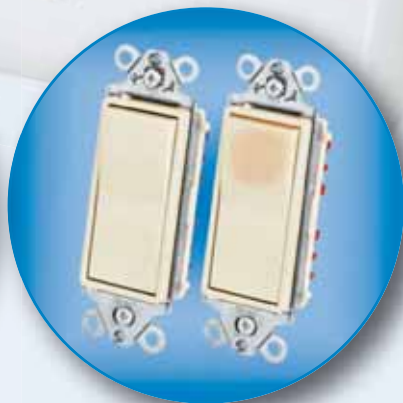
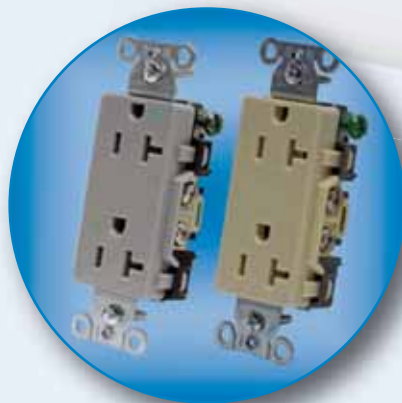
Decorator Snap-On Wallplates	D-16
Decorator Nylon and Metal Wallplates	D-17

Communication Frames

Decorator Frames and HDMI Devices	D-18
---	------

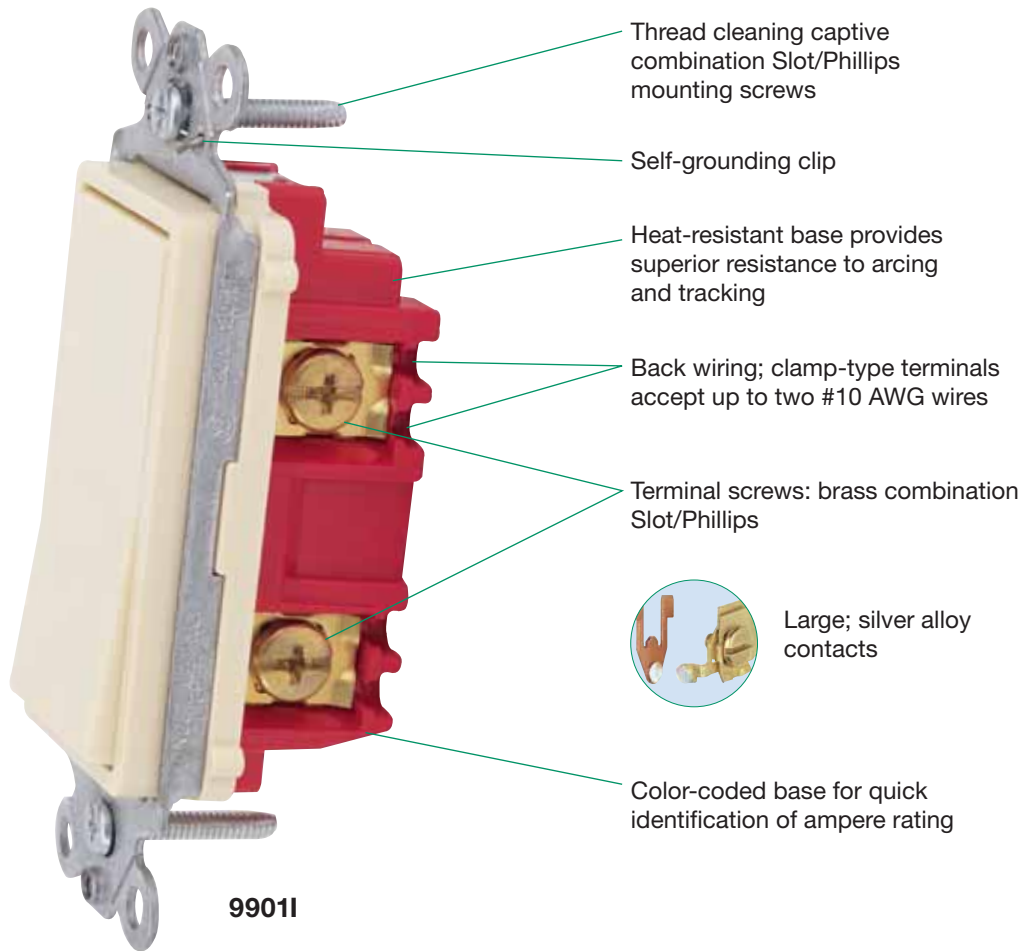
Technical Specifications

Industrial Series and Commercial Series	D-19
Residential Series	D-20





FASHION SERIES™
9000



The Face of Quality

The 9901 AC Rocker Switch shown is typical of Bryant's full line of Fashion Series 9000 designer switches. They combine the quality, features, and durability — the face of quality you've come to expect from Bryant — in a high-fashion look. All switches meet Bryant's rigid performance standards for hospital, industrial and commercial applications.

Available Types

- 15 and 20 amp, 120-277V AC ratings
- Horsepower rated
- Rocker handles in almond, ivory, white, gray, black and brown
- Single-pole, double-pole, 3-way and 4-way
- Two grounding options: grounding screw terminal or self-grounding clip
- Pilot light and lighted handle switches for specialized applications

Pilot Light Switches

Long-lasting neon lamp in handle lights when switch is in the "On" position, indicating that the circuit is energized. Applications include control of circuits which are not easily accessible or are out of sight such as motors, fans, and remote lights.

Lighted Handle Switches

Long-lasting neon lamp in handle glows when switch is in the "Off" position to help locate the switch in darkness. It also serves as a nightlight in rooms and hallways.



Color-Coded Base Indicates Ampere Rating



15 Amp Blue Base
9801 Series



20 Amp Red Base
9901 Series

Decorator Products

Commercial 15 and 20 Amp 120-277V AC; Back and Side Wired



FASHION SERIES™
9000

- General use rocker switches are designed for controlling, resistive, inductive, tungsten-filament, fluorescent and motor loads for AC branch lighting and appliance circuits, as permitted by NEC®
- Reliable, heavy-duty copper alloy construction
- Approved for copper wire only, solid and stranded

COMMERCIAL AC ROCKER SWITCHES

Description	Color	Catalog Number	
		15A 120-277V AC	20A 120-277V AC
Single-pole rocker switch; back and side wired	Almond	9801AL	9901AL
	Black	—	9901BLK
	Brown	9801	9901
	Gray	9801GRY	9901GRY
	Ivory	9801I	9901I
	White	9801W	9901W
Double-pole rocker switch; back and side wired	Almond	—	9902AL
	Black	—	9902BLK
	Brown	—	9902
	Gray	—	9902GRY
	Ivory	—	9902I
	White	—	9902W
3-Way rocker switch; back and side wired	Almond	9803AL	9903AL
	Black	—	9903BLK
	Brown	9803	9903
	Gray	9803GRY	9903GRY
	Ivory	9803I	9903I
	White	9803W	9903W
4-Way rocker switch; back and side wired	Almond	—	9904AL
	Black	—	9904BLK
	Brown	—	9904
	Gray	—	9904GRY
	Ivory	—	9904I
	White	—	9904W



COMMERCIAL AC LIGHTED ROCKER SWITCHES

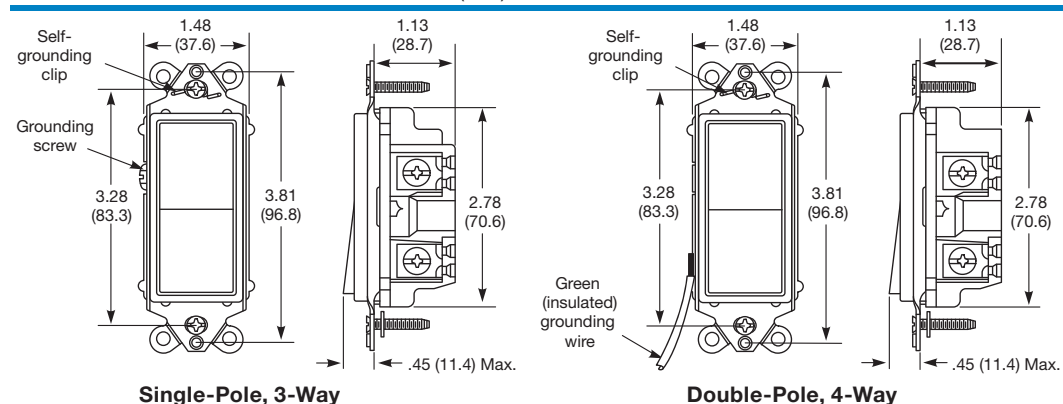
Description	Color	Catalog Number
		20A 120V AC
Single-pole illuminated rocker	Ivory	9901GLI*
	White	9901GLW*
Single-pole pilot rocker	Ivory	9901PLI120**
	White	9901PLW120**
3-Way illuminated rocker	Ivory	9903GLI*
	White	9903GLW*

Note: *Illuminates when switch is "OFF".
**Pilot on when switch is "ON".

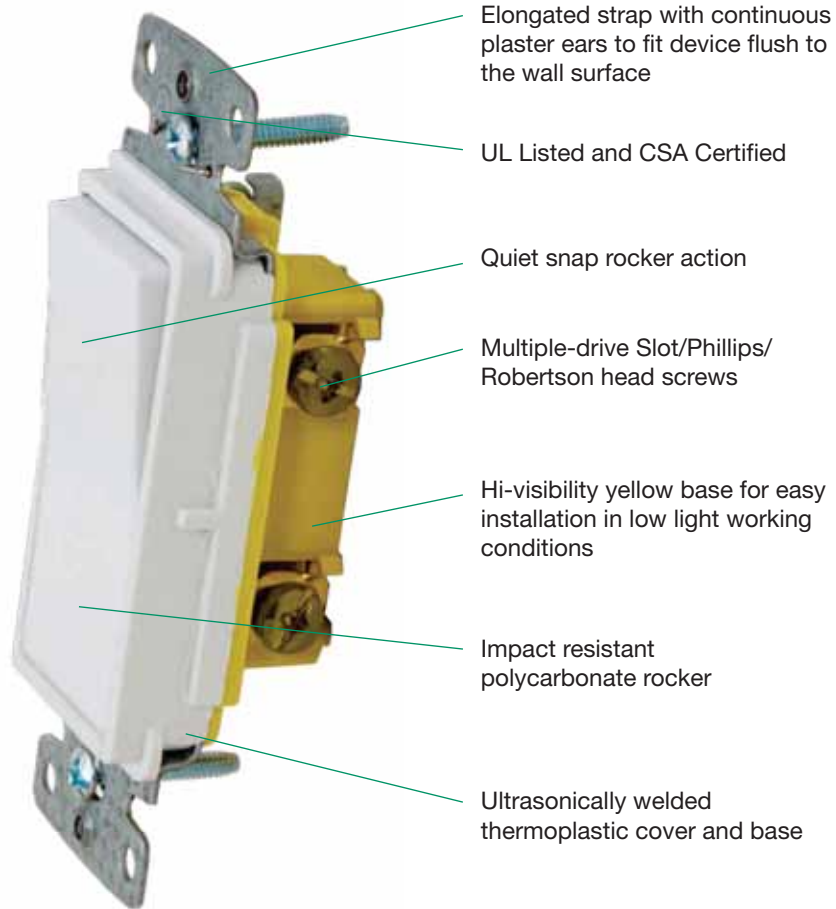
HORSEPOWER RATINGS

RATING	120V	240V	277V AC	RATING	120V	240V	277V AC
15 AMP	½ HP	2 HP	2 HP	20 AMP	1 HP	2 HP	2 HP

PRODUCT DIMENSIONS Inches (mm)



NEC® is a registered trademark of the National Fire Protection Association (NFPA).



Elongated strap with continuous plaster ears to fit device flush to the wall surface

UL Listed and CSA Certified

Quiet snap rocker action

Multiple-drive Slot/Phillips/Robertson head screws

Hi-visibility yellow base for easy installation in low light working conditions

Impact resistant polycarbonate rocker

Ultrasonically welded thermoplastic cover and base

RSD115W

COLOR SELECTION



Choice of Wiring Termination

Single-pole and 3-way decorator switches offer push, side and back wire terminations. Double-pole and 4-way switches offer side and back wire terminations.



Push Wire
When extra speed is required



Side Wire Wrap
Traditional wiring method



Back Wire
Excellent when using stranded wire

Decorator Products

Residential Quiet Rocker Switches



- Available in a wide variety of colors to match any decor
- Smooth, quiet rocker
- Self-grounding feature is standard
- Ultrasonically welded cover and base provides maximum strength



RSD115W

RESIDENTIAL ROCKER SWITCHES

Description	Rating	Color	Catalog Number			
			Single-Pole	Double-Pole	3-Way	4-Way
Rocker switch; self-grounding; push, side and back wire terminations	15A 120-277V AC	Almond	RSD115AL	RSD215AL	RSD315AL	RSD415AL
		Black	RSD115BK	RSD215BK	RSD315BK	RSD415BK
		Brown	RSD115	RSD215	RSD315	RSD415
		Gray	RSD115GY	RSD215GY	RSD315GY	RSD415GY
		Ivory	RSD115I	RSD215I	RSD315I	RSD415I
		Light Almond	RSD115LA	RSD215LA	RSD315LA	RSD415LA
White	RSD115W	RSD215W	RSD315W	RSD415W		



RSD115ILW

RESIDENTIAL LIGHTED ROCKER SWITCHES

Description	Rating	Color	Catalog Number	
			Single-Pole	3-Way
Rocker switch; illuminated; self-grounding; push, side and back wire terminations; illuminates when switch is "OFF"; does not require a neutral wire	15A 120V AC	Almond	RSD115ILAL	RSD315ILAL
		Ivory	RSD115ILI	RSD315ILI
		Light Almond	RSD115ILLA	RSD315ILLA
		White	RSD115ILW	RSD315ILW
Rocker switch; pilot light; self-grounding; push, side and back wire terminations; illuminates when switch is "ON"; requires a neutral wire	15A 120V AC	Almond	RSD115PLAL	—
		Ivory	RSD115PLI	—
		Light Almond	RSD115PLLA	—
		White	RSD115PLW	—

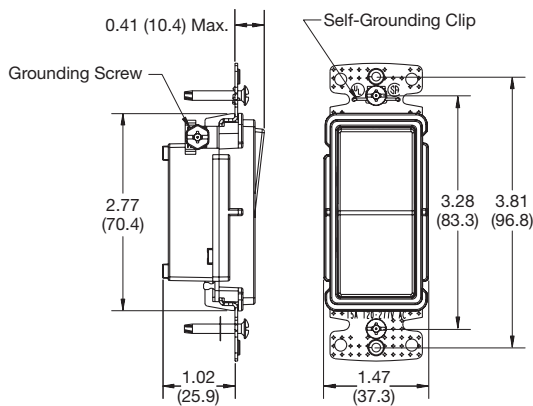


RSD115PLW

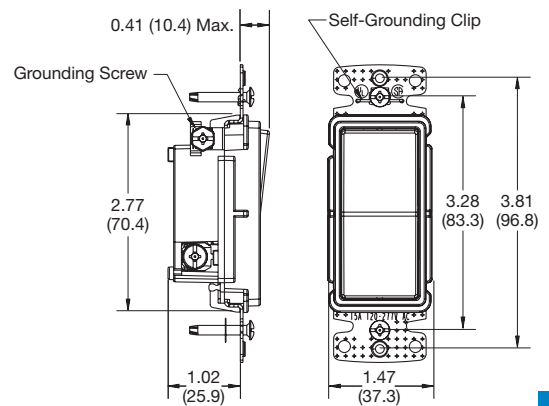
PRODUCT DIMENSIONS Inches (mm)



RSD415W



Single-Pole Decorator Switch



3-Way Decorator Switch



- Low profile, less than 1 inch deep
- Self-grounding feature is standard
- Smooth rocker action
- Elegant appearance



RCD111W



RCD101W



RCD108W



RCD109W

COMBINATION QUIET ROCKER SWITCHES/DEVICES

Description	Rating	Color	Catalog Number
Three (3) single-pole switches; self-grounding; side wire termination	15A 120-277V AC	Almond Ivory Light Almond White	RCD111AL RCD111I RCD111LA RCD111W
Two (2) single-pole switches; self-grounding; side wire termination	15A 120-277V AC	Almond Black Gray Ivory Light Almond White	RCD101AL RCD101BK RCD101GY RCD101I RCD101LA RCD101W
Single-pole and 3-way switch; self-grounding; side wire termination	15A 120-277V AC	Almond Black Gray Ivory Light Almond White	RCD103AL RCD103BK RCD103GY RCD103I RCD103LA RCD103W
Single-pole switch; 2-pole, 3-wire; receptacle; self-grounding; side wire termination	15A 120V AC 15A 125V NEMA 5-15R	Almond Black Gray Ivory Light Almond White	RCD108AL RCD108BK RCD108GY RCD108I RCD108LA RCD108W
Single-pole switch; tamper-resistant; 2-pole, 3-wire; receptacle; self-grounding; side wire termination	15A 120V AC 15A 125V NEMA 5-15R	Almond Black Gray Ivory Light Almond White	RCD108ALTR RCD108BKTR RCD108GYTR RCD108ITR RCD108LATR RCD108WTR
Single-pole switch; pilot light; clear lens; amber neon bulb; self-grounding; side wire termination; neutral required for pilot light; see page D-7 for wiring diagram	15A 120V AC	Almond Ivory Light Almond White	RCD109AL RCD109I RCD109LA RCD109W



NEMA 5-15
15A 125V



NEMA 5-15
15A 125V



Note: *See page D-8 for tamper-resistant description.

Decorator Products

Combination Quiet Rocker Switches/Devices



- Low profile, less than 1 inch deep
- Self-grounding feature is standard
- Smooth rocker action
- Elegant appearance

COMBINATION QUIET ROCKER SWITCHES/DEVICES



RCD303W





RCD308W



RCD309W



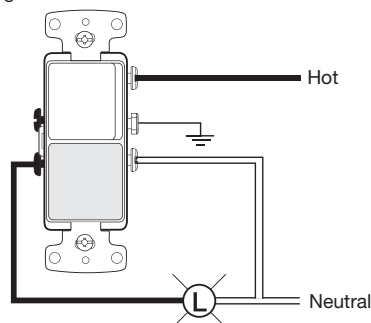
GFSP15W

Description	Rating	Color	Catalog Number
Two (2) 3-way switches; self-grounding; side wire termination	15A 120-277V AC	Almond Black Ivory Light Almond White	RCD303AL RCD303BK RCD303I RCD303LA RCD303W
3-Way switch; 2-pole, 3-wire; receptacle; self-grounding; side wire termination	 15A 120V AC 15A 125V NEMA 5-15R	Almond Black Ivory Light Almond White	RCD308AL RCD308BK RCD308I RCD308LA RCD308W
3-Way switch; tamper-resistant; 2-pole, 3-wire; receptacle; self-grounding; side wire termination	 15A 120V AC 15A 125V NEMA 5-15R	Almond Black Ivory Light Almond White	RCD308ALTR RCD308BKTR RCD308ITR RCD308LATR RCD308WTR
3-Way switch; pilot light; clear lens, amber neon bulb; self-grounding; side wire termination; neutral required for pilot light	15A 120V AC	Almond Ivory Light Almond White	RCD309AL RCD309I RCD309LA RCD309W
Single-pole switch; GFCI grounding receptacle; back and side wire terminations; matching nylon wallplate included	8.3A 1000W 15A 125V AC NEMA 5-15R	Almond Brown Ivory White	GFSP15AL GFSP15 GFSP15I GFSP15W

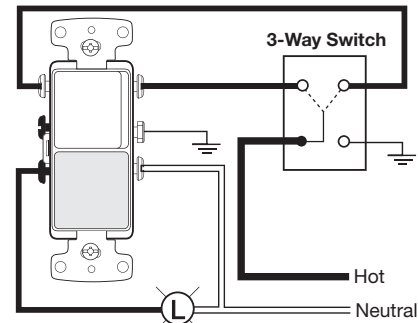
Note: *See page D-8 for tamper-resistant description.

PRODUCT WIRING DIAGRAM

Pilot Light Wiring Diagram
Single Pole



Pilot Light Wiring Diagram
3-Way





Tamper-Resistant (TR) receptacles incorporate internal mechanisms to limit access to energized internal components.

Tamper-resistant receptacles are a mandatory requirement in the 2008 NEC® for use in dwelling unit outlets. There are also many other applications where the use of tamper-resistant receptacles can provide an additional level of electrical safety such as schools, pediatric facilities, lobbies and day-care centers.



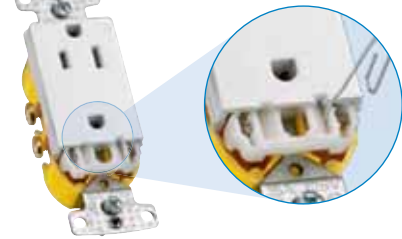
Tamper-Resistant Duplex Receptacles

Complies with NEC® 406.11
Complies with NEC® 210.52
Complies with NEC® 511.12

“Tamper-Resistant Receptacles in Dwelling Units”.
All 125V, 15A and 20A receptacles shall be listed tamper-resistant receptacles per NEC® Article 406.11

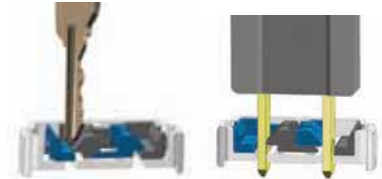
Safety In Action

Spring-loaded shutters lock out a single object, effectively blocking entry to the contacts. Entry is allowed when a 2- or 3-bladed plug is inserted. The result is a receptacle that is tamper-resistant and always on the job.



Because Safety Always Comes First

Tamper-Resistant receptacles are designed to keep children safer, because they keep objects like prying fingers, safety pins and keys out.



Weather Resistant (WR) receptacles installed outdoors or in wet and damp locations are subject to more demanding temperature variations, direct sunlight and unusual mechanical abuse than those in a typical dry environment. Bryant’s Weather Resistant receptacles are specifically designed to withstand these environments and conditions.



Weather Resistant Duplex Receptacles

Complies with NEC® 406.8(A)

“Receptacles in Damp and Wet Locations”.
All 125V and 250V, 15A and 20A receptacles shall be listed as weather resistant type per NEC® Article 406.8

Durable construction using nylon face and base

Fashion Series® provides modern architectural appearance

Sturdy construction wrap-around galvanized steel strap

Self-grounding staple for fast and easy installation



WR - weather resistant marking on receptacle face

Easy access split circuit tab

Accepts fork terminals



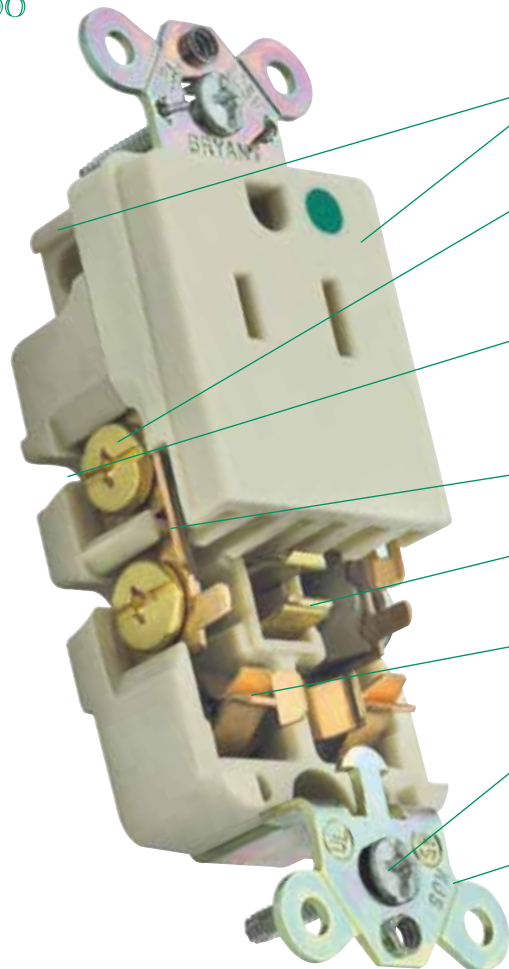
NEC® is a registered trademark of the National Fire Protection Association (NFPA).

Decorator Products

Hospital Grade and Industrial Product Features



FASHION SERIES™
9000



92001

- High-impact thermoplastic face and base
- Terminal screws: brass combination Slot/Phillips/Robertson binding head accepts up to #10 AWG wire
- Back wiring: eight wiring pockets for convenient feed-thru wiring; clamp-type terminals
- Break-off tab for two-circuit wiring
- Double-wipe brass grounding contacts
- One-piece; triple-wipe brass line contacts
- Thread-cleaning captive combination Slot/Phillips/Robertson mounting screws
- Heavy-duty; wraparound steel yoke

The Face of Quality

The built-in features of the 9200 self-grounding receptacle reflect the super-safe design, solid construction, and attention to details — the Face of Quality of Bryant's full line of Fashion Series 9000 designer receptacles. This line assures you of the exact device you need for hospital, industrial or commercial applications.

Available Types

- 2-pole, 3-wire, 15 and 20 amp, 125 and 250V
- Duplex receptacles
- Hospital and industrial
- Isolated ground and lighted face receptacles for special applications

Available Colors

- Almond, ivory, white, gray, black, red, brown and isolated ground orange



Hospital Grade Receptacle

Bryant Fashion Series 9000 hospital grade receptacles are designed to provide maximum safety and will withstand abuse in hospital and industrial applications. Each device passes the most stringent requirements for grounding reliability, security of assembly, strength and durability.



Isolated Ground Receptacle

Prevents stray currents from affecting ultra-sensitive electronic equipment such as data collecting systems and medical monitoring equipment. A separate grounding wire provides a pure isolated path to ground. Refer to Section C for more information.



Lighted Face Receptacle

Bryant Fashion Series 9000 lighted face receptacles utilize a unique clear base design for an outlined view of the receptacle face. Used in hard-to-find locations in hospitals, schools, plants and office buildings. Available in 2-pole, 3-wire, 15 and 20 amp, 125V.



FASHION SERIES™
5000

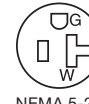


QT9200BK

HOSPITAL GRADE ● QUICK-TECH™ CONNECTORIZED DUPLEX RECEPTACLES



NEMA 5-15
15A 125V



NEMA 5-20
20A 125V

Description	Color	Catalog Number	
Nylon face; requires pigtail terminal below	Almond	QT9200AL	QT9300AL
	Black	QT9200BK	QT9300BK
	Brown	QT9200	QT9300
	Gray	QT9200GY	QT9300GY
	Ivory	QT9200I	QT9300I
	Light Almond	QT9200LA	QT9300LA
	Red	QT9200R	QT9300R
	White	QT9200W	QT9300W
Angle pigtail terminal; clear connector with 6" leads; solid wire		QT1R	
Angle pigtail terminal; clear connector with 6" leads; stranded wire		QT2R	
Straight pigtail terminal; clear connector with 6" leads; solid wire		QT6R1	
Straight pigtail terminal; clear connector with 6" leads; stranded wire		QT6R2	



QT1R

QT6R1

HOSPITAL GRADE ● DUPLEX RECEPTACLES

Description	Color	Catalog Number	
Nylon construction; self-grounding	Brown	9200	9300
	Gray	9200GRY	9300GRY
	Ivory	9200I	9300I
	Red	9200RED	9300RED
	White	9200W	9300W



9200RED

HOSPITAL GRADE ● LIGHTED FACE DUPLEX RECEPTACLES

Description	Color	Catalog Number	
Nylon face; self-grounding	Gray	9200GRYL	9300GRYL
	Ivory	9200IIL	9300IIL
	Red	9200REDL	9300REDL
	White	9200WL	9300WL



9200GRY

HOSPITAL GRADE ● ISOLATED GROUND^A DUPLEX RECEPTACLES

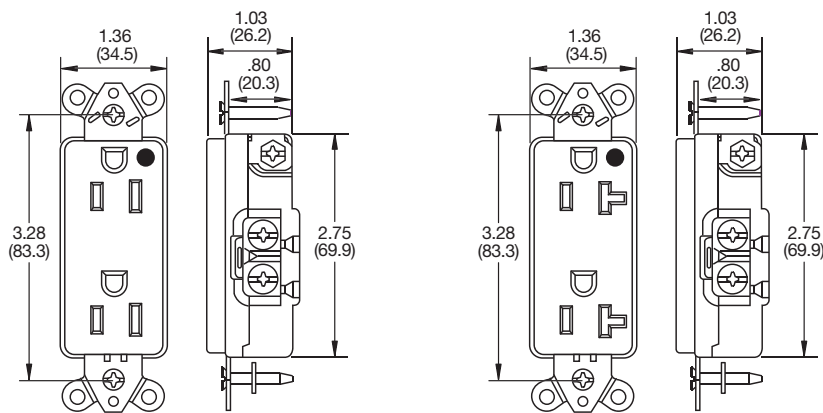
Description	Color	Catalog Number	
Nylon construction	Orange	9200IG	9300IG
	Gray	9200IGGRY	9300IGGRY
	Ivory	9200IGI	9300IGI
	Red	9200IGRED	9300IGRED
	White	9200IGW	9300IGW

Note: ^ASee pages C-7 and C-12 for isolated ground features and specifications.



9200IG

PRODUCT DIMENSIONS Inches (mm)



9200

9300



FASHION SERIES™
9000



QT9252BK

SPECIFICATION GRADE QUICK-TECH™ CONNECTORIZED DUPLEX RECEPTACLES



NEMA 5-15
15A 125V



NEMA 5-20
20A 125V

Description	Color	Catalog Number	
Nylon face; requires pigtail terminal below	Almond	QT9252AL	QT9352AL
	Black	QT9252BK	QT9352BK
	Brown	QT9252	QT9352
	Gray	QT9252GY	QT9352GY
	Ivory	QT9252I	QT9352I
	Light Almond	QT9252LA	QT9352LA
	Red	QT9252R	QT9352R
	White	QT9252W	QT9352W
Angle pigtail terminal; clear connector with 6" leads; solid wire			QT1R
Angle pigtail terminal; clear connector with 6" leads; stranded wire			QT2R
Straight pigtail terminal; clear connector with 6" leads; solid wire			QT6R1
Straight pigtail terminal; clear connector with 6" leads; stranded wire			QT6R2



QT1R

QT6R1



9252I

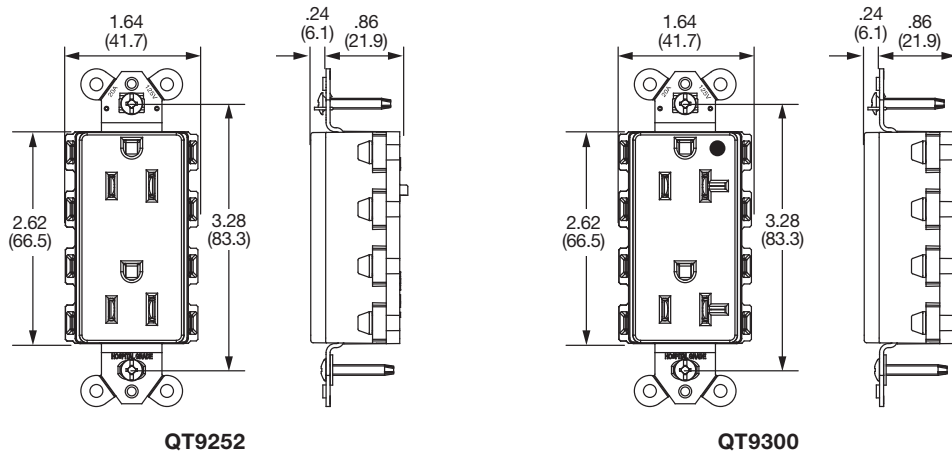
INDUSTRIAL GRADE DUPLEX RECEPTACLES

Description	Color	Catalog Number	
Nylon construction; self-grounding; back and side wired	Almond	9252AL	9352AL
	Brown	9252	9352BRN
	Black	9252BLK	9352BLK
	Gray	9252GRY	9352GRY
	Ivory	9252I	9352I
	White	9252W	9352W



9352BRN

PRODUCT DIMENSIONS Inches (mm)





FASHION SERIES™
5000



DRS20GRY

DUPLEX COMMERCIAL RECEPTACLES

Description	Color	Catalog Number	
Duplex receptacles; thermoplastic polyester; self-grounding; back and side wired	Almond	DRS15AL	DRS20AL
	Black	DRS15BLK	DRS20BLK
	Brown	DRS15	DRS20
	Gray	DRS15GRY	DRS20GRY
	Ivory	DRS15I	DRS20I
	Light Almond	DRS15LA	DRS20LA
	White	DRS15WHI	DRS20WHI



DRS20ITR

TAMPER-RESISTANT COMMERCIAL RECEPTACLES

Description	Color	Catalog Number	
Duplex receptacles; thermoplastic polyester; self-grounding; back and side wired	Almond	DRS15ALTR	DRS20ALTR
	Black	DRS15BLKTR	DRS20BLKTR
	Brown	DRS15TR	DRS20TR
	Gray	DRS15GRYTR	DRS20GRYTR
	Ivory	DRS15ITR	DRS20ITR
	Light Almond	DRS15LATR	DRS20LATR
	White	DRS15WTR	DRS20WTR



DRS20GRYWRTR

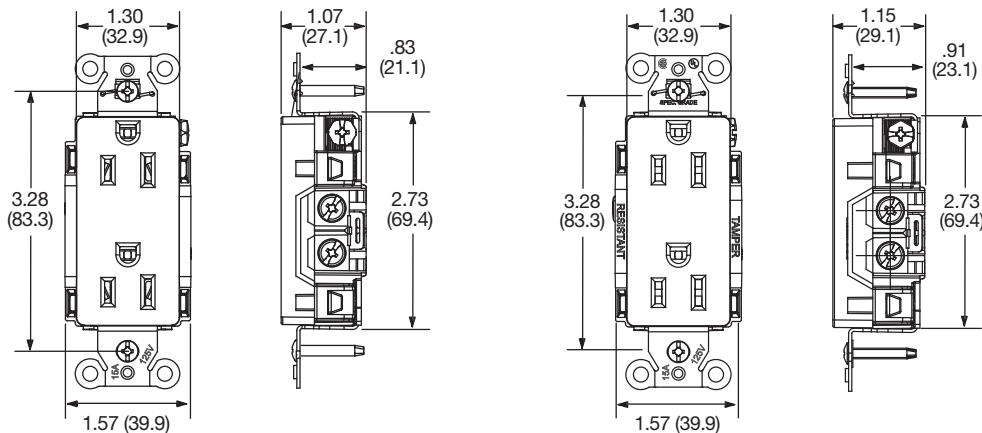
WEATHER RESISTANT AND TAMPER-RESISTANT COMMERCIAL RECEPTACLES

Description	Color	Catalog Number	
Duplex receptacles; thermoplastic polyester; self-grounding; back and side wired	Almond	DRS15ALWRTR	DRS20ALWRTR
	Black	DRS15BLKWRTR	DRS20BLKWRTR
	Brown	DRS15WRTR	DRS20WRTR
	Gray	DRS15GRYWRTR	DRS20GRYWRTR
	Ivory	DRS15IWRTR	DRS20IWRTR
	Light Almond	DRS15LAWRTR	DRS20LAWRTR
	White	DRS15WWRTR	DRS20WWRTR



Note: *See page D-8 for weather resistant and tamper-resistant descriptions.

PRODUCT DIMENSIONS Inches (mm)



Standard

Tamper Resistant



RRD15SW



RRD15W



RRD15EW

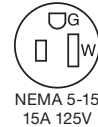


RRD15KW



RRD151W

WEATHER RESISTANT, TAMPER-RESISTANT AND STANDARD RECEPTACLES



Description	Color	Weather and Tamper-Resistant	Tamper-Resistant	Standard
Duplex receptacles; 2-pole; 3-wire; self-grounding; push and side wire terminations	Almond	RRD15SALWRTR	RRD15SALTR	RRD15SAL
	Black	RRD15SBKWRTR	RRD15SBKTR	RRD15SBK
	Brown	RRD15SWRTR	RRD15STR	RRD15S
	Gray	RRD15SGYWRTR	RRD15SGYTR	RRD15SGY
	Ivory	RRD15SIWRTR	RRD15SITR	RRD15SI
	Light Almond	RRD15SLAWRTR	RRD15SLATR	RRD15SLA
	White	RRD15SWWRTR	RRD15SWTR	RRD15SW

TAMPER-RESISTANT AND STANDARD RECEPTACLES



Description	Color		Tamper-Resistant	Standard
Decorator duplex receptacle; 2-pole; 3-wire; push and side wire terminations	Almond	 NEMA 5-15 15A 125V	—	RRD15AL
	Black		—	RRD15BK
	Brown		—	RRD15
	Gray		—	RRD15GY
	Ivory		—	RRD15I
	Light Almond		—	RRD15LA
	White		—	RRD15W
Decorator duplex receptacle; 2-pole; 3-wire; self-grounding; eight push wire holes only; #14 AWG wire	Almond	 NEMA 5-15 15A 125V	RRD15EALTR	RRD15EAL
	Black		RRD15EBKTR	RRD15EBK
	Brown		RRD15ETR	RRD15E
	Gray		RRD15EGYTR	RRD15EGY
	Ivory		RRD15EITR	RRD15EI
	Light Almond		RRD15ELATR	RRD15ELA
	White		RRD15EWTR	RRD15EW
Decorator duplex receptacle; without ears; 2-pole; 3-wire; self-grounding; push and side wire terminations; 100 per case, bulk packed; mounting screws inserted into strap	Almond	 NEMA 5-15 15A 125V	RRD15KALTR	RRD15KAL
	Black		RRD15KBKTR	RRD15KBK
	Brown		RRD15KTR	RRD15K
	Gray		RRD15KGYTR	RRD15KGY
	Ivory		RRD15KITR	RRD15KI
	Light Almond		RRD15KLATR	RRD15KLA
	White		RRD15KWTR	RRD15KW
Decorator single receptacle; 2-pole; 3-wire; self-grounding; side wire termination	Almond	 NEMA 5-15 15A 125V	RRD151ALTR	RRD151AL
	Black		RRD151BKTR	RRD151BK
	Brown		RRD151TR	RRD151
	Gray		RRD151GYTR	RRD151GY
	Ivory		RRD151ITR	RRD151I
	Light Almond		RRD151LATR	RRD151LA
	White		RRD151WTR	RRD151W
Decorator single receptacle; 2-pole; 3-wire; self-grounding; side wire termination	Almond	 NEMA 5-20 20A 125V	RRD201ALTR	RRD201AL
	Black		RRD201BKTR	RRD201BK
	Brown		RRD201TR	RRD201
	Gray		RRD201GYTR	RRD201GY
	Ivory		RRD201ITR	RRD201I
	Light Almond		RRD201LATR	RRD201LA
	White		RRD201WTR	RRD201W
Decorator single receptacle; 2-pole; 3-wire; self-grounding; side wire termination	Almond	 NEMA 6-15 15A 250V	—	RRD155AL
	Black		—	RRD155BK
	Brown		—	RRD155
	Gray		—	RRD155GY
	Ivory		—	RRD155I
	Light Almond		—	RRD155LA
	White		—	RRD155W
Decorator single receptacle; 2-pole; 3-wire; self-grounding; side wire termination	Almond	 NEMA 6-20 20A 250V	—	RRD205AL
	Black		—	RRD205BK
	Brown		—	RRD205
	Gray		—	RRD205GY
	Ivory		—	RRD205I
	Light Almond		—	RRD205LA
	White		—	RRD205W

Note: *See page D-8 for weather resistant and tamper-resistant descriptions.



Damage-alert alarm sounds when surge protection is no longer functioning; muting screw allows damage-alert alarm to be silenced until device is replaced

Power-on indicator light verifies that suppression circuit is fully functional; light off means power has been interrupted; flashing light indicates surge protection circuitry has been damaged

Automatic grounding clip attached to bridge meets NEC requirements



High-impact nylon face resists breakage

Distinctive surge symbol provides quick visual identification of surge suppression receptacle

Fits standard wall box

SP83A



NEMA 5-15
15A 125V



NEMA 5-20
20A 125V

HOSPITAL GRADE ● RECEPTACLES



SP831A

Description	Color	Catalog Number	
Surge suppression receptacles with light and alarm; 240 joules/15000A per mode	Blue	SP82A	SP83A
	Gray	SP82GYA	SP83GYA
	Ivory	SP82IA	SP83IA
	White	SP82WA	SP83WA
Isolated ground; surge suppression receptacles with light and alarm; 240 joules/15000A per mode	Blue	SP82IGA	SP83IGA
	Gray	SP82IGGYA	SP83IGGYA
	Ivory	SP82IGIA	SP83IGIA
	Orange	SP82IGOA	SP83IGOA
	Red	SP82IGRA	SP83IGRA
	White	SP82IGWA	SP83IGWA

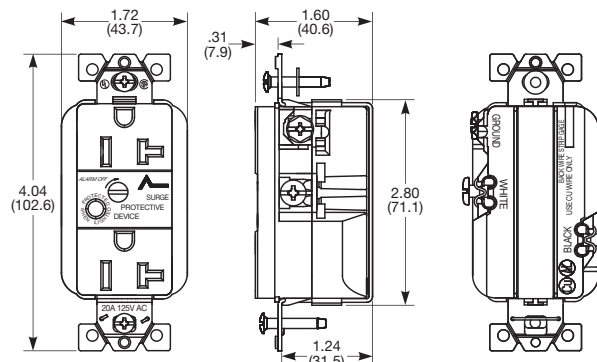
SPECIFICATION GRADE RECEPTACLES



SP52IGA

Description	Color	Catalog Number	
Surge suppression receptacles with light and alarm; 240 joules/15000A per mode	Almond	SP52ALA	SP53ALA
	Blue	SP52A	SP53A
	Gray	SP52GYA	SP53GYA
	Ivory	SP52IA	SP53IA
	White	SP52WA	SP53WA
Isolated ground; surge suppression receptacles with light and alarm; 240 joules/15000A per mode	Almond	SP52IGALA	SP53IGALA
	Blue	SP52IGA	SP53IGA
	Gray	SP52IGGYA	SP53IGGYA
	Ivory	SP52IGIA	SP53IGIA
	Orange	SP52IGOA	SP53IGOA
	White	SP52IGWA	SP53IGWA

PRODUCT DIMENSIONS Inches (mm)



Surge Duplex Receptacle Series



Available in
15 or 20 Amp



RJ620W

Provides for data,
telephone and coaxial

Accepts Bryant snap
fit jacks

Isolates low voltage and
power in the same box

Custom mounting

JLOAD™ requires RJ600



RJ600



RJ620W



RJ62W



RJ600



JLOAD™ MULTIMEDIA OUTLET



NEMA 5-15
15A 125V

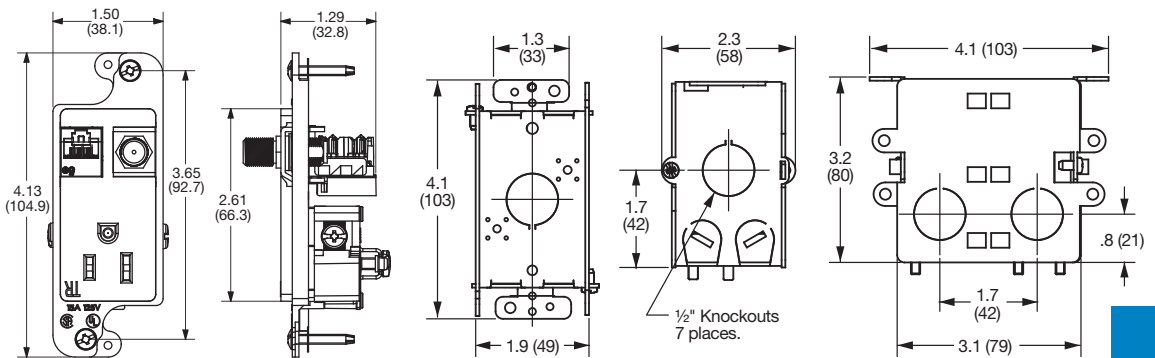


NEMA 5-20
20A 125V

Description	Color	Tamper-Resistant  *	Standard	Tamper-Resistant  *	Standard
JLOAD™ multimedia outlet; provides power, Cat. 5e and coaxial in a single-gang box; requires JLOAD™ multimedia box RJ600; includes decorator frame, one Cat. 5e, one F-connector and single receptacle with voltage divider	Almond	RJ650ALTR	RJ650AL	RJ620ALTR	RJ620AL
	Black	RJ650BKTR	RJ650BK	RJ620BKTR	RJ620BK
	Gray	RJ650GYTR	RJ650GY	RJ620GYTR	RJ620GY
	Ivory	RJ650ITR	RJ650I	RJ620ITR	RJ620I
	Light Almond	RJ650LATR	RJ650LA	RJ620LATR	RJ620LA
White	RJ650WTR	RJ650W	RJ620WTR	RJ620W	
JLOAD™ multimedia outlet; includes decorator frame with two open ports for custom configuration and one single receptacle with voltage divider	Almond	RJ65ALTR	RJ65AL	RJ62ALTR	RJ62AL
	Black	RJ65BKTR	RJ65BK	RJ62BKTR	RJ62BK
	Gray	RJ65GYTR	RJ65GY	RJ62GYTR	RJ62GY
	Ivory	RJ65ITR	RJ65I	RJ62ITR	RJ62I
	Light Almond	RJ65LATR	RJ65LA	RJ62LATR	RJ62LA
White	RJ65WTR	RJ65W	RJ62WTR	RJ62W	
JLOAD™ multimedia box; 3.0 inch deep with seven ½-inch knockouts; non-metallic sheathed cable clamps on each side; screw in mounting to stud	Steel		RJ600		RJ600

Note: *See page D-8 for tamper-resistant descriptions.

PRODUCT DIMENSIONS Inches (mm)



JLOAD™ multimedia outlet

JLOAD™ multimedia box

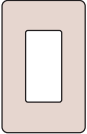
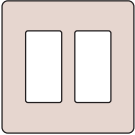
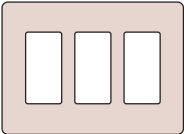
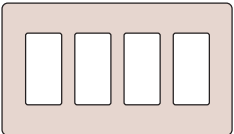
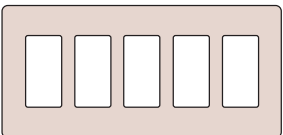
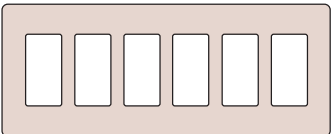
Decorator Products

Decorator Snap-On Wallplates

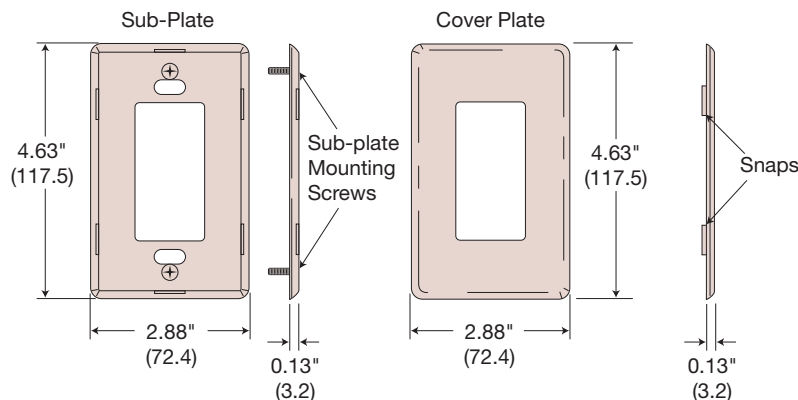


- Smooth gloss finish
- Virtually unbreakable thermoplastic
- Four snaps securely hold the cover
- Multi-gang auto alignment
- UL Listed; CSA Certified

DECORATOR SNAP-ON WALLPLATES

Description	Color	Catalog Number
1-Gang 	Almond Ivory Light Almond White	RCW1AL RCW1I RCW1LA RCW1W
2-Gang 	Almond Ivory Light Almond White	RCW2AL RCW2I RCW2LA RCW2W
3-Gang 	Almond Ivory Light Almond White	RCW3AL RCW3I RCW3LA RCW3W
4-Gang 	Almond Ivory Light Almond White	RCW4AL RCW4I RCW4LA RCW4W
5-Gang 	Almond Ivory Light Almond White	RCW5AL RCW5I RCW5LA RCW5W
6-Gang 	Almond Ivory Light Almond White	RCW6AL RCW6I RCW6LA RCW6W

PRODUCT DIMENSIONS Inches (mm)



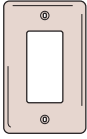
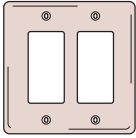
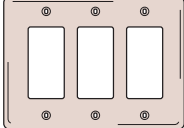
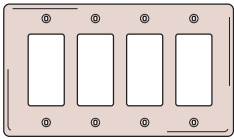
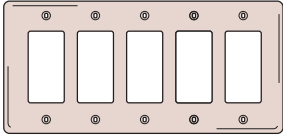
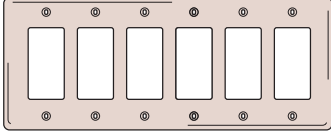
Decorator Products

Decorator Nylon and Metal Wallplates



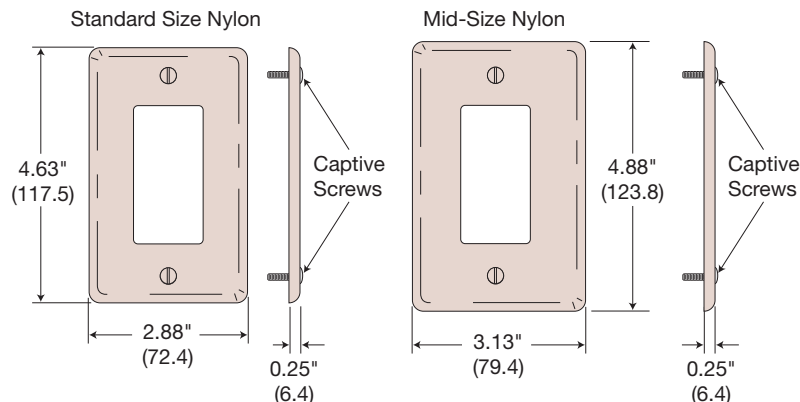
- Pre-inserted captive screws for faster assembly, up to six-gang.
- Virtually unbreakable nylon
- Curved corners blend into any interior
- Reinforcement ribs for stiffness
- Smooth wallplate for easy cleaning

DECORATOR NYLON AND METAL WALLPLATES

Description	Nylon Color	Standard	Mid-Size	Material	Metal
 1-Gang	Almond	NP26AL	NPJ26AL	Brass	SB26
	Black	NP26BK	NPJ26BK	Brass Plated	SBP26
	Brown	NP26	NPJ26	Chrome	SCH26
	Gray	NP26GY	NPJ26GY	Stainless Steel	SS26
	Ivory	NP26I	NPJ26I		
	Light Almond	NP26LA	NPJ26LA		
	White	NP26W	NPJ26W		
 2-Gang	Almond	NP262AL	NPJ262AL	Brass	SB262
	Black	NP262BK	NPJ262BK	Brass Plated	SBP262
	Brown	NP262	NPJ262	Chrome	SCH262
	Gray	NP262GY	NPJ262GY	Stainless Steel	SS262
	Ivory	NP262I	NPJ262I		
	Light Almond	NP262LA	NPJ262LA		
	White	NP262W	NPJ262W		
 3-Gang	Almond	NP263AL	NPJ263AL	Brass	SB263
	Black	NP263BK	NPJ263BK	Brass Plated	SBP263
	Brown	NP263	NPJ263	Chrome	—
	Gray	NP263GY	NPJ263GY	Stainless Steel	SS263
	Ivory	NP263I	NPJ263I		
	Light Almond	NP263LA	NPJ263LA		
	White	NP263W	NPJ263W		
 4-Gang	Almond	NP264AL	NPJ264AL	Brass	SB264
	Black	NP264BK	NPJ264BK	Brass Plated	—
	Brown	NP264	NPJ264	Chrome	—
	Gray	NP264GY	NPJ264GY	Stainless Steel	SS264
	Ivory	NP264I	NPJ264I		
	Light Almond	NP264LA	NPJ264LA		
	White	NP264W	NPJ264W		
 5-Gang	Almond	NP265AL	—	Brass	SB265
	Black	NP265BK	—	Brass Plated	—
	Brown	NP265	—	Chrome	—
	Gray	NP265GY	—	Stainless Steel	SS265
	Ivory	NP265I	—		
	Light Almond	NP265LA	—		
	White	NP265W	—		
 6-Gang	Almond	NP266AL	—	Brass	SB266
	Black	NP266BK	—	Brass Plated	—
	Brown	NP266	—	Chrome	—
	Gray	NP266GY	—	Stainless Steel	SS266
	Ivory	NP266I	—		
	Light Almond	NP266LA	—		
	White	NP266W	—		

Note: See wallplate section O for additional configurations.

PRODUCT DIMENSIONS Inches (mm)





NS612I

NS613I



NS614I

NS616I



NS801W



NS802W



HDPC06BK

DECORATOR OUTLET FRAMES

Description	Color	2-Port	3-Port	4-Port	6-Port
Multimedia jacks insert into frame for custom configuration; high impact-resistant thermo-plastic	Almond	NS612AL	NS613AL	NS614AL	NS616AL
	Black	NS612BK	NS613BK	NS614BK	NS616BK
	Ivory	NS612I	NS613I	NS614I	NS616I
	Gray	NS612GY	NS613GY	NS614GY	NS616GY
	White	NS612W	NS613W	NS614W	NS616W
	Light Almond	NS612LA	NS613LA	NS614LA	NS616LA

HDMI DEVICES

Description	Color	Catalog Number
1-Gang; 1-port HDMI; decorator frame; female to female	Almond	NS801AL
	Black	NS801BK
	Gray	NS801GY
	Ivory	NS801I
	Light Almond	NS801LA
	White	NS801W
1-Gang; 2-port HDMI; decorator frame; female to female	Almond	NS802AL
	Black	NS802BK
	Gray	NS802GY
	Ivory	NS802I
	Light Almond	NS802LA
	White	NS802W

Note: See network wiring section P for complete offering of HDMI products.

HDMI CORDS

HDMI Device Patch Cords	Catalog Number	Horizontal Cords (Connector to Connector)	Catalog Number
HDMI (24 AWG); 3 ft.	HDPC03BK	HDMI (24 AWG); XX ft.	HDHXXBK
HDMI (24 AWG); 6 ft.	HDPC06BK		
Link Cords (Connector to Device)	Catalog Number	Coupler Cords (Coupler to Device)	Catalog Number
HDMI (24 AWG); XX ft.	HDLXXBK	HDMI (24 AWG); XX ft.	HDCXXBK

Note: XX = Length in feet. '10' = 10 ft., '15' = 15 ft., '20' = 20 ft., '25' = 25 ft., '30' = 30 ft., Black and Non-Plenum only.

Commercial Series



9801I

DESCRIPTION

Typical Specification — Catalog Number 9801, 9901

Manufacturer's Identification — Bryant 9801, 9901

Description — Commercial grade fashion series rocker switch

Type — Single-pole; double-pole; 3-way and 4-way

Rating — 15A and 20A, 125V-277V AC

CERTIFICATION

- Listed to UL Standard 20
- CSA Certified

COMPONENTS

Base
Body and rocker
Bezel
Terminals
Mounting strap
Contacts
Movable contact arm

MATERIALS

PVC
Urea
Polycarbonate
Brass
Galvanized steel
Silver alloy
Copper alloy

PERFORMANCE

Electrical

Dielectric voltage	Withstands 1,500V AC minimum for 1 minute
Max. working voltage	277V AC
Overload	1.5 times rating
Endurance	30,000 cycles minimum

Mechanical

Terminal accommodation	Back and side wire: up to #10 AWG max. solid and stranded copper wire only
------------------------	--

Environmental

Flammability	UL 94 V-2
Operating temperatures	Maximum continuous 60°C; minimum -20°C (without impact)

Residential Series



RSD115W

DESCRIPTION

Typical Specification — Catalog Number RSD115

Manufacturer's Identification — Bryant RSD115

Description — Residential grade decorator series rocker switch

Type — Single-pole; double-pole; 3-way and 4-way

Rating — 15A, 125V-277V AC

CERTIFICATION

- Listed to UL Standard 20
- CSA Certified

COMPONENTS

Base and body
Rocker
Terminals
Mounting strap
Contacts
Movable contact arm
Terminal screws

MATERIALS

PVC
Polycarbonate
Brass
Galvanized steel
Silver alloy
Copper alloy
Steel

PERFORMANCE

Electrical

Dielectric voltage	Withstands 1,500V AC minimum for 1 minute
Max. working voltage	120V
Overload	1.5 times rating
Endurance	30,000 cycles minimum

Mechanical

Terminal accommodation	Back and side wire: #14 AWG min. - #12 AWG max. solid and stranded copper wire only; push wire: #14 AWG solid copper wire only
------------------------	--

Environmental

Flammability	UL V0
Operating temperatures	Maximum continuous 60°C; minimum -20°C (without impact)



Industrial Series



92521

DESCRIPTION

Typical Specification — Catalog Number 9252
Manufacturer's Identification — Bryant 9252
Description — Industrial grade fashion series straight blade duplex receptacle; back and side wired
Type — 2-pole, 3-wire; grounding
Rating — 15A, 125V

CERTIFICATION

- Complies with NEMA WD-1 and WD-6 requirements
- Listed to UL Standard 498
- Certified to CSA; C22.2; No. 42 where applicable

COMPONENTS

Cover
 Base
 Line contacts
 Clamp nut
 Mounting strap
 Terminal screws
 Grounding screw
 Grounding contacts
 Grounding assembly
 Mounting screws

MATERIALS

Nylon
 Thermoplastic polyester
 High-performance brass
 Steel
 .050" (1.3mm) steel (yellow finish over zinc plated)
 Combination brass #8-32
 Combination brass (green) #8-32
 High-performance brass
 Heavy copper rivets
 Combination steel-zinc plated

PERFORMANCE

Electrical

Dielectric voltage Withstands 2,000V minimum
 Max. working voltage 250V
 Current interrupting Certified for current interrupting at full rated current
 Temperature rise Max 30°C temperature rise at full rated current after 50 cycles of overload at 150% of rated current with direct current

Mechanical

Terminal identification Terminals identified in accordance with UL 498 and CSA C22.2 No. 42 (brass, white, green)
 Terminal accommodation #14-10 AWG stranded or solid copper conductor only
 Product identification Ratings are a permanent part of the device

Environmental

Flammability UL 94 V-2
 Operating temperatures Maximum continuous 60°C; minimum -40°C (without impact)

Commercial Series



DRS20GRY

DESCRIPTION

Typical Specification — Catalog No. DRS15 (TR, WRTR)
Manufacturer's Identification — Bryant DRS15
Description — Commercial grade fashion series straight blade duplex receptacle; back and side wired
Type — 2-pole, 3-wire; grounding
Rating — 15A, 125V

CERTIFICATION

- Listed to UL Standard 498
- C22.2; No. 42

COMPONENTS

Cover and base
 Double wipe power contacts
 Wire clamp
 Mounting strap
 Ground contact
 Line terminal screws
 Ground screw
 Ground staple
 Mounting screws

MATERIALS (DRS15 and DRS15TR)

Nylon
 .030" (.8mm) brass
 .062" (1.6mm) steel-nickel plated
 .040" (1mm) steel (galvanized)
 .031" (.8mm) brass
 #8-32 plated steel; multiple drive
 #8-32 plated steel; multiple drive
 Stainless steel
 Zinc plated steel

MATERIALS (DRS15 and DRS15WRTR)

Nylon (UV rated)
 .030" (.8mm) brass
 .062" (1.6mm) steel-nickel plated
 .040" (1mm) steel (galvanized)
 .031" (.8mm) brass
 #8-32 stainless steel; multiple drive
 #8-32 stainless steel; multiple drive
 Stainless steel
 Stainless steel

PERFORMANCE

Electrical

Dielectric voltage Withstands 2,000V minimum
 Max. working voltage 125V
 Current interrupting Certified for current interrupting at full rated current
 Temperature rise Max 30°C temperature rise at full rated current after 100 cycles of overload at 150% of rated current

Mechanical

Terminal identification Terminals identified in accordance with UL 498 and CSA C22.2 No. 42 (brass, white, green)
 Terminal accommodation #14-10 AWG stranded or solid copper conductor only
 Product identification Ratings are a permanent part of the device

Environmental

Flammability UL 94 V-2
 Operating temperatures Maximum continuous 75°C; minimum -40°C (without impact)



INDEX	PAGE
Product Features	
AC Quiet Switches Industrial Grade	E-2
AC Barrel Locking Switch	E-3
Industrial Grade Switches	
15 and 20 Amp; 120-277V AC	E-4
15 and 20 Amp; 120-277V AC; Locking Switches	E-5
30 Amp; 120-277V AC	E-6
Maintained Contact; 15, 20 and 30 Amp; 120-277V AC	E-7
Momentary Contact; 15 and 20 Amp; 120-277V AC	E-8
Push Button; 20 Amp; 120V AC and 120-277V AC	E-9
Specification Grade Switches	
Heavy Duty; 15 and 20 Amp; 120-277V AC	E-10
Commercial Grade Switches	
Commercial Grade; 15 and 20 Amp; 120-277V AC	E-11
Residential Grade Switches	
15 Amp; Single-Pole; Push and Side Wired	E-12
15 Amp; 3-Way and 4-Way; Push and Side Wired	E-13
Combination Switch/Devices	
15 Amp; Single-Pole Side Wired	E-14
15 Amp; 3-Way; Side Wired	E-15
Accessories	
Pilot Lights and Miscellaneous Switches	E-16
Special Use Products	E-17
Technical Specifications	
Wiring Diagrams	
Motor Controllers and Disconnects	
Quick Reference Guide	E-20



AC Switches

AC Quiet Switches Industrial Grade Product Features



TECH·SPEC®

Color-coded face indicates ampere rating

High impact and chemical resistant nylon toggle

UL Listed;
CSA Certified;
complies with NEMA Standard WD-1
UL 20 verified under Federal Specification WS 896 (1P-2P-3W) horsepower rated



4902W

Corrosion-resistant brass and nickel-plated yoke

Strip gauge for accurate wiring

Terminal screws: brass combination Slot/Phillips/Robertson binding head; accepts up to #10 wire

Back wiring: each clamp-type terminal accepts two wires, avoiding the need to pigtail

Large silver alloy contacts

Dual-grounding options; grounding terminal or stainless steel self-grounding clip



Rivetless one-piece contact arm and terminal provides superior conductivity; minimizes heat build up and prevents contact misalignment. Large silver alloy contacts reduce contact wear for long life and excellent electrical conductivity.



Nylon toggle is exceptionally rugged and resists chemical attack. Large size enhances the ease of operation. The toggle cam controls a fast "make" and slow "break" operation of the one-piece contact arm and thermoplastic elastomer rocker/spring assembly.



Elastomer rocker assures precise alignment of the high-carbon steel coil compression spring and the permanently lubricated assembly will not weaken, even after thousands of operations.



Heavy-duty yoke is extra wide to assure maximum strength and structural integrity of the switch body. Nickel and brass plating provides excellent corrosion resistance. Two grounding options; an integral grounding terminal and stainless steel self-grounding clip.

Super-Safe Design

The above design features characterize Bryant's full line of TECH-SPEC, quiet-action AC switches. All meet rigid Bryant standards for safety, quality, and durability; all are performance proven in industrial and commercial applications.

Color coded face indicates ampere rating



15 Amp
Blue Face
4801L



20 Amp
Red Face
4901PLR120



30 Amp
Green Face
3003BRN

Available Types

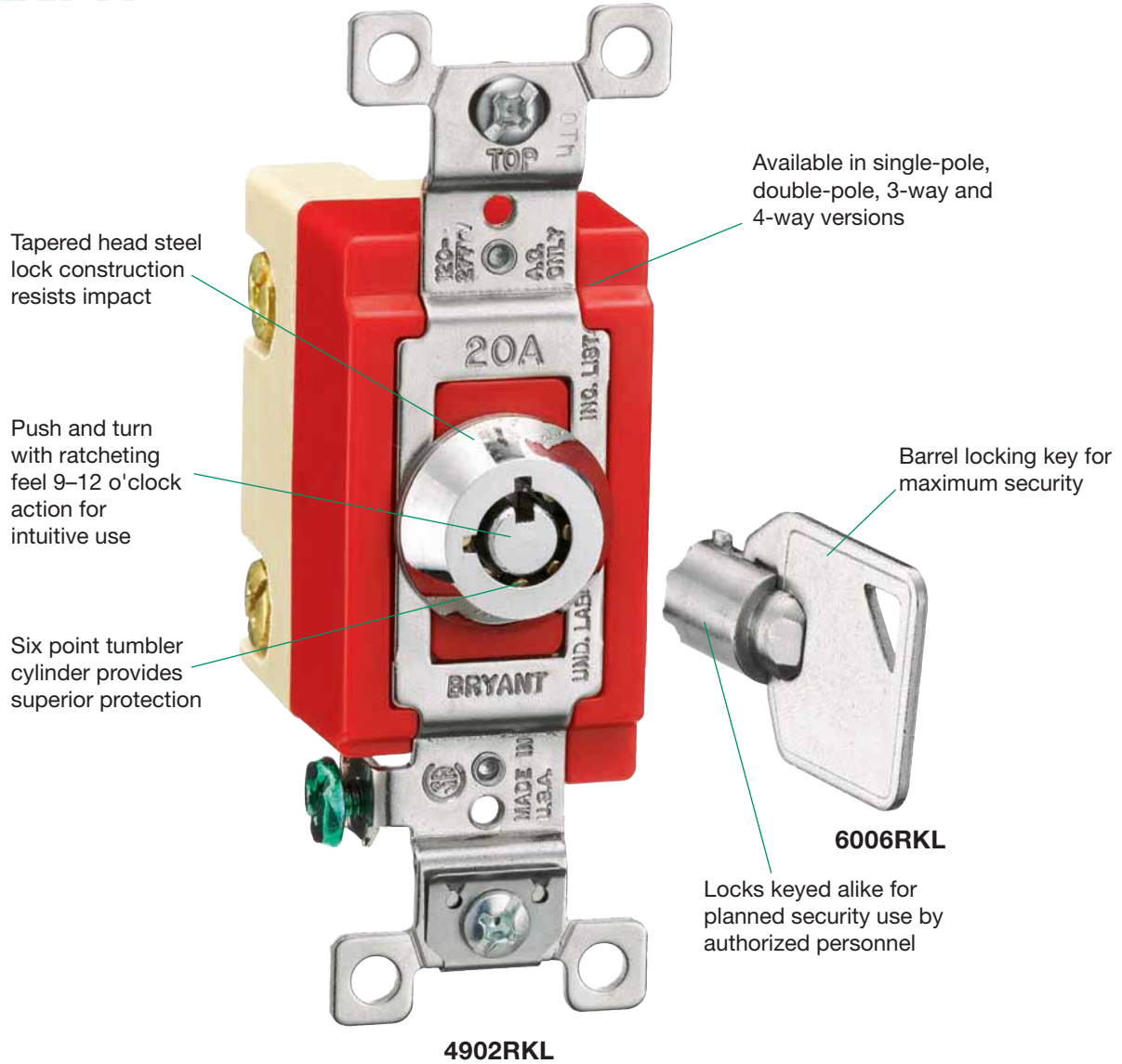
- 15, 20, and 30 amp 120-277V AC rating
- Single-pole, double-pole, 3-way and 4-way
- Momentary and maintained contact
- Pilot light and illuminated handle
- Locking switches
- Ivory, white, gray, red, brown and black handles available

AC Switches

AC Barrel Locking Switch Product Features



TECH·SPEC®



Available with clearly marked stainless steel type 302/304 wallplates in 1- and 2-gang configurations

Plates shipped with standard and tamper-proof screws



Barrel key replacement is available

TECH·SPEC®

EXTRA HEAVY DUTY INDUSTRIAL SPECIFICATION GRADE BACK AND SIDE WIRED, 15 AMP 120-277V AC TOGGLE SWITCHES



48011

Description	Color	Catalog Number			
		Single-Pole	Double-Pole	3-Way	4-Way
Toggle switch	Black	4801BLK	4802BLK	4803BLK	4804BLK
	Brown	4801	4802	4803	4804
	Gray	4801GRY	4802GRY	4803GRY	4804GRY
	Ivory	4801I	4802I	4803I	4804I
	Red	4801RED	4802RED	4803RED	4804RED
	White	4801W	4802W	4803W	4804W

15 AMP LIGHTED SWITCHES



4802

Description	Color	Catalog Number			
		Single-Pole	Double-Pole	3-Way	4-Way
Illuminated toggle switch	Ivory	4801GLI*	—	4803GLI*	—

20 AMP TOGGLE SWITCHES



49041

Description	Color	Catalog Number			
		Single-Pole	Double-Pole	3-Way	4-Way
Toggle switch	Black	4901BLK	4902BLK	4903BLK	4904BLK
	Brown	4901	4902	4903	4904
	Gray	4901GRY	4902GRY	4903GRY	4904GRY
	Ivory	4901I	4902I	4903I	4904I
	Red	4901RED	4902RED	4903RED	4904RED
	White	4901W	4902W	4903W	4904W

20 AMP LIGHTED SWITCHES

Description	Color	Catalog Number			
		Single-Pole	Double-Pole	3-Way	4-Way
Illuminated toggle switch	Clear	4901GLC*	—	4903GLC*	—
	Ivory	4901GLI*	—	4903GLI*	—
Pilot toggle switch; 120V AC	Clear	4901PLC120**	—	4903PLC120**	—
	Green	4901PLG120**	—	4903PLG120**	—
	Red	4901PLR120**	4902PLR120**	4903PLR120**	—
Pilot toggle switch; 277V AC	Clear	4901PLC277**	—	—	—
	Red	4901PLR277**	4902PLR277**	4903PLR277**	—

Note: *Illuminates when switch is "OFF".
**Pilot on when switch is "ON".

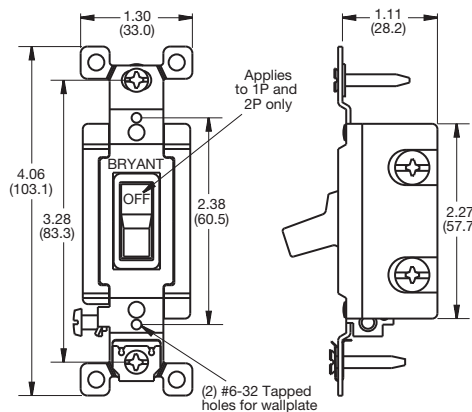
HORSEPOWER RATINGS

RATING	120V	240V	277V AC	RATING	120V	240V	277V AC
15 AMP	½ HP	2 HP	2 HP	20 AMP	1 HP	2 HP	2 HP

PRODUCT DIMENSIONS Inches (mm)



4903GLI



4801

AC Switches

Industrial Grade; 15 and 20 Amp; 120-277V AC



TECH·SPEC®

EXTRA HEAVY DUTY INDUSTRIAL SPECIFICATION GRADE BACK AND SIDE WIRED, 15 AMP 120-277V AC LOCKING SWITCHES



4801L

Description	Catalog Number			
	Single-Pole	Double-Pole	3-Way	4-Way
Lock type switch; straight-key included	4801L	4802L	4803L	4804L

EXTRA HEAVY DUTY INDUSTRIAL SPECIFICATION GRADE BACK AND SIDE WIRED, 20 AMP 120-277V AC LOCKING SWITCHES



4904L

Description	Catalog Number			
	Single-Pole	Double-Pole	3-Way	4-Way
Lock type switch; straight-key included	4901L	4902L	4903L	4904L
Lock type switch; barrel-key included	4901RKL	4902RKL	4903RKL	4904RKL

REPLACEMENT KEYS

Description	Catalog Number
Replacement straight-key; one key provided with each straight locking switch	6006
Replacement barrel-key; two keys provided with each barrel-key locking switch	6006RKL



4902RKL

HORSEPOWER RATINGS

RATING	120V	240V	277V AC	RATING	120V	240V	277V AC
15 AMP	½ HP	2 HP	2 HP	20 AMP	1 HP	2 HP	2 HP

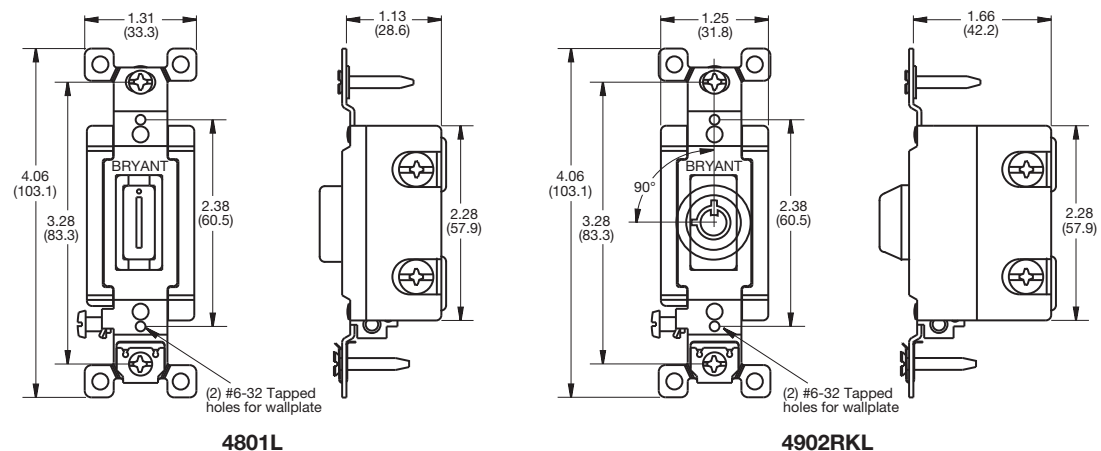


6006



6006RKL

PRODUCT DIMENSIONS Inches (mm)





TECH·SPEC®



3001

EXTRA HEAVY DUTY INDUSTRIAL SPECIFICATION GRADE BACK AND SIDE WIRED, 30 AMP 120-277V AC TOGGLE SWITCHES

Description	Color	Catalog Number		
		Single-Pole	Double-Pole	3-Way
Toggle switch	Brown	3001	3002BRN	3003BRN
	Gray	—	3002GRY	3003GRY
	Ivory	3001I	3002I	3003I



3002BRN

EXTRA HEAVY DUTY INDUSTRIAL SPECIFICATION GRADE BACK AND SIDE WIRED, 30 AMP TOGGLE SWITCHES

Description	Color	Catalog Number		
		Single-Pole	Double-Pole	3-Way
Pilot toggle switch; 120V AC	Red	3001PLR120*	3002PLR120*	—
Pilot toggle switch; 277V AC	Red	—	3002PLR277*	—

Note: *Pilot on when switch is "ON".



3003I

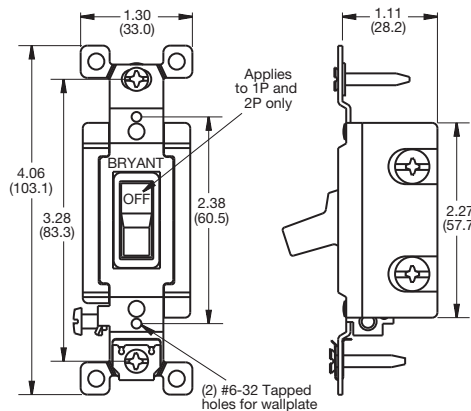
HORSEPOWER RATINGS

RATING	120V	240V	277V AC
30 AMP	2 HP	2 HP	2 HP



3001PLR120

PRODUCT DIMENSIONS Inches (mm)



3001



TECH·SPEC®



4822I

THREE-POSITION TWO-CIRCUIT MAINTAINED CONTACT "CENTER OFF" SINGLE-POLE, DOUBLE-THROW

Description	Color	Catalog Number		
		15 AMP 120-277V AC	20 AMP 120-277V AC	30 AMP 120-277V AC
Nylon toggle	Brown	4822	4922	—
	Gray	—	4922GRY	—
	Ivory	4822I	4922I	—
	White	—	4922W	—
Lock type switch; straight-key included	Black	4822L	—	—
Replacement; straight-key	—	6006	—	—



4925

DOUBLE-POLE, DOUBLE-THROW

Description		Catalog Number		
		15 AMP 120-277V AC	20 AMP 120-277V AC	30 AMP 120-277V AC
Nylon toggle	Brown	4825	4925	3025BRN
	Ivory	4825I	4925I	3025I
	White	—	4925W	—
Lock type switch; straight-key included	Black	—	4925L	—
Replacement; straight-key	—	—	6006	—



3025BRN

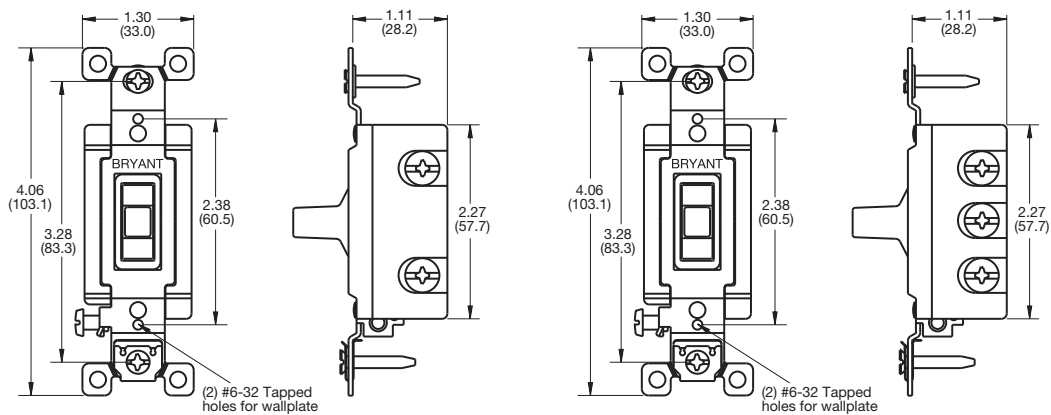
HORSEPOWER RATINGS

RATING	120V	240V	277V AC	RATING	120V	240V	277V AC	RATING	120V	240V	277V AC
15 AMP	½ HP	2 HP		20 AMP	1 HP	2 HP	2 HP	30 AMP	3 HP	2 HP	2 HP



4822L

PRODUCT DIMENSIONS Inches (mm)



Single-Pole, Double Throw Switches

Double-Pole, Double Throw Switches



6006



TECH·SPEC®



4821I

SINGLE-POLE THREE-POSITION TWO-CIRCUIT MOMENTARY CONTACT "CENTER OFF"

Description	Color	Catalog Number	
		15 AMP 120-277V AC	20 AMP 120-277V AC
Nylon toggle	Brown	4821	4921
	Gray	4821GRY	4921GRY
	Ivory	4821I	4921I
Lock type switch; straight-key included	Black	4821L	4921L
Replacement; straight-key	—	6006	6006



4921

HORSEPOWER RATINGS

RATING	120V	240V	277V AC	RATING	120V	240V	277V AC
15 AMP	½ HP	2 HP	2 HP	20 AMP	1 HP	2 HP	2 HP

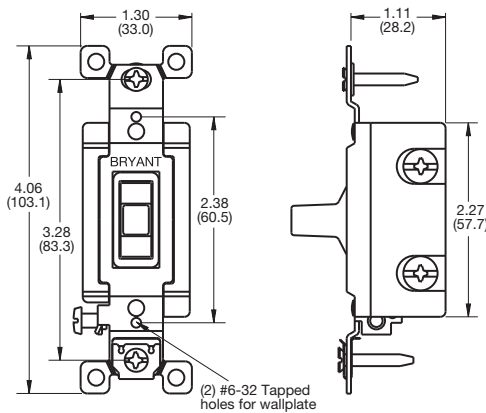


4921L

PRODUCT DIMENSIONS Inches (mm)



6006



Single-Pole, Double Throw Switches

AC Switches

Push Button; 20 Amp; 120V AC and 120-277V AC



TECH·SPEC®



4981

PUSH BUTTON SWITCHES 20 AMP 120-277V AC

Description	Color	Catalog Number			
		Single-Pole	Double-Pole	3-Way	4-Way
Push button switch	Brown	4981	4982	4983*	4984*

Note: *Not UL Listed or CSA Certified.



4997PLR

LIGHTED SWITCHES 20 AMP 120-277V AC

Description	Color	Catalog Number			
		Single-Pole	Double-Pole	3-Way	4-Way
Pilot push button switch	Red	4997PLR**	—	4998PLR**†	—

Note: **Pilot on when switch is "ON".
†Not UL Listed or CSA Certified.



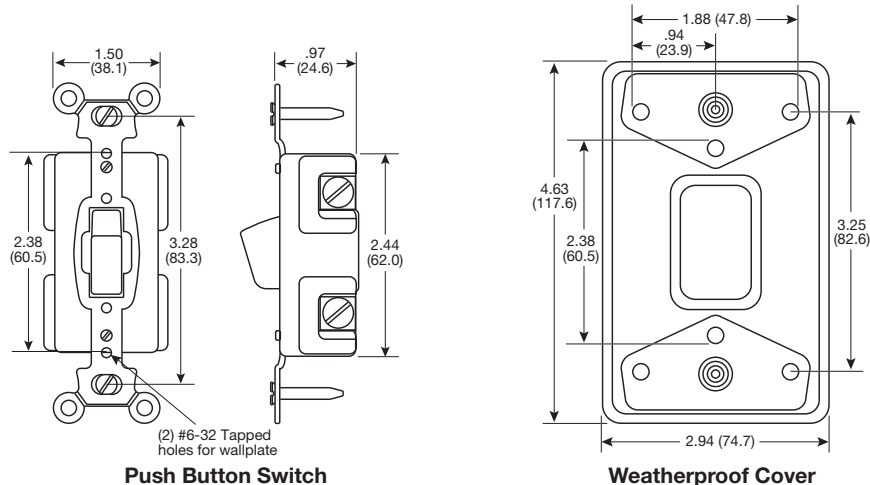
1795WP

WEATHERPROOF COVER

Description	Catalog Number
1-Gang; clear silicone rubber cover; fits both FS/FD and standard boxes	1795WP Δ

Note: Δ Not CSA Certified.

PRODUCT DIMENSIONS Inches (mm)





TECH·SPEC®



4803BI

HEAVY DUTY SPECIFICATION GRADE BACK AND SIDE WIRED 15 AMP TOGGLE SWITCHES

Description	Color	Catalog Number			
		Single-Pole	Double-Pole	3-Way	4-Way
Self-grounding	Almond	4801BAL	—	4803BAL	—
	Black	4801BBLK	—	4803BBLK	—
	Brown	4801B	—	4803B	—
	Gray	4801BGRY	—	4803BGRY	—
	Ivory	4801BI	—	4803BI	—
	Light Almond	4801BLA	—	4803BLA	—
	Red	4801BRED	—	4803BRED	—
	White	4801BW	—	4803BW	—

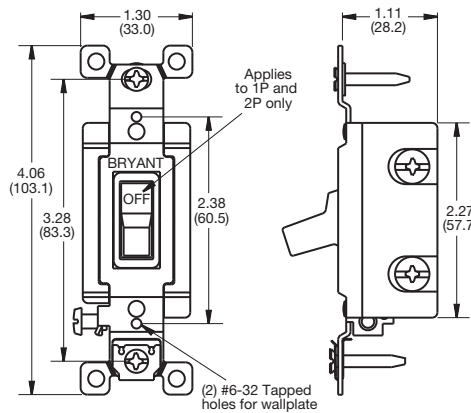


4901B

HEAVY DUTY SPECIFICATION GRADE BACK AND SIDE WIRED 20 AMP TOGGLE SWITCHES

Description	Color	Catalog Number			
		Single-Pole	Double-Pole	3-Way	4-Way
Self-grounding	Almond	4901BAL	4902BAL	4903BAL	4904BAL
	Black	4901BBLK	4902BBLK	4903BBLK	4904BBLK
	Brown	4901B	4902B	4903B	4904B
	Gray	4901BGRY	4902BGRY	4903BGRY	4904BGRY
	Ivory	4901BI	4902BI	4903BI	4904BI
	Light Almond	4901BLA	4902BLA	4903BLA	4904BLA
	Red	4901BRED	4902BRED	4903BRED	4904BRED
	White	4901BW	4902BW	4903BW	4904BW

PRODUCT DIMENSIONS Inches (mm)



1P, 2P, 3W, 4W Switches



TECH·SPEC®



CSB115BI

COMMERCIAL SPECIFICATION GRADE BACK AND SIDE WIRED 15 AMP TOGGLE SWITCHES

Description	Color	Catalog Number			
		Single-Pole	Double-Pole	3-Way	4-Way
Toggle switch; back and side wired; self-grounding	Almond	CSB115BAL	CSB215BAL	CSB315BAL	CSB415BAL
	Black	CSB115BLK	CSB215BLK	CSB315BLK	CSB415BLK
	Brown	CSB115B	CSB215B	CSB315B	CSB415B
	Gray	CSB115BGRY	CSB215BGRY	CSB315BGRY	CSB415BGRY
	Ivory	CSB115BI	CSB215BI	CSB315BI	CSB415BI
	Light Almond	CSB115BLA	CSB215BLA	CSB315BLA	CSB415BLA
	White	CSB115BW	CSB215BW	CSB315BW	CSB415BW



CSB320B

20 AMP TOGGLE SWITCHES

Description	Color	Catalog Number			
		Single-Pole	Double-Pole	3-Way	4-Way
Toggle switch; back and side wired; self-grounding	Almond	CSB120BAL	CSB220BAL	CSB320BAL	CSB420BAL
	Black	CSB120BLK	CSB220BLK	CSB320BLK	CSB420BLK
	Brown	CSB120B	CSB220B	CSB320B	CSB420B
	Gray	CSB120BGRY	CSB220BGRY	CSB320BGRY	CSB420BGRY
	Ivory	CSB120BI	CSB220BI	CSB320BI	CSB420BI
	Light Almond	CSB120BLA	CSB220BLA	CSB320BLA	CSB420BLA
	Red	CSB120BRED	CSB220BRED	CSB320BRED	CSB420BRED
	White	CSB120BW	CSB220BW	CSB320BW	CSB420BW



CS115BW

TOGGLE SWITCHES, 15 AND 20 AMP

Description	Color	15 Amp Catalog Number		20 Amp Catalog Number	
		Single-Pole	3-Way	Single-Pole	3-Way
Toggle switch; side wired only; self-grounding	Almond	CS115BAL	CS315BAL	CS120BAL	CS320BAL
	Black	CS115BLK	CS315BLK	CS120BLK	CS320BLK
	Brown	CS115B	CS315B	CS120B	CS320B
	Gray	CS115BGRY	CS315BGRY	CS120BGRY	CS320BGRY
	Ivory	CS115BI	CS315BI	CS120BI	CS320BI
	Light Almond	CS115BLA	CS315BLA	CS120BLA	CS320BLA
	White	CS115BW	CS315BW	CS120BW	CS320BW

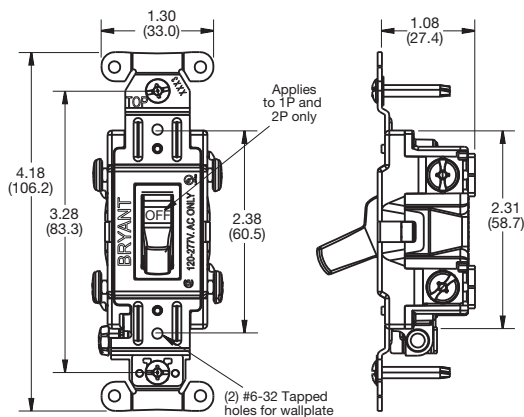


CS320BI

HORSEPOWER RATINGS

RATING	120V	240V	277V AC	RATING	120V	240V	277V AC
15 AMP	½ HP	2 HP	2 HP	20 AMP	1 HP	2 HP	2 HP

PRODUCT DIMENSIONS Inches (mm)

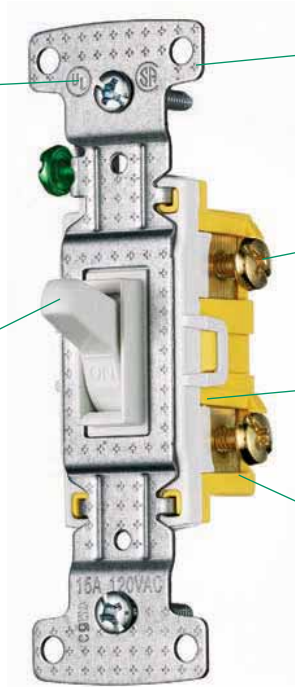


1P, 2P, 3W, 4W Switches



UL Listed and
CSA Certified

Quiet snap action
mechanism



Elongated strap with continuous
plaster ears to fit device flush to
the wall surface

Multiple-drive Slot/Phillips/
Robertson head screws

Tough thermoplastic ultrasonically
welded cover and base

High-visibility yellow base for
easy installation in low light
working conditions

RS115W



RS115W



RS115KW



RS115ILC

RESIDENTIAL GRADE SINGLE-POLE TOGGLE SWITCHES, 15 AMP 120V AC

Description	Color	Catalog Number
Single-pole toggle switch; grounding; push and side wired	Almond	RS115AL
	Black	RS115BK
	Brown	RS115
	Ivory	RS115I
	Light Almond	RS115LA
	White	RS115W
Single-pole toggle switch; without ears; ground- ing; push and side wired; bulk packed; 100 per case; mounting screws inserted into strap	Almond	RS115KAL
	Ivory	RS115KI
	Light Almond	RS115KLA
	White	RS115KW
Single-pole toggle switch; self-grounding; push and side wired	Almond	RS115SAL
	Brown	RS115S
	Ivory	RS115SI
	Light Almond	RS115SLA
	White	RS115SW
Single-pole toggle switch; illuminated; self- grounding; push and side wired; frame is clear and illuminates; toggle is colored; does not require a neutral wire	Clear	RS115ILC
	Almond	RS115ILAL
	Ivory	RS115ILI
	Light Almond	RS115ILLA
	White	RS115ILW



Standard toggle switches feature:

- Tough thermoplastic with ultrasonically welded cover and base
- Elongated strap for easier wall box mounting
- Hi-visibility yellow base for easy installation
- Operating temperature: -20°C to 60°C
- UL Listed, CSA Certified

RESIDENTIAL GRADE 3-WAY AND 4-WAY TOGGLE SWITCHES, 15 AMP 120V AC



RS315W



RS315KW



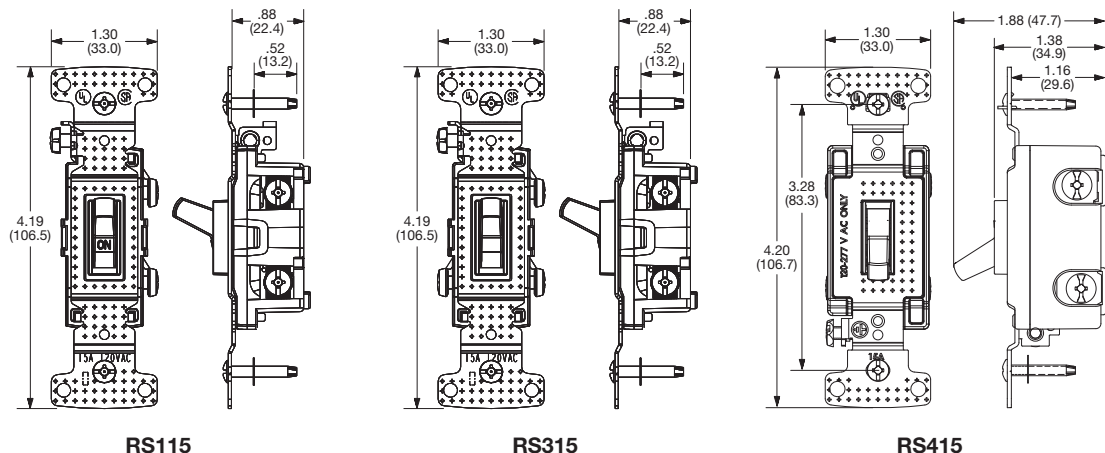
RS315ILC



RS415W

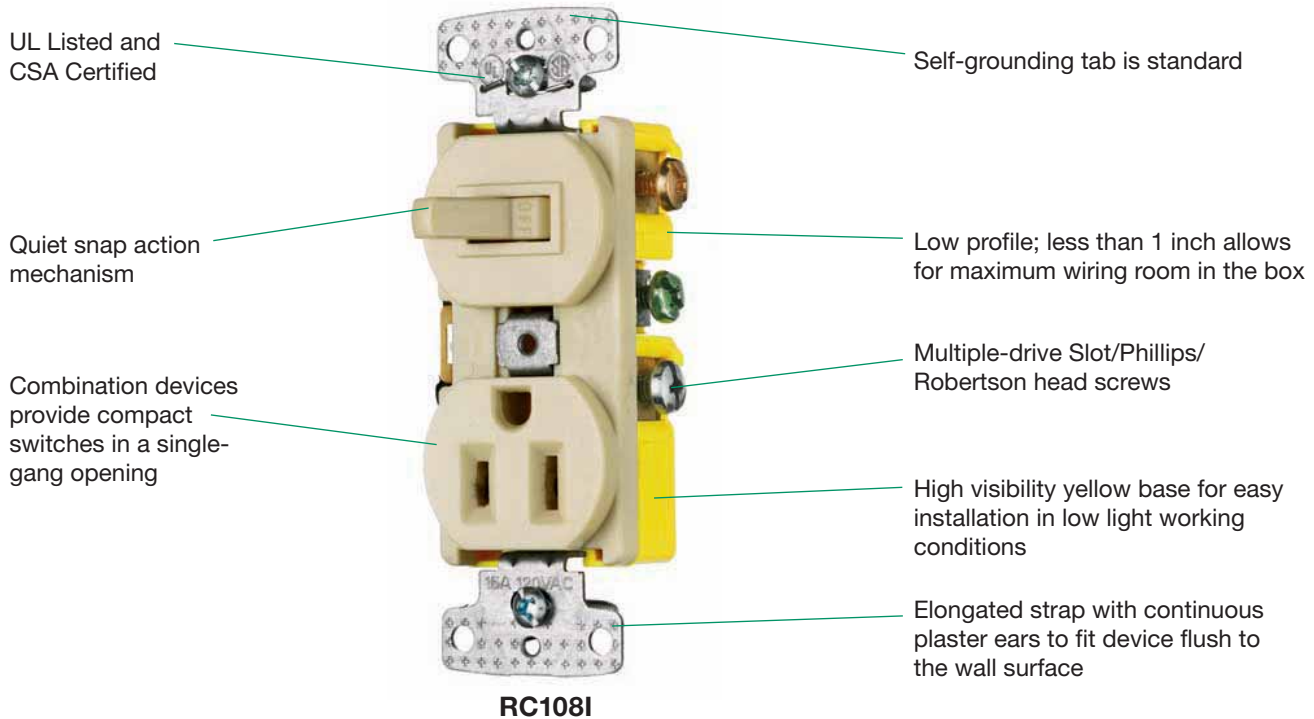
Description	Color	Catalog Number
3-Way toggle switch; grounding; push and side wired	Almond	RS315AL
	Black	RS315BK
	Brown	RS315
	Ivory	RS315I
	Light Almond	RS315LA
White	RS315W	
3-Way toggle switch; without ears; self-grounding; push and side wired; bulk packed; 100 per case; mounting screws inserted into strap	Almond	RS315KAL
	Ivory	RS315KI
	Light Almond	RS315KLA
	White	RS315KW
3-Way toggle switch; self-grounding; push and side wired	Almond	RS315SAL
	Brown	RS315S
	Ivory	RS315SI
	Light Almond	RS315SLA
	White	RS315SW
3-Way toggle switch; illuminated; self-grounding; push and side wired; frame is clear and illuminates; toggle is colored; does not require a neutral wire	Clear	RS315ILC
	Almond	RS315ILAL
	Ivory	RS315ILI
	Light Almond	RS315ILLA
	White	RS315ILW
4-Way toggle switch; self-grounding; side wired	Almond	RS415AL
	Black	RS415BK
	Brown	RS415
	Ivory	RS415I
	Light Almond	RS415LA
	White	RS415W

PRODUCT DIMENSIONS Inches (mm)



AC Switches

Residential Grade; 15 Amp 120V AC; Single-Pole; Side Wired



RC108I



RC1011



RC108I



RC109I

RESIDENTIAL GRADE COMBINATION SWITCHES/DEVICES

Description	Rating	Color	Catalog Number
Two (2) single-pole switches; self-grounding; side wired	15A 120V AC	Almond Brown Ivory Light Almond White	RC101AL RC101 RC101I RC101LA RC101W
Single-pole switch; 2-pole; 3-wire; receptacle; self-grounding; side wired	15A 120V AC 15A 125V NEMA 5-15R	Almond Brown Ivory Light Almond White	RC108AL RC108 RC108I RC108LA RC108W
Tamper-resistant; single-pole switch; 2-pole, 3-wire; receptacle; self-grounding; side wired	15A 120V AC 15A 125V NEMA 5-15R	Almond Brown Ivory Light Almond White	RC108ALTR RC108TR RC108ITR RC108LATR RC108WTR
Single-pole switch; pilot light; clear lens; amber neon bulb; self-grounding; side wired; neutral required for pilot light; see page D-7 for wiring diagram	15A 120V AC	Almond Brown Ivory Light Almond White	RC109AL RC109 RC109I RC109LA RC109W

Note: *See page Q-6 for tamper-resistant description.



Mini-toggles provide for multiple switches in a compact single gang. Maximize control while maintaining function and appearance.

- Low profile, less than 1 inch
- Self-grounding feature is standard
- Smooth toggle action
- Operating temperature: -20°C to 60°C
- UL Listed, CSA Certified

RESIDENTIAL GRADE COMBINATION SWITCHES/DEVICES



RC103I



RC303I



RC308I



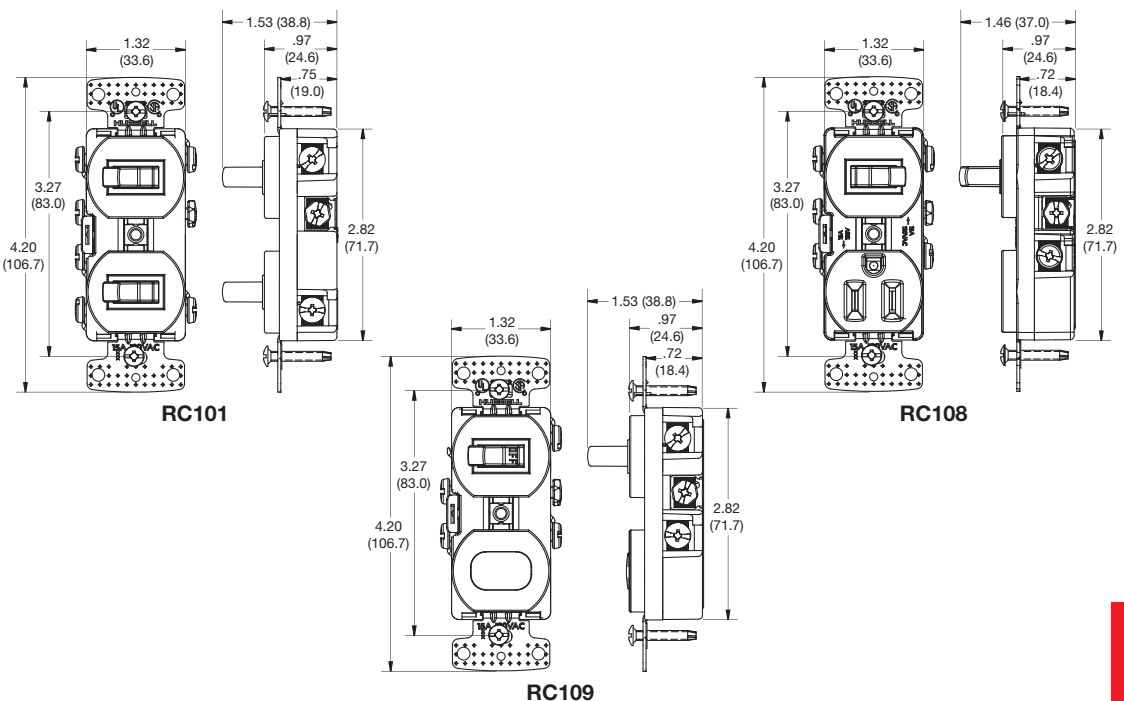
RC309I

Description	Rating	Color	Catalog Number
Single-pole and 3-way switch; self-grounding; side wired	15A 120V AC	Almond Brown Ivory Light Almond White	RC103AL RC103 RC103I RC103LA RC103W
Two (2) 3-way switches; self-grounding; side wired	15A 120V AC	Almond Brown Ivory Light Almond White	RC303AL RC303 RC303I RC303LA RC303W
3-Way switch; 2-pole, 3-wire; receptacle; self-grounding; side wired	15A 120V AC 15A 125V NEMA 5-15R	Almond Brown Ivory White	RC308AL RC308 RC308I RC308W
Tamper-resistant; 3-way switch; 2-pole, 3-wire; receptacle; self-grounding; side wired	15A 120V AC 15A 125V NEMA 5-15R	Almond Brown Ivory White	RC308ALTR RC308TR RC308ITR RC308WTR
3-Way switch; pilot light; clear lens; amber neon bulb; self-grounding; side wired; neutral required for pilot light	15A 120V AC	Almond Brown Ivory White	RC309AL RC309 RC309I RC309W



Note: *See page Q-6 for tamper-resistant description.

PRODUCT DIMENSIONS Inches (mm)





48071R

NEON PILOT LIGHTS

Description	Color	Watts	Catalog Number
Plastic jewel; back and side wired	Opal	1/25	480710
	Red	1/25	48071R



427

INCANDESCENT PILOT LIGHT LAMPHOLDERS

Description	Catalog Number
Phenolic lampholder with 6W 125V candelabra base lamp	427
Phenolic lampholder; less lamp	427LL



BSLD

TOGGLE SWITCH LOCKOUT

Description	Color	Catalog Number
Thermoplastic	Red	BSLD*

Note: *Not UL Listed or CSA Certified.



3850



746

PLASTIC JEWELS

Description	Color	Catalog Number
Rectangular; for standard switch plate opening	Red	746*
	Green	746GREEN*
Bullseye; for standard single receptacle plate opening	Red	3850*

Note: *Not UL Listed or CSA Certified.



4600A



4600B

SAFETY DOOR SWITCHES

Description	Rating	Catalog Number
Plug portion	10A 125V; 5A 250V	4600A*
Receptacle portion	10A 125V; 5A 250V	4600B*

Note: *Not UL Listed or CSA Certified.



RS100W

IN-LINE CORD SWITCHES

Description	Color	Rating	Catalog Number
Mini in-line cord switch; #18 AWG; for use with flat lamp cord; SPT 1 and SPT 2	White	6A 125V AC	RS100W



RS101W

Heavy duty in-line cord switch; 18/2-16/2; SPT 1 and SPT 2	Ivory White	6A 125V AC 1/8 HP	RS1011 RS101W
--	----------------	----------------------	--------------------------------



RDS50

COMPACT DESIGN DOOR SWITCHES

Description	Material	Rating	Catalog Number
Door switch; "ON" when door is open; switch with cover plate and box	Zinc Plated Steel	3A 125V AC	RDS50*

Door switch; "OFF" when door is open; switch with cover plate and box	Zinc Plated Steel	3A 125V AC	RDS30*
---	-------------------	------------	---------------

Note: *Not UL Listed.



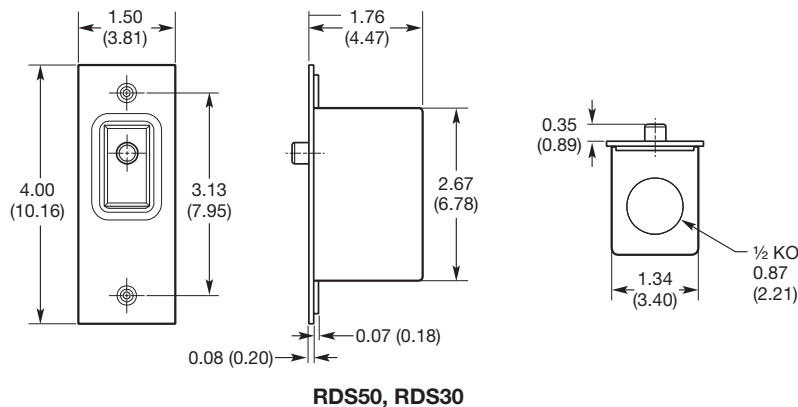
RDS30

COMPACT DESIGN DOOR REPLACEMENT SWITCHES

Description	Rating	Catalog Number
Switch only; for Cat. No. RDS50; complete with No. 18 wire leads and adjustable plunger	6A 125V; 3A 250V	1205BRY**
Switch only; for Cat. No. RDS30; complete with No. 18 wire leads and adjustable plunger	6A 125V; 3A 250V	1206BRY**

Note: **Not UL Listed or CSA Certified.

PRODUCT DIMENSIONS Inches (mm)





TECH·SPEC®



4801I

INDUSTRIAL GRADE

DESCRIPTION

Typical specification — Catalog No. 4801
Manufacturer's identification — Bryant 4801
Description — Industrial grade AC switch; back and side wired
Type — Single-pole; single-throw; grounded
Rating — 15A, 120-277V AC

CERTIFICATION

- UL Listed; Guide #WMUZ
- Verified under Fed. Spec. #WS 896
- Complies with UL 20 and NEMA Standard WD-1

COMPONENTS

Base
 Face
 Toggle
 Terminals
 Terminal screws
 Mounting yoke
 Contacts
 Movable contact arm
 Rocker
 Ground terminal
 Ground screw
 Auto ground clip

MATERIALS

Thermoset; ivory
 Thermoset; color coded by amperage
 Nylon
 High performance copper-alloy
 Brass #8 combination head
 Brass and nickel-plated steel
 Silver cadmium oxide
 High performance copper-alloy
 Elastomer
 Brass and nickel-plated steel
 Brass (green)
 Stainless steel

PERFORMANCE

Electrical

Dielectric voltage Withstands 1500V minimum
 Maximum working voltage 277V AC
 Overload Minimum 4.8 times rated current for 100 cycles
 Temperature rise 30° C maximum at rated current
 Maximum continuous current 15A, 20A, 30A
 Endurance 50,000 cycles minimum; tungsten filament lamp load (Fed. Spec.) #WS 896; single-pole, double-pole, 3-way and 4-way

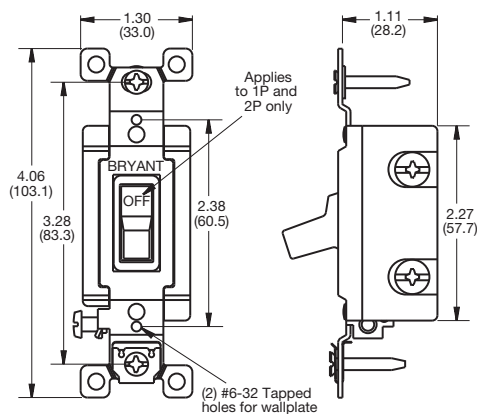
Mechanical

Terminal accommodations #14 AWG minimum - #10 AWG maximum

Environmental

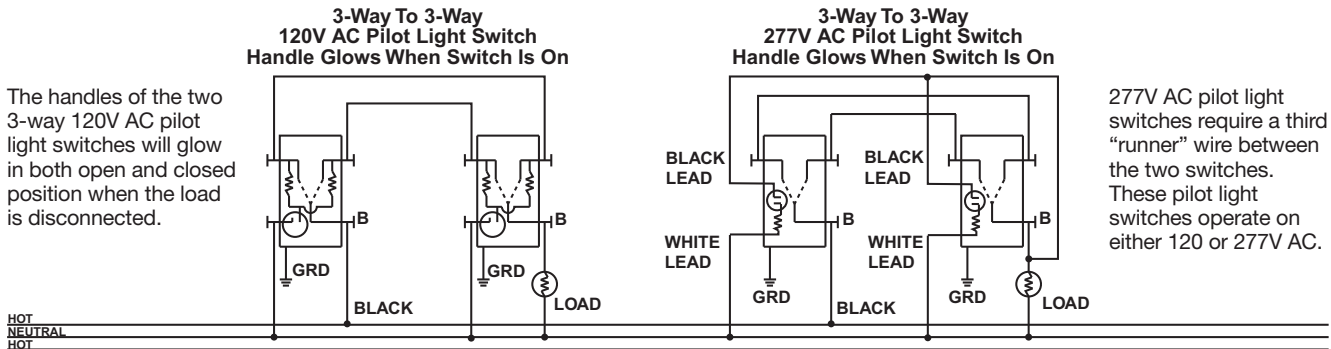
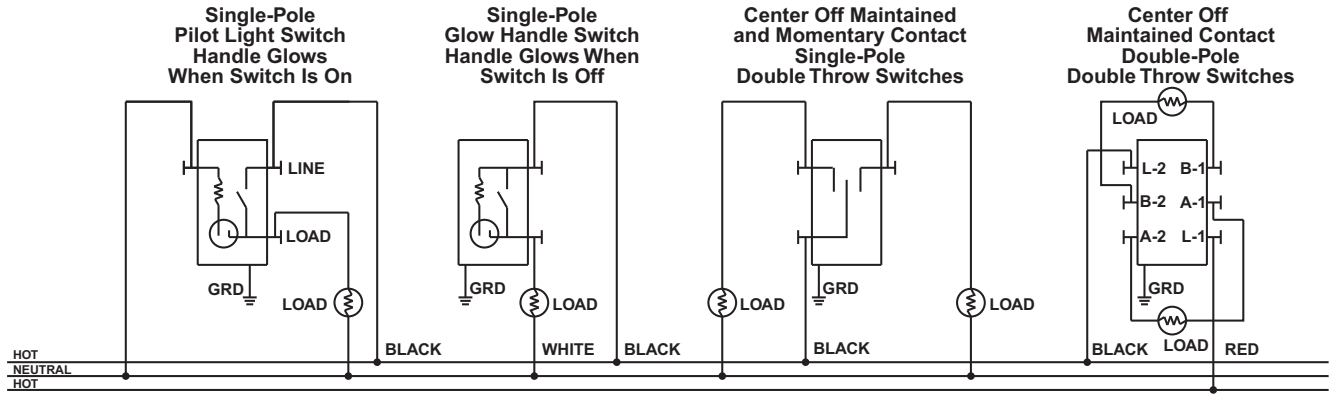
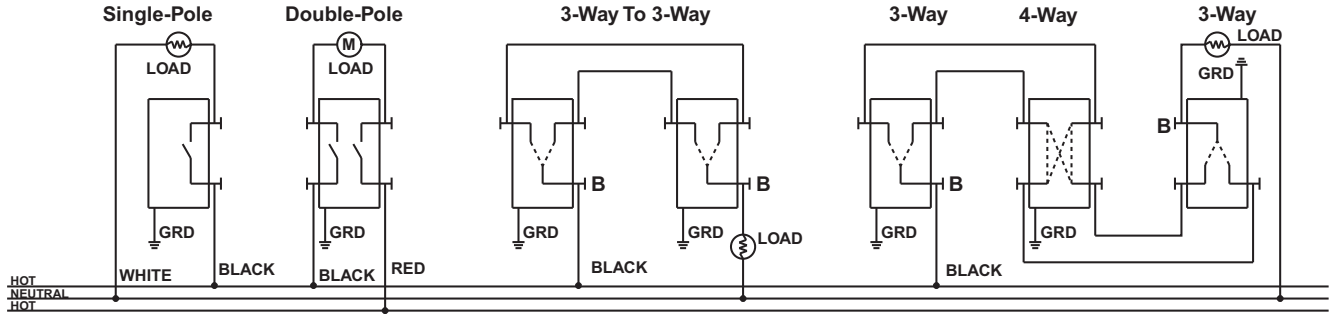
Flammability UL 94 V2
 Operating temperatures Maximum continuous 75°C; minimum -40°C (without impact)

PRODUCT DIMENSIONS Inches (mm)



4801

AC SWITCHES





TECH·SPEC®



30003D



50003D



60003D



66033D



30102D



30302D



664S33D



664X33D



60003D



660AC

TOGGLE AC MOTOR CONTROLLERS SUITABLE AS DISCONNECTS (See Section G for Product Features)

Description	Amp	Phase	Poles	HP Ratings				Catalog Number
				120V AC	240V AC	480V AC	600V AC	
Toggle switch	30	1	2	2	5	10	15	30002D
Short toggle switch	30	1	2	2	5	10	15	30002DS
Toggle switch	30	3	3	3	7.5	15	20	30003D
Short toggle switch	30	3	3	3	7.5	15	20	30003DS
Toggle switch	40	1	2	2	5	10	15	40002D
Toggle switch	40	3	3	3	7.5	15	20	40003D
Toggle switch	50	1	2	2	5	10	15	50002D
Toggle switch	50	3	3	3	7.5	15	25	50003D
Toggle switch	60	1	2	—	10	15	20	60002D
Toggle switch	60	3	3	—	10	25	30	60003D
Toggle switch – front wire	60	1	2	—	10	15	20	60002FWD
Toggle switch – front wire	60	3	3	—	10	25	30	60003FWD
Toggle switch	85	1	2	—	10	15	20	85002D
Toggle switch	85	3	3	—	10	25	40	85003D

ROTARY AC MANUAL MOTOR CONTROLLERS SUITABLE AS DISCONNECTS (See Section G for Product Features)

Description	Amp	Phase	Poles	HP Ratings				Catalog Number
				120V AC	240V AC	480V AC	600V AC	
Rotary switch	30	1	2	2	5	10	15	66032D
Rotary switch	30	3	3	3	7.5	15	20	66033D
Rotary switch	40	1	2	2	5	10	15	66042D
Rotary switch	40	3	3	3	7.5	15	20	66043D
Rotary switch	60	1	2	—	10	15	20	66062D
Rotary switch	60	3	3	—	10	25	30	66063D

TOGGLE AND ROTARY ENCLOSED SWITCHES SUITABLE AS DISCONNECTS (See Section G for Product Features)

Description	Amp	Phase	Poles	HP Ratings				Catalog Number
				120V AC	240V AC	480V AC	600V AC	
NEMA 1 aluminum – toggle	30	1	2	2	5	10	15	30102D
NEMA 1 aluminum – toggle	30	3	3	3	7.5	15	20	30103D
NEMA 1 aluminum – rotary	30	1	2	2	5	10	15	661032D
NEMA 1 aluminum – rotary	30	3	3	3	7.5	15	20	661033D
NEMA 3/3R non-metallic	30	1	2	2	5	10	15	30322D
NEMA 3/3R non-metallic	30	3	3	3	7.5	15	20	30323D
NEMA 3R die cast aluminum	30	1	2	2	5	10	15	30312D
NEMA 3R die cast aluminum	30	3	3	3	7.5	15	20	30313D
NEMA 3R aluminum	30	1	2	2	5	10	15	30302D
NEMA 3R aluminum	30	3	3	3	7.5	15	20	30303D
NEMA 3R aluminum	60	1	2	—	10	15	20	60302D
NEMA 3R aluminum	60	3	3	—	10	25	30	60303D
NEMA 4X stainless steel	30	3	3	3	7.5	15	20	664S33D
NEMA 4X stainless steel	60	3	3	—	10	25	30	664S63D
NEMA 4X rotary motor controller	30	3	3	3	7.5	15	20	664X33D
NEMA 4X rotary motor controller	40	3	3	3	7.5	15	20	664X43D
NEMA 4X rotary motor controller	40	3	3	—	10	25	30	664X63D

ACCESSORIES (See Section G for Product Features)

Description	Catalog Number
Finger guards; red; for use with 30, 40 and 50 amp switches (set of 2)	30003FG
Handle kit for rotary switch; includes handle, shaft, mounting brackets and required screws	6610MK
Weatherproofing kit for rotary switch; includes 4 seals, neoprene bushing and 3 "O" rings	664XWP
Auxiliary contact NO/NC; includes 1 contact for use with push-on terminals	660AC
Mounting feet for NEMA 4X enclosure	664XFT
Neutral buss connector for NEMA 4X enclosure	6603N



INDEX

PAGE

Lighting Controls

Wall Switch Product Features	F-2
Adaptive Technology Wall Switches	F-3
Passive Infrared Wall Switches	F-4
Ceiling Sensors	F-5
Wall Mount Sensors, Control Units And Sensor Accessories	F-6
Passive Infrared Occupancy and Vacancy Sensors	F-7
Architectural Grade Preset Slide Dimmers	F-8
Specification Grade Dimmers, Fan Speed Controls and Electronic Timers	F-9
Decorator Dimmers and Fan Speed Controls	F-10
Slide Dimmers and Fan Speed Controls	F-11
Toggle Dimmers and Fan Speed Controls	F-12
Rotary Dimmers and Fan Speed Controls	F-13
Technical Specifications	F-14





Lighting Controls

Wall Switch Product Features

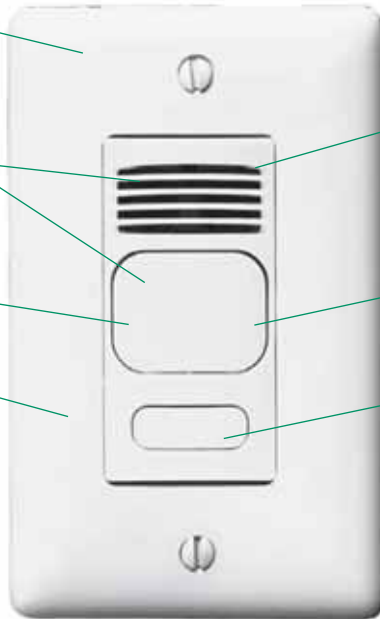
Adaptive Dual Technology Wall Switches

Available in two standard colors, ivory and white; light almond, black and gray are special order

Dual technology sensing combines the individual advantages of passive infrared and ultrasonic detection

Impact resistant hard lens is standard

Designed for use on 120 or 277V AC circuits



Adaptive technology - "Install and forget" operation, analyzes environment and adjusts sensitivity and timer, eliminating the need for manual adjustment

Built in photocell with manual super saver mode for daylight harvesting

Auto or manual "ON" operating modes; available in either single or dual circuit versions

MSD1000W1

Adaptive Passive Infrared Wall Switches

Ivory and white models available to match office decor

High density 1200 square foot coverage

Two-color LED provides instant feedback of sensor status

Front press switch allows the occupant to switch the sensor from automatic operation to momentary off mode; the sensor returns to automatic operation mode 30 minutes after the last detected motion

Designed for use on 120 or 277V AC circuits



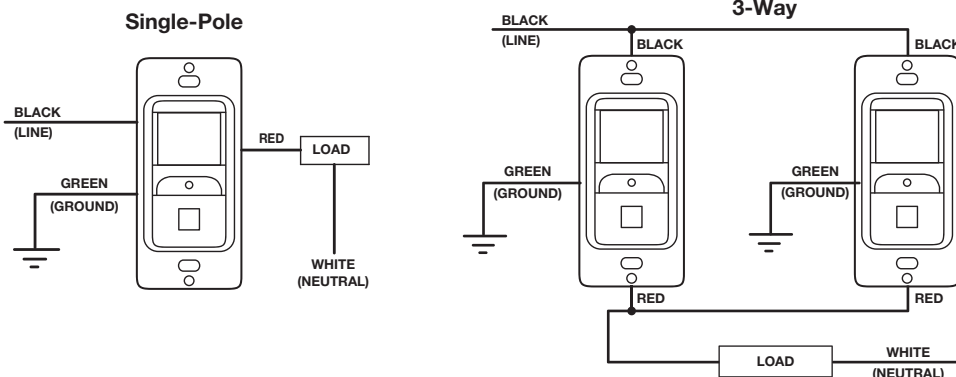
Heavy-duty relay controls up to 1800 watts at 120V AC or 4155 watts at 277V AC

Soft tone alert provides audible indication of sensor time-out 12 seconds prior to switching lights out

Digital pushbutton ambient light level control located behind cover allows for quick, accurate setting of ambient light threshold

MS12000ATW

Wall Switch Sensor Wiring Diagram - MS1200AT Series



Lighting Controls

Adaptive Technology Wall Switches



- Adaptive technology - “Install and forget” operation
- All digital sensing technology
- Dual 120/277V AC operation
- Auto or manual “On” operating modes
- No minimum load requirements
- Hard lens (dual technology, passive infrared)
- Zero arc point switching
- Built in photocell with manual super saver mode for daylight harvesting
- Two relays for two level switching or dual load control (MSD and MSU switch series)
- C-UL US



MSD1000W1



MSD1000W2



MSU400W1



MSU400W1N

ADAPTIVE TECHNOLOGY, DUAL (ULTRASONIC AND PASSIVE INFRARED)

50/60Hz, 1000 sq. ft. coverage with photocell, 800W Incandescent, 1000W Fluorescent at 120V AC, 1800W Fluorescent at 277V AC

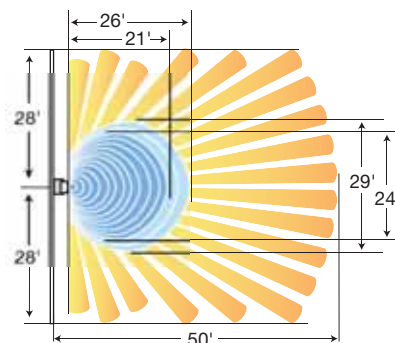
Description	Color	Catalog Number
Single circuit; 1 button for manual/auto control	Ivory White	MSD1000I1 MSD1000W1
Single circuit; auto control with no button	Ivory White	MSD1000I1N MSD1000W1N
Dual circuit; 2 buttons for manual/auto control	Ivory White	MSD1000I2 MSD1000W2
Dual circuit; auto control with no button	Ivory White	MSD1000I2N MSD1000W2N

ADAPTIVE TECHNOLOGY, ULTRASONIC

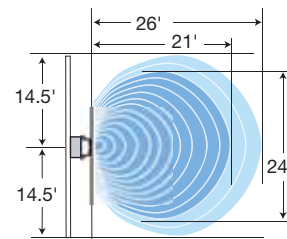
50/60Hz, 400 sq. ft. coverage with photocell, 800W Incandescent, 1000W Fluorescent at 120V AC, 1800W Fluorescent at 277V AC

Description	Color	Catalog Number
Single circuit; 1 button for manual/auto control	Ivory White	MSU400I1 MSU400W1
Single circuit; auto control with no button	Ivory White	MSU400I1N MSU400W1N

COVERAGE PATTERNS



MSD1000 Series



MSU400 Series

Major Motion: ■ Ultrasonic ■ PIR Minor Motion: ■ Ultrasonic ■ PIR

Lighting Controls

Passive Infrared Wall Switches



For use in small offices, classrooms, conference rooms, small storage areas, laundry rooms, rest rooms and closets.

- 180° field-of-view; 36 to 54 inch recommended mounting height
- Operating Temp: 32°F to 122°F (0°C to 50°C)
- Humidity 90% non condensing
- High density Fresnel POLY IR® lens provides exceptional sensing
- No minimum load required
- Red LED trip indicator
- Compatible with most electronic ballasts
- Installation: line, load and ground
- California Title 24 compliant



MS1200ATI



RMS141W



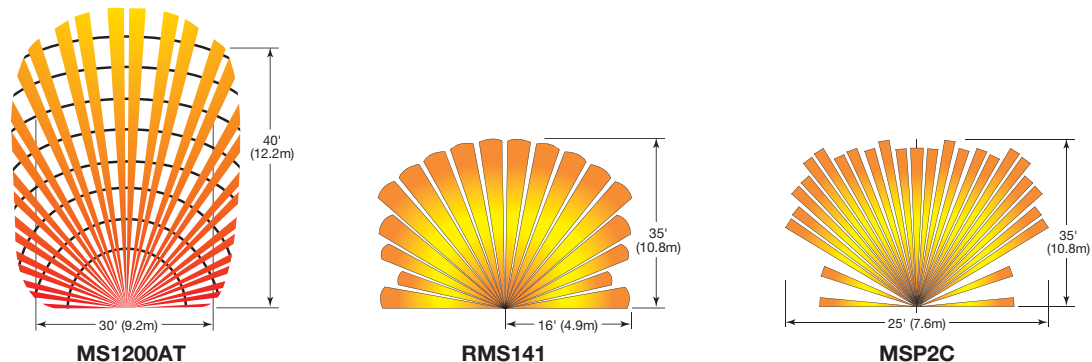
MSP2C

COMMERCIAL SPECIFICATION GRADE PASSIVE INFRARED WALL SWITCHES

Description	Coverage	Rating	Color	Catalog Number
Adaptive timing wall switch sensor; 180° field-of-view; no minimum load; 800W maximum load at 120V AC; 1200W maximum load at 277V AC; adjustable photocell; 30-300 foot-candle; nylon wallplate included	1,200 sq. ft. (111 m2)	120/277V AC, 60 Hz	Gray Ivory White	MS1200ATGY* MS1200ATI* MS1200ATW*
Wall switch sensor; 180° field-of-view; no minimum load; 800W maximum load at 120V AC; 1200W maximum load at 277V AC; adjustable photocell; 30-300 foot-candle	1,200 sq. ft. (111 m2)	120/277V AC, 60 Hz	Ivory White	MS1200I MS1200W
Wall switch sensor; AUTO ON/OFF; 180° field-of-view; 800W incandescent at 120V AC; 1000W fluorescent at 120V AC; 1800W fluorescent at 277V AC; 1/2 HP at 120V	900 sq. ft. (83.6 m2)	120/277V AC, 60 Hz	Almond Ivory White	RMS141AL RMS141I RMS141W
Wall switch sensor; MANUAL ON/ AUTO OFF; 180° field-of-view; 800W incandescent at 120V AC; 1000W fluorescent at 120V AC; 1800W fluorescent at 277V AC; 1/2 HP at 120V	900 sq. ft. (83.6 m2)	120/277V AC, 60 Hz	Almond Ivory White	RMS140AL RMS140I RMS140W
Wall switch sensor; dual circuit; 600W incandescent at 120V AC; 1000W fluorescent at 120V AC; 1800W fluorescent at 277V AC	1,000 sq. ft. (92.9 m2)	120/277V AC, 60 Hz	White	MSP2C*

Note: *UL Listed only, not cUL.

COVERAGE PATTERNS



POLY IR® is a registered trademark of Fresnel Technologies, Inc.

Lighting Controls

Ceiling Sensors



MSD2000C



**MSD1000C/
MSD500C**



MSU2000C



**MSU1000C/
MSU500C**



**MSP1500C/
MSP600C**



MSD2000L120



MSU1500L120



MSU2000L120



MSP1500CL

- Adaptive Technology- “Install and forget”
- All digital sensing technology
- Non-volatile memory- learned and adjusted settings retained after power outage
- 24V DC, 33mA

- 32kHz (MSD/MSU ceiling sensors - 40kHz)
- Mounting base included with sensor

ADAPTIVE TECHNOLOGY, DUAL (ULTRASONIC AND PASSIVE INFRARED)

Combines the excellent minor motion detection of ultrasonic with the outstanding passive infrared (PIR) long-range major motion detection

Coverage	Color	Catalog Number
2000 sq. ft.	White	MSD2000C
1000 sq. ft.	White	MSD1000C
500 sq. ft.	White	MSD500C

Note: All MSD ceiling sensors must use a MSCU series control unit. See page F-6 for details.

ADAPTIVE TECHNOLOGY, ULTRASONIC

Excellent minor motion detection

Coverage	Color	Catalog Number
2000 sq. ft.	White	MSU2000C
1000 sq. ft.	White	MSU1000C
500 sq. ft.	White	MSU500C

Note: All MSU ceiling sensors must use a MSCU series control unit. See page F-6 for details.

ADAPTIVE TECHNOLOGY, PASSIVE INFRARED

Outstanding long range major motion detection

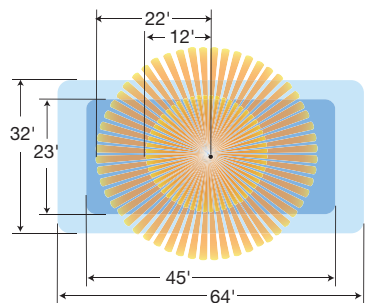
Coverage	Color	Catalog Number
1500 sq. ft.	White	MSP1500C
450 sq. ft.	White	MSP600C

Note: All MSP ceiling sensors must use a MSCU series control unit. See page F-6 for details.

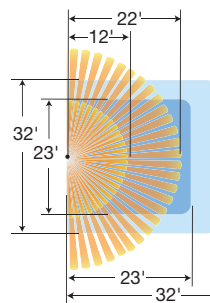
NON-ADAPTIVE LINE VOLTAGE SENSORS

Type	Coverage	Catalog Number		
		Dual Technology	Ultrasonic	Passive Infrared
120V AC	1500 sq. ft.	—	MSU1500L120	—
	2000 sq. ft.	MSD2000L120	MSU2000L120	—
277V AC	1500 sq. ft.	—	MSU1500L277	—
	2000 sq. ft.	MSD2000L277	MSU2000L277	—
120-347V AC	1500 sq. ft.	—	—	MSP1500CL

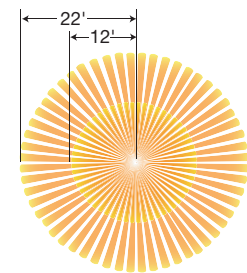
COVERAGE PATTERNS



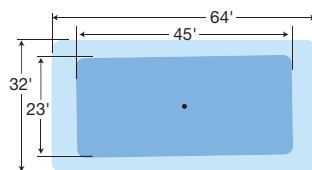
MSD2000C



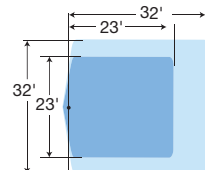
MSD1000C



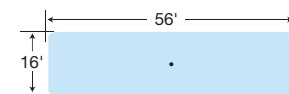
MSP1500C



MSU2000C



MSU1000C



**MSU2000C
Hallway Application**

Lighting Controls

Wall Mount Sensors, Control Units And Sensor Accessories



MSD1600W

- Adaptive Technology - "Install and forget" operation
- Swivel mounting bracket included for wall or ceiling mounting
- All digital sensing technology
- 24V DC, 33MA

DUAL (ULTRASONIC AND PASSIVE INFRARED)

Description	Coverage	Color	Catalog Number
32kHz	1600 sq. ft.	White	MSD1600W



MSP1600W,
MSP120HB

PASSIVE INFRARED

Description	Coverage	Color	Catalog Number
Wide angle coverage	1600 sq. ft.	White	MSP1600W
For aisle and high bay applications	120 linear ft.	White	MSP120HB

Note: All wall mount sensors must use a control unit. See below for part number.

CONTROL UNITS

The MSCU provides a 24V DC power supply for 1 to 4 sensors or sensor/Add-A-Relay combinations. MSCU347 control unit provides a 24V DC power supply for 1 to 3 sensors or sensor/Add-A-Relay combinations. The control units contain an internal relay for the control of an external lighting load. All control units are plenum rated.

Description	Catalog Number
120/277V AC, 50/60 Hz for use with MSD, MSU and MSP series ceiling sensors and wall mount sensors	MSCU
347V AC, 60 Hz, for use with MSD, MSU and MSP series ceiling and wall mount sensors	MSCU347



MSCU,
MSCU347



MSAR

ADD-A-RELAY

Add-A-Relay contains an internal relay for control of an external lighting load. The MSAR requires a 24V DC power supply from the control unit series. The MSAR is typically used when: 1- It is desired to switch more than one circuit when occupancy is sensed. 2- The lighting load exceeds the maximum rating of the control unit.

Description	Catalog Number
For use with control units and low voltage ceiling and wall mount sensors	MSAR

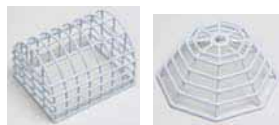
SENSOR ACCESSORIES

Description	Catalog Number
Wall switch wire guard	MSWGS
Wall mount wire guard	MSWGW
Ceiling sensor passive infrared, NEMA 4X protective enclosure	MSP4X
Ceiling mount wire guard	MSWGC
Ceiling mount raceway adapter	MSCRA



MSWGS

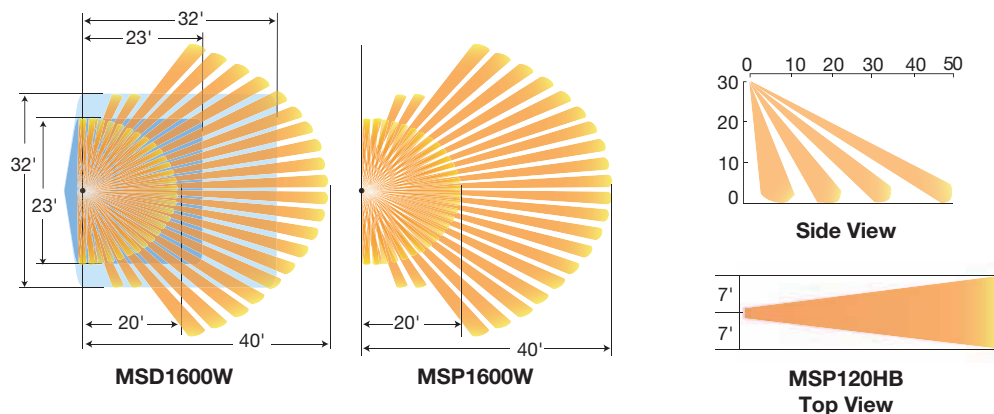
MSP4X



MSWGW

MSWGC

COVERAGE PATTERNS





Auto-on occupancy sensors turn on the load when motion is detected in an area. The device turns lights off when motion ceases.

Vacancy sensor switches are specifically designed for California Title 24 compliance. When a person enters an area, the manual switch must be pressed to turn on the light. The device turns lights off when motion ceases.

- Passive infrared sensing technology
- Patent pending “alert to off” feature dims lights prior to off; if motion is sensed within 30 seconds, the RMS100, RMS101, RMS120 and RMS121 units return to full brightness
- Photocell equipped
- Delayed off, adjustment from 30 seconds to 30 minutes
- Durable thermoplastic construction
- LED motion detector indicator
- 6-inch wire lead terminations
- California Title 24 compliant



**RMS100W
RMS101W**

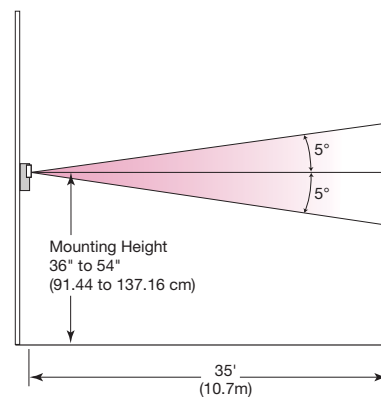
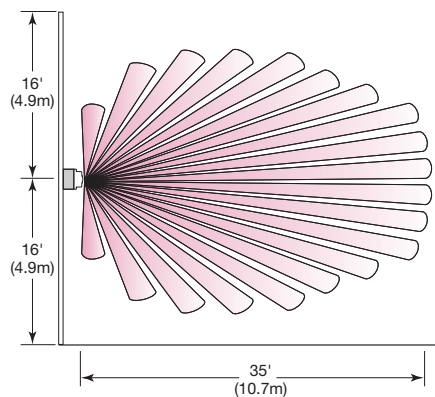


**RMS120ILW
RMS121ILW**

RESIDENTIAL GRADE PASSIVE INFRARED WALL SWITCHES

Description	Coverage	Rating	Color	Catalog Number	
				Occupancy	Vacancy
Sensor switch for basic on/off control; 150° view	800 sq. ft. (74.3 m ²)	500W 120V AC, Incandescent only	Almond	RMS101AL	RMS100AL
			Ivory	RMS101I	RMS100I
			Light Almond	RMS101LA	RMS100LA
			White	RMS101W	RMS100W
Sensor switch for basic on/off control; 150° view; with nightlight	800 sq. ft. (74.3 m ²)	500W 120V AC, Incandescent only	Almond	RMS101ILAL	RMS100ILAL
			Ivory	RMS101ILI	RMS100ILI
			Light Almond	RMS101ILLA	RMS100ILLA
			White	RMS101ILW	RMS100ILW
Sensor switch with dimming for enhanced control; 150° view	800 sq. ft. (74.3 m ²)	500W 120V AC, Incandescent only	Almond	RMS121AL	RMS120AL
			Ivory	RMS121I	RMS120I
			Light Almond	RMS121LA	RMS120LA
			White	RMS121W	RMS120W
Sensor switch with dimming for enhanced control; 150° view; with nightlight	800 sq. ft. (74.3 m ²)	500W 120V AC, Incandescent only	Almond	RMS121ILAL	RMS120ILAL
			Ivory	RMS121ILI	RMS120ILI
			Light Almond	RMS121ILLA	RMS120ILLA
			White	RMS121ILW	RMS120ILW

COVERAGE PATTERNS

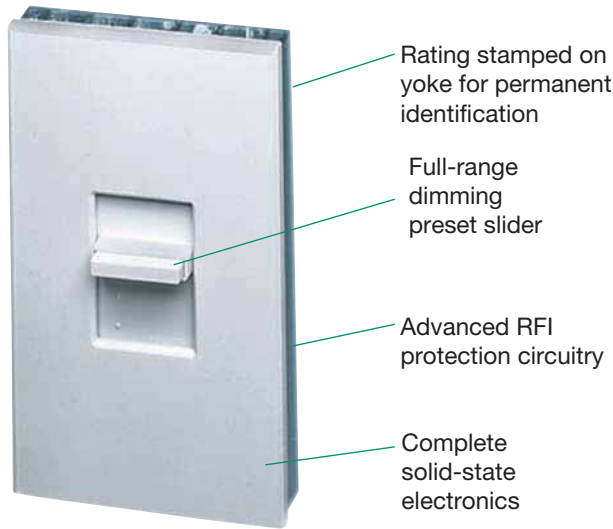


Lighting Controls

Architectural Grade Preset Slide Dimmers



- Reduces energy costs
- Advanced circuitry reduces motor hum and radio interference
- Infinitely variable control
- All solid state circuitry
- 100% tested for full operation
- Fits standard wall box



BAS103W

Bryant Lighting Controls are available for commercial, industrial, residential and institutional installations where light levels require a variable range of control, extended lamp life, and energy efficiency. Dimmers are available in ivory and white and in rotary, slide and preset slide styles. Bryant dimmers can control up to 2000 watts of incandescent load.

The Fan Speed Control is available in rotary style and is rated for permanently installed split capacitor and/or shaded pole motors only. This type of motor is most commonly used in ceiling fans.

Bryant dimmers and fan speed controls have a smooth, even, positive on/off position for ease of operation. Bryant dimmers offer a smooth, even dimming range from barely "on" to full brightness. You will appreciate the quality features of true full-range dimming, quiet fan control and a selection of switch styles to meet most specifications.



Slide



Preset Slide



Rotary

Available Types Dimmers

- Slide, Preset Slide and Rotary
- Incandescent, single-pole, 3-way
- 600, 1000, 1500 and 2000 watts

Specifications – All Dimmers

- Advanced RFI protection circuitry
- Reliable, low-intensity operation
- Full-range dimming control
- Fits all standard wall boxes
- UL Listed, CSA Certified
- Individually tested for full operation

Preset Slide Dimmer

- ON/OFF rocker switch
- Slider dimming control

Rotary Dimmers

- Push ON/OFF
- Includes control knob

Rotary Fan Speed Control

- For permanently installed split capacitor/shaded pole motors only
- UL Listed, CSA Certified



**BAS203W
BAS153W**

ARCHITECTURAL PRESET SLIDE DIMMERS

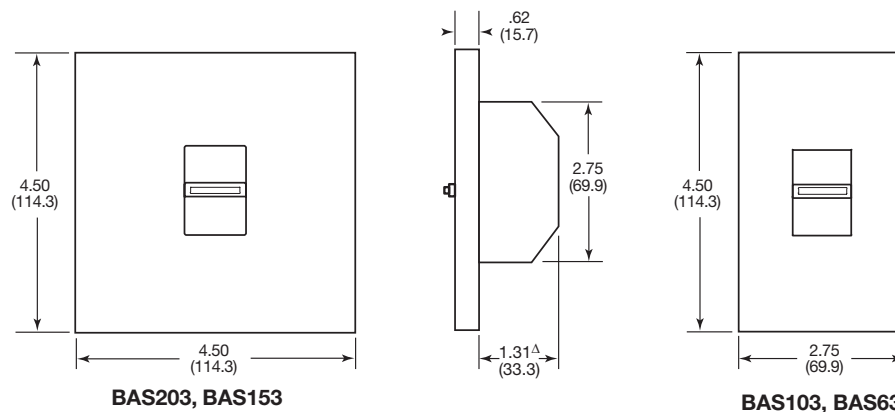
Description	Rating	Color	Catalog Number
Single-pole/3-way	2000W 120V AC, 60 Hz	Ivory White	BAS203I BAS203W
Single-pole/3-way	1500W 120V AC, 60 Hz	Ivory White	BAS153I BAS153W
Single-pole/3-way	1000W 120V AC, 60 Hz	Ivory White	BAS103I BAS103W
Single-pole/3-way	600W 120V AC, 60 Hz	Ivory White	BAS63I BAS63W

Note: See page Q-11 for ganging and derating information.

PRODUCT DIMENSIONS Inches (mm)



**BAS103W
BAS63W**



Note: ^AHigh watt models up to 1.71 in. (43.4).



**BS61W
BS11W**

- Reduces energy costs
- Advanced circuitry reduces motor hum and radio interference
- Infinitely variable control
- All solid-state circuitry
- May be ganged for multi-circuit applications
- Fits standard wall box
- 100% tested for full operation

DT12H

- Input: Dual voltage 120/277V AC, 60 Hz
- Timing accuracy: 99.8%
- Operating temperature: 32°F to 122°F (0°C to 50°C)
- Operating humidity: 90% RH, non-condensing
- No minimum load required
- Compatible with electronic ballasts, incandescent lighting, or motor loads
- Dip switch control of intervals, flicker on/off, beeper on/off and scroll on/off
- Zero Cross Power switching prolongs relay contact life
- Manual scroll override feature
- Electroluminescent and backlit LCD for greater visibility
- Single-pole operation

PRESET SLIDE DIMMERS

Description	Rating	Color	Catalog Number
Single-pole	1000W 120V AC, 60 Hz	Ivory White	BS11PI BS11PW
3-Way	1000W 120V AC, 60 Hz	Ivory White	BS13PI BS13PW
Single-pole	600W 120V AC, 60 Hz	Ivory White	BS61PI BS61PW
3-Way	600W 120V AC, 60 Hz	Ivory White	BS63PI BS63PW



**BS61PI
BS11PI**

SLIDE DIMMERS

Description	Rating	Color	Catalog Number
Single-pole	1000W 120V AC, 60 Hz	Ivory White	BS11I BS11W
Single-pole	600W 120V AC, 60 Hz	Ivory White	BS61I BS61W



**BR61I
BR63I**

ROTARY ON/OFF DIMMERS

Description	Rating	Color	Catalog Number
Single-pole	600W 120V AC, 60 Hz	Ivory	BR61I
3-Way	600W 120V AC, 60 Hz	Ivory	BR63I

FAN SPEED CONTROLS

Description	Rating	Color	Catalog Number
Single-pole	5A 120V AC, 60 Hz	Ivory White	BRF5I BRF5W



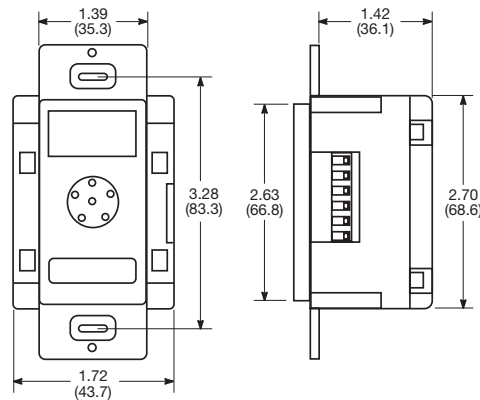
BRF5I

ELECTRONIC TIMERS

Description	Rating	Color	Catalog Number
Digital countdown timer; 5, 15, 30 minute; 1, 3, 6, 9, 12 hour intervals; visual and audio alert to off indicator; tamper-resistant settings; nylon wallplate included	1/6 HP at 120V AC; 800W at 120V AC; 1200W at 277V AC; 60 Hz	White	DT12H*

Note: *cUL Listed.

PRODUCT DIMENSIONS Inches (mm)



DT12H



Rocker lighting controls enable the user to operate the device similar to switches, but with the convenience of dimming. The side slide adjustment is built into the frame and out of the way, but there when you need it.

- Matches decorator devices
- Easy to activate
- Large heat sink for longer circuit life
- Superior RFI suppression circuitry
- Wire lead terminations



RDV600PW

DECORATOR DIMMERS

Description	Rating	Color	Catalog Number	
			Single-Pole	3-Way
Rocker dimmer; side slide adjustment; incandescent; preset with nightlight	1000W 120V AC	Almond	RDV10PAL	RDV103PAL
		Ivory	RDV10PI	RDV103PI
		Light Almond	RDV10PLA	RDV103PLA
		White	RDV10PW	RDV103PW
Rocker dimmer; side slide adjustment; incandescent; preset with nightlight	600W 120V AC	Almond	RDV600PAL	RDV603PAL
		Ivory	RDV600PI	RDV603PI
		Light Almond	RDV600PLA	RDV603PLA
		White	RDV600PW	RDV603PW
Rocker dimmer; magnetic low voltage; preset with nightlight	600VA (450W) 120V AC	Almond	RDVLV600PAL	RDVLV603PAL
		Ivory	RDVLV600PI	RDVLV603PI
		Light Almond	RDVLV600PLA	RDVLV603PLA
		White	RDVLV600PW	RDVLV603PW
Rocker dimmer; electronic low voltage; preset with nightlight; requires neutral	300W 120V AC	Almond	RDVELV300PAL	RDVELV303PAL
		Ivory	RDVELV300PI	RDVELV303PI
		Light Almond	RDVELV300PLA	RDVELV303PLA
		White	RDVELV300PW	RDVELV303PW



RDVFSQFW

FAN SPEED CONTROLS

Description	Rating	Color	Catalog Number
			Single-Pole/3-Way
Rocker fan control; 3-speed; slide adjustment	1.5A 120V AC	Almond	RDVFSQFAL
		Ivory	RDVFSQFI
		Light Almond	RDVFSQFLA
		White	RDVFSQFW

Lighting Controls

Slide Dimmers and Fan Speed Controls



Slide lighting controls provide preset on/off action and dimming. The slide bar provides a visual indication of the preset light level.

- Matches decorator devices
- Easy to activate
- Large heat sink for longer circuit life
- Superior RFI suppression circuitry
- Wire lead terminations



RS600PW



RSFSQFW



RS2LFSQW



RSKW



RSKI

RESIDENTIAL GRADE SLIDE DIMMERS

Description	Rating	Color	Catalog Number	
			Single-Pole	3-Way
Incandescent; preset with on/off switch	1000W 120V AC	Almond	RS10PAL	RS103PAL
		Ivory	RS10PI	RS103PI
		Light Almond	RS10PLA	RS103PLA
		White	RS10PW	RS103PW
Incandescent; preset with on/off switch	600W 120V AC	Almond	RS600PAL	RS603PAL
		Ivory	RS600PI	RS603PI
		Light Almond	RS600PLA	RS603PLA
		White	RS600PW	RS603PW
Magnetic low voltage; preset with on/off switch	600VA (450W) 120V AC	Almond	RSLV600PAL	RSLV603PAL
		Ivory	RSLV600PI	RSLV603PI
		Light Almond	RSLV600PLA	RSLV603PLA
		White	RSLV600PW	RSLV603PW
Electronic low voltage; preset with on/off switch; requires neutral	300W 120V AC	Almond	RSELV300PAL	RSELV303PAL
		Ivory	RSELV300PI	RSELV303PI
		Light Almond	RSELV300PLA	RSELV303PLA
		White	RSELV300PW	RSELV303PW

RESIDENTIAL GRADE FAN SPEED CONTROLS

Description	Rating	Color	Catalog Number	
			Single-Pole	3-Way
Slide fan control; slide to off; 3-speed	1.5A 120V AC	Almond	RSFSQFAL	—
		Ivory	RSFSQFI	—
		Light Almond	RSFSQFLA	—
		White	RSFSQFW	—
Combination slide dimmer; incandescent and 3-speed fan control	300W 1.5A 120V AC	Almond	RS2LFSQAL	—
		Ivory	RS2LFSQI	—
		Light Almond	RS2LFSQLA	—
		White	RS2LFSQW	—

REPLACEMENT SLIDE KNOBS

Description	Color	Catalog Number
Replacement slide knobs	Almond	RSKAL
	Ivory	RSKI
	Light Almond	RSKLA
	White	RSKW



Toggle lighting controls provide the perfect look to match traditional interiors. The side slide adjustment is built into the frame and out of the way, but there when you need it.

- Matches traditional styling
- Easy to activate
- Large heat sink for longer circuit life
- Superior RFI suppression circuitry
- Wire lead terminations



RAY600PW

RESIDENTIAL GRADE TOGGLE DIMMERS

Description	Rating	Color	Catalog Number	
			Single-Pole	3-Way
Incandescent; preset	1000W 120V AC	Almond	RAY10PAL	RAY103PAL
		Ivory	RAY10PI	RAY103PI
		Light Almond	RAY10PLA	RAY103PLA
		White	RAY10PW	RAY103PW
Incandescent; preset; terminal screws on 600 watt version	600W 120V AC	Almond	RAY600PAL	RAY603PAL
		Ivory	RAY600PI	RAY603PI
		Light Almond	RAY600PLA	RAY603PLA
		White	RAY600PW	RAY603PW



RAYFSQFW

RESIDENTIAL GRADE FAN SPEED CONTROLS

Description	Rating	Color	Catalog Number
			Single-Pole/3-Way
Toggle fan control; 3-speed	1.5A 120V AC	Almond	RAYFSQFAL
		Ivory	RAYFSQFI
		Light Almond	RAYFSQFLA
		White	RAYFSQFW



RAY2LFSQW

RESIDENTIAL GRADE COMBINATION FAN SPEED CONTROLS

Description	Rating	Color	Catalog Number
			Single-Pole Only
Combination toggle fan/light controls; incandescent and 3-speed fan control	300W 1.5 A 120V AC	Almond	RAY2LFSQAL
		Ivory	RAY2LFSQI
		Light Almond	RAY2LFSQLA
		White	RAY2LFSQW

Lighting Controls

Rotary Dimmers and Fan Speed Controls



Rotary lighting controls provide for basic adjustment of light and fans in an economical package.

- Fit with toggle wallplates
- Easy to activate
- Large heat sink for longer circuit life
- Superior RFI suppression circuitry



RD600RW

RESIDENTIAL GRADE ROTARY DIMMERS

Description	Rating	Color	Catalog Number	
			Single-Pole	3-Way
On/off dimmer; incandescent	600W 120V AC	Ivory	RD600RI	—
		White	RD600RW	—
Push on/off dimmer; incandescent; control knobs included for both ivory and white	600W 120V AC	Ivory/White	RD600PDK	RD603PDK



RRKDK

REPLACEMENT KNOBS

Description	Color	Catalog Number
Replacement knobs for rotary/push dimmer; two (2) piece kit	Ivory/White	RRKDK



RFSQ2FDK

RESIDENTIAL GRADE FAN SPEED CONTROLS

Description	Rating	Color	Catalog Number	
			Single-Pole	3-Way
On/off fan control; 3-speed; control knobs included for both ivory and white	1.5A 120V AC	Ivory/White	RFSQ2FDK	—



R28032401

R28032406

REPLACEMENT KNOBS

Description	Color	Catalog Number
Replacement knobs for 3-speed fan control	Ivory	R28032406
	White	R28032401



PIR ADAPTIVE TIMING WALL SWITCH OCCUPANCY SENSOR



MS1200ATW

DESCRIPTION

Manufacturer's Identification — Bryant MS1200ATW
Description — Adaptive Timing wall switch occupancy sensor comprised of a pyroelectric detector and Fresnel POLY IR® lens to sense the passive infrared energy within its field of view
Type — Single-pole
Rating — 800W at 120V AC; 1200W at 277V AC

CERTIFICATION

- UL Listed
- cUL Certified
- California Title 24

COMPONENTS

MATERIALS

Base and body	Thermoplastic
Rocker	Polycarbonate
Terminals	Wire leads
Mounting strap	Galvanized steel
Contacts	Silver alloy
Movable contact arm	Brass
Wallplate	Nylon

PERFORMANCE

Electrical

Voltage	120-277V AC 60 Hz
Max. load rating	0 minimum load; 800W at 120V AC; 1200W at 277V AC; 60 Hz
Working voltage	90V AC – 300V AC

Mechanical

Housing	Flame retardant UL94; V-O; ABS
Lens	Multi-element polyethylene
Wire identification	Black-line; red-load; green-ground

Environmental

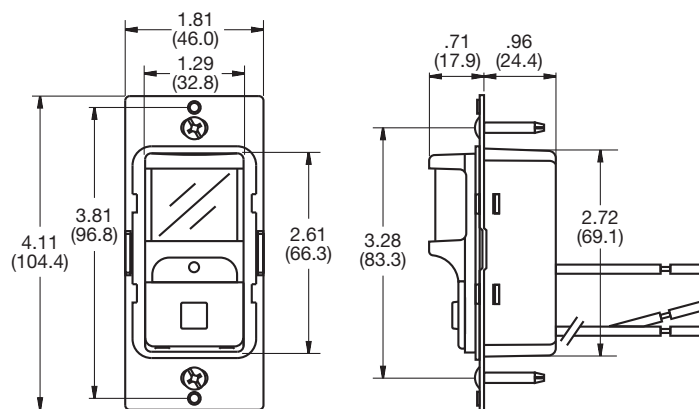
Operating temperatures	32°F to 122°F (0°C to 50°C)
Relative humidity	20% – 90% non-condensing

FEATURES

For use in small offices, classrooms, conference rooms, small storage areas, laundry rooms, rest rooms and closets.

- 180° field-of-view; 36 to 54 inch recommended mounting height
- High density Fresnel POLY IR® lens provides exceptional sensing
- No minimum load required
- Red LED trip indicator
- Compatible with most electronic ballasts
- California Title 24 compliant
- Five-year limited warranty
- UL and cUL Listed

PRODUCT DIMENSIONS Inches (mm)



MS1200AT

POLY IR® is a registered trademark of Fresnel Technologies, Inc.



INDEX	PAGE
Motor Control Products	
"Suitable as Motor Disconnects"	G-2
Quick Reference Guide	G-3
Toggle AC Manual Motor Controllers/Disconnects	
Product Features	G-4
30, 40, 50, 60 and 85 Amp 600V AC and Accessories	G-5
NEMA 1 and 3R Enclosed AC Manual Motor Controllers/Disconnects	
Product Features	G-6
30 and 60 Amp 600V AC	G-7
Rotary AC Manual Motor Controllers/Disconnects	
Product Features	G-8
30, 40 and 60 Amp 600V AC and Accessories	G-9
NEMA 1 and 4X Enclosed Rotary Motor Controllers/Disconnects	
Product Features	G-10
30, 40 and 60 Amp 600V AC and Accessories	G-11
Pendant Control Stations	
Product Features	G-12
Ordering Information	G-13
Technical Specifications	G-14



Motor Control Products

“Suitable as Motor Disconnects”



Safety is our primary concern

Bryant motor controllers are “suitable as motor disconnects,” which means that every motor controller can also be used as a motor disconnect. From a safety perspective, this means a motor load can now be isolated and locked-out in one convenient location. By utilizing Bryant’s compact motor controllers and disconnects, you benefit through the convenience of one device fulfilling two needs. Bryant offers flexibility, strict compliance to UL standards and the highest quality for greater productivity and safety.

All Bryant controllers can be used as disconnects

In order to understand the benefits of the Bryant design, it is important to understand the difference between a motor controller and a motor disconnect. A motor controller is simply used to activate a motor load “ON” or “OFF” and perform this function thousands of times. A motor disconnect, however, is designed and tested to withstand motor overloads and high short-circuit fault currents while maintaining the ability to disconnect the motor for service or maintenance.

According to the 2008 National Electric Code (NEC®) article 430.102, all motor controllers must have a disconnecting means located within the line of sight of the controller. Because the NEC® recognizes that a controller and disconnect can be the same unit (article 430.109), Bryant has taken the opportunity to design a compact controller that will also meet the rigorous demands of a motor disconnect. Bryant’s controllers are listed as “Suitable as Motor Disconnect” under UL Standard 508 – Industrial Control Equipment – qualifying them to perform both operations in one compact package.

Bryant provides the products you need, with the quality you expect

Exceeding quality and performance expectations is one of the things Bryant does best. Our line of controllers/disconnects is certainly no exception. Patented technology has been crafted into a compact, efficient design which is available in a variety of NEMA enclosure types or as a component switch giving one the options needed to meet specific application requirements.



TECH·SPEC®



30003D



50003D



60003D



66033D



30102D



30302D



664S33D



664X33D



30003FG



660AC

TOGGLE AC MOTOR CONTROLLERS SUITABLE AS DISCONNECTS

Description	Amp	Phase	Poles	HP Ratings				Catalog Number
				120V AC	240V AC	480V AC	600V AC	
Toggle switch	30	1	2	2	5	10	15	30002D
Short toggle switch	30	1	2	2	5	10	15	30002DS
Toggle switch	30	3	3	3	7.5	15	20	30003D
Short toggle switch	30	3	3	3	7.5	15	20	30003DS
Toggle switch	40	1	2	2	5	10	15	40002D
Toggle switch	40	3	3	3	7.5	15	20	40003D
Toggle switch	50	1	2	2	5	10	15	50002D
Toggle switch	50	3	3	3	7.5	15	25	50003D
Toggle switch	60	1	2	—	10	15	20	60002D
Toggle switch	60	3	3	—	10	25	30	60003D
Toggle switch – front wire	60	1	2	—	10	15	20	60002FWD
Toggle switch – front wire	60	3	3	—	10	25	30	60003FWD
Toggle switch	85	1	2	—	10	15	20	85002D
Toggle switch	85	3	3	—	10	25	40	85003D

ROTARY AC MANUAL MOTOR CONTROLLERS SUITABLE AS DISCONNECTS

Description	Amp	Phase	Poles	HP Ratings				Catalog Number
				120V AC	240V AC	480V AC	600V AC	
Rotary switch	30	1	2	2	5	10	15	66032D
Rotary switch	30	3	3	3	7.5	15	20	66033D
Rotary switch	40	1	2	2	5	10	15	66042D
Rotary switch	40	3	3	3	7.5	15	20	66043D
Rotary switch	60	1	2	—	10	15	20	66062D
Rotary switch	60	3	3	—	10	25	30	66063D

TOGGLE AND ROTARY ENCLOSED SWITCHES SUITABLE AS DISCONNECTS

Description	Amp	Phase	Poles	HP Ratings				Catalog Number
				120V AC	240V AC	480V AC	600V AC	
NEMA 1 aluminum – toggle	30	1	2	2	5	10	15	30102D
NEMA 1 aluminum – toggle	30	3	3	3	7.5	15	20	30103D
NEMA 1 aluminum – rotary	30	1	2	2	5	10	15	661032D
NEMA 1 aluminum – rotary	30	3	3	3	7.5	15	20	661033D
NEMA 3/3R non-metallic	30	1	2	2	5	10	15	30322D
NEMA 3/3R non-metallic	30	3	3	3	7.5	15	20	30323D
NEMA 3R die cast aluminum	30	1	2	2	5	10	15	30312D
NEMA 3R die cast aluminum	30	3	3	3	7.5	15	20	30313D
NEMA 3R aluminum	30	1	2	2	5	10	15	30302D
NEMA 3R aluminum	30	3	3	3	7.5	15	20	30303D
NEMA 3R aluminum	60	1	2	—	10	15	20	60302D
NEMA 3R aluminum	60	3	3	—	10	25	30	60303D
NEMA 4X stainless steel	30	3	3	3	7.5	15	20	664S33D
NEMA 4X stainless steel	60	3	3	—	10	25	30	664S63D
NEMA 4X rotary motor controller	30	3	3	3	7.5	15	20	664X33D
NEMA 4X rotary motor controller	40	3	3	3	7.5	15	20	664X43D
NEMA 4X rotary motor controller	40	3	3	—	10	25	30	664X63D

ACCESSORIES

Description	Catalog Number
Finger guards; red; for use with 30, 40 and 50 amp switches (set of 2)	30003FG
Handle kit for rotary switch; includes handle, shaft, mounting brackets and required screws	6610MK
Weatherproofing kit for rotary switch; includes 4 seals, neoprene bushing and 3 "O" rings	664XWP
Auxiliary contact NO/NC; includes 1 contact for use with push-on terminals	660AC
Mounting feet for NEMA 4X enclosure	664XFT
Neutral buss connector for NEMA 4X enclosure	6603N

Motor Control Products

Toggle AC Manual Motor Controllers/Disconnects



TECH·SPEC®

AC Manual Toggle Motor Controllers/Disconnects

Thermoset body

- Provides high resistance to electrical arc tracking
- Withstands high temperatures
- Excellent dimensional stability
- Superior dielectric strength



#10 brass terminal screw;
clamping plate for secure
back or side wiring

Optional side guard;
for close wall applications
and finger safe environments



Silver alloy contacts

- Four large contacts per pole
- Excellent conductivity
- Extended life



High temperature
thermoset body

Optional side guard;
for close wall applications
and finger safe environments



Steel screws and
copper terminals

Recessed wiring wells;
finger safe environments



TOGGLE AC MANUAL MOTOR CONTROLLERS/DISCONNECTS

Ideal motor controller suitable as a disconnect. Toggle motor controllers/disconnects can be built into equipment and enclosures with either box or panel-mount installation. Strong on/off action with quick-make, slow break operation provides long-life and reliability; 10,000 amp high fault short circuit withstand rating.



30003D



40002D



60003D

Amp	Poles	Toggle Type	Wired	HP Rating				Catalog Number
				120V AC	240V AC	480V AC	600V AC	Toggle
30	2	Standard	Back and side	2	5	10	15	30002D
30	2	Short	Back and side	2	5	10	15	30002DS
30	3	Standard	Back and side	3	7.5	15	20	30003D
30	3	Short	Back and side	3	7.5	15	20	30003DS
40	2	Standard	Side	2	5	10	15	4002*
40	2	Standard	Side	2	5	10	15	40002D
40	3	Standard	Side	3	7.5	15	20	40003D
50	2	Standard	Side	2	5	10	15	50002D
50	3	Standard	Side	3	7.5	15	25	50003D
60	2	Standard	Back	—	10	15	20	60002D
60	3	Standard	Back	—	10	25	30	60003D
60	2	Standard	Front	—	10	15	20	60002FWD
60	3	Standard	Front	—	10	25	30	60003FWD
85	2	Standard	Back	—	10	15	20	85002D
85	3	Standard	Back	—	10	25	40	85003D

Note: *Motor controller only.

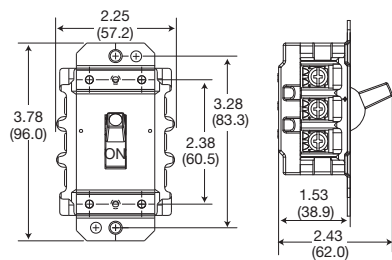
ACCESSORIES

Description	Catalog Number
Finger guards; red; for use with 30, 40 and 50 amp switches (set of 2)	30003FG

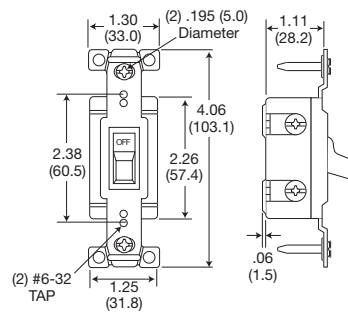


30003FG

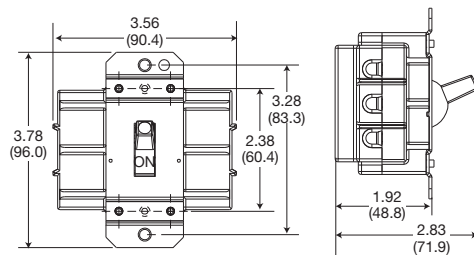
PRODUCT DIMENSIONS Inches (mm)



Toggles
30002D, 30003D and
40002D, 40003D



4002



60002D, 60003D and 85002D, 85003D

Motor Control Products

NEMA 1 and 3R Enclosed AC Manual Motor Controllers/Disconnects



TECH·SPEC®

NEMA 1 Motor Controllers/Disconnects

Wiring conduit knockouts

- ½ inch and ¾ inch NPT
- Top, bottom or back wire entry points
- Surface mount control



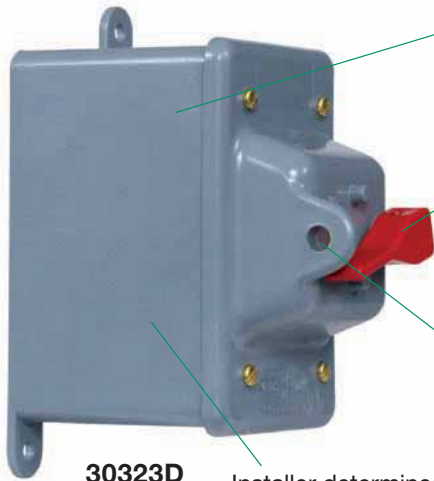
Lockout/tagout capability

All aluminum cover and base; base is pre-drilled for rear surface mounting

30103D

NEMA 3/3R Motor Controllers/Disconnects

- Raintight enclosures
- Designed for surface mounting



Valox® enclosure; chemical and impact resistant

External activation lever switch

Heavy duty flip lid; 3-sided protection

Lockout/tagout capability

30323D

Installer determined wire entry; no pre-drilled openings or knockouts



Three ½ inch NPT threaded openings on top, bottom and back of enclosure

Die cast aluminum enclosure; gray zinc powder coat finish

30313D

NEMA 3R Motor Controllers/Disconnects



Rain tight drip shield top; rolled seamless sides

All aluminum cover and base; base is pre-drilled for surface mounting

Wiring conduit knockouts: ½ inch NPT KO for 30 amp; bottom or back wire entry points

Lockout/tagout capability

30303D



All aluminum cover and base; base is pre-drilled for surface mounting

Wiring conduit knockouts: ¾ inch / 1 inch NPT KO for 60 amp; bottom or back wire entry points

60303D

Valox® is a registered trademark of SABIC Innovative Plastics.



TECH·SPEC®

NEMA 1 ENCLOSED SWITCH MOTOR CONTROLLERS/DISCONNECTS

Ideal for use in indoor environments.



30102D

Amp	Poles	HP Rating				Catalog Number
		120V AC	240V AC	480V AC	600V AC	
30	2	2	5	10	15	30102D
30	3	3	7.5	15	20	30103D

Note: For controller/disconnect specifications refer to page G-14.

ENCLOSURE WITHOUT CONTROLLER/DISCONNECT

Description	Catalog Number
Enclosure; use with 30002D and 30003D	30100

NEMA 3R ENCLOSED AC MANUAL MOTOR CONTROLLERS/DISCONNECTS

Ideal for use on outdoor equipment.



30322D

Amp	Poles	Enclosure Material	HP Rating				Catalog Number
			120V AC	240V AC	480V AC	600V AC	
30	2	Thermoplastic	2	5	10	15	30322D*
30	3	Thermoplastic	3	7.5	15	20	30323D*
30	2	Aluminum	2	5	10	15	30312D
30	3	Aluminum	3	7.5	15	20	30313D

Note: For controller/disconnect specifications refer to page G-14.

*Drill weephole to alter from NEMA 3 to NEMA 3R.

NEMA 3R ENCLOSURES WITH CONTROLLER/DISCONNECT

Ideal for use in outdoor environments.



30312D

Amp	Poles	HP Rating				Catalog Number
		120V AC	240V AC	480V AC	600V AC	
30	2	2	5	10	15	30302D
30	3	3	7.5	15	20	30303D
60	2	—	10	15	20	60302D
60	3	—	10	25	30	60303D

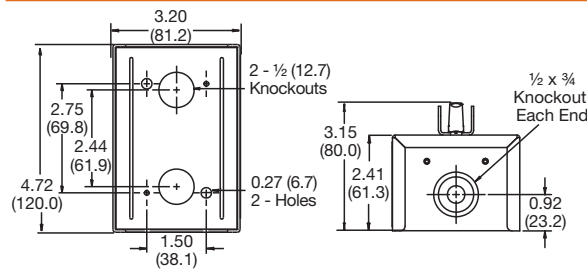
ENCLOSURES WITHOUT CONTROLLER/DISCONNECT

Description	Catalog Number
For use with 30A; use with 30002D and 30003D (see page G-5)	30300
For use with 60A; use with 60003FWD (see page G-5)	60300

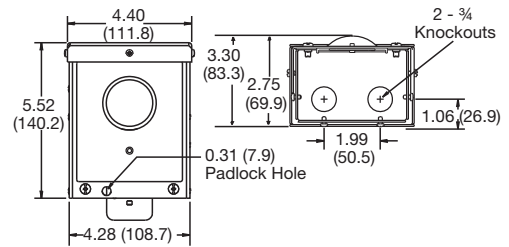
PRODUCT DIMENSIONS Inches (mm)



30303D



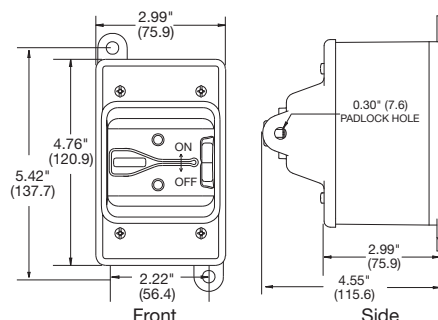
30102D and 30103D



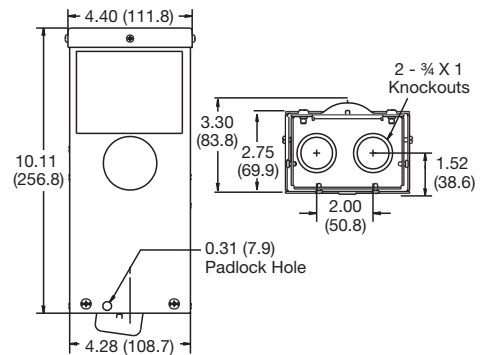
30302D, 30303D and 30300



60303D



30322D and 30323D



60302D, 60303D and 60300

Motor Control Products

Rotary AC Manual Motor Controllers/Disconnects



Rotary AC Manual Motor Controllers/Disconnects

Thermoset body

- Provides high resistance to electrical arc tracking
- Withstands high temperatures
- Excellent dimensional stability
- Superior dielectric strength



#10 brass terminal screw; clamping plate for secure back or side wiring

Optional side guard; for close wall applications and finger safe environments



Steel screws and copper terminals

Recessed wiring wells; finger safe environments



100% copper contact arm

- High heat management



Lubrication-free controller

- Continued on/off cycling even in harsh, dust and high heat environments



Handle kit for rotary devices

- One-way, keyed mounting assembly to facilitate installation
- Impact and chemical resistant Valox® parts

Panel Mount Rotary Controllers



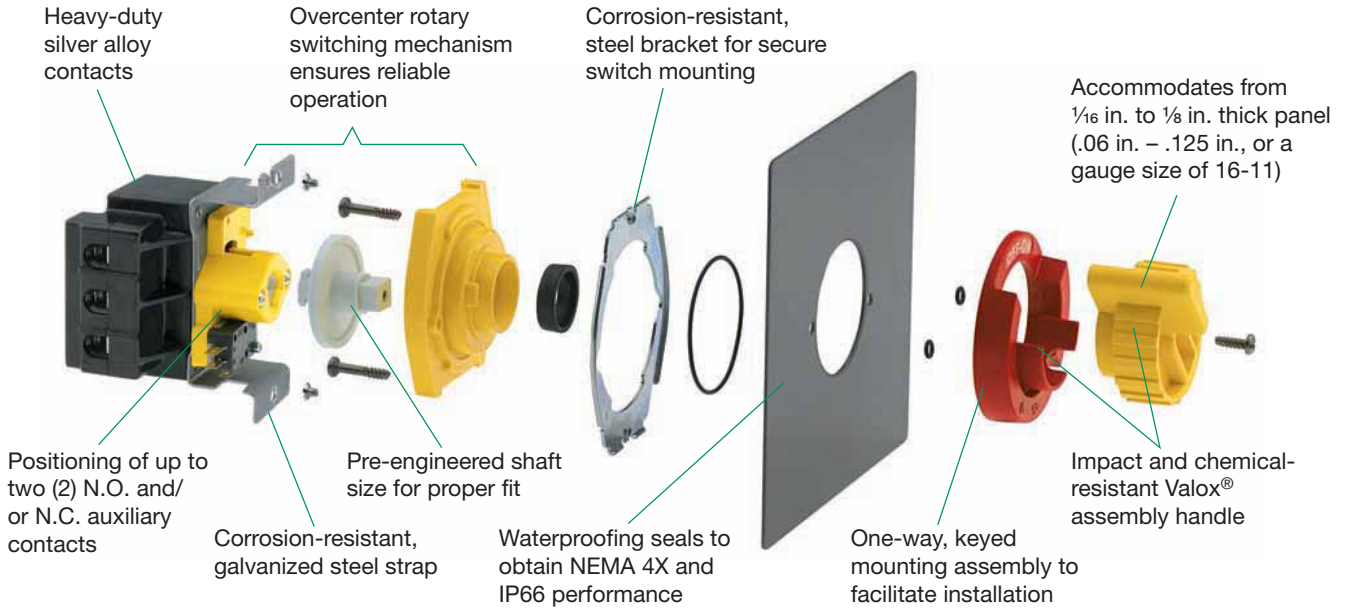
Bryant's panel mount series of products is specifically designed for simple and reliable installation into both industrial and electrical control panels. Engineered to front mount on panels from 1/16 inch to 1/8 inch thick, the compact switch can be used as a circuit controller.

Bryant's premium design insures that panel mount controllers can only be assembled one way — the correct way. All parts key together, minimizing guesswork, to simplify assembly and upgrading.

- Ideal for use in building custom controllers
- Rugged, durable assembly
- Accommodates two (2) N.O. or N.C. contacts for remote monitoring or PLC interface
- Facilitates "through the door" assembly
- Available as NEMA 1 or NEMA 4X

Motor Control Products

30, 40, and 60 Amp 600V AC



ROTARY AC MANUAL MOTOR CONTROLLERS/DISCONNECTS

Ideal motor controller suitable as a disconnect. Rotary controllers can be built into equipment and enclosures for either box or panel-mount installation. Strong on/off action with quick-make, slow break operation provides long-life and reliability; 10,000 amp high fault short circuit withstand rating.



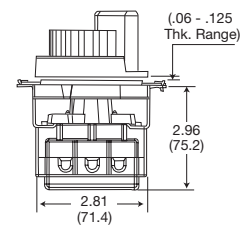
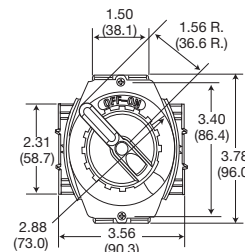
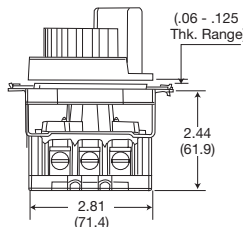
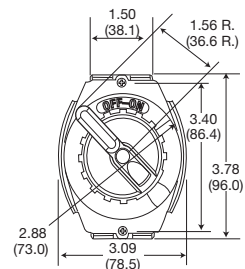
Amp	Poles	Toggle Type	Wired	HP Rating				Catalog Number
				120V AC	240V AC	480V AC	600V AC	
30	2	Standard	Back and side	2	5	10	15	66032D
30	3	Standard	Back and side	3	7.5	15	20	66033D
40	2	Standard	Side	2	5	10	15	66042D
40	3	Standard	Side	3	7.5	15	20	66043D
60	2	Standard	Back	—	10	15	20	66062D
60	3	Standard	Back	—	10	25	30	66063D

ACCESSORIES



Description	Catalog Number
Finger guards; red; for use with 30, 40 and 50 amp switches (set of 2)	30003FG
Handle kit for rotary switch; includes handle, shaft, mounting brackets and required screws	6610MK
Weatherproofing kit for rotary switch; includes 4 seals, neoprene bushing and 3 "O" rings	664XWP
Auxiliary contact NO/NC; includes 1 contact for use with push-on terminals	660AC

PRODUCT DIMENSIONS Inches (mm)



Rotary
66032D, 66033D, 66042D, 66043D
with Handle Kit 6610MK

Rotary
66062D, 66063D with Handle Kit 6610MK

Valox® is a registered trademark of SABIC Innovative Plastics.



TECH·SPEC®

NEMA 4X Stainless Steel Enclosed AC Manual Motor Controller/Disconnect



664S33D

Lockout/tagout capability

Valox® handle and collar; chemical and impact resistant

Undrilled case allows custom placement of wire entry

304 stainless steel enclosure; chemical and corrosion resistant

NEMA 1 Motor Controller/Disconnect

Wiring conduit knockouts

- ½ inch and ¾ inch NPT
- Top, bottom or back wire entry points
- Surface mount control



661033D

Sure-Grip high visibility handle; impact and chemical-resistant Valox® assembly handle

Lightweight aluminum; perfect for indoor use; protection against falling dirt

Lockout/tagout capability

NEMA 4X Non-Metallic AC Manual Motor Controller/Disconnect



664X63D

Undrilled case allows custom placement of entry positions with normal tools and knockouts

Clearly identified "ON/OFF" indicators

Lockout/tagout capability

All thermoplastic, non-corrosive, non-metallic enclosure

High visibility Red/Yellow handle assembly for quick identification



Wire bending space for drip loops

Accessible front wiring termination

Interlocking shaft handle assembly prevents cover removal when in the "ON" position

Neutral buss bar

Two positions for auxiliary contacts

Keyed one-way device mounting

Four grounding screws

Knuckle room for easy wiring

Keyed base and cover

Valox® is a registered trademark of SABIC Innovative Plastics.

TECH·SPEC®

NEMA 1 ENCLOSED ROTARY MOTOR CONTROLLERS/DISCONNECTS

Ideal for use in indoor environments.



661032D

Amp	Poles	HP Rating				Catalog Number
		120V AC	240V AC	480V AC	600V AC	
30	2	2	5	10	15	30102D
30	3	3	7.5	15	20	30103D

Note: For controller/disconnect specifications refer to page G-14.

NEMA 4X ENCLOSED ROTARY MOTOR CONTROLLERS/DISCONNECTS STAINLESS STEEL ENCLOSURES

Ideal for use in environments where washdown is necessary (i.e., food processing, laboratories, etc.).



664S33D

Amp	Poles	HP Rating				Catalog Number
		120V AC	240V AC	480V AC	600V AC	
30	3	3	7.5	15	20	664S33D
60	3	—	10	25	30	664S63D

Note: For controller/disconnect specifications refer to page G-14.

NON-METALLIC ENCLOSURES

Used primarily in heavy wash-down and corrosive environments.



664S63D

Amp	Poles	HP Rating				Catalog Number
		120V AC	240V AC	480V AC	600V AC	
30	3	3	7.5	15	20	664X33D
40	3	3	7.5	15	20	664X43D
60	3	—	10	25	30	664X63D

Note: For controller/disconnect specifications refer to page G-14.

ACCESSORIES

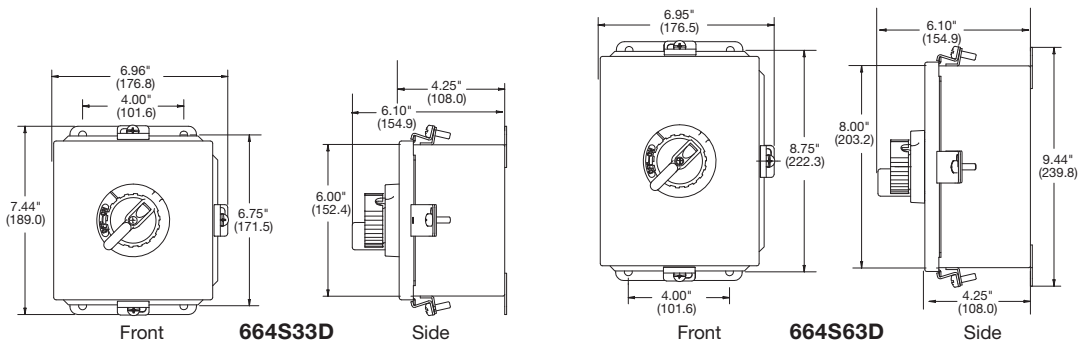
Description	Catalog Number
Finger guard option for 30A switch (set of 2)	30003FG
Auxiliary contact NO/NC; pilot duty	660AC
Mounting feet for NEMA 4X enclosure	664XFT
Neutral buss connector for NEMA 4X enclosure	6603N

Note: For controller/disconnect specifications refer to page G-14.

PRODUCT DIMENSIONS Inches (mm)



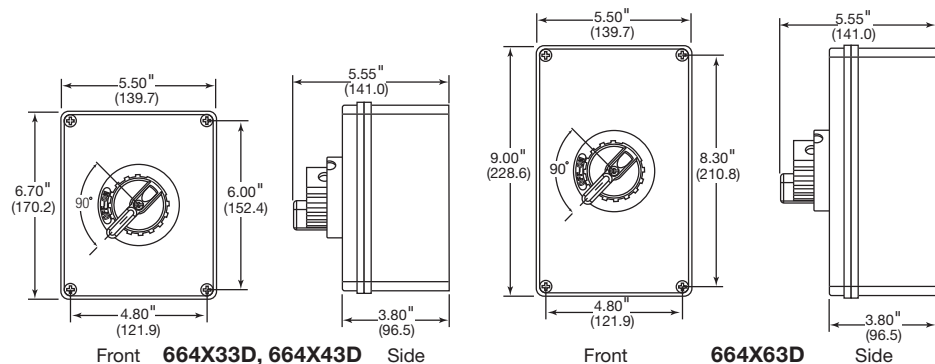
664X63D



660AC



664XFT



6603N



Pendant Control Stations

- Heavy-duty nickel-plated beryllium copper contacts
- Mechanical interlock on single and two-speed stations
- “Saddle” type wire terminations



Cord diameter range:
.375 - .625 in. (9.5 - 15.9mm)

Safety-yellow “Super-Tuff”
polymer enclosure

Raised button guards

Compact size; designed for
comfort fit

PCS002

Applications



Push-button control of:

- Industrial cranes
- Electric hoists
- Remote jog of industrial machines

Ideal for use in:

- Assembly shops
- Transport operations
- Construction industry
- Agriculture and food processing industry

PENDANT CONTROL STATIONS

Ideal for use on outdoor equipment.



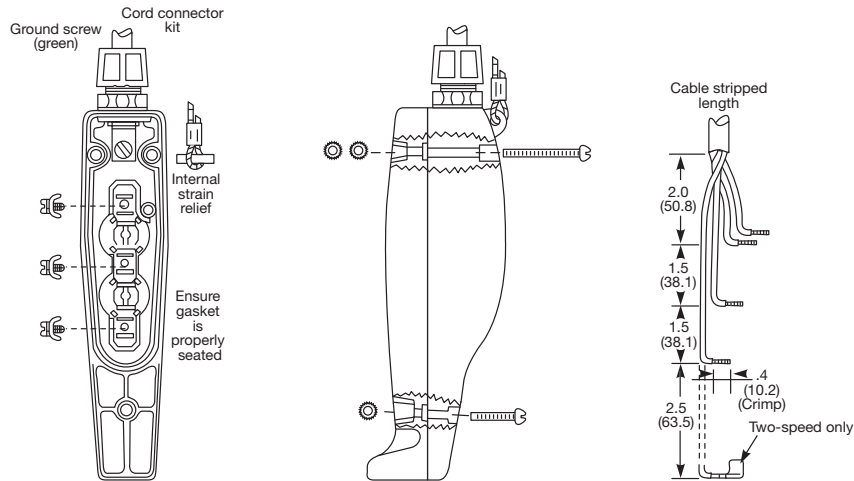
PCS002

Description	Catalog Number
Single speed with mechanical interlock between push buttons	PCS002
Single speed normally open-normally closed without mechanical interlock	PCS102
Two speed with mechanical interlock between push buttons	PCS202

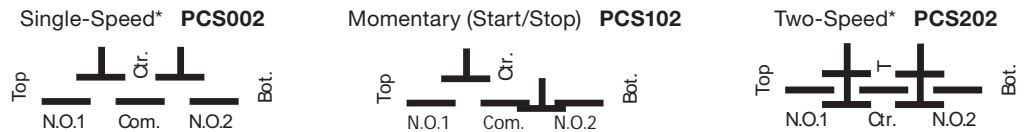
CONTACT RATINGS - COMPACT PENDANT PUSH BUTTON STATIONS NEMA 1 AND NEMA 4X VERSIONS

	Single-Speed		Two-Speed	
	Voltage	Current	Voltage	Current
AC 35% power factor	120V	6.0 Amp	120V	3.0 Amp
	240V	3.0 Amp	240V	1.5 Amp
DC	125V	1.1 Amp	—	—
Inductive	250V	0.55 Amp	—	—

Note: Contacts will carry the above currents on a continuous basis and have the same interrupting ratings.



WIRING DIAGRAM



Note: *Mechanical "floating ball" interlock prevents actuating both push buttons simultaneously.



SPECIFICATIONS AC MANUAL TOGGLE AND ROTARY MOTOR CONTROLLERS/DISCONNECTS

CERTIFICATION

UL 508	Industrial Control Equipment File #E70402
CSA-C22.2 No.14	Industrial Control Equipment File #LR-46186

PERFORMANCE

Electrical

Dielectric voltage	2,200V AC minimum for 1 minute	
Electrical life	6,000 cycles at rated switch load	
Max working voltage	600V AC RMS	
	Switches	10,000 RMS
Short circuit	30A and 40A	60A max J fuses
Withstand rating	50A	50A max J fuses
As motor disconnect	60A and 85A	80A max J fuses
Short circuit withstand rating as motor controller	All switches	125A max RK5 fuses

Mechanical

Mechanical life	10,000 minimum cycles		
Terminal accommodations	Amps	AWG Minimum	AWG Maximum
	30	#14	#10
	40 and 50	#14	# 8
	60 and 85	#14	# 4
Terminal torque	30 - 50	20 inch pounds	
	60 - 85	25 inch pounds	

Environmental

Flammability	UL94HB/V
Operating temperature	Maximum continuous 30, 40 and 60A – 60 °C Maximum continuous 50 and 85A – 75 °C Minimum continuous without impact – -40 °C



INDEX

PAGE

Product Features

Triple Gripper®	H-2
20 Amp Receptacle and Equipment Devices	H-3

NEMA Configuration Chart

H-4

Locking Devices

15 Amp 125V; 2-Pole 2-Wire	H-5
20 Amp 250V; 2-Pole 2-Wire	H-6
Midget; 15 Amp 125V; 2-Pole 2-Wire, 2-Pole 3-Wire Grounding and 125/250V; 3-Pole 3-Wire	H-7
15 Amp 125V, 250V and 277V AC; 2-Pole 3-Wire Grounding	H-8
20 Amp 125V, 250V and 277V AC; 2-Pole 3-Wire Grounding	H-10
20 Amp 480V AC and 600V AC; 2-Pole 3-Wire Grounding	H-11
20 Amp 3Ø 125/250V AC, 250V AC and 3Ø 480V AC; 3-Pole 3-Wire	H-12
20 Amp 125/250V AC, 3Ø 250V AC and 3Ø 480V AC; 3-Pole 4-Wire	H-13
20 Amp 3ØY 120/208V AC, 3ØY 277/480V AC and 3ØY 347/600V AC; 4-Pole 4-Wire	H-14
20 Amp 3ØY 120/208V AC, 3ØY 277/480V AC and 3ØY 347/600V AC; 4-Pole 5-Wire	H-15
30 Amp 125, 250V and 277V AC; 2-Pole 3-Wire Grounding	H-16
30 Amp 480V AC and 600V AC; 2-Pole 3-Wire Grounding	H-17
30 Amp 125/250V AC and 3Ø 250V AC; 3-Pole 3-Wire	H-18
30 Amp 3Ø 480V AC and 3Ø 600V AC; 3-Pole 3-Wire	H-19
30 Amp 125/250V AC and 3Ø 250V AC; 3-Pole 4-Wire Grounding	H-20
30 Amp 3Ø 480V AC and 3Ø 600V AC; 3-Pole 4-Wire Grounding	H-21
30 Amp 3ØY 120/208V AC, 3ØY 277/480V AC and 3ØY 347/600V AC; 4-Pole 4-Wire	H-22
30 Amp 3ØY 120/208V AC, 3ØY 277/480V AC and 3ØY 347/600V AC; 4-Pole 5-Wire	H-23
30 Amp 28V DC, 400 Hz 120V, 400 Hertz 3ØΔ 120V and 400 Hertz 3ØY 120/208V	H-24
20 Amp 400 Hertz 3ØY 120/208V; 4-Pole 5-Wire Grounding	H-25
10 Amp 250V; 3-Pole 3-Wire and 15 Amp 125V; 2-Pole 3-Wire	H-26
20 Amp 125/250V; 3-Pole 3-Wire and 250V AC; 2-Pole 3-Wire	H-27
20 Amp 3ØY 120/208V AC; 4-Pole 4-Wire and 250V AC; 3-Pole 4-Wire	H-28
20 Amp 3ØY 120/208V AC; 4-Pole 5-Wire Grounding	H-29
30 Amp 125/250V; 3-Pole 3-Wire and 250V; 2-Pole 3-Wire	H-30
30 Amp 3ØY 120/208V; 4-Pole 4-Wire and 250V AC; 3-Pole 4-Wire	H-31
Locking Kits – Pool Pump Kit and Generator Kit	H-32
Accessories – Angle Adapters and Plugbox	H-33
Weather Protective Boots	H-34
Technical Specifications	H-36

50 Amp Locking Devices

50 Amp 125/250V AC and 3Ø 250V AC; 3-Pole 4-Wire Grounding	H-37
50 Amp 125/250V AC, 3Ø 250V AC and 3Ø 480V AC; 3-Pole 4-Wire Grounding	H-38
50 Amp 125V, 250V and 480V AC; 2-Pole 3-Wire Grounding	H-39
50 Amp 250V DC and 600V AC; 2-Pole 3-Wire Grounding	H-40
50 Amp 250V DC and 600V AC; 2-Pole 3-Wire and 3-Pole 4-Wire Grounding	H-41

Power Interrupting Locking Devices

Product Features	H-42
20 Amp 125V AC or DC and 10 Amp 250V DC, 480V AC	H-43
30 Amp 600V AC; 20 Amp 250V DC; 3-Pole 4-Wire Grounding	H-44
60 Amp 600V AC; 3-Pole 4-Wire Grounding	H-46
60 Amp 600V AC; 4-Pole 5-Wire Grounding	H-47
Accessories	H-48



Locking Devices

Triple Gripper® Product Features



TECH-SPEC®

Hand grip features wide-rib; non-slip design

Configuration-specific plug face surrounds blades to prevent infiltration of contaminants

Face and body feature alignment keys for easy assembly

Amperage, voltage and NEMA configuration imprinted on face for easy identification

Captive, combination Slot/Phillips assembly screws

70520NP

Double wall construction for extra durability

Neutral blade is nickel-plated for easy identification



70520NC

Impact/chemical resistant; toughened nylon construction

High Performance Contact

High-performance copper-alloy contacts have excellent conductivity and spring properties to provide superior contact pressure. Clamp-type terminals have .078 inch thick over-sized clamp nut with undercut for secure retention of conductor. Captive, combination phillips/slotted #10 brass terminal screws are color-coded for easy wiring.

EPDM Dust Seal



Resilient dust seal surrounds cord, helping to prevent moisture and contaminants from entering wiring chamber. Tapered cover eliminates snagging.

Triple Gripper®



Internal "self-centering" Triple Gripper® cord grip with "radius teeth" design provides secure cord retention.

Terminal Cover



Transparent terminal cover, extended "teardrop" wiring pockets and backed out "captive" terminal screws simplify wiring.

Angle Adapter



Nylon angle adapter (catalog number 70204ANA) converts 20A and 30A nylon locking plugs and connectors into space-saving angle devices.

Locking Devices

Receptacle and Equipment Devices Product Features



TECH·SPEC®

Combination back and side wiring terminals accept #14 thru #8 AWG solid or stranded conductors

Captive terminal screws are deep slotted for easy installations

Base is molded of rugged reinforced thermoplastic polyester to minimize heat buildup and resist breakage. Thick wall construction provides terminal isolation and strong support for current-carrying parts

One-piece, rivetless copper-alloy contact design reduces heat buildup and provides secure blade retention

High strength #10 terminal screws resist corrosion and provide secure terminations

Captive, combination Slot/Phillips mounting screws

Heavy-duty mounting straps are nickel-plated to resist corrosion; wide width design assures secure assembly

NEMA rating and configuration are molded into face for easy identification

Face is molded of toughened nylon to resist breakage

Space-saving design allows more room in box for wiring

Both mounting straps are grounded for safe installations



Available in Isolated Ground and Corrosion Resistant Devices

70520FR

Equipment Devices

Configuration-specific plug face surrounds blades to help prevent infiltration of contaminants

Impact/chemical resistant toughened nylon construction

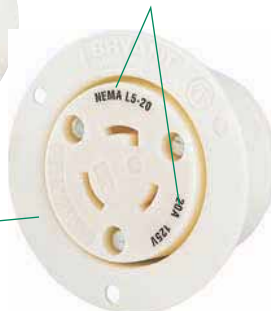
NEMA configuration and rating are permanently marked on face for easy identification

Transparent terminal cover; extended "tear-drop" wiring pockets and backed out "captive" terminal screws simplify wiring

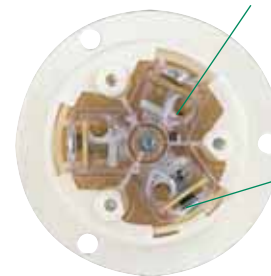
Combination Slot/Phillips head terminal screws for versatile wiring



70520MB



70520ER



Locking Devices

NEMA Configuration Chart



			15 Ampere		20 Ampere		30 Ampere	
			Receptacle	Plug	Receptacle	Plug	Receptacle	Plug
2-Pole 2-Wire	125V	ML1	H-7 ML-1R	H-7 ML-1P				
	125V	L1	H-5 L1-15R	H-5 L1-15P				
	250V	L2			H-6 L2-20R	H-6 L2-20P		
2-Pole 3-Wire Grounding	125V	ML2	H-7 ML-2R	H-7 ML-2P				
	125V	L5	H-8, 9 L5-15R	H-9 L5-15P	H-10 L5-20R	H-10 L5-20P	H-16 L5-30R	H-16 L5-30P
	250V	L6	H-8, 9 L6-15R	H-9 L6-15P	H-10 L6-20R	H-10 L6-20P	H-16 L6-30R	H-16 L6-30P
	277V AC	L7	H-8, 9 L7-15R	H-9 L7-15P	H-10 L7-20R	H-10 L7-20P	H-16 L7-30R	H-16 L7-30P
	480V AC	L8			H-11 L8-20R	H-11 L8-20P	H-17 L8-30R	H-17 L8-30P
	600V AC	L9			H-11 L9-20R	H-11 L9-20P	H-17 L9-30R	H-17 L9-30P
	28V DC	FSL1					H-24 FSL1	H-24 FSL1
	400Hz 120V	FSL2					H-24 FSL2	H-24 FSL2
	3-Pole 3-Wire	125/250V AC	ML3	H-7 ML-3R	H-7 ML-3P			
125/250V AC		L10			H-12 L10-20R	H-12 L10-20P	H-18 L10-30R	H-18 L10-30P
3Ø 250V AC		L11	L11-15R	L11-15P	H-12 L11-20R	H-12 L11-20P	H-18 L11-30R	H-18 L11-30P
3Ø 480V AC		L12			H-12 L12-20R	H-12 L12-20P	H-19 L12-30R	H-19 L12-30P
3Ø 600V AC		L13					H-19 L13-30R	H-19 L13-30P
3-Pole 4-Wire Grounding	125/250V AC	L14			H-13 L14-20R	H-13 L14-20P	H-20 L14-30R	H-20 L14-30P
	3Ø 250V AC	L15			H-13 L15-20R	H-13 L15-20P	H-20 L15-30R	H-20 L15-30P
	3Ø 480V AC	L16			H-13 L16-20R	H-13 L16-20P	H-21 L16-30R	H-21 L16-30P
	3Ø 600V AC	L17					H-21 L17-30R	H-21 L17-30P
	400Hz 3Ø 120V	FSL3					H-24 FSL3	H-24 FSL3
4-Pole 4-Wire	3ØY 120/208V AC	L18			H-14 L18-20R	H-14 L18-20P	H-22 L18-30R	H-22 L18-30P
	3ØY 277/480V AC	L19			H-14 L19-20R	H-14 L19-20P	H-22 L19-30R	H-22 L19-30P
	3ØY 347/600V AC	L20			H-14 L20-20R	H-14 L20-20P	H-22 L20-30R	H-22 L20-30P
4-Pole 5-Wire Grounding	3ØY 120/208V AC	L21			H-15 L21-20R	H-15 L21-20P	H-23 L21-30R	H-23 L21-30P
	3ØY 277/480V AC	L22			H-15 L22-20R	H-15 L22-20P	H-23 L22-30R	H-23 L22-30P
	3ØY 347/600V AC	L23			H-15 L23-20R	H-15 L23-20P	H-23 L23-30R	H-23 L23-30P
	400Hz 3ØY 120/208V	FSL4					H-24 FSL4	H-24 FSL4

Locking Devices

15 Amp 125V; 2-Pole 2-Wire



NEMA L1-15
15A 125V



7535

RECEPTACLES

Description	Catalog Number
Single; black phenolic; back and side wired	7535
Duplex; black phenolic; back and side wired	7540



7540

PLUGS AND CONNECTORS

Description	Cord Diameter	Catalog Number
Plug; black/white nylon polarized; with non-metallic cord grip	.296-.562 (7.5-14.3)	7548
Connector; black/white nylon polarized; with non-metallic cord grip	.296-.562 (7.5-14.3)	7506

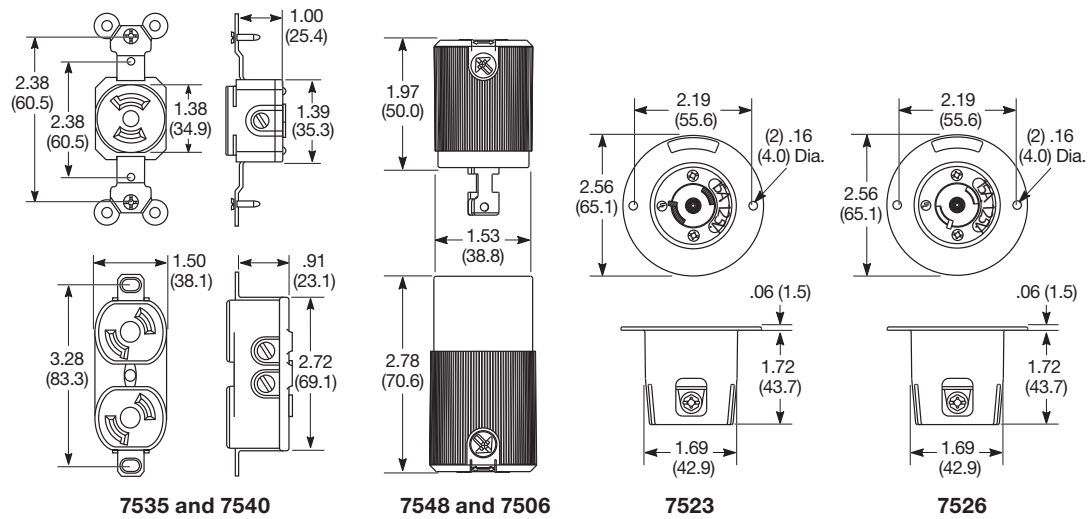
FLANGED DEVICES

Description	Catalog Number
Male equipment base; binding screw terminals	7523
Female equipment receptacle; binding screw terminals	7526



7506

PRODUCT DIMENSIONS Inches (mm)



7523

Note: See page Q-8 for horsepower ratings.

ACCESSORIES

Description	Stainless Steel Wallplate	Nylon Wallplate	Weather Protective Wallplate
Single receptacle	SS7	NP7BK	7418B
Duplex receptacle	SS8	NP8BK	4510B

Note: See section O for additional information on wallplates.



7526



7210B

SINGLE RECEPTACLES



NEMA L2-20
20A 250V

Description	Catalog Number
Black phenolic; back and side wired	7210B



7102N

LOCKING PLUGS AND CONNECTORS Inches (mm)

Description	Cord Diameter	Catalog Number
Plug; black/white nylon polarized; with non-metallic cord grip	.250-.656 (6.4-16.7)	7102N
Plug; black/white nylon with dual non-metallic cord grip	.250-.656 (6.4-16.7)	9102N
Connector; thermoplastic with cord grip	.250-.656 (6.4-16.7)	7101

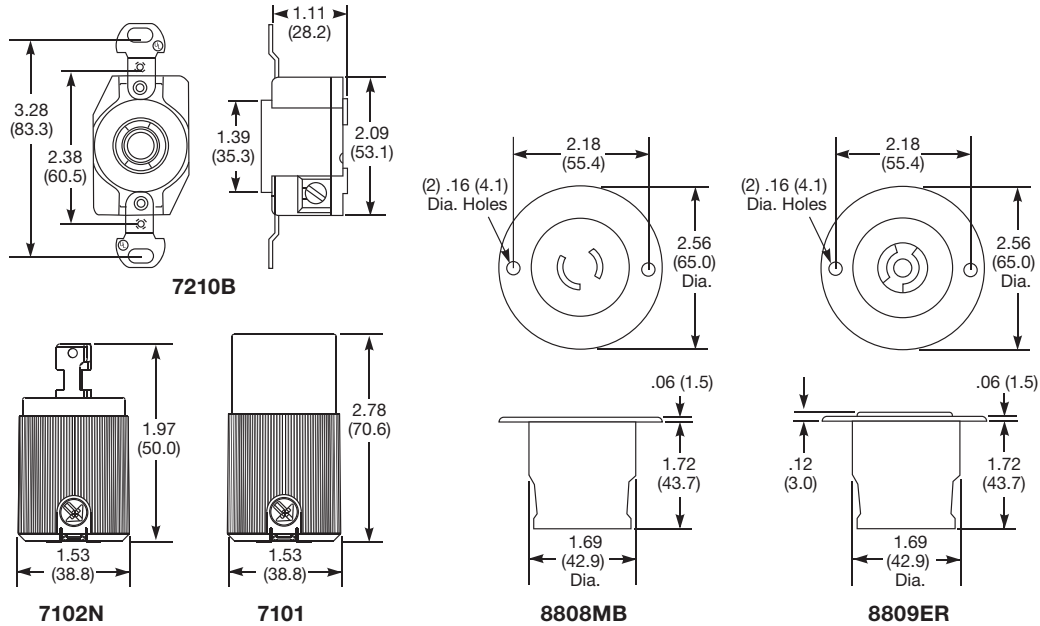


7101

FLANGED DEVICES

Description	Catalog Number
Male equipment base; polarized; white nylon	8808MB
Female equipment receptacle; white nylon	8809ER

PRODUCT DIMENSIONS Inches (mm)



Note: See page Q-8 for horsepower ratings.



8808MB



8809ER

ACCESSORIES

Description	Stainless Steel Wallplate	Nylon Wallplate	Weather Protective Wallplate
Single receptacle	SS7	NP7BK	7418B

Note: See section O for additional information on wallplates.

Locking Devices

Midget; 15 Amp 125V; 2-Pole 2-Wire, 2-Pole 3-Wire and 125/250V; 3-Pole 3-Wire



7465N



7464N



7594NP



7593NC



7595MB



7596ER

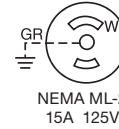


7466N



7468N

PLUGS AND CONNECTORS Inches (mm)



Description	Cord Diameter	Catalog Number	
Plug; black/white nylon polarized with non-metallic cord grip	.220-.425 (5.6-10.8)	7465N	—
Connector; black/white nylon with non-metallic cord grip	.220-.425 (5.6-10.8)	7464N*	—
Plug; black nylon polarized with non-metallic cord grip	.220-.425 (5.6-10.8)	7465NB	—
Connector; black nylon with non-metallic cord grip	.220-.425 (5.6-10.8)	7464NB*	—
Plug; black/white nylon; Quad Gripper® cord grip	.281-.625 (7.1-15.9)	—	7594NP 7485NP
Connector; black/white nylon; Quad Gripper® cord grip	.281-.625 (7.1-15.9)	—	7593NC 7484NC

Note: *Will accommodate both polarized and nonpolarized plugs.

EQUIPMENT DEVICES

Description	Catalog Number		
Male equipment base; white nylon cup	7466N	7595MB	7486MB
Female equipment receptacle; white nylon cup	7468N*	7596ER	7487ER

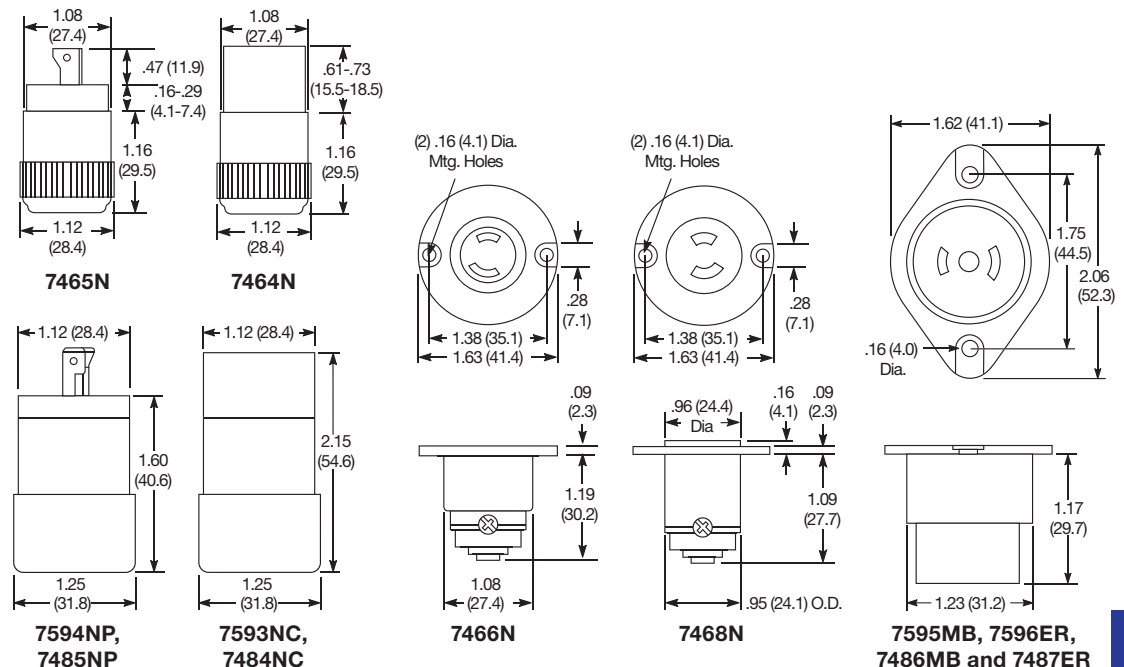
Note: *Will accommodate both polarized and nonpolarized plugs.

ACCESSORIES

Description	Catalog Number		
Boots for plugs; black thermoplastic	7460BP**	—	—
Boots for connectors; black thermoplastic	7460BC**	—	—
Boots for plugs and connectors; yellow neoprene	—	7400BCR**	7400BCR**

Note: **Boots are not UL Listed or CSA Certified. See page H-34 for additional information on boots.

PRODUCT DIMENSIONS Inches (mm)



Note: See page Q-8 for horsepower ratings.

Locking Devices

15 Amp 125V, 250V and 277V AC; 2-Pole 3-Wire Grounding



TECH·SPEC®



4710



471044



4712BRY



4700DR



70615DR



NEMA L5-15
15A 125V



NEMA L6-15
15A 250V



NEMA L7-15
15A 277V AC

SINGLE RECEPTACLES Inches (mm)

Description	Catalog Number		
	4710	70615FR	4760
Black nylon; back and side wired	4710	70615FR	4760
Corrosion-resistant; yellow nylon; back and side wired	4710CR	—	—
Isolated ground; orange nylon; back and side wired	4710IG	70615IG	—
Black nylon with quick connect spade terminals	471044	7061544	—
Panel mounting; black nylon; 1.94 in. (49.3) mounting hole center; back and side wired	4712BRY	7061594	—
Panel mounting; black nylon; 1.75 in. (44.5) mounting hole center; back and side wired	4713BRY	7061575	—
Black nylon; back and side wired mounted on 4 in. (101.6) round metal box cover	4711BRY	—	4761

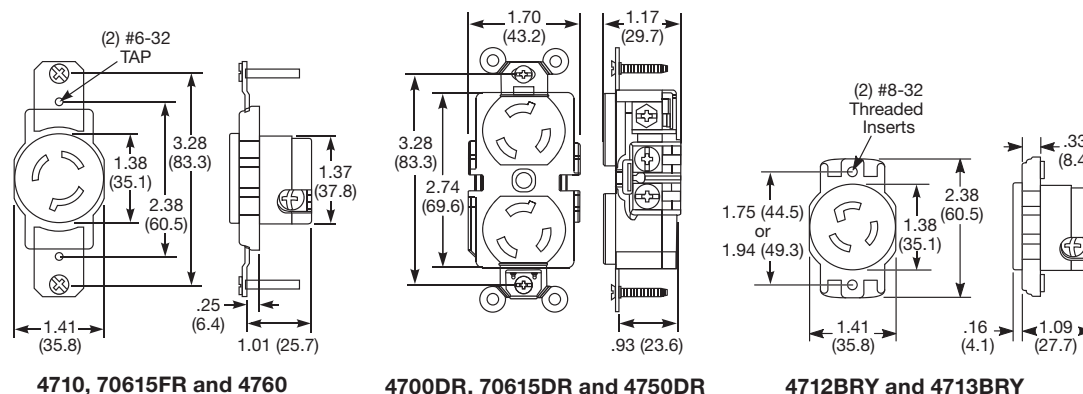
Note: See section J for more information on corrosion-resistant devices.
See section C for more information on isolated ground devices.

DUPLEX RECEPTACLES

Description	Catalog Number		
Brown; reinforced thermoplastic polyester (RTP); back and side wired	4700DR	70615DR	4750DR
Ivory; reinforced thermoplastic polyester (RTP); back and side wired	4700DRI	—	—
Corrosion-resistant; yellow; reinforced thermoplastic polyester (RTP); back and side wired	4700DRCR	—	—
Isolated ground; orange reinforced thermoplastic polyester (RTP); back and side wired	4700DRIG	70615DRIG	—

Note: See section J for more information on corrosion-resistant devices.
See section C for more information on isolated ground devices.

PRODUCT DIMENSIONS Inches (mm)



Note: See page Q-8 for horsepower ratings.

ACCESSORIES

Description	Stainless Steel Wallplate	Nylon Wallplate		Weather Protective Wallplate
	SS7	Black NP7BK	Brown NP7	7418B
Single receptacle	SS7	NP7BK	NP7	7418B
Duplex receptacle	SS8	NP8BK	NP8	4510B

Note: See section O for additional information on wallplates.

Locking Devices

15 Amp 125V, 250V and 277V AC; 2-Pole 3-Wire Grounding



TECH·SPEC®



70615NP



70615NC



4726BRY



4730



4722N



4716MB



4715ER



NEMA L5-15
15A 125V



NEMA L6-15
15A 250V



NEMA L7-15
15A 277V AC

TRIPLE GRIPPER® LOCKING PLUGS Inches (mm)

Description	Cord Diameter	Catalog Number		
Black/white nylon; clamp-type terminals	.300-.655 (7.6-16.6)	4721NP	70615NP	4770NP
All black nylon; clamp-type terminals	.300-.655 (7.6-16.6)	4721NPB	—	—
Corrosion-resistant; yellow/white nylon; clamp-type terminals	.300-.655 (7.6-16.6)	4721NPCR	—	—

TRIPLE GRIPPER® LOCKING CONNECTORS Inches (mm)

Description	Cord Diameter	Catalog Number		
Black/white nylon; clamp-type terminals	.300-.655 (7.6-16.6)	4732NC	70615NC	4779NC
All black nylon, clamp-type terminals	.300-.655 (7.6-16.6)	4732NCB	—	—
Corrosion-resistant; yellow/white nylon; clamp-type terminals; Triple Gripper cord grip	.300-.655 (7.6-16.6)	4732NCCR	—	—

LOCKING PLUGS Inches (mm)

Description	Cord Diameter	Catalog Number		
Angle plug; black/white nylon; 12-position adjustment; clamp-type terminals	.300-.625 (7.6-15.9)	4722N	—	—
Black phenolic; clamp-type terminals	.296-.625 (7.5-15.9)	4723BRY	—	4773
Black nylon; clamp-type terminals	.300-.570 (7.6-14.5)	4726BRY	—	—

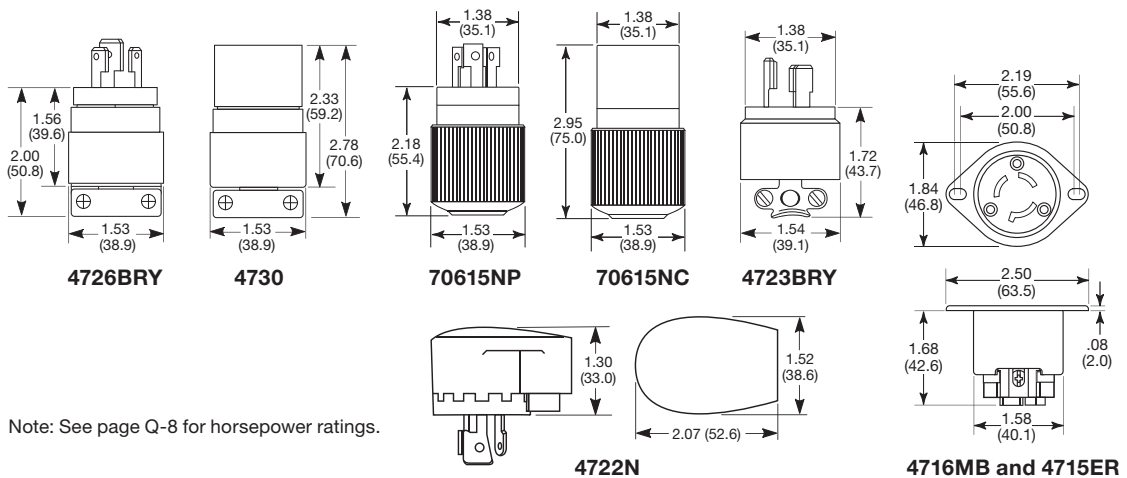
LOCKING CONNECTORS Inches (mm)

Description	Cord Diameter	Catalog Number		
Black nylon; clamp-type terminals	.300-.570 (7.6-14.5)	4730	—	—

EQUIPMENT DEVICES

Description	Catalog Number		
Male equipment base; white nylon cup	4716MB	70615MB	4786MB
Female equipment receptacle; white nylon cup	4715ER	70615ER	4785ER

PRODUCT DIMENSIONS Inches (mm)



Note: See page Q-8 for horsepower ratings.

TRIPLE GRIPPER® STYLE ACCESSORIES

Description	Black Weather Protective Boot	Yellow Weather Protective Boot
Plug	5200BPB*	5200BP*
Connector	5200BCB*	5200BC*
Connector sealing cap	5200BSRB*	5200BSR*

Note: *Boots are not UL Listed or CSA Certified. See page H-34 for additional information on boots.

Locking Devices

20 Amp 125V, 250V and 277V AC; 2-Pole 3-Wire Grounding



TECH·SPEC®



70520FR



70520NP



70520NC



70520MB



70520ER



70520MBWP



70204ANA



NEMA L5-20
20A 125V



NEMA L6-20
20A 250V



NEMA L7-20
20A 277V AC

SINGLE RECEPTACLES

Description	Catalog Number		
Black nylon	70520FR	70620FR	70720FR
Corrosion-resistant; yellow nylon	70520FRCR	—	—
Isolated ground; orange nylon	70520IG	70620IG	—

Note: See section C for more information on isolated ground and section J for more information on corrosion-resistant devices.

TRIPLE GRIPPER® PLUGS Inches (mm)

Description	Cord Diameter	Catalog Number		
Black/white nylon	.300-.950 (7.6-24.1)	70520NP	70620NP	70720NP
All black nylon	.300-.950 (7.6-24.1)	70520NPB	—	—
Corrosion-resistant; yellow/white nylon	.300-.950 (7.6-24.1)	70520NPCR	70620NPCR	—

Note: See section J for more information on corrosion-resistant devices.

TRIPLE GRIPPER® CONNECTORS Inches (mm)

Description	Cord Diameter	Catalog Number		
Black/white nylon	.300-.950 (7.6-24.1)	70520NC	70620NC	70720NC
All black nylon	.300-.950 (7.6-24.1)	70520NCB	—	—
Corrosion-resistant; yellow/white nylon	.300-.950 (7.6-24.1)	70520NCCR	70620NCCR	—

Note: See section J for more information on corrosion-resistant devices.

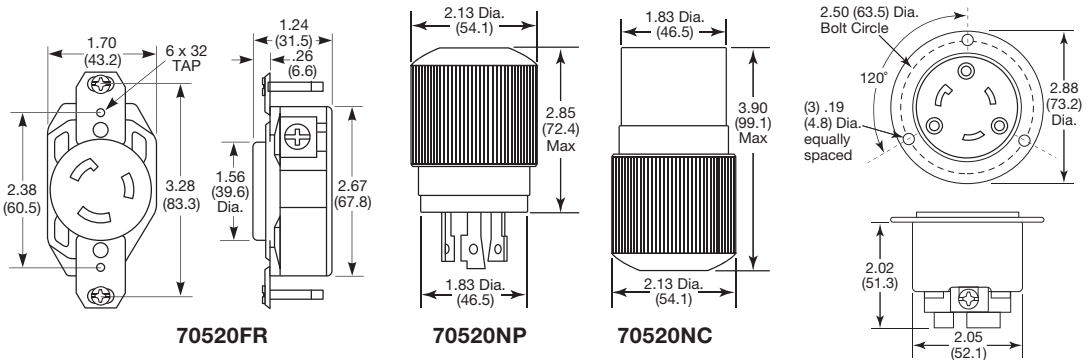
FLANGED DEVICES

Description	Catalog Number		
Male base; white nylon cup	70520MB	70620MB	70720MB
Female equipment receptacle; white nylon cup	70520ER	70620ER	70720ER

WEATHER PROTECTIVE POWER INLETS

Description	Catalog Number		
Weather protective, die cast aluminum plate supplied with gaskets; mounting screws and spring-loaded, self-closing lift cover	70520MBWP	70620MBWP	—

PRODUCT DIMENSIONS Inches (mm)



Note: See page Q-8 for horsepower ratings.

ACCESSORIES

Description	Stainless Steel Wallplate	Nylon Wallplate	Weather Protective Plate	Weather Protective Boot		Nylon Angle Adapter
	SS720	NP720BK	7420B	Black	Yellow	
Single receptacle	SS720	NP720BK	7420B	—	—	—
Plug	—	—	—	5200BPB*	5200BP*	70204ANA*
Connector	—	—	—	5200BCB*	5200BC*	70204ANA*
Connector sealing cap	—	—	—	5200BSRB*	5200BSR*	—

Note: See section O for additional information on wallplates. See page H-33 for additional information on angle adapters.

*Boots are not UL Listed or CSA Certified. See page H-34 for additional information on boots.

Locking Devices

20 Amp 480V AC and 600V AC; 2-Pole 3-Wire Grounding



TECH·SPEC®



70820FR

SINGLE RECEPTACLES

Description	Catalog Number	
Black nylon	70820FR	70920FR



NEMA L8-20
20A 480V AC



NEMA L9-20
20A 600V AC



70820NP

TRIPLE GRIPPER® LOCKING PLUGS Inches (mm)

Description	Cord Diameter	Catalog Number	
Black/white nylon	.300-950 (7.6-24.1)	70820NP	70920NP



70820NC

TRIPLE GRIPPER® LOCKING CONNECTORS Inches (mm)

Description	Cord Diameter	Catalog Number	
Black/white nylon	.300-950 (7.6-24.1)	70820NC	70920NC

FLANGED DEVICES

Description	Catalog Number	
Male base; white nylon cup	70820MB	70920MB
Female equipment receptacle; white nylon cup	70820ER	70920ER

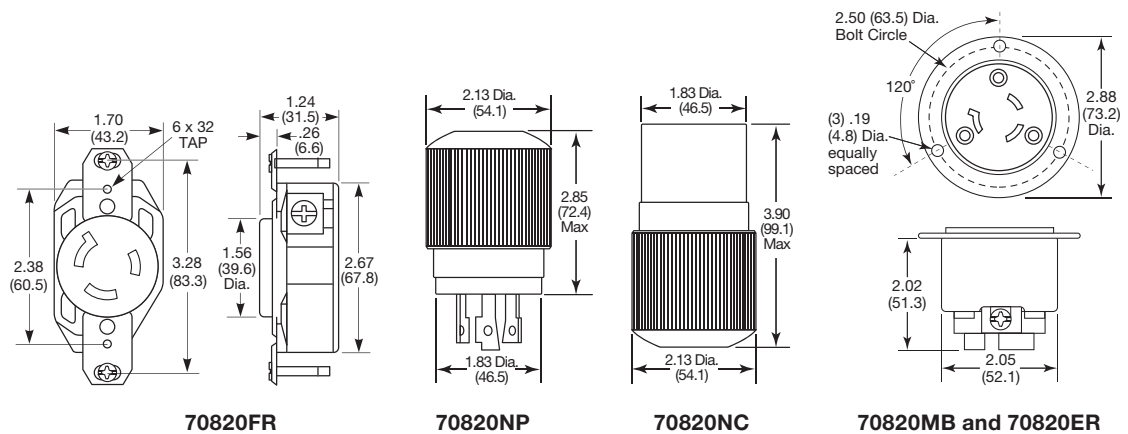
PRODUCT DIMENSIONS Inches (mm)



70820MB



70820ER



Note: See page Q-8 for horsepower ratings.

ACCESSORIES

Description	Stainless Steel Wallplate	Nylon Wallplate	Weather Protective Plate	Weather Protective Boot		Nylon Angle Adapter
	SS720	NP720BK	7420B	Black	Yellow	
Single receptacle	SS720	NP720BK	7420B	—	—	—
Plug	—	—	—	72002BPB*	72002BP*	70204ANA*
Connector	—	—	—	72002BCB*	72002BC*	70204ANA*
Connector sealing cap	—	—	—	72002BSRB*	72002BSR*	—

Note: See section O for additional information on wallplates.

*Boots are not UL Listed or CSA Certified. See page H-35 for additional information on boots.

See page H-33 for additional information on angle adapters.



70204ANA

Locking Devices

20 Amp 125/250V AC, 3Ø 250V AC and 3Ø 480V AC; 3-Pole 3-Wire



TECH·SPEC®



71020FR

SINGLE RECEPTACLES

Description	Catalog Number		
Black urea	71020FR	71120FR	71220FR



NEMA L10-20
20A 125/250V AC



NEMA L11-20
20A 3Ø 250V AC



NEMA L12-20
20A 3Ø 480V AC



71020NP

TRIPLE GRIPPER® LOCKING PLUGS Inches (mm)

Description	Cord Diameter	Catalog Number		
Black/white nylon	.300-950 (7.6-24.1)	71020NP	71120NP	71220NP



71020NC

TRIPLE GRIPPER® LOCKING CONNECTORS Inches (mm)

Description	Cord Diameter	Catalog Number		
Black/white nylon	.300-950 (7.6-24.1)	71020NC	71120NC	71220NC

FLANGED DEVICES

Description	Catalog Number		
Male base; white nylon cup	71020MB	71120MB	71220MB
Female equipment receptacle; white nylon cup	71020ER	71120ER	71220ER

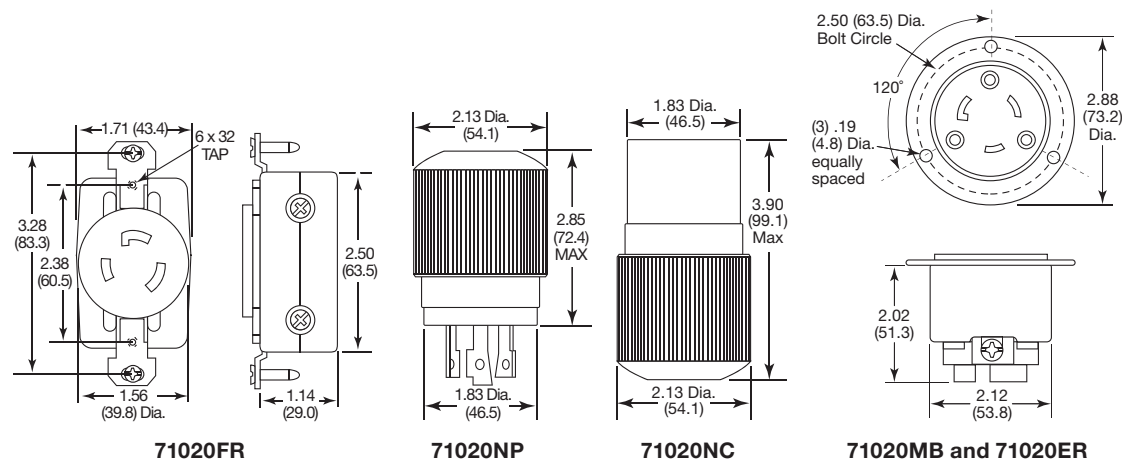
PRODUCT DIMENSIONS Inches (mm)



71020MB



71020ER



Note: See page Q-8 for horsepower ratings.

ACCESSORIES

Description	Stainless Steel	Nylon	Weather	Weather Protective Boot		Nylon Angle
	Wallplate	Wallplate	Protective Plate	Black	Yellow	Adapter
Single receptacle	SS720	NP720BK	7420B	—	—	—
Plug	—	—	—	72002BPB*	72002BP*	70204ANA*
Connector	—	—	—	72002BCB*	72002BC*	70204ANA*
Connector sealing cap	—	—	—	72002BSRB*	72002BSR*	—

Note: See section O for additional information on wallplates.

*Boots are not UL Listed or CSA Certified. See page H-35 for additional information on boots.

See page H-33 for additional information on angle adapters.



70204ANA

Locking Devices

20 Amp 125/250V AC, 3Ø 250V AC and 3Ø 480V AC; 3-Pole 4-Wire



TECH-SPEC®



71520FR



71520NP



71520NC



71520MB



71520ER



71520MBWP



NEMA L14-20
20A 125/250V AC



NEMA L15-20
20A 3Ø 250V AC



NEMA L16-20
20A 3Ø 480V AC

SINGLE RECEPTACLES

Description	Catalog Number		
Black nylon	71420FR	71520FR	71620FR
Isolated ground; flush; orange nylon	71420IG	71520IG	71620IG

Note: See section C for more information on isolated ground devices.

TRIPLE GRIPPER® LOCKING PLUGS Inches (mm)

Description	Cord Diameter	Catalog Number		
Black/white nylon	.465-1.150 (11.8-29.2)	71420NP	71520NP	71620NP

TRIPLE GRIPPER® LOCKING CONNECTORS Inches (mm)

Description	Cord Diameter	Catalog Number		
Black/white nylon	.465-1.150 (11.8-29.2)	71420NC	71520NC	71620NC

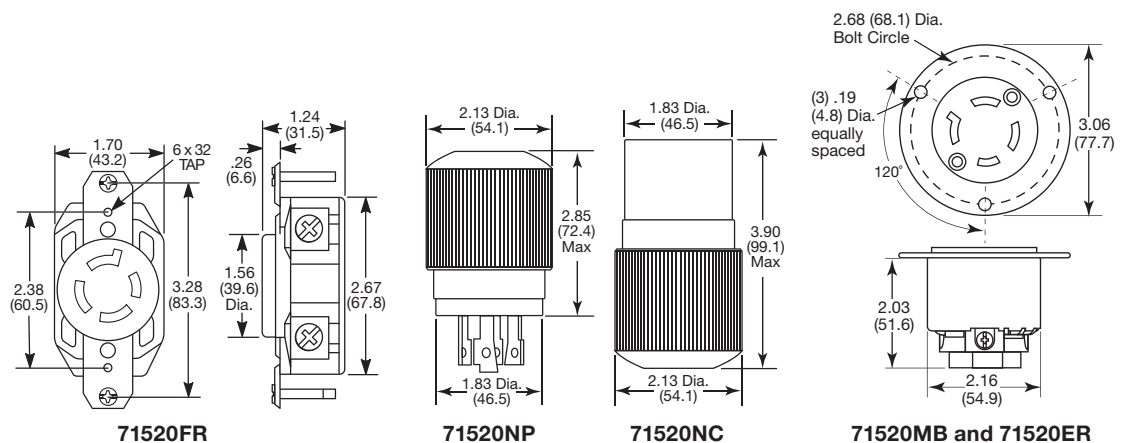
FLANGED DEVICES

Description	Catalog Number		
Male base; white nylon cup	71420MB	71520MB	71620MB
Female equipment receptacle; white nylon cup	71420ER	71520ER	71620ER

WEATHER PROTECTIVE POWER INLETS

Description	Catalog Number		
Weather protective; die cast aluminum plate supplied with gaskets; mounting screws and spring-loaded, self-closing lift cover	71420MBWP	71520MBWP	71620MBWP

PRODUCT DIMENSIONS Inches (mm)



Note: See page Q-8 for horsepower ratings.

ACCESSORIES

Description	Stainless Steel	Nylon	Weather	Weather Protective Boot		Nylon Angle
	Wallplate	Wallplate	Protective Plate	Black	Yellow	Adapter
Single receptacle	SS720	NP720BK	7420B	—	—	—
Plug	—	—	—	72002BPB*	72002BP*	70204ANA*
Connector	—	—	—	72002BCB*	72002BC*	70204ANA*
Connector sealing cap	—	—	—	72002BSRB*	72002BSR*	—

Note: See section O for additional information on wallplates.

*Boots are not UL Listed or CSA Certified. See page H-35 for additional information on boots.

See page H-33 for additional information on angle adapters.

Locking Devices

20 Amp 3ØY 120/208V AC, 3ØY 277/480V AC and 3ØY 347/600V AC; 4-Pole 4-Wire



TECH·SPEC®



71820FR



71820NP



71820NC



71820MB



71820ER



70204ANA



NEMA L18-20
20A 3ØY 120/208V AC



NEMA L19-20
20A 3ØY 277/480V AC



NEMA L20-20
20A 3ØY 347/600V AC

SINGLE RECEPTACLES

Description	Catalog Number		
Black nylon	71820FR	71920FR	72020FR

TRIPLE GRIPPER® LOCKING PLUGS Inches (mm)

Description	Cord Diameter	Catalog Number		
Black/white nylon	.465-1.150 (11.8-29.2)	71820NP	71920NP	72020NP

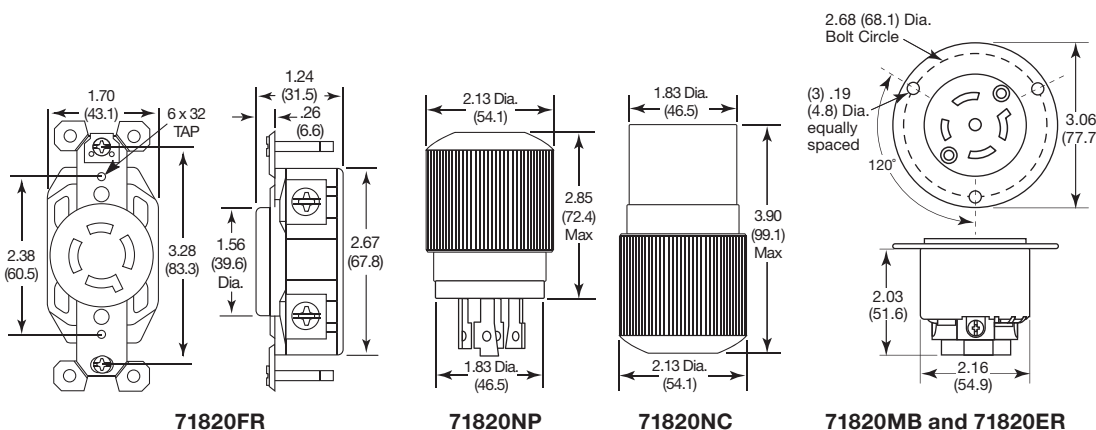
TRIPLE GRIPPER® LOCKING CONNECTORS Inches (mm)

Description	Cord Diameter	Catalog Number		
Black/white nylon	.465-1.150 (11.8-29.2)	71820NC	71920NC	72020NC

FLANGED DEVICES

Description	Catalog Number		
Male base; white nylon cup	71820MB	71920MB	72020MB
Female equipment receptacle; white nylon cup	71820ER	71920ER	72020ER

PRODUCT DIMENSIONS Inches (mm)



Note: See page Q-8 for horsepower ratings.

ACCESSORIES

Description	Stainless Steel	Nylon	Weather	Weather Protective Boot		Nylon Angle
	Wallplate	Wallplate	Protective Plate	Black	Yellow	Adapter
Single receptacle	SS720	NP720BK	7420B	—	—	—
Plug	—	—	—	72002BPB*	72002BP*	70204ANA*
Connector	—	—	—	72002BCB*	72002BC*	70204ANA*
Connector sealing cap	—	—	—	72002BSRB*	72002BSR*	—

Note: See section O for additional information on wallplates.

*Boots are not UL Listed or CSA Certified. See page H-35 for additional information on boots.

See page H-33 for additional information on angle adapters.

Locking Devices

20 Amp 3ØY 120/208V AC, 3ØY 277/480V AC and 3ØY 347/600V AC; 4-Pole 5-Wire



TECH·SPEC®



72120FR



72120NP



72120NC



72120MB



72120ER



70204ANA



NEMA L21-20
20A 3ØY 120/208V AC



NEMA L22-20
20A 3ØY 277/480V AC



NEMA L23-20
20A 3ØY 347/600V AC

SINGLE RECEPTACLES

Description	Catalog Number		
Black nylon	72120FR	72220FR	72320FR
Isolated ground; orange nylon	72120IG	—	—

Note: See section C for more information on isolated ground devices.

TRIPLE GRIPPER® LOCKING PLUGS Inches (mm)

Description	Cord Diameter	Catalog Number		
Black/white nylon	.465-1.150 (11.8-29.2)	72120NP	72220NP	72320NP
All black nylon	.465-1.150 (11.8-29.2)	72120NPB	—	—

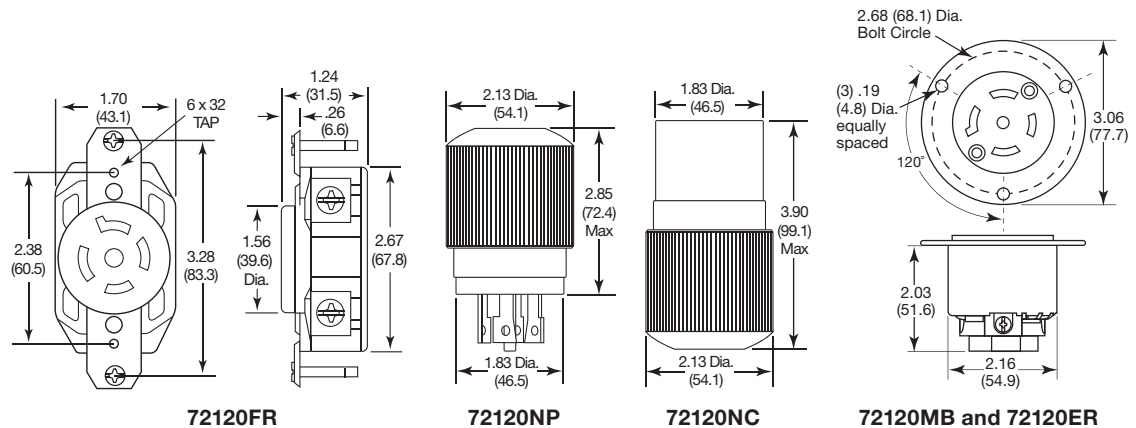
TRIPLE GRIPPER® LOCKING CONNECTORS Inches (mm)

Description	Cord Diameter	Catalog Number		
Black/white nylon	.465-1.150 (11.8-29.2)	72120NC	72220NC	72320NC
All black nylon	.465-1.150 (11.8-29.2)	72120NCB	—	—

FLANGED DEVICES

Description	Catalog Number		
Male base; white nylon cup	72120MB	72220MB	72320MB
Female equipment receptacle; white nylon cup	72120ER	72220ER	72320ER

PRODUCT DIMENSIONS Inches (mm)



Note: See page Q-8 for horsepower ratings.

ACCESSORIES

Description	Stainless Steel Wallplate	Nylon Wallplate	Weather Protective Plate	Weather Protective Boot		Nylon Angle Adapter
	SS720	NP720BK	7420B	Black	Yellow	
Single receptacle	SS720	NP720BK	7420B	—	—	—
Plug	—	—	—	72002BPB*	72002BP*	70204ANA*
Connector	—	—	—	72002BCB*	72002BC*	70204ANA*
Connector sealing cap	—	—	—	72002BSRB*	72002BSR*	—

Note: See section O for additional information on wallplates.

*Boots are not UL Listed or CSA Certified. See page H-35 for additional information on boots.

See page H-33 for additional information on angle adapters.

Locking Devices

30 Amp 125V, 250V and 277V AC; 2-Pole 3-Wire Grounding



TECH·SPEC®



NEMA L5-30
30A 125V



NEMA L6-30
30A 250V



NEMA L7-30
30A 277V AC

SINGLE RECEPTACLES

Description	Catalog Number		
Black nylon	70530FR	70630FR	70730FR
Corrosion resistant; yellow nylon	70530FRCLR	—	—
Isolated ground; orange nylon	70530IG	70630IG	—

Note: See section J for information on corrosion-resistant devices. See section C for information on isolated ground devices.

TRIPLE GRIPPER® PLUGS Inches (mm)

Description	Cord Diameter	Catalog Number		
Black/white nylon	.300-.950 (7.6-24.1)	70530NP	70630NP	70730NP
All black nylon	.300-.950 (7.6-24.1)	70530NPB	70630NPB	—
Corrosion resistant; yellow/white nylon	.300-.950 (7.6-24.1)	70530NPCR	70630NPCR	—

Note: See section J for information on corrosion-resistant devices.

TRIPLE GRIPPER® CONNECTORS Inches (mm)

Description	Cord Diameter	Catalog Number		
Black/white nylon	.300-.950 (7.6-24.1)	70530NC	70630NC	70730NC
All black nylon	.300-.950 (7.6-24.1)	70530NCB	70630NCB	—
Corrosion resistant; yellow/white nylon	.300-.950 (7.6-24.1)	70530NCCR	70630NCCR	—

Note: See section J for information on corrosion-resistant devices.

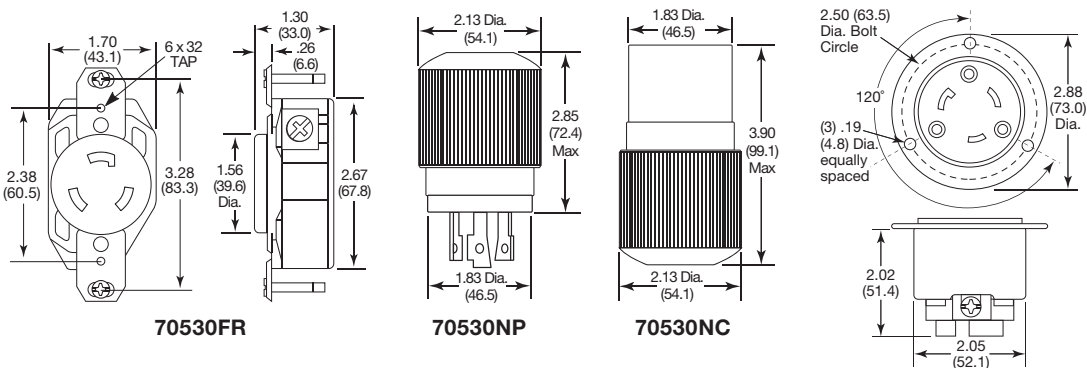
FLANGED DEVICES

Description	Catalog Number		
Male base; white nylon cup	70530MB	70630MB	70730MB
Female equipment receptacle; white nylon cup	70530ER	70630ER	70730ER

WEATHER PROTECTIVE POWER INLETS

Description	Catalog Number		
Weather protective; die cast aluminum plate supplied with gaskets; mounting screws and spring-loaded, self-closing lift cover	70530MBWP	70630MBWP	—

PRODUCT DIMENSIONS Inches (mm)



Note: See page Q-8 for horsepower ratings.

ACCESSORIES

Description	Stainless Steel Wallplate	Nylon Wallplate	Weather Protective Plate	Weather Protective Boot		Nylon Angle Adapter
	SS720	NP720BK	7420B	Black	Yellow	
Single receptacle	SS720	NP720BK	7420B	—	—	—
Plug	—	—	—	72002BPB*	72002BP*	70204ANA*
Connector	—	—	—	72002BCB*	72002BC*	70204ANA*
Connector sealing cap	—	—	—	72002BSRB*	72002BSR*	—

Note: See section O for additional information on wallplates.

*Boots are not UL Listed or CSA Certified. See page H-35 for additional information on boots.

See page H-33 for additional information on angle adapters.



70530FR



70530NP



70530NC



70530MB



70530ER



70530MBWP

Locking Devices

30 Amp 480V AC and 600V AC; 2-Pole 3-Wire Grounding



TECH·SPEC®



70830FR

SINGLE RECEPTACLE

Description	Catalog Number	
Black nylon	70830FR	70930FR



NEMA L8-30
30A 480V AC



NEMA L9-30
30A 600V AC



70830NP

TRIPLE GRIPPER® PLUG Inches (mm)

Description	Cord Diameter	Catalog Number	
Black/white nylon	.300-.950 (7.6-24.1)	70830NP	70930NP



70830NC

TRIPLE GRIPPER® CONNECTOR Inches (mm)

Description	Cord Diameter	Catalog Number	
Black/white nylon	.300-.950 (7.6-24.1)	70830NC	70930NC

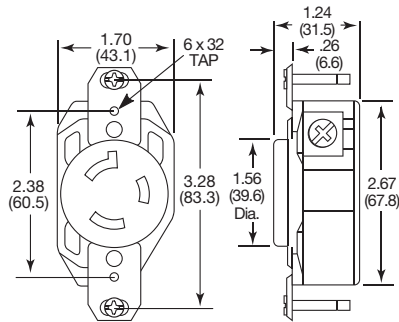
FLANGED DEVICES

Description	Catalog Number	
Male base; white nylon cup	70830MB	70930MB
Female equipment receptacle; white nylon cup	70830ER	70930ER

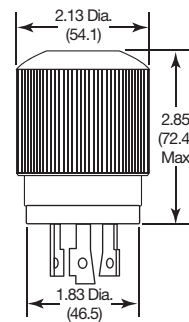
PRODUCT DIMENSIONS Inches (mm)



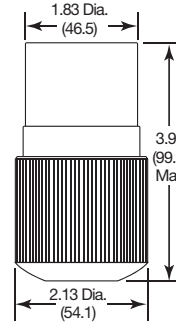
70830MB



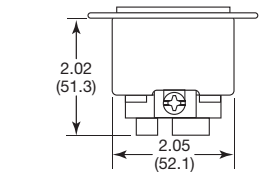
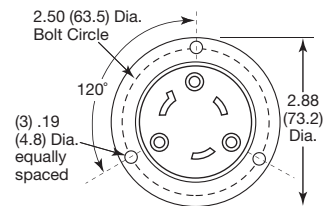
70830FR



70830NP



70830NC



70830MB and 70830ER



70830ER

Note: See page Q-8 for horsepower ratings.

ACCESSORIES

Description	Stainless Steel	Nylon	Weather	Weather Protective Boot		Nylon Angle
	Wallplate	Wallplate	Protective Plate	Black	Yellow	Adapter
Single receptacle	SS720	NP720BK	7420B	—	—	—
Plug	—	—	—	72002BPB*	72002BP*	70204ANA*
Connector	—	—	—	72002BCB*	72002BC*	70204ANA*
Connector sealing cap	—	—	—	72002BSRB*	72002BSR*	—

Note: See section O for additional information on wallplates.

*Boots are not UL Listed or CSA Certified. See page H-35 for additional information on boots.
See page H-33 for additional information on angle adapters.



70204ANA



TECH·SPEC®



71030FR

SINGLE RECEPTACLES

Description	Catalog Number	
Black urea	71030FR	71130FR



NEMA L10-30
30A 125/250V AC



NEMA L11-30
30A 3Ø 250V AC



71030NP

TRIPLE GRIPPER® PLUGS Inches (mm)

Description	Cord Diameter	Catalog Number	
Black/white nylon	.300-.950 (7.6-24.1)	71030NP	71130NP



71030NC

TRIPLE GRIPPER® CONNECTORS Inches (mm)

Description	Cord Diameter	Catalog Number	
Black/white nylon	.300-.950 (7.6-24.1)	71030NC	71130NC

FLANGED DEVICES

Description	Catalog Number	
Male base; white nylon cup	71030MB	71130MB
Female equipment receptacle; white nylon cup	71030ER	71130ER

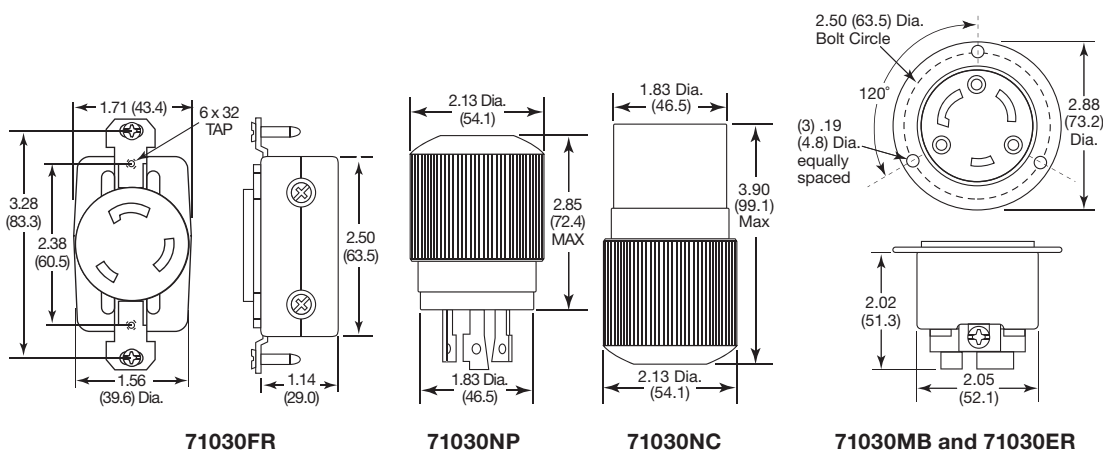
PRODUCT DIMENSIONS Inches (mm)



71030MB



71030ER



Note: See page Q-8 for horsepower ratings.

ACCESSORIES

Description	Stainless Steel	Nylon	Weather	Weather Protective Boot		Nylon Angle
	Wallplate	Wallplate	Protective Plate	Black	Yellow	Adapter
Single receptacle	SS720	NP720BK	7420B	—	—	—
Plug	—	—	—	72002BPB*	72002BP*	70204ANA*
Connector	—	—	—	72002BCB*	72002BC*	70204ANA*
Connector sealing cap	—	—	—	72002BSRB*	72002BSR*	—

Note: See section O for additional information on wallplates.
 *Boots are not UL Listed or CSA Certified. See page H-35 for additional information on boots.
 See page H-33 for additional information on angle adapters.



70204ANA

Locking Devices

30 Amp 3Ø 480V AC and 3Ø 600V AC; 3-Pole 3-Wire



TECH-SPEC®



71230FR

SINGLE RECEPTACLES

Description	Catalog Number	
Black nylon	71230FR	71330FR



NEMA L12-30
30A 3Ø 480V AC



NEMA L13-30
30A 3Ø 600V AC



71230NP

TRIPLE GRIPPER® PLUGS Inches (mm)

Description	Cord Diameter	Catalog Number	
Black/white nylon	.300-.950 (7.6-24.1)	71230NP	71330NP



71230NC

TRIPLE GRIPPER® CONNECTORS Inches (mm)

Description	Cord Diameter	Catalog Number	
Black/white nylon	.300-.950 (7.6-24.1)	71230NC	71330NC

FLANGED DEVICES

Description	Catalog Number	
Male base; white nylon cup	71230MB	71330MB
Female equipment receptacle; white nylon cup	71230ER	71330ER

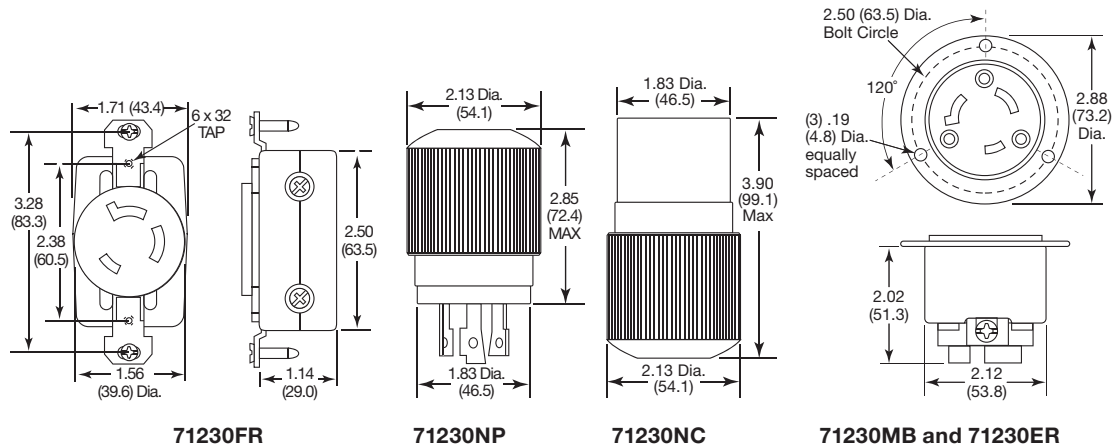
PRODUCT DIMENSIONS Inches (mm)



71230MB



71330ER



Note: See page Q-8 for horsepower ratings.

ACCESSORIES

Description	Stainless Steel Wallplate	Nylon Wallplate	Weather Protective Plate	Weather Protective Boot		Nylon Angle Adapter
	SS720	NP720BK	7420B	Black	Yellow	
Single receptacle	SS720	NP720BK	7420B	—	—	—
Plug	—	—	—	72002BPB*	72002BP*	70204ANA*
Connector	—	—	—	72002BCB*	72002BC*	70204ANA*
Connector sealing cap	—	—	—	72002BSRB*	72002BSR*	—

Note: See section O for additional information on wallplates.

*Boots are not UL Listed or CSA Certified. See page H-35 for additional information on boots.

See page H-33 for additional information on angle adapters.

Locking Devices

30 Amp 125/250V AC and 3Ø 250V AC; 3-Pole 4-Wire Grounding



TECH·SPEC®



NEMA L14-30
30A 125/250V AC



NEMA L15-30
30A 3Ø 250V AC



71530FR

SINGLE RECEPTACLES

Description	Catalog Number	
Black nylon	71430FR	71530FR
Isolated ground; orange nylon	71430IG	71530IG



71530NP

TRIPLE GRIPPER® PLUGS Inches (mm)

Description	Cord Diameter	Catalog Number	
Black/white nylon	.465-1.150 (11.8-29.2)	71430NP	71530NP



71530NC

TRIPLE GRIPPER® CONNECTORS Inches (mm)

Description	Cord Diameter	Catalog Number	
Black/white nylon	.465-1.150 (11.8-29.2)	71430NC	71530NC

FLANGED DEVICES

Description	Catalog Number	
Male base; white nylon cup	71430MB	71530MB
Female equipment receptacle; white nylon cup	71430ER	71530ER

WEATHER PROTECTIVE POWER INLETS

Description	Catalog Number	
Weather protective; die cast aluminum plate supplied with gaskets; mounting screws and spring-loaded, self-closing lift cover	71430MBWP	71530MBWP

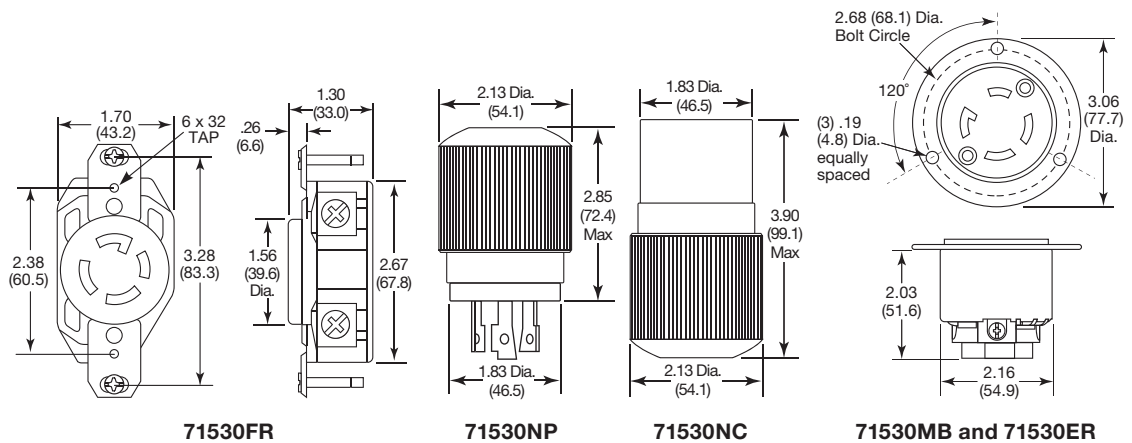
PRODUCT DIMENSIONS Inches (mm)



71530MB



71530ER



Note: See page Q-8 for horsepower ratings.

ACCESSORIES

Description	Stainless Steel Wallplate	Nylon Wallplate	Weather Protective Plate	Weather Protective Boot		Nylon Angle Adapter
	SS720	NP720BK	7420B	Black	Yellow	
Single receptacle	SS720	NP720BK	7420B	—	—	—
Plug	—	—	—	72002BPB*	72002BP*	70204ANA*
Connector	—	—	—	72002BCB*	72002BC*	70204ANA*
Connector sealing cap	—	—	—	72002BSRB*	72002BSR*	—

Note: See section O for additional information on wallplates.

*Boots are not UL Listed or CSA Certified. See page H-35 for additional information on boots.

See page H-33 for additional information on angle adapters.



71530MBWP

Locking Devices

30 Amp 3Ø 480V AC and 3Ø 600V AC; 3-Pole 4-Wire Grounding



TECH·SPEC®



71630FR

SINGLE RECEPTACLES

Description	Catalog Number	
Black nylon	71630FR	71730FR



NEMA L16-30
30A 3Ø 480V AC



NEMA L17-30
30A 3Ø 600V AC

TRIPLE GRIPPER® PLUGS Inches (mm)

Description	Cord Diameter	Catalog Number	
Black/white nylon	.465-1.150 (11.8-29.2)	71630NP	71730NP

TRIPLE GRIPPER® CONNECTORS Inches (mm)

Description	Cord Diameter	Catalog Number	
Black/white nylon	.465-1.150 (11.8-29.2)	71630NC	71730NC



71630NP

FLANGED DEVICES

Description	Catalog Number	
Male base; white nylon cup	71630MB	71730MB
Female equipment receptacle; white nylon cup	71630ER	71730ER



71630NC

WEATHER PROTECTIVE POWER INLETS

Description	Catalog Number	
Weather protective; die cast aluminum plate supplied with gaskets; mounting screws and spring-loaded, self-closing lift cover	71630MBWP	—

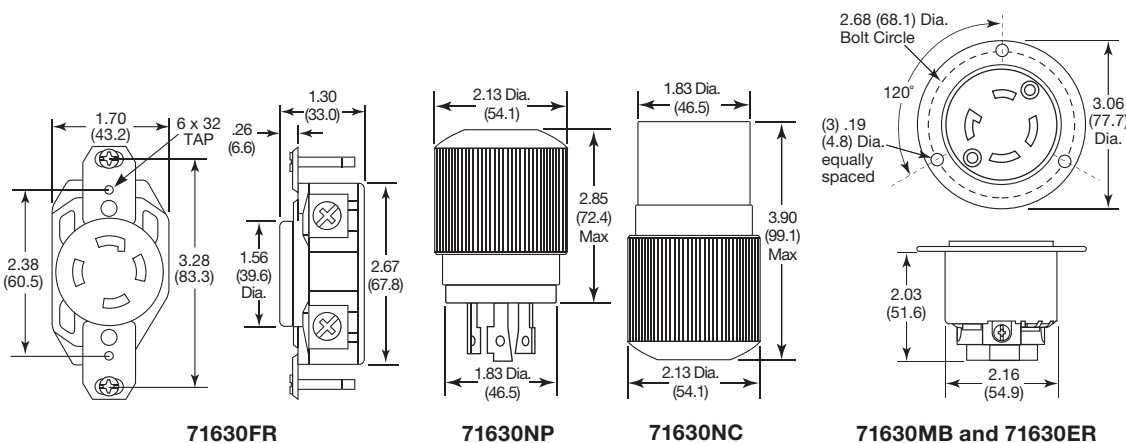
PRODUCT DIMENSIONS Inches (mm)



71630MB



71630ER



Note: See page Q-8 for horsepower ratings.

ACCESSORIES

Description	Stainless Steel Wallplate	Nylon Wallplate	Weather Protective Plate	Weather Protective Boot		Nylon Angle Adapter
	SS720	NP720BK	7420B	Black	Yellow	
Single receptacle	SS720	NP720BK	7420B	—	—	—
Plug	—	—	—	72002BPB*	72002BP*	70204ANA*
Connector	—	—	—	72002BCB*	72002BC*	70204ANA*
Connector sealing cap	—	—	—	72002BSRB*	72002BSR*	—

Note: See section O for additional information on wallplates.

*Boots are not UL Listed or CSA Certified. See page H-35 for additional information on boots.

See page H-33 for additional information on angle adapters.



71630MBWP

Locking Devices

30 Amp 3ØY 120/208V AC, 3ØY 277/480V AC and 3ØY 347/600V AC; 4-Pole 4-Wire



TECH·SPEC®



71830FR



71830NP



71830NC



71830MB



71830ER



70204ANA



NEMA L18-30
30A 3ØY 120/208V AC



NEMA L19-30
30A 3ØY 277/480V AC



NEMA L20-30
30A 3ØY 347/600V AC

SINGLE RECEPTACLES

Description	Catalog Number		
Black nylon	71830FR	71930FR	72030FR

TRIPLE GRIPPER® PLUGS Inches (mm)

Description	Cord Diameter	Catalog Number		
Black/white nylon	.465-1.150 (11.8-29.2)	71830NP	71930NP	72030NP

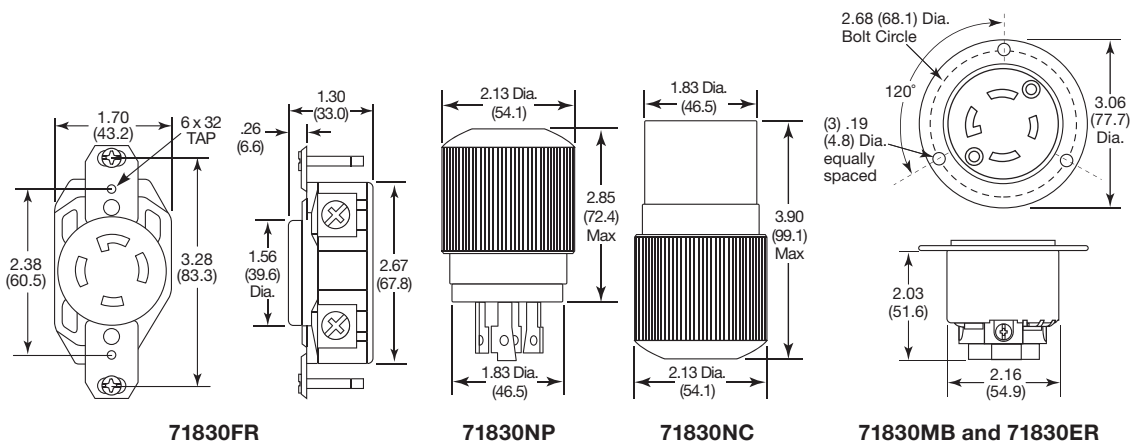
TRIPLE GRIPPER® CONNECTORS Inches (mm)

Description	Cord Diameter	Catalog Number		
Black/white nylon	.465-1.150 (11.8-29.2)	71830NC	71930NC	72030NC

FLANGED DEVICES

Description	Catalog Number		
Male base; white nylon cup	71830MB	71930MB	72030MB
Female equipment receptacle; white nylon cup	71830ER	71930ER	72030ER

PRODUCT DIMENSIONS Inches (mm)



Note: See page Q-8 for horsepower ratings.

ACCESSORIES

Description	Stainless Steel	Nylon	Weather	Weather Protective Boot		Nylon Angle
	Wallplate	Wallplate	Protective Plate	Black	Yellow	Adapter
Single receptacle	SS720	NP720BK	7420B	—	—	—
Plug	—	—	—	72002BPB*	72002BP*	70204ANA*
Connector	—	—	—	72002BCB*	72002BC*	70204ANA*
Connector sealing cap	—	—	—	72002BSRB*	72002BSR*	—

Note: See section O for additional information on wallplates.

*Boots are not UL Listed or CSA Certified. See page H-35 for additional information on boots.

See page H-33 for additional information on angle adapters.

Locking Devices

30 Amp 3ØY 120/208V AC, 3ØY 277/480V AC and 3ØY 347/600V AC; 4-Pole 5-Wire



TECH·SPEC®



72130FR



72130NP



72130NC



72130MB



72130ER



70204ANA



NEMA L21-30
30A 3ØY 120/208V AC



NEMA L22-30
30A 3ØY 277/480V AC



NEMA L23-30
30A 3ØY 347/600V AC

SINGLE RECEPTACLES

Description	Catalog Number		
Black nylon	72130FR	72230FR	72330FR
Isolated ground; orange nylon	72130IG	—	—

Note: See section C for information on isolated ground devices.

TRIPLE GRIPPER® PLUGS Inches (mm)

Description	Cord Diameter	Catalog Number		
Black/white nylon	.465-1.150 (11.8-29.2)	72130NP	72230NP	72330NP

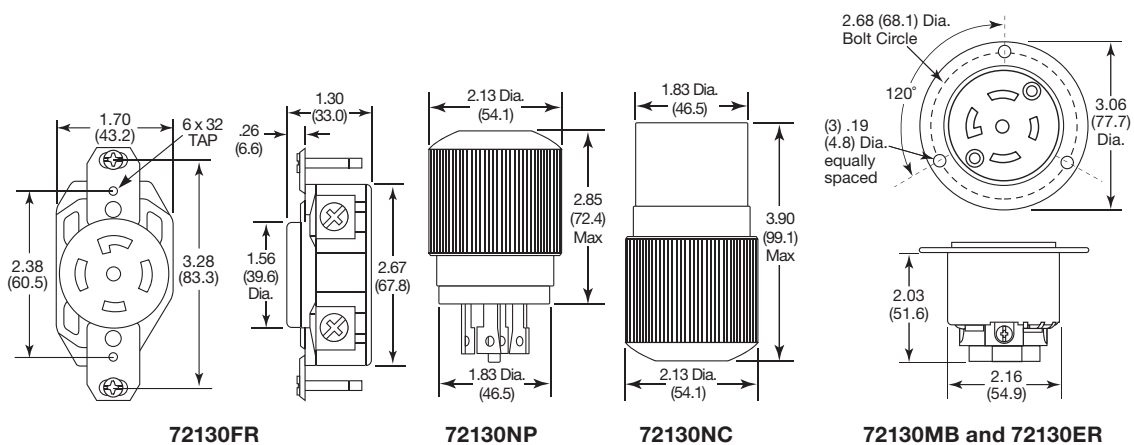
TRIPLE GRIPPER® CONNECTORS Inches (mm)

Description	Cord Diameter	Catalog Number		
Black/white nylon	.465-1.150 (11.8-29.2)	72130NC	72230NC	72330NC

FLANGED DEVICES

Description	Catalog Number		
Male base; white nylon cup	72130MB	72230MB	72330MB
Female equipment receptacle; white nylon cup	72130ER	72230ER	72330ER

PRODUCT DIMENSIONS Inches (mm)



Note: See page Q-8 for horsepower ratings.

ACCESSORIES

Description	Stainless Steel	Nylon	Weather	Weather Protective Boot		Nylon Angle
	Wallplate	Wallplate	Protective Plate	Black	Yellow	Adapter
Single receptacle	SS720	NP720BK	7420B	—	—	—
Plug	—	—	—	72002BPB*	72002BP*	70204ANA*
Connector	—	—	—	72002BCB*	72002BC*	70204ANA*
Connector sealing cap	—	—	—	72002BSRB*	72002BSR*	—

Note: See section O for additional information on wallplates.

*Boots are not UL Listed or CSA Certified. See page H-35 for additional information on boots.

See page H-33 for additional information on angle adapters.

Locking Devices

30 Amp 28V DC, 400 Hz 120V, 400 Hertz 3ØΔ 120V and 400 Hertz 3ØY 120/208V



TECH·SPEC®



FSL1FR



NEMA FSL1
30A 28V DC
2P 3W GND



NEMA FSL2
30A 400Hz 120V
2P 3W GND



NEMA FSL3
30A 400Hz
3ØΔ 120V
3P 4W GND



NEMA FSL4
30A 400Hz
3ØY 120/208V
4P 5W GND

SINGLE RECEPTACLES

Description	Catalog Number			
Black urea	FSL1FR	FSL2FR	FSL3FR	FSL4FR

TRIPLE GRIPPER® PLUGS Inches (mm)

Description	Cord Diameter	Catalog Number			
Black/white nylon	.300-.950 (7.6-24.1)	FSL1NP	FSL2NP	—	—
Black/white nylon	.465-1.150 (11.9-29.5)	—	—	FSL3NP	FSL4NP



FSL1NP

TRIPLE GRIPPER® CONNECTORS Inches (mm)

Description	Cord Diameter	Catalog Number			
Black/white nylon	.300-.950 (7.6-24.1)	FSL1NC	FSL2NC	—	—
Black/white nylon	.465-1.150 (11.9-29.5)	—	—	FSL3NC	FSL4NC

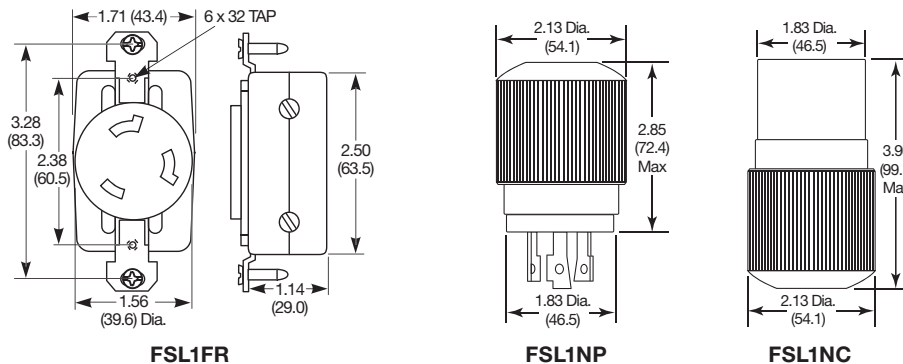
Note: 400 Hertz locking devices have a unique locking configuration that is not interchangeable with existing locking configurations. They have been designed, tested and approved for use on 400 Hz (400 cycles per second) circuits. This higher frequency (400 Hz) is used in place of the normal 60 Hz in certain military, industrial and aircraft applications. Where power, size and weight are important factors, the application of 400 Hz, in aircraft for example, permits the use of small, powerful electric motors that result in a substantial weight reduction.

The National Electrical Code requires that "receptacles connected to circuits having different voltages, frequencies or types of current (AC or DC) on the same premises shall be of such design that the attachment plugs used on these circuits are not interchangeable." Thus users of 400 Hz and 60 Hz attachment plugs and receptacles must segregate the frequencies when used on the same premises.



FSL1NC

PRODUCT DIMENSIONS Inches (mm)



Note: See page Q-8 for horsepower ratings.



70204ANA

ACCESSORIES

Description	Stainless Steel	Nylon	Weather	Weather Protective Boot		Nylon Angle
	Wallplate	Wallplate	Protective Plate	Black	Yellow	Adapter
Single receptacle	SS720	NP720BK	7420B	—	—	—
Plug	—	—	—	72002BPB*	72002BP*	70204ANA*
Connector	—	—	—	72002BCB*	72002BC*	70204ANA*
Connector sealing cap	—	—	—	72002BSRB*	72002BSR*	—

Note: See section O for additional information on wallplates.

*Boots are not UL Listed or CSA Certified. See page H-35 for additional information on boots.

See page H-33 for additional information on angle adapters.

Locking Devices

20 Amp 400 Hertz 3ØY 120/208V; 4-Pole 5-Wire Grounding



TECH·SPEC®



20A 400Hz
3ØY 120/208V



40045FR

SINGLE RECEPTACLES

Description	Catalog Number
Black urea	40045FR



40045NP

TRIPLE GRIPPER® PLUGS Inches (mm)

Description	Cord Diameter	Catalog Number
Black/white nylon	.465-1.150 (11.8-29.2)	40045NP



40045NC

TRIPLE GRIPPER® CONNECTORS Inches (mm)

Description	Cord Diameter	Catalog Number
Black/white nylon	.465-1.150 (11.8-29.2)	40045NC

FLANGED DEVICES

Description	Catalog Number
Male base; white nylon cup	40045MB
Female equipment receptacle; white nylon cup	40045ER

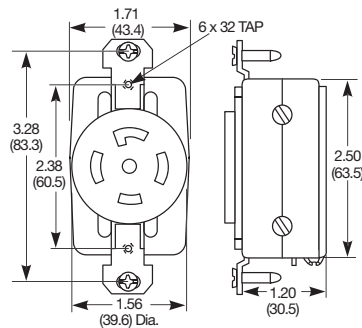
Note: 400 Hertz locking devices have a unique locking configuration that is not interchangeable with existing locking configurations. They have been designed, tested and approved for use on 400 Hz (400 cycles per second) circuits. This higher frequency (400 Hz) is used in place of the normal 60 Hz in certain military, industrial and aircraft applications. Where power, size and weight are important factors, the application of 400 Hz, in aircraft for example, permits the use of small, powerful electric motors that result in a substantial weight reduction.

The National Electrical Code requires that "receptacles connected to circuits having different voltages, frequencies or types of current (AC or DC) on the same premises shall be of such design that the attachment plugs used on these circuits are not interchangeable." Thus users of 400 Hz and 60 Hz attachment plugs and receptacles must segregate the frequencies when used on the same premises.

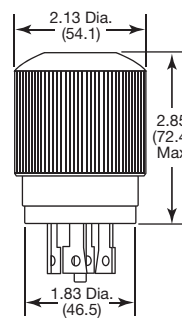
PRODUCT DIMENSIONS Inches (mm)



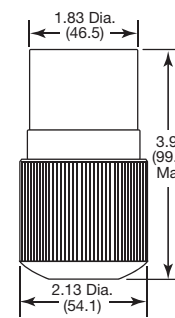
40045MB



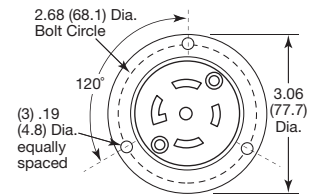
40045FR



40045NP



40045NC



40045MB and 40045ER



40045ER

Note: See page Q-8 for horsepower ratings.

ACCESSORIES

Description	Stainless Steel Wallplate	Nylon Wallplate	Weather Protective Plate	Weather Protective Boot		Nylon Angle Adapter
	SS720	NP720BK	7420B	Black	Yellow	
Single receptacle	SS720	NP720BK	7420B	—	—	—
Plug	—	—	—	72002BPB*	72002BP*	70204ANA*
Connector	—	—	—	72002BCB*	72002BC*	70204ANA*
Connector sealing cap	—	—	—	72002BSRB*	72002BSR*	—

Note: See section O for additional information on wallplates.

*Boots are not UL Listed or CSA Certified. See page H-35 for additional information on boots.

See page H-33 for additional information on angle adapters.



70204ANA

Locking Devices

10 Amp 250V; 3-Pole 3-Wire and 15 Amp 125V; 2-Pole 3-Wire



TECH-SPEC®



10A 250V
3P 3W
Non-Grounding



15A 125V
2P 3W
Grounding

SINGLE AND DUPLEX RECEPTACLES

Description	Catalog Number	
Single; black nylon; back and side wired	7582	7582G
Duplex; black; reinforced thermoplastic polyester (RTP); back and side wired	7580DR	7580GDR

See note below.

TRIPLE GRIPPER® PLUGS AND CONNECTORS Inches (mm)

Description	Cord Diameter	Catalog Number	
Plug; black/white nylon	.300-.655 (7.6-16.6)	7568NP	—
Plug; yellow/white nylon; corrosion resistant	.300-.655 (7.6-16.6)	7568NPCR	—
Connector; black/white nylon	.300-.655 (7.6-16.6)	7565NC	—
Connector; yellow/white nylon; corrosion resistant	.300-.655 (7.6-16.6)	7565NCCR	—

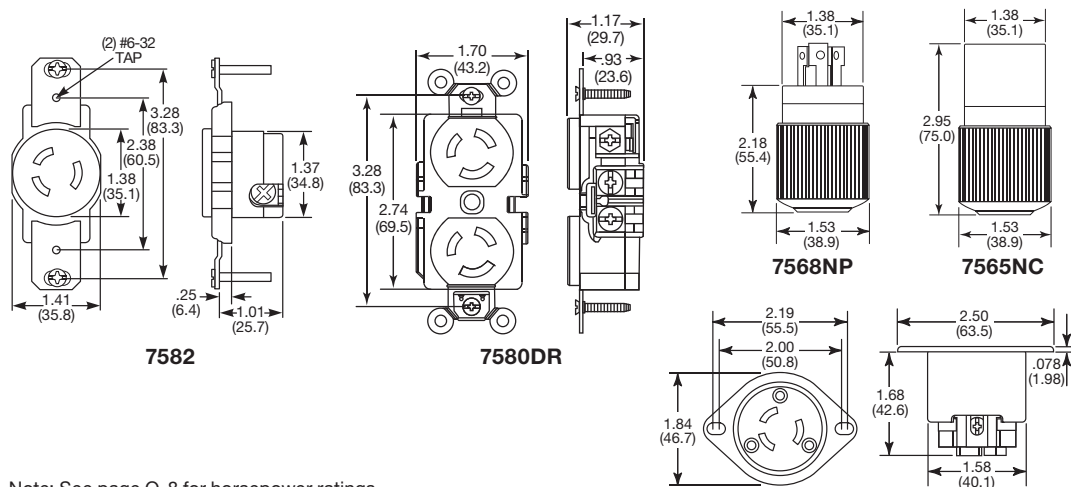
See note below.

FLANGED DEVICES

Description	Catalog Number	
Male equipment base; white nylon cup	7556MB	—
Female equipment receptacle; white nylon cup	7557ER	—

Note: Wiring devices on this page are **no longer listed by Underwriters Laboratories Inc.**, and are intended for **replacement use only** in existing installations. We recommend that they not be used in new installations. These devices formerly complied with UL Standards, however, due to revisions of these Standards, the devices can no longer be listed. For new installations, refer to the NEMA configuration chart on page H-4 for the products suited for your particular current and voltage requirements. **CAUTION:** To Avoid Electric Shock-Review premises carefully and do not use if slot or blade configuration (design) is already in a circuit having a rating differing from the rating of this device.

PRODUCT DIMENSIONS Inches (mm)



Note: See page Q-8 for horsepower ratings.

ACCESSORIES

Description	Stainless Steel	Nylon	Weather	Weather Protective Boot		Nylon Angle
	Wallplate	Wallplate	Protective Plate	Black	Yellow	Adapter
Single receptacle	SS7	NP7BK	7418B	—	—	—
Duplex receptacle	SS8	NP8BK	4510B	—	—	—
Plug	—	—	—	5200BPB*	5200BP*	70204ANA*
Connector	—	—	—	5200BCB*	5200BC*	70204ANA*
Connector sealing cap	—	—	—	5200BSRB*	5200BSR*	—

Note: See section O for additional information on wallplates.

*Boots are not UL Listed or CSA Certified. See page H-34 for additional information on boots.

See page H-33 for additional information on angle adapters.



7582



7580DR



7568NP



7565NC



7556MB



7557ER

Locking Devices

20 Amp 125/250V; 3-Pole 3-Wire and 250V AC; 2-Pole 3-Wire



TECH·SPEC®



7310



9965



7314



7327



7328



70204ANA



20A 125/250V
3P 3W
Non-Grounding



20A 250V AC
2P 3W
Grounding

SINGLE RECEPTACLES

Description	Catalog Number	
Black urea	7310	7310G*

Note: *Not listed by Underwriters Laboratories Inc. For replacement use only.

PLUGS AND CONNECTORS Inches (mm)

Description	Cord Diameter	Catalog Number	
Plug; black/white nylon	.375-1.000 (9.5-25.4)	9965	—
Plug; yellow/white nylon; corrosion resistant	.375-1.000 (9.5-25.4)	9965NB	—
Plug; sentinel yellow nylon	.375-1.000 (9.5-25.4)	9965NSY	—
Connector; black/white nylon	.375-1.000 (9.5-25.4)	7314	—
Connector; yellow/white nylon; corrosion resistant	.375-1.000 (9.5-25.4)	7314NB	—
Connector; sentinel yellow nylon	.375-1.000 (9.5-25.4)	7314NSY	—

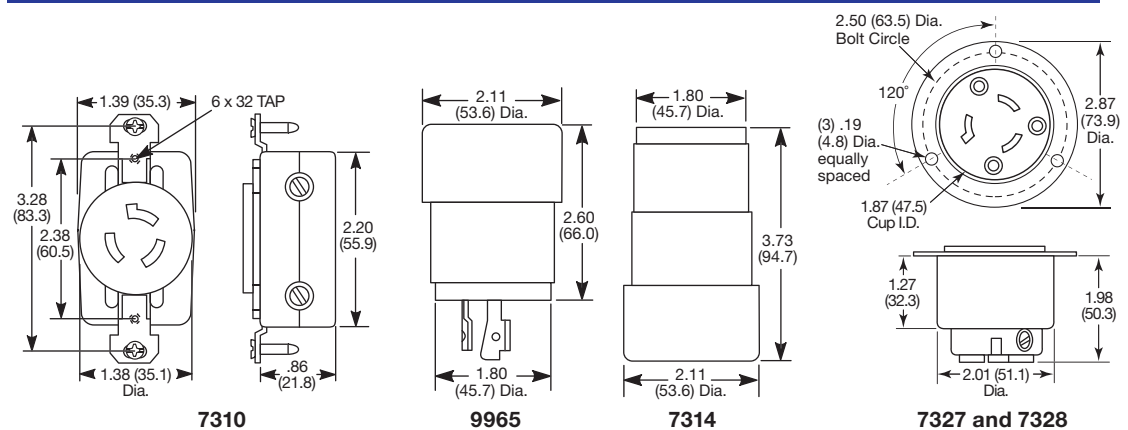
See note below.

FLANGED DEVICES

Description	Catalog Number	
Male equipment base; white nylon cup	7327	—
Female equipment receptacle; white nylon cup	7328	—

Note: **Rating Change:** All devices listed on this page are intended for replacement use only in existing installations. We recommend that they not be used in new installations. Both standard and suffix "G" devices were formerly dual rated 20 Amp 250V AC or DC; 10 Amp 600V AC. Suffix "G" devices are intended for equipment grounding applications and formerly complied with UL Standards. However, due to revisions of these Standards, suffix "G" devices are no longer UL Listed and the rating of non-grounding devices has been changed to 20 Amp 125/250V. For new installations; refer to the NEMA configuration chart on page H-4 for the products suited for your particular current and voltage requirements. **CAUTION:** To Avoid Electric Shock-Review premises carefully and do not use if slot or blade configuration (design) is already in a circuit having a rating differing from the rating of this device.

PRODUCT DIMENSIONS Inches (mm)



Note: See page Q-8 for horsepower ratings.

ACCESSORIES

Description	Stainless Steel	Nylon	Weather	Weather Protective Boot		Nylon Angle
	Wallplate	Wallplate	Protective Plate	Black	Yellow	Adapter
Single receptacle	SS720	NP720BK	7420B	—	—	—
Plug	—	—	—	72002BPB*	72002BP*	70204ANA*
Connector	—	—	—	72002BCB*	72002BC*	70204ANA*
Connector sealing cap	—	—	—	72002BSRB*	72002BSR*	—

Note: See section O for additional information on wallplates.

*Boots are not UL Listed or CSA Certified. See page H-35 for additional information on boots.

See page H-33 for additional information on angle adapters.

Locking Devices

20 Amp 3ØY 120/208V AC; 4-Pole 4-Wire and 250V AC; 3-Pole 4-Wire



TECH·SPEC®



7410

SINGLE RECEPTACLES



Description	Catalog Number	
Black urea	7410	7410G*
Cat No. 7410 on 4 in. (101.6) round metal box cover	7417**	—

Note: *Not UL Listed or CSA Certified. For replacement use only.

**Not CSA Certified.



9967

PLUGS AND CONNECTORS Inches (mm)

Description	Cord Diameter	Catalog Number	
Plug; black/white nylon	.625-1.150 (15.9-29.2)	9967	—
Plug; sentinel yellow nylon	.625-1.150 (15.9-29.2)	9967NSY	—
Connector; black/white nylon	.625-1.150 (15.9-29.2)	7414	—
Connector; sentinel yellow nylon	.625-1.150 (15.9-29.2)	7414NSY	—

See note below.



7414

FLANGED DEVICES

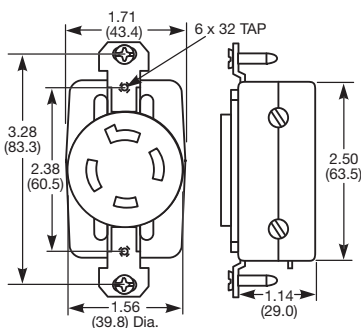
Description	Catalog Number	
Male base; white nylon cup	7408MB	—
Female equipment receptacle; white nylon cup	7409ER	—

Note: **Rating Change:** Effective July 1, 1981, the ratings of devices listed on this page were changed from 20 Amp 250V AC/DC; 10 Amp 600V AC to 20 Amp 3ØY 120/208V in order to comply with Underwriters Laboratories' requirements. Note that although the voltage rating has changed, the configuration will remain the same. Suffix "G" devices are intended for equipment grounding applications and formerly complied with UL Standards. However, due to revisions of these Standards, suffix "G" devices are no longer UL Listed. Devices listed on this page are intended for replacement use only. For new installations, refer to the NEMA configuration chart on page H-4 for your particular current and voltage requirements. **CAUTION:** To Avoid Electric Shock-Review premises carefully and do not use if slot or blade configuration (design) is already in a circuit having a rating differing from the rating of this device.

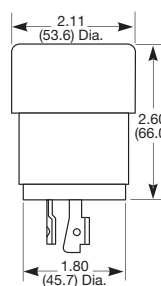
PRODUCT DIMENSIONS Inches (mm)



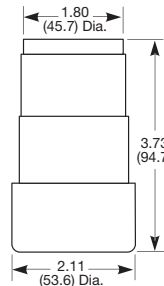
7408MB



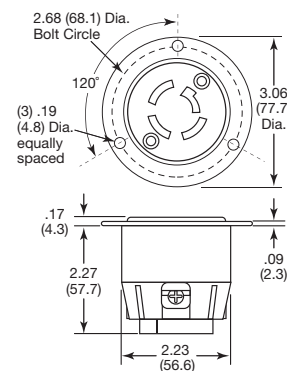
7410



9967



7414



7408MB and 7409ER

Note: See page Q-8 for horsepower ratings.

ACCESSORIES

Description	Stainless Steel	Nylon	Weather	Weather Protective Boot		Nylon Angle
	Wallplate	Wallplate	Protective Plate	Black	Yellow	Adapter
Single receptacle	SS720	NP720BK	7420B	—	—	—
Plug	—	—	—	72002BPB*	72002BP*	70204ANA*
Connector	—	—	—	72002BCB*	72002BC*	70204ANA*
Connector sealing cap	—	—	—	72002BSRB*	72002BSR*	—

Note: See section O for additional information on wallplates.

*Boots are not UL Listed or CSA Certified. See page H-35 for additional information on boots.

See page H-33 for additional information on angle adapters.



70204ANA



TECH·SPEC®



20A 3ØY 120/280V AC
4P 5W
Grounding



3520BRY

SINGLE RECEPTACLES

Description	Catalog Number
Black urea	3520BRY

See note below.



3521

PLUGS AND CONNECTORS Inches (mm)

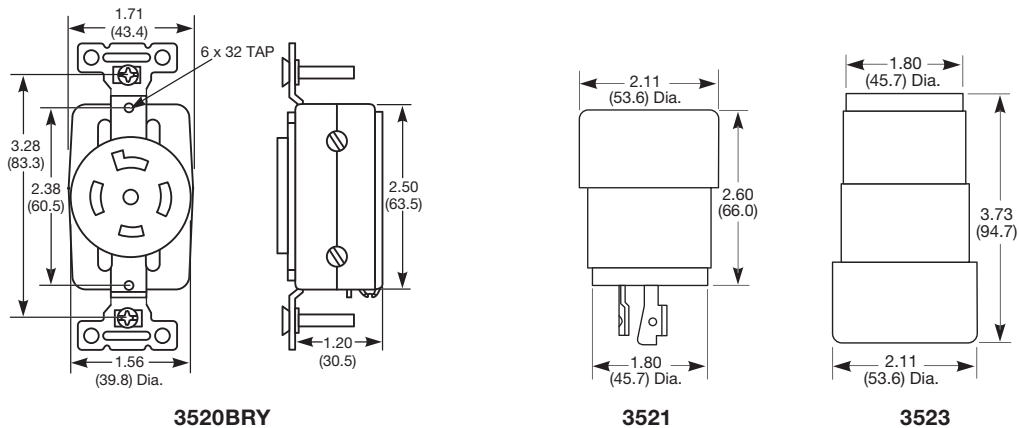
Description	Cord Diameter	Catalog Number
Plug; black/white nylon	.625-1.150 (15.9-29.2)	3521
Connector; black/white nylon	.625-1.150 (15.9-29.2)	3523

Note: Wiring devices listed on this page are intended for replacement use only in existing installations. For new installations; refer to the NEMA configuration chart on page H-4 for products suited for your particular current and voltage requirements. **CAUTION:** To Avoid Electric Shock-Review premises carefully and do not use if slot or blade configuration (design) is already in a circuit having a rating differing from the rating of this device.



3523

PRODUCT DIMENSIONS Inches (mm)



70204ANA

Note: See page Q-8 for horsepower ratings.

ACCESSORIES

Description	Stainless Steel	Nylon	Weather	Weather Protective Boot		Nylon Angle
	Wallplate	Wallplate	Protective Plate	Black	Yellow	Adapter
Single receptacle	SS720	NP720BK	7420B	—	—	—
Plug	—	—	—	72002BPB*	72002BP*	70204ANA*
Connector	—	—	—	72002BCB*	72002BC*	70204ANA*
Connector sealing cap	—	—	—	72002BSRB*	72002BSR*	—

Note: See section O for additional information on wallplates.

*Boots are not UL Listed or CSA Certified. See page H-35 for additional information on boots.

See page H-33 for additional information on angle adapters.

Locking Devices

30 Amp 125/250V; 3-Pole 3-Wire and 250V; 2-Pole 3-Wire



TECH-SPEC®



30A 125/250V
3P 3W
Non-Grounding



30A 250V
2P 3W
Grounding



3330

SINGLE RECEPTACLES

Description	Catalog Number	
Black urea	3330	3330G*

Note: *Not UL Listed or CSA Certified. For replacement use only. See note below.

TRIPLE GRIPPER® PLUGS AND CONNECTORS Inches (mm)

Description	Cord Diameter	Catalog Number	
Plug; black/white nylon	.300-.950 (7.6-24.1)	3331	—
Connector; black/white nylon	.300-.950 (7.6-24.1)	3333	—

Note: **Rating Change:** Effective July 1, 1981, the ratings of devices listed on this page were changed from 30 Amp 250V to 30 Amp 125/250V in order to comply with Underwriters Laboratories' requirements. Note that although the voltage rating has changed, the configuration will remain the same. Suffix "G" devices are intended for equipment grounding applications and formerly complied with UL Standards. However, due to revisions of these Standards, suffix "G" devices are no longer UL Listed. Devices listed on this page are intended for replacement use only. For new installations, refer to the NEMA configuration chart on page H-4 for your particular current and voltage requirements. **CAUTION:** To Avoid Electric Shock-Review premises carefully and do not use if slot or blade configuration (design) is already in a circuit having a rating differing from the rating of this device.

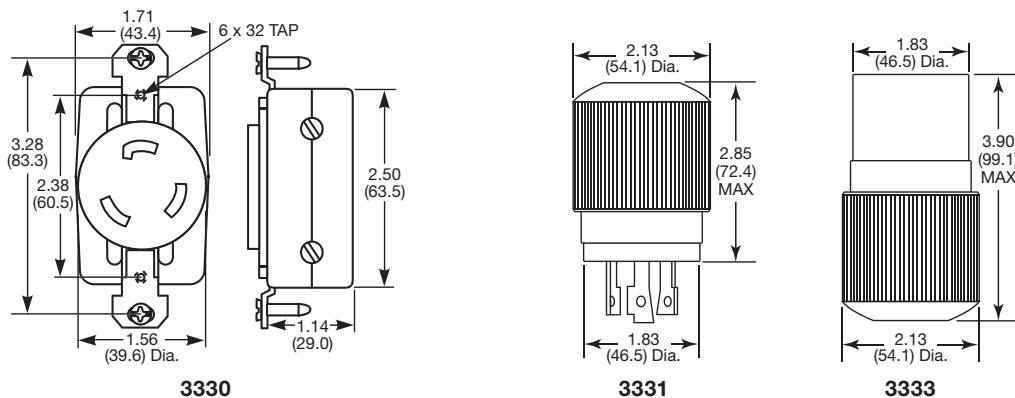


3331



3333

PRODUCT DIMENSIONS Inches (mm)



Note: See page Q-8 for horsepower ratings.



70204ANA

ACCESSORIES

Description	Stainless Steel	Nylon	Weather	Weather Protective Boot		Nylon Angle
	Wallplate	Wallplate	Protective Plate	Black	Yellow	Adapter
Single receptacle	SS720	NP720BK	7420B	—	—	—
Plug	—	—	—	72002BPB*	72002BP*	70204ANA*
Connector	—	—	—	72002BCB*	72002BC*	70204ANA*
Connector sealing cap	—	—	—	72002BSRB*	72002BSR*	—

Note: See section O for additional information on wallplates.

*Boots are not UL Listed or CSA Certified. See page H-35 for additional information on boots.

See page H-33 for additional information on angle adapters.

Locking Devices

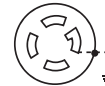
30 Amp 3ØY 120/208V; 4-Pole 4-Wire and 250V AC; 3-Pole 4-Wire



TECH·SPEC®



30A 3ØY 120/208V
4P 4W
Non-Grounding



30A 250V AC
3P 4W
Grounding



3430BRY

SINGLE RECEPTACLES

Description	Catalog Number	
Black urea	3430BRY	3430G*

Note: *Not UL Listed or CSA Certified. For replacement use only.
See note below.



3431

TRIPLE GRIPPER® PLUGS AND CONNECTORS Inches (mm)

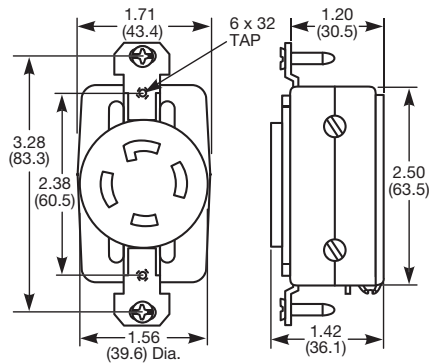
Description	Cord Diameter	Catalog Number	
Plug; black/white nylon	.465-1.150 (11.9-29.5)	3431	—
Connector; black/white nylon	.465-1.150 (11.9-29.5)	3433	—

Note: **Rating Change:** Effective July 1, 1981, the ratings of devices listed on this page were changed from 30 Amp 250V; 30 Amp 600V AC to 30 Amp 3ØY 120/208V in order to comply with Underwriters Laboratories' requirements. Note that although the voltage rating has changed, the configuration will remain the same. **Suffix "G" devices** are intended for equipment grounding applications and formerly complied with UL Standards. However, due to revisions of these Standards, suffix "G" devices are no longer UL Listed. Devices listed on this page are intended for replacement use only. For new installations, refer to the NEMA configuration chart on page H-4 for your particular current and voltage requirements. **CAUTION:** To Avoid Electric Shock-Review premises carefully and do not use if slot or blade configuration (design) is already in a circuit having a rating differing from the rating of this device.

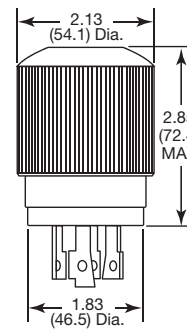


3433

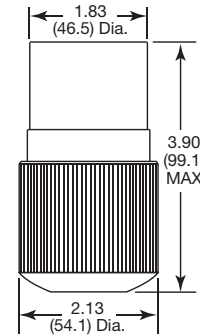
PRODUCT DIMENSIONS Inches (mm)



3430BRY



3431



3433

Note: See page Q-8 for horsepower ratings.



70204ANA

ACCESSORIES

Description	Stainless Steel	Nylon	Weather	Weather Protective Boot		Nylon Angle
	Wallplate	Wallplate	Protective Plate	Black	Yellow	Adapter
Single receptacle	SS720	NP720BK	7420B	—	—	—
Plug	—	—	—	72002BPB*	72002BP*	70204ANA*
Connector	—	—	—	72002BCB*	72002BC*	70204ANA*
Connector sealing cap	—	—	—	72002BSRB*	72002BSR*	—

Note: See section O for additional information on wallplates.

*Boots are not UL Listed or CSA Certified. See page H-35 for additional information on boots.

See page H-33 for additional information on angle adapters.

Locking Devices

Locking Kits – Pool Pump Kit and Generator Kit



Pool Kit Contains:

- Heavy duty, industrial grade locking receptacle (NEMA L5-20, 20A 125V or NEMA L6-20, 20A 250V)
- Single-pole or double-pole switch (20A, 120-277V AC)
- Two-gang, 2 inch deep die-cast aluminum weatherproof box with (4) 3/4 inch threaded outlets
- Two-gang, weatherproof while-in-use cover
- Includes mounting hardware, gasket, wire connector and (3) closure plugs
- Complete assembly instructions



PKL520



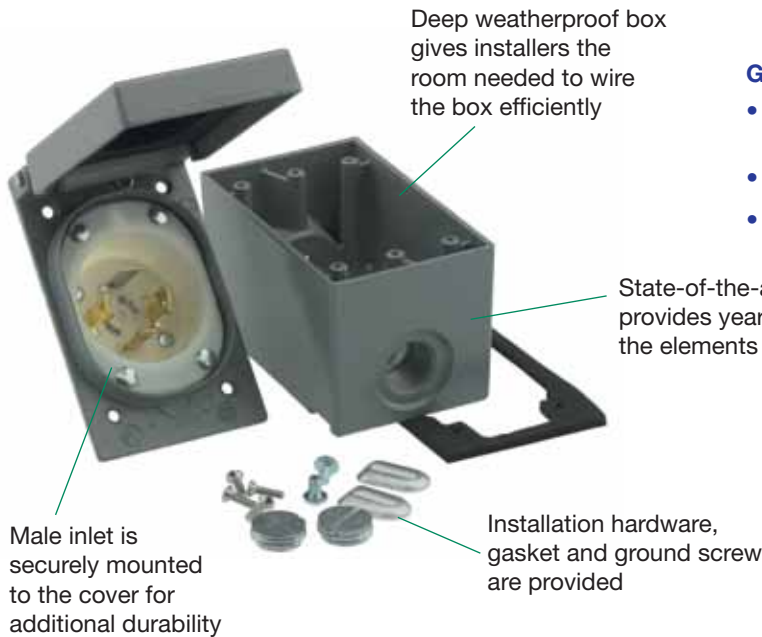
NEMA L5-20
20 AMP 125V
2P 3W
Grounding



NEMA L6-20
20 AMP 250V
2P 3W
Grounding

POOL PUMP KIT

Description	Catalog Number	
Pool pump receptacle kit	PKL520	PKL620



Generator Kit Contains:

- Heavy duty industrial grade male base integrated with cast aluminum weatherproof cover
- Single-gang, 2 inch deep cast aluminum box
- Mounting hardware, grounding screw and gasket



NEMA L4-30
30A 125/250V
3P 4W

GENERATOR POWER CONNECTION KIT

Description	Catalog Number	
Generator kit	RB58405	

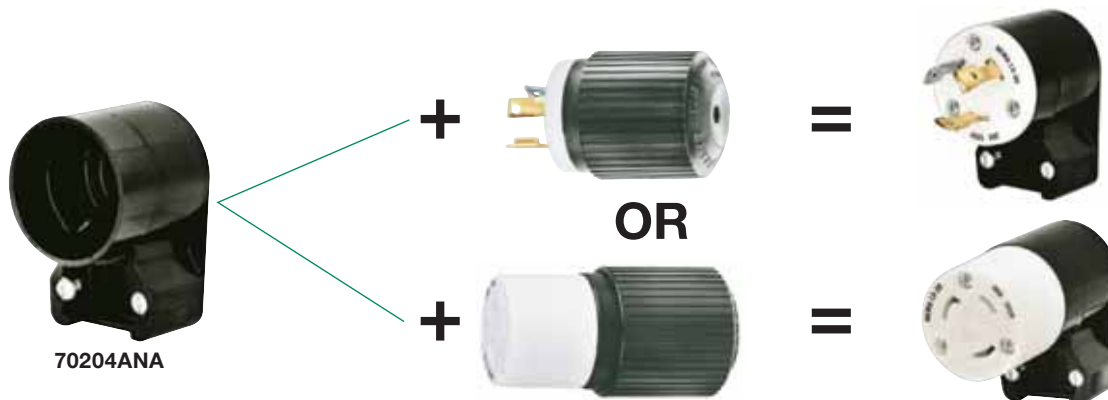
Locking Devices

Accessories – Angle Adapters and Plugbox



Triple Gripper® Angle Adapters

- Nylon angle adapters convert 20 and 30 amp nylon locking plugs/connectors into space-saving angle devices
- Adapters permit wire to exit parallel to the receptacle; eliminating space needed for wire to bend



70204ANA

NYLON ANGLE ADAPTER Inches (mm)

Description	Cord Grip Range	Catalog Number
Angle adapter; black nylon	.500-1.00 (12.7-25.4)	70204ANA

Plugbox®

- Plugbox® devices provide an assured method of complying with OSHA lockout/tagout regulation
- Protect against unexpected start-up of equipment during maintenance and repair work
- Discourages unauthorized use of tools and equipment
- UV stabilized polypropylene housing
- High visibility red for easy identification



BLDMP



BLD

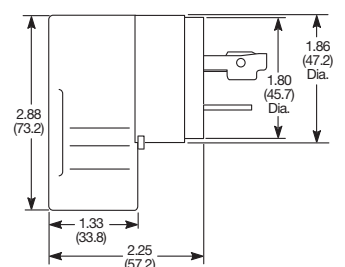
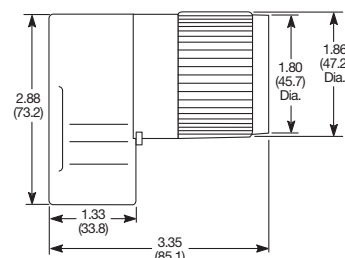


BLD2

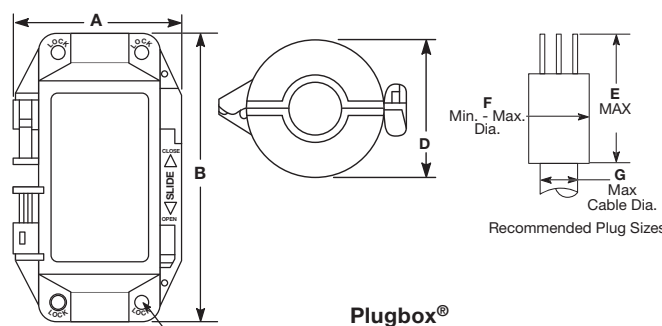
PLUGBOX® DEVICES

Description	Catalog Number
Red polypropylene lockout device accommodates: 3-wire, 15 amp locking molded-on plugs up to 277V rating	BLDMP
Red polypropylene lockout device accommodates: 2- and 3-wire, 15 amp locking plugs up to 277V rating; 3-wire; 20 amp 125V power interrupting plugs and 3-, 4- and 5-wire, 20 and 30 amp NEMA and non-NEMA locking plugs	BLD
Red polypropylene lockout device accommodates: 4- and 5-wire, 30 amp power interrupting plugs and 3- and 4-wire, 50 amp locking plugs	BLD2

PRODUCT DIMENSIONS Inches (mm)



Angle Adapter



	A	B	C	D	E Max	F Dia. Min-Max	G
BLDMP	3.14 (79.8)	4.22 (107.2)	.32 (2) (8.1)	2.57 (65.3)	3.70 (94.0)	.79 - 1.73 (20.1 - 43.9)	.64 (16.3)
BLD	4.27 (108.5)	7.27 (184.7)	.39 (4) (9.9)	3.10 (78.7)	4.75 (120.7)	1.50 - 2.75 (38.1 - 69.9)	1.11 (28.2)
BLD2	6.31 (160.3)	12.51 (317.8)	.39 (4) (9.9)	5.00 (127.0)	10.15 (257.8)	1.90 - 4.50 (48.3 - 114.3)	1.45 (36.8)



- For use with Bryant Tech-Spec® and 5900 Series straight blade plugs and connectors
- Help prevent moisture, dust and other contaminants from infiltrating plugs and connectors
- Available in high visibility yellow or standard black
- Thermoplastic elastomer construction
- Excellent ozone and weather resistance
- Resistant to deterioration by oils and heat
- Connector sealing ring provides extra protection when plug and connector are not mated
- Ribbed exterior provides firm grip



5200BPB



5200BCB with
5200BSRB



5200BCR



7400BCR



7460BP
7460BC



5200S



9700S

WEATHER PROTECTIVE BOOTS

Description	Catalog Number
Yellow thermoplastic elastomer boot for use with 15 amp nylon locking and straight blade plugs	5200BP
Yellow thermoplastic elastomer boot for use with 15 amp nylon locking and straight blade connectors	5200BC
Yellow thermoplastic elastomer sealing cap for use with 5200BC connector boot	5200BSR
Black thermoplastic elastomer boot for use with 15 amp nylon locking and straight blade plugs	5200BPB
Black thermoplastic elastomer boot for use with 15 amp nylon locking and straight blade connectors	5200BCB
Black thermoplastic elastomer sealing cap for use with 5200BCB connector boot	5200BSRB
Yellow neoprene boot for use with 15 amp nylon locking plugs and connectors	5200BCR*
Yellow neoprene boot for use with 2-pole 2-wire straight blade nylon plug and connector and nylon midget locking plugs and connectors; NEMA L1-15, ML-2 and ML-3	7400BCR
Black thermoplastic elastomer boot for use with 7465N plug when used with 7464N connector or 7468N female equipment receptacle; also for use with connector when used with 7466N male base	7460BP
Black thermoplastic elastomer boot for use with 7464N connector when used with 7465N plug	7460BC

Note: *To be discontinued when supplies are exhausted.

ADAPTER SLEEVES

Description	Catalog Number
Rubber adapter sleeve; strain relief; black; for Triple Gripper® nylon plugs and connectors	5200S
Rubber adapter sleeve; strain relief; white; for use with 2-pole 2-wire straight blade nylon plug and connector and midget locking nylon plugs and connectors; NEMA L1-15, ML-2 and ML-3	9700S



- Help prevent moisture, dust and other contaminants from infiltrating plugs and connectors
- Chemical/UV-resistant construction
- Available in high visibility yellow or standard black
- Ribbed exterior provides firm grip
- Sealing ring seals connector when not mated
- For use with Bryant Triple Gripper® 20 and 30 amp nylon plugs and connectors

WEATHER PROTECTIVE BOOTS



Description	Catalog Number
Black neoprene boot for use with 20 and 30 amp nylon locking plugs	72002BPB
Yellow neoprene boot for use with 20 and 30 amp nylon locking plugs	72002BP
Black neoprene boot for use with 20 and 30 amp nylon locking connectors	72002BCB
Yellow neoprene boot for use with 20 and 30 amp nylon locking connectors	72002BC
Black neoprene sealing cap seals connector	72002BSRB
Yellow neoprene sealing cap seals connector	72002BSR
Black elastomer weather protective boot for 50 amp plugs when used in a cord set and connectors when used with flanged inlets	7716B
Black elastomer weather protective boot for 50 amp connectors when used in a cord set	7717B



LOCKING RECEPTACLE



DESCRIPTION

Manufacturer's Identification - Bryant 70520FR

Description - Heavy-duty locking receptacle

Type - 2-pole, 3-wire; grounding

Rating - 20A 125V; NEMA L5-20

CERTIFICATION

- UL Listed Standard 498 (attachment plug and receptacles)
- Certified to CSA Standard C22.2 No. 42 (general use receptacles, attachment plugs and similar devices) and C22.2 No. 182.2 (industrial locking type, special use attachment plugs, receptacles and connectors) where applicable
- UL Listed, Guide RTRT
- CSA Certified, Guide 365-E-1
- Federal Specifications WC596 (where applicable)
- Complies with NEMA standards WD-1, WD-6

COMPONENTS

MATERIALS Inches (mm)

Base	Reinforced thermoplastic polyester
Face	Nylon
Terminal contacts	.040 (1.0) copper alloy
Terminal clamp	.040 (1.0) copper alloy
Ground contact (5-wire)	.040 (1.0) copper alloy
Ground shunt	.015 (.3) copper alloy
Mounting straps	.050 (1.3) steel (nickel-plated)
Back plate	.040 (1.0) plated copper alloy
Terminal screws	#10 brass
Self-ground clip	Stainless steel (IG and 4-pole, 4-wire receptacles)
Mounting screws	Plated steel

PERFORMANCE

Electrical

Dielectric voltage	Withstands 2,000V minimum
Max. working voltage	250V
Current interrupting	Certified for current interrupting at full rated current
Temperature rise	Max 30°C temperature rise at full rated current after 50 cycles of overload at 150% of rated direct current

Mechanical

Terminal identification	Terminals identified in accordance with UL 498 (brass, white, green)
Terminal accommodation	#14-10 AWG (solid or stranded) copper conductor only
Product identification	Ratings are a permanent part of the device

Environmental

Flammability	Top: UL 94 V2.; Base: UL 94 V2
Operating temperatures	Maximum continuous 60°C; minimum -40°C without impact

LOCKING PLUG AND CONNECTOR



DESCRIPTION

Manufacturer's Identification - Bryant 70520NP and 70520NC

Description - Heavy-duty locking plug and connector

Type - 2-pole, 3-wire; grounding

Rating - 20A 125V; NEMA L5-20

CERTIFICATION

- UL Listed Standard 498 (attachment plug and receptacles)
- Certified to CSA Standard C22.2 No. 42 (general use receptacles, attachment plugs and similar devices) and C22.2 No. 182.2 (industrial locking type, special use attachment plugs, receptacles and connectors) where applicable
- UL Listed, Guide AXUT
- CSA Certified, Guide 20T2
- Federal Specifications WC596 (where applicable)
- Complies with NEMA standards WD-1, WD-6 and UL-498

COMPONENTS

MATERIALS

Face/terminal assembly	Nylon
Cover (housing)	Toughened nylon
Terminal cover	Clear polycarbonate
Cord grip assembly	Impact modified nylon
Plug blades	Brass-neutral blade nickel-plated
Connector contacts	High performance copper alloy
Terminal clamp nut	Zinc-plated steel
Terminal screws	#10-32 Brass; silver finish (neutral screw); green finish (grounding screw)
Assembly Screws	Zinc-plated steel

PERFORMANCE

Electrical

Dielectric voltage	Withstands 3500V per UL498
Max. working voltage	600V AC 250V DC
Current interrupting	Certified for current interrupting at full rated current
Temperature rise	Maximum 30° temperature rise at full rated current after 50 cycles overload at 150% rated current for either AC or DC applications per UL498

Mechanical

Terminal identification	(X, Y, Z brass, hot) (G, green, grounding) (W, silver, neutral)
Terminal accommodation	#18-8 AWG flexible cord
Product identification	Ratings and NEMA identification are permanently marked on device
Cord grip range	3-wire .30-.95" (7.6-24.1mm); 4-, 5-wire .47-1.15" (11.8-29.2mm)

Environmental

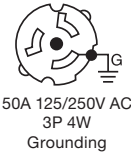
Flammability	HB or better per UL 94 or CSA 22.2 No. 17
Operating temperatures	Maximum continuous 60°C; minimum -40°C without impact

Locking Devices

50 Amp 125/250V AC and 3Ø 250V AC; 3-Pole 4-Wire Grounding



CS6369L



SINGLE RECEPTACLES

Description	Catalog Number	
Receptacle armored; grounded	CS6369L	CS8369L



CS6365L

PLUGS AND CONNECTORS Inches (mm)

Description	Cord Diameter	Catalog Number	
Nylon plug	.65-1.20 (16.5-30.5)	CS6365L	CS8365L
Nylon connector	.65-1.20 (16.5-30.5)	CS6364L	CS8364L



CS6364L

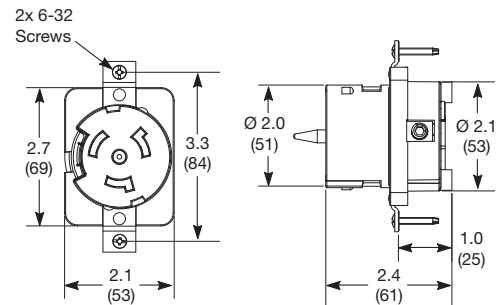
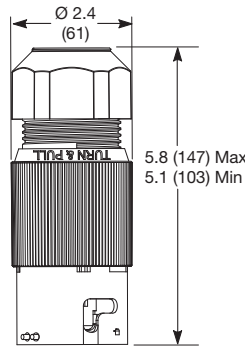
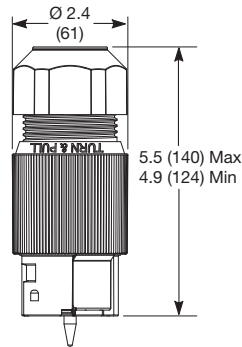
FLANGED DEVICES

Description	Catalog Number	
Male base; nylon	CS6375L	CS8375L
Male base; nylon with cover; UL 3R	CS6375LC	CS8375LC

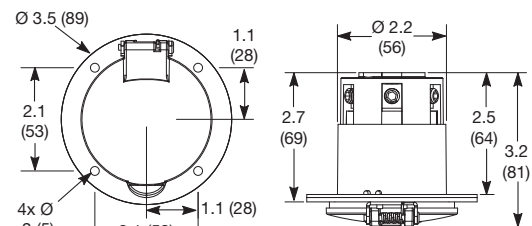
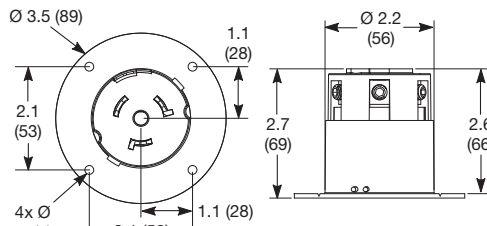


CS6375L

PRODUCT DIMENSIONS Inches (mm)



CS6375LC



7774CR

ACCESSORIES

Description	Catalog Number
Weather protective plate for 50 amp receptacle	7774CR
Weather protective plate for 50 amp male base	7780



7780

Locking Devices

50 Amp 125/250V AC, 3Ø 250V AC and 3Ø 480V AC; 3-Pole 4-Wire Grounding



CS6369A



CS6365



CS6364



CS6375A



7382



7383



50A 125/250V AC
3P 4W
Grounding



50A 3Ø 250V AC
3P 4W
Grounding



50A 3Ø 480V AC
3P 4W
Grounding

SINGLE RECEPTACLES

Description	Catalog Number		
Receptacle armored; grounded	CS6369A	CS8369A	CS8169A

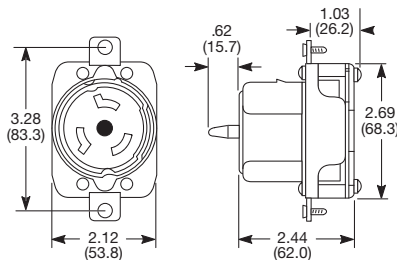
PLUGS AND CONNECTORS Inches (mm)

Description	Cord Diameter	Catalog Number		
Nylon plug; heavy-duty	.830-1.250 (21.1-31.8)	CS6365	CS8365	CS8165
Nylon connector; heavy-duty	.830-1.250 (21.1-31.8)	CS6364	CS8364	CS8164

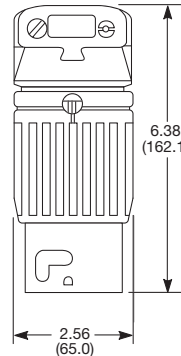
FLANGED DEVICES

Description	Catalog Number		
Male base; steel casing	CS6375A	CS8375A	CS8175A
Male base; steel casing with weatherproof cover plate	—	CS8375MBWP	—

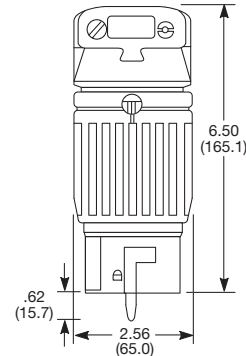
PRODUCT DIMENSIONS Inches (mm)



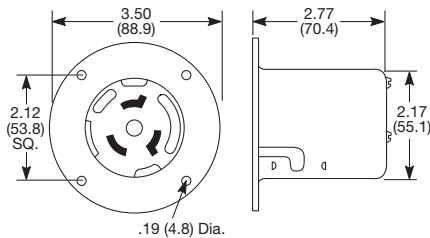
CS6369A



CS6365



CS6364



CS6375A

ACCESSORIES

Description	Stainless Steel Wallplate	Aluminum Plate		Weather Protective Plate	Weather Protective Boot	
		Cover	No Cover		For use with Cordsets	For use with Flanged Inlets
Single receptacle	SS750	7382	7383	7774CR	—	—
Plug	—	—	—	—	7716B*	—
Connector	—	—	—	—	7717B*	7716B*

Note: See section O for additional information on wallplates.

*Boots are not UL Listed or CSA Certified. See page H-35 for additional information on boots.

Locking Devices

50 Amp 125V, 250V and 480V AC; 2-Pole 3-Wire Grounding



CS8269A

SINGLE RECEPTACLES



50A 125V
2P 3W
Grounding



50A 250V
2P 3W
Grounding



50A 480V AC
2P 3W
Grounding

Description	Catalog Number		
Receptacle armored; grounded	CS6370A	CS8269A	CS8469A



CS8265

PLUGS AND CONNECTORS Inches (mm)

Description	Cord Diameter	Catalog Number		
Nylon plug; heavy-duty	.830-1.250 (21.1-31.8)	CS6361	CS8265	CS8465
Nylon connector; heavy-duty	.830-1.250 (21.1-31.8)	CS6360	CS8264	CS8464

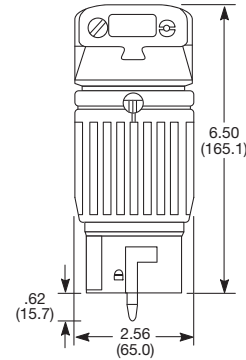
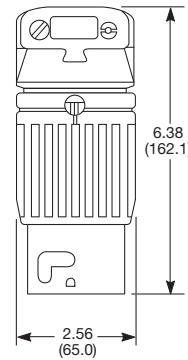
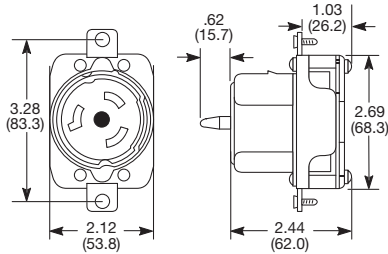
FLANGED DEVICES

Description	Catalog Number		
Male base; steel casing	CS6377A	CS8275A	CS8475A

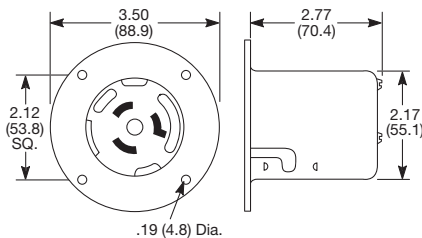


CS8264

PRODUCT DIMENSIONS Inches (mm)



CS8275A



7774CR

ACCESSORIES

Description	Stainless Steel Wallplate	Aluminum Plate		Weather Protective Plate	Weather Protective Boot	
		Cover	No Cover		For use with Cordsets	For use with Flanged Inlets
Single receptacle	SS750	7382	7383	7774CR	—	—
Plug	—	—	—	—	7716B*	—
Connector	—	—	—	—	7717B*	7716B*

Note: See section O for additional information on wallplates.

*Boots are not UL Listed or CSA Certified. See page H-35 for additional information on boots.

Locking Devices

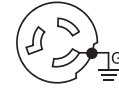
50 Amp 250V DC and 600V AC; 2-Pole 3-Wire Grounding



3771

SINGLE RECEPTACLES

Description	Catalog Number
Receptacle armored; grounded	3771*



50A 250V DC
50A 600V AC
2P 3W
Grounding



3763

PLUGS AND CONNECTORS Inches (mm)

Description	Cord Diameter	Catalog Number
Nylon plug; heavy-duty	.830-1.250 (21.1-31.8)	3763*
Nylon connector; heavy-duty	.830-1.250 (21.1-31.8)	3762*



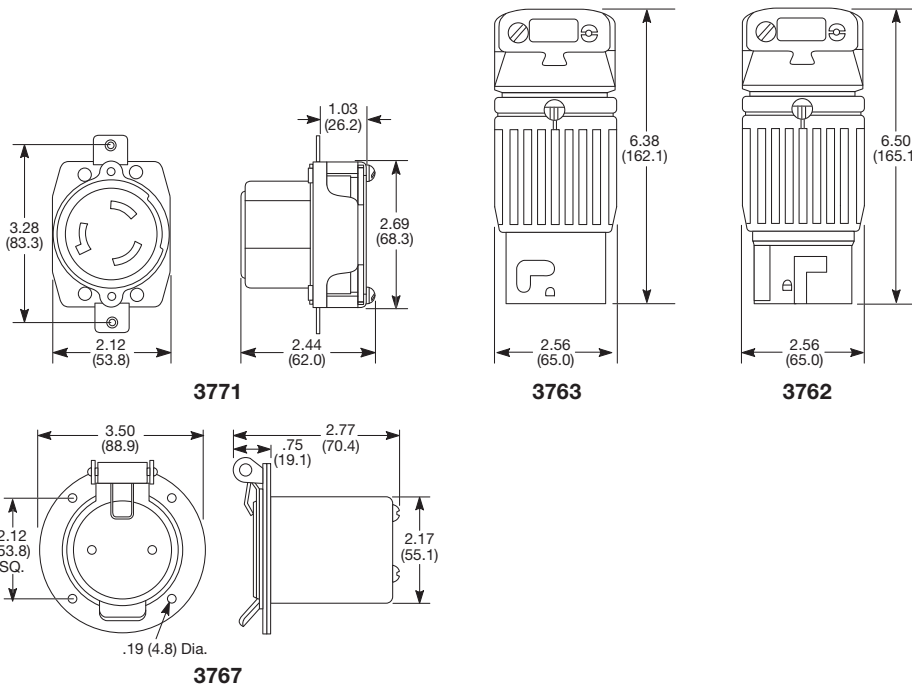
3762

FLANGED DEVICES

Description	Catalog Number
Male base; steel casing; with lift cover and gasket	3767*

Note: *These devices are not interchangeable with other 50 amp configurations listed in this catalog.

PRODUCT DIMENSIONS Inches (mm)



3767



7382



7383

ACCESSORIES

Description	Stainless Steel Wallplate	Aluminum Plate		Weather Protective Plate	Weather Protective Boot	
		Cover	No Cover		For use with Cordsets	For use with Flanged Inlets
Single receptacle	SS750	7382	7383	7774CR	—	—
Plug	—	—	—	—	7716B*	—
Connector	—	—	—	—	7717B*	7716B*

Note: See section O for additional information on wallplates.

*Boots are not UL Listed or CSA Certified. See page H-35 for additional information on boots.

Locking Devices

50 Amp 250V DC and 600V AC; 2-Pole 3-Wire and 3-Pole 4-Wire Grounding



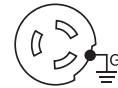
3769

SINGLE RECEPTACLES

Description	Catalog Number	
Receptacle armored; grounded	3769*	7379**



50A 250V DC
50A 600V AC
2P 3W
Grounding



50A 250V DC
50A 600V AC
3P 4W
Grounding



3765

PLUGS AND CONNECTORS Inches (mm)

Description	Cord Diameter	Catalog Number	
Nylon plug; heavy-duty	.830-1.250 (21.1-31.8)	3765*	7765**
Nylon connector; heavy-duty	.830-1.250 (21.1-31.8)	3764*	7764**

FLANGED DEVICES

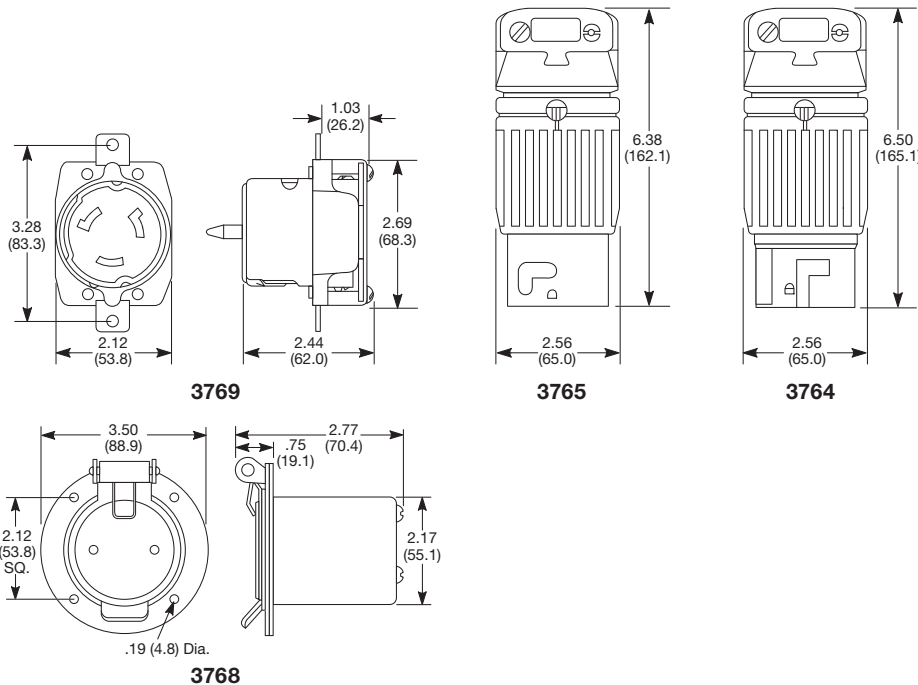
Description	Catalog Number	
Male base; steel casing	3768*	7968**

Note: *These devices are not interchangeable with other 50 amp configurations listed in this catalog.
**These devices are intended for replacement use only in existing installations. We recommend that they not be used in new installations.



3764

PRODUCT DIMENSIONS Inches (mm)



3768



7774CR

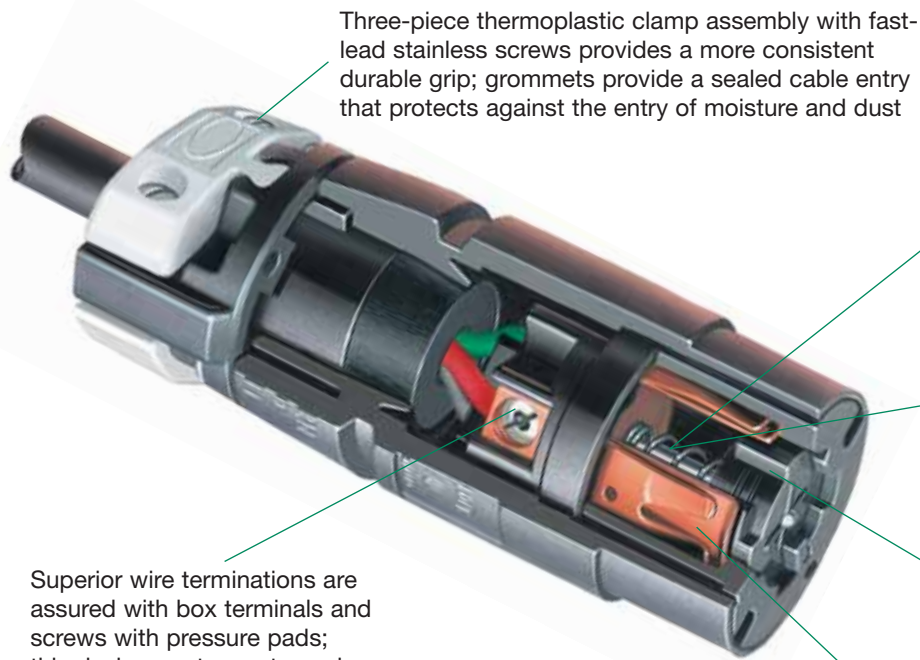
ACCESSORIES

Description	Stainless Steel Wallplate	Aluminum Plate		Weather Protective Plate	Weather Protective Boot	
		Cover	No Cover		For use with Cordsets	For use with Flanged Inlets
Single receptacle	SS750	7382	7383	7774CR	—	—
Plug	—	—	—	—	7716B*	—
Connector	—	—	—	—	7717B*	7716B*

Note: See section O for additional information on wallplates.
*Boots are not UL Listed or CSA Certified. See page H-35 for additional information on boots.

Locking Devices

Power Interrupting Product Features



Three-piece thermoplastic clamp assembly with fast-lead stainless screws provides a more consistent durable grip; grommets provide a sealed cable entry that protects against the entry of moisture and dust

No “lazy” connections because a spring-loaded safety shutter automatically ejects the plug if it hasn’t been properly locked into the female device; this eliminates teasing of the contacts; a major cause of contact burn-up

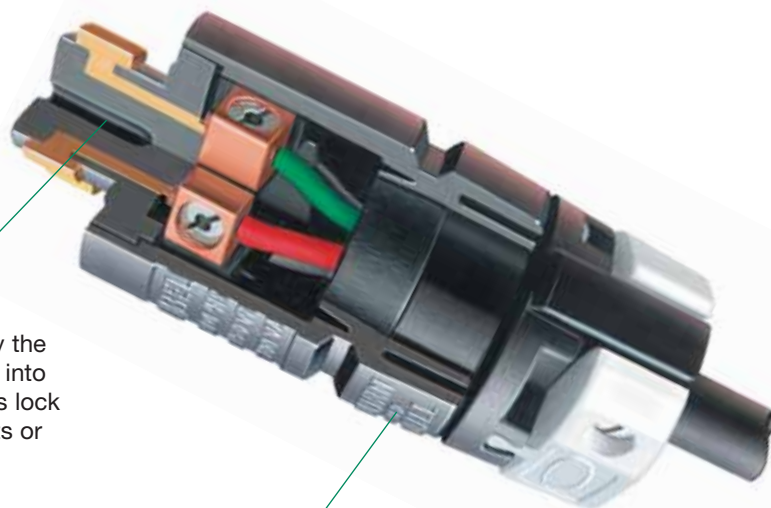
Arcs are snuffed out when devices are mated or unmated under load; by spring-loaded safety shutter

Enhanced safety because access to live female contacts is restricted by the spring-loaded safety shutter

Superior wire terminations are assured with box terminals and screws with pressure pads; this design captures stray wire strands and permits more clamping pressure on the wire without damaging it; relaxation of terminations and resulting heat build-up are greatly reduced

21414

Longer contact life is assured by supplementary springs; other devices rely just on contacts themselves to provide proper contact pressure



Positive locking is ensured by the nose of the plug being keyed into a detent in female device; this lock is independent of the contacts or a separate mechanical lock

21415

Insulated non-metallic housing enhances safety and resistance to impact

Note: Above cut-away view and call-outs are construction elements pertaining specifically to the 30 amp power interrupting series. While the power interrupting contact interface design applies to all, there are construction elements that are different, depending on the amperage.



23000G

SINGLE RECEPTACLES



20A 125V AC or DC
10A 250V DC, 480V AC
2P 3W
Grounding



20A 125V AC or DC
10A 250V DC, 480V AC
3P 3W
Non-Grounding

Description	Catalog Number	
Black phenolic; back wired	23000G*	—

Note: *These devices are not listed by Underwriters Laboratories Inc. and are for replacement use only in existing installations.



23005G

PLUGS AND CONNECTORS Inches (mm)

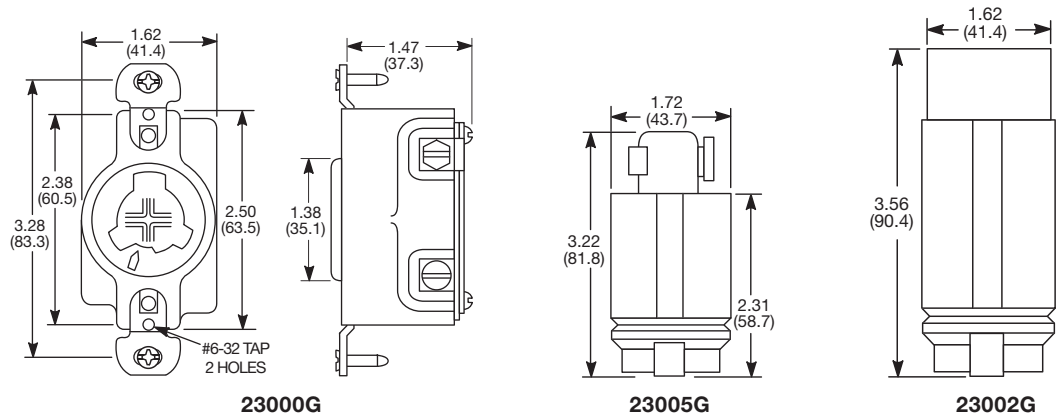
Description	Cord Diameter	Catalog Number	
Plug; black/white nylon; clamp-type terminals	.320-.660 (8.1-16.8)	23005G*	23005
Connector; black/white nylon; clamp-type terminals	.320-.660 (8.1-16.8)	23002G*	—

Note: *These devices are not listed by Underwriters Laboratories Inc. and are for replacement use only in existing installations.



23002G

PRODUCT DIMENSIONS Inches (mm)



SS7

ACCESSORIES

Description	Stainless Steel Wallplate	Brass Wallplate	Nylon Wallplate	Cast Aluminum Plate with Cover	Weather Protective Plate
Single receptacle	SS7	SB7	NP7BK	23007	7418B

Note: See section O for additional information on wallplates.



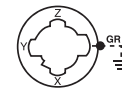
23007



20403

SINGLE RECEPTACLES

Description	Catalog Number
Flush receptacle; black phenolic	20403



30A 600V AC
20A 250V DC
3P 4W
Grounding

PLUGS AND CONNECTORS Inches (mm)

Description	Cord Diameter	Catalog Number
Plug; black nylon housing with cord grip	.700-1.20 (17.8-30.5)	21415
Connector; black nylon housing with cord grip	.700-1.20 (17.8-30.5)	21414



21415

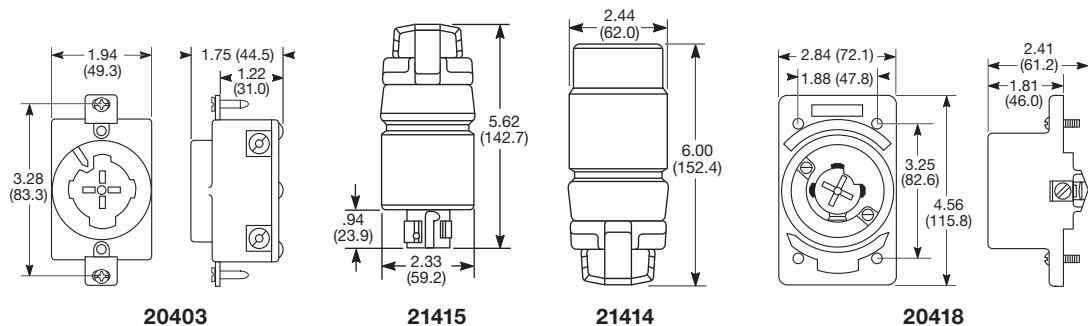
FLANGED INLETS AND RECEPTACLES Inches (mm)

Description	Catalog Number
Male flanged inlet; cast aluminum; for F.S. and F.D. boxes	20418
Female flanged receptacle; cast aluminum; weather protective angle housing with 3/4 in. NPT hub	21420
Male flanged inlet; cast aluminum; weather protective angle housing with 3/4 in. NPT hub	21447

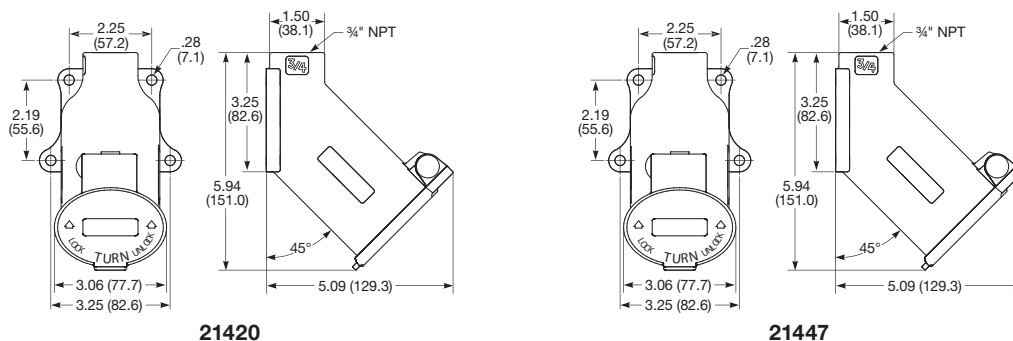


21414

PRODUCT DIMENSIONS Inches (mm)



20418



21420

21447

ACCESSORIES

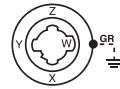
Description	Weather Protective Plate	Cast Aluminum Plate	Liquid-Tight Conduit Adapters		"Mini" Weather Protective Boot
	20405	20406	1/2" Conduit	3/4" Conduit	20425*
Single receptacle	20405	20406	—	—	—
Plug	—	—	SAB12A	SAB34A	20425*
Connector	—	—	SAB12A	SAB34A	20424*

Note: See section O for additional information on wallplates.

*Boots are not UL Listed or CSA Certified.



21420



30A 600V AC
20A 250V DC
4P 5W
Grounding



25403

SINGLE RECEPTACLES

Description	Catalog Number
Receptacle; black phenolic; metal housing for F.S. and F.D. boxes; blue finish	25403
Receptacle; black phenolic; aluminum weather protective housing/cover for F.S. and F.D. boxes; blue finish	25250

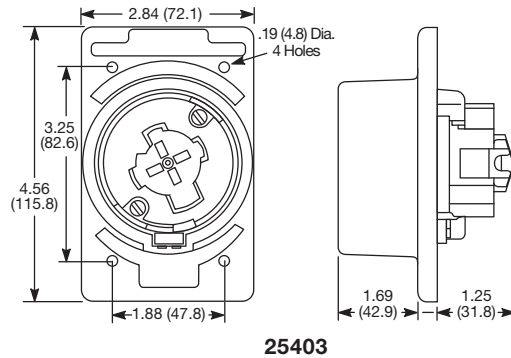
PLUGS AND CONNECTORS Inches (mm)

Description	Cord Diameter	Catalog Number
Plug; black nylon housing with cord grip	.700-1.20 (17.8-30.5)	25415
Connector; black nylon housing with cord grip	.700-1.20 (17.8-30.5)	25414

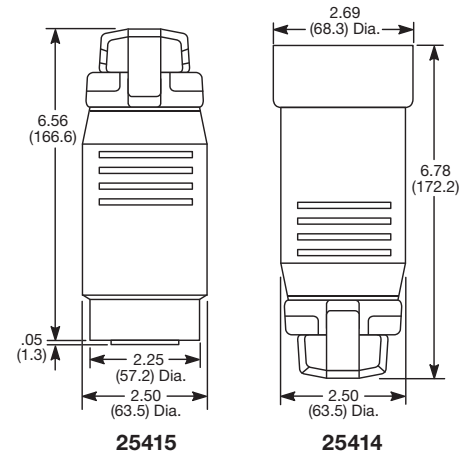


25250

PRODUCT DIMENSIONS Inches (mm)



25403

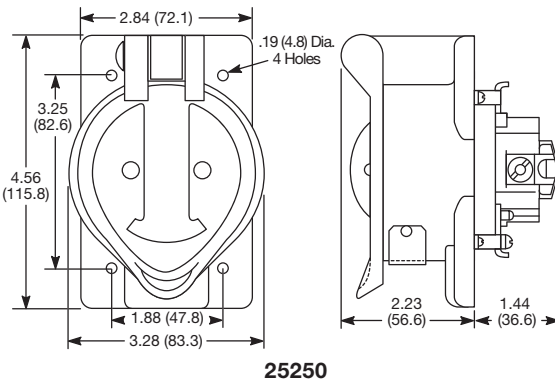


25415

25414



25415



25250



25414

ACCESSORIES

Description	Liquid-Tight Conduit Adapters	
	1/2" Conduit	3/4" Conduit
Single receptacle	—	—
Plug	SAB12A	SAB34A
Connector	SAB12A	SAB34A

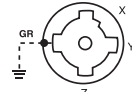
Note: Boots are not available for 5-wire 30 amp power interrupting plugs and connectors.



26410

SINGLE RECEPTACLES

Description	Catalog Number
Receptacle; black phenolic with short aluminum housing and lift cover	26410



60A 600V AC
3P 4W
Grounding



26419

PLUGS AND CONNECTORS Inches (mm)

Description	Cord Diameter	Catalog Number
Plug; yellow polycarbonate outer cover and adjustable cord grip	.920-1.450 (23.4-36.8)	26419
Connector; yellow polycarbonate outer cover and adjustable cord grip	.920-1.450 (23.4-36.8)	26418

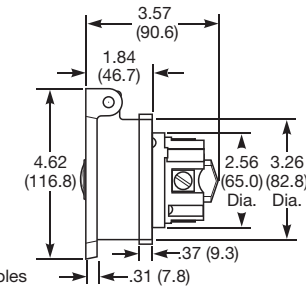
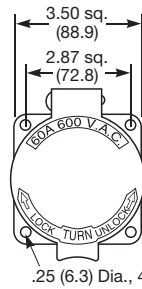
FLANGED INLETS AND RECEPTACLES

Description	Catalog Number
Male flanged inlet; steel housing	26422
Female flanged receptacle; steel housing	26421

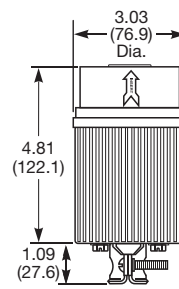


26418

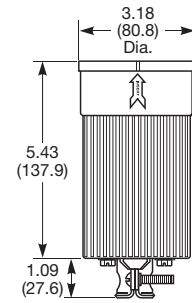
PRODUCT DIMENSIONS Inches (mm)



26410



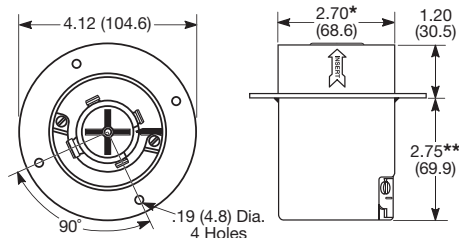
26419



26418



26422



26422 and 26421

Note: *For catalog number 26421 dimension is 2.88 (73.0).
**For catalog number 26421 dimension is 3.33 (84.5).

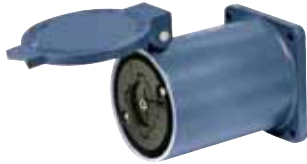
SINGLE RECEPTACLE ACCESSORIES BOX AND ADAPTERS (BOX REQUIRES ONE ADAPTER)

Description	Catalog Number
Box; cast aluminum	26401*
Straight adapter plate; cast aluminum; to mount 26410 to 26401 box	26402*
45° angle adapter; cast aluminum; to mount 26410 to 26401 box	26404*

Note: Boots are not available for 4-wire 60 amp power interrupting plugs and connectors.
*See page H-48 for box and adapters additional information.



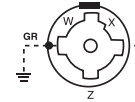
26421



26520

SINGLE RECEPTACLES

Description	Catalog Number
Receptacle; black phenolic with long aluminum housing and lift cover	26520



60A 600V AC
4P 5W
Grounding

PLUGS AND CONNECTORS Inches (mm)

Description	Cord Diameter	Catalog Number
Plug; blue polycarbonate outer cover and adjustable cord grip	.920-1.450 (23.4-36.8)	26519
Connector; blue polycarbonate outer cover and adjustable cord grip	.920-1.450 (23.4-36.8)	26516



26519

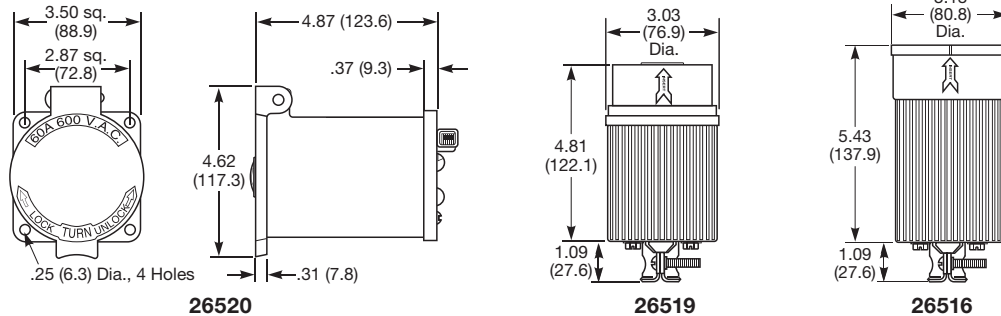
FLANGED INLETS AND RECEPTACLES

Description	Catalog Number
Male flanged inlet; steel housing	26522
Female flanged receptacle; steel housing	26521



26516

PRODUCT DIMENSIONS Inches (mm)



Note: *For catalog number 26521 dimension is 2.88 (73.0).
**For catalog number 26521 dimension is 3.33 (84.5).

SINGLE RECEPTACLE ACCESSORIES BOX AND ADAPTERS (BOX REQUIRES ONE ADAPTER)

Description	Catalog Number
Box; cast aluminum	26401*
Straight adapter plate; cast aluminum; to mount 26520 to 26401 box	26402*
45° angle adapter; cast aluminum; to mount 26520 to 26401 box	26404*

Note: Boots are not available for 5-wire 60 amp power interrupting plugs and connectors.
*See page H-48 for box and adapters additional information.



SS7

20 AMP ACCESSORIES RECEPTACLE PLATES Inches (mm)

Description	Catalog Number
Stainless steel; type 302/304; single-gang; 1.40 in. (35.6) opening	SS7
Brass; single-gang; 1.40 in. (35.6) opening	SB7
Black nylon; single-gang; 1.40 in. (35.6) opening	NP7BK
Cast aluminum; with lift cover; indoor use; box mount	23007
Weather protective cast aluminum; with cover; F.S. box mount	7418B



23007

30 AMP ACCESSORIES LIQUID-TIGHT METALLIC CONDUIT ADAPTERS

Description	Catalog Number
For use with plug and connector with 1/2 in. conduit	SAB12A*
For use with plug and connector with 3/4 in. conduit	SAB34A*

Note: *Not CSA Certified.



SAB34A

"MINI" WEATHER PROTECTIVE BOOTS

Description	Catalog Number
Mini boot for use with female connector	20424**
Mini boot for use with male plug	20425**

Note: Boots are not available for 5-wire 30 amp power interrupting plugs and connectors.

**Not UL Listed or CSA Certified.

RECEPTACLE PLATES

Description	Catalog Number
Weather protective plate; cast aluminum for wet locations with cover closed	20405
Cast aluminum; no lift cover	20406

Note: *Not CSA Certified.



20424

60 AMP SINGLE RECEPTACLE ACCESSORIES BOX AND ADAPTERS (BOX REQUIRES ONE ADAPTER)

Description	Catalog Number
Box; cast aluminum	26401
Straight adapter plate; cast aluminum	26402
45° angle adapter; cast aluminum	26404

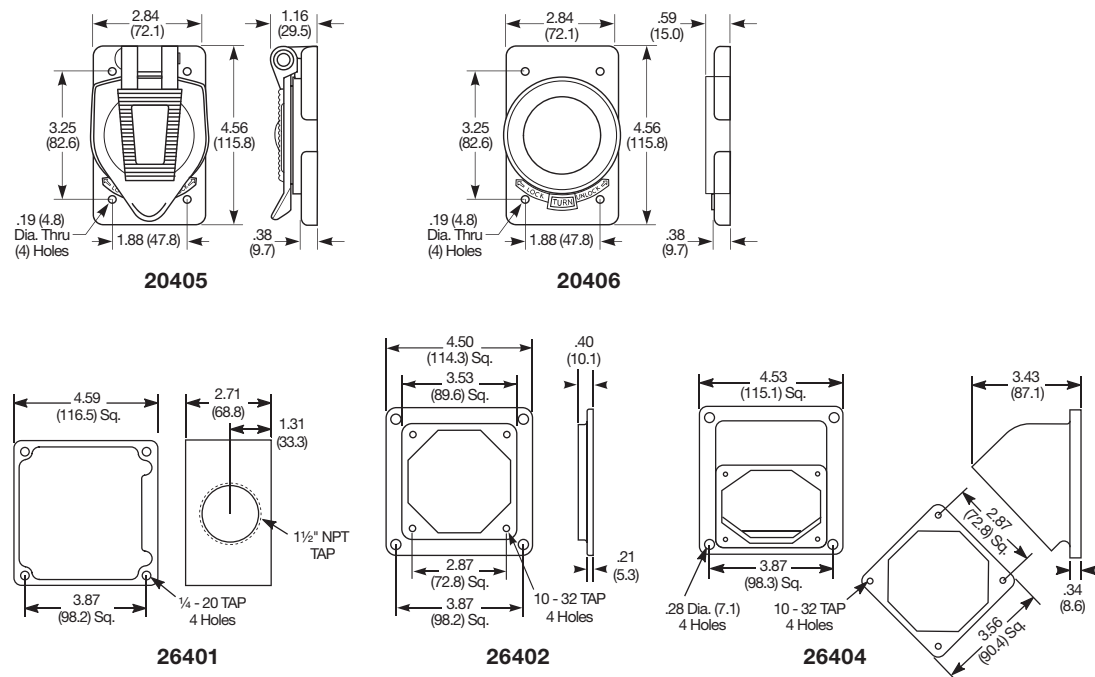


20425



26401

PRODUCT DIMENSIONS Inches (mm)



26402



26404

Section I

Watertight/Dust-Tight Products



INDEX

PAGE

Product Features

Watertight Products I-2

Plugs and Connectors

Watertight Straight Blade and Locking Devices I-3

Boxes and Covers

Portable Outlet Boxes and Weather Protective Covers I-4

Replacement Covers I-4



Watertight/Dust-Tight Products

Product Features



Watertight Devices

Accepts #18/3 to #10/3 cord

Closure cap seals out water and dirt when not in use

Double insulated elastomeric cover and thermoplastic body for extra safety and water resistance

Thermoplastic elastomer housing

Tongue and groove sealing system

Strain relief compression cord seal with neoprene bushing

24W47BRY

Corrosion-resistant nickel plated blades and stainless steel captive assembly screws

27W47BRY



Extra Bushings

Color coded rubber cord sealing bushings supplied for diameter ranges .30-.91

Portable Outlet Box

Compression neoprene bushings seal out moisture (cord sizes #16/3 SO to #12/3 SO)

Self closing flip seals provide protection against moisture when closed

Large internal cavity for easy wiring of two duplex receptacles (not included)

3005BRY

Weather Protective Covers

Fiber reinforced polycarbonate for impact and chemical resistance

Weather resistant elastomeric seal

Available with or without receptacles

See-thru view for security

Large wiring chambers for easy termination

Pre-wired ground

67W47BRY

Back View



- UL Listed and CSA Certified
- Meets NEC® requirements for “Wet and Damp Locations”
- NEMA type 4, 4X, 6, 6P
- Recommended where moisture exists
- Stainless steel captive assembly screws
- Nickel-plated contacts and blades
- Rugged thermoplastic interiors provide resistance to moisture and temperatures
- Keyed body and cover for proper alignment
- Tongue and groove plug to connector sealing system provides optimum protection
- High visibility — yellow thermoplastic elastomeric housing



14W47BRY



15W47BRY



28W76BRY



29W76BRY

STRAIGHT BLADE DEVICES

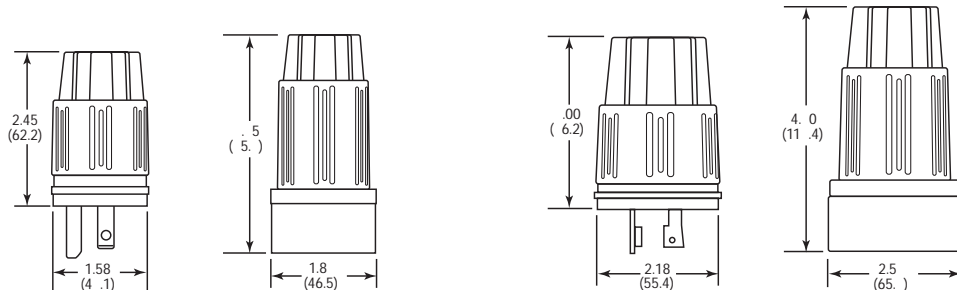
Amp	Volts	Poles / Wires	NEMA*	Catalog Number	
				Plug	Connector
15A	125V	2-pole 3-wire	5-15	14W47BRY	15W47BRY
	250V	2-pole 3-wire	6-15	14W49BRY	15W49BRY
20A	125V	2-pole 3-wire	5-20	14W33BRY	15W33BRY
	250V	2-pole 3-wire	6-20	14W48BRY	15W48BRY

LOCKING DEVICES

Amp	Volts	Poles / Wires	NEMA*	Catalog Number	
				Plug	Connector
15A	125V	2-pole 3-wire	L5-15	24W47BRY	25W47BRY
	250V	2-pole 3-wire	L6-15	24W49BRY	25W49BRY
20A	125V	2-pole 3-wire	L5-20	26W47BRY	27W47BRY
	125/250V	3-pole 4-wire	L14-20	26W74BRY	27W74BRY
	250V	2-pole 3-wire	L6-20	26W48BRY	27W48BRY
	250V 3Ø	3-pole 4-wire	L15-20	26W75BRY	27W75BRY
30A	480V 3Ø	3-pole 4-wire	L16-20	26W76BRY	27W76BRY
	125V	2-pole 3-wire	L5-30	28W47BRY	29W47BRY
	125/250V	3-pole 4-wire	L14-30	28W74BRY	29W74BRY
	250V	2-pole 3-wire	L6-30	28W48BRY	29W48BRY
	250V 3Ø	3-pole 4-wire	L15-30	28W75BRY	29W75BRY
	480V 3Ø	3-pole 4-wire	L16-30	28W76BRY	29W76BRY
	600V 3Ø	3-pole 4-wire	L17-30	28W77BRY	29W77BRY

Note: *For NEMA configurations, see pages R-2 for straight blade and R-3 for locking devices.

PRODUCT DIMENSIONS Inches (mm)



15 and 20 Amp Straight Blade
15 Amp Locking

20 Amp Locking

NEC® is a registered trademark of the National Fire Protection Association (NFPA).

Watertight/Dust-Tight Products

Portable Outlet Boxes and Weather Protective Covers



Dust-Tight Boxes

- Non-conductive, impact resistant thermoplastic elastomer boxes reduce the exposure to potential hazards
- Automatic centering strain relief cord clamps
- IP45 environments



3000BRY



3005BRY

Water-Resistant Boxes

- Flip seals protect against wet environments when closed
- Neoprene seal bushings accommodate cord size #16/3 SO to #12/3 SO

Weather Protective Covers

- Meets NEC® requirements for “Wet and Damp Locations”
- Mounts to FS and FD boxes
- Self closing stainless steel spring loaded cover
- Weather resistant elastomeric seals around receptacles and plugs while in use

PORTABLE OUTLET BOXES / REPLACEMENT COVERS* Inches (mm)

Description	Box Depth Size	Catalog Number
Water-resistant; standard box	3.16 (80.3)	3005BRY
Water-resistant; extra deep box	4.17 (105.9)	3085BRY
Dust-tight; standard box	3.16 (80.3)	3000BRY
Dust-tight; extra deep box	4.17 (105.9)	3080BRY
Replacement duplex flip cover	—	3017BRY
Replacement single receptacle flip cover	—	3018BRY
Replacement GFCI flip cover	—	3019BRY

Note: *Portable boxes not UL Listed or CSA Certified.
Receptacles sold separately. See sections A and H for straight blade and locking devices.

WEATHER PROTECTIVE COVERS

Description	Amp / Volts	NEMA	Catalog Number
Cover and seal; excludes receptacle; for use with 15 and 20 amp straight blade single and 15 amp locking receptacles	15A or 20A	—	6500BRY
Cover; seal; and receptacle assembly	15A 125V	5-15R	60W47BRY
Cover; seal; and receptacle assembly	20A 125V	5-20R	65W47BRY
Cover and seal; excludes receptacle; for use with 20 and 30 amp locking single receptacles; 3-wire only	20A or 30A	—	6700BRY
Cover; seal; and locking receptacle assembly	20A 125V	L5-20R	67W47BRY
Cover and seal; excludes receptacle; for use with 30 amp locking single receptacles; 4-wire only	30A	—	6800BRY

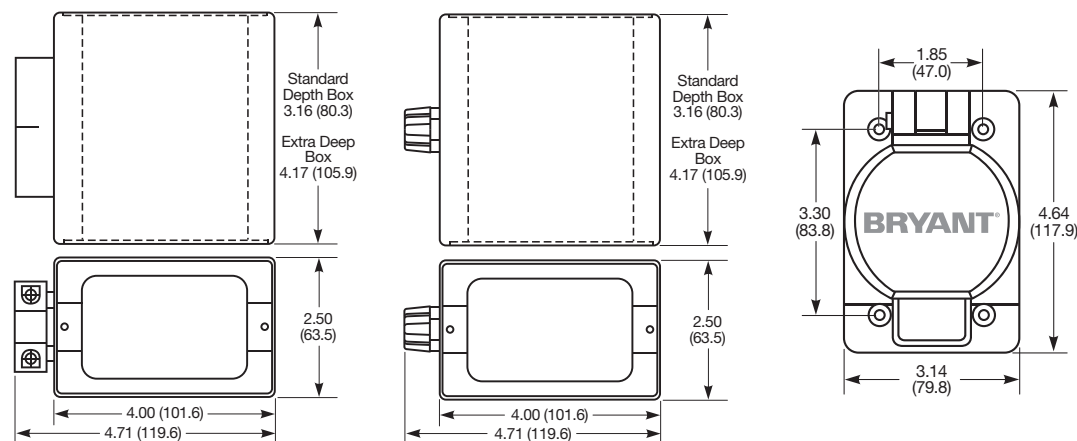


60W47BRY



67W47BRY

PRODUCT DIMENSIONS Inches (mm)



NEC® is a registered trademark of the National Fire Protection Association (NFPA).

Section J

Corrosion-Resistant Devices



INDEX

PAGE

Product Features

Corrosion-Resistant Devices J-2

Corrosion-Resistant Straight Blade Devices

15 and 20 Amp 125V; 2-Pole 3-Wire Grounding J-3

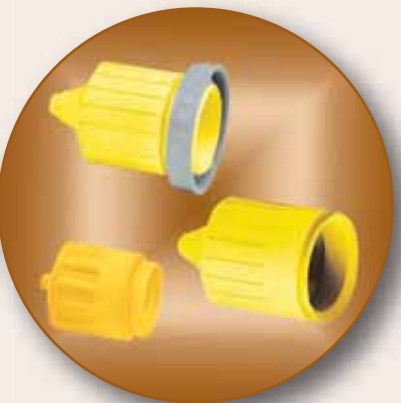
15 and 20 Amp 250V; 2-Pole 3-Wire Grounding J-3

Corrosion-Resistant Locking Devices

15 Amp 125V; 2-Pole 3-Wire Grounding J-4

20 Amp 125V; 2-Pole 3-Wire Grounding J-5

30 Amp 125V; 2-Pole 3-Wire Grounding J-6



Corrosion-Resistant Devices

Product Features



Bryant offers a complete line of corrosion-resistant devices for industrial, commercial and marine applications. Available in locking and straight blade configurations. Each device is designed to provide extra protection in corrosive conditions such as food processing plants, breweries, dairies, chemical plants, metal fabrication facilities, marine/shipboard and temporary power applications. Bryant corrosion-resistant devices are engineered with materials such

as impact/chemical resistant nylon, to provide strength and resistance to chemicals such as hydrocarbons and solvents typically found in industrial environments. Brass and copper-alloy metal parts are nickel-plated to resist corrosion and oxidation which can occur in salt air/water environments. Weather-protective boots and outdoor plates provide additional protection against infiltration of contaminants. Corrosion-resistant devices are molded of high visibility yellow nylon for easy identification.

Locking Receptacle

Stainless steel mounting screws resist corrosion

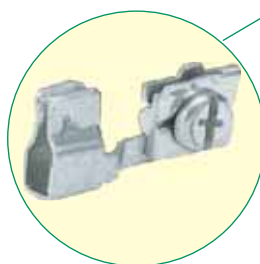
Nickel and tin plated copper-alloy contacts and terminals resist corrosion

Heavy-duty nickel-plated brass mounting straps resist corrosion; wide width design assures secure assembly



70530FRCR

One-piece rivetless copper-alloy power contacts reduce heat buildup and provide secure plug blade retention

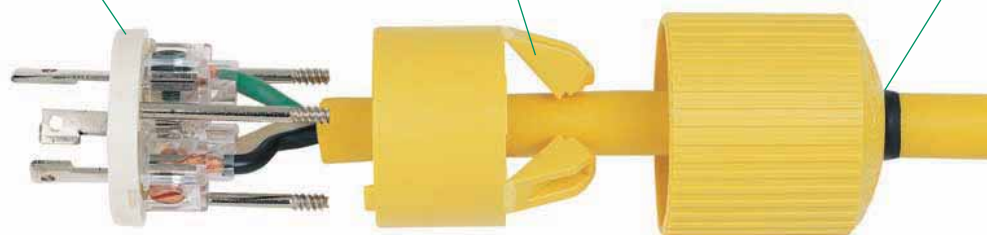


Locking Plug

See-through terminal cover allows visual inspection for proper wire terminations

Universal non-metallic Triple Gripper® cord grip

Thermoplastic elastomer dust seal helps prevent moisture and foreign matter from entering wiring chamber



70530NPCR

Weather Protective Boots



70530NPCR Plug
72002BP Boot



70530NCCR Connector
72002BC Boot



Corrosion-Resistant Devices

Straight Blade; 15 and 20 Amp, 125 and 250V; 2-Pole 3-Wire



TECH·SPEC®

- Nickel plated copper-alloy metallic components
- Molded of impact/chemical resistant high visibility yellow nylon

Receptacle

- Stainless steel mounting screws
- Back wired; accepts up to #10 wire
- One-piece grounding system with built-in self-grounding strap

Plug/Connector

- Stainless steel assembly screws
- Triple Gripper® cord grip
- Pre-attached thermoplastic elastomer dust seal



5261CR



BRY5362CR



5266NCR



5269NCR

15 AND 20 AMP 125V RECEPTACLES, PLUGS AND CONNECTORS



NEMA 5-15
15A 125V



NEMA 5-20
20A 125V

Description	Catalog Number	
Single receptacle; yellow nylon; back and side wired	5261CR*	5361CR*
Duplex receptacle; yellow nylon; back and side wired	BRY5262CR	BRY5362CR
Duplex receptacle; brown nylon; back and side wired	BRY5262BCR	—
Plug; yellow nylon/polymer	5266NCR*	5366NCR
Connector; yellow nylon/polymer	5269NCR*	5369NCR*

Note: See page A-47 for information on weather protective boots.
See page Q-8 for horsepower ratings.
*Not Fed. Spec.

15 AND 20 AMP 250V RECEPTACLES



NEMA 6-15
15A 250V

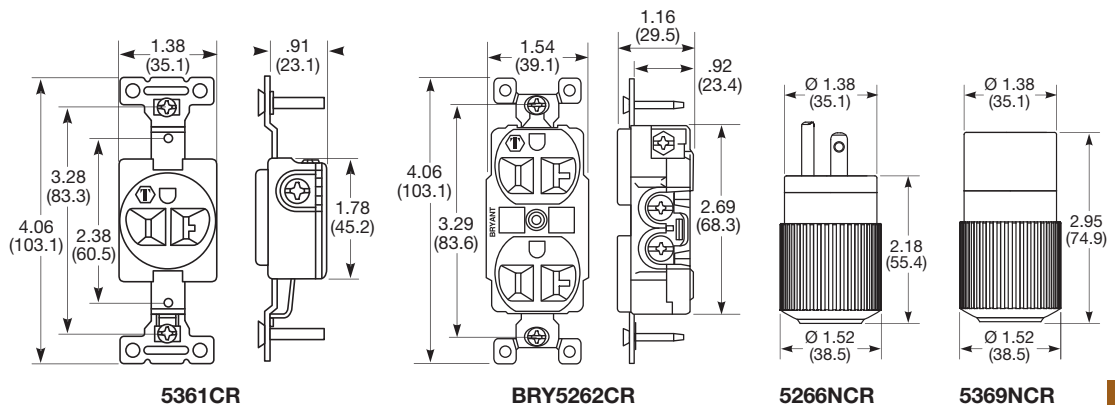


NEMA 6-20
20A 250V

Description	Catalog Number	
Duplex receptacle; yellow nylon; back and side wired	BRY5662CR	BRY5462CR
Single receptacle; yellow nylon; back and side wired	—	5461CR*

Note: See page A-47 for information on weather protective boots.
See page Q-8 for horsepower ratings.
*Not Fed. Spec.

PRODUCT DIMENSIONS Inches (mm)



Corrosion-Resistant Devices

Locking; 15 Amp 125V; 2-Pole 3-Wire Grounding



4710CR

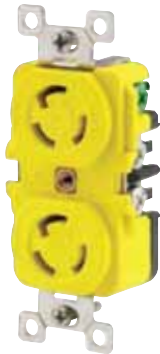
- Nickel plated copper-alloy metallic components
- Molded of impact/chemical resistant high visibility yellow nylon

Receptacle

- Stainless steel mounting screws
- Back and side wired; accepts up to #10 wire

Plug/Connector

- Stainless steel assembly screws
- Triple Gripper® cord grip
- Three captive assembly screws automatically tighten cord grip
- Individual wire pockets with clamp-type terminals



4700DRCR

15A 125V RECEPTACLES, PLUGS AND CONNECTORS Inches (mm)



NEMA L5-15
15A 125V

Description	Cord Diameter	Catalog Number
Single receptacle; yellow nylon; back and side wired	—	4710CR*
Duplex receptacle; yellow thermoplastic; back wired; clamp-type terminals	—	4700DRCR
Plug; yellow nylon; back wired; clamp-type terminals	.300-.655 (7.6-16.6)	4721NPCR*
Connector; yellow nylon; back wired; clamp-type terminals	.300-.655 (7.6-16.6)	4732NCCR*

Note: See page Q-8 for horsepower ratings.
*Not Fed. Spec.



4721NPCR

WEATHER PROTECTIVE BOOTS

Description	Catalog Number
Yellow neoprene boot for use with plug	5200BP**
Yellow neoprene boot for use with connector	5200BC**
Yellow neoprene sealing ring; seals connector	5200BSR**

Note: See page H-34 for information on weather protective boots.
**Boots are not UL Listed or CSA Certified.

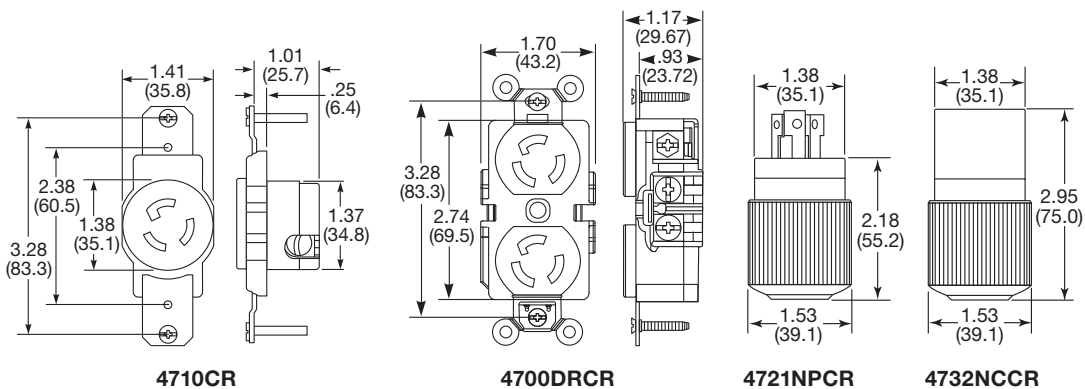


4732NCCR

PRODUCT DIMENSIONS Inches (mm)



5200BP
5200BC



Corrosion-Resistant Devices

Locking; 20 Amp 125V; 2-Pole 3-Wire Grounding



- Nickel plated copper-alloy metallic components
- Molded of impact/chemical resistant high visibility yellow nylon

Receptacle

- Stainless steel mounting screws
- Back wired; accepts up to #10 wire
- One-piece grounding system with built-in self-grounding strap

Plug/Connector

- Stainless steel assembly screws
- Triple Gripper® cord grip
- Pre-attached thermoplastic elastomer dust seal



70520FRCR



70520NPCR



70520NCCR

20A 125V RECEPTACLES, PLUGS AND CONNECTORS Inches (mm)



NEMA L5-20
20A 125V

Description	Cord Diameter	Catalog Number
Single flush receptacle; yellow nylon face; back or side wiring; clamp-type terminals	—	70520FRCR
Plug; yellow nylon; back wired; clamp-type terminals	.300-.950 (7.6-24.1)	70520NPCR*
Connector; yellow nylon; back wired; clamp-type terminals	.300-.950 (7.6-24.1)	70520NCCR

Note: See page Q-8 for horsepower ratings.
*Not Fed. Spec.

WEATHER PROTECTIVE BOOTS

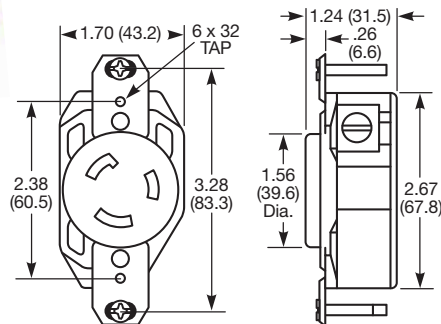
Description	Catalog Number
Yellow neoprene boot for use with plug	72002BP**
Yellow neoprene boot for use with connector	72002BC**
Yellow neoprene sealing ring; seals connector	72002BSR**
Yellow neoprene boot with threaded nonmetallic sealing ring; for use with 70520NCCR	72002M**

Note: See page H-35 for information on weather protective boots.
**Boots are not UL Listed or CSA Certified.

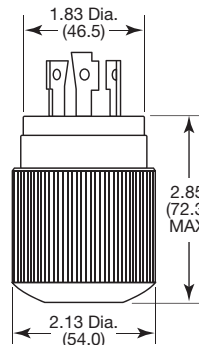
PRODUCT DIMENSIONS Inches (mm)



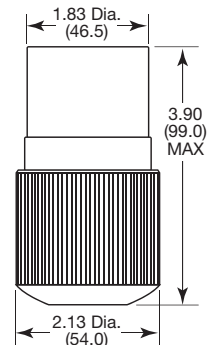
72002M



70520FRCR



70520NPCR



70520NCCR

Corrosion-Resistant Devices

Locking; 30 Amp 125V; 2-Pole 3-Wire Grounding



70530FRCR

- Nickel plated copper-alloy metallic components
- Molded of impact/chemical resistant high visibility yellow nylon

Receptacle

- Stainless steel mounting screws
- Back and side wired; accepts up to #10 wire

Plug/Connector

- Stainless steel assembly screws
- Triple Gripper® cord grip
- Three captive assembly screws automatically tighten cord grip



NEMA L5-30
15A 125V

30A 125V RECEPTACLES, PLUGS AND CONNECTORS Inches (mm)

Description	Cord Diameter	Catalog Number
Single flush receptacle; yellow nylon face; back or side wiring; clamp-type terminals	—	70530FRCR
Plug; yellow nylon; clamp-type terminals; Triple Gripper cord grip	.300-.950 (7.6-24.1)	70530NPCR
Connector; yellow nylon; clamp-type terminals; Triple Gripper cord grip	.300-.950 (7.6-24.1)	70530NCCR
30A 125V pre-wired 25 ft. cord set 10 AWG; 3 conductor STO; yellow	—	530MCS25*

Note: See page Q-8 for horsepower ratings.

*Not Fed. Spec.



70530NPCR

WEATHER PROTECTIVE BOOTS

Description	Catalog Number
Yellow neoprene boot for use with plug	72002BP**
Yellow neoprene boot for use with connector	72002BC**
Yellow neoprene sealing ring; seals connector	72002BSR**
Yellow neoprene boot with threaded nonmetallic sealing ring; for use with 70530NCCR	72002M**

Note: See page H-35 for information on weather protective boots.

**Boots are not UL Listed or CSA Certified.

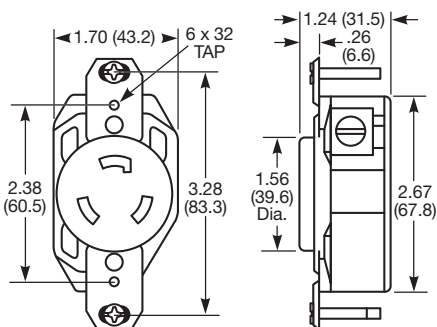


70530NCCR

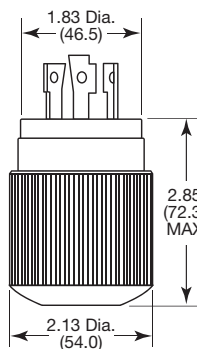
PRODUCT DIMENSIONS Inches (mm)



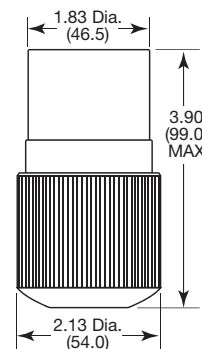
72002BP



70530FRCR



70530NPCR



70530NCCR



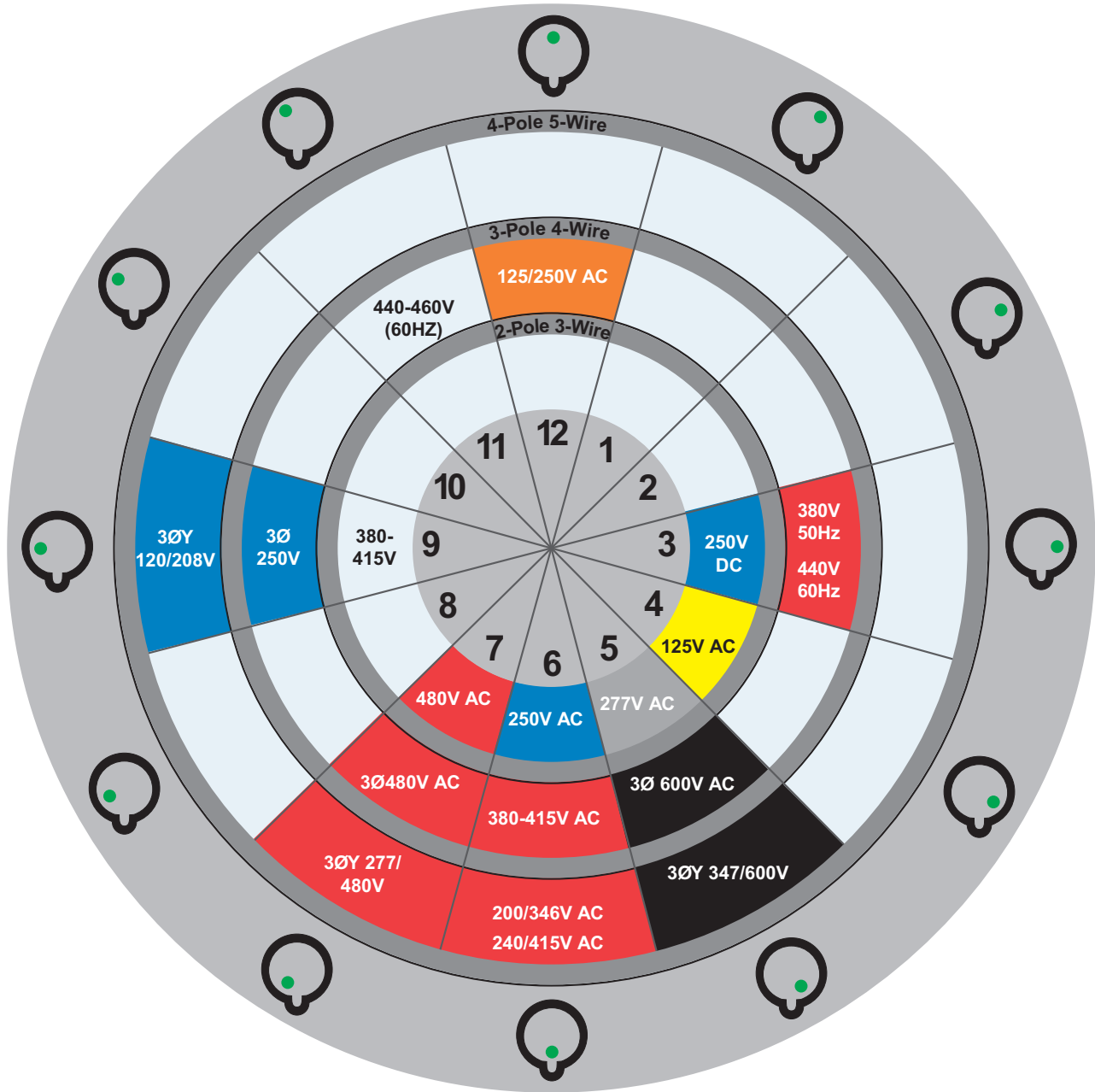
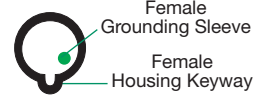
INDEX	PAGE
IEC Configurations and Ratings	K-2
Catalog Numbering System	K-3
Watertight Devices	
Product Features	K-4
Dimensional Data	K-14
Specifications	K-16
Ordering Information:	
North American Ratings	
20A, 125V AC – 3ØY 277/480, 3W, 4W, 5W	K-6
30A, 125V AC – 3ØY 277/480, 3W, 4W, 5W	K-6
60A, 125V AC – 3ØY 347/600, 3W, 4W, 5W	K-6
100A, 250V AC – 3ØY 277/480, 3W, 4W, 5W	K-7
International Ratings	
16A, 100-130 – 200/346, 240/415, 3W, 4W, 5W	K-7
32A, 380V AC 3Ø 50 Hz, 440V AC 3Ø, 60 Hz, 4W	K-7
63A, 200-250 – 200/346, 240/415, 3W, 4W, 5W	K-7
125A, 380-415 – 200/346, 240/415, 4W, 5W	K-7
Splashproof Devices	
Product Features	K-8
Dimensional Data	K-9
Specifications	K-17
Ordering Information:	
International Ratings	
16A, 100-130 – 200/346, 240/415, 3W, 4W, 5W	K-9
32A, 100-130 – 200-250, 3W	K-9
Back Boxes, Closure Caps, Accessories	
Ordering Information	K-10
Dimensional Data	K-10
Switched Mechanical Interlocks	
Product Features	K-12
Dimensional Data	K-18
Specifications	K-18
Ordering Information:	
20A, 240V AC 3Ø – 600V AC 3Ø, 4W.	K-13
30A, 120V AC – 277/480V AC 3ØY, 3W, 4W, 5W.	K-13
32A, 380V AC 3Ø 50 Hz, 440V AC 3Ø, 60 Hz, 4W	K-13
60A, 120V AC – 347/600V AC 3ØY, 3W, 4W, 5W	K-13
100A, 240V AC – 120/208V AC 3ØY, 3W, 4W, 5W	K-13





IEC Configurations Make Safe Connections As Easy As Clockwork

The housing keyway is always located at the 6 o'clock position on all female devices and is clearly visible to the user.



IEC Pin & Sleeve device housings are color coded by voltage rating for easy identification.

Rated Voltage	Color	Rated Voltage	Color
100V-130V	Yellow	277V	Grey
125V/250V	Orange	380V-480V	Red
200V-250V	Blue	500V and above	Black

Pin & Sleeve Devices

IEC Catalog Numbering System

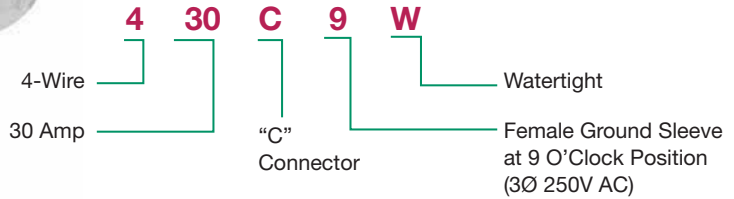


Bryant's Pin & Sleeve line safeguards against mismatching devices of different amperage and voltage ratings. Conformance with IEC 60309-1 and IEC 60309-2 international standards results in a singly-rated, non-interchangeable configuration for each amperage/voltage type.

A housing size has been specified for each amperage rating. The voltage rating can be identified by the clock position of the female grounding sleeve relative to the housing keyway. With the keyway always positioned at 6 o'clock, the female grounding sleeve is located at a specific clock position for each voltage rating. For example, the female grounding sleeve for a 125V device is located at the 4 o'clock position. The location of the corresponding male pin is a mirror image of the female device and is located at the 8 o'clock position. In addition, device housings are color-coded by voltage rating for easy identification (see clock position chart at left).

Catalog Numbering System: Receptacles, Plugs, Connectors, and Inlets

Example: **430C9W**



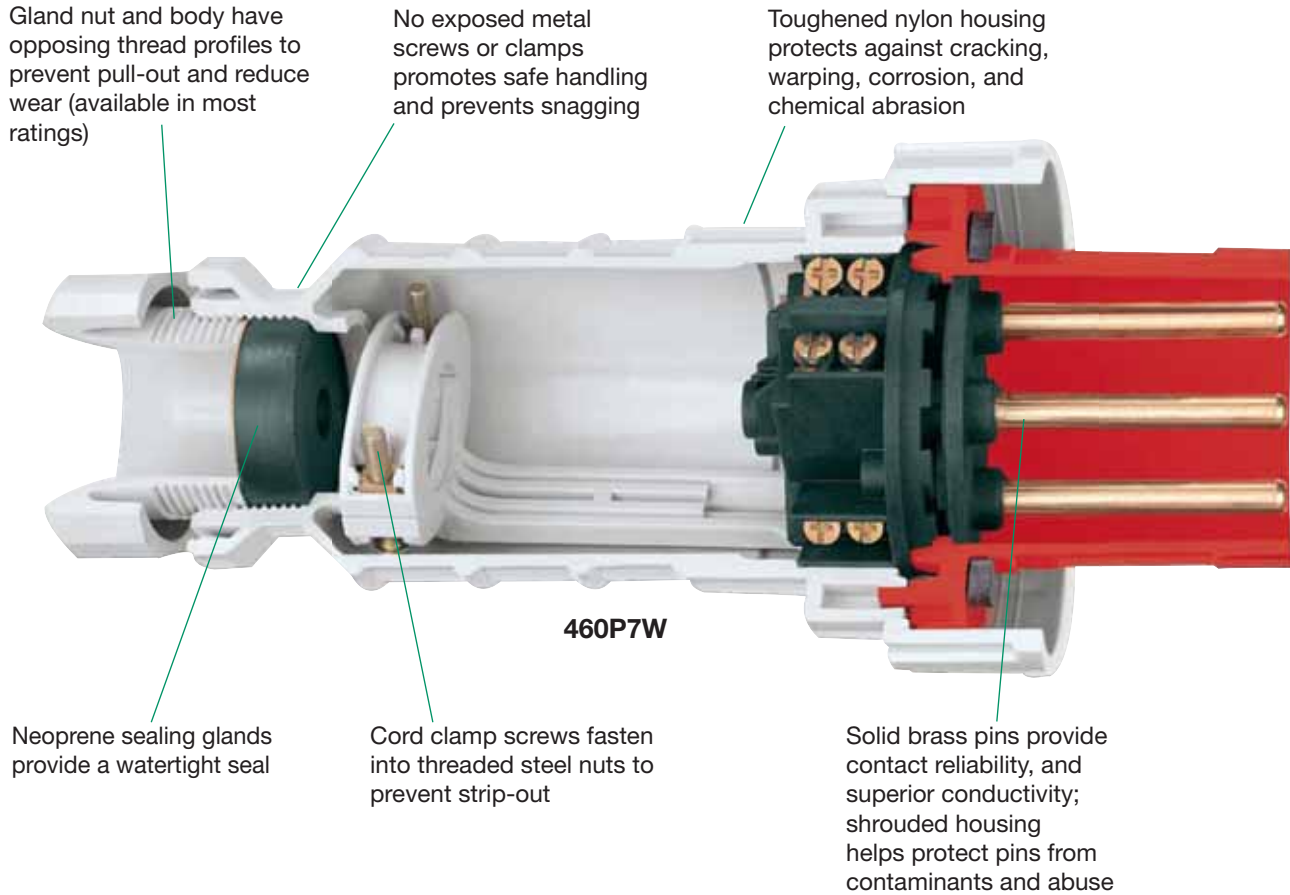
First Digit Wires	Next Series of Digits North American Amps	Letter Device Type	Last Digit(s) Clock Position	Letter Environmental Classification
3 – 3-Wire	20 – 20 Amp	P – Plug	9 – After the letter. This denotes the position of the ground sleeve and the assigned voltage in the receptacle as it relates to the hours of the clock. This is done to eliminate interchangeability between devices with different voltages.	W – Watertight
4 – 4-Wire	30 – 30 Amp	C – Connector		S – Splashproof
5 – 5-Wire	60 – 60 Amp	R – Receptacle		
	100 – 100 Amp	B – Inlet		
	International			
	16 – 16 Amp			
	32 – 32 Amp			
	63 – 63 Amp			
	125 – 125 Amp			

Pin & Sleeve Devices

Watertight Plug Product Features



Devices conform to IEC 60309-1 and 60309-2 International Standards for singly-rated, non-interchangeable configurations for each amperage/voltage type. Prevents mismatching of devices with different voltages.



Additional Key Features

Housing Keyway



External housing key on male devices mates with keyway on female devices to provide proper alignment and simplify the connection of devices; keyway is always located at the 6 o'clock position and is clearly visible to the user, helping to prevent the mismatching of devices with different ratings.

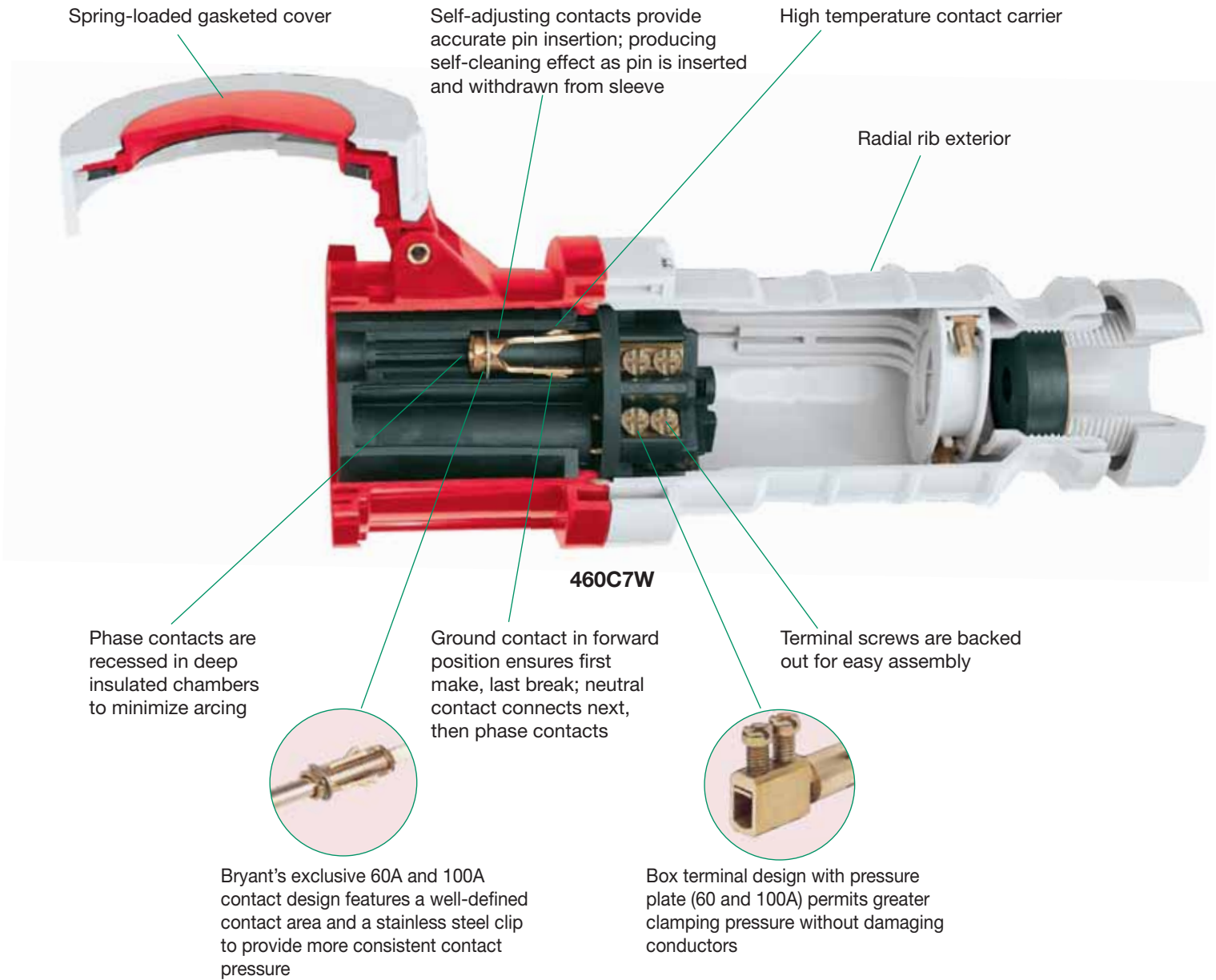
Swing-Away Cord Clamp



Wiring is simplified with swing-away cord clamp; strain relief clamp assembly swings out for greater access when terminating individual conductors and securing cord clamp; retaining strap maintains position of upper strain relief during assembly; includes additional inserts to accommodate cords of varying diameters.

Pin & Sleeve Devices

Watertight Connector Product Features



Additional Types of Connections

Watertight Receptacle



Watertight Inlet



Pin & Sleeve Devices

Watertight; 20, 30 and 60 Amp Ordering Information



WATERTIGHT 20, 30, 60 AMP NORTH AMERICAN RATINGS



Amps	Poles and Wires	Configuration		Voltage	Watertight Devices					
		Recep./ Conn.	Plug/ Inlet		Receptacle	Plug	Connector	Inlet	Back Box*	Closure Cap**
20	2P 3W			125V AC	320R4W	320P4W	320C4W	320B4W	BB201WA BB301WA	CC320A
	2P 3W			250V AC	320R6W	320P6W	320C6W	320B6W	BB201WA BB301WA	CC320A
	2P 3W			480V AC	320R7W	320P7W	320C7W	320B7W	BB201WA BB301WA	CC320A
	3P 4W			125/250V AC	420R12W	420P12W	420C12W	420B12W	BB201WA BB301WA	CC420A
	3P 4W			3Ø250	420R9W	420P9W	420C9W	420B9W	BB201WA BB301WA	CC420A
	3P 4W			3Ø480	420R7W	420P7W	420C7W	420B7W	BB201WA BB301WA	CC420A
	3P 4W			3Ø600	420R5W	420P5W	420C5W	420B5W	BB201WA BB301WA	CC420A
	4P 5W			3ØY120/208	520R9W	520P9W	520C9W	520B9W	BB201WA BB301WA	CC520
	4P 5W			3ØY277/480	520R7W	520P7W	520C7W	520B7W	BB201WA BB301WA	CC520
30	2P 3W			125V AC	330R4W	330P4W	330C4W	330B4W	BB201WA BB301WA	CC330
	2P 3W			250V AC	330R6W	330P6W	330C6W	330B6W	BB201WA BB301WA	CC330
	2P 3W			480V AC	330R7W	330P7W	330C7W	330B7W	BB201WA BB301WA	CC330
	3P 4W			125/250V AC	430R12W	430P12W	430C12W	430B12W	BB201WA BB301WA	CC330
	3P 4W			3Ø250	430R9W	430P9W	430C9W	430B9W	BB201WA BB301WA	CC330
	3P 4W			3Ø480	430R7W	430P7W	430C7W	430B7W	BB201WA BB301WA	CC330
	3P 4W			3Ø600	430R5W	430P5W	430C5W	430B5W	BB201WA BB301WA	CC330
	4P 5W			3ØY120/208	530R9W	530P9W	530C9W	530B9W	BB201WA BB301WA	CC530
	4P 5W			3ØY277/480	530R7W	530P7W	530C7W	530B7W	BB201WA BB301WA	CC530
60	2P 3W			125V AC	360R4W	360P4W	360C4W	360B4W	BB601WA BB602WA	CC560
	2P 3W			250V AC	360R6W	360P6W	360C6W	360B6W	BB601WA BB602WA	CC560
	2P 3W			480V AC	360R7W	360P7W	360C7W	360B7W	BB601WA BB602WA	CC560
	3P 4W			125/250V AC	460R12W	460P12W	460C12W	460B12W	BB601WA BB602WA	CC560
	3P 4W			3Ø250	460R9W	460P9W	460C9W	460B9W	BB601WA BB602WA	CC560
	3P 4W			3Ø480	460R7W	460P7W	460C7W	460B7W	BB601WA BB602WA	CC560
	3P 4W			3Ø600	460R5W	460P5W	460C5W	460B5W	BB601WA BB602WA	CC560
	4P 5W			3ØY120/208	560R9W	560P9W	560C9W	560B9W	BB601WA BB602WA	CC560
	4P 5W			3ØY277/480	560R7W	560P7W	560C7W	560B7W	BB601WA BB602WA	CC560
	4P 5W			3ØY347/600	560R5W	560P5W	560C5W	560B5W	BB601WA BB602WA	CC560

Note: *Back boxes for:

20 and 30 amp receptacles require AP2030 adapter plate (page K-10) ordered separately. Also see direct mounting back box DM20301 (page K-11).

60 amp receptacles require AP60 adapter plate ordered separately (page K-10). Also see direct mounting back box DM602 (page K-11).

**For use with plugs and inlets. Provides watertight protection.

Pin & Sleeve Devices

Watertight; 100 Amp and International Ordering Information



WATERTIGHT 100 AMP NORTH AMERICAN RATINGS

Amps	Poles and Wires	Configuration		Voltage	Watertight Devices					
		Recep./ Conn.	Plug/ Inlet		Receptacle	Plug	Connector	Inlet	Back Box*	Closure Cap**
100	2P 3W			250V AC	3100R6W	3100P6W	3100C6W	3100B6W	BB1001WA BB1002WA	CC510
	2P 3W			480V AC	3100R7W	3100P7W	3100C7W	3100B7W	BB1001WA BB1002WA	CC510
	3P 4W			125/250V AC	4100R12W	4100P12W	4100C12W	4100B12W	BB1001WA BB1002WA	CC510
	3P 4W			3Ø250	4100R9W	4100P9W	4100C9W	4100B9W	BB1001WA BB1002WA	CC510
	3P 4W			3Ø480	4100R7W	4100P7W	4100C7W	4100B7W	BB1001WA BB1002WA	CC510
	3P 4W			3Ø600	4100R5W	4100P5W	4100C5W	4100B5W	BB1001WA BB1002WA	CC510
	4P 5W			3ØY120/208	5100R9W	5100P9W	5100C9W	5100B9W	BB1001WA BB1002WA	CC510
	4P 5W			3ØY277/480	5100R7W	5100P7W	5100C7W	5100B7W	BB1001WA BB1002WA	CC510

Note: *Back boxes for 100 amp receptacles require AP100 adapter plate ordered separately (page K-10).

**For use with plugs and inlets. Provides watertight protection.

WATERTIGHT 16, 32, 63, 125 AMP INTERNATIONAL RATINGS***



Amps	Poles and Wires	Configuration		Voltage	Watertight Devices					
		Recep./ Conn.	Plug/ Inlet		Receptacle	Plug	Connector	Inlet	Back Box*	Closure Cap**
16	2P 3W			100-130	316R4W	316P4W	316C4W	316B4W	BB201WA BB301WA	CC320A
	2P 3W			200-250	316R6W	316P6W	316C6W	316B6W	BB201WA BB301WA	CC320A
	3P 4W			380-415	416R6W	416P6W	416C6W	416B6W	BB201WA BB301WA	CC420A
	4P 5W			200/346 240/415	516R6W	516P6W	516C6W	516B6W	BB201WA BB301WA	CC520
32	2P 3W			100-130	332R4W	332P4W	332C4W	332B4W	BB201WA BB301WA	CC330
	2P 3W			200-250	332R6W	332P6W	332C6W	332B6W	BB201WA BB301WA	CC330
	3P 4W			380-415	432R6W	432P6W	432C6W	432B6W	BB201WA BB301WA	CC330
	3P 4W			380V 50Hz 440V 60Hz	432R3W	432P3W	432C3W	432B3W	BB201WA BB301WA	CC330
	4P 5W			200/346 240/415	532R6W	532P6W	532C6W	532B6W	BB201WA BB301WA	CC530
63	2P 3W			200-250	363R6W	363P6W	363C6W	363B6W	BB601WA BB602WA	CC560
	3P 4W			380-415	463R6W	463P6W	463C6W	463B6W	BB601WA BB602WA	CC560
	4P 5W			200/346 240/415	563R6W	563P6W	563C6W	563B6W	BB601WA BB602WA	CC560
125	3P 4W			380-415	4125R6W	4125P6W	4125C6W	4125B6W	BB1001WA BB1002WA	CC510
	4P 5W			200/346 240/415	5125R6W	5125P6W	5125C6W	5125B6W	BB1001WA BB1002WA	CC510

Note: *Back boxes for:

16 and 32 amp receptacles require AP2030 adapter plate ordered separately (page K-10). Also see direct mounting back box DM20301 (page K-11).

63 amp receptacles require AP60 adapter plate ordered separately (page K-10). Also see direct mounting back box DM602 (page K-11).

125 amp receptacles require AP100 adapter plate ordered separately (page K-10).

**For use with plugs and inlets. Provides watertight protection.

***Not UL Listed, nor CSA Certified.

Pin & Sleeve Devices

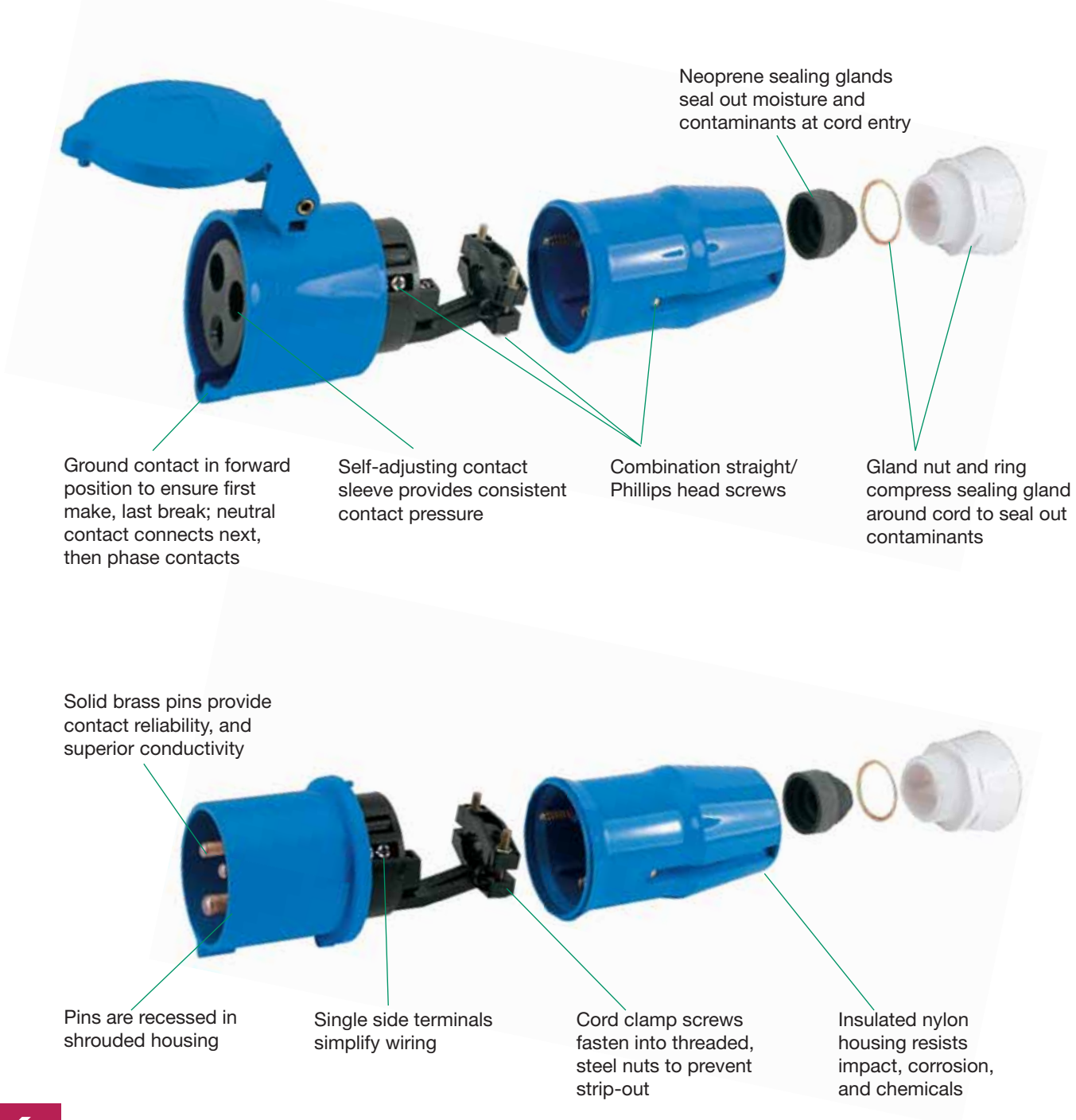
Splashproof Devices Product Features



When devices are exposed to limited splashing of water or other liquids, Bryant offers splashproof devices in six of the most popular international voltage and amperage ratings. These devices are ideally suited for OEM manufacturers, who build equipment for export overseas. Devices are required to withstand impact from handling and fluctuations in heat and cold without interruption of performance. The Splashproof series is ideal for this application. Available in 16 and 32A, splashproof devices meet IEC 60309-1 and IEC 60309-2 standards, resulting in singly rated, non-interchangeable configurations. They comply with VDE and CE requirements and have a moisture resistance rating of IP44. Like their watertight counterparts, these devices simply cannot be mismatched.

Designed for value and performance, these devices integrate the key features that make them reliable, and durable.

Singly-rated, non-interchangeable configurations in accordance with IEC 60309-1 and 60309-2 standards. Prevents mismatching of devices with different voltage ratings. Color coded for easy identification.





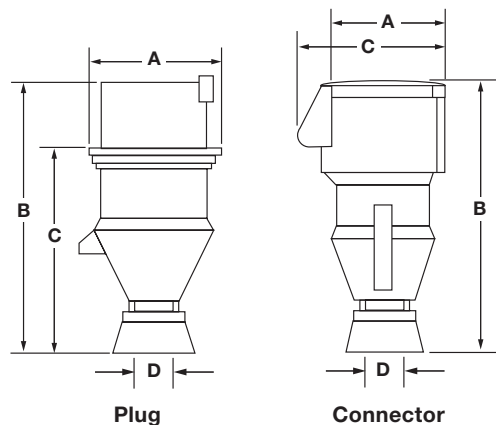
SPLASHPROOF 16, 32 AMP INTERNATIONAL RATINGS

Amps	Poles and Wires	Configuration		Voltage	Receptacle	Plug	Connector	Back Box*
		Recep./ Conn.	Plug/ Inlet					
16	2P 3W			100-130	316R4S	316P4S	316C4S	BB201WA BB301WA
	2P 3W			200-250	316R6S	316P6S	316C6S	BB201WA BB301WA
	3P 4W			380-415	416R6S	416P6S	416C6S	BB201WA BB301WA
	4P 5W			200/346 240/415	516R6S	516P6S	516C6S	BB201WA BB301WA
32	2P 3W			100-130	332R4S	332P4S	332C4S	BB201WA BB301WA
	2P 3W			200-250	332R6S	332P6S	332C6S	BB201WA BB301WA

Note: *Requires AP2030 adapter plate, ordered separately (page K-10). Also see direct mounting back box DM20301 (page K-11).

SPLASHPROOF PLUG

KEY	Dimensions In. (mm)			
	16A 3-Wire	16A 4-Wire	16A 5-Wire	32A 3-Wire
A	1.99 (51)	2.26 (58)	2.50 (64)	2.57 (66)
B	5.38 (138)	5.38 (138)	5.58 (143)	6.83 (175)
C	3.99 (102)	3.99 (102)	4.17 (107)	5.07 (130)
D	0.66 (17)	0.66 (17)	0.66 (17)	0.96 (24.5)

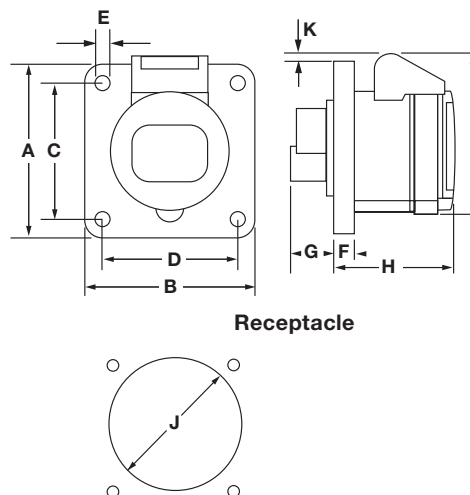


SPLASHPROOF CONNECTOR

KEY	Dimensions In. (mm)			
	16A 3-Wire	16A 4-Wire	16A 5-Wire	32A 3-Wire
A	1.99 (51)	2.26 (58)	2.50 (64)	2.57 (66)
B	5.85 (150)	5.89 (151)	6.05 (155)	7.33 (188)
C	2.77 (71)	3.08 (79)	3.32 (85)	3.63 (93)
D	0.66 (17)	0.66 (17)	0.66 (17)	0.96 (24.5)

SPLASHPROOF RECEPTACLE

KEY	Dimensions In. (mm)			
	16A 3-Wire	16A 4-Wire	16A 5-Wire	32A 3-Wire
A	2.44 (62)	2.93 (75)	2.93 (75)	2.93 (75)
B	2.44 (62)	2.93 (75)	2.93 (75)	2.93 (75)
C	1.88 (47)	2.34 (60)	2.34 (60)	2.34 (60)
D	1.88 (47)	2.34 (60)	2.34 (60)	2.34 (60)
E	0.22 (5.5)	0.22 (5.5)	0.21 (5.5)	0.21 (5.5)
F	0.27 (7)	0.27 (7)	0.27 (7)	0.31 (8)
G	0.66 (17)	1.01(26)	0.66 (17)	1.40 (36)
H	1.99 (51)	2.07 (53)	2.07 (53)	2.42 (62)
I	2.73 (70)	3.12 (80)	3.32 (85)	3.51 (90)
J	1.76 (45)	1.76 (45)	2.15 (55)	2.34 (60)
K	0.14 (3.5)	0.27 (7)	0.45 (11.5)	0.47 (12)



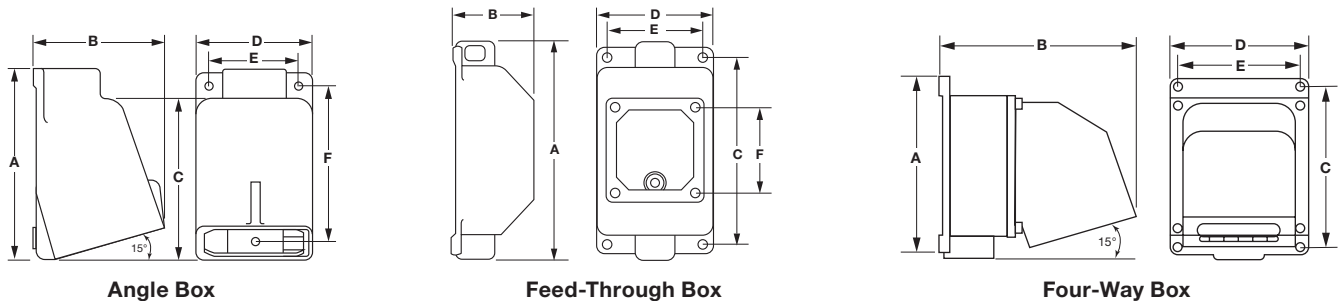
Pin & Sleeve Devices Accessories; Back Boxes and Plates



To complete your installation, Bryant offers a full line of back boxes, adapter plates and closure caps. Pin & Sleeve accessories feature the heavy-duty construction and durability you require for reliable performance in harsh environments.

Back Boxes

Bryant offers a complete line of angled and feed-thru back boxes for mounting receptacles and inlets. Each back box features heavy-duty cast aluminum construction with a durable enamel finish. Adapter plate required to mount receptacles and inlets to back boxes - order separately. See ordering information below.

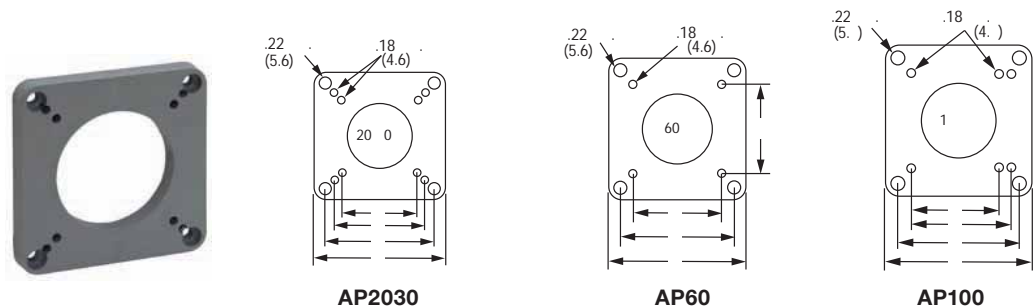


Description	Catalog Number	Hub Size	Dimensions In. (mm)						Capacity Cu. In. (Cm3)
			A	B	C	D	E	F	
15° angle - 20/30A devices	BB201WA*	¾"	5.12 (130.2)	4.00 (101.6)	4.19 (106.4)	3.75 (95.3)	3.00 (76.2)	4.00 (101.6)	30 (492)
15° angle - 20/30A devices	BB301WA*	1"	5.12 (130.2)	4.00 (101.6)	4.19 (106.4)	3.75 (95.3)	3.00 (76.2)	4.00 (101.6)	30 (492)
15° angle - 60A devices	BB601WA*	1¼"	7.25 (184.2)	5.25 (133.4)	6.00 (152.4)	4.50 (114.3)	3.75 (95.3)	6.19 (157.2)	80 (1312)
15° angle - 60A devices	BB602WA*	1½"	7.25 (184.2)	5.25 (133.4)	6.00 (152.4)	4.50 (114.3)	3.75 (95.3)	6.19 (157.2)	80 (1312)
15° angle - 100A devices	BB1001WA*	1½"	8.12 (206.4)	6.75 (171.5)	6.88 (174.6)	5.50 (139.7)	4.75 (120.7)	6.94 (176.2)	130 (2132)
15° angle - 100A devices	BB1002WA*	2"	8.12 (206.4)	6.75 (171.5)	6.88 (174.6)	5.50 (139.7)	4.75 (120.7)	6.94 (176.2)	130 (2132)
Feed-thru - 20/30A devices	FT202WA*	¾"	8.25 (209.6)	3.06 (77.8)	7.14 (181.4)	4.50 (114.3)	3.75 (95.3)	3.13 (79.5)	48 (787)
Feed-thru - 20/30A devices	FT302WA*	1"	8.25 (209.6)	3.06 (77.8)	7.14 (181.4)	4.50 (114.3)	3.75 (95.3)	3.13 (79.5)	48 (787)
Four-way - 60/100A devices	FW60100A**	1½"	8.75 (222.3)	9.75 (247.7)	7.75 (196.9)	6.75 (171.5)	6.00 (152.4)	—	210 (3444)

Note: *Adapter plates: 20/30A devices requires AP2030, 60A devices require AP60 and 100A devices require AP100 adapter plates, ordered separately.
**Requires AP60 adapter plate to mount 60A receptacle or inlet. 100A receptacle mounts directly to box. 100A inlet does not mount to this box.

Adapter Plates

Valox® adapter plates permit receptacles and inlets to be mounted to back boxes. Mounting hardware and gasket included.



Description	Catalog Number	Dimensions In. (mm)						
		A	B	C	D	E	F	G
Required to mount 20 and 30A receptacles and inlets to BB201WA, BB301WA, FT202WA, FT302WA back boxes	AP2030	3.76 (96.4)	3.13 (80.3)	2.76 (70.8)	2.36 (60.5)	—	—	—
Required to mount 60A receptacles and inlets to BB601WA, BB602WA and FW60100A back boxes	AP60	4.51 (115.6)	3.88 (99.5)	—	—	3.03 (77.7)	3.35 (85.9)	—
Required to mount 100A receptacles and inlets to BB1001WA and BB1002WA back boxes	AP100	5.52 (141.5)	4.87 (124.9)	—	—	3.94 (101.0)	—	4.25 (109.0)

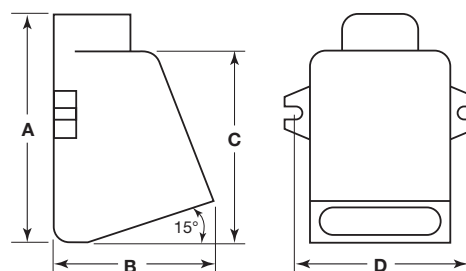
Pin & Sleeve Devices

Accessories; Back Boxes and Closure Caps



Direct Mounting Back Boxes

15° angle cast aluminum back boxes permit 20, 30 and 60A receptacles to be mounted directly to box without adapter plate.



Description	Catalog Number	Hub Size	Dimensions In. (mm)				Capacity Cu. In. (Cm3)
			A	B	C	D	
15° angle - 20/30A devices	DM20301	¾"	5.07 (130.0)	3.38 (78.0)	4.13 (106.0)	3.62 (92.0)	20 (328.0)
15° angle - 60A devices	DM602	1¼"	5.81 (149.0)	4.28 (110.0)	4.56 (117.0)	4.58 (117.0)	40.0 (656.0)

Closure Caps

Closure caps provide a watertight seal for male plugs and flanged inlets when not mated. Thick wall, heavy-duty thermoplastic construction protects male pins from contaminants and abuse. Ideal for applications in wash down areas or when equipment is being transported.



Catalog Number	For Use With
CC320A	16/20A 3-Wire devices
CC420A	16/20A 4-Wire devices
CC520	16/20A 5-Wire devices
CC330	30/32A 3-, 4-Wire devices
CC530	30/32A 5-Wire devices
CC560	60/63A 3-, 4-, 5-Wire devices
CC510	100/125A 3-, 4-, 5-Wire devices

GUIDE TO WATERTIGHT APPLICATIONS

Industry	Application
Agriculture	For farming applications including outdoor fans, HVAC pumps, heaters and related equipment
Chemical Processing	Areas where equipment is exposed to water or corrosive chemicals
Computer Processing	To maintain critical continuous connection in enclosed floors or other spaces where moisture may be present
Construction	Outdoor environments where exposed to moisture, severe weather/temperature, and rugged handling
Entertainment	For outdoor sound and lighting applications subject to weather and temperature changes
Food Processing	For use in areas exposed to wash downs, chemicals, and rough handling
Food Service	Indoor use where subject to water, chemical, and cleaning agents
Light Manufacturing	Industrial areas where exposed to light water, cleaners, solvents, and chemicals
Manufacturing	Industrial locations subject to water, chemicals, contaminants, impact, crushing, and rough use
Military	Outdoor environments subject to water, severe weather/temperature changes, and rough handling
Wastewater Treatment	For safe connection in outdoor areas prone to moisture and chemical exposure

Pin & Sleeve Devices

Unfused Mechanical Interlocks Product Features



Heavy-Duty Construction For Demanding Applications

Bryant's rugged mechanical interlocks combine the safety of a disconnect switch and IEC 309 Pin & Sleeve receptacle in one compact non-metallic enclosure. Designed to meet the National Electrical Code requirements for a separate disconnect means within sight of all motor loads, the enclosures provide ON/OFF switched control of a plug connected load. The interlocking feature prevents the plug from being disconnected while the receptacle is energized. The switch cannot be turned ON until the plug is properly inserted. The plug cannot be removed until the switch is turned OFF. Durable, watertight and corrosion-resistant, these interlocks are IP67 rated and may be locked out as a method of compliance with OSHA Lockout/Tagout regulations. Bryant mechanical interlocks are available in 20, 30, 60 and 100 amp ratings and 3-, 4- or 5-wire configurations.

30 and 60 Amp units provide top or bottom feed option (20 and 100 Amp are top feed)

NEMA 4x and 12 enclosures provide watertight and dust-tight protection

Heavy-duty disconnect switches are horse-power rated for motor load applications

Watertight conduit hub and grounding plate included for use with metallic conduit



430SMI7W

Impact corrosion resistant thermoplastic enclosure

Color-coded receptacle cover insert provides voltage rating identification

Handle can be padlocked to comply with OSHA lockout/tagout requirements



Switches are DIN rail mounted for easy installations

Prewired IEC Pin & Sleeve receptacle

Neutral and ground terminal blocks are conveniently located

Interlocks are compatible with IEC 60309-2 plugs

Applications

Mechanical interlocks combine the safety of a disconnect switch and IEC Pin & Sleeve receptacle in one compact non-metallic enclosure and provide ON/OFF switched control of a plug connected load. Interlocking feature prevents the plug from being disconnected while the receptacle is energized. The switch cannot be turned ON until plug is properly inserted. Plug cannot be removed until the switch is turned OFF.



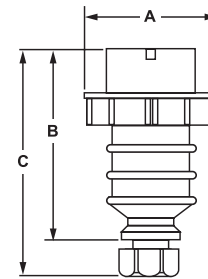
460SMI7W

Amps	Poles and Wires	Configuration		Voltage	Interlock	Mating Plug*
		Recep./ Conn.	Plug/ Inlet			
20	3P 4W			240V AC 3Ø	420SMI9W	420P9W
	3P 4W			480V AC 3Ø	420SMI7W	420P7W
	3P 4W			600V AC 3Ø	420SMI5W	420P5W
30	2P 3W			120V AC	330SMI4W	330P4W
	2P 3W			240V AC	330SMI6W	330P6W
	2P 3W			480V AC	330SMI7W	330P7W
	3P 4W			240V AC 3Ø	430SMI9W	430P9W
	3P 4W			480V AC 3Ø	430SMI7W	430P7W
	3P 4W			600V AC 3Ø	430SMI5W	430P5W
	4P 5W			120/208V AC 3ØY	530SMI9W	530P9W
	4P 5W			277/480V AC 3ØY	530SMI7W	530P7W
32	3P 4W			380V AC 3Ø 50Hz 440V AC 3Ø 60Hz	432SMI3W	432P3W
60	2P 3W			120V AC	360SMI4W	360P4W
	2P 3W			240V AC	360SMI6W	360P6W
	2P 3W			480V AC	360SMI7W	360P7W
	3P 4W			240V AC 3Ø	460SMI9W	460P9W
	3P 4W			480V AC 3Ø	460SMI7W	460P7W
	3P 4W			600V AC 3Ø	460SMI5W	460P5W
	4P 5W			120/208V AC 3ØY	560SMI9W	560P9W
	4P 5W			277/480V AC 3ØY	560SMI7W	560P7W
	4P 5W			347/600V AC 3ØY	560SMI5W	560P5W
100	2P 3W			240V AC	3100SMI6W	3100P6W
	3P 4W			240V AC 3Ø	4100SMI9W	4100P9W
	3P 4W			480V AC 3Ø	4100SMI7W	4100P7W
	3P 4W			600V AC 3Ø	4100SMI5W	4100P5W
	4P 5W			120/208V AC 3ØY	5100SMI9W	5100P9W

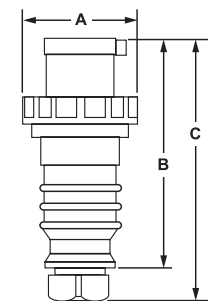
Note: *Mating plug sold separately.

WATERTIGHT PLUG 20, 30, 60, 100 AMP

Key	20 Amp			30 Amp			60 Amp	100 Amp
	3-Wire In. (mm)	4-Wire In. (mm)	5-Wire In. (mm)	3-Wire In. (mm)	4-Wire In. (mm)	5-Wire In. (mm)	3-, 4-, 5-Wire In. (mm)	3-, 4-, 5-Wire In. (mm)
A	2.75 (70.5)	3.04 (78.0)	3.37 (86.5)	3.67 (94.0)	3.67 (94.0)	3.96 (101.5)	4.43 (113.5)	4.88 (125.0)
B	4.37 (112.0)	4.37 (112.0)	4.60 (118.0)	5.62 (144.0)	5.62 (144.0)	5.62 (144.0)	8.81 (226.0)	9.87 (253.0)
C	5.42 (139.0)	5.42 (139.0)	5.66 (145.0)	6.67 (171.0)	6.67 (171.0)	6.67 (171.0)	9.91 (254.0)	11.15 (286.0)
Cable Grip	.36 - .62 (9.0 - 15.5)			.56 - .88 (14.0 - 22.5)			.78 - 1.40 (20.0 - 36.0)	.92 - 1.72 (23.5 - 43.5)



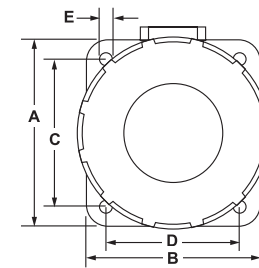
20, 30 Amp



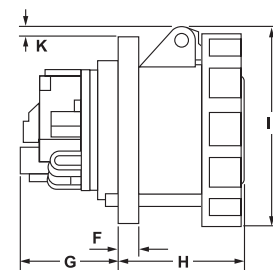
60, 100 Amp

WATERTIGHT RECEPTACLE 20, 30, 60, 100 AMP

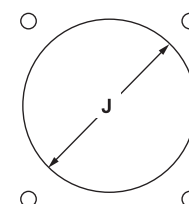
Key	20 Amp			30 Amp			60 Amp	100 Amp
	3-Wire In. (mm)	4-Wire In. (mm)	5-Wire In. (mm)	3-Wire In. (mm)	4-Wire In. (mm)	5-Wire In. (mm)	3-, 4-, 5-Wire In. (mm)	3-, 4-, 5-Wire In. (mm)
A	2.93 (75.0)	2.93 (75.0)	2.93 (75.0)	2.93 (75.0)	2.93 (75.0)	2.93 (75.0)	4.17 (107.0)	4.68 (120.0)
B	2.93 (75.0)	2.93 (75.0)	2.93 (75.0)	2.93 (75.0)	2.93 (75.0)	2.93 (75.0)	3.9 (100.0)	4.68 (120.0)
C	2.34 (60.0)	2.34 (60.0)	2.34 (60.0)	2.34 (60.0)	2.34 (60.0)	2.34 (60.0)	3.32 (85.0)	3.9 (100.0)
D	2.34 (60.0)	2.34 (60.0)	2.34 (60.0)	2.34 (60.0)	2.34 (60.0)	2.34 (60.0)	3.00 (77.0)	3.9 (100.0)
E	.22 (5.5)	.22 (5.5)	.22 (5.5)	.22 (5.5)	.22 (5.5)	.22 (5.5)	.25 (6.5)	.25 (6.5)
F	.27 (7.0)	.27 (7.0)	.27 (7.0)	.31 (8.0)	.31 (8.0)	.31 (8.0)	.47 (12.0)	.82 (21.0)
G	.66 (17.0)	1.01 (26.0)	.66 (17.0)	1.40 (36.0)	1.40 (36.0)	.74 (19.0)	2.20 (56.5)	1.95 (50.0)
H	2.22 (57.0)	2.26 (58.0)	2.22 (57.0)	2.54 (65.0)	2.54 (65.0)	2.54 (65.0)	2.96 (76.0)	4.56 (117.0)
I	2.96 (76.0)	3.24 (83.0)	3.63 (93.0)	3.9 (100.0)	3.9 (100.0)	3.9 (100.0)	4.41 (113.0)	5.03 (129.0)
J	1.76 (45.0)	1.76 (45.0)	2.15 (55.0)	2.34 (60.0)	2.34 (60.0)	2.34 (60.0)	3.43 (88.0)	3.62 (92.0)
K	.14 (3.5)	.27 (7.0)	.45 (11.5)	.47 (12.0)	.47 (12.0)	.66 (17.0)	.27 (7.0)	.23 (6.0)



20, 30, 60, 100 Amp
Front View



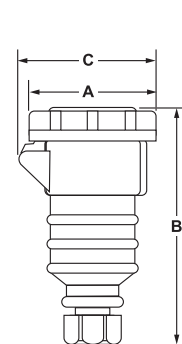
20, 30, 60, 100 Amp
Side View



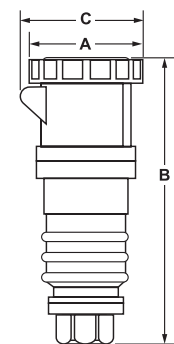
20, 30, 60, 100 Amp
Receptacle Opening

WATERTIGHT CONNECTOR 20, 30, 60, 100 AMP

Key	20 Amp			30 Amp			60 Amp	100 Amp
	3-Wire In. (mm)	4-Wire In. (mm)	5-Wire In. (mm)	3-Wire In. (mm)	4-Wire In. (mm)	5-Wire In. (mm)	3-, 4-, 5-Wire In. (mm)	3-, 4-, 5-Wire In. (mm)
A	2.75 (70.5)	3.04 (78.0)	3.37 (86.5)	3.67 (94.0)	3.67 (94.0)	3.96 (101.5)	4.29 (110.0)	4.91 (126.0)
B	5.97 (153.0)	5.97 (153.0)	6.20 (159.0)	7.33 (188.0)	7.33 (188.0)	7.33 (188.0)	10.61 (272.0)	12.01 (308.0)
C	3.00 (77.0)	3.24 (83.0)	3.63 (93.0)	3.86 (99.0)	3.86 (99.0)	4.17 (107.0)	4.43 (113.5)	4.99 (128.0)
Cable Grip	.36 - .62 (9.0 - 15.5)			.56 - .88 (14.0 - 22.5)			.78 - 1.40 (20.0 - 36.0)	.92 - 1.72 (23.5 - 43.5)



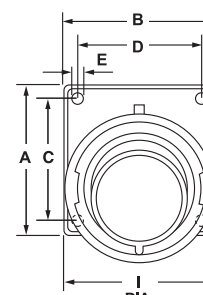
20, 30 Amp



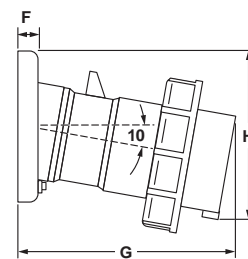
60, 100 Amp

WATERTIGHT INLET 20, 30, 60, 100 AMP

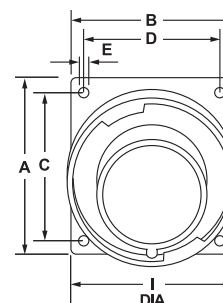
Key	20 Amp			30 Amp			60 Amp	100 Amp
	3-Wire In. (mm)	4-Wire In. (mm)	5-Wire In. (mm)	3-Wire In. (mm)	4-Wire In. (mm)	5-Wire In. (mm)	3-, 4-, 5-Wire In. (mm)	3-, 4-, 5-Wire In. (mm)
A	3.32 (85.0)	3.32 (85.0)	3.32 (85.0)	3.32 (85.0)	3.32 (85.0)	3.32 (85.0)	4.17 (107.0)	5.07 (130.0)
B	3.32 (85.0)	3.32 (85.0)	3.32 (85.0)	3.32 (85.0)	3.32 (85.0)	3.32 (85.0)	3.9 (100.0)	4.68 (120.0)
C	2.73 (70.0)	2.73 (70.0)	2.73 (70.0)	2.73 (70.0)	2.73 (70.0)	2.73 (70.0)	3.32 (85.0)	4.21 (108.0)
D	2.73 (70.0)	2.73 (70.0)	2.73 (70.0)	2.73 (70.0)	2.73 (70.0)	2.73 (70.0)	3.00 (77.0)	3.9 (100.0)
E	.25 (6.3)	.25 (6.3)	.25 (6.3)	.25 (6.3)	.25 (6.3)	.25 (6.3)	.25 (6.5)	.25 (6.5)
F	.43 (11.0)	.43 (11.0)	.43 (11.0)	.43 (11.0)	.43 (11.0)	.43 (11.0)	.47 (12.0)	.51 (13.0)
G	4.06 (104.0)	4.29 (110.0)	4.53 (116.0)	4.72 (121.0)	4.72 (121.0)	4.95 (127.0)	6.05 (155.0)	5.07 (130.0)
H	3.24 (83.0)	3.51 (90.0)	3.59 (92.0)	3.78 (97.0)	3.78 (97.0)	3.94 (101.0)	4.60 (118.0)	5.27 (135.0)
I	2.75 (70.5)	3.10 (79.5)	3.37 (86.5)	3.71 (95.0)	3.71 (95.0)	3.96 (101.5)	4.43 (113.5)	4.91 (126.0)
J	—	—	—	—	—	—	.90 (23.0)	—
K	—	—	—	—	—	—	4.06 (104.0)	—



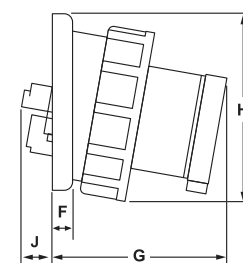
20, 30 Amp
Front View



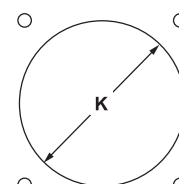
20, 30 Amp
Side View



60, 100 Amp
Front View



60, 100 Amp
Side View



60, 100 Amp
Receptacle Opening

Pin & Sleeve Devices

Watertight Specifications



MATERIALS

Receptacle

Housing/mounting flange	Toughened nylon
Cover arm	Toughened nylon
Cover ring	Polycarbonate
Cover spring	Stainless steel
Seals/gaskets	Neoprene, EPDM, TPE
Contact carrier*	Glass-reinforced nylon
Terminal cover**	Toughened nylon
Phase/ground sleeves	Brass
Sleeve spring	Nickel-plated spring steel
Hinge pins	Brass
Mounting screws	Stainless steel
Terminal screws	Plated steel

Plug

Housing	Toughened nylon
Cord clamp assembly	Toughened nylon
Gland nut	Toughened nylon
Cord gland	Neoprene
Locking ring	Polycarbonate
Seals/gaskets	Neoprene, EPDM, TPE
Contact carrier*	Glass-reinforced nylon
Terminal cover**	Toughened nylon
Phase/ground pins	Brass
Gland friction washer	Plated carbon steel (30, 60, 100A), nylon (20A)
Assembly screws	Stainless steel (60/100A); plated steel (20/30A)
Terminal screws	Plated steel

Connector

Housing	Toughened nylon
Cord clamp assembly	Toughened nylon
Gland nut	Toughened nylon
Cord gland	Neoprene
Cover ring	Polycarbonate
Cover spring	Stainless steel
Seals/gaskets	Neoprene, EPDM, TPE
Contact carrier*	Glass-reinforced nylon
Terminal cover**	Toughened nylon
Phase/ground sleeves	Brass
Sleeve spring	Nickel-plated spring steel
Hinge pins	Brass
Gland friction washer	Plated carbon steel (30, 60, 100A); nylon (20A)
Assembly screws	Stainless steel (60/100A); plated steel (20/30A)
Terminal screws	Plated steel

Inlet

Housing	Toughened nylon
Mounting flange	Toughened nylon
Locking ring	Polycarbonate
Seals/gaskets	Neoprene, EPDM, TPE
Contact carrier*	Glass-reinforced nylon
Terminal cover**	Toughened nylon
Phase/ground pins	Brass
Assembly screws	Stainless steel (60/100A); plated steel (20/30A)
Terminal screws	Plated steel
Mounting screws	Stainless steel

Note: *Except 60A (nylon).

**Except 100A (glass-reinforced nylon).

LISTINGS

- UL Listed Standard 1682 (plugs, receptacles, and cable connectors of the pin & sleeve type)
- Conforms to UL1686 (pin & sleeve configuration)
- CSA Certified C22.2 No. 182.1 - 2002
- Complies with IEC 60309-1 and 60309-2 International Standards for singly-rated non-interchangeable configurations
- CE

PERFORMANCE

Electrical

Dielectric voltage withstand	3,000 Volts - receptacle; 2,200 Volts - plug and connector
Max. working voltage	600 Volts AC
Spacings	¼" minimum creepage and clearance per UL 1682
Current interrupting	Certified for current interrupting at full rated current where applicable per UL 1682
Temperature rise	Less than 30°C temperature rise at full rated current after 50 cycles of overload tested at 150% of rated current at .75 pf.
Endurance	Up to 5,000 connect and disconnect cycles at full rated current and voltage per UL 1682

Mechanical

Impact resistance	After 6 hours at -25°C, 8 drops from 2½' with 7½' length cord
Mechanical crush test	250 lbs. force for 1 minute after 6 hours at -25°C
Terminal identification	Terminals identified in accordance with North American Codes
Product identification	Catalog number and rating indicated on device

Environmental

Moisture resistance	Submerged 24 hours at 2" below water surface
Flammability (enclosure)	V2 minimum per UL 94
Operating temperatures	Maximum continuous 95°C with impact, minimum continuous -40°C without impact
Ingress protection	IP67 suitability
Polarization integrity	Mating devices will not energize ground if polarization feature is removed from housing and 40 lbs. force is applied

The following international electrical regulatory agencies recognize IEC 309 standard Pin & Sleeve devices.



Italy

Netherlands

Norway

Sweden

Pin & Sleeve Devices Splashproof Specifications



MATERIALS

Receptacle

Housing/mounting flange	Toughened nylon
Cover/arm	Toughened nylon
Cover spring	Stainless steel
Seals/gaskets	Neoprene, EPDM, TPE
Hinge pins	Brass
Contact carrier	Glass-reinforced nylon
Terminal cover	Toughened nylon
Phase/ground sleeves	Brass
Sleeve spring	Nickel-plated spring steel
Mounting screws	Stainless steel
Terminal screws	Plated steel

Plug

Housing	Toughened nylon
Cord clamp assembly	Toughened nylon
Gland nut	Toughened nylon
Cord gland	Neoprene
Seals/gaskets	Neoprene, EPDM, TPE
Contact carrier	Glass-reinforced nylon
Terminal cover	Toughened nylon
Phase/ground pins	Brass
Gland friction washer	Plated carbon steel 32A; nylon 16A
Assembly screws	Plated steel
Terminal screws	Plated steel

Connector

Housing	Toughened nylon
Cord clamp assembly	Toughened nylon
Gland nut	Toughened nylon
Cord gland	Neoprene
Cover spring	Stainless steel
Seals/gaskets	Neoprene, EPDM, TPE
Contact carrier	Glass-reinforced nylon
Terminal cover	Toughened nylon
Phase/ground sleeves	Brass
Sleeve spring	Nickel-plated spring steel
Hinge pins	Brass
Gland friction washer	Plated carbon steel 32A; nylon 16A
Assembly Screws	Plated steel
Terminal Screws	Plated steel

LISTINGS

- Complies with IEC 60309-1 and 60309-2 international standards for singly-rated non-interchangeable configurations
- CE
- VDE

PERFORMANCE

Electrical

Dielectric voltage withstand	3,000 Volts-receptacle; 2,200 Volts plug & connector
Max. working voltage	500 Volts AC
Spacings	¼" minimum creepage and clearance
Current Interrupting	Certified for current interrupting at full rated current
Endurance	Up to 5,000 connect and disconnect cycles at full-rated current and voltage

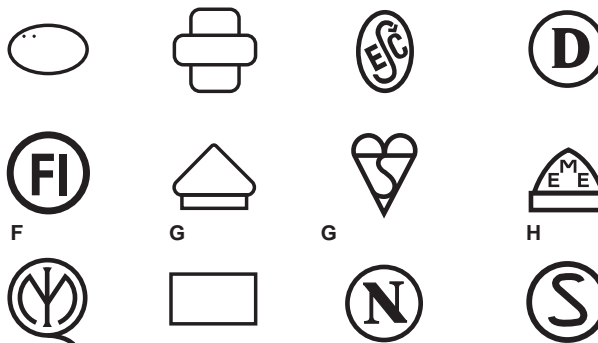
Mechanical

Impact resistance	After 6 hours at -25°C, 8 drops from 2½' with 7½' length cord
Mechanical crush test	250 lbs. force for 1 minute after 6 hours at -25°C
Terminal identification	Terminals identified in accordance with IEC 309
Product identification	Catalog number and rating indicated on device

Environmental

Flammability (enclosure)	V2 minimum per UL 94
Operating temperatures	Maximum continuous 95°C with impact, minimum continuous -40°C without impact
Ingress protection	IP44 suitability
Polarization integrity	Mating devices will not energize ground if polarization feature is removed from housing and 40 lbs. force is applied

The following international electrical regulatory agencies recognize IEC 309 standard Pin & Sleeve devices.



Pin & Sleeve Devices Mechanical Interlock Specifications



MATERIALS

Receptacle

Enclosure base	Valox®
Enclosure cover	Valox®
Handle	Valox®
Enclosure gasket	Neoprene
Enclosure screws	Valox®
Hinge pins	Stainless steel
Hinge spring	Stainless steel
Conduit hub	Zinc
Ground plate	Galvanized steel
Cover gasket	Neoprene

LISTINGS

- UL 508 - Industrial control equipment; manual motor controller
- CSA Certified C22.2 No. 14
- Complies with UL 50, UL 746C and IEC 60309
- Configuration meets UL 1686
- IP67 suitability

PERFORMANCE

Electrical

Dielectric voltage withstand	3,000 volts min.
Max. working voltage	600 volts RMS
Current interrupting	Certified for current interrupting at full rated current and voltage
Short circuit withstand rating	Suitable for use on a circuit capable of delivering not more than 10,000 RMS symmetrical amperes at the voltage rating of the receptacle (30, 60, 100A)
Operations	Mechanical - 10,000 cycles; Electrical - 6,000 cycles

Mechanical

Impact resistance	In accordance with UL 746C
Terminal identification	In accordance with UL, CSA and international conventions
Product identification	Identification and ratings are part of the external label

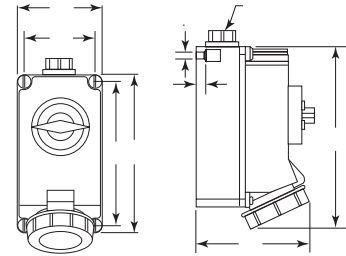
Environmental

Moisture resistance	Outdoor - 4x (watertight, washdown) IP67; indoor 12 (dust-tight; falling dirt and noncorrosive liquids)
Flammability	UL94-5V and VO classification
Operating temperature	Max. continuous +60° C; Min. continuous -40° C
UV resistance	All exposed materials are UV stabilized

Product Dimensions

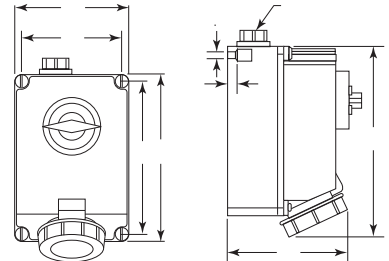
20 Amp

Key	Inches (mm)
A	4.65 (118)
B	8.86 (225)
C	3.98 (101)
D	8.19 (208)
E	5.00 (127)
F	9.65 (245)
G DIA.	.26 (6.5)
H	.31 (8.0)
I	3/4" NPT



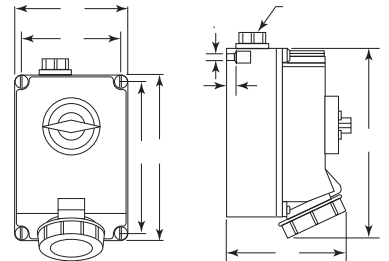
30 Amp, 32 Amp

Key	Inches (mm)
A	6.30 (160.0)
B	10.24 (260.0)
C	5.51 (140.0)
D	9.45 (240.0)
E	6.78 (172.0)
F	11.68 (297.0)
G DIA.	.32 (8.1)
H	.39 (10.0)
I	1" NPT



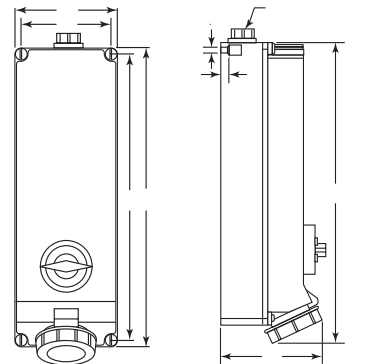
60 Amp

Key	Inches (mm)
A	6.30 (160.0)
B	10.24 (260.0)
C	5.51 (140.0)
D	9.45 (240.0)
E	7.68 (195.0)
F	11.97 (304.0)
G DIA.	.32 (8.1)
H	.39 (10.0)
I	1 1/4" NPT



100 Amp

Key	Inches (mm)
A	7.09 (180.0)
B	18.11 (460.0)
C	6.30 (160.0)
D	17.32 (440.0)
E	8.19 (208.0)
F	20.08 (510.0)
G DIA.	.33 (8.3)
H	.26 (6.5)
I	1 1/4" NPT



HORSEPOWER RATINGS

Catalog No.	Amps	Rating	Horsepower
420SMI9W	20	240V AC 3Ø	5
420SMI7W	20	480V AC 3Ø	10
420SMI5W	20	600V AC 3Ø	15
330SMI4W	30	120V AC	2
330SMI6W	30	240V AC	3
330SMI7W	30	480V AC	7.5
430SMI9W	30	240V AC 3Ø	7.5
430SMI7W	30	480V AC 3Ø	15
430SMI5W	30	600V AC 3Ø	20
530SMI9W	30	120/208V AC 3ØY	5
530SMI7W	30	277/480V AC 3ØY	15
432SMI3W	32	380V AC 3Ø 50 Hz 440V AC 3Ø 60Hz	15 (440V AC 3Ø 60 Hz)

Catalog No.	Amps	Rating	Horsepower
360SMI4W	60	120V AC	3
360SMI6W	60	240V AC	7.5
360SMI7W	60	480V AC	20
460SMI9W	60	240V AC 3Ø	15
460SMI7W	60	480V AC 3Ø	30
460SMI5W	60	600V AC 3Ø	40
560SMI9W	60	120/208V AC 3ØY	15
560SMI7W	60	277/480V AC 3ØY	30
560SMI5W	60	347/600V AC 3ØY	40
3100SMI6W	100	240V AC	15
4100SMI9W	100	240V AC 3Ø	25
4100SMI7W	100	480V AC 3Ø	40
4100SMI5W	100	600V AC 3Ø	50
5100SMI9W	100	120/208V AC 3ØY	20

Valox® is a registered trademark of SABIC Innovative Plastics, acquired from General Electric Company.



INDEX **PAGE**

Product Features and General Information L-2
 Quick Reference Selection Guide for Grip Attachments L-3
 Illustrated Guide to Wire Management L-4

Pulling Grips

Product Features L-6
 Heavy Duty, Overhead, Flexible Eye, Closed Mesh L-7
 Heavy Duty, Underground, Revolving Eye, Closed Mesh L-8
 Heavy Duty, Underground, Flexible Eye, Closed Mesh L-9
 Light Duty, Low Tension, Flexible Eye, Closed Mesh L-10
 Junior, Low Tension, Flexible Eye, Closed Mesh L-11
 Special Purpose, Slack Pull, Offset Eye, Closed Mesh L-12
 Special Purpose, Slack Pull, Offset Eye, Split Mesh, Rod Closing L-13
 Special Purpose, Splicing, Wire Rope, Multiple Weave L-14

Support Grips

Product Features L-15
 Heavy Duty, Single and Double Eye, Closed Mesh L-16
 Heavy Duty, Single and Double Eye, Split Mesh, Lace Closing L-17
 Standard Duty, Single and Double Eye, Closed Mesh L-18
 Standard Duty, Offset and Looped Bale Eye, Closed Mesh L-19
 Standard Duty, Single and Double Eye, Split Mesh, Lace Closing L-20
 Standard Duty, Offset and Looped Bale Eye, Split Mesh, Lace Closing L-21
 Standard Duty, Single and Double Eye, Split Mesh, Rod Closing L-22
 Standard Duty, Offset and Looped Bale Eye, Split Mesh, Rod Closing L-23
 Service Drop, Heavy Duty, Single and Looped Bale Eye, Closed Mesh L-24
 Service Drop, Light Duty, Single and Looped Bale Eye, Closed Mesh L-25
 Bus Drop, Single and Looped Bale Eye, Closed Mesh and Safety Springs L-26
 Conduit Riser, Ring Type, Closed Mesh L-27
 Conduit Riser, Ring Type, Split Mesh, Lace Closing L-28
 Conduit Riser, Ring Type, Split Mesh, Rod Closing L-29

Strain Relief Grips

Product Features L-30
 Deluxe Cord, Straight Male, Straight Female, 45° and 90° Male Fittings L-31
 Dust-Tight, Wide Range L-32
 Liquidtight, Straight, 45° and 90° Male Fittings L-33
 Plug and Connector L-34

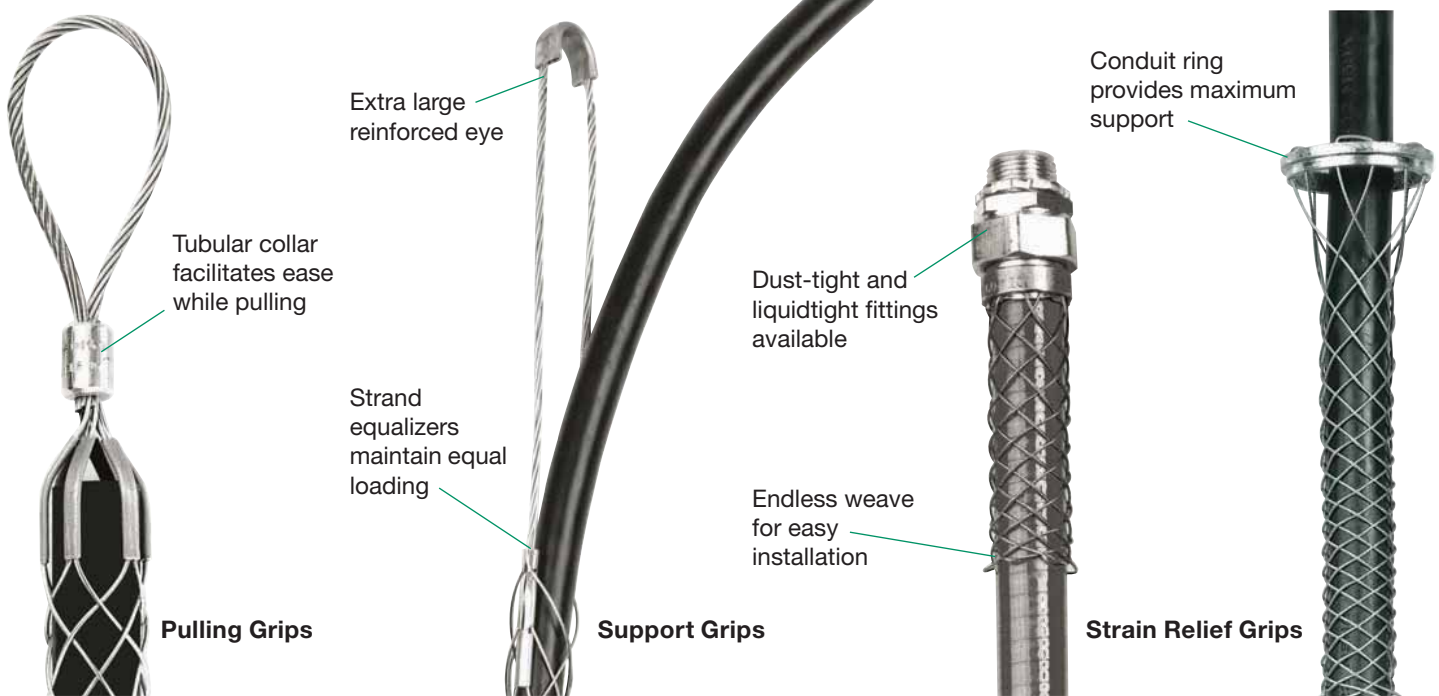
Technical Data

Application Selection, Materials and Sizes L-35
 Multiple Cable, Grip Selection Chart L-36



Wire Management Products

Product Features and General Information



A System For Wire Management

One source. Many solutions. Bryant Economy Cable Grips give you the advantage of selecting all your wire management strain relief, support, and pulling products from a respected, single source supplier. Whether you need to securely hold or pull cable, wire rope, or flexible conduit during and after the installation process, you'll find support in Economy grips from Bryant.

Quality Bryant Economy Cable Grips are application-specific by design to enable the user to select the most appropriate product for the project at hand. As a part of the renowned Bryant family of products, Economy Cable Grips are built for safety and designed to last.

Each grip is engineered and manufactured to meet highly specific performance levels within a variety of demanding applications. These include use in industrial strain relief, support, and cable pulling. To facilitate easy selection, grips have been categorized into three general groupings: Pulling Grips, Support Grips, and Strain Relief Grips. Common applications are also offered to help you select the grip best suited to your needs.

Types of Cable Grips

Pulling Grips are designed to pull cable, rope, and service lines in utility work and construction. Manufactured in a variety of light, medium, and heavy duty styles, they can be used in aerial and underground work. They also serve as a temporary splice, when replacing old cable with new, and to pull slack in new construction or maintenance operations.

Support Grips are applied to the vertical or horizontal runs of cable or service lines to support dead weight and reduce potential damage due to breakage or stress. These are available in styles to accommodate attachment to cable ends or any point in between. Split grips are used when the cable ends are not available and closed grips are used when they are. Conduit riser support grips feature a ring attachment for holding cable in standard electrical rigid metal conduit and schedule 40 rigid PVC conduit. Not suitable for use with EMT.

Strain Relief Grips are used to control arc-of-bend and prevent cable pullout by securing cable and flexible conduit with electrical assemblies in industrial environments. Used in conjunction with bus drop support grips and safety springs, they are an integral part of an overall support and strain relief system designed to reduce the potential of cable disconnects and machine downtime.

Reliable Support in Demanding Applications

Quality grip construction is the result of quality Bryant manufacturing. That is why every cable grip we produce is carefully manufactured to provide reliable service in the demanding environments in which they are used. Only the finest quality stranded wire is approved for the manufacture of Bryant Economy Cable Grips.

The power, gripping force, and strength of the grip you select is determined by the wire material used and the type of weave. Single weave is used for light duty applications. Double weave is specified for grips requiring

an intermediate degree of strength and pulling action. And triple weave wire is used for grips demanding maximum pulling power, strength, and safety.

Three types of wire are specified to meet the standards we demand for strength, flexibility, durability, and longevity. Galvanized Plow Steel has specific metallurgical attributes to withstand strain, abrasion, and abuse. Tin-Coated Bronze offers a combination of non-magnetic and corrosion-resistant properties to withstand environmental exposure and tensile strength for permanent stationary support both in and out of doors. Stainless Steel has exceptional resistance to rust and corrosion with superior strength and flexibility for heavy duty mechanical applications required in harsh environments.

A Framework for Quality

The stranded wire is woven and assembled with critical precision to ensure the highest level of performance reliability. We add to this a wire terminating method to deliver attachments capable of withstanding the most demanding uses. This includes precision swaging and crimping for maximum holding capability, strand equalizers for equal weight loading, and collars or shoulders to protect cable ends.

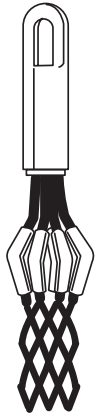
These components form the framework of reliability you demand and expect from Bryant Economy Cable Grips. Superior performance, safety, and security are the end result. With Bryant as your cable grip supplier, you can be confident that your cable operation will be free of stress, strain, vibration, and tension the factors that contribute to pullout. Economy grips hold tight.

Wire Management Products

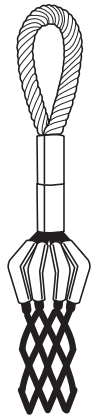
Quick Reference Selection Guide for Grip Attachments



PULLING GRIPS



HEAVY DUTY REVOLVING EYE
For underground heavy duty pulling of service lines and construction cable. See page L-8.



HEAVY DUTY FLEXIBLE EYE
For underground and overhead transmission and distribution line stringing. See pages L-7 and L-9.

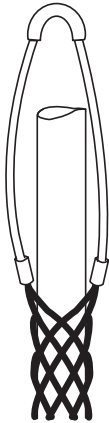


LIGHT DUTY FLEXIBLE EYE
For light industrial pulling of electrical cable and for underground and industrial plant wiring and re-wiring. See pages L-10 and L-11.

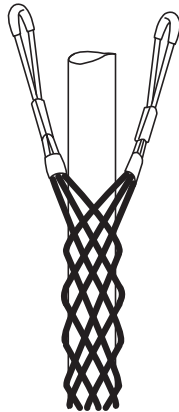


SLACK PULL
For removing underground cable and pulling slack in existing cable and new installations and when end of cable is not available. See pages L-12 and L-13.

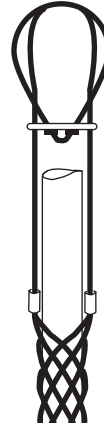
SUPPORT GRIPS



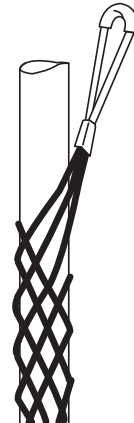
SINGLE U EYE
For single hook attachment of permanent indoor/outdoor cable. Available on heavy duty, standard duty, and service drop grips. See pages L-16, L-17, L-18, L-20, L-22, L-24, and L-25.



DOUBLE U EYE
For double hook attachment of permanent indoor/outdoor cable. Available on heavy duty and standard duty grips. See pages L-16, L-17, L-18, L-20, and L-22.

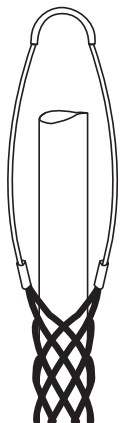


LOOPED BALE
For wraparound attachment to an existing fastener in permanent indoor/outdoor applications. Available on standard duty and light duty service drop grips. See pages L-19, L-21, L-23, L-24, and L-25.



SINGLE OFFSET EYE
For offset hook attachment of permanent indoor/outdoor cable. Available on heavy duty, standard duty and light duty support grips. See pages L-19, L-21, and L-23.

SUPPORT GRIPS

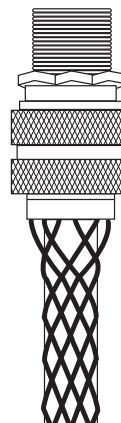


WIDE RANGE BUS DROP
Used indoors for cable support where flexible cable connects electrical equipment to bus duct. Support or restrain air hose and water hose. See page L-26.

STRAIN RELIEF GRIPS



LIQUIDTIGHT, FLEXIBLE METAL CONDUIT
Wiring of machine tools, electrical enclosures, motors, and systems subjected to vibration, flexure, motion, or strain. Also available in straight, 90° or 45° configurations. See page L-31.



DELUXE CORD
Indoor or outdoor use where subject to moisture, splash, or washdown. Examples are crane hoist and pendant drop stations, hand tools, pumps, and processing equipment. See page L-32.



WIDE RANGE STRAIN RELIEF
Indoor use only for wiring of electrical enclosures, machine tools, portable power tools, bus drop cable systems. See page L-33.

SPECIALTY GRIPS

SPlicing GRIPS

Used as temporary splice for cable and wire rope, or as reinforcement to protect cables and hoses. See page L-14.

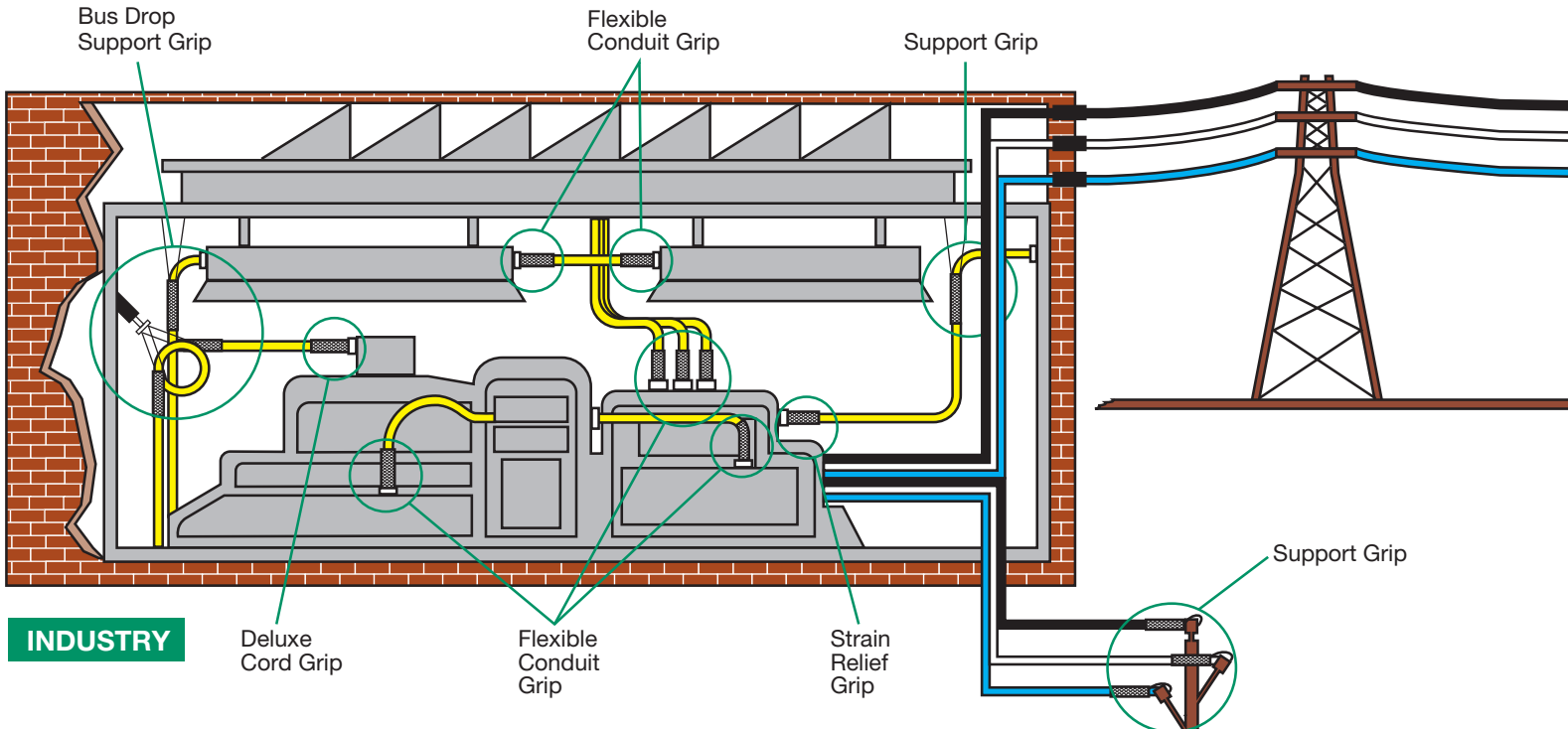
CONDUIT RISER GRIPS

Ideal for supporting electrical cable inside rigid conduit via a supporting ring. See pages L-27, L-28 and L-29.

Note: Not suitable for use with EMT.

Wire Management Products

Illustrated Guide to Wire Management



INDUSTRY

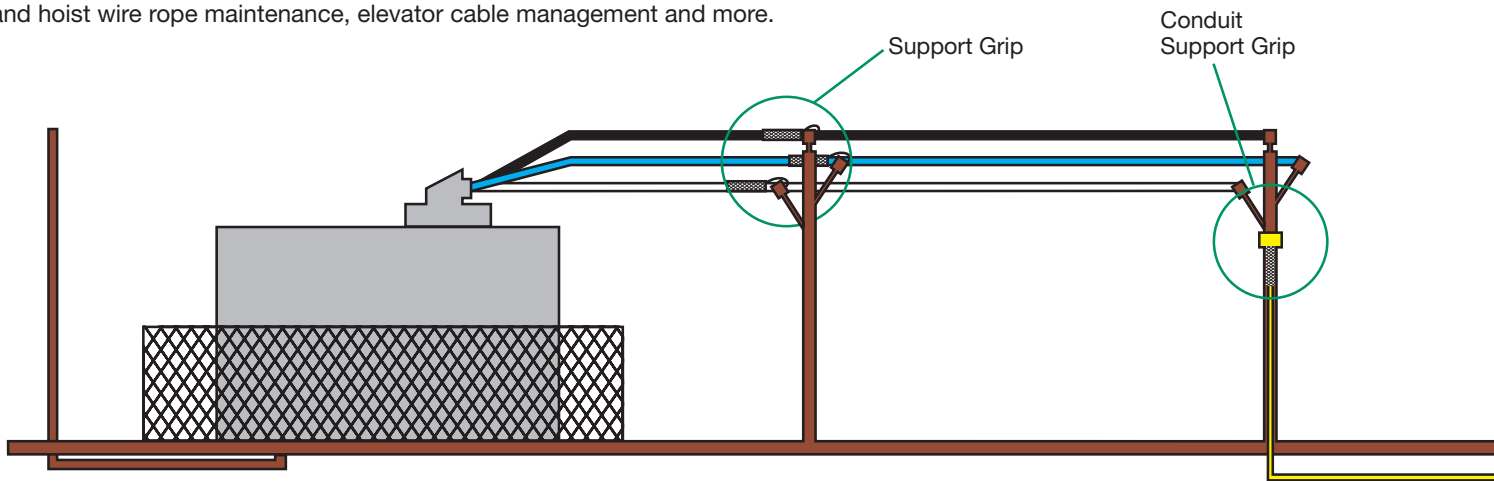
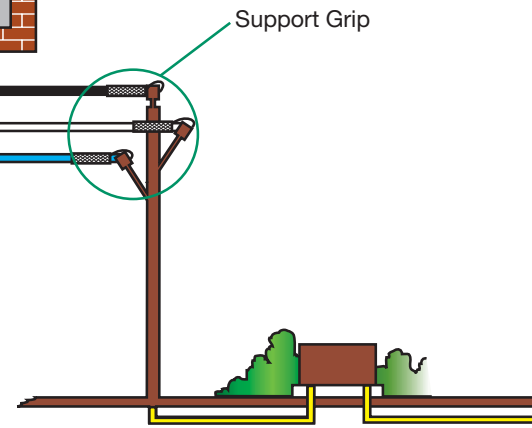
To help you fully visualize the variety of uses available to you through Bryant Economy Cable Grips, we have prepared this diagram of common applications. It follows the typical pattern of usage you would find traveling from utility to industrial, commercial and residential environments.

Pulling Grips are instrumental in the installations of transmission lines, service lines and cabling for construction and maintenance.

Support Grips provide holding management for indoor and outdoor permanent cable installations.

Strain Relief Grips are most often used to provide maximum reliability and minimum maintenance in areas where cords on machinery or equipment is impacted by motion or vibration or at risk of damage from cable pullout.

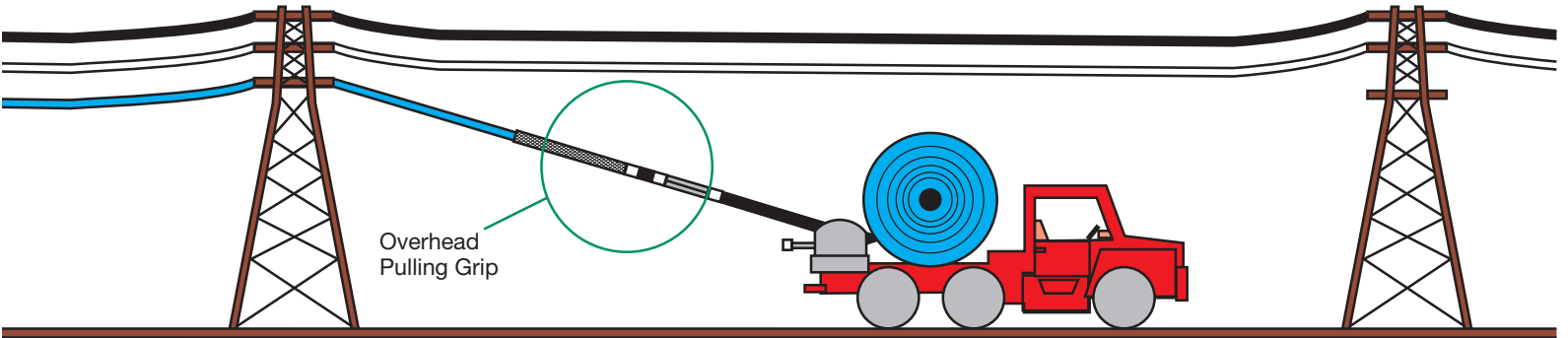
Beyond the electrical applications illustrated here, Bryant Economy Cable Grips can be used for wire management on radio and microwave communications towers, crane and hoist wire rope maintenance, elevator cable management and more.



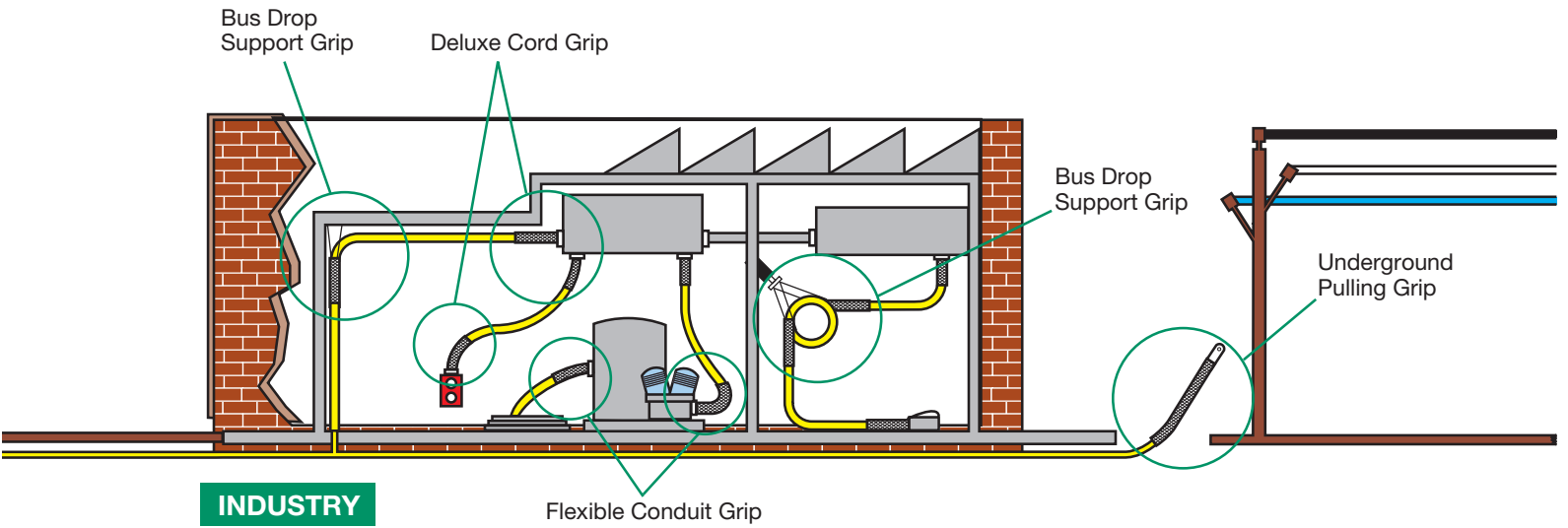
UTILITY

Wire Management Products

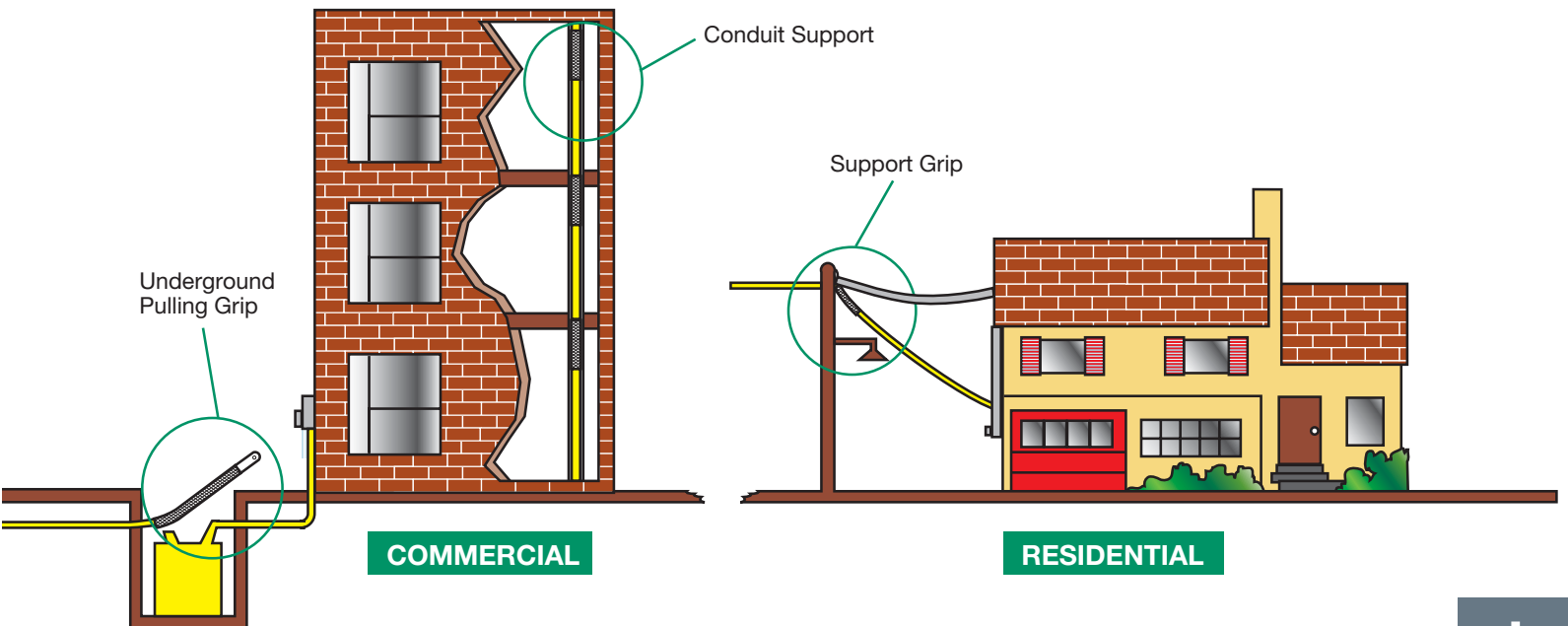
Illustrated Guide to Wire Management



UTILITY



INDUSTRY





Designed to be a reusable tool, pulling grips can be used in a variety of overhead and underground pulling applications.



Flexible and revolving eye styles

- Mates easily with line stringing swivels
- Maximum strength for trouble free pulls

Shoulder

- Contains and protects the cable inside the grip
- Facilitates the grips smooth passage over line stringing blocks and conduit bends

Galvanized steel mesh

- Flexible for navigating through a variety of cable paths
- Multiple weave provides strength and positive gripping power
- Endless weave for easy insertion of cable



FLEXIBLE EYE, CLOSED MESH



MST125FE

Catalog Number	Cable Diameter Range Inches (cm)	Approx. Breaking Strength Lbs. (N)	E Inches (cm) M		Eye (A) Dia. Inches (cm)
			E Inches (cm)	M	
MST025FE	.25-.49 (.63-1.24)	6,800 (30,246)	9 (22.86)	26 (66.04)	¼ (.63)
MST050FE	.50-.74 (1.27-1.88)	10,000 (44,480)	9 (22.86)	32 (81.28)	⅝ (.79)
MST075FE	.75-.99 (1.90-2.51)	14,400 (64,051)	11 (27.94)	41 (104.14)	⅜ (.95)
MST100FE	1.00-1.24 (2.54-3.15)	24,600 (109,420)	12 (30.48)	52 (132.08)	½ (1.27)
MST125FE	1.25-1.49 (3.17-3.78)	30,600 (136,109)	12 (30.48)	56 (142.24)	½ (1.27)
MST150FE	1.50-1.74 (3.81-4.42)	30,600 (136,109)	12 (30.48)	60 (152.40)	½ (1.27)
MST175FE	1.75-2.24 (4.44-5.69)	48,000 (213,504)	18 (45.72)	70 (177.80)	⅝ (1.59)
MST200FE	2.00-2.49 (5.08-6.32)	48,000 (213,504)	18 (45.72)	50 (127.00)	⅝ (1.59)
MST250FE	2.50-2.99 (6.35-7.59)	48,000 (213,504)	18 (45.72)	52 (132.08)	⅝ (1.59)
MST300FE	3.00-3.49 (7.62-8.86)	48,000 (213,504)	18 (45.72)	50 (127.00)	⅝ (1.59)
MST350FE	3.50-3.99 (8.89-10.13)	48,000 (213,504)	18 (45.72)	53 (134.62)	⅝ (1.59)

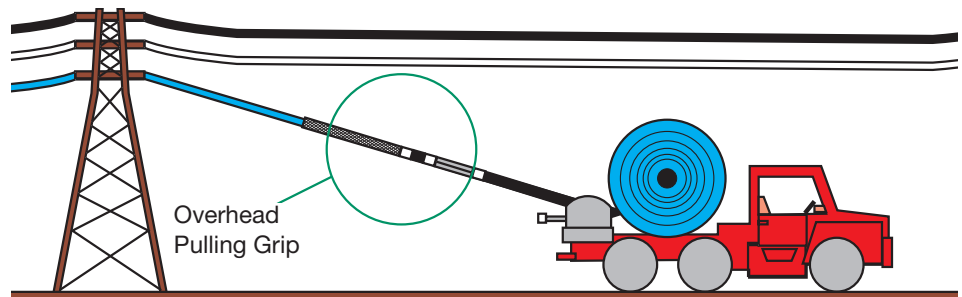
Note: Do not run grips or swivels over bullwheels while under tension.

Application:

Pulling aluminum or copper bare conductor, ground wires, messenger strands, wire rope and insulated cables

Ideal For Use In:

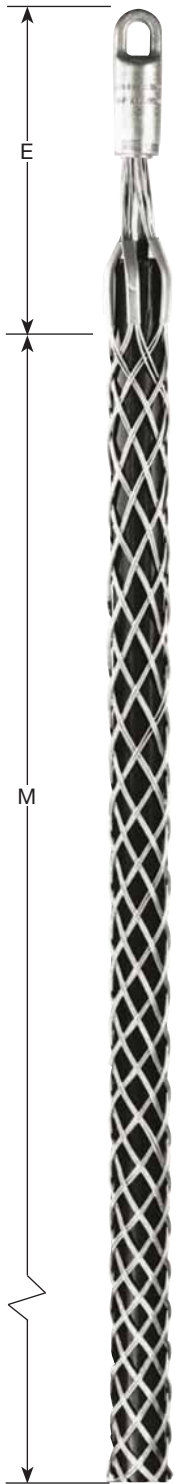
- Overhead transmission and distribution line stringing
- Utility work
- Attaching conductors to pulling lines




CAUTION: Never use grip to approximate breaking strength. Refer to page L-35 for safety and working load factors. Banding is necessary to guard against accidental release of grip and provide maximum reliability.



REVOLVING EYE, CLOSED MESH



PHS150

Catalog Number	Cable Diameter Range Inches (cm)	Approx. Breaking Strength Lbs. (N)			Revolving Eye Dia. Inches (cm)
			E Inches (cm)	M	
PHS050	.50-.61 (1.27-1.55)	4,800 (21,350)	5 (12.70)	16 (40.64)	7/8 (2.22)
PHS062	.62-.74 (1.57-1.88)	6,800 (30,246)	5 (12.70)	16 (40.64)	7/8 (2.22)
PHS075	.75-.99 (1.90-2.51)	9,600 (42,700)	6 (15.24)	32 (81.28)	1 (2.54)
PHS100	1.00-1.49 (2.54-3.78)	16,400 (72,947)	7 (17.78)	33 (83.82)	1 1/8 (3.49)
PHS150	1.50-1.99 (3.81-5.05)	16,400 (72,947)	7 (17.78)	34 (86.36)	1 1/8 (3.49)
PHS200	2.00-2.49 (5.08-6.32)	27,200 (120,986)	9 (22.86)	36 (91.44)	1 1/8 (4.13)
PHS250	2.50-2.99 (6.35-7.59)	33,000 (146,784)	10 (25.40)	38 (96.52)	1 1/8 (4.76)
PHS300	3.00-3.49 (7.62-8.86)	41,000 (182,368)	10 (25.40)	39 (99.06)	1 1/8 (4.76)
PHS350	3.50-3.99 (8.89-10.13)	48,000 (213,504)	10 (25.40)	41 (104.14)	1 1/8 (4.76)
PHS400	4.00-4.49 (10.16-11.40)	48,000 (213,504)	10 (25.40)	42 (106.68)	1 1/8 (4.76)
PHS450	4.50-4.99 (11.43-12.67)	48,000 (213,504)	10 (25.40)	58 (147.32)	1 1/8 (4.76)
PHS500	5.00-5.99 (12.70-15.21)	40,000 (177,920)	10 (25.40)	60 (152.40)	1 1/8 (4.76)
PHS600	6.00-6.99 (15.24-17.75)	54,000 (240,192)	10 (25.40)	66 (167.64)	1 1/8 (4.76)

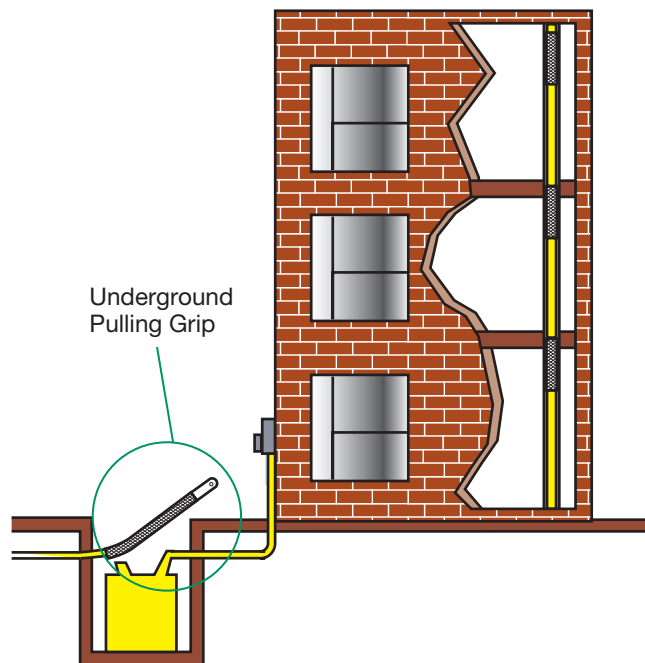
Note: Eye revolves when pressure is released to reduce twisting and turning. If constant swivel action is required, a swivel should be used. Revolving eye is not a swivel and will not turn under tension; it can turn to relieve pulling torque when the tension is relaxed.

Application:

Pulling underground power cables, communication lines and service lines

Ideal For Use In:

- Utility work
- Factory maintenance
- Construction



CAUTION: Never use grip to approximate breaking strength. Refer to page L-35 for safety and working load factors. Banding is necessary to guard against accidental release of grip and provide maximum reliability.



FLEXIBLE EYE, CLOSED MESH



PH150

Catalog Number	Cable Diameter Range Inches (cm)	Approx. Breaking Strength Lbs. (N)	E Inches (cm) M	
			E Inches (cm)	M
PH050	.50-.61 (1.27-1.55)	4,500 (20,016)	8 (20.32)	21 (53.34)
PH062	.62-.74 (1.57-1.88)	5,600 (24,909)	8 (20.32)	24 (60.96)
PH075	.75-.99 (1.90-2.51)	6,800 (30,246)	9 (22.86)	24 (60.96)
PH100	1.00-1.49 (2.54-3.78)	9,600 (42,701)	9 (22.86)	24 (60.96)
PH150	1.50 -1.99 (3.81-5.05)	16,400 (72,947)	11 (27.94)	24 (60.96)
PH200	2.00-2.49 (5.08-6.32)	18,500 (82,288)	12 (30.48)	24 (60.96)
PH250	2.50-2.99 (6.35-7.59)	24,500 (108,976)	12 (30.48)	24 (60.96)
PH300	3.00-3.49 (7.62-8.86)	24,500 (108,976)	14 (35.56)	24 (60.96)
PH350	3.50-3.99 (8.89-10.13)	31,000 (137,888)	14 (35.56)	26 (66.04)

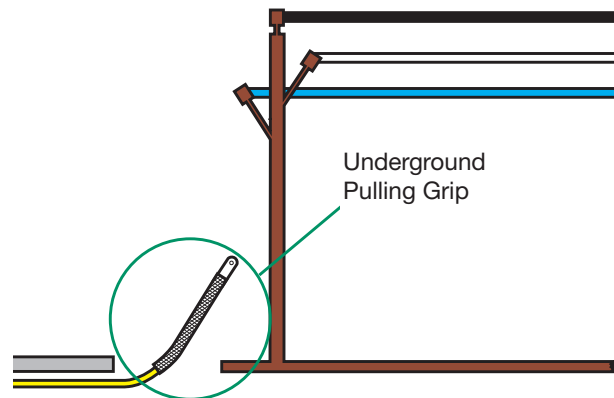


Application:

Pulling underground power cables, communication lines and service lines

Ideal For Use In:

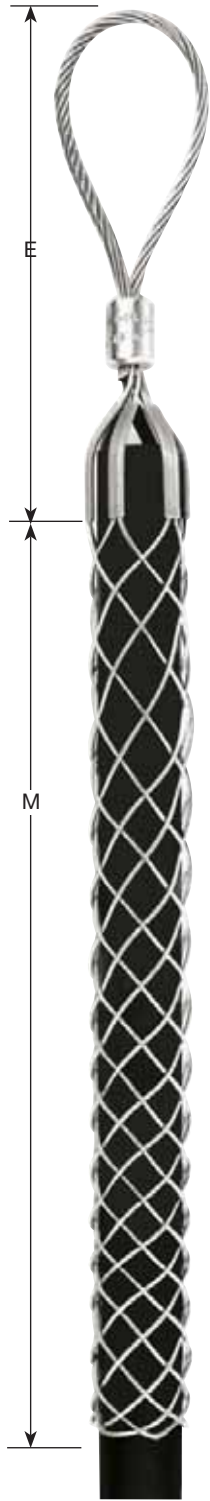
- Utility work
- Factory maintenance
- Construction



CAUTION: Never use grip to approximate breaking strength. Refer to page L-35 for safety and working load factors. Banding is necessary to guard against accidental release of grip and provide maximum reliability.



FLEXIBLE EYE, CLOSED MESH



PA150

Catalog Number	Cable Diameter Range Inches (cm)	Approx. Breaking Strength Lbs. (N)	E Inches (cm) M	
			E Inches (cm)	M
PA050	.50-.61 (1.27-1.55)	2,800 (12,454)	5 (12.70)	11 (27.94)
PA062	.62-.74 (1.57-1.88)	2,800 (12,454)	5 (12.70)	11 (27.94)
PA075	.75-.99 (1.90-2.51)	4,000 (17,792)	6 (15.24)	12 (30.48)
PA100	1.00-1.24 (2.54-3.15)	5,300 (23,574)	7 (17.78)	13 (33.02)
PA125	1.25-1.49 (3.17-3.78)	5,300 (23,574)	7 (17.78)	14 (35.56)
PA150	1.50 -1.74 (3.81-4.42)	6,800 (30,246)	8 (20.32)	15 (38.10)
PA175	1.75-1.99 (4.44-5.05)	8,500 (37,808)	8 (20.32)	17 (43.18)
PA200	2.00-2.49 (5.08-6.32)	8,500 (37,808)	9 (22.86)	18 (45.72)
PA250	2.50-2.99 (6.35-7.59)	10,600 (47,149)	9 (22.86)	27 (68.58)
PA300	3.00-3.49 (7.62-8.86)	14,700 (65,386)	10 (25.40)	30 (76.20)

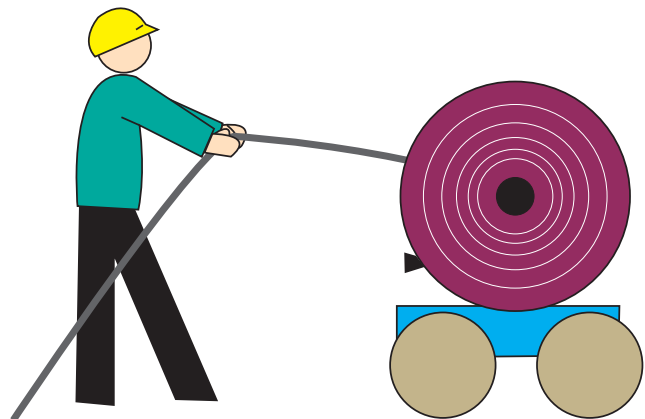


Application:

Low tension, underground electrical construction

Ideal For Use In:

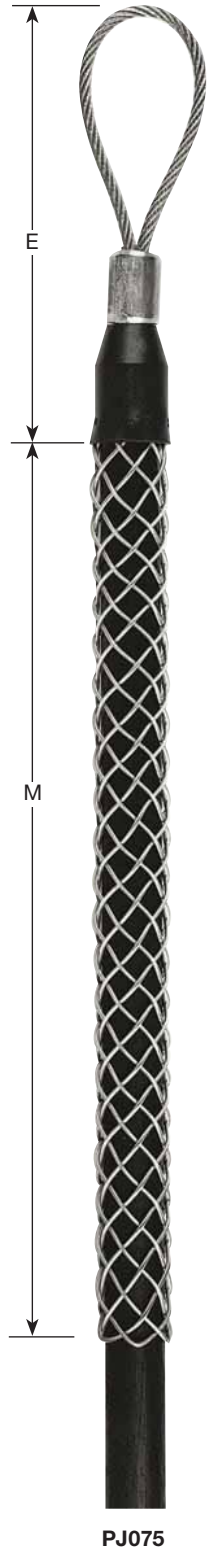
- Utility work
- Industrial and commercial building service lines
- Underground transmission lines stringing



CAUTION: Never use grip to approximate breaking strength. Refer to page L-35 for safety and working load factors. Banding is necessary to guard against accidental release of grip and provide maximum reliability.



FLEXIBLE EYE, CLOSED MESH



Catalog Number	Cable Diameter Range Inches (cm)	Approx. Breaking Strength Lbs. (N)	E Inches (cm) M	
			E Inches (cm)	M
PJ019	.19-.24 (.48-.61)	400 (1,779)	3¼ (8.25)	4¼ (10.79)
PJ025	.25-.36 (.63-.91)	450 (2,002)	3¼ (8.25)	4¼ (10.79)
PJ037	.37-.49 (.94-1.24)	900 (4,003)	3¾ (9.52)	7 (17.78)
PJ050	.50-.61 (1.27-1.55)	1,300 (5,782)	4¼ (10.79)	8½ (21.59)
PJ062	.62-.74 (1.57-1.88)	1,950 (8,674)	5 (12.70)	10 (25.40)
PJ075	.75-.99 (1.90-2.51)	2,800 (12,454)	5¾ (14.60)	10 (25.40)
PJ100	1.00-1.24 (2.54-3.15)	3,900 (17,347)	6½ (16.51)	11½ (29.21)

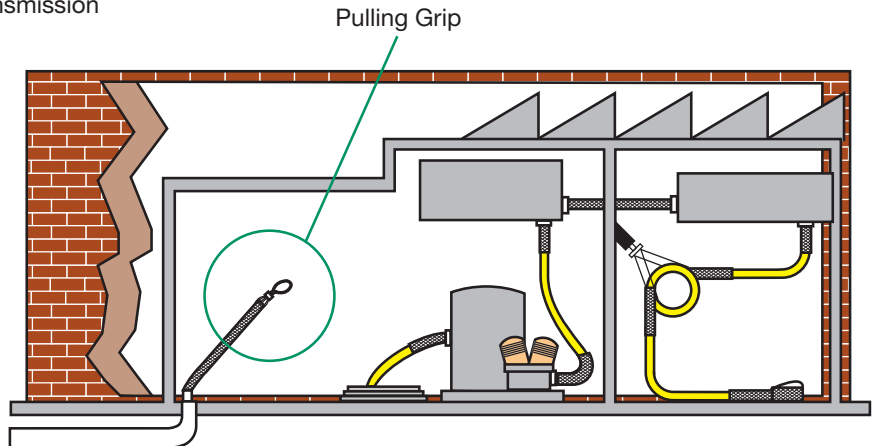


Application:

Low tension, underground electrical construction

Ideal For Use In:

- Utility work
- Industrial and commercial building service lines
- Underground transmission lines stringing



CAUTION: Never use grip to approximate breaking strength. Refer to page L-35 for safety and working load factors. Banding is necessary to guard against accidental release of grip and provide maximum reliability.



OFFSET EYE, CLOSED MESH



Catalog Number	Cable Diameter Range Inches (cm)	Approx. Breaking Strength Lbs. (N)	E Inches (cm) M	
			E Inches (cm)	M
SCD075	.75-.99 (1.90-2.51)	2,600 (11,565)	7 (17.78)	12 (30.48)
SCD100	1.00-1.24 (2.54-3.15)	4,000 (17,792)	8 (20.32)	15 (38.10)
SCD125	1.25-1.49 (3.17-3.78)	5,400 (24,019)	8 (20.32)	16 (40.64)
SCD150	1.50-1.74 (3.81-4.42)	6,600 (29,357)	9 (22.86)	20 (50.80)
SCD175	1.75-1.99 (4.44-5.05)	10,000 (44,480)	10 (25.40)	18 (45.72)
SCD200	2.00-2.49 (5.08-6.32)	11,000 (48,928)	10 (25.40)	19 (48.26)
SCD250	2.50-2.99 (6.35-7.59)	11,000 (48,928)	10 (25.40)	20 (50.80)
SCD300	3.00-3.49 (7.62-8.86)	14,500 (64,496)	12 (30.48)	21 (53.34)
SCD350	3.50-3.99 (8.89-10.13)	14,500 (64,496)	12 (30.48)	22 (55.88)



SCD100

Application:

Removing underground cable and for pulling slack after new cable has been laid

Ideal For Use In:

- Utility work
- Construction
- Replacement of underground cable
- Factory maintenance

CAUTION: Never use grip to approximate breaking strength. Refer to page L-35 for safety and working load factors. Banding is necessary to guard against accidental release of grip and provide maximum reliability.



OFFSET EYE, SPLIT MESH, ROD CLOSING



SSR125

Catalog Number	Cable Diameter Range Inches (cm)	Approx. Breaking Strength Lbs. (N)	E Inches (cm) M	
			E Inches (cm)	M
SSR050	.50-.61 (1.27-1.55)	1,500 (6,672)	7 (17.78)	6 (15.24)
SSR062	.62-.74 (1.57-1.88)	1,800 (8,006)	7 (17.78)	8 (20.32)
SSR075	.75-.99 (1.90-2.51)	2,200 (9,786)	7 (17.78)	10 (25.40)
SSR100	1.00-1.24 (2.54-3.15)	3,400 (15,123)	8 (20.32)	12 (30.48)
SSR125	1.25-1.49 (3.17-3.78)	4,500 (20,016)	8 (20.32)	14 (35.56)
SSR150	1.50-1.74 (3.81-4.42)	5,800 (25,798)	9 (22.86)	15 (38.10)
SSR175	1.75-1.99 (4.44-5.05)	7,600 (33,805)	10 (25.40)	16 (40.64)
SSR200	2.00-2.49 (5.08-6.32)	9,000 (40,032)	10 (25.40)	19 (48.26)
SSR250	2.50-2.99 (6.35-7.59)	11,000 (48,928)	10 (25.40)	20 (50.80)
SSR300	3.00-3.49 (7.62-8.86)	12,000 (53,376)	12 (30.48)	21 (53.34)
SSR350	3.50-3.99 (8.89-10.13)	12,000 (53,376)	12 (30.48)	24 (60.96)



SPLIT ROD CLOSING

Split rod closing grips are used for pulling slack or providing support when ends of cable are not available. The provided stainless steel rod makes threading fast and easy. The strands of mesh pass around the rod and match up with strands from the opposite direction. Since the rod does not touch the cable at any point it cannot cut the cable. Rod closing grips can be removed and reused as many times as desired.

Application:

Pulling up slack where cable is in service and when ends of cable are not available

Ideal For Use In:

- Utility work
- Construction
- Replacement of underground cable
- Factory maintenance



The following procedures should be used when installing the grip:
 Wrap the grip around the cable and thread the rod through the pre-formed loops with a corkscrew motion, using the curved end of the rod to engage the loops. This requires a simultaneous steady twist and push motion. The fingers of the left hand are used to bring the loops together just ahead of the hook on the end of the rod. To remove, simply pull out rod.



CAUTION: Never use grip to approximate breaking strength. Refer to page L-35 for safety and working load factors. Banding is necessary to guard against accidental release of grip and provide maximum reliability.



FTD10024

FLEXIBLE TUBE

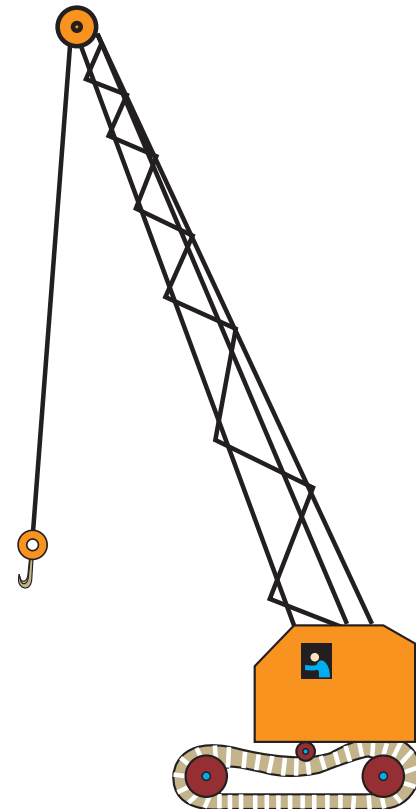
Catalog Number	Cable Diameter Range Inches (cm)	Approx. Breaking Strength Lbs. (N)	Mesh Length Inches (cm)
FTD03718	.37-.49 (.94-1.24)	3,200 (14,234)	18 (45.72)
FTD05018	.50-.61 (1.27-1.55)	3,200 (14,234)	18 (45.72)
FTD05024	.50-.61 (1.27-1.55)	3,200 (14,234)	24 (60.96)
FTD06218	.62-.74 (1.57-1.88)	4,000 (17,792)	18 (45.72)
FTD06224	.62-.74 (1.57-1.88)	4,000 (17,792)	24 (60.96)
FTD06236	.62-.74 (1.57-1.88)	4,000 (17,792)	36 (91.44)
FTD07524	.75-.99 (1.90-2.51)	6,800 (30,246)	24 (60.96)
FTD07536	.75-.99 (1.90-2.51)	6,800 (30,246)	36 (91.44)
FTD07548	.75-.99 (1.90-2.51)	6,800 (30,246)	48 (121.92)
FTD07572	.75-.99 (1.90-2.51)	6,800 (30,246)	72 (182.88)
FTD10024	1.00-1.49 (2.54-3.78)	9,000 (40,032)	24 (60.96)
FTD10036	1.00-1.49 (2.54-3.78)	9,100 (40,477)	36 (91.44)
FTD10048	1.00-1.49 (2.54-3.78)	9,100 (40,477)	48 (121.92)
FTD10072	1.00-1.49 (2.54-3.78)	9,100 (40,477)	72 (182.88)

Application:

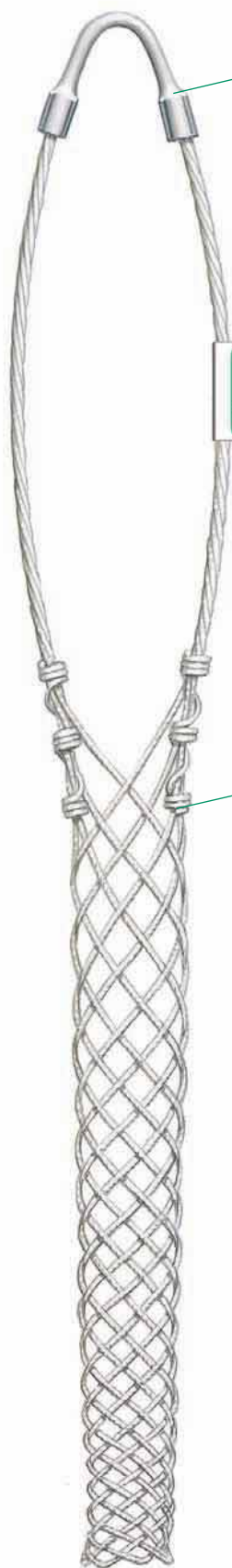
Temporary splice for cable and wire rope; can be used as cable reinforcement and to protect cables and hoses from abrasion; used to replace old wire rope with new wire rope

Ideal For Use In:

- Cranes
- Oil derricks
- Drag lines
- Hoists
- Factory control cables



CAUTION: Never use grip to approximate breaking strength. Refer to page L-35 for safety and working load factors. Banding is necessary to guard against accidental release of grip and provide maximum reliability.



Eye assembly

Four styles available for varying applications

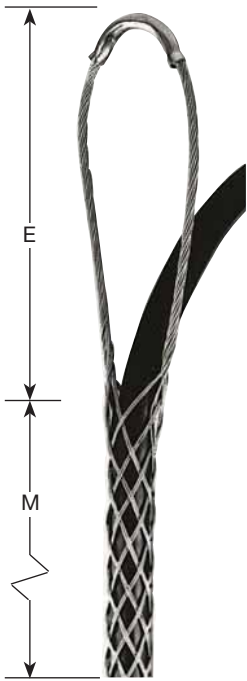
- Single eye
- Double eye
- Looped bale eye
- Offset eye

ID tag

- Catalog number
- Bar code
- Cable diameter range
- Agency approval listing


Tin-Coated bronze mesh

- Available for light duty, standard duty and heavy duty applications
- Closed mesh fits over cable end
- Split mesh is used when cable end is inaccessible
- Strand equalizers reinforce gripping strength and position; distributes load equally
- Stainless steel available; consult factory for more information

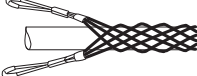


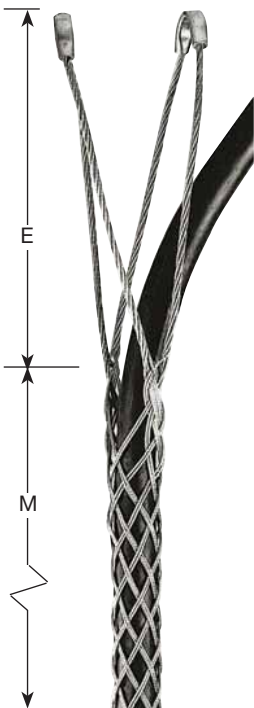
SHC125U

SINGLE EYE, CLOSED MESH

Catalog Number		Cable Diameter Range Inches (cm)	Approx. Breaking Strength Lbs. (N)		 E Inches (cm) M	
Tin-Coated Bronze	Stainless Steel		Tin-Coated Bronze	Stainless Steel		
SHC075U	SHC075US	.75-.99 (1.90-2.51)	2,820 (12,543)	4,200 (18,682)	10 (25.40)	25 (63.50)
SHC100U	SHC100US	1.00-1.24 (2.54-3.15)	4,280 (19,037)	7,300 (32,470)	12 (30.48)	28 (71.12)
SHC125U	SHC125US	1.25-1.49 (3.17-3.78)	4,280 (19,037)	7,300 (32,470)	12 (30.48)	30 (76.20)
SHC150U	SHC150US	1.50-1.99 (3.81-5.05)	4,280 (19,037)	11,150 (49,595)	12 (30.48)	34 (86.36)

DOUBLE EYE, CLOSED MESH

Catalog Number		Cable Diameter Range Inches (cm)	Approx. Breaking Strength Lbs. (N)		 E Inches (cm) M	
Tin-Coated Bronze	Stainless Steel		Tin-Coated Bronze	Stainless Steel		
SHC075	—	.75-.99 (1.90-2.51)	2,820 (12,543)	—	10 (25.40)	25 (63.50)
SHC100	—	1.00-1.24 (2.54-3.15)	4,280 (19,037)	—	10 (25.40)	28 (71.12)
SHC125	—	1.25-1.49 (3.17-3.78)	4,280 (19,037)	—	10 (25.40)	30 (76.20)
SHC150	—	1.50-1.99 (3.81-5.05)	4,280 (19,037)	—	10 (25.40)	34 (86.36)
SHC200	SHC200DES	2.00-2.49 (5.08-6.32)	8,050 (35,806)	20,100 (89,405)	12 (30.48)	36 (91.44)
SHC250	SHC250DES	2.50-2.99 (6.35-7.59)	8,050 (35,806)	20,100 (89,405)	12 (30.48)	38 (96.52)
SHC300	SHC300DES	3.00-3.49 (7.62-8.86)	10,060 (44,747)	25,200 (112,090)	12 (30.48)	40 (101.60)
SHC350	—	3.50-3.99 (8.89-10.13)	12,070 (53,687)	—	12 (30.48)	44 (111.76)
SHC400	—	4.00-4.49 (10.16-11.40)	12,070 (53,687)	—	12 (30.48)	46 (116.84)
SHC450	—	4.50-5.00 (11.43-12.70)	13,790 (61,338)	—	12 (30.48)	68 (172.72)



SHC125

Application:

Permanent support of heavy loads and long runs of vertical and horizontal cables indoors and outdoors where ends of cable are available

Ideal For Use In:

- Industrial applications
- Communication towers
- Utility work
- Heavy equipment
- Construction

CAUTION: Never use grip to approximate breaking strength. Refer to page L-35 for safety and working load factors. Banding is necessary to guard against accidental release of grip and provide maximum reliability.



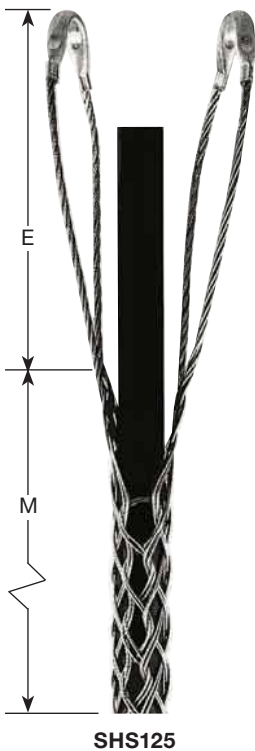
SINGLE EYE, SPLIT MESH, LACE CLOSING

Catalog Number		Cable Diameter Range Inches (cm)	Approx. Breaking Strength Lbs. (N)		E Inches (cm) M	
Tin-Coated Bronze	Stainless Steel		Tin-Coated Bronze	Stainless Steel		
SHS075U	SHS075US	.75-.99 (1.90-2.51)	2,820 (12,543)	4,250 (18,904)	10 (25.40)	25 (63.50)
SHS100U	SHS100US	1.00-1.24 (2.54-3.15)	4,280 (19,037)	7,300 (32,470)	12 (30.48)	28 (71.12)
SHS125U	SHS125US	1.25-1.49 (3.17-3.78)	4,280 (19,037)	7,300 (32,470)	12 (30.48)	30 (76.20)
SHS150U	SHS150US	1.50-1.99 (3.81-5.05)	4,280 (19,037)	11,150 (49,595)	12 (30.48)	34 (86.36)



DOUBLE EYE, SPLIT MESH, LACE CLOSING

Catalog Number		Cable Diameter Range Inches (cm)	Approx. Breaking Strength Lbs. (N)		E Inches (cm) M	
Tin-Coated Bronze	Stainless Steel		Tin-Coated Bronze	Stainless Steel		
SHS075	—	.75-.99 (1.90-2.51)	2,820 (12,543)	—	10 (25.40)	25 (63.50)
SHS100	—	1.00-1.24 (2.54-3.15)	4,280 (19,037)	—	10 (25.40)	28 (71.12)
SHS125	—	1.25-1.49 (3.17-3.78)	4,280 (19,037)	—	10 (25.40)	30 (76.20)
SHS150	—	1.50-1.99 (3.81-5.05)	4,280 (19,037)	—	10 (25.40)	34 (86.36)
SHS200	SHS200DES	2.00-2.49 (5.08-6.32)	8,050 (35,806)	20,150 (89,627)	12 (30.48)	36 (91.44)
SHS250	SHS250DES	2.50-2.99 (6.35-7.59)	8,050 (35,806)	20,150 (89,627)	12 (30.48)	38 (96.52)
SHS300	SHS300DES	3.00-3.49 (7.62-8.86)	10,060 (44,747)	25,200 (112,090)	12 (30.48)	40 (101.62)
SHS350	SHS350DES	3.50-3.99 (8.89-10.13)	12,070 (53,687)	30,200 (134,330)	12 (30.48)	44 (111.76)
SHS400	SHS400DES	4.00-4.49 (10.16-11.40)	12,070 (53,687)	30,200 (134,330)	12 (30.48)	46 (116.84)
SHS450	—	4.50-4.99 (11.43-12.67)	12,070 (53,687)	—	12 (30.48)	68 (172.72)



Application:

Supporting heavy loads and long runs of vertical and horizontal cables indoors and outdoors where ends of cable are not available

Ideal For Use In:

- Industrial applications
- Communication towers
- Heavy equipment
- Utility work

LACE CLOSING INSTRUCTIONS

Designed for use when cable ends are unavailable. The grip is wrapped around the cable and then drawn closed with a wire lace. It is important that the wire lacing be the same type and gauge as supplied with the grip from the factory.



The following procedures should be used when installing the grip:

Bend the wire lace in the middle so both ends are even. Wrap grip around the cable. Starting at the first loop closest to the eye, thread each end of the wire lace through the first loop on each side of the split; pull both ends of the lace until they are even. Criss-cross laces and thread each end of the lace through the next loop, on opposite sides of the split. Continue doing the same for the full length of the split, pulling the lace after each loop so the space between both sides of the split is no greater than the spaces of the mesh. When end of split is reached, twist lacing tightly together. Wrap ends of lace around grip. Twist ends to secure. Only new laces should be used. A split grip is only as good as its lacing or closing of the split.

CAUTION: Never use grip to approximate breaking strength. Refer to page L-35 for safety and working load factors. Banding is necessary to guard against accidental release of grip and provide maximum reliability.



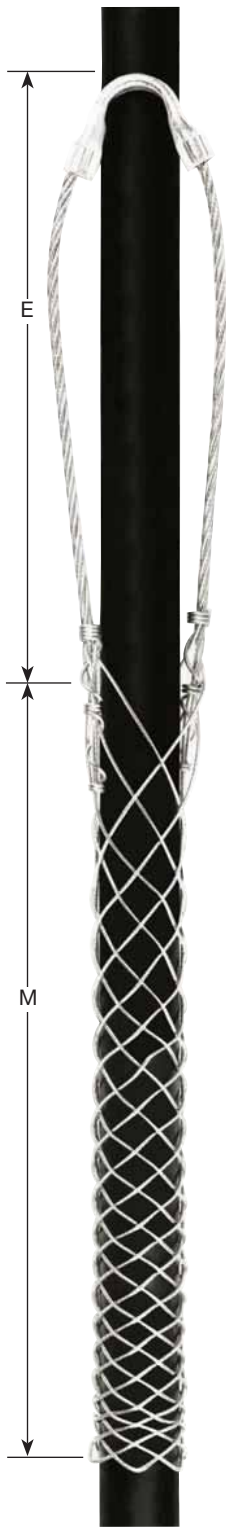
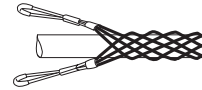
SINGLE EYE, CLOSED MESH

Catalog Number		Cable Diameter Range Inches (cm)	Approx. Breaking Strength Lbs. (N)		E Inches (cm) M	
Tin-Coated Bronze	Stainless Steel		Tin-Coated Bronze	Stainless Steel	E Inches (cm)	M
SPC050U	SPC050US	.50-.62 (1.27-1.57)	530 (2,357)	1,370 (6,094)	7 (17.78)	10 (25.40)
SPC062U	SPC062US	.63-.74 (1.60-1.88)	790 (3,514)	2,060 (9,163)	8 (20.32)	10 (25.40)
SPC075U	SPC075US	.75-.99 (1.90-2.51)	1,020 (4,537)	2,060 (9,163)	8 (20.32)	13 (33.02)
SPC100U	SPC100US	1.00-1.24 (2.54-3.15)	1,610 (7,161)	2,678 (11,912)	9 (22.86)	14 (35.56)
SPC125U	SPC125US	1.25-1.49 (3.17-3.78)	1,610 (7,161)	4,490 (19,972)	10 (25.40)	15 (38.10)
SPC150U	SPC150US	1.50-1.74 (3.81-4.42)	1,610 (7,161)	4,490 (19,972)	12 (30.48)	17 (43.18)
SPC175U	SPC175US	1.75-1.99 (4.44-5.05)	2,150 (9,563)	5,000 (22,240)	14 (35.56)	19 (48.26)
SPC200U	SPC200US	2.00-2.49 (5.08-6.32)	3,260 (14,500)	8,940 (39,765)	16 (40.64)	21 (53.34)
SPC250U	SPC250US	2.50-2.99 (6.35-7.59)	3,260 (14,500)	8,940 (39,765)	18 (45.72)	23 (58.42)
SPC300U	SPC300US	3.00-3.49 (7.62-8.86)	4,900 (21,795)	13,420 (59,692)	21 (53.34)	25 (63.50)
SPC350U	—	3.50-3.99 (8.89-10.13)	4,900 (21,795)	—	24 (60.96)	27 (63.58)



DOUBLE EYE, CLOSED MESH

Catalog Number		Cable Diameter Range Inches (cm)	Approx. Breaking Strength Lbs. (N)		E Inches (cm) M	
Tin-Coated Bronze	Stainless Steel		Tin-Coated Bronze	Stainless Steel	E Inches (cm)	M
SPC050DE	SPC050DES	.50-.62 (1.27-1.57)	530 (2,357)	1,370 (6,094)	4 (10.16)	10 (25.40)
SPC062DE	SPC062DES	.63-.74 (1.60-1.88)	790 (3,514)	2,060 (9,163)	4 (10.16)	10 (25.40)
SPC075DE	SPC075DES	.75-.99 (1.90-2.51)	1,020 (4,537)	2,060 (9,163)	5½ (13.97)	12 (30.48)
SPC100DE	SPC100DES	1.00-1.24 (2.54-3.15)	1,610 (7,161)	2,670 (11,876)	5 (12.70)	14 (35.56)
SPC125DE	SPC125DES	1.25-1.49 (3.17-3.78)	1,610 (7,161)	4,490 (19,972)	5 (12.70)	15 (38.10)
SPC150DE	SPC150DES	1.50-1.74 (3.81-4.42)	1,610 (7,161)	4,490 (19,972)	5 (12.70)	17 (43.18)
SPC175DE	SPC175DES	1.75-1.99 (4.44-5.05)	2,150 (9,563)	5,000 (22,240)	6 (15.24)	19 (48.26)
SPC200DE	SPC200DES	2.00-2.49 (5.08-6.32)	3,260 (14,500)	8,940 (39,765)	6 (15.24)	21 (53.34)
SPC250DE	SPC250DES	2.50-2.99 (6.35-7.59)	3,260 (14,500)	8,940 (39,765)	6 (15.24)	23 (58.42)
SPC300DE	SPC300DES	3.00-3.49 (7.62-8.86)	4,900 (21,795)	12,000 (53,376)	8 (20.32)	25 (63.50)
SPC350DE	SPC350DES	3.50-3.99 (8.89-10.13)	4,900 (21,795)	12,000 (53,376)	8 (20.32)	27 (68.58)



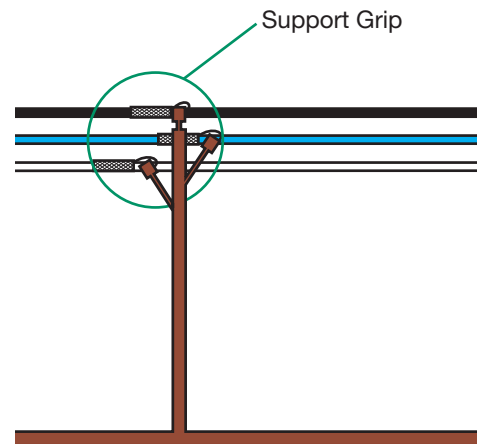
SPC125U

Application:

Permanent support of vertical and horizontal cable indoors and outdoors where ends of cable are available

Ideal For Use In:

- Industrial applications
- Communication towers
- Utility work
- Heavy equipment
- Construction

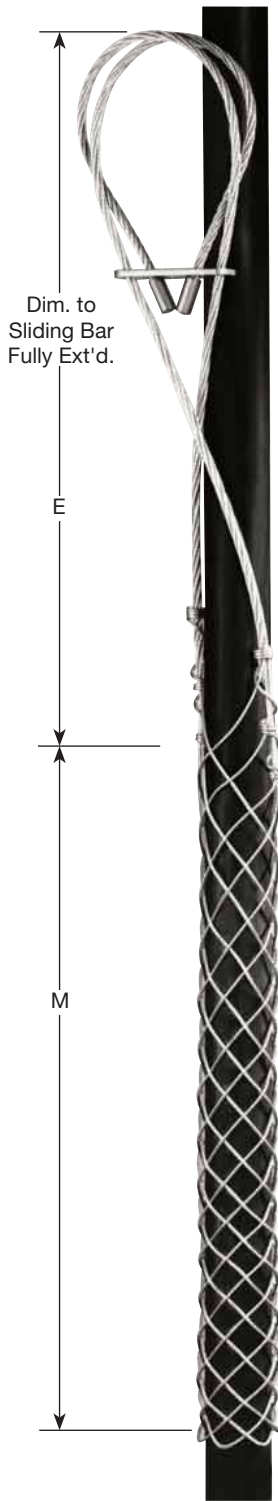
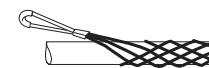


CAUTION: Never use grip to approximate breaking strength. Refer to page L-35 for safety and working load factors. Banding is necessary to guard against accidental release of grip and provide maximum reliability.



OFFSET EYE, CLOSED MESH

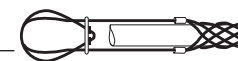
Catalog Number		Cable Diameter Range Inches (cm)	Approx. Breaking Strength Lbs. (N)		E Inches (cm) M	
Tin-Coated Bronze	Stainless Steel		Tin-Coated Bronze	Stainless Steel		
SPC050SO	SPC050SOS	.50-.62 (1.27-1.57)	500 (2,724)	1,370 (6,094)	4 (10.16)	10 (25.40)
SPC062SO	SPC062SOS	.63-.74 (1.60-1.88)	750 (3,336)	2,060 (9,163)	4 (10.16)	10 (25.40)
SPC075SO	SPC075SOS	.75-.99 (1.90-2.51)	950 (4,226)	2,060 (9,163)	4 (10.16)	13 (33.02)
SPC100SO	SPC100SOS	1.00-1.24 (2.54-3.15)	1,500 (6,672)	2,670 (11,876)	5 (12.70)	14 (35.56)
SPC125SO	SPC125SOS	1.25-1.49 (3.17-3.78)	1,500 (6,672)	4,490 (19,972)	5 (12.70)	15 (38.10)
SPC150SO	SPC150SOS	1.50-1.74 (3.81-4.42)	1,500 (6,672)	3,700 (16,458)	5 (12.70)	17 (43.10)
SPC175SO	SPC175SOS	1.75-1.99 (4.44-5.05)	2,000 (8,896)	4,370 (19,438)	6 (15.24)	19 (48.26)
SPC200SO	SPC200SOS	2.00-2.49 (5.08-6.32)	3,100 (13,789)	5,500 (24,464)	9 (22.86)	21 (53.34)
—	SPC250SOS	2.50-2.99 (6.35-7.59)	—	5,500 (24,464)	9 (22.86)	23 (58.42)
SPC300SO	—	3.00-3.49 (7.62-8.86)	3,800 (16,902)	—	9 (22.86)	25 (63.50)
SPC350SO	—	3.50-3.99 (8.89-10.13)	3,250 (14,456)	—	11 (27.94)	27 (68.58)



SPC125L

LOOPED BALE EYE, CLOSED MESH

Catalog Number	Cable Diameter Range Inches (cm)	Approx. Breaking Strength Lbs. (N)	E Inches (cm) M	
Tin-Coated Bronze		Tin-Coated Bronze		
SPC050L	.50-.62 (1.27-1.57)	530 (2,357)	18 (45.72)	10 (25.40)
SPC062L	.63-.74 (1.60-1.88)	790 (3,514)	18 (45.72)	10 (25.40)
SPC075L	.75-.99 (1.90-2.51)	1,020 (4,537)	18 (45.72)	13 (33.02)
SPC100L	1.00-1.24 (2.54-3.15)	1,610 (7,161)	18 (45.72)	14 (35.56)
SPC125L	1.25-1.49 (3.17-3.78)	1,610 (7,161)	18 (45.72)	15 (38.10)
SPC150L	1.50-1.74 (3.81-4.42)	1,610 (7,161)	18 (45.72)	17 (43.10)
SPC175L	1.75-1.99 (4.44-5.05)	2,150 (9,563)	18 (45.72)	19 (48.26)
SPC200L	2.00-2.49 (5.08-6.32)	3,260 (14,500)	18 (45.72)	21 (53.34)
SPC250L	2.50-2.99 (6.35-7.59)	3,260 (14,500)	18 (45.72)	23 (58.42)
SPC300L	3.00-3.49 (7.62-8.86)	4,900 (21,795)	18 (45.72)	25 (63.50)



Application:

Permanent support of vertical and horizontal cable indoors and outdoors where ends of cable are available

Ideal For Use In:

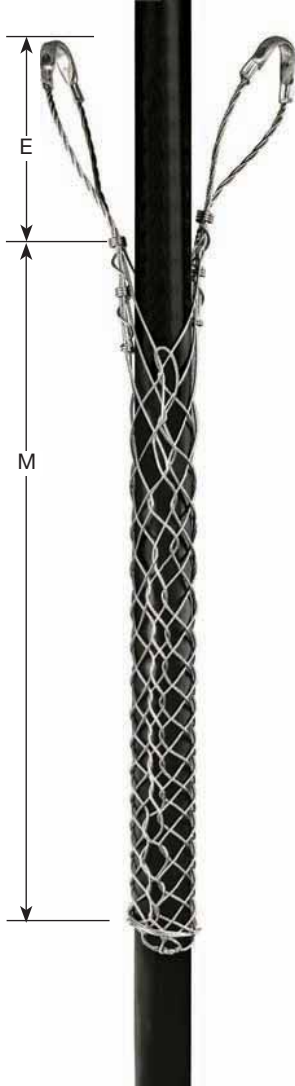
- Industrial applications
- Communication towers
- Utility work
- Heavy equipment
- Construction

CAUTION: Never use grip to approximate breaking strength. Refer to page L-35 for safety and working load factors. Banding is necessary to guard against accidental release of grip and provide maximum reliability.



SINGLE EYE, SPLIT MESH, LACE CLOSING

Catalog Number		Cable Diameter Range Inches (cm)	Approx. Breaking Strength Lbs. (N)		E Inches (cm) M	
Tin-Coated Bronze	Stainless Steel		Tin-Coated Bronze	Stainless Steel	E Inches (cm)	M
SPS050U	SPS050US	.50-.62 (1.27-1.57)	530 (2,357)	1,370 (6,094)	7 (17.78)	10 (25.40)
SPS062U	SPS062US	.63-.74 (1.60-1.88)	790 (3,514)	2,060 (9,163)	8 (20.32)	10 (25.40)
SPS075U	SPS075US	.75-.99 (1.90-2.51)	1,020 (4,537)	2,060 (9,163)	8 (20.32)	13 (33.02)
SPS100U	SPS100US	1.00-1.24 (2.54-3.15)	1,610 (7,161)	2,670 (11,876)	9 (22.86)	14 (35.56)
SPS125U	SPS125US	1.25-1.49 (3.17-3.78)	1,610 (7,161)	4,490 (19,972)	10 (25.40)	15 (38.10)
SPS150U	SPS150US	1.50-1.74 (3.81-4.42)	1,610 (7,161)	4,490 (19,972)	12 (30.48)	17 (43.18)
SPS175U	SPS175US	1.75-1.99 (4.44-5.05)	2,150 (9,563)	4,375 (19,460)	14 (35.56)	19 (48.26)
SPS200U	SPS200US	2.00-2.49 (5.08-6.32)	3,260 (14,500)	8,940 (39,765)	16 (40.64)	21 (53.34)
SPS250U	SPS250US	2.50-2.99 (6.35-7.59)	3,260 (14,500)	8,940 (39,765)	18 (45.72)	23 (58.42)
SPS300U	SPS300US	3.00-3.49 (7.62-8.86)	4,900 (21,795)	13,420 (59,692)	21 (53.34)	25 (63.50)
SPS350U	SPS350US	3.50-3.99 (8.89-10.13)	4,900 (21,795)	13,420 (59,692)	24 (60.96)	27 (68.58)



SPS125DE

DOUBLE EYE, SPLIT MESH, LACE CLOSING

Catalog Number		Cable Diameter Range Inches (cm)	Approx. Breaking Strength Lbs. (N)		E Inches (cm) M	
Tin-Coated Bronze	Stainless Steel		Tin-Coated Bronze	Stainless Steel	E Inches (cm)	M
SPS050DE	SPS050DES	.50-.62 (1.27-1.57)	530 (2,357)	1,140 (5,071)	4 (10.16)	10 (25.40)
SPS062DE	SPS062DES	.63-.74 (1.60-1.88)	850 (3,781)	2,060 (9,163)	4 (10.16)	10 (25.40)
SPS075DE	SPS075DES	.75-.99 (1.90-2.51)	1,020 (4,537)	2,060 (9,163)	5½ (13.97)	13 (33.02)
SPS100DE	SPS100DES	1.00-1.24 (2.54-3.15)	1,610 (7,161)	2,670 (11,876)	5 (12.70)	14 (35.56)
SPS125DE	SPS125DES	1.25-1.49 (3.17-3.78)	1,610 (7,161)	4,490 (19,972)	5 (12.70)	15 (38.10)
SPS150DE	SPS150DES	1.50-1.74 (3.81-4.42)	1,610 (7,161)	3,750 (16,680)	5 (12.70)	17 (43.18)
SPS175DE	SPS175DES	1.75-1.99 (4.44-5.05)	2,150 (9,563)	5,000 (22,240)	6 (15.24)	19 (48.26)
SPS200DE	SPS200DES	2.00-2.49 (5.08-6.32)	3,260 (14,500)	8,940 (39,765)	6 (15.24)	21 (53.34)
SPS250DE	—	2.50-2.99 (6.35-7.59)	3,260 (14,500)	—	6 (15.24)	23 (58.42)
SPS300DE	—	3.00-3.49 (7.62-8.86)	4,900 (21,795)	—	8 (20.32)	25 (63.50)
SPS350DE	—	3.50-3.99 (8.89-10.13)	4,900 (21,795)	—	8 (20.32)	27 (68.58)



Note: See page L-20 for lace closing instructions.

Application:

Permanent support of vertical and horizontal cable indoors and outdoors where ends of cable are not available

Ideal For Use In:

- Industrial applications
- Communication towers
- Utility work
- Heavy equipment
- Construction

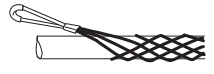
LACE CLOSING INSTRUCTIONS

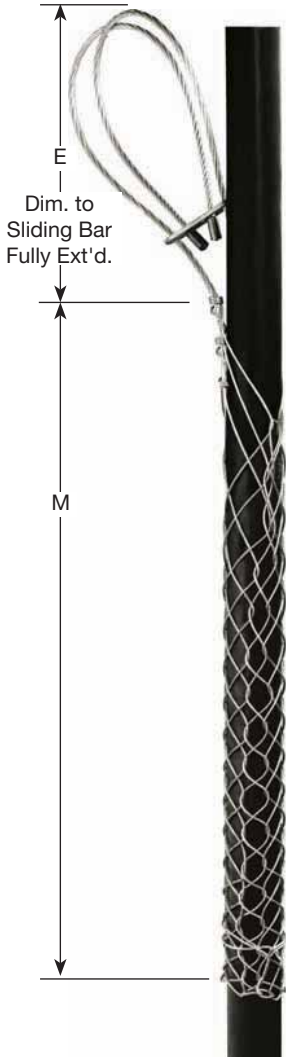


CAUTION: Never use grip to approximate breaking strength. Refer to page L-35 for safety and working load factors. Banding is necessary to guard against accidental release of grip and provide maximum reliability.

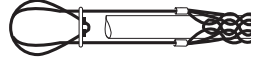


OFFSET EYE, SPLIT MESH, LACE CLOSING

Catalog Number	Cable Diameter Range Inches (cm)	Approx. Breaking Strength Lbs. (N)		
Tin-Coated Bronze		Tin-Coated Bronze	E Inches (cm)	M
SPS050SO	.50-.62 (1.27-1.57)	500 (2,724)	4 (10.16)	10 (25.40)
SPS062SO	.63-.74 (1.60-1.88)	750 (3,336)	4 (10.16)	10 (25.40)
SPS075SO	.75-.99 (1.90-2.51)	950 (4,226)	4 (10.16)	13 (33.02)
SPS100SO	1.00-1.24 (2.54-3.15)	1,500 (6,672)	5 (12.70)	14 (35.56)
SPS125SO	1.25-1.49 (3.17-3.78)	1,500 (6,672)	5 (12.70)	15 (38.10)
SPS150SO	1.50-1.74 (3.81-4.42)	1,500 (6,672)	5 (12.70)	17 (43.18)
SPS175SO	1.75-1.99 (4.44-5.05)	1,800 (8,006)	6 (15.24)	19 (48.26)
SPS200SO	2.00-2.49 (5.08-6.32)	2,150 (9,563)	9 (22.86)	21 (53.34)
SPS250SO	2.50-2.99 (6.35-7.59)	2,150 (9,563)	9 (22.86)	23 (58.42)
SPS300SO	3.00-3.49 (7.62-8.86)	3,250 (14,456)	11 (27.94)	25 (63.50)
SPS350SO	3.50-3.99 (8.89-10.13)	3,250 (14,456)	11 (27.94)	27 (68.58)



LOOPED BALE EYE, SPLIT MESH, LACE CLOSING

Catalog Number	Cable Diameter Range Inches (cm)	Approx. Breaking Strength Lbs. (N)		
Tin-Coated Bronze		Tin-Coated Bronze	E Inches (cm)	M
SPS050L	.50-.62 (1.27-1.57)	530 (2,357)	18 (45.72)	10 (25.40)
SPS062L	.63-.74 (1.60-1.88)	790 (3,514)	18 (45.72)	10 (25.40)
SPS075L	.75-.99 (1.90-2.51)	1,020 (4,537)	18 (45.72)	13 (33.02)
SPS100L	1.00-1.24 (2.54-3.15)	1,610 (7,161)	18 (45.72)	14 (35.56)
SPS125L	1.25-1.49 (3.17-3.78)	1,610 (7,161)	18 (45.72)	15 (38.10)
SPS150L	1.50-1.74 (3.81-4.42)	1,610 (7,161)	18 (45.72)	17 (43.18)
SPS175L	1.75-1.99 (4.44-5.05)	2,150 (9,563)	18 (45.72)	19 (48.26)
SPS200L	2.00-2.49 (5.08-6.32)	3,260 (14,500)	18 (45.72)	21 (53.34)
SPS250L	2.50-2.99 (6.35-7.59)	3,260 (14,500)	18 (45.72)	23 (58.42)
SPS300L	3.00-3.49 (7.62-8.86)	4,900 (21,795)	18 (45.72)	25 (63.50)
SPS350L	3.50-3.99 (8.89-10.13)	4,900 (21,795)	18 (45.72)	27 (68.58)

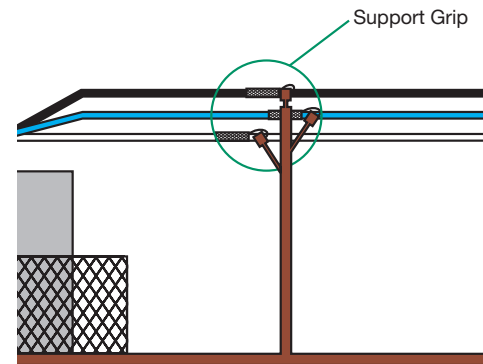
Note: Stainless steel support grips are available upon request. Consult Factory. See page L-17 for lace closing instructions.

Application:

Supporting vertical and horizontal runs of cable indoors and outdoors when the ends of cables are not available

Ideal For Use In:

- Industrial applications
- Communication towers
- Utility work
- Heavy equipment
- Construction



CAUTION: Never use grip to approximate breaking strength. Refer to page L-35 for safety and working load factors. Banding is necessary to guard against accidental release of grip and provide maximum reliability.



SINGLE EYE, SPLIT MESH, ROD CLOSING

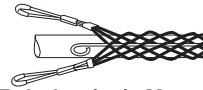
Catalog Number		Cable Diameter Range Inches (cm)	Approx. Breaking Strength Lbs. (N)		E Inches (cm) M	
Tin-Coated Bronze	Stainless Steel		Tin-Coated Bronze	Stainless Steel		
SPSR050U	SPSR050US	.50-.62 (1.27-1.57)	790 (3,514)	1,050 (4,670)	7 (17.78)	6½ (16.51)
SPSR062U	SPSR062US	.63-.74 (1.60-1.88)	790 (3,514)	2,050 (9,118)	8 (20.32)	8½ (21.59)
SPSR075U	SPSR075US	.75-.99 (1.90-2.51)	1020 (4,537)	2,050 (9,118)	8 (20.32)	10½ (26.67)
SPSR100U	SPSR100US	1.00-1.24 (2.54-3.15)	1,610 (7,161)	2,650 (11,787)	9 (22.86)	12½ (31.75)
SPSR125U	SPSR125US	1.25-1.49 (3.17-3.78)	1,610 (7,161)	4,500 (20,016)	10 (25.40)	14½ (36.83)
SPSR150U	SPSR150US	1.50-1.74 (3.81-4.42)	1,610 (7,161)	4,500 (20,016)	12 (30.48)	15½ (39.37)
SPSR175U	SPSR175US	1.75-1.99 (4.44-5.05)	2,150 (9,563)	6,000 (26,688)	14 (35.56)	16½ (41.91)
SPSR200U	SPSR200US	2.00-2.49 (5.08-6.32)	3,260 (14,500)	8,950 (39,810)	16 (40.64)	19½ (49.53)
SPSR250U	SPSR250US	2.50-2.99 (6.35-7.59)	3,260 (14,500)	7,750 (34,472)	18 (45.72)	21½ (54.61)
SPSR300U	SPSR300US	3.00-3.49 (7.62-8.86)	5,750 (25,576)	8,500 (37,808)	21 (53.34)	23½ (59.69)
SPSR350U	—	3.50-3.99 (8.89-10.13)	5,750 (25,576)	—	24 (60.96)	25½ (64.77)



SPSR125U

DOUBLE EYE, SPLIT MESH, ROD CLOSING

Catalog Number		Cable Diameter Range Inches (cm)	Approx. Breaking Strength Lbs. (N)		E Inches (cm) M	
Tin-Coated Bronze	Stainless Steel		Tin-Coated Bronze	Stainless Steel		
SPSR050DE	—	.50-.62 (1.27-1.57)	790 (3,514)	—	4 (10.16)	6½ (16.51)
SPSR062DE	SPSR062DES	.63-.74 (1.60-1.88)	790 (3,514)	2,050 (9,118)	4 (10.16)	8½ (21.59)
SPSR075DE	SPSR075DES	.75-.99 (1.90-2.51)	1,020 (4,537)	2,050 (9,118)	5½ (13.97)	10½ (26.67)
SPSR100DE	SPSR100DES	1.00-1.24 (2.54-3.15)	1,610 (7,161)	2,650 (11,787)	5 (12.70)	12½ (31.75)
SPSR125DE	—	1.25-1.49 (3.17-3.78)	1,610 (7,161)	—	5 (12.70)	14½ (36.83)
SPSR150DE	SPSR150DES	1.50-1.74 (3.81-4.42)	1,610 (7,161)	3,750 (16,680)	5 (12.70)	15½ (39.37)
SPSR175DE	SPSR175DES	1.75-1.99 (4.44-5.05)	2,150 (9,563)	5,000 (22,240)	6 (15.24)	16½ (41.91)
SPSR200DE	SPSR200DES	2.00-2.49 (5.08-6.32)	3,260 (14,500)	8,950 (39,810)	6 (15.24)	19½ (49.53)
SPSR250DE	SPSR250DES	2.50-2.99 (6.35-7.59)	3,260 (14,500)	8,950 (39,810)	6 (15.24)	21½ (54.61)
SPSR300DE	—	3.00-3.49 (7.62-8.86)	5,750 (25,576)	—	8 (20.32)	23½ (59.69)
SPSR350DE	—	3.50-3.99 (8.89-10.13)	5,750 (25,576)	—	8 (20.32)	25½ (64.77)



Note: See page L-13 for rod closing Instructions.

ROD CLOSING INSTRUCTIONS

Application:

Supporting vertical and horizontal runs of cable indoors and outdoors when the ends of cables are not available

Ideal For Use In:

- Industrial applications
- Communication towers
- Utility work
- Heavy equipment
- Construction

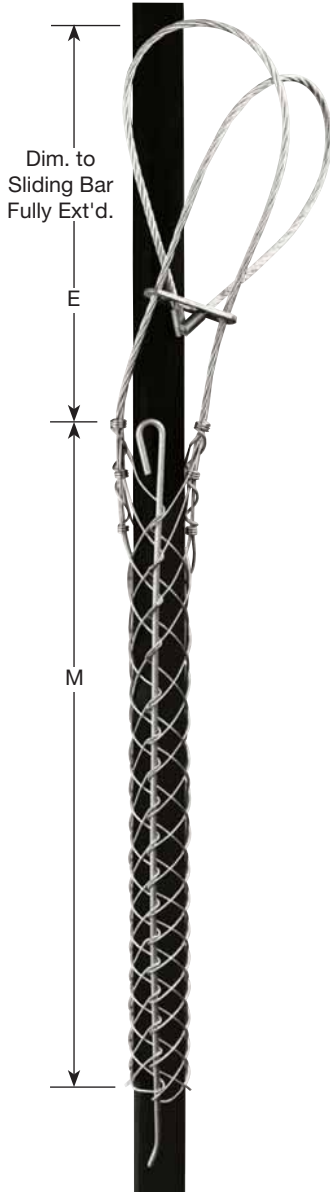


CAUTION: Never use grip to approximate breaking strength. Refer to page L-35 for safety and working load factors. Banding is necessary to guard against accidental release of grip and provide maximum reliability.



OFFSET EYE, SPLIT MESH, ROD CLOSING

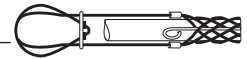
Catalog Number		Cable Diameter Range Inches (cm)	Approx. Breaking Strength Lbs. (N)		E Inches (cm) M	
Tin-Coated Bronze	Stainless Steel		Tin-Coated Bronze	Stainless Steel		
SPSR062SO	SPSR062SOS	.63-.74 (1.60-1.88)	750 (3,336)	1,950 (8,674)	4 (10.16)	9 (22.86)
SPSR075SO	SPSR075SOS	.75-.99 (1.90-2.51)	950 (4,226)	1,950 (8,674)	4 (10.16)	10 (25.40)
SPSR100SO	SPSR100SOS	1.00-1.24 (2.54-3.15)	1,500 (6,672)	2,500 (11,121)	5 (12.70)	12 (30.48)
SPSR125SO	SPSR125SOS	1.25-1.49 (3.17-3.78)	1,500 (6,672)	4,200 (18,683)	5 (12.70)	14 (35.56)
SPSR150SO	SPSR150SOS	1.50-1.74 (3.81-4.42)	1,500 (6,672)	4,500 (20,017)	5 (12.70)	15 (38.10)
SPSR175SO	SPSR175SOS	1.75-1.99 (4.44-5.05)	2,000 (8,896)	4,375 (19,461)	6 (15.24)	16 (40.64)
SPSR200SO	—	2.00-2.49 (5.08-6.32)	3,100 (13,789)	—	9 (22.86)	19 (48.26)
SPSR250SO	—	2.50-2.99 (6.35-7.59)	3,100 (13,789)	—	9 (22.86)	20 (50.80)
SPSR300SO	—	3.00-3.49 (7.62-8.86)	4,300 (19,127)	—	11 (27.94)	21 (53.34)
SPSR350SO	—	3.50-3.99 (8.89-10.13)	4,300 (19,127)	—	11 (27.94)	24 (60.96)



SPSR125L

LOOPED BALE EYE, SPLIT MESH, ROD CLOSING

Catalog Number	Cable Diameter Range Inches (cm)	Approx. Breaking Strength Lbs. (N)	E Inches (cm) M	
Tin-Coated Bronze		Tin-Coated Bronze		
SPSR062L	.63-.74 (1.60-1.88)	790 (3,514)	18 (45.72)	8½ (21.59)
SPSR075L	.75-.99 (1.90-2.51)	1,020 (4,537)	18 (45.72)	10½ (26.67)
SPSR100L	1.00-1.24 (2.54-3.15)	1,610 (7,161)	18 (45.72)	12½ (31.75)
SPSR125L	1.25-1.49 (3.17-3.78)	1,610 (7,161)	18 (45.72)	14½ (36.83)
SPSR175L	1.75-1.99 (4.44-5.05)	2,150 (9,564)	18 (45.72)	16½ (41.91)
SPSR200L	2.00-2.49 (5.08-6.32)	3,260 (14,501)	18 (45.72)	19½ (49.53)
SPSR250L	2.50-2.99 (6.35-7.59)	3,260 (14,501)	18 (45.72)	21½ (54.61)



Note: See page L-13 for rod closing Instructions.

Application:

Supporting vertical and horizontal runs of cable indoors and outdoors when the ends of cables are not available

Ideal For Use In:

- Industrial applications
- Communication towers
- Utility work
- Heavy equipment
- Construction

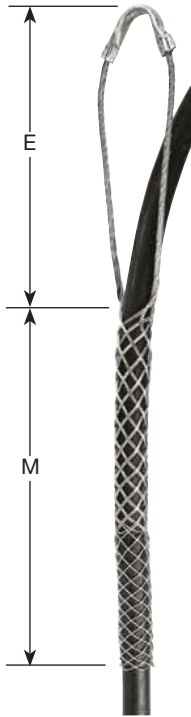
ROD CLOSING INSTRUCTIONS



CAUTION: Never use grip to approximate breaking strength. Refer to page L-35 for safety and working load factors. Banding is necessary to guard against accidental release of grip and provide maximum reliability.



SINGLE EYE, CLOSED MESH

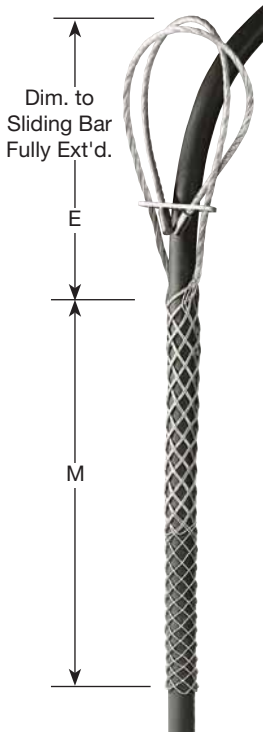


SPJ075UD

Catalog Number	Cable Diameter Range Inches (cm)	Approx. Breaking Strength Lbs. (N)	E Inches (cm) M	
Tin-Coated Bronze				
SPJ023UD	.23-.31 (.58-.79)	500 (2,224)	5½ (13.97)	4½ (11.43)
SPJ029UD	.29-.37 (.74-.94)	500 (2,224)	5½ (13.97)	5½ (13.97)
SPJ035UD	.35-.44 (.89-1.12)	870 (3,870)	6 (15.24)	6½ (16.51)
SPJ041UD	.41-.50 (1.04-1.27)	870 (3,870)	6 (15.24)	7½ (19.05)
SPJ046UD	.46-.56 (1.17-1.42)	1,050 (4,670)	6 (15.24)	8 (20.32)
SPJ052UD	.52-.62 (1.32-1.57)	1,050 (4,670)	7 (17.78)	8½ (21.59)
SPJ058UD	.58-.68 (1.47-1.73)	1,050 (4,670)	7 (17.78)	9½ (24.13)
SPJ064UD	.64-.75 (1.63-1.90)	1,390 (6,183)	7 (17.78)	9½ (24.13)
SPJ075UD	.75-.87 (1.90-2.21)	1,390 (6,183)	8 (20.32)	10½ (26.67)
SPJ087UD	.87-1.00 (2.21-2.54)	1,790 (7,962)	8 (20.32)	11½ (29.21)
SPJ100UD	1.00-1.18 (2.54-3.00)	1,790 (7,962)	9 (22.86)	13½ (34.29)
SPJ106UD	1.06-1.24 (2.69-3.15)	1,790 (7,962)	9 (22.86)	14½ (36.83)

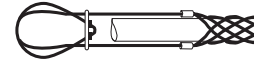


LOOPED BALE EYE, CLOSED MESH



SPJ075LD

Catalog Number	Cable Diameter Range Inches (cm)	Approx. Breaking Strength Lbs. (N)	E Inches (cm) M	
Tin-Coated Bronze				
SPJ023LD	.23-.31 (.58-.79)	500 (2,224)	11 (27.94)	4½ (11.43)
SPJ029LD	.29-.37 (.74-.94)	500 (2,224)	11 (27.94)	5½ (13.97)
SPJ035LD	.35-.44 (.89-1.12)	870 (3,870)	12 (30.48)	6½ (16.51)
SPJ041LD	.41-.50 (1.04-1.27)	870 (3,870)	12 (30.48)	7½ (19.05)
SPJ046LD	.46-.56 (1.17-1.42)	1,050 (4,670)	12 (30.48)	8 (20.32)
SPJ052LD	.52-.62 (1.32-1.57)	1,050 (4,670)	13 (33.02)	8½ (21.59)
SPJ058LD	.58-.68 (1.47-1.73)	1,050 (4,670)	13 (33.02)	9½ (24.13)
SPJ064LD	.64-.75 (1.63-1.90)	1,390 (6,183)	13 (33.02)	9½ (24.13)
SPJ075LD	.75-.87 (1.90-2.21)	1,390 (6,183)	14 (35.56)	10½ (26.67)
SPJ087LD	.87-1.00 (2.21-2.54)	1,790 (7,962)	14 (35.56)	11½ (29.21)
SPJ100LD	1.00-1.18 (2.54-3.00)	1,790 (7,962)	15 (38.10)	13½ (34.29)
SPJ106LD	1.06-1.25 (2.69-3.17)	1,790 (7,962)	15 (38.10)	14½ (36.83)



Application:

For heavy duty support of all types of suspended service cables used in indoor or outdoor minimum abuse environments

Ideal For Use In:

- Industrial applications
- Communication towers
- Utility work
- Construction
- Transportation power systems
- Residential

CAUTION: Never use grip to approximate breaking strength. Refer to page L-35 for safety and working load factors. Banding is necessary to guard against accidental release of grip and provide maximum reliability.



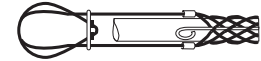
SINGLE EYE, CLOSED MESH

Catalog Number	Cable Diameter Range Inches (cm)	Approx. Breaking Strength Lbs. (N)	E Inches (cm) M	
Tin-Coated Bronze			Tin-Coated Bronze	
SPJ023U	.23-.31 (.58-.79)	290 (1,290)	3 (7.62)	3¾ (9.52)
SPJ029U	.29-.37 (.74-.94)	290 (1,290)	5 (12.70)	4½ (11.43)
SPJ035U	.35-.44 (.89-1.12)	500 (2,224)	5½ (13.97)	4¾ (12.06)
SPJ041U	.41-.50 (1.04-1.27)	500 (2,224)	5½ (13.97)	5 (12.70)
SPJ046U	.46-.56 (1.17-1.42)	660 (2,936)	6 (15.24)	5¼ (13.33)
SPJ052U	.52-.62 (1.32-1.57)	790 (3,514)	7 (17.78)	6¼ (15.87)
SPJ058U	.58-.68 (1.47-1.73)	790 (3,514)	7 (17.78)	6½ (16.51)
SPJ064U	.64-.75 (1.63-1.90)	790 (3,514)	7 (17.78)	6¾ (17.14)
SPJ075U	.75-.87 (1.90-2.21)	1,020 (4,537)	8 (20.32)	8 (20.32)
SPJ087U	.87-1.00 (2.21-2.54)	1,020 (4,537)	8 (20.32)	8¾ (22.22)
SPJ100U	1.00-1.18 (2.54-3.00)	1,020 (4,537)	9 (22.86)	9½ (24.13)
SPJ106U	1.06-1.24 (2.69-3.15)	1,020 (4,537)	9 (22.86)	9½ (24.13)



LOOPED BALE EYE, CLOSED MESH

Catalog Number	Cable Diameter Range Inches (cm)	Approx. Breaking Strength Lbs. (N)	E Inches (cm) M	
Tin-Coated Bronze			Tin-Coated Bronze	
SPJ023L	.23-.31 (.58-.79)	290 (1,290)	9 (22.86)	3¾ (9.52)
SPJ029L	.29-.37 (.74-.94)	290 (1,290)	10 (25.40)	4¼ (11.43)
SPJ035L	.35-.44 (.89-1.12)	500 (2,224)	10 (25.40)	4¾ (12.06)
SPJ041L	.41-.50 (1.04-1.27)	500 (2,224)	11 (27.94)	5 (12.70)
SPJ046L	.46-.56 (1.17-1.42)	660 (2,936)	12 (30.48)	5¼ (13.33)
SPJ052L	.52-.62 (1.32-1.57)	790 (3,514)	13 (33.02)	6¼ (15.87)
SPJ058L	.58-.68 (1.47-1.73)	790 (3,514)	13 (33.02)	6½ (16.51)
SPJ064L	.64-.75 (1.63-1.90)	790 (3,514)	13 (33.02)	6¾ (17.14)
SPJ075L	.75-.87 (1.90-2.21)	1,020 (4,537)	14 (35.56)	8 (20.32)
SPJ087L	.87-1.00 (2.21-2.54)	1,020 (4,537)	14 (35.56)	8¾ (22.22)
SPJ100L	1.00-1.18 (2.54-3.00)	1,020 (4,537)	15 (38.10)	9½ (24.13)
SPJ106L	1.06-1.25 (2.69-3.17)	1,020 (4,537)	15 (38.10)	9½ (24.13)



Application:

For light duty support of all types of suspended service cables used in indoor or outdoor minimum abuse environments

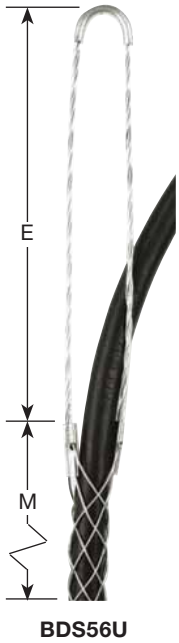
Ideal For Use In:

- Industrial applications
- Communication towers
- Utility work
- Construction
- Transportation power systems
- Residential

CAUTION: Never use grip to approximate breaking strength. Refer to page L-35 for safety and working load factors. Banding is necessary to guard against accidental release of grip and provide maximum reliability.



SINGLE EYE, CLOSED MESH

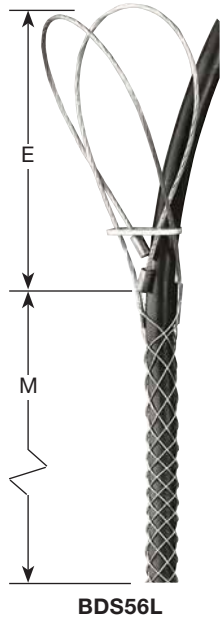


BDS56U

Catalog Number	Cable Diameter Range Inches (cm)	Approx. Breaking Strength Lbs. (N)	E Inches (cm) M	
Galvanized Steel		Galvanized Steel	E Inches (cm)	M
BDS24U	.24-.32 (.61-.81)	350 (1,557)	3 (7.62)	3½ (8.89)
BDS32U	.32-.43 (.81-1.09)	450 (2,002)	4 (10.16)	4 (10.16)
BDS43U	.43-.56 (1.09-1.42)	550 (2,446)	6 (15.24)	4¾ (12.06)
BDS56U	.56-.73 (1.42-1.85)	1,000 (4,448)	7 (17.78)	6 (15.24)
BDS73U	.73-.85 (1.85-2.16)	1,400 (6,227)	7 (17.78)	6¾ (17.14)
BDS85U	.85-1.00 (2.16-2.54)	1,400 (6,227)	8 (20.32)	8 (20.32)
BDS100U	1.00-1.25 (2.54-3.17)	1,500 (6,672)	9 (22.86)	9½ (24.13)

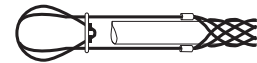


LOOPED BALE EYE, CLOSED MESH



BDS56L

Catalog Number	Cable Diameter Range Inches (cm)	Approx. Breaking Strength Lbs. (N)	E Inches (cm) M	
Galvanized Steel		Galvanized Steel	E Inches (cm)	M
BDS24L	.24-.32 (.61-.81)	350 (1,557)	9 (22.86)	3½ (8.89)
BDS32L	.32-.43 (.81-1.09)	450 (2,002)	10 (25.40)	4 (10.16)
BDS43L	.43-.56 (1.09-1.42)	550 (2,446)	12 (30.48)	4¾ (12.06)
BDS56L	.56-.73 (1.42-1.85)	1,000 (4,448)	13 (33.02)	6 (15.24)
BDS73L	.73-.85 (1.85-2.16)	1,400 (6,227)	13 (33.02)	6¾ (17.14)
BDS85L	.85-1.00 (2.16-2.54)	1,400 (6,227)	14 (35.56)	8 (20.32)
BDS100L	1.00-1.25 (2.54-3.17)	1,500 (6,672)	15 (38.10)	9½ (24.13)

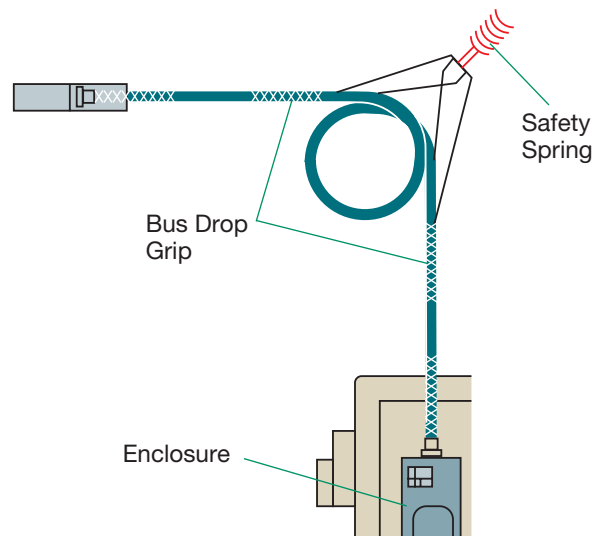


BUS DROP SAFETY SPRINGS

Catalog Number	Diameter Inches (cm)	Approx. Breaking Strength Lbs. (N)	Length Inches (cm)	Maximum Deflection Inches/Lbs. (cm/N)
S40	¾ (1.90)	500 (2,224)	8¼ (20.95)	2¾ at 40 Lbs. (6.67 cm at 178 N)
S80	1 (2.54)	850 (3,781)	8¼ (20.95)	3¾ at 80 Lbs. (7.94 cm at 356 N)

Application:

Used for light duty support of the dead weight of flexible cable connections of electrical machinery to bus ducts, relieving strain, pull, vibration, and flexing; when used with safety springs, these grips reduce tension, prevent pullouts, electrical accidents, and downtime; often used in conjunction with strain relief grips



S80

Ideal For Use In:

- All factory equipment
- Cable drops for electrical connections

CAUTION: Never use grip to approximate breaking strength. Refer to page L-35 for safety and working load factors. Banding is necessary to guard against accidental release of grip and provide maximum reliability.

Wire Management Products

Conduit Riser Support Grips



Suitable for standard electrical rigid metal conduit and schedule 40 rigid PVC conduit.
Not suitable for use with EMT.

RING TYPE, CLOSED MESH



CC125R3

Cable Dia. Range In. (cm)	.50-.62 (1.27-1.57)	.63-.74 (1.60-1.88)	.75-.99 (1.90-2.51)	1.00-1.24 (2.54-3.15)	1.25-1.49 (3.17-3.78)	1.50-1.74 (3.81-4.42)
Length In. (cm)	8 (20.32)	9 (22.86)	11 (27.94)	12 (30.48)	12.5 (31.75)	14 (35.56)
Conduit Trade Size	Catalog Number — Material Tin-Coated Bronze Approx. Breaking Strength Lbs. (N)					
¾	CC050R34 440 (1,957)	—	—	—	—	—
1	CC050R1 480 (2,135)	CC062R1 790 (3,514)	—	—	—	—
1¼	CC050R114 450 (2,002)	CC062R114 740 (3,292)	CC075R114 1,030 (4,581)	—	—	—
1½	—	CC062R112 690 (3,069)	CC075R112 980 (4,359)	CC100R112 590 (2,624)	—	—
2	CC050R2 370 (1,645)	CC062R2 640 (2,847)	CC075R2 920 (4,092)	CC100R2 1,520 (6,761)	CC125R2 1,610 (7,161)	—
2½	—	—	—	—	—	CC150R212 1,610 (7,161)
3	—	—	CC075R3 820 (3,647)	CC100R3 1,340 (5,960)	CC125R3 1,400 (6,227)	CC150R3 1,490 (6,627)
4	—	—	CC075R4 720 (3,203)	CC100R4 1,160 (5,160)	CC125R4 1,205 (5,338)	—

Cable Dia. Range In. (cm)	1.75-1.99 (4.44-5.05)	2.00-2.49 (5.08-6.32)	2.50-2.99 (6.35-7.59)	3.00-3.49 (7.62-8.86)	3.50-3.99 (8.89-10.13)
Length In. (cm)	15 (38.10)	16.5 (41.91)	18 (45.72)	20 (50.80)	21 (53.34)
Conduit Trade Size	Catalog Number — Material Tin-Coated Bronze Approx. Breaking Strength Lbs. (N)				
2½	CC175R212 2,150 (9,563)	—	—	—	—
3	CC175R3 1,990 (8,851)	CC200R3 3,260 (14,500)	—	—	—
3½	—	CC200R312 2,970 (13,211)	CC250R312 3,260 (14,500)	—	—
4	CC175R4 1,667 (7,410)	CC200R4 2,670 (11,876)	CC250R4 2,890 (12,855)	CC300R4 4,080 (18,148)	—
5	—	—	CC250R5 2,160 (9,608)	CC300R5 2,860 (12,721)	CC350R5 3,160 (14,056)
6	—	—	—	CC300R6 2,240 (9,963)	CC350R6 2,240 (9,963)

Application:

Supports vertical or sloping cable in schedule 40 rigid PVC conduit or standard electrical rigid metal conduit; prevents strain on terminals by transferring weight to support rim of the conduit; not suitable for EMT

Ideal For Use In:

- Building and pole risers
- Underground cable lines
- Areas where ring termination is practical

Applicable Requirements

Bryant Economy Conduit Riser Support Grips meet the requirements of NEC® 300.19

NEC® is a registered trademark of the National Fire Protection Association (NFPA).

CAUTION: Never use grip to approximate breaking strength. Refer to page L-35 for safety and working load factors. Banding is necessary to guard against accidental release of grip and provide maximum reliability.



Suitable for standard electrical rigid metal conduit and schedule 40 rigid PVC conduit.
Not suitable for use with EMT.

RING TYPE, SPLIT MESH, LACE CLOSING



CSD125L3

Cable Dia. Range In. (cm)	.75-.99 (1.90-2.51)	1.00-1.24 (2.54-3.15)	1.25-1.49 (3.17-3.78)	1.50-1.74 (3.81-4.42)	1.75-1.99 (4.44-5.05)
Length In. (cm)	11 (27.94)	12 (30.48)	12.5 (31.75)	14 (35.56)	15 (38.10)
Conduit Trade Size	Catalog Number — Material Tin-Coated Bronze Approx. Breaking Strength Lbs. (N)				
1½	—	CSD100L112 2,040 (9,074)	—	—	—
2	CSD075L2 1,420 (6,316)	CSD100L2 1,920 (8,540)	CSD125L2 2,040 (9,074)	—	—
2½	—	—	CSD125L212 1,910 (8,496)	CSD150L212 2,040 (9,074)	CSD175L212 2,730 (12,143)
3	—	—	CSD125L3 1,780 (7,917)	CSD150L3 1,880 (8,362)	CSD175L3 2,520 (11,209)
4	—	—	—	CSD150L4 1,580 (7,028)	CSD175L4 2,110 (9,385)

Cable Dia. Range In. (cm)	2.00-2.49 (5.08-6.32)	2.50-2.99 (6.35-7.59)	3.00-3.49 (7.62-8.86)	3.50-3.99 (8.89-10.13)
Length In. (cm)	16.5 (41.91)	18 (45.72)	20 (50.80)	21 (53.34)
Conduit Trade Size	Catalog Number — Material Tin-Coated Bronze Approx. Breaking Strength Lbs. (N)			
3	CSD200L3 4,300 (19,126)	—	—	—
3½	CSD200L312 3,910 (17,392)	CSD250L312 4,300 (19,126)	—	—
4	CSD200L4 3,530 (15,701)	CSD250L4 3,820 (16,991)	CSD300L4 5,380 (23,930)	—
5	—	CSD250L5 2,849 (12,672)	CSD300L5 3,760 (16,724)	CSD350L5 4,170 (18,548)
6	—	CSD250L6 2,365 (10,519)	CSD300L6 2,955 (13,144)	CSD350L6 2,955 (13,144)

Note: See page L-17 for lace closing instructions.

Application:

Supports vertical or sloping cable in schedule 40 rigid PVC conduit or standard electrical rigid metal conduit; prevents strain on terminals by transferring weight to support rim of the conduit; not suitable for EMT

Ideal For Use In:

- Building and pole risers
- Underground cable lines
- Where ring termination is practical

Applicable Requirements

Bryant Economy Conduit Riser Support Grips meet the requirements of NEC® 300.19

NEC® is a registered trademark of the National Fire Protection Association (NFPA).

CAUTION: Never use grip to approximate breaking strength. Refer to page L-35 for safety and working load factors. Banding is necessary to guard against accidental release of grip and provide maximum reliability.

LACE CLOSING INSTRUCTIONS





Suitable for standard electrical rigid metal conduit and schedule 40 rigid PVC conduit.
Not suitable for use with EMT.

RING TYPE, SPLIT MESH, ROD CLOSING



CSR125R3

Cable In. (cm)	.75-.99 (1.90-2.51)	1.00-1.24 (2.54-3.15)	1.25-1.49 (3.17-3.78)	1.50-1.74 (3.81-4.42)	1.75-1.99 (4.44-5.05)	2.00-2.49 (5.08-6.32)	2.50-2.99 (6.35-7.59)
Length In. (cm)	10.5 (26.67)	12 (30.48)	13.5 (34.29)	14 (35.56)	15.5 (39.37)	16 (40.64)	18.5 (46.99)
Conduit Trade Size	Catalog Number — Material Tin-Coated Bronze Approx. Breaking Strength Lbs. (N)						
1¼	CSR075R114 1,020 (4,537)	—	—	—	—	—	—
1½	CSR075R112 970 (4,315)	CSR100R112 1,610 (7,161)	—	—	—	—	—
2	—	CSR100R2 1,520 (6,761)	CSR125R2 1,610 (7,161)	—	—	—	—
2½	—	CSR100R212 1,430 (6,361)	CSR125R212 1,510 (6,716)	CSR150R212* 2,150 (9,563)	—	—	—
3	—	—	CSR125R3 1,400 (6,227)	CSR150R3* 1,990 (8,851)	CSR175R3 1,990 (8,851)	CSR200R3 3,260 (14,500)	—
3½	—	—	—	—	—	CSR200R312 2,970 (13,211)	CSR250R312 3,260 (14,500)
4	—	—	—	—	—	CSR200R4 2,670 (11,876)	CSR250R4 2,890 (17,855)

Note: See page L-13 for rod closing instructions.

Application:

Supports vertical or sloping standard rigid cable in conduit; prevents strain on terminals by transferring weight to support rim of the conduit; not suitable for EMT

Ideal For Use In:

- Building and pole risers
- Underground cable lines
- Where ring termination is practical

ROD CLOSING INSTRUCTIONS

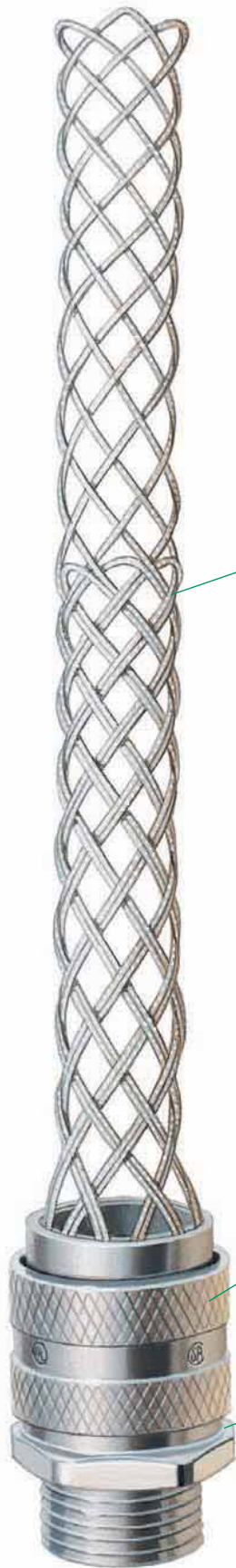


Applicable Requirements

Bryant Economy Conduit Riser Support Grips meet the requirements of NEC® 300.19

NEC® is a registered trademark of the National Fire Protection Association (NFPA).

CAUTION: Never use grip to approximate breaking strength. Refer to page L-35 for safety and working load factors. Banding is necessary to guard against accidental release of grip and provide maximum reliability.



Wire mesh

- Endless weave for easy installation
- Provides arc-of-bend control
- Stainless and galvanized steel options

Corrosion resistant

- Indoor and outdoor applications
- UL and CSA agency certifications

Connector types

- Deluxe cord grips
- Liquidtight
- Dust-tight



DELUXE CORD GRIPS



DC6234



DC62F34



DC62434



DC50934

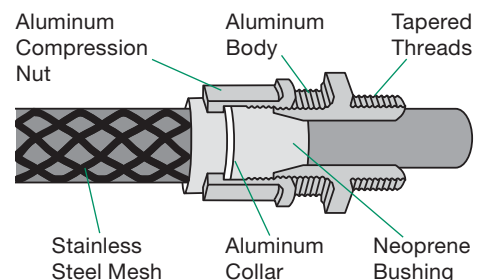
N.P.T. Hub Size	Catalog Number				Grip Dia. Range Inches (cm)
	Straight Male Thread	Straight Female Thread	45° Male Thread	90° Male Thread	
3/8	DC2538	—	—	DC25938	.250-.312 (.63-.79)
	DC3138	—	—	DC31938	.312-.375 (.79-.95)
	DC3738	—	—	DC37938	.375-.437 (.95-1.11)
1/2	DC1812	—	—	DC18912	.187-.250 (.47-.63)
	DC2512	DC25F12	DC25412	DC25912	.250-.375 (.63-.95)
	DC3712	DC37F12	DC37412	DC37912	.375-.500 (.95-1.27)
	DC5012	DC50F12	DC50412	DC50912	.500-.625 (1.27-1.59)
	DC6212	—	—	—	.625-.750 (1.59-1.90)
3/4	DC1834	—	—	—	.187-.250 (.47-.63)
	DC2534	DC25F34	—	—	.250-.375 (.63-.95)
	DC3734	DC37F34	—	DC37934	.375-.500 (.95-1.27)
	DC5034	DC50F34	DC50434	DC50934	.500-.625 (1.27-1.59)
	DC6234	DC62F34	DC62434	DC62934	.625-.750 (1.59-1.90)
	DC7534	—	—	—	.750-.875 (1.90-2.22)
1	DC501	—	DC5041	DC5091	.500-.625 (1.27-1.59)
	DC621	—	DC6241	DC6291	.625-.750 (1.59-1.90)
	DC751	—	DC7541	DC7591	.750-.875 (1.90-2.22)
	DC871	—	DC8741	DC8791	.875-1.000 (2.22-2.54)
1 1/4	DC87114	—	—	DC879114	.875-1.000 (2.22-2.54)
	DC100114	—	DC1004114	DC1009114	1.000-1.125 (2.54-2.86)
	DC112114	—	DC1124114	DC1129114	1.125-1.250 (2.86-3.17)
	DC125114	—	DC1254114	DC1259114	1.250-1.375 (3.17-3.49)
1 1/2	DC87112	—	—	—	.875-1.000 (2.22-2.54)
	DC100112	—	DC1004112	DC1009112	1.000-1.125 (2.54-2.86)
	DC112112	—	DC1124112	DC1129112	1.125-1.250 (2.86-3.17)
	DC125112	—	DC1254112	DC1259112	1.250-1.375 (3.17-3.49)
	DC131112	—	—	—	1.312-1.437 (3.33-3.65)
	DC143112	—	—	—	1.437-1.562 (3.65-3.97)
	DC156112	—	—	—	1.562-1.687 (3.97-4.28)
DC168112	—	—	—	1.687-1.812 (4.28-4.60)	
2	DC1312	—	—	—	1.312-1.437 (3.33-3.65)
	DC1432	—	—	—	1.437-1.562 (3.65-3.97)
	DC1562	—	—	—	1.562-1.687 (3.97-4.28)
	DC1682	—	—	—	1.687-1.812 (4.28-4.60)
	DC1752	—	—	—	1.750-1.875 (4.44-4.76)
	DC181X2	—	—	—	1.812-1.937 (4.60-4.92)
	DC1932	—	—	—	1.937-2.062 (4.92-5.24)
DC2062	—	—	—	2.062-2.187 (5.24-5.55)	
2 1/2	DC168212	—	—	—	1.687-1.812 (4.28-4.60)
	DC181212	—	—	—	1.812-1.937 (4.60-4.92)
	DC193212	—	—	—	1.937-2.062 (4.92-5.24)
	DC206212	—	—	—	2.062-2.187 (5.24-5.55)
	DC218212	—	—	—	2.187-2.312 (5.55-5.87)
DC231212	—	—	—	2.312-2.437 (5.87-6.19)	
3	DC1933	—	—	—	1.937-2.062 (4.92-5.24)
	DC2063	—	—	—	2.063-2.187 (5.24-5.55)
	DC2183	—	—	—	2.187-2.312 (5.55-5.87)
	DC2313	—	—	—	2.312-2.437 (5.87-6.19)
	DC2433	—	—	—	2.437-2.625 (6.19-6.67)
	DC2623	—	—	—	2.625-2.812 (6.67-7.14)
DC2813	—	—	—	2.812-3.000 (7.14-7.62)	

Application:

Indoor and outdoor environments where cable or arc-of-bend control; cord is exposed to moisture, splash or washdown; provides pullout from tension, vibration, motion and strain

Ideal For Use In:

- Industrial applications
- Chemical machinery
- Control cabinets
- Pumps and compressors
- Machine tool shops
- Motor connections





WIDE RANGE GRIPS

N.P.S./N.P.T.* Hub Size	Catalog Number	Cable Diameter Range Inches (cm)	Mesh Length Inches (cm)
½ N.P.S.	BDSR24	.24-.32 (.61-.81)	3¼ (8.25)
½ N.P.S.	BDSR32	.32-.43 (.81-1.09)	3¾ (9.52)
½ N.P.S.	BDSR43	.43-.54 (1.09-1.37)	4¾ (12.06)
¾ N.P.S.	BDSR54	.54-.73 (1.37-1.85)	6½ (16.51)
1 N.P.S.	BDSR73	.73-.97 (1.85-2.46)	7 (17.78)
1¼ N.P.S.	BDSR97	.97-1.25 (2.46-3.17)	9 (22.86)
1½ N.P.T.	BDSR125	1.25-1.50 (3.17-3.81)	11¾ (29.84)
2 N.P.T.	BDSR150	1.50-1.70 (3.81-4.32)	13¼ (33.65)
2½ N.P.T.	BDSR170	1.70-2.00 (4.32-5.08)	13½ (34.29)
2½ N.P.T.	BDSR200	2.00-2.45 (5.08-6.22)	13¾ (34.92)

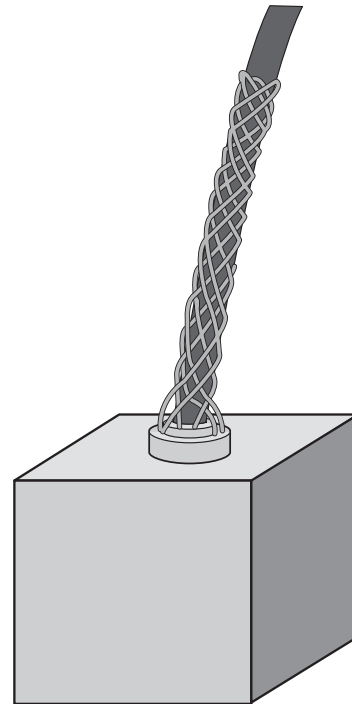
Note: *N.P.S. = National Pipe Straight; N.P.T. = National Pipe Taper.

Application:

For indoor use only to connect flexible cord or bus drop cables to electrical enclosures; used for preventing cable pullout damage and for controlling arc-of-bend by absorbing tension from terminals

Ideal For Use In:

- Bus drop systems
- Motor connections
- Panel boards
- Internal wiring of machines and cabinets



KNOCKOUT HOLES

N.P.S./N.P.T.* Hub Size	Knockout Hole Recommended Min. To Max. Inches (mm)
¼	.54-.57 (13.7-14.5)
⅜	.67-.70 (17.0-17.8)
½	.86-.91 (21.8-23.1)
¾	1.09-1.14 (27.7-29.0)
1"	1.36-1.41 (34.5-35.8)
1¼	1.72-1.77 (43.7-44.9)
1½	1.97-2.02 (50.0-51.3)
2	2.45-2.50 (62.2-63.5)
2½	2.95-3.00 (74.9-76.2)
3	3.58-3.63 (90.9-92.2)

Note: *N.P.S. = National Pipe Straight; N.P.T. = National Pipe Taper.



BDSR43



FC75

STRAIGHT MALE FITTING

Conduit Trade Size	Catalog Number	Mesh Length Inches (cm)	N.P.T. Hub Size
3/8	FC38	3 (7.62)	1/2
1/2	FC50	4 (10.16)	1/2
3/4	FC75	4 (10.16)	3/4
1	FC100	5 (12.70)	1
1 1/4	FC125	6 (15.24)	1 1/4
1 1/2	FC150	6 3/4 (17.14)	1 1/2
2	FC200	8 (20.32)	2
2 1/2	FC250	9 3/4 (24.76)	2 1/2
3	FC300	11 (27.94)	3
4	FC400	14 (35.56)	4



FC7545

45° MALE FITTING

Conduit Trade Size	Catalog Number	Mesh Length Inches (cm)	N.P.T. Hub Size
3/8	FC3845	3 (7.62)	1/2
1/2	FC5045	4 (10.16)	1/2
3/4	FC7545	4 (10.16)	3/4
1	FC10045	5 (12.70)	1
1 1/4	FC12545	6 (15.24)	1 1/4
1 1/2	FC15045	6 3/4 (17.14)	1 1/2
2	FC20045	8 (20.32)	2



FC7590

90° MALE FITTING

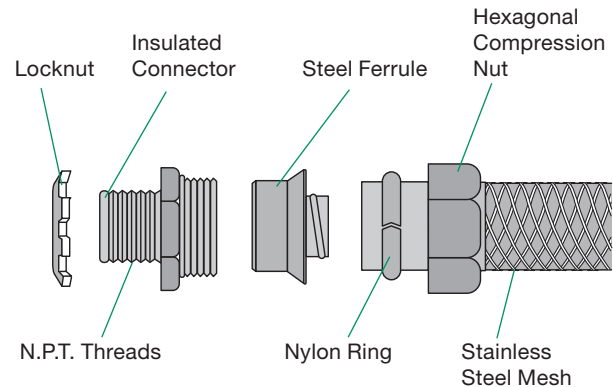
Conduit Trade Size	Catalog Number	Mesh Length Inches (cm)	N.P.T. Hub Size
3/8	FC3890	3 (7.62)	1/2
1/2	FC5090	4 (10.16)	1/2
3/4	FC7590	4 (10.16)	3/4
1	FC10090	5 (12.70)	1
1 1/4	FC12590	6 (15.24)	1 1/4
1 1/2	FC15090	6 3/4 (17.14)	1 1/2
2	FC20090	8 (20.32)	2
2 1/2	FC25090	9 3/4 (24.76)	2 1/2

Application:

Any application for type B liquidtight conduit; flexible conduit grips are suitable for use in hazardous locations per Class I Div. 2, Class II Div. 1 and 2, Class III Div. 1 and 2 of the NEC® sections 501.10(b), 502.10(a), 502.10(b), 503.10(a), and 503.10(b)

Ideal For Use In:

- On-machine wiring
- HVAC applications
- Food processing
- Chemical plants
- Mines
- Machine tool shops
- Motor connections



NEC® is a registered trademark of the National Fire Protection Association (NFPA).



PRODUCT SELECTION CHART

Catalog Number	Cord Diameter Range Inches (mm)	For Use With Bryant Triple Gripper® Plugs and Connectors
PC13W32	.30-.37 (7.6-9.4)	15 and 20 Amp Straight Blade and 15 Amp Locking 3-Wire Devices
PC13W43	.38-.50 (9.6-12.7)	
PC13W54	.50-.61 (12.7-15.5)	
PC23W43	.30-.41 (7.6-10.4)	20 and 30 Amp Locking 3-Wire Devices
PC23W54	.40-.68 (10.2-17.3)	
PC23W73	.67-.78 (17.0-19.8)	
PC345W43	.46-.68 (11.7-17.3)	20 and 30 Amp Locking 4- and 5-Wire Devices
PC345W54	.68-.83 (17.3-21.1)	
PC345W73	.83-.95 (21.1-24.1)	

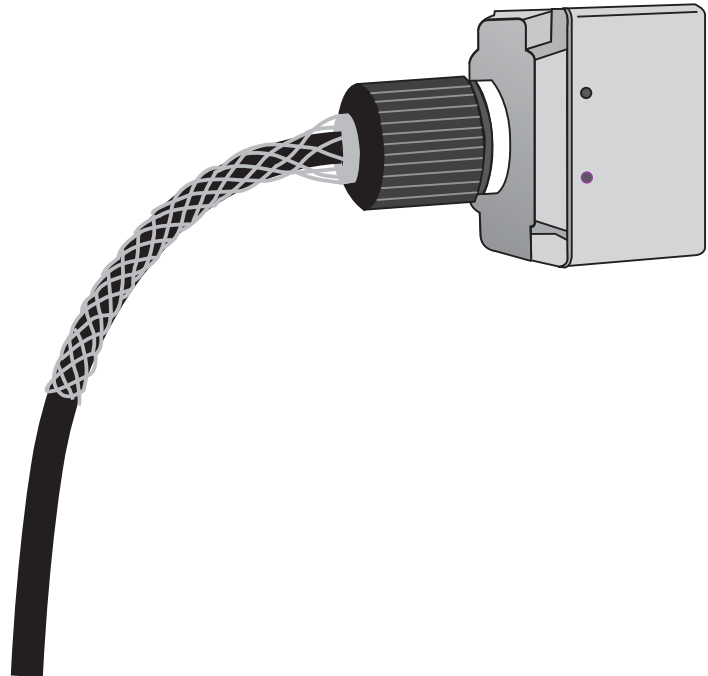
TO USE THE CHART

1. Identify the Bryant plug or connector needed by type (straight blade or locking), number of wires, and amperage.
2. Find the corresponding cord diameter size to be used.
3. Match this with the grip catalog number shown to the left.

Example: A locking 20 amp, 3-wire plug used with a .60 in. diameter cable would use a **PC23W54**.

Application:

Designed for use with Bryant Triple Gripper® plugs and connectors; reduces damage to connectors, plugs and cables caused by arc-of-bend



PC345W43
(Plug not included)



Working Load Factors for Wire Mesh Grips

There are many variables associated with the use of wire mesh cable grips. Working load is an estimation of several factors including tension, cable diameter, number of cables gripped, gripping surface and more. Safety factors associated in the product's use must be considered together with the effects of abrasion, corrosion, prior use and abuse and other variables specific to the application.

The appropriate breaking strength of a Bryant Economy Cable Grip represents an average calculation based on

data established from actual testing performed in our engineering laboratories. Under normal usage conditions, our recommended factor of safety is five for pulling grips and ten for support grips.

Any warranty as to quality, performance of fitness-for-use of the grips is always premised on the condition that the published strengths apply only to new, unused grips, and that such products are properly stored, handled, used, maintained and inspected by the user at a frequency appropriate for the use and condition of the grip.

EXAMPLE

Grip Style	Catalog Number	Approx. Breaking Strength (Lbs.)	Safety Factor	Max. Recommended Load (Lbs.)
Pulling	PHS200	27,200	5	5,440
Support	SPS125U	1,610	10	161

Note: The maximum recommended working load is the greatest tension to be exerted on a grip for any application, with a margin of safety to protect against unforeseen and unusual circumstances.

WIRE MESH GRIP MATERIALS

Material	Features	Product Group
Galvanized steel wire	High strength	Pulling grips
	Not subject to continuous outside environment	Splicing grips
		Bus Drop grips
Tin-Coated bronze wire	Corrosion-resistant for normal outside areas	Support grips
	Non-magnetic	
	Moderate strength	
Stainless steel wire (302/304)	High strength	Support grips
	Corrosion resistant	Strain relief grips

Applicable Code Requirements:

Bryant Economy Cable Grips meet the following requirements:

NEC® 300.19	Support of conductors in vertical raceways
NEC® 350	Liquidtight flexible metal conduit termination
NEC® 400.14	Flexible cord and cable protection
NEC® 400.10	Strain relief at joints and terminals
NEC® 501.10 (B)	Class I, Division 2, Tensile stress avoidance at termination fittings
NEC® 502.10 (A) and (B)	Class II, Division 1 and 2, Tensile stress avoidance at termination fittings
NEC® 503.10 (A) and (B)	Class III, Division 1, Tensile stress avoidance at termination fittings

SELECTION TABLE FOR MULTIPLE CABLES OF DIFFERENT DIAMETERS Inches (cm)

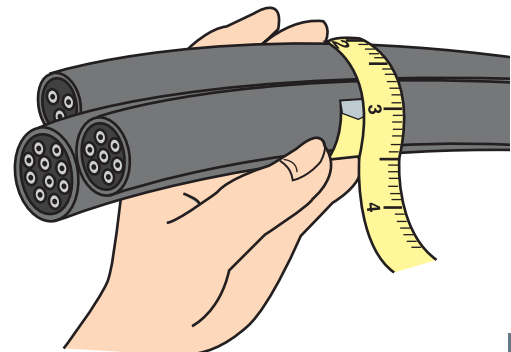
How to choose the correct grip size:

1. Find the grip circumference range by measuring the circumference of the bundle of different diameter cables to be gripped (see illustration).
2. Divide the bundle circumference by 3.14 to determine the diameter.
3. Choose a grip offering a range of cable diameters the same as the cable diameter.

For cables of equal diameters

Under "number of cables in one grip", find the diameter of your single cable in vertical column. Read the grip diameter range to the right. If your diameter is the maximum of the range shown, go to the next larger size for split grips, stay with the same size for closed grips.

Example: 3 cables, each with .89 (2.26) diameter, for a closed grip select the 1.50-1.74 (3.81-4.42) range, for a split grip select the 1.75-1.99 (4.44-5.05) range.



NEC® is a registered trademark of the National Fire Protection Association (NFPA).

Wire Management Products

Multiple Cable, Grip Selection Chart



SELECTION CHART FOR DETERMINING GRIP SIZE WHEN MORE THAN ONE CABLE IS HELD IN A SINGLE GRIP

- ❶ Under "Number of Cables in One Grip", find the diameter range of your cables in vertical column. Read grip size and grip diameter range to the left.
- ❷ If your diameter is the maximum of the range shown, go to the next larger size for split grips or stay with the same size for closed grips.
- ❸ Example: 3 cables, each with .89 in. diameter; a closed grip would use a 150 grip size while a split grip would use a 175 grip size.

	Grip Size	Grip Dia. Range Inches (cm)	Number of Cables in One Grip						
			2	3	4	5	6 and 7	8	9
PULLING AND SUPPORT	50	.50-.61 (1.27-1.55)	.30-.38 (.76-.97)	.25-.31 (.63-.79)	.22-.27 (.56-.69)	.19-.24 (.48-.61)	.17-.22 (.43-.56)	.15-.19 (.38-.48)	.14-.18 (.36-.46)
	62	.62-.74 (1.57-1.88)	.38-.44 (.97-1.12)	.31-.36 (.79-.91)	.27-.31 (.69-.79)	.24-.29 (.61-.74)	.22-.26 (.56-.66)	.19-.23 (.48-.56)	.18-.21 (.46-.53)
	75	.75-.99 (1.90-2.51)	.44-.59 (1.12-1.50)	.36-.49 (.91-1.24)	.31-.42 (.79-1.07)	.29-.38 (.74-.97)	.26-.34 (.66-.86)	.23-.31 (.58-.79)	.21-.28 (.53-.71)
	100	1.00-1.24 (2.54-3.15)	.59-.75 (1.50-1.90)	.49-.63 (1.24-1.60)	.42-.54 (1.07-1.37)	.38-.48 (.97-1.22)	.34-.43 (.86-1.09)	.31-.39 (.79-.99)	.28-.35 (.71-.89)
	125	1.25-1.49 (3.17-3.78)	.75-.90 (1.90-2.29)	.63-.76 (1.60-1.93)	.54-.65 (1.37-1.65)	.48-.58 (1.22-1.47)	.43-.52 (1.09-1.32)	.39-.46 (.99-1.17)	.35-.42 (.89-1.07)
	150	1.49-1.74 (3.81-4.42)	.90-1.07 (2.29-2.72)	.76-.89 (1.93-2.26)	.65-.77 (1.65-1.96)	.58-.67 (1.47-1.70)	.52-.60 (1.32-1.52)	.46-.54 (1.17-1.37)	.42-.49 (1.07-1.24)
	175	1.75-1.99 (4.44-5.05)	1.07-1.22 (2.72-3.10)	.89-1.02 (2.26-2.59)	.77-.88 (1.96-2.24)	.67-.77 (1.70-1.96)	.60-.69 (1.52-1.75)	.54-.62 (1.37-1.57)	.49-.56 (1.24-1.42)
	200	2.00-2.49 (5.08-6.32)	1.22-1.53 (3.10-3.89)	1.02-1.28 (2.59-3.25)	.88-1.10 (2.24-2.79)	.77-.96 (1.96-2.44)	.69-.86 (1.75-2.18)	.62-.77 (1.57-1.96)	.56-.71 (1.42-1.80)
	250	2.50-2.99 (6.35-7.59)	1.53-1.83 (3.89-4.65)	1.28-1.53 (3.25-3.89)	1.10-1.32 (2.79-3.35)	.96-1.16 (2.44-2.95)	.86-1.03 (2.18-2.62)	.77-.93 (1.96-2.36)	.71-.85 (1.80-2.16)
	300	3.00-3.49 (7.62-8.86)	1.83-2.14 (4.65-5.44)	1.53-1.79 (3.89-4.55)	1.32-1.54 (3.35-3.91)	1.16-1.35 (2.95-3.43)	1.03-1.20 (2.62-3.05)	.93-1.08 (2.36-2.74)	.85-.99 (2.16-2.51)
	350	3.50-3.99 (8.89-10.13)	2.14-2.44 (5.44-6.20)	1.79-2.05 (4.55-5.21)	1.54-1.76 (3.91-4.47)	1.35-1.54 (3.43-3.91)	1.20-1.37 (3.05-3.48)	1.08-1.24 (2.74-3.15)	.99-1.13 (2.51-2.87)
	400	4.00-4.49 (10.16-11.40)	2.44-2.75 (6.20-6.98)	2.05-2.30 (5.21-5.84)	1.76-1.98 (4.47-5.03)	1.54-1.74 (3.91-4.42)	1.37-1.55 (3.48-3.94)	1.24-1.39 (3.15-3.53)	1.13-1.27 (2.87-3.23)
	450	4.50-4.99 (11.43-12.67)	2.75-3.06 (6.98-7.77)	2.30-2.56 (5.84-6.50)	1.98-2.20 (5.03-5.59)	1.74-1.93 (4.42-4.90)	1.55-1.72 (3.94-4.37)	1.39-1.55 (3.53-3.94)	1.27-1.41 (3.23-3.58)
CONDUIT RISER	50	.50-.62 (1.27-1.57)	.29-.36 (.74-.91)	.24-.30 (.61-.76)	.21-.25 (.53-.63)	.18-.22 (.46-.56)	.16-.20 (.41-.51)	.15-.18 (.38-.46)	.14-.17 (.36-.43)
	62	.63-.74 (1.60-1.88)	.37-.43 (.94-1.09)	.31-.36 (.79-.91)	.26-.30 (.66-.76)	.23-.27 (.58-.69)	.21-.24 (.53-.61)	.19-.22 (.48-.56)	.18-.20 (.46-.51)
	75	.75-.99 (1.90-2.51)	.44-.58 (1.12-1.47)	.37-.48 (.94-1.22)	.31-.41 (.79-1.04)	.28-.36 (.71-.91)	.25-.32 (.63-.81)	.23-.29 (.58-.74)	.21-.27 (.53-.69)
	100	1.00-1.24 (2.54-3.15)	.59-.72 (1.50-1.83)	.49-.60 (1.24-1.52)	.42-.51 (1.07-1.30)	.37-.45 (.94-1.14)	.33-.40 (.84-1.02)	.30-.36 (.76-.91)	.28-.34 (.71-.86)
	125	1.25-1.49 (3.17-3.78)	.73-.87 (1.85-2.21)	.61-.72 (1.55-1.83)	.52-.61 (1.32-1.55)	.46-.54 (1.17-1.37)	.41-.48 (1.04-1.22)	.37-.43 (.94-1.09)	.35-.40 (.89-1.02)
	150	1.50-1.74 (3.81-4.42)	.88-1.01 (2.24-2.57)	.73-.85 (1.85-2.16)	.62-.71 (1.57-1.80)	.55-.63 (1.40-1.60)	.49-.56 (1.24-1.42)	.44-.51 (1.12-1.30)	.41-.47 (1.04-1.19)
	175	1.75-1.99 (4.44-5.05)	1.02-1.16 (2.59-2.95)	.86-.96 (2.18-2.44)	.72-.81 (1.83-2.06)	.64-.72 (1.63-1.83)	.57-.64 (1.45-1.63)	.52-.58 (1.32-1.49)	.48-.54 (1.22-1.37)
	200	2.00-2.49 (5.08-6.32)	1.17-1.44 (2.97-3.66)	.97-1.20 (2.46-3.05)	.82-1.02 (2.08-2.59)	.73-.90 (1.85-2.29)	.65-.80 (1.65-2.03)	.59-.72 (1.50-1.83)	.55-.67 (1.40-1.70)
	250	2.50-2.99 (6.35-7.59)	1.45-1.73 (3.68-4.39)	1.21-1.45 (3.07-3.68)	1.03-1.22 (2.62-3.10)	.91-1.08 (2.31-2.74)	.81-.96 (2.06-2.44)	.73-.87 (1.85-2.21)	.68-.81 (1.73-2.06)
	300	3.00-3.49 (7.62-8.86)	1.74-2.02 (4.42-5.13)	1.46-1.69 (3.71-4.29)	1.23-1.43 (3.12-3.63)	1.09-1.26 (2.77-3.20)	.97-1.11 (2.46-2.82)	.83-1.01 (2.11-2.57)	.82-.94 (2.08-2.39)
350	3.50-3.99 (8.89-10.13)	2.75-3.06 (5.16-5.87)	1.70-1.93 (4.32-4.90)	1.44-1.63 (3.66-4.14)	1.27-1.44 (3.23-3.66)	1.12-1.27 (2.84-3.23)	1.02-1.15 (2.59-2.92)	.95-1.08 (2.41-2.74)	





INDEX

PAGE

Fluorescent Lampholders

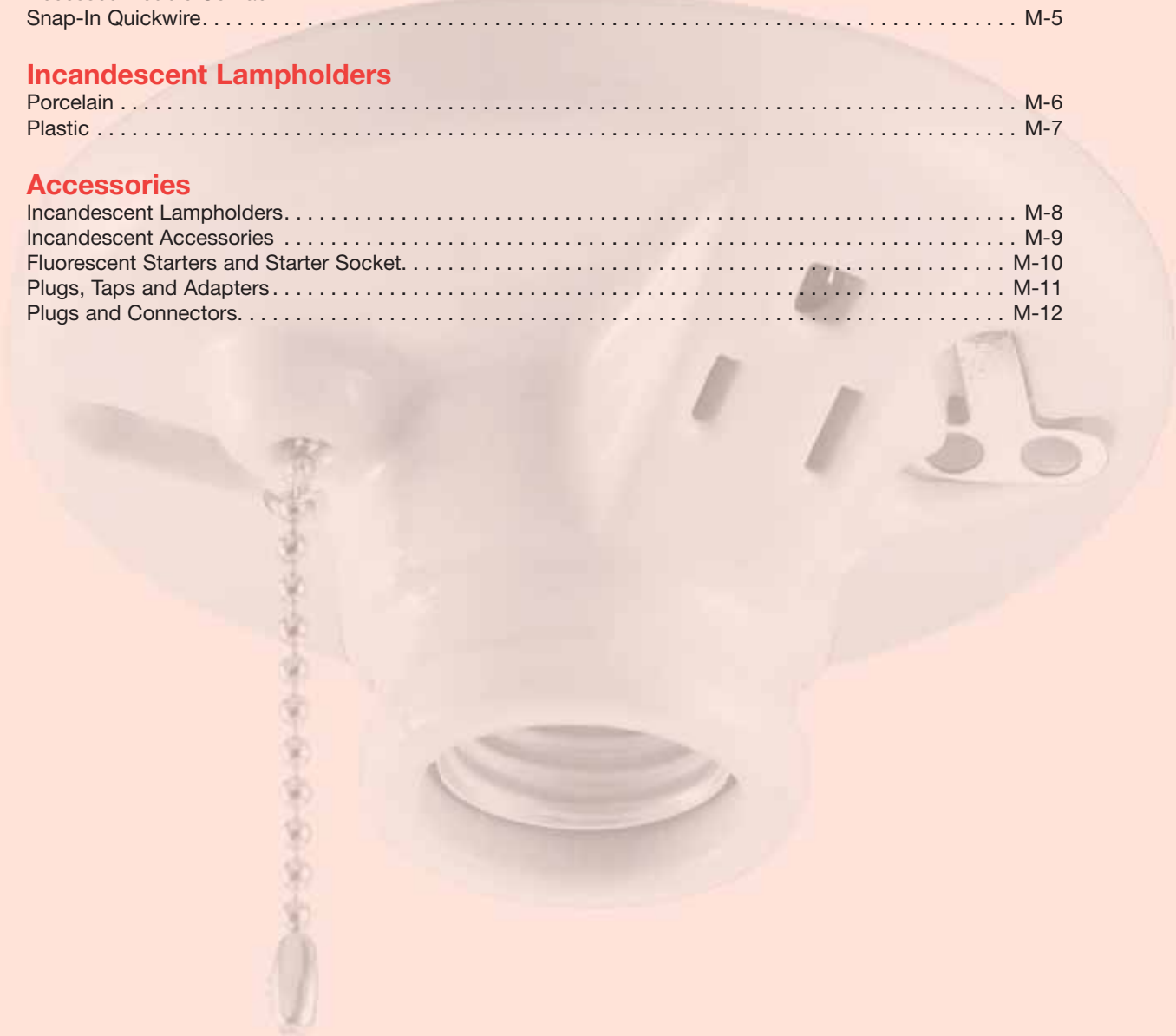
Medium Bi-Pin	M-2
Slimline	M-3
Recessed Double Contact	M-4
Snap-In Quickwire	M-5

Incandescent Lampholders

Porcelain	M-6
Plastic	M-7

Accessories

Incandescent Lampholders	M-8
Incandescent Accessories	M-9
Fluorescent Starters and Starter Socket	M-10
Plugs, Taps and Adapters	M-11
Plugs and Connectors	M-12





RL320



4070



4301W



4304W



RL325



4400W



4300W

MEDIUM BI-PIN – LAMP SIZE T8, T12 Inches (mm)

Description	Rating	Color	Catalog Number
Tall profile; slide-on 4-wire with captive nut; push wire terminations	660W 600V	White	RL320
Pal-nut installed with slide-on lugs for 18-gauge metal	660W 600V	White	4051*
U-bend lampholder with slide-on lugs for 18-gauge metal	660W 600V	White	4070**
Tapped bracket; .32 (8.0) thick; #6-32x14" screw assembled	660W 600V	White	4301W

Note: *Screws supplied separately.

**U Bend circuit interrupting not available.

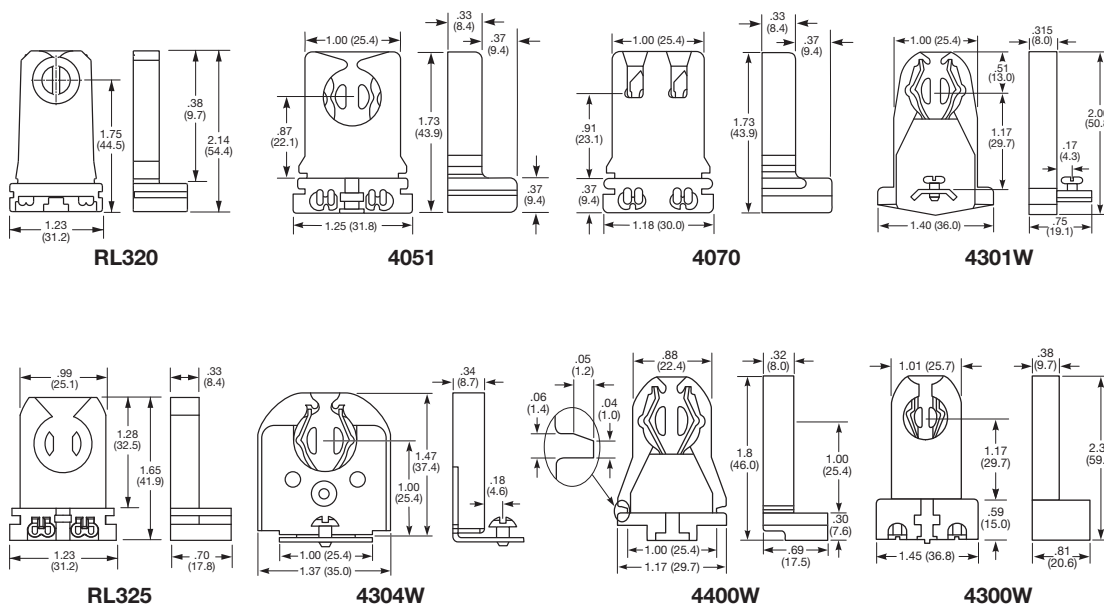
MEDIUM BI-PIN LOW PROFILE – LAMP SIZE T8, T12 Inches (mm)

Description	Rating	Color	Catalog Number
Tapped bracket; .34 (8.7) thick; screw assembled	660W 600V	White	4304W
Lampholder without bracket; .34 (8.7) thick; with centered vertical slot in base to engage lance tab	660W 600V	White	4304W12
Center hole tapped for #8-32 screw; .34 (8.7) thick	660W 600V	White	4304W7

MEDIUM BI-PIN – LAMP SIZE T6, T8, T12 FOR PRE-HEAT OR RAPID START LAMPS Inches (mm)

Description	Rating	Color	Catalog Number
Low profile; push wire terminations:			
Slide-on 4-wire with captive nut	660W 600V	White	RL325
Slide-on 4-wire	660W 600V	White	RL325A
Slide-on 2-wire	660W 600V	White	RL325B
Tall profile .32 (8.0) thick with "U" base; slide-on lugs	660W 600V	White	4400W
Surface mount; tombstone with terminal screws	660W 600V	White	4300W

PRODUCT DIMENSIONS Inches (mm)



SLIMLINE LAMPHOLDERS – LAMP SIZE T6, T8, T12

Description	Rating	Color	Catalog Number
Stationary end; pedestal type; single pin lamp; slide-on base; push wire terminations	660W 600V	White	RL311
Plunger end; pedestal type; single pin lamp; slide-on base; push wire terminations	660W 600V	White	RL310
Stationary end; quick wired with slide-on lugs and solid platform	660W 600V	White	4385W7
Plunger end; quick wired with slide-on lugs and solid platform	660W 600V	White	4386W7
Stationary end with pal-nut and screw installed	660W 600V	White	4376
Plunger end with pal-nut and screw installed	660W 600V	White	4377



RL311



RL310



4385W7



4386W7

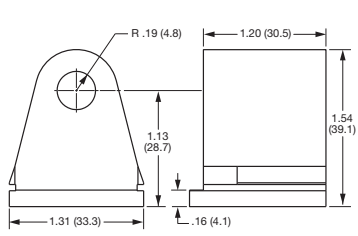


4376

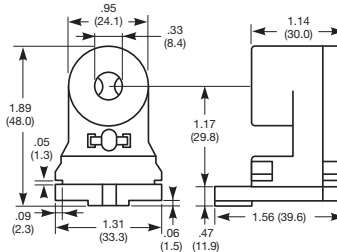


4377

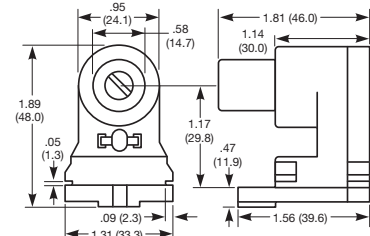
PRODUCT DIMENSIONS Inches (mm)



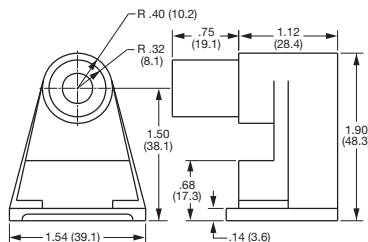
RL311



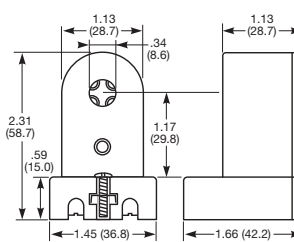
4385W7



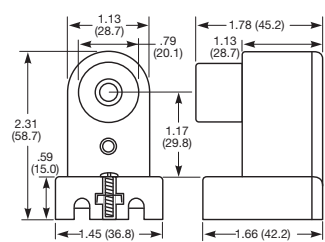
4386W7



RL310



4376



4377

RECESSED DOUBLE CONTACT – LAMP SIZE T12, T17

Description	Rating	Color	Catalog Number
Horizontal stationary end; pedestal type for high output lamp; slide-on base; push wire terminations	660W 600V	White	RL306
Horizontal plunger end; pedestal type for high output lamp; slide-on base; push wire terminations	660W 600V	White	RL305
Horizontal stationary end; terminal screws	660W 600V	White	4876
Horizontal plunger end; terminal screws	660W 600V	White	4877
Horizontal stationary end; with "U" slot base; push wire terminations	660W 600V	White	650SH
Horizontal plunger end; with "U" slot base; push wire terminations	660W 600V	White	650PH
Horizontal stationary end; with slide-on lugs and platform; push wire terminations	660W 600V	White	650SHB
Horizontal plunger end; with slide-on lugs and platform; push wire terminations	660W 600V	White	650PHB



RL306



RL305



4876



4877



650SH



650PH

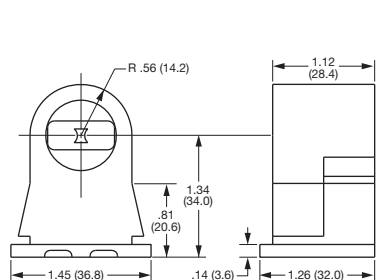


650SHB

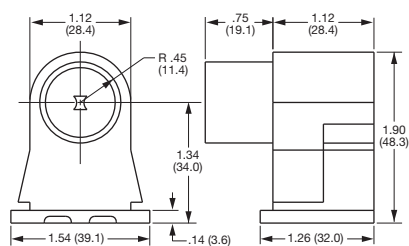


650PHB

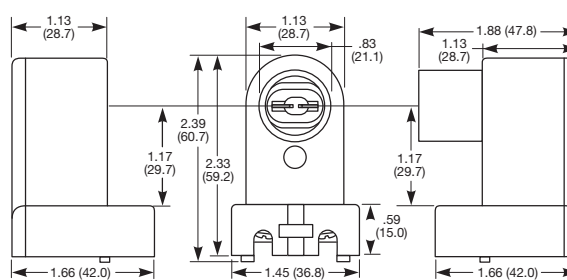
PRODUCT DIMENSIONS Inches (mm)



RL306



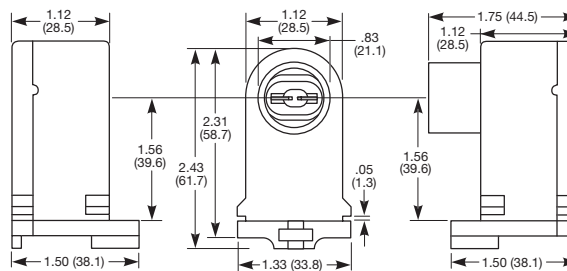
RL305



4876 Side

4876, 4877

4877 Side



650SHB Side

650SHB, 650PHB

650PHB Side

MEDIUM BI-PIN – LAMP SIZE T6, T8, T12, T17



600S



600P



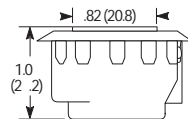
620S



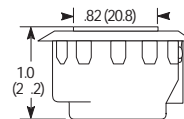
620P

Description	Rating	Color	Catalog Number
Stationary end; medium bi-pin; push wire terminations	660W 600V	White	600S
Plunger end; medium bi-pin; push wire terminations	660W 600V	White	600P
Stationary end; recessed double contact; push wire terminations	660W 600V	White	620S
Plunger end; recessed double contact; push wire terminations	660W 600V	White	620P

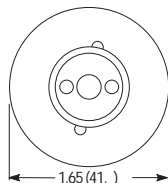
PRODUCT DIMENSIONS Inches (mm)



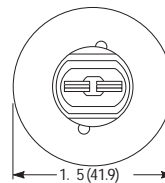
600S



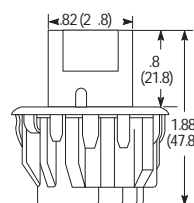
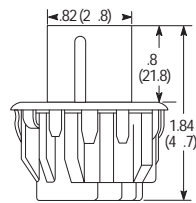
620S



600P



620P





PORCELAIN LAMPHOLDERS

Description	Rating	Color	Catalog Number
Keyless; 4 terminal screws	660W 250V	White	RL8804
Keyless; 6-inch pigtails	660W 250V	White	RL8806
Pull chain; 2 terminal screws	660W 250V	White	RL8812
Pull chain; 6-inch pigtails	660W 250V	White	RL8816
Pull chain with receptacle; 2 terminal screws	660W 250V 15A 125V NEMA 5-15R	White	RL8822



RL8804



RL8806



RL8812

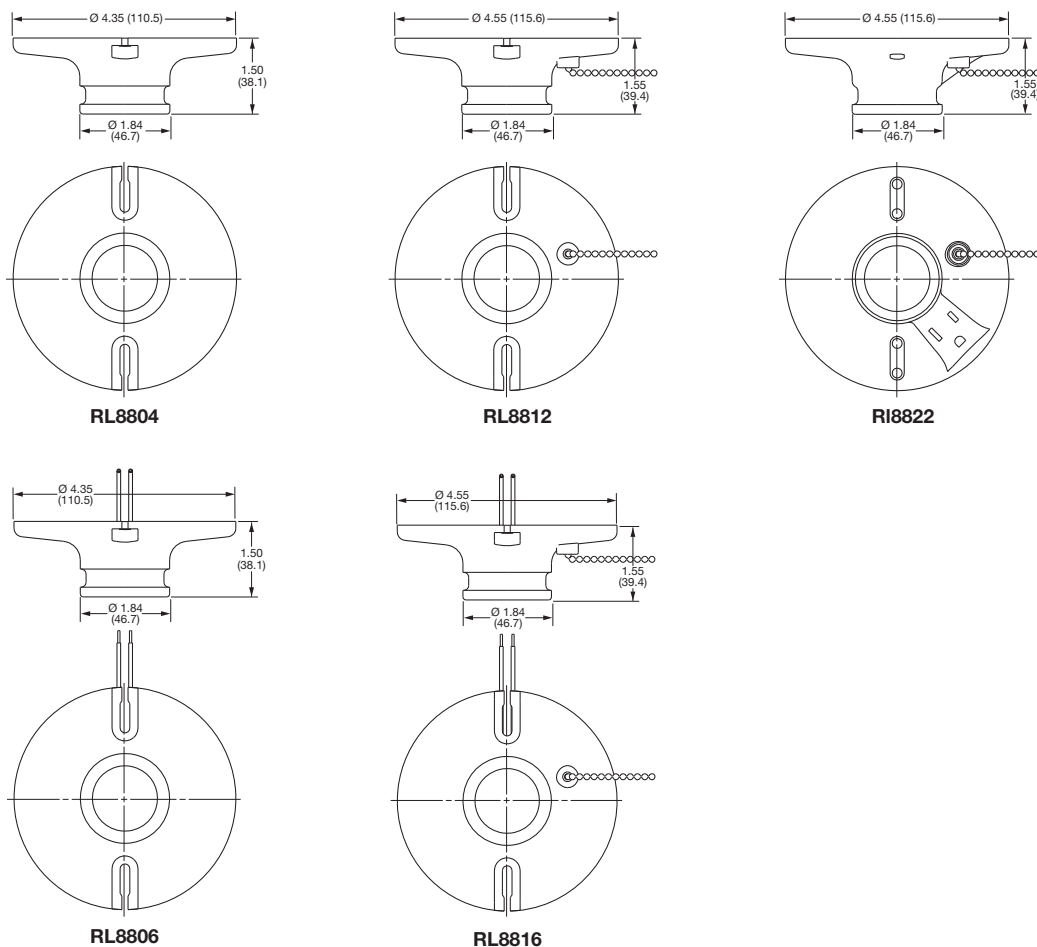


RL8816



RL8822

PRODUCT DIMENSIONS Inches (mm)

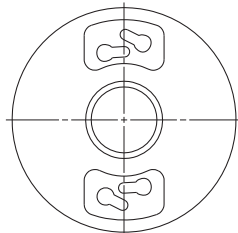
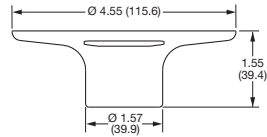


PLASTIC LAMPHOLDERS

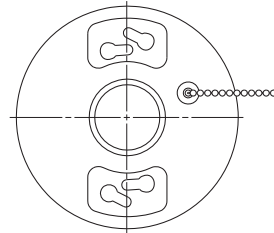
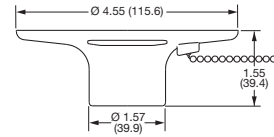
Description	Rating	Color	Catalog Number
Keyless; 4 terminal screws	660W 600V	White	RL8504
Keyless; 6-inch pigtails	660W 600V	White	RL8506
Pull chain; 2 terminal screws	660W 250V	White	RL8512
Pull chain; 6-inch pigtails	660W 250V	White	RL8516



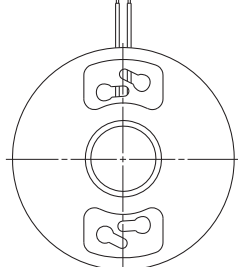
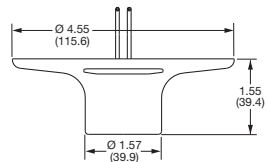
PRODUCT DIMENSIONS Inches (mm)



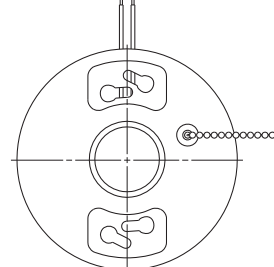
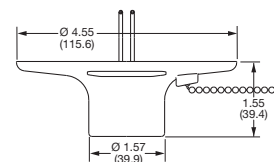
RL8504



RL8512



RL8506



RL8516



INCANDESCENT LAMPHOLDERS

Description	Rating	Color	Catalog Number
Incandescent; medium base socket; turn knob; on/off	250W 250V	Brass	RL101
Incandescent; medium base socket; turn knob; 3-way; low, medium and high	250W 250V	Brass	RL102
Incandescent; medium base socket; push through; on/off	660W 250V	Brass	RL105
Incandescent; medium base socket; keyless	660W 250V	Brass	RL100
Incandescent; medium base socket; pull chain; on/off	660W 250V	Brass	RL106
Pony cleat; medium base socket; porcelain	660W 250V	White	RL152
Pony cleat; medium base socket; plastic	660W 250V	Black	RL153
HID socket; prefocus type; medium base bayonet; porcelain; surface or clamp mounting	1200W 250V	White	RL3742
HID socket; prefocus type; medium base bayonet; porcelain; surface or clamp mounting; with thermoplastic base	1000W 250V	Black	3743R



RL101



RL105



RL106



RL152

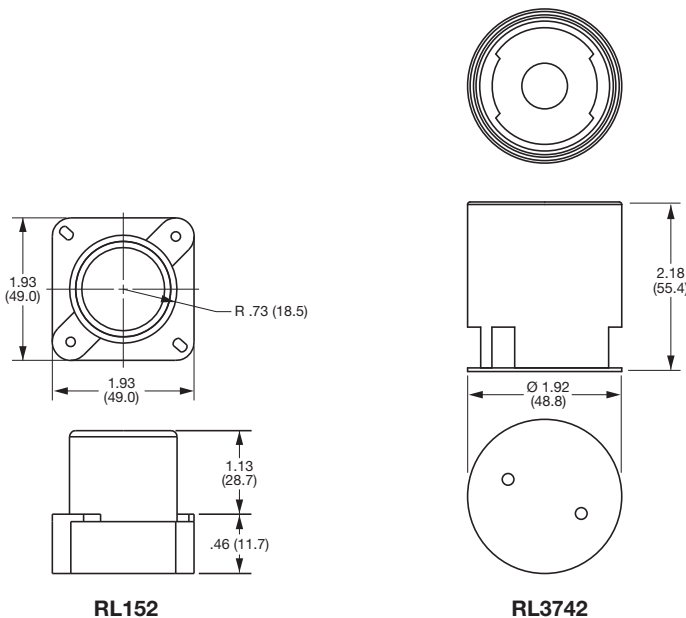


RL3742



3743R

PRODUCT DIMENSIONS Inches (mm)





RL124



RL124H



RL150



RL200



RL201



RL202

INCANDESCENT ACCESSORIES

Description	Rating	Color	Catalog Number
Pigtail medium base socket with 6-inch leads; rubber with #14 gauge wire; approved for use at construction sites when used with bulb cages; acceptable for open wiring without an outlet box when using suitable splices	660W 250V	Black	RL124
Phenolic medium base socket with hook; insulation piercing termination	660W 250V	Black	RL124H
Porcelain socket extension; medium base to medium base	600W 250V	White	RL150
Outlet adapter; 2-prong non-polarized plug to medium base lampholder	15A 125V NEMA 1-15P	Ivory	RL200
Medium lampholder adapter; medium base lampholder to outlet; without ground	15A 125V NEMA 1-15R	Ivory	RL201
Medium base lampholder to lampholder adapter; pull chain with two 2-prong outlets; without ground	660W 250V 15A 125V NEMA 1-15R	Black	RL202



FS850

MANUAL RESET STARTERS

Number of Pins	Lamp Watts	Catalog Number
2	14, 15 and 20 watts	FS20A
2	40 watts	FS40400A
4	85, 90 and 100 watts	FS850

STANDARD TYPE STARTERS

Number of Pins	Lamp Watts	Catalog Number
2	14, 15 and 20 watts	FS2A
2	13, 30 and 40 watts	FS4A
2	4, 6 and 8 watts	FS5A
2	25 watts	FS25A



FS4A



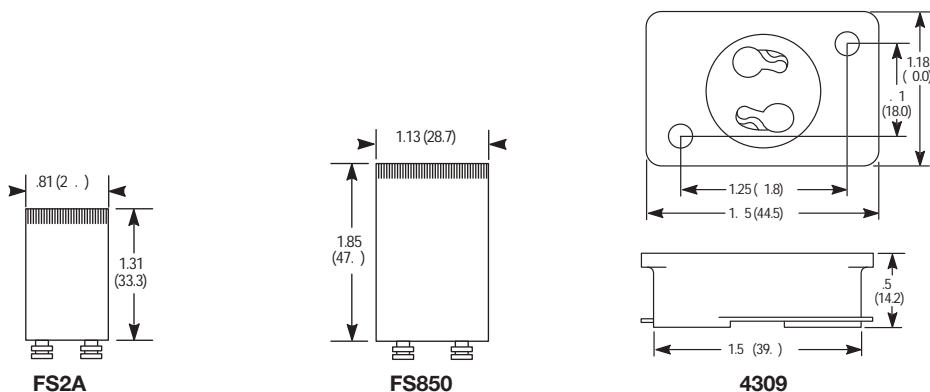
4309

FLUORESCENT STARTER SOCKET – FOR FS2A, FS4A, FS5A, FS20A, FS25A, FS40400A

Description	Catalog Number
Standard size; 2-pin	4309*

Note: *Not CSA Certified.

PRODUCT DIMENSIONS Inches (mm)





RT600W

PLUGS, TAPS AND ADAPTERS

Description	Color	Catalog Number
Duplex receptacle to six outlets; with ground; polarized	Ivory White	RT600I RT600W
Single receptacle to three outlets; with ground; polarized	Ivory White	RT300I RT300W
Single receptacle to three outlets; heavy duty rubber; with ground; polarized	Orange	RT303
Two wire to U-ground; polarized	Ivory	RT200
Cube tap; without ground; polarized	White	RT100W



RT300W



RT303



RT200



RT100W

Note: Adapters are not intended to be used as a replacement for permanent devices. They are intended for temporary use only.



PLUGS, TAPS AND ADAPTERS

Description	Color	Catalog Number
Male end : 3-wire 10A 250V; 15A 125V; non-NEMA locking blades; female end: 3-wire; 15A 125V; straight slot grounding	White	9053AB*
Male end: 3-wire 15A 125V straight blade grounding; female end: 10A 250V; 15A 125V; non-NEMA locking slots	White	9054AB**



9053AB



9054AB








Note: Adapters are not intended to be used as a replacement for permanent devices. They are intended for temporary use only.

*Not UL Listed.

**Must always be used with grounded receptacle.



PLUGS AND CONNECTORS

	Description	Color	Catalog Number
 RP123I	Straight plug; non-polarized; two blade; SPT 1 and 2 cord 18/2 and 16/2 AWG	Ivory White	RP123I RP123W
 RP123PI	Straight plug; polarized; two blade; SPT 1 and 2 cord 18/2 and 16/2 AWG	Ivory White	RP123PI RP123PW
 RP101BK	Straight plug; polarized; two blade; light duty; wire range: #16-18 AWG; up to .25 inch diameter cord	Black White	RP101BK RP101W
 RP102BK	Straight connector; polarized; two blade; light duty; wire range: #16-18 AWG; up to .25 inch diameter cord	Black White	RP102BK RP102W
 RP646	Straight plug; non-polarized; two blade; heavy duty; wire range: #14-18 AWG; up to .33 inch diameter cord	Black	RP646
 RP648	Straight plug; polarized; two blade; heavy duty; wire range: #14-18 AWG; up to .33 inch diameter cord	Black	RP648
 RP649	Straight connector; polarized; two blade; heavy duty; wire range: #14-18 AWG; up to .33 inch diameter cord	Black	RP649



INDEX

PAGE

Floor Boxes

Floor Boxes for Wood Floors	N-2
Floor Boxes for Concrete Floors	N-4

Under Cabinet/Counter Power Distribution

Features	N-6
Boxes	N-7

Metal Raceway

Features	N-8
HBL500 and HBL750 Series	N-9
HBL2000 Series	N-11

Metal PlugTrak®

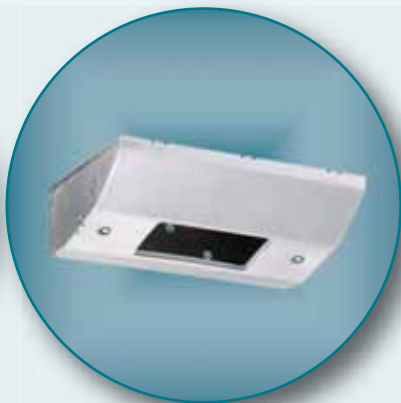
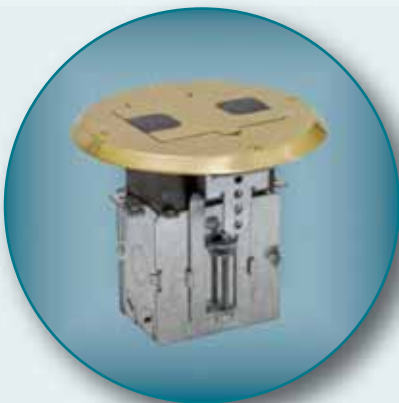
15 Amp 125V	N-12
-------------------	------

Accessories

Painted Metal Plates	N-13
Combination Plates	N-13
Communication Plates and Frames	N-13

Technical Information

Wire Fill Capacity	N-14
Specifications	N-14



Delivery Systems

Floor Boxes for Structural Wood Floors



Wood floor boxes allow for the placement of electrical power or a combination of power and voice/data devices. Boxes easily mount into the floor and are height adjustable (up to 3/4 inch) for optimal alignment and fit.

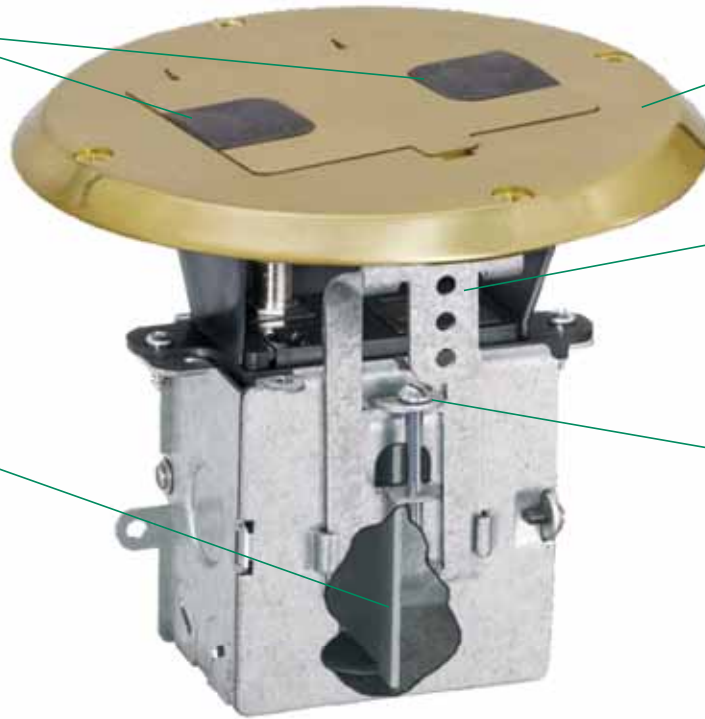
Removable neoprene gaskets

Pre-assembled flange and cover

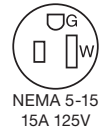
Recessed receptacle minimizes plug protrusion; allows furniture to be located over the plug

Optional low voltage divider

Height accessible adjustments after the box is mounted



RF515BP



FLOOR BOXES FOR WOOD FLOORS



RF515BP




RF506BP



RF500



RF507BP

Description	Material	Finish	Catalog Number	Finish	Catalog Number
Decorator duplex receptacle floor box kit; includes steel box, flange and hinged door cover assembly with tamper-resistant duplex receptacle; designed for installation in wood floors; mounts to sub-floor or joists	Solid Brass Aluminum Aluminum Aluminum Aluminum	Clear Lacquer Stainless Paint Almond Paint Black Paint Chestnut Brown Paint	RF515BR RF515SS RF515AL RF515BK RF515BN	Brass Plate Chrome Plate Copper Plate Nickel Plate	RF515BP RF515CH RF515CU RF515NI
 * Flange and hinged door cover assembly; includes tamper-resistant duplex receptacle; neoprene gaskets; for use with steel box RF500	Solid Brass Aluminum Aluminum Aluminum Aluminum	Clear Lacquer Stainless Paint Almond Paint Black Paint Chestnut Brown Paint	RF506BR RF506SS RF506AL RF506BK RF506BN	Brass Plate Chrome Plate Copper Plate Nickel Plate	RF506BP RF506CH RF506CU RF506NI
Adjustable floor box; 3 inches deep; three 1/2-inch knockouts: one on bottom, one on each side; non-metallic sheathed cable clamps on each side	Steel	—	RF500	—	—
Hinged door cover only; replacement door for RF515 and RF506 series	Solid Brass Aluminum Aluminum Aluminum Aluminum	Clear Lacquer Stainless Paint Almond Paint Black Paint Chestnut Brown Paint	RF507BR RF507SS RF507AL RF507BK RF507BN	Brass Plate Chrome Plate Copper Plate Nickel Plate	RF507BP RF507CH RF507CU RF507NI

Note: *See page Q-6 for tamper-resistant description.

Delivery Systems

Floor Boxes for Structural Wood Floors



Duplex floor receptacles provide ample connections to service lighting, entertainment equipment and computers for family rooms and offices. Single receptacle configurations available for minimum requirements.

- Solid brass resists wear and provides a distinctive finish

FLOOR BOXES FOR WOOD FLOORS



NEMA 5-15
15A 125V



NEMA 5-20
20A 125V



RF151R

Description	Material	Catalog Number	Catalog Number
Drop in floor box; mounts in 2.50 inch hole opening; includes solid brass cover, single tamper-resistant receptacle, includes device mount for two (2) voice/data video ports; suitable for feed through circuitry; impact resistant box	Solid Brass	RF151R	RF201R



RF151

Single receptacle; floor box rated; includes steel box; single receptacle and cover	Solid Brass	RF151	—
---	-------------	--------------	---



Single receptacle; floor box rated; includes steel box; single receptacle and cover	Solid Brass	RF151TR	—
---	-------------	----------------	---

Single receptacle; display rated; receptacle and cover only; excludes box	Solid Brass	RF151D	—
---	-------------	---------------	---

Note: *See page Q-6 for tamper-resistant description.



RF151D

JLOAD™ MULTIMEDIA OUTLET (FOR USE WITH RF500 SERIES)



NEMA 5-15
15A 125V



NEMA 5-20
20A 125V

Description	Color	Tamper-Resistant *	Standard	Tamper-Resistant *	Standard
JLOAD™ multimedia outlet; provides power, Cat. 5e and coaxial in a single-gang box; requires JLOAD™ multimedia box RJ600; includes decorator frame, one Cat. 5e, one F-connector and single receptacle with voltage divider	Almond	RJ650ALTR	RJ650AL	RJ620ALTR	RJ620AL
	Black	RJ650BKTR	RJ650BK	RJ620BKTR	RJ620BK
	Gray	RJ650GYTR	RJ650GY	RJ620GYTR	RJ620GY
	Ivory	RJ650ITR	RJ650I	RJ620ITR	RJ620I
	Light Almond	RJ650LATR	RJ650LA	RJ620LATR	RJ620LA
JLOAD™ multimedia outlet; includes decorator frame with two open ports for custom configuration and one single receptacle with voltage divider	White	RJ650WTR	RJ650W	RJ620WTR	RJ620W
	Almond	RJ65ALTR	RJ65AL	RJ62ALTR	RJ62AL
	Black	RJ65BKTR	RJ65BK	RJ62BKTR	RJ62BK
	Gray	RJ65GYTR	RJ65GY	RJ62GYTR	RJ62GY
	Ivory	RJ65ITR	RJ65I	RJ62ITR	RJ62I
JLOAD™ multimedia box; 3.0 inch deep with seven ½-inch knockouts; non-metallic sheathed cable clamps on each side; screw in mounting to stud	Light Almond	RJ65LATR	RJ65LA	RJ62LATR	RJ62LA
	White	RJ65WTR	RJ65W	RJ62WTR	RJ62W
	Steel		RJ600		RJ600



RJ650BK



RJ65BK

Note: *See page Q-6 for tamper-resistant description.

Delivery Systems

Floor Boxes for Structural Concrete Floors



Round non-metallic floor box offers an economical solution for electrical power or a combination of power and voice/data applications. Designed for slab-on-grade installation. Quick and easy installation is assured using a push in place leveling system.



Delivery Systems

Floor Boxes for Structural Concrete Floors




Secure in concrete, cut for height, apply PVC glue and push the cover assembly into the box. No fasteners or adjustment screws required.

- Four inch minimum concrete pour
- Recessed GFCI/Decorator opening
- Self adjusting leveling ring



NEMA 5-15
15A 125V

FLOOR BOXES FOR CONCRETE FLOORS

Description	Material	Color	Catalog Number
Flange and hinged door cover assembly; includes tamper-resistant duplex receptacle, gasket, floor leveling PVC ring; factory pre-assembled for easy drop-in installation 	Solid Brass	—	RF406BR
	Thermoplastic	Almond	RF406AL
	Thermoplastic	Black	RF406BK
	Thermoplastic	Chestnut Brown	RF406BN
	Thermoplastic	Gray	RF406GY
Tile ring and door cover assembly	Solid Brass	—	RF409BR
Floor box with concrete protective cover; accepts 3/4 in. and 1 in. schedule 40 and schedule 80 PVC conduit; includes round box (4 7/8 in. diameter x 6 in. deep), four reducers, closure plugs, and concrete cover with locator flag	PVC	Gray	RF400
Hinged replacement door cover; includes neoprene gasket to seal plug openings; replacement cover for RF406 series	Solid Brass	—	RF407BR
	Thermoplastic	Almond	RF407AL
	Thermoplastic	Black	RF407BK
	Thermoplastic	Chestnut Brown	RF407BN
Thermoplastic	Gray	RF407GY	
Low voltage divider: for use in PVC box RF400 when JLOAD™ multimedia outlet is used	Thermoplastic	Gray	RF408

Note: *See page Q-6 for tamper-resistant description.



RF406BK



RF400



RF407BK



RF408



RJ650BK



RJ65BK



JLOAD™ MULTIMEDIA OUTLET (FOR USE WITH RF400 SERIES)



NEMA 5-15
15A 125V



NEMA 5-20
20A 125V

Description	Color	Tamper-Resistant 	Standard	Tamper-Resistant 	Standard
JLOAD™ multimedia outlet; provides power, Cat. 5e and coaxial in a single-gang box; requires JLOAD™ multimedia box RJ600; includes decorator frame, one Cat. 5e, one F-connector and single receptacle with voltage divider	Almond	RJ650ALTR	RJ650AL	RJ620ALTR	RJ620AL
	Black	RJ650BKTR	RJ650BK	RJ620BKTR	RJ620BK
	Gray	RJ650GYTR	RJ650GY	RJ620GYTR	RJ620GY
	Ivory	RJ650ITR	RJ650I	RJ620ITR	RJ620I
	Light Almond	RJ650LATR	RJ650LA	RJ620LATR	RJ620LA
White	RJ650WTR	RJ650W	RJ620WTR	RJ620W	
JLOAD™ multimedia outlet; includes decorator frame with two open ports for custom configuration and one single receptacle with voltage divider	Almond	RJ65ALTR	RJ65AL	RJ62ALTR	RJ62AL
	Black	RJ65BKTR	RJ65BK	RJ62BKTR	RJ62BK
	Gray	RJ65GYTR	RJ65GY	RJ62GYTR	RJ62GY
	Ivory	RJ65ITR	RJ65I	RJ62ITR	RJ62I
	Light Almond	RJ65LATR	RJ65LA	RJ62LATR	RJ62LA
White	RJ65WTR	RJ65W	RJ62WTR	RJ62W	
JLOAD™ multimedia box; 3.0 inch deep with seven 1/2-inch knockouts; non-metallic sheathed cable clamps on each side; screw in mounting to stud	Steel		RJ600		RJ600

Note: *See page Q-6 for tamper-resistant description.



Slim Fit and GFCI Fit Surface Boxes enable receptacles and voice/data products to be surface mounted exactly where they are needed. Similar to under cabinet lighting products, these surface boxes provide a precise fit—horizontally or vertically.



Use the new JLOAD™ Multimedia Outlet, specifically designed to provide power, Category 5e and coaxial. Perfect for under cabinet TV, DVD and security systems. Enables multiple service in a small area.

Instead of compromising the decorative look of a granite backsplash or designer tiling, hide receptacles beneath cabinets and counters.





Under Cabinet/Counter Boxes provide a convenient, out-of-sight way to distribute power and voice/data. These boxes comply with the NEC® for kitchen receptacles, with placement not more than 20 inches above the counter surface. They can also be placed under counter islands, not lower than 15 inches from the surface.

- Available with nylon or metal cover
- Custom configurable, accepts any decorator style device
- Mounting hardware included

UNDER CABINET/COUNTER POWER DISTRIBUTION



RU100W

Description	Material	Color	Catalog Number
Slim fit box; offers the slimmest, sleekest, most stylish option for low profile, out-of-sight mounting; devices sold separately	Stainless Steel	—	RU100SS
	Metal	White	RU100W
	Nylon	White	RU170W*

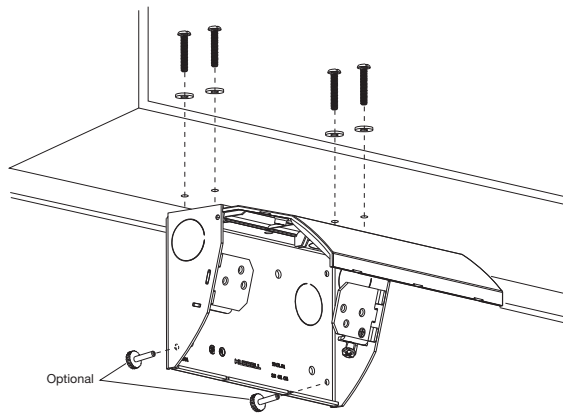


RU200SS

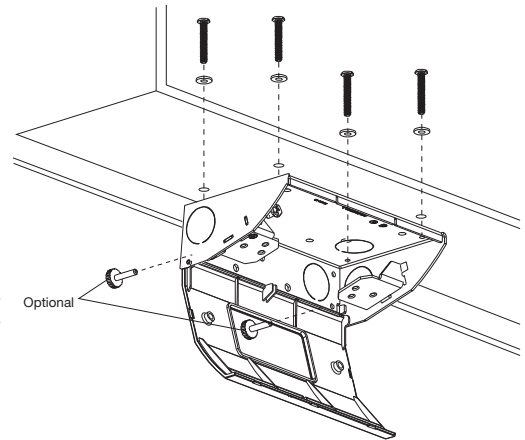
GFCI fit box; designed for GFCI or JLOAD™ accommodation where internal wiring space is needed; devices sold separately	Stainless Steel	—	RU200SS
	Metal	White	RU200W
	Nylon	White	RU270W*

Note: *Steel box with nylon cover.

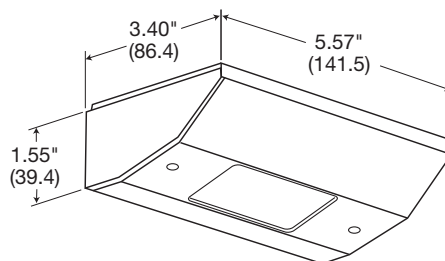
VERTICAL MOUNT



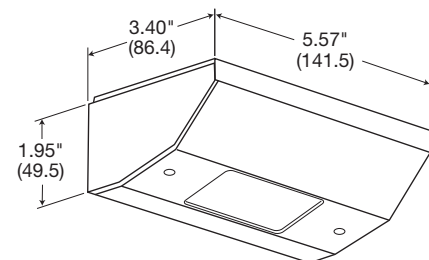
HORIZONTAL MOUNT



PRODUCT DIMENSIONS Inches (mm)



RU100W



RU200SS

NEC® is a registered trademark of the National Fire Protection Association (NFPA).



INNOVATIVE BOX DESIGN

- Handy screw eliminates difficult to install long screws for easier installation
- Rounded corners eliminate sharp edges
- One seam construction provides “clean” look
- Box design allows standard wall plates to be mounted flush with virtually no perimeter profile exposed



ENHANCED DATACOM CAPABILITIES

- New HBL750 Series exclusive to Bryant
- Largest single channel, low-profile raceway available in its class
- Ideal for datacom and oversized neutral applications
- Allows up to five Category 5e, or three Category 6 cables
- Available with 1½ inch (38.1 mm) bend radius fittings for high-speed Category 5e, 6 and 6A cables



BEND RADIUS FITTINGS

- 1½ inch (38.1 mm) bend radius
- Ideal for high speed data cables including Category 5, 5e, 6 and 6a applications
- Can be used in either HBL500 or HBL750 Series Metal Raceway



TRANSITION FITTINGS

- UL Classified for transition from Wiremold® Metal Raceway to Bryant Metal Raceway
- Complete line of transition fittings for HBL500, HBL750 and HBL2000 Series Metal Raceway

Wiremold® is a registered trademark of The Wiremold Company.

Delivery Systems

HBL500 and HBL750 Series Metal Raceway



HBL500 Ivory	Base and Cover 10 ft. HBL50010IV	Base and Cover 5 ft. HBL5005IV	<p>A: .76" (19.3 mm) B: .53" (13.5 mm)</p>
	HBL750 Ivory	Base and Cover 10 ft. HBL75010IV	
			<p>A: .76" (19.3 mm) B: .85" (21.6 mm)</p>

HBL500 AND HBL750 SERIES FITTINGS

Raceway Series Ivory	Internal Elbow Ivory	External Elbow Ivory	Flat Elbow 90° Ivory	Flat Elbow 45° Ivory	Mounting Strap; Ivory	Bushing Steel	Connection Cover; Ivory
HBL500	HBL517IV	HBL518IV	HBL511IV	HBL512IV	HBL504IV	HBL502B	HBL506IV
HBL750	HBL717IV	HBL718IV	HBL711IV	HBL712IV	HBL704IV	HBL702B	HBL706IV

Raceway Series Ivory	Internal Elbow 1 1/2" bend radius; Ivory	External Elbow 1 1/2" bend radius; Ivory	Flat Elbow 1 1/2" bend radius; Ivory	Tee Fitting 1 1/2" bend radius; Ivory
HBL500 or HBL750	HBL5717BRIV	HBL5718BRIV	HBL5711BRIV	HBL5715BRIV
				HBL5715IV

Internal Twisted Elbows For double turns at right angles; Ivory		Corner Box For connecting HBL500 or HBL750 Raceway from ceiling or corner; Ivory	Coupling Galvanized Steel	Support Clip Ivory	Transition Fitting* Wiremold® to Bryant; Ivory
Raceway Series Right Elbow	Left Elbow				
HBL500 or HBL750	HBL5711RHIV	HBL5711LHIV	HBL5719IV	HBL5701C	HBL5703IV
					HBL500TFIV HBL750TFIV




Elbow Box Connector Right angles to boxes with 1/2" KO; Ivory	Elbow Conduit Connector Right angles to 1/2" conduit; Ivory	Combination Connector No offsetting needed to 3/4" or 4" box; Ivory	Adjustable Offset Connector with (2) 1/2" KOs; Ivory	Entrance Connector 3/4" KO and 3/4" Chase Nipple; Ivory
Raceway Series				
HBL500 or HBL750	HBL5783IV	HBL5784IV	HBL5785IV	HBL5786IV
				HBL5786AIV

Note: *For transitioning from either Wiremold® V500 to Bryant HBL500 Raceway or Wiremold® V700 to Bryant HBL750 Raceway.

Wiremold® is a registered trademark of The Wiremold Company.








HBL500 AND HBL750 SERIES DEVICE BOXES⁽¹⁾

	Device Box 1.75" deep							
	Color	1-Gang	2-Gang	3-Gang	4-Gang	5-Gang	6-Gang	
	Ivory	HBL5748IV	HBL57482IV	HBL57483IV	HBL57484IV	HBL57485IV	HBL57486IV	
	Shallow Device Box 1.38" deep			Deep Device Box 2.25" deep				
	Color	1-Gang	2-Gang	3-Gang	1-Gang	2-Gang	3-Gang	
	Ivory	HBL5747IV	HBL57472IV	HBL57473IV	HBL5744SIV	HBL5744S2IV	HBL5744S3IV	
	Extra Deep Device Box 2.75" deep			Extension Box			Extension Box	
	Color	1-Gang	2-Gang	3-Gang	Open base; 1.38" deep			Open base 1.75" deep 1-Gang
	Ivory	HBL5744IV	HBL57442IV	HBL57443IV	1-Gang	2-Gang	3-Gang	HBL5751AIV
					HBL5751IV	HBL57512IV	HBL57513IV	

HBL500 AND HBL750 SERIES ROUND EXTENSION AND FIXTURE BOXES⁽¹⁾



	Round Extension Box Open base			Round Fixture Box Solid base			Blank Cover⁽³⁾ ½" trade KO in center	
	Color	4.75" diameter	5.5" diameter	6.375" diameter	4.75" diameter	5.5" diameter	6.375" diameter	
	Ivory	HBL5737IV	HBL5737AIV	HBL5739AIV	HBL5738IV	HBL5738AIV	HBL5739IV	HBL5736IV
	Outlet Box 3" diameter	Blank Cover For use with HBL5733IV			Fanbox Fans up to 50 lbs.		Round Fixture Box For round alarm sensors	
	Ivory	HBL5733IV	HBL5731IV		Ivory		HBL5738AFIV	Ivory

HBL500 AND HBL750 SERIES SPECIALTY BOXES⁽¹⁾

	Device Box Low-profile 1.13" deep		Device Box ½" side KOs 1.75" deep		Blank Extension Box Open base		Utility Box ½" KO in base and face	
	Color	Ivory	HBL5748SIV		HBL5745IV		Ivory	HBL5760IV
	Alarm Device Box 1.38" deep		Alarm Device Box 2.75" extra deep			Distribution Box 1.38" deep, mounting screw centers of 2.75", 3.5", 4.06"		
	Color	Ivory	HBL5752IV	HBL5753IV		Color	Ivory	HBL5735IV
		Red	HBL5752R	HBL5753R				

HBL500 AND HBL750 SERIES FITTINGS

	Box Connector		Conduit Connector		Grounding Clamp	Special Nipple⁽²⁾	
	Flexible Section 18" long; Ivory	½" male	¾" male	½" female	¾" female	For ½" conduit	For ½" trade size KOs
Raceway Series	HBL5700FIV	HBL5781	HBL5781A	HBL5782C	HBL5782A	HBL5709GC	HBL5780
HBL500 or HBL750							

			
			Armored Cable Connector
Raceway Series	HBL5790B	HBL5709	HBL5791
HBL500 or HBL750			

HBL500 AND HBL750 SERIES TOOLS⁽²⁾

Description	HBL500	HBL750
Cutter	HBL605CUT	HBL607CUT
Replacement Blade	HBL605K	HBL607K
Bender	HBL600B	HBL600B
Touch-Up Pen, Ivory	HBLIWEP	HBLIWEP

Note: ⁽¹⁾ Almond devices and plates match Ivory metal raceway.

⁽²⁾ Not UL Listed or CSA Certified.

⁽³⁾ For use with HBL5735IV, HBL5737IV, HBL5737AIV, HBL5739AIV, HBL5738IV, HBL5738AIV and HBL5739IV.

⁽⁴⁾ Use catalog number HBL5791 for connecting ½" EMT to all HBL5700 Series round and rectangular boxes having a ½" trade size KO.

Delivery Systems

HBL2000 Series Metal Raceway



Color	Base and Cover* 5 ft.
Ivory	HBL2000BCIV
Gray	HBL2000BCGY



A: 1.31" (33.3 mm)
B: .83" (21.1 mm)

Color	Cover* 5 ft.	Base 5 ft.
Ivory	HBL2000CIV	HBL2000B5IV
Gray	HBL2000CGY	HBL2000B5GY

Note: *Cover is .025" thick for up to 300V AC applications.

HBL2000 SERIES METAL RACEWAY FITTINGS⁽¹⁾

Color	90° Flat Elbow	90° Flat Elbow 1 1/2" Bend Radius	Tee Fitting	Tee Fitting 1 1/2" Bend Radius	External Elbow Coupling	External Elbow 1 1/2" Bend Radius	Internal Elbow 1 1/2" Bend Radius
Ivory	HBL2011IV	HBL2011BRIV	HBL2015IV	HBL2015BRIV	HBL2018CIV	HBL2018BRIV	HBL2017BRIV
Gray	HBL2011GY	HBL2011BRGY	HBL2015GY	HBL2015BRGY	HBL2018CGY	HBL2018BRGY	HBL2017BRGY

Color	Blank End Fitting	Entrance End Fitting 1/2" KOs	Entrance End Fitting Large Capacity 1/2" and 3/4" KOs	Cover Clip To hide seams in cover	Flush Plate Adaptor	Transition Fitting Wiremold® to Bryant
Ivory	HBL2010BIV	HBL2010A2IV	HBL2010A3IV	HBL2006IV	HBL2051HIV	HBL2000TFIV
Gray	HBL2010BGY	HBL2010A2GY	HBL2010A3GY	HBL2006GY	HBL2051HGY	HBL2000TFGY

Color	Side Reducing Connector To HBL500	End Reducing Connector To HBL500	Coupling Galvanized Steel	Internal Corner Coupling Galvanized Steel	Wire Clip Galvanized Steel	Support Clip Galvanized Steel; Temporary use only	Ground Clamp Galvanized Steel
Ivory	HBL2089IV	HBL2089EIV	HBL2001C	HBL2017TC	HBL2000WC	HBL2003SC	HBL2009GC
Gray	—	—					

HBL2000 SERIES METAL RACEWAY BOXES

Color	Device Box 1-Gang; 1.75" Deep	Device Box 2-Gang; 1.75" Deep
Ivory	HBL2048IV	HBL20482IV
Gray	HBL2048GY	HBL20482GY

HBL2000 SERIES TOOLS⁽²⁾

Color	Raceway Cutter	Cutter Replacement Blade Set
Catalog No.	HBL620C	HBL620BCK

Color	Touch-Up Paint Pen
Ivory	HBLIWEP
Gray	HBLGWEP

Note: ⁽¹⁾ Almond devices and plates match Ivory metal raceway.
⁽²⁾ Not UL Listed or CSA Certified.

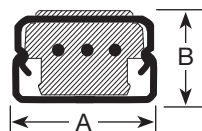


Wiremold® is a registered trademark of The Wiremold Company.

Specifications are subject to change without notice.

www.bryant-electric.com

BRYANT®



A: 1.31" (33.3 mm)
B: .92" (23.4 mm)

3 FOOT METAL PLUGTRAK®

Circuits	No. of Single Receptacles	Receptacle Spacing (in.)	Catalog Number	
			Ivory	Gray
Single	6	6	HBL20GB306IV	HBL20GB306GY
IG/Single	6	6	HBL20IG306IV	HBL20IG306GY



5 FOOT METAL PLUGTRAK®

Circuits	No. of Single Receptacles	Receptacle Spacing (in.)	Catalog Number	
			Ivory	Gray
Single	5	12	HBL20GB512IV	HBL20GB512GY
Two	5	12	HBL20GBA512IV	HBL20GBA512GY
IG/Single	5	12	HBL20IG512IV	HBL20IG512GY

6 FOOT METAL PLUGTRAK®

Circuits	No. of Single Receptacles	Receptacle Spacing (in.)	Catalog Number	
			Ivory	Gray
Single	8	9	HBL20GB609IV	HBL20GB609GY
Single	6	12	HBL20GB612IV	HBL20GB612GY
Single	4	18	HBL20GB618IV	HBL20GB618GY
Two	8	9	HBL20GBA609IV	HBL20GBA609GY
Two	6	12	HBL20GBA612IV	HBL20GBA612GY
Two	4	18	HBL20GBA618IV	HBL20GBA618GY
IG/Single	12	6	HBL20IG606IV	HBL20IG606GY

METAL PLUGTRAK® BOXES AND FITTINGS⁽¹⁾



HBL2048IV



HBL2011IV



HBL2010A2IV

Description	Catalog Number	
	Ivory	Gray
1-Gang device box	HBL2048IV	HBL2048GY
2-Gang device box	HBL20482IV	HBL20482GY
External elbow	HBL2018CIV	HBL2018CGY
Flat elbow	HBL2011IV	HBL2011GY
Tee	HBL2015IV	HBL2015GY
Entrance end fitting	HBL2010A2IV	HBL2010A2GY
Large entrance end fitting	HBL2010A3IV	HBL2010A3GY
Blank end fitting	HBL2010BIV	HBL2010BGY
Cover clip	HBL2006IV	HBL2006GY
Galvanized Steel		
Internal corner coupling	HBL2017TC	
Supporting clip	HBL2003SC	
Coupling	HBL2001C	

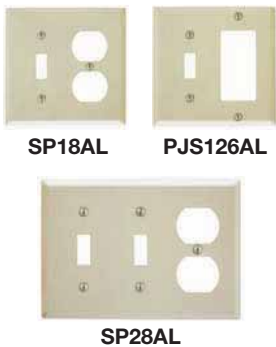
Note: ⁽¹⁾ Almond devices and plates match Ivory metal raceway.
Bryant Metal PlugTrak is supplied with two HBL2010B(IV) or (GY) Blank End Fittings and one HBL2001C.
Receptacles match raceway color. "IG" Isolated Ground receptacles are orange color.

Metal PlugTrak® is a registered trademark of Hubbell incorporated.



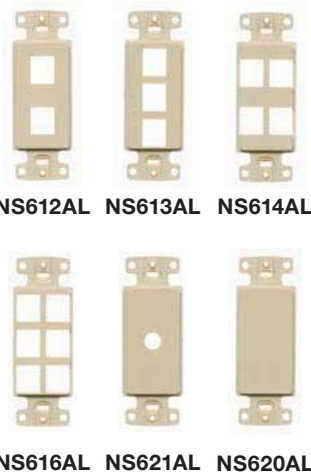
PAINTED METAL PLATES⁽¹⁾

Color	Gang	Switch	Duplex	Rectangular	Blank		Single Receptacle 1.40 in. (35.6) Dia. Hole
					Box Mount	Strap Mount	
Almond	1	SP1AL	SP8AL	PHPS1AL	SP14BAL	SP14AL	SP7AL
	2	SP2AL	SP82AL	PHPS2AL	SP24BAL	SP24AL	—
	3	SP3AL	SP83AL	PHPS3AL	SP34BAL	SP34AL	—
	4	SP4AL	—	PHPS4AL	—	—	—
	5	SP5AL	—	PHPS5AL	—	—	—
	6	SP6AL	—	PHPS6AL	—	—	—
Gray	1	SP1GY	SP8GY	PHPS1GY	SP14BGY	SP14GY	SP7GY
	2	SP2GY	SP82GY	PHPS2GY	SP24BGY	SP24GY	—



PAINTED METAL COMBINATION PLATES⁽¹⁾

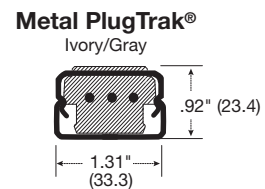
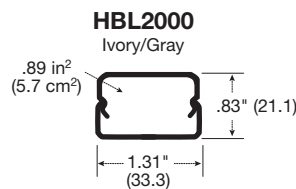
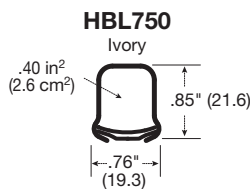
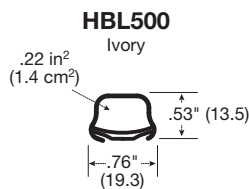
Color	Gang	1-Toggle; 1-Duplex	1-Toggle; 1-Decorator	2-Toggle; 1-Duplex	2-Toggle; 1-Decorator
		Almond	2	SP18AL	PJS126AL
Gray	3	SP18GY	PJS126GY	SP28GY	PJS226G



COMMUNICATION FRAMES⁽¹⁾

Color	Gang	2-Port Decorator Frame	3-Port Decorator Frame	4-Port Decorator Frame	6-Port Decorator Frame	Decorator; .41 in. (10.3) Dia. Hole	Decorator; Blank
		Almond	1	NS612AL	NS613AL	NS614AL	NS616AL
Gray	1	NS612GY	NS613GY	NS614GY	—	NS621GY	—

METAL RACEWAY PROFILES QUICK REFERENCE GUIDE Inches (mm)



Note: ⁽¹⁾ Almond devices and plates match Ivory metal raceway.
Bryant's Audio/Video Connectors allow custom creation of multimedia outlets and workstations while maintaining a decorative look.
See pages P-13 to P-17 for more information.



METAL RACEWAY SERIES

WIRE FILL CAPACITIES

	Power (THHN/T90 Nylon)			Voice		Data (Copper Cables)					Data (Multimode Fiber Optic Cables)			
	14 AWG	12 AWG	10 AWG	4-Pair	25-Pair	Type RG59U	Cat. 5e	Cat. 6	Cat. 6A	Cat. 6 STP	(2) or (4) Fiber Round Cable	Fiber Optic Jumpers	Fiber Optic Zip Cord	
Wire O.D. (inches)	0.111	0.13	0.164	0.19	0.41	0.242	0.21	0.25	0.35	0.29	0.19	0.118	.12 x .24	
Wire Area (square in.)	0.0097	0.0133	0.0211	0.0283	0.1320	0.0460	0.0346	0.0491	0.0962	0.0660	0.0283	0.0109	0.0288	
Channel Area Square inches (cm ²)	40% Wire Fill Capacity													
HBL500	0.22 (1.4)	7	5	3	3	1	2	3	2	1	1	3	8	3
HBL750	0.40 (2.6)	12	9	5	6	1	3	5	3	2	2	6	15	6
HBL2000	0.89 (5.7)	7	7	0	13	3	8	10	7	4	5	13	33	12

Note: Pathway (Raceway) fill shall be 40% maximum. Raceway fittings and outlets/receptacles reduce the cross section of the raceway system, thus reducing overall cable fill capacity.

METAL PLUGTRAK®

SPECIFICATIONS

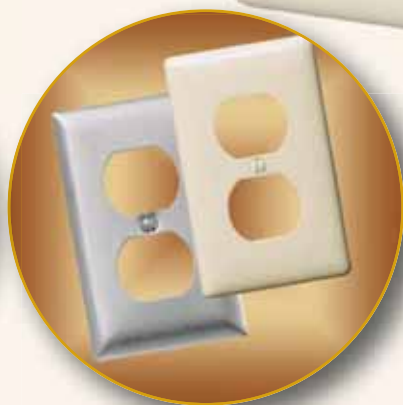
Receptacle configuration	NEMA 5-15R
Wire size	#12 AWG stranded copper
Receptacle face	Thermoplastic
Receptacle rating	15A 125V
Material	Steel

CODES/STANDARDS

TIA/EIA	569B Commercial Building Standard for Telecommunications Pathways and Spaces
UL Standard	UL 5 Surface Metal Raceway and Fittings
UL File Number	E253976 / E253830 / E253833
CSA Standard Surface Metal	C22.2 No. 62 Surface Raceway Systems

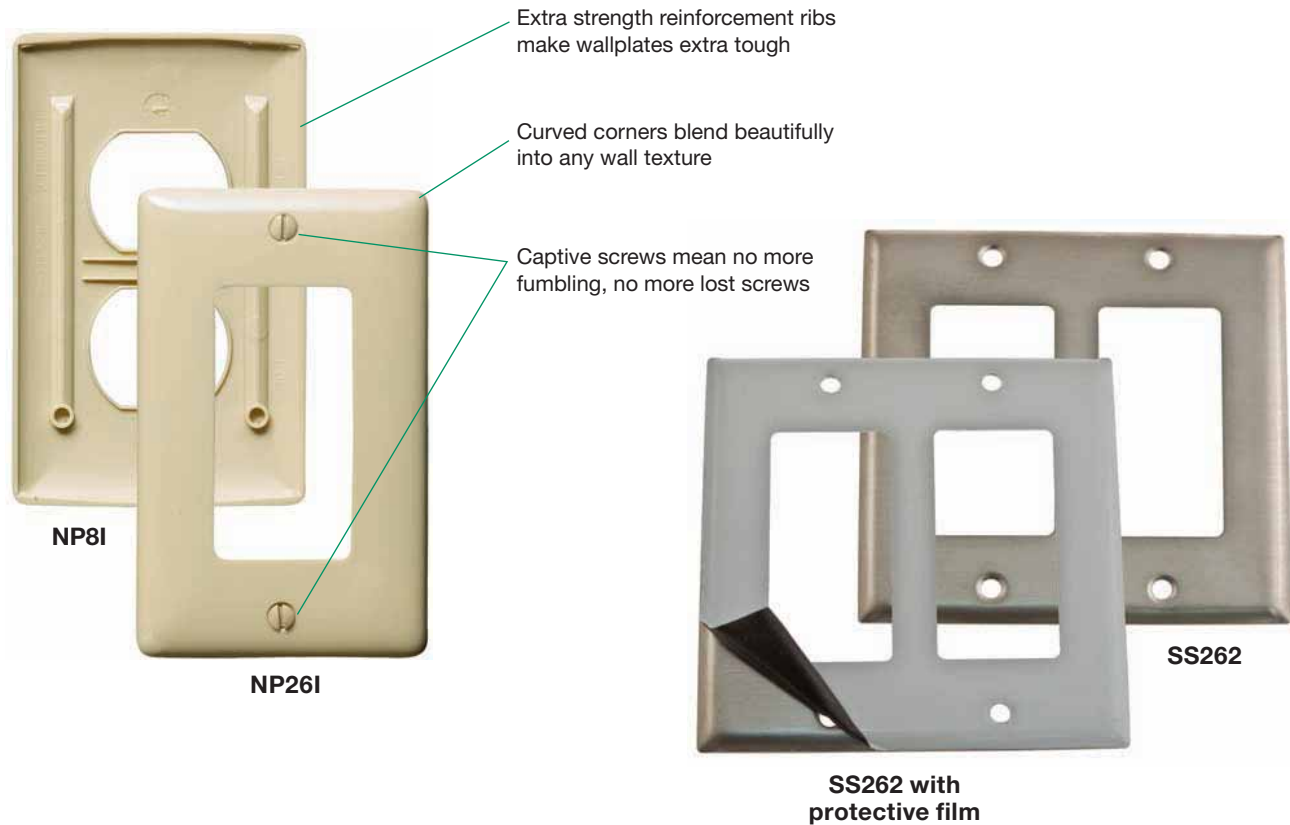


INDEX	PAGE
Nylon and Metal	
Product Features	O-2
Snap-On Wallplates	
Decorator and Toggle	O-3
Standard, Mid-Size and Jumbo Wallplates	
Decorator	O-4
Toggle	O-5
Duplex and Single Receptacle	O-6
Telephone and Coaxial	O-8
“D” Hole	O-9
Blank	O-10
Combination	O-11
Data Communication and Louver	O-14
Jumbo Metal	O-15
Custom Metal	O-16
Premarked and Specialty	O-18
Barrel Key Switch and Accessories	O-19
Technical	
Selection Chart	O-20
Dimensions and Material Specifications	O-21
Weatherproof Covers	
Zinc Die Cast, 1- and 2-Gang, Vertical or Horizontal Mount	O-22
Zinc Die Cast Alluminum and Non-Metallic, 1-Gang, Vertical Mount	O-23
Non-Metallic, 1- and 2-Gang, Vertical Mount for Flanged Devices	O-24
Non-Metallic, 1- and 2-Gang, While-In-Use	O-25
Pool Pump and Generator Kits	
Pool Pump Receptacle Kit	O-26
Generator Power Connection Kit	O-26





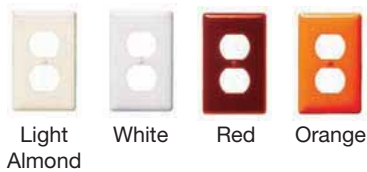
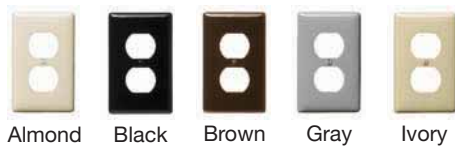
Wallplates bring an unparalleled combination of features, benefits and advantages. They are elegant enough for the home and tough enough to withstand the most rigorous environments.



Nylon Wallplates

Nylon wallplates are designed for durability and easy cleaning. Standard sized wallplates are $\frac{1}{8}$ inch larger to give you that extra coverage to hide rough box openings. The depth is $\frac{1}{4}$ inch so that it will comfortably fit over the device even on imperfect installations or on retrofit work.

- Nylon wallplate is virtually unbreakable
- Smooth finish is easy to clean



Metal Wallplates

Aluminum

- Non-magnetic for static free requirements
- Corrosion resistant

Brass

- Plush finish coated to inhibit oxidation

Metallic Plated Steel

- Available in either chrome or brass finishes

302/304 Stainless Steel (18.0% Chromium, 8.0% Nickel)

- Non-magnetic for static-free requirements
- For use in Industrial and Commercial applications exposed to highly corrosive environments
- Brushed finish

430 Stainless Steel (17.0% Chromium, less than .50% Nickel)

- Magnetic
- For use in Industrial and Commercial applications where corrosion resistance is less critical
- Brushed finish



Note: All metal wallplates (except brass) are packaged with a white protective film; which protects the wallplate during installation and is easily peeled off.

Wallplates

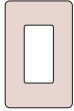
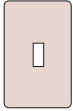
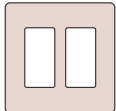
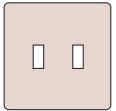
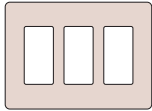
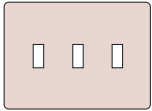
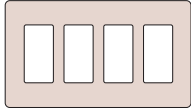
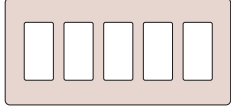
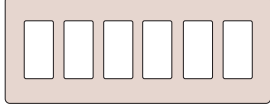
Snap-On Wallplates



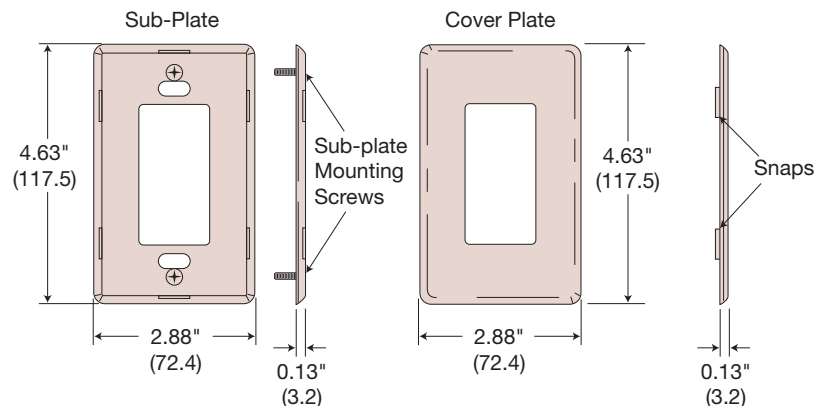
Decorator snap-on wallplates offer a clean, elegant look that can be installed in seconds. Toggle snap-on wallplates offer traditional styling, two piece construction, and four snaps that securely hold the cover to the sub-plate.

- Smooth finish
- Virtually unbreakable thermoplastic
- Easy to snap-on
- Multi-gang auto alignment

DECORATOR AND TOGGLE

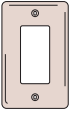
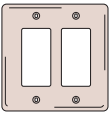
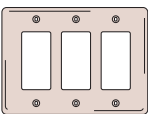
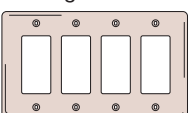
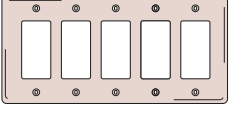
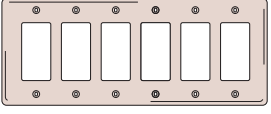
Description	Color	Catalog Number	
		Decorator	Toggle
1-Gang  	Almond Ivory Light Almond White	RCW1AL RCW1I RCW1LA RCW1W	— RFW1I — RFW1W
2-Gang  	Almond Ivory Light Almond White	RCW2AL RCW2I RCW2LA RCW2W	— RFW2I — RFW2W
3-Gang  	Almond Ivory Light Almond White	RCW3AL RCW3I RCW3LA RCW3W	— RFW3I — RFW3W
4-Gang 	Almond Ivory Light Almond White	RCW4AL RCW4I RCW4LA RCW4W	— — — —
5-Gang 	Almond Ivory Light Almond White	RCW5AL RCW5I RCW5LA RCW5W	— — — —
6-Gang 	Almond Ivory Light Almond White	RCW6AL RCW6I RCW6LA RCW6W	— — — —

PRODUCT DIMENSIONS Inches (mm)



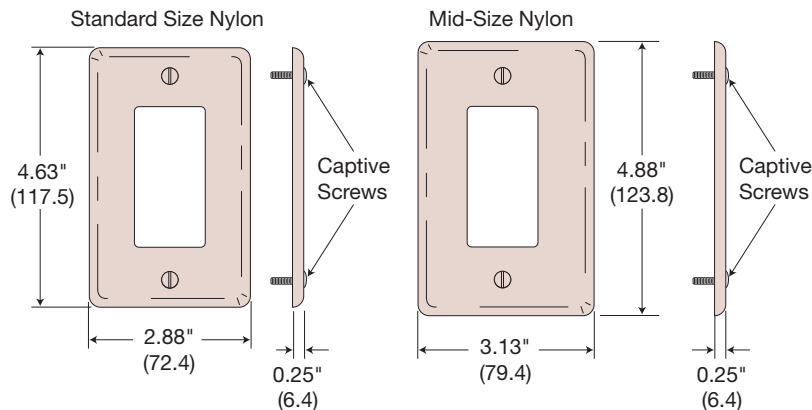


DECORATOR WALLPLATES

Description	Nylon Color	Standard	Mid-Size	Material	Metal
 1-Gang	Almond	NP26AL	NPJ26AL	Aluminum	①
	Black	NP26BK	NPJ26BK	Brass	SB26
	Brown	NP26	NPJ26	Brass Plated	SBP26
	Gray	NP26GY	NPJ26GY	Chrome	SCH26
	Ivory	NP26I	NPJ26I	302/304 S/S	SS26
	Light Almond	NP26LA	NPJ26LA	430 S/S	SS26L
	Red	NP26R	NPJ26R		
	White	NP26W	NPJ26W		
 2-Gang	Almond	NP262AL	NPJ262AL	Aluminum	①
	Black	NP262BK	NPJ262BK	Brass	SB262
	Brown	NP262	NPJ262	Brass Plated	SBP262
	Gray	NP262GY	NPJ262GY	Chrome	SCH262
	Ivory	NP262I	NPJ262I	302/304 S/S	SS262
	Light Almond	NP262LA	NPJ262LA	430 S/S	SS262L
	Red	NP262R	NPJ262R		
	White	NP262W	NPJ262W		
 3-Gang	Almond	NP263AL	NPJ263AL	Aluminum	①
	Black	NP263BK	NPJ263BK	Brass	①
	Brown	NP263	NPJ263	Brass Plated	SBP263
	Gray	NP263GY	NPJ263GY	Chrome	①
	Ivory	NP263I	NPJ263I	302/304 S/S	SS263
	Light Almond	NP263LA	NPJ263LA	430 S/S	①
	Red	NP263R	NPJ263R		
	White	NP263W	NPJ263W		
 4-Gang	Almond	NP264AL	NPJ264AL	Aluminum	①
	Black	NP264BK	NPJ264BK	Brass	①
	Brown	NP264	NPJ264	Brass Plated	①
	Gray	NP264GY	NPJ264GY	Chrome	①
	Ivory	NP264I	NPJ264I	302/304 S/S	SS264
	Light Almond	NP264LA	NPJ264LA	430 S/S	①
	Red	NP264R	NPJ264R		
	White	NP264W	NPJ264W		
 5-Gang	Almond	NP265AL	—	Aluminum	①
	Black	NP265BK	—	Brass	①
	Brown	NP265	—	Brass Plated	①
	Gray	NP265GY	—	Chrome	①
	Ivory	NP265I	—	302/304 S/S	SS265
	Light Almond	NP265LA	—	430 S/S	①
	Red	—	—		
	White	NP265W	—		
 6-Gang	Almond	NP266AL	—	Aluminum	①
	Black	NP266BK	—	Brass	①
	Brown	NP266	—	Brass Plated	①
	Gray	NP266GY	—	Chrome	①
	Ivory	NP266I	—	302/304 S/S	SS266
	Light Almond	NP266LA	—	430 S/S	①
	Red	—	—		
	White	NP266W	—		

Note: All standard and mid-size nylon wallplates feature pre-inserted captive screws for faster assembly.
 ① Available as a custom wallplate; see page O-16.

PRODUCT DIMENSIONS Inches (mm)

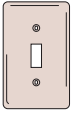
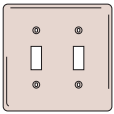
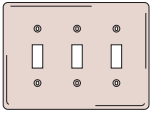
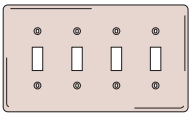
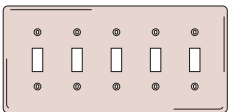
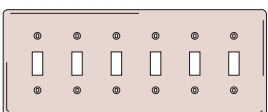

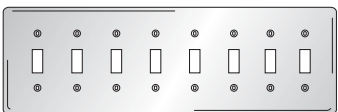



Wallplates

Toggle Switch Wallplates



TOGGLE WALLPLATES

Description	Nylon Color	Standard	Mid-Size	Material	Metal
	Almond	NP1AL	NPJ1AL	Aluminum	SA1
	Black	NP1BK	NPJ1BK	Brass	SB1
	Brown	NP1	NPJ1	Brass Plated	SBP1
	Gray	NP1GY	NPJ1GY	Chrome	SCH1
	Ivory	NP1I	NPJ1I	302/304 S/S	SS1
	Light Almond	NP1LA	NPJ1LA	430 S/S	SS1L
	Red	NP1R	NPJ1R		
	White	NP1W	NPJ1W		
	Almond	NP2AL	NPJ2AL	Aluminum	SA2
	Black	NP2BK	NPJ2BK	Brass	SB2
	Brown	NP2	NPJ2	Brass Plated	SBP2
	Gray	NP2GY	NPJ2GY	Chrome	SCH2
	Ivory	NP2I	NPJ2I	302/304 S/S	SS2
	Light Almond	NP2LA	NPJ2LA	430 S/S	SS2L
	Red	NP2R	NPJ2R		
	White	NP2W	NPJ2W		
	Almond	NP3AL	NPJ3AL	Aluminum	① SB3
	Black	NP3BK	NPJ3BK	Brass	SBP3
	Brown	NP3	NPJ3	Brass Plated	SCH3
	Gray	NP3GY	NPJ3GY	Chrome	SS3
	Ivory	NP3I	NPJ3I	302/304 S/S	SS3L
	Light Almond	NP3LA	NPJ3LA	430 S/S	
	Red	NP3R	NPJ3R		
	White	NP3W	NPJ3W		
	Almond	NP4AL	NPJ4AL	Aluminum	① SB4
	Black	NP4BK	NPJ4BK	Brass	SBP4
	Brown	NP4	NPJ4	Brass Plated	SCH4
	Gray	NP4GY	NPJ4GY	Chrome	① SS4
	Ivory	NP4I	NPJ4I	302/304 S/S	SS4L
	Light Almond	NP4LA	NPJ4LA	430 S/S	
	Red	—	—		
	White	NP4W	NPJ4W		
	Almond	NP5AL	—	Aluminum	① SB5
	Black	NP5BK	—	Brass	① SBP5
	Brown	NP5	—	Brass Plated	① SCH5
	Gray	NP5GY	—	Chrome	① SS5
	Ivory	NP5I	—	302/304 S/S	① SS5L
	Light Almond	NP5LA	—	430 S/S	
	Red	—	—		
	White	NP5W	—		
	Almond	NP6AL	—	Aluminum	① SB6
	Black	—	—	Brass	① SBP6
	Brown	NP6	—	Brass Plated	① SCH6
	Gray	NP6GY	—	Chrome	① SS6
	Ivory	NP6I	—	302/304 S/S	① SS6L
	Light Almond	NP6LA	—	430 S/S	
	Red	—	—		
	White	NP6W	—		
	Almond	—	—	Aluminum	① SB7
	Black	—	—	Brass	① SBP7
	Brown	—	—	Brass Plated	① SCH7
	Gray	—	—	Chrome	① SS7
	Ivory	—	—	302/304 S/S	SS607
	Light Almond	—	—	430 S/S	① SS7L
	Red	—	—		
	White	—	—		
	Almond	—	—	Aluminum	① SB8
	Black	—	—	Brass	① SBP8
	Brown	—	—	Brass Plated	① SCH8
	Gray	—	—	Chrome	① SS8
	Ivory	—	—	302/304 S/S	SS608
	Light Almond	—	—	430 S/S	① SS8L
	Red	—	—		
	White	—	—		
	Almond	—	—	Aluminum	—
	Black	—	—	Brass	—
	Brown	—	—	Brass Plated	—
	Gray	—	—	Chrome	—
	Ivory	—	—	302/304 S/S	SS740
	Light Almond	—	—	430 S/S	—
	Red	—	—		
	White	—	—		

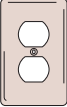
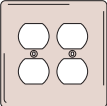
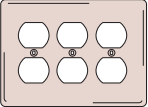
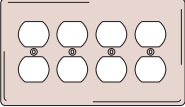

Note: All standard and mid-size nylon wallplates feature pre-inserted captive screws for faster assembly.
 ① Available as a custom wallplate; see page O-16.

Wallplates

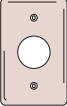


Duplex and Single Receptacle Wallplates



DUPLEX RECEPTACLE WALLPLATES

Description	Nylon Color	Standard	Mid-Size	Material	Metal
 1-Gang	Almond	NP8AL	NPJ8AL	Aluminum	SA8
	Black	NP8BK	NPJ8BK	Brass	SB8
	Brown	NP8	NPJ8	Brass Plated	SBP8
	Gray	NP8GY	NPJ8GY	Chrome	SCH8
	Ivory	NP8I	NPJ8I	302/304 S/S	SS8
	Light Almond	NP8LA	NPJ8LA	430 S/S	SS8L
	Office White	NP8OW	NPJ8OW		
	Orange	NP8OR	—		
	Red	NP8R	NPJ8R		
	White	NP8W	NPJ8W		
	 2-Gang	Almond	NP82AL	NPJ82AL	Aluminum
Black		NP82BK	NPJ82BK	Brass	SB82
Brown		NP82	NPJ82	Brass Plated	SBP82
Gray		NP82GY	NPJ82GY	Chrome	SCH82
Ivory		NP82I	NPJ82I	302/304 S/S	SS82
Light Almond		NP82LA	NPJ82LA	430 S/S	SS82L
Office White		NP82OW	NPJ82OW		
Orange		NP82OR	—		
Red		NP82R	NPJ82R		
White		NP82W	NPJ82W		
 3-Gang		Almond	NP83AL	—	Aluminum
	Black	NP83BK	—	Brass	SB83
	Brown	NP83	—	Brass Plated	SBP83
	Gray	NP83GY	—	Chrome	①
	Ivory	NP83I	—	302/304 S/S	SS83
	White	NP83W	—	430 S/S	①
 4-Gang	Almond	NP84AL	—	Aluminum	①
	Black	NP84BK	—	Brass	①
	Brown	NP84	—	Brass Plated	①
	Gray	NP84GY	—	Chrome	①
	Ivory	NP84I	—	302/304 S/S	SS84
	White	NP84W	—	430 S/S	①
	 2-Gang; 1-duplex	Almond	—	—	Aluminum
Black		—	—	Brass	—
Brown		—	—	Brass Plated	—
Gray		—	—	Chrome	—
Ivory		—	—	302/304 S/S	SS748
White		—	—	430 S/S	—

SINGLE RECEPTACLE WALLPLATES Inches (mm)

Description	Nylon Color	Standard	Mid-Size	Material	Metal
 1-Gang; 1-single; 1.40 in. (35.6) diameter opening	Almond	NP7AL	NPJ7AL	Aluminum	SA7
	Black	NP7BK	NPJ7BK	Brass	SB7
	Brown	NP7	NPJ7	Brass Plated	SBP7
	Gray	NP7GY	NPJ7GY	Chrome	SCH7
	Ivory	NP7I	NPJ7I	302/304 S/S	SS7
	Light Almond	NP7LA	NPJ7LA	430 S/S	SS7L
	Red	NP7R	NPJ7R		
	White	NP7W	NPJ7W		
	 2-Gang; 1-single; 1.40 in. (35.6) diameter opening	Almond	—	—	Aluminum
Black		—	—	Brass	—
Brown		—	—	Brass Plated	—
Gray		—	—	Chrome	—
Ivory		—	—	302/304 S/S	SS747
White		—	—	430 S/S	—
 2-Gang; 2-single; 1.40 in. (35.6) diameter openings	Almond	—	—	Aluminum	SA72
	Black	—	—	Brass	SB72
	Brown	—	—	Brass Plated	①
	Gray	—	—	Chrome	①
	Ivory	—	—	302/304 S/S	SS72
	White	—	—	430 S/S	①

Note: All standard and mid-size nylon wallplates feature pre-inserted captive screws for faster assembly.

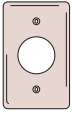

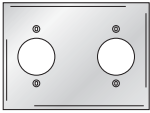

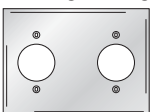

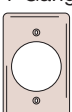
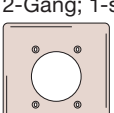
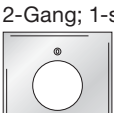

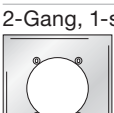
① Available as a custom wallplate; see page O-16.

Wallplates

Single Receptacle Wallplates



SINGLE RECEPTACLE WALLPLATES Inches (mm)

Description	Nylon Color	Standard	Mid-Size	Material	Metal
 1-Gang; 1-single; 1.60 in. (40.6) dia. opening; 20/30A locking devices	Almond	NP720AL	—	Aluminum	SA720
	Black	NP720BK	—	Brass	SB720
	Brown	NP720	—	Brass Plated	①
	Gray	NP720GY	—	Chrome	①
	Ivory	NP720I	—	302/304 S/S	SS720
	Office White	NP720OW	—	430 S/S	①
	Red	NP720R	—		
	White	NP720W	—		
 2-Gang; 1-single; 1.60 in. (40.6) dia. opening; 20/30A locking devices	Almond	—	—	Aluminum Brass	—
	Black	—	—	Brass Plated	—
	Brown	—	—	Chrome	—
	Gray	—	—	302/304 S/S	SS749
	Ivory	—	—	430 S/S	—
	White	—	—		
 3-Gang; 2-single; 1.60 in. (40.6) dia. opening; 20/30A locking devices	Almond	—	—	Aluminum Brass	—
	Black	—	—	Brass Plated	—
	Brown	—	—	Chrome	—
	Gray	—	—	302/304 S/S	SS320
	Ivory	—	—	430 S/S	—
	White	—	—		
 1-Gang; 1-single; 1.70 in. (43.2) dia. opening; 20/30A locking devices	Almond	—	—	Aluminum Brass	—
	Black	—	—	Brass Plated	—
	Brown	—	—	Chrome	—
	Gray	—	—	302/304 S/S	SS725
	Ivory	—	—	430 S/S	—
	White	—	—		
 3-Gang; 2-single; 1.70 in. (43.2) dia. opening; 20/30A locking devices	Almond	—	—	Aluminum Brass	—
	Black	—	—	Brass Plated	—
	Brown	—	—	Chrome	—
	Gray	—	—	302/304 S/S	SS330
	Ivory	—	—	430 S/S	—
	White	—	—		
 1-Gang; 1-single; 1.97 in. (50.0) dia. opening; 20/30A locking devices	Almond	—	—	Aluminum Brass	—
	Black	—	—	Brass Plated	—
	Brown	—	—	Chrome	—
	Gray	—	—	302/304 S/S	SS737
	Ivory	—	—	430 S/S	—
	White	—	—		
 1-Gang; 1-single; 2.15 in. (54.6) dia. opening	Almond	NP724AL	NPJ724AL	Aluminum	SA723
	Black	NP724BK	NPJ724BK	Brass	①
	Brown	NP724	NPJ724	Brass Plated	①
	Gray	NP724GY	NPJ724GY	Chrome	SCH723
	Ivory	NP724I	NPJ724I	302/304 S/S	SS723
	White	NP724W	NPJ724W	430 S/S	SS723L
 2-Gang; 1-single; 2.15 in. (54.6) dia. opening	Almond	NP703AL	NPJ703AL	Aluminum	—
	Black	NP703BK	NPJ703BK	Brass	—
	Brown	NP703	NPJ703	Brass Plated	—
	Gray	NP703GY	NPJ703GY	Chrome	—
	Ivory	NP703I	NPJ703I	302/304 S/S	SS703
	White	NP703W	NPJ703W	430 S/S	SS703L
 2-Gang; 1-single; 2.15 in. (54.6) dia. opening	Almond	—	—	Aluminum Brass	—
	Black	—	—	Brass Plated	—
	Brown	—	—	Chrome	SCH702
	Gray	—	—	302/304 S/S	SS702
	Ivory	—	—	430 S/S	—
	White	—	—		
 2-Gang, 1-single; 2.48 in. (63.0) dia. opening	Almond	—	—	Aluminum Brass	—
	Black	—	—	Brass Plated	—
	Brown	—	—	Chrome	—
	Gray	—	—	302/304 S/S	SS701
	Ivory	—	—	430 S/S	—
	White	—	—		
 2-Gang, 1-single; 2.66 in. (67.6) dia. opening	Almond	—	—	Aluminum Brass	—
	Black	—	—	Brass Plated	—
	Brown	—	—	Chrome	—
	Gray	—	—	302/304 S/S	SS716
	Ivory	—	—	430 S/S	—
	White	—	—		



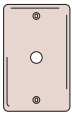
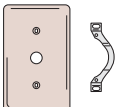
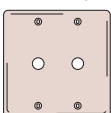
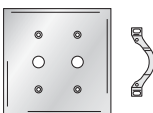
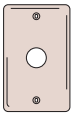
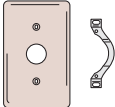

Note: All standard and mid-size nylon wallplates feature pre-inserted captive screws for faster assembly.
 ① Available as a custom wallplate; see page O-16.

Wallplates

Telephone and Coaxial Wallplates



TELEPHONE AND COAXIAL WALLPLATES Inches (mm)

Description	Nylon Color	Standard	Mid-Size	Material	Metal
1-Gang; 1-telephone; .375 in. (9.7) hole; box mount 	Almond	—	—	Brass	①
	Brown	—	—	Brass Plated	①
	Ivory	—	—	Chrome	①
	White	—	—	302/304 S/S 430 S/S	SS739 ①
1-Gang; 1-telephone; .375 in. (9.7) hole; strap mount 	Almond	—	—	Brass	①
	Brown	—	—	Brass Plated	SB738
	Ivory	—	—	Chrome	①
	White	—	—	302/304 S/S 430 S/S	SS738 ①
1-Gang; 1-telephone; .406 in. (10.3) hole; box mount 	Almond	NP11AL	NPJ11AL	Brass	①
	Black	NP11BK	—	Brass Plated	SBP11*
	Brown	NP11	NPJ11	Chrome	①
	Gray	NP11GY	—	302/304 S/S	SS11*
	Ivory	NP11I	NPJ11I	430 S/S	SS11L*
	Light Almond White	NP11LA NP11W	NPJ11LA NPJ11W		
1-Gang; 1-telephone; .406 in. (10.3) hole; strap mount 	Almond	NP12AL	—	Brass	SB12*
	Black	NP12BK	—	Brass Plated	SBP12*
	Brown	NP12	—	Chrome	SCH12*
	Gray	NP12GY	—	302/304 S/S	SS12*
	Ivory	NP12I	—	430 S/S	①
	White	NP12W	—		
2-Gang; 2-telephone; .406 in. (10.3) hole; box mount 	Almond	NP21AL	—	Brass	—
	Brown	NP21	—	Brass Plated	—
	Ivory	NP21I	—	Chrome	—
	White	NP21W	—	302/304 S/S 430 S/S	① ①
2-Gang; 2-telephone; .406 in. (10.3) hole; strap mount 	Almond	—	—	Brass	—
	Brown	—	—	Brass Plated	—
	Ivory	—	—	Chrome	—
	White	—	—	302/304 S/S 430 S/S	SS22* ①
1-Gang; 1-telephone; .625 in. (15.9) hole; box mount 	Almond	NP737AL	—	Brass	—
	Brown	NP737	—	Brass Plated	—
	Ivory	NP737I	—	Chrome	—
	White	NP737W	—	302/304 S/S 430 S/S	— —
1-Gang; 1-telephone; .625 in. (15.9) hole; strap mount 	Almond	NP730AL	—	Brass	—
	Brown	NP730	—	Brass Plated	—
	Ivory	NP730I	—	Chrome	—
	White	NP730W	—	302/304 S/S 430 S/S	— —
2-Gang; 1-telephone; .64 in. (16.3) hole; box mount 	Almond	—	—	Brass	—
	Brown	—	—	Brass Plated	—
	Ivory	—	—	Chrome	—
	White	—	—	302/304 S/S 430 S/S	SS741* ①

Note: All standard and mid-size nylon wallplates feature pre-inserted captive screws for faster assembly.

① Available as a custom wallplate; see page O-16.







* .50" (12.7) nylon bushing provided.

Wallplates

"D" Hole Wallplates



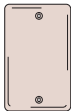
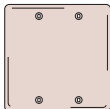
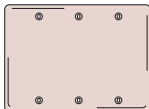
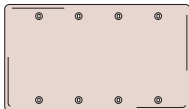
"D" HOLE WALLPLATES Inches (mm)

Description	Nylon Color	Standard	Mid-Size	Material	Metal
1-Gang; 1-"D" hole; .51 in. (12.9) dia.; .44 in. (11.2) flat; box mount 	Almond	—	—	Aluminum	①
	Black	—	—	Brass	①
	Brown	—	—	Brass Plated	①
	Gray	—	—	Chrome	①
	Ivory	—	—	302/304 S/S	SSD1422
	White	—	—	430 S/S	①
1-Gang; 2-"D" hole; .51 in. (12.9) dia.; .44 in. (11.2) flat; box mount 	Almond	—	—	Aluminum	①
	Black	—	—	Brass	①
	Brown	—	—	Brass Plated	①
	Gray	—	—	Chrome	①
	Ivory	—	—	302/304 S/S	SSD1423
	White	—	—	430 S/S	①
1-Gang; 2-"D" hole; .51 in. (12.9) dia.; .44 in. (11.2) flat; box mount 	Almond	—	—	Aluminum	①
	Black	—	—	Brass	①
	Brown	—	—	Brass Plated	①
	Gray	—	—	Chrome	①
	Ivory	—	—	302/304 S/S	SSD1426
	White	—	—	430 S/S	①
1-Gang; 1-"D" hole; .58 in. (14.7) dia.; .55 in. (14.0) flat; box mount 	Almond	—	—	Aluminum	①
	Black	—	—	Brass	①
	Brown	—	—	Brass Plated	①
	Gray	—	—	Chrome	①
	Ivory	—	—	302/304 S/S	SSD1428
	White	—	—	430 S/S	①
1-Gang; 2-"D" hole; .58 in. (14.7) dia.; .55 in. (14.0) flat; box mount 	Almond	—	—	Aluminum	①
	Black	—	—	Brass	①
	Brown	—	—	Brass Plated	①
	Gray	—	—	Chrome	①
	Ivory	—	—	302/304 S/S	SSD1429
	White	—	—	430 S/S	①
1-Gang; 1-"D" hole; .76 in. (19.3) dia.; .73 in. (18.5) flat; box mount 	Almond	—	—	Aluminum	①
	Black	—	—	Brass	①
	Brown	—	—	Brass Plated	①
	Gray	—	—	Chrome	①
	Ivory	—	—	302/304 S/S	SSD1430
	White	—	—	430 S/S	①

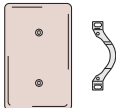
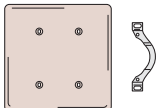
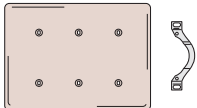

Note: ① Available as a custom wallplate; see page O-16.



BLANK BOX MOUNT WALLPLATES

Description	Nylon Color	Standard	Mid-Size	Material	Metal
	Almond	NP13AL	NPJ13AL	Aluminum	SA13
	Black	NP13BK	NPJ13BK	Brass	SB13
	Brown	NP13	NPJ13	Brass Plated	SBP13
	Gray	NP13GY	NPJ13GY	Chrome	SCH13
	Ivory	NP13I	NPJ13I	302/304 S/S	SS13
	Light Almond	NP13LA	NPJ13LA	430 S/S	SS13L
	White	NP13W	NPJ13W		
	Almond	NP23AL	NPJ23AL	Aluminum	SA23
	Black	NP23BK	—	Brass	SB23
	Brown	NP23	NPJ23	Brass Plated	SBP23
	Gray	NP23GY	—	Chrome	SCH23
	Ivory	NP23I	NPJ23I	302/304 S/S	SS23
	Light Almond	NP23LA	NPJ23LA	430 S/S	SS23L
	White	NP23W	NPJ23W		
	Almond	NP33AL	—	Aluminum	①
	Brown	NP33	—	Brass	①
	Ivory	NP33I	—	Brass Plated	SBP33
	White	NP33W	—	Chrome	①
				302/304 S/S	SS33
			430 S/S	①	
	Almond	NP43AL	—	Aluminum	①
	Brown	NP43	—	Brass	①
	Ivory	NP43I	—	Brass Plated	①
	White	NP43W	—	Chrome	①
				302/304 S/S	SS43
			430 S/S	①	

BLANK STRAP MOUNT WALLPLATES

Description	Nylon Color	Standard	Mid-Size	Material	Metal
	Almond	NP14AL	—	Brass	SB14
	Black	NP14BK	—	Brass Plated	①
	Brown	NP14	—	Chrome	①
	Gray	NP14GY	—	302/304 S/S	SS14
	Ivory	NP14I	—	430 S/S	SS14L
	Light Almond	NP14W	—		
	White				
	Almond	NP24AL	—	Brass	①
	Black	NP24BK	—	Brass Plated	①
	Brown	NP24	—	Chrome	①
	Gray	NP24GY	—	302/304 S/S	SS24
	Ivory	NP24I	—	430 S/S	SS24L
	White	NP24W	—		
	Almond	NP34AL	—	Brass	①
	Brown	NP34	—	Brass Plated	①
	Ivory	NP34I	—	Chrome	①
	White	NP34W	—	302/304 S/S	SS34
				430 S/S	①
	Almond	NP44AL	—	Brass	①
	Brown	NP44	—	Brass Plated	①
	Ivory	NP44I	—	Chrome	①
	White	NP44W	—	302/304 S/S	SS44
				430 S/S	①

Note: All standard and mid-size nylon wallplates feature pre-inserted captive screws for faster assembly.

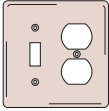
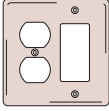
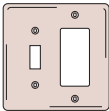
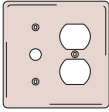
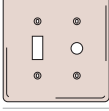
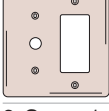
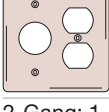
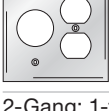

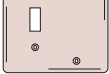
① Available as a custom wallplate; see page O-16.

Wallplates

Combination Wallplates



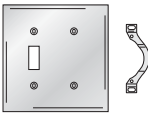
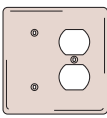

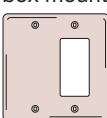
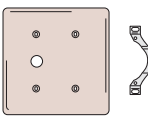
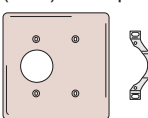
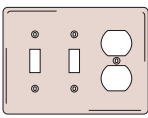
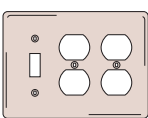
COMBINATION WALLPLATES Inches (mm)

Description	Nylon Color	Standard	Mid-Size	Material	Metal
 2-Gang; 1-toggle; 1-duplex	Almond	NP18AL	NPJ18AL	Aluminum	①
	Black	NP18BK	NPJ18BK	Brass	SB18
	Brown	NP18	NPJ18	Brass Plated	SBP18
	Gray	NP18GY	NPJ18GY	Chrome	SCH18
	Ivory	NP18I	NPJ18I	302/304 S/S	SS18
	Light Almond	NP18LA	NPJ18LA	430 S/S	SS18L
	White	NP18W	NPJ18W		
 2-Gang; 1-duplex; 1-decorator	Almond	NP826AL	NPJ826AL	Aluminum	①
	Black	NP826BK	NPJ826BK	Brass	SB826
	Brown	NP826	NPJ826	Brass Plated	①
	Gray	NP826GY	NPJ826GY	Chrome	①
	Ivory	NP826I	NPJ826I	302/304 S/S	SS826
	Light Almond	NP826LA	NPJ826LA	430 S/S	①
	White	NP826W	NPJ826W		
 2-Gang; 1-toggle; 1-decorator	Almond	NP126AL	NPJ126AL	Aluminum	①
	Black	NP126BK	NPJ126BK	Brass	SB126
	Brown	NP126	NPJ126	Brass Plated	SBP126
	Gray	NP126GY	NPJ126GY	Chrome	①
	Ivory	NP126I	NPJ126I	302/304 S/S	SS126
	Light Almond	NP126LA	NPJ126LA	430 S/S	SS126L
	White	NP126W	NPJ126W		
 2-Gang; 1-telephone .41 in. (10.3) hole; 1-duplex; strap mount	Almond	NP128AL	—	Aluminum	—
	Brown	NP128	—	Brass	—
	Ivory	NP128I	—	Brass Plated	—
	White	NP128W	—	Chrome	—
				302/304 S/S	—
 2-Gang; 1-toggle; 1-telephone .41 in. (10.3) hole; strap mount	Almond	NP112AL	—	Aluminum	—
	Brown	NP112	—	Brass	—
	Ivory	NP112I	—	Brass Plated	—
	White	NP112W	—	Chrome	—
				302/304 S/S	—
 2-Gang; 1-telephone .41 in. (10.3) hole; 1-decorator; strap mount	Almond	NP1226AL	—	Aluminum	—
	Brown	NP1226	—	Brass	—
	Ivory	NP1226I	—	Brass Plated	—
	White	NP1226W	—	Chrome	—
				302/304 S/S	—
 2-Gang; 1-single receptacle 1.40 in. (35.6) dia. opening; 1-duplex	Almond	NP78AL	—	Aluminum	①
	Brown	NP78	—	Brass	①
	Ivory	NP78I	—	Brass Plated	①
	White	NP78W	—	Chrome	①
				302/304 S/S	SS78
 2-Gang; 1-single receptacle 1.60 in. (40.6) dia. opening; 1-duplex	Almond	—	—	Aluminum	①
	Brown	—	—	Brass	①
	Ivory	—	—	Brass Plated	①
	White	—	—	Chrome	①
				302/304 S/S	SS8720
 2-Gang; 1-toggle; 1-single receptacle 1.40 in. (35.6) dia. opening	Almond	NP17AL	—	Aluminum	①
	Black	NP17BK	—	Brass	①
	Brown	NP17	—	Brass Plated	①
	Gray	NP17GY	—	Chrome	①
	Ivory	NP17I	—	302/304 S/S	SS17
	White	NP17W	—	430 S/S	①
 2-Gang; 1-toggle; 1-blank; box mount	Almond	NP113AL	NPJ113AL	Aluminum	①
	Brown	NP113	NPJ113	Brass	①
	Ivory	NP113I	NPJ113I	Brass Plated	①
	Light Almond	NP113LA	NPJ113LA	Chrome	①
	White	NP113W	NPJ113W	302/304 S/S	SS113
			430 S/S	①	

Note: All standard and mid-size nylon wallplates feature pre-inserted captive screws for faster assembly.
① Available as a custom wallplate; see page O-16.



COMBINATION WALLPLATES Inches (mm)

Description	Nylon Color	Standard	Mid-Size	Material	Metal
2-Gang; 1-toggle; 1-blank; strap mount 	Almond	—	—	Aluminum	①
	Brown	—	—	Brass	①
	Ivory	—	—	Brass Plated	①
	Light Almond	—	—	Chrome	①
	White	—	—	302/304 S/S 430 S/S	SS114 ①
2-Gang; 1-blank; 1-duplex; box mount 	Almond	NP138AL	NPJ138AL	Aluminum	①
	Brown	NP138	NPJ138	Brass	①
	Ivory	NP138I	NPJ138I	Brass Plated	①
	White	NP138W	NPJ138W	Chrome	①
				302/304 S/S 430 S/S	SS138 ①
2-Gang; 1-blank; 1-duplex; strap mount 	Almond	—	—	Aluminum	①
	Brown	—	—	Brass	①
	Ivory	—	—	Brass Plated	①
	White	—	—	Chrome	①
				302/304 S/S 430 S/S	SS148 ①
2-Gang; 1-blank; 1-decorator; box mount 	Almond	NP1326AL	NPJ1326AL	Aluminum	①
	Black	NP1326BK	—	Brass	①
	Brown	NP1326	NPJ1326	Brass Plated	①
	Gray	NP1326GY	—	Chrome	①
	Ivory	NP1326I	NPJ1326I	302/304 S/S	SS1426
	Light Almond	NP1326LA	NPJ1326LA	430 S/S	①
	White	NP1326W	NPJ1326W		
2-Gang; 1-telephone .41 in. (10.3) hole; 1-blank; strap mount 	Almond	NP1214AL	—	Aluminum	—
	Brown	NP1214	—	Brass	—
	Ivory	NP1214I	—	Brass Plated	—
	White	NP1214W	—	Chrome	—
				302/304 S/S 430 S/S	—
2-Gang; 1-single receptacle 1.40 in. (35.6) dia. opening; 1-blank; strap mount 	Almond	NP147AL	—	Aluminum	—
	Black	NP147BK	—	Brass	—
	Brown	NP147	—	Brass Plated	—
	Gray	NP147GY	—	Chrome	—
	Ivory	NP147I	—	302/304 S/S	—
	White	NP147W	—	430 S/S	—
3-Gang; 2-toggle; 1-duplex 	Almond	NP28AL	NPJ28AL	Aluminum	①
	Black	NP28BK	—	Brass	①
	Brown	NP28	NPJ28	Brass Plated	SBP28
	Gray	NP28GY	—	Chrome	①
	Ivory	NP28I	NPJ28I	302/304 S/S	SS28
	Light Almond	NP28LA	NPJ28LA	430 S/S	①
	White	NP28W	NPJ28W		
3-Gang; 1-toggle; 2-duplex 	Almond	NP182AL	—	Aluminum	①
	Brown	NP182	—	Brass	①
	Ivory	NP182I	—	Brass Plated	①
	White	NP182W	—	Chrome	①
				302/304 S/S 430 S/S	SS182 ①

Note: All standard and mid-size nylon wallplates feature pre-inserted captive screws for faster assembly.

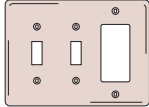
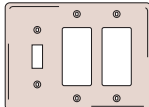
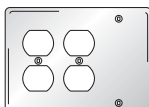
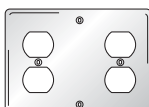

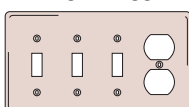
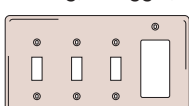
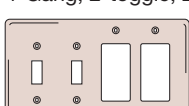

① Available as a custom wallplate; see page O-16.

Wallplates

Combination Wallplates





COMBINATION WALLPLATES

Description	Nylon Color	Standard	Mid-Size	Material	Metal
 3-Gang; 2-toggle; 1-decorator	Almond	NP226AL	NPJ226AL	Aluminum	①
	Black	NP226BK	NPJ226BK	Brass	①
	Brown	NP226	NPJ226	Brass Plated	①
	Gray	NP226GY	NPJ226GY	Chrome	①
	Ivory	NP226I	NPJ226I	302/304 S/S	SS226
	Light Almond	NP226LA	NPJ226LA	430 S/S	①
	White	NP226W	NPJ226W		
 3-Gang; 1-toggle; 2-decorator	Almond	NP1262AL	—	Aluminum	①
	Black	NP1262BK	—	Brass	①
	Brown	NP1262	—	Brass Plated	①
	Gray	NP1262GY	—	Chrome	①
	Ivory	NP1262I	—	302/304 S/S	①
	Light Almond	NP1262LA	—	430 S/S	①
	White	NP1262W	—		
 3-Gang; 2-duplex; 1-blank; box mount	Almond	—	—	Aluminum	①
	Brown	—	—	Brass	①
	Ivory	—	—	Brass Plated	①
	White	—	—	Chrome	①
					302/304 S/S
				430 S/S	①
 3-Gang; 1-duplex; 1-blank; 1-duplex; box mount	Almond	—	—	Aluminum	①
	Brown	—	—	Brass	①
	Ivory	—	—	Brass Plated	①
	White	—	—	Chrome	①
					302/304 S/S
				430 S/S	①
 3-Gang; 2-toggle; 1-blank; box mount	Almond	—	—	Aluminum	—
	Brown	—	—	Brass	—
	Ivory	—	—	Brass Plated	—
	White	—	—	Chrome	—
					302/304 S/S
				430 S/S	①
 4-Gang; 3-toggle; 1-duplex	Almond	NP38AL	—	Aluminum	①
	Brown	NP38	—	Brass	①
	Ivory	NP38I	—	Brass Plated	①
	Light Almond	NP38LA	—	Chrome	①
	White	NP38W	—	302/304 S/S	SS38
					430 S/S
 4-Gang; 3-toggle; 1-decorator	Almond	NP326AL	—	Aluminum	①
	Black	NP326BK	—	Brass	①
	Brown	NP326	—	Brass Plated	①
	Gray	NP326GY	—	Chrome	①
	Ivory	NP326I	—	302/304 S/S	SS326
	Light Almond	NP326LA	—	430 S/S	①
	White	NP326W	—		
 4-Gang; 2-toggle; 2-decorator	Almond	NP2262AL	—	Aluminum	①
	Black	NP2262BK	—	Brass	①
	Brown	NP2262	—	Brass Plated	①
	Gray	NP2262GY	—	Chrome	①
	Ivory	NP2262I	—	302/304 S/S	①
	Light Almond	NP2262LA	—	430 S/S	①
	White	NP2262W	—		
 5-Gang; 4-toggle; 1-duplex	Almond	NP48AL	—	Aluminum	①
	Brown	NP48	—	Brass	①
	Ivory	NP48I	—	Brass Plated	①
	White	NP48W	—	Chrome	①
					302/304 S/S
				430 S/S	①



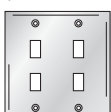


Note: All standard and mid-size nylon wallplates feature pre-inserted captive screws for faster assembly.
 ① Available as a custom wallplate; see page O-16.




RS232 WALLPLATES

Description	Nylon Color	Standard	Mid-Size	Material	Metal
1-Gang; 1- 25-pin opening 	Almond	—	—	Aluminum	①
	Black	—	—	Brass	①
	Brown	—	—	Brass Plated	①
	Gray	—	—	Chrome	①
	Ivory	—	—	302/304 S/S	SS232
	White	—	—	430 S/S	①
1-Gang; 2- 25-pin openings 	Almond	—	—	Aluminum	①
	Black	—	—	Brass	①
	Brown	—	—	Brass Plated	①
	Gray	—	—	Chrome	①
	Ivory	—	—	302/304 S/S	SS234
	White	—	—	430 S/S	①

RJ11 AND RJ45 MODULAR JACK WALLPLATES Inches (mm)

Description	Nylon Color	Standard	Mid-Size	Material	Metal
1-Gang; 1- .59 in. x .76 in. (15.0 x 19.3) opening 	Almond	—	—	Aluminum	①
	Black	—	—	Brass	①
	Brown	—	—	Brass Plated	①
	Gray	—	—	Chrome	①
	Ivory	—	—	302/304 S/S	SST1473
	White	—	—	430 S/S	①
1-Gang; 2- .59 in. x .76 in. (15.0 x 19.3) opening 	Almond	—	—	Aluminum	①
	Black	—	—	Brass	①
	Brown	—	—	Brass Plated	①
	Gray	—	—	Chrome	①
	Ivory	—	—	302/304 S/S	SST1474
	White	—	—	430 S/S	①
2-Gang; 4- .59 in. x .76 in. (15.0 x 19.3) opening 	Almond	—	—	Aluminum	①
	Black	—	—	Brass	①
	Brown	—	—	Brass Plated	①
	Gray	—	—	Chrome	①
	Ivory	—	—	302/304 S/S	SST2474
	White	—	—	430 S/S	①
1-Gang; 1- .59 in. x .82 in. (15.0 x 20.8) opening 	Almond	—	—	Aluminum	①
	Black	—	—	Brass	①
	Brown	—	—	Brass Plated	①
	Gray	—	—	Chrome	①
	Ivory	—	—	302/304 S/S	SST1476
	White	—	—	430 S/S	①
1-Gang; 2- .59 in. x .82 in. (15.0 x 20.8) opening 	Almond	—	—	Aluminum	①
	Black	—	—	Brass	①
	Brown	—	—	Brass Plated	①
	Gray	—	—	Chrome	①
	Ivory	—	—	302/304 S/S	SST1477
	White	—	—	430 S/S	①

LOUVER WALLPLATES

Description	Nylon Color	Standard	Mid-Size	Material	Metal
1-Gang; vertical box mounted 	Almond	—	—	Aluminum	①
	Black	—	—	Brass	SB771
	Brown	—	—	Brass Plated	SBP771
	Gray	—	—	Chrome	①
	Ivory	—	—	302/304 S/S	SS771
	White	—	—	430 S/S	①


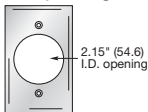







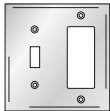

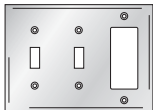
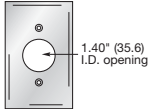
Note: ① Available as a custom wallplate; see page O-16.

Wallplates

Jumbo Metal Wallplates



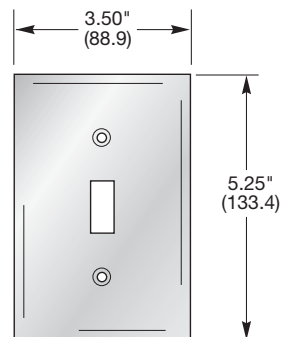
JUMBO, STAINLESS STEEL, BRUSHED FINISH Inches (mm)

Description	Material	Catalog Number	Description	Material	Catalog Number
1-Gang; 1-toggle 	302/304 S/S 430 S/S	SSJ1 —	1-Gang; 1-single receptacle 2.09–2.13 in. (53.1–54.1) dia. opening 	302/304 S/S 430 S/S	SSJ723 —
2-Gang; 2-toggle 	302/304 S/S 430 S/S	SSJ2 —	1-Gang; blank; box mount 	302/304 S/S 430 S/S	SSJ13 —
1-Gang; 1-duplex 	302/304 S/S 430 S/S	SSJ8 —	1-Gang; 1-telephone .64 in. (16.3) hole; box mount 	302/304 S/S 430 S/S	SSJ11* —
2-Gang; 2-duplex 	302/304 S/S 430 S/S	SSJ82 —	2-Gang; 1-toggle; 1-duplex 	302/304 S/S 430 S/S	SSJ18 —
1-Gang; 1-decorator 	302/304 S/S 430 S/S	SSJ26 —	2-Gang; 1-toggle; 1-decorator 	302/304 S/S 430 S/S	SSJ126 —
2-Gang; 2-decorator 	302/304 S/S 430 S/S	SSJ262 —	3-Gang; 2-toggle; 1-decorator 	302/304 S/S 430 S/S	SSJ226 —
1-Gang; 1-single receptacle 1.36–1.39 in. (34.5–35.3) dia. opening 	302/304 S/S 430 S/S	SSJ7 —			

Note: * .50" (12.7) nylon bushing provided.

Jumbo Metal Wallplate Dimensions

- 1-Gang; 5.25 in. x 3.50 in. (133.4 x 88.9)
- 2-Gang; 5.25 in. x 5.31 in. (133.4 x 134.9)
- 3-Gang; 5.25 in. x 7.12 in. (133.4 x 180.8)





HOW TO SELECT A CUSTOM METAL WALLPLATE

Step 1:

Determine wallplate material and enter in box marked "Catalog Number"

Smooth Metal Material	Code
Aluminum	AL
Brass plated steel	BP
Solid brass	BR
Chrome plated steel	CH
Stainless steel 302/304	SS
Stainless steel 430	SL

Determine number of gangs required and enter in box marked "Catalog Number" next to material.

Number of Gangs	Code
1-Gang	1
2-Gang	2
3-Gang	3
4-Gang	4
5-Gang	5
6-Gang	6
7-Gang	7
8-Gang	8

Enter Catalog Number.

◆ **BWC*** **SS** **4**

Step 2:

Enter quantity.

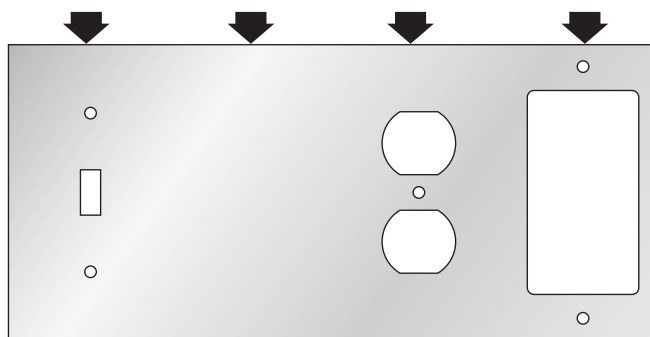
Step 3:

Select the custom metal wallplate configuration. Refer to the custom wallplate configuration chart to select a configuration for each gang in the wallplate. Each configuration has a specific 3-digit code located in the chart on page O-17. Enter this 3-digit configuration code in the corresponding box on the order form grid to match the position required on the finished custom wallplate.

Item No.	Catalog Number	Quantity	Position 1	Position 2	Position 3	Position 4
1	BWCSS4		001	149	008	026
2						

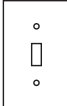

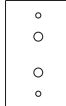
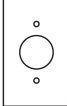
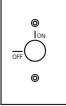

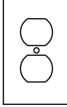
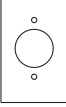
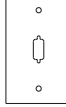

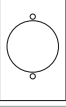
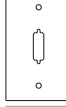
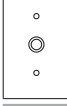

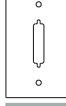


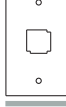
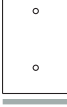
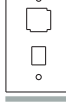
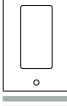

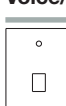


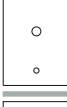


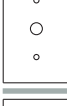

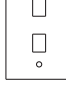
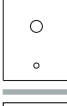


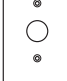


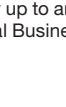



Note: *BWC are preprinted on the distributor order form.
◆ Number to use for pricing.

The 3-digit numbers listed in the Sample Order Form above (001, 149, etc.) represent the configuration for the custom metal wallplate selected on the right. See Configuration Chart and Bryant Configuration Selector Guide on page O-17 for additional configuration choices.





CONFIGURATION CHART Inches (mm)

	001 Toggle switch		079 Barrel key switch with hash marks		456 2-Telephone .38 in. (9.7) dia. hole; box mount
	007 Single receptacle; 1.40 in. (35.6) I.D. opening		080 Barrel key switch with ON/OFF and hash marks		458 2-Telephone .50 in. (12.7) dia. hole; box mount
	008 Duplex receptacle		091 Single receptacle; 1.60 in. (40.6) I.D. opening		411 2-Telephone .64 in. (16.3) dia. hole; box mount
	011 1-Telephone .64 in. (16.3) I.D. hole; box mount; .50 in. (12.7) I.D.; nylon bushing		098 Single receptacle; 2.16 in. (54.7) I.D. opening		435 9-Pin; vertical box mount
	012 1-Telephone .64 in. (16.3) I.D. hole; strap mount; .50 in. (12.7) I.D.; nylon bushing		135 Louver; vertical mount		438 15-Pin; vertical box mount
	013 Blank; box mount		149 Blank; no mounting holes		295 25-Pin; vertical box mount
	014 Blank; strap mount	Coax/Twinax and Modular Jack Openings			314 1-IBM® type opening; box mount
	026 Decorator opening		422 1-"D" hole; .51 in. (12.9) dia.; .44 in. (11.2) flat; box mount		415 1-IBM® type opening; 1- .59 in. X .76 in. (15.0 X 19.3) opening
	055 1-Telephone; .38 in. (9.7) I.D. hole; strap mount		425 1-"D" hole; .51 in. (12.9) dia.; .47 in. (12.0) flat; box mount	Voice/Data Opening	
	056 1-Telephone; .38 in. (9.7) I.D. hole; box mount		428 1-"D" hole; .58 in. (14.7) dia.; .55 in. (14.0) flat; box mount		470 1- .54 in. X .75 in. (13.8 X 19.1) opening; vertical box mount
	057 1-Telephone; .50 in. (12.7) I.D. hole; strap mount		430 1-"D" hole; .76 in. (19.3) dia.; .73 in. (18.5) flat; box mount		473 1- .59 in. X .76 in. (15.0 X 19.3) opening; vertical box mount
	058 1-Telephone; .50 in. (12.7) I.D. hole; box mount		431 2-"D" hole; .76 in. (19.3) dia.; .73 in. (18.5) flat; box mount		476 1- .59 in. X .82 in. (15.0 X 20.8) opening; vertical box mount
	078 Barrel key switch		423 2-"D" hole; .51 in. (12.9) dia.; .44 in. (11.2) flat; box mount		479 1- .58 in. X .78 in. (14.6 X 19.8) opening; vertical box mount
			426 2-"D" hole; .51 in. (12.9) dia.; .47 in. (12.0) flat; box mount		471 2- .54 in. X .75 in. (13.8 X 19.1) opening; vertical box mount
			429 2-"D" hole; .58 in. (14.7) dia.; .55 in. (14.0) flat; box mount		474 2- .59 in. X .76 in. (15.0 X 19.3) opening; vertical box mount
			431 2-"D" hole; .76 in. (19.3) dia.; .73 in. (18.5) flat; box mount		477 2- .59 in. X .82 in. (15.0 X 20.8) opening; vertical box mount
			431 2-"D" hole; .76 in. (19.3) dia.; .73 in. (18.5) flat; box mount		480 2- .58 in. X .78 in. (14.6 X 19.8) opening; vertical box mount

Note: For detailed dimensions of the above configurations, contact Technical Service at techserv@hubbell.com. Available in brushed metal, standard size only up to and including 8-gang type. IBM® is a registered trademark of International Business Machines Corporation.



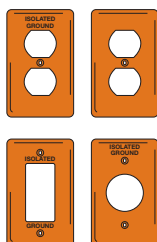
“EMERGENCY” WALLPLATES



Description	302/304 Stainless Steel; Standard Size; Engraved Red Filled Lettering	Red Nylon; Mid-Size; Hot Stamped White Lettering
1-Gang; 1-duplex	SS8MEV	NPJ8RMEV
2-Gang; 2-duplex	SS82MEV	N2202MEM
1-Gang; 1-toggle	SS1ME	NPJ1RME

Note: All lettering is ¼ inch (6.4 mm) high.

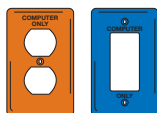
“ISOLATED GROUND” Inches (mm)



Description	Orange Nylon; Standard-Size; Hot Stamped Black Lettering
1-Gang; 1-duplex	NP80IG
1-Gang; 1-duplex; no marking	NP80R
1-Gang; 1-decorator	NP260IG
1-Gang; 1-single receptacle 1.40 in. (35.6) dia. opening for receptacles with face diameter 1.36–1.39 in. (34.5–35.3)	NP70IG
1-Gang; 1-single receptacle 1.60 in. (40.6) dia. opening for 20A and 30A locking receptacles with face diameter 1.55–1.58 in. (39.4–40.1)	NP7200IG

Note: All lettering is ¼ inch (6.4 mm) high.

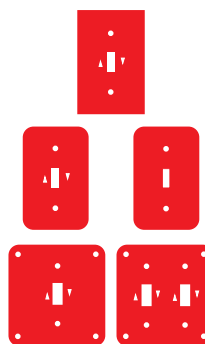
“COMPUTER ONLY” WALLPLATES



Description	Orange Nylon; Mid-Size; Hot Stamped Black Lettering	Ivory Nylon; Mid-Size; Hot Stamped Black Lettering	Blue Nylon; Mid-Size; Hot Stamped Black Lettering
1-Gang; 1-duplex	NPJ8CO	NPJ8C	—
1-Gang; 1-decorator	—	NPJ26C	NPJ26CBL
2-Gang; 2-duplex	NPJ82CO	—	—

Note: All lettering is ¼ inch (6.4 mm) high.

OIL AND GAS BURNER EMERGENCY PLATES Inches (mm)



Description	Oil Burner Cover	Gas Burner Cover	Emergency Cover
1-Gang; 1-toggle; ¼ in. (6.4) silk screened white letters on red enameled steel	S22710EM	S2271GEM	—
Utility/handy box cover; 1-toggle; ¼ in. (6.4) silk screened white letters on red enameled steel	SY8650EM	SY865GEM	SY865EM
4 in. (101.6) square box cover; 1-toggle; ¼ in. (6.4) silk screened white letters on red enameled steel	SY8000EM	SY800GEM	—
4 in. (101.6) square box cover; 2-toggle; ¼ in. (6.4) silk screened white letters on red enameled steel	—	SY803GEM	—



“LOCKING” WALLPLATES AND ACCESSORIES



Description	Catalog Number	
	1-Gang	2-Gang
302 stainless steel with on/off marking	SS12RKKL	SS22RKKL
302 stainless steel with position marking	SS12RKLM	SS22RKLM
Accessories	Catalog Number	
Tamper proof wallplate screws ½ in.; 302 SS spanner head	SSTP12	
Spanner head screw driver	SSTPD	
Replacement barrel key	6006RKL	



ADAPTERS Inches (mm)

Description	Color	Catalog Number
1-Gang; decorator frame adapter .41 in. (10.3) diameter hole	Almond	NS621AL
	Ivory	NS621I
	Light Almond	NS621LA
	White	NS621W
1-Gang; blank decorator frame adapter; to fill an unused decorator opening or to adapt for custom application	Almond	NS620AL
	Ivory	NS620I
	Light Almond	NS620LA
	White	NS620W



YOKES**

Description	Color	Catalog Number
Blank toggle adapter; to fill an unused toggle opening	Brown	RA756
	Ivory	RA756I
	White	RA756W
Mounting strap; with screws	Steel	RA40

TAMPERPROOF STAINLESS STEEL PLATE SCREWS TYPE 302/304 AND SCREWDRIVER** Inches (mm)

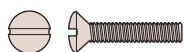


Description	Length in. (mm)	Catalog Number
Spanner head type 6-32 thread	¼" (3.2)	SSTP14
	⅜" (9.5)	SSTP38
	½" (12.7)	SSTP12
	⅝" (15.9)	SSTP58
	1" (25.4)	SSTP1
	2" (50.8)	SSTP2
Spanner head screwdriver	—	SSTPD

Note: Screws sold in carton quantities of 100.



WALLPLATE SCREWS**





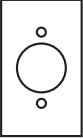

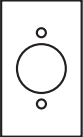
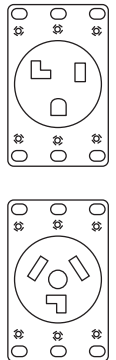
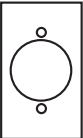
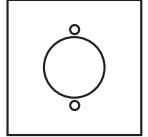
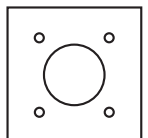
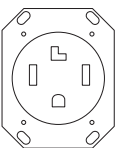
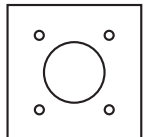
Description	Color/Material	Catalog Number		
		Decorator ⅜" Long	Standard ½" Long	Standard 1" Long
Wallplate screws; oval head milled slot; 6-32 thread; 100 per box (order 1 to receive a box of 100)	Almond	RA38ALPK100	RA12ALPK100	—
	Black	RA38BKPK100	RA12BKPK100	—
	Brown	RA38PK100	RA12PK100	—
	Gray	RA38GYPK100	RA12GYPK100	—
	Ivory	RA38IPK100	RA12IPK100	RA88IPK100
	Light Almond	RA38LAPK100	RA12LAPK100	—
	White	RA38WPK100	RA12WPK100	RA88WPK100
	Brass	RA38BRPK100	RA58BRPK100*	—
	Chrome	RA38CHPK100	RA58CHPK100*	—
	302/304 S/S	RA38SSPK100	RA58SSPK100*	RA88SSPK100

Note: * ⅝ inch long.

** Not UL Listed or CSA Certified.



WALLPLATE SELECTION CHART FOR SINGLE RECEPTACLES Inches (mm)

Typical Receptacle		Matching Wallplate	Stainless Steel 302/304	Stainless Steel 430	Solid Brass	Hi-Impact Nylon	
						Ivory	Brown
 15 or 20 amp straight blade devices	 15 amp locking devices	 1-Gang; single receptacle 1.40 (35.6) I.D. opening	SS7	SS7L	SB7	NP7I	NP7*
 20 or 30 amp locking devices 3-wire, 4-wire or 5-wire	 1-Gang; single receptacle 1.60 (40.6) I.D. opening	SS720	—	SB720	NP720I	NP720*	
 30 or 50 amp 3-wire power outlets	 1-Gang; power outlet 2.15 (54.6) I.D. opening	SS723	SS723L	—	NP724I	NP724*	
	 2-Gang; power outlet 2.15 (54.6) I.D. opening	SS702	—	—	—	—	
	 2-Gang; 2.15 (54.6) I.D. opening 1.81 W. (46.0) x 2.38 H. (60.3) mounting	SS703	SS703L	—	NP703I	NP703*	
 30, 50 or 60 amp 3-wire power outlets	 2-Gang; 2.48 (63.0) I.D. opening 1.81 W. (46.0) x 2.38 H. (60.3) mounting	SS701	—	—	—	—	

Note: *Catalog number indicated is Brown, for full offering of color options and materials see page O-7.

Wallplates

Dimensions and Material Specifications



NYLON Inches (mm)

Specifications	
Thickness	.06 in. (1.5)
Mounting Screw(s)	Brass (painted slotted screw head)
Feature	Captive mounting screw hole; positive bow for flush mounting
Operating Temperature	-40°C to 85°C
Appearance	Smooth

ALUMINUM Inches (mm)

Specifications	
Thickness	.05 in. (1.3)
Mounting Screw(s)	Aluminum slotted head
Appearance	Brushed finish; clear anodized

BRASS (70% COPPER, 30% ZINC) Inches (mm)

Specifications	
Thickness	.04 in. (1.0)
Mounting Screw(s)	Brass (70% copper, 30% zinc); slotted screw head
Operating Temperature	-40°C to 85°C
Appearance	Brushed finish

BRASS-PLATED STEEL Inches (mm)

Specifications	
Thickness	.03 in. (.8) nominal
Mounting Screw(s)	Brass slotted head
Appearance	Polished finish; coated to inhibit oxidation

302/304 STAINLESS STEEL (18% CHROMIUM, 8% NICKEL) Inches (mm)

Specifications	
Thickness	.035 in. (.9) nominal
Mounting Screw(s)	302/304 stainless steel (18% chromium, 8% nickel); slotted screw head
Appearance	Brushed finish

430 STAINLESS STEEL (17% CHROMIUM, LESS THAN 0.50% NICKEL) Inches (mm)

Specifications	
Thickness	.035 in. (.9) nominal
Mounting Screw(s)	302/304 stainless steel (18% chromium, 8% nickel); slotted screw head
Appearance	Brushed finish

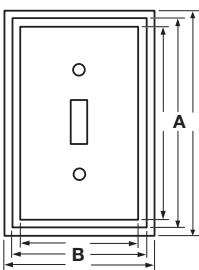
CHROME-PLATED STEEL Inches (mm)

Specifications	
Thickness	.03 in. (.8) Nominal
Mounting Screw(s)	Zinc-plated steel slotted head
Appearance	Polished finish; coated to inhibit oxidation

NYLON, STAINLESS STEEL AND BRASS

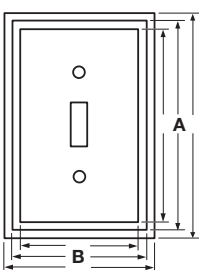
Listings
 Conforms to applicable NEMA and ANSI Standards
 Meets UL Standard 514D and CSA C22.2 #42.1
 UL Listed (Brass, Stainless Steel and Nylon)
 CSA Certified

NYLON PRODUCT DIMENSIONS Inches (mm)



Gang	Standard Size		Mid-Size		Snap-on	
	A	B	A	B	A	B
1-Gang	4.63" (117.6)	2.88" (73.2)	4.88" (124.0)	3.13" (79.5)	4.68" (118.9)	2.94" (74.7)
2-Gang	4.63" (117.6)	4.69" (119.1)	4.88" (124.0)	4.94" (125.4)	4.68" (118.9)	4.75" (120.7)
3-Gang	4.63" (117.6)	6.50" (165.1)	4.88" (124.0)	6.75" (171.5)	4.68" (118.9)	6.56" (166.6)
4-Gang	4.63" (117.6)	8.31" (211.1)	4.88" (124.0)	8.56" (217.4)	4.68" (118.9)	8.37" (212.6)
5-Gang	4.63" (117.6)	10.12" (256.1)	—	—	4.68" (118.9)	10.18" (258.6)
6-Gang	4.63" (117.6)	11.93" (303.0)	—	—	4.68" (118.9)	11.99" (304.5)

METAL PRODUCT DIMENSIONS Inches (mm)



Gang	Standard Size		Mid-Size		Jumbo	
	A	B	A	B	A	B
1-Gang	4.50" (114.3)	2.87" (72.9)	4.88" (124.0)	3.13" (79.5)	5.25" (133.4)	3.50" (88.9)
2-Gang	4.50" (114.3)	4.60" (116.8)	4.88" (124.0)	4.94" (125.5)	5.25" (133.4)	5.31" (134.9)
3-Gang	4.50" (114.3)	6.41" (162.8)	4.88" (124.0)	6.75" (171.5)	5.25" (133.4)	7.12" (180.8)
4-Gang	4.50" (114.3)	8.22" (208.8)	—	—	—	—
5-Gang	4.50" (114.3)	10.03" (254.8)	—	—	—	—
6-Gang	4.50" (114.3)	11.81" (300.0)	—	—	—	—
7-Gang	4.50" (114.3)	13.63" (347.5)	—	—	—	—
8-Gang	4.50" (114.3)	15.44" (392.1)	—	—	—	—



ZINC DIE CAST; 1-GANG; VERTICAL MOUNT Inches (mm)



Description	Dimensions	Catalog Number
	Height x Width x Depth	
1-Duplex; box mount; gray	4.58" x 2.82" x 0.57" (116.3 x 71.6 x 14.5)	RW51470
1-Single receptacle; 1.40 in. (35.6) dia. opening; box mount; gray	4.56" x 2.81" x 0.88" (115.8 x 71.4 x 22.4)	RW51550*
1-Decorator; box mount; gray	4.58" x 2.81" x 0.57" (116.3 x 71.4 x 14.5)	RW51040

ZINC DIE CAST; 1-GANG; HORIZONTAL MOUNT Inches (mm)



Description	Dimensions	Catalog Number
	Height x Width x Depth	
1-Duplex; box mount; gray	2.82" x 4.57" x 0.79" (71.6 x 116.1 x 20.1)	RW51810
1-Single receptacle; 1.40 in. (35.6) dia. opening; box mount; gray	2.81" x 4.56" x 0.99" (71.4 x 115.8 x 25.1)	RW51520*
1-Decorator; box mount; gray	2.82" x 4.56" x 0.52" (71.6 x 115.8 x 11.3)	RW51020

ZINC DIE CAST; 2-GANG; VERTICAL MOUNT Inches (mm)



Description	Dimensions	Catalog Number
	Height x Width x Depth	
2-Duplex; box mount; gray	4.54" x 4.54" x 0.75" (115.3 x 115.3 x 19.1)	RW51320
1-Duplex; 1-decorator; box mount; gray	4.54" x 4.54" x 0.77" (115.3 x 115.3 x 19.6)	RW51330
2-Single receptacle; 1.40 in. (35.6) dia. opening; box mount; gray	4.54" x 4.54" x 0.77" (115.3 x 115.3 x 19.6)	RW51380
2-Decorator; box mount; gray	4.54" x 4.56" x 0.73" (115.3 x 115.8 x 18.5)	RW51450

Note: All weatherproof plates are UL Listed for WET LOCATIONS WITH COVER CLOSED, for intermittent use in wet locations or use in damp locations. All plates are gasketed and self-closing.
*cULus Listed.



7420B



23007



7770



7774CR

DIE CAST ALUMINUM; 1-GANG; VERTICAL MOUNT Inches (mm)

Description **Catalog Number**

1.62 in. (41.1) dia. opening; 20 and 30 amp; locking receptacle **7420B**

2.15 in. (54.6) dia. opening; 30 and 50 amp; 3-wire power receptacle **7427B**

2.31 in. (58.7) dia. opening for "MBWP" inlet **7429B**

20 amp power interrupting; locking receptacle **23007**

30 amp power interrupting; locking receptacle; lift cover **20405**

50 amp standard locking receptacle **7770**

NON-METALLIC; 1-GANG; VERTICAL MOUNT FOR FLANGED DEVICES

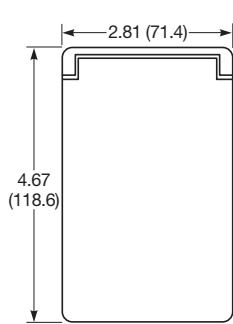
Description **Catalog Number**

Yellow fiberglass weatherproof plate with lift lid for 50 amp locking receptacles; fits F.S. and F.D. boxes **7774CR**

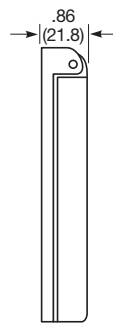
CATALOG NUMBER FOR RECEPTACLES IN GROUPS Inches (mm)

Boss diameter 1.36" to 1.39" (34.5 to 35.3)		Boss diameter 1.55" to 1.58" (39.4 to 40.1)			Boss diameter 1.68" to 1.72" (42.7 to 43.7)	Boss diameter 2.09" to 2.13" (53.1 to 54.1)	Boss diameter 2.28" to 2.44" (57.9 to 62.0)	
5261	8310	70520FR	71220FR	71820FR	3330	9530FR	3771	CS6369L
5251	7250	70620FR	71030FR	71920FR	3430	9630FR	7379	CS6370L
5661	5284	70720FR	71130FR	72020FR	3520	9303	3769	CS8169L
5361	5258	70820FR	71230FR	71830FR	7410	9306	6369CR	CS8269L
5351	5684	70920FR	71330FR	71930FR	40045FR	9550FR	6370CR	CS8369L
5461	5384	70530FR	71420FR	72030FR	FSL1FR	9650FR		CS8469L
4710	5484	70630FR	71520FR	72120FR	FSL2FR			CS6369A
4760	5261IG	70730FR	71620FR	72220FR	FSL3FR			CS6370A
7582	5361IG	70830FR	71430FR	72320FR	FSL4FR			CS8169A
7310	7535	70930FR	71530FR	72130FR				CS8269A
8210	70615FR	71020FR	71630FR	72230FR				CS8369A
		71120FR	71730FR	72330FR				CS8469A

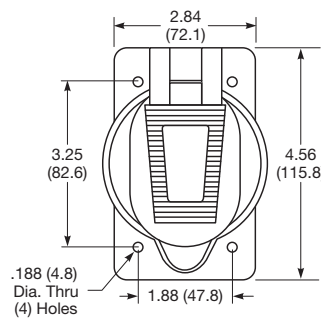
PRODUCT DIMENSIONS Inches (mm)



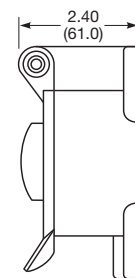
7420B



Side



7774CR





NON-METALLIC; 1-GANG; VERTICAL MOUNT FOR FLANGED DEVICES

Description	Catalog Number
Weatherproof lift cover for use with 15 amp locking flanged equipment devices (inlets and receptacles)	WPC1
Weatherproof lift cover for use with 20 and 30 amp locking flanged equipment devices (inlets and receptacles)	WPC2
Weatherproof lift cover for use with 50 amp locking non-metallic flanged inlets	7780*

Note: *cULus Listed only; not CSA Certified.

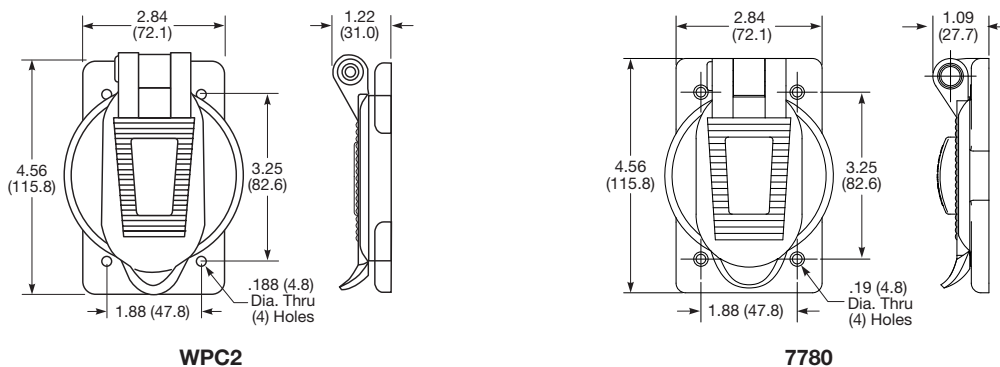
USE WITH FLANGED INLETS AND FLANGED RECEPTACLES LISTED BELOW

Catalog Number	Use with flanged inlets and flanged receptacles listed below							
WPC1	4716MB	4715ER	70615MB	70615ER	4786MB	4785ER	7556MB	7557ER
	8808	8809						
WPC2	70520MB	70520ER	70620MB	70620ER	70720MB	70720ER	70820MB	70820ER
	70920MB	70920ER	70530MB	70530ER	70630MB	70630ER	70730MB	70730ER
	70830MB	70830ER	70930MB	70930ER	7327	7328	71020MB	71020ER
	71120MB	71120ER	71220MB	71220ER	71030MB	71030ER	71230MB	71230ER
	71330MB	71330ER	71420MB	71420ER	71520MB	71520ER	71620MB	71620ER
	71430MB	71430ER	71530MB	71530ER	71630MB	71630ER	71730MB	71730ER
	7408MB	7409ER	71820MB	71820ER	71920MB	71920ER	72020MB	72020ER
	71830MB	71830ER	71930MB	79130ER	72030MB	72030ER	72120MB	72120ER
	72220MB	72220ER	72320MB	72320ER	40045MB	40045ER	72130MB	72130ER
	72230MB	72230ER	72330MB	72330ER				
	7780	CS6375L						
CS8375L								









Note: Device not included.

PRODUCT DIMENSIONS Inches (mm)











NON-METALLIC; 1-GANG; WHILE-IN-USE Inches (mm)

Description	Dimensions		Catalog Number
	Height x Width x Depth		
 <p>Vertical mount; four plates included; 1-duplex, 1-decorator, 1-toggle and 1-single receptacle with eight dia. openings to choose from. (1.34 in., 1.41 in., 1.47 in., 1.59 in., 1.66 in., 1.79 in., 2.03 in. and 2.16 in.)</p> 	3.88" x 6.00" x 2.88" (98.6 x 152.4 x 73.2)		RW57300
 <p>Deep cover; vertical mount; four plates included; 1-duplex, 1-decorator, 1-toggle and 1-single receptacle with eight dia. openings to choose from. (1.34 in., 1.41 in., 1.47 in., 1.59 in., 1.66 in., 1.79 in., 2.03 in. and 2.16 in.)</p> 	3.88" x 6.00" x 4.88" (98.6 x 152.4 x 124.0)		RW57350
 <p>Horizontal mount; four plates included; 1-duplex, 1-decorator, 1-toggle and 1-single receptacle with eight dia. openings to choose from. (1.34 in., 1.41 in., 1.47 in., 1.59 in., 1.66 in., 1.79 in., 2.03 in. and 2.16 in.)</p> 	5.50" X 4.38" x 2.88" (139.7 x 111.3 x 73.2)		RW57400

NON-METALLIC; 2-GANG; WHILE-IN-USE Inches (mm)

Description	Dimensions		Catalog Number
	Height x Width x Depth		
 <p>Four plates included; 2-duplex, 2-decorator, 1-toggle and 1-single receptacle with eight dia. openings to choose from. (1.34 in., 1.41 in., 1.47 in., 1.59 in., 1.66 in., 1.79 in., 2.03 in. and 2.16 in.)</p> 	5.50" x 6.00" x 2.88" (139.7 x 152.4 x 73.2)		RW57750
 <p>Deep cover; four plates included; 2-duplex, 2-decorator, 1-toggle and 1-single receptacle with eight dia. openings to choose from. (1.34 in., 1.41 in., 1.47 in., 1.59 in., 1.66 in., 1.79 in., 2.03 in. and 2.16 in.)</p> 	5.50" x 6.00" x 4.88" (139.7 x 152.4 x 124.0)		RW57900
 <p>Deep cover; two plates included; 1-single receptacle with 2.66 in. dia. opening; 1-single receptacle with eight dia. openings to choose from. (1.34 in., 1.41 in., 1.47 in., 1.59 in., 1.66 in., 1.79 in., 2.03 in. and 2.16 in.)</p> 	5.50" x 6.00" x 4.88" (139.7 x 152.4 x 124.0)		RW57950



- 2-Gang; die cast aluminum; weatherproof box; compact design
- 2-Gang; polycarbonate; while-in-use cover; high resistance to impact and corrosion
- 20A 125V or 250V heavy duty locking receptacle
- 20A 120-277V AC switch; single-pole or double-pole
- Locking receptacle prevents accidental disconnection of mating pump plug
- NEMA 3R while-in-use cover; tinted lid aesthetically pleasing for any location



POOL PUMP RECEPTACLE KIT

Description	Catalog Number
20A 125V pool pump receptacle kit; includes a NEMA L5-20 locking receptacle and single pole 20A 120-277V AC switch	PKL520*
20A 250V pool pump receptacle kit; includes a NEMA L6-20 locking receptacle and a double pole 20V 120-277V AC switch	PKL620*

Note: *Includes mounting hardware; gasket; wire connector; (3) closure plugs for the 3/4 inch threaded outlets and assembly instructions.

Locking receptacle helps prevent unintentional disconnection of mating pump plug



While-in-use cover protects switch and receptacle from weather and dirt while in use; and can be locked for added security (lock not included)



- Extra deep weatherproof box gives installers the room needed to wire the box efficiently
- State-of-the-art powder-coated finish provides years of protection against the elements
- Includes hardware; gasket and ground screw are provided
- Male inlet is securely mounted to the cover for additional durability
- Industrial grade device
- 1-Gang; cast aluminum



GENERATOR POWER CONNECTION KIT

Description	Catalog Number
NEMA L14-30; 30A 125/250V; 3-pole 4-wire generator kit	RB58405*

Note: *Includes mounting hardware; gasket; ground screw; (2) closure plugs for the 3/4 inch threaded outlets and assembly instructions.



INDEX

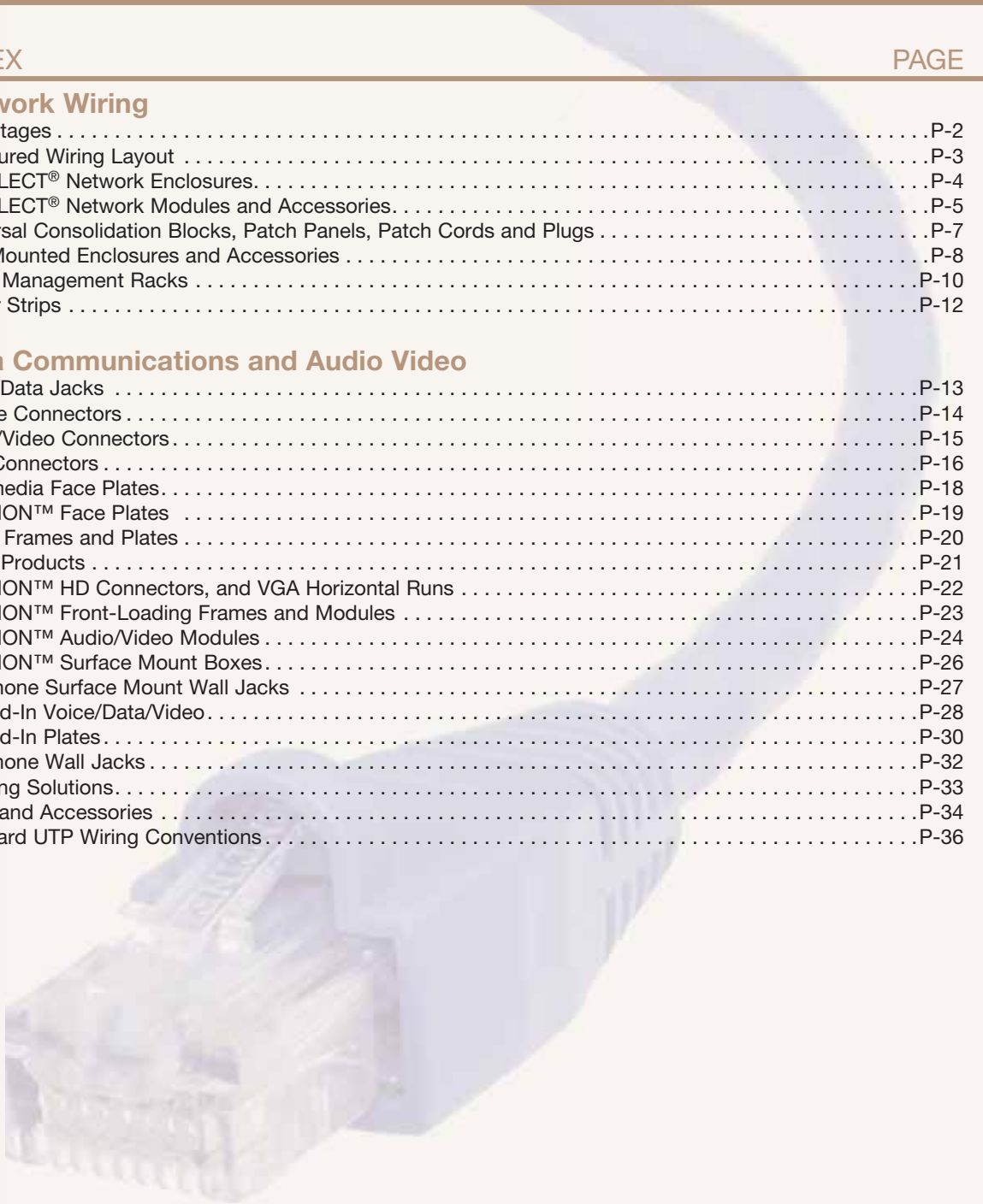
PAGE

Network Wiring

Advantages	P-2
Structured Wiring Layout	P-3
netSELECT® Network Enclosures	P-4
netSELECT® Network Modules and Accessories	P-5
Universal Consolidation Blocks, Patch Panels, Patch Cords and Plugs	P-7
Wall Mounted Enclosures and Accessories	P-8
Cable Management Racks	P-10
Power Strips	P-12

Data Communications and Audio Video

Voice/Data Jacks	P-13
F-Type Connectors	P-14
Audio/Video Connectors	P-15
RCA Connectors	P-16
Multimedia Face Plates	P-18
iSTATION™ Face Plates	P-19
Outlet Frames and Plates	P-20
HDMI Products	P-21
iSTATION™ HD Connectors, and VGA Horizontal Runs	P-22
iSTATION™ Front-Loading Frames and Modules	P-23
iSTATION™ Audio/Video Modules	P-24
iSTATION™ Surface Mount Boxes	P-26
Telephone Surface Mount Wall Jacks	P-27
Molded-In Voice/Data/Video	P-28
Molded-In Plates	P-30
Telephone Wall Jacks	P-32
Labeling Solutions	P-33
Tools and Accessories	P-34
Standard UTP Wiring Conventions	P-36





netSELECT® is an innovative network solution that's perfect for any home or small office. The netSELECT® System satisfies the need for a dependable, flexible system that can accommodate all of today's fast-changing voice, data and video requirements. Built-in flexibility makes it easy to upgrade and keep pace with evolving technologies.



Easy for Installers

An easy-to-hang cabinet featuring surface or recess mounts between 16-inch studs on center, 2 x 4 inch minimum. netSELECT® modular components snap into the box horizontally or vertically, optimizing space. A blank module provides flexibility for installers to use their own choice of manufacturer's active components. Also included: A reversible and lockable hinged door, ample cable entrance locations and a complete offering of jacks, plates and other work station accessories.

Easy for Users

Built in flexibility to upgrade and keep pace with evolving technologies. An easy-to-read label helps you to keep track of the system's infrastructure. The white powder coat finish provides a clean, durable chassis to house all components.

Features and Benefits

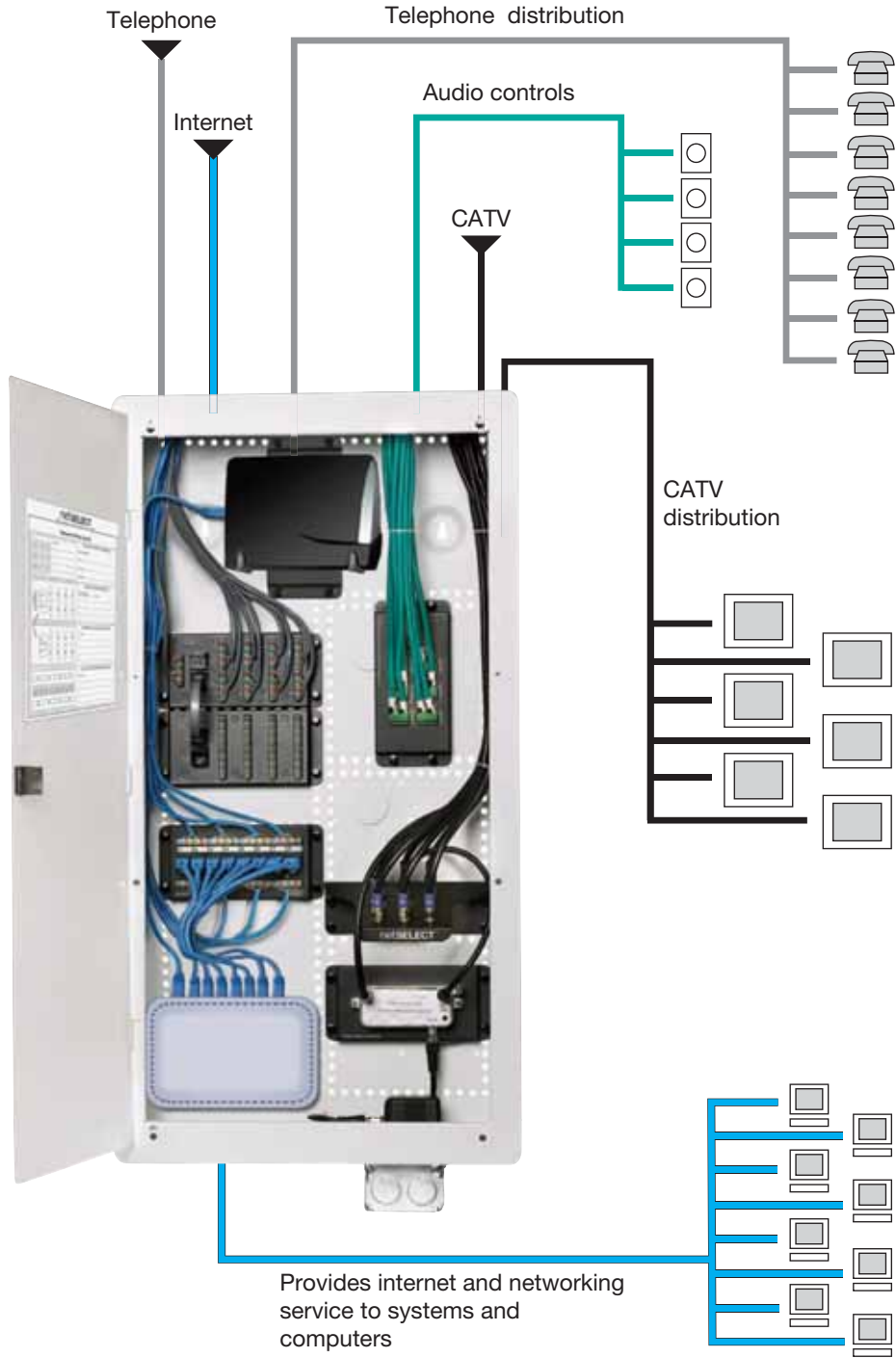
- Share single analog, cable or DSL internet connection
- Local file access
- Shared peripherals
- Multiple telephone distribution
- Call handling (PBX)
- Video distribution
- Play games that allow multi-users
- Support home automation systems

Network Wiring

Structured Wiring Layout



Today's Communications Entail a Lot More Than Just Talking.
netSELECT® Keeps You Connected—Internet, Voice, Data and Entertainment



Communications



Entertainment
Gaming/Video



Internet/Networking





- Flush or surface mount enclosure (hardware provided)
- Hinged cover can be mounted to swing from either side
- Integral trim ring on hinged door
- Horizontal and vertical module mounting holes
- Unique 89D bracket mounting holes
- Integral cable management slots and tie-wraps
- Material: 20-18 gauge steel
- Finish: white; powder coat

NETWORK ENCLOSURES



NSOBX10

Dimensions: 14.38"W x 10"H x 3.96"D
 Knockouts:
 Top: four 1½" NPT or completely open combo
 Bottom: four 1½" NPT or completely open combo
 Side: 1½" NPT

10" Network Enclosure for MDU and Modular Applications	Catalog Number
10" Enclosure with hinged cover	NSOBX10
10" Enclosure with panel cover	NSOBX10BC
10" Enclosure box only	NSOBX10B
Hinged door	NSOBX10D
Panel cover	NSOBX10C
Blank plate for custom KO patterns	NSOPLT



NSOBX14

Dimensions: 14.38"W x 14"H x 3.96"D
 Knockouts:
 Top: two 1" dia. and three 1½" NPT combo
 Bottom: one 1" Dia. and one 1½" NPT combo; 1 power kit knockout
 Back: two 1" NPT

14" Network Enclosure	Catalog Number
14" Enclosure with hinged cover	NSOBX14
14" Enclosure with panel cover	NSOBX14BC
14" Enclosure box only	NSOBX14B
Hinged door	NSOBX14D
Vented door	NSOBX14DL
Panel cover	NSOBX14C
2"D Extension bracket with ventilation and WiFi KOs	NSOBX14X2

Pre-Configured Network Enclosure 14"H with Hinged Cover

Basic home network kit includes:
 1 box with hinged cover (NSOBX14);
 1 primary 8-port telephone module (NSOPTM8); 1 4-way coaxial splitter module (NSOVDM4)



NSOBNK14



NSOBOX28

28" Enclosure
 Dimensions: 14.38"W x 28"H x 3.96"D
 Knockouts:
 Top: five 1½" NPT
 Bottom: two power kit knockouts
 Back: four 1" NPT

48" Enclosure
 Dimensions: 14.38"W x 48"H x 3.96"D
 Knockouts:
 Top: five 1½" NPT
 Bottom: two power kit knockouts
 Back: none

28" and 48" Network Enclosures	Catalog Number
28" Enclosure with hinged cover	NSOBOX28
28" Enclosure with panel cover	NSOBOX28BC
28" Enclosure box only	NSOBOX28B
Hinged door	NSOBOX28D
Vented door	NSOBOX28DL
Panel cover	NSOBOX28C
2"D Extension bracket with ventilation and WiFi KOs	NSOBOX28X2
48" Enclosure with hinged cover	NSOBOX48

Power Kits	Catalog Number
Standard power kit; includes duplex receptacle 15A 125V; NEMA 5-15R; electrical steel box and wallplate	NSOKP*
Surge suppression power kit; includes duplex receptacle 15A 125V; NEMA 5-15R; 240 Joules/15,000A protection per mode; electrical steel box and wallplate	NSOKPS*



Lock Kit, Chromed Steel	FLOCK1*
Includes two keys; eliminates unwanted tampering	



WiFi Antenna Kit	NSOKA*
Attaches to extension brackets; 7dB gain for better coverage	
Note: *Not UL or cULus listed.	





NSOTVM6

- Dimensions: 6.47"W x 2.95"H; except NSOMTM24 6.47"W x 6.00"H
- Meets FCC part 68 standard
- Finish: black; powder coat
- Material: 18 gauge steel or high impact plastic
- Snaps horizontally or vertically into enclosure
- Telephone and data modules are TIA-568A wired

NETWORK MODULES

Combo Module, 6-Port

Telephone and video
Telephone, video and cat. 5e
Category 5e data upgrade kit

6-port telephone panel and 6-port coaxial splitter with optional 6-port cat. 5e panel; provides voice, video, and data distribution; for use with NSOBOX10 and NS790xx plates to quickly establish a comprehensive network

Catalog Number

NSOTVM6
NSOTVDM6
NSODK6



NSOTVDM6

Data Module, 8-Port

Category 5e data module; supports up to gigabit ethernet with front 110 punch-down terminations
Category 6 data module; supports enhanced transmission speeds beyond gigabit ethernet

Catalog Number

NSODM8
NSODM8C6



NSODM8

Primary Telephone Module, 8-Port

Supports 8 phone outlets with up to 4 incoming lines for voice; RJ31X interface jack for security system connection; RJ45 jack interfaces with optional NSOETM8 telephone expansion module for additional extensions

Catalog Number

NSOPTM8



Multiport Patchable Telecom Module

Terminates lines via modular plug to accommodate flexibility, by changing plug locations; reconfigure where phone lines go at the panel level; includes nine RJ45 jumper cords

Catalog Number

NSOMTM24



Expansion Telephone Module, 8-Port

Adds additional 8 phone outlets with up to 4 incoming lines when used with the primary telephone module; RJ45 jumper cord to connect with NSOPTM8 primary telephone module

Catalog Number

NSOETM8



Combination Module, 6-Port

Telephone and 1-Port Cat. 5e Data
Provides basic telephone and data delivery in a small package; allows data lines to be converted to voice, with the move of a patch cord

Catalog Number

NSO6P1DM



Blank Module Plate

Allows mounting of active components (i.e., switches, routers) or other devices (66 blocks, audio components) onto a modular platform; can be custom drilled or used with two self-adhesive VELCRO® strips included to mount components onto module

Catalog Number

NSOBM



VELCRO® is a registered trademark of Velcro Industries B.V.



AUDIO/VIDEO MODULES AND ACCESSORIES

4-Way Coaxial Splitter Modules	Catalog Number
1 Ghz; basic unit	NSOVM4
2.3 Ghz; enhanced capability	NSOVM42G



NSOVM4

6-Way Coaxial Splitter Modules	Catalog Number
1 Ghz; basic unit	NSOVM6
2.3 Ghz; enhanced capability	NSOVM62G



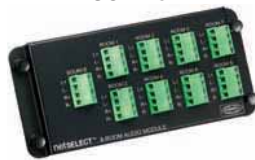
NSOVM6

8-Way Coaxial Splitter Modules	Catalog Number
1 Ghz; basic unit	NSOVM8
2.3 Ghz; enhanced capability	NSOVM82G



NSOVM8

8 Room Audio Module	Catalog Number
Distributes audio from an amplifier to matching volume controllers; supports up to eight rooms of audio; power handling – 200W RMS@20° C per channel; requires impedance matching volume controls	NSOAM8



Gold Speaker Post Connectors and Plugs	Ring Color	Catalog Number
Speaker post connector; office white housing	Black	SFSPGBK*
	Red	SFSPGR*
Speaker banana plugs; gold; screw termination; 10-packs	Black	SPPBK10*
	Red	SPPR10*

Note: *Not UL Listed.



SFSPGR



SPPBK10

Fixed Video Amplifier Module, 10dB	Catalog Number
Provides video signal amplification for incoming cable feeds recommended for use when more than four outputs are installed or when signal level is low; provides 10dB forward path gain and supports current digital cable systems and modems with a passive return; includes RG59 cable jumper to connect amplifier to passive video splitter	NSOVAMP



Panel Bracket Adapter	Catalog Number
For use with adapter panels shown below and FSP series modules; snap mounts into structured cabling enclosures	NSOFSB



F-Connector Adapter Panel	Catalog Number
Six populated coaxial connectors	FSPFP6X



Modular Adapter Panel	Catalog Number
Six blank openings for Bryant jacks and modular connectors	FSPHD6X



Slide Stereo Volume Controller	Catalog Number
Decorator styling; includes both ivory and white slides and frames; power handling – 70W RMS@20° C; impedance matching for up to eight pairs of speakers	NSOSAVC



Rotary Stereo Volume Controller	Catalog Number
Decorator styling; includes both ivory and white knobs and frames; power handling – 70W RMS@20° C; impedance matching for up to eight pairs of speakers	NSORAVC





- Meets ANSI/TIA category 6 and category 5e standards
- cULus Listed
- Consolidation blocks mount in or on the wall for telephone, data and AV systems



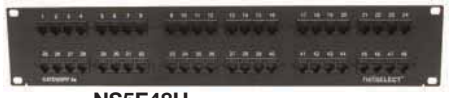
NS5E12U



NS612U



NS5E24U



NS5E48U



NS624U





NS648U

UNIVERSAL NETSELECT® PATCH PANELS

Description	Catalog Number
Category 5e 12-port universal consolidation block; 89D bracket mount	NS5E12U
Category 6 12-port universal consolidation block; 89D bracket mount	NS612U
Category 5e universal patch panel; 24-port - 1.75 inch H (1 rack unit)	NS5E24U
48-port - 3.50 inch H (2 rack units)	NS5E48U
Category 6 universal patch panel 24-port - 1.75 inch H (1 rack unit)	NS624U
48-port - 3.50 inch H (2 rack units)	NS648U

- Meets and exceeds ANSI/TIA - Category 6 or Category 5e standards
- UL and cUL Listed

UNIVERSAL PATCH CORDS, CATEGORY 6 AND CATEGORY 5e

Description	Color	1-Foot	3-Foot	5-Foot	7-Foot	10-Foot	15-Foot	20-Foot	25-Foot
Category 5e Patch Cord 	Blue	SC5EB01	SC5EB03	SC5EB05	SC5EB07	SC5EB10	SC5EB15	SC5EB20	SC5EB25
	Gray	SC5EGY01	SC5EGY03	SC5EGY05	SC5EGY07	SC5EGY10	SC5EGY15	SC5EGY20	SC5EGY25
	Yellow	SC5EY01	SC5EY03	SC5EY05	SC5EY07	SC5EY10	SC5EY15	SC5EY20	SC5EY25
	Red	SC5ER01	SC5ER03	SC5ER05	SC5ER07	SC5ER10	SC5ER15	SC5ER20	SC5ER25
Category 6 Patch Cord 	Blue	SC6B01	SC6B03	SC6B05	SC6B07	SC6B10	SC6B15	SC6B20	SC6B25
	Gray	SC6GY01	SC6GY03	SC6GY05	SC6GY07	SC6GY10	SC6GY15	SC6GY20	SC6GY25
	Yellow	SC6Y01	SC6Y03	SC6Y05	SC6Y07	SC6Y10	SC6Y15	SC6Y20	SC6Y25
	Red	SC6R01	SC6R03	SC6R05	SC6R07	SC6R10	SC6R15	SC6R20	SC6R25

Snap-On Plugs

- All plug contacts 50 micro-inch gold-plated
- IDC wire contacts
- Plastic: 94V-0 rated
- For voice applications
- For solid cable



BRFTP4P

SNAP-ON MODULAR PLUG

Description	AWG	Catalog Number
Snap-on; 8-position modular plug	24 to 26	BRFTP4P



RE4B



REKF



REKFF

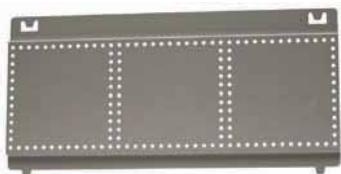


REKSJ20

REKR24



REKH



REKHS

RE-BOX® WALL MOUNT ENCLOSURES

PRE-CONFIGURED VERSION

Delivery: 1 base/rear section with welded 19-inch brackets for 2 hubs; 1 front door with 2 locks (NSQ tool); 1 set 19-inch extension brackets for 2 additional hubs (RE4xx only); 1 set 19-inch bottom hinge brackets for patch panels

Switch Capacity	Max. Hub Depth	Height	Width	Depth	Color	Catalog Number
2U	14.0" (356)	32.0" (818)	24.2" (615)	7.0" (178)	Light gray	RE2
2U	14.0" (356)	32.0" (818)	24.2" (615)	7.0" (178)	Black	RE2B
5U	14.0" (356)	32.0" (818)	24.2" (615)	10.0" (254)	Light gray	RE4
5U	14.0" (356)	32.0" (818)	24.2" (615)	10.0" (254)	Black	RE4B
5U	22.0" (559)	42.0" (1067)	24.2" (615)	10.0" (254)	Light gray	RE4X
5U	22.0" (559)	42.0" (1067)	24.2" (615)	10.0" (254)	Black	RE4XB

USER-CONFIGURABLE VERSION

Delivery: 1 base/rear section and 1 front door with 2 locks (NSQ tool) (IDF24 has only 1 lock)

RWU	Height	Width	Depth	Color	Catalog Number
2U	24.0" (600)	24.2" (615)	7.0" (178)	Light Gray	IDF24L*
2U	24.0" (600)	24.2" (615)	10.0" (254)	Light Gray	IDF24
4U	32.0" (813)	24.2" (615)	10.0" (254)	Light Gray	IDF32
6U	42.0" (1067)	24.2" (615)	10.0" (254)	Light Gray	IDF42

Note: IDF24L and IDF24 do not use the same base section; knock-out patterns are different.

See page P-9 for key lock kits.

*Front door includes Cat60 key locks.

RE-BOX® WALL MOUNT ENCLOSURE ACCESSORIES

Description	Size	Catalog Number
Door conversion kit (RE2 to RE4); light gray	—	REKU
Door conversion kit (RE2 to RE4); black	—	REKUB
Fan kit; 57CFM (order 1 per RE2, 2 per RE4, RE4X, IDF)	—	REKF
Fan plate, blank	4.0" fan	H1KB
Fan	125V/7A	REKEF
Fan filter kit	—	REKFF
Filler panel	3.5"H	MCCBP350
Joining kits	Top-to-bottom Side-by-side (IDF24, IDF24L) Side-by-side (RE2, RE4, IDF32) Side-by-side (RE4X, IDF42)	REKTJ REKSJ20 REKSJ30 REKSJ40
Padlock hasp kit	—	REKH
For mounting NSO modules (see pages P-5 and P-6)	—	REKHS
Recessed mounting kit	24.0" 32.0" 42.0"	REKR24 REKR32 REKR42
Reverse hinge kit	—	REKI
Sound dampening kit	—	REKS



QUADCAB® WALL MOUNT ENCLOSURE

Cabinet Depth	Door Style	Color*	Catalog Number
20.0"	Window	Black	HSQXX
26.0"	Window	Black	HSQXX26
36.0"	Window	Black	HSQXX36
20.0"	Solid	Black	HSQXXS
26.0"	Solid	Black	HSQXXS26
36.0"	Solid	Black	HSQXXS36

Note: **XX** = Height in inches. '24' = 24"/12 Rack Units; '36' = 36"/19 Rack Units; '48' = 48"/26 Rack Units.

*For Office White, add "W" to the end of the catalog number.

Delivery: 1 rear section (arrives disassembled, facilitating installation); 1 front door; 2 19-inch mounting angles; 1 center section with 2 CH751 locks; 2 top/bottom cover plates; 2 hinge pins; 2 security cotter pins.



REKZ



REKFP

HIDRUBCKIT

RE-BOX® AND QUADCAB® WALL MOUNT ENCLOSURE ACCESSORIES

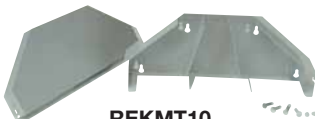
Description	Size/Style	Catalog Number
¼" plywood backboard	20.0" x 19.0"	REKBB20
	30.0" x 19.0"	REKBB30
	40.0" x 19.0"	REKBB40
110/66 block mounting rails	—	REK110
DIN rail utility box	—	DRUBTVSS15
DIN rail communications kit	—	HIDRUBCKIT
Equipment mounting bracket	8.75"	REKZ
	5.25"	REKZL
Fiber optic bracket	—	REKFP
Filler panel	3.5"H	MCCBP350
Gasket kit - padded grommet	30'	HWKGT
Gasket kit - adhesive backed foam	10'	REKG
Ground kit	—	REKGB
Ground strap kit; economy	—	REKEGS
Key lock kits:	CH751	CKL751
	333	CKL333
	Bellcore 716	CKL716
	Cat60	CKLCAT60
	Cat70	CKLCAT70
Patch panel mounting bracket	7.0"	REK19
	3.5"	REK19L
Power kit; 20A	—	REKP
Thermostat	—	CTK



REKP



REKGB



REKMT10



CTK



HPW84RR19

EQUIPMENT RACKS Inches (mm)

Rack Height	Rack Units	Mounting Width	Finish*	Catalog Number
48.0" (1219)	24	19.0" (483)	Black	HPW48RR19
48.0" (1219)	24	23.0" (584)	Black	HPW48RR23
68.5" (1676)	36	19.0" (483)	Black	HPW66RR19
84.0" (2134)	45	19.0" (483)	Black	HPW84RR19
84.0" (2134)	45	23.0" (584)	Black	HPW84RR23
89.7" (2286)	48	19.0" (483)	Black	HPW90RR19
89.7" (2286)	48	23.0" (584)	Black	HPW90RR23
96.0" (2438)	51	19.0" (483)	Black	HPW96RR19
96.0" (2438)	51	23.0" (584)	Black	HPW96RR23

Note: Shipped unassembled.

*For aluminum mill finish rack, add "ML" to end of catalog number.

19" EQUIPMENT RACKS WITH 6" WIDE 'Z' CHANNELS Feet (m)

Rack Height	Rack Units	Finish	Cover Style	Catalog Number
7.0' (2.13)	45	Black	Hinged	CS1976H
7.0' (2.13)	45	Black	Clip on	CS1976
7.0' (2.13)	45	Aluminum	Clip on	CS1976A

Note: Delivery: 1 rack - 7'H (HPW84RR19); 2 vertical organizers (VS76/VS76A).



HPW84RR19ML

19" EQUIPMENT RACKS WITH 3.25" WIDE 'C' CHANNELS Feet (m)

Rack Height	Rack Units	Finish	Cover Style	Catalog Number
7.0' (2.13)	45	Black	Hinged	CS1973H
7.0' (2.13)	45	Black	Clip on	CS1973
7.0' (2.13)	45	Aluminum	Clip on	CS1973A

Note: Delivery: 1 rack - 7'H (HPW84RR19); 2 vertical organizers (VS73/VS73A); 4 covers (VCC3/VCC3A).



VS76H

VERTICAL CHANNELS FOR 7' RACK Feet (m)

Rack Height	Hinged Cover Color	Catalog Number	
		6"W	3.25"W
7' (2134)	Black	VS76H	VS73H

6" 'Z' CHANNEL WITH COVER Feet (m)

Rack Height	Catalog Number	
	Black	Aluminum
7' (2134) or 7.5' (2.29)	VS76	VS76A
8' (2.44)	VS86	VS86A

3/4" 'C' CHANNEL Feet (m)

Rack Height	Catalog Number	
	Black	Aluminum
7' (2.13)	VS73	VS73A

METAL ORGANIZERS, 19" WIDE Inches (mm)



HC219CC3N

Rack Units	Panel Height	Front Ring Depth	Rear Ring Depth	Catalog Number
1U	1.75" (44.5)	3.5" (88.9)	6.0" (152.4)	HC119GC36*
1U	1.75" (44.5)	3.5" (88.9)	—	HC119MS3N
2U	3.5" (88.9)	3.5" (88.9)	—	HC219CE3N
2U	3.5" (88.9)	6.0" (152.4)	—	HC219CE6N
2U	3.5" (88.9)	3.5" (88.9)	4.6" (116.8)	HC219CC3N
2U	3.5" (88.9)	3.5" (88.9)	—	HC219MS3N
3U	5.25" (133.4)	6.0" (152.4)	—	HC319CE6N

Note: *Includes rear wire frame and rear cover—no pass-through holes.

PLASTIC FINGER DUCT ORGANIZERS Inches (mm)



HC119CC3P

Rack Units	Panel Height	Front Duct Depth	Rear Duct Depth	Catalog Number
2U	3.5" (88.9)	3.0" (76.2)	5.0" (127.0)	HC219CC3P
2U	3.5" (88.9)	3.0" (76.2)	—	HC219CE3P
1U	1.75" (44.5)	3.0" (76.2)	5.0" (127.0)	HC119CC3P
1U	1.75" (44.5)	3.0" (76.2)	—	HC119CE3P



HPWPWR

POWER STRIPS, 19" RACK MOUNT

All units utilize 1U of rack space and include circuit breakers (except PR10720); 15A units feature 10-foot cable with NEMA 5-15P plug; 20A units feature 10-foot cable with NEMA 5-20P plug; delivery: 1 strip, 1 kit mounting hardware

Electrical Specification	Receptacle Type	Outlets		Mounting Style	Surge Protected	Transformer Spaced	Switch	Current Monitor	Catalog Number
		Front	Rear						
15A/120V	NEMA 5-15R	0	10	Flush	No	No	Yes	No	HPWPWR
15A/120V	NEMA 5-15R	0	10	Flush	Yes*	No	Yes	No	MCCPSS19
15A/120V	NEMA 5-15R	4	4	Recess	Yes*	Yes	No	No	MCCPSS19TS
20A/120V	NEMA 5-20R	0	10	Flush	No	No	No	No	PR10120
20/16A, 120/250V	IEC 320-C13	10	0	Flush	No	No	Yes	No	PR10720**
15A/120V	NEMA 5-15R	0	6	Flush	No	No	No	No	PR0615
20A/120V	NEMA 5-20R	0	10	Flush	No	No	Yes	Yes	PR1020
60A/250V	IEC 320-C19	0	3	Adjustable	No	N/A	CB/Switch	No	PR0360***

Note: *Joule rating = 720J. **PR10720 includes an IEC 320 (C-20) inlet for power input; vertical mount brackets are also included. ***PR0360 features 10' cable with IEC 60A 2P/3W plug.



MCCPSS19TS

POWER STRIPS, VERTICAL MOUNT

All units include circuit breakers and full length mounting bracket; feature 10-foot cable (except PR20820I); delivery: 1 strip; 1 kit mounting hardware; universal mounting brackets

Electrical Specification	Receptacle Type	Outlets Front	Type	Plug Circuits	Number of Protected	Surge Switch	Current Monitor	Catalog Number
15A/120V	NEMA 5-15R	10	NEMA 5-15P	1	No	No	No	PR104
20A/120V	NEMA 5-20R	10	NEMA 5-20P	1	No	No	No	PR10420
15A/120V	NEMA 5-15R	20	NEMA 5-15P	1	No	No	No	PR206
20A/120V	NEMA 5-20R	20	NEMA 5-20P	1	No	No	No	PR20620
20A/120V	NEMA 5-20R	20	NEMA 5-20P	1	No	Yes	Yes	PR20820DRTL
30A/120V	NEMA 5-20R	20	NEMA L5-30P	1	No	No	No	PR20830
20/16A/ circuit 120V	NEMA 5-20R	20	NEMA 5-20P	2	No	No	No	PR20820A*
20/16A-120/ 250V	IEC 320C-13	20	IEC 320 (C-20)	1	No	No	No	PR20820I**
30/24A-250V	IEC 320C-13	24	NEMA L6-30P	1	No	No	No	PR24

Note: *PR20820A features (2) 20A circuits each fed by 10-foot cable with NEMA 5-20 plug. **PR20820I includes an IEC 320 (C-20) inlet for power input.



PR20620

MOUNTING BRACKETS FOR POWER STRIPS

Power Strip Style	Description	Catalog Number
19" Rack mount	Adjustable mounting brackets; allows numerous recess or flush mount	PRAMB*
19" Rack mount	Panel mount brackets; ideal for zero 'U' mounting applications by effectively allowing the unit to be hung from a cross beam or flat surface	PRPMB*
Vertical mount	'L' brackets – turned 'in' for rack/rail mounting; turned 'out' to extend mounting options an additional 8 inches	PRSLB4*
Vertical mount	Left, right, front or back rail mounting; may be installed in conjunction with other equipment mounted in the same 'U' space	PREZB*

Note: *Not UL recognized.



PRAMB

MOUNTING BRACKETS OPTIONS

Type	Catalog Number	Integral Fixed Brackets	Pre-Assembled Brackets Included	Optional Brackets Available
19" Rack Mount	HPWPWR, MCCPSS19, PR10120, PR0615, PR1020	Flush Mount	N/A	N/A
	MCCPSS19TS	N/A	Recess Mount	PRAMB, PRPMB
	PR10720	N/A	Flush Mount and PRSLB4	PREZB
	PR0360	N/A	PRAMB	PRPMB
Vertical Mount	PR104, PR10420, PR206, PR20620, PR20820A, PR20820I, PR20820DRTL, PR24, PR20830	N/A	Full Length	PRSLB4, PREZB



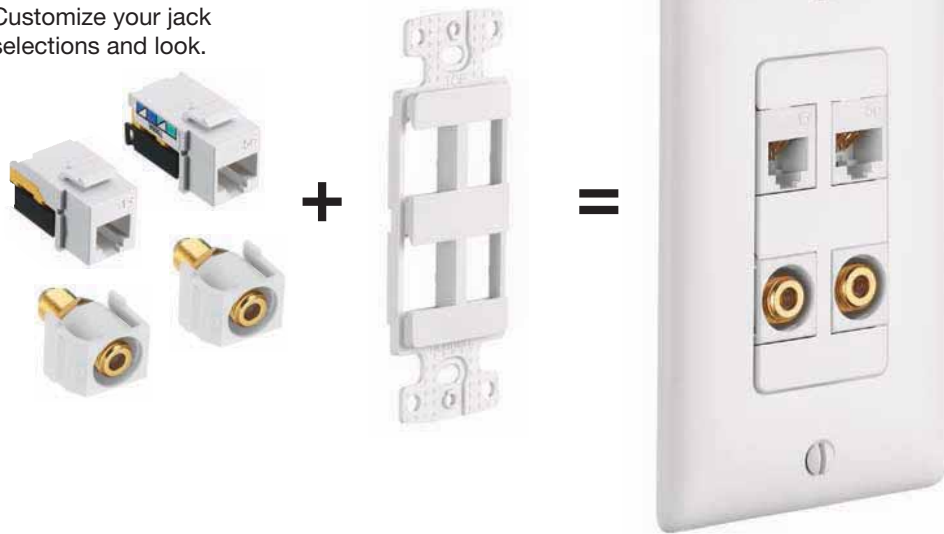
PRSLB4



netSELECT® Voice/Data Jacks provide for a wide range of applications ranging from high performance data demands of Cat. 6 and Cat. 5e, to simple voice grade USOC jacks.

- Easy to terminate angled wiring towers
- Meets FCC part 68
- Meets and exceeds ANSI/TIA - Category 6 and Category 5e standards
- UL Listed and CSA Certified

Customize your jack selections and look.



MODULAR JACKS



NSJ6W



NSJ5EW



NSJ6W

Description	Color	Catalog Number	Bag of 25 Catalog Number
Category 6 jacks	Almond	NSJ6AL	NSJ6AL25
	Black	NSJ6BK	NSJ6BK25
	Blue	NSJ6B	NSJ6B25
	Gray	NSJ6GY	NSJ6GY25
	Green	NSJ6GN	NSJ6GN25
	Ivory	NSJ6I	NSJ6I25
	Light Almond	NSJ6LA	NSJ6LA25
	Orange	NSJ6OR	NSJ6OR25
	Red	NSJ6R	NSJ6R25
	White	NSJ6W	NSJ6W25
	Yellow	NSJ6Y	NSJ6Y25
	Category 5e jacks	Almond	NSJ5EAL
Black		NSJ5EBK	NSJ5EBK25
Blue		NSJ5EB	NSJ5EB25
Gray		NSJ5EGY	NSJ5EGY25
Green		NSJ5EGN	NSJ5EGN25
Ivory		NSJ5EI	NSJ5EI25
Light Almond		NSJ5ELA	NSJ5ELA25
Orange		NSJ5EOR	NSJ5EOR25
Red		NSJ5ER	NSJ5ER25
White		NSJ5EW	NSJ5EW25
Yellow		NSJ5EY	NSJ5EY25
Category USOC jacks		Almond	NSJUAL
	Black	NSJUBK	—
	Blue	NSJUB	—
	Gray	NSJUGY	—
	Green	NSJUGN	—
	Ivory	NSJUI	—
	Light Almond	NSJULA	—
	Orange	NSJUOR	—
	Red	NSJUR	—
	White	NSJUW	—
	Yellow	NSJUY	—

Note: For a complete list of A/V and fiber modular connectors see pages P-14 to P-17.



SFFGEI



SFGFEI



NSF70I



SFRFGEI



FRG625



SFSV110BK



SFBOW



SFBGOW

F-TYPE CONNECTORS

Description	Color	Catalog Number	
		Standard Bulkhead	Recessed
Gold F-type coupler bulkhead; female to female	Almond	SFFGAL	SFGRFAL
	Black	SFFGBK	SFGRFBK
	Gray	SFFGGY	SFGRFGY
	Ivory	SFFGEI	SFGRFEI
	Light Almond	SFFGLA	SFGRFLA
	Office White	SFFGOW	SFGRFOW
	White	SFFGW	SFGRFW
Nickel F-type coupler bulkhead; female to female	Almond	NSF70AL	—
	Black	NSF70BK	—
	Gray	NSF70GY	—
	Ivory	NSF70I	—
	Light Almond	NSF70LA	—
	Office White	NSF70OW	—
Nickel F-type coupler bulkhead; male to female; bag of 25		NSC9025*	—
Gold F-type to RCA bulkhead; female to female	Black	SFRFGBK*	—
	Gray	SFRFGGY*	—
	Ivory	SFRFGEI*	—
	Office White	SFRFGOW*	—
	White	SFRFGW*	—

Note: *Not UL Listed.

RG6 AND RG59 COMPRESSION CONNECTORS

Termination Type	Cable Type	Number of Pieces	Catalog Number
Compression	RG6/RG6 Quad Shield	25	FRG625*
Compression	RG59	25	FRG5925*
Crimp	RG6	25	FRG6C25*

Note: *Not UL Listed.

See page P-35 for compression tool.

S-VIDEO CONNECTORS

Description	Color	Catalog Number
S-video; 110 punch-down	Black	SFSV110BK
S-video; female to female coupler	Black	SFSVBK

BNC CONNECTORS

Description	Color	Catalog Number
Nickle finish; BNC connector	Black	SFBBK
	Gray	SFBGY
	Ivory	SFBEI
	Light Almond	SFBLA
	Office White	SFBOW
	White	SFBW
Gold finish; BNC connector	Black	SFBGBK
	Gray	SFBGGY
	Ivory	SFBGEI
	Light Almond	SFBGLA
	Office White	SFBGOW
	White	SFBGW



SFSPGR



SPPBK10



SF35FF



SF35ST



SFC5EBK



SFC5EW



SF5ECOGY



SFUSBABB



SFUSBAAB

GOLD SPEAKER POST CONNECTORS AND PLUGS

Description	Ring Color	Catalog Number
Speaker post connector; office white housing	Black	SFSPGBK*
	Red	SFSPGR*
Speaker post/banana plugs	Black	SPPBK10*
	Red	SPPR10*

Note: *Not UL Listed.

3.5MM STEREO JACKS

Description	Housing Color	Catalog Number
3.5mm F/F coupler	Black	SF35FFBK*
	Gray	SF35FFGY*
	Ivory	SF35FFEI*
	Light Almond	SF35FFLA*
	Office White	SF35FFOW*
	White	SF35FFW*
3.5mm stereo jack	Black	SF35SJBK*
	Gray	SF35SJGY*
	Ivory	SF35SJEI*
	Light Almond	SF35SJLA*
	Office White	SF35SJ*
	White	SF35SJW*
3.5mm screw term	Black	SF35STBK*
	Gray	SF35STGY*
	Ivory	SF35STEI*
	Light Almond	SF35STLA*
	Office White	SF35STOW*
	White	SF35STW*

Note: *Not UL Listed.

INLINE COUPLERS

Description	Color	Catalog Number
Wiring: T568A/B	Black	SFC5EBK*
	White	SFC5EW*
Crossover	Gray	SF5ECOGY*

Note: *Not UL Listed.

USB CONNECTORS

Description	Color	Catalog Number
Format: A-to-B	Blue	SFUSBABB
	Office White	SFUSBABOW
	White	SFUSBABW
Format: A-to-A	Blue	SFUSBAAB
	Office White	SFUSBAAOW
	White	SFUSBAAW



RCA CONNECTORS



SFRC110R

Description	Housing Color	Catalog Number	
		Standard Bulkhead	Recessed
RCA 110 punch-down; black housing	Blue	SFRC110B	—
	Green	SFRC110GN	—
	Red	SFRC110R	—
	White	SFRC110W	—
	Yellow	SFRC110Y	—



SFRCRFFEI



SFRCRREI

RCA gold pass through; female to female; red interior	Almond	SFRCRFFAL	SFRCRRAL
	Black	SFRCRFFBK	SFRCRRBK
	Gray	SFRCRFFGY	SFRCRRGY
	Ivory	SFRCRFFEI	SFRCRREI
	Light Almond	SFRCRFFLA	SFRCRRLA
	Office White	SFRCRFF	SFRCRR
	White	SFRCRFFW	SFRCRRW



SFRCWFFEI



SFRCWREI

RCA gold pass through; female to female; white interior	Almond	SFRCWFFAL	SFRCWRAL
	Black	SFRCWFFBK	SFRCWRBK
	Gray	SFRCWFFGY	SFRCWRGY
	Ivory	SFRCWFFEI	SFRCWREI
	Light Almond	SFRCWFFLA	SFRCWRLA
	Office White	SFRCWFF	SFRCWR
	White	SFRCWFFW	SFRCWRW



SFRCYFFEI



SFRCYREI

RCA gold pass through; female to female; yellow interior	Almond	SFRCYFFAL	SFRCYRAL
	Black	SFRCYFFBK	SFRCYRBK
	Gray	SFRCYFFGY	SFRCYRGY
	Ivory	SFRCYFFEI	SFRCYREI
	Light Almond	SFRCYFFLA	SFRCYRLA
	Office White	SFRCYFF	SFRCYR
	White	SFRCYFFW	SFRCYRW



SFRCBFFEI



SFRCBREI

RCA gold pass through; female to female; blue interior	Almond	SFRCBFFAL	SFRCBRAL
	Black	SFRCBFFBK	SFRCBRBK
	Gray	SFRCBFFGY	SFRCBRGY
	Ivory	SFRCBFFEI	SFRCBREI
	Light Almond	SFRCBFFLA	SFRCBRLA
	Office White	SFRCBFFOW	SFRCBROW
	White	SFRCBFFW	SFRCBRW



SFRCGFFEI



SFRCGREI

RCA gold pass through; female to female; green interior	Almond	SFRCGNFFAL	SFRCGNRAL
	Black	SFRCGNFFBK	SFRCGNRBK
	Gray	SFRCGNFFGY	SFRCGNRGY
	Ivory	SFRCGNFFEI	SFRCGNREI
	Light Almond	SFRCGNFFLA	SFRCGNRLA
	Office White	SFRCGNFFOW	SFRCGNROW
	White	SFRCGNFFW	SFRCGNRW



SFRCBKFFEI



SFRCBKREI

RCA gold pass through; female to female; black interior	Almond	SFRCBKFFAL	SFRCBKRAL
	Black	SFRCBKFFBK	SFRCBKRBK
	Gray	SFRCBKFFGY	SFRCBKRGY
	Ivory	SFRCBKFFEI	SFRCBKREI
	Light Almond	SFRCBKFFLA	SFRCBKRLA
	Office White	SFRCBKFF	SFRCBKR
	White	SFRCBKFFW	SFRCBKRW



SFRCORFFEI



SFRCORREI

RCA gold pass through; female to female; orange interior	Almond	SFRCORFFAL	SFRCORRAL
	Black	SFRCORFFBK	SFRCORRBK
	Gray	SFRCORFFGY	SFRCORRGY
	Ivory	SFRCORFFEI	SFRCORREI
	Light Almond	SFRCORFFLA	SFRCORRLA
	Office White	SFRCORFFOW	SFRCORROW
	White	SFRCORFFW	SFRCORRW



SFRCCR



SFRCW



SFRCY



SFRCBOW



SFRCGNOW



SFRCBKOW



SFRCOROW



SFB10



SFSBE10

RCA CONNECTORS

Description	Housing Color	Standard Bulkhead Catalog Number
Solder coupler termination; red interior	Almond	SFRCRAL
	Black	SFRCRBK
	Gray	SFRCRGY
	Ivory	SFRCREI
	Light Almond	SFRCRLA
	Office White	SFRCR
	White	SFRCRW
Solder coupler termination; white interior	Almond	SFRCWAL
	Black	SFRCWBK
	Gray	SFRCWGY
	Ivory	SFRCWEI
	Light Almond	SFRCWLA
	Office White	SFRCW
	White	SFRCWW
Solder coupler termination; yellow interior	Almond	SFRCYAL
	Black	SFRCYBK
	Gray	SFRCYGY
	Ivory	SFRCYEI
	Light Almond	SFRCYLA
	Office White	SFRCY
	White	SFRCYW
Solder coupler termination; blue interior	Almond	SFRCBAL
	Black	SFRCBBK
	Gray	SFRCBGY
	Ivory	SFRCBEI
	Light Almond	SFRCBLA
	Office White	SFRCBOW
	White	SFRCBW
Solder coupler termination; green interior	Almond	SFRCGNAL
	Black	SFRCGNBK
	Gray	SFRCGNGY
	Ivory	SFRCGNEI
	Light Almond	SFRCGNLA
	Office White	SFRCGNOW
	White	SFRCGNW
Solder coupler termination; black interior	Almond	SFRCBKAL
	Black	SFRCBKBK
	Gray	SFRCBKGY
	Ivory	SFRCBKEI
	Light Almond	SFRCBKLA
	Office White	SFRCBKOW
	White	SFRCBKW
Solder coupler termination; orange interior	Almond	SFRCORAL
	Black	SFRCORBK
	Gray	SFRCORGY
	Ivory	SFRCOREI
	Light Almond	SFRCORLA
	Office White	SFRCOROW
	White	SFRCORW

BLANK INSERTS

Description	Color	Catalog Number	Smooth Catalog Number
Blank insert; 10-pack (order 1 to receive a bag of 10 blanks)	Almond	SFBAL10	SFSBAL10
	Black	SFBBK10	SFSBBK10
	Gray	SFBGY10	SFSBGY10
	Ivory	SFBEI10	SFSBEI10
	Light Almond	SFBLA10	SFSBLA10
	Office White	SFB10	SFSB10
	White	SFBW10	SFSBW10



netSELECT® multimedia face plates offer a perfect match to electrical wallplates for a consistent smooth finish look.

- Accepts AV and Voice/Data connectors
- High impact-resistant thermoplastic plate
- UL Listed 1863 - Communication Circuit Accessory
- CSA Certified

MULTIMEDIA FACE PLATES



NSP11I



NSP12I



NSP13I



NSP14I



NSP16I



NSP24I



NSP26I

Description	Color	Catalog Number	
		Standard	Mid-Size
1-Gang; 1-port plate	Almond	NSP11AL	NSP101AL
	Black	NSP11BK	NSP101BK
	Gray	NSP11GY	NSP101GY
	Ivory	NSP11I	NSP101I
	Light Almond	NSP11LA	NSP101LA
	White	NSP11W	NSP101W
1-Gang; 2-port plate	Almond	NSP12AL	NSP102AL
	Black	NSP12BK	NSP102BK
	Gray	NSP12GY	NSP102GY
	Ivory	NSP12I	NSP102I
	Light Almond	NSP12LA	NSP102LA
	White	NSP12W	NSP102W
1-Gang; 3-port plate	Almond	NSP13AL	NSP103AL
	Black	NSP13BK	NSP103BK
	Gray	NSP13GY	NSP103GY
	Ivory	NSP13I	NSP103I
	Light Almond	NSP13LA	NSP103LA
	White	NSP13W	NSP103W
1-Gang; 4-port plate	Almond	NSP14AL	NSP104AL
	Black	NSP14BK	NSP104BK
	Gray	NSP14GY	NSP104GY
	Ivory	NSP14I	NSP104I
	Light Almond	NSP14LA	NSP104LA
	White	NSP14W	NSP104W
1-Gang; 6-port plate	Almond	NSP16AL	NSP106AL
	Black	NSP16BK	NSP106BK
	Gray	NSP16GY	NSP106GY
	Ivory	NSP16I	NSP106I
	Light Almond	NSP16LA	NSP106LA
	White	NSP16W	NSP106W
2-Gang; 4-port plate	Almond	NSP24AL	—
	Black	NSP24BK	—
	Gray	NSP24GY	—
	Ivory	NSP24I	—
	Light Almond	NSP24LA	—
	White	NSP24W	—
2-Gang; 6-port plate	Almond	NSP26AL	—
	Black	NSP26BK	—
	Gray	NSP26GY	—
	Ivory	NSP26I	—
	Light Almond	NSP26LA	—
	White	NSP26W	—



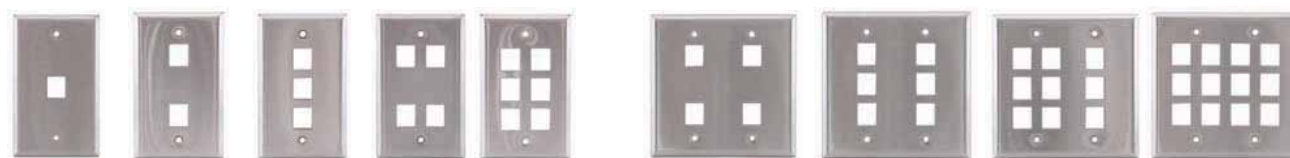
IFP FACE PLATES, WITH LABEL FIELDS, 1- AND 2-GANG



Color	1-Gang 1-Port	2-Port	3-Port	4-Port	6-Port	2-Gang 6-Port	9-Port	12-Port
Almond	IFP11AL	IFP12AL	IFP13AL	IFP14AL	IFP16AL	IFP26AL	—	—
Black	IFP11BK	IFP12BK	IFP13BK	IFP14BK	IFP16BK	IFP26BK	IFP29BK	IFP212BK
Gray	IFP11GY	IFP12GY	IFP13GY	IFP14GY	IFP16GY	IFP26GY	IFP29GY	IFP212GY
Ivory	IFP11EI	IFP12EI	IFP13EI	IFP14EI	IFP16EI	IFP26EI	IFP29EI	IFP212EI
Light Almond*	IFP11LA	IFP12LA	IFP13LA	IFP14LA	IFP16LA	IFP26LA	IFP29LA	IFP212LA
Office White	IFP11OW	IFP12OW	IFP13OW	IFP14OW	IFP16OW	IFP26OW	IFP29OW	IFP212OW
White	IFP11W	IFP12W	IFP13W	IFP14W	IFP16W	IFP26W	IFP29W	IFP212W

Note: *Light Almond plates match Office White non-metallic raceway, boxes, jacks and connectors.

STAINLESS STEEL FACE PLATES WITHOUT LABEL FIELDS



1-Gang 1-Port	2-Port	3-Port	4-Port	6-Port	2-Gang 4-Port	6-Port	9-Port	12-Port
SSF11	SSF12	SSF13	SSF14	SSF16	SSF204	SSF206	SSF209	SSF212

STAINLESS STEEL FACE PLATES WITH LABEL FIELDS



1-Gang	Catalog Number
1-Port	SSFL11
2-Port	SSFL12
3-Port	SSFL13
4-Port	SSFL14
6-Port	SSFL16

DUPLEX AND DECORATOR PLATES WITH LABEL FIELDS



Color	Duplex Plate	Decorator Plate
Almond	IFP18AL	IFP126AL
Office White	IFP18OW	IFP126OW

STANDARD DUPLEX AND DECORATOR PLATES WITH NO LABEL FIELDS



Color	1-Gang Duplex Plate	1-Gang Decorator Plate	2-Gang Decorator Plate
Almond	NP8AL	NP26AL	NP262AL
Black	NP8BK	NP26BK	NP262BK
Gray	NP8GY	NP26GY	NP262GY
Ivory	NP8I	NP26I	NP262I
Light Almond*	NP8LA	NP26LA	NP262LA
White	NP8W	NP26W	NP262W

Note: *Light Almond plates match Office White non-metallic raceway, boxes, jacks and connectors.

630 WALL PHONE PLATES



Description	Jack Format	Includes	Catalog Number
Stainless steel; 1-gang wall phone plate	Flush	6-position USOC gray jack, RJ25	P630S1GJ6
	Flush	8-position Cat. 5e, gray jack, RJ45	P630S1GJ8
	Recessed	6-position USOC gray jack, RJ25	P630SR1GJ6
	Recessed	8-position Cat. 5e, gray jack, RJ45	P630SR1GJ8



NS612I

NS613I

DECORATOR OUTLET FRAMES

Description	Color	Catalog Number			
		2-Port	3-Port	4-Port	6-Port
netSELECT® decorator unloaded frames provide a stylized look for that finishing touch; multimedia jacks insert into frame for custom configuration; high impact-resistant thermoplastic frame	Almond	NS612AL	NS613AL	NS614AL	NS616AL
	Black	NS612BK	NS613BK	NS614BK	NS616BK
	Gray	NS612GY	NS613GY	NS614GY	NS616GY
	Ivory	NS612I	NS613I	NS614I	NS616I
	Light Almond	NS612LA	NS613LA	NS614LA	NS616LA
	White	NS612W	NS613W	NS614W	NS616W



NS621I

NS620I

Description	Color	Catalog Number
1-Gang adapter; .40" (10.3 mm) dia. hole; for use with rotary dimmers or to pull through AV or telephone cable	Almond	NS621AL
	Ivory	NS621I
	Light Almond	NS621LA
	White	NS621W

Description	Color	Catalog Number
1-Gang adapter blank; to fill an extra decorator opening or to create customized openings	Almond	NS620AL
	Ivory	NS620I
	Light Almond	NS620LA
	White	NS620W

Description	Color	Catalog Number
4-Port; T568B; loaded	Black	SL5E4B

Description	Color	Catalog Number
4-Port; T568A; loaded	Black	SL5E4A



SL5E4B

SL5E4A

DUPLEX OUTLET FRAMES

Description	Color	Catalog Number
2-Port duplex; unloaded	Almond	BR106AL
	Black	BR106B
	Gray	BR106G
	Ivory	BR106E
	Light Almond	BR106LA
	Office White	BR106OW
	White	BR106W



BR106B

Description	Color	Catalog Number
4-Port duplex; unloaded	Almond	Q106AL
	Black	Q106B
	Gray	Q106G
	Ivory	Q106E
	Light Almond	Q106LA
	Office White	Q106OW
	White	Q106W



Q106W

SECURE-IT™ PLATES

Secure-IT™ plates protect mated and unmated connections from physical damage and unauthorized tampering. Available in tamper-resistant and weatherproof versions.

Description	Color	Catalog Number
Tamper-resistant plates	Black	TPF1BK
	Gray	TPF1GY
	Office White	TPF1OW
	White	TPF1W
NEMA 3R weatherproof plates	Gray	TWPF1GY



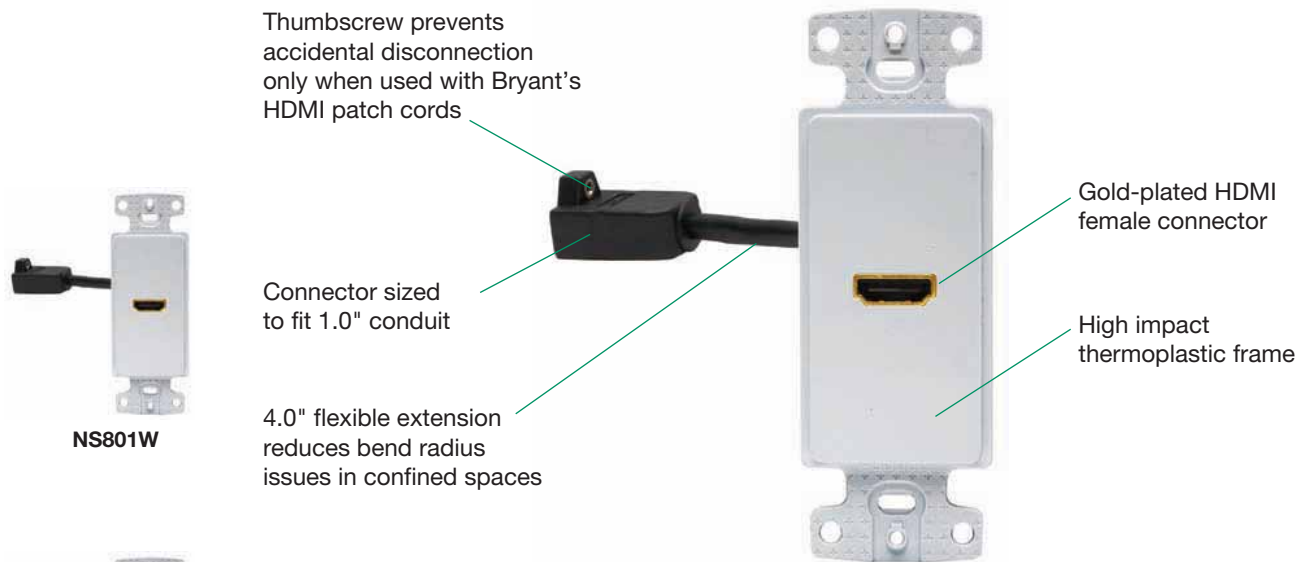
TPF1W

TWPF1GY



netSELECT® HDMI Decorator Frames deliver uncompromising digital audio and video wherever you need it. Unleash the full potential of your high definition display and audio installations.

- Third party tested for 1080p resolutions
- UL Listed - Communications Circuit Accessory
- CSA Certified



NS801W



NS802W



HDPC06BK



HDMIC1



HDMIT1

HDMI PRODUCTS

Description	Color	Catalog Number
1-Gang; 1-port HDMI; decorator frame; female to female	Almond	NS801AL
	Black	NS801BK
	Gray	NS801GY
	Ivory	NS801I
	Light Almond	NS801LA
	White	NS801W
1-Gang; 2-port HDMI; decorator frame; female to female	Almond	NS802AL
	Black	NS802BK
	Gray	NS802GY
	Ivory	NS802I
	Light Almond	NS802LA
	White	NS802W

HDMI CORDS

Description	Feet	Catalog Number
HDMI device patch cords HDMI (24 AWG)	3 ft.	HDPC03BK
	6 ft.	HDPC06BK
Link cords (connector to device) HDMI (24 AWG)	xx ft.	HDLXXBK
Coupler cords (coupler to device) HDMI (24 AWG)	xx ft.	HDCXXBK
Horizontal cords (connector to connector) HDMI (24 AWG)	xx ft.	HDHXXBK

Note: **XX** = Length in feet. 10 = 10 ft., 15 = 15 ft., 20 = 20 ft., 25 = 25 ft., 30 = 30 ft., Black and Non-Plenum only.

HDMI CONNECTORS

Description	Packaging	Catalog Number
HDMI feed thru coupler	Single	HDMIC1
	10-Pack	HDMIC10
HDMI feed thru 4.0" tail	Single	HDMIT1
	10-Pack	HDMIT10



IMBDS1W



IMBDSA15W



ISFBDSW



9GC10



9ST10



15GC10



15ST10



15A6P1



15S6P1



15N6P1



15N6P1



15T6P1

HD (HIGH DEFINITION) 15-PIN/9-PIN CONNECTORS AND MODULES

Description	Color	Catalog Number
Flat blank HD15/9 or HDMI module; 1 unit; 10-pack	Almond	IMBDS1AL
	Black	IMBDS1BK
	Gray	IMBDS1GY
	Ivory	IMBDS1EI
	Light Almond	IMBDS1OW
	Office White	IMBDS1W
Angled blank HD15/9 or HDMI module; 1 unit; 10-pack	Almond	IMBDSA15AL
	Black	IMBDSA15BK
	Gray	IMBDSA15GY
	Ivory	IMBDSA15EI
	Light Almond	IMBDSA15LW
	Office White	IMBDSA15OW
	White	IMBDSA15W

HD 9-PIN AND HD 15-PIN VGA-STYLE CONNECTORS

Description	Packaging	Catalog Number
HD 9-pin F/F coupler	10-Pack	9GC10*
HD 9-pin screw term	10-Pack	9ST10
HD 15-pin F/F coupler	10-Pack	15GC10*
HD 15-pin screw term	10-Pack	15ST10
HD 15-pin to 8-pin angled 45°	1-Pack	15A6P1
	10-Pack	15A6P10
HD 15-pin to 8-pin straight 180°	1-Pack	15S6P1
	10-Pack	15S6P10
HD 15-pin to 8-pin angled 90°	1-Pack	15N6P1
	10-Pack	15N6P10
HD 15-pin to 8-pin 8.0" tail; 1-pack	1-Pack	15T6P1

Note: *Not UL Listed.

PLUG-N-PLAY VGA HORIZONTAL RUNS*

Description	Catalog Number
VGA; 8-pin; non-plenum; black	VGA6XXBK
VGA; 8-pin; plenum; black	VGA6PXXBK
VGA; 8-pin; 15-pin F; non-plenum; black	VG15F6XXBK
VGA; 8-pin; 15-pin M; non-plenum; black	VG15M6XXBK
VGA; 8-pin; 15-pin M; plenum; black	VG15MP6XXBK

Note: *Maximum supported distance varies by application and resolution. Refer to X-END™ brochure for details.
XX = Length: 05, 10, 15, 20, 25, 30, 35, 40, 45, 50, 55, 60, 65, 70, 75, 80, 85, 90, 95, 100.



IMF1OW



IMF2OW



KPIMBZOW

MODULAR FACE PLATE FRAMES

Description	Color	Catalog Number
Modular face plate frame; 1-gang	Almond	IMF1AL
	Black	IMF1BK
	Gray	IMF1GY
	Ivory	IMF1EI
	Office White	IMF1OW
	White	IMF1W
Modular face plate frame; 2-gang	Almond	IMF2AL
	Black	IMF2BK
	Gray	IMF2GY
	Ivory	IMF2EI
	Office White	IMF2OW
	White	IMF2W
Raceway bezel frame	Almond	KPIMBZAL
	Gray	KPIMBZGY
	Office White	KPIMBZOW

UNLOADED MODULES

Description	Color	Flat Catalog No.	Angled Catalog No.			
Modular; 1-port; 1 unit (flat); 1.5 unit (angled)	Almond	IM1K1AL	IM1KA15AL			
	Black	IM1K1BK	IM1KA15BK			
	Gray	IM1K1GY	IM1KA15GY			
	Ivory	IM1K1EI	IM1KA15EI			
	Office White	IM1K1OW	IM1KA15OW			
	White	IM1K1W	IM1KA15W			
Modular; 2-port; 1 unit (flat); 1.5 unit (angled)	Almond	IM2K1AL	IM2KA15AL			
	Black	IM2K1BK	IM2KA15BK			
	Gray	IM2K1GY	IM2KA15GY			
	Ivory	IM2K1EI	IM2KA15EI			
	Office White	IM2K1OW	IM2KA15OW			
	White	IM2K1W	IM2KA15W			
Description	Color	1 Duplex Catalog No.	2 Duplex Catalog No.			
		SC angled; 1.5 unit (1 duplex); 2 unit (2 duplex)	Black	IM1SCA15BK	IM2SCA15BK	
		Gray	IM1SCA15GY	IM2SCA15GY		
		Ivory	IM1SCA15EI	IM2SCA15EI		
		Office White	IM1SCA15OW	IM2SCA15OW		
White	IM1SCA15W	IM2SCA15W				
Description	Color	1 Port Catalog No.	2 Port Catalog No.			
		Modular recessed angle; 1.5 unit	Black	IM1IA15BK	IM2IA15BK	
		Gray	IM1IA15GY	IM2IA15GY		
		Ivory	IM1IA15EI	IM2IA15EI		
		Office White	IM1IA15OW	IM2IA15OW		
White	IM1IA15W	IM2IA15W				
Description	Color	.5 Unit Catalog No.	1 Unit Catalog No.	1.5 Unit Catalog No.		
		Flat blank	Almond	IMB05AL	IMB1AL	IMB15AL
		Black	IMB05BK	IMB1BK	IMB15BK	
		Gray	IMB05GY	IMB1GY	IMB15GY	
		Ivory	IMB05EI	IMB1EI	IMB15EI	
Office White	IMB05OW	IMB1OW	IMB15OW			
White	IMB05W	IMB1W	IMB15W			



IM1K1OW



IM2KA15OW



IM2K1OW



IM2KA15OW



IM1SCA15OW



IM2SCA2OW



IM1IA15OW



IM2IA15OW



IMB05OW



IMB1OW



IMB15OW

ISTATION™ AUDIO/VIDEO MODULES (10-PACK)



AV blank

1.5 unit



XLR screw terminal



XLR solder-type



Speakon® connector; solder-type



USB feed-thru; A-to-B



¼" stereo jack; solder-type

Description	Catalog No.	IMA VB15OW*	XLRST10	XLR10	SC10	USB10	14S10
-------------	-------------	-------------	---------	-------	------	-------	-------

Note: *Color listed is Office White, for other colors, replace "OW" with: "AL" = Almond; "BK" = Black; "EI" = Ivory; "GY" = Gray; "W" = White.



110 AUDIO VIDEO MODULES Feet (m)



IMCR1101W

Description	Housing Color	Catalog Number
RCA component; video to 110 termination; 1 unit; 75' (19.1) max. HD Cat 5, 5e, 6 UTP	Almond	IMCR1101AL
	Black	IMCR1101BK
	Electric Ivory	IMCR1101EI
	Gray	IMCR1101GY
	Office White	IMCR1101OW
	White	IMCR1101W



IMSR1101W

S-video; stereo RCA audio to 110 termination; 1 unit; 100' (25.4) max. Cat 5, 5e, 6 UTP	Almond	IMSR1101AL
	Black	IMSR1101BK
	Electric Ivory	IMSR1101EI
	Gray	IMSR1101GY
	Office White	IMSR1101OW
	White	IMSR1101W



IMSV351101W

S-video; 3.5mm stereo audio jack to 110 termination; 1 unit; 100' (25.4) max. Cat 5, 5e, 6	Black	IMSV351101BK
	Electric Ivory	IMSV351101EI
	Gray	IMSV351101GY
	Office White	IMSV351101OW
	White	IMSV351101W



IMR1101W

RCA composite; video; stereo; audio to 110 termination; 1 unit; 100' (25.4) max. Cat 5, 5e, 6	Almond	IMR1101AL
	Black	IMR1101BK
	Electric Ivory	IMR1101EI
	Gray	IMR1101GY
	Office White	IMR1101OW
	White	IMR1101W



IMAR1101W

RCA stereo; audio 110 termination; 1 unit; 100' (25.4) max. Cat 5, 5e, 6	Almond	IMAR1101AL
	Black	IMAR1101BK
	Electric Ivory	IMAR1101EI
	Gray	IMAR1101GY
	Office White	IMAR1101OW
	White	IMAR1101W



SOLDER AUDIO VIDEO MODULES



IMCRS15OW



IMCRS1OW



IM3RS1OW



IMRSJ1OW

Description	Housing Color	Catalog Number
RCA component; video; stereo audio or RGBHV; solder; 1.5 unit	Almond	IMCRS15AL*
	Black	IMCRS15BK*
	Electric Ivory	IMCRS15EI*
	Gray	IMCRS15GY*
	Office White	IMCRS15OW*
RCA component; video; solder; 1 unit	Almond	IMCRS1AL*
	Black	IMCRS1BK*
	Electric Ivory	IMCRS1EI*
	Gray	IMCRS1GY*
	Office White	IMCRS1OW*
RCA composite; video; stereo audio; solder; 1 unit	Almond	IM3RS1AL
	Black	IM3RS1BK
	Electric Ivory	IM3RS1EI
	Gray	IM3RS1GY
	Office White	IM3RS1OW
RCA composite; video; 3.5mm stereo audio jack; solder; 1 unit	Almond	IMRSJ1AL
	Black	IMRSJ1BK
	Electric Ivory	IMRSJ1EI
	Gray	IMRSJ1GY
	Office White	IMRSJ1OW
White	IMRSJ1W	

Note: *Not UL Listed.

GOLD FEED-THROUGH AUDIO VIDEO RCA COUPLERS



IMCRF1OW



IM3RF1OW

Description	Housing Color	Catalog Number
RCA component; video; gold; pass-through; F/F coupler; 1 unit	Almond	IMCRF1AL*
	Black	IMCRF1BK*
	Electric Ivory	IMCRF1EI*
	Gray	IMCRF1GY*
	Office White	IMCRF1OW*
RCA composite; video; audio; gold; pass-through; F/F coupler; 1 unit	Almond	IM3RF1AL
	Black	IM3RF1BK
	Electric Ivory	IM3RF1EI
	Gray	IM3RF1GY
	Office White	IM3RF1OW
White	IM3RF1W	

Note: *Not UL Listed.

GOLD SPEAKER POSTS MODULES AND BANANA PLUGS



IMSP1OW

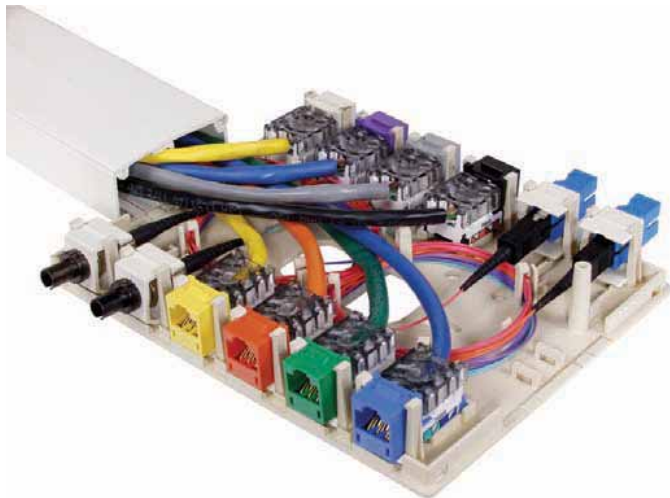


SPPBK10

SPPR10

Description	Housing Color	Catalog Number
Speaker post; gold, black and red; screw termination	Almond	IMSP1AL
	Black	IMSP1BK
	Electric Ivory	IMSP1EI
	Gray	IMSP1GY
	Office White	IMSP1OW
Speaker banana plugs; gold; screw termination; 10-packs	Black	SPPBK10*
	Red	SPPR10*

Note: *Not UL Listed.



- Low-profile design
- Accepts XJ jacks, audio video and fiber connectors
- Provided with double-sided tape and mounting screws for easy installation
- UL and cULus Listed
- Constructed with a high-impact resistant, flame-retardant polymer
- ANSI/TIA-606A compliant



ISM10W



ISM20W



ISM40W



ISM60W



ISM120W

ISM SURFACE MOUNT BOXES, 1- AND 2-PORT

Ideal for open office, compact surface mount environments, and retrofits to support data, voice, and multimedia applications; can be mounted with supplied surface mounting screws or double-sided adhesive tape

Color	1-Port Catalog Number	2-Port Catalog Number
Ivory	ISM1EI	ISM2EI
Office White	ISM1OW	ISM2OW
White	ISM1W	ISM2W

ISM SURFACE MOUNT BOXES, 4- AND 6-PORT

Ideal for open office MUTOA cabling, compact surface mount environments, and retrofits to support data, voice, and multimedia applications; features adjustable furniture latches to provide an additional mounting option to common ANSI/TIA/EIA standard furniture openings, and solutions requiring fiber; box bases feature fiber storage posts that can store one meter fiber cable after termination

Color	4-Port Catalog Number	6-Port Catalog Number
Ivory	ISM4EI	ISM6EI
Office White	ISM4OW	ISM6OW
White	ISM4W	ISM6W

ISM SURFACE MOUNT BOXES, 12-PORT

Ideal for open office MUTOA cabling, large capacity surface mount applications and retrofits to support data, voice, and multimedia installations. Can be mounted with supplied surface mounting screws or double-sided adhesive tape and mounted to NEMA electric boxes or relay racks

Color	12-Port Catalog Number
Ivory	ISM12EI
Office White	ISM12OW
White	ISM12W

Network Wiring

Telephone Surface Mount Wall Jacks



Telephone surface mount jacks are available in 4- or 6-conductor configurations for voice. Alternatively, multimedia surface mount boxes can be custom loaded for computer and media use.

- High impact-resistant thermoplastic
- Mounts using screws or double sided tape (both included)
- Meets FCC part 68
- UL Listed 1863 - Communication Circuit Accessory
- CSA Certified

TELEPHONE SURFACE MOUNT WALL JACKS



Description	Color	Catalog Number
Telephone surface mount jack; 6-position; 4-conductor; screw terminations	Ivory White	NS760I NS760W



Telephone surface mount jack; 6-position; 6-conductor; screw terminations	Ivory White	NS761I NS761W
---	----------------	--------------------------------



MODULAR SURFACE HOUSINGS

Description	Color	Catalog Number
Multimedia 1-port surface mount box; jack not included	Ivory White	ISM1EI* ISM1W*



Multimedia 2-port surface mount box; jacks not included	Ivory White	ISM2EI* ISM2W*
---	----------------	---------------------------------

Note: *cULus Listed 1863 - Communication Circuit Accessory.
See pages P-13 to P-17 for modular jacks and A/V connectors.





Designed to complement decorator styling, these jacks offer voice and Cat. 5e devices to fit within a decorator wallplate. Create a look to match your voice/data, switch, and receptacle devices.

- High impact-resistant thermoplastic frame
- Meets FCC part 68
- UL Listed 1863 - Communication Circuit Accessory
- CSA Certified

MOLDED-IN VOICE/LOW-SPEED DATA



NS770I

Description	Color	Catalog Number
Decorator frame; one RJ11 jack; 6-position; 4-conductor; screw terminations	Almond	NS770AL
	Black	NS770BK
	Brown	NS770
	Gray	NS770GY
	Ivory	NS770I
	Light Almond	NS770LA
	White	NS770W



NS771I

Decorator frame; one RJ11 jack; 6-position; 6-conductor; screw terminations	Almond	NS771AL
	Brown	NS771
	Ivory	NS771I
	Light Almond	NS771LA
	White	NS771W



NS772I

Decorator frame; duplex RJ11 jacks; 6-position; 6-conductor; screw terminations	Almond	NS772AL
	Ivory	NS772I
	Light Almond	NS772LA
	White	NS772W



NS784I

Decorator frame; one cat. 5e 110 punch-down; one RJ11 jack; 6-position; 4-conductor; screw terminations	Almond	NS784AL
	Black	NS784BK
	Brown	NS784
	Gray	NS784GY
	Ivory	NS784I
	Light Almond	NS784LA
	White	NS784W



Coaxial video and combination jacks complement multimedia needs in a 1-gang decorator opening.

- High impact-resistant thermoplastic frame
- Jacks meet FCC part 68
- UL Listed 1863 - Communication Circuit Accessory
- CSA Certified

MOLDED-IN VOICE/LOW-SPEED DATA



NS7801

Description	Color	Catalog Number
Decorator frame; single F-type coupler bulkhead female to female	Almond	NS780AL
	Ivory	NS780I
	Light Almond	NS780LA
	White	NS780W



NS7821

Decorator frame; duplex F-type coupler bulkhead female to female	Almond	NS782AL
	Ivory	NS782I
	Light Almond	NS782LA
	White	NS782W



NS7831

Decorator frame; one RJ11 jack; 6-position; 4-conductor; one F-type coupler bulkhead female to female	Almond	NS783AL
	Ivory	NS783I
	Light Almond	NS783LA
	White	NS783W



NS7851

Decorator frame; one cat. 5e 110 punch-down; one F-type coupler bulkhead female to female	Almond	NS785AL
	Black	NS785BK
	Brown	NS785
	Gray	NS785GY
	Ivory	NS785I
	Light Almond	NS785LA
White	NS785W	



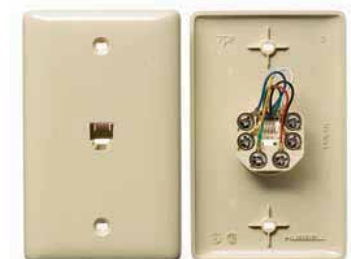
Designed for voice, these devices provide an economical alternative to wall phone outlet placement.

- High impact-resistant thermoplastic plate
- Convenient screw down terminals
- Meets FCC part 68
- UL Listed 1863 - Communication Circuit Accessory
- CSA Certified

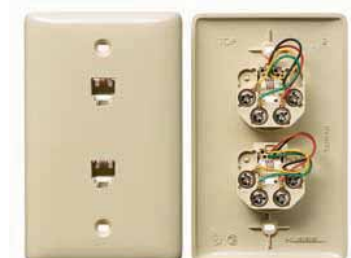
MOLDED-IN PLATES



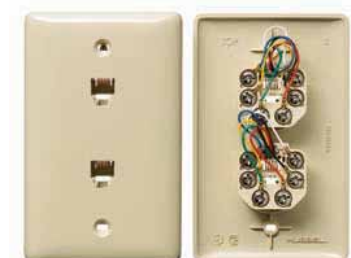
NS730I



NS732I



NS742I



NS744I

Description	Color	Catalog Number	
		Standard	Mid-Size
1-Gang plate; one RJ11 jack; 6-position; 4-conductor; screw terminations	Almond	NS730AL	NS735AL
	Brown	NS730	NS735
	Ivory	NS730I	NS735I
	Light Almond	NS730LA	NS735LA
	White	NS730W	NS735W
1-Gang plate; one RJ11 jack; 6-position; 6-conductor; screw terminations	Almond	NS732AL	—
	Brown	NS732	—
	Ivory	NS732I	—
	Light Almond	NS732LA	—
	White	NS732W	—
1-Gang plate; duplex RJ11 jacks; 6-position; 4-conductor; screw terminations	Almond	NS742AL	—
	Ivory	NS742I	NS745I
	Light Almond	NS742LA	—
	White	NS742W	NS745W
1-Gang plate; duplex RJ11 jacks; 6-position; 6-conductor; screw terminations	Almond	NS744AL	—
	Ivory	NS744I	—
	Light Almond	—	—
	White	NS744W	—



Designed for voice CATV/satellite and data applications, these devices offer an economical alternative to snap fit style products.

- High impact-resistant thermoplastic frame
- Combination jack and coaxial minimize ganging requirements
- Meets FCC part 68
- UL Listed 1863 - Communication Circuit Accessory
- CSA Certified

MOLDED-IN PLATES



NS7471



NS7481



NS7501



NS7521



NS7901

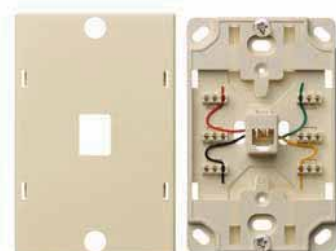
Description	Color	Catalog Number	
		Standard	Mid-Size
1-Gang plate; F-type coupler bulkhead female to female; one RJ11 jack; 6-position; 4-conductor	Almond	NS747AL	—
	Ivory	NS747I	—
	Light Almond	NS747LA	—
	White	NS747W	—
1-Gang plate; F-type coupler bulkhead female to female; one RJ11 jack; 6-position; 6-conductor	Almond	NS748AL	NS755AL
	Ivory	NS748I	NS755I
	Light Almond	NS748LA	NS755LA
	White	NS748W	NS755W
1-Gang plate; single F-type coupler bulkhead female to female	Almond	NS750AL	NS751AL
	Ivory	NS750I	NS751I
	Light Almond	NS750LA	NS751LA
	White	NS750W	NS751W
1-Gang plate; duplex F-type coupler bulkhead female to female	Almond	NS752AL	—
	Ivory	NS752I	—
	Light Almond	NS752LA	—
	White	NS752W	—
1-Gang plate; one cat. 5e 110 punch-down; one RJ11 jack; 6-position; 4-conductor; one F-type coupler bulkhead female to female	Almond	NS790AL	—
	Black	NS790BK	—
	Brown	NS790	—
	Gray	NS790GY	—
	Ivory	NS790I	—
	White	NS790W	—



Designed for voice applications, these jacks provide an economical alternative to basic wall mount and performance needs.

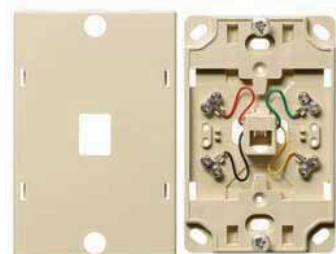
- Available in high impact-resistant thermoplastic or stainless steel
- Meets FCC part 68
- UL Listed 1863 - Communication Circuit Accessory
- CSA Certified

TELEPHONE WALL JACKS



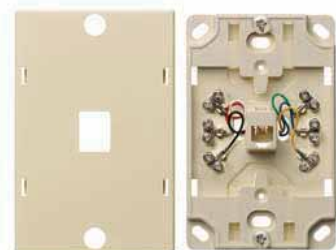
NS721I

Description	Color	Catalog Number
Wall phone jack quick connect; 6-position; 4-conductor; punch-down termination tool included	Almond	NS721AL
	Ivory	NS721I
	Light Almond	—
	White	NS721W



NS722I

Wall phone jack; 6-position; 4-conductor; screw terminations	Almond	NS722AL
	Ivory	NS722I
	Light Almond	—
	White	NS722W



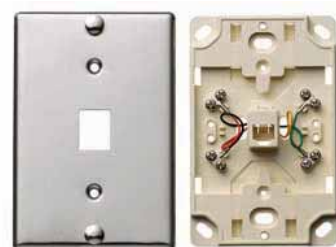
NS725I

Wall phone jack; 6-position; 6-conductor; screw terminations	Almond	NS725AL
	Ivory	NS725I
	Light Almond	NS725LA
	White	NS725W



NS723SS

Wall phone jack quick connect; 6-position; 4-conductor; punch-down termination tool included	Stainless Steel	NS723SS
--	-----------------	----------------



NS726SS

Wall phone jack; 6-position; 4-conductor; screw terminations	Stainless Steel	NS726SS
--	-----------------	----------------



- Meets TIA/EIA-606-A labeling administration standards
- Labor savings; installer can produce and print labels before installation
- Saving job files reduces potential for error and eliminates the time to re-enter information when changes and additions are required
- Makes closets and workstations look professional with clearly marked connections and leaves an impression of quality workmanship
- In ever-changing work environments, clearly marked connections will make moves, adds, and changes easier by eliminating mistakes and wasted time

LABELING SOLUTIONS SOFTWARE

Description	Catalog Number
Software package for custom labeling; consult factory for download instructions	XPSOFT

PATCH PANEL AND RACK LABELS Inches (mm)

Delivery: Package of 10; 8.5" x 11" (215.9 x 279.4) paper sheets

Description	Labels per sheet	Label Sheets Catalog Number	Extra Label Holders Catalog Number
Adhesive 8-port front label strips	20	XPLPPA10W	—
Paper 8-port front label strips (use with label holders supplied with panel)	18	XPLPP10W	XPHPP50
Paper ID labels for all panel sizes (use with vertical ID label holders on panels)	18	XPLPPID10W	XPHPPID1U10 (for 1U)
		—	XPHPPID2U10 (for 2U)
Rack and cabinet labels (use with XPHRC10)		XPLRC10W	XPHRC10

MULTIMEDIA PANEL LABELS Inches (mm)

Delivery: Package of 10; 8.5" x 11" (215.9 x 279.4) paper sheets

Description	Labels per sheet	Label Sheets Catalog Number	Extra Label Holders Catalog Number
Paper 8-port front label strips (use with label holders supplied with panel)	18	XPLUDX2410W	XPHUDX2410

Note: Use XPLFOSEPAW labels for the UDX36 multimedia panel.



TX4P



TX4PP



TPD110



TBLH



TK3



TK8

1-PUNCH JACK TERMINATION TOOL

This tool should be used exclusively with netSELECT® jacks; used with the HXTA termination aid

Description	Catalog Number
1-Punch XJ tool with head; blades and HXTA termination aid	TX4P
1-Punch XJ replacement head (includes blades)	TX4PH
1-Punch XJ replacement blades	TX4PHBL
Hand Termination Aid "Jack Knuckles"	HXTA
Snap-X Termination Puck (Bag of 25)	HXTP25

1-PUNCH PANEL TERMINATION TOOL

Description	For use with	Catalog Number
1-Punch panel tool with head and blades	P6EXXU panel	TX4PP
1-Punch panel replacement head	P6EXXU panel	TX4PPH
1-Punch panel replacement blades	P6EXXU panel	TX4PPBL

110 PUNCH-DOWN TOOL

Comfortable, ergonomic grip with insulated, rubber-embedded handle; terminated 28-22AWG solid/stranded wire; high visibility colors; lanyard holes in the handle end; latching blade storage cover; adjustable high- and low-impact settings; twist and lock blades

Description	Catalog Number
Standard 110 punch-down tool	TPD110
1-pair NSJ; 110 blade	TBLH
Punch-down tool; 1-pair	TPDH
Replacement 110 blade	TBL110
Replacement 66 Blade	TBL66

TOOL KITS

- Punch-down tool with 110 and 66 blades; rubber-embedded handle
- Durable; black; nylon belt pouch
- Belt pouch fits up to 2½" belt (slide on style)

3-PIECE TOOL KIT

Description	Catalog Number
Delivery: 1 punch-down tool with 110 and 66 blades; 1 pair of snips; and 1 belt pouch	TK3

8-PIECE TOOL KIT

Description	Catalog Number
Delivery: 1 punch-down tool with 110 and 66 blades; 1 pair of snips; 4-bit screwdriver; UTP/STP cable stripper/cutter; Maglite™; 1 belt pouch; and 1 Snap-X termination aid	TK8

Maglite™ is a trademark of Mag Instruments, Inc.



UCT



ECT



COMPTRG659



TCS3



NS4

CRIMP TOOLS

- Universal frame accepts interchangeable dies to crimp different plugs
- Color-coded die-sets for different plug sizes
- Complete ratchet cycle release assures no-fault crimps

Description	Catalog Number
Crimp tool frame (die-sets sold separately).	UCT
Complete tool kit in hard, plastic case includes crimp tool; UTP cable stripper; 3 die-sets (RJ45, RJ22 and RJ11)	UCTKIT
RG6 compression connector (optional die-set not included in tool kit)	FRG6C25
RG59 compression connector (optional die-set not included in tool kit)	FRG5925
RJ11 die-set	CDTSR11
RJ22 die-set	CDTSR22
RJ45 die-set; non-snagless	CDTSR45
RJ45 die-set; snagless	CDTSR45S
RG6 and RG59 hex crimp die-set	CDTSRG659
Economy crimp tool – includes non-replaceable RJ11, RJ22 and RJ45 die-sets	ECT

RG6 OR RG59 COMPRESSION TOOL

Use to terminate onto 75 ohm RG6 or RG59 coaxial cable.

Description	Catalog Number
RG6 and RG59 compression tool Coaxial stripping tool	COMPTRG659 CSTRPR

Note: See page P-14 for compression connectors.

COMMUNICATIONS CABLE STRIPPER/CUTTER Inches (mm)

- Strips round Cat. 5e and 6 UTP/STP
- Cuts cable
- Strips flat cables
- Compact size
- High-visibility for quick locating

Description	Catalog Number
Communications cable stripper/cutter; strips round Cat. 5e and Cat. 6 UTP/STP with diameters of 0.145" to 0.275" (3.7 to 7.0) ; cuts round UTP/STP cables up to 0.350" (8.9); adjusting screw for varied cable diameters to avoid scoring interior conductor insulation; high-visibility for quick locating; strips flat cables; non-metallic body	TCS3

HAND HELD 110 TERMINATION TOOL

Description	Catalog Number
Designed as an economical alternative for low volume use where the installer press fits the conductors	NS4



HORIZONTAL UTP CABLE AND PATCH CORDS

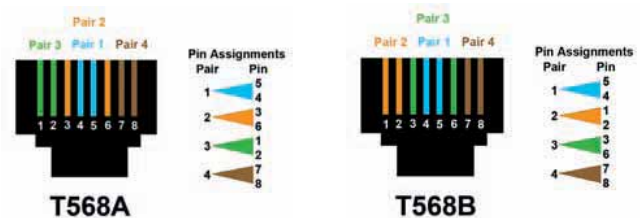
- Solid copper 4-pair 24 AWG UTP is specified for distribution cabling; stranded UTP is specified for patch cords for flexibility; shielded cable is not commonly used in the U.S.; splices bridge taps are not permitted
- Cable, connectors and patch cords shall be marked with the performance category; always match performance categories of cables and components throughout the infrastructure
- All cable, cords and connecting hardware shall meet performance requirements of ANSI/TIA/EIA-568-B.1 and 568-B.2; Bryant assures this compliance with all products and cable partners

COLOR CODING:

	white-blue/blue
	white-orange/orange
	white-green/green
	white-brown/brown

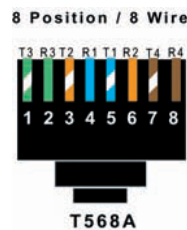
RECOGNIZED CONNECTOR AND WIRING CONFIGURATIONS

- 8-position modular jack/plug
- 8-position modular panel/plug
- T568A wiring or T568B wiring options
- Cat. 5e or Cat. 6 recommended



RJ 45 - TIA/EIA-568 CONVENTIONS

Two wiring standards were adopted; both configurations provide equivalent transmission performance



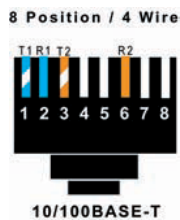
- Preferred method
- Directly compatible with 2-pair voice and Token Ring systems utilizing 6-position connectors



- Optional method
- AT&T's standard
- Directly compatible with AT&T phone systems

LAN WIRING CONVENTIONS

Local Area Network standards designed to operate over UTP specify pin/pair assignments on modular connectors for various signal transmission protocols. While TIA/EIA-568A and 568B conventions support all of these designations, there are some cases where the user chooses to cable only the number of pairs required to support these applications.



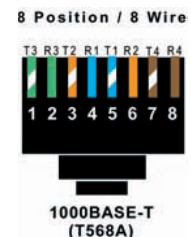
- 10 Mbps Ethernet over UTP
- 100 Mbps Ethernet



- 4/16 Mbps Token Ring over copper



- 100 Mbps FDDI over copper (pending)



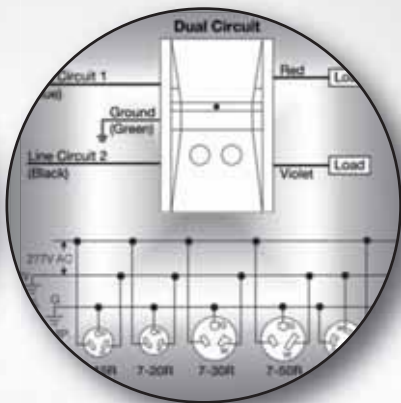
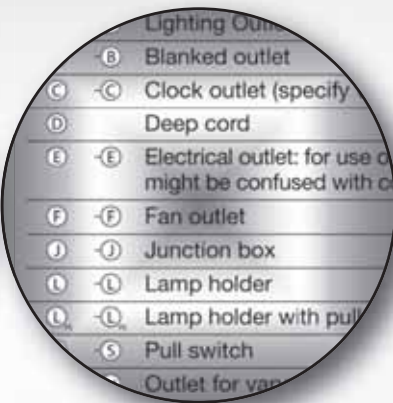
- 1000 Mbps/10Gb Ethernet over UTP
- Uses all four pairs

Section Q

Technical Information



INDEX	PAGE
Codes and Standards Organizations	Q-2
Certification Agencies and Markings	Q-3
Wiring Device Standards and Testing	Q-4
RoHS, TR, WR and IP Meanings	Q-6
Architectural Symbols For Electrical Wiring Devices	Q-7
Materials Commonly Used in Wiring Devices and Horsepower Ratings Table	Q-8
AC Switch and Horsepower Ratings	Q-9
Switches Wiring Diagrams	Q-10
Dimmer – Ganging and Derating	Q-11
Wiring Diagrams	Q-12
Network Cabling Requirements	Q-16



Technical Information

Codes and Standards Organizations



CERTIFICATION AGENCIES



Primarily involved in certification of products or manufacturers to standards developed by the certification agency or by others. For convenience, the following listings define common acronyms for a variety of organizations.

ANCE	National Association of Normalization and Certification of the Electrical Sector
BSI	British Standards Institute
CE	Self Certification Marking of European Community
CCC	China Compulsory Certification
CSA	Canadian Standards Association or CSA International
FM	Factory Mutual
NRTL	Nationally Recognized (by OSHA) Testing Laboratory
TÜV	TÜV Rheinland of N.A., Inc.
UL	Underwriters Laboratories Inc.
VDE	Verband Deutscher Elektrotechniker (Germany)

GOVERNMENT AGENCIES

DSCC	Defense Supply Center – Columbus
EU	European Union
FCC	Federal Communications Commission
IAPA	Industrial Accident and Prevention Association (Canada)
OSHA	Occupational Safety and Health Administration

BRYANT WIRING DEVICES QUALIFIED UNDER FED. SPEC. W-C-596










4700DR	5352BLK	70530NCCR	71630NC	9200IGI	BRY5382	BRY8300REDWR
4700DRCR	5352BU	70530NP	71630NP	9200IGRED	BRY5462	BRY8300RTR
4700DRI	5352GRY	70530NPB	71820NC	9200IGW	BRY5462BLK	BRY8300TR
4700DRIG	5352I	70530NPC	71820NP	9200RED	BRY5462CR	BRY8300W
4710	5352RED	70615DR	72120ER	9200W	BRY5462GRY	BRY8300WR
4721NP	5352W	70615DRIG	72120FR	9300GRY	BRY5462I	BRY8300WWR
4750DR	5361	70615ER	72120MB	9300I	BRY5462RED	BRY8366NP
4760	5361BLK	70615FR	72120NC	9300IL	BRY5462W	BRY8369NC
4779NC	5361BLKWR	70615MB	72120NCB	9300RED	BRY5466NP	BRY8466NP
4785ER	5361GRY	70620ER	72120NP	BRY5262	BRY5466NPSY	BRY8469NC
5242	5361GRYWR	70620FR	72120NPB	BRY5262BCR	BRY5469NC	FSL1NC
5242BLK	5361I	70620MB	72120NPC	BRY5262BLK	BRY5469NCSY	FSL1NP
5242GRY	5361IWR	70620NC	72130ER	BRY5262BLKWR	BRY5662	FSL2NC
5242I	5361RED	70620NP	72130FR	BRY5262BU	BRY5662BLK	FSL2NP
5242RED	5361REDWR	70620NPCR	72130NC	BRY5262BUWR	BRY5662CR	FSL3NC
5242W	5361W	70630ER	72130NP	BRY5262CR	BRY5662GRY	FSL3NP
5251	5361WR	70630FR	72330FR	BRY5262GRY	BRY5662I	FSL4NC
5251AL	5361WWR	70630NC	8210	BRY5262GRYWR	BRY5662RED	FSL4NP
5251BLK	5364B	70630NP	8210GRY	BRY5262I	BRY5662W	QT5262
5251I	5364BY	70720ER	8210GRYWR	BRY5262IWR	BRY5666NP	QT5262AL
5252	5366N	70720FR	8210I	BRY5262RED	BRY5666NPSY	QT5262BLK
5252AL	5369B	70720MB	8210IWR	BRY5262REDWR	BRY5669NC	QT5262GY
5252BLK	5369BY	70720NC	8210RED	BRY5262W	BRY8200	QT5262I
5252BU	5461	70720NP	8210REDWR	BRY5262WR	BRY8200ALTR	QT5262LA
5252GRY	5461BLK	70730FR	8210W	BRY5262WWR	BRY8200GRY	QT5262R
5252I	5461GRY	70730NP	8210WR	BRY5266NP	BRY8200GRYL	QT5262W
5252RED	5461I	71020ER	8210WWR	BRY5266NPB	BRY8200GRYWR	QT5362
5252W	5461RED	71020FR	8266T	BRY5266NPCR	BRY8200GTR	QT5362AL
5261	5461W	71020NP	8269T	BRY5266NPOR	BRY8200I	QT5362BLK
5261BLK	5464B	71420ER	8295T	BRY5266NPSY	BRY8200ITR	QT5362GY
5261BLKWR	5469B	71420FR	8310	BRY5269NC	BRY8200IWR	QT5362I
5261GRY	5642	71420MB	8310GRYWR	BRY5269NCCR	BRY8200RED	QT5362LA
5261GRYWR	5642I	71420NC	8310I	BRY5269NCSY	BRY8200REDL	QT5362R
5261I	5661	71420NP	8310IWR	BRY5362	BRY8200REDWR	QT5362W
5261IGGRY	5661BLK	71430ER	8310RED	BRY5362BLK	BRY8200RTR	QT8200
5261IGW	5661GRY	71430FR	8310REDWR	BRY5362BLKWR	BRY8200TR	QT8200AL
5261IWR	5661I	71430MB	8310WR	BRY5362BU	BRY8200W	QT8200BK
5261RED	5661RED	71430MBWP	8310WWR	BRY5362BUWR	BRY8200WL	QT8200GY
5261REDWR	5661W	71430NC	8366T	BRY5362CR	BRY8200WR	QT8200I
5261W	5666B	71430NP	8366TSP	BRY5362GRY	BRY8200WTR	QT8300LA
5261WR	5669B	71520ER	8369T	BRY5362GRYWR	BRY8200WWR	QT8200R
5261WWR	70520FR	71520FR	8395T	BRY5362I	BRY8266NP	QT8200W
5342	70520FRCHR	71520MB	8410BRN	BRY5362IWR	BRY8266NPB	QT8300
5342BLK	70520MB	71520MBWP	8410W	BRY5362RED	BRY8269NC	QT8300AL
5342GRY	70520NC	71520NC	8466N	BRY5362REDWR	BRY8300	QT8300BK
5342I	70520NCCR	71520NP	8466TSP	BRY5362W	BRY8300ALTR	QT8300GY
5342RED	70520NP	71530ER	8495T	BRY5362WR	BRY8300GRY	QT8300I
5342W	70520NP	71530FR	8666TSP	BRY5362WWR	BRY8300GRYWR	QT8300LA
5351	70530FR	71530MB	8695T	BRY5366NP	BRY8300GTR	QT8300R
5351AL	70530FRCHR	71530MBWP	9200GRY	BRY5366NPCR	BRY8300I	QT8300W
5351BLK	70530MB	71530NC	9200GRYL	BRY5366NPSY	BRY8300IG	
5351I	70530MBWP	71530NP	9200I	BRY5369NC	BRY8300ITR	
5352	70530NC	71620NC	9200IG	BRY5369NCCR	BRY8300IWR	
5352AL	70530NCB	71620NP	9200IGGRY	BRY5369NCSY	BRY8300RED	



UNDERSTANDING CERTIFICATION MARKS

Certification marks vary significantly with respect to testing required to achieve a particular mark. In some cases, (i.e.: Specification Grade), no outside certification agency is involved. The manufacturer decides which of their products they wish to be so identified. The following table for 15 and 20A straight blade receptacles demonstrates these wide differences. The understanding of these marks permits the user/specifier to make more meaningful product selections.

Understanding Product Certification Marks — 15 and 20 Amp Straight Blade Receptacles. Products that carry certification marks must meet the specific testing standards indicated.

Certification Mark	Description	UL 498	CSA, C22.2 No. 42	UL 498 Hospital Grade	CSA, C22.2 No. 42 M Hospital Grade	Fed. Spec. W-C-596
Spec Grade*	Self Certified, No Testing Required — Advertising/Trade Name					
	Used on recognized component parts that are part of a Listed product or system intended for the United States. Component "C" intended for Canada. Recognized components are intended for installation by Original Equipment Manufacturers (OEMs) within their Listed, and are not accepted by electrical inspectors for general-use field installations.	X				
	Used on recognized component parts that are part of a Listed product or system intended for the United States and Canada. Recognized components are intended for installation by Original Equipment Manufacturers (OEMs) within their Listed, and are not accepted by electrical inspectors for general-use field installations.	X				
	Products found with this mark means Underwriters Laboratories or CSA International found that representative samples of this product met Underwriters Laboratories' published Standards for Safety intended for the US market.	X				
	Products found with this mark are certified primarily for the Canadian market.		X			
	Products intended for US and Canada.	X	X			
 • Hospital Grade	In addition to complying with general use requirements, this mark denotes these device have been specially designed and are subject to additional requirements of the standards.	X		X		
 • Hospital Grade	In addition to complying with general use requirements, this mark denotes these device have been specially designed and are subject to additional requirements of the standards.		X		X	
 Fed. Spec.	In addition to complying with general use grade requirements, this mark denotes receptacles also have been investigated for compliance with United States Federal Specification W-C-596.	X				X
 Fed. Spec. • Hospital Grade	In addition to complying with general use and hospital grade requirements, this mark denotes receptacles also have been investigated for compliance with United States Federal Specification W-C-596.	X		X		X

Note: *Includes such variation as Premium Spec, Super Spec, etc.
** End product test also required.

CROSS REFERENCE NOTE

Recognize that cross reference guides supplied by some manufacturers should be used only to determine compatible devices (rating and configuration). It does not, in any way, deal with performance levels (which will vary widely by manufacturer). Common catalog numbers are often used for convenience of selection. The use of the same catalog number is solely the discretion of the manufacturer. It in no way implies compliance to any standard or testing criteria.



WIRING DEVICE STANDARDS

There are many different marketing terms in the electrical industry to describe the various electrical receptacles available from different manufacturers. Some of these terms include: Spec-Grade, Commercial, Heavy Duty, Industrial, Hard-Use, etc. There are no clear or universal definitions for these terms. There is no criteria established to differentiate one term from the next. Reliance solely upon these terms is not a reliable measure of performance or durability in a given application.

Underwriters Laboratories (UL) recognized a need to categorize receptacles based on application and expectations of performance. As a result, UL verifies performance to the following designations. Here are brief descriptions of each:



General Use - UL 498 – All duplex receptacles are required to meet these general requirements. Devices bearing the UL mark for general use have been tested to insure they can safely provide power in typical everyday usage (vacuum, lamps, electronics, etc.).



Fed. Spec.

Fed. Spec. - W-C-596 – The Federal Government wanted some way to determine that a receptacle performed better than average and would withstand the tougher demands of institutional use (post offices, military installations, prisons, etc.). Fed. Spec. listing identifies receptacles as having construction features, marking specifications and performance requirement (i.e., plug retention, increased cycle testing) beyond the requirements of the general use listing.



• Hospital Grade

Hospital Grade – In addition to compliance with general use requirements, Hospital Grade receptacles must meet performance criteria designed to test: ground reliability, assembly integrity, overall strength and reliability. Hospital Grade devices are marked with a green dot on their face.



Fed. Spec.

• Hospital Grade

Hospital Grade Fed. Spec. – Receptacles meeting this designation meet requirements and have completed test programs for both Fed. Spec. and Hospital Grade receptacles. All Bryant Hospital Grade devices are UL listed to this designation.

These UL designations are a better determinant of performance than marketing descriptions, for performance and durability.



TESTING FOR HOSPITAL GRADE AND FED. SPEC. LISTING OF BRYANT RECEPTACLES, PLUGS AND CONNECTORS

All Bryant Hospital Grade products are tested quarterly in our factories with Underwriters Laboratories.

RECEPTACLES

Fed. Spec. Test: Ground Pin Retention Test - The grounding contact of the receptacle is conditioned by twenty insertions with a 0.204 inch oversized diameter pin. After conditioning, a 0.184 inch diameter pin is inserted in the grounding contact must be capable of supporting a weight of at least 4 ounces for one minute.

Fed. Spec. Test: Power Blade Retention Test - A test plug with a single oversized blade measuring 0.075 inch thick is inserted into each current carrying contact for twenty conditioning cycles. When the conditioning cycles are completed, each contact must be capable of supporting, for one minute, 1.5 pounds secured to a single 0.055 inch thick solid steel blade without holes.

HG Test: Abrupt Removal of Plug Test - A steel bodied test plug with blades made of brass is inserted into the receptacle. A 10 pound weight dropped from at least 24 inches, pulls the plug out of the receptacle abruptly. This test is done eight times with the receptacle rotated in different positions to create the greatest stress to the face and contacts. Then, with the receptacle facing down, the grounding contact must retain a 4 ounce grounding pin with a 0.184 inch diameter for one minute. After this test there shall be no breakage of the receptacle that interferes with the receptacle function or to the integrity of the enclosure.

Fed. Spec. Test: Assembly Security Test - A force of 100 pounds is applied through the slots of the receptacle into the base while the bridge is supported at its screw mounting positions. Each receptacle is then examined for damage.

PLUGS AND CONNECTORS

HG Test: Impact Test - A plug or connector wired with the minimum size flexible cord is subjected to an impact from a 10 pound cylindrical weight having a flat face with a 2 inch diameter dropped from a height of 18 inches. After the test, there shall be no breakage or other damage that may effect the function of the device.

HG Test: Mechanical Drop Test - The cord connector is wired to #18 AWG flexible cord and suspended horizontally. It is released so it impacts a hardwood surface 45 inches below the point of suspension. This is repeated for 1,300 cycles. After the test, there shall be no breakage, deformation or other effect that may interfere with the function of the device.

HG Test: 500 Pound Crush Test - A wired plug or connector is placed between two hardwood slabs while subjected to a force which is progressively increased to 500 pounds. After the test, there shall be no breakage, deformation or other effect that may interfere with the function of the device.

HG Test: Strain Relief Test - While assembled to a plug or connector but not wired to the terminals; the cord must remain securely fastened after a straight pull of 30 pounds and a rotary motion within 3 inch circles with a 10 pound force applied for two consecutive hours. Displacement of conductors, insulation and outer jacket of the flexible cord shall not exceed 0.031 inch. There shall be no cuts, rips or tears in the insulation of the cord.



RoHS – RESTRICTION OF HAZARDOUS SUBSTANCES

This EU Directive, 2002/95/EC, prohibits the use of mercury, cadmium, lead, chromium VI, PBB (polybrominated biphenyls) and PBDE (polybrominated diphenyl ethers) in certain electrical products. The regulatory maximums for these items are 0.01%, by weight, for cadmium and 0.1%, by weight, for the other five items in each "homogenous unit" contained within that product. There are certain exemptions available from the RoHS requirements.



TAMPER RESISTANT RECEPTACLES

Per the 2008 National Electrical Code (NEC®) Article 406.11; All 125 volt, 15 and 20 amp receptacles in dwelling units shall be a listed tamper resistant type. Dwelling units are defined as a single unit, providing complete and independent living facilities for one or more persons, including permanent provisions for living, sleeping, cooking and sanitation. Listed devices are required to have a TR marking on the face visible when installed without a cover plate.



WEATHER RESISTANT RECEPTACLES

Per the 2008 National Electrical Code (NEC®) Article 406.8; All 125 and 250 volt, 15 and 20 amp non-locking receptacles for use in damp or wet locations shall be a listed weather resistant type. Listed devices are required to have a WR marking on the face visible when installed.



ELEMENTS OF THE IP CODE AND THEIR MEANINGS – In Accordance with Standard IEC 60529

IP Suitability Ratings are a system for classifying the degree of ingress protection provided by enclosures of electrical equipment. Generally, the higher the number, the greater the degree of protection; they apply ONLY to properly installed equipment.

Example: IP67 = Ingress Protection/Dust-Tight/Temporary Immersion

Meaning for the Protection of Equipment

Code Letters	First Number	Second Number
Ingress Protection	Against Ingress of Solid Foreign Objects	Against Ingress of Water with Harmful Effects
IP	0 – Non-protected 1 ≥ 50mm diameter 2 ≥ 12.5mm diameter 3 ≥ 2.5mm diameter 4 ≥ 1.0mm diameter 5 – Dust-protected 6 – Dust-tight	0 – Non-protected 1 – Vertically dripping 2 – Dripping (15 Tilted) 3 – Spraying 4 – Splashing 5 – Jetting 6 – Power jetting 7 – Temporary immersion 8 – Continuous immersion

The numerals stand for the following:

1. First Numeral: degree of protection for persons against access to hazardous parts inside the enclosure and/or against the ingress of solid foreign objects.
2. Second Numeral: degree of protection of equipment inside enclosures against damage from the ingress of water.

Note: ≥ Denotes greater than or equal to.

NEC® is a registered trademark of the National Fire Protection Association (NFPA).



GENERAL OUTLETS

Ceiling Wall

○	-○	Lighting Outlet
Ⓟ	-Ⓟ	Blanked outlet
Ⓒ	-Ⓒ	Clock outlet (specify voltage)
Ⓓ		Deep cord
Ⓔ	-Ⓔ	Electrical outlet: for use only when circle used alone might be confused with columns, plumbing symbols, etc.
Ⓕ	-Ⓕ	Fan outlet
Ⓖ	-Ⓖ	Junction box
Ⓕ	-Ⓕ	Lamp holder
Ⓕ	-Ⓕ	Lamp holder with pull switch
Ⓖ	-Ⓖ	Pull switch
Ⓕ	-Ⓕ	Outlet for vapor discharge lamp
ⓧ	-ⓧ	Exit light outlet or light

CONVENIENCE OUTLETS

Ⓧ		Duplex convenience outlet
Ⓧ		Convenience outlet other than duplex 1-single, 3-triplex, etc.
Ⓧ		Weatherproof convenience outlet
Ⓧ		Range outlet
Ⓧ		Switch and convenience outlet
Ⓧ		Radio and convenience outlet
Ⓧ		Special purpose outlet (Desc. in Spec.)
Ⓧ		Floor outlet

SWITCH OUTLETS

S	Single-pole switch
S ₂	Double-pole switch
S ₃	3-Way switch
S ₄	4-Way switch
S _D	Automatic door switch
S _E	Electrolifer switch
S _K	Key operated switch
S _P	Switch and pilot lamp
S _{CB}	Circuit breaker switch
S _{WCB}	Weatherproof circuit breaker
S _{MC}	Momentary contact switch
S _{RC}	Remote control switch
S _{WP}	Weatherproof switch
S _F	Fused switch
S _{WF}	Weatherproof fused switch

SPECIAL OUTLETS

Any standard symbol as given above with the addition of a lower case subscript letter may be used to designate some special variation of standard equipment of particular interest in a specific set of architectural plans.

○ _{sub.c,etc.}	When used they must be listed in the Key of Symbols on each drawing and if necessary further described in the specifications.
-------------------------	---

PANELS, CIRCUITS AND MISCELLANEOUS

■	Lighting panel
▨	Power panel
—	Branch circuit; concealed in ceiling or wall
---	Branch circuit; concealed in floor
.....	Branch circuit; exposed
→	Home run to panel board. Indicated number of circuits by number of arrows.
Note: Any circuit without further designation indicates a 2-wire circuit. For a greater number of wires indicate as follows: ### (3-wires) #### (4-wires), etc.	
—	Feeders
Note: Use heavy lines and designate by number of corresponding to listing in feeder schedule.	
Ⓜ	Underfloor duct and junction box. Triple system
Note: For double or single systems eliminate one or two lines. This symbol is equally adaptable to auxiliary system layouts	
Ⓔ	Generator
Ⓜ	Motor
Ⓧ	Instrument
Ⓧ	Power transformer (or draw to scale)
Ⓧ	Controller
Ⓧ	Isolating switch

AUXILIARY SYSTEMS

Ⓧ	Push Button	Ⓧ	Buzzer
Ⓧ	Bell	Ⓧ	Annunciator
Ⓧ	Outside telephone		
Ⓧ	Interconnecting telephone		
Ⓧ	Telephone switchboard		
Ⓧ	Bell ringing transformer		
Ⓧ	Electric door opener		
Ⓧ	Fire alarm bell	Ⓧ	Fire alarm station
Ⓧ	City fire alarm station		
Ⓧ	Fire alarm central station		
Ⓧ	Automatic fire alarm device		
Ⓧ	Watchman's station		
Ⓧ	Watchman's central station		
Ⓧ	Horn		
Ⓧ	Nurse's signal plug	Ⓧ	Maid's signal plug
Ⓧ	Radio outlet		
Ⓧ	Signal central section		
Ⓧ	Interconnection box	Ⓧ	Battery
---	Auxiliary system circuits		
Ⓧ _{sub.c}	Special Auxiliary Outlets		
Subscript letters refer to notes on plans or detailed description in specifications.			



TABLE I – MECHANICAL AND ELECTRICAL PROPERTIES OF MATERIALS

Properties	6/6 Nylon	6 Nylon	Polycarbonate	PC/PET	Phenolic	Urea
Tensile Strength (PSI)	11,000	6000+*	9,000	6,000	6,500-10,000	5,500-13,000
Elongation (%)	300+*	300*	130	120	0.4-0.8	.5-1.0
Flex. Mod. (Stiffness) (PSI)	175,000*	140,000*	340,000	325,000	1,000,000	1,500,000
Izod (Notched) ft.-lb./in.	2.1*	3.0*	15.0	12.0	.3-1.9	.25-.4
Hardness Rockwell	59M* 108R*	— 119R	70M 118R	— 115R	105-120M —	110-120M —
Heat Deflection Temp °F						
66 PSI	464	370	—	265	—	—
264 PSI	194	185	270	260	400	260-290
UL Thermal Index °C						
Electrical	125	125	125	105	150	100
Mechanical w/Impact	75	75	115	105	150	100
Mechanical w/o Impact	85	85	125	105	150	100
Flame Class UL 94	V-2	V-2	V-2	V-0	HB-V0	HB-V0
Dielectric V/mil	600	400	380	307	200-400	300-400
Specific Gravity	1.14	1.13	1.2	1.33	1.4	1.5
UL Comparative Tracking Index (Volts)	600+	600+	250+	230	175+	600+

Note: *Conditioned to 50% relative humidity.

TABLE II – CHEMICAL RESISTANCE OF MATERIALS

Chemical	Nylon	Phenolic	Urea	Polycarbonate
Acids	C	B	B	A
Alcohol	A	A	A	B
Caustic Bases	A	B	B	C
Gasoline	A	A	C	A
Grease	A	A	A	B
Kerosene	A	A	A	A
Oil	A	A	A	B
Solvents	A	A	A	C
Water	A	A	A	A

Note: A—Completely resistant. Good to excellent, general use.
 B—Resistant. Fair to good, limited service.
 C—Slow attack. Not recommended for use.

Advantages of Nylon

Bryant nylon wiring devices provide these safety benefits:

- Excellent insulator: Shock hazards are minimized by the superior dielectric strength of nylon and the heavy-duty molded interior walls of Bryant's completely-enclosed individual wire pocket areas.
- Resistant to chemicals: Nylon provides excellent resistance to chemicals such as alcohol, caustic bases, gasoline, grease, kerosene, oil, solvents and water. See Table II.
- High impact resistance: Bryant nylon devices are designed to withstand high impact in heavy duty industrial and commercial applications. Each molded piece supports an adjacent molded piece, resulting in unsurpassed resiliency and strength.

Devices housed in neoprene, urea or phenolic materials can crack or be damaged under great pressure. Such damage can be invisible and cause direct shorts and other hazards. In the unlikely event that a nylon device is damaged, the damage can be easily detected and the device replaced.

Universal Cord Grip

Bryant's nylon plugs and connectors have a universal cord grip. One device can be used for most cord size applications. Adapter sleeves are available for flat cord and other small diameter cords. In addition to reducing the cord grip to the desired size, the sleeve helps protect the interior of the device by blocking entry of solvents, oil and other foreign matter.

TABLE III – HORSEPOWER RATINGS

NEMA Config.	AC HP Rating**	Nema Config.	AC HP Rating**
1-15	0.5	L1-15	0.5
2-15	1.5	L2-20	2
2-20	2	L5-15	0.5
2-30	2	L5-20	1
5-15	0.5	L5-30	2
5-20	1	L6-15	1.5
5-30	2	L6-20	2
5-50	2	L6-30	2
6-15	1.5	L7-15	2
6-20	2	L7-20	2
6-30	2	L7-30	3
6-50	3	L8-20	3
7-15	2	L8-30	5
7-20	2	L10-20	2 L-L/1 L-N
7-30	3	L10-30	2 L-L/2 L-N
7-50	5	L11-15	2
10-20	2 L-L/1 L-N	L11-20	3
10-30	2 L-L/2 L-N	L11-30	3
10-50	3 L-L/2 L-N	L12-20	5
11-15	2	L12-30	10
11-20	3	L14-20	2 L-L/1 L-N
11-30	3	L14-30	2 L-L/2 L-N
11-50	7.5	L15-20	3
14-15	1.5 L-L/0.5 L-N	L15-30	3
14-20	2 L-L/1 L-N	L16-20	5
14-30	2 L-L/2 L-N	L16-30	10
14-50	3 L-L/2 L-N	L18-20	2
14-60	3 L-L/2 L-N	L18-30	3
15-15	2	L19-20	5
15-20	3	L19-30	10
15-30	3	L21-20	2
15-50	7.5	L21-30	3
15-60	10	L22-20	5
18-15	2	L22-30	10
18-20	2		
18-30	3		
18-50	7.5		
18-60	7.5		

Note: **The phase-to-phase horsepower ratings are noted by "L-L". The phase-to-neutral ratings are identified by "L-N".

Technical Information

AC Switch and Horsepower Ratings



Prior to 1950, Underwriters Laboratories, Inc. listed only AC/DC general use switches. These switches were designed with over-center, snap-acting mechanisms which opened the circuit by widely separating the contacts at a high speed. This was necessary because the switches were tested on DC which has a steady-state voltage.

With the introduction of AC only general use switches, it was unnecessary to have the high-powered, over-center, snap-acting mechanisms because the contacts did not have to be widely separated at high speed.

Bryant introduced, in the mid 1930's, the first AC only range switch. The experience gained in this development indicated the ideal AC switch should have a positive closing and a slow limited opening.

Positive closing is the closing of the contacts without bounce or chatter, which can occur due to the inertia of a high-speed closing of the contacts.

This is important, especially on the tungsten lamp load where, due to the low resistance of tungsten filament, an inrush current from 8 to 16 times the lighted (high resistance) rated current occurs. This inrush occurs in the first quarter cycle, 1/240 of a second, or when the contacts first close and would be bouncing (rapidly opening and closing of the circuit). Contact bouncing, at high current,

could cause considerable arcing which would dissipate the contact material and result in welding of the contacts.

Slow limited opening is the separation of the contact, under load, at a low rate and limiting the contact separation to a very small fraction of that required for DC control.

On AC, the voltage passes through zero voltage every 1/2 cycle, on 60 cycle frequency every 1/120 of a second. By opening the contacts slowly, the arc is suppressed by the zero voltage. By limiting the break, the contact gap is not ionized and air insulation prevents arc formation and restriking.

This control of the opening is essential on inductive and motor loads when, due to low power factor, voltage surges occur on opening the circuit.

Bryant AC switches are designed so the contacts are closed with controlled contact closing pressure by utilizing the flexibility of the resilient contact carrying arm.

The contacts, of a special non-oxidizing silver alloy, are opened by a simple cam operation which limits the speed and opening. The indexing of the handle is by an elastomer rocker or simple cantilever steel rod. This provides a minimum of parts, along with a solid and dependable design.

AC TEST REQUIREMENTS

When AC general use switches were considered by the industry and Underwriters Laboratories, Inc., thought was given to the ratings and it was decided to rate the switches in accordance with NEC® branch circuit ratings of 15, 20 and 30 amperes. It was also decided to test the switch for all the loads that could be applied to a branch circuit. Therefore, all AC switches are tested on resistance, tungsten lamp and inductive loads to 100% of switch rating.

Underwriters Laboratories Test Requirements for AC General Use Switches

In order to be listed by Underwriters Laboratories, Inc., all 15, 20 and 30 ampere AC 120/277 volt switches must perform, without failure, the following sequence of tests.

1. An overload test of 100 cycles at 4.8 times rated current and 40-50% power factor and rated voltage. This overload test is performed at 144 amps, 277 volts for 30 ampere switches, at 6 cycles per minute.
2. 10,000 cycles on a plain resistance load at full rating of 15, 20 or 30 amperes, at 277 volts at 24 cycles per minute.
3. 10,000 cycles on an inductive load of either 15, 20 or 30 amperes at 277 volts, 80% power factor at 24 cycles per minute.
4. 10,000 cycles at 15, 20 or 30 amperes, 120 volts on a tungsten filament lamp load, at 6 cycles per minute.
5. Heat rise at test-rated load. In this test, temperature rise must not exceed 30 degrees C.
6. A switch shall withstand, without breakdown, 1500V for 1 minute between live parts of opposite polarity and between live parts and dead metal parts, with the switch at the maximum operating temperature reached in intended use.

EXPLANATION OF "HORSEPOWER" RATINGS

Performance of Bryant Switches Exceed Underwriters Laboratories' Requirements.

Switches marked with Horsepower Ratings are suitable for controlling the Motor Loads of the HP ratings shown on the switch as well as for lower HP ratings.

To qualify for an HP rating, a switch is tested at six (6) times the full load Motor Current corresponding to the HP rating marked on the switch. (For DC Motor Controllers, the test is made at 10 times the full load Motor Current corresponding to the DC HP rating marked on the switch). The test consists of 50 on-off operations at this load and the test is conducted on six (6) samples. For 3/4 HP 120 volts-240 volts AC rating, two (2) sets of six (6) samples each are tested in addition to the regular overload endurance, heating and insulation tests. The test circuit characteristics are:

	For 3/4 HP 120 Volts AC	For 3/4 HP 240 Volts AC
Closed Circuit Volts	120 Volts AC	240 Volts AC
Current	82.8 Amps	41.4 Amps
Power-Factor	0.40-0.50	0.40-0.50

Note: Current at 240V AC is 1/2 that at 120V AC.

All switches must be in good operating condition after the tests have been completed. There must be no excessive arcing, welding or burning of the contacts nor arc-over to ground (the switch frames are grounded during the stalled rotor test).

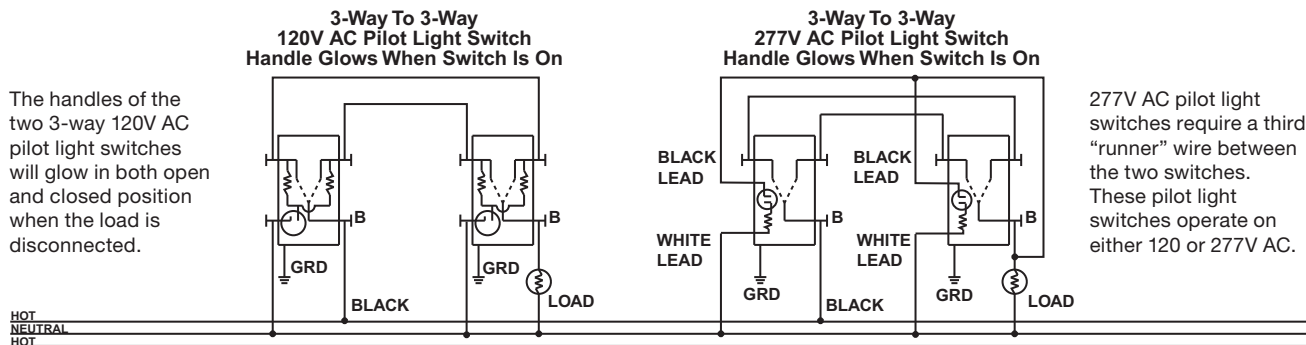
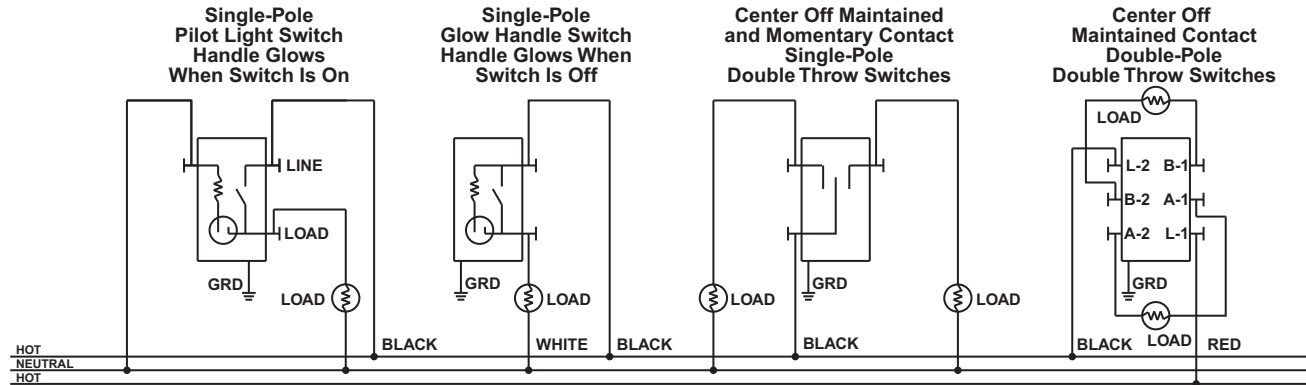
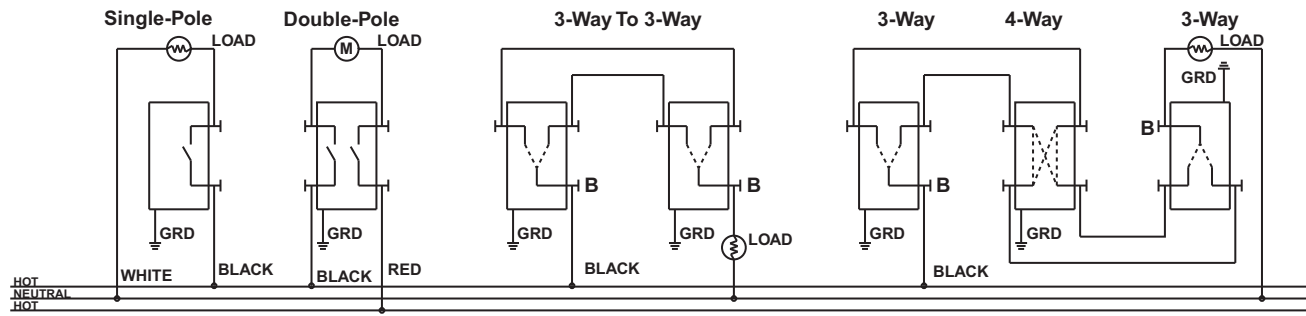
NEC® is a registered trademark of the National Fire Protection Association (NFPA).

Technical Information

Switches Wiring Diagrams



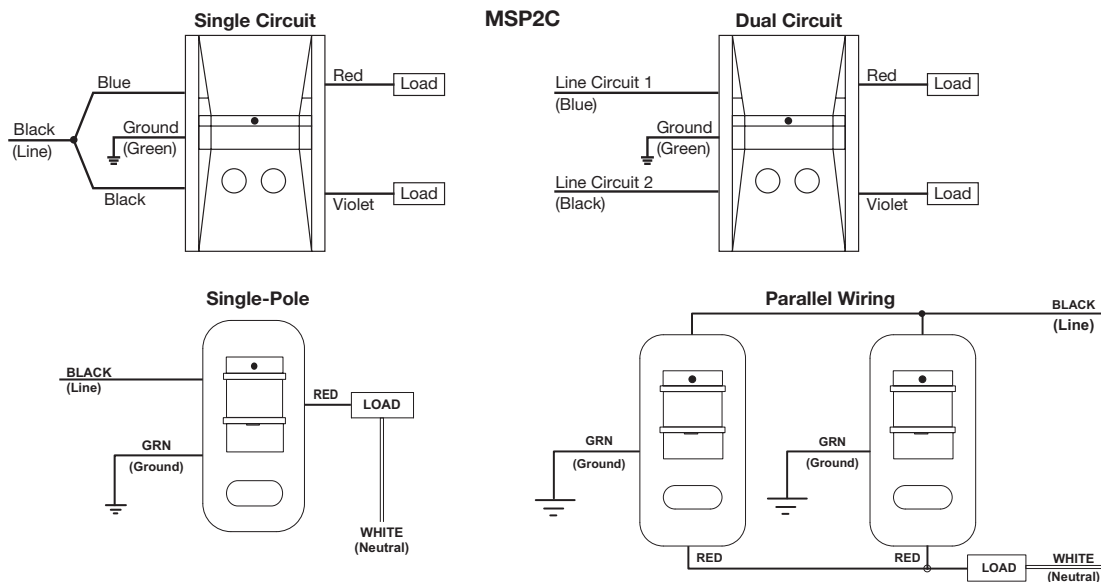
AC SWITCHES



The handles of the two 3-way 120V AC pilot light switches will glow in both open and closed position when the load is disconnected.

277V AC pilot light switches require a third "runner" wire between the two switches. These pilot light switches operate on either 120 or 277V AC.

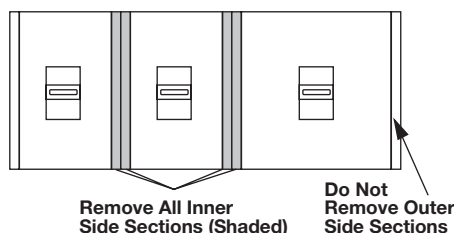
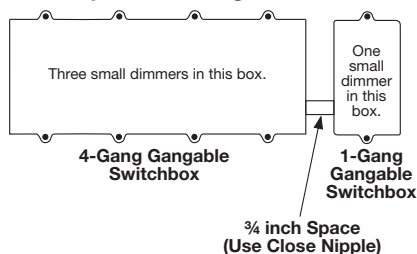
SENSOR SWITCHES



Note: Pre-wire to replace two 3-way switches. Load cannot exceed the rating of one switch. Series switches: MS1200, MSP1, RMS141 and RMS140.



Example of 4-Gang Installation



ARCHITECTURAL GRADE SLIDE AND ROTARY SERIES

Number of Switchboxes Required with Dimmer Side sections Intact

Number of Large Controls (1500W and 2000W)	0	Number of Small Controls (600W and 1000W)					
		0	1	2	3	4	5
0	0	1	1+1	4	1+4	7	1+7
1	1	3	5	6	8	9	11
2	4	6	7	9	10	12	13
3	6	8	10	11	13	14	16
4	9	11	12	14	15	17	18

Number of Gangs Required

Note: When ganging an even number of small controls with no side sections removed (plus numbers in chart), use gangable switchboxes with tapped ears as shown below. Do not use plaster rings or gangbox covers. Space an additional switchbox $\frac{3}{4}$ in. apart from the other switchbox(es). A $\frac{3}{4}$ in. close nipple is recommended as a spacer between the switchboxes.

Number of Switchboxes Required with Side sections Removed

Number of Large Controls (1500W and 2000W)	0	Number of Small Controls (600W and 1000W)					
		0	1	2	3	4	5
0	0	1	2	3	4	5	6
1	1	3	4	5	6	7	8
2	3	5	6	7	8	9	10
3	5	7	8	9	10	11	12
4	7	9	10	11	12	13	14

Number of Gangs Required

Note: When removing side sections, remove only inner side sections. Do not remove side sections on outer ends of gang. The same installation rules apply to rotary dimmers (not shown).

DERATING CHART

No side sections removed	One side section removed	Both side sections removed
600W	600W	500W
1000W	900W	700W
1500W	1250W	1000W
2000W	1800W	1500W

Note: When ganging any combination of small and large controls, place a small control on one extreme end of the gang, and a large control at the other end of the gang. When ganging with side sections intact, use offset mounting holes. When ganging with side sections removed, use center mounting holes. Allow a $\frac{1}{2}$ in. gap (space) between controls for ease in attaching the faceplate.

SPECIFICATION GRADE SLIDE AND ROTARY SERIES

Switchboxes Required: Side sections removed

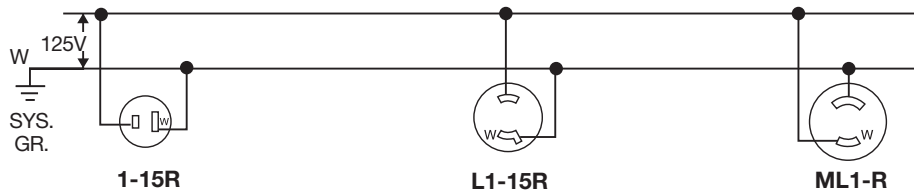
DERATING CHART

1 dimmer in wall box	2 dimmers in wall box	3 or more dimmers in wall box
600W	500W	400W
1000W	800W	650W
5A fan speed	4A fan speed	3A fan speed

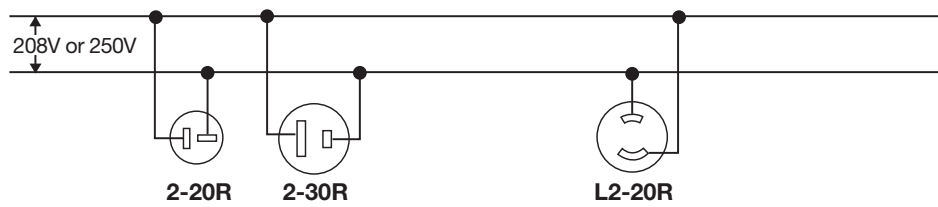


2-POLE 2-WIRE

125V

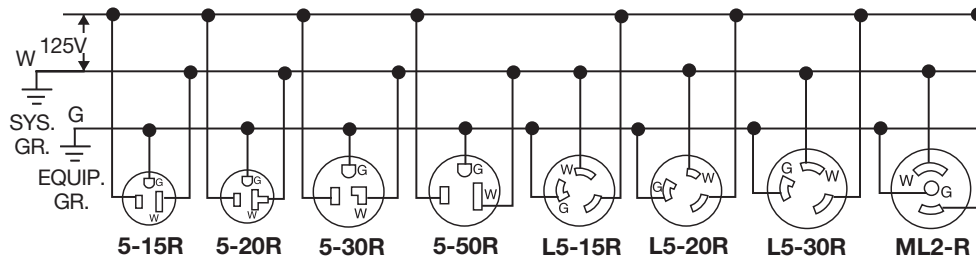


208V or 250V

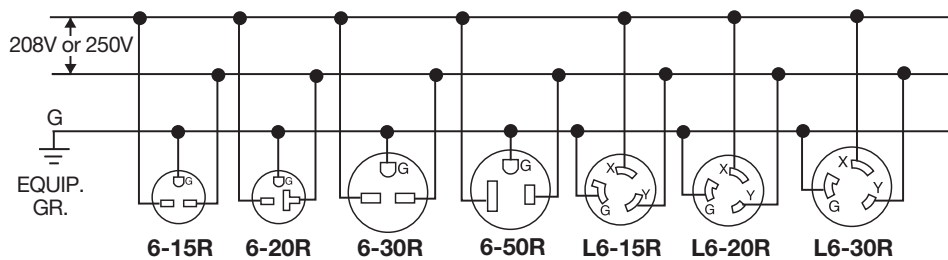


2-POLE 3-WIRE GROUNDING

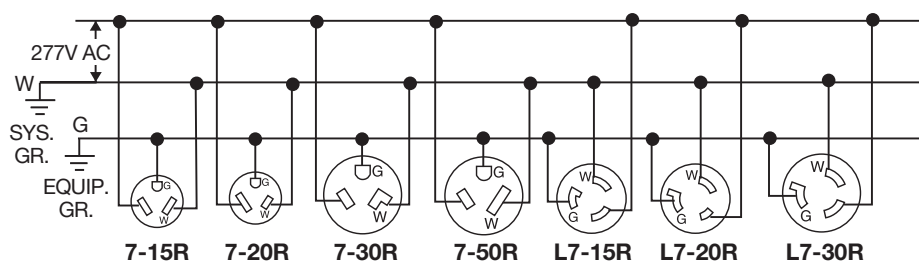
125V



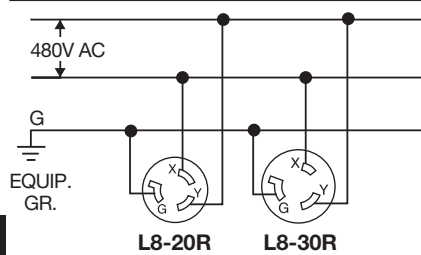
208V or 250V



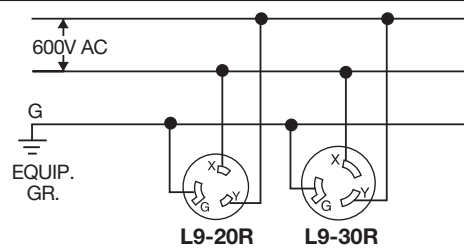
277V AC



480V AC



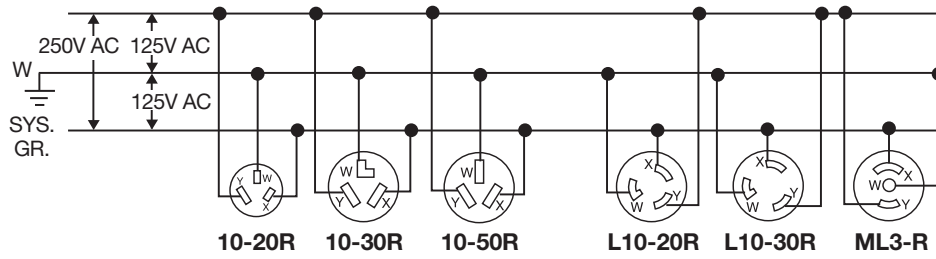
600V AC



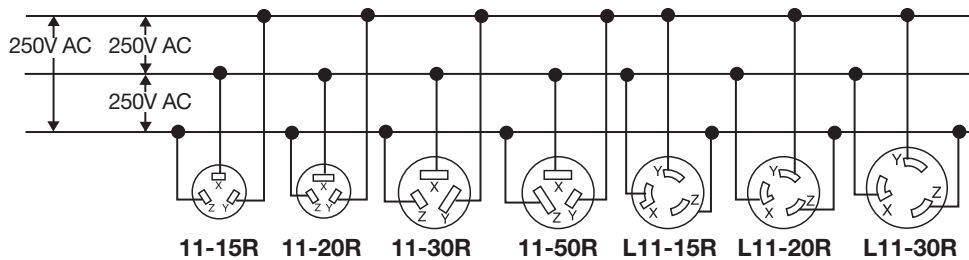


3-POLE 3-WIRE

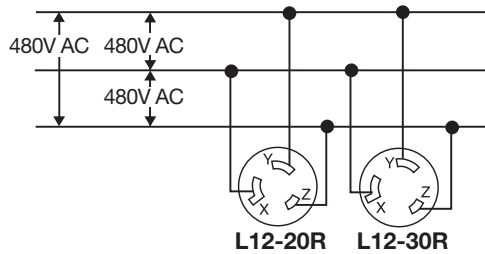
125/250V AC



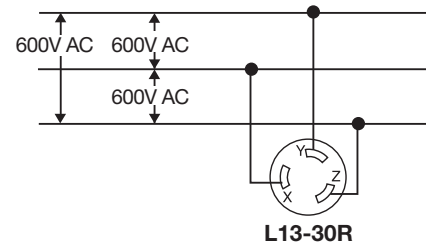
3Ø 250V AC



3Ø 480V AC

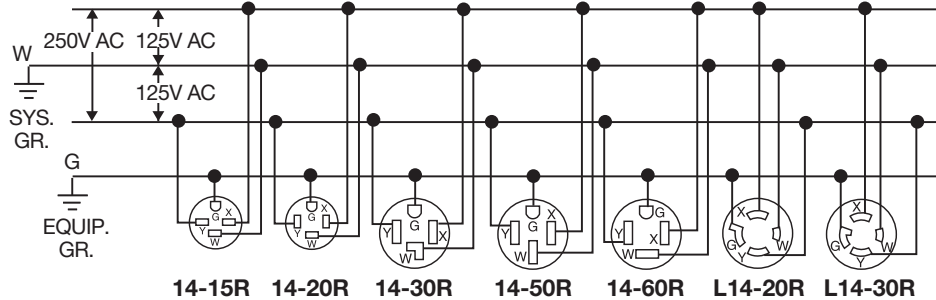


3Ø 600V AC

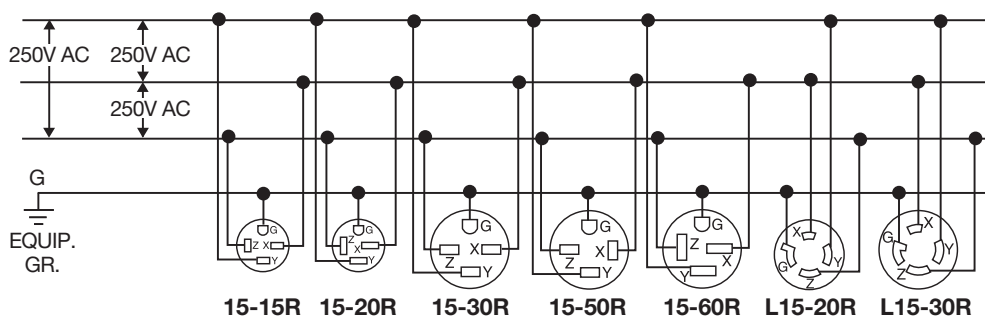


3-POLE 4-WIRE GROUNDING

125/250V AC



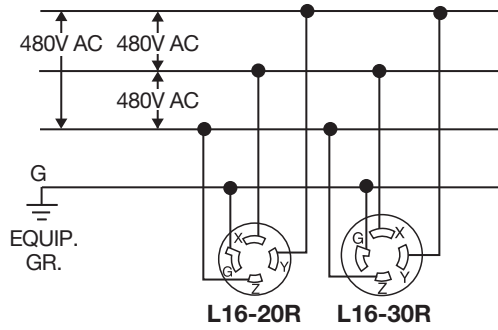
3Ø 250V AC



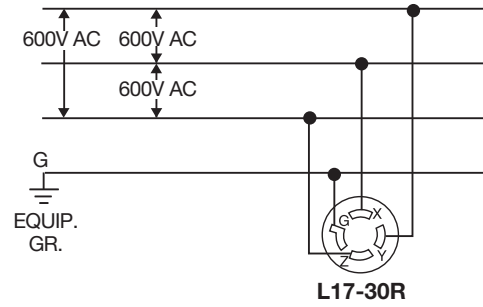


3-POLE 4-WIRE GROUNDING

3Ø 480V AC

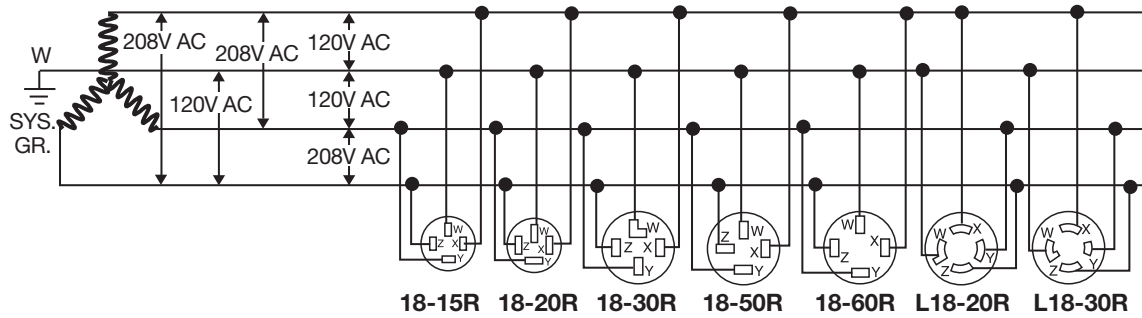


3Ø 600V AC

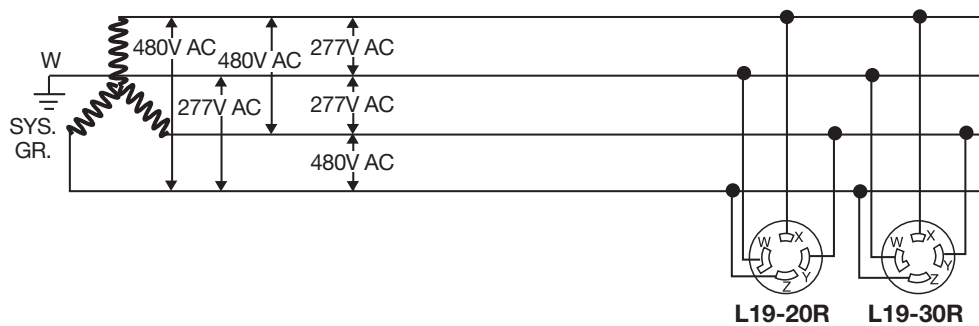


4-POLE 4-WIRE

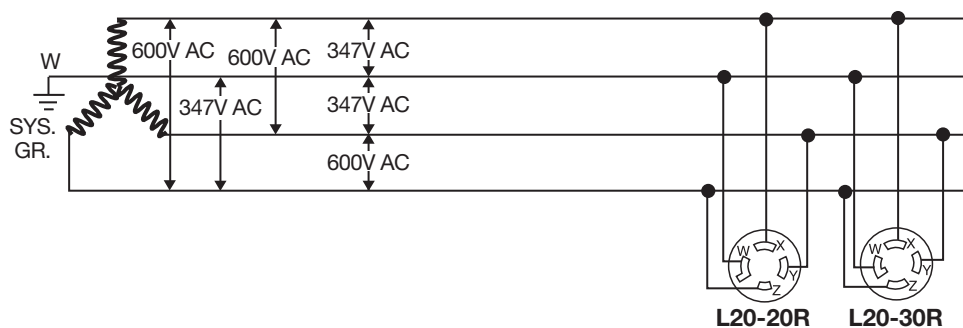
3Ø 120/208V AC



3Ø 277/480V AC



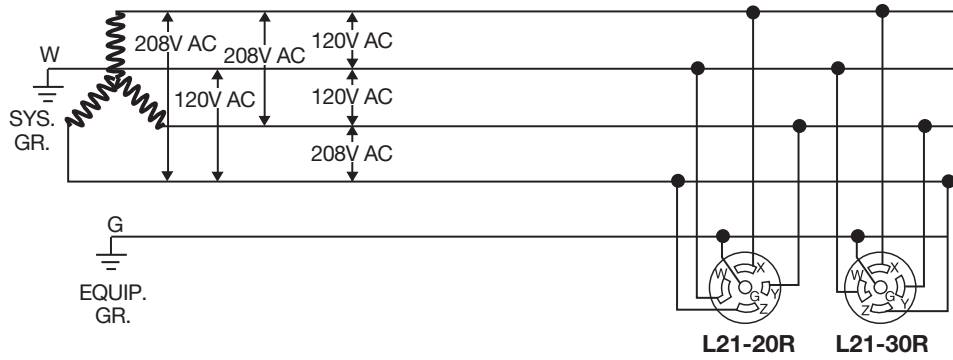
3Ø 347/600V AC



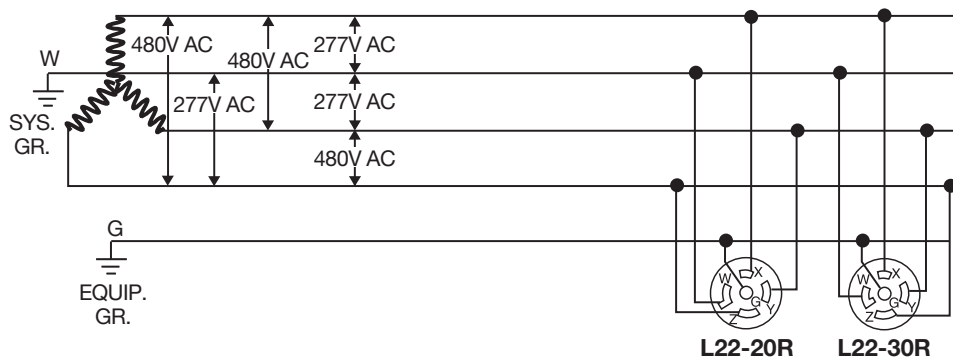


4-POLE 5-WIRE GROUNDING

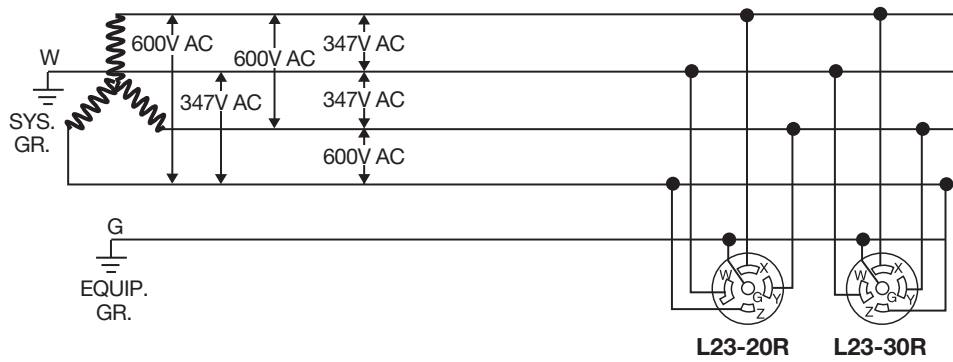
3ØY 120/208V AC



3ØY 277/480V AC



3ØY 347/600V AC



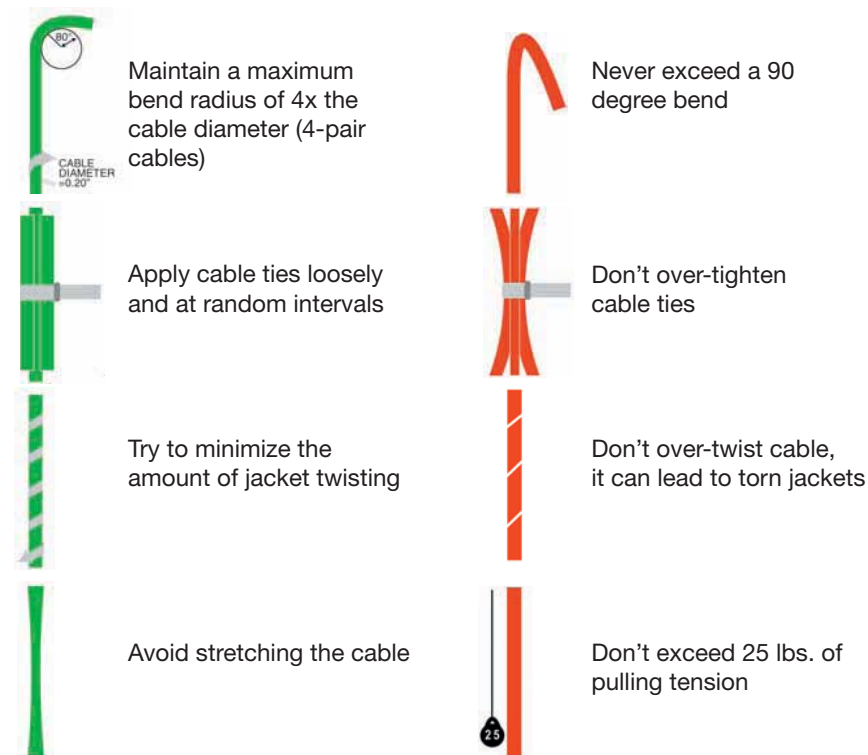


SUPPORTED MEDIA - INTERNATIONAL

Designation	ANSI/TIA-568-C	ISO/IEC 11801 2nd Ed. 2002	CENELEC EN-50173-1: 2002
Category 3 (16 MHz)	Supported	Supported: Class C	Supported: Class C
120Ω Category 3 (16 MHz)	Not Supported	Supported: Class C	Supported: Class C
Category 5e (100 MHz)	Supported	Supported: Class D	Supported: Class D
Category 6 (250 MHz)	Supported	Supported: Class E	Supported: Class E
Category 6A (500 MHz)	Supported	Supported: Class EA*	Supported: Class EA*
Category 7 (600 MHz)	Not Recognized	Supported: Class F	Supported: Class F
50/125 - 62.5/125 Multimode	Supported	Supported	Supported
Singlemode Fiber	Supported	Supported	Supported
Singlemode Fiber to the Work Area	Not Supported	Supported	Supported
Work Area Outlet Configuration	4 Pairs T568A or B	4 Pairs T568A Only	4 Pairs T568A Only
Stranded Patch Cord Attenuation	120% of Horiz. Cable	150% of Horiz. Cable	150% of Horiz. Cable

Note: *Category 6A requirements will be incorporated into ISO/IEC 11801 and CENELEC EN-50173 after the release of the ANSI/TIA-568-C Standards Series.

- Strip back only as much cable jacket as is required for termination and maintain pair twists as close as possible to the point of mechanical termination
- At a minimum, never allow untwisting of pairs as specified:
Category 5e and 6/6A: 0.5 inch max.



Use appropriate methods for dressing and securing cables:

- Cable ties
- Cable support bar
- Wire management panels
- Releasable straps

Don't use a staple gun to position cable

Section R

NEMA Configuration Charts



INDEX

PAGE

NEMA Configuration Charts

Straight Blade Devices	R-2
Locking Devices	R-3
50 Amp Locking, Power Interrupting and Non-NEMA Locking Devices	R-4



NEMA Configuration Charts

Straight Blade Devices



		15 Ampere		20 Ampere		30 Ampere		50 Ampere		60 Ampere	
		Receptacle	Plug	Receptacle	Plug	Receptacle	Plug	Receptacle	Plug	Receptacle	Plug
2-Pole 2-Wire	125V	1-15R 	A-38, 40 1-15P 								
	250V		2-15P 	2-20R 	2-20P 	2-30R 	2-30P 				
	277V			(RESERVED FOR FUTURE CONFIGURATIONS)							
	600V			(RESERVED FOR FUTURE CONFIGURATIONS)							
2-Pole 3-Wire Grounding	125V	A-4 - 15, 19 - 33, 35 5-15R 	A-11, 15, 31 - 34 5-15P 	A-4 - 15, 19 - 25, 27, 31 - 35 5-20R 	A-11, 15, 31, 33, 34 5-20P 	A-42 5-30R 	A-42 5-30P 	A-44 5-50R 	A-44 5-50P 		
	250V	A-16, 29, 31, 33, 37 6-15R 	A-11, 16, 31, 33, 36 6-15P 	A-16, 29, 31, 33, 37 6-20R 	A-11, 16, 31, 33, 36 6-20P 	A-42 6-30R 	A-42 6-30P 	A-44 6-50R 	A-44 6-50P 		
	277V AC	A-18 7-15R 	A-18 7-15P 	7-20R 	7-20P 	7-30R 	7-30P 	7-50R 	7-50P 		
	347V AC	24-15R 	A-18 24-15P 	24-20R 	24-20P 	24-30R 	24-30P 	24-50R 	24-50P 		
	480V AC			(RESERVED FOR FUTURE CONFIGURATIONS)							
	600V AC			(RESERVED FOR FUTURE CONFIGURATIONS)							
3-Pole 3-Wire	125/250V			A-39 10-20R 	A-39 10-20P 	A-42 10-30R 	A-42 10-30P 	A-44 10-50R 	A-44 10-50P 		
	3Ø 250V	11-15R 	11-15P 	11-20R 	11-20P 	11-30R 	11-30P 	11-50R 	11-50P 		
	3Ø 480V			(RESERVED FOR FUTURE CONFIGURATIONS)							
	3Ø 600V			(RESERVED FOR FUTURE CONFIGURATIONS)							
3-Pole 4-Wire Grounding	125/250V	14-15R 	14-15P 	14-20R 	14-20P 	A-43 14-30R 	A-43 14-30P 	A-45 14-50R 	A-45 14-50P 	A-46 14-60R 	A-46 14-60P
	3Ø 250V AC	15-15R 	15-15P 	15-20R 	15-20P 	A-43 15-30R 	A-43 15-30P 	A-45 15-50R 	A-45 15-50P 	A-46 15-60R 	A-46 15-60P
	3Ø 480V AC			(RESERVED FOR FUTURE CONFIGURATIONS)							
	3Ø 600V AC			(RESERVED FOR FUTURE CONFIGURATIONS)							
4-Pole 4-Wire	3ØY 120/208V AC	18-15R 	18-15P 	A-41 18-20R 	A-41 18-20P 	18-30R 	18-30P 	A-45 18-50R 	A-45 18-50P 	A-46 18-60R 	A-46 18-60P
	3ØY 277/480V AC			(RESERVED FOR FUTURE CONFIGURATIONS)							
	3ØY 347/600V AC			(RESERVED FOR FUTURE CONFIGURATIONS)							
4-P-5-W Grdg	3ØY 120/208V AC			(RESERVED FOR FUTURE CONFIGURATIONS)							
	3ØY 277/480V AC			(RESERVED FOR FUTURE CONFIGURATIONS)							
	3ØY 347/600V AC			(RESERVED FOR FUTURE CONFIGURATIONS)							

NEMA Configuration Charts

Locking Devices



			15 Ampere		20 Ampere		30 Ampere	
			Receptacle	Plug	Receptacle	Plug	Receptacle	Plug
2-Pole 2-Wire	125V	ML1	H-7 ML-1R	H-7 ML-1P				
	125V	L1	H-5 L1-15R	H-5 L1-15P				
	250V	L2			H-6 L2-20R	H-6 L2-20P		
2-Pole 3-Wire Grounding	125V	ML2	H-7 ML-2R	H-7 ML-2P				
	125V	L5	H-8, 9 L5-15R	H-9 L5-15P	H-10 L5-20R	H-10 L5-20P	H-16 L5-30R	H-16 L5-30P
	250V	L6	H-8, 9 L6-15R	H-9 L6-15P	H-10 L6-20R	H-10 L6-20P	H-16 L6-30R	H-16 L6-30P
	277V AC	L7	H-8, 9 L7-15R	H-9 L7-15P	H-10 L7-20R	H-10 L7-20P	H-16 L7-30R	H-16 L7-30P
	480V AC	L8			H-11 L8-20R	H-11 L8-20P	H-17 L8-30R	H-17 L8-30P
	600V AC	L9			H-11 L9-20R	H-11 L9-20P	H-17 L9-30R	H-17 L9-30P
	28V DC	FSL1					H-24 FSL1	H-24 FSL1
	400Hz 120V	FSL2					H-24 FSL2	H-24 FSL2
	3-Pole 3-Wire	125/250V AC	ML3	H-7 ML-3R	H-7 ML-3P			
125/250V AC		L10			H-12 L10-20R	H-12 L10-20P	H-18 L10-30R	H-18 L10-30P
3Ø 250V AC		L11	L11-15R	L11-15P	H-12 L11-20R	H-12 L11-20P	H-18 L11-30R	H-18 L11-30P
3Ø 480V AC		L12			H-12 L12-20R	H-12 L12-20P	H-19 L12-30R	H-19 L12-30P
3Ø 600V AC		L13					H-19 L13-30R	H-19 L13-30P
3-Pole 4-Wire Grounding	125/250V AC	L14			H-13 L14-20R	H-13 L14-20P	H-20 L14-30R	H-20 L14-30P
	3Ø 250V AC	L15			H-13 L15-20R	H-13 L15-20P	H-20 L15-30R	H-20 L15-30P
	3Ø 480V AC	L16			H-13 L16-20R	H-13 L16-20P	H-21 L16-30R	H-21 L16-30P
	3Ø 600V AC	L17					H-21 L17-30R	H-21 L17-30P
	400Hz 3Ø 120V	FSL3					H-24 FSL3	H-24 FSL3
4-Pole 4-Wire	3ØY 120/208V AC	L18			H-14 L18-20R	H-14 L18-20P	H-22 L18-30R	H-22 L18-30P
	3ØY 277/480V AC	L19			H-14 L19-20R	H-14 L19-20P	H-22 L19-30R	H-22 L19-30P
	3ØY 347/600V AC	L20			H-14 L20-20R	H-14 L20-20P	H-22 L20-30R	H-22 L20-30P
4-Pole 5-Wire Grounding	3ØY 120/208V AC	L21			H-15 L21-20R	H-15 L21-20P	H-23 L21-30R	H-23 L21-30P
	3ØY 277/480V AC	L22			H-15 L22-20R	H-15 L22-20P	H-23 L22-30R	H-23 L22-30P
	3ØY 347/600V AC	L23			H-15 L23-20R	H-15 L23-20P	H-23 L23-30R	H-23 L23-30P
	400Hz 3ØY 120/208V	FSL4					H-24 FSL4	H-24 FSL4



50 AMP LOCKING DEVICES

	Rating	Receptacle	Plug
2-Pole 3-Wire Gr	50A 125V	H-39	H-39
	50A 250V	H-39	H-39
	50A 480V AC	H-39	H-39
3-Pole 4-Wire Grounding	50A 125/250V AC	H-37, 38	H-37, 38
	50A 3Ø 250V AC	H-37, 38	H-37, 38
	50A 3Ø 480V AC	H-38	H-38

POWER INTERRUPTING DEVICES

	Rating	Receptacle	Plug
2-Pole 3-Wire Gr	20A 125V AC/DC 10A 250V DC 480V AC <small>(NOTE: These devices are not UL Listed and are for replacement use only in existing installations.)</small>	H-43	H-43
	3-Pole 4-Wire Gr	30A 600V AC 20A 250V DC	H-44
3-Pole 4-Wire Gr	60A 600V AC	H-46	H-46
	4P 5W Gr	30A 600V AC 20A 250V DC	H-45
4P 5W Gr	60A 600V AC	H-47	H-47

NON-NEMA LOCKING DEVICES

	Rating	Receptacle	Plug
3-Pole 3-Wire	20A 125/250V	H-27	H-27
	30A 125/250V	H-30	H-30
4-Pole 4-Wire	20A 3ØY 120/208V AC	H-28	H-28
	30A 3ØY 120/208V AC	H-31	H-31
4-Pole 5-Wire	20A 400Hz 3ØY 120/208V	H-25	H-25
	20A 3ØY 120/208V AC	H-29	H-29

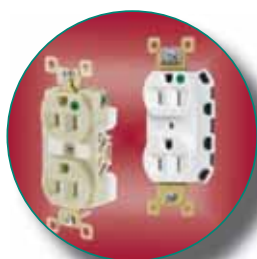
GFCI DEVICES

	Rating	Receptacle	Plug
2-Pole 3-Wire	15A 125V AC	B-4 - 9	B-11 - 13
	20A 125V AC	B-4 - 9	

SURGE DEVICES

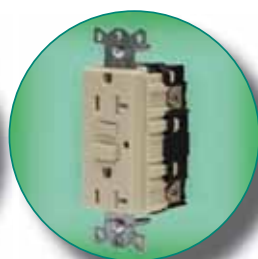
	Rating	Receptacle	Plug
2-Pole 3-Wire	15A 125V AC	C-3 - 6	
	20A 125V AC	C-3 - 5	

For more information of these products can be easily found in the following sections:



A

Straight Blade Devices



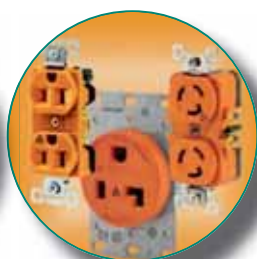
B

GFCI Devices



C

Surge Devices



C

Isolated Ground Devices



H

Locking Devices

Alphanumeric Index



CAT. NO.	PAGE	CAT. NO.	PAGE	CAT. NO.	PAGE	CAT. NO.	PAGE	CAT. NO.	PAGE	CAT. NO.	PAGE	CAT. NO.	PAGE
4SQBXB	A-9, 25	330P7W	K-6, 13	432R6W	K-7	1254B	A-25	4100P7W	K-7, 13	4803I	E-4	4904BW	E-10
4SQBXBLK	A-9, 25	330R4W	K-6	432SMI3W	K-13	1254BLK	A-25	4100P9W	K-7, 13	4803L	E-5	4904GRY	E-4
4SQXBULU	A-9, 25, C-5	330R6W	K-6	460B5W	K-6	1254GY	A-25	4100P12W	K-7	4803RED	E-4	4904I	E-4
4SQXBFLK	A-9, 25	330R7W	K-6	460B7W	K-6	1254HB	A-9	4100R5W	K-7	4803W	E-4	4904L	E-5
4SQXFFI	A-9, 25	330SMI4W	K-13	460B9W	K-6	1254HGY	A-9	4100R7W	K-7	4804	E-4	4904RED	E-4
4SQXBFR	A-9, 25	330SMI6W	K-13	460B12W	K-6	1254HI	A-9	4100R9W	K-7	4804BLK	E-4	4904RKL	E-5
4SQXBGRY	A-9, 25	330SMI7W	K-13	460C5W	K-6	1254HIGO	A-9	4100R12W	K-7	4804GRY	E-4	4904W	E-4
4SQBXI	A-9, 25, C-5	332B4W	K-7	460C7W	K-6	1254HR	A-9	4100SMI5W	K-13	4804I	E-4	4921	E-8
4SQBXO	A-9, 25	332B6W	K-7	460C9W	K-6	1254HSA	A-9, C-5	4100SMI7W	K-13	4804L	E-5	4921GRY	E-8
4SQBXR	A-9, 25	332C4S	K-9	460C12W	K-6	1254HSIA	A-9, C-5	4100SMI9W	K-13	4804RED	E-4	4921I	E-8
4SQBXW	A-9, 25	332C4W	K-7	460P5W	K-6, 13	1254HW	A-9	4125B6W	K-7	4804W	E-4	4921L	E-8
9GC10	P-22	332C6S	K-9	460P7W	K-6, 13	1254I	A-25	4125C6W	K-7	4821	E-8	4922	E-7
9ST10	P-22	332C6W	K-7	460P9W	K-6, 13	1254IGO	A-25, C-9	4125P6W	K-7	4821GRY	E-8	4922GRY	E-7
14S10	P-23	332P4S	K-9	460P12W	K-6	1254IGOB	A-25	4125R6W	K-7	4821I	E-8	4922I	E-7
14W33BRY	A-34, I-3	332P4W	K-7	460R5W	K-6	1254R	A-25	4300W	M-2	4821L	E-8	4922W	E-7
14W47BRY	A-34, I-3	332P6S	K-9	460R7W	K-6	1254SA	A-25, C-5	4301W	M-2	4822	E-7	4922S	E-7
14W48BRY	I-3	332P6W	K-7	460R9W	K-6	1254SIA	A-25, C-5	4304W	M-2	4822I	E-7	4925I	E-7
14W49BRY	I-3	332RAS	K-9	460R12W	K-6	1254W	A-25	4304W7	M-2	4822L	E-7	4925L	E-7
15A6P1	P-22	332R4W	K-7	460SMI5W	K-13	1433BRY	A-34	4304W12	M-2	4825	E-7	4925W	E-7
15A6P10	P-22	332R6S	K-9	460SMI7W	K-13	1447BRY	A-34	4309	M-10	4825I	E-7	4981	E-9
15GC10	P-22	332R6W	K-7	460SMI9W	K-13	1448BRY	A-36	4376	M-3	4876	M-4	4982	E-9
15N6P1	P-22	360B4W	K-6	463B6W	K-7	1449BRY	A-36	4377	M-3	4877	M-4	4983	E-9
15N6P10	P-22	360B6W	K-6	463C6W	K-7	1533BRY	A-35	4385W7	M-3	4901	E-4	4984	E-9
15S6P1	P-22	360P7W	K-6	463P6W	K-7	1547BRY	A-35	4386W7	M-3	4901B	E-10	4997PLR	E-9
15S6P10	P-22	360C4W	K-6	463R6W	K-7	1548BRY	A-37	4400W	M-2	4901BAL	E-10	4998PLR	E-9
15ST10	P-22	360C6W	K-6	516B6W	K-7	1549BRY	A-37	4600A	E-16	4901BBLK	E-10	5000B7W	K-7
15T6P1	P-22	360C7W	K-6	516C6S	K-9	1795WP	E-9	4600B	E-16	4901BGRY	E-10	5100B9W	K-7
15W33BRY	A-35, I-3	360P4W	K-6, 13	516C6W	K-7	2828G	A-27	4700DR	H-8	4901BI	E-10	5100C7W	K-7
15W47BRY	A-35, I-3	360P6W	K-6, 13	516P6S	K-9	2828GS	A-27	4700DRCR	H-8, J-4	4901BLA	E-10	5100C9W	K-7
15W48BRY	I-3	360P7W	K-6, 13	516P6W	K-7	3000BRY	I-4	4700DRI	H-8	4901BLK	E-4	5100P7W	K-7
15W49BRY	I-3	360R4W	K-6	516R6S	K-9	3001	E-6	4700DRIG	C-11, H-8	4901BRED	E-10	5100P9W	K-7, 13
24W47BRY	I-3	360R6W	K-6	516R6W	K-7	3001I	E-6	4710	H-8	4901BW	E-10	5100R7W	K-7
24W49BRY	I-3	360R7W	K-6	520B7W	K-6	3001PLR120	E-6	4710CR	H-8, J-4	4901GLC	E-4	5100R9W	K-7
25W47BRY	I-3	360SMI4W	K-13	520B9W	K-6	3002BRN	E-6	4710IG	C-11, H-8	4901GLJ	E-4	5100SMI9W	K-13
25W49BRY	I-3	360SMI6W	K-13	520C7W	K-6	3002GRY	E-6	4711BRY	H-8	4901GRY	E-4	5125B6W	K-7
26W47BRY	I-3	360SMI7W	K-13	520C9W	K-6	3002I	E-6	4712BRY	H-8	4901I	E-4	5125C6W	K-7
26W48BRY	I-3	363B6W	K-7	520P7W	K-6	3002PLR120	E-6	4713BRY	H-8	4901L	E-5	5125P6W	K-7
26W74BRY	I-3	363C6W	K-7	520P9W	K-6	3002PLR277	E-6	4715ER	H-9	4901PLC120	E-4	5125R6W	K-7
26W75BRY	I-3	363P6W	K-7	520R7W	K-6	3003BRN	E-6	4716MB	H-9	4901PLC277	E-4	5200BC	A-47, H-34, J-4
26W76BRY	I-3	363R6W	K-7	520R9W	K-6	3003GRY	E-6	4721NP	H-9	4901PLG120	E-4	5200BCB	A-47, H-34
27W47BRY	I-3	416B6W	K-9	530B7W	K-6	3003I	E-6	4721NPB	H-9	4901PLR120	E-4	5200BCR	A-47, H-34
27W48BRY	I-3	416C6S	K-9	530B9W	K-6	3005BRY	I-4	4721NPCR	H-9, J-4	4901PLR277	E-4	5200BP	A-47, H-34, J-4
27W49BRY	I-3	416C6W	K-7	530C7W	K-6	3017BRY	I-4	4722N	H-9	4901RED	E-4	5200BPB	A-47, H-34
27W75BRY	I-3	416P6S	K-9	530C9W	K-6	3018BRY	I-4	4723BRY	H-9	4901RKL	E-5	5200BSR	A-47, H-34, J-4
27W76BRY	I-3	416P6W	K-7	530MC25	J-6	3019BRY	I-4	4726BRY	H-9	4901RW	E-4	5200BSRB	A-47, H-34
28W47BRY	I-3	416R6S	K-9	530P7W	K-6, 13	3025BRN	E-7	4730	H-9	4902	E-4	5200S	A-47, H-34
28W48BRY	I-3	416R6W	K-7	530P9W	K-6, 13	3025I	E-7	4732NC	H-9	4902B	E-10	5236BOX	A-27
28W74BRY	I-3	420B5W	K-6	530R7W	K-6	3080BRY	I-4	4732NCB	H-9	4902BAL	E-10	5236IGBOX	A-27
28W75BRY	I-3	420B7W	K-6	530R9W	K-6	3085BRY	I-4	4732NCCR	H-9, J-4	4902BBLK	E-10	5242	A-15
28W76BRY	I-3	420B9W	K-6	530SMI7W	K-13	3100B6W	K-7	4750DR	H-8	4902BGRY	E-10	5242BLK	A-15
28W77BRY	I-3	420B12W	K-6	530SMI9W	K-13	3100B7W	K-7	4760	H-8	4902BI	E-10	5242GRY	A-15
29W47BRY	I-3	420C5W	K-6	532B6W	K-7	3100C6W	K-7	4761	H-8	4902BLA	E-10	5242I	A-15
29W48BRY	I-3	420C7W	K-6	532C6W	K-7	3100C7W	K-7	4770NP	H-9	4902BLK	E-4	5242RED	A-15
29W74BRY	I-3	420C9W	K-6	532P6W	K-7	3100P6W	K-7, 13	4773	H-9	4902BRED	E-10	5242W	A-15
29W75BRY	I-3	420C12W	K-6	532R6W	K-7	3100P7W	K-7	4779NC	H-9	4902BW	E-10	5251	A-15
29W76BRY	I-3	420P5W	K-6, 13	560B5W	K-6	3100R6W	K-7	4779NP	H-9	4902GRY	E-4	5251AL	A-15
29W77BRY	I-3	420P7W	K-6, 13	560B7W	K-6	3100R7W	K-7	4785ER	H-9	4902I	E-4	5251I	A-15
60W47BRY	I-4	420P9W	K-6, 13	560B9W	K-6	3100SMI6W	K-13	4786MB	H-9	4902L	E-5	5252	A-15
65W47BRY	I-4	420P12W	K-6	560C5W	K-6	3330	H-30	4792DR	A-17	4902PLR120	E-4	5252AL	A-15
67W47BRY	I-4	420R5W	K-6	560C7W	K-6	3330G	H-30	4801	E-4	4902PLR277	E-4	5252BLK	A-15
316B4W	K-7	420R7W	K-6	560C9W	K-6	3331	H-30	4801B	E-10	4902RED	E-4	5252GRY	A-15
316B6W	K-7	420R9W	K-6	560P5W	K-6, 13	3333	H-30	4801BAL	E-10	4902RKL	E-5	5252I	A-15
316C4S	K-9	420R12W	K-6	560P7W	K-6, 13	3430BRY	H-31	4801BBLK	E-10	4902W	E-4	5252RED	A-15
316C4W	K-7	420SMI5W	K-13	560P9W	K-6, 13	3430G	H-31	4801BGRY	E-10	4903	E-4	5252W	A-15
316C6S	K-9	420SMI7W	K-13	560R5W	K-6	3431	H-31	4801BI	E-10	4903B	E-10	5258	A-14
316C6W	K-7	420SMI9W	K-13	560R7W	K-6	3433	H-31	4801BLA	E-10	4903BAL	E-10	5261	A-14
316P4S	K-9	427	E-16	560R9W	K-6	3520BRY	H-29	4801BLK	E-4	4903BBLK	E-10	5261BLK	A-14
316P4W	K-7	427LL	E-16	560SMI5W	K-13	3521	H-29	4801BRED	E-10	4903BGRY	E-10	5261BLKWR	A-14
316P6S	K-9	430B5W	K-6	560SMI7W	K-13	3523	H-29	4801BW	E-10	4903BI	E-10	5261CR	A-14, J-3
316P6W	K-7	430B7W	K-6	560SMI9W	K-13	3743R	M-8	4801GLI	E-4	4903BLA	E-10	5261GRY	A-14
316R4S	K-9	430B9W	K-6	563B6W	K-7	3762	H-40	4801GRY	E-4	4903BLK	E-4	5261GRYWR	A-14
316R4W	K-7	430B12W	K-6	563C6W	K-7	3763	H-40	4801I	E-4	4903BRED	E-10	5261I	A-14
316R6S	K-9	430C5W	K-6	563P6W	K-7	3764	H-41	4801L	E-5	4903BW	E-10	5261IG	A-14, C-8
316R6W	K-7	430C7W	K-6	563R6W	K-7	3765	H-41	4801RED	E-4	4903GLC	E-4	5261IGGRY	A-14, C-8
320B4W	K-6	430C9W	K-6	600P	M-5	3767	H-40	4801W	E-4	4903GLI	E-4	5261IGGRYWR	A-14
320B6W	K-6	430C12W	K-6	600S	M-5	3768	H-41	4802	E-4	4903GRY	E-4	5261IGI	A-14, C-8
320B7W	K-6	430P5W	K-6, 13	620P	M-5	3769	H-41	4802BLK	E-4	4903I	E-4	5261IGIWR	A-14
320C4W	K-6	430P7W	K-6, 13	620S	M-5	3771	H-40	4802GRY	E-4	4903L	E-5	5261IGW	A-14, C-8
320C6W	K-6	430P9W	K-6, 13	650PH	M-4	3799G	A-27	4802I	E-4	4903PLC120	E-4	5261IGWR	A-14
320C7W	K-6	430P12W	K-6	650PHB	M-4	3799GS	A-27	4802L	E-5	4903PLG120	E-4	5261IGWWR	A-14
320P4W	K-6	430R5H	M-4	650SH	M-4	3850	E-16	4802RED	E-4	4903PLR120	E-4	5261IWR	A-14
320P6W	K-6	430R7W	K-6	650SHB	M-4	3926BRY	A-44	4802W	E-4	4903PLR277	E-4	5261RED	A-14
320P7W	K-6	430R9W	K-6	660AC	G-3, 9, 11	4002	G-5	4803	E-4	4903RED	E-4	5261REDWR	A-14
320R4W	K-6	430R12W	K-6	664S33D	G-3, 11	4051	M-2	4803B	E-10	4903RKL	E-5	5261WR	A-14
320R6W	K-6	430SMI5W	K-13	664S63D	G-3, 11	4070	M-2	4803BAL	E-10	4903W	E-4	5261WR	A-14
320R7W	K-6	430SMI7W	K-13	664X33D	G-3, 11	4100B5W	K-7	4803BBLK	E-10	4904	E-4	5261WWR	A-14
330B4W	K-6	430SMI9W	K-13	664X43D	G-3, 11	4100B7W	K-7	4803BGRY	E-10	4904B	E-10	5262BBLK	A-19
330B6W	K-6	432B3W	K-7	664X63D	G-3, 11	4100B9W	K-7	4803BI	E-10	4904BAL	E-10	5262BGRY	A-19
330B7W	K-6	432B6W	K-7	664XFT	G-3, 11	4100B12W	K-7	4803BLA	E-10	4904BBLK	E-10		
330C4W	K-6	432C3W	K-7	664XWP	G-3, 9	4100C5W	K-7	4803BLK	E-4	4			

Alphanumeric Index



CAT. NO.	PAGE	CAT. NO.	PAGE	CAT. NO.	PAGE	CAT. NO.	PAGE	CAT. NO.	PAGE	CAT. NO.	PAGE	CAT. NO.	PAGE
5262BI	A-19	5479	A-16	7594NP	H-7	9252BLK	D-11	9904BLK	D-3	60303D	G-3, 7	71020NP	H-12
5262BN	A-19	5484	A-16	7595MB	H-7	9252GRY	D-11	9904GRY	D-3	66032D	G-3, 9	71030ER	H-18
5262BRED	A-19	5642	A-16	7596ER	H-7	9251G	D-11	9904I	D-3	66033D	G-3, 9	71030FR	H-18
5262BW	A-19	5642I	A-16	7716B	H-35	9252W	D-11	9904W	D-3	66042D	G-3, 9	71030MB	H-18
5266NCR	J-3	5661	A-16	7717B	H-35	9300	A-5, D-10	9965	H-27	66043D	G-3, 9	71030NC	H-18
5266PT	A-18	5661BLK	A-16	7764	H-41	9300GRY	A-5, D-10	9965NB	H-27	66062D	G-3, 9	71030NP	H-18
5269NCR	J-3	5661GRY	A-16	7765	H-41	9300GRYL	A-5, D-10	9965NSY	H-27	66063D	G-3, 9	7120ER	H-12
5278	A-15	5661I	A-16	7770	O-23	9300I	A-5, D-10	9967	H-28	70204ANA	H-33	7120FR	H-12
5278G	A-15	5661RED	A-16	7774CR	B-15, O-23	9300IG	A-5, C-8	9967NSY	H-28	70520ER	H-10	7120MB	H-12
5279	A-15	5661W	A-16	7780	B-15, O-24	9300IGGRY	A-5, C-8	20403	H-44	70520FR	H-10	7120NC	H-12
5281	A-14	5666B	A-36	7968	H-41	9300IGI	A-5, C-8	20405	H-48	70520FRCR	H-10, J-5	7120NP	H-12
5284	A-14	5666Y	A-33	8210	A-4	9300IGRED	A-5, C-8	20406	H-48	70520IG	C-11, H-10	7130ER	H-18
5284WR	A-14	5669B	A-37	8210GRY	A-4	9300IGW	A-5, C-8	20418	H-44	70520MB	H-10	7130FR	H-18
5295	A-34	5669Y	A-33	8210GRYWR	A-4	9300IL	A-5, D-10	20424	H-48	70520MBWP	H-10	7130MB	H-18
5342	A-15	5678	A-16	8210I	A-4	9300RED	A-5, D-10	20425	H-48	70520NC	H-10	7130NC	H-18
5342BLK	A-15	5678G	A-16	8210IG	A-4, C-8	9300REDL	A-5, D-10	21254B	A-25	70520NCB	H-10	7130NP	H-18
5342GRY	A-15	5679	A-16	8210IWR	A-4	9300W	A-5, D-10	21254BLK	A-25	70520NCCR	H-10, J-5	7122ER	H-12
5342I	A-15	5684	A-16	8210LA	A-4	9300WL	A-5, D-10	21254GY	A-25	70520NP	H-10	7122FR	H-12
5342RED	A-15	5685	A-36	8210LAWR	A-4	9303	A-42	21254HB	A-9	70520NPB	H-10	7122MB	H-12
5342W	A-15	5756	A-18	8210RED	A-4	9306	A-44	21254HBL	A-9	70520NPCR	H-10, J-5	7122NC	H-12
5351	A-15	5762	A-18	8210REDWR	A-4	9326	A-39	21254HGY	A-9	70530ER	H-16	7122ONC	H-12
5351AL	A-15	5782	A-18	8210W	A-4	9337NC	A-42	21254HI	A-9	70530FR	B-15, H-16	7123ER	H-19
5351BLK	A-15	5856	A-18	8210WR	A-4	9337NP	A-42	21254HIG	A-9	70530FRCR	H-16, J-6	7123FR	H-19
5351I	A-15	5965B	A-34	8210WWR	A-4	9352AL	D-11	21254HIL	A-9	70530IG	C-11, H-16	7123MB	H-19
5352	A-15	5965BGRY	A-34	8266T	A-11, 34	9352BLK	D-11	21254HR	A-9	70530MB	H-16	7123NC	H-19
5352AL	A-15	5965BY	A-34	8266TSP	A-31, 34	9352BRN	D-11	21254HSA	A-9, C-5	70530MBWP	H-16	7123NP	H-19
5352BLK	A-15	5966VBK	A-33	8269T	A-11, 35	9352GRY	D-11	21254HSIA	A-9, C-5	70530NC	H-16	7130ER	H-19
5352BU	A-15	5969B	A-35	8269TSC	A-31, 35	9352I	D-11	21254HW	A-9	70530NCB	H-16	7130FR	H-19
5352GRY	A-15	5969BGRY	A-35	8295T	A-11, 34	9352W	D-11	21254I	A-25	70530NCCR	H-16, J-6	7130MB	H-19
5352I	A-15	5969BY	A-35	8310	A-4	9430FR	A-43	21254IGD	A-25, C-9	70530NP	H-16	7130NC	H-19
5352RED	A-15	5969VBK	A-33	8310GRY	A-4	9432ANPB	A-43	21254IGOL	A-25, C-9	70530NPB	H-16	7130NP	H-19
5352W	A-15	6006	E-5, 7, 8	8310GRYWR	A-4	9450FR	A-45	21254IHL	A-25	70530NPCR	H-16, J-6	7142ER	H-13
5361	A-14	6006BRL	E-5, O-19	8310I	A-4	9450NP	A-45	21254ISA	A-25, C-5	70615DR	H-8	7142FR	H-13
5361BLK	A-14	6500RKY	J-4	8310IG	A-4, C-8	9452ANPB	A-45	21254SIA	A-25, C-5	70615DRIG	C-11, H-8	7142OIG	C-11, H-13
5361BLKWR	A-14	6603N	G-3, 11	8310IWR	A-4	9460FR	A-46	21254SILA	A-25, C-5	70615ER	H-9	7142OMB	H-13
5361CR	A-14, J-3	6610MK	G-3, 9	8310LA	A-4	9460NP	A-46	21254SLA	A-25, C-5	70615FR	H-8	71420MBWP	H-13
5361GRY	A-14	6700BRY	J-4	8310LAWR	A-4	9462ANPB	A-46	21254W	A-25	70615IG	C-11, H-8	71420NC	H-13
5361GRYWR	A-14	6800BRY	J-4	8310RED	A-4	9530ANPB	A-42	21414	H-44	70615MB	H-9	71420NP	H-13
5361I	A-14	7101	H-6	8310REDWR	A-4	9530FR	A-42	21415	H-44	70615NC	H-9	71430ER	H-20
5361IG	A-14, C-8	7102N	H-6	8310W	A-4	9530IG	A-42, C-10	21420	H-44	70615NP	H-9	71430FR	H-20
5361IGGRY	A-14, C-8	7210B	H-6	8310WR	A-4	9530NC	A-42	21447	H-44	70620ER	H-10	71430IG	C-11, H-20
5361IGRYWR	A-14, C-8	7250	A-41	8310WWR	A-4	9530NP	A-42	23000G	H-43	70620FR	H-10	71430MB	H-20
5361IGI	A-14, C-8	7251N	A-41	8350FR	A-45	9550ANPB	A-44	23002G	H-43	70620IG	C-11, H-10	71430MBWP	H-20
5361IGIWR	A-14	7310	H-27	8352ANPB	A-45	9550FR	A-44	23005	H-43	70620MB	H-10	71430NC	H-20
5361IGW	A-14, C-8	7310G	H-27	8360FR	A-46	9550IG	A-44, C-10	23006G	H-43	70620MBWP	H-10	71430NP	H-20
5361IGWR	A-14	7314	H-27	8362ANPB	A-46	9630ANPB	A-42	23007	H-48, O-23	70620NC	H-10	7152ER	H-13
5361IGWWR	A-14	7314NB	H-27	8366T	A-11, 34	9630FR	A-42	25250	H-45	70620NCCR	H-10	7152FR	H-13
5361IWR	A-14	7314NSY	H-27	8366TSP	A-31, 34	9630IG	A-42, C-10	25403	H-45	70620NP	H-10	7152OIG	H-13
5361RED	A-14	7327	H-27	8369T	A-11, 35	9630NC	A-42	25414	H-45	70620NPCR	H-10	71520MB	H-13
5361REDWR	A-14	7328	H-27	8369TSC	A-31, 35	9630NP	A-42	25415	H-45	70630ER	H-16	71520MBWP	H-13
5361W	A-14	7379	H-41	8395T	A-11, 34	9650ANPB	A-44	26401	H-48	70630FR	H-16	71520NC	H-13
5361WR	A-14	7400BCR	A-38, 47, H-34	8410BRN	A-4	9650FR	A-44	26402	H-48	70630IG	C-11, H-16	71520NP	H-13
5361WWR	A-14	7408MB	H-28	8410GRY	A-4	9650IG	A-44, C-10	26404	H-48	70630MB	H-16	71530ER	H-20
5362BBLK	A-19	7409ER	H-28	8410I	A-4	9650NC	A-44	26410	H-46	70630MBWP	H-16	71530FR	H-20
5362BGRY	A-19	7410	H-28	8410IG	A-4, C-8	9650NP	A-44	26418	H-46	70630NC	H-16	71530IG	H-20
5362BI	A-19	7410G	H-28	8410RED	A-4	9700S	A-38, 47, H-34	26419	H-46	70630NCB	H-16	71530MB	H-20
5362BN	A-19	7414	H-28	8410W	A-4	9754NS	A-38	26421	H-46	70630NCCR	H-16	71530MBWP	H-20
5362BRED	A-19	7414NSY	H-28	8430FR	A-43	9755N	A-38	26422	H-46	70630NP	H-16	71530NC	H-20
5362BW	A-19	7417	H-28	8430NP	A-43	9801	D-3	26516	H-47	70630NPB	H-16	71530NP	H-20
5364B	A-34	7418B	A-39, H-48	8432ANPB	A-43	9801AL	D-3	26519	H-47	70630NPCR	H-16	7162ER	H-13
5364BY	A-34	7420B	B-15, O-23	8450FR	A-45	9801GRY	D-3	26520	H-47	70720ER	H-10	71620FR	H-13
5364Y	A-33	7427B	O-23	8450NP	A-45	9801I	D-3	26521	H-47	70720FR	H-10	71620IG	H-13
5366NCR	J-3	7429B	O-23	8452ANPB	A-45	9801W	D-3	26522	H-47	70720MB	H-10	71620MB	H-13
5369B	A-35	7460BC	A-47, H-7, 34	8460FR	A-46	9803	D-3	30002D	G-3, 5	70720NC	H-10	71620MBWP	H-13
5369BY	A-35	7460BP	A-47, H-7, 34	8460NP	A-46	9803AL	D-3	30002DS	G-3, 5	70720NP	H-10	71620NC	H-13
5369NCR	J-3	7464N	H-7	8462ANPB	A-46	9803GRY	D-3	30003D	G-3, 5	70730ER	H-16	71620NP	H-13
5369Y	A-33	7464NB	H-7	8466TSP	A-36	9803I	D-3	30003DS	G-3, 5	70730FR	H-16	71630ER	H-21
5378	A-15	7465N	H-7	8469TSC	A-37	9803W	D-3	30003FG	G-3, 5, 9, 11	70730MB	H-16	71630FR	H-21
5378G	A-15	7465NB	H-7	8495T	A-11, 36	9901	D-3	30100	G-7	70730NC	H-16	71630MB	H-21
5379	A-15	7466N	H-7	8666TSP	A-36	9901AL	D-3	30102D	G-3, 7, 11	70730NP	H-16	71630MBWP	H-21
5384WR	A-14	7468N	H-7	8669TSC	A-37	9901BLK	D-3	30103D	G-3, 7, 11	70820ER	H-11	71630NC	H-21
5393	A-35	7484NC	H-7	8695T	A-11, 36	9901GLI	D-3	30300	G-7	70820FR	H-11	71630NP	H-21
5395	A-34	7485NP	H-7	8808MB	H-6	9901GLW	D-3	30302D	G-3, 7	70820MB	H-11	71730ER	H-21
5442	A-16	7486MB	H-7	8809ER	H-6	9901GRY	D-3	30323D	G-3, 7	70820NC	H-11	71730FR	H-21
5442I	A-16	7487ER	H-7	9053AB	M-11	9901I	D-3	30312D	G-3, 7	70820NP	H-11	71730MB	H-21
5461	A-16	7506	H-5	9054AB	M-11	9901PL120	D-3	30313D	G-3, 7	70830ER	H-17	71730NC	H-21
5461BLK	A-16	7513NP	A-44	9102N	H-6	9901PLW120	D-3	30322D	G-3, 7	70830FR	H-17	71730NP	H-21
5461CR	A-16, J-3	7516NC	A-44	9151N	A-39	9901W	D-3	30323D	G-3, 7	70830MB	H-17	71820ER	H-14
5461GRY	A-16	7523	H-5	9200	A-5, D-10	9902	D-3	40002D	G-3, 5	70830NC	H-17	71820FR	H-14
5461I	A-16	7526	H-5	9200GRY	A-5, D-10	9902AL	D-3	40003D	G-3, 5	70830NP	H-17	71820MB	H-14
5461RED	A-16	7535	H-5	9200GRYL	A-5, D-10	9902BLK	D-3	40045ER	H-25	70920ER	H-11	71820NC	H-14
5461W	A-16	7540	H-5	9200I	A-5, D-10	9902GRY	D-3	40045FR	H-25	70920FR	H-11	71820NP	H-14
5464B	A-36	7548	H-5	9200IG	A-5, C-8	9902I	D-3	40045MB	H-25	70920MB	H-11	71830ER	H-22
5464Y	A-33	7556MB	H-26	9200IGGRY	A-5, C-8	9902W	D-3	40045NC	H-25	70920MBWP	H-11	71830FR	H-22
5469B	A-37	7557ER	H-26	9200IGI	A-5, C-8	9903	D-3	40045NP	H-25	70920NP	H-11	71830MB	H-22
5469Y	A-33	7565NC	H-26	9200IGRED	A-5, C-8	9903AL	D-3	48071R	E-16	70930ER	H-17	71830NC	H-22
5475	A-36	7565NCCR	H-26	9200IGW	A-5, C-8	9903BLK	D-3	50002D	G-3, 5	70930FR	H-17	71830NP	H-22
5478	A-16	7568NP	H-26	9200IL	A-5, D-10	9903GLW	D-3	50003D	G-3, 5	70930MB	H-17	7192ER	H-14

Alphanumeric Index



CAT. NO.	PAGE	CAT. NO.	PAGE	CAT. NO.	PAGE	CAT. NO.	PAGE	CAT. NO.	PAGE	CAT. NO.	PAGE	CAT. NO.	PAGE
71930MB	H-22	BDS43U	L-26	BRY5362WR	A-13	BRY8469NC	A-11, 31	CC175R212	L-27	CRS20BLKTRP2	A-21	CS8375MBWP	H-38
71930NC	H-22	BDS56L	L-26	BRY5362WWR	A-13	BS11I	F-9	CC200R3	L-27	CRS20GRY	A-20	CS8464	H-39
71930NP	H-22	BDS56U	L-26	BRY5366NP	A-31	BS11PI	F-9	CC200R4	L-27	CRS20GRYP1	A-20	CS8465	H-39
72002BC	H-35, J-5	BDS73L	L-26	BRY5366NPCR	A-31	BS11PW	F-9	CC200R312	L-27	CRS20GRYP2	A-20	CS8469A	H-39
72002BCB	H-35	BDS73U	L-26	BRY5366NPSY	A-31	BS11W	F-9	CC250R4	L-27	CRS20GRYTR	A-21	CS8475A	H-39
72002BP	H-35, J-5	BDS85U	L-26	BRY5369NC	A-31	BS13PI	F-9	CC250R5	L-27	CRS20GRYTRP1	A-21	CSB115B	E-11
72002BPB	H-35	BDS85U	L-26	BRY5369NCCR	A-31	BS13PW	F-9	CC250R312	L-27	CRS20GRYTRP2	A-21	CSB115BAL	E-11
72002BSR	H-35, J-5	BDS100L	L-26	BRY5369NCSY	A-31	BS61I	F-9	CC300R4	L-27	CRS20L	A-20	CSB115BBLK	E-11
72002BSRB	H-35	BDS100U	L-26	BRY5382	A-13	BS61PI	F-9	CC300R5	L-27	CRS20IP1	A-20	CSB115BGY	E-11
72002M	J-5, 6	BDSR24	L-32	BRY5462	A-16	BS61PW	F-9	CC300R6	L-27	CRS20IP2	A-20	CSB115BI	E-11
72002ER	H-14	BDSR32	L-32	BRY5462BLK	A-16	BS61W	F-9	CC320A	K-11	CRS20ITR	A-21	CSB115BLA	E-11
72020FR	H-14	BDSR43	L-32	BRY5462CR	A-16, J-3	BS63PI	F-9	CC330	K-11	CRS20ITRP1	A-21	CSB115BW	E-11
72020MB	H-14	BDSR54	L-32	BRY5462GRY	A-16	BS63PW	F-9	CC350R5	L-27	CRS20ITRP2	A-21	CSB120B	E-11
72020NC	H-14	BDSR73	L-32	BRY5462I	A-16	BSLD	E-16	CC350R6	L-27	CRS20LA	A-20	CSB120BAL	E-11
72020NP	H-14	BDSR97	L-32	BRY5462IG	A-16, C-8	CBRS15	A-22	CC420A	K-11	CRS20LAP1	A-20	CSB120BBLK	E-11
72030ER	H-22	BDSR125	L-32	BRY5462RED	A-16	CBRS15AL	A-22	CC420A	K-11	CRS20LAP2	A-20	CSB120BGRY	E-11
72030FR	H-22	BDSR150	L-32	BRY5462W	A-16	CBRS15ALTR	A-22	CC520	K-11	CRS20LATR	A-21	CSB120BI	E-11
72030MB	H-22	BDSR170	L-32	BRY5466NP	A-31	CBRS15ALWR	A-23	CC530	K-11	CRS20LATRP1	A-21	CSB120BLA	E-11
72030NC	H-22	BDSR200	L-32	BRY5466NPSY	A-31	CBRS15ALWRTR	A-23	CC560	K-11	CRS20LATRP2	A-21	CSB120BRED	E-11
72030NP	H-22	BLD	A-48, H-33	BRY5466NSY	A-31	CBRS15BLK	A-22	CDSR11	P-35	CRS20P1	A-20	CSB120BW	E-11
72120ER	H-15	BLD2	A-48, H-33	BRY5469NC	A-31	CBRS15BLKTR	A-22	CDSR22	P-35	CRS20P2	A-20	CSB215B	E-11
72120FR	H-15	BLDMP	A-48, H-33	BRY5469NCSY	A-31	CBRS15BLKWTR	A-23	CDSR45	P-35	CRS20TR	A-21	CSB215BAL	E-11
72120IG	C-11, H-15	BR61I	F-9	BRY5469NSY	A-31	CBRS15BLKWTRTR	A-23	CDSR45S	P-35	CRS20TRP1	A-21	CSB215BBLK	E-11
72120MB	H-15	BR63I	F-9	BRY5492	A-17	CBRS15GRY	A-22	CDSR6659	P-35	CRS20TRP2	A-21	CSB215BGRY	E-11
72120NC	H-15	BR106AL	P-20	BRY5492GRY	A-17	CBRS15GRYTR	A-22	CKL333	P-9	CRS20W	A-20	CSB215BI	E-11
72120NCB	H-15	BR106B	P-20	BRY5492I	A-17	CBRS15GRYWR	A-23	CKL716	P-9	CRS20WP1	A-20	CSB215BLA	E-11
72120NP	H-15	BR106E	P-20	BRY5662	A-16	CBRS15GRYWRTR	A-23	CKL751	P-9	CRS20WP2	A-20	CSB215BW	E-11
72120NPB	H-15	BR106G	P-20	BRY5662BLK	A-16	CBRS15I	A-22	CKLCAT60	P-9	CRS20WTR	A-21	CSB220B	E-11
72130ER	H-23	BR106LA	P-20	BRY5662CR	A-16, J-3	CBRS15ITR	A-22	CKLCAT70	P-9	CRS20WTRP1	A-21	CSB220BAL	E-11
72130FR	H-23	BR106OW	P-20	BRY5662GRY	A-16	CBRS15IWR	A-23	COMPTRG659	P-35	CRS20WTRP2	A-21	CSB220BBLK	E-11
72130IG	C-11, H-23	BR106W	P-20	BRY5662I	A-16	CBRS15IWRTR	A-23	CR15IG	A-21, C-9	CS115B	E-11	CSB220BGRY	E-11
72130MB	H-23	BRF5I	F-9	BRY5662IG	A-16, C-8	CBRS15LA	A-22	CR15IGL	A-21, C-9	CS115BAL	E-11	CSB220BI	E-11
72130NC	H-23	BRF5W	F-9	BRY5662RED	A-16	CBRS15LATR	A-22	CR15IGLA	C-9	CS115BGRY	E-11	CSB220BLA	E-11
72130NP	H-23	BRFTP4P	P-7	BRY5662W	A-16	CBRS15LAWR	A-23	CR15IGRY	A-21, C-9	CS115BI	E-11	CSB220BRED	E-11
72220ER	H-15	BRY5262	A-13	BRY5666NP	A-31	CBRS15LAWRTR	A-23	CR15IGW	A-21, C-9	CS115BLA	E-11	CSB220BW	E-11
72220FR	H-15	BRY5262BCR	A-13, J-3	BRY5666NPSY	A-31	CBRS15TR	A-22	CR20IG	A-21, C-9	CS115BLK	E-11	CSB315B	E-11
72220MB	H-15	BRY5262BLK	A-13	BRY5666NSY	A-31	CBRS15TR	A-22	CR20IGW	A-21, C-9	CS115BW	E-11	CSB315BAL	E-11
72220NC	H-15	BRY5262BLKWTR	A-13	BRY5669NC	A-31	CBRS15W	A-23	CR20IGLA	C-9	CS120B	E-11	CSB315BBLK	E-11
72220NP	H-15	BRY5262BU	A-13	BRY5669NSY	A-31	CBRS15WR	A-23	CR20IGRY	A-21, C-9	CS120BAL	E-11	CSB315BGRY	E-11
72230ER	H-23	BRY5262BUWR	A-13	BRY5965Y	A-33	CBRS15WRTR	A-23	CR20IGW	A-21, C-9	CS120BGRY	E-11	CSB315BI	E-11
72230FR	H-23	BRY5262CR	A-13, J-3	BRY5969Y	A-33	CBRS15WTR	A-22	CR20IGW	A-21, C-9	CS120BI	E-11	CSB315BLA	E-11
72230MB	H-23	BRY5262GRY	A-13	BRY8200	A-4	CBRS15WWR	A-23	CR20IGW	A-21, C-9	CS120BLA	E-11	CSB315BW	E-11
72230NC	H-23	BRY5262GRYWR	A-13	BRY8200ALTR	A-4	CBRS20	A-22	CR20IGW	A-21, C-9	CS120BLK	E-11	CSB320B	E-11
72230NP	H-23	BRY5262I	A-13	BRY8200ALY	A-4	CBRS20AL	A-22	CR20IGW	A-21, C-9	CS120BW	E-11	CSB320BAL	E-11
72320ER	H-15	BRY8200GRL	A-13, C-8	BRY8200GRY	A-4	CBRS20ALTR	A-22	CR20IGW	A-21, C-9	CS120BGRY	E-11	CSB320BBLK	E-11
72320FR	H-15	BRY8200GRYWR	A-4	BRY8200GRYWR	A-4	CBRS20ALWR	A-23	CR20IGW	A-21, C-9	CS120BGRY	E-11	CSB320BGRY	E-11
72320MB	H-15	BRY8200GTR	A-4	BRY8200GTR	A-4	CBRS20ALWRTR	A-23	CR20IGW	A-21, C-9	CS120BLA	E-11	CSB320BI	E-11
72320NC	H-15	BRY8200I	A-4	BRY8200I	A-4	CBRS20BLK	A-22	CR20IGW	A-21, C-9	CS120BLA	E-11	CSB320BIA	E-11
72320NP	H-15	BRY8200IG	A-4, C-8	BRY8200IG	A-4, C-8	CBRS20BLKTR	A-22	CR20IGW	A-21, C-9	CS120BLA	E-11	CSB320BIB	E-11
72330ER	H-23	BRY8200IGWR	A-13	BRY8200IGWR	A-13	CBRS20BLKTRTR	A-23	CR20IGW	A-21, C-9	CS120BLA	E-11	CSB320BIC	E-11
72330FR	H-23	BRY8200ITR	A-4	BRY8200ITR	A-4	CBRS20BLKWTR	A-23	CR20IGW	A-21, C-9	CS120BLA	E-11	CSB320BID	E-11
72330MB	H-23	BRY8200IWR	A-4	BRY8200IWR	A-4	CBRS20BLKWTRTR	A-23	CR20IGW	A-21, C-9	CS120BLA	E-11	CSB415B	E-11
72330NC	H-23	BRY8200LA	A-4	BRY8200LA	A-4	CBRS20GRY	A-22	CR20IGW	A-21, C-9	CS120BLA	E-11	CSB415BAL	E-11
72330NP	H-23	BRY8200LATR	A-4	BRY8200LATR	A-4	CBRS20GRYTR	A-22	CR20IGW	A-21, C-9	CS120BLA	E-11	CSB415BBLK	E-11
85002D	G-3, G-5	BRY8200LAWR	A-4	BRY8200LAWR	A-4	CBRS20GRYWR	A-23	CR20IGW	A-21, C-9	CS120BLA	E-11	CSB415BGRY	E-11
85003D	G-3, G-5	BRY8200RED	A-4	BRY8200RED	A-4	CBRS20GRYWRTR	A-23	CR20IGW	A-21, C-9	CS120BLA	E-11	CSB415BI	E-11
471044	H-8	BRY8200REDL	A-4	BRY8200REDL	A-4	CBRS20I	A-22	CR20IGW	A-21, C-9	CS120BLA	E-11	CSB415BLA	E-11
480710	E-16	BRY8200REDLW	A-4	BRY8200REDLW	A-4	CBRS20ITR	A-22	CR20IGW	A-21, C-9	CS120BLA	E-11	CSB415BW	E-11
661032D	G-3	BRY8200RTR	A-4	BRY8200RTR	A-4	CBRS20IWR	A-23	CR20IGW	A-21, C-9	CS120BLA	E-11	CSB420B	E-11
661033D	G-3	BRY8200TR	A-4	BRY8200TR	A-4	CBRS20IWRTR	A-23	CR20IGW	A-21, C-9	CS120BLA	E-11	CSB420BAL	E-11
7061544	H-8	BRY8200W	A-4	BRY8200W	A-4	CBRS20LA	A-22	CR20IGW	A-21, C-9	CS120BLA	E-11	CSB420BBLK	E-11
7061575	H-8	BRY8200WL	A-4	BRY8200WL	A-4	CBRS20LATR	A-22	CR20IGW	A-21, C-9	CS120BLA	E-11	CSB420BGRY	E-11
7061594	H-8	BRY8200OW	A-4	BRY8200OW	A-4	CBRS20LAWR	A-23	CR20IGW	A-21, C-9	CS120BLA	E-11	CSB420BI	E-11
ADAPB	A-9, 25	BRY8200OWR	A-4	BRY8200OWR	A-4	CBRS20LAWRTR	A-23	CR20IGW	A-21, C-9	CS120BLA	E-11	CSB420BLA	E-11
ADAPBLK	A-9, 25	BRY8200WTR	A-4	BRY8200WTR	A-4	CBRS20LA	A-22	CR20IGW	A-21, C-9	CS120BLA	E-11	CSB420BBLK	E-11
ADAPBLU	A-9, 25, C-5	BRY8266NP	A-31	BRY8266NP	A-31	CBRS20LATR	A-22	CR20IGW	A-21, C-9	CS120BLA	E-11	CSB420BGRY	E-11
ADAPGRY	A-9, 25	BRY8266NPCR	A-31	BRY8266NPCR	A-31	CBRS20LAWR	A-23	CR20IGW	A-21, C-9	CS120BLA	E-11	CSB420BI	E-11
ADAPI	A-9, 25, C-5	BRY8266NPSY	A-31	BRY8266NPSY	A-31	CBRS20LAWRTR	A-23	CR20IGW	A-21, C-9	CS120BLA	E-11	CSB420BLA	E-11
ADAPIS	A-9, 25	BRY8269NC	A-31	BRY8269NC	A-31	CBRS20TR	A-22	CR20IGW	A-21, C-9	CS120BLA	E-11	CSB420BBLK	E-11
ADAPR	A-9, 25	BRY8269NCCR	A-31	BRY8269NCCR	A-31	CBRS20W	A-22	CR20IGW	A-21, C-9	CS120BLA	E-11	CSB420BGRY	E-11
ADAPW	A-9, 25	BRY8269NCSY	A-31	BRY8269NCSY	A-31	CBRS20WR	A-23	CR20IGW	A-21, C-9	CS120BLA	E-11	CSB420BI	E-11
AP60	K-10	BRY8300	A-4	BRY8300	A-4	CBRS20WTR	A-22	CR20IGW	A-21, C-9	CS120BLA	E-11	CSB420BLA	E-11
API00	K-10	BRY8300ALTR	A-4	BRY8300ALTR	A-4	CBRS20WTRTR	A-23	CR20IGW	A-21, C-9	CS120BLA	E-11	CSB420BBLK	E-11
AP2030	K-10	BRY8300GRL	A-4	BRY8300GRL	A-4	CBRS20WWR	A-23	CR20IGW	A-21, C-9	CS120BLA	E-11	CSB420BGRY	E-11
BAS63I	F-8	BRY8300GRY	A-4	BRY8300GRY	A-4	CBRS20WWRTR	A-23	CR20IGW	A-21, C-9	CS120BLA	E-11	CSB420BI	E-11
BAS63W	F-8	BRY8300GRYWR	A-4	BRY8300GRYWR	A-4	CBRS20WWRTRTR	A-23	CR20IGW	A-21, C-9	CS120BLA	E-11	CSB420BLA	E-11
BAS103I	F-8	BRY8300GTR	A-4	BRY8300GTR	A-4	CC050R2	L-27	CR20IGW	A-21, C-9	CS120BLA	E-11	CSB420BBLK	E-11
BAS103W	F-8	BRY8300I	A-4	BRY8300I	A-4	CC050R3	L-						

Alphanumeric Index



CAT. NO.	PAGE	CAT. NO.	PAGE	CAT. NO.	PAGE	CAT. NO.	PAGE	CAT. NO.	PAGE	CAT. NO.	PAGE	CAT. NO.	PAGE
CS0350L6	L-28	DC112112	L-31	FC3845	L-33	GF82ALST	B-8	GFST15LA	B-8	HBL706IV	N-9	HBL5786AIV	N-9
CSR075R112	L-29	DC112114	L-31	FC3090	L-33	GF82ALTR	B-4	GFST15LABULK	B-9	HBL711IV	N-9	HBL5786IV	N-9
CSR075R114	L-29	DC125112	L-31	FC5045	L-33	GF82BKLA	B-6	GFST150W	B-8	HBL712IV	N-9	HBL5790B	N-10
CSR100R2	L-29	DC125114	L-31	FC5090	L-33	GF82BKST	B-8	GFST150WBULK	B-9	HBL717IV	N-9	HBL5791	N-10
CSR100R112	L-29	DC131112	L-31	FC7545	L-33	GF82BKTR	B-4	GFST15R	B-8	HBL718IV	N-9	HBL57905IV	N-9
CSR100R212	L-29	DC143112	L-31	FC7590	L-33	GF82GYLA	B-6	GFST15RBULK	B-9	HBL2000B5GY	N-11	HBL20482GY	N-11, 12
CSR125R2	L-29	DC156112	L-31	FC10045	L-33	GF82GYST	B-8	GFST15W	B-8	HBL2000B5IV	N-11	HBL20482IV	N-11, 12
CSR125R3	L-29	DC168112	L-31	FC10090	L-33	GF82GYTR	B-4	GFST15WBULK	B-9	HBL2000BCGY	N-11	HBL50010IV	N-9
CSR125R212	L-29	DC168212	L-31	FC12545	L-33	GF82ILA	B-6	GFST20	B-8	HBL2000BCIV	N-11	HBL57242IV	N-10
CSR150R3	L-29	DC181212	L-31	FC12590	L-33	GF82IST	B-8	GFST20AL	B-8	HBL2000CGY	N-11	HBL57442IV	N-10
CSR150R212	L-29	DC193212	L-31	FC15045	L-33	GF82ITR	B-4	GFST20ALBULK	B-9	HBL2000CIV	N-11	HBL57443IV	N-10
CSR175R3	L-29	DC206212	L-31	FC15090	L-33	GF82LA	B-6	GFST20BK	B-8	HBL2000TFIV	N-11	HBL57472IV	N-10
CSR200R3	L-29	DC218212	L-31	FC20045	L-33	GF82LALA	B-6	GFST20BKIBULK	B-9	HBL2000WC	N-11	HBL57473IV	N-10
CSR200R4	L-29	DC231212	L-31	FC20090	L-33	GF82LATR	B-4	GFST20BULK	B-9	HBL2001C	N-11, 12	HBL57482IV	N-10
CSR200R312	L-29	DC879114	L-31	FC25090	L-33	GF82OWLA	B-6	GFST20GY	B-8	HBL2003C	N-11, 12	HBL57483IV	N-10
CSR250R4	L-29	DC1004112	L-31	FLOCK1	P-4	GF82OWST	B-8	GFST20GYBULK	B-9	HBL2006GY	N-11, 12	HBL57484IV	N-10
CSR250R312	L-29	DC1004114	L-31	FRG6C25	P-14, 35	GF82OWTR	B-4	GFST20I	B-8	HBL2006IV	N-11, 12	HBL57485IV	N-10
CSTRPR	P-35	DC1009112	L-31	FRG625	P-14	GF82OWTR	B-4	GFST20IBULK	B-9	HBL2009CG	N-11	HBL57486IV	N-10
CTK	P-9	DC1009114	L-31	FRG5925	P-14, 35	GF82RST	B-8	GFST20LA	B-8	HBL2010A2GY	N-11, 12	HBL57512IV	N-10
CU300A	F-6	DC1124112	L-31	FS2A	M-10	GF82RTR	B-4	GFST20LABULK	B-9	HBL2010A2IV	N-11, 12	HBL57513IV	N-10
CU347A	F-6	DC1124114	L-31	FS4A	M-10	GF82RTR	B-8	GFST20OW	B-8	HBL2010A3GY	N-11, 12	HBL57510IV	N-9
DC25F12	L-31	DC1129112	L-31	FSSA	M-10	GF82TR	B-4	GFST20WBULK	B-9	HBL2010A3IV	N-11, 12	HBLGWEP	N-11
DC25F34	L-31	DC1129114	L-31	FS20A	M-10	GF82WLA	B-6	GFST20R	B-8	HBL2010BGY	N-11, 12	HBLIWEP	N-10
DC37F12	L-31	DC1254112	L-31	FS25A	M-10	GF82WST	B-8	GFST20RBULK	B-9	HBL2010BIV	N-11, 12	HC119CC3P	P-11
DC37F34	L-31	DC1254114	L-31	FS850	M-10	GF82WTR	B-4	GFST20W	B-8	HBL2011BRGY	N-11	HC119CE3P	P-11
DC50F12	L-31	DC1259112	L-31	FS40400A	M-10	GF83ALLA	B-6	GFST20WBULK	B-9	HBL2011BRIV	N-11	HBL2019G36	P-11
DC50F34	L-31	DC1259114	L-31	FSL1FR	H-24	GF83ALST	B-8	GFSTBF20	B-9	HBL2011GY	N-11, 12	HC119MS3N	P-11
DC62F34	L-31	DM602	K-11	FSL1NC	H-24	GF83ALTR	B-4	GFSTBF20AL	B-9	HBL2011IV	N-11, 12	HC219CC3P	P-11
DC181X2	L-31	DM20301	K-11	FSL1NP	H-24	GF83BKLA	B-6	GFSTBF20BK	B-9	HBL2015BRGY	N-11	HC219CE3N	P-11
DC501	L-31	DR15IG	C-9	FSL2FR	H-24	GF83BKST	B-8	GFSTBF20GY	B-9	HBL2015BRIV	N-11	HC219CE3P	P-11
DC621	L-31	DR15IGI	C-9	FSL2NC	H-24	GF83BKTR	B-4	GFSTBF20I	B-9	HBL2015GY	N-11, 12	HC219CE6N	P-11
DC751	L-31	DR15IGLA	C-9	FSL2NP	H-24	GF83GYLA	B-6	GFSTBF20LA	B-9	HBL2015IV	N-11, 12	HC219MS3N	P-11
DC871	L-31	DR15IGRY	C-9	FSL3FR	H-24	GF83GYST	B-8	GFSTBF200W	B-9	HBL2017BRGY	N-11	HC319CE6N	P-11
DC1312	L-31	DR15IGWC	C-9	FSL3NC	H-24	GF83GYTR	B-4	GFSTBF20R	B-9	HBL2017BRIV	N-11	HDL10BK	D-18, P-21
DC1432	L-31	DR20IG	C-9	FSL3NP	H-24	GF83ILA	B-6	GFSTBF20W	B-9	HBL2017TC	N-11, 12	HDC15BK	D-18, P-21
DC1562	L-31	DR20IGI	C-9	FSL4FR	H-24	GF83IST	B-8	GFR15	B-5	HBL2018BRGY	N-11	HDC20BK	D-18, P-21
DC1682	L-31	DR20IGLA	C-9	FSL4NC	H-24	GF83ITR	B-4	GFR15AL	B-5	HBL2018BRIV	N-11	HDC25BK	D-18, P-21
DC1752	L-31	DR20IGRY	C-9	FSL4NP	H-24	GF83LA	B-6	GFR15BK	B-5	HBL2018CGY	N-11, 12	HDC30BK	D-18, P-21
DC1812	L-31	DR20IGWC	C-9	FSPF6X	P-6	GF83LALA	B-6	GFR15GY	B-5	HBL2018CIV	N-11, 12	HDH10BK	D-18, P-21
DC1834	L-31	DRS15	D-12	FSPHD6X	P-6	GF83LATR	B-4	GFR15I	B-5	HBL2048GY	N-11, 12	HDH15BK	D-18, P-21
DC1932	L-31	DRS15AL	D-12	FT202WA	K-10	GF83OWLA	B-6	GFR15LA	B-5	HBL2048IV	N-11, 12	HDH20BK	D-18, P-21
DC1933	L-31	DRS15ALTR	D-12	FT302WA	K-10	GF83OWST	B-8	GFR150W	B-5	HBL2051HGY	N-11	HDH25BK	D-18, P-21
DC2062	L-31	DRS15ALWRTR	D-12	FTD03718	L-14	GF83OWTR	B-4	GFR15R	B-5	HBL2051HIV	N-11	HDH30BK	D-18, P-21
DC2063	L-31	DRS15BLK	D-12	FTD05018	L-14	GF83RLA	B-6	GFR15W	B-5	HBL2089EIV	N-11	HDL10BK	D-18, P-21
DC2183	L-31	DRS15BLKTR	D-12	FTD05024	L-14	GF83RST	B-8	GFR20	B-5	HBL2089IV	N-11	HDL15BK	D-18, P-21
DC2313	L-31	DRS15BLKWRTR	D-12	FTD06218	L-14	GF83RTR	B-4	GFR20AL	B-5	HBL5005IV	N-9	HDL20BK	D-18, P-21
DC2433	L-31	DRS15GRY	D-12	FTD06224	L-14	GF83TR	B-8	GFR20BK	B-5	HBL5700FIV	N-10	HDL25BK	D-18, P-21
DC2512	L-31	DRS15GRYTR	D-12	FTD06236	L-14	GF83TR	B-4	GFR20GY	B-5	HBL5701C	N-9	HDL30BK	D-18, P-21
DC2534	L-31	DRS15GRYWRTR	D-12	FTD07524	L-14	GF83WLA	B-6	GFR20I	B-5	HBL5703IV	N-9	HDMIC1	P-21
DC2538	L-31	DRS15I	D-12	FTD07536	L-14	GF83WST	B-8	GFR20LA	B-5	HBL5709	N-10	HDMIC10	P-21
DC2623	L-31	DRS15ITR	D-12	FTD07548	L-14	GF83WTR	B-4	GFR200W	B-5	HBL5709CG	N-10	HDMIT1	P-21
DC2813	L-31	DRS15IWRTR	D-12	FTD07572	L-14	GF83WTR	B-4	GFR20R	B-5	HBL5711BRIV	N-9	HDMIT10	P-21
DC3138	L-31	DRS15LA	D-12	FTD10024	L-14	GF83WTR	B-4	GFR20W	B-5	HBL5711LHIV	N-9	HDPC03BK	D-18, P-21
DC3712	L-31	DRS15LATR	D-12	FTD10036	L-14	GF83WTR	B-4	H1BK	P-8	HBL5711RHIV	N-9	HDPC06BK	D-18, P-21
DC3734	L-31	DRS15LAWRTR	D-12	FTD10048	L-14	GF83WTR	B-4	HBL20GB306GY	N-12	HBL5715BRIV	N-9	HDIRUBCKIT	P-9
DC3738	L-31	DRS15TR	D-12	FTD10072	L-14	GF83WTR	B-4	HBL20GB306IV	N-12	HBL5715IV	N-9	HPW48RR19	P-10
DC5012	L-31	DRS15WHI	D-12	FW60100A	K-10	GF83WTR	B-4	HBL20GB512GY	N-12	HBL5717BRIV	N-9	HPW48RR23	P-10
DC5034	L-31	DRS15WRTR	D-12	GF15ALLA	B-6	GF83WTR	B-4	HBL20GB512IV	N-12	HBL5718BRIV	N-9	HPW66RR19	P-10
DC5041	L-31	DRS15WTR	D-12	GF15ALLABULK	B-7	GF83WTR	B-4	HBL20GB609GY	N-12	HBL5719IV	N-9	HPW84RR19	P-10
DC5091	L-31	DRS15WWTR	D-12	GF15BKLA	B-6	GF83WTR	B-4	HBL20GB609IV	N-12	HBL5731IV	N-10	HPW84RR23	P-10
DC6212	L-31	DRS20	D-12	GF15BKLABULK	B-7	GF83WTR	B-4	HBL20GB612GY	N-12	HBL5733IV	N-10	HPW90RR19	P-10
DC6234	L-31	DRS20AL	D-12	GF15GYLA	B-6	GF83WTR	B-4	HBL20GB612IV	N-12	HBL5735IV	N-10	HPW90RR23	P-10
DC6241	L-31	DRS20ALTR	D-12	GF15GYLABULK	B-7	GF83WTR	B-4	HBL20GB618GY	N-12	HBL5736IV	N-10	HPW96RR19	P-10
DC6291	L-31	DRS20ALWRTR	D-12	GF15ILA	B-6	GF83WTR	B-4	HBL20GB618IV	N-12	HBL5737AIV	N-10	HPW96RR23	P-10
DC7534	L-31	DRS20BLK	D-12	GF15ILABULK	B-7	GF83WTR	B-4	HBL20GBA512GY	N-12	HBL5737IV	N-10	HPWPWR	P-12
DC7541	L-31	DRS20BLKTR	D-12	GF15ILA	B-6	GF83WTR	B-4	HBL20GBA512IV	N-12	HBL5738AIV	N-10	HSQ24	P-9
DC7591	L-31	DRS20BLKWRTR	D-12	GF15LABULK	B-7	GF83WTR	B-4	HBL20GBA609GY	N-12	HBL5738IV	N-10	HSQ36	P-9
DC8741	L-31	DRS20GRY	D-12	GF15LALA	B-6	GF83WTR	B-4	HBL20GBA609IV	N-12	HBL5738IV	N-10	HSQ48	P-9
DC8791	L-31	DRS20GRYTR	D-12	GF15LALABULK	B-7	GF83WTR	B-4	HBL20GBA612GY	N-12	HBL5739AABIV	N-10	HSQ2426	P-9
DC18912	L-31	DRS20GRYWRTR	D-12	GF15OWLA	B-6	GF83WTR	B-4	HBL20GBA612IV	N-12	HBL5739AIV	N-10	HSQ3626	P-9
DC25412	L-31	DRS20I	D-12	GF15OWLABULK	B-7	GF83WTR	B-4	HBL20GBA618GY	N-12	HBL5739IV	N-10	HSQ4826	P-9
DC25912	L-31	DRS20ITR	D-12	GF15RLA	B-6	GF83WTR	B-4	HBL20GBA618IV	N-12	HBL5744IV	N-10	HSQ2436	P-9
DC25938	L-31	DRS20IWRTR	D-12	GF15RLABULK	B-7	GF83WTR	B-4	HBL20IG306GY	N-12	HBL5744S2IV	N-10	HSQ3636	P-9
DC31938	L-31	DRS20L	D-12	GF15WLA	B-6	GF83WTR	B-4	HBL20IG306IV	N-12	HBL5744S3IV	N-10	HSQ4836	P-9
DC37412	L-31	DRS20LATR	D-12	GF15WLABULK	B-7	GF83WTR	B-4	HBL20IG512GY	N-12	HBL5744SIV	N-10	HSQ245	P-9
DC37912	L-31	DRS20LAWRTR	D-12	GF20ALLA	B-6	GF83WTR	B-4	HBL20IG512IV	N-12	HBL5745IV	N-10	HSQ36S	P-9
DC37934	L-31	DRS20TR	D-12	GF20ALLABULK	B-7	GF83WTR	B-4	HBL20IG606GY	N-12	HBL5747IV	N-10	HSQ48S	P-9
DC37938	L-31	DRS20WHI	D-12	GF20BKLA	B-6	GF83WTR	B-4	HBL20IG606IV	N-12	HBL5748IV	N-10	HSQ24526	P-9
DC50412	L-31	DRS20W	D-12	GF20BKLABULK	B-7	GF83WTR	B-4	HBL500TFIV	N-9	HBL5748SIV	N-10	HSQ36S26	P-9
DC50434	L-31	DRS20WTR	D-12	GF20GYLA	B-6	GF83WTR	B-4	HBL502B	N-9	HBL5751AIV	N-10	HSQ48S26	P-9
DC50912	L-31	DRS20WWRTR	D-12	GF20GYLABULK	B-7	GF83WTR	B-4	HBL504IV	N-9	HBL5751V	N-10	HSQ24536	P-9
DC50934	L-31	DRUBTVSS15	P-9	GF20ILA	B-6	GF83WTR	B-4	HBL506IV	N-9	HBL5752IV	N-10	HSQ36S36	P-9
DC62434	L-31	DT12H	F-9	GF20LABULK	B-7	GF83WTR	B-4	HBL511V	N-9	HBL5752R	N-10	HSQ48S36	P-9
DC62934	L-31	ECT	P-35	GF20LA	B-6	GF83WTR	B-4	HBL512IV	N-9	HBL5753IV	N-10	HVKKT	P-9
DC87112	L-31	FC38	L-33	GF20LABULK	B-7	GF83WTR	B-4	HBL517IV	N-9	HBL5753R	N-10	HXTA	P-34
DC87114	L-31	FC50	L-33	GF20LALA	B-6	GF83WTR	B-4	HBL518IV	N-9	HBL5760IV	N-10	HXTP25	P-34
DC100112	L-31	FC75	L-33	GF20LALABULK	B-7	GF83WTR	B-4	HBL600B	N-10	HBL5780	N-10	IDF24	P-8
DC100114	L-31	FC100	L-33	GF20OWLA	B-6	GF83WTR	B-4	HBL605CUT	N-10	HBL5781	N-10	IDF24L	P-8
DC100114	L-31	FC125	L-33	GF20OWLABULK	B-7	GF83WTR	B-4	HBL605K	N-10	HBL5781A	N-10	IDF32	P-8
DC100114	L-31	FC150	L-33	GF20RLA	B-6	GF83WTR	B-4	HBL607K	N-10	HBL5782A	N-10		

Alphanumeric Index



CAT. NO.	PAGE	CAT. NO.	PAGE	CAT. NO.	PAGE	CAT. NO.	PAGE	CAT. NO.	PAGE	CAT. NO.	PAGE	CAT. NO.	PAGE
IFP11LA	P-19	IM2SCA15EI	P-23	IMR1101OW	P-24	N2202MEM	0-18	NP17GY	0-11	NP112	0-11	NP720BK	0-7
IFP110W	P-19	IM2SCA15GY	P-23	IMR1101W	P-24	NP1	0-5	NP171	0-11	NP112AL	0-11	NP720GY	0-7
IFP11W	P-19	IM2SCA15OW	P-23	IMRSJ1AL	P-25	NP1AL	0-5	NP17W	0-11	NP112L	0-11	NP720Y	0-7, 20
IFP12AL	P-19	IM2SCA15W	P-23	IMRSJ1BK	P-25	NP1BK	0-5	NP18	0-11	NP112W	0-11	NP7200IG	C-10, 0-18
IFP12BK	P-19	IM3RF1AL	P-25	IMRSJ1EI	P-25	NP1GY	0-5	NP18AL	0-11	NP113	0-11	NP7200W	0-7
IFP12EI	P-19	IM3RF1BK	P-25	IMRSJ1GY	P-25	NP1I	0-5	NP18BK	0-11	NP113AL	0-11	NP720R	0-7
IFP12GY	P-19	IM3RF1EI	P-25	IMRSJ1OW	P-25	NP1LA	0-5	NP18GY	0-11	NP113I	0-11	NP720W	0-7
IFP12LA	P-19	IM3RF1GY	P-25	IMRSJ1W	P-25	NP1R	0-5	NP18I	0-11	NP113LA	0-11	NP72A	0-7, 20
IFP120W	P-19	IM3RF1OW	P-25	IMSP1AL	P-25	NP1W	0-5	NP18LA	0-11	NP113W	0-11	NP724AL	0-7
IFP12W	P-19	IM3RF1W	P-25	IMSP1BK	P-25	NP2	0-5	NP18W	0-11	NP126	0-11	NP724BK	0-7
IFP13AL	P-19	IM3RS1AL	P-25	IMSP1EI	P-25	NP2AL	0-5	NP21	0-8	NP126AL	0-11	NP724GY	0-7
IFP13BK	P-19	IM3RS1BK	P-25	IMSP1GY	P-25	NP2BK	0-5	NP21AL	0-8	NP126BK	0-11	NP724I	0-7, 20
IFP13EI	P-19	IM3RS1EI	P-25	IMSP1OW	P-25	NP2GY	0-5	NP21I	0-8	NP126GY	0-11	NP724W	0-7
IFP13GY	P-19	IM3RS1GY	P-25	IMSP1W	P-25	NP2I	0-5	NP21W	0-8	NP126I	0-11	NP730	0-8
IFP13LA	P-19	IM3RS1OW	P-25	IMSR1101AL	P-24	NP2LA	0-5	NP23	0-10	NP126LA	0-11	NP730AL	0-8
IFP130W	P-19	IM3RS1W	P-25	IMSR1101BK	P-24	NP2R	0-5	NP23AL	0-10	NP126L	0-11	NP730I	0-8
IFP13W	P-19	IMAR1101AL	P-24	IMSR1101EI	P-24	NP2W	0-5	NP23BK	0-10	NP128	0-11	NP730W	0-8
IFP14AL	P-19	IMAR1101BK	P-24	IMSR1101GY	P-24	NP3	0-5	NP23GY	0-10	NP128AL	0-11	NP737	0-8
IFP14BK	P-19	IMAR1101EI	P-24	IMSR1101OW	P-24	NP3AL	0-5	NP23I	0-10	NP128I	0-11	NP737AL	0-8
IFP14EI	P-19	IMAR1101GY	P-24	IMSR1101W	P-24	NP3BK	0-5	NP23LA	0-10	NP128W	0-11	NP737I	0-8
IFP14GY	P-19	IMAR1101OW	P-24	IMSV351101BK	P-24	NP3GY	0-5	NP23W	0-10	NP138	0-12	NP737W	0-8
IFP14LA	P-19	IMAR1101W	P-24	IMSV351101EI	P-24	NP3I	0-5	NP24	0-10	NP138AL	0-12	NP826	0-11
IFP140W	P-19	IMAVB150W	P-23	IMSV351101GY	P-24	NP3LA	0-5	NP24AL	0-10	NP138I	0-12	NP826AL	0-11
IFP14W	P-19	IMB1AL	P-23	IMSV351101OW	P-24	NP3R	0-5	NP24BK	0-10	NP138W	0-12	NP826BK	0-11
IFP16AL	P-19	IMB1BK	P-23	IMSV351101W	P-24	NP3W	0-5	NP24GY	0-10	NP147	0-12	NP826GY	0-11
IFP16BK	P-19	IMB1EI	P-23	ISM1EI	P-26, 27	NP4	0-5	NP24I	0-10	NP147AL	0-12	NP826I	0-11
IFP16EI	P-19	IMB1GY	P-23	ISM1OW	P-26	NP4AL	0-5	NP24W	0-10	NP147BK	0-12	NP826LA	0-11
IFP16GY	P-19	IMB1OW	P-23	ISM1W	P-26, 27	NP4BK	0-5	NP26	0-4	NP147GY	0-12	NP826W	0-11
IFP16LA	P-19	IMB1W	P-23	ISM2EI	P-26, 27	NP4GY	0-5	NP26AL	0-4, P-19	NP147I	0-12	NP826Y	0-12
IFP160W	P-19	IMB05AL	P-23	ISM2OW	P-26	NP4I	0-5	NP26BK	0-4, P-19	NP147W	0-12	NP1214AL	0-12
IFP16W	P-19	IMB05BK	P-23	ISM2W	P-26, 27	NP4LA	0-5	NP26GY	0-4, P-19	NP182	0-12	NP1214I	0-12
IFP18AL	P-19	IMB05EI	P-23	ISM4EI	P-26	NP4W	0-5	NP26I	0-4, P-19	NP182AL	0-12	NP1214W	0-12
IFP180W	P-19	IMB05GY	P-23	ISM4OW	P-26	NP5	0-5	NP26LA	0-4, P-19	NP182I	0-12	NP1226	0-11
IFP26AL	P-19	IMB05OW	P-23	ISM4W	P-26	NP5AL	0-5	NP260IG	C-10, 0-18	NP182W	0-12	NP1226AL	0-11
IFP26BK	P-19	IMB05W	P-23	ISM6EI	P-26	NP5BK	0-5	NP26R	0-4	NP226	0-13	NP1226I	0-11
IFP26EI	P-19	IMB15AL	P-23	ISM6OW	P-26	NP5GY	0-5	NP26W	0-4, P-19	NP226AL	0-13	NP1226W	0-11
IFP26GY	P-19	IMB15BK	P-23	ISM6W	P-26	NP5I	0-5	NP28	0-12	NP226BK	0-13	NP1262	0-13
IFP26LA	P-19	IMB15EI	P-23	ISM12EI	P-26	NP5LA	0-5	NP28AL	0-12	NP226GY	0-13	NP1262AL	0-13
IFP260W	P-19	IMB15GY	P-23	ISM12OW	P-26	NP5W	0-5	NP28BK	0-12	NP226I	0-13	NP1262BK	0-13
IFP26W	P-19	IMB15OW	P-23	ISM12W	P-26	NP6	0-5	NP28GY	0-12	NP226LA	0-13	NP1262GY	0-13
IFP29BK	P-19	IMB15W	P-23	KPIMBZAL	P-23	NP6AL	0-5	NP28I	0-12	NP226W	0-13	NP1262I	0-13
IFP29EI	P-19	IMBDS1AL	P-22	KPIMBZGY	P-23	NP6GY	0-5	NP28LA	0-12	NP262	0-4	NP1262LA	0-13
IFP29GY	P-19	IMBDS1BK	P-22	KPIMBZOW	P-23	NP6I	0-5	NP28W	0-12	NP262AL	0-4, P-19	NP1262W	0-13
IFP29LA	P-19	IMBDS1EI	P-22	MCCBP350	P-8,9	NP6LA	0-5	NP33	0-10	NP262BK	0-4, P-19	NP1326	0-12
IFP290W	P-19	IMBDS1GY	P-22	MCCPSS19	P-12	NP6W	0-5	NP33AL	0-10	NP262GY	0-4, P-19	NP1326AL	0-12
IFP29W	P-19	IMBDS1OW	P-22	MCCPSS19TS	P-12	NP7	0-6, 20	NP33I	0-10	NP262I	0-4, P-19	NP1326BK	0-12
IFP126AL	P-19	IMBDS1W	P-22	MS1200ATGY	F-4	NP7AL	0-6	NP33W	0-10	NP262LA	0-4, P-19	NP1326GY	0-12
IFP1260W	P-19	IMBDSA15AL	P-22	MS1200ATI	F-4	NP7BK	H-48, 0-6	NP34	0-10	NP262R	0-4	NP1326I	0-12
IFP126BK	P-19	IMBDSA15BK	P-22	MS1200ATW	F-2,4	NP7GY	0-6	NP34AL	0-10	NP262W	0-4, P-19	NP1326LA	0-12
IFP126EI	P-19	IMBDSA15EI	P-22	MS1200I	F-4	NP7I	0-6, 20	NP34I	0-10	NP263	D-17, 0-4	NP1326W	0-12
IFP126GY	P-19	IMBDSA15GY	P-22	MS1200W	F-4	NP7LA	0-6	NP34W	0-10	NP263AL	D-17, 0-4	NP2262	0-13
IFP126LA	P-19	IMBDSA15LW	P-22	MSAR	F-6	NP7OIG	C-10, 0-18	NP38	0-13	NP263BK	D-17, 0-4	NP2262AL	0-13
IFP1260W	P-19	IMBDSA15OW	P-22	MSCRA	F-6	NP7R	0-6	NP38AL	0-13	NP263GY	D-17, 0-4	NP2262BK	0-13
IFP126W	P-19	IMBDSA15W	P-22	MSCU	F-6	NP7W	0-6	NP38I	0-13	NP263I	D-17, 0-4	NP2262GY	0-13
IM1IA15BK	P-23	IMCR1101AL	P-24	MSCU347	F-6	NP8	0-6	NP38LA	0-13	NP263LA	D-17, 0-4	NP2262I	0-13
IM1IA15EI	P-23	IMCR1101BK	P-24	MSD1000C	F-5	NP8AL	0-6, P-19	NP38W	0-13	NP263R	0-4	NP2262LA	0-13
IM1IA15GY	P-23	IMCR1101EI	P-24	MSD1000I	F-3	NP8BK	0-6, P-19	NP43	0-10	NP263W	D-17, 0-4	NP2262W	0-13
IM1IA15OW	P-23	IMCR1101GY	P-24	MSD1000H1N	F-3	NP8GY	0-6, P-19	NP43AL	0-10	NP264	D-17, 0-4	NPJ1	0-5
IM1IA15W	P-23	IMCR1101OW	P-24	MSD1000I2	F-3	NP8I	0-6, P-19	NP43I	0-10	NP264AL	D-17, 0-4	NPJ1AL	0-5
IM1K1AL	P-23	IMCR1101W	P-24	MSD1000I2N	F-3	NP8LA	0-6, P-19	NP43W	0-10	NP264BK	D-17, 0-4	NPJ1BK	0-5
IM1K1BK	P-23	IMCRF1AL	P-25	MSD1000W1	F-3	NP8OIG	C-10, 0-18	NP44	0-10	NP264GY	D-17, 0-4	NPJ1GY	0-5
IM1K1EI	P-23	IMCRF1BK	P-25	MSD1000W1N	F-3	NP8OR	0-6, 18	NP44AL	0-10	NP264I	D-17, 0-4	NPJ1I	0-5
IM1K1GY	P-23	IMCRF1EI	P-25	MSD1000W2	F-3	NP8OW	0-6	NP44I	0-10	NP264LA	D-17, 0-4	NPJ1LA	0-5
IM1K1OW	P-23	IMCRF1GY	P-25	MSD1000W2N	F-3	NP8R	0-6	NP44W	0-10	NP264R	0-4	NPJ1R	0-5
IM1K1W	P-23	IMCRF1OW	P-25	MSD1600W	F-6	NP8W	0-6, P-19	NP48	0-13	NP264W	D-17, 0-4	NPJ1RME	0-18
IM1KA15AL	P-23	IMCRF1W	P-25	MSD2000C	F-5	NP11	0-8	NP48AL	0-13	NP265	D-17, 0-4	NPJ1W	0-5
IM1KA15BK	P-23	IMCRS1AL	P-25	MSP500C	F-5	NP11AL	0-8	NP48I	0-13	NP265AL	D-17, 0-4	NPJ2	0-5
IM1KA15EI	P-23	IMCRS1BK	P-25	MSP120HB	F-6	NP11BK	0-8	NP48W	0-13	NP265BK	D-17, 0-4	NPJ2AL	0-5
IM1KA15GY	P-23	IMCRS1EI	P-25	MSP1500C	F-5	NP11GY	0-8	NP78	0-11	NP265GY	D-17, 0-4	NPJ2BK	0-5
IM1KA15OW	P-23	IMCRS1GY	P-25	MSP1600W	F-6	NP11I	0-8	NP78AL	0-11	NP265I	D-17, 0-4	NPJ2GY	0-5
IM1KA15W	P-23	IMCRS1OW	P-25	MSP2C	F-4	NP11LA	0-8	NP78I	0-11	NP265LA	D-17, 0-4	NPJ2I	0-5
IM1SCA15BK	P-23	IMCRS1W	P-25	MSP600C	F-5	NP11W	0-8	NP78W	0-11	NP265W	D-17, 0-4	NPJ2LA	0-5
IM1SCA15EI	P-23	IMCRS15AL	P-25	MSP4X	F-6	NP12	0-8	NP82	0-6	NP266	D-17, 0-4	NPJ2R	0-5
IM1SCA15GY	P-23	IMCRS15BK	P-25	MST025FE	L-7	NP12AL	0-8	NP82AL	0-6	NP266AL	D-17, 0-4	NPJ2W	0-5
IM1SCA15OW	P-23	IMCRS15EI	P-25	MST050FE	L-7	NP12BK	0-8	NP82BK	0-6	NP266BK	D-17, 0-4	NPJ3	0-5
IM1SCA15W	P-23	IMCRS15GY	P-25	MST075FE	L-7	NP12GY	0-8	NP82GY	0-6	NP266GY	D-17, 0-4	NPJ3AL	0-5
IM2IA15BK	P-23	IMCRS15OW	P-25	MST100FE	L-7	NP12I	0-8	NP82I	0-6	NP266I	D-17, 0-4	NPJ3BK	0-5
IM2IA15EI	P-23	IMCRS15W	P-25	MST125FE	L-7	NP12W	0-8	NP82LA	0-6	NP266LA	D-17, 0-4	NPJ3GY	0-5
IM2IA15GY	P-23	IMF1AL	P-23	MST150FE	L-7	NP13	0-10	NP82OR	0-6	NP266L	D-17, 0-4	NPJ3I	0-5
IM2IA15OW	P-23	IMF1BK	P-23	MST175FE	L-7	NP13AL	0-10	NP82OW	0-6	NP326	0-13	NPJ3AL	0-5
IM2IA15W	P-23	IMF1EI	P-23	MST200FE	L-7	NP13BK	0-10	NP82R	0-6	NP326AL	0-13	NPJ3R	0-5
IM2K1AL	P-23	IMF1GY	P-23	MST250FE	L-7	NP13GY	0-10	NP82W	0-6	NP326BK	0-13	NPJ3W	0-5
IM2K1BK	P-23	IMF1OW	P-23	MST300FE	L-7	NP13I	0-10	NP83	0-6	NP326GY	0-13	NPJ4	0-5
IM2K1EI	P-23	IMF1W	P-23	MST350FE	L-7	NP13LA	0-10	NP83AL	0-6	NP326I	0-13	NPJ4AL	0-5
IM2K1GY	P-23	IMF2AL	P-23	MSU1000C	F-5	NP13W	0-10	NP83BK	0-6	NP326LA	0-13	NPJ4BK	0-5</

Alphanumeric Index



CAT. NO.	PAGE	CAT. NO.	PAGE	CAT. NO.	PAGE	CAT. NO.	PAGE	CAT. NO.	PAGE	CAT. NO.	PAGE	CAT. NO.	PAGE
NPJ4W	0-5	NPJ226BK	0-13	NS7211	P-32	NS785	P-29	NSOBOX14B	P-4	NSP102W	P-18	PR10420	P-12
NPJ7	0-6	NPJ226GY	0-13	NS721W	P-32	NS785AL	P-29	NSOBOX14BC	P-4	NSP103AL	P-18	PR10720	P-12
NPJ7AL	0-6	NPJ226I	0-13	NS722AL	P-32	NS785BK	P-29	NSOBOX14C	P-4	NSP103BK	P-18	PR12620	P-12
NPJ7BK	0-6	NPJ226LA	0-13	NS722I	P-32	NS785GY	P-29	NSOBOX14D	P-4	NSP103GY	P-18	PR20820A	P-12
NPJ7GY	0-6	NPJ226W	0-13	NS722W	P-32	NS785I	P-29	NSOBOX14DL	P-4	NSP103I	P-18	PR20820DRTL	P-12
NPJ7I	0-6	NPJ262	D-17, 0-4	NS723SS	P-32	NS785LA	P-29	NSOBOX14X2	P-4	NSP103LA	P-18	PR20820I	P-12
NPJ7LA	0-6	NPJ262AL	D-17, 0-4	NS725AL	P-32	NS785W	P-29	NSOBOX28	P-4	NSP103W	P-18	PR20830	P-12
NPJ7R	0-6	NPJ262BK	D-17, 0-4	NS725I	P-32	NS790	P-31	NSOBOX28B	P-4	NSP104AL	P-18	PRAMB	P-12
NPJ7W	0-6	NPJ262GY	D-17, 0-4	NS725LA	P-32	NS790AL	P-31	NSOBOX28BC	P-4	NSP104BK	P-18	PREZB	P-12
NPJ8	0-6	NPJ262I	D-17, 0-4	NS725W	P-32	NS790BK	P-31	NSOBOX28C	P-4	NSP104GY	P-18	PRPMB	P-12
NPJ8AL	0-6	NPJ262LA	D-17, 0-4	NS726SS	P-32	NS790G	P-31	NSOBOX28D	P-4	NSP104I	P-18	PRSLB4	P-12
NPJ8BK	0-6	NPJ262R	0-4	NS730	P-30	NS790I	P-31	NSOBOX28DL	P-4	NSP104LA	P-18	Q106AL	P-20
NPJ8C	C-10, 0-18	NPJ262W	D-17, 0-4	NS730AL	P-30	NS790LA	P-31	NSOBOX28X2	P-4	NSP104W	P-18	Q106B	P-20
NPJ8CO	C-10, 0-18	NPJ263	D-17, 0-4	NS730I	P-30	NS790W	P-31	NSOBOX48	P-4	NSP106AL	P-18	Q106E	P-20
NPJ8GY	0-6	NPJ263AL	D-17, 0-4	NS730LA	P-30	NS801AL	D-18, P-21	NSOBOX10	P-4	NSP106BK	P-18	Q106G	P-20
NPJ8I	0-6	NPJ263BK	D-17, 0-4	NS730W	P-30	NS801BK	D-18, P-21	NSOBOX10B	P-4	NSP106GY	P-18	Q106LA	P-20
NPJ8LA	0-6	NPJ263GY	D-17, 0-4	NS732	P-30	NS801GY	D-18, P-21	NSOBOX10BC	P-4	NSP106I	P-18	Q106OW	P-20
NPJ8OW	0-6	NPJ263I	D-17, 0-4	NS732AL	P-30	NS801I	D-18, P-21	NSOBOX10C	P-4	NSP106LA	P-18	Q106W	P-20
NPJ8R	0-6	NPJ263LA	D-17, 0-4	NS732I	P-30	NS801LA	D-18, P-21	NSOBOX10D	P-4	NSP106W	P-18	QT1R	A-7, D-10
NPJ8RMEV	0-18	NPJ263R	0-4	NS732LA	P-30	NS801W	D-18, P-21	NSODK6	P-5	P630S1GJ6	P-19	QT2R	A-7, D-10
NPJ8W	0-6	NPJ263W	D-17, 0-4	NS732W	P-30	NS802AL	D-18, P-21	NSODM8	P-5	P630S1GJ8	P-19	QT6R1	A-7, D-10
NPJ11	0-8	NPJ264	D-17, 0-4	NS735	P-30	NS802BK	D-18, P-21	NSODM8C6	P-5	P630SR1GJ6	P-19	QT6R2	A-7, D-10
NPJ11AL	0-8	NPJ264AL	D-17, 0-4	NS735AL	P-30	NS802GY	D-18, P-21	NSOETM8	P-5	P630SR1GJ8	P-19	QT5262	A-19
NPJ11I	0-8	NPJ264BK	D-17, 0-4	NS735I	P-30	NS802I	D-18, P-21	NSOFSB	P-6	PA050	L-10	QT5262A	A-19
NPJ11LA	0-8	NPJ264GY	D-17, 0-4	NS735LA	P-30	NS802LA	D-18, P-21	NSOKA	P-4	PA062	L-10	QT5262BLK	A-19
NPJ11W	0-8	NPJ264I	D-17, 0-4	NS735W	P-30	NS802W	D-18, P-21	NSOKP	P-4	PA075	L-10	QT5262GY	A-19
NPJ13	0-10	NPJ264LA	D-17, 0-4	NS742AL	P-30	NSC9025*	P-14	NSOKPS	P-4	PA100	L-10	QT5262I	A-19
NPJ13AL	0-10	NPJ264R	0-4	NS742I	P-30	NSF70AL	P-14	NSOMTM24	P-5	PA125	L-10	QT5262LA	A-19
NPJ13BK	0-10	NPJ264W	D-17, 0-4	NS742LA	P-30	NSF70BK	P-14	NSOPLT	P-4	PA150	L-10	QT5262R	A-19
NPJ13GY	0-10	NPJ703	0-7	NS742W	P-30	NSF70GY	P-14	NSOPTM8	P-5	PA175	L-10	QT5262W	A-19
NPJ13I	0-10	NPJ703AL	0-7	NS744AL	P-30	NSF70I	P-14	NSORAVC	P-6	PA200	L-10	QT5362	A-19
NPJ13LA	0-10	NPJ703BK	0-7	NS744I	P-30	NSF70LA	P-14	NSOSAVC	P-6	PA250	L-10	QT5362AL	A-19
NPJ13W	0-10	NPJ703GY	0-7	NS744W	P-30	NSF70OW	P-14	NSOTVDM6	P-5	PA300	L-10	QT5362BK	A-19
NPJ18	0-11	NPJ703I	A-45, 0-7	NS745I	P-30	NSF70W	P-14	NSOTVM6	P-5	PC13W32	L-34	QT5362GY	A-19
NPJ18AL	0-11	NPJ703W	A-45, 0-7	NS745W	P-30	NSJ5EAL	P-13	NSOVAMP	P-6	PC13W43	L-34	QT5362I	A-19
NPJ18BK	0-11	NPJ724	0-7	NS748AL	P-31	NSJ5EAL25	P-13	NSOVM4	P-6	PC13W54	L-34	QT5362LA	A-19
NPJ18GY	0-11	NPJ724AL	0-7	NS748I	P-31	NSJ5EB	P-13	NSOVM6	P-6	PC23W43	L-34	QT5362R	A-19
NPJ18I	0-11	NPJ724BK	0-7	NS748LA	P-31	NSJ5EB25	P-13	NSOVM8	P-6	PC23W54	L-34	QT5362W	A-19
NPJ18LA	0-11	NPJ724GY	0-7	NS748W	P-31	NSJ5EBK	P-13	NSOVM42G	P-6	PC23W73	L-34	QT8200	A-7
NPJ18W	0-11	NPJ724I	A-45, 0-7	NS750AL	P-31	NSJ5EBK25	P-13	NSOVM62G	P-6	PC345W43	L-34	QT8200AL	A-7
NPJ23	0-10	NPJ724W	A-45, 0-7	NS750I	P-31	NSJ5EGN	P-13	NSOVM82G	P-6	PC345W54	L-34	QT8200BK	A-7
NPJ23AL	0-10	NPJ826	0-11	NS750LA	P-31	NSJ5EGN25	P-13	NSP11AL	P-18	PC345W73	L-34	QT8200GY	A-7
NPJ23I	0-10	NPJ826AL	0-11	NS750W	P-31	NSJ5EGY	P-13	NSP11BK	P-18	PCS002	G-13	QT8200I	A-7
NPJ23LA	0-10	NPJ826BK	0-11	NS751AL	P-31	NSJ5EGY25	P-13	NSP11I	P-18	PCS102	G-13	QT8200LA	A-7
NPJ23W	0-10	NPJ826GY	0-11	NS751I	P-31	NSJ5EI	P-13	NSP11I1	P-18	PCS202	G-13	QT8200R	A-7
NPJ26	D-17, 0-4	NPJ826I	0-11	NS751LA	P-31	NSJ5EI25	P-13	NSP11LA	P-18	PH050	L-9	QT8200W	A-7
NPJ26AL	D-17, 0-4	NPJ826LA	0-11	NS751W	P-31	NSJ5ELA	P-13	NSP11W	P-18	PH062	L-9	QT8300	A-7
NPJ26BK	D-17, 0-4	NPJ826W	0-11	NS752AL	P-31	NSJ5ELA25	P-13	NSP12AL	P-18	PH075	L-9	QT8300AL	A-7
NPJ26C	C-10, 0-18	NPJ1326	0-12	NS752I	P-31	NSJ5EOR	P-13	NSP12BK	P-18	PH100	L-9	QT8300BK	A-7
NPJ26CBL	0-18	NPJ1326AL	0-12	NS752LA	P-31	NSJ5EOR25	P-13	NSP12GY	P-18	PH150	L-9	QT8300GY	A-7
NPJ26GY	D-17, 0-4	NPJ1326I	0-12	NS752W	P-31	NSJ5ER	P-13	NSP12I	P-18	PH200	L-9	QT8300I	A-7
NPJ26I	D-17, 0-4	NPJ1326LA	0-12	NS755AL	P-31	NSJ5ER25	P-13	NSP12LA	P-18	PH250	L-9	QT8300LA	A-7
NPJ26LA	D-17, 0-4	NPJ1326W	0-12	NS755I	P-31	NSJ5EW	P-13	NSP12W	P-18	PH300	L-9	QT8300R	A-7
NPJ26R	D-17, 0-4	NS4	P-35	NS755LA	P-31	NSJ5EW25	P-13	NSP13AL	P-18	PH350	L-9	QT8300W	A-7
NPJ26W	D-17, 0-4	NS5E12U	P-7	NS755W	P-31	NSJ5EY	P-13	NSP13BK	P-18	PHPS1AL	N-13	QT9200	A-7, D-10
NPJ28	0-12	NS5E24U	P-7	NS760I	P-27	NSJ5EY25	P-13	NSP13GY	P-18	PHPS1AL	N-13	QT9200AL	A-7, D-10
NPJ28AL	0-12	NS5E48U	P-7	NS760W	P-27	NSJ6AL	P-13	NSP13I	P-18	PHPS2AL	N-13	QT9200BK	A-7, D-10
NPJ28I	0-12	NS612AL	D-18, P-20	NS761I	P-27	NSJ6AL25	P-13	NSP13LA	P-18	PHPS2GY	N-13	QT9200GY	A-7, D-10
NPJ28LA	0-12	NS612BK	D-18, P-20	NS761W	P-27	NSJ6B	P-13	NSP13W	P-18	PHPS3AL	N-13	QT9200I	A-7, D-10
NPJ28W	0-12	NS612GY	D-18, P-20	NS770	P-28	NSJ6B25	P-13	NSP14AL	P-18	PHPS4AL	N-13	QT9200LA	A-7, D-10
NPJ82	0-6	NS612I	D-18, P-20	NS770AL	P-28	NSJ6BK	P-13	NSP14BK	P-18	PHPS5AL	N-13	QT9200R	A-7, D-10
NPJ82AL	0-6	NS612LA	D-18, P-20	NS770BK	P-28	NSJ6BK25	P-13	NSP14GY	P-18	PHPS6AL	N-13	QT9200W	A-7, D-10
NPJ82BK	0-6	NS612U	P-7	NS770GY	P-28	NSJ6I	P-13	NSP14I	P-18	PHS050	L-8	QT9252	D-11
NPJ82CO	0-18	NS612W	D-18, P-20	NS770I	P-28	NSJ6I25	P-13	NSP14LA	P-18	PHS062	L-8	QT9252AL	D-11
NPJ82GY	0-6	NS613AL	D-18, P-20	NS770LA	P-28	NSJ6J	P-13	NSP14W	P-18	PHS075	L-8	QT9252BK	D-11
NPJ82I	0-6	NS613BK	D-18, P-20	NS770W	P-28	NSJ6J25	P-13	NSP16AL	P-18	PHS100	L-8	QT9252GY	D-11
NPJ82LA	0-6	NS613GY	D-18, P-20	NS771	P-28	NSJ6I	P-13	NSP16BK	P-18	PHS150	L-8	QT9252I	D-11
NPJ82OW	0-6	NS613I	D-18, P-20	NS771AL	P-28	NSJ6I25	P-13	NSP16GY	P-18	PHS200	L-8	QT9252LA	D-11
NPJ82R	0-6	NS613LA	D-18, P-20	NS771I	P-28	NSJ6LA	P-13	NSP16I	P-18	PHS250	L-8	QT9252R	D-11
NPJ82W	0-6	NS613W	D-18, P-20	NS771LA	P-28	NSJ6LA25	P-13	NSP16LA	P-18	PHS300	L-8	QT9252W	D-11
NPJ113	0-11	NS614AL	D-18, P-20	NS771W	P-28	NSJ6OR	P-13	NSP16W	P-18	PHS350	L-8	QT9300	A-7, D-10
NPJ113AL	0-11	NS614BK	D-18, P-20	NS772AL	P-28	NSJ6OR25	P-13	NSP24AL	P-18	PHS400	L-8	QT9300AL	A-7, D-10
NPJ113I	0-11	NS614GY	D-18, P-20	NS772I	P-28	NSJ6R	P-13	NSP24BK	P-18	PHS450	L-8	QT9300BK	A-7, D-10
NPJ113LA	0-11	NS614I	D-18, P-20	NS772LA	P-28	NSJ6R25	P-13	NSP24GY	P-18	PHS500	L-8	QT9300GY	A-7, D-10
NPJ113W	0-11	NS614LA	D-18, P-20	NS772W	P-28	NSJ6W	P-13	NSP24I	P-18	PHS600	L-8	QT9300I	A-7, D-10
NPJ126	0-11	NS614W	D-18, P-20	NS780AL	P-29	NSJ6W25	P-13	NSP24LA	P-18	PJ019	L-11	QT9300LA	A-7, D-10
NPJ126AL	0-11	NS616AL	D-18, P-20	NS780I	P-29	NSJ6Y	P-13	NSP24W	P-18	PJ025	L-11	QT9300R	A-7, D-10
NPJ126BK	0-11	NS616BK	D-18, P-20	NS780LA	P-29	NSJ6Y25	P-13	NSP26AL	P-18	PJ037	L-11	QT9300W	A-7, D-10
NPJ126GY	0-11	NS616GY	D-18, P-20	NS780W	P-29	NSJUAL	P-13	NSP26BK	P-18	PJ050	L-11	QT9352	D-11
NPJ126I	0-11	NS616I	D-18, P-20	NS782AL	P-29	NSJUB	P-13	NSP26GY	P-18	PJ062	L-11	QT9352AL	D-11
NPJ126LA	0-11	NS616LA	D-18, P-20	NS782I	P-29	NSJUBK	P-13	NSP26I	P-18	PJ075	L-11	QT9352BK	D-11
NPJ126W	0-11	NS616W	D-18, P-20	NS782LA	P-29	NSJUGN	P-13	NSP26LA	P-18	PJ100	L-11	QT9352GY	D-11
NPJ138	0-12	NS620AL	0-19, P-20	NS782W	P-29	NSJUGY	P-13	NSP26W	P-18	PJ126AL	N-13	QT9352I	D-11
NPJ138AL	0-12	NS620I	0-19, P-20	NS783AL	P-29	NSJUI	P-13	NSP101AL	P-18	PJ126GY	N-13	QT9352LA	D-11
NPJ138I	0-12	NS620LA	0-19, P-20	NS783I	P-29	NSJULA	P-13	NSP101BK	P-18	PJ226G	N-13	QT9352R	D-11
NPJ138W	0-12	NS620W	0-19, P-20	NS783LA	P-29	NSJUOR	P-13	NSP101GY	P-18	PKL520	H-32, 0-26	QT9352W	D-11
NPJ226	0-13	NS621AL	0-19, P-20	NS783W	P-29	NSJUR	P-13	NSP101I	P-18	PKL620	H-32, 0-26	QR28032401	F-13
NPJ226AL	0-13	NS621GY	N-13	NS784	P-28	NSJUW	P-13	NSP101LA	P-18	PR24	P-12	R28032406	F-13
		NS621I	0-19, P-20	NS784AL	P-28</								

Alphanumeric Index



CAT. NO.	PAGE	CAT. NO.	PAGE	CAT. NO.	PAGE	CAT. NO.	PAGE	CAT. NO.	PAGE	CAT. NO.	PAGE	CAT. NO.	PAGE
RA12WPK100	..0-19	RCD103ALD-6	RDVELV300PW	..F-10	RF515CHN-2	RMS100LIF-7	RR15QTRA-28	RR201VWRTR	..A-29
RA38ALPK100	..0-19	RCD103BKD-6	RDVELV303PAL	..F-10	RF515CUN-2	RMS100LLAF-7	RR15QWA-28	RR205A-29
RA38BPK100	..0-19	RCD103GYD-6	RDVELV303PI	..F-10	RF515NIN-2	RMS100LWF-7	RR15QWTRA-28	RR205ALA-29
RA38BRPK100	..0-19	RCD103LID-6	RDVELV303PLA	..F-10	RF515SSN-2	RMS100LAF-7	RR15SA-29	RR205ALWRA-29
RA38CHPK100	..0-19	RCD103LAD-6	RDVELV303PW	..F-10	RF5Q2FDK	..F-13	RMS100WF-7	RR15SALA-29	RR205BKA-29
RA38GYPK100	..0-19	RCD103WD-6	RDVFSQFAL	..F-10	RFW110-3	RMS101ALF-7	RR15SALTRA-29	RR205BKWRA-29
RA38IPK100	..0-19	RCD108ALD-6	RDVFSQFI	..F-10	RFW1W0-3	RMS101IF-7	RR15SALWRTR	..A-29	RR205GYA-29
RA38LAPK100	..0-19	RCD108ALTRD-6	RDVFSQFLA	..F-10	RFW2I0-3	RMS101IALF-7	RR15SBKA-29	RR205GYWRA-29
RA38PK100	..0-19	RCD108BKD-6	RDVFSQFW	..F-10	RFW2W0-3	RMS101ILIF-7	RR15SBKTRA-29	RR205IA-29
RA38SSPK100	..0-19	RCD108BKTRD-6	RDVLV600PAL	..F-10	RFW3I0-3	RMS101ILLAF-7	RR15SBKWRTR	..A-29	RR205IWRA-29
RA38WPK100	..0-19	RCD108GID-6	RDVLV600PI	..F-10	RFW3W0-3	RMS101ILWF-7	RR15SGYWRTR	..A-29	RR205LAA-29
RA400-19	RCD108GYTRD-6	RDVLV600PLA	..F-10	RJ62ALN-3, 5	RMS101LAF-7	RR15SLA-29	RR205LAWRA-29
RA58BRPK100	..0-19	RCD108LID-6	RDVLV600PW	..F-10	RJ62ALTRN-3, 5	RMS101WF-7	RR15SITRA-29	RR205WA-29
RA58CHPK100	..0-19	RCD108ITRD-6	RDVLV603PAL	..F-10	RJ62BKN-3, 5	RMS120ALF-7	RR15SIWRTR	..A-29	RR205WRA-29
RA58SSPK100	..0-19	RCD108LAD-6	RDVLV603PI	..F-10	RJ62BKTRN-3, 5	RMS120IF-7	RR15SLAA-29	RR205WWRA-29
RA88IPK100	..0-19	RCD108LATRD-6	RDVLV603PLA	..F-10	RJ62GYN-3, 5	RMS120IALF-7	RR15SLATRA-29	RR30A-42
RA88SSPK100	..0-19	RCD108WD-6	RDVLV603PW	..F-10	RJ62GYTRN-3, 5	RMS120ILIF-7	RR15SLAWRTR	..A-29	RR30FA-42
RA88WPK100	..0-19	RCD108WTRD-6	RE2P-8	RJ62IN-3, 5	RMS120ILLAF-7	RR15SLWA-29	RR30FWA-43
RA7560-19	RCD109ALD-6	RE2BP-8	RJ62ITRN-3, 5	RMS120ILWF-7	RR15SWA-29	RR430A-43
RA756I0-19	RCD109ID-6	RE4P-8	RJ62LAN-3, 5	RMS120LAF-7	RR15SWTRA-29	RR430FA-43
RA756W0-19	RCD109LAD-6	RE4BP-8	RJ62LATRN-3, 5	RMS120WF-7	RR15SWWRTR	..A-29	RR430FWA-43
RAY2LFSQAL	..F-12	RCD109WD-6	RE4XP-8	RJ62WN-3, 5	RMS121ALF-4	RR15WA-29	RR430PMA-43
RAY2LFSQI	..F-12	RCD111ALD-6	RE4XBP-8	RJ62WTRN-3, 5	RMS121IF-4	RR15WTRA-29	RR430PA-43
RAY2LFSQLA	..F-12	RCD111ID-6	REK19P-9	RJ62YN-3, 5	RMS121IALF-4	RR151A-29	RR435PA-43, 45
RAY2LFSQW	..F-12	RCD111LAD-6	REK19LP-9	RJ62YALTRN-3, 5	RMS121ILIF-4	RR151ALA-29	RR450A-45
RAY10PW	..F-12	RCD111WD-6	REK110P-9	RJ62YTRN-3, 5	RMS121ILLAF-4	RR151ALTRA-29	RR450FA-45
RAY10PI	..F-12	RCD303ALD-7	REKBB20P-9	RJ62YTRN-3, 5	RMS121ILWF-4	RR151ALWRTR	..A-29	RR450FWA-45
RAY10PLA	..F-12	RCD303BKD-7	REKBB30P-9	RJ65GYN-3, 5	RMS121LAF-4	RR151BKA-29	RR450PMA-45
RAY10PW	..F-12	RCD303LID-7	REKBB40P-9	RJ65GYTRN-3, 5	RMS121WF-4	RR151BKTRA-29	RR451D-13
RAY103PAL	..F-12	RCD303LAD-7	REKEFP-8	RJ65IN-3, 5	RMS140ALF-4	RR151BKWRTR	..A-29	RRD15ALD-13
RAY103PI	..F-12	RCD303WD-7	REKEGSP-9	RJ65ITRN-3, 5	RMS140IF-4	RR151CHBSA-27	RRD15BKD-13
RAY103PLA	..F-12	RCD303ALTRD-7	REKFP-8	RJ65LAN-3, 5	RMS140WF-4	RR151CHBSTR	..A-27	RRD15ED-13
RAY103PW	..F-12	RCD308ALTRD-7	REKFPP-9	RJ65LATRN-3, 5	RMS141ALF-4	RR151CHIA-27	RRD15EALD-13
RAY600PAL	..F-12	RCD308BKD-7	REKFPP-9	RJ65WN-3, 5	RMS141IF-4	RR151CHITRA-27	RRD15EALTRD-13
RAY600PI	..F-12	RCD308BKTRD-7	REKGP-9	RJ65WTRN-3, 5	RMS141WF-4	RR151CHSSA-27	RRD15EBKD-13
RAY600PLA	..F-12	RCD308ID-7	REKGBP-9	RJ60N-3, 5	RP101BKA-40	RR151CHSSTR	..A-27	RRD15EBKTRD-13
RAY600PW	..F-12	RCD308ITRD-7	REKHP-8	RJ62ALN-3, 5	RP101WA-40	RR151CHSA-27	RRD15EBKTRD-13
RAY603PAL	..F-12	RCD308LAD-7	REKHSP-8	RJ62ALTRN-3, 5	RP102BKA-40	RR151CHWTRA-27	RRD15EGYD-13
RAY603PI	..F-12	RCD308LATRD-7	REKIP-8	RJ62OBKN-3, 5	RP102WA-40	RR151CHWRTR	..A-29	RRD15EGYTRD-13
RAY603PLA	..F-12	RCD308WD-7	REKPP-9	RJ62OBKTRN-3, 5	RP123IA-40	RR151GYA-29	RRD15EID-13
RAY603PW	..F-12	RCD308WTRD-7	REKR24P-8	RJ62OBYN-3, 5	RP123PIA-40	RR151GYTRA-29	RRD15EITRD-13
RAYFSQFAL	..F-12	RCD309ALD-7	REKR32P-8	RJ62OBYTRN-3, 5	RP123PWA-40	RR151GYWRTR	..A-29	RRD15ELAD-13
RAYFSQFI	..F-12	RCD309ID-7	REKR42P-8	RJ62OIN-3, 5	RP123WA-40	RR151IA-29	RRD15ELATRD-13
RAYFSQFLA	..F-12	RCD309LAD-7	REKSP-8	RJ62OITRN-3, 5	RP646A-40	RR151ITRA-29	RRD15ETRD-13
RAYFSQFW	..F-12	RCD309WD-7	REKSJ20P-8	RJ62OLAN-3, 5	RP648A-40	RR151IWRTR	..A-29	RRD15EWD-13
RB58405	..H-32, 0-26	RCW1ALD-16, 0-3	REKSJ30P-8	RJ62OLATRN-3, 5	RP649A-40	RR151LAA-29	RRD15EWTRD-13
RC101E-14	RCW11D-16, 0-3	REKSJ40P-8	RJ62OWN-3, 5	RR15A-29	RR151LATRA-29	RRD15GYD-13
RC101ALE-14	RCW11AD-16, 0-3	REKTJP-8	RJ62OWTRN-3, 5	RR15ALA-29	RR151LAWRTR	..A-29	RRD15ID-13
RC101IE-14	RCW1WD-16, 0-3	REKUP-8	RJ65ALN-3, 5	RR15BKA-29	RR151TRA-29	RRD15KD-13
RC101LAE-14	RCW2ALD-16, 0-3	REKUBP-8	RJ65ALTRN-3, 5	RR15BKTRA-29	RR151WA-29	RRD15KALD-13
RC101WE-14	RCW2ID-16, 0-3	REKZP-9	RJ65OBKN-3, 5	RR15BA-29	RR151WRTRA-29	RRD15KALTRD-13
RC103E-15	RCW2LAD-16, 0-3	REKZLP-9	RJ65OBKTRN-3, 5	RR15EALA-29	RR151WTRA-29	RRD15KALTRD-13
RC103ALE-15	RCW2WD-16, 0-3	RF151N-3	RJ65OBKTRN-3, 5	RR15EALTRA-29	RR151WTRA-29	RRD15KALTRD-13
RC103IE-15	RCW3ALD-16, 0-3	RF151DN-3	RJ65OBYN-3, 5	RR15EALTRA-29	RR151WTRA-29	RRD15KALTRD-13
RC103LAE-15	RCW3ID-16, 0-3	RF151RN-3	RJ65OBYTRN-3, 5	RR15EALTRA-29	RR151WTRA-29	RRD15KALTRD-13
RC103WE-15	RCW3LAD-16, 0-3	RF151TRN-3	RJ65OIN-3, 5	RR15EALTRA-29	RR151WTRA-29	RRD15KALTRD-13
RC108E-14	RCW3WD-16, 0-3	RF201RN-3	RJ65OITRN-3, 5	RR15EALTRA-29	RR151WTRA-29	RRD15KALTRD-13
RC108ALE-14	RCW4ALD-16, 0-3	RF400N-5	RJ65OLAN-3, 5	RR15EALTRA-29	RR151WTRA-29	RRD15KALTRD-13
RC108ALTRE-14	RCW4ID-16, 0-3	RF406ALN-5	RJ65OLATRN-3, 5	RR15EALTRA-29	RR151WTRA-29	RRD15KALTRD-13
RC108IE-14	RCW4LAD-16, 0-3	RF406BKN-5	RJ65OWN-3, 5	RR15EALTRA-29	RR151WTRA-29	RRD15KALTRD-13
RC108ITRE-14	RCW4WD-16, 0-3	RF406BNN-5	RL100M-8	RR15EALTRA-29	RR151WTRA-29	RRD15KALTRD-13
RC108LAE-14	RCW5ALD-16, 0-3	RF406BRN-5	RL101M-8	RR15EALTRA-29	RR151WTRA-29	RRD15KALTRD-13
RC108LATRE-14	RCW5ID-16, 0-3	RF406GYN-5	RL102M-8	RR15EALTRA-29	RR151WTRA-29	RRD15KALTRD-13
RC108TRE-14	RCW5LAD-16, 0-3	RF407ALN-5	RL105M-8	RR15EALTRA-29	RR151WTRA-29	RRD15KALTRD-13
RC108WE-14	RCW5WD-16, 0-3	RF407BKN-5	RL106M-8	RR15EALTRA-29	RR151WTRA-29	RRD15KALTRD-13
RC108WTRE-14	RCW6ALD-16, 0-3	RF407BNN-5	RL124M-9	RR15EALTRA-29	RR151WTRA-29	RRD15KALTRD-13
RC109E-14	RCW6ID-16, 0-3	RF407BRN-5	RL124HM-9	RR15EALTRA-29	RR151WTRA-29	RRD15KALTRD-13
RC109ALE-14	RCW6LAD-16, 0-3	RF407GYN-5	RL150M-9	RR15EALTRA-29	RR151WTRA-29	RRD15KALTRD-13
RC109IE-14	RCW6WD-16, 0-3	RF408N-5	RL152M-8	RR15EALTRA-29	RR151WTRA-29	RRD15KALTRD-13
RC109LAE-14	RD600PKF-13	RF409BRN-5	RL153M-8	RR15EALTRA-29	RR151WTRA-29	RRD15KALTRD-13
RC109WE-14	RD600RIF-13	RF500N-2	RL200M-9	RR15EALTRA-29	RR151WTRA-29	RRD15KALTRD-13
RC303E-15	RD600RWF-13	RF506ALN-2	RL201M-9	RR15EALTRA-29	RR151WTRA-29	RRD15KALTRD-13
RC303ALE-15	RD603PKF-13	RF506BKN-2	RL202M-9	RR15EALTRA-29	RR151WTRA-29	RRD15KALTRD-13
RC303IE-15	RD530E-17	RF506BNN-2	RL305M-4	RR15EALTRA-29	RR151WTRA-29	RRD15KALTRD-13
RC303LAE-15	RD550E-17	RF506BPN-2	RL306M-4	RR15EALTRA-29	RR151WTRA-29	RRD15KALTRD-13
RC303WE-15	RDV10PALF-10	RF506BRN-2	RL310M-3	RR15EALTRA-29	RR151WTRA-29	RRD15KALTRD-13
RC308E-15	RDV10PIF-10	RF506CHN-2	RL311M-3	RR15EALTRA-29	RR151WTRA-29	RRD15KALTRD-13
RC308ALE-15	RDV10PLAF-10	RF506CUN-2	RL320M-2	RR15EALTRA-29	RR151WTRA-29	RRD15KALTRD-13
RC308ALTRE-15	RDV10PWF-10	RF506NIN-2	RL325M-2	RR15EALTRA-29	RR151WTRA-29	RRD15KALTRD-13
RC308IE-15	RDV103PALF-10	RF506SSN-2	RL325AM-2	RR15EALTRA-29	RR151WTRA-29	RRD15KALTRD-13
RC308ITRE-15	RDV103PIF-10	RF507AN-2	RL3742M-8	RR15EALTRA-29	RR151WTRA-29	RRD15KALTRD-13
RC308TRE-15	RDV103PLAF-10	RF507BKN-2	RL8504M-7	RR15EALTRA-29	RR151WTRA-29	RRD15KALTRD-13
RC308WE-15	RDV103PWF-10										

Alphanumeric Index



CAT. NO.	PAGE	CAT. NO.	PAGE	CAT. NO.	PAGE	CAT. NO.	PAGE	CAT. NO.	PAGE	CAT. NO.	PAGE	CAT. NO.	PAGE
RRD151BKTR	D-13	RS3155	E-13	RU200SS	N-7	SC5EGY03	P-7	SF35STGY	P-15	SFRCGNFFOW	P-16	SFRCYRLA	P-16
RRD151GY	D-13	RS3155AL	E-13	RU200W	N-7	SC5EGY05	P-7	SF35STLA	P-15	SFRCGNFFW	P-16	SFRCYRW	P-16
RRD151GYTR	D-13	RS3155L	E-13	RU270W	N-7	SC5EGY07	P-7	SF35STOW	P-15	SFRCGNFY	P-17	SFRCYVW	P-17
RRD151I	D-13	RS3155LA	E-13	RW51020	O-22	SC5EGY10	P-7	SF35STW	P-15	SFRCGNLA	P-17	SFRCYVW	P-17
RRD151ITR	D-13	RS3155SW	E-13	RW51040	O-22	SC5EGY15	P-7	SFB10	P-17	SFRCGNOW	P-17	SFRCYVW	P-17
RRD151LA	D-13	RS315W	E-13	RW51320	O-22	SC5EGY20	P-7	SFBAL10	P-17	SFRCGNRAL	P-16	SFRCYVW	P-17
RRD151LATR	D-13	RS415	E-13	RW51330	O-22	SC5EGY25	P-7	SFBBK	P-14	SFRCGNRBK	P-16	SFRCYVW	P-17
RRD151TR	D-13	RS415AL	E-13	RW51380	O-22	SC5ER01	P-7	SFBBK10	P-17	SFRCGNREI	P-16	SFRCYVW	P-17
RRD151W	D-13	RS415BK	E-13	RW51450	O-22	SC5ER03	P-7	SFBEI	P-14	SFRCGNRGA	P-16	SFRCYVW	P-17
RRD151WTR	D-13	RS415I	E-13	RW51470	O-22	SC5ER05	P-7	SFBEI10	P-17	SFRCGNRLA	P-16	SFRCYVW	P-17
RRD155	D-13	RS415LA	E-13	RW51520	O-22	SC5ER07	P-7	SFBGBK	P-14	SFRCGNROW	P-16	SFRCYVW	P-17
RRD155AL	D-13	RS415W	E-13	RW51550	O-22	SC5ER10	P-7	SFBGEL	P-14	SFRCGNRW	P-16	SFRCYVW	P-17
RRD155BK	D-13	RS600PAL	F-11	RW51810	O-22	SC5ER15	P-7	SFBGGY	P-14	SFRCGNW	P-17	SFRCYVW	P-17
RRD155GY	D-13	RS600PI	F-11	RW57300	O-25	SC5ER20	P-7	SFBGLA	P-14	SFRCORAL	P-17	SFRCYVW	P-17
RRD155I	D-13	RS600PLA	F-11	RW57350	O-25	SC5ER25	P-7	SFBGW	P-14	SFRCORBK	P-17	SFRCYVW	P-17
RRD155LA	D-13	RS600PW	F-11	RW57400	O-25	SC5EY01	P-7	SFBGW	P-14	SFRCOREI	P-17	SFRCYVW	P-17
RRD155W	D-13	RS603PAL	F-11	RW57750	O-25	SC5EY03	P-7	SFBGY	P-14	SFRCORFFAL	P-16	SFRCYVW	P-17
RRD201	D-13	RS603PI	F-11	RW57900	O-25	SC5EY05	P-7	SFBGY10	P-17	SFRCORFFBK	P-16	SFRCYVW	P-17
RRD201AL	D-13	RS603PLA	F-11	RW57950	O-25	SC5EY07	P-7	SFBLA	P-14	SFRCORFFEI	P-16	SFRCYVW	P-17
RRD201ALTR	D-13	RS603PW	F-11	S12RKL	O-19	SC5EY10	P-7	SFBLA10	P-17	SFRCORFFGA	P-16	SFRCYVW	P-17
RRD201BK	D-13	RSD115	D-5	S12RKL	O-19	SC5EY15	P-7	SFBW	P-14	SFRCORFFLA	P-16	SFRCYVW	P-17
RRD201BKTR	D-13	RSD115AL	D-5	S40	L-26	SC5EY20	P-7	SFBW	P-14	SFRCORFFOW	P-16	SFRCYVW	P-17
RRD201GY	D-13	RSD115BK	D-5	S80	L-26	SC5EY25	P-7	SFBW10	P-17	SFRCORFFW	P-16	SFRCYVW	P-17
RRD201GYTR	D-13	RSD115GEM	D-5	S2271GEM	O-18	SC6B01	P-7	SFCSEBK	P-15	SFRCORGY	P-17	SFRCYVW	P-17
RRD201I	D-13	RSD115I	D-5	S22710EM	O-18	SC6B03	P-7	SFCSEW	P-15	SFRCORLA	P-17	SFRCYVW	P-17
RRD201ITR	D-13	RSD115LAL	D-5	SA1	O-5	SC6B05	P-7	SFFGAL	P-14	SFRCOROW	P-17	SFRCYVW	P-17
RRD201LA	D-13	RSD115LI	D-5	SA2	O-5	SC6B07	P-7	SFFGBK	P-14	SFRCORRAL	P-16	SFRCYVW	P-17
RRD201LATR	D-13	RSD115LLA	D-5	SA7	O-6	SC6B10	P-7	SFFGEL	P-14	SFRCORRBK	P-16	SFRCYVW	P-17
RRD201TR	D-13	RSD115LLW	D-5	SA8	O-6	SC6B15	P-7	SFFGGY	P-14	SFRCORREI	P-16	SFRCYVW	P-17
RRD201W	D-13	RSD115LA	D-5	SA13	O-10	SC6B20	P-7	SFFGLA	P-14	SFRCORRGA	P-16	SFRCYVW	P-17
RRD201WTR	D-13	RSD115PLAL	D-5	SA23	O-10	SC6B25	P-7	SFFGW	P-14	SFRCORRLA	P-16	SFRCYVW	P-17
RRD205	D-13	RSD115PLI	D-5	SA72	O-6	SC6GY01	P-7	SFFGW	P-14	SFRCORROW	P-16	SFRCYVW	P-17
RRD205AL	D-13	RSD115PLLA	D-5	SA82	O-6	SC6GY03	P-7	SFFRFLA	P-14	SFRCORRW	P-16	SFRCYVW	P-17
RRD205BK	D-13	RSD115PLW	D-5	SA83	O-6	SC6GY05	P-7	SFFRFBK	P-14	SFRCORW	P-17	SFRCYVW	P-17
RRD205GY	D-13	RSD115W	D-5	SA720	O-7	SC6GY07	P-7	SFFRFEI	P-14	SFRCR	P-17	SFRCYVW	P-17
RRD205I	D-13	RSD215	D-5	SA723	O-7	SC6GY10	P-7	SFFRFGY	P-14	SFRCRAL	P-17	SFRCYVW	P-17
RRD205LA	D-13	RSD215AL	D-5	SAB12A	H-48	SC6GY15	P-7	SFFRFLA	P-14	SFRCRBK	P-17	SFRCYVW	P-17
RRD205W	D-13	RSD215BK	D-5	SAB34A	H-48	SC6GY20	P-7	SFFRFGW	P-14	SFRCREI	P-17	SFRCYVW	P-17
RRKDK	F-13	RSD215GY	D-5	SB1	O-5	SC6GY25	P-7	SFFRFLA	P-14	SFRCRFF	P-16	SFRCYVW	P-17
RS2LFSQAL	F-11	RSD215I	D-5	SB2	O-5	SC6R01	P-7	SFFRFBK	P-14	SFRCRFFAL	P-16	SFRCYVW	P-17
RS2LFSQI	F-11	RSD215LA	D-5	SB3	O-5	SC6R03	P-7	SFFRFLA	P-14	SFRCRFFBK	P-16	SFRCYVW	P-17
RS2LFSQLA	F-11	RSD215W	D-5	SB4	O-5	SC6R05	P-7	SFFRFGY	P-14	SFRCRFFEI	P-16	SFRCYVW	P-17
RS2LFSQW	F-11	RSD315	D-5	SB5	O-5	SC6R07	P-7	SFFRFLA	P-14	SFRCRFFGA	P-16	SFRCYVW	P-17
RS10PAL	F-11	RSD315AL	D-5	SB6	O-5	SC6R10	P-7	SFFRFGY	P-14	SFRCRFFLA	P-16	SFRCYVW	P-17
RS10PI	F-11	RSD315BK	D-5	SB7	O-6, 20	SC6R15	P-7	SFFRFLA	P-14	SFRCRFFW	P-16	SFRCYVW	P-17
RS10PLA	F-11	RSD315GY	D-5	SB8	O-6	SC6R20	P-7	SFFRFGY	P-14	SFRCRFFBK	P-16	SFRCYVW	P-17
RS10PW	F-11	RSD315I	D-5	SB12	O-8	SC6R25	P-7	SFFRFLA	P-14	SFRCRFFEI	P-16	SFRCYVW	P-17
RS100W	E-17	RSD315LAL	D-5	SB13	O-10	SC6Y01	P-7	SFFRFGY	P-14	SFRCRFLA	P-17	SFRCYVW	P-17
RS101I	E-17	RSD315LI	D-5	SB14	O-10	SC6Y03	P-7	SFFRFLA	P-14	SFRCRRLA	P-16	SFRCYVW	P-17
RS101W	E-17	RSD315LLA	D-5	SB18	O-11	SC6Y05	P-7	SFFRFGY	P-14	SFRCRRB	P-16	SFRCYVW	P-17
RS103PAL	F-11	RSD315LLW	D-5	SB23	O-10	SC6Y07	P-7	SFFRFLA	P-14	SFRCRRF	P-16	SFRCYVW	P-17
RS103PI	F-11	RSD315LA	D-5	SB26	O-4	SC6Y10	P-7	SFFRFGY	P-14	SFRCRRG	P-16	SFRCYVW	P-17
RS103PLA	F-11	RSD315W	D-5	SB72	O-6	SC6Y15	P-7	SFFRFLA	P-14	SFRCRRLA	P-16	SFRCYVW	P-17
RS103PW	F-11	RSD415	D-5	SB82	O-6	SC6Y20	P-7	SFFRFGY	P-14	SFRCRRW	P-16	SFRCYVW	P-17
RS115	E-12	RSD415AL	D-5	SB83	O-6	SC6Y25	P-7	SFFRFLA	P-14	SFRCRW	P-17	SFRCYVW	P-17
RS115AL	E-12	RSD415BK	D-5	SB126	O-11	SC10	P-23	SFFRFGY	P-14	SFRCRW	P-17	SFRCYVW	P-17
RS115BK	E-12	RSD415GY	D-5	SB262	O-4	SCD075	L-12	SFFRFLA	P-14	SFRCRW	P-17	SFRCYVW	P-17
RS115I	E-12	RSD415I	D-5	SB263	D-17	SCD100	L-12	SFFRFLA	P-14	SFRCRW	P-17	SFRCYVW	P-17
RS115LAL	E-12	RSD415LA	D-5	SB264	D-17	SCD125	L-12	SFFRFLA	P-14	SFRCRW	P-17	SFRCYVW	P-17
RS115LC	E-12	RSD415W	D-5	SB265	D-17	SCD150	L-12	SFFRFLA	P-14	SFRCRW	P-17	SFRCYVW	P-17
RS115LI	E-12	RSELV300PAL	F-11	SB266	D-17	SCD175	L-12	SFFRFLA	P-14	SFRCRW	P-17	SFRCYVW	P-17
RS115LLA	E-12	RSELV300PI	F-11	SB720	O-7	SCD200	L-12	SFFRFLA	P-14	SFRCRW	P-17	SFRCYVW	P-17
RS115LLW	E-12	RSELV300PLA	F-11	SB738	O-8	SCD250	L-12	SFFRFLA	P-14	SFRCRW	P-17	SFRCYVW	P-17
RS115KAL	E-12	RSELV300PW	F-11	SB771	O-14	SCD300	L-12	SFFRFLA	P-14	SFRCRW	P-17	SFRCYVW	P-17
RS115KI	E-12	RSELV303PAL	F-11	SB826	O-11	SCD350	L-12	SFFRFLA	P-14	SFRCRW	P-17	SFRCYVW	P-17
RS115KLA	E-12	RSELV303PI	F-11	SBP1	O-5	SCH1	O-5	SFFRFLA	P-14	SFRCRW	P-17	SFRCYVW	P-17
RS115KW	E-12	RSELV303PLA	F-11	SBP2	O-5	SCH2	O-5	SFFRFLA	P-14	SFRCRW	P-17	SFRCYVW	P-17
RS115LA	E-12	RSELV303PW	F-11	SBP3	O-5	SCH3	O-5	SFFRFLA	P-14	SFRCRW	P-17	SFRCYVW	P-17
RS115S	E-12	RSFSQFL	F-11	SBP4	O-5	SCH7	O-6	SFFRFLA	P-14	SFRCRW	P-17	SFRCYVW	P-17
RS115SAL	E-12	RSFSQFI	F-11	SBP7	O-6	SCH8	O-6	SFFRFLA	P-14	SFRCRW	P-17	SFRCYVW	P-17
RS115SI	E-12	RSFSQFLA	F-11	SBP8	O-6	SCH12	O-8	SFFRFLA	P-14	SFRCRW	P-17	SFRCYVW	P-17
RS115SLA	E-12	RSFSQFW	F-11	SBP11	O-8	SCH13	O-10	SFFRFLA	P-14	SFRCRW	P-17	SFRCYVW	P-17
RS115SW	E-12	RSKAL	F-11	SBP12	O-8	SCH18	O-11	SFFRFLA	P-14	SFRCRW	P-17	SFRCYVW	P-17
RS115W	E-12	RSKI	F-11	SBP13	O-10	SCH23	O-10	SFFRFLA	P-14	SFRCRW	P-17	SFRCYVW	P-17
RS315	E-13	RSKL	F-11	SBP18	O-11	SCH26	D-17, 0-4	SFFRFLA	P-14	SFRCRW	P-17	SFRCYVW	P-17
RS315AL	E-13	RSKW	F-11	SBP23	O-10	SCH82	O-6	SFFRFLA	P-14	SFRCRW	P-17	SFRCYVW	P-17
RS315BK	E-13	RSLV600PAL	F-11	SBP26	D-17, 0-4	SCH262	D-17, 0-4	SFFRFLA	P-14	SFRCRW	P-17	SFRCYVW	P-17
RS315I	E-13	RSLV600PI	F-11	SBP28	O-12	SCH702	O-7	SFFRFLA	P-14	SFRCRW	P-17	SFRCYVW	P-17
RS315LAL	E-13	RSLV600PLA	F-11	SBP33	O-10	SCH723	O-7	SFFRFLA	P-14	SFRCRW	P-17	SFRCYVW	P-17
RS315LC	E-13	RSLV600PW	F-11	SBP82	O-6	SF5ECOGY	P-15	SFFRFLA	P-14	SFRCRW	P-17	SFRCYVW	P-17
RS315LI	E-13	RSLV603PAL	F-11	SBP83	O-6	SF35FFBK	P-15	SFFRFLA	P-14	SFRCRW	P-17	SFRCYVW	P-17
RS315LLA	E-13	RSLV603PI	F-11	SBP126	O-11	SF35FFEI	P-15	SFFRFLA	P-14	SFRCRW	P-17	SFRCYVW	P-17
RS315LLW	E-13	RSLV603PLA	F-11	SBP262	D-17, 0-4	SF35FFGY	P-15	SFFRFLA	P-14	SFRCRW	P-17	SFRCYVW	P-17
RS315KAL	E-13	RSLV603PW	F-11	SBP263	D-17, 0-4	SF35FFLA	P-15	SFFRFLA	P-14	SFRCRW	P-17	SFRCYVW	P-17
RS315KI	E-13	RT100W	M-11	SBP771	O-14	SF35FFOW	P-15	SFFRFLA	P-14	SFRCRW	P-17	SFRCYVW	P-17
RS315KLA	E-13	RT200	M-11	SC5EB01	P-7	SF35FFW	P-15	SFFRFLA	P-14	SFRCRW	P-17	SFRCYVW	P-17
RS315KW	E-13	RT300I	M-11	SC5EB03	P-7	SF35SJ	P-15	SFFRFLA	P-14	SFRCRW	P-17	SFRCYVW	P-17
RS315LA	E-13	RT300W	M-11	SC5EB05	P-7	SF35SJBK	P-15	SFFRFLA	P-14	SFRCRW	P-17	SFRCYVW	P-17
		RT303	M-11	SC5EB07	P-7	SF35SJEI	P-15	SFFRFLA	P-14	SFRCRW	P-17	SFRCYVW	P-17
		RT600I	M-11	SC5EB10	P-7	SF35SJJG	P-15	SFFRFLA	P-14	SFRCRW	P-17	SFRCYVW	P-17
		RT600W	M-11	SC5EB15	P-7	SF35SJLA	P-15	SFFRFLA	P-14	SFRCRW	P-17	SFRCYVW	P-17
		RU100SS	N-7	SC5EB20	P-7	SF35SJW	P-15	SFFRFLA	P-14	SFRCRW	P-17	SFRCYVW	P-17
		RU100W	N-7	SC5EB25	P-7	SF35STBK	P-15	SFFRFLA	P-14	SFRCRW	P-17	SFRCYVW	P-17
		RU170W	N-7	SC5EGY01	P-7	SF35STEI	P-15	SFFRFLA	P-14	SFRCRW	P-17	SFRCYVW	P-17

S
8

Alphanumeric Index



CAT. NO.	PAGE	CAT. NO.	PAGE	CAT. NO.	PAGE	CAT. NO.	PAGE	CAT. NO.	PAGE	CAT. NO.	PAGE	CAT. NO.	PAGE
SP28GY	..N-13	SPC175SOS	..L-19	SPS100DE	..L-20	SPSR250DE	..L-22	SS7390-8	TX4PP-34	VGA635BKP-22
SP34AL	..N-13	SPC175U	..L-18	SPS100DES	..L-20	SPSR250DES	..L-22	SS7400-5	TX4PHP-34	VGA640BKP-22
SP34BAL	..N-13	SPC175SU	..L-18	SPS100L	..L-21	SPSR250L	..L-23	SS7410-8	TX4PHBLP-34	VGA645BKP-22
SP52A	..C-3, D-14	SPC200DE	..L-18	SPS100SO	..L-21	SPSR250SO	..L-23	SS7470-6	TXAPPP-34	VGA650BKP-22
SP52ZALA	..C-3, D-14	SPC200DES	..L-18	SPS100U	..L-20	SPSR250U	..L-22	SS7480-6	TXAPPBLP-34	VGA655BKP-22
SP52GYA	..C-3, D-14	SPC200L	..L-19	SPS100US	..L-20	SPSR250US	..L-22	SS7490-7	TX4PPHP-34	VGA660BKP-22
SP52IA	..C-3, D-14	SPC200SO	..L-19	SPS125DE	..L-20	SPSR300DE	..L-22	SS7710-14	UCTP-35	VGA665BKP-22
SP52IGA	..C-3, D-14	SPC200SOS	..L-19	SPS125DES	..L-20	SPSR300SO	..L-23	SS8260-11	UCTKITP-35	VGA670BKP-22
SP52IGALA	..C-3, D-14	SPC200U	..L-18	SPS125L	..L-21	SPSR300U	..L-22	SS14260-12	USB10P-23	VGA675BKP-22
SP52IGGYA	..C-3, D-14	SPC200US	..L-18	SPS125SO	..L-21	SPSR300US	..L-22	SS81470-13	VG15F605BK	..P-22	VGA680BKP-22
SP52IGIA	..C-3, D-14	SPC250DE	..L-18	SPS125U	..L-20	SPSR350DE	..L-22	SS87200-11	VG15F610BK	..P-22	VGA685BKP-22
SP52IGOA	..C-3, D-14	SPC250DES	..L-18	SPS125US	..L-20	SPSR350SO	..L-23	SSD14220-9	VG15F615BK	..P-22	VGA690BKP-22
SP52IGWA	..C-3, D-14	SPC250L	..L-19	SPS150DE	..L-20	SPSR350U	..L-22	SSD14230-9	VG15F620BK	..P-22	VGA695BKP-22
SP52WA	..C-3, D-14	SPC250SOS	..L-19	SPS150DES	..L-20	SS10-5	SSD14260-9	VG15F625BK	..P-22	VGA6100BKP-22
SP53A	..C-3, D-14	SPC250U	..L-18	SPS150L	..L-21	SS1L0-5	SSD14280-9	VG15F630BK	..P-22	VGA605BKP-22
SP53ALA	..C-3, D-14	SPC250US	..L-18	SPS150SO	..L-21	SS1ME0-18	SSD14290-9	VG15F635BK	..P-22	VGA610BKP-22
SP53GYA	..C-3, D-14	SPC300DE	..L-18	SPS150U	..L-20	SS20-5	SSD14300-9	VG15F640BK	..P-22	VGA615BKP-22
SP53IA	..C-3, D-14	SPC300DES	..L-18	SPS150US	..L-20	SS2L0-5	SSF11P-19	VG15F645BK	..P-22	VGA620BKP-22
SP53IGA	..C-3, D-14	SPC300L	..L-19	SPS175DE	..L-20	SS30-5	SSF12P-19	VG15F650BK	..P-22	VGA625BKP-22
SP53IGALA	..C-3, D-14	SPC300SO	..L-19	SPS175DES	..L-20	SS3L0-5	SSF13P-19	VG15F655BK	..P-22	VGA635BKP-22
SP53IGGYA	..C-3, D-14	SPC300U	..L-18	SPS175L	..L-21	SS40-5	SSF14P-19	VG15F660BK	..P-22	VGA635BKP-22
SP53IGIA	..C-3, D-14	SPC300US	..L-18	SPS175SO	..L-21	SS4L0-5	SSF16P-19	VG15F665BK	..P-22	VGA640BKP-22
SP53IGOA	..C-3, D-14	SPC350DE	..L-18	SPS175U	..L-20	SS50-5	SSF204P-19	VG15F670BK	..P-22	VGA645BKP-22
SP53IGWA	..C-3, D-14	SPC350DES	..L-18	SPS175US	..L-20	SS60-5	SSF206P-19	VG15F675BK	..P-22	VGA650BKP-22
SP53WA	..C-3, D-14	SPC350SO	..L-19	SPS200DE	..L-20	SS70-6, 20	SSF209P-19	VG15F680BK	..P-22	VGA655BKP-22
SP82A	..C-3, D-14	SPC350U	..L-18	SPS200DES	..L-20	SS7L0-6, 20	SSF212P-19	VG15F685BK	..P-22	VGA660BKP-22
SP82AL	..N-13	SPJ023L	..L-25	SPS200L	..L-21	SS80-6	SSFL11P-19	VG15F690BK	..P-22	VGA665BKP-22
SP82GY	..N-13	SPJ023LD	..L-24	SPS200SO	..L-21	SS8L0-6	SSFL12P-19	VG15F695BK	..P-22	VGA670BKP-22
SP82GYA	..C-3, D-14	SPJ023U	..L-25	SPS200U	..L-20	SS8MEV0-18	SSFL13P-19	VG15F6100BK	..P-22	VGA675BKP-22
SP82IA	..C-3, D-14	SPJ023UD	..L-24	SPS200US	..L-20	SS110-8	SSFL14P-19	VG15M605BK	..P-22	VGA680BKP-22
SP82IGA	..C-3, D-14	SPJ029L	..L-25	SPS250DE	..L-20	SS11L0-8	SSFL16P-19	VG15M610BK	..P-22	VGA685BKP-22
SP82IGGYA	..C-3, D-14	SPJ029LD	..L-24	SPS250L	..L-21	SS120-8	SSJ10-15	VG15M615BK	..P-22	VGA690BKP-22
SP82IGIA	..C-3, D-14	SPJ029U	..L-25	SPS250SO	..L-21	SS130-10	SSJ20-15	VG15M620BK	..P-22	VGA695BKP-22
SP82IGOA	..C-3, D-14	SPJ029UD	..L-24	SPS250U	..L-20	SS13L0-10	SSJ70-15	VG15M625BK	..P-22	VGA6100BKP-22
SP82IGRA	..C-3, D-14	SPJ035L	..L-25	SPS250US	..L-20	SS140-10	SSJ80-15	VG15M630BK	..P-22	VS73P-11
SP82IGWA	..C-3, D-14	SPJ035LD	..L-24	SPS300DE	..L-20	SS14L0-10	SSJ110-15	VG15M635BK	..P-22	VS73AP-11
SP82WA	..C-3, D-14	SPJ035U	..L-25	SPS300L	..L-21	SS170-11	SSJ130-15	VG15M640BK	..P-22	VS73HP-11
SP83A	..C-3, D-14	SPJ035UD	..L-24	SPS300SO	..L-21	SS180-11	SSJ180-15	VG15M645BK	..P-22	VS76P-11
SP83AL	..N-13	SPJ041L	..L-25	SPS300U	..L-20	SS18L0-11	SSJ260-15	VG15M650BK	..P-22	VS76AP-11
SP83GYA	..C-3, D-14	SPJ041LD	..L-24	SPS300US	..L-20	SS220-8	SSJ820-15	VG15M655BK	..P-22	VS76HP-11
SP83IA	..C-3, D-14	SPJ041U	..L-25	SPS350DE	..L-20	SS22RKL0-19	SSJ1260-15	VG15M660BK	..P-22	VS86P-11
SP83IGA	..C-3, D-14	SPJ041UD	..L-24	SPS350L	..L-21	SS22RKL0-19	SSJ2260-15	VG15M665BK	..P-22	VS86AP-11
SP83IGGYA	..C-3, D-14	SPJ046L	..L-25	SPS350SO	..L-21	SS230-10	SSJ2620-15	VG15M670BK	..P-22	WPC10-24
SP83IGIA	..C-3, D-14	SPJ046LD	..L-24	SPS350U	..L-20	SS23L0-10	SSJ7230-15	VG15M675BK	..P-22	WPC20-24
SP83IGOA	..C-3, D-14	SPJ046U	..L-25	SPS350US	..L-20	SS240-10	SSR050L-13	VG15M680BK	..P-22	XLR10P-23
SP83IGRA	..C-3, D-14	SPJ046UD	..L-24	SPSR050DE	..L-22	SS24L0-10	SSR062L-13	VG15M685BK	..P-22	XLST10P-23
SP83IGWA	..C-3, D-14	SPJ052L	..L-25	SPSR050U	..L-22	SS26D-17, 0-4	SSR075L-13	VG15M690BK	..P-22	XPHPP50P-33
SP83WA	..C-3, D-14	SPJ052LD	..L-24	SPSR050US	..L-22	SS26L0-4	SSR100L-13	VG15M695BK	..P-22	XPHPPID1U10	..P-33
SPC050DE	..L-18	SPJ052U	..L-25	SPSR062DE	..L-22	SS280-12	SSR125L-13	VG15M6100BK	..P-22	XPHPPID2U10	..P-33
SPC050DES	..L-18	SPJ052UD	..L-24	SPSR062DES	..L-22	SS330-10	SSR150L-13	VG15MP605BK	..P-22	XPHRC10P-33
SPC050L	..L-19	SPJ058L	..L-25	SPSR062L	..L-23	SS340-10	SSR175L-13	VG15MP610BK	..P-22	XPHUDX2410	..P-33
SPC050SO	..L-19	SPJ058LD	..L-24	SPSR062SO	..L-23	SS380-13	SSR200L-13	VG15MP615BK	..P-22	XPLP10WP-33
SPC050SOS	..L-19	SPJ058U	..L-25	SPSR062SOS	..L-23	SS430-10	SSR250L-13	VG15MP620BK	..P-22	XPLP1A10W	..P-33
SPC050U	..L-18	SPJ058UD	..L-24	SPSR062U	..L-22	SS440-10	SSR300L-13	VG15MP625BK	..P-22	XPLP1D10W	..P-33
SPC050US	..L-18	SPJ064L	..L-25	SPSR062US	..L-22	SS720-6	SSR350L-13	VG15MP630BK	..P-22	XPLRC10W	..P-33
SPC062DE	..L-18	SPJ064LD	..L-24	SPSR075DE	..L-22	SS780-11	SSS14730-14	VG15MP635BK	..P-22	XPLUDX2410W	..P-33
SPC062DES	..L-18	SPJ064U	..L-25	SPSR075DES	..L-22	SS820-6	SSS14740-14	VG15MP640BK	..P-22	XPSOFTP-33
SPC062L	..L-19	SPJ064UD	..L-24	SPSR075L	..L-23	SS82MEV0-18	SSS14760-14	VG15MP645BK	..P-22		
SPC062SO	..L-19	SPJ075L	..L-25	SPSR075SO	..L-23	SS830-6	SSS14770-14	VG15MP650BK	..P-22		
SPC062SOS	..L-19	SPJ075LD	..L-24	SPSR075SOS	..L-23	SS840-6	SSS24740-14	VG15MP655BK	..P-22		
SPC062U	..L-18	SPJ075U	..L-25	SPSR075U	..L-22	SS1130-11	SSTP10-19	VG15MP660BK	..P-22		
SPC062US	..L-18	SPJ075UD	..L-24	SPSR075US	..L-22	SS1140-12	SSTP20-19	VG15MP665BK	..P-22		
SPC075DE	..L-18	SPJ087L	..L-25	SPSR100DE	..L-22	SS1260-11	SSTP120-19	VG15MP670BK	..P-22		
SPC075DES	..L-18	SPJ087LD	..L-24	SPSR100DES	..L-22	SS126L0-11	SSTP140-19	VG15MP675BK	..P-22		
SPC075L	..L-19	SPJ087U	..L-25	SPSR100L	..L-23	SS1380-12	SSTP380-19	VG15MP680BK	..P-22		
SPC075SO	..L-19	SPJ087UD	..L-24	SPSR100SO	..L-23	SS1480-12	SSTP580-19	VG15MP685BK	..P-22		
SPC075SOS	..L-19	SPJ100L	..L-25	SPSR100SOS	..L-23	SS1820-12	SSSTD0-19	VG15MP690BK	..P-22		
SPC075U	..L-18	SPJ100LD	..L-24	SPSR100U	..L-22	SS2110-13	ST16C-6	VG15MP695BK	..P-22		
SPC075US	..L-18	SPJ100U	..L-25	SPSR100US	..L-22	SS2130-13	ST115C-6	VG15MP6100BK	..P-22		
SPC100DE	..L-18	SPJ100UD	..L-24	SPSR125DE	..L-22	SS2260-13	SY800GEM0-18	VGA6P05BKP-22		
SPC100DES	..L-18	SPJ106L	..L-25	SPSR125L	..L-23	SS2320-14	SY800OEM0-18	VGA6P10BKP-22		
SPC100L	..L-19	SPJ106LD	..L-24	SPSR125SO	..L-23	SS2340-14	SY803GEM0-18	VGA6P20BKP-22		
SPC100SO	..L-19	SPJ106U	..L-25	SPSR125SO	..L-23	SS262D-17, 0-4	SY865GEM0-18	VGA6P25BKP-22		
SPC100SOS	..L-19	SPJ106UD	..L-24	SPSR125U	..L-22	SS262L0-4	SY865GEM0-18	VGA6P30BKP-22		
SPC100U	..L-18	SPPBK10	..P-6, 15, 25	SPSR125US	..L-22	SS263D-17, 0-4	SY865OEM0-18	VGA6P35BKP-22		
SPC100US	..L-18	SPPR10	..P-6, 15, 25	SPSR150DE	..L-22	SS264D-17, 0-4	T1254GF6A-26, B-11	VGA6P40BKP-22		
SPC125DE	..L-18	SPS050DE	..L-20	SPSR150DES	..L-22	SS265D-17, 0-4	T1254S16AA-26	VGA6P45BKP-22		
SPC125DES	..L-18	SPS050DES	..L-20	SPSR150L	..L-23	SS266D-17, 0-4	TBL66P-34	VGA6P50BKP-22		
SPC125L	..L-19	SPS050L	..L-21	SPSR150SO	..L-23	SS3200-7	TBL110P-34	VGA6P55BKP-22		
SPC125SO	..L-19	SPS050SO	..L-21	SPSR150U	..L-22	SS3260-13	TBLHP-34	VGA6P60BKP-22		
SPC125SOS	..L-19	SPS050US	..L-20	SPSR150US	..L-22	SS3300-7	TC53P-35	VGA6P65BKP-22		
SPC125U	..L-18	SPS050US	..L-20	SPSR175DE	..L-22	SS6070-5	TK3P-34	VGA6P70BKP-22		
SPC125US	..L-18	SPS062DE	..L-20	SPSR175DES	..L-22	SS6080-5	TK8P-34	VGA6P75BKP-22		
SPC150DE	..L-												



RoHS Index by Catalog Number



3001	1254HR	320R7W	430C12W	49011	5252BLK	560P5W	70820MB	71730MB	7568NP	9801 GRY	BRY5266NSY	BRY8300IG
3331	1254HW	330B4W	430C5W	4901L	5252GRY	560P7W	70820NC	71730NC	7568NPCR	9801I	BRY5269NB	BRY8300IG
3333	1254I	330B6W	430C7W	4901PLC120	5252I	560P9W	70820NP	71730NP	7593NC	9801W	BRY5269NCR	BRY8300IL
3431	1254IG0	330B7W	430C9W	4901PLC277	5252RED	560R5W	70830ER	71820ER	7594NP	9803AL	BRY5269NCR	BRY8300LA
3433	1254IG0	330C4W	430P12W	4901PLG120	5252W	560R7W	70830FR	71820FR	7595MB	9803GRY	BRY5269NOR	BRY8300RED
3521	1254IG0B	330C6W	430P5W	4901PLR120	5261BLK	560R9W	70830MB	71820MB	7596ER	9803I	BRY5269NSY	BRY8300REDL
3523	1254R	330C7W	430P7W	4901PLR277	5261CR	563B6W	70830NC	71820NC	7716B	9803W	BRY5282	BRY8300TR
3763	1254W	330P4W	430P9W	4901RED	5261CR	563P6W	70830NP	71820NP	7717B	9901AL	BRY5292	BRY8300W
3765	14S10	330P6W	430R12W	4901RKL	5261GRY	563R6W	70920ER	71830ER	8266T	9901BLK	BRY5292GRY	BRY8300WL
4710	15A6P1	330P7W	430R5W	4901W	5261I	5642I	70920FR	71830FR	8350FR	9901GLI	BRY5292I	BRY8366NP
4801	15A6P10	330R4W	430R7W	4902BLK	5261IG	5661BLK	70920MB	71830MB	8352ANPB	9901GLW	BRY5362	BRY8366TSP
4802	15G1C10	330R6W	430R9W	4902GRY	5261IGGRY	5661GRY	70920NC	71830NC	8360FR	9901GRY	BRY5362BLK	BRY8369NC
4803	15NP61	330R7W	432B3W	4902I	5261IGGRY	5661I	70920NP	71830NP	8362ANPB	9901I	BRY5362BU	BRY8369TSC
4804	15NP610	332B4W	432B6W	4902L	5261IGI	5661RED	70930ER	71920ER	8366T	9901PL120	BRY5362CR	BRY8466NP
4822	15S6P1	332B6W	432C3W	4902PLR120	5261IGW	5661W	70930FR	71920FR	8369T	9901PLW120	BRY5362CR	BRY8469NC
4825	15S6P10	332C4S	432C6W	4902PLR277	5261IGW	5666B	70930MB	71920MB	8430FR	9901W	BRY5362GRY	CBRS15
4901	15ST10	332C4W	432P3W	4902RED	5261RED	5669B	70930NC	71920NC	8432ANPB	9902AL	BRY5362I	CBRS15AL
4902	15T6P1	332C6S	432P6W	4902RKL	5261W	5669Y	70930NP	71920NP	8450FR	9902BLK	BRY5362IG	CBRS15ALTR
4903	21254B	332C6W	432R3W	4902W	5262BBLK	5678G	71020ER	71930ER	8452ANPB	9902GRY	BRY5362IG	CBRS15ALWR
4904	21254BLK	332P4S	432R6W	4903BLK	5262BGRY	5965B	71020FR	71930FR	8460FR	9902I	BRY5362IG	CBRS15ALWRTR
4922	21254GY	332P4W	460B12W	4903GLC	5262BI	5965BGRY	71020MB	71930MB	8462ANPB	9902W	BRY5362IGB	CBRS15BLK
4925	21254HB	332P6S	460B5W	4903GLI	5262BN	5965BY	71020NC	71930NC	85002D	9903AL	BRY5362IGGRY	CBRS15BLKTR
4981	21254HGY	332P6W	460B7W	4903GRY	5262BRED	5966VBK	71020NP	71930NP	85003D	9903BLK	BRY5362IGGRY	CBRS15BLKWR
4982	21254HI	332R4S	460B9W	4903I	5262BW	5969B	71030ER	72002BC	9200GRY	9903GLI	BRY5362IGGRY	CBRS15BLKWRTR
4983	21254HIG0	332R4W	460C12W	4903L	5266NCR	5969BGRY	71030FR	72002BCB	9200GRY	9903GLW	BRY5362IGI	CBRS15GRY
4984	21254HR	332R6S	460C5W	4903PLC120	5269NCR	5969BY	71030MB	72002BP	9200I	9903GRY	BRY5362IGI	CBRS15GRYTR
5242	21254HW	332R6W	460C7W	4903PLG120	5278G	5969VBK	71030NC	72002BPB	9200I	9903I	BRY5362IGI	CBRS15GRYWR
5251	21254I	360B4W	460C9W	4903PLR120	5284WR	60002D	71030NP	72002BSR	9200IG	9903W	BRY5362IGW	CBRS15GRYWRTR
5252	21254IG0	360B6W	460P12W	4903PLR277	530B7W	60002FWD	71120ER	72002BSRB	9200IG	9904AL	BRY5362IGW	CBRS15I
5261	21254IG0	360B7W	460P5W	4903RED	530B9W	60003D	71120FR	72002M	9200IGGRY	9904BLK	BRY5362IGW	CBRS15ITR
5278	21254IGOL	360C4W	460P7W	4903RKL	530C7W	60003FWD	71120MB	72020ER	9200IGGRY	9904GRY	BRY5362RED	CBRS15IWR
5279	21254R	360C6W	460P9W	4903W	530C9W	70520ER	71120NC	72020FR	9200IGI	9904I	BRY5362W	CBRS15IWRTR
5284	23000G	360C7W	460R12W	4904BLK	530P7W	70520FR	71120NP	72020MB	9200IG	9904W	BRY5366NB	CBRS15LA
5295	23002G	360P4W	460R5W	4904GRY	530P9W	70520FR	71130ER	72020NC	9200IGRED	9904W	BRY5366NCR	CBRS15LATR
5342	23005G	360P6W	460R7W	4904I	530R7W	70520G	71130FR	72020NP	9200IGRED	95T10	BRY5366NOR	CBRS15LAWR
5351	30002D	360P7W	460R9W	4904L	530R9W	70520MB	71130MB	72030ER	9200IGW	ADAPB	BRY5366NP	CBRS15LAWRTR
5352	30002D	360R4W	463B6W	4904RED	532B6W	70520MBWP	71130NC	72030FR	9200IGW	ADAPBLK	BRY5366NSY	CBRS15TR
5361	30002DS	360R6W	463C6W	4904RKL	532C6W	70520NC	71130NP	72030MB	9200RED	ADAPBLU	BRY5366NB	CBRS15W
5378	30002DS	360R7W	463P6W	4904W	532P6W	70520NCB	71130NP	72030NC	9200RED	ADAPBLU	BRY5369NC	CBRS15WR
5379	30003D	363B6W	463R6W	4922GRY	532R6W	70520NCCR	71220FR	72030NP	9200W	ADAPGRY	BRY5369NCR	CBRS15WRTR
5395	30003D	363C6W	4700DR	4922I	5342BLK	70520NP	71220MB	72120ER	9200W	ADAPI	BRY5369NOR	CBRS15WRTR
5442	30003DS	363P6W	4700DR	4922W	5342GRY	70520NPB	71220NC	72120FR	9252AL	ADAPI	BRY5369NSY	CBRS15WWR
5461	30003DS	363R6W	4700DR	4925I	5342I	70520NPCR	71220NP	72120IG	9252BLK	ADAPD	BRY5382	CBRS15WWRTR
5478	30003FG	392BGRY	4700DRIG	4925L	5342RED	70530ER	71230ER	72120MB	9252GRY	ADAPR	BRY5462	CBRS20
5479	30003FG	40003D	4710CR	4925W	5342W	70530FR	71230FR	72120NC	9252I	ADAPW	BRY5462BLK	CBRS20AL
5484	3001I	40045ER	4710IG	4925XB	5351BLK	70530FR	71230MB	72120NCB	9252W	BB201WA	BRY5462CR	CBRS20ALTR
5642	3001PLR120	40045FR	4712BRY	4925XBLK	5351I	70530FR	71230NC	72120NP	9300GRY	BB301WA	BRY5462CR	CBRS20ALWR
5661	3002BRN	40045MB	4713BRY	4925XBLU	5352BLK	70530G	71230NP	72120NPB	9300GRY	BB601WA	BRY5462GRY	CBRS20ALWRTR
5678	3002GRY	40045NC	4715ER	4925XBLU	5352GRY	70530MB	71330ER	72120ER	9300I	BB602WA	BRY5462I	CBRS20BLK
5679	3002I	40045NP	4716MB	4925XFBK	5352I	70530MBWP	71330FR	72130FR	9300I	BDS24U	BRY5462IG	CBRS20BLKTR
5684	3002PLR120	4100B12W	4721NP	4925XFI	5352RED	70530NC	71330MB	72130IG	9300IG	BDS32U	BRY5462IG	CBRS20BLKWR
5695	3002PLR277	4100B5W	4721NPB	4925XFR	5352W	70530NCB	71330NC	72130MB	9300IG	BDS43U	BRY5462RED	CBRS20BLKWRTR
5756	3003BRN	4100B7W	4721NPCR	4925XGRY	5361BLK	70530NCCR	71330NP	72130NC	9300IGGRY	BDS56U	BRY5462W	CBRS20GRY
5762	3003GRY	4100B9W	4722N	4925XJI	5361CR	70530NP	71420ER	72130NP	9300IGGRY	BDS73U	BRY5466NP	CBRS20GRYTR
5782	3003I	4100C12W	4723BRY	4925XKI	5361CR	70530NPB	71420FR	72220ER	9300IG	BDS85U	BRY5466NSY	CBRS20GRYWR
5856	3025BRN	4100C5W	4732NC	4925XKO	5361GRY	70530NPCR	71420IG	72220FR	9300IGI	BDSR32	BRY5469NC	CBRS20GRYWRTR
6006	3025I	4100C7W	4732NCB	4925XKR	5361I	70615DR	71420MB	72220MB	9300IGRED	BDSR43	BRY5469NSY	CBRS20I
7314	3100B6W	4100C9W	4732NCCR	4925XKW	5361IG	70615DRIG	71420MBWP	72220NC	9300IGRED	BDSR54	BRY5492	CBRS20ITR
7327	3100B7W	4100P12W	4750DR	50002D	5361IG	70615ER	71420NC	72220NP	9300IGW	BLD	BRY5492GRY	CBRS20IWR
7328	3100C6W	4100P5W	4770NP	50003D	5361IGGRY	70615FR	71420NP	72230ER	9300IGW	BLD	BRY5492I	CBRS20IWRTR
7414	3100C7W	4100P7W	4785ER	5100B7W	5361IGGRY	70615IG	71430ER	72230FR	9300RED	BLD2	BRY5662	CBRS20LA
7540	3100P6W	4100P9W	4786MB	5100B9W	5361IGI	70615MB	71430FR	72230MB	9300RED	BLD2	BRY5662BLK	CBRS20LATR
7765	3100P7W	4100R12W	4792DR	5100C7W	5361IGI	70615NC	71430IG	72230NC	9300W	BLDMP	BRY5662CR	CBRS20LAWR
9200	3100R6W	4100R5W	4801BLK	5100C9W	5361IGW	70615NP	71430MB	72320NP	9300W	BLDMP	BRY5662CR	CBRS20LAWRTR
9200	3100R7W	4100R7W	4801GLI	5100P7W	5361IGW	70620ER	71430MBWP	72320ER	9352AL	BR106AL	BRY5662GRY	CBRS20W
9252	316B4W	4100R9W	4801GRY	5100P9W	5361RED	70620FR	71430NC	72320FR	9352BLK	BR106B	BRY5662I	CBRS20W
9300	316B6W	4125B6W	4801I	5100R7W	5361W	70620G	71430NP	72320MB	9352BRN	BR106E	BRY5662IG	CBRS20WR
9300	316C4S	4125P6W	4801L	5100R9W	5362BBLK	70620MB	71520ER	72320NC	9352GRY	BR106G	BRY5662IG	CBRS20WRTR
9303	316C4W	4125R6W	4801RED	5125B6W	5362BGRY	70620MBWP	71520FR	72320NP	9352I	BR106LA	BRY5662RED	CBRS20WTR
9306	316C6S	416B6W	4801W	5125P6W	5362BI	70620NC	71520IG	72320ER	9352W	BR106OW	BRY5662W	CBRS20WWR
9801	316C6W	416C6S	4802BLK	5125R6W	5362BN	70620NCCR	71520MB	72330FR	9430FR	BR106W	BRY5666NP	CBRS20WWRTR
9803	316P4S	416C6W	4802GRY	516B6W	5362BRED	70620NP	71520MBWP	72330MB	9432ANPB	BRFT4P	BRY5666NSY	CC320A
9901	316P4W	416P6S	4802I	516C6S	5362BW	70620NPCR	71520NC	72330NC	9450FR	BRFT4P	BRY5669NC	CC330
9902	316P6S	416P6W	4802L	516C6W	5364B	70630ER	71520NP	72330NP	9452ANPB	BRFT4P	BRY5669NSY	CC420A
9903	316P6W	416R6S	4802RED	516P6S	5364Y	70630FR	71530ER	7400BCR	9460FR	BRFT4P	BRY5669I	CC510
9904	316R4S	416R6W	4802W	516P6W	5366NCR	70630G	71530FR	7400BCR	9462ANPB	BRFT4P	BRY5669Y	CC520
9965	316R4W	420B12W	4803BLK	516R6S	5369B	70630MB	71530IG	7408MB	9530ANPB	BRFT4P	BRY8200	CC530
9967	316R6S	420B5W	4803GLI	516R6W	5369NCR	70630MBWP	71530MB	7409ER	9530FR	BRFT4P	BRY8200GRY	CC560
20424	316R6W	420B7W	4803GRY	5200BC	5369Y	70630NC	71530MBWP	7418B	9530IG	BRFT4P	BRY8200GRYL	CKL333
20425	320B4W	420B9W	4803I	5200BC	5378G	70630NCB	71530NC	7418B	9530IG	BRFT4P	BRY8200I	CKL716
23005	320B6W	420C12W	4803L	5200BCB	5442I	70630NCCR	71530NP	7420B	9550ANPB	BRFT4P	BRY8200IG	CKL751
7061575	320B7W	420C5W	4803RED	5200BCB	5461BLK	70630NP	71620ER	7420B	9550FR	BRFT4P	BRY8200IG	CKL751
7061594	320C4W	420C7W	4803W	520B7W	5461CR	70630NPB	71620FR	7427B	9550IG	BRFT4P	BRY8200IG	CKL751
1254B	320C6W	420C9W	4804BLK	520B9W	5461CR	70630NPCR	71620IG	7464N	9550IG	BRFT4P	BRY8200LA	CR15IG
1254BLK	320C7W	420P12W	4804GRY	520C7W	5461GRY							



RoHS Index by Catalog Number



CR201GRY	CSB215BI	DRS20	GF83BKST	GFR20BK	HBL5719IV	HSQXXS36	IM2K1OW	IMF2GY	NP1214W	NP226BK
CR201GW	CSB215BLA	DRS20AL	GF83BKTR	GFR20GY	HBL57242IV	HWKGT	IM2K1W	IMF2OW	NP1226	NP226GY
CR201GW	CSB215BW	DRS20ALTR	GF83GYST	GFR20I	HBL5731IV	HXTA	IM2KA15AL	IMF2W	NP1226AL	NP226I
CRS15	CSB220B	DRS20ALWRTR	GF83GYTR	GFR20LA	HBL5733IV	HXTP25	IM2KA15BK	IMR1101AL	NP1226I	NP226LA
CRS15AL	CSB220BAL	DRS20BL	GF83IST	GFR20OW	HBL5735IV	IDF24	IM2KA15EI	IMR1101BK	NP1226W	NP226W
CRS15ALTR	CSB220BBLK	DRS20BLKTR	GF83ITR	GFR20R	HBL5736IV	IDF24L	IM2KA15GY	IMR1101EI	NP126	NP23
CRS15BLK	CSB220BGRY	DRS20BLKWRTR	GF83LATR	GFR20W	HBL5737AIV	IDF32	IM2KA15OW	IMR1101GY	NP1262	NP23AL
CRS15BLKTR	CSB220BI	DRS20BGRY	GF830WST	H1KB	HBL5737IV	IDF42	IM2KA15W	IMR1101OW	NP1262AL	NP23BK
CRS15GRY	CSB220BLA	DRS20GRYTR	GF830WTR	HBL2000B5GY	HBL5738AFIV	IFP11AL	IM2SCA15BK	IMR1101W	NP1262BK	NP23GY
CRS15GRYTR	CSB220BRED	DRS20GRYWRTR	GF83RST	HBL2000B5IV	HBL5738AIV	IFP11BK	IM2SCA15EI	IMRSJ1AL	NP1262GY	NP23I
CRS15I	CSB220BW	DRS20I	GF83RTR	HBL2000BCGY	HBL5738IV	IFP11EI	IM2SCA15GY	IMRSJ1BK	NP1262I	NP23LA
CRS15ITR	CSB315B	DRS20ITR	GF83ST	HBL2000BCIV	HBL5739AABIV	IFP11GY	IM2SCA15OW	IMRSJ1EI	NP1262LA	NP23W
CRS15LA	CSB315BAL	DRS20IWRTR	GF83TR	HBL2000CCGY	HBL5739AIV	IFP11LA	IM2SCA15W	IMRSJ1GY	NP1262W	NP24
CRS15LATR	CSB315BBLK	DRS20LA	GF83WST	HBL2000CIV	HBL5739IV	IFP11OW	IM3RF1AL	IMRSJ1OW	NP126AL	NP24AL
CRS15TR	CSB315BGRY	DRS20LATR	GF83WTR	HBL2000TFIV	HBL57442IV	IFP11W	IM3RF1BK	IMRSJ1W	NP126BK	NP24BK
CRS15W	CSB315BI	DRS20LAWRTR	GF83WRTR	HBL2000WC	HBL57443IV	IFP126AL	IM3RF1EI	IMSP1AL	NP126GY	NP24GY
CRS15WTR	CSB315BLA	DRS20TR	GF83WRTR	HBL2001C	HBL5744IV	IFP126OW	IM3RF1GY	IMSP1BK	NP126I	NP24I
CRS20	CSB315BW	DRS20WHI	GF83WTR	HBL2003SC	HBL5744S2IV	IFP12AL	IM3RF1OW	IMSP1EI	NP126LA	NP24W
CRS20	CSB320B	DRS20WRTR	GF83WTR	HBL2006GY	HBL5744S3IV	IFP12BK	IM3RF1W	IMSP1GY	NP126W	NP26
CRS20AL	CSB320BAL	DRS20WRTR	GF83WTR	HBL2006IV	HBL5744SIV	IFP12EI	IM3RS1AL	IMSP1OW	NP128	NP26
CRS20ALTR	CSB320BBLK	DRS20WRTR	GF83WTR	HBL2009GC	HBL5745IV	IFP12GY	IM3RS1BK	IMSP1W	NP128AL	NP262
CRS20BLK	CSB320BGRY	FLOCK1	GF83WTR	HBL2010A2GY	HBL57472IV	IFP12LA	IM3RS1EI	IMSR1101AL	NP128I	NP262
CRS20BLKTR	CSB320BI	FRG6C25	GF83WTR	HBL2010A2IV	HBL57473IV	IFP12OW	IM3RS1GY	IMSR1101BK	NP128W	NP262AL
CRS20GRY	CSB320BLA	FS850	GF83WTR	HBL2010A3GY	HBL5747IV	IFP12W	IM3RS1OW	IMSR1101EI	NP12AL	NP262AL
CRS20GRYTR	CSB320BRED	FSL1FR	GF83WTR	HBL2010A3IV	HBL57482IV	IFP13AL	IM3RS1W	IMSR1101GY	NP12BK	NP262BK
CRS20I	CSB320BW	FSL1NC	GF83WTR	HBL2010BGY	HBL57483IV	IFP13BK	IMAR1101AL	IMSR1101OW	NP12GY	NP262BK
CRS20ITR	CSB415B	FSL1NP	GF83WTR	HBL2010BIV	HBL57484IV	IFP13EI	IMAR1101BK	IMSR1101W	NP12I	NP262GY
CRS20LA	CSB415BAL	FSL2FR	GF83WTR	HBL2011BRGY	HBL57485IV	IFP13GY	IMAR1101EI	IMSV351101BK	NP12W	NP262GY
CRS20LATR	CSB415BBLK	FSL2NC	GF83WTR	HBL2011BRIV	HBL57486IV	IFP13LA	IMAR1101GY	IMSV351101EI	NP13	NP262I
CRS20TR	CSB415BGRY	FSL2NP	GF83WTR	HBL2011GY	HBL5748IV	IFP13OW	IMAR1101OW	IMSV351101GY	NP1326	NP262I
CRS20W	CSB415BI	FSL3FR	GF83WTR	HBL2011IV	HBL5748SIV	IFP13W	IMAR1101W	IMSV351101OW	NP1326AL	NP262LA
CRS20WTR	CSB415BLA	FSL3NC	GF83WTR	HBL2015BRGY	HBL57512IV	IFP14AL	IMAVB15OW	IMSV351101W	NP1326BK	NP262LA
CS115B	CSB415BW	FSL3NP	GF83WTR	HBL2015BRIV	HBL57513IV	IFP14BK	IMB05AL	ISM12EI	NP1326GY	NP262W
CS115BAL	CSB420B	FSL4FR	GF83WTR	HBL2015GY	HBL5751AIV	IFP14EI	IMB05BK	ISM12OW	NP1326I	NP262W
CS115BGRY	CSB420BAL	FSL4NC	GF83WTR	HBL2015IV	HBL5751IV	IFP14GY	IMB05EI	ISM12W	NP1326LA	NP263
CS115BI	CSB420BBLK	FSL4NP	GF83WTR	HBL2017BRGY	HBL5752IV	IFP14LA	IMB05GY	ISM1EI	NP1326W	NP263
CS115BLA	CSB420BGRY	FSPFP6X	GF83WTR	HBL2017BRIV	HBL5752R	IFP14W	IMB05OW	ISM1OW	NP138	NP263AL
CS115BLK	CSB420BI	FSPHD6X	GF83WTR	HBL2017C	HBL5753IV	IFP16AL	IMB05W	ISM1W	NP138AL	NP263AL
CS115BW	CSB420BLA	FT202WA	GF83WTR	HBL2018BRGY	HBL5753R	IFP16BK	IMB15AL	ISM2EI	NP138I	NP263BK
CS120B	CSB420BRED	FT302WA	GF83WTR	HBL2018BRIV	HBL5760IV	IFP16EI	IMB15BK	ISM2OW	NP138W	NP263BK
CS120BAL	CSB420BW	FW60100A	GF83WTR	HBL2018CGY	HBL5780	IFP16GY	IMB15EI	ISM2W	NP138W	NP263GY
CS120BGRY	CTK	GF15ALLA	GF83WTR	HBL2018CIV	HBL5781	IFP16LA	IMB15GY	ISM4EI	NP138K	NP263GY
CS120BI	DC1752	GF15ALLABULK	GF83WTR	HBL20482GY	HBL5781A	IFP16OW	IMB15OW	ISM4OW	NP13GY	NP263I
CS120BLA	DC181X2	GF15BK	GF83WTR	HBL20482IV	HBL5782A	IFP16W	IMB15W	ISM4W	NP13I	NP263I
CS120BLK	DC1932	GF15BKLABULK	GF83WTR	HBL2048GY	HBL5782C	IFP18AL	IMB1AL	ISM6EI	NP13LA	NP263LA
CS120BW	DC1933	GF15GYLA	GF83WTR	HBL2048IV	HBL5783IV	IFP18OW	IMB1BK	ISM6OW	NP13W	NP263LA
CS1973	DC2062	GF15GYLABULK	GF83WTR	HBL2051HGY	HBL5784IV	IFP212BK	IMB1EI	ISM6W	NP14	NP263W
CS1973A	DC2063	GF15LA	GF83WTR	HBL2051HIV	HBL5785IV	IFP212EI	IMB1GY	KPIMBZAL	NP147	NP263W
CS1973H	DC2183	GF15LABULK	GF83WTR	HBL2089EIV	HBL5786AIV	IFP212GY	IMB1OW	KPIMBZGY	NP147AL	NP264
CS1976	DC2313	GF15LA	GF83WTR	HBL2089IV	HBL5786IV	IFP212LA	IMB1W	KPIMBZOW	NP147BK	NP264
CS1976A	DC2433	GF15LABULK	GF83WTR	HBL20GB306GY	HBL5790B	IFP212OW	IMBDS1AL	MCCBP350	NP147GY	NP264AL
CS1976H	DC2512	GF15LABULK	GF83WTR	HBL20GB306IV	HBL5791	IFP212W	IMBDS1BK	MCCPSS19	NP147I	NP264AL
CS315B	DC2534	GF15LALABULK	GF83WTR	HBL20GB512GY	HBL600B	IFP26AL	IMBDS1EI	MCCPSS19TS	NP147W	NP264BK
CS315BAL	DC2623	GF15OWLA	GF83WTR	HBL20GB512IV	HBL605CUT	IFP26BK	IMBDS1GY	MS1200ATGY	NP14AL	NP264BK
CS315BGRY	DC2813	GF15OWLABULK	GF83WTR	HBL20GB609GY	HBL605K	IFP26EI	IMBDS1OW	MS1200ATI	NP14BK	NP264GY
CS315BI	DC3712	GF15RLA	GF83WTR	HBL20GB609IV	HBL607K	IFP26GY	IMBDS1W	MS1200ATW	NP14GY	NP264GY
CS315BLA	DC3734	GF15RLABULK	GF83WTR	HBL20GB612GY	HBL702B	IFP26LA	IMBDSA15AL	MS1200I	NP14I	NP264I
CS315BLK	DC501	GF15WLVA	GF83WTR	HBL20GB612IV	HBL704IV	IFP26OW	IMBDSA15BK	MS1200W	NP14W	NP264I
CS315BW	DC5012	GF15WLABULK	GF83WTR	HBL20GB618GY	HBL706IV	IFP26W	IMBDSA15EI	MST025FE	NP17	NP264LA
CS320B	DC5034	GF20ALLA	GF83WTR	HBL20GB618IV	HBL711IV	IFP29BK	IMBDSA15GY	MST050FE	NP17AL	NP264LA
CS320BAL	DC621	GF20ALLABULK	GF83WTR	HBL20GBA512GY	HBL712IV	IFP29EI	IMBDSA15LW	MST075FE	NP17BK	NP264W
CS320BGRY	DC6212	GF20BKLA	GF83WTR	HBL20GBA512IV	HBL717IV	IFP29GY	IMBDSA15OW	HBL100FE	NP17GY	NP264W
CS320BI	DC6234	GF20BKLABULK	GF83WTR	HBL20GBA609GY	HBL718IV	IFP29LA	IMBDSA15W	MST125FE	NP17I	NP265
CS320BLA	DC751	GF20GYLA	GF83WTR	HBL20GBA609IV	HBL7501OIV	IFP29OW	IMCR1101AL	MST150FE	NP17W	NP265
CS320BLK	DC7534	GF20GYLABULK	GF83WTR	HBL20GBA612GY	HBL7505IV	IFP29W	IMCR1101BK	MST175FE	NP18	NP265AL
CS320BW	DC7591	GF20ILA	GF83WTR	HBL20GBA612IV	HBLIWP	IFP29W	IMCR1101EI	MST200FE	NP182	NP265AL
CS6361	DC871	GF20ILABULK	GF83WTR	HBL20GBA618GY	HC119CC3P	IFP29W	IMCR1101GY	MST200FE	NP182AL	NP265BK
CS6364L	DR15IG	GF20LABULK	GF83WTR	HBL20GBA618IV	HC119CE3P	IFP29W	IMCR1101OW	MST230FE	NP182I	NP265BK
CS6365	DR15IGI	GF20LABULK	GF83WTR	HBL20IG306GY	HC119GC3P	IFP29W	IMCR1101W	MST350FE	NP182W	NP265GY
CS6365L	DR15IGLA	GF20LALA	GF83WTR	HBL20IG306IV	HC219CC3P	IFP29W	IMCR1101W	MST220MEM	NP18AL	NP265GY
CS6369L	DR15IGW	GF20LALABULK	GF83WTR	HBL20IG512GY	HC219CE3P	IFP29W	IMCR1101W	N3901D	NP18BK	NP265I
CS6375L	DR20IG	GF20OWLA	GF83WTR	HBL20IG512IV	HC219CE6N	IFP29W	IMCR1101W	N3901G	NP18GY	NP265I
CS6377A	DR20IGI	GF20OWLABULK	GF83WTR	HBL20IG606GY	HDCXXBK	IFP29W	IMCR1101W	N3901MC	NP18I	NP265I
CS8165	DR20IGLA	GF20RLA	GF83WTR	HBL20IG606IV	HDHXXBK	IFP29W	IMCR1101W	N39111G	NP18LA	NP265LA
CS8265	DR20IGW	GF20RLABULK	GF83WTR	HBL5001OIV	HDLXXBK	IFP29W	IMCR1101W	N3911IG	NP18W	NP265W
CS8365	DRS15	GF20WLA	GF83WTR	HBL5005IV	HDMIC1	IFP29W	IMCRS15AL	NP1	NP1AL	NP265W
CS8465	DRS15AL	GF20WLALABULK	GF83WTR	HBL5007FIV	HDMIC10	IFP29W	IMCRS15BK	NP11	NP1BK	NP266
CSB115B	DRS15ALTR	GF82ALST	GF83WTR	HBL5002B	HDMIT1	IFP29W	IMCRS15EI	NP112	NP1GY	NP266
CSB115BAL	DRS15ALWRTR	GF82ALTR	GF83WTR	HBL5004IV	HDMIT10	IFP29W	IMCRS15GY	NP112AL	NP1I	NP266AL
CSB115BBLK	DRS15BLK	GF82BKST	GF83WTR	HBL5006IV	HDCPC03BK	IFP29W	IMCRS15OW	NP112I	NP1LA	NP266AL
CSB115BGRY	DRS15BLKTR	GF82BKTR	GF83WTR	HBL511IV	HDPC06BK	IFP29W	IMCRS15W	NP112W	NP1R	NP266BK
CSB115BI	DRS15BLKWRTR	GF82GYST	GF83WTR	HBL512IV	HPW48RR19	IFP29W	IMCRS1AL	NP113	NP1W	NP266BK
CSB115BLA	DRS15GRY	GF82GYTR	GF83WTR	HBL517IV	HPW48RR23	IFP29W	IMCRS1BK	NP113AL	NP2I	NP266GY
CSB115BW	DRS15GRYTR	GF82IST	GF83WTR	HBL518IV	HPW66RR19	IFP29W	IMCRS1EI	NP113I	NP2I	NP266GY
CSB120B	DRS15GRYWRTR	GF82ITR	GF83WTR	HBL5700FIV	HPW84RR19	IFP29W	IMCRS1GY	NP113AL	NP21AL	NP26I
CSB120BAL	DRS15I	GF82LATR	GF83WTR	HBL5701C	HPW90RR23	IFP29W	IMCRS1OW	NP113OW	NP21I	NP26I
CSB120BBLK	DRS15ITR	GF82OWST	GF83WTR	HBL5703IV	HPW90RR19	IFP29W	IMCRS1W	NP11AL	NP21W	NP266LA
CSB120BGRY	DRS15WTR	GF82OWTR	GF83WTR	HBL5709	HPW90RR23	IFP29W	IM2IA15BK	IMF1AL	NP226	NP266LA
CSB120BI	DRS15LA	GF82RST	GF83WTR	HBL5709GC	HPW96RR19	IFP29W	IM2IA15EI	IMF1BK	NP2262	NP266W
CSB120BLA	DRS15LATR	GF82RTR	GF83WTR	HBL5711BRIV	HPW96RR23	IFP29W	IM2IA15GY	IMF1EI	NP2262AL	NP266W
CSB120BRED	DRS15LAWRTR	GF82ST	GF83WTR	HBL5711HIV	HPW96RR23	IFP29W	IM2IA15OW	IMF1GY	NP2262BK	NP266W
CSB120BW	DRS15TR	GF82TR	GF83WTR	HBL5711RHIV	HSQX	IFP29W	IM2IA15W	IMF1OW	NP2262GY	NP266W
CSB215B	DRS15WHI	GF82WST	GF83WTR	HBL5715BRIV	HSQXX26	IFP29W	IM2K1AL	IMF1W	NP226I	NP2262I
CSB215BAL	DRS15WTR	GF82WTR	GF83WTR	HBL5715IV	HSQXX36	IFP29W	IM2K1BK	IMF2AL	NP2262LA	NP2262LA
CSB215BBLK	DRS15WTR	GF83ALST	GF83WTR	HBL5717BRIV	HSQXXS	IFP29W	IM2K1EI	IMF2BK	NP2124AL	NP2262W
CSB215BGRY	DRS15WWRTR	GF83ALTR	GF83WTR	HBL5718BRIV	HSQXXS26	IFP29W	IM2K1GY	IMF2EI	NP2124I	NP2262AL



RoHS Index by Catalog Number



NP26AL	NP703BK	NPJ11AL	NPJ264LA	NPJ80W	NS745W	NSJ5EB	NSP101GY	PHS050	QT9200R	RC308WTR	RF406BK
NP26AL	NP703GY	NPJ11I	NPJ264W	NPJ8R	NS748AL	NSJ5EB25	NSP101I	PHS062	QT9200W	RC309	RF406BN
NP26BK	NP703I	NPJ11LA	NPJ264W	NPJ8RMEV	NS748I	NSJ5EBK	NSP101LA	PHS075	QT9200W	RC309AL	RF406BR
NP26BK	NP703I	NPJ11W	NPJ26AL	NPJ8W	NS748LA	NSJ5EBK25	NSP101W	PHS100	QT9252LA	RC309I	RF406GY
NP26GY	NP703W	NPJ126	NPJ26AL	NS4	NS748W	NSJ5EGN	NSP102AL	PHS150	QT9262	RC309W	RF407AL
NP26GY	NP703W	NPJ126AL	NPJ26BK	NS5E12U	NS750AL	NSJ5EGN25	NSP102BK	PHS200	QT9262AL	RCD101AL	RF407BK
NP26I	NP720	NPJ126BK	NPJ26BK	NS5E24U	NS750I	NSJ5EGY	NSP102GY	PHS250	QT9262BLK	RCD101BK	RF407BN
NP26I	NP720AL	NPJ126GY	NPJ26C	NS5E48U	NS750LA	NSJ5EGY25	NSP102I	PHS300	QT9262GRY	RCD101GY	RF407BR
NP26LA	NP720BK	NPJ126I	NPJ26C	NS612AL	NS750W	NSJ5EI	NSP102LA	PHS350	QT9262I	RCD101I	RF407GY
NP26LA	NP720GY	NPJ126LA	NPJ26CBL	NS612AL	NS751AL	NSJ5EI25	NSP102W	PHS400	QT9262R	RCD101LA	RF407I
NP260IG	NP720I	NPJ126W	NPJ26GY	NS612BK	NS751I	NSJ5ELA	NSP103AL	PHS450	QT9262W	RCD101W	RF409BR
NP26W	NP720OIG	NPJ13	NPJ26GY	NS612GY	NS751LA	NSJ5ELA25	NSP103BK	PHS500	QT9300	RCD103AL	RF500
NP26W	NP720R	NPJ1326	NPJ26I	NS612GY	NS751W	NSJ5EOR	NSP103GY	PHS600	QT9300	RCD103BK	RF506AL
NP28	NP720W	NPJ1326AL	NPJ26I	NS612I	NS752AL	NSJ5EOR25	NSP103I	PJ019	QT9300AL	RCD103GY	RF506BK
NP28AL	NP724	NPJ1326I	NPJ26LA	NS612LA	NS752I	NSJ5ER	NSP103LA	PJ025	QT9300AL	RCD103I	RF506BN
NP28BK	NP724AL	NPJ1326LA	NPJ26LA	NS612U	NS752LA	NSJ5ER25	NSP103W	PJ037	QT9300BK	RCD103LA	RF506BP
NP28GY	NP724BK	NPJ1326W	NPJ26W	NS612W	NS752W	NSJ5EW	NSP104AL	PJ050	QT9300BLK	RCD103W	RF506BR
NP28I	NP724GY	NPJ138	NPJ26W	NS613AL	NS755AL	NSJ5EW25	NSP104BK	PJ062	QT9300GRY	RCD108AL	RF506CH
NP28LA	NP724I	NPJ138AL	NPJ28	NS613AL	NS755I	NSJ5EY	NSP104GY	PJ075	QT9300GY	RCD108ALTR	RF506CU
NP28W	NP724I	NPJ138I	NPJ28AL	NS613BK	NS755LA	NSJ5EY25	NSP104I	PJ100	QT9300I	RCD108BK	RF506NI
NP2AL	NP724W	NPJ138W	NPJ28I	NS613GY	NS755W	NSJ5EY25	NSP104LA	PR0360	QT9300I	RCD108BKTR	RF506SS
NP2BK	NP724W	NPJ13AL	NPJ28LA	NS613I	NS760I	NSJ6AL25	NSP104W	PR0615	QT9300LA	RCD108GY	RF507AL
NP2GY	NP730	NPJ13BK	NPJ28W	NS613I	NS760W	NSJ6I	NSP106AL	PR10120	QT9300LA	RCD108GYTR	RF507BK
NP2I	NP730AL	NPJ13GY	NPJ28AL	NS613LA	NS761I	NSJ6B25	NSP106BK	PR104	QT9300R	RCD108I	RF507BN
NP2LA	NP730I	NPJ13I	NPJ28K	NS613W	NS761W	NSJ6BK	NSP106GY	PR10420	QT9300R	RCD108TR	RF507BP
NP2R	NP730W	NPJ13LA	NPJ28Y	NS614AL	NS770	NSJ6BK25	NSP106I	PR10720	QT9300W	RCD108LA	RF507BR
NP2W	NP737	NPJ13W	NPJ2I	NS614AL	NS770AL	NSJ6GN	NSP106LA	PR206	QT9300W	RCD108LATR	RF507CH
NP3	NP737AL	NPJ18	NPJ2LA	NS614BK	NS770BK	NSJ6GN25	NSP106W	PR20620	QT9352LA	RCD108W	RF507CU
NP326	NP737I	NPJ18AL	NPJ2R	NS614GY	NS770GY	NSJ6GY	NSP11AL	PR20820A	QT9362	RCD108WTR	RF507NI
NP326AL	NP737W	NPJ18BK	NPJ2U	NS614GY	NS770I	NSJ6GY25	NSP11BK	PR20820I	QT9362AL	RCD109AL	RF507SS
NP326BK	NP78	NPJ18GY	NPJ3	NS614I	NS770LA	NSJ6I	NSP11GY	PR20830	QT9362BLK	RCD109I	RF515AL
NP326GY	NP78AL	NPJ18I	NPJ3AL	NS614LA	NS770W	NSJ6I25	NSP11I	PR24	QT9362GRY	RCD109LA	RF515BK
NP326I	NP78I	NPJ18LA	NPJ3BK	NS614W	NS771	NSJ6LA	NSP11LA	PRAMB	QT9362I	RCD109W	RF515BN
NP326LA	NP78W	NPJ18W	NPJ3BK	NS616AL	NS771AL	NSJ6LA25	NSP11W	PREZB	QT9362R	RCD111AL	RF515BP
NP326W	NP7AL	NPJ1AL	NPJ3I	NS616AL	NS771I	NSJ6OR	NSP12AL	PRPMB	QT9362W	RCD111I	RF515BR
NP33	NP7BK	NPJ1BK	NPJ3LA	NS616BK	NS771LA	NSJ6OR25	NSP12BK	PRSLB4	RA12ALPK100	RCD111LA	RF515CH
NP33AL	NP7BK	NPJ1GY	NPJ3R	NS616GY	NS771W	NSJ6R	NSP12GY	Q106AL	RA12BKPK100	RCD111W	RF515CU
NP33I	NP7GY	NPJ1I	NPJ3W	NS616I	NS772AL	NSJ6R25	NSP12I	Q106B	RA12GYPK100	RCD303AL	RF515NI
NP33W	NP7I	NPJ1LA	NPJ4	NS616LA	NS772I	NSJ6W	NSP12LA	Q106E	RA12PK100	RCD303BK	RF515SS
NP34	NP7LA	NPJ1R	NPJ4AL	NS616W	NS772LA	NSJ6W25	NSP12W	Q106G	RA12LAPK100	RCD303I	RJ600
NP34AL	NP7OIG	NPJ1RME	NPJ4BK	NS620AL	NS772W	NSJ6Y	NSP13AL	Q106LA	RA12PK100	RCD303LA	RJ600
NP34I	NP7R	NPJ1W	NPJ4GY	NS620AL	NS780AL	NSJ6Y25	NSP13BK	Q106W	RA12WPK100	RCD303W	RJ620AL
NP34W	NP7W	NPJ2	NPJ4I	NS620AL	NS780I	NSJUAL	NSP13GY	Q106W	RA38ALPK100	RCD308AL	RJ620AL
NP38	NP8	NPJ226	NPJ4LA	NS620I	NS780LA	NSJUB	NSP13I	QT1R	RA38BKPK100	RCD308ALTR	RJ620ALTR
NP38AL	NP82	NPJ226AL	NPJ4W	NS620I	NS780W	NSJUBK	NSP13LA	QT1R	RA38BRPK100	RCD308BK	RJ620ALTR
NP38I	NP826	NPJ226BK	NPJ7	NS620LA	NS782AL	NSJUGN	NSP13W	QT2R	RA38CHKP100	RCD308BKTR	RJ620BK
NP38LA	NP826AL	NPJ226GY	NPJ7O3	NS620LA	NS782I	NSJUGY	NSP14AL	QT2R	RA38GYPK100	RCD308I	RJ620BK
NP38W	NP826BK	NPJ226I	NPJ7O3AL	NS620W	NS782LA	NSJUI	NSP14BK	QT5262	RA38PK100	RCD308IATR	RJ620BKTR
NP3AL	NP826GY	NPJ226LA	NPJ7O3BK	NS620W	NS782W	NSJUIA	NSP14GY	QT5262AL	RA38LAPK100	RCD308LA	RJ620BKTR
NP3BK	NP826I	NPJ226W	NPJ7O3GY	NS621AL	NS783AL	NSJUOR	NSP14I	QT5262BLK	RA38PK100	RCD308LATR	RJ620GY
NP3GY	NP826LA	NPJ23	NPJ7O3I	NS621AL	NS783I	NSJUR	NSP14LA	QT5262GY	RA38SSPK100	RCD308W	RJ620GY
NP3I	NP826W	NPJ23AL	NPJ7O3I	NS621AL	NS783LA	NSJUW	NSP14W	QT5262I	RA38WPK100	RCD308WTR	RJ620GYTR
NP3LA	NP82AL	NPJ23I	NPJ7O3W	NS621GY	NS783W	NSJUJY	NSP16AL	QT5262LA	RA40	RCD309AL	RJ620GYTR
NP3R	NP82BK	NPJ23LA	NPJ7O3W	NS621I	NS784	NSO6P1DM	NSP16BK	QT5262R	RA58BRPK100	RCD309I	RJ620I
NP3W	NP82GY	NPJ23W	NPJ724	NS621I	NS784AL	NSOAM8	NSP16GY	QT5262W	RA58CHKP100	RCD309LA	RJ620I
NP4	NP82I	NPJ26	NPJ724AL	NS621LA	NS784BK	NSOBM	NSP16I	QT5362	RA58SSPK100	RCD309W	RJ620TR
NP43	NP82LA	NPJ26	NPJ724BK	NS621LA	NS784GY	NSOBNK14	NSP16LA	QT5362AL	RA88PK100	RE2	RJ620TR
NP43AL	NP82OR	NPJ262	NPJ724GY	NS621W	NS784I	NSOBX14	NSP16W	QT5362BLK	RA88SSPK100	RE2B	RJ620LA
NP43I	NP82OW	NPJ262	NPJ724I	NS621W	NS784LA	NSOBX14B	NSP24AL	QT5362GY	RA88WPK100	RE4	RJ620LA
NP43W	NP82R	NPJ262AL	NPJ724I	NS624U	NS784W	NSOBX14BC	NSP24BK	QT5362I	RC101	RE4B	RJ620LATR
NP44	NP82W	NPJ262AL	NPJ724W	NS648U	NS785	NSOBX14C	NSP24GY	QT5362LA	RC101AL	RE4X	RJ620LATR
NP44AL	NP83	NPJ262BK	NPJ724W	NS721AL	NS785AL	NSOBX14D	NSP24I	QT5362R	RC101I	RE4XB	RJ620W
NP44I	NP83AL	NPJ262BK	NPJ7AL	NS721I	NS785BK	NSOBX14DL	NSP24LA	QT5362W	RC101LA	REK110	RJ620W
NP44W	NP83BK	NPJ262GY	NPJ7BK	NS721W	NS785GY	NSOBX14X2	NSP24W	QT6R1	RC101W	REK19	RJ620WTR
NP48	NP83GY	NPJ262GY	NPJ7GY	NS722AL	NS785I	NSOBX28	NSP26AL	QT6R1	RC103	REK19L	RJ620WTR
NP48AL	NP83I	NPJ262I	NPJ7I	NS722I	NS785LA	NSOBX28B	NSP26BK	QT6R2	RC103AL	REKBB20	RJ62AL
NP48I	NP83W	NPJ262I	NPJ7LA	NS722W	NS785W	NSOBX28BC	NSP26GY	QT6R2	RC103I	REKBB30	RJ62AL
NP48W	NP84	NPJ262LA	NPJ7R	NS723SS	NS790	NSOBX28C	NSP26I	QT8200	RC103LA	REKBB40	RJ62ALTR
NP4AL	NP84AL	NPJ262LA	NPJ7W	NS725AL	NS790AL	NSOBX28D	NSP26LA	QT8200AL	RC103W	REKEF	RJ62ALTR
NP4BK	NP84BK	NPJ262W	NPJ8	NS725I	NS790BK	NSOBX28DL	NSP26W	QT8200BK	RC108	REKES	RJ62BK
NP4GY	NP84GY	NPJ262W	NPJ82	NS725LA	NS790GY	NSOBX28X2	P630S1GJ6	QT8200GY	RC108AL	REKF	RJ62BK
NP4I	NP84I	NPJ263	NPJ826	NS725W	NS790I	NSOBX48	P630S1GJ8	QT8200I	RC108ALTR	REKFF	RJ62BKTR
NP4LA	NP84W	NPJ263	NPJ826AL	NS726SS	NS790LA	NSOBX10	P630SR1GJ6	QT8200LA	RC108I	REKFP	RJ62BKTR
NP4W	NP8AL	NPJ263AL	NPJ826BK	NS730	NS790W	NSOBX10B	P630SR1GJ8	QT8200R	RC108ITR	REKG	RJ62GY
NP5	NP8AL	NPJ263AL	NPJ826GY	NS730AL	NS801AL	NSOBX10BC	P703	QT8200W	RC108LA	REKGB	RJ62GY
NP5AL	NP8BK	NPJ263BK	NPJ826I	NS730I	NS801BK	NSOBX10C	P720	QT8300	RC108LATR	REKH	RJ62GYTR
NP5BK	NP8BK	NPJ263BK	NPJ826LA	NS730LA	NS801GY	NSOBX10D	P724	QT8300AL	RC108TR	REKHS	RJ62GYTR
NP5GY	NP8GY	NPJ263GY	NPJ826W	NS730W	NS801I	NSODK6	PA050	QT8300BK	RC108W	REKI	RJ62I
NP5I	NP8GY	NPJ263GY	NPJ82AL	NS732	NS801LA	NSODM8	PA062	QT8300GY	RC108WTR	REKR24	RJ62I
NP5LA	NP8I	NPJ263I	NPJ82BK	NS732AL	NS801W	NSODM8C6	PA075	QT8300I	RC109	REKR32	RJ62ITR
NP5W	NP8I	NPJ263I	NPJ82CO	NS732I	NS802AL	NSOETM8	PA100	QT8300LA	RC109AL	REKR42	RJ62ITR
NP6	NP8LA	NPJ263LA	NPJ82GY	NS732LA	NS802BK	NSOFSB	PA125	QT8300R	RC109I	REKS	RJ62LA
NP6AL	NP8LA	NPJ263LA	NPJ82I	NS732W	NS802GY	NSOKA	PA150	QT8300W	RC109LA	REKSJ20	RJ62LA
NP6GY	NP8OIG	NPJ263W	NPJ82LA	NS735	NS802I	NSOMTM24	PA175	QT9200	RC109W	REKSJ30	RJ62LATR
NP6I	NP8OR	NPJ263W	NPJ82O	NS735AL	NS802LA	NSOPLT	PA200	QT9200I	RC303	REKSJ40	RJ62LATR
NP6LA	NP8OW	NPJ264	NPJ82R	NS735I	NS802AL	NSOPTM8	PA250	QT9200AL	RC303AL	REKJT	RJ62W
NP6W	NP8R	NPJ264	NPJ82W	NS735LA	NS802W	NSORAVC	PA300	QT9200AL	RC303I	REKU	RJ62W
NP7	NP8W	NPJ264AL	NPJ8AL	NS735W	NS735W	NSOTVDM6	PH050	QT9200BK	RC303LA	REKUB	RJ62WTR
NP703	NP8W	NPJ264AL	NPJ8BK	NS742AL	NSF70BK	NSOTVM6	PH062	QT9200BLK	RC303W	REKZ	RJ62WTR
NP703AL	NPJ1	NPJ264BK	NPJ8C	NS742I	NSF70I	NSOVAMP	PH075	QT9200GRY	RC308	REKZL	RJ650AL
	NPJ11	NPJ264BK	NPJ8C	NS742LA	NSF70Y	NSOVDM42G	PH100	QT9200GY	RC308AL	RF151	RJ650AL
	NPJ113	NPJ264GY	NPJ8CO	NS742W	NSF70LA	NSOVDM6	PH150	QT9200I	RC308ALTR	RF151R	RJ650ALTR
	NPJ113AL	NPJ264I	NPJ8CO	NS744AL	NSF700W	NSOVDM62G	PH200	QT9200I	RC308I	RF201R	RJ650BKTR
	NPJ113I	NPJ264I	NPJ8GY	NS744I	NSF70W	NSOVDM4	PH250	QT9200LA	RC308ITR	RF400	RJ650BK
	NPJ113LA	NPJ264I	NPJ8I	NS744W	NSJ5EAL	NSP101AL	PH300	QT9200LA	RC308TR	RF406AL	RJ650BKTR
	NPJ113W	NPJ264LA	NPJ8LA	NS745I	NSJ5EAL25	NSP101BK	PH350	QT9200R	RC308W		

T



RoHS Index by Catalog Number



RJ650BKTR	RP123PI	RR15QBK	RRD15E	RS115W	SB26	SC6R20	SFRCBBK	SFRCWFF	SPC200SOS	SS320	SST1476
RJ650GY	RP123PW	RR15QBKTR	RRD15EAL	RS315	SB26	SC6R25	SFRCBEI	SFRCWFFAL	SPC200US	SS326	SST1477
RJ650GYTR	RP123PW	RR15QI	RRD15EALTR	RS315AL	SB262	SC6Y01	SFRCBFFAL	SFRCWFFBCK	SPC250DES	SS33	TBL21474
RJ650GYTR	RP123W	RR15QITR	RRD15EBK	RS315BK	SB262	SC6Y03	SFRCBFFBK	SFRCWFFBCK	SPC250SOS	SS330	TBL110
RJ650GYTR	RP123W	RR15QLA	RRD15EBKTR	RS315I	SB263	SC6Y05	SFRCBFFEI	SFRCWFFGY	SPC250US	SS34	TBL66
RJ650I	RP646	RR15QLATR	RRD15EGY	RS315LAL	SB264	SC6Y07	SFRCBFFGY	SFRCWFFLA	SPC300DES	SS38	TCS3
RJ650I	RP646	RR15QTR	RRD15EGYTR	RS315ILC	SB265	SC6Y10	SFRCBFFLA	SFRCWFFLA	SPC300SO	SS3L	TK3
RJ650IOTR	RP648	RR15QW	RRD15EI	RS315ILJ	SB266	SC6Y15	SFRCBFFOW	SFRCWGY	SPPBK10	SS4	TK8
RJ650ITR	RP648	RR15QWTR	RRD15EITR	RS315ILLA	SB3	SC6Y20	SFRCBFFW	SFRCWLA	SPPR10	SS43	TPD110
RJ650LA	RP649	RR15S	RRD15ELA	RS315ILW	SB4	SC6Y25	SFRCBGY	SFRCWR	SPS050U	SS44	TPF1BK
RJ650LA	RP649	RR15SAL	RRD15ELATR	RS315KAL	SB5	SCD075	SFRCBKAL	SFRCWRAL	SPS062DES	SS4L	TPF1GY
RJ650LATR	RR15	RR15SBK	RRD15ETR	RS315KI	SB6	SCD100	SFRCBKBK	SFRCWRBK	SPS062U	SS5	TPF10W
RJ650LATR	RR151	RR15SI	RRD15EW	RS315KLA	SB7	SCD125	SFRCBKEI	SFRCWREI	SPS075DES	SS6	TPF1W
RJ650W	RR151AL	RR15SLA	RRD15EWTR	RS315KW	SB7	SCD150	SFRCBKFF	SFRCWRGY	SPS075U	SS607	TWPF1GY
RJ650W	RR151ALTR	RR15SW	RRD15GY	RS315LA	SB72	SCD175	SFRCBKFFAL	SFRCWRLA	SPS100DES	SS608	TX4P
RJ650WTR	RR151ALWTR	RR15W	RRD15I	RS315S	SB771	SCD200	SFRCBKFFBK	SFRCWRW	SPS100U	SS7	TX4PH
RJ650WTR	RR151BK	RR201	RRD15K	RRD15K	SB8	SCD250	SFRCBKFFEI	SFRCWW	SPS125U	SS7	TX4PHBL
RJ65AL	RR151BKTR	RR201AL	RRD15KAL	RS315SI	SB82	SCD300	SFRCBKFFGY	SFRCY	SPS150DES	SS7	TX4PP
RJ65AL	RR151BKWTR	RR201ALTR	RRD15KALTR	RS315SLA	SB826	SCD350	SFRCBKFFLA	SFRCYAL	SPS150US	SS701	TX4PPBL
RJ65ALTR	RR151CHBS	RR201ALWTR	RRD15KBK	RS315SW	SBP1	SCH1	SFRCBKFFW	SFRCYBK	SPS175U	SS702	TX4PPH
RJ65ALTR	RR151CHBSTR	RR201BK	RRD15KBKTR	RS315W	SBP11	SCH12	SFRCBKGY	SFRCYEI	SPS175US	SS703	USB10
RJ65BK	RR151CHI	RR201BKTR	RRD15KGY	RS415	SBP12	SCH13	SFRCBKLA	SFRCYFF	SPS200DES	SS703	VG15F6XXBK
RJ65BK	RR151CHTR	RR201BKWTR	RRD15KGYTR	RS415AL	SBP126	SCH18	SFRCBKOW	SFRCYFFAL	SPS200US	SS703L	VG15M6XXBK
RJ65BKTR	RR151CHSS	RR201CHBS	RRD15KI	RS415BK	SBP13	SCH2	SFRCBKR	SFRCYFFBK	SPS250US	SS716	VG15M6XXBK
RJ65BKTR	RR151CHSSTR	RR201CHBSTR	RRD15KITR	RS415I	SBP18	SCH23	SFRCBKRAL	SFRCYFFEI	SPS350US	SS72	VG6APXXBK
RJ65GY	RR151CHW	RR201CHI	RRD15KLA	RS415LA	SBP2	SCH26	SFRCBKRBK	SFRCYFFGY	SPSR050U	SS720	VG6AXBK
RJ65GY	RR151CHWTR	RR201CHTR	RRD15KLATR	RS415W	SBP23	SCH26	SFRCBKREI	SFRCYFFLA	SPSR06250	SS723	VS73
RJ65GYTR	RR151GY	RR201CHSS	RRD15KTR	RSD115	SBP26	SCH262	SFRCBKRGY	SFRCYFFW	SPSR062U	SS723	VS73A
RJ65GYTR	RR151GYTR	RR201CHSSTR	RRD15KW	RSD115AL	SBP26	SCH262	SFRCBKRLA	SFRCYGY	SPSR075DE	SS723L	VS73H
RJ65I	RR151GYWTR	RR201CHW	RRD15KWTR	RSD115BK	SBP262	SCH3	SFRCBKRW	SFRCYLA	SPSR075SO	SS725	VS76
RJ65I	RR151I	RR201CHWTR	RRD15LA	RSD115GY	SBP262	SCH3	SFRCBKW	SFRCYR	SPSR075U	SS737	VS76A
RJ65ITR	RR151ITR	RR201GY	RRD15S	RSD115I	SBP263	SCH702	SFRCBLA	SFRCYRAL	SPSR100DE	SS738	VS76H
RJ65ITR	RR151WTR	RR201GYTR	RRD15SAL	RRD15LAL	SBP263	SCH723	SFRCBOW	SFRCYRBK	SPSR100U	SS739	VS86
RJ65LA	RR151LA	RR201GYWTR	RRD15SALTR	RSD115LI	SBP28	SCH723	SFRCBRAL	SFRCYREI	SPSR125DE	SS740	VS86A
RJ65LA	RR151LATR	RR201I	RRD15SALWTR	RSD115LILA	SBP3	SCH8	SFRCBRBK	SFRCYRGY	SPSR125SO	SS741	XLR10
RJ65LATR	RR151LAWTR	RR201ITR	RRD15SBK	RSD115LIW	SBP33	SCH82	SFRCBREI	SFRCYRLA	SPSR125U	SS747	XLRST10
RJ65LATR	RR151TR	RR201IWTR	RRD15SBKTR	RSD115LA	SBP4	SF35FFBK	SFRCBRGY	SFRCYRW	SPSR150DE	SS747	XPHP50
RJ65W	RR151W	RR201LA	RRD15SBKWTR	RSD115PLAL	SBP7	SF35FFEI	SFRCBRLA	SFRCYW	SPSR150SO	SS748	XPHPID1U10
RJ65W	RR151WTR	RR201LATR	RRD15SGY	RSD115PLJ	SBP771	SF35FFGY	SFRCBROW	SFRCYGBK	SPSR150U	SS749	XPHPID2U10
RJ65WTR	RR151WTR	RR201LAWTR	RRD15SGYTR	RSD115PLLA	SBP8	SF35FFLA	SFRCBRW	SFRCFGEI	SPSR175SO	SS771	XPHRC10
RJ65WTR	RR151WWTR	RR201TR	RRD15SGYWTR	RSD115PLW	SBP82	SF35FFOW	SFRCBW	SFRCGGY	SPSR175U	SS778	XPHLXD2410
RL100	RR155	RR201W	RRD15SI	RSD115W	SC10	SF35FFW	SFRCGNAL	SFRCGOW	SPSR200DES	SS7L	XPLPP10W
RL101	RR155AL	RR201WTR	RRD15SITR	RSD215	SC5EB01	SF35SJ	SFRCGNBK	SFRCGOW	SPSR200US	SS8	XPLPPA10W
RL102	RR155ALWR	RR201WTR	RRD15SIWTR	RSD215AL	SC5EB03	SF35SJBK	SFRCGNEI	SF35BAL10	SPSR250DES	SS8147	XPLPID10W
RL105	RR155BK	RR201WWTR	RRD15SLA	RSD215BK	SC5EB05	SF35SJEI	SFRCGNFFAL	SF35BKB10	SPSR250US	SS82	XPLRC10W
RL106	RR155BKWR	RR205	RRD15SLATR	RSD215GY	SC5EB07	SF35SJEI	SFRCGNFFBK	SF35BEI10	SPSR300US	SS826	XPLXD2410W
RL124H	RR155GY	RR205AL	RRD15SLAWTR	RSD215I	SC5EB10	SF35SJLA	SFRCGNFFEI	SF35BGY10	SS1	SS82MEV	
RL150	RR155GYWR	RR205ALWR	RRD15STR	RSD215LA	SC5EB15	SF35SJV	SFRCGNFFGY	SF35BLA10	SS11	SS83	
RL152	RR155I	RR205BK	RRD15SW	RSD215W	SC5EB20	SF35STBK	SFRCGNFFLA	SF35BW10	SS113	SS84	
RL153	RR155WR	RR205BKWR	RRD15SWTR	RSD315	SC5EB25	SF35STEI	SFRCGNFFOW	SF35PGBK	SS114	SS8720	
RL200	RR155LA	RR205GY	RRD15SWTR	RSD315AL	SC5EGY01	SF35STGY	SFRCGNFFW	SF35PR	SS11L	SS8L	
RL201	RR155LAWR	RR205GYWR	RRD15SWWTR	RSD315BK	SC5EGY03	SF35STLA	SFRCGNFY	SF3V110BK	SS12	SS8MEV	
RL202	RR155W	RR205I	RRD15W	RSD315GY	SC5EGY05	SF35STOW	SFRCGNLA	SF35VBK	SS126	SSD1422	
RL205	RR155WR	RR205IWR	RRD201	RSD315I	SC5EGY07	SF35STW	SFRCGNLA	SF35BAAB	SS126L	SSD1423	
RL306	RR155WWR	RR205LA	RRD201AL	RSD315LAL	SC5EGY10	SF35TCOGY	SFRCGNOW	SF35BAAOW	SS13	SSD1428	
RL310	RR15AL	RR205LAWR	RRD201ALTR	RSD315LIJ	SC5EGY15	SF35I	SFRCGNOW	SF35BAAW	SS138	SSD1430	
RL311	RR15BK	RR205W	RRD201BK	RSD315ILLA	SC5EGY20	SF35I	SFRCGNRAL	SF35BAB	SS13L	SSF11	
RL320	RR15E	RR205WR	RRD201BKTR	RSD315ILW	SC5EGY25	SF35I	SFRCGNRBK	SF35BABOW	SS14	SSF12	
RL325	RR15EAL	RR205WWR	RRD201GY	RSD315LA	SC5ER01	SF35I	SFRCGNREI	SF35BABW	SS1426	SSF13	
RL3742	RR15EALTR	RR330	RRD201GYTR	RSD315W	SC5ER03	SF35I	SFRCGNRGY	SF35I10BK	SS148	SSF14	
RL8504	RR15EBK	RR330F	RRD201I	RSD415	SC5ER05	SF35I	SFRCGNRLA	SF35I100US	SS14L	SSF16	
RL8506	RR15EBKTR	RR335P	RRD201ITR	RSD415AL	SC5ER07	SF35I	SFRCGNROW	SF35I25US	SS18	SSF204	
RL8512	RR15EI	RR350	RRD201LA	RSD415BK	SC5ER10	SF35I	SFRCGNRW	SF35I50US	SS182	SSF206	
RL8516	RR15EITR	RR430	RRD201LATR	RSD415GY	SC5ER15	SF35I	SFRCGNW	SF35I200DES	SS18L	SSF209	
RL8804	RR15ELA	RR430F	RRD201TR	RSD415I	SC5ER20	SF35I	SFRCORAL	SF35I250DES	SS182	SSF212	
RL8806	RR15ELATR	RR430FW	RRD201W	RSD415LA	SC5ER25	SF35I	SFRCORBK	SF35I300DES	SS1ME	SSF11	
RL8812	RR15EQ	RR430PM	RRD201WTR	RSD415W	SC5EY01	SF35I	SFRCOREI	SF35I75US	SS2	SSF12	
RL8816	RR15EQAL	RR435P	RRD201GYTR	RT100W	SC5EY03	SF35I	SFRCORGY	SF35I100US	SS211	SSF13	
RL8822	RR15EQALTR	RR450	RRD205AL	RT200	SC5EY05	SF35I	SFRCORLA	SF35I25US	SS213	SSF14	
RMS100AL	RR15EQBK	RR450F	RRD205BK	RT300I	SC5EY07	SF35I	SFRCOROW	SF35I50US	SS22	SSF16	
RMS100I	RR15EQBKTR	RR450FW	RRD205GY	RT300W	SC5EY10	SF35I	SFRCORW	SF35I200DES	SS226	SSJ1	
RMS100LA	RR15EQI	RR450PM	RRD205I	RT303	SC5EY15	SF35I	SFRCR	SF35I250DES	SS22RKL	SSJ11	
RMS100W	RR15EQITR	RRD15	RRD205LA	RT600I	SC5EY20	SF35I	SFRCRAL	SF35I300DES	SS22RKLML	SSJ126	
RMS101AL	RR15EQLA	RRD15I	RRD205W	RT600W	SC5EY25	SF35I	SFRCRBK	SF35I350DES	SS23	SSJ13	
RMS101I	RR15EQLATR	RRD15IAL	RS100W	RU100SS	SC6B01	SF35I	SFRCREI	SF35I400DES	SS232	SSJ18	
RMS101LA	RR15EQTR	RRD15IALTR	RS101I	RU100W	SC6B03	SF35I	SFRCRF	SF35I50US	SS234	SSJ2	
RMS101W	RR15EQW	RRD15IBK	RS101W	RU170W	SC6B05	SF35I	SFRCRFAL	SF35I50U	SS23L	SSJ26	
RMS120AL	RR15EQWTR	RRD15IBKTR	RS115	RU200SS	SC6B07	SF35I	SFRCRFBK	SPC050U	SS24	SSJ26	
RMS120I	RR15ETR	RRD15IGY	RS115AL	RU200W	SC6B10	SF35I	SFRCRFEI	SPC062DE	SS24L	SSJ262	
RMS120LA	RR15EW	RRD15IGYTR	RS115BK	RU270W	SC6B15	SF35I	SFRCRFGY	SPC062SO	SS26	SSJ7	
RMS120W	RR15EWTR	RRD15I	RS115I	S12RKL	SC6B20	SF35I	SFRCRFLLA	SPC062U	SS26	SSJ723	
RMS121AL	RR15I	RRD15ITR	RS115LAL	S12RKLML	SC6B25	SF35I	SFRCRFW	SPC075DE	SS262	SSJ8	
RMS121I	RR15K	RRD15ILA	RS115LLC	SA1	SC6GY01	SF35I	SFRCRGY	SPC075SO	SS262	SSJ82	
RMS121LA	RR15KAL	RRD15ILATR	RS115LI	SA2	SC6GY03	SF35I	SFRCRLA	SPC075U	SS262L	SSR050	
RMS121W	RR15KALTR	RRD15ITR	RS115LILA	SA7	SC6GY05	SF35I	SFRCRR	SPC100DE	SS263	SSR062	
RP101BK	RR15KI	RRD15ILW	RS115LW	SA72	SC6GY07	SF35I	SFRCRRAL	SPC100SO	SS263	SSR075	
RP101BK	RR15KITR	RRD15IWTR	RS115KAL	SA8	SC6GY10	SF35I	SFRCRRBK	SPC100U	SS264	SSR100	
RP101W	RR15KLA	RRD155	RS115KI	SA82	SC6GY15	SF35I	SFRCRR	SPC125DE	SS264	SSR125	
RP101W	RR15KLATR	RRD155AL	RS115KLA	SB1	SC6GY20	SF35I	SFRCRRGY	SPC125SO	SS265	SSR150	
RP102BK	RR15KTR	RRD155BK	RS115KW	SB12	SC6GY25	SF35I	SFRCRRLA	SPC125U	SS265	SSR175	
RP102BK	RR15KW	RRD155GY	RS115LA	SB126	SC6R01	SF35I	SFRCRRW	SPC150DE	SS266	SSR200	
RP102W	RR15KWTR	RRD155I	RS115S	SB13	SC6R03	SF35I	SFRCRW	SPC150SO	SS266	SSR250	
RP102W	RR15LA	RRD155LA	RS115SAL	SB14	SC6R05	SF35I	SFRCW	SPC150U	SS26L	SSR300	
RP123I	RR15Q	RRD155W	RS115SI	SB18	SC6R07	SF35I	SFRC110W	SPC175SO	SS28	SSR350	
RP123I	RR15QAL	RRD155AL	RS115SLA	SB2	SC6R10	SF35I	SFRC110Y	SPC175U	SS2L	SST1473	
RP123PI	RR15QALTR	RRD15BK	RS115SW	SB23	SC6R15	SF35I	SFRCBAL	SPC200DES	SS3	SST1474	



Bryant Electric
Hubbell Incorporated
(Delaware)
185 Plains Road
Milford, CT 06461

Phone (800) 323-2792
FAX (800) 543-0538
FAX (800) 543-0538



BRYANT®

www.bryant-electric.com



Printed in U.S.A.
Specifications subject to change without notice.
Bryant® is a registered trademark of Hubbell Incorporated.
BC001 7/09