



E.B. Horsman & Son

The Electrical Distributor of Choice!

*proud distributor
of*


COOPER Lighting

Visit our

You Tube Channel

www.youtube.com/user/ebhorsman

Shop Online



ebhorsman.com



LUMARK 

Lumark's quality commercial and industrial products, including area-site luminaires, security, floodlighting and high-bay fixtures, satisfy virtually every indoor or outdoor LED and high-intensity discharge lighting need.



Providing solutions for transportation, supermarkets, gymnasiums, factories, retail, warehouses and other industrial and commercial environments, Lumark offers a wide range of innovative products featuring unmatched craftsmanship and affordability. Lumark's reliable product line is designed around the latest energy-efficient optical technology with easy installation and maintenance features.

SEE PAGE 15-59 FOR NEW PRODUCTS.



ACRYLIC HIGH-BAY



HB Prismatic Benchmark
16", 22" and 25"
Page 15-5



LX Direct-Mount Prismatic Steeler
22" and 25"
Page 15-6



SE Enclosed and Gasketed Prismatic Acrylic Steeler
22"
Page 15-7



SS Prismatic Steeler
16", 22" and 25"
Page 15-8



XB Prismatic Direct-Mount Acrylic Benchmark
22"
Page 15-9



EB Enclosed and Gasketed Prismatic Acrylic Benchmark
22"
Page 15-10



EB Enclosed and Gasketed Benchmark
18" and 23"
Page 15-11



EB Enclosed and Gasketed Benchmark VertX
22" and 28"
Page 15-12

ALUMINUM LOW-BAY



HB High-Bay Benchmark
Page 15-13



HP VertX
Page 15-14



SE Enclosed and Gasketed Steeler
18" and 23"
Page 15-15



SE Enclosed and Gasketed VertX
Page 15-16



SS Steeler
15", 18" and 23"
Page 15-17



SS VertX
Page 15-18



BE Vertimark II
Page 15-19



EP Enterprise
22" and 28"
Page 15-20

COMPACT FLUORESCENT HIGH-BAY



RB Low-Bay Benchmark
Page 15-21



DP Axio Series
Page 15-22

GLASS HIGH-BAY



GB Prismatic Glass Benchmark
16" and 21"
Page 15-23



SG Prismatic Glass Steeler
16" and 21"
Page 15-24

CONTROLS - CEILING AND SENSORS



CML LumaWatt Industrial HID Dimming System
Page 15-25



IRMD HID Motion Detector
Page 15-25



IRMS Individual Fixture Control Option
Page 15-26

RECESSED 2 X 2 HID SQUARES



QC Quadra Mark
Page 15-27



QD Quadra Lume
Page 15-28



QF Quadra Lume
Page 15-29



QP Quadra Lume
Page 15-30

VAPORTIGHTS



IC Vaportight
Page 15-31



VL Vaportight Large
Page 15-32



VS Vaportight Small
Page 15-33

WORK LIGHTS



SS Steeler Worklight
Page 15-34

WALL MOUNT



SSD, DD, IR Docklight
Page 15-35



XTOR Crosstour LED
Page 15-36



WP Wal-Pak
Page 15-37



Z-Pak
Page 15-39



Z-Pak Cutoff
Page 15-39



Wally
Page 15-40



Wally Cutoff
Page 15-40



WM Wal-Lite
Page 15-41

FLOODLIGHTING



GP Glass-Pack
Page 15-41



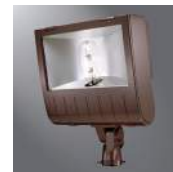
SF Falcon
Page 15-42



AH Arrowhead™
Page 15-43



WR Warrior
Page 15-44



NK Nighthawk III
Page 15-45



QZ Wedge
Page 15-46



AS AllStar
Page 15-46



XL Eagle
Page 15-47

SEE PAGE 15-59 FOR NEW PRODUCTS.

AREA - SITE



EL Eternalume
Page 15-49



RV Ridgeview LED
Page 15-50



TR Tribute™
Page 15-51



RC LED Roadway
Small Cutoff
Cobrahead
Page 15-52



RC Roadway Small
Cutoff Cobrahead
Page 15-53



RL LED Roadway
Large Cutoff
Cobrahead
Page 15-54



RL Roadway Large
Cutoff Cobrahead
Page 15-55



RY Roadway
Cobrahead
Page 15-56

CANOPY



MC High Mast
Industrial Area
Luminaire
Page 15-57



MX High Mast
Industrial Area
Luminaire
Page 15-57



CL, CS Canopy Light
Page 15-58

SEE PAGE 15-59 FOR NEW PRODUCTS.



FEATURES

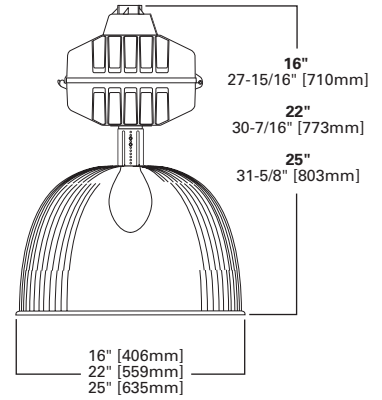
- Slide-on, die-cast aluminum mounting box with opening for 3/4" conduit
- Durable, heavy-duty housing for performance in harsh environments
- Integral hinge for easy maintenance with optional tool-less entry
- Standard white polyester, powder-paint finish
- High power factor ballast with class H insulation
- Minimum temperature: -40°C (-40°F) HPS, -30°C (-20°F) MH and MP
- Reflectors and refractors can be changed to aluminum or glass
- Mogul-base porcelain socket

Compliances may not apply to all product configurations. Please consult the product spec sheet for compliance details.

COMPLIANCES: UL Listed, UL/cUL Listed - Damp Location, CSA Listed, 55°C Ambient Temperature Rating, 65°C Ambient Temperature Rating, EISA Compliant



HB PRISMATIC BENCHMARK
16", 22" AND 25"



ORDERING INFORMATION

SAMPLE NUMBER: MPH-B-PD16-M-320-MT-OR

Lamp Type	Series	Refractor Type	Refractor Diameter	Distribution	Lamp Wattage	Voltage	Socket																						
HP =High Pressure Sodium MH =Metal Halide ^{1,2} MP =Pulse Start Metal Halide ¹	HB =High-Bay Benchmark	PD =Prismatic Acrylic	16 =16" Diameter 22 =22" Diameter 25 =25" Diameter	C =Concentrated M =Medium W =Wide	<table border="0"> <tr> <td>HP</td> <td>MP</td> </tr> <tr> <td>250=250W</td> <td>175=175W</td> </tr> <tr> <td>400=400W</td> <td>200=200W</td> </tr> <tr> <td>600=600W</td> <td>250=250W</td> </tr> <tr> <td>750=750W</td> <td>320=320W</td> </tr> <tr> <td></td> <td>350=350W</td> </tr> <tr> <td>MH</td> <td>400=400W</td> </tr> <tr> <td>1000=1000W</td> <td>450=450W</td> </tr> <tr> <td>175=175W</td> <td>750=750W</td> </tr> <tr> <td>250=250W</td> <td></td> </tr> <tr> <td>400=400W</td> <td></td> </tr> </table>	HP	MP	250=250W	175=175W	400=400W	200=200W	600=600W	250=250W	750=750W	320=320W		350=350W	MH	400 =400W	1000=1000W	450=450W	175=175W	750=750W	250=250W		400=400W		120V =120V 208V =208V 240V =240V 277V =277V 347V =347V 480V =480V 5T =5-Tap MT =Multi-Tap wired 277V TT =Triple-Tap wired 347V	[Blank] =Non Applicable (HPS or not compatible with OR socket) OR =Open Rated Socket for Metal Halide
HP	MP																												
250=250W	175=175W																												
400=400W	200=200W																												
600=600W	250=250W																												
750=750W	320=320W																												
	350=350W																												
MH	400 =400W																												
1000=1000W	450=450W																												
175=175W	750=750W																												
250=250W																													
400=400W																													

Options (Add as Suffix)³

- C3**=3' Cord without Plug (Specify voltage)
- EM**=Quartz Restrike with "Delay Relay" (Quartz lamp strikes at both hot and cold starts)
- EM/SC**=Emergency Separate Circuit
- F1**=Single Fuse (120, 277 or 347V only)
- F2**=Double Fuse (208, 240 or 480V only)
- FH-1**=Die-cast Aluminum Fixture Hook (With 3/4" threads for easy installation)
- FL-1**=Malleable Iron Plated Fixture Loop (With 3/4" threads for easy installation)
- HC**=LumaWatt Fixture Control Module (Low voltage leads pulled out of top connection box for areas requiring all wiring to be installed in conduit)
- HL**=LumaWatt Fixture Control Module (Allows low voltage control wire to be daisy-chained between fixtures outside AC conduit run similar to low voltage intercoms, fire alarms and phone systems)
- HSW**=Integral LumaWatt Sensor and Control with Wide Distribution
- L/TCB**=Less Top Connector Box (Housing shipped less top connector box. Specify when using TWMB accessory)
- LL**=Lamp Included
- P**=Pre-set Socket Position from the Factory
- PC3**=3' Cord with NEMA Plug (Other cord lengths are available by specifying length - PC6 for 6' cord. Requires FH-1 or FL-1 or SHK. Use with TPPH-NEMA. Specify voltage)
- PHC**=Power Cord and Plug - 18" Power Cord and Non-NEMA Plug Configuration (Must be used with FL-1 and TPPH. Must specify single voltage)

- PHC-NEMA**=Power Cord and NEMA Plug - 18" Power Cord and 20 Amp NEMA Plug Configuration (Must be used with FL-1 and TPPH-NEMA)
- PS**=Protective Starter (Available in 1000W high pressure sodium only. For other wattages consult factory)
- Q**=Quartz Restrike (Hot strike only)
- QB**=Quiet Ballast
- QD**=Quick Disconnect Die-cast Pendant Mount Box (Specify single voltage. Not compatible with PC3, PHC, C3, MWS, RM or HC)
- QLL**=Quartz Lamp Included (Lamp is Cooper designated product based on luminaire requirements. Lamp is shipped separate from luminaire unless otherwise noted)
- RM**=Remote Mount
- SCF**=3' Aircraft Safety Cable Secures Housing to Ceiling (Alternative lengths available. Example: SCF6 = 6' cable)
- SCR**=Aircraft Safety Cable-Housing to Reflector or Refractor
- SHK**=Die-cast Aluminum Fixture Hook (With safety screw and 3/4" threads for easy installation)
- SS**=Space Saver Feature
- TE**=Tool-less Entry
- W/MWS**=MWS Industrial Components (Attached to the fixture at the factory. Standard cord length is 3 foot; 6 foot and 11 foot also available. Please refer to MWS Modular Wiring System section for additional information)

Accessories (Order Separately)

- C3**=3' Cord without Plug (Requires FH-1, FL-1 or SHK)
- CB16**=Conical Bottom Lens for 16" Refractor
- CB22**=Conical Bottom Lens for 22" Refractor (Maximum 400W)
- DB16**=Drop Acrylic Lens for 16" Refractor (Maximum 250W)
- DB22**=Drop Acrylic Lens for 22" Refractor (Maximum 400W)
- DB25**=Drop Acrylic Lens for 25" Refractor (Maximum 400W)
- FH-1**=Fixture Hook
- FL-1**=Fixture Loop
- FWG16**=Full Wire Guard for use with 16" Refractor
- FWG16/WDB**=Full Wire Guard for use with PD16 and DB16 Drop Lens (DB16 not included)
- FWG16/WG16**=Full Wire Guard for PD16 (SGB16 not included)
- FWG16/WG16/SGB16A**=Full Wire Guard for 16" Refractor and SGB16 Lens
- FWG22/WDB**=Full Wire Guard for use with PD22 and DB22 Drop Lens (DB22 not included)
- FWG22/WG22**=Full Wire Guard for PD22 (SGB not included)
- FWG22/WG22/SGB22A**=Full Wire Guard for 22" Refractor and SGB22 Lens (Maximum 400W)
- FWG25/WDB**=Full Wire Guard for use with PD25 and DB25 Drop Lens (DB25 not included)
- FWG25/WG25**=Full Wire Guard for PD25 (SGB not included)
- FWG25/WG25/SGB25A**=Full Wire Guard for 25" Refractor and SGB25 Lens (Maximum 400W)
- MBT**=Twin Mount Bracket (Fixtures must be same voltage and without hooks, loops or plugs)
- PC3**=3' Cord with NEMA Plug (Other cord lengths are available by specifying length - PC6 for 6' cord. Requires FH-1 or FL-1 or SHK. Use with TPPH-NEMA. Specify voltage)
- PHC**=Power Hook Cord and Non-NEMA Plug Configuration (Must be used with FL-1 and TPPH)
- PHC-NEMA**=Power Cord and NEMA Plug - 18" Power Cord and 20 Amp NEMA Plug Configuration (Must be used with FL-1 and TPPH-NEMA)
- SGB16A**=Safety Glass Bottom for PD16 Refractor (Not compatible with WG16. Maximum 250W)

- SGB22A**=Safety Glass Bottom for PD22 Refractor (Not compatible with WG22. Maximum 400W)
- SGB25A**=Safety Glass Bottom for PD25 Refractor (Not compatible with WG25. Maximum 400W)
- SHK**=Hook with Safety Screw
- TPPH**=Thruway Pendant Power Hook (Requires FL-1 and PHC. Specify voltage)
- TPPH-F**=Thruway Pendant Power Hook Single Fuse (Requires FL-1 and PHC. Specify voltage 120, 277 or 347V)
- TPPH-F-QD**=Thruway Pendant Power Hook Single Fuse, Quick Disconnect (Requires FL-1 and PHC. Specify voltage 120, 277 or 347V)
- TPPH-F2**=Thruway Pendant Power Hook Double Fuse (Requires FL-1 and PHC. Specify voltage 208, 240 or 480V)
- TPPH-F2-QD**=Thruway Pendant Power Hook Double Fuse, Quick Disconnect (Requires FL-1 and PHC. Specify voltage 208, 240 or 480V)
- TPPH-NEMA**=Thruway Pendant Power Hook (Requires FL-1 and PHC-XXXV-NEMA. Specify voltage)
- TWMB**=Thruway Mounting Box
- WG16**=Wire Guard for 16" Refractor (Not compatible with SGB)
- WG16/GLC**=Gym Wire Guard with Safety Glass for 16" Refractor
- WG16/SGB16A**=Gym Wire Guard with Safety Glass Bottom for 16" Refractor
- WG22**=Wire Guard for PD22 Refractor (Not compatible with SGB)
- WG22/GLC**=Gym Wire Guard with Safety Glass for 22 Refractor
- WG22/SGB22A**=Gym Wire Guard with Safety Glass Bottom for 22" Refractor
- WG25**=Wire Guard for PD25 Refractor (Not compatible with SGB25)
- WG25/SGB25A**=Gym Wire Guard with Safety Glass Bottom for 25" Refractor
- WGD16**=Wire Guard for DB16 Refractor
- WGD22**=Wire Guard for DB22 Refractor (Not Compatible with SGB22)
- WGD25**=Wire Guard for DB25 Refractor

NOTES: 1. Open Rated (OR) socket and lamp must be used. 2. Metal halide available in non-U.S. markets only. 3. Not all options and configurations are compatible and restrictions may apply. Reference specification sheet for additional details.

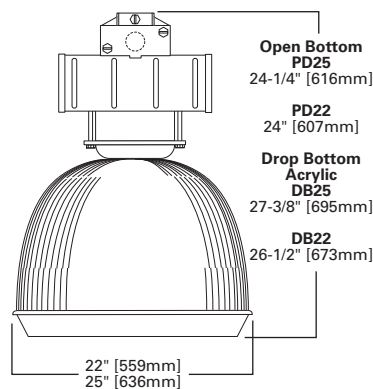
Specifications and dimensions subject to change without notice. Consult your Cooper Lighting Representative or visit www.cooperlighting.com for available options, accessories and ordering information.

FEATURES

- Slide-on, die-cast aluminum mounting box with opening for 3/4" conduit
- Heavy-duty, steel housing with open-air ballast for cooler operation
- Standard white polyester, powder-paint finish
- High power factor ballast with class H insulation
- Minimum temperature: -40°C (-40°F) HPS; -30°C (-20°F) MH and MP
- Mogul-base porcelain socket
- Acrylic refractor system provides even illumination

Compliances may not apply to all product configurations. Please consult the product spec sheet for compliance details.

COMPLIANCES: UL Listed - Damp Location, CSA Listed, 55°C Ambient Temperature Rating, 65°C Ambient Temperature Rating, EISA Compliant



LX DIRECT-MOUNT PRISMATIC STEELER 22" AND 25"

ORDERING INFORMATION

SAMPLE NUMBER: MPLX-DB22-320-MT-OR

Lamp Type	Series	Refractor Type	Refractor Diameter	Lamp Wattage	Voltage	Socket	
HP =High Pressure Sodium MH =Metal Halide ^{1,2} MP =Pulse Start Metal Halide ¹	LX =Prismatic Direct Mount Benchmark	DB =Prismatic Acrylic with Drop Acrylic Refractor PD =Prismatic Acrylic	22 =22" Diameter 25 =25" Diameter	HP 70=70W 100=100W 150=150W 250=250W 400=400W MH ² 175=175W 250=250W 400=400W	MP 175=175W 200=200W 250=250W 320=320W 350=350W 400=400W	120V =120V 208V =208V 240V =240V 277V =277V 347V =347V 480V =480V MT =Multi-Tap wired 277V TT =Triple-Tap wired 347V 5T =5-Tap	[Blank] =Non Applicable (HPS or not compatible with OR socket) OR =Open Rated Socket for Metal Halide

Options (Add as Suffix)³

- C3**=3' Cord without Plug (Specify voltage)
- EM**=Quartz Restrike with "Delay Relay" (Quartz lamp strikes at both hot and cold starts)
- EM/SC**=Emergency Separate Circuit
- F1**=Single Fuse (120, 277 or 347V only)
- F2**=Double Fuse (208, 240 or 480V only)
- FH-1**=Die-cast Aluminum Fixture Hook (With 3/4" threads for easy installation)
- FL-1**=Malleable Iron Plated Fixture Loop (With 3/4" threads for easy installation)
- HC**=LumaWatt Fixture Control Module (Low voltage leads pulled out of top connection box for areas requiring all wiring to be installed in conduit)
- HL**=LumaWatt Fixture Control Module (Allows low voltage control wire to be daisy-chained between fixtures outside AC conduit run similar to low voltage intercoms, fire alarms and phone systems)
- HSW**=Integral LumaWatt Sensor and Control with Wide Distribution
- L/TCB**=Less Top Connector Box (Housing shipped less top connector box. Specify when using TWMB accessory)
- LL**=Lamp Included
- PC3**=3' Cord with NEMA Plug (Other cord lengths are available by specifying length - PC6 for 6' cord. Requires FH-1 or FL-1 or SHK. Use with TPPH-NEMA. Specify voltage)

- PHC**=Power Cord and Plug - 18" Power Cord and Non-NEMA Plug Configuration (Must be used with FL-1 and TPPH. Must specify single voltage)
- PHC-NEMA**=Power Cord and NEMA Plug - 18" Power Cord and 20 Amp NEMA Plug Configuration (Must be used with FL-1 and TPPH-NEMA)
- Q**=Quartz Restrike (Hot strike only)
- QD**=Quick Disconnect Die-cast Pendant Mount Box (Specify single voltage. Not compatible with PC3, PHC, C3, MWS, RM or HC)
- QLL**=Quartz Lamp Included (Lamp is Cooper designated product based on luminaire requirements. Lamp is shipped separate from luminaire unless otherwise noted)
- SCF**=3' Aircraft Safety Cable Secures Housing to Ceiling (Alternative lengths available. Example: SCF6 = 6' cable)
- SHK**=Die-cast Aluminum Fixture Hook (With safety screw and 3/4" threads for easy installation)
- SS**=Space Saver Feature
- W/MWS**=MWS Industrial Components (Attached to the fixture at the factory. Standard cord length is 3 foot; 6 foot and 11 foot also available. Please refer to MWS Modular Wiring System section for additional information)

Accessories (Order Separately)

- C3**=3' Cord without Plug (Requires FH-1, FL-1 or SHK)
- FH-1**=Fixture Hook
- FL-1**=Fixture Loop
- FWG22/WDB**=Full Wire Guard for use with PD22 and DB22 Drop Lens (DB22 not included)
- FWG22/WG22**=Full Wire Guard for PD22 (SGB not included)
- FWG22/WG22/SGB22A**=Full Wire Guard for 22" Refractor and SGB22 Lens (Maximum 400W)
- FWG25/WDB**=Full Wire Guard for use with PD25 and DB25 Drop Lens (DB25 not included)
- FWG25/WG25**=Full Wire Guard for PD25 (SGB not included)
- FWG25/WG25/SGB25A**=Full Wire Guard for 25" Refractor and SGB25 Lens (Maximum 400W)
- MBT**=Twin Mount Bracket (Fixtures must be same voltage and without hooks, loops or plugs)
- PC3**=3' Cord with NEMA Plug (Other cord lengths are available by specifying length - PC6 for 6' cord. Requires FH-1 or FL-1 or SHK. Use with TPPH-NEMA. Specify voltage)
- PHC**=Power Hook Cord and Non-NEMA Plug Configuration (Must be used with FL-1 and TPPH)
- PHC-NEMA**=Power Cord and NEMA Plug - 18" Power Cord and 20 Amp NEMA Plug Configuration (Must be used with FL-1 and TPPH-NEMA)
- SGB22A**=Safety Glass Bottom for PD22 Refractor (Not compatible with WG22. Maximum 400W)
- SGB25A**=Safety Glass Bottom for PD25 Refractor (Not compatible with WG25. Maximum 400W)
- SHK**=Hook with Safety Screw

- TPPH**=Thruway Pendant Power Hook (Requires FL-1 and PHC. Specify voltage)
- TPPH-F**=Thruway Pendant Power Hook Single Fuse (Requires FL-1 and PHC. Specify voltage 120, 277 or 347V)
- TPPH-F-QD**=Thruway Pendant Power Hook Single Fuse, Quick Disconnect (Requires FL-1 and PHC. Specify voltage 120, 277 or 347V)
- TPPH-F2**=Thruway Pendant Power Hook Double Fuse (Requires FL-1 and PHC. Specify voltage 208, 240 or 480V)
- TPPH-F2-QD**=Thruway Pendant Power Hook Double Fuse, Quick Disconnect (Requires FL-1 and PHC. Specify voltage 208, 240 or 480V)
- TPPH-NEMA**=Thruway Pendant Power Hook (Requires FL-1 and PHC-XXXV-NEMA. Specify voltage)
- TWMB**=Thruway Mounting Box
- WG22**=Wire Guard for PD22 Refractor (Not compatible with SGB)
- WG22/SGB22A**=Gym Wire Guard with Safety Glass Bottom for PD22 Refractor (Maximum 400W)
- WG25**=Wire Guard for PD25 Refractor (Not compatible with SGB)
- WG25/SGB25A**=Gym Wire Guard with Safety Glass Bottom for 25" Refractor
- WGD22**=Wire Guard for DB22 Refractor
- WGD25**=Wire Guard for DB25 Refractor

NOTES: 1. Open Rated (OR) socket and lamp must be used. 2. Metal halide available in non-U.S. markets only. 3. Not all options and configurations are compatible and restrictions may apply. Reference specification sheet for additional details.



FEATURES

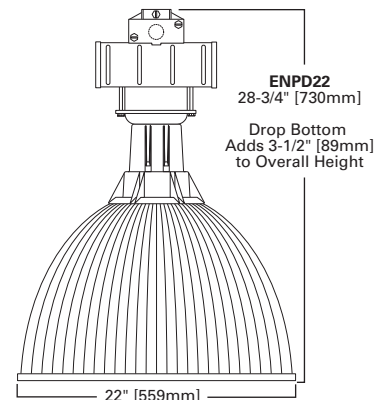
- Slide-on, die-cast aluminum mounting box with opening for 3/4" conduit
- Heavy-duty, steel housing with open-air ballast for cooler operation
- Standard white polyester, powder-paint finish
- High power factor ballast with class H insulation
- Minimum temperature: -40°C (-40°F) HPS; -30°C (-20°F) MH and MP
- Staggered mounting bosses for eight-position socket adjustment
- Available drop bottom acrylic lens or glass bottom lens
- Enclosed and gasketed at door, refractor, neck and housing
- Clear, tempered glass or prismatic acrylic drop lens

Compliances may not apply to all product configurations. Please consult the product spec sheet for compliance details.

COMPLIANCES: UL Listed, CSA Listed - Damp Location, 55°C Ambient Temperature Rating, 65°C Ambient Temperature Rating, EISA Compliant



**SE E&G PRISMATIC
ACRYLIC STEELER
22"**



ORDERING INFORMATION

SAMPLE NUMBER: MPSE-ENPD22-M-320-MT-OR

Lamp Type	Series	Refractor Type	Refractor Diameter	Distribution	Lamp Wattage	Voltage	Socket																		
HP =High Pressure Sodium MH =Metal Halide ^{1,2} MP =Pulse Start Metal Halide ¹	SE =Enclosed and Gasketed Steeler	ENPD =Enclosed and Gasketed Prismatic Acrylic Refractor	22 =22" Diameter	C =Concentrated M =Medium W =Wide	<table border="0"> <tr> <td>HP</td> <td>MP</td> </tr> <tr> <td>250=250W</td> <td>175=175W</td> </tr> <tr> <td>400=400W</td> <td>200=200W</td> </tr> <tr> <td></td> <td>250=250W</td> </tr> <tr> <td></td> <td>320=320W</td> </tr> <tr> <td>MH²</td> <td></td> </tr> <tr> <td>175=175W</td> <td>350=350W</td> </tr> <tr> <td>250=250W</td> <td>400=400W</td> </tr> <tr> <td>400=400W</td> <td></td> </tr> </table>	HP	MP	250=250W	175=175W	400=400W	200=200W		250=250W		320=320W	MH ²		175=175W	350=350W	250=250W	400=400W	400=400W		120V =120V 208V =208V 240V =240V 277V =277V 347V =347V 480V =480V MT =Multi-Tap wired 277V TT =Triple-Tap wired 347V 5T =5-Tap	[Blank] =Non Applicable (HPS or not compatible with OR socket) OR =Open Rated Socket for Metal Halide
HP	MP																								
250=250W	175=175W																								
400=400W	200=200W																								
	250=250W																								
	320=320W																								
MH ²																									
175=175W	350=350W																								
250=250W	400=400W																								
400=400W																									

Options (Add as Suffix)³

- C3**=3' Cord without Plug (Specify voltage)
- EM**=Quartz Restrike with "Delay Relay" (Quartz lamp strikes at both hot and cold starts)
- EM/SC**=Emergency Separate Circuit
- F1**=Single Fuse (120, 277 or 347V only)
- F2**=Double Fuse (208, 240 or 480V only)
- FH-1**=Die-cast Aluminum Fixture Hook (With 3/4" threads for easy installation)
- FL-1**=Malleable Iron Plated Fixture Loop (With 3/4" threads for easy installation)
- HC**=LumaWatt Fixture Control Module (Low voltage leads pulled out of top connection box for areas requiring all wiring to be installed in conduit)
- HL**=LumaWatt Fixture Control Module (Allows low voltage control wire to be daisy-chained between fixtures outside AC conduit run similar to low voltage intercoms, fire alarms and phone systems)
- HSW**=Integral LumaWatt Sensor and Control with Wide Distribution
- L/TCB**=Less Top Connector Box (Housing shipped less top connector box. Specify when using TWMB accessory)
- LL**=Lamp Included
- P**=Pre-set Socket Position from the Factory
- PC3**=3' Cord with NEMA Plug (Other cord lengths are available by specifying length - PC6 for 6' cord. Requires FH-1 or FL-1 or SHK. Use with TPPH-NEMA. Specify voltage)
- PHC**=Power Cord and Plug - 18" Power Cord and Non-NEMA Plug Configuration (Must be used with FL-1 and TPPH. Must specify single voltage)
- PHC-NEMA**=Power Cord and NEMA Plug - 18" Power Cord and 20 Amp NEMA Plug Configuration (Must be used with FL-1 and TPPH-NEMA)
- Q**=Quartz Restrike (Hot strike only)
- QD**=Quick Disconnect Die-cast Pendant Mount Box (Specify single voltage. Not compatible with PC3, PHC, C3, MWS, RM or HC)
- QLL**=Quartz Lamp Included (Lamp is Cooper designated product based on luminaire requirements. Lamp is shipped separate from luminaire unless otherwise noted)
- RM**=Remote Mount
- SCF**=3' Aircraft Safety Cable Secures Housing to Ceiling (Alternative lengths available. Example: SCF6 = 6' cable)
- SCR**=Aircraft Safety Cable-Housing to Reflector or Refractor
- SHK**=Die-cast Aluminum Fixture Hook (With safety screw and 3/4" threads for easy installation)
- SS**=Space Saver Feature
- W/MWS**=MWS Industrial Components (Attached to the fixture at the factory. Standard cord length is 3 foot; 6 foot and 11 foot also available. Please refer to MWS Modular Wiring System section for additional information)

Accessories (Order Separately)

- C3**=3' Cord without Plug (Requires FH-1, FL-1 or SHK)
- FH-1**=Fixture Hook
- FL-1**=Fixture Loop
- FWG22/WG22/SGB22A**=Full Wire Guard for 22" Refractor and SGB22 Lens (Maximum 400W)
- MBT**=Twin Mount Bracket (Fixtures must be same voltage and without hooks, loops or plugs)
- PC3**=3' Cord with NEMA Plug (Other cord lengths are available by specifying length - PC6 for 6' cord. Requires FH-1 or FL-1 or SHK. Use with TPPH-NEMA. Specify voltage)
- PHC**=Power Cord and Non-NEMA Plug Configuration (Must be used with FL-1 and TPPH)
- PHC-NEMA**=Power Cord and NEMA Plug - 18" Power Cord and 20 Amp NEMA Plug Configuration (Must be used with FL-1 and TPPH-NEMA)
- SGB22A**=Safety Glass Bottom for PD22 Refractor (Not compatible with WG22. Maximum 400W)
- SHK**=Hook with Safety Screw
- TPPH**=Thruway Pendant Power Hook (Requires FL-1 and PHC. Specify voltage)
- TPPH-F**=Thruway Pendant Power Hook Single Fuse (Requires FL-1 and PHC. Specify voltage 120, 277 or 347V)
- TPPH-F-QD**=Thruway Pendant Power Hook Single Fuse, Quick Disconnect (Requires FL-1 and PHC. Specify voltage 120, 277 or 347V)
- TPPH-F2**=Thruway Pendant Power Hook Double Fuse (Requires FL-1 and PHC. Specify voltage 208, 240 or 480V)
- TPPH-F2-QD**=Thruway Pendant Power Hook Double Fuse, Quick Disconnect (Requires FL-1 and PHC. Specify voltage 208, 240 or 480V)
- TPPH-NEMA**=Thruway Pendant Power Hook (Requires FL-1 and PHC-XXXV-NEMA. Specify voltage)
- TWMB**=Thruway Mounting Box
- WG22/SGB22A**=Gym Wire Guard with Safety Glass Bottom for PD22 Refractor (Maximum 400W)

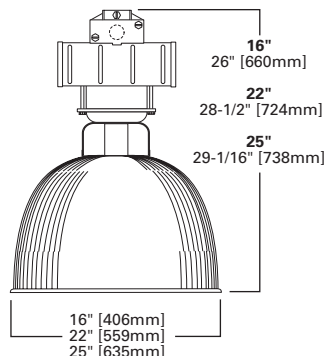
NOTES: 1. Open Rated (OR) socket and lamp must be used. 2. Metal halide available in non-U.S. markets only. 3. Not all options and configurations are compatible and restrictions may apply. Reference specification sheet for additional details.

FEATURES

- Slide-on, die-cast aluminum mounting box with opening for 3/4" conduit
- Heavy-duty, steel housing with open-air ballast for cooler operation
- Standard white polyester, powder-paint finish
- High power factor ballast with class H insulation
- Minimum temperature: -40°C (-40°F) HPS, -30°C (-20°F) MH and MP
- Reflectors and refractors can be changed to aluminum or glass
- Mogul-base porcelain socket
- Multiple field-adjustable distribution patterns for precision control

Compliances may not apply to all product configurations. Please consult the product spec sheet for compliance details.

COMPLIANCES: UL Listed - Damp Location, CSA Listed, 40°C Ambient Temperature Rating, 55°C Ambient Temperature Rating, EISA Compliant



SS PRISMATIC STEELER
16", 22" AND 25"

Drop Bottom adds 3-1/2" [89mm] to overall height.

ORDERING INFORMATION

SAMPLE NUMBER: MPSS-PD22-M-400-MT-OR

Lamp Type	Series	Refractor Type	Refractor Diameter	Distribution	Lamp Wattage	Voltage	Socket
HP =High Pressure Sodium MH =Metal Halide ^{1,2} MP =Pulse Start Metal Halide ¹	SS =Steeler	PD =Prismatic Acrylic	16 =16" Diameter 22 =22" Diameter 25 =25" Diameter	C =Concentrated M =Medium W =Wide	HP 250=250W 400=400W 600=600W 750=750W MH 1000=1000W 175=175W 250=250W 400=400W MP 175=175W 200=200W 250=250W 320=320W 350=350W 400=400W 450=450W 750=750W	120V =120V 208V =208V 240V =240V 277V =277V 347V =347V 480V =480V 5T =5-Tap MT =Multi-Tap wired 277V TT =Triple-Tap wired 347V	[Blank] =Non Applicable (HPS or not compatible with OR socket) OR =Open Rated Socket for Metal Halide

Options (Add as Suffix)³

- C3**=3" Cord with No Plug (Specify voltage)
- EM**=Quartz Restrike with "Delay Relay" (Quartz lamp strikes at both hot and cold starts)
- EM/SC**=Emergency Separate Circuit
- F1**=Single Fuse (120, 277 or 347V only)
- F2**=Double Fuse (208, 240 or 480V only)
- FH-1**=Die-cast Aluminum Fixture Hook (With 3/4" threads for easy installation)
- FL-1**=Malleable Iron Plated Fixture Loop (With 3/4" threads for easy installation)
- HC**=LumaWatt Fixture Control Module (Low voltage leads pulled out of top connection box for areas requiring all wiring to be installed in conduit)
- HL**=LumaWatt Fixture Control Module (Allows low voltage control wire to be daisy-chained between fixtures outside AC conduit run similar to low voltage intercoms, fire alarms and phone systems)
- HSW**=Integral LumaWatt Sensor and Control with Wide Distribution
- L/TCB**=Less Top Connector Box (Housing shipped less top connector box. Specify when using TWMB accessory)
- LL**=Lamp Included
- P**=Pre-set Socket Position from the Factory
- PC3**=3" Cord with NEMA Plug (Other cord lengths are available by specifying length - PC6 for 6' cord. Requires FH-1 or FL-1 or SHK. Use with TPPH-NEMA. Specify voltage)
- PHC**=Power Cord and Plug - 18" Power Cord and Non-NEMA Plug Configuration (Must be used with FL-1 and TPPH. Must specify single voltage)

- PHC-NEMA**=Power Cord and NEMA Plug - 18" Power Cord and 20 Amp NEMA Plug Configuration (Must be used with FL-1 and TPPH-NEMA)
- PS**=Protective Starter (Available in 1000W high pressure sodium only. For other wattages consult factory)
- Q**=Quartz Restrike (Hot strike only)
- QD**=Quick Disconnect Die-cast Pendant Mount Box (Specify single voltage. Not compatible with PC3, PHC, C3, MWS, RM or HC)
- QLL**=Quartz Lamp Included (Lamp is Cooper designated product based on luminaire requirements. Lamp is shipped separate from luminaire unless otherwise noted)
- RM**=Remote Mount
- SCF**=3' Aircraft Safety Cable Secures Housing to Ceiling (Alternative lengths available. Example: SCF6 = 6' cable)
- SCR**=Aircraft Safety Cable-Housing to Reflector or Refractor
- SHK**=Die-cast Aluminum Fixture Hook (With safety screw and 3/4" threads for easy installation)
- SS**=Space Saver Feature
- W/MWS**=MWS Industrial Components (Attached to the fixture at the factory. Standard cord length is 3 foot; 6 foot and 11 foot also available. Please refer to MWS Modular Wiring System section for additional information)

Accessories (Order Separately)

- C3**=3" Cord without Plug (Requires FH-1, FL-1 or SHK)
- CB22**=Conical Bottom Lens for 22" Refractor (Maximum 400W)
- DB16**=Drop Acrylic Lens for 16" Refractor (Maximum 250W)
- DB22**=Drop Acrylic Lens for 22" Refractor (Maximum 400W)
- DB25**=Drop Acrylic Lens for 25" Refractor (Maximum 400W)
- FH-1**=Fixture Hook
- FL-1**=Fixture Loop
- FWG16/WDB**=Full Wire Guard for use with PD16 and DB16 Drop Lens (DB16 not included)
- FWG16/WG16**=Full Wire Guard for PD16 (SGB16 not included)
- FWG16/WG16/SGB16A**=Full Wire Guard for 16" Refractor and SGB16 Lens
- FWG22/WDB**=Full Wire Guard for use with PD22 and DB22 Drop Lens (DB22 not included)
- FWG22/WG22**=Full Wire Guard for PD22 (SGB not included)
- FWG22/WG22/SGB22A**=Full Wire Guard for 22" Refractor and SGB22 Lens (Maximum 400W)
- FWG25/WDB**=Full Wire Guard for use with PD25 and DB25 Drop Lens (DB25 not included)
- FWG25/WG25**=Full Wire Guard for PD25 (SGB not included)
- FWG25/WG25/SGB25A**=Full Wire Guard for 25" Refractor and SGB25 Lens (Maximum 400W)
- MBT**=Twin Mount Bracket (Fixtures must be same voltage and without hooks, loops or plugs)
- PC3**=3" Cord with NEMA Plug (Other cord lengths are available by specifying length - PC6 for 6' cord. Requires FH-1 or FL-1 or SHK. Use with TPPH-NEMA. Specify voltage)
- PHC**=Power Hook Cord and Non-NEMA Plug Configuration (Must be used with FL-1 and TPPH)
- PHC-NEMA**=Power Cord and NEMA Plug - 18" Power Cord and 20 Amp NEMA Plug Configuration (Must be used with FL-1 and TPPH-NEMA)
- SGB16A**=Safety Glass Bottom for PD16 Refractor (Not compatible with WG16. Maximum 250W)
- SGB22A**=Safety Glass Bottom for PD22 Refractor (Not compatible with WG22. Maximum 400W)
- SGB25A**=Safety Glass Bottom for PD25 Refractor (Not compatible with WG25. Maximum 400W)

- SHK**=Hook with Safety Screw
- TPPH**=Thruway Pendant Power Hook (Requires FL-1 and PHC. Specify voltage)
- TPPH-F**=Thruway Pendant Power Hook Single Fuse (Requires FL-1 and PHC. Specify voltage 120, 277 or 347V)
- TPPH-F-QD**=Thruway Pendant Power Hook Single Fuse, Quick Disconnect (Requires FL-1 and PHC. Specify voltage 120, 277 or 347V)
- TPPH-F2**=Thruway Pendant Power Hook Double Fuse (Requires FL-1 and PHC. Specify voltage 208, 240 or 480V)
- TPPH-F2-QD**=Thruway Pendant Power Hook Double Fuse, Quick Disconnect (Requires FL-1 and PHC. Specify voltage 208, 240 or 480V)
- TPPH-NEMA**=Thruway Pendant Power Hook (Requires FL-1 and PHC-XXXV-NEMA. Specify voltage)
- TWMB**=Thruway Mounting Box
- WG16**=Wire Guard for 16" Refractor (Not compatible with SGB)
- WG16/GLC**=Gym Wire Guard with Safety Glass for 16" Refractor
- WG16/SGB16A**=Gym Wire Guard with Safety Glass Bottom for 16" Refractor
- WG22**=Wire Guard for PD22 Refractor (Not compatible with SGB)
- WG22/GLC**=Gym Wire Guard with Safety Glass for 22" Refractor
- WG22/SGB22A**=Gym Wire Guard with Safety Glass Bottom for PD22 Refractor (Maximum 400W)
- WG25**=Wire Guard for PD25 Refractor (Not compatible with SGB25)
- WG25/GLC**=Gym Wire Guard with Safety Glass for 25" Refractor
- WG25/SGB25A**=Gym Wire Guard with Safety Glass Bottom for 25" Refractor
- WGD16**=Wire Guard for DB16 Refractor
- WGD22**=Wire Guard for DB22 Refractor (Not Compatible with SGB22)
- WGD25**=Wire Guard for DB25 Refractor

NOTES: 1. Open Rated (OR) socket and lamp must be used. 2. Metal halide available in non-U.S. markets only. 3. Not all options and configurations are compatible and restrictions may apply. Reference specification sheet for additional details.



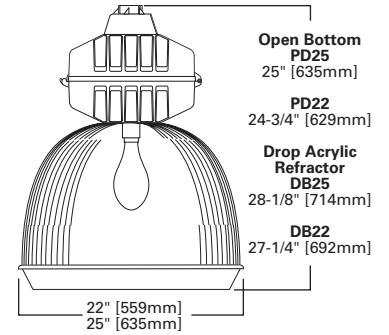
FEATURES

- Slide-on, die-cast aluminum mounting box with opening for 3/4" conduit
- Durable, heavy-duty housing for performance in harsh environments
- Integral hinge for easy maintenance with optional tool-less entry
- Finished in standard, white polyester powder-coat paint
- High power factor ballast with class H insulation
- Minimum temperature: -40°C (-40°F) HPS, -30°C (-20°F) MH and MP
- Mogul-base porcelain socket
- Acrylic refractor system mounts to housing for full illumination

Compliances may not apply to all product configurations. Please consult the product spec sheet for compliance details.
COMPLIANCES: UL Listed - Damp Location, CSA Listed, EISA Compliant



**XB PRISMATIC
DIRECT-MOUNT
BENCHMARK**



ORDERING INFORMATION

SAMPLE NUMBER: MPXB-DB22-400-MT-OR

Lamp Type	Series	Refractor Type	Refractor Diameter	Lamp Wattage	Voltage	Socket																
HP =High Pressure Sodium MH =Metal Halide ^{1,2} MP =Pulse Start Metal Halide ¹	XB =Prismatic Direct-Mount Benchmark	DB =Prismatic Acrylic with Drop Acrylic Refractor PD =Prismatic Acrylic	22 =22" Diameter 25 =25" Diameter	<table border="0"> <tr> <td>HP</td> <td>MP</td> </tr> <tr> <td>250=250W</td> <td>175=175W</td> </tr> <tr> <td>400=400W</td> <td>200=200W</td> </tr> <tr> <td></td> <td>250=250W</td> </tr> <tr> <td>MH</td> <td>320=320W</td> </tr> <tr> <td>175=175W</td> <td>350=350W</td> </tr> <tr> <td>250=250W</td> <td>400=400W</td> </tr> <tr> <td>400=400W</td> <td></td> </tr> </table>	HP	MP	250 =250W	175 =175W	400 =400W	200 =200W		250 =250W	MH	320 =320W	175 =175W	350 =350W	250 =250W	400 =400W	400 =400W		120V =120V 208V =208V 240V =240V 277V =277V 347V =347V 480V =480V MT =Multi-Tap wired 277V TT =Triple-Tap wired 347V 5T =5-Tap	[Blank] =Non Applicable (HPS or not compatible with OR socket) OR =Open Rated Socket for Metal Halide
HP	MP																					
250 =250W	175 =175W																					
400 =400W	200 =200W																					
	250 =250W																					
MH	320 =320W																					
175 =175W	350 =350W																					
250 =250W	400 =400W																					
400 =400W																						

Options (Add as Suffix)³

- C3**=3' Cord without Plug (Specify voltage)
- EM**=Quartz Restrike with "Delay Relay" (Quartz lamp strikes at both hot and cold starts)
- EM/SC**=Emergency Separate Circuit
- F1**=Single Fuse (120, 277 or 347V only)
- F2**=Double Fuse (208, 240 or 480V only)
- FH-1**=Die-cast Aluminum Fixture Hook (With 3/4" threads for easy installation)
- FL-1**=Malleable Iron Plated Fixture Loop (With 3/4" threads for easy installation)
- HC**=LumaWatt Fixture Control Module (Low voltage leads pulled out of top connection box for areas requiring all wiring to be installed in conduit)
- HL**=LumaWatt Fixture Control Module (Allows low voltage control wire to be daisy-chained between fixtures outside AC conduit run similar to low voltage intercoms, fire alarms and phone systems)
- HSW**=Integral LumaWatt Sensor and Control with Wide Distribution
- L/TCB**=Less Top Connector Box (Housing shipped less top connector box. Specify when using TWMB accessory)
- LL**=Lamp Included
- PC3**=3' Cord with NEMA Plug (Other cord lengths are available by specifying length - PC6 for 6' cord. Requires FH-1 or FL-1 or SHK. Use with TPPH-NEMA. Specify voltage)
- PHC**=Power Cord and Plug - 18" Power Cord and Non-NEMA Plug Configuration (Must be used with FL-1 and TPPH. Must specify single voltage)
- PHC-NEMA**=Power Cord and NEMA Plug - 18" Power Cord and 20 Amp NEMA Plug Configuration (Must be used with FL-1 and TPPH-NEMA)
- Q**=Quartz Restrike (Hot strike only)
- QB**=Quiet Ballast (Not compatible with HPS)
- QD**=Quick Disconnect Die-cast Pendant Mount Box (Specify single voltage. Not compatible with PC3, PHC, C3, MWS, RM or HC)
- QLL**=Quartz Lamp Included (Lamp is Cooper designated product based on luminaire requirements. Lamp is shipped separate from luminaire unless otherwise noted)
- SCF**=3' Aircraft Safety Cable Secures Housing to Ceiling (Alternative lengths available. Example: SCF6 = 6' cable)
- SHK**=Die-cast Aluminum Fixture Hook (With safety screw and 3/4" threads for easy installation)
- TE**=Tool-less Entry
- UP10**=10% Uplight
- W/MWS**=MWS Industrial Components (Attached to the fixture at the factory. Standard cord length is 3 foot; 6 foot and 11 foot also available. Please refer to MWS Modular Wiring System section for additional information)

Accessories (Order Separately)

- C3**=3' Cord without Plug (Requires FH-1, FL-1 or SHK)
- CB22**=Conical Bottom Lens for 22" Refractor (Maximum 400W)
- FH-1**=Fixture Hook
- FL-1**=Fixture Loop
- FWG22/WG22/SGB22A**=Full Wire Guard for 22" Refractor and SGB22 Lens (Maximum 400W)
- FWG25/WDB**=Full Wire Guard for use with PD25 and DB25 Drop Lens (DB25 not included)
- FWG25/WG25**=Full Wire Guard for PD25 (SGB not included)
- FWG25/WG25/SBG25A**=Full Wire Guard for 25" Refractor and SGB25 Lens (Maximum 400W)
- MBT**=Twin Mount Bracket (Fixtures must be same voltage and without hooks, loops or plugs)
- PC3**=3' Cord with NEMA Plug (Other cord lengths are available by specifying length - PC6 for 6' cord. Requires FH-1 or FL-1 or SHK. Use with TPPH-NEMA. Specify voltage)
- PHC**=Power Cord and Non-NEMA Plug Configuration (Must be used with FL-1 and TPPH)
- PHC-NEMA**=Power Cord and NEMA Plug - 18" Power Cord and 20 Amp NEMA Plug Configuration (Must be used with FL-1 and TPPH-NEMA)
- SGB22A**=Safety Glass Bottom for PD22 Refractor (Not compatible with WG22. Maximum 400W)
- SGB25A**=Safety Glass Bottom for PD25 Refractor (Not compatible with WG25. Maximum 400W)
- SHK**=Hook with Safety Screw
- TPPH**=Thruway Pendant Power Hook (Requires FL-1 and PHC. Specify voltage)
- TPPH-F**=Thruway Pendant Power Hook Single Fuse (Requires FL-1 and PHC. Specify voltage 120, 277 or 347V)
- TPPH-F-QD**=Thruway Pendant Power Hook Single Fuse, Quick Disconnect (Requires FL-1 and PHC. Specify voltage 120, 277 or 347V)
- TPPH-F2**=Thruway Pendant Power Hook Double Fuse (Requires FL-1 and PHC. Specify voltage 208, 240 or 480V)
- TPPH-F2-QD**=Thruway Pendant Power Hook Double Fuse, Quick Disconnect (Requires FL-1 and PHC. Specify voltage 208, 240 or 480V)
- TPPH-NEMA**=Thruway Pendant Power Hook (Requires FL-1 and PHC-XXXV-NEMA. Specify voltage)
- TWMB**=Thruway Mounting Box
- WG22**=Wire Guard for PD22 Refractor (Not compatible with SGB)
- WG22/SGB22A**=Gym Wire Guard with Safety Glass Bottom for 22" Refractor
- WG25**=Wire Guard for PD25 Refractor (Not compatible with SGB)
- WG25/SGB25A**=Gym Wire Guard with Safety Glass Bottom for 25" Refractor
- WGD22**=Wire Guard for DB22 Refractor
- WGD25**=Wire Guard for DB25 Refractor

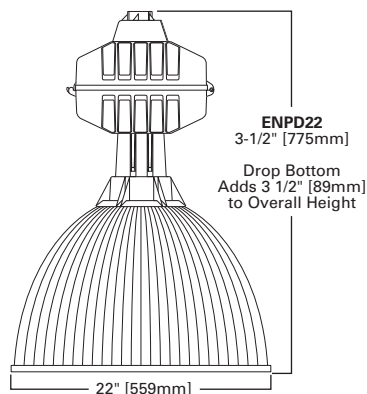
NOTES: 1. Open Rated (OR) socket and lamp must be used. 2. Metal halide available in non-U.S. markets only. 3. Not all options and configurations are compatible and restrictions may apply. Reference specification sheet for additional details.

FEATURES

- Slide-on die-cast aluminum mounting box with opening for 3/4" conduit
- Durable, heavy-duty housing for performance in harsh environments
- Integrally hinged for easy maintenance with optional tool-less entry
- Standard white polyester powder paint finish
- High-power factor ballast with class H insulation
- Minimum temperature: -40°C (-40°F) HPS, -30°C (-20°F) MH and MP
- Staggered mounting bosses for eight-position socket adjustment
- Clear tempered glass lens in an extruded aluminum hinged door frame

Compliances may not apply to all product configurations. Please consult the product spec sheet for compliance details.

COMPLIANCES: UL Listed, CSA Listed - Damp Location, 55°C Ambient Temperature Rating, 65°C Ambient Temperature Rating, EISA Compliant



**EB E&G PRISMATIC
ACRYLIC
BENCHMARK 22"**

ORDERING INFORMATION

SAMPLE NUMBER: MPEB-ENPD22-M-320-MT-OR

Lamp Type	Series	Refractor Type	Refractor Diameter	Distribution	Lamp Wattage	Voltage	Socket																
HP =High Pressure Sodium MH =Metal Halide ^{1,2} MP =Pulse Start Metal Halide ¹	EB =Enclosed and Gasketed Benchmark	ENPD =Enclosed and Gasketed Prismatic Acrylic Refractor	22 =22" Diameter	C =Concentrated M =Medium W =Wide	<table border="0"> <tr> <td>HP</td> <td>MP</td> </tr> <tr> <td>250=250W</td> <td>175=175W</td> </tr> <tr> <td>400=400W</td> <td>200=200W</td> </tr> <tr> <td></td> <td>250=250W</td> </tr> <tr> <td>MH²</td> <td>320=320W</td> </tr> <tr> <td>175=175W</td> <td>350=350W</td> </tr> <tr> <td>250=250W</td> <td>400=400W</td> </tr> <tr> <td>400=400W</td> <td></td> </tr> </table>	HP	MP	250=250W	175=175W	400=400W	200=200W		250=250W	MH ²	320 =320W	175=175W	350=350W	250=250W	400=400W	400=400W		120V =120V 208V =208V 240V =240V 277V =277V 347V =347V 480V =480V MT =Multi-Tap wired 277V TT =Triple-Tap wired 347V 5T =5-Tap	[Blank] =Non Applicable (HPS or not compatible with OR socket) OR =Open Rated Socket for Metal Halide
HP	MP																						
250=250W	175=175W																						
400=400W	200=200W																						
	250=250W																						
MH ²	320 =320W																						
175=175W	350=350W																						
250=250W	400=400W																						
400=400W																							

Options (Add as Suffix)³

- C3**=3' Cord without Plug (Specify voltage)
- EM**=Quartz Restrike with "Delay Relay" (Quartz lamp strikes at both hot and cold starts)
- EM/SC**=Emergency Separate Circuit
- F1**=Single Fuse (120, 277 or 347V only)
- F2**=Double Fuse (208, 240 or 480V only)
- FH-1**=Die-cast Aluminum Fixture Hook (With 3/4" threads for easy installation)
- FL-1**=Malleable Iron Plated Fixture Loop (With 3/4" threads for easy installation)
- HC**=LumaWatt Fixture Control Module (Low voltage leads pulled out of top connection box for areas requiring all wiring to be installed in conduit)
- HL**=LumaWatt Fixture Control Module (Allows low voltage control wire to be daisy-chained between fixtures outside AC conduit run similar to low voltage intercoms, fire alarms and phone systems)
- HSW**=Integral LumaWatt Sensor and Control with Wide Distribution
- L/TCB**=Less Top Connector Box (Housing shipped less top connector box. Specify when using TWMB accessory)
- LL**=Lamp Included
- PC3**=3' Cord with NEMA Plug (Other cord lengths are available by specifying length - PC6 for 6' cord. Requires FH-1 or FL-1 or SHK. Use with TPPH-NEMA. Specify voltage)
- PHC**=Power Cord and Plug - 18" Power Cord and Non-NEMA Plug Configuration (Must be used with FL-1 and TPPH. Must specify single voltage)
- PHC-NEMA**=Power Cord and NEMA Plug - 18" Power Cord and 20 Amp NEMA Plug Configuration (Must be used with FL-1 and TPPH-NEMA)
- SGB22A**=Safety Glass Bottom for PD22 Refractor (Not compatible with WG22. Maximum 400W)
- SHK**=Hook with Safety Screw
- TPPH-NEMA**=Thruway Pendant Power Hook (Requires FL-1 and PHC-XXXV-NEMA. Specify voltage)
- TWMBS**=Thruway Mounting Box
- WG22/SGB22A**=Gym Wire Guard with Safety Glass Bottom for PD22 Refractor (Maximum 400W)

Accessories (Order Separately)

- C3**=3' Cord without Plug (Requires FH-1, FL-1 or SHK)
- FH-1**=Fixture Hook
- FL-1**=Fixture Loop
- FWG22/WG22/SGB22A**=Full Wire Guard for 22" Refractor and SGB22 Lens (Maximum 400W)
- MBT**=Twin Mount Bracket (Fixtures must be same voltage and without hooks, loops or plugs)
- PC3**=3' Cord with NEMA Plug (Other cord lengths are available by specifying length - PC6 for 6' cord. Requires FH-1 or FL-1 or SHK. Use with TPPH-NEMA. Specify voltage)
- PHC**=Power Hook Cord and Non-NEMA Plug Configuration (Must be used with FL-1 and TPPH)
- PHC-NEMA**=Power Cord and NEMA Plug - 18" Power Cord and 20 Amp NEMA Plug Configuration (Must be used with FL-1 and TPPH-NEMA)
- SGB22A**=Safety Glass Bottom for PD22 Refractor (Not compatible with WG22. Maximum 400W)
- SHK**=Hook with Safety Screw
- TPPH**=Thruway Pendant Power Hook (Requires FL-1 and PHC. Specify voltage)
- TPPH-F**=Thruway Pendant Power Hook Single Fuse (Requires FL-1 and PHC. Specify voltage 120, 277 or 347V)
- TPPH-F-QD**=Thruway Pendant Power Hook Single Fuse, Quick Disconnect (Requires FL-1 and PHC. Specify voltage 120, 277 or 347V)
- TPPH-F2**=Thruway Pendant Power Hook Double Fuse (Requires FL-1 and PHC. Specify voltage 208, 240 or 480V)
- TPPH-F2-QD**=Thruway Pendant Power Hook Double Fuse, Quick Disconnect (Requires FL-1 and PHC. Specify voltage 208, 240 or 480V)
- TPPH-NEMA**=Thruway Pendant Power Hook (Requires FL-1 and PHC-XXXV-NEMA. Specify voltage)
- TWMBS**=Thruway Mounting Box
- WG22/SGB22A**=Gym Wire Guard with Safety Glass Bottom for PD22 Refractor (Maximum 400W)

NOTES: 1. Open Rated (OR) socket and lamp must be used. 2. Metal halide available in non-U.S. markets only. 3. Not all options and configurations are compatible and restrictions may apply. Reference specification sheet for additional details.



FEATURES

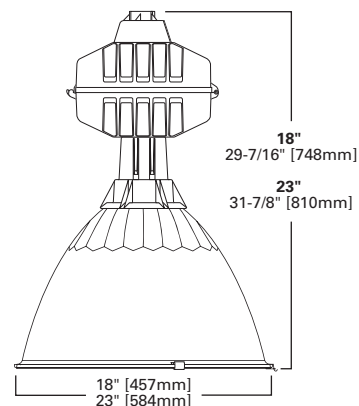
- Slide-on, die-cast aluminum mounting box with opening for 3/4" conduit
- Durable, heavy-duty housing for performance in harsh environments
- Integral hinge for easy maintenance with optional tool-less entry
- Standard white polyester, powder-paint finish
- High power factor ballast with class H insulation
- Minimum temperature: -40°C (-40°F) HPS, -30°C (-20°F) MH and MP
- Staggered mounting bosses for eight-position socket adjustment
- Stainless steel latches provide easy access for tool-less relamping

Compliances may not apply to all product configurations. Please consult the product spec sheet for compliance details.

COMPLIANCES: UL Listed, UL/cUL Listed - Wet Location, CSA Listed - Damp Location, 55°C Ambient Temperature Rating, 65°C Ambient Temperature Rating, EISA Compliant



EB E&G BENCHMARK 18" AND 23"



ORDERING INFORMATION

SAMPLE NUMBER: MPEB-ENSA18-M-320-MT-OR

Lamp Type	Series	Reflector Type	Reflector Diameter	Distribution	Lamp Wattage	Voltage
HP =High Pressure Sodium MH =Metal Halide ^{1,2} MP =Pulse Start Metal Halide ¹	EB =Enclosed and Gasketed Benchmark	ENSA =Enclosed and Gasketed Spun Aluminum	18 =18" Diameter 23 =23" Diameter	C =Concentrated M =Medium W =Wide	HP 250 =250W 400 =400W 600 =600W 750 =750W 1000 =1000W MH 175 =175W 250 =250W 400 =400W 1000 =1000W	MP 175 =175W 200 =200W 250 =250W 320 =320W 350 =350W 400 =400W 450 =450W 750 =750W 1000 =1000W 120V =120V 208V =208V 240V =240V 277V =277V 347V =347V 480V =480V MT =Multi-Tap wired 277V TT =Triple-Tap wired 347V 5T =5-Tap

Options (Add as Suffix)³

C3 =3' Cord without Plug (Specify voltage) EM =Quartz Restrike with "Delay Relay" (Quartz lamp strikes at both hot and cold starts) EM/SC =Emergency Separate Circuit F1 =Single Fuse (120, 277 or 347V only) F2 =Double Fuse (208, 240 or 480V only) FH-1 =Die-cast Aluminum Fixture Hook (With 3/4" threads for easy installation) FILT =Sintered Bronze filter (Sintered bronze filter prevents the entrance of contaminants) FL-1 =Malleable Iron Plated Fixture Loop (With 3/4" threads for easy installation) HC =LumaWatt Fixture Control Module (Low voltage leads pulled out of top connection box for areas requiring all wiring to be installed in conduit) HL =LumaWatt Fixture Control Module (Allows low voltage control wire to be daisy-chained between fixtures outside AC conduit run similar to low voltage intercoms, fire alarms and phone systems) HSW =Integral LumaWatt Sensor and Control with Wide Distribution L/TCB =Less Top Connector Box (Housing shipped less top connector box. Specify when using TWMB accessory) LL =Lamp Included PC3 =3' Cord with NEMA Plug (Other cord lengths are available by specifying length - PC6 for 6' cord. Requires FH-1 or FL-1 or SHK. Use with TPPH-NEMA. Specify voltage) PHC =Power Cord and Plug - 18" Power Cord and Non-NEMA Plug Configuration (Must be used with FL-1 and TPPH. Must specify single voltage)	PHC-NEMA =Power Cord and NEMA Plug - 18" Power Cord and 20 Amp NEMA Plug Configuration (Must be used with FL-1 and TPPH. Must specify single voltage) PS =Protective Starter (Available in 1000W high pressure sodium only. For other wattages consult factory) Q =Quartz Restrike (Hot strike only) QB =Quiet Ballast QD =Quick Disconnect Die-cast Pendant Mount Box (Specify single voltage. Not compatible with PC3, PHC, C3, MWS, RM or HC) QLL =Quartz Lamp Included (Lamp is Cooper designated product based on luminaire requirements. Lamp is shipped separate from luminaire unless otherwise noted) RM =Remote Mount SCF =3' Aircraft Safety Cable Secures Housing to Ceiling (Alternative lengths available. Example: SCF6 = 6' cable) SCR =Aircraft Safety Cable-Housing to Reflector or Refractor SHK =Die-cast Aluminum Fixture Hook (With safety screw and 3/4" threads for easy installation) SS =Space Saver Feature TE =Tool-less Entry W/MWS =MWS Industrial Components (Attached to the fixture at the factory. Standard cord length is 3 foot; 6 foot and 11 foot also available. Please refer to MWS Modular Wiring System section for additional information) WL =UL Labeled for Wet Location
--	--

Accessories (Order Separately)

C3 =3' Cord without Plug (Requires FH-1, FL-1 or SHK) FH-1 =Fixture Hook FL-1 =Fixture Loop LL =Coated Lamp Included MBT =Twin Mount Bracket (Fixtures must be same voltage and without hooks, loops or plugs) PC3 =3' Cord with NEMA Plug (Other cord lengths are available by specifying length - PC6 for 6' cord. Requires FH-1 or FL-1 or SHK. Use with TPPH-NEMA. Specify voltage) PHC =Power Cord and Non-NEMA Plug Configuration (Must be used with FL-1 and TPPH) PHC-NEMA =Power Cord and NEMA Plug - 18" Power Cord and 20 Amp NEMA Plug Configuration (Must be used with FL-1 and TPPH-NEMA) SHK =Hook with Safety Screw	TPPH =Thruway Pendant Power Hook (Requires FL-1 and PHC. Specify voltage) TPPH-F =Thruway Pendant Power Hook Single Fuse (Requires FL-1 and PHC. Specify voltage 120, 277 or 347V) TPPH-F-QD =Thruway Pendant Power Hook Single Fuse, Quick Disconnect (Requires FL-1 and PHC. Specify voltage 120, 277 or 347V) TPPH-F2 =Thruway Pendant Power Hook Double Fuse (Requires FL-1 and PHC. Specify voltage 208, 240 or 480V) TPPH-F2-QD =Thruway Pendant Power Hook Double Fuse, Quick Disconnect (Requires FL-1 and PHC. Specify voltage 208, 240 or 480V) TPPH-NEMA =Thruway Pendant Power Hook (Requires FL-1 and PHC-XXXV-NEMA. Specify voltage) TWMB =Thruway Mounting Box
--	--

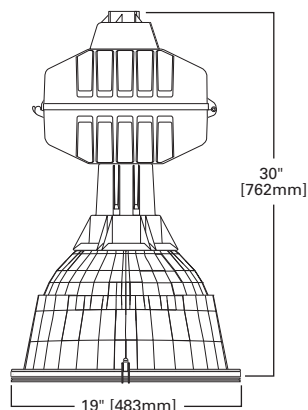
NOTES: 1. Open Rated (OR) socket and lamp must be used. 2. Metal halide available in non-U.S. markets only. 3. Not all options and configurations are compatible and restrictions may apply. Reference specification sheet for additional details.

FEATURES

- Slide-on, die-cast aluminum mounting box with opening for 3/4" conduit
- Heavy-duty aluminum housing for performance in harsh environments
- Integral hinge for easy maintenance with optional tool-less entry
- High power factor ballast with class H insulation
- Minimum temperature: -40°C (-40°F) HPS, -30°C (-20°F) MH and MP
- Staggered mounting bosses for eight-position socket adjustment
- Reflector allows multiple distribution patterns for precise control
- Clear, tempered glass lens; extruded-aluminum door frame with latches

Compliances may not apply to all product configurations. Please consult the product spec sheet for compliance details.

COMPLIANCES: UL Listed - Damp Location, CSA Listed, 55°C Ambient Temperature Rating, 65°C Ambient Temperature Rating, EISA Compliant



EB E&G
BENCHMARK
VERTX

ORDERING INFORMATION

SAMPLE NUMBER: MPEB-ENAV19-M-320-MT-OR

Lamp Type	Series	Reflector Type	Reflector Diameter	Distribution	Lamp Wattage	Voltage
HP =High Pressure Sodium MH =Metal Halide ^{1,2} MP =Pulse Start Metal Halide ¹	EB =Enclosed and Gasketed Benchmark	ENAV =Enclosed and Gasketed VertX	19 =19" Diameter	C =Concentrated M =Medium W =Wide	HP 250 =250W 400 =400W MH 175 =175W 250 =250W 400 =400W MP 175 =175W 200 =200W 250 =250W 320 =320W 350 =350W 400 =400W 450 =450W	120V =120V 208V =208V 240V =240V 277V =277V 347V =347V 480V =480V 5T =5-Tap MT =Multi-Tap wired 277V TT =Triple-Tap wired 347V

Options (Add as Suffix)³

C3=3' Cord without Plug (Specify voltage)
EM=Quartz Restrike with "Delay Relay" (Quartz lamp strikes at both hot and cold starts)
EM/SC=Emergency Separate Circuit
F1=Single Fuse (120, 277 or 347V only)
F2=Double Fuse (208, 240 or 480V only)
FH-1=Die-cast Aluminum Fixture Hook (With 3/4" threads for easy installation)
FL-1=Malleable Iron Plated Fixture Loop (With 3/4" threads for easy installation)
HC=LumaWatt Fixture Control Module (Low voltage leads pulled out of top connection box for areas requiring all wiring to be installed in conduit)
HL=LumaWatt Fixture Control Module (Allows low voltage control wire to be daisy-chained between fixtures outside AC conduit run similar to low voltage intercoms, fire alarms and phone systems)
HSW=Integral LumaWatt Sensor and Control with Wide Distribution
L/TCB=Less Top Connector Box (Housing shipped less top connector box. Specify when using TWMB accessory)
LL=Lamp Included
P=Pre-set Socket Position from the Factory
PC3=3' Cord with NEMA Plug (Other cord lengths are available by specifying length - PC6 for 6' cord. Requires FH-1 or FL-1 or SHK. Use with TPPH-NEMA. Specify voltage)
PHC=Power Cord and Plug - 18" Power Cord and Non-NEMA Plug Configuration (Must be used with FL-1 and TPPH. Must specify single voltage)

PHC-NEMA=Power Cord and NEMA Plug - 18" Power Cord and 20 Amp NEMA Plug Configuration (Must be used with FL-1 and TPPH-NEMA)
Q=Quartz Restrike (Hot strike only)
QB=Quiet Ballast
QD=Quick Disconnect Die-cast Pendant Mount Box (Specify single voltage. Not compatible with PC3, PHC, C3, MWS, RM or HC)
QLL=Quartz Lamp Included (Lamp is Cooper designated product based on luminaire requirements. Lamp is shipped separate from luminaire unless otherwise noted)
RM=Remote Mount
SCF=3' Aircraft Safety Cable Secures Housing to Ceiling (Alternative lengths available. Example: SCF6 = 6' cable)
SCR=Aircraft Safety Cable-Housing to Reflector or Refractor
SHK=Die-cast Aluminum Fixture Hook (With safety screw and 3/4" threads for easy installation)
SS=Space Saver Feature
TE=Tool-less Entry
W/MWS=MWS Industrial Components (Attached to the fixture at the factory. Standard cord length is 3 foot; 6 foot and 11 foot also available. Please refer to MWS Modular Wiring System section for additional information)

Accessories (Order Separately)

C3=3' Cord without Plug (Requires FH-1, FL-1 or SHK)
FH-1=Fixture Hook
FL-1=Fixture Loop
MBT=Twin Mount Bracket (Fixtures must be same voltage and without hooks, loops or plugs)
PC3=3' Cord with NEMA Plug (Other cord lengths are available by specifying length - PC6 for 6' cord. Requires FH-1 or FL-1 or SHK. Use with TPPH-NEMA. Specify voltage)
PHC=Power Hook Cord and Non-NEMA Plug Configuration (Must be used with FL-1 and TPPH)
PHC-NEMA=Power Cord and NEMA Plug - 18" Power Cord and 20 Amp NEMA Plug Configuration (Must be used with FL-1 and TPPH-NEMA)
SHK=Hook with Safety Screw
TPPH=Thruway Pendant Power Hook (Requires FL-1 and PHC. Specify voltage)

TPPH-F=Thruway Pendant Power Hook Single Fuse (Requires FL-1 and PHC. Specify voltage 120, 277 or 347V)
TPPH-F-QD=Thruway Pendant Power Hook Single Fuse, Quick Disconnect (Requires FL-1 and PHC. Specify voltage 120, 277 or 347V)
TPPH-F2=Thruway Pendant Power Hook Double Fuse (Requires FL-1 and PHC. Specify voltage 208, 240 or 480V)
TPPH-F2-QD=Thruway Pendant Power Hook Double Fuse, Quick Disconnect (Requires FL-1 and PHC. Specify voltage 208, 240 or 480V)
TPPH-NEMA=Thruway Pendant Power Hook (Requires FL-1 and PHC-XXXV-NEMA. Specify voltage)
TWMB=Thruway Mounting Box
WG19/SGB/AV=Wire Guard with Safety Glass Bottom for AV19 Reflector

NOTES: 1. Open Rated (OR) socket and lamp must be used. 2. Metal halide available in non-U.S. markets only. 3. Not all options and configurations are compatible and restrictions may apply. Reference specification sheet for additional details.

3. Not all options and configurations are compatible and restrictions may apply. Reference specification sheet for additional details.



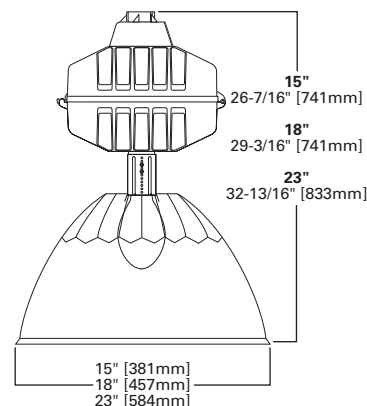
FEATURES

- Slide-on, die-cast aluminum mounting box with opening for 3/4" conduit
- Durable, heavy-duty housing for performance in harsh environments
- Integral hinge for easy maintenance with optional tool-less entry
- Standard white polyester, powder-paint finish
- High power factor ballast with class H insulation
- Minimum temperature: -40°C (-40°F) HPS, -30°C (-20°F) MH and MP
- Reflectors can be changed to acrylic or glass
- Mogul-base porcelain socket

Compliances may not apply to all product configurations. Please consult the product spec sheet for compliance details.

COMPLIANCES: UL/cUL Listed - Damp Location, CSA Listed, 55°C Ambient Temperature Rating, 65°C Ambient Temperature Rating, EISA Compliant

HB HIGH-BAY BENCHMARK



ORDERING INFORMATION

SAMPLE NUMBER: MPH-B-SA15-C-320-MT-OR

Lamp Type	Series	Reflector Type	Reflector Diameter	Distribution	Lamp Wattage	Voltage	Socket																						
HP =High Pressure Sodium MH =Metal Halide ^{1,2} MP =Pulse Start Metal Halide ¹	HB =High-Bay Benchmark	SA =Anodized Spun Aluminum	15 =15" Diameter 18 =18" Diameter 23 =23" Diameter	C =Concentrated M =Medium W =Wide	<table border="1"> <tr> <td>HP</td> <td>MP</td> </tr> <tr> <td>250=250W</td> <td>175=175W</td> </tr> <tr> <td>400=400W</td> <td>200=200W</td> </tr> <tr> <td>600=600W</td> <td>250=250W</td> </tr> <tr> <td>1000=1000W</td> <td>320=320W</td> </tr> <tr> <td></td> <td>350=350W</td> </tr> <tr> <td>MH²</td> <td>400=400W</td> </tr> <tr> <td>175=175W</td> <td>450=450W</td> </tr> <tr> <td>250=250W</td> <td>750=750W</td> </tr> <tr> <td>400=400W</td> <td>1000=1000W³</td> </tr> <tr> <td>1000=1000W</td> <td></td> </tr> </table>	HP	MP	250 =250W	175 =175W	400 =400W	200 =200W	600 =600W	250 =250W	1000 =1000W	320 =320W		350 =350W	MH ²	400 =400W	175 =175W	450 =450W	250 =250W	750 =750W	400 =400W	1000 =1000W ³	1000 =1000W		120V =120V 208V =208V 240V =240V 277V =277V 347V =347V 480V =480V MT =Multi-Tap wired 277V TT =Triple-Tap wired 347V 5T =5-Tap	[Blank] =Non Applicable (HPS or not compatible with OR socket) OR =Open Rated Socket for Metal Halide
HP	MP																												
250 =250W	175 =175W																												
400 =400W	200 =200W																												
600 =600W	250 =250W																												
1000 =1000W	320 =320W																												
	350 =350W																												
MH ²	400 =400W																												
175 =175W	450 =450W																												
250 =250W	750 =750W																												
400 =400W	1000 =1000W ³																												
1000 =1000W																													

Options (Add as Suffix)⁴

C3=3' Cord without Plug (Specify voltage)
DL100=100% Downlight (Available on SA18 or SA23 aluminum reflectors only)
EM=Quartz Restrike with "Delay Relay" (Quartz lamp strikes at both hot and cold starts)
EM/SC=Emergency Separate Circuit
F1=Single Fuse (120, 277 or 347V only)
F2=Double Fuse (208, 240 or 480V only)
FH-1=Die-cast Aluminum Fixture Hook (With 3/4" threads for easy installation)
FL-1=Malleable Iron Plated Fixture Loop (With 3/4" threads for easy installation)
HC=LumaWatt Fixture Control Module (Low voltage leads pulled out of top connection box for areas requiring all wiring to be installed in conduit)
HL=LumaWatt Fixture Control Module (Allows low voltage control wire to be daisy-chained between fixtures outside AC conduit run similar to low voltage intercoms, fire alarms and phone systems)
HSW=Integral LumaWatt Sensor and Control with Wide Distribution
L/TCB=Less Top Connector Box (Housing shipped less top connector box. Specify when using TWMB accessory)
LL=Lamp Included
P=Pre-set Socket Position from the Factory
PC3=3' Cord with NEMA Plug (Other cord lengths are available by specifying length - PC6 for 6' cord. Requires FH-1 or FL-1 or SHK. Use with TPPH-NEMA. Specify voltage)
PHC=Power Cord and Plug - 18" Power Cord and Non-NEMA Plug Configuration (Must be used with FL-1 and TPPH. Must specify single voltage)

PHC-NEMA=Power Cord and NEMA Plug - 18" Power Cord and 20 Amp NEMA Plug Configuration (Must be used with FL-1 and TPPH-NEMA)
PS=Protective Starter (Available in 1000W high pressure sodium only. For other wattages consult factory)
Q=Quartz Restrike (Hot strike only)
QB=Quiet Ballast
QD=Quick Disconnect Die-cast Pendant Mount Box (Specify single voltage. Not compatible with PC3, PHC, C3, MWS, RM or HC)
QLL=Quartz Lamp Included (Lamp is Cooper designated product based on luminaire requirements. Lamp is shipped separate from luminaire unless otherwise noted)
RM=Remote Mount
SCF=3' Aircraft Safety Cable Secures Housing to Ceiling (Alternative lengths available. Example: SCF6 = 6' cable)
SCR=Aircraft Safety Cable-Housing to Reflector or Refractor
SHK=Die-cast Aluminum Fixture Hook (With safety screw and 3/4" threads for easy installation)
SS=Space Saver Feature
TE=Tool-less Entry
W/MWS=MWS Industrial Components (Attached to the fixture at the factory. Standard cord length is 3 foot; 6 foot and 11 foot also available. Please refer to MWS Modular Wiring System section for additional information)

Accessories (Order Separately)⁴

C3=3' Cord without Plug (Requires FH-1, FL-1 or SHK)
FH-1=Fixture Hook
FL-1=Fixture Loop
MBT=Twin Mount Bracket (Fixtures must be same voltage and without hooks, loops or plugs)
PC3=3' Cord with NEMA Plug (Other cord lengths are available by specifying length - PC6 for 6' cord. Requires FH-1 or FL-1 or SHK. Use with TPPH-NEMA. Specify voltage)
PHC=Power Cord and Non-NEMA Plug Configuration (Must be used with FL-1 and TPPH)
PHC-NEMA=Power Cord and NEMA Plug - 18" Power Cord and 20 Amp NEMA Plug Configuration (Must be used with FL-1 and TPPH-NEMA)
SGB15=Safety Glass Bottom for 15" Reflector (Not compatible with WG15)
SGB18=Safety Glass Bottom for 18" Reflector (Not compatible with WG18)
SGB23=Safety Glass Bottom for 23" Reflector (Not compatible with WG23)
SHK=Hook with Safety Screw
TPPH=Thruway Pendant Power Hook (Requires FL-1 and PHC. Specify voltage)

TPPH-F=Thruway Pendant Power Hook Single Fuse (Requires FL-1 and PHC. Specify voltage 120, 277 or 347V)
TPPH-F-QD=Thruway Pendant Power Hook Single Fuse, Quick Disconnect (Requires FL-1 and PHC. Specify voltage 120, 277 or 347V)
TPPH-F2=Thruway Pendant Power Hook Double Fuse (Requires FL-1 and PHC. Specify voltage 208, 240 or 480V)
TPPH-F2-QD=Thruway Pendant Power Hook Double Fuse, Quick Disconnect (Requires FL-1 and PHC. Specify voltage 208, 240 or 480V)
TPPH-NEMA=Thruway Pendant Power Hook (Requires FL-1 and PHC-XXXV-NEMA. Specify voltage)
TWMB=Thruway Mounting Box
WG15=Wire Guard for 15" Reflector (Not Compatible with SGB15)
WG15/GLC=Gym Wire Guard with Safety Glass for 15" Reflector
WG18=Wire Guard for 18" Reflector (Not Compatible with SGB18)
WG18/GLC=Gym Wire Guard with Safety Glass for 18" Reflector
WG23=Wire Guard for 23" Reflector (Not compatible with SGB23)
WG23/GLC=Gym Wire Guard with Safety Glass for 23" Reflector

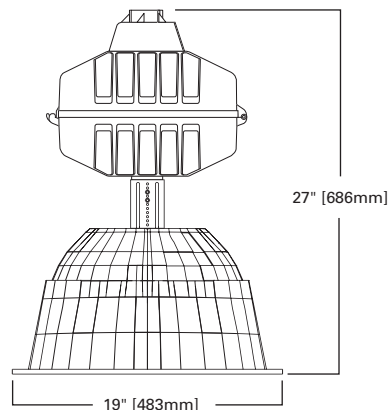
NOTES: 1. Open Rated (OR) socket and lamp must be used. 2. Metal halide available in non-U.S. markets only. 3. Not available with Triple-Tap. 4. Not all options and configurations are compatible and restrictions may apply. Reference specification sheet for additional details.

FEATURES

- Slide-on, die-cast aluminum mounting box with opening for 3/4" conduit
- Durable, heavy-duty housing for performance in harsh environments
- Integral hinge for easy maintenance with optional tool-less entry
- Standard white polyester, powder-paint finish
- High power factor ballast with class H insulation
- Minimum temperature: -40°C (-40°F) HPS, -30°C (-20°F) MH and MP
- Hydroformed, aluminum reflector provides aisleyway illumination
- Adjustable mogul-base porcelain socket

Compliances may not apply to all product configurations. Please consult the product spec sheet for compliance details.

COMPLIANCES: UL Listed - Damp Location, 55°C Ambient Temperature Rating, 65°C Ambient Temperature Rating, EISA Compliant



HB VERTX

ORDERING INFORMATION

SAMPLE NUMBER: MPH-B-AV19-C-175-MT-OR

Lamp Type	Series	Reflector Type	Reflector Diameter	Distribution	Lamp Wattage	Voltage	Socket
HP =High Pressure Sodium MH =Metal Halide ^{1,2} MP =Pulse Start Metal Halide ¹	HB =High-Bay Benchmark	AV =VertX	19=19" Diameter	C =Concentrated M =Medium W =Wide	HP 250=250W 400=400W MH 175=175W 250=250W 400=400W MP 175=175W 200=200W 250=250W 320=320W 350=350W 400=400W 450=450W	120V=120V 208V=208V 240V=240V 277V=277V 347V=347V 480V=480V MT =Multi-Tap wired 277V TT =Triple-Tap wired 347V 5T=5-Tap	[Blank] =Non Applicable (HPS or not compatible with OR socket) OR =Open Rated Socket for Metal Halide

Options (Add as Suffix)³

C3=3' Cord without Plug (Specify voltage)
EM=Quartz Restrike with "Delay Relay" (Quartz lamp strikes at both hot and cold starts)
EM/SC=Emergency Separate Circuit
F1=Single Fuse (120, 277 or 347V only)
F2=Double Fuse (208, 240 or 480V only)
FH-1=Die-cast Aluminum Fixture Hook (With 3/4" threads for easy installation)
FL-1=Malleable Iron Plated Fixture Loop (With 3/4" threads for easy installation)
HC=LumaWatt Fixture Control Module (Low voltage leads pulled out of top connection box for areas requiring all wiring to be installed in conduit)
HL=LumaWatt Fixture Control Module (Allows low voltage control wire to be daisy-chained between fixtures outside AC conduit run similar to low voltage intercoms, fire alarms and phone systems)
HSW=Integral LumaWatt Sensor and Control with Wide Distribution
L/TCB=Less Top Connector Box (Housing shipped less top connector box. Specify when using TWMB accessory)
LL=Lamp Included
P=Pre-set Socket Position from the Factory
PC3=3' Cord with NEMA Plug (Other cord lengths are available by specifying length - PC6 for 6' cord. Requires FH-1 or FL-1 or SHK. Use with TPPH-NEMA. Specify voltage)
PHC=Power Cord and Plug - 18" Power Cord and Non-NEMA Plug Configuration (Must be used with FL-1 and TPPH. Must specify single voltage)

PHC-NEMA=Power Cord and NEMA Plug - 18" Power Cord and 20 Amp NEMA Plug Configuration (Must be used with FL-1 and TPPH-NEMA)
Q=Quartz Restrike (Hot strike only)
QB=Quiet Ballast
QD=Quick Disconnect Die-cast Pendant Mount Box (Specify single voltage. Not compatible with PC3, PHC, C3, MWS, RM or HC)
QLL=Quartz Lamp Included (Lamp is Cooper designated product based on luminaire requirements. Lamp is shipped separate from luminaire unless otherwise noted)
RM=Remote Mount
SCF=3' Aircraft Safety Cable Secures Housing to Ceiling (Alternative lengths available. Example: SCF6 = 6' cable)
SCR=Aircraft Safety Cable-Housing to Reflector or Refractor
SHK=Die-cast Aluminum Fixture Hook (With safety screw and 3/4" threads for easy installation)
SS=Space Saver Feature
TE=Tool-less Entry
W/MWS=MWS Industrial Components (Attached to the fixture at the factory. Standard cord length is 3 foot; 6 foot and 11 foot also available. Please refer to MWS Modular Wiring System section for additional information)

Accessories (Order Separately)

C3=3' Cord without Plug (Requires FH-1, FL-1 or SHK)
FH-1=Fixture Hook
FL-1=Fixture Loop
MBT=Twin Mount Bracket (Fixtures must be same voltage and without hooks, loops or plugs)
PC3=3' Cord with NEMA Plug (Other cord lengths are available by specifying length - PC6 for 6' cord. Requires FH-1 or FL-1 or SHK. Use with TPPH-NEMA. Specify voltage)
PHC=Power Cord and Non-NEMA Plug Configuration (Must be used with FL-1 and TPPH)
PHC-NEMA=Power Cord and NEMA Plug - 18" Power Cord and 20 Amp NEMA Plug Configuration (Must be used with FL-1 and TPPH-NEMA)
SGB19/AV=Safety Glass Bottom for AV19 Reflector
SHK=Hook with Safety Screw
TPPH=Thruway Pendant Power Hook (Requires FL-1 and PHC. Specify voltage)

TPPH-F=Thruway Pendant Power Hook Single Fuse (Requires FL-1 and PHC. Specify voltage 120, 277 or 347V)
TPPH-F-QD=Thruway Pendant Power Hook Single Fuse, Quick Disconnect (Requires FL-1 and PHC. Specify voltage 120, 277 or 347V)
TPPH-F2=Thruway Pendant Power Hook Double Fuse (Requires FL-1 and PHC. Specify voltage 208, 240 or 480V)
TPPH-F2-QD=Thruway Pendant Power Hook Double Fuse, Quick Disconnect (Requires FL-1 and PHC. Specify voltage 208, 240 or 480V)
TPPH-NEMA=Thruway Pendant Power Hook (Requires FL-1 and PHC-XXXV-NEMA. Specify voltage)
TWMB=Thruway Mounting Box
WG19/AV=Wire Guard for AV19 Reflector
WG19/SGB/AV=Wire Guard with Safety Glass Bottom for AV19 Reflector

NOTES: 1. Open Rated (OR) socket and lamp must be used. 2. Metal halide available in non-U.S. markets only. 3. Not all options and configurations are compatible and restrictions may apply. Reference specification sheet for additional details.



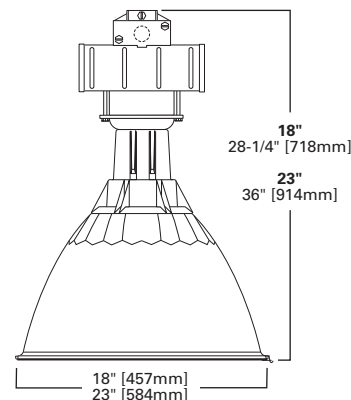
SE E&G STEELER
18" AND 23"

FEATURES

- Heavy-duty, formed-steel housing with open-air ballast
- Finished in standard, white polyester powder-coat paint
- High power factor ballast with class H insulation
- Die-cast aluminum neck with staggered mounting bosses
- Clear, tempered glass lens in extruded aluminum door frame
- 18" and 23" spun-aluminum reflectors are enclosed and gasketed

Compliances may not apply to all product configurations. Please consult the product spec sheet for compliance details.

COMPLIANCES: UL Listed - Damp Location, CSA Listed, 55°C Ambient Temperature Rating, 65°C Ambient Temperature Rating, EISA Compliant



ORDERING INFORMATION

SAMPLE NUMBER: MPSE-ENSA18-M-320-MT

Lamp Type	Series	Reflector Type	Reflector Diameter	Distribution	Lamp Wattage	Voltage
HP =High Pressure Sodium MH =Metal Halide ¹ MP =Pulse Start Metal Halide	SE =Enclosed and Gasketed Steeler	ENSA =Enclosed and Gasketed Spun Aluminum	18 =18" Diameter 23 =23" Diameter	C =Concentrated M =Medium W =Wide	HP 250 =250W 400 =400W 1000 =1000W MH 175 =175W 250 =250W 400 =400W 1000 =1000W	MP 175 =175W 200 =200W 240V =240V 277V =277V 347V =347V 480V =480V MT =Multi-Tap wired 277V TT =Triple-Tap wired 347V 5T =5-Tap

Options (Add as Suffix)³

C3 =3' Cord without Plug (Specify voltage) EM =Quartz Restrike with "Delay Relay" (Quartz lamp strikes at both hot and cold starts) EM/SC =Emergency Separate Circuit F1 =Single Fuse (120, 277 or 347V only) F2 =Double Fuse (208, 240 or 480V only) FH-1 =Die-cast Aluminum Fixture Hook (With 3/4" threads for easy installation) FILT =Sintered Bronze filter (Sintered bronze filter prevents the entrance of contaminants) FL-1 =Malleable Iron Plated Fixture Loop (With 3/4" threads for easy installation) HC =LumaWatt Fixture Control Module (Low voltage leads pulled out of top connection box for areas requiring all wiring to be installed in conduit) HL =LumaWatt Fixture Control Module (Allows low voltage control wire to be daisy-chained between fixtures outside AC conduit run similar to low voltage intercoms, fire alarms and phone systems) HSW =Integral LumaWatt Sensor and Control with Wide Distribution L/TCB =Less Top Connector Box (Housing shipped less top connector box. Specify when using TWMB accessory) LL =Lamp Included P =Pre-set Socket Position from the Factory PC3 =3' Cord with NEMA Plug (Other cord lengths are available by specifying length - PC6 for 6' cord. Requires FH-1 or FL-1 or SHK. Use with TPPH-NEMA. Specify voltage)	PHC =Power Cord and Plug - 18" Power Cord and Non-NEMA Plug Configuration (Must be used with FL-1 and TPPH. Must specify single voltage) PHC-NEMA =Power Cord and NEMA Plug - 18" Power Cord and 20 Amp NEMA Plug Configuration (Must be used with FL-1 and TPPH-NEMA) PS =Protective Starter (Available in 1000W high pressure sodium only. For other wattages consult factory) Q =Quartz Restrike (Hot strike only) QD =Quick Disconnect Die-cast Pendant Mount Box (Specify single voltage. Not compatible with PC3, PHC, C3, MWS, RM or HC) QLL =Quartz Lamp Included (Lamp is Cooper designated product based on luminaire requirements. Lamp is shipped separate from luminaire unless otherwise noted) RM =Remote Mount SCF =3' Aircraft Safety Cable Secures Housing to Ceiling (Alternative lengths available. Example: SCF6 = 6' cable) SCR =Aircraft Safety Cable-Housing to Reflector or Refractor SHK =Die-cast Aluminum Fixture Hook (With safety screw and 3/4" threads for easy installation) SS =Space Saver Feature W/MWS =MWS Industrial Components (Attached to the fixture at the factory. Standard cord length is 3 foot; 6 foot and 11 foot also available. Please refer to MWS Modular Wiring System section for additional information)
---	---

Accessories (Order Separately)³

C3 =3' Cord without Plug (Requires FH-1, FL-1 or SHK) FH-1 =Fixture Hook FL-1 =Fixture Loop MBT =Twin Mount Bracket (Fixtures must be same voltage and without hooks, loops or plugs) PC3 =3' Cord with NEMA Plug (Other cord lengths are available by specifying length - PC6 for 6' cord. Requires FH-1 or FL-1 or SHK. Use with TPPH-NEMA. Specify voltage) PHC =Power Hook Cord and Non-NEMA Plug Configuration (Must be used with FL-1 and TPPH) PHC-NEMA =Power Cord and NEMA Plug - 18" Power Cord and 20 Amp NEMA Plug Configuration (Must be used with FL-1 and TPPH-NEMA) SHK =Hook with Safety Screw TPPH =Thruway Pendant Power Hook (Requires FL-1 and PHC. Specify voltage)	TPPH-F =Thruway Pendant Power Hook Single Fuse (Requires FL-1 and PHC. Specify voltage 120, 277 or 347V) TPPH-F-QD =Thruway Pendant Power Hook Single Fuse, Quick Disconnect (Requires FL-1 and PHC. Specify voltage 120, 277 or 347V) TPPH-F2 =Thruway Pendant Power Hook Double Fuse (Requires FL-1 and PHC. Specify voltage 208, 240 or 480V) TPPH-F2-QD =Thruway Pendant Power Hook Double Fuse, Quick Disconnect (Requires FL-1 and PHC. Specify voltage 208, 240 or 480V) TPPH-NEMA =Thruway Pendant Power Hook (Requires FL-1 and PHC-XXXV-NEMA. Specify voltage) TWMB =Thruway Mounting Box
--	--

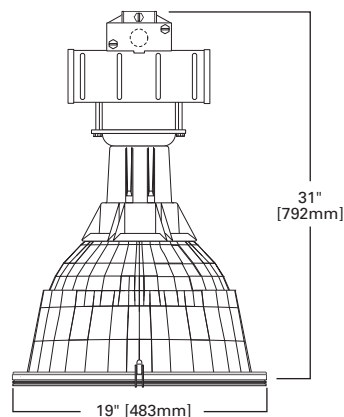
NOTES: 1. Metal halide available in non-U.S. markets only. 2. Not available with Triple-Tap. 3. Not all options and configurations are compatible and restrictions may apply. Reference specification sheet for additional details.

FEATURES

- Slide-on, die-cast aluminum mounting box with opening for 3/4" conduit
- Heavy-duty, steel housing with open-air ballast for cooler operation
- Standard white polyester, powder-paint finish
- High power factor ballast with class H insulation
- Minimum temperature: -40°C (-40°F) HPS; -30°C (-20°F) MH and MP
- Staggered mounting bosses for eight-position socket adjustment
- Allows multiple distribution patterns for precise control

Compliances may not apply to all product configurations. Please consult the product spec sheet for compliance details.

COMPLIANCES: UL Listed - Damp Location, CSA Listed, 55°C Ambient Temperature Rating, 65°C Ambient Temperature Rating, EISA Compliant



SE E&G VERTX

ORDERING INFORMATION

SAMPLE NUMBER: MPSE-ENAV19-M-400-MT-Q

Lamp Type	Series	Reflector Type	Reflector Diameter	Distribution	Lamp Wattage	Voltage																		
HP =High Pressure Sodium MH =Metal Halide ¹ MP =Pulse Start Metal Halide	SE =Enclosed and Gasketed Steeler	ENAV =Enclosed and Gasketed VertX	19 =19" Diameter	C =Concentrated M =Medium W =Wide	<table border="0"> <tr> <td>HP</td> <td>MP</td> </tr> <tr> <td>250=250W</td> <td>175=175W</td> </tr> <tr> <td>400=400W</td> <td>200=200W</td> </tr> <tr> <td></td> <td>250=250W</td> </tr> <tr> <td></td> <td>320=320W</td> </tr> <tr> <td>MH</td> <td>350=350W</td> </tr> <tr> <td>175=175W</td> <td>400=400W</td> </tr> <tr> <td>250=250W</td> <td>450=450W</td> </tr> <tr> <td>400=400W</td> <td></td> </tr> </table>	HP	MP	250=250W	175=175W	400=400W	200=200W		250=250W		320=320W	MH	350 =350W	175=175W	400=400W	250=250W	450=450W	400=400W		120V =120V 208V =208V 240V =240V 277V =277V 347V =347V 480V =480V MT =Multi-Tap wired 277V TT =Triple-Tap wired 347V 5T =5-Tap
HP	MP																							
250=250W	175=175W																							
400=400W	200=200W																							
	250=250W																							
	320=320W																							
MH	350 =350W																							
175=175W	400=400W																							
250=250W	450=450W																							
400=400W																								

Options (Add as Suffix)²

C3=3' Cord without Plug (Specify voltage)
EM=Quartz Restrike with "Delay Relay" (Quartz lamp strikes at both hot and cold starts)
EM/SC=Emergency Separate Circuit
F1=Single Fuse (120, 277 or 347V only)
F2=Double Fuse (208, 240 or 480V only)
FH-1=Die-cast Aluminum Fixture Hook (With 3/4" threads for easy installation)
FL-1=Malleable Iron Plated Fixture Loop (With 3/4" threads for easy installation)
HC=LumaWatt Fixture Control Module (Low voltage leads pulled out of top connection box for areas requiring all wiring to be installed in conduit)
HL=LumaWatt Fixture Control Module (Allows low voltage control wire to be daisy-chained between fixtures outside AC conduit run similar to low voltage intercoms, fire alarms and phone systems)
HSW=Integral LumaWatt Sensor and Control with Wide Distribution
L/TCB=Less Top Connector Box (Housing shipped less top connector box. Specify when using TWBMS accessory)
LL=Lamp Included
P=Pre-set Socket Position from the Factory
PC3=3' Cord with NEMA Plug (Other cord lengths are available by specifying length - PC6 for 6' cord. Requires FH-1 or FL-1 or SHK. Use with TPPH-NEMA. Specify voltage)

PHC=Power Cord and Plug - 18" Power Cord and Non-NEMA Plug Configuration (Must be used with FL-1 and TPPH. Must specify single voltage)
PHC-NEMA=Power Cord and NEMA Plug - 18" Power Cord and 20 Amp NEMA Plug Configuration (Must be used with FL-1 and TPPH-NEMA)
Q=Quartz Restrike (Hot strike only)
QD=Quick Disconnect Die-cast Pendant Mount Box (Specify single voltage. Not compatible with PC3, PHC, C3, MWS, RM or HC)
QLL=Quartz Lamp Included (Lamp is Cooper designated product based on luminaire requirements. Lamp is shipped separate from luminaire unless otherwise noted)
RM=Remote Mount
SCF=3' Aircraft Safety Cable Secures Housing to Ceiling (Alternative lengths available. Example: SCF6 = 6' cable)
SCR=Aircraft Safety Cable-Housing to Reflector or Refractor
SHK=Die-cast Aluminum Fixture Hook (With safety screw and 3/4" threads for easy installation)
SS=Space Saver Feature
W/MWS=MWS Industrial Components (Attached to the fixture at the factory. Standard cord length is 3 foot; 6 foot and 11 foot also available. Please refer to MWS Modular Wiring System section for additional information)

Accessories (Order Separately)²

C3=3' Cord without Plug (Requires FH-1, FL-1 or SHK)
FH-1=Fixture Hook
FL-1=Fixture Loop
MBT=Twin Mount Bracket (Fixtures must be same voltage and without hooks, loops or plugs)
PC3=3' Cord with NEMA Plug (Other cord lengths are available by specifying length - PC6 for 6' cord. Requires FH-1 or FL-1 or SHK. Use with TPPH-NEMA. Specify voltage)
PHC=Power Hook Cord and Non-NEMA Plug Configuration (Must be used with FL-1 and TPPH)
PHC-NEMA=Power Cord and NEMA Plug - 18" Power Cord and 20 Amp NEMA Plug Configuration (Must be used with FL-1 and TPPH-NEMA)
SHK=Hook with Safety Screw
TPPH=Thruway Pendant Power Hook (Requires FL-1 and PHC. Specify voltage)

TPPH-F=Thruway Pendant Power Hook Single Fuse (Requires FL-1 and PHC. Specify voltage 120, 277 or 347V)
TPPH-F-QD=Thruway Pendant Power Hook Single Fuse, Quick Disconnect (Requires FL-1 and PHC. Specify voltage 120, 277 or 347V)
TPPH-F2=Thruway Pendant Power Hook Double Fuse (Requires FL-1 and PHC. Specify voltage 208, 240 or 480V)
TPPH-F2-QD=Thruway Pendant Power Hook Double Fuse, Quick Disconnect (Requires FL-1 and PHC. Specify voltage 208, 240 or 480V)
TPPH-NEMA=Thruway Pendant Power Hook (Requires FL-1 and PHC-XXXV-NEMA. Specify voltage)
TWMB=Thruway Mounting Box
WG19/SGB/AV=Wire Guard with Safety Glass Bottom for AV19 Reflector

NOTES: 1. Metal halide available in non-U.S. markets only. 2. Not all options and configurations are compatible and restrictions may apply. Reference specification sheet for additional details.



FEATURES

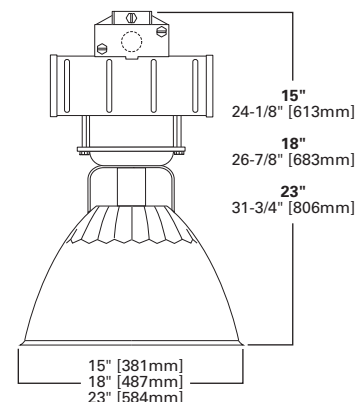
- Easy slide-on, die-cast aluminum mounting-box with tapped opening
- Open-air ballast for cooler operation
- Standard white polyester powder-coat paint
- High power factor ballast with class H insulation
- Die-formed steel trunnion is easily adapted to many areas
- Clear, tempered glass lens in extruded aluminum door frame
- Allows multiple distribution patterns for precise control

Compliances may not apply to all product configurations. Please consult the product spec sheet for compliance details.

COMPLIANCES: UL Listed - Damp Location, CSA Listed, 65°C Ambient Temperature Rating, EISA Compliant



SS STEELER 15", 18" AND 23"



ORDERING INFORMATION

SAMPLE NUMBER: MPSS-SA15-M-320-MT-OR

Lamp Type	Series	Reflector Type	Reflector Diameter	Distribution	Lamp Wattage	Voltage	Socket																												
HP =High Pressure Sodium MH =Metal Halide ^{1,2} MP =Pulse Start Metal Halide ¹	SS =Steeler	SA =Anodized Spun Aluminum	15 =15" Diameter 18 =18" Diameter 23 =23" Diameter	C =Concentrated M =Medium W =Wide	<table border="0"> <tr> <td>HP</td> <td>MP</td> </tr> <tr> <td>70=70W</td> <td>70=70W</td> </tr> <tr> <td>100=100W</td> <td>100=100W</td> </tr> <tr> <td>150=150W</td> <td>175=175W</td> </tr> <tr> <td>250=250W</td> <td>200=200W</td> </tr> <tr> <td>400=400W</td> <td>250=250W</td> </tr> <tr> <td>600=600W</td> <td>320=320W</td> </tr> <tr> <td>1000=1000W</td> <td>350=350W</td> </tr> <tr> <td></td> <td>400=400W</td> </tr> <tr> <td>MH²</td> <td>450=450W</td> </tr> <tr> <td>175=175W</td> <td>750=750W</td> </tr> <tr> <td>250=250W</td> <td>1000=1000W</td> </tr> <tr> <td>400=400W</td> <td></td> </tr> <tr> <td>1000=1000W</td> <td></td> </tr> </table>	HP	MP	70=70W	70=70W	100=100W	100=100W	150=150W	175=175W	250=250W	200=200W	400=400W	250=250W	600=600W	320=320W	1000=1000W	350=350W		400=400W	MH ²	450=450W	175=175W	750=750W	250=250W	1000=1000W	400=400W		1000=1000W		120V =120V 208V =208V 240V =240V 277V =277V 347V =347V 480V =480V MT =Multi-Tap wired 277V TT =Triple-Tap wired 347V 5T =5-Tap	[Blank] =Non Applicable (HPS or Not compatible with OR socket) OR =Open Rated Socket for Metal Halide
HP	MP																																		
70=70W	70=70W																																		
100=100W	100=100W																																		
150=150W	175=175W																																		
250=250W	200=200W																																		
400=400W	250=250W																																		
600=600W	320=320W																																		
1000=1000W	350=350W																																		
	400=400W																																		
MH ²	450=450W																																		
175=175W	750=750W																																		
250=250W	1000=1000W																																		
400=400W																																			
1000=1000W																																			

Options (Add as Suffix)⁴

C3 =3' Cord without Plug (Specify voltage) EM =Quartz Restrike with "Delay Relay" (Quartz lamp strikes at both hot and cold starts) EM/SC =Emergency Separate Circuit F1 =Single Fuse (120, 277 or 347V only) F2 =Double Fuse (208, 240 or 480V only) FH-1 =Die-cast Aluminum Fixture Hook (With 3/4" threads for easy installation) FL-1 =Malleable Iron Plated Fixture Loop (With 3/4" threads for easy installation) HC =LumaWatt Fixture Control Module (Low voltage leads pulled out of top connection box for areas requiring all wiring to be installed in conduit) HL =LumaWatt Fixture Control Module (Allows low voltage control wire to be daisy-chained between fixtures outside AC conduit run similar to low voltage intercoms, fire alarms and phone systems) HSW =Integral LumaWatt Sensor and Control with Wide Distribution L/TCB =Less Top Connector Box (Housing shipped less top connector box. (Specify when using TWMB accessory) LL =Lamp Included P =Pre-set Socket Position from the Factory PC3 =3' Cord with NEMA Plug (Other cord lengths are available by specifying length - PC6 for 6' cord. Requires FH-1 or FL-1 or SHK. Use with TPPH-NEMA. Specify voltage)	PHC =Power Cord and Plug - 18" Power Cord and Non-NEMA Plug Configuration (Must be used with FL-1 and TPPH. Must specify single voltage) PHC-NEMA =Power Cord and NEMA Plug - 18" Power Cord and 20 Amp NEMA Plug Configuration (Must be used with FL-1 and TPPH-NEMA) PS =Protective Starter (Available in 1000W high pressure sodium only. For other wattages consult factory) Q =Quartz Restrike (Hot strike only) QD =Quick Disconnect Die-cast Pendant Mount Box (Specify single voltage. Not compatible with PC3, PHC, C3, MWS, RM or HC) QLL =Quartz Lamp Included (Lamp is Cooper designated product based on luminaire requirements. Lamp is shipped separate from luminaire unless otherwise noted) RM =Remote Mount SCF =3' Aircraft Safety Cable Secures Housing to Ceiling (Alternative lengths available. Example: SCF6 = 6' cable) SCR =Aircraft Safety Cable-Housing to Reflector or Refractor SHK =Die-cast Aluminum Fixture Hook (With safety screw and 3/4" threads for easy installation) SS =Space Saver Feature W/MWS =MWS Industrial Components (Attached to the fixture at the factory. Standard cord length is 3 foot, 6 foot and 11 foot also available. Please refer to MWS Modular Wiring System section for additional information)
--	---

Accessories (Order Separately)⁴

C3 =3' Cord without Plug (Requires FH-1, FL-1 or SHK) FH-1 =Fixture Hook FL-1 =Fixture Loop MBT =Twin Mount Bracket (Fixtures must be same voltage and without hooks, loops or plugs.) PC3 =3' Cord with NEMA Plug (Other cord lengths are available by specifying length - PC6 for 6' cord. Requires FH-1 or FL-1 or SHK. Use with TPPH-NEMA. Specify voltage) PHC =Power Cord and Non-NEMA Plug Configuration (Must be used with FL-1 and TPPH) PHC-NEMA =Power Cord and NEMA Plug - 18" Power Cord and 20 Amp NEMA Plug Configuration (Must be used with FL-1 and TPPH-NEMA) SGB15 =Safety Glass Bottom for 15" Reflector (Not compatible with WG15) SGB18 =Safety Glass Bottom for 18" Reflector (Not compatible with WG18) SGB23 =Safety Glass Bottom for 23" Reflector (Not compatible with WG23) SHK =Hook with Safety Screw TPPH =Thruway Pendant Power Hook (Requires FL-1 and PHC. Specify voltage) TPPH-F =Thruway Pendant Power Hook Single Fuse (Requires FL-1 and PHC. Specify voltage 120, 277 or 347V)	TPPH-F-QD =Thruway Pendant Power Hook Single Fuse, Quick Disconnect (Requires FL-1 and PHC. Specify voltage 120, 277 or 347V) TPPH-F2 =Thruway Pendant Power Hook Double Fuse (Requires FL-1 and PHC. Specify voltage 208, 240 or 480V) TPPH-F2-QD =Thruway Pendant Power Hook Double Fuse, Quick Disconnect (Requires FL-1 and PHC. Specify voltage 208, 240 or 480V) TPPH-NEMA =Thruway Pendant Power Hook (Requires FL-1 and PHC-XXXV-NEMA. Specify voltage) TWMB =Thruway Mounting Box WG15 =Wire Guard for 15" Reflector (Not Compatible with SGB15) WG15/GLC =Gym Wire Guard with Safety Glass for 15" Reflector WG18 =Wire Guard for 18" Reflector (Not compatible with SGB18) WG18/GLC =Gym Wire Guard with Safety Glass for 18" Reflector WG23 =Wire Guard for 23" Reflector (Not compatible with SGB23) WG23/GLC =Gym Wire Guard with Safety Glass for 23" Reflector
---	---

NOTES: 1. Open Rated (OR) socket and lamp must be used. 2. Metal halide available in non-U.S. markets only. 3. Not available with Triple-Tap. 4. Not all options and configurations are compatible and restrictions may apply. Reference specification sheet for additional details.

STOCK ORDERING INFORMATION

SAMPLE NUMBER: MPSS40-OR

Lamp Type	Series	Lamp Wattage	Socket	Options (Add as Suffix)
HP =High Pressure Sodium MH =Metal Halide ^{1,2} MP =Pulse Start Metal Halide (CWA) ¹	SS =Steeler	25 =250W 25Q =250W and Quartz Restrike 32 =320W 32Q =320W and Quartz Restrike 40Q =400W and Quartz Restrike 408 =400W (Triple-Tap ballast 120/277/347V)	OR =Open Rated Socket for Metal Halide	5T =5-Tap Ballast

NOTES: 1. Open Rated (OR) socket and lamp must be used. 2. Metal halide available in non-U.S. markets only.

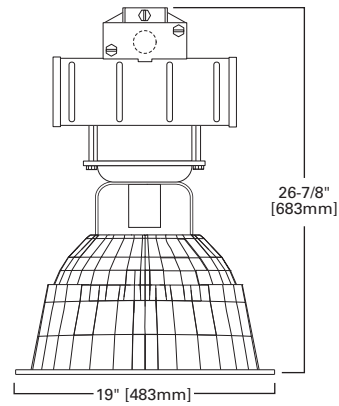
Specifications and dimensions subject to change without notice. Consult your Cooper Lighting Representative or visit www.cooperlighting.com for available options, accessories and ordering information.

FEATURES

- Slide-on, die-cast aluminum mounting box with opening for 3/4" conduit
- Heavy-duty, steel housing with open-air ballast for cooler operation
- Standard white polyester, powder-paint finish
- High power factor ballast with class H insulation
- Minimum temperature: -40°C (-40°F) HPS, -30°C (-20°F) MH and MP
- Reflectors can be changed to acrylic or glass
- Mogul-base porcelain socket adjusts for medium or wide distribution
- Mounts easily and allows multiple distributions for precise control

Compliances may not apply to all product configurations. Please consult the product spec sheet for compliance details.

COMPLIANCES: UL Listed - Damp Location, CSA Listed, 65°C Ambient Temperature Rating, EISA Compliant



SS VERTX

ORDERING INFORMATION

SAMPLE NUMBER: MPSS-AV19-M-320-MT-OR

Lamp Type	Series	Reflector Type	Reflector Diameter	Distribution	Lamp Wattage	Voltage	Socket																		
HP =High Pressure Sodium MH =Metal Halide ^{1,2} MP =Pulse Start Metal Halide ¹	SS =Steeler	AV =VertX	19 =19" Diameter	C =Concentrated M =Medium W =Wide	<table border="0"> <tr> <td>HP</td> <td>MP</td> </tr> <tr> <td>150=150W</td> <td>175=175W</td> </tr> <tr> <td>250=250W</td> <td>200=200W</td> </tr> <tr> <td>400=400W</td> <td>250=250W</td> </tr> <tr> <td></td> <td>320=320W</td> </tr> <tr> <td>MH²</td> <td>350=350W</td> </tr> <tr> <td>175=175W</td> <td>400=400W</td> </tr> <tr> <td>250=250W</td> <td>450=450W</td> </tr> <tr> <td>400=400W</td> <td></td> </tr> </table>	HP	MP	150=150W	175=175W	250=250W	200=200W	400=400W	250=250W		320=320W	MH ²	350=350W	175=175W	400=400W	250=250W	450=450W	400=400W		120V =120V 208V =208V 240V =240V 277V =277V 347V =347V 480V =480V MT =Multi-Tap wired 277V TT =Triple-Tap wired 347V 5T =5-Tap	[Blank] =Non Applicable (HPS or not compatible with OR socket) OR =Open Rated Socket for Metal Halide
HP	MP																								
150=150W	175=175W																								
250=250W	200=200W																								
400=400W	250=250W																								
	320=320W																								
MH ²	350=350W																								
175=175W	400=400W																								
250=250W	450=450W																								
400=400W																									

Options (Add as Suffix)³

- | | |
|--|---|
| <p>C3=3' Cord without Plug (Specify voltage)
 EM=Quartz Restrike with "Delay Relay" (Quartz lamp strikes at both hot and cold starts)
 EM/SC=Emergency Separate Circuit
 F1=Single Fuse (120, 277 or 347V only)
 F2=Double Fuse (208, 240 or 480V only)
 FH-1=Die-cast Aluminum Fixture Hook (With 3/4" threads for easy installation)
 FL-1=Malleable Iron Plated Fixture Loop (With 3/4" threads for easy installation)
 HC=LumaWatt Fixture Control Module (Low voltage leads pulled out of top connection box for areas requiring all wiring to be installed in conduit)
 HL=LumaWatt Fixture Control Module (Allows low voltage control wire to be daisy-chained between fixtures outside AC conduit run similar to low voltage intercoms, fire alarms and phone systems)
 HSW=Integral LumaWatt Sensor and Control with Wide Distribution
 L/TCB=Less Top Connector Box (Housing shipped less top connector box. Specify when using TWMB accessory)
 LL=Lamp Included
 P=Pre-set Socket Position from the Factory
 PC3=3' Cord with NEMA Plug (Other cord lengths are available by specifying length - PC6 for 6' cord. Requires FH-1 or FL-1 or SHK. Use with TPPH-NEMA. Specify voltage)</p> | <p>PHC=Power Cord and Plug - 18" Power Cord and Non-NEMA Plug Configuration (Must be used with FL-1 and TPPH. Must specify single voltage)
 PHC-NEMA=Power Cord and NEMA Plug - 18" Power Cord and 20 Amp NEMA Plug Configuration (Must be used with FL-1 and TPPH-NEMA)
 Q=Quartz Restrike (Hot strike only)
 QD=Quick Disconnect Die-cast Pendant Mount Box (Specify single voltage. Not compatible with PC3, PHC, C3, MWS, RM or HC)
 QLL=Quartz Lamp Included (Lamp is Cooper designated product based on luminaire requirements. Lamp is shipped separate from luminaire unless otherwise noted)
 RM=Remote Mount
 SCF=3' Aircraft Safety Cable Secures Housing to Ceiling (Alternative lengths available. Example: SCF6 = 6' cable)
 SCR=Aircraft Safety Cable-Housing to Reflector or Refractor
 SHK=Die-cast Aluminum Fixture Hook (With safety screw and 3/4" threads for easy installation)
 SS=Space Saver Feature
 W/MWS=MWS Industrial Components (Attached to the fixture at the factory. Standard cord length is 3 foot; 6 foot and 11 foot also available. Please refer to MWS Modular Wiring System section for additional information)</p> |
|--|---|

Accessories (Order Separately)³

- | | |
|---|--|
| <p>C3=3' Cord without Plug (Requires FH-1, FL-1 or SHK)
 FH-1=Fixture Hook
 FL-1=Fixture Loop
 MBT=Twin Mount Bracket (Fixtures must be same voltage and without hooks, loops or plugs)
 PC3=3' Cord with NEMA Plug (Other cord lengths are available by specifying length - PC6 for 6' cord. Requires FH-1 or FL-1 or SHK. Use with TPPH-NEMA. Specify voltage)
 PHC=Power Cord and Non-NEMA Plug Configuration (Must be used with FL-1 and TPPH)
 PHC-NEMA=Power Cord and NEMA Plug - 18" Power Cord and 20 Amp NEMA Plug Configuration (Must be used with FL-1 and TPPH-NEMA)
 SGB19/AV=Safety Glass Bottom for AV19 Reflector
 SHK=Hook with Safety Screw
 TPPH=Thruway Pendant Power Hook (Requires FL-1 and PHC. Specify voltage)</p> | <p>TPPH-F=Thruway Pendant Power Hook Single Fuse (Requires FL-1 and PHC. Specify voltage 120, 277 or 347V)
 TPPH-F-QD=Thruway Pendant Power Hook Single Fuse, Quick Disconnect (Requires FL-1 and PHC. Specify voltage 120, 277 or 347V)
 TPPH-F2=Thruway Pendant Power Hook Double Fuse (Requires FL-1 and PHC. Specify voltage 208, 240 or 480V)
 TPPH-F2-QD=Thruway Pendant Power Hook Double Fuse, Quick Disconnect (Requires FL-1 and PHC. Specify voltage 208, 240 or 480V)
 TPPH-NEMA=Thruway Pendant Power Hook (Requires FL-1 and PHC-XXXV-NEMA. Specify voltage)
 TWMB=Thruway Mounting Box
 WG19/AV=Wire Guard for AV19 Reflector
 WG19/SGB/AV=Wire Guard with Safety Glass Bottom for AV19 Reflector</p> |
|---|--|

NOTES: 1. Open Rated (OR) socket and lamp must be used. 2. Metal halide available in non-U.S. markets only. 3. Not all options and configurations are compatible and restrictions may apply. Reference specification sheet for additional details.

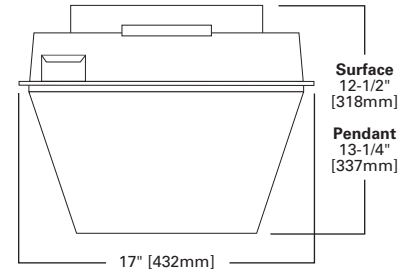


FEATURES

- Standard quick-mounting plate for 3/4" IPS conduit
- Die-cast aluminum housing in white polyester, powder-coat paint
- Hinged refractor permits relamping without removal of refractor
- Acrylic prismatic refractor for optimal optical control
- Removable ballast compartment cover provides easy internal access
- Optional mounting bracket fits standard 4" junction box or outlet box

Compliances may not apply to all product configurations. Please consult the product spec sheet for compliance details.

COMPLIANCES: UL Listed - Damp Location, CSA Listed, EISA Compliant



BE VERTIMARK II

ORDERING INFORMATION

SAMPLE NUMBER: MPBE-5A-100H-MT-OR

Lamp Type	Series	Lens Type	Lamp Wattage	Ballast	Voltage	Lamp Included	Socket
HP =High Pressure Sodium MH =Metal Halide ^{1,2} MP =Pulse Start Metal Halide ¹	BE =Vertimark II	2A =Type II Lens 2P =Type II Polycarbonate Lens 5A =Type V Lens 5P =Type V Polycarbonate Lens	HPS 100 =100W 150 =150W MH 175 =175W 250 =250W	MP 100 =100W 175 =175W 200 =200W 250 =250W [Blank] =Normal Power Factor H =High Power Factor	120V =120V 208V =208V 240V =240V 277V =277V 347V =347V 480V =480V MT =Multi-Tap wired 277V TT =Triple-Tap wired 347V	[Blank] =Lamp Not Included LL =Lamp Included	[Blank] =Non Applicable (HPS or not compatible with OR socket) OR =Open Rated Socket for Metal Halide

Options (Add as Suffix)³

C3 =3' Cord without Plug (Specify voltage) EM =Quartz Restrike with "Delay Relay" (Quartz lamp strikes at both hot and cold starts) EM/SC =Emergency Separate Circuit F1 =Single Fuse (120, 277 or 347V only) F2 =Double Fuse (208, 240 or 480V only) FH-1 =Die-cast Aluminum Fixture Hook (With 3/4" threads for easy installation) FL-1 =Malleable Iron Plated Fixture Loop (With 3/4" threads for easy installation) HC =LumaWatt Fixture Control Module (Low voltage leads pulled out of top connection box for areas requiring all wiring to be installed in conduit) HL =LumaWatt Fixture Control Module (Allows low voltage control wire to be daisy-chained between fixtures outside AC conduit run similar to low voltage intercoms, fire alarms and phone systems) L/TCB =Less Top Connector Box (Housing shipped less top connector box. Specify when using TWMB accessory) P =Mounting Bracket for Surface or 4" J-Box PC3 =3' Cord with NEMA Plug (Other cord lengths are available by specifying length - PC6 for 6' cord. Requires FH-1 or FL-1 or SHK. Use with TPPH-NEMA. Specify voltage)	PHC =Power Cord and Plug - 18" Power Cord and Non-NEMA Plug Configuration (Must be used with FL-1 and TPPH. Must specify single voltage) PHC-NEMA =Power Cord and NEMA Plug - 18" Power Cord and 20 Amp NEMA Plug Configuration (Must be used with FL-1 and TPPH-NEMA) Q =Quartz Restrike (Hot strike only) SCF =3' Aircraft Safety Cable Secures Housing to Ceiling (Alternative lengths available. Example: SCF6 = 6' cable) SHK =Die-cast Aluminum Fixture Hook (With safety screw and 3/4" threads for easy installation) W/MWS =MWS Industrial Components (Attached to the fixture at the factory. Standard cord length is 3 foot; 6 foot and 11 foot also available. Please refer to MWS Modular Wiring System section for additional information) WLB =UL Labeled for Wet Locations with Die-cast Box for 3/4" Conduit WLD =UL Labeled for Wet Locations with Quick Disconnect WLP =UL Labeled for Wet Locations Suitable for Surface or 4" J-Box Mounting
--	--

Accessories (Order Separately)

C3 =3' Cord without Plug (Requires FH-1, FL-1 or SHK) FH-1 =Fixture Hook FL-1 =Fixture Loop IA1025 =Bracket for Surface Mounting to 4" J-Box MBT =Twin Mount Bracket (Fixtures must be same voltage and without hooks, loops or plugs) PC3 =3' Cord with NEMA Plug (Other cord lengths are available by specifying length - PC6 for 6' cord. Requires FH-1 or FL-1 or SHK. Use with TPPH-NEMA. Specify voltage) PHC =Power Hook Cord and Non-NEMA Plug Configuration (Must be used with FL-1 and TPPH) PHC-NEMA =Power Cord and NEMA Plug - 18" Power Cord and 20 Amp NEMA Plug Configuration (Must be used with FL-1 and TPPH-NEMA) SHK =Hook with Safety Screw	TPPH =Thruway Pendant Power Hook (Requires FL-1 and PHC. Specify voltage) TPPH-F =Thruway Pendant Power Hook Single Fuse (Requires FL-1 and PHC. Specify voltage 120, 277 or 347V) TPPH-F-QD =Thruway Pendant Power Hook Single Fuse, Quick Disconnect (Requires FL-1 and PHC. Specify voltage 120, 277 or 347V) TPPH-F2 =Thruway Pendant Power Hook Double Fuse (Requires FL-1 and PHC. Specify voltage 208, 240 or 480V) TPPH-F2-QD =Thruway Pendant Power Hook Double Fuse, Quick Disconnect (Requires FL-1 and PHC. Specify voltage 208, 240 or 480V) TPPH-NEMA =Thruway Pendant Power Hook (Requires FL-1 and PHC-XXXV-NEMA. Specify voltage)
---	---

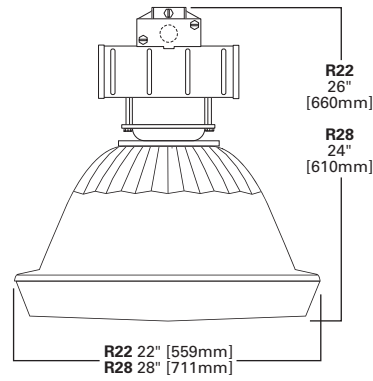
NOTES: 1. Open Rated (OR) socket and lamp must be used. 2. Metal halide available in non-U.S. markets only. 3. Not all options and configurations are compatible and restrictions may apply. Reference specification sheet for additional details.

FEATURES

- Heavy-duty, formed-steel housing with open-air ballast
- Finished in standard, white polyester powder-coat paint
- High power factor ballast with class H insulation
- Enclosed and gasketed optics seal out dirt and other contaminants
- Mogul-base porcelain socket
- Computer-designed, faceted reflector
- Trunk latches secure reflector to housing

Compliances may not apply to all product configurations. Please consult the product spec sheet for compliance details.

COMPLIANCES: UL Listed - Damp Location, CSA Listed, 55°C Ambient Temperature Rating, EISA Compliant



**EP ENTERPRISE
22" AND 28"**

ORDERING INFORMATION

SAMPLE NUMBER: MPEP-R22-250-MT-OR

Lamp Type	Series	Reflector Diameter	Reflector Type	Lamp Wattage		Voltage	Socket
HP =High Pressure Sodium MH =Metal Halide ^{1,2} MP =Pulse Start Metal Halide ¹	EP =Enterprise	R22 =22" Diameter R28 =28" Diameter	[Blank] =Acrylic PL =Polycarbonate	HP 70=70W 100=100W 150=150W 250=250W 400=400W MH 175=175W 250=250W 400=400W	MP 70=70W 100=100W 175=175W 200=200W 250=250W 320=320W 350=350W 400=400W 450=450W	120V =120V 208V =208V 240V =240V 277V =277V 347V =347V 480V =480V MT =Multi-Tap wired 277V TT =Triple-Tap wired 347V 5T =5-Tap	[Blank] =Non Applicable (HPS or not compatible with OR socket) OR =Open Rated Socket for Metal Halide

Options (Add as Suffix)³

- C3**=3' Cord without Plug (Specify voltage)
- EM**=Quartz Restrike with "Delay Relay" (Quartz lamp strikes at both hot and cold starts)
- EM/SC**=Emergency Separate Circuit
- F1**=Single Fuse (120, 277 or 347V only)
- F2**=Double Fuse (208, 240 or 480V only)
- FH-1**=Die-cast Aluminum Fixture Hook (With 3/4" threads for easy installation)
- FILT**=Sintered Bronze filter (Sintered bronze filter prevents the entrance of contaminants)
- FL-1**=Malleable Iron Plated Fixture Loop (With 3/4" threads for easy installation)
- HC**=LumaWatt Fixture Control Module (Low voltage leads pulled out of top connection box for areas requiring all wiring to be installed in conduit)
- HL**=LumaWatt Fixture Control Module (Allows low voltage control wire to be daisy-chained between fixtures outside AC conduit run similar to low voltage intercoms, fire alarms and phone systems)
- L/TCB**=Less Top Connector Box (Housing shipped less top connector box. Specify when using TWMB accessory)
- LL**=Lamp Included
- PC3**=3' Cord with NEMA Plug (Other cord lengths are available by specifying length - PC6 for 6' cord. Requires FH-1 or FL-1 or SHK. Use with TPPH-NEMA. Specify voltage)
- PHC**=Power Cord and Plug - 18" Power Cord and Non-NEMA Plug Configuration (Must be used with FL-1 and TPPH. Must specify single voltage)
- PHC-NEMA**=Power Cord and NEMA Plug - 18" Power Cord and 20 Amp NEMA Plug Configuration (Must be used with FL-1 and TPPH-NEMA)
- Q**=Quartz Restrike (Hot strike only)
- QD**=Quick Disconnect Die-cast Pendant Mount Box (Specify single voltage. Not compatible with PC3, PHC, C3, MWS, RM or HC)
- QLL**=Quartz Lamp Included (Lamp is Cooper designated product based on luminaire requirements. Lamp is shipped separate from luminaire unless otherwise noted)
- SCF**=3' Aircraft Safety Cable Secures Housing to Ceiling (Alternative lengths available. Example: SCF6 = 6' cable)
- SCR**=Aircraft Safety Cable-Housing to Reflector or Refractor
- SHK**=Die-cast Aluminum Fixture Hook (With safety screw and 3/4" threads for easy installation)
- SS**=Space Saver Feature
- W/MWS**=MWS Industrial Components (Attached to the fixture at the factory. Standard cord length is 3 foot; 6 foot and 11 foot also available. Please refer to MWS Modular Wiring System section for additional information)

Accessories (Order Separately)

- C3**=3' Cord without Plug (Requires FH-1, FL-1 or SHK)
- FH-1**=Fixture Hook
- FL-1**=Fixture Loop
- MBT**=Twin Mount Bracket (Fixtures must be same voltage and without hooks, loops or plugs)
- PC3**=3' Cord with NEMA Plug (Other cord lengths are available by specifying length - PC6 for 6' cord. Requires FH-1 or FL-1 or SHK. Use with TPPH-NEMA. Specify voltage)
- PHC**=Power Cord and Non-NEMA Plug Configuration (Must be used with FL-1 and TPPH)
- PHC-NEMA**=Power Cord and NEMA Plug - 18" Power Cord and 20 Amp NEMA Plug Configuration (Must be used with FL-1 and TPPH-NEMA)
- SHK**=Hook with Safety Screw
- TPPH**=Thruway Pendant Power Hook (Requires FL-1 and PHC. Specify voltage)
- TPPH-F**=Thruway Pendant Power Hook Single Fuse (Requires FL-1 and PHC. Specify voltage 120, 277 or 347V)
- TPPH-F-QD**=Thruway Pendant Power Hook Single Fuse, Quick Disconnect (Requires FL-1 and PHC. Specify voltage 120, 277 or 347V)
- TPPH-F2**=Thruway Pendant Power Hook Double Fuse (Requires FL-1 and PHC. Specify voltage 208, 240 or 480V)
- TPPH-F2-QD**=Thruway Pendant Power Hook Double Fuse, Quick Disconnect (Requires FL-1 and PHC. Specify voltage 208, 240 or 480V)
- TPPH-NEMA**=Thruway Pendant Power Hook (Requires FL-1 and PHC-XXXV-NEMA. Specify voltage)
- TWMB**=Thruway Mounting Box
- WG22/EP**=Wire Guard for 22" Reflector
- WG28/EP**=Wire Guard for 28" Reflector

NOTES: 1. Open Rated (OR) socket and lamp must be used. 2. Metal halide available in non-U.S. markets only. 3. Not all options and configurations are compatible and restrictions may apply. Reference specification sheet for additional details.

STOCK ORDERING INFORMATION

SAMPLE NUMBER: FP32-OR

Series	Lamp Type	Lamp Wattage	Socket
F =Enterprise with 22" Reflector	M =Metal Halide P =Pulse Start Metal Halide S =High Pressure Sodium	25 =250W 258 =250W (Canada, Triple-Tap Ballast) 32 =320W 35 =350W 408 =400W (Canada, Triple-Tap Ballast) 40Q =400W and Quartz Restrike	OR =Open Rated Socket for Metal Halide

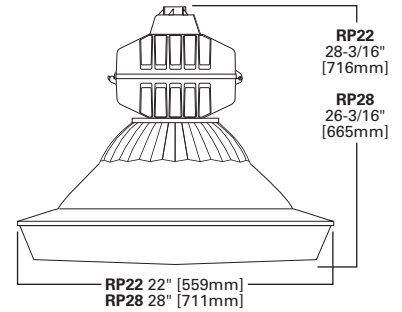


RB LOW-BAY BENCHMARK

FEATURES

- Slide-on, die-cast aluminum mounting box with opening for 3/4" conduit
- Durable, heavy-duty housing for performance in harsh environments
- Integral hinge for easy maintenance with optional tool-less entry
- Standard white polyester, powder-paint finish
- High power factor ballast with class H insulation
- Minimum temperature: -40°C (-40°F) HPS, -30°C (-20°F) MH and MP
- Enclosed and gasketed optics seal out dirt and other contaminants
- Hands-free relamping; internal hangers hold reflector and refractor

Compliances may not apply to all product configurations. Please consult the product spec sheet for compliance details.
COMPLIANCES: UL Listed, CSA Listed - Damp Location, 55°C Ambient Temperature Rating, EISA Compliant



ORDERING INFORMATION

SAMPLE NUMBER: MPRB-RP22-320-MT-OR

Lamp Type	Series	Reflector Type	Reflector Diameter	Lamp Wattage	Voltage	Socket																						
HP =High Pressure Sodium MH =Metal Halide ^{1,2} MP =Pulse Start Metal Halide ¹	RB =Round Low-Bay Benchmark	RA =Round Anodized Reflector RP =Round White Reflector	22 =22" Diameter 28 =28" Diameter 28PL =28" Diameter with Polycarbonate Lens	<table border="0"> <tr> <td>HP</td> <td>MP</td> </tr> <tr> <td>100=100W</td> <td>100=100W</td> </tr> <tr> <td>150=150W</td> <td>175=175W</td> </tr> <tr> <td>250=250W</td> <td>200=200W</td> </tr> <tr> <td>400=400W</td> <td>250=250W</td> </tr> <tr> <td>70=70W</td> <td>320=320W</td> </tr> <tr> <td></td> <td>350=350W</td> </tr> <tr> <td>MH²</td> <td>400=400W</td> </tr> <tr> <td>175=175W</td> <td>450=450W</td> </tr> <tr> <td>250=250W</td> <td>70=70W</td> </tr> <tr> <td>400=400W</td> <td></td> </tr> </table>	HP	MP	100 =100W	100 =100W	150 =150W	175 =175W	250 =250W	200 =200W	400 =400W	250 =250W	70 =70W	320 =320W		350 =350W	MH ²	400 =400W	175 =175W	450 =450W	250 =250W	70 =70W	400 =400W		120V =120V 208V =208V 240V =240V 277V =277V 347V =347V 480V =480V 5T =5-Tap MT =Multi-Tap wired 277V TT =Triple-Tap wired 347V	[Blank] =Non Applicable (HPS or not compatible with OR socket) OR =Open Rated Socket for Metal Halide
HP	MP																											
100 =100W	100 =100W																											
150 =150W	175 =175W																											
250 =250W	200 =200W																											
400 =400W	250 =250W																											
70 =70W	320 =320W																											
	350 =350W																											
MH ²	400 =400W																											
175 =175W	450 =450W																											
250 =250W	70 =70W																											
400 =400W																												

Options (Add as Suffix)³

C3=3' Cord without Plug (Specify voltage)
EM=Quartz Restrike with "Delay Relay" (Quartz lamp strikes at both hot and cold starts)
EM/SC=Emergency Separate Circuit
F1=Single Fuse (120, 277 or 347V only)
F2=Double Fuse (208, 240 or 480V only)
FH-1=Die-cast Aluminum Fixture Hook (With 3/4" threads for easy installation)
FILT=Sintered Bronze filter (Sintered bronze filter prevents the entrance of contaminants)
FL-1=Malleable Iron Plated Fixture Loop (With 3/4" threads for easy installation)
HC=LumaWatt Fixture Control Module (Low voltage leads pulled out of top connection box for areas requiring all wiring to be installed in conduit)
HL=LumaWatt Fixture Control Module (Allows low voltage control wire to be daisy-chained between fixtures outside AC conduit run similar to low voltage intercoms, fire alarms and phone systems)
L/TCB=Less Top Connector Box (Housing shipped less top connector box. Specify when using TWMB accessory)
LL=Lamp Included
PC3=3' Cord with NEMA Plug (Other cord lengths are available by specifying length - PC6 for 6' cord. Requires FH-1 or FL-1 or SHK. Use with TPPH-NEMA. Specify voltage)
PHC=Power Cord and Plug - 18" Power Cord and Non-NEMA Plug Configuration (Must be used with FL-1 and TPPH. Must specify single voltage)

PHC-NEMA=Power Cord and NEMA Plug - 18" Power Cord and 20 Amp NEMA Plug Configuration (Must be used with FL-1 and TPPH-NEMA)
Q=Quartz Restrike (Hot strike only)
QB=Quiet Ballast
QD=Quick Disconnect Die-cast Pendant Mount Box (Specify single voltage. Not compatible with PC3, PHC, C3, MWS, RM or HC)
QLL=Quartz Lamp Included (Lamp is Cooper designated product based on luminaire requirements. Lamp is shipped separate from luminaire unless otherwise noted)
SCF=3' Aircraft Safety Cable Secures Housing to Ceiling (Alternative lengths available. Example: SCF6 = 6' cable)
SCR=Aircraft Safety Cable-Housing to Reflector or Refractor
SHK=Die-cast Aluminum Fixture Hook (With safety screw and 3/4" threads for easy installation)
SS=Space Saver Feature
TE=Tool-less Entry
W/MWS=MWS Industrial Components (Attached to the fixture at the factory. Standard cord length is 3 foot; 6 foot and 11 foot also available. Please refer to MWS Modular Wiring System section for additional information)
WL=UL Labeled for Wet Location

Accessories (Order Separately)³

C3=3' Cord without Plug (Requires FH-1, FL-1 or SHK)
FH-1=Fixture Hook
FL-1=Fixture Loop
MBT=Twin Mount Bracket (Fixtures must be same voltage and without hooks, loops or plugs)
PC3=3' Cord with NEMA Plug (Other cord lengths are available by specifying length - PC6 for 6' cord. Requires FH-1 or FL-1 or SHK. Use with TPPH-NEMA. Specify voltage)
PHC=Power Cord and Non-NEMA Plug Configuration (Must be used with FL-1 and TPPH)
PHC-NEMA=Power Cord and NEMA Plug - 18" Power Cord and 20 Amp NEMA Plug Configuration (Must be used with FL-1 and TPPH-NEMA)
SHK=Hook with Safety Screw
TPPH=Thruway Pendant Power Hook (Requires FL-1 and PHC. Specify voltage)
TPPH-F=Thruway Pendant Power Hook Single Fuse (Requires FL-1 and PHC. Specify voltage 120, 277 or 347V)

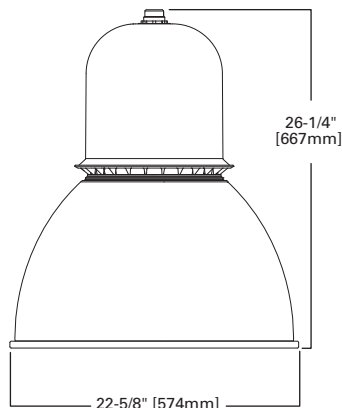
TPPH-F-QD=Thruway Pendant Power Hook Single Fuse, Quick Disconnect (Requires FL-1 and PHC. Specify voltage 120, 277 or 347V)
TPPH-F2=Thruway Pendant Power Hook Double Fuse (Requires FL-1 and PHC. Specify voltage 208, 240 or 480V)
TPPH-F2-QD=Thruway Pendant Power Hook Double Fuse, Quick Disconnect (Requires FL-1 and PHC. Specify voltage 208, 240 or 480V)
TPPH-NEMA=Thruway Pendant Power Hook (Requires FL-1 and PHC-XXXV-NEMA. Specify voltage)
TWMB=Thruway Mounting Box
WG22/EP=Wire Guard for 22" Reflector
WG28/EP=Wire Guard for 28" Reflector

NOTES: 1. Open Rated (OR) socket and lamp must be used. 2. Metal halide available in non-U.S. markets only. 3. Not all options and configurations are compatible and restrictions may apply. Reference specification sheet for additional details.

FEATURES

- Mounting hub tapped with 3/4" conduit opening
- Ballast cover easily removed for wiring and installation
- Spun-aluminum housing features white polyester, powder-coat finish
- Other finish colors available
- Compact fluorescent ballasts offer up to four switch level control
- Universal voltage 120V - 277V and less than 10% harmonic distortion
- Rotary-lock, high-temperature sockets with PBT material
- Sockets incorporate 32 W GX24q-3 or 42 W GX24q-4

Compliances may not apply to all product configurations. Please consult the product spec sheet for compliance details.
COMPLIANCES: UL/cUL Listed - Damp Location



DP AXIO SERIES

ORDERING INFORMATION

SAMPLE NUMBER: CFDP-AC22-8/42-UNV-LL

Lamp Type	Series	Reflector/Refractor Diameter	Lamp Wattage	Voltage ¹
CF=Compact Fluorescent	DP=Axio	AC22=22" Clear Prismatic Acrylic SA22=22" Spun Aluminum	6/32=(6) 32W Triple Tube 6/42=(6) 42W Triple Tube 8/32=(8) 32W Triple Tube 8/42=(8) 42W Triple Tube	120V=120V 277V=277V 347V=347V UNV=120-277V Electronic Ballast

Options (Add as Suffix)

- C3**=3" Cord with No Plug (Specify voltage)²
- DS**=Dual Switching
- FH-1**=Fixture Hook (With 3/4" threads for easy installation)
- FL-1**=Fixture Loop (With 3/4" threads for easy installation)
- I42EMB**=Internal 32-42W Emergency Ballast^{1,3}
- LL**=Lamp Included (Lamp is Cooper-designated product based on luminaire requirements. Lamp is shipped separate from luminaire unless otherwise noted)
- PC3**=3' Cord with NEMA Plug (Other cord lengths available by specifying length - PC6 for 6' Cord. Must be used with FH-1 or FL-1. No switching)⁴
- PC3/4C**=3' Cord with NEMA Plug (Other cord lengths available by specifying length - PC6/4C for 6' Cord. Must be used with FH-1 or FL-1. Dual switching)⁵
- PC3/5C**=3' Cord with NEMA Plug (Other cord lengths available by specifying length - PC6/5C for 6' Cord. Must be used with FH-1 or FL-1. Triple switching)⁶
- PHC-NEMA**=Power Cord and NEMA Plug - 18" Power Cord and 20 Amp NEMA Plug Configuration (Must be used with FH-1 or FL-1 and TPPH-NEMA. No switching)^{1,4}
- QS**=Quad Switching
- RSC**=Reflector Safety Cable - Secures Refractor to the Housing
- SCF**=3' Aircraft Safety Cable Secures Housing to Ceiling (Alternative lengths available. Example: SCF6 = 6' cable)
- TS**=Triple Switching

Accessories (Order Separately)

- DL/WG/GLC**=Lens/Wire Guard
- FH-1**=Fixture Hook (With 3/4" threads for easy installation)
- FL-1**=Fixture Loop (With 3/4" threads for easy installation)
- PC3**=3' Cord with NEMA Plug (Other cord lengths available by specifying length - PC6 for 6' Cord. Must be used with FH-1 or FL-1. No switching)⁴
- TPPH-120-NEMA-WHT**=Thruway Pendant Power Hook with L5-20R Receptacle (No switching)
- TPPH-277V-NEMA-WHT**=Thruway Pendant Power Hook with L7-20R Receptacle (No switching)
- WG22**=Wire Guard for AC22 Refractor

NOTES: 1. Must specify voltage. 2. Provided with standard 3' conductor cord. 3. For use in 25°C maximum ambient environments. 4. (No Switching) 120V - 16AWG/3 conductor cord and NEMA plug L5-20P; (No Switching) 277V - 16 AWG/3 conductor cord and NEMA plug L7-20P. 5. (Dual Switching) 120V - 16AWG/4 conductor cord and NEMA plug L18-20P; (Dual Switching) 277V - 16 AWG/4 conductor cord and NEMA plug L19-20P. 6. (Triple Switching) 120V - 16AWG/5 conductor cord and NEMA plug L21-20P; (Triple Switching) 277V - 16 AWG/5 conductor cord and NEMA plug L22-20P.



FEATURES

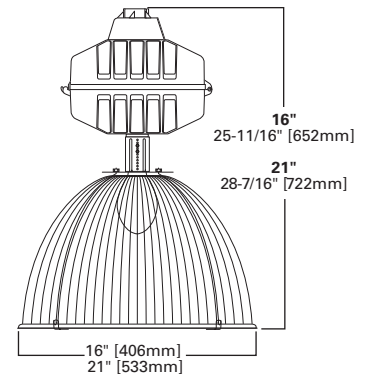
- Slide-on, die-cast aluminum mounting box with opening for 3/4" conduit
- Durable, heavy-duty housing for performance in harsh environments
- Integral hinge for easy maintenance with optional tool-less entry
- Standard white polyester, powder-paint finish
- High power factor ballast with class H insulation
- Minimum temperature: -40°C (-40°F) HPS, -30°C (-20°F) MH and MP
- Reflectors and refractors can be changed to acrylic or spun aluminum
- Adjustable shock- and impact-resistant borosilicate glass refractor

Compliances may not apply to all product configurations. Please consult the product spec sheet for compliance details.

COMPLIANCES: UL Listed - Damp Location, CSA Listed - Damp Location, 55°C Ambient Temperature Rating, 65°C Ambient Temperature Rating, EISA Compliant



GB PRISMATIC GLASS BENCHMARK 16" AND 21"



ORDERING INFORMATION

SAMPLE NUMBER: MPGB-GR16-C-320-MT-OR

Lamp Type	Series	Refractor Type	Refractor Diameter	Distribution	Lamp Wattage	Voltage	Socket	
HP =High Pressure Sodium MH =Metal Halide ^{1,2} MP =Pulse Start Metal Halide ¹	GB =Glass Refractor Benchmark	GR =Glass Refractor	16 =16" Diameter 21 =21" Diameter	C =Concentrated M =Medium W =Wide	HP 250=250W 400=400W 600=600W 750=750W MH ² 175=175W 250=250W 400=400W 1000=1000W	MP 175=175W 200=200W 250=250W 320=320W 350=350W 400=400W 450=450W 750=750W 1000=1000W ³	120V =120V 208V =208V 240V =240V 277V =277V 347V =347V 480V =480V MT =Multi-Tap wired 277V TT =Triple-Tap wired 347V 5T =5-Tap	[Blank] =Non Applicable (HPS or not compatible with OR socket) OR =Open Rated Socket for Metal Halide

Options (Add as Suffix)⁴

C3=3' Cord without Plug (Specify voltage)
EM=Quartz Restrike with "Delay Relay" (Quartz lamp strikes at both hot and cold starts)
EM/SC=Emergency Separate Circuit
F1=Single Fuse (120, 277 or 347V only)
F2=Double Fuse (208, 240 or 480V only)
FH-1=Die-cast Aluminum Fixture Hook (With 3/4" threads for easy installation)
FL-1=Malleable Iron Plated Fixture Loop (With 3/4" threads for easy installation)
HC=LumaWatt Fixture Control Module (Low voltage leads pulled out of top connection box for areas requiring all wiring to be installed in conduit)
HL=LumaWatt Fixture Control Module (Allows low voltage control wire to be daisy-chained between fixtures outside AC conduit run similar to low voltage intercoms, fire alarms and phone systems)
HSW=Integral LumaWatt Sensor and Control with Wide Distribution
L/TCB=Less Top Connector Box (Housing shipped less top connector box. Specify when using TWMB accessory)
LL=Lamp Included
P=Pre-set Socket Position from the Factory
PC3=3' Cord with NEMA Plug (Other cord lengths are available by specifying length - PC6 for 6' cord. Requires FH-1 or FL-1 or SHK. Use with TPPH-NEMA. Specify voltage)

PHC=Power Cord and Plug - 18" Power Cord and Non-NEMA Plug Configuration (Must be used with FL-1 and TPPH. Must specify single voltage)
PHC-NEMA=Power Cord and NEMA Plug - 18" Power Cord and 20 Amp NEMA Plug Configuration (Must be used with FL-1 and TPPH-NEMA)
PS=Protective Starter (Available in 1000W high pressure sodium only. For other wattages consult factory)
Q=Quartz Restrike (Hot strike only)
QB=Quiet Ballast
QD=Quick Disconnect Die-cast Pendant Mount Box (Specify single voltage. Not compatible with PC3, PHC, C3, MWS, RM or HC)
QLL=Quartz Lamp Included (Lamp is Cooper designated product based on luminaire requirements. Lamp is shipped separate from luminaire unless otherwise noted)
SCF=3' Aircraft Safety Cable Secures Housing to Ceiling (Alternative lengths available. Example: SCF6 = 6' cable)
SHK=Die-cast Aluminum Fixture Hook (With safety screw and 3/4" threads for easy installation)
SS=Space Saver Feature
TE=Tool-less Entry
W/MWS=MWS Industrial Components (Attached to the fixture at the factory. Standard cord length is 3 foot; 6 foot and 11 foot also available. Please refer to MWS Modular Wiring System section for additional information)

Accessories (Order Separately)⁴

C3=3' Cord without Plug (Requires FH-1, FL-1 or SHK)
FH-1=Fixture Hook
FL-1=Fixture Loop
GFWG16/WG16=Glass Full Wire Guard for 16" Refractor
GFWG21/WG21=Glass Full Wire Guard for 21" Refractor
GTWG16=Glass Top Wire Guard for 16" Refractor
GTWG21=Glass Top Wire Guard for 21" Refractor
PC3=3' Cord with NEMA Plug (Other cord lengths are available by specifying length - PC6 for 6' cord. Requires FH-1 or FL-1 or SHK. Use with TPPH-NEMA. Specify voltage)
PHC=Power Hook Cord and Non-NEMA Plug Configuration (Must be used with FL-1 and TPPH)
PHC-NEMA=Power Cord and NEMA Plug - 18" Power Cord and 20 Amp NEMA Plug Configuration (Must be used with FL-1 and TPPH-NEMA)
SGB16/GR=Safety Glass Bottom for 16" Refractor (Not compatible with WG16/GR)
SGB21/GR=Safety Glass Bottom for 21" Refractor (Not compatible with WG21/GR)
SHK=Hook with Safety Screw

TPPH=Thruway Pendant Power Hook (Requires FL-1 and PHC. Specify voltage)
TPPH-F=Thruway Pendant Power Hook Single Fuse (Requires FL-1 and PHC. Specify voltage 120, 277 or 347V)
TPPH-F-QD=Thruway Pendant Power Hook Single Fuse, Quick Disconnect (Requires FL-1 and PHC. Specify voltage 120, 277 or 347V)
TPPH-F2=Thruway Pendant Power Hook Double Fuse (Requires FL-1 and PHC. Specify voltage 208, 240 or 480V)
TPPH-F2-QD=Thruway Pendant Power Hook Double Fuse, Quick Disconnect (Requires FL-1 and PHC. Specify voltage 208, 240 or 480V)
TPPH-NEMA=Thruway Pendant Power Hook (Requires FL-1 and PHC-XXXV-NEMA. Specify voltage)
TWMB=Thruway Mounting Box
WG16/GLC/GR=Gym Wire Guard with Safety Glass Bottom for 16" Refractor
WG16/GR=Wire Guard for 16" Refractor
WG16/SGB16A=Wire Guard with Safety Glass Bottom for 16" Refractor
WG21/GLC/GR=Gym Wire Guard with Safety Glass Bottom for 21" Refractor
WG21/GR=Wire Guard for 21" Refractor

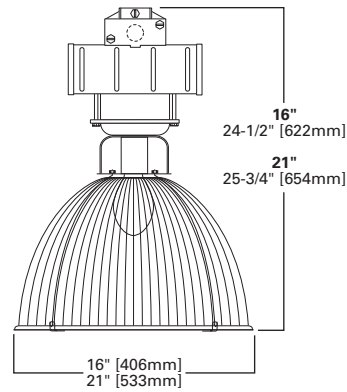
NOTES: 1. Open Rated (OR) socket and lamp must be used. 2. Metal halide available in non-U.S. markets only. 3. Not available with Triple-Tap. 4. Not all options and configurations are compatible and restrictions may apply. Reference specification sheet for additional details.

FEATURES

- Slide-on, die-cast aluminum mounting box with opening for 3/4" conduit
- Heavy-duty, steel housing with open-air ballast for cooler operation
- Standard white polyester, powder-paint finish
- High power factor ballast with class H insulation
- Minimum temperature: -40°C (-40°F) HPS, -30°C (-20°F) MH and MP
- Standard safety cable attached from housing to refractor
- Reflectors and refractors can be changed to acrylic or aluminum
- Field-adjustable, shock- and impact-resistant borosilicate refractor
- Zinc-plated wire form with optional safety glass bottom for durability

Compliances may not apply to all product configurations. Please consult the product spec sheet for compliance details.

COMPLIANCES: UL Listed - Damp Location, CSA Listed, 65°C Ambient Temperature Rating, EISA Compliant



**SG PRISMATIC
GLASS STEELER
16" AND 21"**

ORDERING INFORMATION

SAMPLE NUMBER: MPSG-GR16-M-400-MT-Q

Lamp Type	Series	Refractor Type	Refractor Diameter	Distribution	Lamp Wattage	Voltage	Socket																				
HP =High Pressure Sodium MH =Metal Halide ^{1,2} MP =Pulse Start Metal Halide ¹	SG =Steeler Glass	GR =Glass Refractor	16 =16" Diameter 21 =21" Diameter	C =Concentrated M =Medium W =Wide	<table border="0"> <tr> <td>HP</td> <td>MP</td> </tr> <tr> <td>250=250W</td> <td>175=175W</td> </tr> <tr> <td>400=400W</td> <td>200=200W</td> </tr> <tr> <td>600=600W</td> <td>250=250W</td> </tr> <tr> <td>750=750W</td> <td>320=320W</td> </tr> <tr> <td></td> <td>350=350W</td> </tr> <tr> <td>MH²</td> <td>400=400W</td> </tr> <tr> <td>175=175W</td> <td>450=450W</td> </tr> <tr> <td>250=250W</td> <td>750=750W</td> </tr> <tr> <td>400=400W</td> <td>1000=1000W</td> </tr> </table>	HP	MP	250=250W	175=175W	400=400W	200=200W	600=600W	250=250W	750=750W	320=320W		350=350W	MH ²	400=400W	175=175W	450=450W	250=250W	750=750W	400=400W	1000=1000W	120V=120V 208V=208V 240V=240V 277V=277V 347V=347V 480V=480V MT=Multi-Tap wired 277V TT=Triple-Tap wired 347V 5T=5-Tap	[Blank] =Non Applicable (HPS or not compatible with OR socket) OR =Open Rated Socket for Metal Halide
HP	MP																										
250=250W	175=175W																										
400=400W	200=200W																										
600=600W	250=250W																										
750=750W	320=320W																										
	350=350W																										
MH ²	400=400W																										
175=175W	450=450W																										
250=250W	750=750W																										
400=400W	1000=1000W																										

Options (Add as Suffix)⁴

- C3**=3' Cord without Plug (Specify voltage)
- EM**=Quartz Restrike with "Delay Relay" (Quartz lamp strikes at both hot and cold starts)
- EM/SC**=Emergency Separate Circuit
- F1**=Single Fuse (120, 277 or 347V only)
- F2**=Double Fuse (208, 240 or 480V only)
- FH-1**=Die-cast Aluminum Fixture Hook (With 3/4" threads for easy installation)
- FL-1**=Malleable Iron Plated Fixture Loop (With 3/4" threads for easy installation)
- HC**=LumaWatt Fixture Control Module (Low voltage leads pulled out of top connection box for areas requiring all wiring to be installed in conduit)
- HL**=LumaWatt Fixture Control Module (Allows low voltage control wire to be daisy-chained between fixtures outside AC conduit run similar to low voltage intercoms, fire alarms and phone systems)
- L/TCB**=Less Top Connector Box (Housing shipped less top connector box. Specify when using TWMB accessory)
- LL**=Lamp Included
- P**=Pre-set Socket Position from the Factory
- PC3**=3' Cord with NEMA Plug (Other cord lengths are available by specifying length - PC6 for 6' cord. Requires FH-1 or FL-1 or SHK. Use with TPPH-NEMA. Specify voltage)
- PHC**=Power Cord and Plug - 18" Power Cord and Non-NEMA Plug Configuration (Must be used with FL-1 and TPPH. Must specify single voltage)
- PHC-NEMA**=Power Cord and NEMA Plug - 18" Power Cord and 20 Amp NEMA Plug Configuration (Must be used with FL-1 and TPPH-NEMA)
- PS**=Protective Starter (Available in 1000W high pressure sodium only. For other wattages consult factory)
- Q**=Quartz Restrike (Hot strike only)
- QD**=Quick Disconnect Die-cast Pendant Mount Box (Specify single voltage. Not compatible with PC3, PHC, C3, MWS, RM or HC)
- QLL**=Quartz Lamp Included (Lamp is Cooper designated product based on luminaire requirements. Lamp is shipped separate from luminaire unless otherwise noted)
- RM**=Remote Mount
- SCF**=3' Aircraft Safety Cable Secures Housing to Ceiling (Alternative lengths available. Example: SCF6 = 6' cable)
- SHK**=Die-cast Aluminum Fixture Hook (With safety screw and 3/4" threads for easy installation)
- SS**=Space Saver Feature
- W/MWS**=MWS Industrial Components (Attached to the fixture at the factory. Standard cord length is 3 foot; 6 foot and 11 foot also available. Please refer to MWS Modular Wiring System section for additional information)

Accessories (Order Separately)⁴

- C3**=3' Cord without Plug (Requires FH-1, FL-1 or SHK)
- FH-1**=Fixture Hook
- FL-1**=Fixture Loop
- GFWG16/WG16**=Glass Full Wire Guard for 16" Refractor
- GFWG21/WG21**=Glass Full Wire Guard for 21" Refractor
- GTWG16**=Glass Top Wire Guard for 16" Refractor
- GTWG21**=Glass Top Wire Guard for 21" Refractor
- PC3**=3' Cord with NEMA Plug (Other cord lengths are available by specifying length - PC6 for 6' cord. Requires FH-1 or FL-1 or SHK. Use with TPPH-NEMA. Specify voltage)
- PHC**=Power Hook Cord and Non-NEMA Plug Configuration (Must be used with FL-1 and TPPH)
- PHC-NEMA**=Power Cord and NEMA Plug - 18" Power Cord and 20 Amp NEMA Plug Configuration (Must be used with FL-1 and TPPH-NEMA)
- SGB16/GR**=Safety Glass Bottom for 16" Refractor (Not compatible with WG16/GR)
- SGB21/GR**=Safety Glass Bottom for 21" Refractor (Not compatible with WG21/GR)
- SHK**=Hook with Safety Screw
- TPPH**=Thruway Pendant Power Hook (Requires FL-1 and PHC. Specify voltage)
- TPPH-F**=Thruway Pendant Power Hook Single Fuse (Requires FL-1 and PHC. Specify voltage 120, 277 or 347V)
- TPPH-F-QD**=Thruway Pendant Power Hook Single Fuse, Quick Disconnect (Requires FL-1 and PHC. Specify voltage 120, 277 or 347V)
- TPPH-F2**=Thruway Pendant Power Hook Double Fuse (Requires FL-1 and PHC. Specify voltage 208, 240 or 480V)
- TPPH-F2-QD**=Thruway Pendant Power Hook Double Fuse, Quick Disconnect (Requires FL-1 and PHC. Specify voltage 208, 240 or 480V)
- TPPH-NEMA**=Thruway Pendant Power Hook (Requires FL-1 and PHC-XXXV-NEMA. Specify voltage)
- TWMB**=Thruway Mounting Box
- WG16/GLC/GR**=Gym Wire Guard with Safety Glass Bottom for 16" Refractor
- WG16/GR**=Wire Guard for 16" Refractor
- WG16/SGB16A**=Wire Guard with Safety Glass Bottom for 16" Refractor
- WG21/GLC/GR**=Gym Wire Guard with Safety Glass Bottom for 21" Refractor
- WG21/GR**=Wire Guard for 21" Refractor

NOTES: 1. Open Rated (OR) socket and lamp must be used. 2. Metal halide available in non-U.S. markets only. 3. Not available with Triple-Tap. 4. Not all options and configurations are compatible and restrictions may apply. Reference specification sheet for additional details.

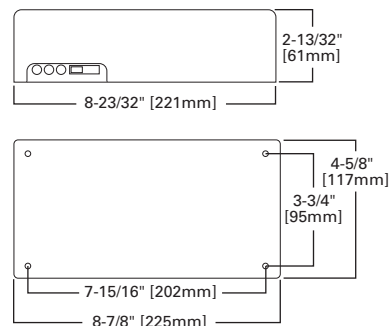


CML LUMAWATT INDUSTRIAL HID DIMMING SYSTEM

FEATURES

- Low voltage output controls up to 25 LumaWatt-equipped fixtures
- Allows daisy-chaining of multiple controllers
- Input connections for up to six passive, infrared motion sensors
- Allows use of dry-contact switch to override motion sensors
- 120V or 277V configurable input (208V, 240V, 347V and 480V available)
- Three front panel lights show system status
- Front panel test switch provides same function as dry contact switch
- System stays in full brightness for 15 minutes when power is applied

Compliances may not apply to all product configurations. Please consult the product spec sheet for compliance details.
COMPLIANCES: UL Listed, CSA Listed, 55°C Ambient Temperature Rating



ORDERING INFORMATION

SAMPLE NUMBER: CML-120/277

Product Family	Input Voltage
CML=LumaWatt Control Module	120/277=User Selectable 120V or 277V Input Voltage 208=208V 240=240V 347=347V 480=480V

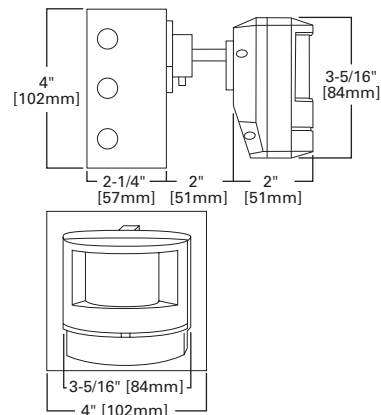


IRMD HID MOTION DETECTOR

FEATURES

- LumaWatt controller and fixture dimmers provide bi-level lighting
- Control module supplies power to motion detector
- Provides aiming flexibility when positioning motion detector
- Coverage patterns for aisles, narrow areas or wide areas
- Provides visual indication when the sensor detects motion

Compliances may not apply to all product configurations. Please consult the product spec sheet for compliance details.
COMPLIANCES: 55°C Ambient Temperature Rating



ORDERING INFORMATION

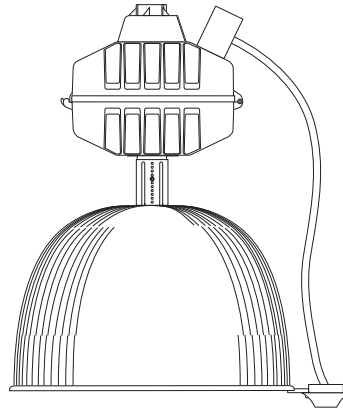
SAMPLE NUMBER: IRMD-N-24V

Product Family	Coverage	Input Voltage
IRMD=LumaWatt Infrared Motion Detector	A=Aisleway N=Narrow W=Wide	24V=24V

Specifications and dimensions subject to change without notice. Consult your Cooper Lighting Representative or visit www.cooperlighting.com for available options, accessories and ordering information.

FEATURES

- Sensor operates on 120V with magnetic CWA HID ballast systems
- Pre-wired detector is mounted to junction box
- Ballast assembly with wiring compartment for ballast connection
- Mounting hardware for a variety of open or enclosed optical assemblies
- 360° viewing allows coverage between luminaires
- Ideal for mounting heights from 15 - 45 feet
- Green LED provides visual indication when sensor detects motion
- Luminaire ships with 15-minute startup timer
- Sensors adjustable from 30 seconds to 20 minutes



**IRMS INDIVIDUAL
FIXTURE
CONTROL OPTION**

ORDERING INFORMATION

SAMPLE NUMBER: MPSS-SA18-M-400-MT-OR-HSW

Options (add as suffix)

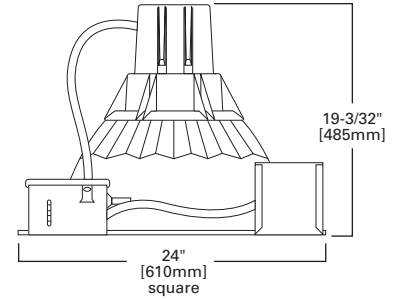
HSW=Integral LumaWatt Sensor with Wide Distribution Control for CWA Magnetic Ballast



FEATURES

- Ideal for illumination at medium to high mounting heights
- Allows full socket-assembly adjustment for variety of distributions
- Faceted reflector for maximum light output with minimum voltage rise
- Thermally protected, high power factor, 60Hz metal halide ballast
- Prime, cold-rolled steel pan die-formed for maximum rigidity
- 45° angled lip around reflector opening to reduce glare
- White polyester, powder-coat finish
- Mounts easily into inverted T-bar ceilings

Compliances may not apply to all product configurations. Please consult the product spec sheet for compliance details.
COMPLIANCES: UL Listed, CSA Listed



QC QUADRA MARK



ORDERING INFORMATION

SAMPLE NUMBER: MPQC-QCSA18-C-175-T-120V-OR

Lamp Type	Series	Reflector Type	Distribution	Lamp Wattage		Mounting	Voltage
MH=Metal Halide MP=Pulse Start Metal Halide	QC=Quadra Mark	QCSA18=18" Spun Aluminum Reflector ¹ QCSA18/GL=18" Spun Aluminum Reflector with Safety Glass Bottom	C=Concentrated M=Medium W=Wide	MH 175=175W 250=250W 400=400W	MP 175=175W 200=200W 250=250W 320=320W 350=350W 400=400W	T=T Bar	120V=120V 208V=208V 240V=240V 277V=277V 347V=347V 480V=480V

Options (Add as Suffix)

OR=Open Rated Socket for Metal Halide
 HL=LumaWatt Fixture Control Module (Allows low voltage control wire to be daisy-chained between fixtures outside AC conduit run similar to low voltage intercoms, fire alarms and phone systems)
 EM=Quartz Restrike with "Delay Relay" (Quartz lamp strikes at both hot and cold starts)
 EM/SC=Emergency Separate Circuit
 F1=Single Fuse (120, 277 or 347V only)
 F2=Double Fuse (208, 240 or 480V only)
 LL=Lamp Included
 DL=UL Labeled for Damp Locations
 HC=LumaWatt Fixture Control Module (Low voltage leads pulled out of top connection box for areas requiring all wiring to be installed in conduit)
 Q=Quartz Restrike (Hot strike only)

NOTES: 1. Open Rated (OR) socket and lamp must be used.

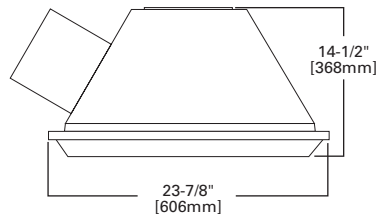
Specifications and dimensions subject to change without notice. Consult your Cooper Lighting Representative or visit www.cooperlighting.com for available options, accessories and ordering information.

FEATURES

- Die-formed, heavy-duty housing is made of cold-rolled steel
- Finished in highly reflective, white polyester powder-coat paint
- Stamped-steel ballast-mounting bracket integral to housing
- Die-formed, steel reflector with removable panels for easy access
- Heavy-gauge steel frame can be hinged and latched from either side
- Stamped-steel retaining clips ensure flush fit of lens with frame
- Virgin acrylic, prismatic drop lens with UV inhibitor
- Fits standard 2x2 inverted T-bar system (1" NEMA Type G)

Compliances may not apply to all product configurations. Please consult the product spec sheet for compliance details.

COMPLIANCES: UL Listed, CSA Listed



QD QUADRA LUME

ORDERING INFORMATION

SAMPLE NUMBER: MPQD-GO/GAS-A/GL-400-277V

Lamp Type	Series	Door Frame	Lens Type	Lamp Wattage			Voltage
HP =High Pressure Sodium MH =Metal Halide ^{1,2} MP =Pulse Start Metal Halide ¹	QD =Quadra Lume with Drop Lens	GO/GAS =Flat Aluminum	A/GL =Acrylic Lens with Glass Overlay P/GL =Polycarbonate Lens with Glass Overlay	HP 70=70W 100=100W 150=150W 250=250W 400=400W	MH 175=175W 250=250W 400=400W	MP 70=70W 100=100W 175=175W 200=200W 250=250W 320=320W 350=350W 400=400W	120V =120V 208V =208V 240V =240V 277V =277V 347V =347V

Options (Add as Suffix)³

- OR**=Open Rated Socklet for Metal Halide
- QB**=Quiet Ballast
- HL**=LumaWatt Fixture Control Module (Allows low voltage control wire to be daisy-chained between fixtures outside AC conduit run similar to low voltage intercoms, fire alarms and phone systems)
- EM**=Quartz Restrike with "Delay Relay" (Quartz lamp strikes at both hot and cold starts)
- EM/SC**=Emergency Separate Circuit
- F1**=Single Fuse (120, 277 or 347V only)
- F2**=Double Fuse (208, 240 or 480V only)
- LL**=Lamp Included
- BDF**=Black Door Frame
- DL**=UL Labeled for Damp Locations
- HC**=LumaWatt Fixture Control Module (Low voltage leads pulled out of top connection box for areas requiring all wiring to be installed in conduit)
- VL**=Vertical Lamp
- G2**=Double Gasketing Doors (Door to lens, lens to door)
- Q**=Quartz Restrike (Hot strike only)
- SCF**=3' Aircraft Safety Cable Secures Housing to Ceiling (Alternative lengths available. Example: SCF6 = 6' cable)

Accessories (Order Separately)³

- FTA**=Flush Drywall Frame Kit, Natural Anodized Aluminum
- FTB**=Flush Drywall Frame Kit, Black
- FTW**=Flush Drywall Frame Kit, White

NOTES: 1. Open Rated (OR) socket and lamp must be used. 2. Metal halide available in non-U.S. markets only. 3. Not all options and configurations are compatible and restrictions may apply. Reference specification sheet for additional details.



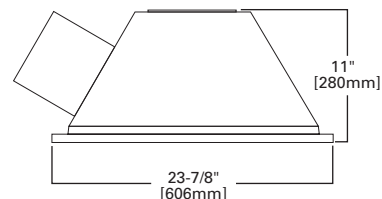
QF QUADRA LUME

FEATURES

- Die-formed, heavy-duty housing is made of cold-rolled steel
- Finished in highly reflective, white polyester powder-coat paint
- Stamped-steel ballast-mounting bracket integral to housing
- Die-formed, steel reflector with removable panels for easy access
- Heavy-gauge steel frame can be hinged and latched from either side
- Stamped-steel retaining clips ensure flush fit of lens with frame
- Gasketed, flat, prismatic acrylic, Acri-Tuf® or C73 glass lens

Compliances may not apply to all product configurations. Please consult the product spec sheet for compliance details.

COMPLIANCES: UL Listed, CSA Listed



ORDERING INFORMATION

SAMPLE NUMBER: MPQF-GS/C73/GL-400-120V

Lamp Type	Series	Door Frame	Lens Type	Lamp Wattage	Voltage
HP =High Pressure Sodium MH =Metal Halide ^{1,2} MP =Pulse Start Metal Halide ¹	QF =Quadra Lume with Flat Lens	GMXF =Flat, Non-Floating Aluminum Door Frame GMXR =3/8" Regressed Non-Floating Aluminum Door Frame GO/GAS =Flat Aluminum GS =Flat Steel	A/GL =Acrylic Lens with Glass Overlay ACTF.140/GL =Acrituf®, 0.140" Thick with Glass Overlay ACTF.187/GL =Acrituf®, 0.187" Thick with Glass Overlay C73/GL =Prismatic Tempered Glass Lens with Glass Overlay H8246/GL =Halophone 8246 with Glass Overlay PL/GL =Polycarbonate Refractor with Glass Overlay	HP 70 =70W 100 =100W 150 =150W 250 =250W 400 =400W MH ² 175 =175W 250 =250W 400 =400W	MP 70 =70W 100 =100W 175 =175W 200 =200W 250 =250W 320 =320W 350 =350W 400 =400W 120V =120V 208V =208V 240V =240V 277V =277V 347V =347V

Options (Add as Suffix)³

- OR**=Open Rated Socklet for Metal Halide
- QB**=Quiet Ballast
- HL**=LumaWatt Fixture Control Module (Allows low voltage control wire to be daisy-chained between fixtures outside AC conduit run similar to low voltage intercoms, fire alarms and phone systems)
- EM**=Quartz Restrike with "Delay Relay" (Quartz lamp strikes at both hot and cold starts)
- EM/SC**=Emergency Separate Circuit
- F1**=Single Fuse (120, 277 or 347V only)
- F2**=Double Fuse (208, 240 or 480V only)
- LL**=Lamp Included
- BDF**=Black Door Frame
- DL**=UL Labeled for Damp Locations
- HC**=LumaWatt Fixture Control Module (Low voltage leads pulled out of top connection box for areas requiring all wiring to be installed in conduit)
- VL**=Vertical Lamp
- G2**=Double Gasketing Doors (Door to lens, lens to door)
- Q**=Quartz Restrike (Hot strike only)
- SCF**=3' Aircraft Safety Cable Secures Housing to Ceiling (Alternative lengths available. Example: SCF6 = 6' cable)

Accessories (Order Separately)³

- FTA**=Flush Drywall Frame Kit, Natural Anodized Aluminum
- FTB**=Flush Drywall Frame Kit, Black
- FTW**=Flush Drywall Frame Kit, White
- WGQF**=Wire Guard

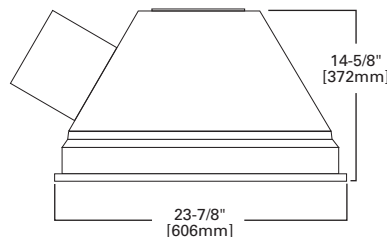
NOTES: 1. Open Rated (OR) socket and lamp must be used. 2. Metal halide available in non-U.S. markets only. 3. Not all options and configurations are compatible and restrictions may apply. Reference specification sheet for additional details.

FEATURES

- Die-formed, heavy-duty housing made of cold-rolled steel
- Finished in highly reflective, white polyester powder-coat paint
- Stamped-steel ballast-mounting bracket integral to housing
- Die-formed, steel reflector with removable panels for easy access
- Heavy-gauge steel frame can be hinged and latched from either side
- Stamped-steel retaining clips ensure flush fit of lens with frame
- 9 or 16-cell, 4" deep, specular louvers for superior glare control

Compliances may not apply to all product configurations. Please consult the product spec sheet for compliance details.

COMPLIANCES: UL Listed, CSA Listed



QP QUADRA LUME

ORDERING INFORMATION

SAMPLE NUMBER: MPQP-S4/9/GL-400-120V

Lamp Type	Series	Louver Color	Louver Size	Lamp Wattage		Voltage
HP =High Pressure Sodium MH =Metal Halide ^{1,2} MP =Pulse Start Metal Halide ²	QP =Quadra Lume with Specular Louvers	S4 =Silver Louver, 4" Deep	/16/GL =16-Cell Louver with Glass Overlay /9/GL =Nine-Cell Louver with Glass Overlay	HP 70=70W 100=100W 150=150W 250=250W 400=400W MH 175=175W 200=200W 250=250W 400=400W	MP 70=70W 100=100W 175=175W 200=200W 250=250W 320=320W 350=350W 400=400W	120V=120V 208V=208V 240V=240V 277V=277V 347V=347V 480V=480V

Options (Add as Suffix)³

- OR**=Open Rated Socket for Metal Halide
- QB**=Quiet Ballast
- HL**=LumaWatt Fixture Control Module (Allows low voltage control wire to be daisy-chained between fixtures outside AC conduit run similar to low voltage intercoms, fire alarms and phone systems)
- EM/SC**=Quartz Restrike with "Delay Relay" (Quartz lamp strikes at both hot and cold starts)
- EM/SC**=Emergency Separate Circuit
- F1**=Single Fuse (120, 277 or 347V only)
- F2**=Double Fuse (208, 240 or 480V only)
- BDF**=Black Door Frame
- DL**=UL Labeled for Damp Locations
- HC**=LumaWatt Fixture Control Module (Low voltage leads pulled out of top connection box for areas requiring all wiring to be installed in conduit)
- VL**=Vertical Lamp
- G2**=Double Gasketing Doors (Door to lens, lens to door)
- Q**=Quartz Restrike (Hot strike only)
- SCF**=3' Aircraft Safety Cable Secures Housing to Ceiling (Alternative lengths available. Example: SCF6 = 6' cable)

Accessories (order separately)³

- FTA**=Flush Drywall Frame Kit, Natural Anodized Aluminum
- FTB**=Flush Drywall Frame Kit, Black
- FTW**=Flush Drywall Frame Kit, White
- WGQF**=Wire Guard

NOTES: 1. Metal halide available in non-U.S. markets only. 2. Fixtures with metal halide lamps MUST have glass overlay (GL). 3. Not all options and configurations are compatible and restrictions may apply. Reference specification sheet for additional details.



FEATURES

- Die-cast aluminum housing and threaded guard
- Small housing uses 1/2" NPS entry and large housing uses 3/4" entry
- Thruway wiring for ceiling and wall-mount units
- One-piece guard features locking screw for vandal resistance
- Optional pendant-mount with wall or ceiling-mount
- Wall-mount fits 4" round or octagonal junction box
- Pendant mount uses 1/2" NPS for small and 3/4" NPS for large
- Medium-base, porcelain exterior sockets with 150°C wire
- Heat and impact-resistant glass globe

Compliances may not apply to all product configurations. Please consult the product spec sheet for compliance details.

COMPLIANCES: UL/cUL Listed, 40°C Ambient Temperature Rating

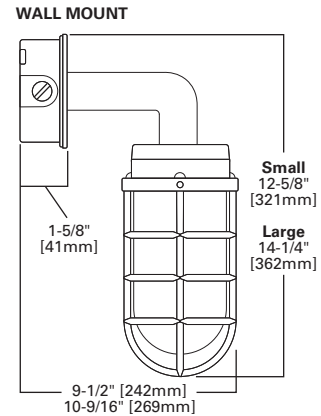
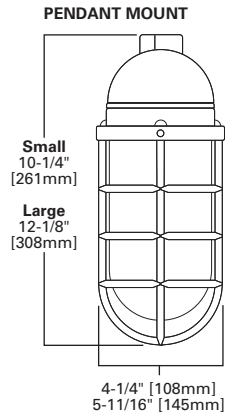
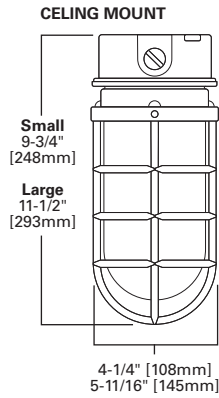
IC VAPORTIGHT



ORDERING INFORMATION

SAMPLE NUMBER: ICVC1G

Lamp Type	Mounting Type	Lamp Wattage	Guard
IC=Incandescent	VC=Ceiling VP=Pendant VW=Wall	1=200W 2=300W	G=Guard



Specifications and dimensions subject to change without notice. Consult your Cooper Lighting Representative or visit www.cooperlighting.com for available options, accessories and ordering information.

FEATURES

- Die-cast aluminum housing and threaded guard with 3/4" NPS entry
- Includes thruway wiring for ceiling or wall-mount units
- One-piece guard features locking screw for vandal resistance
- Pendant, surface or wall-mount options
- Ceiling mount fits 4" round or octagonal junction box
- Pendant mount utilizes 3/4" NPS
- Heat and impact-resistant glass
- Silicone gasketing provides long-life vapor seal in housing

Compliances may not apply to all product configurations. Please consult the product spec sheet for compliance details.

COMPLIANCES: UL/cUL Listed - Wet Location, UL/cUL Listed - Damp Location



**VL VAPORTIGHT
LARGE**

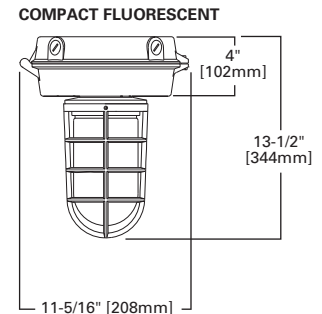
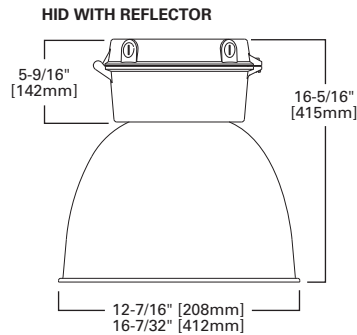
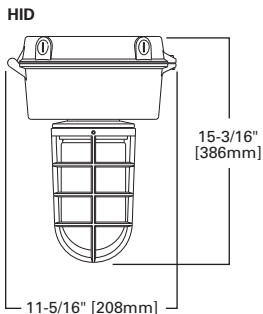


ORDERING INFORMATION

SAMPLE NUMBER: MPVL-C-GG-175-MT

Lamp Type	Series	Mounting Type	Optics	Lamp Wattage	Voltage	
CF =Compact Fluorescent HP =High Pressure Sodium IN =Incandescent MP =Pulse Start Metal Halide	VL =Vaportight Large	C =Ceiling/Pendant Mount	GG =Glass Jar PV12 =12" Direct Mount Prismatic Lens PV16 =16" Direct Mount Prismatic Lens	Compact Fluorescent 42=42W 57=57W High Pressure Sodium 70=70W 100=100W 150=150W 175=175W	Incandescent 300=300W Pulse Start Metal Halide 70=70W 100=100W 150=150W 175=175W	UNV =120-277V Electronic Ballast 120V=120V 277V=277V 347V=347V DT=Dual-Tap MT=Multi-Tap wired 277V
Options (Add as Suffix) ¹			Accessories (Order Separately) ¹			
F1 =Single Fuse (120, 277 or 347V only) LL =Lamp Included FH-1 =Die-cast Aluminum Fixture Hook (With 3/4" threads for easy installation) FL-1 =Malleable Iron Plated Fixture Loop (With 3/4" threads for easy installation) PC3 =3' Cord with NEMA Plug (Other cord lengths are available by specifying length - PC6 for 6' cord. Requires FH-1 or FL-1 or SHK. Use with TPPH-NEMA. Specify voltage) Q =Quartz Restrike (Hot strike only) SHK =Die-cast Aluminum Fixture Hook (With safety screw and 3/4" threads for easy installation)			CB12 =Conical Bottom Lens for 12" Refractor CB16 =Conical Bottom Lens for 16" Refractor DB16 =Drop Acrylic Lens for 16" Refractor (Maximum 250W) SGB16A =Safety Glass Bottom for PD16 Refractor (Not compatible with WG16. Maximum 250W) WG16/SGB16A =Gym Wire Guard with Safety Glass Bottom for 16" Refractor WGD16 =Wire Guard for DB16 Refractor			

NOTES: 1. Not all options and configurations are compatible and restrictions may apply. Reference specification sheet for additional details.



Specifications and dimensions subject to change without notice. Consult your Cooper Lighting Representative or visit www.cooperlighting.com for available options, accessories and ordering information.



FEATURES

- Die-cast aluminum housing and threaded guard with 3/4" NPS entry
- Through-way wiring for ceiling or wall-mount units
- One-piece guard features locking screw for vandal resistance
- Pendant, surface or wall-mount options
- Ceiling mount fits 4" round or octagonal junction box
- Pendant mount utilizes 3/4" NPS
- Heat and impact-resistant glass globe
- Silicone gasketing provides long-life vapor seal in housing

Compliances may not apply to all product configurations. Please consult the product spec sheet for compliance details.

COMPLIANCES: UL/cUL Listed - Wet Location

**VS VAPORTIGHT
SMALL**

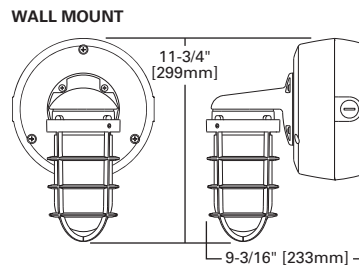
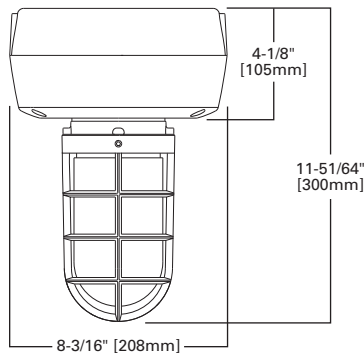


ORDERING INFORMATION

SAMPLE NUMBER: MPVS-W-GG-100-MT

Lamp Type	Series	Mounting Type	Optics	Lamp Wattage	Voltage	Options (Add as Suffix)
HP =High Pressure Sodium IN =Incandescent MP =Pulse Start Metal Halide PL =Compact Fluorescent	VS =Vaportight Small	C =Ceiling/Pendant Mount W =Wall Mount	GG =Glass Jar	Compact Fluorescent 26=26W 32=32W 42=42W High Pressure Sodium 50=50W 70=70W 100=100W Incandescent 200=200W Pulse Start Metal Halide 50=50W 70=70W 100=100W	UNV =120-277V Electronic Ballast 120V =120V 277V =277V 347V =347V DT =Dual-Tap MT =Multi-Tap wired 277V	F1 =Single Fuse (120, 277 or 347V only) LL =Lamp Included ¹

NOTES: 1. Lamp is Cooper-designated product based on luminaire requirements. Lamp is shipped separate from luminaire unless otherwise noted.



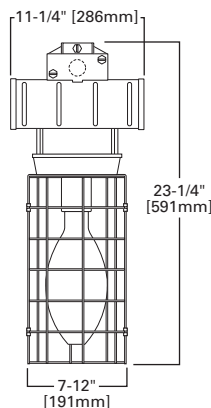
Specifications and dimensions subject to change without notice. Consult your Cooper Lighting Representative or visit www.cooperlighting.com for available options, accessories and ordering information.

FEATURES

- Slide-on, die-cast aluminum mounting box with opening for 3/4" conduit
- Heavy-duty, steel housing with open-air ballast for cooler operation
- White polyester, powder-coat finish
- High power factor ballast with class H insulation
- U.L. listed for 65°C (149°F) ambient temperature operation
- Minimum temperature: -40°C (-40°F) HPS, -30°C (-20°F) MH
- Mogul-base porcelain socket
- Steel-coated, wire-guard painted yellow for visibility and safety
- Temporary lighting for mounting heights that typically exceed 15'

Compliances may not apply to all product configurations. Please consult the product spec sheet for compliance details.

COMPLIANCES: UL Listed - Damp Location, CSA Listed



**SS STEELER
WORKLIGHT**

ORDERING INFORMATION

SAMPLE NUMBER: MPSS-CW-400-MT-OR

Lamp Type	Series	Reflector Type	Lamp Wattage	Voltage	Socket
MH=Metal Halide ^{1,2} MP=Pulse Start Metal Halide ¹	SS=Steeler	CW=Worklight	320=320W 400=400W	MT=Multi-Tap wired 277V 5T=5-Tap	OR=Open Rated Socket for Metal Halide

Options (Add as Suffix)³

- LL=Coated Lamp Included
- C3=3' Cord without Plug (Specify voltage)
- FH-1=Die-cast Aluminum Fixture Hook (With 3/4" threads for easy installation)
- FL-1=Malleable Iron Plated Fixture Loop (With 3/4" threads for easy installation)
- PC3=3' Cord with NEMA Plug (Other cord lengths are available by specifying length - PC6 for 6' cord. Requires FH-1 or FL-1 or SHK. Use with TPPH-NEMA. Specify voltage)
- PHC=Power Cord and Plug - 18" Power Cord and Non-NEMA Plug Configuration (Must be used with FL-1 and TPPH. Must specify single voltage)
- SHK=Die-cast Aluminum Fixture Hook (With safety screw and 3/4" threads for easy installation)

Accessories (Order Separately)³

- C3=3' Cord without Plug (Requires FH-1, FL-1 or SHK)
- FH-1=Fixture Hook
- FL-1=Fixture Loop
- LL=Coated Lamp Included
- PC3=3' Cord with NEMA Plug (Other cord lengths available by specifying length - PC6 for 6' Cord. Must be used with FH-1 or FL-1. No switching)
- PHC=Power Hook Cord and Non-NEMA Plug Configuration (Must be used with FL-1 and TPPH)
- SHK=Hook with Safety Screw

NOTES: 1. Open Rated (OR) socket and lamp must be used. 2. Metal Halide available in non-U.S. markets only. 3. Not all options and configurations are compatible and restrictions may apply. Reference specification sheet for additional details.

STOCK ORDERING INFORMATION

SAMPLE NUMBER: MPCW32-OR

Lamp Type	Series	Lamp Wattage	Socket	Accessories (Factory Installed)
MH=Metal Halide ^{1,2} MP=Pulse Start Metal Halide ¹	CW=Steeler Worklight	32=320W 40=400W	OR=Open Rated Socket for Metal Halide Lamps	C3=3' Cord (120V-L5-15P. Threaded through SHK wired 120V) PC3=3' Cord with NEMA Plug (Other cord lengths are available by specifying length - PC6 for 6' cord. Requires FH-1 or FL-1 or SHK. Use with TPPH-NEMA. Specify voltage)

NOTES: 1. Open Rated (OR) socket and lamp must be used. 2. Metal halide available in non-U.S. markets only.

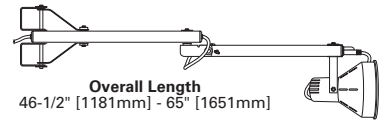


FEATURES

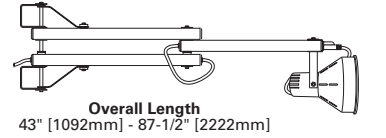
- Incandescent and compact fluorescent
- Composite and polycarbonate lamp heads
- Yellow, polyester, powder-coat finish on arm
- Single and double wall-mount and ceiling-mount
- 24", 30", 43", 63" and 90" arm lengths
- Wire and composite lamp guard
- Optional locking and spring arm
- 18" 3-speed fan available

**SSD, DD, IR
DOCKLIGHT**

SINGLE WALL MOUNT (SD)



DOUBLE WALL MOUNT (DD)



ORDERING INFORMATION

SAMPLE NUMBER: INDD40-30R-300-WLG-120V

Lamp Type	Series	Arm Length	Lamp Head	Lamp Wattage	Lamp Guard
CF=Compact Fluorescent IN=Incandescent	DD=Double Wall Arm Docklight IR=Ceiling Mount Docklight SD=Single Wall Arm Docklight	24=24" 30=30" ¹ 40=43" 60=63" 90=90"	20P=Polycarbonate Head (200W maximum incandescent) 30R=Composite Head (300W maximum incandescent) 40C=Chrome Head (40W compact fluorescent only)	Compact Fluorescent 40=40W Incandescent 200=200W 300=300W	CLG=Composite Lamp Guard WLG=Wire Lamp Guard
Voltage	Options (Add as Suffix) ²	Accessories (Order Separately)			
120=120V	[Blank]=Yellow (Standard color finish) L=Lamp Included LA=Locking Arm SA=Spring Arm	FAN=18" 3 - Speed Fan			

NOTES: 1. Available with IR only. 2. Not all options and configurations are compatible and restrictions may apply. Reference specification sheet for additional details.

FEATURES

- Patent pending, slim, low-profile LED design
- Wall, surface, post, bollard, low-level or inverted mounting
- Die-cast aluminum, hinged, removable door and back box
- Secure lock-hinge and single-point closure
- Mounts to a variety of junction boxes or conduit entries
- Silicone-sealed optical LED lens
- Available in 5000K or 3500K (CCT)

Compliances may not apply to all product configurations. Please consult the product spec sheet for compliance details.

COMPLIANCES: UL/cUL Listed - Wet Location, IP66 Rated, NOM Certified, ADA Compliant, LM79 / LM80 Compliant, Dark Sky Compliant



**XTOR
CROSSTOUR LED**



ORDERING INFORMATION

SAMPLE NUMBER: XTOR2A-N-WT-PC1

Series	LED Kelvin Color	Housing Color	Options (Add as Suffix) ²	Accessories (Order Separately)
XTOR1A =Small Door, 10W ¹ XTOR2A =Small Door, 20W XTOR3A =Large Door, 30W	[Blank] =Bright White (Standard) 5000K N =Neutral Warm White, 3500K	[Blank] =Carbon Bronze (Standard) WT =Summit White	PC1 =Photocontrol 120V PC2 =Photocontrol 208-277V	WG/XTOR =Wire Guard (Fits both)

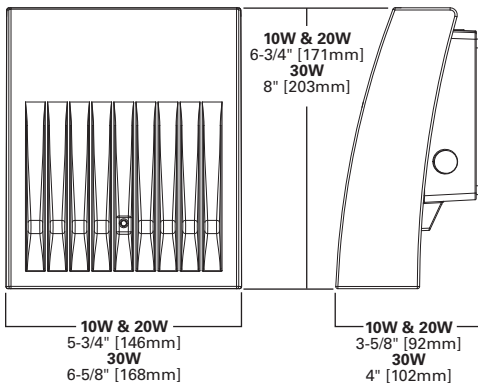
NOTES: 1. 120V only, XTOR1A not available in 3500K. 2. Not all options and configurations are compatible and restrictions may apply. Reference specification sheet for additional details.

STOCK ORDERING INFORMATION

SAMPLE NUMBER: XTOR1A

10W Series ¹	20W Series ¹	30W Series ¹
XTOR1A =10W, 5000K, Carbon Bronze XTOR1A-PC1 =10W, 5000K, 120V PC, Carbon Bronze XTOR1A-WT =10W, 5000K, Summit White	XTOR2A =20W, 5000K, Carbon Bronze XTOR2A-N =20W, 3500K, Carbon Bronze XTOR2A-PC1 =20W, 120V PC, Carbon Bronze XTOR2A-WT =20W, Summit White	XTOR3A =30W, 5000K, Carbon Bronze XTOR3A-N =30W, 3500K, Carbon Bronze XTOR3A-WT =30W, Summit White XTOR3A-PC1 =30W, 120V PC, Carbon Bronze

NOTES: 1. Options not available with stock products. Refer to standard ordering information to add options and accessories. Refer to Stock Guide for availability.



Specifications and dimensions subject to change without notice. Consult your Cooper Lighting Representative or visit www.cooperlighting.com for available options, accessories and ordering information.



FEATURES

- Rugged, die-cast aluminum housing and door in bronze powder-coat paint
- Captive, single-point, stainless steel closure point
- Removable, hinged, impact-resistant, borosilicate prismatic glass door
- Highly reflective, anodized reflector provides optimized illumination
- Patent pending, energy-saving LED technology with electronic driver
- LED driver is secured to housing for optimal heat sinking
- Optional housing finishes and battery back-up

Compliances may not apply to all product configurations. Please consult the product spec sheet for compliance details.

COMPLIANCES: UL/cUL Listed - Wet Location, IP65 Rated, 40°C Ambient Temperature Rating, ARRA Compliant, LM79 / LM80 Compliant

WP WAL-PAK LED



ORDERING INFORMATION

SAMPLE NUMBER: MPWP-GL-250-MT-2EM/SC/MR

Lamp Type	Series	Door Type	Lamp Wattage	Voltage	Options (Add as Suffix)	Accessories (Order Separately)
LD=Solid State Light Emitting Diodes (LED)	WP=Wal-Pak	FC=Full Cutoff Door FL=Flat Solite® Glass Door GL=Borosilicate Glass Door PL=Polycarbonate Refractor Door	LED 2A=2 Package, 28W 4A=4 Package, 40W	ED=Electronic LED Driver (120-277V)	AP=Grey Housing BK=Black Housing DP=Dark Platinum Housing EMLED-CD=LED Battery Back-up Cold Temperature GM=Graphite Metallic Housing PE=Internal Photocontrol (Specify voltage) SGL=Solite® Glass Lens WH=White Housing	TR/WP=Tamper-resistant Screw and Bit VS/WPGL=Polycarbonate Vandal Shield for Borosilicate Glass Lens Door WG/WPFC=Wire Guard Full Cutoff Door WG/WPFL=Wire Guard Flat Solite® Glass Door WG/WPGL=Wire Guard Borosilicate Glass Lens Door

STOCK ORDERING INFORMATION

SAMPLE NUMBER: WPP40C

Series ¹	Lamp Type	Lamp Wattage	Door/Glass Type
WP=Wal-Pak	L=LED	2A=28W 4A=40W	[Blank]=Standard C=Full Cutoff Door

NOTES: 1. Options not available with stock products. Refer to standard order information to add options. Borosilicate glass door is standard. 2A and 4A models available in LED only. LED models are 120-277V.

ALTERNATE PRODUCTS

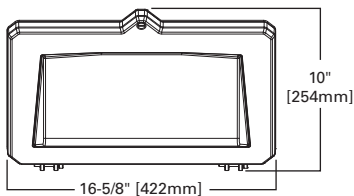


Full Cutoff Door

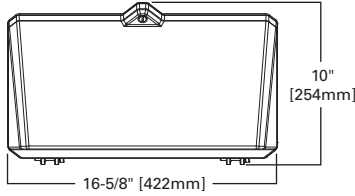


Flat Solite® Glass Door

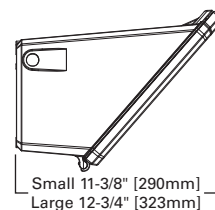
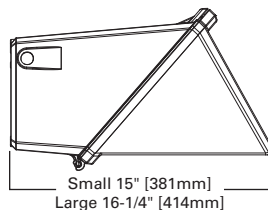
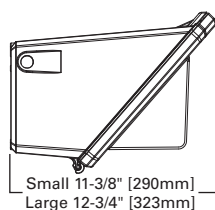
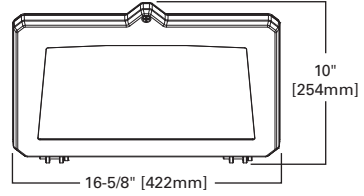
BOROSILICATE GLASS DOOR (GL)



FULL CUTOFF DOOR (FC)



FLAT SOLITE GLASS DOOR (FL)



Specifications and dimensions subject to change without notice. Consult your Cooper Lighting Representative or visit www.cooperlighting.com for available options, accessories and ordering information.

FEATURES

- Rugged die-cast aluminum housing and door in bronze powder-coat paint
- Captive, single-point stainless-steel hardware closure point
- Impact resistant borosilicate prismatic glass hinged, removable door
- Highly reflective anodized reflector provides optimized illumination
- Ballast driver is secured to housing for optimal heat sinking
- Optional housing finishes and dimming ballast
- Configurations available in multiple light sources and up to 400W HID
- Integral egress options and battery packs available

Compliances may not apply to all product configurations. Please consult the product spec sheet for compliance details.
COMPLIANCES: UL/cUL Listed - Wet Location, IP65 Rated, ARRA Compliant, EISA Compliant



WP WAL-PAK

ORDERING INFORMATION

SAMPLE NUMBER: MPWP-GL-250-MT-2EM/SC/MR

Lamp Type	Series	Door Type	Lamp Wattage			Voltage
CF =Compact Fluorescent CM =Ceramic Metal HP =High Pressure Sodium MH =Metal Halide MP =Pulse Start Metal Halide	WP =Wal-Pak	FC =Full Cutoff Door FL =Flat Solite® Glass Door GL =Borosilicate Glass Door PL =Polycarbonate Refractor Door	CF 114=(2) 57W 140=(2) 70W 32=32W 42=42W 57=57W 64=(2) 32W 70=70W 84=(2) 42W CM 100=100W 150=150W 39=39W 70=70W	HP 100=100W 150=150W 250=250W 400=400W 50=50W 70=70W MH 175=175W 250=250W 400=400W	MP 100=100W 150=150W 200=200W 250=250W 320=320W 350=350W 400=400W 50=50W 70=70W	120V=120V 208V=208V 240V=240V 277V=277V 347V=347V 5T=5-Tap DT=Dual-Tap E=Electronic Ballast MT=Multi-Tap TT=Tri-Tap

Options (Add as Suffix)¹

2EM/SC/12V=Emergency Separate Circuit 12V (2) MR16 Lamps
2EM/SC/MR=Emergency Back-up Separate Circuit (2) MR16 Lamps
2EMMR=Emergency Back-up (2) MR16 Lamps with Time Delay Relay
2EMMR/SC=Emergency Back-up (1) MR16 Lamp with Time Delay Relay and EM Separate Circuit
2QMR=Emergency Back-up (2) MR16 Lamps
2QMR/SC=Emergency Back-up MR16 and EM separate circuit (2) MR16 Lamp
AP=Grey Housing
BK=Black Housing
CF-EM=Emergency UL924 CF Power Pack (1) Lamp
CF-EM/2L=Emergency UL924 CF Power Pack (2) Lamp
DIMA=CF Dimming Ballast
DIMB=CF Dimming Ballast
DP=Dark Platinum Housing
EM=Emergency Quartz Restrike T4 Lamp with Time Delay Relay

EM/SC=Emergency Separate Circuit T4 Lamp
EM/SC/12V=Emergency Separate Circuit 12V (1) MR16 Lamp
EM/SC/MR=Emergency Back-Up Separate Circuit (1) MR16 Lamp
EMI40=Emergency Cold Temperature UL 924 CF Power Pack (1) Lamp
EMI40/2L=Emergency Cold Temperature UL 924 CF Power Pack (2) Lamp
F1=Single Fuse (120, 277 or 347V only)
F2=Double Fuse (208, 240 or 480V only)
GM=Graphite Metallic Housing
LL=Includes Lamp
PE=Internal Photocontrol (Specify voltage)
Q=Quartz Restrike T4 Lamp
QMR=Emergency Back-up (2) MR16 Lamp
SGL=Solite® Glass Lens
WH=White Housing

Accessories (Order Separately)

TR/WP=Tamper-resistant Screw and Bit
VS/WPGL=Polycarbonate Vandal Shield for Borosilicate Glass Lens Door
WG/WPFC=Wire Guard Full Cutoff Door
WG/WPFL=Wire Guard Flat Solite® Glass Lens Door
WG/WPGL=Wire Guard Borosilicate Glass Lens Door

NOTES: 1. Not all options and configurations are compatible and restrictions may apply. Reference specification sheet for additional details.

STOCK ORDERING INFORMATION

SAMPLE NUMBER: WPP40C

Series ¹	Lamp Type	Lamp Wattage		Door/Glass Type
WP =Wal-Pak	P =Pulse Start Metal Halide S =High Pressure Sodium	10=100W 15=150W	25=250W 32=320W	[Blank] =Standard C =Full Cutoff Door

NOTES: 1. Options not available with stock products. Refer to standard order information to add options. MT is standard. Lamp included. Lamp Type: MP not available in 100W. HPS not available in 320W or full cutoff (C). Borosilicate glass door is standard.

ALTERNATE PRODUCTS

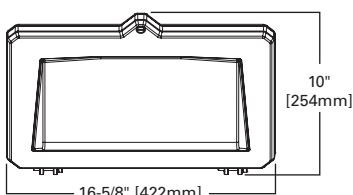


Full Cutoff Door

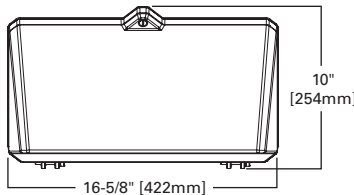


Flat Solite® Glass Door

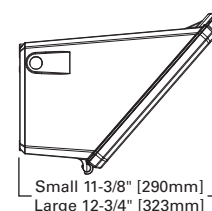
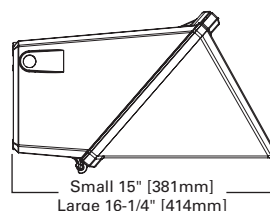
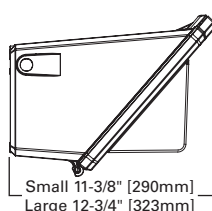
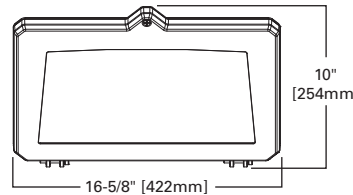
BOROSILICATE GLASS DOOR (GL)



FULL CUTOFF DOOR (FC)



FLAT SOLITE GLASS DOOR (FL)



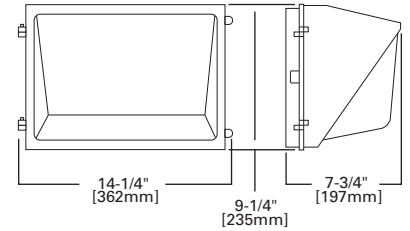
Specifications and dimensions subject to change without notice. Consult your Cooper Lighting Representative or visit www.cooperlighting.com for available options, accessories and ordering information.

**FEATURES**

- Die-cast aluminum housing in bronze, powder-coat paint
- Patterned, borosilicate glass lenses minimize direct lamp imaging
- Formed-aluminum reflector maximizes light output
- One-piece, side-hinged door assembly for easy maintenance
- Silicone gasketing seals out dirt and contaminants
- Mounts to junction box or can be surface-mounted
- Medium-base, 150W lamp included

Compliances may not apply to all product configurations. Please consult the product spec sheet for compliance details.

COMPLIANCES: UL Listed - Wet Location, CSA Listed

**Z-PAK****ORDERING INFORMATION**

SAMPLE NUMBER: HPFZ15

Catalog Number ¹	Lamp Type	Lamp Wattage	Voltage	Color	Accessories (Order Separately) ²
High Pressure Sodium					
HPFZ15	ED23.5	150	120V	Bronze	FZ/WG=Wire Guard FZ/GS=Glass Door Replacement (Bronze) FZ/FC/GS=Full Cutoff Visor for Glass (Bronze) FZ/VS/GS=Vandal Shield for Glass (Bronze)
Pulse Start Metal Halide					
MPFZ15	ED17	150	Multi-tap	Bronze	

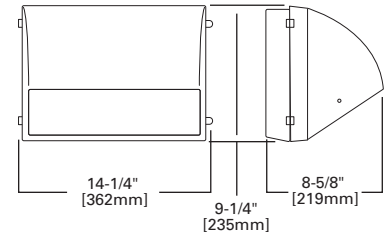
NOTE: 1. Add "W" to the end of catalog number for white finish. 2. Add "WHT" to the end of accessory for white finish (Example: FZ/WG-WHT).

**FEATURES**

- Die-cast aluminum housing and cutoff door in bronze, powder-coat paint
- Patterned, flat, tempered glass lenses minimize direct lamp imaging
- Formed-aluminum reflector maximizes light output
- One-piece, side-hinged door assembly for easy maintenance
- Silicone gasketing seals out dirt and contaminants
- Mounts to junction box or can be surface-mounted
- Medium-base, 150W lamp included

Compliances may not apply to all product configurations. Please consult the product spec sheet for compliance details.

COMPLIANCES: UL Listed - Wet Location, CSA Listed, Dark Sky Compliant

**Z-PAK CUTOFF****ORDERING INFORMATION**

SAMPLE NUMBER: HPFZ15C

Catalog Number ¹	Lamp Type	Lamp Wattage	Voltage	Color	Accessories (Order Separately) ²
High Pressure Sodium					
HPFZ15C	ED23.5	150	120V	Bronze	FZ/CO=Cutoff Door Replacement (Bronze) FZ/FC/CO=Full Cutoff Visor for Cutoff (Bronze) FZ/VS/CO=Vandal Shield for Cutoff (Bronze)
Pulse Start Metal Halide					
MPFZ15C	ED17	150	Multi-tap	Bronze	

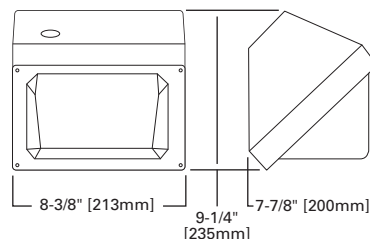
NOTE: 1. Add "W" to the end of catalog number for white finish. 2. Add "WHT" to the end of accessory for white finish (Example: FZ/CO-WHT).

FEATURES

- Die-cast aluminum housing in bronze, powder-coat paint
- Patterned, borosilicate glass lenses minimize direct lamp imaging
- Formed-aluminum reflector maximizes light output
- One-piece door design held in place with slot-head captive screws
- Silicone gasketing seals out dirt and contaminants
- Flush mount to vertical service or through-way pipe mount knockouts
- Up to 100W pulse start metal halide or 150W HPS lamp included

Compliances may not apply to all product configurations. Please consult the product spec sheet for compliance details.

COMPLIANCES: UL Listed - Wet Location, CSA Listed



WALLY

ORDERING INFORMATION

SAMPLE NUMBER: LS70G

Catalog Number ¹	Lamp Type	Lamp Wattage	Voltage	Color	Accessories (Order Separately) ²
High Pressure Sodium					WY/WG=Wire Guard WY/GS=Glass Door Replacement (Bronze) WY/FC/GS=Full Cutoff Visor (Bronze)
LS70G	ED17	70	120V	Bronze	
LS10G	ED17	100	120V	Bronze	
LS15G	ED17	150	120V	Bronze	
Pulse Start Metal Halide					
LP70G	ED17	70	120/277V	Bronze	
LP10G	ED17	100	120/277V	Bronze	

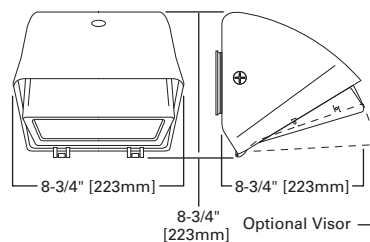
NOTE: 1. Add "W" to the end of catalog number for white finish. 2. Add "WHT" to the end of accessory for white finish (Example: WY/WG-WHT).

FEATURES

- Die-cast aluminum housing in bronze, powder-coat paint
- Patterned, flat, tempered glass lenses minimize direct lamp imaging
- Formed-aluminum reflector maximizes light output
- Cutoff door features unique angle-housing with integral visor
- Door held with slot-head captive screws
- Silicone gasketing seals out dirt and contaminants
- Flush mount to vertical service or through-way pipe mount knockouts
- Up to 100W pulse start metal halide or 150W HPS lamp included

Compliances may not apply to all product configurations. Please consult the product spec sheet for compliance details.

COMPLIANCES: UL Listed - Wet Location, CSA Listed, Dark Sky Compliant



WALLY CUTOFF

ORDERING INFORMATION

SAMPLE NUMBER: LS50C

Catalog Number ¹	Lamp Type	Lamp Wattage	Voltage	Color	Accessories (Order Separately) ²
High Pressure Sodium					WY/CO=Cutoff Replacement Door (Bronze) WY/FC/CO=Full Cutoff Visor (Bronze)
LS50C	ED17	50	120V	Bronze	
LS70C	ED17	70	120V	Bronze	
LS10C	ED17	100	120V	Bronze	
LS15C	ED17	150	120V	Bronze	
Pulse Start Metal Halide					
LP70C	ED17	70	120/277V	Bronze	
LP10C	ED17	100	120/277V	Bronze	

NOTE: 1. Add "W" to the end of catalog number for white finish. 2. Add "WHT" to the end of accessory for white finish (Example: WY/CO-WHT).

Specifications and dimensions subject to change without notice. Consult your Cooper Lighting Representative or visit www.cooperlighting.com for available options, accessories and ordering information.



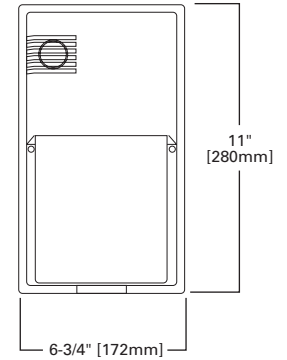
WM WAL-LITE

FEATURES

- Vandal-resistant, polycarbonate prismatic lens
- Die-cast aluminum back plate with mounting template
- Medium-base, porcelain lamp socket
- Lamp included and available up to 70W HPS
- Aluminum reflector directs light down and out, maximizing efficiency
- Flush mount to vertical surface or 1/2" bottom NPS entry point
- Optional photocontrol for automatic dusk-to-dawn operation

Compliances may not apply to all product configurations. Please consult the product spec sheet for compliance details.

COMPLIANCES: UL Listed - Wet Location, CSA Listed

**STOCK ORDERING INFORMATION**

SAMPLE NUMBER: HPWM70P

Lamp Type	Series ¹	Lamp Wattage
HP=High Pressure Sodium	WM=Wal-Lite	50P=50W with Photocontrol 70=70W 70P=70W with Photocontrol

NOTES: 1. 120V only.



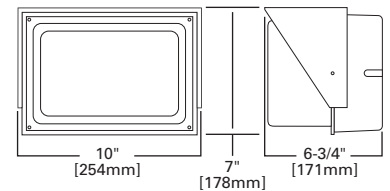
GP GLASS-PAK

FEATURES

- Die-cast aluminum housing and cutoff door in bronze, powder-coat paint
- Borosilicate glass refractor provides excellent beam distribution
- Formed-aluminum reflector and visor system maximizes light output
- Optical system sealed with a silicone gasket
- Flush mount to vertical J-box or 1/2" conduit-threaded hubs
- 100W or 150W pulse start metal halide configurations

Compliances may not apply to all product configurations. Please consult the product spec sheet for compliance details.

COMPLIANCES: UL Listed - Wet Location, CSA Listed

**STOCK ORDERING INFORMATION**

SAMPLE NUMBER: MPGP-70H-DT-LL

Lamp Type	Series ¹	Wattage	Voltage	Options (Add as Suffix)
MP=Pulse Start Metal Halide	GP=Glass-Pak	100H=100W 150H=150W	MT=Multi-Tap wired 277V	LL=Lamp Included

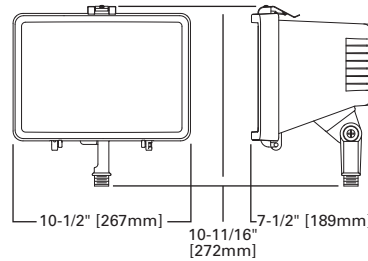
NOTES: 1. Standard multi-tap and bronze. Lamp included.

Specifications and dimensions subject to change without notice. Consult your Cooper Lighting Representative or visit www.cooperlighting.com for available options, accessories and ordering information.

FEATURES

- Stylish, rugged, compact floodlight for commercial or residential use
- Dark bronze weather and abrasion-resistant, die-cast aluminum housing
- Stainless steel latch provides easy access for relamping
- Full-circumference silicone gasket seals out external contaminants
- Formed-aluminum, hammered reflector for optimized beam efficiency
- Knuckle or trunnion-mount ideal for ground or wall mounting
- Rugged knuckle mount fits 1/2" NPS outlet box
- Metal halide, high pressure sodium and compact fluorescent

Compliances may not apply to all product configurations. Please consult the product spec sheet for compliance details.
COMPLIANCES: UL Listed - Wet Location, CSA Listed - Wet Location, 25°C Ambient Temperature Rating



SF FALCON



ORDERING INFORMATION

SAMPLE NUMBER: MPSF-T-70H-120V

Lamp Type	Series	Mounting Type	Lamp Wattage	Ballast	Voltage	
CF =Compact Fluorescent HP =High Pressure Sodium MH =Metal Halide MP =Pulse Start Metal Halide	SF =Falcon	K =Knuckle Mount T =Trunnion Mount	CF 26=(1) 26W 32=(1) 32W 42=(1) 42W 57=(1) 57W 52=(2) 26W 64=(2) 32W HP 35=35W 50=50W 70=70W 100=100W 150=150W	MH 175=175W MP 50=50W 70=70W 100=100W 150=150W	[Blank] =Normal Power Factor H =High Power Factor	E =Electronic (120-277V) 120V=120V 208V=208V 240V=240V 277V=277V 347V=347V 480V=480V DT =Dual-Tap MT =Multi-Tap wired 277V TT =Triple-Tap wired 347V
Options (Add as Suffix) ¹			Accessories (Order Separately)			
LL =Lamp Included (Must specify wattage with fluorescent) F =Single Fuse (120, 277 or 347V only) FF =Double Fuse (208, 240 or 480V only) PC =Button Type Photocontrol PE =Internal Button Photocontrol (Specify voltage) TR =Tamper-resistant Screws			FA5-XX =2" Slipfitter for Trunnion Fixture PE/MT =Field Installed Photocontrol RAB-XX =Right Angle Pipe Bracket for Slipfitter RBC-XX =Round Outlet Box Cover SAB-XX =Steel Angle Bracket for Trunnion SF/TR =Tamper-resistant Screw SF/V-XX =Visor SF/VS =Vandal Shield SF/WG =Wire Guard SPK =Landscape Post (Standard color dark grey) TRSD-6/32 =Tamper-resistant Screwdriver TYS-XX =Trunnion or Yoke Slipfitter for 2-3/8", 3" or 3-1/2" O.D. Tenon			

NOTES: 1. Not all options and configurations are compatible and restrictions may apply. Reference specification sheet for additional details.

STOCK ORDERING INFORMATION

SAMPLE NUMBER: MPSF10K-MT

Lamp Type	Series ¹	Lamp Options	Mounting Type	Wiring Options ²
HP =High Pressure Sodium MP =Pulse Start Metal Halide	SF =Falcon	10=100W 15=150W 50=50W 70=70W	K =Knuckle Mount T =Trunnion Mount	[Blank] =Standard MT =Multi-Tap

NOTES: 1. Options not available with stock products. Refer to standard ordering information to add options and accessories. Refer to Stock Guide for availability. 2. High pressure sodium is 120V only as standard. Pulse start metal halide is 120/277V as standard. Multi-tap is 120/208/240/277V wired 277V. Refer to Stock Guide for availability.



AH ARROWHEAD™

FEATURES

- Compact, affordable solution for general floodlighting applications
- Die-cast aluminum housing with bronze, polyester powder-coat paint
- Heavy-duty slipfitter or trunnion models optimize mounting
- Formed-aluminum reflector optimizes wide-beam efficiency and control
- Heat and impact-resistant, tempered glass
- Stainless steel screws secure integral hinged door
- 150W - 400W metal halide and high pressure sodium
- Optional NEMA twistlock or button photocontrol

EPA: 1.59 at 45° Tilt

Compliances may not apply to all product configurations. Please consult the product spec sheet for compliance details.

COMPLIANCES: UL/cUL Listed - Wet Location, EISA Compliant, 1.5G Vibration Rated



ORDERING INFORMATION

SAMPLE NUMBER: MPAH-S-40-277V

Lamp Type	Series	Mounting Type	Lamp Wattage ¹	Voltage	Options (Add as Suffix) ²	
HP =High Pressure Sodium MH =Metal Halide MP =Pulse Start Metal Halide	AH =Arrowhead	S =Slipfitter Mount T =Trunnion Mount	HP 15=150W 25=250W 32=320W 40=400W MH 17=175W 25=250W 32=320W 40=400W	MP 15=150W 25=250W 32=320W 35=350W 40=400W	120V=120V 208V=208V 240V=240V 277V=277V 347V=347V 480V=480V MT=Multi-Tap wired 277V TT=Triple-Tap wired 347V	LL =Lamp Included PC =Button Type Photocontrol PER =NEMA Twistlock Photocontrol Receptacle WH =White

Accessories (Order Separately)

- AH/GS-BZ=Glass Replacement Door-Bronze
- AH/GS-WH=Glass Replacement Door-White
- AH/V-BZ=Side and Top Visor-Bronze
- AH/V-WH=Side and Top Visor-White
- AH/WG=Wire Guard
- OA/RA1013=Shorting Cap for NEMA Twistlock Photocontrol Receptacle
- OA/RA1014=NEMA Twistlock Photocontrol - 120V
- OA/RA1016=NEMA Twistlock Photocontrol - Multi-Tap
- OA/RA1027=NEMA Twistlock Photocontrol - 480V
- OA/RA1201=NEMA Twistlock Photocontrol - 347V

NOTES: 1. Medium-base socket for pulse start metal halide 150W and metal halide 175W and lower, all others mogul-base. 2. Not all options and configurations are compatible and restrictions may apply. Reference specification sheet for additional details.

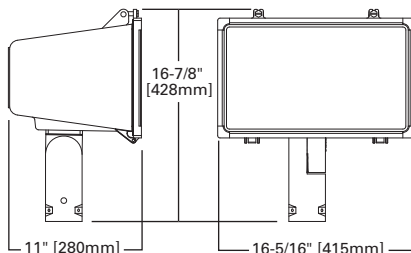
STOCK ORDERING INFORMATION

SAMPLE NUMBER: MPAH40S

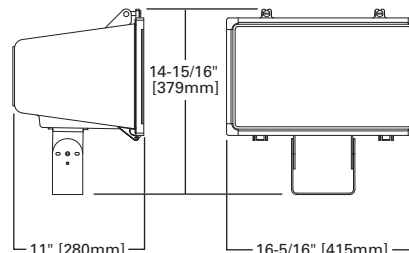
Lamp Type	Series ¹	Lamp Wattage	Mounting Type
MP =Pulse Start Metal Halide	AH =Arrowhead	15=150W 25=250W 32=320W 40=400W	S =Slipfitter Mount T =Trunnion Mount

NOTES: 1. Standard multi-tap. Options not available with stock product. Refer to standard order information to add options. Refer to Stock guide for availability. Lamp included.

SLIPFITTER MOUNT



TRUNNION MOUNT



ALTERNATE PRODUCTS



Trunnion Mount

Specifications and dimensions subject to change without notice. Consult your Cooper Lighting Representative or visit www.cooperlighting.com for available options, accessories and ordering information.

FEATURES

- Heavy-duty, large floodlight ideal for commercial or industrial use
- Weather-resistant, die-cast aluminum housing with integral door hinges
- Stainless steel hardware secures door and seals out contaminants
- Integral slipfitter fits 2-3/8" - 3" tenon
- Galvanized-steel trunnion or yoke-mount
- Specular aluminum reflector delivers sharp beam cutoff
- Clear, tempered glass lens is heat and impact-resistant
- Full-perimeter, high-temperature silicone gasket
- Metal halide and high pressure sodium configurations

EPA: 1.3 at 45° Tilt

Compliances may not apply to all product configurations. Please consult the product spec sheet for compliance details.

COMPLIANCES: UL Listed - Wet Location, CSA Listed, EISA Compliant



WR WARRIOR



ORDERING INFORMATION

SAMPLE NUMBER: MPWR-65S-100-120V

Lamp Type	Series	Distribution	Mounting Type	Lamp Wattage ¹		Voltage
HP =High Pressure Sodium MH =Metal Halide MP =Pulse Start Metal Halide	WR =Warrior	65 =6H x 5V Beam Spread	S =Slipfitter Mount T =Trunnion Mount Y =Yoke Mount	HP 100=100W 150=150W 250=250W 400=400W MH 175=175W 250=250W 400=400W 250/400=250/400W wired 250W	MP 100=100W 150=150W 200=200W 250=250W 320=320W 350=350W 400=400W	120V=120V 208V=208V 240V=240V 277V=277V 347V=347V 480V=480V MT=Multi-Tap wired 277V TT=Triple-Tap wired 347V 5T=5-Tap ²

Options (Add as Suffix)³

- EM**=Quartz Restrike with "Delay Relay" (Quartz lamp strikes at both hot and cold starts)
- EM/SC**=Emergency Separate Circuit
- F1**=Single Fuse (120, 277 or 347V only)
- F2**=Double Fuse (208, 240 or 480V only)
- C23**=3' of 12-3 Cord, Pre-wired (Specify single voltage)
- C42**=2' of 14-3 Cord, Pre-wired (Specify single voltage)
- C43**=3' of 14-3 Cord, Pre-wired (Specify single voltage)
- C63**=3' of 16-3 Cord, Pre-wired (Specify single voltage)
- LL**=Lamp Included
- PC**=Button Type Photocontrol
- PER**=NEMA Twistlock Photocontrol Receptacle
- Q**=Quartz Restrike (Hot strike only)

Accessories (Order Separately)

- OA/RA1013**=Shorting Cap
- OA/RA1014**=120V Photoelectric Control
- OA/RA1016**=NEMA Twistlock Photocontrol - Multi-Tap
- OA/RA1027**=NEMA Twistlock Photocontrol - 480V
- OA/RA1201**=NEMA Twistlock Photocontrol - 347V
- PB120V**=Button Type Photocontrol, Field Installed (120V only)
- RABXX**=Right Angle Pipe Bracket for Slipfitter
- SAB-XX**=Steel Angle Bracket for Trunnion
- TV/WR-XX**=Top Visor
- TYS-XX**=Trunnion or Yoke Slipfitter for 2-3/8", 3" or 3-1/2" O.D. Tenon
- VG/WR**=Vandal Shield
- WG/WR**=Wire Guard

NOTES: 1. Medium-base socket for pulse start metal halide 150W and metal halide 175W and lower. 2. 5-Tap available in 400W metal halide only. 3. Not all options and configurations are compatible and restrictions may apply. Reference specification sheet for additional details.

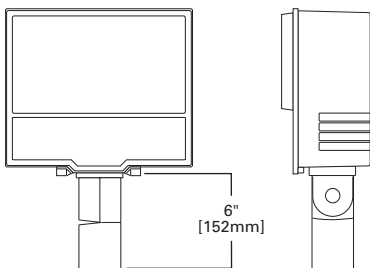
STOCK ORDERING INFORMATION

SAMPLE NUMBER: XP40

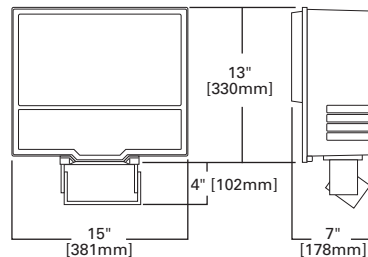
Series ¹	Lamp Type	Lamp Wattage
W =Trunnion Mount X =Slipfitter Mount	P =Pulse Start Metal Halide S =High Pressure Sodium	15=150W ² 25=250W 32=320W ³ 40=400W

NOTES: 1. Options not available with stock products. Refer to standard ordering information to add options and accessories. Refer to Stock Guide for availability. 2. Available in pulse start metal halide only. 3. Available in trunnion mount and pulse start metal halide only.

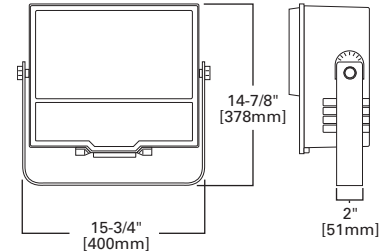
SLIPFITTER MOUNT



TRUNNION MOUNT



YOKE MOUNT



Specifications and dimensions subject to change without notice. Consult your Cooper Lighting Representative or visit www.cooperlighting.com for available options, accessories and ordering information.



FEATURES

- Heavy-duty, large floodlight ideal for commercial or industrial use
- Flush, draw-action door latches offer tool-less access
- Aerodynamic, die-cast aluminum housing with low EPA rating
- Integral die-cast aluminum slipfitter fits 2-3/8" or 3" O.D. tenon
- Galvanized-steel trunnion or yoke-mount
- Heat and impact-resistant tempered glass mounts flush to door
- Reflector delivers optimized beam control
- Available from 150W - 1000W with NEMA 7x6 beam spread
- Metal halide and high pressure sodium configurations

EPA: 2.7

Compliances may not apply to all product configurations. Please consult the product spec sheet for compliance details.

COMPLIANCES: UL Listed - Wet Location, CSA Listed - Wet Location, EISA Compliant



NK NIGHTHAWK III

ORDERING INFORMATION

SAMPLE NUMBER: MPNK-S76-400-277V

Lamp Type	Series	Mounting Type	Distribution	Lamp Wattage	Voltage ¹		
HP =High Pressure Sodium MH =Metal Halide MP =Pulse Start Metal Halide	NK =Nighthawk III	S =Slipfitter Mount T =Trunnion Mount Y =Yoke Mount	76 =7H x 6V Beam Spread	HP 150=150W 250=250W 400=400W 600=600W 750=750W 1000=1000W	MH 175=175W 250=250W 400=400W 750=750W 1000=1000W	MP 150=150W 250=250W 320=320W 400=400W 450=450W 750=750W 1000=1000W	120V =120V 208V =208V 240V =240V 277V =277V 347V =347V 480V =480V MT =Multi-Tap wired 277V TT =Triple-Tap wired 347V
Options (Add as Suffix) ²				Accessories (Order Separately)			
EM =Quartz Restrike with "Delay Relay" (Quartz lamp strikes at both hot and cold starts) F1 =Single Fuse (120, 277 or 347V only) F2 =Double Fuse (208, 240 or 480V only) LL =Lamp Included PC =Button Type Photocontrol PER =NEMA Twistlock Photocontrol Receptacle T =Removable Quick-Disconnect Power Tray Q =Quartz Restrike (Hot strike only)				OA/RA1013 =Shorting Cap for NEMA Twistlock Photocontrol Receptacle OA/RA1016 =NEMA Twistlock Photocontrol - Multi-Tap OA/RA1027 =NEMA Twistlock Photocontrol - 480V OA/RA1201 =NEMA Twistlock Photocontrol - 347V OA1028 =Field Installed NEMA Twistlock Photocontrol Receptacle (Order photocontrol separately) SV/NK-XX =Double Side Visor SV1/NK-XX =Single Side Visor TV/NK-XX =Top or Bottom Visor TYS-XX =Trunnion or Yoke Slipfitter for 2-3/8", 3" or 3-1/2" O.D. Tenon VS/NK =Vandal Shield for 150 - 320W VS/NK/1000 =Vandal Shield for 400 - 1000W Units WG/NK =Wire Guard			

NOTES: 1. Triple-Tap not available with 1000W pulse start metal halide, specify voltage. 2. Not all options and configurations are compatible and restrictions may apply. Reference specification sheet for additional details.

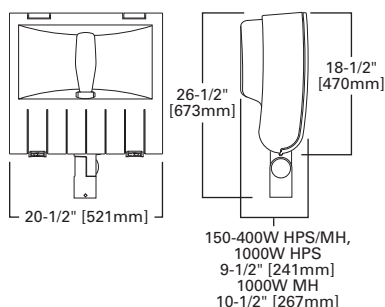
STOCK ORDERING INFORMATION

SAMPLE NUMBER: MPNKS40

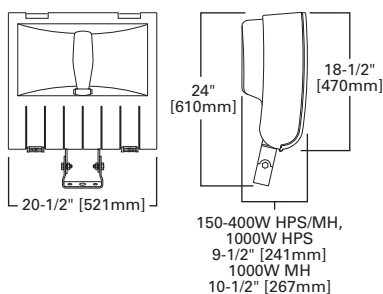
Lamp Type	Series ¹	Mounting Type	Lamp Wattage	Accessories (Order Separately)
HP =High Pressure Sodium MH =Metal Halide MP =Pulse Start Metal Halide	NK =Nighthawk III	S =Slipfitter Mount Y =Yoke Mount	32 =320W ² 1K =1000W ³	TYS-XX =Trunnion or Yoke Slipfitter for 2-3/8", 3" or 3-1/2" O.D. Tenon

NOTES: 1. Standard multi-tap. Options not available with stock product. Refer to standard order information to add options. Refer to Stock guide for availability. Lamp included. 2. 400W available in pulse start metal halide only. 3. 1000W available in metal halide and high pressure sodium only.

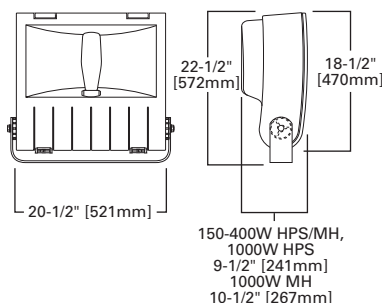
SLIPFITTER-MOUNT



TRUNNION-MOUNT



YOKE-MOUNT



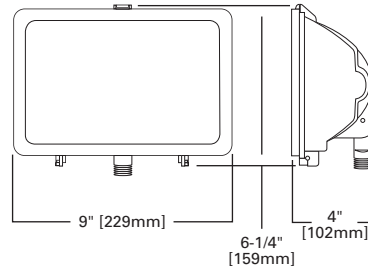
Specifications and dimensions subject to change without notice. Consult your Cooper Lighting Representative or visit www.cooperlighting.com for available options, accessories and ordering information.

FEATURES

- Die-cast, hinged aluminum housing and door with stainless steel latch
- Heat and impact-resistant clear glass lens
- Anodized aluminum reflector provides maximum beam control
- Full-circumference silicone gasket seals out external contaminants
- Porcelain lamp sockets for 300W - 500W quartz lamp
- Tool-less entry for easy installation and maintenance
- Quartz lamp provides white light for excellent color rendition
- Adjustable stem-mounting arm fits 1/2" NPT outlet box cover

Compliances may not apply to all product configurations. Please consult the product spec sheet for compliance details.

COMPLIANCES: UL Listed - Wet Location, CSA Listed



QZ WEDGE



ORDERING INFORMATION

SAMPLE NUMBER: QZ5L

Lamp Type	Series ^{1,2}	Lamp Wattage	Lamp Included	Standard Color	Accessories (Order Separately)
Q=Quartz	Z=Wedge	3=300W 5=500W	L=Lamp Included	[Blank]=Black (Standard) WHT=White	NKS-BK=2" Slipfitter - Black NKS-WHT=2" Slipfitter - White

NOTES: 1. 120V only. 2. Standard unit has 1/2" NPT threaded knuckle for mounting. 2" slipfitter is available as an accessory.

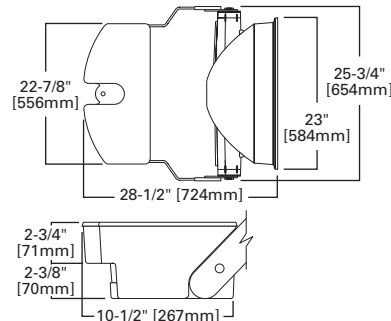
FEATURES

- Rugged, die-cast aluminum ballast housing
- Isolated components for cool operation and long-life
- Stainless steel mounting arms feature separate, vertical aiming pivot
- 1/8" tempered, heat- and shock-resistant glass lens
- Precision horizontal optics maximize beam efficiency
- Aiming-degree markers allow for easy pre-aiming
- 1000W - 1650W metal halide or high pressure sodium

EPA: 2.98 (45° Tilt from Vertical)

Compliances may not apply to all product configurations. Please consult the product spec sheet for compliance details.

COMPLIANCES: UL Listed - Wet Location, CSA Listed



AS ALLSTAR



ORDERING INFORMATION

SAMPLE NUMBER: MHAS-MS-1500-480V-U3

Lamp Type	Series	Distribution	Internal Louvers	Lamp Wattage ¹	Voltage
MH=Metal Halide MP=Pulse Start Metal Halide	AS=AllStar Sports Floodlight	M=Medium N=Narrow W=Wide	[Blank]=None S=Spill Light Control Louvers	1000=1000W 1500=1500W 1650=1650W	120V=120V 208V=208V 240V=240V 277V=277V 347V=347V 480V=480V 220V=220/50Hz MT=Multi-Tap wired 277V TT=Triple-Tap wired 347V

Options (Add as Suffix)²

- F1=Single Fuse (120, 277 or 347V only)
- F2=Double Fuse (208, 240 or 480V only)
- C6=6' Cord, Pre-wired (Specify voltage)
- HD=Heavy-Duty Shroud
- RQ=Remote Quartz
- RT=Remote Quartz Cold Start Time Delay
- TV=Top Visor (Black polyester powder coated)
- U3=3' USL Water-tight Cord and Plug for USL System (Specify voltage)
- C3=3' Cord without Plug (Specify voltage)

NOTES: 1. All lamps are mogul-base. Lamp not included. Pulse start metal halide available in 1000W only. 2. Not all options and configurations are compatible and restrictions may apply. Reference specification sheet for additional details.



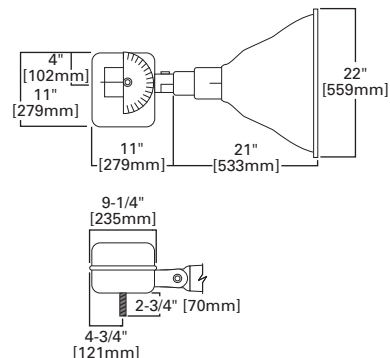
FEATURES

- Rugged aluminum ballast housing finished in dark bronze
- Ballast / capacitor compartment optimizes operation and efficiency
- Vertical aiming quadrant with repositioning stop for precise aiming
- Die-cast socket housing with silicone gasket to keep out contaminants
- Spun-aluminum reflector produces repeatable beam
- 1/8" tempered, heat and shock-resistant glass lens
- 1000W and 1500W metal halide or high pressure sodium
- Five distribution types for maximum field beam illumination

EPA: 2.45

Compliances may not apply to all product configurations. Please consult the product spec sheet for compliance details.

COMPLIANCES: UL Listed - Wet Location, CSA Listed



XL EAGLE

ORDERING INFORMATION

SAMPLE NUMBER: HPXL-T3-1000-MT

Lamp Type	Series ¹	Distribution	Lamp Wattage	Voltage	Options (Add as Suffix)	
HP=High Pressure Sodium MH=Metal Halide	XL=Eagle XL	T2=Type II T3=Type III T4=Type IV T5=Type V T6=Type VI	1000=1000W 1500=1500W	120V=120V 208V=208V 240V=240V 277V=277V 347V=347V	480V=480V MT=Multi-Tap wired 277V TT=Triple-Tap wired 347V	F1=Single Fuse (120, 277 or 347V only) F2=Double Fuse (208, 240 or 480V only) LL=Lamp Included C3=3' Cord without Plug (Specify voltage)

Accessories (Order Separately)

- HD/XL=Heavy-Duty Shroud
- S/XL=Slipfitter Mount, Field Installed (Fits 2-3/8" O.D. Pipe)
- S2C2WP=Two-In-Line Crossarm for Wood Pole (EPA 0.9)
- S3C3WPM=Three-In-Line Offset Crossarm for Wood Pole (EPA 3.6)
- S4C4WP=Four-In-Line Crossarm for Wood Pole (EPA 4.5)
- TV/XL=Top Visor
- VS/XL=Vandal Shield
- WB/XL=Wood Crossarm Bolt

NOTES: 1. Not all options and configurations are compatible and restrictions may apply. Reference specification sheet for additional details.

STOCK ORDERING INFORMATION

SAMPLE NUMBER: MHXL-3-1000-MT

Lamp Type	Series ¹	Distribution ²	Lamp Wattage	Voltage
MH=Metal Halide	XL=Eagle XL	3=Type III 4=Type IV 5=Type V 6=Type VI	1000=1000W 1500=1500W	MT=Multi-Tap

NOTES: 1. Options not available with stock products. Order Accessories as separate items for field installation. Refer to standard ordering information to add options and accessories. Refer to Stock Guide for availability.
2. Type VI available in 1000W only.

STOCK ORDERING INFORMATION

SAMPLE NUMBER: MHXL-T4-1000-480V

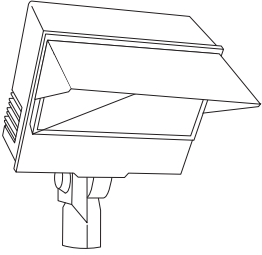
Lamp Type	Series ¹	Distribution ²	Lamp Wattage	Voltage
MH=Metal Halide	XL=Eagle XL	T4=Type V T5=Type IV	1000=1000W 1500=1500W	480V=480V

NOTES: 1. Options not available with stock products. Order Accessories as separate items for field installation. Refer to standard ordering information to add options and accessories. Refer to Stock Guide for availability.
2. Type IV available in 1500W only.

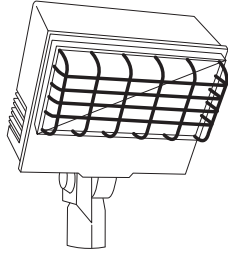
Specifications and dimensions subject to change without notice. Consult your Cooper Lighting Representative or visit www.cooperlighting.com for available options, accessories and ordering information.

WARRIOR ACCESSORIES

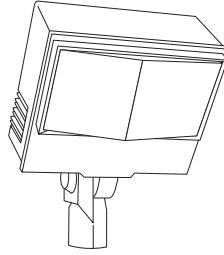
TV/WR TOP VISOR



WG/WR WIRE GUARD

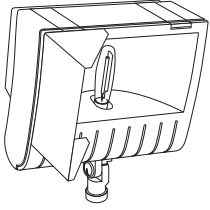


VG/WR VANDAL GUARD

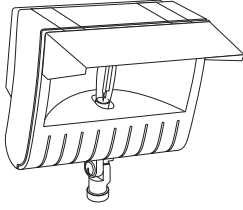


NIGHTHAWK III ACCESSORIES

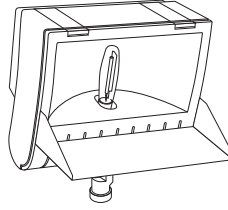
SV1/NK SIDE VISOR



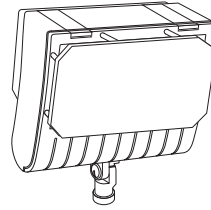
TV/NK TOP/BOTTOM VISOR



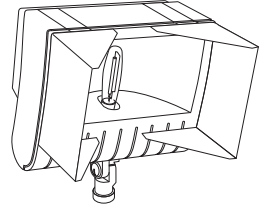
TV/NK TOP/BOTTOM VISOR



**VS/NK VANDAL SHIELD
VS/NK/1000
VANDAL SHIELD FOR 1000W UNITS**

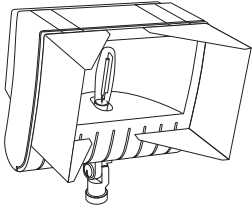


SV/NK DOUBLE SIDE VISOR

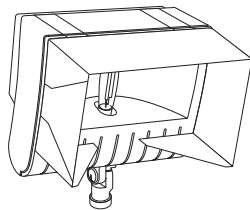


NOTE: Each kit contains one visor only.

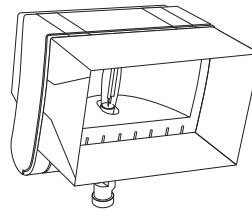
SV/NK DOUBLE SIDE VISOR



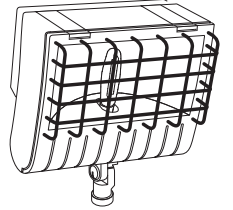
**[SV/NK] DOUBLE SIDE VISOR AND
[TV/NK] TOP VISOR SHOWN**



**[SV/NK] DOUBLE SIDE VISOR AND
[TV/NK] (2) TOP/BOTTOM VISORS SHOWN**

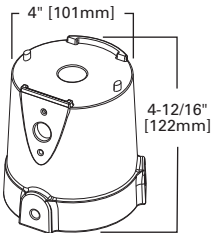


WG/NK WIRE GUARD

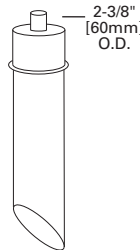


FLOODLIGHTING ACCESSORIES

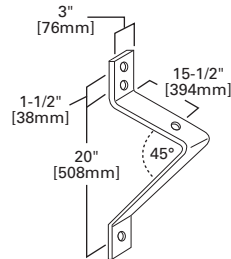
**TYS SLIPFITTER ADAPTER
(FITS 2-3/8", 3", 3-1/2" O.D. TENON)**



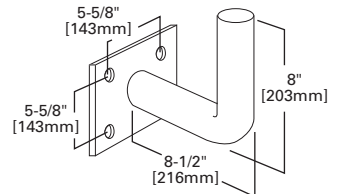
SPK LANDSCAPE POST



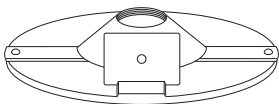
SAB STEEL ANGLE BRACKET



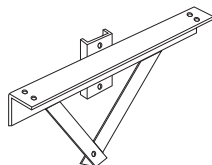
RAB RIGHT ANGLE PIPE BRACKET (2-3/8" O.D.)



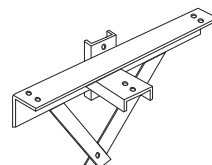
RBC OUTLET BOX COVER (1/2" ENTRY)



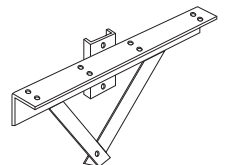
**S2C2WP (EPA .9)
TWO-IN-LINE CROSSARM**



**S3C3WPM (EPA 3.6)
THREE-IN-LINE CROSSARM**



**S4C4WP (EPA 4.5)
FOUR-IN-LINE CROSSARM**



Specifications and dimensions subject to change without notice. Consult your Cooper Lighting Representative or visit www.cooperlighting.com for available options, accessories and ordering information.



FEATURES

- Precision, die-cut aluminum housing with natural finish
- HP mogul-base, MP medium-base porcelain socket
- Fluted, formed, specular aluminum refractor
- 12", open-bottom acrylic refractor
- Pole, wall or direct-mount options
- Pulse start metal halide lamp or high pressure sodium lamp included
- Supplied standard with 18" arm and installation hardware
- 120V NEMA twistlock photocontrol for dusk-to-dawn operation
- 60° supply wire rating

EPA: 1.2

Compliances may not apply to all product configurations. Please consult the product spec sheet for compliance details.

COMPLIANCES: UL Listed - Wet Location, CSA Listed, 25°C Ambient Temperature Rating



**EL ETERNALUME
AREA LIGHT**

ORDERING INFORMATION

SAMPLE NUMBER: HPEL70

Lamp Type	Series ^{1,2}	Lamp Wattage	Accessories (Order Separately)
HP =High Pressure Sodium MP =Pulse Start Metal Halide	EL =Eternalume	HP 70=70W 10=100W 15=150W ³ MP 10=100W	L-A24 =24" Arm with Hardware OA/RA1013 =Shorting Cap for NEMA Twistlock Photocontrol Receptacle

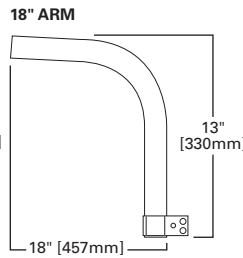
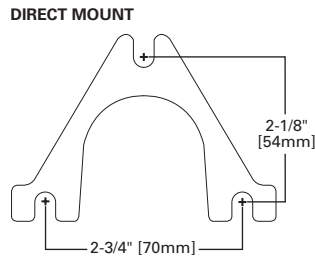
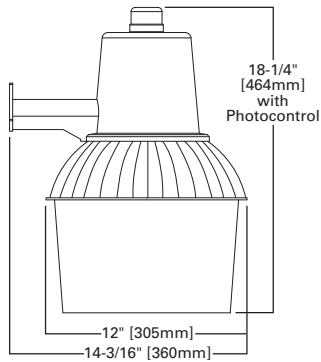
NOTES: 1. Includes 18" arm, lamp and 120V photocontrol. 2. All products are 120V. 3. High pressure sodium only.

STOCK ORDERING INFORMATION

SAMPLE NUMBER: MPEL10

Lamp Type	Fixture Type ^{1,2,3}	Lamp Wattage
HP =High Pressure Sodium MP =Pulse Start Metal Halide	EL =Eternalume	70 =70W ⁴ 10 =100W 15 =150W ⁴

NOTES: 1. Options not available with stock products. Refer to standard ordering information to add options and accessories. Refer to Stock Guide for availability. 2. Includes 18" arm, lamp and 120V photocontrol. 3. All products are 120V. 4. High pressure sodium only.



Specifications and dimensions subject to change without notice. Consult your Cooper Lighting Representative or visit www.cooperlighting.com for available options, accessories and ordering information.

FEATURES

- One-piece, die-cast aluminum housing can be pole or wall-mounted
- Optical design creates consistent distribution and scalability
- Choice of 13 high-efficiency, patented AccuLED Optics™
- Standard in 4000K (+/- 275K) CCT and nominal 70 CRI
- Suitable for operation in -30°C to 40°C ambient environments
- 120-277V 50/60Hz, 347V 60Hz or 480V 60Hz operation
- Proprietary circuit module withstands 10kV of transient line surge
- Optional battery pack and bi-level switching
- Five-year warranty

Compliances may not apply to all product configurations. Please consult the product spec sheet for compliance details.
COMPLIANCES: UL/cUL Listed - Wet Location, Dark Sky Compliant, LM79 / LM80 Compliant



**RV RIDGEVIEW™
LED**



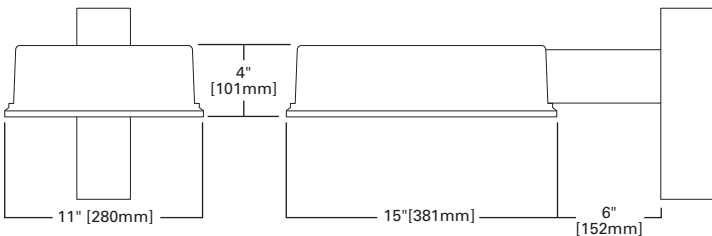
ORDERING INFORMATION

SAMPLE NUMBER: LDRV-T2-B02-E-DP

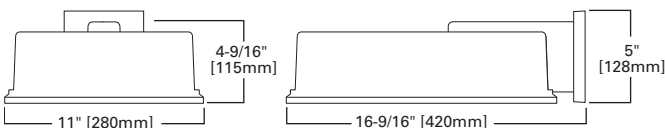
Lamp Type	Series	Distribution	Number of LightBARs	Voltage	
LD =Solid State Light-Emitting Diodes (LED)	RV =Ridgeview	5MQ =Type V Square Medium 5WQ =Type V Square Wide 5XQ =Type V Square Extra Wide RW =Rectangular Wide SL2 =Type II with Spill Control SL3 =Type III with Spill Control SL4 =Type IV with Spill Control	SLL =90° Spill Light Eliminator Left SLR =90° Spill Light Eliminator Right T2 =Type II T3 =Type III T3S =Type III Short T4 =Type IV	B01 =(1) 21 LED LightBAR B02 =(2) 21 LED LightBARs B03 =(3) 21 LED LightBARs B04 =(3) 21 LED LightBARs C01 =(1) 7 LED LightBAR C02 =(2) 7 LED LightBARs C03 =(3) 7 LED LightBARs C04 =(4) 7 LED LightBARs	E =Electronic (120-277V) 347 =347V 480 =480V
Options (Add as Suffix) ¹			Standard Color		
2L =Two Circuits 7060 =70 CRI/6000K CCT 8030 =80 CRI/3000K CCT BBLEDCLD =UL924 LED Cold Battery Back-up (Specify voltage) HA =50°C High Ambient Temperature Rating L90 =Optics Rotated Left 90° LCF =LightBAR Cover Plate Matches Housing Finish MS/X-LXX =Motion Sensor for Bi-level Switching ² MS-LXX =Motion Sensor for On/Off Operation ³ PC =Button Type Photocontrol PER =NEMA Twistlock Photocontrol Receptacle R90 =Optics Rotated Right 90° WM =Wall Mount Arm and Mounting Plate			AP =Grey BK =Black BZ =(Standard color is bronze) DP =Dark Platinum GM =Graphite Metallic WH =White		
Accessories (Order Separately)					
MA1175-XX =Single Tenon Adapter for 3-1/2" O.D. Tenon MA1176-XX =2 at 180° Tenon Adapter for 3-1/2" O.D. Tenon MA1177-XX =3 at 120° Tenon Adapter for 3-1/2" O.D. Tenon MA1178-XX =4 at 90° Tenon Adapter for 3-1/2" O.D. Tenon MA1179-XX =2 at 90° Tenon Adapter for 3-1/2" O.D. Tenon MA1180-XX =2 at 120° Tenon Adapter for 3-1/2" O.D. Tenon MA1181-XX =3 at 90° Tenon Adapter for 3-1/2" O.D. Tenon MA1182-XX =Single Tenon Adapter for 2-3/8" O.D. Tenon MA1183-XX =2 at 180° Tenon Adapter for 2-3/8" O.D. Tenon MA1184-XX =3 at 120° Tenon Adapter for 2-3/8" O.D. Tenon MA1185-XX =4 at 90° Tenon Adapter for 2-3/8" O.D. Tenon MA1186-XX =2 at 90° Tenon Adapter for 2-3/8" O.D. Tenon		MA1187-XX =3 at 90° Tenon Adapter for 2-3/8" O.D. Tenon MA1253 =10kV Circuit Module Replacement MA1300-XX =Wall Mount Plate (R drill pattern) MA1305-XX =R to M Square Pole Adapter MA1306-XX =R to M Round Pole Adapter OA/RA1013 =Shorting Cap OA/RA1014 =NEMA Twistlock Photocontrol - 120V OA/RA1016 =NEMA Twistlock Photocontrol - Multi-Tap OA/RA1027 =NEMA Twistlock Photocontrol - 480V OA/RA1201 =NEMA Twistlock Photocontrol - 347V RV/WG =Field Installed Wire Guard			

NOTES: 1. Not all options and configurations are compatible and restrictions may apply. Reference specification sheet for additional details. 2. Motion sensor for bi-level switching. Sensor housed in external box mounted to the luminaire. Available in B02 - B04 and C02 - C04 configurations. Replace X with number of bars operating in low output mode and replace XX with fixture mounting height for proper lens selection (i.e. MS/3-L20). Not available with HA option. Consult factory for additional information. 3. Sensor housed in external box mounted to the luminaire. Replace XX with mounting height in feet for proper lens selection (i.e., MS-L20). Not available with HA option. Consult factory for additional information.

POLE MOUNT



WALL MOUNT



Specifications and dimensions subject to change without notice. Consult your Cooper Lighting Representative or visit www.cooperlighting.com for available options, accessories and ordering information.



FEATURES

- Rugged, one-piece, die-cast aluminum housing and door frame
- Stainless steel spring-latch and hinges for ease of maintenance
- Nine high-efficiency, full-cutoff optical distributions
- Fully-rotatable optics in 90° increments
- 70W - 400W pulse start metal halide, metal halide and HPS
- Supplied with 8" pole arm, round pole adapter and mounting hardware
- Optional swing-down power tray for ease of maintenance
- Optional wall and trunnion-mount configurations
- Cast-in leveling guides provide +/- 5° vertical leveling adjustment

EPA: 1.19 (Without Arm) / 1.87 (With Arm)

Compliances may not apply to all product configurations. Please consult the product spec sheet for compliance details.

COMPLIANCES: UL Listed - Wet Location, CSA Listed, EISA Compliant, Dark Sky Compliant



TR TRIBUTE™

ORDERING INFORMATION

SAMPLE NUMBER: MHTR-SL-400-MT-LL

Lamp Type	Series	Distribution	Lamp Wattage ²	Voltage	Options (Add as Suffix) ³	
HP =High Pressure Sodium MH =Metal Halide MP =Pulse Start Metal Halide	TR =Tribute ¹	2F =Type II Formed 2S =Type II Segmented 3F =Type III Formed 3S =Type III Segmented 4F =Type IV Formed 4S =Type IV Segmented 5F =Type V Formed 5S =Type V Segmented SL =Spill Light Eliminator	HPS 70 =70W 100 =100W 150 =150W 250 =250W 400 =400W MH 175 =175W 250 =250W 400 =400W	MP 70 =70W 100 =100W 150 =150W 200 =200W 250 =250W 320 =320W 350 =350W 400 =400W DT =Dual-Tap MT =Multi-Tap wired 277V TT =Triple-Tap wired 347V 5T =5-Tap wired 480V	120V =120V 208V =208V 240V =240V 277V =277V 347V =347V 480V =480V EM =Quartz Restrike with "Delay Relay" (Quartz lamp strikes at both hot and cold starts) EM/SC =Emergency Separate Circuit F1 =Single Fuse (120, 277 or 347V only) F2 =Double Fuse (208, 240 or 480V only) LL =Lamp Included AP =Grey BK =Black DP =Dark Platinum GM =Graphite Metallic HS =House Side Cutoff LA =Less Arm (Order mounting separately)	PC =Button Type Photocontrol PER =NEMA Twistlock Photocontrol Receptacle PT =Electrical Power Tray S =1-1/4" - 2-3/8" Internal Mast Arm Mount TM =Trunnion Mount WH =White Q =Quartz Restrike (Hot strike only)

Accessories (Order Separately)

MA1010-XX=Single Tenon Adapter for 3-1/2" O.D. Tenon
MA1011-XX=2 at 180° Tenon Adapter for 3-1/2" O.D. Tenon
MA1012-XX=3 at 120° Tenon Adapter for 3-1/2" O.D. Tenon
MA1013-XX=4 at 90° Tenon Adapter for 3-1/2" O.D. Tenon
MA1014-XX=2 at 90° Tenon Adapter for 3-1/2" O.D. Tenon
MA1015-XX=2 at 120° Tenon Adapter for 3-1/2" O.D. Tenon
MA1016-XX=3 at 90° Tenon Adapter for 3-1/2" O.D. Tenon
MA1017-XX=Single Tenon Adapter for 2-3/8" O.D. Tenon
MA1018-XX=2 at 180° Tenon Adapter for 2-3/8" O.D. Tenon
MA1019-XX=3 at 120° Tenon Adapter for 2-3/8" O.D. Tenon
MA1045-XX=4 at 90° Tenon Adapter for 2-3/8" O.D. Tenon
MA1048-XX=2 at 90° Tenon Adapter for 2-3/8" O.D. Tenon
MA1049-XX=3 at 90° Tenon Adapter for 2-3/8" O.D. Tenon
MA1201-XX=Direct Wall Mount Kit

MA1218-XX=Direct Mount for Pole
MA1219-XX=Wall Mounting Plate
MA1221-XX=External House Side Shield Kit (EPA 0.38)
MA1222=Internal House Side Shield Kit for 2S/3S
MA1223=Internal House Side Shield Kit 4S
MA1224=Internal House Side Shield Kit for 2F/3F
MA1225=Internal House Side Shield Kit for 4F
OA/RA1013=Shorting Cap
OA/RA1016=NEMA Twistlock Photocontrol - Multi-Tap
OA/RA1027=NEMA Twistlock Photocontrol - 480V
OA/RA1201=NEMA Twistlock Photocontrol - 347V
OA1090-XX=Adjustable Slipfitter Arm for Tenon Mount 2-3/8" O.D. Tenon
TR/VS=Field Installed Vandal Shield

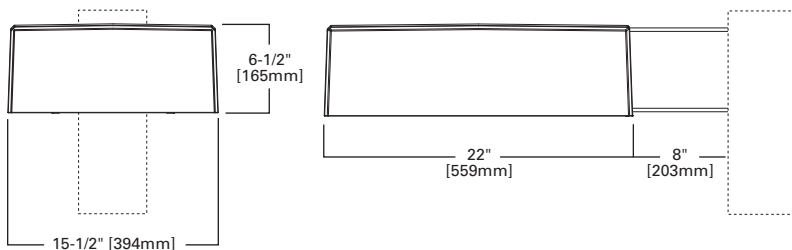
NOTES: 1. Arm included. 2. 150W and below in pulse start metal halide are medium-base sockets. 3. Not all options and configurations are compatible and restrictions may apply. Reference specification sheet for additional details.

STOCK ORDERING INFORMATION

SAMPLE NUMBER: MPTR2340

Lamp Type	Series ¹	Distribution	Lamp Wattage
HP =High Pressure Sodium MP =Pulse Start Metal Halide	TR =Tribute	23 =Type II/III Formed	15 =150W 25 =250W 32 =320W 40 =400W

NOTES: 1. Short logic fixtures are finished bronze including multi-tap ballast, lamp, arm and round pole adapter. Other options not available. Refer to standard ordering logic. Refer to Stock Guide for availability.



Specifications and dimensions subject to change without notice. Consult your Cooper Lighting Representative or visit www.cooperlighting.com for available options, accessories and ordering information.

FEATURES

- Die-cast aluminum housing, door and two-position latch
- Integral hinges for hands-free maintenance and tool-less entry
- Optical design creates consistent distribution and scalability
- Choice of 13 high-efficiency, patented AccuLED Optics™
- Standard in 4000K (+/- 275K) CCT and nominal 70 CRI
- Suitable for operation in -30°C to 40°C ambient environments
- Proprietary circuit module withstands 10kV of transient line surge
- IP66 Rated LightBARs
- Five-year warranty

EPA: 0.80

Compliances may not apply to all product configurations. Please consult the product spec sheet for compliance details.
COMPLIANCES: UL/cUL Listed - Wet Location, Dark Sky Compliant, LM79 / LM80 Compliant, 3G Vibration Rated



**RC LED ROADWAY
SMALL CUTOFF
COBRAHEAD**

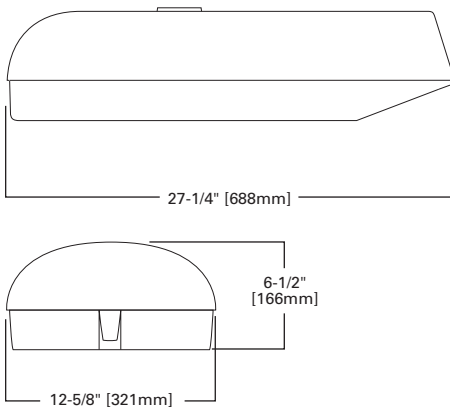


ORDERING INFORMATION

SAMPLE NUMBER: LDRC-T2S-B01-E

Lamp Type	Product Family	Distribution	Number of LightBARs	Voltage
LD =Solid State Light Emitting Diodes (LED)	RC =Roadway Small Cutoff Cobrahead	5MQ =Type V Square Medium 5WQ =Type V Square Wide 5XQ =Type V Square Extra Wide RW =Rectangular Wide SL2 =Type II with Spill Control SL3 =Type III with Spill Control SL4 =Type IV with Spill Control SLL =90° Spill Light Eliminator Left SLR =90° Spill Light Eliminator Right T2 =Type II T3 =Type III T3S =Type III Short T4 =Type IV	B01 =(1) 21 LED LightBAR B02 =(2) 21 LED LightBARs B03 =(3) 21 LED LightBARs B04 =(3) 21 LED LightBARs C01 =(1) 7 LED LightBAR C02 =(2) 7 LED LightBARs C03 =(3) 7 LED LightBARs C04 =(4) 7 LED LightBARs	E =Electronic (120-277V) 347 =347V 480 =480V
Options (Add as Suffix) ¹		Accessories (Order Separately)		
7060 =70 CRI/6000K CCT 8030 =80 CRI/3000K CCT BK =Black BZ =Bronze HA =50°C High Ambient Temperature Rating K =Level Indicator L90 =Optics Rotated Left 90° LCF =LightBAR Cover Plate Matches Housing Finish PER =NEMA Twistlock Photocontrol Receptacle R90 =Optics Rotated Right 90°		MA1252 =10kV Circuit Module Replacement OA/RA1013 =Shorting Cap OA/RA1014 =NEMA Twistlock Photocontrol - 120V OA/RA1016 =NEMA Twistlock Photocontrol - Multi-Tap OA/RA1027 =NEMA Twistlock Photocontrol - 480V OA/RA1201 =NEMA Twistlock Photocontrol - 347V		

NOTES: 1. Not all options and configurations are compatible and restrictions may apply. Reference specification sheet for additional details.



Specifications and dimensions subject to change without notice. Consult your Cooper Lighting Representative or visit www.cooperlighting.com for available options, accessories and ordering information.



FEATURES

- Die-cast aluminum housing, door and two-position latch
- Integral hinges for hands-free maintenance and tool-less entry
- Adjustable mogul-base porcelain socket
- Hydroformed, anodized-aluminum reflector
- Flat or drop-glass lens available
- Type II and Type III optical distributions
- Two-bolt, one-clamp slipfitter fits 1-1/4" or 2" mast arm
- Supplied standard with NEMA twistlock receptacle

EPA: 0.80

Compliances may not apply to all product configurations. Please consult the product spec sheet for compliance details.

COMPLIANCES: UL Listed - Wet Location, EISA Compliant, Dark Sky Compliant, 3G Vibration Rated

**RC ROADWAY
SMALL CUTOFF
COBRAHEAD**

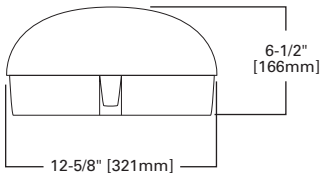
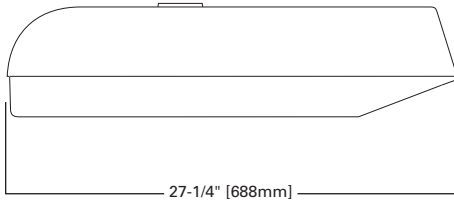


ORDERING INFORMATION

SAMPLE NUMBER: MPRC-FL-2-50-120V

Lamp Type	Series	Lens Type	Distribution	Lamp Wattage		Voltage
HP =High Pressure Sodium MH =Metal Halide MP =Pulse Start Metal Halide	RC =Roadway Small Cutoff Cobrahead	DL =Drop Glass Lens FL =Flat Glass Lens	2 =Type II 3 =Type III	HP 50=50W 70=70W 100=100W 150=150W 250=250W MH 175=175W 250=250W	MP 50=50W 70=70W 100=100W 150=150W 250=250W	120V =120V 208V =208V 240V =240V 277V =277V 347V =347V 480V =480V MT =Multi-Tap wired 277V TT =Triple-Tap wired 347V
Options (Add as Suffix) ¹			Accessories (Order Separately)			
F1 =Single Fuse (120, 277 or 347V only) F2 =Double Fuse (208, 240 or 480V only) LL =Lamp Included H =Plug-In Starter K =Leveling Indicator PC =Button Type Photocontrol PER =NEMA Twistlock Photocontrol Receptacle			OA/RA1016 =NEMA Twistlock Photocontrol - Multi-Tap OA/RA1027 =NEMA Twistlock Photocontrol - 480V OA/RA1201 =NEMA Twistlock Photocontrol - 347V OA1028 =Field Installed NEMA Twistlock Photocontrol Receptacle (Order photocontrol separately)			

NOTES: 1. Not all options and configurations are compatible and restrictions may apply. Reference specification sheet for additional details.



Specifications and dimensions subject to change without notice. Consult your Cooper Lighting Representative or visit www.cooperlighting.com for available options, accessories and ordering information.

FEATURES

- Die-cast aluminum housing and door with stainless steel bail latch
- Optical design creates consistent distribution and scalability
- Choice of 13 high-efficiency, patented AccuLED Optics™
- Standard in 4000K (+/- 275K) CCT and nominal 70 CRI
- IP66 Rated LightBARs
- Suitable for operation in -30°C to 40°C ambient environments
- 120-277V 50/60Hz, 347V 60Hz or 480V 60Hz operation
- Proprietary circuit module withstands 10kV of transient line surge
- Five-year warranty

EPA: 0.87

Compliances may not apply to all product configurations. Please consult the product spec sheet for compliance details.

COMPLIANCES: UL/cUL Listed - Wet Location, ARRA Compliant, Dark Sky Compliant, 3G Vibration Rated



**RL LED ROADWAY
LARGE CUTOFF
COBRAHEAD**

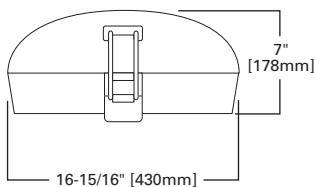
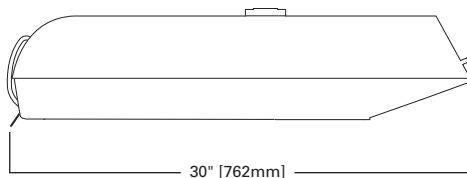


ORDERING INFORMATION

SAMPLE NUMBER: LDRL-T3S-B06-E

Lamp Type	Product Family	Distribution	Number of LightBARs	Voltage
LD =Solid State Light-Emitting Diodes (LED)	RL =LED Roadway Large Cutoff Cobrahead	5MQ =Type V Square Medium 5WQ =Type V Square Wide 5XQ =Type V Square Extra Wide RW =Rectangular Wide SL2 =Type II with Spill Control SL3 =Type III with Spill Control SL4 =Type IV with Spill Control SLL =90° Spill Light Eliminator Left SLR =90° Spill Light Eliminator Right T2 =Type II T3 =Type III T3S =Type III Short T4 =Type IV	B01 =(1) 21 LED LightBAR B02 =(2) 21 LED LightBARs B03 =(3) 21 LED LightBARs B04 =(4) 21 LED LightBARs B05 =(5) 21 LED LightBARs B06 =(6) 21 LED LightBARs C01 =(1) 7 LED LightBAR C02 =(2) 7 LED LightBARs C03 =(3) 7 LED LightBARs C04 =(4) 7 LED LightBARs C05 =(5) 7 LED LightBARs C06 =(6) 7 LED LightBARs	E =Electronic (120-277V) 347 =347V 480 =480V
Options (Add as Suffix)¹		Accessories (Order Separately)		
2L =Two Circuits 7060 =70 CRI/6000K CCT 8030 =80 CRI/3000K CCT BK =Black BZ =Bronze HA =50°C High Ambient Temperature Rating K =Level Indicator L90 =Optics Rotated Left 90° LCF =LightBAR Cover Plate Matches Housing Finish PER =NEMA Twistlock Photocontrol Receptacle R90 =Optics Rotated Right 90°		MA1252 =10kV Surge Module Replacement OA/RA1013 =Shorting Cap OA/RA1014 =NEMA Twistlock Photocontrol - 120V OA/RA1016 =NEMA Twistlock Photocontrol - Multi-Tap OA/RA1027 =NEMA Twistlock Photocontrol - 480V OA/RA1201 =NEMA Twistlock Photocontrol - 347V		

NOTES: 1. Not all options and configurations are compatible and restrictions may apply. Reference specification sheet for additional details.





FEATURES

- Die-cast aluminum housing and door with stainless steel bail latch
- Integral hinges for hands-free maintenance and tool-less entry
- Adjustable mogul-base porcelain socket
- Hydroformed, anodized-aluminum reflector
- Flat or drop-glass lens available
- Type II and Type III optical distributions
- Two-bolt, one-clamp slipfitter fits 1-1/4" or 2" mast arm
- Supplied standard with NEMA twistlock receptacle

EPA: 0.87

Compliances may not apply to all product configurations. Please consult the product spec sheet for compliance details.

COMPLIANCES: UL Listed - Wet Location, EISA Compliant, Dark Sky Compliant, 3G Vibration Rated

**RL ROADWAY
LARGE CUTOFF
COBRAHEAD**

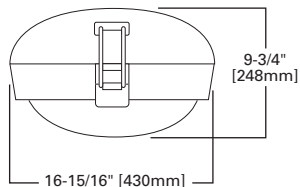
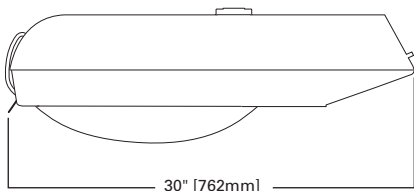


ORDERING INFORMATION

SAMPLE NUMBER: MPRY-AL-2-50-120V

Lamp Type	Series	Lens Type	Distribution	Lamp Wattage	Voltage
HP =High Pressure Sodium MH =Metal Halide MP =Pulse Start Metal Halide	RL =Roadway Large Cutoff Cobrahead	DL =Drop Glass Lens FL =Flat Glass Lens	2 =Type II 3 =Type III	HP 150 =150W MP 150 =150W 250 =250W 200 =200W 400 =400W 250 =250W MH 175 =175W 350 =350W 250 =250W 400 =400W 400 =400W	120V =120V 208V =208V 240V =240V 277V =277V 347V =347V 480V =480V MT =Multi-Tap wired 277V TT =Triple-Tap wired 347V
Options (Add as Suffix)¹			Accessories (Order Separately)		
F1 =Single Fuse (120, 277 or 347V only) F2 =Double Fuse (208, 240 or 480V only) LL =Lamp Included H =Plug-In Starter K =Leveling Indicator PC =Button Type Photocontrol PER =NEMA Twistlock Photocontrol Receptacle			OA/RA1016 =NEMA Twistlock Photocontrol - Multi-Tap OA/RA1027 =NEMA Twistlock Photocontrol - 480V OA/RA1201 =NEMA Twistlock Photocontrol - 347V OA1028 =Field Installed NEMA Twistlock Photocontrol Receptacle (Order photocontrol separately)		

NOTES: 1. Not all options and configurations are compatible and restrictions may apply. Reference specification sheet for additional details.



Specifications and dimensions subject to change without notice. Consult your Cooper Lighting Representative or visit www.cooperlighting.com for available options, accessories and ordering information.

FEATURES

- Die-cast aluminum housing, door and two-position latch
- Integral hinges for hands-free maintenance
- Adjustable mogul-base porcelain socket
- Hydroformed, anodized-aluminum reflector
- Acrylic, polycarbonate, glass refractor or flat-glass lens
- Type II and Type III optical distributions
- Two-bolt, one-clamp slipfitter fits 1-1/4" or 2" mast arm
- Optional swing-down ballast module
- NEMA twistlock photocontrol receptacle

EPA: 0.87

Compliances may not apply to all product configurations. Please consult the product spec sheet for compliance details.

COMPLIANCES: UL Listed - Wet Location, EISA Compliant, 3G Vibration Rated



**RY ROADWAY
COBRAHEAD**

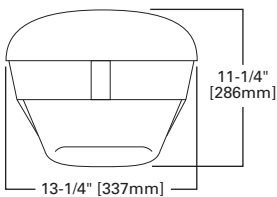
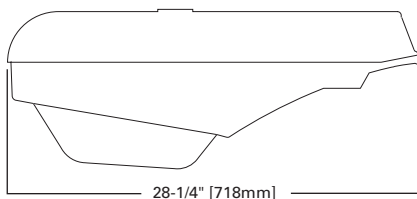


ORDERING INFORMATION

SAMPLE NUMBER: MPRY-AL-2-50-120V

Lamp Type	Series	Lens Type	Distribution	Lamp Wattage ³		Voltage
HP =High Pressure Sodium MH =Metal Halide MP =Pulse Start Metal Halide	RY =Roadway Cobrahead	AL =Acrylic Refractor ¹ FL =Flat Glass Lens ² GL =Glass Refractor PL/GL =Polycarbonate Refractor with Glass Overlay ¹	2 =Type II 3 =Type III	HP 50=50W 70=70W 100=100W 150=150W 250=250W 400=400W MH 175=175W 250=250W 400=400W	MP 50=50W 70=70W 100=100W 150=150W 250=250W 320=320W 350=350W 400=400W	120V=120V 208V=208V 240V=240V 277V=277V 347V=347V 480V=480V MT=Multi-Tap wired 277V TT=Triple-Tap wired 347V
Options (Add as Suffix) ⁴		Accessories (Order Separately)				
F1 =Single Fuse (120, 277 or 347V only) F2 =Double Fuse (208, 240 or 480V only) LL =Lamp Included H =Plug-In Starter K =Leveling Indicator PC =Button Type Photocontrol PER =NEMA Twistlock Photocontrol Receptacle T =Swing-down Ballast		OA/RA1013 =Shorting Cap OA/RA1016 =NEMA Twistlock Photocontrol - Multi-Tap OA/RA1027 =NEMA Twistlock Photocontrol - 480V OA/RA1201 =NEMA Twistlock Photocontrol - 347V OA1028 =Field Installed NEMA Twistlock Photocontrol Receptacle (Order photocontrol separately)				

NOTES: 1. Acrylic refractor for 175W maximum. Polycarbonate Refractor for 250W Max. 2. 400W Metal Halide requires reduced envelope lamp (ED28) for flat glass. 3. 100W and below metal halide are medium-base. All other lamps are mogul-base. Lamp not included. 4. Not all options and configurations are compatible and restrictions may apply. Reference specification sheet for additional details.





FEATURES

- Die-cast aluminum housing, cover and door
- Tempered convex glass lens; clear flat glass lens optional
- Hinged and latched door for easy maintenance
- Anodized, spun-aluminum reflector housing
- 360° field-rotatable optical assembly
- Horizontal lamp position from 400W - 1000W HPS or metal halide
- Choice of four optical distributions
- Clamp-type slipfitter fits 2-3/8" O.D. pipe
- NEMA twistlock receptacle or button-type photocontrol

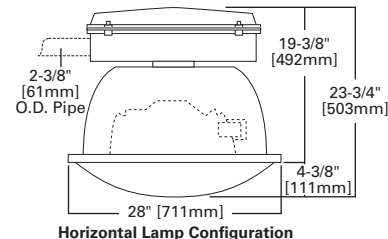
EPA: 1.46

Compliances may not apply to all product configurations. Please consult the product spec sheet for compliance details.

COMPLIANCES: UL Listed - Wet Location, CSA Listed, 40°C Ambient Temperature Rating, EISA Compliant



MC HIGH MAST INDUSTRIAL AREA LUMINAIRE



Horizontal Lamp Configuration

ORDERING INFORMATION

SAMPLE NUMBER: HPMC-3-D-1000-120V

Lamp Type	Series	Optics	Distribution	Lamp Wattage	Voltage	Options (Add as Suffix) ¹	
HP =High Pressure Sodium MH =Metal Halide MP =Pulse Start Metal Halide	MC=High Mast	1=Type I 2=Type II 3=Type III	A =SCO D =MCO E =MSCO L =LMCO	HP 400=400W 600=600W 750=750W 1000=1000W MH 400=400W 1000=1000W	MP 400=400W 750=750W 1000=1000W MT =Multi-Tap wired 277V TT =Triple-Tap wired 347V 5T =5-Tap	120V =120V 208V =208V 240V =240V 277V =277V 347V =347V 480V =480V	F1 =Single Fuse (120, 277 or 347V only) F2 =Double Fuse (208, 240 or 480V only) FILT =Sintered Bronze filter (Sintered bronze filter prevents the entrance of contaminants) LL =Lamp Included G =Tempered Flat Glass Lens (Clear) MOV =Lighting Surge Protector PC =Button Type Photocontrol PER =NEMA Twistlock Photocontrol Receptacle
Standard Color	Accessories (Order Separately)						
AP =Grey BK =Black WH =White	OA/RA1016 =NEMA Twistlock Photocontrol - Multi-Tap OA/RA1027 =NEMA Twistlock Photocontrol - 480V OA/RA1201 =NEMA Twistlock Photocontrol - 347V OA1153 =External Cutoff Shield (EPA 0.90)						

NOTES: 1. Not all options and configurations are compatible and restrictions may apply. Reference specification sheet for additional details.



FEATURES

- Die-cast aluminum housing, cover and door
- Tempered convex glass lens; clear flat glass lens optional
- Hinged and latched door for easy maintenance
- Anodized, spun-aluminum reflector housing
- 360° field-rotatable optical assembly
- Vertical lamp position
- Choice of three optical distributions
- Clamp-type slipfitter fits 2-3/8" O.D. pipe
- NEMA twistlock receptacle or button-type photocontrol

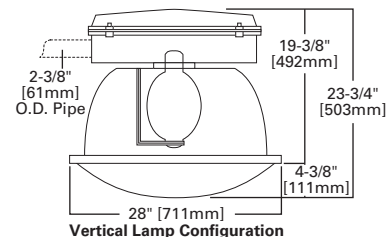
EPA: 1.46

Compliances may not apply to all product configurations. Please consult the product spec sheet for compliance details.

COMPLIANCES: UL Listed, CSA Listed - Wet Location, 40°C Ambient Temperature Rating, EISA Compliant



MX HIGH MAST INDUSTRIAL AREA LUMINAIRE



Vertical Lamp Configuration

ORDERING INFORMATION

SAMPLE NUMBER: MPMX-C-M-400-120V

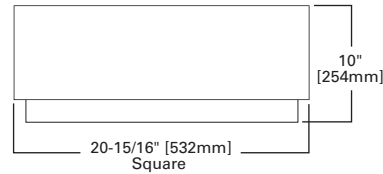
Lamp Type	Series	Optics	Distribution	Lamp Wattage	Voltage	Options (Add as Suffix) ¹	
HP =High Pressure Sodium MH =Metal Halide MP =Pulse Start Metal Halide	MX=High Mast	C =Flat Glass D =Convex Glass N =Open	M =Type V Medium S =Type V Short W =Type V Wide	HP 400=400W 600=600W 750=750W 1000=1000W MH 400=400W 1000=1000W	MP 400=400W 450=450W 750=750W 1000=1000W MT =Multi-Tap wired 277V TT =Triple-Tap wired 347V 5T =5-Tap	120V =120V 208V =208V 240V =240V 277V =277V 347V =347V 480V =480V	F1 =Single Fuse (120, 277 or 347V only) F2 =Double Fuse (208, 240 or 480V only) FILT =Sintered Bronze filter (Sintered bronze filter prevents the entrance of contaminants) LL =Lamp Included MOV =Lighting Surge Protector PC =Button Type Photocontrol PER =NEMA Twistlock Photocontrol Receptacle
Standard Color	Accessories (Order Separately)						
AP =Grey BK =Black WH =White	OA/RA1016 =NEMA Twistlock Photocontrol - Multi-Tap OA/RA1027 =NEMA Twistlock Photocontrol - 480V OA/RA1201 =NEMA Twistlock Photocontrol - 347V OA1153 =External Cutoff Shield (0.90 EPA)						

NOTES: 1. Not all options and configurations are compatible and restrictions may apply. Reference specification sheet for additional details.

Specifications and dimensions subject to change without notice. Consult your Cooper Lighting Representative or visit www.cooperlighting.com for available options, accessories and ordering information.

FEATURES

- CL has heavy-gauge aluminum and welded corners for heat dissipation
- CS has durable, steel-welded construction
- Weather and abrasion-resistant, white polyester, powder-coat finish
- Full-gasket door frame seals out contaminants
- High power factor ballast with class H insulation
- Injection-molded prismatic lens with white reflective internal surface
- Hinged door provides easy access for maintenance and relamping
- Removable door for easy installation



CL, CS CANOPY LIGHT

Compliances may not apply to all product configurations. Please consult the product spec sheet for compliance details.

COMPLIANCES: UL Listed - Wet Location, CSA Listed, EISA Compliant

**ORDERING INFORMATION**

SAMPLE NUMBER: MPCL-400-MT-Q

Lamp Type	Series	Lamp Wattage ¹			Voltage	Options (Add as Suffix) ²
HP =High Pressure Sodium MH =Metal Halide MP =Pulse Start Metal Halide	CL =Canopy Light (Aluminum housing) CS =Canopy Light (Steel housing)	HP 100 =100W 150 =150W 250 =250W 400 =400W	MH 175 =175W 250 =250W 400 =400W	MP 100 =100W 150 =150W 200 =200W 250 =250W 320 =320W 350 =350W 400 =400W	120V =120V 208V =208V 240V =240V 277V =277V 347V =347V 480V =480V MT =Multi-Tap TT =Triple-Tap wired 347V	EM =Quartz Restrike with "Delay Relay" (Quartz lamp strikes at both hot and cold starts) F1 =Single Fuse (120, 277 or 347V only) F2 =Double Fuse (208, 240 or 480V only) LL =Lamp Included C73 =Flat Prismatic Tempered Glass Lens POM =Position Oriented Socket Q =Quartz Restrike (Hot strike only)

NOTES: 1. All lamps are mogul-base except 150W metal halide and below are medium-base. Lamp not included. 2. Not all options and configurations are compatible and restrictions may apply. Reference specification sheet for additional details.

STOCK ORDERING INFORMATION

SAMPLE NUMBER: MPCL-400H-MT-LL

Lamp Type	Series ¹	Lamp Wattage	Voltage	Options (Add as Suffix) ²
MP =Pulse Start Metal Halide	CL =Canopy Light (Aluminum housing)	150 =150W 250 =250W 320 =320W ² 400 =400W ²	MT =Multi-Tap wired 277V	LL =Lamp Included

NOTES: 1. Standard multi-tap. Options not available with stock product. Refer to standard order information to add options. Refer to Stock guide for availability. Lamp included. 2. Available without lamp MPCL-320-MT or MPCL-400-MT.

New Products Section

Featuring the newest Lumark products launched since April 2012.



FLOODLIGHTING

WALL MOUNT

AREA - SITE

PARKING GARAGE



Crosstour LED
Floodlight Kit
Page 15-61



Crosstour MAXX LED
Page 15-62



NAV Navion
Page 15-63



Trailmaster
Page 15-64



Caretaker LED
Area Luminaire
Page 15-66



Quadcast LED
Page 15-65



FEATURES

- Universal, knuckle (KNC) or trunnion (TRN) floodlighting kit
- Patent pending, floodlighting kit attaches to Crosstour back box
- Die-cast aluminum, knuckle base has tooth-lock adjustment
- Heavy duty steel, trunnion base utilizes interlocking slide adjustment
- Visual 15 degree adjustment indicators allow for 180 degree rotation
- 3G vibration rated
- Includes KNC or TRN base, small and large visors and impact shields
- Offered in carbon bronze or summit white finish
- Mounts to 10W/20W/30W Crosstour Wall Pack [luminaire sold separately]

Compliances may not apply to all product configurations. Please consult the product spec sheet for compliance details.

COMPLIANCES: UL/cUL Listed - Wet Location, IP66 Rated, 2G Vibration Tested

**CROSSTOUR™
LED FLOODLIGHT
KIT**



STOCK ORDERING INFORMATION

SAMPLE NUMBER: XTORFLD-KNC

Series¹

Knuckle Mount Floodlighting Kit

XTORFLD-KNC=Carbon Bronze Knuckle Base with Locking Nut, Small and Large Top Visors and Impact Shields

XTORFLD-KNC-WHT=Summit White Knuckle Base with Locking Nut, Small and Large Top Visors and Impact Shields

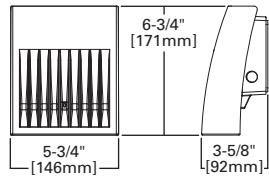
Trunnion Mount Floodlighting Kit

XTORFLD-TRN=Carbon Bronze Trunnion Base with 12" Wet Location SOOW Cord, Small and Large Top Visors and Impact Shields

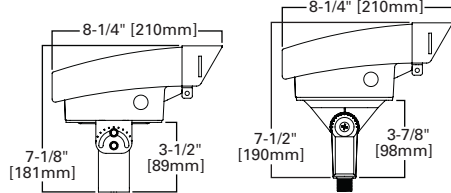
XTORFLD-TRN-WHT=Summit White Trunnion Base with 12" Wet Location SOOW Cord, Small and Large Top Visors and Impact Shields

NOTES: 1. Mounts to 10W/20W/30W Crosstour Wall Pack (luminaire sold separately).

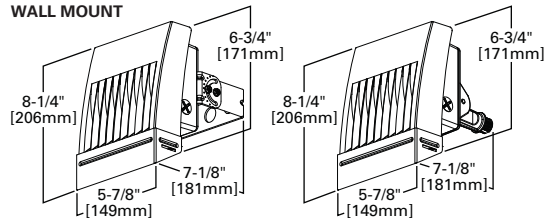
SMALL (10W and 20W)



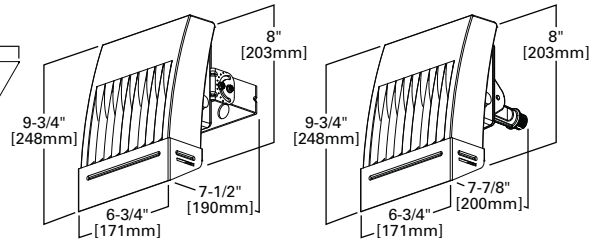
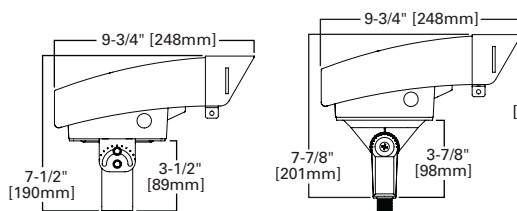
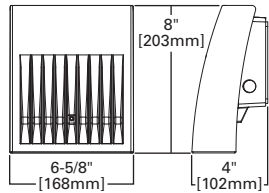
GROUND MOUNT



WALL MOUNT



LARGE (30W)



ALTERNATE PRODUCTS



Trunnion Mount



Crosstour LED

Specifications and dimensions subject to change without notice. Consult your Cooper Lighting Representative or visit www.cooperlighting.com for available options, accessories and ordering information.

FEATURES

- Wall, inverted or pole mount. Energy saving replacement up to 400W HID
- Patent pending, heavy-duty construction, maximum LED performance
- Die-cast aluminum, low-profile design with hinged removable door
- 50W and 85W full cutoff and refractive lens models
- Sealed LED optical chamber with 5000K or 3500K (CCT) LEDs.
- Rated for -40°C to 40°C. High ambient 50°C available
- Options include pole mount arm, dimming, occupancy sensors
- Emergency egress battery pack
- Five-year warranty



**CROSSTOUR™
MAXX LED WALL
PACK/AREA SITE
LUMINAIRE**

Compliances may not apply to all product configurations. Please consult the product spec sheet for compliance details.

COMPLIANCES: UL/cUL Listed - Wet Location, LM79 and/or LM80 Tested, RoHS Compliant, ARRA Compliant, NOM Certified, 3G Vibration Tested, UL924 Listed, IP66 Rated, Lighting Facts Registered, DLC Qualified

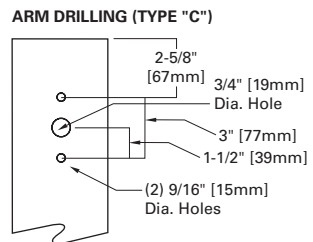
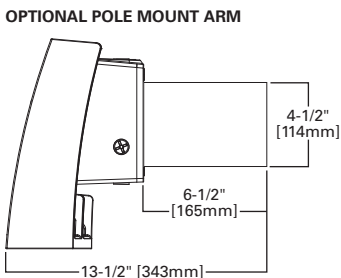
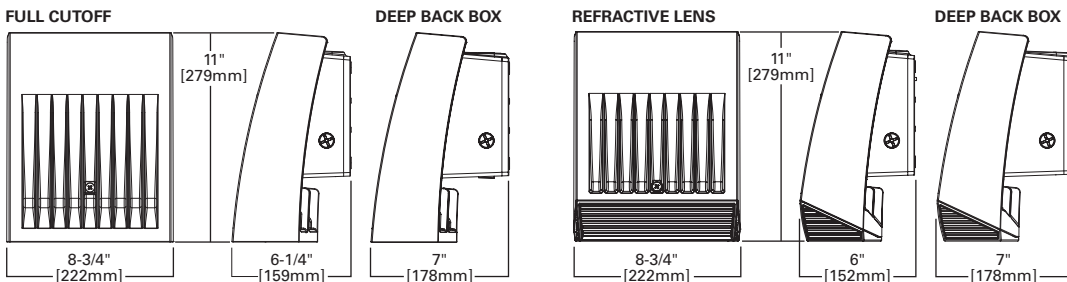


ORDERING INFORMATION

SAMPLE NUMBER: XTOR5A-N-WT-PC1

Series ¹	LED Kelvin Color	Housing Color
XTOR5A =Full Cutoff, 50W XTOR5ARL =Refractive Lens, 50W XTOR9A =Full Cutoff, 85W XTOR9ARL =Refractive Lens, 85W	[Blank] =Bright White (Standard), 5000K N =Neutral Warm White, 3500K	[Blank] =Carbon Bronze (Standard) WT =Summit White
Options (Add as Suffix)	Accessories (Order Separately)	
347V =347V ^{2,3,4} 480V =480V ^{2,3,4} CBP =Cold Weather Battery Pack ^{2,3,5,6} DIM =0-10V Dimming Driver ² HA =50°C High Ambient ⁷ MS-L20 =Motion Sensor for On/Off Operation ^{2,3,8,9} MS/DIM-L20 =Motion Sensor for Dimming Operation ^{2,3,5,8,9,10} PC1 =Photocontrol 120V PC2 =Photocontrol 208-277V ¹¹ PMA =Pole Mount Arm (C Drilling) with Round Adapter ³	VA1033-XX =Single Tenon Adapter for 2-3/8" O.D. Tenon ¹² VA1034-XX =2 at 180° Tenon Adapter for 2-3/8" O.D. Tenon ¹² VA1035-XX =3 at 120° Tenon Adapter for 2-3/8" O.D. Tenon ¹² VA1036-XX =4 at 90° Tenon Adapter for 2-3/8" O.D. Tenon ¹² VA1037-XX =2 at 90° Tenon Adapter for 2-3/8" O.D. Tenon ¹² VA1038-XX =3 at 90° Tenon Adapter for 2-3/8" O.D. Tenon ¹² VA1039-XX =2 at 120° Tenon Adapter for 2-3/8" O.D. Tenon ¹² VA1040-XX =Single Tenon Adapter for 3-1/2" O.D. Tenon ¹² VA1041-XX =2 at 180° Tenon Adapter for 3-1/2" O.D. Tenon ¹²	VA1042-XX =3 at 120° Tenon Adapter for 3-1/2" O.D. Tenon ¹² VA1043-XX =4 at 90° Tenon Adapter for 3-1/2" O.D. Tenon ¹² VA1044-XX =2 at 90° Tenon Adapter for 3-1/2" O.D. Tenon ¹² VA1045-XX =3 at 90° Tenon Adapter for 3-1/2" O.D. Tenon ¹² VA1046-XX =2 at 120° Tenon Adapter for 3-1/2" O.D. Tenon ¹² WG-XTORMX =Crosstour MAXX Wire Guard PB120V =Field Installed 120V, Photocontrol PB277V BUTTON PC =Field Installed 208-277V, Photocontrol ¹¹

NOTES: 1. DesignLights™ Consortium Qualified. Refer to www.designlights.org qualified products list under family models for details. 2. Not available with HA option. 3. Deep back box is standard for 347V, 480V, CBP, PMA, MS-L20 and MS/DIM-L20. 4. Not available with CBP option. 5. 120 or 277V only. 6. Operating temperatures -20°C to 25°C. 7. Thru-branch wiring not available with HA option or with 347V. 8. For use in downlight orientation only. Optimal coverage at mounting heights of 9'-20'. 9. Includes integral photo sensor. 10. Factory set to 50% power reduction after 15 minutes of inactivity. Dimming driver included. 11. Use PC2 with 347V or 480V option for photocontrol. Factory wired to 208-277V lead. 12. Replace "XX" with CB for carbon bronze or WT for summit white.



ALTERNATE PRODUCTS



Refractive Lens Pole Mount

Specifications and dimensions subject to change without notice. Consult your Cooper Lighting Representative or visit www.cooperlighting.com for available options, accessories and ordering information.



FEATURES

- Tool-less entry; hinged removable power door for easy maintenance
- Rugged die-cast aluminum construction
- -40°C to 40°C operating range
- L90 60,000 hours at 40°C
- 3G vibration rated
- IP66 rated LED panels
- Five-year warranty

Compliances may not apply to all product configurations. Please consult the product spec sheet for compliance details.

COMPLIANCES: UL/cUL Listed - Wet Location, 3G Vibration Rated, ARRA Compliant, RoHS Compliant

NAV NAVION™



ORDERING INFORMATION

SAMPLE NUMBER: NAV-AA-01-E-UNV-T3-10K-AI-AP

Product Family	Light Engine	Number of LED Light Panel Squares ¹	Driver	Voltage	Distribution
NAV=Navion Roadway Luminaire	AA=1A, UL Class 2	01=1 02=2 03=3 04=4 06=6	E=Non-Dimming D=Dimming	347=347V 480=480V UNV=Universal 120-277V	T2=Type II T3=Type III T4=Type IV SL2=Type II with Spill Control SL3=Type III with Spill Control SL4=Type IV with Spill Control 5MQ=Type V Square Medium 5WQ=Type V Square Wide 5XQ=Type V Square Extra Wide RW=Rectangular Wide
Surge Protection		Options (Add as Suffix)			Color
10K=Cooper 10kV Surge Module (Standard) X=Driver Surge Protection Only ²		AI=Arm Included ³ PER=NEMA Twistlock Photocontrol Receptacle K=Level Indicator 2L=Two Circuits ⁴ IP66=IP66 Rated HA=50°C High Ambient LCF=Light Square Cover Plate Matches Housing Color 7060=70 CRI 6000K ⁵	8030=80 CRI 3000K ⁵ MS-L08=On/Off Motion Sensor, Max 8' Mounting Height ⁶ MS-L20=On/Off Motion Sensor, 9' - 20' Mounting Height ⁶ MS-L40=On/Off Motion Sensor, 21' - 40' Mounting Height ⁶ MS/X-L08=Bi-Level Motion Sensor, Max 8' Mounting Height ⁷ MS/X-L20=Bi-Level Motion Sensor, 9' - 20' Mounting Height ⁷ MS/X-L40=Bi-Level Motion Sensor, 21' - 40' Mounting Height ⁷		AP=Grey (Standard) BK=Black BZ=Bronze DP=Dark Platinum GM=Graphite Metallic WH=White

Accessories (Order Separately)

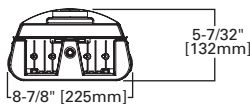
MA1010-XX=Single Tenon Adapter for 3-1/2" O.D. Tenon
MA1011-XX=2 at 180° Tenon Adapter for 3-1/2" O.D. Tenon
MA1012-XX=3 at 120° Tenon Adapter for 3-1/2" O.D. Tenon
MA1013-XX=4 at 90° Tenon Adapter for 3-1/2" O.D. Tenon
MA1014-XX=2 at 90° Tenon Adapter for 3-1/2" O.D. Tenon
MA1015-XX=2 at 120° Tenon Adapter for 3-1/2" O.D. Tenon
MA1016-XX=3 at 90° Tenon Adapter for 3-1/2" O.D. Tenon

MA1017-XX=Single Tenon Adapter for 2-3/8" O.D. Tenon
MA1018-XX=2 at 180° Tenon Adapter for 2-3/8" O.D. Tenon
MA1019-XX=3 at 120° Tenon Adapter for 2-3/8" O.D. Tenon
MA1045-XX=4 at 90° Tenon Adapter for 2-3/8" O.D. Tenon
MA1048-XX=2 at 90° Tenon Adapter for 2-3/8" O.D. Tenon
MA1049-XX=3 at 90° Tenon Adapter for 2-3/8" O.D. Tenon

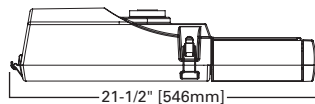
OA1223=10kV Surge Module Replacement
OA/RA1013=Photocontrol Shorting Cap
OA/RA1014=NEMA Photocontrol - 120V
OA/RA1016=NEMA Photocontrol - Multi-Tap
OA/RA1027=NEMA Photocontrol - 480V
OA/RA1201=NEMA Twistlock Photocontrol - 347V

NOTES: 1. Standard 4000K CCT and nominal 70 CRI. 2. Consult factory for driver surge protection values. 3. 22" upsweep arm. Round pole adapter and mounting hardware included, "M" drill pattern. 4. Low-level output varies by number of light squares specified. Consult factory. Requires 2 or more light squares. No terminal block with 2L option. 5. Consult factory for lead time and lumen multiplier. 6. Sensor mounted internally for 1, 2, 4, and 6 light squares configurations. Sensor mounted externally 3 light square configurations. Consult factory for additional information. 7. Sensor mounted internally for 1, 2, 4, and 6 light square configurations. Sensor mounted externally 3 light square configurations. Factory set to 50% dimming of light output of all squares after 5 minutes of inactivity. Available with "D" dimming driver only. Consult factory for additional information.

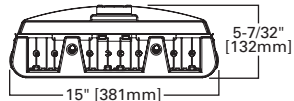
1, 2 or 3 Light Squares



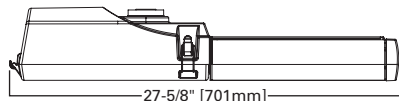
1 Light Square



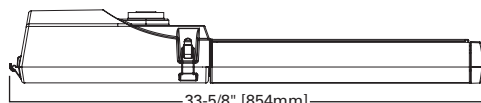
4 or 6 Light Squares



2 or 4 Light Squares



3 or 6 Light Squares



Specifications and dimensions subject to change without notice. Consult your Cooper Lighting Representative or visit www.cooperlighting.com for available options, accessories and ordering information.

FEATURES

- Rugged die-cast aluminum construction
- Tool-less entry; hinged removable power door for easy maintenance
- Two-bolt mounting with cast-in +/- 2.5° leveling steps and bird guard
- 17-1/4" Aluminum mounting arm and hardware included
- NEMA twistlock photocontrol for automatic dusk-to-dawn operation
- Suitable for operation in -40°C to 40°C environments
- IP66 rated AccuLED Optics light square
- Standard voltage 120-277V, 50/60Hz
- Five-year warranty

Compliances may not apply to all product configurations. Please consult the product spec sheet for compliance details.

COMPLIANCES: UL/cUL Listed - Wet Location, LM79 and/or LM80 Tested, RoHS Compliant, DLC Qualified, Lighting Facts Registered, ARRA Compliant, 3G Vibration Rated



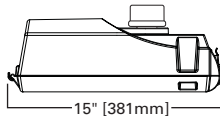
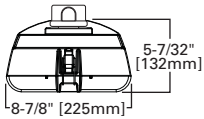
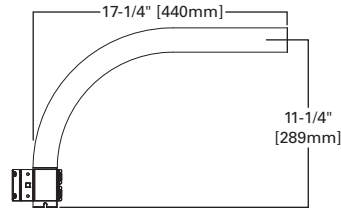
**TRAILMASTER™
DUSK-TO-DAWN/
SITE/ROADWAY
LUMINAIRE**

STOCK ORDERING INFORMATION

SAMPLE NUMBER: TMSRX1A

Series

TMSRX1A=53W, 120-277V, Grey, 4000K, NEMA Photocontrol Arm Mount Luminaire

**MOUNTING BRACKET**

Lower Mainland Locations

Burnaby
3935 2nd Avenue
Burnaby, BC V5C 3W9
Tel: 604-292-4800

Langley
#101 - 20550 Duncan Way
Langley, BC V3A 7A3
Tel: 604-533-1275

Richmond
12360 Vickers Way
Richmond, BC V6V 1H9
Tel: 604-273-1981

Surrey
13055 80th Avenue
Surrey, BC V3W 3B1
Tel: 604-596-7111

Island Locations

Campbell River
1030 B - 9th Avenue
Campbell River, BC V9W 4C2
Tel: 250-287-9265

Courtenay
2615 Moray Place
Courtenay, BC V9N 8A9
Tel: 250-334-0338

Duncan
5286 Polkey Road
Duncan, BC V9L 6W3
Tel: 250-748-3377

Parksville
#105 - 425 E. Stanford Avenue
Parksville, BC V9P 2N4
Tel: 250-954-1797

Interior Locations

Cranbrook
Unit A #800 Industrial Road. #2
Cranbrook, BC V1C 4C9
Tel: 250-489-4591

Kamloops
B-983 Camosun Crescent
Kamloops, BC V2C 6G1
Tel: 250-374-3191

Penticton
401 Okanagan Avenue
Penticton, BC V2A 3K1
Tel: 250-492-4032

Vernon
5203 24th Street
Vernon, BC V1T 8X7
Tel: 250-545-2191

Williams Lake
527 S. MacKenzie Avenue
Williams Lake, BC V2G 1C8
Tel: 250-392-7795

Alberta Locations

Unit 9, 7223 68 Avenue,
Edmonton, Alberta T6B 3T6

Northern Locations

Dawson Creek
1101 97th Avenue
Dawson Creek, BC V1G 1N5
Tel: 250-782-4896

Fort Nelson
PO Box 3266 - 5016 48th Avenue
Fort Nelson, BC V0C 1R0
Tel: 250-233-8570

Kitimat
622 Commercial Avenue
Kitimat, BC V8C 2C5
Tel: 250-632-3774

Prince George
2255 S. Quinn Street
Prince George, BC V2N 2X4
Tel: 250-563-0575

Terrace
5000 Pohle Avenue
Terrace, BC V8G 4S8
Tel: 250-635-6379

Specialty Divisions

Process, Automation &
Controls Group
Tel: 778-545-9916

Projects Group
Tel: 604-596-7111

Data Communications Group
Tel: 778-545-9916

Lighting Specialist
Tel: 778-545-9916



Head Office
19295 25th Avenue
Surrey, BC V3Z 3X1
Tel: 778-545-9916
Fax: 778-545-3099
Toll Free: 1-888-467-7626

Visit our

You Tube Channel

www.youtube.com/user/ebhorsman

Shop Online



ebhorsman.com



FEATURES

- Patent pending, heavy-duty, low-profile 3.5", two-piece steel housing
- Rotating LED light panels with integral locking feature
- LED panels rotate from 0° to 150°. Anodized aluminum construction
- Easy to install quick-mount bracket system allows for free-hand wiring
- Universal mounting plate mounts to 1 or 2 gang and 4" round j-boxes
- Gasketed housing, silicone-sealed optical LED lens, 4000K (CCT)
- 120V-277V and 347V models available
- Energy saving replacement for HID, fluorescent and induction sources
- Five-year warranty

Compliances may not apply to all product configurations. Please consult the product spec sheet for compliance details.

COMPLIANCES: UL/cUL Listed - Wet Location, IP66 Rated, 3G Vibration Rated, DLC Qualified, RoHS Compliant, Lighting Facts Registered, LM79 and/or LM80 Tested

QUADCAST™ LED PARKING GARAGE AND CANOPY LUMINAIRE



STOCK ORDERING INFORMATION

SAMPLE NUMBER: QDCAST1A

Series	Accessories (Order Separately)
QDCAST1A =LED Parking/Garage/Canopy Luminaire, Concrete Grey with Four Integral Locking Light Panels and Quick-Mount Bracket System, 120-277V, 50/60Hz	QDPBG =Quadcast 6" Pendant Bird Guard
QDCAST1A-OCC =LED Parking/Garage/Canopy Luminaire, Concrete Grey with Four Integral Locking Light Panels and Quick-Mount Bracket System, 120-277V, 50/60Hz. Includes Integral On/Off Occupancy Sensor and Photocontrol	QDOCC =Quadcast Photocontrol and Occupancy Sensor (on/off operation) ¹
QDCAST1A-347 =LED Parking/Garage/Canopy Luminaire, Concrete Grey with Four Integral Locking Light Panels and Quick-Mount Bracket System, 347V, 60Hz	
QDCAST1A-347V-OCC =LED Parking/Garage/Canopy Luminaire, Concrete Grey with Four Integral Locking Light Panels and Quick-Mount Bracket System, 347V, 60Hz. Includes Integral On/Off Occupancy Sensor and Photocontrol	

NOTES: 1. QDOCC is supplied standard on QDCASTA-OCC and QDCAST1A-347V-OCC.

