



# Contempo LED Series 245L

## PRODUCT OVERVIEW

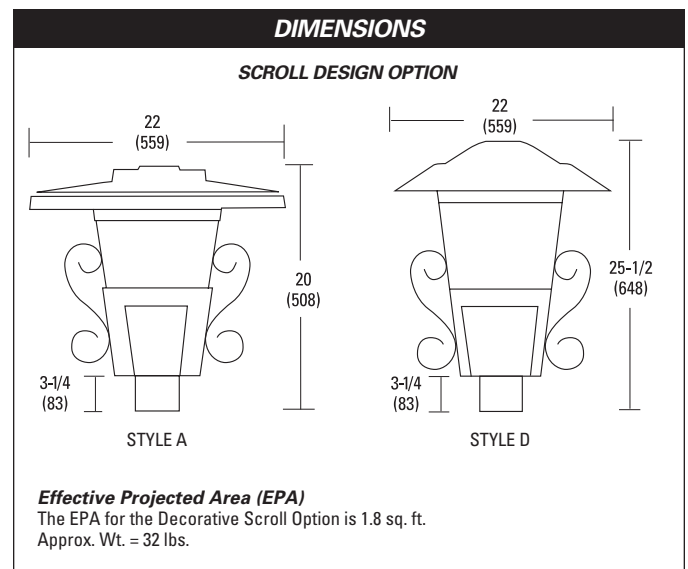
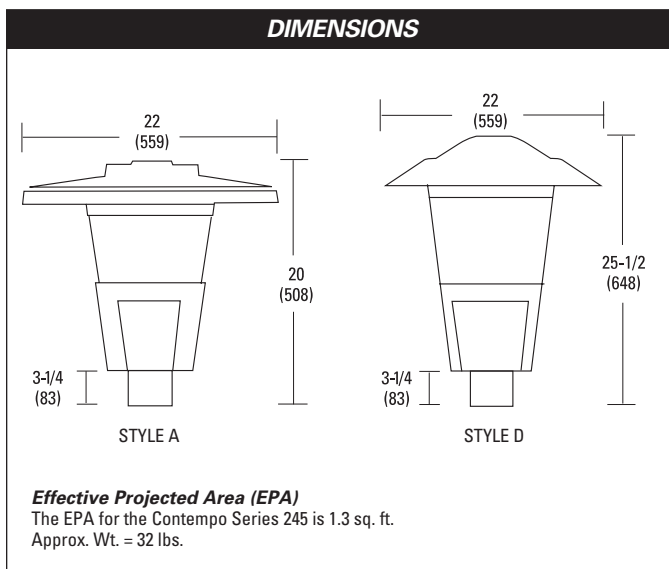


### Applications:

- Streetscapes
- Walkways
- Pathways
- Parks

### Features:

- Die-cast aluminum housing and spun aluminum hood for long-life performance
- Optical assembly designed for maximum performance, available in Type II, Type III and Type V
- Multi-gasketing to provide weatherproof protection of optical assembly for full illumination performance
- Hinged hood and captive screw latching provision afford quick, easy access to electrical and optical area for servicing
- Available with two different style hoods and an added scroll option for a more decorative look
- Cone mounting fitter with three set screws allows secure installation to pole sizes 2-3/8" or 3" O.D.
- Prismatic reflectors available in acrylic, glass and polycarbonate
- Rain pattern lens available in acrylic or polycarbonate
- Surge protection device (standard) exceeds ANSI C62.41 Category C1 criteria (surge tested at 10kV/5kA)
- Complies with ANSI: C136.2, C136.10, C136.15
- CSA listed and suitable for up to 30°C ambient
- Rated L70, LED life greater than 100,000 hours at 25°C
- Replaces up to 150W HPS light source incumbent models
- LED electronic 0V-10V dimmable driver
- DesignLights Consortium® (DLC) qualified product. Not all versions of this product may be DLC qualified. Please check the DLC Qualified Products List at [www.designlights.org/QPL](http://www.designlights.org/QPL) to confirm which versions are qualified.



All dimensions are inches (millimeters) unless otherwise noted.

# Contempo LED

## Series 245L

### ORDERING INFORMATION

**Example:** 245L 20LEDE70 MVOLT 4K R2 RNA

Series	Performance Package	Voltage	Color Temperature (CCT)
245L Contempo LED	<b>20LEDE10</b> 20 Chips, 1050 mA Driver, 71 input watts <b>20LEDE70</b> 20 Chips, 700 mA Driver, 44 input watts <b>10LEDE10</b> 10 Chips, 1050 mA Driver, 38 input watts <b>10LEDE70</b> 10 Chips, 700 mA Driver, 26 input watts <b>10LEDE53</b> 10 Chips, 525 mA Driver, 19 input watts <b>10LEDE35</b> 10 Chips, 350 mA Driver, 13 input watts	<b>MVOLT</b> Multi-volt, 120-277V <b>347</b> 347V <b>480</b> 480V	<b>3K</b> 3000K <b>4K</b> 4000K <b>5K</b> 5000K

Distribution	Optics	Options	
<b>R2</b> Type II <b>R3</b> Type III <b>R5</b> Type V	<b>GL<sup>1</sup></b> Glass <b>AY<sup>2</sup></b> Acrylic <b>PY<sup>2</sup></b> Polycarbonate <b>RNA</b> Rain Pattern Acrylic <b>RNP</b> Rain Pattern Polycarbonate	<u>Paint<sup>3</sup></u> <b>(blank)</b> Gray (standard) <b>BK</b> Black <b>DDB</b> Dark Bronze <b>WH</b> White <b>BZ</b> Bronze  <u>Photocontrol</u> <b>(blank)</b> 3 pin NEMA Photocontrol Receptacle (standard) <b>NR<sup>4</sup></b> No Photocontrol Receptacle <b>P5</b> 5 pin NEMA Photocontrol Receptacle (dimnable driver included) <b>P7</b> 7 pin NEMA Photocontrol Receptacle (dimnable driver included) <b>PCLL<sup>5,6</sup></b> Solid State Long Life Photocontrol <b>PCSS<sup>5,6,7</sup></b> Not CSA Listed Solid State Long Life Photocontrol (120-277V)	<u>Hood Style</u> <b>(blank)</b> Style A <b>SD</b> Style D  <u>Miscellaneous</u> <b>SS</b> Stainless steel hardware <b>NL</b> NEMA Label <b>XL</b> Not CSA Listed <b>SH</b> Shorting Cap <b>SHX<sup>7</sup></b> Not CSA Listed Shorting Cap <b>DD<sup>8</sup></b> Decorative scroll design <b>CR</b> Enhanced Corrosion Resistant Finish <b>HSS</b> House Side Shield <b>JP</b> Job/Bulk Packaging, double-stacked with 728 units/trailer
		<b>Notes:</b> 1. Available in R3 & R5 only 2. Available in R2 & R5 only 3. Other colors available, please contact factory 4. PC and SH not available with NR option 5. Standard failure mode="Fail On" 6. Photocontrols supplied with ANSI Standard Turn-On levels 7. XL option is required 8. Scroll color must be specified	



AEL Headquarters, 3825 Columbus Road, Granville, OH 43023  
 www.americanelectriclighting.com  
 © 2016 Acuity Brands Lighting, Inc. All Rights Reserved. 03/01/16

**Warranty** Five-year limited warranty. Complete warranty terms located at: [www.acuitybrands.com/CustomerResources/Terms\\_and\\_conditions.aspx](http://www.acuitybrands.com/CustomerResources/Terms_and_conditions.aspx)  
 Actual performance may differ as a result of end-user environment and application. All values are design or typical values, measured under laboratory conditions at 25 °C. Specifications subject to change without notice.

*Please contact your sales representative for the latest product information.*

# Contempo LED

## Series 245L

### OPERATING CHARACTERISTICS

DLC products are listed in **BOLD**.  
Non DLC products are indicated by shaded box.

LED Quantity, mA, CCT	Input Watts	TOTAL LUMENS							
		R2-AY	LPW	R5-AY	LPW	R2-GL	LPW	R5-GL	LPW
20LEDE10 3K	72	4,248	59	4,943	69	4,430	62	4,518	63
20LEDE10 4K	72	4,562	63	5,308	74	4,757	66	4,883	68
20LEDE10 5K	72	4,590	64	6,700	93	4,787	66	4,852	67
20LEDE70 3K	45	3,168	70	3,024	67	3,304	73	3,370	75
20LEDE70 4K	45	3,402	76	4,634	103	3,548	79	3,619	80
20LEDE70 5K	45	3,424	76	4,291	95	3,570	79	4,716	105
10LEDE10 3K	38	2,267	60	2,637	69	2,363	62	2,411	63
10LEDE10 4K	38	2,433	64	2,832	75	2,538	67	2,578	68
10LEDE10 5K	38	2,448	64	2,850	75	2,554	67	2,593	68
10LEDE70 3K	25	1,631	65	1,899	76	1,702	68	1,721	69
10LEDE70 4K	25	1,751	70	2,038	82	1,827	73	1,839	74
10LEDE70 5K	25	1,762	70	2,051	82	1,838	74	1,865	75
10LEDE53 3K	18	1,283	71	1,492	83	1,338	74	1,356	75
10LEDE53 4K	18	1,377	77	1,603	89	1,436	80	1,457	81
10LEDE53 5K	18	1,386	77	1,613	90	1,445	80	1,467	82
10LEDE35 3K	13	886	68	1,032	79	925	71	935	72
10LEDE35 4K	13	952	73	1,108	85	993	76	1,010	78
10LEDE35 5K	13	958	74	1,115	86	999	77	1,016	78

DLC products are listed in **BOLD**.  
Non DLC products are indicated by shaded box.

LED Quantity, mA, CCT	Input Watts	TOTAL LUMENS											
		R2-RNA	LPW	R3-RNA	LPW	R5-RNA	LPW	R2-RNP	LPW	R3-RNP	LPW	R5-RNP	LPW
20LEDE10 3K	72	5,278	73	5,565	77	6,271	87	4,911	68	5,226	73	5,874	82
20LEDE10 4K	72	<b>5,668</b>	79	<b>5,977</b>	83	<b>6,733</b>	94	5,274	73	<b>5,612</b>	78	<b>6,309</b>	88
20LEDE10 5K	72	<b>5,703</b>	79	<b>5,976</b>	83	<b>6,732</b>	94	<b>5,273</b>	73	<b>5,611</b>	78	<b>6,308</b>	88
20LEDE70 3K	45	<b>3,936</b>	87	<b>4,151</b>	92	<b>4,677</b>	104	4,151	92	3,898	87	4,382	97
20LEDE70 4K	45	<b>4,227</b>	94	<b>4,457</b>	99	<b>5,022</b>	112	<b>4,457</b>	99	<b>4,186</b>	93	<b>4,705</b>	105
20LEDE70 5K	45	<b>4,254</b>	95	<b>4,485</b>	100	<b>5,053</b>	112	<b>4,485</b>	100	<b>4,212</b>	94	<b>4,735</b>	105
10LEDE10 3K	38	2,816	74	2,970	78	<b>3,345</b>	88	2,620	69	2,788	73	3,135	83
10LEDE10 4K	38	<b>3,025</b>	80	<b>3,188</b>	84	<b>3,593</b>	95	<b>2,814</b>	74	<b>2,994</b>	79	<b>3,366</b>	89
10LEDE10 5K	38	<b>3,043</b>	80	<b>3,209</b>	84	<b>3,615</b>	95	<b>2,832</b>	75	<b>3,014</b>	79	<b>3,387</b>	89
10LEDE70 3K	25	2,027	81	2,138	86	<b>2,407</b>	96	1,886	75	2,006	80	2,257	90
10LEDE70 4K	25	<b>2,177</b>	87	<b>2,294</b>	92	<b>2,586</b>	103	<b>2,025</b>	81	<b>2,155</b>	86	<b>2,423</b>	97
10LEDE70 5K	25	<b>2,191</b>	88	<b>2,310</b>	92	<b>2,601</b>	104	<b>2,038</b>	82	<b>2,169</b>	87	<b>2,438</b>	98
10LEDE53 3K	18	1,594	89	<b>1,680</b>	93	<b>1,894</b>	105	1,483	82	1,578	88	1,775	99
10LEDE53 4K	18	<b>1,712</b>	95	<b>1,805</b>	100	<b>2,033</b>	113	<b>1,592</b>	88	<b>1,695</b>	94	<b>1,904</b>	106
10LEDE53 5K	18	<b>1,722</b>	96	<b>1,815</b>	101	<b>2,046</b>	114	<b>1,603</b>	89	<b>1,706</b>	95	<b>1,917</b>	107
10LEDE35 3K	13	1,102	85	1,161	89	<b>1,309</b>	101	1,025	79	1,090	84	1,226	94
10LEDE35 4K	13	<b>1,183</b>	91	<b>1,247</b>	96	<b>1,405</b>	108	<b>1,101</b>	85	<b>1,172</b>	90	<b>1,317</b>	101
10LEDE35 5K	13	<b>1,191</b>	92	<b>1,255</b>	97	<b>1,414</b>	109	<b>1,108</b>	85	<b>1,179</b>	91	<b>1,325</b>	102