

GE  
Lighting

# LED Power Supply

Outdoor Dimming Driver GE150/1050/MV-GL  
12161



imagination at work

# Outdoor Dimming Driver

GE150/1050/MV-GL

Description: 150W 0.53/0.7/1.05A Dimmable Class 1 PSU

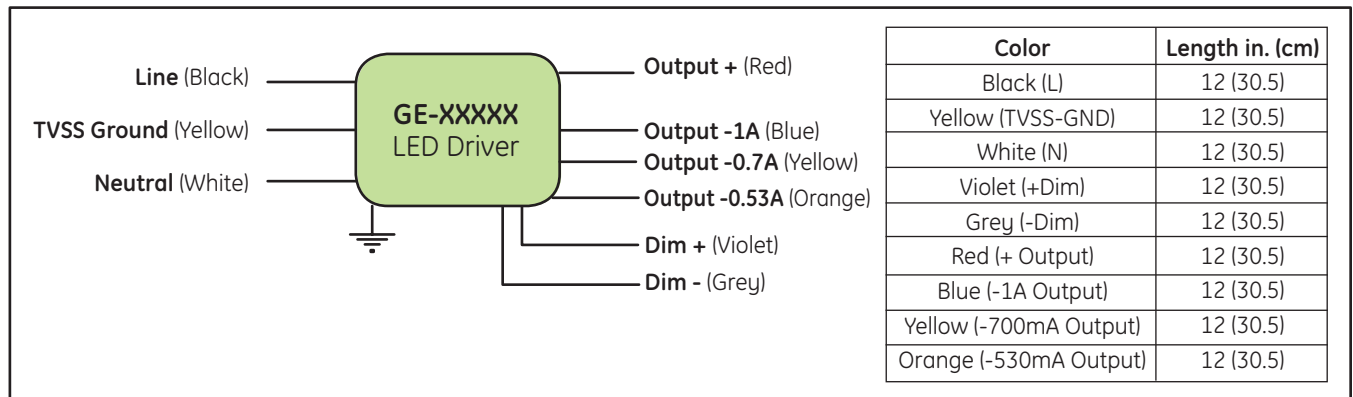
Input Voltage: 120-277V

Input Frequency: 50-60Hz

ROHS Compliant: Yes



Max Output Power (W)	Output Current (A)	Output Voltage (V)	Efficiency @ Full Load			Max Input Current (A)	Max THD @75W Output	Min PF @75W Output	Max Inrush Current (A/mS)	Isolated Dimming			Weight (lbs/kg)	IP Rating
			120V	230V	277V					Protocol Source	Current Range	Dimming Range (%)		
150	0.525 ± 5%	140-280	>91%	>92%	>93%	1.60 @ 120V 0.80 @ 277V	20%	0.9	See Page 4	0-10V	0.5mA	100% - 10%	2.2/1	IP66
	0.700 ± 5%	105-210	>90%	>92%	>92%					0-10V	0.5mA	100% - 10%		
	1.05 ± 5%	70-140	>89%	>91%	>91%					0-10V	0.5mA	100% - 10%		



## Product Features

### Physical

- Unit must be installed within an electrical enclosure.
- Enclosure wiring must be rated to 600V & 105°C or higher.

### Performance

- Classified as Class 1 as per UL8750.
- Dimming circuit is classified as Class 2 as stipulated in UL1310.
- Minimum ambient operating temperature: -40°C.
- Maximum allowable case temperature: 80°C.
- For reliability and failure rate information, contact GE Technical Sales Representative.
- Output current reduces if the case temperature exceeds 85°C.
- UL listed for operation in dry/damp locations (IP66).
- Tolerates of extended open circuit and short circuit conditions.
- Compliant to FCC Title 47 Part 15 Class A
- Surge resistance per IEEE/ANSI C136.2-2015 Location C-Low (6kV/3kA)
- Ground Leakage current of <= 0.4 mA

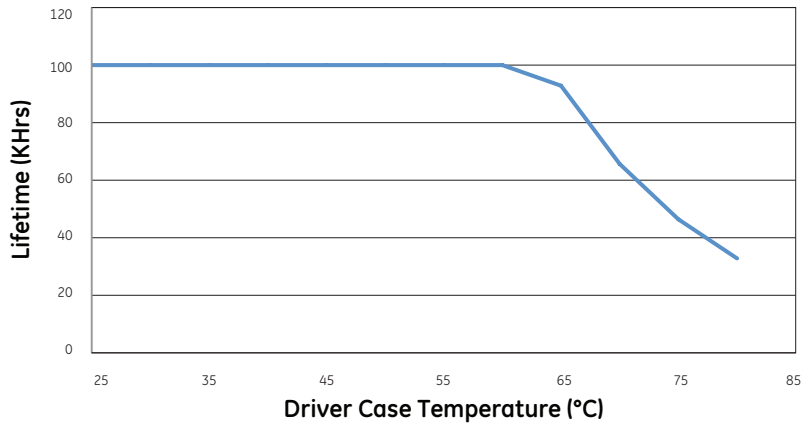
### UL Conditions of Acceptability – E340135

- The unit has been examined to comply with Class 1 Output Criteria
- The unit is only to be used in dry or damp locations
- The metal casing must be connected to EARTH.
- TVSS-GND (Yellow wire) shall be connected to fixture ground after hi-pot test using closest tab screw. THIS IS NOT A SAFETY GROUND!

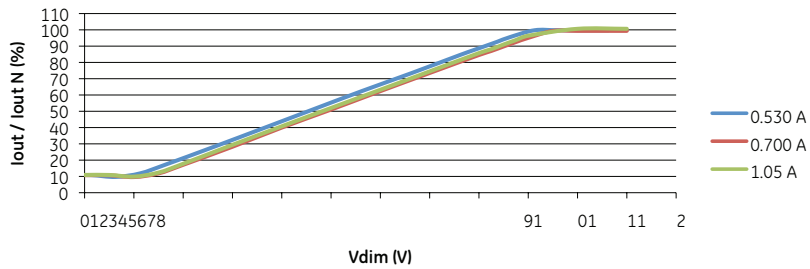
# Technical Information

GE150/1050/MV-GL

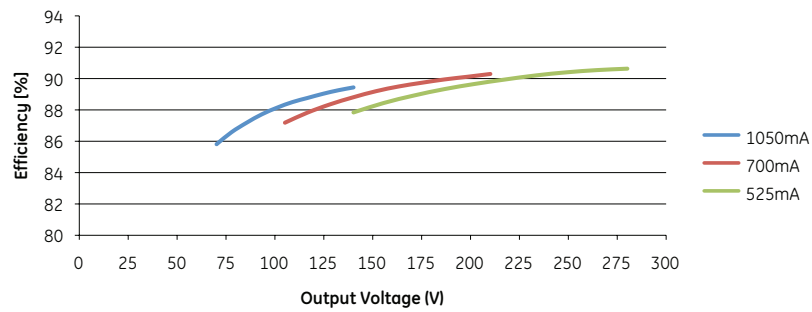
### Lifetime (kHrs) vs Case Temperature (°C)



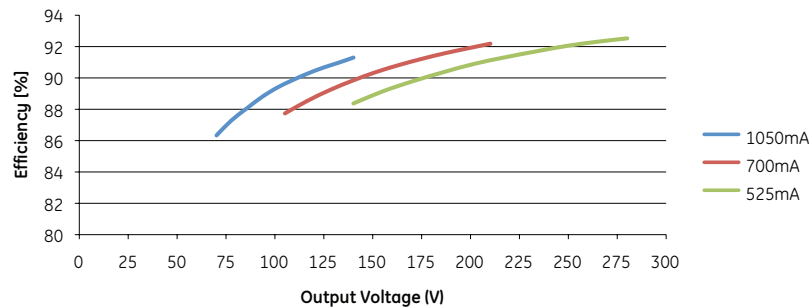
### Output current vs Dim Voltage



### Efficiency vs Output Voltage @ 120V 60Hz



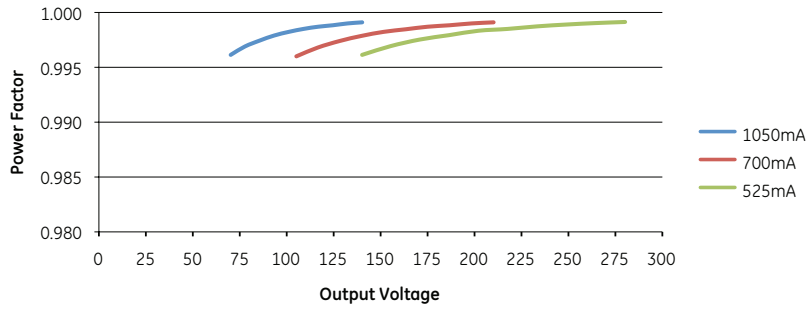
### Efficiency vs Output Voltage @ 277V 60Hz



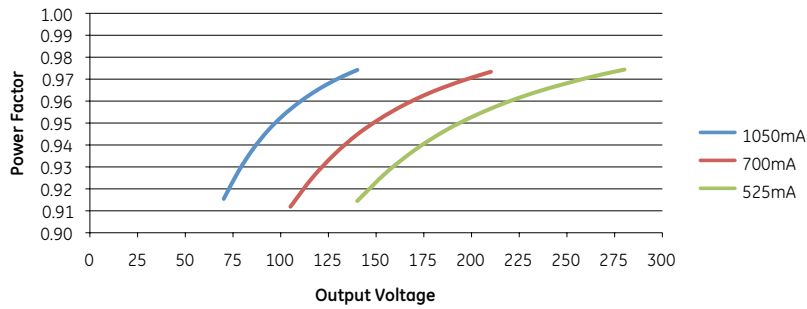
# Technical Information

GE150/1050/MV-GL

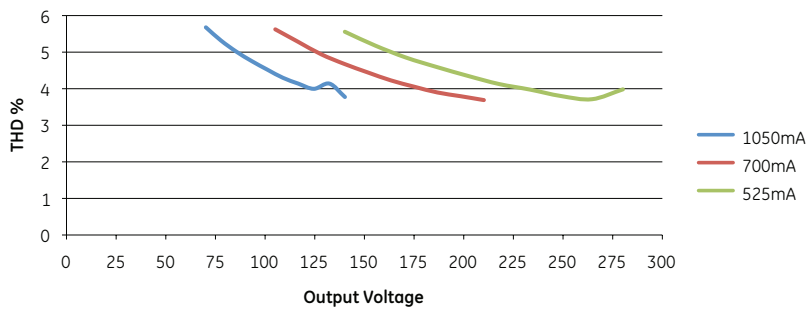
### PF vs Output Voltage @ 120V 60Hz



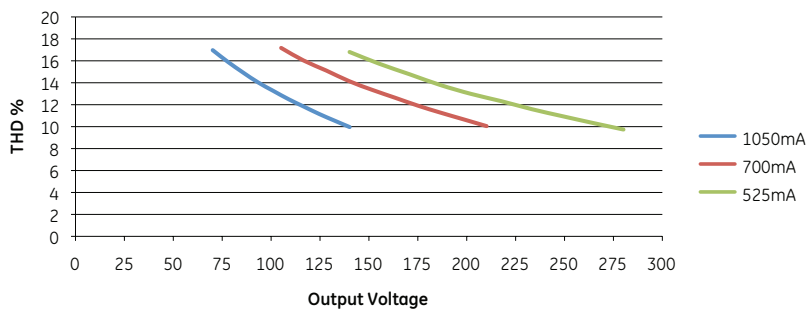
### PF vs Output Voltage @ 277V 60Hz



### THD vs Output Voltage @ 120V 60Hz



### THD vs Output Voltage @ 277V 60Hz



### Input Inrush Current

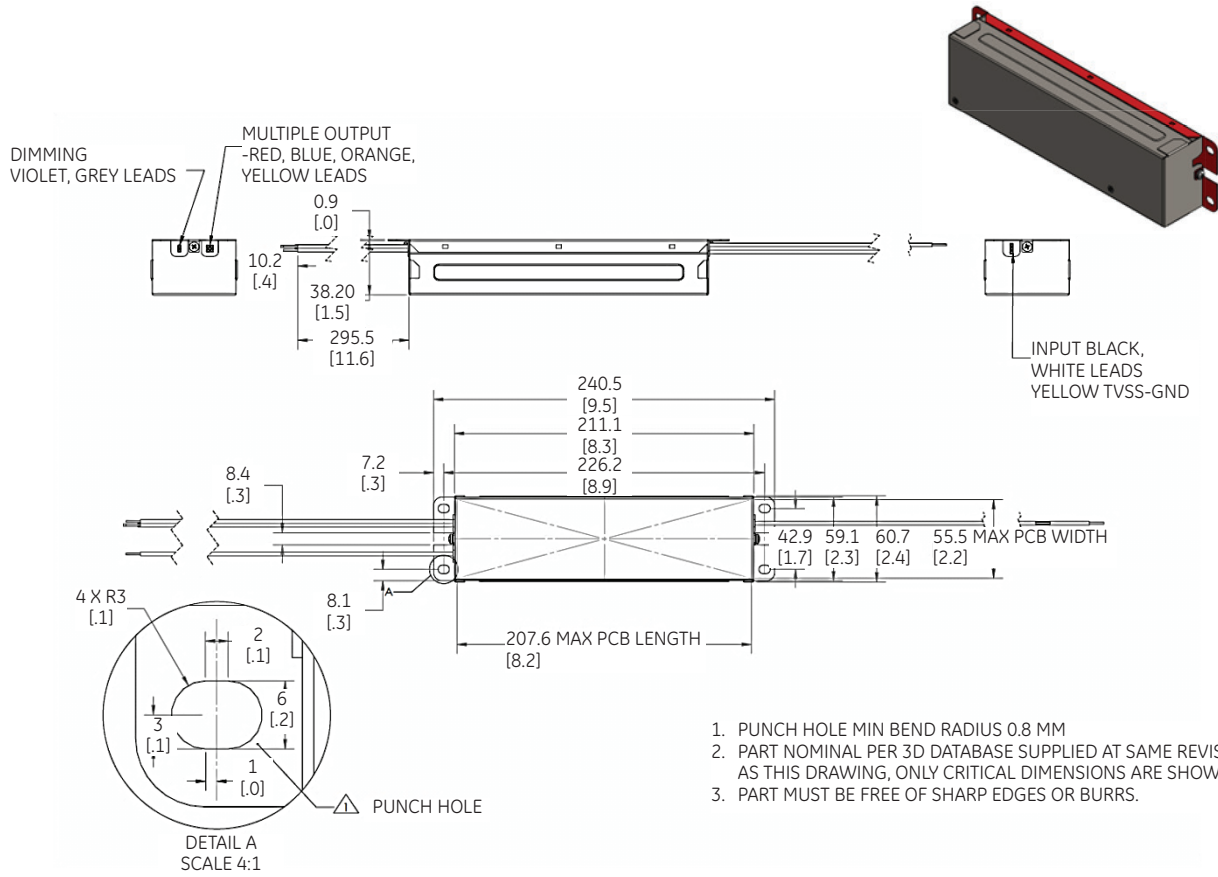
Input Voltage [Vrms]	Peak Current Pulse [Apk]	Pulse Duration (50% of Peak) [ms]
120	31	0.1
277	60	0.1

### Input Ground Leakage Current

Input Voltage [Vrms]	Leakage Current [mA]
<b>S1 ON</b>	<b>S1 Off</b>
120	0.18
208	0.18

# Product Dimensions

GE150/1050/MV-GL



# Product Label

<table border="1"> <tr><td>VIN nom: 120-230-277V~</td></tr> <tr><td>Freq: 50/60Hz</td></tr> <tr><td>Iin max: 1.6A~</td></tr> <tr><td>PF min: 0.9</td></tr> </table>	VIN nom: 120-230-277V~	Freq: 50/60Hz	Iin max: 1.6A~	PF min: 0.9		<p><b>LED POWER SUPPLY</b> <b>G E150/1050/MV-GL</b></p>	<p>Measure 20mm down side</p> <p><math>T_c</math></p>	<table border="1"> <tr><td>VOUT: 70-280V</td></tr> <tr><td>IOUT: 0.53A RED/ORG</td></tr> <tr><td>IOUT: 0.7A RED/YEL</td></tr> <tr><td>IOUT: 1.05A RED/BLU</td></tr> <tr><td>POUT: 150W</td></tr> </table>	VOUT: 70-280V	IOUT: 0.53A RED/ORG	IOUT: 0.7A RED/YEL	IOUT: 1.05A RED/BLU	POUT: 150W
VIN nom: 120-230-277V~													
Freq: 50/60Hz													
Iin max: 1.6A~													
PF min: 0.9													
VOUT: 70-280V													
IOUT: 0.53A RED/ORG													
IOUT: 0.7A RED/YEL													
IOUT: 1.05A RED/BLU													
POUT: 150W													
<p><b>WARNING/ AVERTISSEMENT !</b></p> <p><b>RISK OF ELECTRIC SHOCK</b> Turn power off before servicing. Properly ground power supply and fixture</p> <p><b>RISQUE DE CHOC ÉLECTRIQUE</b> Déconnectez l'alimentation électrique avant d'installer ce produit</p> <p>IMPORTANT: After HiPot test connect TVSS-FGND to fixture using the closest tab screw.</p>	<p>(L) BLACK</p> <p>(TVSS-FGND) YELLOW</p> <p>(N) WHITE</p> <p>CASE MUST BE GROUNDED</p>	<p>(+OUT) RED</p> <p>(-OUT_0.53A) ORANGE</p> <p>(-OUT_0.7A) YELLOW</p> <p>(-OUT_1.05A) BLUE</p> <p>(+DIM) VIOLET</p> <p>(-DIM) GRAY</p>	<ul style="list-style-type: none"> <li>• Suitable for dry and damp locations</li> <li>• <math>t_c = 80^\circ\text{C max}</math></li> </ul>	<table border="1"> <tr><td>VDIM: 0-10V</td></tr> </table>	VDIM: 0-10V								
VDIM: 0-10V													
			<p>S/N: sssss yy ddd PWS009 0</p> <p>Made in China</p>										



www.gelighting.com

GE and the GE Monogram are trademarks of the General Electric Company. All other trademarks are the property of their respective owners. Information provided is subject to change without notice. All values are design or typical values when measured under laboratory conditions. GE Lighting and GE Lighting Solutions, LLC are businesses of the General Electric Company. © 2015 GE.

OLP3063 (Rev 09/30/15)