

# DD Series

## Dusk-To-Dawn

ROADWAY



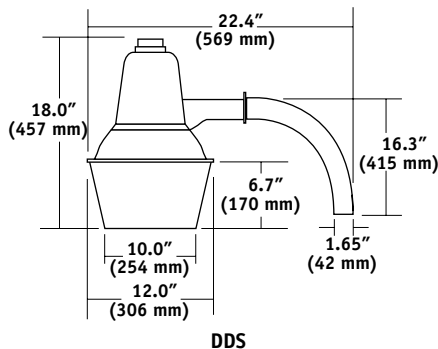
- The DD Series offers H.I.D. and CFL energy savings and safety/security lighting
- The Type V acrylic refractor provides wide, uniform coverage
- Units are designed in distributor or utility versions, see listings below
- Kits include 1 1/4" pipe arm, lamp, 120V photocontrol and mounting hardware, except for DD-70S, which is wall mount as shown
- PSMH and CFL units offer "white" light option; CFL unit is recommended for use in warmer climates; Minimum starting for CFL is 0°F; Nominal light output is at 77°F ambient

### ORDERING INFORMATION

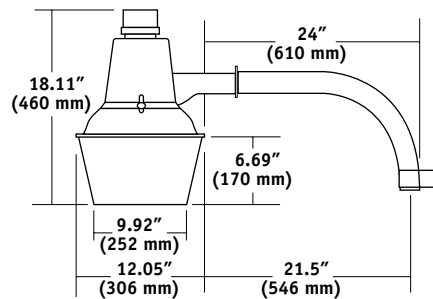
Catalog Number	Wattage	Source	Optic Dia.	Lamp	Weight lbs. (kg)
<b>Distributor kits - 24" curved aluminum arm, UL listed. Screw-on optics</b>					
<b>High Pressure Sodium</b>					
DDS-150S	150	HPS	12"	Med. Clear	5.0 (2.3)
<b>Pulse Start Metal Halide</b>					
DDS-100P	100	PSMH	12"	Med. Clear	6.0 (2.7)
DDS-100PL	100	PSMH	12" with latches	Med. Clear	6.0 (2.7)
<b>Compact Fluorescent</b>					
DDS-65F	65	CFL	12"	Med. Screw Base	4.0 (1.8)
<b>Utility kits - 24" curved aluminum arm, terminal block, 60" leads, latch-on optics</b>					
DDR100S	100	HPS	12"	Mogul Clear	6.5 (2.9)
DDR150S	150	HPS	12"	Mogul Clear	6.5 (2.9)

### REPLACEMENT PARTS

Catalog Number	Description	Weight lbs. (kg)
DDR-5AP	Replacement optics, latch-on, Type V acrylic for DDR fixtures	1.5 (0.7)
PTL-1	Replacement 120V twist lock photocontrol	0.1 (0.05)
93023491	Replacement 65w CF lamp	5 (2.25)



DDS



DDR