

NONMETALLIC ENCLOSURES SPECIFICATION CATALOG

Fiberglass Reinforced Polyester & Polycarbonate Enclosures



**ALLIED
MOULDED
PRODUCTS, Inc.**

ULTRAGUARD[®]
SUPERIOR UV PROTECTION

We're Committed.

Founded in 1958 and backed by more than 55 years of knowledge and experience molding fiberglass reinforced polyester materials and polycarbonate thermoplastic, Allied Moulded Products is well established within the electrical and enclosure industries. We have what it takes to prevent damaging elements such as water, salt, chemicals and UV from threatening your equipment. Our line of NEMA Type 4X, IEC Type IP66 nonmetallic enclosures provides maximum protection where you need it most.

Centrally located in the heart of the country, Allied Moulded is unique among enclosure manufacturers as we are vertically integrated from mold design and fabrication to product delivery. With one of the newest production facilities in the United States dedicated to manufacturing nonmetallic enclosures, we formulate our own ULTRAGUARD® fiberglass reinforced polyester material and assure the value of our polycarbonate thermoplastics, which allows us to control quality and costs. On-site molding, assembly and warehousing enables us to produce a high quality product while delivering quick turnaround on standard orders. We can also provide timely delivery on complete modification work, including holes, cutouts and special colors.

Together with our sales agents throughout the country, the Allied Moulded inside sales and engineering team is readily available to assist you with sales and technical support. Whether you need standard or modified product, Allied Moulded is truly a one-stop shop for your nonmetallic enclosure and accessory needs.



Exceptional Customer Service.

Research and Development

Inventory

Innovative Design

Quality Standard Excellence

Customer Service



TABLE OF CONTENTS

| | |
|---|---------|
| Industry Standards | 2-3 |
| POLYLINE® Series Polycarbonate Enclosures | 4-25 |
| AM Series Small Junction Boxes | |
| Optional Back Panels for POLYLINE enclosures (pages 24-25) | |
| ULTRAGUARD® Material Formulation | 26-27 |
| The FIBERGLASS Advantage | 28-29 |
| AM Series Fiberglass Enclosures | 30-55 |
| AM Series Small Junction Boxes (Size ranges 7 x 4 – 9 x 4) | |
| AM Series Pushbutton Enclosures (Size ranges 6 x 4 – 18 x 16) | |
| AM Series JIC Size Junction Boxes (Size ranges 6 x 6 – 20 x 16) | |
| Optional Back Panels for Small Junction Boxes (page 33) | |
| AM-R Series Fiberglass Enclosures | 56-73 |
| (Size ranges 6 x 6 – 20 x 16) | |
| AMHD HEAVY DUTY SOLAR BATTERY Fiberglass Enclosures | 74-75 |
| (Size 18 x 16) | |
| ULTRALINE® AMU Series Fiberglass Enclosures | 76-107 |
| AMU Series JIC Size Junction Boxes (Size ranges 6 x 6 – 20 x 16) | |
| CONTROL Series Fiberglass Enclosures | 108-117 |
| (Size ranges 24 x 20 – 30 x 24) | |
| EMPIRE Series Fiberglass Cabinets | 118-127 |
| Wall Mount (Size ranges 36 x 30 – 60 x 36) | |
| Free Standing (Size ranges 72 x 25 – 72 x 49) | |
| Optional Back Panels for EMPIRE Series cabinets (pages 125 & 127) | |
| Panels & Enclosure Accessory Products | 128-135 |
| Print Pocket | |
| Ventilation Kits | |
| Filter Kits | |
| Keylock Kits | |
| Pull Type Handles | |
| Pole Mount Kits | |
| Cord Grips | |
| ULTRAPLUG™ Hole Plugs | |
| Custom Modifications | 136-137 |
| Specials/Modification Request Form | 138 |
| Product Technical Information | 139-141 |
| Index | 142-144 |

INDUSTRY STANDARDS

Enclosure Ratings

In order to assist in the selection of an enclosure, rating classifications have been established by the National Electrical Manufacturers Association (NEMA). These ratings identify the ability of the enclosure to provide a degree of protection against incidental contact with the enclosed equipment and protection to the enclosed equipment from environmental elements such as dirt, dust, water and other corrosive agents. Underwriters Laboratories (UL) and the Canadian Standards Association (CSA) are widely recognized testing organizations that perform enclosure product testing to these standards and provide regular follow up service to ensure that manufacturers conform to established product and manufacturing specifications.

These ratings, however, are intended to be used only as a guide. To ensure a proper choice, it is recommended that an assessment of the application and environment be conducted before product selection.

NEMA 1

Indoor use to provide a degree of protection against falling dirt.

NEMA 2

Indoor use to provide a degree of protection against limited amounts of falling water and dirt.

NEMA 3

Indoor or outdoor use to provide a degree of protection against falling dirt, rain, sleet, snow and windblown dust; and that will be undamaged by the external formation of ice on the enclosure.

NEMA 3R

Indoor or outdoor use to provide a degree of protection against falling dirt, rain, sleet and snow; and that will be undamaged by the external formation of ice on the enclosure.

NEMA 4

Indoor or outdoor use to provide a degree of protection against falling dirt, rain, sleet, snow, windblown dust, splashing water, hose-directed water; and that will be undamaged by the external formation of ice on the enclosure.

NEMA 4X

Indoor or outdoor use to provide a degree of protection against falling dirt, rain, sleet, snow, windblown dust, splashing water, hose-directed water and corrosion; and that will be undamaged by the external formation of ice on the enclosure.

NEMA 6P

Indoor or outdoor use primarily to provide a degree of protection against the entry of water during occasional temporary submersion at a limited depth.

NEMA 12

Indoor use to provide a degree of protection against falling dirt; circulating dust, lint, fibers and flyings; and dripping and light splashing of liquids.

NEMA 13

Indoor use to provide a degree of protection against falling dirt; circulating dust, lint, fibers and flyings; and spraying and seepage of water, oil and non-corrosive coolants.

International Standards IP Protection Classification Data

The first digit character represents the degree of protection against a person's contact with live parts and the protection of the equipment against the ingress of solid foreign bodies. The second digit represents the degree of protection against the ingress of liquids. Both of these values are represented in ascending value with the larger number equaling the greatest protection.

| First Digit | | Second Digit | |
|-------------|---|--------------|---|
| IP | Test | IP | Test |
| 0 | No protection | 0 | No protection |
| 1 | Protection against solid bodies larger than 50 mm (for example accidentally touching with the hand) | 1 | Protection against vertical water drops and condensation |
| 2 | Protection against solid bodies larger than 12 mm (for example a finger) | 2 | Protection against water drops up to 15° from the vertical |
| 3 | Protection against solid bodies larger than 2.5 mm (tools, wires) | 3 | Protected against rain up to 60° from the vertical |
| 4 | Protection against solid bodies larger than 1mm (tools, wires) | 4 | Protected against water splashing from a hose from all directions |
| 5 | Protection against dust (no harmful deposits) | 5 | Protected against water sprayed from a hose from all directions |
| 6 | Complete protection against dust | 6 | Protected against powerful water jets |
| | | 7 | Protected against the effects of immersion |
| | | 8 | Protected against effects of prolonged immersion under pressure |

Conformance to Industry Standards

Industrial enclosures manufactured by Allied Moulded Products and bearing the UL and CSA labels have been tested and certified to the following standards:

- UL 50 Enclosures For Electrical Equipment
- UL 50E Enclosures For Electrical Equipment, Environmental Considerations
- UL 508A Industrial Control Panels
- UL 746C Polymeric Materials – Use In Electrical Equipment Evaluations
- CSA-C22 No. 14 Industrial Control Equipment
- CAN/CSA-C22 No. 94 Special Purpose Enclosures

Allied Moulded Products enclosures series AMU, AM, AMP and AM-R maximum size 30 x 24 x 10 are certified:

- UL Types 1, 2, 3, 3R, 4, 4X, 12, and 13
- CSA Types 1, 2, 3, 3R, 4, 4X, 12 and 13
- NEMA Types 1, 2, 3, 3R, 4, 4X, 12 and 13

AM and AM-R JIC flat and raised cover models sizes 14" x 12" x 6" and smaller (excluding AM743 and AM943) and all AMU and AMP models utilizing covers secured with four mounting screws (excluding window covers) are UL and CSA listed Type 6P.

Allied Moulded Products enclosures series AM sizes 36 x 30 x 12 and larger are certified:

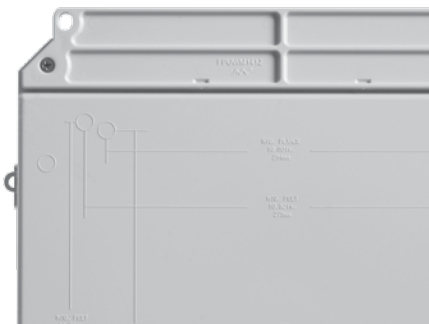
- UL Types 1, 4, and 4X
- CSA Types 1, 4, and 4X
- NEMA Types 1, 4, and 4X

AM, AMP and AMU series meet IEC60529 Type IP66. Models rated NEMA 6P meet IEC60529 Type IP68 submersible up to 24 hours at a depth of 6 feet (1.8meters)

POLYLINE®

POLYLINE® comes standard with “industry exclusive” multi-mounting capability, including an out-of-the-box mounting flange or adjustable mounting feet which adapt to various mounting configurations. Featuring metallic or nonmetallic latches and molded-in latch keepers and mounting bosses, a tongue and groove seal joint between cover and base, POLYLINE is the ultimate in polycarbonate enclosures. A clear polycarbonate cover option is also available for instrumentation applications where critical electronic equipment must be visible and protected from the elements.

POLYLINE® SERIES



AMP Series Features & Benefits

- Patented multi-mounting capability
 - Out-of-the-box flange design – factory installed
 - Optional foot mount brackets for multi-directional mounting (vertical or horizontal positioning)
- Mounting dimensions molded into the enclosure base
- Durable polycarbonate feet/flanges resist cracking during wall mount assembly
- Feet and flanges act as an enclosure pad on uneven surfaces preventing enclosure from being drawn down and binding
- Feet and flange pads also allow an air gap or barrier between the enclosure and a warm machine chassis or mounting wall to prevent over-heating



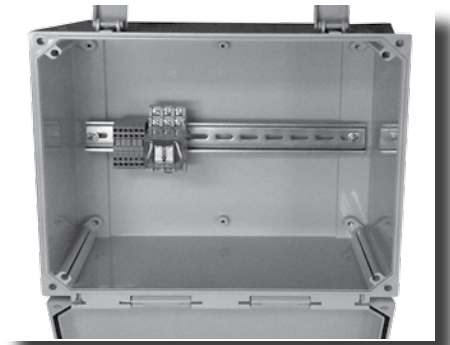
- Cover to base design – flush, aesthetically pleasing and more modern architecture
 - Clear polycarbonate instrumentation cover where critical electrical/electronic equipment must be visible and protected from the elements
 - Solid/opaque covers available as an additional option



- Molded hinge design with stainless steel tamper resistant hinge pin with no wall penetrations
- Tongue and groove, closed cell neoprene seal design achieves NEMA Type 4X rating



- Metal or nonmetal snap latches mount on a molded-in boss and they latch to molded-in keepers with no additional wall penetrations
- Padlock hasp comes standard on all snap latches



- Molded-in back panel bosses with brass inserts and additional center bosses for mounting din rail using #10 sheet metal screws



- Adjustable corner panel mounts for supporting the aluminum hinge front panel within the molded-in corner slots and provides either flush positioning with the box top or adjustability down in the box 1.5" deep

Summary of Product Options

| Base Number Size | Size | Covers Available | | Cover Attachment Options | | | | Mount Options | |
|------------------|---------|---------------------|------------------|--------------------------|------------------------|----------------------------|-----------------------|-------------------|------------------|
| | | Opaque Cover (none) | Clear Cover (CC) | Screw Cover (none) | Hinged Screw Cover (H) | Hinged Nonmetal Latch (NL) | Hinged Snap Latch (L) | Foot Mount (none) | Flange Mount (F) |
| AMP664 | 6x6x4 | ✓ | ✓ | ✓ | ✓ | ✓ | ✓ | ✓ | ✓ |
| AMP864 | 8x6x4 | ✓ | ✓ | ✓ | ✓ | ✓ | ✓ | ✓ | ✓ |
| AMP1084 | 10x8x4 | ✓ | ✓ | ✓ | ✓ | ✓ | ✓ | ✓ | ✓ |
| AMP1206 | 12x10x6 | ✓ | ✓ | ✓ | ✓ | ✓ | ✓ | ✓ | ✓ |
| AMP1426 | 14x12x6 | ✓ | ✓ | ✓ | ✓ | ✓ | ✓ | ✓ | ✓ |

POLYLINE® Physical Properties

| Enclosure Material Typical Properties | ASTM Test Method | Polycarbonate | Cover Seal-Closed Cell Neoprene |
|--|------------------|----------------|---------------------------------|
| Impact Strength (ft - lb/in) | D 256 | 12 | |
| Flexural Strength (psi) | D 790 | 13,000 | |
| Tensile Strength (psi) | D 638 | 9,000 | 1,500 |
| Compressive Strength (psi) | D 695 | 11,000 | |
| Water Absorption (%) | D 570 | 0.25 | 5.00 |
| Specific Gravity | D 792 | 1.20 | 1.23 |
| Shrinkage in/in | D 955 | 0.007 | |
| Hardness (Barcol-Rockwell M-Shore A) | D 2583 | 75 | 45 |
| Elongation (%) | D 638 | 7.00 | 350 |
| Dielectric Strength (kV/in) | D 149 | 732 | |
| Arc Resistance (sec) | D 495 | 117 | |
| Flammability | UL 94 | V-0 | V-0 |
| Heat Deflection (°F at 264 psi) | D 648 | 266 | |
| Service Temperature (°F) | | -31°F to 266°F | -31°F to 225°F |
| K Factor, Thermal Conductivity (BTU/hr/ft ² /°F/in) | D1269E | 1.25 | |
| Thermal Expansion (10 ⁻⁶ in/in°F) | D 696 | 36 | |
| UV Rating | UL 746C | (f1) | |

General Enclosure Specifying Guidelines

| | Metal Enclosures | | | Nonmetal Enclosures | | | |
|----------------------------|------------------|------------------|------------------|-------------------------|-------------------------|-------------------------|------------------|
| | 304 SS | 316 SS | Painted CS | Polycarbonate | Compression FRP | Gelcoat FRP | Custom PVC |
| Cost | 4 | 5 | 1 | 2 | 3 | 4 | 4 |
| Weight | 5 | 5 | 5 | 2 | 3 | 3 | 2 |
| Impact (flex) | N/A | N/A | N/A | 4 | 3 | 3 | 2 |
| Flex Strength (rigidity) | N/A | N/A | N/A | 13,000 psi | 23,000 psi | 33,400 psi | 10,500 psi |
| MFG Process Type | Fabricated sheet | Fabricated sheet | Fabricated sheet | Injection Mold | Compression Mold | Open Mold | Fabricated sheet |
| Size Limits | Custom NL | Custom NL | Custom NL | Typically up to 18" Max | Typically up to 36" Max | Typically 36" up to 90" | Custom NL |
| Outdoor Corrosion (rating) | NEMA 4 | NEMA 4X | NEMA 4 | NEMA 4X | NEMA 4X | NEMA 4X | NEMA 4 |

Note: Those categories containing rating numbers are based on 1 as low and 5 as high.

Corrosion Resistance Guidelines

| | Solvents | Alkalis | Mild Acids |
|---------------------|--|--|---|
| <i>Examples</i> | <i>cleaning solvents carbon tetrachloride isopropyl alcohol perchloroethylene toluene xylene</i> | <i>ammonium chloride ammonium nitrate calcium hydroxide calcium hypochlorite magnesium hydroxide sodium hypochlorite</i> | <i>aluminum chloride boric acid calcium chloride potassium nitrate sea water sodium nitrate zinc chloride</i> |
| Recommended | 304 SS 316 SS Compression Fiberglass Aluminum | 304 SS 316 SS | Compression Fiberglass Gelcoat Fiberglass Polycarbonate 304 SS 316 SS |
| Satisfactory | Painted Carbon Steel Gelcoat Fiberglass | Polycarbonate Gelcoat Fiberglass Compression Fiberglass | Painted Carbon Steel |
| Limited Use | Polycarbonate | Painted Carbon Steel Aluminum | Aluminum |

Note: This chart is only intended to be used as a general guideline for applying "typical" metal and nonmetal enclosures in chemical environments. Allied Moulded Products, Inc. recommends specific material compatibility tests for the most accurate application of enclosures. Please contact Allied Moulded customer service for specific requirements.



AMP Series POLYLINE® JIC Size Junction Boxes: Lift-Off Screw Cover – Solid/Opaque

APPLICATION

- Designed to insulate and protect controls and components in both indoor and outdoor applications often found in industrial control panels, pump controls/waste water treatment, irrigation/water control, solar/wind, and chemical plants
- Light weight, impact resistant and good corrosion resistance for many industrial enclosure applications and a great alternative to metallic enclosures
- Protects from dirt, dust, and water

STANDARDS

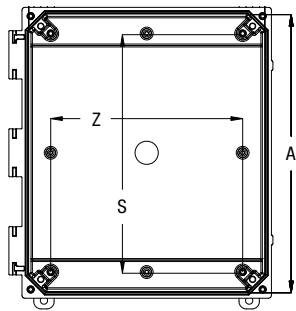
- UL 50 and UL 50E Types 1, 2, 3, 3R, 4, 4X, 6P, 12 and 13
- CSA C22.2 No. 94 Types 1, 2, 3, 3R, 4, 4X, 6P, 12 and 13
- Complies with
 - NEMA Types 1, 2, 3, 3R, 4, 4X, 6P, 12 and 13
 - IEC 60529 Type IP68 submersible up to 24 hours at a depth of 6 feet (1.8 meters)
 - RoHS directive
- For additional physical properties per industry test standards, please refer to the chart on page 6

CONSTRUCTION

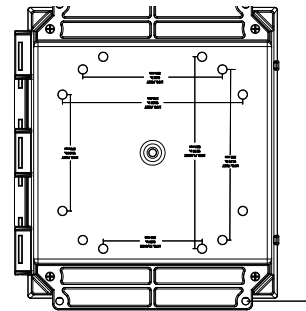
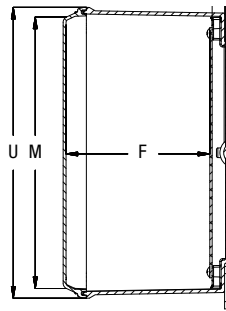
- Injection molded polycarbonate thermoplastic – opaque cover, enclosure base, feet and flanges
- Opaque cover, base, feet, and flanges – Light gray color (RAL 7035)
Note: flanged models are pre-assembled, foot models mounting hardware supplied in a bag
- Stainless steel captive cover screws and foot/flange mounting hardware
- Cover seal – closed cell neoprene cord encased in a continuous tongue and groove channel
- #10-32 threaded brass inserts are installed for optional back panel mounting

ACCESSORIES

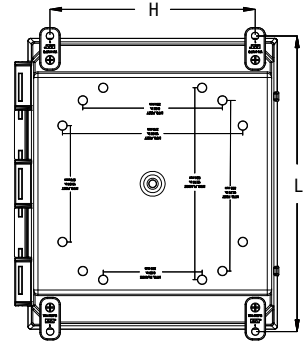
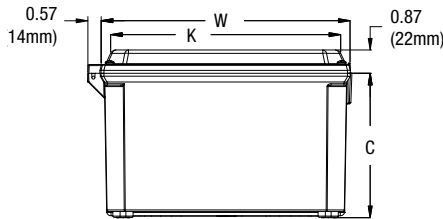
- Optional back panels (white painted steel and aluminum) and hinged front panels (aluminum)
- Optional mounting hardware based on model number – foot or flange mount
- Additional molded-in mounting bosses available for directly mounting DIN rails



NOTE: COVER REMOVED FOR CLARITY



FLANGE MOUNT



FOOT MOUNT

| | Box Size Inside Dimensions | | | Usable Depth F | Panel Boss Centers | | Flange Mount Centers | | Foot Mount Centers | | Cover Size | | | | Nom. Wall Thickness |
|------------|----------------------------|-------|-------|-------------------|--------------------|-------|----------------------|----------------|--------------------|-------|------------|-------|-------|-------|---------------------|
| | A | B | C | | S | Z | J | I | H | L | K | M | W | U | |
| AMP664(F) | 5.93 | 6.16 | 3.98 | 4.18 | 4.25 | 4.25 | 4.00 | 6.88 6.75 | 4.91 | 6.75 | 5.89 | 5.67 | 6.72 | 6.50 | 0.14 |
| | 151mm | 156mm | 101mm | 106mm | 108mm | 108mm | 102mm | 175mm 171mm | 125mm | 171mm | 150mm | 144mm | 171mm | 165mm | 3.7mm |
| AMP864(F) | 7.94 | 6.16 | 3.98 | 4.18 | 6.25 | 4.25 | 4.00 | 8.88 8.75 | 4.91 | 8.75 | 5.89 | 7.67 | 6.72 | 8.50 | 0.14 |
| | 202mm | 156mm | 101mm | 106mm | 159mm | 108mm | 102mm | 226mm 222mm | 125mm | 222mm | 150mm | 195mm | 171mm | 216mm | 3.7mm |
| AMP1084(F) | 9.93 | 8.15 | 3.98 | 4.18 | 8.25 | 6.25 | 6.00 | 10.75 | 6.91 | 10.75 | 7.89 | 9.67 | 8.72 | 10.50 | 0.14 |
| | 252mm | 207mm | 101mm | 106mm | 210mm | 159mm | 152mm | 273mm | 175mm | 273mm | 200mm | 246mm | 221mm | 267mm | 3.7mm |
| AMP1206(F) | 11.92 | 10.15 | 5.98 | 6.18 | 10.25 | 8.25 | 8.00 | 12.75 | 8.82 | 12.70 | 9.89 | 11.67 | 10.72 | 12.50 | 0.14 |
| | 303mm | 258mm | 152mm | 157mm | 260mm | 210mm | 203mm | 324mm | 224mm | 323mm | 251mm | 296mm | 272mm | 318mm | 3.7mm |
| AMP1426(F) | 13.94 | 12.16 | 5.98 | 6.18 | 12.25 | 10.25 | 10.00 | 14.75 14.62 | 10.82 | 14.70 | 11.89 | 13.67 | 12.72 | 14.50 | 0.14 |
| | 354mm | 309mm | 152mm | 157mm | 311mm | 260mm | 254mm | 375mm 371mm | 275mm | 373mm | 302mm | 347mm | 323mm | 368mm | 3.7mm |

Enclosure base part numbers come standard with 4 separately bagged feet (ex. AMP664)

Add "F" to the part number for factory installed flanges (ex. AMP664F)

"I" dimensions with multiple numbers indicate slotted holes

All dimensions are in inches unless otherwise noted





AMP Series POLYLINE® JIC Size Junction Boxes: Lift-Off Screw Cover – Clear Polycarbonate

APPLICATION

- Designed to insulate and protect controls and components in both indoor and outdoor applications often found in industrial control panels, pump controls/waste water treatment, irrigation/water control, solar/wind, and chemical plants
- Light weight, impact resistant and good corrosion resistance for many industrial enclosure applications and a great alternative to metallic enclosures
- Protects from dirt, dust, and water

STANDARDS

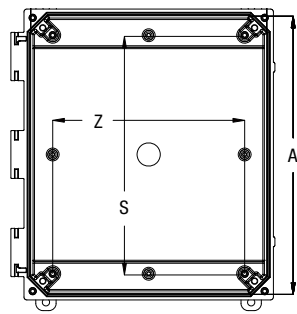
- UL 50 and UL 50E Types 1, 2, 3, 3R, 4, 4X, 6P, 12 and 13
- CSA C22.2 No. 94 Types 1, 2, 3, 3R, 4, 4X, 6P, 12 and 13
- Complies with
 - NEMA Types 1, 2, 3, 3R, 4, 4X, 6P, 12 and 13
 - IEC 60529 Type IP68 submersible up to 24 hours at a depth of 6 feet (1.8 meters)
 - RoHS directive
- For additional physical properties per industry test standards, please refer to the chart on page 6

CONSTRUCTION

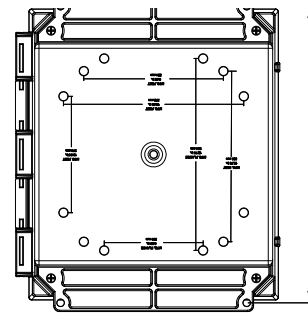
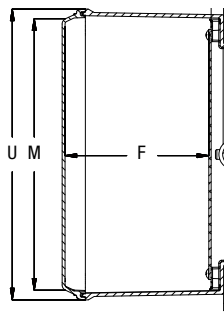
- Injection molded polycarbonate thermoplastic – clear cover, enclosure base, feet and flanges
- Enclosure base, feet, and flanges – Light gray color (RAL 7035)
Note: flanged models are pre-assembled, foot models mounting hardware supplied in a bag
- Stainless steel captive cover screws and foot/flange mounting hardware
- Cover seal – closed cell neoprene cord encased in a continuous tongue and groove channel
- #10-32 threaded brass inserts are installed for optional back panel mounting

ACCESSORIES

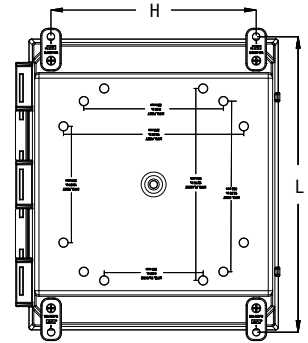
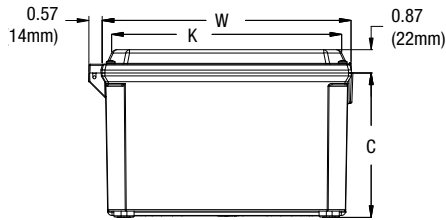
- Optional back panels (white painted steel and aluminum) and hinged front panels (aluminum)
- Optional mounting hardware based on model number – foot or flange mount
- Additional molded-in mounting bosses available for directly mounting DIN rails



NOTE: COVER REMOVED FOR CLARITY



FLANGE MOUNT



FOOT MOUNT

| | Box Size Inside Dimensions | | | Usable Depth | Panel Boss Centers | | Flange Mount Centers | | Foot Mount Centers | | Cover Size | | | | Nom. Wall Thickness |
|--------------|----------------------------|-------|-------|--------------|--------------------|-------|----------------------|----------------|--------------------|-------|------------|-------|-------|-------|---------------------|
| | A | B | C | | F | S | Z | J | I | H | L | K | M | W | |
| AMP664CC(F) | 5.93 | 6.16 | 3.98 | 4.18 | 4.25 | 4.25 | 4.00 | 6.88 6.75 | 4.91 | 6.75 | 5.89 | 5.67 | 6.72 | 6.50 | 0.14 |
| | 151mm | 156mm | 101mm | 106mm | 108mm | 108mm | 102mm | 175mm 171mm | 125mm | 171mm | 150mm | 144mm | 171mm | 165mm | 3.7mm |
| AMP864CC(F) | 7.94 | 6.16 | 3.98 | 4.18 | 6.25 | 4.25 | 4.00 | 8.88 8.75 | 4.91 | 8.75 | 5.89 | 7.67 | 6.72 | 8.50 | 0.14 |
| | 202mm | 156mm | 101mm | 106mm | 159mm | 108mm | 102mm | 226mm 222mm | 125mm | 222mm | 150mm | 195mm | 171mm | 216mm | 3.7mm |
| AMP1084CC(F) | 9.93 | 8.15 | 3.98 | 4.18 | 8.25 | 6.25 | 6.00 | 10.75 | 6.91 | 10.75 | 7.89 | 9.67 | 8.72 | 10.50 | 0.14 |
| | 252mm | 207mm | 101mm | 106mm | 210mm | 159mm | 152mm | 273mm | 175mm | 273mm | 200mm | 246mm | 221mm | 267mm | 3.7mm |
| AMP1206CC(F) | 11.92 | 10.15 | 5.98 | 6.18 | 10.25 | 8.25 | 8.00 | 12.75 | 8.82 | 12.70 | 9.89 | 11.67 | 10.72 | 12.50 | 0.14 |
| | 303mm | 258mm | 152mm | 157mm | 260mm | 210mm | 203mm | 324mm | 224mm | 323mm | 251mm | 296mm | 272mm | 318mm | 3.7mm |
| AMP1426CC(F) | 13.94 | 12.16 | 5.98 | 6.18 | 12.25 | 10.25 | 10.00 | 14.75 14.62 | 10.82 | 14.70 | 11.89 | 13.67 | 12.72 | 14.50 | 0.14 |
| | 354mm | 309mm | 152mm | 157mm | 311mm | 260mm | 254mm | 375mm 371mm | 275mm | 373mm | 302mm | 347mm | 323mm | 368mm | 3.7mm |

Enclosure base part numbers come standard with 4 separately bagged feet (ex. AMP664CC)

Add "F" to the part number for factory installed flanges (ex. AMP664CCF)

"I" dimensions with multiple numbers indicate slotted holes

All dimensions are in inches unless otherwise noted





AMP Series POLYLINE® JIC Size Junction Boxes: Hinged Screw Cover – Solid/Opaque

APPLICATION

- Designed to insulate and protect controls and components in both indoor and outdoor applications often found in industrial control panels, pump controls/waste water treatment, irrigation/water control, solar/wind, and chemical plants
- Light weight, impact resistant and good corrosion resistance for many industrial enclosure applications and a great alternative to metallic enclosures
- Protects from dirt, dust, and water

STANDARDS

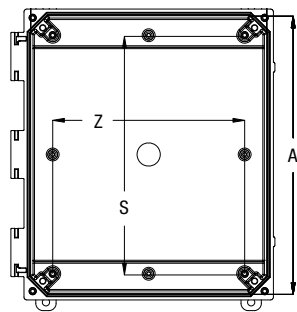
- UL 50 and UL 50E Types 1, 2, 3, 3R, 4, 4X, 6P, 12 and 13
- CSA C22.2 No. 94 Types 1, 2, 3, 3R, 4, 4X, 12 and 13
- Complies with
 - NEMA Types 1, 2, 3, 3R, 4, 4X, 12 and 13
 - IEC 60529 Type IP66
 - RoHS directive
- For additional physical properties per industry test standards, please refer to the chart on page 6

CONSTRUCTION

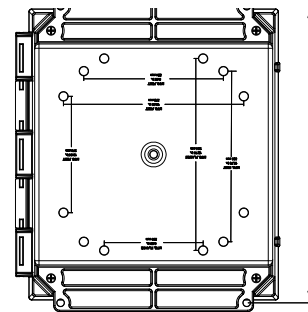
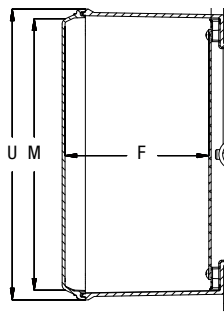
- Injection molded polycarbonate thermoplastic – opaque cover, enclosure base, feet and flanges
- Opaque cover, base, feet, and flanges – Light gray color (RAL 7035)
Note: flanged models are pre-assembled, foot models mounting hardware supplied in a bag
- Stainless steel captive cover screws, hinge pin and foot/flange mounting hardware
- Cover seal – closed cell neoprene cord encased in a continuous tongue and groove channel
- #10-32 threaded brass inserts are installed for optional back panel mounting

ACCESSORIES

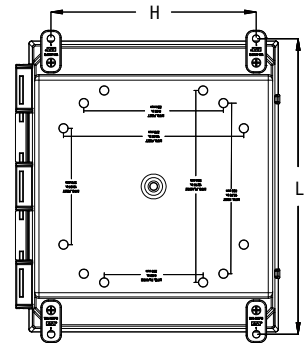
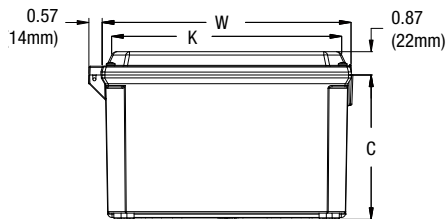
- Optional back panels (white painted steel and aluminum) and hinged front panels (aluminum)
- Optional mounting hardware based on model number – foot or flange mount
- Additional molded-in mounting bosses available for directly mounting DIN rails



NOTE: COVER REMOVED FOR CLARITY



FLANGE MOUNT



FOOT MOUNT

| | Box Size Inside Dimensions | | | Usable Depth F | Panel Boss Centers | | Flange Mount Centers | | Foot Mount Centers | | Cover Size | | | | Nom. Wall Thickness |
|-------------|----------------------------|-------|-------|-------------------|--------------------|-------|----------------------|----------------|--------------------|-------|------------|-------|-------|-------|---------------------|
| | A | B | C | | S | Z | J | I | H | L | K | M | W | U | |
| AMP664H(F) | 5.93 | 6.16 | 3.98 | 4.18 | 4.25 | 4.25 | 4.00 | 6.88 6.75 | 4.91 | 6.75 | 5.89 | 5.67 | 6.72 | 6.50 | 0.14 |
| | 151mm | 156mm | 101mm | 106mm | 108mm | 108mm | 102mm | 175mm 171mm | 125mm | 171mm | 150mm | 144mm | 171mm | 165mm | 3.7mm |
| AMP864H(F) | 7.94 | 6.16 | 3.98 | 4.18 | 6.25 | 4.25 | 4.00 | 8.88 8.75 | 4.91 | 8.75 | 5.89 | 7.67 | 6.72 | 8.50 | 0.14 |
| | 202mm | 156mm | 101mm | 106mm | 159mm | 108mm | 102mm | 226mm 222mm | 125mm | 222mm | 150mm | 195mm | 171mm | 216mm | 3.7mm |
| AMP1084H(F) | 9.93 | 8.15 | 3.98 | 4.18 | 8.25 | 6.25 | 6.00 | 10.75 | 6.91 | 10.75 | 7.89 | 9.67 | 8.72 | 10.50 | 0.14 |
| | 252mm | 207mm | 101mm | 106mm | 210mm | 159mm | 152mm | 273mm | 175mm | 273mm | 200mm | 246mm | 221mm | 267mm | 3.7mm |
| AMP1206H(F) | 11.92 | 10.15 | 5.98 | 6.18 | 10.25 | 8.25 | 8.00 | 12.75 | 8.82 | 12.70 | 9.89 | 11.67 | 10.72 | 12.50 | 0.14 |
| | 303mm | 258mm | 152mm | 157mm | 260mm | 210mm | 203mm | 324mm | 224mm | 323mm | 251mm | 296mm | 272mm | 318mm | 3.7mm |
| AMP1426H(F) | 13.94 | 12.16 | 5.98 | 6.18 | 12.25 | 10.25 | 10.00 | 14.75 14.62 | 10.82 | 14.70 | 11.89 | 13.67 | 12.72 | 14.50 | 0.14 |
| | 354mm | 309mm | 152mm | 157mm | 311mm | 260mm | 254mm | 375mm 371mm | 275mm | 373mm | 302mm | 347mm | 323mm | 368mm | 3.7mm |

Enclosure base part numbers come standard with 4 separately bagged feet (ex. AMP664H)

Add "F" to the part number for factory installed flanges (ex. AMP664HF)

"I" dimensions with multiple numbers indicate slotted holes

All dimensions are in inches unless otherwise noted





AMP Series POLYLINE® JIC Size Junction Boxes: Hinged Screw Cover – Clear Polycarbonate

APPLICATION

- Designed to insulate and protect controls and components in both indoor and outdoor applications often found in industrial control panels, pump controls/waste water treatment, irrigation/water control, solar/wind, and chemical plants
- Light weight, impact resistant and good corrosion resistance for many industrial enclosure applications and a great alternative to metallic enclosures
- Protects from dirt, dust, and water

STANDARDS

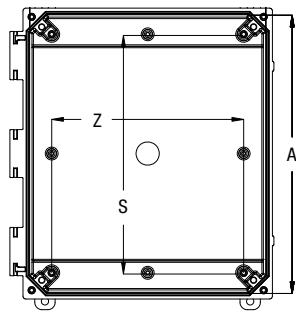
- UL 50 and UL 50E Types 1, 2, 3, 3R, 4, 4X, 6P, 12 and 13
- CSA C22.2 No. 94 Types 1, 2, 3, 3R, 4, 4X, 12 and 13
- Complies with
 - NEMA Types 1, 2, 3, 3R, 4, 4X, 12 and 13
 - IEC 60529 Type IP66
 - RoHS directive
- For additional physical properties per industry test standards, please refer to the chart on page 6

CONSTRUCTION

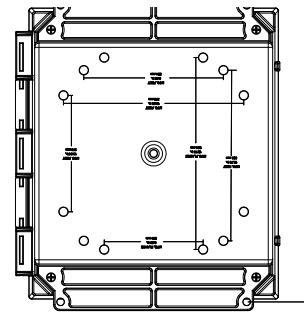
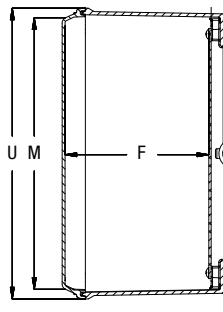
- Injection molded polycarbonate thermoplastic – clear cover, enclosure base, feet and flanges
- Enclosure base, feet, and flanges – Light gray color (RAL 7035)
Note: flanged models are pre-assembled, foot models mounting hardware supplied in a bag
- Stainless steel captive cover screws, hinge pin and foot/flange mounting hardware
- Cover seal – closed cell neoprene cord encased in a continuous tongue and groove channel
- #10-32 threaded brass inserts are installed for optional back panel mounting

ACCESSORIES

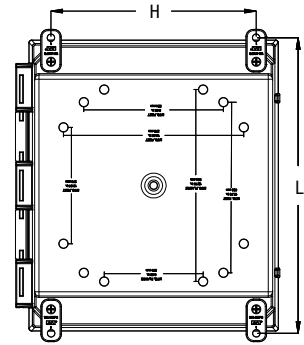
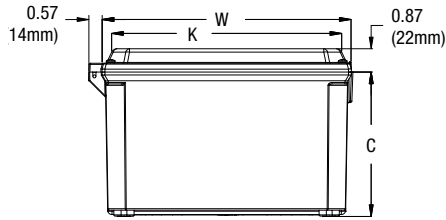
- Optional back panels (white painted steel and aluminum) and hinged front panels (aluminum)
- Optional mounting hardware based on model number – foot or flange mount
- Additional molded-in mounting bosses available for directly mounting DIN rails



NOTE: COVER REMOVED FOR CLARITY



FLANGE MOUNT



FOOT MOUNT

| | Box Size Inside Dimensions | | | Usable Depth F | Panel Boss Centers | | Flange Mount Centers | | Foot Mount Centers | | Cover Size | | | | Nom. Wall Thickness |
|---------------|----------------------------|-------|-------|-------------------|--------------------|-------|----------------------|----------------|--------------------|-------|------------|-------|-------|-------|---------------------|
| | A | B | C | | S | Z | J | I | H | L | K | M | W | U | |
| AMP664CCH(F) | 5.93 | 6.16 | 3.98 | 4.18 | 4.25 | 4.25 | 4.00 | 6.88 6.75 | 4.91 | 6.75 | 5.89 | 5.67 | 6.72 | 6.50 | 0.14 |
| | 151mm | 156mm | 101mm | 106mm | 108mm | 108mm | 102mm | 175mm 171mm | 125mm | 171mm | 150mm | 144mm | 171mm | 165mm | 3.7mm |
| AMP864CCH(F) | 7.94 | 6.16 | 3.98 | 4.18 | 6.25 | 4.25 | 4.00 | 8.88 8.75 | 4.91 | 8.75 | 5.89 | 7.67 | 6.72 | 8.50 | 0.14 |
| | 202mm | 156mm | 101mm | 106mm | 159mm | 108mm | 102mm | 226mm 222mm | 125mm | 222mm | 150mm | 195mm | 171mm | 216mm | 3.7mm |
| AMP1084CCH(F) | 9.93 | 8.15 | 3.98 | 4.18 | 8.25 | 6.25 | 6.00 | 10.75 | 6.91 | 10.75 | 7.89 | 9.67 | 8.72 | 10.50 | 0.14 |
| | 252mm | 207mm | 101mm | 106mm | 210mm | 159mm | 152mm | 273mm | 175mm | 273mm | 200mm | 246mm | 221mm | 267mm | 3.7mm |
| AMP1206CCH(F) | 11.92 | 10.15 | 5.98 | 6.18 | 10.25 | 8.25 | 8.00 | 12.75 | 8.82 | 12.70 | 9.89 | 11.67 | 10.72 | 12.50 | 0.14 |
| | 303mm | 258mm | 152mm | 157mm | 260mm | 210mm | 203mm | 324mm | 224mm | 323mm | 251mm | 296mm | 272mm | 318mm | 3.7mm |
| AMP1426CCH(F) | 13.94 | 12.16 | 5.98 | 6.18 | 12.25 | 10.25 | 10.00 | 14.75 14.62 | 10.82 | 14.70 | 11.89 | 13.67 | 12.72 | 14.50 | 0.14 |
| | 354mm | 309mm | 152mm | 157mm | 311mm | 260mm | 254mm | 375mm 371mm | 275mm | 373mm | 302mm | 347mm | 323mm | 368mm | 3.7mm |

Enclosure base part numbers come standard with 4 separately bagged feet (ex. AMP664CCH)
 Add "F" to the part number for factory installed flanges (ex. AMP664CCHF)
 "I" dimensions with multiple numbers indicate slotted holes
 All dimensions are in inches unless otherwise noted





AMP Series POLYLINE® JIC Size Junction Boxes: Nonmetal Snap Latch Hinged Cover – Solid/Opaque

APPLICATION

- Designed to insulate and protect controls and components in both indoor and outdoor applications often found in industrial control panels, pump controls/waste water treatment, irrigation/water control, solar/wind, and chemical plants
- Light weight, impact resistant and good corrosion resistance for many industrial enclosure applications and a great alternative to metallic enclosures
- Protects from dirt, dust, and water

STANDARDS

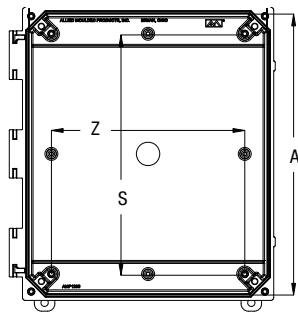
- UL 50 and UL 50E Types 1, 2, 3, 3R, 4, 4X, 6P, 12 and 13
- CSA C22.2 No. 94 Types 1, 2, 3, 3R, 4, 4X, 12 and 13
- Complies with
 - NEMA Types 1, 2, 3, 3R, 4, 4X, 12 and 13
 - IEC 60529 Type IP66
 - RoHS directive
- For additional physical properties per industry test standards, please refer to the chart on page 6

CONSTRUCTION

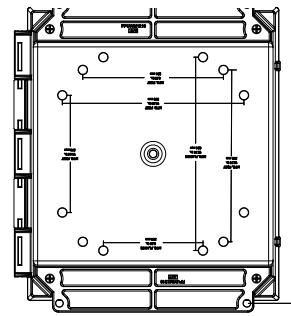
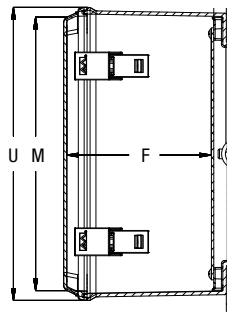
- Injection molded polycarbonate thermoplastic – opaque cover, enclosure base, snap latches, feet and flanges
- Opaque cover, base, padlockable snap latches, feet, and flanges – Light gray color (RAL 7035)
Note: flanged models are pre-assembled, foot models mounting hardware supplied in a bag
- Stainless steel, hinge pin and foot/flange mounting hardware
- Cover seal – closed cell neoprene cord encased in a continuous tongue and groove channel
- #10-32 threaded brass inserts are installed for optional back panel mounting

ACCESSORIES

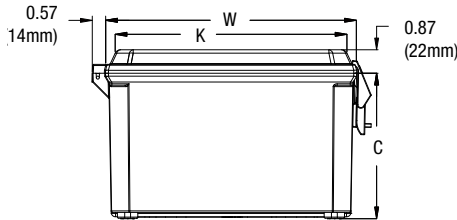
- Optional back panels (white painted steel and aluminum) and hinged front panels (aluminum)
- Optional mounting hardware based on model number – foot or flange mount
- Additional molded-in mounting bosses available for directly mounting DIN rails



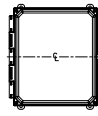
NOTE: COVER REMOVED FOR CLARITY



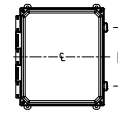
FLANGE MOUNT



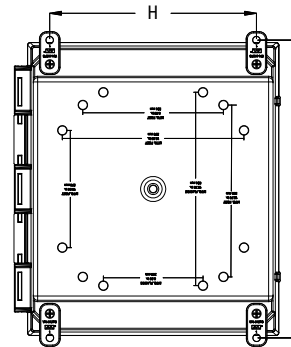
LATCH LOCATIONS



FOR USE ON
6x6x4
8x6x4
10x6x4



FOR USE ON
12x10x6 D=7.5 (191mm)
14x12x6 D=8.0 (203mm)



FOOT MOUNT

| | Box Size Inside Dimensions | | | Usable Depth | Panel Boss Centers | | Flange Mount Centers | | Foot Mount Centers | | Cover Size | | | | Nom. Wall Thickness |
|--------------|----------------------------|-------|-------|--------------|--------------------|-------|----------------------|----------------|--------------------|-------|------------|-------|-------|-------|---------------------|
| | A | B | C | | F | S | Z | J | I | H | L | K | M | W | |
| AMP664NL(F) | 5.93 | 6.16 | 3.98 | 4.18 | 4.25 | 4.25 | 4.00 | 6.88 6.75 | 4.91 | 6.75 | 5.89 | 5.67 | 6.72 | 6.50 | 0.14 |
| | 151mm | 156mm | 101mm | 106mm | 108mm | 108mm | 102mm | 175mm 171mm | 125mm | 171mm | 150mm | 144mm | 171mm | 165mm | 3.7mm |
| AMP864NL(F) | 7.94 | 6.16 | 3.98 | 4.18 | 6.25 | 4.25 | 4.00 | 8.88 8.75 | 4.91 | 8.75 | 5.89 | 7.67 | 6.72 | 8.50 | 0.14 |
| | 202mm | 156mm | 101mm | 106mm | 159mm | 108mm | 102mm | 226mm 222mm | 125mm | 222mm | 150mm | 195mm | 171mm | 216mm | 3.7mm |
| AMP1084NL(F) | 9.93 | 8.15 | 3.98 | 4.18 | 8.25 | 6.25 | 6.00 | 10.75 | 6.91 | 10.75 | 7.89 | 9.67 | 8.72 | 10.50 | 0.14 |
| | 252mm | 207mm | 101mm | 106mm | 210mm | 159mm | 152mm | 273mm | 175mm | 273mm | 200mm | 246mm | 221mm | 267mm | 3.7mm |
| AMP1206NL(F) | 11.92 | 10.15 | 5.98 | 6.18 | 10.25 | 8.25 | 8.00 | 12.75 | 8.82 | 12.70 | 9.89 | 11.67 | 10.72 | 12.50 | 0.14 |
| | 303mm | 258mm | 152mm | 157mm | 260mm | 210mm | 203mm | 324mm | 224mm | 323mm | 251mm | 296mm | 272mm | 318mm | 3.7mm |
| AMP1426NL(F) | 13.94 | 12.16 | 5.98 | 6.18 | 12.25 | 10.25 | 10.00 | 14.75 14.62 | 10.82 | 14.70 | 11.89 | 13.67 | 12.72 | 14.50 | 0.14 |
| | 354mm | 309mm | 152mm | 157mm | 311mm | 260mm | 254mm | 375mm 371mm | 275mm | 373mm | 302mm | 347mm | 323mm | 368mm | 3.7mm |

Enclosure base part numbers come standard with 4 separately bagged feet (ex. AMP664NL)

Add "F" to the part number for factory installed flanges (ex. AMP664NLF)

"I" dimensions with multiple numbers indicate slotted holes

All dimensions are in inches unless otherwise noted





AMP Series POLYLINE® JIC Size Junction Boxes: Nonmetal Snap Latch Hinged Cover – Clear Polycarbonate

APPLICATION

- Designed to insulate and protect controls and components in both indoor and outdoor applications often found in industrial control panels, pump controls/waste water treatment, irrigation/water control, solar/wind, and chemical plants
- Light weight, impact resistant and good corrosion resistance for many industrial enclosure applications and a great alternative to metallic enclosures
- Protects from dirt, dust, and water

STANDARDS

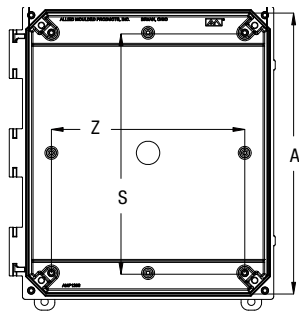
- UL 50 and UL 50E Types 1, 2, 3, 3R, 4, 4X, 6P, 12 and 13
- CSA C22.2 No. 94 Types 1, 2, 3, 3R, 4, 4X, 12 and 13
- Complies with
 - NEMA Types 1, 2, 3, 3R, 4, 4X, 12 and 13
 - IEC 60529 Type IP66
 - RoHS directive
- For additional physical properties per industry test standards, please refer to the chart on page 6

CONSTRUCTION

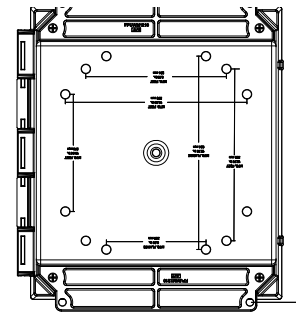
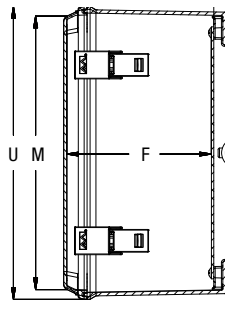
- Injection molded polycarbonate thermoplastic – clear cover, enclosure base, snap latches feet and flanges
- Enclosure base, padlockable snap latches, feet, and flanges – Light gray color (RAL 7035)
Note: flanged models are pre-assembled, foot models mounting hardware supplied in a bag
- Stainless steel, hinge pin and foot/flange mounting hardware
- Cover seal – closed cell neoprene cord encased in a continuous tongue and groove channel
- #10-32 threaded brass inserts are installed for optional back panel mounting

ACCESSORIES

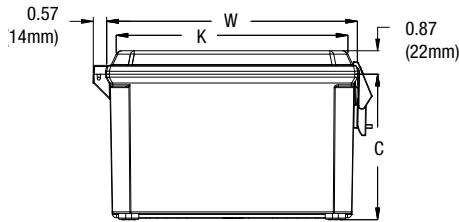
- Optional back panels (white painted steel and aluminum) and hinged front panels (aluminum)
- Optional mounting hardware based on model number – foot or flange mount
- Additional molded-in mounting bosses available for directly mounting DIN rails



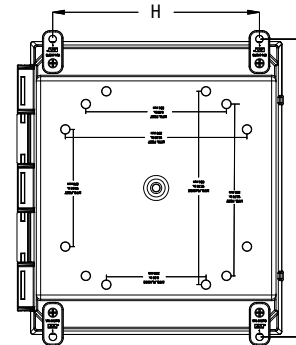
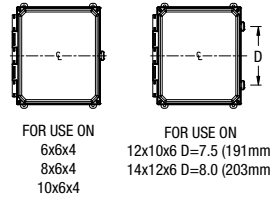
NOTE: COVER REMOVED FOR CLARITY



FLANGE MOUNT



LATCH LOCATIONS



FOOT MOUNT

| | Box Size Inside Dimensions | | | Usable Depth | Panel Boss Centers | | Flange Mount Centers | | Foot Mount Centers | | Cover Size | | | | Nom. Wall Thickness |
|----------------|----------------------------|-------|-------|--------------|--------------------|-------|----------------------|----------------|--------------------|-------|------------|-------|-------|-------|---------------------|
| | A | B | C | | F | S | Z | J | I | H | L | K | M | W | |
| AMP664CCNL(F) | 5.93 | 6.16 | 3.98 | 4.18 | 4.25 | 4.25 | 4.00 | 6.88 6.75 | 4.91 | 6.75 | 5.89 | 5.67 | 6.72 | 6.50 | 0.14 |
| | 151mm | 156mm | 101mm | 106mm | 108mm | 108mm | 102mm | 175mm 171mm | 125mm | 171mm | 150mm | 144mm | 171mm | 165mm | 3.7mm |
| AMP864CCNL(F) | 7.94 | 6.16 | 3.98 | 4.18 | 6.25 | 4.25 | 4.00 | 8.88 8.75 | 4.91 | 8.75 | 5.89 | 7.67 | 6.72 | 8.50 | 0.14 |
| | 202mm | 156mm | 101mm | 106mm | 159mm | 108mm | 102mm | 226mm 222mm | 125mm | 222mm | 150mm | 195mm | 171mm | 216mm | 3.7mm |
| AMP1084CCNL(F) | 9.93 | 8.15 | 3.98 | 4.18 | 8.25 | 6.25 | 6.00 | 10.75 | 6.91 | 10.75 | 7.89 | 9.67 | 8.72 | 10.50 | 0.14 |
| | 252mm | 207mm | 101mm | 106mm | 210mm | 159mm | 152mm | 273mm | 175mm | 273mm | 200mm | 246mm | 221mm | 267mm | 3.7mm |
| AMP1206CCNL(F) | 11.92 | 10.15 | 5.98 | 6.18 | 10.25 | 8.25 | 8.00 | 12.75 | 8.82 | 12.70 | 9.89 | 11.67 | 10.72 | 12.50 | 0.14 |
| | 303mm | 258mm | 152mm | 157mm | 260mm | 210mm | 203mm | 324mm | 224mm | 323mm | 251mm | 296mm | 272mm | 318mm | 3.7mm |
| AMP1426CCNL(F) | 13.94 | 12.16 | 5.98 | 6.18 | 12.25 | 10.25 | 10.00 | 14.75 14.62 | 10.82 | 14.70 | 11.89 | 13.67 | 12.72 | 14.50 | 0.14 |
| | 354mm | 309mm | 152mm | 157mm | 311mm | 260mm | 254mm | 375mm 371mm | 275mm | 373mm | 302mm | 347mm | 323mm | 368mm | 3.7mm |

Enclosure base part numbers come standard with 4 separately bagged feet (ex. AMP664CCNL)

Add "F" to the part number for factory installed flanges (ex. AMP664CCNLF)

"I" dimensions with multiple numbers indicate slotted holes

All dimensions are in inches unless otherwise noted





AMP Series POLYLINE® JIC Size Junction Boxes: Metal Snap Latch Hinged Cover – Solid/Opaque

APPLICATION

- Designed to insulate and protect controls and components in both indoor and outdoor applications often found in industrial control panels, pump controls/waste water treatment, irrigation/water control, solar/wind, and chemical plants
- Light weight, impact resistant and good corrosion resistance for many industrial enclosure applications and a great alternative to metallic enclosures
- Protects from dirt, dust, and water

STANDARDS

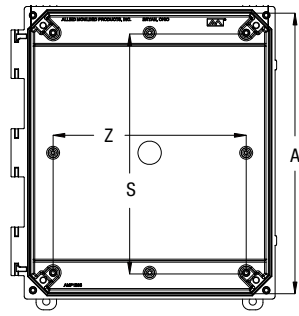
- UL 50 and UL 50E Types 1, 2, 3, 3R, 4, 4X, 6P, 12 and 13
- CSA C22.2 No. 94 Types 1, 2, 3, 3R, 4, 4X, 12 and 13
- Complies with
 - NEMA Types 1, 2, 3, 3R, 4, 4X, 12 and 13
 - IEC 60529 Type IP66
 - RoHS directive
- For additional physical properties per industry test standards, please refer to the chart on page 6

CONSTRUCTION

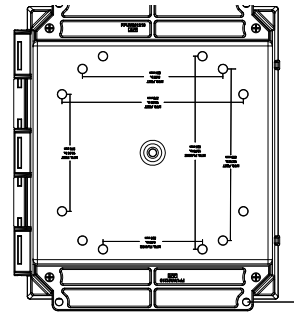
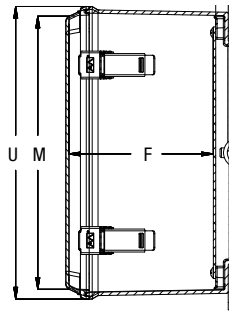
- Injection molded polycarbonate thermoplastic – opaque cover, enclosure base, feet and flanges
- Opaque cover, base, feet, and flanges – Light gray color (RAL 7035)
Note: flanged models are pre-assembled, foot models mounting hardware supplied in a bag
- Stainless steel padlockable snap latches, hinge pin and foot/flange mounting hardware
- Cover seal – closed cell neoprene cord encased in a continuous tongue and groove channel
- #10-32 threaded brass inserts are installed for optional back panel mounting

ACCESSORIES

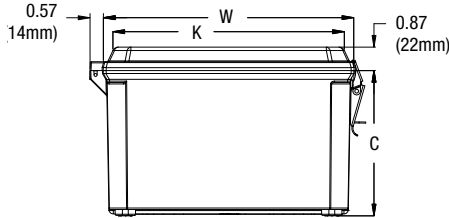
- Optional back panels (white painted steel and aluminum) and hinged front panels (aluminum)
- Optional mounting hardware based on model number – foot or flange mount
- Additional molded-in mounting bosses available for directly mounting DIN rails



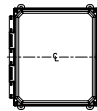
NOTE: COVER REMOVED FOR CLARITY



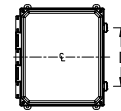
FLANGE MOUNT



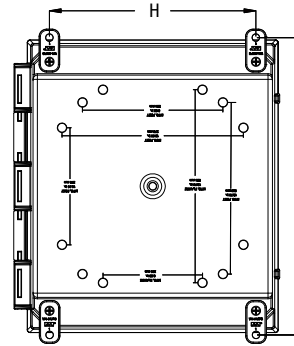
LATCH LOCATIONS



FOR USE ON
6x6x4
8x6x4
10x6x4



FOR USE ON
12x10x6 D=7.5 (191mm)
14x12x6 D=8.0 (203mm)



FOOT MOUNT

| | Box Size Inside Dimensions | | | Usable Depth | Panel Boss Centers | | Flange Mount Centers | | Foot Mount Centers | | Cover Size | | | | Nom. Wall Thickness |
|-------------|----------------------------|-------|-------|--------------|--------------------|-------|----------------------|----------------|--------------------|-------|------------|-------|-------|-------|---------------------|
| | A | B | C | | F | S | Z | J | I | H | L | K | M | W | |
| AMP664L(F) | 5.93 | 6.16 | 3.98 | 4.18 | 4.25 | 4.25 | 4.00 | 6.88 6.75 | 4.91 | 6.75 | 5.89 | 5.67 | 6.72 | 6.50 | 0.14 |
| | 151mm | 156mm | 101mm | 106mm | 108mm | 108mm | 102mm | 175mm 171mm | 125mm | 171mm | 150mm | 144mm | 171mm | 165mm | 3.7mm |
| AMP864L(F) | 7.94 | 6.16 | 3.98 | 4.18 | 6.25 | 4.25 | 4.00 | 8.88 8.75 | 4.91 | 8.75 | 5.89 | 7.67 | 6.72 | 8.50 | 0.14 |
| | 202mm | 156mm | 101mm | 106mm | 159mm | 108mm | 102mm | 226mm 222mm | 125mm | 222mm | 150mm | 195mm | 171mm | 216mm | 3.7mm |
| AMP1084L(F) | 9.93 | 8.15 | 3.98 | 4.18 | 8.25 | 6.25 | 6.00 | 10.75 | 6.91 | 10.75 | 7.89 | 9.67 | 8.72 | 10.50 | 0.14 |
| | 252mm | 207mm | 101mm | 106mm | 210mm | 159mm | 152mm | 273mm | 175mm | 273mm | 200mm | 246mm | 221mm | 267mm | 3.7mm |
| AMP1206L(F) | 11.92 | 10.15 | 5.98 | 6.18 | 10.25 | 8.25 | 8.00 | 12.75 | 8.82 | 12.70 | 9.89 | 11.67 | 10.72 | 12.50 | 0.14 |
| | 303mm | 258mm | 152mm | 157mm | 260mm | 210mm | 203mm | 324mm | 224mm | 323mm | 251mm | 296mm | 272mm | 318mm | 3.7mm |
| AMP1426L(F) | 13.94 | 12.16 | 5.98 | 6.18 | 12.25 | 10.25 | 10.00 | 14.75 14.62 | 10.82 | 14.70 | 11.89 | 13.67 | 12.72 | 14.50 | 0.14 |
| | 354mm | 309mm | 152mm | 157mm | 311mm | 260mm | 254mm | 375mm 371mm | 275mm | 373mm | 302mm | 347mm | 323mm | 368mm | 3.7mm |

Enclosure base part numbers come standard with 4 separately bagged feet (ex. AMP664L)

Add "F" to the part number for factory installed flanges (ex. AMP664LF)

"I" dimensions with multiple numbers indicate slotted holes

All dimensions are in inches unless otherwise noted





AMP Series POLYLINE® JIC Size Junction Boxes: Metal Snap Latch Hinged Cover – Clear Polycarbonate

APPLICATION

- Designed to insulate and protect controls and components in both indoor and outdoor applications often found in industrial control panels, pump controls/waste water treatment, irrigation/water control, solar/wind, and chemical plants
- Light weight, impact resistant and good corrosion resistance for many industrial enclosure applications and a great alternative to metallic enclosures
- Protects from dirt, dust, and water

STANDARDS

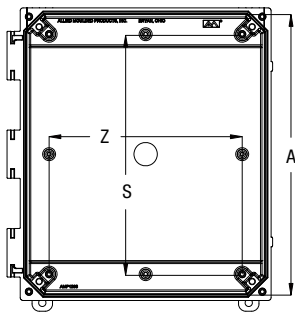
- UL 50 and UL 50E Types 1, 2, 3, 3R, 4, 4X, 12 and 13
- CSA C22.2 No. 94 Types 1, 2, 3, 3R, 4, 4X, 12 and 13
- Complies with
 - NEMA Types 1, 2, 3, 3R, 4, 4X, 12 and 13
 - IEC 60529 Type IP66
 - RoHS directive
- For additional physical properties per industry test standards, please refer to the chart on page 6

CONSTRUCTION

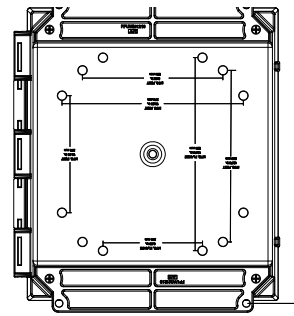
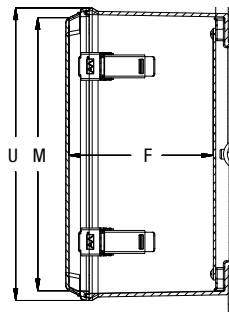
- Injection molded polycarbonate thermoplastic – clear cover, enclosure base, feet and flanges
- Enclosure base, feet, and flanges – Light gray color (RAL 7035)
Note: flanged models are pre-assembled, foot models mounting hardware supplied in a bag
- Stainless steel padlockable snap latches, hinge pin and foot/flange mounting hardware
- Cover seal – closed cell neoprene cord encased in a continuous tongue and groove channel
- #10-32 threaded brass inserts are installed for optional back panel mounting

ACCESSORIES

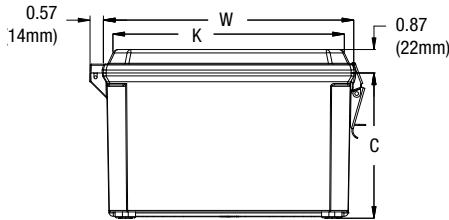
- Optional back panels (white painted steel and aluminum) and hinged front panels (aluminum)
- Optional mounting hardware based on model number – foot or flange mount
- Additional molded-in mounting bosses available for directly mounting DIN rails



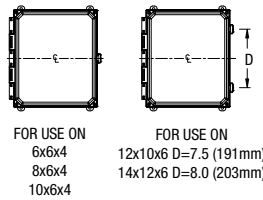
NOTE: COVER REMOVED FOR CLARITY



FLANGE MOUNT

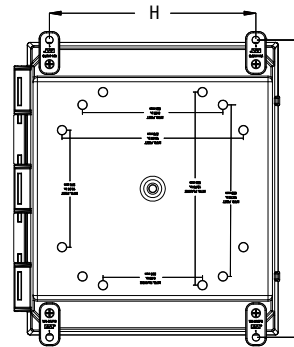


LATCH LOCATIONS



FOR USE ON
6x6x4
8x6x4
10x6x4

FOR USE ON
12x10x6 D=7.5 (191mm)
14x12x6 D=8.0 (203mm)



FOOT MOUNT

| | Box Size Inside Dimensions | | | Usable Depth | Panel Boss Centers | | Flange Mount Centers | | Foot Mount Centers | | Cover Size | | | | Nom. Wall Thickness |
|---------------|----------------------------|-------|-------|--------------|--------------------|-------|----------------------|----------------|--------------------|-------|------------|-------|-------|-------|---------------------|
| | A | B | C | | F | S | Z | J | I | H | L | K | M | W | |
| AMP664CCL(F) | 5.93 | 6.16 | 3.98 | 4.18 | 4.25 | 4.25 | 4.00 | 6.88 6.75 | 4.91 | 6.75 | 5.89 | 5.67 | 6.72 | 6.50 | 0.14 |
| | 151mm | 156mm | 101mm | 106mm | 108mm | 108mm | 102mm | 175mm 171mm | 125mm | 171mm | 150mm | 144mm | 171mm | 165mm | 3.7mm |
| AMP864CCL(F) | 7.94 | 6.16 | 3.98 | 4.18 | 6.25 | 4.25 | 4.00 | 8.88 8.75 | 4.91 | 8.75 | 5.89 | 7.67 | 6.72 | 8.50 | 0.14 |
| | 202mm | 156mm | 101mm | 106mm | 159mm | 108mm | 102mm | 226mm 222mm | 125mm | 222mm | 150mm | 195mm | 171mm | 216mm | 3.7mm |
| AMP1084CCL(F) | 9.93 | 8.15 | 3.98 | 4.18 | 8.25 | 6.25 | 6.00 | 10.75 | 6.91 | 10.75 | 7.89 | 9.67 | 8.72 | 10.50 | 0.14 |
| | 252mm | 207mm | 101mm | 106mm | 210mm | 159mm | 152mm | 273mm | 175mm | 273mm | 200mm | 246mm | 221mm | 267mm | 3.7mm |
| AMP1206CCL(F) | 11.92 | 10.15 | 5.98 | 6.18 | 10.25 | 8.25 | 8.00 | 12.75 | 8.82 | 12.70 | 9.89 | 11.67 | 10.72 | 12.50 | 0.14 |
| | 303mm | 258mm | 152mm | 157mm | 260mm | 210mm | 203mm | 324mm | 224mm | 323mm | 251mm | 296mm | 272mm | 318mm | 3.7mm |
| AMP1426CCL(F) | 13.94 | 12.16 | 5.98 | 6.18 | 12.25 | 10.25 | 10.00 | 14.75 14.62 | 10.82 | 14.70 | 11.89 | 13.67 | 12.72 | 14.50 | 0.14 |
| | 354mm | 309mm | 152mm | 157mm | 311mm | 260mm | 254mm | 375mm 371mm | 275mm | 373mm | 302mm | 347mm | 323mm | 368mm | 3.7mm |

Enclosure base part numbers come standard with 4 separately bagged feet (ex. AMP664CCL)

Add "F" to the part number for factory installed flanges (ex. AMP664CCLF)

"I" dimensions with multiple numbers indicate slotted holes

All dimensions are in inches unless otherwise noted

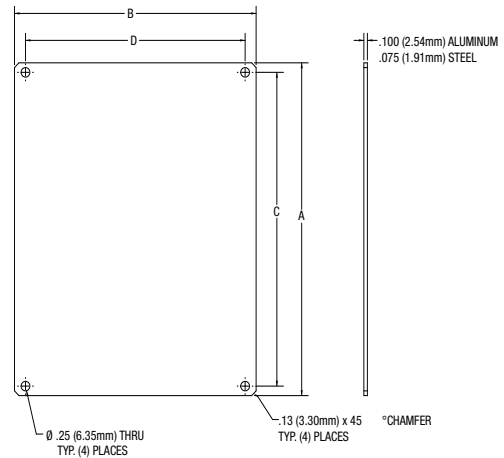


POLYLINE® Series Optional Back Panels:

“PL” Painted White Carbon Steel or “PLA” Aluminum

| STEEL (P/N) | ALUM (P/N) | A | B | C | D |
|-------------|------------|-----------------|-----------------|-----------------|-----------------|
| PL66 | PLA66 | 4.81 122 mm | 4.81 122 mm | 4.25 108 mm | 4.25 108 mm |
| PL86 | PLA86 | 6.75 171 mm | 4.88 124 mm | 6.25 159 mm | 4.25 108 mm |
| PL108 | PLA108 | 8.75 222 mm | 6.88 175 mm | 8.25 210 mm | 6.25 159 mm |
| PL120 | PLA120 | 10.75 273 mm | 8.88 226 mm | 10.25 260 mm | 8.25 210 mm |
| PL142 | PLA142 | 12.75 324 mm | 10.88 276 mm | 12.25 311 mm | 10.25 260 mm |

All dimensions are in inches unless otherwise noted.

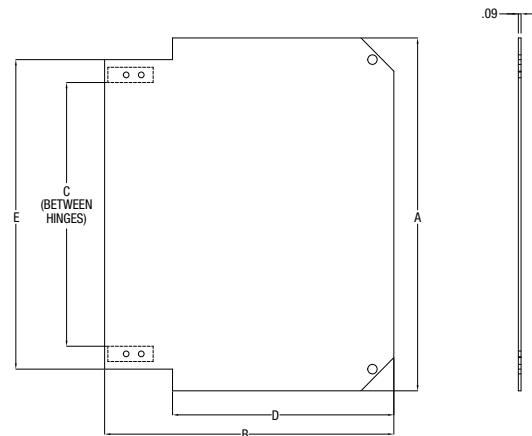
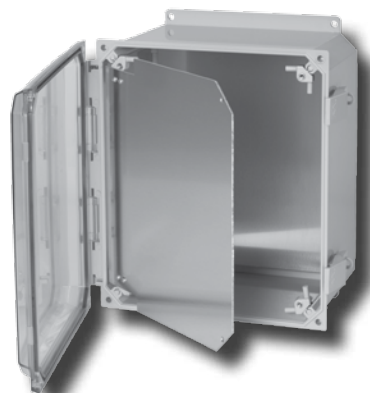


POLYLINE® Series Optional Hinged Front Panels:

“HFPP” Aluminum Panel Systems

| HFPP Kit (P/N) | Enclosure Base (P/N) | A | B | C | D | E |
|----------------|----------------------|-----------------|-----------------|-----------------|----------------|-----------------|
| HFPP66 | AMP664 | 5.44 138 mm | 5.61 142 mm | 2.64 67 mm | 3.36 85 mm | 4.19 106 mm |
| HFPP86 | AMP864 | 7.44 189 mm | 5.61 142 mm | 4.64 118 mm | 3.36 85 mm | 6.19 157 mm |
| HFPP108 | AMP1084 | 9.43 240 mm | 7.63 194 mm | 6.63 168 mm | 5.38 137 mm | 8.18 208 mm |
| HFPP120 | AMP1206 | 11.55 293 mm | 9.58 243 mm | 8.63 219 mm | 7.33 186 mm | 10.13 257 mm |
| HFPP142 | AMP1426 | 13.10 333 mm | 11.25 286 mm | 10.61 269 mm | 9.00 229 mm | 11.75 298 mm |

All dimensions are in inches unless otherwise noted.

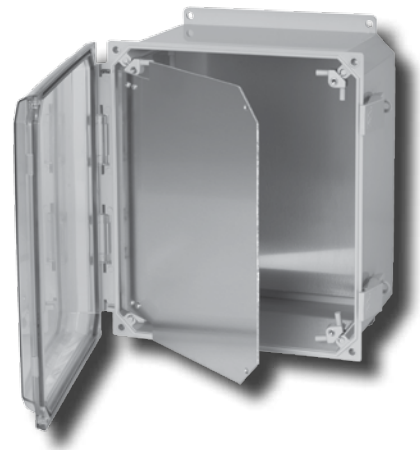
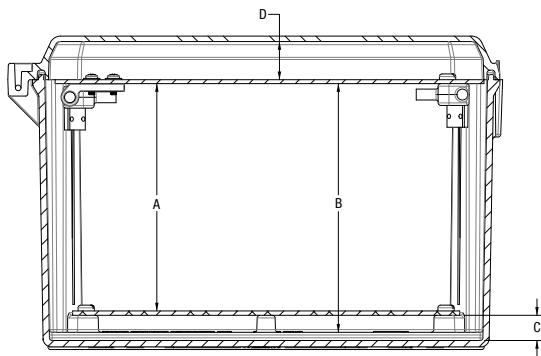


POLYLINE® Series Hinged Front Panels Installed:

To show the range of adjustability, kit & enclosure ordered separately

| | Enclosure Used With | Optional Aluminum Back Panel | Optional Aluminum Back Panel | Optional Steel Back Panel | Optional Steel Back Panel | Without Optional Back Panel | Without Optional Back Panel | C=BOTTOM to Panel Mount Bosses | D=Hinged Front Panel to Inside Cover | D=Hinged Front Panel to Inside Cover |
|----------------|---------------------|------------------------------|------------------------------|---------------------------|---------------------------|-----------------------------|-----------------------------|--------------------------------|--------------------------------------|--------------------------------------|
| | | A (MAX.) | A (MIN.) | A(MAX.) | A(MIN.) | B(MAX.) | B(MIN.) | | (MIN.) | (MAX.) |
| HFPP Kit (P/N) | (base P/N) | A (MAX.) | A (MIN.) | A(MAX.) | A(MIN.) | B(MAX.) | B(MIN.) | | (MIN.) | (MAX.) |
| HFPP66 | AMP664 | 3.21 82 mm | 1.71 43 mm | 3.24 82 mm | 1.74 44 mm | 3.89 99 mm | 2.39 61 mm | .58 15 mm | .88 22 mm | 2.38 60 mm |
| HFPP86 | AMP864 | 3.21 82 mm | 1.71 43 mm | 3.24 82 mm | 1.74 44 mm | 3.89 99 mm | 2.39 61 mm | .58 15 mm | .88 22 mm | 2.38 60 mm |
| HFPP108 | AMP1084 | 3.21 82 mm | 1.71 43 mm | 3.24 82 mm | 1.74 44 mm | 3.89 99 mm | 2.39 61 mm | .58 15 mm | .88 22 mm | 2.38 60 mm |
| HFPP120 | AMP1206 | 5.21 132 mm | 3.71 94 mm | 5.24 133 mm | 3.74 95 mm | 5.89 150 mm | 4.39 112 mm | .58 15 mm | .88 22 mm | 2.38 60 mm |
| HFPP142 | AMP1426 | 5.21 132 mm | 3.71 94 mm | 5.24 133 mm | 3.74 95 mm | 5.89 150 mm | 4.39 112 mm | .58 15 mm | .88 22 mm | 2.38 60 mm |

All dimensions are in inches unless otherwise noted.



ULTRAGUARD® MATERIAL FORMULATION

ULTRAGUARD® -- Allied Moulded's new proprietary fiberglass reinforced polyester material formulation.

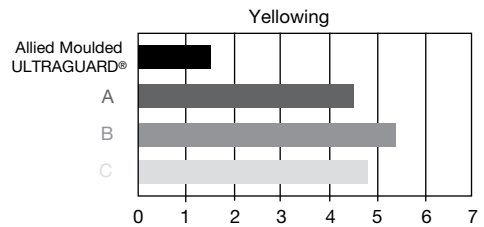
Allied's Materials Research and Development laboratory successfully optimized ingredients to create a formulation with the ability to resist the effects of UV degradation. The formulation was developed through the effective use of UV absorbers that provide protection by physically absorbing light in specific ranges of wavelengths, HALS (Hindered Amine Light Stabilizers), and antioxidants. Together, all three classes of stabilizers provide specific protection to modes of failure associated with outdoor exposure.

ULTRAGUARD® VERSUS THE COMPETITION

Allied's new ULTRAGUARD formulation out performed materials used by three leading fiberglass enclosure manufacturers. The following four key areas were benchmarked, with ULTRAGUARD® easily coming out on top:

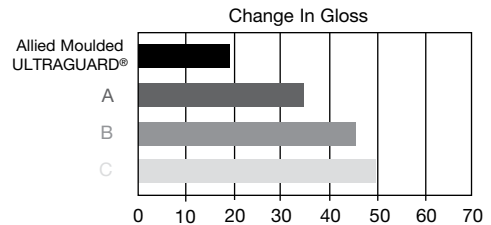
Yellowing (Delta B-change from original)

65-70% improvement over leading competitive enclosure manufacturers.



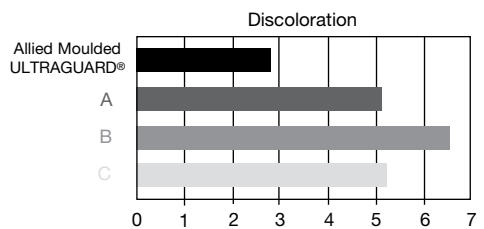
Change In Gloss (% change from original)

44-62% improvement over leading competitive enclosure manufacturers.



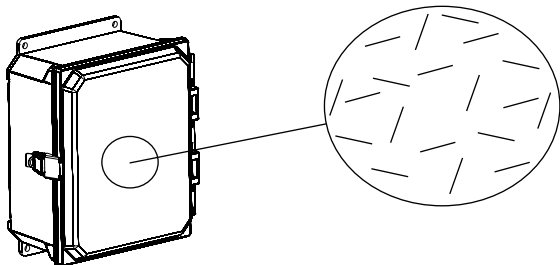
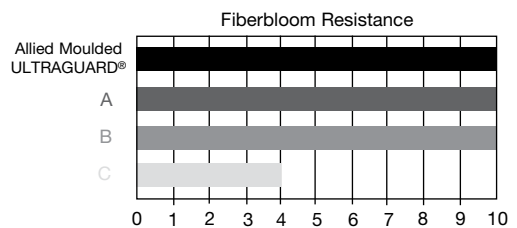
Discoloration (Delta E-change from original)

44-57% improvement over leading competitive enclosure manufacturers.



Fiberbloom resistance (change in aesthetics and texture)

60% improvement over one competitor. Equivalent results compared to two remaining competitors.

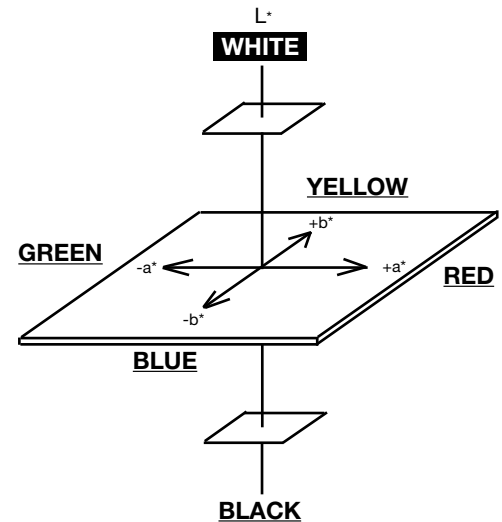


ULTRAGUARD® - HOW IT BENEFITS CUSTOMERS

Allied Moulded's new ULTRAGUARD formulation, while retaining its already robust structural integrity, now has an enhanced surface finish with improved aesthetics. Based upon customer feedback, Allied Moulded recognized an increased number of customer applications requiring outdoor capability and the related challenges to non-metallic enclosure designs. This is why Allied Moulded chose to invest in continuous improvement of our material formulations. Customer applications often require enclosures to be mounted on expensive systems where aesthetic appearance is critical. Changes in enclosure color, texture, and gloss in these applications are not acceptable. Fiberbloom, for example, not only is aesthetically unattractive, but can also be an issue if people come in physical contact with the enclosure surface. Literally defined, fiberbloom is degradation of the polyester compound surface during long-term outdoor exposure, resulting in the eventual exposure of glass fibers. Fiberbloom does not affect the structural integrity or NEMA rating of the enclosures.

ULTRAGUARD® - HOW THE RESULTS WERE PROVEN

Allied Moulded's Materials R&D lab team accepted the continuous improvement project challenge of finding a synergistic combination of compounds that would improve material resistance to color change, gloss change, surface degradation, and exposure of surface glass particles. They successfully met the challenge of maintaining standard material characteristics: UL 94 5V flame test standards and RoHS directive (Restriction of Hazardous Substances). The new formulation also does not contain antimony or halogens, which reduce the risk of smoke borne toxicity. Allied's research and development lab replaced subjective test results found in normal field testing with objective test results that were achieved with industry accepted lab equipment. Internal lab tests and outsourced "Independent Lab" testing (Q-lab Weathers Research Service) was conducted with a QUV accelerated weathering tester. Gloss readings were recorded using a BYK Micro Tri-Gloss machine and color data was recorded using a Hunter Lab ColorQuest sphere instrument. All test results were obtained and reported per ASTM & ISO standards.



L* a* b* Color Space - Instrumental color readings utilize three numbers to describe a color baseline.

ULTRAGUARD® VERSUS STEEL ENCLOSURES

While outdoor exposure appears to present problems for non-metal enclosures, there are many other reasons why non-metal enclosures are strongly preferred and why they actually provide better solutions. Weight, corrosion, ease of modification, resistance to dents and loss of seal integrity are all key issues that must be considered when choosing between non-metal and steel enclosures. **ULTRAGUARD FRP is the preferred alternative.**





THE FIBERGLASS ADVANTAGE

Fiberglass—The Superior Enclosure Material

Allied Moulded fiberglass enclosures are fabricated from our own proprietary ULTRAGUARD® formulation. This material provides superior performance and protective properties in a wide variety of environments. Please make reference to our performance comparison chart of enclosure materials on page 29.

Beyond Meeting Standards to Exceeding Expectations

Of course, Allied Moulded fiberglass enclosures are designed and regularly tested to meet stringent UL® and CSA® specifications, but we don't stop there. Our full line of corrosion-resistant, maintenance-free fiberglass enclosures is designed to provide optimum protection in the harshest environments, from water treatment facilities and irrigation systems to oil refineries and chemical processing plants.



Outperforming the Alternatives

Fiberglass reinforced polyester (FRP) offers significant benefits over metal enclosures such as carbon and stainless steel.

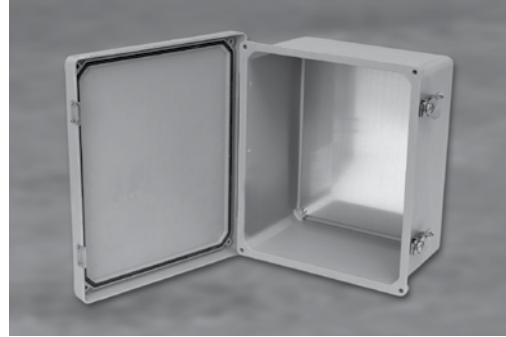


Compare them and you'll discover that fiberglass reinforced polyester enclosures are:

- Lighter and easier to handle
- Strong enough to hold up under extreme conditions
- Equal to stainless steel in corrosion and chemical resistance, and far better than carbon steel
- Non-conductive—an electrical insulator rather than electrical conductor
- Much easier to punch, drill or saw
- Less expensive to ship

Allied Moulded enclosures also outperform other non-metallic alternatives in areas such as:

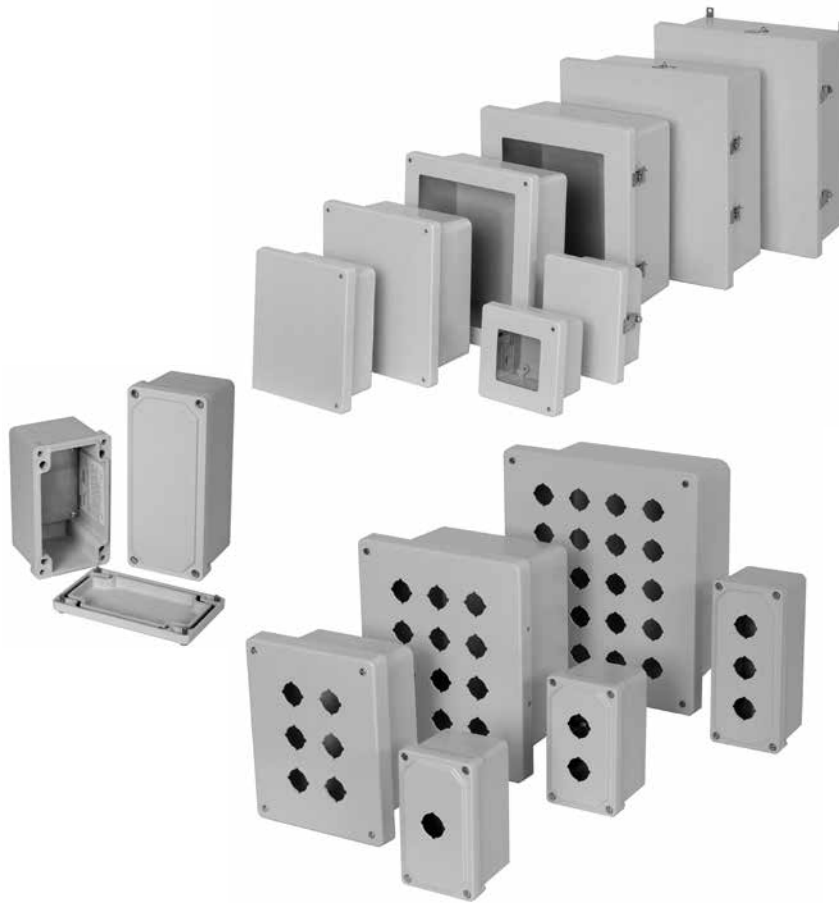
- Chemical resistance
- Protection against degradation due to UV exposure
- Resistance to extreme temperatures
- Flame retardant properties



Take the time to compare the cost, quality and performance of our fiberglass reinforced polyester products and you'll see why we say Allied Moulded has the superior enclosure solutions.

Performance Comparison of Enclosure Materials

| | Fiberglass | Stainless Steel | Carbon Steel | PVC | Polycarbonate |
|------------------------------|----------------------|----------------------|----------------------|----------------------|----------------------|
| Corrosive Resistance | Excellent | Excellent | Poor | Excellent | Fair |
| Chemical Resistance | Excellent | Excellent | Poor | Very Good | Good |
| Relative Cost | Low | High | Low to Moderate | Low | Low to Moderate |
| Drilling, Punching & Cutting | Very Easy | Extremely Hard | Hard | Very Easy | Easy |
| Dielectric Strength | Electrical Insulator | Electrical Conductor | Electrical Conductor | Electrical Insulator | Electrical Insulator |
| Weight | Light | Heavy | Heavy | Light | Light |



AM SERIES

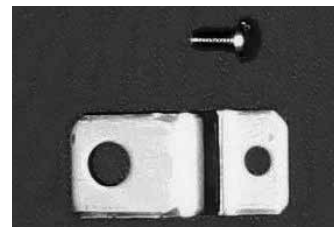
AM Series boxes are designed to insulate and protect controls and components in both indoor and outdoor applications and are especially well suited for high temperature or corrosive environments. They feature flat covers with a variety of latching options that allow you to provide the level of security or ease of access needed for each application.

The AM Series offers a wide variety of sizes and configurations, including:

- Small junction boxes
- Inline pushbutton enclosures in one-, two-, or three-hole configurations and two hole sizes
- Standard JIC size enclosures

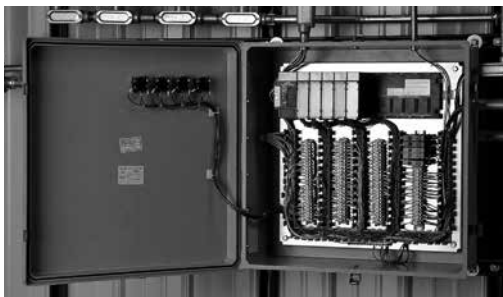
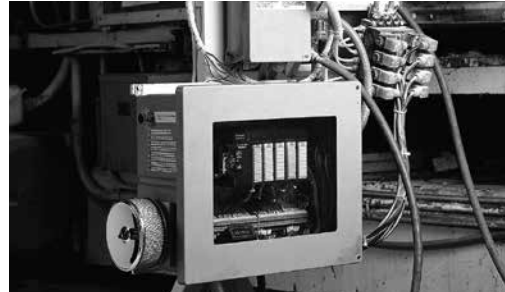
AM Series Features & Benefits

- Molded ULTRAGUARD® fiberglass reinforced polyester material construction for durability
- Continuous 300 series stainless steel hinge
- Closed-cell neoprene gasket encased in continuous channel
- Matching flat cover
- 300 series stainless steel hardware and mounting feet
- Mounting panel inserts for optional back panel
- UV stabilized for outdoor use



Suitable Applications

- Electrical junctions
- Terminal wiring
- Electrical and electronic controls, instruments, components
- Housing pushbuttons, switches and other devices
- Other industrial control equipment



AM Series Specifications

- Non-corrosive
- Non-conductive
- Temperature-resistant
- Fire-resistant
- Rated NEMA 1, 2, 3, 3R, 4, 4X, 12, 13
- UL listed
- CSA certified
- Compliant with RoHS directive

Accessories

- Back panels available in painted carbon steel, aluminum, fiberglass, or galvanized steel
- UV resistant polycarbonate viewing windows
- Thermal management products

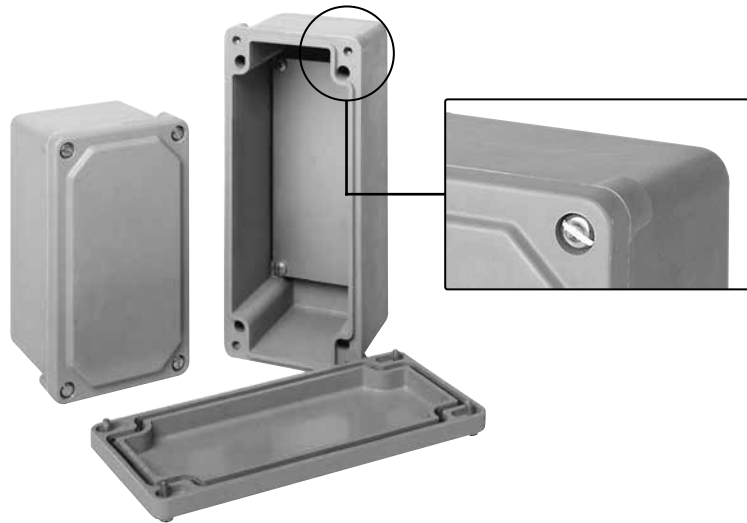
Modifications

We are pleased to modify any of our standard products to fit your needs. We have the lowest volume requirements on custom work in the industry, and quick turnaround time.

We can modify any of our AM Series enclosures with:

- Custom holes and cutouts
- Custom size polycarbonate viewing windows
- Molded-in color matches
- Hinge installed on short side
- EMI/RFI shielding
- Factory-supplied silk screening

For complete details on factory modifications including a modification request form, see pages 136-138.



AM Series Small Junction Boxes: Lift-Off Screw Cover

APPLICATION

- Designed for use as electrical junction boxes, terminal wiring boxes, instrumentation housings and electrical control enclosures
- Especially well suited for high temperature or corrosive environments
- Protects from dirt, dust, oil and water
- For use with industrial control equipment in ordinary locations

STANDARDS

- UL 50 and UL 50E Types 1, 2, 3, 3R, 4, 4X, 12 and 13
- CSA C22.2 No. 94 Types 1, 2, 3, 3R, 4, 4X, 12 and 13
- Complies with
 - NEMA Types 1, 2, 3, 3R, 4, 4X, 12 and 13
 - IEC 60529 Type IP66
 - RoHS directive
- For additional physical properties per industry test standards, please refer to the chart on page 140

CONSTRUCTION

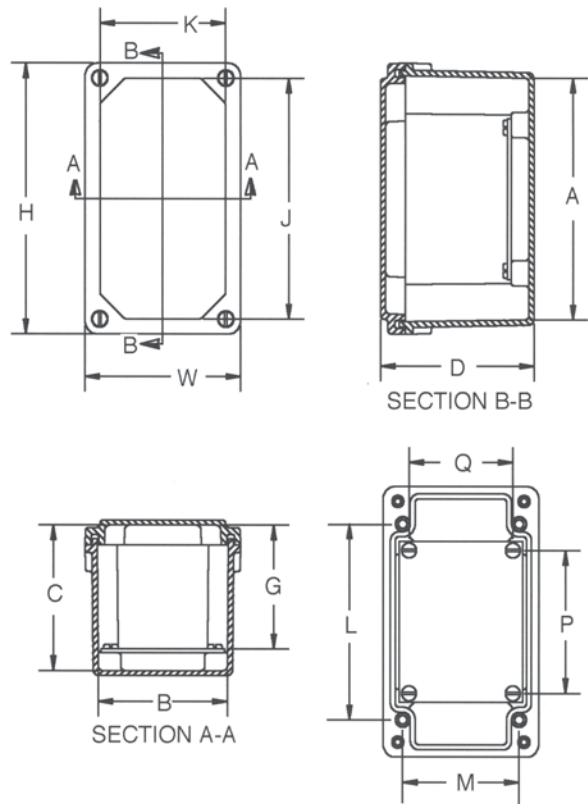
- Rugged, molded ULTRAGUARD® fiberglass reinforced polyester material construction with reinforced corners
- Two standard sizes: 7" x 4" x 3" and 9" x 4" x 3"
- 300 series stainless steel captive cover screws and mounting feet
- "Tongue and groove" type closed-cell neoprene gasket
- Threaded inserts for optional back panel
- UV stabilized for outdoor use

ACCESSORIES

- Optional back panels

MODIFICATIONS

- Custom holes and cutouts
- Custom size polycarbonate viewing windows
- Molded-in color matches
- EMI/RFI shielding
- Factory-supplied silk screening



TOP VIEW WITH COVER REMOVED
(SHOWN WITH OPTIONAL BACK PANEL)

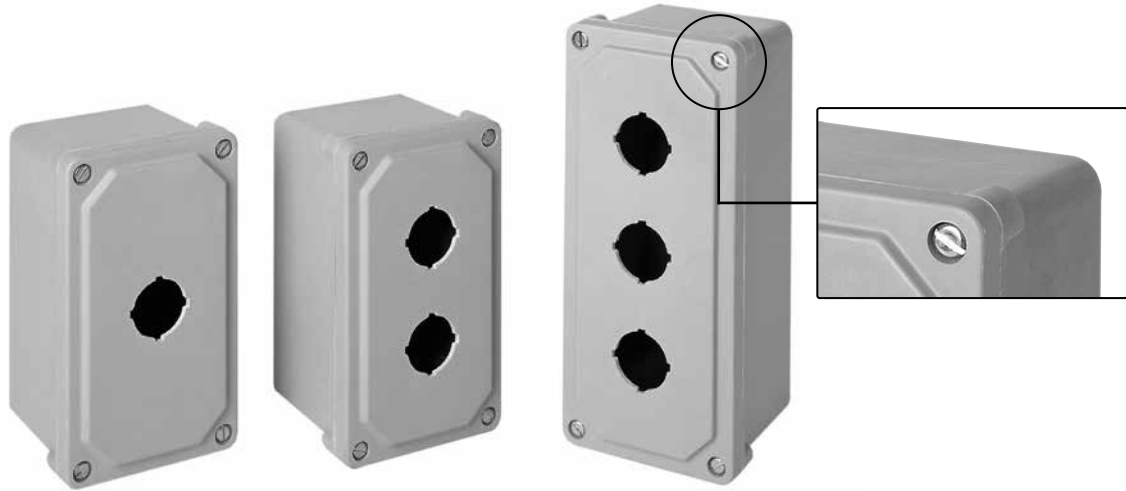
| Optional Aluminum/Fiberglass Back Panel | | |
|---|--------|-------|
| Part No. | Height | Width |
| PA74, PF74 | 4.00 | 3.13 |
| | 102mm | 80mm |
| PA94, PF94 | 6.25 | 3.13 |
| | 159mm | 80mm |

All dimensions are in inches unless otherwise noted.
Thickness; "PA" (.100) "PF" (.125)

| Part No. | Overall | | | Inside | | | | J | K | L | M | P | Q |
|------------|---------|-------|------|--------|------|------|------|-------|------|-------|------|-------|------|
| | H | W | D | A | B | C | G | | | | | | |
| AM743 | 6.74 | 3.93 | 3.88 | 6.01 | 3.26 | 3.63 | 3.08 | 6.13 | 3.31 | 4.88 | 2.94 | 3.56 | 2.63 |
| | 171mm | 100mm | 99mm | 153mm | 83mm | 92mm | 78mm | 156mm | 84mm | 124mm | 75mm | 90mm | 67mm |
| AM743(SF*) | 6.74 | 3.93 | 3.88 | 6.01 | 3.26 | 3.63 | 3.08 | 6.13 | 3.31 | 4.88 | 2.94 | 3.56 | 2.63 |
| | 171mm | 100mm | 99mm | 153mm | 83mm | 92mm | 78mm | 156mm | 84mm | 124mm | 75mm | 90mm | 67mm |
| AM943 | 8.99 | 3.93 | 3.88 | 8.26 | 3.26 | 3.63 | 3.08 | 8.31 | 3.31 | 7.13 | 2.94 | 5.81 | 2.63 |
| | 228mm | 100mm | 99mm | 210mm | 83mm | 92mm | 78mm | 211mm | 84mm | 181mm | 75mm | 148mm | 67mm |
| AM943(SF*) | 8.99 | 3.93 | 3.88 | 8.26 | 3.26 | 3.63 | 3.08 | 8.31 | 3.31 | 7.13 | 2.94 | 5.81 | 2.63 |
| | 228mm | 100mm | 99mm | 210mm | 83mm | 92mm | 78mm | 211mm | 84mm | 181mm | 75mm | 148mm | 67mm |

All dimensions are in inches unless otherwise noted.
*Available with or without stainless steel mounting feet. Suffix "SF" denotes box without mounting feet.





AM Series Pushbutton Enclosures: Inline Lift-Off Screw Cover

APPLICATION

- Designed to insulate and house pushbuttons and switches in applications that require a human-machine interface
- Especially well suited for high temperature or corrosive environments
- Protects from dirt, dust, oil and water
- For use with industrial control equipment in ordinary locations

STANDARDS

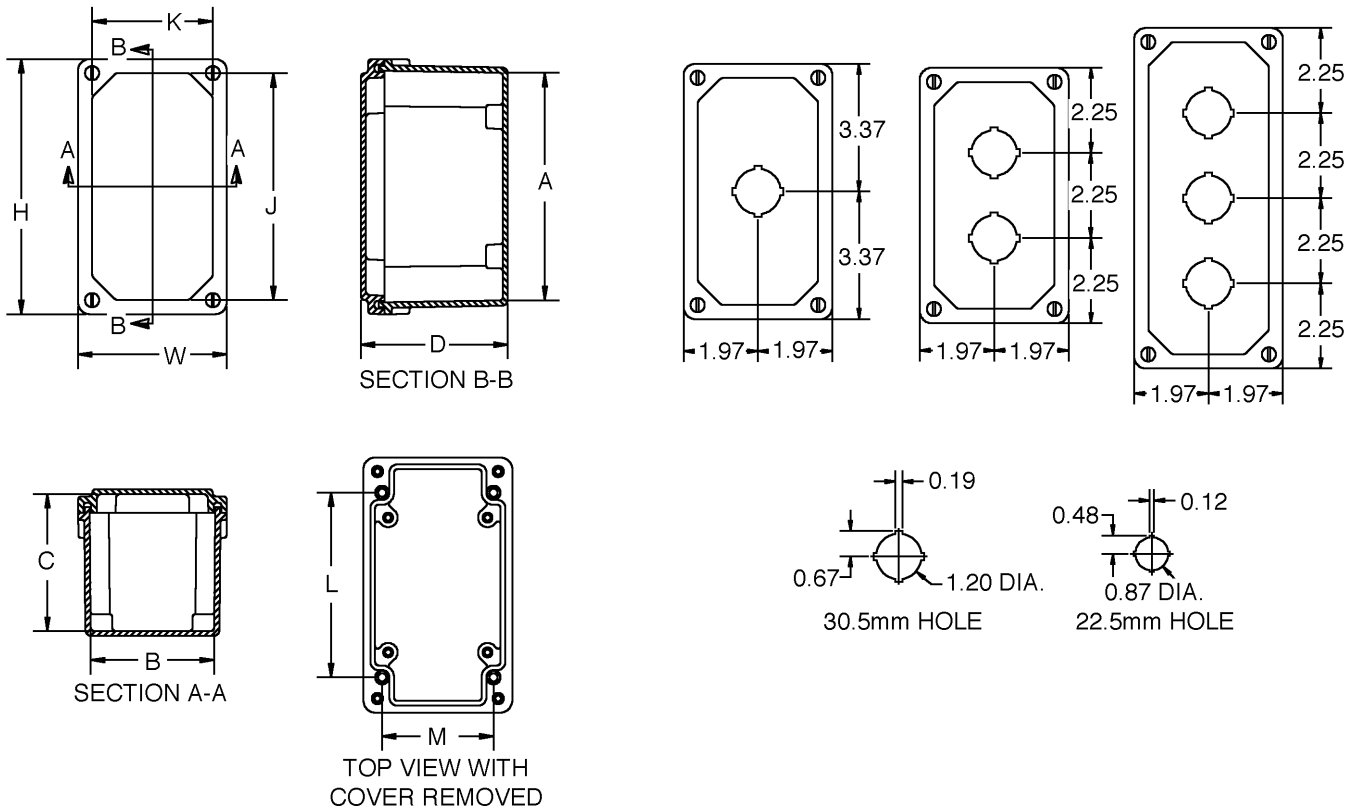
- UL 50 and UL 50E Types 1, 2, 3, 3R, 4, 4X, 12 and 13
- CSA C22.2 No. 94 Types 1, 2, 3, 3R, 4, 4X, 12 and 13
- Complies with
 - NEMA Types 1, 2, 3, 3R, 4, 4X, 12 and 13
 - IEC 60529 Type IP66
 - RoHS directive
- For additional physical properties per industry test standards, please refer to the chart on page 140

CONSTRUCTION

- Rugged, molded ULTRAGUARD® fiberglass reinforced polyester material construction with reinforced corners
- Available with either 30.5mm or 22.5mm holes
- 300 series stainless steel captive cover screws
- “Tongue and groove” type closed-cell neoprene gasket
- Grounding strap included
- UV stabilized for outdoor use

MODIFICATIONS

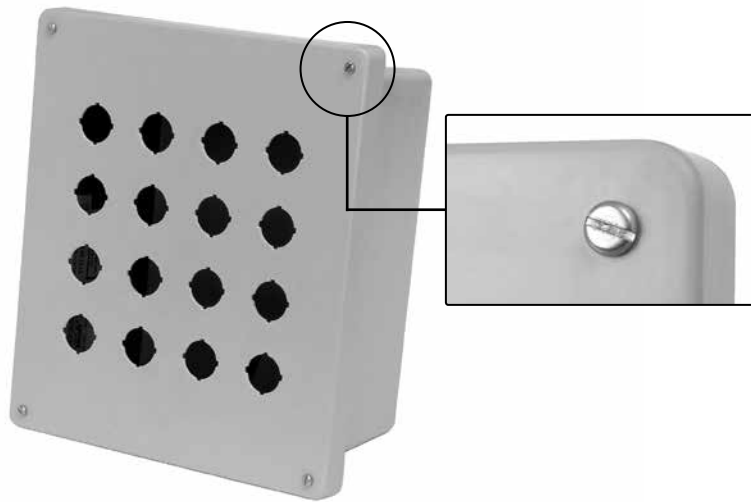
- Molded-in color matches
- EMI/RFI shielding
- Factory-supplied silk screening



| Part No. | Overall | | | Inside | | | J | K | L | M | Holes | Size |
|----------------|---------------|---------------|--------------|---------------|--------------|--------------|---------------|--------------|---------------|--------------|--------|----------------|
| | H | W | D | A | B | C | | | | | | |
| AM1PB | 6.74 171mm | 3.93 100mm | 3.88 99mm | 6.01 153mm | 3.26 83mm | 3.63 92mm | 6.13 156mm | 3.31 84mm | 4.88 124mm | 2.94 75mm | 1 1 | 1.20 30.5mm |
| AM1PB22 | 6.74 171mm | 3.93 100mm | 3.88 99mm | 6.01 153mm | 3.26 83mm | 3.63 92mm | 6.13 156mm | 3.31 84mm | 4.88 124mm | 2.94 75mm | 1 1 | 0.87 22.5mm |
| AM2PB | 6.74 171mm | 3.93 100mm | 3.88 99mm | 6.01 153mm | 3.26 83mm | 3.63 92mm | 6.13 156mm | 3.31 84mm | 4.88 124mm | 2.94 75mm | 2 2 | 1.20 30.5mm |
| AM2PB22 | 6.74 171mm | 3.93 100mm | 3.88 99mm | 6.01 153mm | 3.26 83mm | 3.63 92mm | 6.13 156mm | 3.31 84mm | 4.88 124mm | 2.94 75mm | 2 2 | 0.87 22.5mm |
| AM3PB | 8.99 228mm | 3.93 100mm | 3.88 99mm | 8.26 210mm | 3.26 83mm | 3.63 92mm | 8.31 211mm | 3.31 84mm | 7.13 181mm | 2.94 75mm | 3 3 | 1.20 30.5mm |
| AM3PB22 | 8.99 228mm | 3.93 100mm | 3.88 99mm | 8.26 210mm | 3.26 83mm | 3.63 92mm | 8.31 211mm | 3.31 84mm | 7.13 181mm | 2.94 75mm | 3 3 | 0.87 22.5mm |

All dimensions are in inches unless otherwise noted.
 Note: Mounting feet are not included as standard.





AM Series Pushbutton Enclosures: Multi-Hole Lift-Off Screw Cover

APPLICATION

- Designed to insulate and house pushbuttons and switches in applications that require a human-machine interface
- Especially well suited for high temperature or corrosive environments
- Protects from dirt, dust, oil and water
- For use with industrial control equipment in ordinary locations

STANDARDS

- UL 50 and UL 50E Types 1, 2, 3, 3R, 4, 4X, 12 and 13
- CSA C22.2 No. 94 Types 1, 2, 3, 3R, 4, 4X, 12 and 13
- Complies with
 - NEMA Types 1, 2, 3, 3R, 4, 4X, 12 and 13
 - IEC 60529 Type IP66
 - RoHS directive
- For additional physical properties per industry test standards, please refer to the chart on page 140

CONSTRUCTION

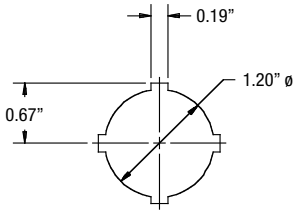
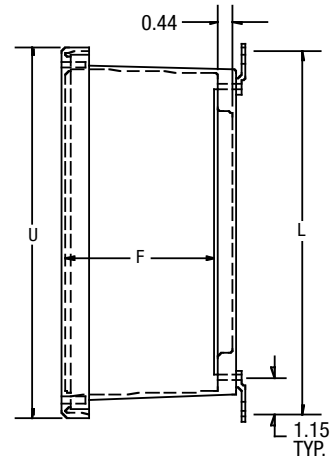
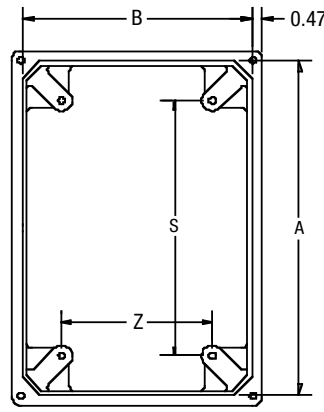
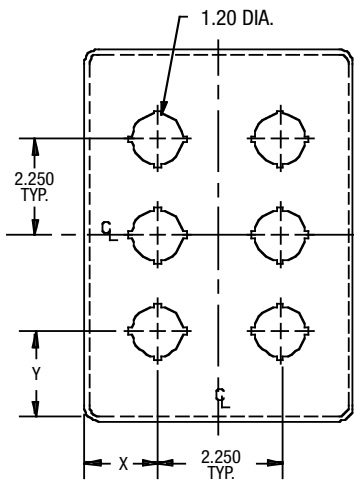
- Constructed to requirements of CSA Enc. 5 based on standard component cutout
- Strong, molded ULTRAGUARD® fiberglass reinforced polyester material construction
- 300 series stainless steel captive cover screws
- Gasket made of closed cell neoprene cord encased in a continuous channel
- 300 series stainless steel wall mounting feet with 10-32 stainless steel screws included
- #10-32 threaded inserts are installed for optional back panel
- UV stabilized for outdoor use

ACCESSORIES

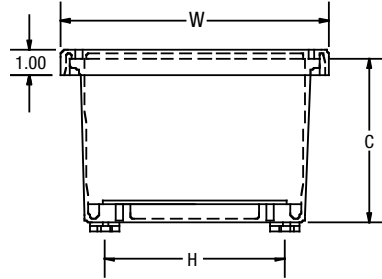
- Optional back panels (See table on pages 128-129)

MODIFICATIONS

- Molded-in color matches
- EMI/RFI shielding
- Factory-supplied silk screening
- Optional 22.5mm holes (add "22" suffix to part number)

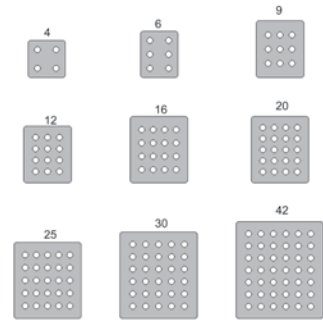


30.5mm HOLE DETAIL
STANDARD 4-WAY
(Optional 22.5mm holes available)



Nominal 1/8" wall thickness

Pushbutton Arrangements



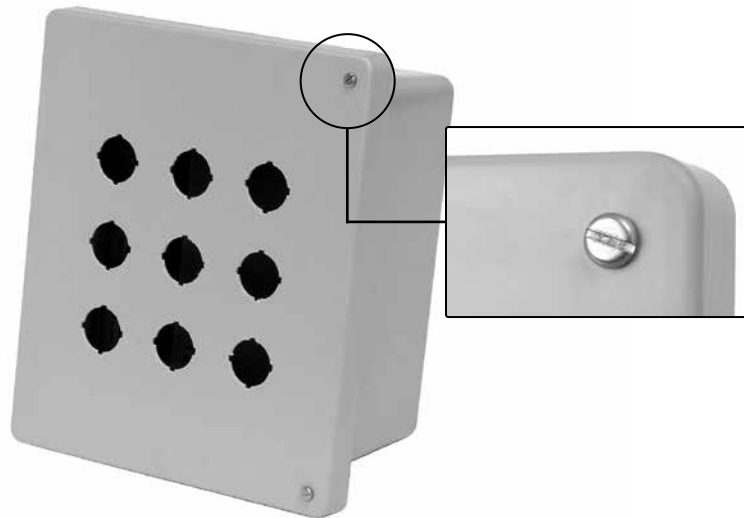
AM SERIES

Note: To order product with 22.5mm holes, please add "22" suffix to part number (e.g., AM664P422) and contact customer service for lead times.

| Part No. | Box Size | | | Usable Depth | Panel Boss Centers | | Panel Sizes | | Foot Mount Centers | | Cover Size | | No. of Holes | X | Y |
|-----------|----------------|----------------|---------------|---------------|--------------------|----------------|----------------|----------------|--------------------|----------------|----------------|----------------|--------------|--------------|--------------|
| | A | B | C | | F | S | Z | Height | Weight | H | L | U | | | |
| AM664P4 | 6.10 155mm | 6.10 155mm | 4.18 106mm | 3.76 96mm | 4.25 108mm | 4.25 108mm | 4.81 122mm | 4.81 122mm | 5.01 127mm | 7.32 186mm | 7.69 195mm | 7.69 195mm | 4 | 2.72 69mm | 2.72 69mm |
| AM864P6 | 8.00 203mm | 6.13 156mm | 4.13 105mm | 3.68 93mm | 6.25 159mm | 4.25 108mm | 6.75 171mm | 4.88 124mm | 5.01 127mm | 9.19 233mm | 9.59 244mm | 7.71 196mm | 6 | 2.72 69mm | 2.55 65mm |
| AM1084P9 | 10.14 258mm | 8.26 210mm | 4.13 105mm | 3.68 93mm | 8.25 210mm | 6.25 159mm | 8.75 222mm | 6.88 175mm | 7.01 178mm | 11.19 284mm | 11.73 298mm | 9.85 250mm | 9 | 2.68 68mm | 3.62 92mm |
| AM1086P9 | 10.14 258mm | 8.26 210mm | 6.13 156mm | 5.68 144mm | 8.25 210mm | 6.25 159mm | 8.75 222mm | 6.88 175mm | 7.01 178mm | 11.19 284mm | 11.73 298mm | 9.85 250mm | 9 | 2.68 68mm | 3.62 92mm |
| AM1086P12 | 10.14 258mm | 8.26 210mm | 6.13 156mm | 5.68 144mm | 8.25 210mm | 6.25 159mm | 8.75 223mm | 6.88 226mm | 7.01 178mm | 11.19 284mm | 11.73 298mm | 9.85 250mm | 12 | 2.68 68mm | 2.49 63mm |
| AM1206P16 | 12.14 308mm | 10.26 261mm | 6.13 156mm | 5.68 144mm | 10.25 260mm | 8.25 210mm | 10.75 324mm | 8.88 276mm | 9.01 229mm | 13.19 335mm | 13.73 349mm | 11.85 301mm | 16 | 2.55 65mm | 3.49 89mm |
| AM1206P20 | 12.14 308mm | 10.26 261mm | 6.13 156mm | 5.68 144mm | 10.25 260mm | 8.25 210mm | 10.75 375mm | 8.88 327mm | 9.01 229mm | 13.19 335mm | 13.73 349mm | 11.85 301mm | 20 | 2.55 65mm | 2.37 60mm |
| AM1426P25 | 14.13 359mm | 12.26 311mm | 6.13 156mm | 5.68 144mm | 12.25 311mm | 10.25 260mm | 12.75 324mm | 10.88 276mm | 11.01 280mm | 15.19 386mm | 15.73 400mm | 13.85 352mm | 25 | 2.43 62mm | 3.37 86mm |
| AM1648P30 | 16.27 413mm | 14.40 366mm | 8.13 207mm | 7.68 195mm | 14.25 362mm | 12.25 311mm | 14.75 375mm | 12.88 375mm | 13.01 330mm | 17.19 437mm | 17.87 454mm | 15.99 406mm | 30 | 3.50 89mm | 3.31 84mm |
| AM1868P42 | 18.4 467mm | 16.40 417mm | 8.13 207mm | 7.68 195mm | 16.25 413mm | 14.25 362mm | 16.88 468mm | 14.88 367mm | 14.97 380mm | 19.28 490mm | 20.00 508mm | 18.00 457mm | 42 | 3.38 86mm | 3.25 83mm |

All dimensions are in inches unless otherwise noted.





AM Series Pushbutton Enclosures: Multi-Hole Hinged Screw Cover

APPLICATION

- Designed to insulate and house pushbuttons and switches in applications that require a human-machine interface
- Especially well suited for high temperature or corrosive environments
- Protects from dirt, dust, oil and water
- For use with industrial control equipment in ordinary locations

STANDARDS

- UL 50 and UL 50E Types 1, 2, 3, 3R, 4, 4X, 12 and 13
- CSA C22.2 No. 94 Types 1, 2, 3, 3R, 4, 4X, 12 and 13
- Complies with
 - NEMA Types 1, 2, 3, 3R, 4, 4X, 12 and 13
 - IEC 60529 Type IP66
 - RoHS directive
- For additional physical properties per industry test standards, please refer to the chart on page 140

CONSTRUCTION

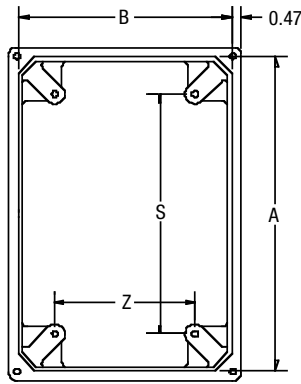
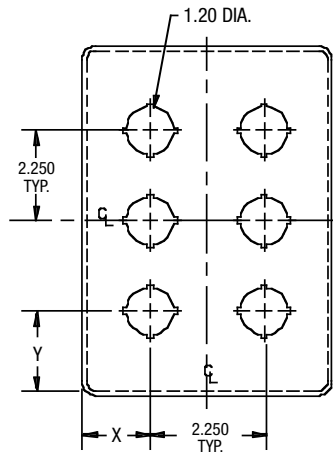
- Constructed to requirements of CSA Enc. 5 based on standard component cutout
- Strong, molded ULTRAGUARD® fiberglass reinforced polyester material construction
- 300 series stainless steel captive cover screws
- Continuous stainless steel hinge
- Gasket made of closed cell neoprene cord encased in a continuous channel
- 300 series stainless steel wall mounting feet with 10-32 stainless steel screws included
- #10-32 threaded inserts are installed for optional back panel
- UV stabilized for outdoor use

ACCESSORIES

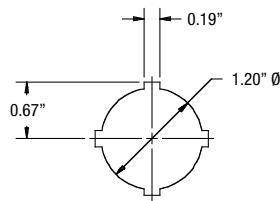
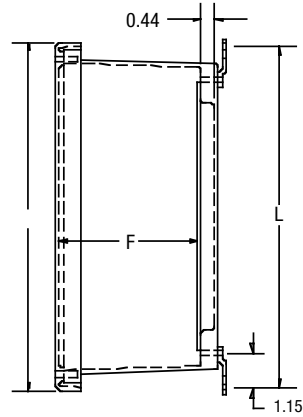
- Optional back panels (See table on pages 128-129)

MODIFICATIONS

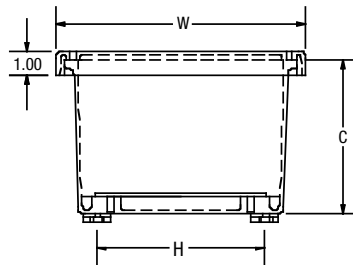
- Molded-in color matches
- EMI/RFI shielding
- Factory-supplied silk screening
- Optional 22.5mm holes (add "22" suffix to part number)



Note: Cover removed for clarity

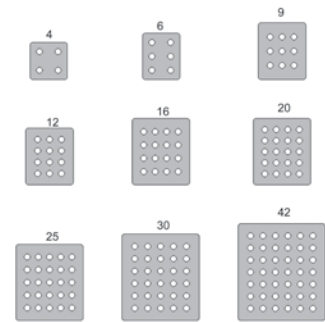


30.5mm HOLE DETAIL
STANDARD 4-WAY
(Optional 22.5mm holes available)



Nominal 1/8" wall thickness

Pushbutton Arrangements



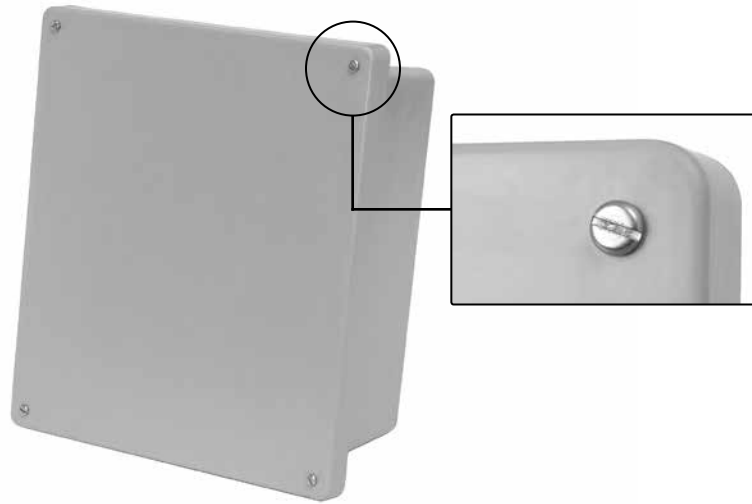
AM SERIES

Note: To order product with 22.5mm holes, please add "22" suffix to part number (e.g., AM664HP422) and contact customer service for lead times.

| Part No. | Box Size | | | Usable Depth | Panel Boss Centers | | Panel Sizes | | Foot Mount Centers | | Cover Size | | No. of Holes | X | Y |
|------------|----------------|----------------|---------------|---------------|--------------------|----------------|----------------|----------------|--------------------|----------------|----------------|----------------|--------------|--------------|--------------|
| | A | B | C | | F | S | Z | Height | Weight | H | L | U | | | |
| AM664HP4 | 6.10 155mm | 6.10 155mm | 4.18 106mm | 3.76 96mm | 4.25 108mm | 4.25 108mm | 4.81 122mm | 4.81 122mm | 5.01 127mm | 7.32 186mm | 7.69 195mm | 7.69 195mm | 4 | 2.72 69mm | 2.72 69mm |
| AM864HP6 | 8.00 203mm | 6.13 156mm | 4.13 105mm | 3.68 93mm | 6.25 159mm | 4.25 108mm | 6.75 171mm | 4.88 124mm | 5.01 127mm | 9.19 233mm | 9.59 244mm | 7.71 196mm | 6 | 2.72 69mm | 2.55 65mm |
| AM1084HP9 | 10.14 258mm | 8.26 210mm | 4.13 105mm | 3.68 93mm | 8.25 210mm | 6.25 159mm | 8.75 222mm | 6.88 175mm | 7.01 178mm | 11.19 284mm | 11.73 298mm | 9.85 250mm | 9 | 2.68 68mm | 3.62 92mm |
| AM1086HP9 | 10.14 258mm | 8.26 210mm | 6.13 156mm | 5.68 144mm | 8.25 210mm | 6.25 159mm | 8.75 222mm | 6.88 175mm | 7.01 178mm | 11.19 284mm | 11.73 298mm | 9.85 250mm | 9 | 2.68 68mm | 3.62 92mm |
| AM1086HP12 | 10.14 258mm | 8.26 210mm | 6.13 156mm | 5.68 144mm | 8.25 210mm | 6.25 159mm | 8.75 222mm | 6.88 175mm | 7.01 178mm | 11.19 284mm | 11.73 298mm | 9.85 250mm | 12 | 2.68 68mm | 2.49 63mm |
| AM1206HP16 | 12.14 308mm | 10.26 261mm | 6.13 156mm | 5.68 144mm | 10.25 260mm | 8.25 210mm | 10.75 273mm | 8.88 226mm | 9.01 229mm | 13.19 335mm | 13.73 349mm | 11.85 301mm | 16 | 2.55 65mm | 3.49 89mm |
| AM1206HP20 | 12.14 308mm | 10.26 261mm | 6.13 156mm | 5.68 144mm | 10.25 260mm | 8.25 210mm | 10.75 273mm | 8.88 226mm | 9.01 229mm | 13.19 335mm | 13.73 349mm | 11.85 301mm | 20 | 2.55 65mm | 2.37 60mm |
| AM1426HP25 | 14.13 359mm | 12.26 311mm | 6.13 156mm | 5.68 144mm | 12.25 311mm | 10.25 260mm | 12.75 324mm | 10.88 276mm | 11.01 280mm | 15.19 386mm | 15.73 400mm | 13.85 352mm | 25 | 2.43 62mm | 3.37 86mm |
| AM1648HP30 | 16.27 413mm | 14.40 366mm | 8.13 207mm | 7.68 195mm | 14.25 362mm | 12.25 311mm | 14.75 375mm | 12.88 327mm | 13.01 330mm | 17.19 437mm | 17.87 454mm | 15.99 406mm | 30 | 3.50 89mm | 3.31 84mm |
| AM1868HP42 | 18.40 467mm | 16.40 417mm | 8.13 207mm | 7.68 195mm | 16.25 413mm | 14.25 362mm | 16.88 429mm | 14.88 378mm | 14.97 380mm | 19.28 490mm | 20.00 508mm | 18.00 457mm | 42 | 3.38 86mm | 3.25 83mm |

All dimensions are in inches unless otherwise noted.





AM Series JIC Size Junction Boxes: Lift-Off Screw Cover

APPLICATION

- Designed to insulate and protect controls and components in both indoor and outdoor applications
- Especially well suited for high temperature or corrosive environments
- Protects from dirt, dust, oil and water
- For use with industrial control equipment in ordinary locations

STANDARDS

- UL 50 and UL 50E Types 1, 2, 3, 3R, 4, 4X, (6P for sizes 6" x 6" up through 14" x 12") 12, and 13
- CSA C22.2 No. 94 Types 1, 2, 3, 3R, 4, 4X, (6P for sizes 6" x 6" up through 14" x 12") 12 and 13
- Complies with
 - NEMA Types 1, 2, 3, 3R, 4, 4X, (6P for sizes 6" x 6" up through 14" x 12") 12 and 13
 - IEC 60529 Type IP66 and units rated 6P are IP68 submersible up to 24 hours at a depth of 6 feet (1.8 meters)
 - RoHS directive
- For additional physical properties per industry test standards, please refer to the chart on page 140

CONSTRUCTION

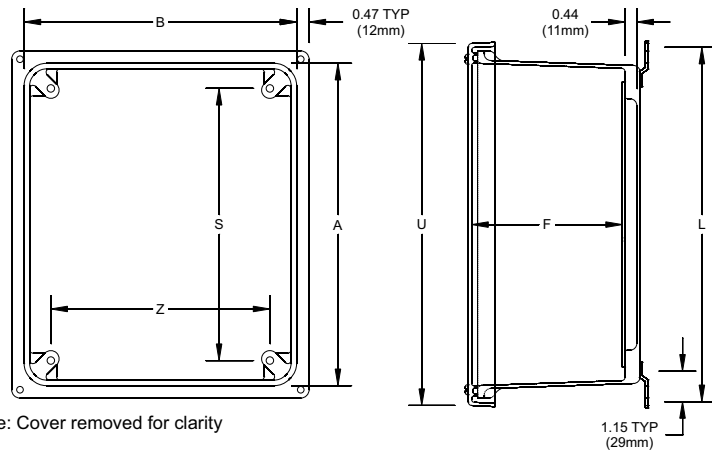
- Strong, molded ULTRAGUARD® fiberglass reinforced polyester material construction with matching flat cover
- 300 series stainless steel captive cover screws
- Gasket made of closed cell neoprene cord encased in a continuous channel
- 300 series stainless steel wall mounting feet with 10-32 stainless steel screws included
- #10-32 threaded inserts are installed for optional back panel
- JIC sizing
- ULTRAGUARD® fiberglass material is easily punched, drilled or sawed
- UV stabilized for outdoor use

ACCESSORIES

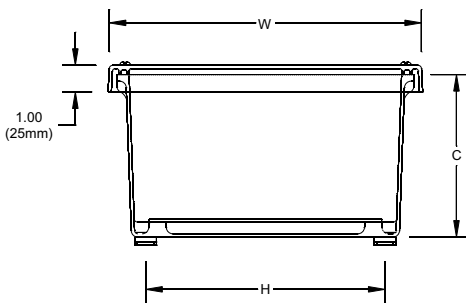
- Optional back panels (See table on pages 128-129)
- Optional thermal management products (See pages 131-132)

MODIFICATIONS

- Custom holes and cutouts
- Custom size polycarbonate viewing windows
- Hinge installed on short side
- Molded-in color matches
- EMI/RFI shielding
- Factory-supplied silk screening



Note: Cover removed for clarity

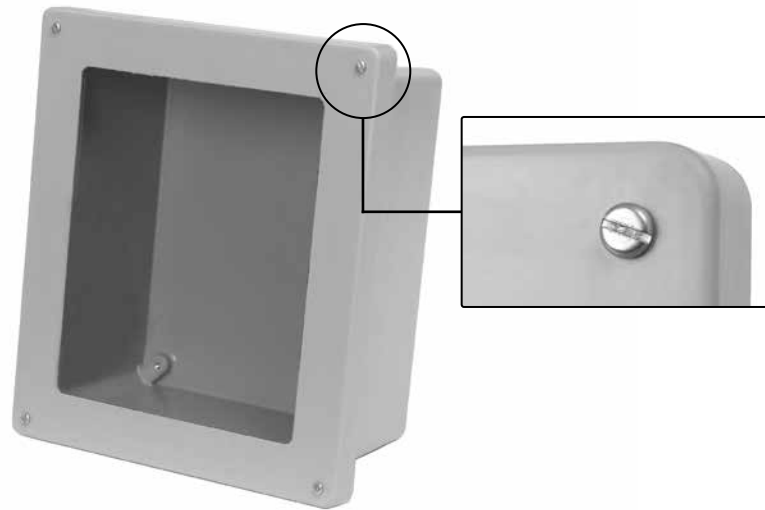


Nominal 1/8" (3mm) wall thickness

| Part No. | Box Size | | | Usable Depth | Panel Boss Centers | | Panel Sizes | | Foot Mount Centers | | Cover Size | |
|----------|----------|-------|-------|--------------|--------------------|-------|-------------|-------|--------------------|-------|------------|-------|
| | A | B | C | F | S | Z | Height | Width | H | L | U | W |
| AM664 | 6.10 | 6.10 | 4.18 | 3.76 | 4.25 | 4.25 | 4.81 | 4.81 | 5.01 | 7.32 | 7.69 | 7.69 |
| | 155mm | 155mm | 106mm | 96mm | 108mm | 108mm | 122mm | 122mm | 127mm | 186mm | 195mm | 195mm |
| AM864 | 8.00 | 6.13 | 4.13 | 3.68 | 6.25 | 4.25 | 6.75 | 4.88 | 5.01 | 9.19 | 9.59 | 7.71 |
| | 203mm | 156mm | 105mm | 93mm | 159mm | 108mm | 171mm | 124mm | 127mm | 233mm | 244mm | 196mm |
| AM1084 | 10.14 | 8.26 | 4.13 | 3.68 | 8.25 | 6.25 | 8.75 | 6.88 | 7.01 | 11.19 | 11.73 | 9.85 |
| | 258mm | 210mm | 105mm | 93mm | 210mm | 159mm | 222mm | 175mm | 178mm | 284mm | 298mm | 250mm |
| AM1086 | 10.14 | 8.26 | 6.13 | 5.68 | 8.25 | 6.25 | 8.75 | 6.88 | 7.01 | 11.19 | 11.73 | 9.85 |
| | 258mm | 210mm | 156mm | 144mm | 210mm | 159mm | 222mm | 175mm | 178mm | 284mm | 298mm | 250mm |
| AM1206 | 12.14 | 10.26 | 6.13 | 5.68 | 10.25 | 8.25 | 10.75 | 8.88 | 9.01 | 13.19 | 13.73 | 11.85 |
| | 308mm | 261mm | 156mm | 144mm | 260mm | 210mm | 273mm | 226mm | 229mm | 335mm | 349mm | 301mm |
| AM1426 | 14.13 | 12.26 | 6.13 | 5.68 | 12.25 | 10.25 | 12.75 | 10.88 | 11.01 | 15.19 | 15.73 | 13.85 |
| | 359mm | 311mm | 156mm | 144mm | 311mm | 260mm | 324mm | 276mm | 280mm | 386mm | 400mm | 352mm |
| AM1648 | 16.27 | 14.40 | 8.13 | 7.68 | 14.25 | 12.25 | 14.75 | 12.88 | 13.01 | 17.19 | 17.87 | 15.99 |
| | 413mm | 366mm | 207mm | 195mm | 362mm | 311mm | 375mm | 327mm | 330mm | 437mm | 454mm | 406mm |
| AM1868 | 18.40 | 16.40 | 8.13 | 7.68 | 16.25 | 14.25 | 16.88 | 14.88 | 14.97 | 19.28 | 20.00 | 18.00 |
| | 467mm | 417mm | 207mm | 195mm | 413mm | 362mm | 429mm | 378mm | 380mm | 490mm | 508mm | 457mm |
| AM2068 | 20.00 | 16.00 | 8.13 | 7.68 | 17.81 | 13.81 | 18.44 | 14.44 | 14.54 | 20.84 | 21.59 | 17.59 |
| | 508mm | 406mm | 207mm | 195mm | 452mm | 351mm | 468mm | 367mm | 369mm | 529mm | 548mm | 447mm |

All dimensions are in inches unless otherwise noted.
 Sizes 6" x 6" x 4" up through 14" x 12" x 6" are rated 6P (IP68).





AM Series JIC Size Junction Boxes: Lift-Off Screw Cover With Window

APPLICATION

- Designed to insulate and house electrical and electronic controls, instruments or components for indoor and outdoor applications
- Especially well suited for high temperature or corrosive environments
- Protects from dirt, dust, oil and water
- For use with industrial control equipment in ordinary locations
- Window unit provides viewing area for instrumentation or equipment

STANDARDS

- UL 50 and UL 50E Types 1, 2, 3, 3R, 4, 4X, 12 and 13
- CSA C22.2 No. 94 Types 1, 2, 3, 3R, 4, 4X, 12 and 13
- Complies with
 - NEMA Types 1, 2, 3, 3R, 4, 4X, 12 and 13
 - IEC 60529 Type IP66
 - RoHS directive
- For additional physical properties per industry test standards, please refer to the chart on page 140

CONSTRUCTION

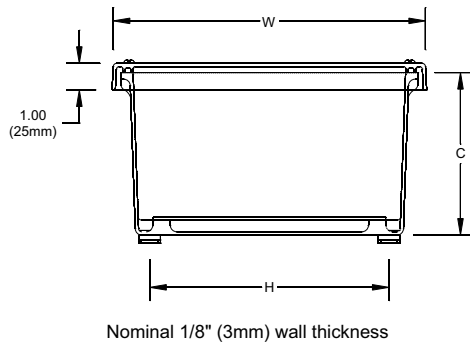
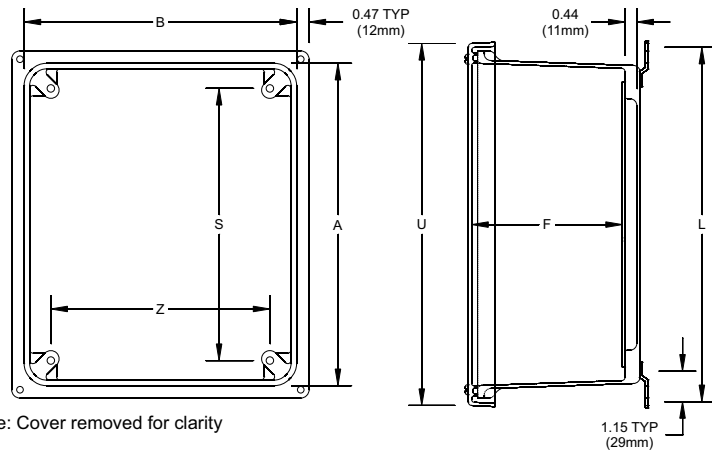
- Strong, molded ULTRAGUARD® fiberglass reinforced polyester material construction with matching flat cover
- UV resistant polycarbonate viewing window
- 300 series stainless steel captive cover screws
- Gasket made of closed cell neoprene cord encased in a continuous channel
- 300 series stainless steel wall mounting feet with 10-32 stainless steel screws included
- #10-32 threaded inserts are installed for optional back panel
- JIC sizing
- ULTRAGUARD® fiberglass material is easily punched, drilled or sawed
- UV stabilized for outdoor use

ACCESSORIES

- Optional back panels (See table on pages 128-129)
- Optional thermal management products (See pages 131-132)

MODIFICATIONS

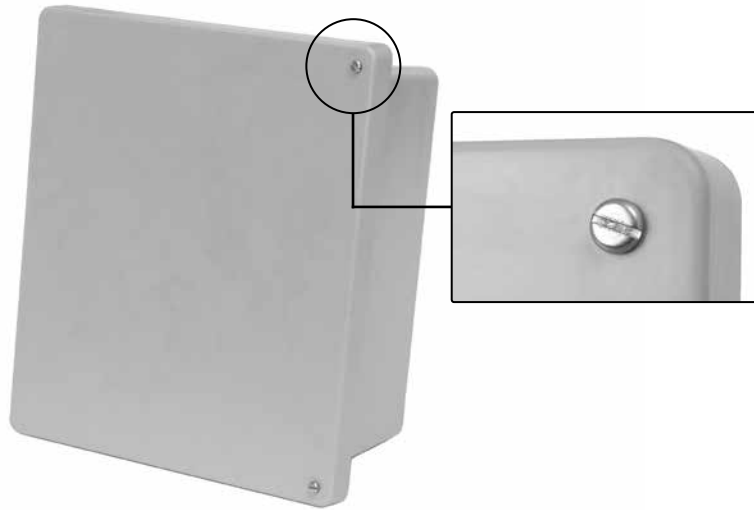
- Custom holes and cutouts
- Custom size polycarbonate viewing windows
- Molded-in color matches
- Hinge installed on short side
- EMI/RFI shielding
- Factory-supplied silk screening



| Part No. | Box Size | | | Usable Depth F | Panel Boss Centers | | Panel Sizes | | Foot Mount Centers | | Cover Size | | Window Dimension (height x width) |
|----------------|----------------|----------------|---------------|-------------------|--------------------|----------------|----------------|----------------|--------------------|----------------|----------------|----------------|--------------------------------------|
| | A | B | C | | S | Z | Height | Width | H | L | U | W | |
| AM664W | 6.10 155mm | 6.10 155mm | 4.18 106mm | 3.76 96mm | 4.25 108mm | 4.25 108mm | 4.81 122mm | 4.81 122mm | 5.01 127mm | 7.32 186mm | 7.69 195mm | 7.69 195mm | 4.25 X 4.25 108mm X 108mm |
| AM864W | 8.00 203mm | 6.13 156mm | 4.13 105mm | 3.68 93mm | 6.25 159mm | 4.25 108mm | 6.75 171mm | 4.88 124mm | 5.01 127mm | 9.19 233mm | 9.59 244mm | 7.71 196mm | 6.25 X 4.25 159mm X 108mm |
| AM1084W | 10.14 258mm | 8.26 210mm | 4.13 105mm | 3.68 93mm | 8.25 210mm | 6.25 159mm | 8.75 222mm | 6.88 175mm | 7.01 178mm | 11.19 284mm | 11.73 298mm | 9.85 250mm | 8.38 X 6.50 213mm X 159mm |
| AM1086W | 10.14 258mm | 8.26 210mm | 6.13 156mm | 5.68 144mm | 8.25 210mm | 6.25 159mm | 8.75 222mm | 6.88 175mm | 7.01 178mm | 11.19 284mm | 11.73 298mm | 9.85 250mm | 8.38 X 6.50 213mm X 159mm |
| AM1206W | 12.14 308mm | 10.26 261mm | 6.13 156mm | 5.68 144mm | 10.25 260mm | 8.25 210mm | 10.75 273mm | 8.88 228mm | 9.01 229mm | 13.19 335mm | 13.73 349mm | 11.85 301mm | 10.38 X 8.50 264mm X 216mm |
| AM1426W | 14.13 359mm | 12.26 311mm | 6.13 156mm | 5.68 144mm | 12.25 311mm | 10.25 260mm | 12.75 324mm | 10.88 276mm | 11.01 280mm | 15.19 386mm | 15.73 400mm | 13.85 352mm | 12.38 X 10.50 314mm X 267mm |
| AM1648W | 16.27 413mm | 14.40 366mm | 8.13 207mm | 7.68 195mm | 14.25 362mm | 12.25 311mm | 14.75 375mm | 12.88 327mm | 13.01 330mm | 17.19 437mm | 17.87 454mm | 15.99 406mm | 13.00 X 11.00 330mm X 279mm |
| AM1868W | 18.40 467mm | 16.40 417mm | 8.13 207mm | 7.68 195mm | 16.25 413mm | 14.25 362mm | 16.88 429mm | 14.88 378mm | 14.97 380mm | 19.28 490mm | 20.00 508mm | 18.00 457mm | 14.00 X 12.00 356mm X 305mm |
| AM2068W | 20.00 508mm | 16.00 406mm | 8.13 207mm | 7.68 195mm | 17.81 452mm | 13.81 351mm | 18.44 468mm | 14.44 367mm | 14.54 369mm | 20.84 529mm | 21.59 548mm | 17.59 447mm | 15.00 X 11.00 381mm X 279mm |

All dimensions are in inches unless otherwise noted.





AM Series JIC Size Junction Boxes: Hinged Screw Cover

APPLICATION

- Designed to insulate and house electrical and electronic controls, instruments or components for indoor and outdoor applications
- Especially well suited for high temperature or corrosive environments
- Protects from dirt, dust, oil and water
- For use with industrial control equipment in ordinary locations

STANDARDS

- UL 50 and UL 50E Types 1, 2, 3, 3R, 4, 4X, 12 and 13
- CSA C22.2 No. 94 Types 1, 2, 3, 3R, 4, 4X, 12 and 13
- Complies with
 - NEMA Types 1, 2, 3, 3R, 4, 4X, 12 and 13
 - IEC 60529 Type IP66
 - RoHS directive
- For additional physical properties per industry test standards, please refer to the chart on page 140

CONSTRUCTION

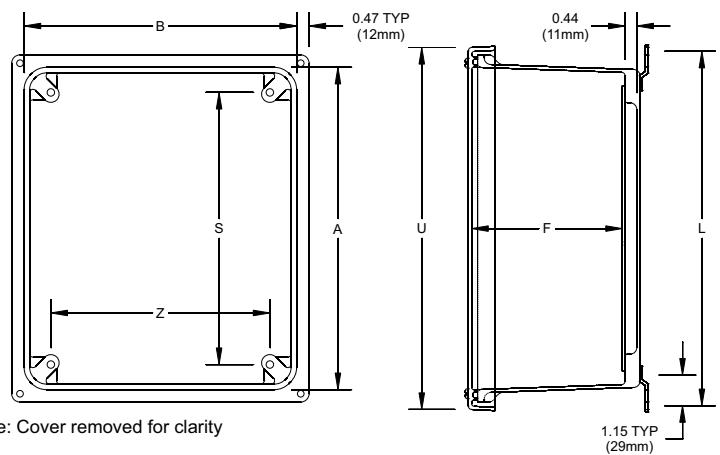
- Strong, molded ULTRAGUARD® fiberglass reinforced polyester material construction with matching flat cover
- 300 series stainless steel captive cover screws
- Continuous 300 series stainless steel hinge
- Gasket made of closed cell neoprene cord encased in a continuous channel
- 300 series stainless steel wall mounting feet with 10-32 stainless steel screws included
- #10-32 threaded inserts are installed for optional back panel
- JIC sizing
- ULTRAGUARD® fiberglass material is easily punched, drilled or sawed
- UV stabilized for outdoor use

ACCESSORIES

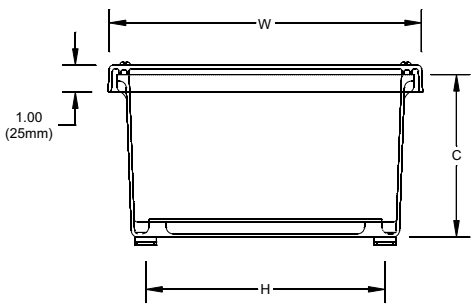
- Optional back panels (See table on pages 128-129)
- Optional thermal management products (See pages 131-132)

MODIFICATIONS

- Custom holes and cutouts
- Custom size polycarbonate viewing windows
- Molded-in color matches
- Hinge installed on short side
- EMI/RFI shielding
- Factory-supplied silk screening



Note: Cover removed for clarity

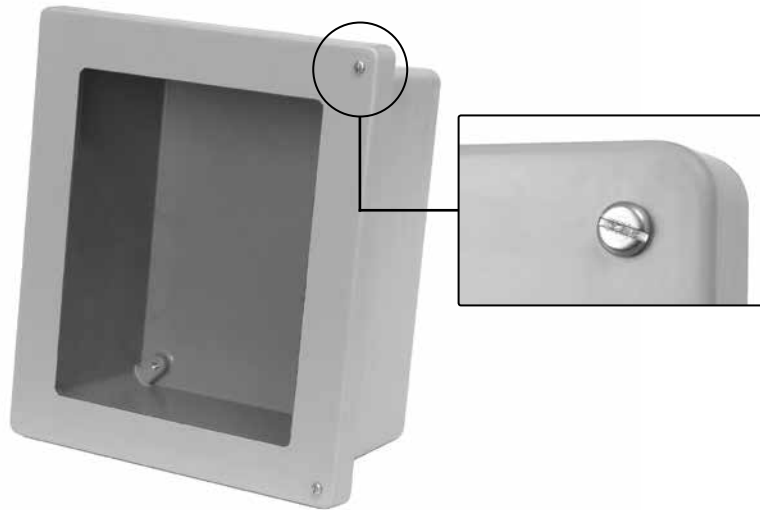


Nominal 1/8" (3mm) wall thickness

| Part No. | Box Size | | | Usable Depth | Panel Boss Centers | | Panel Sizes | | Foot Mount Centers | | Cover Size | |
|----------|----------------|----------------|---------------|---------------|--------------------|----------------|----------------|----------------|--------------------|----------------|----------------|----------------|
| | A | B | C | F | S | Z | Height | Width | H | L | U | W |
| AM664H | 6.10 155mm | 6.10 155mm | 4.18 106mm | 3.76 96mm | 4.25 108mm | 4.25 108mm | 4.81 122mm | 4.81 122mm | 5.01 127mm | 7.32 186mm | 7.69 195mm | 7.69 195mm |
| AM864H | 8.00 203mm | 6.13 156mm | 4.13 105mm | 3.68 93mm | 6.25 159mm | 4.25 108mm | 6.75 171mm | 4.88 124mm | 5.01 127mm | 9.19 233mm | 9.59 244mm | 7.71 196mm |
| AM1084H | 10.14 258mm | 8.26 210mm | 4.13 105mm | 3.68 93mm | 8.25 210mm | 6.25 159mm | 8.75 222mm | 6.88 175mm | 7.01 178mm | 11.19 284mm | 11.73 298mm | 9.85 250mm |
| AM1086H | 10.14 258mm | 8.26 210mm | 6.13 156mm | 5.68 144mm | 8.25 210mm | 6.25 159mm | 8.75 222mm | 6.88 175mm | 7.01 178mm | 11.19 284mm | 11.73 298mm | 9.85 250mm |
| AM1206H | 12.14 308mm | 10.26 261mm | 6.13 156mm | 5.68 144mm | 10.25 260mm | 8.25 210mm | 10.75 273mm | 8.88 226mm | 9.01 229mm | 13.19 335mm | 13.73 349mm | 11.85 301mm |
| AM1426H | 14.13 359mm | 12.26 311mm | 6.13 156mm | 5.68 144mm | 12.25 311mm | 10.25 260mm | 12.75 324mm | 10.88 276mm | 11.01 280mm | 15.19 386mm | 15.73 400mm | 13.85 352mm |
| AM1648H | 16.27 413mm | 14.40 366mm | 8.13 207mm | 7.68 195mm | 14.25 362mm | 12.25 311mm | 14.75 375mm | 12.88 327mm | 13.01 330mm | 17.19 437mm | 17.87 454mm | 15.99 406mm |
| AM1868H | 18.40 467mm | 16.40 417mm | 8.13 207mm | 7.68 195mm | 16.25 413mm | 14.25 362mm | 16.88 429mm | 14.88 378mm | 14.97 380mm | 19.28 490mm | 20.00 508mm | 18.00 457mm |
| AM2068H | 20.00 508mm | 16.00 406mm | 8.13 207mm | 7.68 195mm | 17.81 452mm | 13.81 351mm | 18.44 468mm | 14.44 367mm | 14.54 369mm | 20.84 529mm | 21.59 548mm | 17.59 447mm |

All dimensions are in inches unless otherwise noted.





AM Series JIC Size Junction Boxes: Hinged Screw Cover With Window

APPLICATION

- Designed to insulate and house electrical and electronic controls, instruments or components for indoor and outdoor applications
- Especially well suited for high temperature or corrosive environments
- Protects from dirt, dust, oil and water
- Window unit provides viewing area for instrumentation or equipment

STANDARDS

- UL 50 and UL 50E Types 1, 2, 3, 3R, 4, 4X, 12 and 13
- CSA C22.2 No. 94 Types 1, 2, 3, 3R, 4, 4X, 12 and 13
- Complies with
 - NEMA Types 1, 2, 3, 3R, 4, 4X, 12 and 13
 - IEC 60529 Type IP66
 - RoHS directive
- For additional physical properties per industry test standards, please refer to the chart on page 140

CONSTRUCTION

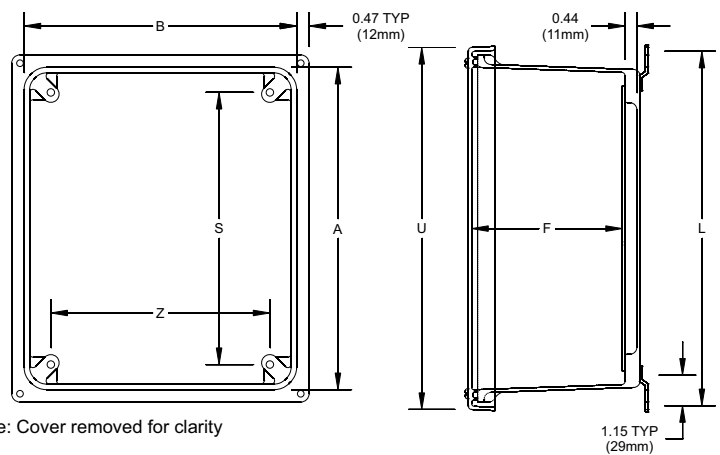
- Strong, molded ULTRAGUARD® fiberglass reinforced polyester material construction with matching flat cover
- UV resistant polycarbonate viewing window
- 300 series stainless steel captive cover screws
- Continuous 300 series stainless steel hinge
- Gasket made of closed cell neoprene cord encased in a continuous channel
- 300 series stainless steel wall mounting feet with 10-32 stainless steel screws included
- #10-32 threaded inserts are installed for optional back panel
- JIC sizing
- ULTRAGUARD® fiberglass material is easily punched, drilled or sawed
- UV stabilized for outdoor use

ACCESSORIES

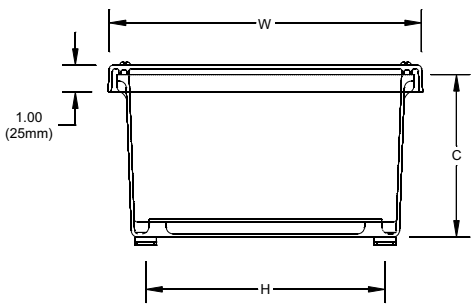
- Optional back panels (See table on pages 128-129)
- Optional thermal management products (See pages 131-132)

MODIFICATIONS

- Custom holes and cutouts
- Hinge installed on short side
- Molded-in color matches
- EMI/RFI shielding
- Factory-supplied silk screening



Note: Cover removed for clarity

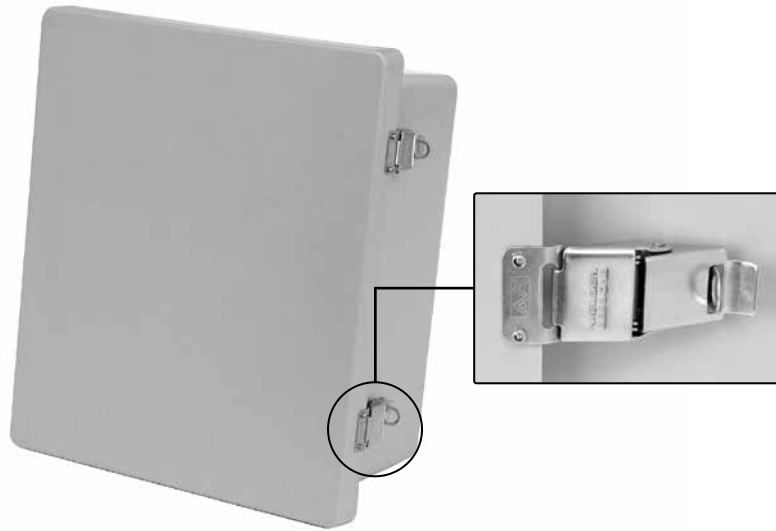


Nominal 1/8" (3mm) wall thickness

| Part No. | Box Size | | | Usable Depth F | Panel Boss Centers | | Panel Sizes | | Foot Mount Centers | | Cover Size | | Window Dimension (height x width) |
|-----------------|----------------|----------------|---------------|-------------------|--------------------|----------------|----------------|----------------|--------------------|----------------|----------------|----------------|--------------------------------------|
| | A | B | C | | S | Z | Height | Width | H | L | U | W | |
| AM664HW | 6.10 155mm | 6.10 155mm | 4.18 106mm | 3.76 96mm | 4.25 108mm | 4.25 108mm | 4.81 122mm | 4.81 122mm | 5.01 127mm | 7.32 186mm | 7.69 195mm | 7.69 195mm | 4.25 X 4.25 108mm X 108mm |
| AM864HW | 8.00 203mm | 6.13 156mm | 4.13 105mm | 3.68 93mm | 6.25 159mm | 4.25 108mm | 6.75 171mm | 4.88 124mm | 5.01 127mm | 9.19 233mm | 9.59 244mm | 7.71 196mm | 6.25 X 4.25 159mm X 108mm |
| AM1084HW | 10.14 258mm | 8.26 210mm | 4.13 105mm | 3.68 93mm | 8.25 210mm | 6.25 159mm | 8.75 222mm | 6.88 175mm | 7.01 178mm | 11.19 284mm | 11.73 298mm | 9.85 250mm | 8.38 X 6.50 213mm X 159mm |
| AM1086HW | 10.14 258mm | 8.26 210mm | 6.13 156mm | 5.68 144mm | 8.25 210mm | 6.25 159mm | 8.75 222mm | 6.88 175mm | 7.01 178mm | 11.19 284mm | 11.73 298mm | 9.85 250mm | 8.38 X 6.50 213mm X 159mm |
| AM1206HW | 12.14 308mm | 10.26 261mm | 6.13 156mm | 5.68 144mm | 10.25 260mm | 8.25 210mm | 10.75 273mm | 8.88 226mm | 9.01 229mm | 13.19 335mm | 13.73 349mm | 11.85 301mm | 10.38 X 8.50 264mm X 216mm |
| AM1426HW | 14.13 359mm | 12.26 311mm | 6.13 156mm | 5.68 144mm | 12.25 311mm | 10.25 260mm | 12.75 324mm | 10.88 276mm | 11.01 280mm | 15.19 386mm | 15.73 400mm | 13.85 352mm | 12.38 X 10.50 314mm X 267mm |
| AM1648HW | 16.27 413mm | 14.40 366mm | 8.13 207mm | 7.68 195mm | 14.25 362mm | 12.25 311mm | 14.75 375mm | 12.88 327mm | 13.01 330mm | 17.19 437mm | 17.87 454mm | 15.99 406mm | 13.00 X 11.00 330mm X 279mm |
| AM1868HW | 18.40 467mm | 16.40 417mm | 8.13 207mm | 7.68 195mm | 16.25 413mm | 14.25 362mm | 16.88 429mm | 14.88 378mm | 14.97 380mm | 19.28 490mm | 20.00 508mm | 18.00 457mm | 14.00 X 12.00 356mm X 305mm |
| AM2068HW | 20.00 508mm | 16.00 406mm | 8.13 207mm | 7.68 195mm | 17.81 452mm | 13.81 351mm | 18.44 468mm | 14.44 367mm | 14.54 369mm | 20.84 529mm | 21.59 548mm | 17.59 447mm | 15.00 X 11.00 381mm X 279mm |

All dimensions are in inches unless otherwise noted.





AM Series JIC Size Junction Boxes: Snap Latch Hinged Cover

APPLICATION

- Designed to insulate and house electrical and electronic controls, instruments or components for indoor and outdoor applications
- Especially well suited for high temperature or corrosive environments
- Protects from dirt, dust, oil and water

STANDARDS

- UL 50 and UL 50E Types 1, 2, 3, 3R, 4, 4X, 12 and 13
- CSA C22.2 No. 94 Types 1, 2, 3, 3R, 4, 4X, 12 and 13
- Complies with
 - NEMA Types 1, 2, 3, 3R, 4, 4X, 12 and 13
 - IEC 60529 Type IP66
 - RoHS directive
- For additional physical properties per industry test standards, please refer to the chart on page 140

CONSTRUCTION

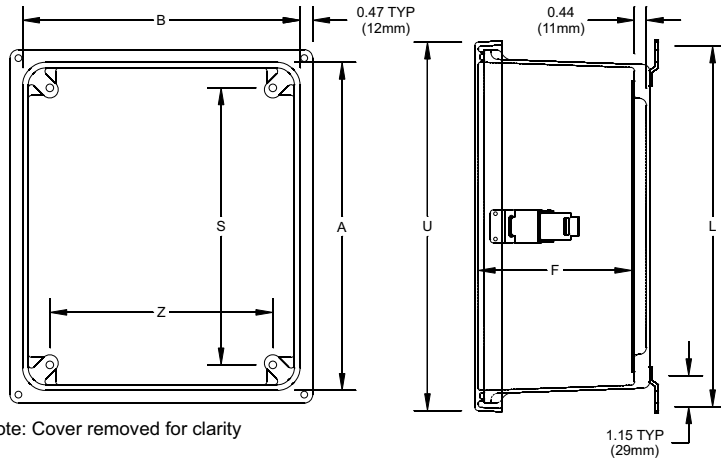
- Strong, molded ULTRAGUARD® fiberglass reinforced polyester material construction with matching flat cover
- 300 series stainless steel snap latches feature padlock hasp
- Continuous 300 series stainless steel hinge
- Gasket made of closed cell neoprene cord encased in a continuous channel
- 300 series stainless steel wall mounting feet with 10-32 stainless steel screws included
- #10-32 threaded inserts are installed for optional back panel
- JIC sizing
- ULTRAGUARD® fiberglass material is easily punched, drilled or sawed
- UV stabilized for outdoor use

ACCESSORIES

- Optional back panels (See table on pages 128-129)
- Optional thermal management products (See pages 131-132)

MODIFICATIONS

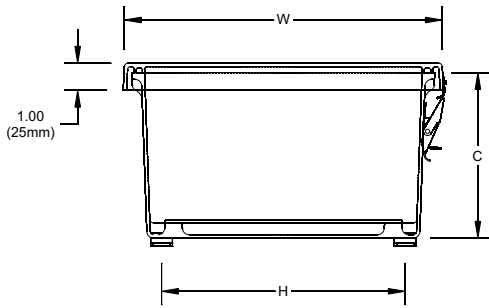
- Custom holes and cutouts
- Custom size polycarbonate viewing windows
- Molded-in color matches
- Hinge installed on short side
- EMI/RFI shielding
- Factory-supplied silk screening



Note: Cover removed for clarity

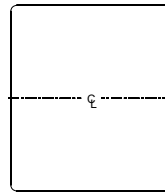
1.15 TYP
(29mm)

LATCH LOCATIONS

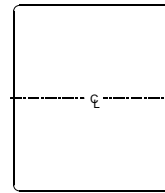


Nominal 1/8" (3mm) wall thickness

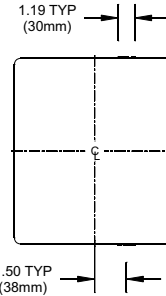
For use on
6x6x4
8x6x4
10x8x4
10x8x6



For use on
12x10x6 D=8.00 (203mm)
14x12x6 D=8.54 (217mm)
16x14x8 D=8.54 (217mm)



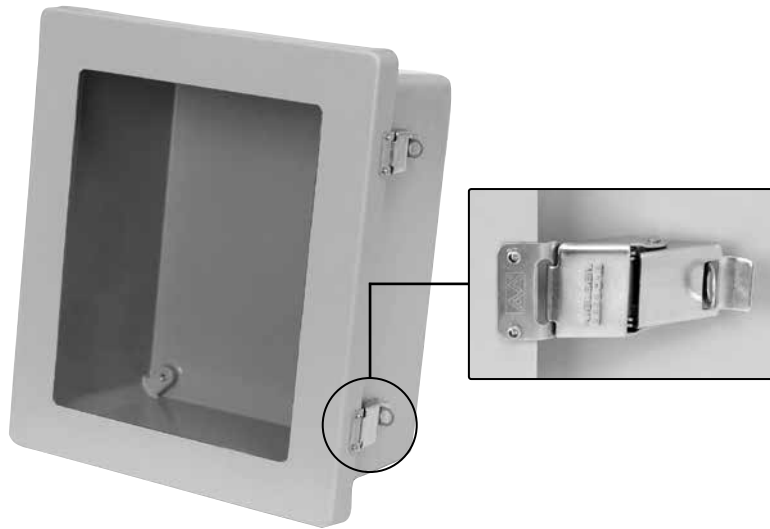
For use on
18x16x8 D=6.50 (165mm)
20x16x8 D=10.52 (267mm)



| Part No. | Box Size | | | Usable Depth F | Panel Boss Centers | | Panel Sizes | | Foot Mount Centers | | Cover Size | |
|----------|----------|-------|-------|-------------------|--------------------|-------|-------------|-------|--------------------|-------|------------|-------|
| | A | B | C | | S | Z | Height | Width | H | L | U | W |
| AM664L | 6.10 | 6.10 | 4.18 | 3.76 | 4.25 | 4.25 | 4.81 | 4.81 | 5.01 | 7.32 | 7.69 | 7.69 |
| | 155mm | 155mm | 106mm | 96mm | 108mm | 108mm | 122mm | 122mm | 127mm | 186mm | 195mm | 195mm |
| AM864L | 8.00 | 6.13 | 4.13 | 3.68 | 6.25 | 4.25 | 6.75 | 4.88 | 5.01 | 9.19 | 9.59 | 7.71 |
| | 203mm | 156mm | 105mm | 93mm | 159mm | 108mm | 171mm | 124mm | 127mm | 233mm | 244mm | 196mm |
| AM1084L | 10.14 | 8.26 | 4.13 | 3.68 | 8.25 | 6.25 | 8.75 | 6.88 | 7.01 | 11.19 | 11.73 | 9.85 |
| | 258mm | 210mm | 105mm | 93mm | 210mm | 159mm | 222mm | 175mm | 178mm | 284mm | 298mm | 250mm |
| AM1086L | 10.14 | 8.26 | 6.13 | 5.68 | 8.25 | 6.25 | 8.75 | 6.88 | 7.01 | 11.19 | 11.73 | 9.85 |
| | 258mm | 210mm | 156mm | 144mm | 210mm | 159mm | 222mm | 175mm | 178mm | 284mm | 298mm | 250mm |
| AM1206L | 12.14 | 10.26 | 6.13 | 5.68 | 10.25 | 8.25 | 10.75 | 8.88 | 9.01 | 13.19 | 13.73 | 11.85 |
| | 308mm | 261mm | 156mm | 144mm | 260mm | 210mm | 273mm | 226mm | 229mm | 335mm | 349mm | 301mm |
| AM1426L | 14.13 | 12.26 | 6.13 | 5.68 | 12.25 | 10.25 | 12.75 | 10.88 | 11.01 | 15.19 | 15.73 | 13.85 |
| | 359mm | 311mm | 156mm | 144mm | 311mm | 260mm | 324mm | 276mm | 280mm | 386mm | 400mm | 352mm |
| AM1648L | 16.27 | 14.40 | 8.13 | 7.68 | 14.25 | 12.25 | 14.75 | 12.88 | 13.01 | 17.19 | 17.87 | 15.99 |
| | 413mm | 366mm | 207mm | 195mm | 362mm | 311mm | 375mm | 327mm | 330mm | 437mm | 454mm | 406mm |
| AM1868L | 18.40 | 16.40 | 8.13 | 7.68 | 16.25 | 14.25 | 16.88 | 14.88 | 14.97 | 19.28 | 20.00 | 18.00 |
| | 467mm | 417mm | 207mm | 195mm | 413mm | 362mm | 429mm | 378mm | 380mm | 490mm | 508mm | 457mm |
| AM2068L | 20.00 | 16.00 | 8.13 | 7.68 | 17.81 | 13.81 | 18.44 | 14.44 | 14.54 | 20.84 | 21.59 | 17.59 |
| | 508mm | 406mm | 207mm | 195mm | 452mm | 351mm | 468mm | 367mm | 369mm | 529mm | 548mm | 447mm |

All dimensions are in inches unless otherwise noted.





AM Series JIC Size Junction Boxes: Snap Latch Hinged Cover With Window

APPLICATION

- Designed to insulate and house electrical and electronic controls, instruments or components for indoor and outdoor applications
- Especially well suited for high temperature or corrosive environments
- Protects from dirt, dust, oil and water
- Window unit provides viewing area for instrumentation or equipment

STANDARDS

- UL 50 and UL 50E Types 1, 2, 3, 3R, 4, 4X, 12 and 13
- CSA C22.2 No. 94 Types 1, 2, 3, 3R, 4, 4X, 12 and 13
- Complies with
 - NEMA Types 1, 2, 3, 3R, 4, 4X, 12 and 13
 - IEC 60529 Type IP66
 - RoHS directive
- For additional physical properties per industry test standards, please refer to the chart on page 140

CONSTRUCTION

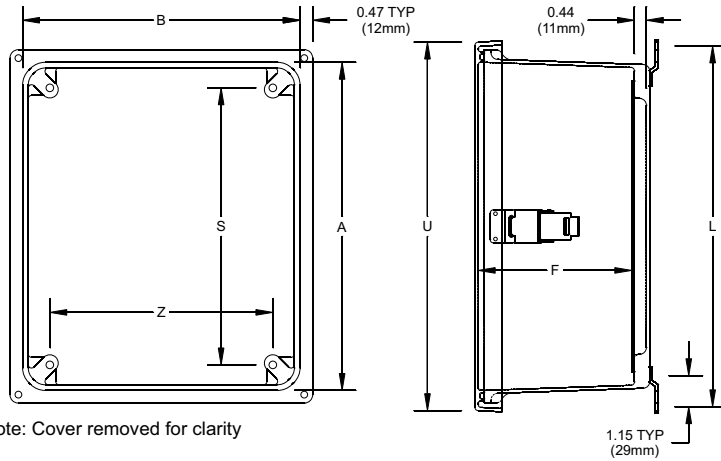
- Strong, molded ULTRAGUARD® fiberglass reinforced polyester material construction with matching flat cover
- UV resistant polycarbonate viewing window
- 300 series stainless steel snap latches feature padlock hasp
- Continuous 300 series stainless steel hinge
- Gasket made of closed cell neoprene cord encased in a continuous channel
- 300 series stainless steel wall mounting feet with 10-32 stainless steel screws included
- #10-32 threaded inserts are installed for optional back panel
- JIC sizing
- ULTRAGUARD® fiberglass material is easily punched, drilled or sawed
- UV stabilized for outdoor use

ACCESSORIES

- Optional back panels (See table on pages 128-129)
- Optional thermal management products (See pages 131-132)

MODIFICATIONS

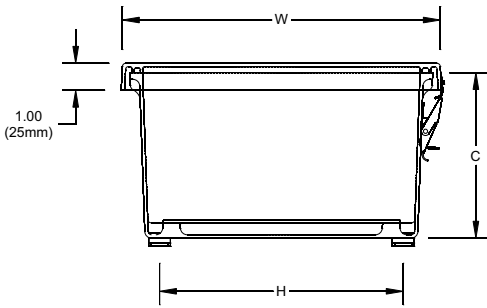
- Custom holes and cutouts
- Molded-in color matches
- Hinge installed on short side
- EMI/RFI shielding
- Factory-supplied silk screening



Note: Cover removed for clarity

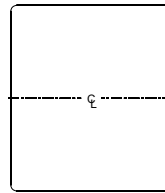
1.15 TYP
(29mm)

LATCH LOCATIONS

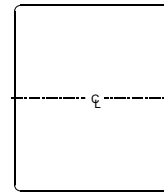


Nominal 1/8" (3mm) wall thickness

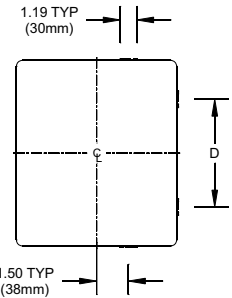
For use on
6x6x4
8x6x4
10x8x4
10x8x6



For use on
12x10x6 D=8.00 (203mm)
14x12x6 D=8.54 (217mm)
16x14x8 D=8.54 (217mm)



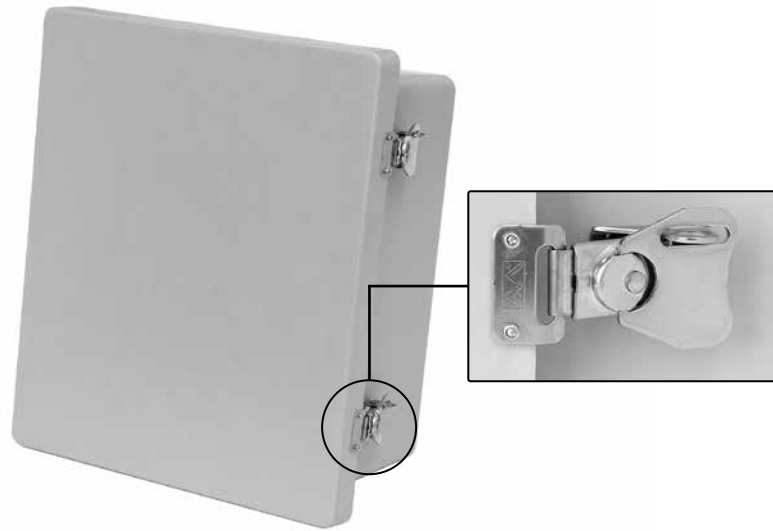
For use on
18x16x8 D=6.50 (165mm)
20x16x8 D=10.52 (267mm)



| Part No. | Box Size | | | Usable Depth F | Panel Boss Centers | | Panel Sizes | | Foot Mount Centers | | Cover Size | | Window Dimension (height x width) |
|----------|----------------|----------------|---------------|-------------------|--------------------|----------------|----------------|----------------|--------------------|----------------|----------------|----------------|--------------------------------------|
| | A | B | C | | S | Z | Height | Width | H | L | U | W | |
| AM664LW | 6.10 155mm | 6.10 155mm | 4.18 106mm | 3.76 96mm | 4.25 108mm | 4.25 108mm | 4.81 122mm | 4.81 122mm | 5.01 127mm | 7.32 186mm | 7.69 195mm | 7.69 195mm | 4.25 X 4.25 108mm X 108mm |
| AM864LW | 8.00 203mm | 6.13 156mm | 4.13 105mm | 3.68 93mm | 6.25 159mm | 4.25 108mm | 6.75 171mm | 4.88 124mm | 5.01 127mm | 9.19 233mm | 9.59 244mm | 7.71 196mm | 6.25 X 4.25 159mm X 108mm |
| AM1084LW | 10.14 258mm | 8.26 210mm | 4.13 105mm | 3.68 93mm | 8.25 210mm | 6.25 159mm | 8.75 222mm | 6.88 175mm | 7.01 178mm | 11.19 284mm | 11.73 298mm | 9.85 250mm | 8.38 X 6.50 213mm X 159mm |
| AM1086LW | 10.14 258mm | 8.26 210mm | 6.13 156mm | 5.68 144mm | 8.25 210mm | 6.25 159mm | 8.75 222mm | 6.88 175mm | 7.01 178mm | 11.19 284mm | 11.73 298mm | 9.85 250mm | 8.38 X 6.50 213mm X 159mm |
| AM1206LW | 12.14 308mm | 10.26 261mm | 6.13 156mm | 5.68 144mm | 10.25 260mm | 8.25 210mm | 10.75 273mm | 8.88 226mm | 9.01 229mm | 13.19 335mm | 13.73 349mm | 11.85 301mm | 10.38 X 8.50 264mm X 216mm |
| AM1426LW | 14.13 359mm | 12.26 311mm | 6.13 156mm | 5.68 144mm | 12.25 311mm | 10.25 260mm | 12.75 324mm | 10.88 276mm | 11.01 280mm | 15.19 386mm | 15.73 400mm | 13.85 352mm | 12.38 X 10.50 314mm X 267mm |
| AM1648LW | 16.27 413mm | 14.40 366mm | 8.13 207mm | 7.68 195mm | 14.25 362mm | 12.25 311mm | 14.75 375mm | 12.88 327mm | 13.01 330mm | 17.19 437mm | 17.87 454mm | 15.99 406mm | 13.00 X 11.00 330mm X 279mm |
| AM1868LW | 18.40 467mm | 16.40 417mm | 8.13 207mm | 7.68 195mm | 16.25 413mm | 14.25 362mm | 16.88 429mm | 14.88 378mm | 14.97 380mm | 19.28 490mm | 20.00 508mm | 18.00 457mm | 14.00 X 12.00 356mm X 305mm |
| AM2068LW | 20.00 508mm | 16.00 406mm | 8.13 207mm | 7.68 195mm | 17.81 452mm | 13.81 351mm | 18.44 468mm | 14.44 367mm | 14.54 369mm | 20.84 529mm | 21.59 548mm | 17.59 447mm | 15.00 X 11.00 381mm X 279mm |

All dimensions are in inches unless otherwise noted.





AM Series JIC Size Junction Boxes: Twist Latch Hinged Cover

APPLICATION

- Designed to insulate and house electrical and electronic controls, instruments or components for indoor and outdoor applications
- Especially well suited for high temperature or corrosive environments
- Protects from dirt, dust, oil and water

STANDARDS

- UL 50 and UL 50E Types 1, 2, 3, 3R, 4, 4X, 12 and 13
- CSA C22.2 No. 94 Types 1, 2, 3, 3R, 4, 4X, 12 and 13
- Complies with
 - NEMA Types 1, 2, 3, 3R, 4, 4X, 12 and 13
 - IEC 60529 Type IP66
 - RoHS directive
- For additional physical properties per industry test standards, please refer to the chart on page 140

CONSTRUCTION

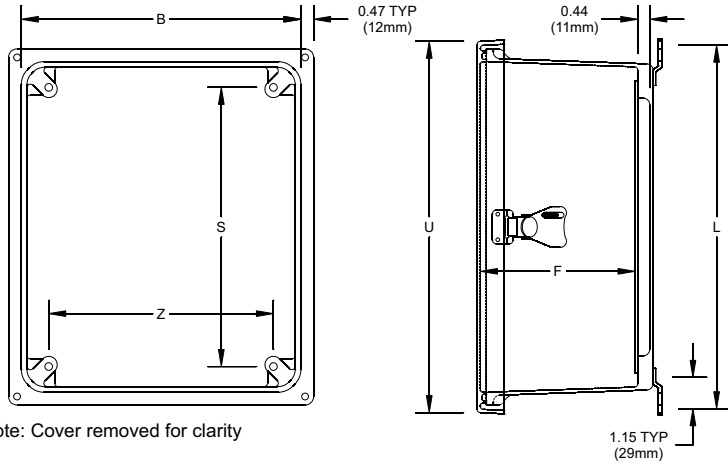
- Strong, molded ULTRAGUARD® fiberglass reinforced polyester material construction with matching flat cover
- 300 series stainless steel twist latches feature padlock hasp
- Continuous 300 series stainless steel hinge
- Gasket made of closed cell neoprene cord encased in a continuous channel
- 300 series stainless steel wall mounting feet with 10-32 stainless steel screws included
- #10-32 threaded inserts are installed for optional back panel
- JIC sizing
- ULTRAGUARD® fiberglass material is easily punched, drilled or sawed
- UV stabilized for outdoor use

ACCESSORIES

- Optional back panels (See table on pages 128-129)
- Optional thermal management products (See pages 131-132)

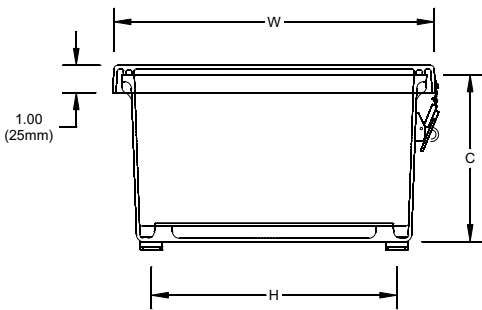
MODIFICATIONS

- Custom holes and cutouts
- Custom size polycarbonate viewing windows
- Molded-in color matches
- Hinge installed on short side
- EMI/RFI shielding
- Factory-supplied silk screening



Note: Cover removed for clarity

LATCH LOCATIONS

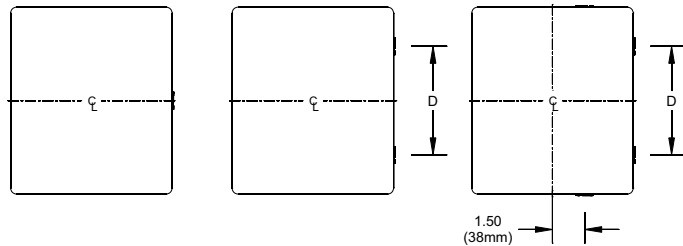


Nominal 1/8" (3mm) wall thickness

For use on
6x6x4
8x6x4
10x8x4
10x8x6

For use on
12x10x6 D=8.00 (203mm)
14x12x6 D=8.54 (217mm)
16x14x8 D=8.54 (217mm)

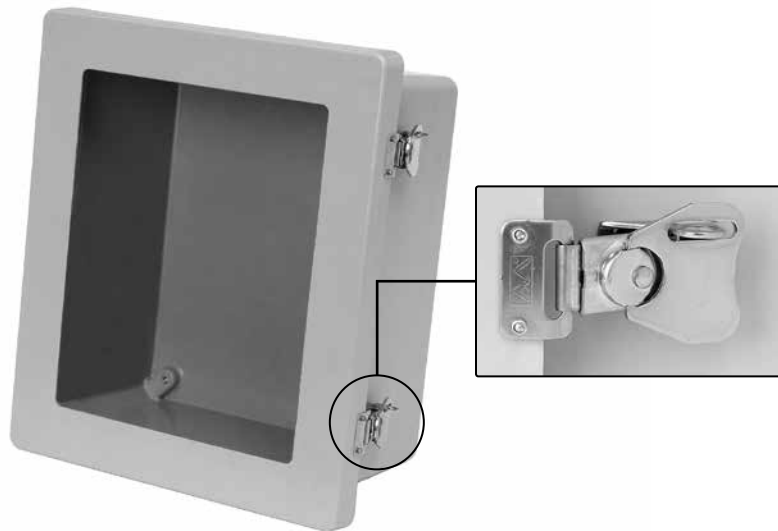
For use on
18x16x8 D=6.50 (165mm)
20x16x8 D=10.52 (267mm)



| Part No. | Box Size | | | Usable Depth F | Panel Boss Centers | | Panel Sizes | | Foot Mount Centers | | Cover Size | |
|----------|----------------|----------------|---------------|-------------------|--------------------|----------------|----------------|----------------|--------------------|----------------|----------------|----------------|
| | A | B | C | | S | Z | Height | Width | H | L | U | W |
| AM664T | 6.10 155mm | 6.10 155mm | 4.18 106mm | 3.76 96mm | 4.25 108mm | 4.25 108mm | 4.81 122mm | 4.81 122mm | 5.01 127mm | 7.32 186mm | 7.69 195mm | 7.69 195mm |
| AM864T | 8.00 203mm | 6.13 156mm | 4.13 105mm | 3.68 93mm | 6.25 159mm | 4.25 108mm | 6.75 171mm | 4.88 124mm | 5.01 127mm | 9.19 233mm | 9.59 244mm | 7.71 196mm |
| AM1084T | 10.14 258mm | 8.26 210mm | 4.13 105mm | 3.68 93mm | 8.25 210mm | 6.25 159mm | 8.75 222mm | 6.88 175mm | 7.01 178mm | 11.19 284mm | 11.73 298mm | 9.85 250mm |
| AM1086T | 10.14 258mm | 8.26 210mm | 6.13 156mm | 5.68 144mm | 8.25 210mm | 6.25 159mm | 8.75 222mm | 6.88 175mm | 7.01 178mm | 11.19 284mm | 11.73 298mm | 9.85 250mm |
| AM1206T | 12.14 308mm | 10.26 261mm | 6.13 156mm | 5.68 144mm | 10.25 260mm | 8.25 210mm | 10.75 273mm | 8.88 226mm | 9.01 229mm | 13.19 335mm | 13.73 349mm | 11.85 301mm |
| AM1426T | 14.13 359mm | 12.26 311mm | 6.13 156mm | 5.68 144mm | 12.25 311mm | 10.25 260mm | 12.75 324mm | 10.88 276mm | 11.01 280mm | 15.19 386mm | 15.73 400mm | 13.85 352mm |
| AM1648T | 16.27 413mm | 14.40 366mm | 8.13 207mm | 7.68 195mm | 14.25 362mm | 12.25 311mm | 14.75 375mm | 12.88 327mm | 13.01 330mm | 17.19 437mm | 17.87 454mm | 15.99 406mm |
| AM1868T | 18.40 467mm | 16.40 417mm | 8.13 207mm | 7.68 195mm | 16.25 413mm | 14.25 362mm | 16.88 429mm | 14.88 378mm | 14.97 380mm | 19.28 490mm | 20.00 508mm | 18.00 457mm |
| AM2068T | 20.00 508mm | 16.00 406mm | 8.13 207mm | 7.68 195mm | 17.81 452mm | 13.81 351mm | 18.44 468mm | 14.44 367mm | 14.54 369mm | 20.84 529mm | 21.59 548mm | 17.59 447mm |

All dimensions are in inches unless otherwise noted.





AM Series JIC Size Junction Boxes: Twist Latch Hinged Cover With Window

APPLICATION

- Designed to insulate and house electrical and electronic controls, instruments or components for indoor and outdoor applications
- Especially well suited for high temperature or corrosive environments
- Protects from dirt, dust, oil and water
- Window unit provides viewing area for instrumentation or equipment

STANDARDS

- UL 50 and UL 50E Types 1, 2, 3, 3R, 4, 4X, 12 and 13
- CSA C22.2 No. 94 Types 1, 2, 3, 3R, 4, 4X, 12 and 13
- Complies with
 - NEMA Types 1, 2, 3, 3R, 4, 4X, 12 and 13
 - IEC 60529 Type IP66
 - RoHS directive
- For additional physical properties per industry test standards, please refer to the chart on page 140

CONSTRUCTION

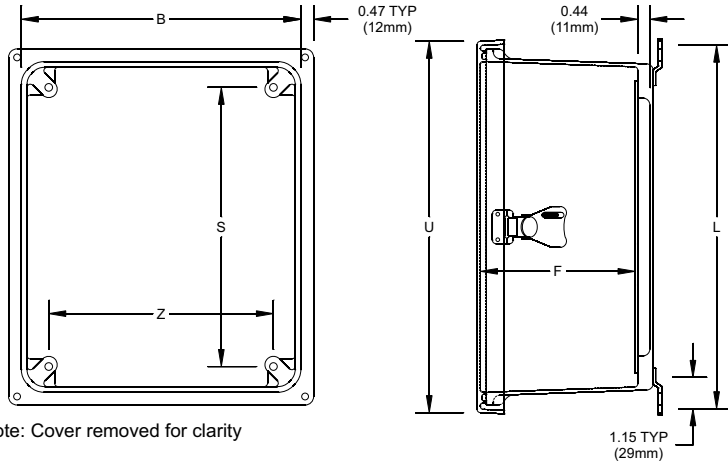
- Strong, molded ULTRAGUARD® fiberglass reinforced polyester material construction with matching flat cover
- UV resistant polycarbonate viewing window
- 300 series stainless steel twist latches feature padlock hasp
- Continuous 300 series stainless steel hinge
- Gasket made of closed cell neoprene cord encased in a continuous channel
- 300 series stainless steel wall mounting feet with 10-32 stainless steel screws included
- #10-32 threaded inserts are installed for optional back panel
- JIC sizing
- ULTRAGUARD® fiberglass material is easily punched, drilled or sawed
- UV stabilized for outdoor use

ACCESSORIES

- Optional back panels (See table on pages 128-129)
- Optional thermal management products (See pages 131-132)

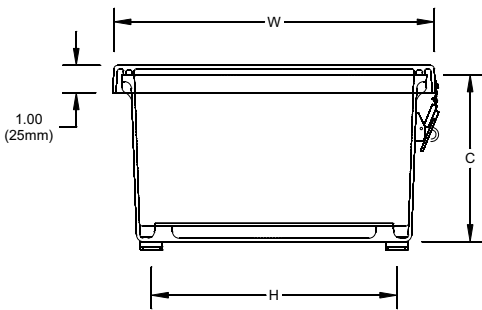
MODIFICATIONS

- Custom holes and cutouts
- Molded-in color matches
- Hinge installed on short side
- EMI/RFI shielding
- Factory-supplied silk screening



Note: Cover removed for clarity

LATCH LOCATIONS

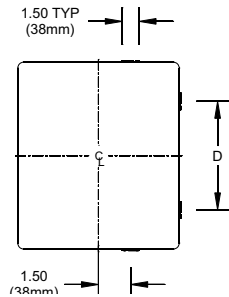
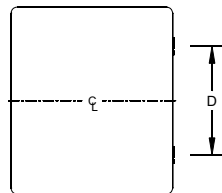
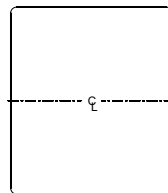


Nominal 1/8" (3mm) wall thickness

For use on
6x6x4
8x6x4
10x8x4
10x8x6

For use on
12x10x6 D=8.00 (203mm)
14x12x6 D=8.54 (217mm)
16x14x8 D=8.54 (217mm)

For use on
18x16x8 D=6.50 (165mm)
20x16x8 D=10.52 (267mm)



| Part No. | Box Size | | | Usable Depth F | Panel Boss Centers | | Panel Sizes | | Foot Mount Centers | | Cover Size | | Window Dimension (height x width) |
|-----------------|----------------|----------------|---------------|-------------------|--------------------|----------------|----------------|----------------|--------------------|----------------|----------------|----------------|--------------------------------------|
| | A | B | C | | S | Z | Height | Width | H | L | U | W | |
| AM664TW | 6.10 155mm | 6.10 155mm | 4.18 106mm | 3.76 96mm | 4.25 108mm | 4.25 108mm | 4.81 122mm | 4.81 122mm | 5.01 127mm | 7.32 186mm | 7.69 195mm | 7.69 195mm | 4.25 X 4.25 108mm X 108mm |
| AM864TW | 8.00 203mm | 6.13 156mm | 4.13 105mm | 3.68 93mm | 6.25 159mm | 4.25 108mm | 6.75 171mm | 4.88 124mm | 5.01 127mm | 9.19 233mm | 9.59 244mm | 7.71 196mm | 6.25 X 4.25 159mm X 108mm |
| AM1084TW | 10.14 258mm | 8.26 210mm | 4.13 105mm | 3.68 93mm | 8.25 210mm | 6.25 159mm | 8.75 222mm | 6.88 175mm | 7.01 178mm | 11.19 284mm | 11.73 298mm | 9.85 250mm | 8.38 X 6.50 213mm X 159mm |
| AM1086TW | 10.14 258mm | 8.26 210mm | 6.13 156mm | 5.68 144mm | 8.25 210mm | 6.25 159mm | 8.75 222mm | 6.88 175mm | 7.01 178mm | 11.19 284mm | 11.73 298mm | 9.85 250mm | 8.38 X 6.50 213mm X 159mm |
| AM1206TW | 12.14 308mm | 10.26 261mm | 6.13 156mm | 5.68 144mm | 10.25 260mm | 8.25 210mm | 10.75 273mm | 8.88 226mm | 9.01 229mm | 13.19 335mm | 13.73 349mm | 11.85 301mm | 10.38 X 8.50 264mm X 216mm |
| AM1426TW | 14.13 359mm | 12.26 311mm | 6.13 156mm | 5.68 144mm | 12.25 311mm | 10.25 260mm | 12.75 324mm | 10.88 276mm | 11.01 280mm | 15.19 386mm | 15.73 400mm | 13.85 352mm | 12.38 X 10.50 314mm X 267mm |
| AM1648TW | 16.27 413mm | 14.40 366mm | 8.13 207mm | 7.68 195mm | 14.25 362mm | 12.25 311mm | 14.75 375mm | 12.88 327mm | 13.01 330mm | 17.19 437mm | 17.87 454mm | 15.99 406mm | 13.00 X 11.00 330mm X 279mm |
| AM1868TW | 18.40 467mm | 16.40 417mm | 8.13 207mm | 7.68 195mm | 16.25 413mm | 14.25 362mm | 16.88 429mm | 14.88 378mm | 14.97 380mm | 19.28 490mm | 20.00 508mm | 18.00 457mm | 14.00 X 12.00 356mm X 305mm |
| AM2068TW | 20.00 508mm | 16.00 406mm | 8.13 207mm | 7.68 195mm | 17.81 452mm | 13.81 351mm | 18.44 468mm | 14.44 367mm | 14.54 369mm | 20.84 529mm | 21.59 548mm | 17.59 447mm | 15.00 X 11.00 381mm X 279mm |

All dimensions are in inches unless otherwise noted.





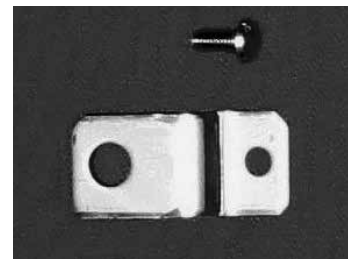
AM-R SERIES

The AM-R Series offers the same sizes and options as our AM series, with the added feature of a raised cover. The cover adds an additional 1 3/4" of depth to accommodate switches and other devices, and can be used with an optional hinged front panel for maximum configuration flexibility within a single enclosure.

AM-R Series enclosures insulate and protect controls and components in both indoor and outdoor applications, including high temperature and/or corrosive environments. Available in standard JIC sizes with a variety of latching options for any application.

AM-R Series Features & Benefits

- Molded ULTRAGUARD® fiberglass reinforced polyester material construction for durability
- Continuous 300 series stainless steel hinge
- Closed-cell neoprene gasket encased in continuous channel
- Raised cover for additional depth
- 300 series stainless steel hardware and mounting feet
- Mounting panel inserts for optional back panel
- Optional Hinged Front Panels
- UV stabilized for outdoor use
- Continuous stainless steel hinge





Suitable Applications

- Electrical junctions
- Terminal wiring
- Electrical and electronic controls, instruments, components
- Housing pushbuttons, switches or other devices
- Other industrial control equipment

AM-R Series Specifications

- Non-corrosive
- Non-conductive
- Temperature-resistant
- Fire-resistant
- Rated NEMA 1, 2, 3, 3R, 4, 4X, 12, 13
- UL listed
- CSA certified
- Compliant with RoHS directive

Accessories

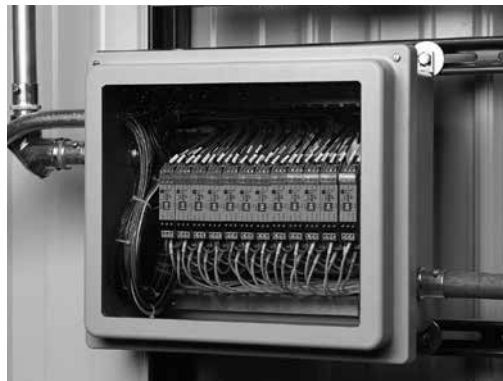
- Back panels available in painted carbon steel, aluminum, fiberglass, or galvanized steel
- Aluminum hinged front panel for configuration flexibility
- UV resistant polycarbonate viewing windows
- Thermal management products

Modifications

We are pleased to modify any of our standard products to fit your needs. We have the lowest volume requirements on custom work in the industry, and quick turnaround time.

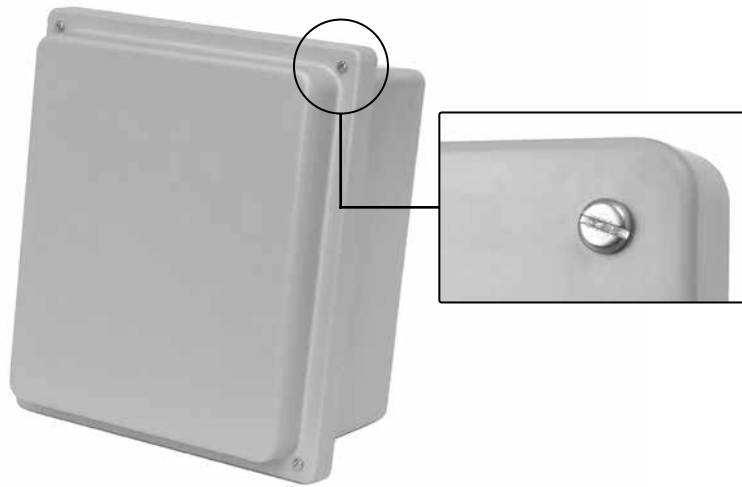
We can modify any of our AM-R Series enclosures with:

- Custom size holes and cutouts
- Custom size polycarbonate viewing windows
- Molded-in color matches



- Hinge installed on short side
- EMI/RFI shielding
- Factory-supplied silk screening

For complete details on factory modifications including a modification request form, see pages 136-138.



AM-R Series JIC Size Junction Boxes: Lift-Off Screw Cover

APPLICATION

- Designed to insulate and house electrical and electronic controls, instruments or components for indoor and outdoor applications
- Especially well suited for high temperature or corrosive environments
- Protects from dirt, dust, oil and water

STANDARDS

- UL 50 and UL 50E Types 1, 2, 3, 3R, 4, 4X, 12, and 13 (6P for sizes 6" x 6" up through 14" x 12")
- CSA C22.2 No. 94 Types 1, 2, 3, 3R, 4, 4X, 12 and 13 (6P for sizes 6" x 6" up through 14" x 12")
- Complies with
 - NEMA Types 1, 2, 3, 3R, 4, 4X, 12 and 13 (6P for sizes 6" x 6" up through 14" x 12")
 - IEC 60529 Type IP66 and units rated for 6P or IP68 submersible up to 24 hours at a depth of 6 feet (1.8 meters)
 - RoHS directive
- NEMA Types 1, 2, 3, 3R, 4, 4X, 12 and 13 (6P for sizes 6" x 6" up through 14" x 12")
- IEC 60529 Type IP66 and units rated for 6P or IP68 submersible up to 24 hours at a depth of 6 feet (1.8 meters)
- For additional physical properties per industry test standards, please refer to the chart on page 140

CONSTRUCTION

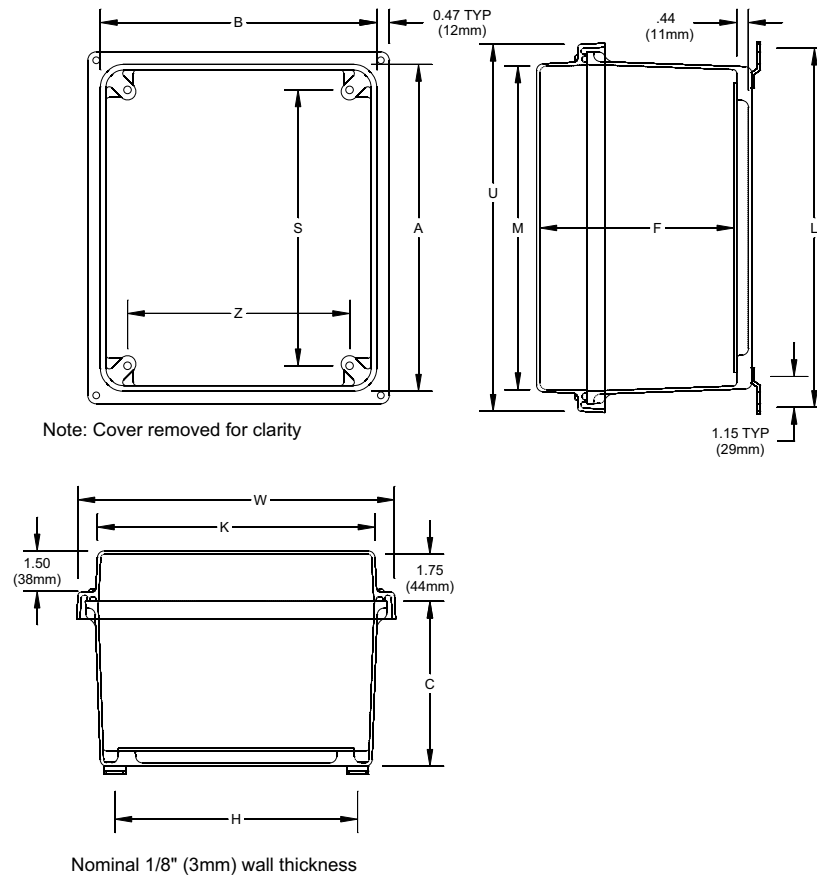
- Strong, molded ULTRAGUARD® fiberglass reinforced polyester material construction with matching raised cover
- 300 series stainless steel captive cover screws
- Gasket made of closed-cell neoprene cord encased in a continuous channel
- 300 series stainless steel wall mounting feet with #10-32 stainless steel screws included
- #10-32 threaded inserts are installed for optional back panel
- JIC sizing
- ULTRAGUARD® fiberglass material is easily punched, drilled or sawed
- UV stabilized for outdoor use

ACCESSORIES

- Optional back panels (See table on pages 128-129)
- Optional hinged front panel (See table on page 130)
- Optional thermal management products (See pages 131-132)

MODIFICATIONS

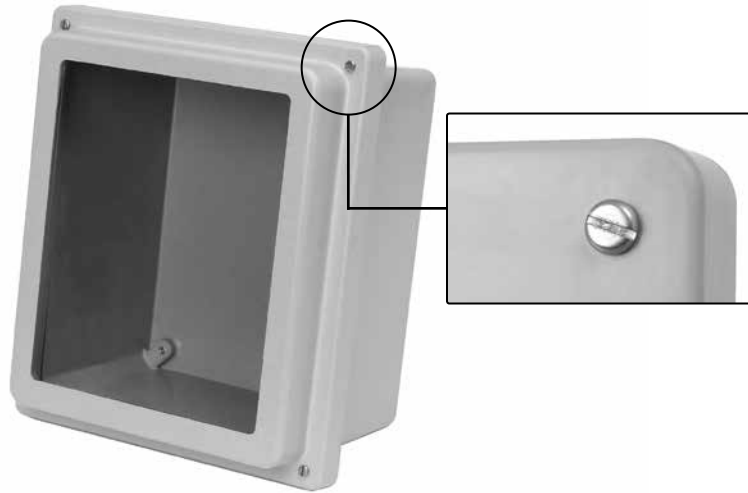
- Custom size holes and cutouts
- Custom size polycarbonate viewing windows
- Molded-in color matches
- Hinge installed on short side
- EMI/RFI shielding
- Factory-supplied silk screening



| Part No. | Box Size | | | Usable Depth | Panel Boss Centers | | Panel Sizes | | Foot Mount Centers | | Cover Size | | | |
|----------|----------|-------|-------|--------------|--------------------|-------|-------------|--------|--------------------|-------|------------|-------|-------|-------|
| | A | B | C | | F | S | Z | Height | Width | H | L | K | M | U |
| AM664R | 6.10 | 6.10 | 4.18 | 5.26 | 4.25 | 4.25 | 4.81 | 4.81 | 5.01 | 7.32 | 6.08 | 6.08 | 7.69 | 7.69 |
| | 155mm | 155mm | 106mm | 134mm | 108mm | 108mm | 122mm | 122mm | 127mm | 186mm | 154mm | 154mm | 195mm | 195mm |
| AM864R | 8.00 | 6.13 | 4.13 | 5.21 | 6.25 | 4.25 | 6.75 | 4.88 | 5.01 | 9.19 | 6.11 | 7.98 | 9.59 | 7.71 |
| | 203mm | 156mm | 105mm | 132mm | 159mm | 108mm | 171mm | 124mm | 127mm | 233mm | 155mm | 203mm | 244mm | 196mm |
| AM1084R | 10.14 | 8.26 | 4.13 | 5.21 | 8.25 | 6.25 | 8.75 | 6.88 | 7.01 | 11.19 | 8.44 | 10.32 | 11.73 | 9.85 |
| | 258mm | 210mm | 105mm | 132mm | 210mm | 159mm | 222mm | 175mm | 178mm | 284mm | 214mm | 262mm | 298mm | 250mm |
| AM1086R | 10.14 | 8.26 | 6.13 | 7.21 | 8.25 | 6.25 | 8.75 | 6.88 | 7.01 | 11.19 | 8.44 | 10.32 | 11.73 | 9.85 |
| | 258mm | 210mm | 156mm | 183mm | 210mm | 159mm | 222mm | 175mm | 178mm | 284mm | 214mm | 262mm | 298mm | 250mm |
| AM1206R | 12.14 | 10.26 | 6.13 | 7.21 | 10.25 | 8.25 | 10.75 | 8.88 | 9.01 | 13.19 | 10.45 | 12.32 | 13.73 | 11.85 |
| | 308mm | 261mm | 156mm | 183mm | 260mm | 210mm | 273mm | 226mm | 229mm | 335mm | 265mm | 313mm | 349mm | 301mm |
| AM1426R | 14.13 | 12.26 | 6.13 | 7.21 | 12.25 | 10.25 | 12.75 | 10.88 | 11.01 | 15.19 | 12.45 | 14.32 | 15.73 | 13.85 |
| | 359mm | 311mm | 156mm | 183mm | 311mm | 260mm | 324mm | 276mm | 280mm | 386mm | 316mm | 364mm | 400mm | 352mm |
| AM1648R | 16.27 | 14.40 | 8.13 | 9.21 | 14.25 | 12.25 | 14.75 | 12.88 | 13.01 | 17.19 | 13.86 | 15.73 | 17.87 | 15.99 |
| | 413mm | 366mm | 207mm | 234mm | 362mm | 311mm | 375mm | 327mm | 330mm | 437mm | 352mm | 400mm | 454mm | 406mm |
| AM1868R | 18.40 | 16.40 | 8.13 | 9.21 | 16.25 | 14.25 | 16.88 | 14.88 | 14.97 | 19.28 | 15.86 | 17.86 | 20.00 | 18.00 |
| | 467mm | 417mm | 207mm | 234mm | 413mm | 362mm | 429mm | 378mm | 380mm | 490mm | 403mm | 454mm | 508mm | 457mm |
| AM2068R | 20.00 | 16.00 | 8.13 | 9.21 | 17.81 | 13.81 | 18.44 | 14.44 | 14.54 | 20.84 | 15.43 | 19.43 | 21.59 | 17.59 |
| | 508mm | 406mm | 207mm | 234mm | 452mm | 351mm | 468mm | 367mm | 369mm | 529mm | 392mm | 494mm | 548mm | 447mm |

All dimensions are in inches unless otherwise noted.
 Sizes 6" x 6" up through 14" x 12" are rated 6P (IP68)





AM-R Series JIC Size Junction Boxes: Lift-Off Screw Cover With Window

APPLICATION

- Designed to insulate and house electrical and electronic controls, instruments or components for indoor and outdoor applications
- Especially well suited for high temperature or corrosive environments
- Protects from dirt, dust, oil and water
- Window unit provides viewing area for instrumentation or equipment

STANDARDS

- UL 50 and UL 50E Types 1, 2, 3, 3R, 4, 4X, 12 and 13
- CSA C22.2 No. 94 Types 1, 2, 3, 3R, 4, 4X, 12 and 13
- Complies with
 - NEMA Types 1, 2, 3, 3R, 4, 4X, 12 and 13
 - IEC 60529 Type IP66
 - RoHS directive
- For additional physical properties per industry test standards, please refer to the chart on page 140

CONSTRUCTION

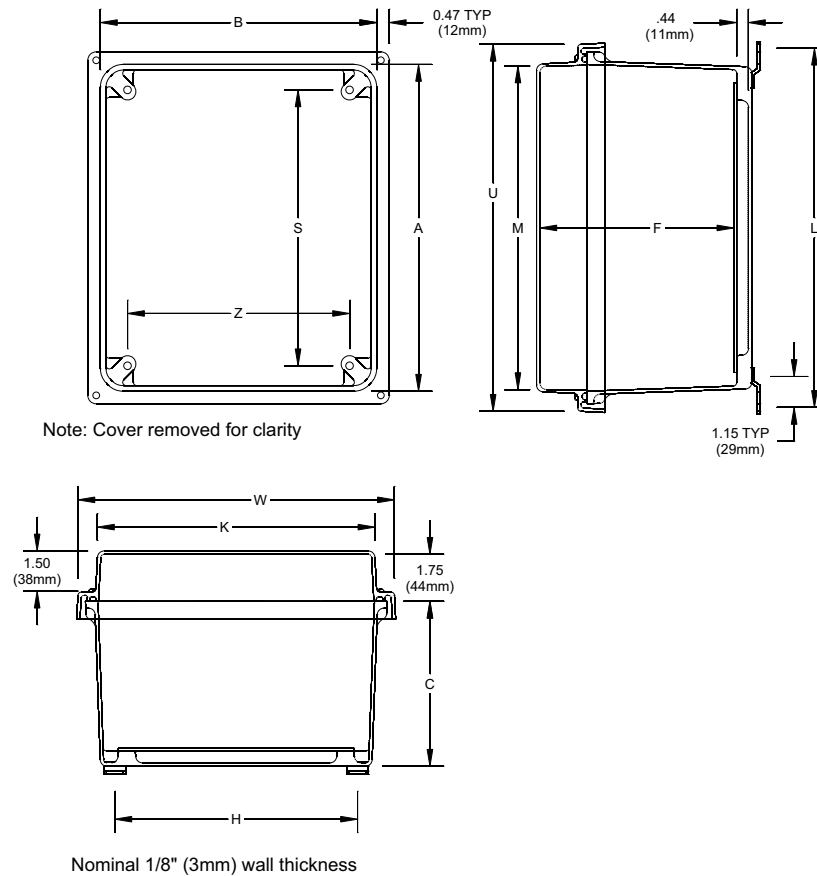
- Strong, molded ULTRAGUARD® fiberglass reinforced polyester material construction with matching raised cover
- UV resistant polycarbonate viewing window
- 300 series stainless steel captive cover screws
- Gasket made of closed-cell neoprene cord encased in a continuous channel
- 300 series stainless steel wall mounting feet with #10-32 stainless steel screws included
- #10-32 threaded inserts are installed for optional back panel
- JIC sizing
- ULTRAGUARD® fiberglass material is easily punched, drilled or sawed
- UV stabilized for outdoor use

ACCESSORIES

- Optional back panels (See table on pages 128-129)
- Optional hinged front panel (See table on page 130)
- Optional thermal management products (See pages 131-132)

MODIFICATIONS

- Custom size holes and cutouts
- Molded-in color matches
- Hinge installed on short side
- EMI/RFI shielding
- Factory-supplied silk screening

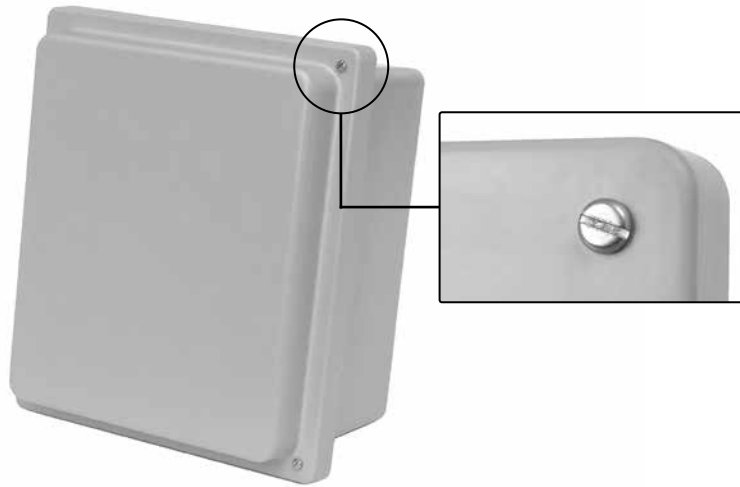


AM-R SERIES

| Part No. | Box Size | | | Usable Depth | Panel Boss Centers | | Panel Sizes | | Foot Mount Centers | | Cover Size | | | | Window Dimension (height x width) |
|----------|----------------|----------------|---------------|---------------|--------------------|----------------|----------------|----------------|--------------------|----------------|----------------|----------------|----------------|----------------|-----------------------------------|
| | A | B | C | | F | S | Z | Height | Width | H | L | K | M | U | |
| AM664RW | 6.10 155mm | 6.10 155mm | 4.18 106mm | 5.26 134mm | 4.25 108mm | 4.25 108mm | 4.81 122mm | 4.81 122mm | 5.01 127mm | 7.32 186mm | 6.08 154mm | 6.08 154mm | 7.69 195mm | 7.69 195mm | 4.25 X 4.25 108mm X 108mm |
| AM864RW | 8.00 203mm | 6.13 156mm | 4.13 105mm | 5.21 132mm | 6.25 159mm | 4.25 108mm | 6.75 171mm | 4.88 124mm | 5.01 127mm | 9.19 233mm | 6.11 155mm | 7.98 203mm | 9.59 244mm | 7.71 196mm | 6.25 X 4.25 159mm X 108mm |
| AM1084RW | 10.14 258mm | 8.26 210mm | 4.13 105mm | 5.21 132mm | 8.25 210mm | 6.25 159mm | 8.75 222mm | 6.88 175mm | 7.01 178mm | 11.19 284mm | 8.44 214mm | 10.32 262mm | 11.73 298mm | 9.85 250mm | 8.38 X 6.50 213mm X 159mm |
| AM1086RW | 10.14 258mm | 8.26 210mm | 6.13 156mm | 7.21 183mm | 8.25 210mm | 6.25 159mm | 8.75 222mm | 6.88 175mm | 7.01 178mm | 11.19 284mm | 8.44 214mm | 10.32 262mm | 11.73 298mm | 9.85 250mm | 8.38 X 6.50 213mm X 159mm |
| AM1206RW | 12.14 308mm | 10.26 261mm | 6.13 156mm | 7.21 183mm | 10.25 260mm | 8.25 210mm | 10.75 273mm | 8.88 226mm | 9.01 229mm | 13.19 335mm | 10.45 265mm | 12.32 313mm | 13.73 349mm | 11.85 301mm | 10.38 X 8.50 264mm X 216mm |
| AM1426RW | 14.13 359mm | 12.26 311mm | 6.13 156mm | 7.21 183mm | 12.25 311mm | 10.25 260mm | 12.75 324mm | 10.88 276mm | 11.01 280mm | 15.19 386mm | 12.45 316mm | 14.32 364mm | 15.73 400mm | 13.85 352mm | 12.38 X 10.50 314mm X 267mm |
| AM1648RW | 16.27 413mm | 14.40 366mm | 8.13 207mm | 9.21 234mm | 14.25 362mm | 12.25 311mm | 14.75 375mm | 12.88 327mm | 13.01 330mm | 17.19 437mm | 13.86 352mm | 15.73 400mm | 17.87 454mm | 15.99 406mm | 13.00 X 11.00 330mm X 279mm |
| AM1868RW | 18.40 467mm | 16.40 417mm | 8.13 207mm | 9.21 234mm | 16.25 413mm | 14.25 362mm | 16.88 429mm | 14.88 378mm | 14.97 380mm | 19.28 490mm | 15.86 403mm | 17.86 454mm | 20.00 508mm | 18.00 457mm | 14.00 X 12.00 356mm X 305mm |
| AM2068RW | 20.00 508mm | 16.00 406mm | 8.13 207mm | 9.21 234mm | 17.81 452mm | 13.81 351mm | 18.44 468mm | 14.44 367mm | 14.54 369mm | 20.84 529mm | 15.43 392mm | 19.43 494mm | 21.59 548mm | 17.59 447mm | 15.00 X 11.00 381mm X 279mm |

All dimensions are in inches unless otherwise noted.





AM-R Series JIC Size Junction Boxes: Hinged Screw Cover

APPLICATION

- Designed to insulate and house electrical and electronic controls, instruments or components for indoor and outdoor applications
- Especially well suited for high temperature or corrosive environments
- Protects from dirt, dust, oil and water

STANDARDS

- UL 50 and UL 50E Types 1, 2, 3, 3R, 4, 4X, 12 and 13
- CSA C22.2 No. 94 Types 1, 2, 3, 3R, 4, 4X, 12 and 13
- Complies with
 - NEMA Types 1, 2, 3, 3R, 4, 4X, 12 and 13
 - IEC 60529 Type IP66
 - RoHS directive
- For additional physical properties per industry test standards, please refer to the chart on page 140

CONSTRUCTION

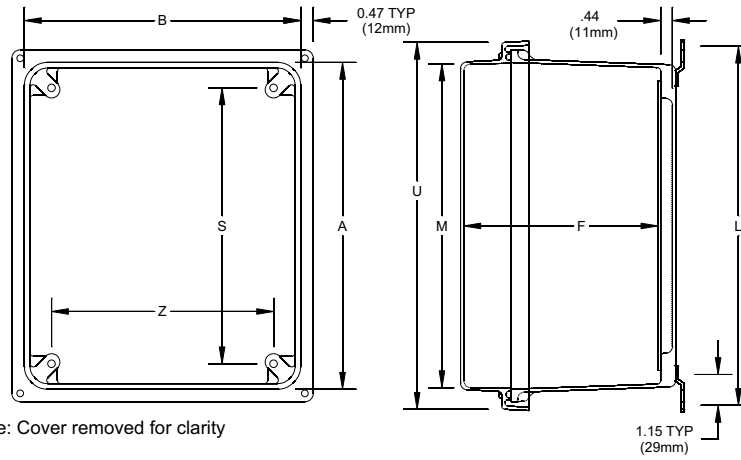
- Strong, molded ULTRAGUARD® fiberglass reinforced polyester material construction with matching raised cover
- 300 series stainless steel captive cover screws
- Continuous 300 series stainless steel hinge
- Gasket made of closed-cell neoprene cord encased in a continuous channel
- 300 series stainless steel wall mounting feet with #10-32 stainless steel screws included
- #10-32 threaded inserts are installed for optional back panel
- JIC sizing
- ULTRAGUARD® fiberglass material is easily punched, drilled or sawed
- UV stabilized for outdoor use

ACCESSORIES

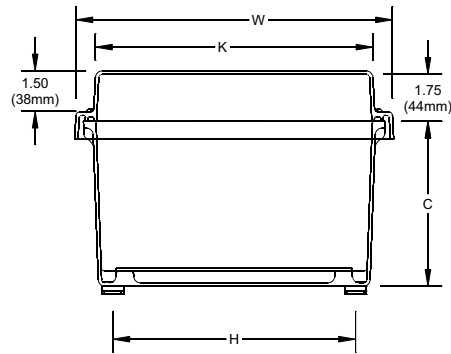
- Optional back panels (See table on pages 128-129)
- Optional hinged front panel (See table on page 130)
- Optional thermal management products (See pages 131-132)

MODIFICATIONS

- Custom size holes and cutouts
- Custom size polycarbonate viewing windows
- Molded-in color matches
- Hinge installed on short side
- EMI/RFI shielding
- Factory-supplied silk screening



Note: Cover removed for clarity



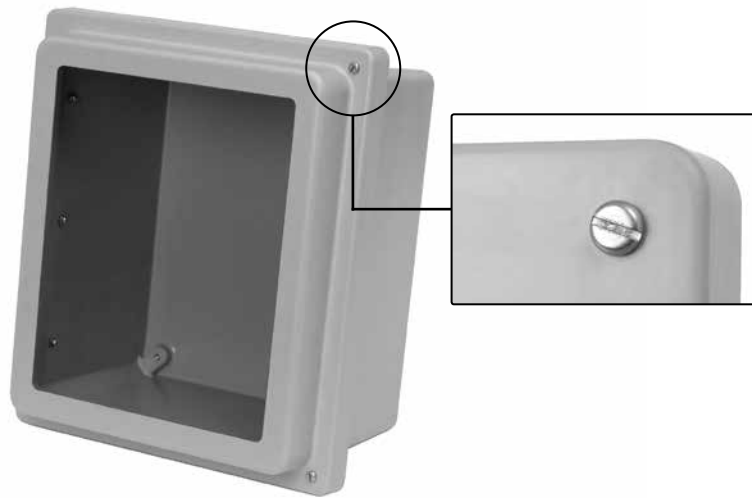
Nominal 1/8" (3mm) wall thickness

AM-R SERIES

| Part No. | Box Size | | | Usable Depth F | Panel Boss Centers | | Panel Sizes | | Foot Mount Centers | | Cover Size | | | |
|----------|----------------|----------------|---------------|-------------------|--------------------|----------------|----------------|----------------|--------------------|----------------|----------------|----------------|----------------|----------------|
| | A | B | C | | S | Z | Height | Width | H | L | K | M | U | W |
| AM664RH | 6.10 155mm | 6.10 155mm | 4.18 106mm | 5.26 134mm | 4.25 108mm | 4.25 108mm | 4.81 122mm | 4.81 122mm | 5.01 127mm | 7.32 186mm | 6.08 154mm | 6.08 154mm | 7.69 195mm | 7.69 195mm |
| AM864RH | 8.00 203mm | 6.13 156mm | 4.13 105mm | 5.21 132mm | 6.25 159mm | 4.25 108mm | 6.75 171mm | 4.88 124mm | 5.01 127mm | 9.19 233mm | 6.11 155mm | 7.98 203mm | 9.59 244mm | 7.71 196mm |
| AM1084RH | 10.14 258mm | 8.26 210mm | 4.13 105mm | 5.21 132mm | 8.25 210mm | 6.25 159mm | 8.75 222mm | 6.88 175mm | 7.01 178mm | 11.19 284mm | 8.44 214mm | 10.32 262mm | 11.73 298mm | 9.85 250mm |
| AM1086RH | 10.14 258mm | 8.26 210mm | 6.13 156mm | 7.21 183mm | 8.25 210mm | 6.25 159mm | 8.75 222mm | 6.88 175mm | 7.01 178mm | 11.19 284mm | 8.44 214mm | 10.32 262mm | 11.73 298mm | 9.85 250mm |
| AM1206RH | 12.14 308mm | 10.26 261mm | 6.13 156mm | 7.21 183mm | 10.25 260mm | 8.25 210mm | 10.75 273mm | 8.88 226mm | 9.01 229mm | 13.19 335mm | 10.45 265mm | 12.32 313mm | 13.73 349mm | 11.85 301mm |
| AM1426RH | 14.13 359mm | 12.26 311mm | 6.13 156mm | 7.21 183mm | 12.25 311mm | 10.25 260mm | 12.75 324mm | 10.88 276mm | 11.01 280mm | 15.19 386mm | 12.45 316mm | 14.32 364mm | 15.73 400mm | 13.85 352mm |
| AM1648RH | 16.27 413mm | 14.40 366mm | 8.13 207mm | 9.21 234mm | 14.25 362mm | 12.25 311mm | 14.75 375mm | 12.88 327mm | 13.01 330mm | 17.19 437mm | 13.86 352mm | 15.73 400mm | 17.87 454mm | 15.99 406mm |
| AM1868RH | 18.40 467mm | 16.40 417mm | 8.13 207mm | 9.21 234mm | 16.25 413mm | 14.25 362mm | 16.88 429mm | 14.88 378mm | 14.97 380mm | 19.28 490mm | 15.86 403mm | 17.86 454mm | 20.00 508mm | 18.00 457mm |
| AM2068RH | 20.00 508mm | 16.00 406mm | 8.13 207mm | 9.21 234mm | 17.81 452mm | 13.81 351mm | 18.44 468mm | 14.44 367mm | 14.54 369mm | 20.84 529mm | 15.43 392mm | 19.43 494mm | 21.59 548mm | 17.59 447mm |

All dimensions are in inches unless otherwise noted.





AM-R Series JIC Size Junction Boxes: Hinged Screw Cover With Window

APPLICATION

- Designed to insulate and house electrical and electronic controls, instruments or components for indoor and outdoor applications
- Especially well suited for high temperature or corrosive environments
- Protects from dirt, dust, oil and water
- Window unit provides viewing area for instrumentation or equipment

STANDARDS

- UL 50 and UL 50E Types 1, 2, 3, 3R, 4, 4X, 12 and 13
- CSA C22.2 No. 94 Types 1, 2, 3, 3R, 4, 4X, 12 and 13
- Complies with
 - NEMA Types 1, 2, 3, 3R, 4, 4X, 12 and 13
 - IEC 60529 Type IP66
 - RoHS directive
- For additional physical properties per industry test standards, please refer to the chart on page 140

CONSTRUCTION

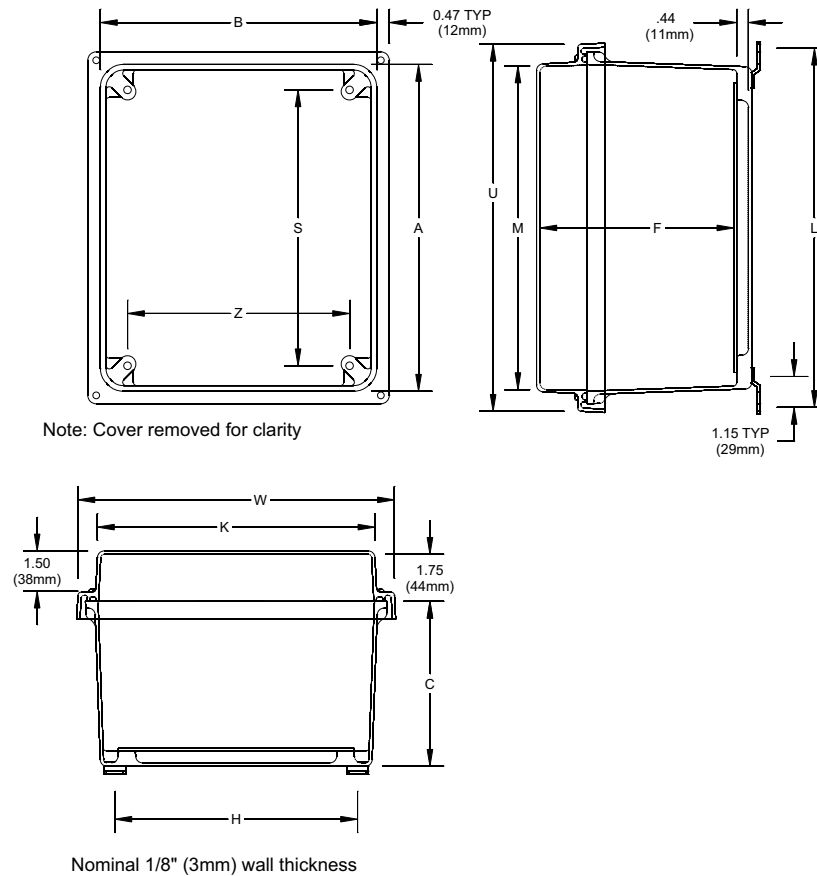
- Strong, molded ULTRAGUARD® fiberglass reinforced polyester material construction with matching raised cover
- UV resistant polycarbonate viewing window
- 300 series stainless steel captive cover screws
- Continuous 300 series stainless steel hinge
- Gasket made of closed-cell neoprene cord encased in a continuous channel
- 300 series stainless steel wall mounting feet with #10-32 stainless steel screws included
- #10-32 threaded inserts are installed for optional back panel
- JIC sizing
- ULTRAGUARD® fiberglass material is easily punched, drilled or sawed
- UV stabilized for outdoor use

ACCESSORIES

- Optional back panels (See table on pages 128-129)
- Optional hinged front panel (See table on page 130)
- Optional thermal management products (See pages 131-132)

MODIFICATIONS

- Custom size holes and cutouts
- Molded-in color matches
- Hinge installed on short side
- EMI/RFI shielding
- Factory-supplied silk screening

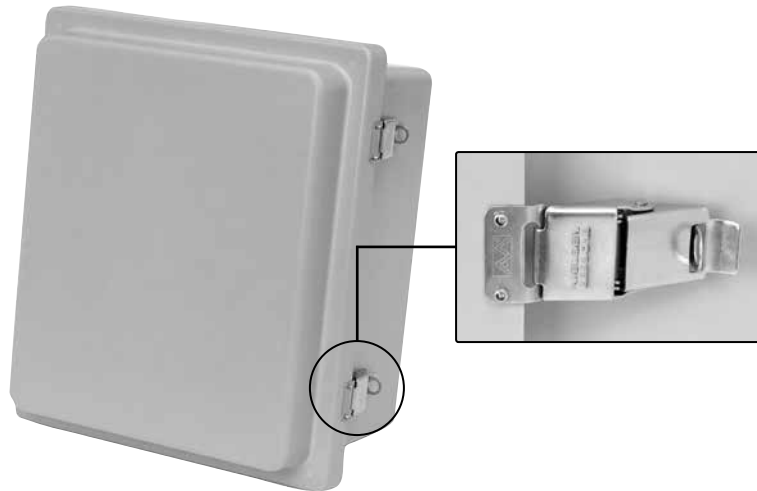


AM-R SERIES

| Part No. | Box Size | | | Usable Depth F | Panel Boss Centers | | Panel Sizes | | Foot Mount Centers | | Cover Size | | | | Window Dimension (height x width) |
|-----------|----------|-------|-------|-------------------|--------------------|-------|-------------|-------|--------------------|-------|------------|-------|-------|-------|--------------------------------------|
| | A | B | C | | S | Z | Height | Width | H | L | K | M | U | W | |
| AM664RHW | 6.10 | 6.10 | 4.18 | 5.26 | 4.25 | 4.25 | 4.81 | 4.81 | 5.01 | 7.32 | 6.08 | 6.08 | 7.69 | 7.69 | 4.25 X 4.25 |
| | 155mm | 155mm | 106mm | 134mm | 108mm | 108mm | 122mm | 122mm | 127mm | 186mm | 154mm | 154mm | 195mm | 195mm | 108mm X 108mm |
| AM864RHW | 8.00 | 6.13 | 4.13 | 5.21 | 6.25 | 4.25 | 6.75 | 4.88 | 5.01 | 9.19 | 6.11 | 7.98 | 9.59 | 7.71 | 6.25 X 4.25 |
| | 203mm | 156mm | 105mm | 132mm | 159mm | 108mm | 171mm | 124mm | 127mm | 233mm | 155mm | 203mm | 244mm | 196mm | 159mm X 108mm |
| AM1084RHW | 10.14 | 8.26 | 4.13 | 5.21 | 8.25 | 6.25 | 8.75 | 6.88 | 7.01 | 11.19 | 8.44 | 10.32 | 11.73 | 9.85 | 8.38 X 6.50 |
| | 258mm | 210mm | 105mm | 132mm | 210mm | 159mm | 222mm | 175mm | 178mm | 284mm | 214mm | 262mm | 298mm | 250mm | 213mm X 159mm |
| AM1086RHW | 10.14 | 8.26 | 6.13 | 7.21 | 8.25 | 6.25 | 8.75 | 6.88 | 7.01 | 11.19 | 8.44 | 10.32 | 11.73 | 9.85 | 8.38 X 6.50 |
| | 258mm | 210mm | 156mm | 183mm | 210mm | 159mm | 222mm | 175mm | 178mm | 284mm | 214mm | 262mm | 298mm | 250mm | 213mm X 159mm |
| AM1206RHW | 12.14 | 10.26 | 6.13 | 7.21 | 10.25 | 8.25 | 10.75 | 8.88 | 9.01 | 13.19 | 10.45 | 12.32 | 13.73 | 11.85 | 10.38 X 8.50 |
| | 308mm | 261mm | 156mm | 183mm | 260mm | 210mm | 273mm | 226mm | 229mm | 335mm | 265mm | 313mm | 349mm | 301mm | 264mm X 216mm |
| AM1426RHW | 14.13 | 12.26 | 6.13 | 7.21 | 12.25 | 10.25 | 12.75 | 10.88 | 11.01 | 15.19 | 12.45 | 14.32 | 15.73 | 13.85 | 12.38 X 10.50 |
| | 359mm | 311mm | 156mm | 183mm | 311mm | 260mm | 324mm | 276mm | 280mm | 386mm | 316mm | 364mm | 400mm | 352mm | 314mm X 267mm |
| AM1648RHW | 16.27 | 14.40 | 8.13 | 9.21 | 14.25 | 12.25 | 14.75 | 12.88 | 13.01 | 17.19 | 13.86 | 15.73 | 17.87 | 15.99 | 13.00 X 11.00 |
| | 413mm | 366mm | 207mm | 234mm | 362mm | 311mm | 375mm | 327mm | 330mm | 437mm | 352mm | 400mm | 454mm | 406mm | 330mm X 279mm |
| AM1868RHW | 18.40 | 16.40 | 8.13 | 9.21 | 16.25 | 14.25 | 16.88 | 14.88 | 14.97 | 19.28 | 15.86 | 17.86 | 20.00 | 18.00 | 14.00 X 12.00 |
| | 467mm | 417mm | 207mm | 234mm | 413mm | 362mm | 429mm | 378mm | 380mm | 490mm | 403mm | 454mm | 508mm | 457mm | 356mm X 305mm |
| AM2068RHW | 20.00 | 16.00 | 8.13 | 9.21 | 17.81 | 13.81 | 18.44 | 14.44 | 14.54 | 20.84 | 15.43 | 19.43 | 21.59 | 17.59 | 15.00 X 11.00 |
| | 508mm | 406mm | 207mm | 234mm | 452mm | 351mm | 468mm | 367mm | 369mm | 529mm | 392mm | 494mm | 548mm | 447mm | 381mm X 279mm |

All dimensions are in inches unless otherwise noted.





AM-R Series JIC Size Junction Boxes: Snap Latch Hinged Cover

APPLICATION

- Designed to insulate and house electrical and electronic controls, instruments or components for indoor and outdoor applications
- Especially well suited for high temperature or corrosive environments
- Protects from dirt, dust, oil and water

STANDARDS

- UL 50 and UL 50E Types 1, 2, 3, 3R, 4, 4X, 12 and 13
- CSA C22.2 No. 94 Types 1, 2, 3, 3R, 4, 4X, 12 and 13
- Complies with
 - NEMA Types 1, 2, 3, 3R, 4, 4X, 12 and 13
 - IEC 60529 Type IP66
 - RoHS directive
- For additional physical properties per industry test standards, please refer to the chart on page 140

CONSTRUCTION

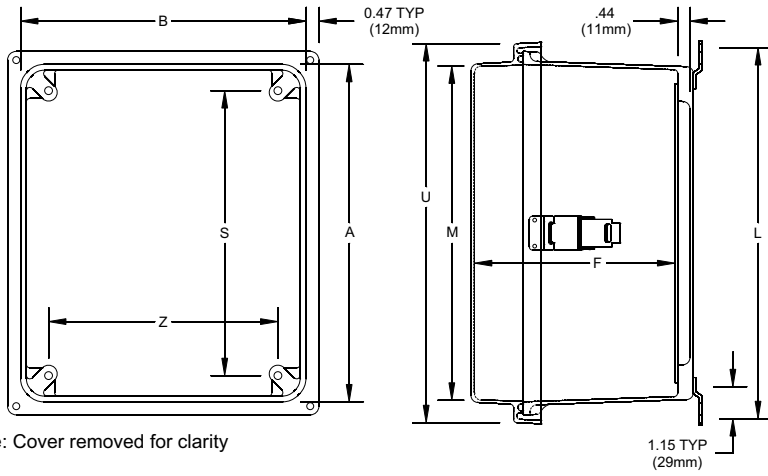
- Strong, molded ULTRAGUARD® fiberglass reinforced polyester material construction with matching raised cover
- 300 series stainless steel snap latches feature padlock hasp
- Continuous 300 series stainless steel hinge
- Gasket made of closed-cell neoprene cord encased in a continuous channel
- 300 series stainless steel wall mounting feet with #10-32 stainless steel screws included
- #10-32 threaded inserts are installed for optional back panel
- JIC sizing
- ULTRAGUARD® fiberglass material is easily punched, drilled or sawed
- UV stabilized for outdoor use

ACCESSORIES

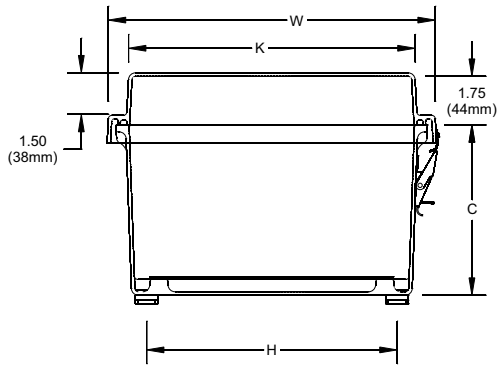
- Optional back panels (See table on pages 128-129)
- Optional hinged front panel (See table on page 130)
- Optional thermal management products (See pages 131-132)

MODIFICATIONS

- Custom size holes and cutouts
- Custom size polycarbonate viewing windows
- Molded-in color matches
- Hinge installed on short side
- EMI/RFI shielding
- Factory-supplied silk screening



Note: Cover removed for clarity



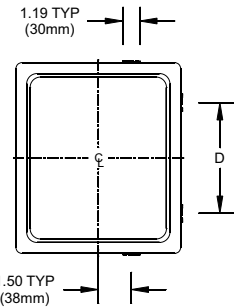
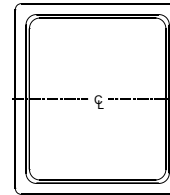
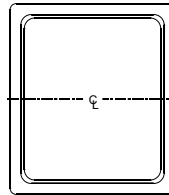
Nominal 1/8" (3mm) wall thickness

LATCH LOCATIONS

For use on
6x6x4
8x6x4
10x8x4
10x8x6

For use on
12x10x6 D=8.00 (203mm)
14x12x6 D=8.54 (217mm)
16x14x8 D=8.54 (217mm)

For use on
18x16x8 D=6.50 (165mm)
20x16x8 D=10.52 (267mm)

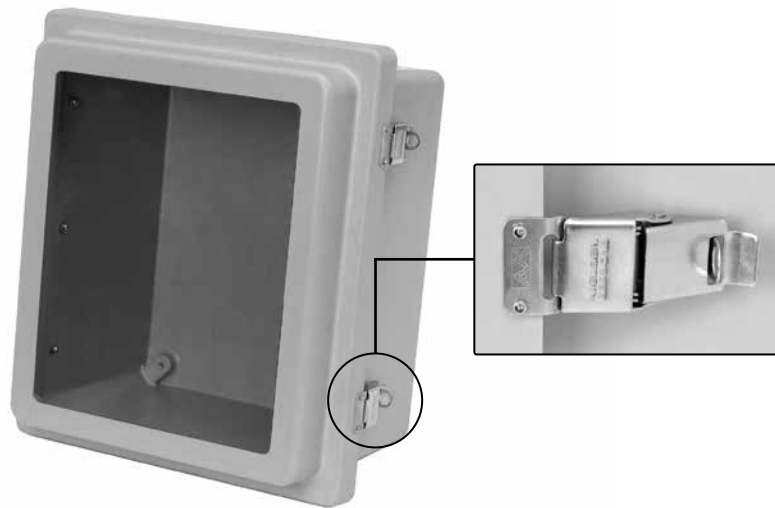


AM-R SERIES

| Part No. | Box Size | | | Usable Depth F | Panel Boss Centers | | Panel Sizes | | Foot Mount Centers | | Cover Size | | | |
|----------|----------------|----------------|---------------|-------------------|--------------------|----------------|----------------|----------------|--------------------|----------------|----------------|----------------|----------------|----------------|
| | A | B | C | | S | Z | Height | Width | H | L | K | M | U | W |
| AM664RL | 6.10 155mm | 6.10 155mm | 4.18 106mm | 5.26 134mm | 4.25 108mm | 4.25 108mm | 4.81 122mm | 4.81 122mm | 5.01 127mm | 7.32 186mm | 6.08 154mm | 6.08 154mm | 7.69 195mm | 7.69 195mm |
| AM864RL | 8.00 203mm | 6.13 156mm | 4.13 105mm | 5.21 132mm | 6.25 159mm | 4.25 108mm | 6.75 171mm | 4.88 124mm | 5.01 127mm | 9.19 233mm | 6.11 155mm | 7.98 203mm | 9.59 244mm | 7.71 196mm |
| AM1084RL | 10.14 258mm | 8.26 210mm | 4.13 105mm | 5.21 132mm | 8.25 210mm | 6.25 159mm | 8.75 222mm | 6.88 175mm | 7.01 178mm | 11.19 284mm | 8.44 214mm | 10.32 262mm | 11.73 298mm | 9.85 250mm |
| AM1086RL | 10.14 258mm | 8.26 210mm | 6.13 156mm | 7.21 183mm | 8.25 210mm | 6.25 159mm | 8.75 222mm | 6.88 175mm | 7.01 178mm | 11.19 284mm | 8.44 214mm | 10.32 262mm | 11.73 298mm | 9.85 250mm |
| AM1206RL | 12.14 308mm | 10.26 261mm | 6.13 156mm | 7.21 183mm | 10.25 260mm | 8.25 210mm | 10.75 273mm | 8.88 226mm | 9.01 229mm | 13.19 335mm | 10.45 265mm | 12.32 313mm | 13.73 349mm | 11.85 301mm |
| AM1426RL | 14.13 359mm | 12.26 311mm | 6.13 156mm | 7.21 183mm | 12.25 311mm | 10.25 260mm | 12.75 324mm | 10.88 276mm | 11.01 280mm | 15.19 386mm | 12.45 316mm | 14.32 364mm | 15.73 400mm | 13.85 352mm |
| AM1648RL | 16.27 413mm | 14.40 366mm | 8.13 207mm | 9.21 234mm | 14.25 362mm | 12.25 311mm | 14.75 375mm | 12.88 327mm | 13.01 330mm | 17.19 437mm | 13.86 352mm | 15.73 400mm | 17.87 454mm | 15.99 406mm |
| AM1868RL | 18.40 467mm | 16.40 417mm | 8.13 207mm | 9.21 234mm | 16.25 413mm | 14.25 362mm | 16.88 429mm | 14.88 378mm | 14.97 380mm | 19.28 490mm | 15.86 403mm | 17.86 454mm | 20.00 508mm | 18.00 457mm |
| AM2068RL | 20.00 508mm | 16.00 406mm | 8.13 207mm | 9.21 234mm | 17.81 452mm | 13.81 351mm | 18.44 468mm | 14.44 367mm | 14.54 369mm | 20.84 529mm | 15.43 392mm | 19.43 494mm | 21.59 548mm | 17.59 447mm |

All dimensions are in inches unless otherwise noted.





AM-R Series JIC Size Junction Boxes: Snap Latch Hinged Cover With Window

APPLICATION

- Designed to insulate and house electrical and electronic controls, instruments or components for indoor and outdoor applications
- Especially well suited for high temperature or corrosive environments
- Protects from dirt, dust, oil and water
- Window unit provides viewing area for instrumentation or equipment

STANDARDS

- UL 50 and UL 50E Types 1, 2, 3, 3R, 4, 4X, 12 and 13
- CSA C22.2 No. 94 Types 1, 2, 3, 3R, 4, 4X, 12 and 13
- Complies with
 - NEMA Types 1, 2, 3, 3R, 4, 4X, 12 and 13
 - IEC 60529 Type IP66
 - RoHS directive
- For additional physical properties per industry test standards, please refer to the chart on page 140

CONSTRUCTION

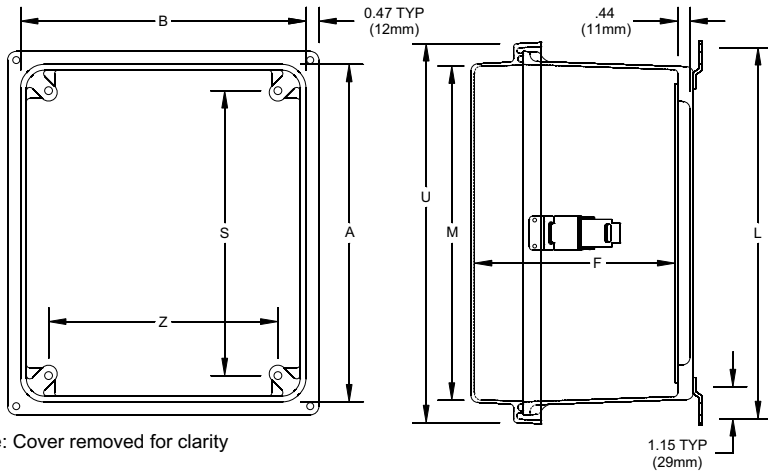
- Strong, molded ULTRAGUARD® fiberglass reinforced polyester material construction with matching raised cover
- UV resistant polycarbonate viewing window
- 300 series stainless steel snap latches feature padlock hasp
- Continuous 300 series stainless steel hinge
- Gasket made of closed-cell neoprene cord encased in a continuous channel
- 300 series stainless steel wall mounting feet with #10-32 stainless steel screws included
- #10-32 threaded inserts are installed for optional back panel
- JIC sizing
- ULTRAGUARD® fiberglass material is easily punched, drilled or sawed
- UV stabilized for outdoor use

ACCESSORIES

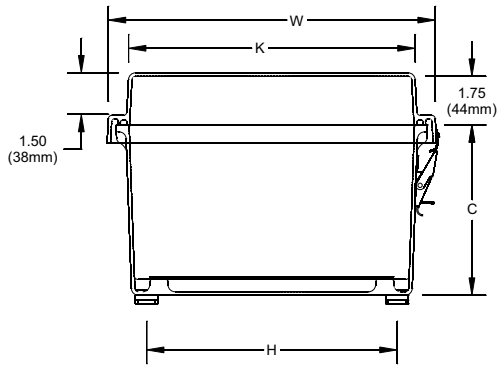
- Optional back panels (See table on pages 128-129)
- Optional hinged front panel (See table on page 130)
- Optional thermal management products (See pages 131-132)

MODIFICATIONS

- Custom size holes and cutouts
- Molded-in color matches
- Hinge installed on short side
- EMI/RFI shielding
- Factory-supplied silk screening



Note: Cover removed for clarity



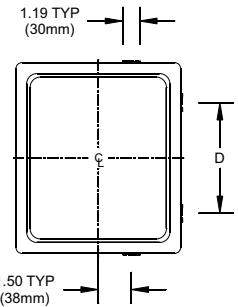
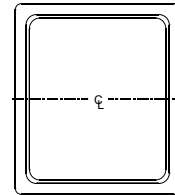
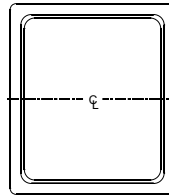
Nominal 1/8" (3mm) wall thickness

LATCH LOCATIONS

For use on
6x6x4
8x6x4
10x8x4
10x8x6

For use on
12x10x6 D=8.00 (203mm)
14x12x6 D=8.54 (217mm)
16x14x8 D=8.54 (217mm)

For use on
18x16x8 D=6.50 (165mm)
20x16x8 D=10.52 (267mm)

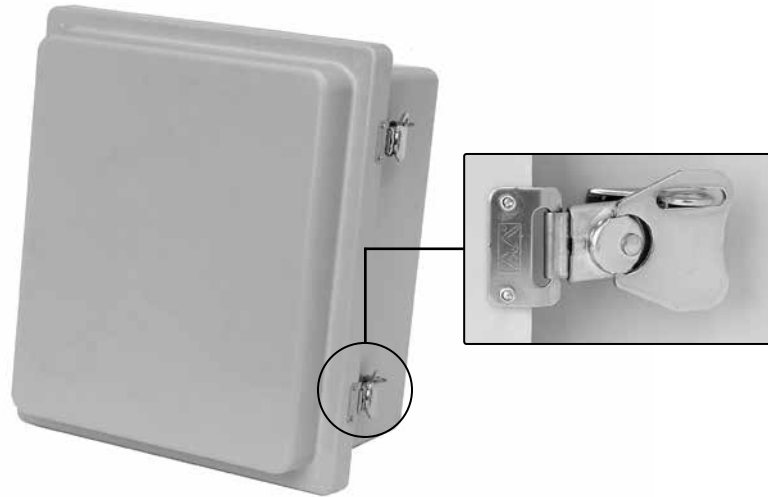


AM-R SERIES

| Part No. | Box Size | | | Usable Depth F | Panel Boss Centers | | Panel Sizes | | Foot Mount Centers | | Cover Size | | | | Window Dimension (height x width) |
|-----------|----------------|----------------|---------------|-------------------|--------------------|----------------|----------------|----------------|--------------------|----------------|----------------|----------------|----------------|----------------|--------------------------------------|
| | A | B | C | | S | Z | Height | Width | H | L | K | M | U | W | |
| AM664RLW | 6.10 155mm | 6.10 155mm | 4.18 106mm | 5.26 134mm | 4.25 108mm | 4.25 108mm | 4.81 122mm | 4.81 122mm | 5.01 127mm | 7.32 186mm | 6.08 154mm | 6.08 154mm | 7.69 195mm | 7.69 195mm | 4.25 X 4.25 108mm X 108mm |
| AM864RLW | 8.00 203mm | 6.13 156mm | 4.13 105mm | 5.21 132mm | 6.25 159mm | 4.25 108mm | 6.75 171mm | 4.88 124mm | 5.01 127mm | 9.19 233mm | 6.11 155mm | 7.98 203mm | 9.59 244mm | 7.71 196mm | 6.25 X 4.25 159mm X 108mm |
| AM1084RLW | 10.14 258mm | 8.26 210mm | 4.13 105mm | 5.21 132mm | 8.25 210mm | 6.25 159mm | 8.75 222mm | 6.88 175mm | 7.01 178mm | 11.19 284mm | 8.44 214mm | 10.32 262mm | 11.73 298mm | 9.85 250mm | 8.38 X 6.50 213mm X 159mm |
| AM1086RLW | 10.14 258mm | 8.26 210mm | 6.13 156mm | 7.21 183mm | 8.25 210mm | 6.25 159mm | 8.75 222mm | 6.88 175mm | 7.01 178mm | 11.19 284mm | 8.44 214mm | 10.32 262mm | 11.73 298mm | 9.85 250mm | 8.38 X 6.50 213mm X 159mm |
| AM1206RLW | 12.14 308mm | 10.26 261mm | 6.13 156mm | 7.21 183mm | 10.25 260mm | 8.25 210mm | 10.75 273mm | 8.88 226mm | 9.01 229mm | 13.19 335mm | 10.45 265mm | 12.32 313mm | 13.73 349mm | 11.85 301mm | 10.38 X 8.50 264mm X 216mm |
| AM1426RLW | 14.13 359mm | 12.26 311mm | 6.13 156mm | 7.21 183mm | 12.25 311mm | 10.25 260mm | 12.75 324mm | 10.88 276mm | 11.01 280mm | 15.19 386mm | 12.45 316mm | 14.32 364mm | 15.73 400mm | 13.85 352mm | 12.38 X 10.50 314mm X 267mm |
| AM1648RLW | 16.27 413mm | 14.40 366mm | 8.13 207mm | 9.21 234mm | 14.25 362mm | 12.25 311mm | 14.75 375mm | 12.88 327mm | 13.01 330mm | 17.19 437mm | 13.86 352mm | 15.73 400mm | 17.87 454mm | 15.99 406mm | 13.00 X 11.00 330mm X 279mm |
| AM1868RLW | 18.40 467mm | 16.40 417mm | 8.13 207mm | 9.21 234mm | 16.25 413mm | 14.25 362mm | 16.88 429mm | 14.88 378mm | 14.97 380mm | 19.28 490mm | 15.86 403mm | 17.86 454mm | 20.00 508mm | 18.00 457mm | 14.00 X 12.00 356mm X 305mm |
| AM2068RLW | 20.00 508mm | 16.00 406mm | 8.13 207mm | 9.21 234mm | 17.81 452mm | 13.81 351mm | 18.44 468mm | 14.44 367mm | 14.54 369mm | 20.84 529mm | 15.43 392mm | 19.43 494mm | 21.59 548mm | 17.59 447mm | 15.00 X 11.00 381mm X 279mm |

All dimensions are in inches unless otherwise noted.





AM-R Series JIC Size Junction Boxes: Twist Latch Hinged Cover

APPLICATION

- Designed to insulate and house electrical and electronic controls, instruments or components for indoor and outdoor applications
- Especially well suited for high temperature or corrosive environments
- Protects from dirt, dust, oil and water

STANDARDS

- UL 50 and UL 50E Types 1, 2, 3, 3R, 4, 4X, 12 and 13
- CSA C22.2 No. 94 Types 1, 2, 3, 3R, 4, 4X, 12 and 13
- Complies with
 - NEMA Types 1, 2, 3, 3R, 4, 4X, 12 and 13
 - IEC 60529 Type IP66
 - RoHS directive
- For additional physical properties per industry test standards, please refer to the chart on page 140

CONSTRUCTION

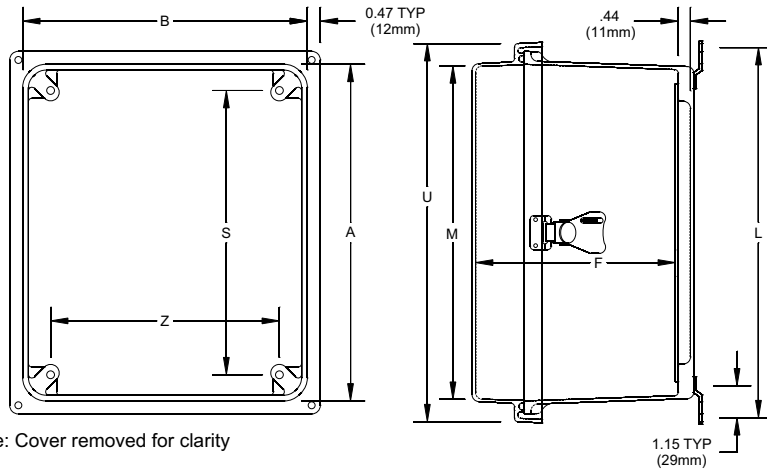
- Strong, molded ULTRAGUARD® fiberglass reinforced polyester material construction with matching raised cover
- 300 series stainless steel twist latches feature padlock hasp
- Continuous 300 series stainless steel hinge
- Gasket made of closed-cell neoprene cord encased in a continuous channel
- 300 series stainless steel wall mounting feet with #10-32 stainless steel screws included
- #10-32 threaded inserts are installed for optional back panel
- JIC sizing
- ULTRAGUARD® fiberglass material is easily punched, drilled or sawed
- UV stabilized for outdoor use

ACCESSORIES

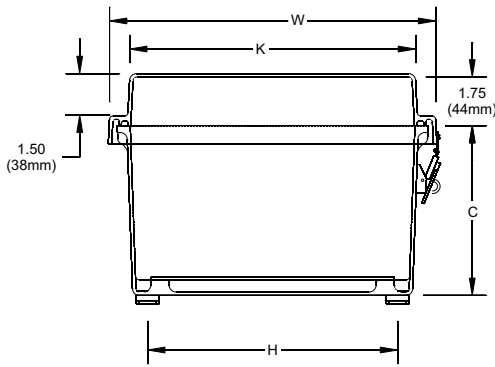
- Optional back panels (See table on pages 128-129)
- Optional hinged front panel (See table on page 130)
- Optional thermal management products (See pages 131-132)

MODIFICATIONS

- Custom size holes and cutouts
- Custom size polycarbonate viewing windows
- Molded-in color matches
- Hinge installed on short side
- EMI/RFI shielding
- Factory-supplied silk screening



Note: Cover removed for clarity



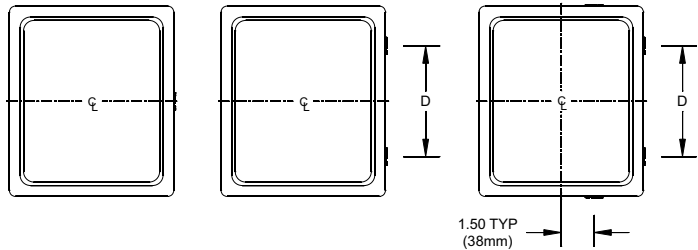
Nominal 1/8" (3mm) wall thickness

LATCH LOCATIONS

For use on
6x6x4
8x6x4
10x8x4
10x8x6

For use on
12x10x6 D=8.00 (203mm)
14x12x6 D=8.54 (217mm)
16x14x8 D=8.54 (217mm)

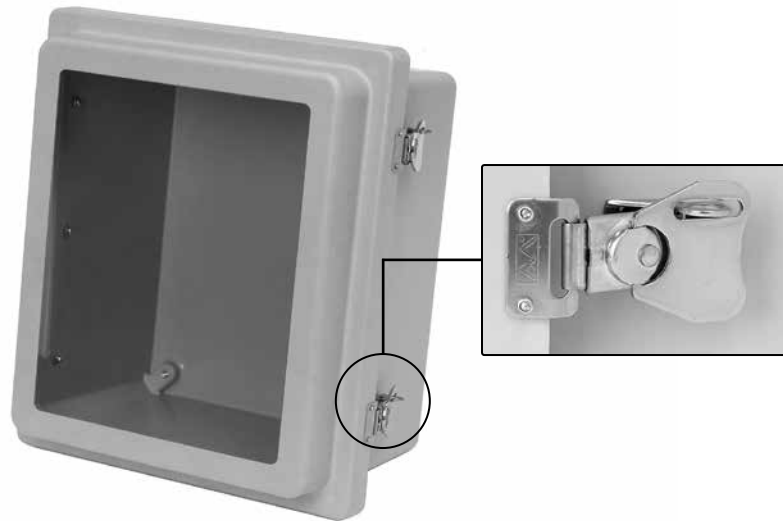
For use on
18x16x8 D=6.50 (165mm)
20x16x8 D=10.52 (267mm)



| Part No. | Box Size | | | Usable Depth F | Panel Boss Centers | | Panel Sizes | | Foot Mount Centers | | Cover Size | | | |
|----------|----------------|----------------|---------------|-------------------|--------------------|----------------|----------------|----------------|--------------------|----------------|----------------|----------------|----------------|----------------|
| | A | B | C | | S | Z | Height | Width | H | L | K | M | U | W |
| AM664RT | 6.10 155mm | 6.10 155mm | 4.18 106mm | 5.26 134mm | 4.25 108mm | 4.25 108mm | 4.81 122mm | 4.81 122mm | 5.01 127mm | 7.32 186mm | 6.08 154mm | 6.08 154mm | 7.69 195mm | 7.69 195mm |
| AM864RT | 8.00 203mm | 6.13 156mm | 4.13 105mm | 5.21 132mm | 6.25 159mm | 4.25 108mm | 6.75 171mm | 4.88 124mm | 5.01 127mm | 9.19 233mm | 6.11 155mm | 7.98 203mm | 9.59 244mm | 7.71 196mm |
| AM1084RT | 10.14 258mm | 8.26 210mm | 4.13 105mm | 5.21 132mm | 8.25 210mm | 6.25 159mm | 8.75 222mm | 6.88 175mm | 7.01 178mm | 11.19 284mm | 8.44 214mm | 10.32 262mm | 11.73 298mm | 9.85 250mm |
| AM1086RT | 10.14 258mm | 8.26 210mm | 6.13 156mm | 7.21 183mm | 8.25 210mm | 6.25 159mm | 8.75 222mm | 6.88 175mm | 7.01 178mm | 11.19 284mm | 8.44 214mm | 10.32 262mm | 11.73 298mm | 9.85 250mm |
| AM1206RT | 12.14 308mm | 10.26 261mm | 6.13 156mm | 7.21 183mm | 10.25 260mm | 8.25 210mm | 10.75 273mm | 8.88 226mm | 9.01 229mm | 13.19 335mm | 10.45 265mm | 12.32 313mm | 13.73 349mm | 11.85 301mm |
| AM1426RT | 14.13 359mm | 12.26 311mm | 6.13 156mm | 7.21 183mm | 12.25 311mm | 10.25 260mm | 12.75 324mm | 10.88 276mm | 11.01 280mm | 15.19 386mm | 12.45 316mm | 14.32 364mm | 15.73 400mm | 13.85 352mm |
| AM1648RT | 16.27 413mm | 14.40 366mm | 8.13 207mm | 9.21 234mm | 14.25 362mm | 12.25 311mm | 14.75 375mm | 12.88 327mm | 13.01 330mm | 17.19 437mm | 13.86 352mm | 15.73 400mm | 17.87 454mm | 15.99 406mm |
| AM1868RT | 18.40 467mm | 16.40 417mm | 8.13 207mm | 9.21 234mm | 16.25 413mm | 14.25 362mm | 16.88 429mm | 14.88 378mm | 14.97 380mm | 19.28 490mm | 15.86 403mm | 17.86 454mm | 20.00 508mm | 18.00 457mm |
| AM2068RT | 20.00 508mm | 16.00 406mm | 8.13 207mm | 9.21 234mm | 17.81 452mm | 13.81 351mm | 18.44 468mm | 14.44 367mm | 14.54 369mm | 20.84 529mm | 15.43 392mm | 19.43 494mm | 21.59 548mm | 17.59 447mm |

All dimensions are in inches unless otherwise noted.





AM-R Series JIC Size Junction Boxes: Twist Latch Hinged Cover With Window

APPLICATION

- Designed to insulate and house electrical and electronic controls, instruments or components for indoor and outdoor applications
- Especially well suited for high temperature or corrosive environments
- Protects from dirt, dust, oil and water
- Window unit provides viewing area for instrumentation or equipment

STANDARDS

- UL 50 and UL 50E Types 1, 2, 3, 3R, 4, 4X, 12 and 13
- CSA C22.2 No. 94 Types 1, 2, 3, 3R, 4, 4X, 12 and 13
- Complies with
 - NEMA Types 1, 2, 3, 3R, 4, 4X, 12 and 13
 - IEC 60529 Type IP66
 - RoHS directive
- For additional physical properties per industry test standards, please refer to the chart on page 140

CONSTRUCTION

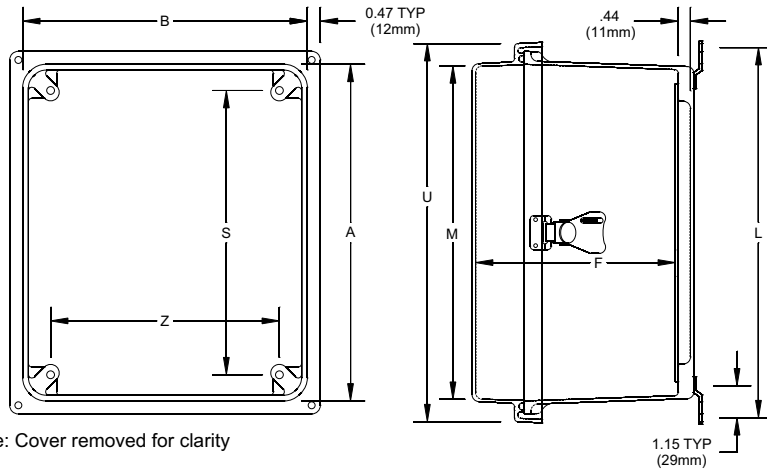
- Strong, molded ULTRAGUARD® fiberglass reinforced polyester material construction with matching raised cover
- UV resistant polycarbonate viewing window
- 300 series stainless steel twist latches feature padlock hasp
- Continuous 300 series stainless steel hinge
- Gasket made of closed-cell neoprene cord encased in a continuous channel
- 300 series stainless steel wall mounting feet with #10-32 stainless steel screws included
- #10-32 threaded inserts are installed for optional back panel
- JIC sizing
- ULTRAGUARD® fiberglass material is easily punched, drilled or sawed
- UV stabilized for outdoor use

ACCESSORIES

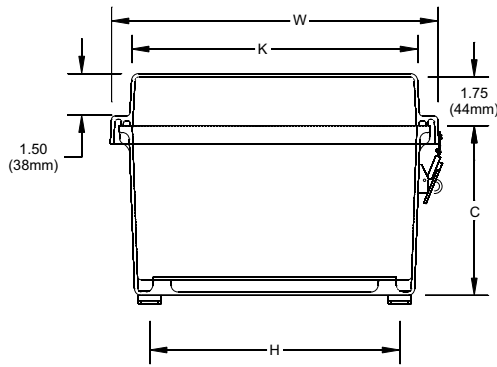
- Optional back panels (See table on pages 128-129)
- Optional hinged front panel (See table on page 130)
- Optional thermal management products (See pages 131-132)

MODIFICATIONS

- Custom size holes and cutouts
- Molded-in color matches
- Hinge installed on short side
- EMI/RFI shielding
- Factory-supplied silk screening



Note: Cover removed for clarity



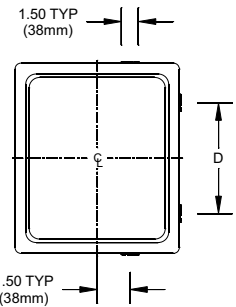
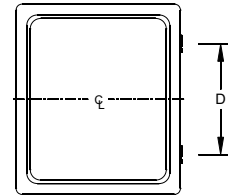
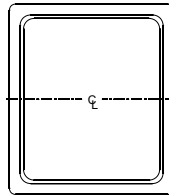
Nominal 1/8" (3mm) wall thickness

LATCH LOCATIONS

For use on
6x6x4
8x6x4
10x8x4
10x8x6

For use on
12x10x6 D=8.00 (203mm)
14x12x6 D=8.54 (217mm)
16x14x8 D=8.54 (217mm)

For use on
18x16x8 D=6.50 (165mm)
20x16x8 D=10.52 (267mm)

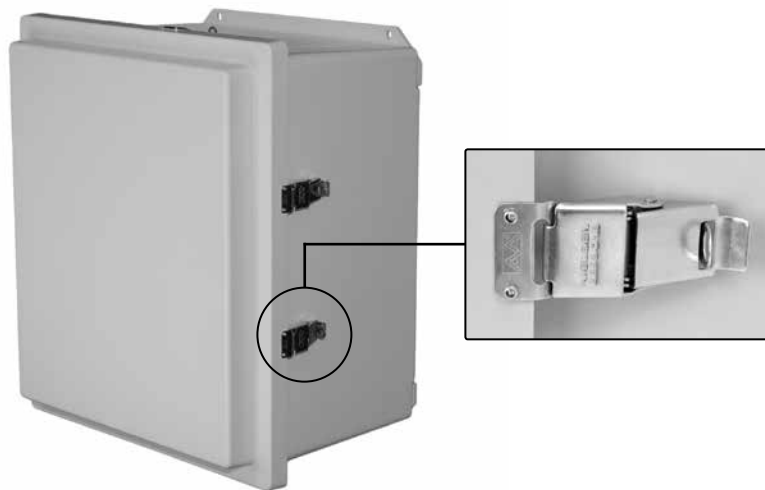


AM-R SERIES

| Part No. | Box Size | | | Usable Depth F | Panel Boss Centers | | Panel Sizes | | Foot Mount Centers | | Cover Size | | | | Window Dimension (height x width) |
|-----------|----------|-------|-------|-------------------|--------------------|-------|-------------|-------|--------------------|-------|------------|-------|-------|-------|--------------------------------------|
| | A | B | C | | S | Z | Height | Width | H | L | K | M | U | W | |
| AM664RTW | 6.10 | 6.10 | 4.18 | 5.26 | 4.25 | 4.25 | 4.81 | 4.81 | 5.01 | 7.32 | 6.08 | 6.08 | 7.69 | 7.69 | 4.25 X 4.25 |
| | 155mm | 155mm | 106mm | 134mm | 108mm | 108mm | 122mm | 122mm | 127mm | 186mm | 154mm | 154mm | 195mm | 195mm | 108mm X 108mm |
| AM864RTW | 8.00 | 6.13 | 4.13 | 5.21 | 6.25 | 4.25 | 6.75 | 4.88 | 5.01 | 9.19 | 6.11 | 7.98 | 9.59 | 7.71 | 6.25 X 4.25 |
| | 203mm | 156mm | 105mm | 132mm | 159mm | 108mm | 171mm | 124mm | 127mm | 233mm | 155mm | 203mm | 244mm | 196mm | 159mm X 108mm |
| AM1084RTW | 10.14 | 8.26 | 4.13 | 5.21 | 8.25 | 6.25 | 8.75 | 6.88 | 7.01 | 11.19 | 8.44 | 10.32 | 11.73 | 9.85 | 8.38 X 6.50 |
| | 258mm | 210mm | 105mm | 132mm | 210mm | 159mm | 222mm | 175mm | 178mm | 284mm | 214mm | 262mm | 298mm | 250mm | 213mm X 159mm |
| AM1086RTW | 10.14 | 8.26 | 6.13 | 7.21 | 8.25 | 6.25 | 8.75 | 6.88 | 7.01 | 11.19 | 8.44 | 10.32 | 11.73 | 9.85 | 8.38 X 6.50 |
| | 258mm | 210mm | 156mm | 183mm | 210mm | 159mm | 222mm | 175mm | 178mm | 284mm | 214mm | 262mm | 298mm | 250mm | 213mm X 159mm |
| AM1206RTW | 12.14 | 10.26 | 6.13 | 7.21 | 10.25 | 8.25 | 10.75 | 8.88 | 9.01 | 13.19 | 10.45 | 12.32 | 13.73 | 11.85 | 10.38 X 8.50 |
| | 308mm | 261mm | 156mm | 183mm | 260mm | 210mm | 273mm | 226mm | 229mm | 335mm | 265mm | 313mm | 349mm | 301mm | 264mm X 216mm |
| AM1426RTW | 14.13 | 12.26 | 6.13 | 7.21 | 12.25 | 10.25 | 12.75 | 10.88 | 11.01 | 15.19 | 12.45 | 14.32 | 15.73 | 13.85 | 12.38 X 10.50 |
| | 359mm | 311mm | 156mm | 183mm | 311mm | 260mm | 324mm | 276mm | 280mm | 386mm | 316mm | 364mm | 400mm | 352mm | 314mm X 267mm |
| AM1648RTW | 16.27 | 14.40 | 8.13 | 9.21 | 14.25 | 12.25 | 14.75 | 12.88 | 13.01 | 17.19 | 13.86 | 15.73 | 17.87 | 15.99 | 13.00 X 11.00 |
| | 413mm | 366mm | 207mm | 234mm | 362mm | 311mm | 375mm | 327mm | 330mm | 437mm | 352mm | 400mm | 454mm | 406mm | 330mm X 279mm |
| AM1868RTW | 18.40 | 16.40 | 8.13 | 9.21 | 16.25 | 14.25 | 16.88 | 14.88 | 14.97 | 19.28 | 15.86 | 17.86 | 20.00 | 18.00 | 14.00 X 12.00 |
| | 467mm | 417mm | 207mm | 234mm | 413mm | 362mm | 429mm | 378mm | 380mm | 490mm | 403mm | 454mm | 508mm | 457mm | 356mm X 305mm |
| AM2068RTW | 20.00 | 16.00 | 8.13 | 9.21 | 17.81 | 13.81 | 18.44 | 14.44 | 14.54 | 20.84 | 15.43 | 19.43 | 21.59 | 17.59 | 15.00 X 11.00 |
| | 508mm | 406mm | 207mm | 234mm | 452mm | 351mm | 468mm | 367mm | 369mm | 529mm | 392mm | 494mm | 548mm | 447mm | 381mm X 279mm |

All dimensions are in inches unless otherwise noted.





AMHD-R Heavy Duty Solar Battery Box: Snap Latch Hinged Cover

APPLICATION

- Designed to insulate and house solar storage batteries for various telemetry applications in outdoor locations
- Especially well suited for high temperature or corrosive environments
- Protects from UV, dirt, dust, oil and water

STANDARDS

- UL 50 and UL 50E Types 1, 2, 3, 3R, 4, 4X, 12 and 13
- CSA C22.2 No. 94 Types 1, 2, 3, 3R, 4, 4X, 12 and 13
- Complies with
 - NEMA Types 1, 2, 3, 3R, 4, 4X, 12 and 13
 - IEC 60529 Type IP66
 - RoHS directive
- For additional physical properties per industry test standards, please refer to the chart on page 140

CONSTRUCTION

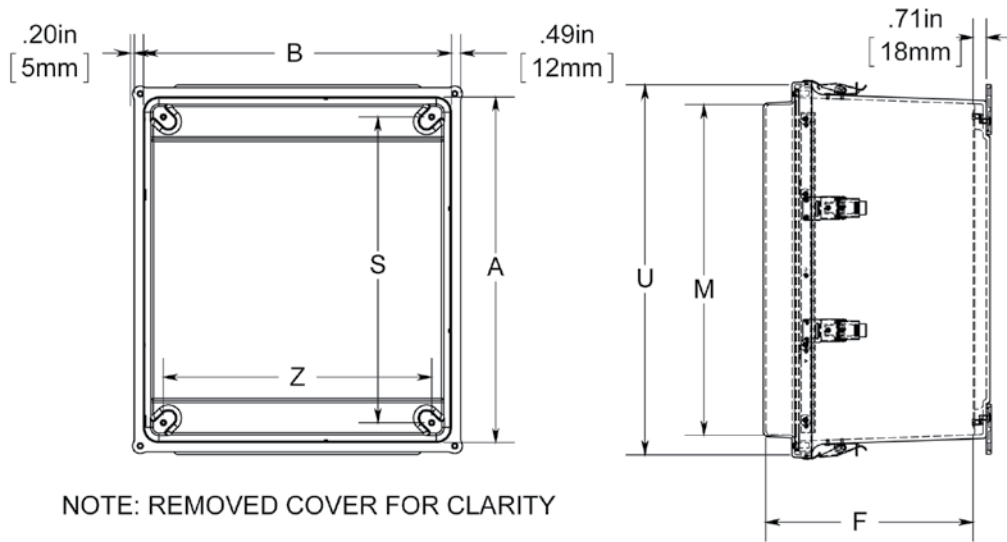
- Strong, molded ULTRAGUARD® fiberglass reinforced polyester material construction with matching raised cover
- 300 series stainless steel snap latches feature padlock hasp
- Continuous 300 series stainless steel hinge
- Gasket made of closed-cell neoprene cord encased in a continuous channel
- Polycarbonate flanges installed with (4) 300 series stainless steel screws
- #10-32 threaded inserts are installed for optional back panel
- ULTRAGUARD® fiberglass material is easily punched, drilled or sawed
- UV stabilized for outdoor use

ACCESSORIES

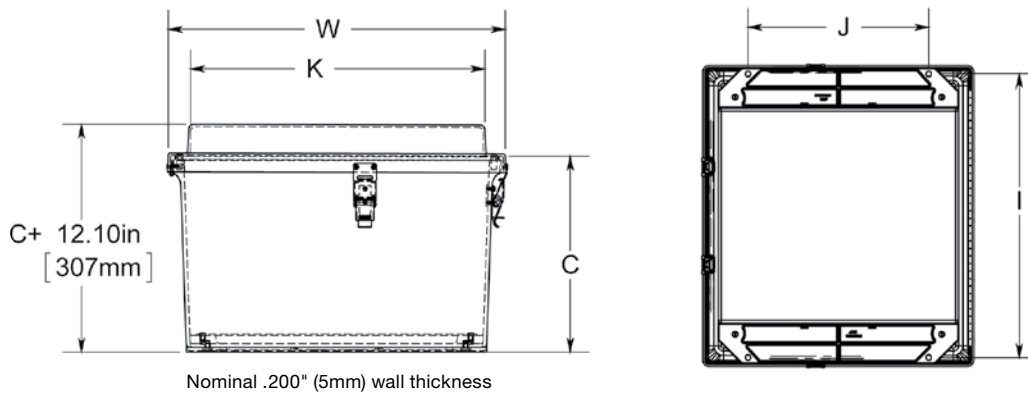
- Optional back panels (See table on pages 128-129)
- Optional thermal management products (See pages 131-132)
- Optional pole mount kit (See page 133)

MODIFICATIONS

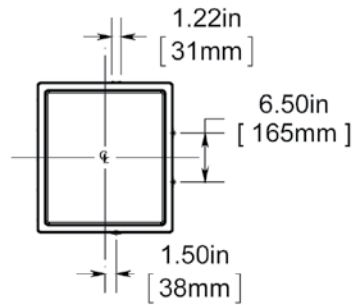
- Custom size holes and cutouts
- Custom size polycarbonate viewing windows
- Molded-in color matches
- Hinge installed on short side
- EMI/RFI shielding
- Factory-supplied silk screening



NOTE: REMOVED COVER FOR CLARITY



LATCH LOCATIONS



| Part No. | Box Size | | | Usable Depth F | Panel Boss Centers | | Panel Sizes | | Flange Mount Centers | | Cover Size | | | |
|--------------------|----------------|----------------|----------------|-------------------|--------------------|----------------|----------------|----------------|----------------------|------------------------------|----------------|----------------|----------------|----------------|
| | A | B | C | | S | Z | Height | Width | J | I | K | M | U | W |
| AMHD1860RLF | 18.24 463mm | 16.24 412mm | 10.13 257mm | 11.01 280mm | 16.25 413mm | 14.25 362mm | 16.88 429mm | 14.88 378mm | 12.00 305mm | 18.88, 18.76 480mm, 477mm | 15.22 387mm | 17.72 450mm | 19.91 506mm | 17.91 455mm |

All dimensions are in inches unless otherwise noted.

AMHD-R SERIES



ULTRALINE®



ULTRALINE® AMU SERIES

ULTRALINE® comes standard with “industry exclusive” mounting options including an out of the box mounting flange or adjustable mounting feet to cover various mounting configurations. Featuring molded latch keepers, a tongue and groove seal design, and a flange design that can be retrofit to competition, ULTRALINE is the ultimate in fiberglass enclosures. A clear polycarbonate cover option is also available for instrumentation applications where critical electronic equipment must be visible and protected from the elements.

AMU Series Features & Benefits

- Patented (US Pat #7,572,975) multi-mounting capability
 - Out-of-the-box flange design – factory installed
 - Flange mount hole pattern match “VJ”, “J”, and “A” series competitive foot prints
 - Optional foot mount brackets for multi-directional mounting
 - Capable of mounting vertically or horizontally
- Mounting dimensions molded into the enclosure base
- Durable polycarbonate feet/flanges withstand cracking during wall mount assembly
- Feet and Flanges act as an enclosure pad on uneven surfaces without allowing it to be drawn down and bind, or crack
- Feet and Flange pads also allow air space between the enclosure and a warm machine or mounting wall



- Cover/Base design
 - Flush, aesthetically pleasing, modern architecture
- Clear polycarbonate instrumentation cover where critical electronic equipment must be visible and protected from the elements
- Solid/opaque covers come with a drill point pattern inside for hole modifications when required



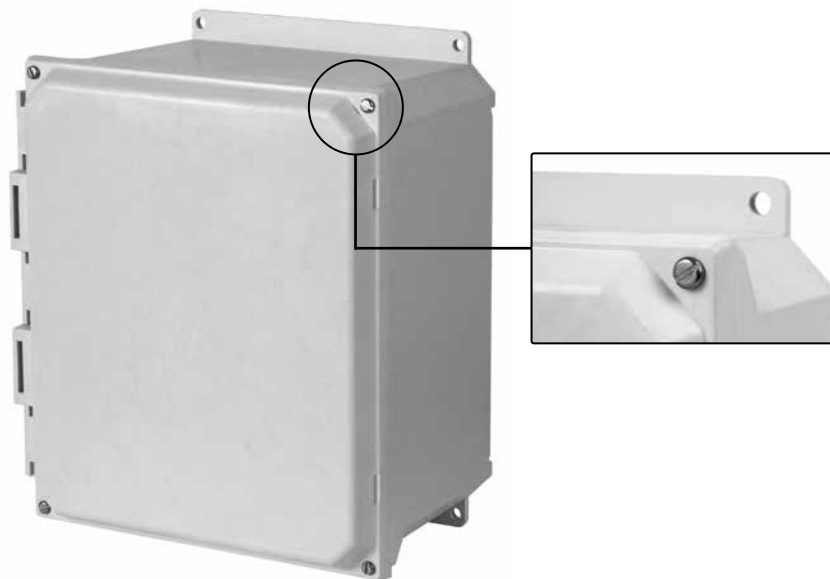
- Tongue and groove, closed cell neoprene seal design for NEMA Type 4X rating



- Eight Sizes ranging from 6x6x4 through 20x16x10
- UL® listed and CSA certified
- Allied Moulded ULTRAGUARD® fiberglass reinforced polyester material formulation
- Compliant with RoHS directive (Restriction of Hazardous Substances)

- Molded hinge and latch keeper designs eliminate wall penetrations





AMU Series JIC Size Junction Boxes: Lift-Off Screw Cover - Solid/Opaque

APPLICATION

- Designed to insulate and protect controls and components in both indoor and outdoor applications often found in oil refineries, waste water treatment equipment, and chemical plants
- Especially well suited for high temperature or corrosive environments
- Protects from dirt, dust, oil, and water
- For use with industrial control equipment in ordinary locations

STANDARDS

- UL 50 and UL 50E Types 1, 2, 3, 3R, 4, 4X, 6P, 12 and 13
- CSA C22.2 No. 94 Types 1, 2, 3, 3R, 4, 4X, 6P, 12 and 13
- Complies with
 - NEMA Types 1, 2, 3, 3R, 4, 4X, 6P, 12 and 13
 - IEC 60529 Type IP68 submersible up to 24 hours at a depth of 6 feet (1.8 meters)
 - RoHS directive
- For additional physical properties per industry test standards, please refer to the chart on page 140

CONSTRUCTION

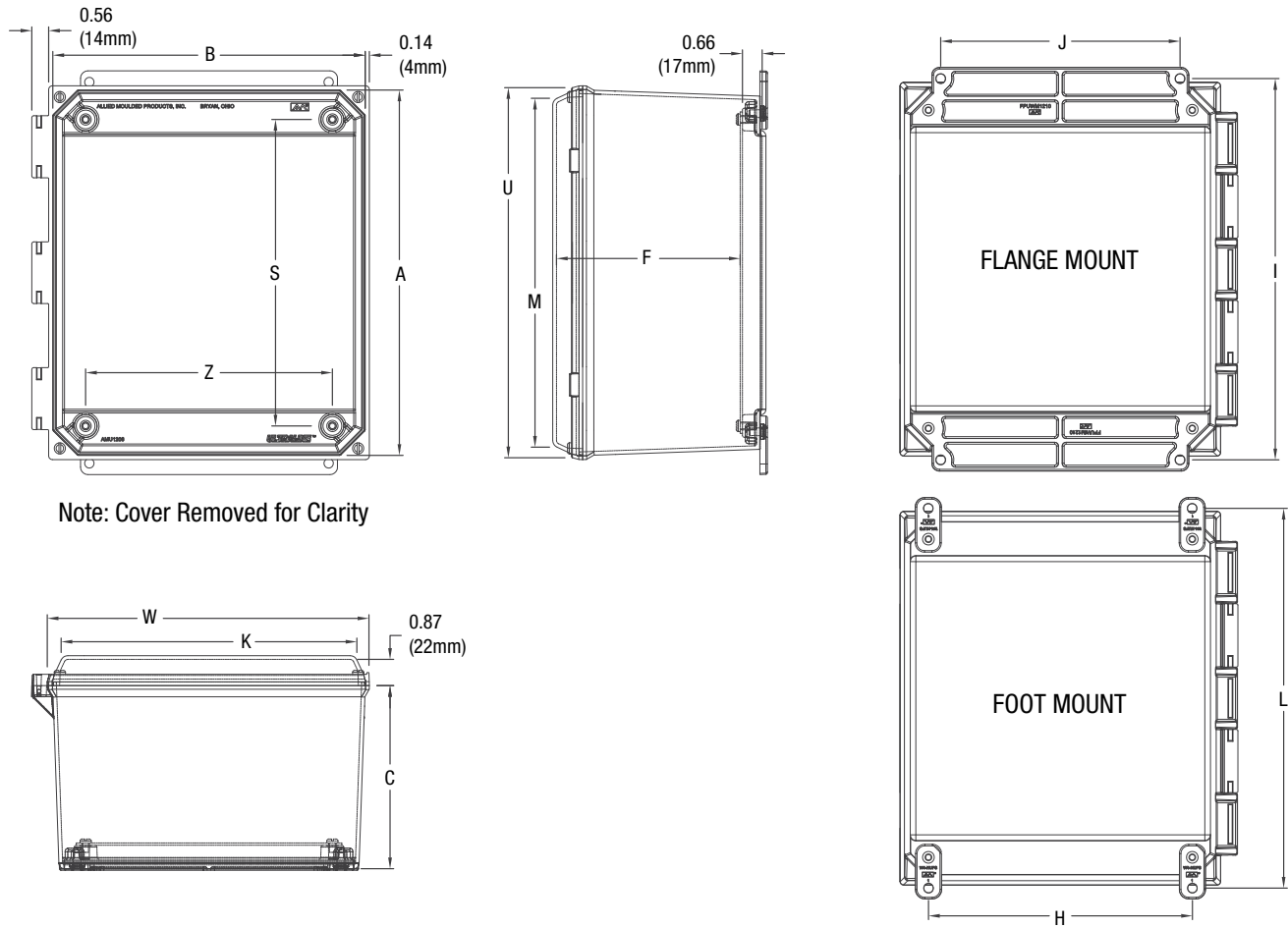
- Compression molded fiberglass reinforced polyester construction with flush, solid/opaque cover
- Allied Moulded ULTRAGUARD® fiberglass reinforced polyester material formulation - UV stabilized for outdoor use
- Light gray color (RAL 7035)
- 300 series stainless steel captive cover screws
- Gasket made of closed cell neoprene cord encased in a continuous tongue and groove channel
- Polycarbonate flanges (installed) and mounting feet (bagged) with four 300 series stainless steel screws
- #10-32 threaded brass inserts are installed for back panel mounting

ACCESSORIES

- Optional back panels and hinged front panels
- Optional thermal management products

MODIFICATIONS

- Custom holes and cutouts
- Custom size polycarbonate viewing windows
- Molded-in color matches
- EMI/RFI shielding
- Factory-supplied silk screening



Note: Cover Removed for Clarity

| Part No. | Box Size | | | Usable Depth F | Panel Boss Centers | | Panel Sizes | | Flange Mount Centers | | Foot Mount Centers | | Cover Size | | | | Nom. Wall Thickness |
|-------------|----------|-------|-------|-------------------|--------------------|-------|-------------|-------|----------------------|--------------|--------------------|-------|------------|-------|-------|-------|---------------------|
| | A | B | C | | S | Z | Height | Width | J | I | H | L | K | M | W | U | |
| AMU664(F*) | 6.05 | 6.27 | 4.13 | 4.11 | 4.25 | 4.25 | 4.81 | 4.81 | 4.00 | 6.88, 6.75 | 4.91 | 6.75 | 5.89 | 5.67 | 6.72 | 6.50 | 0.13 |
| | 154mm | 159mm | 105mm | 104mm | 108mm | 108mm | 122mm | 122mm | 102mm | 175, 171mm | 125mm | 171mm | 150mm | 144mm | 171mm | 165mm | 3mm |
| AMU864(F*) | 8.05 | 6.27 | 4.13 | 4.11 | 6.25 | 4.25 | 6.75 | 4.88 | 4.00 | 8.88, 8.75 | 4.91 | 8.75 | 5.89 | 7.67 | 6.72 | 8.50 | 0.13 |
| | 204mm | 159mm | 105mm | 104mm | 154mm | 108mm | 122mm | 122mm | 102mm | 175, 171mm | 125mm | 171mm | 150mm | 144mm | 171mm | 165mm | 3mm |
| AMU1084(F*) | 10.05 | 8.27 | 4.13 | 4.11 | 8.25 | 6.25 | 8.75 | 6.88 | 6.00 | 10.75 | 6.391 | 10.75 | 7.89 | 9.67 | 8.72 | 10.50 | 0.13 |
| | 255mm | 210mm | 105mm | 104mm | 210mm | 159mm | 222mm | 175mm | 152mm | 273mm | 176mm | 273mm | 200mm | 246mm | 221mm | 267mm | 3mm |
| AMU1206(F*) | 12.05 | 10.27 | 6.13 | 6.11 | 10.25 | 8.25 | 10.75 | 8.88 | 8.00 | 12.75 | 8.82 | 12.70 | 9.89 | 11.67 | 10.72 | 12.50 | 0.13 |
| | 306mm | 261mm | 156mm | 155mm | 260mm | 210mm | 273mm | 226mm | 203mm | 324mm | 224mm | 323mm | 251mm | 296mm | 272mm | 318mm | 3mm |
| AMU1426(F*) | 14.05 | 12.27 | 6.13 | 6.11 | 12.25 | 10.25 | 12.75 | 10.88 | 10.00 | 14.75, 14.62 | 10.82 | 14.70 | 11.89 | 13.67 | 12.72 | 14.50 | 0.13 |
| | 357mm | 312mm | 156mm | 155mm | 311mm | 260mm | 324mm | 276mm | 254mm | 375, 371mm | 275mm | 373mm | 302mm | 347mm | 323mm | 368mm | 3mm |
| AMU1648(F*) | 16.05 | 14.27 | 8.13 | 8.11 | 14.25 | 12.25 | 14.75 | 12.88 | 12.00 | 16.75 | 11.47 | 16.91 | 13.89 | 15.67 | 14.72 | 16.50 | 0.14 |
| | 408mm | 362mm | 207mm | 206mm | 362mm | 311mm | 375mm | 327mm | 305mm | 425mm | 291mm | 430mm | 353mm | 398mm | 374mm | 419mm | 4mm |
| AMU1860(F*) | 18.12 | 16.34 | 10.13 | 10.10 | 16.25 | 14.25 | 16.88 | 14.88 | 12.00 | 18.88, 18.76 | 13.72 | 19.16 | 16.14 | 17.92 | 16.97 | 18.75 | 0.19 |
| | 460mm | 415mm | 257mm | 257mm | 413mm | 362mm | 429mm | 378mm | 305mm | 480, 477mm | 348mm | 487mm | 410mm | 455mm | 431mm | 476mm | 5mm |
| AMU2060(F*) | 19.87 | 16.09 | 10.13 | 10.10 | 17.81 | 13.81 | 18.44 | 14.44 | 10.00 | 21.25 | 13.16 | 20.53 | 15.89 | 19.67 | 16.72 | 20.50 | 0.19 |
| | 505mm | 409mm | 257mm | 257mm | 452mm | 351mm | 468mm | 367mm | 254mm | 540mm | 334mm | 521mm | 404mm | 500mm | 425mm | 521mm | 5mm |

ULTRALINE

*Enclosure base part numbers come standard with 4 separately bagged feet (ex. AMU664)

Add "F" to the part number for factory installed flanges (ex. AMU664F)

"I" dimensions with multiple numbers indicate slotted holes

All dimensions are in inches unless otherwise noted

All sizes 6" x 6" x 4" up through 20" x 16" x 10" are rated 6P (IP68)





AMU Series JIC Size Junction Boxes: Lift-Off Screw Cover with Window

APPLICATION

- Designed to insulate and protect controls and components in both indoor and outdoor applications often found in oil refineries, waste water treatment equipment, and chemical plants
- Especially well suited for high temperature or corrosive environments
- Protects from dirt, dust, oil, and water
- For use with industrial control equipment in ordinary locations
- Clear/polycarbonate, viewing window used in applications where critical electronic equipment must be visible and protected from the elements

STANDARDS

- UL 50 and UL 50E Types 1, 2, 3, 3R, 4, 4X, 12 and 13
- CSA C22.2 No. 94 Types 1, 2, 3, 3R, 4, 4X, 12 and 13
- Complies with
 - NEMA Types 1, 2, 3, 3R, 4, 4X, 12 and 13
 - IEC 60529 Type IP66
 - RoHS directive
- For additional physical properties per industry test standards, please refer to the chart on page 140

CONSTRUCTION

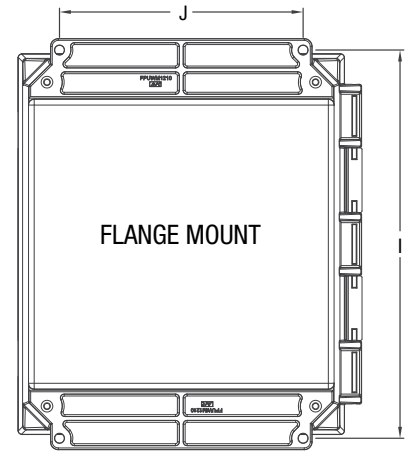
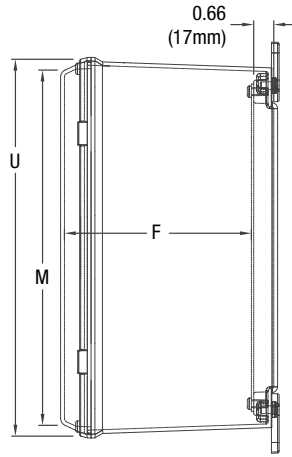
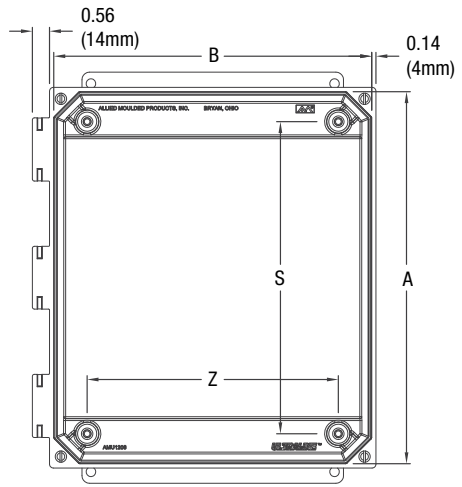
- Compression molded fiberglass reinforced polyester construction with flush, viewing window cover
- Allied Moulded ULTRAGUARD® fiberglass reinforced polyester material formulation - UV stabilized for outdoor use
- Light gray color (RAL 7035)
- Clear, polycarbonate viewing window
- 300 series stainless steel captive cover screws
- Gasket made of closed cell neoprene cord encased in a continuous tongue and groove channel
- Polycarbonate flanges (installed) or mounting feet (bagged) with four 300 series stainless steel screws
- #10-32 threaded brass inserts are installed for back panel mounting

ACCESSORIES

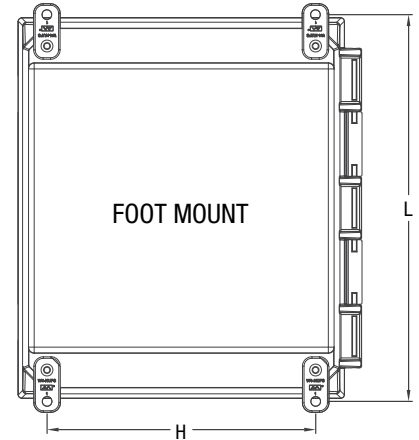
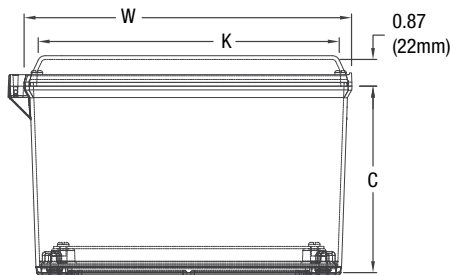
- Optional back panels and hinged front panels
- Optional thermal management products

MODIFICATIONS

- Custom holes and cutouts
- Molded-in color matches
- EMI/RFI shielding
- Factory-supplied silk screening



Note: Cover Removed for Clarity



| Part No. | Box Size | | | Usable Depth F | Panel Boss Centers | | Panel Sizes | | Flange Mount Centers | | Foot Mount Centers | | Cover Size | | | | Nom. Wall Thickness | Window Dim. (H x W) |
|--------------|----------|-------|-------|-------------------|--------------------|-------|-------------|-------|----------------------|--------------|--------------------|-------|------------|-------|-------|-------|---------------------|---------------------|
| | A | B | C | | S | Z | Height | Width | J | I | H | L | K | M | W | U | | |
| AMU664W(F*) | 6.05 | 6.27 | 4.13 | 4.11 | 4.25 | 4.25 | 4.81 | 4.81 | 4.00 | 6.88, 6.75 | 4.91 | 6.75 | 5.89 | 5.67 | 6.72 | 6.50 | 0.13 | 3.50 x 3.50 |
| | 154mm | 159mm | 105mm | 104mm | 108mm | 108mm | 122mm | 122mm | 102mm | 175, 171mm | 125mm | 171mm | 150mm | 144mm | 171mm | 165mm | 3mm | 90mm x 90mm |
| AMU864W(F*) | 8.05 | 6.27 | 4.13 | 4.11 | 6.25 | 4.25 | 6.75 | 4.88 | 4.00 | 8.88, 8.75 | 4.91 | 8.75 | 5.89 | 7.67 | 6.72 | 8.50 | 0.13 | 5.25 x 4.00 |
| | 204mm | 159mm | 105mm | 104mm | 154mm | 108mm | 122mm | 122mm | 102mm | 175, 171mm | 125mm | 171mm | 150mm | 144mm | 171mm | 165mm | 3mm | 133mm x 102mm |
| AMU1084W(F*) | 10.05 | 8.27 | 4.13 | 4.11 | 8.25 | 6.25 | 8.75 | 6.88 | 6.00 | 10.75 | 6.391 | 10.75 | 7.89 | 9.67 | 8.72 | 10.50 | 0.13 | 6.25 x 4.25 |
| | 255mm | 210mm | 105mm | 104mm | 210mm | 159mm | 222mm | 175mm | 152mm | 273mm | 176mm | 273mm | 200mm | 246mm | 221mm | 267mm | 3mm | 159mm x 108mm |
| AMU1206W(F*) | 12.05 | 10.27 | 6.13 | 6.11 | 10.25 | 8.25 | 10.75 | 8.88 | 8.00 | 12.75 | 8.82 | 12.70 | 9.89 | 11.67 | 10.72 | 12.50 | 0.13 | 8.38 x 6.50 |
| | 306mm | 261mm | 156mm | 155mm | 260mm | 210mm | 273mm | 226mm | 203mm | 324mm | 224mm | 323mm | 251mm | 296mm | 272mm | 318mm | 3mm | 213mm x 165mm |
| AMU1426W(F*) | 14.05 | 12.27 | 6.13 | 6.11 | 12.25 | 10.25 | 12.75 | 10.88 | 10.00 | 14.75, 14.62 | 10.82 | 14.70 | 11.89 | 13.67 | 12.72 | 14.50 | 0.13 | 10.38 x 8.50 |
| | 357mm | 312mm | 156mm | 155mm | 311mm | 260mm | 324mm | 276mm | 254mm | 375, 371mm | 275mm | 373mm | 302mm | 347mm | 323mm | 368mm | 3mm | 264mm x 216mm |
| AMU1648W(F*) | 16.05 | 14.27 | 8.13 | 8.11 | 14.25 | 12.25 | 14.75 | 12.88 | 12.00 | 16.75 | 11.47 | 16.91 | 13.89 | 15.67 | 14.72 | 16.50 | 0.14 | 12.38 x 10.50 |
| | 408mm | 362mm | 207mm | 206mm | 362mm | 311mm | 375mm | 327mm | 305mm | 425mm | 291mm | 430mm | 353mm | 398mm | 374mm | 419mm | 4mm | 314mm x 279mm |
| AMU1860W(F*) | 18.12 | 16.34 | 10.13 | 10.10 | 16.25 | 14.25 | 16.88 | 14.88 | 12.00 | 18.88, 18.76 | 13.72 | 19.16 | 16.14 | 17.92 | 16.97 | 18.75 | 0.19 | 13.00 x 11.00 |
| | 460mm | 415mm | 257mm | 257mm | 413mm | 362mm | 429mm | 378mm | 305mm | 480, 477mm | 348mm | 487mm | 410mm | 455mm | 431mm | 476mm | 5mm | 330mm x 279mm |
| AMU2060W(F*) | 19.87 | 16.09 | 10.13 | 10.10 | 17.81 | 13.81 | 18.44 | 14.44 | 10.00 | 21.25 | 13.16 | 20.53 | 15.89 | 19.67 | 16.72 | 20.50 | 0.19 | 14.00 x 12.00 |
| | 505mm | 409mm | 257mm | 257mm | 452mm | 351mm | 468mm | 367mm | 254mm | 540mm | 334mm | 521mm | 404mm | 500mm | 425mm | 521mm | 5mm | 356mm x 305mm |

*Enclosure base part numbers come standard with 4 separately bagged feet (ex. AMU664W)

Add "F" to the part number for factory installed flanges (ex. AMU664WF)

"I" dimensions with multiple numbers indicate slotted holes

All dimensions are in inches unless otherwise noted



ULTRALINE



AMU Series JIC Size Junction Boxes: Lift-Off Screw Cover - Clear Polycarbonate

APPLICATION

- Designed to insulate and protect controls and components in both indoor and outdoor applications often found in oil refineries, waste water treatment equipment, and chemical plants
- Especially well suited for high temperature or corrosive environments
- Protects from dirt, dust, oil, and water
- For use with industrial control equipment in ordinary locations
- Clear/polycarbonate, instrumentation cover used in applications where critical electronic equipment must be visible and protected from the elements

STANDARDS

- UL 50 and UL 50E Types 1, 2, 3, 3R, 4, 4X, 6P, 12 and 13
- CSA C22.2 No. 94 Types 1, 2, 3, 3R, 4, 4X, 6P, 12 and 13
- Complies with
 - NEMA Types 1, 2, 3, 3R, 4, 4X, 6P, 12 and 13
 - IEC 60529 Type IP68 submersible up to 24 hours at a depth of 6 feet (1.8 meters)
 - RoHS directive
- For additional physical properties per industry test standards, please refer to the chart on page 140

CONSTRUCTION

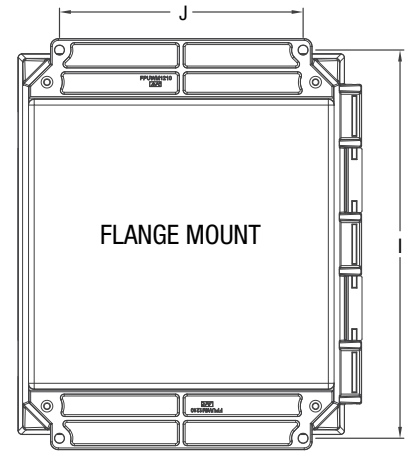
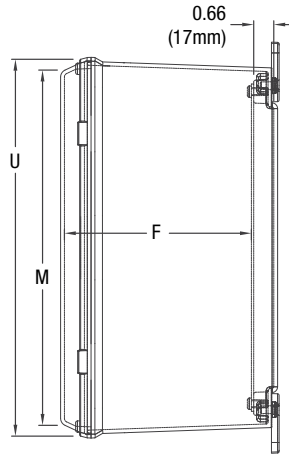
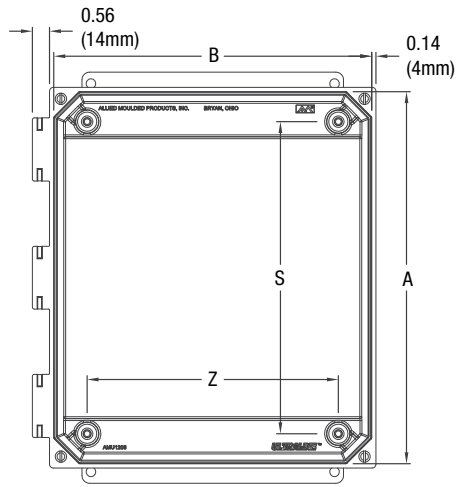
- Compression molded fiberglass reinforced polyester construction with flush, clear polycarbonate cover
- Allied Moulded ULTRAGUARD® fiberglass reinforced polyester material formulation - UV stabilized for outdoor use
- Light gray color (RAL 7035)
- Clear, polycarbonate instrumentation cover
- 300 series stainless steel captive cover screws
- Gasket made of closed cell neoprene cord encased in a continuous tongue and groove channel
- Polycarbonate flanges (installed) or mounting feet (bagged) with four 300 series stainless steel screws
- #10-32 threaded brass inserts are installed for back panel mounting

ACCESSORIES

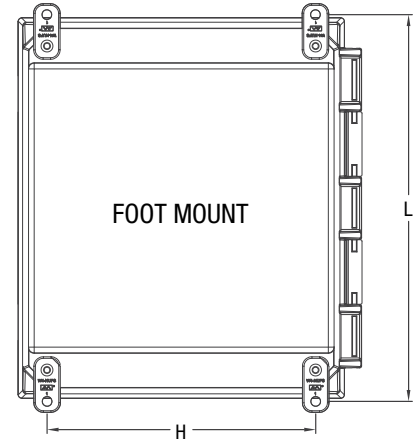
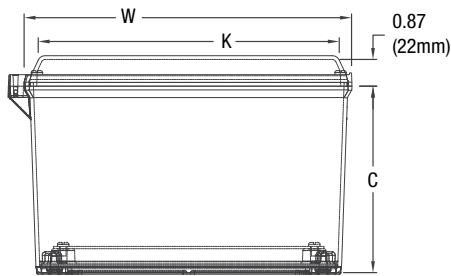
- Optional back panels and hinged front panels
- Optional thermal management products

MODIFICATIONS

- Custom holes and cutouts
- Molded-in color matches
- EMI/RFI shielding
- Factory-supplied silk screening



Note: Cover Removed for Clarity



| Part No. | Box Size | | | Usable Depth F | Panel Boss Centers | | Panel Sizes | | Flange Mount Centers | | Foot Mount Centers | | Cover Size | | | | Nom. Wall Thickness |
|----------------------|----------------|----------------|---------------|-------------------|--------------------|----------------|----------------|----------------|----------------------|----------------------------|--------------------|----------------|----------------|----------------|----------------|----------------|---------------------|
| | A | B | C | | S | Z | Height | Width | J | I | H | L | K | M | W | U | |
| AMU664CC(F*) | 6.05 154mm | 6.27 159mm | 4.13 105mm | 4.11 104mm | 4.25 108mm | 4.25 108mm | 4.81 122mm | 4.81 122mm | 4.00 102mm | 6.88, 6.75 175, 171mm | 4.91 125mm | 6.75 171mm | 5.89 150mm | 5.67 144mm | 6.72 171mm | 6.50 165mm | 0.13 3mm |
| AMU864CC(F*) | 8.05 204mm | 6.27 159mm | 4.13 105mm | 4.11 104mm | 6.25 159mm | 4.25 108mm | 6.75 171mm | 4.88 124mm | 4.00 102mm | 8.88, 8.75 226, 222mm | 4.91 125mm | 8.75 222mm | 5.89 150mm | 7.67 195mm | 6.72 171mm | 8.50 216mm | 0.13 3mm |
| AMU1084CC(F*) | 10.05 255mm | 8.27 210mm | 4.13 105mm | 4.11 104mm | 8.25 210mm | 6.25 159mm | 8.75 222mm | 6.88 175mm | 6.00 152mm | 10.75 273mm | 6.91 176mm | 10.75 273mm | 7.89 200mm | 9.67 246mm | 8.72 221mm | 10.50 267mm | 0.13 3mm |
| AMU1206CC(F*) | 12.05 306mm | 10.27 261mm | 6.13 156mm | 6.11 155mm | 10.25 260mm | 8.25 210mm | 10.75 273mm | 8.88 226mm | 8.00 203mm | 12.75 324mm | 8.82 224mm | 12.70 323mm | 9.89 251mm | 11.67 296mm | 10.72 272mm | 12.50 318mm | 0.13 3mm |
| AMU1426CC(F*) | 14.05 357mm | 12.27 312mm | 6.13 156mm | 6.11 155mm | 12.25 311mm | 10.25 260mm | 12.75 324mm | 10.88 276mm | 10.00 254mm | 14.75, 14.62 375, 371mm | 10.82 275mm | 14.70 373mm | 11.89 302mm | 13.67 347mm | 12.72 323mm | 14.50 368mm | 0.13 3mm |
| AMU1648CC(F*) | 16.05 408mm | 14.27 362mm | 8.13 207mm | 8.11 206mm | 14.25 362mm | 12.25 311mm | 14.75 375mm | 12.88 327mm | 12.00 305mm | 16.75 425mm | 11.47 291mm | 16.91 430mm | 13.89 353mm | 15.67 398mm | 14.72 374mm | 16.50 419mm | 0.14 4mm |

*Enclosure base part numbers come standard with 4 separately bagged feet (ex. AMU664CC)

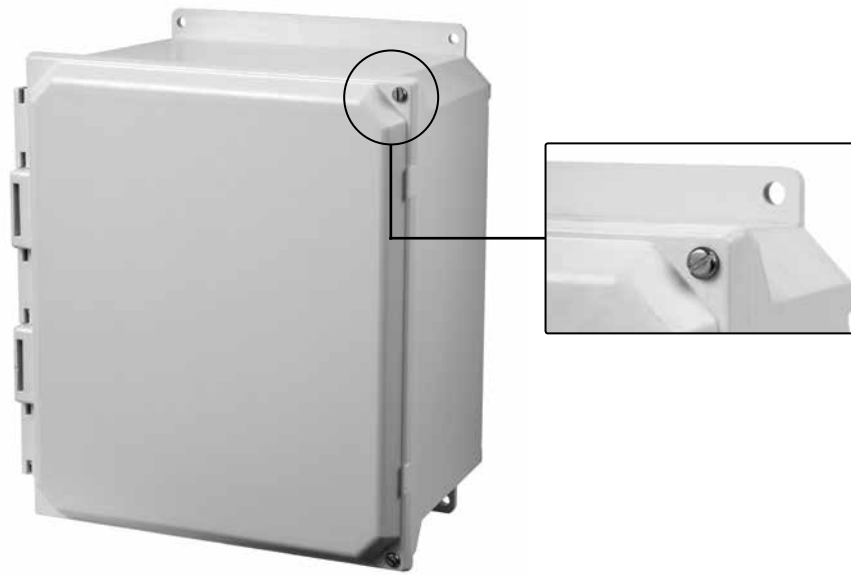
Add "F" to the part number for factory installed flanges (ex. AMU664CCF)

"I" dimensions with multiple numbers indicate slotted holes

All dimensions are in inches unless otherwise noted

All sizes 6" x 6" x 4" up through 16" x 14" x 8" are rated 6P (IP68)





AMU Series JIC Size Junction Boxes: Hinged Screw Cover - Solid/Opaque

APPLICATION

- Designed to insulate and protect controls and components in both indoor and outdoor applications often found in oil refineries, waste water treatment equipment, and chemical plants
- Especially well suited for high temperature or corrosive environments
- Protects from dirt, dust, oil, and water
- For use with industrial control equipment in ordinary locations

STANDARDS

- UL 50 and UL 50E Types 1, 2, 3, 3R, 4, 4X, 12 and 13
- CSA C22.2 No. 94 Types 1, 2, 3, 3R, 4, 4X, 12 and 13
- Complies with
 - NEMA Types 1, 2, 3, 3R, 4, 4X, 12 and 13
 - IEC 60529 Type IP66
 - RoHS directive
- For additional physical properties per industry test standards, please refer to the chart on page 140

CONSTRUCTION

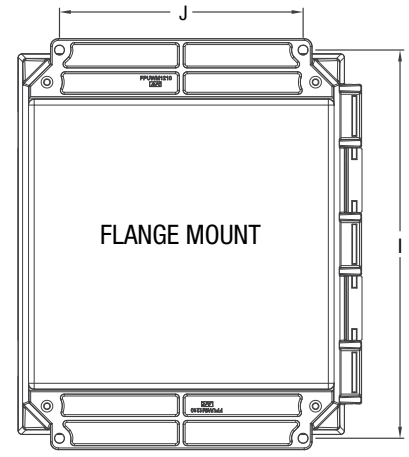
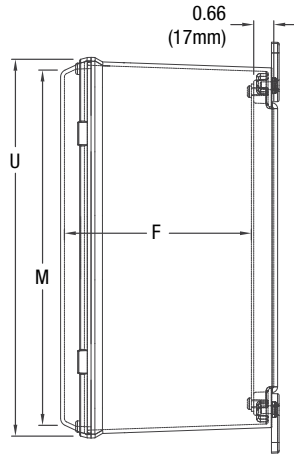
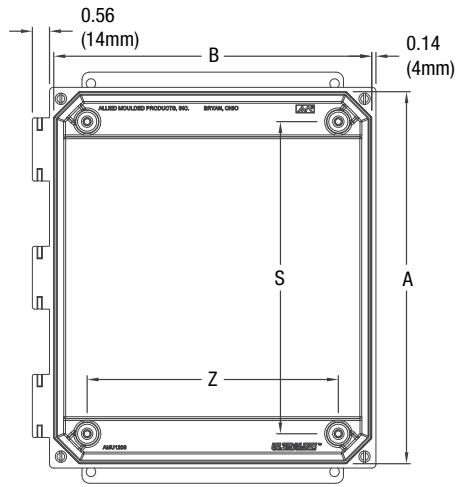
- Compression molded fiberglass reinforced polyester construction with flush, solid/opaque cover
- Allied Moulded ULTRAGUARD® fiberglass reinforced polyester material formulation - UV stabilized for outdoor use
- Light gray color (RAL 7035)
- 300 series stainless steel captive cover screws, and hinge pin
- Partially molded hinge
- Gasket made of closed cell neoprene cord encased in a continuous tongue and groove channel
- Polycarbonate flanges (installed) or mounting feet (bagged) with four 300 series stainless steel screws
- #10-32 threaded brass inserts are installed for back panel mounting

ACCESSORIES

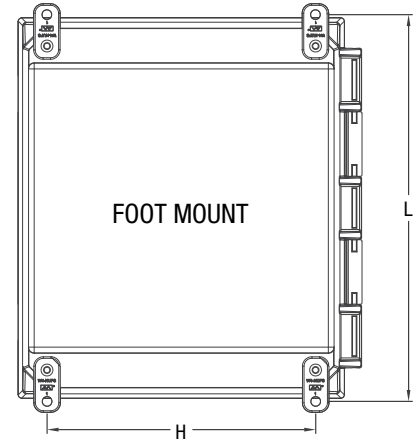
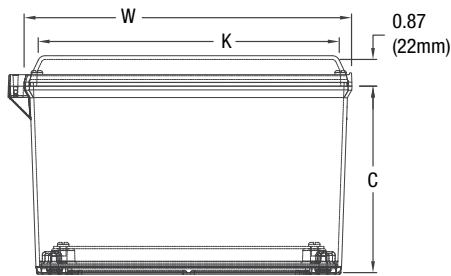
- Optional back panels and hinged front panels
- Optional thermal management products

MODIFICATIONS

- Custom holes and cutouts
- Custom size polycarbonate viewing windows
- Molded-in color matches
- EMI/RFI shielding
- Factory-supplied silk screening



Note: Cover Removed for Clarity



| Part No. | Box Size | | | Usable Depth | Panel Boss Centers | | Panel Sizes | | Flange Mount Centers | | Foot Mount Centers | | Cover Size | | | | Nom. Wall Thickness |
|-------------|----------|-------|-------|--------------|--------------------|-------|-------------|--------|----------------------|--------------|--------------------|-------|------------|-------|-------|-------|---------------------|
| | A | B | C | | F | S | Z | Height | Width | J | I | H | L | K | M | W | |
| AMU664H(F) | 6.05 | 6.27 | 4.13 | 4.11 | 4.25 | 4.25 | 4.81 | 4.81 | 4.00 | 6.88, 6.75 | 4.91 | 6.75 | 5.89 | 5.67 | 6.72 | 6.50 | 0.13 |
| | 154mm | 159mm | 105mm | 104mm | 108mm | 108mm | 122mm | 122mm | 102mm | 175, 171mm | 125mm | 171mm | 150mm | 144mm | 171mm | 165mm | 3mm |
| AMU864H(F) | 8.05 | 6.27 | 4.13 | 4.11 | 6.25 | 4.25 | 6.75 | 4.88 | 4.00 | 8.88, 8.75 | 4.91 | 8.75 | 5.89 | 7.67 | 6.72 | 8.50 | 0.13 |
| | 204mm | 159mm | 105mm | 104mm | 154mm | 108mm | 122mm | 122mm | 102mm | 175, 171mm | 125mm | 171mm | 150mm | 144mm | 171mm | 165mm | 3mm |
| AMU1084H(F) | 10.05 | 8.27 | 4.13 | 4.11 | 8.25 | 6.25 | 8.75 | 6.88 | 6.00 | 10.75 | 6.391 | 10.75 | 7.89 | 9.67 | 8.72 | 10.50 | 0.13 |
| | 255mm | 210mm | 105mm | 104mm | 210mm | 159mm | 222mm | 175mm | 152mm | 273mm | 176mm | 273mm | 200mm | 246mm | 221mm | 267mm | 3mm |
| AMU1206H(F) | 12.05 | 10.27 | 6.13 | 6.11 | 10.25 | 8.25 | 10.75 | 8.88 | 8.00 | 12.75 | 8.82 | 12.70 | 9.89 | 11.67 | 10.72 | 12.50 | 0.13 |
| | 306mm | 261mm | 156mm | 155mm | 260mm | 210mm | 273mm | 226mm | 203mm | 324mm | 224mm | 323mm | 251mm | 296mm | 272mm | 318mm | 3mm |
| AMU1426H(F) | 14.05 | 12.27 | 6.13 | 6.11 | 12.25 | 10.25 | 12.75 | 10.88 | 10.00 | 14.75, 14.62 | 10.82 | 14.70 | 11.89 | 13.67 | 12.72 | 14.50 | 0.13 |
| | 357mm | 312mm | 156mm | 155mm | 311mm | 260mm | 324mm | 276mm | 254mm | 375, 371mm | 275mm | 373mm | 302mm | 347mm | 323mm | 368mm | 3mm |
| AMU1648H(F) | 16.05 | 14.27 | 8.13 | 8.11 | 14.25 | 12.25 | 14.75 | 12.88 | 12.00 | 16.75 | 11.47 | 16.91 | 13.89 | 15.67 | 14.72 | 16.50 | 0.14 |
| | 408mm | 362mm | 207mm | 206mm | 362mm | 311mm | 375mm | 327mm | 305mm | 425mm | 291mm | 430mm | 353mm | 398mm | 374mm | 419mm | 4mm |
| AMU1860H(F) | 18.12 | 16.34 | 10.13 | 10.10 | 16.25 | 14.25 | 16.88 | 14.88 | 12.00 | 18.88, 18.76 | 13.72 | 19.16 | 16.14 | 17.92 | 16.97 | 18.75 | 0.19 |
| | 460mm | 415mm | 257mm | 257mm | 413mm | 362mm | 429mm | 378mm | 305mm | 480, 477mm | 348mm | 487mm | 410mm | 455mm | 431mm | 476mm | 5mm |
| AMU2060H(F) | 19.87 | 16.09 | 10.13 | 10.10 | 17.81 | 13.81 | 18.44 | 14.44 | 10.00 | 21.25 | 13.16 | 20.53 | 15.89 | 19.67 | 16.72 | 20.50 | 0.19 |
| | 505mm | 409mm | 257mm | 257mm | 452mm | 351mm | 468mm | 367mm | 254mm | 540mm | 334mm | 521mm | 404mm | 500mm | 425mm | 521mm | 5mm |

*Enclosure base part numbers come standard with 4 separately bagged feet (ex. AMU664H)

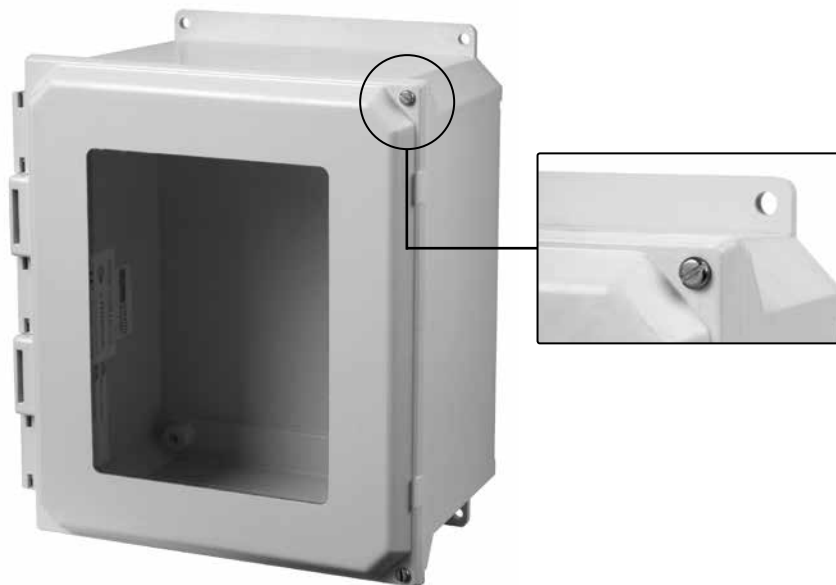
Add "F" to the part number for factory installed flanges (ex. AMU664HF)

"I" dimensions with multiple numbers indicate slotted holes

All dimensions are in inches unless otherwise noted



ULTRALINE



AMU Series JIC Size Junction Boxes: Hinged Screw Cover with Window

APPLICATION

- Designed to insulate and protect controls and components in both indoor and outdoor applications often found in oil refineries, waste water treatment equipment, and chemical plants
- Especially well suited for high temperature or corrosive environments
- Protects from dirt, dust, oil, and water
- For use with industrial control equipment in ordinary locations
- Clear/polycarbonate, viewing window used in applications where critical electronic equipment must be visible and protected from the elements

STANDARDS

- UL 50 and UL 50E Types 1, 2, 3, 3R, 4, 4X, 12 and 13
- CSA C22.2 No. 94 Types 1, 2, 3, 3R, 4, 4X, 12 and 13
- Complies with
 - NEMA Types 1, 2, 3, 3R, 4, 4X, 12 and 13
 - IEC 60529 Type IP66
 - RoHS directive
- For additional physical properties per industry test standards, please refer to the chart on page 140

CONSTRUCTION

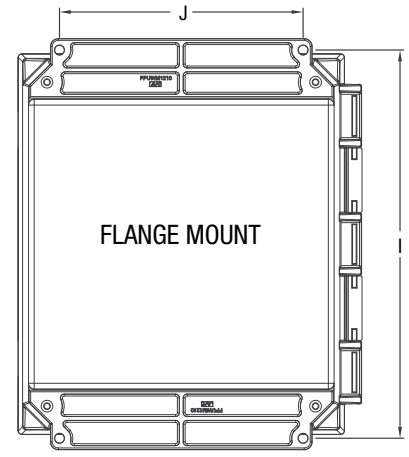
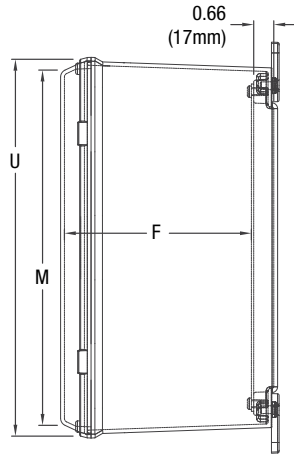
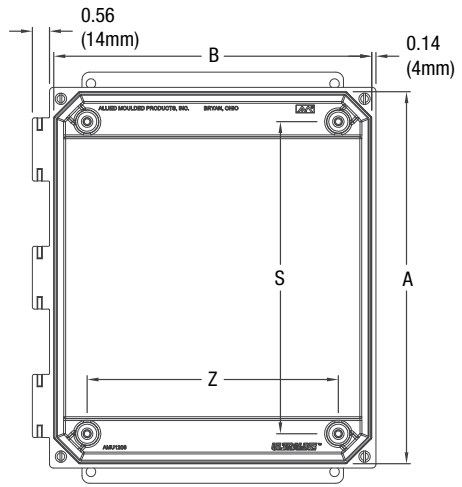
- Compression molded fiberglass reinforced polyester construction with flush, viewing window cover
- Allied Moulded ULTRAGUARD® fiberglass reinforced polyester material formulation - UV stabilized for outdoor use
- Light gray color (RAL 7035)
- Clear, polycarbonate viewing window cover
- 300 series stainless steel captive cover screws and hinge pin
- Partially molded hinge
- Gasket made of closed cell neoprene cord encased in a continuous tongue and groove channel
- Polycarbonate flanges (installed) or mounting feet (bagged) with four 300 series stainless steel screws
- #10-32 threaded brass inserts are installed for back panel mounting

ACCESSORIES

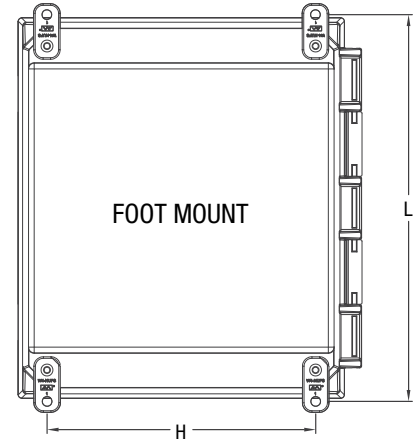
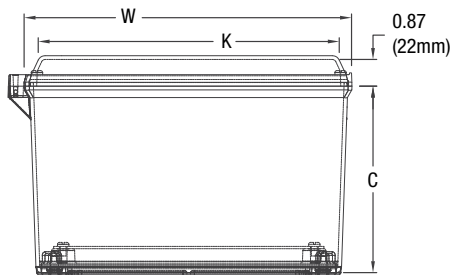
- Optional back panels and hinged front panels
- Optional thermal management products

MODIFICATIONS

- Custom holes and cutouts
- Molded-in color matches
- EMI/RFI shielding
- Factory-supplied silk screening



Note: Cover Removed for Clarity



| Part No. | Box Size | | | Usable Depth | Panel Boss Centers | | Panel Sizes | | Flange Mount Centers | | Foot Mount Centers | | Cover Size | | | | Nom. Wall Thickness | Window Dim. (H x W) |
|--------------|----------|-------|-------|--------------|--------------------|-------|-------------|--------|----------------------|--------------|--------------------|-------|------------|-------|-------|-------|---------------------|---------------------|
| | A | B | C | | F | S | Z | Height | Width | J | I | H | L | K | M | W | | |
| AMU664HW(F) | 6.05 | 6.27 | 4.13 | 4.11 | 4.25 | 4.25 | 4.81 | 4.81 | 4.00 | 6.88, 6.75 | 4.91 | 6.75 | 5.89 | 5.67 | 6.72 | 6.50 | 0.13 | 3.50 x 3.50 |
| | 154mm | 159mm | 105mm | 104mm | 108mm | 108mm | 122mm | 122mm | 102mm | 175, 171mm | 125mm | 171mm | 150mm | 144mm | 171mm | 165mm | 3mm | 90mm x 90mm |
| AMU864HW(F) | 8.05 | 6.27 | 4.13 | 4.11 | 6.25 | 4.25 | 6.75 | 4.88 | 4.00 | 8.88, 8.75 | 4.91 | 8.75 | 5.89 | 7.67 | 6.72 | 8.50 | 0.13 | 5.25 x 4.00 |
| | 204mm | 159mm | 105mm | 104mm | 154mm | 108mm | 122mm | 122mm | 102mm | 175, 171mm | 125mm | 171mm | 150mm | 144mm | 171mm | 165mm | 3mm | 133mm x 102mm |
| AMU1084HW(F) | 10.05 | 8.27 | 4.13 | 4.11 | 8.25 | 6.25 | 8.75 | 6.88 | 6.00 | 10.75 | 6.391 | 10.75 | 7.89 | 9.67 | 8.72 | 10.50 | 0.13 | 6.25 x 4.25 |
| | 255mm | 210mm | 105mm | 104mm | 210mm | 159mm | 222mm | 175mm | 152mm | 273mm | 176mm | 273mm | 200mm | 246mm | 221mm | 267mm | 3mm | 159mm x 108mm |
| AMU1206HW(F) | 12.05 | 10.27 | 6.13 | 6.11 | 10.25 | 8.25 | 10.75 | 8.88 | 8.00 | 12.75 | 8.82 | 12.70 | 9.89 | 11.67 | 10.72 | 12.50 | 0.13 | 8.38 x 6.50 |
| | 306mm | 261mm | 156mm | 155mm | 260mm | 210mm | 273mm | 226mm | 203mm | 324mm | 224mm | 323mm | 251mm | 296mm | 272mm | 318mm | 3mm | 213mm x 165mm |
| AMU1426HW(F) | 14.05 | 12.27 | 6.13 | 6.11 | 12.25 | 10.25 | 12.75 | 10.88 | 10.00 | 14.75, 14.62 | 10.82 | 14.70 | 11.89 | 13.67 | 12.72 | 14.50 | 0.13 | 10.38 x 8.50 |
| | 357mm | 312mm | 156mm | 155mm | 311mm | 260mm | 324mm | 276mm | 254mm | 375, 371mm | 275mm | 373mm | 302mm | 347mm | 323mm | 368mm | 3mm | 264mm x 216mm |
| AMU1648HW(F) | 16.05 | 14.27 | 8.13 | 8.11 | 14.25 | 12.25 | 14.75 | 12.88 | 12.00 | 16.75 | 11.47 | 16.91 | 13.89 | 15.67 | 14.72 | 16.50 | 0.14 | 12.38 x 10.50 |
| | 408mm | 362mm | 207mm | 206mm | 362mm | 311mm | 375mm | 327mm | 305mm | 425mm | 291mm | 430mm | 353mm | 398mm | 374mm | 419mm | 4mm | 314mm x 279mm |
| AMU1860HW(F) | 18.12 | 16.34 | 10.13 | 10.10 | 16.25 | 14.25 | 16.88 | 14.88 | 12.00 | 18.88, 18.76 | 13.72 | 19.16 | 16.14 | 17.92 | 16.97 | 18.75 | 0.19 | 13.00 x 11.00 |
| | 460mm | 415mm | 257mm | 257mm | 413mm | 362mm | 429mm | 378mm | 305mm | 480, 477mm | 348mm | 487mm | 410mm | 455mm | 431mm | 476mm | 5mm | 330mm x 279mm |
| AMU2060HW(F) | 19.87 | 16.09 | 10.13 | 10.10 | 17.81 | 13.81 | 18.44 | 14.44 | 10.00 | 21.25 | 13.16 | 20.53 | 15.89 | 19.67 | 16.72 | 20.50 | 0.19 | 14.00 x 12.00 |
| | 505mm | 409mm | 257mm | 257mm | 452mm | 351mm | 468mm | 367mm | 254mm | 540mm | 334mm | 521mm | 404mm | 500mm | 425mm | 521mm | 5mm | 356mm x 305mm |

*Enclosure base part numbers come standard with 4 separately bagged feet (ex. AMU664HW)

Add "F" to the part number for factory installed flanges (ex. AMU664HWF)

"I" dimensions with multiple numbers indicate slotted holes

All dimensions are in inches unless otherwise noted





AMU Series JIC Size Junction Boxes: Hinged Screw Cover - Clear Polycarbonate

APPLICATION

- Designed to insulate and protect controls and components in both indoor and outdoor applications often found in oil refineries, waste water treatment equipment, and chemical plants
- Especially well suited for high temperature or corrosive environments
- Protects from dirt, dust, oil, and water
- For use with industrial control equipment in ordinary locations
- Clear/polycarbonate, instrumentation cover used in applications where critical electronic equipment must be visible and protected from the elements

STANDARDS

- UL 50 and UL 50E Types 1, 2, 3, 3R, 4, 4X, 12 and 13
- CSA C22.2 No. 94 Types 1, 2, 3, 3R, 4, 4X, 12 and 13
- Complies with
 - NEMA Types 1, 2, 3, 3R, 4, 4X, 12 and 13
 - IEC 60529 Type IP66
 - RoHS directive
- For additional physical properties per industry test standards, please refer to the chart on page 140

CONSTRUCTION

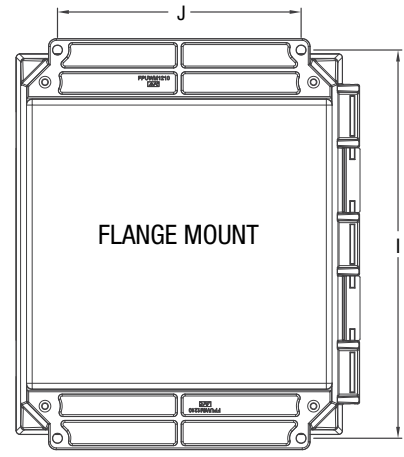
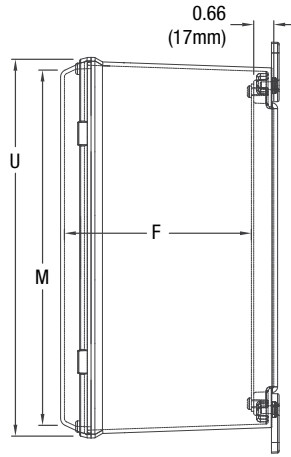
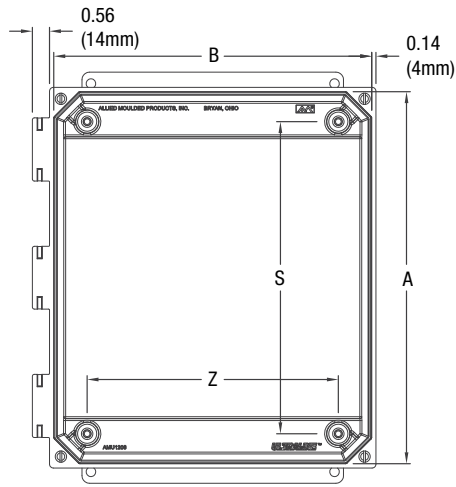
- Compression molded fiberglass reinforced polyester construction with flush, clear polycarbonate cover
- Allied Moulded ULTRAGUARD® fiberglass reinforced polyester material formulation - UV stabilized for outdoor use
- Light gray color (RAL 7035)
- Clear, polycarbonate instrumentation cover
- 300 series stainless steel captive cover screws and hinge pin
- Partially molded hinge
- Gasket made of closed cell neoprene cord encased in a continuous tongue and groove channel
- Polycarbonate flanges (installed) or mounting feet (bagged) with four 300 series stainless steel screws
- #10-32 threaded brass inserts are installed for back panel mounting

ACCESSORIES

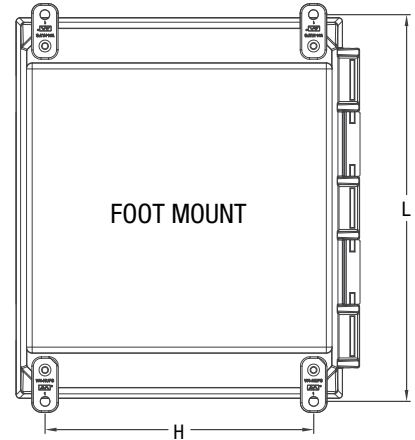
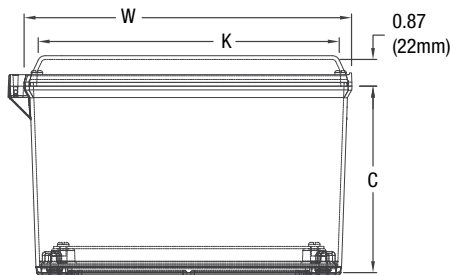
- Optional back panels and hinged front panels
- Optional thermal management products

MODIFICATIONS

- Custom holes and cutouts
- Molded-in color matches
- EMI/RFI shielding
- Factory-supplied silk screening



Note: Cover Removed for Clarity



| Part No. | Box Size | | | Usable Depth F | Panel Boss Centers | | Panel Sizes | | Flange Mount Centers | | Foot Mount Centers | | Cover Size | | | | Nom. Wall Thickness |
|----------------|----------------|----------------|---------------|-------------------|--------------------|----------------|----------------|----------------|----------------------|----------------------------|--------------------|----------------|----------------|----------------|----------------|----------------|---------------------|
| | A | B | C | | S | Z | Height | Width | J | I | H | L | K | M | W | U | |
| AMU664CCH(F*) | 6.05 154mm | 6.27 159mm | 4.13 105mm | 4.11 104mm | 4.25 108mm | 4.25 108mm | 4.81 122mm | 4.81 122mm | 4.00 102mm | 6.88, 6.75 175, 171mm | 4.91 125mm | 6.75 171mm | 5.89 150mm | 5.67 144mm | 6.72 171mm | 6.50 165mm | 0.13 3mm |
| AMU864CCH(F*) | 8.05 204mm | 6.27 159mm | 4.13 105mm | 4.11 104mm | 6.25 159mm | 4.25 108mm | 6.75 171mm | 4.88 124mm | 4.00 102mm | 8.88, 8.75 226, 222mm | 4.91 125mm | 8.75 222mm | 5.89 150mm | 7.67 195mm | 6.72 171mm | 8.50 216mm | 0.13 3mm |
| AMU1084CCH(F*) | 10.05 255mm | 8.27 210mm | 4.13 105mm | 4.11 104mm | 8.25 210mm | 6.25 159mm | 8.75 222mm | 6.88 175mm | 6.00 152mm | 10.75 273mm | 6.91 176mm | 10.75 273mm | 7.89 200mm | 9.67 246mm | 8.72 221mm | 10.50 267mm | 0.13 3mm |
| AMU1206CCH(F*) | 12.05 306mm | 10.27 261mm | 6.13 156mm | 6.11 155mm | 10.25 260mm | 8.25 210mm | 10.75 273mm | 8.88 226mm | 8.00 203mm | 12.75 324mm | 8.82 224mm | 12.70 323mm | 9.89 251mm | 11.67 296mm | 10.72 272mm | 12.50 318mm | 0.13 3mm |
| AMU1426CCH(F*) | 14.05 357mm | 12.27 312mm | 6.13 156mm | 6.11 155mm | 12.25 311mm | 10.25 260mm | 12.75 324mm | 10.88 276mm | 10.00 254mm | 14.75, 14.62 375, 371mm | 10.82 275mm | 14.70 373mm | 11.89 302mm | 13.67 347mm | 12.72 323mm | 14.50 368mm | 0.13 3mm |
| AMU1648CCH(F*) | 16.05 408mm | 14.27 362mm | 8.13 207mm | 8.11 206mm | 14.25 362mm | 12.25 311mm | 14.75 375mm | 12.88 327mm | 12.00 305mm | 16.75 425mm | 11.47 291mm | 16.91 430mm | 13.89 353mm | 15.67 398mm | 14.72 374mm | 16.50 419mm | 0.14 4mm |

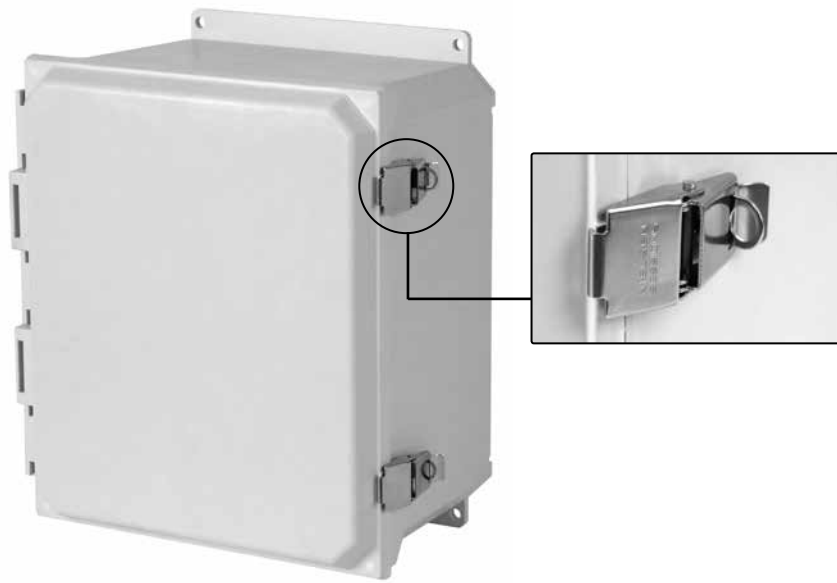
*Enclosure base part numbers come standard with 4 separately bagged feet (ex. AMU664CCH)

Add "F" to the part number for factory installed flanges (ex. AMU664CCHF)

"I" dimensions with multiple numbers indicate slotted holes

All dimensions are in inches unless otherwise noted





AMU Series JIC Size Junction Boxes: Metal Snap Latch Hinged Cover - Solid/Opaque

APPLICATION

- Designed to insulate and protect controls and components in both indoor and outdoor applications often found in oil refineries, waste water treatment equipment, and chemical plants
- Especially well suited for high temperature or corrosive environments
- Protects from dirt, dust, oil, and water
- For use with industrial control equipment in ordinary locations

STANDARDS

- UL 50 and UL 50E Types 1, 2, 3, 3R, 4, 4X, 12 and 13
- CSA C22.2 No. 94 Types 1, 2, 3, 3R, 4, 4X, 12 and 13
- Complies with
 - NEMA Types 1, 2, 3, 3R, 4, 4X, 12 and 13
 - IEC 60529 Type IP66
 - RoHS directive
- For additional physical properties per industry test standards, please refer to the chart on page 140

CONSTRUCTION

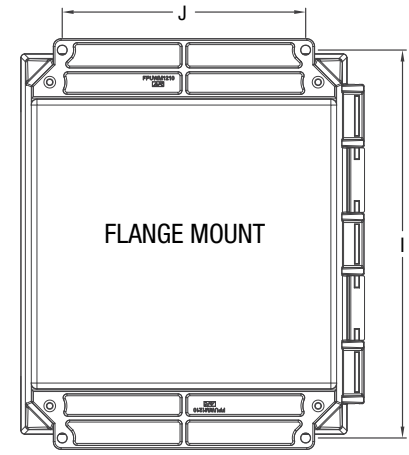
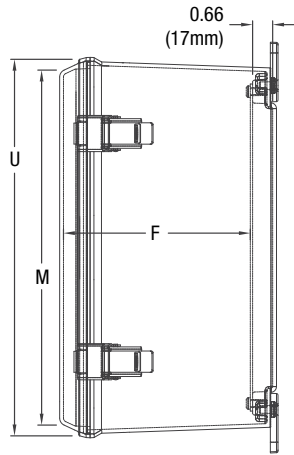
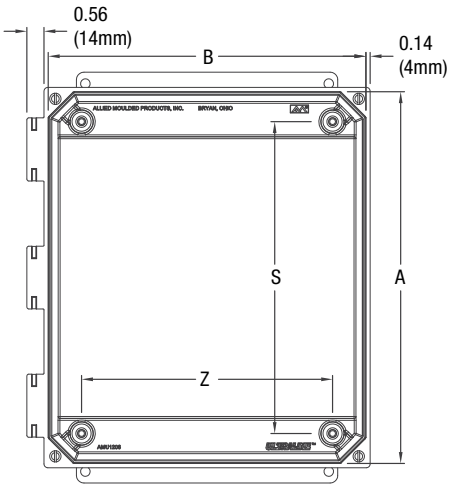
- Compression molded fiberglass reinforced polyester construction with flush, solid/opaque cover
- Allied Moulded ULTRAGUARD® fiberglass reinforced polyester material formulation - UV stabilized for outdoor use
- Light gray color (RAL 7035)
- 300 series stainless steel lockable latches, and hinge pin
- Partially molded hinge and molded latch keeper
- Gasket made of closed cell neoprene cord encased in a continuous tongue and groove channel
- Polycarbonate flanges (installed) or mounting feet (bagged) with four 300 series stainless steel screws
- #10-32 threaded brass inserts are installed for back panel mounting

ACCESSORIES

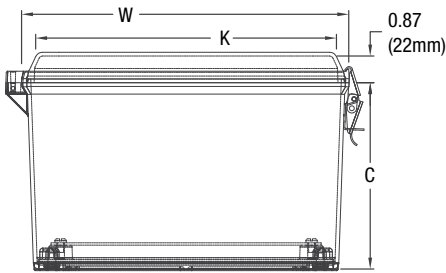
- Optional back panels and hinged front panels
- Optional thermal management products

MODIFICATIONS

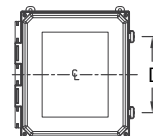
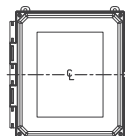
- Custom holes and cutouts
- Custom size polycarbonate viewing windows
- Molded-in color matches
- EMI/RFI shielding
- Factory-supplied silk screening



Note: Cover Removed for Clarity

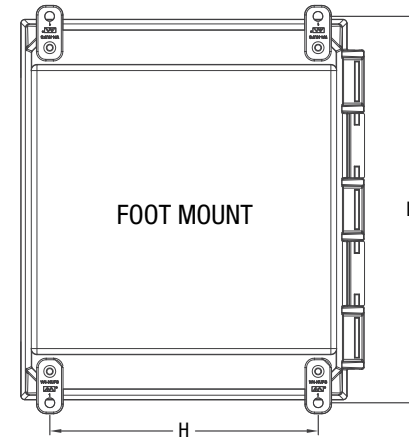


LATCH LOCATIONS



FOR USE ON
6x6x4
8x6x4
10x6x4

FOR USE ON
12x10x6 D=7.50 (191mm)
14x12x6 D=8.00 (203mm)
16x14x8 D=9.00 (229mm)
18x16x10 D=14.56 (370mm)
20x16x10 D=16.81 (427mm)



| Part No. | Box Size | | | Usable Depth | Panel Boss Centers | | | Panel Sizes | | Flange Mount Centers | | Foot Mount Centers | | Cover Size | | | | Nom. Wall Thickness |
|--------------|----------|-------|-------|--------------|--------------------|-------|-------|-------------|-------|----------------------|-------|--------------------|-------|------------|-------|-------|------|---------------------|
| | A | B | C | | F | S | Z | Height | Width | J | I | H | L | K | M | W | U | |
| AMU664L(F*) | 6.05 | 6.27 | 4.13 | 4.11 | 4.25 | 4.25 | 4.81 | 4.81 | 4.00 | 6.88, 6.75 | 4.91 | 6.75 | 5.89 | 5.67 | 6.72 | 6.50 | 0.13 | |
| | 154mm | 159mm | 105mm | 104mm | 108mm | 108mm | 122mm | 122mm | 102mm | 175, 171mm | 125mm | 171mm | 150mm | 144mm | 171mm | 165mm | 3mm | |
| AMU864L(F*) | 8.05 | 6.27 | 4.13 | 4.11 | 6.25 | 4.25 | 6.75 | 4.88 | 4.00 | 8.88, 8.75 | 4.91 | 8.75 | 5.89 | 7.67 | 6.72 | 8.50 | 0.13 | |
| | 204mm | 159mm | 105mm | 104mm | 154mm | 108mm | 122mm | 122mm | 102mm | 175, 171mm | 125mm | 171mm | 150mm | 144mm | 171mm | 165mm | 3mm | |
| AMU1084L(F*) | 10.05 | 8.27 | 4.13 | 4.11 | 8.25 | 6.25 | 8.75 | 6.88 | 6.00 | 10.75 | 6.391 | 10.75 | 7.89 | 9.67 | 8.72 | 10.50 | 0.13 | |
| | 255mm | 210mm | 105mm | 104mm | 210mm | 159mm | 222mm | 175mm | 152mm | 273mm | 176mm | 273mm | 200mm | 246mm | 221mm | 267mm | 3mm | |
| AMU1206L(F*) | 12.05 | 10.27 | 6.13 | 6.11 | 10.25 | 8.25 | 10.75 | 8.88 | 8.00 | 12.75 | 8.82 | 12.70 | 9.89 | 11.67 | 10.72 | 12.50 | 0.13 | |
| | 306mm | 261mm | 156mm | 155mm | 260mm | 210mm | 273mm | 226mm | 203mm | 324mm | 224mm | 323mm | 251mm | 296mm | 272mm | 318mm | 3mm | |
| AMU1426L(F*) | 14.05 | 12.27 | 6.13 | 6.11 | 12.25 | 10.25 | 12.75 | 10.88 | 10.00 | 14.75, 14.62 | 10.82 | 14.70 | 11.89 | 13.67 | 12.72 | 14.50 | 0.13 | |
| | 357mm | 312mm | 156mm | 155mm | 311mm | 260mm | 324mm | 276mm | 254mm | 375, 371mm | 275mm | 373mm | 302mm | 347mm | 323mm | 368mm | 3mm | |
| AMU1648L(F*) | 16.05 | 14.27 | 8.13 | 8.11 | 14.25 | 12.25 | 14.75 | 12.88 | 12.00 | 16.75 | 11.47 | 16.91 | 13.89 | 15.67 | 14.72 | 16.50 | 0.14 | |
| | 408mm | 362mm | 207mm | 206mm | 362mm | 311mm | 375mm | 327mm | 305mm | 425mm | 291mm | 430mm | 353mm | 398mm | 374mm | 419mm | 4mm | |
| AMU1860L(F*) | 18.12 | 16.34 | 10.13 | 10.10 | 16.25 | 14.25 | 16.88 | 14.88 | 12.00 | 18.88, 18.76 | 13.72 | 19.16 | 16.14 | 17.92 | 16.97 | 18.75 | 0.19 | |
| | 460mm | 415mm | 257mm | 257mm | 413mm | 362mm | 429mm | 378mm | 305mm | 480, 477mm | 348mm | 487mm | 410mm | 455mm | 431mm | 476mm | 5mm | |
| AMU2060L(F*) | 19.87 | 16.09 | 10.13 | 10.10 | 17.81 | 13.81 | 18.44 | 14.44 | 10.00 | 21.25 | 13.16 | 20.53 | 15.89 | 19.67 | 16.72 | 20.50 | 0.19 | |
| | 505mm | 409mm | 257mm | 257mm | 452mm | 351mm | 468mm | 367mm | 254mm | 540mm | 334mm | 521mm | 404mm | 500mm | 425mm | 521mm | 5mm | |

*Enclosure base part numbers come standard with 4 separately bagged feet (ex. AMU664L)

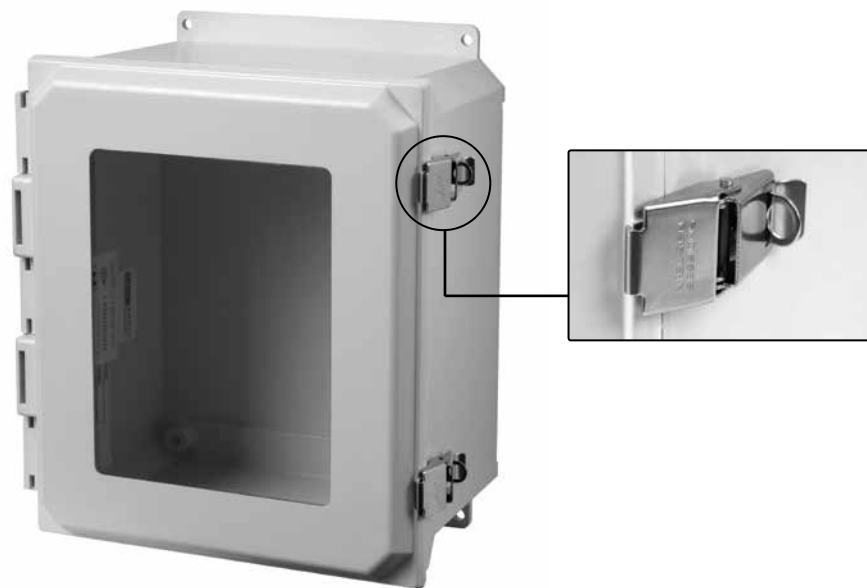
Add "F" to the part number for factory installed flanges (ex. AMU664LF)

"I" dimensions with multiple numbers indicate slotted holes

All dimensions are in inches unless otherwise noted



ULTRALINE



AMU Series JIC Size Junction Boxes: Metal Snap Latch Hinged Cover with Window

APPLICATION

- Designed to insulate and protect controls and components in both indoor and outdoor applications often found in oil refineries, waste water treatment equipment, and chemical plants
- Especially well suited for high temperature or corrosive environments
- Protects from dirt, dust, oil, and water
- For use with industrial control equipment in ordinary locations
- Clear/polycarbonate, viewing window used in applications where critical electronic equipment must be visible and protected from the elements

STANDARDS

- UL 50 and UL 50E Types 1, 2, 3, 3R, 4, 4X, 12 and 13
- CSA C22.2 No. 94 Types 1, 2, 3, 3R, 4, 4X, 12 and 13
- Complies with
 - NEMA Types 1, 2, 3, 3R, 4, 4X, 12 and 13
 - IEC 60529 Type IP66
 - RoHS directive
- For additional physical properties per industry test standards, please refer to the chart on page 140

CONSTRUCTION

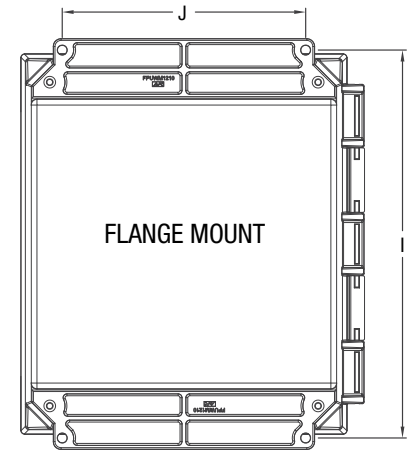
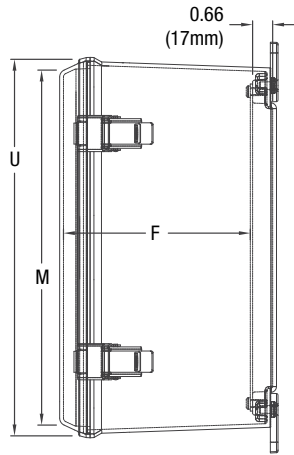
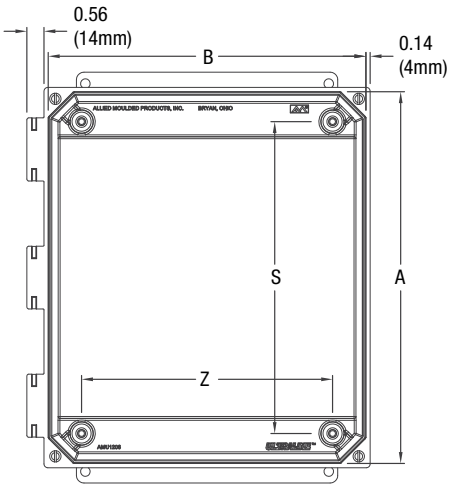
- Compression molded fiberglass reinforced polyester construction with flush, viewing window cover
- Allied Moulded ULTRAGUARD® fiberglass reinforced polyester material formulation - UV stabilized for outdoor use
- Light gray color (RAL 7035)
- Clear, polycarbonate viewing window cover
- 300 series stainless steel lockable latches, and hinge pin
- Partially molded hinge and molded latch keeper
- Gasket made of closed cell neoprene cord encased in a continuous tongue and groove channel
- Polycarbonate flanges (installed) or mounting feet (bagged) with four 300 series stainless steel screws
- #10-32 threaded brass inserts are installed for back panel mounting

ACCESSORIES

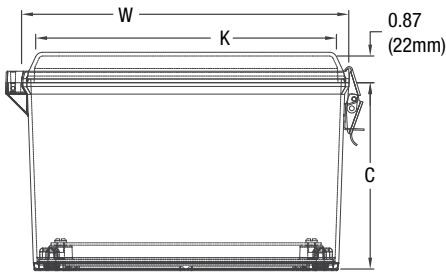
- Optional back panels and hinged front panels
- Optional thermal management products

MODIFICATIONS

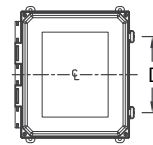
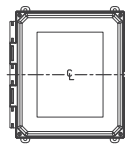
- Custom holes and cutouts
- Molded-in color matches
- EMI/RFI shielding
- Factory-supplied silk screening



Note: Cover Removed for Clarity

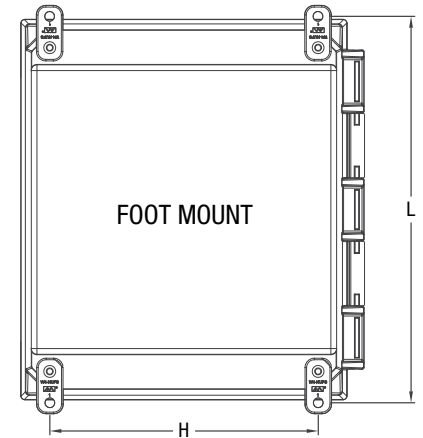


LATCH LOCATIONS



FOR USE ON
6x6x4
8x6x4
10x6x4

FOR USE ON
12x10x6 D=7.50 (191mm)
14x12x6 D=8.00 (203mm)
16x14x8 D=9.00 (229mm)
18x16x10 D=14.56 (370mm)
20x16x10 D=16.81 (427mm)



| Part No. | Box Size | | | Usable Depth | Panel Boss Centers | | Panel Sizes | | Flange Mount Centers | | Foot Mount Centers | | Cover Size | | | | Nom. Wall Thickness | Window Dim. (H x W) |
|---------------|----------|-------|-------|--------------|--------------------|-------|-------------|--------|----------------------|--------------|--------------------|-------|------------|-------|-------|-------|---------------------|---------------------|
| | A | B | C | | F | S | Z | Height | Width | J | I | H | L | K | M | W | | |
| AMU664LW(F*) | 6.05 | 6.27 | 4.13 | 4.11 | 4.25 | 4.25 | 4.81 | 4.81 | 4.00 | 6.88, 6.75 | 4.91 | 6.75 | 5.89 | 5.67 | 6.72 | 6.50 | 0.13 | 3.50 x 3.50 |
| | 154mm | 159mm | 105mm | 104mm | 108mm | 108mm | 122mm | 122mm | 102mm | 175, 171mm | 125mm | 171mm | 150mm | 144mm | 171mm | 165mm | 3mm | 90mm x 90mm |
| AMU864LW(F*) | 8.05 | 6.27 | 4.13 | 4.11 | 6.25 | 4.25 | 6.75 | 4.88 | 4.00 | 8.88, 8.75 | 4.91 | 8.75 | 5.89 | 7.67 | 6.72 | 8.50 | 0.13 | 5.25 x 4.00 |
| | 204mm | 159mm | 105mm | 104mm | 154mm | 108mm | 122mm | 122mm | 102mm | 175, 171mm | 125mm | 171mm | 150mm | 144mm | 171mm | 165mm | 3mm | 133mm x 102mm |
| AMU1084LW(F*) | 10.05 | 8.27 | 4.13 | 4.11 | 8.25 | 6.25 | 8.75 | 6.88 | 6.00 | 10.75 | 6.391 | 10.75 | 7.89 | 9.67 | 8.72 | 10.50 | 0.13 | 6.25 x 4.25 |
| | 255mm | 210mm | 105mm | 104mm | 210mm | 159mm | 222mm | 175mm | 152mm | 273mm | 176mm | 273mm | 200mm | 246mm | 221mm | 267mm | 3mm | 159mm x 108mm |
| AMU1206LW(F*) | 12.05 | 10.27 | 6.13 | 6.11 | 10.25 | 8.25 | 10.75 | 8.88 | 8.00 | 12.75 | 8.82 | 12.70 | 9.89 | 11.67 | 10.72 | 12.50 | 0.13 | 8.38 x 6.50 |
| | 306mm | 261mm | 156mm | 155mm | 260mm | 210mm | 273mm | 226mm | 203mm | 324mm | 224mm | 323mm | 251mm | 296mm | 272mm | 318mm | 3mm | 213mm x 165mm |
| AMU1426LW(F*) | 14.05 | 12.27 | 6.13 | 6.11 | 12.25 | 10.25 | 12.75 | 10.88 | 10.00 | 14.75, 14.62 | 10.82 | 14.70 | 11.89 | 13.67 | 12.72 | 14.50 | 0.13 | 10.38 x 8.50 |
| | 357mm | 312mm | 156mm | 155mm | 311mm | 260mm | 324mm | 276mm | 254mm | 375, 371mm | 275mm | 373mm | 302mm | 347mm | 323mm | 368mm | 3mm | 264mm x 216mm |
| AMU1648LW(F*) | 16.05 | 14.27 | 8.13 | 8.11 | 14.25 | 12.25 | 14.75 | 12.88 | 12.00 | 16.75 | 11.47 | 16.91 | 13.89 | 15.67 | 14.72 | 16.50 | 0.14 | 12.38 x 10.50 |
| | 408mm | 362mm | 207mm | 206mm | 362mm | 311mm | 375mm | 327mm | 305mm | 425mm | 291mm | 430mm | 353mm | 398mm | 374mm | 419mm | 4mm | 314mm x 279mm |
| AMU1860LW(F*) | 18.12 | 16.34 | 10.13 | 10.10 | 16.25 | 14.25 | 16.88 | 14.88 | 12.00 | 18.88, 18.76 | 13.72 | 19.16 | 16.14 | 17.92 | 16.97 | 18.75 | 0.19 | 13.00 x 11.00 |
| | 460mm | 415mm | 257mm | 257mm | 413mm | 362mm | 429mm | 378mm | 305mm | 480, 477mm | 348mm | 487mm | 410mm | 455mm | 431mm | 476mm | 5mm | 330mm x 279mm |
| AMU2060LW(F*) | 19.87 | 16.09 | 10.13 | 10.10 | 17.81 | 13.81 | 18.44 | 14.44 | 10.00 | 21.25 | 13.16 | 20.53 | 15.89 | 19.67 | 16.72 | 20.50 | 0.19 | 14.00 x 12.00 |
| | 505mm | 409mm | 257mm | 257mm | 452mm | 351mm | 468mm | 367mm | 254mm | 540mm | 334mm | 521mm | 404mm | 500mm | 425mm | 521mm | 5mm | 356mm x 305mm |

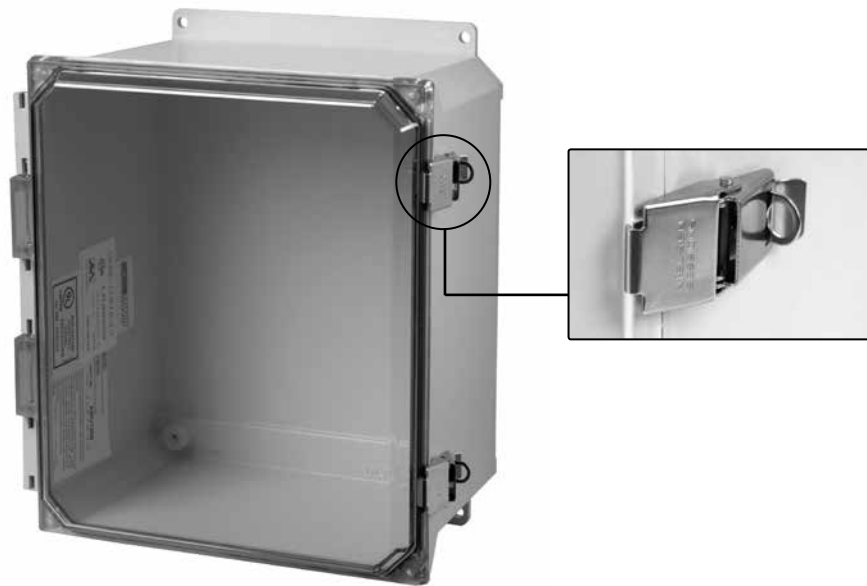
*Enclosure base part numbers come standard with 4 separately bagged feet (ex. AMU664LW)

Add "F" to the part number for factory installed flanges (ex. AMU664LWF)

"I" dimensions with multiple numbers indicate slotted holes

All dimensions are in inches unless otherwise noted





AMU Series JIC Size Junction Boxes: Metal Snap Latch Hinged Cover - Clear Polycarbonate

APPLICATION

- Designed to insulate and protect controls and components in both indoor and outdoor applications often found in oil refineries, waste water treatment equipment, and chemical plants
- Especially well suited for high temperature or corrosive environments
- Protects from dirt, dust, oil, and water
- For use with industrial control equipment in ordinary locations
- Clear/polycarbonate, instrumentation cover used in applications where critical electronic equipment must be visible and protected from the elements

STANDARDS

- UL 50 and UL 50E Types 1, 2, 3, 3R, 4, 4X, 12 and 13
- CSA C22.2 No. 94 Types 1, 2, 3, 3R, 4, 4X, 12 and 13
- Complies with
 - NEMA Types 1, 2, 3, 3R, 4, 4X, 12 and 13
 - IEC 60529 Type IP66
 - RoHS directive
- For additional physical properties per industry test standards, please refer to the chart on page 140

CONSTRUCTION

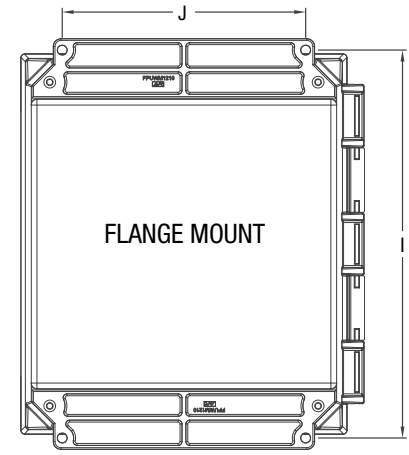
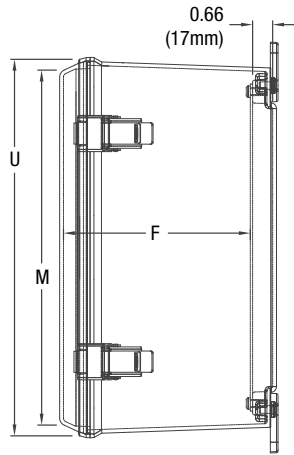
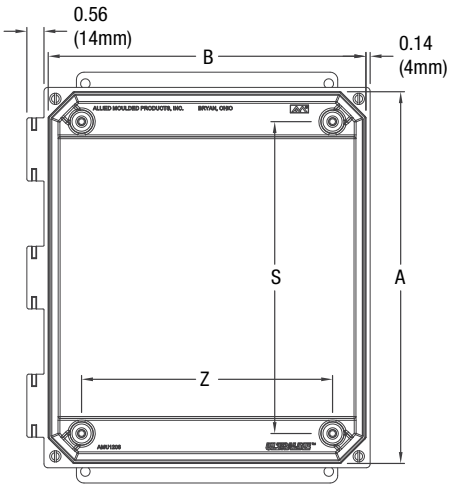
- Compression molded fiberglass reinforced polyester construction with flush, clear polycarbonate cover
- Allied Moulded ULTRAGUARD® fiberglass reinforced polyester material formulation - UV stabilized for outdoor use
- Light gray color (RAL 7035)
- Clear, polycarbonate instrumentation cover
- 300 series stainless steel lockable latches, and hinge pin
- Partially molded hinge and molded latch keeper
- Gasket made of closed cell neoprene cord encased in a continuous tongue and groove channel
- Polycarbonate flanges (installed) or mounting feet (bagged) with four 300 series stainless steel screws
- #10-32 threaded brass inserts are installed for back panel mounting

ACCESSORIES

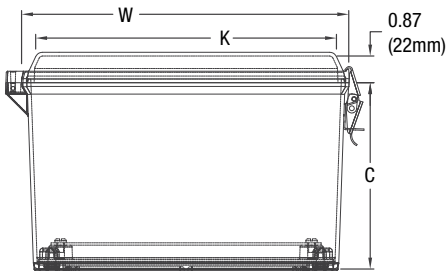
- Optional back panels and hinged front panels
- Optional thermal management products

MODIFICATIONS

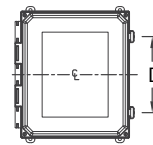
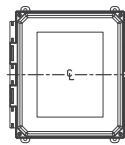
- Custom holes and cutouts
- Molded-in color matches
- EMI/RFI shielding
- Factory-supplied silk screening



Note: Cover Removed for Clarity

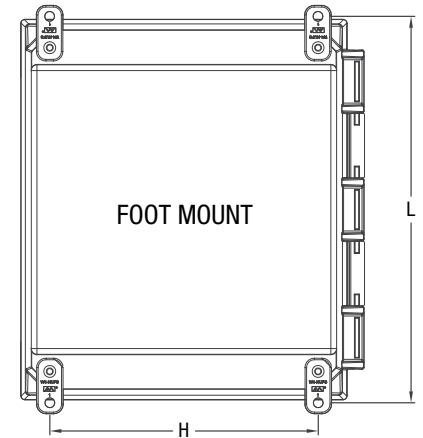


LATCH LOCATIONS



FOR USE ON
6x6x4
8x6x4
10x6x4

FOR USE ON
12x10x6 D=7.50 (191mm)
14x12x6 D=8.00 (203mm)
16x14x8 D=9.00 (229mm)
18x16x10 D=14.56 (370mm)
20x16x10 D=16.81 (427mm)



ULTRALINE

| Part No. | Box Size | | | Usable Depth F | Panel Boss Centers | | Panel Sizes | | Flange Mount Centers | | Foot Mount Centers | | Cover Size | | | | Nom. Wall Thickness |
|-----------------------|----------------|----------------|---------------|-------------------|--------------------|----------------|----------------|----------------|----------------------|----------------------------|--------------------|----------------|----------------|----------------|----------------|----------------|---------------------|
| | A | B | C | | S | Z | Height | Width | J | I | H | L | K | M | W | U | |
| AMU664CCL(F*) | 6.05 154mm | 6.27 159mm | 4.13 105mm | 4.11 104mm | 4.25 108mm | 4.25 108mm | 4.81 122mm | 4.81 122mm | 4.00 102mm | 6.88, 6.75 175, 171mm | 4.91 125mm | 6.75 171mm | 5.89 150mm | 5.67 144mm | 6.72 171mm | 6.50 165mm | 0.13 3mm |
| AMU864CCL(F*) | 8.05 204mm | 6.27 159mm | 4.13 105mm | 4.11 104mm | 6.25 159mm | 4.25 108mm | 6.75 171mm | 4.88 124mm | 4.00 102mm | 8.88, 8.75 226, 222mm | 4.91 125mm | 8.75 222mm | 5.89 150mm | 7.67 195mm | 6.72 171mm | 8.50 216mm | 0.13 3mm |
| AMU1084CCL(F*) | 10.05 255mm | 8.27 210mm | 4.13 105mm | 4.11 104mm | 8.25 210mm | 6.25 159mm | 8.75 222mm | 6.88 175mm | 6.00 152mm | 10.75 273mm | 6.91 176mm | 10.75 273mm | 7.89 200mm | 9.67 246mm | 8.72 221mm | 10.50 267mm | 0.13 3mm |
| AMU1206CCL(F*) | 12.05 306mm | 10.27 261mm | 6.13 156mm | 6.11 155mm | 10.25 260mm | 8.25 210mm | 10.75 273mm | 8.88 226mm | 8.00 203mm | 12.75 324mm | 8.82 224mm | 12.70 323mm | 9.89 251mm | 11.67 296mm | 10.72 272mm | 12.50 318mm | 0.13 3mm |
| AMU1426CCL(F*) | 14.05 357mm | 12.27 312mm | 6.13 156mm | 6.11 155mm | 12.25 311mm | 10.25 260mm | 12.75 324mm | 10.88 276mm | 10.00 254mm | 14.75, 14.62 375, 371mm | 10.82 275mm | 14.70 373mm | 11.89 302mm | 13.67 347mm | 12.72 323mm | 14.50 368mm | 0.13 3mm |
| AMU1648CCL(F*) | 16.05 408mm | 14.27 362mm | 8.13 207mm | 8.11 206mm | 14.25 362mm | 12.25 311mm | 14.75 375mm | 12.88 327mm | 12.00 305mm | 16.75 425mm | 11.47 291mm | 16.91 430mm | 13.89 353mm | 15.67 398mm | 14.72 374mm | 16.50 419mm | 0.14 4mm |

*Enclosure base part numbers come standard with 4 separately bagged feet (ex. AMU664CCL)

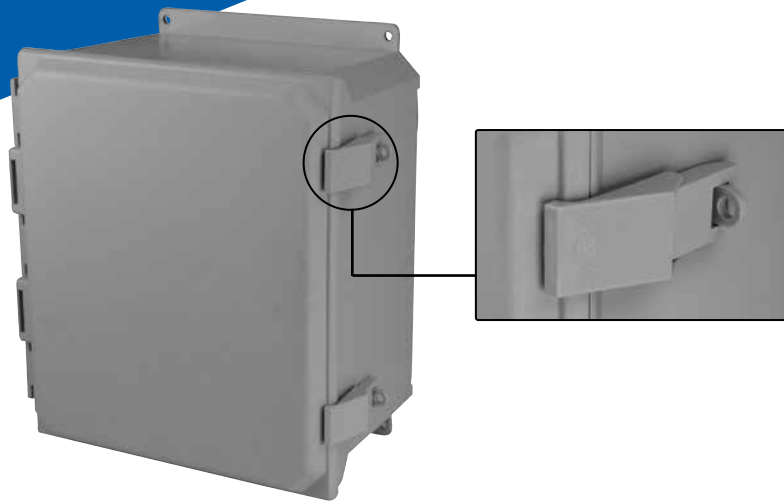
Add "F" to the part number for factory installed flanges (ex. AMU664CCLF)

"I" dimensions with multiple numbers indicate slotted holes

All dimensions are in inches unless otherwise noted



Coming in 2014!
Call factory for availability



AMU Series JIC Size Junction Boxes: Nonmetal Snap Latch Hinged Cover - Solid/Opaque

APPLICATION

- Designed to insulate and protect controls and components in both indoor and outdoor applications often found in oil refineries, waste water treatment equipment, and chemical plants
- Especially well suited for high temperature or corrosive environments
- Protects from dirt, dust, oil, and water
- For use with industrial control equipment in ordinary locations

STANDARDS

- UL 50 and UL 50E Types 1, 2, 3, 3R, 4, 4X, 12 and 13
- CSA C22.2 No. 94 Types 1, 2, 3, 3R, 4, 4X, 12 and 13
- Complies with
 - NEMA Types 1, 2, 3, 3R, 4, 4X, 12 and 13
 - IEC 60529 Type IP66
 - RoHS directive
- For additional physical properties per industry test standards, please refer to the chart on page 140

CONSTRUCTION

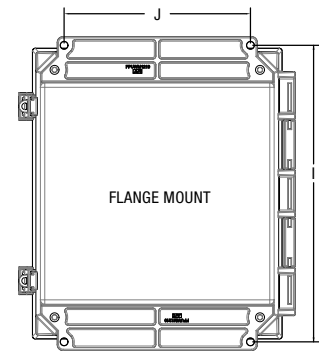
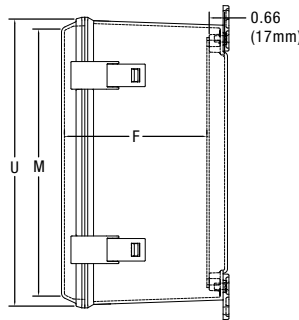
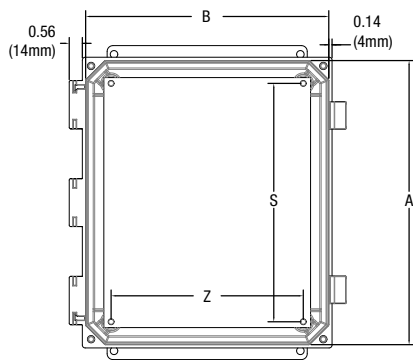
- Compression molded fiberglass reinforced polyester construction with flush, solid/opaque cover
- Allied Moulded ULTRAGUARD® fiberglass reinforced polyester material formulation - UV stabilized for outdoor use
- Light gray color (RAL 7035)
- Polycarbonate lockable latches and 300 series stainless steel hinge pin
- Partially molded hinge and molded latch keeper
- Gasket made of closed cell neoprene cord encased in a continuous tongue and groove channel
- Polycarbonate flanges (installed) or mounting feet (bagged) with four 300 series stainless steel screws
- #10-32 threaded brass inserts are installed for back panel mounting

ACCESSORIES

- Optional back panels and hinged front panels
- Optional thermal management products

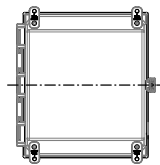
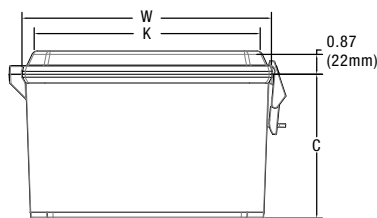
MODIFICATIONS

- Custom holes and cutouts
- Custom size polycarbonate viewing windows
- Molded-in color matches
- EMI/RFI shielding
- Factory-supplied silk screening

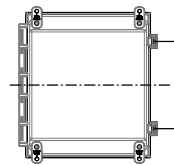


NOTE: COVER REMOVED FOR CLARITY

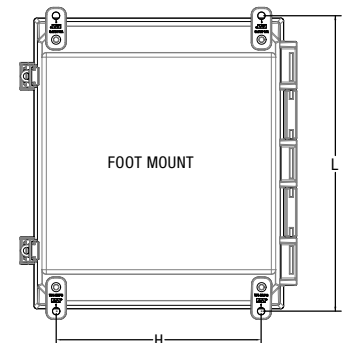
LATCH LOCATIONS



FOR USE ON
6x6x4
8x6x4
10x8x4



FOR USE ON
12x10x6 D=7.50 (199mm)
14x12x6 D=8.00 (203mm)
16x14x8 D=9.00 (229mm)
18x16x10 D=14.56 (370mm)
20x16x10 D=16.81 (427mm)



| Part No. | Box Size | | | Usable Depth F | Panel Boss Centers | | Panel Sizes | | Flange Mount Centers | | Foot Mount Centers | | Cover Size | | | | Nom. Wall Thickness |
|--------------|----------|-------|-------|-------------------|--------------------|-------|-------------|-------|----------------------|--------------|--------------------|-------|------------|-------|-------|-------|---------------------|
| | A | B | C | | S | Z | Height | Width | J | I | H | L | K | M | W | U | |
| AMU664NL(F) | 6.05 | 6.27 | 4.13 | 4.11 | 4.25 | 4.25 | 4.81 | 4.81 | 4.00 | 6.88, 6.75 | 4.91 | 6.75 | 5.89 | 5.67 | 6.72 | 6.50 | 0.13 |
| | 154mm | 159mm | 105mm | 104mm | 108mm | 108mm | 122mm | 122mm | 102mm | 175, 171mm | 125mm | 171mm | 150mm | 144mm | 171mm | 165mm | 3mm |
| AMU864NL(F) | 8.05 | 6.27 | 4.13 | 4.11 | 6.25 | 4.25 | 6.75 | 4.88 | 4.00 | 8.88, 8.75 | 4.91 | 8.75 | 5.89 | 7.67 | 6.72 | 8.50 | 0.13 |
| | 204mm | 159mm | 105mm | 104mm | 154mm | 108mm | 122mm | 122mm | 102mm | 175, 171mm | 125mm | 171mm | 150mm | 144mm | 171mm | 165mm | 3mm |
| AMU1084NL(F) | 10.05 | 8.27 | 4.13 | 4.11 | 8.25 | 6.25 | 8.75 | 6.88 | 6.00 | 10.75 | 6.391 | 10.75 | 7.89 | 9.67 | 8.72 | 10.50 | 0.13 |
| | 255mm | 210mm | 105mm | 104mm | 210mm | 159mm | 222mm | 175mm | 152mm | 273mm | 176mm | 273mm | 200mm | 246mm | 221mm | 267mm | 3mm |
| AMU1206NL(F) | 12.05 | 10.27 | 6.13 | 6.11 | 10.25 | 8.25 | 10.75 | 8.88 | 8.00 | 12.75 | 8.82 | 12.70 | 9.89 | 11.67 | 10.72 | 12.50 | 0.13 |
| | 306mm | 261mm | 156mm | 155mm | 260mm | 210mm | 273mm | 226mm | 203mm | 324mm | 224mm | 323mm | 251mm | 296mm | 272mm | 318mm | 3mm |
| AMU1426NL(F) | 14.05 | 12.27 | 6.13 | 6.11 | 12.25 | 10.25 | 12.75 | 10.88 | 10.00 | 14.75, 14.62 | 10.82 | 14.70 | 11.89 | 13.67 | 12.72 | 14.50 | 0.13 |
| | 357mm | 312mm | 156mm | 155mm | 311mm | 260mm | 324mm | 276mm | 254mm | 375, 371mm | 275mm | 373mm | 302mm | 347mm | 323mm | 368mm | 3mm |
| AMU1648NL(F) | 16.05 | 14.27 | 8.13 | 8.11 | 14.25 | 12.25 | 14.75 | 12.88 | 12.00 | 16.75 | 11.47 | 16.91 | 13.89 | 15.67 | 14.72 | 16.50 | 0.14 |
| | 408mm | 362mm | 207mm | 206mm | 362mm | 311mm | 375mm | 327mm | 305mm | 425mm | 291mm | 430mm | 353mm | 398mm | 374mm | 419mm | 4mm |
| AMU1860NL(F) | 18.12 | 16.34 | 10.13 | 10.10 | 16.25 | 14.25 | 16.88 | 14.88 | 12.00 | 18.88, 18.76 | 13.72 | 19.16 | 16.14 | 17.92 | 16.97 | 18.75 | 0.19 |
| | 460mm | 415mm | 257mm | 257mm | 413mm | 362mm | 429mm | 378mm | 305mm | 480, 477mm | 348mm | 487mm | 410mm | 455mm | 431mm | 476mm | 5mm |
| AMU2060NL(F) | 19.87 | 16.09 | 10.13 | 10.10 | 17.81 | 13.81 | 18.44 | 14.44 | 10.00 | 21.25 | 13.16 | 20.53 | 15.89 | 19.67 | 16.72 | 20.50 | 0.19 |
| | 505mm | 409mm | 257mm | 257mm | 452mm | 351mm | 468mm | 367mm | 254mm | 540mm | 334mm | 521mm | 404mm | 500mm | 425mm | 521mm | 5mm |

*Enclosure base part numbers come standard with 4 separately bagged feet (ex. AMU664NL)

Add "F" to the part number for factory installed flanges (ex. AMU664NLF)

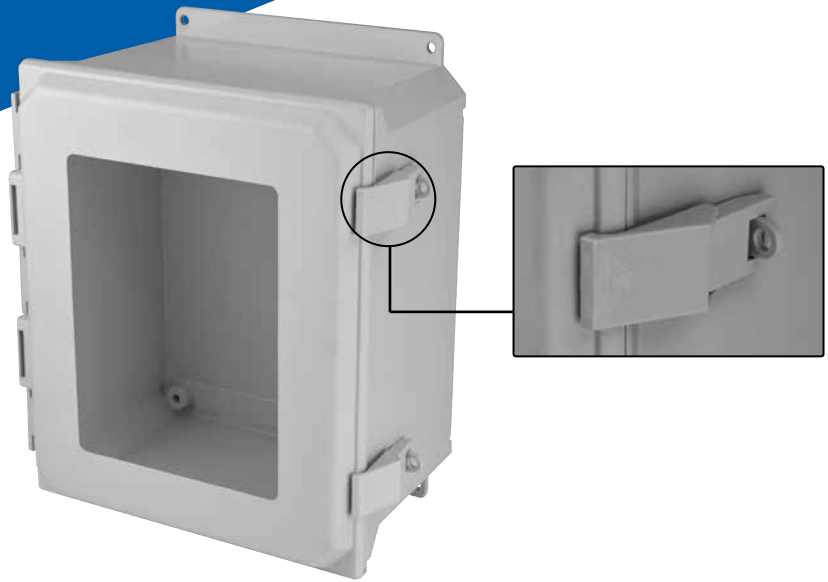
"I" dimensions with multiple numbers indicate slotted holes

All dimensions are in inches unless otherwise noted



ULTRALINE

Coming in 2014!
Call factory for availability



AMU Series JIC Size Junction Boxes: Nonmetal Snap Latch Hinged Cover with Window

APPLICATION

- Designed to insulate and protect controls and components in both indoor and outdoor applications often found in oil refineries, waste water treatment equipment, and chemical plants
- Especially well suited for high temperature or corrosive environments
- Protects from dirt, dust, oil, and water
- For use with industrial control equipment in ordinary locations
- Clear/polycarbonate, viewing window used in applications where critical electronic equipment must be visible and protected from the elements

STANDARDS

- UL 50 and UL 50E Types 1, 2, 3, 3R, 4, 4X, 12 and 13
- CSA C22.2 No. 94 Types 1, 2, 3, 3R, 4, 4X, 12 and 13
- Complies with
 - NEMA Types 1, 2, 3, 3R, 4, 4X, 12 and 13
 - IEC 60529 Type IP66
 - RoHS directive
- For additional physical properties per industry test standards, please refer to the chart on page 140

CONSTRUCTION

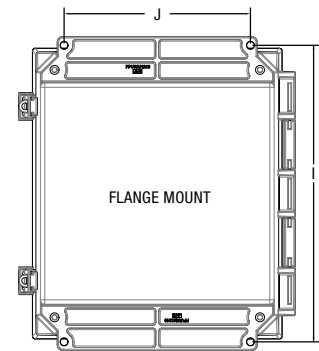
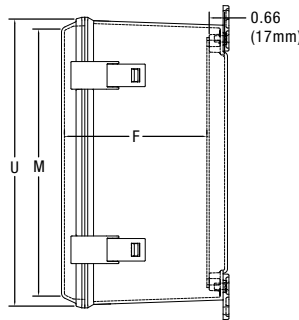
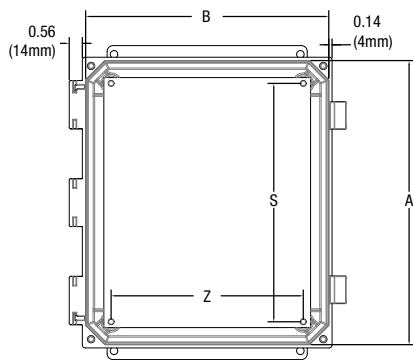
- Compression molded fiberglass reinforced polyester construction with flush, viewing window cover
- Allied Moulded ULTRAGUARD® fiberglass reinforced polyester material formulation - UV stabilized for outdoor use
- Light gray color (RAL 7035)
- Clear, polycarbonate viewing window cover
- Polycarbonate lockable latches and 300 series stainless steel hinge pin
- Partially molded hinge and molded latch keeper
- Gasket made of closed cell neoprene cord encased in a continuous tongue and groove channel
- Polycarbonate flanges (installed) or mounting feet (bagged) with four 300 series stainless steel screws
- #10-32 threaded brass inserts are installed for back panel mounting

ACCESSORIES

- Optional back panels and hinged front panels
- Optional thermal management products

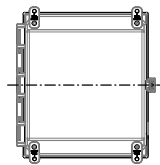
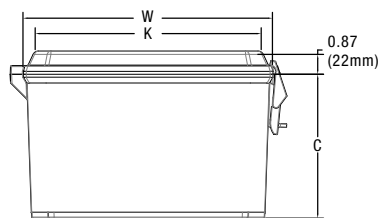
MODIFICATIONS

- Custom holes and cutouts
- Molded-in color matches
- EMI/RFI shielding
- Factory-supplied silk screening

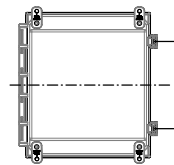


NOTE: COVER REMOVED FOR CLARITY

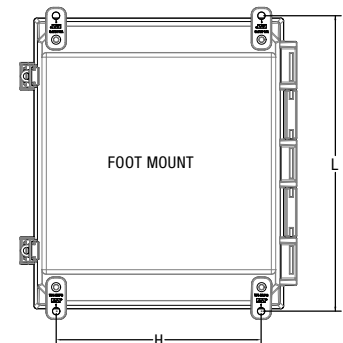
LATCH LOCATIONS



FOR USE ON
6x6x4
8x6x4
10x8x4



FOR USE ON
12x10x6 D=7.50 (199mm)
14x12x6 D=8.00 (203mm)
16x14x8 D=9.00 (229mm)
18x16x10 D=14.56 (370mm)
20x16x10 D=16.81 (427mm)



| Part No. | Box Size | | | Usable Depth | Panel Boss Centers | | Panel Sizes | | Flange Mount Centers | | Foot Mount Centers | | Cover Size | | | | Nom. Wall Thickness | Window Dim. (H x W) |
|----------------|----------|-------|-------|--------------|--------------------|-------|-------------|--------|----------------------|--------------|--------------------|-------|------------|-------|-------|-------|---------------------|---------------------|
| | A | B | C | | F | S | Z | Height | Width | J | I | H | L | K | M | W | | |
| AMU664NLW(F*) | 6.05 | 6.27 | 4.13 | 4.11 | 4.25 | 4.25 | 4.81 | 4.81 | 4.00 | 6.88, 6.75 | 4.91 | 6.75 | 5.89 | 5.67 | 6.72 | 6.50 | 0.13 | 3.50 x 3.50 |
| | 154mm | 159mm | 105mm | 104mm | 108mm | 108mm | 122mm | 122mm | 102mm | 175, 171mm | 125mm | 171mm | 150mm | 144mm | 171mm | 165mm | 3mm | 90mm x 90mm |
| AMU864NLW(F*) | 8.05 | 6.27 | 4.13 | 4.11 | 6.25 | 4.25 | 6.75 | 4.88 | 4.00 | 8.88, 8.75 | 4.91 | 8.75 | 5.89 | 7.67 | 6.72 | 8.50 | 0.13 | 5.25 x 4.00 |
| | 204mm | 159mm | 105mm | 104mm | 154mm | 108mm | 122mm | 122mm | 102mm | 175, 171mm | 125mm | 171mm | 150mm | 144mm | 171mm | 165mm | 3mm | 133mm x 102mm |
| AMU1084NLW(F*) | 10.05 | 8.27 | 4.13 | 4.11 | 8.25 | 6.25 | 8.75 | 6.88 | 6.00 | 10.75 | 6.391 | 10.75 | 7.89 | 9.67 | 8.72 | 10.50 | 0.13 | 6.25 x 4.25 |
| | 255mm | 210mm | 105mm | 104mm | 210mm | 159mm | 222mm | 175mm | 152mm | 273mm | 176mm | 273mm | 200mm | 246mm | 221mm | 267mm | 3mm | 159mm x 108mm |
| AMU1206NLW(F*) | 12.05 | 10.27 | 6.13 | 6.11 | 10.25 | 8.25 | 10.75 | 8.88 | 8.00 | 12.75 | 8.82 | 12.70 | 9.89 | 11.67 | 10.72 | 12.50 | 0.13 | 8.38 x 6.50 |
| | 306mm | 261mm | 156mm | 155mm | 260mm | 210mm | 273mm | 226mm | 203mm | 324mm | 224mm | 323mm | 251mm | 296mm | 272mm | 318mm | 3mm | 213mm x 165mm |
| AMU1426NLW(F*) | 14.05 | 12.27 | 6.13 | 6.11 | 12.25 | 10.25 | 12.75 | 10.88 | 10.00 | 14.75, 14.62 | 10.82 | 14.70 | 11.89 | 13.67 | 12.72 | 14.50 | 0.13 | 10.38 x 8.50 |
| | 357mm | 312mm | 156mm | 155mm | 311mm | 260mm | 324mm | 276mm | 254mm | 375, 371mm | 275mm | 373mm | 302mm | 347mm | 323mm | 368mm | 3mm | 264mm x 216mm |
| AMU1648NLW(F*) | 16.05 | 14.27 | 8.13 | 8.11 | 14.25 | 12.25 | 14.75 | 12.88 | 12.00 | 16.75 | 11.47 | 16.91 | 13.89 | 15.67 | 14.72 | 16.50 | 0.14 | 12.38 x 10.50 |
| | 408mm | 362mm | 207mm | 206mm | 362mm | 311mm | 375mm | 327mm | 305mm | 425mm | 291mm | 430mm | 353mm | 398mm | 374mm | 419mm | 4mm | 314mm x 279mm |
| AMU1860NLW(F*) | 18.12 | 16.34 | 10.13 | 10.10 | 16.25 | 14.25 | 16.88 | 14.88 | 12.00 | 18.88, 18.76 | 13.72 | 19.16 | 16.14 | 17.92 | 16.97 | 18.75 | 0.19 | 13.00 x 11.00 |
| | 460mm | 415mm | 257mm | 257mm | 413mm | 362mm | 429mm | 378mm | 305mm | 480, 477mm | 348mm | 487mm | 410mm | 455mm | 431mm | 476mm | 5mm | 330mm x 279mm |
| AMU2060NLW(F*) | 19.87 | 16.09 | 10.13 | 10.10 | 17.81 | 13.81 | 18.44 | 14.44 | 10.00 | 21.25 | 13.16 | 20.53 | 15.89 | 19.67 | 16.72 | 20.50 | 0.19 | 14.00 x 12.00 |
| | 505mm | 409mm | 257mm | 257mm | 452mm | 351mm | 468mm | 367mm | 254mm | 540mm | 334mm | 521mm | 404mm | 500mm | 425mm | 521mm | 5mm | 356mm x 305mm |

*Enclosure base part numbers come standard with 4 separately bagged feet (ex. AMU664NLW)

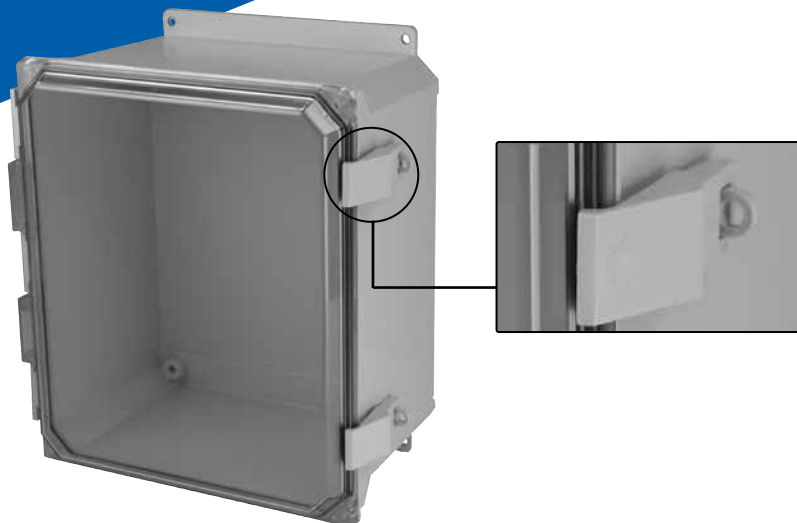
Add "F" to the part number for factory installed flanges (ex. AMU664NLWF)

"I" dimensions with multiple numbers indicate slotted holes

All dimensions are in inches unless otherwise noted



Coming in 2014!
Call factory for availability



AMU Series JIC Size Junction Boxes: Nonmetal Snap Latch Hinged Cover - Clear Polycarbonate

APPLICATION

- Designed to insulate and protect controls and components in both indoor and outdoor applications often found in oil refineries, waste water treatment equipment, and chemical plants
- Especially well suited for high temperature or corrosive environments
- Protects from dirt, dust, oil, and water
- For use with industrial control equipment in ordinary locations
- Clear/polycarbonate, instrumentation cover used in applications where critical electronic equipment must be visible and protected from the elements

STANDARDS

- UL 50 and UL 50E Types 1, 2, 3, 3R, 4, 4X, 12 and 13
- CSA C22.2 No. 94 Types 1, 2, 3, 3R, 4, 4X, 12 and 13
- Complies with
 - NEMA Types 1, 2, 3, 3R, 4, 4X, 12 and 13
 - IEC 60529 Type IP66
 - RoHS directive
- For additional physical properties per industry test standards, please refer to the chart on page 140

CONSTRUCTION

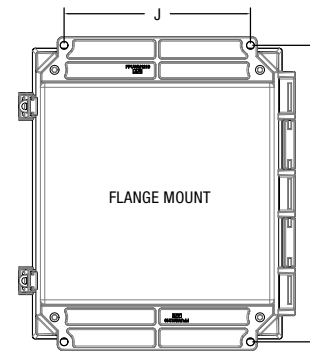
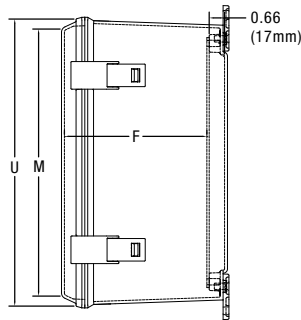
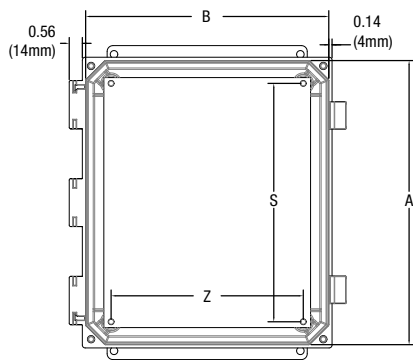
- Compression molded fiberglass reinforced polyester construction with flush, clear polycarbonate cover
- Allied Moulded ULTRAGUARD® fiberglass reinforced polyester material formulation - UV stabilized for outdoor use
- Light gray color (RAL 7035)
- Clear, polycarbonate instrumentation cover
- Polycarbonate lockable latches and 300 series stainless steel hinge pin
- Partially molded hinge and molded latch keeper
- Gasket made of closed cell neoprene cord encased in a continuous tongue and groove channel
- Polycarbonate flanges (installed) or mounting feet (bagged) with four 300 series stainless steel screws
- #10-32 threaded brass inserts are installed for back panel mounting

ACCESSORIES

- Optional back panels and hinged front panels
- Optional thermal management products

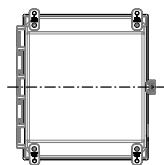
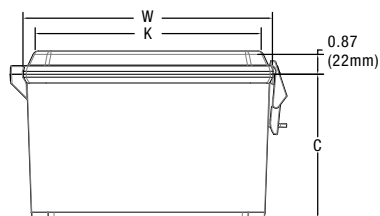
MODIFICATIONS

- Custom holes and cutouts
- Molded-in color matches
- EMI/RFI shielding
- Factory-supplied silk screening

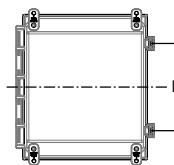


NOTE: COVER REMOVED FOR CLARITY

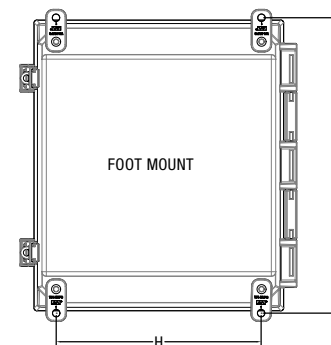
LATCH LOCATIONS



FOR USE ON
6x6x4
8x6x4
10x8x4



FOR USE ON
12x10x6 D=7.50 (199mm)
14x12x6 D=8.00 (203mm)
16x14x8 D=9.00 (229mm)
18x16x10 D=14.56 (370mm)
20x16x10 D=16.81 (427mm)



ULTRALINE

| Part No. | Box Size | | | Usable Depth F | Panel Boss Centers | | Panel Sizes | | Flange Mount Centers | | Foot Mount Centers | | Cover Size | | | | Nom. Wall Thickness |
|-----------------|----------------|----------------|---------------|-------------------|--------------------|----------------|----------------|----------------|----------------------|----------------------------|--------------------|----------------|----------------|----------------|----------------|----------------|---------------------|
| | A | B | C | | S | Z | Height | Width | J | I | H | L | K | M | W | U | |
| AMU664CCNL(F*) | 6.05 154mm | 6.27 159mm | 4.13 105mm | 4.11 104mm | 4.25 108mm | 4.25 108mm | 4.81 122mm | 4.81 122mm | 4.00 102mm | 6.88, 6.75 175, 171mm | 4.91 125mm | 6.75 171mm | 5.89 150mm | 5.67 144mm | 6.72 171mm | 6.50 165mm | 0.13 3mm |
| AMU864CCNL(F*) | 8.05 204mm | 6.27 159mm | 4.13 105mm | 4.11 104mm | 6.25 159mm | 4.25 108mm | 6.75 171mm | 4.88 124mm | 4.00 102mm | 8.88, 8.75 226, 222mm | 4.91 125mm | 8.75 222mm | 5.89 150mm | 7.67 195mm | 6.72 171mm | 8.50 216mm | 0.13 3mm |
| AMU1084CCNL(F*) | 10.05 255mm | 8.27 210mm | 4.13 105mm | 4.11 104mm | 8.25 210mm | 6.25 159mm | 8.75 222mm | 6.88 175mm | 6.00 152mm | 10.75 273mm | 6.91 176mm | 10.75 273mm | 7.89 200mm | 9.67 246mm | 8.72 221mm | 10.50 267mm | 0.13 3mm |
| AMU1206CCNL(F*) | 12.05 306mm | 10.27 261mm | 6.13 156mm | 6.11 155mm | 10.25 260mm | 8.25 210mm | 10.75 273mm | 8.88 226mm | 8.00 203mm | 12.75 324mm | 8.82 224mm | 12.70 323mm | 9.89 251mm | 11.67 296mm | 10.72 272mm | 12.50 318mm | 0.13 3mm |
| AMU1426CCNL(F*) | 14.05 357mm | 12.27 312mm | 6.13 156mm | 6.11 155mm | 12.25 311mm | 10.25 260mm | 12.75 324mm | 10.88 276mm | 10.00 254mm | 14.75, 14.62 375, 371mm | 10.82 275mm | 14.70 373mm | 11.89 302mm | 13.67 347mm | 12.72 323mm | 14.50 368mm | 0.13 3mm |
| AMU1648CCNL(F*) | 16.05 408mm | 14.27 362mm | 8.13 207mm | 8.11 206mm | 14.25 362mm | 12.25 311mm | 14.75 375mm | 12.88 327mm | 12.00 305mm | 16.75 425mm | 11.47 291mm | 16.91 430mm | 13.89 353mm | 15.67 398mm | 14.72 374mm | 16.50 419mm | 0.14 4mm |

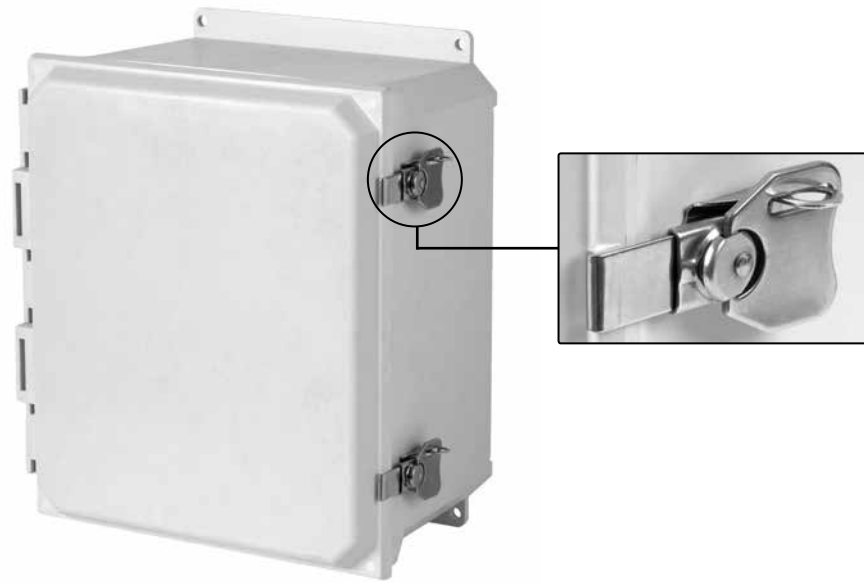
*Enclosure base part numbers come standard with 4 separately bagged feet (ex. AMU664CCNL)

Add "F" to the part number for factory installed flanges (ex. AMU664CCNLF)

"I" dimensions with multiple numbers indicate slotted holes

All dimensions are in inches unless otherwise noted





AMU Series JIC Size Junction Boxes: Twist Latch Hinged Cover - Solid/Opaque

APPLICATION

- Designed to insulate and protect controls and components in both indoor and outdoor applications often found in oil refineries, waste water treatment equipment, and chemical plants
- Especially well suited for high temperature or corrosive environments
- Protects from dirt, dust, oil, and water
- For use with industrial control equipment in ordinary locations

STANDARDS

- UL 50 and UL 50E Types 1, 2, 3, 3R, 4, 4X, 12 and 13
- CSA C22.2 No. 94 Types 1, 2, 3, 3R, 4, 4X, 12 and 13
- Complies with
 - NEMA Types 1, 2, 3, 3R, 4, 4X, 12 and 13
 - IEC 60529 Type IP66
 - RoHS directive
- For additional physical properties per industry test standards, please refer to the chart on page 140

CONSTRUCTION

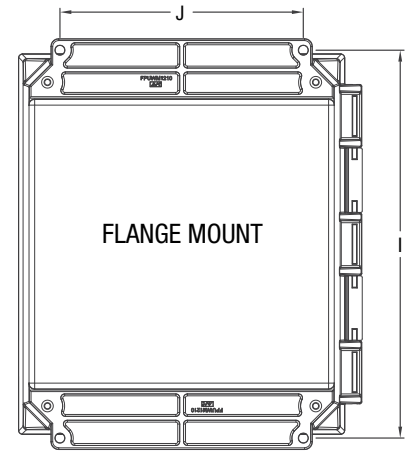
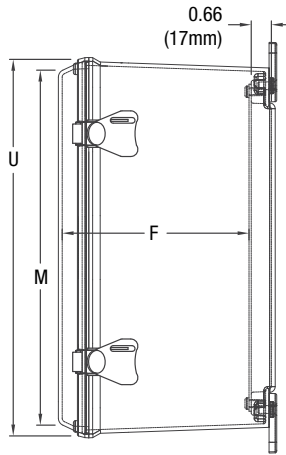
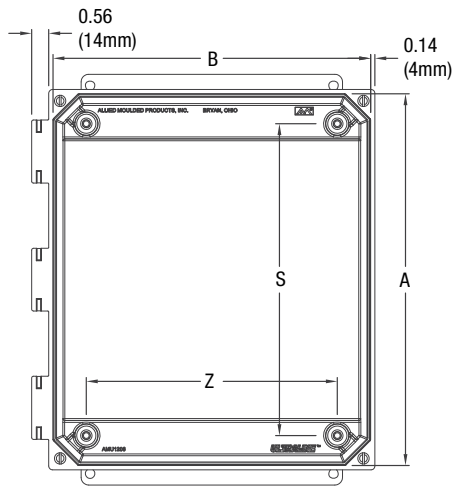
- Compression molded fiberglass reinforced polyester construction with flush, solid/opaque cover
- Allied Moulded ULTRAGUARD® fiberglass reinforced polyester material formulation - UV stabilized for outdoor use
- Light gray color (RAL 7035)
- 300 series stainless steel lockable latches, and hinge pin
- Partially molded hinge and molded latch keeper
- Gasket made of closed cell neoprene cord encased in a continuous tongue and groove channel
- Polycarbonate flanges (installed) or mounting feet (bagged) with four 300 series stainless steel screws
- #10-32 threaded brass inserts are installed for back panel mounting

ACCESSORIES

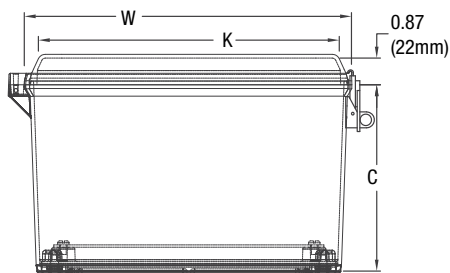
- Optional back panels and hinged front panels
- Optional thermal management products

MODIFICATIONS

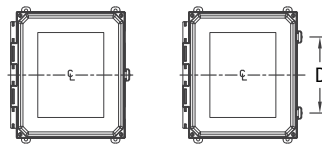
- Custom holes and cutouts
- Custom size polycarbonate viewing windows
- Molded-in color matches
- EMI/RFI shielding
- Factory-supplied silk screening



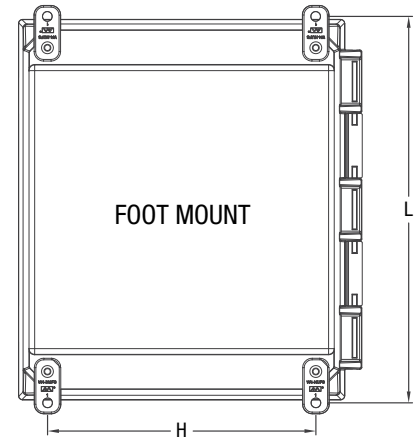
Note: Cover Removed for Clarity



LATCH LOCATIONS



- FOR USE ON
- 6x6x4
 - 8x6x4
 - 10x6x4
- FOR USE ON
- 12x10x6 D=7.50 (191mm)
 - 14x12x6 D=8.00 (203mm)
 - 16x14x8 D=9.00 (229mm)
 - 18x16x10 D=14.56 (370mm)
 - 20x16x10 D=16.81 (427mm)



| Part No. | Box Size | | | Usable Depth F | Panel Boss Centers | | Panel Sizes | | Flange Mount Centers | | Foot Mount Centers | | Cover Size | | | | Nom. Wall Thickness |
|--------------|----------|-------|-------|-------------------|--------------------|-------|-------------|-------|----------------------|--------------|--------------------|-------|------------|-------|-------|-------|---------------------|
| | A | B | C | | S | Z | Height | Width | J | I | H | L | K | M | W | U | |
| AMU664T(F*) | 6.05 | 6.27 | 4.13 | 4.11 | 4.25 | 4.25 | 4.81 | 4.81 | 4.00 | 6.88, 6.75 | 4.91 | 6.75 | 5.89 | 5.67 | 6.72 | 6.50 | 0.13 |
| | 154mm | 159mm | 105mm | 104mm | 108mm | 108mm | 122mm | 122mm | 102mm | 175, 171mm | 125mm | 171mm | 150mm | 144mm | 171mm | 165mm | 3mm |
| AMU864T(F*) | 8.05 | 6.27 | 4.13 | 4.11 | 6.25 | 4.25 | 6.75 | 4.88 | 4.00 | 8.88, 8.75 | 4.91 | 8.75 | 5.89 | 7.67 | 6.72 | 8.50 | 0.13 |
| | 204mm | 159mm | 105mm | 104mm | 154mm | 108mm | 122mm | 122mm | 102mm | 175, 171mm | 125mm | 171mm | 150mm | 144mm | 171mm | 165mm | 3mm |
| AMU1084T(F*) | 10.05 | 8.27 | 4.13 | 4.11 | 8.25 | 6.25 | 8.75 | 6.88 | 6.00 | 10.75 | 6.391 | 10.75 | 7.89 | 9.67 | 8.72 | 10.50 | 0.13 |
| | 255mm | 210mm | 105mm | 104mm | 210mm | 159mm | 222mm | 175mm | 152mm | 273mm | 176mm | 273mm | 200mm | 246mm | 221mm | 267mm | 3mm |
| AMU1206T(F*) | 12.05 | 10.27 | 6.13 | 6.11 | 10.25 | 8.25 | 10.75 | 8.88 | 8.00 | 12.75 | 8.82 | 12.70 | 9.89 | 11.67 | 10.72 | 12.50 | 0.13 |
| | 306mm | 261mm | 156mm | 155mm | 260mm | 210mm | 273mm | 226mm | 203mm | 324mm | 224mm | 323mm | 251mm | 296mm | 272mm | 318mm | 3mm |
| AMU1426T(F*) | 14.05 | 12.27 | 6.13 | 6.11 | 12.25 | 10.25 | 12.75 | 10.88 | 10.00 | 14.75, 14.62 | 10.82 | 14.70 | 11.89 | 13.67 | 12.72 | 14.50 | 0.13 |
| | 357mm | 312mm | 156mm | 155mm | 311mm | 260mm | 324mm | 276mm | 254mm | 375, 371mm | 275mm | 373mm | 302mm | 347mm | 323mm | 368mm | 3mm |
| AMU1648T(F*) | 16.05 | 14.27 | 8.13 | 8.11 | 14.25 | 12.25 | 14.75 | 12.88 | 12.00 | 16.75 | 11.47 | 16.91 | 13.89 | 15.67 | 14.72 | 16.50 | 0.14 |
| | 408mm | 362mm | 207mm | 206mm | 362mm | 311mm | 375mm | 327mm | 305mm | 425mm | 291mm | 430mm | 353mm | 398mm | 374mm | 419mm | 4mm |
| AMU1860T(F*) | 18.12 | 16.34 | 10.13 | 10.10 | 16.25 | 14.25 | 16.88 | 14.88 | 12.00 | 18.88, 18.76 | 13.72 | 19.16 | 16.14 | 17.92 | 16.97 | 18.75 | 0.19 |
| | 460mm | 415mm | 257mm | 257mm | 413mm | 362mm | 429mm | 378mm | 305mm | 480, 477mm | 348mm | 487mm | 410mm | 455mm | 431mm | 476mm | 5mm |
| AMU2060T(F*) | 19.87 | 16.09 | 10.13 | 10.10 | 17.81 | 13.81 | 18.44 | 14.44 | 10.00 | 21.25 | 13.16 | 20.53 | 15.89 | 19.67 | 16.72 | 20.50 | 0.19 |
| | 505mm | 409mm | 257mm | 257mm | 452mm | 351mm | 468mm | 367mm | 254mm | 540mm | 334mm | 521mm | 404mm | 500mm | 425mm | 521mm | 5mm |

*Enclosure base part numbers come standard with 4 separately bagged feet (ex. AMU664T)

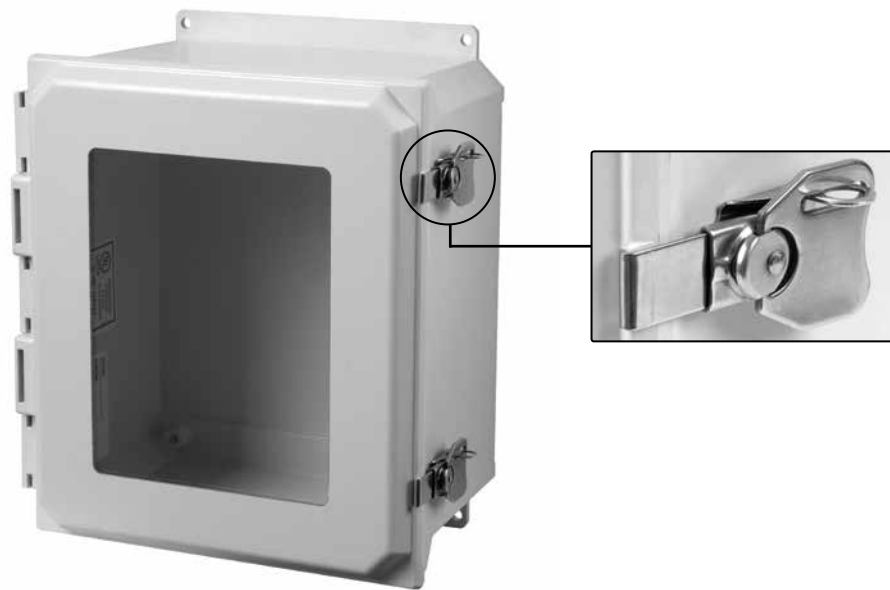
Add "F" to the part number for factory installed flanges (ex. AMU664TF)

"I" dimensions with multiple numbers indicate slotted holes

All dimensions are in inches unless otherwise noted



ULTRALINE



AMU Series JIC Size Junction Boxes: Twist Latch Hinged Cover with Window

APPLICATION

- Designed to insulate and protect controls and components in both indoor and outdoor applications often found in oil refineries, waste water treatment equipment, and chemical plants
- Especially well suited for high temperature or corrosive environments
- Protects from dirt, dust, oil, and water
- For use with industrial control equipment in ordinary locations
- Clear/polycarbonate, viewing window cover used in applications where critical electronic equipment must be visible and protected from the elements

STANDARDS

- UL 50 and UL 50E Types 1, 2, 3, 3R, 4, 4X, 12 and 13
- CSA C22.2 No. 94 Types 1, 2, 3, 3R, 4, 4X, 12 and 13
- Complies with
 - NEMA Types 1, 2, 3, 3R, 4, 4X, 12 and 13
 - IEC 60529 Type IP66
 - RoHS directive
- For additional physical properties per industry test standards, please refer to the chart on page 140

CONSTRUCTION

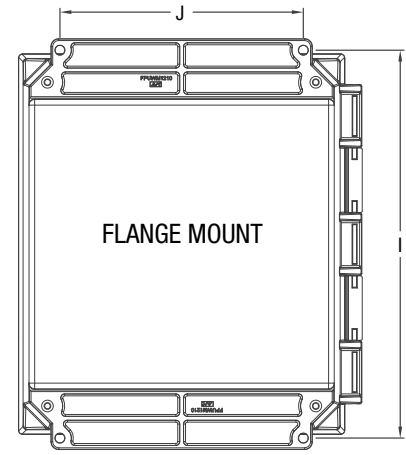
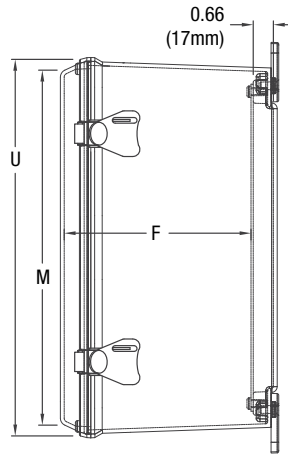
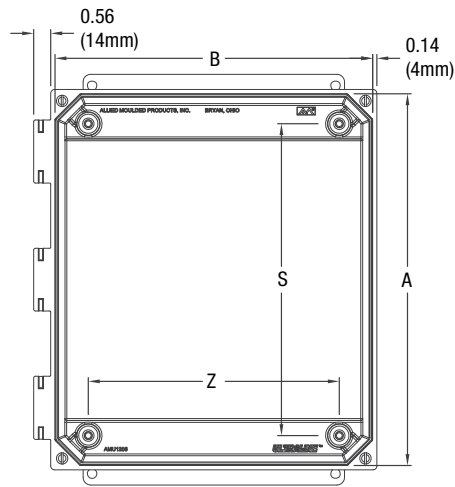
- Compression molded fiberglass reinforced polyester construction with flush, viewing window cover
- Allied Moulded ULTRAGUARD® fiberglass reinforced polyester material formulation - UV stabilized for outdoor use
- Light gray color (RAL 7035)
- Clear, polycarbonate viewing window cover
- 300 series stainless steel lockable latches, and hinge pin
- Partially molded hinge and molded latch keeper
- Gasket made of closed cell neoprene cord encased in a continuous tongue and groove channel
- Polycarbonate flanges (installed) or mounting feet (bagged) with four 300 series stainless steel screws
- #10-32 threaded brass inserts are installed for back panel mounting

ACCESSORIES

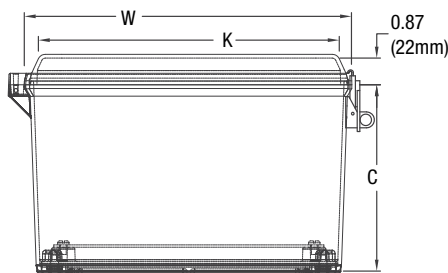
- Optional back panels and hinged front panels
- Optional thermal management products

MODIFICATIONS

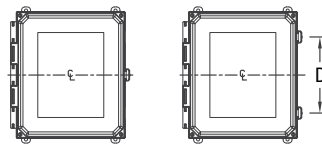
- Custom holes and cutouts
- Molded-in color matches
- EMI/RFI shielding
- Factory-supplied silk screening



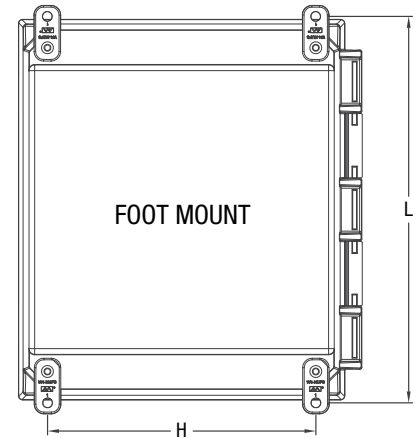
Note: Cover Removed for Clarity



LATCH LOCATIONS



- FOR USE ON
 - 6x6x4
 - 8x6x4
 - 10x6x4
- FOR USE ON
 - 12x10x6 D=7.50 (191mm)
 - 14x12x6 D=8.00 (203mm)
 - 16x14x8 D=9.00 (229mm)
 - 18x16x10 D=14.56 (370mm)
 - 20x16x10 D=16.81 (427mm)



| Part No. | Box Size | | | Usable Depth | Panel Boss Centers | | | Panel Sizes | | Flange Mount Centers | | Foot Mount Centers | | Cover Size | | | | Nom. Wall Thickness | Window Dim. (H x W) |
|--------------|----------|-------|-------|--------------|--------------------|-------|-------|-------------|-------|----------------------|-------|--------------------|-------|------------|-------|-------|------|---------------------|---------------------|
| | A | B | C | | F | S | Z | Height | Width | J | I | H | L | K | M | W | U | | |
| AMU664TW(F) | 6.05 | 6.27 | 4.13 | 4.11 | 4.25 | 4.25 | 4.81 | 4.81 | 4.00 | 6.88, 6.75 | 4.91 | 6.75 | 5.89 | 5.67 | 6.72 | 6.50 | 0.13 | 3.50 x 3.50 | |
| | 154mm | 159mm | 105mm | 104mm | 108mm | 108mm | 122mm | 122mm | 102mm | 175, 171mm | 125mm | 171mm | 150mm | 144mm | 171mm | 165mm | 3mm | 90mm x 90mm | |
| AMU864TW(F) | 8.05 | 6.27 | 4.13 | 4.11 | 6.25 | 4.25 | 6.75 | 4.88 | 4.00 | 8.88, 8.75 | 4.91 | 8.75 | 5.89 | 7.67 | 6.72 | 8.50 | 0.13 | 5.25 x 4.00 | |
| | 204mm | 159mm | 105mm | 104mm | 154mm | 108mm | 122mm | 122mm | 102mm | 175, 171mm | 125mm | 171mm | 150mm | 144mm | 171mm | 165mm | 3mm | 133mm x 102mm | |
| AMU1084TW(F) | 10.05 | 8.27 | 4.13 | 4.11 | 8.25 | 6.25 | 8.75 | 6.88 | 6.00 | 10.75 | 6.391 | 10.75 | 7.89 | 9.67 | 8.72 | 10.50 | 0.13 | 6.25 x 4.25 | |
| | 255mm | 210mm | 105mm | 104mm | 210mm | 159mm | 222mm | 175mm | 152mm | 273mm | 176mm | 273mm | 200mm | 246mm | 221mm | 267mm | 3mm | 159mm x 108mm | |
| AMU1206TW(F) | 12.05 | 10.27 | 6.13 | 6.11 | 10.25 | 8.25 | 10.75 | 8.88 | 8.00 | 12.75 | 8.82 | 12.70 | 9.89 | 11.67 | 10.72 | 12.50 | 0.13 | 8.38 x 6.50 | |
| | 306mm | 261mm | 156mm | 155mm | 260mm | 210mm | 273mm | 226mm | 203mm | 324mm | 224mm | 323mm | 251mm | 296mm | 272mm | 318mm | 3mm | 213mm x 165mm | |
| AMU1426TW(F) | 14.05 | 12.27 | 6.13 | 6.11 | 12.25 | 10.25 | 12.75 | 10.88 | 10.00 | 14.75, 14.62 | 10.82 | 14.70 | 11.89 | 13.67 | 12.72 | 14.50 | 0.13 | 10.38 x 8.50 | |
| | 357mm | 312mm | 156mm | 155mm | 311mm | 260mm | 324mm | 276mm | 254mm | 375, 371mm | 275mm | 373mm | 302mm | 347mm | 323mm | 368mm | 3mm | 264mm x 216mm | |
| AMU1648TW(F) | 16.05 | 14.27 | 8.13 | 8.11 | 14.25 | 12.25 | 14.75 | 12.88 | 12.00 | 16.75 | 11.47 | 16.91 | 13.89 | 15.67 | 14.72 | 16.50 | 0.14 | 12.38 x 10.50 | |
| | 408mm | 362mm | 207mm | 206mm | 362mm | 311mm | 375mm | 327mm | 305mm | 425mm | 291mm | 430mm | 353mm | 398mm | 374mm | 419mm | 4mm | 314mm x 279mm | |
| AMU1860TW(F) | 18.12 | 16.34 | 10.13 | 10.10 | 16.25 | 14.25 | 16.88 | 14.88 | 12.00 | 18.88, 18.76 | 13.72 | 19.16 | 16.14 | 17.92 | 16.97 | 18.75 | 0.19 | 13.00 x 11.00 | |
| | 460mm | 415mm | 257mm | 257mm | 413mm | 362mm | 429mm | 378mm | 305mm | 480, 477mm | 348mm | 487mm | 410mm | 455mm | 431mm | 476mm | 5mm | 330mm x 279mm | |
| AMU2060TW(F) | 19.87 | 16.09 | 10.13 | 10.10 | 17.81 | 13.81 | 18.44 | 14.44 | 10.00 | 21.25 | 13.16 | 20.53 | 15.89 | 19.67 | 16.72 | 20.50 | 0.19 | 14.00 x 12.00 | |
| | 505mm | 409mm | 257mm | 257mm | 452mm | 351mm | 468mm | 367mm | 254mm | 540mm | 334mm | 521mm | 404mm | 500mm | 425mm | 521mm | 5mm | 356mm x 305mm | |

*Enclosure base part numbers come standard with 4 separately bagged feet (ex. AMU664TW)

Add "F" to the part number for factory installed flanges (ex. AMU664TWF)

"I" dimensions with multiple numbers indicate slotted holes

All dimensions are in inches unless otherwise noted



ULTRALINE



AMU Series JIC Size Junction Boxes: Twist Latch Hinged Cover - Clear Polycarbonate

APPLICATION

- Designed to insulate and protect controls and components in both indoor and outdoor applications often found in oil refineries, waste water treatment equipment, and chemical plants
- Especially well suited for high temperature or corrosive environments
- Protects from dirt, dust, oil, and water
- For use with industrial control equipment in ordinary locations
- Clear/polycarbonate, instrumentation cover used in applications where critical electronic equipment must be visible and protected from the elements

STANDARDS

- UL 50 and UL 50E Types 1, 2, 3, 3R, 4, 4X, 12 and 13
- CSA C22.2 No. 94 Types 1, 2, 3, 3R, 4, 4X, 12 and 13
- Complies with
 - NEMA Types 1, 2, 3, 3R, 4, 4X, 12 and 13
 - IEC 60529 Type IP66
 - RoHS directive
- For additional physical properties per industry test standards, please refer to the chart on page 140

CONSTRUCTION

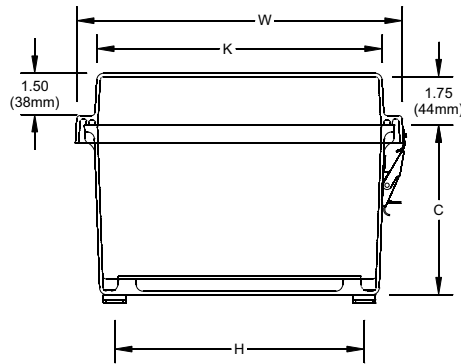
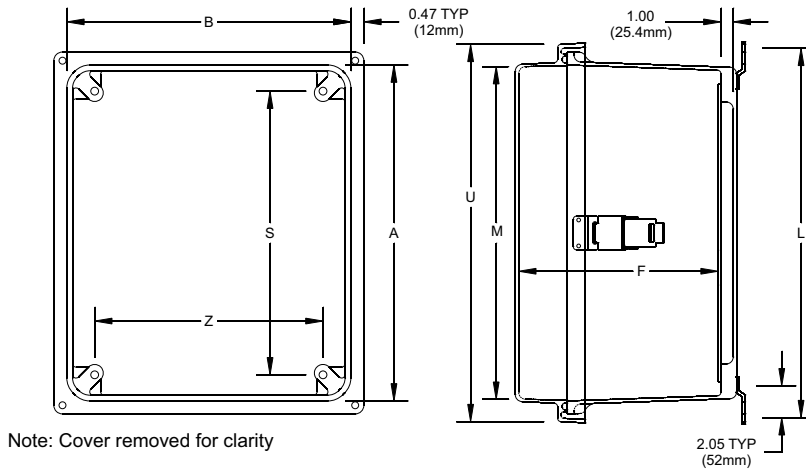
- Compression molded fiberglass reinforced polyester construction with flush, clear polycarbonate cover
- Allied Moulded ULTRAGUARD® fiberglass reinforced polyester material formulation - UV stabilized for outdoor use
- Light gray color (RAL 7035)
- Clear, polycarbonate instrumentation cover
- 300 series stainless steel lockable latches, and hinge pin
- Partially molded hinge and molded latch keeper
- Gasket made of closed cell neoprene cord encased in a continuous tongue and groove channel
- Polycarbonate flanges (installed) or mounting feet (bagged) with four 300 series stainless steel screws
- #10-32 threaded brass inserts are installed for back panel mounting

ACCESSORIES

- Optional back panels and hinged front panels
- Optional thermal management products

MODIFICATIONS

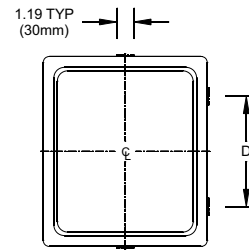
- Custom holes and cutouts
- Molded-in color matches
- EMI/RFI shielding
- Factory-supplied silk screening



Nominal 1/8" (3mm) wall thickness

LATCH LOCATIONS

- For use on:
 24x20x8 D=16.00 (406mm) 24x20x10 D=16.00 (406mm)
 24x24x8 D=16.00 (406mm) 24x24x10 D=16.00 (406mm)
 30x24x8 D=19.98 (507mm) 30x24x10 D=19.98 (507mm)

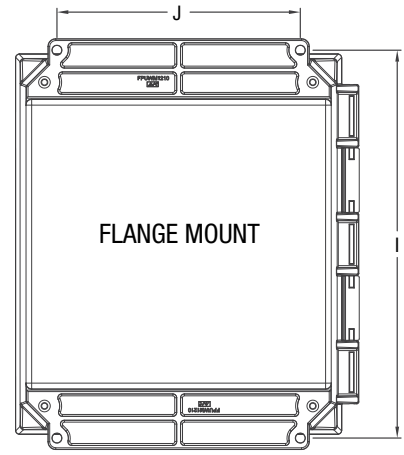
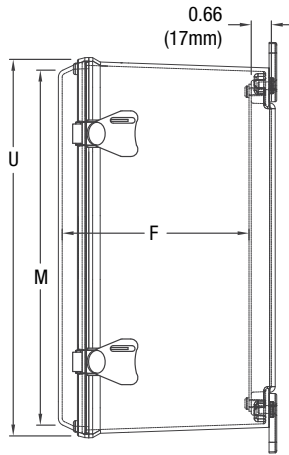
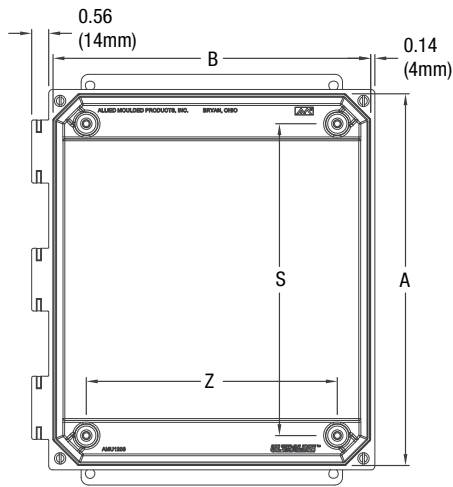


CONTROL SERIES

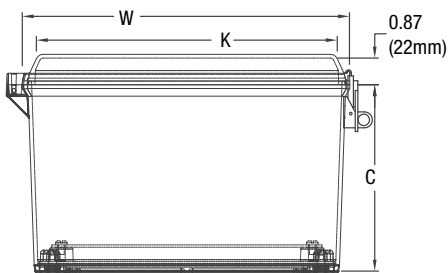
| Part No. | Box Size | | | Usable Depth | Panel Boss Centers | | Panel Sizes | | Foot Mount Centers | | Cover Size | | | | Window Dimension (height x width) |
|-------------------|----------------|----------------|----------------|----------------|--------------------|----------------|----------------|----------------|--------------------|----------------|----------------|----------------|----------------|----------------|-----------------------------------|
| | A | B | C | | F | S | Z | Height | Width | H | L | K | M | U | |
| AM24208RLW | 24.00 610mm | 20.00 508mm | 8.13 207mm | 8.56 217mm | 19.25 489mm | 15.25 387mm | 21.00 533mm | 17.00 432mm | 18.75 476mm | 26.85 682mm | 20.16 512mm | 24.16 614mm | 25.59 650mm | 21.59 548mm | 16.00 X 12.00 406mm X 305mm |
| AM24248RLW | 24.00 610mm | 24.00 610mm | 8.13 207mm | 8.56 217mm | 19.25 489mm | 19.25 489mm | 21.00 533mm | 21.00 533mm | 22.75 578mm | 26.85 682mm | 24.16 614mm | 24.16 614mm | 25.59 650mm | 25.59 650mm | 16.00 X 16.00 406mm X 406mm |
| AM30248RLW | 30.00 762mm | 24.00 610mm | 8.13 207mm | 8.56 217mm | 25.25 641mm | 19.25 489mm | 27.00 686mm | 21.00 533mm | 22.75 578mm | 32.85 834mm | 24.16 614mm | 30.16 766mm | 31.59 802mm | 25.59 650mm | 23.00 X 17.00 584mm X 432mm |
| AM24200RLW | 24.00 610mm | 20.00 508mm | 10.13 257mm | 10.56 268mm | 19.25 489mm | 15.25 387mm | 21.00 533mm | 17.00 432mm | 18.75 476mm | 26.85 682mm | 20.16 512mm | 24.16 614mm | 25.59 650mm | 21.59 548mm | 16.00 X 12.00 406mm X 305mm |
| AM24240RLW | 24.00 610mm | 24.00 610mm | 10.13 257mm | 10.56 268mm | 19.25 489mm | 19.25 489mm | 21.00 533mm | 21.00 533mm | 22.75 578mm | 26.85 682mm | 24.16 614mm | 24.16 614mm | 25.59 650mm | 25.59 650mm | 16.00 X 16.00 406mm X 406mm |
| AM30240RLW | 30.00 762mm | 24.00 610mm | 10.13 257mm | 10.56 268mm | 25.25 641mm | 19.25 489mm | 27.00 686mm | 21.00 533mm | 22.75 578mm | 32.85 834mm | 24.16 614mm | 30.16 766mm | 31.59 802mm | 25.59 650mm | 23.00 X 17.00 584mm X 432mm |

All dimensions are in inches unless otherwise noted.

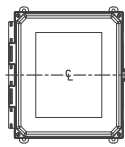




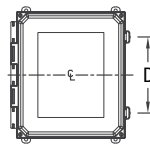
Note: Cover Removed for Clarity



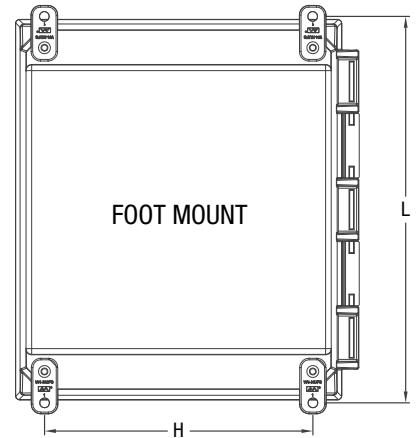
LATCH LOCATIONS



FOR USE ON
6x6x4
8x6x4
10x6x4



FOR USE ON
12x10x6 D=7.50 (191mm)
14x12x6 D=8.00 (203mm)
16x14x8 D=9.00 (229mm)
18x16x10 D=14.56 (370mm)
20x16x10 D=16.81 (427mm)



| Part No. | Box Size | | | Usable Depth | Panel Boss Centers | | Panel Sizes | | Flange Mount Centers | | Foot Mount Centers | | Cover Size | | | | Nom. Wall Thickness |
|----------------|----------------|----------------|---------------|---------------|--------------------|----------------|----------------|----------------|----------------------|----------------------------|--------------------|----------------|----------------|----------------|----------------|----------------|---------------------|
| | A | B | C | | F | S | Z | Height | Width | J | I | H | L | K | M | W | |
| AMU664CCT(F*) | 6.05 154mm | 6.27 159mm | 4.13 105mm | 4.11 104mm | 4.25 108mm | 4.25 108mm | 4.81 122mm | 4.81 122mm | 4.00 102mm | 6.88, 6.75 175, 171mm | 4.91 125mm | 6.75 171mm | 5.89 150mm | 5.67 144mm | 6.72 171mm | 6.50 165mm | 0.13 3mm |
| AMU864CCT(F*) | 8.05 204mm | 6.27 159mm | 4.13 105mm | 4.11 104mm | 6.25 159mm | 4.25 108mm | 6.75 171mm | 4.88 124mm | 4.00 102mm | 8.88, 8.75 226, 222mm | 4.91 125mm | 8.75 222mm | 5.89 150mm | 7.67 195mm | 6.72 171mm | 8.50 216mm | 0.13 3mm |
| AMU1084CCT(F*) | 10.05 255mm | 8.27 210mm | 4.13 105mm | 4.11 104mm | 8.25 210mm | 6.25 159mm | 8.75 222mm | 6.88 175mm | 6.00 152mm | 10.75 273mm | 6.91 176mm | 10.75 273mm | 7.89 200mm | 9.67 246mm | 8.72 221mm | 10.50 267mm | 0.13 3mm |
| AMU1206CCT(F*) | 12.05 306mm | 10.27 261mm | 6.13 156mm | 6.11 155mm | 10.25 260mm | 8.25 210mm | 10.75 273mm | 8.88 226mm | 8.00 203mm | 12.75 324mm | 8.82 224mm | 12.70 323mm | 9.89 251mm | 11.67 296mm | 10.72 272mm | 12.50 318mm | 0.13 3mm |
| AMU1426CCT(F*) | 14.05 357mm | 12.27 312mm | 6.13 156mm | 6.11 155mm | 12.25 311mm | 10.25 260mm | 12.75 324mm | 10.88 276mm | 10.00 254mm | 14.75, 14.62 375, 371mm | 10.82 275mm | 14.70 373mm | 11.89 302mm | 13.67 347mm | 12.72 323mm | 14.50 368mm | 0.13 3mm |
| AMU1648CCT(F*) | 16.05 408mm | 14.27 362mm | 8.13 207mm | 8.11 206mm | 14.25 362mm | 12.25 311mm | 14.75 375mm | 12.88 327mm | 12.00 305mm | 16.75 425mm | 11.47 291mm | 16.91 430mm | 13.89 353mm | 15.67 398mm | 14.72 374mm | 16.50 419mm | 0.14 4mm |

*Enclosure base part numbers come standard with 4 separately bagged feet (ex. AMU664CCT)

Add "F" to the part number for factory installed flanges (ex. AMU664CCTF)

"I" dimensions with multiple numbers indicate slotted holes

All dimensions are in inches unless otherwise noted





CONTROL SERIES

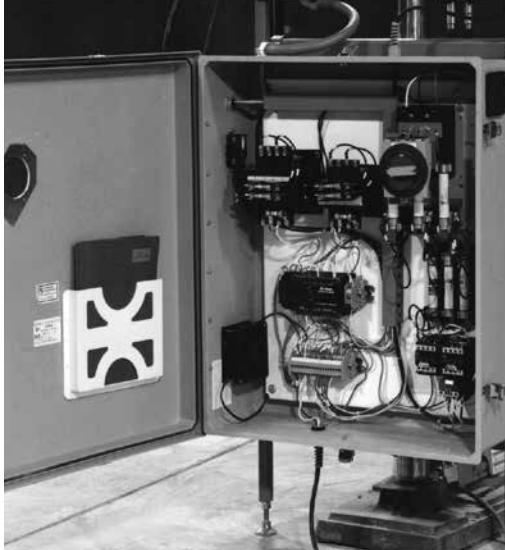
The larger Control Series offers standard features as well as full-panel access and all usable panel space. In addition, the standard grey cover is available with or without a full-length polycarbonate viewing window. Other options include removable aluminum hinged front panel and back panels.

Control Series enclosures insulate and protect controls and components against the toughest elements in the harshest environments. Available in popular larger sizes and depths and with standard stainless steel hinges and latches.

Control Series Features & Benefits

- Molded ULTRAGUARD® fiberglass reinforced polyester material construction for durability
- One-piece body construction provides added dimensional stability
- Standards sizes from 24" x 20" x 9-3/4" to 30" x 24" x 11-3/4"
- Closed-cell neoprene gasket encased in a continuous channel
- Raised cover for additional depth
- 300 series stainless steel hardware and mounting feet
- Mounting panel inserts for optional back panel
- Optional Hinged Front Panel
- UV stabilized for outdoor use





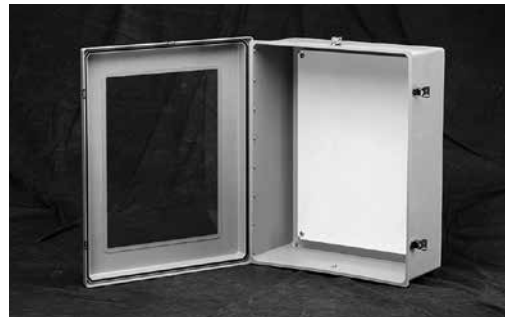
Suitable Applications

- Electrical junctions
- Terminal wiring
- Electrical and electronic controls, instruments, components
- Housing pushbuttons, switches or other devices
- Other industrial control equipment



Control Series Specifications

- Non-corrosive
- Non-conductive
- Temperature-resistant
- Fire-resistant
- Rated NEMA 1, 2, 3, 3R 4, 4X, 12, 13
- UL listed
- CSA certified
- Compliant with RoHS directive



Accessories

- Back panels available in painted carbon steel, aluminum, fiberglass, or galvanized steel
- Aluminum hinged front panel for configuration flexibility
- UV resistant polycarbonate viewing windows
- Thermal management products

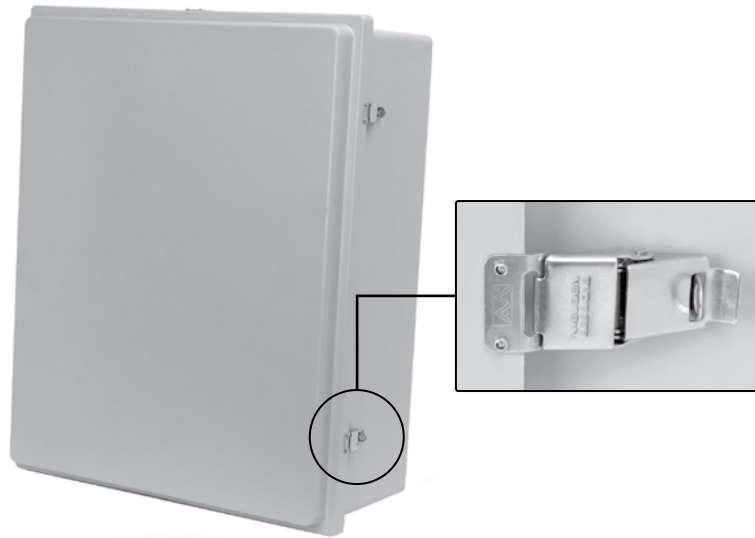
Modifications

We are pleased to modify any of our standard products to fit your needs. We have the lowest volume requirements on custom work in the industry, and quick turnaround time.

We can modify any of our Control Series enclosures with:

- Custom size holes and cutouts
- Custom size polycarbonate viewing windows
- Molded-in color matches
- EMI/RFI shielding
- Factory-supplied silk screening

For complete details on factory modifications including a modification request form, see pages 136-138.



Control Series: Snap Latch Hinged Cover

APPLICATION

- Designed to insulate and house electrical and electronic controls, instruments or components for indoor and outdoor applications
- Especially well suited for high temperature or corrosive environments
- Protects from dirt, dust, oil and water

STANDARDS

- UL 50 and UL 50E Types 1, 2, 3, 3R, 4, 4X, 12 and 13
- CSA C22.2 No. 94 Types 1, 2, 3, 3R, 4, 4X, 12 and 13
- Complies with
 - NEMA Types 1, 2, 3, 3R, 4, 4X, 12 and 13
 - IEC 60529 Type IP66
 - RoHS directive
- For additional physical properties per industry test standards, please refer to the chart on page 140

CONSTRUCTION

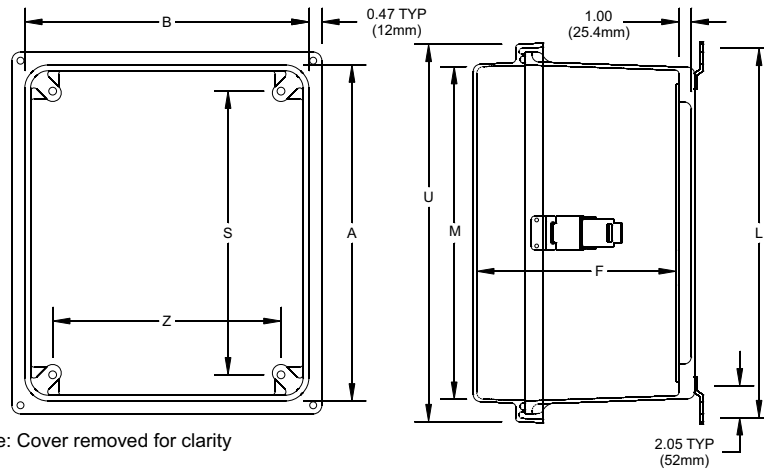
- Strong, molded ULTRAGUARD® fiberglass reinforced polyester material construction with matching raised cover
- Full panel access
- All usable panel space
- 300 series stainless steel snap latches feature padlock hasp
- Two 300 series stainless steel hinges
- Closed-cell neoprene gasket encased in a continuous channel
- 300 series stainless steel wall mounting feet with 3/8-16 stainless steel screws included
- 3/8-16 threaded inserts are installed for optional back panel
- ULTRAGUARD® fiberglass material is easily punched, drilled or sawed
- UV stabilized for outdoor use

ACCESSORIES

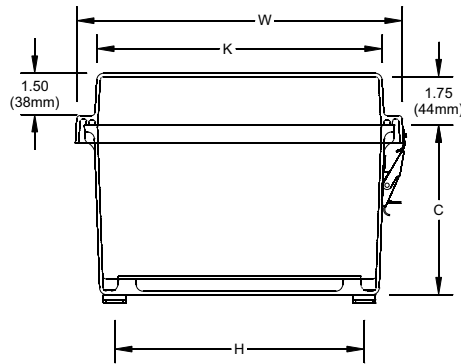
- Optional back panels (See table on pages 128-129)
- Optional hinged front panel (See table on page 130)
- Optional thermal management products (See pages 131-132)

MODIFICATIONS

- Custom size holes and cutouts
- Custom size polycarbonate viewing windows
- Molded-in color matches
- EMI/RFI shielding
- Factory-supplied silk screening



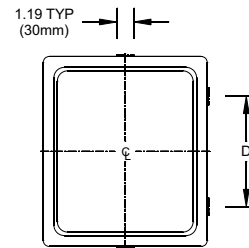
Note: Cover removed for clarity



Nominal 1/8" (3mm) wall thickness

LATCH LOCATIONS

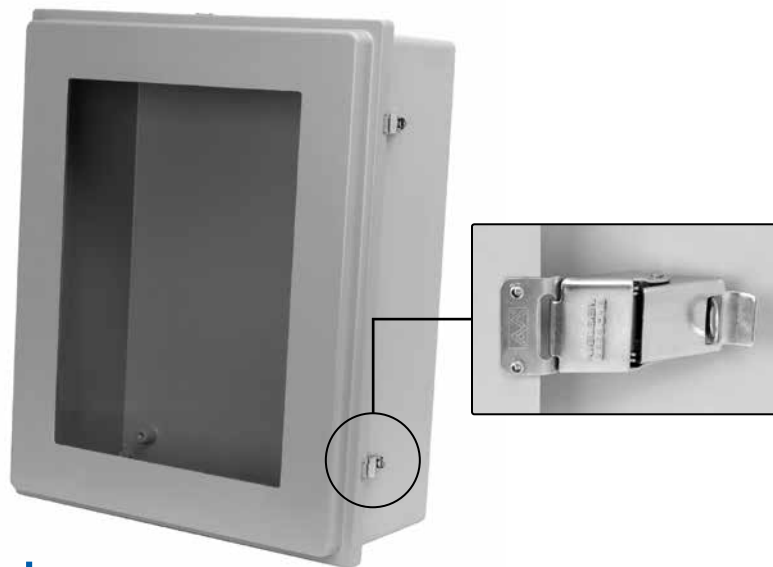
For use on:
 24x20x8 D=16.00 (406mm) 24x20x10 D=16.00 (406mm)
 24x24x8 D=16.00 (406mm) 24x24x10 D=16.00 (406mm)
 30x24x8 D=19.98 (507mm) 30x24x10 D=19.98 (507mm)



| Part No. | Box Size | | | Usable Depth F | Panel Boss Centers | | Panel Sizes | | Foot Mount Centers | | Cover Size | | | |
|-----------|----------------|----------------|----------------|-------------------|--------------------|----------------|----------------|----------------|--------------------|----------------|----------------|----------------|----------------|----------------|
| | A | B | C | | S | Z | Height | Width | H | L | K | M | U | W |
| AM24208RL | 24.00 610mm | 20.00 508mm | 8.13 207mm | 8.56 217mm | 19.25 489mm | 15.25 387mm | 21.00 533mm | 17.00 432mm | 18.75 476mm | 26.85 682mm | 20.16 512mm | 24.16 614mm | 25.59 650mm | 21.59 548mm |
| AM24248RL | 24.00 610mm | 24.00 610mm | 8.13 207mm | 8.56 217mm | 19.25 489mm | 19.25 489mm | 21.00 533mm | 21.00 533mm | 22.75 578mm | 26.85 682mm | 24.16 614mm | 24.16 614mm | 25.59 650mm | 25.59 650mm |
| AM30248RL | 30.00 762mm | 24.00 610mm | 8.13 207mm | 8.56 217mm | 25.25 641mm | 19.25 489mm | 27.00 686mm | 21.00 533mm | 22.75 578mm | 32.85 834mm | 24.16 614mm | 30.16 766mm | 31.59 802mm | 25.59 650mm |
| AM24200RL | 24.00 610mm | 20.00 508mm | 10.13 257mm | 10.56 268mm | 19.25 489mm | 15.25 387mm | 21.00 533mm | 17.00 432mm | 18.75 476mm | 26.85 682mm | 20.16 512mm | 24.16 614mm | 25.59 650mm | 21.59 548mm |
| AM24240RL | 24.00 610mm | 24.00 610mm | 10.13 257mm | 10.56 268mm | 19.25 489mm | 19.25 489mm | 21.00 533mm | 21.00 533mm | 22.75 578mm | 26.85 682mm | 24.16 614mm | 24.16 614mm | 25.59 650mm | 25.59 650mm |
| AM30240RL | 30.00 762mm | 24.00 610mm | 10.13 257mm | 10.56 268mm | 25.25 641mm | 19.25 489mm | 27.00 686mm | 21.00 533mm | 22.75 578mm | 32.85 834mm | 24.16 614mm | 30.16 766mm | 31.59 802mm | 25.59 650mm |

All dimensions are in inches unless otherwise noted.





Control Series: Snap Latch Hinged Cover With Window

APPLICATION

- Designed to insulate and house electrical and electronic controls, instruments or components for indoor and outdoor applications
- Especially well suited for high temperature or corrosive environments
- Protects from dirt, dust, oil and water
- Window unit provides viewing area for instrumentation or equipment

STANDARDS

- UL 50 and UL 50E Types 1, 2, 3, 3R, 4, 4X, 12 and 13
- CSA C22.2 No. 94 Types 1, 2, 3, 3R, 4, 4X, 12 and 13
- Complies with
 - NEMA Types 1, 2, 3, 3R, 4, 4X, 12 and 13
 - IEC 60529 Type IP66
 - RoHS directive
- For additional physical properties per industry test standards, please refer to the chart on page 140

CONSTRUCTION

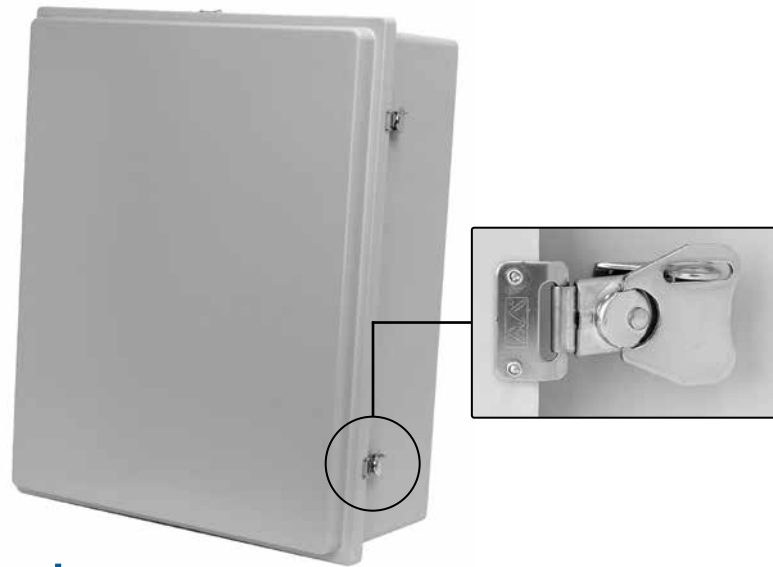
- Strong, molded ULTRAGUARD® fiberglass reinforced polyester material construction with matching raised cover
- Full panel access
- All usable panel space
- UV resistant polycarbonate viewing window
- 300 series stainless steel snap latches feature padlock hasp
- Two 300 series stainless steel hinges
- Closed-cell neoprene gasket encased in a continuous channel
- 300 series stainless steel wall mounting feet with 3/8-16 stainless steel screws included
- 3/8-16 threaded inserts are installed for optional back panel
- ULTRAGUARD® fiberglass material is easily punched, drilled or sawed
- UV stabilized for outdoor use

ACCESSORIES

- Optional back panels (See table on pages 128-129)
- Optional hinged front panel (See table on page 130)
- Optional thermal management products (See pages 131-132)

MODIFICATIONS

- Custom size holes and cutouts
- Molded-in color matches
- EMI/RFI shielding
- Factory-supplied silk screening



Control Series: Twist Latch Hinged Cover

APPLICATION

- Designed to insulate and house electrical and electronic controls, instruments or components for indoor and outdoor applications
- Especially well suited for high temperature or corrosive environments
- Protects from dirt, dust, oil and water

STANDARDS

- UL 50 and UL 50E Types 1, 2, 3, 3R, 4, 4X, 12 and 13
- CSA C22.2 No. 94 Types 1, 2, 3, 3R, 4, 4X, 12 and 13
- Complies with
 - NEMA Types 1, 2, 3, 3R, 4, 4X, 12 and 13
 - IEC 60529 Type IP66
 - RoHS directive
- For additional physical properties per industry test standards, please refer to the chart on page 140

CONSTRUCTION

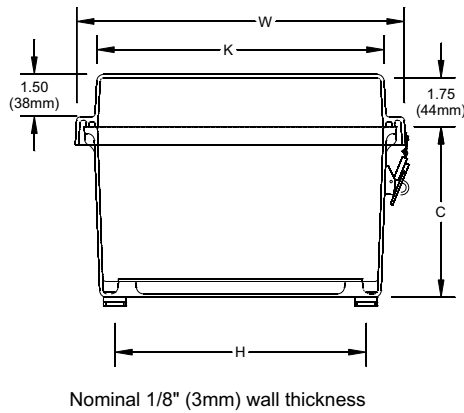
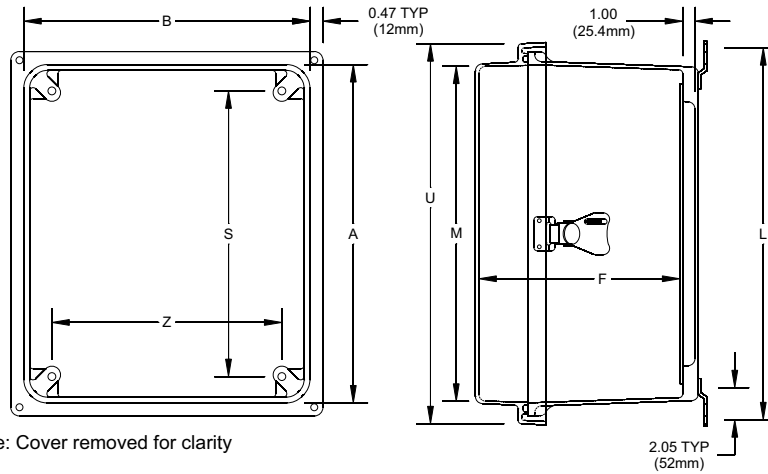
- Strong, molded ULTRAGUARD® fiberglass reinforced polyester material construction with matching raised cover
- Full panel access
- All usable panel space
- 300 series stainless steel twist latches feature padlock hasp
- Two 300 series stainless steel hinges
- Closed-cell neoprene gasket encased in a continuous channel
- 300 series stainless steel wall mounting feet with 3/8-16 stainless steel screws included
- 3/8-16 threaded inserts are installed for optional back panel
- ULTRAGUARD® fiberglass material is easily punched, drilled or sawed
- UV stabilized for outdoor use

ACCESSORIES

- Optional back panels (See table on pages 128-129)
- Optional hinged front panel (See table on page 130)
- Optional thermal management products (See pages 131-132)

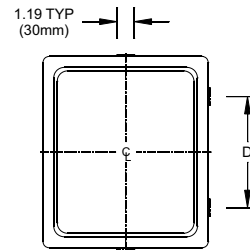
MODIFICATIONS

- Custom size holes and cutouts
- Custom size polycarbonate viewing windows
- Molded-in color matches
- EMI/RFI shielding
- Factory-supplied silk screening



LATCH LOCATIONS

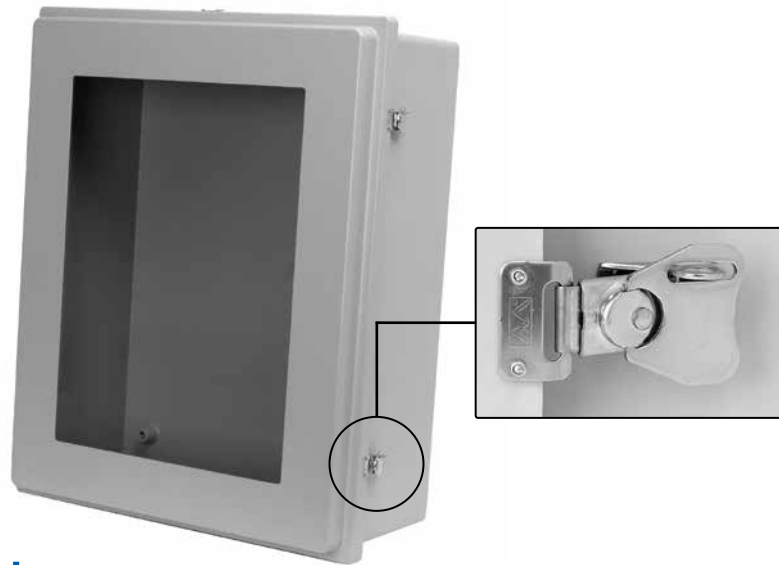
- For use on:
- 24x20x8 D=16.00 (406mm)
 - 24x24x8 D=16.00 (406mm)
 - 30x24x8 D=19.98 (507mm)
 - 24x20x10 D=16.00 (406mm)
 - 24x24x10 D=16.00 (406mm)
 - 30x24x10 D=19.98 (507mm)



| Part No. | Box Size | | | Usable Depth F | Panel Boss Centers | | Panel Sizes | | Foot Mount Centers | | Cover Size | | | |
|------------------|----------------|----------------|----------------|-------------------|--------------------|----------------|----------------|----------------|--------------------|----------------|----------------|----------------|----------------|----------------|
| | A | B | C | | S | Z | Height | Width | H | L | K | M | U | W |
| AM24208RT | 24.00 610mm | 20.00 508mm | 8.13 207mm | 8.56 217mm | 19.25 489mm | 15.25 387mm | 21.00 533mm | 17.00 432mm | 18.75 476mm | 26.85 682mm | 20.16 512mm | 24.16 614mm | 25.59 650mm | 21.59 548mm |
| AM24248RT | 24.00 610mm | 24.00 610mm | 8.13 207mm | 8.56 217mm | 19.25 489mm | 19.25 489mm | 21.00 533mm | 21.00 533mm | 22.75 578mm | 26.85 682mm | 24.16 614mm | 24.16 614mm | 25.59 650mm | 25.59 650mm |
| AM30248RT | 30.00 762mm | 24.00 610mm | 8.13 207mm | 8.56 217mm | 25.25 641mm | 19.25 489mm | 27.00 686mm | 21.00 533mm | 22.75 578mm | 32.85 834mm | 24.16 614mm | 30.16 766mm | 31.59 802mm | 25.59 650mm |
| AM24200RT | 24.00 610mm | 20.00 508mm | 10.13 257mm | 10.56 268mm | 19.25 489mm | 15.25 387mm | 21.00 533mm | 17.00 432mm | 18.75 476mm | 26.85 682mm | 20.16 512mm | 24.16 614mm | 25.59 650mm | 21.59 548mm |
| AM24240RT | 24.00 610mm | 24.00 610mm | 10.13 257mm | 10.56 268mm | 19.25 489mm | 19.25 489mm | 21.00 533mm | 21.00 533mm | 22.75 578mm | 26.85 682mm | 24.16 614mm | 24.16 614mm | 25.59 650mm | 25.59 650mm |
| AM30240RT | 30.00 762mm | 24.00 610mm | 10.13 257mm | 10.56 268mm | 25.25 641mm | 19.25 489mm | 27.00 686mm | 21.00 533mm | 22.75 578mm | 32.85 834mm | 24.16 614mm | 30.16 766mm | 31.59 802mm | 25.59 650mm |

All dimensions are in inches unless otherwise noted.





Control Series: Twist Latch Hinged Cover With Window

APPLICATION

- Designed to insulate and house electrical and electronic controls, instruments or components for indoor and outdoor applications
- Especially well suited for high temperature or corrosive environments
- Protects from dirt, dust, oil and water
- Window unit provides viewing area for instrumentation or equipment

STANDARDS

- UL 50 and UL 50E Types 1, 2, 3, 3R, 4, 4X, 12 and 13
- CSA C22.2 No. 94 Types 1, 2, 3, 3R, 4, 4X, 12 and 13
- Complies with
 - NEMA Types 1, 2, 3, 3R, 4, 4X, 12 and 13
 - IEC 60529 Type IP66
 - RoHS directive
- For additional physical properties per industry test standards, please refer to the chart on page 140

CONSTRUCTION

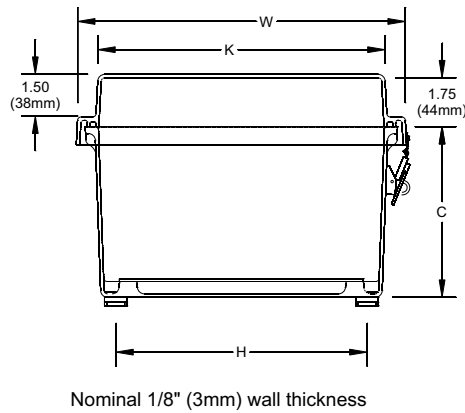
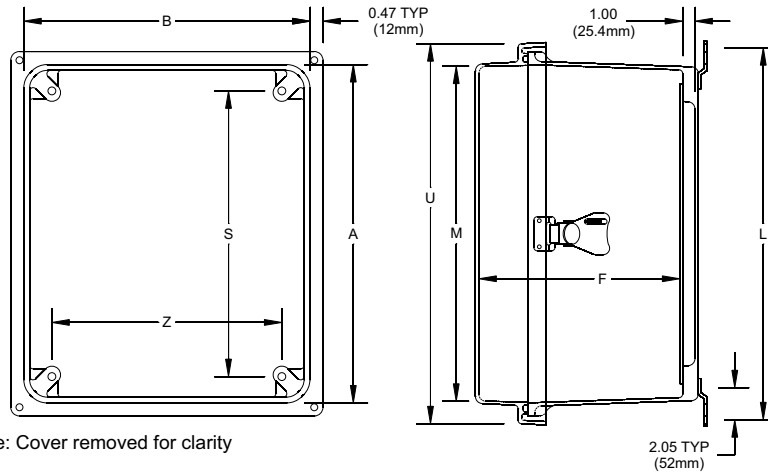
- Strong, molded ULTRAGUARD® fiberglass reinforced polyester material construction with matching raised cover
- Full panel access
- All usable panel space
- UV resistant polycarbonate viewing window
- 300 series stainless steel twist latches feature padlock hasp
- Two 300 series stainless steel hinges
- Closed-cell neoprene gasket encased in a continuous channel
- 300 series stainless steel wall mounting feet with 3/8-16 stainless steel screws included
- 3/8-16 threaded inserts are installed for optional back panel
- ULTRAGUARD® fiberglass material is easily punched, drilled or sawed
- UV stabilized for outdoor use

ACCESSORIES

- Optional back panels (See table on pages 128-129)
- Optional hinged front panel (See table on page 130)
- Optional thermal management products (See pages 131-132)

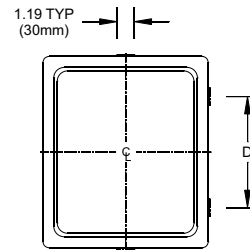
MODIFICATIONS

- Custom size holes and cutouts
- Molded-in color matches
- EMI/RFI shielding
- Factory-supplied silk screening



LATCH LOCATIONS

For use on:
 24x20x8 D=16.00 (406mm) 24x20x10 D=16.00 (406mm)
 24x24x8 D=16.00 (406mm) 24x24x10 D=16.00 (406mm)
 30x24x8 D=19.98 (507mm) 30x24x10 D=19.98 (507mm)



CONTROL SERIES

| Part No. | Box Size | | | Usable Depth | Panel Boss Centers | | Panel Sizes | | Foot Mount Centers | | Cover Size | | | | Window Dimension (height x width) |
|-------------------|----------------|----------------|----------------|----------------|--------------------|----------------|----------------|----------------|--------------------|----------------|----------------|----------------|----------------|----------------|-----------------------------------|
| | A | B | C | | F | S | Z | Height | Width | H | L | K | M | U | |
| AM24208RTW | 24.00 610mm | 20.00 508mm | 8.13 207mm | 8.56 217mm | 19.25 489mm | 15.25 387mm | 21.00 533mm | 17.00 432mm | 18.75 476mm | 26.85 682mm | 20.16 512mm | 24.16 614mm | 25.59 650mm | 21.59 548mm | 16.00 X 12.00 406mm X 305mm |
| AM24248RTW | 24.00 610mm | 24.00 610mm | 8.13 207mm | 8.56 217mm | 19.25 489mm | 19.25 489mm | 21.00 533mm | 21.00 533mm | 22.75 578mm | 26.85 682mm | 24.16 614mm | 24.16 614mm | 25.59 650mm | 25.59 650mm | 16.00 X 16.00 406mm X 406mm |
| AM30248RTW | 30.00 762mm | 24.00 610mm | 8.13 207mm | 8.56 217mm | 25.25 641mm | 19.25 489mm | 27.00 686mm | 21.00 533mm | 22.75 578mm | 32.85 834mm | 24.16 614mm | 30.16 766mm | 31.59 802mm | 25.59 650mm | 23.00 X 17.00 584mm X 432mm |
| AM24200RTW | 24.00 610mm | 20.00 508mm | 10.13 257mm | 10.56 268mm | 19.25 489mm | 15.25 387mm | 21.00 533mm | 17.00 432mm | 18.75 476mm | 26.85 682mm | 20.16 512mm | 24.16 614mm | 25.59 650mm | 21.59 548mm | 16.00 X 12.00 406mm X 305mm |
| AM24240RTW | 24.00 610mm | 24.00 610mm | 10.13 257mm | 10.56 268mm | 19.25 489mm | 19.25 489mm | 21.00 533mm | 21.00 533mm | 22.75 578mm | 26.85 682mm | 24.16 614mm | 24.16 614mm | 25.59 650mm | 25.59 650mm | 16.00 X 16.00 406mm X 406mm |
| AM30240RTW | 30.00 762mm | 24.00 610mm | 10.13 257mm | 10.56 268mm | 25.25 641mm | 19.25 489mm | 27.00 686mm | 21.00 533mm | 22.75 578mm | 32.85 834mm | 24.16 614mm | 30.16 766mm | 31.59 802mm | 25.59 650mm | 23.00 X 17.00 584mm X 432mm |

All dimensions are in inches unless otherwise noted.





EMPIRE SERIES



For your largest applications, turn to the Empire Series from Allied Moulded. Fiberglass construction offers durability and strength without the excessive weight of a comparable metal enclosure. Available in ten standard sizes, including eight wall mount cabinets from 36" x 30" x 12" to 60" x 36" x 16" and two freestanding sizes up to 72" x 49" x 25". A full range of modification services are also available on our Empire Series enclosures.

Empire Series Features & Benefits

- ULTRAGUARD® fiberglass reinforced polyester material construction for durability
- Continuous stainless steel hinge
- Flexible, self-gripping gasket compresses over flange for tight seal
- Wall mount units come with two latching options to meet NEMA Type 4X requirements: (a) three 300 series stainless steel twist latches with a padlock hasp or (b) padlockable 3-point latching handles
- Freestanding units have padlockable 3-point latching handles which meet NEMA Type 4 requirements
- Optional white painted carbon steel back panels are fully interchangeable with other specified enclosures

Suitable Applications

- Electrical junctions
- Terminal wiring
- Electrical and electronic controls, instruments, components
- Housing pushbuttons, switches or other devices
- Other industrial control equipment



Empire Series Specifications

- Non-corrosive
- Non-conductive
- Lightweight vs. stainless steel
- Temperature-resistant
- Fire-resistant
- Rated NEMA 1, 4, and 4X
- cUL listed



Accessories

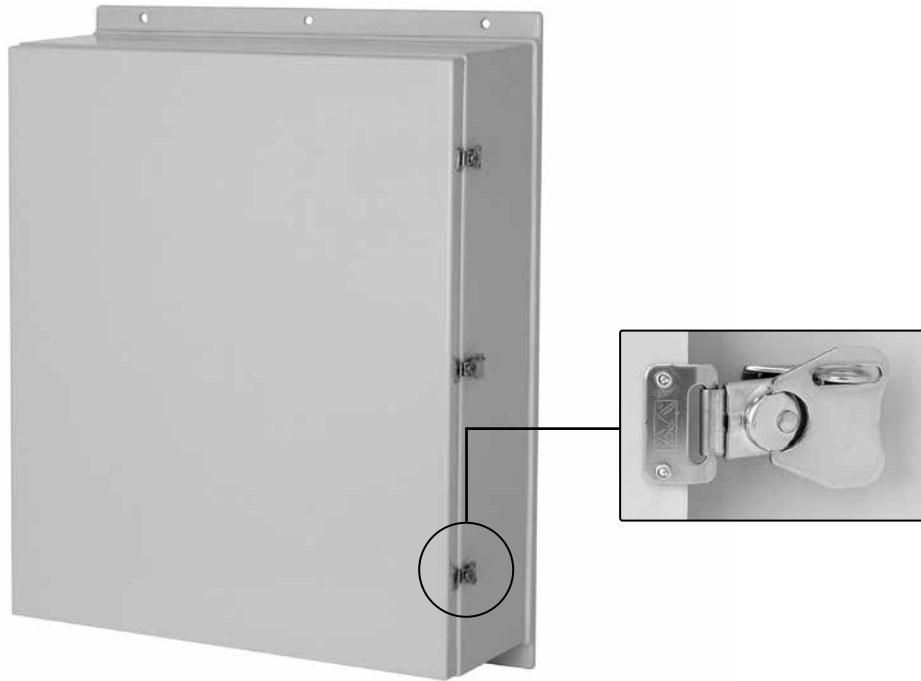
- Optional white painted carbon steel back panels
- Optional thermal management products
- Optional print pocket

Modifications

We are pleased to modify any of our standard products to fit your needs. We have the lowest volume requirements on custom work in the industry, and quick turnaround time.

We can modify any of our Empire Series enclosures with:

- Custom holes and cutouts
- Viewing windows
- Molded-in color matches
- EMI/RFI shielding
- Factory-supplied silk screening
- Mounting strut



Empire Series: Wall Mount Twist Latch Hinged Cover



APPLICATION

- Designed to insulate and house electrical and electronic controls, instruments or components for indoor and outdoor applications
- Especially well suited for high temperature or corrosive environments
- Protects from dirt, dust, oil and water

STANDARDS

- UL 50 and UL 50E Types 1, 4, and 4X
- CSA C22.2 No. 94 Types 1, 4, and 4X
- Complies with
 - NEMA Types 1, 4, and 4X
 - IEC 60529 Type IP66
 - RoHS directive
- For additional physical properties per industry test standards, please refer to the chart on page 140

CONSTRUCTION

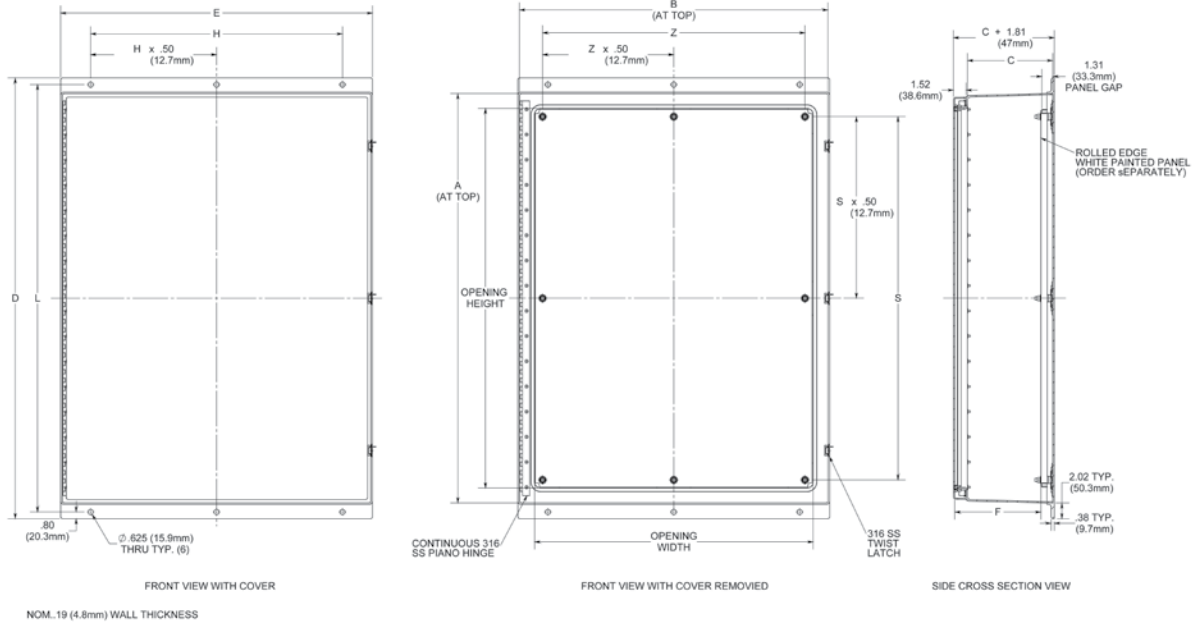
- Durable, corrosion resistant ULTRAGUARD® fiberglass material construction
- Flexible, self-gripping gasket compresses over flange for tight seal and needs only three closure twist latches to meet NEMA 4X requirements (AM6036 requires 4 latches)
- Heavy-duty continuous 300 series stainless steel hinge
- 300 series stainless steel twist latches feature padlock hasp
- ULTRAGUARD® fiberglass material has UV inhibitors which provide ideal protection from outdoor weathering

ACCESSORIES

- Optional painted carbon steel back panels (See page 129)
- Optional thermal management products (See pages 131-132)
- Optional print pocket (See page 131)

MODIFICATIONS

- See page 136-138



| Part No. | Box Dim. at Top | | | Overall Box Dim. | | Usable Depth | Flange Mount | | Opening | | Panel Studs | | | Panel Size | |
|-----------|-----------------|-------|--------|------------------|-------|--------------|--------------|---------|---------|-------|-------------|---------|-------|------------|-------|
| | A | B | C | D | E | F | H | L | Height | Width | # of Studs | S | Z | Height | Width |
| AM363012L | 36.25 | 30.25 | 10.14 | 40.50 | 31.15 | 10.27 | 24.00 | 38.90 | 33.50 | 27.50 | 6 | 31.25 | 25.25 | 33.00 | 27.00 |
| | 921mm | 768mm | 258mm | 1,029mm | 791mm | 261mm | 610mm | 988mm | 851mm | 699mm | | 794mm | 641mm | 838mm | 686mm |
| AM363016L | 36.04 | 30.04 | 14.16 | 40.50 | 31.15 | 14.27 | 24.00 | 38.90 | 33.50 | 27.50 | 6 | 31.25 | 25.25 | 33.00 | 27.00 |
| | 915mm | 763mm | 359mm | 1,029mm | 791mm | 362mm | 610mm | 988mm | 851mm | 699mm | | 794mm | 641mm | 838mm | 686mm |
| AM363612L | 36.25 | 36.25 | 10.14 | 40.50 | 37.15 | 10.27 | 30.00 | 38.90 | 33.50 | 33.50 | 8 | 31.25 | 31.25 | 33.00 | 33.00 |
| | 921mm | 921mm | 258mm | 1,029mm | 944mm | 261mm | 762mm | 988mm | 851mm | 851mm | | 794mm | 794mm | 838mm | 838mm |
| AM363616L | 36.04 | 36.04 | 14.14 | 40.50 | 37.15 | 14.27 | 30.00 | 38.90 | 33.50 | 33.50 | 8 | 31.25 | 31.25 | 33.00 | 33.00 |
| | 915mm | 915mm | 3659mm | 1,029mm | 944mm | 362mm | 762mm | 988mm | 851mm | 851mm | | 794mm | 794mm | 838mm | 838mm |
| AM483612L | 48.25 | 36.25 | 10.14 | 52.50 | 37.15 | 10.27 | 30.00 | 50.90 | 45.50 | 33.50 | 8 | 43.25 | 31.25 | 45.00 | 33.00 |
| | 1,226mm | 921mm | 258mm | 1,334mm | 944mm | 261mm | 762mm | 1,293mm | 1,156mm | 851mm | | 1,099mm | 794mm | 1,143mm | 838mm |
| AM483616L | 48.04 | 36.04 | 14.164 | 52.50 | 37.15 | 14.27 | 30.00 | 50.90 | 45.50 | 33.50 | 8 | 43.25 | 31.25 | 45.00 | 33.00 |
| | 1,220mm | 915mm | 359mm | 1,334mm | 944mm | 362mm | 762mm | 1,293mm | 1,156mm | 851mm | | 1,099mm | 794mm | 1,143mm | 838mm |
| AM603612L | 60.25 | 36.25 | 10.14 | 64.50 | 37.15 | 10.27 | 30.00 | 62.90 | 57.50 | 33.50 | 8 | 55.25 | 31.25 | 57.00 | 33.00 |
| | 1,530mm | 921mm | 258mm | 1,638mm | 944mm | 261mm | 762mm | 1,598mm | 1,461mm | 851mm | | 1,403mm | 794mm | 1,448mm | 838mm |
| AM603616L | 60.04 | 36.04 | 14.14 | 64.50 | 37.15 | 14.27 | 30.00 | 62.90 | 57.50 | 33.50 | 8 | 55.25 | 31.25 | 57.00 | 33.00 |
| | 1,525mm | 915mm | 360mm | 1,638mm | 944mm | 362mm | 762mm | 1,598mm | 1,461mm | 851mm | | 1,403mm | 794mm | 1,448mm | 838mm |

All dimensions are in inches unless otherwise noted.

EMPIRE SERIES





Empire Series: Wall Mount 3-Point Latch Hinged Cover



APPLICATION

- Designed to insulate and house electrical and electronic controls, instruments or components for indoor and outdoor applications
- Especially well suited for high temperature or corrosive environments
- Protects from dirt, dust, oil and water

STANDARDS

- UL 50 and UL 50E Types 1, 4, and 4X
- CSA C22.2 No. 94 Types 1, 4, and 4X
- Complies with
 - NEMA Types 1, 2, 3, 3R, 4, 4X, 12 and 13
 - IEC 60529 Type IP66
 - RoHS directive
- For additional physical properties per industry test standards, please refer to the chart on page 140

CONSTRUCTION

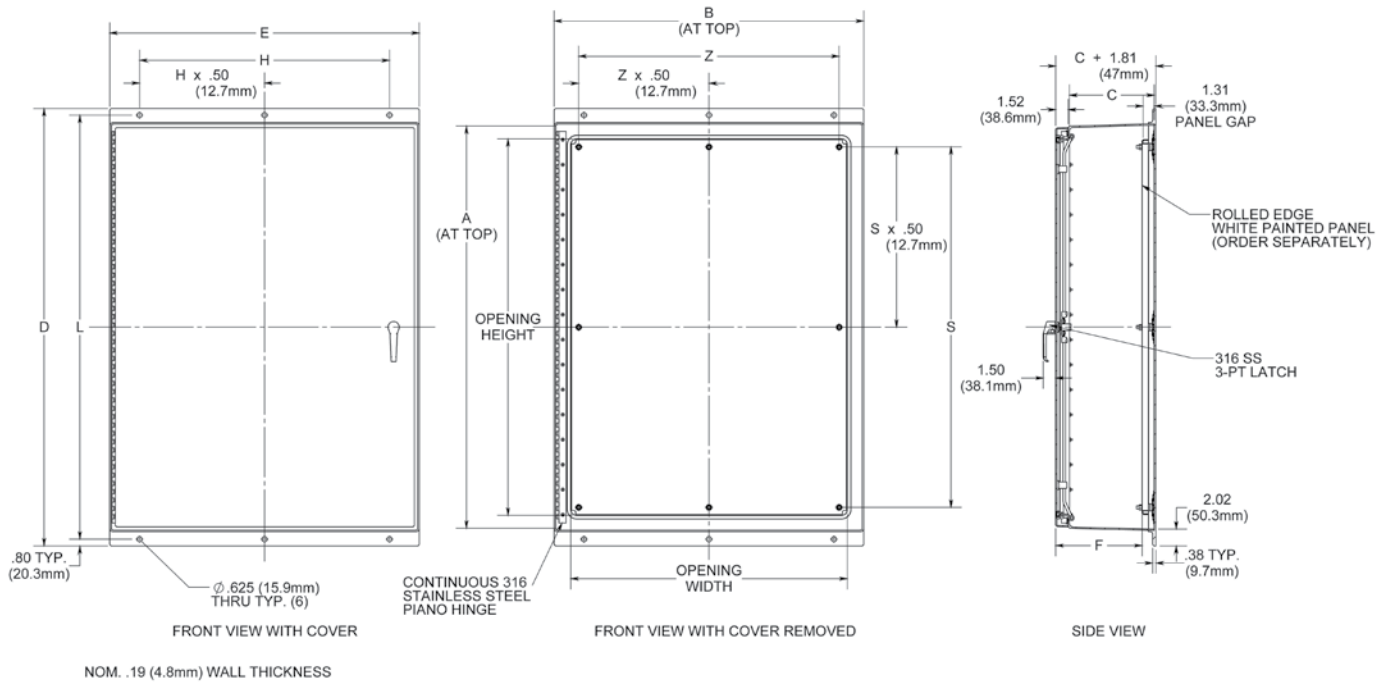
- Durable, corrosion resistant ULTRAGUARD® fiberglass material construction
- Flexible, self-gripping gasket compresses over flange for tight seal and has one 3-point latching handle with padlocking provision
- Heavy-duty continuous 300 series stainless steel hinge
- ULTRAGUARD® fiberglass material has UV inhibitors which provide ideal protection from outdoor weathering

ACCESSORIES

- Optional painted carbon steel back panels (See page 129)
- Optional thermal management products (See pages 131-132)
- Optional print pocket (See page 131)

MODIFICATIONS

- See page 136-138



| Part No. | Box Dim. at Top | | | Overall Box Dim. | | Usable Depth F | Flange Mount | | Opening | | Panel Studs | | Panel Size | | |
|--------------|-----------------|-------|--------|------------------|-------|----------------|--------------|---------|---------|-------|-------------|---------|------------|---------|-------|
| | A | B | C | D | E | | H | L | Height | Width | # of Studs | S | Z | Height | Width |
| AM363012L3PT | 36.25 | 30.25 | 10.14 | 40.50 | 31.15 | 10.27 | 24.00 | 38.90 | 33.50 | 27.50 | 6 | 31.25 | 25.25 | 33.00 | 27.00 |
| | 921mm | 768mm | 258mm | 1,029mm | 791mm | 261mm | 610mm | 988mm | 851mm | 699mm | | 794mm | 641mm | 838mm | 686mm |
| AM363016L3PT | 36.04 | 30.04 | 14.16 | 40.50 | 31.15 | 14.27 | 24.00 | 38.90 | 33.50 | 27.50 | 6 | 31.25 | 25.25 | 33.00 | 27.00 |
| | 915mm | 763mm | 359mm | 1,029mm | 791mm | 362mm | 610mm | 988mm | 851mm | 699mm | | 794mm | 641mm | 838mm | 686mm |
| AM363612L3PT | 36.25 | 36.25 | 10.14 | 40.50 | 37.15 | 10.27 | 30.00 | 38.90 | 33.50 | 33.50 | 8 | 31.25 | 31.25 | 33.00 | 33.00 |
| | 921mm | 921mm | 258mm | 1,029mm | 944mm | 261mm | 762mm | 988mm | 851mm | 851mm | | 794mm | 794mm | 838mm | 838mm |
| AM363616L3PT | 36.04 | 36.04 | 14.14 | 40.50 | 37.15 | 14.27 | 30.00 | 38.90 | 33.50 | 33.50 | 8 | 31.25 | 31.25 | 33.00 | 33.00 |
| | 915mm | 915mm | 3659mm | 1,029mm | 944mm | 362mm | 762mm | 988mm | 851mm | 851mm | | 794mm | 794mm | 838mm | 838mm |
| AM483612L3PT | 48.25 | 36.25 | 10.14 | 52.50 | 37.15 | 10.27 | 30.00 | 50.90 | 45.50 | 33.50 | 8 | 43.25 | 31.25 | 45.00 | 33.00 |
| | 1,226mm | 921mm | 258mm | 1,334mm | 944mm | 261mm | 762mm | 1,293mm | 1,156mm | 851mm | | 1,099mm | 794mm | 1,143mm | 838mm |
| AM483616L3PT | 48.04 | 36.04 | 14.164 | 52.50 | 37.15 | 14.27 | 30.00 | 50.90 | 45.50 | 33.50 | 8 | 43.25 | 31.25 | 45.00 | 33.00 |
| | 1,220mm | 915mm | 359mm | 1,334mm | 944mm | 362mm | 762mm | 1,293mm | 1,156mm | 851mm | | 1,099mm | 794mm | 1,143mm | 838mm |
| AM603612L3PT | 60.25 | 36.25 | 10.14 | 64.50 | 37.15 | 10.27 | 30.00 | 62.90 | 57.50 | 33.50 | 8 | 55.25 | 31.25 | 57.00 | 33.00 |
| | 1,530mm | 921mm | 258mm | 1,638mm | 944mm | 261mm | 762mm | 1,598mm | 1,461mm | 851mm | | 1,403mm | 794mm | 1,448mm | 838mm |
| AM603616L3PT | 60.04 | 36.04 | 14.14 | 64.50 | 37.15 | 14.27 | 30.00 | 62.90 | 57.50 | 33.50 | 8 | 55.25 | 31.25 | 57.00 | 33.00 |
| | 1,525mm | 915mm | 360mm | 1,638mm | 944mm | 362mm | 762mm | 1,598mm | 1,461mm | 851mm | | 1,403mm | 794mm | 1,448mm | 838mm |

All dimensions are in inches unless otherwise noted.

EMPIRE SERIES





Empire Series: Free Standing Single Door



APPLICATION

- Designed to insulate and house electrical and electronic controls, instruments or components for indoor and outdoor applications
- Especially well suited for high temperature or corrosive environments
- Protects from dirt, dust, oil and water

STANDARDS

- UL 50 and UL 50E Types 1, 4, and 4X
- CSA C22.2 No. 94 Types 1, 4, and 4X
- Complies with
 - NEMA Types 1, 2, 3, 3R, 4, 4X, 12 and 13
 - IEC 60529 Type IP66
 - RoHS directive
- For additional physical properties per industry test standards, please refer to the chart on page 140

CONSTRUCTION

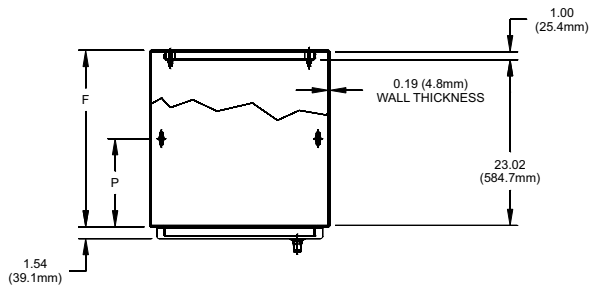
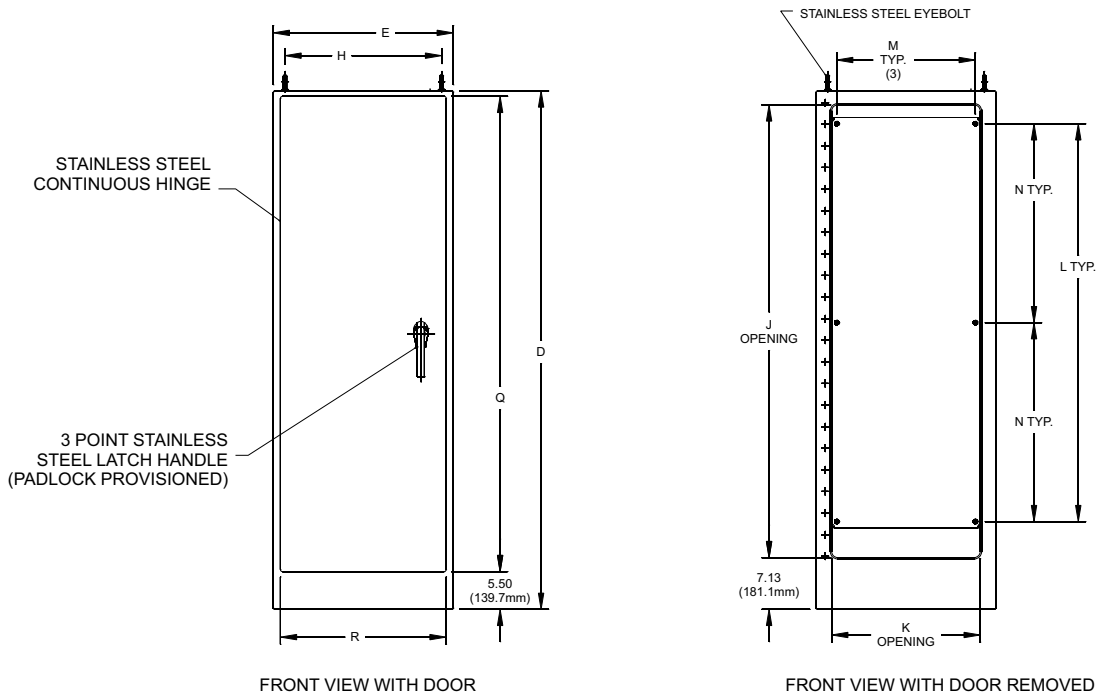
- Durable, corrosion resistant ULTRAGUARD® fiberglass material construction
- Soft, self-gripping gasket compresses over flange for tight seal and has one 3 point latching handle with padlocking provision
- Heavy-duty continuous 300 series stainless steel hinge
- ULTRAGUARD® fiberglass material has UV inhibitors which provide ideal protection from outdoor weathering
- Heavy duty lifting eyes
- Molded-in drip shield

ACCESSORIES

- Optional painted carbon steel back panels
- Optional thermal management products (See pages 131-132)
- Optional print pocket (See page 131)

MODIFICATIONS

- See page 136-138



EMPIRE SERIES

| Part No. | D | E | F | H | J | K | L | M | N | P | Q | R | # PANEL MOUNT STUDS |
|-------------------|-----------------|----------------|----------------|----------------|-----------------|----------------|-----------------|----------------|----------------|----------------|-----------------|----------------|---------------------|
| AM722525FS | 72.00 1829mm | 25.00 635mm | 24.50 622mm | 21.75 552mm | 62.88 1597mm | 20.63 524mm | 55.25 1403mm | 19.25 489mm | 27.63 702mm | 12.25 311mm | 66.00 1676mm | 23.00 584mm | 6 |

All dimensions are in inches unless otherwise noted.

| Optional Carbon Steel Back Panel | | |
|----------------------------------|-----------------|----------------|
| Part No. | Height | Width |
| P7225CS | 57.00 1448mm | 21.00 533mm |





Empire Series: Free Standing Double Door



APPLICATION

- Designed to insulate and house electrical and electronic controls, instruments or components for indoor and outdoor applications
- Especially well suited for high temperature or corrosive environments
- Protects from dirt, dust, oil and water

STANDARDS

- UL 50 and UL 50E Types 1, 4, and 4X
- CSA C22.2 No. 94 Types 1, 4, and 4X
- Complies with
 - NEMA Types 1, 4, and 4X
 - IEC 60529 Type IP66
- For additional physical properties per industry test standards, please refer to the chart on page 140

CONSTRUCTION

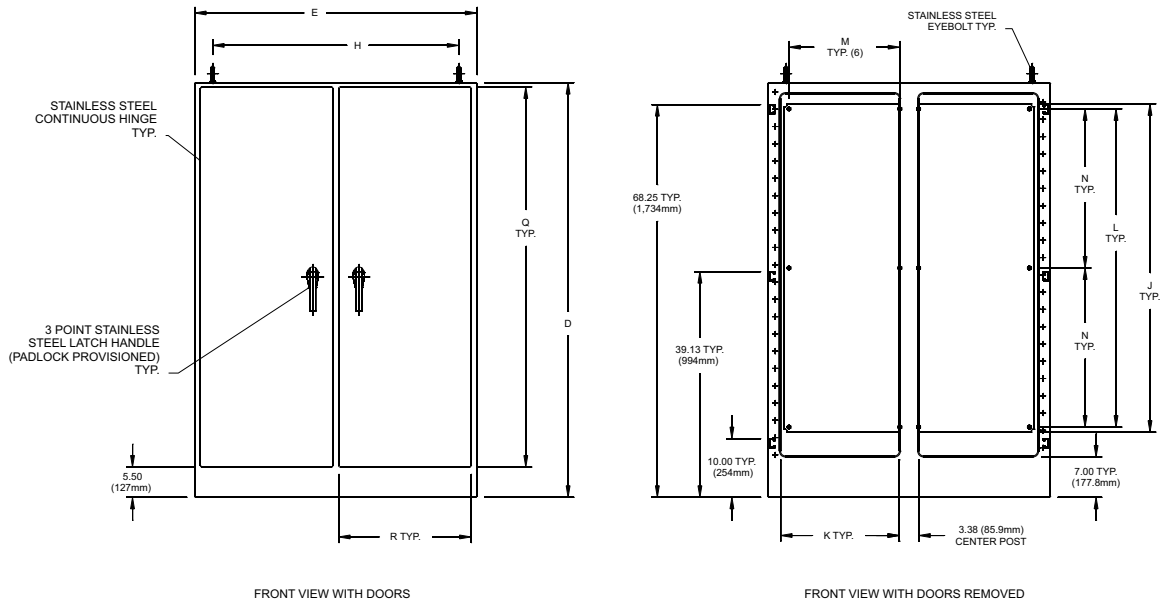
- Durable, corrosion resistant ULTRAGUARD® fiberglass material construction
- Flexible, self-gripping gasket compresses over flange for tight seal and has two 3 point latching handles with padlocking provision
- Heavy-duty continuous 300 stainless steel hinge
- ULTRAGUARD® Fiberglass material has UV inhibitors which provide ideal protection from outdoor weathering
- Heavy duty lifting eyes
- Molded-in drip shield
- Fiberglass mounting strut installed on side

ACCESSORIES

- Optional painted carbon steel back panels
- Optional thermal management products (See pages 131-132)
- Optional print pocket (See page 131)

MODIFICATIONS

- See page 136-138



EMPIRE SERIES

| Part No. | D | E | F | H | J | K | L | M | N | P | Q | R | # PANEL MOUNT STUDS |
|---------------------|-----------------|-----------------|----------------|-----------------|-----------------|----------------|-----------------|----------------|----------------|---------------|-----------------|----------------|---------------------|
| AM724925FSDD | 72.00 1829mm | 49.00 1245mm | 24.50 622mm | 45.25 1149mm | 62.88 1597mm | 20.63 524mm | 55.25 1403mm | 19.25 489mm | 27.63 702mm | 5.00 127mm | 66.00 1676mm | 23.00 584mm | 12 |

All dimensions are in inches unless otherwise noted.

| Optional Carbon Steel Back Panel | | |
|----------------------------------|-----------------|----------------|
| Part No. | Height | Width |
| P7249CS | 57.00 1448mm | 21.00 533mm |



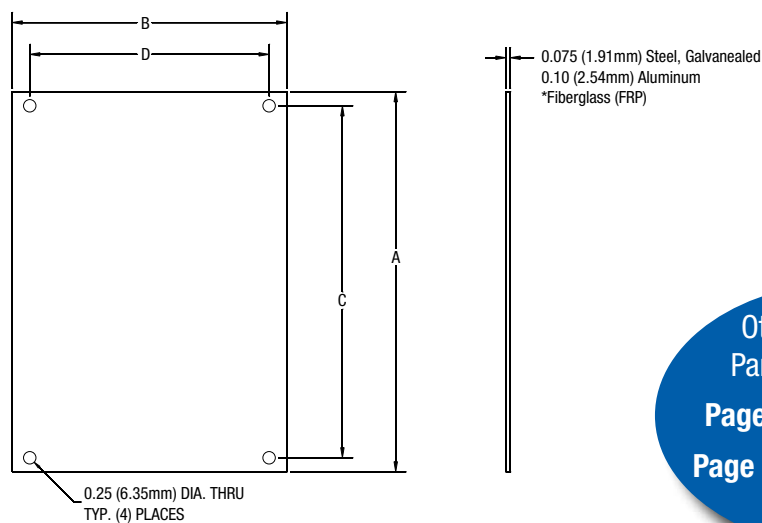
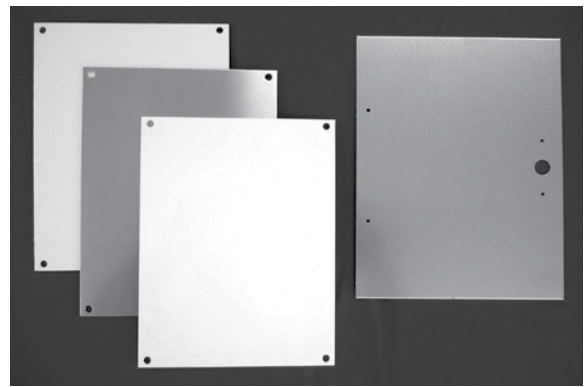
AM / AMU / AM-R: Optional Back Panels

“P” White Painted Carbon Steel

“PA” Aluminum

“PF” Fiberglass

“PG” Galvannealed



Other Product Line
Panels are found on:
Pages 24-25...POLYLINE
**Page 33...AM Series Small
Junction Box**

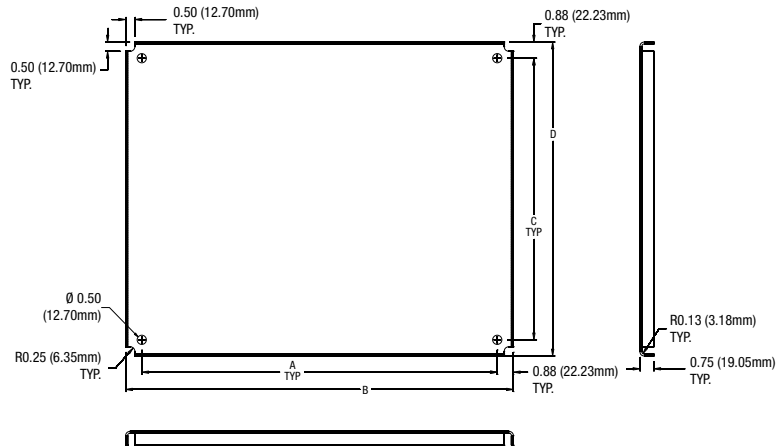
AM, AMHD, AMU, AM-R SERIES (JIC Sizes)

| Steel | Alum | FRP | Galv | A | B | C | D |
|-------------|--------------|--------------|--------------|----------------|----------------|----------------|----------------|
| P66 | PA66 | PF66 | PG66 | 4.81 122mm | 4.81 122mm | 4.25 108mm | 4.25 108mm |
| P86 | PA86 | PF86 | PG86 | 6.75 171mm | 4.88 124mm | 6.25 159mm | 4.25 108mm |
| P108 | PA108 | PF108 | PG108 | 8.75 222mm | 6.88 175mm | 8.25 210mm | 6.25 159mm |
| P120 | PA120 | PF120 | PG120 | 10.75 273mm | 8.88 226mm | 10.25 260mm | 8.25 210mm |
| P142 | PA142 | PF142 | PG142 | 12.75 324mm | 10.88 276mm | 12.25 311mm | 10.25 260mm |
| P164 | PA164 | PF164 | PG164 | 14.75 375mm | 12.88 327mm | 14.25 362mm | 12.25 311mm |
| P186 | PA186 | PF186 | PG186 | 16.88 429mm | 14.88 378mm | 16.25 413mm | 14.25 362mm |
| P206 | PA206 | PF206 | PG206 | 18.44 468mm | 14.44 367mm | 17.81 452mm | 13.81 351mm |

*Fiberglass panel thickness: (0.125") PF66, PF86, PF108; (0.187") PF120, PF142, PF164; (0.250") PF186, PF206

Control Series / Empire Series: Optional Back Panels

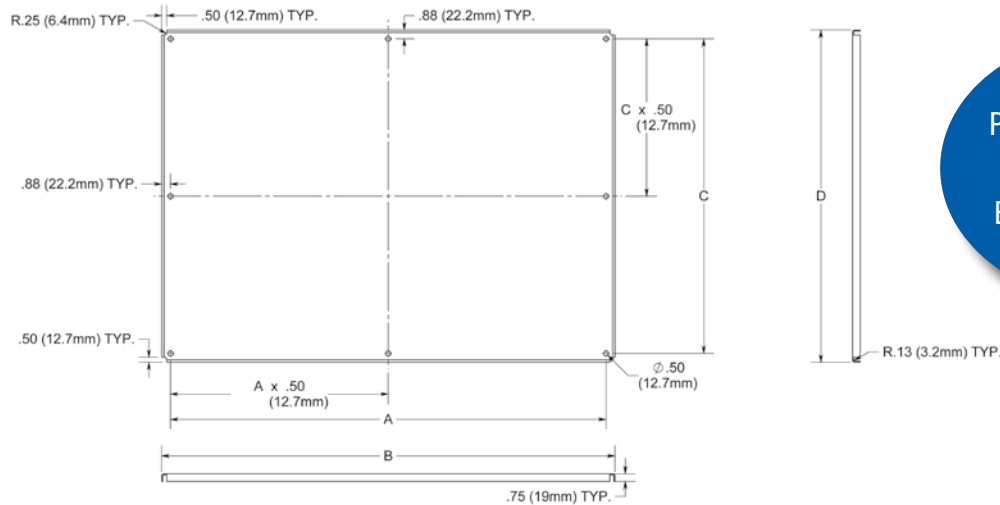
- “P” White Painted Carbon Steel
- “PA” Aluminum
- “PF” Fiberglass
- “PG” Galvannealed



CONTROL SERIES

| Steel | Alum | FRP | Galv | A | B | C | D |
|-------|--------|--------|--------|----------------|----------------|----------------|----------------|
| P2420 | PA2420 | PF2420 | PG2420 | 19.25 489mm | 21.00 533mm | 15.25 387mm | 17.00 432mm |
| P2424 | PA2424 | PF2424 | PG2424 | 19.25 489mm | 21.00 533mm | 19.25 489mm | 21.00 533mm |
| P3024 | PA3024 | PF3024 | PG3024 | 25.25 641mm | 27.00 686mm | 19.25 489mm | 21.00 533mm |

Steel panel thickness: (0.1046") P2420, P2424, P3024; Aluminum panel thickness: (0.1046") PA2420, PA2424, PA3024
 Fiberglass panel thickness: (0.250") PF2420, PF2424, PF3024; Galvanized steel panel thickness: (0.1046") PG2420, PG2424, PG3024
 Note: Fiberglass is just a flat panel, no rolled edge.



Other Product Line
Panels are found on:
Pages 125 & 127
EMPIRE Series Free
Standing units

EMPIRE SERIES

| Steel | A | B | C | D |
|---------|------------------|------------------|----------------|----------------|
| P3630CS | 31.24 793mm | 33.00 838mm | 25.24 641mm | 27.00 686mm |
| P3636CS | 31.24 793mm | 33.00 838mm | 31.24 793mm | 33.00 838mm |
| P4836CS | 43.24 1,098mm | 45.00 1,143mm | 31.24 793mm | 33.00 838mm |
| P6036CS | 55.24 1,403mm | 57.00 1,448mm | 31.24 793mm | 33.00 838mm |

Note: Empire panels are 0.1046" in thickness

AM-R Series: Aluminum Hinged Front Panels

HFP – Used with raised cover only

AM-R JIC SERIES:

| Part No. | Panel Dim. (H x W x D) |
|----------|------------------------|
| HFP66 | 5.60 x 5.60 x .09 |
| | 142mm x 142mm x 2.3mm |
| HFP86 | 7.50 x 5.62 x .09 |
| | 191mm x 143mm x 2.3mm |
| HFP108 | 9.50 x 7.50 x .09 |
| | 241mm x 191mm x 2.3mm |
| HFP120 | 11.50 x 9.50 x .09 |
| | 292mm x 241mm x 2.3mm |
| HFP142 | 13.50 x 11.50 x .09 |
| | 343mm x 292mm x 2.3mm |
| HFP164 | 15.50 x 13.50 x .09 |
| | 394mm x 343mm x 2.3mm |
| HFP186* | 17.625 x 15.625 x .09 |
| | 448mm x 397mm x 2.3mm |
| HFP206 | 19.25 x 15.25 x .09 |
| | 489mm x 387mm x 2.3mm |

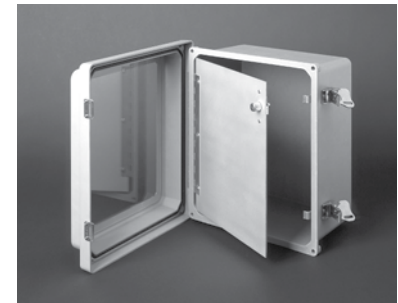
*Standard HFP186 doesn't fit in AMHD product.

Features:

- Panels designed to offer both a professional instrumentation display and a protective covering for electric wiring inside the enclosure
- Completely field-installable panel design with no required enclosure modifications
- Latch design secures panel in place with one-quarter turn
- One-half-inch adjustability up or down
- For use with raised cover enclosures from 6" x 6" through 30" x 24"
- Panel modifications available include: cut-in holes, and screen printing
- Compliant with RoHS directive

AM-R CONTROL SERIES:

| Part No. | Panel Dim. (H x W x D) |
|----------|------------------------|
| HFP2420 | 23.25 x 19.375 x .09 |
| | 591mm x 492mm x 2.3mm |
| HFP2424 | 23.375 x 23.25 x .09 |
| | 594mm x 591mm x 2.3mm |
| HFP3024 | 29.25 x 23.375 x .09 |
| | 743mm x 594mm x 2.3mm |



Note: Please refer to website www.alliedmoulded.com for installed HFP drawings and dimensional information.

AMU Series: Aluminum Hinged Front Panels

HFPU

AMU JIC SERIES:

| Part No. | Panel Dim. (H x W x D) |
|----------|------------------------|
| HFPU66 | 5.87 x 5.64 x .09 |
| | 149mm x 143mm x 2.3mm |
| HFPU86 | 7.73 x 5.91 x .09 |
| | 196mm x 150mm x 2.3mm |
| HFPU108 | 9.64 x 7.87 x .09 |
| | 245mm x 200mm x 2.3mm |
| HFPU120 | 11.64 x 9.86 x .09 |
| | 296mm x 250mm x 2.3mm |
| HFPU142 | 13.64 x 11.86 x .09 |
| | 346mm x 301mm x 2.3mm |
| HFPU164 | 15.64 x 13.86 x .09 |
| | 397mm x 352mm x 2.3mm |
| HFPU186 | 17.90 x 15.99 x .09 |
| | 455mm x 406mm x 2.3mm |
| HFPU206 | 19.65 x 15.55 x .09 |
| | 499mm x 395mm x 2.3mm |

Features:

- Panels designed to offer both a professional instrumentation display and a protective covering for electric wiring inside the enclosure
- Completely field-installable panel design. Installation instruction sheet included.
- Latch design secures panel in place with one-quarter turn
- For use with enclosures from 6" x 6" through 20" x 16"
- Panel modifications available include: cut-in holes, and screen printing
- Compliant with RoHS directive



Note: Please refer to website www.alliedmoulded.com for installed HFPU drawings and dimensional information.

Other Product Line
Panels are found on:
Pages 24-25
POLYLINE Series

Enclosure Accessories

ENCLOSURE PRINT POCKET

PART NO.: AMPRINTPOCKET

- Easy to install in the field
- Store prints or other important documents inside the enclosure
- Grey polystyrene print pocket for large JIC Series, Control Series, and Empire Series enclosures
- Two-sided adhesive tape pre-applied to print pocket
- Size: 9.375 in (H) x 10.375 in (W) x 1.045 in (D)
238 mm (H) x 264 mm (W) x 27 mm (D)



ENCLOSURE VENTILATION KIT

PART NO.: AMVENTSM & AMVENTLG

- Grey polyamide material
- Use with JIC Series enclosures - Install two per enclosure
- Installation instruction sheet included
- Seal included in kit to ensure raintight enclosure protection
- Two vents per kit for field installation allows for sufficient air circulation and prevents condensation and moisture

Overall Dimensions:

AMVENTSM; 1 in (25 mm) x 1.125 in (29 mm) and requires .75 in (19mm) through hole
AMVENTLG; 2 in (51 mm) x 2.675 in (68 mm) and requires 1.156 in (29 mm) through hole



EXHAUST FILTER KIT

PART NO.: AMPFA1000, AMPFA2000, and AMPFA3000

- Three sizes covering large JIC Series, Control Series, and Empire Series enclosures
- Non-metallic made from strong ABS-FR, self-extinguishing material (UL 94 VO)
- Snap-in design allows for hardware-free installation
- Gaskets included provide a NEMA 12 seal against the enclosure
- Filter cover comes standard in light grey RAL 7035 color
- Installation instruction sheet included
- Replaceable filter material provides for 73% filtration efficiency
- Filter density is standard 150 (g/m²)



Size Information:

- AMPFA1000; 4.133in (105mm) x 4.133in (105mm) x 0.39in (10mm)
- AMPFA2000; 5.905in (150mm) x 5.905in (150mm) x 1.06in (27mm)
- AMPFA3000; 9.842in (250mm) x 9.842in (250mm) x 1.18in (30mm)

Note: There are other thermal management accessories available upon request. These include: Fans, replacement filters, heaters, air-conditioners, and thermostats. Please contact factory for more information.

Enclosure Accessories

ENCLOSURE KEYLOCK KITS

PART NO.: AMKEYLOCKFC, AMKEYLOCKRC, and AMKEYLOCKRCHFP

- AMKEYLOCKFC keylock assembly kit for (F)lat (C)over enclosures 6x6 through 20x16 (AM Series)
- AMKEYLOCKRC keylock assembly kit for (R)aised (C)over enclosures 6x6 through 30x24 (AM-R Series)
- AMKEYLOCKRCHFP keylock assembly kit for (R)aised (C)over enclosures with a (H)inge (F)ront (P)anel installed in enclosures 10x8 through 30x24 (AM-R Series)
- Kits include: Two keys, keylock assembly, cam, dust cover, lock bracket, and hardware
- Field installable while requiring only a round hole to be cut into the cover
- Keylocks are sold with a self locking nut for tight and secure assembly
- Just a 1/4 turn rotation is required to lock the enclosure cover
- Installed keylock assemblies have been tested and pass the NEMA 4X watertight test
- Manufactured components are RoHS compliant (Restriction of Hazardous Substances)



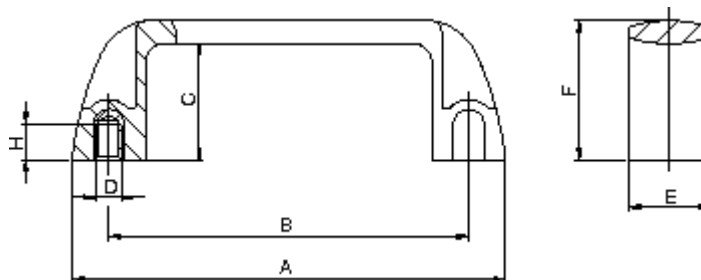
PULL TYPE HANDLE

PART NO.: AMHDL001

- Handle: Glass fiber reinforced nylon
- Finish: Black matte
- Screws and lock washers included

Dimensions

- A: 5.47 in (139 mm)
- B: 4.61 in (117 mm)
- C: 1.34 in (34 mm)
- D: 1/4 - 20
- E: 1.02 in (26 mm)
- F: 1.61 in (41 mm)
- H: 0.35 in (9 mm)



Enclosure Accessories

POLE MOUNT KITS

MATERIALS OF CONSTRUCTION

Pole Mount Flange

- Galvannealed steel; 14 guage (.075 in.)

Pole Mount Band Clamp

- 300 series stainless steel (48 in.)

Flange Fasteners (screw, washer, and lock nut)

- 300 series stainless steel (#10-32)



ENCLOSURE POLE MOUNT KITS ARE USED WITH:

| Kit Number | AM Series Units ¹ | | AMU & AMP Flange Mount Units ² |
|---------------------|--|--------------------|---|
| | Standard Mount | Rotated 90 Degrees | Standard Mount |
| AMPOLEMNT6 | AM664, AM864 | None | AMU(P)664, AMU(P)864 |
| AMPOLEMNT8 | AM1084, AM1086 | AM864 | AMP884, AMU(P)1084 |
| AMPOLEMNT10 | AM1206 | AM1084, AM1086 | AMU(P)1206 |
| AMPOLEMNT12 | AM1426 | AM1206 | AMU(P)1426 |
| AMPOLEMNT14 | AM1648 | AM1426 | AMU1648 |
| AMPOLEMNT16 | AM1868, AM2068 | AM1648 | AMU1860, AMU2060 |
| AMPOLEMNT20 | AM2420 | None | None |
| AMPOLEMNT24 | AM2424, AM3024 | AM2420 | None |
| AMPOLEMNTEMP | AM363012, AMEC363012, AM363016, AM363612, AM363616, AM483612, AM483616, AM603612, AM603616 | | |

¹Pole mount brackets are directly mounted to the back of the these enclosures.

²Enclosure flange is bolted through and attached to the pole mount bracket on these enclosures.

FEATURES & BENEFITS

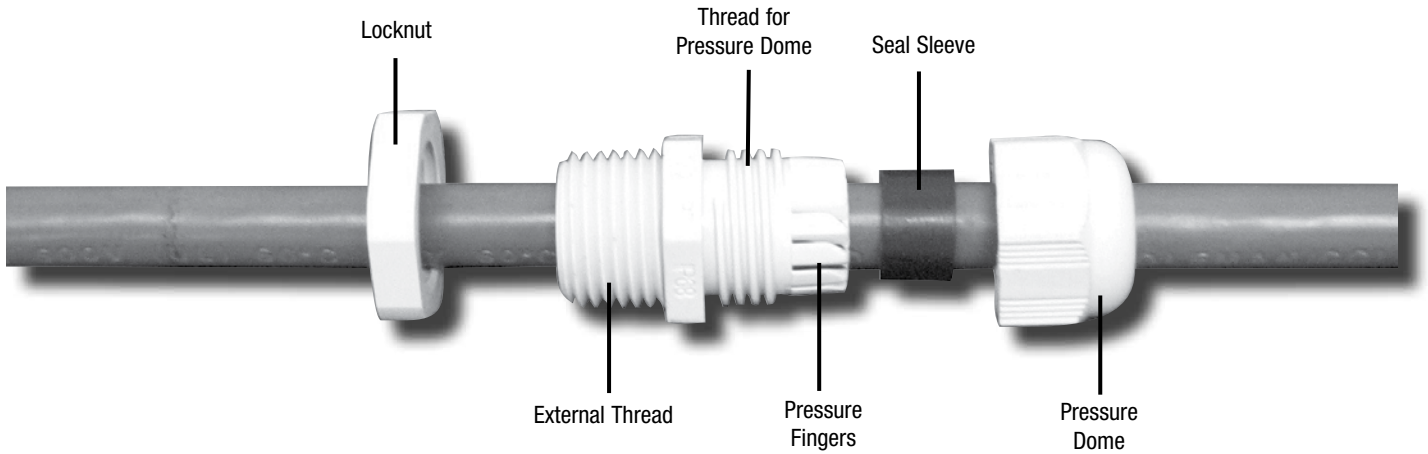
- Nine sizes covering AM JIC, AMU JIC, AMP JIC, and Control Series enclosures
- Steel band design allows for adjustable mounting capability on pole sizes up through 15 inches in diameter
- Allied pole mount kits have the capability to mount enclosures to round, square, and rectangular pole shapes.
- Fewer parts are used so minimal assembly is required for installation
- Pole mount kits offer corrosion protection for outdoor use



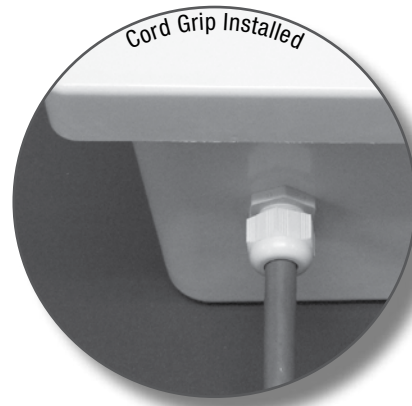
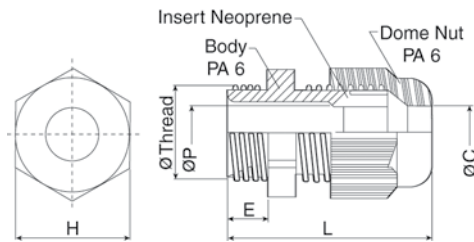
Enclosure Accessories

CORD GRIPS

- Body: Polyamide 6
- Seal: Neoprene
- Lock Nut: 25% glass fiber reinforced Polyamide 6
- Color: Light Grey
- Maximum strain relief through clamping range
- IP68 achieved without seal rings
- Trapezoidal thread with high torque guarantees tight and permanent fit of the dome nut
- Gas and water-tight
- CSA approved and UL listed
- Temp range: PA 6 -40 to 100 deg C (-40 to 212 deg F)
Neoprene -25 to 100 deg C (-13 to 212 deg F)
- Recommended enclosure hole size for external thread:
NPT 1/2" 21.8mm (.8594 in); **NPT 3/4"** 27.4mm (1.0781 in);
NPT 1" 34.1mm (1.3438 in)



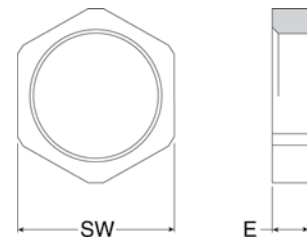
CORD GRIP DIMENSIONS



| Thread Size | Part Number | Clamping Range (mm) | Package Quantity | H (mm) | E (mm) | L (mm) | Dia. C (mm) | Dia. P (mm) | Dia. NPT/M (mm) |
|-------------|-------------|---------------------|------------------|--------|--------|--------|-------------|-------------|-----------------|
| NPT 1/2" | 5308901 | 5 to 12 | 50 | 24 | 14 | 44 | 12.5 | 12.5 | 21.2 |
| NPT 3/4" | 5308902 | 9 to 18 | 50 | 33 | 15 | 54 | 18.5 | 18.5 | 26.7 |
| NPT 1" | 5308903 | 14 to 25 | 50 | 42 | 18 | 60 | 25.5 | 25.5 | 33.3 |

LOCK NUT DIMENSIONS

| Thread Size | Part Number | Package Quantity | Thickness E (mm) | SW (mm) |
|-------------|-------------|------------------|------------------|---------|
| NPT 1/2" | 7211486-50 | 50 | 6 | 27 |
| NPT 3/4" | 7211487 | 20 | 7 | 36 |
| NPT 1" | 7211488 | 20 | 7 | 41 |



ULTRAPLUG™

HOLE PLUG ASSEMBLIES FOR ENCLOSURES



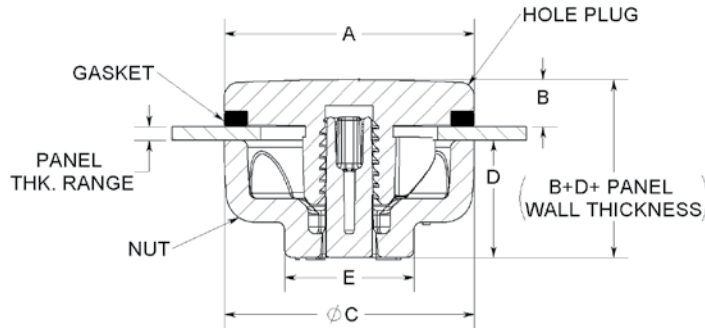
Hole Plug Features:

- Plug "Fins": Self centering, anti-rotational design for fast & easy one person plug assembly and no-tools tightening
- Plug fits wide range of hole sizes without the use of restrictive hole centering spacers
- Patent pending design
- Recognized component for use with UL & CSA listed enclosure products
- Molded material of construction for a wide range of chemical compatible applications (polycarbonate with neoprene/EPDM gasket)
- Assembly designed to maintain applicable NEMA/UL/CSA enclosure ratings
Note: For use on flat surface of a Type 1, 3R, 4, 4X and 12 enclosure
- Designed for use with wall thicknesses from 16 gauge through 1/4"
- Designed for use with all metallic and nonmetallic enclosure materials
- Low profile interior nut and exterior plug saves valuable panel space
- Capable of sealing unused holes ranging in size from 1/2" to 4-3/4"



Simple Install

- 1) Push/Plug
- 2) Twist-lock/Fins
- 3) Screw-tight/Nut



Scan for more information or visit ultraplug.alliedmoulded.com

Note: For use on flat surface of Types 1, 3R, 4, 4X and 12 enclosures.

| P/N General Purpose Polycarbonate RAL 7035 Light Gray | P/N General Purpose Polycarbonate ANSI 61 Dark Gray | Trade Size Ref. (nom. In.) | Plugged Hole Dia. Range (In.) | Wall Thickness Range (In.) | A Plug Diameter (In.) | B Plug Head Height (In.) | C Nut Diameter (In.) | D Nut Height (In.) | E Across Flats (In.) |
|---|---|---|-------------------------------|----------------------------|-----------------------|--------------------------|----------------------|--------------------|----------------------|
| AMHSPL-S | AMHSPL-SGY | Pilot Light (.500) | .500-.624 | .059-.250 | 1.120 | 0.235 | 1.060 | 0.500 | 0.545 |
| AMHSPL | AMHSPL-GY | Pilot Light (.625) | .625-.812 | .059-.250 | 1.120 | 0.235 | 1.060 | 0.500 | 0.545 |
| AMHS050 | AMHS050-GY | 1/2" Conduit (.875) 22mm PB (.886) | .812-.937 | .059-.250 | 1.245 | 0.235 | 1.185 | 0.500 | 0.605 |
| AMHS075 | AMHS075-GY | 3/4" Conduit (1.109) 30mm PB (1.210) | 1.000-1.312 | .059-.250 | 1.620 | 0.235 | 1.560 | 0.500 | 0.945 |
| AMHS100 | AMHS100-GY | 1" Conduit (1.375) | 1.375-1.625 | .059-.250 | 1.923 | 0.235 | 1.873 | 0.500 | 0.945 |
| AMHS125 | AMHS125-GY | 1-1/4" Conduit (1.734) | 1.687-1.875 | .059-.250 | 2.183 | 0.235 | 2.123 | 0.500 | 1.195 |
| AMHS150 | AMHS150-GY | 1-1/2" Conduit (1.984) | 2.000-2.187 | .059-.250 | 2.495 | 0.235 | 2.435 | 0.500 | 1.195 |
| AMHS200 | AMHS200-GY | 2" Conduit (2.469) | 2.500-2.75 | .059-.250 | 3.120 | 0.235 | 3.060 | 0.750 | 1.291 |
| AMHS250 | AMHS250-GY | 2-1/2" Conduit (2.969) | 2.875-3.125 | .059-.250 | 3.495 | 0.235 | 3.435 | 0.750 | 1.491 |
| AMHS300 | AMHS300-GY | 3" Conduit (3.594) | 3.500-3.750 | .059-.250 | 4.120 | 0.235 | 4.060 | 0.750 | 1.491 |
| AMHS350 | AMHS350-GY | 3-1/2" Conduit (4.125) | 4.000-4.250 | .059-.250 | 4.620 | 0.235 | 4.560 | 0.750 | 1.491 |
| AMHS400 | AMHS400-GY | 4" Conduit (4.641) | 4.500-4.750 | .059-.250 | 5.120 | 0.235 | 5.060 | 0.750 | 1.491 |

Polycarbonate (PC) can be used as a substitute for carbon steel plug applications plus many stainless steel and other nonmetallic plug applications. Please check industry standard corrosion guides for additional application assistance.

Order Today! Phone: 1-800-722-2679 Fax: 1-800-237-7269 Email: sales@alliedmoulded.com

ACCESSORIES



CUSTOM MODIFICATIONS

Your source for fast, no-hassle modifications.

With Allied Moulded's complete modification services, the need for inconvenient secondary handling of your enclosure is eliminated, saving you time and money.

We are pleased to customize any of our standard products with the following modifications:

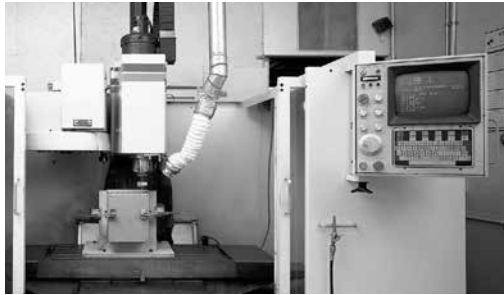
- Holes and cutouts
- Polycarbonate viewing windows
- EMI/RFI shielding
- Factory supplied silk screening
- Molded in color matches

Industry's lowest volume requirements.

Because we are dedicated to providing you with outstanding service, we have the lowest volume requirements on custom work in the industry and guarantee quick delivery, often in less than three weeks from receipt of your order.

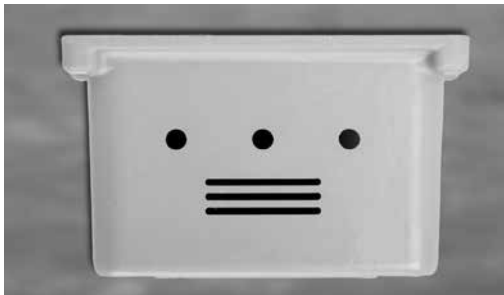
Computer-controlled CNC

We incorporate computer controlled manufacturing equipment into our operation which assures that modifications such as specialty holes and cutouts are exact to your specifications each time you order.



Custom holes and cutouts

Custom holes and cutouts allow for conduit entry or device mounting to meet the needs of any application.



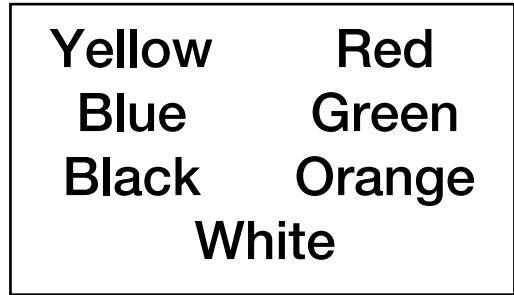
EMI/RFI shielding

EMI/RFI shielding provides high-level protection against electromagnetic and radio frequency interference.



Silk Screen printing

Silk screen printing is a practical, professional way to identify corporate identity or enclosure function.

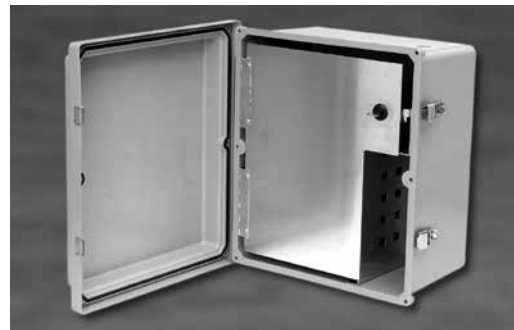


Custom colors

Custom color pigments result in a homogeneously molded product.

Custom panels

Available custom metal work includes holes and cutouts on either back and hinged deadfront panels.



MODIFICATIONS

SPECIALS/MODIFICATION REQUEST FORM

For modification orders, please photocopy and complete this form,
then return to Allied Moulded via mail or fax to 419-636-2450.

Date: _____ Part Number: _____ Quantity: _____

Name: _____ Company: _____

Address: _____

City: _____ State: _____ Zip: _____

Email: _____ Phone: _____

Size

H _____ x W _____ x D _____

Cover

Flush Raised Screw cover Hinged cover Hinged on short side

Latching Options

Snap latch Twist latch 3-point

Panels

Back panel required: Yes No Size: H _____ x W _____
Back panel material: Carbon steel Aluminum Fiberglass Galvannealed
Hinge front panel required: Yes No
Side Panel required: Yes No Size: H _____ x W _____

Windows

Window required: Yes No Size: H _____ x W _____
General location of window: _____

Molded-In Color

Standard Grey White Orange
 Blue Black Red
 Yellow Green

Other (please specify): _____

Other Modifications

Holes/Cutouts _____ Number; Location: _____
 Silk Screening
 EMI/RFI Shielding

Additional Information/Notes

Submit request to: Allied Moulded Products, Inc. Fax to: 800-237-7269
For assistance or questions, call Allied Moulded at 800-722-2679 or visit www.alliedmoulded.com.

TECHNICAL SPECIFICATIONS

NEMA Type 4X fiberglass enclosures

An enclosure is a housing constructed to provide a degree of protection from accidental contact with the enclosed equipment and external environmental conditions.

- All fiberglass enclosures are listed under UL standard 508A, (CSA standard 22.2 No. 14). This type of enclosure is suitable for both indoor and outdoor use in corrosive environments and is resistant to UV degradation. Fiberglass material shall meet UL 746C requirements with halogen-free and self-extinguishing characteristics.
- Enclosure is constructed using a hot compression-molded process and a fiberglass reinforced polyester resin compound with a minimum of 20% fiberglass by weight. A cold molded procedure may be used for larger cabinets. Fiberglass reinforced polyester exhibits high impact resistance, a superior range of temperature limits, excellent dimensional stability, excellent electrical properties, and excellent moisture and overall chemical resistance.
- Standardizing enclosure performance is accomplished by use of rating systems of various specifying organizations (NEMA, UL, CSA) identifying an enclosure's ability to resist external environmental influences. These ratings have distinct differences even though they

are intended to provide information in order to make a safer and informed product choice.

- Any external metal parts shall be 300 series stainless steel. Any internal metal parts shall be manufactured using corrosion resistant materials. NEMA Type 4X enclosures are fabricated and rated specifically for resistance to corrosive elements.
- Fiberglass Reinforced Polyester is the material of choice in applications where physical strength specifications are average and excellent corrosion resistance is required.
- Advantages of non-metallic enclosures:
 - (1) Unlike metals, fiberglass reinforced polyester is non-corrosive.
 - (2) Enclosures are homogeneous, thus they require little maintenance.
 - (3) Due to their light weight, non-metallic enclosures can be very easily handled, installed and modified.

Chemical Resistance Table

- See chart below for ratings for specific reagents.
- In most applications, fiberglass reinforced polyester offers the best all around performance in corrosive environments.
- These environmental resistance ratings are based upon tests where the specimens were placed in complete submergence in the reagent listed. If there are any questions for specific suitability in a given environment, prototype samples should be tested under actual conditions.

- The prospective user must determine the application of our product in an environment based upon individual characteristics. We offer no guarantee or warranty as to the applicability of this chart for any particular situation as actual conditions of use are beyond our control. In many applications, several corrosive agents are present and reactions among them are not always documented. Any environment can be rather unique necessitating the identification of all possible corrosive elements that may affect the intended enclosure application.

CHEMICAL RESISTANCE RATINGS FOR FIBERGLASS

LIST OF CONVENTIONAL SYMBOLS

A = EXCELLENT | B = LIMITED | C = POOR

SALTS

| | |
|----------------------------------|---|
| Ammonium sulfate | A |
| Potassium ammonia sulfate | A |
| Ammonium bichromate 20% | B |
| Ammonium carbonate 10% | B |
| Ammonium chloride | A |
| Ammonium nitrate | B |
| Ammonium sulfate 10% | A |
| Ammonium acetate | C |
| Aniline sulfate | A |
| Carbonate of barium | C |
| Chloride of barium | A |
| Calcium chloride, saturated sol. | A |
| Calcium hypochlorite | B |
| Calcium sulfate | A |
| Copper (II) chloride | A |
| Copper (III) sulfate | A |
| Iron (III) chloride | A |
| Iron (III) nitrate | A |
| Iron (III) sulfate | A |
| Iron (II) chloride | A |

| | |
|------------------------|---|
| Iron (II) sulfate | A |
| Magnesium chloride | A |
| Magnesium sulfate | A |
| Mercuric (II) chloride | A |
| Nickel chloride | A |
| Nickel nitrate | A |
| Nickel sulfate | A |
| Potassium carbonate | B |
| Potassium chloride | A |
| Potassium nitrate | A |
| Potassium sulfate | A |
| Nitrate of silver | A |
| Sodium acetate | A |
| Sodium bicarbonate 10% | A |
| Sodium carbonate 10% | B |
| Sodium chloride | A |
| Sodium hypochlorite 5% | B |
| Sodium nitrate | A |
| Zinc chloride | A |
| Sulfate of zinc | A |

ACIDS

| | |
|---------------------------------|---|
| Acetic acid | A |
| Benzoic acid | A |
| Boric acid | A |
| Chromic acid 30% | C |
| Citric acid | A |
| Formic acid 25% | B |
| Hydrochloric acid 10% | A |
| Conc. hydrochloric acid | B |
| Lactic acid 1% | A |
| Nitric acid 5% | B |
| Nitric acid 50% | C |
| Concentrated nitric acid | C |
| Phosphoric acid 25% | B |
| Phosphoric acid 50% | C |
| Sulfuric acid 25% | A |
| Sulfuric acid 50% | C |
| Tartaric acid | A |
| Oxalic acid, saturated solution | A |

CHEMICAL RESISTANCE RATINGS CONTINUED

BASES

| | |
|-------------------------------|---|
| Ammonia 5% | B |
| Ammonia 25% | B |
| Barium hydroxide 10% | C |
| Calcium hydroxide | C |
| Hydroxide of sodium 5% | B |
| Hydroxide of sodium 20% | C |

OILS AND GREASES

| | |
|-----------------------|---|
| Fatty acids | A |
| Oleic acid | A |
| Stearic acid | A |
| Lubricating oil | A |

ORGANIC SOLVENTS

| | |
|-------------------------|---|
| Acetone | C |
| Amyl alcohol | B |
| Methanol | B |
| Ethyl alcohol | B |
| Benzene | B |
| Butyl acetate | C |
| Carbon bisulfide | C |
| Gasoline | A |
| Petroleum | A |
| Naphtha | A |
| Perchloroethylene | B |
| Toluol | B |
| Ethyl acetate | B |
| Dichlorethylene | B |
| Ether | B |

OTHER AGENTS

| | |
|---|---|
| Ethylene glycol solution of 0 to 100% | A |
| Glycerine | A |
| Chlor dioxide (bleaching agent) | C |
| Saturated chlorinated water | A |
| Formaldehyde 10 to 40% | A |
| Hydrogen peroxide 5 to 10% | A |
| Normal water | A |
| Distilled water | A |
| Sea-water | A |
| Phenol | B |

Note: Visit www.alliedmoulded.com for a more comprehensive corrosion resistance guide.

TECHNICAL SPECIFICATIONS

Specification for Allied Moulded fiberglass enclosures

Fiberglass enclosures will be UL listed to UL standard 508A, CSA standard 22.2 No. 14. The resin system will be pigmented gray, RAL 7035 unless otherwise approved. The resin system will include a flame retardant agent in order to achieve a flammability rating in accordance with UL 94. The enclosure must be hot compression molded from FRP material containing at least 20% fiberglass by weight. Cold molded hand lay up and RTM light open molding process may also be used. The enclosure body will be a one-piece construction and not contain any glued parts (enclosure sizes up through 30" x 24").

Junction and Control enclosures may have either screw, hinged or latched covers. All cover screws and hardware;

including hinges, latches and mounting feet are constructed of 300 series stainless steel material. All internal metal parts are fabricated using corrosion resistant materials. All gaskets are seated in a molded channel and not glued or poured onto a flat cover surface.

Cabinets and larger style enclosures are always provided with hinged doors. The closure systems on these cabinets will either be a three point latching system or a system of external stainless steel twist-turn type latches. Door closure systems using a single external handle will also have three internal latch points. This handle may be key lockable or pad lockable. When using the alternative closure method of external stainless steel twist turn latches, no more than four latches shall be required to maintain NEMA 4X integrity. At least one latch must have a padlock provision.

Physical Properties of non-metallic enclosures

| Materials Typical Properties | ASTM Test ASTM Test Method | Compression Molded Polyester Fiberglass (SMC) | Compression Molded Polyester Fiberglass (BMC) | RTM Molded Polyester Fiberglass | Hand Lay-up Molded Polyester Fiberglass |
|---|----------------------------------|---|---|---------------------------------------|---|
| Impact Strength (ft-lb/in) | D 256 | 15 | 4-7 | 30 | 30 |
| Flexural Strength (psi) | D 790 | 25,000 | 23,000 | 33,400 | 33,400 |
| Tensile Strength (psi) | D 638 | 14,000 | 8,000 | 22,000 | 22,000 |
| Compressive Strength (psi) | D 695 | 28,000 | 15,000 | 24,900 | 24,900 |
| Water Absorption (%) | D 570 | 0.15 | 0.20 | 0.25 | 0.25 |
| Specific Gravity | D 792 | 1.75 | 1.80 | 1.65 | 1.65 |
| Shrinkage (in/in) | D 955 | 0.0016 | 0.003 | 0.0015 | 0.0015 |
| Hardness (Barcol-Rockwell M-Shore A) | D 2583 | 60 | 55 | 62 | 62.5 |
| Elongation (%) | D 638 | 2.05 | 1.50 | 2.07 | 2.07 |
| Dielectric Strength (kV/in) | D 149 | 400 | 375 | 380 | 380 |
| Arc Resistance (sec) | D 495 | >180 | >180 | 188 | >200 |
| Flammability | UL 94 | V-0 | V-0 | V-0 | V-0 |
| Heat Deflection (°F at 264 psi) | D 648 | >500 | 431 | 428 | 428 |
| Service Temperature (°F) | | -40°F to 266°F | -40°F to 266°F | -40°F to 266°F | -40°F to 266°F |
| K Factor, Thermal Conductivity (BTU/hr/ft ² /°F) | D 1269E | 1.68 | 2.08 | 1.68 | 1.68 |
| Thermal Expansion (10 ⁻⁶ in/in °F) | D 696 | 20 | 15 | 14 | 12 |
| UV Rating | UL 746C | (f1) | (f1) | (f1) | (f1) |

EMI/RFI Specifications

- Standards governing electromagnetic compatibility commonly refer to EMI/RFI, or electromagnetic interference/radio frequency interference.
- Applicable standards used are based on MIL-STD-285 to perform attenuation measurements of EMI/RFI shielded enclosures. The applicable North American standards for the overall assembly, including internal electronics, can vary with the application in which the product is intended to be installed.
- For a complete list of applicable standards, your local testing authority (for example, UL, CSA) should be contacted.
- Such interference is caused by stray voltages and/or currents coupling between electronic systems creating undesirable effects. These undesirable effects can vary between a brief annoyance, to more serious situations, such as a phone interfering with the controls of a machine tool. With the increased emphasis on electronic technology, electromagnetic interference/radio frequency interference is a growing concern.
- Electromagnetic pulses (EMPS) may adversely affect electronic and other control systems. These disturbances may cause erratic operation, and either component failure or a reduction in component life.
- Allied Moulded can provide custom EMI/RFI shielded enclosures to meet many applications. Requests for EMI/RFI shielded enclosures should be directed to the Allied Moulded customer support group.
- Refer to AM specification sheet.

Properties

Shielding Material.....Copper Conductive Coating
Attenuation.....75 dB

Sheet Resistance <.025 Ohms/Square @ 2 Mil Thick

The probes of an ohmmeter shall be placed on any area of the surface and the measured resistance shall not exceed .025 ohms.

Attenuation 75 dB

A measure of the shielding effectiveness shall be confirmed by an EMI/RFI test. Actual test data confirmed an average attenuation of 75 dB over the frequency range from .01 to 1000 Mhz.

MIL.SPEC>285

MIL.SPEC>285 is used as a general EMI/RFI test guide. A transmitting antenna is placed inside the enclosure and a receiving antenna is positioned outside. The attenuation is the dB difference between the enclosure OPEN and CLOSE FR power levels.

Weathering/UV Information

Allied Moulded Products' FRP enclosures are hot compression molded. All products of this type, regardless of manufacturer, are exposed to erosion when used outdoors. Due to the combined effects of environmental elements such as rain, wind and UV rays, the polyester matrix is only superficially eroded and as glass fibers become apparent, the degree of the erosion is microscopic. Please note that this superficial erosion has no effect on the physical characteristics of the enclosure whether electrical, mechanical or chemical. The slight erosion can be avoided if a surface coating such as varnish is applied.

Allied Moulded Products' fiberglass enclosures have been successfully used outdoors and tests on field samples support above results. (F1 rated material—suitable for outdoor use)

Painting Information

Good surface preparation is critical in painting fiberglass enclosures, since the mold release agents must be removed before painting. It is recommended that the surface be roughed by lightly rubbing with sandpaper before applying the proper primer. Degreasing the surface with an organic solvent such as alcohol or other domestic cleaning agent is required. The surface must be clean and dry prior to applying the appropriate primer and top coat (polyurethane or epoxy).

Allied Moulded has the capabilities to custom mold color matches specific to your requirements.

Heat Dissipation

Information available upon request.

INDEX

| Part Number | Page | Part Number | Page | Part Number | Page | Part Number | Page |
|-------------|------|-------------|------|--------------|------|--------------|------|
| 5308901 | 134 | AM1206RHW | 65 | AM1868RL | 67 | AM363016L3PT | 123 |
| 5308902 | 134 | AM1206RL | 67 | AM1868RLW | 69 | AM363612L | 121 |
| 5308903 | 134 | AM1206RLW | 69 | AM1868RT | 71 | AM363612L3PT | 123 |
| 7211487 | 134 | AM1206RT | 71 | AM1868RTW | 73 | AM363616L | 121 |
| 7211488 | 134 | AM1206RTW | 73 | AM1868RW | 61 | AM363616L3PT | 123 |
| 7211486-50 | 134 | AM1206RW | 61 | AM1868T | 53 | AM3PB | 35 |
| AM1084 | 40 | AM1206T | 53 | AM1868TW | 55 | AM3PB22 | 35 |
| AM1084H | 45 | AM1206TW | 55 | AM1868W | 43 | AM483612L | 121 |
| AM1084HP9 | 39 | AM1206W | 43 | AM1PB | 35 | AM483612L3PT | 123 |
| AM1084HW | 47 | AM1426 | 40 | AM1PB22 | 35 | AM483616L | 121 |
| AM1084L | 49 | AM1426H | 45 | AM2068 | 40 | AM483616L3PT | 123 |
| AM1084LW | 51 | AM1426HP25 | 39 | AM2068H | 45 | AM603612L | 121 |
| AM1084P9 | 37 | AM1426HW | 47 | AM2068HW | 47 | AM603612L3PT | 123 |
| AM1084R | 59 | AM1426L | 49 | AM2068L | 49 | AM603616L | 121 |
| AM1084RH | 63 | AM1426LW | 51 | AM2068LW | 51 | AM603616L3PT | 123 |
| AM1084RHW | 65 | AM1426P25 | 37 | AM2068R | 59 | AM664 | 40 |
| AM1084RL | 67 | AM1426R | 59 | AM2068RH | 63 | AM664H | 45 |
| AM1084RLW | 69 | AM1426RH | 63 | AM2068RHW | 65 | AM664HP4 | 39 |
| AM1084RT | 71 | AM1426RHW | 65 | AM2068RL | 67 | AM664HW | 47 |
| AM1084RTW | 73 | AM1426RL | 67 | AM2068RLW | 69 | AM664L | 49 |
| AM1084RW | 61 | AM1426RLW | 69 | AM2068RT | 71 | AM664LW | 51 |
| AM1084T | 53 | AM1426RT | 71 | AM2068RTW | 73 | AM664P4 | 37 |
| AM1084TW | 55 | AM1426RTW | 73 | AM2068RW | 61 | AM664R | 59 |
| AM1084W | 43 | AM1426RW | 61 | AM2068T | 53 | AM664RH | 63 |
| AM1086 | 40 | AM1426T | 53 | AM2068TW | 55 | AM664RHW | 65 |
| AM1086H | 45 | AM1426TW | 55 | AM2068W | 43 | AM664RL | 67 |
| AM1086HP12 | 39 | AM1426W | 43 | AM24200RL | 111 | AM664RLW | 69 |
| AM1086HP9 | 39 | AM1648 | 40 | AM24200RLW | 113 | AM664RT | 71 |
| AM1086HW | 47 | AM1648H | 45 | AM24200RT | 115 | AM664RTW | 73 |
| AM1086L | 49 | AM1648HP30 | 39 | AM24200RTW | 117 | AM664RW | 61 |
| AM1086LW | 51 | AM1648HW | 47 | AM24208RL | 111 | AM664T | 53 |
| AM1086P12 | 37 | AM1648L | 49 | AM24208RLW | 113 | AM664TW | 55 |
| AM1086P9 | 37 | AM1648LW | 51 | AM24208RT | 115 | AM664W | 43 |
| AM1086R | 59 | AM1648P30 | 37 | AM24208RTW | 117 | AM722525FS | 125 |
| AM1086RH | 63 | AM1648R | 59 | AM24240RL | 111 | AM724925FSDD | 127 |
| AM1086RHW | 65 | AM1648RH | 63 | AM24240RLW | 113 | AM743 | 33 |
| AM1086RL | 67 | AM1648RHW | 65 | AM24240RT | 115 | AM743SF | 33 |
| AM1086RLW | 69 | AM1648RL | 67 | AM24240RTW | 117 | AM864 | 40 |
| AM1086RT | 71 | AM1648RLW | 69 | AM24248RL | 111 | AM864H | 45 |
| AM1086RTW | 73 | AM1648RT | 71 | AM24248RLW | 113 | AM864HP6 | 39 |
| AM1086RW | 61 | AM1648RTW | 73 | AM24248RT | 115 | AM864HW | 47 |
| AM1086T | 53 | AM1648RW | 61 | AM24248RTW | 117 | AM864L | 49 |
| AM1086TW | 55 | AM1648T | 53 | AM2PB | 35 | AM864LW | 51 |
| AM1086W | 43 | AM1648TW | 55 | AM2PB22 | 35 | AM864P6 | 37 |
| AM1206 | 40 | AM1648W | 43 | AM30240RL | 111 | AM864R | 59 |
| AM1206H | 45 | AM1868 | 40 | AM30240RLW | 113 | AM864RH | 63 |
| AM1206HP16 | 39 | AM1868H | 45 | AM30240RT | 115 | AM864RHW | 65 |
| AM1206HP20 | 39 | AM1868HP42 | 39 | AM30240RTW | 117 | AM864RL | 67 |
| AM1206HW | 47 | AM1868HW | 47 | AM30248RL | 111 | AM864RLW | 69 |
| AM1206L | 49 | AM1868L | 49 | AM30248RLW | 113 | AM864RT | 71 |
| AM1206LW | 51 | AM1868LW | 51 | AM30248RT | 115 | AM864RTW | 73 |
| AM1206P16 | 37 | AM1868P42 | 37 | AM30248RTW | 117 | AM864RW | 61 |
| AM1206P20 | 37 | AM1868R | 59 | AM363012L | 121 | AM864T | 53 |
| AM1206R | 59 | AM1868RH | 63 | AM363012L3PT | 123 | AM864TW | 55 |
| AM1206RH | 63 | AM1868RHW | 65 | AM363016L | 121 | AM864W | 43 |

INDEX

| Part Number | Page | Part Number | Page | Part Number | Page | Part Number | Page |
|-----------------|------|--------------|------|---------------|------|--------------|------|
| AM943 | 33 | AMP1206CCNLF | 19 | AMP864NLF | 17 | AMU1206H | 85 |
| AM943SF | 33 | AMP1206F | 9 | AMPFA1000 | 131 | AMU1206HF | 85 |
| AMHD1860RFL | 75 | AMP1206H | 13 | AMPFA2000 | 131 | AMU1206HW | 87 |
| AMHDL001 | 132 | AMP1206HF | 13 | AMPFA3000 | 131 | AMU1206HWF | 87 |
| AMHS050 | 135 | AMP1206L | 21 | AMPOLEMNT10 | 133 | AMU1206L | 91 |
| AMHS050-GY | 135 | AMP1206LF | 21 | AMPOLEMNT12 | 133 | AMU1206LF | 91 |
| AMHS075 | 135 | AMP1206NL | 17 | AMPOLEMNT14 | 133 | AMU1206LW | 93 |
| AMHS075-GY | 135 | AMP1206NLF | 17 | AMPOLEMNT16 | 133 | AMU1206LWF | 93 |
| AMHS100 | 135 | AMP1426 | 9 | AMPOLEMNT20 | 133 | AMU1206NL | 97 |
| AMHS100-GY | 135 | AMP1426CC | 11 | AMPOLEMNT24 | 133 | AMU1206NLF | 97 |
| AMHS125 | 135 | AMP1426CCF | 11 | AMPOLEMNT6 | 133 | AMU1206NLW | 99 |
| AMHS125-GY | 135 | AMP1426CCH | 15 | AMPOLEMNT8 | 133 | AMU1206NLWF | 99 |
| AMHS150 | 135 | AMP1426CCHF | 15 | AMPRINTPOCKET | 131 | AMU1206T | 103 |
| AMHS150-GY | 135 | AMP1426CCL | 23 | AMU1084 | 79 | AMU1206TF | 103 |
| AMHS200 | 135 | AMP1426CCLF | 23 | AMU1084CC | 83 | AMU1206TW | 105 |
| AMHS200-GY | 135 | AMP1426CCNL | 19 | AMU1084CCF | 83 | AMU1206TWF | 105 |
| AMHS250 | 135 | AMP1426CCNLF | 19 | AMU1084CCH | 89 | AMU1206W | 81 |
| AMHS250-GY | 135 | AMP1426F | 9 | AMU1084CCHF | 89 | AMU1206WF | 81 |
| AMHS300 | 135 | AMP1426H | 13 | AMU1084CCL | 95 | AMU1426 | 79 |
| AMHS300-GY | 135 | AMP1426HF | 13 | AMU1084CCLF | 95 | AMU1426CC | 83 |
| AMHS350 | 135 | AMP1426L | 21 | AMU1084CCNL | 101 | AMU1426CCF | 83 |
| AMHS350-GY | 135 | AMP1426LF | 21 | AMU1084CCNLF | 101 | AMU1426CCH | 89 |
| AMHS400 | 135 | AMP1426NL | 17 | AMU1084CCT | 107 | AMU1426CCHF | 89 |
| AMHS400-GY | 135 | AMP1426NLF | 17 | AMU1084CCTF | 107 | AMU1426CCL | 95 |
| AMHSPL | 135 | AMP664 | 9 | AMU1084F | 79 | AMU1426CCLF | 95 |
| AMHSPL-GY | 135 | AMP664CC | 11 | AMU1084H | 85 | AMU1426CCNL | 101 |
| AMHSPL-S | 135 | AMP664CCF | 11 | AMU1084HF | 85 | AMU1426CCNLF | 101 |
| AMHSPL-SGY | 135 | AMP664CCH | 15 | AMU1084HW | 87 | AMU1426CCT | 107 |
| AMKEYLOCKKFC | 132 | AMP664CCHF | 15 | AMU1084HWF | 87 | AMU1426CCTF | 107 |
| AMKEYLOCKKRC | 132 | AMP664CCL | 23 | AMU1084L | 91 | AMU1426F | 79 |
| AMKEYLOCKKRCHFP | 132 | AMP664CCLF | 23 | AMU1084LF | 91 | AMU1426H | 85 |
| AMP1084 | 9 | AMP664CCNL | 19 | AMU1084LW | 93 | AMU1426HF | 85 |
| AMP1084CC | 11 | AMP664CCNLF | 19 | AMU1084LWF | 93 | AMU1426HW | 87 |
| AMP1084CCF | 11 | AMP664F | 9 | AMU1084NL | 97 | AMU1426HWF | 87 |
| AMP1084CCH | 15 | AMP664H | 13 | AMU1084NLF | 97 | AMU1426L | 91 |
| AMP1084CCHF | 15 | AMP664HF | 13 | AMU1084NLW | 99 | AMU1426LF | 91 |
| AMP1084CCL | 23 | AMP664L | 21 | AMU1084NLWF | 99 | AMU1426LW | 93 |
| AMP1084CCLF | 23 | AMP664LF | 21 | AMU1084T | 103 | AMU1426LWF | 93 |
| AMP1084CCNL | 19 | AMP664NL | 17 | AMU1084TF | 103 | AMU1426NL | 97 |
| AMP1084CCNLF | 19 | AMP664NLF | 17 | AMU1084TW | 105 | AMU1426NLF | 97 |
| AMP1084F | 9 | AMP864 | 9 | AMU1084TWF | 105 | AMU1426NLW | 99 |
| AMP1084H | 13 | AMP864CC | 11 | AMU1084W | 81 | AMU1426NLWF | 99 |
| AMP1084HF | 13 | AMP864CCF | 11 | AMU1084WF | 81 | AMU1426T | 103 |
| AMP1084L | 21 | AMP864CCH | 15 | AMU1206 | 79 | AMU1426TF | 103 |
| AMP1084LF | 21 | AMP864CCHF | 15 | AMU1206CC | 83 | AMU1426TW | 105 |
| AMP1084NL | 17 | AMP864CCL | 23 | AMU1206CCF | 83 | AMU1426TWF | 105 |
| AMP1084NLF | 17 | AMP864CCLF | 23 | AMU1206CCH | 89 | AMU1426W | 81 |
| AMP1206 | 9 | AMP864CCNL | 19 | AMU1206CCHF | 89 | AMU1426WF | 81 |
| AMP1206CC | 11 | AMP864CCNLF | 19 | AMU1206CCL | 95 | AMU1648 | 79 |
| AMP1206CCF | 11 | AMP864F | 9 | AMU1206CCLF | 95 | AMU1648CC | 83 |
| AMP1206CCH | 15 | AMP864H | 13 | AMU1206CCNL | 101 | AMU1648CCF | 83 |
| AMP1206CCHF | 15 | AMP864HF | 13 | AMU1206CCNLF | 101 | AMU1648CCH | 89 |
| AMP1206CCL | 23 | AMP864L | 21 | AMU1206CCT | 107 | AMU1648CCHF | 89 |
| AMP1206CCLF | 23 | AMP864LF | 21 | AMU1206CCTF | 107 | AMU1648CCL | 95 |
| AMP1206CCNL | 19 | AMP864NL | 17 | AMU1206F | 79 | AMU1648CCLF | 95 |

INDEX

| Part Number | Page | Part Number | Page | Part Number | Page | Part Number | Page |
|--------------|------|-------------|------|-------------|------|-------------|------|
| AMU1648CCNL | 101 | AMU2060NLW | 99 | AMU864LF | 91 | PA120 | 128 |
| AMU1648CCNLF | 101 | AMU2060NLWF | 99 | AMU864LW | 93 | PA142 | 128 |
| AMU1648CCT | 107 | AMU2060T | 103 | AMU864LWF | 93 | PA164 | 128 |
| AMU1648CCTF | 107 | AMU2060TF | 103 | AMU864NL | 97 | PA186 | 128 |
| AMU1648F | 79 | AMU2060TW | 105 | AMU864NLF | 97 | PA206 | 128 |
| AMU1648H | 85 | AMU2060TWF | 105 | AMU864T | 103 | PA2420 | 129 |
| AMU1648HF | 85 | AMU2060W | 81 | AMU864TF | 103 | PA2424 | 129 |
| AMU1648HW | 87 | AMU2060WF | 81 | AMU864TW | 105 | PA3024 | 129 |
| AMU1648HWF | 87 | AMU664 | 79 | AMU864TWF | 105 | PA66 | 128 |
| AMU1648L | 91 | AMU664CC | 83 | AMU864W | 81 | PA74 | 33 |
| AMU1648LF | 91 | AMU664CCF | 83 | AMU864WF | 81 | PA86 | 128 |
| AMU1648LW | 93 | AMU664CCH | 89 | AMVENTLG | 131 | PA94 | 33 |
| AMU1648LWF | 93 | AMU664CCHF | 89 | AMVENTSM | 131 | PF108 | 128 |
| AMU1648NL | 97 | AMU664CCL | 95 | HFP108 | 130 | PF120 | 128 |
| AMU1648NLF | 97 | AMU664CCLF | 95 | HFP120 | 130 | PF142 | 128 |
| AMU1648NLW | 99 | AMU664CCNL | 101 | HFP142 | 130 | PF164 | 128 |
| AMU1648NLWF | 99 | AMU664CCNLF | 101 | HFP164 | 130 | PF186 | 128 |
| AMU1648T | 103 | AMU664CCT | 107 | HFP186 | 130 | PF206 | 128 |
| AMU1648TF | 103 | AMU664CCTF | 107 | HFP206 | 130 | PF2420 | 129 |
| AMU1648TW | 105 | AMU664F | 79 | HFP2420 | 130 | PF2424 | 129 |
| AMU1648TWF | 105 | AMU664H | 85 | HFP2424 | 130 | PF3024 | 129 |
| AMU1648W | 81 | AMU664HF | 85 | HFP3024 | 130 | PF66 | 128 |
| AMU1648WF | 81 | AMU664HW | 87 | HFP66 | 130 | PF74 | 33 |
| AMU1860 | 79 | AMU664HWF | 87 | HFP86 | 130 | PF86 | 128 |
| AMU1860F | 79 | AMU664L | 91 | HFP108 | 24 | PF94 | 33 |
| AMU1860H | 85 | AMU664LF | 91 | HFP120 | 24 | PG108 | 128 |
| AMU1860HF | 85 | AMU664LW | 93 | HFP142 | 24 | PG120 | 128 |
| AMU1860HW | 87 | AMU664LWF | 93 | HFP66 | 24 | PG142 | 128 |
| AMU1860HWF | 87 | AMU664NL | 97 | HFP86 | 24 | PG164 | 128 |
| AMU1860L | 91 | AMU664NLF | 97 | HFP108 | 130 | PG186 | 128 |
| AMU1860LF | 91 | AMU664NLW | 99 | HFP120 | 130 | PG206 | 128 |
| AMU1860LW | 93 | AMU664NLWF | 99 | HFP142 | 130 | PG2420 | 129 |
| AMU1860LWF | 93 | AMU664T | 103 | HFP164 | 130 | PG2424 | 129 |
| AMU1860NL | 97 | AMU664TF | 103 | HFP186 | 130 | PG3024 | 129 |
| AMU1860NLF | 97 | AMU664TW | 105 | HFP206 | 130 | PG66 | 128 |
| AMU1860NLW | 99 | AMU664TWF | 105 | HFP66 | 130 | PG86 | 128 |
| AMU1860NLWF | 99 | AMU664W | 81 | HFP86 | 130 | PL108 | 24 |
| AMU1860T | 103 | AMU664WF | 81 | P108 | 128 | PL120 | 24 |
| AMU1860TF | 103 | AMU864 | 79 | P120 | 128 | PL142 | 24 |
| AMU1860TW | 105 | AMU864CC | 83 | P142 | 128 | PL66 | 24 |
| AMU1860TWF | 105 | AMU864CCF | 83 | P164 | 128 | PL86 | 24 |
| AMU1860W | 81 | AMU864CCH | 89 | P186 | 128 | PLA108 | 24 |
| AMU1860WF | 81 | AMU864CCHF | 89 | P206 | 128 | PLA120 | 24 |
| AMU2060 | 79 | AMU864CCL | 95 | P2420 | 129 | PLA142 | 24 |
| AMU2060F | 79 | AMU864CCLF | 95 | P2424 | 129 | PLA66 | 24 |
| AMU2060H | 85 | AMU864CCNL | 101 | P3024 | 129 | PLA86 | 24 |
| AMU2060HF | 85 | AMU864CCNLF | 101 | P3630CS | 129 | | |
| AMU2060HW | 87 | AMU864CCT | 107 | P3636CS | 129 | | |
| AMU2060HWF | 87 | AMU864CCTF | 107 | P4836CS | 129 | | |
| AMU2060L | 91 | AMU864F | 79 | P6036CS | 129 | | |
| AMU2060LF | 91 | AMU864H | 85 | P66 | 128 | | |
| AMU2060LW | 93 | AMU864HF | 85 | P7225CS | 125 | | |
| AMU2060LWF | 93 | AMU864HW | 87 | P7249CS | 127 | | |
| AMU2060NL | 97 | AMU864HWF | 87 | P86 | 128 | | |
| AMU2060NLF | 97 | AMU864L | 91 | PA108 | 128 | | |

A photograph of a large industrial building with a sign that reads "ALLIED MOULDED PRODUCTS, INC. PLANT 3". A tall flagpole with an American flag stands in front of the building. The sky is blue with scattered clouds.

EXPERIENCED MANUFACTURING

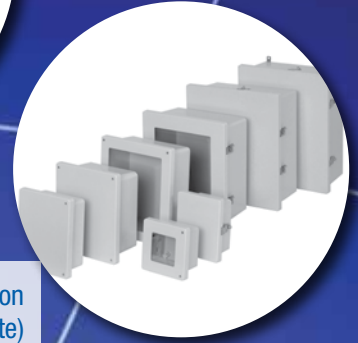
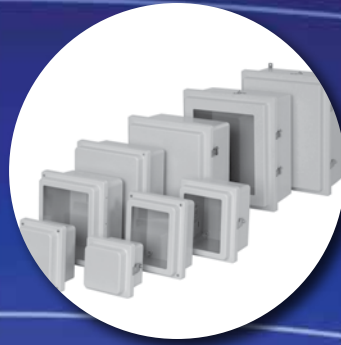
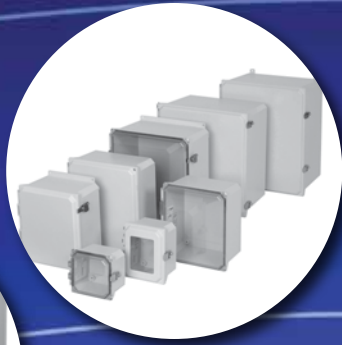
**Allied Moulded Products . . .
we've got you covered!**

We'll Work With You.

Our responsiveness to you goes beyond offering a quality product line. Valuing the relationships we have built with each customer, we work with you as partners to solve your protection requirements.

From product design to quick, on-time delivery, Allied Moulded provides fast, efficient service to meet your specific needs.

**Give us a try . . .
we'll work with you!**



Allied Moulded Products, Inc. manufactures a complete line of corrosion and UV resistant NEMA Type 4X nonmetallic (fiberglass and polycarbonate) enclosures for indoor or outdoor industrial applications. The fiberglass reinforced polyester enclosures are manufactured with ULTRAGUARD®, a proprietary material formulation offering all the advantages of nonmetallic materials including: UL® listed, RoHS compliance, increased strength, reduced weight, corrosion resistance, non-conductivity, UV resistance and ease of installation. The polycarbonate enclosures are injection molded with polycarbonate thermoplastic, offering many of the same great features as the fiberglass enclosures, with the option of a clear cover.

Allied Moulded Brand Names: POLYLINE®, ULTRALINE®,
ULTRAGUARD®, ULTRAPLUG®

Enclosure Ratings: NEMA 4X, 6P, IP66, and IP68

Enclosure Series: JIC, AM, AMHD-R, AMP, AM-R, AMU, Control & Empire

222 North Union St. • Bryan, OH 43506
Ph: 800.722.2679 • Fax: 800.237.7269
www.alliedmoulded.com



**ALLIED
MOULDED
PRODUCTS, Inc.**

Available Through: