

EN/IEC 60309 Industrial Plugs & Sockets

International Configurations



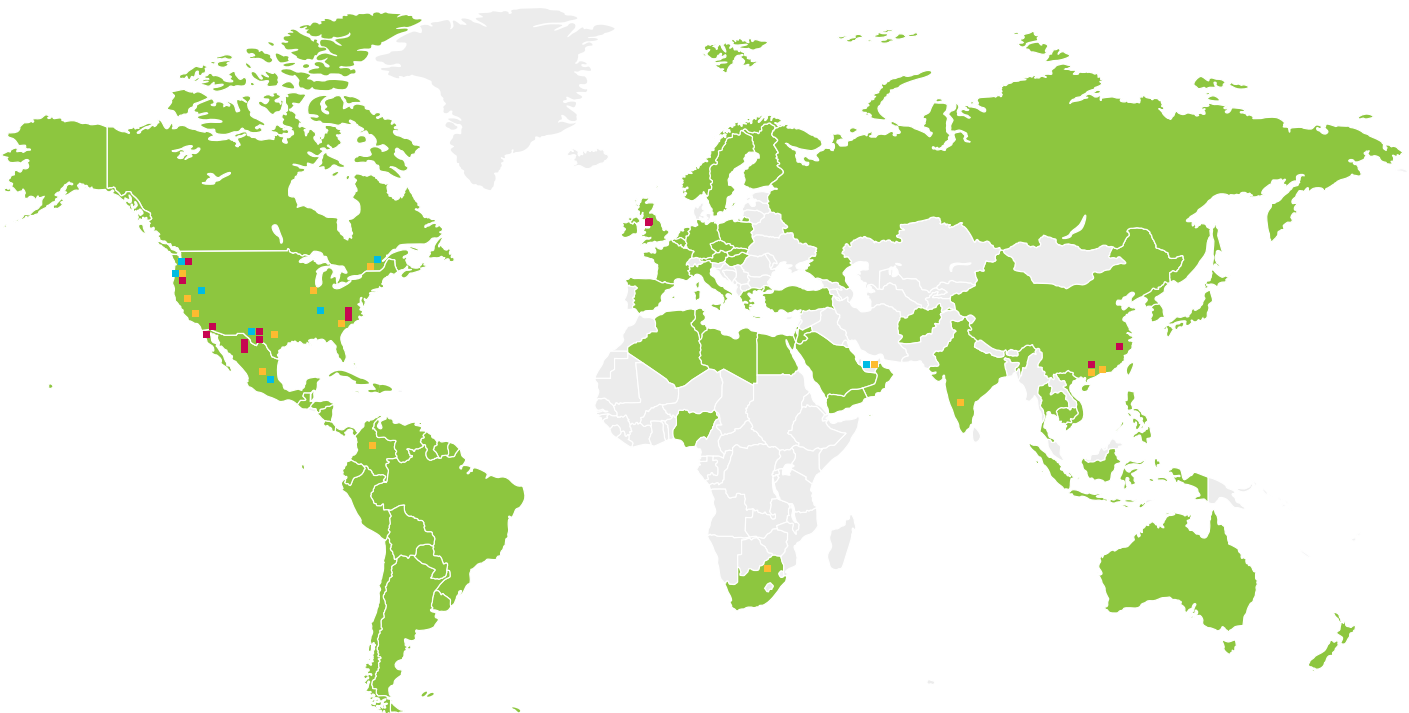
The products and support to get the job done. Everywhere.



Leviton is the smart choice, providing the most comprehensive range of solutions to meet the needs of today's residential, commercial and industrial buildings. Leveraging more than a century of experience, Leviton helps customers create sustainable, intelligent environments through its electrical wiring devices, network and data center connectivity solutions, lighting energy management systems, and security and automation applications. From switches and receptacles, and daylight harvesting controls to networking systems, intelligent safety controls, and equipment for charging electric vehicles, Leviton solutions help customers achieve savings in energy, time and cost, all while enhancing safety.

Through investment in research and development, manufacturing, distribution, human capital and training, Leviton is well positioned to respond to the needs of a changing marketplace. Leviton's heritage provides a strong foundation for meeting and exceeding market expectations by bringing continuous innovation to the industry.

Over time, Leviton has expanded its business into global markets, building engineering, manufacturing, and distribution facilities worldwide, ensuring access to quality products and world-class customer service.



Global Network of Programs & Support

- 14 Sales Offices
- 13 Manufacturing Plants
- 8 Distribution Centers



Leviton products are available in more than 80 countries

Distributed in over 17,000 locations worldwide

Leviton Global Companies

- Canada
- China
- Colombia
- India
- Korea
- Mexico
- Middle East
- South Africa
- United Kingdom



The smart choice for commercial and industrial applications.

With over 100 years experience and a reputation for industry-leading reliability, innovation and value, we're the brand standard for dozens of applications. Working closely with key industry specifiers, we've created smart solutions for all manner of environments and workplaces — from processing plants to entertainment venues to offices and tasting rooms. Our state-of-the-art weather-resistant wiring devices, high speed data connections, and energy-saving lighting controls contribute to safer, more efficient production environments while improving energy conservation.

Today, we're the market share leader in GFCIs as well as other electrical safety devices for private and public facilities. Leviton has a comprehensive product line of electrical, lighting, energy management and data networking devices — over 26,000 products in all — many engineered specifically for the needs of niche industries. We're also the undisputed leader in meeting today's energy codes: nine out of 10 U.S. buildings use our low-voltage products. Supported by over 600 patents and a fully integrated service approach, Leviton is the go-to resource for many of the world's top industries.



Plugs



Connectors



**Panel Mounting
Socket Outlets**



**Surface Mounting
Socket Outlet**



**Panel Mounting
Inlets**

Technical Characteristics

Rated current:	16A, 32A, 63A, 125A
Rated voltage:	100-690V~
Frequency:	50Hz-60Hz
Insulating voltage:	500/690V~
Protection degree:	IP44-IP66/IP67
Operating temperature:	-25°C +40°C
Max operating temperature:	60°C
Glow Wire test:	650°C/850°C
Material:	Engineering plastic
IK degree at 20°C:	IK08
Cable inlets:	Cable gland
Halogen free:	Yes
Terminals:	Screw
Standards and Certifications:	NOM, IEC/EN 60309-1, 60309-2, RETIE, CE

Behavior With Chemical And Atmospheric Agents

Saline Solution	Acids		Bases		Solvents				Mineral Oil	UV Rays
	Concentrated	Diluted	Concentrated	Diluted	Hexane	Benzol	Acetone	Alcohol		
Resistant	Limited Resistance	Resistant	Resistant	Resistant	Not Resistant	Not Resistant	Not Resistant	Limited Resistance	Resistant	Limited Resistance

Wiring And Installation

Ampere Rating	Plugs and Connectors						Receptacles and Inlets			
	FROM		TO		Cord Grip Range (External Diameter)		FROM		TO	
	AWG TYPE	mm ²	AWG TYPE	mm ²	(in)	(mm)	AWG TYPE	mm ²	AWG TYPE	mm ²
16	16	1	14	2.5	.315 - .590	8 - 15	16	1.5	12	4
32	14	2.5	10	6	.453 - .827	11.5 - 21	14	2.5	8	10
63	10	6	6	16	.669 - 1.22	17 - 31	10	6	4	25
125	6	16	1	50	1.024 - 1.90	26 - 48	4	25	2/0	70

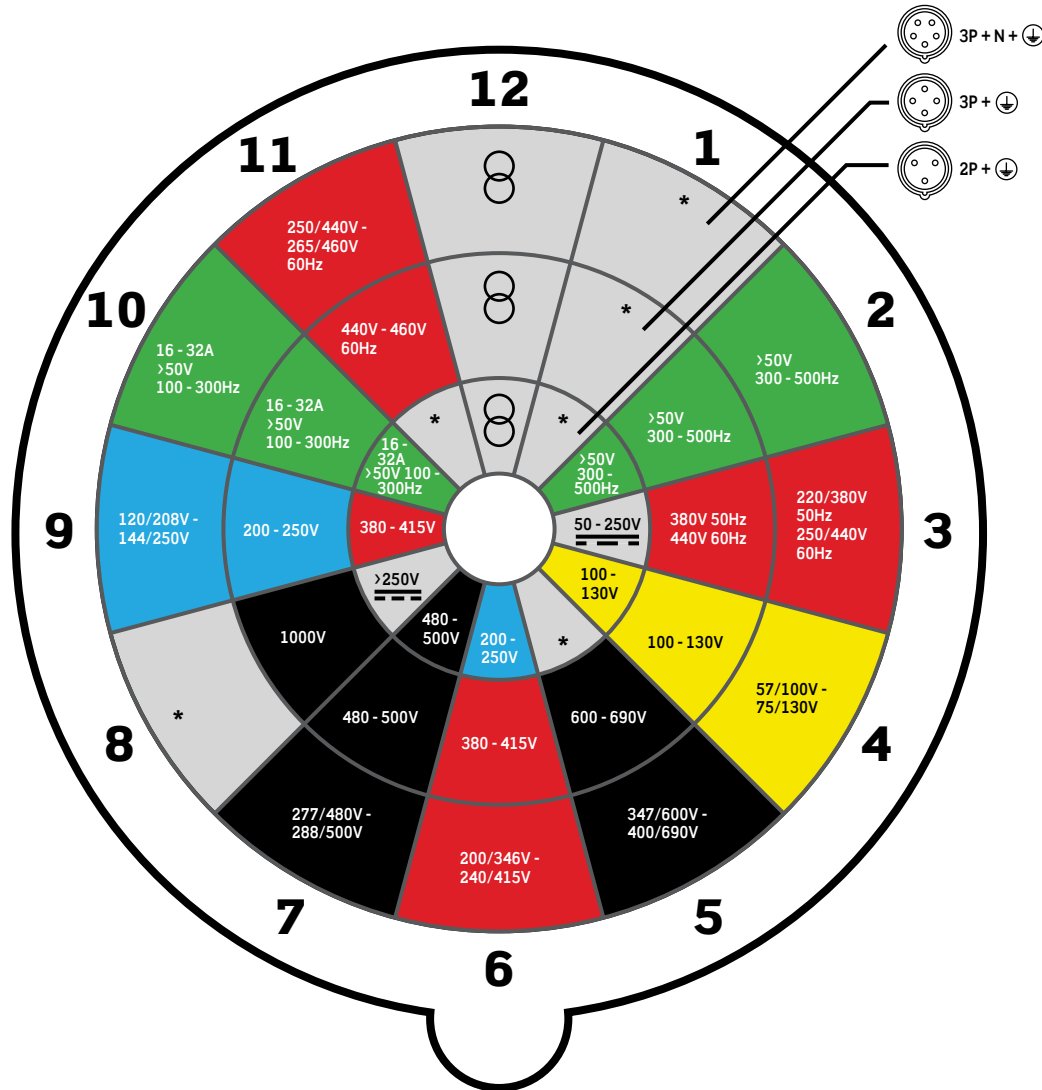
Industrial Plugs And Sockets For Rated Operating Voltages > 50V

Clockface Position

Viewing the socket from the front, the clockface (h) position can be established by observing the hour position of the earthing contact compared to the socket keyway, which always faces 6 o'clock.

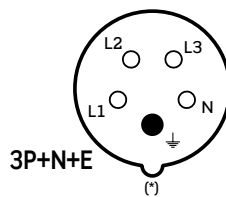
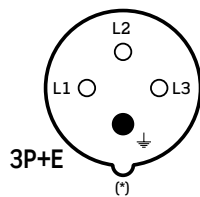
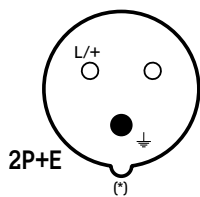
Different voltages are identified by conventional color codes.

The clock diagram for rated operating voltages > 50V (LV) shows, in compliance with EN 60309, the hour position (h) of the earthing contact of industrial plugs and sockets compared to the socket keyway, for any specific rating (number of poles, operating voltages, frequencies and AC or DC supply).



SOCKET FRONT VIEW

(*) Keyway

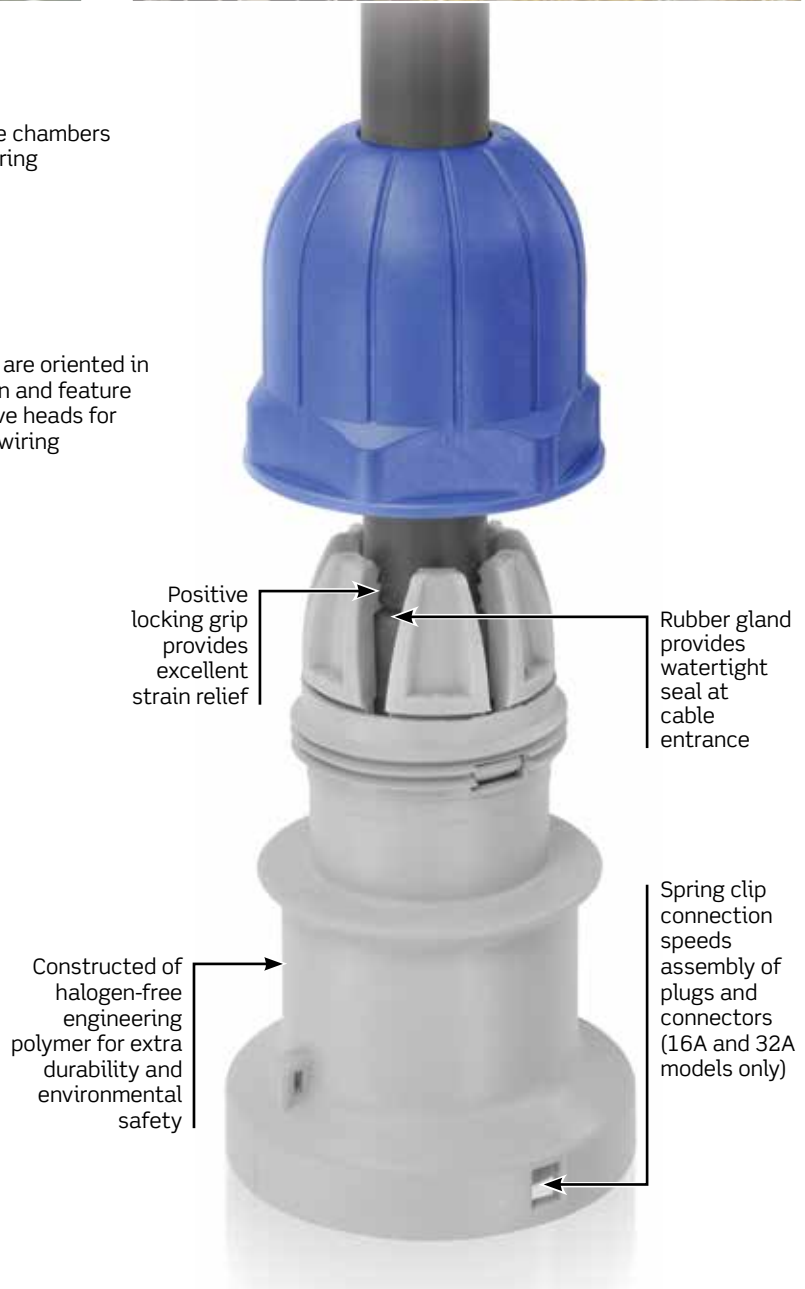
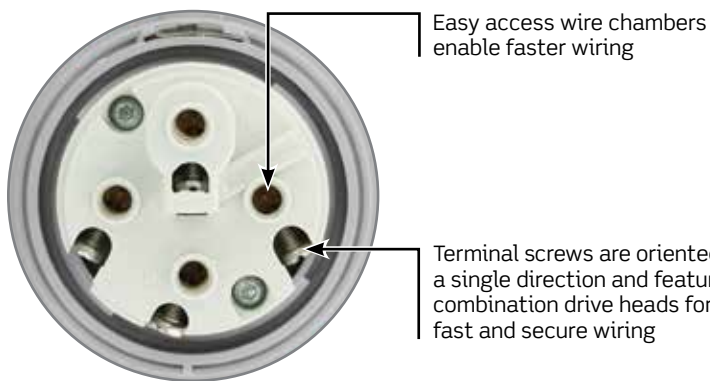


Industrial Plug And Socket Characteristics In Compliance With EN 60309 Standard For Rated Operating Voltages > 50V (LV)

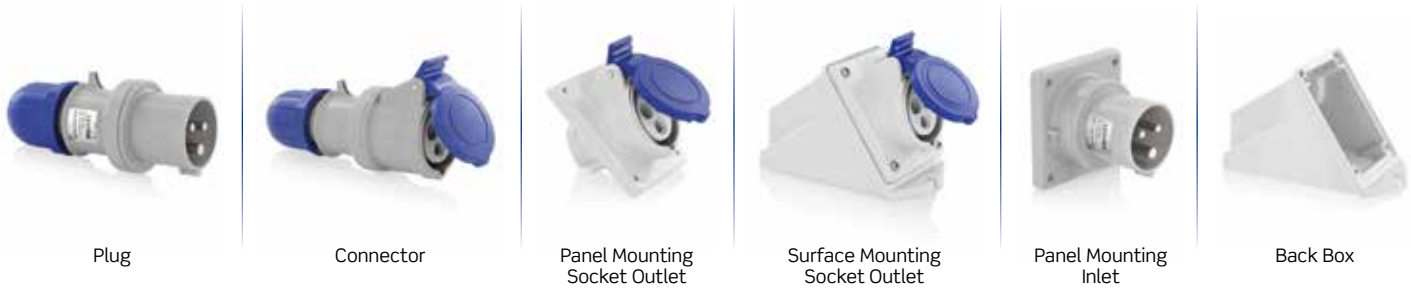
Splashproof (IP44) Devices



Product Detail

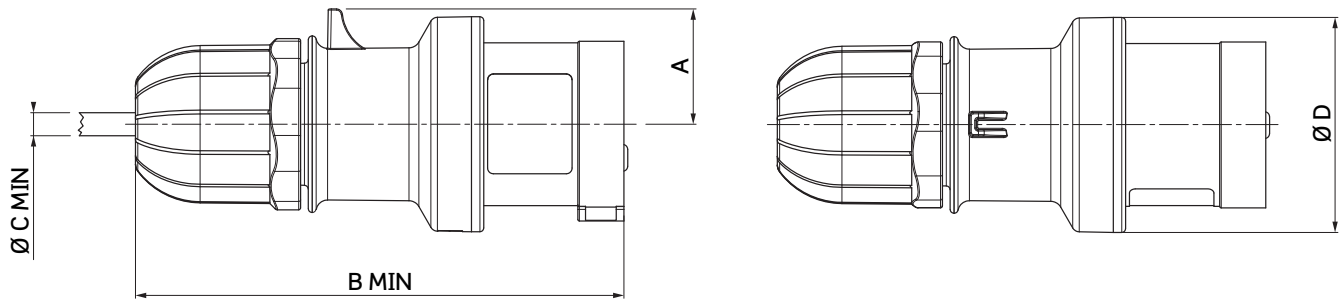


Splashproof (IP44) Devices



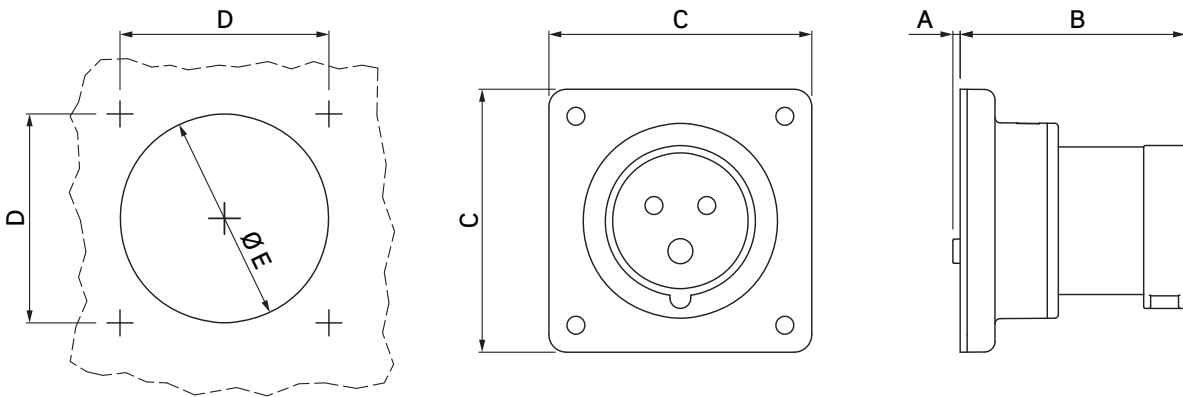
Amps	Poles	Hz	Volts	Connector/ Outlet Config. and Clock Position	Plug/ Inlet Config.	Plug	Connector	Panel Mounting Socket Outlet	Surface Mounting Socket Outlet	Panel Mounting Inlet	Back Box
16	2P+E (2P,3W)	50/60Hz	100V-130V	4		S216-P4	S216-C4	S216-R4	S216-S4	S216-B4	BB16-A
		50/60Hz	200V-250V	6		S216-P6	S216-C6	S216-R6	S216-S6	S216-B6	BB16-A
		50/60Hz	380V-415V	9		S216-P9	S216-C9	S216-R9	S216-S9	S216-B9	BB16-A
	3P+E (3P,4W)	50/60Hz	200V-250V	9		S316-P9	S316-C9	S316-R9	S316-S9	S316-B9	BB16-A
		50/60Hz	380V-415V	6		S316-P6	S316-C6	S316-R6	S316-S6	S316-B6	BB16-A
		60Hz	440V-460V	11		S316-P11	S316-C11	S316-R11	S316-S11	S316-B11	BB16-A
	3P+N+E (4P,5W)	50/60Hz	208V-250V	9		S416-P9	S416-C9	S416-R9	S416-S9	S416-B9	BB16-A
		50/60Hz	346V-415V	6		S416-P6	S416-C6	S416-R6	S416-S6	S416-B6	BB16-A
		60Hz	440V-460V	11		S416-P11	S416-C11	S416-R11	S416-S11	S416-B11	BB16-A
32	2P+E (2P,3W)	50/60Hz	100V-130V	4		S232-P4	S232-C4	S232-R4	S232-S4	S232-B4	BB32-A
		50/60Hz	200V-250V	6		S232-P6	S232-C6	S232-R6	S232-S6	S232-B6	BB32-A
		50/60Hz	380V-415V	9		S232-P9	S232-C9	S232-R9	S232-S9	S232-B9	BB32-A
	3P+E (3P,4W)	50/60Hz	200V-250V	9		S332-P9	S332-C9	S332-R9	S332-S9	S332-B9	BB32-A
		50/60Hz	380V-415V	6		S332-P6	S332-C6	S332-R6	S332-S6	S332-B6	BB32-A
		60Hz	440V-460V	11		S332-P11	S332-C11	S332-R11	S332-S11	S332-B11	BB32-A
	3P+N+E (4P,5W)	50/60Hz	208V-250V	9		S432-P9	S432-C9	S432-R9	S432-S9	S432-B9	BB32-A
		50/60Hz	346V-415V	6		S432-P6	S432-C6	S432-R6	S432-S6	S432-B6	BB32-A
		60Hz	440V-460V	11		S432-P11	S432-C11	S432-R11	S432-S11	S432-B11	BB32-A

Plugs – Splashproof (IP44)



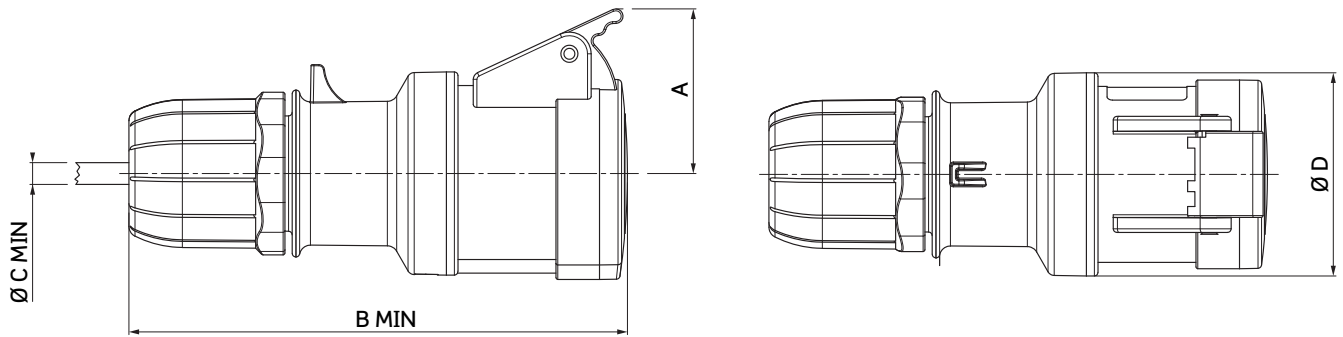
Amps	Poles	A mm(in)	B Min mm(in)	Ø C Min mm(in)	Ø D mm(in)
16A	2P+E (2P,3W)	30(1.2)	128(5.0)	6(.2)	56(2.2)
	3P+E (3P,4W)	34(1.3)	135(5.3)	6(.2)	60(2.4)
	3P+N+E (4P,5W)	38(1.5)	153(6.0)	9(.3)	65(2.6)
32A	2P+E (2P,3W)	40(1.6)	162(6.4)	9(.3)	65(2.6)
	3P+E (3P,4W)	40(1.6)	162(6.4)	9(.3)	65(2.6)
	3P+N+E (4P,5W)	45(1.8)	176(6.9)	13(.5)	73(2.9)

Panel Mounting Inlet – Splashproof (IP44)



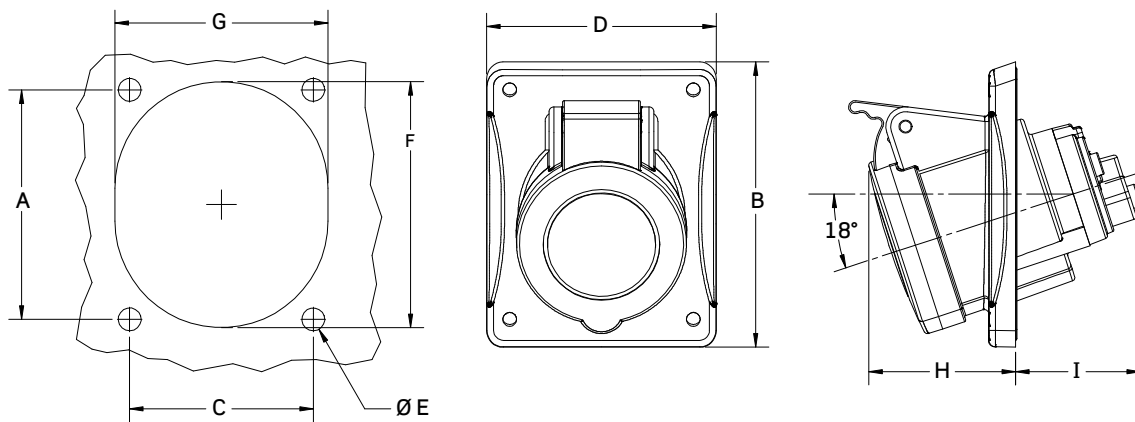
Amps	Poles	A mm(in)	B mm(in)	C mm(in)	D mm(in)	Ø E mm(in)
16A	2P+E(2P,3W)	2(0.1)	65(2.6)	75(2.9)	60(2.4)	60(2.4)
	3P+E(3P,4W)					
	3P+N+E(4P,5W)					
32A	2P+E(2P,3W)	19(0.7)	73(2.9)	75(2.9)	60(2.4)	60(2.4)
	3P+E(3P,4W)					
	3P+N+E(4P,5W)					

Connectors — Splashproof (IP44)



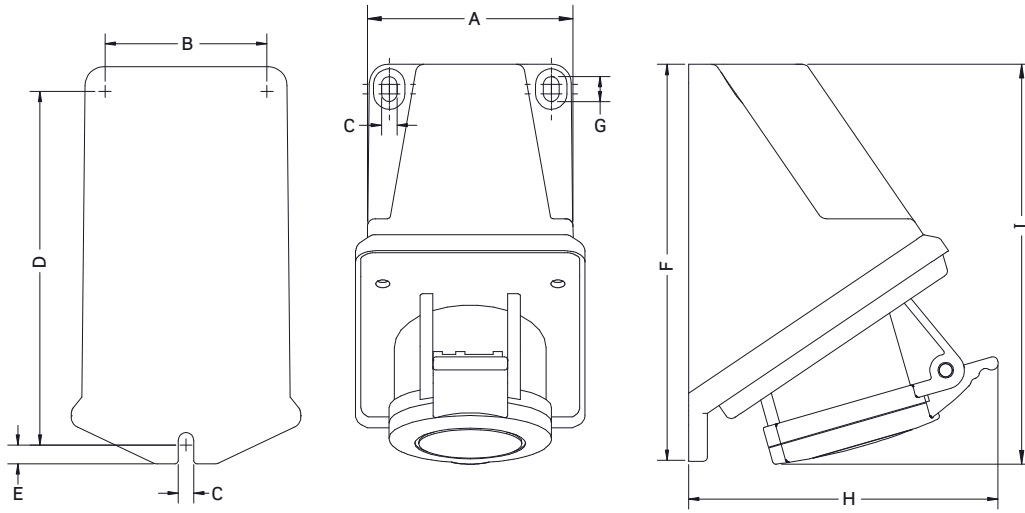
Amps	Poles	A mm(in)	B Min mm(in)	Ø C Min mm(in)	Ø D mm(in)
16A	2P+E (2P,3W)	46(1.8)	138(5.4)	6(.2)	56(2.2)
	3P+E (3P,4W)	49(1.9)	145(5.7)	6(.2)	60(2.4)
	3P+N+E (4P,5W)	54(2.1)	165(6.5)	9(.3)	65(2.6)
32A	2P+E (2P,3W)	54(2.1)	175(6.9)	9(.3)	65(2.6)
	3P+E (3P,4W)	54(2.1)	175(6.9)	9(.3)	65(2.6)
	3P+N+E (4P,5W)	59(2.3)	190(7.5)	13(.5)	73(2.9)

Panel Mounting Socket Outlets — Splashproof (IP44)



Amps	Poles	A mm(in)	B mm(in)	C mm(in)	D mm(in)	Ø E mm(in)	F mm(in)	G mm(in)	H mm(in)	I mm(in)
16A	2P+E(2P,3W)	70(2.7)	87(3.4)	56(2.2)	70(2.7)	6(.2)	73(2.9)	65(2.6)	45(1.8)	40(1.6)
	3P+E(3P,4W)	70(2.7)	87(3.4)	56(2.2)	70(2.7)	6(.2)	73(2.9)	65(2.6)	46(1.8)	40(1.6)
	3P+N+E(4P,5W)	70(2.7)	87(3.4)	56(2.2)	70(2.7)	6(.2)	73(2.9)	65(2.6)	48(1.9)	41(1.6)
32A	2P+E(2P,3W)	90(3.5)	106(4.2)	68(2.7)	84(3.3)	6(.2)	87(3.4)	76(3.0)	52(2.1)	60(2.4)
	3P+E(3P,4W)	90(3.5)	106(4.2)	68(2.7)	84(3.3)	6(.2)	87(3.4)	76(3.0)	52(2.1)	60(2.4)
	3P+N+E(4P,5W)	90(3.5)	106(4.2)	68(2.7)	84(3.3)	6(.2)	87(3.4)	76(3.0)	54(2.1)	61(2.4)

Surface Mounting Socket Outlets – Splashproof (IP44)



Amps	Poles	A mm(in)	B mm(in)	C mm(in)	D mm(in)	E mm(in)	F mm(in)	G mm(in)	H mm(in)	I mm(in)
16A	2P+E(2P,3W)	65(2.6)	52(2.0)	5(0.2)	112(4.4)	7.5(0.3)	127(5.0)	8(0.3)	99(3.9)	128(5.0)
	3P+E(3P,4W)	65(2.6)	52(2.0)	5(0.2)	112(4.4)	7.5(0.3)	127(5.0)	8(0.3)	102(4.0)	131(5.2)
	3P+N+E(4P,5W)	65(2.6)	52(2.0)	5(0.2)	112(4.4)	7.5(0.3)	127(5.0)	8(0.3)	107(4.2)	133(5.2)
32A	2P+E(2P,3W)	80(3.1)	66(2.6)	5(0.2)	121(4.8)	7.5(0.3)	137(5.4)	8(0.3)	116(4.6)	141(5.5)
	3P+E(3P,4W)	80(3.1)	66(2.6)	5(0.2)	121(4.8)	7.5(0.3)	137(5.4)	8(0.3)	116(4.6)	141(5.5)
	3P+N+E(4P,5W)	80(3.1)	66(2.6)	5(0.2)	121(4.8)	7.5(0.3)	137(5.4)	8(0.3)	120(4.7)	143(5.6)

Watertight (IP66/67) Devices



Product Detail

IP66/67 devices feature molded-on gaskets for a consistent watertight seal



Nickel-plated brass contact pins provide excellent electrical conductivity and are corrosion and abrasion resistant



Positive locking grip provides excellent strain relief

Rubber gland provides watertight seal at cable entrance

Watertight (IP66/67) Devices



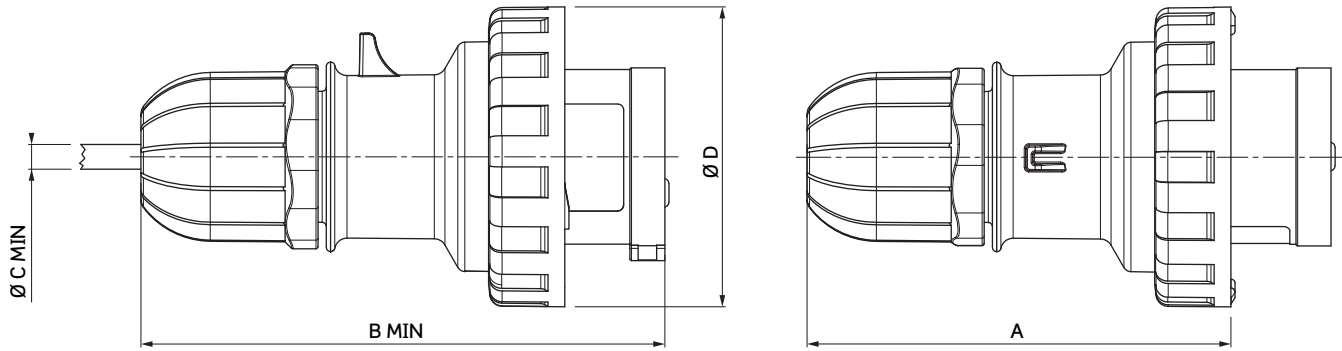
Amps	Poles	Hz	Volts	Connector/ Outlet Config. and Clock Position	Plug/Inlet Config.	Plug	Connector	Panel Mounting Socket Outlet	Surface Mounting Socket Outlet	Panel Mounting Inlet	Back Box	
16	2P+E (2P,3W)	50/60Hz	100V-130V	4		W216-P4	W216-C4	W216-R4	W216-S4	W216-B4	BB16-A	
		50/60Hz	200V-250V	6		W216-P6	W216-C6	W216-R6	W216-S6	W216-B6	BB16-A	
		50/60Hz	380V-415V	9		W216-P9	W216-C9	W216-R9	W216-S9	W216-B9	BB16-A	
	3P+E (3P,4W)	50/60Hz	200V-250V	9		W316-P9	W316-C9	W316-R9	W316-S9	W316-B9	BB16-A	
		50/60Hz	380V-415V	6		W316-P6	W316-C6	W316-R6	W316-S6	W316-B6	BB16-A	
		60Hz	440V-460V	11		W316-P11	W316-C11	W316-R11	W316-S11	W316-B11	BB16-A	
	3P+N+E (4P,5W)	50/60Hz	208V-250V	9		W416-P9	W416-C9	W416-R9	W416-S9	W416-B9	BB16-A	
		50/60Hz	346V-415V	6		W416-P6	W416-C6	W416-R6	W416-S6	W416-B6	BB16-A	
		60Hz	440V-460V	11		W416-P11	W416-C11	W416-R11	W416-S11	W416-B11	BB16-A	
	32	2P+E (2P,3W)	50/60Hz	100V-130V	4		W232-P4	W232-C4	W232-R4	W232-S4	W232-B4	BB32-A
			50/60Hz	200V-250V	6		W232-P6	W232-C6	W232-R6	W232-S6	W232-B6	BB32-A
			50/60Hz	380V-415V	9		W232-P9	W232-C9	W232-R9	W232-S9	W232-B9	BB32-A
3P+E (3P,4W)		50/60Hz	200V-250V	9		W332-P9	W332-C9	W332-R9	W332-S9	W332-B9	BB32-A	
		50/60Hz	380V-415V	6		W332-P6	W332-C6	W332-R6	W332-S6	W332-B6	BB32-A	
		60Hz	440V-460V	11		W332-P11	W332-C11	W332-R11	W332-S11	W332-B11	BB32-A	
3P+N+E (4P,5W)		50/60Hz	208V-250V	9		W432-P9	W432-C9	W432-R9	W432-S9	W432-B9	BB32-A	
		50/60Hz	346V-415V	6		W432-P6	W432-C6	W432-R6	W432-S6	W432-B6	BB32-A	
		60Hz	440V-460V	11		W432-P11	W432-C11	W432-R11	W432-S11	W432-B11	BB32-A	

Watertight (IP66/67) Devices



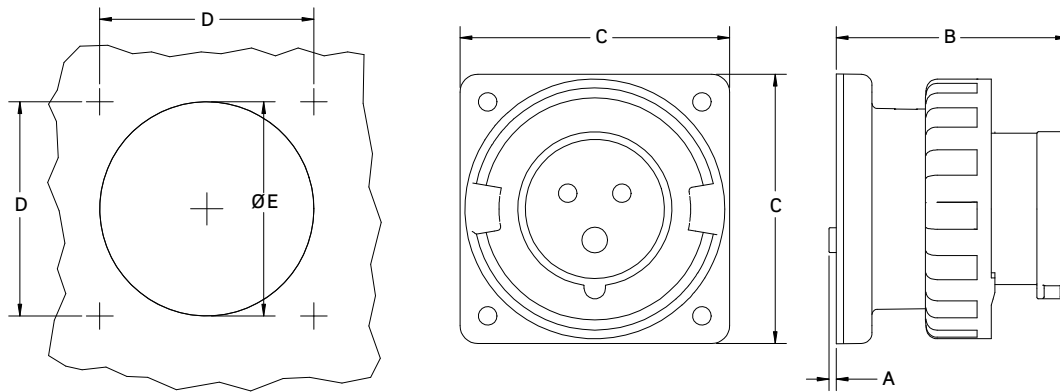
Amps	Poles	Hz	Volts	Connector/ Outlet Config. and Clock Position	Plug/ Inlet Config.	Plug	Connector	Panel Mounting Socket Outlet	Surface Mounting Socket Outlet	Panel Mounting Inlet	Back Box	
63	2P+E (2P,3W)	50/60Hz	200V-250V	6		W263-P6	W263-C6	W263-R6	W263-S6	W263-B6	BB63-A	
		50/60Hz	200V-250V	9		W363-P9	W363-C9	W363-R9	W363-S9	W363-B9	BB63-A	
	3P+E (3P,4W)	50/60Hz	380V-415V	6		W363-P6	W363-C6	W363-R6	W363-S6	W363-B6	BB63-A	
		60Hz	440V-460V	11		W363-P11	W363-C11	W363-R11	W363-S11	W363-B11	BB63-A	
		50/60Hz	208V-250V	9		W463-P9	W463-C9	W463-R9	W463-S9	W463-B9	BB63-A	
	3P+N+E (4P,5W)	50/60Hz	346V-415V	6		W463-P6	W463-C6	W463-R6	W463-S6	W463-B6	BB63-A	
		60Hz	440V-460V	11		W463-P11	W463-C11	W463-R11	W463-S11	W463-B11	BB63-A	
	125	2P+E (2P,3W)	50/60Hz	200V-250V	6		W2125-P6	W2125-C6	W2125-R6	W2125-S6	W2125-B6	BB125-A
			50/60Hz	200V-250V	9		W3125-P9	W3125-C9	W3125-R9	W3125-S9	W3125-B9	BB125-A
		3P+E (3P,4W)	50/60Hz	380V-415V	6		W3125-P6	W3125-C6	W3125-R6	W3125-S6	W3125-B6	BB125-A
		60Hz	440V-460V	11		W3125-P11	W3125-C11	W3125-R11	W3125-S11	W3125-B11	BB125-A	
		50/60Hz	208V-250V	9		W4125-P9	W4125-C9	W4125-R9	W4125-S9	W4125-B9	BB125-A	
3P+N+E (4P,5W)		50/60Hz	346V-415V	6		W4125-P6	W4125-C6	W4125-R6	W4125-S6	W4125-B6	BB125-A	
		60Hz	440V-460V	11		W4125-P11	W4125-C11	W4125-R11	W4125-S11	W4125-B11	BB125-A	

Plugs – Watertight (IP66/67)



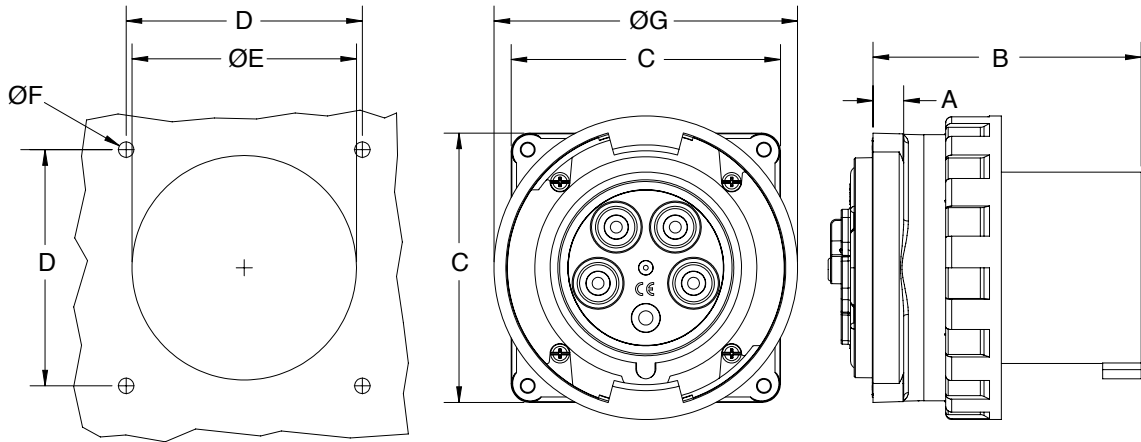
Amps	Poles	A mm(in)	B Min mm(in)	Ø C Min mm(in)	Ø D mm(in)
16A	2P+E (2P,3W)	103(4.0)	128(5.0)	6(.2)	73(2.9)
	3P+E (3P,4W)	110(4.3)	135(5.3)	6(.2)	81(3.2)
	3P+N+E (4P,5W)	129(5.1)	153(6.0)	9(.3)	88(3.5)
32A	2P+E (2P,3W)	131(5.2)	162(6.4)	9(.3)	93(3.7)
	3P+E (3P,4W)	131(5.2)	162(6.4)	9(.3)	93(3.7)
	3P+N+E (4P,5W)	145(5.7)	176(6.9)	13(.5)	101(4.0)
63A	All	160(6.3)	220(8.7)	17(.7)	112(4.4)
125A	All	202(7.9)	272(10.7)	26(1.0)	128(5.0)

Panel Mounting Inlet – Watertight (IP66/67)



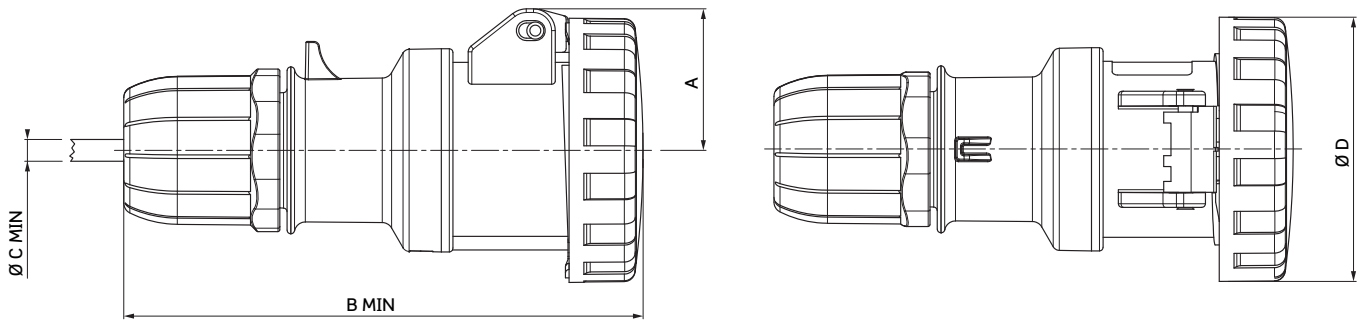
Amps	Poles	A mm(in)	B mm(in)	C mm(in)	D mm(in)	Ø E mm(in)
16A	2P+E(2P,3W)	2(0.1)	65(2.6)	75(2.9)	60(2.4)	60(2.4)
	3P+E(3P,4W)					
	3P+N+E(4P,5W)					
32A	2P+E(2P,3W)	19(0.7)	73(2.9)	75(2.9)	60(2.4)	60(2.4)
	3P+E(3P,4W)					
	3P+N+E (4P,5W)					

Panel Mounting Inlet – Watertight (IP66/67)



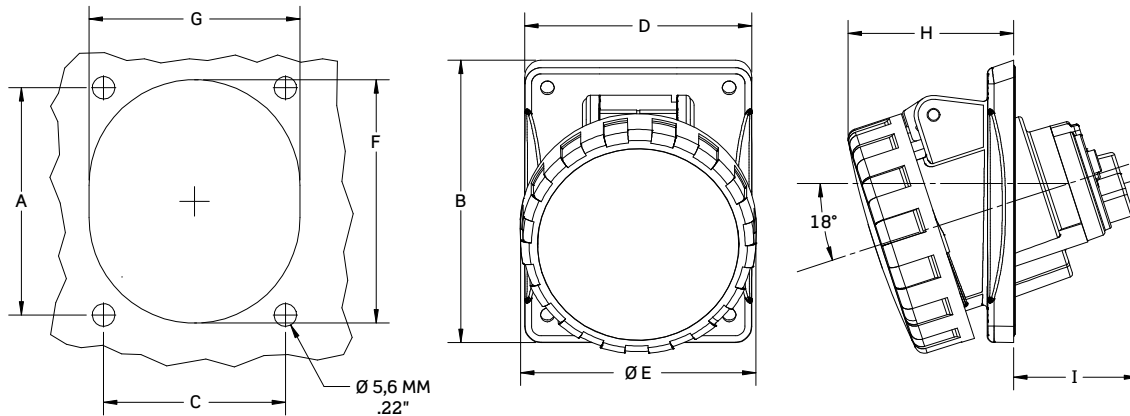
Amps	Poles	A mm(in)	B mm(in)	C mm(in)	D mm(in)	Ø E mm(in)	Ø F mm(in)	Ø G mm(in)
63A	2P+E(2P,3W)							
	3P+E(3P,4W)	12(.47)	101(3.9)	100(3.9)	80(3.1)	85(3.3)	6.5(2)	112(4.4)
	3P+N+E(4P,5W)							
125A	2P+E(2P,3W)							
	3P+E(3P,4W)	13(.5)	113.5(4.4)	114(4.4)	100(3.9)	95(3.7)	6.5(2)	128.5(5.0)
	3P+N+E (4P,5W)							

Connectors – Watertight (IP66/IP67)



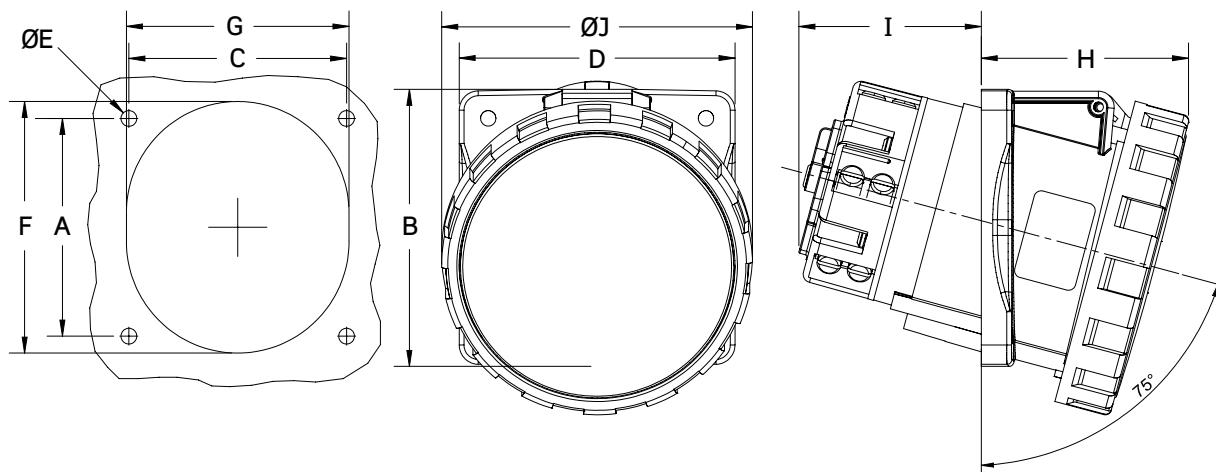
Amps	Poles	A mm(in)	B Min mm(in)	Ø C Min mm(in)	Ø D mm(in)
16A	2P+E (2P,3W)	39(1.5)	141(5.5)	6(2)	73(2.9)
	3P+E (3P,4W)	43(1.7)	148(5.8)	6(2)	81(3.2)
	3P+N+E (4P,5W)	51(2.0)	168(6.6)	9(3)	88(3.5)
32A	2P+E (2P,3W)	56(2.2)	178(7.0)	9(3)	93(3.7)
	3P+E (3P,4W)	56(2.2)	178(7.0)	9(3)	93(3.7)
	3P+N+E (4P,5W)	52(2.0)	195(7.7)	13(5)	101(4.0)
63A	All	57,5(2.26)	230(9.0)	17(7)	112(4.4)
125A	All	64,25(2.53)	288(11.3)	26(1.0)	128(5.0)

Panel Mounting Socket Outlets – Watertight (IP66/IP67)



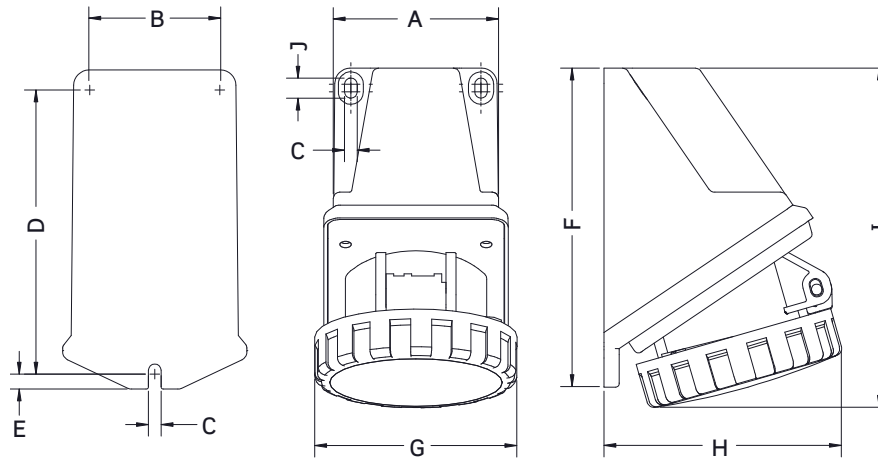
Amps	Poles	A mm(in)	B mm(in)	C mm(in)	D mm(in)	Ø E mm(in)	F mm(in)	G mm(in)	H mm(in)	I mm(in)
16A	2P+E(2P,3W)	70(2.7)	87(3.4)	56(2.2)	70(2.7)	73(2.9)	73(2.9)	65(2.6)	52(2.0)	40(1.6)
	3P+E(3P,4W)	70(2.7)	87(3.4)	56(2.2)	70(2.7)	81(3.2)	73(2.9)	65(2.6)	54(2.1)	40(1.6)
	3P+N+E (4P,5W)	70(2.7)	87(3.4)	56(2.2)	70(2.7)	88(3.5)	73(2.9)	65(2.6)	55(2.2)	41(1.6)
32A	2P+E(2P,3W)	90(3.5)	106(4.2)	68(2.7)	84(3.3)	93(3.7)	87(3.4)	76(3.0)	61(2.4)	60(2.4)
	3P+E(3P,4W)	90(3.5)	106(4.2)	68(2.7)	84(3.3)	93(3.7)	87(3.4)	76(3.0)	61(2.4)	60(2.4)
	3P+N+E (4P,5W)	90(3.5)	106(4.2)	68(2.7)	84(3.3)	101(4.0)	87(3.4)	76(3.0)	63(2.5)	61(2.4)

Panel Mounting Socket Outlets – Watertight (IP66/IP67)



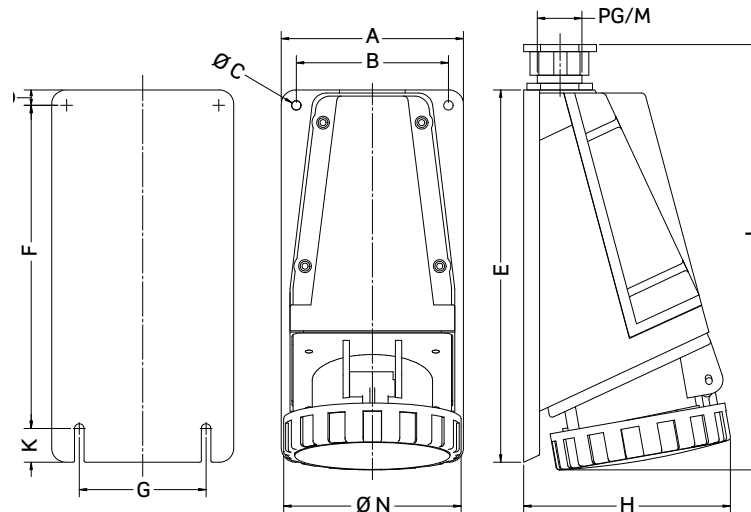
Amps	Poles	A mm(in)	B mm(in)	C mm(in)	D mm(in)	Ø E mm(in)	F mm(in)	G mm(in)	H mm(in)	I mm(in)	Ø J mm(in)
63A	2P+E(2P,3W)										
	3P+E(3P,4W)	85(3.3)	110(4.3)	80(3.1)	100(3.9)	6.5(0.2)	92(3.6)	80(3.1)	71.2(2.8)	65(2.5)	112(4.4)
	3P+N+E (4P,5W)										
125A	2P+E(2P,3W)										
	3P+E(3P,4W)	90(3.5)	114.5(4.5)	90(3.5)	114(4.4)	6.5(0.2)	104(4.0)	92(3.6)	85.7(3.3)	75.4(2.97)	128.5(5.0)
	3P+N+E (4P,5W)										

Surface Mounting Socket Outlets – Watertight (IP66/IP67)



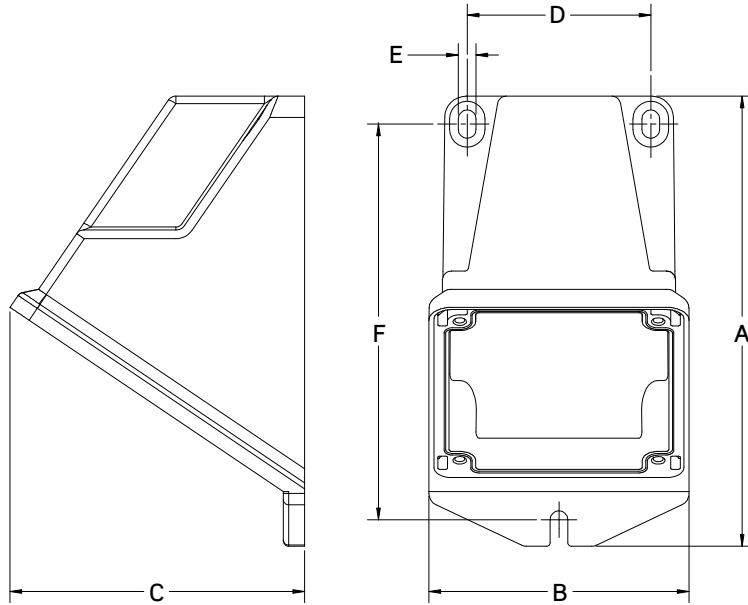
Amps	Poles	A mm(in)	B mm(in)	C mm(in)	D mm(in)	E mm(in)	F mm(in)	G mm(in)	H mm(in)	I mm(in)	J mm(in)
16A	2P+E(2P,3W)	65(2.6)	52(2.0)	5(0.2)	112(4.4)	7.5(0.3)	127(5.0)	73(2.9)	91(3.6)	134(5.3)	8(0.3)
	3P+E(3P,4W)	65(2.6)	52(2.0)	5(0.2)	112(4.4)	7.5(0.3)	127(5.0)	81(3.2)	95(3.7)	135(5.3)	8(0.3)
	3P+N+E(4P,5W)	65(2.6)	52(2.0)	5(0.2)	112(4.4)	7.5(0.3)	127(5.0)	88(3.5)	98(3.9)	136(5.3)	8(0.3)
32A	2P+E(2P,3W)	80(3.1)	66(2.6)	5(0.2)	121(4.8)	7.5(0.3)	137(5.4)	93(3.7)	112(4.4)	147(5.8)	8(0.3)
	3P+E(3P,4W)	80(3.1)	66(2.6)	5(0.2)	121(4.8)	7.5(0.3)	137(5.4)	93(3.7)	112(4.4)	147(5.8)	8(0.3)
	3P+N+E 4P,5W)	80(3.1)	66(2.6)	5(0.2)	121(4.8)	7.5(0.3)	137(5.4)	101(4.0)	113(4.4)	149(5.9)	8(0.3)

Surface Mounting Socket Outlet – Watertight (IP66/IP67)



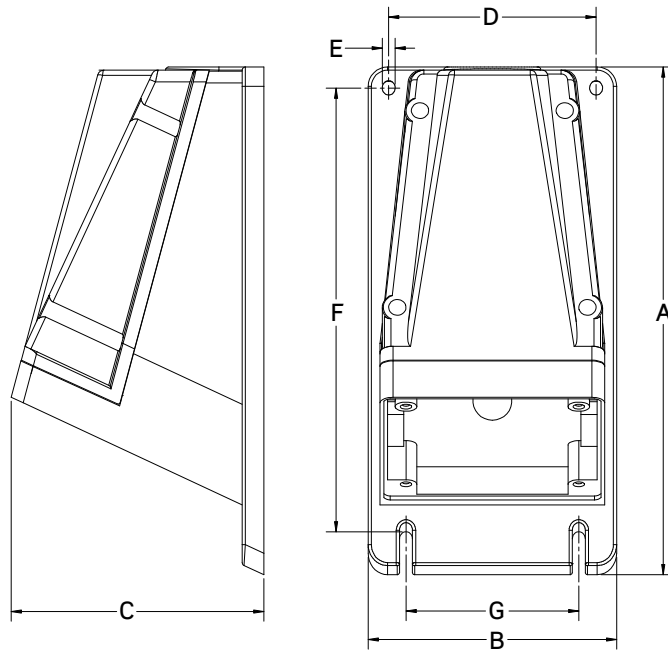
Amps	Poles	A mm(in)	B mm(in)	C mm(in)	D mm(in)	E mm(in)	F mm(in)	G mm(in)	H mm(in)	K mm(in)	L mm(in)	PG/M	Ø N mm(in)
63A	2P+E (2P,3W)	115(4.5)	96(3.8)	6(0.2)	10(0.4)	235(9.2)	205(8.1)	80(3.1)	125(4.9)	15(0.6)	267(10.5)	29/32	112(4.4)
	3P+E (3P,4W)												
	3P+N+E(4P,5W)												
125A	2P+E (2P,3W)	135(5.3)	120(4.72)	6(0.2)	13(0.5)	300(11.8)	270(10.6)	100(3.9)	157(6.2)	17(0.7)	346(13.6)	48/63	128(5.0)
	3P+E (3P,4W)												
	3P+N+E (4P,5W)												

Back Boxes — Splashproof (IP44) and Watertight (IP66/IP67)



Amps	A mm(in)	B mm(in)	C mm(in)	D mm(in)	E mm(in)	F mm(in)
16A	127(5.00)	73(2.9)	83(3.3)	52(2.0)	5(0.2)	112 (4.4)
32A	137(5.39)	87(3.4)	99(3.9)	66(2.6)	5(0.2)	122 (4.8)

Back Boxes — Watertight (IP66/IP67)



Amps	A mm(in)	B mm(in)	C mm(in)	D mm(in)	E mm(in)	F mm(in)	G mm(in)
63A	235(9.2)	115(4.5)	117(4.6)	96(3.8)	6(0.2)	207(8.1)	80(3.1)
125A	300(11.8)	135 (5.3)	136(5.3)	120(4.7)	6(0.2)	270(10.6)	100(3.9)

Wetguard® Watertight Devices

Watertight Devices

- 15, 20 and 30 Amp
- 125V thru 600V
- NEMA and Non-NEMA Configurations
- UL/Fed. Spec./CSA/NOM
- Full complement of device types: plugs, connectors, single and duplex outlets and single inlets
- IEC IP66, IP67, NEMA 4, 4X, 6, 6P



Wetguard FD Box System

- Available in one-, two- and three-gang configurations
- Rigid PVC construction
- Accepts direct connection of 1", 3/4" and 1/2" PVC conduit
- Patented design allows for combining single gang devices in multi-gang configurations
- IEC IP66, NEMA 4, 4X, 12



Black & White® Plugs & Connectors

Plugs & Connectors

- 15, 20 & 30 Amp
- 125V thru 600V
- NEMA and Non-NEMA Configurations
- UL/Fed.Spec./CSA/NOM



V-O-MAX® Locking Receptacles

Locking Receptacles

- 15, 20 & 30 Amp
- 125V thru 600V
- NEMA and Non-NEMA Configurations
- UL/Fed.Spec./CSA/NOM
- UL V-O Flammability Rating
- Color-Coding Indicates Voltage Ratings



Wire Management

Wire Mesh Grips

- Pulling, Support, & Strain Relief
- Single & Double Eyes
- Flexible, Offset & Rotating Eyes
- Closed, Split Lace, or Split Rod Mesh
- Liquid Tight, Wide Range, Deluxe Grips



Portable Outlet Boxes

Industrial Grade Portable Outlet Boxes

- Made from a High-Performance, UL Listed TPV for durability and safety
- Pendant and feed-thru styles; in single- and two-gang configurations



Cover Plates

- Durable polycarbonate construction provides exceptional impact resistance and service life
- Many configurations available for a variety of wiring device combinations
- Weather-resistant flip-lid versions provide NEMA 3R protection while not in use



Power Distribution Boxes

The Box™

- Reinforced metal housing and legs withstand heavy abuse
- Weatherproof device covers prevent moisture from entering contacts
- Available with standard or high-current GFCI protection



Portable GFCI

Automatic & Manual Reset Cord Sets

- Rainproof, Outdoor rated
- Fully Complies with NEC and OSHA regulations for construction sites
- 15A and 20A, 120V versions available; in a variety of cord lengths



North American Configurations

IEC 60309 Pin & Sleeve

- 20 to 100 Amp, IP67 Watertight
 - Plugs & Connectors
 - Receptacles & Inlets
- Back Boxes
- Replacement Components
- UL/CSA



High-Amperage Connectivity

Rhino-Hide® 49 Series Connectors and Receptacles

- For Oil/Gas Rig and Power Distribution Applications
- Up to 1135 Amp, 1000V AC or DC
- Accepts cable range 313 to 777 MCM
- Insulators Molded from Impact-Resistant Santoprene™ TPV
- 10 Colors available for easy phase identification
- Grounding Contact Available



Single Pole Devices

17 Series-Taper Nose and 19 Series Ball Nose

- Up to 690 Amp, 600V
- Insulators Molded from Impact-Resistant TPV or vulcanized neoprene
- Slit and Cam Male Contact Design - Compensates for Wear
- Color-Coded Insulators for Easy Phase Identification



16 Series Taper Nose and 18 Series Ball Nose

- Up to 400 Amp, 600 V
- Insulators Molded from Impact-Resistant TPV or vulcanized neoprene
- Slit and Cam Male Contact Design - Compensates for Wear
- Color-Coded Insulators for Easy Phase Identification
- UL Listed and CSA Certified



Wallplates

Stainless Steel Wallplates

- Type 302 Stainless Steel for optimum strength and corrosion resistance
- Expansive selection of single- and multi-gang configurations
- Also available in Type 430 Stainless Steel, Aluminum, Chrome and Brass



Industrial Grade Switches

Heavy Duty AC Control with Toggle Actuator

- 15, 20 & 30 Amp
- 120/277V AC
- SP, DP 3-Way, 4-Way
- UL/Fed. Spec./CSA
- Back or Side Wired Grounding Terminal



Motor Starter Switches - AC Control for Single-Phase or Three-Phase Motor Loads

- 30, 40 & 60 AMP
- Suitable as Motor Disconnect (30A & 40A)
- 120V AC thru 600V AC
- Max HP Rating: 20HP 600V AC
- Available with Type 1, 3R or 4X enclosures
- cUL/NOM



Safety Disconnect Switches- AC Control for Horsepower Rated Motor Loads

- 30, 60 & 100 Amp
- Heavy Duty 600V AC
- Max HP Rating: 50HP 600V AC
- Fused and Non-Fused
- Dust-tight and Watertight
- IP67, IP65, NEMA 3R, 4X, 12K



Surge Protective Devices

Surge Panels (Type 2)

- Available for both Delta and WYE Transformers
- NEMA-rated enclosures
- Limited Lifetime Product Warranty



Communication Modules 3803 Series (Type 4)

- Surface Mount
- UL Listed
- 2 Options for Ground Connection
- For Use on Allen Bradley PH-485, "Blue Hose" Networks, and Modbus Networks
- Protects Programmable Logic Devices from Surges in Harsh Industrial and High EMI Environments



Leviton Manufacturing Co., Inc.

201 North Service Road, Melville, NY 11747
Phone: 1-800-323-8920 • FAX: 1-800-832-9538
Tech Line (8:30AM-7:00PM E.S.T. Mon-Fri): 1-800-824-3005

Leviton Manufacturing of Canada, Ltd.

165 Hymus Blvd, Pointe-Claire, QC H9R 1E9
Telephone: 1-800-469-7890 • FAX: 1-800-563-1853

Leviton S. de R.L. de C.V.

Lago Tana 43, Col. Huichapan, Miguel Hidalgo, CP 11290 México DF
Tel. (+52) 55-5082-1040 • Fax: (+52) 55-5386-1797 • www.leviton.com.mx

Visit us on the web at: www.leviton.com/industrial • email: industrial@leviton.com