

CATALOG



AFC

CABLE SYSTEMS®

FITTINGS CATALOG



A PART OF



Since 1994 AFC Fittings has been providing quality connectors, fittings, and couplings for wiring applications employing AC & MC cables, EMT, Flexible Metal Conduits and Liquidtight metallic and non-metallic flexible conduits. Today we offer you even more.

In this catalog you'll find an expanded robust line of termination products now including Rigid Conduits, IMC Conduits and expanded offerings for other wiring methods as well.

Also, clearly mapped out for you in this catalog, you'll find more detailed technical information.

And lastly, you'll find a cross reference chart to help you make more informed buying decisions.

Quality and Service are the hallmarks of doing business with AFC.

Quality: All our Fittings, Connectors, and Couplings have been designed by a team of engineers to rigorous U.L. standards and manufactured in a controlled factory environment. (Imported)

Service: AFC Fittings has field warehouses strategically located throughout the country, making it quick and easy to satisfy your demanding delivery deadlines.

Past, Present and into the Future – AFC Fittings is your best connection!

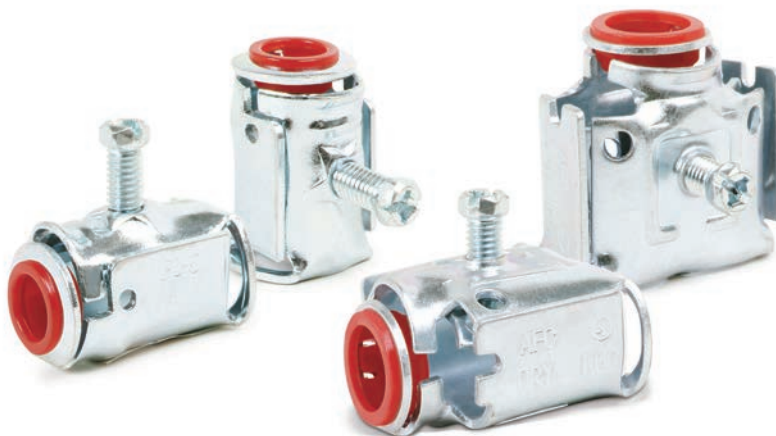
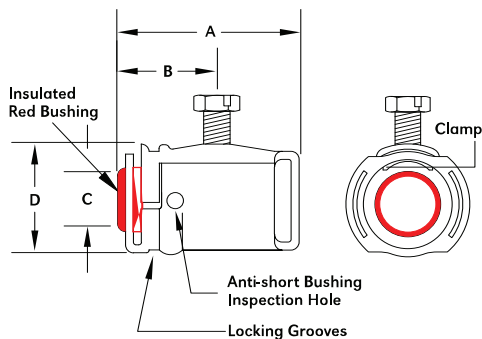
Call 800-757-6996
www.afcweb.com

Table of Contents

1	Armored Cable and Flexible Metal Conduit Connectors
2-5	Steel Setscrew Connectors and Couplings
6	Raintight Compression Fittings
7	Parking Deck/Lot Cable Connectors
8-9	90° Squeeze & Straight Squeeze Connectors Malleable Iron for Flex
10-11	Malleable Liquidtight Insulated and Uninsulated Connectors
12	Snap-Lok Flexible Metal Conduit Connector
13	Non-Metallic Liquidtight Connectors
14-15	Malleable Iron Compression Rigid Connectors/Threadless Rigid & IMC
16	Malleable Iron Three Piece Couplings for Rigid Conduit and IMC
16-21	Cross Reference Charts

Armored Cable & Flexible Metal Conduit Connectors

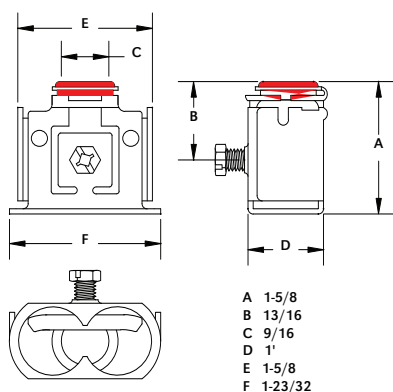
AFC-50



Features/Industry Standards

- AFC Steel Box Connectors are design coordinated with AC & MC Cable and Flex from AFC Cable Systems.
- No locknut required
- Unique 3-Way screw, Use with: Flat blade, #2 Square drive, or Phillips head
- Positive grip clamp assures excellent grounding continuity and holding power
- Tilt-in and tighten installation technique provides easy, fast and secure connections for your MC, AC and Flex
- Maximum wire protection provided by built-in red insulated throat bushing
- UL Listed concrete tight when taped.*
- UL Standard 514B, UL Listed File # E-164166
- CSA Certified File # LR-84516 for AFC-50, 75, and 5075 only
- ANSI/NEMA FB-1
- Federal Specification A-A-50552

AFC-52 1/2" Duplex Connector



Specification/Ordering Information

PRODUCT CODE	CATALOG NUMBER	WEIGHT PER/C	TRADE SIZE	DIMENSION IN INCHES				CARTON COUNT	
				A	B	C	D	INNER	MASTER
0102-24-00	AFC-50	8	1/2"	1-1/2	3/4	27/64	59/64	50	500
0122-22-00	AFC-52	13	1/2" duplex	1-5/8	13/16	9/16	1	25	250
0103-22-00	AFC-75	13	3/4"	1-11/16	7/8	9/16	1-1/4	25	250
0123-22-00	AFC-5075	13	1/2"	1-11/16	7/8	3/4	31/32	25	250

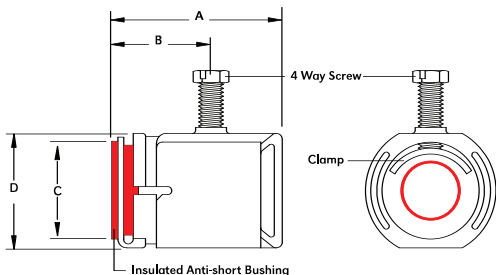
Cable Size

AFC-50 and AFC-52: 3/8" trade size steel and aluminum RW Flexible Metal Conduit
0.450" - 0.535" diameter Type MC cable interlocked armor with or without overall PVC extrusion and for MCI-A Type MC, Type AC and Flexible Metal Conduit
Fits sizes 14/2 - 10/3 steel armored cable
Fits sizes 14/2 - 12/4 aluminum armored cable

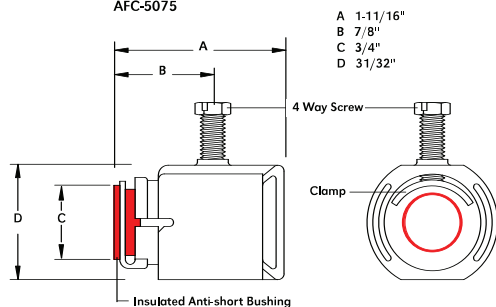
AFC-75 and AFC-5075: 1/2" trade size steel and aluminum RW FSC
0.570" - 0.795" diameter MC cable
Fits sizes 10/4, 10/5, 8/3, 8/4, 6/3 armored cable

* **The U.L. Requirement for "concrete-tight" means "there shall be no entrance of concrete aggregate into the fitting or the outlet box, conduit, or cable," etc. A minimum of two-half-lapped layers of electrical tape, e.g., 3M's #88 or equivalent is recommended.**

AFC-75 - 3/4" Connector



AFC-5075



Steel Setscrew Connectors



Features/Industry Standards

- UL Listed for use with EMT/IMC/Rigid conduit sizes 2-1/2" - 4"
- High quality tubular steel construction
- Durable, one piece assembly
- UL Listed "concrete tight when taped" sizes 1/2" - 4"
- Connectors available with and without insulated throats
- UL Standard 514B, UL Listed File # E-164116 (EMT, IMC, Rigid 2-1/2"-4"), E-172239 (EMT 1/2"-4")
- CSA C22.2 No:18.3
- C-UL Listed for Canada
- Federal Specification A-A-50553A
- ANSI/NEMA FB-1

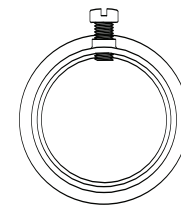
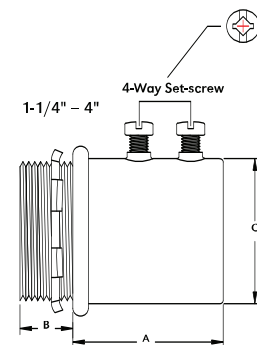
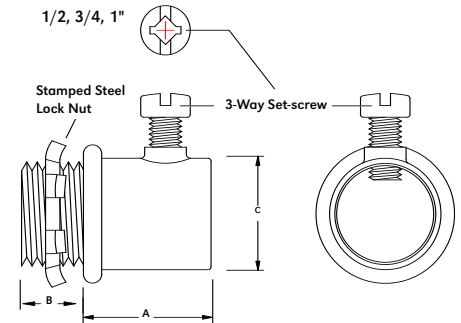
Specification/Ordering Information

Uninsulated Throat

PRODUCT CODE	CATALOG NUMBER	WEIGHT PER/C	TRADE SIZE	DIMENSION IN INCHES			CARTON COUNT	
				A	B	C	INNER	MASTER
0402-24-00	SC-50	8	1/2"	1.083	0.354	1.142	50	500
0403-22-00	SC-75	12	3/4"	1.547	0.535	1.346	25	250
0404-20-00	SC-100	20	1"	1.823	0.424	1.713	20	200
0405-10-00	SC-125	40	1-1/4"	2.331	0.600	1.685	10	100
0406-10-00	SC-150	40	1-1/2"	2.638	0.650	1.902	10	100
0407-05-00	SC-200	60	2"	2.856	0.650	2.374	5	50
0408-08-00	SC-250	125	2-1/2"	3.268	0.748	3.150	*	8
0409-06-00	SC-300	150	3"	3.740	0.827	3.780	*	6
0410-04-00	SC-350	225	3-1/2"	4.055	0.945	4.291	*	4
0411-04-00	SC-400	250	4"	4.252	0.984	4.791	*	4

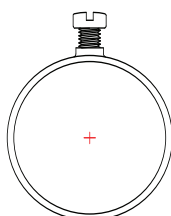
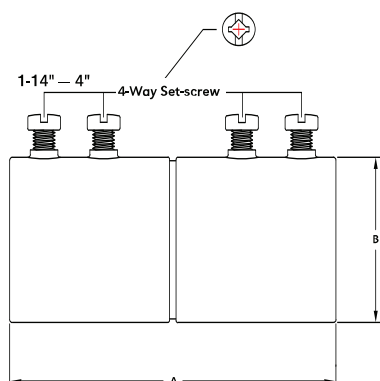
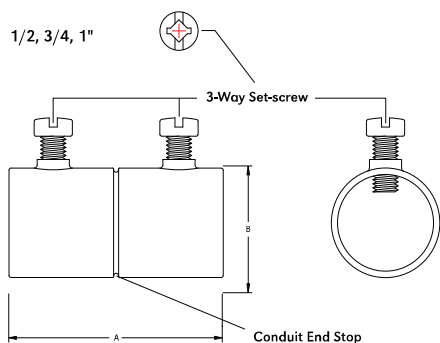
Insulated Throat

0412-24-00	SCI-50	8	1/2"	1.083	0.354	1.142	50	500
0413-22-00	SCI-75	12	3/4"	1.547	0.535	1.346	25	250
0414-20-00	SCI-100	20	1"	1.823	0.424	1.713	20	200
0415-10-00	SCI-125	40	1-1/4"	2.331	.0600	1.685	10	100
0416-10-00	SCI-150	40	1-1/2"	2.638	0.650	1.902	10	100
0417-05-00	SCI-200	60	2"	2.856	0.650	2.374	5	50
0418-08-00	SCI-250	125	2-1/2"	3.268	.0748	3.150	*	8
0419-06-00	SCI-300	150	3"	3.740	0.827	3.780	*	6
0420-04-00	SCI-350	225	3-1/2"	4.055	0.945	4.291	*	4
0421-04-00	SCI-400	250	4"	4.252	0.984	4.791	*	4



4-Way Set-screw includes 5/8" Hexnut

Steel Setscrew Couplings



4-Way Set-screw includes 5/8" Hexnut



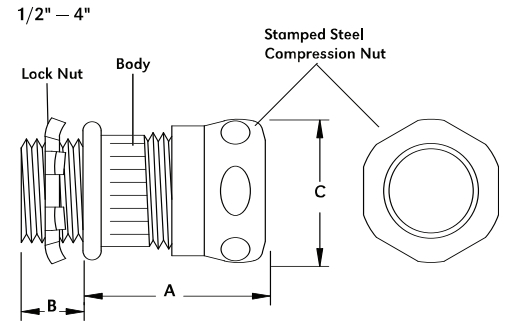
Features/Industry Standards

- UL Listed for use with EMT/IMC/Rigid conduit sizes 2-1/2" - 4"
- High quality tubular steel construction
- Durable, one piece assembly
- UL Listed "concrete tight when taped" sizes 1/2" - 4"
- UL Standard 514B, UL Listed File # E-164116 (EMT, IMC, Rigid 2-1/2"-4"), E-172239 (EMT 1/2"-4")
- CSA C22.2 No:18.3
- C-UL Listed for Canada
- Federal Specification A-A-50553A
- ANSI/NEMA FB-1

Specification/Ordering Information

PRODUCT CODE	CATALOG NUMBER	WEIGHT PER/C	TRADE SIZE	DIMENSION IN INCHES			CARTON COUNT	
				A	B	C	INNER	MASTER
0502-24-00	SK-50	8	1/2"	1.772	0.846	—	50	500
0503-22-00	SK-75	12	3/4"	2.008	1.083	—	25	250
0504-20-00	SK-100	25	1"	2.480	1.339	—	20	200
0505-10-00	SK-125	50	1-1/4"	3.252	1.685	—	10	100
0506-10-00	SK-150	50	1-1/2"	3.752	1.902	—	10	100
0507-05-00	SK-200	60	2"	4.000	6.311	—	5	50
0508-08-00	SK-250	150	2-1/2"	4.252	3.150	—	*	8
0509-06-00	SK-300	183	3"	4.488	3.780	—	*	6
0510-04-00	SK-350	225	3-1/2"	4.724	4.291	—	*	4
0511-04-00	SK-400	275	4"	4.961	4.791	—	*	4

Steel Compression Connectors

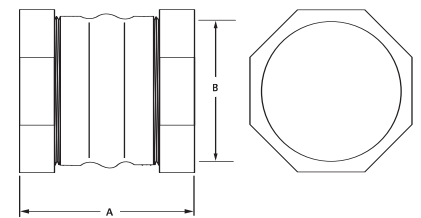


Features/Industry Standards

- Strong steel construction
- Stamped steel nut
- Connectors available with and without insulated throats
- UL Standard 514B, UL Listed File # E-172239
- C-UL Listed for Canada
- Federal Specification A-A-50553A
- ANSI/NEMA FB-1
- UL Listed concrete tight (1/2" - 4") (taping not required)

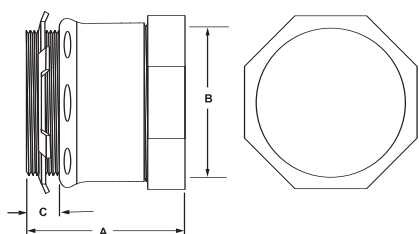
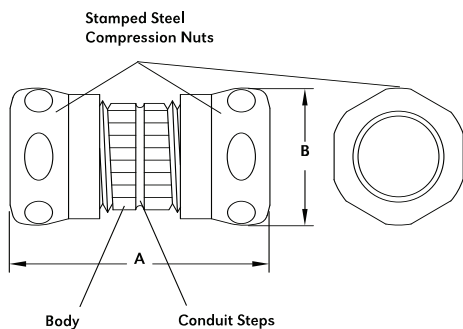
Specification/Ordering Information

PRODUCT CODE	CATALOG NUMBER	WEIGHT PER/C	TRADE SIZE	DIMENSION IN INCHES			CARTON COUNT	
				A	B	C	INNER	MASTER
0202-24-00	CC-50	13	1/2"	1.614	0.354	1.102	50	500
0203-22-00	CC-75	18	3/4"	1.898	0.535	1.898	25	250
0204-20-00	CC-100	27	1"	2.106	0.421	1.654	20	200
0205-10-00	CC-125	48	1-1/4"	2.677	0.600	1.969	10	100
0206-10-00	CC-150	60	1-1/2"	3.071	0.650	2.244	10	100
0207-05-00	CC-200	82	2"	3.268	0.650	2.717	5	50
0208-08-00	CC-250	152	2-1/2"	3.780	0.748	3.760	*	8
0209-06-00	CC-300	211	3"	4.291	0.827	4.567	*	6
0210-04-00	CC-350	242	3-1/2"	4.449	0.945	5.079	*	4
0211-04-00	CC-400	287	4"	4.803	0.984	5.079	*	4
Insulated Throat								
0212-24-00	CCI-50	13	1/2"	1.614	0.354	1.102	50	500
0213-22-00	CCI-75	18	3/4"	1.898	0.535	1.898	25	250
0214-20-00	CCI-100	27	1"	2.106	0.421	1.654	20	200
0215-10-00	CCI-125	48	1-1/4"	2.677	0.600	1.969	10	100
0216-10-00	CCI-150	60	1-1/2"	3.071	0.650	2.244	10	100
0217-05-00	CCI-200	82	2"	3.268	0.650	2.717	5	50
0218-08-00	CCI-250	152	2-1/2"	3.780	0.748	3.760	*	8
0219-06-00	CCI-300	211	3"	4.291	0.827	4.567	0	6
0220-04-00	CCI-350	242	3-1/2"	4.449	0.945	5.079	*	4
0221-04-00	CCI-400	287	4"	4.803	5.709	0.984	*	4



Steel Compression Couplings

1/2" – 4"



Features/Industry Standards

- Strong steel construction
- Stamped steel nut
- Connectors available with and without insulated throats
- UL Standard 514B, UL Listed File # E-172239
- C-UL Listed for Canada
- Federal Specification A-A-50553A
- UL Listed concrete tight (1/2" - 4") (taping not required)

Specification/Ordering Information

PRODUCT CODE	CATALOG NUMBER	WEIGHT PER/C	TRADE SIZE	DIMENSION IN INCHES			CARTON COUNT	
				A	B	C	INNER	MASTER
0302-24-00	CK-50	12	1/2"	2.031	1.102	—	50	500
0303-22-00	CK-75	24	3/4"	2.094	1.382	—	25	250
0304-20-00	CK-100	35	1"	2.256	1.654	—	20	200
0305-10-00	CK-125	50	1-1/4"	3.150	1.969	—	10	100
0306-10-00	CK-150	60	1-1/2"	3.228	2.244	—	10	100
0307-05-00	CK-200	80	2"	3.307	2.717	—	5	50
0308-08-00	CK-250	213	2-1/2"	4.882	3.760	—	*	8
0309-06-00	CK-300	267	3"	5.276	4.528	—	*	6
0310-04-00	CK-350	375	3-1/2"	5.512	5.079	—	*	4
0311-04-00	CK-400	425	4"	5.709	5.630	—	*	4

Raintight Compression Fittings

Specification/Ordering Information "Raintight EMT Steel Compression Connectors"

PRODUCT CODE	CATALOG NUMBER	WEIGHT PER/C	TRADE SIZE	DIMENSION IN INCHES			CARTON COUNT	
				A	B	C	INNER	MASTER
0222-24-00	RTC-50	10.6	1/2"	1-5/8"	5/8"	1-1/8"	50	500
0223-22-00	RTC-75	17.0	3/4"	1-7/8"	1/2"	1-7/8"	25	250
0224-20-00	RTC-100	22.7	1"	2-1/8"	7/16"	1-11/16"	20	200
0225-10-00	RTC-125	40.6	1-1/4"	15/16"	5/8"	2-1/16"	10	100
0226-10-00	RTC-150	49.9	1-1/2"	1-1/16"	5/8"	2-1/4"	10	100
0227-05-00	RTC-200	66.8	2"	1-1/8"	11/16"	2-3/4"	5	50
0228-08-00	RTC-250	176.8	2-1/2"	1-11/16"	3/4"	3-5/8"	-	8
0229-06-00	RTC-300	234.3	3"	1-11/16"	7/8"	4-1/4"	-	6
0230-04-00	RTC-350	287.3	3-1/2"	1-13/16"	15/16"	4-11/16"	-	4
0231-04-00	RTC-400	342.6	4"	1-13/16"	15/16"	5-3/16"	-	4
0232-24-00	RTCI-50	10.6	1/2"	1-5/8"	5/8"	1-1/8"	50	500
0233-22-00	RTCI-75	17.0	3/4"	1-7/8"	1/2"	1-7/8"	25	250
0234-20-00	RTCI-100	22.7	1"	2-1/8"	7/16"	1-11/16"	20	200
0235-10-00	RTCI-125	40.6	1-1/4"	15/16"	11/16"	2-1/16"	10	100
0236-10-00	RTCI-150	49.9	1-1/2"	1-1/16"	11/16"	2-1/4"	10	100
0237-05-00	RTCI-200	66.8	2"	1-1/8"	3/4"	2-3/4"	5	50
0238-08-00	RTCI-250	176.8	2-1/2"	1-11/16"	13/16"	3-5/8"	-	8
0239-06-00	RTCI-300	234.3	3"	1-11/16"	15/16"	4-1/4"	-	6
0240-04-00	RTCI-350	287.3	3-1/2"	1-13/16"	1"	4-11/16"	-	4
0241-04-00	RTCI-400	342.6	4"	1-13/16"	1"	5-3/16"	-	4

Specification/Ordering Information "Raintight EMT Steel Compression Couplings"

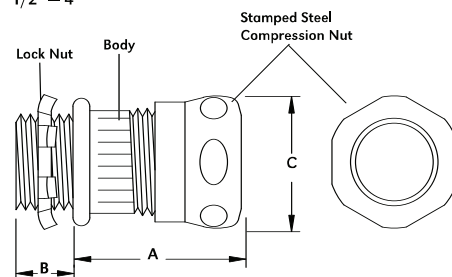
PRODUCT CODE	CATALOG NUMBER	WEIGHT PER/C	TRADE SIZE	DIMENSION IN INCHES		CARTON COUNT	
				A	B	INNER	MASTER
0322-24-00	RTK-050	14.0	1/2"	2-1/32"	1-1/8"	50	500
0323-22-00	RTK-075	21.3	3/4"	2-3/32"	1-3/8"	25	250
0324-20-00	RTK-100	28.0	1"	2-1/4"	1-11/16"	20	200
0325-10-00	RTK-125	48.5	1-1/4"	2-1/4"	2-1/16"	10	100
0326-10-00	RTK-150	59.5	1-1/2"	2-1/4"	2-1/4"	10	100
0327-05-00	RTK-200	78.9	2"	2-3/8"	2-3/4"	5	50
0328-08-00	RTK-250	205.5	2-1/2"	3-7/8"	3-5/8"	-	8
0329-06-00	RTK-300	263.0	3"	4	4-1/4"	-	6
0330-04-00	RTK-350	309.4	3-1/2"	4-11/16"	4-11/16"	-	4
0331-04-00	RTK-400	393.4	4"	4-15/16"	5-3/16"	-	4



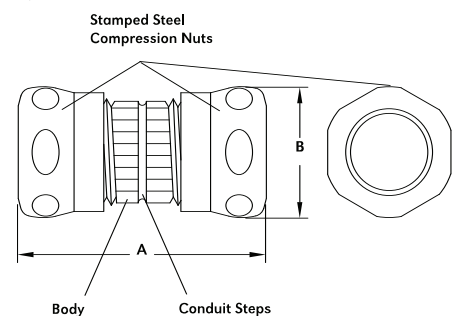
Features/Industry Standards

- UL Listed as rain tight for EMT conduit
- Blue nuts for easy identification as raintight
- Inner sealing gland prevents moisture from entering conduit
- Flat neoprene gasket prevents moisture form entering K-O
- UL Listed concrete tight
- UL Standard 514B, UL Listed File #E-172239
- ANSI/NEMA FB-1
- C-UL Listed for Canada
- Federal Specification A-A-50553A

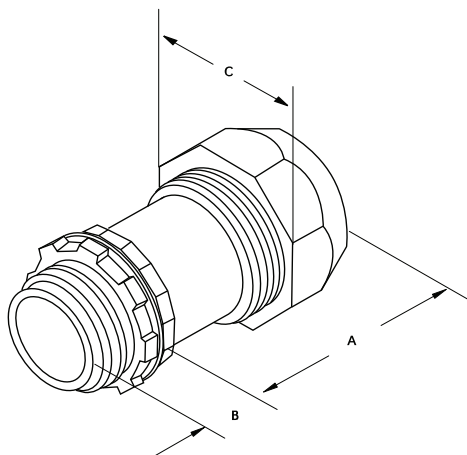
1/2" – 4"



1/2" – 4"



Parking Deck & Parking Lot



Features/Industry Standards

- Designed for use with PVC Jacket MC cable (Parking Deck/Lot Cable™)
- Easy installation starts by stripping back PVC jacket at the end of cable, loosen the nut, slip cable into the connector until cable is fully inserted, then tighten the connector nut.
- Tapered Threads
- Zinc die cast with external knockout gasket.
- Tapered external NPT threads allow conductors to be installed in threaded boxes.
- UL Listed "raintight" and concrete casement ★
- UL Standard 514B, UL File reference E164166
- ANSI/NEMA FB-1
- Federal Specification A-A-50552
- New 90° connector now available

Specification/Ordering Information Straight Connectors

PRODUCT CODE	CATALOG NUMBER	WEIGHT PER/C	TRADE SIZE	DIMENSION IN INCHES			CARTON COUNT	
				A	B	C	INNER	MASTER
0124-15-00	AFC-595-U	19.1	3/8"	1-3/4	17/32	1-7/32	15	60
0125-15-00	AFC-595-I	19.1	3/8"	1-3/4	17/32	1-7/32	15	60
0126-15-00	AFC-596-U	19.5	1/2"	1-3/4	17/32	1-7/32	15	60
0127-15-00	AFC-596-I	19.5	1/2"	1-3/4	17/32	1-7/32	15	60

90° Connectors

PRODUCT CODE	CATALOG NUMBER	WEIGHT PER/C	TRADE SIZE	DIMENSION IN INCHES				CARTON COUNT	
				A	B	C	D	INNER	MASTER
0128-10-00	AFC-895-U	30.5	3/8"	1-5/16	2-3/4	17/32	1-1/4	10	40
0129-10-00	AFC-895-I	30.5	3/8"	1-5/16	2-3/4	17/32	1-1/4	10	40

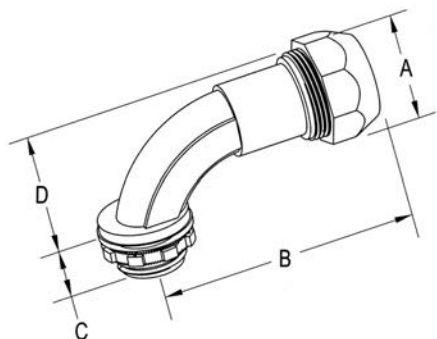
Cable Size

AFC-595-U, AFC-595-I: .610 Max. Armor & .720 Max. Jacket
Fits sizes 12/2 - 10/3

AFC-596-U, AFC-596-I: .685 Max. Armor & .800 Max. Jacket
Fits sizes 10/4 - 8/3

AFC895-U, AFC895-I: .610 Max. Armor & .720 Max. Jacket
Fits sizes 12/2 - 10/3

★ Not suitable in direct burial (in the ground) applications



90° Squeeze Connectors Malleable Iron for Flex



Sizes 3/8" - 3/4" are manufactured as shown above.



Sizes 1" - 2" are manufactured as shown above.



Sizes 2-1/2" - 4" are manufactured as shown above.

Features/Industry Standards

For armored cable, flexible metal conduit, interlocked metal clad cables.

- Male hub threads - NPSM
- RoHS compliant
- Malleable iron
- Steel locknut
 - Stamped steel covers

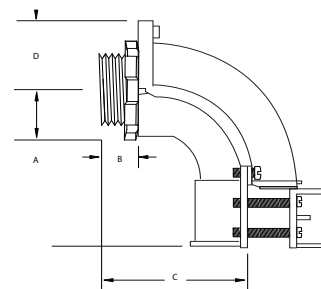
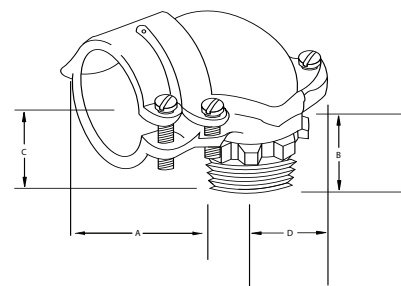
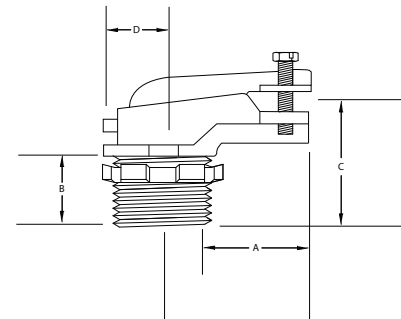
- Zinc plated
 - 2-1/2" to 4" zinc plated & painted
- UL Standard: 514B, UL Listed File# E164116, E164166
- Fed. Spec A-A-50552
- NEMA: FB-1

Specification/Ordering Information

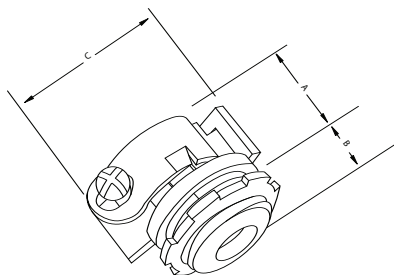
PRODUCT CODE	CATALOG NUMBER	TRADE SIZE	KO SIZE	DIMENSION IN INCHES				CARTON COUNT		WEIGHT PER C
				A	B	C	D	INNER	MASTER	
0161-20-00	AFC9380	3/8"	1/2"	1-5/8"	7/16"	7/8"	1/2"	20	100	8.7
0172-20-00	AFC9500	1/2"	1/2"	1-5/8"	7/16"	7/8"	1/2"	20	100	19.8
0173-10-00	AFC9750	3/4"	3/4"	1-13/16"	1/2"	1-1/8"	5/8"	10	50	24.5
0174-05-00	AFC9100	1"	1"	2-1/8"	1/2"	1-5/16"	13/16"	5	25	62.2
0175-05-00	AFC9125	1-1/4"	1-1/4"	2-3/4"	5/8"	1-13/16"	1-1/8"	5	25	119.7
0176-02-00	AFC9150	1-1/2"	1-1/2"	3-3/8"	5/8"	1-13/16"	1-1/2"	2	10	149.2
0177-05-00	AFC9200	2"	2"	5"	13/16"	2-3/4"	1-11/16"	*	5	309.4
0178-05-00	AFC9250	2-1/2"	2-1/2"	5-1/2"	1"	4-1/8"	2"	*	5	361.6
0179-01-00	AFC9300	3"	3"	6-5/8"	1"	4-1/2"	2-1/4"	*	1	552.5
0180-01-00	AFC9350	3-1/2"	3-1/2"	8-1/4"	1-5/16"	5-9/16"	3-1/8"	*	1	1215.5
0181-01-00	AFC9400	4"	4"	9-5/16"	1-1/2"	7"	3-7/16"	*	1	1436.5

With Insulated Throat

PRODUCT CODE	CATALOG NUMBER	TRADE SIZE	KO SIZE	DIMENSION IN INCHES				CARTON COUNT		WEIGHT PER C
				A	B	C	D	INNER	MASTER	
0171-22-00	AFCI9380	3/8"	1/2"	1-5/8"	1/2"	7/8"	1/2"	25	250	8.8
0182-20-00	AFCI9500	1/2"	1/2"	1-5/8"	1/2"	7/8"	1/2"	20	100	19.0
0183-10-00	AFCI9750	3/4"	3/4"	1-13/16"	9/16"	1-1/8"	5/8"	10	50	17.9
0184-05-00	AFCI9100	1"	1"	2-1/8"	9/16"	1-5/16"	13/16"	5	25	62.8
0185-05-00	AFCI9125	1-1/4"	1-1/4"	2-3/4"	11/16"	1-13/16"	1-1/8"	5	25	120.8
0186-02-00	AFCI9150	1-1/2"	1-1/2"	3-3/8"	11/16"	1-13/16"	1-1/2"	2	10	150.7
0187-05-00	AFCI9200	2"	2"	5"	7/8"	2-3/4"	1-11/16"	*	5	312.5
0188-05-00	AFCI9250	2-1/2"	2-1/2"	5-1/2"	1-1/16"	4-1/8"	2"	*	5	365.2
0189-01-00	AFCI9300	3"	3"	6-5/8"	1-1/16"	4-1/2"	2-1/4"	*	1	558.0
0190-01-00	AFCI9350	3-1/2"	3-1/2"	8-1/4"	1-3/8"	5-9/16"	3-1/8"	*	1	1127.6
0191-01-00	AFCI9400	4"	4"	9-5/16"	1-9/16"	7"	3-7/16"	*	1	1450.8



Squeeze Connectors Malleable Iron for Flex



3/8" Size is manufactured as shown above.



Sizes 1/2" - 1-1/4" are manufactured as shown above.



Sizes 1-1/2" - 3" are manufactured as shown above.



Sizes 3-1/2" - 4" are manufactured as shown above.



Features/Industry Standards

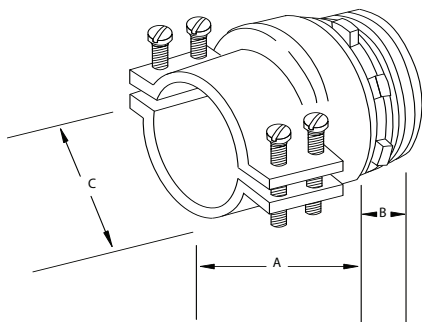
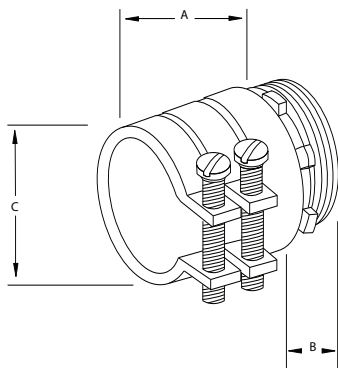
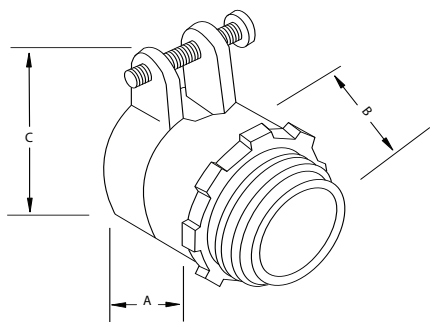
- For armored cable, flexible metal conduit, interlocked metal clad cables.
- Male hub threads - NPSM
- RoHS compliant
- Malleable iron
- Steel locknut
- Zinc plated
- 2-1/2" to 4" zinc plated & painted
- UL Standard: 514B, UL Listed File# E164116, E164166
- Fed. Spec A-A-50552
- NEMA: FB-1

Specification/Ordering Information

PRODUCT CODE	CATALOG NUMBER	TRADE SIZE	KO SIZE	DIMENSION IN INCHES			CARTON COUNT INNER	CARTON COUNT MASTER	WEIGHT PER C
				A	B	C			
0121-24-00	AFC380	3/8"	1/2"	1"	7/16"	1-5/8"	25	125	5.6
0132-24-00	AFC500	1/2"	1/2"	1"	7/16"	1-5/8"	25	125	13.3
0133-20-00	AFC750	3/4"	3/4"	1-1/8"	1/2"	1-3/4"	20	100	16.7
0134-10-00	AFC100	1"	1"	1-1/8"	9/16"	2-1/8"	10	50	25.9
0135-10-00	AFC125	1-1/4"	1-1/4"	1-3/16"	9/16"	2-3/16"	10	50	39.8
0136-05-00	AFC150	1-1/2"	1-1/2"	1-7/8"	5/8"	2-1/4"	5	25	63.0
0137-05-00	AFC200	2"	2"	2"	3/4"	2-11/16"	*	5	107.2
0138-05-00	AFC250	2-1/2"	2-1/2"	2-1/16"	7/8"	3-5/16"	*	5	171.9
0139-05-00	AFC300	3"	3"	2-1/8"	1-1/16"	3-7/8"	*	5	202.6
0140-01-00	AFC350	3-1/2"	3-1/2"	3-3/4"	1-5/16"	6-1/2"	*	1	442.0
0141-01-00	AFC400	4"	4"	4-1/8"	1-1/2"	7-1/4"	*	1	663.0

With Insulated Throat

PRODUCT CODE	CATALOG NUMBER	TRADE SIZE	KO SIZE	DIMENSION IN INCHES			CARTON COUNT INNER	CARTON COUNT MASTER	WEIGHT PER C
				A	B	C			
0131-24-00	AFCI380	3/8"	1/2"	1"	1/2"	1-5/8"	25	125	5.7
0142-24-00	AFCI500	1/2"	1/2"	1"	1/2"	1-5/8"	25	125	13.4
0143-20-00	AFCI750	3/4"	3/4"	1-1/8"	9/16"	1-3/4"	20	100	16.9
0144-10-00	AFCI100	1"	1"	1-1/8"	5/8"	2-1/8"	10	50	26.2
0145-10-00	AFCI125	1-1/4"	1-1/4"	1-3/16"	5/8"	2-3/16"	10	50	40.2
0146-05-00	AFCI150	1-1/2"	1-1/2"	1-7/8"	11/16"	2-1/4"	5	25	63.6
0147-05-00	AFCI200	2"	2"	2"	13/16"	2-11/16"	*	5	108.2
0148-05-00	AFCI250	2-1/2"	2-1/2"	2-1/16"	15/16"	3-5/16"	*	5	173.6
0149-05-00	AFCI300	3"	3"	2-1/8"	1-1/8"	3-7/8"	*	5	204.6
0150-01-00	AFCI350	3-1/2"	3-1/2"	3-3/4"	1-3/8"	6-1/2"	*	1	446.4
0151-01-00	AFCI400	4"	4"	4-1/8"	1-9/16"	7-1/4"	*	1	669.6



Malleable Liquidtight Uninsulated Fittings



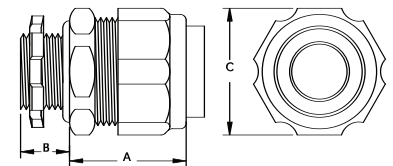
Specification/Ordering Information Straight Uninsulated

PRODUCT CODE	CATALOG NUMBER	WEIGHT PER/C	TRADE SIZE	DIMENSION IN INCHES			CARTON COUNT	
				A	B	C	INNER	MASTER
0601-22-00	LS-38	16	3/8"	.8400	.5315	1.063	25	250
0602-22-00	LS-50	22	1/2"	.8600	.5500	1.220	25	250
0603-20-00	LS-75	31	3/4"	.8800	.5830	1.470	20	200
0604-10-00	LS-100	40	1"	1.012	.6700	1.730	10	100
0605-05-00	LS-125	74	1-1/4"	1.230	0.7200	2.190	5	50
0606-04-00	LS-150	103	1-1/2"	1.250	.7500	2.410	4	40
0607-03-00	LS-200	163	2"	1.320	.7900	2.980	3	30
0608-05-00	LS-250	260	2-1/2"	2.050	1.040	3.700	*	5
0609-05-00	LS-300	380	3"	2.100	1.090	4.480	*	5
0609-05-00	LS-350	440	3-1/2"	2.210	1.110	5.000	*	5
0611-05-00	LS-400	540	4"	2.280	1.130	5.550	*	5
45° Uninsulated								
0701-15-00	L4-38	25	3/8"	1.400	.5300	1.063	15	150
0702-15-00	L4-50	31	1/2"	1.450	.5400	1.220	15	150
0703-10-00	L4-75	42	3/4"	1.677	.5830	1.470	10	100
0704-05-00	L4-100	56	1"	2.040	.6600	1.730	5	50
0705-04-00	L4-125	110	1-1/4"	2.310	.6700	2.190	4	40
0706-03-00	L4-150	160	1-1/2"	2.360	.6900	2.410	3	30
0707-02-00	L4-200	245	2"	2.640	.7200	2.980	2	20
0708-01-00	L4-250	500	2-1/2"	4.770	1.040	3.700	*	1
0709-01-00	L4-300	700	3"	4.950	1.083	4.480	*	1
0711-01-00	L4-400	1200	4"	5.690	1.150	5.550	*	1
90° Uninsulated								
0801-15-00	L9-38	25	3/8"	1.380	.5300	1.063	15	150
0802-15-00	L9-50	37	1/2"	1.410	.5400	1.220	15	150
0803-10-00	L9-75	50	3/4"	1.650	.5830	1.470	10	100
0804-05-00	L9-100	68	1"	1.860	.6600	1.730	5	50
0805-04-00	L9-125	118	1-1/4"	1.890	.6700	2.190	4	40
0806-03-00	L9-150	200	1-1/2"	2.160	.6900	2.410	3	30
0807-02-00	L9-200	280	2"	2.360	.7200	2.980	2	20
0808-01-00	L9-250	700	2-1/2"	4.250	1.040	3.700	*	1
0809-01-00	L9-300	1100	3"	4.550	1.083	4.480	*	1
0810-01-00	L9-350	1300	3-1/2"	4.950	1.120	5.000	*	1
4411-01-00	L9-400	1300	4"	5.140	1.150	5.550	*	1

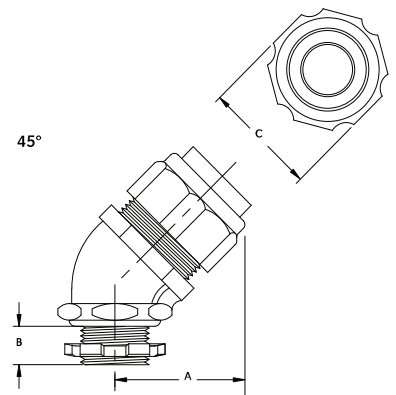
Features/Industry Standards

- Designed and engineered to ensure excellent performance
- Heavy-duty, impact resistant construction
- Factory installed "O" ring seals against lubricants and other liquids
- All malleable iron construction
- Full-size UL locknut
- Threaded locking mechanism ensures secure fit and better holding strength
- Outer bushing conforms to nut and conduit for fast and easy installation
- UL Standard 514B, UL Listed File # E-167170, # E-164116
- ANSI/NEMA FB-1
- C-UL certified for Canada
- Federal Specification A-A-50552

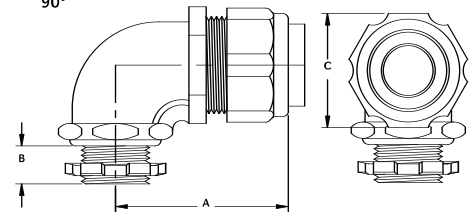
Straight



45°



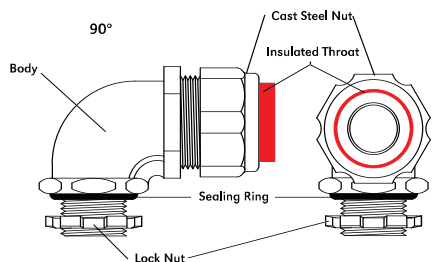
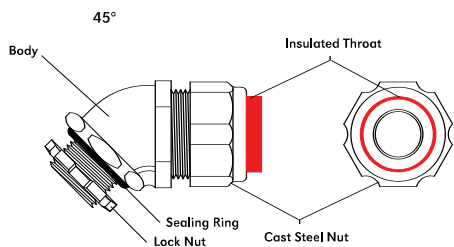
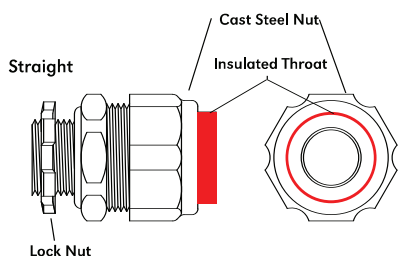
90°



Malleable Liquidtight Insulated Fittings

Features/Industry Standards

- Designed and engineered to ensure excellent performance
- Heavy-duty, impact resistant construction
- Factory installed "O" ring seals against lubricants and other liquids
- All malleable iron construction
- Full-size UL locknut
- Threaded locking mechanism ensures secure fit and better holding strength
- Outer bushing conforms to nut and conduit for fast and easy installation
- UL Standard 514B, UL Listed File # E-167170, # E-164116
- ANSI/NEMA FB-1
- C-UL certified for Canada
- Federal Specification A-A-50552



Specification/Ordering Information

Straight Insulated

PRODUCT CODE	CATALOG NUMBER	WEIGHT PER/C	TRADE SIZE	DIMENSION IN INCHES			CARTON COUNT	
				A	B	C	INNER	MASTER
4201-22-00	LSI-38	16	3/8"	.8400	.5315	1.063	25	250
4202-22-00	LSI-50	22	1/2"	.8600	.5500	1.220	25	250
4203-20-00	LSI-75	31	3/4"	.8800	.5830	1.470	20	200
4204-10-00	LSI-100	40	1"	1.012	.6700	1.730	10	100
4205-05-00	LSI-125	74	1-1/4"	1.230	0.7200	2.190	5	50
4206-04-00	LSI-150	103	1-1/2"	1.250	.7500	2.410	4	40
4207-03-00	LSI-200	163	2"	1.320	.7900	2.980	3	30
4208-05-00	LSI-250	260	2-1/2"	2.050	1.040	3.700	*	5
4209-05-00	LSI-300	380	3"	2.100	1.090	4.480	*	5
4209-05-00	LSI-350	440	3-1/2"	2.210	1.110	5.000	*	5
4211-05-00	LSI-400	540	4"	2.280	1.130	5.550	*	5

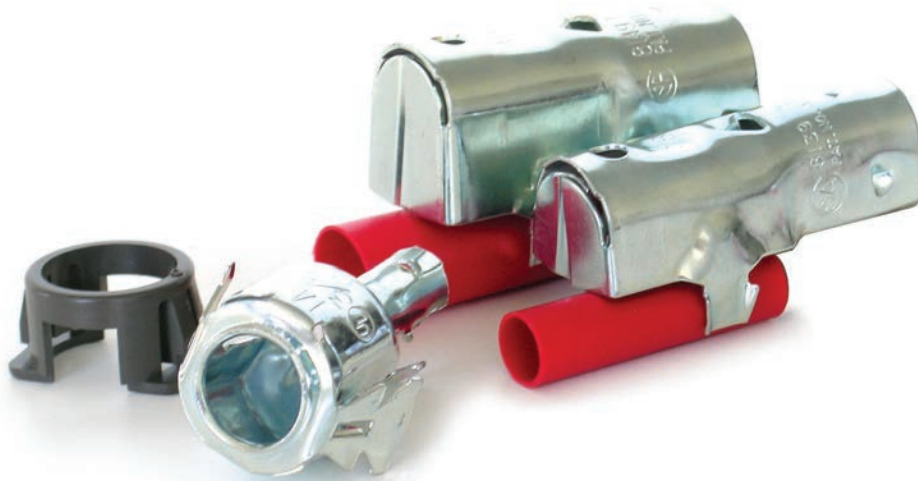
45° Insulated

4301-15-00	LI-438	25	3/8"	1.400	.5300	1.063	15	150
4302-15-00	LI-450	31	1/2"	1.450	.5400	1.220	15	150
4303-10-00	LI-475	42	3/4"	1.677	.5830	1.470	10	100
4304-05-00	LI-4100	56	1"	2.040	.6600	1.730	5	50
4305-04-00	LI-4125	110	1-1/4"	2.310	.6700	2.190	4	40
4306-03-00	LI-4150	160	1-1/2"	2.360	.6900	2.410	3	30
4307-02-00	LI-4200	245	2"	2.640	.7200	2.980	2	20
4308-01-00	LI-4250	500	2-1/2"	4.770	1.040	3.700	*	1
4309-01-00	LI-4300	700	3"	4.950	1.083	4.480	*	1
4311-01-00	LI-4400	1200	4"	5.690	1.150	5.550	*	1

90° Insulated

4401-15-00	LI-938	25	3/8"	1.380	.5300	1.063	15	150
4402-15-00	LI-950	37	1/2"	1.410	.5400	1.220	15	150
4403-10-00	LI-975	50	3/4"	1.650	.5830	1.470	10	100
4404-05-00	LI-9100	68	1"	1.860	.6600	1.730	5	50
4405-04-00	LI-9125	118	1-1/4"	1.890	.6700	2.190	4	40
4406-03-00	LI-9150	200	1-1/2"	2.160	.6900	2.410	3	30
4407-02-00	LI-9200	280	2"	2.360	.7200	2.980	2	20
4408-01-00	LI-9250	700	2-1/2"	4.250	1.040	3.700	*	1
4409-01-00	LI-9300	1100	3"	4.550	1.083	4.480	*	1
4410-01-00	LI-9350	1300	3-1/2"	4.950	1.120	5.000	*	1
4411-01-00	LI-9400	1300	4"	5.140	1.150	5.550	*	1

“Snap-Lok” Flexible Metal Conduit Connectors



Features/Industry Standards

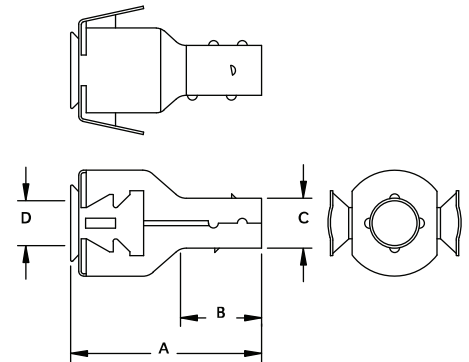
- Time-saving, snap-in design for quick and easy installation
- No locknut to use or lose
- No installation tools required
- Automated assembly is easy – perfect for fast fixture whips
- An anti-short sleeve comes with the 90° connectors at no additional charge
- Ideal for machine-fed installation
- Quality spring steel construction for maximum reliability and vibration resistance
- UL Standard 514B, UL Listed File # E-120009
- CSA Certified File # LR-84516

Specification/Ordering Information

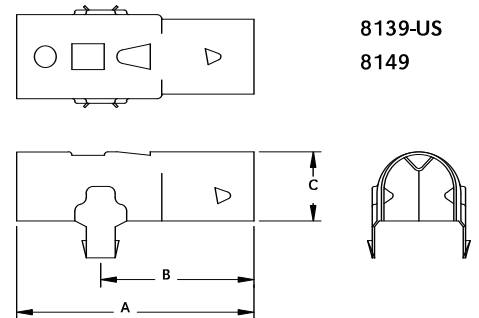
Straight Connectors

PRODUCT CODE	CATALOG NUMBER	WEIGHT PER/C	TRADE SIZE	DIMENSION IN INCHES				CARTON COUNT	
				A	B	C	D	INNER	MASTER
8131	8131	3	3/8"	1-17/32	11/16	7/16	1/2	500	2000
8131-US	8131-US	3	3/8"	1-17/32	11-16	7/16	1/2	500	1000
90° Connectors									
8139-US	8139-US	3	3/8"	2-1/16	13/16	9/16	N/A	500	1000
8149	8149	5	1/2"	2-1/16	N/A	13/16	N/A	*	450

8131
8131-US

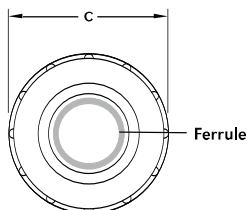
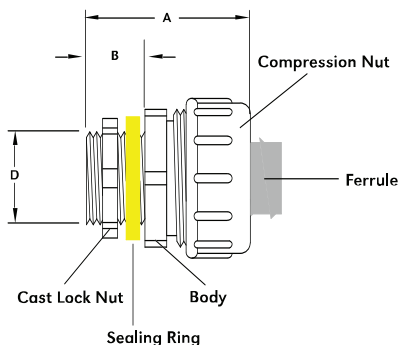


8139-US
8149



Non-Metallic Liquidtight Connectors

STRAIGHT



Features/Industry Standards

- For use with type B, non-metallic conduit
- Constructed from UV rated plastic for long life
- No spin ferrule allows easy one piece assembly to conduit
- Internal gland provides positive seal when nut is tightened
- Polypropylene sealing ring assures tight seal between fitting and box
- Available in one-piece or traditional multi-piece configurations
- UL Standard 514B, UL Listed File E164116
- CSA Certified File # LR-84574
- C-UL Listed for Canada

Specification/Ordering Information Straight Connectors

PRODUCT CODE	CATALOG NUMBER	WEIGHT PER/C	TRADE SIZE	DIMENSION IN INCHES			CARTON COUNT	
				A	B	C	INNER	MASTER
0901-22-00	NMLT-38	6	3/8"	1.545	0.535	1-13/32	25	100
0902-22-00	NMLT-50	6	1/2"	1.545	0.535	1-13/32	25	100
0903-10-00	NMLT-75	9	3/4"	1.600	0.550	1-19/32	10	50
0904-05-00	NMLT-100	14	1"	1.975	0.670	1-29/32	5	25
0905-05-00	NMLT-125	27	1-1/4"	2.293	0.645	2-7/16	5	25
0906-02-00	NMLT-150	32	1-1/2"	2.175	0.660	2-11/16	2	10
0907-02-00	NMLT-200	44	2"	2.400	0.670	3-3/8	2	10

90° Connectors

0991-10-00	NMLT-9038	8	3/8"	2.242	0.562	2-5/16	10	50
0992-10-00	NMLT-9050	8	1/2"	2.242	0.562	2-15/32	10	50
0993-10-00	NMLT-9075	12	3/4"	2.550	0.545	2-27/32	10	50
0994-05-00	NMLT-90100	21	1"	3.150	0.630	3-11/16	5	25
0995-05-00	NMLT-90125	40	1-1/4"	3.420	0.645	4-21/32	5	25
0996-02-00	NMLT-90150	51	1-1/2"	4.510	0.660	4-15/32	2	10
0997-02-00	NMLT-90200	77	2"	4.850	0.670	5-9/32	2	10

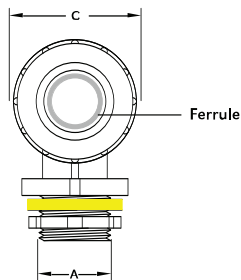
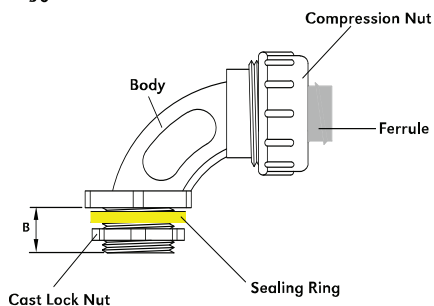
New One-Piece Configuration Straight Connectors

830-016P	830-016P	6	1/2"	2.15	0.56	1.42	25	100
830-021P	830-021P	9	3/4"	2.20	0.65	1.70	10	50

New One-Piece Configuration 90° Connectors

840-016P	840-016P	6	1/2"	2.55	1.42	1.33	10	50
840-021P	840-021P	9	3/4"	2.95	1.70	1.43	10	50

90°



A

Compression Rigid Connectors for Threadless Rigid Conduit and IMC, Malleable Iron



Features/Industry Standards

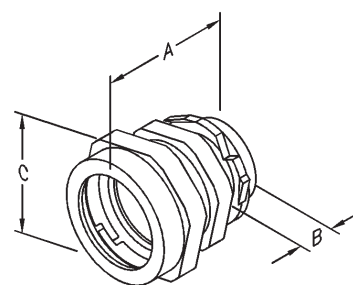
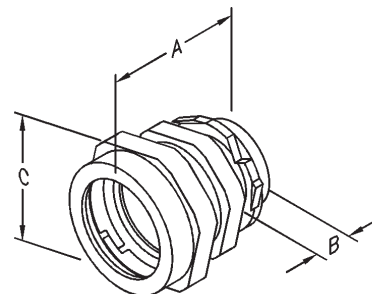
- Concrete tight male hub threads
- NPSM thread 1/2" through 2"
- NPT thread above 2"
- Malleable iron
- Steel locknut
- Zinc plated
- UL Standard: 514B
- Fed. Spec. A-A-50552
- NEMA: FB-1
- UL Listed File # E164116

Specification/Ordering Information

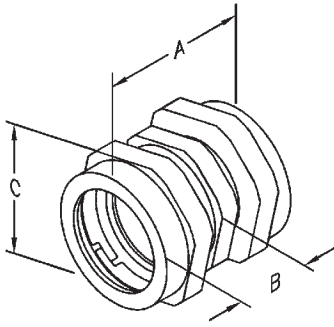
PRODUCT CODE	CATALOG NUMBER	TRADE SIZE	DIMENSION IN INCHES			CARTON COUNT		WEIGHT PER C
			A	B	C	INNER	MASTER	
0242-20-00	CCR50	1/2"	1-1/2"	1/2"	1-1/2"	20	100	24.7
0243-22-00	CCR75	3/4"	1-1/2"	1/2"	1-5/8"	25	100	24.9
0244-05-00	CCR100	1"	1-11/16"	9/16"	2"	5	25	38.1
0245-05-00	CCR125	1-1/4"	2"	11/16"	2-3/8"	5	25	61.9
0246-02-00	CCR150	1-1/2"	2-1/16"	11/16"	2-5/8"	2	10	73.8
0247-05-00	CCR200	2"	2-1/4"	7/8"	3-5/16"	*	5	118.1
0248-05-00	CCR250	2-1/2"	2-15/16"	1-1/4"	3-3/4"	*	5	286.2
0249-03-00	CCR300	3"	3-1/8"	1-3/8"	4-1/4"	*	3	305.5
0250-02-00	CCR350	3-1/2"	3-1/8"	1-3/8"	4-3/4"	*	2	360.0
0251-02-00	CCR400	4"	3-3/8"	1-1/2"	5-5/16"	*	2	428.1

With Insulated Throat

PRODUCT CODE	CATALOG NUMBER	TRADE SIZE	DIMENSION IN INCHES			CARTON COUNT		WEIGHT PER C
			A	B	C	INNER	MASTER	
0252-20-00	CCRI50	1/2"	1-9/16"	9/16"	1-1/2"	20	100	24.9
0253-22-00	CCRI75	3/4"	1-9/16"	9/16"	1-5/8"	25	100	25.1
0254-05-00	CCRI100	1"	1-3/4"	5/8"	2"	5	25	38.3
0255-05-00	CCRI125	1-1/4"	2"	11/16"	2-3/8"	5	25	62.5
0256-02-00	CCRI150	1-1/2"	2-1/8"	3/4"	2-5/8"	2	10	74.5
0257-05-00	CCRI200	2"	2-5/16"	13/16"	3-5/16"	*	5	119.3
0258-05-00	CCRI250	2-1/2"	3"	1-5/16"	3-3/4"	*	5	288.9
0259-03-00	CCRI300	3"	3-1/8"	1-7/16"	4-1/4"	*	3	308.6
0260-02-00	CCRI350	3-1/2"	3-3/16"	1-1/2"	4-3/4"	*	2	363.5
0261-02-00	CCRI400	4"	3-7/16"	1-9/16"	5-5/16"	*	2	432.5



Compression Rigid Couplings for Threadless Rigid Conduit and IMC Malleable Iron



Features/Industry Standards

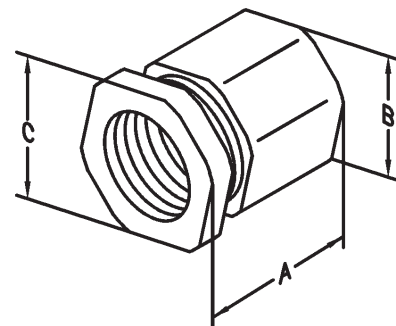
- Concrete tight
- Malleable iron
- Zinc plated
- UL Standard: 514B
- Fed. Spec. A-A-50552
- NEMA: FB-1
- UL Listed File # E164116



Specification/Ordering Information

PRODUCT CODE	CATALOG NUMBER	TRADE SIZE	DIMENSION IN INCHES			PCS/UNITS PER BOX	WEIGHT PER C
			A	B	C		
0342-20-00	CKR50	1/2"	1-13/16"	1/2"	1-1/2"	200	30.0
0343-22-00	CKR75	3/4"	1-7/8"	1/2"	1-5/8"	150	32.0
0344-05-00	CKR100	1"	2-3/16"	9/16"	2"	100	43.7
0345-05-00	CKR125	1-1/4"	2-5/8"	3/4"	2-3/8"	63	77.6
0346-02-00	CKR150	1-1/2"	2-11/16"	11/16"	2-5/8"	45	93.3
0347-05-00	CKR200	2"	3-1/16"	15/16"	3-5/16"	24	159.2
0348-05-00	CKR250	2-1/2"	4-1/2"	2"	3-3/4"	2	276.5
0349-03-00	CKR300	3"	4-15/16"	2-1/4"	4-1/4"	1	393.3
0350-02-00	CKR350	3-1/2"	5"	2-1/4"	4-3/4"	1	546.7
0351-02-00	CKR400	4"	5-5/16"	2-7/16"	5-5/16"	1	626.1

Three Piece Couplings for Rigid Conduit and IMC Malleable Iron



Features/Industry Standards

- Heavy duty casting
- Concrete tight
- Couples conduits when conduit cannot be turned.
- RoHS compliant
- Malleable iron
- Zinc plated
- UL Standard: 514B
- Fed. Spec. A-A-50552
- NEMA: FB-1
- UL Listed File # E164116

Specification/Ordering Information

PRODUCT CODE	CATALOG NUMBER	TRADE SIZE	DIMENSION IN INCHES			CARTON COUNT		WEIGHT PER C
			A	B	C	INNER	MASTER	
0352-10-00	EK50	1/2"	1-5/16"	1-3/8"	1-3/8"	10	100	26.1
0353-05-00	EK75	3/4"	1-9/16"	1-9/16"	1-9/16"	5	50	36.6
0354-05-00	EK100	1"	1-5/8"	1-7/8"	1-7/8"	5	50	55.3
0355-05-00	EK125	1-1/4"	2-1/8"	2-3/8"	2-3/8"	5	25	110.5
0356-05-00	EK150	1-1/2"	2-3/8"	2-13/16"	2-13/16"	5	25	171.9
0357-02-00	EK200	2"	2-5/8"	3-5/16"	3-5/16"	2	10	202.6
0358-02-00	EK250	2-1/2"	3-1/8"	4-1/16"	4-1/16"	2	10	327.4
0359-05-00	EK300	3"	3-3/16"	4-11/16"	4-11/16"	*	5	442.0
0360-01-00	EK350	3-1/2"	3-9/16"	5-1/16"	5-1/16"	*	1	607.8
0361-01-00	EK400	4"	4"	5-3/4"	5-3/4"	*	1	718.3
0370-01-00	EK500	5"	4"	7-1/4"	7-1/4"	*	1	1050.0
0371-01-00	EK600	6"	3-7/8"	8-5/16"	8-5/16"	*	1	1250.0

Cross Reference Charts

Cross Reference Charts

■ AFC Fittings Cross Reference Guide Steel EMT Setscrew Fittings

SIZE	AFC Fittings	Crouse Hinds	T & B (STEEL CITY)	RACO	EGS (OZ-GEDNEY & APPLETON)	BRIDGEPORT	TOPAZ	MADISON
CONNECTORS								
1/2"	SC50	450S	TC121A	2002	4050S	230	631S	MES-750
3/4"	SC75	451	TC122A	2003	4075S	231	632S	MES-751
1"	SC100	452	TC123A	2004	4100S	232	633S	MES-752
1-1/4"	SC125	453	TC124A	2005	4125S	233	634S	MES-753
1-1/2"	SC150	454	TC125A	2006	4150S	234	635S	MES-754
2"	SC200	455	TC126A	2008	4200S	235	636S	MES-755
2-1/2"	SC250	456	TC127A	2140	4250S	236	637S	MES-756
3"	SC300	457	TC128A	2142	4300S	237	638S	MES-757
3-1/2"	SC350	458	TC129A	2144	4350S	238	639S	MES-758
4"	SC400	459	TC1210A	2146	4400S	239	640S	MES-759
CONNECTORS WITH INSULATED THROAT								
1/2"	SCI50	1450S	TC721A	2122	4050ST	230-I	631SI	MES-750-B
3/4"	SCI75	1451	TC722A	2123	4075ST	231-I	632SI	MES-751-B
1"	SCI100	1452	TC723A	2124	4100ST	232-I	633SI	MES-752-B
1-1/4"	SCI125	1453	TC724A	2125	4125ST	233-I	634SI	MES-753-B
1-1/2"	SCI150	1454	TC725A	2126	4150ST	234-I	635SI	MES-754-B
2"	SCI200	1455	TC726A	2128	4200ST	235-I	636SI	MES-755-B
2-1/2"	SCI250	1456	TC727A	2160	4250ST	236-I	637SI	MES-756-B
3"	SCI300	1457	TC728A	2162RAC	4300ST	237-I	638SI	MES-757-B
3-1/2"	SCI350	1458	TC729A	2164	4350ST	238-I	639SI	MES-758-B
4"	SCI400	1459	TC7210A	2166	4400ST	239-I	640SI	MES-759-B
COUPLINGS								
1/2"	SK50	460	TK121A	2022	5050S	240	641S	MES-760
3/4"	SK75	461	TK122A	2023	5075S	241	642S	MES-761
1"	SK100	462	TK123A	2024	5100S	242	643S	MES-762
1-1/4"	SK125	463	TK124A	2025	5125S	243	644S	MES-763
1-1/2"	SK150	464	TK125A	2026	5150S	244	645S	MES-764
2"	SK200	465	TK126A	2028	5200S	245	646S	MES-765
2-1/2"	SK250	466	TK127A	2150	5250S	246	647S	MES-766
3"	SK300	467	TK128A	2152	5300S	247	648S	MES-767
3-1/2"	SK350	468	TK129A	2154	5350S	248	649S	MES-768
4"	SK400	469	TK1210A	2156	5400S	249	650S	MES-769
■ Steel EMT Compression Fittings								
CONNECTORS								
1/2"	CC50	650S	TC112A	2902	7050S	250	651S	MEC-750
3/4"	CC75	651S	TC113A	2903	7075S	251	652S	MEC-751
1"	CC100	652	TC114A	2904	7100S	252	653S	MEC-752
1-1/4"	CC125	653	TC115A	2905	7125S	253	654S	MEC-753
1-1/2"	CC150	654	TC116A	2906	7150S	254	655S	MEC-754
2"	CC200	655	TC117A	2908	7200S	255	656S	MEC-755
2-1/2"	CC250	656	TC118A	2940	7250S	256	657S	MEC-756
3"	CC300	657	TC119A	2942	7300S	257	658S	MEC-757
3-1/2"	CC350	658	TC1110A	2944	7350S	258	659S	MEC-758
4"	CC400	659	TC7110A	2946	7400S	259	660S	MEC-759
CONNECTORS WITH INSULATED THROAT								
1/2"	CCI50	1650	TC711A	2912	7050ST	250-I	651SI	MEC-750-B
3/4"	CCI75	1651	TC712A	2913	7075ST	251-I	652SI	MEC-751-B
1"	CCI100	1652	TC713A	2914	7100ST	252-I	653SI	MEC-752-B
1-1/4"	CCI125	1653	TC714A	2915	7125ST	253-I	654SI	MEC-753-B
1-1/2"	CCI150	1654	TC715A	2916	7150ST	254-I	655SI	MEC-754-B
2"	CCI200	1655	TC716A	2918	7200ST	255-I	656SI	MEC-755-B
2-1/2"	CCI250	1656	TC717A	2960	7250ST	256-I	657SI	MEC-756-B
3"	CCI300	1657	TC718A	2962	7300ST	257-I	658SI	MEC-757-B
3-1/2"	CCI350	1658	TC719A	2964	7350ST	258-I	659SI	MEC-758-B
4"	CCI400	1659	TC7110A	2966	7400ST	259-I	660SI	MEC-759-B
COUPLINGS								
1/2"	CK50	660S	TK111A	2922	6050S	260	661S	MEC-760
3/4"	CK75	661S	TK112A	2923	6075S	261	662S	MEC-761
1"	CK100	662	TK113A	2924	6100S	262	663S	MEC-762
1-1/4"	CK125	663	TK114A	2925	6125S	263	664S	MEC-763
1-1/2"	CK150	664	TK115A	2926	6150S	264	665S	MEC-764
2"	CK200	665	TK116A	2928	6200S	265	666S	MEC-765
2-1/2"	CK250	666	TK117A	2950	6250S	266	667S	MEC-766
3"	CK300	667	TK118A	2952	6300S	267	668S	MEC-767
3-1/2"	CK350	668	TK119A	2954	6350S	268	669S	MEC-768
4"	CK400	669	TK1110A	2956	6400S	269	660S	MEC-769

Crouse Hinds, T&B (Steel City), RACO, EGS (Oz-Gedney & Appleton), Bridgeport, Topaz and Madison are the registered or unregistered trademarks of their respective companies.

Cross Reference Charts

■ AFC Fittings Cross Reference Guide for Steel EMT Raintight Compression Fittings

CONNECTORS

1/2"	RTC50	650RT	TC112ART	2902RT	7050SR	250-SRT	651SRT	MECR-750
3/4"	RTC75	651RT	TC113ART	2903RT	7075SR	251-SRT	652SRT	MECR-751
1"	RTC100	652RT	TC114ART	2904RT	7100SR	252-SRT	653SRT	MECR-752
1-1/4"	RTC125	653RT	TC115ART	2905RT	7125SR	253-SRT	654SRT	MECR-753
1-1/2"	RTC150	654RT	TC116ART	2906RT	7150SR	254-SRT	655SRT	MECR-754
2"	RTC200	655RT	TC117ART	2908RT	7200SR	255-SRT	656SRT	MECR-755
2-1/2"	RTC250	656RT	TC118ART	2940RT	-	256-SRT	657SRT	MECR-756
3"	RTC300	657RT	TC119ART	2942RT	-	257-SRT	658SRT	MECR-757
3-1/2"	RTC350	658RT	TC1110ART	2944RT	-	258-SRT	659SRT	MECR-758
4"	RTC400	659RT	TC7110ART	2946RT	-	259-SRT	660SRT	MECR-759

CONNECTORS WITH INSULATED THROAT

1/2"	RTCI50	1650RT	TC711ART	2912RT	7050SRT	250-SRTI	651SIRT	MECR-750-B
3/4"	RTCI75	1651RT	TC712ART	2913RT	7075SRT	251-SRTI	652SIRT	MECR-751-B
1"	RTCI100	1652RT	TC713ART	2914RT	7100SRT	252-SRTI	653SIRT	MECR-752-B
1-1/4"	RTCI125	1653RT	TC714ART	2915RT	7125SRT	253-SRTI	654SIRT	MECR-753-B
1-1/2"	RTCI150	1654RT	TC715ART	2916RT	7150SRT	254-SRTI	655SIRT	MECR-754-B
2"	RTCI200	1655RT	TC716ART	2918RT	7200SRT	255-SRTI	656SIRT	MECR-755-B
2-1/2"	RTCI250	1656RT	TC717ART	2960RT	-	256-SRTI	657SIRT	MECR-756-B
3"	RTCI300	1657RT	TC718ART	2962RT	-	257-SRTI	658SIRT	MECR-757-B
3-1/2"	RTCI350	1658RT	TC719ART	2964RT	-	258-SRTI	659SIRT	MECR-758-B
4"	RTCI400	1659RT	TC7110ART	2966RT	-	259-SRTI	660SIRT	MECR-759-B

COUPLINGS

1/2"	RTK50	660RT	TK111ART	2922RT	6050SR	260-SRT	661SRT	MECR-760
3/4"	RTK75	661RT	TK112ART	2923RT	6075SR	261-SRT	662SRT	MECR-761
1"	RTK100	662RT	TK113ART	2924RT	6100SR	262-SRT	663SRT	MECR-762
1-1/4"	RTK125	663RT	TK114ART	2925RT	6125SR	263-SRT	664SRT	MECR-763
1-1/2"	RTK150	664RT	TK115ART	2926RT	6150SR	264-SRT	665SRT	MECR-764
2"	RTK200	665RT	TK116ART	2928RT	6200SR	265-SRT	666SRT	MECR-765
2-1/2"	RTK250	666RT	TK117ART	2950RT	-	266-SRT	667SRT	MECR-766
3"	RTK300	667RT	TK118ART	2952RT	-	267-SRT	668SRT	MECR-767
3-1/2"	RTK350	668RT	TK119ART	2954RT	-	268-SRT	669SRT	MECR-768
4"	RTK400	669RT	TK1110ART	2956RT	-	269-SRT	660SRT	MECR-769

■ AFC Fittings Cross Reference Guide for Flex, AC & MC

SIZE	AFC Fittings	Crouse Hinds	Thomas & Betts	RACO	EGS (APPLETON)	BRIDGEPORT	TOPAZ	MADISON
1/2"	AFC50	QLK50S	XC730	2800	AMC-50	AMC-50	AMC1	MAFC-50
1/2" duplex	AFC52	QLK50D	XC7300	-	AMC-52	AMC-52	AMC12	MAFC-52
3/4"	AFC75	QLK75	XC732	2801	AMC-75	AMC-75	AMC2	MAFC-75
1/2"	AFC5075	-	-	-	AMC-5075	AMC-5075	-	-
STRAIGHT MALLEABLE SQUEEZE CONNECTORS								
3/8"	AFC380	707	XC-400	2101	7480V	403	150M	ML-42
1/2"	AFC500	708	XC-401	2102	7481V	407	151M	ML-42-1
3/4"	AFC750	709	XC-402	2103	7482V	408	152M	ML-42-2
1"	AFC100	710	XC-403	2104	7483	410	153M	ML-42-3
1-1/4"	AFC125	711	XC-404	2105	7484	412	154M	ML-42-4
1-1/2"	AFC150	712	XC-405	2106	7485	414	155M	ML-42-5
2"	AFC200	713	XC-406	2108	7486	416	156M	ML-42-6
2-1/2"	AFC250	714	XC-407	2110	7487	417	157M	ML-42-7
3"	AFC300	715	XC-408	2112	7488	418	158M	ML-42-8
3-1/2"	AFC350	721		2114	7489	419	159M	ML-42-9
4"	AFC400	722		2116	7490	420	160M	ML-42-10
90° MALLEABLE SQUEEZE CONNECTORS								
3/8"	AFC9380	724	XC-490		7380V	801	100M	ML-110
1/2"	AFC9500	736	XC-491		7381V	804	101M	ML-110-1
3/4"	AFC9750	738	XC-492		7382V	806	102M	ML-110-2
1"	AFC9100	739	XC-493	2204	7383	807	103M	ML-110-3
1-1/4"	AFC9125	740	XC-494	2205	7384	808	104M	ML-110-4
1-1/2"	AFC9150	741	XC-495	2206	7385	809	105M	ML-110-5
2"	AFC9200	742	XC-496	2208	7386	810	106M	ML-110-6
2-1/2"	AFC9250	744	XC-497	2210	7387	811	107M	ML-110-7
3"	AFC9300	745	XC-498	2212	7388	812	108M	ML-110-8
3-1/2"	AFC9350	746		2214		813	109M	ML-110-9
4"	AFC9400	747		2216		814	110M	ML-110-10

Cross Reference Charts

■ AFC Fittings Cross Reference Guide for Flex, AC & MC

STRAIGHT MALLEABLE SQUEEZE CONNECTORS WITH INSULATED THROAT

3/8"	AFCI380	1707		3301	7480VI		150MI	IML-42
1/2"	AFCI500	1708	XC-901	3302	7481VI	407-1	151MI	IML-42-1
3/4"	AFCI750	1709	XC-902	3303	7482VI	408-1	152MI	IML-42-2
1"	AFCI100	1710	XC-903	3304	7483I	410-1	153MI	IML-42-3
1-1/4"	AFCI125	1711	XC-904	3305	7484I	412-1	154MI	IML-42-4
1-1/2"	AFCI150	1712	XC-905	3306	7485I	414-1	155MI	IML-42-5
2"	AFCI200	1713	XC-906	3308	7486I	416-1	156MI	IML-42-6
2-1/2"	AFCI250	1714	XC-907	3310	7487I	417-1	157MI	IML-42-7
3"	AFCI300	1715	XC-908	3312	7488I	418-1	158MI	IML-42-8
3-1/2"	AFCI350	1721		3314	7489I	419-1	159MI	IML-42-9
4"	AFCI400	1722		3316	7490I	420-1	160MI	IML-42-10

90° MALLEABLE SQUEEZE CONNECTORS WITH INSULATED THROAT

3/8"	AFCI9380				7380VI	801-1	100MI	IML-110
1/2"	AFCI9500	1736			7381VI	804-1	101MI	IML-110-1
3/4"	AFCI9750	1738			7382VI	806-1	102MI	IML-110-2
1"	AFCI9100	1739		3204	7383I	807-1	103MI	IML-110-3
1-1/4"	AFCI9125	1740		3205	7384I	808-1	104MI	IML-110-4
1-1/2"	AFCI9150	1741		3206	7385I	809-1	105MI	IML-110-5
2"	AFCI9200	1742		3208	7386I	810-1	106MI	IML-110-6
2-1/2"	AFCI9250	1744		3210	7387I	811-1	107MI	IML-110-7
3"	AFCI9300	1745		3212	7388I	812-1	108MI	IML-110-8
3-1/2"	AFCI9350	1746		3214		813-1	109MI	IML-110-9
4"	AFCI9400	1747		3216		814-1	110MI	IML-110-10

■ AFC Fittings Cross Reference Guide for Rigid & IMC "No Thread" Compression Malleable Iron Fittings and Three-Piece Couplings

SIZE	AFC Fittings	Crouse Hinds	Thomas & Betts	RACO	OZ-GEDNEY	BRIDGEPORT	TOPAZ	MADISON
COMPRESSION CONNECTORS								
1/2"	CCR50	CPR1	HC-401	1802	31-050	3000	261M	MNT-2750
3/4"	CCR75	CPR2	HC-402	1803	31-075	3001	262M	MNT-2751
1"	CCR100	CPR3	HC-403	1804	31-100	3002	263M	MNT-2752
1-1/4"	CCR125	CPR4	HC-404	1805	31-125	3003	264M	MNT-2753
1-1/2"	CCR150	CPR5	HC-405	1806	31-150	3004	265M	MNT-2754
2"	CCR200	CPR6	HC-406	1808	31-200	3005	266M	MNT-2755
2-1/2"	CCR250	CPR7	HC-407	1810	31-250	3006	267	MNT-2756
3"	CCR300	CPR8	HC-408	1812	31-300	3007	268	MNT-2757
3-1/2"	CCR350	CPR9	HC-409	1814	31-350	3008	269	MNT-2758
4"	CCR400	CPR10	HC-410	1816	31-400	3009	270	MNT-2759
COMPRESSION CONNECTORS WITH INSULATED THROAT								
1/2"	CCRI50	CPR11		3802RAC	31-050T		261I	MNT-2750-B
3/4"	CCRI75	CPR12		3803RAC	31-075T		262I	MNT-2751-B
1"	CCRI100	CPR13		3804RAC	31-100T		263I	MNT-2752-B
1-1/4"	CCRI125	CPR14		3805RAC	31-125T		264I	MNT-2753-B
1-1/2"	CCRI150	CPR15		3806RAC	31-150T		265I	MNT-2754-B
2"	CCRI200	CPR16			31-200T		266I	MNT-2755-B
2-1/2"	CCRI250	CPR17			31-250T		267I	MNT-2756-B
3"	CCRI300	CPR18			31-300T		268I	MNT-2757-B
3-1/2"	CCRI350	CPR19			31-350T		269I	MNT-2758-B
4"	CCRI400	CPR20			31-400T		270I	MNT-2759-B
COMPRESSION COUPLINGS								
1/2"	CKR50	CPR21	HK-401	1822	30-050	3100	251M	MNT-2760
3/4"	CKR75	CPR22	HK-402	1823	30-075	3101	252M	MNT-2761
1"	CKR100	CPR23	HK-403	1824	30-100	3102	253M	MNT-2762
1-1/4"	CKR125	CPR24	HK-404	1825	30-125	3103	254M	MNT-2763
1-1/2"	CKR150	CPR25	HK-405	1826	30-150	3104	255M	MNT-2764
2"	CKR200	CPR26	HK-406	1828	30-200	3105	256M	MNT-2765
2-1/2"	CKR250	CPR27	HK-407	1830	30-250	3106	257	MNT-2766
3"	CKR300	CPR28	HK-408	1832	30-300	3107	258	MNT-2767
3-1/2"	CKR350	CPR29	HK-409	1834	30-350	3108	259	MNT-2768
4"	CKR400	CPR30	HK-410	1836	30-400	3109	260	MNT-2769
THREE PIECE COUPLINGS								
1/2"	EK50	190M	EK-401	1502		1121	851	L-500
3/4"	EK75	191	EK-402	1503		1122	852	L-501
1"	EK100	192	EK-403	1504		1123	853	L-502
1-1/4"	EK125	193	EK-404	1505		1124	854	L-503
1-1/2"	EK150	194	EK-405	1506		1125	855	L-504
2"	EK200	195	EK-406	1508		1126	856	L-505
2-1/2"	EK250	196	EK-407	1510		1127	857	L-506
3"	EK300	197	EK-408	1512		1128	858	L-507
3-1/2"	EK350	198	EK-409	1514		1129	859	L-508
4"	EK400	199	EK-410	1516		1130	860	L-509
5"	EK500	188	EK-411	1520		1131	860A	L-510
6"	EK600	189	EK-412	1524		1132	860B	L-511

Cross Reference Charts

■ AFC Fittings Cross Reference Guide Steel/Malleable Liquidtight Connectors

SIZE	AFC Fittings	Crouse Hinds	Thomas & Betts	RACO	EGS (OZ-GEDNEY)	EGS (APPLETON)	BRIDGEPORT	TOPAZ	MADISON
STRAIGHT CONNECTORS									
3/8"	LS38	LT38	LT100	3401	4Q-38	ST-38	429SLT	-	MSTR-38
1/2"	LS50	LT50	LT101	3402	4Q-50	ST-50	430SLT	-	MSTR-50
3/4"	LS75	LT75	LT102	3403	4Q-75	ST-75	431SLT	-	MSTR-75
1"	LS100	LT100	LT103	3404	4Q-100	ST-100	432SLT	-	MSTR-100
1-1/4"	LS125	LT125	LT104	3405	4Q-125	ST-125	433SLT	-	MSTR-125
1-1/2"	LS150	LT150	LT105	3406	4Q-150	ST-150	434SLT	-	MSTR-150
2"	LS200	LT200	LT106	3408	4Q-200	ST-200	435SLT	-	MSTR-200
2-1/2"	LS250	LT250	-	3410	4Q-250	ST-250	436SLT	-	-
3"	LS300	LT300	-	3412	4Q-300	ST-300	437SLT	-	-
3-1/2"	LS350	LT350	-	3414	4Q-350	ST-350	438SLT	-	-
4"	LS400	LT400	-	3416	4Q-400	ST-400	439SLT	-	-
STRAIGHT CONNECTORS WITH INSULATED THROAT									
3/8"	LSI38	LTB38	LT700	3511RAC	4Q-38T	STB-38	429SLTI	470S	MSTR-38-B
1/2"	LSI50	LTB50	LT701	3512RAC	4Q-50T	STB-50	430SLTI	471S	MSTR-50-B
3/4"	LSI75	LTB75	LT702	3513RAC	4Q-75T	STB-75	431SLTI	472S	MSTR-75-B
1"	LSI100	LTB100	LT703	3514RAC	4Q-100T	STB-100	432SLTI	473S	MSTR-100-B
1-1/4"	LSI125	LTB125	LT704	3515RAC	4Q-125T	STB-125	433SLTI	474S	MSTR-125-B
1-1/2"	LSI150	LTB150	LT705	3516	4Q-150T	STB-150	434SLTI	475S	MSTR-150-B
2"	LSI200	LTB200	LT706	3518	4Q-200T	STB-200	435SLTI	476S	MSTR-200-B
2-1/2"	LSI250	LTB250	-	3520	4Q-250T	STB-250	436SLTI	477S	MSTR-250-B
3"	LSI300	LTB300	-	3522	4Q-300T	STB-300	437SLTI	478S	MSTR-300-B
3-1/2"	LSI350	LTB350	-	3524	4Q-350T	STB-350	438SLTI	479S	MSTR-350-B
4"	LSI400	LTB400	-	3526	4Q-400T	STB-400	439SLTI	480S	MSTR-400-B
45° CONNECTORS									
3/8"	L438	LT3845	LT450	3441	4Q-438	ST-4538	449SLT	-	MSTR-3845
1/2"	L450	LT5045	LT451	3442	4Q-450	ST-4550	450SLT	-	MSTR-5045
3/4"	L475	LT7545	LT452	3443	4Q-475	ST-4575	451SLT	-	MSTR-7545
1"	L4100	LT10045	LT453	3444	4Q-4100	ST-45100	452SLT	-	MSTR-10045
1-1/4"	L4125	LT12545	-	3445	4Q-4125	ST-45125	453SLT	-	MSTR-12545
1-1/2"	L4150	LT15045	-	3446	4Q-4150	ST-45150	454SLT	-	MSTR-15045
2"	L4200	LT20045	-	3448	4Q-4200	ST-45200	455SLT	-	MSTR-20045
2-1/2"	L4250	LT25045	-	-	4Q-4250	ST-45250	456SLT	-	-
3"	L4300	LT30045	-	-	4Q-4300	ST-45300	457SLT	-	-
3-1/2"	L4350	LT35045	-	-	4Q-4350	-	458SLT	-	-
4"	L4400	LT40045	-	-	4Q-4400	ST-45400	459SLT	-	-
45° CONNECTORS WITH INSULATED THROAT									
3/8"	LI438	LTB3845	LT950	3561	4Q-438T	STB-4538	449SLTI	230S	MSTR-3845-B
1/2"	LI450	LTB5045	LT951	3562	4Q-450T	STB-4550	450SLTI	231S	MSTR-5045-B
3/4"	LI475	LTB7545	LT952	3563	4Q-475T	STB-4575	451SLTI	232S	MSTR-7545-B
1"	LI4100	LTB10045	LT953	3564	4Q-4100T	STB-45100	452SLTI	233S	MSTR-10045-B
1-1/4"	LI4125	LTB12545	-	3565	4Q-4125T	STB-45125	453SLTI	234S	MSTR-12545-B
1-1/2"	LI4150	LTB15045	-	3566	4Q-4150T	STB-45150	454SLTI	235S	MSTR-15045-B
2"	LI4200	LTB20045	-	3568	4Q-4200T	STB-45200	455SLTI	236S	MSTR-20045-B
2-1/2"	LI4250	LTB25045	-	-	4Q-4250T	STB-45250	456SLTI	237S	MSTR-25045-B
3"	LI4300	LTB30045	-	-	4Q-4300T	STB-45300	457SLTI	238S	MSTR-30045-B
3-1/2"	LI4350	LTB35045	-	-	4Q-4350T	-	458SLTI	239S	MSTR-35045-B
4"	LI4400	LTB40045	-	-	4Q-4400T	STB-45400	459SLTI	280S	MSTR-40045-B

Cross Reference Charts

■ AFC Fittings Cross Reference Guide Steel/Malleable Liquidtight Connectors

90° CONNECTORS

3/8"	L938	LT3890	LT490	3421	4Q-938	ST-9038	469SLT	-	MSTR-3890
1/2"	L950	LT5090	LT491	3422	4Q-950	ST-9050	470SLT	-	MSTR-5090
3/4"	L975	LT7590	LT492	3423	4Q-975	ST-9075	471SLT	-	MSTR-7590
1"	L9100	LT10090	LT493	3424	4Q-9100	ST-90100	472SLT	-	MSTR-10090
1-1/4"	L9125	LT12590	-	3425	4Q-9125	ST-90125	473SLT	-	MSTR-12590
1-1/2"	L9150	LT15090	-	3426	4Q-9150	ST-90150	474SLT	-	MSTR-15090
2"	L9200	LT20090	-	3428	4Q-9200	ST-90200	475SLT	-	MSTR-20090
2-1/2"	L9250	LT25090	-	3430	4Q-9250	ST-90250	476SLT	-	-
3"	L9300	LT30090	-	3432	4Q-9300	ST-90300	477SLT	-	-
3-1/2"	L9350	LT35090	-	-	4Q-9350	ST-90350	478SLT	-	-
4"	L9400	LT40090	-	3436	4Q-9400	ST-90400	479SLT	-	-

90° CONNECTORS WITH INSULATED THROAT

3/8"	LI938	LTB3890	LT990	3541RAC	4Q-938T	STB-9038	469SLTI	490S	MSTR-3890-B
1/2"	LI950	LTB5090	LT991	3542	4Q-950T	STB-9050	470SLTI	491S	MSTR-5090-B
3/4"	LI975	LTB7590	LT992	3543	4Q-975T	STB-9075	471SLTI	492S	MSTR-7590-B
1"	LI9100	LTB10090	LT993	3544	4Q-9100T	STB-90100	472SLTI	493S	MSTR-10090-B
1-1/4"	LI9125	LTB12590	-	3545	4Q-9125T	STB-90125	473SLTI	494S	MSTR-12590-B
1-1/2"	LI9150	LTB15090	-	3546	4Q-9150T	STB-90150	474SLTI	495S	MSTR-15090-B
2"	LI9200	LTB20090	-	3548	4Q-9200T	STB-90200	475SLTI	496S	MSTR-20090-B
2-1/2"	LI9250	LTB25090	-	3550	4Q-9250T	STB-90250	476SLTI	497S	MSTR-25090-B
3"	LI9300	LTB30090	-	3552	4Q-9300T	STB-90300	477SLTI	498S	MSTR-30090-B
3-1/2"	LI9350	LTB35090	-	-	4Q-9350T	STB-90350	478SLTI	499S	MSTR-35090-B
4"	LI9400	LTB40090	-	3556	4Q-9400T	STB-90400	479SLTI	500S	MSTR-40090-B

Non-Metallic Liquidtight Connectors

STRAIGHT CONNECTORS

3/8"	NMLT38	LT38NM	LT500	4721	NMM-01	NMM-01	429NMLT	P470	NMLQ-1038
1/2"	NMLT50	LT50NM	LT501	4722	NMM-11	NMM-11	430NMLT	P471	NMLQ-1050
3/4"	NMLT75	LT75NM	LT502	4723	NMM-21	NMM-21	431NMLT	P472	NMLQ-1075
1"	NMLT100	LT100NM	LT503	4724	NMM-31	NMM-31	432NMLT	P473	NMLQ-1100
1-1/4"	NMLT125	LT125NM	-	4725	-	-	433NMLT	P474	NMLQ-1125
1-1/2"	NMLT150	LT150NM	-	4726	-	-	434NMLT	P475	NMLQ-1150
2"	NMLT200	LT200NM	-	4728	-	-	435NMLT	P476	NMLQ-1200

90° CONNECTORS

3/8"	NMLT9038	LT3890NM	LT590	-	NML-01	NML-01	469NMLT	P490	NMLQ-9038
1/2"	NMLT9050	LT5090NM	LT591	-	NML-11	NML-11	470NMLT	P491	NMLQ-9050
3/4"	NMLT9075	LT7590NM	LT592	-	NML-21	NML-21	471NMLT	P492	NMLQ-9075
1"	NMLT90100	LT10090NM	LT593	-	NML-31	NML-31	472NMLT	P493	NMLQ-9100
1-1/4"	NMLT90125	LT12590NM	-	-	-	-	473NMLT	P494	NMLQ-9125
1-1/2"	NMLT90150	LT15090NM	-	-	-	-	474NMLT	P495	NMLQ-9150
2"	NMLT90200	LT20090NM	-	-	-	-	475NMLT	P496	NMLQ-9200

(AFC-50, 52, 5075 and 75 connectors are U.L. listed "concrete-tight when taped" and may be used with PVC jacketed, steel, or aluminum Type MC cable. The U.L. Requirement for "concrete-tight" means "there shall be no entrance of concrete aggregate into the fitting or the outlet box, conduit, or cable," etc. A minimum of two-half-lapped layers of electrical tape, e.g., 3M's #88 or equivalent is recommended.)

960 Flaherty Drive

New Bedford, MA 02745

PHONE / 508 - 998 - 1131

TOLL-FREE / 800 - 757 - 6996

www.afcweb.com

