
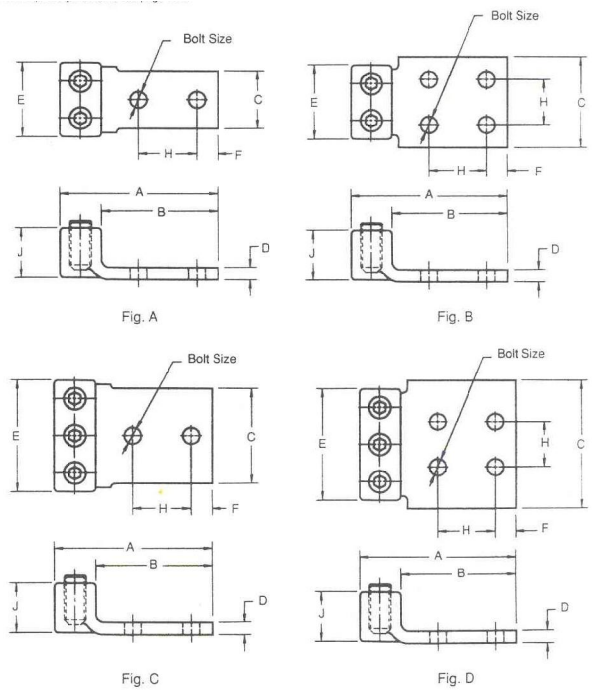


SCREW: NONE	MATERIAL: NONE	REV: C	 800-776-9775 www.ilsco.com		
CAT. NO.: SEE CHART	PLATING: NONE	DRAWN BY: JG			SCALE:
INFORMATION SHEET: FORM 149	MARKING: NONE	DATE: 3/6/2008			SIZE: A
			DWG. NO. R1759		
			SHEET: 1 OF 1		



PART #	CAT NO	WIRE RANGE	FIG	G	A	B	C	D	E	F	H	J
R1759-00	CL-2-8*	14-8	A	.250	2.188	1.750	.625	.125	.688	.281	.625	.469
R1759-01	CL-2-4*	8-4	A	.250	2.500	2.000	1.000	.125	1.000	.281	.625	.531
R1759-02	CL-2-1	4-1	A	.375	2.813	2.000	1.250	.219	1.250	.438	1.000	.594
R1759-03	CL-2-2/0	1-2/0	A	.500	4.438	3.500	1.500	.250	1.563	.625	1.750	.406
R1759-04	CL-2-4/0	2/0-4/0	A	.500	4.625	3.500	1.750	.281	1.750	.625	1.750	.938
R1759-05	CL-2-300	4/0-300MCM	A	.500	4.750	3.500	2.000	.313	2.125	.625	1.750	1.563
R1759-06	CL-2-500	300MCM-500MCM	A	.500	5.375	3.938	2.500	.344	2.500	.625	1.750	1.813
R1759-07	CL-2-700	500MCM-700MCM	B	.500	5.594	4.000	4.000	.406	2.938	.625	1.750	2.125
R1759-08	CL-2-1000	750MCM-1000MCM	B	.500	5.844	4.000	4.000	.469	3.250	.625	1.750	2.344
R1759-09	CL-3-4/0	2/0-4/0	C	.500	4.625	3.375	2.500	.281	2.750	.625	1.750	.938
R1759-10	CL-3-300	4/0-300MCM	C	.500	4.750	3.500	3.000	.313	3.125	.625	1.750	1.531
R1759-11	CL-3-500	300MCM-500MCM	D	.500	5.375	4.000	4.000	.344	3.750	.625	1.750	1.813
R1759-12	CL-3-750	500MCM-750MCM	D	.500	5.594	4.000	4.000	.406	4.375	.625	1.750	2.125
R1759-13	CL-3-1000	750MCM-1000MCM	D	.500	5.844	4.000	4.000	.469	4.813	.625	1.750	2.344

THE INFORMATION CONTAINED WITHIN THIS DOCUMENT IS PROPRIETARY TO ILSCO AND MAY NOT BE DISCLOSED WITHOUT PRIOR WRITTEN CONSENT