

**FTT**X

# **Multilink**®

**ENHANCING THE PATH OF LIGHT™**



***FTTx Commercial, Business & Residential Product Solutions Catalog 2007***



# Multilink Is Engineered To Make The Difference.

The Company's principal business is to develop, produce, and refine products only of the highest quality, exceptional functionality, and application based solutions that apply in an ever-changing technological marketplace. The Company has continually upgraded engineering and manufacturing processes to increase productivity, quality, and meet our customers expectations and requirements.



**CWDM**  
Course Wave  
Division Multiplexor



**ODM**  
Test Equipment



**FUTURE  
INSTRUMENT**  
Fusion Splicer



**OTE**  
Optical Terminal  
Enclosure

Visit our website to view the latest in FTTx Commercial,  
Business & Residential Product Solutions and  
other telecommunications network components

[www.multilinkone.com](http://www.multilinkone.com)

**Multilink**®  
ENHANCING THE PATH OF LIGHT™



# Multilink's Commercial, Business & Residential Product Solutions

## Fiber to the Node ( FTTN )

Fiber to within 3,000 ft. of home on ave., 5,000 feet max



## Fiber to the Curb ( FTTC )

Fiber to within about 500 ft. of home



## Fiber to the Premise ( FTTP )

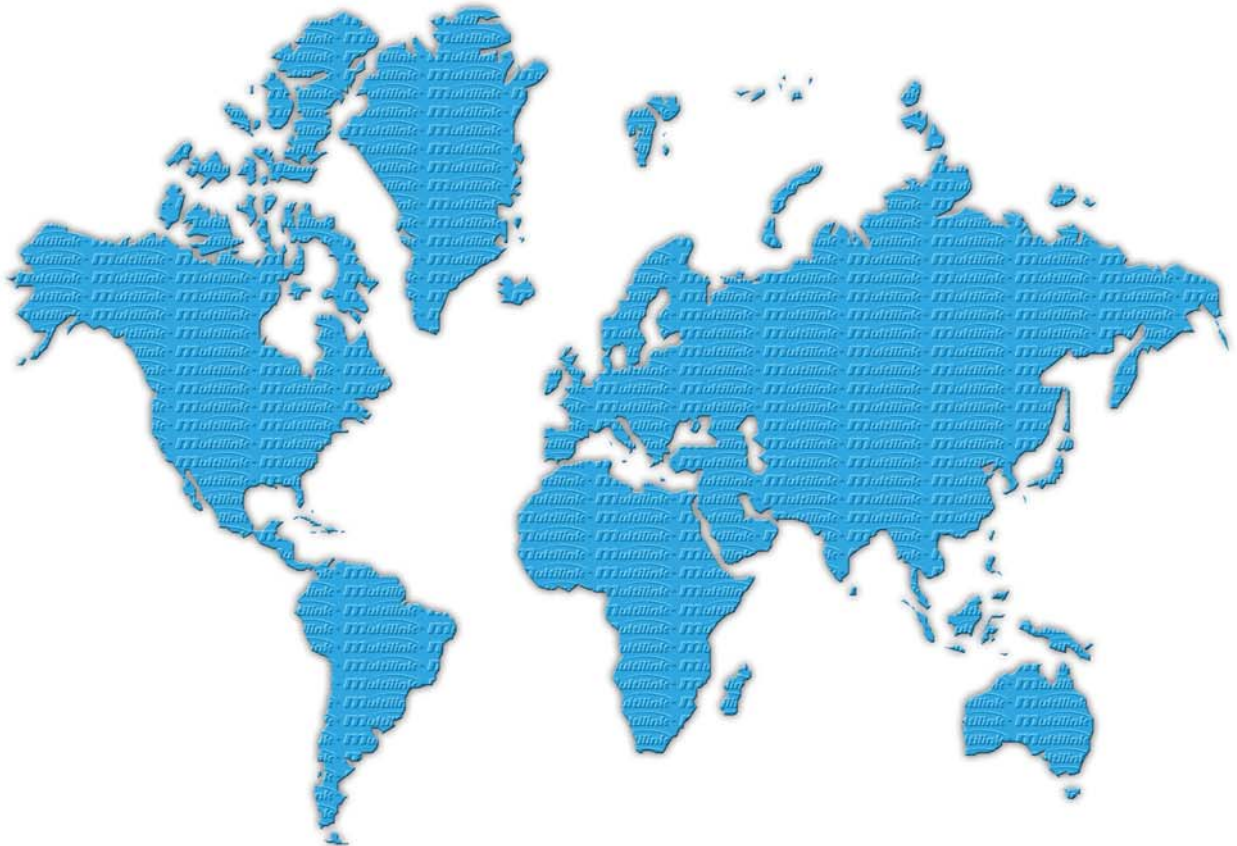
Fiber from the central office to the home



Our products are cutting edge solutions that deliver cost effective ways to deploy, manage and upgrade your fiber optic network pathways

**Multilink**<sup>®</sup>  
ENHANCING THE PATH OF LIGHT<sup>™</sup>

# 2007 WORLDWIDE SALES AND SERVICES



## **CORPORATE USA**

580 Ternes Avenue • Elyria, Ohio 44035  
Tel: 440-366-6966 • Fax: 440-366-6802 • Web Site: [www.multilinkone.com](http://www.multilinkone.com)  
Email: [sales@multilinkone.com](mailto:sales@multilinkone.com) • [engsupport@multilinkone.com](mailto:engsupport@multilinkone.com)

## **EUROPE**

Air – Parts BV  
Kalkovenweg 12 • Alphen Aan Den Rijn, Holland 2401L-K  
Tel: 31-172-422455 • Fax: 31-172-421022

## **LATIN AMERICA**

1235 West 31st Street • Hialeah, Florida 33012  
Tel: 305-825-3987 • Fax: 305-825-3987

## **ASIA/AUSTRALIA**

Tokyo-to, Sugunami-ku Izumi, 3-59-24  
Annecy Eifuku #302 • Tokyo 168-0063 Japan  
Tel: 011-813-53012141 • Fax: 413-228-8364

## **CANADA**

1267 Nottingham Avenue • Burlington, Ontario L8P2R5  
Tel: 905-331-9029 • Fax: 905-331-6357





## PATENTS & INNOVATIONS

### 2007

First Web Video Installation Training For Fusion Splicing Training  
First Web Video Installation Instruction Training For Power Supply  
FTTx Fiber Optic Slack Storage Enclosure  
FTTx Overlay Molding For Existing Molding  
FTTx Exterior Fiber Optic Slack Storage Enclosure

### 2005

Drop Fiber Sno-Shoe - Pat# D450,042S  
Multipath Pavement Duct System  
5 Amp Min. Stand By Power Supply  
Direct Core Cooling  
Open Face Molding

### 2004

Compression Seal Technology Dome Enclosure  
Tech Bag For Handling Converters

### 2002

Communication Cable Clip - Pat# 6,378,814 B1

### 2001

Battery Power Supply Source Of Uninterruptible Power Supply - Pat# 6,268,665 B1

### 2000

Release Of 1st Airflow Power Supply Cabinet - Pat# 6,932,443 B1

### 1999

Patented The 1st UPS With Polarity Of Inverters CCP Tech - Pat# 5,994,793

### 1998

Fiber Optic Splice Case - Pat# 5,732,180

### 1997

First Cable Identification Tag - Pat# 387,811

### 1993

Patented And Trademarked First Plastic Sno-Shoe - Pat# 5,408,571  
Architectural Cove Molding For Housing Cable Wires - Pat# D332,941

### 1992

Patented First Low Cost Torque Wrench - Pat# 5,152,200

### 1991

Patented Coring And Stripping Tool For Dielectric Cable - Pat# 5,023,995

# Table Of Contents

## SECTION 1: Headend / Central Office Products

|   |       |
|---|-------|
| Slotted Duct Cable Management .....               | 8-9   |
| Rack Mount Fiber Distribution panels .....        | 10-15 |
| Wall Mount Fiber Distribution Panels .....        | 16-24 |
| Fiber Adaptor Panels .....                        | 25-27 |
| OSE Optical Splice Enclosure .....                | 28    |
| Splice Trays .....                                | 29    |
| Fiber Termination Modules / Coupler Modules ..... | 30-34 |

## SECTION 2: Outside Plant Products

|                                    |       |
|------------------------------------|-------|
| Splice Cases and Accessories ..... | 36-47 |
| Sno-Shoes® / Slack Storage .....   | 48-54 |
| Grounding / Bonding .....          | 55    |
| Identification .....               | 56    |

## SECTION 3: Distribution Products

|   |       |
|---|-------|
| CWDM .....  | 58-74 |
| EMTA Enclosure .....                                | 75    |
| ECE's (Environmentally Controlled Enclosures) ..... | 76-83 |
| Plastic Demarcation Enclosures .....                | 84-92 |
| Security Seals / Multitags .....                    | 93-94 |

## SECTION 4: Pathway Products

|                                   |         |
|-----------------------------------|---------|
| Steel Molding .....               | 96-98   |
| Cove Molding .....                | 99      |
| Latch Duct & Square Molding ..... | 100-102 |
| Exterior Plastic .....            | 103     |
| Overlay Molding .....             | 104-105 |
| Single Fiber Raceway .....        | 106     |
| Accessories .....                 | 107-108 |
| Fiber Plug .....                  | 108     |
| Ribbon Transition Molding .....   | 109     |
| Microduct & Accessories .....     | 110-122 |
| Pavement Duct .....               | 123     |

## SECTIONS 5: Tools & Test Equipment

|  |         |
|--|---------|
| Splicer .....                            | 125     |
| ODM Power Meters And Light Sources ..... | 126-136 |
| Miscellaneous Tools And Consumable ..... | 137-141 |







# HEADEND / CENTRAL OFFICE PRODUCTS & FIBER DISTRIBUTION PANELS

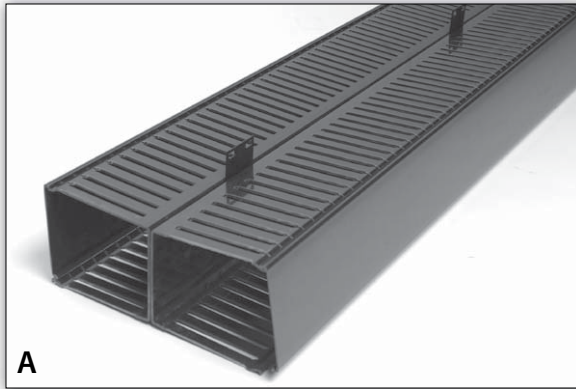
## SECTION 1

## FIBER MANAGEMENT

### Slotted Duct Cable Management

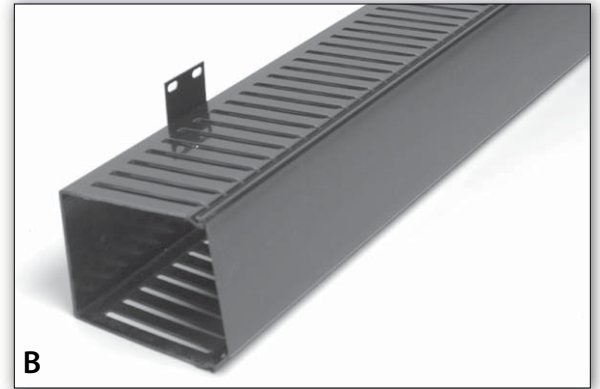
Multilink offers both horizontal and vertical cable management products extruded from high grade polymers. All of our horizontal cable managers are produced to fit on a standard 19" rack. Our organizers ship with both the base and the cover as a set. The only color available is black. The slotted duct features open ends for ease in cable management.

#### Vertical Cable Managers



##### Double Sided, Side Mount/ Front & Rear

Features base and cover cable management on the front and backside. Brackets are on one side only for a left or right side rack attachment.



##### Center Mount/ Front & Rear

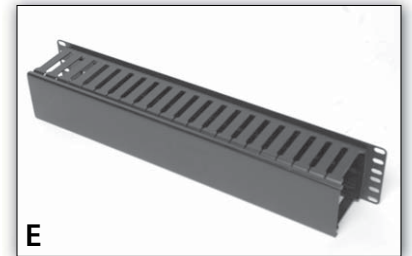
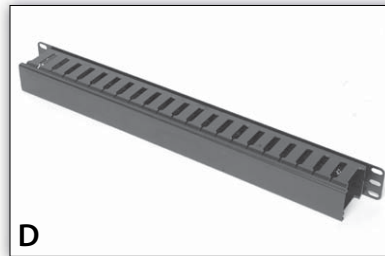
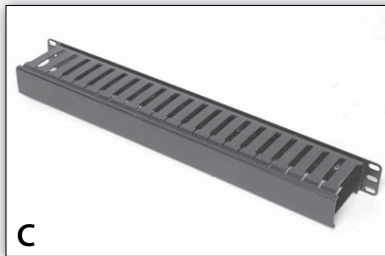
Features base and cover cable management on the front and backside. Brackets are on both sides of the duct for a center mount attachment between two racks.

##### Single Sided, Side Mount/ Front Only

Features base and cover cable management on the front only. Brackets are on one side only for a left or right side rack attachment.

|   | Stock ID | Description  | Dimensions                   | Weight Lbs. | UOM  |
|---|----------|--|------------------------------|-------------|------|
| A | 10-4154  | Vertical Cable Manager Side Mount                  | 4"W x 5"H Front & Rear, 83"H | 13          | Each |
|   | 10-4155  | Vertical Cable Manager Center Mount (Not Pictured) | 4"W x 5"H Front & Rear, 83"H | 13          | Each |
| B | 10-4156  | Vertical Cable Manager Side Mount                  | 4"W x 5" on Front only, 83"H | 7           | Each |

#### Horizontal Cable Managers



|   | Stock ID | Description   | Dimensions             | Weight Lbs. | UOM  |
|---|----------|---|------------------------|-------------|------|
| C | 10-4164  | Single Sided Horizontal Cable Manager for Standard 19" Rack | 1.5"W x 3"H Front Only | 2           | Each |
| D | 10-4165  | Single Sided Horizontal Cable Manager for Standard 19" Rack | 1.5"W x 2"H Front Only | 2           | Each |
| E | 10-4158  | Single Sided Horizontal Cable Manager for Standard 19" Rack | 4"W x 5"H Front Only   | 7           | Each |

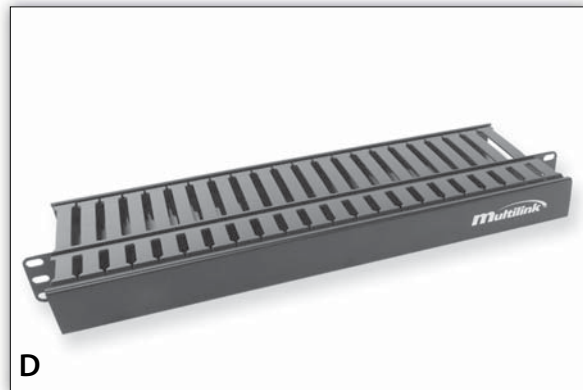
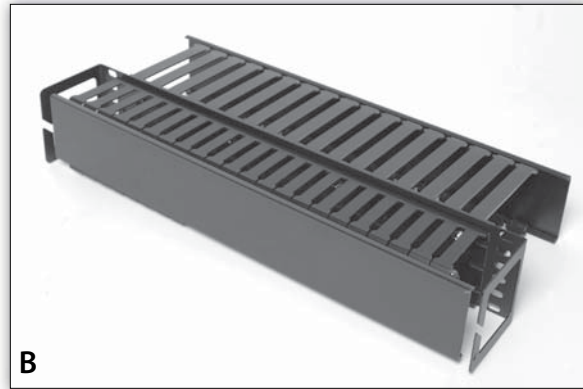
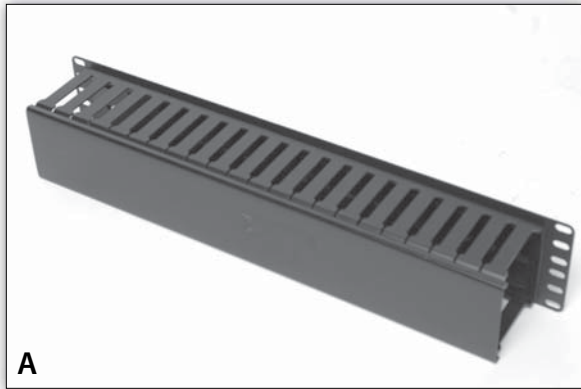


## FIBER MANAGEMENT

### Slotted Duct Cable Management

Multilink offers both horizontal and vertical cable management products extruded from high grade polymers. All of our horizontal cable managers are produced to fit on a standard 19" rack. Our organizers ship with both the base and the cover as a set. The only color available is black. The slotted duct features open ends for ease in cable management.

#### Horizontal Cable Managers



|   | Stock ID | Description  | Dimensions                       | Weight Lbs. | UOM  |
|---|----------|--|----------------------------------|-------------|------|
| A | 10-4160  | Single Sided Horizontal Cable Manager for Standard 19" Rack                                    | 3"W x 3"H Front Only             | 3           | Each |
|   | 10-4157  | Double Sided Horizontal Cable Manager for Standard 19" Rack (Not Pictured)                     | 4"W x 5"H Front/4"W x 5"H Rear   | 13          | Each |
| B | 10-4166  | Double Sided Horizontal Cable Manager for Standard 19" Rack with Special Strain Relief Bracket | 3"W x 3"H Front/3"W x 5"H Rear   | 11          | Each |
| C | 10-4159  | Double Sided Horizontal Cable Manager for Standard 19" Rack                                    | 3"W x 3"H Front/3"W x 5"H Rear   | 10.5        | Each |
|   | 10-4161  | Double Sided Horizontal Cable Manager for Standard 19" Rack (Not Pictured)                     | 3"W x 3"H Front/2"W x 4"H Rear   | 8           | Each |
|   | 10-4162  | Double Sided Horizontal Cable Manager for Standard 19" Rack (Not Pictured)                     | 1.5"W x 3"H Front/1"W x 4"H Rear | 5           | Each |
| D | 10-4163  | Double Sided Horizontal Cable Manager for Standard 19" Rack                                    | 1.5"W x 2"H Front/1"W x 4"H Rear | 3.5         | Each |

## RACK MOUNT FIBER ENCLOSURES

### Multilink's Family of Rack Mount Enclosures



### Application

The Multilink family of rack mounted optical termination and in-rack splice enclosures are designed for the interconnection of patch cables, a combination of patching and splicing, or in-rack splicing. All of the enclosures are equipped with universal 19" or 23" rack mounting brackets. The product line supports from 2 to 24 termination panels in a variety of standard RU enclosures. Termination Shelves (TS) are designed with a slide out master panel shelf and allows for storage of splice trays behind the master termination panel. The Patch Splice (PS) enclosures have two separate slide out shelves: One with a termination master panel; the other with a tray support bracket and hinged trays. Swing out (SO) enclosures are designed for narrow depth applications with a hinged swing out master panel and splice tray storage.

### Features & Benefits

- Steel and aluminum with a polyester powder coat finish in either standard Black or Off White
- Universal mounting with reversible 19" or 23" mounting brackets
- Swing out or Slide out master termination and splice tray panels
- Patching and splicing capabilities
- Removable front and rear doors for maximum access
- Improved access to network terminations or splices
- Flexibility in rack space with a variety of solutions
- Complete family of low, medium and high capacity distribution
- Available with Pre-terminated cabling or pigtails



## RACK MOUNT FIBER ENCLOSURES

### Rack Mount Fiber Optic Distribution Solutions

Multilink in-rack mounted termination enclosures are designed to provide connectivity and distribution solutions. Enclosures are supplied with universal mounting hardware for 19" or 23" mounting. Slide out and swing out master panel style enclosures are designed to support the storage of splice trays. Each enclosure can be ordered fully terminated with cabling or pigtails from the factory, saving valuable installation time and in-field labor expenses. Products with your customized logo are available for OEM or other applications. Units are available in standard Black or Off White.

#### Swing-Out Style Fiber Distribution Units



**FRM-1RU-2X-SO**

| Stock ID                  | Description  | Specifications   |
|---------------------------|--|--|
| 10-4323 BLK<br>10-4325 OW | Rack Mount FDU 1RU in Height with 2 termination panel capacity and swing out master panel tray | <b>Dimensions:</b> 1.75" H x 17" W x 11.0" D<br><b>Weight:</b> 11 lbs.<br><b>Material:</b> 16 GA Powder Coated Steel<br><b>Capacity:</b> (2) Panels<br><b>Splice Tray:</b> (1) 1120-SSTA |



**FRM-2RU-4X-SO**

| Stock ID                  | Description  | Specifications  |
|---------------------------|--|---|
| 10-4327 BLK<br>10-4326 OW | Rack Mount FDU 2RU in Height with 4 termination panel capacity and swing out master panel tray | <b>Dimensions:</b> 3.5" H x 17" W x 11.0" D<br><b>Weight:</b> 12 lbs.<br><b>Material:</b> 16 GA Powder Coated Steel<br><b>Capacity:</b> (4) Panels<br><b>Splice Tray:</b> (1) 1120-SSTA |

## RACK MOUNT FIBER ENCLOSURES

### Slide-Out Style Fiber Distribution Units



#### FRM-1RU-3X-TS

| Stock ID                        | Description  | Specifications   |
|---------------------------------|--|--|
| 045-002-10 BLK<br>045-003-10 OW | Rack Mount FDU 1RU in Height with 2 termination panel capacity and slide out master panel tray | <b>Dimensions:</b> 1.75" H x 17" W x 13.15" D<br><b>Material:</b> .060" Powder Coated Aluminum<br><b>Capacity:</b> (3) Panels<br><b>Splice Tray:</b> (2) 2000-SSTA |



#### FRM-2RU-4X-TS

| Stock ID                  | Description  | Specifications   |
|---------------------------|--|--|
| 10-4457 BLK<br>10-4531 OW | Rack Mount FDU 1RU in Height with 2 termination panel capacity and slide out master panel tray | <b>Dimensions:</b> 3.5" H x 17" W x 14.0" D<br><b>Weight:</b> 22 lbs.<br><b>Material:</b> .060" Powder Coated Aluminum<br><b>Capacity:</b> (4) Panels<br><b>Splice Tray:</b> (2) 2000-SSTA |



#### FRM-3RU-6X-TS

| Stock ID                  | Description  | Specifications  |
|---------------------------|--|---|
| 10-4540 BLK<br>10-4455 OW | Rack Mount FDU 3RU in Height with 6 termination panel capacity and slide out master panel tray | <b>Dimensions:</b> 7.0" H x 17" W x 14.0" D<br><b>Weight:</b> 24 lbs.<br><b>Material:</b> .060" Powder Coated Aluminium<br><b>Capacity:</b> (6) Panels<br><b>Splice Tray:</b> (3) 2000-SSTA |



#### FRM-4RU-12X-TS

| Stock ID                  | Description   | Specifications   |
|---------------------------|---|--|
| 10-4536 BLK<br>10-4456 OW | Rack Mount FDU 4RU in Height with 12 termination panel capacity and slide out master panel tray | <b>Dimensions:</b> 7.0" H x 17" W x 14.0" D<br><b>Weight:</b> 27 lbs.<br><b>Material:</b> .060" Powder Coated Aluminium<br><b>Capacity:</b> (12) Panels<br><b>Splice Tray:</b> (8) 2000-SSTA |



#### FRM-8.5RU-24X-TS

| Stock ID                  | Description   | Specifications  |
|---------------------------|---|---|
| 10-4546 BLK<br>10-4545 OW | Rack Mount FDU 8.5RU in Height with 24 termination panel capacity and dual slide out master panel trays | <b>Dimensions:</b> 7.0" H x 17" W x 14.0" D<br><b>Weight:</b> 19 lbs.<br><b>Material:</b> .060" Powder Coated Aluminium<br><b>Capacity:</b> (24) Panels<br><b>Splice Tray:</b> (16) 2000-SSTA (8 trays on each Slide out Master Panel Tray) |



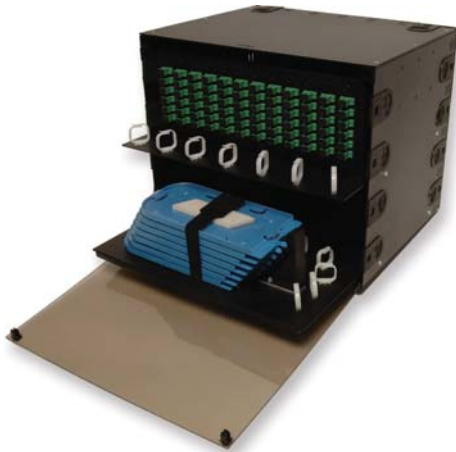
## RACK MOUNT FIBER ENCLOSURES

### Slide-Out Style Combination Patch & Splice Distribution Units



#### FRM-4RU-4X-PS (Includes 1 splice tray)

| Stock ID                  | Description   | Specifications   |
|---------------------------|---|--|
| 10-5270 BLK<br>10-2146 OW | Rack Mount FDU 4RU in Height with 4 termination panel capacity and separate splice tray compartment with dual slide out master panel and splice trays | <b>Dimensions:</b> 7.0" H x 17" W x 14.0" D<br><b>Weight:</b> 28 lbs.<br><b>Material:</b> .060" Powder Coated Aluminum<br><b>Capacity:</b> (4) Panels<br><b>Splice Tray:</b> (2) 4048-SSTP |



#### FRM-8.5RU-12X-PS (Includes 1 splice tray)

| Stock ID                  | Description  | Specifications   |
|---------------------------|--|--|
| 10-8584 BLK<br>10-8585 OW | Rack Mount FDU 8.5RU in Height with 12 termination panel capacity and separate dual slide out master panel and splice trays. | <b>Dimensions:</b> 14.0" H x 17" W x 14.0" D<br><b>Weight:</b> 19 lbs.<br><b>Material:</b> .060" Powder Coated Aluminum<br><b>Capacity:</b> (12) Panels<br><b>Splice Tray:</b> (8) 4048-SSTP |

## RACK MOUNT FIBER ENCLOSURES

### Slide-Out Style Splice Shelves



#### FRM-3RU-SS

| Stock ID                  | Description   | Specifications   |
|---------------------------|---|--|
| 10-8572 BLK<br>10-8574 OW | Rack Mount 3RU in Height slide out master Splice tray support panel | <b>Dimensions:</b> 4.75" H x 17" W x 14.0" D<br><b>Material:</b> .060" Powder Coated Aluminum<br><b>Capacity:</b> (4) 24 Fiber Splice Trays<br><b>Splice Tray:</b> (2) 4048-SSTP |



#### FRM-4RU-SS

| Stock ID                  | Description   | Specifications  |
|---------------------------|---|---|
| 10-8568 BLK<br>10-8570 OW | Rack Mount 4RU in Height slide out master Splice tray support panel | <b>Dimensions:</b> 7.0" H x 17" W x 14.0" D<br><b>Material:</b> .060" Powder Coated Aluminum<br><b>Capacity:</b> (8) 24 Fiber Splice Trays<br><b>Splice Tray:</b> (8) 4048-SSTP |



#### FRM-8.5RU-SS

| Stock ID                  | Description   | Specifications   |
|---------------------------|---|--|
| 10-8558 BLK<br>10-8583 OW | Rack Mount 8.5RU in Height slide out master Splice tray support panel | <b>Dimensions:</b> 14.0" H x 17" W x 14.0" D<br><b>Material:</b> .060" Powder Coated Aluminum<br><b>Capacity:</b> (16) 24 Fiber Splice Trays (8 on each shelf)<br><b>Splice Tray:</b> (16) 4048-SSTP |

## RACK MOUNT FIBER ENCLOSURES

### In-Rack Patch Enclosure Solutions



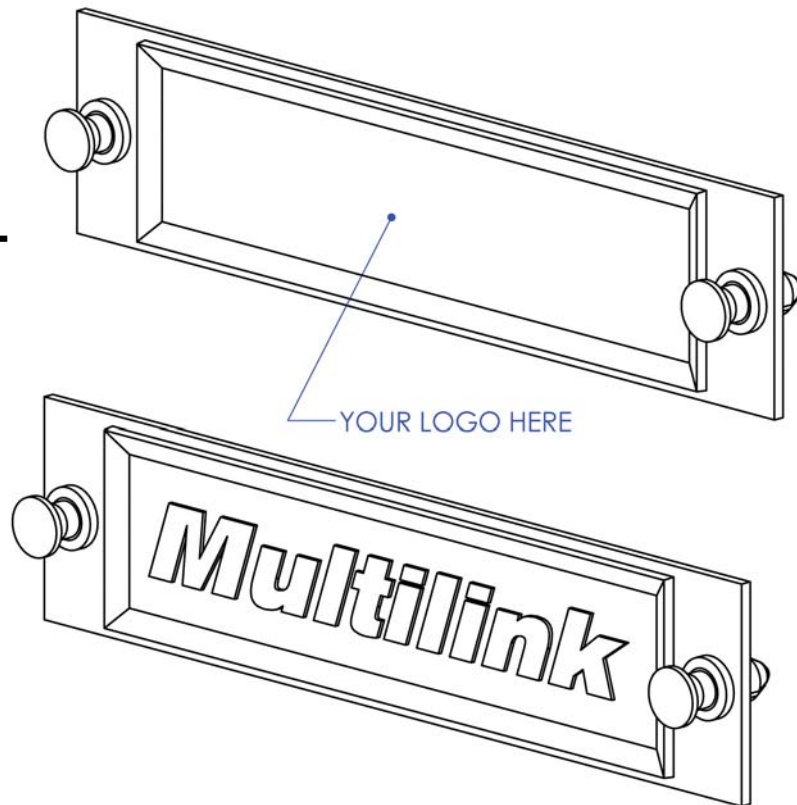
#### FF-RM-12X

| Stock ID                  | Description   | Specifications   |
|---------------------------|---|--|
| 10-1038 BLK<br>10-6450 OW | Rack Mount 4RU in Height fixed master panel with integrated horizontal and vertical jumper guides | <b>Dimensions:</b> 4.75" H x 17" W x 14.0" D<br><b>Weight:</b> 9.5 lbs.<br><b>Material:</b> .060" Powder Coated Aluminum<br><b>Capacity:</b> (4) Panels<br><b>Splice Tray:</b> (12) Panels/Slots |

### LET US DESIGN A CUSTOM PLASTIC ADAPTER PANEL FOR YOUR EQUIPMENT

Contact Customer Service  
For More Information

SEE PAGES 25, 26 & 27  
FOR ADDITIONAL  
FIBER ADAPTER PANELS





## WALL MOUNT FIBER ENCLOSURES

### Multilink's Family of Wall Mount Enclosures



The Multilink family of wall mounted optical termination enclosures are designed to provide solutions for both the interconnection of patch cabling and a combination of patching and splicing. The family accommodates from a single termination panel up to 16 termination panels. Depending on the type of optical termination panel used, enclosures can support up to 192 terminations. The family of enclosures is separated into several application specific groups to support the level of termination capacity and feature sets required for the enclosures mount location.

#### Features & Benefits

- Durable Steel or Aluminum with a polyester powder coat finish in either standard Black or Off White.
- Several units are designed with additional means of security but maintaining ease in access for craft personnel.
- Individual compartments for separation of network and distribution terminations.
- Wide range of sizes and feature sets to accommodate specific application requirements.
- Easy to install, load, and maintain.
- Available with loaded termination panels and pre-connectorized pigtails.
- Durable construction.

## WALL MOUNT FIBER ENCLOSURES

### Standard Single Outer Door Fiber Distribution Units

Multilink wall mount enclosures are designed to provide connectivity and distribution solutions. Enclosures are divided into several groups to meet application specific requirements such as Construction Grade, Single Door, Dual Door, Added Security, NEMA 4 and NEMA 12. Products with your customized logo are available for OEM or other applications. Units are available in standard Black or Off White unless specified.

### MultiLite Construction Grade Fiber Distribution Units



#### WM-2X

| Stock ID                | Description   |            |               |
|-------------------------|---|------------|---------------|
| 10-7944 Black Only      | Wall mount single outer door construction grade distribution unit with 2 termination panel capacity |            |               |
| Dimensions              | Material  | Capacity   | Splice Tray   |
| 13" H x 9.5" W x 3.5" D | 18 GA Powder Coated Steel   | (2) Panels | (2) 1120-SSTA |



#### WM-4X

| Stock ID                 | Description   |            |               |
|--------------------------|---|------------|---------------|
| 10-7945 Black Only       | Wall mount single outer door construction grade distribution unit with 4 termination panel capacity |            |               |
| Dimensions               | Material  | Capacity   | Splice Tray   |
| 13" H x 11.5" W x 3.5" D | 18 GA Powder Coated Steel   | (4) Panels | (4) 1120-SSTA |

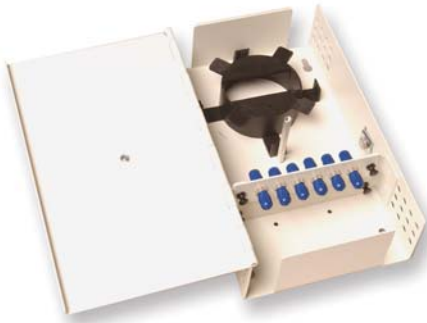


#### WM-8X

| Stock ID             | Description   |            |               |
|----------------------|---|------------|---------------|
| 10-7790 Black Only   | Wall mount single outer door construction grade distribution unit with inner network compartment security door and 8 termination panel capacity |            |               |
| Dimensions           | Material  | Capacity   | Splice Tray   |
| 17" H x 12" W x 6" D | 18 GA Powder Coated Steel   | (8) Panels | (8) 1120-SSTA |

# WALL MOUNT FIBER ENCLOSURES

## Standard Single Outer Door Fiber Distribution Units



**FF-Mini-WM12 / FF-FOH**

| Stock ID                  | Description  |                           |            |               |
|---------------------------|--|---------------------------|------------|---------------|
| 10-5818 BLK<br>10-2661 OW | Wall mount single outer door compact distribution unit with 2 termination panel capacity |                           |            |               |
| Dimensions                | Weight Lbs.  | Material                  | Capacity   | Splice Tray   |
| 10" H x 6" W x 2.5" D     | 5  | 16 GA Powder Coated Steel | (2) Panels | (1) 1120-SSTA |



**FF-Mini-WM12 / FF-FOH (Splice Only)**

| Stock ID              | Description  |                           |            |               |
|-----------------------|--|---------------------------|------------|---------------|
| FOH 70914K OW Only    | Wall mount single outer door compact distribution unit with 2 termination panel capacity |                           |            |               |
| Dimensions            | Weight Lbs.  | Material                  | Capacity   | Splice Tray   |
| 10" H x 6" W x 2.5" D | 5  | 16 GA Powder Coated Steel | (2) Panels | (1) 1120-SSTA |



**FWM012XLC**

| Stock ID                  | Description  |                           |            |              |
|---------------------------|--|---------------------------|------------|--------------|
| 10-2012 BLK<br>10-2730 OW | Wall single mount outer door distribution unit with inner network compartment security door and 2 termination panel capacity |                           |            |              |
| Dimensions                | Weight Lbs.  | Material                  | Capacity   | Splice Tray  |
| 10.2" H x 12" W x 3.5" D  | 8  | 16 GA Powder Coated Steel | (2) Panels | (2) 1120-STA |



**FWM024XLC**

| Stock ID                  | Description  |                           |            |               |
|---------------------------|--|---------------------------|------------|---------------|
| 10-1914 BLK<br>10-2714 OW | Wall single mount outer door distribution unit with inner network compartment security door and 4 termination panel capacity |                           |            |               |
| Dimensions                | Weight Lbs.  | Material                  | Capacity   | Splice Tray   |
| 12" H x 12" W x 3.5" D    | 9  | 16 GA Powder Coated Steel | (4) Panels | (4) 1120-SSTA |

SECTION 1  
HEADEND/CENTRAL OFFICE PRODUCTS  
& FIBER DISTRIBUTION PANELS



## WALL MOUNT FIBER ENCLOSURES

### Standard Dual Door Fiber Distribution Units



#### FWM012XD

| Stock ID                   | Description  |                           |            |               |
|----------------------------|--|---------------------------|------------|---------------|
| 99009BK BLK<br>99009K OW   | Wall mount dual outer door distribution unit with captive screw fasteners on both doors and 2 termination panel capacity |                           |            |               |
| Dimensions                 | Weight Lbs.  | Material                  | Capacity   | Splice Tray   |
| 10.2" H x 12.5" W x 3.5" D | 9  | 16 GA Powder Coated Steel | (2) Panels | (2) 1120-SSTA |



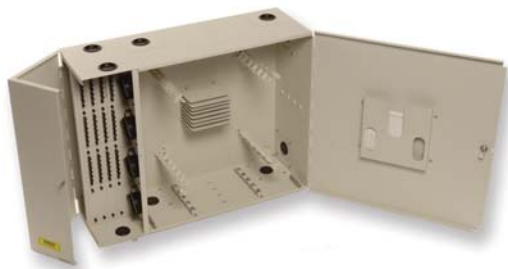
#### FWM024X

| Stock ID                 | Description  |                           |            |               |
|--------------------------|--|---------------------------|------------|---------------|
| 99024BK BLK<br>99024K OW | Wall mount dual outer door distribution unit with lockable network compartment door and 4 termination panel capacity |                           |            |               |
| Dimensions               | Weight Lbs.  | Material                  | Capacity   | Splice Tray   |
| 10.8" H x 12" W x 4" D   | 10   | 16 GA Powder Coated Steel | (4) Panels | (4) 1120-SSTA |



#### FWM054X

| Stock ID                  | Description  |                           |            |               |
|---------------------------|--|---------------------------|------------|---------------|
| 10-5283 BLK<br>10-5281 OW | Wall mount dual outer door distribution unit with lockable network and distribution compartment doors and 9 termination panel capacity |                           |            |               |
| Dimensions                | Weight Lbs.  | Material                  | Capacity   | Splice Tray   |
| 10.8" H x 12" W x 4" D    | 21   | 16 GA Powder Coated Steel | (9) Panels | (3) 2000-SSTA |

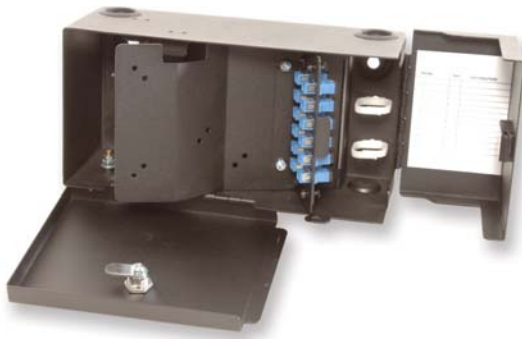


#### FWM312410

| Stock ID                     | Description   |               |             |               |
|------------------------------|---|---------------|-------------|---------------|
| 10-3800 OW<br>Off White Only | Wall mount dual outer door distribution unit with lockable network compartment door and 16 termination panel capacity |               |             |               |
| Dimensions                   | Weight Lbs.   | Material      | Capacity    | Splice Tray   |
| 10.8" H x 12" W x 4" D       | 24  | .063 Aluminum | (16) Panels | (8) 2000-SSTA |

## WALL MOUNT FIBER ENCLOSURES

### Added Security Dual Door Fiber Distribution Units



**FF-WM-012**

| Stock ID                  | Description   |                           |            |               |
|---------------------------|---|---------------------------|------------|---------------|
| 10-4469 BLK<br>10-2539 OW | Compact wall mount dual outer door distribution unit with 2 termination panel capacity and integrated network compartment work shelf and removable style door |                           |            |               |
| Dimensions                | Weight Lbs.   | Material                  | Capacity   | Splice Tray   |
| 6" H x 12" W x 4.5" D     | 9   | 16 GA Powder Coated Steel | (2) Panels | (1) 1120-SSTA |



**FF-WM-024**

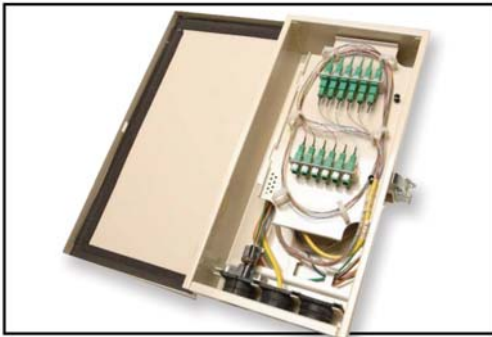
| Stock ID                                | Description   |                           |            |               |
|---|---|---------------------------|------------|---------------|
| 10-4462 BLK<br>10-6706 OW<br>10-2542 BE | Compact wall mount dual outer door distribution unit with 4 termination panel capacity and integrated network compartment work shelf and removable style door |                           |            |               |
| Dimensions                              | Weight Lbs.   | Material                  | Capacity   | Splice Tray   |
| 16" H x 14" W x 4.5" D                  | 12  | 16 GA Powder Coated Steel | (4) Panels | (2) 1120-SSTA |



**FF-WM-8X-BK**

| Stock ID                        | Description  |            |               |
|---------------------------------|--|------------|---------------|
| 045-030-10 BLK<br>045-030-11 OW | Compact wall mount dual outer door distribution unit with 8 termination panel capacity and integrated network compartment and removable door |            |               |
| Dimensions                      | Material   | Capacity   | Splice Tray   |
| 16" H x 20" W x 6.5" D          | 16 GA Powder Coated Steel  | (4) Panels | (4) 2000-SSTA |

## WALL MOUNT FIBER ENCLOSURES NEMA Rated Distribution Units



**FWM-2X-N4** (with termination panel)  
**FWM-0X-N4** (without termination panel)  
**ICM-2X** (optional termination panel)

| Stock ID   | Description   |            |   |
|--|---|------------|---|
| 10-4870 Beige W/<br>Termination Panel<br>(1 1120 SSTA Splice Max)<br>10-xxxx Beige No<br>Termination Panel 10-7812<br>Interconnect Panel | Wall mount NEMA distribution unit with lockable and removable single outer door. Available as a 2 panel termination and splice or splice only unit. |            |   |
| Dimensions   | Material  | Capacity   | Splice Tray   |
| 17.5" H x 9" W x 4" D  | 16 GA Powder Coated Steel   | (2) Panels | (2) 1120-SSTA (4 trays if no termination panel unit used) |



### FWM-2X-N4D

| Stock ID                    | Description   |            |               |
|-----------------------------|---|------------|---------------|
| 045-060-10<br>Beige Only    | Wall mount NEMA single outer door distribution unit with lockable network compartment door and 2 termination panel capacity |            |               |
| Dimensions                  | Material  | Capacity   | Splice Tray   |
| 12.5" H x 12.5" W x 5.75" D | .08" Powder Coated Aluminum   | (2) Panels | (2) 1120-SSTA |



### FWM-4X-N4D

| Stock ID                 | Description   |            |                            |
|--------------------------|---|------------|----------------------------|
| 045-080-10<br>Beige Only | Wall mount NEMA single outer door distribution unit with lockable network compartment door and 4 termination panel capacity |            |                            |
| Dimensions               | Material  | Capacity   | Splice Tray                |
| 14" H x 14" W x 6.3" D   | .08" Powder Coated Aluminum   | (4) Panels | (4) 2000-SSTA or 1120-SSTA |



### FWM-12X-N4D

| Stock ID                   | Description  |             |               |
|----------------------------|--|-------------|---------------|
| 045-042-10<br>Beige Only   | Wall mount NEMA single outer door distribution unit with lockable network compartment door and 12 termination panel capacity |             |               |
| Dimensions                 | Material   | Capacity    | Splice Tray   |
| 19.7" H x 18.4" W x 9.8" D | .08" Powder Coated Aluminum  | (12) Panels | (4) 2000-SSTA |



## WALL MOUNT FIBER ENCLOSURES NEMA Rated Distribution Units



### FWM-RNI24X

| Stock ID   | Description  |                                      |                                |               |
|--|--|--------------------------------------|--------------------------------|---------------|
| 99025BSTK<br>(BLK, ST Plate)<br>13004RNI<br>(Gasket Kit) | Wall mount NEMA 12 dual outer door distribution unit with lockable network compartment door and 24 termination capacity. Optional gasket for additional protection. Call Customer Service for SC or FC applications. |                                      |                                |               |
| Dimensions   | Weight Lbs.  | Material                             | Capacity                       | Splice Tray   |
| 17.25" H x 11.25" W x 4" D                               | 5  | Impact and Weather Resistant Plastic | (24) ST, SC or FC Terminations | (2) 1120-SSTA |



### FWM-RNI48X

| Stock ID  | Description  |                                      |                                |               |
|---|--|--------------------------------------|--------------------------------|---------------|
| 99049K<br>(Ivory, ST Plate)<br>30669 (RNI - 48X<br>Optional Gasket Kit) | Wall mount NEMA 12 dual outer door distribution unit with lockable network compartment door and 48 termination capacity. Optional gasket for additional protection. Call Customer Service for SC or FC applications. |                                      |                                |               |
| Dimensions  | Weight Lbs.  | Material                             | Capacity                       | Splice Tray   |
| 20" H x 10" W x 5.6" D  | 5  | Impact and Weather Resistant Plastic | (48) ST, SC or FC Terminations | (4) 1120-SSTA |



### FF-OCS036

| Stock ID             | Description  |                                      |            |               |
|----------------------|--|--------------------------------------|------------|---------------|
| 10-3338<br>Gray Only | Wall mounted NEMA 1, 2, 3S, 4, 4X, 12 & 13 rated enclosure with a single outer door and inner network security door. 6 Panel termination capacity and field drilled cable entries using standard weather tight conduit fittings. |                                      |            |               |
| Dimensions           | Weight Lbs.  | Material                             | Capacity   | Splice Tray   |
| 16" H x 14" W x 7" D | 10.1   | Impact and Weather Resistant Plastic | (6) Panels | (4) 1120-SSTA |

## WALL MOUNT FIBER ENCLOSURES

### RNI 3600 FTTx

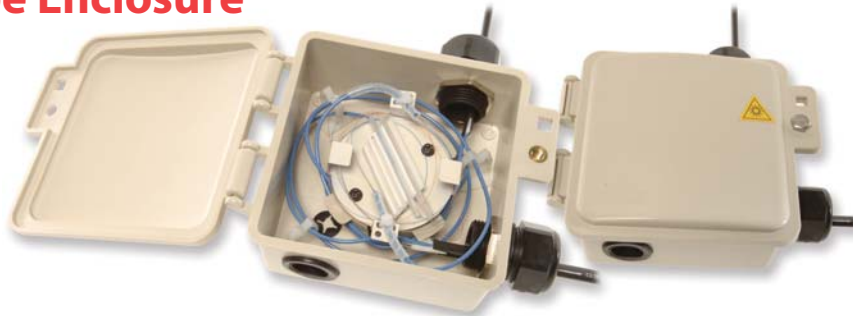


The RNI-3600-FTTx is designed for low fiber count building entrance splice only applications. It includes one 12 fiber splice tray and strain relief bracket. It is lockable with either a locking terminator or a padlock.

| Stock ID | Description   | Material      | Capacity                 | Dimensions | Weight Lbs. |
|----------|---------------|---------------|--------------------------|------------|-------------|
| 10-7146  | RNI-3600-FTTX | Polypropylene | 4 1120-SSTA Splice Trays | -          | 3           |

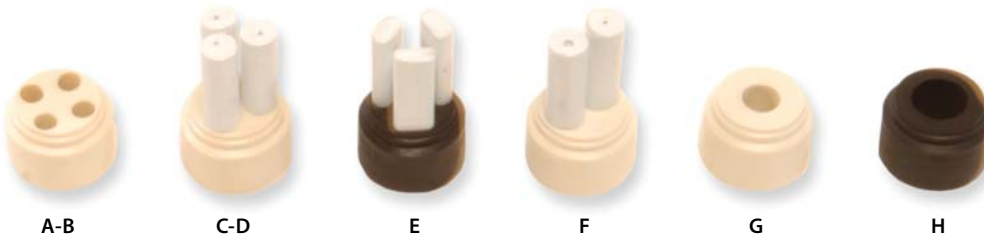
## WALL MOUNT FIBER ENCLOSURES

### Splice Cube Enclosure



The Splice Cube Enclosure is designed to splice up to 4 single fusion splices using 40mm heat shrink sleeves. It utilizes 3/4" NPT weather-tite compression fittings to keep moisture out. A variety of grommet inserts are available for the NPT fittings for many different cables.

| Stock ID   | Description             | Material    | Capacity                | Dimensions       | Weight Lbs. |
|------------|-------------------------|-------------|-------------------------|------------------|-------------|
| 020-004-22 | Fusion Splice Enclosure | ABS Plastic | 4 Single Fusion Splices | 4.8"x 4.8"x 2.2" | 2           |



### GROMMET INSERTS FOR 3/4" NPT FITTINGS

|   | Single  | 10 Pack | # of Holes | Description / Size of Cable        | Weight Lbs. | UOM  |
|---|---------|---------|------------|------------------------------------|-------------|------|
| A | 10-8084 | 10-8096 | 4          | .20-.24 (5mm-6mm)                  | .5          | Each |
| B | 10-8087 | 10-8106 | 4          | .16-.20 (4mm-5mm)                  | .5          | Each |
| C | 10-8085 | 10-8097 | 3          | .24-.28 (6.1mm-7.1mm)              | .5          | Each |
| D | 10-8090 | 10-8109 | 3          | .16-.20 (4mm-5mm)                  | .5          | Each |
| E | 10-8092 | 10-8111 | 3          | Ob-Round Holes For Flat Drop Cable | .5          | Each |
| F | 10-8091 | 10-8110 | 2          | .25-.29 (6.3mm-7.4mm)              | .5          | Each |
| G | 10-8088 | 10-8107 | 1          | .27-.31 (6.85mm-7.87mm)            | .5          | Each |
| H | 10-9999 | 10-5414 | 1          | .32-.46 (8.12mm-11.68mm)           | .5          | Each |

# PRETERMINATED ORDERING GUIDE

## Rack and Wall Mount FDU Configurator

Example Configuration:

**ML 02 24 B ST6 MP 003 21 12**

Translates:

**FWM024XLC, 24 loaded ports, Black, ST 6 Port Multimode, Multifiber pigtails, 3 meters in length, equipped with 2 of the 1120-SSTA trays**

| Enclosure Type      |     | Color     | Adapter               | Pigtail                | Length (Meters)          | Splice Tray***               | Splice Count |
|---------------------|-----|-----------|-----------------------|------------------------|--------------------------|------------------------------|--------------|
| <b>WALL MOUNTS</b>  |     |           |                       |                        |                          |                              |              |
| 01 FWM012XLC        | 006 | OW=O      | SCS=SC Simplex MM     | 00=None                | 00X**                    | X1=1120-SSTA<br>X2=2000-SSTA | 12           |
|                     | 012 | BLK=B     | SCD=SC Duplex MM      | T9=900um               |                          |                              | 24           |
| 02 FWM024XLC        | 018 | Beige=BE* | SUS=SC Simplex SM     | T3=3mm                 | MD=Module                | X3=2020-SSTP<br>X4=4048-SSTP |              |
|                     | 024 |           | SUD=SC Duplex SM      |                        |                          |                              |              |
| 03 FF-MINI-WM12     | 030 |           | SAS=SC/APC Simplex SM | MP=Multifiber          | OSP=OSP Dielectric Cable | X denotes number of trays    |              |
|                     | 036 |           | SAD=SC/APC Duplex SM  | OSA=OSP Armored Cable  |                          |                              |              |
| 04 FF-FOH           | 042 |           | FC=FC MM              | DST=Distribution Cable |                          |                              |              |
| 05 FF-WM-012        | 048 |           | FU=FC SM              |                        |                          |                              |              |
|                     | 054 |           | FA=FC/APC             |                        |                          |                              |              |
| 06 FF-WM-024        | 060 |           | LCS=LC Simplex MM     |                        |                          |                              |              |
|                     | 066 |           | LCD=LC Duplex MM      |                        |                          |                              |              |
|                     | 072 |           | LUS=LC Simplex SM     |                        |                          |                              |              |
| 07 FWM012XD         | 096 |           | LUD=LC Duplex SM      |                        |                          |                              |              |
|                     | 144 |           | LAS=LC/APC Simplex SM |                        |                          |                              |              |
| 08 FWM024X          | 288 |           | LAD=LC/APC Duplex SM  |                        |                          |                              |              |
|                     |     |           | ST6=ST 6 port MM      |                        |                          |                              |              |
| 09 FWM054X          |     |           | ST8=ST 8 port MM      |                        |                          |                              |              |
|                     |     |           | ST12=ST 12 port MM    |                        |                          |                              |              |
| 10 FWM-312410       |     |           | SM6=ST 6 port SM      |                        |                          |                              |              |
|                     |     |           | SM8=ST 8 port SM      |                        |                          |                              |              |
| 11 FF-OCS036        |     |           | SM12=ST 12 port SM    |                        |                          |                              |              |
|                     |     |           | MJ=MTRJ               |                        |                          |                              |              |
| <b>RACK MOUNTS</b>  |     |           |                       |                        |                          |                              |              |
| 12 FRM-1RU-2X-SO    |     |           |                       |                        |                          |                              |              |
| 13 FRM-2RU-4X-SO    |     |           |                       |                        |                          |                              |              |
| 14 FRM-2RU-4X-TS    |     |           |                       |                        |                          |                              |              |
| 15 FRM-3RU-6X-TS    |     |           |                       |                        |                          |                              |              |
| 16 FRM-4RU-12X-TS   |     |           |                       |                        |                          |                              |              |
| 17 FRM-8.5RU-24X-TS |     |           |                       |                        |                          |                              |              |
| 18 FRM-4RU-4X-PS    |     |           |                       |                        |                          |                              |              |
| 19 FRM-8.5RU-12X-PS |     |           |                       |                        |                          |                              |              |
| 20 FF-RM-12X        |     |           |                       |                        |                          |                              |              |
| 21 FRM-1RU-3X-TS    |     |           |                       |                        |                          |                              |              |

\*\* Feet divided by 2.54 and rounded up to the full meter.

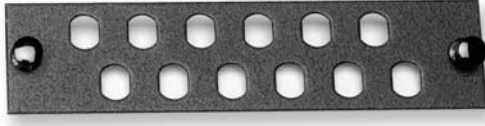
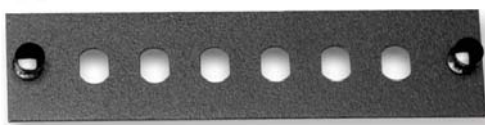
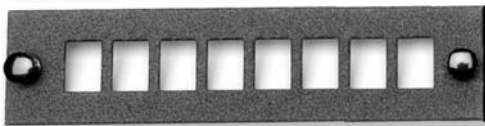
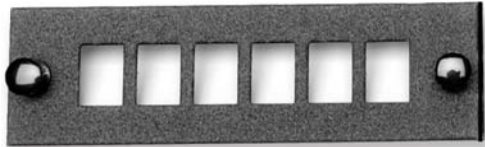
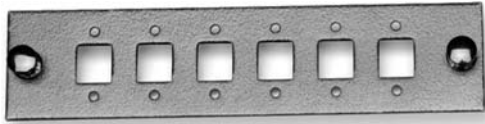
\* Only available for specified boxes. Refer to catalog descriptions.

\*\*\* Align with unit type.



## FIBER ADAPTER PANELS

### Fiber Adaptor Panels And Loaded Adaptor Panels



#### MTRJ-03-NB

Weight: -.10 lbs. on all Empty Panels

| Stock ID                      | Description             |
|-------------------------------|-------------------------|
| 10-1690 - BLK<br>10-1690 - OW | Empty MTRJ 6 Pack Panel |

#### MSCB-06-BB

| Stock ID                      | Description           |
|-------------------------------|-----------------------|
| 10-6061 - BLK<br>10-1689 - OW | Empty SC 6 Pack Panel |

#### MSCB-08-BB

| Stock ID                      | Description           |
|-------------------------------|-----------------------|
| 10-9103 - BLK<br>10-9101 - OW | Empty SC 8 Pack Panel |

#### MSCBH-03-NB

| Stock ID                      | Description  |
|-------------------------------|--|
| 10-5534 - BLK<br>10-8187 - OW | Empty SC Duplex 6 (INLINE-STACKED) Pack Panel<br>Multiplate Supports LC Quad Adapters with SC Duplex Footprint |

#### MSTA-03-BB

| Stock ID                      | Description           |
|-------------------------------|-----------------------|
| 10-5455 - BLK<br>10-5450 - OW | Empty ST 6 Pack Panel |

#### MSTA-08-BB

| Stock ID                      | Description           |
|-------------------------------|-----------------------|
| 10-9227 - BLK<br>10-9230 - OW | Empty ST 8 Pack Panel |

#### MSTA-12-BB

| Stock ID                      | Description                |
|-------------------------------|----------------------------|
| 10-9188 - BLK<br>10-9189 - OW | Empty ST 12 Pack Panel-BLK |

#### MLCD-03-NB

| Stock ID                      | Description                  |
|-------------------------------|------------------------------|
| 10-4610 - BLK<br>10-4609 - OW | Empty LC Duplex 6 Pack Panel |

#### MFCB-03-DB

| Stock ID                      | Description           |
|-------------------------------|-----------------------|
| 10-8750 - BLK<br>10-8753 - OW | Empty FC 6 Pack Panel |

#### MFMB-600BB

| Stock ID                      | Description            |
|-------------------------------|------------------------|
| 10-7666 - BLK<br>10-7668 - OW | Blank Multiplate Panel |

#### BLANK PANEL- PLASTIC

| Stock ID      | Description  |
|---------------|--|
| 11-7666 - BLK | Blank adaptor panels are now available with your company logo! |

Custom blank adaptor panels are now available with your company logo! Call Multilink Inc., customer service for details.

## FIBER ADAPTER PANELS

# Fiber Adapters & Loaded Adapter Panels

Weight: -.25 lbs.



| Model #      | Stock ID    | Description                               | Application  |
|--------------|-------------|---|--|
| MST-06-P-BLK | 10-5458-BLK | ST 6 Port Panel with Phos. Bronze Sleeves | ST Adapter Panel for Universal Single or Multimode Applications Available in Black (BLK) or Off White (OW) |
| MST-06-P-OW  | 10-5457-OW  |   |  |
| MST-06-C-BLK | 99234K-BLK  | ST 6 Port Panel with Ceramic Sleeves      |  |
| MST-06-C-OW  | 99223K-OW   |   |  |

Weight: -.30 lbs.



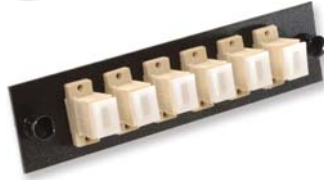
| Model #      | Stock ID    | Description                               | Application  |
|--------------|-------------|---|--|
| MST-08-P-BLK | 10-9228-BLK | ST 8 Port Panel with Phos. Bronze Sleeves | ST Adapter Panel for Universal Single or Multimode Applications Available in Black (BLK) or Off White (OW) |
| MST-08-P-OW  | 10-9229-OW  |   |  |
| MST-08-C-BLK | 10-9236-BLK | ST 8 Port Panel with Ceramic Sleeves      |  |
| MST-08-C-OW  | 10-6066-OW  |   |  |

Weight: -.35 lbs.



| Model #       | Stock ID    | Description                                | Application  |
|---------------|-------------|--|--|
| MST-012-P-BLK | 10-9196-BLK | ST 12 Port Panel with Phos. Bronze Sleeves | ST Adapter Panel for Universal Single or Multimode Applications Available in Black (BLK) or Off White (OW) |
| MST-012-P-OW  | 10-9195-OW  |  |  |
| MST-012-C-BLK | 10-6065-BLK | ST 12 Port Panel with Ceramic Sleeves      |  |
| MST-012-C-OW  | 10-6177-OW  |  |  |

Weight: -.13 lbs.



| Model #         | Stock ID    | Description                                  | Application                                |
|-----------------|-------------|--|--|
| MSC-06-MM-P-BLK | 10-9995-BLK | SC 6 Port Panel with MM Phos. Bronze Sleeves | SC Adapter Panel for Multimode Application |
| MSC-06-MM-P-OW  | 10-9996-OW  |  |  |

Weight: -.15 lbs.



| Model #        | Stock ID    | Description                                | Application                                |
|----------------|-------------|--|--|
| MSC-8-MM-P-BLK | 10-9997-BLK | SC Adapter Panel for Multimode Application | SC Adapter Panel for Multimode Application |
| MSC-8-MM-P-OW  | 10-9998-OW  |  |  |

Weight: -.17 lbs.



| Model #         | Stock ID    | Description                                  | Application                                       |
|-----------------|-------------|--|---|
| MSC-12-MM-P-BLK | 10-5548-BLK | SC 6 Duplex MM Adapters Phos. Bronze Sleeves | SC Duplex Adapter Panel for Multimode Application |
| MSC-12-MM-P-OW  | 10-5551-OW  |  |   |

Weight: -.13 lbs.



| Model #         | Stock ID    | Description                                  | Application                                  |
|-----------------|-------------|--|--|
| MSC-06-SM-P-BLK | 10-6182-BLK | SC 6 Port Panel with SM Phos. Bronze Sleeves | SC Adapter Panel for Single Mode Application |
| MSC-06-SM-P-OW  | 10-6183-OW  |  |  |
| MSC-06-SM-C-BLK | 10-4810-BLK | SC 6 Port Panel with SM Ceramic Sleeves      |  |
| MSC-06-SM-C-OW  | 10-6178-OW  |  |  |

Weight: -.15 lbs.



| Model #         | Stock ID    | Description                                  | Application                                  |
|-----------------|-------------|--|--|
| MSC-08-SM-P-BLK | 99229BK-BLK | SC 8 Port Panel with SM Phos. Bronze Sleeves | SC Adapter Panel for Single Mode Application |
| MSC-08-SM-P-OW  | 99229K-OW   |  |  |
| MSC-08-SM-C-BLK | 10-7903-BLK | SC 8 Port Panel with SM Ceramic Sleeves      |  |
| MSC-08-SM-C-OW  | 10-7902-OW  |  |  |

Weight: -.17 lbs.



| Model #         | Stock ID    | Description                                  | Application   |
|-----------------|-------------|--|---|
| MSC-12-SM-P-BLK | 10-5535 BLK | SC 6 Duplex SM Adapters Phos. Bronze Sleeves | SC Duplex Adapter Panel for Single Mode Application |
| MSC-12-SM-P-OW  | 10-8188-OW  |  |   |
| MSC-12-SM-C-BLK | 10-1817-BLK | SC 6 Duplex SM Adapters Ceramic Sleeves      |   |
| MSC-12-SM-C-OW  | 10-6181-OW  |  |   |

Continued Next Page

SECTION 1  
HEADEND/CENTRAL OFFICE PRODUCTS  
& FIBER DISTRIBUTION PANELS

## FIBER ADAPTER PANELS

### Fiber Adapters & Loaded Adapter Panels



Weight: - .20 lbs.

| Model #                  | Stock ID                  | Description                          | Application   |
|--------------------------|---------------------------|--------------------------------------|---|
| MFC-06-P-BLK MFC-06-P-OW | 10-5095-BLK<br>10-8751-OW | FC 6 Adapters Phos<br>Bronze Sleeves | FC Adapter Panel for Universal<br>Single or Multimode and FC/<br>APC Applications |
| MFC-06-C-BLK MFC-06-C-OW | 10-4744-BLK<br>99218CK-OW | FC 6 Adapters<br>Ceramic Sleeves     |   |



Weight: - .17 lbs.

| Model #                             | Stock ID                  | Description                                   | Application  |
|-------------------------------------|---------------------------|---|--|
| MLCD-12-MM-P-BLK<br>MLCD-12-MM-P-OW | 10-3626-BLK<br>10-3627-OW | LC Duplex MM Adapters<br>Phos. Bronze Sleeves | LC Duplex Adapter Panel for<br>Multimode Application |



Weight: - .17 lbs.

| Model #                             | Stock ID                  | Description                              | Application  |
|-------------------------------------|---------------------------|--|--|
| MLCD-12-SM-C-BLK<br>MLCD-12-SM-C-OW | 10-9709-BLK<br>10-9710-OW | LC Duplex SM Adapters<br>Ceramic Sleeves | LC Duplex Adapter Panel for<br>Single Mode Application |



Weight: - .13 lbs.

| Model #                             | Stock ID                  | Description                           | Application  |
|-------------------------------------|---------------------------|---------------------------------------|--|
| MTRJ-12-MM-P-BLK<br>MTRJ-12-MM-P-OW | 10-3628 BLK<br>10-3629-OW | MTRJ Duplex MM Phos<br>Bronze Sleeves | MTRJ Duplex Adapter Panel for<br>Multimode Application |



Weight: - .15 lbs.

| Model #                                   | Stock ID                 | Description                             | Application   |
|---|--------------------------|---|---|
| MSC/APC-06-SM-C-BLK<br>MSC/APC-06-SM-C-OW | 10-4442 BLK<br>99222K OW | SC/APC 6 SM Adapters<br>Ceramic Sleeves | SC/APC Adapter Panel for<br>Single Mode Application |



Weight: - .15 lbs.

| Model #                                   | Stock ID                  | Description                             | Application   |
|---|---------------------------|---|---|
| MSC/APC-08-SM-C-BLK<br>MSC/APC-08-SM-C-OW | 10-5463 BLK<br>10-1944 OW | SC/APC 8 SM Adapters<br>Ceramic Sleeves | SC/APC Adapter Panel for<br>Single Mode Application |



Weight: - .15 lbs.

| Model #                                   | Stock ID                 | Description                                    | Application  |
|---|--------------------------|--|--|
| MSC/APC-12-SM-C-BLK<br>MSC/APC-12-SM-C-OW | 10-5327 BLK<br>99224K OW | SC/APC 6 Duplex SM<br>Adapters Ceramic Sleeves | SC/APC Duplex Adapter Panel<br>for Single Mode Application |



## FIBER MANAGEMENT

# Optical Splice Enclosure / OSE 384/576



The Multilink OSE (Optical Splice Enclosure) is a wall mounted central splicing and cable management enclosure with a weather tight NEMA 4 design for indoor or outdoor applications. The unit is manufactured with top and bottom mounted cable entry plates each supporting up to (8) liquid tight cable seals. The enclosure interior compartment has two slide-out splice tray support shelves each with a (8) tray stacker. Depending on the tray selected, the enclosure supports up to 384 or 576 single fused fibers and if mass fusing, the enclosure can support >2000 mass fused fibers. Each splice tray incorporates the “open keyhole” hinging mechanism to allow for ease in tray entry without tray removal. The OSE is one of a family of units that support fiber splicing in wall mount applications.

### Features & Benefits

- Compact design with high splice storage capacity
- Single outer and removable door
- Lightweight but durable .080" Aluminum
- All Corrosion resistant materials with outer protective polyester powder coating

|                                      |  |
|--------------------------------------|--|
| <b>Dimensions</b>                    | 28.0" H (71cm) x 25.25" W (64.1cm) x 14.5" D (36.8cm)  |
| <b>Cable Capacity</b>                | The unit can support up to 48 fiber cables with a maximum OD of 1.0" (Multi cable entry grommets are available)  |
| <b>Single Fusion Splice Capacity</b> | Up to 384 Single Fusion splices using the 4048-SSTP trays or 576 Single Fusion splices using the 4072-SSTP trays |
| <b>Mass Fusion Splice Capacity</b>   | >2000 Mass Fused fibers using either splice tray   |
| <b>Material</b>                      | .080" Aluminum   |
| <b>Coatings</b>                      | Electro statically applied powder coat, available in black or white  |
| <b>Weight</b>                        | 47 lbs. (21.4 Kg)  |

NOTE: Splice trays are universal with single and mass fusion organizers included

| Stock ID   | Description           | Stock ID   | Description   |
|------------|-----------------------|------------|---|
| 045-009-10 | OSE 384/768 Black     | 065-001-10 | 4072-SSTP Splice Tray                                   |
| 045-009-11 | OSE 384/576 Off White | 065-016-10 | Cable Entry Kit (universal all cable ranges up to 1.0") |
| 10-8007    | 4048-SSTP Splice Tray |            |   |

NOTE: For available Multifiber Grommets refer to the Multilink Catalog for details

## SPLICE TRAYS

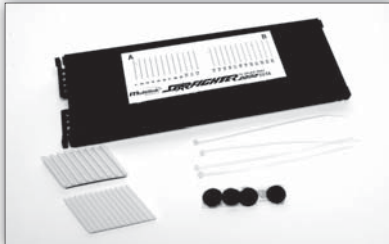
### Splice Trays

All of the Multilink splice trays are universal to the industry. These trays are compatible with all of our enclosures. The splice trays provide protection and organization of fiber splices. Adhesive backed fiber insert holders and assorted cable ties included (grommets included on the 3030-SSTP).



Weight: - .35 lbs.

| Model #   | Stock ID | Description                          | Dimensions           |
|-----------|----------|--------------------------------------|----------------------|
| 1120-SSTA | 70902K   | Aluminum 12 Single Fiber Splice Tray | 7"L x 4.75"W x .50"D |



Weight: - .65 lbs.

| Model #   | Stock ID | Description                          | Dimensions            |
|-----------|----------|--------------------------------------|-----------------------|
| 2000-SSTA | 70506K   | Aluminum 24 Single Fiber Splice Tray | 12.25"L x 4"W x .50"D |



Weight: - .54 lbs.

| Model #   | Stock ID | Description                          | Dimensions            |
|-----------|----------|--------------------------------------|-----------------------|
| 3000-SSTA | 70505K   | Aluminum 24 Single Fiber Splice Tray | 8.5"L x 5.8"W x .50"D |

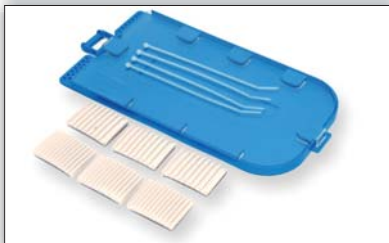


Weight: - .54 lbs.

| Model #   | Stock ID | Description                                    | Dimensions            |
|-----------|----------|--|-----------------------|
| 2020-SSTP | 70709K   | Plastic & Aluminum 24 Single Fiber Splice Tray | 12.25"L x 4"W x .50"D |



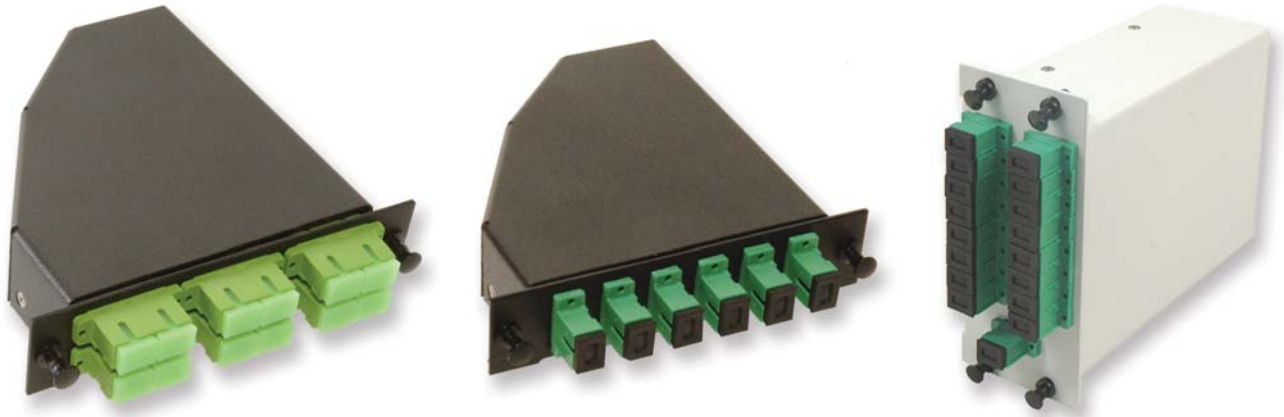
| Model #   | Stock ID | Description                         | Dimensions           |
|-----------|----------|-------------------------------------|----------------------|
| 4048-SSTP | 10-8007  | Plastic 24 Single Fiber Splice Tray | 8.25"L x 6"W x .50"D |



| Model #   | Stock ID   | Description   | Dimensions               |
|-----------|------------|---|--------------------------|
| 4072-SSTP | 065-001-10 | Splice Tray 36 single 72 Dual stacked, 144 Mass Splice Capacity | 11.75"L x 5.75"W x .50"D |

## RACK MOUNTABLE COUPLER MODULES

### Fiber Termination Modules / FTMs



The Multilink family of Fiber Termination Modules (FTMs) is designed for plug-n-play type fiber termination applications. Modules are designed for MTP or Pigtailed applications and available with all standard Optical Adapter terminations. Each unit is manufactured in a powder coated Aluminum chassis and all terminations are GR-326 compliant.

#### Features & Benefits

- Products all meet Telecordia specifications for bend radii
- Can be used in all indoor areas
- Durable powder coat finish
- Constructed with durable .060" Gauge Aluminum
- Light weight
- Available fully loaded with ST, SC, LC and FC terminations including pigtailed or MTP options

| Dimensions                 | Material       | Coating               |
|----------------------------|----------------|-----------------------|
| 5.125" H x 5" D x 1.125" W | .060" Aluminum | Polyester Powder Coat |

#### SINGLE MODE PIGTAILED ASSEMBLIES

| Model #       | Description                             |
|---------------|---|
| FTM-06-STU-P3 | ST/UPC 6 Terminations, 3 Meter Pigtail  |
| FTM-06-SCU-P3 | SC/UPC 6 Terminations, 3 Meter Pigtail  |
| FTM-06-SCA-P3 | SC/APC 6 Terminations, 3 Meter Pigtail  |
| FTM-12-LCU-P3 | LC/UPC 12 Terminations, 3 Meter Pigtail |

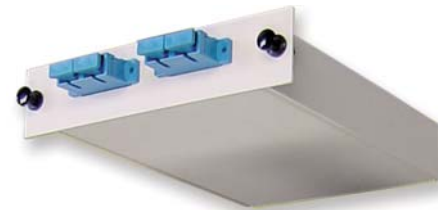
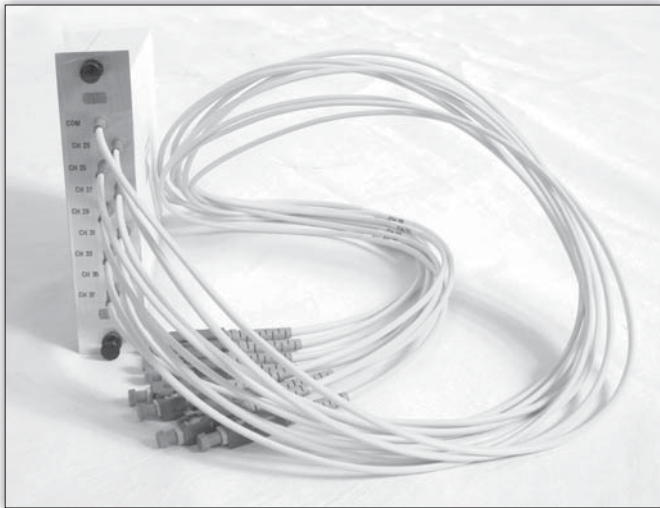
#### MULTIMODE PIGTAILED ASSEMBLIES

| Model #      | Description                            |
|--------------|--|
| FTM-06-ST-P3 | ST/PC 6 Terminations, 3 Meter Pigtail  |
| FTM-06-SC-P3 | SC/PC 6 Terminations, 3 Meter Pigtail  |
| FTM-12-LC-P3 | LC/PC 12 Terminations, 3 Meter Pigtail |

\*Note: All optical connector and adapters designed and tested to Telecordia GR-326. Contact Customer Service for model numbers for additional FTMs, additional termination or other cabling lengths.

## RACK MOUNTABLE COUPLER MODULES

### Optical Couplers/WDMs



### Application

Multilink supplies a full family of Optical Couplers and WDM's for CATV, Telecom, and Utility applications. Couplers are packaged in industry standard LGX style modules in both a single and double-wide footprint. All couplers are fully compliant with the latest specifications and are available with a wide range of splits and ratios. Custom packaging for rack mounting or other filed applications is available.

### Features & Benefits

- Steel and aluminum with a polyester powder coat finish in either
- Designed for existing LGX compatible coupler shelves and patch panels
- Available with 1 x 2 to 1 x 8 split ratios in standard Single and Double-Wide modules
- Rack mount and other mounting enclosures are available
- Wide selection of adapter input and output ports

### Specifications

- Aluminum enclosure, powder-coated with CO White/Antique White finish
- Individually serialized for warranty and quality control
- All terminations are fully compliant with Telecordia GR-326
- Couplers are wavelength independent
- Operating temperature -40° - +85° C



# COUPLERS MODULE ORDERING GUIDE

## Optical Coupler/WDM Ordering Guide

### 1 x 1 Standard Couplers

OTHER CONNECTORS AVAILABLE

| Model #          | Stock ID |
|------------------|----------|
| ML-MOC-SCU-5/95  | 10-6080  |
| ML-MOC-SCU-10/90 | 10-6081  |
| ML-MOC-SCU-15/85 | 10-6082  |
| ML-MOC-SCU-20/80 | 10-6083  |
| ML-MOC-SCU-25/75 | 10-6084  |
| ML-MOC-SCU-30/70 | 10-6085  |
| ML-MOC-SCU-35/65 | 10-6086  |
| ML-MOC-SCU-40/60 | 10-6087  |
| ML-MOC-SCU-45/55 | 10-6088  |
| ML-MOC-SCU-50/50 | 10-6089  |

### 1 x 2 Standard Couplers

OTHER CONNECTORS AVAILABLE

| Model #          | Stock ID |
|------------------|----------|
| ML-MOC-SCA-5/95  | 10-6090  |
| ML-MOC-SCA-10/90 | 10-6091  |
| ML-MOC-SCA-15/85 | 10-6092  |
| ML-MOC-SCA-20/80 | 10-6093  |
| ML-MOC-SCA-25/75 | 10-6094  |
| ML-MOC-SCA-30/70 | 10-6095  |
| ML-MOC-SCA-35/65 | 10-6096  |
| ML-MOC-SCA-40/60 | 10-6097  |
| ML-MOC-SCA-45/55 | 10-6098  |
| ML-MOC-SCA-50/50 | 10-6099  |

### 1 x 1 Standard Couplers

OTHER CONNECTORS AVAILABLE

| Model #          | Stock ID |
|------------------|----------|
| ML-MOC-FCA-5/95  | 10-6100  |
| ML-MOC-FCA-10/90 | 10-6101  |
| ML-MOC-FCA-15/85 | 10-6102  |
| ML-MOC-FCA-20/80 | 10-6103  |
| ML-MOC-FCA-25/75 | 10-6104  |
| ML-MOC-FCA-30/70 | 10-6105  |
| ML-MOC-FCA-35/65 | 10-6106  |
| ML-MOC-FCA-40/60 | 10-6107  |
| ML-MOC-FCA-45/55 | 10-6108  |
| ML-MOC-FCA-50/50 | 10-6109  |

Note: 1 x 3 through 1 x 8 standard equal split ratios are noted. Other ratios are available. Please call Customer Service for more information.

### 1 x 3 Standard Couplers

OTHER CONNECTORS AVAILABLE

| Model #             | Stock ID |
|---------------------|----------|
| ML-MOC-SCU-33/33/33 | 10-6110  |

### 1 x 3 Standard Couplers

OTHER CONNECTORS AVAILABLE

| Model #             | Stock ID |
|---------------------|----------|
| ML-MOC-SCA-33/33/33 | 10-6111  |

### 1 x 3 Standard Couplers

OTHER CONNECTORS AVAILABLE

| Model #             | Stock ID |
|---------------------|----------|
| ML-MOC-FCA-33/33/33 | 10-6112  |

### 1 x 4 Standard Couplers

OTHER CONNECTORS AVAILABLE

| Model #           | Stock ID |
|-------------------|----------|
| ML-MOC-SCU-4 X 25 | 10-6113  |

### 1 x 4 Standard Couplers

OTHER CONNECTORS AVAILABLE

| Model #           | Stock ID |
|-------------------|----------|
| ML-MOC-SCA-4 X 25 | 10-6057  |

### 1 x 4 Standard Couplers

OTHER CONNECTORS AVAILABLE

| Model #           | Stock ID |
|-------------------|----------|
| ML-MOC-FCA-4 X 25 | 10-6115  |

### 1 x 5 Standard Couplers

OTHER CONNECTORS AVAILABLE

| Model #           | Stock ID |
|-------------------|----------|
| ML-MOC-SCU-5 X 20 | 10-6116  |

### 1 x 5 Standard Couplers

OTHER CONNECTORS AVAILABLE

| Model #           | Stock ID |
|-------------------|----------|
| ML-MOC-SCA-5 X 20 | 10-6117  |

### 1 x 5 Standard Couplers

OTHER CONNECTORS AVAILABLE

| Model #           | Stock ID |
|-------------------|----------|
| ML-MOC-FCA-5 X 20 | 10-6118  |

### 1 x 6 Standard Couplers

DOUBLE-WIDE MODULE

| Model #           | Stock ID |
|-------------------|----------|
| ML-MOC-SCU-6 X 17 | 10-6119  |

### 1 x 6 Standard Couplers

DOUBLE-WIDE MODULE

| Model #           | Stock ID |
|-------------------|----------|
| ML-MOC-SCA-6 X 17 | 10-6120  |

### 1 x 6 Standard Couplers

DOUBLE-WIDE MODULE

| Model #           | Stock ID |
|-------------------|----------|
| ML-MOC-FCA-6 X 17 | 10-6121  |

### 1 x 8 Standard Couplers

DOUBLE-WIDE MODULE

| Model #             | Stock ID |
|---------------------|----------|
| ML-MOC-SCU-8 X 12.5 | 10-6122  |

### 1 x 8 Standard Couplers

DOUBLE-WIDE MODULE

| Model #             | Stock ID |
|---------------------|----------|
| ML-MOC-SCA-8 X 12.5 | 10-6058  |

### 1 x 8 Standard Couplers

DOUBLE-WIDE MODULE

| Model #             | Stock ID |
|---------------------|----------|
| ML-MOC-FCA-8 X 12.5 | 10-6124  |

### WDMs

1310 / 1550nm

| Model #        | Stock ID |
|----------------|----------|
| ML-MOC-WDM-SCU | 10-6125  |

### WDMs

1310 / 1550nm

| Model #        | Stock ID |
|----------------|----------|
| ML-MOC-WDM-SCA | 10-6126  |

### WDMs

1310 / 1550nm

| Model #        | Stock ID |
|----------------|----------|
| ML-MOC-WDM-FCA | 10-6127  |

### WDMs

1310 / 1550nm

| Model #        | Stock ID |
|----------------|----------|
| ML-MOC-WDM-LCU | 10-6128  |

### WDMs

1310 / 1550nm

| Model #        | Stock ID |
|----------------|----------|
| ML-MOC-WDM-LCA | 10-6129  |

#### Connector Specifications

APC=Return Loss>65dB, Insertion Loss (Typical),.30dB / UPC=Return Loss>55dB, Insertion Loss (Typical),.30dB

For all insertion loss specifications on couplers, please request a copy of and refer to the Multilink Coupler Designer's Guide.

## DUAL DENSITY COUPLERS/WDMs

### Dual Density 1 x 2 Optical Couplers/WDMs



#### Application

Data traffic over the HFC network continues to grow and the demand for new connects increases putting stress on the optical network feeding the nodal areas. The Dual Density optical 1x2 coupler/WDM module was specifically designed to improve the density within the coupler shelves as the network demand grows. The module is a standard 118mm LGX footprint allowing for the integration into existing shelves eliminating the need for additional space in the head-end. Existing single 1x2 modules can be removed and the Doubler installed immediately improving the shelves density without adding any termination congestion. The Doubler is available with all connector bulkhead styles including SC, FC, and LCs. Current factory set-up allows for quick turn around on all orders since the 1x2 couplers are in stock and ready for connectorization.

#### Features & Benefits

- Industry Standard LGX 118mm Single-Wide Coupler Module
- Two 1x2 Couplers or 1310/1550nm WDMs with a wide selection of connector bulkheads available
- Aluminum enclosure, powder-coated with CO White/Antique White finish
- Individually serialized for warranty and quality control
- Can order any mix of two 1x2 couplers in a single unit
- Improve density and utilization of rack space
- Up to (24) 1x2 couplers (12 single-wide units) in a standard LGX 4 RU shelf
- Quick turn on all orders with 1x2 couplers in stock at factory
- Easy to order using the simple guide

#### Ordering

Refer to Ordering Guide on the next page to determine the proper part number for your application

## DUAL DENSITY COUPLERS/WDMs

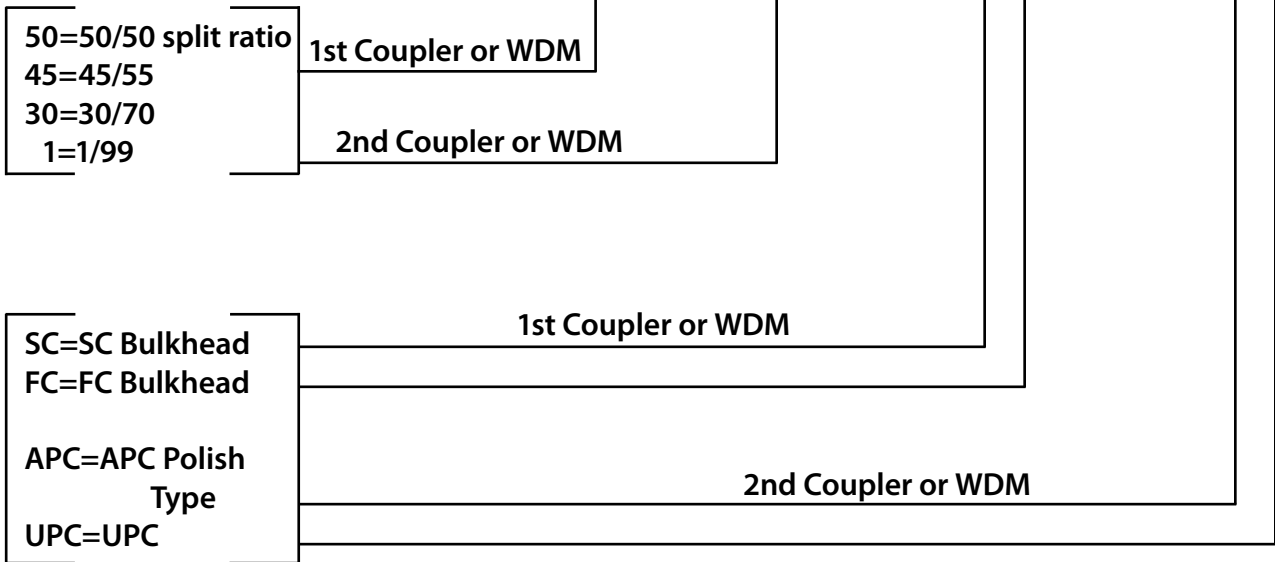
### Ordering Guide

Example: Coupler module 50/50 split with SC/APC and a 20/80 split with SC/APC

Part Number:

ML - CM - 50 - 20 - SC/APC - SC/APC

CM=Coupler Module  
WDM=WDM Module



All couplers are 1 x 2 Dual Windows at Premium Spec  
All WDMs are 1310/1550nm  
All versions of Coupler and WDM modules are packaged in standard LGX single-wide modules



# OUTSIDE PLANT PRODUCTS

## SECTION 2



STARFIGHTER DOME SPLICE CLOSURES  
Starfighter

# STARFIGHTER™



SECTION 2  
OUTSIDE PLANT PRODUCTS

## SPLICE CLOSURES

### 4000-D Starfighter Dome Enclosure



Shown With Optional Innerconnect Module

The Starfighter 4000-D Dome Splice Closure is designed for above or below grade applications and supports up to 6 or more cable entries. The closure has a unique gasketed Split End Plate system that allows for midaccessing cable up to 1.125" in diameter. Branch or lateral cables can be added to any one of four compression seal entry ports. Multiple cables (up to 6) can also be installed utilizing multi-port grommets available for the closure. The closure requires no special tools, adhesives, or mastics for installation. Integrated slack storage and hinged trays allow for maximum storage and access of fiber and fiber bundles. Splice capacity of 288 single fusion splices using the 4072-SSTP tray 36 splice.

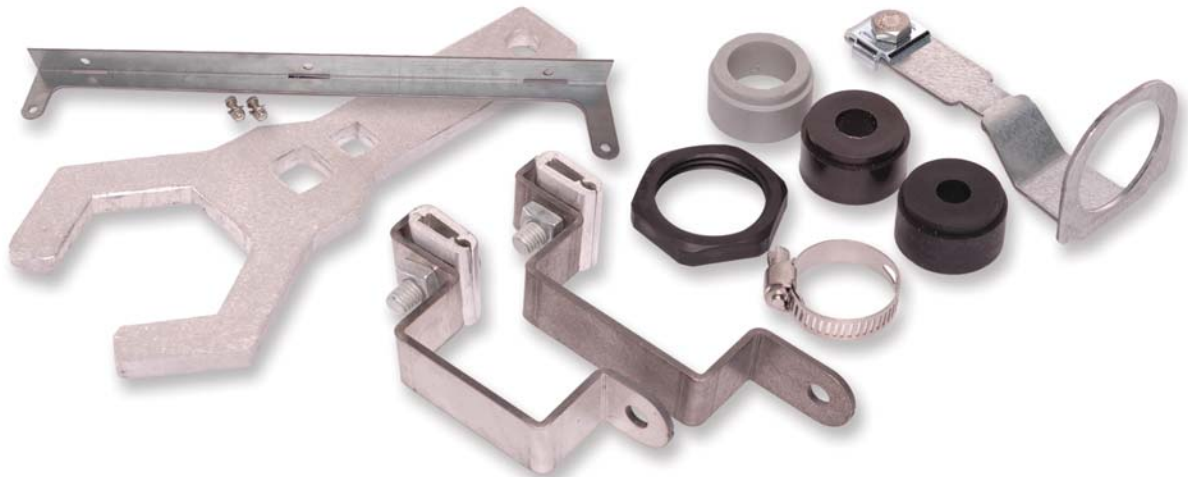
#### Features & Benefits

- Completely sealed with compression seal technology
- Ease in installation requiring no special tools
- GR-771, RUS, and CATV industry compliant
- Mid-access design for installation over existing cables without disturbing a working cable
- Can be used for above or below grade applications

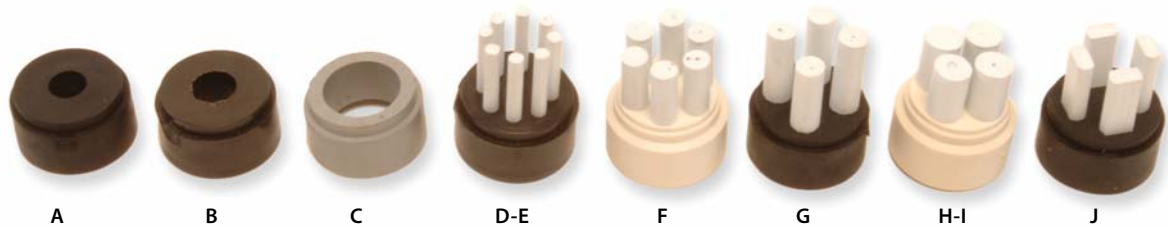
| Stock ID   | Description   | Dimensions                       | Weight Lbs. | UOM  |
|------------|---|----------------------------------|-------------|------|
| 10-8146    | 4000-D Starfighter Dome Splice Enclosure with one 4072-SSTP Splice Tray | 10"D x 22"L<br>(25.4cm x 55.8cm) | -           | Each |
| 020-002-20 | 4000-D Starfighter Dome Splice Enclosure with one 4048-SSTP Splice Tray | 10 3/8"D x 4 1/2L                | -           | Each |
| 10-8007    | 4048-SSTP 24 Fiber Splice Tray  | -                                | -           |      |
| 065-001-10 | 4072-SSTP 36 Fiber Splice Tray  | -                                | -           |      |

## SPLICE CLOSURES

### 4000-D Accessories



| Stock ID | Description   | Dimensions  | Weight Lbs. | UOM  |
|----------|---|-------------|-------------|------|
| 10-5324  | 4000-D-AHK Aerial Hanger Kit                                      | 1"x 2"x 6"  | 2           | Each |
| 10-5335  | 4000-D-W/P Wall / Pole Mounting Kit                               | 2"x 4"x 24" | 3           | Each |
| 10-5336  | 4000-D-SS ADSS Mounting Kit                                       | 2"x 4"x 24" | 3           | Each |
| 10-6028  | 4000-D-CAK Cable Addition Kit                                     | -           | 1           | Each |
| 10-6074  | 4000-D-4PKSCU Interconnect Module with 4 SC/UPC Bulkheads         | 3"x 6"x 14" | 2           | Each |
| 10-5416  | 4000-D-4PKSCA Interconnect Module with 4 SC/APC Bulkheads         | 3"x 6"x 14" | 2           | Each |
| 10-9164  | 4000-D-16PKSCU Interconnect Module with 8 SC/UPC Duplex Bulkheads | 3"x 6"x 14" | 2           | Each |
| 10-7167  | COMP Wrench for 1" NPT Fittings                                   | -           | 0.5         | Each |
| 10-6635  | 4000-D Assembly Stand   | -           | 0.5         | Each |



### GROMMET INSERTS FOR 1" NPT FITTINGS

|   | Single  | 10 Pack | # of Holes | Description / Size of Cable        | Weight Lbs. | UOM  |
|---|---------|---------|------------|------------------------------------|-------------|------|
| A | 10-5552 | 10-5553 | 1          | .3"- .4" Diameter Cable            | .5          | Each |
| B | 10-5127 | 10-5421 | 1          | .41"- .5" Diameter Cable           | .5          | Each |
| C | 10-5128 | 10-5422 | 1          | .51"- .79" Diameter Cable          | .5          | Each |
| D | 10-6554 | 10-6555 | 8          | .060                               | .5          | Each |
| E | 10-6550 | 10-6551 | 8          | .150                               | .5          | Each |
| F | 10-5129 | 10-5419 | 6          | .265                               | .5          | Each |
| G | 10-6552 | 10-6553 | 4          | .300                               | .5          | Each |
| H | 10-6002 | 10-6003 | 4          | .350                               | .5          | Each |
| I | 10-5130 | 10-5483 | 4          | .370                               | .5          | Each |
| J | 10-5134 | 10-5420 | 4          | Ob-Round Holes for Flat Drop Cable | .5          | Each |



## SPLICE CLOSURES

### 4048-D Starfighter Dome Enclosure



4048-PED Split Based Pedestal

The Multilink Starfighter™ 4048D Fiber Optic Dome Splice Closure is an “all parts” inclusive hermetically sealed splice enclosure designed for ease of assembly and re-entry. The closure is designed with a gasketed split end plate for mid-access cable applications and includes an integrated slack storage basket, interlocking splice trays via a modified keyhole style stacking module, and an easy to install no special tool sealing system. All major hardware is factory installed to allow for quick field installation. Universal Multicentric\* Grommets along with compression style lateral or branch cable seals, makes installing the enclosure easy to assemble. The 4048D is a medium capacity closure that can be used in aerial, pedestal, and underground applications.

\*Multicentric is a Registered Trademark of Mar-Don

### Features & Benefits

- Completely sealed with compression seal technology
- Ease in installation requiring no special tools
- GR-771, RUS, and CATV industry compliant
- Mid-access design for installation over existing cables without disturbing a working cable

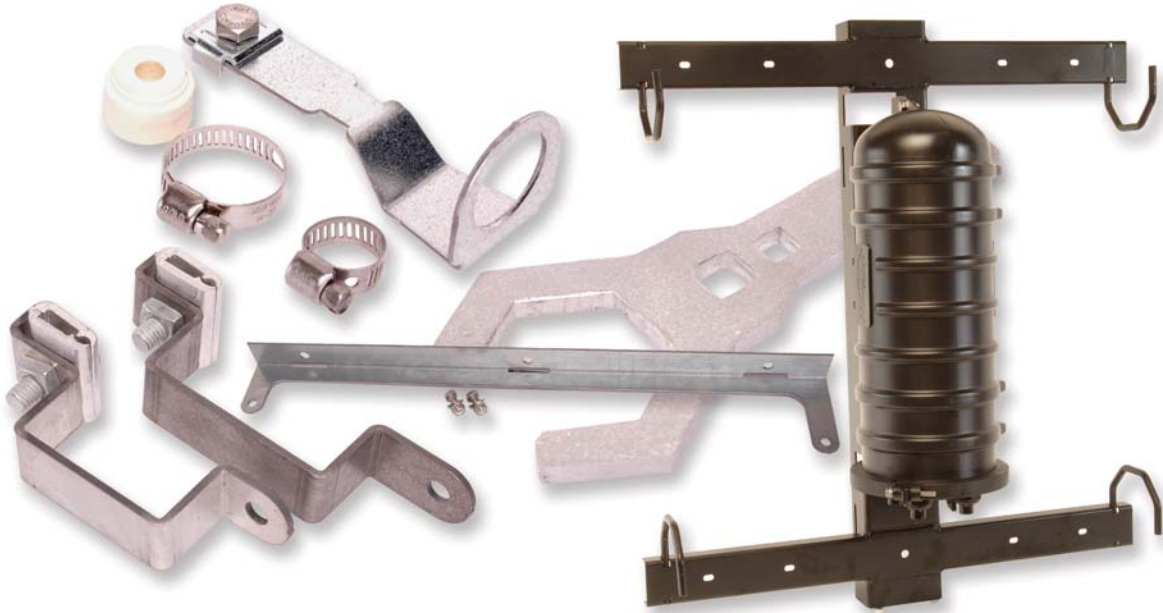
|                               |   |
|-------------------------------|---|
| Exterior Closure Length       | 19" (48.26cm)   |
| Exterior Closure Diameter     | 8.5" (21.59cm)  |
| Cable Entry                   | (2) Express/Feeder / (4) Branch or Lateral                                    |
| Express/Feeder Cable Diameter |   |
| Max.                          | .75"(19mm)  |
| Min.                          | .30"(7.62mm)  |
| Branch/Lateral Cable Diameter |   |
| Max.                          | .63"(16mm)  |
| Min.                          | .27"(6.9mm)   |
| Weight                        | 7.5Lbs (3.4kg)  |
| Dome                          | Polyethylene, End Plates - Glass Filled Polypropylene, V-Band - Polypropylene |

| Stock ID | Description  | Dimensions | Weight Lbs. | UOM  |
|----------|--|------------|-------------|------|
| 10-8365  | 4048D Starfighter Fiber Optic Dome Splice Enclosure with 1 Splice Tray | 8.5" x 19" | 7.5         | Each |
| 10-9126  | 4048D Starfighter Fiber Optic Dome Splice Enclosure w/ Pedestal        | 10" x 40"  | 28.5        | Each |
| 10-8007  | 4048-SSTP Splice Tray 24 Single/48 Ribbon Splice Capacity              | -          | -           | -    |

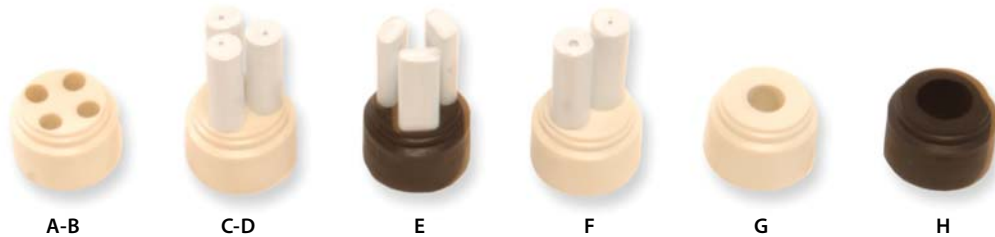


## SPLICE CLOSURES

### 4048-D Accessories



| Stock ID   | Description                       | Dimensions | Weight Lbs. | UOM  |
|------------|-----------------------------------|------------|-------------|------|
| 10-8362    | 4048-D Aerial Hanger Kit          | 1"x 2"x 6" | 1.5         | Each |
| 10-8181    | 4048-D-CAK Cable Addition Kit     | -          | 1           | Each |
| 065-058-10 | 4048-D Slack Rack                 | -          | -           | -    |
| 10-7166    | COMP Wrench for 3/4" NPT Fittings | -          | 1           | Each |

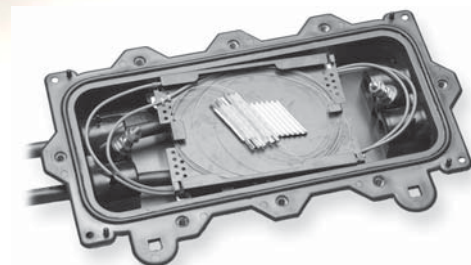


### GROMMET INSERTS FOR 3/4" NPT FITTINGS

|   | Single  | 10 Pack | # of Holes | Description / Size of Cable        | Weight Lbs. | UOM  |
|---|---------|---------|------------|------------------------------------|-------------|------|
| A | 10-8084 | 10-8096 | 4          | .20-.24 (5mm-6mm)                  | .5          | Each |
| B | 10-8087 | 10-8106 | 4          | .16-.20 (4mm-5mm)                  | .5          | Each |
| C | 10-8085 | 10-8097 | 3          | .24-.28 (6.1mm-7.1mm)              | .5          | Each |
| D | 10-8090 | 10-8109 | 3          | .16-.20 (4mm-5mm)                  | .5          | Each |
| E | 10-8092 | 10-8111 | 3          | Ob-Round Holes For Flat Drop Cable | .5          | Each |
| F | 10-8091 | 10-8110 | 2          | .25-.29 (6.3mm-7.4mm)              | .5          | Each |
| G | 10-8088 | 10-8107 | 1          | .27-.31 (6.85mm-7.87mm)            | .5          | Each |
| H | 10-9999 | 10-5414 | 1          | .32-.46 (8.12mm-11.68mm)           | .5          | Each |

## SPLICE CLOSURES

### Starfighter 1120-F MiniButt™ 24 Fiber Count/48 Ribbon Count



Starfighter 1120-F MiniButt™  
holds four fiber cables

The 1120-F MiniButt Fiber Optic Splice Closure is designed for low count fiber splicing and in areas where space is a constraint. The closure incorporates an integrated gasket to prevent the ingress of water but to allow for ease in access.

### Features & Benefits

- Supports both Inline or Butt Configurations
- Lightweight and compact
- Up to four cable entries with cable OD range of .3" to .63"
- Suitable for above or below grade installations
- Constructed with impact and corrosion resistant materials
- Integrated "F" pressure testing valve and grounding lugs.
- Up to 24 single fusion or 48 mass fused fibers
- Equipped with all parts required for normal splicing applications

Patent # 5732180

| Stock ID | Description  | Dimensions                                    | Weight Lbs. | UOM  |
|----------|--|---|-------------|------|
| 70203K   | 1120-F Starfighter Minibutt                                | 15"L x 6.5"W x 3"D<br>(38cm x 16.5cm x 7.6cm) | 6           | Each |
| 70205K   | 1120-F Starfighter Minibutt with One 1120-SSTA Splice Tray | 15"L x 6.5"W x 3"D<br>(38cm x 16.5cm x 7.6cm) | 6           | Each |
| 70902K   | 1120-SSTA Aluminum 12 Fiber Splice Tray                    | 7"L x 4.75"W x .50"D                          | 0.35        | Each |

**SPLICE CLOSURES**  
**Starfighter 2000-F**  
**72 Fiber Count/144 Fiber Ribbon Count**



Starfighter 2000-F holds four fiber cables

The Starfighter 2000-F is a medium capacity fiber optic splice closure designed for a majority of splicing applications in above and below grade installations. The closure supports both aluminum and plastic splice trays and is fully gasketed to prevent the ingress of water while allowing for ease in entry. The unit is compact and manufactured with highly impact and corrosion resistant materials.

**Features & Benefits**

- Supports both Inline or Butt configurations
- Lightweight and compact
- Up to four cable entries with cable OD range of .3" to .63"
- Suitable for above or below grade installations
- Constructed with impact and corrosion resistant materials
- Integrated "F" pressure testing valve and grounding lugs
- Up to 72 single fusion or 144 mass fused fibers
- Equipped with all parts required for normal splicing applications

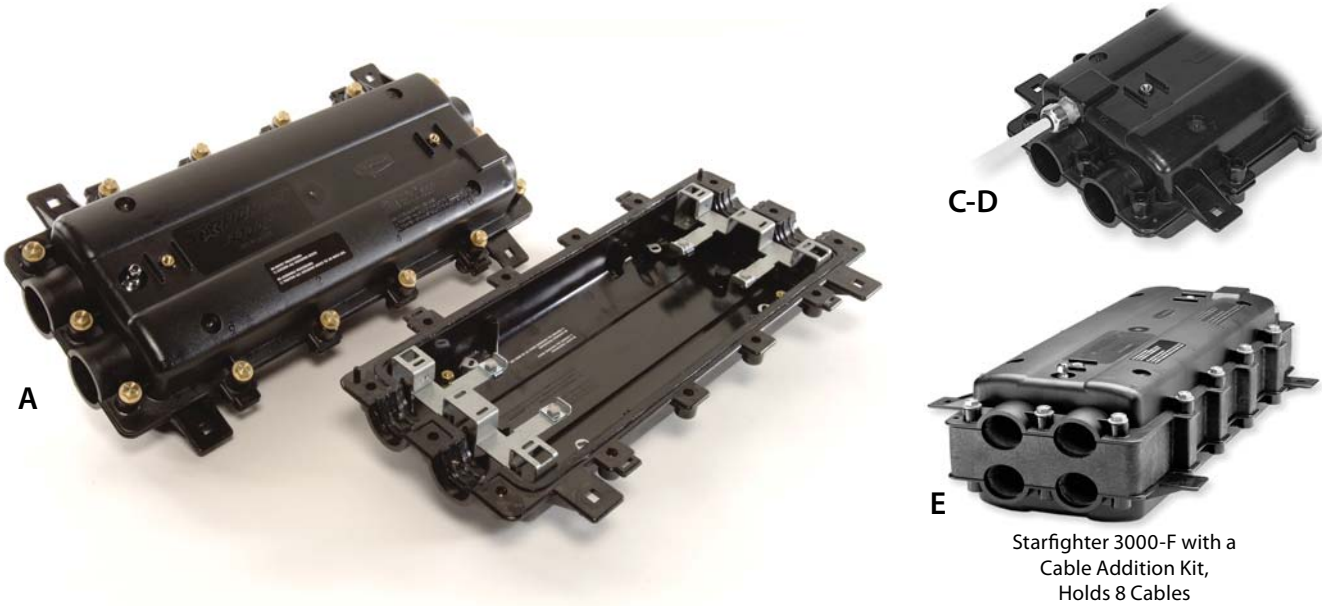
Patent # 5732180

| Stock ID | Description                                       | Dimensions                                       | Weight Lbs. | UOM  |
|----------|---|--|-------------|------|
| 70304K   | 2000-F Starfighter                                | 24.5"L x 8"W x 5"D<br>(62.2cm x 20.3cm x 12.7cm) | 9           | Each |
| 70302K   | 2000-F Starfighter with One 2000-SSTA Splice Tray | 24.5"L x 8"W x 5"D<br>(62.2cm x 20.3cm x 12.7cm) | 9           | Each |
| 70506K   | 2000-SSTA   | See Page 46 for Details                          | -           | Each |
| 70509K   | 2000-SSTP   | See Page 46 for Details                          | -           | Each |

## SPLICE CLOSURES

# Starfighter 3000-F

144 Fiber Count/288 Fiber Ribbon Count



Starfighter 3000-F with a Cable Addition Kit, Holds 8 Cables

The Starfighter 3000-F is a high capacity splice closure designed for major splice points in the network. The closure supports both Inline and Butt configurations and is expandable utilizing an optional cable expansion kit. The closure utilizes gasketed sealing along with a patented cable seal which allows for mid-span access to the largest cables. The closure can be used in both above and below grade applications.

### Features & Benefits

- Mid-access cables up to 1.1" in diameter
- Supports both Inline or Butt configurations
- Up to eight cable entries with cable OD range of .3" to 1.1"
- Suitable for above or below grade installations
- Constructed with impact and corrosion resistant materials
- Integrated "F" pressure testing valve and grounding lugs
- Up to 288 single fusion or 576 mass fused fibers
- Equipped with all parts required for normal splicing applications

Patent # 5732180

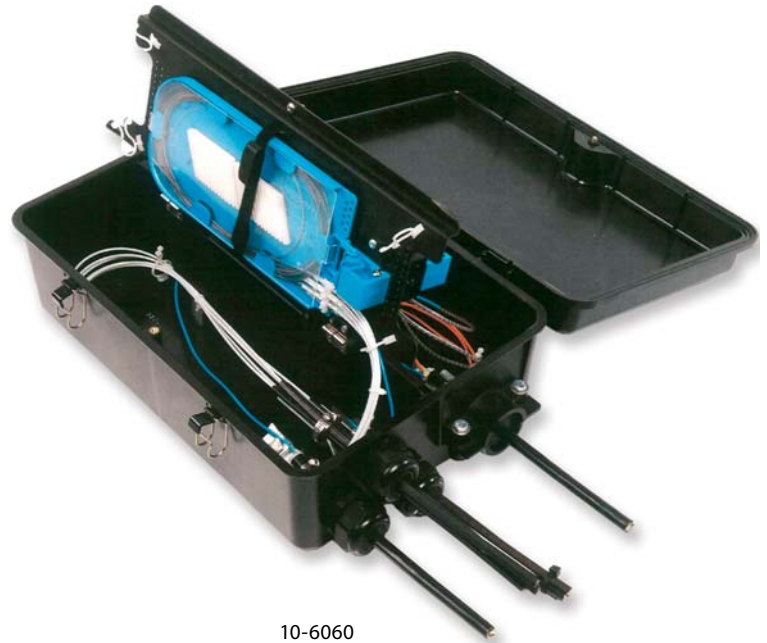
|   | Stock ID | Description  | Dimensions   | Weight Lbs. | UOM  |
|---|----------|--|--|-------------|------|
| A | 70575K   | 3000-F Starfighter   | 21"L x 8.5"W x 4.5"D<br>(53.3cm x 21.6cm x 11.4cm) | 10          | Each |
| - | 70536K   | 3000-F Starfighter with 1 3000-SSTA Splice Tray (Not Pictured)                                 | 21"L x 8.5"W x 4.5"D<br>(53.3cm x 21.6cm x 11.4cm) | 10          | Each |
| - | 70582K   | 3000-F Starfighter with 1 3030-SSTP Splice Tray (Not Pictured)                                 | 21"L x 8.5"W x 4.5"D<br>(53.3cm x 21.6cm x 11.4cm) | 10          | Each |
| C | 70496K   | 3000-FENC-A Express Node Cable Option, .250"-.375" Compression Seal Kit for the 3000-F Closure | -  | 1           | Each |
| D | 70490K   | 3000-FENC-B Express Node Cable Option, .375"-.437" Compression Seal Kit for the 3000-F Closure | -  | 1           | Each |
| E | 70314K   | 3000-CAK (Cable Addition Kit) Starfighter  | 21"L x 8.5"W x 7.5"D<br>(53cm x 21.5cm x 19cm)     | 8           | Each |
| - | 70505K   | 3000-SSTA  | See Page 46 for Details                            | 1           | Each |
| - | 70706K   | 3030-SSTP  | See Page 46 for Details                            | 1           | Each |



## SPLICE CLOSURES

# Starfighter™ Optical Terminal Enclosure

## Multilink's Fiber To The Home



10-6060

The OTE (Optical Terminal Enclosure) is designed to support the splicing of optical drops and traditional splicing in aerial, pole, or wall mount applications. The unit is an inline enclosure with four ports on each end for a total of eight ports. The OTE is constructed of a durable and impact resistant polyethylene material specifically formulated for outside plant environments. The unit can support express cabling as well as the addition of branch or lateral cabling. When used as a drop splicing enclosure, the OTE will support a variety of drop designs and provide the environmental sealing and strain relief required. The unit is rectangular with a hinged access cover. Up to 36 drops can be supported in FTTH applications. The enclosure is supplied with all of the hardware required to seal and secure the express/feeder cables, and a (12) fiber splice tray.

### Features & Benefits

- Enclosure utilizes easy to assemble cable sealing and retention system. No special tools required.
- Fully kitted to reduce ordering of numerous parts or kits.
- Reduces operating costs by allowing customers to purchase additional capacity only when needed.
- Reduces closure inventory. The enclosure is suitable for a wide variety of above grade installation and mounting applications.
- Meets industry specifications.
- Universal above grade optical fiber splicing and termination capability.
- High impact resistant and UV resistant thermoplastic for long life.
- Fully securable with integrated locking features.
- Supports PON components as well as optical connectorized terminations.
- Provides all in one sealing and strain relief of individual drops.
- Can support up to 36 individual drops.
- Mid-access capable for cables up to 1.125" in diameter.
- Separate and securable Network and Distribution compartments.

## SPLICE CLOSURES

### Multilink® Fiber To The Home

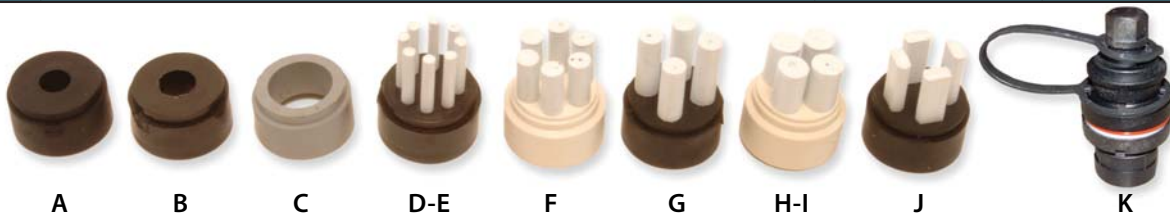


|                                      |   |                                |  |
|--------------------------------------|---|--------------------------------|--|
| <b>Exterior Closure Length</b>       | 18.5"   | <b>Standard Splice Trays</b>   | 4 (Enclosure comes equipped with 1 Tray) |
| <b>Exterior Closure Depth</b>        | 6.0"  | <b>Standard Cables</b>         | 2 (Express Feeder)                       |
| <b>Exterior Closure Height</b>       | 11.5"   | <b>FTTH/Lateral Ports</b>      | 6 Ports (Up to 36 Individual Drops)      |
| <b>Cable Entry Ports</b>             | (2) Express Feeder, (6) Branch Lateral, or Multiport* | <b>Standard Single Splices</b> | 48                                       |
| <b>Express/Feeder Cable Diameter</b> | Max. 1.124"/Min. 0.375"                               |                                |  |
| <b>Branch/Lateral Cable Diameter</b> | Max. 0.98"/Min. 0.30"                                 |                                |  |

Drop Seals or other cable seal kits, see ordering information.

\*Multiport Cable Seals are available to support up to 36 fiber drops for FTTH Applications.

| Stock ID   | Description   | Dimensions              | Weight Lbs. | UOM  |
|------------|---|-------------------------|-------------|------|
| 10-6060    | Starfighter OTE Optical Termination Enclosure (Basic Enclosure)                     | 18.5"L x 6.0"D x 11.5"H | -           | Each |
| -          | Starfighter OTE Optical Termination Enclosure (Basic Enclosure) w/ 6 Scout Adapters | -                       | -           | -    |
| 10-5122    | 1" NPT Dome Fitting-Includes Insert for .71"-.98" Diameter Cable                    | -                       | -           | Each |
| 065-016-10 | OTE Cable Addition Kit for Branch or Lateral Cable Additions, .3"-.98"              | -                       | -           | Each |
| 10-5436    | Aerial Hanger Bracket Kit   | -                       | -           | Each |
| 10-5435    | Wall/Pole Mounting Bracket  | -                       | -           | Each |
| 10-5434    | ADSS Mounting Bracket Kit   | -                       | -           | -    |
| 10-8007    | 4048-SSTP Splice Tray   | -                       | -           | -    |



### GROMMET INSERTS FOR 1" NPT FITTINGS

|   | Single     | 10 Pack | # of Holes | Description / Size of Cable        | Weight Lbs. | UOM  |
|---|------------|---------|------------|------------------------------------|-------------|------|
| A | 10-5552    | 10-5553 | 1          | .3"-.4" Diameter Cable             | .5          | Each |
| B | 10-5127    | 10-5421 | 1          | .41"-.5" Diameter Cable            | .5          | Each |
| C | 10-5128    | 10-5422 | 1          | .51"-.79" Diameter Cable           | .5          | Each |
| D | 10-6554    | 10-6555 | 8          | .060                               | .5          | Each |
| E | 10-6550    | 10-6551 | 8          | .150                               | .5          | Each |
| F | 10-5129    | 10-5419 | 6          | .265                               | .5          | Each |
| G | 10-6552    | 10-6553 | 4          | .300                               | .5          | Each |
| H | 10-6002    | 10-6003 | 4          | .350                               | .5          | Each |
| I | 10-5130    | 10-5483 | 4          | .370                               | .5          | Each |
| J | 10-5134    | 10-5420 | 4          | Ob-Round Holes for Flat Drop Cable | .5          | Each |
| K | 065-082-10 | NA      | 1-SC       | Scout Adapter/ ( SC Outdoors )     | .2          | Each |

## SPLICE TRAYS

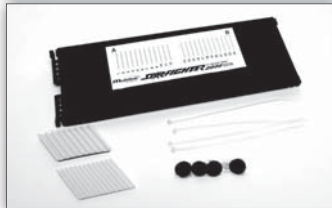
### Splice Trays

All of the Multilink splice trays are universal to the industry. These trays are compatible with all of our enclosures. The splice trays provide protection and organization of fiber splices. Adhesive backed fiber insert holders and assorted cable ties included (grommets included on the 3030-SSTP).



Weight: - .35 lbs.

| Model #   | Stock ID | Description                          | Dimensions           |
|-----------|----------|--------------------------------------|----------------------|
| 1120-SSTA | 70902K   | Aluminum 12 Single Fiber Splice Tray | 7"L x 4.75"W x .50"D |



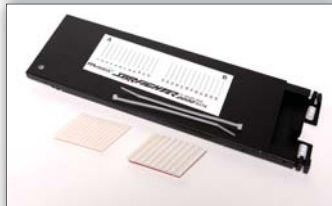
Weight: - .65 lbs.

| Model #   | Stock ID | Description                          | Dimensions            |
|-----------|----------|--------------------------------------|-----------------------|
| 2000-SSTA | 70506K   | Aluminum 24 Single Fiber Splice Tray | 12.25"L x 4"W x .50"D |



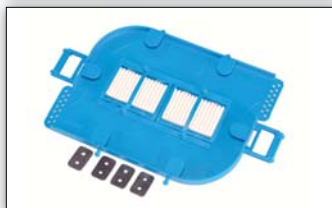
Weight: - .54 lbs.

| Model #   | Stock ID | Description                          | Dimensions            |
|-----------|----------|--------------------------------------|-----------------------|
| 3000-SSTA | 70505K   | Aluminum 24 Single Fiber Splice Tray | 8.5"L x 5.8"W x .50"D |



Weight: - .54 lbs.

| Model #   | Stock ID | Description                                    | Dimensions            |
|-----------|----------|--|-----------------------|
| 2020-SSTP | 70709K   | Plastic & Aluminum 24 Single Fiber Splice Tray | 12.25"L x 4"W x .50"D |



| Model #   | Stock ID | Description                         | Dimensions           |
|-----------|----------|-------------------------------------|----------------------|
| 3030-SSTP | 70706K   | Plastic 24 Single Fiber Splice Tray | 8.25"L x 6"W x .50"D |



| Model #   | Stock ID | Description                         | Dimensions           |
|-----------|----------|-------------------------------------|----------------------|
| 4048-SSTP | 10-8007  | Plastic 48 Single Fiber Splice Tray | 8.25"L x 6"W x .50"D |

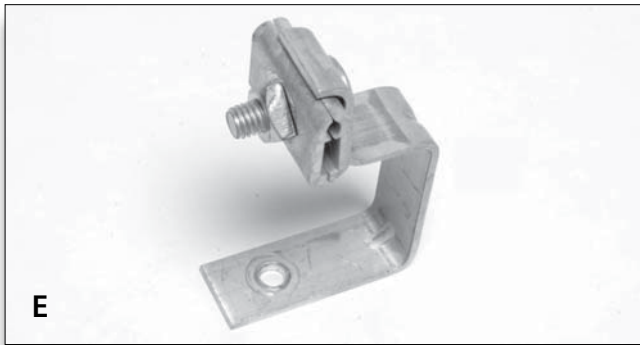
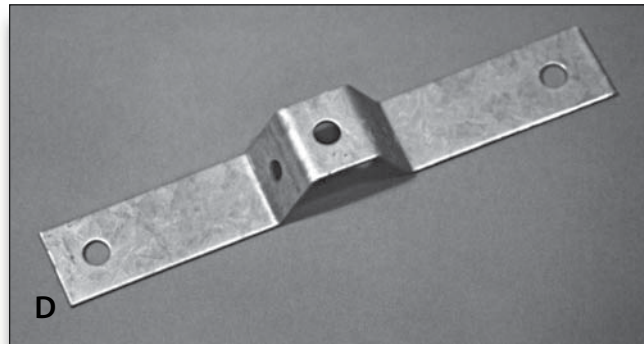
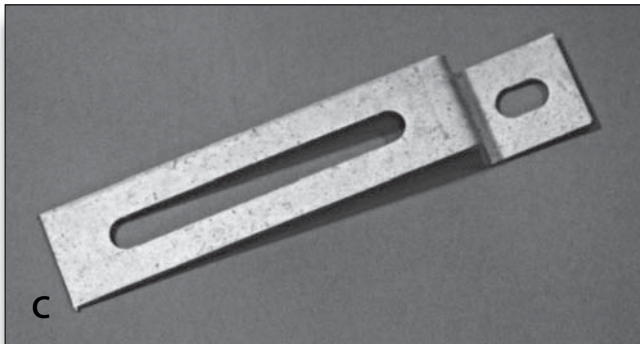
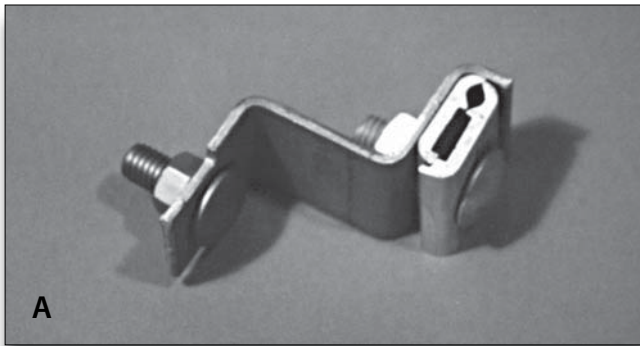


| Model #   | Stock ID   | Description   | Dimensions               |
|-----------|------------|---|--------------------------|
| 4072-SSTP | 065-001-10 | Splice Tray 36 single 72 Dual stacked, 144 Mass Splice Capacity | 11.75"L x 5.75"W x .50"D |

## SPLICE CLOSURE ACCESSORIES

### Starfighter Fiber Optic Splice Enclosures Mounting Hardware

For use with 1120F, 2000F & 3000F



|   | Stock ID | Description                        | Dimensions | Weight Lbs. | UOM  |
|---|----------|------------------------------------|------------|-------------|------|
| A | 70800K   | 1100-A Aerial Hanger Brackets      | -          | -           | Pair |
| B | 71241K   | 1100-SS ADSS Mounting Bracket      | -          | -           | Each |
| C | 70306K   | 1100-P Pedestal Mounting Brackets  | -          | -           | Each |
| D | 70307K   | 1100-W Wall/Pole Mounting Brackets | -          | -           | Each |
| E | 70653    | 1100-T Standard Tap Bracket        | -          | -           | Each |



## SLACK STORAGE DEVICES

### Plastic Sno-Shoe® Fiber Optic Storage Bracket - Non-Metallic



The Multilink Plastic Sno-Shoe® has been designed with two purposes in mind. The first is to store additional lengths of fiber along the strand for later use. The second is to act as a safeguard, protecting the minimum bend radius of the fiber optic cable while establishing proper installation practices. The Multilink Plastic Sno-Shoe® is a durable and cost effective tool for storing fiber optic cable in the air!

#### Features

- The plastic material design makes the Sno-Shoe® non-conductive.
- Built-in user friendly design features include:
  - 1) Countersunk nut wells for easy one tool installation.
  - 2) The captive design of the Patented Cable Trough™ allows the installer to simply lay the cable in the trough, leaving both hands free to secure the cable unit.
  - 3) Stackability: The plastic Sno-Shoe® can be stacked in multiple cable configurations to accommodate additional fiber mount tiering.
  - 4) The multiple slots in the Patented Cable Trough™ allow you to secure the cable with either heavy duty tie-wraps or stainless steel straps. These slots also allow you to secure additional cable to the unit in expansion situations without having to remove any of the previously installed cable from the unit and also allows for water and ice drainage.

#### Benefits

Why use the Plastic ADSS Sno-Shoe®?

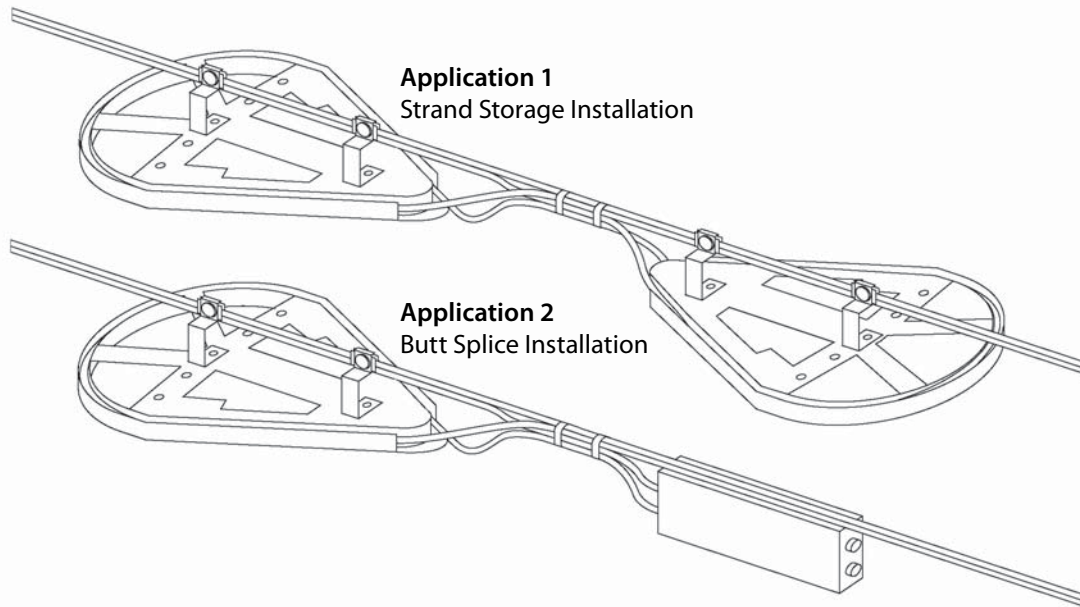
- Prevents microbends in fiber optic cable
- Provides consistency and regularity in fiber optic loops
- Solution to spacing problems on poles
- Eliminates costly storage vaults.
- Will not harm fibers
- 20 year pro-rated Warranty

## SLACK STORAGE DEVICES

# Plastic Sno-Shoe® Fiber Optic Storage Bracket - Non-Metallic

### Installation Applications

Two typical applications for the Multilink Plastic Sno-Shoe® are illustrated below



### Material / Application Specifications

- Outstanding low temperature characteristics, low temperature impact to -40° F
- Excellent coefficient of deflection factor, the molecular structure stays constant throughout every stage of the climate extremes
- 100% carbon filled: UV light will not degrade the impact characteristics. Will not fade due to exposure to UV light

Patent # 5408571 / Patent # D450,0425

| Stock ID | Description  | Dimensions | Weight Lbs. | UOM  |
|----------|--|------------|-------------|------|
| 71211K   | 2110-SSPTB 10" (25.4cm) Plastic Sno-Shoe with Mounting Bracket and Hardware  | 10"        | 5           | Each |
| 71244K   | 2116-SSPTB 16" (40.6cm) Plastic Sno-Shoe with Mounting Bracket and Hardware  | 16"        | 6           | Each |
| 71221K   | 2121-SSPTB 21" (53.34cm) Plastic Sno-Shoe with Mounting Bracket and Hardware | 21"        | 8           | Each |
| 71301K   | Stacking Kit Option for Plastic Sno-Shoe                                     | -          | -           | Each |

## SLACK STORAGE DEVICES

# Plastic Sno-Shoe® ADSS Fiber Optic Storage Bracket - Non-Metallic



New for all dielectric self supporting cable! The Multilink Plastic ADSS Sno-Shoe® has been designed with two purposes in mind. The first is to eliminate the need for slack storage vaults and allow for ADSS slack to be stored aerial for later use. The second is to act as a safeguard, protecting the minimum bend radius of the fiber optic cable while establishing proper installation practices. The Multilink Plastic ADSS Sno-Shoe® is a durable and cost effective tool for storing fiber optic cable in the air!

### Features

- The plastic material design makes the Sno-Shoe® non-conductive.
- Built-in user friendly design features include:
  - 1) Countersunk nut wells for easy one tool installation.
  - 2) The captive design of the Patented Cable Trough™ allows the installer to simply lay the cable in the trough, leaving both hands free to secure the cable unit.
  - 3) Stackability: the plastic Sno-Shoe® can be stacked in multiple cable configurations to accommodate additional fiber mount tiering.
  - 4) The multiple slots in the Patented Cable Trough™ allow you to secure the cable with either heavy duty tie-wraps or stainless steel straps. These slots also allow you to secure additional cable to the unit in expansion situations without having to remove any of the previously installed cable from the unit and also allows for water and ice drainage.

### Benefits

Why use the Plastic ADSS Sno-Shoe®?

- Prevents microbends in fiber optic cable
- Provides consistency and regularity in fiber optic loops
- Solution to spacing problems on poles
- Eliminates costly storage vaults.
- Will not harm fibers
- 20 year pro-rated Warranty

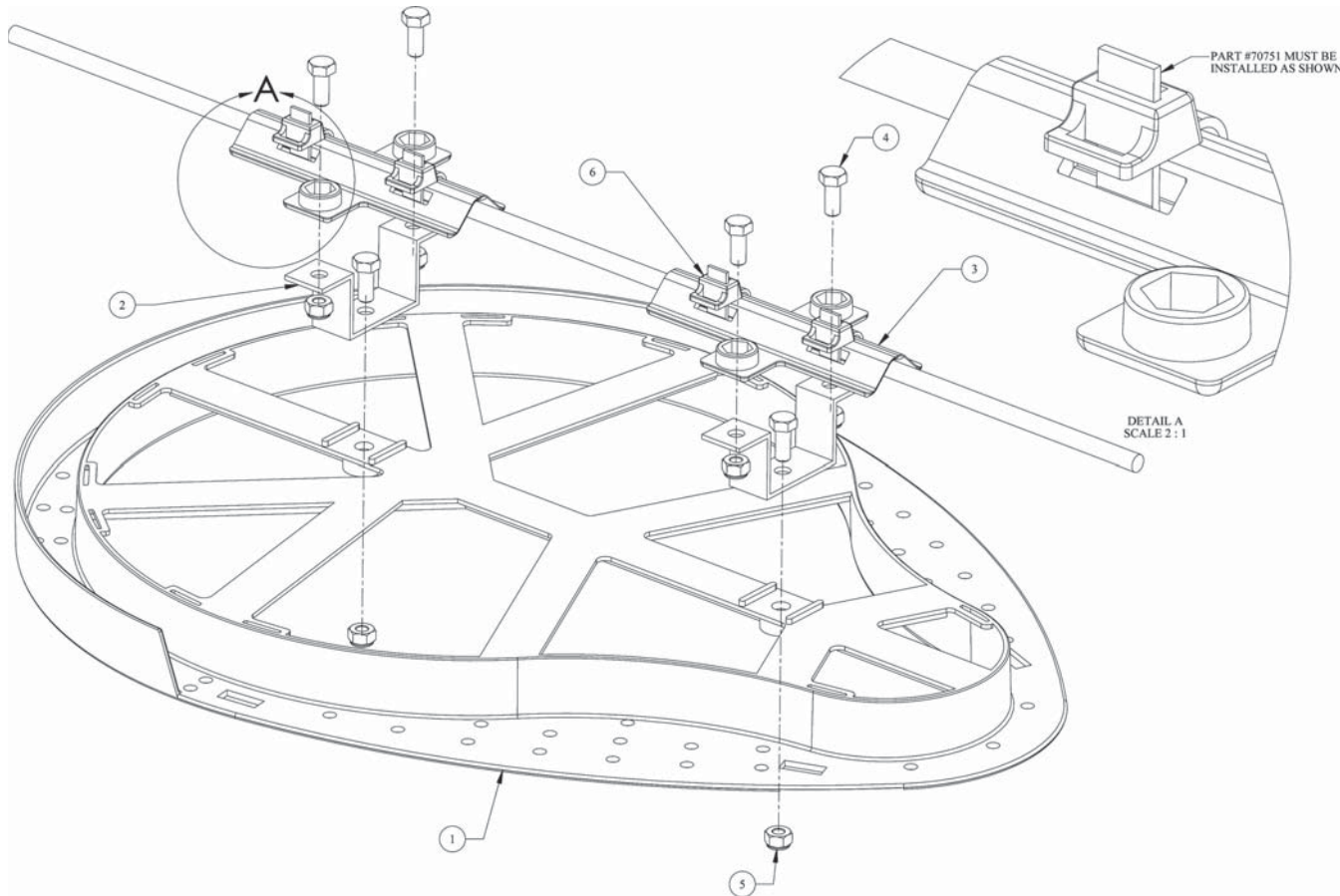
Patent # 5408571 / Patent # D450,0425

## SLACK STORAGE DEVICES

# Plastic Sno-Shoe® ADSS Fiber Optic Storage Bracket - Non-Metallic

### Installation Applications

Installation of the ADSS Cable is illustrated below



(ADSS Saddle brackets shown mounted to Sno-Shoe® for illustration only)

### Material / Application Specifications

- Outstanding low temperature characteristics, low temperature impact to -40° F.
- Excellent coefficient of deflection factor, the molecular structure stays constant throughout every stage of the climate extremes.
- 100% carbon filled, UV light will not degrade the impact characteristics. Will not fade due to exposure to UV light.

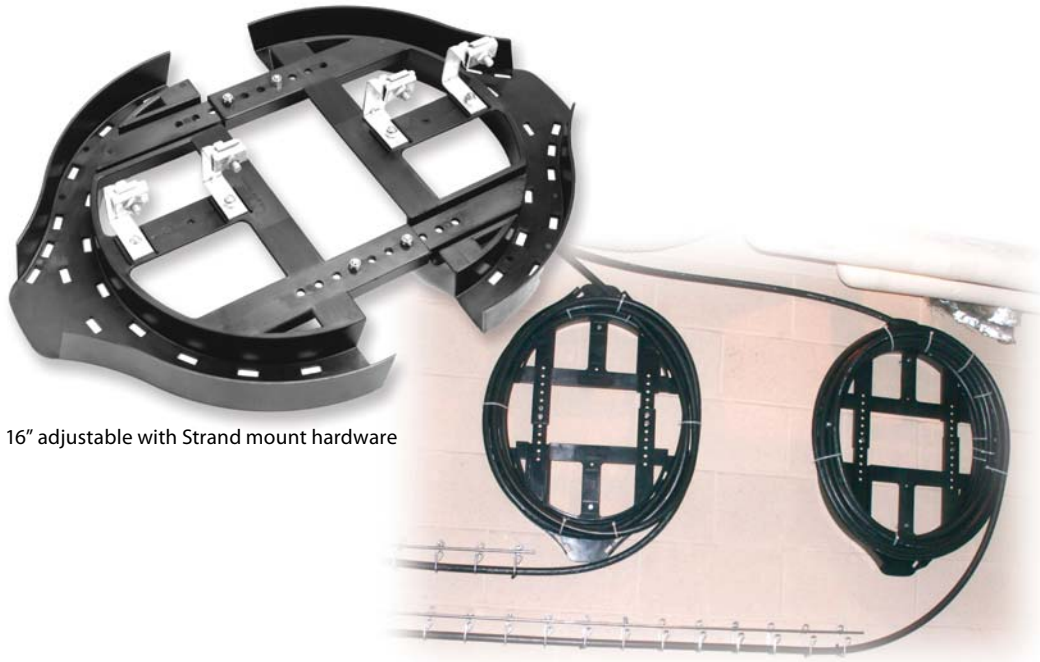
Patent # 5408571 / Patent # D450,0425

| Stock ID | Description   | Dimensions | Weight Lbs. | UOM  |
|----------|---|------------|-------------|------|
| 71220K   | 2110-SSPSS 10" (25.4cm) Plastic Sno-Shoe with ADSS Mounting Bracket and Hardware  | 10"        | 5           | Each |
| 71215K   | 2116-SSPSS 16" (40.6cm) Plastic Sno-Shoe with ADSS Mounting Bracket and Hardware  | 16"        | 6           | Each |
| 71226K   | 2121-SSPSS 21" (53.34cm) Plastic Sno-Shoe with ADSS Mounting Bracket and Hardware | 21"        | 8           | Each |
| 71301K   | 2111-SSPK Stacking Kit for Plastic Sno-Shoe                                       | -          | 2           | Each |



## SLACK STORAGE DEVICES

# Plastic Adjustable Sno-Shoe® Fiber Optic Cable Storage Bracket



16" adjustable with Strand mount hardware

Shown as a wall mounted application

Patent # 5408571

The Multilink Plastic Adjustable Sno-Shoe® has been designed for slack storage at 90 degree location where the pole turns a corner. The 16" (40.6cm) diameter circle design allows two half circle units to be installed on the strand. The half circle design can be adjusted to the desired coil length. The wide channel allows for the coil to be wrapped numerous times. The Plastic Adjustable Sno-Shoe® can be adjusted to a captive length of or it can be separated to a desired length without being captive. In addition, the Plastic Adjustable Sno-Shoe® still serves as a safeguard, protecting the minimum bend radius of the fiber optic cable while establishing proper installation practices. The Multilink Plastic Adjustable Sno-Shoe® is a durable and cost effective tool for storing fiber optic cable.

### Features

- The plastic material design makes the Sno-Shoe® non-conductive.
- Built-in user friendly design features include:
  - 1) Countersunk nut wells for easy one tool installation.
  - 2) The captive design of the Patented Cable Trough™ allows the installer to simply lay the cable in the trough, leaving both hands free to secure the cable unit.
  - 3) Stackability: the plastic Sno-Shoe® can be stacked in multiple cable configurations to accommodate additional fiber mount tiering.
  - 4) The multiple slots in the Patented Cable Trough™ allow you to secure the cable with either heavy duty tie-wraps or stainless steel straps. These slots also allow you to secure additional cable to the unit in expansion situations without having to remove any of the previously installed cable from the unit and also allows for water and ice drainage.

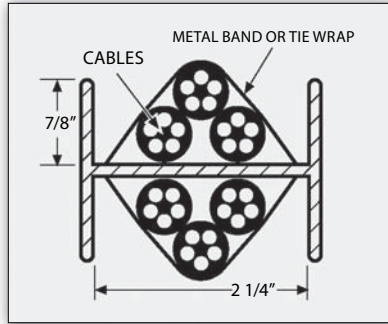
### Benefits

Why use the Plastic Adjustable Sno-Shoe®?

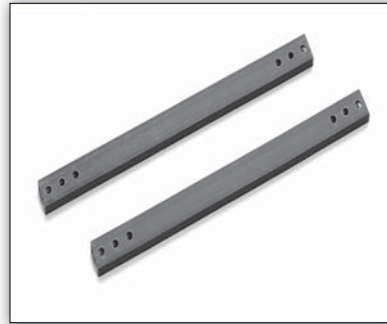
- Prevents microbends in fiber optic cable
- Provides consistency and regularity in fiber optic loops
- Solution to spacing problems on poles
- Eliminates costly storage vaults.
- Will not harm fibers
- 20 year pro-rated Warranty

## SLACK STORAGE DEVICES

# Plastic Adjustable Sno-Shoe® Fiber Optic Cable Storage Bracket



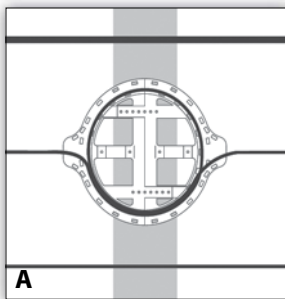
24" is dual sided for more storage



Optional 18 and 48-inch extensions are available

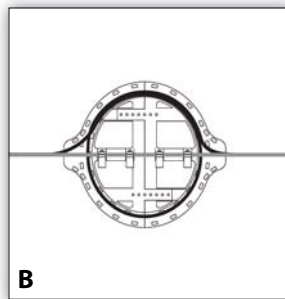


Shown with extensions installed



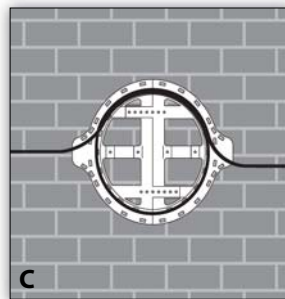
**A**

Pole Mount



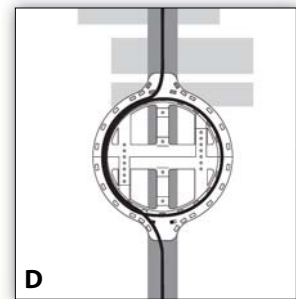
**B**

Strand Mount



**C**

Wall Mount



**D**

Rack Mount

|                      | 16" | 24"   |
|----------------------|-----|-------|
| <b>Radii</b>         | 8"  | 12"   |
| <b>Length</b>        | 25" | 36.5" |
| <b>Channel Width</b> | 2"  | 2.25" |
| <b>Channel Depth</b> | 2"  | .875" |

|   | Stock ID | Description   | Dimensions | Weight Lbs. | UOM  |
|---|----------|---|------------|-------------|------|
| A | 71240K   | 2116-SAPTBP 16" Plastic Adjustable Sno-Shoe Pole Mount Version w/ 6' Unistrut | 16"        | 6           | Each |
| A | 71261K   | 2124-SAPTBR 24" Sno-Shoe with Pole Mounting Kit                               | 24"        | 9           | Each |
| B | 71255K   | 2116-SAPTBS 16" Plastic Adjustable Sno-Shoe with Strand Mount Hardware        | 16"        | 6           | Each |
| B | 71225K   | 2116-SAPSS 16" Plastic Adjustable Sno-Shoe with ADSS Hardware                 | 16"        | 6           | Each |
| B | 71258K   | 2124-SAPTBR 24" Sno-Shoe with Strand Mounting Kit                             | 24"        | 9           | Each |
| C | 71236K   | 2116-SAPTBW 16" Plastic Adjustable Sno-Shoe Wall Mount Version                | 16"        | 6           | Each |
| C | 71263K   | 2124-SAPTBW 24" Sno-Shoe with Wall Mounting Kit                               | 24"        | 9           | Each |
| C | 71265K   | 2124-SAPSS 24" Sno-Shoe with ADSS Mounting Kit                                | 24"        | 9           | Each |
| C | 71268    | 18" (46cm) Extensions for Adjustable Sno-Shoes                                | 18"        | 1           | Each |
| C | 71269    | 48" (122cm) Extension for Adjustable Sno-Shoes                                | 48"        | 1           | Each |
| C | 71301K   | 2111-SSPK, Stacking Kit   | -          | -           | Each |
| D | 71239K   | 2116-SAPTBR 16" Plastic Adjustable Sno-Shoe Rack Mount Version                | 16"        | 6           | Each |

## SLACK STORAGE DEVICES

# Plastic Mini Sno-Shoe® For Storing Slack Drop Fiber Optic Cable



Stackable for multiple cable storage

Mini Sno-Shoe shown in vault

The Multilink Mini Plastic Sno-Shoe was designed to store slack drop fiber optic cable. This unit can be used aerially, wall mounted, or used in a vault to neatly store excess cable. It protects a minimum bend radius of 3.5" (8.89cm).

### Features

- The plastic material design makes the Sno-Shoe® non-conductive.
- Built-in user friendly design features include:
  - 1) Countersunk nut wells for easy one tool installation.
  - 2) The captive design of the Patented Cable Trough™ allows the installer to simply lay the cable in the trough, leaving both hands free to secure the cable unit.
  - 3) Stackability: the plastic Sno-Shoe® can be stacked in multiple cable configurations to accommodate additional fiber mount tiering.
  - 4) The multiple slots in the Patented Cable Trough™ allow you to secure the cable with either heavy duty tie-wraps or stainless steel straps. These slots also allow you to secure additional cable to the unit in expansion situations without having to remove any of the previously installed cable from the unit and also allows for water and ice drainage.

### Benefits

Why use the Plastic Adjustable Sno-Shoe®?

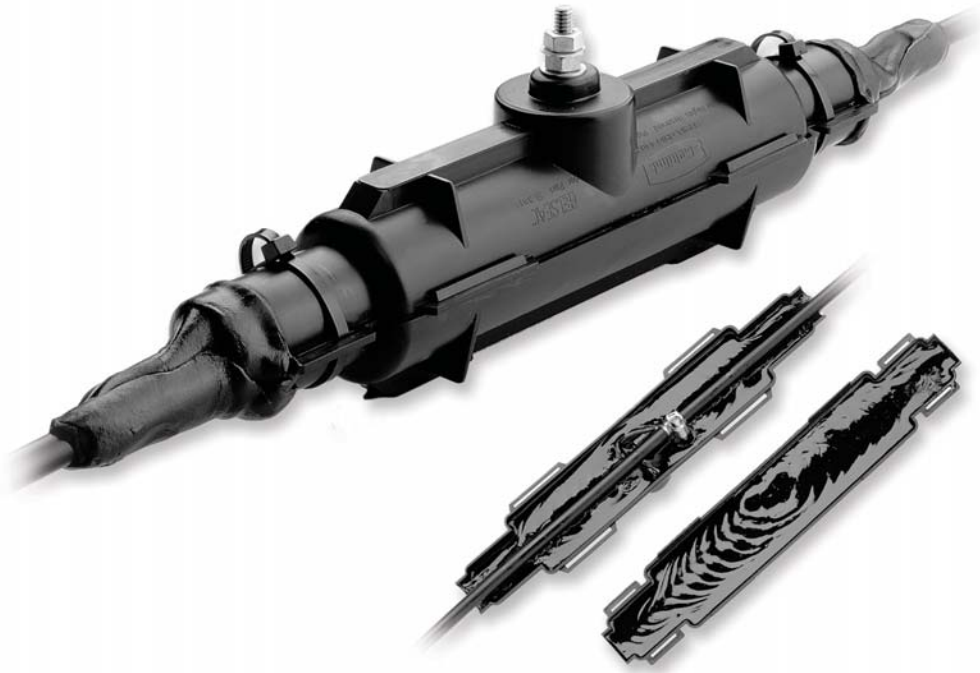
- Prevents microbends in fiber optic cable
- Provides consistency and regularity in fiber optic loops
- Solution to spacing problems on poles
- Eliminates costly storage vaults.
- Will not harm fibers
- 20 year pro-rated Warranty

Patent Pending

| Stock ID   | Description  | Dimensions | Weight Lbs. | UOM  |
|------------|--|------------|-------------|------|
| 649-011-20 | VASSB 7" Round Sno-Shoe w/ Aerial Mtg Hardware             | 7"         | 2           | Each |
| 649-011-10 | VASSB 7" Round Sno-Shoe w/o Hardware ( Vault Application ) | 7"         | 2           | Each |
| 035-069-10 | Tap Bracket Kit  | 7"         | 1           | Each |

## SPLICE CLOSURES

# 3015-MSGK Mid-Span Grounding/Bonding Enclosure



The Starfighter Mid-Span Grounding Closure is specifically designed to allow for meeting grounding and bonding specifications. The closure has a Gel Seal technology to provide for a water tight seal without the need for any additional grommets or special seals. The closure is also designed for re-sealing cable sheath damaged as a result of placing or outside plant events.

### Features & Benefits

- Completely sealed with Gel Seal technology.
- Ease in installation requiring no special tools.
- Compact for tight areas.
- Mid-access design for installation over existing cables without disturbing a working cable.
- Can be used for above or below grade applications.

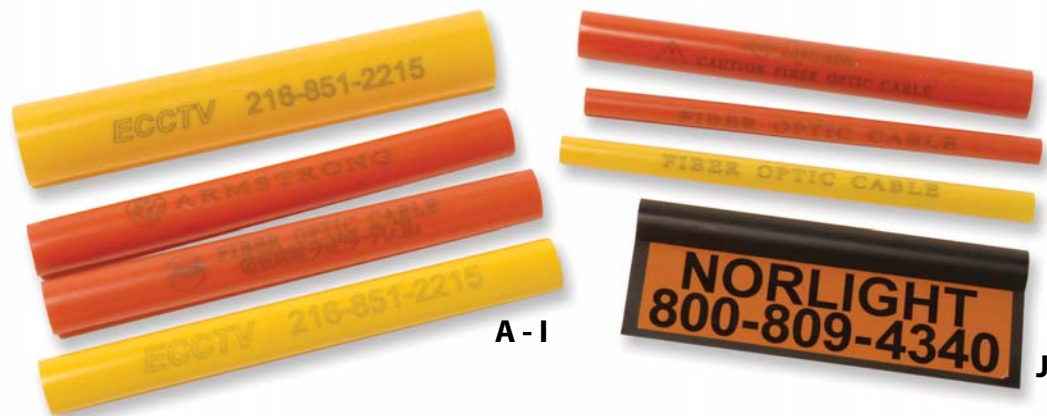
| Stock ID   | Description                                    | Dimensions | Weight Lbs. | UOM  |
|------------|--|------------|-------------|------|
| 313015MS6K | 3015-MSGK Mid-Span Grounding Bonding Enclosure | -          | -           | Each |



## CABLE MARKERS

# MFM Series Lasered Fiber Optic Cable Marker

UV Stabilized Body for Weather and Color



- Standard/Stock Colors: Yellow and Orange. Custom Colors: Blue, Green, Gray, White, Brown, and Red.
- Please specify color when placing your order.
- Other custom colors available upon request.
- 500 Minimum Order with both RT & SL part numbers.
- 5,000 Minimum Order for custom colors.
- Please contact customer service for custom orders and more information.
- Please note: \$75.00 one time set-up fee for special logo.

### Features & Benefits

- Any print or logo your company desires
- UV stabilized body
- One step installation; Wrap-around design
- Available in a variety of colors
- Available in three different sizes
- Lifetime warranty on printing and a 20 year pro-rated warranty on plastic body
- Customization provides easy identification of your cables during emergencies or general maintenance.
- UV stabilized body won't degrade in outside applications.
- Simple and quick installation: Wrap-around design eliminates the need for special tools and adhesives.
- The variety of colors offered allow you to segregate your different fiber runs or to distinguish your cables from pre-existing cables.
- The three different sizes can accommodate a variety of cable configurations.
- Our marker will last the life of your system.

|   | Stock ID | Description                             | Dimensions                  | Weight Lbs. | UOM  |
|---|----------|---|-----------------------------|-------------|------|
| A | Varies   | MFM-12 Lasered Fiber Optic Cable Marker | 1/2" x 8" (12.7mm x 20.3cm) | -           | Each |
| B | Varies   | MFM-15 Lasered Fiber Optic Cable Marker | 1" x 8" (25.4mm x 20.3cm)   | -           | Each |
| C | Varies   | MFM-20 Lasered Fiber Optic Cable Marker | 2" x 8" (50.8mm x 20.3cm)   | -           | Each |
| D | Varies   | MFM-12RT Custom Regular Type Name & #   | 1/2" x 8" (12.7mm x 20.3cm) | -           | Each |
| E | Varies   | MFM-15RT Custom Regular Type Name & #   | 1" x 8" (25.4mm x 20.3cm)   | -           | Each |
| F | Varies   | MFM-20RT Custom Regular Type Name & #   | 2" x 8" (50.8mm x 20.3cm)   | -           | Each |
| G | Varies   | MFM-12SL Custom Special Logo & #        | 1/2" x 8" (12.7mm x 20.3cm) | -           | Each |
| H | Varies   | MFM-15SL Custom Special Logo & #        | 1" x 8" (25.4mm x 20.3cm)   | -           | Each |
| I | Varies   | MFM-20SL Custom Special Logo & #        | 2" x 8" (50.8mm x 20.3cm)   | -           | Each |
| J | Varies   | *Flag Style Fiber Optic Cable Marker    | 3 3/4"L x 4"W               | -           | Each |

Please contact customer service for custom orders and more information.

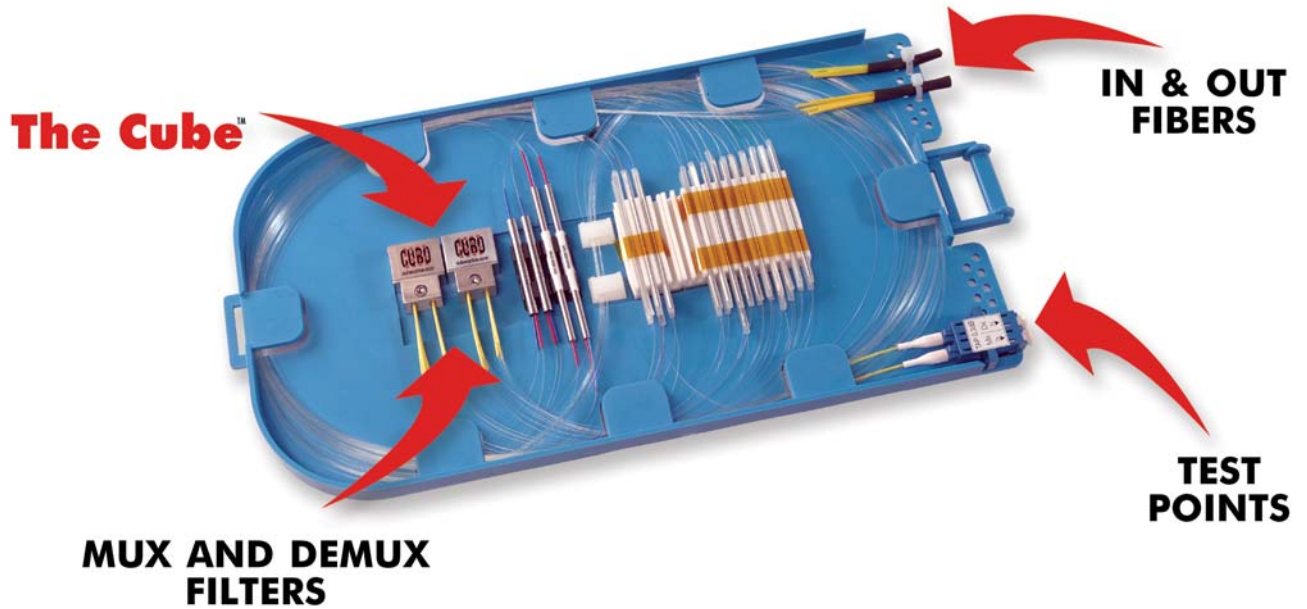


# DISTRIBUTION PRODUCTS

## SECTION 3

## CWDM-The Cube™

**IS YOUR FIBER PLANT EXHAUSTED ?**  
**CWDM - The Cube™**



### Features & Benefits

- Can add new capacity/upgrades without adding additional fiber.
- Extend capacity where single wavelength links become exhausted.
- Add capacity for loop unbundling projects. For example, over leased fibers.
- Passive Approach is transparent and maintenance free.

## CWDM-The Cube™

### Rack Mounted And Closure Based CWDM Subsystems



The Cube™ product family is the industry's most compact and most flexible CWDM subsystem available. Using these building blocks, MSOs, OSP/FTTx can gradually scale up bandwidth bi-directionally, over existing fiber, and save thousands of dollars per mile over new fiber deployment. The rack mounted version combined with the outside plant packaged versions provides a complete set of building blocks which are easy to use for applications like Fiber To The Business, or Optical node segmentation. The Cube™ can be used to multiply by a factor of 4, 5, 8 or even 10 the carrying capacity of any existing optical fiber. The added optical channels can even be added to fibers carrying legacy services.

#### Features & Benefits

- Supports 8, 4+4, or 5+5 channel schemes (Customized channel arrangements also possible).
- 4+4 and 5+5 channel schemes allow low initial cost and future expansion capability.
- Most models can be ordered with test ports to allow non intrusive in service testing.
- All models can be ordered with optional 1310 legacy channel carrying capability.
- Available in rack mounted package, or integrated in splice trays (Multilink Starfighter trays).
- Can be supplied in other competitor's splice trays or cassettes.

#### Compliance

- ITU G.694.2
- Designed to meet NEBS level 3.
- Tested in accordance with Telcordia 1221 requirements for outside plant.
- Proven interoperability with all optical transmission systems using GBIC or SFP transceivers.



## CWDM-The Cube™ Cube Optics Network - Cubes



The Cube Optics Coarse Wavelength Division Multiplexing NETWORK-Cubes are a flexible plug-and-play network solution that allows service providers and enterprise companies to cost effectively implement point to point or ring based CWDM optical networks. Cube Optics CWDM NETWORK-Cubes are modular, scalable and are perfectly suited to transport up to 18 x 2.5 Gbit per second services in optical metro edge and optical access networks.



### Overview

The CWDM NETWORK-Cubes are based on the WDM-MODULAR-SHELL, which may hold up to 2 modules. The WDM-MODULAR-SHELL (height 1 HU) fits even the smallest rack systems while still leaving room for air circulation and is adaptable to all rack systems (ETSI, 19" 23"). The modules feature a broad range of Wideband (SDH, SONET) and Coarse Wavelength Division Multiplexing configurations and give enough flexibility to implement a wide range of network node functions (Mux, Demux, OADMs) along any topology (point to point, mesh, ring), with the ideal scalability (from 1 to 18 channels). This solution is compliant with the ITU G.694.2, NEBS level 3 and Telcordia GR1221 standard, guarantying interoperability and easy integration with any other compliant equipment. Cube Optics NETWORK-Cubes are based on the smallest footprint components available on the market, and provide the highest equipment density that can be found (depth only 12 cm).

### Features

- Types of modules offered:
  - 1310 / 1550 wideband Mux & Demux for SDH / SONET / ATM
  - Mux & Demux modules, 4 or 8 channels
  - Mux & Demux modules, 4 or 8 channels + Pass or SDH / ATM channel
  - OADM modules, 1, 2 or 4 channels
- Further modules on demand
- Other functions, e.g. integrated taps, bandsplitter, WWDM, Multimode versions etc. on demand
- Your choice of adapter: SC, LC, E2000, MU etc.
- Private labeling and customization on demand
- Adaptable from 19" to 23" or ETSI racks

### Benefits

- Lowest cost solution on the market
- Smallest footprint solution on the market
- Easy to engineer, deploy, commission and support
- Highly flexible and scalable
- Can be used as a substitute to "prestigious" brand equipment.
- Tap function, (generally not supported by competitive solutions) allows non intrusive testing

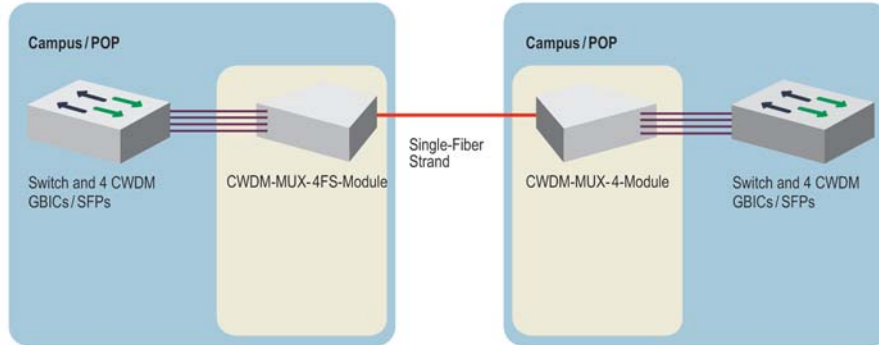
### Compliance

- ITU G.694.2
- Designed to meet NEBS level 3
- Telcordia GR1221 qualified components
- Proven interoperability with all routers, ethernet switches, GBICs & SFPs • Proven interoperability with all optical

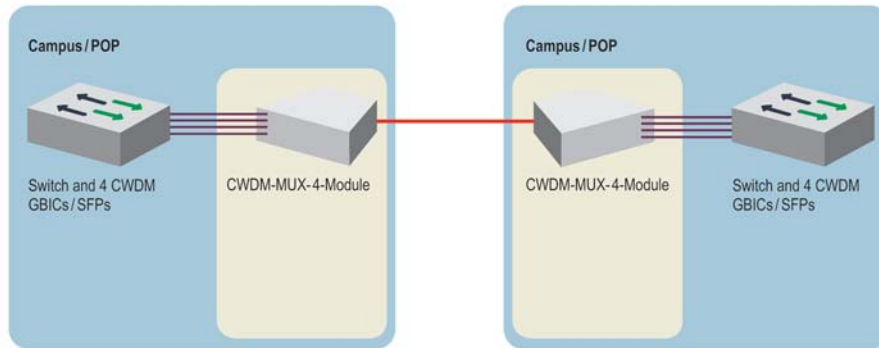
# CWDM-The Cube™ Supported Network Topologies



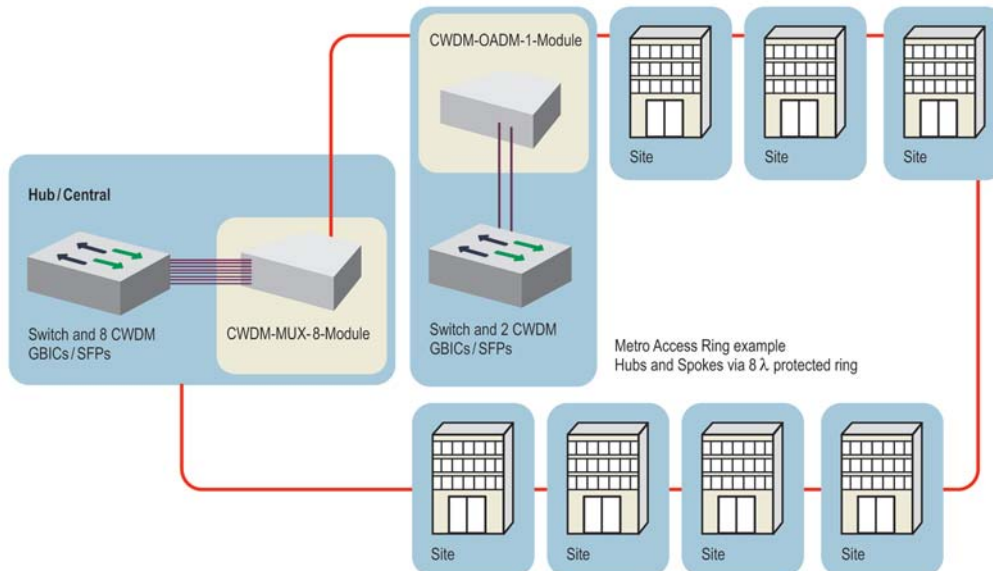
Single fiber point to point architecture



Dual fiber point to point architecture

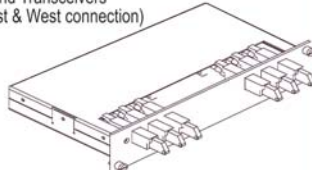
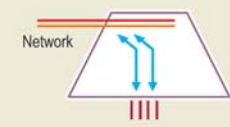
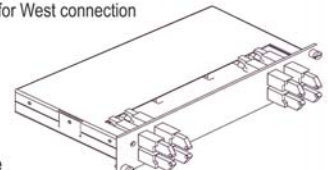
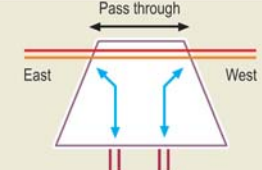
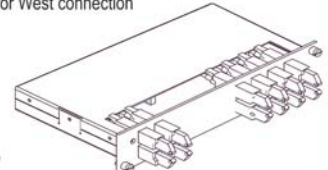
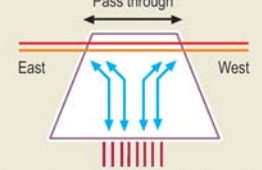
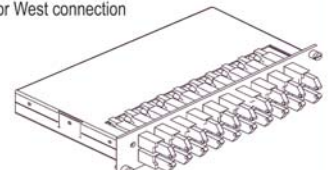
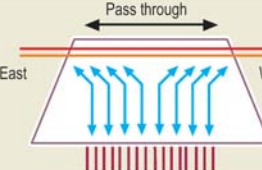
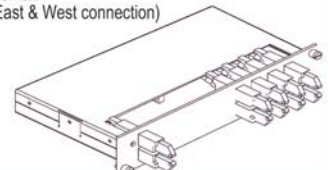
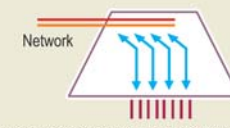
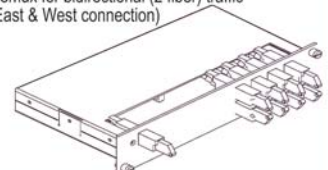
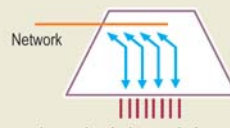
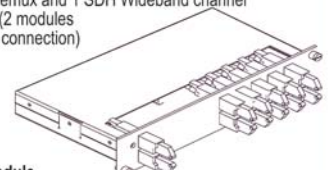
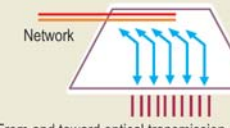


Hubs and spokes ring architecture



# CWDM-The Cube™ Module Types

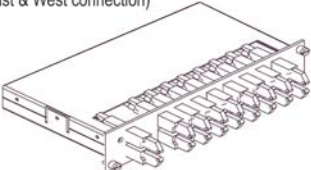
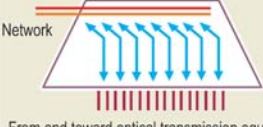


|  |   |
|--|---|
| <p>2 channel Hi-Isolation WDM (1310 &amp; 1550nm) Mux &amp; Demux for ATM / SDH / SONET Wideband Transceivers<br/>(2 modules necessary for East &amp; West connection)</p>  <p><b>WWM-HI-ISO-Module</b></p> |  <p>From and toward optical transmission equipment</p>   |
| <p>1 channel CWDM OADM for East and 1 channel CWDM OADM for West connection</p>  <p><b>CWDM-OADM-1-Module</b></p>   |  <p>From and toward optical transmission equipment</p>   |
| <p>2 channel CWDM OADM for East and 2 channel CWDM OADM for West connection</p>  <p><b>CWDM-OADM-2-Module</b></p>   |  <p>From and toward optical transmission equipment</p>   |
| <p>4 channel CWDM OADM for East and 4 channel CWDM OADM for West connection</p>  <p><b>CWDM-OADM-4-Module</b></p>  |  <p>From and toward optical transmission equipment</p>  |
| <p>4 channel CWDM Mux &amp; Demux (2 modules necessary for East &amp; West connection)</p>  <p><b>CWDM-MUX-4-Module</b></p>   |  <p>From and toward optical transmission equipment</p> |
| <p>4 channel CWDM Mux &amp; Demux for bidirectional (2 fiber) traffic (2 modules necessary for East &amp; West connection)</p>  <p><b>CWDM-MUX-4FS-Module</b></p>   |  <p>From and toward optical transmission equipment</p> |
| <p>4 channel CWDM Mux &amp; Demux and 1 SDH Wideband channel Mux &amp; Demux at 1310nm (2 modules necessary for East &amp; West connection)</p>  <p><b>CWDM-MUX-4 + 1310-Module</b></p>                   |  <p>From and toward optical transmission equipment</p> |

# CWDM-The Cube™ Module Types



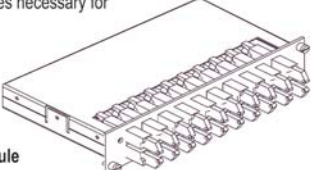
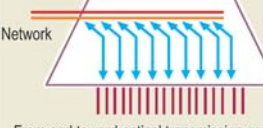
8- channel CWDM Mux & Demux  
(2 modules necessary for East & West connection)

**CWDM-MUX-8-Module**

From and toward optical transmission equipment

8 channel CWDM Mux & Demux and 1 SDH Wideband channel Mux & Demux at 1310nm (2 modules necessary for East & West connection)

**CWDM-MUX-8 + 1310-Module**

From and toward optical transmission equipment

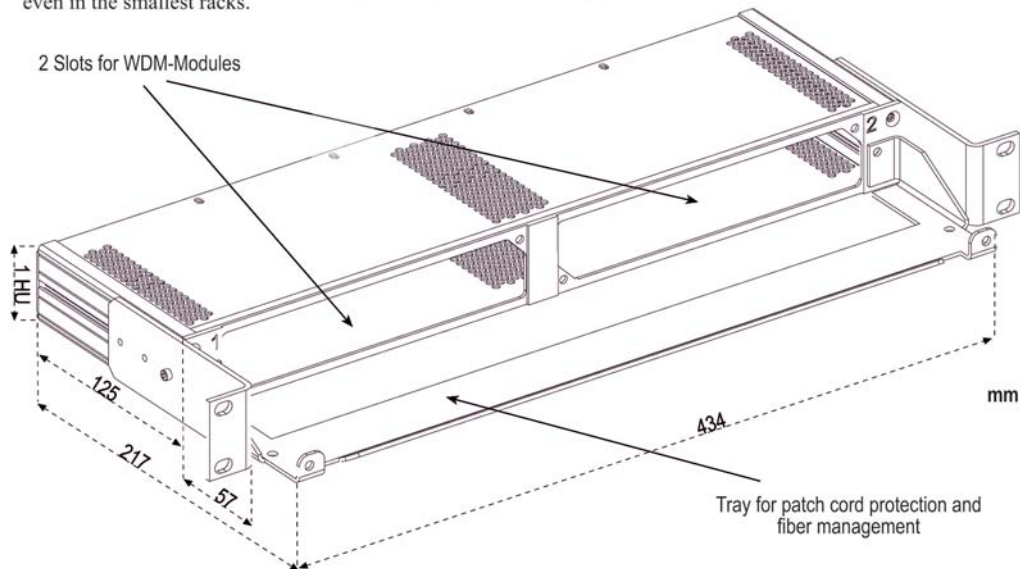
## Optical Specifications

| Module type        | Max Insertion Loss (dB) |      |      | Module type             | Max Insertion Loss (dB) |      |      |
|--------------------|-------------------------|------|------|-------------------------|-------------------------|------|------|
|                    | Add                     | Drop | Pass |                         | Add                     | Drop | Pass |
| WWDM-HI-ISO-Module | 1.4                     | 1.4  | -    | CWDM-MUX-4FS-Module     | 2.6                     | 2.6  | -    |
| CWDM-OADM-1-Module | 1.7                     | 1.7  | 1.7  | CWDM-MUX-4 +1310-Module | 3.2 / 1.2 for 1310nm    |      |      |
| CWDM-OADM-2-Module | 2.2                     | 2.2  | 2.2  | CWDM-MUX-8-Module       | 2.8                     | 2.8  | -    |
| CWDM-OADM-4-Module | 2.4                     | 2.4  | 2.4  | CWDM-MUX-8 + 1310       | 3.8 / 1.2 for 1310      |      |      |
| CWDM-MUX-4-Module  | 2.4                     | 2.4  | -    |                         |                         |      |      |

Please, see individual data sheets for detailed specifications.

## Mechanical Specifications

The WDM-MODULAR-SHELL (1HU) may hold up to 2 modules. It may be mounted (forward or backward) into 19", ETSI or 23" racks. The reduced depth of only 12.5 cm and the punctured chassis guarantee sufficient air circulation even in the smallest racks.



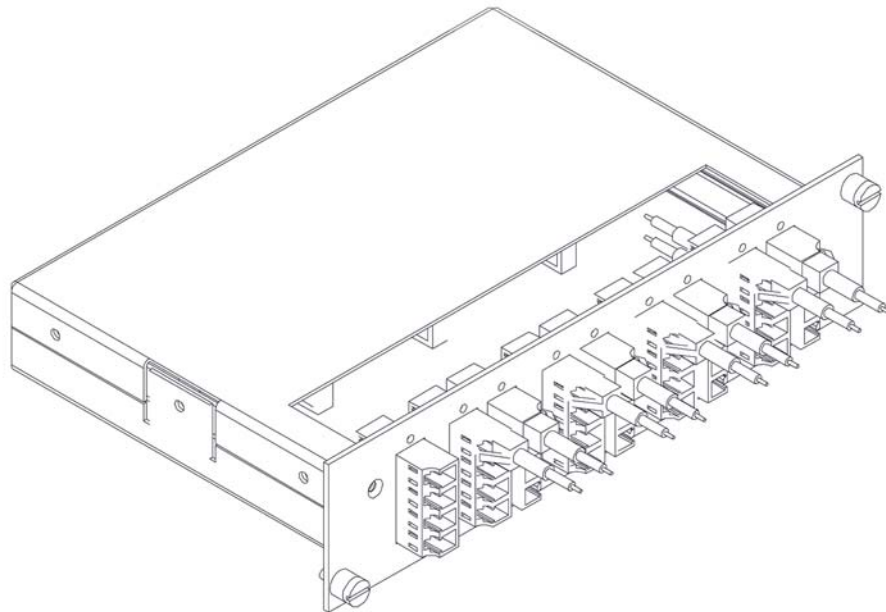


# CWDM-The Cube™

## Product Description

- CWDM module for integration in 1 slot of the CUBO NETWORK-Cube WDM-MODULAR-Shell (C-1608, Rev. C)
- The module contains 4 pieces of 8 channel CWDM multiplexers (2 mux, 2 demux)
- CWDM multiplexers to mux and demux 8 channels from 1471 to 1611nm; these correspond to the transceiver wavelengths from 1470 to 1610 nm
- The CWDM multiplexers are compliant with the ITU G.694.2 standard and Telcordia GR1221 (former Bellcore) standard and are designed to meet NEBS level 3
- The sub-system interoperates with any router, switch, DSLAM, SFP and GBIC, which supports the CWDM ITU G.694.2 standard
- Front panel is equipped with LC quad adapters on all ports, the quad adapters may be used with simplex, duplex or quad LC connectors

| ■ Product Code:                      | Revision Level |
|--------------------------------------|----------------|
| CWDM-MUX-8-Module-double<br>(C-1642) | A              |



# CWDM-The Cube™

## Product Description

| General Specifications       |  |
|------------------------------|--|
| Operating Temperature        | +0°C to +70°C                          |
| Storage Temperature          | -40°C to +80°C                         |
| Max. optical Power           | < 250 mW                               |
| Fiber Type                   | SMF-28 compatible    ∅ 9 / 125 / 250µm |
| <b>Optical Adapters</b>      |  |
| Trunk (Dx Input / Mx Output) | LC/PC                                  |
| CWDM channel ports           | LC/PC                                  |

| Optical Performance of each of the 4 Multiplexers (2 mux, 2 demux) |  |
|--|--|
| <b>Operating Channels</b>  |  |
| CWDM ports [nm]  | C1=1471 C2=1491 C3=1511 C4=1531 C5=1551 C6=1571 C7=1591 C8=1611      |
| <b>Channel Width</b>   |  |
| CWDM channels  | > 13 nm  |
| <b>Insertion Loss<sup>1</sup></b>                                  |  |
| CWDM channels  | < 2.8 dB (including connectors and adapters)                         |
| <b>Isolation</b>   |  |
| CWDM adjacent channel  | > 30 dB  |
| CWDM non-adjacent channel  | > 40 dB  |
| <b>Optical Return Loss</b>   | > 50 dB (for the component, also depends on selected connector type) |
| <b>Directivity</b>   | > 50 dB  |
| <b>Polarization Dependent Loss</b>                                 | < 0.2 dB   |

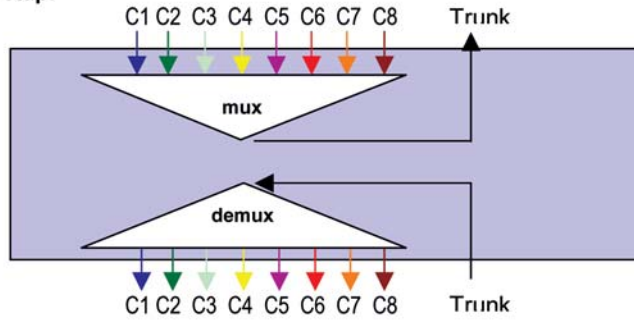
**Notes:**

1. Max. insertion loss over channel bandwidth, valid over full operating temperature range and all states of polarization with optical connectors. The typical connector loss is 0.2 dB for a pair of connectors

# CWDM-The Cube™

## Package Dimensions And Front Plate Design

Logical setup:

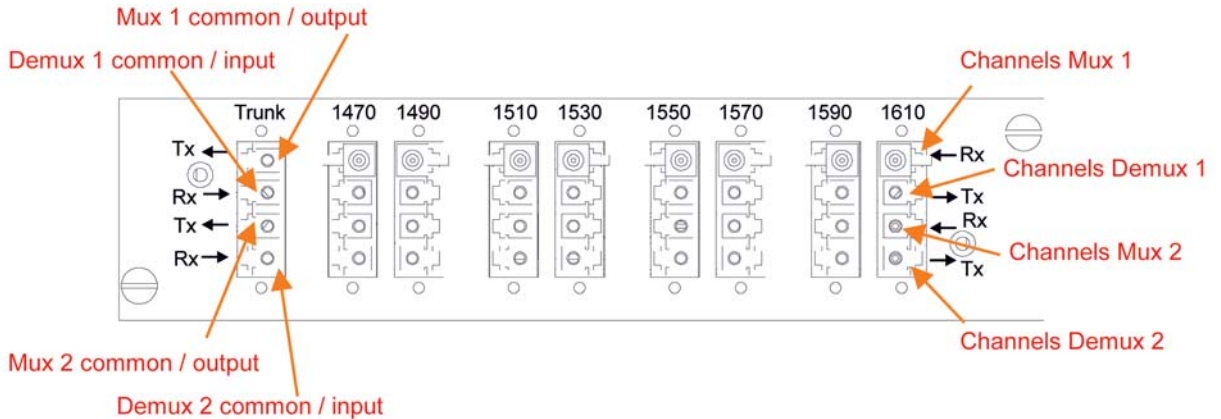


Layout and dimensions (see also next page):

- Width: 166 / 182 mm
- Height: 25.75 / 44 mm
- Depth: 118.5 / 125.2 mm
- The color of the module is light gray (anodized aluminum).
- All fonts and labels are printed in black.

Connection Scheme:

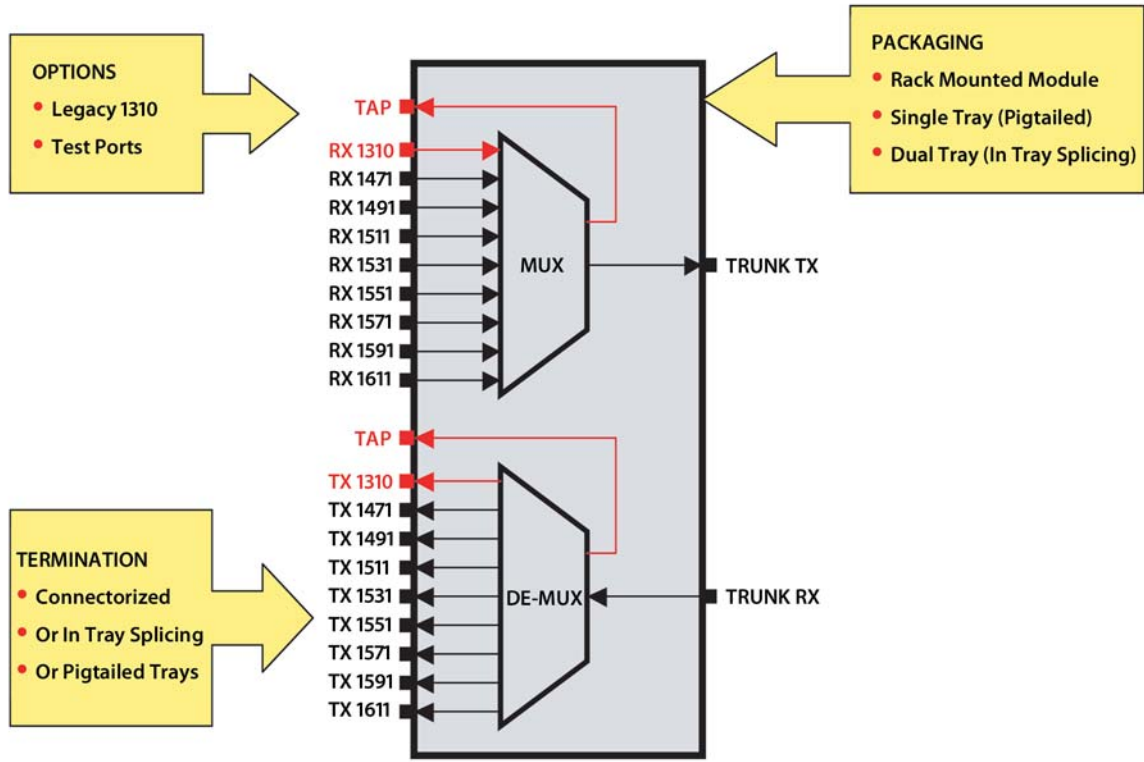
- The module contains the adapters for 2 CWDM multiplexers and 2 CWDM demultiplexers (see below).
- The channels are marked with the 8 wavelengths of 1470nm to 1610nm (given here are not the multiplexer wavelengths but their corresponding transceiver wavelengths: Instead of e.g. "1511" it is printed "1510" etc.)
- The common ports are marked as "Trunk"



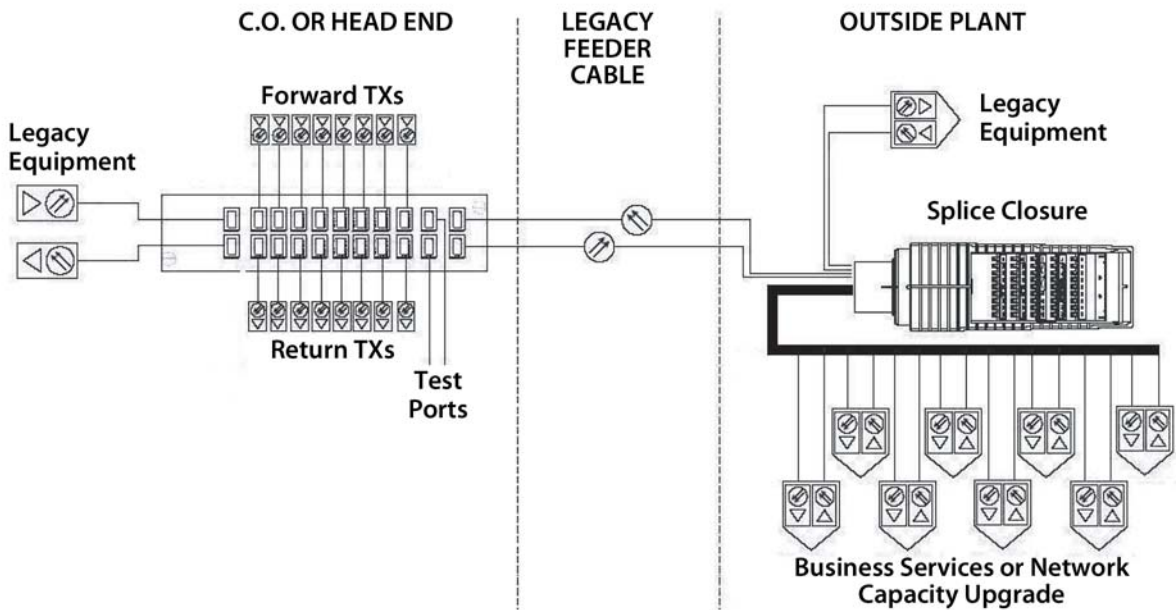




# CWDM-The Cube™ Fixed 8 Channel Scheme Functional Block Diagram

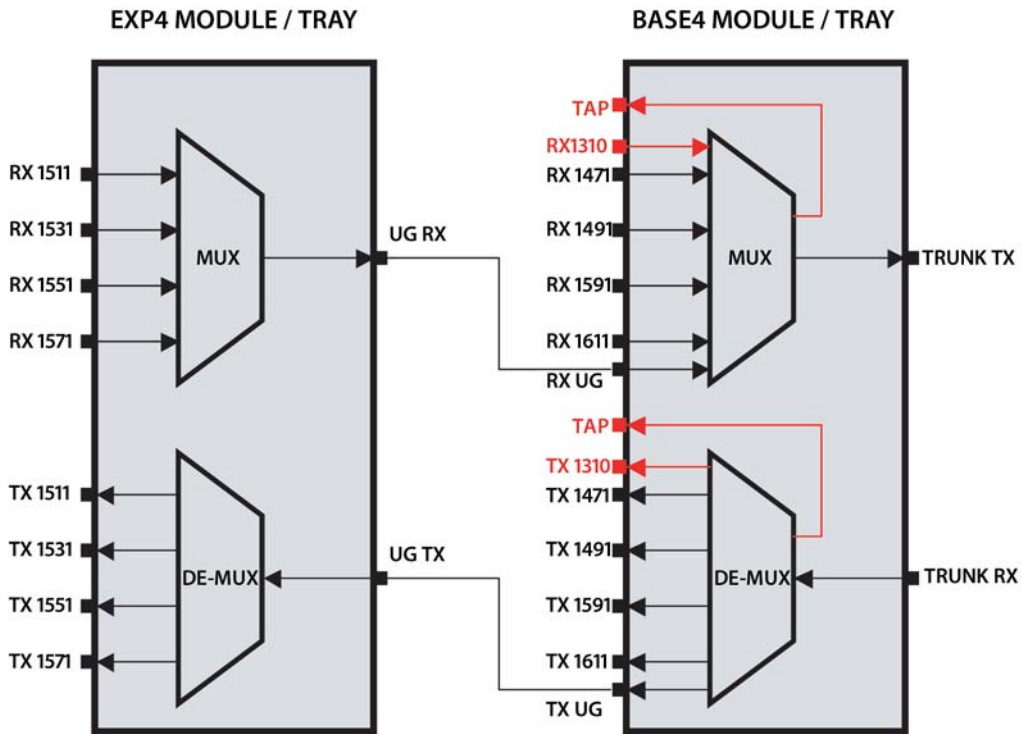


## 8 Channel Scheme Typical Application

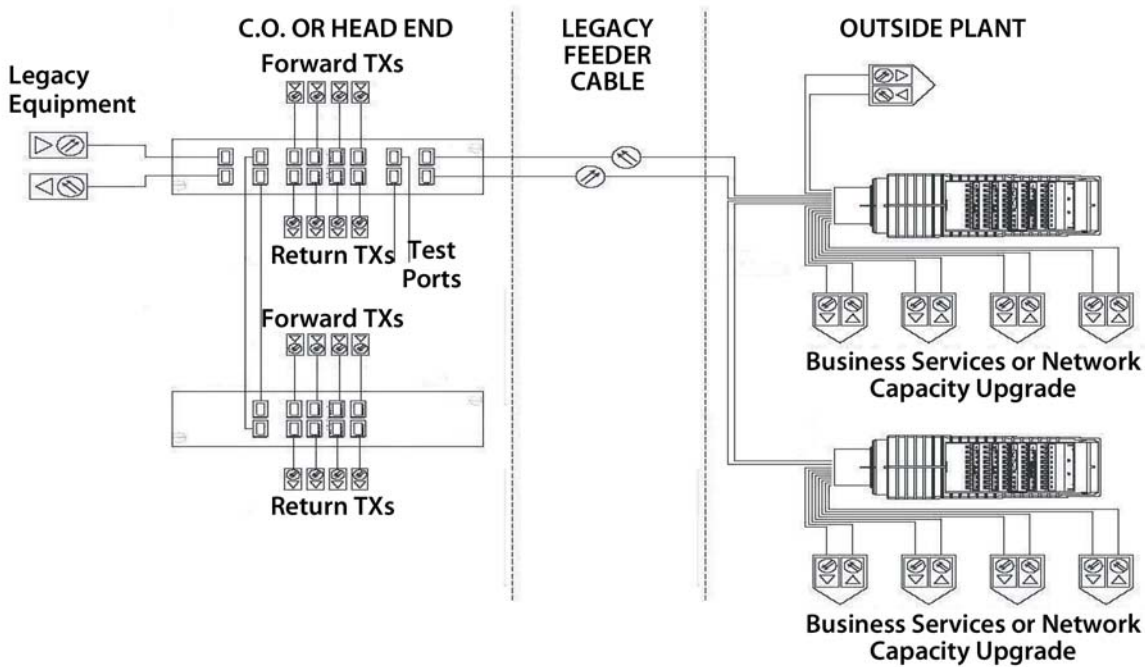


# CWDM-The Cube™

## 4 + 4 Channel Scheme Functional Block Diagram

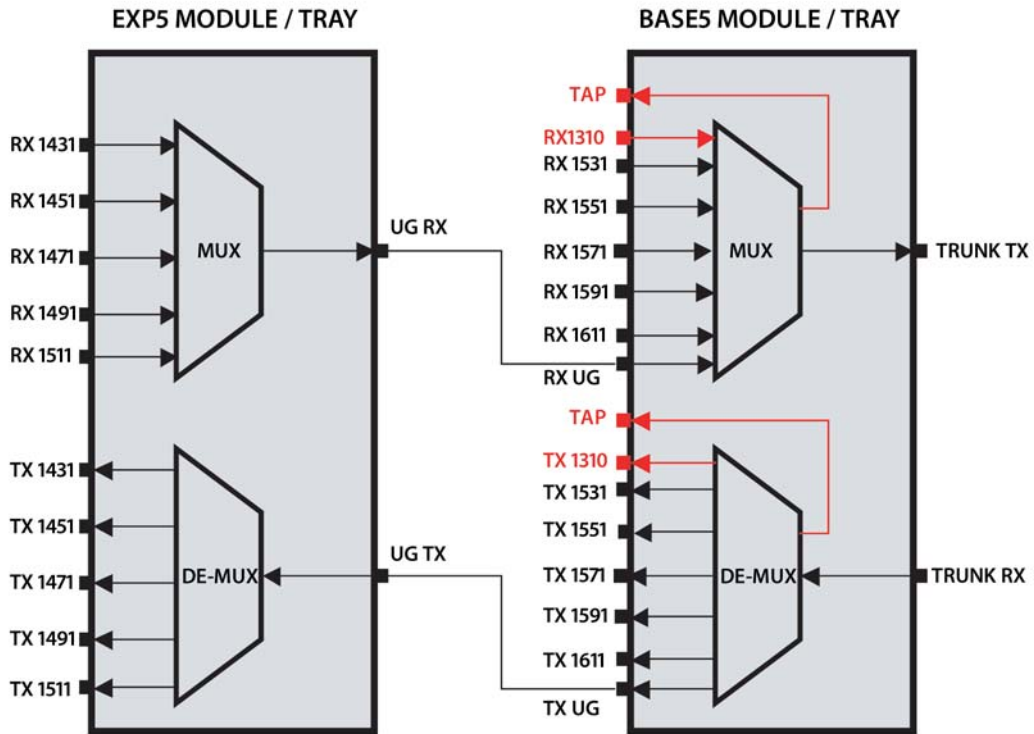


### 4 + 4 Channel Scheme Typical Application

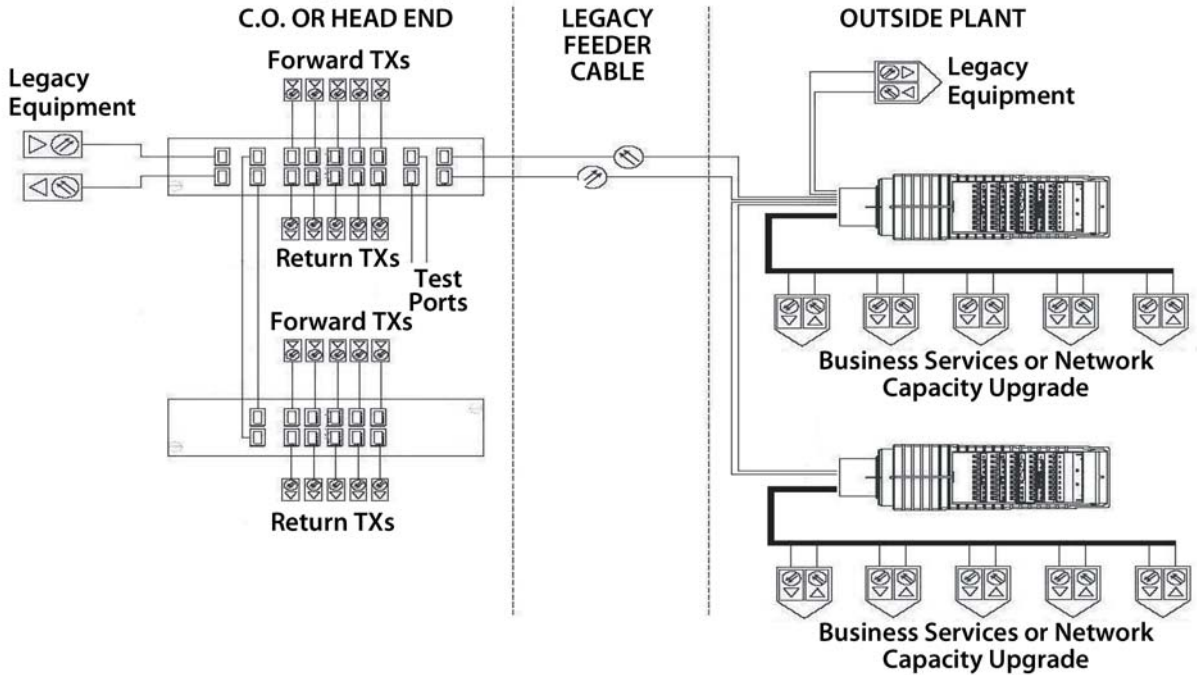


# CWDM-The Cube™

## 5 + 5 Channel Scheme Functional Block Diagram

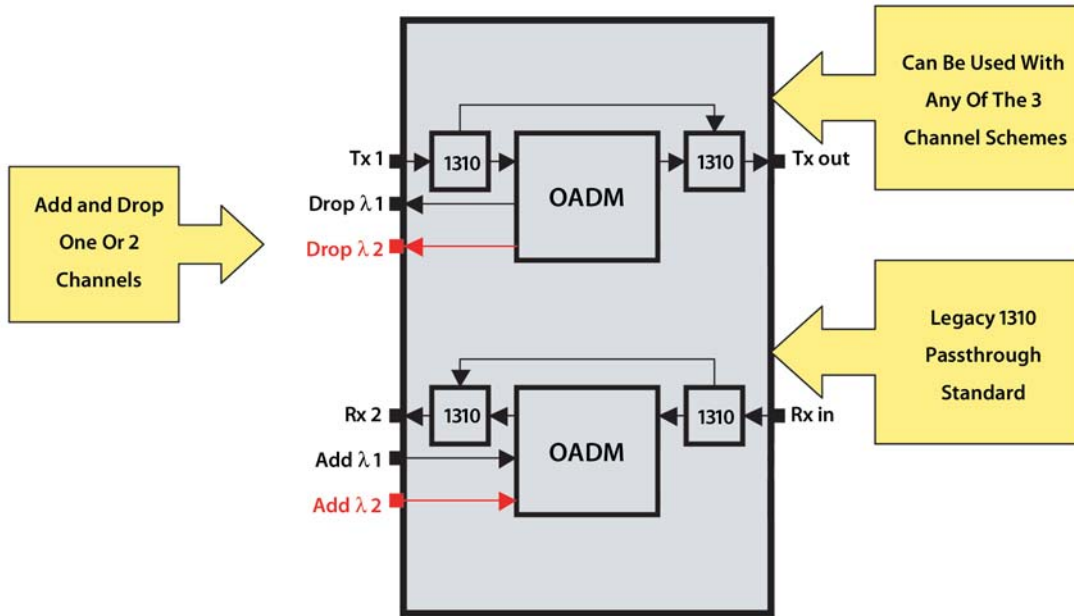


### 5 + 5 Channel Scheme Typical Application

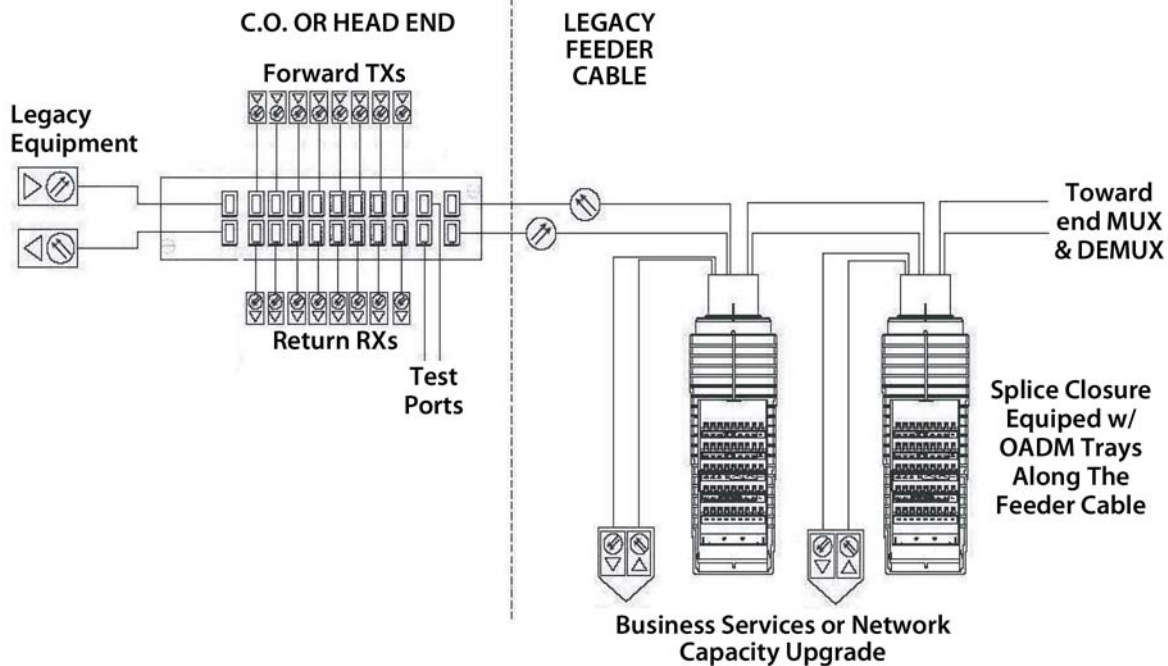


SECTION 3  
DISTRIBUTION PRODUCTS

# CWDM-The Cube™ OADM Functional Block Diagram



## OADM Typical Application





# CWDM-The Cube™ Loss Specifications

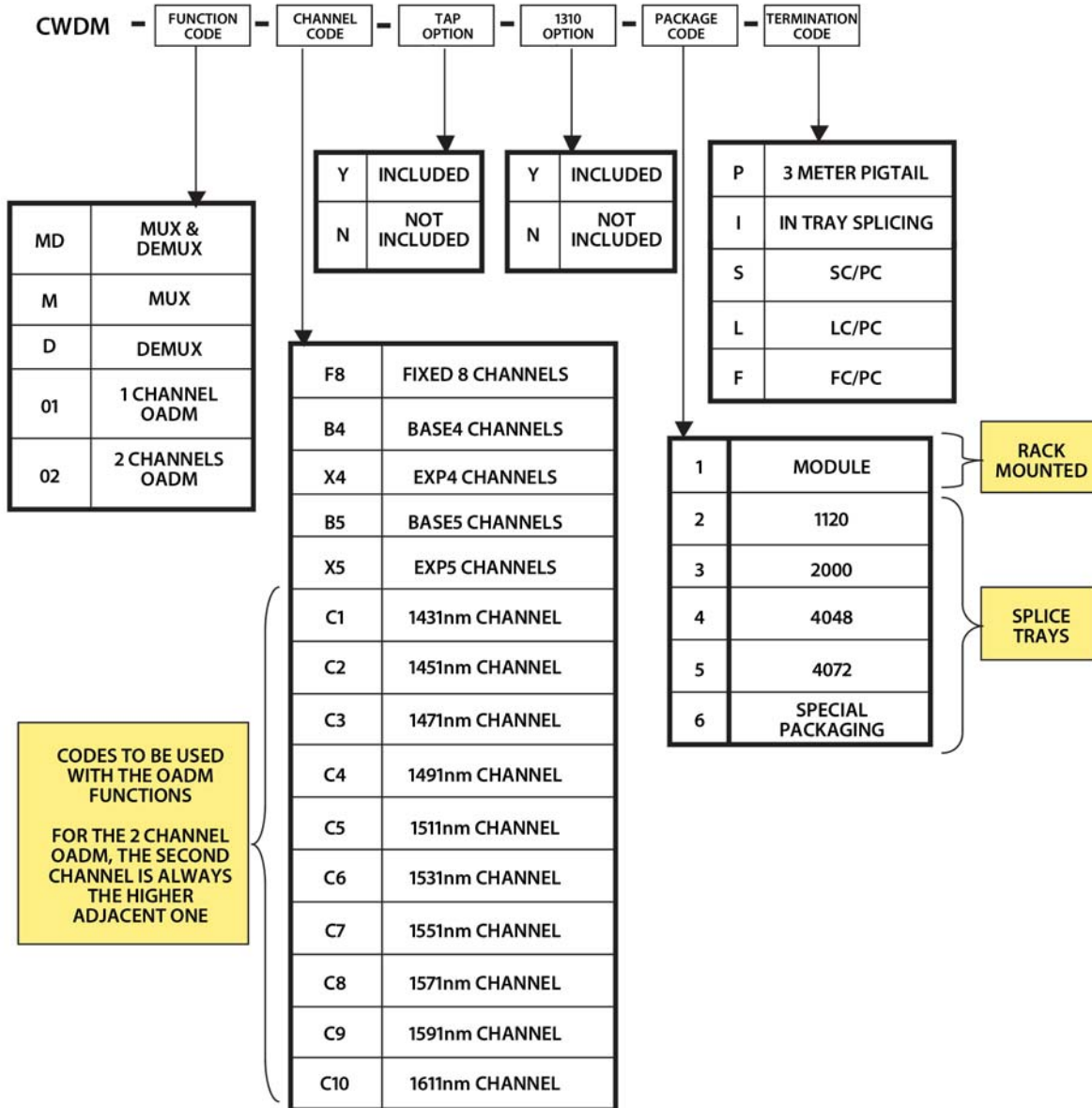
## INDIVIDUAL MODULES INSERTION LOSS SPECIFICATION\*

|   | Without Options                              | With 4% TAP Options | With 1310 Option | With 1310 & 4% Tap |
|---|--|---------------------|------------------|--------------------|
| BASE4 Module or Tray  | <2.2 dB                                      | <2.7 dB             | <3.1 dB          | <3.6 dB            |
| BASE5 Module or Tray  | <2.4 dB                                      | <2.9 dB             | <3.3 dB          | <3.8 dB            |
| EXP4 Module or Tray   | <4.2 dB                                      | <4.7 dB             | <5.1 dB          | <5.6 dB            |
| EXP5 Module or Tray   | <4.6 dB                                      | <5.1 dB             | <5.5 dB          | <6.0 dB            |
| 8 Channel Module or Tray                                      | <2.6 dB                                      | <3.1 dB             | <3.5 dB          | <4.0 dB            |
| 1-ch OADM Module or Tray                                      | Add & Drop < 0.9 dB<br>Pass-through < 0.4 dB | X                   | X                | X                  |
| 2-ch OADM Module or Tray                                      | Add & Drop < 0.9 dB<br>Pass-through < 0.9 dB | X                   | X                | X                  |
| Optional 1310 Channel<br>(Applicable To All Modules or Trays) | X  | X                   | <0.9 dB          | <1.4 dB            |

\* Add 0.4 dB For Connectors

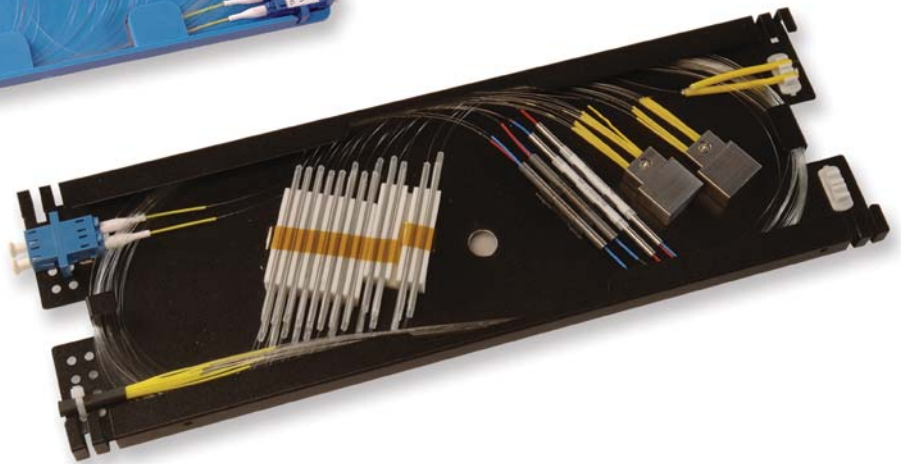
|                                  |                                |                                 |              |
|----------------------------------|--------------------------------|---------------------------------|--------------|
| Operating Temperature            | -40°C to +85°C                 | Return Loss                     | >45 dB       |
| Max. Optical Power               | 250mW                          | Directivity                     | >50 dB       |
| Fiber Type                       | SMF-28 compatible 09/125/250µm | Polarization Dependant Loss     | <0.2 db      |
| CWDM Channel Width               | >13nm                          | Optional TAP Ratio              | 4% Typical   |
| Optional 1310 Channel Width      | 1260nm to 1360nm               | Fiber Length (In Tray Splicing) | 100 +/- 5cm  |
| Isolation (Adjacent Channel)     | >30 dB                         | Fiber Length (Pigtailed Trays)  | 300 +/- 15cm |
| Isolation (Non-Adjacent Channel) | >40 dB                         |                                 |              |

# CWDM-The Cube™ Modular Ordering Code



EXAMPLE: CWDM-MD-F8-Y-Y-2-P = 8 Channels MUX and DEMUX with the TAP and the 1310 Channel options in a Starfighter™ 1120 splice tray, terminated by a 3 meter pigtail

CWDM-The Cube™  
Can Be Supplied In Multilink's  
Or Competitor's Splice Trays Or Cassettes



## EMTA ENCLOSURES

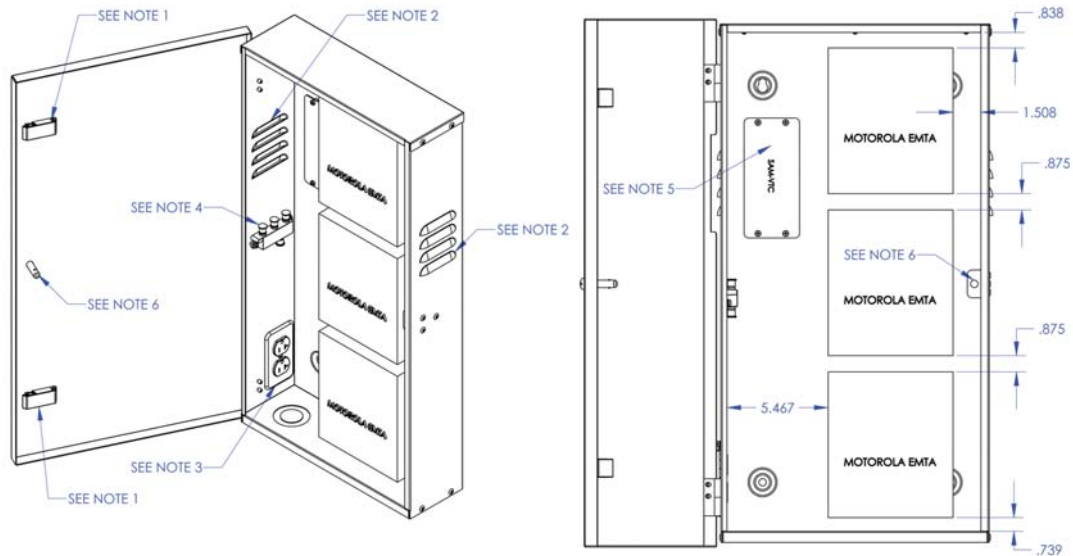
# FWM-15285 Wall Mount Telephony Enclosure Assembly



**CLEAN UP YOUR CLOSET...**



| Note | Description                               |
|------|---|
| 1    | Plastic Latch-Black                       |
| 2    | Ventilation Louvers Backed With Bugscreen |
| 3    | Duplex Receptacle - 20R 20A 125V Ivory    |
| 4    | Splitter                                  |
| 5    | SAM VTC                                   |
| 6    | Provisions For An "AGBAY" Style Lock      |



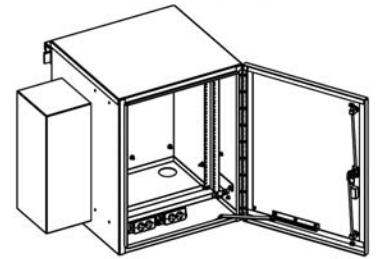
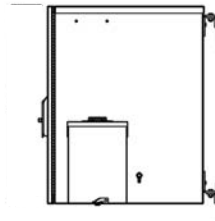
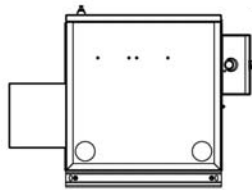
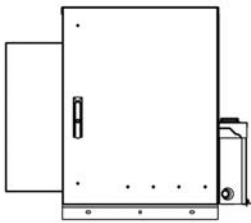
Operators utilizing Embedded Multimedia Terminal Adaptors in Multiple dwelling units can use Multilink's EMTA enclosure to securely house up to three EMTA's. The enclosure includes a 120V convenience outlet with 6' power cord. Has provisions for an Agbay / Innertite style lock, or can be secured with tamper proof screws. Compatible with Motorola® and Aaris® EMTA's.

| Stock ID   | Description    | Dimensions   | Weight Lbs. | UOM  |
|------------|----------------|--------------|-------------|------|
| 045-048-10 | EMTA Enclosure | 15"x 28"x 5" | 26          | Each |



## ENVIRONMENTALLY CONTROLLED ENCLOSURES

### Wall Mount 14-RU-N4-AC



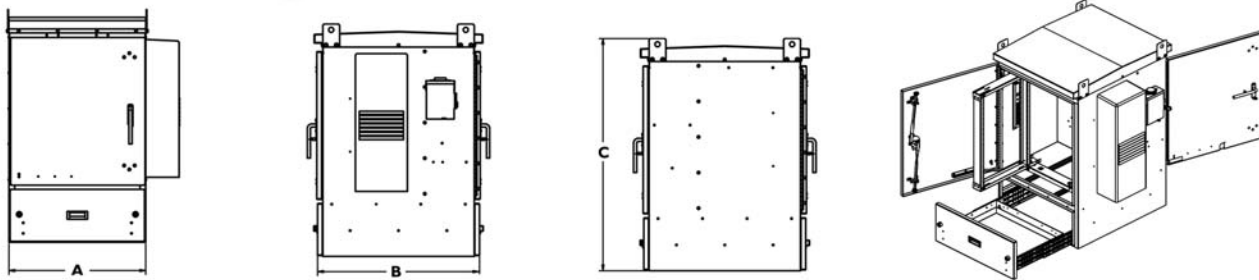
An above ground housing to shelter environmentally sensitive equipment from rain, sleet, snow, dust, driving wind, hail, corrosion, and vandalism.

|                  |   |                       |   |
|------------------|---|-----------------------|---|
| <b>Main Body</b> | 1/8" Marine Grade Aluminum 5052-H32   | <b>Cable Entrance</b> | Two 3" Conduit Entrances Located In The Bottom Rear Of The Compartment  |
| <b>Hardware</b>  | Type 304 Stainless Steel  | <b>Powering</b>       | <ul style="list-style-type: none"> <li>• 100 Amp Service Entrance</li> <li>• 1400/1600 BTU Air conditioner</li> <li>• AC Load Center 2 Duplex Outlets; 125V &amp; 20 Amp Breaker</li> </ul> |
| <b>Finish</b>    | Polyester Power Coat  | <b>Grounding</b>      | All Components Are Grounded To The Main Copper Bus Bar  |
| <b>Rack</b>      | 19" - 23" Adjustable Width, 24.75 height (14U). 10-32 threads EIA/TIA spacing | <b>Mounting</b>       | Pole And Wall Mounting Options Available  |
| <b>Door</b>      | 3 Point Latch For Maximum Security  |                       |   |

| Stock ID   | Description  | Dimensions                | Weight Lbs. | UOM  |
|------------|--|---------------------------|-------------|------|
| 10-6951    | WMO-14RU-N4-AC-PG Gray Wall Mount Enclosure                        | 24" A x 24" B x 30 1/2" C | 183         | Each |
| 10-9160    | WMO-14RU-N4-AC-BE Beige Wall Mount Enclosure                       | 24" A x 24" B x 30 1/2" C | 183         | Each |
| 030-146-10 | WMO-HRV-4N-AC Gray Wall Mount Enclosure w/ Battery                 | 28" A x 28" B x 30 1/2" C | 205         | Each |
| 030-146-11 | WMO-14RU-N4-AC-BAT-PG Gray Wall Mount Enclosure w/ Battery Drawer  | 28" A x 28" B x 30 1/2" C | 205         | Each |
| 030-151-10 | PMO-14RU-N4-AC-BAT-PG Gray Pole Mount Enclosure w/ Battery Drawer  | 28" A x 28" B x 30 1/2" C | 205         | Each |
| 030-151-11 | PMO-14RU-N4-AC-BAT-BE Beige Pole Mount Enclosure w/ Battery Drawer | 28" A x 28" B x 30 1/2" C | 205         | Each |
| 030-152-10 | PMO-14RU-N4-AC-PG ASSY Gray Pole Mount Enclosure                   | 24" A x 24" B x 30 1/2" C | 183         | Each |

# ENVIRONMENTALLY CONTROLLED ENCLOSURES

## Mini-OTN



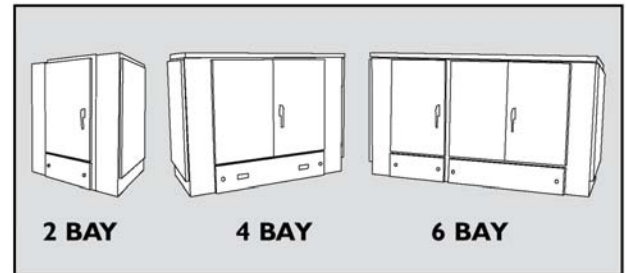
An above ground housing to shelter environmentally sensitive equipment from rain, sleet, snow, dust, driving wind, hail, corrosion, and vandalism.

|                  |   |                     |  |
|------------------|---|---------------------|--|
| <b>Main Body</b> | 1/8" Marine Grade Aluminum 5052-H32         | <b>Door</b>         | 3 Point Latch For Maximum Security   |
| <b>Hardware</b>  | Type 304 Stainless Steel                    | <b>Main Cabinet</b> | <ul style="list-style-type: none"> <li>• Swings Out For Ease Of Rear Equipment Access</li> <li>• Two 120V AC GFCI Outlet</li> <li>• 4000 BTU Air Conditioner with integrated heater</li> <li>• Separate Battery Compartment</li> <li>• 15 WATT Light</li> <li>• Built To GR487 Specifications</li> </ul> |
| <b>Finish</b>    | Polyester Power Coat                        | <b>Grounding</b>    | All Components Are Grounded To The Main Copper Bus Bar   |
| <b>Rack</b>      | 3/16" Steel EIA/TIA Spacing (10-32 threads) |                     |  |

| Stock ID   | Description                     | Dimensions                | Weight Lbs. | UOM  |
|------------|---------------------------------|---------------------------|-------------|------|
| 030-123-10 | Mini OTN w/ External Disconnect | 42.5" A x 39" B x 55.5" C | 450         | Each |

## ENVIRONMENTALLY CONTROLLED ENCLOSURES

### OTN Cabinet



The Multilink OTN Cabinet was designed to solve all your remote access needs. It has a compartmentalized design which is easily configurable to fit most applications in the CATV, Outside Plant, and Wireless markets. It transition node, repeater, hub site, telephony "point of presence", or a cellular microcell site. It is 100% environmentally sealed, therefore, it can house and protect all your environmentally sensitive equipment from the rain, snow, sleet, hail, and driving winds.

|                      |  |                         |   |
|----------------------|--|-------------------------|---|
| <b>Main Body</b>     | 1/8" Marine Grade Aluminum 5052-H32  | <b>Powering</b>         | <ul style="list-style-type: none"> <li>• 8000-12,000 BTU Air Conditioning w/ An Integrated Heater</li> <li>• Heat Exchangers Available As An Option</li> <li>• 60 Amp Generator Hook-Up</li> <li>• MAC Load Center w/ GFI Outlets</li> <li>• 220V Outlet</li> </ul> |
| <b>Hardware</b>      | Type 304 Stainless Steel   | <b>Main Cabinet</b>     | <ul style="list-style-type: none"> <li>• 19"-23" Adjustable Racks/Fixed/Rotating</li> <li>• 15 Watt Lights</li> <li>• Thermal insulation</li> </ul>   |
| <b>Finish</b>        | Polyester Power Coat   | <b>Grounding</b>        | All Components Are Grounded To The Main Copper Bus Bar  |
| <b>Rack</b>          | CRS 3/16, Standard Racks Punched to EIA/TIA spacing 10-32  | <b>Pad Mounting Kit</b> | Stainless Steel Frame Structure And Instructions Are Provided With Every Unit If Concrete Mounted   |
| <b>Fiber Section</b> | <ul style="list-style-type: none"> <li>• Slack storage brackets with heavy duty tie wraps</li> <li>• Entry holes for bringing fiber into the main cabinet</li> </ul> | <b>Colors</b>           | Standard Gray, Utility Beige, Dark Green And Light Green<br>Customize Internal OTN Components To Fit Your Broadband Needs   |
| <b>Door</b>          | 3 Point Latch For Maximum Security   |                         |   |

| Stock ID | Description  | Dimensions                   | Weight Lbs. | UOM  |
|----------|--|------------------------------|-------------|------|
| 14002-1  | 2 Bay Protect Gray OTN Cabinet WITH OUT Battery Tray - 8,000 BTU A/C 47 Rack Units | 54.5" W x 36.5" H x 62.5" D  | 760         | Each |
| 14002-2  | 2 Bay Protect Gray OTN Cabinet With Battery Tray - 8,000 BTU A/C 47 Rack Units     | 54.5" W x 36.5" H x 62.5" D  | 760         | Each |
| 14001    | 4 Bay Protect Gray OTN Cabinet With Battery Tray - 12,000 BTU A/C 95 Rack Units    | 78.5" W x 36.5" H x 62.5" D  | 960         | Each |
| 14000    | 6 Bay Protect Gray OTN Cabinet With Battery Tray - 12,000 BTU A/C 142 Rack Units   | 106.5" W x 36.5" H x 62.5" D | 1,200       | Each |

## ENVIRONMENTALLY CONTROLLED ENCLOSURES

### OTN Cabinet



**Power Section  
AC Equipped**

Optional 1, 2 and 3 year warranties are available. Call Customer Service for more information.



Battery Drawer



Fiber Section



**Power Section Equipped with Heat Exchanger:** Multilink OTN Cabinets are available with air conditioning or a heat exchanger, depending upon the climate that the cabinet is being used in, and the thermal rating of the electronics housed within. Call Multilink Customer Service, and we can help you choose the best cabinet for your application!



## ENVIRONMENTALLY CONTROLLED ENCLOSURES

### MQ-FRM Cabinet



Multilink's MQ-FRM Enclosure is designed to hold 19" or a 23" rack mounted equipment in outside plant. The rack is 28" tall (16 Rack Units). Equipped with front and back removable doors for convenient access. The MQ-FRM enclosure is designed for passive cooling to utilize the phenomenon of natural convection to the highest possible extent. The ventilation louvers and the slope vented roof assist entry of cool air at the ground level and the rejection of hot air into the environment through the roof. All ventilation louvers backed with bug screens.

| Stock ID   | Description                            | Dimensions            | Weight Lbs. | UOM  |
|------------|--|-----------------------|-------------|------|
| 030-031-10 | Gray Enclosure w/ 10-32 Threaded Rails | 36"W x 35.97"H x 25"D | 92          | Each |
| 030-075-10 | Gray Enclosure w/ 12-24 Threaded Rails | 36"W x 35.97"H x 25"D | 92          | Each |
| 802-008-10 | Pre-Cast Polymer Pad w/ Inserts        | 30"W x 40"H x 4"D     | 80          | Each |



## ENVIRONMENTALLY CONTROLLED ENCLOSURES

### Opto-Electronic Enclosures



Multilink's Opto-Electronic Enclosure is designed for 19" & 23" rack mounted equipment. This enclosure is designed to protect the equipment from dust, snow and rain. It is equipped with two duplex GFI outlets, a fluorescent light that gets activated by an automatic pressure switch when the door opens. The internal rack is 52" height (29 Rack Units). Also equipped with a solar shield installed above the roof for additional protection from sun loading.

|                  |  |                     |  |
|------------------|--|---------------------|--|
| <b>Main Body</b> | Durable Aluminum Construction (3003 H-14 ALUM) | <b>Door</b>         | 3 Point Latch For Maximum Security   |
| <b>Hardware</b>  | Type 304 Stainless Steel                       | <b>Main Cabinet</b> | <ul style="list-style-type: none"> <li>• Swings Out For Ease Of Rear Equipment Access</li> <li>• Two 120V AC GFCI Outlet</li> <li>• 4000 BTU Air Conditioner with integrated heater</li> <li>• Separate Battery Compartment</li> <li>• 15 WATT Light</li> <li>• Built To GR487 Specifications</li> </ul> |
| <b>Finish</b>    | Polyester Power Coat                           | <b>Grounding</b>    | All Components Are Grounded To The Main Copper Bus Bar   |
| <b>Rack</b>      | 3/16" Steel EIA/TIA spacing (10-32 threads)    |                     |  |

| Stock ID   | Description                                       | Dimensions         | Weight Lbs. | UOM  |
|------------|---|--------------------|-------------|------|
| 030-029-10 | Opto Electronic Enclosure w/ 10-32 Threaded Rails | 28"W x 65"H x 33"D | 230         | Each |

### 1RU 600 CFM Fan Shelf

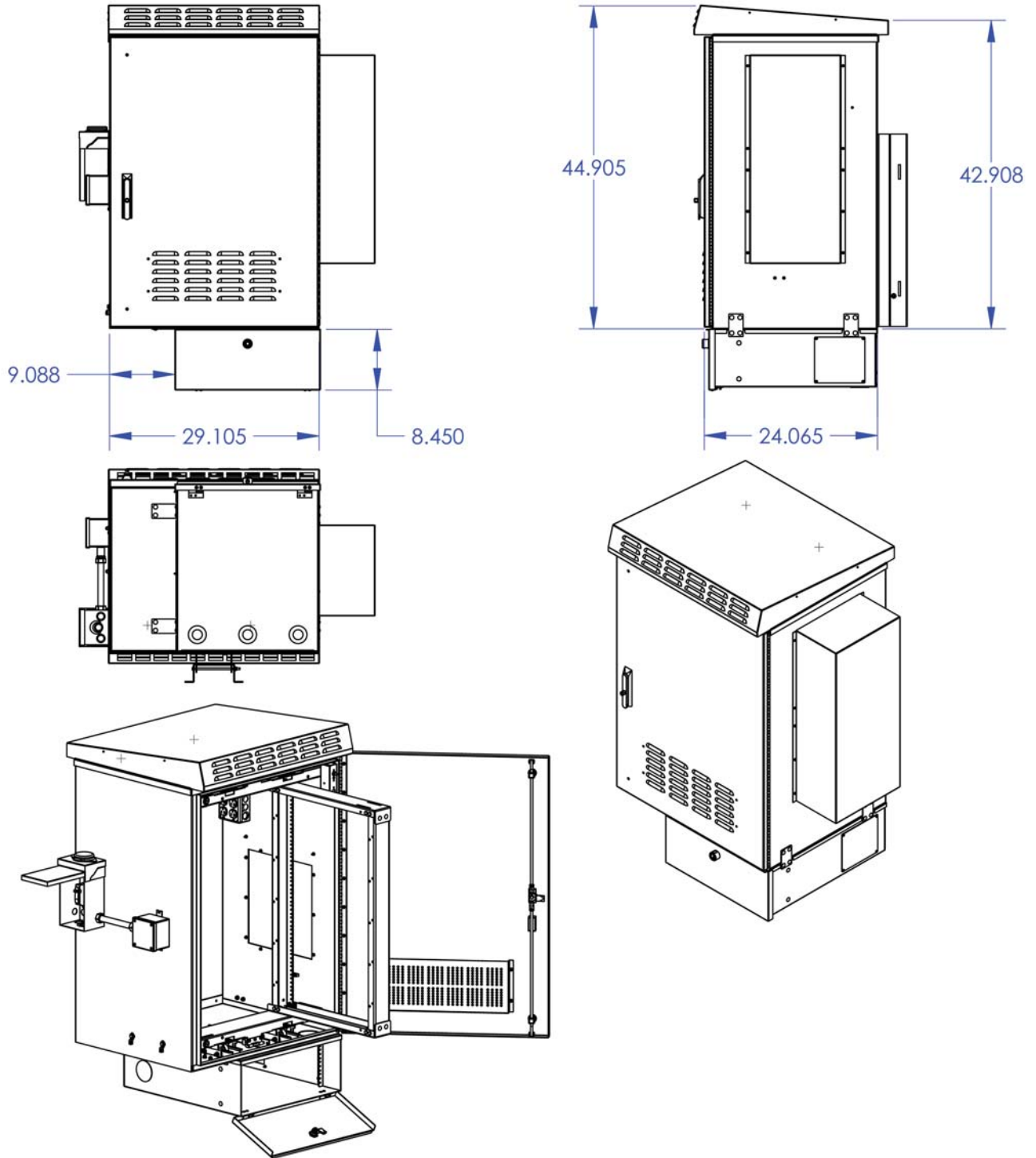


Multilink's fan shelf is designed for both 19" & 23" rack configurations. It provides a massive airflow of 600 CFM. This unique design enables an automatic activation and deactivation of the fans at 100-Deg "F" and at 90 Deg "F" respectively. The fan shelf operates on 120V AC and is also equipped with a 15 Amp circuit breaker switch (conveniently located towards the front) and a 10 Ft power cord for convenient use in any sized enclosure. Included with the fan shelf is a universal mounting kit with required hardware to enable 19" or a 23" configuration.

| Stock ID    | Description       | Dimensions              | Weight Lbs. | UOM  |
|-------------|-------------------|-------------------------|-------------|------|
| 744-3860-20 | 600 CFM Fan Shelf | 28"W x 1.75"H x 14.84"D | 14          | Each |

## ENVIRONMENTALLY CONTROLLED ENCLOSURES

### Wall / Pole Mount Enclosure 16RU



This enclosure features a unique rolling / swing out rack that provides easy access to the rear of 19" mounted equipment. It also has a lower 3RU demarcation enclosure for separate access to enhance network security. It includes 120V service entrance with surge protection. The cabinet is cooled by either 2 100CFM thermostatically controlled fans, or it can be ordered with a heat exchanger. Call customer service for ordering information.

## GROUND MOUNT ENCLOSURE 30RU



This enclosure is equipped with padlockable 3 point latch doors on the front and rear. It provides an interior service entrance, and power strip. The equipment mounting rails are reversible to accommodate either 19" or 23" equipment. There is a solar shield as well as a 100CFM fan to provide cooling. There is also a bottom shelf for battery storage.

| Stock ID   | Description                 | Dimensions                 | Weight Lbs. | UOM  |
|------------|-----------------------------|----------------------------|-------------|------|
| 030-157-10 | 30RU Ground Mount Enclosure | 26.38" W x 52" H x 36.17 D | -           | Each |

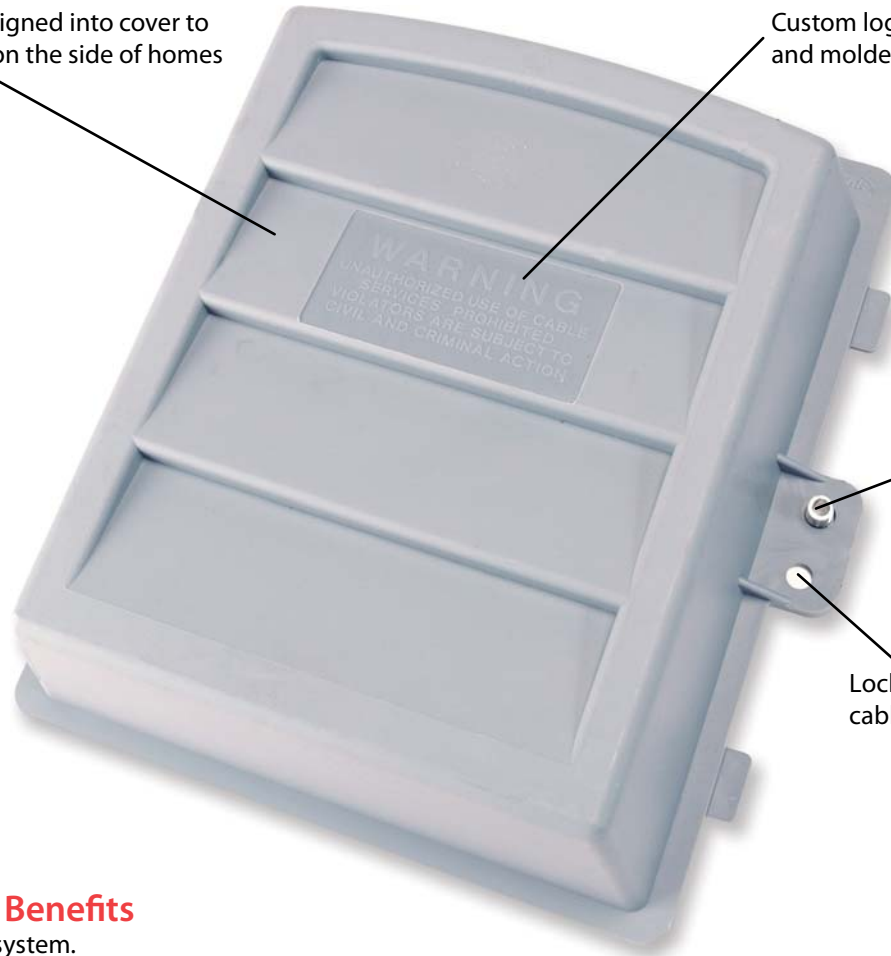


## PLASTIC DEMARCATION ENCLOSURES

### RNI-3800 Single Door Plastic Demarcation Enclosure

Louvers are designed into cover to look like vents on the side of homes

Custom logo available and molded into plastic



Locking Terminator

Locking hole for cable lock or wires

#### Features & Benefits

- Dual locking system.
- Removable cover.
- Plywood Optional.
- UV stabilized plastic can be painted with Latex paint.
- Countersunk mounting holes for easy mounting on uneven surfaces like aluminum or vinyl siding.
- Standard color is Gray.
- Custom Logos/Imprints. Injection molded available.

| Stock ID | Description  | Dimensions             | Weight Lbs. | UOM     |
|----------|--|------------------------|-------------|---------|
| 10-8609  | RNI-3800 Single Door Plastic Demarcation Enclosure with Locking Terminator. Optional Plywood backing available | 11.95"H x10"W x 5.25"D | 18/Case     | 10/Case |

**PLASTIC DEMARCATION ENCLOSURES**

**RNI-3900 Single Door Plastic Demarcation Enclosure**



**Features & Benefits**

- Dual locking system.
- Removable cover.
- Plywood Optional.
- UV stabilized plastic can be painted with Latex paint.
- Countersunk mounting holes for easy mounting on uneven surfaces like aluminum or vinyl siding.
- Standard color is Gray.
- Custom Logos/Imprints. Injection molded available.

| Stock ID | Description  | Dimensions                   | Weight Lbs. | UOM     |
|----------|--|------------------------------|-------------|---------|
| 10-9899  | RNI-3900 Single Door Plastic Demarcation Enclosure with Locking Terminator. Optional Plywood backing available | 12.125"H x 9.704"W x 3.501"D | 18/Case     | 10/Case |

SECTION 3  
DISTRIBUTION PRODUCTS

## PLASTIC DEMARCATION ENCLOSURES

### Multimedia Single Door Plastic Demarcation Enclosure



#### Features & Benefits

- Dual locking system.
- Removable cover.
- Plywood Optional.
- UV stabilized plastic can be painted with Latex paint.
- Countersunk mounting holes for easy mounting on uneven surfaces like aluminum or vinyl siding.
- Standard color is Gray.
- Custom Logos/Imprints. Injection molded available.

| Stock ID | Description  | Dimensions           | Weight Lbs. | UOM     |
|----------|--|----------------------|-------------|---------|
| 30617K   | RNI-3600 Single Door Plastic Demarcation Enclosure with Locking Terminator   | 10"W x 10"H x 3.22"D | 18/Case     | 10/Case |
| 30619K   | RNI-3600-SR Single Door Plastic Demarcation Enclosure with Locking Terminator - <b>Special Resistance Material</b>       | 10"W x 10"H x 3.22"D | 18/Case     | 10/Case |
| 30615K   | RNI-3600-TS Single Door Plastic Demarcation Enclosure with Locking Terminator - <b>Threaded for a Tamper Proof Screw</b> | 10"W x 10"H x 3.22"D | 18/Case     | 10/Case |

## PLASTIC DEMARCATION ENCLOSURES

### Multimedia Double Door Plastic Demarcation Enclosure



#### Exterior Features

- Weatherized UV stabilized plastic for the ultimate protection against the elements.
- Dual locking system
- UV stabilized plastic can be painted with Latex paint.
- Countersunk mounting holes for easy mounting on uneven surfaces like aluminum or vinyl siding.
- Can be wall mounted or on a pedestal stake.
- Standard color is Gray.
- Custom Logos/Imprints. Injection molded available.

#### Interior Features

- Both plastic dividers can be removed for increased versatility.
- The removable plastic insert plate has 2 knockouts for F-81 hex holes and an open end hex hole in the center of plate for an F-81.

| Stock ID | Description  | Dimensions   | Weight Lbs. | UOM     |
|----------|--|--|-------------|---------|
| 30652K   | RNI-3620 Double Door Plastic Demarcation Enclosure                                       | OD 17.25"L x 11.25"W x 3.875"D<br>ID: 16"L x 10"W x 3.22"D<br>CAD: 6"L x 11.25"W x 3.875"D | 36/Case     | 10/Case |
| 30659K   | RNI-3620 Double Door Plastic Demarcation Enclosure<br><b>Special Resistance Material</b> | OD 17.25"L x 11.25"W x 3.875"D<br>ID: 16"L x 10"W x 3.22"D<br>CAD: 6"L x 11.25"W x 3.875"D | 36/Case     | 10/Case |



## PLASTIC DEMARCATION ENCLOSURES

### RNI-3615 Double Door Plastic Demarcation Enclosure



#### Features & Benefits

- Dual door access and locking.
- Removable cover.
- Countersunk mounting holes for easy mounting on uneven surfaces like aluminum or vinyl siding.
- Custom injected molded logo available.
- Weatherized UV stabilized plastic for the ultimate protection against the elements.
- Enclosure can be painted with Latex paint.
- Unique ribbed backing built into the enclosure for easy mounting of equipment anywhere on the pattern.
- Removable plastic divider for increased versatility.
- Plywood optional.
- Special resistance material available upon request (see below), includes 15 year pro-rated warranty.
- Standard color is gray

| Stock ID | Description   | Dimensions         | Weight Lbs. | UOM     |
|----------|---|--------------------|-------------|---------|
| 30632K   | RNI-3615 Double Door Plastic Demarcation Enclosure  | 8"W x 14"H x 3.5"D | -           | 10/Case |
| 30631K   | RNI-3615-SR Double Door Plastic Demarcation Enclosure<br>Special Resistance Material (Not Pictured) | 8"W x 14"H x 3.5"D | -           | 10/Case |

## PLASTIC DEMARCATION ENCLOSURES

# RNI-5211 Single Dwelling Voice Port Plastic Demarcation Enclosure



### Features & Benefits

- Flexible mounting backing.
- Enlarged capacity for voice part and passive devices.
- Dual door locking system.
- Removable doors.
- Plywood optional.
- Can be wall mounted, pole mounted, or pedestal stake mounted.
- Standard color is light gray.
- Custom Logos/Imprints. Injection molded available.
- Flame retardant materials are available. Please call Customer Service for more information and a part number.
- Standard color is gray.

| Stock ID | Description   | Dimensions           | Weight Lbs. | UOM     |
|----------|---|----------------------|-------------|---------|
| 30661K   | RNI-5211 Single Dwelling Voice Port Enclosure   | 20"H x 9.5"W x 4.5"D | -           | 10/Case |
| 30665K   | RNI-5212 Single Dwelling Voice Port Enclosure (w/screen and mounting hardware included) | 20"H x 9.5"W x 4.5"D | -           | 10/Case |

**PLASTIC DEMARCATION ENCLOSURES**  
**SDU9134 (Single Dwelling Unit)**  
**Non-Captive Plastic Demarcation Enclosure**



The SDU is more than a plastic enclosure. The innovative, NON CAPTIVE design speeds the upgrade installation time of installing a new demarcation enclosure without disconnecting the customer’s service!

**Features & Benefits**

- Guard Tower locking terminator
- Replaceable Hasp
- Custom Logos/Imprints
- Injection molded available

| Stock ID | Description   | Dimensions       | Weight Lbs.  | UOM     |
|----------|---|------------------|--------------|---------|
| 30211K-T | SDU-9134 Set up with replaceable hasp and locking terminator security post.                     | 13"L x 9"W x 4"H | 19/Case      | 10/Case |
| 30222K   | SDU-9134 Set up with replaceable hasp and locking terminator security post. - Features Deep Lid | 13"L x 9"W x 5"H | 19 Lbs./Case | 8/Case  |

## PLASTIC DEMARCATION ENCLOSURES

### Non-Captive Plastic Demarcation Enclosure

CC-1/JR, CC-1/DWB, and CC-1/110-T



#### Features & Benefits

- Dual locking system
- Guard Tower locking terminator.
- Replaceable hasp.
- Custom Logos/Imprints. Injection Molded available
- Have it your way, we customize to your application!

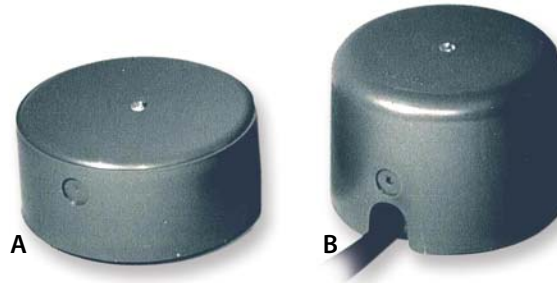
Patent #331-740

| Stock ID | Description   | Dimensions                 | Weight Lbs. | UOM        |
|----------|---|----------------------------|-------------|------------|
| 30125K   | CC-1/JR-T Set Up for Locking Terminator Use   | 7.375"H x 4.75"W x 1.625"D | -           | 50/Case    |
| 30166    | CC-1/JR-TS Star Tamper Proof Screw  | 7.375"H x 4.75"W x 1.625"D | -           | 50/Case    |
| 30105K   | CC-1/DWB-T  | 9.5"H x 6.5"W x 3.75"D     | -           | 50/Case    |
| 30306K   | CC-1/DWB-TX "X" Back  | 9.5"H x 6.5"W x 3.75"D     | -           | 30/Case    |
| 30307K   | CC-1/DWB-TS Tamper Proof Screw  | 9.5"H x 6.5"W x 3.75"D     | -           | 30/Case    |
| 30155K   | CC-1/110-T Set Up for Locking Terminator Use  | 11"H x 7"W x 4.25"D        | -           | 30/Case    |
| 30413    | CC-1/110-TS Star Tamper Proof Insert  | 11"H x 7"W x 4.25"D        | -           | 30/Case    |
| 30412K   | CC-1/100-T Set Up for Locking Terminator Use-Low Profile Cover                            | 11"H x 7"W x 2.5"D         | -           | 30/Case    |
| 30411    | CC-1/100-TS Star Tamper Proof Insert  | 11"H x 7"W x 2.5"D         | -           | 30/Case    |
| 31430    | C-1/H Hasp for CC-1 Enclosure   | -                          | -           | Each       |
| 31701    | 578-RTO Riser Tubing  | .5"ID x .875"OD x 6'       | -           | 50/Case    |
| 31702    | 578-MS New Slit Back Snap-On Style Riser Tubing-Gray                                      | .875                       | -           | 50/Case    |
| 31708    | 578-MS1 Mounting Strap for Riser Tubing   | 1"                         | -           | 50/Case    |
| 31705    | 578-RT Solid Wall Riser Tubing-Gray   | .5"ID x .875"OD x 6'       | -           | 50/Case    |
| 31709    | 578-RT1 Solid Wall Riser Tubing-Gray  | .875"ID x 1"OD x 6'        | -           | 50/Case    |
| 31440    | C-1PC Terminator Cap for CC-1 Enclosures-Gray   | -                          | -           | 50/Case    |
| 33200    | 8480 #8 x 1" Hex Screw  | -                          | -           | 1,000/Pack |
| 30661K   | RNI-5211 Single Dwelling Voice Port Enclosure   | 20"H x 9.5"W x 4.5"D       | -           | 10/Case    |
| 30665K   | RNI-5212 Single Dwelling Voice Port Enclosure ( w/screen and mounting hardware included ) | 20"H x 9.5"W x 4.5"D       | -           | 10/Case    |



## PLASTIC DEMARCATION ENCLOSURES

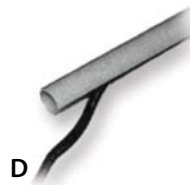
### Accessories and Mounting Hardware



The 1000 Series Security Enclosures



**C**  
Replacement Hasp  
for CC-1 Enclosures



**D**  
**Riser Tubing**  
Protect drop cable from weed  
eaters and environmental damage  
with solid wall riser tubing



**E & F**  
**Mounting Strap  
for Riser Tubing**

### Features & Benefits

- Dresses up drops.
- Protects passives from elements.
- Pre-wiring drops.

|   | Stock ID | Description                          | Dimensions             | Weight Lbs. | UOM     |
|---|----------|--------------------------------------|------------------------|-------------|---------|
| A | 1000-A   | Plastic Security Enclosure-Gray      | 4.875" x 2"            | -           | Each    |
| B | 1100-B   | Plastic Security Enclosure-Gray      | 4.875" x 3.5"          | -           | Each    |
| C | C-1/H    | Hasp for CC-1 Enclosures             |                        | -           | 50/Case |
| D | 578-RTO  | Slit Back Snap-On Style Riser Tubing | .5" ID x .875" OD x 6' | -           | 50/Case |
| E | 578-MS   | Mounting Strap for Riser Tubing      | .875"                  | -           | 50/Case |
| F | 578-MS 1 | Mounting Strap for Riser Tubing      | 1"                     | -           | 50/Case |

## SECURITY SEALS

# MULTITAG™ Tamper Resistant Security Seals For Audit Control

Exclusively manufactured by Multilink, Inc., which enables you to customize your tag anyway you want!

Colors: Add number to end of MULTITAG™ number

| Color # | Color  | Color # | Color     | Color # | Color      |
|---------|--------|---------|-----------|---------|------------|
| 01      | Yellow | 06      | Black     | 12      | Dk. Green  |
| 02      | Orange | 07      | Red       | 13      | Blue Green |
| 03      | Purple | 09      | Lt. Blue  | 14      | Rose       |
| 04      | Gold   | 10      | Dk. Blue  | 15      | Beige      |
| 05      | White  | 11      | Lt. Green |         |            |

Standard Package is 100 pieces per bag

The Multilink, Inc. MULTITAG™ was designed with the installer's problems and needs in mind. The uniquely patented design surrounds the cable with both the body and hasp, making the tag virtually tamperproof!

**MT-LO**  
Custom Logo



**MT-WN**  
Writing Panel w/Custom Name



**MT-AN**  
7 Digit Alphanumerical w/Custom Name



**MT-WL**  
Writing Panel w/Custom Logo



**MT-AL**  
7 Digit Alphanumerical w/Custom Logo



**MT-NO**  
Custom Name



## SECURITY SEALS

# MULTITAG™ Tamper Resistant Security Seals For Audit Control

Exclusively manufactured by Multilink, Inc., which enables you to customize your tag anyway you want!

Colors: Add number to end of MULTITAG™ number

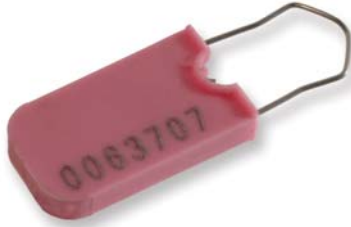
| Color # | Color  | Color # | Color     | Color # | Color      |
|---------|--------|---------|-----------|---------|------------|
| 01      | Yellow | 06      | Black     | 12      | Dk. Green  |
| 02      | Orange | 07      | Red       | 13      | Blue Green |
| 03      | Purple | 09      | Lt. Blue  | 14      | Rose       |
| 04      | Gold   | 10      | Dk. Blue  | 15      | Beige      |
| 05      | White  | 11      | Lt. Green |         |            |

Standard Package is 100 pieces per bag

The Multilink, Inc. MULTITAG™ was designed with the installer's problems and needs in mind. The uniquely patented design surrounds the cable with both the body and hasp, making the tag virtually tamper proof!

### MT-AO

7 Digit, Alphanumerical



### MT-PO

Plain



### MT-WO

Writing Panel



### MT-WA

Writing Panel, w/7 Digit Alphanumerical



### MT-LW

Large Writing Panel

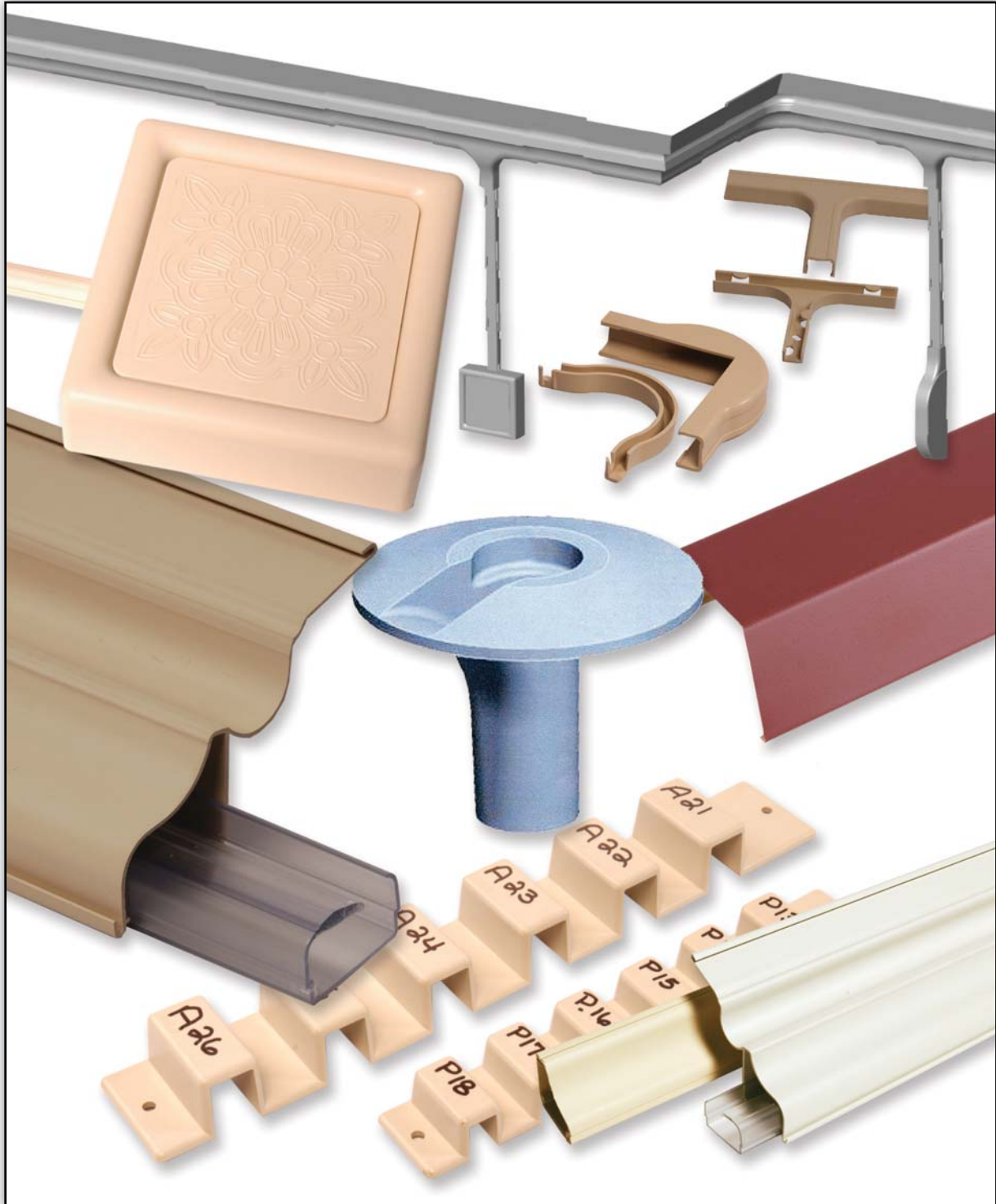


### MT-BA

Bar Code w/7 Digit Alphanumerical  
(Minimum Order of 5,000 pieces)



Bar Code your Multilink, Inc. MULTITAG™ and get a second set of bar codes to stick on the audit work sheet report!

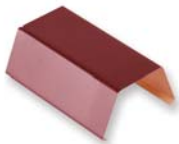
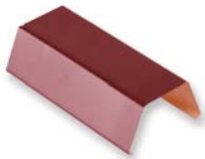
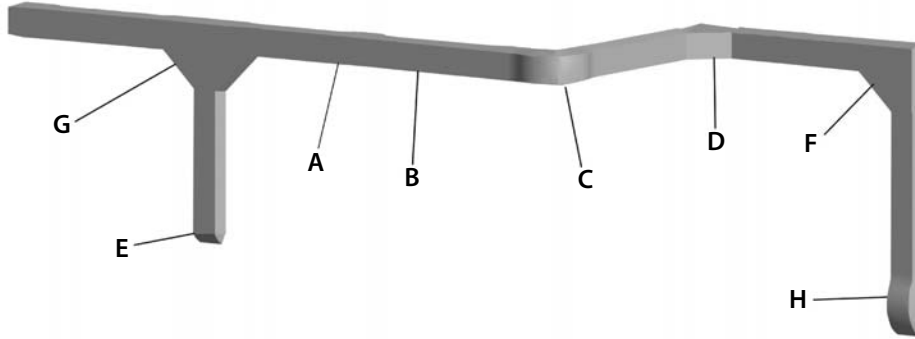


SECTION 4  
PATHWAY PRODUCTS

# PATHWAY PRODUCTS

## SECTION 4

## FIBER OPTIC RACEWAY Steel Molding



| Steel Raceway    | Stock ID    |       |           |       |        |               |
|------------------|-------------|-------|-----------|-------|--------|---------------|
|                  | Description | Beige | Brick Red | Brown | White  | Std. CRT Size |
| 84030-CMM 3/4"   | 20117       | 20119 | 20118     | 20115 | 224 ft | Each          |
| 84120-CMM 1-1/4" | 20137       | 20139 | 20138     | 20136 | 224 ft | Each          |
| 84200-CMM 2"     | 20167       | 20169 | 20168     | 20171 | 192 ft | Each          |
| 84300-CMM 3"     | 20194       | 20195 | 20196     | 20197 | 96 ft  | Each          |

| Full Length Metal Backing |  |               |      |
|---------------------------|--|---------------|------|
| Stock ID                  | Description  | Std. CRT Size | UOM  |
| 25913                     | 84030-MBL / Full length Metal Backing for 3/4" Metal Molding   | 10/Pack       | Each |
| 25933                     | 84120-MBL / Full Length Metal Backing for 1-1/4" Metal Molding | 10/Pack       | Each |
| 25993                     | 84200-MBL / Full Length Metal Backing for 2" Metal Molding     | 10/Pack       | Each |
| 25934                     | 84300-MBL / Full Length Metal Backing for 3" Metal Molding     | 10/Pack       | Each |

| 5" Long Mounting Brackets |                                    |               |      |
|---------------------------|------------------------------------|---------------|------|
| Stock ID                  | Description                        | Std. CRT Size | UOM  |
| 25912                     | 84032-MB / 3/4' Mounting Brackets  | 224 ft        | Each |
| 25932                     | 84122-MB / 1 1/4 Mounting Brackets | 224 ft        | Each |
| 25962                     | 84205-MB / 2" Mounting Brackets    | 192 ft        | Each |
| 25963                     | 84306-MB / 3" Mounting Brackets    | 96 ft         | Each |

| Seam Covers      | Stock ID    |       |           |       |         |            |
|------------------|-------------|-------|-----------|-------|---------|------------|
|                  | Description | Beige | Brick Red | Brown | White   | Carton Qty |
| 84033-SCM 3/4"   | 25917       | 25919 | 25918     | 25920 | 10/Pack | Each       |
| 84122-SCM 1-1/4" | 25937       | 25939 | 25938     | 25940 | 10/Pack | Each       |
| 84222-SCM 2"     | 25967       | 25969 | 25968     | 25961 | 10/Pack | Each       |
| 84302-SCM 3"     | 25009       | 25008 | 25109     | 25007 | 10/Pack | Each       |



# FIBER OPTIC RACEWAY

## Steel Molding



| Outside Corners   | Stock ID |           |         |         |            |      |
|-------------------|----------|-----------|---------|---------|------------|------|
| Description       | Beige    | Brick Red | Brown   | White   | Carton Qty | UOM  |
| 87037-OEM 3/4"    | 25117    | 25119     | 25118   | 25326   | 10/Pack    | Each |
| 84127-OEM2 1-1/4" | 10-9303  | 10-9304   | 10-9302 | 10-9301 | 10/Pack    | Each |
| 84207-OEM2 2"     | 10-9307  | 10-9308   | 10-9306 | 10-9305 | 10/Pack    | Each |
| 84377-OEM 3"      | 25194    | 25195     | 25196   | 25002   | 10/Pack    | Each |

| Inside Corners    | Stock ID |           |         |         |            |      |
|-------------------|----------|-----------|---------|---------|------------|------|
| Description       | Beige    | Brick Red | Brown   | White   | Carton Qty | UOM  |
| 84036-IEM 3/4"    | 25017    | 25019     | 25018   | 25323   | 10/Pack    | Each |
| 84126-IEM2 1-1/4" | 10-9295  | 10-9296   | 10-9294 | 10-9293 | 10/Pack    | Each |
| 84206-IEM2 2"     | 10-9299  | 10-9300   | 10-9298 | 10-9297 | 10/Pack    | Each |
| 84306-IEM 3"      | 25096    | 25095     | 25094   | 25001   | 10/Pack    | Each |

| End Cap          | Stock ID |           |       |       |            |      |
|------------------|----------|-----------|-------|-------|------------|------|
| Description      | Beige    | Brick Red | Brown | White | Carton Qty | UOM  |
| 84033-ECM 3/4"   | 25317    | 25319     | 25318 | 25332 | 10/Pack    | Each |
| 84123-ECM 1-1/4" | 25337    | 25339     | 25338 | 25333 | 10/Pack    | Each |
| 84203-ECM 2"     | 25367    | 25369     | 25368 | 25334 | 10/Pack    | Each |
| 84303-ECM 3"     | 25396    | 25395     | 25394 | 25005 | 10/Pack    | Each |

| Right Angles      | Stock ID |           |         |         |            |      |
|-------------------|----------|-----------|---------|---------|------------|------|
| Description       | Beige    | Brick Red | Brown   | White   | Carton Qty | UOM  |
| 84034-FEMB 3/4"   | 25217    | 25219     | 25218   | 25329   | 10/Pack    | Each |
| 84124-FEM2 1-1/4" | 10-9278  | 10-9279   | 10-9277 | 10-9276 | 10/Pack    | Each |
| 84204-FEM2 2"     | 10-9286  | 10-9287   | 10-9285 | 10-9284 | 10/Pack    | Each |
| 84304-FEMB 3"     | 25294    | 25295     | 25296   | 25003   | 10/Pack    | Each |

| T Fitting         | Stock ID |           |         |         |            |      |
|-------------------|----------|-----------|---------|---------|------------|------|
| Description       | Beige    | Brick Red | Brown   | White   | Carton Qty | UOM  |
| 84038-TMB 3/4"    | 25417    | 25419     | 25418   | 25420   | 10/Pack    | Each |
| 84128-TMB2 1-1/4" | 10-9282  | 10-9283   | 10-9281 | 10-9280 | 10/Pack    | Each |
| 84208-TMB2 2"     | 10-9290  | 10-9291   | 10-9289 | 10-9288 | 10/Pack    | Each |
| 84308-TMB 3"      | 25494    | 25495     | 25496   | 25006   | 10/Pack    | Each |

| Entry Hoof        | Stock ID |           |         |         |            |      |
|-------------------|----------|-----------|---------|---------|------------|------|
| Description       | Beige    | Brick Red | Brown   | White   | Carton Qty | UOM  |
| 84123-ECM2 1-1/4" | 10-9311  | 10-9312   | 10-9310 | 10-9309 | 10/Pack    | Each |
| 84203-ECM2 2"     | 10-9315  | 10-9316   | 10-9314 | 10-9313 | 10/Pack    | Each |

| Bell Flanges     | Stock ID |           |       |       |            |      |
|------------------|----------|-----------|-------|-------|------------|------|
| Description      | Beige    | Brick Red | Brown | White | Carton Qty | UOM  |
| 84030-JBM 3/4"   | 25617    | 25619     | 25617 | 25321 | 10/Pack    | Each |
| 84120-JBM 1-1/4" | 25637    | 25639     | 25638 | 25636 | 10/Pack    | Each |
| 84200-JBM 2"     | 25667    | 25669     | 25668 | 25322 | 10/Pack    | Each |
| 84300-JBM 3"     | 25694    | 25695     | 25696 | 25004 | 10/Pack    | Each |

SECTION 4  
PATHWAY PRODUCTS

# STEEL RACEWAY

## Fittings and Accessories

### New Tuff Top Coating for Olympic Steel Molding

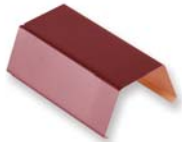
Category 5, 5E & 6 - 1" Bend Radius Compliant



| Stock ID   | Description                  | Dimensions | Weight Lbs. | Carton Qty | UOM  |
|------------|------------------------------|------------|-------------|------------|------|
| 84034-FEMB | Flat 90 Degree Elbow Fitting | 3/4"       | 0.16        | 10/Pack    | Each |
| 84124-FEMB | Flat 90 Degree Elbow Fitting | 1-1/4"     | 0.30        | 10/Pack    | Each |
| 84204-FEMB | Flat 90 Degree Elbow Fitting | 2"         | 0.37        | 10/Pack    | Each |
| 84304-FEMB | Flat 90 Degree Elbow Fitting | 3"         | 0.49        | 10/Pack    | Each |



| Stock ID   | Description         | Dimensions    | Weight Lbs. | Carton Qty | UOM  |
|------------|---------------------|---------------|-------------|------------|------|
| 84128-03-T | Tee Reducer Fitting | 1-1/4" - 3/4" | 0.33        | 10/Pack    | Each |
| 84208-03-T | Tee Reducer Fitting | 2" - 1-1/4"   | 0.35        | 10/Pack    | Each |
| 84308-03-T | Tee Reducer Fitting | 3" - 1-1/4"   | 0.37        | 10/Pack    | Each |



| Stock ID  | Description        | Dimensions  | Weight Lbs. | Carton Qty | UOM  |
|-----------|--------------------|-------------|-------------|------------|------|
| 84033-SCM | Seam Cover Fitting | 3/4" x 3"   | 0.07        | 10/Pack    | Each |
| 84033-SCM | Seam Cover Fitting | 1-3/4" x 3" | 0.08        | 10/Pack    | Each |
| 84033-SCM | Seam Cover Fitting | 2" x 3"     | 0.10        | 10/Pack    | Each |
| 84033-SCM | Seam Cover Fitting | 3" x 3"     | 0.15        | 10/Pack    | Each |

Standard Colors are Beige, Brick Red, Brown & White



| Stock ID | Description                    | Dimensions | Weight Lbs. | UOM  |
|----------|--------------------------------|------------|-------------|------|
| 84J1251  | Cutting Tool For Steel Molding | -          | -           | Each |



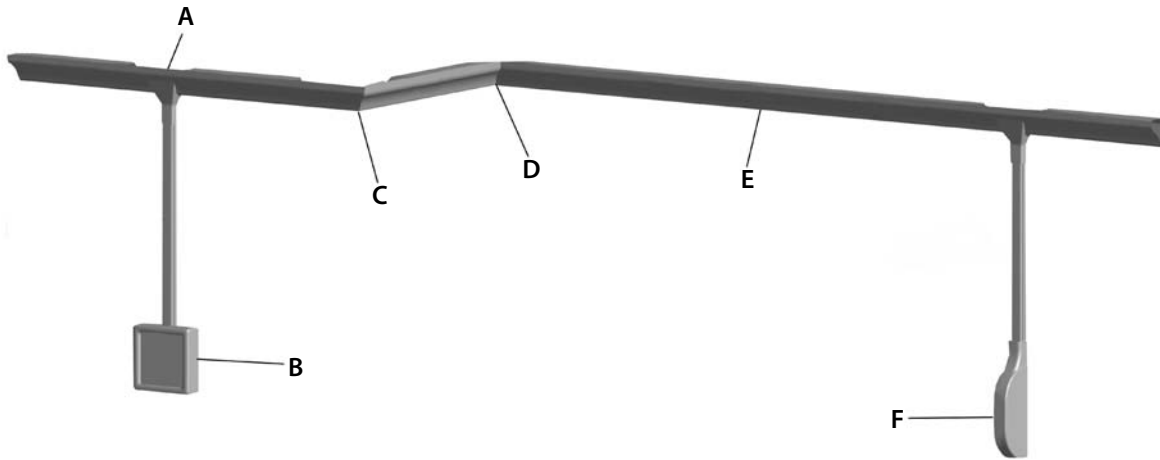
| Stock ID | Description            | Dimensions | Weight Lbs. | UOM  |
|----------|------------------------|------------|-------------|------|
| 84002-ET | Entry Tool for Molding | -          | 0.05        | Each |



| Stock ID | Description              | Dimensions | Weight Lbs. | UOM  |
|----------|--------------------------|------------|-------------|------|
| 12715    | Brown Touch Up Paint     | -          | 0.70        | Each |
| 12715    | Beige Touch Up Paint     | -          | 0.70        | Each |
| 12717    | Brick Red Touch Up Paint | -          | 0.70        | Each |
| 12718    | White Touch Up Paint     | -          | 0.70        | Each |

# FIBER OPTIC RACEWAY

## Cove Molding



Not Sold Separately

|   | Stock ID | Part #       | Description                              | Color       | Std. CRT Size | UOM  |
|---|----------|--------------|--|-------------|---------------|------|
| A | 10-9492  | MCF27-TRT-IV | T Fitting & Bend Radius for Cove Molding | Ivory       | 10            | Pack |
| A | 10-9473  | MCF27-TRT-LW | T Fitting & Bend Radius for Cove Molding | Linen White | 10            | Pack |



Not Sold Separately

|   | Stock ID | Part #        | Description                                   | Color       | Std. CRT Size | UOM  |
|---|----------|---------------|---|-------------|---------------|------|
| C | 10-9361  | 84125-OERW-IV | Outside Corner & Bend Radius for Cove Molding | Ivory       | 10            | Each |
| C | 10-9362  | 84125-OERW-LW | Outside Corner & Bend Radius for Cove Molding | Linen White | 10            | Each |



Not Sold Separately

|   | Stock ID | Part #        | Description                                  | Color       | Std. CRT Size | UOM  |
|---|----------|---------------|--|-------------|---------------|------|
| D | 10-9359  | 84125-IERW-IV | Inside Corner & Bend Radius for Cove Molding | Ivory       | 10            | Each |
| D | 10-9471  | 84125-IERW-LW | Inside Corner & Bend Radius for Cove Molding | Linen White | 10            | Each |



|   | Stock ID | Part #     | Description               | Color       | Std. CRT Size | UOM  |
|---|----------|------------|---------------------------|-------------|---------------|------|
| E | 10-9358  | 84125-W-IV | Cove Molding Int. Plastic | Ivory       | 160           | Feet |
| E | 10-9357  | 84125-W-LW | Cove Molding Int. Plastic | Linen White | 160           | Feet |

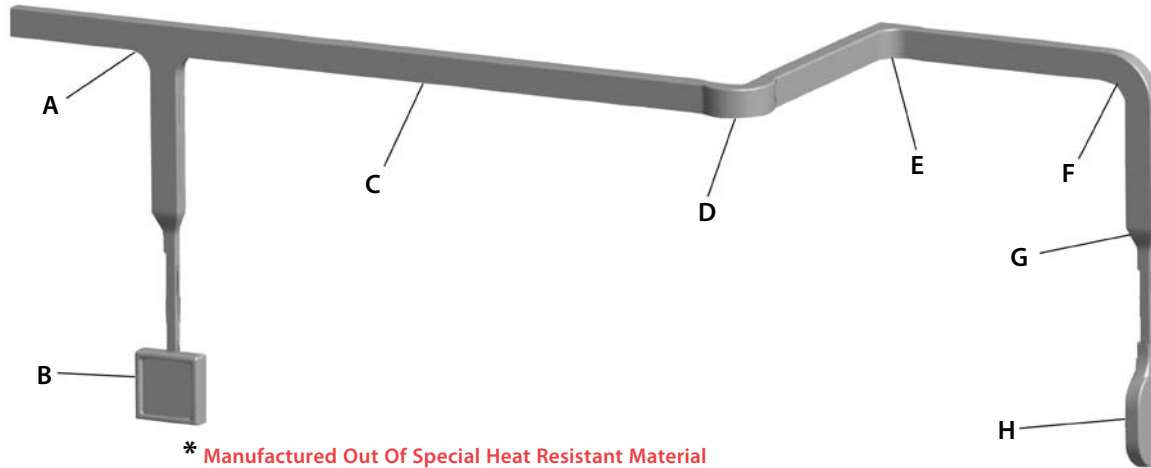


|   | Stock ID | Part #       | Description                           | Color       | Std. CRT Size | UOM  |
|---|----------|--------------|---------------------------------------|-------------|---------------|------|
| - | 10-9364  | 84125-CRC-IV | Cable Retention Clip for Cove Molding | Ivory       | 10            | Each |
| - | 10-9363  | 84125-CRC-LW | Cable Retention Clip for Cove Molding | Linen White | 10            | Each |

Standard Colors are Linen White & Ivory  
Items B & F are on Page 107

# FIBER OPTIC RACEWAY

## Square Latch Duct Molding



\* Manufactured Out Of Special Heat Resistant Material



Not Sold Separately



Not Sold Separately

|   | Stock ID | Part #       | Description                                       | Color        | Std. CRT Size | UOM  |
|---|----------|--------------|---|--------------|---------------|------|
| A | 10-9398  | MRF12-TRT-IV | "T" Fitting & Radius for Sq. Plastic & Latch Duct | Ivory*       | 10            | Pack |
| A | 10-9397  | MRF12-TRT-LW | "T" Fitting & Radius for Sq. Plastic & Latch Duct | Linen White* | 10            | Pack |
| A | 10-9403  | MRF17-TRT-IV | "T" Fitting & Radius for Sq. Plastic & Latch Duct | Ivory*       | 10            | Pack |
| A | 10-9402  | MRF17-TRT-LW | "T" Fitting & Radius for Sq. Plastic & Latch Duct | Linen White* | 10            | Pack |
| A | 10-9395  | MRF75-TRT-IV | "T" Fitting & Radius for Sq. Plastic & Latch Duct | Ivory*       | 10            | Pack |
| A | 10-9394  | MRF75-TRT-LW | "T" Fitting & Radius for Sq. Plastic & Latch Duct | Linen White* | 10            | Pack |
| A | 99615K   | MRF75-TRT-I  | .75" Tee Fitting for MRM75 and MRC75              | Ivory        | 10            | Pack |
| A | 99616K   | MRF75-TRT-W  | .75" Tee Fitting for MRM75 and MRC75              | White        | 10            | Pack |
| A | 99614K   | MRF75-TRT-OW | .75" Tee Fitting for MRM75 and MRC75              | Office White | 10            | Pack |
| A | 99620K   | MRF12-TRT-I  | 1.25" Tee Fitting for MRM12 and MRC12             | Ivory        | 10            | Pack |
| A | 99621K   | MRF12-TRT-W  | 1.25" Tee Fitting for MRM12 and MRC12             | White        | 10            | Pack |
| A | 99623K   | MRF12-TRT-OW | 1.25" Tee Fitting for MRM12 and MRC12             | Office White | 10            | Pack |
| A | 99625K   | MRF17-TRT-I  | 1.75" Tee Fitting for MRM17 and MRC17             | Ivory        | 10            | Pack |
| A | 99626K   | MRF17-TRT-W  | 1.75" Tee Fitting for MRM17 and MRC17             | White        | 10            | Pack |
| A | 99624K   | MRF17-TRT-OW | 1.75" Tee Fitting for MRM17 and MRC17             | Office White | 10            | Pack |

|   | Stock ID | Part #       | Description                                   | Color        | Std. CRT Size | UOM  |
|---|----------|--------------|---|--------------|---------------|------|
| E | 10-9494  | MRF12-ICR-IV | IC & Radius for Sq. Plastic & Latch Duct      | Ivory*       | 10            | Pack |
| E | 10-9493  | MRF12-ICR-LW | IC & Radius for Sq. Plastic & Latch Duct      | Linen White* | 10            | Pack |
| E | 10-9502  | MRF17-ICR-IV | IC & Radius for Sq. Plastic & Latch Duct      | Ivory*       | 10            | Pack |
| E | 10-9501  | MRF17-ICR-LW | IC & Radius for Sq. Plastic & Latch Duct      | Linen White* | 10            | Pack |
| E | 10-9479  | MRF75-ICR-IV | IC & Radius for Sq. Plastic & Latch Duct      | Ivory*       | 10            | Pack |
| E | 10-9478  | MRF75-ICR-LW | IC & Radius for Sq. Plastic & Latch Duct      | Linen White* | 10            | Pack |
| E | 99459K   | MRF75-ICR-I  | .75" Inside Corner Fitting for MRM75 & MRC75  | Ivory        | 10            | Pack |
| E | 99454K   | MRF75-ICR-W  | .75" Inside Corner Fitting for MRM75 & MRC75  | White        | 10            | Pack |
| E | 99455K   | MRF75-ICR-OW | .75" Inside Corner Fitting for MRM75 & MRC75  | Office White | 10            | Pack |
| E | 99463K   | MRF12-ICR-I  | 1.25" Inside Corner Fitting for MRM12 & MRC12 | Ivory        | 10            | Pack |
| E | 99465K   | MRF12-ICR-W  | 1.25" Inside Corner Fitting for MRM12 & MRC12 | White        | 10            | Pack |
| E | 99460K   | MRF12-ICR-OW | 1.25" Inside Corner Fitting for MRM12 & MRC12 | Office White | 10            | Pack |
| E | 99469K   | MRF17-ICR-I  | 1.75" Inside Corner Fitting for MRM17 & MRC17 | Ivory        | 10            | Pack |
| E | 99470K   | MRF17-ICR-W  | 1.75" Inside Corner Fitting for MRM17 & MRC17 | White        | 10            | Pack |
| E | 99475K   | MRF17-ICR-OW | 1.75" Inside Corner Fitting for MRM17 & MRC17 | Office White | 10            | Pack |

Item F, is on page 102, Items B, G & H are on Page 107

# FIBER OPTIC RACEWAY

## Square Latch Duct Molding



| Stock ID | Part #  | Description | Color   | Std. CRT Size | UOM      |
|----------|---------|-------------|---|---------------|----------|
| C        | 10-9461 | MRM-12-IV   | Latch Duct 1.75" x .75" x 8' w/ Non-Adhesive Bk.    | Ivory*        | 160 Feet |
| C        | 10-9460 | MRM-12-LW   | Latch Duct 1.75" x .75" x 8' w/ Non-Adhesive Bk.    | Linen White*  | 160 Feet |
| C        | 10-9463 | MRM-17-IV   | Latch Duct 1.75" x .75" x 8' w/ Non-Adhesive Bk.    | Ivory*        | 160 Feet |
| C        | 10-9462 | MRM-17-LW   | Latch Duct 1.75" x .75" x 8' w/ Non-Adhesive Bk.    | Linen White*  | 160 Feet |
| C        | 10-9459 | MRM-75-IV   | Latch Duct 1.75" x .75" x 8' w/ Non-Adhesive Bk.    | Ivory*        | 160 Feet |
| C        | 10-9458 | MRM-75-LW   | Latch Duct 1.75" x .75" x 8' w/ Non-Adhesive Bk.    | Linen White*  | 160 Feet |
| C        | 99828   | MRM75-I-T   | .75" Pre-Adhesive Bk. Latch Duct .75" x .5" x 6'    | Ivory         | 120 Feet |
| C        | 99825   | MRM75-W-T   | .75" Pre-Adhesive Bk. Latch Duct .75" x .5" x 6'    | White         | 120 Feet |
| C        | 99830   | MRM75-OW-T  | .75" Pre-Adhesive Bk. Latch Duct .75" x .5" x 6'    | Office White  | 120 Feet |
| C        | 99838   | MRM12-I-T   | 1.25" Pre-Adhesive Bk. Latch Duct 1.25" x .75" x 6' | Ivory         | 120 Feet |
| C        | 99835   | MRM12-W-T   | 1.25" Pre-Adhesive Bk. Latch Duct 1.25" x .75" x 6' | White         | 120 Feet |
| C        | 99831   | MRM12-OW-T  | 1.25" Pre-Adhesive Bk. Latch 1.25" x .75" x 6'      | Office White  | 120 Feet |
| C        | 99848   | MRM17-I-T   | 1.75" Pre-Adhesive Bk. Latch Duct 1.75" x 1" x 6'   | Ivory         | 120 Feet |
| C        | 99845   | MRM17-W-T   | 1.75" Pre-Adhesive Bk. Latch Duct 1.75" x 1" x 6'   | White         | 120 Feet |
| C        | 99832   | MRM17-OW-T  | 1.75" Pre-Adhesive Bk. Latch 1.75" x 1" x 6'        | Office White  | 120 Feet |



| Stock ID | Part #  | Description  | Color                                    | Std. CRT Size | UOM     |
|----------|---------|--------------|--|---------------|---------|
| D        | 10-9496 | MRF12-OCR-IV | OC & Radius for Sq. Plastic & Latch Duct | Ivory*        | 10 Pack |
| D        | 10-9495 | MRF12-OCR-LW | OC & Radius for Sq. Plastic & Latch Duct | Linen White*  | 10 Pack |
| D        | 10-9504 | MRF17-OCR-IV | OC & Radius for Sq. Plastic & Latch Duct | Ivory*        | 10 Pack |
| D        | 10-9503 | MRF17-OCR-LW | OC & Radius for Sq. Plastic & Latch Duct | Linen White*  | 10 Pack |
| D        | 10-9476 | MRF75-OCR-IV | OC & Radius for Sq. Plastic & Latch Duct | Ivory*        | 10 Pack |
| D        | 10-9477 | MRF75-OCR-LW | OC & Radius for Sq. Plastic & Latch Duct | Linen White*  | 10 Pack |
| D        | 99441K  | MRF75-OCR-I  | .75" OC Fitting for MRM75 & MRC75        | Ivory         | 10 Pack |
| D        | 99442K  | MRF75-OCR-W  | .75" OC Fitting for MRM75 & MRC75        | White         | 10 Pack |
| D        | 99443K  | MRF75-OCR-OW | .75" OC Fitting for MRM75 & MRC75        | Office White  | 10 Pack |
| D        | 99446K  | MRF12-OCR-I  | 1.25" OC Fitting for MRM12 & MRC12       | Ivory         | 10 Pack |
| D        | 99447K  | MRF12-OCR-W  | 1.25" OC Fitting for MRM12 & MRC12       | White         | 10 Pack |
| D        | 99445K  | MRF12-OCR-OW | 1.25" OC Fitting for MRM12 & MRC12       | Office White  | 10 Pack |
| D        | 99451K  | MRF17-OCR-I  | 1.75" OC Fitting for MRM17 & MRC17       | Ivory         | 10 Pack |
| D        | 99452K  | MRF17-OCR-W  | 1.75" OC Fitting for MRM17 & MRC17       | White         | 10 Pack |
| D        | 99450K  | MRF17-OCR-OW | 1.75" OC Fitting for MRM17 and MRC17     | Office White  | 10 Pack |



| Stock ID | Part #  | Description | Color                                       | Std. CRT Size | UOM      |
|----------|---------|-------------|---|---------------|----------|
| -        | 10-9455 | MRC-12-IV   | Sq. Plastic Molding w/ Non-Adhesive Backing | Ivory*        | 160 Feet |
| -        | 10-9454 | MRC-12-LW   | Sq. Plastic Molding w/ Non-Adhesive Backing | Linen White*  | 160 Feet |
| -        | 10-9457 | MRC-17-IV   | Sq. Plastic Molding w/ Non-Adhesive Backing | Ivory*        | 160 Feet |
| -        | 10-9456 | MRC-17-LW   | Sq. Plastic Molding w/ Non-Adhesive Backing | Linen White*  | 160 Feet |

Item F, is on page 102, Items B, G & H are on Page 107



## FIBER OPTIC RACEWAY Square Latch Duct Molding - Continued



Not Sold Separately

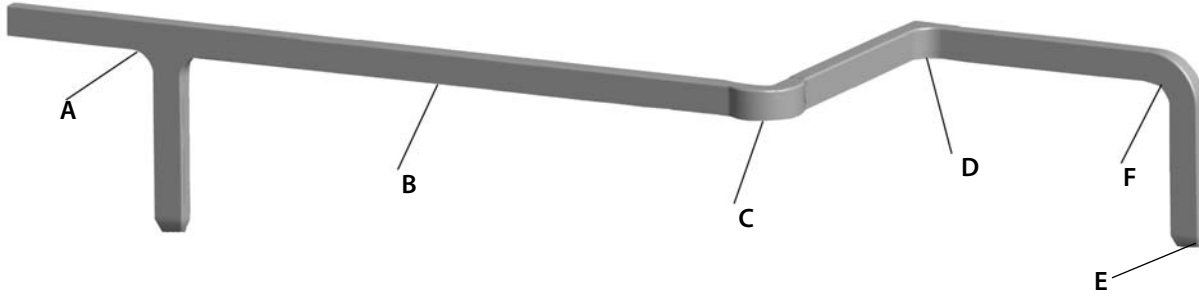
|   | Stock ID | Part #       | Description                                      | Color        | Std. CRT Size | UOM  |
|---|----------|--------------|--|--------------|---------------|------|
| F | 10-9498  | MRF12-FER-IV | Flat Elbow & Radius for Sq. Plastic & Latch Duct | Ivory        | 10            | Pack |
| F | 10-9497  | MRF12-FER-LW | Flat Elbow & Radius for Sq. Plastic & Latch Duct | Linen White  | 10            | Pack |
| F | 10-9506  | MRF17-FER-IV | Flat Elbow & Radius for Sq. Plastic & Latch Duct | Ivory        | 10            | Pack |
| F | 10-9505  | MRF17-FER-LW | Flat Elbow & Radius for Sq. Plastic & Latch Duct | Linen White  | 10            | Pack |
| F | 10-9481  | MRF75-FER-IV | Flat Elbow & Radius for Sq. Plastic & Latch Duct | Ivory        | 10            | Pack |
| F | 10-9480  | MRF75-FER-LW | Flat Elbow & Radius for Sq. Plastic & Latch Duct | Linen White  | 10            | Pack |
| F | 99486K   | MRF75-FER-I  | .75" Flat Elbow Fitting for MRM75 & MRC75        | Ivory        | 10            | Pack |
| F | 99487K   | MRF75-FER-W  | .75" Flat Elbow Fitting for MRM75 & MRC75        | White        | 10            | Pack |
| F | 99485K   | MRF75-FER-OW | .75" Flat Elbow Fitting for MRM75 & MRC75        | Office White | 10            | Pack |
| F | 99491K   | MRF12-FER-I  | 1.25" Flat Elbow Fitting for MRM12 & MRC12       | Ivory        | 10            | Pack |
| F | 99492K   | MRF12-FER-W  | 1.25" Flat Elbow Fitting for MRM12 & MRC12       | White        | 10            | Pack |
| F | 99490K   | MRF12-FER-OW | 1.25" Flat Elbow Fitting for MRM12 & MRC12       | Office White | 10            | Pack |
| F | 99496K   | MRF17-FER-I  | 1.75" Flat Elbow Fitting for MRM17 & MRC17       | Ivory        | 10            | Pack |
| F | 99497K   | MRF17-FER-W  | 1.75" Flat Elbow Fitting for MRM17 & MRC17       | White        | 10            | Pack |
| F | 99495K   | MRF17-FER-OW | 1.75" Flat Elbow Fitting for MRM17 & MRC17       | Office White | 10            | Pack |
|   | Stock ID | Part #       | Description                                      | Color        | Std. CRT Size | UOM  |
| - | 10-9500  | MRF12-JC-IV  | Join Cover for Sq. Plastic & Latch Duct Raceway  | Ivory        | 10            | Pack |
| - | 10-9499  | MRF12-JC-LW  | Join Cover for Sq. Plastic & Latch Duct Raceway  | Linen White  | 10            | Pack |
| - | 10-9539  | MRF17-JC-IV  | Join Cover for Sq. Plastic & Latch Duct Raceway  | Ivory        | 10            | Pack |
| - | 10-9400  | MRF17-JC-LW  | Join Cover for Sq. Plastic & Latch Duct Raceway  | Linen White  | 10            | Pack |
| - | 10-9474  | MRF75-JC-IV  | Join Cover for Sq. Plastic & Latch Duct Raceway  | Ivory        | 10            | Pack |
| - | 10-9475  | MRF75-JC-LW  | Join Cover for Sq. Plastic & Latch Duct Raceway  | Linen White  | 10            | Pack |
| - | 99411K   | MRF75-JC-I   | .75" Joint Cover Fitting for MRM75 & MRC75       | Ivory        | 10            | Pack |
| - | 99412K   | MRF75-JC-W   | .75" Joint Cover Fitting for MRM75 & MRC75       | White        | 10            | Pack |
| - | 99413K   | MRF75-JC-OW  | .75" Joint Cover Fitting for MRM75 & MRC75       | Office White | 10            | Pack |
| - | 99416K   | MRF12-JC-I   | 1.25" Joint Cover Fitting for MRM12 & MRC12      | Ivory        | 10            | Pack |
| - | 99417K   | MRF12-JC-W   | 1.25" Joint Cover Fitting for MRM12 & MRC12      | White        | 10            | Pack |
| - | 99418K   | MRF12-JC-OW  | 1.25" Joint Cover Fitting for MRM12 & MRC12      | Office White | 10            | Pack |
| - | 99421K   | MRF17-JC-I   | 1.75" Joint Cover Fitting for MRM17 & MRC17      | Ivory        | 10            | Pack |
| - | 99422K   | MRF17-JC-W   | 1.75" Joint Cover Fitting for MRM17 & MRC17      | White        | 10            | Pack |
| - | 99423K   | MRF17-JC-OW  | 1.75" Joint Cover Fitting for MRM17 & MRC17      | Office White | 10            | Pack |
|   | Stock ID | Part #       | Description                                      | Color        | Std. CRT Size | UOM  |
| - | 10-9490  | MRF12-EC-IV  | End Cap for Sq. Plastic & Latch Duct Raceway     | Ivory        | 10            | Pack |
| - | 10-9469  | MRF12-EC-LW  | End Cap for Sq. Plastic & Latch Duct Raceway     | Linen White  | 10            | Pack |
| - | 10-9491  | MRF12-EC-IV  | End Cap for Sq. Plastic & Latch Duct Raceway     | Ivory        | 10            | Pack |
| - | 10-9470  | MRF17-EC-LW  | End Cap for Sq. Plastic & Latch Duct Raceway     | Linen White  | 10            | Pack |
| - | 10-9488  | MRF75-EC-IV  | End Cap for Sq. Plastic & Latch Duct Raceway     | Ivory        | 10            | Pack |
| - | 10-9489  | MRF75-EC-LW  | End Cap for Sq. Plastic & Latch Duct Raceway     | Linen White  | 10            | Pack |
| - | 99645K   | MRF75-EC-I   | .75" End Cap Fitting for MRM75 & MRC75           | Ivory        | 10            | Pack |
| - | 99646K   | MRF75-EC-W   | .75" End Cap Fitting for MRM75 & MRC75           | White        | 10            | Pack |
| - | 99647K   | MRF75-EC-OW  | .75" End Cap Fitting for MRM75 & MRC75           | Office White | 10            | Pack |
| - | 99651K   | MRF12-EC-I   | 1.25" End Cap Fitting for MRM12 & MRC12          | Ivory        | 10            | Pack |
| - | 99652K   | MRF12-EC-W   | 1.25" End Cap Fitting for MRM12 & MRC12          | White        | 10            | Pack |
| - | 99653K   | MRF12-EC-OW  | 1.25" End Cap Fitting for MRM12 & MRC12          | Office White | 10            | Pack |
| - | 99656K   | MRF17-EC-I   | 1.75" End Cap Fitting for MRM17 & MRC17          | Ivory        | 10            | Pack |
| - | 99657K   | MRF17-EC-W   | 1.75" End Cap Fitting for MRM17 & MRC17          | White        | 10            | Pack |
| - | 99658K   | MRF17-EC-OW  | 1.75" End Cap Fitting for MRM17 & MRC17          | Office White | 10            | Pack |



Items A, C, D & E, are on the previous page, Items B, G & H are on Page 107

# FIBER OPTIC RACEWAY

## Square Plastic Molding Exterior Grade



Not Sold Separately

|   | Stock ID | Part #         | Description                                       | Std. CRT Size | UOM  |
|---|----------|----------------|---|---------------|------|
| A | 10-9731  | MRF12-TRT-E-IV | T-Fitting & Radius for Sq. Plastic Exterior Grade | 10            | Pack |
| A | 10-9734  | MRF17-TRT-E-IV | T-Fitting & Radius for Sq. Plastic Exterior Grade | 10            | Pack |



|   | Stock ID | Part #     | Description  | Std. CRT Size | UOM  |
|---|----------|------------|--|---------------|------|
| B | 10-9465  | MRC12-E-IV | Sq. Plastic Molding w/ Non-Adhesive Backing Exterior Grade | 160           | Feet |
| B | 10-9423  | MRC17-E-IV | Sq. Plastic Molding w/ Non-Adhesive Backing Exterior Grade | 160           | Feet |



Not Sold Separately

|   | Stock ID | Part #         | Description  | Std. CRT Size | UOM  |
|---|----------|----------------|--|---------------|------|
| C | 10-9417  | MRF12-OCR-E-IV | Outisde Corner and Radius for Sq. Plastic Exterior Grade | 10            | Pack |
| C | 10-9427  | MRF17-OCR-E-IV | Outisde Corner and Radius for Sq. Plastic Exterior Grade | 10            | Pack |



Not Sold Separately

|   | Stock ID | Part #         | Description   | Std. CRT Size | UOM  |
|---|----------|----------------|---|---------------|------|
| D | 10-9415  | MRF12-ICR-E-IV | Inside Corner and Radius for Sq. Plastic Exterior Grade | 10            | Pack |
| D | 10-9425  | MRF17-ICR-E-IV | Inside Corner and Radius for Sq. Plastic Exterior Grade | 10            | Pack |



Not Sold Separately

|   | Stock ID | Part #         | Description  | Std. CRT Size | UOM  |
|---|----------|----------------|--|---------------|------|
| E | 10-9419  | MRF12-FER-E-IV | Flat Elbow and Radius for Sq. Plastic Exterior Grade | 10            | Pack |
| E | 10-9429  | MRF17-FER-E-IV | Flat Elbow and Radius for Sq. Plastic Exterior Grade | 10            | Pack |



|   | Stock ID | Part #        | Description                            | Std. CRT Size | UOM  |
|---|----------|---------------|--|---------------|------|
| F | 10-9729  | MRF12-EC-E-IV | End Cap for Sq. Plastic Exterior Grade | 10            | Pack |
| F | 10-9730  | MRF17-EC-E-IV | End Cap for Sq. Plastic Exterior Grade | 10            | Pack |

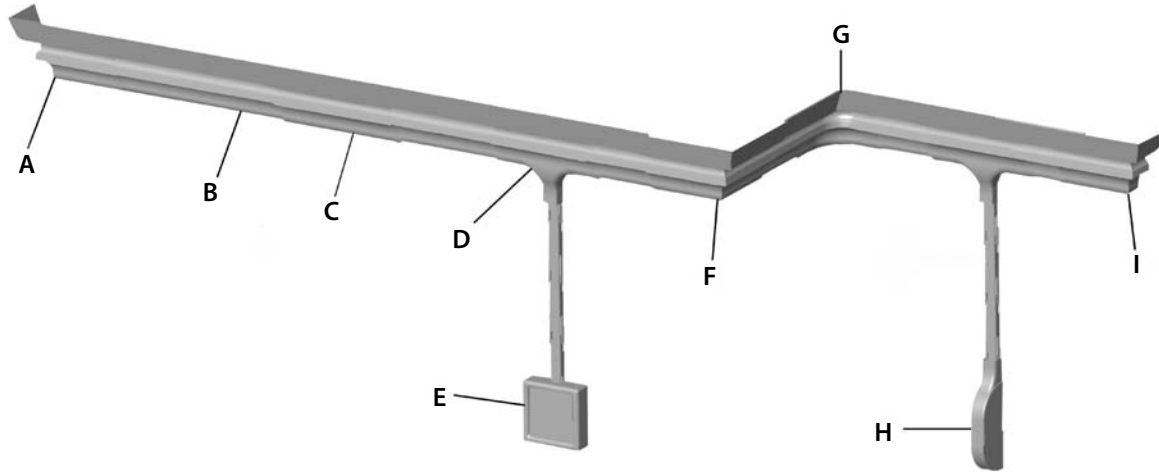


|   | Stock ID | Part #        | Description                         | Std. CRT Size | UOM  |
|---|----------|---------------|-------------------------------------|---------------|------|
| - | 10-9421  | MRF12-JC-E-IV | Seam Cover for Sq. Plastic Exterior | 10            | Pack |
| - | 10-9431  | MRF17-JC-E-IV | Seam Cover for Sq. Plastic Exterior | 10            | Pack |

Exterior Grade material is only available in Exterior Ivory

# FIBER OPTIC RACEWAY

## Overlay Molding™



Patent In Process



| Stock ID  | Part #        | Description                      | Color       | Std. CRT Size | UOM  |
|-----------|---------------|----------------------------------|-------------|---------------|------|
| A 10-9379 | MRW15-EC-L-IV | Left End Cap for Overlay Molding | Ivory       | 10            | Pack |
| A 10-9378 | MRW15-EC-L-LW | Left End Cap for Overlay Molding | Linen White | 10            | Pack |



| Stock ID  | Part #    | Description                                    | Color       | Std. CRT Size | UOM  |
|-----------|-----------|--|-------------|---------------|------|
| B 10-9387 | MRW-15-IV | Overlay Molding/Open Crown 1.5" x .75" for MDU | Ivory       | 10            | Pack |
| B 10-9386 | MRW-15-LW | Overlay Molding/Open Crown 1.5" x .75" for MDU | Linen White | 10            | Pack |



| Stock ID  | Part #      | Description                    | Color       | Std. CRT Size | UOM  |
|-----------|-------------|--------------------------------|-------------|---------------|------|
| C 10-9376 | MRW-DTRB-IV | Seam Cover for Overlay Molding | Ivory       | 10            | Pack |
| C 10-9375 | MRW-DTRB-LW | Seam Cover for Overlay Molding | Linen White | 10            | Pack |



Not Sold Separately

| Stock ID  | Part #    | Description                                   | Color       | Std. CRT Size | UOM  |
|-----------|-----------|---|-------------|---------------|------|
| D 10-9383 | MRW-SC-IV | Cover Drop "T" and Radius for Overlay Molding | Ivory       | 10            | Pack |
| D 10-9382 | MRW-SC-LW | Cover Drop "T" and Radius for Overlay Molding | Linen White | 10            | Pack |

Standard Colors are Linen White & Ivory  
Items E & H are on Page 107

# FIBER OPTIC RACEWAY

## Overlay Molding™ - Continued



Not Sold Separately

|   | Stock ID | Part #         | Description                                 | Color       | Std. CRT Size | UOM  |
|---|----------|----------------|---|-------------|---------------|------|
| F | 10-9391  | MRW-15-OWCR-IV | Outside Corner & Radius for Overlay Molding | Ivory       | 10            | Pack |
| F | 10-9390  | MRW-15-OWCR-LW | Outside Corner & Radius for Overlay Molding | Linen White | 10            | Pack |



Not Sold Separately

|   | Stock ID | Part #         | Description                                | Color       | Std. CRT Size | UOM  |
|---|----------|----------------|--|-------------|---------------|------|
| G | 10-9389  | MRW-15-OWCR-IV | Inside Corner & Radius for Overlay Molding | Ivory       | 10            | Pack |
| G | 10-9388  | MRW-15-OWCR-LW | Inside Corner & Radius for Overlay Molding | Linen White | 10            | Pack |



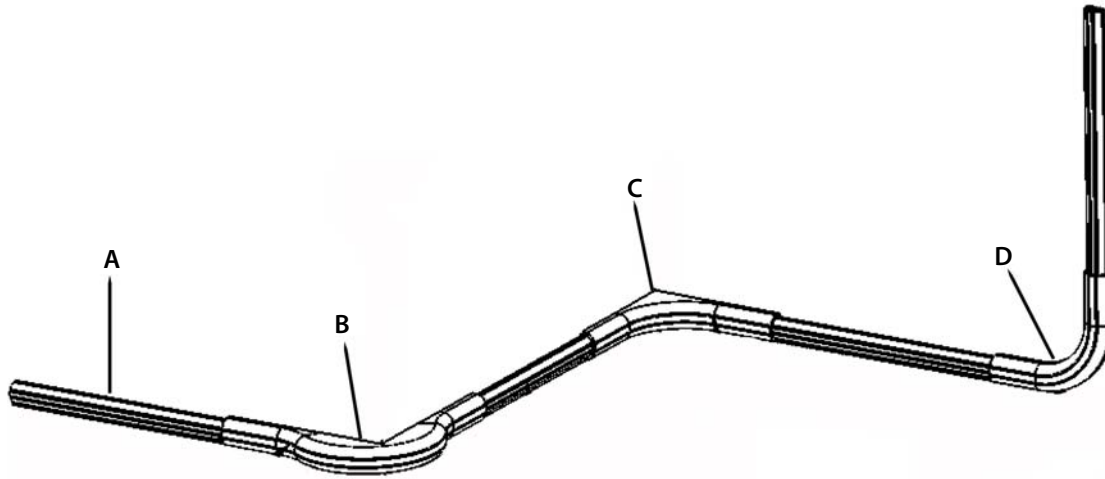
|   | Stock ID | Part #        | Description                       | Color       | Std. CRT Size | UOM  |
|---|----------|---------------|-----------------------------------|-------------|---------------|------|
| I | 10-9380  | MRW15-EC-R-IV | Right End Cap for Overlay Molding | Ivory       | 10            | Pack |
| I | 10-9381  | MRW15-EC-R-LW | Right End Cap for Overlay Molding | Linen White | 10            | Pack |

Standard Colors are Linen White & Ivory  
 Items E & H are on Page 107

Overlay Molding™ was designed to be installed over an existing provider's molding system. It is a two piece design, which allows for access to the first molding system without disconnecting any cables. The cover of the overlay simply snaps onto the base which is mounted below the existing molding and "covers up" the existing molding and the new base. The base of the Overlay Molding™ has a smooth co-extruded flexible cable keeper which won't damage any cables during installation or removal. The corner pieces include bend radius protectors to maintain the minimum bend radius of 1".

# FIBER OPTIC RACEWAY

## Single Fiber Molding



| Stock ID | Part #  | Description | Color       | Std. CRT Size | UOM  |
|----------|---------|-------------|-------------|---------------|------|
| A        | 10-9405 | FDM3AB-IV   | Ivory       | 1200          | Feet |
| A        | 10-9404 | FDM3AB-LW   | Linen White | 1200          | Feet |



Not Sold Separately

| Stock ID | Part #  | Description | Color       | Std. CRT Size | UOM  |
|----------|---------|-------------|-------------|---------------|------|
| B        | 10-9409 | FDF3-OCR-IV | Ivory       | 10            | Pack |
| B        | 10-9408 | FDF3-OCR-LW | Linen White | 10            | Pack |



| Stock ID | Part #  | Description | Color       | Std. CRT Size | UOM  |
|----------|---------|-------------|-------------|---------------|------|
| C        | 10-9407 | FDF3-ICR-IV | Ivory       | 10            | Pack |
| C        | 10-9406 | FDF3-ICR-LW | Linen White | 10            | Pack |



| Stock ID | Part #  | Description | Color       | Std. CRT Size | UOM  |
|----------|---------|-------------|-------------|---------------|------|
| D        | 10-9410 | FDF3-FER-IV | Ivory       | 10            | Pack |
| D        | 10-9411 | FDF3-FER-LW | Linen White | 10            | Pack |



## FIBER OPTIC RACEWAY

### Accessories For Plastic Moldings



Not Sold Separately



Not Sold Separately



| Stock ID | Part # | Description    | Color | Std. CRT Size | UOM  |
|----------|--------|----------------|-------|---------------|------|
| 10-9432  | WEBRP  | Wall Entry BRP | -     | 10            | Each |

| Stock ID | Part #        | Description                             | Color       | Std. CRT Size | UOM  |
|----------|---------------|---|-------------|---------------|------|
| 10-9436  | MRM-75-DCW-LW | Drop Cable Wall Entry Hoof - Cover/Base | Linen White | 10            | Each |
| 10-9437  | MRM-75-DCW-OW | Drop Cable Wall Entry Hoof - Cover/Base | Off White   | 10            | Each |

| Stock ID | Part #       | Description                            | Color       | Std. CRT Size | UOM  |
|----------|--------------|--|-------------|---------------|------|
| 10-9484  | MRF12-R75-IV | Reducer Fitting Reduces 1-1/4" to 3/4" | Ivory       | 10            | Each |
| 10-9485  | MRF12-R75-LW | Reducer Fitting Reduces 1-1/4" to 3/4" | Linen White | 10            | Each |
| 10-9486  | MRF17-R75-IV | Reducer Fitting Reduces 1-1/4" to 3/4" | Ivory       | 10            | Each |
| 10-9487  | MRF17-R75-LW | Reducer Fitting Reduces 1-1/4" to 3/4" | Linen White | 10            | Each |

## FIBER OPTIC RACEWAY

### Accessories For MRM & MRC Series Molding

Category 5, 5E & 6 1" Bend Radius Compliant



| Stock ID | Part #      | Description              | Dimensions | Color     | Weight Lbs. | UOM  |
|----------|-------------|--------------------------|------------|-----------|-------------|------|
| 99737    | MRFUV-WE-I  | Universal Wall Entry     | -          | Ivory     | 1.60        | Each |
| 99737K   | MRFUV-WE-I  | Universal Wall Entry Kit | -          | Ivory     | 1.60        | Each |
| 99734    | MRFUV-WE-W  | Universal Wall Entry     | -          | White     | 1.60        | Each |
| 99734K   | MRFUV-WE-W  | Universal Wall Entry Kit | -          | White     | 1.60        | Each |
| 99735    | MRFUV-WE-OW | Universal Wall Entry     | -          | Off White | 1.60        | Each |
| 99735K   | MRFUV-WE-OW | Universal Wall Entry Kit | -          | Off White | 1.60        | Each |

| Stock ID | Part #   | Description                   | Dimensions      | Color     | Weight Lbs. | UOM  |
|----------|----------|-------------------------------|-----------------|-----------|-------------|------|
| 99580K   | MJB-1-I  | Single Gang Surface Mount Box | 3.25" x 5" x 2" | Ivory     | 0.20        | Each |
| 99581K   | MJB-1-WH | Single Gang Surface Mount Box | 3.25" x 5" x 2" | White     | 0.20        | Each |
| 99584K   | MJB-1-OW | Single Gang Surface Mount Box | 3.25" x 5" x 2" | Off White | 0.20        | Each |

| Stock ID | Part #   | Description                   | Dimensions      | Color     | Weight Lbs. | UOM  |
|----------|----------|-------------------------------|-----------------|-----------|-------------|------|
| 99582K   | MJB-2-I  | Double Gang Surface Mount Box | 5" x 5.25" x 2" | Ivory     | 0.25        | Each |
| 99583K   | MJB-1-WH | Double Gang Surface Mount Box | 5" x 5.25" x 2" | White     | 0.25        | Each |
| 99585K   | MJB-1-OW | Double Gang Surface Mount Box | 5" x 5.25" x 2" | Off White | 0.25        | Each |

| Stock ID     | Part #    | Description                              | Dimensions       | Color     | Weight Lbs. | UOM  |
|--------------|-----------|--|------------------|-----------|-------------|------|
| 990000-MWP   | MWP-13-I  | Single Gang Face Plate (3 Port Capacity) | 2.75" x 4" x .5" | Ivory     | 0.10        | Each |
| 990000M-PWHK | MWP-13-WH | Single Gang Face Plate (3 Port Capacity) | 2.75" x 4" x .5" | White     | 0.10        | Each |
| 990000MW-POW | MWP-13-OW | Single Gang Face Plate (3 Port Capacity) | 2.75" x 4" x .5" | Off White | 0.10        | Each |

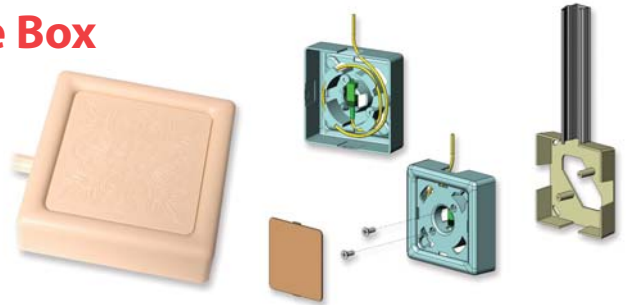
| Stock ID       | Part #    | Description                              | Dimensions       | Color     | Weight Lbs. | UOM  |
|----------------|-----------|--|------------------|-----------|-------------|------|
| 990000MW-P16IV | MWP-16-I  | Single Gang Face Plate (6 Port Capacity) | 2.75" x 4" x .5" | Ivory     | 0.10        | Each |
| 990000W-P16WH  | MWP-16-WH | Single Gang Face Plate (6 Port Capacity) | 2.75" x 4" x .5" | White     | 0.10        | Each |
| 990000MW-P16OW | MWP-16-OW | Single Gang Face Plate (6 Port Capacity) | 2.75" x 4" x .5" | Off White | 0.10        | Each |

## FIBER OPTIC ACCESSORIES

### Fiber Optic Interior Slack Storage Box

#### Applications & Features

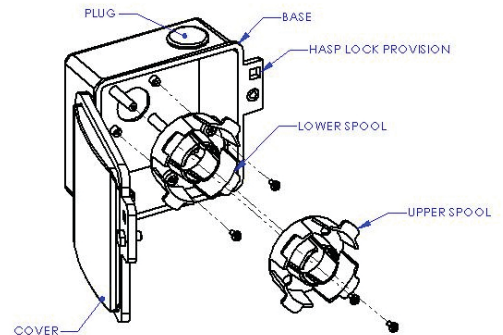
- Used to store up to 19 ft. of 3mm fiber optic cable
- Used to store SC connectors
- Interchangeable covers for different designs
- MRM75 and Single Fiber sized easy to remove knockouts
- Fiber Looms for easier cable management



| Stock ID | Description                                    | Color       | Std. CRT Size | UOM  |
|----------|--|-------------|---------------|------|
| 10-9434  | Slack Storage Box Inside Living Unit Connector | Ivory       | 1             | Each |
| 10-9433  | Slack Storage Box Inside Living Unit Connector | Linen White | 1             | Each |

## FIBER OPTIC ACCESSORIES

### Fiber Optic Exterior Slack Storage Box



Multilink's OSP slack storage box is 5" W x 5" L x 2" D. This OSP slack storage box is used for exterior slack storage applications using 3mm single fiber cable. There are two stackable storage spools that allow storage of multiple single fiber cable drops. Both of these spools are removable. In an instance where only one spool is sufficient, the spool can either be secured at a lower level or can be mounted at an elevation onto the risers off the back of the inside of the box as a spool on the upper level. This allows additional storage under the spool. There are three entry points sealed with removable cap plugs, or it can be ordered without holes. The diameter of each entry hole is 1 inch. The box is equipped with a hex bolt (with a retainer) that can be secured using a standard 216C type wrench. In addition to the above, the box is also equipped with a provision for a hasp lock. A built-in hinge allows captive and non-captive flexibility.

#### FILL CHART

| Bend Radius  | Cable Type            | EIA/TIA 40% | Maximum Fill |
|--------------|-----------------------|-------------|--------------|
| 1.263 Inches | 3mm Fiber Optic Cable | 5.2 1.58 M  | 13' 3.9 MRT  |
| 1.211 Inches | 3mm Fiber Optic Cable | 4.4 1.34 M  | 11' 3.52 MRT |

| Stock ID   | Description                          | Dimensions            | Color | Std. CRT Size | UOM  |
|------------|--------------------------------------|-----------------------|-------|---------------|------|
| 020-004-23 | Slack Box, Exterior with 3, 1" holes | 4.8 L x 4.8 W x 2.2 D | -     | 1             | Each |
| 020-004-24 | Slack Box, Exterior without holes    | 4.8 L x 4.8 W x 2.2 D | -     | 1             | Each |

## FIBER PLUG®

### Multilink Plastic Flush Wall Entry Plug With Built-In Bend Radius System

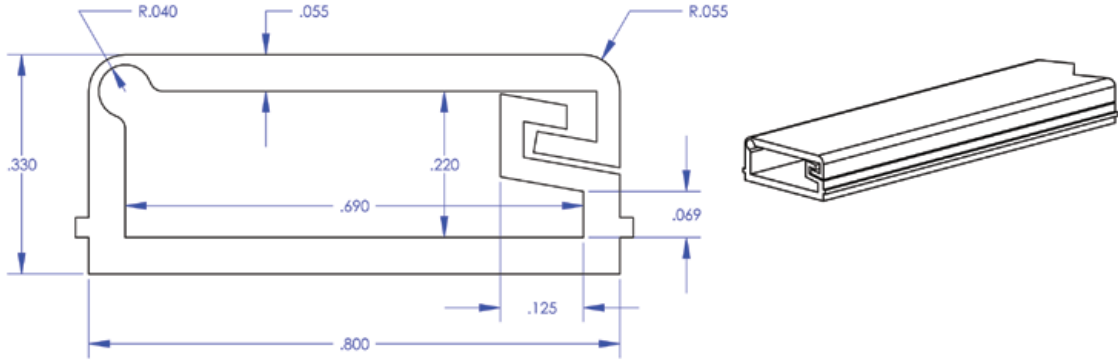
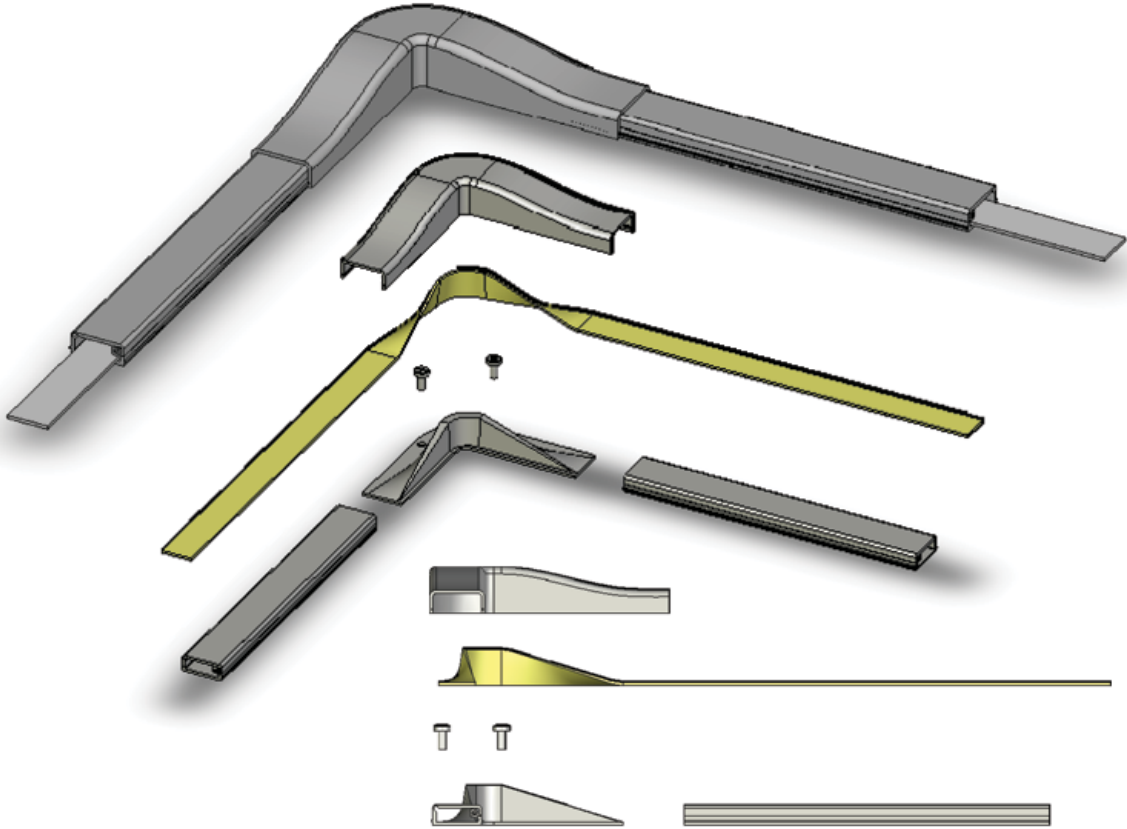
# FIBER PLUG



Patent In Process

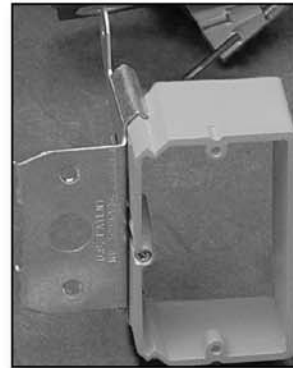
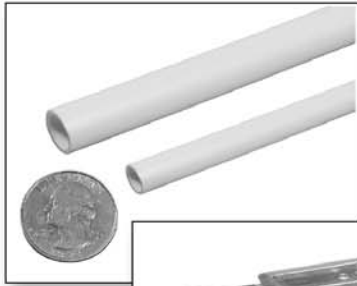
| Stock ID   | Description  | Dimensions | Weight Lbs. | UOM     |
|------------|--|------------|-------------|---------|
| 649-022-12 | Flush Wall Entry Plug Bend Radius Protector Interior and Exterior Use Color: Ivory Only (IV) | -          | -           | 100/Bag |

**FIBER OPTIC RACEWAY**  
**For Ribbon Transition Molding**  
New Raceway Systems Coming Soon...



SECTION 4  
PATHWAY PRODUCTS

# Plenum-Gard® Microduct & Accessories



SECTION 4  
PATHWAY PRODUCTS

# Plenum-Gard<sup>®</sup> Premise Innerduct



### Applications

Plenum, Riser and General Purpose. Applications per Articles 725, 770, 800 and 820

### Tech. Info

- Maximum flame propagation distance is less than 5.0 ft.
- The peak optical density of smoke is less than 0.50
- The average optical density of smoke is less than 0.15
- UL Listed to 2024 Standard • FT-6 Rated

## STANDARD STOCK - REELS

| Size   | Color  | Stock ID   | Part #      | Pull Tape | Reel Size (F x W) | Reel Type | Reel Length (ft.) | Reel Wt. Lbs. | Product Wt. per 100 ft. Lbs. |
|--------|--------|------------|-------------|-----------|-------------------|-----------|-------------------|---------------|------------------------------|
| 1/2"   | Orange | 039-059-10 | CD4X1C-1500 | 900 lb.   | 34" x 23"         | Wood      | 1500              | 30            | 7                            |
| 3/4"   | Orange | 039-061-10 | CE4X1-1000  | Empty     | 34" x 23"         | Wood      | 1000              | 30            | 8                            |
|        | Orange | 039-062-10 | CE4X1-1000S | Empty     | 34" x 23"         | Wood      | 1000              | 30            | 8                            |
| 1"     | Orange | 039-067-10 | CF4X1C-500  | 900 lb.   | 34" x 23"         | Wood      | 500               | 30            | 10                           |
|        | Orange | 039-068-10 | CF4X1C-1000 | 900 lb.   | 48" x 28"         | Wood      | 1000              | 79            | 10                           |
|        | Orange | 039-069-10 | CF4X1C-1500 | 900 lb.   | 48" x 28"         | Wood      | 1500              | 79            | 10                           |
|        | Orange | 039-070-10 | CF4X1C-5200 | 900 lb.   | 66" x 41"         | Wood      | 5200              | 250           | 10                           |
|        | Orange | 039-071-10 | CF4X1C-6500 | 900 lb.   | 72" x 41"         | Wood      | 6500              | 310           | 10                           |
|        | Orange | 039-072-10 | CF4X1C-8000 | 900 lb.   | 82" x 41"         | Wood      | 8000              | 365           | 10                           |
| 1-1/4" | Orange | 039-074-10 | CG4X1C-500  | 900 lb.   | 48" x 28"         | Wood      | 500               | 79            | 14                           |
|        | Orange | 039-075-10 | CG4X1C-900  | 900 lb.   | 48" x 45"         | Wood      | 900               | 96            | 14                           |
|        | Orange | 039-077-10 | CG4X1C-1600 | 900 lb.   | 48" x 45"         | Wood      | 1600              | 96            | 14                           |
|        | Orange | 039-078-10 | CG4X1C-3200 | 900 lb.   | 66" x 41"         | Wood      | 3200              | 250           | 14                           |
|        | Orange | 039-079-10 | CG4X1C-6500 | 900 lb.   | 96" x 41"         | Wood      | 6500              | 700           | 14                           |
|        | Orange | 039-076-10 | CG4X1-900S  | Empty     | 48" x 28"         | Wood      | 900               | 79            | 14                           |
| 1-1/2" | Orange | 039-081-10 | CH4X1C-350  | 900 lb.   | 48" x 28"         | Wood      | 350               | 79            | 16                           |
|        | Orange | 039-082-10 | CH4X1C-1200 | 900 lb.   | 48" x 45"         | Wood      | 1200              | 96            | 16                           |
|        | Orange | 039-083-10 | CH4X1C-4000 | 900 lb.   | 82" x 41"         | Wood      | 4000              | 365           | 16                           |
| 2"     | Orange | 039-085-10 | CJ4X1C-225  | 900 lb.   | 48" x 28"         | Wood      | 225               | 79            | 21                           |
|        | Orange | 039-086-10 | CJ4X1C-700  | 900 lb.   | 48" x 45"         | Wood      | 700               | 96            | 21                           |
|        | Orange | 039-087-10 | CJ4X1C-2000 | 900 lb.   | 82" x 41"         | Wood      | 2000              | 365           | 21                           |
|        | Orange | 039-088-10 | CJ4X1C-2800 | 900 lb.   | 82" x 41"         | Wood      | 2800              | 365           | 21                           |

## STANDARD STOCK - COILS

| Size   | Color  | Stock ID   | Part #     | Pull Tape | Coil Length (ft.) | Product Wt. per 100 ft. Lbs. |
|--------|--------|------------|------------|-----------|-------------------|------------------------------|
| 1/2"   | Orange | 039-058-10 | CD4X1C-500 | 900 lb.   | 500               | 7                            |
| 3/4"   | Orange | 039-060-10 | CE4X1-350  | Empty     | 350               | 8                            |
| 1"     | Orange | 039-063-10 | CF4X1C-100 | 900 lb.   | 100               | 10                           |
|        | Orange | 039-064-10 | CF4X1C-250 | 900 lb.   | 250               | 10                           |
|        | Orange | 039-065-10 | CF4X1-250  | Empty     | 250               | 10                           |
|        | Orange | 039-073-10 | CF4X1-250S | Empty     | 250               | 10                           |
| 1-1/4" | Orange | 039-074-10 | CG4X1C-200 | 900 lb.   | 200               | 14                           |
| 1-1/2" | Orange | 039-080-10 | CH4X1C-150 | 900 lb.   | 150               | 16                           |
| 2"     | Orange | 039-084-10 | CJ4X1C-100 | 900 lb.   | 100               | 21                           |

Continued Next Page



## Plenum-Gard<sup>®</sup> Premise Innerduct - Continued

### SPECIFICATIONS

| Size   | I.D. Min. Ref. | Min. O.D. | Max. O.D. | Min. Bend Radius |
|--------|----------------|-----------|-----------|------------------|
| 1/2"   | .60            | .815      | .835      | 2"               |
| 3/4"   | .74            | 1.025     | 1.045     | 2"               |
| 1"     | 1.00           | 1.292     | 1.312     | 3"               |
| 1-1/4" | 1.35           | 1.630     | 1.650     | 3"               |
| 1-1/2" | 1.50           | 1.868     | 1.888     | 4"               |
| 2"     | 2.00           | 2.329     | 2.439     | 4"               |

### CUSTOM ORDERS

| How To Build A Part # |  |                 |                 |   |                      |   |
|-----------------------|--|-----------------|-----------------|---|----------------------|---|
| Position 1 Product    | Position 2 Size  | Position 3 Type | Position 4 Wall | Position 5 Color  | Position 6 Pull Line | Position 7 Length                                   |
| C = Plenum-Gard       | D = 1/2"<br>E = 3/4"<br>F = 1"<br>G = 1-1/4"<br>H = 1-1/2"<br>J = 2" | 4 = Corrugated  | X = Standard    | 1 = Orange<br>2 = Black<br>3 = Gray<br>4 = White<br>5 = Blue<br>7 = Yellow<br>8 = Red | C = 900 lb. Tape     | Example<br>-1000 = Feet<br>-1000S = 1000 Feet Split |

- Custom Orders are not returnable
- Custom lengths are available in minimum order quantities of 1000 ft.
- Custom color runs are available in minimum order quantities of 10,000 ft.

### Options

- Color: Black, Blue, Gray, Red, White and Yellow
- Two, three, or four way parallel
- Split Duct
- Custom print line

# Riser-Gard<sup>®</sup> Premise Innerduct



### Applications

Riser and General Purpose. Applications per Articles 725, 770, 800 and 820. Suitable for vertical runs in a shaft or between floors.

### Tech. Info

- Maximum flame propagation: 6.0 ft. Max. Value
- Do not store outside • No UV protection
- UL Listed to 2024 • FT-4 Rated

## STANDARD STOCK - REELS

| Size   | Color  | Stock ID   | Part #      | Pull Tape   | Reel Size (F x W) | Reel Type | Reel Length (ft.) | Reel Wt. Lbs. | Product Wt. per 100 ft. Lbs. |    |
|--------|--------|------------|-------------|-------------|-------------------|-----------|-------------------|---------------|------------------------------|----|
| 3/4"   | Orange | 039-090-10 | DE4X1-1000  | Empty       | 34" x 23"         | Wood      | 1000              | 30            | 12                           |    |
| 1"     | Orange | 039-094-10 | DF4X1C-500R | 900 lb.     | 43" x 23"         | Wood      | 500               | 56            | 15                           |    |
|        | Orange | 039-095-10 | DF4X1C-1000 | 900 lb.     | 48" x 28"         | Wood      | 1000              | 79            | 15                           |    |
|        | Orange | 039-096-10 | DF4X1C-1500 | 900 lb.     | 48" x 28"         | Wood      | 1500              | 79            | 15                           |    |
|        | Orange | 039-097-10 | DF4X1C-2700 | 900 lb.     | 48" x 45"         | Wood      | 2700              | 96            | 15                           |    |
|        | Orange | 039-098-10 | DF4X1C-5200 | 900 lb.     | 66" x 41"         | Wood      | 5200              | 250           | 15                           |    |
|        | Orange | 039-099-10 | DF4X1C-6500 | 900 lb.     | 72" x 41"         | Wood      | 6500              | 310           | 15                           |    |
|        | Orange | 039-100-10 | DF4X1C-7000 | 900 lb.     | 72" x 45"         | Steel     | 7000              | 148           | 15                           |    |
|        | Orange | 039-101-10 | DF4X1C-9400 | 900 lb.     | 84" x 45"         | Steel     | 9400              | 199           | 15                           |    |
|        | 1-1/4" | Orange     | 039-107-10  | DG4X1C-900  | 900 lb.           | 48" x 28" | Wood              | 900           | 79                           | 17 |
|        |        | Orange     | 039-106-10  | DG4X1C-500R | 900 lb.           | 48" x 23" | Wood              | 500           | 56                           | 17 |
| Orange |        | 039-108-10 | DG4X1C-1500 | 900 lb.     | 48" x 45"         | Wood      | 1500              | 96            | 17                           |    |
| Orange |        | 039-109-10 | DG4X1C-1600 | 900 lb.     | 48" x 45"         | Wood      | 1600              | 96            | 17                           |    |
| Orange |        | 039-110-10 | DG4X1C-3200 | 900 lb.     | 66" x 41"         | Wood      | 3200              | 250           | 17                           |    |
| Orange |        | 039-111-10 | DG4X1C-4500 | 900 lb.     | 72" x 45"         | Steel     | 4500              | 148           | 17                           |    |
| Orange |        | 039-112-10 | DG4X1C-5600 | 900 lb.     | 82" x 41"         | Wood      | 5600              | 365           | 17                           |    |
| Orange |        | 039-113-10 | DG4X1C-6500 | 900 lb.     | 96" x 41"         | Steel     | 6500              | 700           | 17                           |    |
| 1-1/2" |        | Orange     | 039-115-10  | DH4X1C-1200 | 900 lb.           | 48" x 45" | Wood              | 1200          | 96                           | 22 |
|        | Orange | 039-116-10 | DH4X1C-4000 | 900 lb.     | 82" x 45"         | Steel     | 400               | 193           | 22                           |    |
|        | Orange | 039-117-10 | DH4X1C-4500 | 900 lb.     | 84" x 45"         | Steel     | 4500              | 199           | 22                           |    |
| 2"     | Orange | 039-119-10 | DJ4X1C-700  | 900 lb.     | 48" x 45"         | Wood      | 700               | 96            | 27                           |    |
|        | Orange | 039-120-10 | DJ4X1C-2000 | 900 lb.     | 82" x 41"         | Wood      | 200               | 265           | 27                           |    |
|        | Orange | 039-121-10 | DJ4X1C-2800 | 900 lb.     | 84" x 45"         | Steel     | 2800              | 199           | 27                           |    |

## STANDARD STOCK - COILS

| Size   | Color  | Stock ID   | Part No.   | Pull Tape | Coil Length (ft.) | Product Wt. per 100 ft. Lbs. |
|--------|--------|------------|------------|-----------|-------------------|------------------------------|
| 3/4"   | Orange | 039-089-10 | DE4X1-350  | Empty     | 350               | 12                           |
| 1"     | Orange | 039-091-10 | DF4X1C-250 | 900 lb.   | 250               | 15                           |
|        | Orange | 039-093-10 | DF4X1C-500 | 900 lb.   | 500               | 15                           |
|        | Orange | 039-092-10 | DF4X1-250S | Empty     | 250               | 15                           |
| 1-1/4" | Orange | 039-102-10 | DG4X1-200  | Empty     | 200               | 17                           |
|        | Orange | 039-103-10 | DG4X1C-200 | 900 lb.   | 200               | 17                           |
|        | Orange | 039-105-10 | DG4X1C-500 | 900 lb.   | 500               | 17                           |
|        | Orange | 039-104-10 | DG4X1-200S | Empty     | 200               | 17                           |
| 1-1/2" | Orange | 039-114-10 | DH4X1C-150 | 900 lb.   | 150               | 22                           |
| 2"     | Orange | 039-118-10 | DJ4X1C-100 | 900 lb.   | 100               | 27                           |

Continued Next Page

## Riser-Gard<sup>®</sup> Premise Innerduct - Continued

### SPECIFICATIONS

| Size   | I.D. Min. Ref. | Min. O.D. | Max. O.D. | Min. Bend Radius |
|--------|----------------|-----------|-----------|------------------|
| 3/4"   | .74            | 1.025     | 1.075     | 6"               |
| 1"     | .98            | 1.290     | 1.340     | 6"               |
| 1-1/4" | 1.31           | 1.640     | 1.690     | 7"               |
| 1-1/2" | 1.54           | 1.880     | 1.930     | 8-1/4"           |
| 2"     | 2.00           | 2.350     | 2.400     | 9-1/2"           |

### CUSTOM ORDERS

| How To Build A Part # |  |                    |                    |   |                         |   |
|-----------------------|--|--------------------|--------------------|---|-------------------------|---|
| Position 1<br>Product | Position 2<br>Size                                       | Position 3<br>Type | Position 4<br>Wall | Position 5<br>Color   | Position 6<br>Pull Line | Position 7<br>Length                                |
| D = Riser-Gard        | E = 3/4"<br>F = 1"<br>G = 1-1/4"<br>H = 1-1/2"<br>J = 2" | 4 = Corrugated     | X = Standard       | 1 = Orange<br>2 = Black<br>3 = Gray<br>4 = White<br>5 = Blue<br>7 = Yellow<br>8 = Red | C = 900 lb. Tape        | Example<br>-1000 = Feet<br>-1000S = 1000 Feet Split |

- Custom Orders are not returnable
- Custom lengths are available in minimum order quantities of 1000 ft.
- Custom color runs are available in minimum order quantities of 10,000 ft.

### Options

- Color: Black, Blue, Gray, Red, White and Yellow
- Two, three, or four way parallel
- Split Duct
- Custom print line

## Micro-Gard™ Plenum & Micro-Gard™ Riser Premise Innerduct



### MICRO-GARD PLEUM

#### Applications

Plenum, Riser and General Purpose  
Applications per Articles 725, 770,  
800 and 820



### MICRO-GARD RISER

#### Applications

Riser and General Purpose  
Applications per Articles 725, 770,  
800 and 820. Suitable for vertical  
runs in a shaft or between floors.



## Features

- UL and c-UL Listed to 2024 for Plenum and Riser applications.
- Two Sizes: 8/6mm and 12/10mm. The smaller sizes accommodate the size constraints of multi-dwelling units, and make installations faster and easier.
- Smooth interior wall eliminates snag points and provides low coefficient of friction regardless of whether jetting or pull-tape is used.
- Superior burn-through resistance for longer cable pulls.
- Pre-installed pull-tape makes installing cable faster and easier (option available for empty duct).
- Sequentially marked footage to easily identify lengths and reduce waste.
- Reel sizes from 1000 to 5000 feet for easy handling on the jobsite.
- Future-proofing raceway system for fast, easy wire/cable upgrades, changes, and moves.

## SPECIFICATIONS

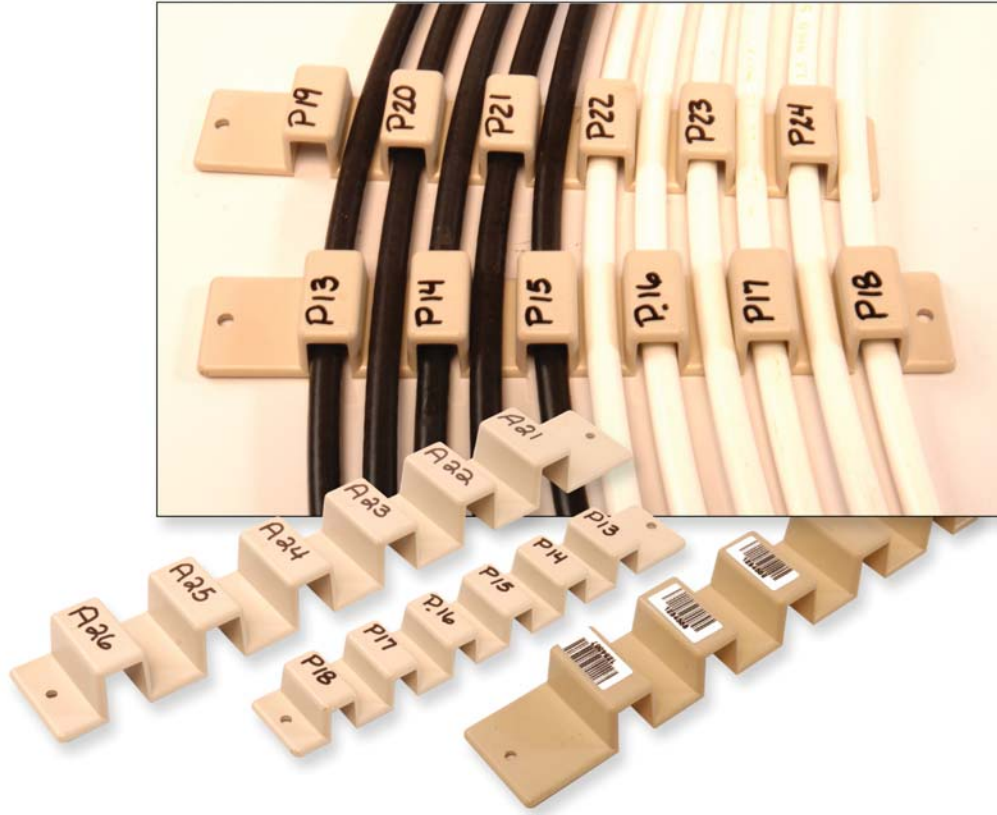
| Stock ID   | Part #       | Size    | Type   | Color  | Pre-Installed Tape | Feet/Reel | Reel Size |
|------------|--------------|---------|--------|--------|--------------------|-----------|-----------|
| 039-046-10 | MGP08MT-1000 | 8/6mm   | Plenum | White  | 200 lb.            | 1000      | 24"       |
| 039-047-10 | MGP08MT-2500 | 8/6mm   | Plenum | White  | 200 lb.            | 2500      | 24"       |
| 039-048-10 | MGP08MT-5000 | 8/6mm   | Plenum | White  | 200 lb.            | 5000      | 36"       |
| 039-049-10 | MGP12MT-1000 | 12/10mm | Plenum | White  | 200 lb.            | 1000      | 24"       |
| 039-050-10 | MGP12MT-2500 | 12/10mm | Plenum | White  | 200 lb.            | 2500      | 24"       |
| 039-051-10 | MGP12MT-5000 | 12/10mm | Plenum | White  | 200 lb.            | 5000      | 36"       |
| 039-052-10 | MGR08JT-1000 | 8/6mm   | Riser  | Orange | 200 lb.            | 1000      | 24"       |
| 039-053-10 | MGR08JT-2500 | 8/6mm   | Riser  | Orange | 200 lb.            | 2500      | 24"       |
| 039-054-10 | MGR08JT-5000 | 8/6mm   | Riser  | Orange | 200 lb.            | 5000      | 36"       |
| 039-055-10 | MGR12JT-1000 | 12/10mm | Riser  | Orange | 200 lb.            | 1000      | 24"       |
| 039-056-10 | MGR12JT-2500 | 12/10mm | Riser  | Orange | 200 lb.            | 2500      | 24"       |
| 039-057-10 | MGR12JT-5000 | 12/10mm | Riser  | Orange | 200 lb.            | 5000      | 36"       |

## CUSTOM ORDERS

| How To Build A Part # |                                  |                            |                         |                         |                         |
|-----------------------|----------------------------------|----------------------------|-------------------------|-------------------------|-------------------------|
| Position 1<br>Product | Position 2<br>Type               | Position 3<br>Size         | Position 4<br>Color     | Position 5<br>Pull Line | Position 7<br>Length    |
| MG = Micro-Gard       | P = Pleum-Gard<br>R = Riser-Gard | 08 = 8/6mm<br>12 = 12/10mm | J = Orange<br>M = White | T = 200 lb. Tape        | Example<br>-1000 = Feet |

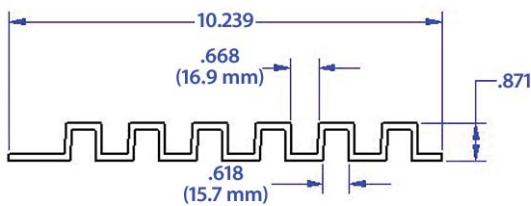
# Micro-Duct™ Drop Cable Organizer

SECTION 4  
PATHWAY PRODUCTS

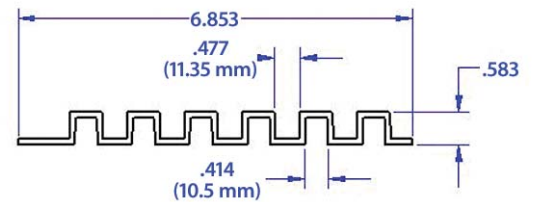


## Specifications

Multilink's Micro-Duct / Drop Cable Organizer comes in two sizes, 12.7mm and 8.5mm. These organizers are used to hold Micro Duct Plastic Risers for Multi-Dwelling Units (MDUs) where fiber risers and/or drop cable must be marked with the apartment/condominium address of the unit. The Micro Duct Organizers can be written on to mark the address or barcode to identify which Micro Duct is run to the dwelling unit.



ORGANIZER MICRODUCT LG 12.7mm

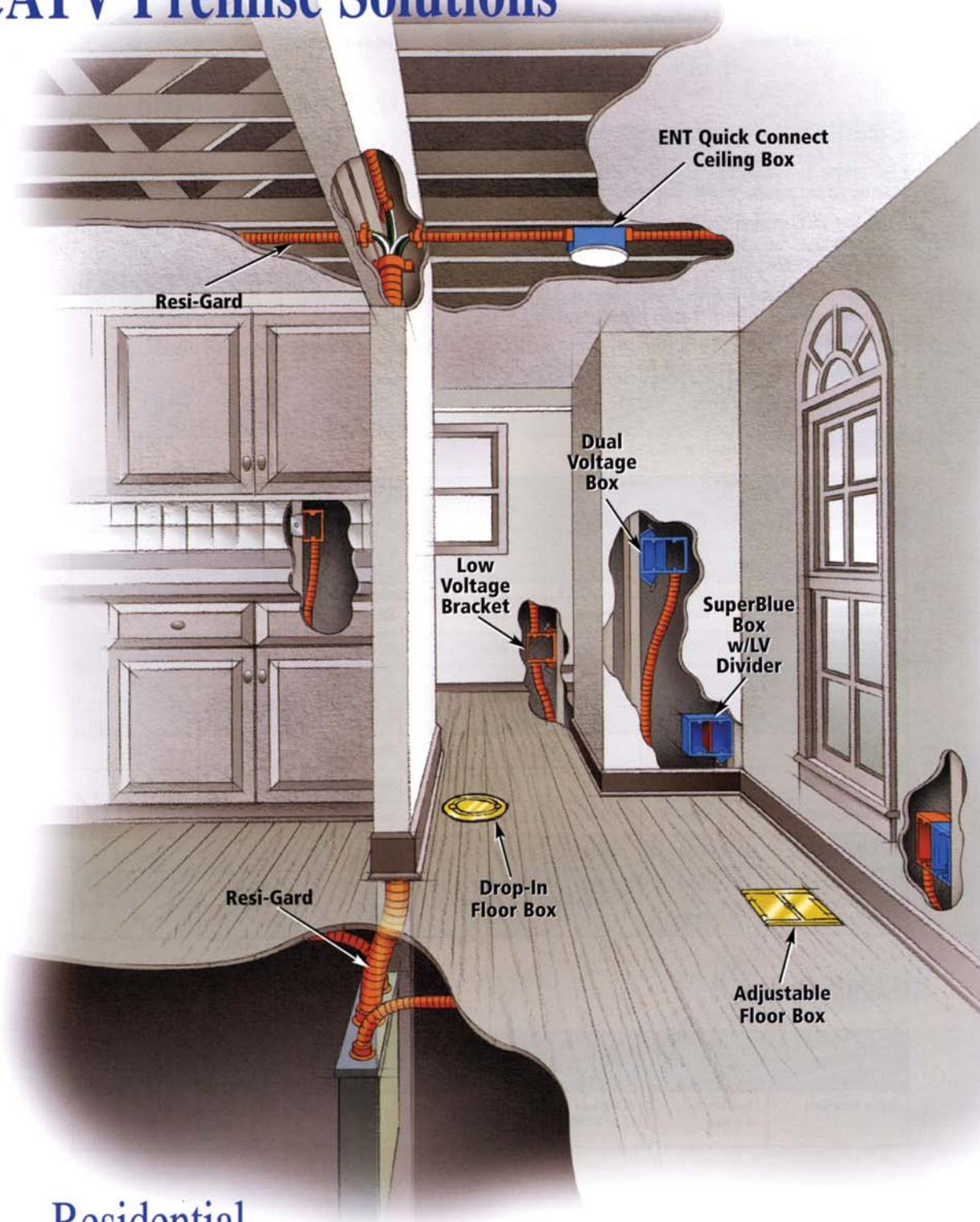


ORGANIZER MICRODUCT SM 8.5mm

| Stock ID   | Description                       | Color | UOM            |
|------------|-----------------------------------|-------|----------------|
| 649-009-10 | Micro Duct Organizers 12.7mm / LG | Ivory | 100 per Carton |
| 649-010-10 | Micro Duct Organizers 8.5mm / SM  | Ivory | 100 per Carton |



# Pyramid Industries® CATV Premise Solutions



Residential

SECTION 4  
PATHWAY PRODUCTS

## Resi-Gard™ Flexible Raceway



Ideal for providing a main chase from the main distribution panel to a secondary hub in the attic or basement, Resi-Gard nonmetallic flexible raceway is available in 3/4" to 2" diameter sizes with factory installed pull tape in sizes 1" to 2". The raceway is hand bendable, lightweight and easily cut to length to reduce scrap. Bright orange color clearly signifies a low voltage installation.



### STANDARD LENGTH - COILS

| Size   | Pull Tape | Stock ID   | Part #      | Reel Length | Prod. Wt. Lbs. Reel |
|--------|-----------|------------|-------------|-------------|---------------------|
| 3/4"   | Empty*    | 039-016-10 | SCE4X1-100  | 100         | 11.5                |
| 1"     | 900 lbs.  | 039-017-10 | SCF4X1C-100 | 100         | 17.9                |
| 1-1/4" | 900 lbs.  | 039-018-10 | SCG4X1C-100 | 100         | 21.5                |
| 1-1/2" | 900 lbs.  | 039-019-10 | SCH4X1C-50  | 50          | 11.2                |
| 2"     | 900 lbs.  | 039-020-10 | SCJ4X1C-100 | 50          | 13.4                |

\*If installing own tape, a lubricated polyester is recommended.

### STANDARD LENGTH - REELS\*

| Size | Pull Tape | Stock ID   | Part #       | Reel Length | Prod. Wt. Lbs. Reel |
|------|-----------|------------|--------------|-------------|---------------------|
| 3/4" | Empty     | 039-122-10 | SCE4X1-1000  | 1000        | 115.0               |
| 1"   | 900 lbs.  | 039-123-10 | SCF4X1C-1500 | 1500        | 268.5               |
| 2"   | 900 lbs.  | 039-124-10 | SCJ4X1C-500  | 500         | 133.5               |

\*Made to order

## Resi-Gard™ Flexible Fittings



Except where noted by ▶



### QUICK CONNECT COUPLING



| Stock ID   | Part #  | Size | Std. Ctn. Qty. | Std. Ctn. Wt. Lbs. |
|------------|---------|------|----------------|--------------------|
| 039-021-10 | SCA240E | 3/4" | 25             | .783               |
| 039-022-10 | SCA240F | 1"   | 20             | .972               |

### MALE THREAD ADAPTER\*



| Stock ID   | Part #  | Size   | Std. Ctn. Qty. | Std. Ctn. Wt. Lbs. |
|------------|---------|--------|----------------|--------------------|
| 039-025-10 | SCA240E | 1-1/4" | 50             | 3                  |
| 039-026-10 | SCE943H | 1-1/2" | 25             | 2.5                |
| 039-027-10 | SCE943J | 2"     | 50             | 6.8                |

\* Must be cemented to Resi-Gard® Flexible Raceway using ONLY Resi-Gard Solvent Cement

### QUICK CONNECT THREADED ADAPTER



| Stock ID   | Part #  | Size | Std. Ctn. Qty. | Std. Ctn. Wt. Lbs. |
|------------|---------|------|----------------|--------------------|
| 039-023-10 | SCA243E | 3/4" | 25             | .633               |
| 039-024-10 | SCA243F | 1"   | 20             | .778               |

### STANDARD COUPLING\*



| Stock ID   | Part #  | Size   | Std. Ctn. Qty. | Std. Ctn. Wt. Lbs. |
|------------|---------|--------|----------------|--------------------|
| 039-025-10 | SCE940G | 1-1/4" | 30             | 3.5                |
| 039-026-10 | SCE940H | 1-1/2" | 25             | 3.9                |
| 039-027-10 | SCE940J | 2"     | 30             | 5.2                |

\* Must be cemented to Resi-Gard® Flexible Raceway using ONLY Resi-Gard Solvent Cement

### QUICK CONNECT SNAP-IN ADAPTER



| Stock ID   | Part #  | Size | Std. Ctn. Qty. | Std. Ctn. Wt. Lbs. |
|------------|---------|------|----------------|--------------------|
| 039-125-10 | SCA253E | 3/4" | 25             | .783               |
| 039-126-10 | SCA253F | 1"   | 20             | .918               |

### PVC LOCK NUT



| Stock ID   | Part #  | Size | Std. Ctn. Qty. | Std. Ctn. Wt. Lbs. |
|------------|---------|------|----------------|--------------------|
| 039-028-10 | ▶ LT9LE | 3/4" | 700            | 4                  |
| 039-029-10 | ▶ LT9LF | 1"   | 600            | 4                  |

## Accessories

### Boxes & Brackets



#### DUAL VOLTAGE BOX/BRACKET

| Stock ID   | Part #  | Cover  | Volume       | Std. Ctn. Qty. | Std. Ctn. Wt. Lbs. |
|------------|---------|--------|--------------|----------------|--------------------|
| 039-030-10 | SC200DV | 1-Gang | 20.5 cu. in. | 16             | 6.4                |



\*U.S. Patent D463,376

- Dual Voltage Capability
- Accepts a two-gang face plate.
- 3/4" Resi-Rings
- Backless Design accommodates large/deep
- Eliminates cutting the backs off Electrical Boxes.
- Accommodates bend radius requirements for low voltage cabling.
- Provides ample space for installation.



#### LOW VOLTAGE ADD-ON BRACKET

| Stock ID   | Part #  | Size   | Std. Ctn. Qty. | Std. Ctn. Wt. Lbs. |
|------------|---------|--------|----------------|--------------------|
| 039-031-10 | SC100SC | 1-Gang | 24             | 2.3                |



\*U.S. Patent D459,312 U.S. Patent 6,710,245

- Dual Voltage Capability accommodates high and low voltage devices in the same box.
- Attaches to virtually any nonmetallic electrical box as long as there's a side for the tape to stick to.
- Accepts a two-gang face plate.
- 3/4" Resi-Rings
- Allows for the installation of most decora style yoke plates



#### LOW VOLTAGE ADJUSTABLE BRACKET

| Stock ID   | Part #    | Size   | Std. Ctn. Qty. | Std. Ctn. Wt. Lbs. |
|------------|-----------|--------|----------------|--------------------|
| 039-032-10 | SC100ADJC | 1-Gang | 24             | 7.5                |
| 039-033-10 | SC200ADJC | 2-Gang | 20             | 6.9                |



\*U.S. Patent 5,289,934

- Accommodates varying finished wall thicknesses – ideal for wood paneling, tile or stucco walls.
- With the turn of a screw, adjust to any wall thickness.
- Steel Mounting Bracket provides a secure mount.
- Backless Design accommodates large/deep low voltage devices.
- Eliminates cutting the backs off Electrical Boxes.
- Accommodates bend radius requirements for low voltage cabling.
- Provides ample space for installation.
- Removable Bracket and Interchangeable Mounting Bracket – up grade from a one-gang to a two-gang anytime



#### MUD RING (4" SQUARE 1/2" RAISED COVER)

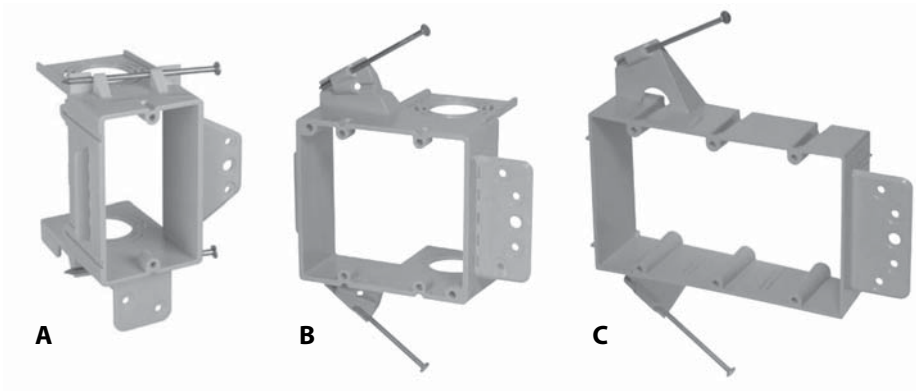
| Stock ID   | Part # | Size   | Std. Ctn. Qty. | Std. Ctn. Wt. Lbs. |
|------------|--------|--------|----------------|--------------------|
| 039-038-10 | SCA410 | 1-Gang | 20             | 1.54               |



NOTE: Classified for two hour fire resistive wall assemblies when used with Two-Gang Quick Connect Outlet and Switch Boxes

## Accessories

### Boxes & Brackets



#### LOW VOLTAGE BRACKETS

|   | Stock ID   | Part # | Size   | Std. Ctn. Qty. | Std. Ctn. Wt. Lbs. |
|---|------------|--------|--------|----------------|--------------------|
| A | 039-034-10 | SC100A | 1-Gang | 24             | 5.3                |
| B | 039-035-10 | SC200A | 2-Gang | 24             | 7.7                |
| C | 039-036-10 | SC300A | 3-Gang | 56             | 1.6                |



U.S. Patent D457,140 / D462,664 / U.S. Patent No. 6,812,405 / Lamson & Sessions

- Backless Design accommodates large/deep low voltage devices
- Eliminates cutting the backs off Electrical Boxes.
- Accommodates bend radius requirements for low voltage cabling
- Provides ample space for installation
- Mount Flange for steel stud application
- Resi-Rings with Concentric Knockouts
- Accepts 3/4", 1", and 1-1/4" Resi-Gard.
- Horizontal Mounting Bracket (one-gang only)
- Breakaway Drywall Support Flange provides easy alignment for 1/2" drywall
- Screw mount option
- Breakaway Vertical Mounting Flange
- Breakaway feature allows the use of the Low Voltage Add-On Bra



#### OLD WORLD BRACKETS

| Stock ID   | Part #  | Size   | Std. Ctn. Qty. | Std. Ctn. Wt. Lbs. |
|------------|---------|--------|----------------|--------------------|
| 039-036-10 | SC100RR | 1-Gang | 12             | 1.4                |
| 039-037-10 | SC200RR | 2Gang  | 6              | .9                 |



- Rectangular Flange for faster/easier installation.
- Shallow Bracket – Less material, easier to work with.
- Marking hole for wall opening.
- Thinner Flange for less protrusion on the wall.
- SINGLE GANG ONLY – Clamps stop at center point to prevent the bracket from twisting or bending out of the wall.



## Accessories

### More Great Products

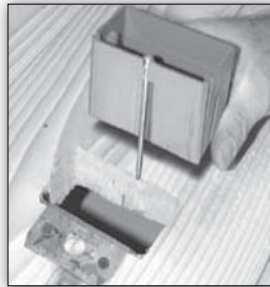


#### LOW VOLTAGE ADJUSTABLE FLOOR BRACKET W/ COVER

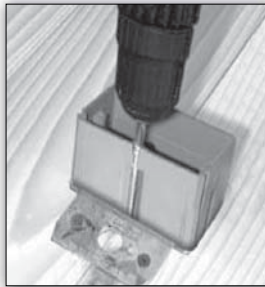
| Stock ID   | Part #    | Cover               | Std. Ctn. Qty. | Std. Ctn. Wt. Lbs. |
|------------|-----------|---------------------|----------------|--------------------|
| 039-039-10 | SC100FBWC | Nonmetallic – White | 8              | 5.62               |
| 039-040-10 | SC100FBVC | Nonmetallic – Ivory | 8              | 5.62               |
| 039-041-10 | SC100FBBC | Brass               | 8              | 13.78              |

- White, Ivory, or Brass Cover
- Orange – Identifies Low Voltage Installations
- Open Design Floor Bracket – Accommodates Low Voltage Bend Radius Requirements
- Patented Adjustable Screw – Bracket Adjusts to Most Finished Floor Depths
- Leviton QuickPort Quad 106 Insert – Install up to 4 Low Voltage Inserts
- Two-Door Design
- C-UL-US Listed

#### INSTALLATION



Install Clip Over Subfloor



Screw In To Adjust To Height Of Flooring Or Carpet

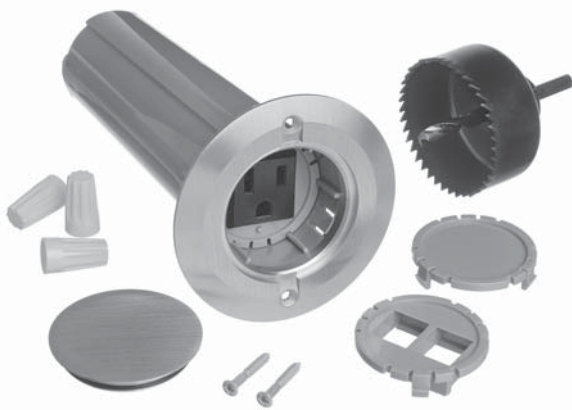


Beautiful Flush Fit Every Time

#### DROP-IN FLOOR BOX

| Stock ID   | Part #    | Description                        | Std. Ctn. Qty. | Std. Ctn. Wt. Lbs. |
|------------|-----------|------------------------------------|----------------|--------------------|
| 039-042-10 | E971FBDI  | Drop-In Floor Box w/Hole Saw       | 5              | 6.5                |
| 039-042-10 | E971FBDIB | Drop-In Floor Box without Hole Saw | 20             | 17.6               |

- Single hole installation
- Solid brass cover has a light lacquer finish to resist wear - Ideal for high traffic areas
- Accommodates high and low voltage applications
- Includes single gang grounded receptacle, low voltage telephone/cable plate (data jacks not included), and blank plate for custom installations
- Eliminates the need for extension cords
- Superior aesthetics - Ideal for home offices and entertainment rooms
- C-UL-US Listed Nonmetallic Outlet Box





## Accessories

### More Great Products



#### ADJUST-A-BOX® RESIDENTIAL FLOOR BOX / ONE GANG

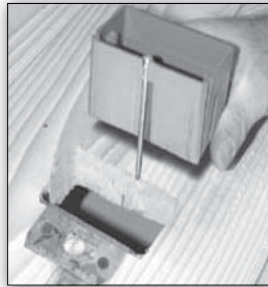
| Stock ID   | Part #    | Cover               | Std. Ctn. Qty. | Std. Ctn. Wt. Lbs. |
|------------|-----------|---------------------|----------------|--------------------|
| 039-127-10 | B121BFBB  | Brass               | 8              | 14.50              |
| 039-128-10 | B121BFBR  | Nonmetallic – Ivory | 8              | 7.02               |
| 039-129-10 | B121BFBRW | Nonmetallic – White | 8              | 7.02               |

NOTE: Classified for two hour or less fire resistive floor assemblies

- Adjusts to most finished floor heights (From 0" to 1-3/4")
- 20 cubic in. capacity
- Available with nonmetallic or brass cover
- Complete assembly includes box, duplex receptacle, cover, molded-in cable clamps, mounting bracket and mounting hardware
- Ideal for home offices and entertainment rooms
- UL listed Floor Box
- UL scrub water tested
- 2 hour floor fire classification



#### INSTALLATION



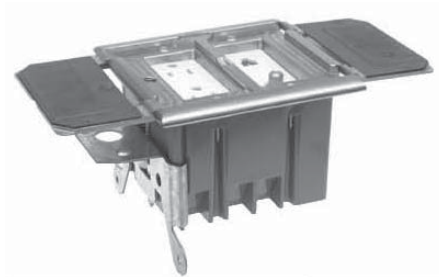
Install Clip Over Subfloor



Screw In To Adjust To Height Of Flooring Or Carpet



Beautiful Flush Fit Every Time

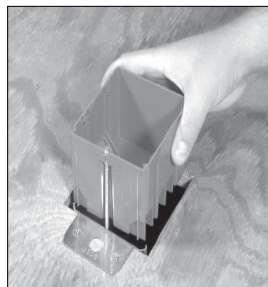


#### ADJUST-A-BOX® RESIDENTIAL FLOOR BOX / TWO GANG

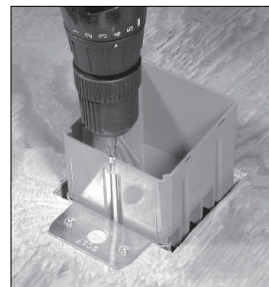
| Stock ID   | Part #   | Cover | Std. Ctn. Qty. | Std. Ctn. Wt. Lbs. |
|------------|----------|-------|----------------|--------------------|
| 039-130-10 | B234BFBB | Brass | 4              | 9.98               |

- Adjusts to most finished floor heights (From 0" to 1-3/4")
- Dual voltage capability
- 34 cubic in. capacity
- Complete assembly includes box, cover, dual voltage divider, molded-in cable clamps, mounting bracket and mounting hardware (Note: Devices not included)
- Ideal for home offices and entertainment rooms
- UL listed Floor Box
- UL scrub water tested
- 2 hour floor fire classification

#### INSTALLATION



Install Clip Over Subfloor



Screw In To Adjust To Height Of Flooring Or Carpet

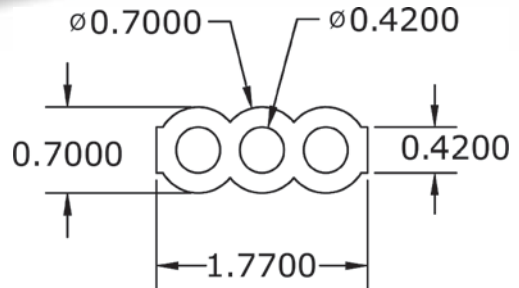
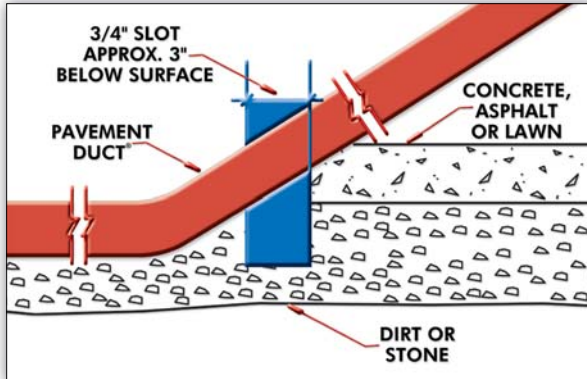


Beautiful Flush Fit Every Time

# MULTIPATH Pavement Duct™ System

## Costly Trenching & Boring Is ELIMINATED...

Easily install fiber, coaxial or copper communications in concrete, asphalt or lawn. Pavement Duct® is inexpensive and is simply installed by using a commercial pavement cutter with a 3/4" diamond blade to make the slot.



## INSTALLATION

- Pavement Duct® is installed in a 3/4" slot in concrete, asphalt, or lawn surfaces approximately 3" below the surface
- Allows for up to three drops to be installed



1 3/4" Sawcut The Pavement



2 Roll Pavement Duct® Out



3 Insert Pavement Duct®

## APPLICATION

- FTTX / Telco / MSO, fast low cost services for small to mid-size professional, business, and campus environments
- Reduced installation time significantly compared to open trenching and directional boring
- Fiber / Coaxial / Copper drops to residential or commercial buildings
- Densely populated metro areas and commercial buildings
- Areas where permitting or right of ways are difficult
- Cables can be blown or pulled through

## SPECIFICATIONS

- .7" x 1.77" (17.78mm x 44.95mm)
- 3 ducts diameter of .42" (10.6mm)
- Custom lengths available over 250'
- Available in standard lengths of 250', 500', 1000', & 2500'
- Temperature range of -40°C - +70°C

| Stock ID | Description    | UOM      |
|----------|----------------|----------|
| 10-6054  | Pavement Duct® | Per Foot |

TOOLS AND TEST EQUIPMENT  
**Fusion Splicer EFS 150**



SECTION 5  
TOOLS & TEST EQUIPMENT



**EFS 150**

**Environmentally Friendly Compact Full Feature Fusion Splice Kit**



## TOOLS AND TEST EQUIPMENT

### Fusion Splicer EFS 150



### FUSION SPLICER EFS-150 PARTS LIST

| Item # | Stock ID   | Part #  | Description                   |
|--------|------------|---------|-------------------------------|
| 1      | 085-013-10 | 139C271 | EFS-150 FUSION SPLICER        |
| 2      | 065-050-10 | 101S442 | POWER SUPPLY 10 V             |
| 3      | 065-050-11 | 101S195 | USA POWER CORD                |
| 4      | 065-039-10 | 111C226 | 250um FIBER HOLDER (left)     |
| 5      | 065-040-10 | 111C227 | 250um FIBER HOLDER (right)    |
| 6      | 065-041-10 | 111C233 | 900um FIBER HOLDER (left)     |
| 7      | 065-042-10 | 111C258 | 900um FIBER HOLDER (right)    |
| 8      | 065-043-10 | 111C276 | BATTERY UNIT BU-1U            |
| 9      | 065-044-10 | 133C152 | BATTERY CHARGER               |
| 10     | 065-049-10 | 138C310 | HO-16 HEAT OVEN               |
| 11     | 065-052-10 | 111C039 | TOOL KIT                      |
| 12     | 065-045-10 | 101S427 | FIBER CLEAVER                 |
| 13     | 065-047-10 | 101S414 | MEDIUM HARD CARRYING CASE     |
| 14     | 065-046-20 | 110C022 | REPLACEMENT ELECTRODES (pair) |
| 15     | 085-013-A0 | 133P200 | EFS-150 FUSION SPLICER MANUAL |
| 16     | 065-048-10 | 150C292 | CARRIER HARNESS EFS-150U      |
| 17     | 76500      | MF-2170 | 60mm HEAT SLEEVES (QTY 100)   |
| 18     | 76501      | OH-1-40 | 40mm HEAT SLEEVES (QTY 100)   |
| 19     | 065-045-11 | 101S404 | REPLACEMENT BLADE FOR CLEAVER |

### EFS-150 TOTAL KIT

| Stock ID   | Description   |
|------------|---|
| 085-013-20 | FUTURE INSTRUMENTS SPLICER w/ 1 YEAR WARRANTY, AND ITEMS (1 TO 17 ) |

### FUSION SPLICER SPECIFICATION EFS-150

|                        |   |
|------------------------|---|
| Fiber Types            | SMF, DSF, MMF 50/125um and 62.5/125um, fiber 250um primary and 900um secondary coated fiber, 2,100/3,500um tight buffer or loose cable    |
| Fiber Handling         | Fiber Holders   |
| Splice Programs        | 2 pre-defined, 6 user-editable programs   |
| Typical Splice Loss    | 0.03dB SFM, 0.05dB DSF, 0.01dB MNF  |
| Typical Cycle Time     | 7s + 60s (splice cycle + oven cycle)  |
| Sleeve Dimensions      | Max 64mm length, 2-5mm diameter supported by oven   |
| External Communication | TCP/IP via RJ45 Socket  |
| Monitor                | LCD, monochrome, 71 x 49mm, 320 x 200 pixel   |
| Magnification          | 140x on internal monitor  |
| Storage Environment    | -20-+60OC, max 98% RH, non-condensing (without battery)   |
| Operating Environment  | 0-45OC, max 95 RH, non-condensing   |
| Size                   | 176 x 166 x 100mm (176 x 248 x 100mm with heat oven and battery)  |
| Weight                 | 1,800g (2,460g with heat oven and battery)  |
| Power Sources          | 50W power supply, 90-260VAC, 50-60Hz NiMH battery unit 9.8v, 2,700mAh capacity  |
| Splicing Capacity      | 80 splicing cycles with oven (>500 splices without oven)  |
| Additional Features    | Loss Estimation      Fiber fault detection<br>Tensile Test          Splice log (500 splices)<br>Multiply Languages    PC service software |

## TOOLS AND TEST EQUIPMENT

### RP 420 - Optical Power Meter



#### Features

- RP 420 – 850/1300/1550nm
- Audible and visual indication of 2kHz presence
- Compact pocket size
- Simple push button activation
- Accepts all connector styles with unique ODM connector interface

#### Description

ODM, Inc., manufactures a range of easy to use optical measurement instruments for quick, simple verification of optical signals in the premise or telecom market. The RP 420 Receive Optical Power Meter provides basic power measurements on fiber optic networks operating at 850nm, 1300nm and 1550nm. This inexpensive test device provides an added level of safety for the technician by alerting to the presence of an active laser or LED. The RP 420 indicates the presence of an incoming signal by the Green/Red LED's on the front panel. In addition to the visual indication the RP 400 provides an audible alert when the incoming signal is modulated 2kHz tone. This incoming tone may be generated by the companion TP 2X0 series Transmit LED or Laser source or any external 2kHz optical source.

Use the RP 420 to check the output at the patch panel or the wall outlet. The RP 420 is also a useful tool for quick power checks on the lab bench or to verify live or dark fibers in the field.

Connection to the fiber under test is made via the universal 2.5 mm or 1.25mm adapter (order separately). Additional male or female connector adapter styles are available. A readily available battery providing over 1,000 operations powers the RP 420. A flashing panel LED indicates low battery.

|                                     |   |                            |   |
|-------------------------------------|---|----------------------------|---|
| <b>Wavelength Range</b>             | 800nm to 1600nm                                 | <b>Battery</b>             | R 2, 3V   |
| <b>Tone Identification</b>          | 2kHz, Audible Alert                             | <b>Low Battery</b>         | LCD enunciator                                    |
| <b>Detector Type</b>                | Germanium                                       | <b>Storage Temperature</b> | - 30° C to + 70° C                                |
| <b>Optical Interface</b>            | Universal 2.5 mm or 1.25 mm (order separately)  | <b>Physical</b>            | 6.10 (15.5cm) H, .940 (2.38cm) W, .750 (1.90cm) D |
| <b>Power Measurement Indication</b> | Green LED + 3dBm to -40 dBm<br>Red LED No power | <b>Weight</b>              | 3.0 oz (85g)                                      |
| <b>Power On</b>                     | Push Button ON/OFF                              |                            |   |

#### ORDERING INFORMATION

| Stock ID  | Part # | Description  |            |        |                             |
|---|--------|--|------------|--------|-----------------------------|
| 085-018-10  | RP 420 | Germanium optical continuity meter 850/1310/1550nm, includes battery |            |        |                             |
| <b>OPTIONAL ACCESSORIES</b>   |        |  |            |        |                             |
| For combined power meter / light source test kits call Multilink, Inc. or visit our Web Site @ <a href="http://www.multilinkone.com">www.multilinkone.com</a> |        |  |            |        |                             |
| Stock ID  | Part # | Description  | Stock ID   | Part # | Description                 |
| 085-042-10  | TP 210 | 850nm LED Source   | 085-045-10 | TP230  | 1300nm LED Source           |
| 085-044-10  | TP 220 | 1310 Laser Source  | 085-046-10 | TP240  | 1490nm Laser Source         |
| 085-032-10  | AC 020 | 2.5 universal connector adapter                                      | 085-047-10 | TP250  | 1550nm Laser Source         |
| 085-033-10  | AC 021 | 1.25mm universal connector adapter (LC or MU connector)              | 085-038-10 | AC 010 | Single instrument Soft Case |



## TOOLS AND TEST EQUIPMENT

# RP 440 - Optical Power Meter



### Features

- RP 440 – 850/1310/1550nm
- RP 440/FTTx – 1310/1490/1550nm
- Audible indication of 2kHz Tone
- Compact custom design for field or laboratory
- Low cost, Long battery life
- Accepts all connector styles with unique ODM connector interface



### Description

ODM, Inc., manufactures a range of easy to use optical measurement probes for quick, simple verification of optical signals in the premise or telecom market. The RP 440 Optical Power Meter provides basic power measurements on fiber optic networks operating at 850nm, 1310nm, and 1550nm (RP 440/FTTx - 1310/1490/1550). The RP 440 measures optical power and displays the measurement in dBm according to N.I.S.T. traceable standards. The RP 440 also provides an audible alert when the incoming signal is a modulated 2kHz tone. This incoming tone may be generated by the companion TP 200 series Transmit PocketProbe or any external 2kHz optical source.

Use the RP 440 to check the output at the patch panel or the wall outlet. The RP 440 is also a useful tool for quick power measurements on the lab bench or to measure optical power on active fibers in the field.

Connection to the fiber under test is made via the universal 2.5 mm adapter. Additional male or female connector adapter styles are available. A readily available battery providing over 1,000 operations powers the RP 440. A LO BAT display alerts the user to replace the battery.

|                            |  |                              |   |
|----------------------------|--|------------------------------|---|
| <b>Wavelength Range</b>    | 800nm to 1600nm  | <b>Power On</b>              | Push Button ON/OFF                                |
| <b>Tone Identification</b> | 2kHz, Audible Alert  | <b>Battery</b>               | CR 2, 3V  |
| <b>Detector Type</b>       | Germanium,<br>(RP 440-02, RP 440-02/FTTx)<br>InGaAs,<br>(RP440-03, RP 440-03/FTTx) | <b>Low Battery</b>           | LCD Enunciator                                    |
| <b>Optical Interface</b>   | Universal 2.5 mm or 1.25 mm<br>(order separately)                                  | <b>Operating Temperature</b> | - 10° C to + 55° C                                |
| <b>Measurement Range</b>   | RP 440-02, + 3dBm to -50 dBm<br>RP 440-03, + 3dBm to -60 dBm                       | <b>Storage Temperature</b>   | - 30° C to + 70° C                                |
| <b>Absolute Accuracy</b>   | +/- .24dB  | <b>Physical</b>              | 6.10 (15.5cm) H, .940 (2.38cm) W, .750 (1.90cm) D |
| <b>Resolution</b>          | .1dB   | <b>Weight</b>                | 3.0 oz (85g)                                      |

### ORDERING INFORMATION

| Stock ID   | Part #         | Description   |
|------------|----------------|---|
| 085-019-10 | RP 440-02      | Germanium power meter 850/1310/1550nm, includes battery     |
| 085-020-10 | RP 440 02/FTTx | Germanium power meter 1310/1490/1550nm, includes battery    |
| 085-021-10 | RP 440 03      | InGaAs power meter probe 850/1310/1550nm, includes battery  |
| 085-022-10 | RP 440 03/FTTx | InGaAs power meter probe 1310/1490/1550nm, includes battery |

#### OPTIONAL ACCESSORIES

For combined power meter / light source test kits call Multilink, Inc. or visit our Web Site @ [www.multilinkone.com](http://www.multilinkone.com)

| Stock ID   | Part # | Description                                 | Stock ID   | Part # | Description  |
|------------|--------|---|------------|--------|--|
| 085-042-10 | TP 210 | 850nm LED Source                            | 085-052-10 | TK 550 | Singlemode FTTx PON Test Kit, (1310,1490 & 1550nm) |
| 085-044-10 | TP 220 | 1310 Laser Source                           | 085-045-10 | TP 230 | 1300nm LED Source                                  |
| 085-032-10 | AC 020 | 2.5mm Universal Connector                   | 085-046-10 | TP 240 | 1490nm Laser Source                                |
| 085-033-10 | AC 021 | 1.25mm Universal Connector                  | 085-047-10 | TP 250 | 1550nm Laser Source                                |
| 085-050-10 | TK 530 | Dual Wavelength 850/1300 Multimode Test Kit | 085-038-10 | AC 010 | Single Instrument Case                             |
| 085-051-10 | TK 540 | 1310nm Laser Loss Test Kit                  |            |        |  |

## TOOLS AND TEST EQUIPMENT

### RP 450 - Optical Power Meter



#### Features

- 850/1300/1310/1490/1550nm
- .01 dB resolution
- "zero" set reference feature
- low cost, pocket size

#### Descriptions

The RP 450 optical power meter offers optical power measurements at 850, 1300, 1310, 1490 and 1550nm. The RP 450 also allows the user to "zero" or set a reference value for direct loss measurements. The RP 450-02 provides measurements from +3dBm to -50 dBm. The RP 450-03 provides measurements from +3 to -60 dBm. The RP 450-04 provides measurements from +23dBm to -40dBm. All versions of the RP 450 offer .01 dB resolution and an audible alert tone when measured signal includes a 2 kHz tone. The RP 450 includes a 2.5mm universal connector adapter, 1.5mm universal connection adapter and screw on connector adapters are available.



#### ORDERING INFORMATION AND SPECIFICATIONS

| Stock ID   | Part #    | Description                                  |
|------------|-----------|--|
| 085-023-10 | RP 450-02 | Germanium, 0.1db Zero/set Ref-RP 450-02      |
| 085-024-10 | RP 450-03 | InGaAs, 1.01db Zero/set Ref- RP 450-03       |
| 085-025-10 | RP 450-04 | Filtered in InGaAs 1.01db Zero/set RP 450-04 |

### RP 455 - Optical Power Meter

#### Features

- 850/1300/1310/1490/1550nm
- .01 dB resolution
- "zero" set reference feature
- low cost, pocket size

#### Description

The RP 455 optical power meter offers optical power measurements at 850, 1300, 1310, 1490 and 1550nm. The RP 455 also allows the user to "zero" or set a reference value for direct loss measurements. The RP 455-02 provides measurements from +3dBm to -50 dBm. The RP 455-03 provides measurements from +3 to -60 dBm. The RP 455-04 provides measurements from +23dBm to -40dBm.

All versions of the RP 455 offer .01 dB resolution and an audible alert tone when measured signal includes a 2 kHz tone. The RP 455 includes a 2.5mm universal connector adapter, 1.5mm universal connection adapter and screw on connector adapters are available.



#### ORDERING INFORMATION AND SPECIFICATIONS

| Stock ID   | Part #    | Description                                  |
|------------|-----------|--|
| 085-023-10 | RP 455-02 | Germanium, 0.1db Zero/set Ref-RP 450-02      |
| 085-024-10 | RP 455-03 | InGaAs, 1.01db Zero/set Ref- RP 450-03       |
| 085-025-10 | RP 455-04 | Filtered in InGaAs 1.01db Zero/set RP 450-04 |

## TOOLS AND TEST EQUIPMENT

### RP 460 - Optical Power Meter



#### Features

- Measurements at 850/1300/1310/1490 or 1550nm
- .01db Resolution
- "zero" set reference feature
- Multi-mode, Single-mode
- Three models to choose from (-50dbm, -60dbm or +23 to -40dbm)
- NIST traceable
- 1,000 date storage location with USB download



#### Description

The RP 460 incorporates all of the features of the RP 450 plus it provides data storage and USB download to a computer.

The RP 460 allows approximately 1000 data storage measurements of power or loss at each wavelength.

When the RP 460 is used with the TP 200 series LED or laser light source direct insertion loss measurements are provided.

As with the RP 440 and RP 450 the RP 460 provides audible tone alert when a 2 kHz signal is present. The RP 460 is provided with a 2.5mm universal connector adapter. Screw-on adapters are available for all popular connector styles.

#### ORDERING INFORMATION AND SPECIFICATIONS

| Stock ID   | Part #    | Description                                  |
|------------|-----------|--|
| 085-029-10 | RP 460-02 | Germanium, 0.1db Zero/set Ref-RP 450-02      |
| 085-030-10 | RP 460-03 | InGaAs, 1.01db Zero/set Ref- RP 450-03       |
| 085-031-10 | RP 460-04 | Filtered in InGaAs 1.01db Zero/set RP 450-04 |



## TOOLS AND TEST EQUIPMENT

# RP 450, RP 455 & RP 460 Optical Power Meters



### Features

- 850, 1310, 1490, 1550nm
- RP 450 – Set ref, Zero function
- RP 455 – Set ref, Zero function, Store 1000 measurements per wavelength
- RP 460 – Set ref, Zero function, Store and download 1,000 measurements via USB to a computer
- Audible tone alert from incoming 2kHz signal
- Accepts all connector styles
- N.I.S.T. traceable measurements
- Multi-mode or Single-mode application
- Long battery life
- Rugged and compact size

### Description

The RP 450, RP 455 and RP 460 Optical Power Meters measure optical power on fiber optic networks operating at 850nm, 1310nm, 1490 and 1550nm. These easy to use optical power meters provide absolute dBm or dB loss measurements on all optical networks. The RP 450 allows the user to set the incoming signal to a “zero” reference providing direct loss measurements. The RP 455 provides set ref and storage of up to 1,000 measurements per wavelength. The RP 460 provides these features plus the ability to transfer data via the mini USB port to a laptop computer. The RP 455 & 460 also allows a “scroll feature” to review field measurements.

The RP 450, RP 455 and RP 460 provide an audible alert when the incoming signal is a modulated 2kHz tone. The companion TP 200, DLS 300 series LED or laser sources or any external 2kHz optical source may generate this incoming tone. This feature is very useful for quick fiber identification at the field location.

Use the RP 450, RP 455 or RP 460 to check the output at the patch panel or wall outlet in the premise, telecom or broadband market. Connection to the fiber under test is made via the universal 2.5 mm adapter. Additional male or female connector adapter styles are available. The readily available CR 2 battery provides over 1000 operations for the power meter. A LO BAT display alerts the user to replace the battery.

### SPECIFICATIONS FOR: RP 450-02, RP 455-02, RP 460-02, RP 450-03, RP 455-03, RP 460-03, RP 450-04, RP 455-04 & RP 460-04

|                     |   |                |                 |
|---------------------|---|----------------|-----------------|
| Wavelength Range    | 850nm to 1625nm   |                |                 |
| Tone Identification | 2kHz Incoming Signal, Audible Alert                             |                |                 |
| Detector Type       | Ge  | InGaAs         | Filtered InGaAs |
| Optical Interface   | Universal 2.5 mm (Order 1.25mm or screw on adapters separately) |                |                 |
| Measurement Range   | + 3 to -60 dBm  | + 3 to -70 dBm | + 23 to -45 dBm |
| Absolute Accuracy*  | +/- 0.25 dB   |                |                 |
| Resolution          | 0.01 dB   |                |                 |
| Power on            | Push Button ON, Auto Shutoff                                    |                |                 |
| Storage             | Store up to 1,000 measurements per wavelength, RP 455 & RP 460  |                |                 |
| Data transfer       | Mini USB Port (1,000 points/wavelength) RP 460 ONLY             |                |                 |
| Dimensions          | 6.1x.94x.75 in. (15.5x2.38x1.90cm)                              |                |                 |
| Weight              | 3.0 oz (85g)  |                |                 |

\* Accuracy measured at -10dBm and 25°C, all other specifications are @ 25°C.

### SPECIFICATIONS

|  |   |
|--|---|
| RP 450-02, RP 455-02, RP 460-02, RP 450-03, RP 455-03, RP 460-03, RP 450-04, RP 455-04 & RP 460-04 | Includes: Padded carry case, 2.5mm universal connector adapter, CR 2 battery, Mini USB to USB cable (RP 460 only) & manual. |
|--|---|

NOTE: ODM, Inc., offers a complete line of patch cords, adapters, cleaning aids and accessories for all aspects of optical testing. All power meters from ODM, Inc., may be combined with LED or Laser Sources (TP 200 or DLS 300 series) providing a complete test kit solution. Please visit [www.multilinkone.com](http://www.multilinkone.com) for more information.

## TOOLS AND TEST EQUIPMENT

### TP 210, 230 - Optical LED Source



#### Features

- General purpose stable optical source for laboratory or field
- TP 210 - 850nm LED / TP 230 - 1300nm LED
- Fiber Identification 2kHz generator for use with 2kHz receive probe (RP 400) or with non-invasive optical fiber identifiers
- Compact pocket size, rugged custom design for field or laboratory



#### Description

ODM, Inc., manufactures a range of easy to use optical transmit sources for quick and easy loss or verification testing on optical networks. These stable transmit probes offer 850nm and 1300nm LED output wavelengths.

The TP 2x0 used with the RP 440 power meter, provide loss measurements or 2kHz fiber identification. At the splice location the technician identifies the correct fiber by inserting the fiber directly into the RP 440 or by using the ID 100 noninvasive fiber identifier accessory. Please visit our web site [www.multilinkone.com](http://www.multilinkone.com) for more details on this powerful 2kHz tone identifier test kit.

Power to the unit is via a top mounted ON/OFF pushbutton. Low battery LED indication alerts the user to replace the battery. For extended use ODM offers a factory installed AC power outlet and AC adapter.

|                               |   |                              |   |
|-------------------------------|---|------------------------------|---|
| <b>Wavelength Range</b>       | TP 210 - 850nm LED, TP 230 - 1300nm LED | <b>Battery Life</b>          | 1,000 Operations                            |
| <b>Optical Output Power</b>   | TP 210 – (- 20dBm) / TP 230 – (- 20dBm) | <b>Low Battery</b>           | LED Indication                              |
| <b>Output Power Stability</b> | .1dB Long Term                          | <b>Operating Temperature</b> | - 10° C to + 55° C                          |
| <b>Optical Interface</b>      | ST* Connector                           | <b>Storage Temperature</b>   | - 30° C to + 70° C                          |
| <b>Tone Output</b>            | 2kHz Modulation                         | <b>Weight</b>                | 3.0 oz (85g)                                |
| <b>Power On</b>               | Push Button ON/OFF                      | <b>Physical</b>              | 6.10 (15.5) H, .940 (2.38) W, .750 (1.90) D |

\*Note: For other connector interfaces please call Multilink, Inc. or visit our Web Site @ [www.multilinkone.com](http://www.multilinkone.com)

### ORDERING INFORMATION

| Stock ID  | Part #    | Description   |            |        |                            |
|---|-----------|---|------------|--------|----------------------------|
| 085-042-10  | TP 210    | Transmit Probe, 850nm LED, includes Battery and ST Connector  |            |        |                            |
| 085-045-10  | TP 230    | Transmit Probe, 1300nm LED, includes Battery and ST Connector |            |        |                            |
| OPTIONAL ACCESSORIES  |           |   |            |        |                            |
| For combined power meter / light source test kits call Multilink, Inc. or visit our Web Site @ <a href="http://www.multilinkone.com">www.multilinkone.com</a> |           |   |            |        |                            |
| Stock ID  | Part #    | Description   | Stock ID   | Part # | Description                |
| 085-018-10  | RP 420    | Receive Verification Probe                                    | 085-038-10 | AC 010 | Single Instrument Pouch    |
| 085-019-10  | RP 440-02 | Receive Optical Power Meter                                   | 085-039-10 | AC 011 | Dual Instrument Carry Case |

\* Accuracy measured at -10dBm and 25°C, all other specifications are @ 25°C.

NOTE: ODM, Inc., offers a complete line of patch cords, adapters, cleaning aids and accessories for all aspects of optical testing. All power meters from ODM, Inc., may be combined with LED or Laser Sources (TP 200 or DLS 300 series) providing a complete test kit solution. Please visit [www.multilinkone.com](http://www.multilinkone.com) for more information.



## TOOLS AND TEST EQUIPMENT

### TP 220, 240 & 250 - Optical Laser Source



#### Features

- General purpose stable optical laser source for laboratory or field
- TP 220–1310nm laser / TP 240–1490nm laser / TP 250–1550nm laser
- Fiber Identification 2kHz generator for use with 2kHz receive probe (RP 400) or with non-invasive optical fiber identifiers
- Compact pocket size, rugged custom design for field or laboratory



#### Description

ODM, Inc., manufactures a range of easy to use optical laser sources for quick and easy loss or verification testing on optical networks. These stable transmit probes offer 1310nm, 1490nm and 1550nm laser output wavelengths.

The TP 2x0 used with the RP 440 power meter provide loss measurements or 2kHz fiber identification. At the splice location the technician identifies the correct fiber by inserting the fiber directly into the RP 440 or by using the ID 100 noninvasive fiber identifier accessory. Please visit our web site [www.multilinkone.com](http://www.multilinkone.com) for more details on this powerful 2kHz tone identifier test kit.

Power to the unit is via a top mounted ON/OFF pushbutton. Low battery LED indication alerts the user to replace the battery. For extended use ODM offers a factory installed AC power outlet and AC adapter.

|                               |   |                              |   |
|-------------------------------|---|------------------------------|---|
| <b>Wavelength Range</b>       | TP 220 - 1310nm Laser<br>TP 240 - 1490nm Laser<br>TP 250 - 1550nm Laser | <b>Battery Life</b>          | 1,000 Operations, 3.0V, CR2                 |
| <b>Optical Output Power</b>   | - 4.0 dBm typical, all models   | <b>Low Battery</b>           | LED Indication                              |
| <b>Output Power stability</b> | +/- .1dB  | <b>Operating Temperature</b> | - 10° C to + 55° C                          |
| <b>Optical Interface</b>      | SC Connector  | <b>Storage Temperature</b>   | - 30° C to + 70° C                          |
| <b>Tone Output</b>            | 2kHz Modulation   | <b>Weight</b>                | 3.0 oz (85g)                                |
| <b>Power On</b>               | Push Button ON/OFF  | <b>Physical</b>              | 6.10 (15.5) H, .940 (2.38) W, .750 (1.90) D |

#### ORDERING INFORMATION

| Stock ID  | Part #    | Description   |            |        |                         |
|---|-----------|---|------------|--------|-------------------------|
| 085-044-10  | TP 220    | Transmit Probe, 1310nm laser, includes battery and SC connector |            |        |                         |
| 085-046-10  | TP 240    | Transmit Probe, 1490nm laser, includes battery and SC connector |            |        |                         |
| 085-047-10  | TP 250    | Transmit Probe, 1550nm laser, includes battery and SC connector |            |        |                         |
| OPTIONAL ACCESSORIES  |           |   |            |        |                         |
| For combined power meter / light source test kits call Multilink, Inc. or visit our Web Site @ <a href="http://www.multilinkone.com">www.multilinkone.com</a> |           |   |            |        |                         |
| Stock ID  | Part #    | Description   | Stock ID   | Part # | Description             |
| 085-018-10  | RP 420    | Receive optical verification probe                              | -          | AC 050 | AC power adapter        |
| 085-019-10  | RP 440-02 | Receive optical power meter                                     | 085-038-10 | AC 010 | Single instrument pouch |

Note: These Products Comply With 21 CFR 1040.10 & 1040.11

NOTE: ODM, Inc., offers a complete line of patch cords, adapters, cleaning aids and accessories for all aspects of optical testing. All power meters from ODM, Inc., may be combined with LED or Laser Sources (TP 200 or DLS 300 series) providing a complete test kit solution. Please visit [www.multilinkone.com](http://www.multilinkone.com) for more information.

## TOOLS AND TEST EQUIPMENT

### VF 610 - Visual Fault Locator



#### Features

- High Output, up to 1 mW visible 635nm red laser
- SC connector
- Compact pocket size, rugged custom design for field or laboratory
- 2 Hz or CW modes of operation

#### Description

The VF 610 is a high output visible laser designed to locate and identify faults in fiber optic cables. The VF 610 is also useful when identifying breaks in jumper cables, patch panels and other cable splice areas. The VF 610 visual fault locator may be used within the OTDR “dead zone” to identify breaks and faults in the fiber. Fiber continuity on multimode or singlemode fiber up to distances of 5km is possible with the VF 610.

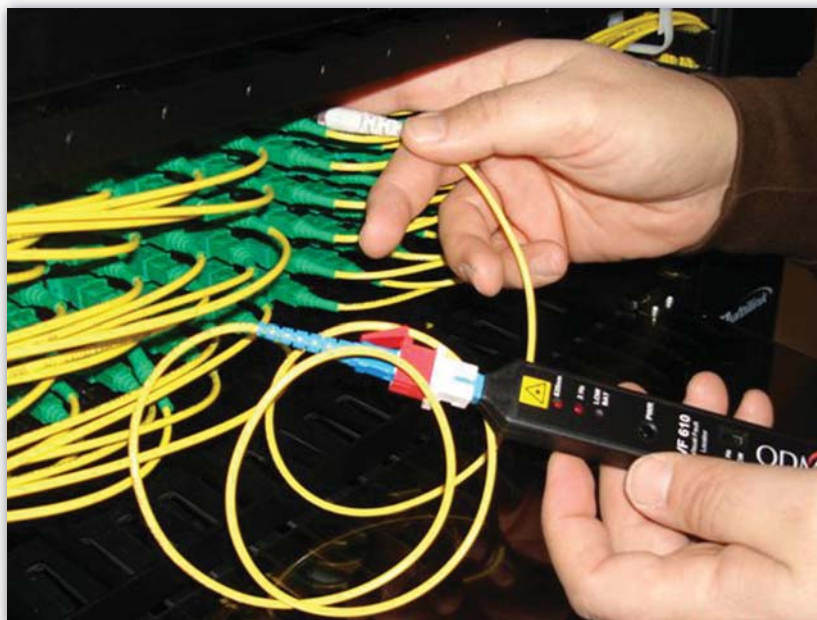
This compact instrument includes a 2Hz modulation feature to enhance the identification of problems areas. A 3V CR2 lithium battery providing over 1000 operations provides power to the VF 610. The SC connector output allows connection to the fiber under test. Optional adapters are available to access other style connectors. The VF 610 includes a padded cordura nylon carry case with belt loop.



|                      |                                |                       |   |
|----------------------|--------------------------------|-----------------------|---|
| Wavelength Range     | 635nm                          | Modulation            | 2Hz Modulation                              |
| Optical Output Power | 635nm Laser, 1 mW FDA 2, IEC 2 | Operating Temperature | - 10° C to + 55° C                          |
| Power On             | Push Button ON/OFF             | Storage Temperature   | - 30° C to + 70° C                          |
| Battery Life         | 1,000 Operations, 3.0V, CR2    | Weight                | 3.0 oz (85g)                                |
| Low Battery          | LED Indication                 | Physical              | 6.10 (15.5) H, .940 (2.38) W, .750 (1.90) D |

#### ORDERING INFORMATION

| Stock ID   | Part # | Description   |
|------------|--------|---|
| 085-062-10 | VF 610 | Unit includes SC connector output with adapter, battery, padded carry case and instruction card |



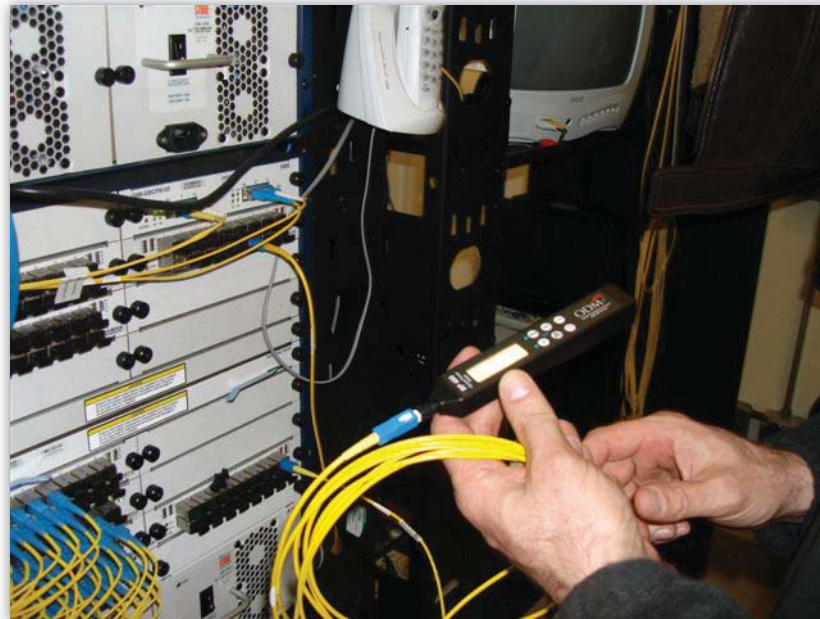
# TOOLS AND TEST EQUIPMENT

## Fiber Optic Test, Inspection, & Cleaning Equipment

### OPTICAL TEST KITS

| Stock ID  | Model #  | Description & Wavelength  | Storage              | Resolution | USB Download | Dynamic Range     |
|-----------|----------|---|----------------------|------------|--------------|-------------------|
| 085-50-10 | TKM 530  | Dual 850/1300nm Multimode, DLS 350 & RP 440-02                        | No                   | .01 dB     | No           | 40 dB             |
| 085-51-10 | TKM 540  | 1310nm Singlemode, TP 220 & RP 440-02                                 | No                   | .01 dB     | No           | 60 dB             |
| 085-52-10 | TKM 550  | Dual 1300/1550nm Singlemode, DLS 355 & RP 440-02                      | No                   | .01 dB     | No           | 60 dB             |
| 085-53-10 | TKM 630  | Dual 850/1300nm Multimode, RP 350 & RP 450-02                         | No                   | .01 dB     | No           | 40 dB             |
| 085-54-10 | TKM 650  | Dual 1310/1550nm Singlemode, DLS 355 & RP 450-02                      | No                   | .01 dB     | No           | 60 dB             |
| 085-55-10 | TKM 730  | Dual 850/1300nm Multimode, DLS 350 & RP 450-02                        | Yes, 1,000 Locations | .01 dB     | No           | 40 dB             |
| 085-56-10 | TKS 750  | Dual 1310/1550nm Singlemode, DLS 355 & RP 450-02                      | Yes, 1,000 Locations | .01 dB     | No           | 60 dB             |
| 085-57-10 | TKMS 760 | Dual 850/1300nm MM Dual 1310/1550nm, SM, DLS 350, DLS 355 & RP 455-02 | Yes, 1,000 Locations | .01 dB     | No           | 40 dB MM 60 dB SM |
| 085-58-10 | TKM 830  | Dual 850/1310nm Multimode, DLS 350 & RP 460-02                        | Yes, 1,000 Locations | .01 dB     | Yes          | 40 dB             |
| 085-59-10 | TKS 850  | Dual 1310/1550nm Singlemode, DLS 355 & RP 460-02                      | Yes, 1,000 Locations | .01 dB     | Yes          | 60 dB             |
| 085-60-10 | TKMS 860 | Dual 850/1300nm MM Dual 1310/1550nm, SM, DLS 350, DLS 355 & RP 460-02 | Yes, 1,000 Locations | .01 dB     | Yes          | 40 dB MM 60 dB SM |

SECTION 5  
TOOLS & TEST EQUIPMENT



## TOOLS AND TEST EQUIPMENT

### Fiber Optic Test, Inspection, & Cleaning Equipment



#### Accessories

ODM, Inc., stocks a full line of connectors, patch cords, couplers, splitters, and attenuators. Please call for information on any accessories not listed below.

#### Description

The VF 610 is a high output visible laser designed to locate and identify faults in fiber optic cables. The VF 610 is also useful when identifying breaks in jumper cables, patch panels and other cable splice areas. The VF 610 visual fault locator may be used within the OTDR “dead zone” to identify breaks and faults in the fiber. Fiber continuity on multimode or singlemode fiber up to distances of 5 km is possible with the VF 610.

This compact instrument includes a 2Hz modulation feature to enhance the identification of problems areas. A 3V CR2 lithium battery providing over 1000 operations provides power to the VF 610. The SC connector output allows connection to the fiber under test. Optional adapters are available to access other style connectors. The VF 610 includes a padded cordura nylon carry case with belt loop.



### CONNECTOR ADAPTERS FOR RP420 AND RP440

| Stock ID   | Part # | Description             |
|------------|--------|-------------------------|
| 085-032-10 | AC 020 | 2.5mm Universal Adapter |
| 085-033-10 | AC 021 | 1.5mm Universal Adapter |
| 085-034-10 | AC 026 | SC Screw On Adapter     |
| 085-035-10 | AC 027 | ST Screw On Adapter     |
| 085-036-10 | AC 028 | FC Screw On Adapter     |
| 085-037-10 | AC 029 | LC Screw On Adapter     |

### PATCH CORDS

| Stock ID   | Part # | Description      |
|------------|--------|------------------|
| 085-040-10 | AC 030 | ST/ST 1 Meter MM |
| 085-041-10 | AC 031 | SC/SC 1 Meter MM |



**TOOLS AND TEST EQUIPMENT**  
**Fiber Optic Test Equipment Counter Display Rack**

SECTION 5  
 TOOLS & TEST EQUIPMENT



| Stock ID   | Description          |
|------------|----------------------|
| 065-092-20 | Counter Display Rack |

Any ODM Test Equipment may be ordered in retail display packaging. Contact Multilink, Inc. Customer Service with any questions.



## TOOLS AND ACCESSORIES

### Optical Fiber Assembly Accessories



"H" NOT SHOWN

| Item | Stock ID | Part #    | Description                                    | Dimensions  | Wt. Lbs. | UOM    |
|------|----------|-----------|--|-------------|----------|--------|
| A    | 10-6168  | F-000728  | Bottled Alcohol                                | 28 oz.      | -        | Each   |
| B    | 10-6169  | F1-007P   | Automatic Dispensing Bottle (Amber Glass)      | -           | -        | Each   |
| C    | 10-6171  | F1-34-155 | Lint Free Kim Wipes                            | 280 Per Box | -        | 1 Box  |
| D    | 10-6172  | F1-25183  | Lint Free 2.5mm Fiber Optic Wrapped Swabs      | 100 Per Box | -        | 1 Box  |
| E    | 10-6173  | F1-25123  | Lint Free 1.25mm Fiber Optic Wrapped Swabs     | -           | -        | 5/Pack |
| F    | 10-6170  | F1-1008   | Tech Spray Canned Air W/Plastic Trigger Nozzle | 10 oz.      | -        | Each   |
| G    | 10-6174  | F1-7020   | Connector Cleaner (20 ft.) Universal           | 20 feet     | -        | Each   |
| H    | 10-6175  | F1-7021   | Cleaning Media Replacement Reel ( Not Shown )  | 20 feet     | -        | Each   |
| I    | 10-6176  | F1-9000   | Pocket Fault Locator                           | -           | -        | Each   |

## TOOLS AND ACCESSORIES

### Fiber Accessories



#### Fiber Optic Protective Sleeves

Transparent plastic tube and stainless steel rod designed to prevent stress and protect fusion fiber optic splices in field and factory operations. Sleeves are made of ethylene vinyl acetate (EVA) with heat activated memory, which causes them to shrink under heat. Sleeves shrink tightly to exclude air and hold the rod firmly, preventing abrasion of delicate glass fibers. Available in 60mm and 40mm.

| Item | Stock ID | Part #  | Description                                   | Dimensions | Wt. Lbs. | UOM  |
|------|----------|---------|---|------------|----------|------|
| A    | 76500    | -       | Fiber Optic Protective Sleeves 60mm           | 60mm       | -        | Each |
| -    | 76501    | DH-1-40 | Fiber Optic Protective Sleeves (Not Pictured) | 40mm       | -        | Each |



| Item | Stock ID | Part #  | Description                                | Dimensions | Wt. Lbs. | UOM     |
|------|----------|---------|--|------------|----------|---------|
| -    | 75000K   | 2220-CK | Fiber Optic Connector/Adapter Cleaning Kit | -          | -        | Each    |
| B    | 75011    | 25511   | Small Lint Free Wipes Pack                 | -          | -        | Pack    |
| B    | 75012    | 25514   | Large Lint Free Wipes Pack                 | -          | -        | Pack    |
| -    | 75300    | 223-IA  | Isopropyl Alcohol                          | -          | -        | Each    |
| -    | 75302    | 224-AD  | Alcohol Dispenser                          | -          | -        | Each    |
| -    | 75400    | 222-CA  | Compressed Air                             | -          | -        | Each    |
| -    | 75500    | 222-QT  | 6"L Cotton Swabs                           | -          | -        | Bag/100 |
| C    | 73304    | 86      | 1/2-S Wire Cutter                          | -          | -        | Each    |

## TOOLS AND ACCESSORIES

### Fiber Accessories

#### Basic Fiber Optic Tool Kit

Multilink introduces a new fiber optic tool kit. The basic tool kit featured to the left includes such tools as the fiber optic disposal unit, safety glasses, labeler, and a round cutter, to name just a few. The Universal Epoxy Termination Kit provides a technician with materials to prep and connectorize standard fiber optic connectors such as ST, SC, and FC. Contents of the entire kit is listed below.

#### Contains Of Basic Fiber Optic Tool Kit

- Canned Air
- PVC Electrical Tape
- 4oz. Alcohol Bottle
- Miller Fiber Stripper
- Connector Cleaner
- Kevlar Scissors
- Jacket Stripper
- Universal Continuity Tester
- Buffer Tube Stripper
- Round Cable Slitter
- Round Cable Cutter
- (50) Foam Swabs
- Matching Gel
- Kim Wipes
- Utility Knife
- Tweezers
- Needle Nose Pliers
- Piano Wire
- 4 Bit Screwdriver
- Black Marker
- Safety Glasses
- (5) D-Gel Wipes
- Black Work Mat
- Fiber Disposal Unit
- Wire Marker Dispenser
- Ruler
- Fabric Tape Measure
- 1/2" Nut Driver
- (3) Economy Tie Labels
- Rugged Carrying Case
- (5) Fusion Splice Sleeves
- 4 Gram Blue Dye Epoxy
- 1 Meter 3mm Furcation Tube
- 1 Meter 900µm Furcation Tube



A



B

| Item | Stock ID | Part #     | Description                                 | Dimensions | Wt. Lbs. | UOM  |
|------|----------|------------|---|------------|----------|------|
| A    | 10-6498  | ML-F1-0053 | Basic Tool Kit                              | -          | -        | Each |
| B    | 73003K   | 2003-FSPK  | Basic Fiber Splice Preparation              | -          | -        | Each |
| -    | 73001K   | 2001-FSPKF | Fiber Splice Preparation Kit                | -          | -        | Each |
| -    | 73002K   | 2002-FSPKF | Fiber Splice Preparation Kit                | -          | -        | Each |
| -    | 73010K   | 2004-FSPKF | Fiber Splice Preparation Kit                | -          | -        | Each |
| -    | 73004K   | 2005-FSPKF | Fiber Splice Preparation Kit (less cleaver) | -          | -        | Each |
| -    | 73310    | 201-TBCL   | Thomas & Betts Cleaver                      | -          | -        | Each |

## TOOLS AND ACCESSORIES

### MultiQuick Split™



A

| Item | Stock ID | Part #   | Description                                     | Dimensions    | Wt. Lbs. | UOM  |
|------|----------|----------|---|---------------|----------|------|
| A    | 72900K   | 2000-US  | MultiQuick Split Buffer Tube Splitting Tool Kit | 2.5mm & 3.0mm | -        | Each |
| -    | 70781    | 2250-MQS | 2.5mm Tool Only                                 | 2.5mm Each    | -        | Each |
| -    | 70782    | 2300-MQS | 3.0mm Tool Only                                 | 3.0mm Each    | -        | Each |
| -    | 10-6690  | 2400-MQS | 4.0mm Tool Only                                 | 4.0mm Each    | -        | Each |



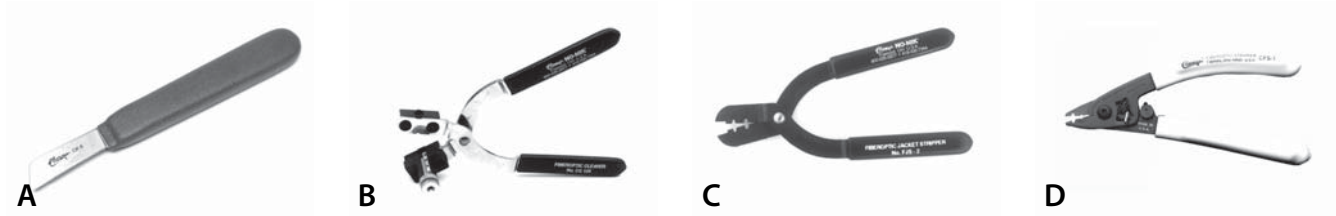
C-H

B

| Item | Stock ID  | Part #  | Description               | Dimensions                    | Wt. Lbs. | UOM  |
|------|-----------|---------|---------------------------|-------------------------------|----------|------|
| B    | 99000000  | FOS203K | Fiber Optic Stripping Kit | 4" x 6-1/4" (10.2cm x 15.9cm) | 1        | Each |
| C    | 990000000 | FOS127  | Fiber Optic Stripper      | 5-1/4" (13.3cm)               | 0.25     | Each |
| D    | 990000000 | FOS152  | Fiber Optic Stripper      | 5-1/4" (13.3cm)               | 0.25     | Each |
| E    | 990000000 | FOS175  | Fiber Optic Stripper      | 5-1/4" (13.3cm)               | 0.25     | Each |
| F    | 990000000 | FOS203  | Fiber Optic Stripper      | 5-1/4" (13.3cm)               | 0.25     | Each |
| G    | 990000000 | FOS254  | Fiber Optic Stripper      | 5-1/4" (13.3cm)               | 0.25     | Each |
| H    | 990000    | FOS305  | Fiber Optic Stripper      | 5-1/4" (13.3cm)               | 0.25     | Each |

## TOOLS AND ACCESSORIES

### Fiber Splice Preparation



| Item | Stock ID    | Part # | Description  | Dimensions                   | Wt. Lbs. | UOM  |
|------|-------------|--------|--|------------------------------|----------|------|
| A    | 99000000000 | CSK6   | Red Handle Cable Splicer Knife   | 6-1/4"(15.9cm)               | 1.5      | Each |
| B    | 9900000000  | FOC125 | Fiber Optic Cleaver  | 5-1/8"(13cm) x 1-3/4"(4.5cm) | 0.15     | Each |
| C    | 9900000000  | FOJS-1 | .75mm (.030") dia. and 1.00mm (.040") dia. Cables-Pink Handle Cover    | 5" (12.7cm)                  | 0.75     | Each |
| C    | 9900000000  | FOJS-2 | 1.25mm (.050") dia. and 1.50mm (.060") dia. Cables-Maroon Handle Cover | 5" (12.7cm)                  | 0.75     | Each |
| D    | 73306       | FOS-1  | (CFS-2) Fiber optic jacket stripper                                    | 6-1/2" (16.5cm)              | 0.25     | Each |

## TOOLS AND ACCESSORIES

### Slitting/Ringing Tool



#### Features & Benefits

- Adjustable
- Non-Conductive Body
- Extra Blade Included

## TOOLS AND ACCESSORIES

### Fiber Prep Cable Cleaner



#### Features & Benefits

Fiber optic cable cleaner is used for quick and easy removal of cable gels, greases, tars, and oils from fiber optic and co-ax cables. Leaves no residue! This effective (full-strength) formula evaporates completely and contains no hazardous materials.

| Item | Stock ID | Part #   | Description                     | Dimensions | Wt. Lbs. | UOM  |
|------|----------|----------|---------------------------------|------------|----------|------|
| A    | 42130    | 85-0003  | Slitting/Ringing Tool For Cable | 0.25"-1.5" | -        | Each |
| B    | 75200    | 2200-FOW | Foil Pack F/O Cable Wipe        | -          | -        | Each |
| C    | 75201    | 2160-FC  | Squirt Bottle F/O Cable Cleaner | 16 oz.     | -        | Each |
| D    | 75202    | 2320-FC  | Squirt Bottle F/O Cable Cleaner | 32 oz.     | -        | Each |
| E    | 75203    | 2100-FC  | Squirt Bottle F/O Cable Cleaner | 64 oz.     | -        | Each |



## Terms And Conditions Of Sale

**Price and Payment:** All prices, unless otherwise stated, are F.O.B. shipping point and are exclusive of any federal, state, local or other taxes. Any applicable taxes are the responsibility of the Purchaser and shall be added to the invoice unless MULTILINK is provided the appropriate, valid exemption certificate by Purchaser. All prices are subject to change without notice. Shipments of ten percent (10%) more or less than the order quantity constitute completed orders, unless previously agreed to by both Purchaser and MULTILINK.

Invoices are payable in full within thirty (30) days following invoice date. A discount of one percent (1%) is allowable on invoices paid within (10) days following invoice date: this discount also applies to those orders shipped C.O.D. or cash in advance. Invoices outstanding past thirty (30) days following invoice date will be subject to a late payment charge of one and one half percent (1-1/2%) per month. Failure to pay any invoice by its due date makes subsequent invoices due immediately regardless of the terms herein. MULTILINK may option to withhold subsequent shipments until the account in question is settled to MULTILINK'S satisfaction.

**Acceptance:** All orders subject to acceptance by MULTILINK. Once placed and accepted, any order may be cancelled only upon terms exempting MULTILINK against all loss with the consent of MULTILINK.

**Title and Risk of Loss:** Title and risk of loss on all material sold by MULTILINK shall pass to Purchaser upon delivery of said materials to a common carrier regardless of freight terms stated or method of payment of transportation charges.

**Transportation charges:** Most shipments are via United Parcel Service and are prepaid and billed; however, MULTILINK reserves the right to specify routing of shipments. Truck shipments will be made prepaid.

**Non-conformance return:** All materials sold by MULTILINK are non-returnable except for manufacturing defects. Upon receipt of materials, the customer will have 30 days to make a viable claim for non-conformance. Any material shown to MULTILINK'S satisfaction to be non-conforming at time of shipment will be replaced. MULTILINK will then render credit for the returned goods, provided MULTILINK shall not be responsible for claims beyond replacement value of the defective material. Before returning any material, Purchaser must obtain written material return authorization from MULTILINK.

**Express warranties:** MULTILINK warrants that the goods are free from any material defect in workmanship and materials under normal and proper usage for a period of one year from the date of shipment by MULTILINK. Purchaser acknowledges that no sample or model of the goods, nor any sales literature, proposals, projections, or engineering data regarding the goods are any part of the basis of the bargain between the parties. Purchaser has made, and relies solely upon, its own determination of the suitability, compatibility, performance, and uses of the goods, and acknowledges to MULTILINK that the Purchaser does not rely upon any oral or written representations or statements by MULTILINK regarding the goods, other than as expressly set forth in this Contract.

**Disclaimer of Implied Warranties:** IN ALL EVENTS, WITH RESPECT TO ALL GOODS SOLD, MULTILINK DISCLAIMS THE IMPLIED WARRANTY OF MERCHANTABILITY AND THE IMPLIED WARRANTY OF FITNESS FOR A PARTICULAR PURPOSE.

**Limitation of Damages:** IF MULTILINK BREACHES OR REPUDIATES THIS CONTRACT BY REASON OF ANY DEFECT IN THE GOODS SOLD, THEN PURCHASER IS NOT ENTITLED TO, AND WAIVES ALL RIGHTS TO RECOVER, ANY INCIDENTAL OR CONSEQUENTIAL DAMAGES, INCLUDING LOST PROFITS. Purchaser has carefully considered this limitation and is willing to bear the entire defective.

**Purchaser's Exclusive Remedy:** IF MULTILINK BREACHES THE WARRANTY SET FORTH ABOVE, THEN PURCHASER'S SOLE AND EXCLUSIVE REMEDY IS TO DEMAND THAT MULTILINK, AT MULTILINK'S COST, REPAIR THE GOODS, OR REPLACE THE GOODS IF, AFTER A REASONABLE NUMBER OF ATTEMPTS, THEY CANNOT BE REPAIRED. In lieu of making any repair or replacement of the Goods, Multilink may elect to refund the total purchase price, in full satisfaction of all obligations owed to Purchaser by reason of such breach, in which case Multilink's duty to pay the refund will be conditioned upon Purchaser permitting Multilink to inspect and take possession of the Goods.

**Statute of Limitations:** The parties desire to reduce the period of limitations to one year. Accordingly, a party must commence a cause of action for a breach of this Contract, including a breach of warranty, within one year after the cause of action has accrued.

**Entire Agreement:** Any term or condition contained in Purchaser's purchase order, acknowledgement form, confirmation or any other document issued by Purchaser that conflicts with any term of this Contract, or that adds to MULTILINK'S obligations under this Contract, is not part of this Contract and is not binding upon MULTILINK unless specifically identified and accepted in writing by an officer of MULTILINK. This document, including any attachments, embodies the entire agreement of the parties as to the subject matter contained in this document. There are no promises, terms, conditions, or obligations between the parties regarding the subject matter of this Contract other than those contained in this document, including any attachments. This Contract supersedes all previous communications, representations, or agreements, either verbal or written, between the parties, including any correspondence, proposals, quotes, brochures, samples, models, or specification sheets, or any other oral or written statements or representations made by any MULTILINK salesmen. Accordingly, the parties shall request that any court or tribunal called upon to consider and enforce this Contract strictly apply the "parol evidence" rule. No course of prior dealings between the parties and no usage of trade is relevant to supplement or explain any term of this Contract.

**Modification of Contract:** No amendment, modification, change or discharge of any term or provision of this Contract will be valid or binding on either party, and no waiver of any of the terms of this Contract will be valid or binding on either party, unless it is in writing and signed by all of the parties; and with respect to MULTILINK, signed by an officer of MULTILINK.

**Non-Waiver:** Failure of MULTILINK or any of its agents or representatives to comply with any of the terms or conditions herein or failure to properly notify Purchaser of any breach of these conditions shall not be deemed a waiver of any right MULTILINK has to insist upon strict compliance of these terms and conditions in subsequent agreements.

**Force Majeur:** MULTILINK shall not be liable for any loss, damage, delay, change in shipment schedule or failure to deliver caused by accident, fire, strike, riot, civil commotion, insurrection, war, the elements, embargo, failure of carrier, inability to obtain transportation facilities, government requirements, acts of God or public enemy, previous commitments to customers or limitations on MULTILINK'S or its suppliers' products or marketing activities or any other cause or contingency beyond MULTILINK'S control.

**Freight Policy:** Orders are shipped via best method as determined by MULTILINK unless specified by the Customer. Freight bills will be prepaid if shipped via common carrier under the condition that freight bills will be paid in net 7 days per ICC regulations.

Returns must be in original cartons, in resell able condition, and sent prepaid. (If merchandise was shipped to customer via UPS, it must be returned via UPS). All returns must be made within a 60-day limit and are subject to a 25% restocking charge (Special order and custom orders are non-refundable).

**Claims for Shortages or Damages:** Claims must be made within seven days of invoice date. All freight damages and shortages should be filed with the carrier within seven days.

**Back Orders:** All back orders will be retained and shipped on arrival unless otherwise notified. NO SALESMAN, DISTRIBUTOR, REPRESENTATIVE OR OTHER AGENT IS AUTHORIZED BY MULTILINK TO GIVE ANY WARRANTY OR GUARANTEE CONTRARY TO THE STATEMENTS MADE HEREIN.

## FTTx – (Fiber to the Curb, Business, Home)

Multilink designs and manufactures the passive end-to-end product solutions for delivering broadband services to the premise.

The transport of the services begins in the Head-end or Central office where the Multilink optical fiber distribution and management products are installed to support the ingress and egress of the optical paths. Depending on the specific site requirements, the Netfloor access flooring system is available along with the vertical and horizontal rack supported wire managers.

The fiber management system is modular and designed to support a wide array of termination panels and passive component storage shelves supporting optical termination and the management of passive optical branching and WDM components. Shelves can be supplied with pre-terminated pigtails.

OSP cabling entering and exiting the building is spliced within the OSE (Optical Splice Enclosure). The enclosure provides an economically but easily assessable splice point where the inside cabling meets the outside network.

The OSP cabling is placed in duct to Manholes or routed to Aerial plant and is spliced using one of Multilink's family of Starfighter - Sealed Fiber Optic Splice Closures.

Splice closures can be installed in a number of below and above grade enclosures including Handholes, Manholes, Pedestals, and Pole Mounted slack storage cabinets. Closures are all strand, ADSS or wall mountable.

Aerial and below grade slack cable can be managed using the Multilink family of Sno-Shoe's. Planned slack for future additions or potential maintenance situations is recommended using the Sno-Shoe. Small diameter fiber drop cabling can be easily damaged and to prevent outages Multilink's Vault or aerial slack storage module is also recommended.

Distributing the fiber in any FTTx situation requires enclosures and optical terminals such as the OTE (Optical Termination Closure), wall mount fiber patch, splice or combination Patch & Splice enclosures, or a family of thermoplastic enclosures. These enclosures are designed with cassettes and other hardware that support passive components such as CWDM's, or any variety of 1xN type optical couplers along with connector or fusion spliced drop capabilities.

At the side of the home or building a family of Demarcation enclosures is available to terminate the network facilities and to provide for readily accessible customer premises wiring. These units are varied in design to fit the specific application. For business or other higher density residential structures a family of optical termination MDUs are available. In smaller less dense structures a complete family of compact plastic termination/distribution enclosures is also available.

Reaching the customer may require the use of a below grade or wall mounted pathway. Multilink manufactures a wide array of pathways which include a three path direct buried MultiPath duct which is installed vertically in a paved, concrete or soil environment using a concrete saw or narrow slit in the ground. In large residential or business structures a number of architectural pathways are designed to support the management, distribution and termination of optical fibers reaching the OTN or other active component and pathways are constructed in both exterior and interior grade materials.

We hope we can be a part of enhancing the path of fiber optic light in your network.

Best regards,

*Steve E. Kaplan*

Multilink, Inc. CEO



Web: [www.multilinkone.com](http://www.multilinkone.com) • E-Mail: [engsupport@multilinkone.com](mailto:engsupport@multilinkone.com)

587 Ternes Avenue • P.O. Box 955 • Elyria, OH 44035

Phone: 440.366.6966 • Fax: 440.366.6802

24 Hour Voice Messaging • Worldwide Distribution

© Multilink, Inc. • All Rights Reserved • CA-300-047 April 2007