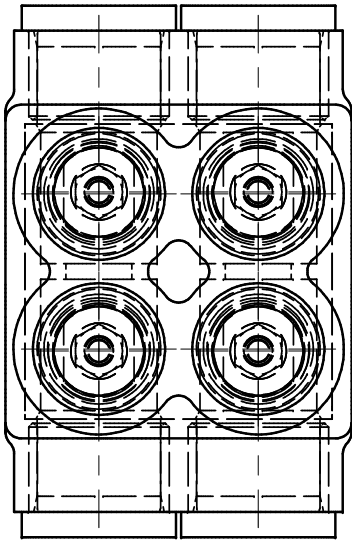


CAT. NO.: SEE CHART

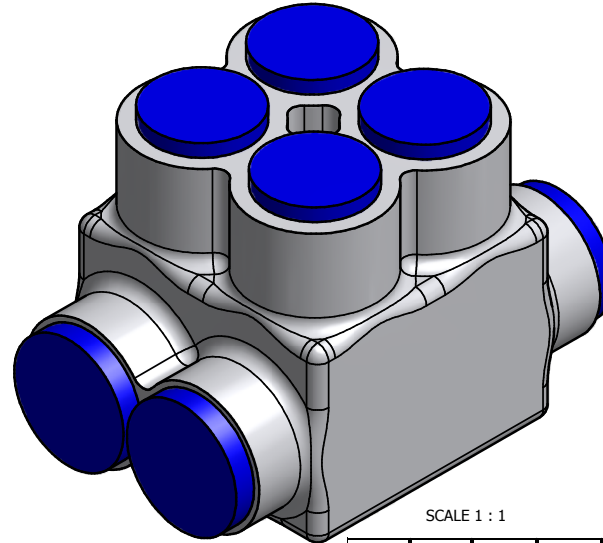
TOLERANCES-UNLESS OTHERWISE SPECIFIED
 2 PL. DEC. ±.015 TRUE CL. ±.015
 3 PL. DEC. ±.015 ANGLES ±1



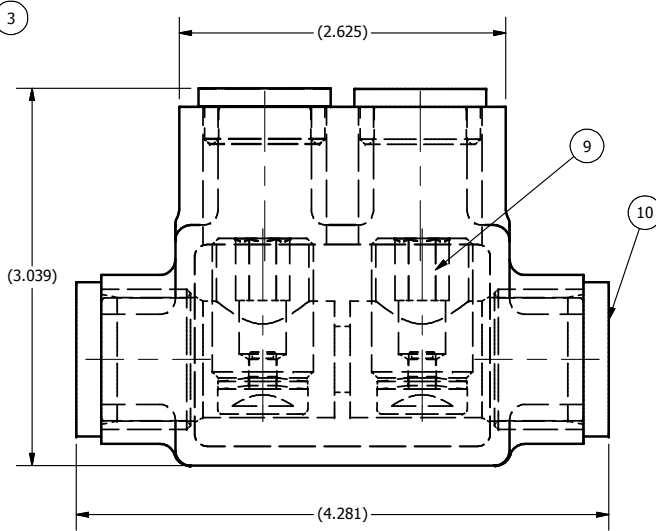
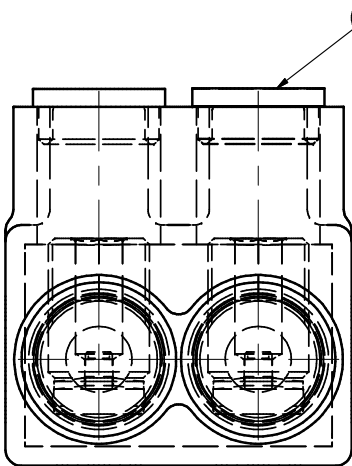
DRAWN BY: DR	SCALE: 1:1	DWG. NO. M3063
DATE: 8/6/2014	SIZE: B	SHEET 2 OF 2
REV. A	DESCRIPTION	APPROVED BY



4 5 6 7 8



SCALE 1 : 1



M3063A12T	M3063A10T	M3063A08T	M3063A06T	M3063A04T			
PBT212-600-F	PBT210-600-F	PBT2-8-600-F	PBT2-6-600-F	PBT2-4-600-F			
12	10	8	6	4	10	R1890C01A	BLUE WIRE PORT PLUG 600
12	10	8	6	4	9	E1427A00T	AL SCREW 9/16-18
1					8	M3063B12T	ENCAPSULATED BODY, AL MECH.
	1				7	M3063B10T	ENCAPSULATED BODY, AL MECH.
		1			6	M3063B08T	ENCAPSULATED BODY, AL MECH.
			1		5	M3063B06T	ENCAPSULATED BODY, AL MECH.
				1	4	M3063B04T	ENCAPSULATED BODY, AL MECH.
12	10	8	6	4	3	R1791C01A	BLUE SCREW PORT PLUG 600
1	1	1	1	1	2	FORM 1	ILSCO MECH CON TORQUE REQ
0.12	0.1	0.08	0.06	0.04	1	R0782W00A	DE-OX-55GAL GREEN
QTY	QTY	QTY	QTY	QTY	NO	PART #	DESCRIPTION