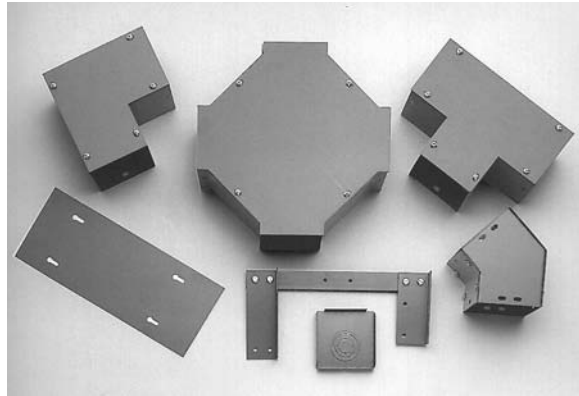


Type 1 Screw Cover Wireway	12
Type 1 Quick-Connect Hinge Cover Wireway	20
Type 1 Wiring Trough	26
Type 3R Screw Cover Wireway	28
NEMA 12 Lay-In Wireway	30
NEMA 12 Feed-Through Wireway	38
NEMA 12 Lift-Off Cover Wiring Trough	42
NEMA 4X Feed-Through Wireway	44
NEMA 4X Lift-Off Cover Wiring Trough	48

Type 1 Screw Cover Wireway - Painted & Galvanized Data Sheet



Application

- Houses runs of control and power cable
- Used for cable and wire junction, distribution and termination

Standards

- UL 870 listed, Type 1
- CSA C22.2 No. 26 certified, Type 1
- Conforms to NEMA standard for Type 1
- IEC 60529, IP30

Finish

- Wash and phosphate undercoat or galvanized steel
- ANSI 61 gray acrylic electrocoat finish

Accessories

- Sealing devices
- Touch-up paint
- See Accessories section

Construction

- Wireway body and cover are fabricated from code gauge steel or galvanized steel, (see table)
- Wireway body has mounting holes on the back
- Wireway is available with or without knockouts on the top and bottom sides
- Wireway fittings have no knockouts, ends are available with or without knockouts
- Cover is secured to the body with plated screws
- Keyhole slots are furnished on the wireway cover which allow easy access to the inside without removing the screws
- Flush and surface wireway covers are available
- Wireway exceeding 72 inches in length has two overlapping covers
- Variety of fittings allow runs which can change direction, junction and terminate
- Standard wireway connectors (sold separately) have a unique gate feature which can swing completely open allowing for continuous runs of wire and cable
- Universal connectors are also available for adapting to other manufacturer's wireway, (see table, page 16)
- Completely interchangeable with Type 1 Hinge Cover Wireway and Fittings

Notes: Cooper B-Line can provide special sizes, finishes and other modifications. Consult the factory for your special requirements.

Type 1 Screw Cover Wireway - Painted & Galvanized Catalog Number

Wireway Catalog Number				Wireway Size		D		Gauge	Knockout Quantity	
Painted		Galvanized		Height x Depth x Length A x B x C		in.	mm		Top	Bottom
KO	No KO	KO	No KO	in.	mm					
2212 G	2212 G NK	2212 GGV	2212 GGV NK	2.50x2.50x12.00	64x64x305	1.25	32	16	3	3
2218 G	2218 G NK	2218 GGV	2218 GGV NK	2.50x2.50x18.00	64x64x457	1.25	32	16	5	5
2224 G	2224 G NK	2224 GGV	2224 GGV NK	2.50x2.50x24.00	64x64x610	1.25	32	16	7	7
2236 G	2236 G NK	2236 GGV	2236 GGV NK	2.50x2.50x36.00	64x64x914	1.25	32	16	11	11
2248 G	2248 G NK	2248 GGV	2248 GGV NK	2.50x2.50x48.00	64x64x1219	1.25	32	16	15	15
2260 G	2260 G NK	2260 GGV	2260 GGV NK	2.50x2.50x60.00	64x64x1524	1.25	32	16	19	19
2272 G	2272 G NK	2272 GGV	2272 GGV NK	2.50x2.50x72.00	64x64x1829	1.25	32	16	23	23
22120 G	22120 G NK	22120 GGV	22120 GGV NK	2.50x2.50x120.00	64x64x3048	1.25	32	16	39	39
3312 G	3312 G NK	3312 GGV	3312 GGV NK	3.00x3.00x12.00	76x76x305	1.50	38	16	3	3
3318 G	3318 G NK	3318 GGV	3318 GGV NK	3.00x3.00x18.00	76x76x457	1.50	38	16	5	5
3324 G	3324 G NK	3324 GGV	3324 GGV NK	3.00x3.00x24.00	76x76x610	1.50	38	16	7	7
3336 G	3336 G NK	3336 GGV	3336 GGV NK	3.00x3.00x36.00	76x76x914	1.50	38	16	11	11
3348 G	3348 G NK	3348 GGV	3348 GGV NK	3.00x3.00x48.00	76x76x1219	1.50	38	16	15	15
3360 G	3360 G NK	3360 GGV	3360 GGV NK	3.00x3.00x60.00	76x76x1524	1.50	38	16	19	19
3372 G	3372 G NK	3372 GGV	3372 GGV NK	3.00x3.00x72.00	76x76x1829	1.50	38	16	23	23
33120 G	33120 G NK	33120 GGV	33120 GGV NK	3.00x3.00x120.00	76x76x3048	1.50	38	16	39	39
4412 G	4412 G NK	4412 GGV	4412 GGV NK	4.00x4.00x12.00	102x102x305	2.75	70	16	3	3
4418 G	4418 G NK	4418 GGV	4418 GGV NK	4.00x4.00x18.00	102x102x457	2.75	70	16	5	5
4424 G	4424 G NK	4424 GGV	4424 GGV NK	4.00x4.00x24.00	102x102x610	2.75	70	16	7	7
4436 G	4436 G NK	4436 GGV	4436 GGV NK	4.00x4.00x36.00	102x102x914	2.75	70	16	11	11
4448 G	4448 G NK	4448 GGV	4448 GGV NK	4.00x4.00x48.00	102x102x1219	2.75	70	16	15	15
4460 G	4460 G NK	4460 GGV	4460 GGV NK	4.00x4.00x60.00	102x102x1524	2.75	70	16	19	19
4472 G	4472 G NK	4472 GGV	4472 GGV NK	4.00x4.00x72.00	102x102x1829	2.75	70	16	23	23
44120 G	44120 G NK	44120 GGV	44120 GGV NK	4.00x4.00x120.00	102x102x3048	2.75	70	16	39	39
6412 G	6412 G NK	6412 GGV	6412 GGV NK	6.00x4.00x12.00	152x102x305	4.25	108	16	3	3
6418 G	6418 G NK	6418 GGV	6418 GGV NK	6.00x4.00x18.00	152x102x457	4.25	108	16	5	5
6424 G	6424 G NK	6424 GGV	6424 GGV NK	6.00x4.00x24.00	152x102x610	4.25	108	16	7	7
6436 G	6436 G NK	6436 GGV	6436 GGV NK	6.00x4.00x36.00	152x102x914	4.25	108	16	11	11
6448 G	6448 G NK	6448 GGV	6448 GGV NK	6.00x4.00x48.00	152x102x1219	4.25	108	16	15	15
6460 G	6460 G NK	6460 GGV	6460 GGV NK	6.00x4.00x60.00	152x102x1524	4.25	108	16	19	19
6472 G	6472 G NK	6472 GGV	6472 GGV NK	6.00x4.00x72.00	152x102x1829	4.25	108	16	23	23
64120 G	64120 G NK	64120 GGV	64120 GGV NK	6.00x4.00x120.00	152x102x3048	4.25	108	16	39	39
6612 G	6612 G NK	6612 GGV	6612 GGV NK	6.00x6.00x12.00	152x152x305	4.25	108	16	3	3
6618 G	6618 G NK	6618 GGV	6618 GGV NK	6.00x6.00x18.00	152x152x457	4.25	108	16	5	5
6624 G	6624 G NK	6624 GGV	6624 GGV NK	6.00x6.00x24.00	152x152x610	4.25	108	16	7	7
6636 G	6636 G NK	6636 GGV	6636 GGV NK	6.00x6.00x36.00	152x152x914	4.25	108	16	11	11
6648 G	6648 G NK	6648 GGV	6648 GGV NK	6.00x6.00x48.00	152x152x1219	4.25	108	16	15	15
6660 G	6660 G NK	6660 GGV	6660 GGV NK	6.00x6.00x60.00	152x152x1524	4.25	108	16	19	19
6672 G	6672 G NK	6672 GGV	6672 GGV NK	6.00x6.00x72.00	152x152x1829	4.25	108	16	23	23
66120 G	66120 G NK	66120 GGV	66120 GGV NK	6.00x6.00x120.00	152x152x3048	4.25	108	16	39	39

See page 14 for 8"x8" through 12"x12" wireway.

Notes: Dimensions are in inches. Millimeters shown are for reference only. Data subject to change without notice.

Type 1 Screw Cover Wireway - Painted & Galvanized Catalog Number

Wireway Catalog Number				Wireway Size		D		Gauge	Knockout Quantity	
Painted		Galvanized		Height x Depth x Length A x B x C		in.	mm		Top	Bottom
KO	No KO	KO	No KO	in.	mm					
8812 G	8812 G NK	8812 GGV	8812 GGV NK	8.00x8.00x12.00	203x203x305	6.00	152	14	3	3
8818 G	8818 G NK	8818 GGV	8818 GGV NK	8.00x8.00x18.00	203x203x457	6.00	152	14	5	5
8824 G	8824 G NK	8824 GGV	8824 GGV NK	8.00x8.00x24.00	203x203x610	6.00	152	14	7	7
8836 G	8836 G NK	8836 GGV	8836 GGV NK	8.00x8.00x36.00	203x203x914	6.00	152	14	11	11
8848 G	8848 G NK	8848 GGV	8848 GGV NK	8.00x8.00x48.00	203x203x1219	6.00	152	14	15	15
8860 G	8860 G NK	8860 GGV	8860 GGV NK	8.00x8.00x60.00	203x203x1524	6.00	152	14	19	19
8872 G	8872 G NK	8872 GGV	8872 GGV NK	8.00x8.00x72.00	203x203x1829	6.00	152	14	23	23
88120 G	88120 G NK	88120 GGV	88120 GGV NK	8.00x8.00x120.00	203x203x3048	6.00	152	14	39	39
101012 G	101012 G NK	101012 GGV	101012 GGV NK	10.00x10.00x12.00	254x254x305	8.00	203	14	3	3
101024 G	101024 G NK	101024 GGV	101024 GGV NK	10.00x10.00x24.00	254x254x610	8.00	203	14	7	7
101036 G	101036 G NK	101036 GGV	101036 GGV NK	10.00x10.00x36.00	24x254x914	8.00	203	14	11	11
101048 G	101048 G NK	101048 GGV	101048 GGV NK	10.00x10.00x48.00	254x254x1219	8.00	203	14	15	15
101060 G	101060 G NK	101060 GGV	101060 GGV NK	10.00x10.00x60.00	254x254x1524	8.00	203	14	19	19
101072 G	101072 G NK	101072 GGV	101072 GGV NK	10.00x10.00x72.00	254x254x1829	8.00	203	14	23	23
1010120 G	1010120 G NK	1010120 GGV	1010120 GGV NK	10.00x10.00x120.00	254x254x3048	8.00	203	14	39	39
121212 G	121212 G NK	121212 GGV	121212 GGV NK	12.00x12.00x12.00	305x305x305	10.00	254	14	3	3
121224 G	121224 G NK	121224 GGV	121224 GGV NK	12.00x12.00x24.00	305x305x610	10.00	254	14	7	7
121236 G	121236 G NK	121236 GGV	121236 GGV NK	12.00x12.00x36.00	305x305x914	10.00	254	14	11	11
121248 G	121248 G NK	121248 GGV	121248 GGV NK	12.00x12.00x48.00	305x305x1219	10.00	254	14	15	15
121260 G	121260 G NK	121260 GGV	121260 GGV NK	12.00x12.00x60.00	305x305x1524	10.00	254	14	19	19
121272 G	121272 G NK	121272 GGV	121272 GGV NK	12.00x12.00x72.00	305x305x1829	10.00	254	14	23	23
1212120 G	1212120 G NK	1212120 GGV	1212120 GGV NK	12.00x12.00x120.00	305x305x3048	10.00	254	14	39	39

Notes: Dimensions are in inches. Millimeters shown are for reference only. Data subject to change without notice.

Type 1 Screw Cover Wireway Fittings - Painted & Galvanized

Catalog Number

Connector				
Catalog Number	A		B	
	in.	mm	in.	mm
22 C	2.50	64	2.50	64
33 C	3.00	76	3.00	76
44 C	4.00	102	4.00	102
64 C	6.00	152	4.00	102
66 C	6.00	152	6.00	152
88 C	8.00	203	8.00	203
1010 C	10.00	254	10.00	254
1212 C	12.00	305	12.00	305

Reducer												
Catalog Number	Painted	Galvanized	A1		B1		A2		B2		C	
			in.	mm	in.	mm	in.	mm	in.	mm	in.	mm
2233 FR	2233 FRGV	2.50	64	2.50	64	3.00	76	3.00	76	6.00	152	
3344 FR	3344 FRGV	3.00	76	3.00	76	4.00	102	4.00	102	8.00	203	
4466 FR	4466 FRGV	4.00	102	4.00	102	6.00	152	6.00	152	10.00	254	
6688 FR	6688 FRGV	6.00	152	6.00	152	8.00	203	8.00	203	12.00	305	
881010 FR	881010 FRGV	8.00	203	8.00	203	10.00	254	10.00	254	12.00	305	
10101212 FR	10101212 FRGV	10.00	254	10.00	254	12.00	305	12.00	305	16.00	406	

Wireway End Flange										
Catalog Number	Painted	Galvanized	A		B		E		F	
			in.	mm	in.	mm	in.	mm	in.	mm
22 GF	22 GFGV	2.50	64	2.50	64	4.00	102	4.00	102	
33 GF	33 GFGV	3.00	76	3.00	76	4.50	114	4.50	114	
44 GF	44 GFGV	4.00	102	4.00	102	5.50	140	5.50	140	
64 GF	64 GFGV	6.00	152	4.00	102	7.50	191	5.50	140	
66 GF	66 GFGV	6.00	152	6.00	152	7.50	191	7.50	191	
88 GF	88 GFGV	8.00	203	8.00	203	9.50	241	9.50	241	
1010 GF	1010 GFGV	10.00	254	10.00	254	11.50	292	11.50	292	
1212 GF	1212 GFGV	12.00	305	12.00	305	13.50	343	13.50	343	

90° Elbow												
Catalog Number	Painted	Galvanized	A		B		C		E		F	
			in.	mm	in.	mm	in.	mm	in.	mm	in.	mm
22 L COMBO	22 L COMBOGV	2.50	64	2.50	64	5.59	142	4.28	109	4.28	109	
33 L COMBO	33 L COMBOGV	3.00	76	3.00	76	6.09	155	4.50	114	4.50	114	
44 L COMBO	44 L COMBOGV	4.00	102	4.00	102	7.09	180	5.00	127	5.00	127	
64 L COMBO	64 L COMBOGV	4.00	102	6.00	152	10.09	256	5.00	127	5.00	127	
66 L COMBO	66 L COMBOGV	6.00	152	6.00	152	10.09	256	7.00	178	7.00	178	
88 L COMBO	88 L COMBOGV	8.00	203	8.00	203	12.09	307	8.00	203	8.00	203	
1010 L COMBO	1010 L COMBOGV	10.00	254	10.00	254	14.09	358	9.00	229	9.00	229	
1212 L COMBO	1212 L COMBOGV	12.00	305	12.00	305	16.09	409	10.00	254	10.00	254	
22 L SIDE	22 L SIDE	2.50	64	2.50	64	5.59	142	4.28	109	4.28	109	
33 L SIDE	33 L SIDE	3.00	76	3.00	76	6.09	155	4.50	114	4.50	114	
44 L SIDE	44 L SIDE	4.00	102	4.00	102	7.09	180	5.00	127	5.00	127	
64 L SIDE	64 L SIDE	6.00	152	4.00	102	10.09	256	7.00	178	7.00	178	
66 L SIDE	66 L SIDE	6.00	152	6.00	152	10.09	256	7.00	178	7.00	178	
88 L SIDE	88 L SIDE	8.00	203	8.00	203	12.09	307	8.00	203	8.00	203	
1010 L SIDE	1010 L SIDE	10.00	254	10.00	254	14.09	358	10.00	254	9.00	229	
1212 L SIDE	1212 L SIDE	12.00	305	12.00	305	16.09	409	10.00	254	10.00	254	
22 L SWEEP	22 L SWEEP	2.50	64	2.50	64	5.63	143	4.25	108	4.25	108	
33 L SWEEP	33 L SWEEP	3.00	76	3.00	76	8.41	214	6.84	174	6.84	174	
44 L SWEEP	44 L SWEEP	4.00	102	4.00	102	9.41	239	7.34	186	7.34	186	
64 L SWEEP	64 L SWEEP	6.00	152	4.00	102	11.41	290	8.34	212	8.34	212	
66 L SWEEP	66 L SWEEP	6.00	152	6.00	152	11.41	290	8.34	212	8.34	212	
88 L SWEEP	88 L SWEEP	8.00	203	8.00	203	13.41	341	9.34	237	9.34	237	
1010 L SWEEP	1010 L SWEEP	10.00	254	10.00	254	15.41	391	10.34	263	10.34	263	
1212 L SWEEP	1212 L SWEEP	12.00	305	12.00	305	17.41	442	11.34	288	11.34	288	

Telescopic Fitting									
Catalog Number		A		B1		B2		C	
Painted	Galvanized	in.	mm	in.	mm	in.	mm	in.	mm
22 FTF	22 FTFGV	2.75	70	1.75	44	1.12	28	12.00	305
33 FTF	33 FTFGV	3.25	83	2.25	57	1.12	28	12.00	305
44 FTF	44 FTFGV	4.25	108	3.25	83	1.12	28	12.00	305
64 FTF	64 FTFGV	6.25	159	3.25	83	1.12	28	12.00	305
66 FTF	66 FTFGV	6.25	159	5.25	133	1.12	28	12.00	305
88 FTF	88 FTFGV	8.25	210	7.25	184	1.12	28	12.00	305
1010 FTF	1010 FTFGV	10.25	260	9.25	235	1.12	28	12.00	305
1212 FTF	1212 FTFGV	12.25	311	11.25	286	1.12	28	12.00	305

End									
KO	No KO	KO		No KO		A		B	
		Painted	Galvanized	in.	mm	in.	mm	in.	mm
22 E	22 E NK	22 EGV	22 EGV NK	2.50	64	2.50	64		
33 E	33 E NK	33 EGV	33 EGV NK	3.00	76	3.00	76		
44 E	44 E NK	44 EGV	44 EGV NK	4.00	102	4.00	102		
64 E	64 E NK	64 EGV	64 EGV NK	6.00	152	4.00	102		
66 E	66 E NK	66 EGV	66 EGV NK	6.00	152	6.00	152		
88 E	88 E NK	88 EGV	88 EGV NK	8.00	203	8.00	203		
1010 E	1010 E NK	1010 EGV	1010 EGV NK	10.00	254	10.00	254		
1212 E	1212 E NK	1212 EGV	1212 EGV NK	12.00	305	12.00	305		

See drawing for KO sizes.

Wireway Hanger										
Catalog Number	Painted	Galvanized	G		H		J		K	
			in.	mm	in.	mm	in.	mm	in.	mm
22 FH	22 FHGV	8.50	216	6.50	165	6.50	165	2.87	73	
33 FH	33 FHGV	10.50	267	8.50	216	9.00	229	3.87	98	
44 FH	44 FHGV	12.50	318	10.50	267	10.37	263	4.87	124	
66 FH	66 FHGV	16.50	419	14.50	368	13.50	343	5.87	149	
88 FH	88 FHGV	20.50	521	18.50	470	16.75	425	6.87	174	
1010 FH*	1010 FHGV*	24.50	622	22.50	572	19.75	502	7.87	200	
1212 FH*	1212 FHGV*	28.50	724	26.50	673	22.75	578	8.87	225	

*Hangers are shipped welded in the top cover assembly position.

90° Elbow - Tee - Cross									
Catalog Number	Painted	Galvanized	A		B		C		
			in.	mm	in.	mm	in.	mm	
22 LTX	22 LTXGV	2.50	64	2.50	64	4.50	114		
33 LTX	33 LTXGV	3.00	76	3.00	76	5.00	127		
44 LTX	44 LTXGV	4.00	102	4.00	102	6.00	152		
64 LTX	64 LTXGV	6.00	152	4.00	102	8.00	203		
66 LTX	66 LTXGV	6.00	152	6.00	152	8.00	203		
88 LTX	88 LTXGV	8.00	203	8.00	203	10.00	254		
1010 LTX	1010 LTXGV	10.00	254	10.00	254	12.00	305		
1212 LTX	1212 LTXGV	12.00	305	12.00	305	14.00	356		

Notes: Dimensions are in inches. Millimeters shown are for reference only. Data subject to change without notice.

Type 1 Screw Cover Wireway Fittings - Painted & Galvanized

Catalog Number

45° Elbow									
Catalog Number		A		B		E		F	
Painted	Galvanized	in.	mm	in.	mm	in.	mm	in.	mm
2245 L COMBO	2245 L COMBOGV	2.50	64	2.50	64	1.72	44	1.72	44
3345 L COMBO	3345 L COMBOGV	3.00	76	3.00	76	2.56	65	2.56	65
4445 L COMBO	4445 L COMBOGV	4.00	102	4.00	102	2.75	70	2.75	70
6445 L COMBO	6445 L COMBOGV	4.00	102	6.00	153	2.75	70	2.75	70
6645 L COMBO	6645 L COMBOGV	6.00	153	6.00	153	3.18	81	3.18	81
8845 L COMBO	8845 L COMBOGV	8.00	203	8.00	203	3.62	92	3.62	92
101045 L COMBO	101045 L COMBOGV	10.00	254	10.00	254	4.06	103	4.06	103
121245 L COMBO	121245 L COMBOGV	12.00	305	12.00	305	4.50	114	4.50	114
2245 L SIDE	2245 L SIDE GV	2.50	64	2.50	64	1.97	50	1.97	50
3345 L SIDE	3345 L SIDE GV	3.00	76	3.00	76	2.56	65	2.56	65
4445 L SIDE	4445 L SIDE GV	4.00	102	4.00	102	2.75	70	2.75	70
6445 L SIDE	6445 L SIDE GV	6.00	153	4.00	102	3.18	81	3.18	81
6645 L SIDE	6645 L SIDE GV	6.00	153	6.00	153	3.18	81	3.18	81
8845 L SIDE	8845 L SIDE GV	8.00	203	8.00	203	3.62	92	3.62	92
101045 L SIDE	101045 L SIDE GV	10.00	254	10.00	254	4.06	103	4.06	103
121245 L SIDE	121245 L SIDE GV	12.00	305	12.00	305	4.50	114	4.50	114

Tee									
Catalog Number		A		B		E		F	
Painted	Galvanized	in.	mm	in.	mm	in.	mm	in.	mm
22 T	22 TGV	2.50	64	2.50	64	4.25	108	4.25	108
33 T	33 TGV	3.00	76	3.00	76	4.50	114	4.50	114
44 T	44 TGV	4.00	102	4.00	102	5.00	127	5.00	127
64 T	64 TGV	6.00	153	4.00	102	7.00	178	7.00	178
66 T	66 TGV	6.00	153	6.00	153	7.00	178	7.00	178
88 T	88 TGV	8.00	203	8.00	203	8.00	203	8.00	203
1010 T	1010 TGV	10.00	254	10.00	254	9.00	229	9.00	229
1212 T	1212 TGV	12.00	305	12.00	305	10.00	254	10.00	254

Cross									
Catalog Number		A		B		E		F	
Painted	Galvanized	in.	mm	in.	mm	in.	mm	in.	mm
22 X	22 XGV	2.50	64	2.50	64	4.25	108	4.25	108
33 X	33 XGV	3.00	76	3.00	76	5.62	143	5.62	143
44 X	44 XGV	4.00	102	4.00	102	6.12	155	6.12	155
64 X	64 XGV	6.00	152	4.00	152	7.12	181	7.12	181
66 X	66 XGV	6.00	152	6.00	152	7.12	181	7.12	181
88 X	88 XGV	8.00	203	8.00	203	8.12	206	8.12	206
1010 X	1010 XGV	10.00	254	10.00	254	9.12	232	9.12	232
1212 X	1212 XGV	12.00	305	12.00	305	10.12	257	10.12	257

Barrier Kit, 60" Bolt-On						
Catalog Number	Size		Length		H	
	in.	mm	in.	mm	in.	mm
22-12BK*	2.50x2.50	64x64	60.00	1524	1.88	48
33-12BK*	3.00x3.00	76x76	60.00	1524	2.25	57
44-12BK*	4.00x4.00	102x102	60.00	1524	3.00	76
66-12BK*	6.00x6.00	152x152	60.00	1524	4.50	114
88-12BK*	8.00x8.00	203x203	60.00	1524	6.00	152
1010-12BK*	10.00x10.00	254x254	60.00	1524	8.00	203
1212-12BK*	12.00x12.00	305x305	60.00	1524	10.50	267

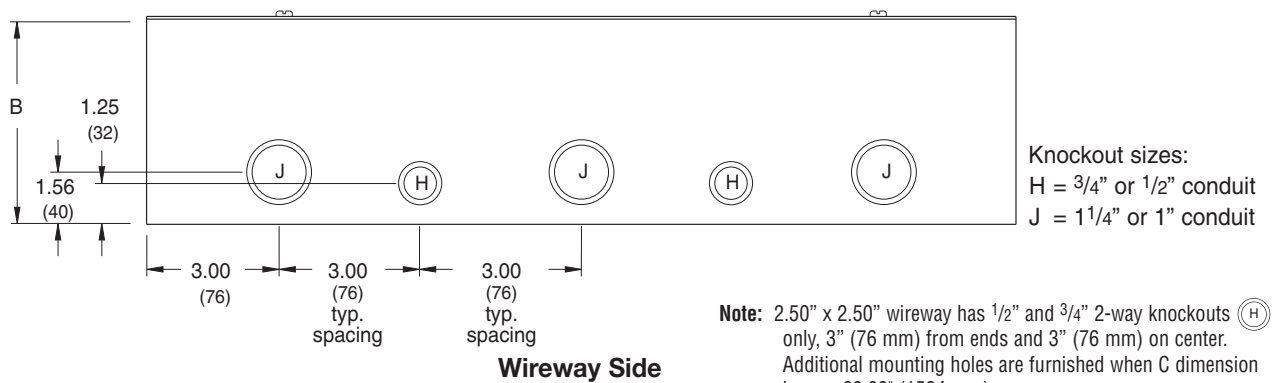
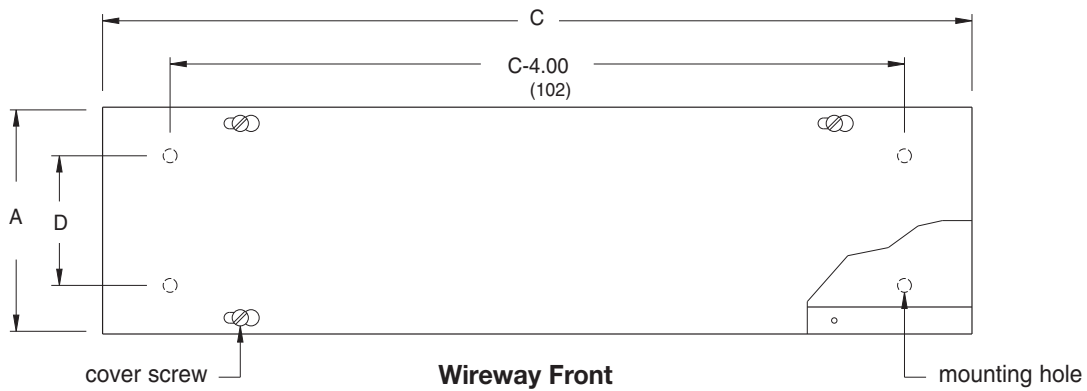
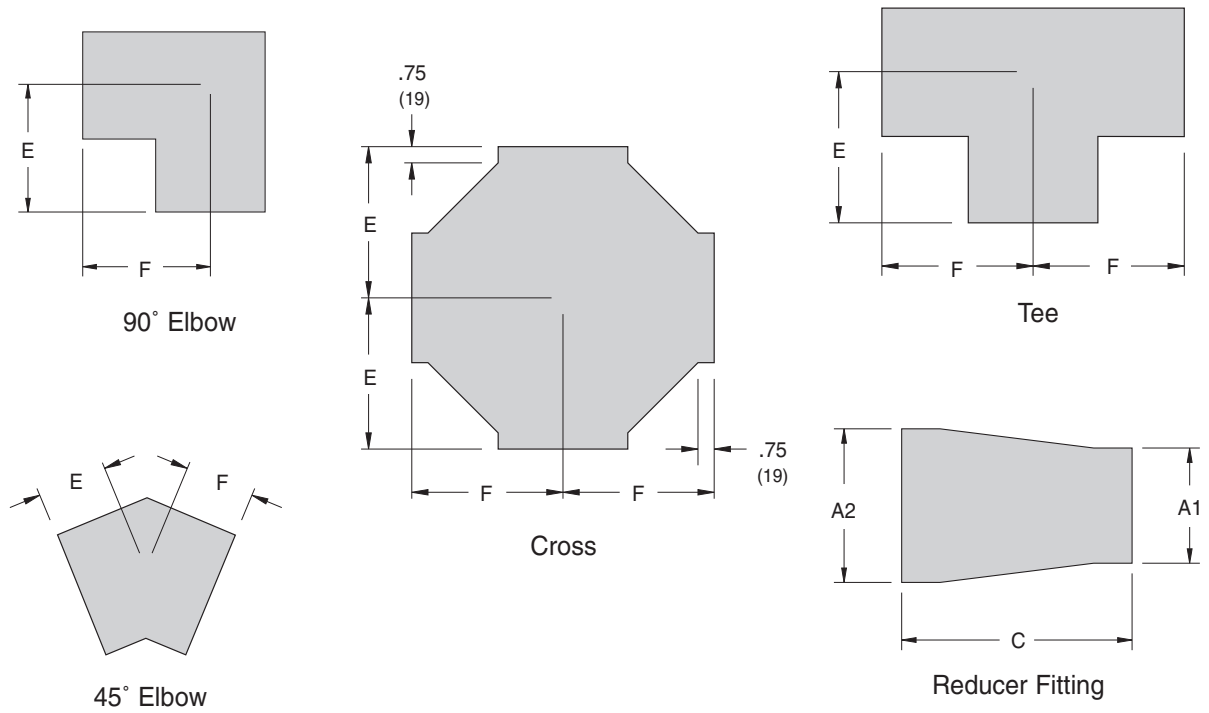
*Not UL or CSA listed fitting.

Type 1 Wireway Competitor Adapters							
Wireway Size		Hoffman ^{®1}	Wiegmann ^{®2}	Square D ^{®3}	Unity ^{®4}	Electrical Box and Enclosures ^{®5}	Austin ^{®6}
in.	mm						
2.5x2.5	64x64	22 CA	22 CA	22 CA	22 CA	-	22 ACA
4x4	102x102	44 CA	44 CA	44 CA	44 CA	44 CA	44 ACA
6x6	152x152	66 CA	66 CA	66 CA	66 CA	66 CA	66 ACA
8x8	203x203	88 CA	88 CA	88 SCA	88 CA	88 CA	88 ACA
10x10	254x254	1010 CA	1010 CA	1010 SCA	1010 CA	1010 CA	1010 ACA
12x12	305x305	1212 CA	1212 CA	1212 SCA	1212 CA	1212 CA	1212 ACA

1. HOFFMAN[®] is the registered trademark of Hoffman Engineering Company, Anoka, Minnesota.
2. WIEGMANN[®] is the registered trademark of Hubbell Incorporated, Orange, Connecticut.
3. SQUARE D[®] is the registered trademark of Square D Company, Palatine, Illinois.
4. UNITY[®] is the registered trademark of Unity Manufacturing, Garland, Texas.
5. ELECTRICAL BOX AND ENCLOSURES[®] is the registered trademark of Electrical Box and Enclosures, Alabaster, Alabama.
6. AUSTIN[®] is the registered trademark of The Austin Co., Yadkinville, North Carolina.

Notes: Dimensions are in inches. Millimeters shown are for reference only. Data subject to change without notice.

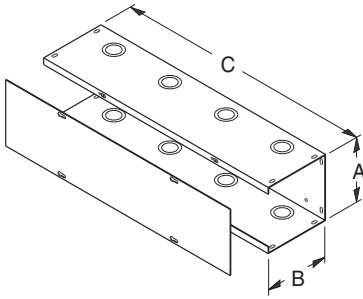
Type 1 Screw Cover Wireway - Painted & Galvanized Illustration Sheet



Note: 2.50" x 2.50" wireway has $1/2$ " and $3/4$ " 2-way knockouts (H) only, 3" (76 mm) from ends and 3" (76 mm) on center. Additional mounting holes are furnished when C dimension is over 60.00" (1524 mm).

Notes: Dimensions are in inches. Millimeters shown are for reference only. Data subject to change without notice.

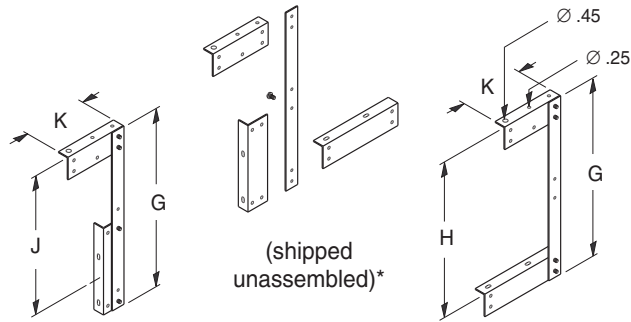
Type 1 Screw Cover Wireway - Painted & Galvanized Illustration Sheet



Wireway Section

Lengths from 12.00" (305 mm) to 120.00" (3048 mm). Wireway exceeding 72.00" (1829 mm) has two covers. Shown with KO's also available without.

Wireway Hangers

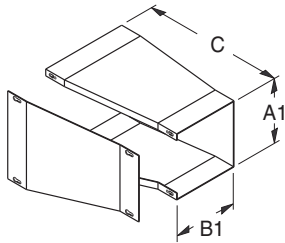


Side Cover Assembly

For those installations where the wireway cover must be removed from the side. *1010 FH & 1212 FH are shipped welded in the top cover assembly position.

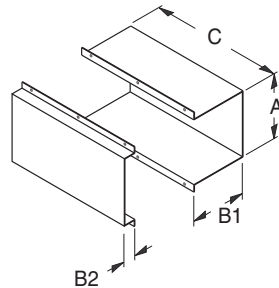
Top Cover Assembly

For those installations where the wireway cover must be removed from the top. *1010 FH & 1212 FH are shipped welded in the top cover assembly position.



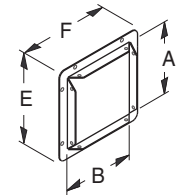
Reducer

A2 and B2 dimensions (see catalog table), correspond to the large end opening. Used to reduce or enlarge wireway runs.



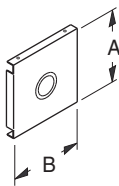
Telescopic Fitting

Adjustable length up to 10.00" (254 mm). Wraps around the two near joining wireway lengths to achieve a continuous run.



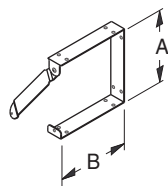
Wireway End Flange

Allows for a secure connection of wireway to an adjoining enclosure or wall.



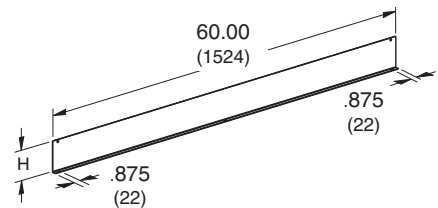
End

Used to terminate wireway or fitting. 2.50"x2.50" (64 mm x 64 mm) through 8.00"x8.00" (203 mm x 203 mm) ends have a 1.50"-1.25" concentric 2-way KO. 10.00" x 10.00" (254 mm x 254 mm) ends and larger have a 3.00"-2.50" concentric 2-way KO for terminating on pipe or conduit. Also available without KO.



Connector

Swing gate allows for continuous runs of wire and cable.



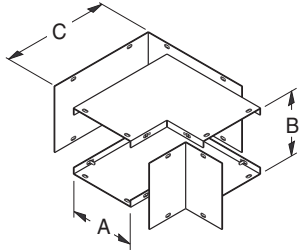
Barrier, Bolt-On

For those installations that require separated wiring compartments.

Notes: Dimensions are in inches. Millimeters shown are for reference only. Data subject to change without notice.

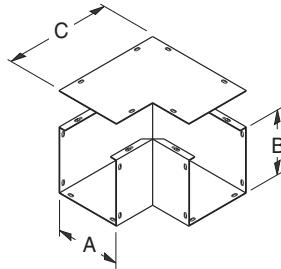
Type 1 Screw Cover Wireway - Painted & Galvanized Illustration Sheet

Wireway 90° Elbows



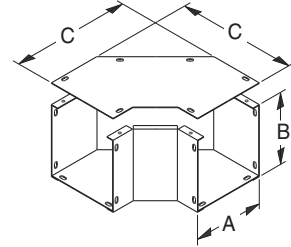
Combo Opening

Specially designed for removing either the inside or outside cover to allow a continuous run with 90° turns.



Side Opening

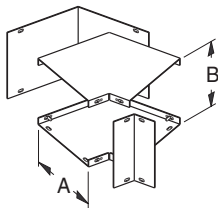
Side cover is removable to allow a continuous run on designs with 90° turns.



Sweep Elbow

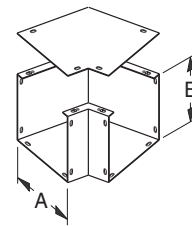
Side cover design with a larger radius for 90° sweeping turns.

Wireway 45° Elbows



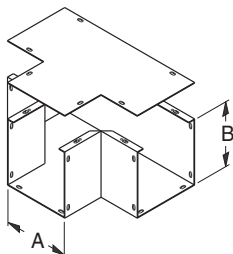
Combo Opening

Similar to the 90° elbow design except a 45° turn. Both inside and outside covers removable.



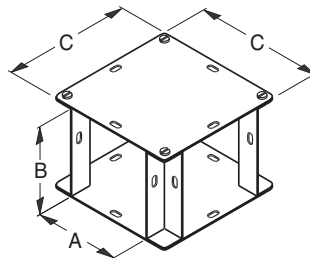
Side Opening

Similar to the 90° side opening design except for a 45° turn. Excellent for combining two to make a gradual sweeping 90° turn.



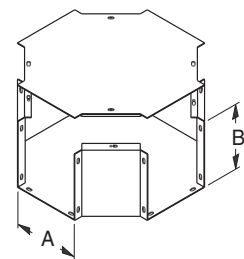
Tee

Side cover design where a "T" junction is necessary.



90° Elbow-Tee-Cross

Designed for left or right 90° turns or as a tee or cross by removing closure plates. Includes two (2) closure plates and hardware.



Cross

Side cover and broad body design to junction cable run in four directions.

Notes: Dimensions are in inches. Millimeters shown are for reference only. Data subject to change without notice.

Type 1 Quick-Connect Hinge Cover Wireway Data Sheet



Application

- Houses runs of control and power cable
- Used for cable and wire junction, distribution and termination

Standards

- UL 870 listed, Type 1
- CSA C22.2 No. 26 certified, Type 1
- Conforms to NEMA standard for Type 1
- IEC 60529, IP30

Finish

- Wash and phosphate undercoat
- ANSI 61 gray acrylic electrocoat finish

Accessories

- Touch-up paint
- See Accessories section

Construction

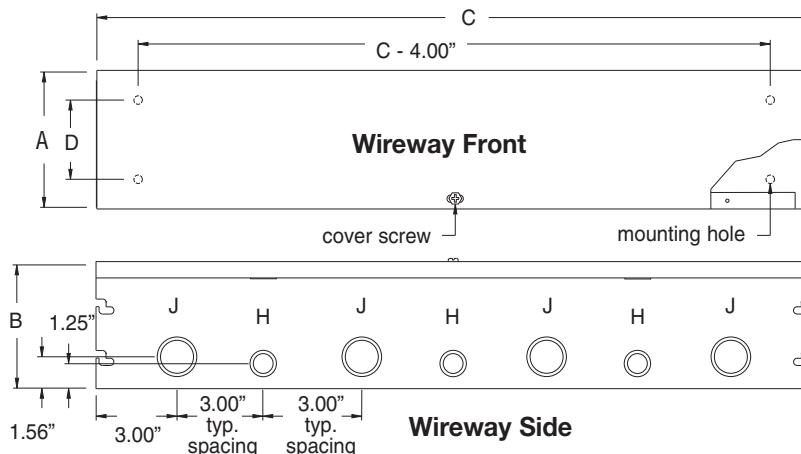
- Wireway body and cover are fabricated from code gauge steel, (see table)
- Wireway body has mounting holes on the back
- Wireway is available with or without knockouts on the top and bottom sides
- Wireway fittings have no knockouts, ends are available with or without knockouts
- Wireway exceeding 72 inches in length has two overlapping covers
- Variety of fittings allow runs which can change directions, junction and terminate
- Wireway connectors (sold separately) have a unique gate feature which can swing completely open allowing for lay-in of wire and cable
- Universal style connectors are also available for adapting to other manufacturer's wireway, (see table, page 22)
- Except for wireway ends, completely interchangeable with Type 1 screw cover wireway and fittings through use of the adapter style connector, (see page 22)

Protected by U.S. Patents 7,525,044 &
7,762,042

Notes: Cooper B-Line can provide special sizes, finishes and other modifications. Consult the factory for your special requirements.

Type 1 Quick-Connect Hinge Cover Wireway Catalog Number

Wireway Catalog Number		Wireway Size Height x Depth x Length		D		Gauge	Knockout Quantity	
KO	No KO	A x B x C		in.	mm		Top	Bottom
2212 HS	2212 HS NK	2.50x2.50x12.00	63x63x305	1.25	32	16	3	3
2224 HS	2224 HS NK	2.50x2.50x24.00	63x63x610	1.25	32	16	7	7
2236 HS	2236 HS NK	2.50x2.50x36.00	63x63x914	1.25	32	16	11	11
2248 HS	2248 HS NK	2.50x2.50x48.00	63x63x1219	1.25	32	16	15	15
2260 HS	2260 HS NK	2.50x2.50x60.00	63x63x1524	1.25	32	16	19	19
2272 HS	2272 HS NK	2.50x2.50x72.00	63x63x1829	1.25	32	16	23	23
22120 HS	22120 HS NK	2.50x2.50x120.00	63x63x3048	1.25	32	16	39	39
4412 HS	4412 HS NK	4.00x4.00x12.00	102x102x305	2.75	70	16	3	3
4424 HS	4424 HS NK	4.00x4.00x24.00	102x102x610	2.75	70	16	7	7
4436 HS	4436 HS NK	4.00x4.00x36.00	102x102x914	2.75	70	16	11	11
4448 HS	4448 HS NK	4.00x4.00x48.00	102x102x1219	2.75	70	16	15	15
4460 HS	4460 HS NK	4.00x4.00x60.00	102x102x1524	2.75	70	16	19	19
4472 HS	4472 HS NK	4.00x4.00x72.00	102x102x1829	2.75	70	16	23	23
44120 HS	44120 HS NK	4.00x4.00x120.00	102x102x3048	2.75	70	16	39	39
6612 HS	6612 HS NK	6.00x6.00x12.00	152x152x305	4.25	108	16	3	3
6624 HS	6624 HS NK	6.00x6.00x24.00	152x152x610	4.25	108	16	7	7
6636 HS	6636 HS NK	6.00x6.00x36.00	152x152x914	4.25	108	16	11	11
6648 HS	6648 HS NK	6.00x6.00x48.00	152x152x1219	4.25	108	16	15	15
6660 HS	6660 HS NK	6.00x6.00x60.00	152x152x1524	4.25	108	16	19	19
6672 HS	6672 HS NK	6.00x6.00x72.00	152x152x1829	4.25	108	16	23	23
66120 HS	66120 HS NK	6.00x6.00x120.00	152x152x3048	4.25	108	16	39	39
8812 HS	8812 HS NK	8.00x8.00x12.00	203x203x305	6.00	152	14	3	3
8824 HS	8824 HS NK	8.00x8.00x24.00	203x203x610	6.00	152	14	7	7
8836 HS	8836 HS NK	8.00x8.00x36.00	203x203x914	6.00	152	14	11	11
8848 HS	8848 HS NK	8.00x8.00x48.00	203x203x1219	6.00	152	14	15	15
8860 HS	8860 HS NK	8.00x8.00x60.00	203x203x1524	6.00	152	14	19	19
8872 HS	8872 HS NK	8.00x8.00x72.00	203x203x1829	6.00	152	14	23	23
88120 HS	88120 HS NK	8.00x8.00x120.00	203x203x3048	6.00	152	14	39	39
101012 HS	101012 HS NK	10.00x10.00x12.00	254x254x305	8.00	203	14	3	3
101024 HS	101024 HS NK	10.00x10.00x24.00	254x254x610	8.00	203	14	7	7
101036 HS	101036 HS NK	10.00x10.00x36.00	254x254x914	8.00	203	14	11	11
101048 HS	101048 HS NK	10.00x10.00x48.00	254x254x1219	8.00	203	14	15	15
101060 HS	101060 HS NK	10.00x10.00x60.00	254x254x1524	8.00	203	14	19	19
1010120 HS	1010120 HS NK	10.00x10.00x120.00	254x254x3048	8.00	203	14	39	39
121212 HS	121212 HS NK	12.00x12.00x12.00	305x305x305	10.00	254	14	3	3
121224 HS	121224 HS NK	12.00x12.00x24.00	305x305x610	10.00	254	14	7	7
121236 HS	121236 HS NK	12.00x12.00x36.00	305x305x914	10.00	254	14	11	11
121248 HS	121248 HS NK	12.00x12.00x48.00	305x305x1219	10.00	254	14	15	15
121260 HS	121260 HS NK	12.00x12.00x60.00	305x305x1524	10.00	254	14	19	19
1212120 HS	1212120 HS NK	12.00x12.00x120.00	305x305x3048	10.00	254	14	39	39



Knockout sizes:
 H = 3/4" or 1/2" conduit
 J = 1 1/4" or 1" conduit

Notes: Additional mounting holes are furnished when C dimension is over 60.00" (1524 mm).
 Dimensions are in inches. Millimeters shown are for reference only. Data subject to change without notice.

Type 1 Quick-Connect Hinge Cover Wireway Catalog Number

Telescopic Fitting								
Catalog Number	A		B1		B2		C	
	in.	mm	in.	mm	in.	mm	in.	mm
22 FTF	2.75	70	1.75	44	1.12	28	12.00	305
33FTF	3.25	83	2.25	57	1.12	28	12.00	305
44 FTF	4.25	108	3.25	83	1.12	28	12.00	305
66 FTF	6.25	159	5.25	133	1.12	28	12.00	305
88 FTF	8.25	210	7.25	184	1.12	28	12.00	305
1010 FTF	10.25	260	9.25	235	1.12	28	12.00	305
1212 FTF	12.25	311	11.25	286	1.12	28	12.00	305

Reducer									
Catalog Number	A1		B1		A2		B2		C
	in.	mm	in.	mm	in.	mm	in.	mm	
2233 FR *	2.50	63	2.50	63	3.00	76	3.00	76	6.00 152
3344 FR *	3.00	76	3.00	76	4.00	102	4.00	102	8.00 203
4466 FR *	4.00	102	4.00	102	6.00	152	6.00	152	10.00 254
6688 FR *	6.00	152	6.00	152	8.00	203	8.00	203	12.00 305
881010 FR *	8.00	203	8.00	203	10.00	254	10.00	254	12.00 305
10101212 FR *	10.00	254	10.00	254	12.00	305	12.00	305	16.00 406

Connector						
Catalog Number			A		B	
Connector Style	Adapter Style	Universal Style	in.	mm	in.	mm
22 HSC	22 HSCA	22 HSCU	2.50	63	2.50	63
44 HSC	44 HSCA	44 HSCU	4.00	102	4.00	102
66 HSC	66 HSCA	66 HSCU	6.00	152	6.00	152
88 HSC	88 HSCA	88 HSCU	8.00	203	8.00	203
1010 HSC	1010 HSCA	1010 HSCU	10.00	254	10.00	254
1212 HSC	1212 HSCA	1212 HSCU	12.00	305	12.00	305

End						
Catalog Number		A		B		KO
KO	No KO	in.	mm	in.	mm	
22 HSE	22 HSE NK	2.50	63	2.50	63	1.50 38
44 HSE	44 HSE NK	4.00	102	4.00	102	1.50 38
66 HSE	66 HSE NK	6.00	152	6.00	152	1.50 38
88 HSE	88 HSE NK	8.00	203	8.00	203	1.50 38
1010 HSE	1010 HSE NK	10.00	254	10.00	254	3.00 76
1212 HSE	1212 HSE NK	12.00	305	12.00	305	3.00 76

Wireway End Flange								
Catalog Number	A		B		E		F	
	in.	mm	in.	mm	in.	mm	in.	mm
22 HSF	2.50	63	2.50	63	4.00	102	4.00	102
44 HSF	4.00	102	4.00	102	5.50	140	5.50	140
66 HSF	6.00	152	6.00	152	7.50	191	7.50	191
88 HSF	8.00	203	8.00	203	9.50	241	9.50	241
1010 HSF	10.00	254	10.00	254	11.50	292	11.50	292
1212 HSF	12.00	305	12.00	305	13.50	343	13.50	343

Wireway Hanger								
Catalog Number	G		H		J		K	
	in.	mm	in.	mm	in.	mm	in.	mm
22 FH	8.50	216	8.50	216	6.50	165	2.87	73
44 FH	12.50	318	10.50	267	10.37	263	4.87	121
66 FH	16.50	419	14.50	394	13.50	340	5.87	146
88 FH	20.50	521	18.50	495	16.75	425	6.87	171
1010 FH **	24.50	622	22.50	571	17.25	438	7.87	200
1212 FH **	28.50	724	26.50	673	20.25	514	8.87	225

* Requires use of HSCA Adapter Style Connector.

**Hangers are shipped welded in the top cover assembly position.

Notes: Dimensions are in inches. Millimeters shown are for reference only. Data subject to change without notice.

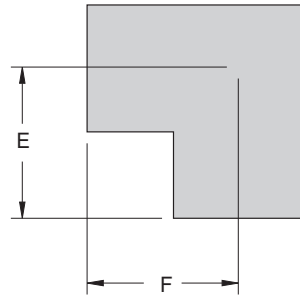
90° Elbow								
Catalog Number	A		B		E		F	
	in.	mm	in.	mm	in.	mm	in.	mm
22 HSL IN	2.50	63	2.50	63	5.38	136	5.38	136
44 HSL IN	4.00	102	4.00	102	6.00	152	6.00	152
66 HSL IN	6.00	152	6.00	152	7.00	178	7.00	178
88 HSL IN	8.00	203	8.00	203	8.00	203	8.00	203
1010 HSL IN	10.00	254	10.00	254	9.00	229	9.00	229
1212 HSL IN	12.00	305	12.00	305	10.00	254	10.00	254
22 HSL OUT	2.50	63	2.50	63	5.38	136	5.38	136
44 HSL OUT	4.00	102	4.00	102	6.00	152	6.00	152
66 HSL OUT	6.00	152	6.00	152	7.00	178	7.00	178
88 HSL OUT	8.00	203	8.00	203	8.00	203	8.00	203
1010 HSL OUT	10.00	254	10.00	254	9.00	229	9.00	229
1212 HSL OUT	12.00	305	12.00	305	10.00	254	10.00	254
22 HSL SIDE	2.50	63	2.50	63	5.38	136	5.38	136
44 HSL SIDE	4.00	102	4.00	102	6.00	152	6.00	152
66 HSL SIDE	6.00	152	6.00	152	7.00	178	7.00	178
88 HSL SIDE	8.00	203	8.00	203	8.00	203	8.00	203
1010 HSL SIDE	10.00	254	10.00	254	9.00	229	9.00	229
1212 HSL SIDE	12.00	305	12.00	305	10.00	254	10.00	254

45° Elbow								
Catalog Number	A		B		E		F	
	in.	mm	in.	mm	in.	mm	in.	mm
2245 HSL COMBO	2.50	63	2.50	63	1.72	43	1.72	43
4445 HSL COMBO	4.00	102	4.00	102	2.75	70	2.75	70
6645 HSL COMBO	6.00	152	6.00	152	3.18	81	3.18	81
8845 HSL COMBO	8.00	203	8.00	203	3.62	92	3.62	92
101045 HSL COMBO	10.00	254	10.00	254	4.06	103	4.06	103
121245 HSL COMBO	12.00	305	12.00	305	4.50	114	4.50	114
2245 HSL SIDE	2.50	63	2.50	63	1.72	43	1.72	43
4445 HSL SIDE	4.00	102	4.00	102	2.75	70	2.75	70
6645 HSL SIDE	6.00	152	6.00	152	3.18	81	3.18	81
8845 HSL SIDE	8.00	203	8.00	203	3.62	92	3.62	92
101045 HSL SIDE	10.00	254	10.00	254	4.06	103	4.06	103
121245 HSL SIDE	12.00	305	12.00	254	4.50	114	4.50	114

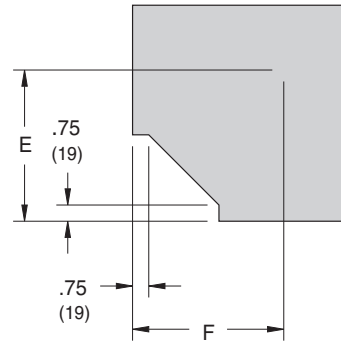
Tee								
Catalog Number	A		B		E		F	
	in.	mm	in.	mm	in.	mm	in.	mm
22 HST	2.50	63	2.50	63	4.25	108	4.25	108
44 HST	4.00	102	4.00	102	6.00	152	6.00	152
66 HST	6.00	152	6.00	152	7.00	178	7.00	178
88 HST	8.00	203	8.00	203	8.00	203	8.00	203
1010 HST	10.00	254	10.00	254	9.00	229	9.00	229
1212 HST	12.00	305	12.00	305	10.00	254	10.00	254

Cross								
Catalog Number	A		B		E		F	
	in.	mm	in.	mm	in.	mm	in.	mm
22 HSX	2.50	63	2.50	63	4.25	108	4.25	108
44 HSX	4.00	102	4.00	102	6.12	155	6.12	155
66 HSX	6.00	152	6.00	152	7.12	181	7.12	181
88 HSX	8.00	203	8.00	203	8.12	206	8.12	206
1010 HSX	10.00	254	10.00	254	9.12	232	9.12	232
1212 HSX	12.00	305	12.00	305	10.12	257	10.12	257

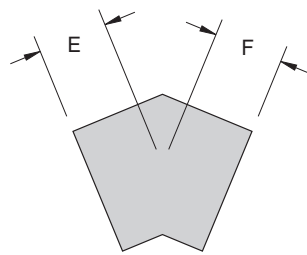
Type 1 Quick-Connect Hinge Cover Wireway Illustration Sheet



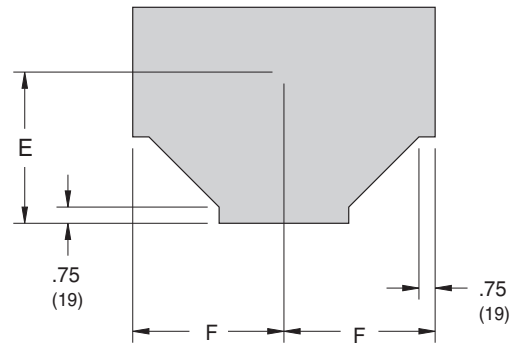
90° Elbow
(outside opening)



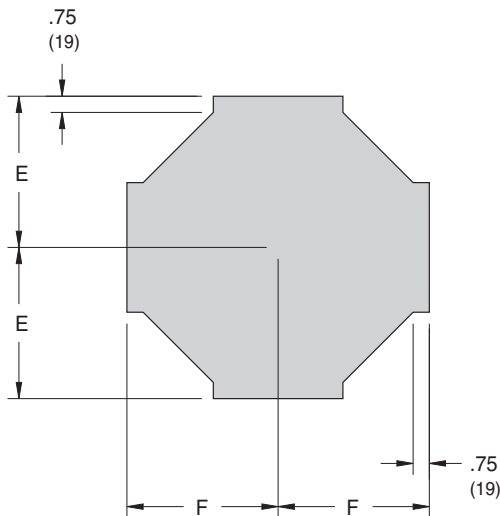
90° Elbow
(inside and side opening)



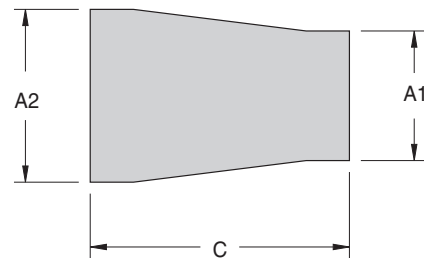
45° Elbow



Tee



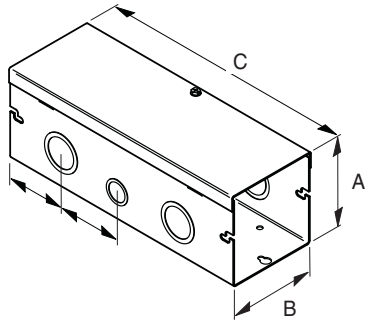
Cross



Reducer Fitting

Notes: Dimensions are in inches. Millimeters shown are for reference only. Data subject to change without notice.

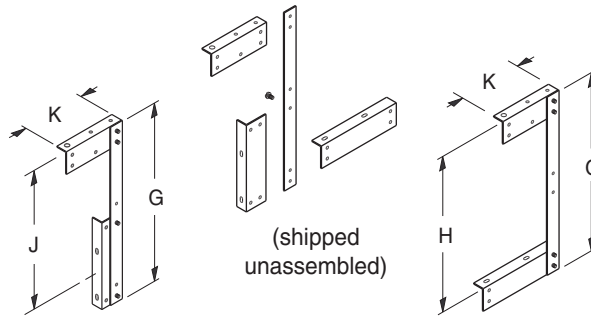
Type 1 Quick-Connect Hinge Cover Wireway Illustration Sheet



Wireway Section

Lengths from 12.00" (305 mm) to 120.00" (305 mm). Wireway exceeding 60.00" (1524 mm) has two covers. Shown with KO's, also available without.

Wireway Hangers

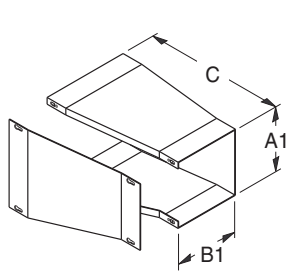


Side Cover Assembly

For those installations where the wireway cover must be hinged at the side.

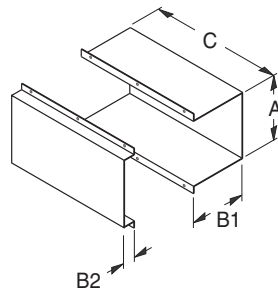
Top Cover Assembly

For those installations where the wireway cover must be hinged at the top.



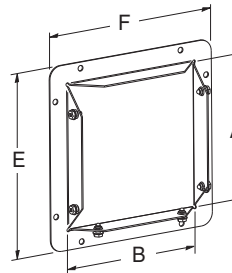
Reducer

A2 and B2 dimensions (see catalog table), correspond to the large end opening. Used to reduce or enlarge wireway runs. Removable cover is secured with screws.



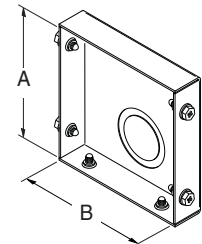
Telescopic Fitting

Adjustable length up to 10.00" (254 mm). Wraps around the two near joining wireway lengths to achieve a continuous run.



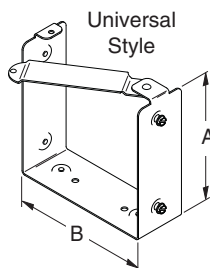
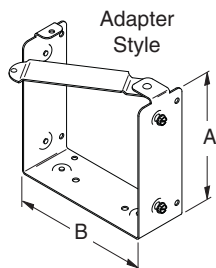
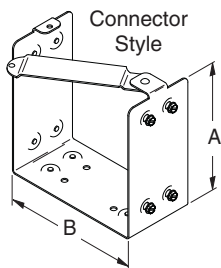
Wireway End Flange

Allows for a secure connection of wireway to an adjoining enclosure or wall.



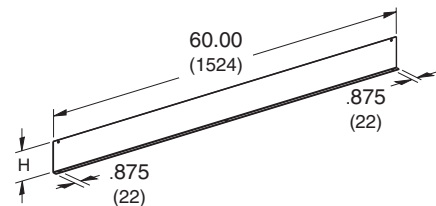
End

Used to terminate wireway or fitting. Shown with KO, also available without.



Connector

Swing gate allows for continuous runs of wire and cable.



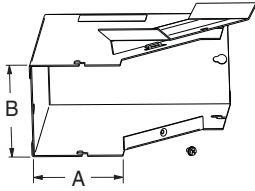
Barrier, Bolt-On

For those installations that require separated wiring compartments. See Type 1 Screw Cover Wireway for part number, page 16.

Notes: Dimensions are in inches. Millimeters shown are for reference only. Data subject to change without notice.

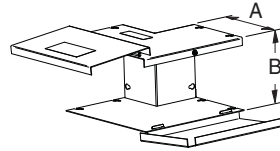
Type 1 Quick-Connect Hinge Cover Wireway Illustration Sheet

Wireway 90° Elbows



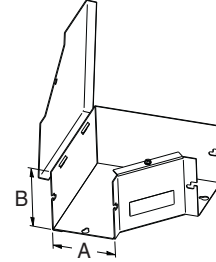
Inside Opening

Specifically designed to have only the inside cover hinge open to allow a continuous run with 90° turns.



Outside Opening

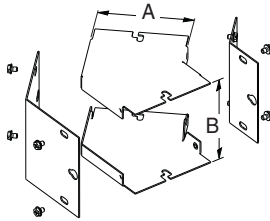
Specifically designed to have the outside covers hinge open to allow a continuous run with 90° turns.



Side Opening

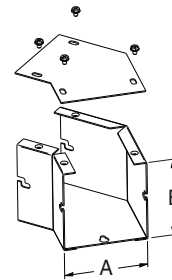
Side cover is hinged to allow a continuous run on designs with 90° sweeping turns.

Wireway 45° Elbows



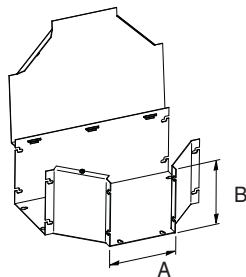
Combo Opening

Designed to achieve a 45° turn. Inside and outside removable covers are secured with screws.



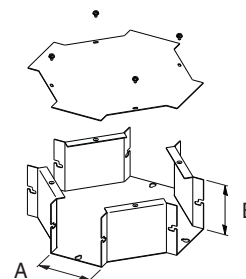
Side Opening

Designed to achieve a 45° turn and have the cover removed from the side. Excellent for combining two to make a gradual 90° sweep.



Tee

Side hinge cover design for applications where a "T" junction is necessary.

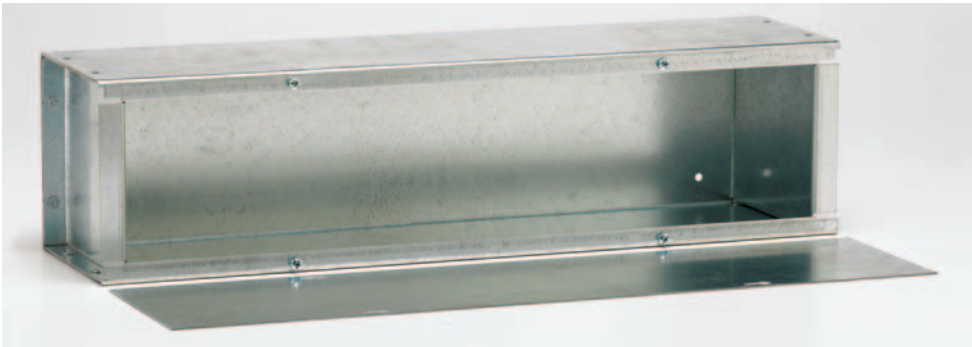
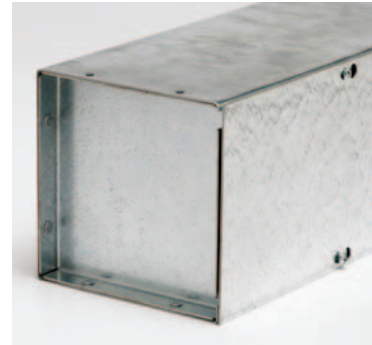


Cross

Side cover and broad body design to junction cable run in four directions. Removable cover is secured with screws.

Notes: Dimensions are in inches. Millimeters shown are for reference only. Data subject to change without notice.

Type 1 Wiring Trough Data Sheet



Application

- Used for indoor cable and wire junction, distribution, and termination applications where dirt, dust, oil, and water are not serious problems

Standards

- UL 870 listed, Type 1
- CSA C22.2 No. 26 certified, Type 1
- Conforms to NEMA standard for Type 1
- IEC 60529, IP30

Construction

- Covers and bodies are fabricated from code gauge galvanized steel (see page 27)
- Bodies have mounting holes on the back
- Cover is held secure to the body by plated screws
- Keyhole slots on the trough cover allow removal of cover without removing screws
- Shipped complete with permanently connected ends

Finish

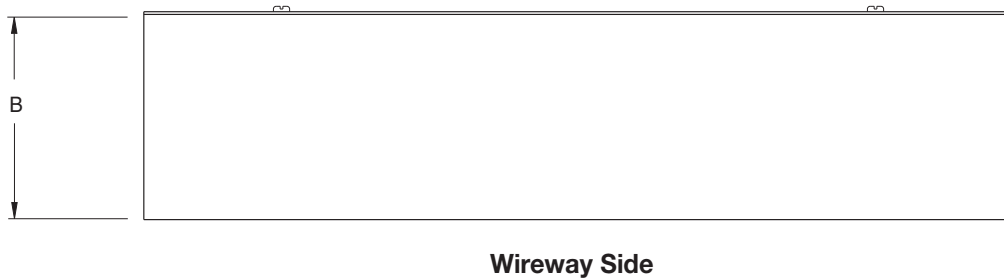
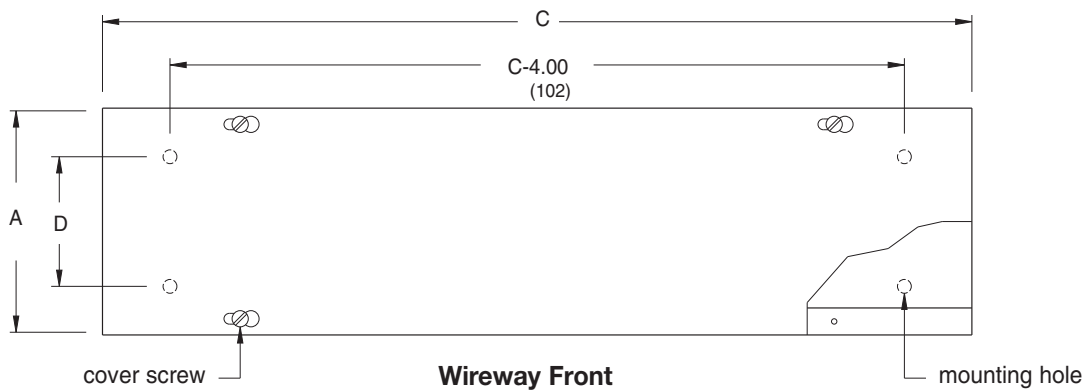
- Galvanized Steel

Accessories

- See Accessories section

Notes: Cooper B-Line can provide special sizes, finishes and other modifications. Consult the factory for your special requirements.

Catalog Number	Height x Depth x Length A x B x C		D		Gauge	
	in.	mm	in.	mm	in.	mm
4412 GTGV NK	4.00x4.00x12.00	102x102x305	2.75	69.8	16	1.4
4424 GTGV NK	4.00x4.00x24.00	102x102x610	2.75	69.8	16	1.4
4436 GTGV NK	4.00x4.00x36.00	102x102x914	2.75	69.8	16	1.4
4448 GTGV NK	4.00x4.00x48.00	102x102x1219	2.75	69.8	16	1.4
4460 GTGV NK	4.00x4.00x60.00	102x102x1524	2.75	69.8	16	1.4
4472 GTGV NK	4.00x4.00x72.00	102x102x1829	2.75	69.8	16	1.4
6612 GTGV NK	6.00x6.00x12.00	152x152x305	4.25	107.9	16	1.4
6624 GTGV NK	6.00x6.00x24.00	152x152x610	4.25	107.9	16	1.4
6636 GTGV NK	6.00x6.00x36.00	152x152x914	4.25	107.9	16	1.4
6648 GTGV NK	6.00x6.00x48.00	152x152x1219	4.25	107.9	16	1.4
6660 GTGV NK	6.00x6.00x60.00	152x152x1524	4.25	107.9	16	1.4
6672 GTGV NK	6.00x6.00x72.00	152x152x1829	4.25	107.9	16	1.4
8824 GTGV NK	8.00x8.00x24.00	203x203x610	6.00	152.4	14	1.9
8836 GTGV NK	8.00x8.00x36.00	203x203x914	6.00	152.4	14	1.9
8848 GTGV NK	8.00x8.00x48.00	203x203x1219	6.00	152.4	14	1.9
8860 GTGV NK	8.00x8.00x60.00	203x203x1524	6.00	152.4	14	1.9
8872 GTGV NK	8.00x8.00x72.00	203x203x1829	6.00	152.4	14	1.9
101048 GTGV NK	10.00x10.00x48.00	254x254x1219	8.00	203.2	14	1.9
121224 GTGV NK	12.00x12.00x24.00	305x305x610	10.00	254.0	14	1.9
121236 GTGV NK	12.00x12.00x36.00	305x305x914	10.00	254.0	14	1.9
121248 GTGV NK	12.00x12.00x48.00	305x305x1219	10.00	254.0	14	1.9



Notes: Dimensions are in inches. Millimeters shown are for reference only. Data subject to change without notice.

Type 3R Screw Cover Wireway Data Sheet



Construction

- Wireway body and cover are fabricated from (16) gauge galvaneal steel for painted or galvanized steel
- Wireway body has embossed mounting holes on the back
- Wireway is available with or without knockouts on the bottom end only, (see table)
- Cover is held secure by sliding it under the top end flange and fastening it with plated screws on the bottom end flange
- Sealing screws and lances are located at each end of the wireway cover
- Wireway exceeding 72 inches in length has two covers, a removable center channel and body supports

Finish

- Wash and phosphate undercoat or galvanized steel
- ANSI 61 gray acrylic electrocoat finish

Accessories

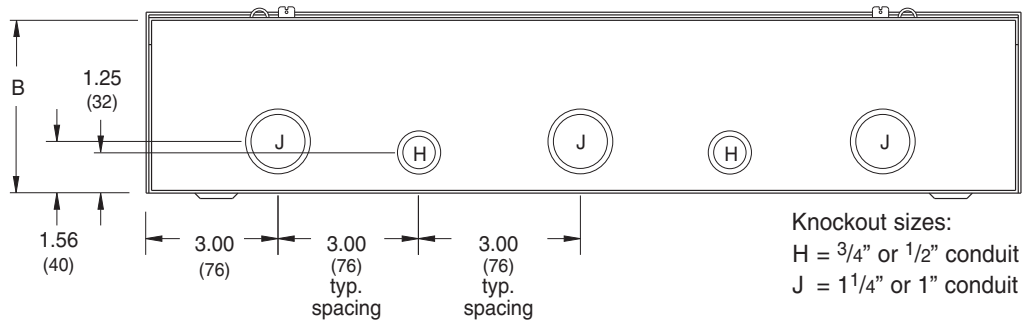
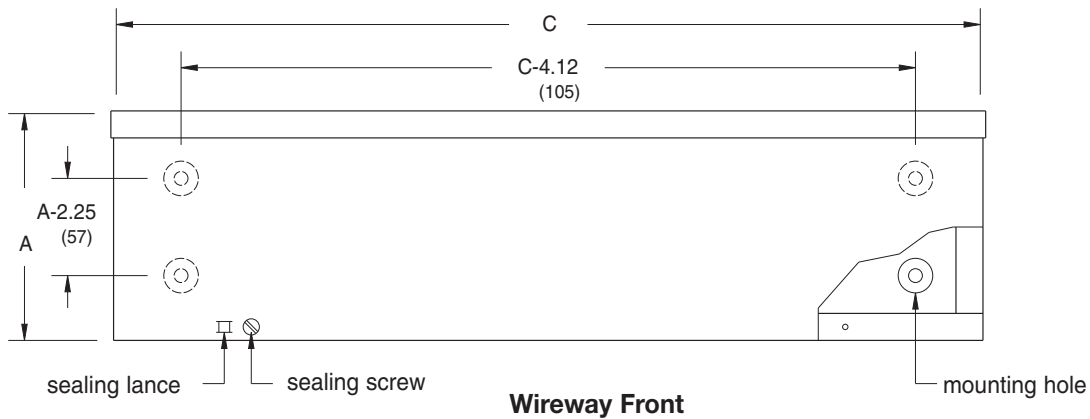
- Sealing devices
- Touch-up paint
- See Accessories section

Application

- Houses runs of control and power cable
- Used for cable and wire junction, distribution and termination

Standards

- UL 870 listed, Type 3R
- CSA C22.2 No. 26 certified, Type 3R
- Conforms to NEMA standard for Type 3R
- IEC 60529, IP32

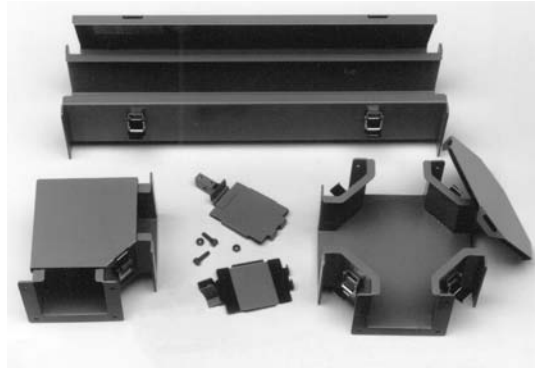


Notes: Cooper B-Line can provide special sizes, finishes and other modifications. Consult the factory for your special requirements.

Wireway Catalog Number				Wireway Size		Knockout Quantity
Painted		Galvanized		Height x Depth x Length		
KO	No KO	KO	No KO	A x B x C		
				in.	mm	Bottom
4412 GRT	4412 GRT NK	4412 GRTGV	4412 GRTGV NK	4.00x4.00x12.00	102x102x305	3
4418 GRT	4418 GRT NK	4418 GRTGV	4418 GRTGV NK	4.00x4.00x18.00	102x102x457	5
4424 GRT	4424 GRT NK	4424 GRTGV	4424 GRTGV NK	4.00x4.00x24.00	102x102x610	7
4436 GRT	4436 GRT NK	4436 GRTGV	4436 GRTGV NK	4.00x4.00x36.00	102x102x914	11
4448 GRT	4448 GRT NK	4448 GRTGV	4448 GRTGV NK	4.00x4.00x48.00	102x102x1219	15
4460 GRT	4460 GRT NK	4460 GRTGV	4460 GRTGV NK	4.00x4.00x60.00	102x102x1524	19
4472 GRT	4472 GRT NK	4472 GRTGV	4472 GRTGV NK	4.00x4.00x72.00	102x102x1829	23
4496 GRT	4496 GRT NK	4496 GRTGV	4496 GRTGV NK	4.00x4.00x96.00	102x102x2438	31
44120 GRT	44120 GRT NK	44120 GRTGV	44120 GRTGV NK	4.00x4.00x120.00	102x102x3048	35
6412 GRT	6412 GRT NK	6412 GRTGV	6412 GRTGV NK	6.00x4.00x12.00	152x102x305	3
6418 GRT	6418 GRT NK	6418 GRTGV	6418 GRTGV NK	6.00x4.00x18.00	152x102x457	5
6424 GRT	6424 GRT NK	6424 GRTGV	6424 GRTGV NK	6.00x4.00x24.00	152x102x610	7
6436 GRT	6436 GRT NK	6436 GRTGV	6436 GRTGV NK	6.00x4.00x36.00	152x102x914	11
6448 GRT	6448 GRT NK	6448 GRTGV	6448 GRTGV NK	6.00x4.00x48.00	152x102x1219	15
6460 GRT	6460 GRT NK	6460 GRTGV	6460 GRTGV NK	6.00x4.00x60.00	152x102x1524	19
6472 GRT	6472 GRT NK	6472 GRTGV	6472 GRTGV NK	6.00x4.00x72.00	152x102x1829	23
6612 GRT	6612 GRT NK	6612 GRTGV	6612 GRTGV NK	6.00x6.00x12.00	152x152x305	3
6618 GRT	6618 GRT NK	6618 GRTGV	6618 GRTGV NK	6.00x6.00x18.00	152x152x457	5
6624 GRT	6624 GRT NK	6624 GRTGV	6624 GRTGV NK	6.00x6.00x24.00	152x152x610	7
6636 GRT	6636 GRT NK	6636 GRTGV	6636 GRTGV NK	6.00x6.00x36.00	152x152x914	11
6648 GRT	6648 GRT NK	6648 GRTGV	6648 GRTGV NK	6.00x6.00x48.00	152x152x1219	15
6660 GRT	6660 GRT NK	6660 GRTGV	6660 GRTGV NK	6.00x6.00x60.00	152x152x1524	19
6672 GRT	6672 GRT NK	6672 GRTGV	6672 GRTGV NK	6.00x6.00x72.00	152x152x1829	23
6696 GRT	6696 GRT NK	6696 GRTGV	6696 GRTGV NK	6.00x6.00x96.00	152x152x2438	31
66120 GRT	66120 GRT NK	66120 GRTGV	66120 GRTGV NK	6.00x6.00x120.00	152x152x3048	35
8812 GRT	8812 GRT NK	8812 GRTGV	8812 GRTGV NK	8.00x8.00x12.00	203x203x305	3
8818 GRT	8818 GRT NK	8818 GRTGV	8818 GRTGV NK	8.00x8.00x18.00	203x203x457	5
8824 GRT	8824 GRT NK	8824 GRTGV	8824 GRTGV NK	8.00x8.00x24.00	203x203x610	7
8836 GRT	8836 GRT NK	8836 GRTGV	8836 GRTGV NK	8.00x8.00x36.00	203x203x914	11
8848 GRT	8848 GRT NK	8848 GRTGV	8848 GRTGV NK	8.00x8.00x48.00	203x203x1219	15
8860 GRT	8860 GRT NK	8860 GRTGV	8860 GRTGV NK	8.00x8.00x60.00	203x203x1524	19
8872 GRT	8872 GRT NK	8872 GRTGV	8872 GRTGV NK	8.00x8.00x72.00	203x203x1829	23
-	8896 GRT NK	-	8896 GRTGV NK	8.00x8.00x96.00	203x203x2438	-
-	88120 GRT NK	-	88120 GRTGV NK	8.00x8.00x120.00	203x203x3048	-
-	101024 GRT NK	-	101024 GRTGV NK	10.00x10.00x24.00	254x254x610	-
-	101036 GRT NK	-	101036 GRTGV NK	10.00x10.00x36.00	254x254x914	-
-	101048 GRT NK	-	101048 GRTGV NK	10.00x10.00x48.00	254x254x1219	-
-	101060 GRT NK	-	101060 GRTGV NK	10.00x10.00x60.00	254x254x1524	-
-	101072 GRT NK	-	101072 GRTGV NK	10.00x10.00x72.00	254x254x1829	-
-	101096 GRT NK	-	101096 GRTGV NK	10.00x10.00x96.00	254x254x2438	-
-	1010120 GRT NK	-	1010120 GRTGV NK	10.00x10.00x120.00	254x254x3048	-
-	121224 GRT NK	-	121224 GRTGV NK	12.00x12.00x24.00	305x305x610	-
-	121236 GRT NK	-	121236 GRTGV NK	12.00x12.00x36.00	305x305x914	-
-	121248 GRT NK	-	121248 GRTGV NK	12.00x12.00x48.00	305x305x1219	-
-	121260 GRT NK	-	121260 GRTGV NK	12.00x12.00x60.00	305x305x1524	-
-	121272 GRT NK	-	121272 GRTGV NK	12.00x12.00x72.00	305x305x1829	-
-	121296 GRT NK	-	121296 GRTGV NK	12.00x12.00x96.00	305x305x2438	-
-	1212120 GRT NK	-	1212120 GRTGV NK	12.00x12.00x120.00	305x305x3048	-

Notes: Dimensions are in inches. Millimeters shown are for reference only. Data subject to change without notice.

NEMA 12 Lay-In Wireway Data Sheet



Application

- Houses runs of control and power cable
- Protects against circulating dust, falling dirt and dripping noncorrosive liquids

Standards

- UL 870 listed, unless noted (see table)
- CSA C22.2 No. 26 certified, unless noted (see table)
- Conforms to NEMA standard for Type 12
- Conforms to JIC standard EGP-1-1967
- IEC 60529, IP54

Accessories

- Touch-up paint
- See Accessories section

Construction

- Wireway body and cover are fabricated from (14) gauge steel
- Flanges are (10) gauge steel
- All continuous welded seams are finished smooth
- External and internal edges are rounded to prevent injury or damage to cable
- Covers are secured to the wireway and fitting body with heavy duty butt hinges and quick-release latches
- Covers have a fixed, oil-resistant gasket
- An oil-resistant gasket is provided for installation between flanges
- All covers and sealing plates can be hinged completely open or removed to allow for continuous "lay-in" cable feed
- All straight sections and fittings are furnished with sealing plate kits (see pages 33-37)

Finish

- Wash and phosphate undercoat
- ANSI 61 gray polyester powder finish
- Hardware and latches are zinc plated with a yellow chromate finish

Notes: Cooper B-Line Systems can provide special sizes, finishes and other modifications. Consult the factory for your special requirements.

Description	B-Line Catalog Number				
	2.50 x 2.50 (64 x 64)	4.00 x 4.00 (102 x 102)	6.00 x 6.00 (152 x 152)	8.00 x 8.00 (203 x 203)	12.00 x 6.00 (305 x 152)
4.00" Straight Section	2204-12LW	4404-12LW	6604-12LW	8804-12LW	12604-12LW
6.00" Straight Section	2206-12LW	4406-12LW	6606-12LW	8806-12LW	12606-12LW
12.00" Straight Section	2212-12LW	4412-12LW	6612-12LW	8812-12LW	12612-12LW
24.00" Straight Section	2224-12LW	4424-12LW	6624-12LW	8824-12LW	12624-12LW
36.00" Straight Section	2236-12LW	4436-12LW	6636-12LW	8836-12LW	12636-12LW
48.00" Straight Section	2248-12LW	4448-12LW	6648-12LW	8848-12LW	12648-12LW
60.00" Straight Section	2260-12LW	4460-12LW	6660-12LW	8860-12LW	12660-12LW
120.00" Straight Section	22120-12LW	44120-12LW	66120-12LW	88120-12LW	126120-12LW
12" Transposition Wireway, CW	22-12LTS	44-12LTS	66-12LTS	88-12LTS	-
12" Transposition Wireway, CCW	22-12LTS	44-12LTS	66-12LTS	88-12LTS	-
Telescopic Fitting, Lay-In	22-12LTF*	44-12LTF*	66-12LTF*	88-12LTF*	126-12LTF*
Cut-Off Fitting, Lay-In	22-12LCF	44-12LCF	66-12LCF	88-12LCF	126-12LCF
1" Nipple	22-12LN1	44-12LN1	66-12LN1	88-12LN1	126-12LN1
2" Nipple	22-12LN2	44-12LN2	66-12LN2	88-12LN2	126-12LN2
3" Nipple	22-12LN3	44-12LN3	66-12LN3	88-12LN3	126-12LN3
90° Elbow, Top Open	22-12LE9A	44-12LE9A	66-12LE9A	88-12LE9A	126-12LE9A
90° Elbow, Inside Open	22-12LE9B	44-12LE9B	66-12LE9B	88-12LE9B	126-12LE9B
90° Elbow, Outside Open	22-12LE9C	44-12LE9C	66-12LE9C	88-12LE9C	126-12LE9C
90° Elbow, Outside-Top Open	22-12LE9AC	44-12LE9AC	66-12LE9AC	88-12LE9AC	-
90° Transposition Elbow, CW	22-12LE9TC	44-12LE9TC	66-12LE9TC	88-12LE9TC	-
90° Transposition Elbow, CCW	22-12LE9TCC	44-12LE9TCC	66-12LE9TCC	88-12LE9TCC	-
45° Elbow, Top Open	22-12LE45A	44-12LE45A	66-12LE45A	88-12LE45A	126-12LE45A
45° Elbow, Inside Open	22-12LE45B	44-12LE45B	66-12LE45B	88-12LE45B	126-12LE45B
45° Elbow, Outside Open	22-12LE45C	44-12LE45C	66-12LE45C	88-12LE45C	126-12LE45C
15° Elbow, Top Open	22-12LE15A	44-12LE15A	66-12LE15A	88-12LE15A	126-12LE15A
Tee, Top Open	22-12LTA	44-12LTA	66-12LTA	88-12LTA	126-12LTA
Tee, Outside Open	22-12LTC	44-12LTC	66-12LTC	88-12LTC	-
Cross, Top Open	22-12LC	44-12LC	66-12LC	88-12LC	126-12LC
Reducer 4x4 - 2.5x2.5	-	4422-12LR	-	-	-
Reducer 6x6 - 4x4	-	-	6644-12LR	-	-
Reducer 8x8 - 6x6	-	-	-	8866-12LR	-
Reducer 12x6 - 4x4	-	-	-	-	12644-12LR
Reducer 12x6 - 6x6	-	-	-	-	12666-12LR
Sealing Plate	22-12LSP	44-12LSP	66-12LSP	88-12LSP	126-12LSP
Box Connector	22-12LBC	44-12LBC	66-12LBC	88-12LBC	126-12LBC
Closure Plate	22-12LCP	44-12LCP	66-12LCP	88-12LCP	126-12LCP
Hanger, Drop	22-12LDH	44-12LDH	66-12LDH	88-12LDH	-
Hanger, Bracket	22-12LBH	44-12LBH	66-12LBH	88-12LBH	-
Junction Box	22-12LJB	44-12LJB	66-12LJB	88-12LJB	-
Barrier Kit, 60" Bolt-On	22-12BK*	44-12BK*	66-12BK*	88-12BK*	66-12BK*
Adapter, Lay-In to Feed Through	-	44-12LAFW	66-12LAFW	88-12LAFW	-
Adapter, for Hoffman ^{®1} or Wiegmann ^{®2}	22-12LAHW	44-12LAHW	66-12LAHW	88-12LAHW	126-12LAHW
Adapter, for Square D ^{®3}	22-12LASD	44-12LASD	66-12LASD	88-12LASD	1212-12LASD
Adapter, for Robroy ^{®4} or Rittal ^{®5}	22-12LARR	44-12LARR	66-12LARR	88-12LARR	126-12LARR
Adapter, for Hammond Mfg. ^{™6}	22-12LAHM	44-12LAHM	66-12LAHM	88-12LAHM	126-12LAHM

* Not UL or CSA listed fitting.

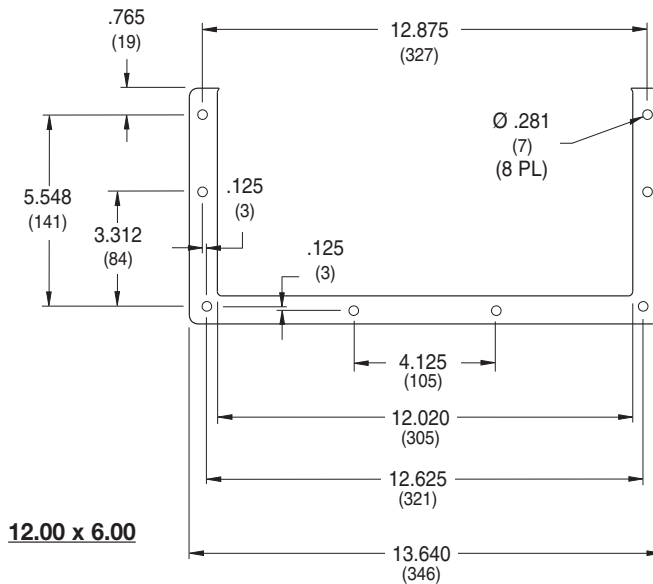
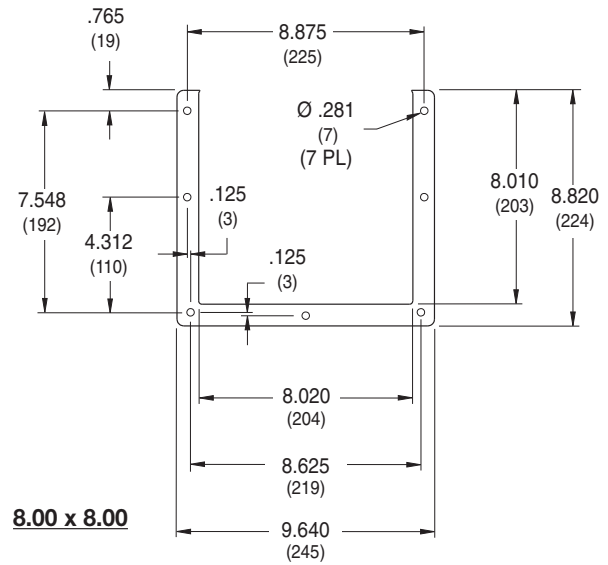
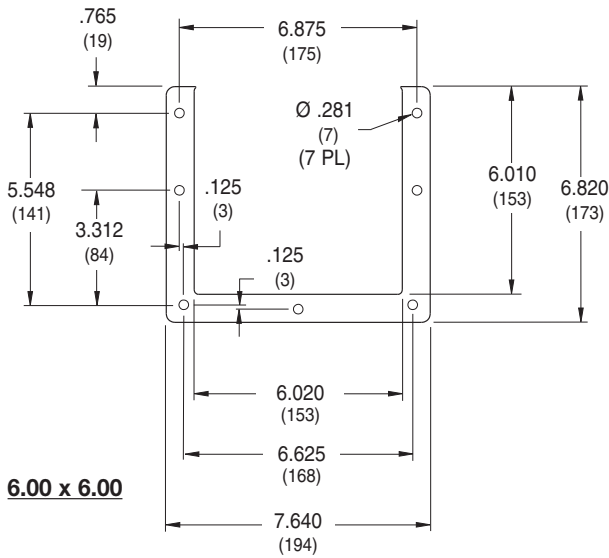
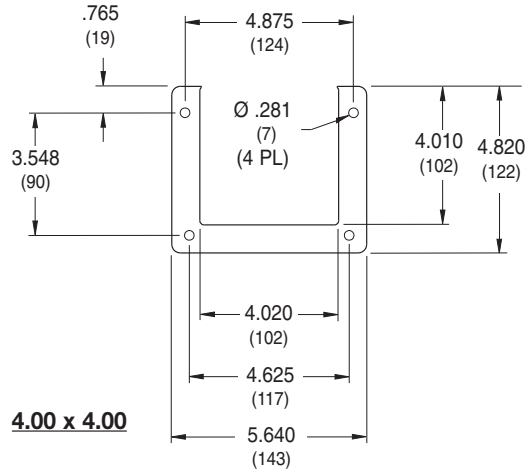
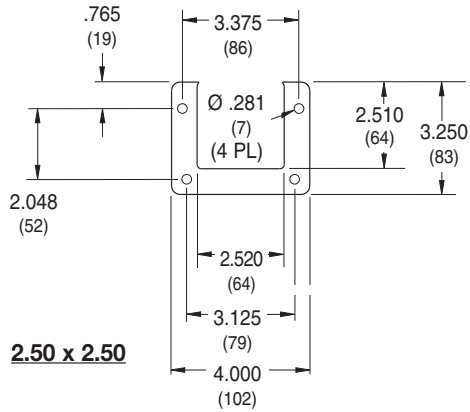
All dimensions are in inches.

- HOFFMAN[®] is the registered trademark of Hoffman Engineering Company, Anoka, Minnesota.
- WIEGMANN[®] is the registered trademark of Hubbell Incorporated, Orange, Connecticut.
- SQUARE D[®] is the registered trademark of Square D Company, Palatine, Illinois.
- ROBROY[®] is the registered trademark of Robroy Industries, Verona, Pennsylvania.
- RITTAL[®] is the registered trademark of Rittal Corporation, Springfield, Ohio.
- HAMMOND MANUFACTURING[™] is the trademark of Hammond Manufacturing Company, Limited, Guelph, Ontario Canada.

Notes: Dimensions are in inches. Millimeters shown are for reference only. Data subject to change without notice.

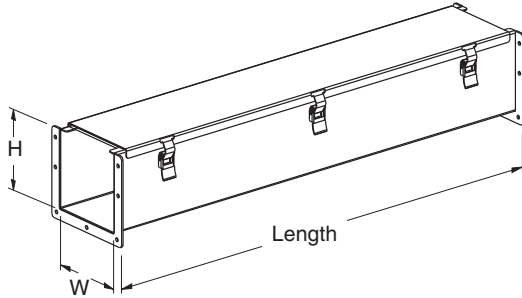
DISCONTINUED PARTS	REPLACEMENT PARTS
Cut-Off Fitting, Non Lay-In	Cut-Off Fitting, Lay-In
6" Nipple	6" Straight Section
Sealing Plate, 90° Angle	Sealing Plate

NEMA 12 Lay-In Wireway Illustration Sheet



Flange Details

Notes: Dimensions are in inches. Millimeters shown are for reference only. Data subject to change without notice.



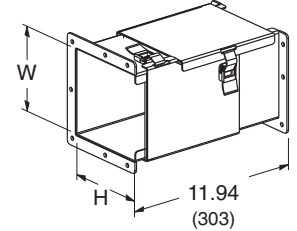
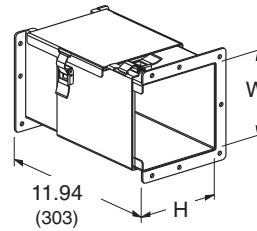
Straight Section

- includes (1) sealing plate kit

Catalog Number	Size	H		W	
		in.	mm	in.	mm
22(*)-12LW	2.5x2.5	2.50	64	2.50	64
44(*)-12LW	4x4	4.00	102	4.00	102
66(*)-12LW	6x6	6.00	152	6.00	152
88(*)-12LW	8x8	8.00	203	8.00	203
126(*)-12LW	12x6	6.00	152	12.00	305

Length	
in.	mm
3.94	100
5.94	151
11.94	303
23.94	608
35.94	913
47.94	1218
59.94	1522
119.94	3046

(*) Insert for length **04**=3.94", **06**=5.94", **12**=11.94", **24**=23.94", **36**=35.94", **48**=47.94", **60**=59.94", **120**=119.94".



Transposition Wireway Sections

Clockwise (C)

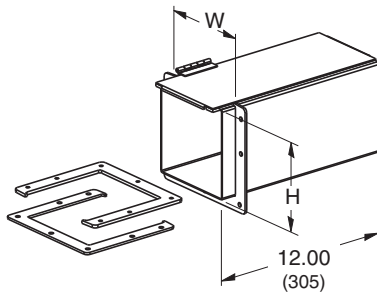
Counterclockwise (CC)

- includes (1) sealing plate kit

- includes (1) sealing plate kit

Catalog Number	Size	H		W	
		in.	mm	in.	mm
22-12LTS(*)	2.5x2.5	2.50	64	2.50	64
44-12LTS(*)	4x4	4.00	102	4.00	102
66-12LTS(*)	6x6	6.00	152	6.00	152
88-12LTS(*)	8x8	8.00	203	8.00	203

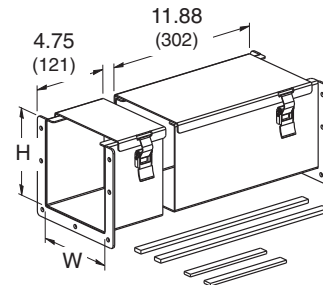
(*) Insert **C** for Clockwise
Insert **CC** for Counterclockwise



Telescopic Fitting, Lay-In

- adjustable length from 1" to 7"
- includes hardware
- no cutting or welding required

Catalog Number	Size	H		W	
		in.	mm	in.	mm
22-12LTF	2.5x2.5	2.32	59	2.32	59
44-12LTF	4x4	3.82	97	3.82	97
66-12LTF	6x6	5.82	148	5.82	148
88-12LTF	8x8	7.82	199	7.82	199
126-12LTF	12x6	5.82	148	11.82	300



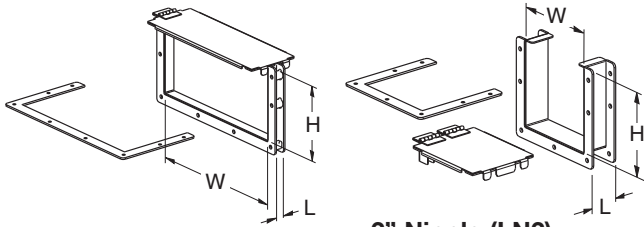
Cut-Off Fitting, Lay-In

- includes (1) sealing plate kit
- shorten body and cover to desired length and weld together, 9.50" minimum length

Catalog Number	Size	H		W	
		in.	mm	in.	mm
22-12LCF	2.5x2.5	2.50	64	2.50	64
44-12LCF	4x4	4.00	102	4.00	102
66-12LCF	6x6	6.00	152	6.00	152
88-12LCF	8x8	8.00	203	8.00	203
126-12LCF	12x6	6.00	152	12.00	305

Notes: Dimensions are in inches. Millimeters shown are for reference only. Data subject to change without notice.

NEMA 12 Lay-In Wireway Illustration Sheet



1" Nipple (LN1)

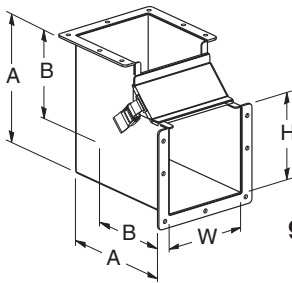
• includes hardware

2" Nipple (LN2)

• includes hardware

Catalog Number	Size	H		W	
		in.	mm	in.	mm
22-12LN(*)	2.5x2.5	2.50	64	2.50	64
44-12LN(*)	4x4	4.00	102	4.00	102
66-12LN(*)	6x6	6.00	152	6.00	152
88-12LN(*)	8x8	8.00	203	8.00	203
126-12LN(*)	12x6	6.00	152	12.00	305

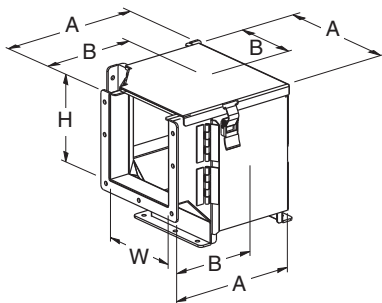
(*) Insert 1 for 1" nipple (L=.938")
 Insert 2 for 2" nipple (L=1.938")
 Insert 3 for 3" nipple (L=2.938")



90° Elbow, Inside Opening

• includes (1) sealing plate kit

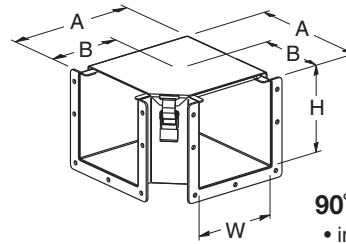
Catalog Number	Size	H		W		A		B	
		in.	mm	in.	mm	in.	mm	in.	mm
22-12LE9B	2.5x2.5	2.50	64	2.50	64	5.94	151	4.69	119
44-12LE9B	4x4	4.00	102	4.00	102	7.44	189	5.44	138
66-12LE9B	6x6	6.00	152	6.00	152	9.44	240	6.44	164
88-12LE9B	8x8	8.00	203	8.00	203	11.44	291	7.44	189
126-12LE9B	12x6	6.00	152	12.00	305	9.44	240	6.44	164



90° Elbow, Outside-Top Opening

• includes (2) sealing plate kits

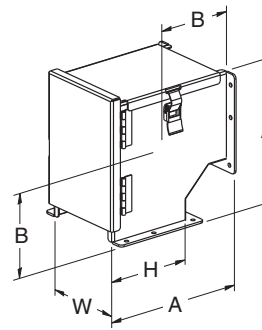
Catalog Number	Size	H		W		A		B	
		in.	mm	in.	mm	in.	mm	in.	mm
22-12LE9AC	2.5x2.5	2.50	64	2.50	64	5.94	151	4.69	119
44-12LE9AC	4x4	4.00	102	4.00	102	7.44	189	5.44	138
66-12LE9AC	6x6	6.00	152	6.00	152	9.44	240	6.44	164
88-12LE9AC	8x8	8.00	203	8.00	203	11.44	291	7.44	189



90° Elbow, Top Opening

• includes (1) sealing plate kit

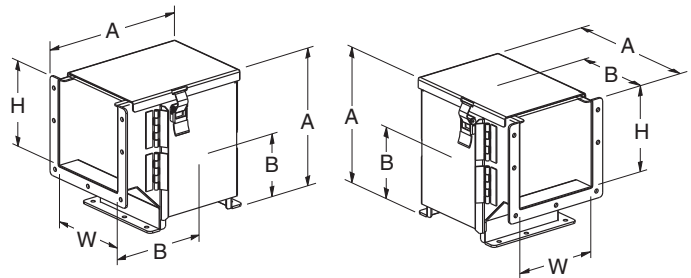
Catalog Number	Size	H		W		A		B	
		in.	mm	in.	mm	in.	mm	in.	mm
22-12LE9A	2.5x2.5	2.50	64	2.50	64	5.25	133	4.00	102
44-12LE9A	4x4	4.00	102	4.00	102	6.75	171	4.75	121
66-12LE9A	6x6	6.00	152	6.00	152	8.75	222	5.75	146
88-12LE9A	8x8	8.00	203	8.00	203	10.75	273	6.75	171
126-12LE9A	12x6	6.00	152	12.00	305	14.75	375	8.75	222



90° Elbow, Outside Opening

• includes (1) sealing plate kit

Catalog Number	Size	H		W		A		B	
		in.	mm	in.	mm	in.	mm	in.	mm
22-12LE9C	2.5x2.5	2.50	64	2.50	64	5.94	151	4.69	119
44-12LE9C	4x4	4.00	102	4.00	102	7.44	189	5.44	138
66-12LE9C	6x6	6.00	152	6.00	152	9.44	240	6.44	164
88-12LE9C	8x8	8.00	203	8.00	203	11.44	291	7.44	189
126-12LE9C	12x6	6.00	152	12.00	305	9.44	240	6.44	164



90° Transposition Elbows

Clockwise (C)

• includes (1) sealing plate kit

Counterclockwise (CC)

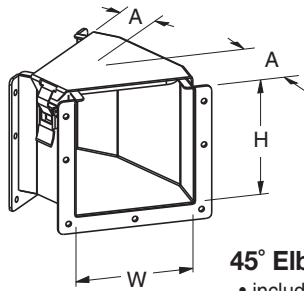
• includes (1) sealing plate kit

Catalog Number	Size	H		W		A		B	
		in.	mm	in.	mm	in.	mm	in.	mm
22-12LE9T(*)	2.5x2.5	2.50	64	2.50	64	5.94	151	4.69	119
44-12LE9T(*)	4x4	4.00	102	4.00	102	7.44	189	5.44	138
66-12LE9T(*)	6x6	6.00	152	6.00	152	9.44	240	6.44	164
88-12LE9T(*)	8x8	8.00	203	8.00	203	11.44	291	7.44	189

(*) Insert C for Clockwise, Insert CC for Counterclockwise

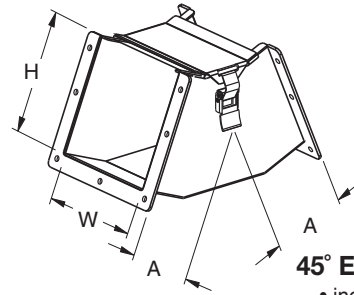
Notes: B-Line Systems can provide special sizes, finishes and other modifications. Consult the factory for your special requirements.

NEMA 12 Lay-In Wireway Illustration Sheet



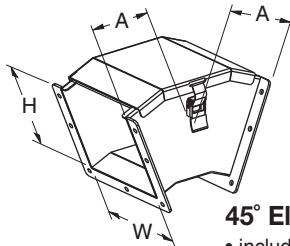
45° Elbow, Top Opening
• includes (1) sealing plate kit

Catalog Number	Size	H		W		A	
		in.	mm	in.	mm	in.	mm
22-12LE45A	2.5x2.5	2.50	64	2.50	64	3.12	79
44-12LE45A	4x4	4.00	102	4.00	102	3.70	94
66-12LE45A	6x6	6.00	152	6.00	152	4.46	113
88-12LE45A	8x8	8.00	203	8.00	203	5.23	133
126-12LE45A	12x6	6.00	152	12.00	305	6.76	172



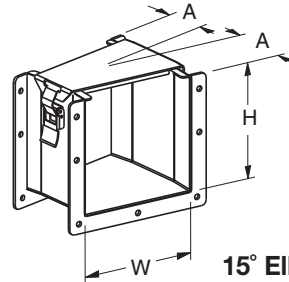
45° Elbow, Inside Opening
• includes (1) sealing plate kit

Catalog Number	Size	H		W		A	
		in.	mm	in.	mm	in.	mm
22-12LE45B	2.5x2.5	2.50	64	2.50	64	3.70	94
44-12LE45B	4x4	4.00	102	4.00	102	4.28	109
66-12LE45B	6x6	6.00	152	6.00	152	5.04	128
88-12LE45B	8x8	8.00	203	8.00	203	5.81	148
126-12LE45B	12x6	6.00	152	12.00	305	5.04	128



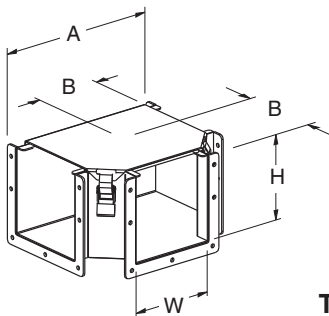
45° Elbow, Outside Opening
• includes (1) sealing plate kit

Catalog Number	Size	H		W		A	
		in.	mm	in.	mm	in.	mm
22-12LE45C	2.5x2.5	2.50	64	2.50	64	2.65	67
44-12LE45C	4x4	4.00	102	4.00	102	3.51	89
66-12LE45C	6x6	6.00	152	6.00	152	3.91	99
88-12LE45C	8x8	8.00	203	8.00	203	4.24	108
126-12LE45C	12x6	6.00	152	12.00	305	3.91	89



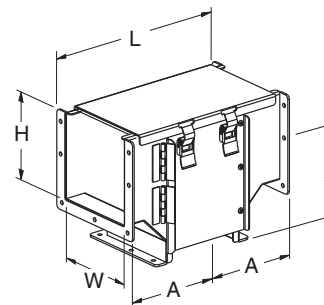
15° Elbow, Top Opening
• includes (1) sealing plate kit

Catalog Number	Size	H		W		A	
		in.	mm	in.	mm	in.	mm
22-12LE15A	2.5x2.5	2.50	64	2.50	64	2.57	65
44-12LE15A	4x4	4.00	102	4.00	102	2.77	70
66-12LE15A	6x6	6.00	152	6.00	152	3.03	77
88-12LE15A	8x8	8.00	203	8.00	203	3.29	84
126-12LE15A	12x6	6.00	152	12.00	305	3.81	97



Tee, Top Opening
• includes (2) sealing plate kits

Catalog Number	Size	H		W		A		B	
		in.	mm	in.	mm	in.	mm	in.	mm
22-12LTA	2.5x2.5	2.50	64	2.50	64	8.00	203	4.00	102
44-12LTA	4x4	4.00	102	4.00	102	9.50	241	4.75	121
66-12LTA	6x6	6.00	152	6.00	152	11.50	292	5.75	146
88-12LTA	8x8	8.00	203	8.00	203	13.50	343	6.75	171
126-12LTA	12x6	6.00	152	12.00	305	17.50	445	8.75	222

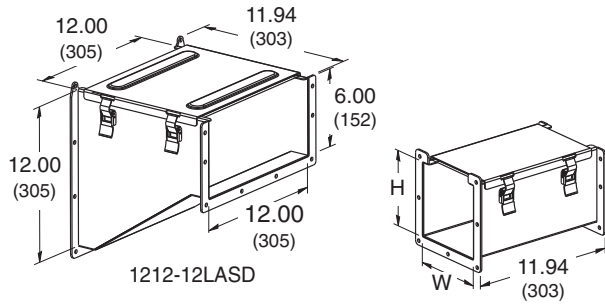


Tee, Outside Opening
• includes (2) sealing plate kits

Catalog Number	Size	H		W		A		L	
		in.	mm	in.	mm	in.	mm	in.	mm
22-12LTC	2.5x2.5	2.50	64	2.50	64	4.69	119	9.38	238
44-12LTC	4x4	4.00	102	4.00	102	5.44	138	10.88	264
66-12LTC	6x6	6.00	152	6.00	152	6.44	164	12.88	314
88-12LTC	8x8	8.00	203	8.00	203	7.44	189	14.88	365

Notes: Dimensions are in inches. Millimeters shown are for reference only. Data subject to change without notice.

NEMA 12 Lay-In Wireway Illustration Sheet

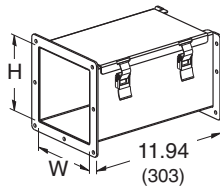


1212-12LASH

Adapters

• includes (2) sealing plate kits

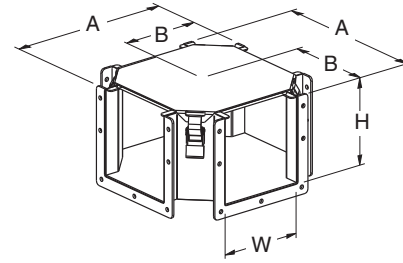
Catalog Number	Size	Competitor	H		W	
			in.	mm	in.	mm
22-12LAHW	2.5x2.5	Hoffman ^{®1} or Wiegmann ^{®2}	2.50	64	2.50	64
44-12LAHW	4x4		4.00	102	4.00	102
66-12LAHW	6x6		6.00	152	6.00	152
88-12LAHW	8x8		8.00	203	8.00	203
126-12LAHW	12x6		6.00	152	12.00	305
22-12LASD	2.5x2.5	Square D ^{®3}	2.50	64	2.50	64
44-12LASD	4x4		4.00	102	4.00	102
66-12LASD	6x6		6.00	152	6.00	152
88-12LASD	8x8		8.00	203	8.00	203
1212-12LASD	12x12-12x6		---	---	---	---
22-12LARR	2.5x2.5	Robroy ^{®4} or Rittal ^{®5}	2.50	64	2.50	64
44-12LARR	4x4		4.00	102	4.00	102
66-12LARR	6x6		6.00	152	6.00	152
88-12LARR	8x8		8.00	203	8.00	203
126-12LARR	12x6		6.00	152	12.00	305
22-12LAHM	2.5x2.5	Hammond Mfg. ^{™6}	2.50	64	2.50	64
44-12LAHM	4x4		4.00	102	4.00	102
66-12LAHM	6x6		6.00	152	6.00	152
88-12LAHM	8x8		8.00	203	8.00	203
126-12LAHM	12x6		6.00	152	12.00	305



Lay-In to Feed Through Adapter

• includes (1) sealing plate kit and (1) gasket kit

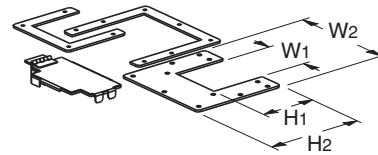
Catalog Number	Size	H		W	
		in.	mm	in.	mm
44-12LAFW	4X4	4.00	102	4.00	102
66-12LAFW	6X6	6.00	152	6.00	152
88-12LAFW	8X8	8.00	203	8.00	203



Cross, Top Opening

• includes (3) sealing plate kits

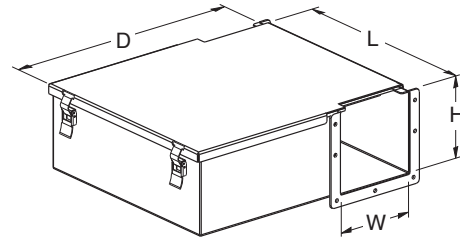
Catalog Number	Size	H		W		A		B	
		in.	mm	in.	mm	in.	mm	in.	mm
22-12LC	2.5x2.5	2.50	64	2.50	64	8.00	203	4.00	102
44-12LC	4x4	4.00	102	4.00	102	9.50	241	4.75	121
66-12LC	6x6	6.00	152	6.00	152	11.50	292	5.75	146
88-12LC	8x8	8.00	203	8.00	203	13.50	343	6.75	171
126-12LC	12x6	6.00	152	12.00	152	17.50	445	8.75	222



Reducer

• includes hardware

Catalog Number	Size	H ₁		H ₂		W ₁		W ₂	
		in.	mm	in.	mm	in.	mm	in.	mm
4422-12LR	4x4 to 2.5x2.5	2.44	62	4.82	122	2.38	60	5.64	143
6644-12LR	6x6 to 4x4	3.94	100	6.82	173	3.88	99	7.64	194
8866-12LR	8x8 to 6x6	5.94	151	8.82	224	5.88	149	9.64	245
12644-12LR	12x6 to 4x4	3.94	100	6.82	173	3.88	99	13.64	346
12666-12LR	12x6 to 6x6	5.94	151	6.82	173	5.88	149	13.64	346



Junction Box

• includes (1) junction box sealing plate kit and (1) of the following removable panels:

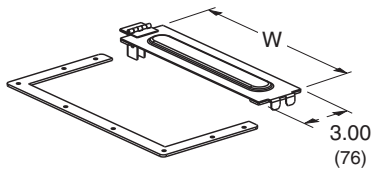
- 22-12LJB = AW108P
- 44LJB = AW1210P
- 66LJB = AW1412P
- 88LJB = AW1614P

Catalog Number	Size	H		W		L		D	
		in.	mm	in.	mm	in.	mm	in.	mm
22-12LJB	2.5x2.5	2.50	64	2.50	64	11.59	294	10.25	260
44-12LJB	4x4	4.00	102	4.00	102	13.59	345	14.00	356
66-12LJB	6x6	6.00	152	6.00	152	15.59	396	18.00	457
88-12LJB	8x8	8.00	203	8.00	203	17.59	447	22.00	559

1. HOFFMAN[®] is the registered trademark of Hoffman Engineering Company, Anoka, Minnesota.
 2. WIEGMANN[®] is the registered trademark of Hubbell Incorporated, Orange, Connecticut.
 3. SQUARE D[®] is the registered trademark of Square D Company, Palatine, Illinois.
 4. ROBROY[®] is the registered trademark of Robroy Industries, Verona, Pennsylvania.
 5. RITTAL[®] is the registered trademark of Rittal Corporation, Springfield, Ohio.
 6. HAMMOND MANUFACTURING[™] is the trademark of Hammond Manufacturing Company, Limited, Guelph, Ontario Canada.

Notes: Dimensions are in inches. Millimeters shown are for reference only. Data subject to change without notice.

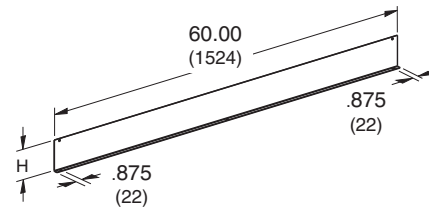
NEMA 12 Lay-In Wireway Illustration Sheet



Sealing Plate, Flat

• includes hardware

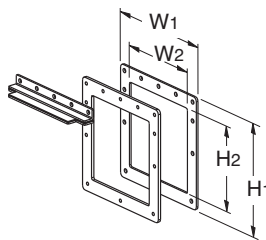
Catalog Number	Size	W	
		in.	mm
22-12LSP	2.5x2.5	2.50	64
44-12LSP	4x4	4.00	102
66-12LSP	6x6	6.00	152
88-12LSP	8x8	8.00	203
126-12LSP	12x6	12.00	305



Barrier, Bolt-On

• includes hardware

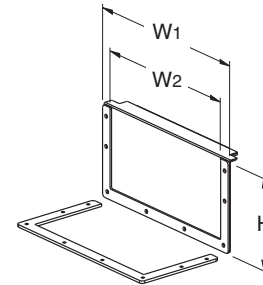
Catalog Number	Size	H	
		in.	mm
22-12BK	2.5x2.5	1.88	48
44-12BK	4x4	3.00	76
66-12BK	6x6	4.50	114
88-12BK	8x8	6.00	152
66-12BK	12x6	4.50	114



Box Connector

• includes hardware

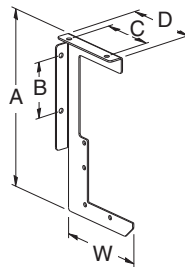
Catalog Number	Size	H ₁		H ₂		W ₁		W ₂	
		in.	mm	in.	mm	in.	mm	in.	mm
22-12LBC	2.5x2.5	4.10	104	2.35	60	4.10	104	2.35	60
44-12LBC	4x4	5.74	146	3.85	72	5.74	146	3.85	72
66-12LBC	6x6	7.74	197	5.85	123	7.74	197	5.85	123
88-12LBC	8x8	9.74	247	7.85	174	9.74	247	7.85	174
126-12LBC	12x6	7.74	197	5.85	123	13.74	197	11.85	301



Closure Plate

• includes hardware

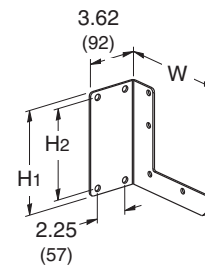
Catalog Number	Size	H		W ₁		W ₂	
		in.	mm	in.	mm	in.	mm
22-12LCP	2.5x2.5	2.50	64	4.00	102	2.50	64
44-12LCP	4x4	4.00	102	5.64	143	4.00	102
66-12LCP	6x6	6.00	152	7.64	194	6.00	152
88-12LCP	8x8	8.00	203	9.64	245	8.00	203
126-12LCP	12x6	6.00	152	13.64	346	12.00	305



Drop

Wireway Hangers

- includes wireway to bracket mounting hardware
- anchors not included



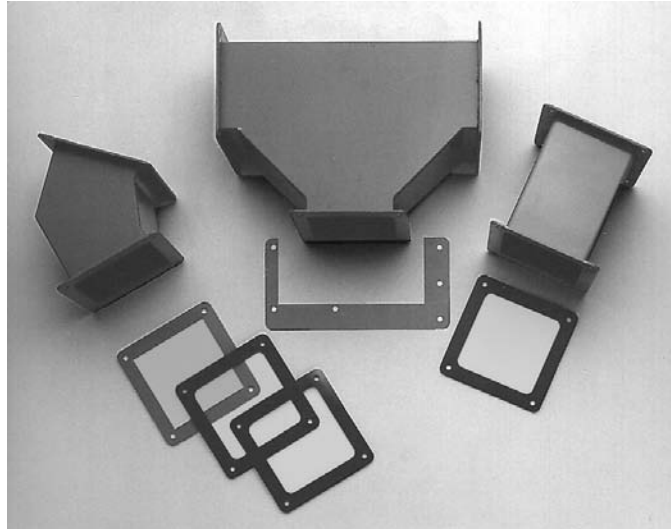
Bracket

Catalog Number	Size	W		A		B		C		D	
		in.	mm	in.	mm	in.	mm	in.	mm	in.	mm
22-12LDH	2.5x2.5	4.50	114	8.75	222	1.50	38	1.50	38	3.50	89
44-12LDH	4x4	6.00	152	11.75	298	3.00	76	3.00	76	5.00	127
66-12LDH	6x6	8.50	216	16.00	406	5.00	127	5.00	127	7.00	178
88-12LDH	8x8	10.50	267	20.00	508	7.00	178	7.00	178	9.00	229

Catalog Number	Size	H ₁		H ₂		W	
		in.	mm	in.	mm	in.	mm
22-12LBH	2.5x2.5	3.38	86	2.50	64	4.38	111
44-12LBH	4x4	4.88	124	4.00	102	5.88	149
66-12LBH	6x6	7.13	181	6.25	159	8.13	207
88-12LBH	8x8	9.13	232	8.25	210	10.13	257

Notes: Dimensions are in inches. Millimeters shown are for reference only. Data subject to change without notice.

NEMA 12 Feed-Through Wireway Data Sheet



Application

- Houses runs of control and power cable
- Protects against circulating dust, falling dirt and dripping noncorrosive liquids

Standards

- UL 870 listed, unless noted, (see table)
- CSA C22.2 No. 26 certified, unless noted, (see table)
- Conforms to NEMA standard for Type 12
- Conforms to JIC standard EGP-1-1967
- IEC 60529, IP54

Finish

- Wash and phosphate undercoat
- ANSI 61 gray polyester powder finish
- Hardware and latches are zinc plated with a yellow chromate finish

Construction

- Wireway body and cover are fabricated from (14) gauge steel
- Flanges are (10) gauge steel
- All continuous welded seams are finished smooth
- External and internal edges are rounded to prevent injury or damage to cable
- Covers are secured to the wireway body with heavy-duty hinges on one side and easy-to-operate screw clamps mounted to the opposite side
- Continuous flanged ends assure rigid connections of wireway and fittings
- Covers have a fixed, oil-resistant gasket
- An oil-resistant gasket is provided for installation between flanges

Accessories

- Touch-up paint
- See Accessories section

Notes: Cooper B-Line Systems can provide special sizes, finishes and other modifications. Consult the factory for your special requirements.

Description	Catalog Number		
	4.00 x 4.00 (102 x 102)	6.00 x 6.00 (152 x 152)	8.00 x 8.00 (203 x 203)
12" Wireway Section	4412-12FW	6612-12FW	8812-12FW
24" Wireway Section	4424-12FW	6624-12FW	8824-12FW
36" Wireway Section	4436-12FW	6636-12FW	8836-12FW
48" Wireway Section	4448-12FW	6648-12FW	8848-12FW
60" Wireway Section	4460-12FW	6660-12FW	8860-12FW
120" Wireway Section	44120-12FW	66120-12FW	88120-12FW
Telescopic Fitting	44-12FTF*	66-12FTF*	88-12FTF*
Cut-Off Fitting	44-12FCF	66-12FCF	88-12FCF
1" Nipple	44-12FN1	66-12FN1	88-12FN1
2" Nipple	44-12FN2	66-12FN2	88-12FN2
3" Nipple	44-12FN3	66-12FN3	88-12FN3
6" Nipple	44-12FN6	66-12FN6	88-12FN6
90° Elbow	44-12FE9	66-12FE9	88-12FE9
45° Elbow	44-12FE45	66-12FE45	88-12FE45
Tee	44-12FT	66-12FT	88-12FT
Cross	44-12FC	66-12FC	88-12FC
Flexible Fitting	44-12FFF *	66-12FFF *	88-12FFF *
Reducer Center 6x6 - 4x4	-	6644-12FRC	-
Reducer Edge 6x6 - 4x4	-	6644-12FRE	-
Reducer Center 8x8 - 6x6	-	-	8866-12FRC
Reducer Edge 8x8 - 6x6	-	-	8866-12FRE
Gasket Kit	44-12FGK	66-12FGK	88-12FGK
Box Connector	44-12FBC	66-12FBC	88-12FBC
Closure Plate	44-12FCP	66-12FCP	88-12FCP
Hanger, Drop	44-12DH	66-12DH	88-12DH
Hanger, Bracket	44-12BH	66-12BH	88-12BH
Barrier Kit, 60" Bolt-On	44-12BK*	66-12BK*	88-12BK*

* Not UL or CSA listed fitting

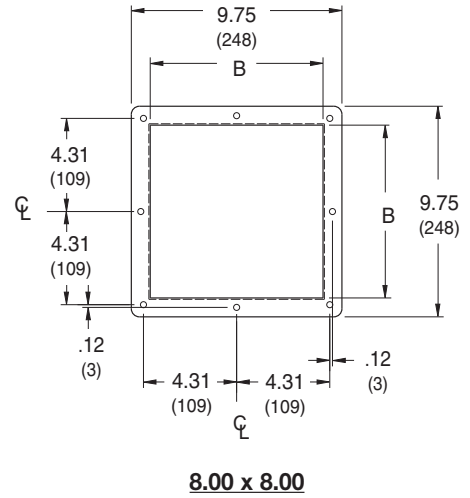
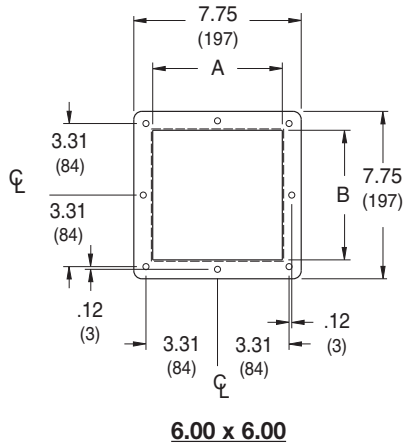
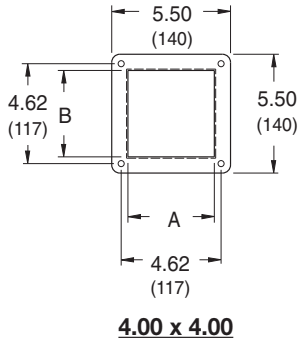
Dimensions															
A		B		C				D		E		G		H	
in.	mm	in.	mm	in. mm				in.	mm	in.	mm	in.	mm	in.	mm
4.00	102	4.00	102	12,24,36,48,60,120	305,610,914,1219,1524,3048	5.50	140	5.50	140	12.00	305	6.00	152		
6.00	152	6.00	152	12,24,36,48,60,120	305,610,914,1219,1524,3048	7.75	197	7.75	197	14.00	356	7.00	178		
8.00	203	8.00	203	12,24,36,48,60,120	305,610,914,1219,1524,3048	9.75	248	9.75	248	16.00	406	8.00	203		

Dimensions																	
J		K		M		N		P		R		S		T		U	
in.	mm	in.	mm	in.	mm	in.	mm	in.	mm	in.	mm	in.	mm	in.	mm	in.	mm
2.50	64	6.00	152	-	-	-	-	6.25	159	3.62	92	12.00	305	6.00	152	6.00	152
2.93	74	7.00	178	4.00	102	4.00	102	8.50	216	3.62	92	16.00	406	8.25	210	8.00	203
3.31	84	8.00	203	6.00	152	6.00	152	10.50	267	3.62	92	20.75	527	12.25	311	11.37	289

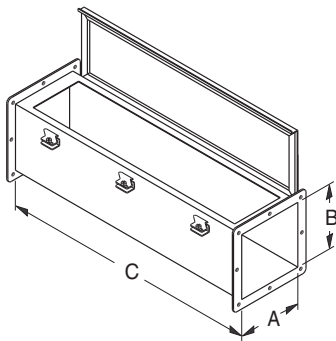
Note: H, J & K dimensions are from intersections of center lines. All dimensions are to inside surfaces. Allow .12" (3 mm) for flange gasket when joining pieces. Flange holes are .28" (7 mm) D. Flange radii are .37" (9 mm) R.

Notes: Dimensions are in inches. Millimeters shown are for reference only. Data subject to change without notice.

NEMA 12 Feed-Through Wireway Illustration Sheet

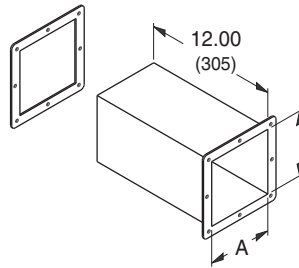


Flange Detail



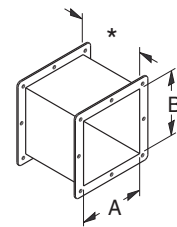
Wireway Section

- lengths from 12.00" (305 mm) to 120.00" (3048 mm)



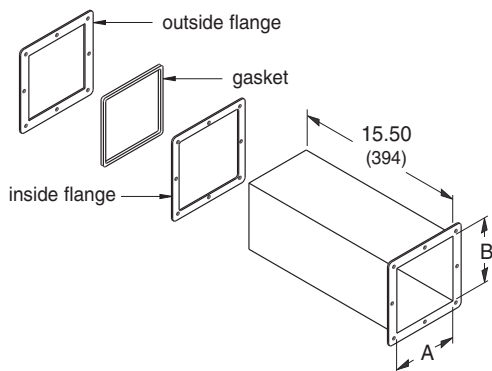
Cut-Off Fitting

- length up to 12.00" (305 mm)
- shorten to desired length and weld on flange



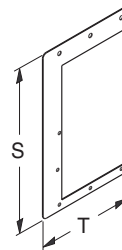
Nipple

- * lengths from 1.00" (25 mm) to 6.00" (152 mm)

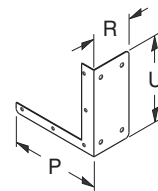


Telescopic Fitting

- adjustable lengths from 1.50" (38 mm) to 13.50" (343 mm)
- no cutting or welding required



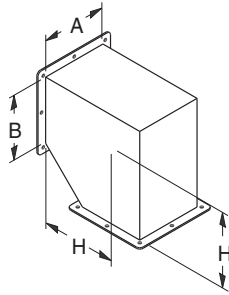
Drop



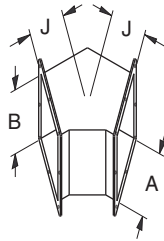
Bracket

Wireway Hangers

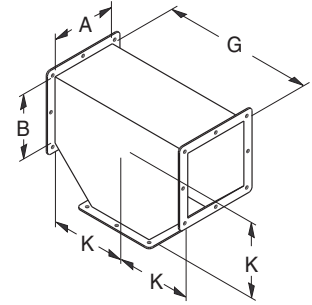
Notes: Dimensions are in inches. Millimeters shown are for reference only. Data subject to change without notice.



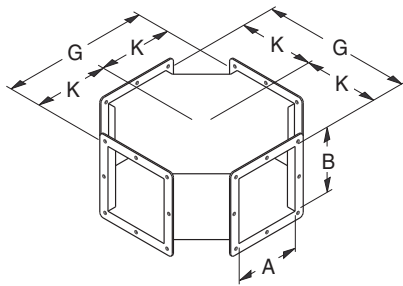
90° Elbow



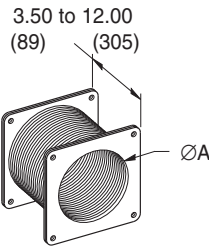
45° Elbow



Tee

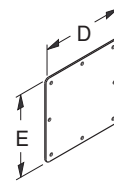


Cross

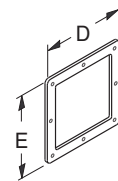


Flexible Fitting

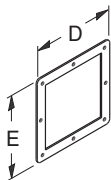
- isolates wireway from shock or vibration and compensates for misalignment. 90° maximum angle. Hypalon bellow with steel flanges.



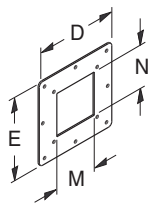
Closure Plate



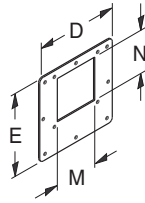
Box Connector



Gasket

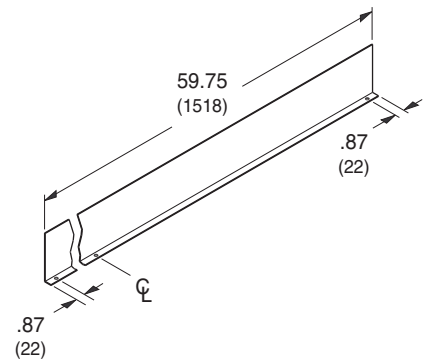


Center



Edge

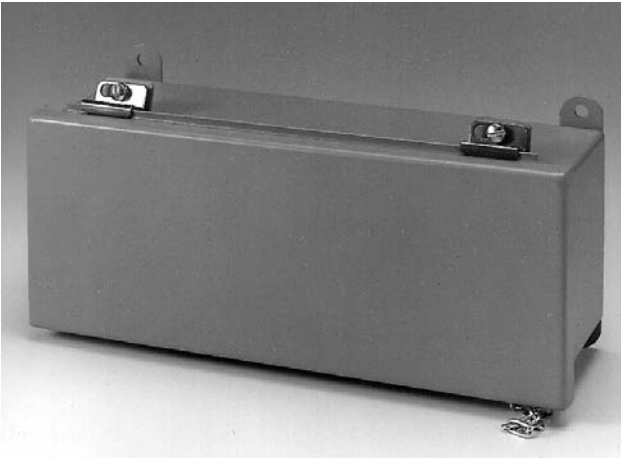
Reducers



Barrier, Bolt-On

Notes: Dimensions are in inches. Millimeters shown are for reference only. Data subject to change without notice.

NEMA 12 Lift-Off Cover Wiring Trough Data Sheet



Construction

- Wireway body and cover are fabricated from (14) gauge steel
- All continuous welded seams are finished smooth
- Cover is secured to the wireway body with semi-hinges on one side and easy-to-operate screw clamps mounted to the opposite side
- Two chains hold cover to the body when screw clamps are released
- Covers have a fixed, oil-resistant gasket
- External mounting feet are provided for wall mounting

Finish

- Wash and phosphate undercoat
- ANSI 61 gray polyester powder finish
- Hardware and latches are zinc plated with a yellow chromate finish

Application

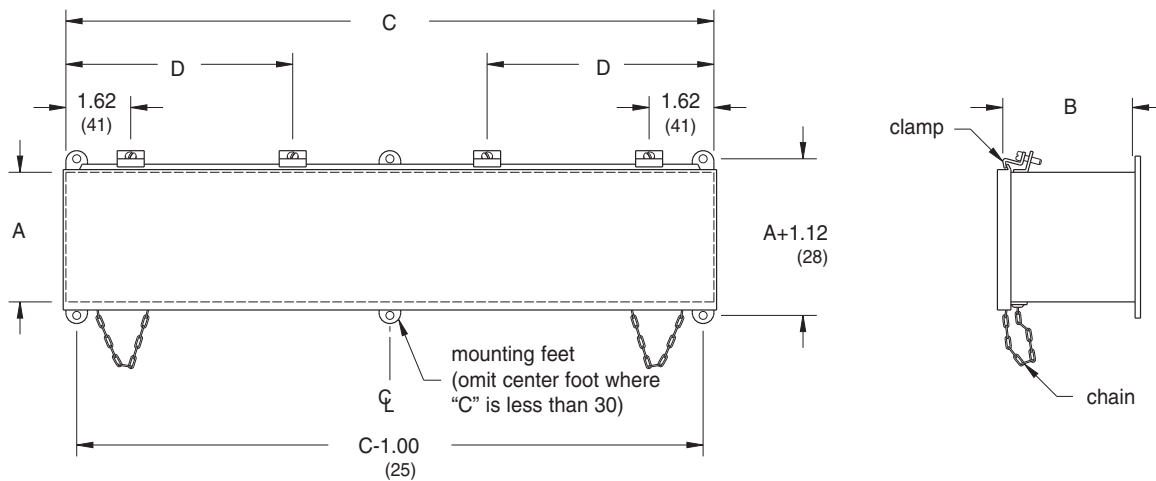
- Houses runs of control and power cable
- Protects against circulating dust, falling dirt and dripping noncorrosive liquids

Standards

- UL 870 listed
- CSA C22.2 No. 26 certified
- Conforms to NEMA standard for Type 12
- Conforms to JIC standard EGP-1-1967
- IEC 60529, IP55

Accessories

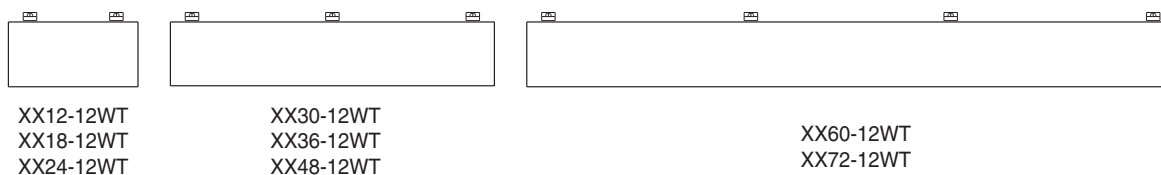
- Touch-up paint
- See Accessories section



Notes: Cooper B-Line Systems can provide special sizes, finishes and other modifications. Consult the factory for your special requirements.

NEMA 12 Lift-Off Cover Wiring Trough Catalog Number

Trough Catalog Number	Trough Size Width x Depth x Length A x B x C		D	
	in.	mm	in.	mm
	4412-12WT	4.00x4.00x12.00	102x102x305	-
4418-12WT	4.00x4.00x18.00	102x102x457	-	-
4424-12WT	4.00x4.00x24.00	102x102x610	-	-
4430-12WT	4.00x4.00x30.00	102x102x762	15.00	381
4436-12WT	4.00x4.00x36.00	102x102x914	18.00	457
4448-12WT	4.00x4.00x48.00	102x102x1219	24.00	610
4460-12WT	4.00x4.00x60.00	102x102x1524	20.25	514
4472-12WT	4.00x4.00x72.00	102x102x1829	24.25	616
6612-12WT	6.00x6.00x12.00	152x152x305	-	-
6618-12WT	6.00x6.00x18.00	152x152x457	-	-
6624-12WT	6.00x6.00x24.00	152x152x610	-	-
6636-12WT	6.00x6.00x36.00	152x152x914	18.00	457
6648-12WT	6.00x6.00x48.00	152x152x1219	24.00	610
6660-12WT	6.00x6.00x60.00	152x152x1524	20.25	514
6672-12WT	6.00x6.00x72.00	152x152x1829	24.25	616
8812-12WT	8.00x8.00x12.00	203x203x305	-	-
8824-12WT	8.00x8.00x24.00	203x203x610	-	-
8836-12WT	8.00x8.00x36.00	203x203x914	18.00	457
8848-12WT	8.00x8.00x48.00	203x203x1219	24.00	610
8860-12WT	8.00x8.00x60.00	203x203x1524	20.25	514
8872-12WT	8.00x8.00x72.00	203x203x1829	24.25	616



Cover Clamp Layout

Notes: Dimensions are in inches. Millimeters shown are for reference only. Data subject to change without notice.

NEMA 4X Feed-Through Wireway Data Sheet



Application

- Houses runs of control and power cables
- Intended for indoor or outdoor use where a corrosive environment exists
- Protects against corrosion, windblown dust and rain, splashing water and hose-directed water

Standards

- UL 870 listed, unless noted, (see table)
- CSA C22.2 No. 26 certified, unless noted, (see table)
- Conforms to NEMA standard for Type 4X
- Conforms to JIC standard EGP-1-1967
- IEC 60529, IP55

Construction

- Wireway body and cover are fabricated from (14) gauge Type 304 stainless steel
- Flanges are (10) gauge stainless steel
- All continuous welded seams are finished smooth
- External and internal edges are rounded to prevent injury or damage to cable
- Covers are secured to the wireway body with heavy-duty hinges on one side and easy-to-operate screw clamps mounted to the opposite side
- Continuous flanged ends assure rigid connections of wireway and fittings
- Covers have a fixed, oil-resistant gasket
- An oil-resistant gasket is provided for installation between flanges

Finish

- Outer surface of wireway body and cover has a smooth brushed finish

Accessories

- Box connector
- Closure plate
- Barrier kit
- Bracket hanger
- Drop hanger

Notes: Cooper B-Line Systems can provide special sizes, finishes and other modifications. Consult the factory for your special requirements.

Description	Catalog Number	
	4.00 x 4.00 (102 x 102)	6.00 x 6.00 (152 x 152)
12" Wireway Section	4412-4XSFW	6612-4XSFW
24" Wireway Section	4424-4XSFW	6624-4XSFW
36" Wireway Section	4436-4XSFW	6636-4XSFW
48" Wireway Section	4448-4XSFW	6648-4XSFW
60" Wireway Section	4460-4XSFW	6660-4XSFW
120" Wireway Section	44120-4XSFW	66120-4XSFW
Telescopic Fitting	44-4XSFTF*	66-4XSFTF*
Cut-Off Fitting	44-4XSFCF	66-4XSFCF
1" Nipple	44-4XSFN1	66-4XSFN1
2" Nipple	44-4XSFN2	66-4XSFN2
3" Nipple	44-4XSFN3	66-4XSFN3
6" Nipple	44-4XSFN6	66-4XSFN6
90° Elbow	44-4XSFE9	66-4XSFE9
45° Elbow	44-4XSFE45	66-4XSFE45
Tee	44-4XSFT	66-4XSFT
Cross	44-4XSFC	66-4XSFC
Flexible Fitting	44-4XSFFF*	66-4XSFFF*
Reducer Center 6x6 - 4x4	-	6644-4XSFRFC
Reducer Edge 6x6 - 4x4	-	6644-4XSFRFE
Reducer Center 8x8 - 6x6	-	-
Reducer Edge 8x8 - 6x6	-	-
Gasket Kit	44-4XSFGK	66-4XSFGK
Box Connector	44-4XSFBK	66-4XSFBK
Closure Plate	44-4XSFCP	66-4XSFCP
Hanger, Drop	44-4XSDH	66-4XSDH
Hanger, Bracket	44-4XSBH	66-4XSBH
Barrier Kit, 60" Bolt-On	44-12BK*	66-12BK*

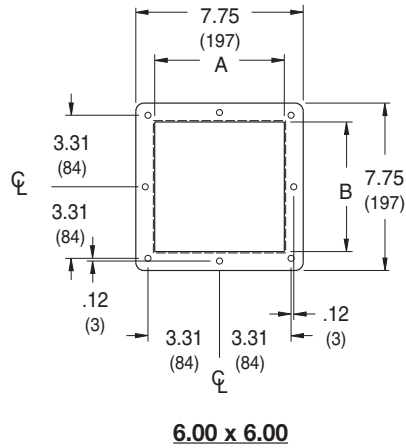
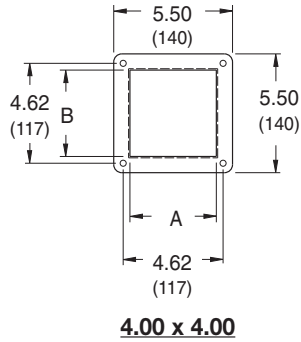
* Not UL or CSA listed fitting

Dimensions															
A		B		C				D		E		G		H	
in.	mm	in.	mm	in.				mm	in.	mm	in.	mm	in.	mm	
4.00	102	4.00	102	12,24,36,48,60,120	305,610,914,1219,1524,3048	5.50	140	5.50	140	12.00	305	6.00	152		
6.00	152	6.00	152	12,24,36,48,60,120	305,610,914,1219,1524,3048	7.75	197	7.75	197	14.00	356	7.00	178		

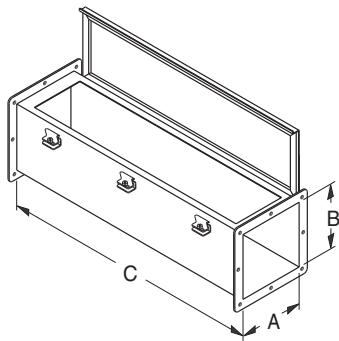
Dimensions																	
J		K		M		N		P		R		S		T		U	
in.	mm	in.	mm	in.	mm	in.	mm	in.	mm	in.	mm	in.	mm	in.	mm	in.	mm
2.50	64	6.00	152	-	-	-	-	6.25	159	3.62	92	12.00	305	6.00	152	6.00	152
2.93	74	7.00	178	4.00	102	4.00	102	8.50	216	3.62	92	16.00	406	8.25	210	8.00	203

Notes: Dimensions are in inches. Millimeters shown are for reference only. Data subject to change without notice.

NEMA 4X Feed-Through Wireway Illustration Sheet

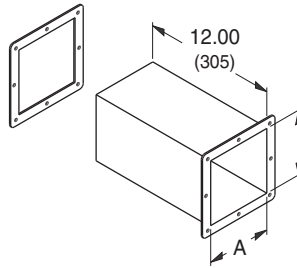


Flange Detail



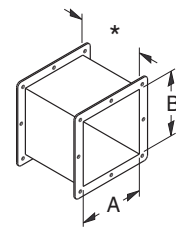
Wireway Section

- lengths from 12.00" (305 mm) to 120.00" (3048 mm)



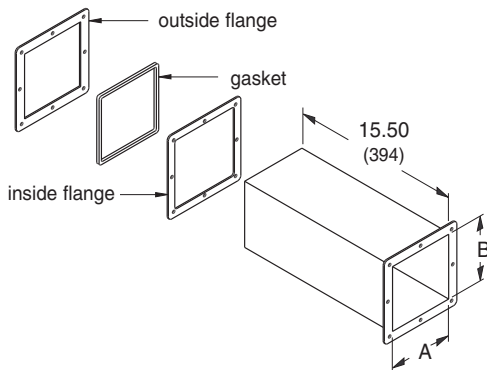
Cut-Off Fitting

- length up to 12.00" (305 mm)
- shorten to desired length and weld on flange



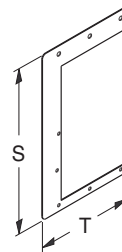
Nipple

- * lengths from 1.00" (25 mm) to 6.00" (152 mm)

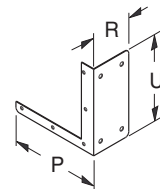


Telescopic Fitting

- adjustable lengths from 1.50" (38 mm) to 13.50" (343 mm)
- no cutting or welding required



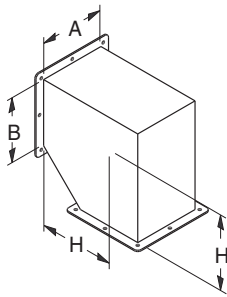
Drop



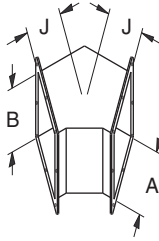
Bracket

Wireway Hangers

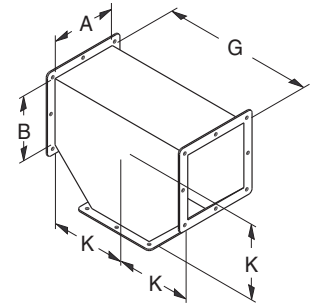
Notes: Dimensions are in inches. Millimeters shown are for reference only. Data subject to change without notice.



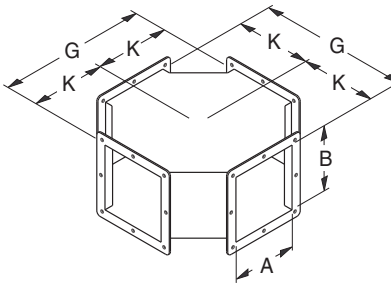
90° Elbow



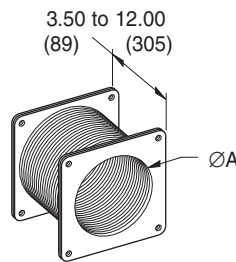
45° Elbow



Tee

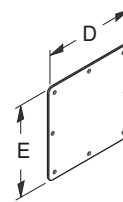


Cross

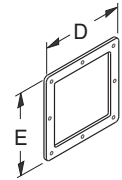


Flexible Fitting

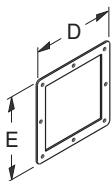
- isolates wireway from shock or vibration and compensates for misalignment. 90° maximum angle.
- Hypalon bellow with steel flanges.



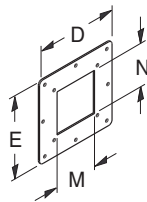
Closure Plate



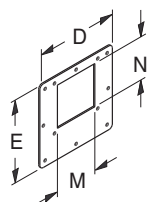
Box Connector



Gasket

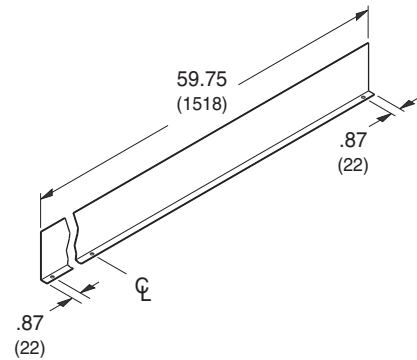


Center



Edge

Reducers



Barrier, Bolt-On

Notes: Dimensions are in inches. Millimeters shown are for reference only. Data subject to change without notice.

NEMA 4X Lift-Off Cover Wiring Trough Data Sheet



Application

- Houses runs of control and power cable
- Protects against corrosion, windblown dust and rain, splashing water and hose-directed water

Standards

- UL 870 listed
- CSA C22.2 No. 26 certified
- Conforms to NEMA standard for Type 4X
- Conforms to JIC standard EGP-1-1967
- IEC 60529, IP55

Construction

- Wireway body and cover are fabricated from (14) gauge Type 304 stainless steel
- All continuous welded seams are finished smooth
- Cover is secured to the wireway body with semi-hinges on one side and easy-to-operate screw clamps mounted to the opposite side
- Two chains hold cover to the body when screw clamps are released
- Covers have a fixed, oil-resistant gasket
- External mounting feet are provided for wall mounting

Finish

- Outer surface of wireway body and cover has a smooth brushed finish

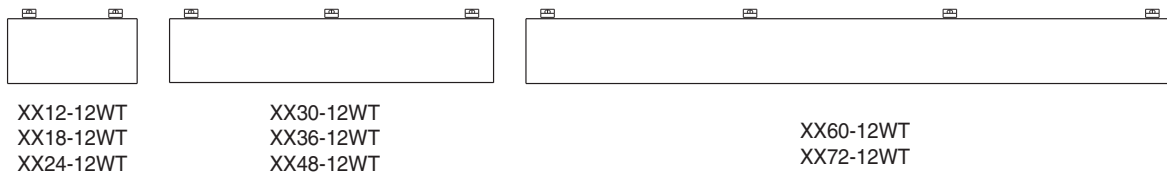
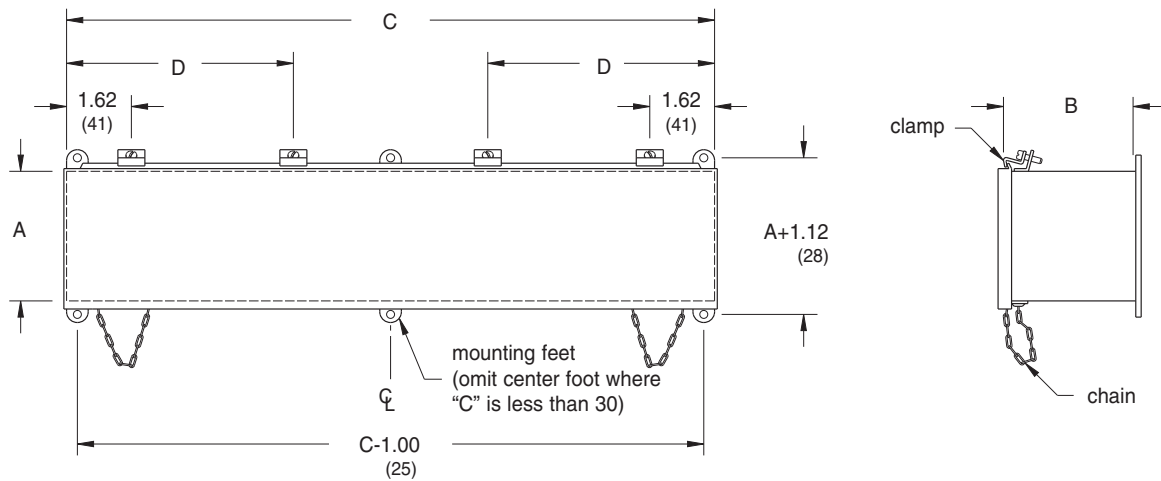
Accessories

- Bracket hanger
- Drop hanger

Notes: Cooper B-Line can provide special sizes, finishes and other modifications. Consult the factory for your special requirements.

NEMA 4X Lift-Off Cover Wiring Trough Data Sheet

Trough Catalog Number	Trough Size Width x Depth x Length A x B x C		D	
	in.	mm	in.	mm
4412-4XSWT	4.00x4.00x12.00	102x102x305	-	-
4418-4XSWT	4.00x4.00x18.00	102x102x457	-	-
4424-4XSWT	4.00x4.00x24.00	102x102x610	-	-
4430-4XSWT	4.00x4.00x30.00	102x102x762	15.00	381
4436-4XSWT	4.00x4.00x36.00	102x102x914	18.00	457
4448-4XSWT	4.00x4.00x48.00	102x102x1219	24.00	610
4460-4XSWT	4.00x4.00x60.00	102x102x1524	20.25	514
4472-4XSWT	4.00x4.00x72.00	102x102x1829	24.25	616
6612-4XSWT	6.00x6.00x12.00	152x152x305	-	-
6618-4XSWT	6.00x6.00x18.00	152x152x457	-	-
6624-4XSWT	6.00x6.00x24.00	152x152x610	-	-
6636-4XSWT	6.00x6.00x36.00	152x152x914	18.00	457
6648-4XSWT	6.00x6.00x48.00	152x152x1219	24.00	610
6660-4XSWT	6.00x6.00x60.00	152x152x1524	20.25	514
6672-4XSWT	6.00x6.00x72.00	152x152x1829	24.25	616



Cover Clamp Layout

Notes: Dimensions are in inches. Millimeters shown are for reference only. Data subject to change without notice.

