

Meter mounting & distribution equipment



Eaton and Cooper united.
Energizing a world
that demands more.

Discover today's Eaton.

Powering business worldwide

As a global diversified power management company, we help customers worldwide manage the power needed for buildings, aircraft, trucks, cars, machinery and businesses.

Eaton's innovative technologies help customers manage electrical, hydraulic and mechanical power more reliably, efficiently, safely and sustainably.

EATON

Powering Business Worldwide

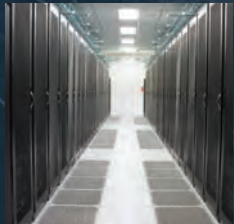


We deliver:

- **Electrical solutions** that use less energy, improve power reliability and make the places we live and work safer and more comfortable
- **Hydraulic and electrical solutions** that enable machines to deliver more productivity without wasting power
- **Aerospace solutions** that make aircraft lighter, safer and less costly to operate, and help airports operate more efficiently
- **Vehicle drivetrain and powertrain solutions** that deliver more power to cars, trucks and buses, while reducing fuel consumption and emissions

We provide integrated solutions that help make energy, in all its forms, more practical and accessible.

With 2012 sales of \$16.3 billion, Eaton has approximately 103,000 employees around the world and sells products in more than 175 countries.



Eaton's electrical business

Eaton is a global leader with expertise in:

- Power distribution and circuit protection
- Backup power protection
- Solutions for harsh and hazardous environments
- Lighting and security
- Structural solutions and wiring devices
- Control and automation
- Engineering services

Eaton is positioned through its global solutions to answer today's most critical electrical power management challenges. With 100 years of electrical experience behind us, we're energized by the challenge of powering up a world that demands twice as much energy as today. We're anticipating needs, engineering products, and creating solutions to energize our markets today and in the future.

We are dedicated to ensuring that reliable, efficient and safe power is available when it's needed most.

Eaton.com

Introduction

Company History

In 1993, Eaton's B-Line Business acquired Circle AW. Our legacy includes a strong history of innovation, including the introduction of the first UL Listed meter socket in 1955, the first Class 320 Listed meter socket in 1981, and the first overhead to underground meter adapter in 2010.

Today, we are one of the largest manufacturers of quality meter mounting equipment in the United States, and continue to drive innovation through new product engineering and services.

Within this catalog, you will find the following products to support residential and commercial metering applications.

- Single Meter Sockets
- Meter Mains and Breakers
- CT Rated Meter Sockets, Test Switches, and Cabinets
- Group / Gang Meter Sockets
- Commercial Meter Sockets

For more information on meter mounting products, applications, or utility approvals, please refer to our website: www.cooperbline.com/metering.

NOTICE














Eaton's B-Line Business reserves the right to change the specifications, materials, equipment, prices or the availability of products at any time without prior notice. While every effort has been made to assure the accuracy of information contained in this catalog at the time of publication, we are not responsible for inaccuracies resulting from undetected errors or omissions.



Eaton's B-Line Business
509 West Monroe Street
Highland, Illinois 62249-0326
Phone: 800-851-7415
Fax: 800-257-4312

www.cooperbline.com/metering

Table of Contents

| | | |
|---|-----------|---|
| Introduction | 1 | |
| Table of Contents | 2 | |
| Single Meter Sockets - Without Bypass | | |
| Overhead/Underground | | |
| 125 & 200 Amp | 5 - 6 |  |
| Underground 125 & 200 Amp | 7 - 8 | |
| Meter Mains - Without Bypass | | |
| 100 & 200 Amp | 11 - 13 |  |
| Breaker Data & Wiring Diagrams | 14 - 16 | |
| Single Meter Sockets - With MCC Bypass | | |
| 100 & 200 Amp | 19 - 20 |  |
| Single Meter Sockets - With Safety Socket Bypass | | |
| Single Meter Socket | | |
| 100 & 200 Amp | 23 - 24 |  |
| Single Meter Socket | | |
| 100 Amp - 10K AIC | 25 - 26 | |
| Meter Mains 100 & 200 Amp - | | |
| 22K-65K AIC | 27 - 28 | |
| Meter Mains 100 Amp - | | |
| Fusible Pullout | 29 - 30 | |
| Meter Mains Load Center | | |
| 100 Amp | 31 - 32 | |
| Meter Mains Load Center | | |
| 200 Amp - 10K AIC | 33 - 34 | |
| Meter Mains Load Center | | |
| 200 Amp - 22K-65K AIC | 35 - 36 | |
| Meter Mains Load Center | | |
| 200 Amp - Fusible Pullout | 37 - 38 | |
| Meter Mains Load Center | | |
| 200 Amp | 39 - 40 | |
| Test Block Bypass - Metering | | |
| Breaker Data & Wiring Diagrams | 41 - 45 | |
| Test Block Bypass - Safety Socket | | |
| Bypass Instructions | 46 | |
| Bussed Gutters & Termination Cabinets | | |
| Universal Bussed Gutters, | | |
| 400 - 2000 Amp | 49 - 50 |  |
| Bussed Gutters for TB/MTB | | |
| Units, 400 - 800 Amp | 51 - 52 | |
| Termination Enclosures, | | |
| 100 -1200 Amp | 53 - 54 | |
| Class 320 Metering | | |
| Single Meter Sockets, Without Bypass - | | |
| 400 Amp Max | 57 - 58 |  |
| Meter Mains, With Optional | | |
| MCC Bypass - 400 Amp Max | 59 - 60 | |
| Meter Main Load Centers, With Optional | | |
| MCC Bypass - 400 Amp Max | 61 - 62 | |
| Class 320 Meter Breaker Data & | | |
| Wiring Diagrams | 63 - 65 | |
| CT Metering | | |
| Single Meter Sockets, Without Bypass - | | |
| CT Rated | 67 - 78 |  |
| Single Meter Sockets, CT Rated With | | |
| Test Switch Bypass Provisions | 69 - 70 | |
| Meter Socket / Enclosures Combination | | |
| Cabinets - CT Rated | 71 - 72 | |
| CT Enclosures With Lift Off Covers | 73 - 74 | |
| CT Enclosures With Hinged, | | |
| Lift Off Doors | 75 - 76 | |
| CT Mounting Bases & Test | | |
| Configuration Sheet | 77 - 78 | |
| CT Utility Enclosures | 79 - 80 | |
| Multiple Metering | | |
| Group Meter Sockets, Gangable - 100 Amp | | |
| Horizontal, Indoor Use Only | 83 - 84 |  |
| Group Meter Sockets, Without Bypass - | | |
| 100 Amp Vertical | 85 - 86 | |
| Group Meter Main, Without Bypass - | | |
| 100 Amp Vertical | 87 - 88 | |
| Group Meter Sockets, Without Bypass - | | |
| 100 Amp Horizontal | 89 - 90 | |
| Group Meter Sockets, With MCC Bypass - | | |
| 100 Amp Horizontal | 91 - 92 | |
| Group Meter Sockets, Without Bypass - | | |
| 200 Amp Vertical | 93 - 94 | |
| Group Meter Sockets, With MCC Bypass - | | |
| 200 Amp Horizontal | 95 - 96 | |
| Group Meter Main, With MCC Bypass - | | |
| 100 Amp Horizontal | 97 - 98 | |
| Group Meter Main, Without Bypass - | | |
| 200 Amp Vertical | 99 - 100 | |
| Mobile Home Metering | | |
| Mobile Home Pedestal, | | |
| 100 / 200 Amp | 103 - 104 |  |
| Mobile Home Panel, 200 Amp | 105 - 106 | |
| Commercial Meter Pedestals | | |
| Features & Applications | 109 |  |
| Mounting Base Details | 110 | |
| Pad Mounted | 111 | |
| Post / Wall Mounted | 112 | |
| Pad Mounted, Unmetered | 113 | |
| Pad Mounted, Dual Distribution | 114 | |
| Specials | 115 - 116 | |
| Accessories | | |
| Covers, Sealing Rings, AW & H-Base Hubs | 119 |  |
| Flush Trim Kits & Overhead Conversion Kits | 120 | |
| Lug-Stud & Lug-Lug Terminal Pad Assemblies, | | |
| Terminal Landing Pads, 5th Jaw Terminal Kits, | | |
| Insulator | 111 | |
| Breaker Stab Assembly, Jumper Link, | | |
| MTB Cover Kit, Test Blocks for TB Sockets, | | |
| Class "T" Replacement Fuses | 122 | |
| Sealing Device Packages & Oil-Tight Hole Seals | 123 | |
| Ground Lug Kits, Triplex Ground Connectors, | | |
| Touch-Up Paint | 124 | |
| Metering Data | 126 - 131 |  |
| Index | 132 - 135 |  |

Single Meter Sockets - Without Bypass



| | |
|---|-------|
| Single Meter Sockets, Overhead / Underground, 125 & 200 Amp | 5 - 6 |
| Single Meter Sockets, Underground, 125 & 200 Amp | 7 - 8 |

Single Meter Sockets - Without Bypass

125 & 200 Amp

Single Meter Sockets
Without Bypass



011 (closed)



U204 (open)

Application

- Single meter position
- Receive ANSI C12.10 watthour meters
- Surface or flush mount (see chart)

Construction

- Ring type
- NEMA Type 3R
- ANSI 61 gray E-coat finish
- Aluminum snap ring included



Standards

- UL 414 Listed
- ANSI C12.7

Accessories

- 5th Jaw Kit - 50365
- 200A Triplex Ground - ETB200
- AW Hub

| Part/UPC Number | Catalog Number | Amp Rating | Jaws | Service Type | Access | Connections | | |
|-----------------|----------------|------------|------|--------------|--------|-------------|-------------|-------------|
| | | | | | | Line | Load | Neutral |
| 78205142000 | 011 | 125 | 4 | 1Ø/3W | OH/UG | #14 - 1/0 | #14 - 1/0 | #14 - 2/0 |
| 78205142040 | 011 F | 125 | 4 | 1Ø/3W | OH/UG | #14 - 1/0 | #14 - 1/0 | #14 - 2/0 |
| 78205142045 | 011 MS73 | 125 | 4 | 1Ø/3W | OH/UG | #14 - 1/0 | #14 - 1/0 | #14 - 2/0 |
| 78205142050 | 011 SF | 125 | 4 | 1Ø/3W | OH/UG | #14 - 1/0 | #14 - 1/0 | #14 - 2/0 |
| 78205144030 | 927 | 100 | 7 | 3Ø/4W | OH/UG | #14 - 1/0 | #14 - 1/0 | #14 - 2/0 |
| 78205156000 | 204 | 200 | 4 | 1Ø/3W | OH | #6 - 250MCM | #6 - 250MCM | #6 - 350MCM |
| 78205156020 | 204 F | 200 | 4 | 1Ø/3W | OH | #6 - 250MCM | #6 - 250MCM | #6 - 350MCM |
| 78205156030 | 204 F MS73 | 200 | 4 | 1Ø/3W | OH | #6 - 250MCM | #6 - 250MCM | #6 - 350MCM |
| 78205156040 | 204 MS68 | 200 | 4 | 1Ø/3W | OH | #6 - 250MCM | #6 - 250MCM | #6 - 350MCM |
| 78205156035 | 204 MS68A | 200 | 4 | 1Ø/3W | OH | #6 - 250MCM | #6 - 250MCM | #6 - 350MCM |
| 78205108490 | 204 MS73 | 200 | 4 | 1Ø/3W | OH | #6 - 250MCM | #6 - 250MCM | #6 - 350MCM |
| 78205156005 | U204 | 200 | 4 | 1Ø/3W | UG | #6 - 250MCM | #6 - 250MCM | #6 - 350MCM |
| 78205156045 | U204 F | 200 | 4 | 1Ø/3W | UG | #6 - 250MCM | #6 - 250MCM | #6 - 350MCM |
| 78205156060 | U204 F MS73 | 200 | 4 | 1Ø/3W | UG | #6 - 250MCM | #6 - 250MCM | #6 - 350MCM |
| 78205156070 | U204 MS73 | 200 | 4 | 1Ø/3W | UG | #6 - 250MCM | #6 - 250MCM | #6 - 350MCM |
| 78205156140 | U207 | 200 | 7 | 3Ø/4W | OH/UG | #6 - 250MCM | #6 - 250MCM | #6 - 250MCM |
| 78205156170 | U207 F | 200 | 7 | 3Ø/4W | UG | #6 - 250MCM | #6 - 250MCM | #6 - 250MCM |
| 78205156180 | U207 MS73 | 200 | 7 | 3Ø/4W | OH/UG | #6 - 250MCM | #6 - 250MCM | #6 - 250MCM |

| Part/UPC Number | Catalog Number | Overall Dimensions | | | Top Provision | Knockout Layout |
|-----------------|----------------|--------------------|-------|---------------------------------|--|-----------------|
| | | Height | Width | Depth | | |
| 78205142000 | 011 | 12" | 8" | 4 ⁵ / ₈ " | AW Hub | Fig. 1 |
| 78205142040 | 011 F | 12" | 8" | 4 ⁵ / ₈ " | 2" max KO | Fig. 1 |
| 78205142045 | 011 MS73 | 12" | 8" | 4 ⁵ / ₈ " | AW Hub | Fig. 1 |
| 78205142050 | 011 SF | 12" | 8" | 4 ⁵ / ₈ " | 2" max KO | Fig. 1 |
| 78205144030 | 927 | 17" | 8" | 4 ⁵ / ₈ " | AW Hub | Fig. 1 |
| 78205156000 | 204 | 15" | 8" | 4 ⁵ / ₈ " | AW Hub | Fig. 2 |
| 78205156020 | 204 F | 15" | 8" | 6" | 2" max KO | Fig. 2 |
| 78205156030 | 204 F MS73 | 15" | 8" | 6" | 2" max KO | Fig. 2 |
| 78205156040 | 204 MS68 | 15" | 8" | 4 ⁵ / ₈ " | AW / 2" Hub | Fig. 2 |
| 78205156035 | 204 MS68A | 15" | 8" | 4 ⁵ / ₈ " | AW / 2" Hub | Fig. 2 |
| 78205108490 | 204 MS73 | 15" | 8" | 4 ⁵ / ₈ " | None | Fig. 2 |
| 78205156005 | U204 | 15" | 12" | 4 ⁵ / ₈ " | None | Fig. 3 |
| 78205156045 | U204 F | 15" | 12" | 6" | (2) 2" max KO | Fig. 3 |
| 78205156060 | U204 F MS73 | 15" | 12" | 6" | None | Fig. 3 |
| 78205156070 | U204 MS73 | 15" | 12" | 4 ⁵ / ₈ " | None | Fig. 3 |
| 78205156140 | U207 | 18" | 12" | 5" | AW Hub | Fig. 4 |
| 78205156170 | U207 F | 18" | 12" | 5" | 2 ¹ / ₂ " max KO | Fig. 4 |
| 78205156180 | U207 MS73 | 18" | 12" | 5" | AW Hub | Fig. 4 |

AIC Note:
For short circuit current ratings see page 131.

Data subject to change without notice. Consult local utility for area acceptance. All dimensions are in inches.

Single Meter Sockets - Without Bypass

125 & 200 Amp

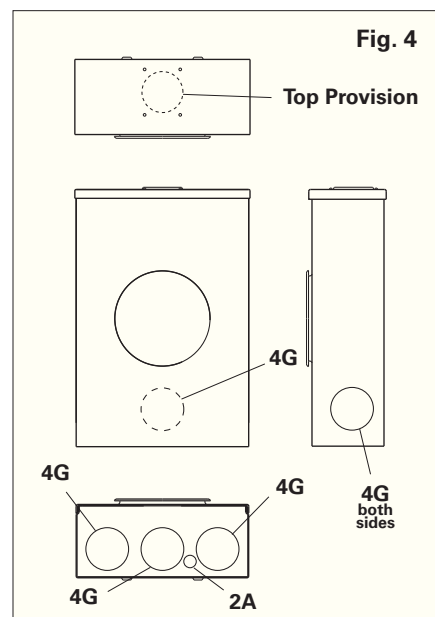
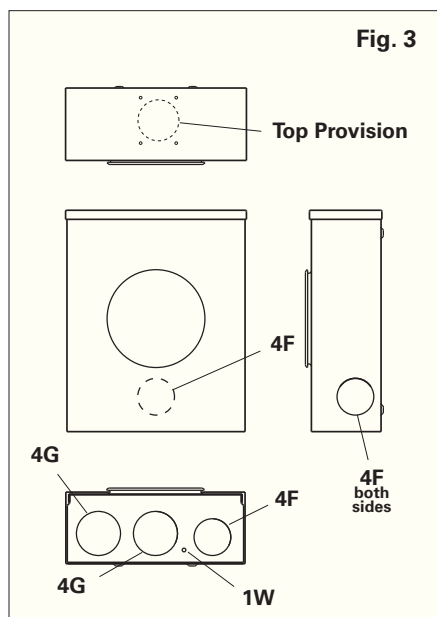
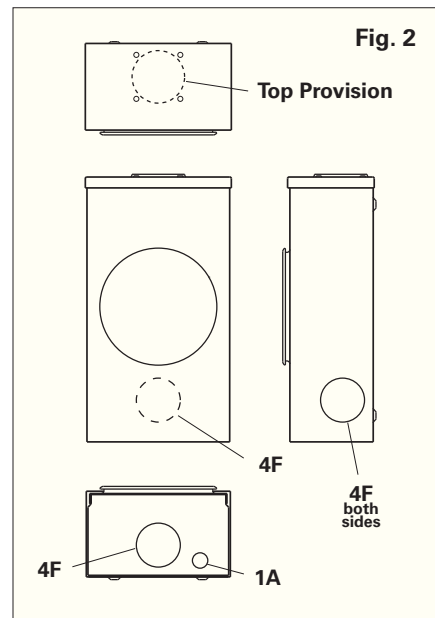
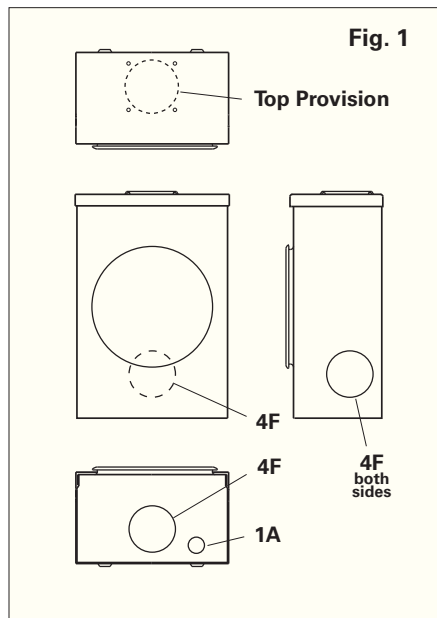
Single Meter Sockets
Without Bypass

| Style # | Suffixes |
|---------|---------------------------|
| 011 | F - Flush Mount |
| (U) 204 | MS68 - 2" Conduit Hub |
| (U) 207 | MS68A - MS73 + MS68 |
| 927 | MS73 - AL Screw Type Ring |
| | SF - Semi Flush Mount |
| | SS - Stainless Steel |

Knockouts - Conduit Sizes

| |
|------------------------------------|
| 1W = 1/4" |
| 1A = 1/2" |
| 2A = 1/2" - 1/4" |
| 4F = 2" - 1 1/2" - 1 1/4" - 1" |
| 4G = 2 1/2" - 2" - 1 1/2" - 1 1/4" |
| Top Provision = See Chart |

Knockout Layouts



Data subject to change without notice. Consult local utility for area acceptance. All dimensions are in inches.

Single Meter Sockets - Without Bypass

Single Meter Sockets
Without Bypass

125 & 200 Amp



UG204 (closed)



UG204 (open)

Application

- Dedicated straight wire line section
- Receive ANSI C12.10 watthour meters
- Surface or flush mount (see chart)

Construction

- Ring type
- NEMA Type 3R
- ANSI 61 gray E-coat finish
- Aluminum snap ring included



Standards

- UL 414 Listed
- ANSI C12.7
- EUSERC 301A

Accessories

- 5th Jaw Kit - 50365
- AW Hub

| Part/UPC Number | Catalog Number | Amp Rating | Jaws | Service Type | Access | Connections | | |
|-----------------|-------------------|------------|------|--------------|--------|--------------|--------------|--------------|
| | | | | | | Line | Load | Neutral |
| 78205142030 | U011 * | 125 | 4 | 1Ø/3W | UG | #14 - 2/0 | #14 - 2/0 | #14 - 2/0 |
| 78205156200 | UG204 | 200 | 4 | 1Ø/3W | UG | #6 - 350 MCM | #6 - 250 MCM | #6 - 250 MCM |
| 78205156205 | UG204 F | 200 | 4 | 1Ø/3W | UG | #6 - 350 MCM | #6 - 250 MCM | #6 - 250 MCM |
| 78205126000 | UG204 F SS | 200 | 4 | 1Ø/3W | UG | #6 - 350 MCM | #6 - 250 MCM | #6 - 250 MCM |
| 78205126005 | UG204 SS | 200 | 4 | 1Ø/3W | UG | #6 - 350 MCM | #6 - 250 MCM | #6 - 250 MCM |

| Part/UPC Number | Catalog Number | Overall Dimensions | | | Top Provision | Knockout Layout |
|-----------------|-------------------|--------------------|-------|---------------------------------|---------------|-----------------|
| | | Height | Width | Depth | | |
| 78205142030 | U011 * | 12" | 12" | 4 ⁵ / ₈ " | None | Fig. 1 |
| 78205156200 | UG204 | 17" | 14" | 4 ⁵ / ₈ " | None | Fig. 2 |
| 78205156205 | UG204 F | 17" | 14" | 6" | 2" max KO | Fig. 3 |
| 78205126000 | UG204 F SS | 17" | 14" | 6" | 2" max KO | Fig. 3 |
| 78205126005 | UG204 SS | 17" | 14" | 4 ⁵ / ₈ " | None | Fig. 2 |

AIC Note:
For short circuit current ratings see page 131.

* NOT compliant with EUSERC 301A

Single Meter Sockets - Without Bypass

125 & 200 Amp

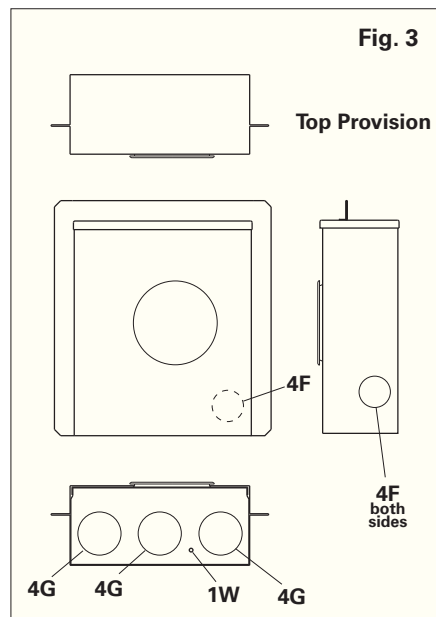
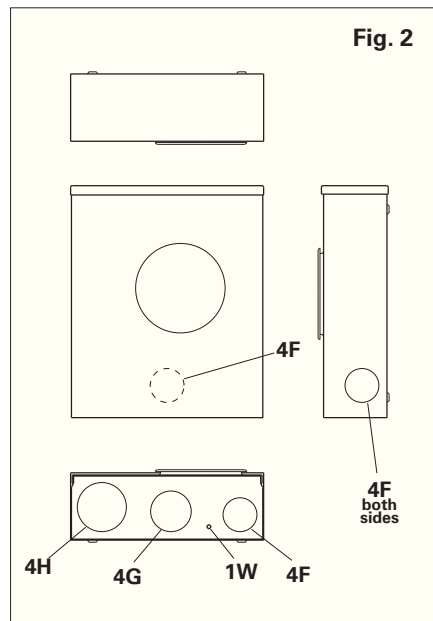
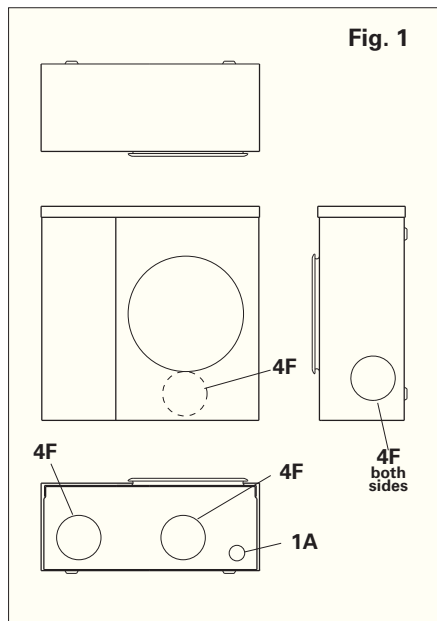
Single Meter Sockets
Without Bypass

| Style # | Suffixes |
|---------|----------------------|
| U011 | F - Flush Mount |
| UG204 | SS - Stainless Steel |

Knockouts - Conduit Sizes

1A = 1/2"
 4F = 2" - 1 1/2" - 1 1/4" - 1"
 4G = 2 1/2" - 2" - 1 1/2" - 1 1/4"
 4H = 3" - 2 1/2" - 2" - 1 1/2"
 1W = 1/4"
 Top Provision = See Chart

Knockout Layouts



Data subject to change without notice. Consult local utility for area acceptance. All dimensions are in inches.

Meter Mains - Without Bypass



Meter Mains
Without Bypass

| | |
|--|---------|
| Meter Mains, Without Bypass, 100 & 200 Amp | 11 - 13 |
| Breaker Data | 14 |
| Wiring Diagrams | 15 - 16 |

Meter Mains - Without Bypass

100 & 200 Amp



1M1R (closed)



U2M2R (open)

Application

- Single meter position
- Receive ANSI C12.10 watt-hour meters
- Surface or flush mount (see chart)

Construction

- Ring type
- NEMA Type 3R
- ANSI 61 gray E-coat finish
- Aluminum snap ring included



Standards

- UL 414 Listed
- ANSI C12.7
- EUSERC 301

Accessories

- AW Hub

Meter Mains
Without Bypass

| Part/UPC Number | Catalog Number | Amp Rating | Jaws | Service Type | Access | Main Breaker | | Provisions | |
|-----------------|----------------|------------|------|--------------|--------|-------------------|-----|-----------------------------|--------|
| | | | | | | Voltage | AIC | | |
| 78205143000 | 1M1R | 100 | 4 | 1Ø/3W | OH | 120/240 | 10K | (1) 100A, 2P | -- |
| 78205143020 | 1M1R7 | 100 | 7 | 3Ø/4W | OH | 120/240 & 120/208 | 10K | (1) 100A, 3P | -- |
| 78205143025 | 1M1RP | 100 | 4 | 1Ø/3W | OH | 120/240 | 10K | (1) 100A, 2P | (1) 2P |
| 78205158000 | 2M11R | 200 | 4 | 1Ø/3W | OH | 120/240 | 10K | (1) 200A, 2P | -- |
| 78205157020 | 2M211R | 200 | 4 | 1Ø/3W | OH | 120/240 | 10K | (1) 200A, 2P & (2) 100A, 2P | -- |
| 78205157010 | 2M25R | 200 | 4 | 1Ø/3W | OH | 120/240 | 10K | (1) 200A, 2P & (1) 500A, 2P | -- |
| 78205157000 | 2M2R | 200 | 4 | 1Ø/3W | OH | 120/240 | 10K | (1) 200A, 2P | -- |
| 78205157065 | 2M2R7 | 200 | 7 | 3Ø/4W | OH | 120/240 & 120/208 | 10K | (1) 200A, 3P | -- |
| 78205157005 | 2M2RP | 200 | 4 | 1Ø/3W | OH | 120/240 | 10K | (1) 200A, 2P | (1) 2P |
| 78205143060 | U1M1R * | 100 | 4 | 1Ø/3W | UG | 120/240 | 10K | (1) 100A, 2P | -- |
| 78205143080 | U1M1R7 * | 100 | 7 | 3Ø/4W | UG | 120/240 & 120/208 | 10K | (1) 100A, 3P | -- |
| 78205143090 | U1M1RP * | 100 | 4 | 1Ø/3W | UG | 120/240 | 10K | (1) 100A, 2P | (1) 2P |
| 78205158060 | U2M11R * | 200 | 4 | 1Ø/3W | UG | 120/240 | 10K | (1) 200A, 2P | -- |
| 78205157040 | U2M211R * | 200 | 4 | 1Ø/3W | UG | 120/240 | 10K | (1) 200A, 2P & (2) 100A, 2P | -- |
| 78205157037 | U2M25R * | 200 | 4 | 1Ø/3W | UG | 120/240 | 10K | (1) 200A, 2P & (1) 500A, 2P | -- |
| 78205157030 | U2M2R * | 200 | 4 | 1Ø/3W | UG | 120/240 | 10K | (1) 200A, 2P | -- |
| 78205157085 | U2M2R7 * | 200 | 7 | 3Ø/4W | UG | 120/240 & 120/208 | 10K | (1) 200A, 3P | - |
| 78205157035 | U2M2RP * | 200 | 4 | 1Ø/3W | UG | 120/240 | 10K | (1) 200A, 2P | (1) 2P |

| Part/UPC Number | Catalog Number | Connections | | | Overall Dimensions | | | Top Provision | Knockout Layout |
|-----------------|----------------|--------------|------|--------------|--------------------|-------|---------------------------------|---------------|-----------------|
| | | Line | Load | Neutral | Height | Width | Depth | | |
| 78205143000 | 1M1R | #14 - 2/0 | MCB | #14 - 2/0 | 24" | 8" | 4 ⁵ / ₈ " | AW Hub | Fig. 1 |
| 78205143020 | 1M1R7 | #14 - 1/0 | MCB | #14 - 2/0 | 24" | 8" | 4 ⁵ / ₈ " | AW Hub | Fig. 2 |
| 78205143025 | 1M1RP | #14 - 2/0 | MCB | #14 - 2/0 | 24" | 8" | 4 ⁵ / ₈ " | AW Hub | Fig. 1 |
| 78205158000 | 2M11R | #6 - 250 MCM | MCB | #6 - 250 MCM | 32" | 8" | 4 ⁵ / ₈ " | AW Hub | Fig. 3 |
| 78205157020 | 2M211R | #6 - 250 MCM | MCB | #6 - 250 MCM | 36" | 8" | 4 ⁵ / ₈ " | AW Hub | Fig. 3 |
| 78205157010 | 2M25R | #6 - 250 MCM | MCB | #6 - 250 MCM | 32" | 8" | 4 ⁵ / ₈ " | AW Hub | Fig. 1 |
| 78205157000 | 2M2R | #6 - 250 MCM | MCB | #6 - 250 MCM | 32" | 8" | 4 ⁵ / ₈ " | AW Hub | Fig. 2 |
| 78205157065 | 2M2R7 | #6 - 250 MCM | MCB | #6 - 250 MCM | 36" | 10" | 5" | AW Hub | Fig. 4 |
| 78205157005 | 2M2RP | #6 - 250 MCM | MCB | #6 - 250 MCM | 32" | 8" | 4 ⁵ / ₈ " | AW Hub | Fig. 2 |
| 78205143060 | U1M1R * | #14 - 2/0 | MCB | #14 - 2/0 | 24" | 14" | 4 ⁵ / ₈ " | None | Fig. 5 |
| 78205143080 | U1M1R7 * | #14 - 1/0 | MCB | #14 - 2/0 | 24" | 14" | 4 ⁵ / ₈ " | None | Fig. 6 |
| 78205143090 | U1M1RP * | #14 - 2/0 | MCB | #14 - 2/0 | 24" | 14" | 4 ⁵ / ₈ " | None | Fig. 5 |
| 78205158060 | U2M11R * | #6 - 250 MCM | MCB | #6 - 250 MCM | 25" | 14" | 6" | None | Fig. 7 |
| 78205157040 | U2M211R * | #6 - 250 MCM | MCB | #6 - 250 MCM | 27" | 14" | 6" | None | Fig. 7 |
| 78205157037 | U2M25R * | #6 - 250 MCM | MCB | #6 - 250 MCM | 25" | 14" | 6" | None | Fig. 8 |
| 78205157030 | U2M2R * | #6 - 250 MCM | MCB | #6 - 250 MCM | 25" | 14" | 6" | None | Fig. 8 |
| 78205157085 | U2M2R7 * | #6 - 250 MCM | MCB | #6 - 250 MCM | 30" | 17" | 5" | None | Fig. 9 |
| 78205157035 | U2M2RP * | #6 - 250 MCM | MCB | #6 - 250 MCM | 25" | 14" | 6" | None | Fig. 8 |

* Only UG versions are EUSERC 301 compliant.

MCB - Main Circuit Breaker

Data subject to change without notice. Consult local utility for area acceptance. All dimensions are in inches.

Meter Mains - Without Bypass

100 & 200 Amp

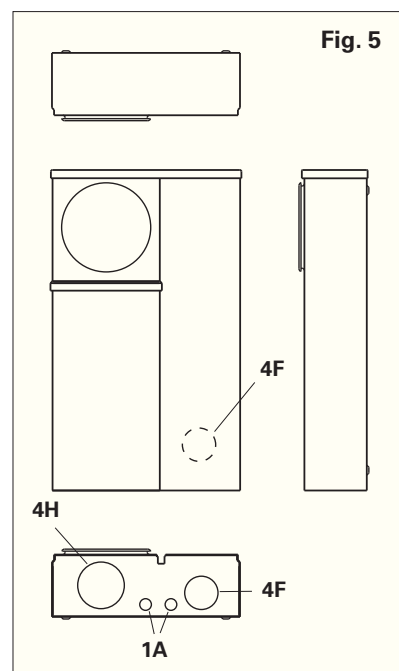
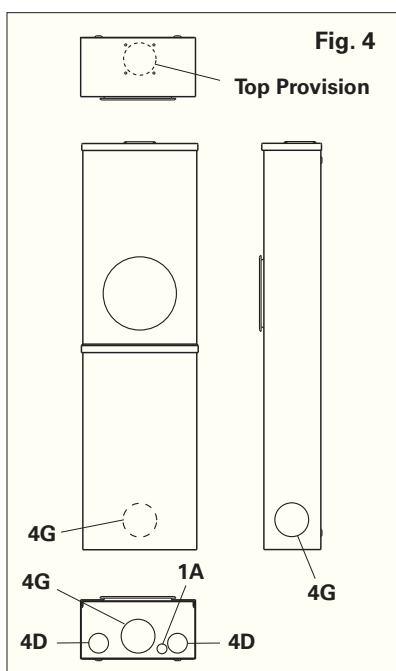
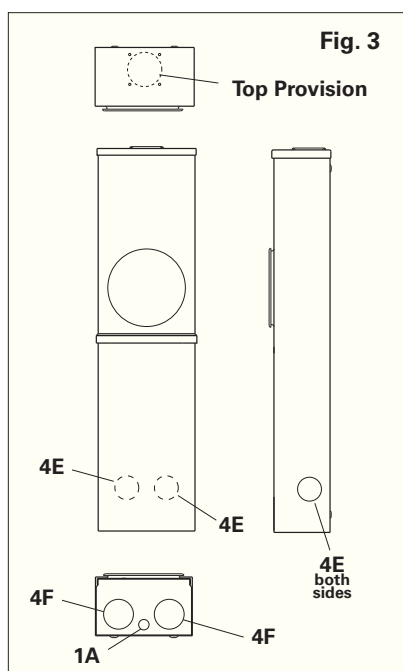
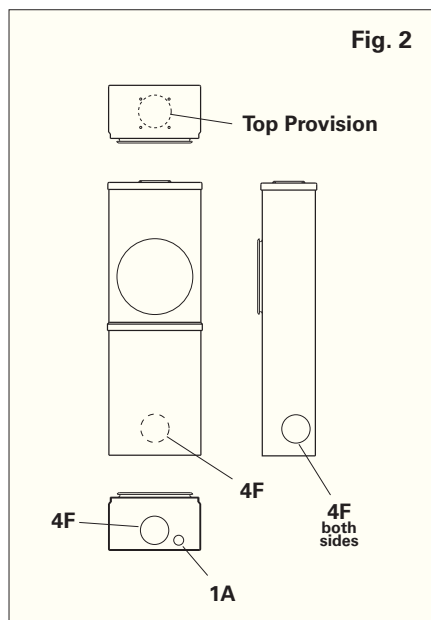
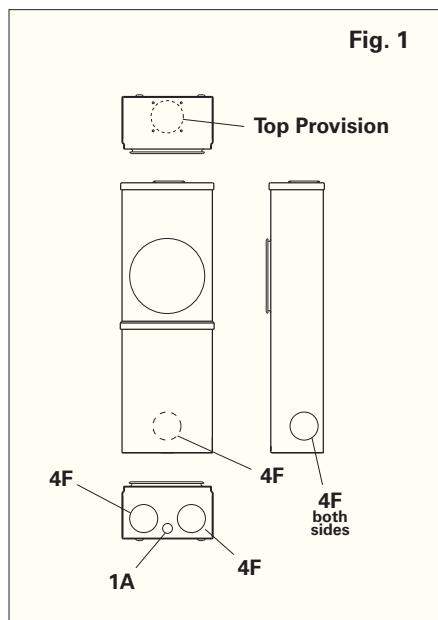
| Style # | Suffixes |
|----------|----------------------------|
| (U) 1M1R | F - Flush Mount |
| 1M11R | MS20 - Ring Protector |
| 1M211R | MS43 - No Breaker Included |
| (U) 2M2R | SS - Stainless Steel |

Knockouts - Conduit Sizes

| |
|------------------------------------|
| 1A = 1/2" |
| 4D = 1 1/4" - 1" - 3/4" - 1/2" |
| 4E = 1 1/2" - 1 1/4" - 1" - 3/4" |
| 4F = 2" - 1 1/2" - 1 1/4" - 1" |
| 4G = 2 1/2" - 2" - 1 1/2" - 1 1/4" |
| 4H = 3" - 2 1/2" - 2" - 1 1/2" |
| Top Provision = See Chart |

Meter Mains
Without Bypass

Knockout Layouts



Data subject to change without notice. Consult local utility for area acceptance. All dimensions are in inches.

Meter Mains - Without Bypass

100 & 200 Amp

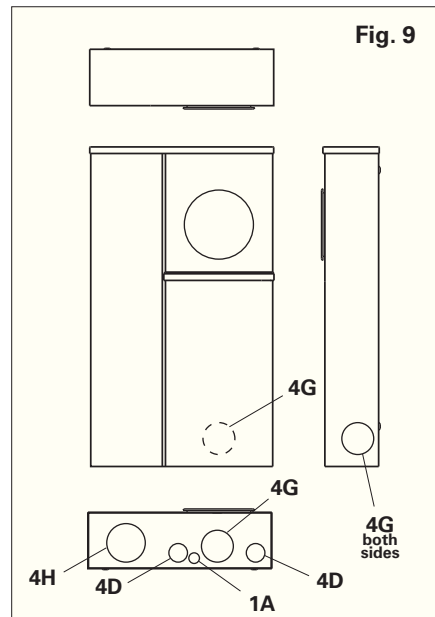
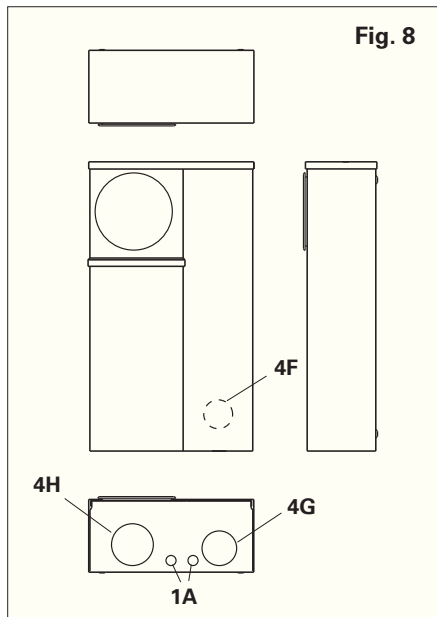
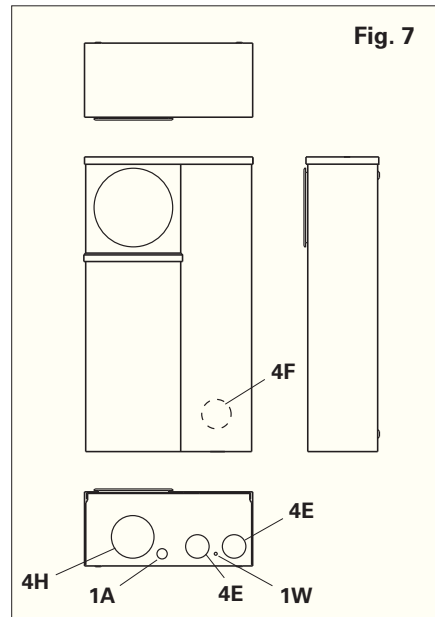
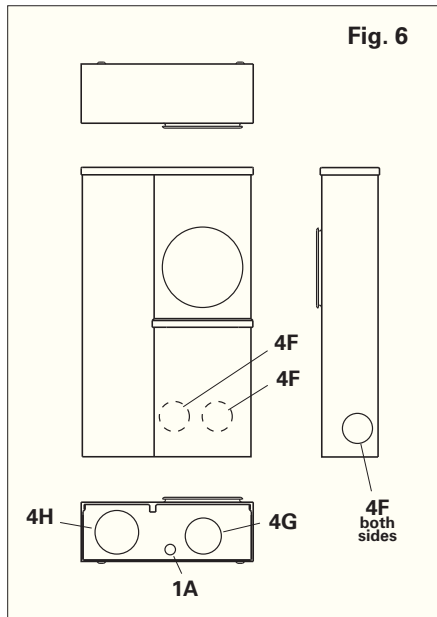
Meter Mains
Without Bypass

| Style # | Suffixes |
|----------|----------------------------|
| (U) 1M1R | F - Flush Mount |
| 1M11R | MS20 - Ring Protector |
| 1M211R | MS43 - No Breaker Included |
| (U) 2M2R | SS - Stainless Steel |

Knockouts - Conduit Sizes

1A = 1/2"
 4D = 1 1/4" - 1" - 3/4" - 1/2"
 4E = 1 1/2" - 1 1/4" - 1" - 3/4"
 4F = 2" - 1 1/2" - 1 1/4" - 1"
 4G = 2 1/2" - 2" - 1 1/2" - 1 1/4"
 4H = 3" - 2 1/2" - 2" - 1 1/2"
 1W = 1/4"
 Top Provision = See Chart

Knockout Layouts



Meter Mains - Without Bypass

Breaker Data

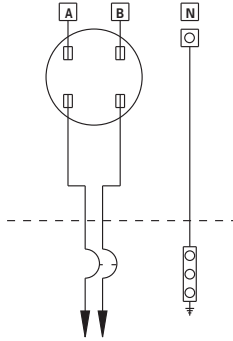
| Breaker Data | | | | | |
|----------------|------------------|---------------|----------|------------|-----|
| Catalog Number | B-Line Breaker # | ITE Breaker # | Ampacity | # of Poles | AIC |
| U1M1R | 25458P | Q2100 | 100A | 2P | 10K |
| U1M1RP | 25458P | Q2100 | 100A | 2P | 10K |
| U1M1R7 | 25460P | Q3100 | 100A | 3P | 10K |
| U2M2R | 25508K | QJ22B200 | 200A | 2P | 10K |
| U2M25R | 25508K | QJ22B200 | 200A | 2P | 10K |
| U2M11R | 25458P | Q2100 | 100A | 2P | 10K |
| U2M2R7 | 25510K | QJ23B200 | 200A | 3P | 10K |
| U2M2RP | 25508K | QJ22B200 | 200A | 2P | 10K |
| U2M211R | 25508K | QJ22B200 | 200A | 2P | 10K |

Meter Mains
Without Bypass

Data subject to change without notice. Consult local utility for area acceptance. All dimensions are in inches.

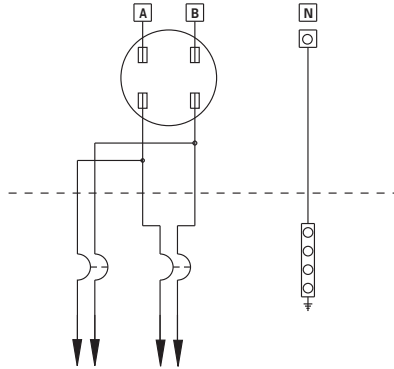
Meter Mains - Wiring Drawings

Meter Mains
Without Bypass



Catalog #

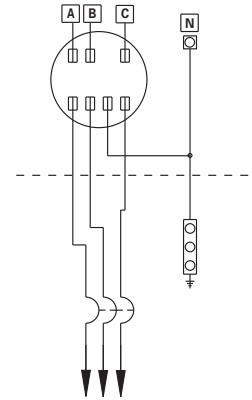
- 1M1RMS43LB
- 1M1RF
- 1M1R
- 2M2R/150
- 2M2RF
- 2M2R



The sum of disconnects ampere rating cannot exceed 125% of the continuous ampere rating of the socket.

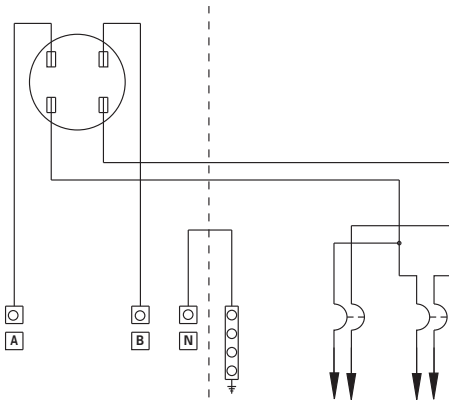
Catalog #

- 1M1RP
- 1M1RFP
- 2M25RP
- 2M25R
- 2M2RPF
- 2M2RP
- 2M11RF
- 2M11R



Catalog #

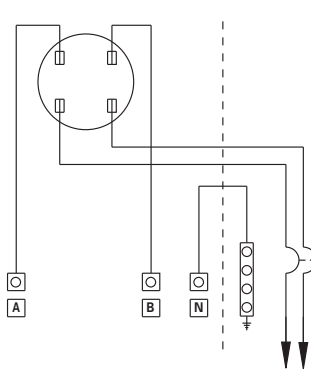
- 1M1R7MS43LB
- 1M1R7F
- 1M1R7
- 2M2R7F
- 2M2R7



The sum of disconnects ampere rating cannot exceed 125% of the continuous ampere rating of the socket.

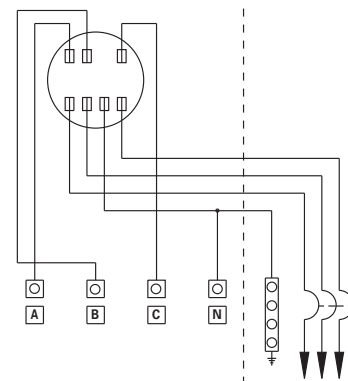
Catalog #

- U1M1RPF
- U1M1RP
- U2M25RF
- U2M25R
- U2M2RPF
- U2M2RP
- U2M11RF
- U2M11R



Catalog #

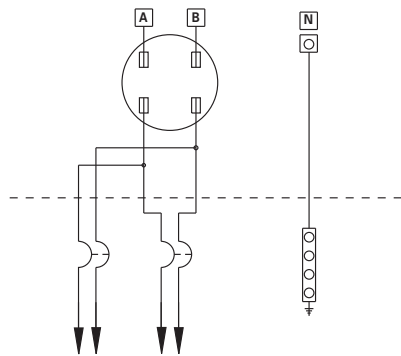
- U1M1RMS43LB
- U1M1RF
- U1M1R
- U2M2RF
- U2M2R



Catalog #

- U1M1R7MS43LB
- U1M1R7F
- U1M1R7
- U2M2R7F
- U2M2R7

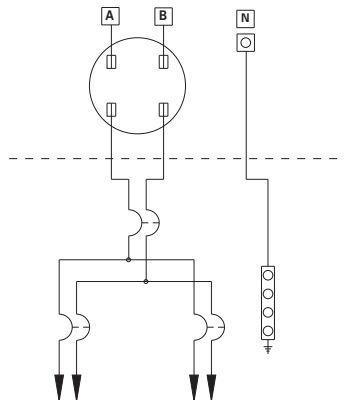
Meter Mains - Wiring Drawings



The sum of disconnects ampere rating cannot exceed 125% of the continuous ampere rating of the socket.

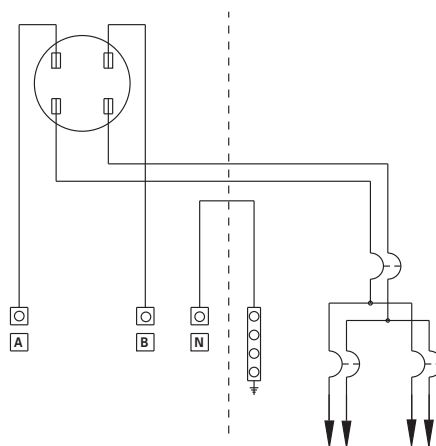
Catalog #

2M11RF
2M11R



Catalog #

2M211RF
2M211R



Catalog #

U2M211RF
U2M211R

**Meter Mains
Without Bypass**

Single Meter Sockets - With MCC Bypass



Single Meter Sockets
With MCC Bypass

Single Meter Sockets, With MCC Bypass, 100 & 200 Amp 19 - 20

Single Meter Sockets - With MCC Bypass

100 & 200 Amp



U121314 (closed)



U121314 (open)

Application

- Manual circuit closing (link type) bypass under separate cover
- Receive ANSI C12.10 watt-hour meters
- Surface or flush mount (see chart)

Construction

- Ring type
- NEMA Type 3R
- ANSI 61 gray E-coat finish
- Aluminum snap ring included



Standards

- UL 414 Listed
- ANSI C12.7

Accessories

- AW Hubs

Single Meter Sockets
With MCC Bypass

| Part/UPC Number | Catalog Number | Amp Rating | Jaws | Service Type | Access | Bypass | Line | Connections Load | Neutral |
|-----------------|----------------|------------|------|--------------|--------|--------|-------------|------------------|-------------|
| 78205147060 | U121314 | 100 | 4 | 1Ø/3W | OH/UG | MCC | #14 - 2/0 | #14 - 2/0 | #14 - 2/0 |
| 78205147062 | U121314 F | 100 | 4 | 1Ø/3W | OH/UG | MCC | #14 - 2/0 | #14 - 2/0 | #14 - 2/0 |
| 78205147070 | U121315 | 100 | 5 | 3Ø/3W | OH/UG | MCC | #14 - 2/0 | #14 - 2/0 | #14 - 2/0 |
| 78205147072 | U121315 F | 100 | 5 | 3Ø/3W | OH/UG | MCC | #14 - 2/0 | #14 - 2/0 | #14 - 2/0 |
| 78205147080 | U121317 | 100 | 7 | 3Ø/4W | OH/UG | MCC | #14 - 1/0 | #14 - 2/0 | #14 - 2/0 |
| 78205147082 | U121317 F | 100 | 7 | 3Ø/4W | OH/UG | MCC | #14 - 1/0 | #14 - 2/0 | #14 - 2/0 |
| 78205160000 | U264 | 200 | 4 | 1Ø/3W | OH/UG | MCC | #6 - 250MCM | #6 - 250MCM | #6 - 250MCM |
| 78205160060 | U264 F | 200 | 4 | 1Ø/3W | OH/UG | MCC | #6 - 250MCM | #6 - 250MCM | #6 - 250MCM |
| 78205160020 | U267 | 200 | 7 | 3Ø/4W | OH/UG | MCC | #6 - 250MCM | #6 - 250MCM | #6 - 250MCM |
| 78205160080 | U267 F | 200 | 7 | 3Ø/4W | OH/UG | MCC | #6 - 250MCM | #6 - 250MCM | #6 - 250MCM |

| Part/UPC Number | Catalog Number | Overall Dimensions | | | Top Provision | Knockout Layout |
|-----------------|----------------|--------------------|---------------------------------|---------------------------------|---------------|-----------------|
| | | Height | Width | Depth | | |
| 78205147060 | U121314 | 17" | 9 ² / ₃ " | 4 ⁵ / ₈ " | AW Hub | Fig. 1 |
| 78205147062 | U121314 F | 17" | 9 ² / ₃ " | 4 ⁵ / ₈ " | 2" max KO | Fig. 1 |
| 78205147070 | U121315 | 17" | 9 ² / ₃ " | 4 ⁵ / ₈ " | AW Hub | Fig. 1 |
| 78205147072 | U121315 F | 17" | 9 ² / ₃ " | 4 ⁵ / ₈ " | 2" max KO | Fig. 1 |
| 78205147080 | U121317 | 20" | 9 ² / ₃ " | 4 ⁵ / ₈ " | AW Hub | Fig. 1 |
| 78205147082 | U121317 F | 20" | 9 ² / ₃ " | 4 ⁵ / ₈ " | 2" max KO | Fig. 1 |
| 78205160000 | U264 | 23" | 12" | 4 ⁵ / ₈ " | AW Hub | Fig. 2 |
| 78205160060 | U264 F | 23" | 12" | 4 ⁵ / ₈ " | (2) 2" max KO | Fig. 2 |
| 78205160020 | U267 | 23" | 12" | 4 ⁵ / ₈ " | AW Hub | Fig. 3 |
| 78205160080 | U267 F | 23" | 12" | 4 ⁵ / ₈ " | 2 1/2" max KO | Fig. 3 |

AIC Note:
For short circuit current ratings see page 131.

Single Meter Sockets - With MCC Bypass

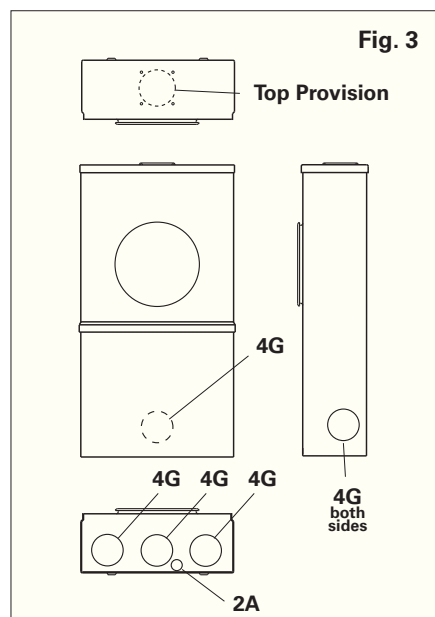
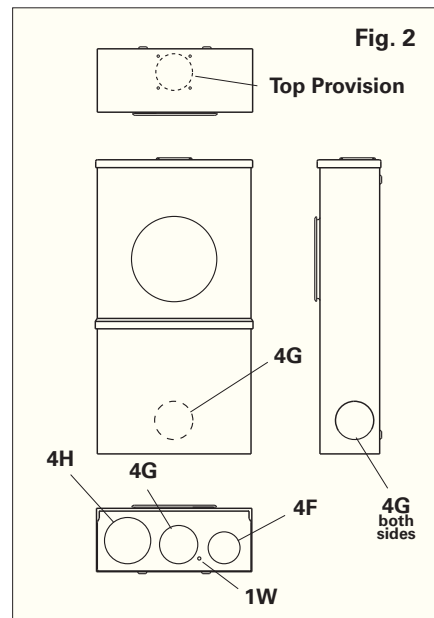
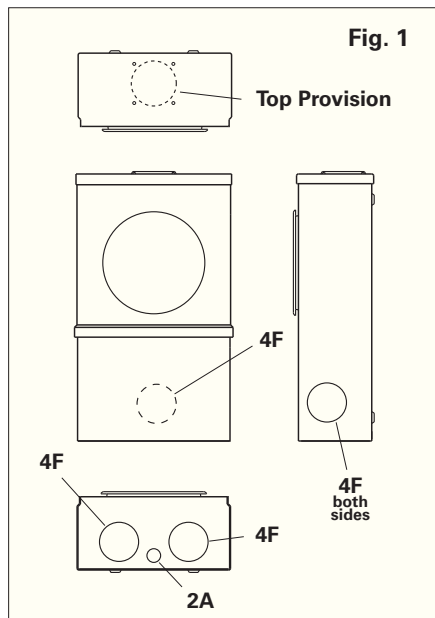
100 & 200 Amp

| Style # | Suffixes |
|------------|----------------------------|
| (U) 121314 | F - Flush Mount |
| (U) 121315 | MS20 - Ring Protector |
| (U) 121317 | MS73 - All Screw Type Ring |
| (U) 264 | SS - Stainless Steel |
| (U) 267 | |

Knockouts - Conduit Sizes

2A = 1/2" - 1/4"
 4F = 2" - 1 1/2" - 1 1/4" - 1"
 4G = 2 1/2" - 2" - 1 1/2" - 1 1/4"
 4H = 3" - 2 1/2" - 2" - 1 1/2"
 1W = 1/4"
 Top Provision = See Chart

Knockout Layouts



Single Meter Sockets
With MCC Bypass

Data subject to change without notice. Consult local utility for area acceptance. All dimensions are in inches.

Single Meter Sockets - With Safety Socket Bypass



Single Meter Sockets
With Safety Socket Bypass

| | |
|--|---------|
| Single Meter Sockets, With Safety Socket Bypass, 100 & 200 Amp | 23 - 24 |
| Single Meter Sockets, With Safety Socket Bypass, 100 Amp - 10K AIC | 25 - 26 |
| Meter Mains, With Safety Socket Bypass, 100 & 200 Amp - 22K-65K AIC | 27 - 28 |
| Meter Mains, With Safety Socket Bypass, 100 Amp - Fusible Pullout | 29 - 30 |
| Meter Mains Load Center With Safety Socket Bypass, 100 Amp | 31 - 32 |
| Meter Mains Load Center With Safety Socket Bypass, 200 Amp - 10K AIC | 33 - 34 |
| Meter Mains Load Center With Safety Socket Bypass, 200 Amp - 22K-65K AIC | 35 - 36 |
| Meter Mains Load Center With Safety Socket Bypass, 200 Amp - Fused Pullout | 37 - 38 |
| Meter Mains Load Center With Safety Socket Bypass, 200 Amp | 39 - 40 |
| Test Block Bypass - Metering Breaker Data | 41 |
| Wiring Diagrams | 42 - 45 |
| Test Block Bypass - Safety Socket Bypass Instructions | 46 |

Single Meter Sockets - With Safety Socket Bypass

100 & 200 Amp



117TB (closed)



117TB (open)

Application

- Safety socket bypass (test block bypass) under separate cover
- Receive ANSI C12.10 watt-hour meters
- Surface mount

Construction

- Ring type
- NEMA Type 3R
- ANSI 61 gray E-coat finish
- Aluminum snap ring included



Standards

- UL 414 Listed
- ANSI C12.7
- EUSERC 304 & 305

Accessories

- 5th Jaw Kit - 50371
- Bussed Gutters - see page 51
- AW Hubs

Single Meter Sockets
With Safety Socket Bypass

| Part/UPC Number | Catalog Number | Amp Rating | Jaws | Service Type | Access | Bypass | Connections | | |
|-----------------|------------------|------------|------|--------------|--------|--------|--------------|--------------|---------------|
| | | | | | | | Line | Load | Neutral |
| 78205147005 | 114 TB * | 100 | 4 | 1Ø/3W | OH/JG | TB | #14 - 2/0 | 14 - 2/0 | #14 - 1/0 |
| 78205147025 | 115 TB * | 100 | 5 | 3Ø/3W | OH/JG | TB | #14 - 2/0 | 14 - 2/0 | #14 - 1/0 |
| 78205147030 | 117 TB * | 100 | 7 | 3Ø/4W | OH/JG | TB | #14 - 2/0 | 14 - 2/0 | #14 - 1/0 |
| 78205159005 | 124 TB ** | 200 | 4 | 1Ø/3W | OH/JG | TB | #6 - 250 MCM | #6 - 250 MCM | 1/0 - 250 MCM |
| 78205159025 | 125 TB ** | 200 | 5 | 3Ø/3W | OH/JG | TB | #6 - 250 MCM | #6 - 250 MCM | 1/0 - 250 MCM |
| 78205159035 | 127 TB ** | 200 | 7 | 3Ø/4W | OH/JG | TB | #6 - 250 MCM | #6 - 250 MCM | 1/0 - 250 MCM |

| Part/UPC Number | Catalog Number | Overall Dimensions | | | Top Provision | Knockout Layout |
|-----------------|------------------|--------------------|-------|---------------------------------|---------------|-----------------|
| | | Height | Width | Depth | | |
| 78205147005 | 114 TB * | 24" | 12" | 4 ⁵ / ₈ " | AW Hub | Fig. 1 |
| 78205147025 | 115 TB * | 24" | 12" | 4 ⁵ / ₈ " | AW Hub | Fig. 1 |
| 78205147030 | 117 TB * | 24" | 12" | 4 ⁵ / ₈ " | AW Hub | Fig. 1 |
| 78205159005 | 124 TB ** | 30" | 14" | 6" | AW Hub | Fig. 2 |
| 78205159025 | 125 TB ** | 30" | 14" | 6" | AW Hub | Fig. 2 |
| 78205159035 | 127 TB ** | 30" | 14" | 6" | AW Hub | Fig. 2 |

* 100 Amp units compliant with EUSERC 304

** 200 Amp units compliant with EUSERC 305

Single Meter Sockets - With Safety Socket Bypass

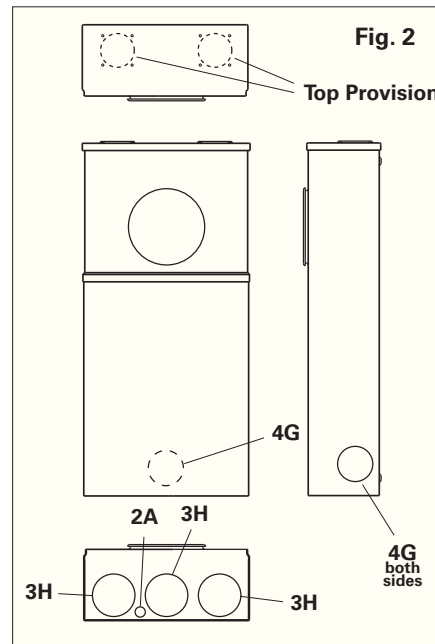
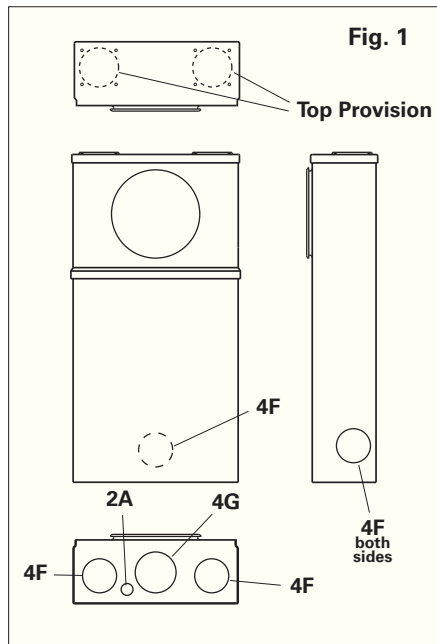
100 & 200 Amp

| Style # | Suffixes |
|---------|---|
| 114 TB | F - Flush Mount |
| 115 TB | MS20 - Ring Protector |
| 117 TB | MS28 - Barriers on both sides of test block |
| 124 TB | SS - Stainless Steel |
| 125 TB | |
| 127 TB | |

Knockouts - Conduit Sizes

2A = 1/2" - 1/4"
 4F = 2" - 1 1/2" - 1 1/4" - 1"
 4G = 2 1/2" - 2" - 1 1/2" - 1 1/4"
 3H = 3" - 2 1/2" - 2"
 Top Provision = See Chart

Knockout Layouts



Single Meter Sockets
 With Safety Socket Bypass

Data subject to change without notice. Consult local utility for area acceptance. All dimensions are in inches.

Meter Mains - With Safety Socket Bypass

100 Amp - 10K AIC



214 MTB (closed)



U214 MTB (open)

Application

- Combination meter/main with safety socket (test block) bypass
- Factory installed breaker
- Receive ANSI C12.10 watt-hour meters
- Surface mount

Construction

- Ring type
- NEMA Type 3R
- ANSI 61 gray E-coat finish
- Aluminum snap ring included



Standards

- UL 67 Listed
- ANSI C12.7
- EUSERC 305A

Accessories

- 5th Jaw Kit - 50371
- Bussed Gutters - see page 51
- AW Hubs

Single Meter Sockets
With Safety Socket Bypass

| Part/UPC Number | Catalog Number | Amp Rating | Jaws | Service Type | Access | Main Breaker | | Bypass |
|-----------------|----------------|------------|------|--------------|--------|-------------------|-----|-----------------|
| | | | | | | Voltage | AIC | |
| 78205145022 | 214 MTB | 100 | 4 | 1Ø/3W | OH | 120/240 | 10K | (1) 100A, 2P TB |
| 78205145032 | 214 MTB MS15 | 100 | 4 | 1Ø/3W | OH | 240/480 | 10K | (1) 100A, 2P TB |
| 78205145052 | 215 MTB | 100 | 5 | 3Ø/3W | OH | 240* | 10K | (1) 100A, 3P TB |
| 78205145060 | 215 MTB MS15 | 100 | 5 | 3Ø/3W | OH | 480* | 10K | (1) 100A, 3P TB |
| 78205145072 | 217 MTB | 100 | 7 | 3Ø/4W | OH | 120/240 & 120/208 | 10K | (1) 100A, 3P TB |
| 78205145078 | 217 MTB MS15 | 100 | 7 | 3Ø/4W | OH | 277/480 | 10K | (1) 100A, 3P TB |
| 78205145012 | U214 MTB | 100 | 4 | 1Ø/3W | OH/UG | 120/240 | 10K | (1) 100A, 2P TB |
| 78205145112 | U214 MTB MS15 | 100 | 4 | 1Ø/3W | OH/UG | 240/480 | 10K | (1) 100A, 2P TB |
| 78205145142 | U215 MTB | 100 | 5 | 3Ø/3W | OH/UG | 240* | 10K | (1) 100A, 3P TB |
| 78205145150 | U215 MTB MS15 | 100 | 5 | 3Ø/3W | OH/UG | 480* | 10K | (1) 100A, 3P TB |
| 78205145152 | U217 MTB | 100 | 7 | 3Ø/4W | OH/UG | 120/240 & 120/208 | 10K | (1) 100A, 3P TB |
| 78205145158 | U217 MTB MS15 | 100 | 7 | 3Ø/4W | OH/UG | 277/480 | 10K | (1) 100A, 2P TB |

* For a 208/120V, 1Ø/3W system, order a 4-jaw unit and a 5th jaw kit

| Part/UPC Number | Catalog Number | Connections | | | Overall Dimensions | | | Top Provision | Knockout Layout |
|-----------------|----------------|-------------|------|-----------|--------------------|-------|---------------------------------|---------------|-----------------|
| | | Line | Load | Neutral | Height | Width | Depth | | |
| 78205145022 | 214 MTB | #14 - 2/0 | MCB | #14 - 1/0 | 38" | 12" | 4 ⁵ / ₈ " | AW Hub | Fig. 1 |
| 78205145032 | 214 MTB MS15 | #14 - 2/0 | MCB | #14 - 1/0 | 38" | 12" | 4 ⁵ / ₈ " | AW Hub | Fig. 1 |
| 78205145052 | 215 MTB | #14 - 2/0 | MCB | #14 - 1/0 | 38" | 12" | 4 ⁵ / ₈ " | AW Hub | Fig. 1 |
| 78205145060 | 215 MTB MS15 | #14 - 2/0 | MCB | #14 - 1/0 | 38" | 12" | 4 ⁵ / ₈ " | AW Hub | Fig. 1 |
| 78205145072 | 217 MTB | #14 - 2/0 | MCB | #14 - 1/0 | 38" | 12" | 4 ⁵ / ₈ " | AW Hub | Fig. 1 |
| 78205145078 | 217 MTB MS15 | #14 - 2/0 | MCB | #14 - 1/0 | 38" | 12" | 4 ⁵ / ₈ " | AW Hub | Fig. 1 |
| 78205145012 | U214 MTB | #14 - 2/0 | MCB | #14 - 1/0 | 24" | 18" | 4 ⁵ / ₈ " | AW Hub | Fig. 2 |
| 78205145112 | U214 MTB MS15 | #14 - 2/0 | MCB | #14 - 1/0 | 24" | 18" | 4 ⁵ / ₈ " | AW Hub | Fig. 2 |
| 78205145142 | U215 MTB | #14 - 2/0 | MCB | #14 - 1/0 | 24" | 18" | 4 ⁵ / ₈ " | AW Hub | Fig. 2 |
| 78205145150 | U215 MTB MS15 | #14 - 2/0 | MCB | #14 - 1/0 | 24" | 18" | 4 ⁵ / ₈ " | AW Hub | Fig. 2 |
| 78205145152 | U217 MTB | #14 - 2/0 | MCB | #14 - 1/0 | 24" | 18" | 4 ⁵ / ₈ " | AW Hub | Fig. 2 |
| 78205145158 | U217 MTB MS15 | #14 - 2/0 | MCB | #14 - 1/0 | 24" | 18" | 4 ⁵ / ₈ " | AW Hub | Fig. 2 |

MCB - Main Circuit Breaker

Meter Mains - With Safety Socket Bypass

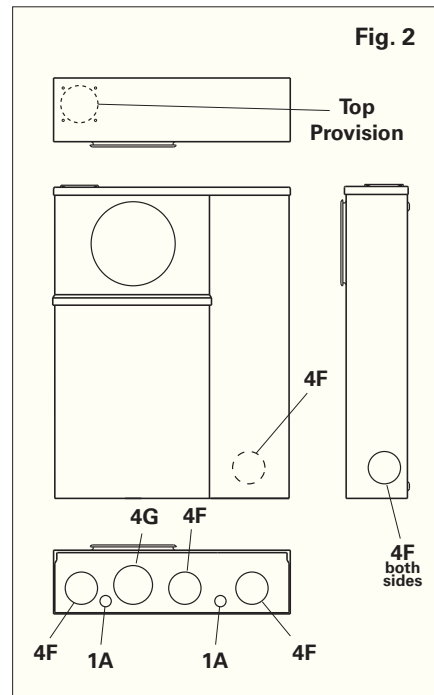
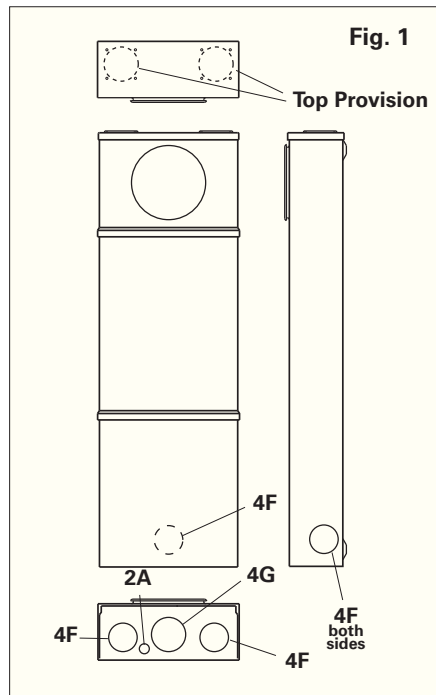
100 Amp - 10K AIC

| Style # | Suffixes |
|-------------|-----------------------------------|
| (U) 214 MTB | MS15 - 480V Breaker |
| (U) 215 MTB | MS43 - No Breaker Included |
| (U) 217 MTB | SS - Stainless Steel |

Knockouts - Conduit Sizes

1A = 1/2"
 2A = 1/2" - 1/4"
 4F = 2" - 1 1/2" - 1 1/4" - 1"
 4G = 2 1/2" - 2" - 1 1/2" - 1 1/4"
 Top Provision = See Chart

Knockout Layouts



Single Meter Sockets
 With Safety Socket Bypass

Data subject to change without notice. Consult local utility for area acceptance. All dimensions are in inches.

Meter Mains - With Safety Socket Bypass

100 & 200 Amp - 22K - 65K AIC



214 MTBH (open)



U214 MTBH (open)

Application

- Combination meter/main with safety socket (test block) bypass
- Factory installed breaker
- Receive ANSI C12.10 watt-hour meters
- Surface mount

Construction

- Ring type
- NEMA Type 3R
- ANSI 61 gray E-coat finish
- Aluminum snap ring included



Standards

- UL 67 Listed
- ANSI C12.7
- EUSERC 305A

Accessories

- 5th Jaw Kit - 50371
- Bussed Gutters - see page 51
- AW Hubs

Single Meter Sockets
With Safety Socket Bypass

| Part/UPC Number | Catalog Number | Amp Rating | Jaws | Service Type | Access | Voltage | Main Breaker AIC | Main | Bypass |
|-----------------|-----------------------|------------|------|--------------|--------|-------------------|------------------|--------------|--------|
| 78205145030 | 214 MTBH | 100 | 4 | 1Ø/3W | OH | 120/240 | 65K | (1) 100A, 2P | TB |
| 78205159300 | 214 MTBH MS15 | 100 | 4 | 1Ø/3W | OH | 240/480 | 42K | (1) 100A, 2P | TB |
| 78205145028 | 214 MTBH MS45 | 100 | 4 | 1Ø/3W | OH | 120/240 | 22K | (1) 100A, 2P | TB |
| 78205145058 | 215 MTBH | 100 | 5 | 3Ø/3W | OH | 240* | 65K | (1) 100A, 3P | TB |
| 78205159302 | 215 MTBH MS15 | 100 | 5 | 3Ø/3W | OH | 480* | 42K | (1) 100A, 3P | TB |
| 78205145056 | 215 MTBH MS45 | 100 | 5 | 3Ø/3W | OH | 240* | 22K | (1) 100A, 3P | TB |
| 78205145076 | 217 MTBH | 100 | 7 | 3Ø/4W | OH | 120/240 & 120/208 | 65K | (1) 100A, 3P | TB |
| 78205159304 | 217 MTBH MS15 | 100 | 7 | 3Ø/4W | OH | 480/277 | 42K | (1) 100A, 3P | TB |
| 78205145074 | 217 MTBH MS45 | 100 | 7 | 3Ø/4W | OH | 120/240 & 120/208 | 22K | (1) 100A, 3P | TB |
| 78205145110 | U214 MTBH | 100 | 4 | 1Ø/3W | OH/UG | 120/240 | 65K | (1) 100A, 2P | TB |
| 78205159200 | U214 MTBH MS15 | 100 | 4 | 1Ø/3W | OH/UG | 240/480 | 42K | (1) 100A, 2P | TB |
| 78205145108 | U214 MTBH MS45 | 100 | 4 | 1Ø/3W | OH/UG | 120/240 | 22K | (1) 100A, 2P | TB |
| 78205145148 | U215 MTBH | 100 | 5 | 3Ø/3W | OH/UG | 240* | 65K | (1) 100A, 3P | TB |
| 78205159202 | U215 MTBH MS15 | 100 | 5 | 3Ø/3W | OH/UG | 480* | 42K | (1) 100A, 3P | TB |
| 78205145146 | U215 MTBH MS45 | 100 | 5 | 3Ø/3W | OH/UG | 240* | 22K | (1) 100A, 3P | TB |
| 78205145156 | U217 MTBH | 100 | 7 | 3Ø/4W | OH/UG | 120/240 & 120/208 | 65K | (1) 100A, 3P | TB |
| 78205159204 | U217 MTBH MS15 | 100 | 7 | 3Ø/4W | OH/UG | 480/277 | 42K | (1) 100A, 3P | TB |
| 78205145154 | U217 MTBH MS45 | 100 | 7 | 3Ø/4W | OH/UG | 120/240 & 120/208 | 22K | (1) 100A, 3P | TB |

* For a 208/120V, 1Ø/3W system, order a 4-jaw unit and a 5th jaw kit

| Part/UPC Number | Catalog Number | Line | Connections Load | Neutral | Height | Overall Dimensions Width | Depth | Top Provision | Knockout Layout |
|-----------------|-----------------------|-----------|------------------|-----------|--------|--------------------------|---------------------------------|---------------|-----------------|
| 78205145030 | 214 MTBH | #14 - 2/0 | MCB | #14 - 1/0 | 38" | 12" | 4 ⁵ / ₈ " | AW Hub | Fig. 1 |
| 78205159300 | 214 MTBH MS15 | #14 - 2/0 | MCB | #14 - 1/0 | 38" | 12" | 4 ⁵ / ₈ " | AW Hub | Fig. 1 |
| 78205145028 | 214 MTBH MS45 | #14 - 2/0 | MCB | #14 - 1/0 | 38" | 12" | 4 ⁵ / ₈ " | AW Hub | Fig. 1 |
| 78205145058 | 215 MTBH | #14 - 2/0 | MCB | #14 - 1/0 | 38" | 12" | 4 ⁵ / ₈ " | AW Hub | Fig. 1 |
| 78205159302 | 215 MTBH MS15 | #14 - 2/0 | MCB | #14 - 1/0 | 38" | 12" | 4 ⁵ / ₈ " | AW Hub | Fig. 1 |
| 78205145056 | 215 MTBH MS45 | #14 - 2/0 | MCB | #14 - 1/0 | 38" | 12" | 4 ⁵ / ₈ " | AW Hub | Fig. 1 |
| 78205145076 | 217 MTBH | #14 - 2/0 | MCB | #14 - 1/0 | 38" | 12" | 4 ⁵ / ₈ " | AW Hub | Fig. 1 |
| 78205159304 | 217 MTBH MS15 | #14 - 2/0 | MCB | #14 - 1/0 | 38" | 12" | 4 ⁵ / ₈ " | AW Hub | Fig. 1 |
| 78205145074 | 217 MTBH MS45 | #14 - 2/0 | MCB | #14 - 1/0 | 38" | 12" | 4 ⁵ / ₈ " | AW Hub | Fig. 1 |
| 78205145110 | U214 MTBH | #14 - 2/0 | MCB | #14 - 1/0 | 24" | 18" | 4 ⁵ / ₈ " | AW Hub | Fig. 2 |
| 78205159200 | U214 MTBH MS15 | #14 - 2/0 | MCB | #14 - 1/0 | 24" | 18" | 4 ⁵ / ₈ " | AW Hub | Fig. 2 |
| 78205145108 | U214 MTBH MS45 | #14 - 2/0 | MCB | #14 - 1/0 | 24" | 18" | 4 ⁵ / ₈ " | AW Hub | Fig. 2 |
| 78205145148 | U215 MTBH | #14 - 2/0 | MCB | #14 - 1/0 | 24" | 18" | 4 ⁵ / ₈ " | AW Hub | Fig. 2 |
| 78205159202 | U215 MTBH MS15 | #14 - 2/0 | MCB | #14 - 1/0 | 24" | 18" | 4 ⁵ / ₈ " | AW Hub | Fig. 2 |
| 78205145146 | U215 MTBH MS45 | #14 - 2/0 | MCB | #14 - 1/0 | 24" | 18" | 4 ⁵ / ₈ " | AW Hub | Fig. 2 |
| 78205145156 | U217 MTBH | #14 - 2/0 | MCB | #14 - 1/0 | 24" | 18" | 4 ⁵ / ₈ " | AW Hub | Fig. 2 |
| 78205159204 | U217 MTBH MS15 | #14 - 2/0 | MCB | #14 - 1/0 | 24" | 18" | 4 ⁵ / ₈ " | AW Hub | Fig. 2 |
| 78205145154 | U217 MTBH MS45 | #14 - 2/0 | MCB | #14 - 1/0 | 24" | 18" | 4 ⁵ / ₈ " | AW Hub | Fig. 2 |

MCB - Main Circuit Breaker

Data subject to change without notice. Consult local utility for area acceptance. All dimensions are in inches.

Meter Mains - With Safety Socket Bypass

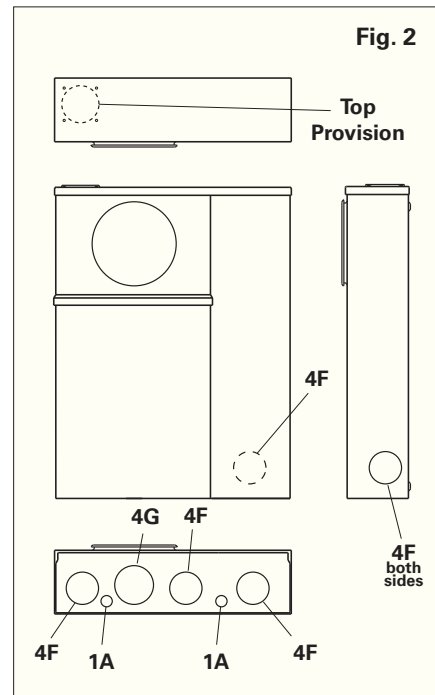
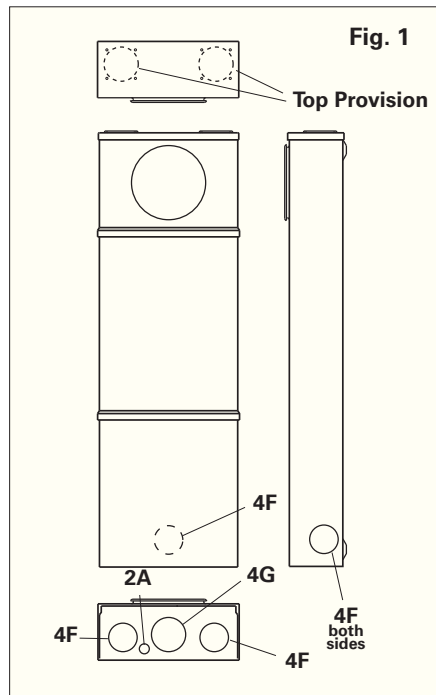
100 & 200 Amp - 22K - 65K AIC

| Style # | Suffixes |
|--------------|-------------------------------------|
| (U) 214 MTBH | MS15 - 480V Breaker |
| (U) 215 MTBH | MS43 - No Breaker Included |
| (U) 217 MTBH | MS45 - 22K AIC Rated Breaker |
| | SS - Stainless Steel |

Knockouts - Conduit Sizes

1A = 1/2"
 2A = 1/2" - 1/4"
 4F = 2" - 1 1/2" - 1 1/4" - 1"
 4G = 2 1/2" - 2" - 1 1/2" - 1 1/4"
 Top Provision = See Chart

Knockout Layouts



Single Meter Sockets
 With Safety Socket Bypass

Data subject to change without notice. Consult local utility for area acceptance. All dimensions are in inches.

Meter Mains - With Safety Socket Bypass

100 Amp - Fusible Pullout



U214 MTBP (open)

214 MTBP (open)

Application

- Combination meter/main with safety socket (test block) bypass
- Factory installed fused pullout ("T" fuses included)
- Receive ANSI C12.10 watthour meters
- Surface mount

Construction

- Ring type
- NEMA Type 3R
- ANSI 61 gray E-coat finish
- Aluminum snap ring included



Standards

- UL 67 Listed
- ANSI C12.7
- EUSERC 305A

Accessories

- 5th Jaw Kit - 50371
- Bussed Gutters - see page 51
- AW Hubs

Single Meter Sockets
With Safety Socket Bypass

| Part/UPC Number | Catalog Number | Amp Rating | Jaws | Service Type | Access | Main Breaker | | Main | Bypass |
|-----------------|-----------------------|------------|------|--------------|--------|-------------------|------|--------------|--------|
| | | | | | | Voltage | AIC | | |
| 78205148000 | 214 MTBP | 100 | 4 | 1Ø/3W | OH | 120/240 | 200K | (1) 100A, 2P | TB |
| 78205152000 | 214 MTBP MS15 | 100 | 4 | 1Ø/3W | OH | 240/480 | 200K | (1) 100A, 2P | TB |
| 78205148020 | 215 MTBP | 100 | 5 | 3Ø/3W | OH | 240* | 200K | (1) 100A, 3P | TB |
| 78205152010 | 215 MTBP MS15 | 100 | 5 | 3Ø/3W | OH | 480* | 200K | (1) 100A, 3P | TB |
| 78205148030 | 217 MTBP | 100 | 7 | 3Ø/4W | OH | 120/240 & 120/208 | 200K | (1) 100A, 3P | TB |
| 78205152020 | 217 MTBP MS15 | 100 | 7 | 3Ø/4W | OH | 480/277 | 200K | (1) 100A, 3P | TB |
| 78205148080 | U214 MTBP | 100 | 4 | 1Ø/2W | OH/UG | 120/240 | 200K | (1) 100A, 2P | TB |
| 78205152060 | U214 MTBP MS15 | 100 | 4 | 1Ø/2W | OH/UG | 240/480 | 200K | (1) 100A, 2P | TB |
| 78205148100 | U215 MTBP | 100 | 5 | 3Ø/3W | OH/UG | 240* | 200K | (1) 100A, 3P | TB |
| 78205152070 | U215 MTBP MS15 | 100 | 5 | 3Ø/3W | OH/UG | 480* | 200K | (1) 100A, 3P | TB |
| 78205148110 | U217 MTBP | 100 | 7 | 3Ø/4W | OH/UG | 120/240 & 120/208 | 200K | (1) 100A, 3P | TB |
| 78205152100 | U217 MTBP MS15 | 100 | 7 | 3Ø/4W | OH/UG | 480/277 | 200K | (1) 100A, 3P | TB |

* For a 208/120V, 1Ø/3W system, order a 4-jaw unit and a 5th jaw kit

| Part/UPC Number | Catalog Number | Connections | | | Overall Dimensions | | | Top Provision | Knockout Layout |
|-----------------|-----------------------|-------------|-----------|-----------|--------------------|-------|---------------------------------|---------------|-----------------|
| | | Line | Load | Neutral | Height | Width | Depth | | |
| 78205148000 | 214 MTBP | #14 - 2/0 | Main Fuse | #14 - 1/0 | 38" | 12" | 4 ⁵ / ₈ " | AW Hub | Fig. 1 |
| 78205152000 | 214 MTBP MS15 | #14 - 2/0 | Main Fuse | #14 - 1/0 | 38" | 12" | 4 ⁵ / ₈ " | AW Hub | Fig. 1 |
| 78205148020 | 215 MTBP | #14 - 2/0 | Main Fuse | #14 - 1/0 | 38" | 12" | 4 ⁵ / ₈ " | AW Hub | Fig. 1 |
| 78205152010 | 215 MTBP MS15 | #14 - 2/0 | Main Fuse | #14 - 1/0 | 38" | 12" | 4 ⁵ / ₈ " | AW Hub | Fig. 1 |
| 78205148030 | 217 MTBP | #14 - 2/0 | Main Fuse | #14 - 1/0 | 38" | 12" | 4 ⁵ / ₈ " | AW Hub | Fig. 1 |
| 78205152020 | 217 MTBP MS15 | #14 - 2/0 | Main Fuse | #14 - 1/0 | 38" | 12" | 4 ⁵ / ₈ " | AW Hub | Fig. 1 |
| 78205148080 | U214 MTBP | #14 - 2/0 | Main Fuse | #14 - 1/0 | 24" | 18" | 4 ⁵ / ₈ " | AW Hub | Fig. 2 |
| 78205152060 | U214 MTBP MS15 | #14 - 2/0 | Main Fuse | #14 - 1/0 | 24" | 18" | 4 ⁵ / ₈ " | AW Hub | Fig. 2 |
| 78205148100 | U215 MTBP | #14 - 2/0 | Main Fuse | #14 - 1/0 | 24" | 18" | 4 ⁵ / ₈ " | AW Hub | Fig. 2 |
| 78205152070 | U215 MTBP MS15 | #14 - 2/0 | Main Fuse | #14 - 1/0 | 24" | 18" | 4 ⁵ / ₈ " | AW Hub | Fig. 2 |
| 78205148110 | U217 MTBP | #14 - 2/0 | Main Fuse | #14 - 1/0 | 24" | 18" | 4 ⁵ / ₈ " | AW Hub | Fig. 2 |
| 78205152100 | U217 MTBP MS15 | #14 - 2/0 | Main Fuse | #14 - 1/0 | 24" | 18" | 4 ⁵ / ₈ " | AW Hub | Fig. 2 |

Meter Mains - With Safety Socket Bypass

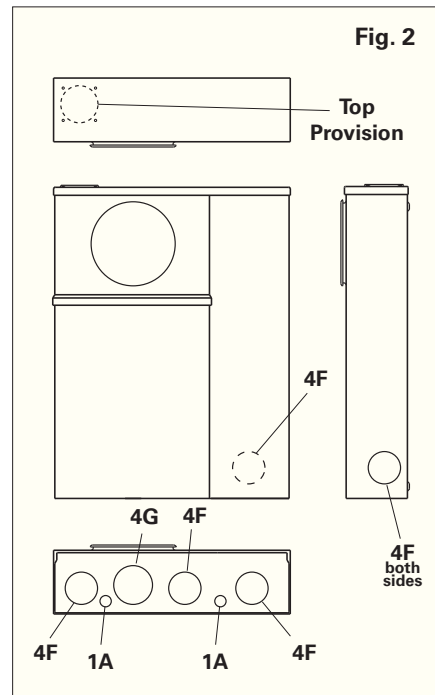
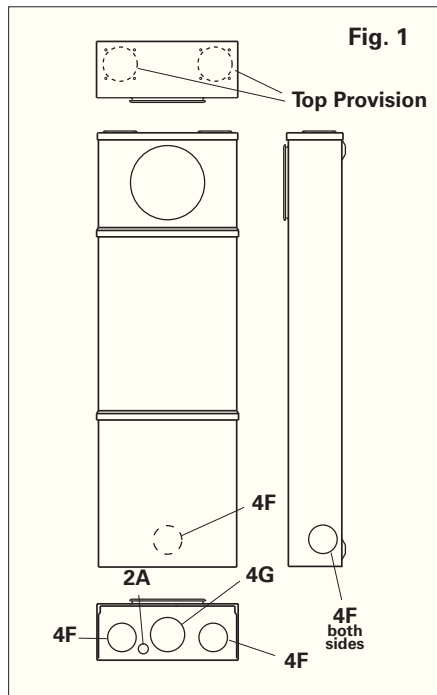
100 Amp - Fusible Pullout

| Style # | Suffixes |
|--------------|-----------------------------------|
| (U) 214 MTBP | P - Pullout Fuse |
| (U) 215 MTBP | MS15 - 480V Breaker |
| (U) 217 MTBP | MS43 - No Breaker Included |
| | SS - Stainless Steel |

Knockouts - Conduit Sizes

1A = 1/2"
 2A = 1/2" - 1/4"
 4F = 2" - 1 1/2" - 1 1/4" - 1"
 4G = 2 1/2" - 2" - 1 1/2" - 1 1/4"
 Top Provision = See Chart

Knockout Layouts



Single Meter Sockets
 With Safety Socket Bypass

Data subject to change without notice. Consult local utility for area acceptance. All dimensions are in inches.

Meter Main Load Center - With Safety Socket Bypass

100 Amp



U214 MTBL (closed)



U214 MTBL (open)

Application

- Combination meter/main/loadcenter with safety socket (test block) bypass
- Factory installed breakers / fused pullout ("T" fuses included)
- Receive ANSI C12.10 watt-hour meters
- Surface mount



Construction

- Ring type
- NEMA Type 3R
- ANSI 61 gray E-coat finish
- Aluminum snap ring included

Standards

- UL 67 Listed
- ANSI C12.7

Accessories

- 5th Jaw Kit - 50371
- Bussed Gutters - see page 51
- AW Hubs

Single Meter Sockets
With Safety Socket Bypass

| Part/UPC Number | Catalog Number | Amp Rating | Jaws | Service Type | Access | Main Breaker | | | | |
|-----------------|-------------------|------------|------|--------------|--------|-------------------|-----|--------------|------------|--------|
| | | | | | | Voltage | AIC | Main | Loadcenter | Bypass |
| 78205170126 | U214 MTBL | 100 | 4 | 1Ø/3W | OH/UG | 120/240 | 10K | (1) 100A, 2P | 12/24 | TB |
| 78205170128 | U214 MTBPL | 100 | 4 | 1Ø/3W | OH/UG | 120/240 | 10K | (1) 100A, 2P | 12/24 | TB |
| 78205170130 | U215 MTBL | 100 | 5 | 3Ø/4W | OH/UG | 240* | 10K | (1) 100A, 3P | 18/36 | TB |
| 78205170132 | U215 MTBPL | 100 | 5 | 3Ø/4W | OH/UG | 240* | 10K | (1) 100A, 3P | 18/36 | TB |
| 78205170134 | U217 MTBL | 100 | 7 | 3Ø/4W | OH/UG | 120/240 & 120/208 | 10K | (1) 100A, 3P | 18/36 | TB |
| 78205170136 | U217 MTBPL | 100 | 7 | 3Ø/4W | OH/UG | 120/208 | 10K | (1) 100A, 3P | 18/36 | TB |

* For a 208/120V, 1Ø/3W system, order a 4-jaw unit and a 5th jaw kit

| Part/UPC Number | Catalog Number | Connections | | | Overall Dimensions | | | Top Provision | Knockout Layout |
|-----------------|-------------------|-------------|-----------|-----------|--------------------|-------|---------------------------------|---------------|-----------------|
| | | Line | Load | Neutral | Height | Width | Depth | | |
| 78205170126 | U214 MTBL | #14 - 2/0 | MCB | #14 - 1/0 | 24" | 18" | 4 ⁵ / ₈ " | AW Hub | Fig. 1 |
| 78205170128 | U214 MTBPL | #14 - 2/0 | Main Fuse | #14 - 1/0 | 24" | 18" | 4 ⁵ / ₈ " | AW Hub | Fig. 2 |
| 78205170130 | U215 MTBL | #14 - 2/0 | MCB | #14 - 1/0 | 24" | 18" | 4 ⁵ / ₈ " | AW Hub | Fig. 2 |
| 78205170132 | U215 MTBPL | #14 - 2/0 | Main Fuse | #14 - 1/0 | 24" | 18" | 4 ⁵ / ₈ " | AW Hub | Fig. 2 |
| 78205170134 | U217 MTBL | #14 - 2/0 | MCB | #14 - 1/0 | 24" | 18" | 4 ⁵ / ₈ " | AW Hub | Fig. 2 |
| 78205170136 | U217 MTBPL | #14 - 2/0 | Main Fuse | #14 - 1/0 | 24" | 18" | 4 ⁵ / ₈ " | AW Hub | Fig. 2 |

MCB - Main Circuit Breaker

Meter Main Load Center - With Safety Socket Bypass

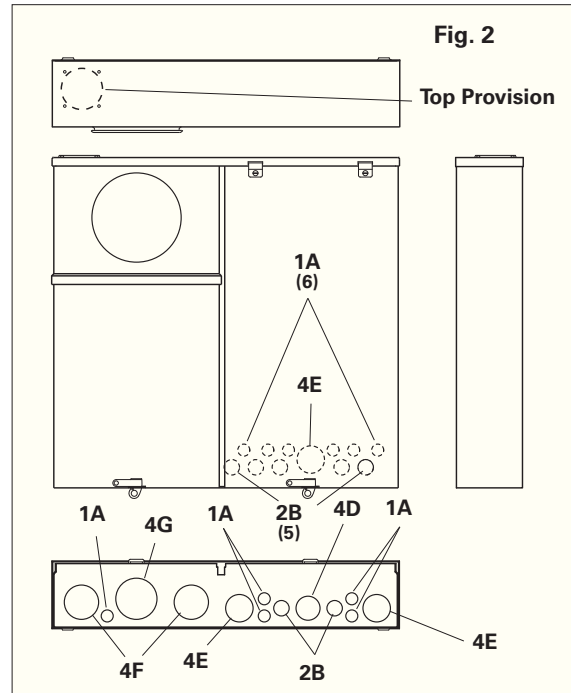
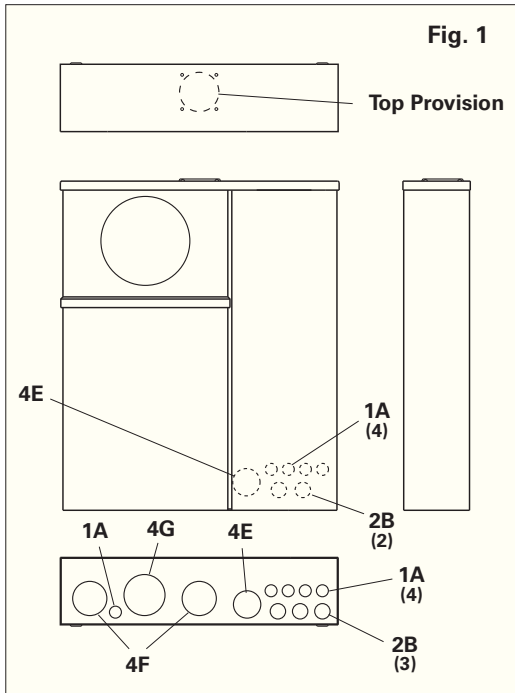
100 Amp

| Style # | Suffixes |
|---------------|-----------------------------------|
| (U) 214 MTBL | P - Pullout Fuse |
| (U) 214 MTBPL | MS43 - No Breaker Included |
| (U) 215 MTBL | SS - Stainless Steel |
| (U) 215 MTBPL | |
| (U) 217 MTBL | |
| (U) 217 MTBPL | |

Knockouts - Conduit Sizes

| |
|------------------------------------|
| 1A = 1/2" |
| 2B = 3/4" - 1/2" |
| 4D = 1 1/4" - 1" - 3/4" - 1/2" |
| 4E = 1 1/2" - 1 1/4" - 1" - 3/4" |
| 4F = 2" - 1 1/2" - 1 1/4" - 1" |
| 4G = 2 1/2" - 2" - 1 1/2" - 1 1/4" |
| Top Provision = See Chart |

Knockout Layouts



Single Meter Sockets
With Safety Socket Bypass

Data subject to change without notice. Consult local utility for area acceptance. All dimensions are in inches.

Meter Main Load Center - With Safety Socket Bypass

200 Amp - 10K AIC



224 MTB (open)



U224 MTB (open)

Application

- Combination meter/main with safety socket (test block) bypass
- Factory installed breaker
- Receive ANSI C12.10 watt-hour meters
- Surface mount

Construction

- Ring type
- NEMA Type 3R
- ANSI 61 gray E-coat finish
- Aluminum snap ring included



Standards

- UL 67 Listed
- ANSI C12.7
- EUSERC 305A

Accessories

- 5th Jaw Kit - 50371
- Bussed Gutters - see page 51
- AW Hubs

Single Meter Sockets
With Safety Socket Bypass

| Part/UPC Number | Catalog Number | Amp Rating | Jaws | Service Type | Access | Main Breaker | | | |
|-----------------|-------------------|------------|------|--------------|--------|-------------------|-----|--------------|--------|
| | | | | | | Voltage | AIC | Main | Bypass |
| 78205159065 | 224 MTB | 200 | 4 | 1Ø/3W | OH | 120/240 | 10K | (1) 200A, 2P | TB |
| 78205159085 | 225 MTB | 200 | 5 | 3Ø/3W | OH | 240* | 10K | (1) 200A, 3P | TB |
| 78205159095 | 227 MTB | 200 | 7 | 3Ø/4W | OH | 120/240 & 120/208 | 10K | (1) 200A, 3P | TB |
| 78205170141 | U224 M11TB | 200 | 4 | 1Ø/3W | OH/UG | 120/240 | 10K | (2) 100A, 2P | TB |
| 78205159125 | U224 MTB | 200 | 4 | 1Ø/3W | OH/UG | 120/240 | 10K | (1) 200A, 2P | TB |
| 78205159145 | U225 MTB | 200 | 5 | 3Ø/3W | OH/UG | 240* | 10K | (1) 200A, 3P | TB |
| 78205159155 | U227 MTB | 200 | 7 | 3Ø/4W | OH/UG | 120/240 & 120/208 | 10K | (1) 200A, 3P | TB |

* For a 208/120V, 1Ø/3W system, order a 4-jaw unit and a 5th jaw kit

| Part/UPC Number | Catalog Number | Connections | | | Overall Dimensions | | | Top Provision | Knockout Layout |
|-----------------|-------------------|--------------|------|--------------|--------------------|-------|-------|---------------|-----------------|
| | | Line | Load | Neutral | Height | Width | Depth | | |
| 78205159065 | 224 MTB | #6 - 250 MCM | MCB | #6 - 250 MCM | 48" | 14" | 6" | AW Hub | Fig. 1 |
| 78205159085 | 225 MTB | #6 - 250 MCM | MCB | #6 - 250 MCM | 48" | 14" | 6" | AW Hub | Fig. 1 |
| 78205159095 | 227 MTB | #6 - 250 MCM | MCB | #6 - 250 MCM | 48" | 14" | 6" | AW Hub | Fig. 1 |
| 78205170141 | U224 M11TB | #6 - 250 MCM | MCB | #6 - 250 MCM | 30" | 22" | 6" | AW Hub | Fig. 3 |
| 78205159125 | U224 MTB | #6 - 250 MCM | MCB | #6 - 250 MCM | 30" | 22" | 6" | AW Hub | Fig. 2 |
| 78205159145 | U225 MTB | #6 - 250 MCM | MCB | #6 - 250 MCM | 30" | 22" | 6" | AW Hub | Fig. 2 |
| 78205159155 | U227 MTB | #6 - 250 MCM | MCB | #6 - 250 MCM | 30" | 22" | 6" | AW Hub | Fig. 2 |

MCB - Main Circuit Breaker

Meter Main Load Center - With Safety Socket Bypass

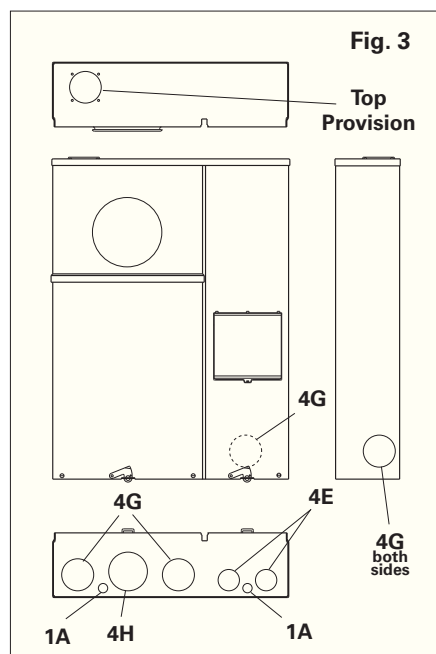
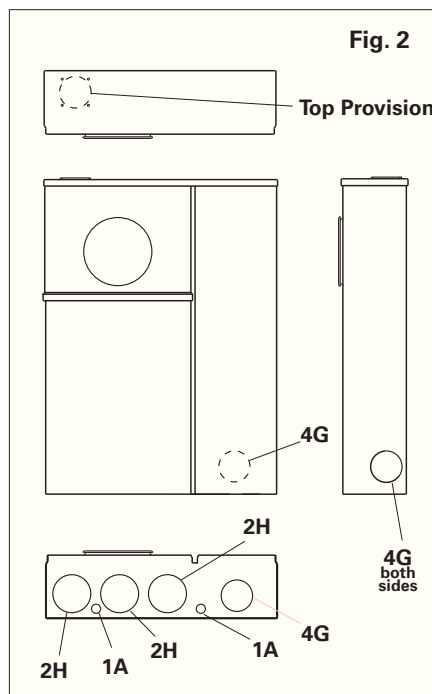
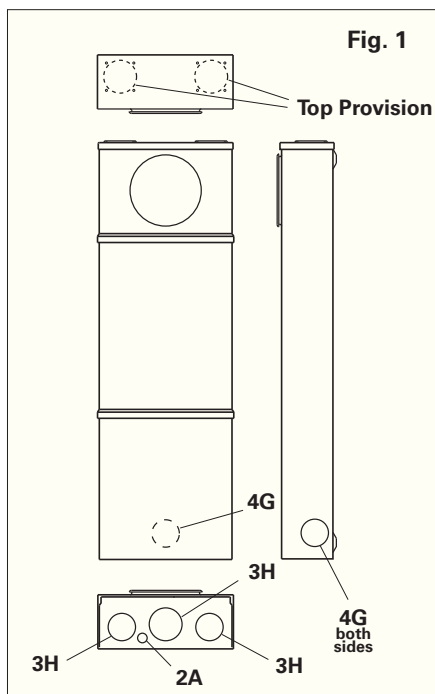
200 Amp - 10K AIC

| Style # | Suffixes |
|---------------|-----------------------------------|
| (U) 224 MTB | MS43 - No Breaker Included |
| (U) 224 M11TB | SS - Stainless Steel |
| (U) 225 MTB | |
| (U) 227 MTB | |

Knockouts - Conduit Sizes

| |
|------------------------------------|
| 1A = 1/2" |
| 2A = 1/2" - 1/4" |
| 4E = 1 1/2" - 1 1/4" - 1" - 3/4" |
| 4G = 2 1/2" - 2" - 1 1/2" - 1 1/4" |
| 2H = 3" - 2 1/2" |
| 3H = 3" - 2 1/2" - 2" |
| 4H = 3" - 2 1/2" - 2" - 1 1/2" |
| Top Provision = See Chart |

Knockout Layouts



Data subject to change without notice. Consult local utility for area acceptance. All dimensions are in inches.

Meter Main - With Safety Socket Bypass

200 Amp - 22K-65K AIC



U224 MTBH (open)

224 MTBH (open)

Application

- Combination meter/main with safety socket (test block) bypass
- Factory installed breaker
- Receive ANSI C12.10 watt-hour meters
- Surface mount

Construction

- Ring type
- NEMA Type 3R
- ANSI 61 gray E-coat finish
- Aluminum snap ring included



Standards

- UL 67 Listed
- ANSI C12.7
- EUSERC 305A

Accessories

- 5th Jaw Kit - 50371
- Bussed Gutters - see page 51
- AW Hubs

Single Meter Sockets
With Safety Socket Bypass

| Part/UPC Number | Catalog Number | Amp Rating | Jaws | Service Type | Access | Voltage | Main Breaker AIC | Main | Bypass |
|-----------------|-----------------------|------------|------|--------------|--------|-------------------|------------------|--------------|--------|
| 78205159081 | 224 MTBH | 200 | 4 | 1Ø/3W | OH | 120/240 | 42K | (1) 200A, 2P | TB |
| 78205159306 | 224 MTBH MS15 | 200 | 4 | 1Ø/3W | OH | 240/480 | 22K | (1) 200A, 2P | TB |
| 78205159079 | 224 MTBH MS45 | 200 | 4 | 1Ø/3W | OH | 120/240 | 22K | (1) 200A, 2P | TB |
| 78205159091 | 225 MTBH | 200 | 5 | 3Ø/3W | OH | 240* | 42K | (1) 200A, 3P | TB |
| 78205159308 | 225 MTBH MS15 | 200 | 5 | 3Ø/3W | OH | 480* | 22K | (1) 200A, 3P | TB |
| 78205159089 | 225 MTBH MS45 | 200 | 5 | 3Ø/3W | OH | 240* | 22K | (1) 200A, 3P | TB |
| 78205159159 | 227 MTBH | 200 | 7 | 3Ø/4W | OH | 120/240 & 120/208 | 42K | (1) 200A, 3P | TB |
| 78205159310 | 227 MTBH MS15 | 200 | 7 | 3Ø/4W | OH | 480/277 | 22K | (1) 200A, 3P | TB |
| 78205159097 | 227 MTBH MS45 | 200 | 7 | 3Ø/4W | OH | 120/240 & 120/208 | 22K | (1) 200A, 3P | TB |
| 78205159141 | U224 MTBH | 200 | 4 | 1Ø/3W | OH/UG | 120/240 | 42K | (1) 200A, 2P | TB |
| 78205159206 | U224 MTBH MS15 | 200 | 4 | 1Ø/3W | OH/UG | 240/480 | 22K | (1) 200A, 2P | TB |
| 78205159139 | U224 MTBH MS45 | 200 | 4 | 1Ø/3W | OH/UG | 120/240 | 22K | (1) 200A, 2P | TB |
| 78205159151 | U225 MTBH | 200 | 5 | 3Ø/3W | OH/UG | 240* | 42K | (1) 200A, 3P | TB |
| 78205159208 | U225 MTBH MS15 | 200 | 5 | 3Ø/3W | OH/UG | 480* | 22K | (1) 200A, 3P | TB |
| 78205159149 | U225 MTBH MS45 | 200 | 5 | 3Ø/3W | OH/UG | 240* | 22K | (1) 200A, 3P | TB |
| 78205159159 | U227 MTBH | 200 | 7 | 3Ø/4W | OH/UG | 120/240 & 120/208 | 42K | (1) 200A, 3P | TB |
| 78205159210 | U227 MTBH MS15 | 200 | 7 | 3Ø/4W | OH/UG | 480/277 | 22K | (1) 200A, 3P | TB |
| 78205159157 | U227 MTBH MS45 | 200 | 7 | 3Ø/4W | OH/UG | 120/240 & 120/208 | 22K | (1) 200A, 3P | TB |

* For a 208/120V, 1Ø/3W system, order a 4-jaw unit and a 5th jaw kit

| Part/UPC Number | Catalog Number | Line | Connections Load | Neutral | Height | Overall Dimensions Width | Depth | Top Provision | Knockout Layout |
|-----------------|-----------------------|--------------|------------------|--------------|--------|--------------------------|-------|---------------|-----------------|
| 78205159081 | 224 MTBH | #6 - 250 MCM | MCB | #6 - 250 MCM | 48" | 14" | 6" | AW Hub | Fig. 1 |
| 78205159306 | 224 MTBH MS15 | #6 - 250 MCM | MCB | #6 - 250 MCM | 48" | 14" | 6" | AW Hub | Fig. 1 |
| 78205159079 | 224 MTBH MS45 | #6 - 250 MCM | MCB | #6 - 250 MCM | 48" | 14" | 6" | AW Hub | Fig. 1 |
| 78205159091 | 225 MTBH | #6 - 250 MCM | MCB | #6 - 250 MCM | 48" | 14" | 6" | AW Hub | Fig. 1 |
| 78205159308 | 225 MTBH MS15 | #6 - 250 MCM | MCB | #6 - 250 MCM | 48" | 14" | 6" | AW Hub | Fig. 1 |
| 78205159089 | 225 MTBH MS45 | #6 - 250 MCM | MCB | #6 - 250 MCM | 48" | 14" | 6" | AW Hub | Fig. 1 |
| 78205159159 | 227 MTBH | #6 - 250 MCM | MCB | #6 - 250 MCM | 48" | 14" | 6" | AW Hub | Fig. 1 |
| 78205159310 | 227 MTBH MS15 | #6 - 250 MCM | MCB | #6 - 250 MCM | 48" | 14" | 6" | AW Hub | Fig. 1 |
| 78205159097 | 227 MTBH MS45 | #6 - 250 MCM | MCB | #6 - 250 MCM | 48" | 14" | 6" | AW Hub | Fig. 1 |
| 78205159141 | U224 MTBH | #6 - 250 MCM | MCB | #6 - 250 MCM | 30" | 22" | 6" | AW Hub | Fig. 2 |
| 78205159206 | U224 MTBH MS15 | #6 - 250 MCM | MCB | #6 - 250 MCM | 30" | 22" | 6" | AW Hub | Fig. 2 |
| 78205159139 | U224 MTBH MS45 | #6 - 250 MCM | MCB | #6 - 250 MCM | 30" | 22" | 6" | AW Hub | Fig. 2 |
| 78205159151 | U225 MTBH | #6 - 250 MCM | MCB | #6 - 250 MCM | 30" | 22" | 6" | AW Hub | Fig. 2 |
| 78205159208 | U225 MTBH MS15 | #6 - 250 MCM | MCB | #6 - 250 MCM | 30" | 22" | 6" | AW Hub | Fig. 2 |
| 78205159149 | U225 MTBH MS45 | #6 - 250 MCM | MCB | #6 - 250 MCM | 30" | 22" | 6" | AW Hub | Fig. 2 |
| 78205159159 | U227 MTBH | #6 - 250 MCM | MCB | #6 - 250 MCM | 30" | 22" | 6" | AW Hub | Fig. 2 |
| 78205159210 | U227 MTBH MS15 | #6 - 250 MCM | MCB | #6 - 250 MCM | 30" | 22" | 6" | AW Hub | Fig. 2 |
| 78205159157 | U227 MTBH MS45 | #6 - 250 MCM | MCB | #6 - 250 MCM | 30" | 22" | 6" | AW Hub | Fig. 2 |

MCB - Main Circuit Breaker

Data subject to change without notice. Consult local utility for area acceptance. All dimensions are in inches.

Meter Main - With Safety Socket Bypass

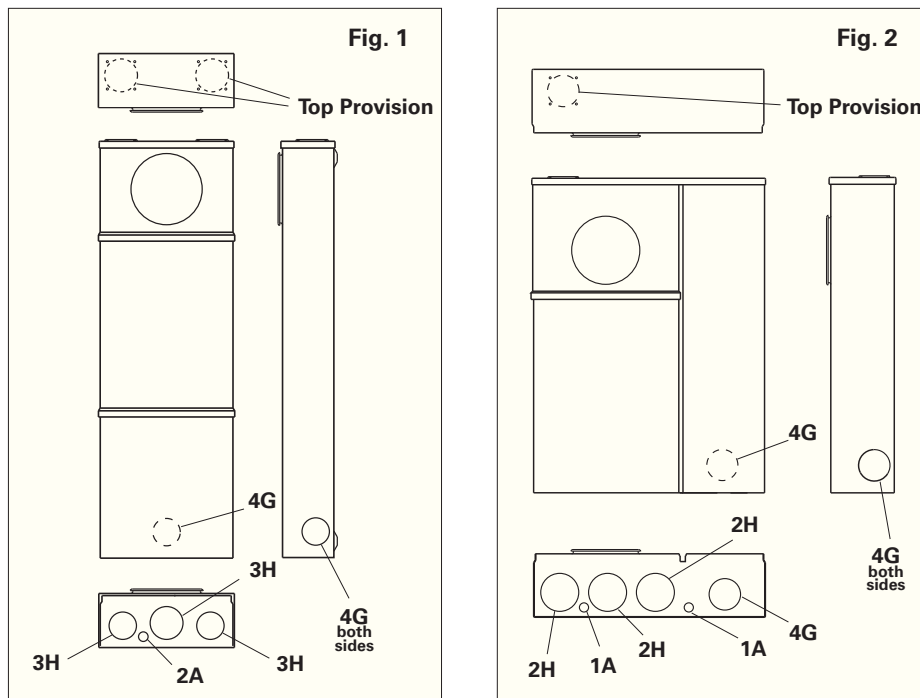
200 Amp - 22K-65K AIC

| Style # | Suffixes |
|--------------|-------------------------------------|
| (U) 224 MTBH | MS15 - 480V Breaker |
| (U) 225 MTBH | MS43 - No Breaker Included |
| (U) 227 MTBH | MS45 - 22K AIC Rated Breaker |
| | SS - Stainless Steel |

Knockouts - Conduit Sizes

1A = 1/2"
 2A = 1/2" - 1/4"
 4G = 2 1/2" - 2" - 1 1/2" - 1 1/4"
 2H = 3" - 2 1/2"
 3H = 3" - 2 1/2" - 2"
 Top Provision = See Chart

Knockout Layouts



Single Meter Sockets
 With Safety Socket Bypass

Data subject to change without notice. Consult local utility for area acceptance. All dimensions are in inches.

Meter Main - With Safety Socket Bypass

200 Amp - Fusible Pullout



224 MTBP (open)



U224 MTBP (open)

Application

- Combination meter/main with safety socket (test block) bypass
- Factory installed breaker
- Receive ANSI C12.10 watt-hour meters
- Surface mount

Construction

- Ring type
- NEMA Type 3R
- ANSI 61 gray E-coat finish
- Aluminum snap ring included



Standards

- UL 67 Listed
- ANSI C12.7
- EUSERC 305A

Accessories

- 5th Jaw Kit - 50371
- Bussed Gutters - see page 51
- AW Hubs

Single Meter Sockets
With Safety Socket Bypass

| Part/UPC Number | Catalog Number | Amp Rating | Jaws | Service Type | Access | Main Breaker | | |
|-----------------|----------------|------------|------|--------------|--------|-------------------|------|-----------------|
| | | | | | | Voltage | AIC | Main Bypass |
| 78205161000 | 224 MTBP | 200 | 4 | 1Ø/3W | OH | 120/240 | 200K | (1) 200A, 2P TB |
| 78205163000 | 224 MTBP MS15 | 200 | 4 | 1Ø/3W | OH | 240/480 | 200K | (1) 200A, 2P TB |
| 78205161080 | 225 MTBP | 200 | 5 | 3Ø/3W | OH | 240* | 200K | (1) 200A, 3P TB |
| 78205107971 | 225 MTBP MS15 | 200 | 5 | 3Ø/3W | OH | 480* | 200K | (1) 200A, 3P TB |
| 78205161100 | 227 MTBP | 200 | 7 | 3Ø/4W | OH | 120/240 & 120/208 | 200K | (1) 200A, 3P TB |
| 78205163020 | 227 MTBP MS15 | 200 | 7 | 3Ø/4W | OH | 480/277 | 200K | (1) 200A, 3P TB |
| 78205162000 | U224 MTBP | 200 | 4 | 1Ø/3W | OH/UG | 120/240 | 200K | (1) 200A, 2P TB |
| 78205163040 | U224 MTBP MS15 | 200 | 4 | 1Ø/3W | OH/UG | 240/480 | 200K | (1) 200A, 2P TB |
| 78205162080 | U225 MTBP | 200 | 5 | 3Ø/3W | OH/UG | 240* | 200K | (1) 200A, 3P TB |
| 78205163050 | U225 MTBP MS15 | 200 | 5 | 3Ø/3W | OH/UG | 480* | 200K | (1) 200A, 3P TB |
| 78205162100 | U227 MTBP | 200 | 7 | 3Ø/4W | OH/UG | 120/240 & 120/208 | 200K | (1) 200A, 3P TB |
| 78205163060 | U227 MTBP MS15 | 200 | 7 | 3Ø/4W | OH/UG | 480/277 | 200K | (1) 200A, 3P TB |

* For a 208/120V, 1Ø/3W system, order a 4-jaw unit and a 5th jaw kit

| Part/UPC Number | Catalog Number | Line | Connections Load | Neutral | Height | Overall Dimensions | | Top Provision | Knockout Layout |
|-----------------|----------------|--------------|------------------|--------------|--------|--------------------|-------|---------------|-----------------|
| | | | | | | Width | Depth | | |
| 78205161000 | 224 MTBP | #6 - 250 MCM | MCB | #6 - 250 MCM | 48" | 14" | 6" | AW Hub | Fig. 1 |
| 78205163000 | 224 MTBP MS15 | #6 - 250 MCM | MCB | #6 - 250 MCM | 48" | 14" | 6" | AW Hub | Fig. 1 |
| 78205161080 | 225 MTBP | #6 - 250 MCM | MCB | #6 - 250 MCM | 48" | 14" | 6" | AW Hub | Fig. 1 |
| 78205107971 | 225 MTBP MS15 | #6 - 250 MCM | MCB | #6 - 250 MCM | 48" | 14" | 6" | AW Hub | Fig. 1 |
| 78205161100 | 227 MTBP | #6 - 250 MCM | MCB | #6 - 250 MCM | 48" | 14" | 6" | AW Hub | Fig. 1 |
| 78205163020 | 227 MTBP MS15 | #6 - 250 MCM | MCB | #6 - 250 MCM | 48" | 14" | 6" | AW Hub | Fig. 1 |
| 78205162000 | U224 MTBP | #6 - 250 MCM | Main Fuse | #6 - 250 MCM | 30" | 22" | 6" | AW Hub | Fig. 2 |
| 78205163040 | U224 MTBP MS15 | #6 - 250 MCM | Main Fuse | #6 - 250 MCM | 30" | 22" | 6" | AW Hub | Fig. 2 |
| 78205162080 | U225 MTBP | #6 - 250 MCM | Main Fuse | #6 - 250 MCM | 30" | 22" | 6" | AW Hub | Fig. 2 |
| 78205163050 | U225 MTBP MS15 | #6 - 250 MCM | Main Fuse | #6 - 250 MCM | 30" | 22" | 6" | AW Hub | Fig. 2 |
| 78205162100 | U227 MTBP | #6 - 250 MCM | Main Fuse | #6 - 250 MCM | 30" | 22" | 6" | AW Hub | Fig. 2 |
| 78205163060 | U227 MTBP MS15 | #6 - 250 MCM | Main Fuse | #6 - 250 MCM | 30" | 22" | 6" | AW Hub | Fig. 2 |

MCB - Main Circuit Breaker

Meter Main - With Safety Socket Bypass

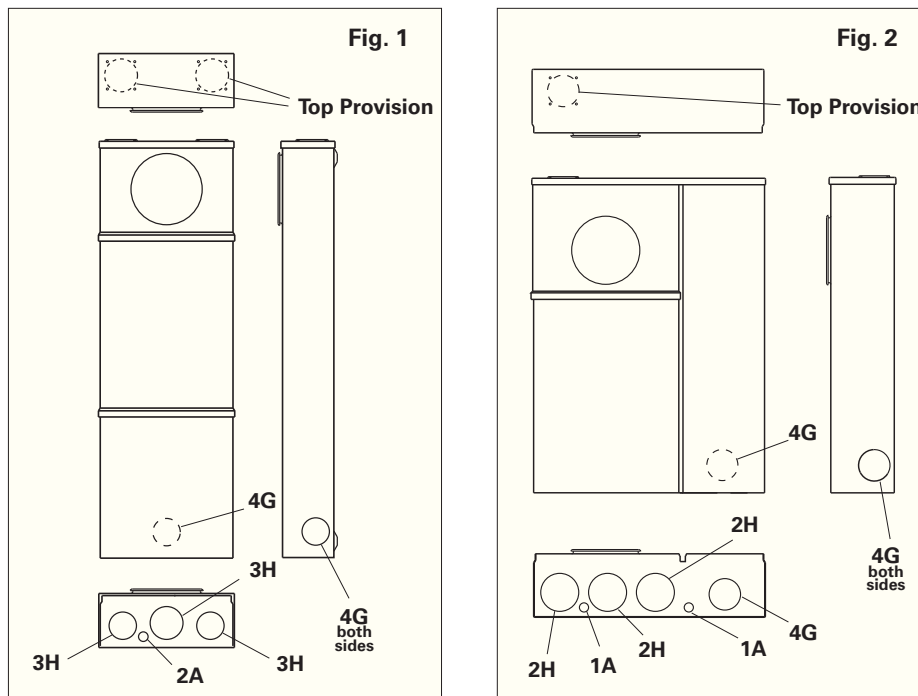
200 Amp - Fusible Pullout

| Style # | Suffixes |
|--------------|-----------------------------------|
| (U) 224 MTBP | P - Pullout Fuse |
| (U) 225 MTBP | MS15 - 480V Breaker |
| (U) 227 MTBP | MS43 - No Breaker Included |
| | SS - Stainless Steel |

Knockouts - Conduit Sizes

1A = 1/2"
 2A = 1/2" - 1/4"
 4G = 2 1/2" - 2" - 1 1/2" - 1 1/4"
 2H = 3" - 2 1/2"
 3H = 3" - 2 1/2" - 2"
 Top Provision = See Chart

Knockout Layouts



Single Meter Sockets
 With Safety Socket Bypass

Data subject to change without notice. Consult local utility for area acceptance. All dimensions are in inches.

Meter Main Loadcenter - With Safety Socket Bypass

200 Amp



U224 MTBL (closed)



U224 MTBL (open)

Application

- Combination meter/main/loadcenter with safety socket (test block) bypass
- Factory installed breakers / fusible pullout ("T" fuses included)
- Receive ANSI C12.10 watthour meters
- Surface mount



Construction

- Ring type
- NEMA Type 3R
- ANSI 61 gray E-coat finish
- Aluminum snap ring included

Standards

- UL 67 Listed
- ANSI C12.7
- EUSERC 305A

Single Meter Sockets
With Safety Socket Bypass

| Part/UPC Number | Catalog Number | Amp Rating | Jaws | Service Type | Access | Main Breaker | | | | |
|-----------------|----------------|------------|------|--------------|--------|-------------------|------|--------------|------------|--------|
| | | | | | | Voltage | AIC | Main | Loadcenter | Bypass |
| 78205170138 | U224 MTBL | 200 | 4 | 1Ø/3W | OH/UG | 120/240 | 10K | (1) 200A, 2P | 20/40 | TB |
| 78205170140 | U224 MTBPL | 200 | 4 | 1Ø/3W | OH/UG | 120/240 | 100K | (1) 200A, 2P | 20/40 | TB |
| 78205170142 | U225 MTBL | 200 | 5 | 3Ø/3W | OH/UG | 240* | 10K | (1) 200A, 3P | 24/42 | TB |
| 78205170144 | U225 MTBPL | 200 | 5 | 3Ø/3W | OH/UG | 240* | 100K | (1) 200A, 3P | 24/42 | TB |
| 78205170146 | U227 MTBL | 200 | 7 | 3Ø/4W | OH/UG | 120/240 & 120/208 | 10K | (1) 200A, 3P | 24/42 | TB |
| 78205170148 | U227 MTBPL | 200 | 7 | 3Ø/4W | OH/UG | 120/240 & 120/208 | 100K | (1) 200A, 3P | 24/42 | TB |

* For a 208/120V, 1Ø/3W system, order a 4-jaw unit and a 5th jaw kit

| Part/UPC Number | Catalog Number | Connections | | | Overall Dimensions | | | Top Provision | Knockout Layout |
|-----------------|----------------|--------------|-----------|--------------|--------------------|-------|-------|---------------|-----------------|
| | | Line | Load | Neutral | Height | Width | Depth | | |
| 78205170138 | U224 MTBL | #6 - 250 MCM | MCB | #6 - 250 MCM | 30" | 22" | 6" | AW Hub | Fig. 1 |
| 78205170140 | U224 MTBPL | #6 - 250 MCM | Main Fuse | #6 - 250 MCM | 30" | 22" | 6" | AW Hub | Fig. 1 |
| 78205170142 | U225 MTBL | #6 - 250 MCM | MCB | #6 - 250 MCM | 30" | 22" | 6" | AW Hub | Fig. 1 |
| 78205170144 | U225 MTBPL | #6 - 250 MCM | Main Fuse | #6 - 250 MCM | 30" | 22" | 6" | AW Hub | Fig. 1 |
| 78205170146 | U227 MTBL | #6 - 250 MCM | MCB | #6 - 250 MCM | 30" | 22" | 6" | AW Hub | Fig. 1 |
| 78205170148 | U227 MTBPL | #6 - 250 MCM | Main Fuse | #6 - 250 MCM | 30" | 22" | 6" | AW Hub | Fig. 1 |

MCB - Main Circuit Breaker

Meter Main Loadcenter - With Safety Socket Bypass

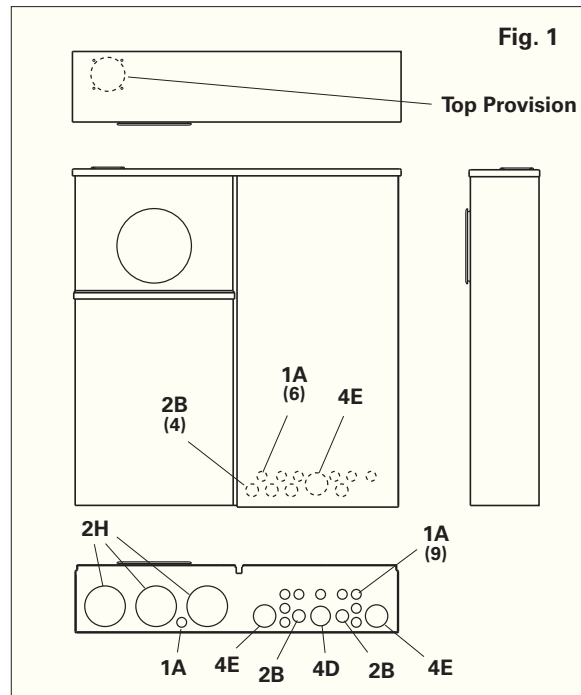
200 Amp

| Style # | Suffixes |
|---------------|-----------------------------------|
| (U) 224 MTBL | P - Pullout Fuse |
| (U) 224 MTBPL | MS43 - No Breaker Included |
| (U) 225 MTBL | SS - Stainless Steel |
| (U) 225 MTBPL | |
| (U) 227 MTBL | |
| (U) 227 MTBPL | |

Knockouts - Conduit Sizes

1A = 1/2"
 2B = 3/4" - 1/2"
 4D = 1 1/4" - 1" - 3/4" - 1/2"
 4E = 1 1/2" - 1 1/4" - 1" - 3/4"
 2H = 3" - 2 1/2"
 Top Provision = See Chart

Knockout Layouts



Single Meter Sockets
 With Safety Socket Bypass

Data subject to change without notice. Consult local utility for area acceptance. All dimensions are in inches.

Test Block Bypass - Metering Breaker Data

Main Breaker Data

| Catalog Number | B-Line Breaker # | ITE Breaker # | Ampacity | Voltage | # of Poles | AIC |
|----------------|------------------|---------------|----------|---------|------------|-----|
| U214MTB | 25458P | Q2100 | 100A | 240 | 2P | 10K |
| U215MTB | 25460P | Q3100 | 100A | 240 | 3P | 10K |
| U217MTB | 25460P | Q3100 | 100A | 240 | 3P | 10K |
| U214MTBHMS45 | 25464P | Q2100H | 100A | 240 | 2P | 22K |
| U215MTBHMS45 | 25466P | Q3100H | 100A | 240 | 3P | 22K |
| U217MTBHMS45 | 25466P | Q3100H | 100A | 240 | 3P | 22K |
| U214MTBH | 25470P | Q2100HH | 100A | 240 | 2P | 42K |
| U215MTBH | 25472P | Q3100HH | 100A | 240 | 3P | 42K |
| U217MTBH | 25472P | Q3100HH | 100A | 240 | 3P | 42K |
| U214MTBMS15 | 25534N | ED42B100 | 100A | 480 | 2P | 10K |
| U215MTBMS15 | 25536N | ED43B100 | 100A | 480 | 3P | 10K |
| U217MTBMS15 | 25536N | ED43B100 | 100A | 480 | 3P | 10K |
| U214MTBHMS15 | 25544N | HED42B100 | 100A | 480 | 2P | 42K |
| U215MTBHMS15 | 25546N | HED43B100 | 100A | 480 | 3P | 42K |
| U217MTBHMS15 | 25546N | HED43B100 | 100A | 480 | 3P | 42K |
| U214MTBL | 25458P | Q2100 | 100A | 240 | 2P | 10K |
| U215MTBL | 25460P | Q3100 | 100A | 240 | 3P | 10K |
| U217MTBL | 25460P | Q3100 | 100A | 240 | 3P | 10K |
| U224MTB | 25508K | QJ22B200 | 200A | 240 | 2P | 10K |
| U225MTB | 25510K | QJ23B200 | 200A | 240 | 3P | 10K |
| U227MTB | 25510K | QJ23B200 | 200A | 240 | 3P | 10K |
| U224MTBHMS45 | 25512K | QJH22B200H | 200A | 240 | 2P | 22K |
| U225MTBHMS45 | 25514K | QJH23B200H | 200A | 240 | 3P | 22K |
| U227MTBHMS45 | 25514K | QJH23B200H | 200A | 240 | 3P | 22K |
| U224MTBH | 25516K | QJ22B200H | 200A | 240 | 2P | 42K |
| U225MTBH | 25518K | QJ23B200H | 200A | 240 | 3P | 42K |
| U227MTBH | 25518K | QJ23B200H | 200A | 240 | 3P | 42K |
| U224MTBMS15 | 25552J | FXD62B200 | 200A | 480 | 2P | 10K |
| U225MTBMS15 | 25554J | FXD63B200 | 200A | 480 | 3P | 10K |
| U227MTBMS15 | 25554J | FXD63B200 | 200A | 480 | 3P | 10K |
| U224MTBHMS15 | 25552J | FXD62B200 | 200A | 480 | 2P | 22K |
| U225MTBHMS15 | 25554J | FXD63B200 | 200A | 480 | 3P | 22K |
| U227MTBHMS15 | 25554J | FXD63B200 | 200A | 480 | 3P | 22K |

Main Pullout Data

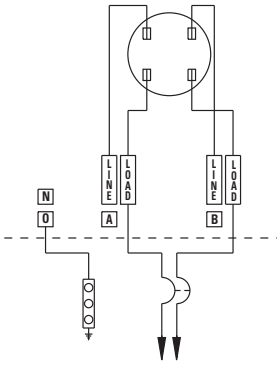
| Catalog Number | B-Line Breaker # | Boltswitch Pullout # | Ampacity | Voltage | # of Poles | AIC |
|----------------|------------------|----------------------|----------|---------|------------|------|
| U214MTBP | 20404A | PT323-2P | 100A | 240 | 2P | 200K |
| U215MTBP | 20404B | PT323 | 100A | 240 | 3P | 200K |
| U217MTBP | 20404B | PT323 | 100A | 240 | 3P | 200K |
| U214MTBPMS15 | 20404E | PT363-2P | 100A | 480 | 2P | 200K |
| U215MTBPMS15 | 20404F | PT363 | 100A | 480 | 3P | 200K |
| U217MTBPMS15 | 20404F | PT363 | 100A | 480 | 3P | 200K |
| U224MTBP | 20404C | PT324-2P | 200A | 240 | 2P | 200K |
| U225MTBP | 20404D | PT324 | 200A | 240 | 3P | 200K |
| U227MTBP | 20404D | PT324 | 200A | 240 | 3P | 200K |
| U224MTBPMS15 | 20404G | PT364-2P | 200A | 480 | 2P | 200K |
| U225MTBPMS15 | 20404H | PT364 | 200A | 480 | 3P | 200K |
| U227MTBPMS15 | 20404H | PT364 | 200A | 480 | 3P | 200K |

Main Pullout Data

| Catalog Number | B-Line Breaker # | ITE Pullout # | Ampacity | Voltage | # of Poles | AIC |
|----------------|------------------|---------------|----------|---------|------------|------|
| U214MTBPL | 25050A | TFP223 | 100A | 240 | 2P | 100K |
| U215MTBPL | 25051A | TFP323 | 100A | 240 | 3P | 100K |
| U217MTBPL | 25051A | TFP323 | 100A | 240 | 3P | 100K |
| U224MTBPL | 25052A | TFP224 | 200A | 240 | 2P | 100K |
| U225MTBPL | 25053A | TFP324 | 200A | 240 | 3P | 100K |
| U227MTBPL | 25053A | TFP324 | 200A | 240 | 3P | 100K |

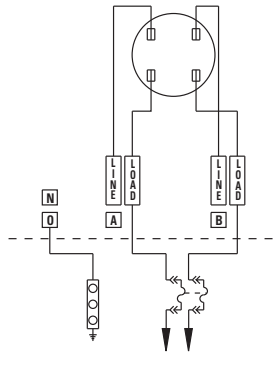
Data subject to change without notice. Consult local utility for area acceptance. All dimensions are in inches.

Test Block Bypass - Wiring Diagrams



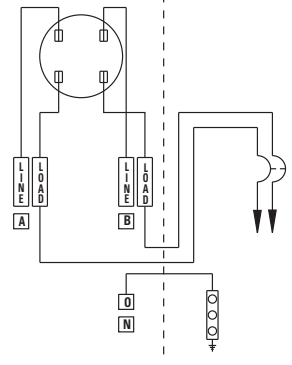
Catalog #

- 214MTB
- 214MTBHMS45
- 214MTBH
- 214MTBMS15
- 214MTBHMS15
- 224MTB
- 224MTBHMS45
- 224MTBH
- 224MTBMS15



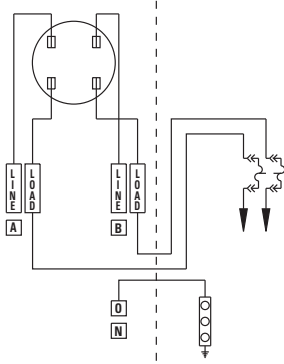
Catalog #

- 214MTBP
- 214MTBPMS15
- 224MTBP
- 224MTBPMS15



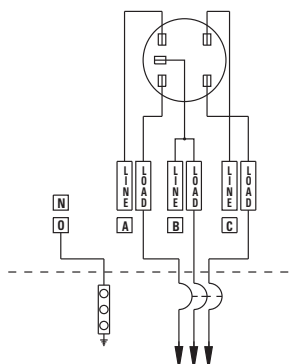
Catalog #

- U214MTB
- U214MTBMS15
- U214MTBHMS15
- U214MTBH
- U214MTBHMS45
- U224MTB
- U224MTBH
- U224MTBHMS45



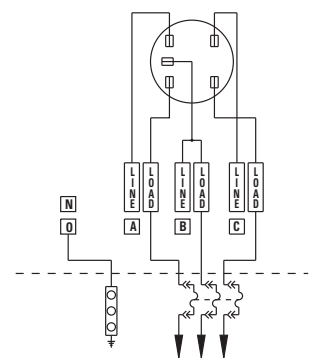
Catalog #

- U214MTBP
- U214MTBPMS15
- U224MTBP
- U224MTBPMS15



Catalog #

- 215MTB
- 215MTBMS15
- 215MTBHMS15
- 215MTBH
- 215MTBHMS45
- 225MTB
- 225MTBH
- 225MTBHMS45



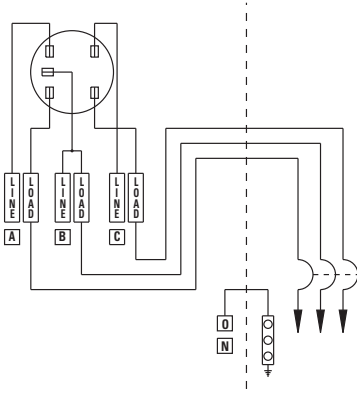
Catalog #

- 215MTBP
- 215MTBPMS15
- 225MTBP
- 225MTBPMS15

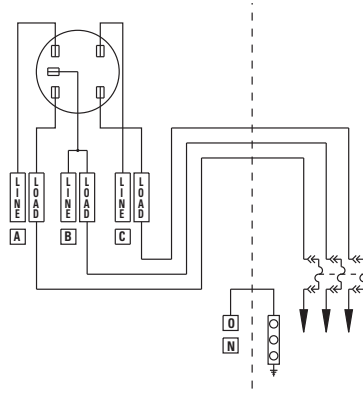
Single Meter Sockets
With Safety Socket Bypass

Data subject to change without notice. Consult local utility for area acceptance. All dimensions are in inches.

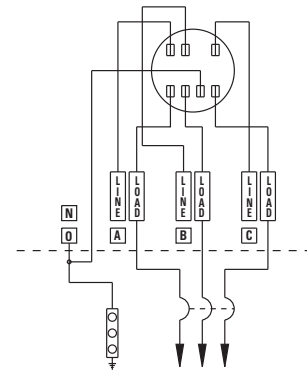
Test Block Bypass - Wiring Diagrams



- Catalog #**
- U215MTB
 - U215MTBMS15
 - U215MTBHMS15
 - U215MTBH
 - U215MTBHMS45
 - U225MTB
 - U225MTBH
 - U225MTBHMS45
 - U225MTBHMS15

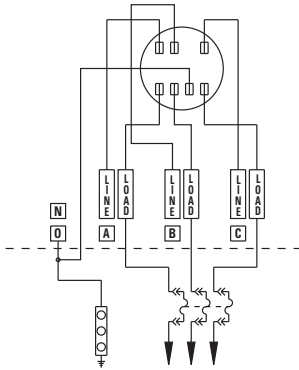


- Catalog #**
- U215MTBP
 - U214MTBPMS15
 - U225MTBP
 - U225MTBPMS15

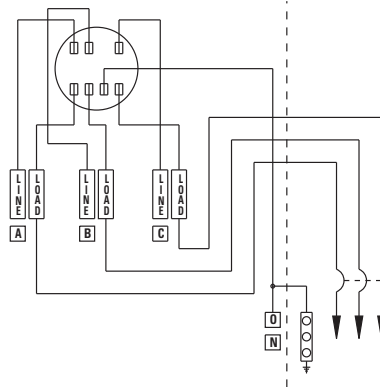


- Catalog #**
- U217MTB
 - U217MTBMS15
 - U217MTBHMS15
 - U217MTBH
 - U217MTBHMS45
 - U227MTB
 - U227MTBH
 - U227MTBHMS45
 - U227MTBHMS15

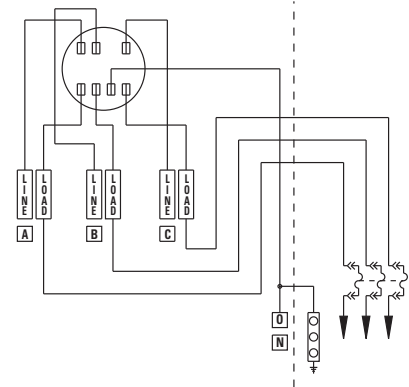
Single Meter Sockets
With Safety Socket Bypass



- Catalog #**
- 217MTBP
 - 217MTBPMS15
 - 227MTBP
 - 227MTBPMS15

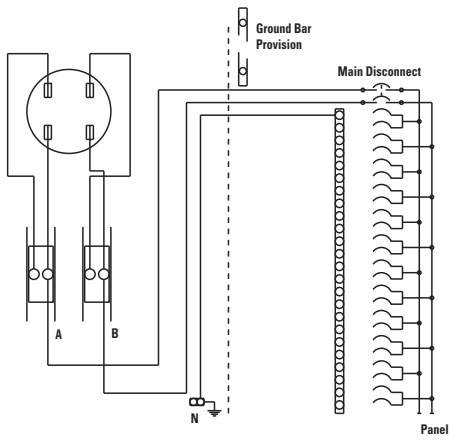


- Catalog #**
- U217MTB
 - U217MTBMS15
 - U217MTBHMS15
 - U217MTBH
 - U217MTBHMS45
 - U227MTB
 - U227MTBMS15
 - U227MTBH
 - U227MTBHMS45

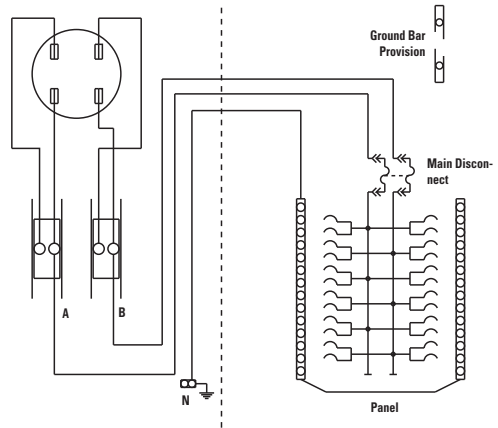


- Catalog #**
- U217MTBP
 - U217MTBPMS15
 - U227MTBP
 - U227MTBPMS15

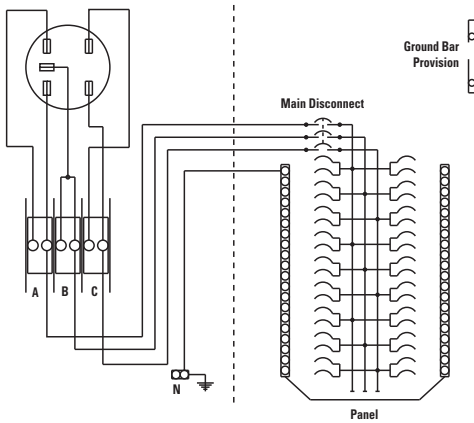
Test Block Bypass - Wiring Diagrams



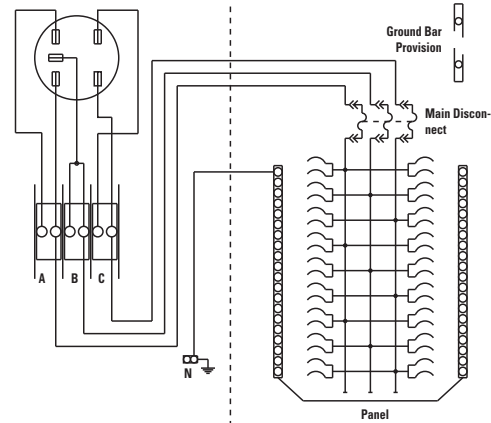
Catalog #
U214MTBL



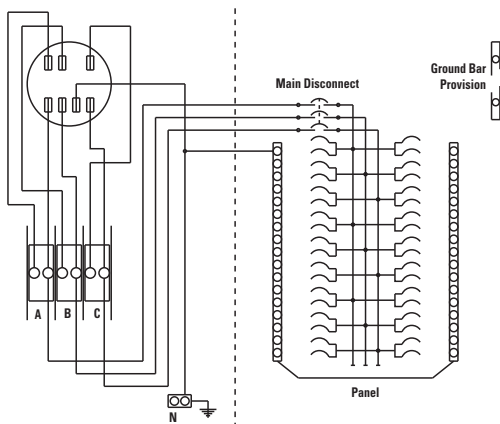
Catalog #
U214MTBPL



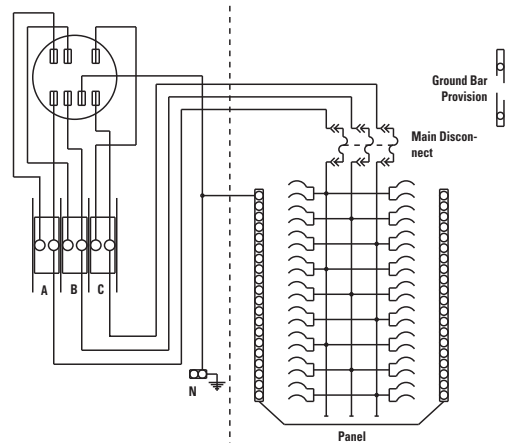
Catalog #
U215MTBL



Catalog #
U215MTBPL



Catalog #
U217MTBL

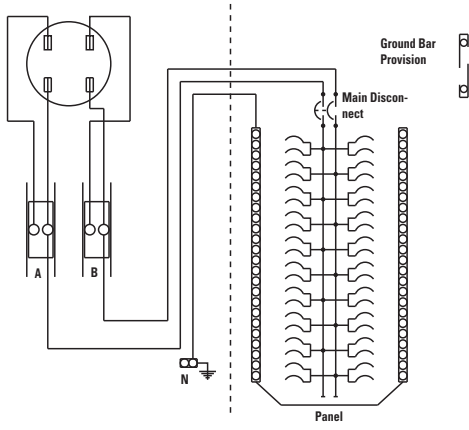


Catalog #
U217MTBPL

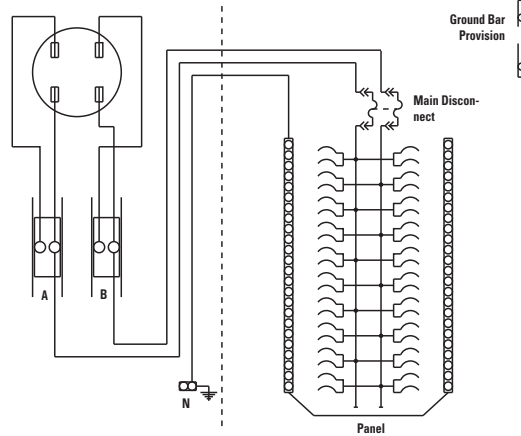
Single Meter Sockets
With Safety Socket Bypass

Data subject to change without notice. Consult local utility for area acceptance. All dimensions are in inches.

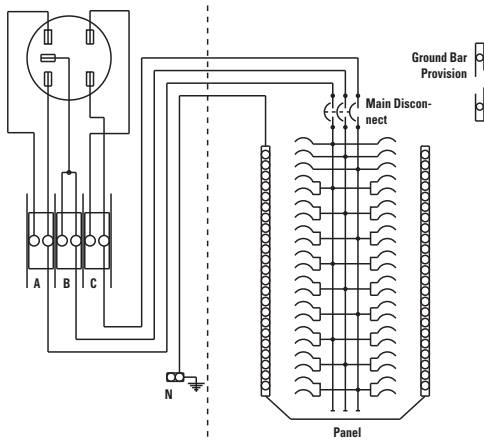
Test Block Bypass - Wiring Diagrams



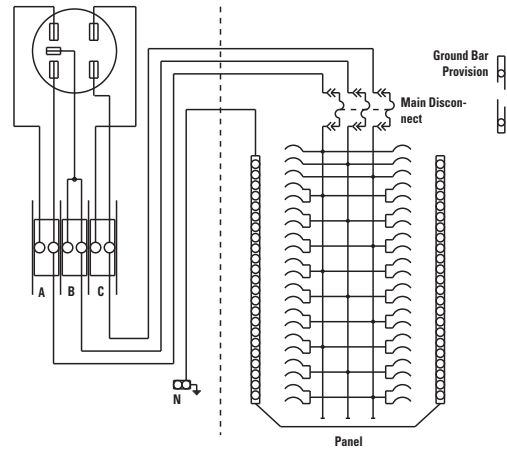
Catalog #
U224MTBL



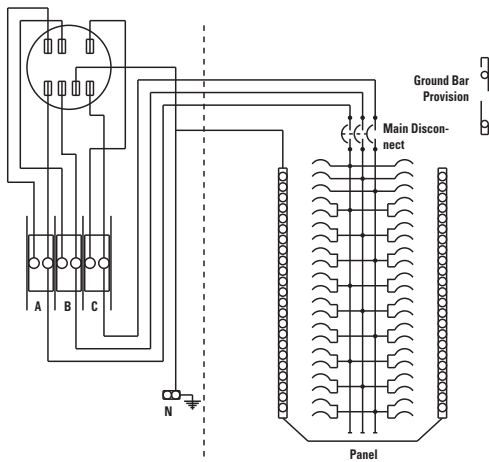
Catalog #
U224MTBPL



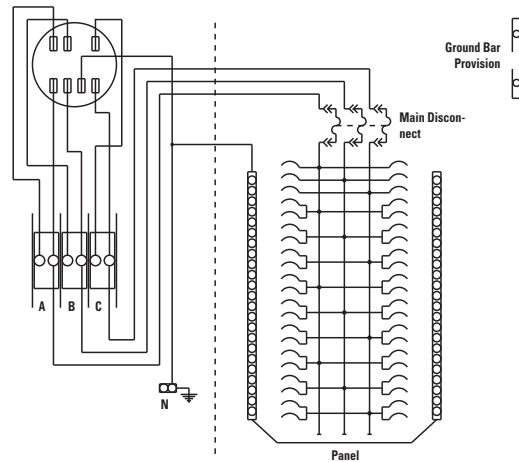
Catalog #
U225MTBL



Catalog #
U225MTBPL



Catalog #
U227MTBL



Catalog #
U227MTBPL

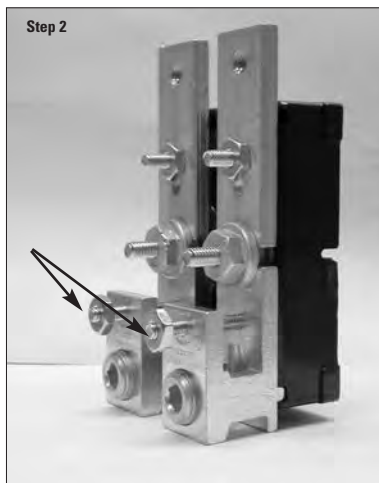
Single Meter Sockets
With Safety Socket Bypass

Test Block Bypass - Safety Socket Bypass Instructions

THIS PROCEDURE SHOULD BE PERFORMED ONLY BY QUALIFIED UTILITY PERSONNEL



Test Block in normal operation. All screw terminals are in the closed position and tightened to the required torque specification.



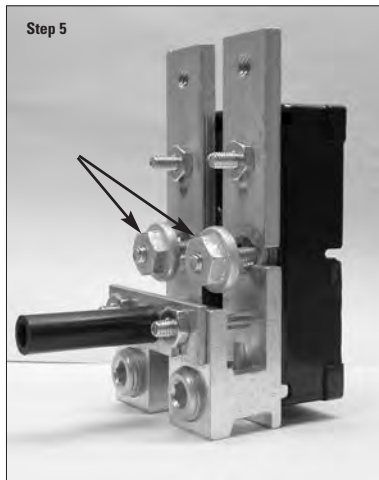
Loosen Terminal Bypass Nuts.



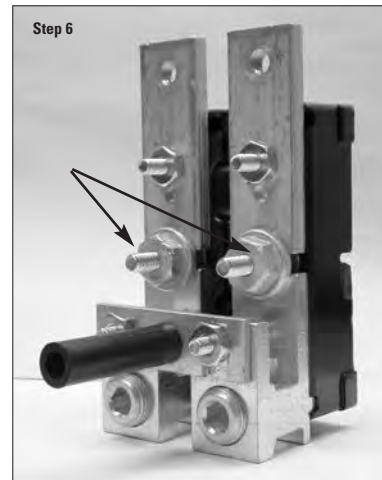
Picture shows the "Bypass Link" used to bypass the meter. (Normally supplied by utility)



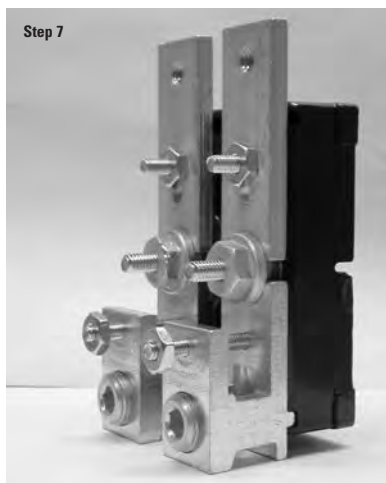
Install Bypass Link as shown and tighten the Terminal Bypass Nuts to required torque specifications.



With Bypass Link securely in place, loosen Circuit Closing Nuts. All current and voltage potential has now been isolated from the socket. Meter may now be safely removed from socket.



After meter has been replaced, securely tighten the Circuit Closing Nut to required torque specification.



Loosen Terminal Bypass Nuts and remove Bypass Link. Meter is now energized.

Torque table for 100 & 200 Amp units.

Circuit Closing Nuts: 60 in-lbs
Terminal Bypass Nuts: 45 in-lbs



Single Meter Sockets
With Safety Socket Bypass

Data subject to change without notice. Consult local utility for area acceptance. All dimensions are in inches.

Bussed Gutters & Termination Cabinets



| | |
|---|---------|
| Universal Bussed Gutters, 400 -2000 Amp | 49 - 50 |
| Bussed Gutters for TB/MTB Units, 400 -800 Amp | 51 - 52 |
| Termination Enclosures, 100 -1200 Amp | 53 - 54 |

Bussed Gutters &
Termination Cabinets

Universal Bussed Gutters

400 - 2000 Amp



R1060HEE (closed)



R1060HEE (open)



Application

- With KOs for ganging TB/MTB units under a common feed
- Surface mount

Construction

- NEMA Type 3R
- ANSI 61 gray E-coat finish
- Aluminum bussing

Standards

- UL 1773 Listed

Bussed Gutters & Termination Cabinets

| Part/UPC Number | Catalog Number | Buss Amps | Service Type | AIC | Line | Connections Load | Neutral | Overall Height | Overall Width | Overall Depth | Knockout Layout |
|-----------------|-------------------|-----------|--------------|-----|------------------|------------------|------------------|----------------|---------------|---------------|-----------------|
| 78205118055 | R1024 HC | 400 | 1Ø/3W | 10K | #4 - 600 MCM | See Note * | #4 - 600 MCM | 22" | 24" | 6" | Fig. 1 |
| 78205118065 | R1036 HC | 400 | 1Ø/3W | 10K | #4 - 600 MCM | See Note * | #4 - 600 MCM | 22" | 36" | 6" | Fig. 1 |
| 78205118075 | R1048 HC | 400 | 1Ø/3W | 10K | #4 - 600 MCM | See Note * | #4 - 600 MCM | 22" | 48" | 6" | Fig. 1 |
| 78205118085 | R1060 HC | 400 | 1Ø/3W | 10K | #4 - 600 MCM | See Note * | #4 - 600 MCM | 22" | 60" | 6" | Fig. 1 |
| 78205118095 | R1072 HC | 400 | 1Ø/3W | 10K | #4 - 600 MCM | See Note * | #4 - 600 MCM | 22" | 72" | 6" | Fig. 1 |
| 78205118115 | R1036 HD | 600 | 1Ø/3W | 10K | (2) #4 - 600 MCM | See Note * | (2) #4 - 600 MCM | 22" | 36" | 6" | Fig. 1 |
| 78205118125 | R1048 HD | 600 | 1Ø/3W | 10K | (2) #4 - 600 MCM | See Note * | (2) #4 - 600 MCM | 22" | 48" | 6" | Fig. 1 |
| 78205118135 | R1060 HD | 600 | 1Ø/3W | 10K | (2) #4 - 600 MCM | See Note * | (2) #4 - 600 MCM | 22" | 60" | 6" | Fig. 1 |
| 78205118145 | R1072 HD | 600 | 1Ø/3W | 10K | (2) #4 - 600 MCM | See Note * | (2) #4 - 600 MCM | 22" | 72" | 6" | Fig. 1 |
| 78205118325 | R1048 HE | 800 | 1Ø/3W | 10K | (3) #4 - 600 MCM | See Note * | (3) #4 - 600 MCM | 22" | 48" | 6" | Fig. 1 |
| 78205118335 | R1060 HE | 800 | 1Ø/3W | 10K | (3) #4 - 600 MCM | See Note * | (3) #4 - 600 MCM | 22" | 60" | 6" | Fig. 1 |
| 78205118345 | R1072 HE | 800 | 1Ø/3W | 10K | (3) #4 - 600 MCM | See Note * | (3) #4 - 600 MCM | 22" | 72" | 6" | Fig. 1 |
| 78205118215 | R1024 HCC | 400 | 3Ø/4W | 10K | #4 - 600 MCM | See Note * | #4 - 600 MCM | 22" | 24" | 6" | Fig. 1 |
| 78205118225 | R1036 HCC | 400 | 3Ø/4W | 10K | #4 - 600 MCM | See Note * | #4 - 600 MCM | 22" | 36" | 6" | Fig. 1 |
| 78205118235 | R1048 HCC | 400 | 3Ø/4W | 10K | #4 - 600 MCM | See Note * | #4 - 600 MCM | 22" | 48" | 6" | Fig. 1 |
| 78205118245 | R1060 HCC | 400 | 3Ø/4W | 10K | #4 - 600 MCM | See Note * | #4 - 600 MCM | 22" | 60" | 6" | Fig. 1 |
| 78205118255 | R1072 HCC | 400 | 3Ø/4W | 10K | #4 - 600 MCM | See Note * | #4 - 600 MCM | 22" | 72" | 6" | Fig. 1 |
| 78205108075 | R1096 HCC | 400 | 3Ø/4W | 10K | #4 - 600 MCM | See Note * | #4 - 600 MCM | 22" | 96" | 6" | Fig. 1 |
| 78205118275 | R1036 HDD | 600 | 3Ø/4W | 10K | (2) #4 - 600 MCM | See Note * | (2) #4 - 600 MCM | 28 1/2" | 36" | 6" | Fig. 1 |
| 78205118285 | R1048 HDD | 600 | 3Ø/4W | 10K | (2) #4 - 600 MCM | See Note * | (2) #4 - 600 MCM | 28 1/2" | 48" | 6" | Fig. 1 |
| 78205118295 | R1060 HDD | 600 | 3Ø/4W | 10K | (2) #4 - 600 MCM | See Note * | (2) #4 - 600 MCM | 28 1/2" | 60" | 6" | Fig. 1 |
| 78205118305 | R1072 HDD | 600 | 3Ø/4W | 10K | (2) #4 - 600 MCM | See Note * | (2) #4 - 600 MCM | 28 1/2" | 72" | 6" | Fig. 1 |
| 78205131978 | R1096 HDD | 600 | 3Ø/4W | 10K | (2) #4 - 600 MCM | See Note * | (2) #4 - 600 MCM | 28 1/2" | 96" | 6" | Fig. 1 |
| 78205118150 | R10120 HDD | 600 | 3Ø/4W | 10K | (2) #4 - 600 MCM | See Note * | (2) #4 - 600 MCM | 28 1/2" | 120" | 6" | Fig. 1 |
| 78205118375 | R1048 HEE | 800 | 3Ø/4W | 10K | (3) #4 - 600 MCM | See Note * | (3) #4 - 600 MCM | 28 1/2" | 48" | 6" | Fig. 1 |
| 78205118385 | R1060 HEE | 800 | 3Ø/4W | 10K | (3) #4 - 600 MCM | See Note * | (3) #4 - 600 MCM | 28 1/2" | 60" | 6" | Fig. 1 |
| 78205118395 | R1072 HEE | 800 | 3Ø/4W | 10K | (3) #4 - 600 MCM | See Note * | (3) #4 - 600 MCM | 28 1/2" | 72" | 6" | Fig. 1 |
| 78205118401 | R1096 HEE | 800 | 3Ø/4W | 10K | (3) #4 - 600 MCM | See Note * | (3) #4 - 600 MCM | 28 1/2" | 96" | 6" | Fig. 1 |
| 78205118160 | R10120 HEE | 800 | 3Ø/4W | 10K | (3) #4 - 600 MCM | See Note * | (3) #4 - 600 MCM | 28 1/2" | 120" | 6" | Fig. 1 |
| 78205131970 | R1060 HFF | 1200 | 3Ø/4W | 10K | (4) #4 - 600 MCM | See Note * | (4) #4 - 600 MCM | 36" | 60" | 6" | Fig. 1 |
| 78205131972 | R1072 HFF | 1200 | 3Ø/4W | 10K | (4) #4 - 600 MCM | See Note * | (4) #4 - 600 MCM | 36" | 72" | 6" | Fig. 1 |
| 78205118200 | R1096 HFF | 1200 | 3Ø/4W | 10K | (4) #4 - 600 MCM | See Note * | (4) #4 - 600 MCM | 36" | 96" | 6" | Fig. 1 |
| 78205118170 | R10120 HFF | 1200 | 3Ø/4W | 10K | (4) #4 - 600 MCM | See Note * | (4) #4 - 600 MCM | 36" | 120" | 6" | Fig. 1 |
| 78205131974 | R1072 HGG | 1600 | 3Ø/4W | 10K | (6) #4 - 600 MCM | See Note * | (6) #4 - 600 MCM | 36" | 72" | 8" | Fig. 1 |
| 78205118205 | R1096 HGG | 1600 | 3Ø/4W | 10K | (6) #4 - 600 MCM | See Note * | (6) #4 - 600 MCM | 36" | 96" | 8" | Fig. 1 |
| 78205118190 | R10120 HGG | 1600 | 3Ø/4W | 10K | (6) #4 - 600 MCM | See Note * | (6) #4 - 600 MCM | 36" | 120" | 8" | Fig. 1 |
| 78205131976 | R1072 HHH | 2000 | 3Ø/4W | 10K | (6) #4 - 600 MCM | See Note * | (6) #4 - 600 MCM | 36" | 72" | 8" | Fig. 1 |
| 78205118210 | R1096 HHH | 2000 | 3Ø/4W | 10K | (6) #4 - 600 MCM | See Note * | (6) #4 - 600 MCM | 36" | 96" | 8" | Fig. 1 |
| 78205118195 | R10120 HHH | 2000 | 3Ø/4W | 10K | (6) #4 - 600 MCM | See Note * | (6) #4 - 600 MCM | 36" | 120" | 8" | Fig. 1 |

Note: * 5/16" mounting holes for load lugs - single location per phase per foot of width.

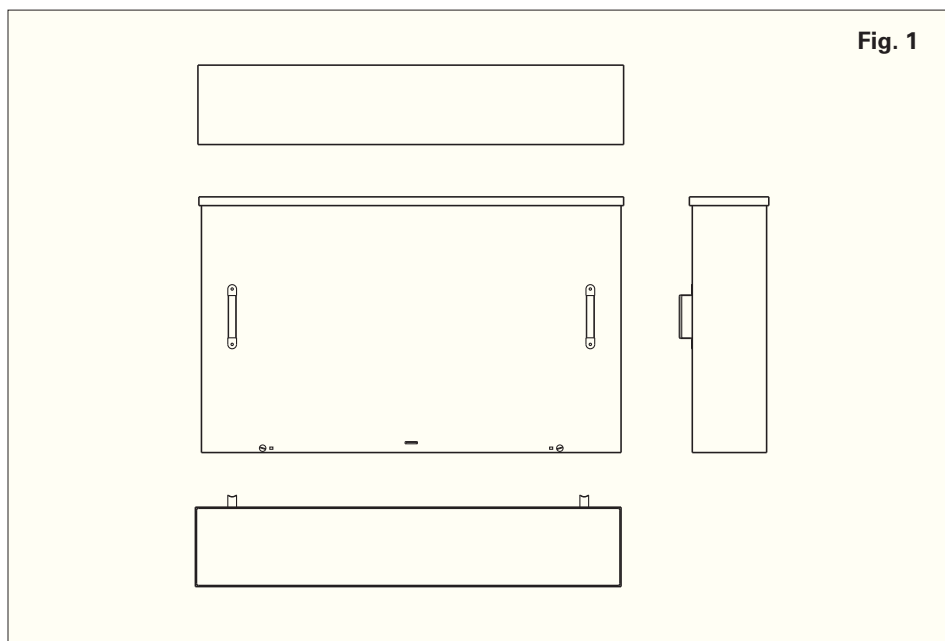
Note: Every 600 MCM lug barrel will accept (2) 1/0 - 250 MCM cables

Universal Bussed Gutters

400 - 2000 Amp

| Style # | Suffixes |
|---------|-----------------------------|
| R1024 | SS - Stainless Steel |
| R1036 | /CU - Copper Buss |
| R1048 | |
| R1060 | |
| R1072 | |
| R1096 | |
| R10120 | |

Layouts



All cabinets 60" and wider have two (2) doors.
Cabinets 48" wide and 28¹/₂" tall also have two (2) doors.

Bussed Gutters &
Termination Cabinets

Bussed Gutters - For TB/MTB Units

400 - 800 Amp



R1123HCC (closed)



R1123HCC (open)



Application

- Used as a distribution point for multiple load applications under a common feed
- Surface mount

Construction

- NEMA Type 3R
- ANSI 61 gray E-coat finish
- Aluminum bussing

Standards

- UL 1773 Listed

Bussed Gutters & Termination Cabinets

| Part/UPC Number | Catalog Number | Buss Amps | Service Type | Positions | Connections | | | Overall Dimensions | | | Knockout Layout |
|-----------------|----------------|-----------|--------------|-----------|------------------|--------------|------------------|----------------------------------|----------------------------------|-------|-----------------|
| | | | | | Line | Load | Neutral | Height | Width | Depth | |
| 78205157083 | R1122 HC | 400 | 1Ø/3W | 2 | #4 - 600 MCM | #6 - 600 MCM | #4 - 600 MCM | 13" | 28 ³ / ₈ " | 6" | Fig. 1 |
| 78205157087 | R1123 HC | 400 | 1Ø/3W | 3 | #4 - 600 MCM | #6 - 600 MCM | #4 - 600 MCM | 13" | 42 ³ / ₄ " | 6" | Fig. 2 |
| 78205157089 | R1123 HD | 600 | 1Ø/3W | 3 | (2) #4 - 600 MCM | #6 - 600 MCM | (2) #4 - 600 MCM | 22" | 42 ³ / ₄ " | 6" | Fig. 2 |
| 78205157091 | R1124 HD | 600 | 1Ø/3W | 4 | (2) #4 - 600 MCM | #6 - 600 MCM | (2) #4 - 600 MCM | 22" | 57" | 6" | Fig. 3 |
| 78205157107 | R1125 HD | 600 | 1Ø/3W | 5 | (2) #4 - 600 MCM | #6 - 600 MCM | (2) #4 - 600 MCM | 22" | 71 ¹ / ₄ " | 6" | Fig. 4 |
| 78205157111 | R1126 HD | 600 | 1Ø/3W | 6 | (2) #4 - 600 MCM | #6 - 600 MCM | (2) #4 - 600 MCM | 22" | 85 ⁵ / ₈ " | 6" | Fig. 5 |
| 78205157093 | R1124 HE | 800 | 1Ø/3W | 4 | (3) #4 - 600 MCM | #6 - 600 MCM | (3) #4 - 600 MCM | 22" | 57" | 6" | Fig. 3 |
| 78205157109 | R1125 HE | 800 | 1Ø/3W | 5 | (3) #4 - 600 MCM | #6 - 600 MCM | (3) #4 - 600 MCM | 22" | 71 ¹ / ₄ " | 6" | Fig. 4 |
| 78205157113 | R1126 HE | 800 | 1Ø/3W | 6 | (3) #4 - 600 MCM | #6 - 600 MCM | (3) #4 - 600 MCM | 22" | 85 ⁵ / ₈ " | 6" | Fig. 5 |
| 78205157097 | R1122 HCC | 400 | 3Ø/4W | 2 | #4 - 600 MCM | #6 - 600 MCM | #4 - 600 MCM | 22" | 28 ³ / ₈ " | 6" | Fig. 1 |
| 78205157099 | R1123 HCC | 400 | 3Ø/4W | 3 | #4 - 600 MCM | #6 - 600 MCM | #4 - 600 MCM | 22" | 42 ³ / ₄ " | 6" | Fig. 2 |
| 78205157101 | R1123 HDD | 600 | 3Ø/4W | 3 | (2) #4 - 600 MCM | #6 - 600 MCM | (2) #4 - 600 MCM | 22" | 42 ³ / ₄ " | 6" | Fig. 2 |
| 78205157103 | R1124 HDD | 600 | 3Ø/4W | 4 | (2) #4 - 600 MCM | #6 - 600 MCM | (2) #4 - 600 MCM | 22" | 57" | 6" | Fig. 3 |
| 78205157115 | R1125 HDD | 600 | 3Ø/4W | 5 | (2) #4 - 600 MCM | #6 - 600 MCM | (2) #4 - 600 MCM | 22" | 71 ¹ / ₄ " | 6" | Fig. 4 |
| 78205157119 | R1126 HDD | 600 | 3Ø/4W | 6 | (2) #4 - 600 MCM | #6 - 600 MCM | (2) #4 - 600 MCM | 22" | 85 ⁵ / ₈ " | 6" | Fig. 5 |
| 78205157103 | R1124 HEE | 800 | 3Ø/4W | 4 | (3) #4 - 600 MCM | #6 - 600 MCM | (3) #4 - 600 MCM | 28 ¹ / ₂ " | 57" | 6" | Fig. 3 |
| 78205157117 | R1125 HEE | 800 | 3Ø/4W | 5 | (3) #4 - 600 MCM | #6 - 600 MCM | (3) #4 - 600 MCM | 28 ¹ / ₂ " | 71 ¹ / ₄ " | 6" | Fig. 4 |
| 78205157121 | R1126 HEE | 800 | 3Ø/4W | 6 | (3) #4 - 600 MCM | #6 - 600 MCM | (3) #4 - 600 MCM | 28 ¹ / ₂ " | 85 ⁵ / ₈ " | 6" | Fig. 5 |

Notes:

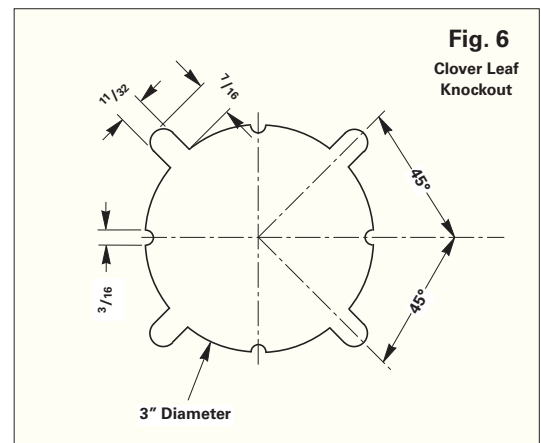
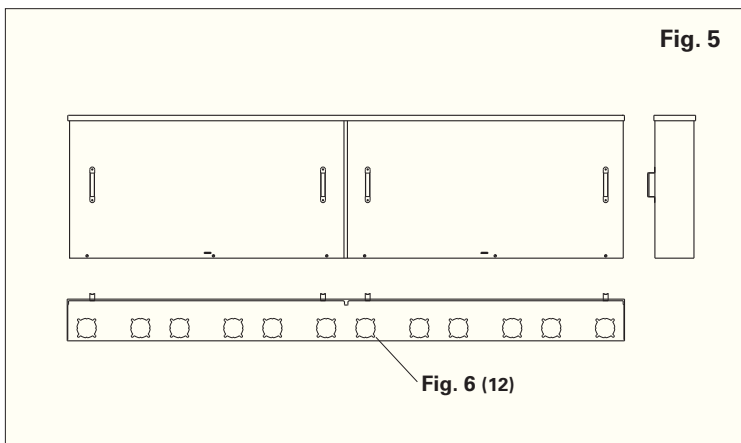
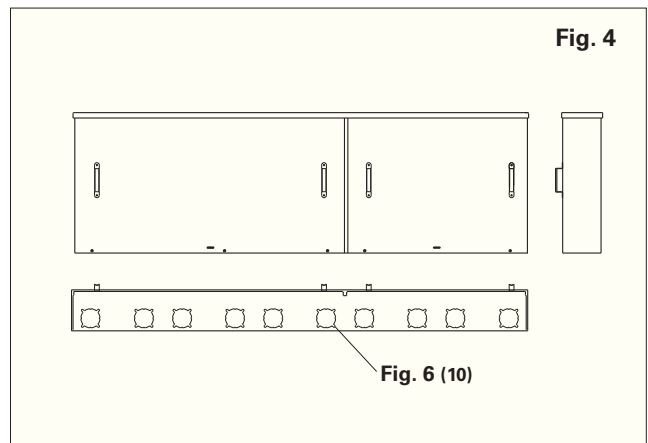
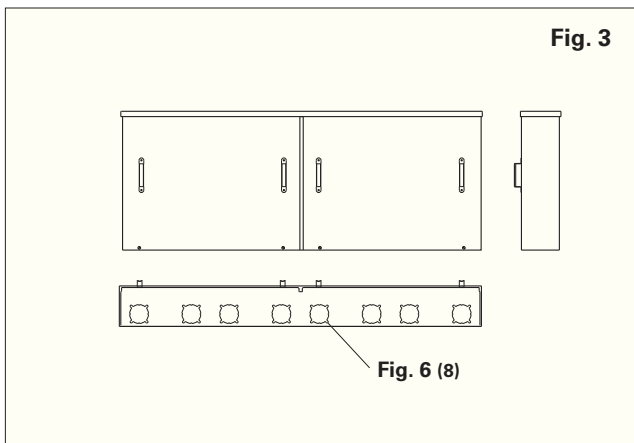
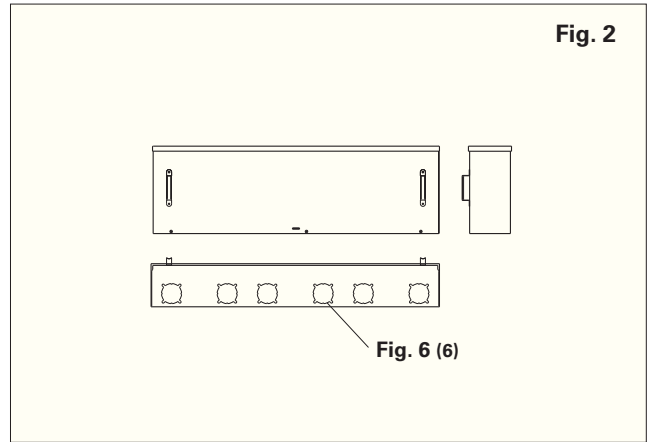
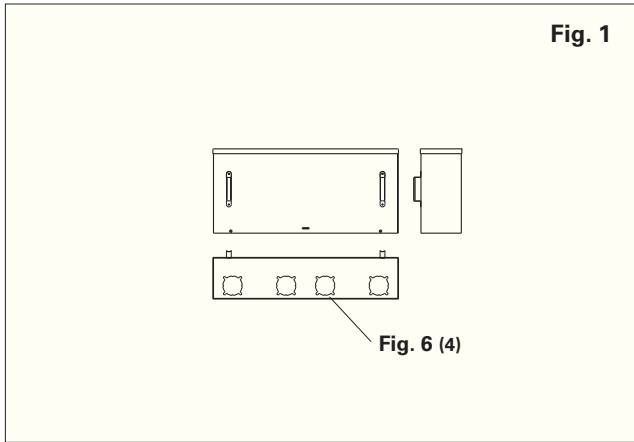
- All TB/MTB bussed gutters are rated at 10K AIC.
- All units have (1) #6 -250 MCM ground lug secured to the neutral.
- Every 600 MCM lug barrel will accept (2) 1/0 - 250 MCM cables.

Bussed Gutters - For TB/MTB Units

400 - 800 Amps

| Style # | Suffixes |
|---------|-----------------------------|
| R1122 | SS - Stainless Steel |
| R1123 | /CU - Copper Buss |
| R1124 | |
| R1125 | |
| R1126 | |

Knockout Layouts



Bussed Gutters & Termination Cabinets

Data subject to change without notice. Consult local utility for area acceptance. All dimensions are in inches.

Termination Enclosures

100 - 1200 Amp



R9000EE (closed)



R9000EE (open)

Application

- For termination of utility supply cables
- Used as a termination point before bussed gutters in underground applications
- Surface mount

Construction

- NEMA Type 3R
- ANSI 61 gray E-coat finish
- Aluminum bussing
- Removable door with sealing provision and lifting handles



Standards

- UL 1773 Listed
- EUSERC 343
- EUSERC 343A

Bussed Gutters & Termination Cabinets

| Part/UPC Number | Catalog Number | Amp Rating | Service Type | Access | AIC | Phase & Neutral Connections | | Overall Dimensions | | | Knockout Layout |
|-----------------|------------------|------------|--------------|--------|-----|-----------------------------|------------------|--------------------|-------|-------|-----------------|
| | | | | | | Line | Load | Height | Width | Depth | |
| 78205153196 | R9007 A | 100 | 1Ø or 3Ø/3W | UG | 10K | #14 - 2/0 | #14 - 2/0 | 8" | 12" | 4" | Fig. 1 |
| 78205158183 | R9000 B | 200 | 1Ø or 3Ø/3W | UG | 10K | #6 - 250 MCM | #6 - 250 MCM | 26" | 12" | 6" | Fig. 1 |
| 78205153189 | R9000 BB | 200 | 3Ø/4W | UG | 10K | #6 - 250 MCM | #6 - 250 MCM | 26" | 16" | 6" | Fig. 1 |
| 78205153184 | R9000 C | 400 | 1Ø or 3Ø/3W | UG | 42K | 2 Studs / Ø | #6 - 600 MCM | 44" | 12" | 7" | Fig. 1 |
| 78205153190 | R9000 CC | 400 | 3Ø/4W | UG | 42K | 2 Studs / Ø | #6 - 600 MCM | 44" | 18" | 7" | Fig. 1 |
| 78205153186 | R9000 E | 800 | 1Ø or 3Ø/3W | UG | 65K | 4 Studs / Ø | (3) #4 - 600 MCM | 52" | 18" | 11" | Fig. 1 |
| 78205153192 | R9000 EE | 800 | 3Ø/3W | UG | 65K | 4 Studs / Ø | (3) #4 - 600 MCM | 52" | 26" | 11" | Fig. 1 |
| 78205153188 | R9000 F | 1200 | 1Ø or 3Ø/3W | UG | 65K | 6 Studs / Ø | (4) #4 - 600 MCM | 52" | 24" | 11" | Fig. 1 |
| 78205153194 | R9000 FF | 1200 | 3Ø/4W | UG | 65K | 6 Studs / Ø | (4) #4 - 600 MCM | 52" | 36" | 11" | Fig. 1 |
| 78205107197 | R9000 CL | 400 | 1Ø or 3Ø/3W | OH/UG | 42K | #4 - 600 MCM | #4 - 600 MCM | 44" | 12" | 7" | Fig. 1 |
| 78205107200 | R9000 CCL | 400 | 3Ø/4W | OH/UG | 42K | #4 - 600 MCM | #4 - 600 MCM | 44" | 18" | 7" | Fig. 1 |
| 78205107198 | R9000 EL | 800 | 1Ø or 3Ø/3W | OH/UG | 65K | (3) #4 - 600 MCM | (3) #4 - 600 MCM | 52" | 18" | 11" | Fig. 1 |
| 78205107201 | R9000 EEL | 800 | 3Ø/3W | OH/UG | 65K | (3) #4 - 600 MCM | (3) #4 - 600 MCM | 52" | 26" | 11" | Fig. 1 |
| 78205107199 | R9000 FL | 1200 | 1Ø or 3Ø/3W | OH/UG | 65K | (4) #4 - 600 MCM | (3) #4 - 600 MCM | 52" | 24" | 11" | Fig. 1 |
| 78205107202 | R9000 FFL | 1200 | 3Ø/4W | OH/UG | 65K | (4) #4 - 600 MCM | (3) #4 - 600 MCM | 52" | 36" | 11" | Fig. 1 |

Notes:

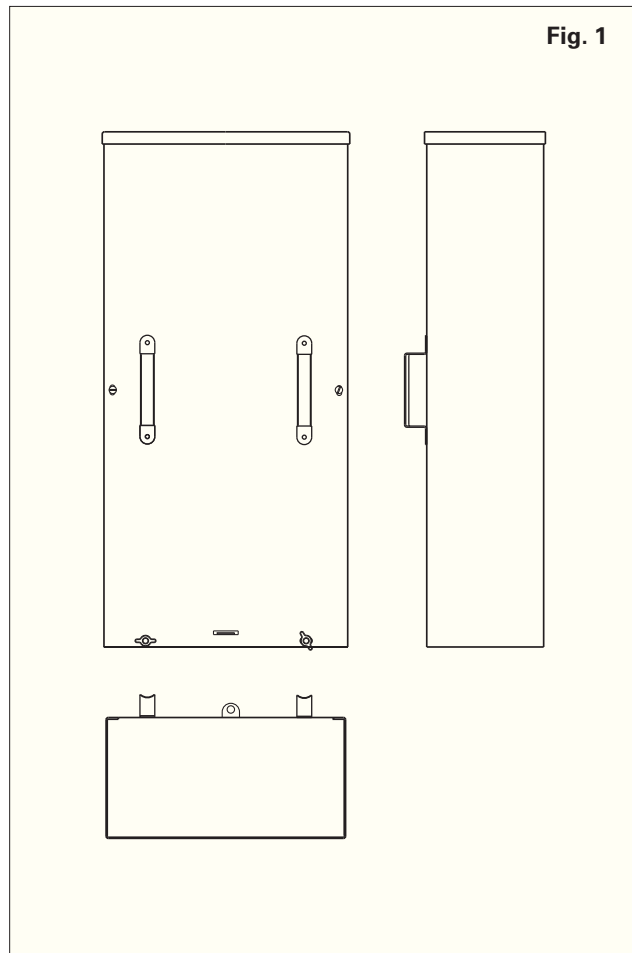
UG units comply with EUSERC 343A.

OH/UG units comply with EUSERC 343.

Every 600 MCM lug barrel will accept (2) 1/0 - 250 MCM cables.

| Style # | Suffixes |
|---------|----------------------|
| R9000 | SS - Stainless Steel |

Layouts



52" tall cabinets have two (2) overlapping doors as shown on the R9000EE photo (page 53)

Bussed Gutters & Termination Cabinets



| | |
|---|---------|
| Single Meter Sockets, Without Bypass - 400 Amp Max | 57 - 58 |
| Meter Mains, With Optional MCC Bypass - 400 Amp Max | 59 - 60 |
| Meter Main Load Centers, With Optional MCC Bypass - 400 Amp Max | 61 - 62 |
| Class 320 - Meter Breaker Data | 63 |
| Class 320 - Wiring Diagrams | 64 - 65 |

Single Meter Sockets - Without Bypass

400 Amp Max



324N (open)



324C (open)



Application

- Manual circuit closing bypass (link bypass) under separate cover
- Receive ANSI C12.10 watt-hour meters
- Surface mount

Construction

- NEMA Type 3R
- ANSI 61 gray E-coat finish
- Aluminum snap ring included

Standards

- UL 414 Listed
- ANSI C12.7
- EUSERC 302

Accessories

- Flush Trim Kit - FK1432 or FK2432
- H Hubs

| Part/UPC Number | Catalog Number | Max Amp Rating | Jaws | Service Type | Access | Bypass |
|-----------------|----------------|----------------|------|--------------|--------|--------|
| 78205162220 | 324C * | 400 | 4 | 1Ø/3W | UG | MCC |
| 78205162210 | 324N | 400 | 4 | 1Ø/3W | UG | MCC |

| Part/UPC Number | Catalog Number | Connections | | | Overall Dimensions | | | Top Provision | Knockout Layout |
|-----------------|----------------|--------------|--------------|--------------|--------------------|-------|-------|---------------|-----------------|
| | | Line | Load | Neutral | Height | Width | Depth | | |
| 78205162220 | 324C * | Studs | #4 - 600 MCM | Studs | 32" | 24" | 6" | None | Fig. 1 |
| 78205162210 | 324N | #4 - 600 MCM | #4 - 600 MCM | #4 - 600 MCM | 32" | 14" | 6" | H Hub | Fig. 2 |

* Complies with EUSERC 302

Single Meter Sockets - Without Bypass

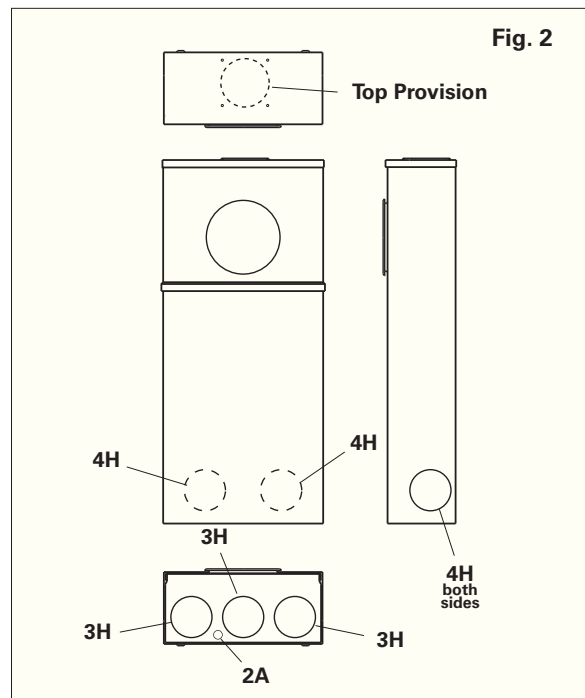
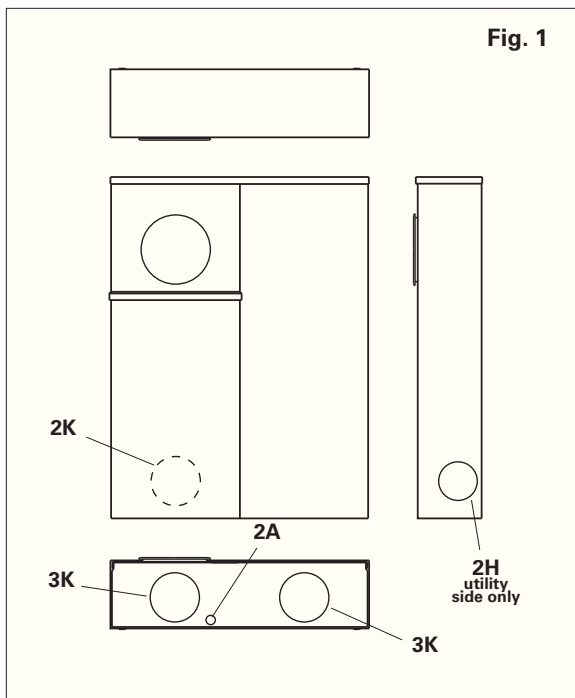
400 Amp Max

| Style # | Suffixes |
|---------|----------------------|
| 324C | SS - Stainless Steel |
| 324N | |

Knockouts - Conduit Sizes

2A = 1/2" - 1/4"
 3H = 3" - 2 1/2" - 2"
 4H = 3" - 2 1/2" - 2" - 1 1/2"
 2K = 4" - 3 1/2"
 3K = 4" - 3 1/2" - 3"
 Top Provision = See Chart

Knockout Layouts



Class 320 Metering

Data subject to change without notice. Consult local utility for area acceptance. All dimensions are in inches.

Meter Mains - With Optional MCC Bypass

400 Amp Max



U4042MC (closed)



U4042MC (open)

Application

- Combination meter/main with optional manual circuit closing (link type) bypass
- Factory installed breaker
- Receive ANSI C12.10 watt-hour meters
- Surface mount

Construction

- NEMA Type 3R
- ANSI 61 gray E-coat finish
- Aluminum snap ring included
- Removable door with sealing provision and lifting handles

Standards

- UL 67 Listed
- ANSI C12.7
- EUSERC 302

Accessories

- Flush Trim Kit - FK2438
- Overhead Adapter - CK8326



| Part/UPC Number | Catalog Number | Max Amp Rating | Jaws | Service Type | Access | Voltage | Main Breaker AIC | Main | Bypass |
|-----------------|----------------|----------------|------|--------------|--------|---------|------------------|--------------|--------|
| 78205181515 | U4042MC | 400 | 4 | 1Ø/3W | UG | 120/240 | 10K | (2) 200A, 2P | -- |
| 78205181517 | U4042MCC | 400 | 4 | 1Ø/3W | UG | 120/240 | 10K | (2) 200A, 2P | MCC |
| 78205181525 | U404MC | 400 | 4 | 1Ø/3W | UG | 120/240 | 22K | (1) 400A, 2P | -- |
| 78205181530 | U404MCC | 400 | 4 | 1Ø/3W | UG | 120/240 | 22K | (1) 400A, 2P | MCC |

| Part/UPC Number | Catalog Number | Connections | | | Overall Dimensions | | | Top Provision | Knockout Layout |
|-----------------|----------------|-------------|------|--------------|--------------------|-------|-------|---------------|-----------------|
| | | Line | Load | Neutral | Height | Width | Depth | | |
| 78205181515 | U4042MC | Studs | MCB | #6 - 250 MCM | 38" | 30" | 6" | None | Fig. 1 |
| 78205181517 | U4042MCC | Studs | MCB | #6 - 250 MCM | 38" | 30" | 6" | None | Fig. 1 |
| 78205181525 | U404MC | Studs | MCB | #6 - 600 MCM | 38" | 24" | 6" | None | Fig. 2 |
| 78205181530 | U404MCC | Studs | MCB | #6 - 600 MCM | 38" | 24" | 6" | None | Fig. 2 |

Class 320 Metering

Meter Mains - With Optional MCC Bypass

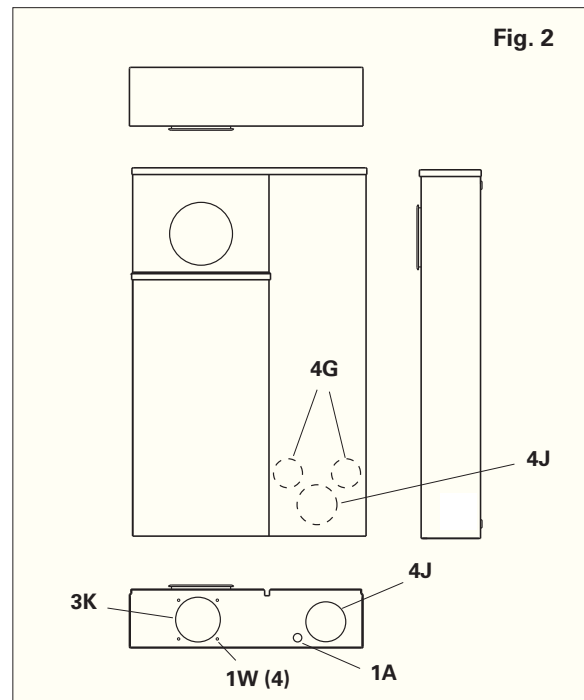
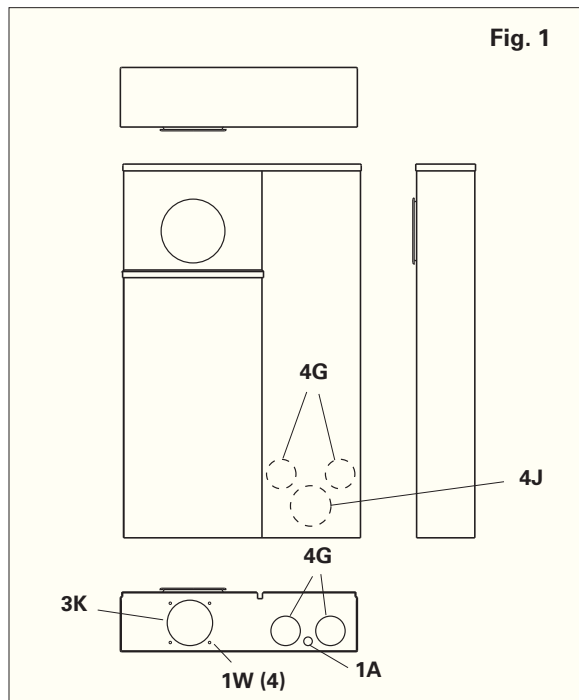
400 Amp Max

| Style # | Suffixes |
|---------|-----------------------------|
| U404 | MC - No bypass |
| U4042 | MCC - MCC bypass |
| | SS - Stainless Steel |

Knockouts - Conduit Sizes

1A = 1/2"
 4G = 2 1/2" - 2" - 1 1/2" - 1 1/4"
 4J = 3 1/2" - 3" - 2 1/2" - 2"
 3K = 4" - 3 1/2" - 3"
 1W = 1/4"
 Top Provision = See Chart

Knockout Layouts



Class 320 Metering

Data subject to change without notice. Consult local utility for area acceptance. All dimensions are in inches.

Meter Main Loadcenters - With Optional MCC Bypass

400 Amp Max



U4041123MC (closed)



U4041123MC (open)



Application

- Combination meter/main/loadcenter with optional manual circuit closing (link type) bypass
- Factory installed breaker
- Receive ANSI C12.10 watt-hour meters
- Surface mount

Construction

- NEMA Type 3R
- ANSI 61 gray E-coat finish
- Aluminum snap ring included
- Removable door with sealing provision and lifting handles

Standards

- UL 67 Listed
- ANSI C12.7
- EUSERC 302

| Part/UPC Number | Catalog Number | Max Amp Rating | Jaws | Service Type | Access | Main Breaker | | Provisions | Loadcenter | Bypass |
|-----------------|----------------|----------------|------|--------------|--------|--------------|------------------|------------|------------|--------|
| | | | | | | Voltage | AIC | | | |
| 78205157072 | U40411230MC | 400 | 4 | 1Ø/3W | UG | 120/240 | 22K (2) 200A, 2P | (2) 100A | 30/40 | -- |
| 78205157074 | U40411230MCC | 400 | 4 | 1Ø/3W | UG | 120/240 | 22K (2) 200A, 2P | (2) 100A | 30/40 | MCC |
| 78205119923 | U4042208MC | 400 | 4 | 1Ø/3W | UG | 120/240 | 22K (1) 200A, 2P | (1) 200A | 8 | -- |
| 78205120682 | U4042208MCC | 400 | 4 | 1Ø/3W | UG | 120/240 | 22K (1) 200A, 2P | (1) 200A | 8 | MCC |
| 78205177210 | U4042230MC | 400 | 4 | 1Ø/3W | UG | 120/240 | 22K (1) 200A, 2P | (1) 200A | 30/40 | -- |
| 78205177220 | U4042230MCC | 400 | 4 | 1Ø/3W | UG | 120/240 | 22K (1) 200A, 2P | (1) 200A | 30/40 | MCC |
| 78205177230 | U404430MC | 400 | 4 | 1Ø/3W | UG | 120/240 | 22K (1) 400A, 2P | -- | 30 | -- |
| 78205177240 | U404430MCC | 400 | 4 | 1Ø/3W | UG | 120/240 | 22K (1) 400A, 2P | -- | 30 | MCC |

| Part/UPC Number | Catalog Number | Connections | | Height | Overall Dimensions | | Top Provision | Knockout Layout |
|-----------------|----------------|-------------|------|--------------|--------------------|-------|---------------|-----------------|
| | | Line | Load | | Neutral | Width | | |
| 78205157072 | U40411230MC | Studs | MCB | #6 - 250 MCM | 38" | 30" | 6" | None Fig. 1 |
| 78205157074 | U40411230MCC | Studs | MCB | #6 - 250 MCM | 38" | 30" | 6" | None Fig. 1 |
| 78205119923 | U4042208MC | Studs | MCB | #6 - 250 MCM | 38" | 30" | 6" | None Fig. 2 |
| 78205120682 | U4042208MCC | Studs | MCB | #6 - 250 MCM | 38" | 30" | 6" | None Fig. 2 |
| 78205177210 | U4042230MC | Studs | MCB | #6 - 250 MCM | 38" | 30" | 6" | None Fig. 1 |
| 78205177220 | U4042230MCC | Studs | MCB | #6 - 250 MCM | 38" | 30" | 6" | None Fig. 1 |
| 78205177230 | U404430MC | Studs | MCB | #6 - 250 MCM | 47" | 34" | 6" | None Fig. 3 |
| 78205177240 | U404430MCC | Studs | MCB | #6 - 250 MCM | 47" | 34" | 6" | None Fig. 3 |

Class 320 Metering

Meter Main Loadcenters - With Optional MCC Bypass

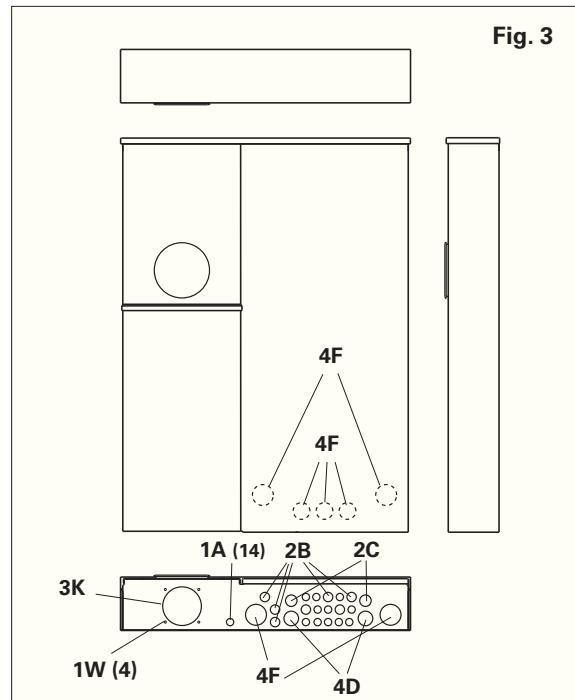
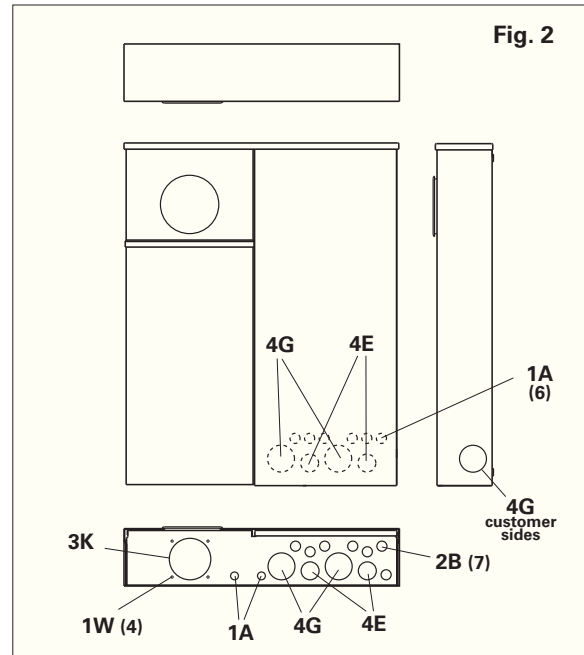
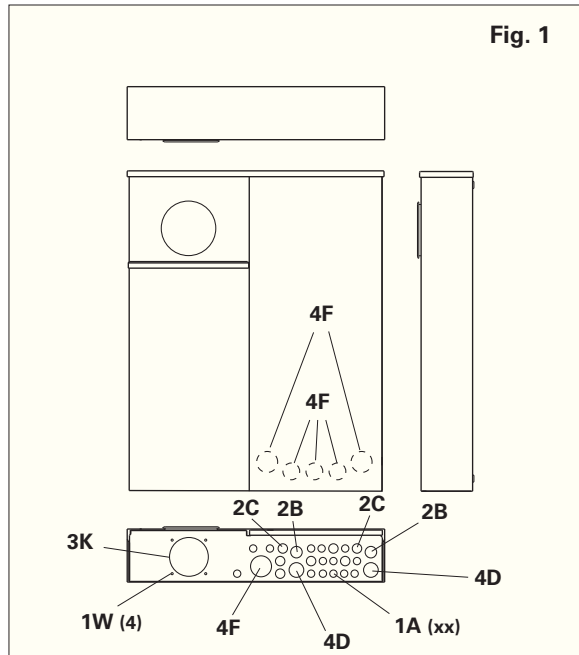
400 Amp Max

| Style # | Suffixes |
|-----------|-----------------------------|
| U404430 | MC - No bypass |
| U4042208 | MCC - MCC bypass |
| U4042230 | SS - Stainless Steel |
| U40411230 | |

Knockouts - Conduit Sizes

- 1A = 1/2"
- 2B = 3/4" - 1/2"
- 2C = 1" - 3/4"
- 4D = 1 1/4" - 1" - 3/4" - 1/2"
- 4E = 1 1/2" - 1 1/4" - 1" - 3/4"
- 4F = 2" - 1 1/2" - 1 1/4" - 1"
- 4G = 2 1/2" - 2" - 1 1/2" - 1 1/4"
- 3K = 4" - 3 1/2" - 3"
- 1W = 1/4"

Knockout Layouts



Data subject to change without notice. Consult local utility for area acceptance. All dimensions are in inches.

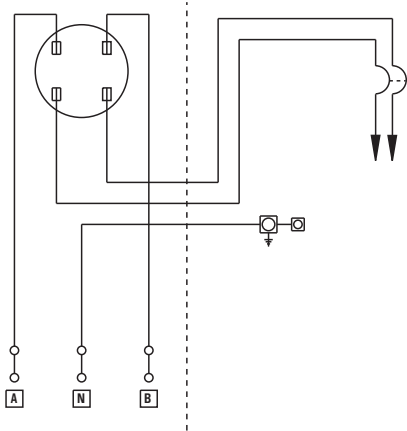
Class 320 - Meter Breaker Data

Main Breaker Data

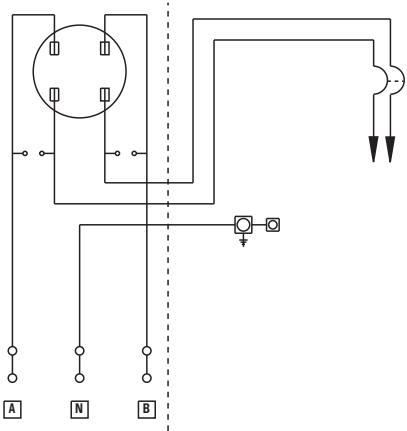
| Catalog Number | B-Line Breaker # | ITE Breaker # | Ampacity | # of Poles | AIC |
|-----------------|------------------|---------------|----------|------------|-----|
| U404MC/MCC | 25564F | JXD22B400 | 400A | 2P | 22K |
| U4042MC/MCC | 25582A | QN2200 | 200A | 2P | 10K |
| U40411230MC/MCC | 25585A | MBK200A | 200A | 2P | 22K |
| U4042230MC/MCC | 25585A | MBK200A | 200A | 2P | 22K |
| U404430MC/MCC | 25564F | JXD22B400 | 400A | 2P | 22K |
| U4042208MC | -- | MBK200A | 200A | 2P | 22K |
| U4042208MCC | -- | MBK200A | 200A | 2P | 22K |

Breaker Provision Data

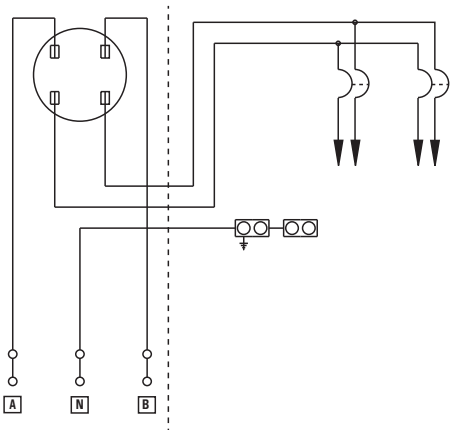
| Catalog Number | B-Line Breaker # | ITE Breaker # | Ampacity | # of Poles | AIC |
|-----------------|------------------|---------------|----------|------------|-----|
| U40411230MC/MCC | 25458P | Q2100 | 100A | 2P | 10K |
| U4042230MC/MCC | 25464P | Q2100H | 200A | 2P | 22K |
| | 25582A | QN2200 | 200A | 2P | 10K |
| U4042208MC/MCC | 25583A | QN2200H | 200A | 2P | 22K |
| | 25582A | QN2200 | 200A | 2P | 10K |



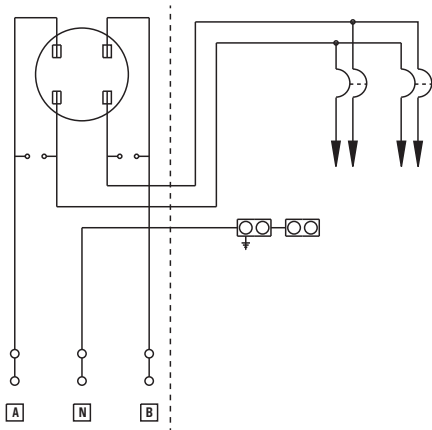
Catalog #
U404MC



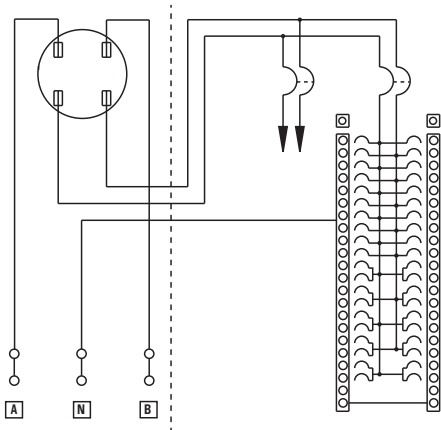
Catalog #
U404MCC



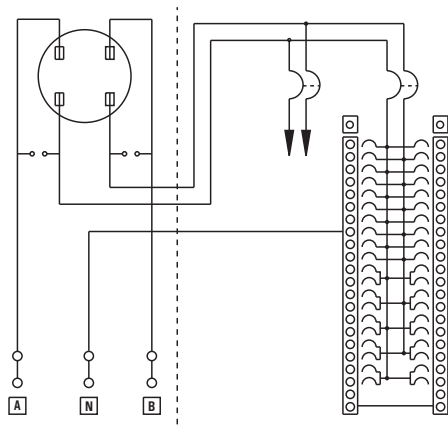
Catalog #
U4042MC



Catalog #
U4042MCC



Catalog #
U404223MC

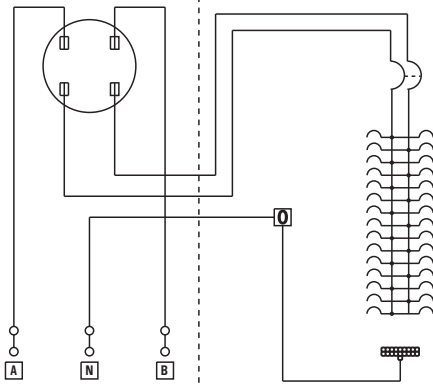


Catalog #
U404223MCC

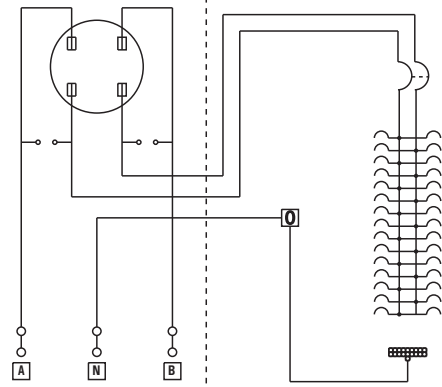
Class 320 Metering

Data subject to change without notice. Consult local utility for area acceptance. All dimensions are in inches.

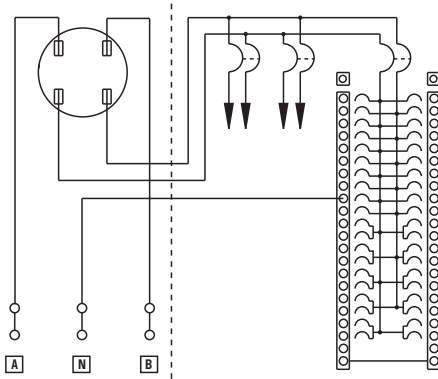
Class 320 - Wiring Diagrams



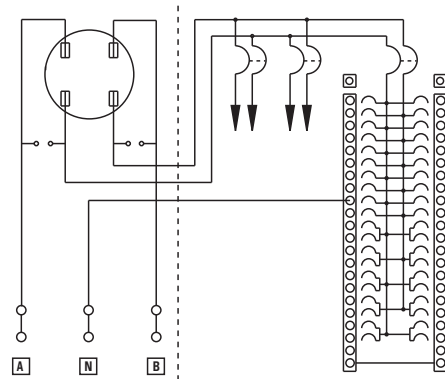
Catalog #
U404430MC



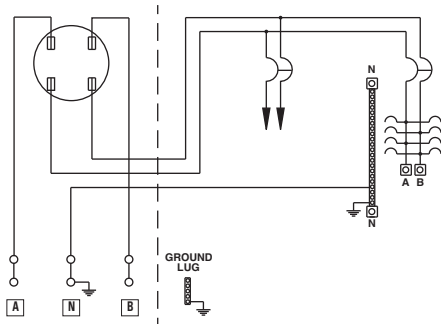
Catalog #
U404430MCC



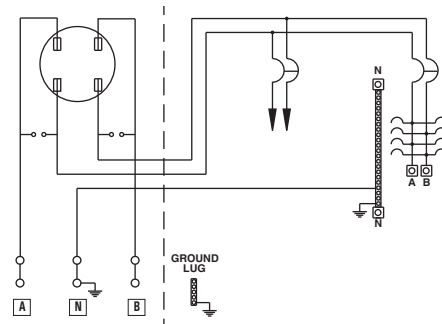
Catalog #
U40411230MC



Catalog #
U40411230MCC



Catalog #
U4042208MC



Catalog #
U4042208MCC

Class 320 Metering



| | |
|--|---------|
| Single Meter Sockets, Without Bypass - CT Rated | 67 - 68 |
| Single Meter Sockets, CT Rated With Test Switch Bypass Provision | 69 - 70 |
| Meter Socket / Enclosure Combination Cabinets - CT Rated | 71 - 72 |
| CT Enclosures With Lift Off Covers | 73 - 74 |
| CT Enclosures With Hinged, Lift Off Doors | 75 - 76 |
| CT Mounting Bases | 77 |
| CT Mounting Bases - Test Configuration Sheet | 78 |
| CT Utility Enclosures | 79 - 80 |

Single Meter Sockets - Without Bypass

CT Rated



051HS-13 (closed)



051HS-13 (open)

Application

- Receive ANSI C12.10 watt-hour meters
- Overhead and underground feed (see chart)
- Surface mount

Construction

- Ring type
- NEMA Type 3R
- ANSI 61 gray E-coat finish
- Aluminum snap ring included



Standards

- UL 414 Listed
- ANSI C12.7

Accessories

- AW Hub
- Screw Type Ring - 25016D

| Part/UPC Number | Catalog Number | Amp Rating | Jaws | Service Type | Access | Connections | | |
|-----------------|----------------|------------|------|--------------|--------|-------------|-----------|-----------|
| | | | | | | Line | Load | Neutral |
| 78205168494 | 924 | 20 | 4 | 1Ø | OH/UG | #14 - #10 | #14 - #10 | #14 - #10 |
| 78205144010 | 925 | 20 | 5 | 1Ø | OH/UG | #14 - #10 | #14 - #10 | #14 - #10 |
| 78205144020 | 926 | 20 | 6 | 1Ø | OH/UG | #14 - #10 | #14 - #10 | #14 - #10 |
| 78205144040 | 928 | 20 | 8 | 1Ø or 3Ø | OH/UG | #14 - #10 | #14 - #10 | #14 - #10 |
| 78205144045 | 051HS-13 | 20 | 13 | 3Ø | OH/UG | #14 - #10 | #14 - #10 | #14 - #10 |
| 78205144050 | 051HS-15 | 20 | 15 | 3Ø | OH/UG | #14 - #10 | #14 - #10 | #14 - #10 |
| 78205102085 | 924 MS77 | 20 | 4 | 1Ø | OH/UG | #14 - #10 | #14 - #10 | #14 - #10 |

| Part/UPC Number | Catalog Number | Overall Dimensions | | | Top Provision | Knockout Layout |
|-----------------|----------------|--------------------|-------|---------------------------------|---------------|-----------------|
| | | Height | Width | Depth | | |
| 78205168494 | 924 | 12" | 8" | 4 ⁵ / ₈ " | AW Hub | Fig. 1 |
| 78205144010 | 925 | 12" | 8" | 4 ⁵ / ₈ " | AW Hub | Fig. 1 |
| 78205144020 | 926 | 12" | 8" | 4 ⁵ / ₈ " | AW Hub | Fig. 1 |
| 78205144040 | 928 | 12" | 8" | 4 ⁵ / ₈ " | AW Hub | Fig. 1 |
| 78205144045 | 051HS-13 | 12" | 8" | 4 ⁵ / ₈ " | AW Hub | Fig. 1 |
| 78205144050 | 051HS-15 | 12" | 8" | 4 ⁵ / ₈ " | AW Hub | Fig. 1 |
| 78205102085 | 924 MS77 | 12" | 8" | 4 ⁵ / ₈ " | AW Hub | Fig. 1 |

Single Meter Sockets - Without Bypass

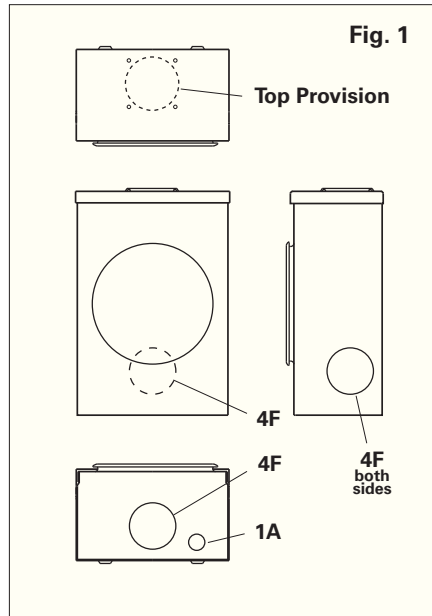
CT Rated

| Style # | Suffixes |
|---------|------------------------------|
| 924 | MS77 - 1" Conduit Hub |
| 925 | SS - Stainless Steel |
| 926 | |
| 928 | |
| 051HS | |

Knockouts - Conduit Sizes

1A = 1/2"
4F = 2" - 1 1/2" - 1 1/4" - 1"
Top Provision ≠ See Chart

Knockout Layouts



Data subject to change without notice. Consult local utility for area acceptance. All dimensions are in inches.

Single Meter Sockets

CT Rated With Test Switch Bypass Provision



121413 (closed)



121413 (open)

Application

- Test switch section under separate cover
- Test switch perch included
- Receive ANSI C12.10 watt-hour meters
- Overhead and underground feed (see chart)
- Surface mount

Construction

- Ring type
- NEMA Type 3R
- ANSI 61 gray E-coat finish
- Aluminum snap ring included



Standards

- UL 414 Listed
- ANSI C12.7
- EUSERC 339

Accessories

- AW Hub
- Screw Type Ring - 25016D

| Part/UPC Number | Catalog Number | Amp Rating | Jaws | Service Type | Access | Connections | | |
|-----------------|----------------|------------|------|--------------|--------|-------------|-----------|-----------|
| | | | | | | Line | Load | Neutral |
| 78205146000 | 12144 | 20 | 4 | 1Ø | OH/UG | #14 - #10 | #14 - #10 | #14 - #10 |
| 78205146010 | 12145 | 20 | 5 | 1Ø | OH/UG | #14 - #10 | #14 - #10 | #14 - #10 |
| 78205146020 | 12146 | 20 | 6 | 1Ø | OH/UG | #14 - #10 | #14 - #10 | #14 - #10 |
| 78205144640 | 12148 | 20 | 8 | 1Ø or 3Ø | OH/UG | #14 - #10 | #14 - #10 | #14 - #10 |
| 78205144650 | 121413 | 20 | 13 | 3Ø | OH/UG | #14 - #10 | #14 - #10 | #14 - #10 |
| 78205144065 | 121415 | 20 | 15 | 3Ø | OH/UG | #14 - #10 | #14 - #10 | #14 - #10 |
| 78205146070 | 1214208 * | 20 | 8 | 1Ø or 3Ø | OH/UG | #14 - #10 | #14 - #10 | #14 - #10 |
| 78205146060 | 1214213 * | 20 | 13 | 3Ø | OH/UG | #14 - #10 | #14 - #10 | #14 - #10 |
| 78205180265 | 1214215 * | 20 | 13 | 3Ø | OH/UG | #14 - #10 | #14 - #10 | #14 - #10 |

| Part/UPC Number | Catalog Number | Overall Dimensions | | | Top Provision | Knockout Layout |
|-----------------|----------------|--------------------|----------------------------------|---------------------------------|---------------|-----------------|
| | | Height | Width | Depth | | |
| 78205146000 | 12144 | 20" | 12" | 4 ⁵ / ₈ " | AW Hub | Fig. 1 |
| 78205146010 | 12145 | 20" | 12" | 4 ⁵ / ₈ " | AW Hub | Fig. 1 |
| 78205146020 | 12146 | 20" | 12" | 4 ⁵ / ₈ " | AW Hub | Fig. 1 |
| 78205144640 | 12148 | 20" | 12" | 4 ⁵ / ₈ " | AW Hub | Fig. 1 |
| 78205144650 | 121413 | 20" | 12" | 4 ⁵ / ₈ " | AW Hub | Fig. 1 |
| 78205144065 | 121415 | 20" | 12" | 4 ⁵ / ₈ " | AW Hub | Fig. 1 |
| 78205146070 | 1214208 * | 20" | 24 ³ / ₈ " | 4 ⁵ / ₈ " | AW Hub | Fig. 2 |
| 78205146060 | 1214213 * | 20" | 24 ³ / ₈ " | 4 ⁵ / ₈ " | AW Hub | Fig. 2 |
| 78205180265 | 1214215 * | 20" | 24 ³ / ₈ " | 4 ⁵ / ₈ " | AW Hub | Fig. 2 |

* Not EUSERC 339 compliant.

Single Meter Sockets

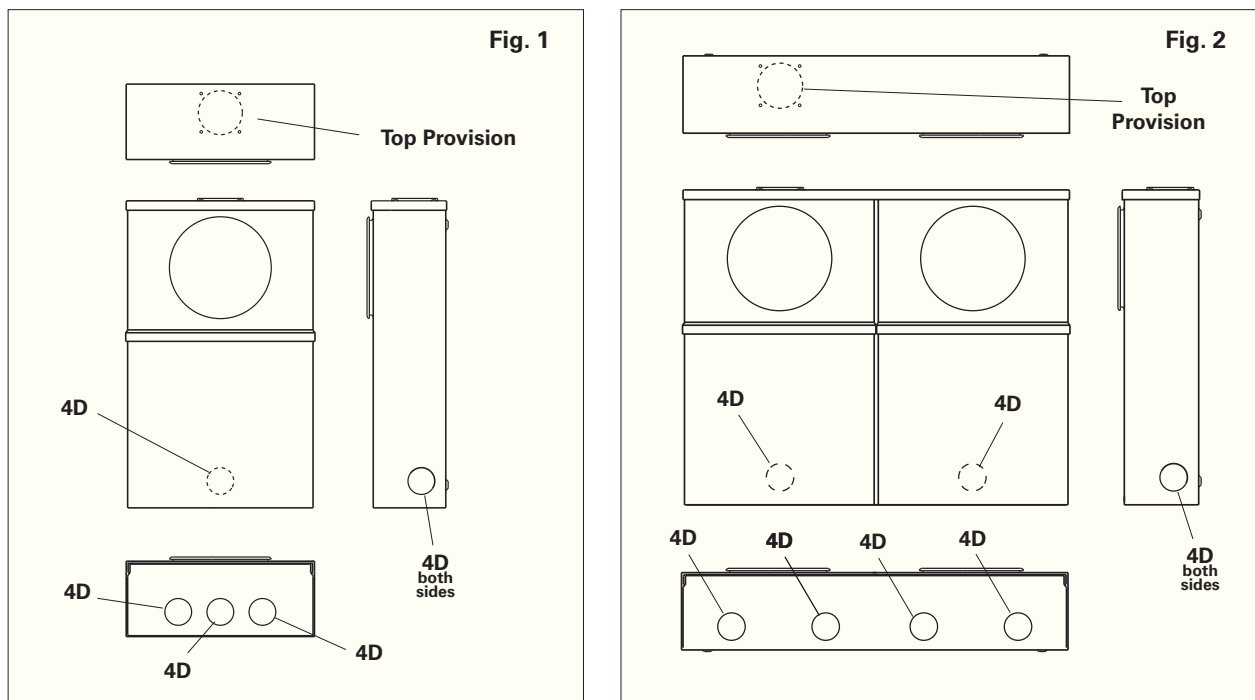
CT Rated With Test Switch Bypass Provision

| Style # | Suffixes |
|---------|-----------------------|
| 12144 | F - Flush Mount |
| 12145 | MS20 - Ring Protector |
| 12146 | SS - Stainless Steel |
| 12148 | |
| 121413 | |
| 121415 | |
| 1214208 | |
| 1214213 | |
| 1214215 | |

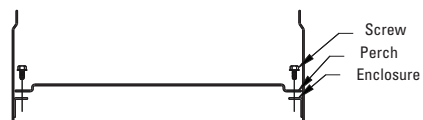
Knockouts - Conduit Sizes

4D = 1 1/4" - 1" - 3/4" - 1/2"
Top Provision = See Chart

Knockout Layouts



Test Switch Perch Instructions



Drawing 1



Drawing 1



Drawing 1

To offset test switch perch so that additional space is available for the use of a test switch cover, see instructions below.

1. Remove (4) screws that hold the perch to the enclosure (see Drawing 1)
2. Flip perch over as shown (see Drawing 2)
3. Now use the screws you removed in step one and screw the perch to the enclosure, torque screws to 35 in/lbs. (see Drawing 3)

Data subject to change without notice. Consult local utility for area acceptance. All dimensions are in inches.

Meter Socket / Enclosure Combination Cabinets

CT Rated



U122013 (closed)



U122013 (open)

Application

- Removable test switch perch included
- Includes provisions to install model 6019/6067 CT mounts
- Receive ANSI C12.10 watt-hour meters
- Overhead and/or underground feed (see chart)
- Surface mount

Construction

- Ring type
- NEMA Type 3R
- ANSI 61 gray E-coat finish
- Aluminum snap ring included



Standards

- UL 414 Listed
- ANSI C12.7
- EUSERC 313
- EUSERC 314

| Part/UPC Number | Catalog Number | Amp Rating | Jaws | Service Type | Access | Connections | | |
|-----------------|----------------|------------|------|--------------|--------|-------------|-----------|-----------|
| | | | | | | Line | Load | Neutral |
| 78205150030 | 121814 | 20 | 4 | 1Ø | OH/UG | #14 - #10 | #14 - #10 | #14 - #10 |
| 78205150040 | 121815 | 20 | 5 | 1Ø | OH/UG | #14 - #10 | #14 - #10 | #14 - #10 |
| 78205150020 | 121816 | 20 | 6 | 1Ø | OH/UG | #14 - #10 | #14 - #10 | #14 - #10 |
| 78205150050 | 121818 | 20 | 8 | 1Ø | OH/UG | #14 - #10 | #14 - #10 | #14 - #10 |
| 78205150080 | 122013 | 20 | 13 | 3Ø | OH/UG | #14 - #10 | #14 - #10 | #14 - #10 |
| 78205122735 | 122015 | 20 | 15 | 3Ø | OH/UG | #14 - #10 | #14 - #10 | #14 - #10 |
| 78205150090 | 122018 | 20 | 8 | 1Ø or 3Ø | OH/UG | #14 - #10 | #14 - #10 | #14 - #10 |
| 78205149000 | U121814 * | 20 | 4 | 1Ø | UG | #14 - #10 | #14 - #10 | #14 - #10 |
| 78205149010 | U121815 * | 20 | 5 | 1Ø | UG | #14 - #10 | #14 - #10 | #14 - #10 |
| 78205149020 | U121816 * | 20 | 6 | 1Ø | UG | #14 - #10 | #14 - #10 | #14 - #10 |
| 78205149030 | U121818 * | 20 | 8 | 1Ø or 3Ø | UG | #14 - #10 | #14 - #10 | #14 - #10 |
| 78205149040 | U122013 * | 20 | 13 | 3Ø | UG | #14 - #10 | #14 - #10 | #14 - #10 |
| 78205149045 | U122015 * | 20 | 15 | 3Ø | UG | #14 - #10 | #14 - #10 | #14 - #10 |
| 78205149050 | U122018 * | 20 | 8 | 1Ø or 3Ø | UG | #14 - #10 | #14 - #10 | #14 - #10 |

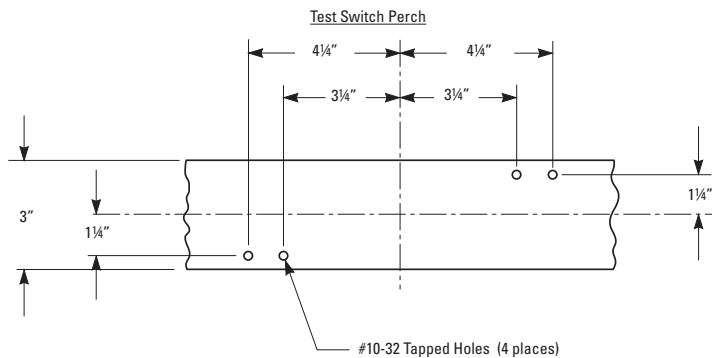
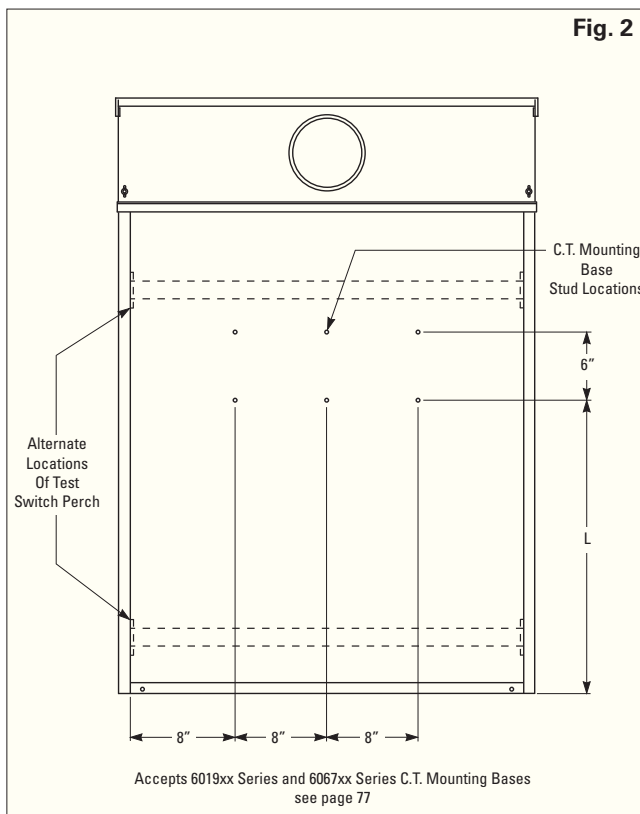
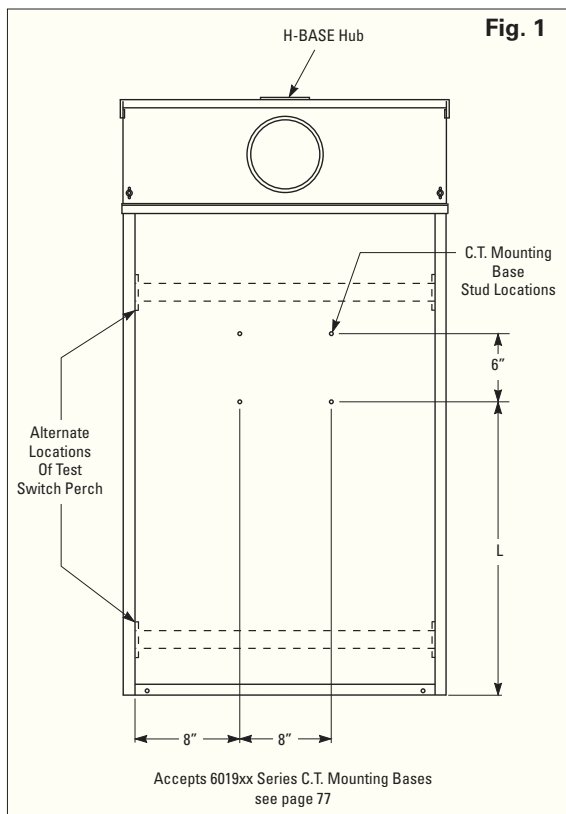
| Part/UPC Number | Catalog Number | Overall Dimensions | | | L Dimension | Top Provision | Knockout Layout |
|-----------------|----------------|--------------------|-------|-------|------------------------------------|---------------|-----------------|
| | | Height | Width | Depth | | | |
| 78205150030 | 121814 | 42" | 24" | 11" | 15 ¹¹ / ₁₆ " | H Hub | Fig. 1 |
| 78205150040 | 121815 | 42" | 24" | 11" | 15 ¹¹ / ₁₆ " | H Hub | Fig. 1 |
| 78205150020 | 121816 | 42" | 24" | 11" | 15 ¹¹ / ₁₆ " | H Hub | Fig. 1 |
| 78205150050 | 121818 | 42" | 24" | 11" | 15 ¹¹ / ₁₆ " | H Hub | Fig. 1 |
| 78205150080 | 122013 | 42" | 24" | 11" | 15 ¹¹ / ₁₆ " | H Hub | Fig. 2 |
| 78205122735 | 122015 | 42" | 24" | 11" | 15 ¹¹ / ₁₆ " | H Hub | Fig. 2 |
| 78205150090 | 122018 | 42" | 24" | 11" | 15 ¹¹ / ₁₆ " | H Hub | Fig. 2 |
| 78205149000 | U121814 * | 52" | 24" | 11" | 25 ¹¹ / ₁₆ " | None | Fig. 1 |
| 78205149010 | U121815 * | 52" | 24" | 11" | 25 ¹¹ / ₁₆ " | None | Fig. 1 |
| 78205149020 | U121816 * | 52" | 24" | 11" | 25 ¹¹ / ₁₆ " | None | Fig. 1 |
| 78205149030 | U121818 * | 52" | 24" | 11" | 25 ¹¹ / ₁₆ " | None | Fig. 1 |
| 78205149040 | U122013 * | 52" | 36" | 11" | 25 ¹¹ / ₁₆ " | None | Fig. 2 |
| 78205149045 | U122015 * | 52" | 36" | 11" | 25 ¹¹ / ₁₆ " | None | Fig. 2 |
| 78205149050 | U122018 * | 52" | 36" | 11" | 25 ¹¹ / ₁₆ " | None | Fig. 2 |

* Items beginning with "U" comply with EUSERC 314, all other items comply with EUSERC 313.

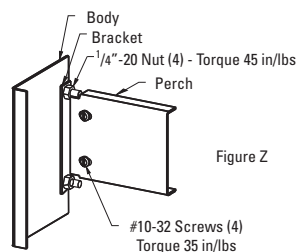
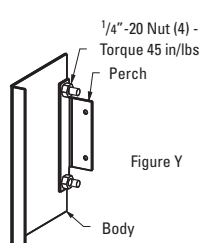
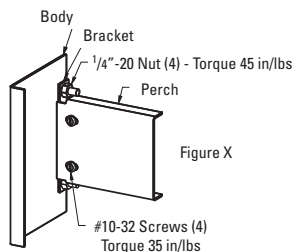
Meter Socket / Enclosure Combination Cabinets

| Style # | Suffixes |
|------------|----------------------|
| (U) 121814 | SS - Stainless Steel |
| (U) 121815 | |
| (U) 121816 | |
| (U) 121818 | |
| (U) 122013 | |
| (U) 122015 | |
| (U) 122018 | |

CT Rated



Test Switch Perch Instructions



This enclosure is assembled with the test switch installed at a factory offset distance from the cover (see Figure 1). If a greater offset is desired, follow these instructions:

1. Loosen and remove the screws holding the perch to the bracket, remove the perch. Loosen and remove the nuts on the bracket studs. (See Figure X)
2. Remove and rotate the brackets 180 degrees and relocate back onto bracket studs. (See Figure Y) Then fasten the nuts back on the bracket studs and torque them to 45 in/lbs.
3. Place the perch on the brackets and fasten with the screws, and torque screws to 35 in/lbs. (See Figure Z)

Data subject to change without notice. Consult local utility for area acceptance. All dimensions are in inches.

CT Enclosures With Lift Off Covers



18249 RTCT (closed)



18249 RTCT (open)



Application

- Designed to house ANSI C12.11 current transformers
- Includes provision to install model 6019/6067 CT mounts
- Surface mount

Construction

- Enclosure has mounting holes on back of body
- Covers include padlock provision, utility sealing provisions, wing nuts, and lifting handles
- Enclosures over 36" wide and 42" tall have two overlapping covers
- NEMA Type 3R
- ANSI 61 gray E-coat finish

Standards

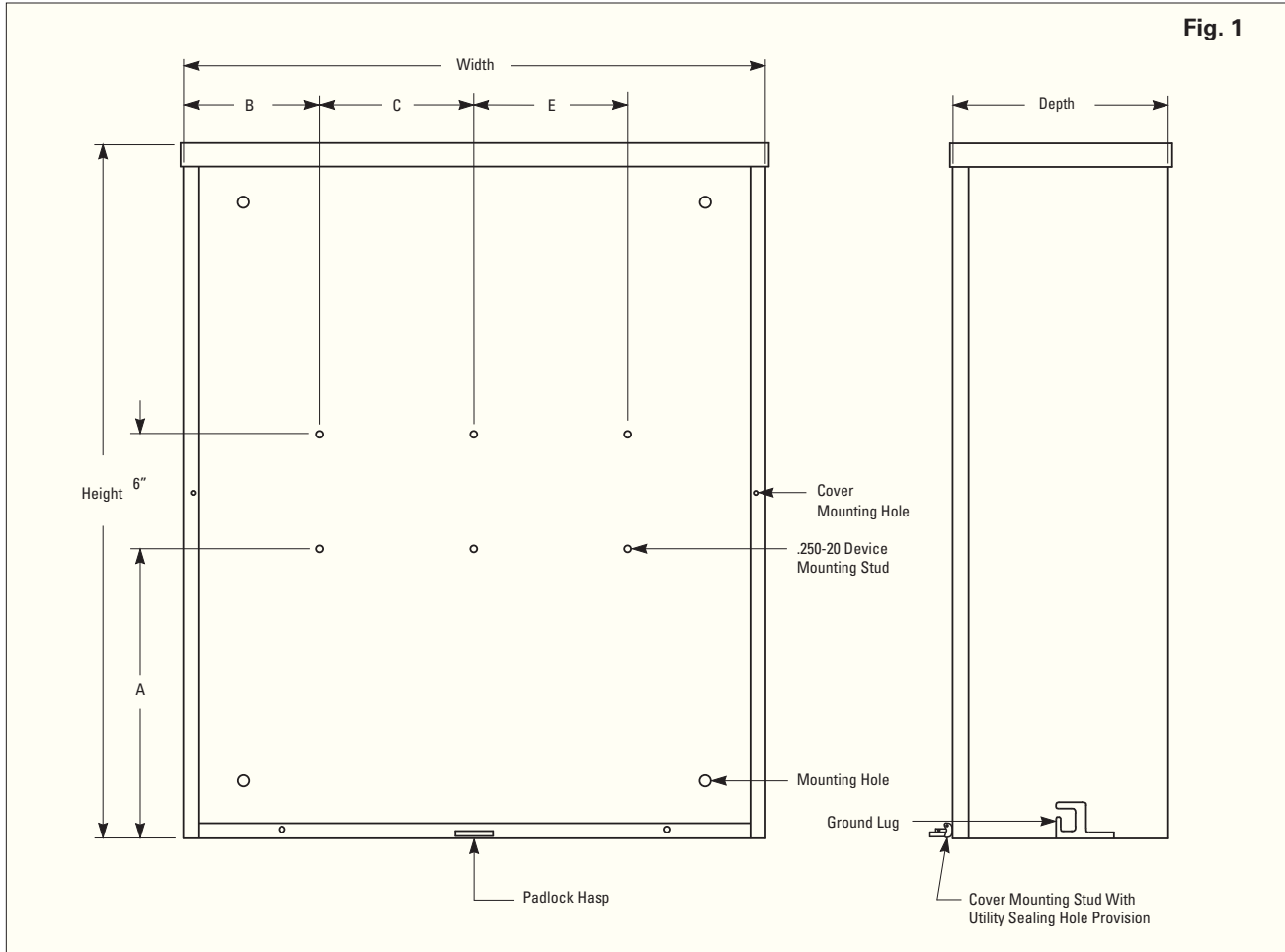
- UL 414 Listed
- EUSERC 316

| Part/UPC Number | Catalog Number | Service Type | Use With Mounting Base | Overall Dimensions | | | Knockout Layout |
|-----------------|--------------------|--------------|------------------------|--------------------|-------|-------|-----------------|
| | | | | Height | Width | Depth | |
| 78205137005 | 18249 RTCT | 1Ø | 6019 | 24" | 18" | 9" | Fig. 1 |
| 78205137020 | 242411 RTCT | 1Ø | 6019 | 24" | 24" | 11" | Fig. 1 |
| 78205137030 | 243011 RTCT | 1Ø | 6019 | 30" | 24" | 11" | Fig. 1 |
| 78205137025 | 24329 RTCT | 1Ø | 6019 | 32" | 24" | 9" | Fig. 1 |
| 78205137070 | 243611 RTCT | 1Ø | 6019 | 36" | 24" | 11" | Fig. 1 |
| 78205144811 | 244811 RTCT | 1Ø | 6019 | 48" | 24" | 11" | Fig. 1 |
| 78205137070 | 303011 RTCT | 1Ø or 3Ø | 6019 or 6067 | 30" | 30" | 11" | Fig. 1 |
| 78205137080 | 303611 RTCT | 1Ø or 3Ø | 6019 or 6067 | 36" | 30" | 11" | Fig. 1 |
| 78205130113 | 303614 RTCT | 1Ø or 3Ø | 6019 or 6067 | 36" | 30" | 14" | Fig. 1 |
| 78205137090 | 363611 RTCT | 1Ø or 3Ø | 6019 or 6067 | 36" | 36" | 11" | Fig. 1 |
| 78205137100 | 364211 RTCT | 1Ø or 3Ø | 6019 or 6067 | 42" | 36" | 11" | Fig. 1 |
| 78205137110 | 364811 RTCT | 1Ø or 3Ø | 6019 or 6067 | 48" | 36" | 11" | Fig. 1 |
| 78205137200 | 364814 RTCT | 1Ø or 3Ø | 6019 or 6067 | 48" | 36" | 14" | Fig. 1 |
| 78205124211 | 424211 RTCT | 1Ø or 3Ø | 6019 or 6067 | 42" | 42" | 11" | Fig. 1 |
| 78205140872 | 484811 RTCT | 1Ø or 3Ø | 6019 or 6067 | 48" | 48" | 11" | Fig. 1 |

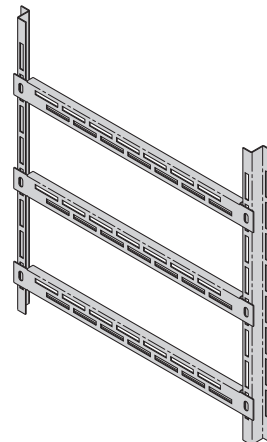
| Part/UPC Number | Catalog Number | A | B | C | E |
|-----------------|--------------------|-----|-----|----|----|
| 78205137005 | 18249 RTCT | -- | -- | -- | -- |
| 78205137020 | 242411 RTCT | 9" | 8" | 8" | -- |
| 78205137030 | 243011 RTCT | 12" | 8" | 8" | -- |
| 78205137025 | 24329 RTCT | -- | -- | -- | -- |
| 78205137070 | 243611 RTCT | 15" | 8" | 8" | -- |
| 78205144811 | 244811 RTCT | 21" | 8" | 8" | -- |
| 78205137070 | 303011 RTCT | 12" | 7" | 8" | 8" |
| 78205137080 | 303611 RTCT | 15" | 7" | 8" | 8" |
| 78205130113 | 303614 RTCT | 15" | 7" | 8" | 8" |
| 78205137090 | 363611 RTCT | 15" | 10" | 8" | 8" |
| 78205137100 | 364211 RTCT | 18" | 10" | 8" | 8" |
| 78205137110 | 364811 RTCT | 21" | 10" | 8" | 8" |
| 78205137200 | 364814 RTCT | 21" | 10" | 8" | 8" |
| 78205124211 | 424211 RTCT | 18" | 13" | 8" | 8" |
| 78205140872 | 484811 RTCT | -- | -- | -- | -- |

CT Enclosures With Lift Off Covers

| Style # | Suffixes |
|-------------|--|
| xxxxxx RTCT | MS40 - Mounting studs for 415 H - Universal CT Rack SS - Stainless Steel |



415 H
Universal CT Rack



CT Metering

Data subject to change without notice. Consult local utility for area acceptance. All dimensions are in inches.

CT Enclosures With Hinged, Lift Off Doors



363611 HRTCT (closed)



363611 HRTCT (open)



Application

- Designed to house ANSI C12.11 current transformers
- Includes provision to install model 6019/6067 CT mounts
- Surface mount

Construction

- Enclosure has mounting holes on back of body
- Covers include utility sealing provisions, wing nuts, and lifting handles
- DD parts include master/slave style overlapping doors
- NEMA Type 3R
- Wash and phosphate undercoat
- ANSI 61 gray E-coat finish

Standards

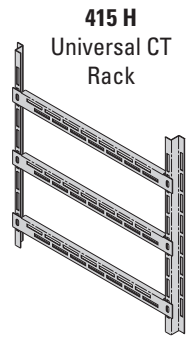
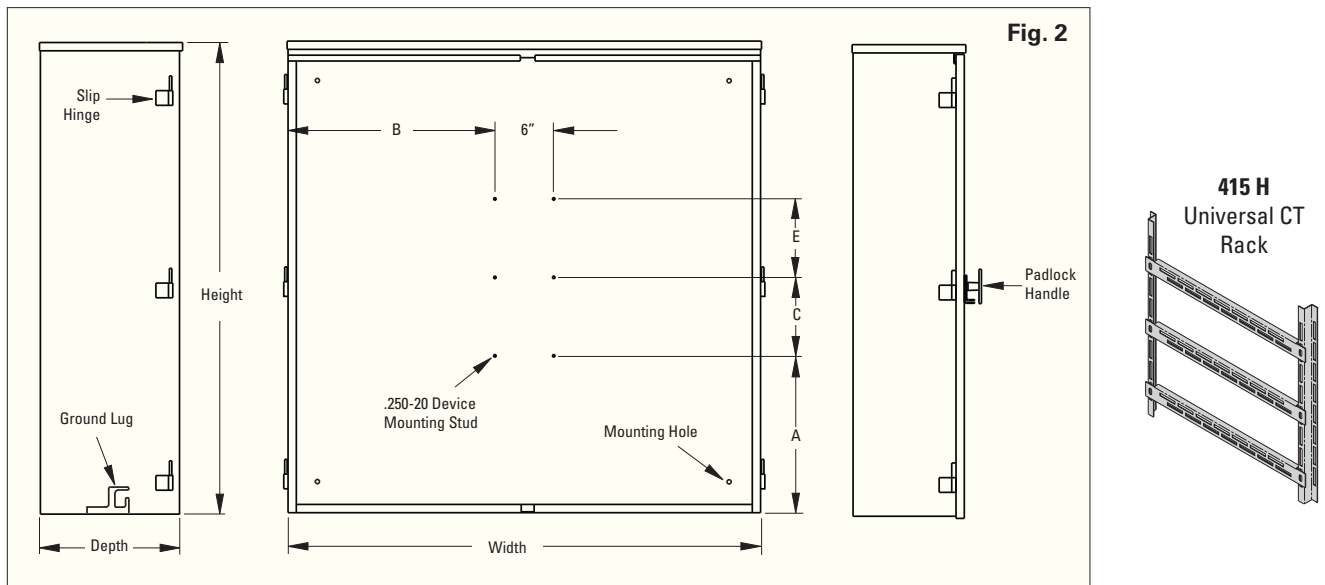
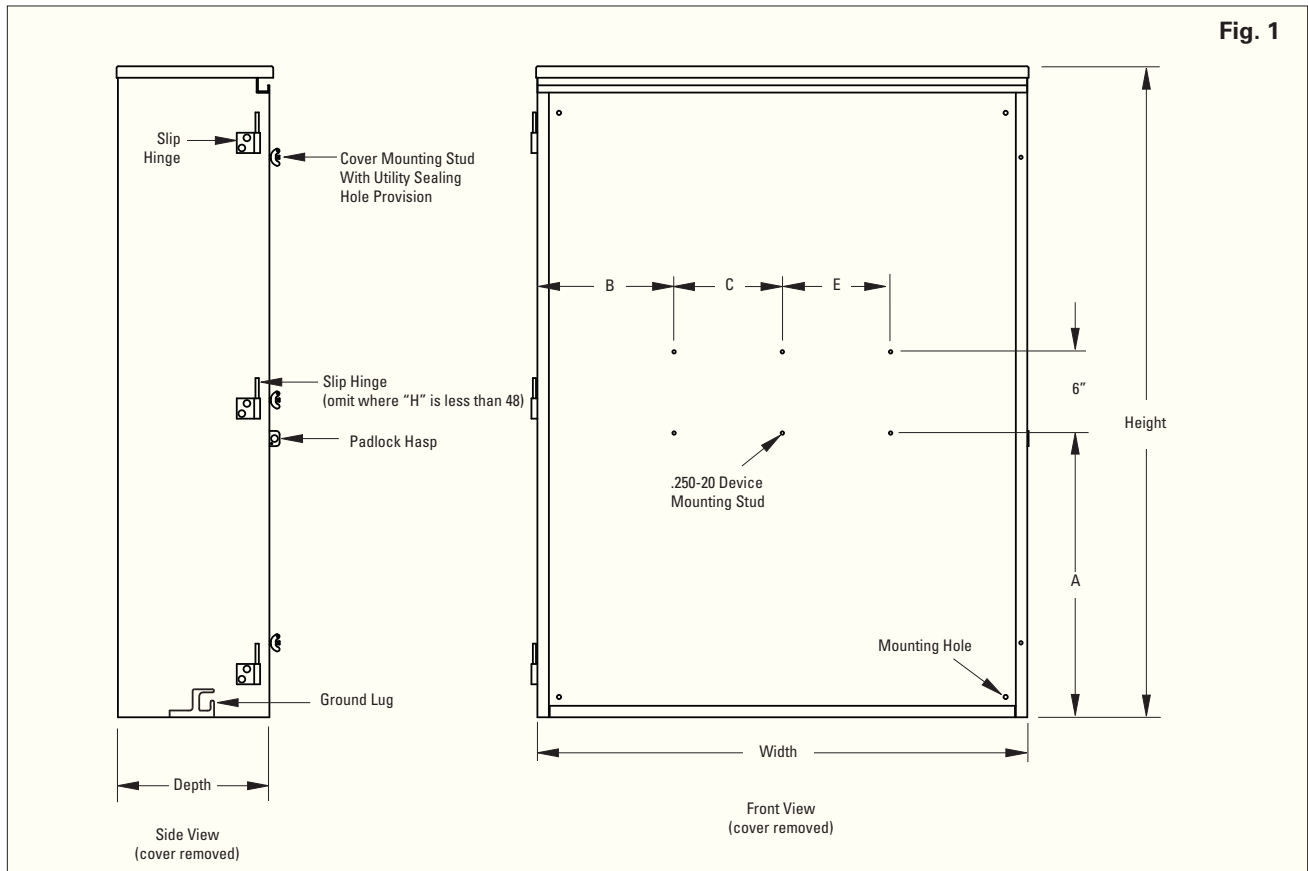
- UL 414 Listed
- EUSERC 316

| Part/UPC Number | Catalog Number | Service Type | Use With Mounting Base | Height | Overall Dimensions Width | Depth | Knockout Layout |
|-----------------|-----------------------|--------------|------------------------|--------|--------------------------|-------|-----------------|
| 78205180295 | 203611 HRTCT | 1Ø | 6019 | 36" | 20" | 11" | Fig. 1 |
| 78205180435 | 243011 HRTCT | 1Ø | 6019 | 30" | 24" | 11" | Fig. 1 |
| 78205180436 | 244811 HRTCT | 1Ø or 3Ø | 6019 or 6067 | 48" | 24" | 11" | Fig. 1 |
| 78205180445 | 303611 HRTCT | 1Ø or 3Ø | 6019 or 6067 | 36" | 30" | 11" | Fig. 1 |
| 78205180446 | 304811 HRTCT | 1Ø or 3Ø | 6019 or 6067 | 48" | 30" | 11" | Fig. 1 |
| 78205180455 | 363611 HRTCT | 1Ø or 3Ø | 6019 or 6067 | 36" | 36" | 11" | Fig. 1 |
| 78205180456 | 364811 HRTCT | 1Ø or 3Ø | 6019 or 6067 | 48" | 36" | 11" | Fig. 1 |
| 78205105532 | 484814 DDHRTCT | 1Ø or 3Ø | 6019 or 6067 | 48" | 48" | 11" | Fig. 2 |

| Part/UPC Number | Catalog Number | A | B | C | E |
|-----------------|-----------------------|-----|-----|----|----|
| 78205180295 | 203611 HRTCT | -- | -- | -- | -- |
| 78205180435 | 243011 HRTCT | 12" | 8" | 8" | -- |
| 78205180436 | 244811 HRTCT | 21" | 8" | 8" | -- |
| 78205180445 | 303611 HRTCT | 15" | 7" | 8" | 8" |
| 78205180446 | 304811 HRTCT | 21" | 7" | 8" | 8" |
| 78205180455 | 363611 HRTCT | 15" | 10" | 8" | 8" |
| 78205180456 | 364811 HRTCT | 21" | 10" | 8" | 8" |
| 78205105532 | 484814 DDHRTCT | 16" | 21" | 8" | 8" |

CT Enclosures With Hinged, Lift Off Doors

| Style # | Suffixes |
|----------------|----------------------------------|
| xxxxxx HRTCT | MS40 - Mounting studs for |
| xxxxxx DDHRTCT | 415 H - Universal CT Rack |
| | SS - Stainless Steel |



CT Metering

Data subject to change without notice. Consult local utility for area acceptance. All dimensions are in inches.

CT Mounting Bases



6019 HE



6019HELS



6019HEL



Application

- For use with CT rated enclosures
- For use with ANSI C12.11 bar type current transformers

Construction

- Bar mounts are 1/2" studs on 1 3/4" centers (line & load)

Standards

- UL 414 Listed
- ANSI C12.7
- EUSERC 328A (6019 stud/stud)
- EUSERC 328B (6019 lug/lug)
- EUSERC 329A (6067 stud/stud)
- EUSERC 329B (6067 lug/lug)

| Part/UPC Number | Catalog Number | Amp Rating | # of C.T. Provisions | Service Type | Access | AIC | Phase / Neutral Conductors Line | Load |
|-----------------|-------------------|------------|----------------------|--------------|--------|-----|---------------------------------|--------------|
| 78205137750 | 6019 A | 400 | 2 | 1Ø or 3Ø/3W | OH/UG | 10K | Studs | Studs |
| 78205137755 | 6019 E | 800 | 2 | 1Ø or 3Ø/3W | OH/UG | 10K | Studs | Studs |
| 78205140822 | 6019 HA | 400 | 2 | 1Ø or 3Ø/3W | OH/UG | 50K | Studs | Studs |
| 78205108761 | 6019 HAL | 400 | 2 | 1Ø or 3Ø/3W | OH/UG | 50K | #4 - 600 MCM | #4 - 600 MCM |
| 78205111459 | 6019 HALS | 400 | 2 | 1Ø or 3Ø/3W | OH/UG | 50K | Studs | #4 - 600 MCM |
| 78205140826 | 6019 HE | 800 | 2 | 1Ø or 3Ø/3W | OH/UG | 50K | Studs | Studs |
| 78205108608 | 6019 HEL | 800 | 2 | 1Ø or 3Ø/3W | OH/UG | 50K | #4 - 600 MCM | #4 - 600 MCM |
| 78205111461 | 6019 HELS | 800 | 2 | 1Ø or 3Ø/3W | OH/UG | 50K | Studs | #4 - 600 MCM |
| 78205137760 | 6067 A | 400 | 3 | 3Ø/4W | OH/UG | 10K | Studs | Studs |
| 78205137765 | 6067 E | 800 | 3 | 3Ø/4W | OH/UG | 10K | Studs | Studs |
| 78205140776 | 6067 HA | 400 | 3 | 3Ø/4W | OH/UG | 50K | Studs | Studs |
| 78205108698 | 6067 HAL | 400 | 3 | 3Ø/4W | OH/UG | 50K | #4 - 600 MCM | #4 - 600 MCM |
| 78205111452 | 6067 HALS | 400 | 3 | 3Ø/4W | OH/UG | 50K | Studs | #4 - 600 MCM |
| 78205140780 | 6067 HEE | 800 | 3 | 3Ø/4W | OH/UG | 50K | Studs | Studs |
| 78205107177 | 6067 HEEL | 800 | 3 | 3Ø/4W | OH/UG | 50K | #4 - 600 MCM | #4 - 600 MCM |
| 78205111464 | 6067 HEELS | 800 | 3 | 3Ø/4W | OH/UG | 50K | Studs | #4 - 600 MCM |

All lugs accept three (3) wires per phase/neutral

CT Mounting Bases

Test Switch Configuration Sheet

Application

- Current transformer metering
- Customizable configurations

Construction

- BMC mounting base
- Tin and nickel plating
- Color coded handles

Standards

- UL Recognized component
- ANSI C12.9



Name _____

Company Name _____

Address _____

Phone _____

Email _____



Poles

Configuration

Switch (KS, SH, CN, TB, X)

Bussing (B, S)

Ganged Handles (Y, N)

Barrier (Y, N)

Handle Color (R, B)

45° Stops (Y, N)

| 1 | 2 | 3 | 4 | 5 | 6 | 7 | 8 | 9 | 10 |
|---|---|---|---|---|---|---|---|---|----|
| | | | | | | | | | |
| | | | | | | | | | |

| | | | | | | | | | |
|--|--|--|--|--|--|--|--|--|--|
| | | | | | | | | | |
| | | | | | | | | | |
| | | | | | | | | | |
| | | | | | | | | | |

Special Features

- | | | | | | | | | |
|--------------|--------------------------|--------|--------------------------|---------|--------------------------|--------|--------------------------|-------|
| Cover | <input type="checkbox"/> | Yes | <input type="checkbox"/> | No | | | | |
| Base Size | <input type="checkbox"/> | 7 Pole | <input type="checkbox"/> | 10 Pole | | | | |
| No. of Poles | <input type="checkbox"/> | 4 | <input type="checkbox"/> | 7 | <input type="checkbox"/> | 10 | <input type="checkbox"/> | Other |
| Plating | <input type="checkbox"/> | None | <input type="checkbox"/> | Tin | <input type="checkbox"/> | Nickel | | |

Keys

Switches

| KS | SH | CN | TB | X |
|--------------|-------------------------|-------------------------------|----------|--------------|
| Knife Switch | Knife Switch with shunt | Current Switch with Test Jack | Thru Bar | Unused Space |
| | | | | |

Bussing

- | | |
|----------|--------|
| B | Bypass |
| S | Short |

Handle Color

- | | |
|----------|-------|
| R | Red |
| B | Black |

- Other options and arrangements are available. Please contact the factory for a full product line.
- Test Switched are available mounted and wired. Contact factory for details.

For online form, see www.cooperblinemetring.com.

Send completed form to customer service at Eaton's B-Line Business. See address information on back cover.

Data subject to change without notice. Consult local utility for area acceptance. All dimensions are in inches.

CT Utility Enclosures



Application

- Used for split core CT applications

Construction

- NEMA Type 3R
- ANSI 61 gray E-coat finish
- ³/₄" wood back panel installed

Standards

- Not UL Listed

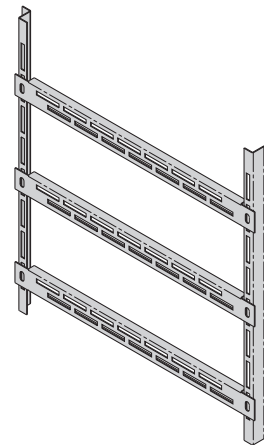
Utility Enclosures

| Part/UPC Number | Catalog Number | Overall Dimensions | | | Doors | Meter Viewing Window | Special | Layout |
|-----------------|----------------|--------------------|-------|-------|------------------|----------------------|------------------------|---------|
| | | Height | Width | Depth | | | | |
| 78205138000 | 345 HC | 24" | 18" | 11" | Single, Hinged | -- | For "A" Base Metering | Fig. 1 |
| 78205138020 | 351 HC | 30" | 24" | 11" | Single, Hinged | -- | For "A" Base Metering | Fig. 1 |
| 78205138030 | 352 HC | 28" | 28" | 11" | Single, Hinged | 1, Hinged | -- | Fig. 2 |
| 78205138041 | 353 DHC | 24" | 30" | 12" | Single, Lift Off | 3, Hinged | -- | Fig. 3 |
| 78205138090 | 360 HC | 24" | 14" | 10" | Single, Lift Off | 1, Hinged | w/ Pole Mount Brackets | Fig. 4 |
| 78205138050 | 420 HC | 48" | 34" | 13" | Double, Hinged | -- | 3-Pt Latching Handle | Fig. 5a |
| 78205138070 | 421 HC | 48" | 34" | 13" | Double, Hinged | 1, Hinged | 3-Pt Latching Handle | Fig. 5b |
| 78205138080 | 422 HC | 48" | 34" | 13" | Double, Hinged | 2, Hinged | 3-Pt Latching Handle | Fig. 5c |

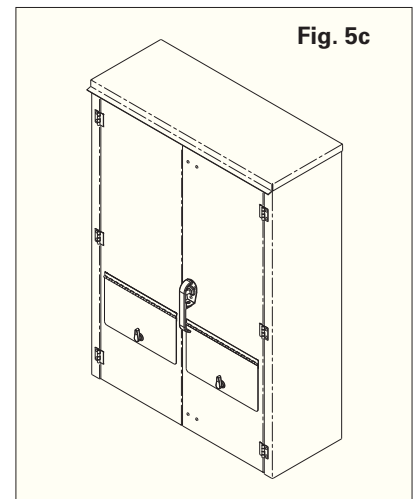
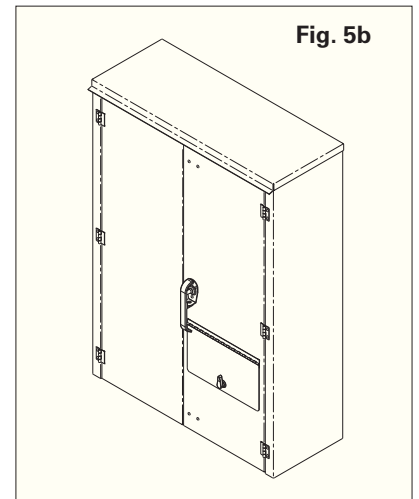
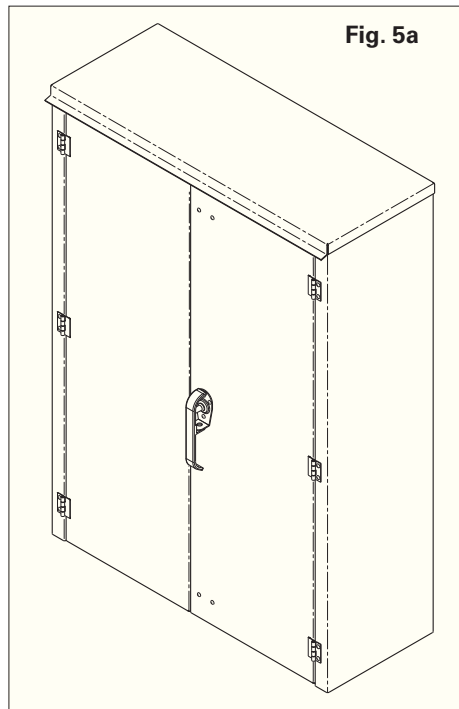
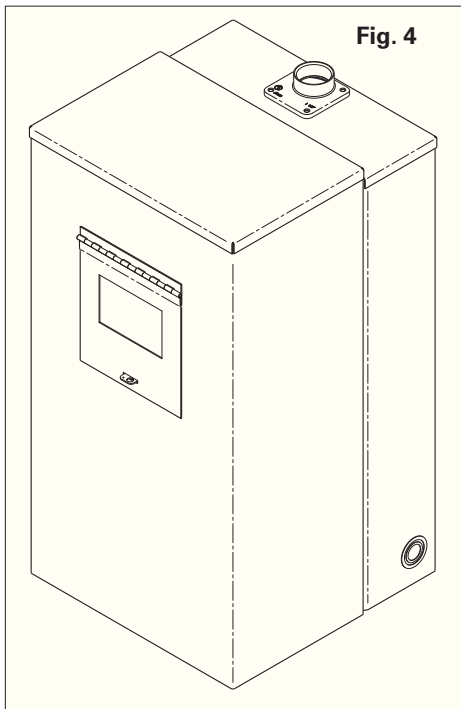
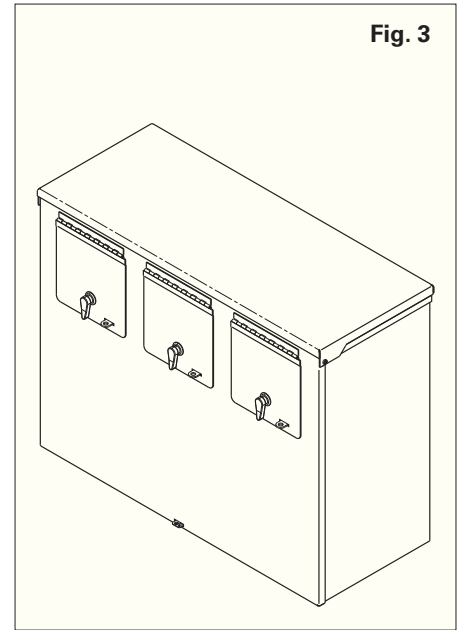
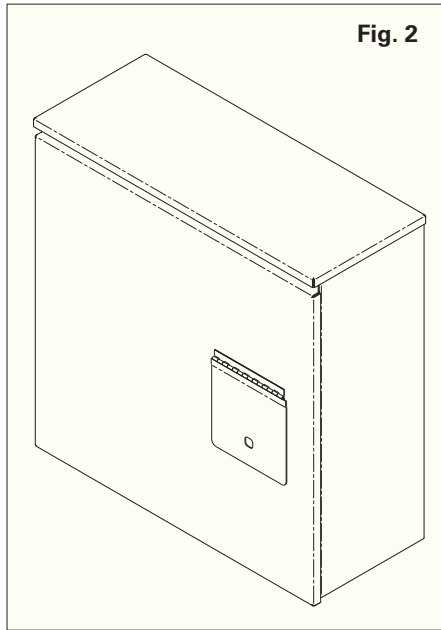
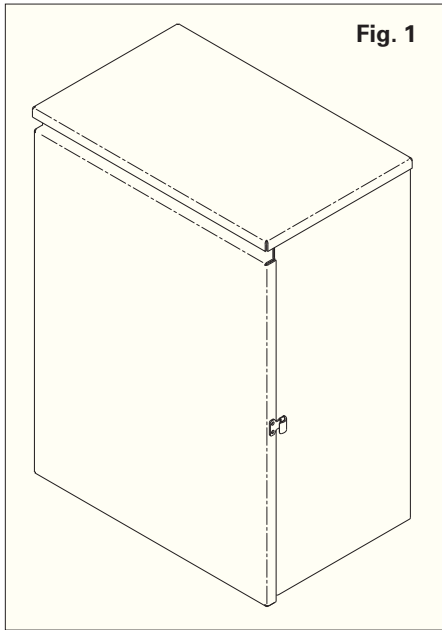
Universal CT Equipment Mounting Racks

| Part/UPC Number | Catalog Number | Overall Dimensions | |
|-----------------|----------------|--------------------|-------|
| | | Height | Width |
| 78205138060 | 415 | 33" | 36" |
| 78205138065 | 415 H | 26" | 28" |

415 H



Layouts



Data subject to change without notice. Consult local utility for area acceptance. All dimensions are in inches.



| | |
|---|----------|
| Group Meter Sockets, Gangable - 100 Amp Horizontal, Indoor Use Only | 83 - 84 |
| Group Meter Sockets, Without Bypass - 100 Amp Vertical | 85 - 86 |
| Group Meter Main, Without Bypass - 100 Amp Vertical | 87 - 88 |
| Group Meter Sockets, Without Bypass - 100 Amp Horizontal | 89 - 90 |
| Group Meter Sockets, With MCC Bypass - 100 Amp Horizontal | 91 - 92 |
| Group Meter Sockets, Without Bypass - 200 Amp Vertical | 93 - 94 |
| Group Meter Sockets, With MCC Bypass - 200 Amp Horizontal | 95 - 96 |
| Group Meter Main, With MCC Bypass - 100 Amp Horizontal | 97 - 98 |
| Group Meter Main, Without Bypass - 200 Amp Vertical | 99 - 100 |

Group Meter Sockets - Gangable

100 Amp Horizontal - Indoor Use Only

Multiple Metering



172 HSHDB (closed)



172 HSHDB (open)

Application

- For horizontal ganging of meter sockets - 6 position maximum 225A main buss
- Receive ANSI C12.10 watt-hour meters
- Surface mount

Construction

- Ring type
- NEMA Type 1
- ANSI 61 gray E-coat finish
- Aluminum snap ring included



Standards

- UL 414 Listed
- ANSI C12.7

Accessories

- 5th Jaw Kit - 50365
- Screw Type Ring - 25016D

| Part/UPC Number | Catalog Number | Number of Positions | Buss Amps | Amp Rating | Jaws | Service Type | Access |
|-----------------|------------------|---------------------|-----------|------------|------|--------------|--------|
| 78205140010 | 171 HS | 1 | 225 | 100 | 4 | 1Ø/3W | OH/UG |
| 78205140170 | 172 HSHDB | 2 | 225 | 100 | 4 | 1Ø/3W | OH/UG |
| 78205140180 | 173 HSHDB | 3 | 225 | 100 | 4 | 1Ø/3W | OH/UG |
| 78205140190 | 174 HSHDB | 4 | 225 | 100 | 4 | 1Ø/3W | OH/UG |

| Part/UPC Number | Catalog Number | Connections | | | Overall Dimensions | | | Knockout Layout |
|-----------------|------------------|--------------|-----------|--------------|--------------------|-------|---------------------------------|-----------------|
| | | Line | Load | Neutral | Height | Width | Depth | |
| 78205140010 | 171 HS | #14 - 2/0 | #14 - 2/0 | #14 - 1/0 | 12" | 12" | 4 ⁵ / ₈ " | Fig. 1 |
| 78205140170 | 172 HSHDB | #6 - 250 MCM | #14 - 2/0 | #6 - 250 MCM | 12" | 24" | 4 ⁵ / ₈ " | Fig. 2 |
| 78205140180 | 173 HSHDB | #6 - 250 MCM | #14 - 2/0 | #6 - 250 MCM | 12" | 36" | 4 ⁵ / ₈ " | Fig. 3 |
| 78205140190 | 174 HSHDB | #6 - 250 MCM | #14 - 2/0 | #6 - 250 MCM | 12" | 48" | 4 ⁵ / ₈ " | Fig. 4 |

Equipment Accessories

| Part/UPC Number | Catalog Number | Description |
|-----------------|----------------|---------------------|
| 78205140280 | 171 E | End Closure w/ KO's |
| 78205140250 | 171 EXT | Extension Pull Box |
| 78205140260 | LK171B | Connecting Link Kit |

AIC Note:
For short circuit current ratings see page 131.

Group Meter Sockets - Gangable

100 Amp - Indoor Use Only

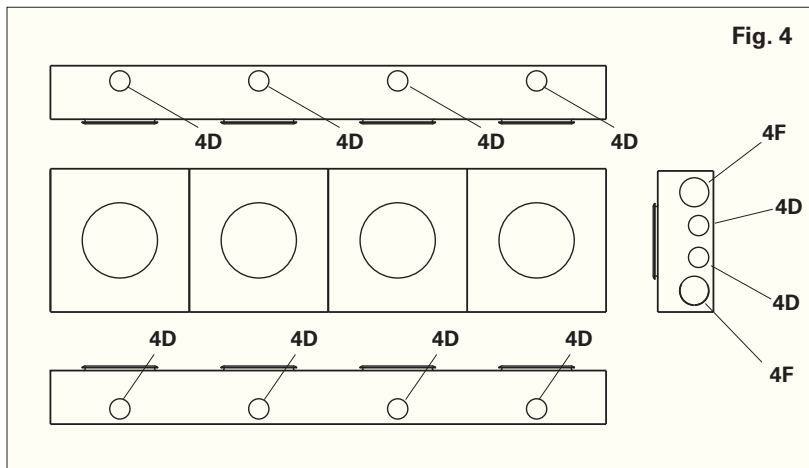
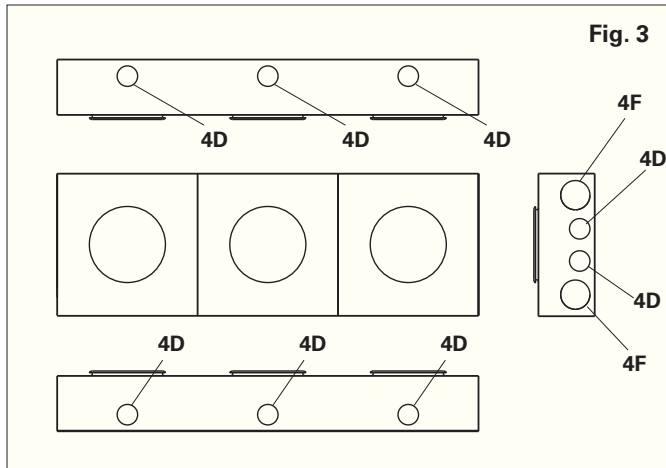
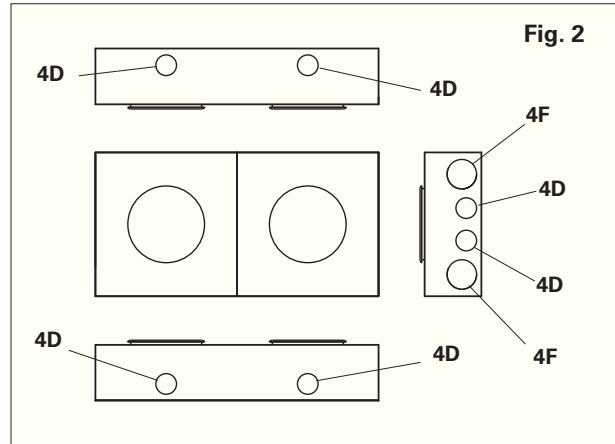
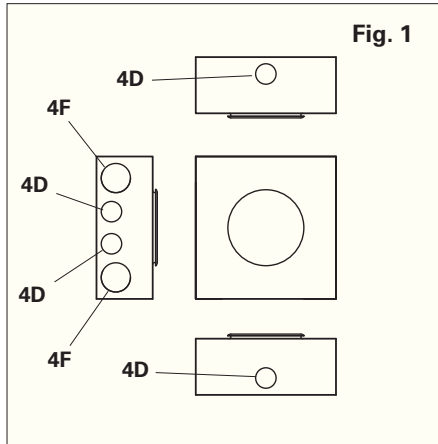
| Style # | Suffixes |
|---------|----------------------|
| 171 | SS - Stainless Steel |
| 172 | |
| 173 | |
| 174 | |

Knockouts - Conduit Sizes

4D = 1 1/4" - 1" - 3/4" - 1/2"
 4F = 2" - 1 1/2" - 1 1/4" - 1"

Multiple Metering

Knockout Layouts



Data subject to change without notice. Consult local utility for area acceptance. All dimensions are in inches.

Group Meter Sockets - Without Bypass

100 Amp Vertical

Multiple Metering



014 (closed)



014 (open)

Application

- For horizontal ganging of meter sockets - 6 position maximum 225A main buss
- Receive ANSI C12.10 watthour meters
- Overhead or underground feed (see chart)
- Surface mount

Construction

- Ring type
- NEMA Type 3R
- ANSI 61 gray E-coat finish
- Aluminum snap ring included



Standards

- UL 414 Listed
- ANSI C12.7

Accessories

- 5th Jaw Kit - 50365
- AW Hubs & H Hubs

| Part/UPC Number | Catalog Number | Number of Positions | Buss Amps | Amp Rating | Jaws | Service Type | Access |
|-----------------|----------------|---------------------|-----------|------------|------|--------------|--------|
| 78205141370 | 012 | 2 | 225 | 100 | 4 | 1Ø/3W | OH/UG |
| 78205141380 | 013 | 3 | 225 | 100 | 4 | 1Ø/3W | OH/UG |
| 78205141395 | 014 | 4 | 225 | 100 | 4 | 1Ø/3W | OH/UG |
| 78205141480 | 014 H | 4 | 400 | 100 | 3 | 1Ø/3W | OH/UG |
| 78205141475 | 015 | 5 | 225 | 100 | 4 | 1Ø/3W | OH/UG |
| 78205141490 | 015 H | 5 | 400 | 100 | 4 | 1Ø/3W | OH/UG |
| 78205143149 | 016 | 6 | 225 | 100 | 4 | 1Ø/3W | OH/UG |
| 78205141500 | 016 H | 6 | 400 | 100 | 4 | 1Ø/3W | OH/UG |

AIC Note:
For short circuit current ratings see page 131.

| Part/UPC Number | Catalog Number | Connections | | | Overall Dimensions | | | Top Provision | Knockout Layout |
|-----------------|----------------|--------------|-----------|--------------|----------------------------------|----------------------------------|---------------------------------|---------------|-----------------|
| | | Line | Load | Neutral | Height | Width | Depth | | |
| 78205141370 | 012 | #6 - 250 MCM | #14 - 2/0 | #6 - 250 MCM | 21 ¹ / ₂ " | 14" | 4 ⁵ / ₈ " | AW Hub | Fig. 1 |
| 78205141380 | 013 | #6 - 250 MCM | #14 - 2/0 | #6 - 250 MCM | 30" | 14" | 4 ⁵ / ₈ " | AW Hub | Fig. 2 |
| 78205141395 | 014 | #6 - 250 MCM | #14 - 2/0 | #6 - 250 MCM | 21 ¹ / ₂ " | 24 ¹ / ₃ " | 4 ⁵ / ₈ " | AW Hub | Fig. 3 |
| 78205141480 | 014 H | #6 - 600 MCM | #14 - 2/0 | #6 - 600 MCM | 21 ¹ / ₂ " | 32 ¹ / ₂ " | 4 ⁵ / ₈ " | H Hub | Fig. 4 |
| 78205141475 | 015 | #6 - 250 MCM | #14 - 2/0 | #6 - 250 MCM | 21 ¹ / ₂ " | 32 ¹ / ₂ " | 4 ⁵ / ₈ " | AW Hub | Fig. 5 |
| 78205141490 | 015 H | #6 - 600 MCM | #14 - 2/0 | #6 - 600 MCM | 21 ¹ / ₂ " | 32 ¹ / ₂ " | 4 ⁵ / ₈ " | H Hub | Fig. 6 |
| 78205143149 | 016 | #6 - 250 MCM | #14 - 2/0 | #6 - 250 MCM | 30" | 24 ¹ / ₃ " | 4 ⁵ / ₈ " | AW Hub | Fig. 5 |
| 78205141500 | 016 H | #6 - 600 MCM | #14 - 2/0 | #6 - 600 MCM | 30" | 32 ¹ / ₂ " | 6" | H Hub | Fig. 6 |

Group Meter Sockets - Without Bypass

100 Amp Vertical

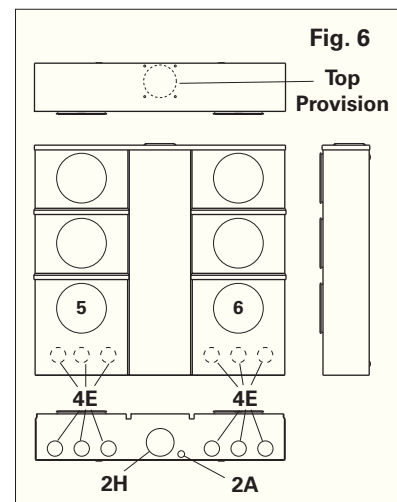
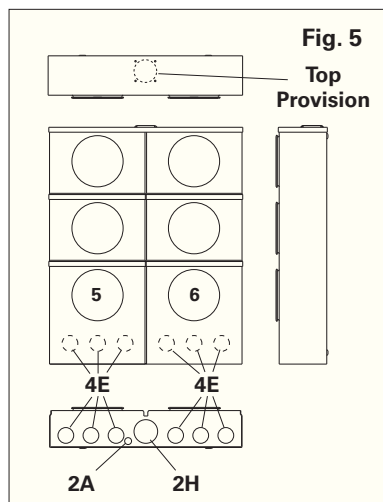
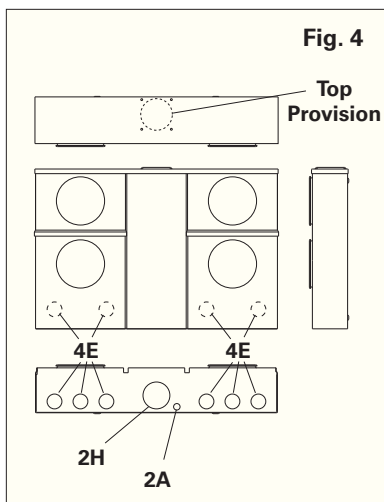
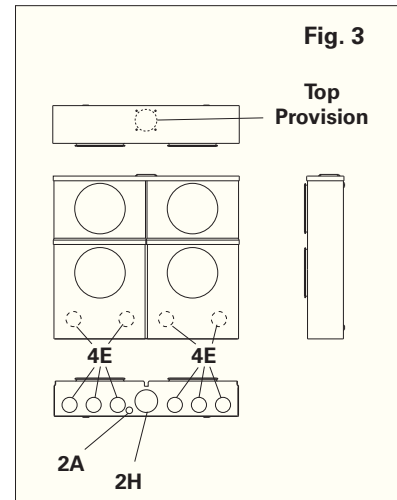
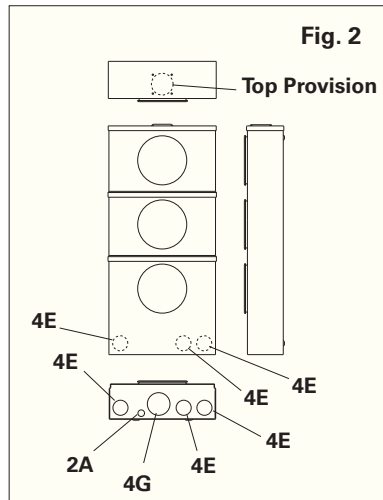
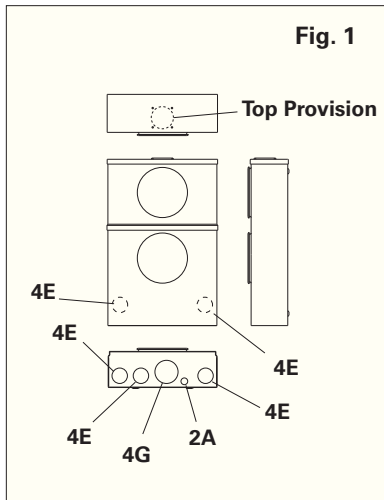
| Style # | Suffixes |
|---------|----------------------|
| 012 | SS - Stainless Steel |
| 013 | |
| 014 | |
| 015 | |
| 016 | |

Knockouts - Conduit Sizes

2A = 1/2" - 1/4"
 4E = 1 1/2" - 1 1/4" - 1" - 3/4"
 4F = 2" - 1 1/2" - 1 1/4" - 1"
 4G = 2 1/2" - 2" - 1 1/2" - 1 1/4"
 2H = 3" - 2 1/2"
 Top Provision = See Chart

Multiple Metering

Knockout Layouts



Data subject to change without notice. Consult local utility for area acceptance. All dimensions are in inches.

Group Meter Main - Without Bypass

100 Amp Vertical

Multiple Metering



2012 MS60 (closed)



2012 MS60 (open)

Application

- For vertical multi-meter/mains installations - 6 position maximum 225A and 400A main buss
- Main breaker provisions - breakers not included
- Receive ANSI C12.10 watt-hour meters
- Overhead or underground feed (see chart)
- Surface or flush mount (see chart)

Construction

- Ring type
- NEMA Type 3R
- ANSI 61 gray E-coat finish
- Aluminum snap ring included



Standards

- UL 414 Listed
- ANSI C12.7
- EUSERC 342

Accessories

- 5th Jaw Kit - 50365
- AW Hubs

| Part/UPC Number | Catalog Number | Number of Positions | Buss Amps | Amp Rating | Jaws | Service Type | Access | AIC | Main Breaker Provision |
|-----------------|----------------|---------------------|-----------|------------|------|--------------|--------|-----|------------------------|
| 78205164115 | 2014 | 4 | 400 | 100 | 4 | 1Ø/3W | UG | 10K | (4) 2P |
| 78205164135 | 2015 | 5 | 400 | 100 | 4 | 1Ø/3W | UG | 10K | (5) 2P |
| 78205164165 | 2016 | 6 | 400 | 100 | 4 | 1Ø/3W | UG | 10K | (6) 2P |
| 78205164245 | 2012 F | 2 | 225 | 100 | 4 | 1Ø/3W | UG | 10K | (2) 2P |
| 78205164085 | 2012 MS60 | 2 | 225 | 100 | 4 | 1Ø/3W | OH/UG | 10K | (2) 2P |
| 78205164255 | 2013 F | 3 | 225 | 100 | 4 | 1Ø/3W | UG | 10K | (3) 2P |
| 78205164095 | 2013 MS60 | 3 | 225 | 100 | 4 | 1Ø/3W | OH UG | 10K | (3) 2P |
| 78205164265 | 2014 F | 4 | 400 | 100 | 4 | 1Ø/3W | UG | 10K | (4) 2P |
| 78205164275 | 2015 F | 5 | 400 | 100 | 4 | 1Ø/3W | UG | 10K | (5) 2P |
| 78205164285 | 2016 F | 6 | 400 | 100 | 4 | 1Ø/3W | UG | 10K | (6) 2P |

| Part/UPC Number | Catalog Number | Connections | | | Overall Dimensions | | | Top Provision | Knockout Layout |
|-----------------|----------------|--------------|-----------|--------------|--------------------|-------|-------|---------------|-----------------|
| | | Line | Buss Load | Neutral | Height | Width | Depth | | |
| 78205164115 | 2014 | Studs | MCB | Studs | 34" | 32" | 6" | None | Fig. 3 |
| 78205164135 | 2015 | Studs | MCB | Studs | 39 1/2" | 32" | 6" | None | Fig. 4 |
| 78205164165 | 2016 | Studs | MCB | Studs | 39 1/2" | 32" | 6" | None | Fig. 4 |
| 78205164245 | 2012 F | Studs | MCB | Studs | 34" | 22" | 6" | None | Fig. 1 |
| 78205164085 | 2012 MS60 | #6 - 250 MCM | MCB | #6 - 250 MCM | 34" | 22" | 6" | AW Hub | Fig. 1 |
| 78205164255 | 2013 F | Studs | MCB | Studs | 39 1/2" | 22" | 6" | None | Fig. 2 |
| 78205164095 | 2013 MS60 | #6 - 250 MCM | MCB | #6 - 250 MCM | 39 1/2" | 22" | 6" | AW Hub | Fig. 2 |
| 78205164265 | 2014 F | Studs | MCB | Studs | 34" | 32" | 6" | None | Fig. 3 |
| 78205164275 | 2015 F | Studs | MCB | Studs | 39 1/2" | 32" | 6" | None | Fig. 4 |
| 78205164285 | 2016 F | Studs | MCB | Studs | 39 1/2" | 32" | 6" | None | Fig. 4 |

MCB - Main Circuit Breaker

Group Meter Main - Without Bypass

100 Amp Vertical

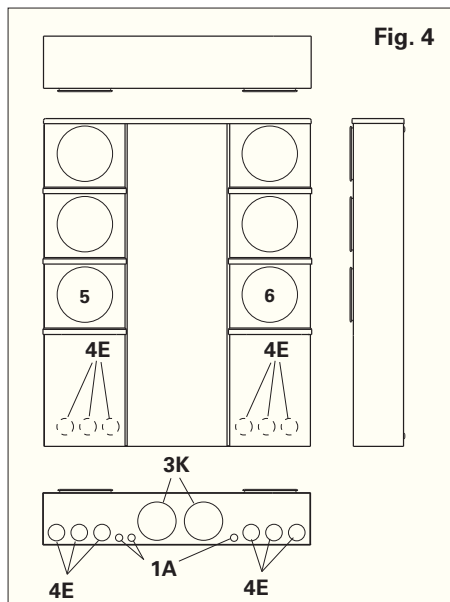
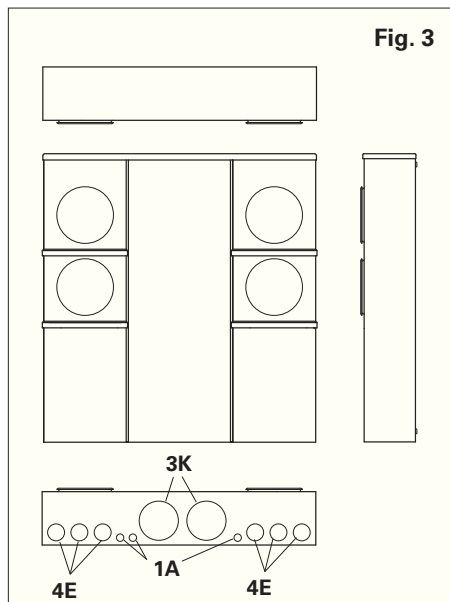
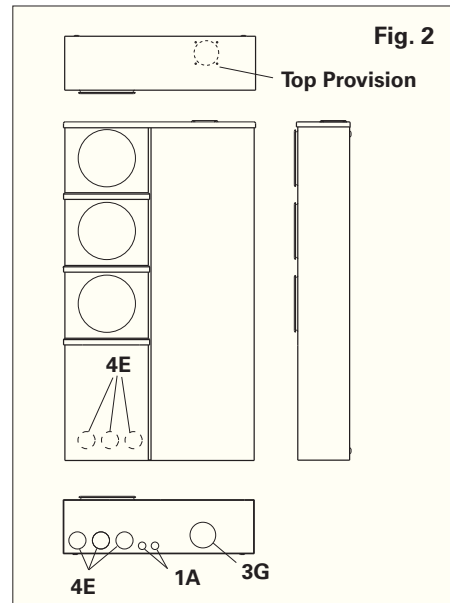
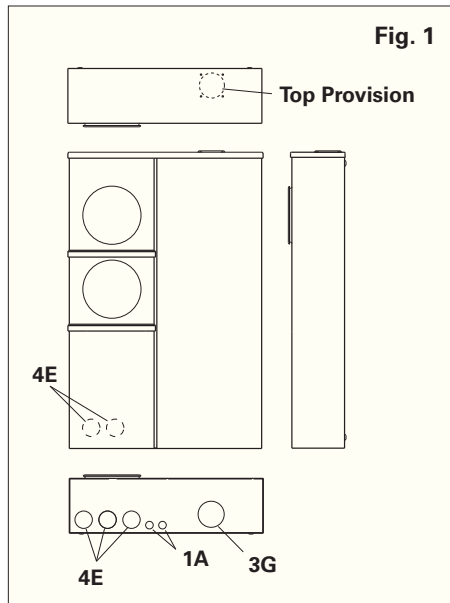
| Style # | Suffixes |
|---------|-----------------------------|
| 2012 | F - Flush Mount |
| 2013 | MS60 - AW Hub for OH Access |
| 2014 | SS - Stainless Steel |
| 2015 | |
| 2016 | |

Knockouts - Conduit Sizes

1A = 1/2"
 4E = 1 1/2" - 1 1/4" - 1" - 3/4"
 3G = 2 1/2" - 2" - 1 1/2"
 3K = 4" - 3 1/2" - 3"
 Top Provision = See Chart

Multiple Metering

Knockout Layouts



Data subject to change without notice. Consult local utility for area acceptance. All dimensions are in inches.

Group Meter Sockets - Without Bypass

100 Amp Horizontal

Multiple Metering



H012 (closed)



H012 (open)

Application

- For horizontal multi-meter installations - 4 position maximum 225A main buss
- Receive ANSI C12.10 watt-hour meters
- Overhead or underground feed (see chart)
- Surface mount

Construction

- Ring type
- NEMA Type 3R
- ANSI 61 gray E-coat finish
- Aluminum snap ring included



Standards

- UL 414 Listed
- ANSI C12.7

Accessories

- 5th Jaw Kit - 50365
- AW Hubs

| Part/UPC Number | Catalog Number | Number of Positions | Buss Amps | Amp Rating | Jaws | Service Type | Access |
|-----------------|----------------|---------------------|-----------|------------|------|--------------|--------|
| 78205141112 | H012 | 2 | 225 | 100 | 4 | 1Ø/3W | OH/UG |
| 78205141113 | H013 | 3 | 225 | 100 | 7 | 1Ø/3W | OH/UG |
| 78205141114 | H014 | 4 | 225 | 100 | 4 | 1Ø/3W | OH/UG |

| Part/UPC Number | Catalog Number | Connections | | | Height | Overall Dimensions | | Top Provision | Knockout Layout |
|-----------------|----------------|--------------|-----------|--------------|--------|----------------------------------|---------------------------------|---------------|-----------------|
| | | Line | Load | Neutral | | Width | Depth | | |
| 78205141112 | H012 | #6 - 250 MCM | #14 - 2/0 | #6 - 250 MCM | 12" | 26 ¹ / ₂ " | 4 ⁵ / ₈ " | AW Hub | Fig. 1 |
| 78205141113 | H013 | #6 - 250 MCM | #14 - 2/0 | #6 - 250 MCM | 12" | 34 ³ / ₄ " | 4 ⁵ / ₈ " | AW Hub | Fig. 2 |
| 78205141114 | H014 | #6 - 250 MCM | #14 - 2/0 | #6 - 250 MCM | 12" | 43" | 4 ⁵ / ₈ " | AW Hub | Fig. 3 |

AIC Note:
For short circuit current ratings see page 131.

Group Meter Sockets - Without Bypass

100 Amp Horizontal

| Style # | Suffixes |
|---------|----------|
|---------|----------|

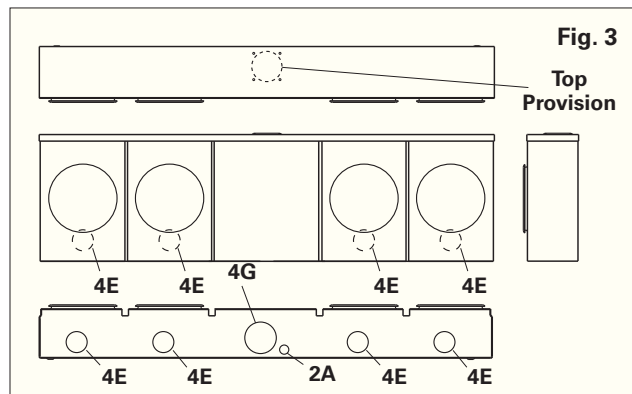
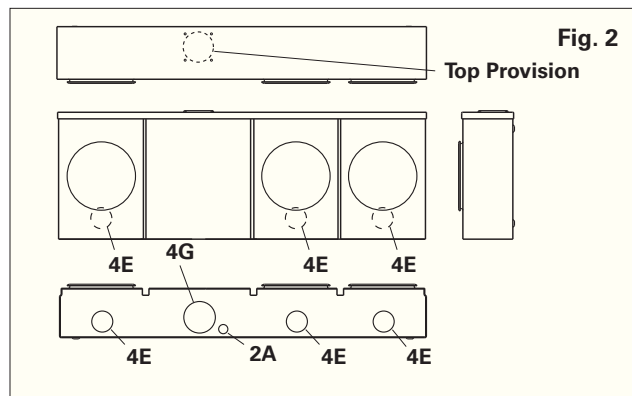
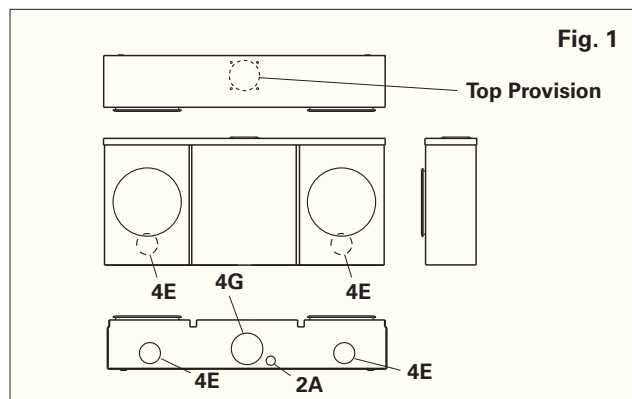
| | |
|------|----------------------|
| H012 | SS - Stainless Steel |
| H013 | |
| H014 | |

Knockouts - Conduit Sizes

2A = 1/2" - 1/4"
 4E = 1 1/2" - 1 1/4" - 1" - 3/4"
 4G = 2 1/2" - 2" - 1 1/2" - 1 1/4"
 Top Provision = See Chart

Multiple Metering

Knockout Layouts



Data subject to change without notice. Consult local utility for area acceptance. All dimensions are in inches.

Group Meter Sockets - With MCC Bypass

100 Amp Horizontal

Multiple Metering



142 MCC (closed)



Application

- For horizontal multi-meter installations - 4 position maximum
- Manual circuit closing (link type) bypasses under separate sealable covers
- 225A main buss
- Receive ANSI C12.10 watt-hour meters
- Overhead or underground feed (see chart)
- Surface mount

Construction

- Ring type
- NEMA Type 3R
- ANSI 61 gray E-coat finish
- Aluminum snap ring included

Standards

- UL 414 Listed
- ANSI C12.7

Accessories

- 5th Jaw Kit - 50365
- AW Hubs

| Part/UPC Number | Catalog Number | Number of Positions | Buss Amps | Amp Rating | Jaws | Service Type | Access | Bypass |
|-----------------|----------------|---------------------|-----------|------------|------|--------------|--------|--------|
| 78205107766 | 142 MCC | 2 | 225 | 100 | 4 | 1Ø/3W | OH/UG | MCC |
| 78205107767 | 143 MCC | 3 | 225 | 100 | 4 | 1Ø/3W | OH/UG | MCC |
| 78205107768 | 144 MCC | 4 | 225 | 100 | 4 | 1Ø/3W | OH/UG | MCC |

| Part/UPC Number | Catalog Number | Connections | | | Height | Overall Dimensions | | | Top Provision | Knockout Layout |
|-----------------|----------------|--------------|-----------|--------------|--------|----------------------------------|---------------------------------|--------|---------------|-----------------|
| | | Line | Load | Neutral | | Width | Depth | | | |
| 78205107766 | 142 MCC | #6 - 250 MCM | #14 - 2/0 | #6 - 250 MCM | 17" | 26 ¹ / ₂ " | 4 ⁵ / ₈ " | AW Hub | Fig. 1 | |
| 78205107767 | 143 MCC | #6 - 250 MCM | #14 - 2/0 | #6 - 250 MCM | 17" | 34 ³ / ₄ " | 4 ⁵ / ₈ " | AW Hub | Fig. 2 | |
| 78205107768 | 144 MCC | #6 - 250 MCM | #14 - 2/0 | #6 - 250 MCM | 17" | 43" | 4 ⁵ / ₈ " | AW Hub | Fig. 3 | |

AIC Note:
For short circuit current ratings see page 131.

Group Meter Sockets - With MCC Bypass

100 Amp Horizontal

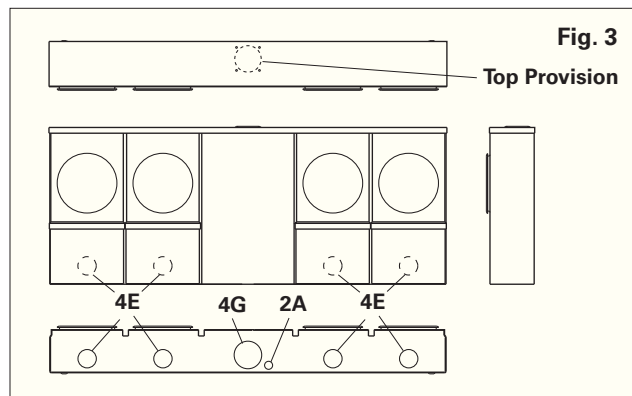
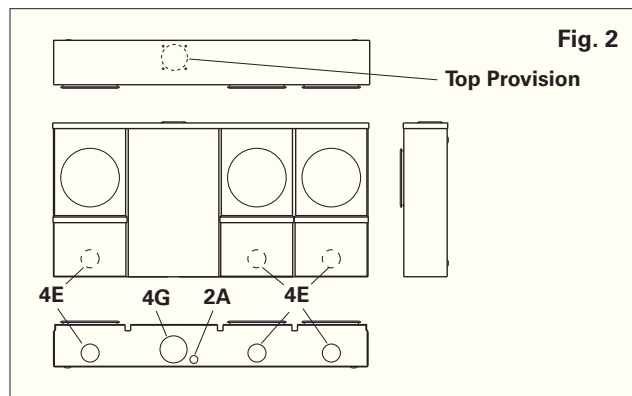
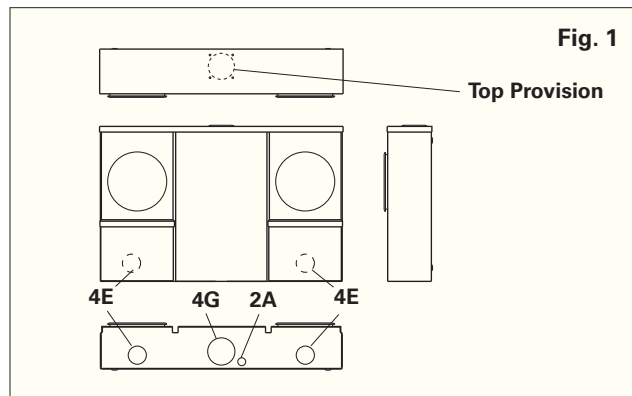
| Style # | Suffixes |
|---------|----------------------|
| 142 MCC | SS - Stainless Steel |
| 143 MCC | |
| 144 MCC | |

Knockouts - Conduit Sizes

2A = 1/2" - 1/4"
 4E = 1 1/2" - 1 1/4" - 1" - 3/4"
 4G = 2 1/2" - 2" - 1 1/2" - 1 1/4"
 Top Provision = See Chart

Multiple Metering

Knockout Layouts



Data subject to change without notice. Consult local utility for area acceptance. All dimensions are in inches.

Group Meter Sockets - Without Bypass

200 Amp Vertical

Multiple Metering



202 H (closed)



202 H (open)

Application

- For vertical multi-meter installations - 4 position maximum 400A main buss
- Receive ANSI C12.10 watt-hour meters
- Overhead or underground feed (see chart)
- Surface mount

Construction

- Ring type
- NEMA Type 3R
- ANSI 61 gray E-coat finish
- Aluminum snap ring included



Standards

- UL 414 Listed
- ANSI C12.7
- EUSERC 342

Accessories

- 5th Jaw Kit - 50365
- H Hubs

| Part/UPC Number | Catalog Number | Number of Positions | Buss Amps | Amp Rating | Jaws | Service Type | Access |
|-----------------|----------------|---------------------|-----------|------------|------|--------------|--------|
| 78205155060 | 202 H | 2 | 400 | 200 | 4 | 1Ø/3W | OH/UG |
| 78205155070 | 203 H | 3 | 400 | 200 | 4 | 1Ø/3W | OH/UG |
| 78205155080 | 204 H | 4 | 400 | 200 | 4 | 1Ø/3W | OH/UG |

| Part/UPC Number | Catalog Number | Connections | | | Height | Overall Dimensions | | Top Provision | Knockout Layout |
|-----------------|----------------|--------------|--------------|--------------|--------|----------------------------------|-------|---------------|-----------------|
| | | Line | Load | Neutral | | Width | Depth | | |
| 78205155060 | 202 H | #4 - 600 MCM | #6 - 250 MCM | #4 - 600 MCM | 32" | 14" | 6" | H Hub | Fig. 1 |
| 78205155070 | 203 H | #4 - 600 MCM | #4 - 250 MCM | #6 - 600 MCM | 32" | 28 ¹ / ₄ " | 6" | H Hub | Fig. 2 |
| 78205155080 | 204 H | #4 - 600 MCM | #4 - 250 MCM | #6 - 600 MCM | 32" | 28 ¹ / ₄ " | 6" | H Hub | Fig. 3 |

AIC Note:
For short circuit current ratings see page 131.

Group Meter Sockets - Without Bypass

200 Amp Vertical

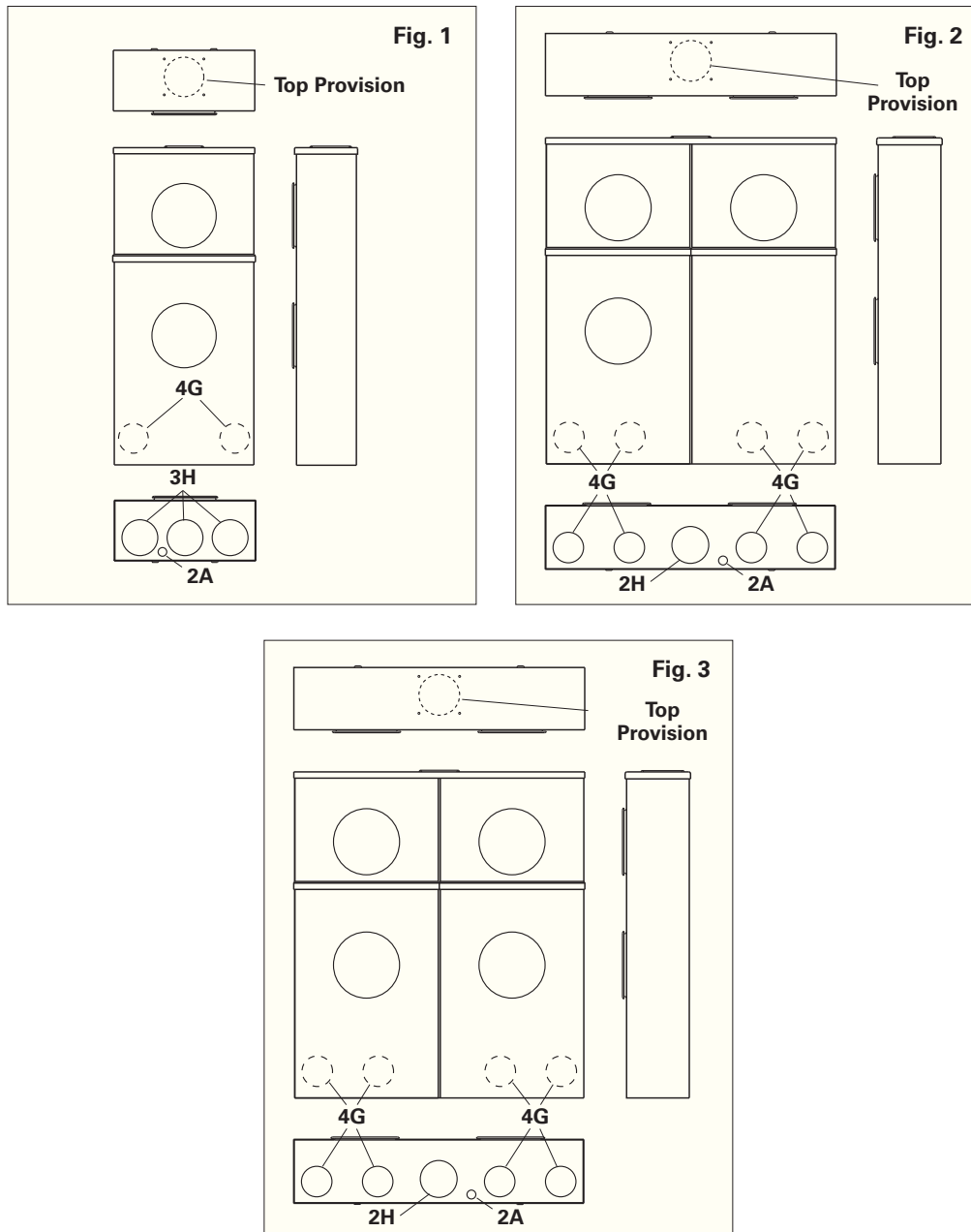
| Style # | Suffixes |
|---------|----------------------|
| 202 | SS - Stainless Steel |
| 202 H | |
| 203 H | |
| 204 H | |

Knockouts - Conduit Sizes

2A = 1/2" - 1/4"
 4G = 2 1/2" - 2" - 1 1/2" - 1 1/4"
 2H = 3" - 2 1/2"
 Top Provision = See Chart

Multiple Metering

Knockout Layouts



Data subject to change without notice. Consult local utility for area acceptance. All dimensions are in inches.

Group Meter Sockets - With MCC Bypass

200 Amp Horizontal

Multiple Metering



242 MCC (closed)



242 MCC (open)



Application

- For horizontal multi-meter installations - 6 position maximum
- Manual circuit closing (link type) bypasses under separate sealable covers
- 400A main buss
- Receive ANSI C12.10 watt-hour meters
- Overhead or underground feed (see chart)
- Surface mount

Construction

- Ring type
- NEMA Type 3R
- ANSI 61 gray E-coat finish
- Aluminum snap ring included

Standards

- UL 414 Listed
- ANSI C12.7

Accessories

- 5th Jaw Kit - 50365
- H Hubs

| Part/UPC Number | Catalog Number | Number of Positions | Buss Amps | Amp Rating | Jaws | Service Type | Access | Bypass |
|-----------------|----------------|---------------------|-----------|------------|------|--------------|--------|--------|
| 78205107296 | 242 MCC | 2 | 400 | 200 | 4 | 1Ø/3W | OH/UG | MCC |
| 78205107297 | 243 MCC | 3 | 400 | 200 | 4 | 1Ø/3W | OH/UG | MCC |
| 78205107298 | 244 MCC | 4 | 400 | 200 | 4 | 1Ø/3W | OH/UG | MCC |
| 78205107299 | 245 MCC | 5 | 400 | 200 | 4 | 1Ø/3W | OH/UG | MCC |
| 78205107300 | 246 MCC | 6 | 400 | 200 | 4 | 1Ø/3W | OH/UG | MCC |

| Part/UPC Number | Catalog Number | Connections | | | Overall Dimensions | | | Top Provision | Knockout Layout |
|-----------------|----------------|--------------|--------------|--------------|--------------------|-------|---------------------------------|---------------|-----------------|
| | | Line | Load | Neutral | Height | Width | Depth | | |
| 78205107296 | 242 MCC | #4 - 600 MCM | #6 - 250 MCM | #4 - 600 MCM | 23" | 30" | 4 ⁵ / ₈ " | H Hub | Fig. 1 |
| 78205107297 | 243 MCC | #4 - 600 MCM | #6 - 250 MCM | #4 - 600 MCM | 23" | 40" | 4 ⁵ / ₈ " | H Hub | Fig. 2 |
| 78205107298 | 244 MCC | #4 - 600 MCM | #6 - 250 MCM | #4 - 600 MCM | 23" | 50" | 4 ⁵ / ₈ " | H Hub | Fig. 3 |
| 78205107299 | 245 MCC | #4 - 600 MCM | #6 - 250 MCM | #4 - 600 MCM | 23" | 60" | 4 ⁵ / ₈ " | H Hub | Fig. 4 |
| 78205107300 | 246 MCC | #4 - 600 MCM | #6 - 250 MCM | #4 - 600 MCM | 23" | 70" | 4 ⁵ / ₈ " | H Hub | Fig. 5 |

AIC Note:
For short circuit current ratings see page 131.

Group Meter Sockets - With MCC Bypass

200 Amp Horizontal

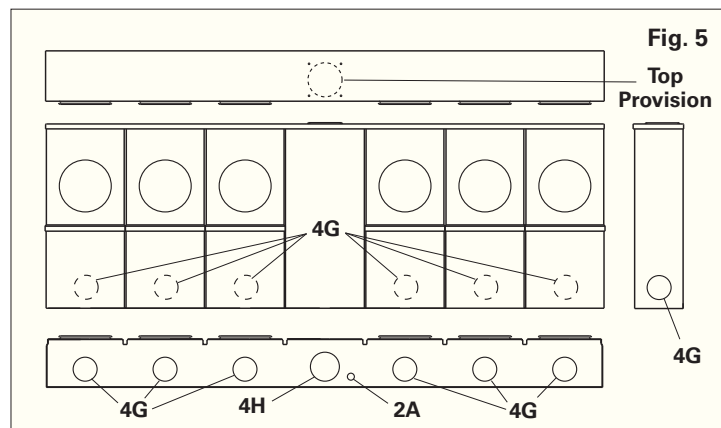
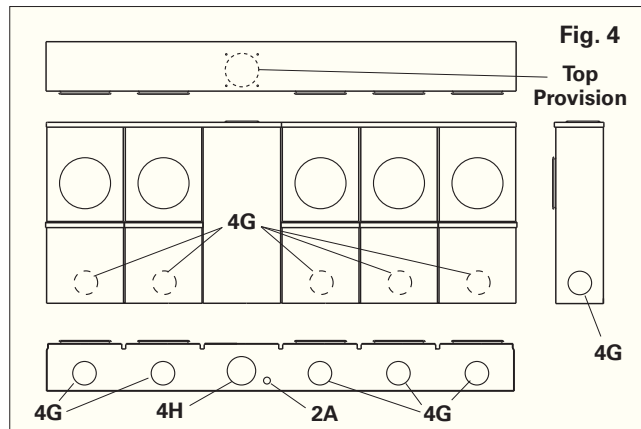
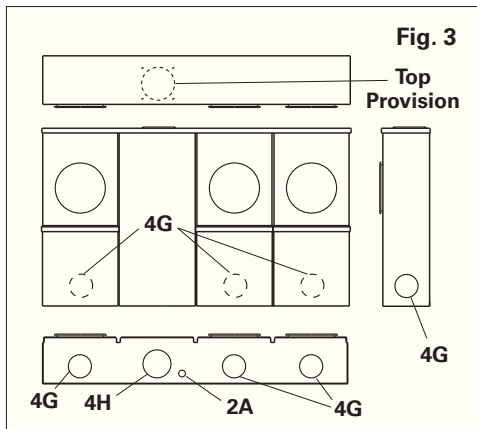
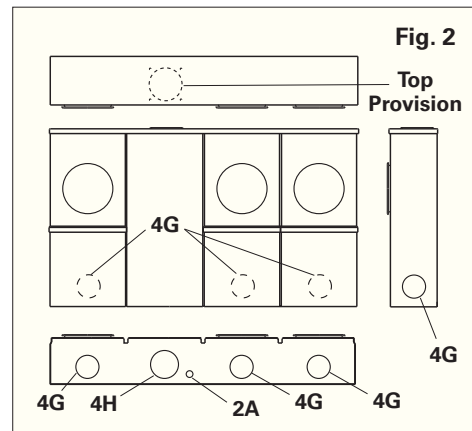
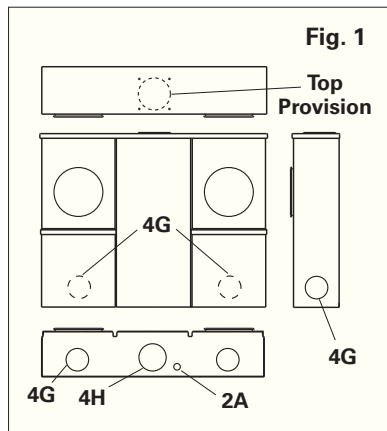
| Style # | Suffixes |
|---------|----------------------|
| 242 MCC | SS - Stainless Steel |
| 243 MCC | |
| 244 MCC | |
| 245 MCC | |
| 246 MCC | |

Knockouts - Conduit Sizes

2A = 1/2" - 1/4"
 4G = 2 1/2" - 2" - 1 1/2" - 1 1/4"
 4H = 3" - 2 1/2" - 2" - 1 1/2"
 Top Provision = See Chart

Multiple Metering

Knockout Layouts



Data subject to change without notice. Consult local utility for area acceptance. All dimensions are in inches.

Group Meter Main - With MCC Bypass

100 Amp Horizontal

Multiple Metering



**152 MCCM
(closed)**



**152 MCCM
(open)**

Application

- For horizontal multi-meter/mains installations - 4 position maximum
- Manual circuit closing (link type) bypasses under separate sealable covers
- 225A main buss
- Factory installed breakers
- Receive ANSI C12.10 watt-hour meters
- Overhead or underground feed (see chart)
- Surface mount

Construction

- Ring type
- NEMA Type 3R
- ANSI 61 gray E-coat finish
- Aluminum snap ring included

Standards

- UL 67 Listed
- ANSI C12.7



| Part/UPC Number | Catalog Number | Number of Positions | Buss Amps | Amp Rating | Jaws | Service Type | Access | Voltage | Main Breaker | | |
|-----------------|-----------------|---------------------|-----------|------------|------|--------------|--------|---------|--------------|--------------|--------|
| | | | | | | | | | AIC | Main | Bypass |
| 78205107770 | 152 MCCM | 2 | 225 | 100 | 4 | 1Ø/3W | OH/UG | 120/240 | 10K | (2) 100A, 2P | MCC |
| 78205107771 | 153 MCCM | 3 | 225 | 100 | 4 | 1Ø/3W | OH/UG | 120/240 | 10K | (3) 100A, 2P | MCC |
| 78205107774 | 154 MCCM | 4 | 225 | 100 | 4 | 1Ø/3W | OH/UG | 120/240 | 10K | (4) 100A, 2P | MCC |

| Part/UPC Number | Catalog Number | Connections | | | Overall Dimensions | | | Top Provision | Knockout Layout |
|-----------------|-----------------|--------------|------|--------------|----------------------------------|----------------------------------|---------------------------------|---------------|-----------------|
| | | Line | Load | Neutral | Height | Width | Depth | | |
| 78205107770 | 152 MCCM | #6 - 250 MCM | MCB | #6 - 250 MCM | 28 ¹ / ₂ " | 26 ¹ / ₂ " | 4 ⁵ / ₈ " | AW Hub | Fig. 1 |
| 78205107771 | 153 MCCM | #6 - 250 MCM | MCB | #6 - 250 MCM | 28 ¹ / ₂ " | 34 ³ / ₄ " | 4 ⁵ / ₈ " | AW Hub | Fig. 2 |
| 78205107774 | 154 MCCM | #6 - 250 MCM | MCB | #6 - 250 MCM | 28 ¹ / ₂ " | 43" | 4 ⁵ / ₈ " | AW Hub | Fig. 3 |

MCB - Main Circuit Breaker

Group Meter Main - With MCC Bypass

100 Amp Horizontal

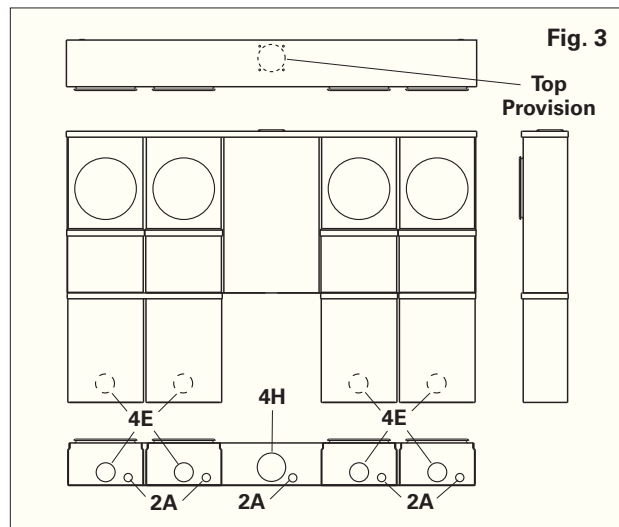
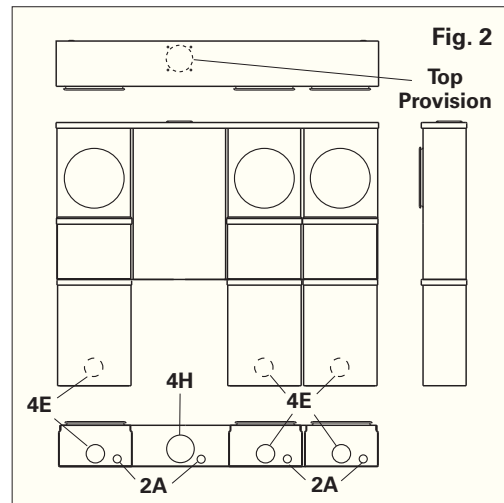
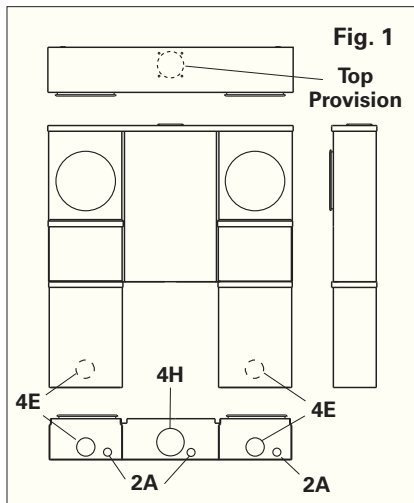
| Style # | Suffixes |
|----------|----------------------|
| 152 MCCM | SS - Stainless Steel |
| 153 MCCM | |
| 154 MCCM | |

Knockouts - Conduit Sizes

2A = 1/2" - 1/4"
 4E = 1 1/2" - 1 1/4" - 1" - 3/4"
 4H = 3" - 2 1/2" - 2" - 1 1/2"
 Top Provision = See Chart

Multiple Metering

Knockout Layouts



Data subject to change without notice. Consult local utility for area acceptance. All dimensions are in inches.

Group Meter Main - Without Bypass

200 Amp Vertical

Multiple Metering



2222 (closed)



2222 (open)

Application

- For vertical multi-meter/mains installations - 4 position maximum
- 400A main buss
- Factory installed breakers
- Receive ANSI C12.10 watt-hour meters
- Overhead or underground feed (see chart)
- Surface mount

Construction

- Ring type
- NEMA Type 3R
- ANSI 61 gray E-coat finish
- Aluminum snap ring included

Standards

- UL 67 Listed
- ANSI C12.7

Accessories

- 5th Jaw Kit - 50365
- Screw Type Ring - 26016D



| Part/UPC Number | Catalog Number | Number of Positions | Buss Amps | Amp Rating | Jaws | Service Type | Access | Main Breaker | | |
|-----------------|----------------|---------------------|-----------|------------|------|--------------|--------|--------------|-----|--------------|
| | | | | | | | | Voltage | AIC | Main |
| 78205161519 | 2222 | 2 | 400 | 200 | 4 | 1Ø/3W | OH/UG | 120/240 | 10K | (2) 200A, 2P |
| 79903854901 | 2223 | 3 | 800 | 200 | 4 | 1Ø/3W | OH/UG | 120/240 | 10K | (3) 200A, 2P |
| 79903854902 | 2224 | 4 | 800 | 200 | 4 | 1Ø/3W | OH/UG | 120/240 | 10K | (4) 200A, 2P |

| Part/UPC Number | Catalog Number | Connections | | | Overall Dimensions | | | Top Provision | Knockout Layout |
|-----------------|----------------|-------------|------|--------------|--------------------|----------------------------------|-------|---------------|-----------------|
| | | Line | Load | Neutral | Height | Width | Depth | | |
| 78205161519 | 2222 | Studs | MCB | #6 - 250 MCM | 48" | 26 ⁵ / ₈ " | 6" | None | Fig. 1 |
| 79903854901 | 2223 | Studs | MCB | #6 - 250 MCM | 48" | 40 ³ / ₄ " | 6" | None | Fig. 2 |
| 79903854902 | 2224 | Studs | MCB | #6 - 250 MCM | 48" | 40 ³ / ₄ " | 6" | None | Fig. 2 |

MCB - Main Circuit Breaker

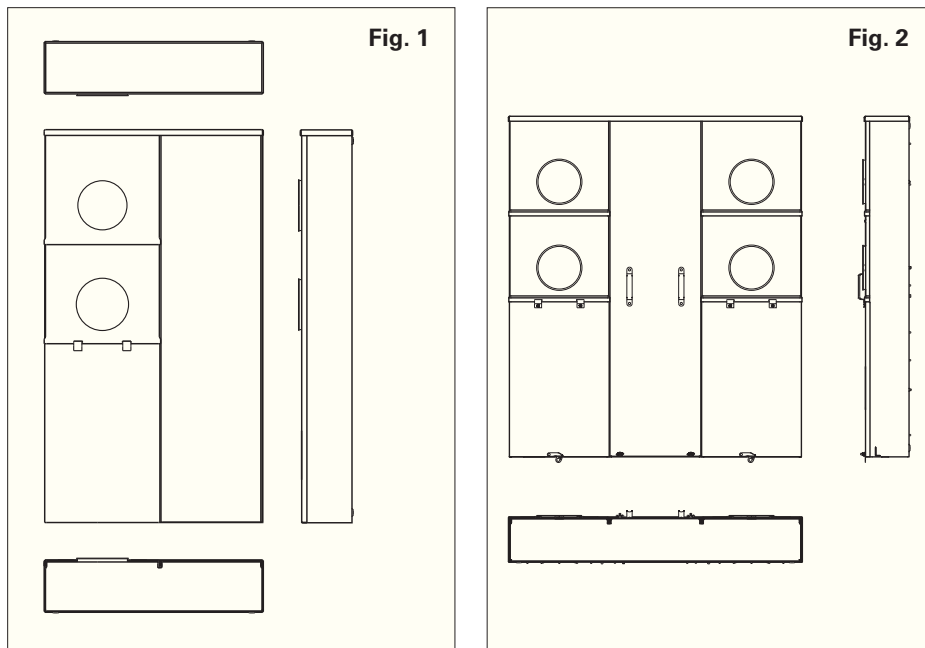
Group Meter Main - Without Bypass

200 Amp Vertical

| Style # | Suffixes |
|---------|----------------------|
| 2222 | SS - Stainless Steel |
| 2223 | |
| 2224 | |

Multiple Metering

Layouts



Data subject to change without notice. Consult local utility for area acceptance. All dimensions are in inches.



Mobile Home
Metering

| | |
|---|-----------|
| Mobile Home Pedestal, 100/200 Amp | 103 - 104 |
| Mobile Home Panel, 200 Amp | 105 - 106 |

Mobile Home Pedestal

100/200 Amp



M2M200PPD (closed)



M2M200PPD (open)

Application

- Direct bury design for mobile home applications
- Isolated compartments for customer equipment, circuit breakers, and metering service
- Hinged disconnect cover with padlock provision
- Louvered line section for ventilation
- Separate load exit enclosure
- Provisions for additional breakers
- Receive ANSI C12.10 watt-hour meters
- Underground feed



Construction

- Ring type
- NEMA Type 3R
- ANSI 61 gray E-coat finish
- Aluminum snap ring included

Standards

- UL 67 Listed
- ANSI C12.7
- EUSERC 307

Accessories

- Load exit enclosure - 3245 Kit (see Fig. 2)

Mobile Home
Metering

| Part/UPC Number | Catalog Number | Amp Rating | Jaws | Service Type | Access | Main Breaker | | | Provisions |
|-----------------|-----------------------|------------|------|--------------|--------|--------------|-----|--------------|------------|
| | | | | | | Voltage | AIC | Main | |
| 78205137400 | M1M100PD | 125 | 4 | 1Ø/3W | UG | 120/240 | 10K | (1) 100A, 2P | (1) 100A |
| 78205105591 | M1M100PD MS66 | 100 | 4 | 1Ø/3W | UG | 120/240 | 10K | (1) 100A, 2P | (1) 100A |
| 78205137425 | M1M125PD | 125 | 4 | 1Ø/3W | UG | 120/240 | 10K | (1) 125A, 2P | (1) 100A |
| 78205113005 | M1M125PD MS66 | 125 | 4 | 1Ø/3W | UG | 120/240 | 10K | (1) 125A, 2P | (1) 100A |
| 78205117765 | M1M150PD MS67 | 150 | 4 | 1Ø/3W | UG | 120/240 | 10K | (1) 150A, 2P | (1) 100A |
| 78205117766 | M1M175PD MS67 | 175 | 4 | 1Ø/3W | UG | 120/240 | 10K | (1) 175A, 2P | (1) 100A |
| 78205137435 | M2M150PD | 150 | 4 | 1Ø/3W | UG | 120/240 | 10K | (1) 150A, 2P | (1) 100A |
| 78205137445 | M2M175PD | 175 | 4 | 1Ø/3W | UG | 120/240 | 10K | (1) 175A, 2P | (1) 100A |
| 78205137610 | M2M200PD | 200 | 4 | 1Ø/3W | UG | 120/240 | 10K | (1) 200A, 2P | (1) 100A |
| 78205137620 | M2M200PD MS67 | 200 | 4 | 1Ø/3W | UG | 120/240 | 10K | (1) 200A, 2P | (1) 100A |
| 78205137630 | M2M200PPD | 200 | 4 | 1Ø/3W | UG | 120/240 | 10K | (1) 200A, 2P | (2) 100A |
| 78205137640 | M2M200PPD MS67 | 200 | 4 | 1Ø/3W | UG | 120/240 | 10K | (1) 200A, 2P | (2) 100A |

| Part/UPC Number | Catalog Number | Connections | | | Overall Dimensions | | | Top Provision | Knockout Layout |
|-----------------|-----------------------|--------------|------|--------------|--------------------|-------|---------------------------------|---------------|-----------------|
| | | Line | Load | Neutral | Height | Width | Depth | | |
| 78205137400 | M1M100PD | #6 - 350 MCM | MCB | #6 - 350 MCM | 78" | 10" | 4 ⁵ / ₈ " | None | Fig. 1 |
| 78205105591 | M1M100PD MS66 | Studs | MCB | #6 - 350 MCM | 78" | 10" | 4 ⁵ / ₈ " | None | Fig. 1 |
| 78205137425 | M1M125PD | #6 - 350 MCM | MCB | #6 - 350 MCM | 78" | 10" | 4 ⁵ / ₈ " | None | Fig. 1 |
| 78205113005 | M1M125PD MS66 | Studs | MCB | #6 - 350 MCM | 78" | 10" | 4 ⁵ / ₈ " | None | Fig. 1 |
| 78205117765 | M1M150PD MS67 | Studs | MCB | #6 - 350 MCM | 78" | 10" | 4 ⁵ / ₈ " | None | Fig. 1 |
| 78205117766 | M1M175PD MS67 | Studs | MCB | #6 - 350 MCM | 78" | 10" | 4 ⁵ / ₈ " | None | Fig. 1 |
| 78205137435 | M2M150PD | #6 - 250 MCM | MCB | #6 - 350 MCM | 78" | 10" | 4 ⁵ / ₈ " | None | Fig. 1 |
| 78205137445 | M2M175PD | #6 - 250 MCM | MCB | #6 - 350 MCM | 78" | 10" | 4 ⁵ / ₈ " | None | Fig. 1 |
| 78205137610 | M2M200PD | #6 - 250 MCM | MCB | #6 - 350 MCM | 78" | 10" | 4 ⁵ / ₈ " | None | Fig. 1 |
| 78205137620 | M2M200PD MS67 | Studs | MCB | #6 - 350 MCM | 78" | 10" | 4 ⁵ / ₈ " | None | Fig. 1 |
| 78205137630 | M2M200PPD | #6 - 250 MCM | MCB | #6 - 350 MCM | 78" | 10" | 4 ⁵ / ₈ " | None | Fig. 1 |
| 78205137640 | M2M200PPD MS67 | Studs | MCB | #6 - 350 MCM | 78" | 10" | 4 ⁵ / ₈ " | None | Fig. 1 |

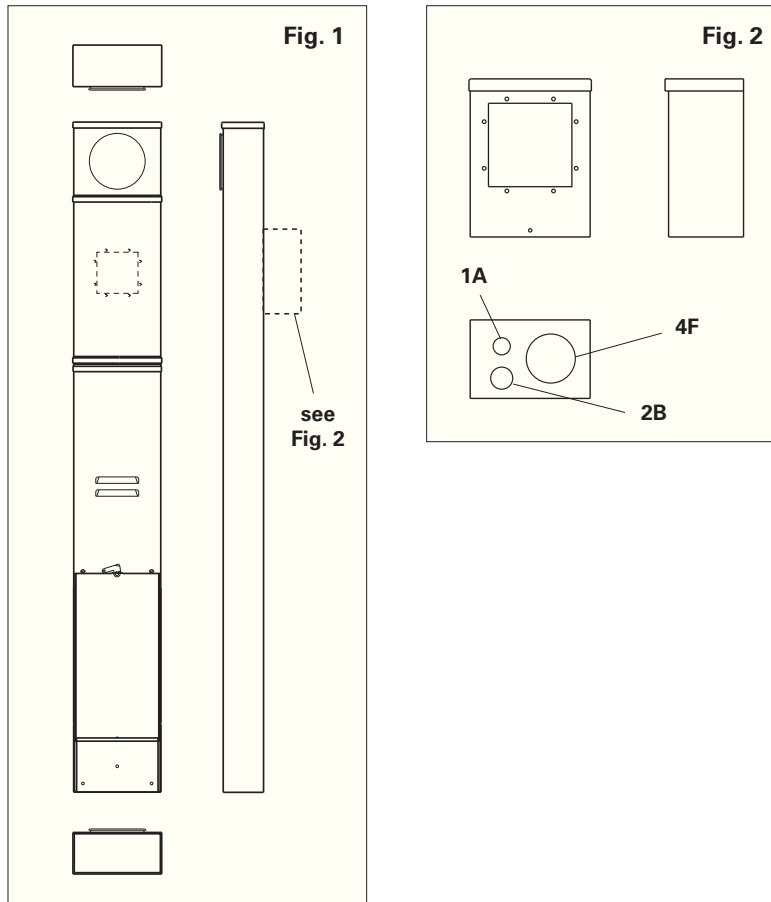
MCB - Main Circuit Breaker

| Style # | Suffixes |
|-----------|--|
| M1M1xxPD | SS - Stainless Steel |
| M2M1xxPD | MS66 - Studs replace line side connectors |
| M2M2xxPD | |
| M2M2xxPDD | MS67 - Studs replace line side connectors |

Knockouts - Conduit Sizes

1A = 1/2"
 2B = 3/4" - 1/2"
 4F = 2" - 1 1/2" - 1 1/4" - 1"

Knockout Layouts



Mobile Home Panel

200 Amp



UM2M200P (closed)



UM2M200P (open)

Application

- Designed for mobile home applications
- Provisions for additional breakers
- Receive ANSI C12.10 watt-hour meters
- Overhead or underground feed (see chart)
- Surface mount

Construction

- Ring type
- NEMA Type 3R
- ANSI 61 gray E-coat finish
- Aluminum snap ring included

Standards

- UL 67 Listed
- ANSI C12.7

ACCESSORIES

- Flush Trim Kit - FK 1430
- AW Hubs



Mobile Home
Metering

| Part/UPC Number | Catalog Number | Amp Rating | Jaws | Service Type | Access | Main Breaker | | | |
|-----------------|----------------|------------|------|--------------|--------|--------------|-----|--------------|------------|
| | | | | | | Voltage | AIC | Main | Provisions |
| 78205157310 | UM2M200 | 200 | 4 | 1Ø/3W | OH/UG | 120/240 | 10K | (1) 200A, 2P | -- |
| 78205157315 | UM2M200P | 200 | 4 | 1Ø/3W | OH/UG | 120/240 | 10K | (1) 200A, 2P | (1) 2P |
| 78205157320 | UM2M200PP | 200 | 4 | 1Ø/3W | OH/UG | 120/240 | 10K | (1) 200A, 2P | (2) 2P |

| Part/UPC Number | Catalog Number | Connections | | | Overall Dimensions | | | Top Provision | Knockout Layout |
|-----------------|----------------|--------------|------|--------------|--------------------|-------|---------------------------------|---------------|-----------------|
| | | Line | Load | Neutral | Height | Width | Depth | | |
| 78205157310 | UM2M200 | #6 - 250 MCM | MCB | #6 - 250 MCM | 30" | 14" | 4 ⁵ / ₈ " | AW Hub | Fig. 1 |
| 78205157315 | UM2M200P | #6 - 250 MCM | MCB | #6 - 250 MCM | 30" | 14" | 4 ⁵ / ₈ " | AW Hub | Fig. 1 |
| 78205157320 | UM2M200PP | #6 - 250 MCM | MCB | #6 - 250 MCM | 30" | 14" | 4 ⁵ / ₈ " | AW Hub | Fig. 1 |

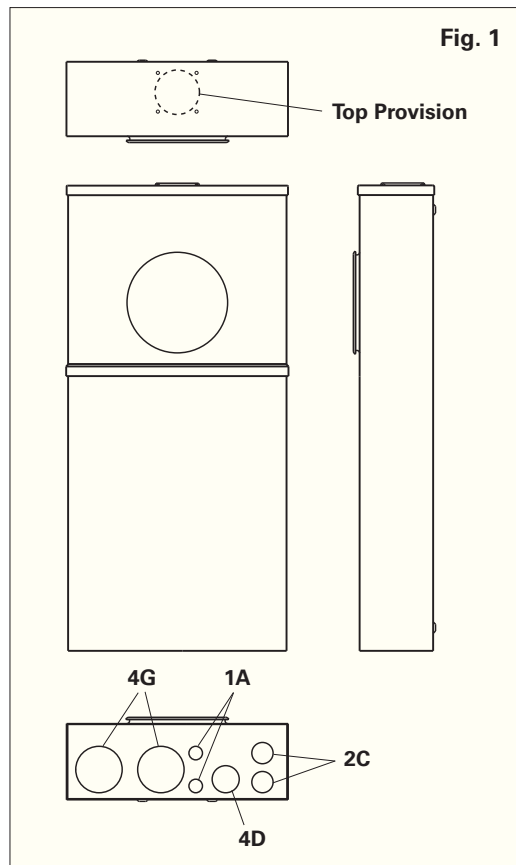
MCB - Main Circuit Breaker

| Style # | Suffixes |
|-----------|----------------------|
| UM2M200 | SS - Stainless Steel |
| UM2M200P | |
| UM2M200PP | |

Knockouts - Conduit Sizes

1A = 1/2"
 2C = 1" - 3/4"
 4D = 1 1/4" - 1" - 3/4" - 1/2"
 4G = 2 1/2" - 2" - 1 1/2" - 1 1/4"
 Top Provision = See Chart

Knockout Layouts



Commercial Meter Pedestals



Commercial
Meter Pedestals

| | |
|--|-----------|
| Commercial Metering Pedestals - Features & Applications | 109 |
| Commercial Metering Pedestals - Mounting Base Details | 110 |
| Commercial Metering Pedestals - Pad Mounted | 111 |
| Commercial Metering Pedestals - Post/Wall Mounted | 112 |
| Commercial Metering Pedestals - Pad Mounted, Unmetered | 113 |
| Commercial Metering Pedestals - Pad Mounted, Dual Distribution | 114 |
| Commercial Metering Pedestals - Specials | 115 - 116 |

Data subject to change without notice. Consult local utility for area acceptance. All dimensions are in inches.

Commercial Meter Pedestals - Features & Applications

Post, Wall, or Pad Mounted Pedestals with Isolated Components for Utility Metering



Name _____

Company Name _____

Address _____

Phone _____

Email _____

Typical Application

- Street & highway lighting
- Traffic signal controller metering
- Irrigation control systems
- Park & recreation facilities
- Golf course lighting
- Sign lighting

Construction

- NEMA Type 3R
- UL Listed
- ANSI 12.7
- EUSERC #308 Compliant (CMP4xxx MC1)

Service conductor terminations and customer's equipment can be factory customized to meet specific job requirements

Commercial Metering Pedestal - Customization Form

| | |
|--|--|
| Enclosure Mounting Type _____ | |
| Supply Voltage _____ | Service _____ |
| Supply Amperage _____ | Short Circuit Rating _____ |
| Meter Bypass: Safety Socket (Test Block) <input type="checkbox"/> Manual Circuit Closing <input type="checkbox"/> No Bypass <input type="checkbox"/> | |
| Disconnect: Main Circuit Breaker <input type="checkbox"/> Class "T" Fused Pullout <input type="checkbox"/> | |
| Distribution: Circuit Panelboard _____ None <input type="checkbox"/> | |
| Finish: Light Gray (ANSI 61) <input type="checkbox"/> Light Green <input type="checkbox"/> Federal Brown <input type="checkbox"/> Light Gray (ANSI 49) <input type="checkbox"/> White <input type="checkbox"/> Other _____ | |
| Controls: | |
| <input type="checkbox"/> Switch: HOA (Hand-Off-Auto) _____ Test Switch _____ | |
| <input type="checkbox"/> Photo-Electric Cell: In Window _____ Field Installed _____ | |
| <input type="checkbox"/> Time Clock: 24 Hour _____ 7 Day _____ Electronic _____ Mechanical _____ | |
| <input type="checkbox"/> Lighting Contractor: Amps _____ Poles _____ Control Voltage _____ | |
| <input type="checkbox"/> Thermostat: Electronic _____ Mechanical _____ | |
| <input type="checkbox"/> Cabinet Heater: Watts _____ | <input type="checkbox"/> Control Transformer: Amps _____ |
| <input type="checkbox"/> Duplex Receptacles: _____ | <input type="checkbox"/> Terminal Block _____ |

For online form, see www.cooperblinemetring.com.

Send completed form to customer service at Eaton's B-Line Business. See address information on back cover.

Commercial Meter Pedestals - Mounting Base Details

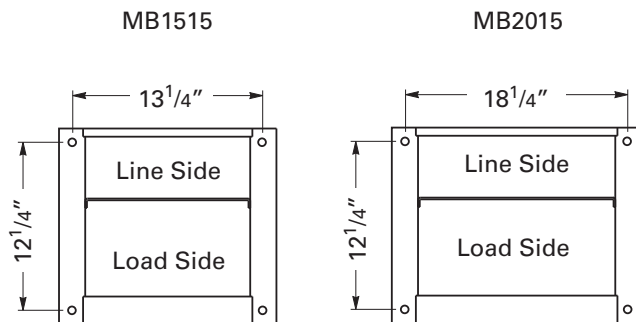
Installation Instructions

CMP-4000 Series

Meter pedestals are designed for pad-mount installation. Two methods can be used to install pedestals on a concrete pad.

- Use pre-fabricated mounting base assembly.
 - Cat. No. MB1515 - Suitable for 15" wide x 15" deep pedestals.
 - Cat. No. MB2015 - Suitable for 20" wide x 15" deep pedestals.

Install mounting base assembly flush with top surface of concrete pad, allowing mounting studs to reach above pad. Locate line and load conduits in the designated areas as shown on drawings below.



- Use anchor bolts ($\frac{3}{8}$ " dia.) pre-cast in concrete pad. Mounting hole dimensions are shown above for 15 x 15 and 20 x 15 pedestals. Locate line and load conduits the same as in method 1.

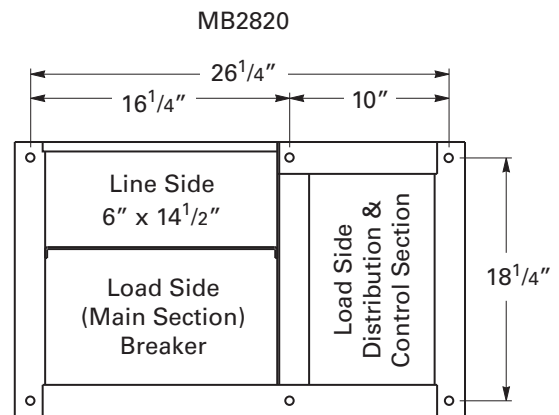
Installation Instructions

CMP-4900 Series

Meter pedestals are designed for pad-mount installation. Two methods can be used to install pedestals on a concrete pad.

- Use pre-fabricated mounting base assembly.
 - Cat. No. MB2820 - Suitable for 28" wide x 20" deep pedestals. (CMP-4900 Models)

Install mounting base assembly flush with top surface of concrete pad, allowing mounting studs to reach above pad. Locate line and load conduits in the designated areas as shown on drawing below.



- Use anchor bolts ($\frac{3}{8}$ " dia.) pre-cast in concrete pad. Mounting hole dimensions are shown above. Locate line and load conduits the same as in method 1.

Commercial Meter Pedestals - Pad Mounted



CMP4111MC-1



Application

- Utility meter, main disconnect and distribution panel
- Receive ANSI C12.10 watt-hour meters

Construction

- Ring type
- NEMA Type 3R
- ANSI 61 gray E-coat finish
- Separate sealable utility termination and meter compartments
- Padlockable disconnect and distribution section
- Underground feed

Standards

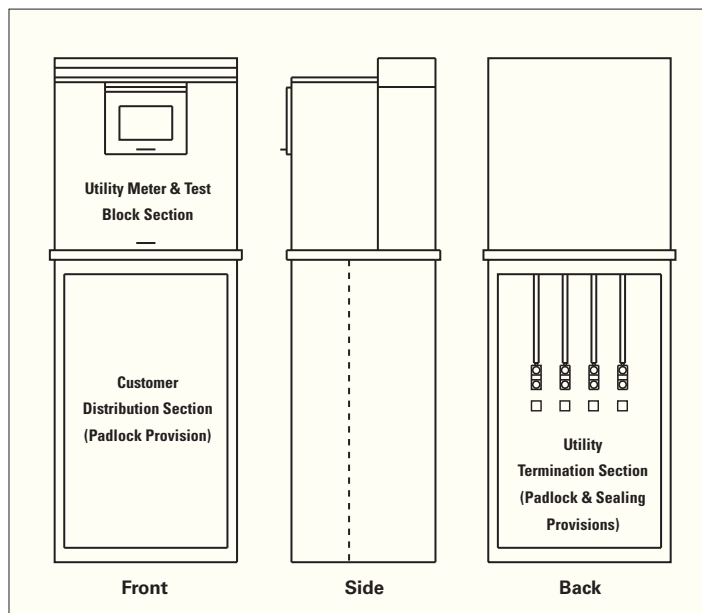
- UL Listed
- ANSI C12.7
- EUSERC #308

Accessories

- 5th jaw kit - 50365 (single phase)
- Filler plate kit - 25139
- Class T fusible pullouts
- Controls, see page 109

Commercial
Meter Pedestals

| Catalog Number | Amp Rating | Jaws | Service Type | Bypass | Voltage | Distribution | | Type | Mounting Pad | Dimensions | | |
|----------------|------------|------|--------------|--------|---------|--------------|----------|---------|--------------|------------|---------|--------|
| | | | | | | Main Breaker | Branches | | | Width | Depth | Height |
| CMP4111MC-1 | 100 | 4 | 1Ø,3W | TB | 240 | 100A,2P | 12 | Plug-In | MB1515 | 15" | 17 1/2" | 54" |
| CMP4111MCH-1 | 100 | 4 | 1Ø,3W | TB | 480 | 100A,2P | 14 | Bolt-On | MB2015 | 20" | 17 1/2" | 54" |
| CMP4121MC-1 | 200 | 4 | 1Ø,3W | TB | 240 | 200A,2P | 12 | Plug-In | MB2015 | 20" | 17 1/2" | 54" |
| CMP4121MCH-1 | 200 | 4 | 1Ø,3W | TB | 480 | 200A,2P | 18 | Bolt-On | MB1515 | 15" | 17 1/2" | 54" |
| CMP4411MC-1 | 100 | 7 | 3Ø,4W | TB | 240 | 100A,3P | 12 | Plug-In | MB1515 | 15" | 17 1/2" | 54" |
| CMP4411MCH-1 | 100 | 7 | 3Ø,4W | TB | 480 | 100A,3P | 12 | Bolt-On | MB2015 | 20" | 17 1/2" | 54" |
| CMP4421MC-1 | 200 | 7 | 3Ø,4W | TB | 240 | 200A,3P | 12 | Plug-In | MB1515 | 15" | 17 1/2" | 54" |
| CMP4421MCH-1 | 200 | 7 | 3Ø,4W | TB | 480 | 200A,3P | 18 | Bolt-On | MB2015 | 20" | 17 1/2" | 54" |



Commercial Meter Pedestals - Post/Wall Mounted



CMP4111M

Application

- Utility meter, main disconnect and distribution panel
- Receive ANSI C12.10 watthour meters

Construction

- Ring type
- NEMA Type 3R
- ANSI 61 gray E-coat finish
- Separate sealable utility termination and meter compartments
- Padlockable disconnect and distribution section
- Underground feed

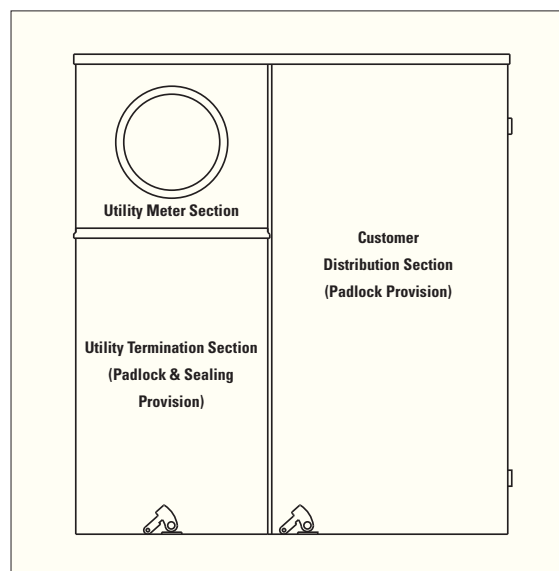
Standards

- UL Listed
- ANSI C12.7

Accessories

- 5th jaw kit - 50365 (single phase)
- Filler plate kit - 25139
- Class T fusible pullouts
- Controls, see page 109

| Catalog Number | Amp Rating | Jaws | Service Type | Bypass | Voltage | Distribution | | Type | Dimensions | | |
|----------------|------------|------|--------------|--------|---------|--------------|----------|---------|------------|-------|--------|
| | | | | | | Main Breaker | Branches | | Width | Depth | Height |
| CMP4111M | 100 | 4 | 1Ø,3W | -- | 240 | 100A,2P | 12 | Plug-In | 32" | 8" | 32" |
| CMP4111MC | 100 | 4 | 1Ø,3W | TB | 240 | 100A,2P | 12 | Plug-In | 32" | 8" | 32" |
| CMP4111MCH | 100 | 4 | 1Ø,3W | TB | 480 | 100A,2P | 14 | Bolt-On | 32" | 8" | 38" |
| CMP4121M | 200 | 4 | 1Ø,3W | -- | 240 | 200A,2P | 12 | Plug-In | 32" | 8" | 38" |
| CMP4121MC | 200 | 4 | 1Ø,3W | TB | 240 | 200A,2P | 12 | Plug-In | 32" | 8" | 38" |
| CMP4121MCH | 200 | 4 | 1Ø,3W | TB | 480 | 200A,2P | 18 | Bolt-On | 32" | 8" | 38" |
| CMP4411M | 100 | 7 | 3Ø,4W | -- | 240 | 100A,3P | 12 | Plug-In | 32" | 8" | 32" |
| CMP4411MC | 100 | 7 | 3Ø,4W | TB | 240 | 100A,3P | 12 | Plug-In | 32" | 8" | 32" |
| CMP4411MCH | 100 | 7 | 3Ø,4W | TB | 480 | 100A,3P | 12 | Bolt-On | 32" | 8" | 32" |
| CMP4421M | 200 | 7 | 3Ø,4W | -- | 240 | 200A,3P | 12 | Plug-In | 32" | 8" | 32" |
| CMP4421MC | 200 | 7 | 3Ø,4W | TB | 240 | 200A,3P | 12 | Plug-In | 32" | 8" | 32" |
| CMP4421MCH | 200 | 7 | 3Ø,4W | -- | 480 | 200A,3P | 18 | Bolt-On | 32" | 8" | 38" |



Data subject to change without notice. Consult local utility for area acceptance. All dimensions are in inches.

Commercial Meter Pedestals - Pad Mounted, Unmetered



CUP4111

Application

- Utility meter, main disconnect and distribution panel

Construction

- Ring type
- NEMA Type 3R
- ANSI 61 gray E-coat finish
- Separate sealable utility termination and meter compartments
- Padlockable disconnect and distribution section
- Underground feed

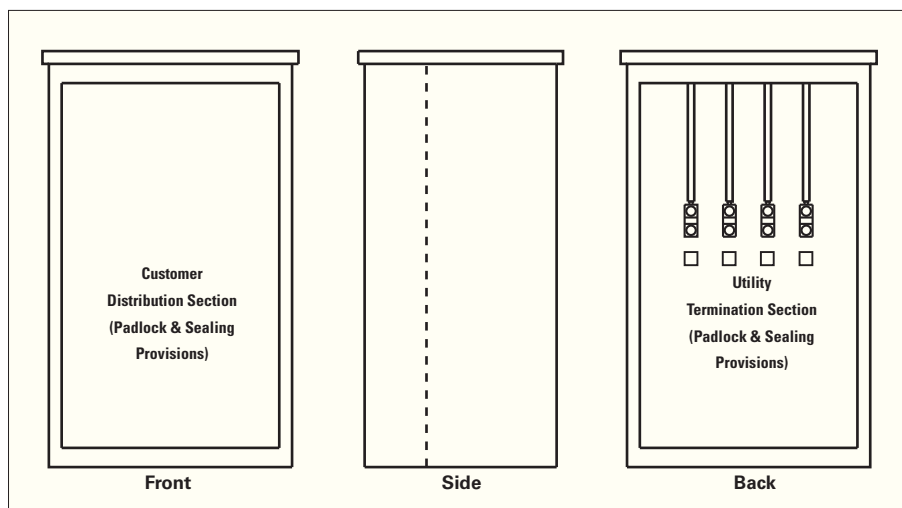
Standards

- UL Listed
- ANSI C12.7

Accessories

- 5th jaw kit - 50365 (single phase)
- Filler plate kit - 25139
- Class T fusible pullouts
- Controls, see page 109

| Catalog Number | Amp Rating | Service Type | Bypass | Distribution | | | | Mounting Pad | Dimensions | | |
|----------------|------------|--------------|--------|--------------|--------------|----------|---------|--------------|------------|---------|--------|
| | | | | Voltage | Main Breaker | Branches | Type | | Width | Depth | Height |
| CUP4111 | 100 | 1Ø,3W | TB | 240 | 100A,2P | 12 | Plug-In | MB1515 | 15" | 17 1/2" | 32" |
| CUP4111H | 100 | 1Ø,3W | TB | 480 | 100A,2P | 14 | Bolt-On | MB2015 | 20" | 17 1/2" | 32" |
| CUP4121 | 200 | 1Ø,3W | TB | 240 | 200A,2P | 12 | Plug-In | MB1515 | 20" | 17 1/2" | 32" |
| CUP4121H | 200 | 1Ø,3W | TB | 480 | 200A,2P | 18 | Bolt-On | MB2015 | 15" | 17 1/2" | 32" |
| CUP4411 | 100 | 3Ø,4W | TB | 240 | 100A,3P | 12 | Plug-In | MB1515 | 15" | 17 1/2" | 32" |
| CUP4411H | 100 | 3Ø,4W | TB | 480 | 100A,3P | 12 | Bolt-On | MB2015 | 20" | 17 1/2" | 32" |
| CUP4421 | 200 | 3Ø,4W | TB | 240 | 200A,3P | 12 | Plug-In | MB1515 | 15" | 17 1/2" | 32" |
| CUP4421H | 200 | 3Ø,4W | TB | 480 | 200A,3P | 18 | Bolt-On | MB2015 | 20" | 17 1/2" | 32" |



Commercial Meter Pedestals - Pad Mounted, Dual Distribution



Application

- Utility meter, main disconnect and distribution panel
- Receive ANSI C12.10 watthour meters

Construction

- Ring type
- NEMA Type 3R
- ANSI 61 gray E-coat finish
- Separate sealable utility termination and meter compartments
- Padlockable disconnect and distribution section
- Underground feed

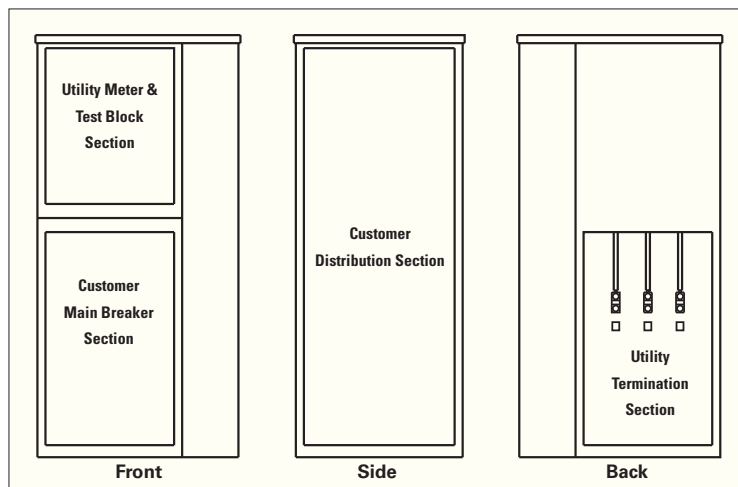
Standards

- UL Listed
- ANSI C12.7

Accessories

- 5th jaw kit - 50365 (single phase)
- Filler plate kit - 25139
- Class T fusible pullouts
- Controls, see page 109

| Catalog Number | Amp Rating | Jaws | Service Type | Bypass | Distribution | | Mounting Pad |
|-------------------|------------|------|--------------|--------|--------------|------------------------------|---------------|
| | | | | | Voltage | Main Breaker Branch Circuits | |
| CMP4911M | 100 | 4 | 1Ø, 3W | -- | 240 | 50A/2P (2) | |
| CMP4911MC | 100 | 4 | 1Ø, 3W | TB | 240 | 50A/2P (2) | |
| CMP4911MCH | 100 | 4 | 1Ø, 3W | TB | 480 | 50A/2P (2) | |
| CMP4914M | 100 | 7 | 3Ø, 4W | -- | 240 | 50A/3P (2) | |
| CMP4914MC | 100 | 7 | 3Ø, 4W | TB | 240 | 50A/3P (2) | |
| CMP4914MCH | 100 | 7 | 3Ø, 4W | TB | 240 | 50A/3P (2) | Per |
| CMP4921M | 200 | 4 | 1Ø, 3W | -- | 240 | 100A/2P (2) | Customer |
| CMP4921MC | 200 | 4 | 1Ø, 3W | TB | 240 | 100A/2P (2) | Specification |
| CMP4921MCH | 200 | 4 | 1Ø, 3W | TB | 480 | 100A/2P (2) | |
| CMP4924M | 200 | 7 | 3Ø, 4W | -- | 240 | 100A/3P (2) | |
| CMP4924MC | 200 | 7 | 3Ø, 4W | TB | 240 | 100A/3P (2) | |
| CMP4924MCH | 200 | 7 | 3Ø, 4W | TB | 480 | 100A/3P (2) | |
| CMP4941MN | 400 | 4 | 1Ø, 3W | MCC | 240 | 400A/2P (2) | |



Data subject to change without notice. Consult local utility for area acceptance. All dimensions are in inches.

Commercial Meter Pedestals - Specials



CMP4012MC-1

Application

- Utility meter, main disconnect and distribution panel
- Receive ANSI C12.10 watthour meters

Construction

- Ring type
- NEMA Type 3R
- ANSI 61 gray E-coat finish
- Separate sealable utility termination and meter compartments
- Padlockable disconnect and distribution section
- Underground feed

Standards

- UL Listed
- ANSI C12.7

Accessories

- 5th jaw kit - 50365 (single phase)
- Filler plate kit - 25139
- Class T fused pullouts
- Controls, see page 109

Commercial
Meter Pedestals

Pad Mount, Dual Metered Side-by-Side - Fig. 1 (see page 116)

| Catalog Number | Amp Rating | Jaws | Service Type | Bypass | Distribution | | | | Mounting Pad | Dimensions | | |
|----------------|------------|------|--------------|--------|--------------|--------------|----------|---------|--------------|------------|----------------------------------|--------|
| | | | | | Voltage | Main Breaker | Branches | Type | | Width | Depth | Height |
| CM2P4111MC-1 | 200 | 7 | 1Ø,3W | TB | 240 | 100A,2P | 12 | Plug-In | MB3215 | 32" | 17 ¹ / ₂ " | 54" |
| | | | | TB | 240 | 100A,2P | 12 | Plug-In | | | | |
| CM2P4411MC-1 | 200 | 7 | 1Ø,3W | TB | 480 | 100A,2P | 14 | Bolt-On | MB3215 | 32" | 17 ¹ / ₂ " | 54" |
| | | | | TB | 480 | 100A,2P | 14 | Bolt-On | | | | |
| CM2P4121MC-1 | 400 | 4 | 1Ø,3W | MCC | 240 | 200A,2P | -- | -- | MB3215 | 32" | 17 ¹ / ₂ " | 54" |
| | | | | MCC | 240 | 200A,2P | -- | -- | | | | |
| CM2P4421MC-1 | 400 | 7 | 3Ø,4W | TB | 240 | 200A,2P | 12 | Plug-In | MB3215 | 32" | 17 ¹ / ₂ " | 54" |
| | | | | TB | 240 | 200A,2P | 12 | Plug-In | | | | |

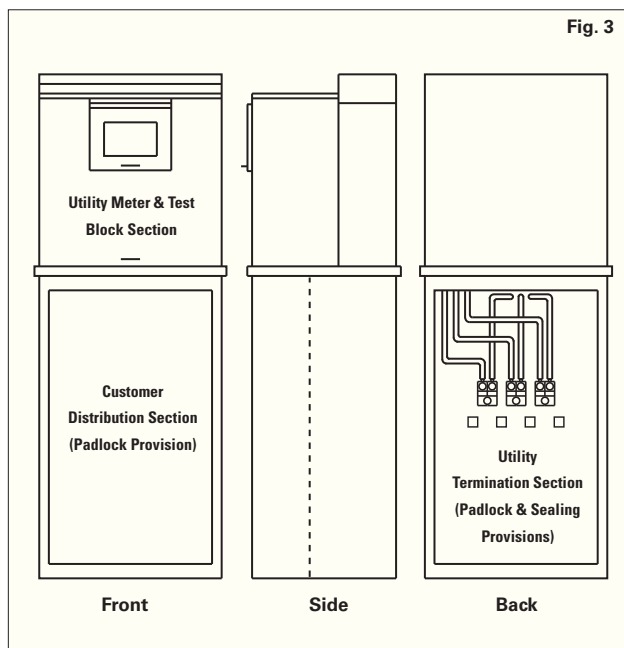
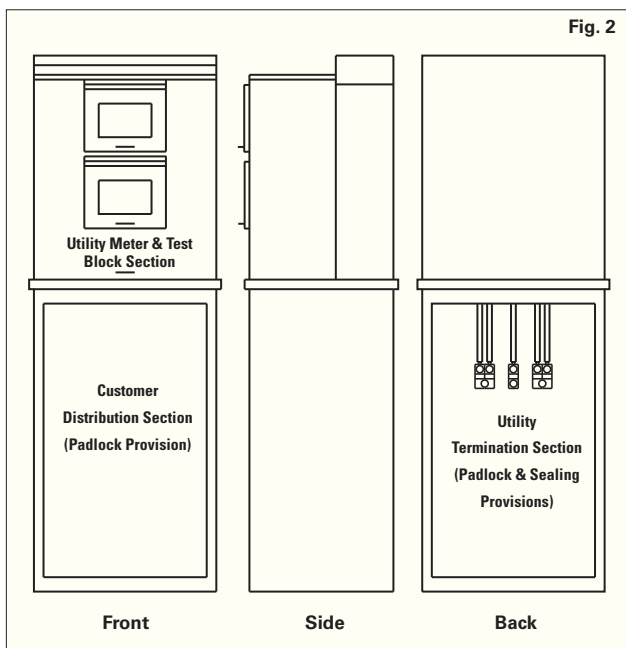
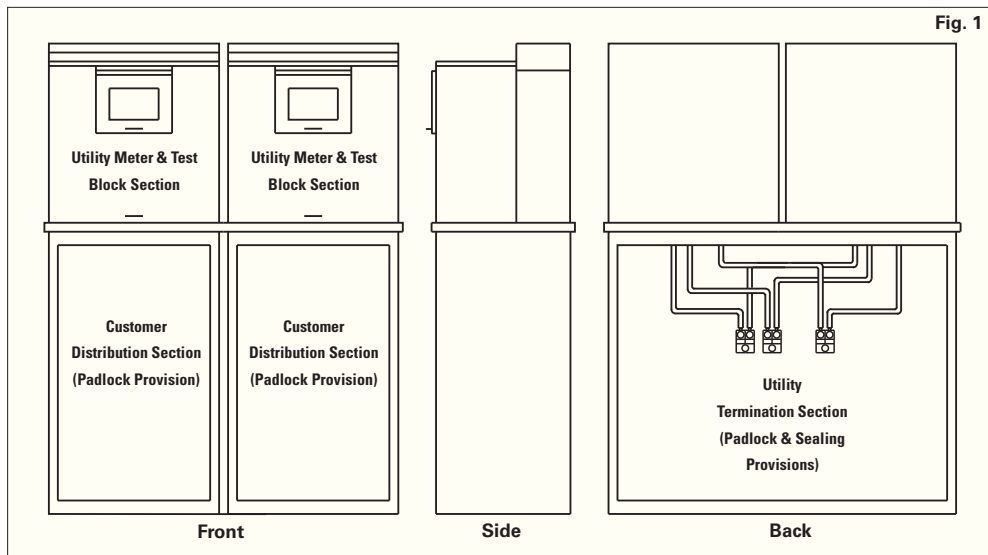
Pad Mount, Dual Metered - Fig. 2 (see page 116)

| Catalog Number | Amp Rating | Jaws | Service Type | Bypass | Distribution | | | | Mounting Pad | Dimensions | | |
|----------------|------------|------|--------------|--------|--------------|--------------|----------|---------|--------------|------------|----------------------------------|--------|
| | | | | | Voltage | Main Breaker | Branches | Type | | Width | Depth | Height |
| CMP4012MC-1 | 100 | 4 | 1Ø,3W | -- | 240 | 60A,2P | 4 | Plug-In | MB1515 | 15" | 17 ¹ / ₂ " | 54" |
| | | | | TB | 240 | 60A,2P | 4 | Plug-In | | | | |
| CMP4022MC-1 | 100 | 4 | 1Ø,3W | -- | 240 | 60A,2P | 4 | Plug-In | MB1515 | 15" | 17 ¹ / ₂ " | 54" |
| | | | | TB | 240 | 60A,2P | 12 | Plug-In | | | | |

Pad Mount, Split Load Style - Fig. 3 (see page 116)

| Catalog Number | Amp Rating | Jaws | Service Type | Bypass | Distribution | | | | Mounting Pad | Dimensions | | |
|----------------|------------|------|--------------|--------|--------------|--------------|----------|---------|--------------|------------|----------------------------------|--------|
| | | | | | Voltage | Main Breaker | Branches | Type | | Width | Depth | Height |
| CMP4011SLC-1 | 100 | 4 | 1Ø,3W | TB | 240 | 60A,2P | 4 | Plug-In | MB1515 | 15" | 17 ¹ / ₂ " | 54" |
| | | | Unmetered | 1Ø,3W | Unmetered | 240 | 60A,2P | 4 | | | | |

Commercial Meter Pedestals - Specials



Commercial
Meter Pedestals

Data subject to change without notice. Consult local utility for area acceptance. All dimensions are in inches.



Accessories

| | |
|--|-----|
| Covers & Sealing Rings | 119 |
| AW & H-Base Hubs | 119 |
| Flush Trim Kits & Overhead Conversion Kits | 120 |
| Lug-Stud & Lug-Lug Terminal Pad Assemblies | 121 |
| Terminal Landing Pads, 5th Jaw Terminal Kits, Insulator | 121 |
| Breaker Stab Assembly, Jumper Link, MTB Cover Kit | 122 |
| Test Blocks for TB Sockets | 122 |
| Class "T" Replacement Fuses for MTBP & MTBPL Units | 122 |
| Sealing Device Packages & Oil-Tight Hole Seals | 123 |
| Ground Lug Kits, Triplex Ground Connectors, Touch-Up Paint | 124 |

Data subject to change without notice. Consult local utility for area acceptance. All dimensions are in inches.

Covers & Sealing Rings



| Catalog Number | Description |
|----------------|---|
| 30420 | Steel Cover For Socket Opening |
| 25162 | Clear Lexan Cover For Socket Opening |
| 25016A | Aluminum Snap Type Sealing Ring |
| 25016B | Stainless Steel Snap Type Sealing Ring |
| 25016D | Anodized Aluminum Screw Type Sealing Ring |



AW200



AW CAP

AW Hubs

Interchangeable gasketless hubs for conduit sizes 1" through 2 1/2" per ANSI C12.7. All hubs are threaded and secured by bolting hub to top of meter enclosure with tapped holes in enclosure.

| Catalog Number | Hub Description |
|----------------|---------------------|
| AW CAP | Cap |
| AW100 | 1" Conduit Size |
| AW125 | 1 1/4" Conduit Size |
| AW150 | 1 1/2" Conduit Size |
| AW200 | 2" Conduit Size |
| AW250 | 2 1/2" Conduit Size |



H7



H10

H-Base Hubs

Interchangeable gasketless hubs for conduit sizes 2" through 4" per ANSI C12.7. All hubs are threaded and secured by bolting hub to top of meter enclosure with tapped holes in enclosure.

| Catalog Number | Hub Description |
|----------------|---|
| H7 | Adapter From Large H-Base Hub To AW Hub |
| H10 | Closure Plate |
| H20 | 2" Conduit Size |
| H25 | 2 1/2" Conduit Size |
| H30 | 3" Conduit Size |
| H35 | 3 1/2" Conduit Size |
| H40 | 4" Conduit Size |

Flush Trim Kits

Flush trim kits are used to change a meter enclosure from a surface mount to a semi-flush. Kits include all necessary hardware and instructions for field installation.

| Catalog Number | Fits Enclosures |
|----------------|-------------------------------------|
| FK1432 | 14 x 32 |
| FK2432 | 24 x 32 |
| FK2438 | 24 x 38 |
| FK3038 | 30 x 38 |
| FK3447 | 34 x 47 |
| FK1421A | 14 x 21 ¹ / ₂ |
| FK1430 | 14 x 30 |
| FK2421A | 24 x 21 ¹ / ₂ |
| FK2430A | 24 x 30 |
| FK3221A | 32 x 21 |
| FK3230 | 32 x 30 |
| FK2832A | 28 x 32 ¹ / ₂ |

Overhead Conversion Kit

Overhead conversion kits are used on the U404 series to convert meter enclosure from underground to overhead feed. Kit is constructed with knockouts, an H-base hub provision and sealable utility cover. The kit includes (3) mechanical lugs to convert line side stud termination to mechanical termination: stud spacing 1³/₄" center to center.

Wire range per lug: (1) 4 AWG – 600 kcmil
 or (2) 1 AWG – 250 kcmil
 or (2) 2 AWG – 3/0 AWG

| Catalog Number | Size (Height x Width x Depth) |
|----------------|-------------------------------|
| CK8326 | 32" x 8" x 6" |



Accessories



R-9002EE
shown



R-9002_ Series

Lug - Stud Terminal Pad Assemblies *UL Listed

Each pad comes complete with insulator.

| Catalog Number | Max Amperes | Phase & Neutral Conductor | |
|----------------|-------------|---------------------------|-----------------------|
| | | Line | Load |
| R9002C | 400 Amp | 2 Studs / Ø | 6 AWG - 600 kcmil |
| R9002CC | 400 Amp | 2 Studs / Ø | 6 AWG - 600 kcmil |
| R9002E | 800 Amp | 4 Studs / Ø | (3) 4 AWG - 600 kcmil |
| R9002EE | 800 Amp | 4 Studs / Ø | (3) 4 AWG - 600 kcmil |
| R9002F | 1200 Amp | 6 Studs / Ø | (4) 4 AWG - 600 kcmil |
| R9002FF | 1200 Amp | 6 Studs / Ø | (4) 4 AWG - 600 kcmil |



R-9002EEL
shown



R-9002_L Series

Lug - Lug Terminal Pad Assemblies *UL Listed

Each pad comes complete with insulator.

| Catalog Number | Max Amperes | Phase & Neutral Conductor | |
|----------------|-------------|---------------------------|---------------------|
| | | Line | Load |
| R9002CL | 400 Amp | (1) 4 AWG- 600 kcmil | (2) 1/0 - 250 kcmil |
| R9002CCL | 400 Amp | (1) 4 AWG- 600 kcmil | (2) 1/0 - 250 kcmil |
| R9002EL | 800 Amp | (3) 4 AWG- 600 kcmil | (6) 1/0 - 250 kcmil |
| R9002EEL | 800 Amp | (3) 4 AWG- 600 kcmil | (6) 1/0 - 250 kcmil |
| R9002FL | 1200 Amp | (4) 4 AWG- 600 kcmil | (8) 1/0 - 250 kcmil |
| R9002FLL | 1200 Amp | (4) 4 AWG- 600 kcmil | (8) 1/0 - 250 kcmil |

Terminal Landing Pads *Not UL Listed

Each pad comes complete with insulator.



9005E shown

9005_ Series

| Catalog Number | Max Amperes | Max Incoming/Outgoing Conductors |
|----------------|-------------|----------------------------------|
| 9005B | 200 Amp | (1) 250 kcmil |
| 9005BB | 200 Amp | (1) 250 kcmil |
| 9005C | 400 Amp | (1) 600 kcmil or (2) 250 kcmil |
| 9005D | 600 Amp | (2) 600 kcmil or (4) 250 kcmil |
| 9005E | 800 Amp | (3) 600 kcmil or (6) 250 kcmil |
| 9005F | 1200 Amp | (4) 600 kcmil or (8) 250 kcmil |

5th Jaw Terminal Kits



50371



50365

| Catalog Number | Description |
|----------------|--|
| 50371 | 100 Amp & 200 AMP, 1Ø, 3W Applications |
| 50365 | 100 Amp & 200 AMP, 1Ø, 3W Applications |



25104

Miscellaneous

| Catalog Number | Description |
|----------------|---|
| 25104 | Insulator - Red Poly-Glass 1 3/8" H x 1 3/8" D, 3/8" Thread |



20212A



20213A

Breaker Stab Assembly

| Catalog Number | Description |
|----------------|------------------------------|
| 20212A | 2-Pole |
| 20213A | 3-Pole |
| SJ-100 | 100 & 200 Ampere Jumper Link |
| 25439 | Cover Kit For MTB Units |



SJ-100

Jumper Link

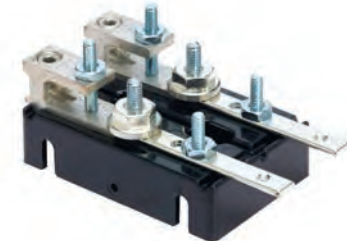
| Catalog Number | Description |
|----------------|------------------------------|
| SJ-100 | 100 & 200 Ampere Jumper Link |



25439

Cover Kit

| Catalog Number | Description |
|----------------|-------------------------|
| 25439 | Cover Kit For MTB Units |



20252A

Test Blocks For TB Sockets

| Catalog Number | Description |
|----------------|--|
| 20252A | 100 Amp, 2-Pole Test Block |
| 20250C | 100 Amp, 2-Pole Test Block With Barriers |
| 20252B | 200 Amp, 2-Pole Test Block |
| 20251C | 200 Amp, 2-Pole Test Block With Barriers |
| 20258A | 100 Amp, 2-Pole With Lugs On Both Ends |
| 20258B | 200 Amp, 2-Pole With Lugs On Both Ends |

Class "T" Replacement Fuses For MTBP and MTBPL Units

| Catalog Number | Description |
|----------------|-------------------|
| 25339A | 100 Amp, 300 Volt |
| 25339B | 200 Amp, 300 Volt |
| 25339C | 100 Amp, 600 Volt |
| 25339D | 200 Amp, 600 Volt |

Data subject to change without notice. Consult local utility for area acceptance. All dimensions are in inches.

Accessories

Sealing Device Packages



Sealing hardware devices are used as replacement pieces for various enclosures and wireway. All hardware is plated.

| Catalog Number | Description | Quantity |
|----------------|--------------------|----------|
| SEALS | Wire Seal Screw | 10 |
| SEALWN | Wire Seal Wing Nut | 10 |
| SEALC | Wire Seal Clip | 10 |



Oil-Tight Hole Seals

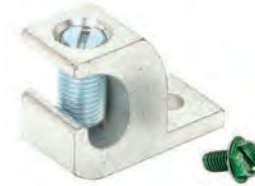
Protects knockout openings and extra pushbutton or conduit openings from dirt, oil, dust and water. Each hole seal has oil-resistant gasketing and plated stud and wing nut. Available in steel finished with ANSI 61 polyester powder or unpainted stainless steel.



| Catalog Numbers | | Application | Max. Hole Diameter | Hole Seal Diameter |
|-----------------|---------------|--------------------------------|--------------------|--------------------|
| Steel | Stainless | | | |
| SPBG | SPBGSS | Miniature Oil-Tight Pushbutton | 0.88 | 1.22 |
| SPB | SPBSS | Standard Oil-Tight Pushbutton | 1.25 | 1.75 |
| S050 | S050SS | 1/2" Conduit Holes | 0.88 | 1.38 |
| S075 | S075SS | 3/4" Conduit Holes | 1.06 | 1.56 |
| S100 | S100SS | 1" Conduit Holes | 1.38 | 1.88 |
| S125 | S125SS | 1 1/4" Conduit Holes | 1.69 | 2.19 |
| S150 | S150SS | 1 1/2" Conduit Holes | 2.00 | 2.50 |
| S200 | S200SS | 2" Conduit Holes | 2.50 | 3.00 |
| S250 | | 2 1/2" Conduit Holes | 3.00 | 3.50 |
| S300 | | 3" Conduit Holes | 3.62 | 4.12 |
| S350 | | 3 1/2" Conduit Holes | 4.12 | 4.62 |
| S400 | | 4" Conduit Holes | 4.62 | 5.12 |

Ground Lug Kits

Grounding Lug Kits are intended to provide a means for equipment grounding for most enclosures. Lug sizes 1/0 and above have a "J" shaped design to lay-in wire and cable. The lug top and fastener are colored green to meet NEC standards for grounding fastener devices.



10184B

| Catalog Number | Wire Range | Fastener |
|----------------|-----------------------|----------|
| 10184 A | #6 - #14 AWG CU/AL | #10-32 |
| 10184 B | 1/0 - #14 AWG CU/AL | #10-32 |
| 10184 C | 250 kcmil - 1/0 CU/AL | 1/4"-20 |



10184C



10184A

Triplex Ground Connectors



| Catalog Number | Description |
|----------------|----------------------|
| ETB200 | For 200A Lay-In Lugs |

Touch-Up Paint



84032

Touch-up paint can be used to repair the finish of panels and enclosures. Paint is available in ANSI 61, ANSI 49 and White Enamel in 12oz. spray cans.

| Catalog Number | Paint Color |
|----------------|--------------|
| 84032 | ANSI 49 Gray |
| 84033 | White Enamel |
| 84034 | ANSI 61 Gray |

Data subject to change without notice. Consult local utility for area acceptance. All dimensions are in inches.

Energization of Electrical Equipment

Before energizing

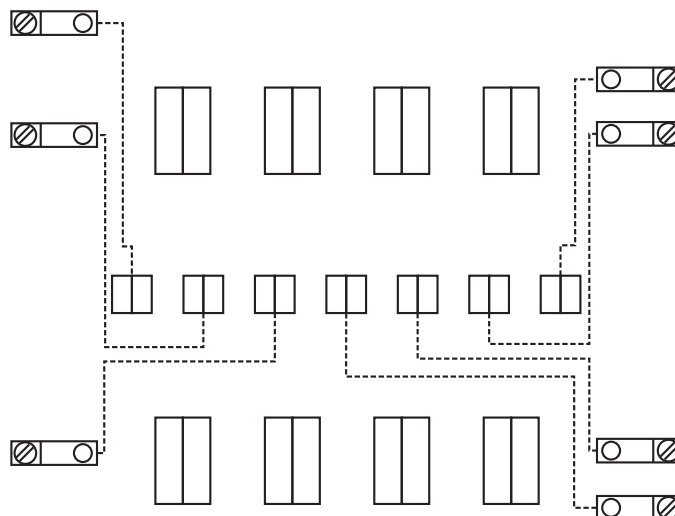
- 1) Give equipment a thorough visual examination to determine that:
 - A) Proper clearances have been maintained
 - B) All connections have been made
 - C) Equipment is clean and dry
- 2) Make a thorough physical examination to verify:
 - A) Tightness of all bolted connections – see table
 - B) Manually operate all circuit breakers, switches, relays, etc.
 - C) Check rigidity of all mountings, bus bars and components
- 3) All switches and circuit breakers should be in the off position
- 4) Mount covers and close doors

Recommend Torque Requirements

| Screw Type | Screw Size | Torque | Tolerances |
|---------------------|------------|--------------|-------------|
| Slotted or Phillips | #10-32 | 30 in.-lbs. | 5 in.-lbs. |
| | #12-24 | 38 in.-lbs. | 5 in.-lbs. |
| | 1/4"-20 | 45 in.-lbs. | 5 in.-lbs. |
| | 5/16"-18 | 60 in.-lbs. | 5 in.-lbs. |
| Hex Head | 1/4"-20 | 72 in.-lbs. | 10 in.-lbs. |
| | 5/16"-18 | 85 in.-lbs. | 10 in.-lbs. |
| | 3/8"-16 | 175 in.-lbs. | 15 in.-lbs. |
| | 7/16"-14 | 399 in.-lbs. | 20 in.-lbs. |
| | 1/2"-13 | 375 in.-lbs. | 25 in.-lbs. |

*Use 80-in.-lbs. when threaded in aluminum bus connection.

Internal Potential Wiring of 13, 14, & 15 Jaw Sockets

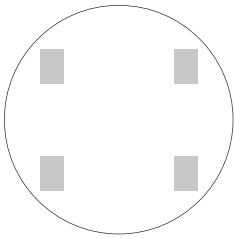


Front View

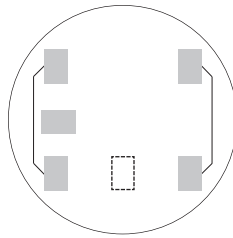
Data subject to change without notice. Consult local utility for area acceptance. All dimensions are in inches.

Metering Data

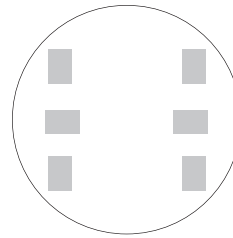
Location of Socket Jaws



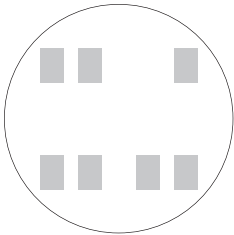
4-Terminal
Form 1S & 2S



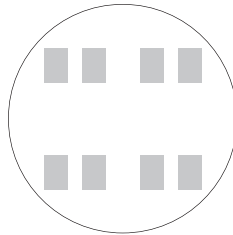
5-Terminal
Form 3S



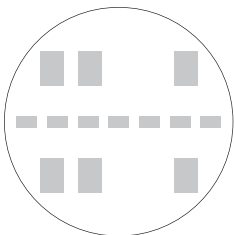
6-Terminal
Form 4S



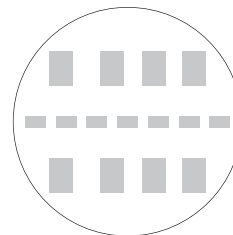
7-Terminal
Form 14S, 15S,
16S, 17S, 24S



8-Terminal
Form 5S, 35S, 45S

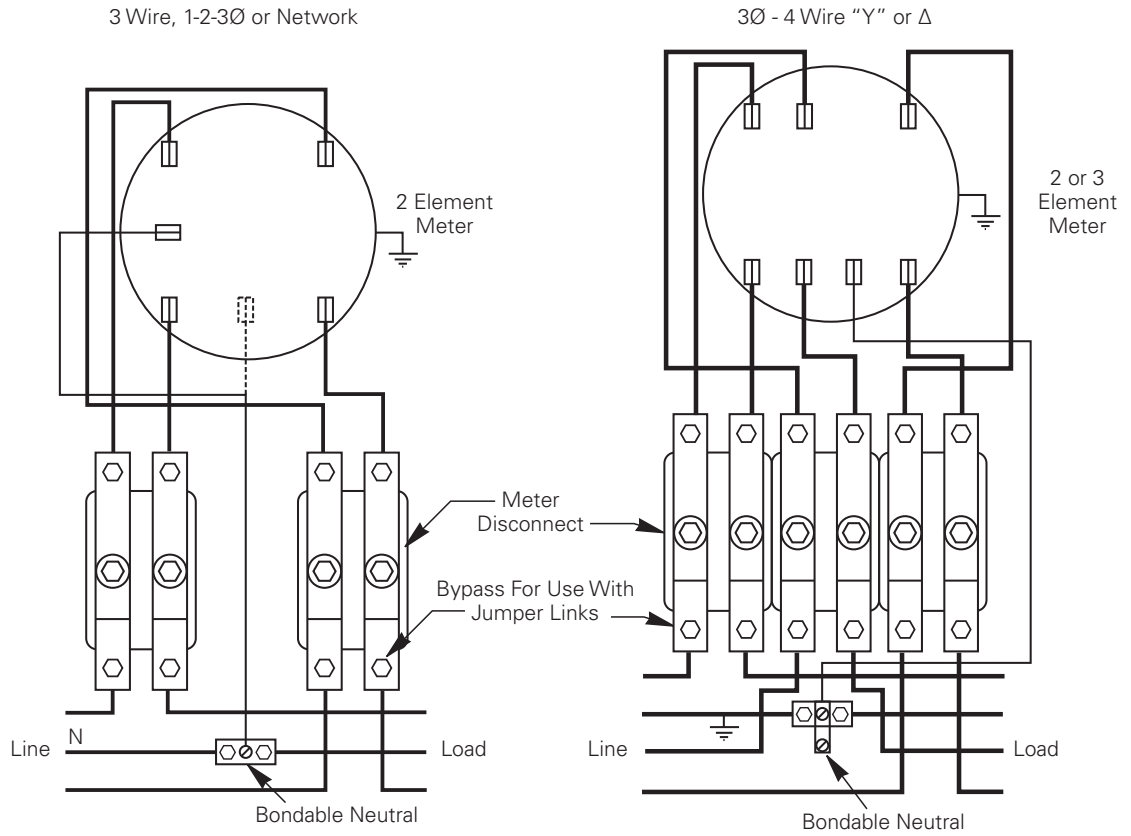


13-Terminal
Form 6S, 8S, 9S,
10S, 29S, 36S, 46S

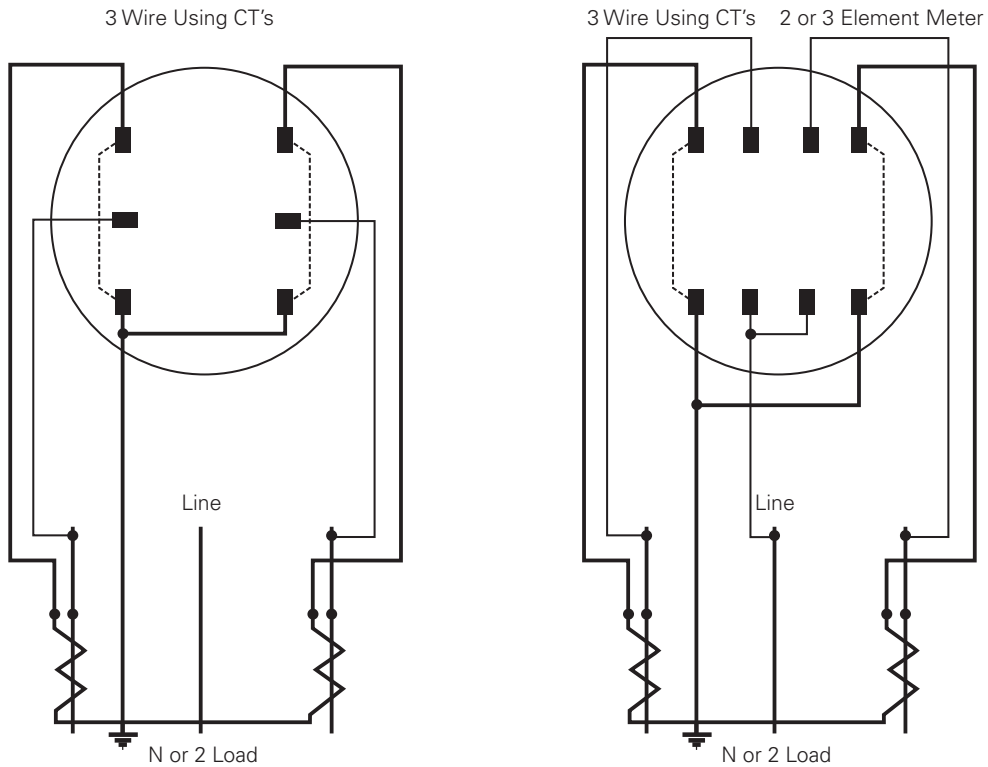


15-Terminal
Form 11S, 39S, 76S

With Safety Test By-Pass Blocks



Current Transformer Installations



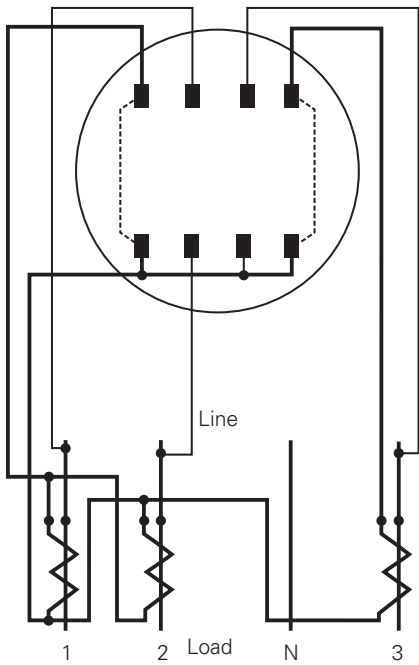
Data subject to change without notice. Consult local utility for area acceptance. All dimensions are in inches.

Metering Data

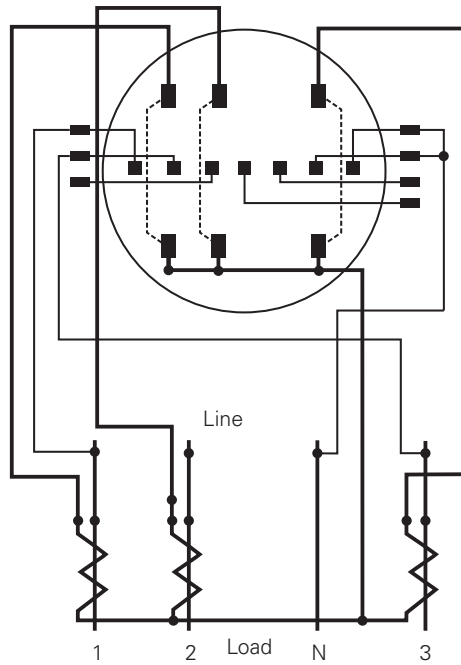
Wiring Diagrams

Current Transformer Installations

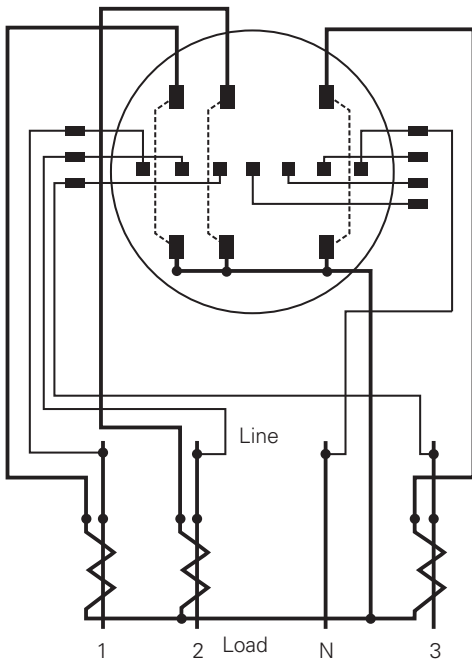
3Ø - 4Wire "Y" Using CT's
2 or 3 Element Meter



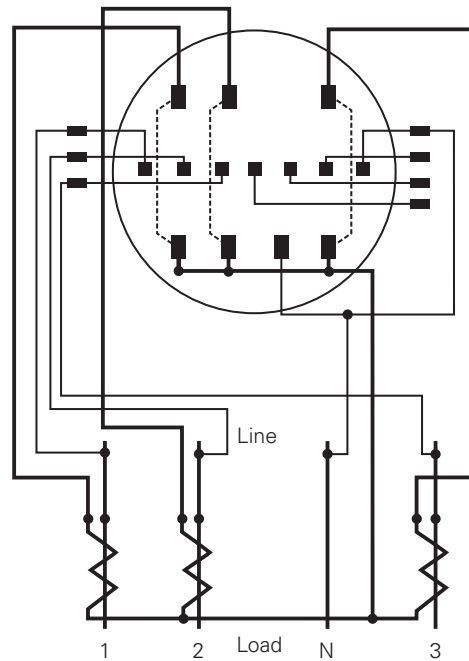
3Ø - 4Wire "Y" or Δ Using CT's
2 or 3 Element Meter



3Ø - 4Wire Δ Using CT's
2 Element Meter



3Ø - 4Wire Δ Using CT's
3 Element Meter



Energization of Electrical Equipment

Bonding Jumper

| Ampere Rating Not Exceeding | Size of Main Bonding Jumper (Minimum) ^{a,b,c} | | Cross Section of Main Bonding Jumper in Square Inches (Minimum) ^{a,b,c} | | Grounded Service Conductor (Minimum) | |
|--------------------------------|---|------------------|--|----------------------|---|------------------|
| | Copper | Aluminum | Copper | Aluminum | Copper | Aluminum |
| | 90 | 8 | 6 | 0.013 ^d | 0.021 ^d | 8 |
| 100 | 6 | 4 | 0.021 ^d | 0.033 ^d | 6 | 4 |
| 125 | 6 | 4 | 0.021 ^d | 0.033 ^d | 6 | 4 |
| 150 | 6 | 4 | 0.021 ^e | 0.033 ^e | 6 | 4 |
| 200 | 4 | 2 | 0.033 ^e | 0.052 ^e | 4 | 4 |
| 300 | 2 | 1/0 | 0.052 ^{f,g} | 0.083 ^{f,g} | 4 | 1/0 |
| 400 | 1/0 ^h | 3/0 ^h | 0.083 ^{g,h} | 0.132 ^{g,h} | 1/0 | 3/0 ^h |
| 500 | 0 | 3/0 | 0.083 | 0.132 | 1/0 | 3/0 |
| 600 | 2/0 | 4/0 | 0.105 | 0.166 | 2/0 | 4/0 |
| 800 | 2/0 | 4/0 | 0.105 | 0.166 | 2/0 | 4/0 |
| 1000 | 3/0 | 250 kcmil | 0.132 | 0.196 | 3/0 | 250 kcmil |
| 1200 | 250 kcmil | 300 kcmil | 0.196 | 0.196 | 250 kcmil | 250 kcmil |
| 1600 | 300 kcmil | 400 kcmil | 0.236 | 0.314 | 300 kcmil | 400 kcmil |
| 2000 | 400 kcmil | 500 kcmil | 0.314 | 0.393 | 400 kcmil | 500 kcmil |

^a The cross section may be reduced to 12.5 percent of the total cross section of the largest main service conductor(s) of the same material (copper or aluminum) for any phase on equipment rated 1200 amperes and above.

^b For equipment rated 1200 amperes or more and that has wiring terminals intended to connect service conductor wires sized larger than 600 kcmil copper or 750 kcmil aluminum, the cross section of the main bonding jumper shall be at least 12.5 percent of the the total cross section of the largest main service entrance conductor(s) of the same material (copper or aluminum) for any phase.

^c SI Equivalents:

^d A No. 8 (4.2 mm diameter) or larger brass or No. 10 (4.8mm diameter) or larger steel screw may be used.

^e A No. 10 or larger brass or steel screw may be used.

^f A No. 10 or larger brass screw may be used.

^g A 1/4 inch (6.4mm) diameter or larger brass or steel screw may be used.

^h When the ampere rating is 400 and the wire terminal connectors for the main service conductors are rated for two No. 3/0 AWG copper or two No. 250 kcmil aluminum conductor, but will not accept a 600 kcmil conductor, these values may be reduced to No. 2 AWG (0.052 square inch) copper or No. 0 AWG (0.083 square inch) aluminum.

| Wire Size, AWG | Min. Cross Section (MM ²) | Wire Size | Min. Cross Section (MM ²) |
|----------------|---------------------------------------|-----------|---------------------------------------|
| 8 | 8.4 | 4/0 | 107 |
| 6 | 13.3 | 250 kcmil | 126 |
| 4 | 21.2 | 200 kcmil | 152 |
| 2 | 33.6 | 400 kcmil | 203 |
| 1/0 | 53.5 | 500 kcmil | 253 |
| 2/0 | 67.4 | 600 kcmil | 304 |
| 3/0 | 85.0 | 750 kcmil | 380 |

Data subject to change without notice. Consult local utility for area acceptance. All dimensions are in inches.

Metering Data

Short Circuit Current Ratings

The meter sockets shown in this section have certain short circuit current ratings when used in conformance with the tables below:

| When used in conjunction with fuse or breaker | This meter socket is rated for use on a circuit capable of delivering not more than | At Volts Max. |
|--|---|---------------|
| Class 100 Meter Sockets | | |
| 100Amp class J, T, RK1 or RK5 fuse | 100,000 RMS Symmetrical Amperes | 600 |
| 100Amp Siemens type "HQP" circuit breaker | 65,000* RMS Symmetrical Amperes | 240 |
| 100Amp Westinghouse type "QHPX" circuit breaker | 42,000* RMS Symmetrical Amperes | 240 |
| 100Amp listed circuit breaker | 25,000* RMS Symmetrical Amperes | 240 |
| Class 200 Meter Sockets | | |
| 200Amp class J or T fuse | 200,000 RMS Symmetrical Amperes | 600 |
| 200Amp class RK-1 fuse | 42,000 RMS Symmetrical Amperes | 480 |
| 200Amp Siemens type "HFD6" circuit breaker | 42,000* RMS Symmetrical Amperes | 240 |
| 200Amp Siemens type "QJ2-H" circuit breaker | 42,000* RMS Symmetrical Amperes | 240 |
| 200Amp Siemens type "QJH2" circuit breaker | 22,000* RMS Symmetrical Amperes | 240 |
| 200Amp West. type "CAH" circuit breaker | 22,000* RMS Symmetrical Amperes | 240 |
| 125Amp listed circuit breaker (1Ø only) | 22,000* RMS Symmetrical Amperes | 240 |
| 200Amp listed circuit breaker | 18,000* RMS Symmetrical Amperes | 240 |
| Class 320 Meter Sockets | | |
| 400Amp class J or T fuse | 100,000* RMS Symmetrical Amperes | 600 |
| 400Amp listed circuit breaker | 18,000* RMS Symmetrical Amperes | 240 |
| 125Amp listed circuit breaker | 22,000* RMS Symmetrical Amperes | 240 |
| 200Amp listed circuit breaker | 18,000* RMS Symmetrical Amperes | 240 |

*Not in excess of the circuit breaker interrupting rating

Note: This table does not apply to meter-breaker units or to CT rated sockets

| <u>Part Number</u> | <u>Page</u> | <u>Part Number</u> | <u>Page</u> | <u>Part Number</u> | <u>Page</u> |
|--------------------|-------------|--------------------|-------------|--------------------|-------------|
| 011 | 5 | 214 MTBH MS15 | 27 | 245 MCC | 95 |
| 011 MS73 | 5 | 214 MTBH MS45 | 27 | 246 MCC | 95 |
| 011 SF | 5 | 214 MTBL | 31 | 324C | 57 |
| 011F | 5 | 214 MTBP | 29 | 324N | 57 |
| 012 | 85 | 214 MTBP MS15 | 29 | 345 HC | 79 |
| 013 | 85 | 214 MTBPL | 31 | 351 HC | 79 |
| 014 | 85 | 215 MTB | 25 | 352 HC | 79 |
| 014 H | 85 | 215 MTB MS15 | 25 | 353 DHC | 79 |
| 015 | 85 | 215 MTBH | 27 | 360 HC | 79 |
| 015 H | 85 | 215 MTBH MS15 | 27 | 420 HC | 79 |
| 016 | 85 | 215 MTBH MS45 | 27 | 421 HC | 79 |
| 016 H | 85 | 215 MTBL | 31 | 422 HC | 79 |
| 051HS-13 | 67 | 215 MTBP | 29 | 924 | 67 |
| 051HS-15 | 67 | 215 MTBP MS15 | 29 | 924 MS77 | 67 |
| 1M1R | 11 | 215 MTBPL | 31 | 925 | 67 |
| 1M1R7 | 11 | 217 MTB | 25 | 926 | 67 |
| 1M1RP | 11 | 217 MTB MS15 | 25 | 927 | 5 |
| 2M2R | 11 | 217 MTBH | 27 | 928 | 67 |
| 2M2R7 | 11 | 217 MTBH MS15 | 27 | 2012 F | 87 |
| 2M2RP | 11 | 217 MTBH MS45 | 27 | 2012 MS60 | 87 |
| 2M11R | 11 | 217 MTBL | 31 | 2013 F | 87 |
| 2M25R | 11 | 217 MTBP | 29 | 2013 MS60 | 87 |
| 2M211R | 11 | 217 MTBP MS15 | 29 | 2014 | 87 |
| 114TB | 23 | 217 MTBPL | 31 | 2014 F | 87 |
| 115TB | 23 | 224 MTB | 33 | 2015 | 87 |
| 117TB | 23 | 224 MTBH | 35 | 2015 F | 87 |
| 124TB | 23 | 224 MTBH MS15 | 35 | 2016 | 87 |
| 125TB | 23 | 224 MTBH MS45 | 35 | 2016 F | 87 |
| 127TB | 23 | 224 MTBL | 39 | 2222 | 99 |
| 142 MCC | 91 | 224 MTBP | 37 | 2223 | 99 |
| 143 MCC | 91 | 224 MTBP MS15 | 37 | 2224 | 99 |
| 144 MCC | 91 | 224 MTBPL | 39 | 6019 A | 77 |
| 152 MCCM | 97 | 225 MTB | 33 | 6019 E | 77 |
| 153 MCCM | 97 | 225 MTBH | 35 | 6019 HA | 77 |
| 154 MCCM | 97 | 225 MTBH MS15 | 35 | 6019 HAL | 77 |
| 171 HS | 83 | 225 MTBH MS45 | 35 | 6019 HALS | 77 |
| 172 HSHDB | 83 | 225 MTBL | 39 | 6019 HE | 77 |
| 173 HSHDB | 83 | 225 MTBP | 37 | 6019 HEL | 77 |
| 174 HSHDB | 83 | 225 MTBP MS15 | 37 | 6019 HELS | 77 |
| 202 H | 93 | 225 MTBPL | 39 | 6067 A | 77 |
| 203 H | 93 | 227 MTB | 33 | 6067 E | 77 |
| 204 | 5 | 227 MTBH | 35 | 6067 HA | 77 |
| 204 F | 5 | 227 MTBH MS15 | 35 | 6067 HAL | 77 |
| 204 F MS73 | 5 | 227 MTBH MS45 | 35 | 6067 HALS | 77 |
| 204 H | 93 | 227 MTBL | 39 | 6067 HEE | 77 |
| 204 MS68 | 5 | 227 MTBP | 37 | 6067 HEEL | 77 |
| 204 MS68A | 5 | 227 MTBP MS15 | 37 | 6067 HEELS | 77 |
| 204 MS73 | 5 | 227 MTBPL | 39 | 10184 A | 124 |
| 214 MTB | 25 | 242 MCC | 95 | 10184 B | 124 |
| 214 MTB MS15 | 25 | 243 MCC | 95 | 10184 C | 124 |
| 214 MTBH | 27 | 244 MCC | 95 | 12144 | 69 |

Index

| Part Number | Page | Part Number | Page | Part Number | Page |
|--------------|------|----------------|------|----------------|------|
| 12145 | 69 | 363611 RTCT | 73 | CMP4914MCH | 114 |
| 12146 | 69 | 364211 RTCT | 73 | CMP4921M | 114 |
| 12148 | 69 | 364811 HRTCT | 75 | CMP4921MC | 114 |
| 18249 RTCT | 73 | 364811 RTCT | 73 | CMP4921MCH | 114 |
| 20212A | 122 | 364814 RTCT | 73 | CMP4924M | 114 |
| 20213A | 122 | 424211 RTCT | 73 | CMP4924MC | 114 |
| 20250C | 122 | 484811 RTCT | 73 | CMP4924MCH | 114 |
| 20251C | 122 | 484814 DDHRTCT | 75 | CUP4111 | 113 |
| 20252A | 122 | 1214208 | 69 | CUP4111H | 113 |
| 20252B | 122 | 1214213 | 69 | CUP4121 | 113 |
| 20258A | 122 | 1214215 | 69 | CUP4121H | 113 |
| 20258B | 122 | AW CAP | 119 | CUP4411 | 113 |
| 24329 RTCT | 73 | AW100 | 119 | CUP4411H | 113 |
| 25016A | 119 | AW125 | 119 | CUP4421 | 113 |
| 25016B | 119 | AW150 | 119 | CUP4421H | 113 |
| 25016D | 119 | AW175 | 119 | ETB200 | 124 |
| 25104 | 121 | AW200 | 119 | FK1421A | 120 |
| 25162 | 119 | CK8326 | 120 | FK1430 | 120 |
| 25339A | 122 | CM2P4111MC-1 | 115 | FK1432 | 120 |
| 25339B | 122 | CM2P4121MC-1 | 115 | FK2421A | 120 |
| 25339C | 122 | CM2P4411MC-1 | 115 | FK2430A | 120 |
| 25339D | 122 | CM2P4421MC-1 | 115 | FK2432 | 120 |
| 25439 | 122 | CMP4011SLC-1 | 115 | FK2438 | 120 |
| 30420 | 119 | CMP4012MC-1 | 115 | FK2832A | 120 |
| 50365 | 121 | CMP4022MC-1 | 115 | FK3038 | 120 |
| 50371 | 121 | CMP4111M | 112 | FK3221A | 120 |
| 84032 | 124 | CMP4111MC | 112 | FK3230 | 120 |
| 84033 | 124 | CMP4111MC-1 | 111 | FK3447 | 120 |
| 84034 | 124 | CMP4111MCH | 112 | H012 | 89 |
| 121413 | 69 | CMP4111MCH-1 | 111 | H013 | 89 |
| 121415 | 69 | CMP4121M | 112 | H014 | 89 |
| 121814 | 71 | CMP4121MC | 112 | H7 | 119 |
| 121815 | 71 | CMP4121MC-1 | 111 | H10 | 119 |
| 121816 | 71 | CMP4121MCH | 112 | H20 | 119 |
| 121818 | 71 | CMP4121MCH-1 | 111 | H25 | 119 |
| 122013 | 71 | CMP4411M | 112 | H30 | 119 |
| 122015 | 71 | CMP4411MC | 112 | H35 | 119 |
| 122018 | 71 | CMP4411MC-1 | 111 | H40 | 119 |
| 203611 HRTCT | 75 | CMP4411MCH | 112 | M1M100PD | 103 |
| 242411 RTCT | 73 | CMP4411MCH-1 | 111 | M1M100PD MS66 | 103 |
| 243011 HRTCT | 75 | CMP4421M | 112 | M1M125PD | 103 |
| 243011 RTCT | 73 | CMP4421MC | 112 | M1M125PD MS66 | 103 |
| 243611 RTCT | 73 | CMP4421MC-1 | 111 | M1M150PD MS67 | 103 |
| 244811 HRTCT | 75 | CMP4421MCH | 112 | M1M175PD MS67 | 103 |
| 244811 RTCT | 73 | CMP4421MCH-1 | 111 | M2M150PD | 103 |
| 303011 RTCT | 73 | CMP4911M | 114 | M2M175PD | 103 |
| 303611 HRTCT | 75 | CMP4911MC | 114 | M2M200PD | 103 |
| 303611 RTCT | 73 | CMP4911MCH | 114 | M2M200PD MS67 | 103 |
| 303614 RTCT | 73 | CMP4911MN | 114 | M2M200PPD | 103 |
| 304811 HRTCT | 75 | CMP4914M | 114 | M2M200PPD MS67 | 103 |
| 363611 HRTCT | 75 | CMP4914MC | 114 | R1024 HC | 49 |

Index

| <u>Part Number</u> | <u>Page</u> | <u>Part Number</u> | <u>Page</u> | <u>Part Number</u> | <u>Page</u> |
|----------------------|-------------|--------------------|-------------|--------------------|-------------|
| U224 MTBH MS45 | 35 | UM2M200P | 105 | | |
| U224 MTBP | 37 | UM2M200PP | 105 | | |
| U224 MTBP MS15 | 37 | | | | |
| U225 MTB | 33 | | | | |
| U225 MTBH | 35 | | | | |
| U225 MTBH MS15 | 35 | | | | |
| U225 MTBH MS45 | 35 | | | | |
| U225 MTBP | 37 | | | | |
| U225 MTBP MS15 | 37 | | | | |
| U227 MTB | 33 | | | | |
| U227 MTBH | 35 | | | | |
| U227 MTBH MS15 | 35 | | | | |
| U227 MTBH MS45 | 35 | | | | |
| U227 MTBP | 37 | | | | |
| U227 MTBP MS15 | 37 | | | | |
| U264 | 19 | | | | |
| U264 F | 19 | | | | |
| U267 | 19 | | | | |
| U267 F | 19 | | | | |
| U404MC | 59 | | | | |
| U404MCC | 59 | | | | |
| U4042MC | 59 | | | | |
| U4042MCC | 59 | | | | |
| U121314 | 19 | | | | |
| U121314 F | 19 | | | | |
| U121315 | 19 | | | | |
| U121315 F | 19 | | | | |
| U121317 | 19 | | | | |
| U121317 F | 19 | | | | |
| U121814 | 71 | | | | |
| U121815 | 71 | | | | |
| U121816 | 71 | | | | |
| U121818 | 71 | | | | |
| U122013 | 71 | | | | |
| U122015 | 71 | | | | |
| U122018 | 71 | | | | |
| U404430MC | 61 | | | | |
| U404430MC | 61 | | | | |
| U4042208MC | 61 | | | | |
| U4042208MC | 61 | | | | |
| U4042230MC | 61 | | | | |
| U4042230MC | 61 | | | | |
| U40411230MC | 61 | | | | |
| U40411230MCC | 61 | | | | |
| UG204 | 7 | | | | |
| UG204 F | 7 | | | | |
| UG204 F MS73 | 7 | | | | |
| UG204 F SS | 7 | | | | |
| UG204 MS82 | 7 | | | | |
| UG204 SS | 7 | | | | |
| UM2M200 | 105 | | | | |

B-Line reserves the right to make changes to the specifications, materials, equipment, prices, or the availability of products at any time without prior notice. While every effort has been made to assure the accuracy of information contained in this catalog at the time of publication, we cannot accept responsibility for inaccuracies resulting from undetected errors or omissions.

U.S. Customer Service Center is staffed Monday through Friday from 7 a.m. to 5:00 p.m. Central Standard Time. For additional information, visit www.cooperblineline.com/metering.

Eaton's B-Line Business
United States
509 West Monroe Street
Highland, IL 62249
United States
Phone: (800) 851-7415
www.cooperblineline.com/contactus

Eaton
1000 Eaton Boulevard
Cleveland, OH 44122
United States
Eaton.com

B-Line Business
509 West Monroe Street
Highland, IL 62249
Phone: 800-851-7415
Fax: 618-654-1917
www.bline.com

© 2014 Eaton
All Rights Reserved
Printed in USA
Publication No. MTR-14
February 2014 10M

Eaton is a registered trademark

All other trademarks are property of their respective owners.