

*From the Ground Up*

# Transmission Products Catalog



*Experience. Technology. Answers.™*

# Building for the Future

## Customer Service Department

7 Aviation Park Drive  
Londonderry, NH 03053  
1-800-346-4175  
1-603-647-5299 (International)

## Canada

1-800-361-6975 (Quebec)  
1-800-387-6487 (All other provinces)

## Mexico

011-52-722-265-4400

## Brazil

011-55-11-5515-7200

## Tool Repair Center

Littleton Industrial Park  
Littleton, NH 03561  
1-800-426-8720

**BURNDY® developed and manufactured transmission connectors for the original grid. Now we are leading the way for 21st-century transmission lines.**

BURNDY® offers a complete line of compression connectors to accommodate ACSR, ACSS, and ACCC® conductors. In fact, our ACSS and ACCC® connectors meet the proposed requirements of the future ANSI high-temperature standard.

BURNDY® Motion Control products have been used on bundle conductors since the 1960s. This experience enables us to provide Spacer Damper products along with placement recommendations for optimum performance. Stockbridge Dampers are designed to enhance conductor life by lessening potential vibration-induced fatigue.

## IMPLO™

**There is Only One IMPLO™**

The increasing acceptance of implosive technology as a means for the installation of transmission connectors is the result of intensive research and development coupled with successful testing and field installations. The result is a high-quality, long-lasting connection synonymous with that of the BURNDY® Transmission portfolio of products.



Our IMPLO™ line of implosive connector products is compatible with a wide range of ACSR, ACSS, ACSS/TW, ASC, and ASC/TW conductors.

Our trained and experienced factory sales force can further help you get the products that are right for your job. In fact, as you tell us what you need, our advanced engineering support teams can custom build connectors specifically for your needs.

***Get reconnected to [www.burndy.com](http://www.burndy.com)!***

**[www.burndy.com](http://www.burndy.com) | 1-800-346-4175**

10090595

*Experience. Technology. Answers.™*

**TABLE OF CONTENTS**

**ACSR Conductor Accessories**

Deadends Single Pad ..... 3  
 Deadends Double Pad ..... 4  
 Deadends Single Pad EHV ..... 5  
 Deadends Double Pad EHV ..... 6  
 Splices ..... 7  
 Splices EHV ..... 8  
 Jumper Terminals ..... 9  
 Jumper Terminals EHV ..... 10  
 Loop Splice ..... 11  
 Loop Splice EHV ..... 12  
 Compression T-Tap ..... 13  
 T-Tap with Pad ..... 14  
 Repair Sleeve ..... 15

**AAC/ACAR Conductor Accessories**

Deadends Single Pad ..... 16  
 Deadends Single Pad EHV ..... 17  
 Deadends Double Pad ..... 18  
 Deadends Double Pad EHV ..... 19  
 Splices, Stranded ..... 20  
 Splices, Stranded EHV ..... 21  
 Splices, ACAR ..... 22  
 Splices, ACAR EHV ..... 23  
 Jumper Terminals ..... 24  
 Jumper Terminals EHV ..... 25  
 Loop Splice ..... 26  
 Loop Splice EHV ..... 27  
 T-Tap with Pad ..... 28  
 Compression T-Tap ..... 29  
 Repair Sleeve, AAC and ACAR ..... 30

**ACSS Conductor**

**Accessories – High Temperature**

Deadends Single Pad ..... 31  
 Deadends Double Pad ..... 32  
 Deadends Single Pad EHV ..... 33  
 Deadends Double Pad EHV ..... 34  
 Splices ..... 35  
 Splices EHV ..... 36  
 Jumper Terminals ..... 37  
 Jumper Terminals EHV ..... 38  
 Loop Splice ..... 39  
 Loop Splice EHV ..... 40  
 Compression T-Tap ..... 41  
 T-Tap with Pad ..... 42  
 Repair Sleeve ..... 43

**Alumoweld and EHS Steel Conductor Accessories**

Jumper Terminals ..... 44  
 Splices, Alumoweld ..... 45  
 Splices, EHS Steel ..... 46

**ACCC® Composite Core Accessories – High Temperature**

Deadends Single Pad ..... 47-48  
 Splices ..... 49  
 Jumper Terminals ..... 50  
 T-Tap with Pad ..... 51  
 Repair Sleeve ..... 52

**IMPLO™ Conductor Accessories**

Deadends Single Pad ..... 53-56  
 Splices ..... 57-60  
 Jumper Terminals ..... 61-63  
 Repair Sleeve ..... 65-68

**Motion Control Accessories**

Stockbridge Dampers ..... 69  
 Spacer Dampers ..... 70  
 Damping Study ..... 71

**Oxide Inhibiting Joint Compounds**

PENETROX™ ..... 72-73

**Installation Tooling and Accessories**

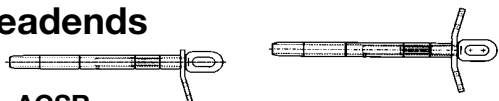
Y60BHU, Y60BHUD ..... 74  
 PAT46-18V ..... 75  
 PATCUT129ACSR-18V ..... 76  
 PATHCC10-18V Series ..... 77  
 Y45 ..... 78  
 Y46, Y46C ..... 79  
 RHCC129ACSR ..... 80  
 Y10AC9 ..... 81  
 EPP10, EPP6 ..... 82  
 GP10 ..... 83  
 Hydraulic Hoses ..... 84  
 Hydraulic Accessories ..... 85

**Index**

Alpha-Numeric ..... 86-89  
 Quick Reference ..... 2

**QUICK CATALOG REFERENCE**

**Deadends**



ACSR ..... 3-6  
 ACSS ..... 31-34  
 AAC/ACAR ..... 16-19  
 ACCC® ..... 47-48  
 IMPLO™ ..... 53-56

**Jumper Terminals**



ACSR ..... 9-10  
 ACSS ..... 37-38  
 AAC/ACAR ..... 24-25  
 Steel ..... 44  
 ACCC® ..... 50  
 IMPLO™ ..... 61-63

**Compression T-Tap**



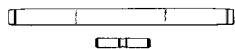
ACSR ..... 13  
 AAC/ACAR ..... 29  
 ACSS ..... 41

**Repair Sleeve**



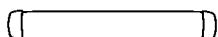
ACSR ..... 15  
 ACSS ..... 43  
 AAC/ACAR ..... 30  
 ACCC® ..... 52  
 IMPLO™ ..... 65-68

**Splices**



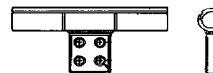
ACSR ..... 7-8  
 ACSS ..... 35-36  
 AAC/ACAR ..... 20-23  
 Alumoweld ..... 45  
 EHS Steel ..... 46  
 ACCC® ..... 49  
 IMPLO™ ..... 57-60

**Loop Splice**



ACSR ..... 11-12  
 ACSS ..... 39-40  
 AAC/ACAR ..... 26-27

**T-Tap with Pad**



ACSR ..... 14  
 AAC/ACAR ..... 28  
 ACSS ..... 42  
 ACCC® ..... 51

**Motion Control**



Stockbridge Damper ..... 69  
 Spacer Damper ..... 70  
 Damping Study ..... 71

**Oxide Inhibiting Joint Compounds**



PENETROX™ ..... 72-73

**Installation Tooling and Accessories**



Y60BHU, Y60BHU-D ..... 74  
 PAT46-18V ..... 75  
 PATCUT129ACSR-18V ..... 76  
 PATHCC10-18V Series ..... 77  
 Y45 ..... 78  
 Y46, Y46C ..... 79  
 RHCC129ACSR ..... 80  
 Y10AC9 ..... 81  
 EPP10, EPP6 ..... 82  
 GP10 ..... 83  
 Hydraulic Hoses ..... 84  
 Hydraulic Accessories ..... 85

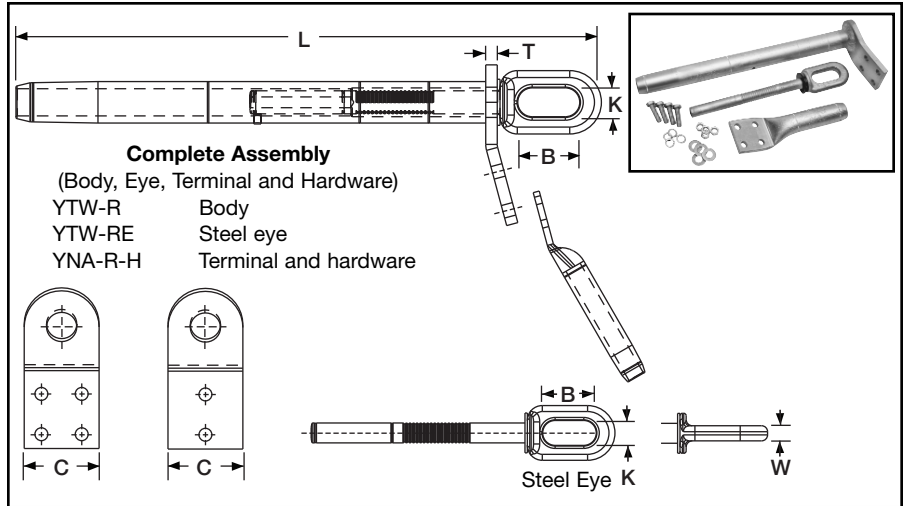
**Index**

Alpha-Numeric Index ..... 86-89

**TYPE YTW-R-REK,  
YTW-R, YTW-RE,  
YNA-R-H**

**Single Pad Full Tension  
Deadend for ACSR Conductor**

Full tension compression deadend for ACSR transmission lines up to and including 230 kV. Standard 15° NEMA tap pad provides either 0° or 30° tap when YNA-R15 terminal is used.



Conductor Name	ACSR		Stranding		Complete Assembly	Alum. Body	Inches			Body Die*‡	Steel Eye*	Inches			Eye Die	Terminal with Hardware	Term Die*‡
	Size kcmil	Alum	Steel	L			C	T	B			K	W				
Linnet	336.4	26	7	YTW32R34REK	YTW32R	17.53	2.25	0.50	L717	YTW34RE	2.50	0.88	0.62	L718	YNA32R15H	L717	
Oriole	336.4	30	7	YTW32R33REK	YTW32R	17.53	2.25	0.50	L717	YTW33RE	2.50	0.88	0.62	L718	YNA32R15H	L717	
Ibis	397.5	26	7	YTW34R34REK	YTW34R	17.60	2.25	0.50	L719	YTW34RE	2.50	0.88	0.62	L718	YNA34R15H	L719	
Flicker	477	24	7	YTW36R362REK	YTW36R	19.41	2.25	0.50	L720	YTW362RE	2.50	0.88	0.62	L721	YNA36R15H	L720	
Hawk	477	26	7	YTW36R36REK	YTW36R	19.41	2.25	0.50	L720	YTW36RE	2.50	0.88	0.62	L721	YNA36R15H	L720	
Parakeet	556.5	24	7	YTW39R43REK	YTW39R	19.66	2.25	0.50	L722	YTW43RE	2.50	0.88	0.69	L723	YNA39R15H	L722	
Dove	556.5	26	7	YTW39R43REK	YTW39R	19.66	2.25	0.50	L722	YTW43RE	2.50	0.88	0.69	L723	YNA39R15H	L722	
Peacock	605	24	7	YTW43R43REK	YTW43R	20.49	3.25	0.50	L724	YTW43RE	2.50	0.88	0.69	L723	YNA43R15H	L724	
Squab	605	26	7	YTW43R43REK	YTW43R	20.49	3.25	0.50	L724	YTW43RE	2.50	0.88	0.69	L723	YNA43R15H	L724	
Rook	636	24	7	YTW43R43REK	YTW43R	20.49	3.25	0.50	L724	YTW43RE	2.50	0.88	0.69	L723	YNA43R15H	L724	
Grosbeak	636	26	7	YTW43R43REK	YTW43R	20.49	3.25	0.50	L724	YTW43RE	2.50	0.88	0.69	L723	YNA43R15H	L724	
Flamingo	666.6	24	7	YTW43R43REK	YTW43R	20.49	3.25	0.50	L724	YTW43RE	2.50	0.88	0.69	L723	YNA43R15H	L724	
Starling	715.5	26	7	YTW451R48REK	YTW451R	25.41	3.25	0.50	L725	YTW48RE	2.69	1.25	0.75	L726	YNA451R15H	L725	
Cuckoo	795	24	7	YTW451R45REK	YTW451R	25.41	3.25	0.50	L725	YTW45RE	2.69	1.25	0.75	L726	YNA451R15H	L725	
Drake	795	26	7	YTW451R48REK	YTW451R	25.41	3.25	0.50	L725	YTW48RE	2.69	1.25	0.75	L726	YNA451R15H	L725	
Tern	795	45	7	YTW451R481REK	YTW451R	25.41	3.25	0.50	L725	YTW481RE	2.69	1.25	0.75	L726	YNA451R15H	L725	
Condor	795	54	7	YTW451R45REK	YTW451R	25.41	3.25	0.50	L725	YTW45RE	2.69	1.25	0.75	L726	YNA451R15H	L725	
Ruddy	900	45	7	YTW48R481REK	YTW48R	25.50	3.25	0.50	L727	YTW481RE	2.69	1.25	0.75	L726	YNA49R15H	L727	
Rail	954	45	7	YTW48R481REK	YTW48R	25.50	3.25	0.50	L727	YTW481RE	2.69	1.25	0.75	L726	YNA49R15H	L727	
Cardinal	954	54	7	YTW48R48REK	YTW48R	25.50	3.25	0.50	L727	YTW48RE	2.69	1.25	0.75	L726	YNA49R15H	L727	
Ortolan	1033.5	45	7	YTW49R483REK	YTW49R	27.35	3.25	0.50	L727	YTW483RE	2.69	1.25	1.00	L726	YNA49R15H	L727	
Curlew	1033.5	54	7	YTW49R50REK	YTW49R	27.35	3.25	0.50	L727	YTW50RE	2.69	1.25	1.00	L726	YNA49R15H	L727	
Bluejay	1113	45	7	YTW49R483REK	YTW49R	27.35	3.25	0.50	L727	YTW483RE	2.69	1.25	1.00	L726	YNA49R15H	L727	
Finch	1113	54	19	YTW52R50REK	YTW52R	31.55	3.25	0.50	L728	YTW50RE	2.69	1.25	1.00	L726	YNA52R15H	L728	
Bunting	1192.5	45	7	YTW52R521REK	YTW52R	31.55	4.00	0.62	L728	YTW521RE	2.69	1.25	1.00	L726	YNA52R15H	L728	
Bittern	1272	45	7	YTW52R521REK	YTW52R	31.55	4.00	0.62	L728	YTW521RE	2.69	1.25	1.00	L726	YNA52R15H	L728	
Pheasant	1272	54	19	YTW52R56REK	YTW52R	31.55	4.00	0.62	L728	YTW56RE	2.69	1.25	1.00	L726	YNA52R15H	L728	
Dipper	1351.5	45	7	YTW52R521REK	YTW52R	31.55	4.00	0.62	L728	YTW521RE	2.69	1.25	1.00	L726	YNA52R15H	L728	
Martin	1351.5	54	19	YTW52R56REK	YTW52R	31.55	4.00	0.62	L728	YTW56RE	2.69	1.25	1.00	L726	YNA52R15H	L728	
Nuthatch	1510.5	45	7	YTW549R521REK	YTW549R	31.55	4.00	0.62	L729	YTW521RE	2.69	1.25	1.00	L726	YNA56R15H	L729	
Parrot	1510.5	54	19	YTW549R56REK	YTW549R	31.55	4.00	0.62	L729	YTW56RE	2.69	1.25	1.00	L726	YNA56R15H	L729	
Lapwing	1590	45	7	YTW549R549REK	YTW549R	31.55	4.00	0.62	L729	YTW549RE	2.69	1.25	1.00	L726	YNA56R15H	L729	
Falcon	1590	54	19	YTW56R590REK	YTW56R	31.99	4.00	0.62	L729	YTW590RE	2.69	1.25	1.00	L726	YNA56R15H	L729	
Chukar	1780	84	19	YTW58R58REK	YTW58R	32.99	4.00	0.62	L735	YTW58RE	2.69	1.25	1.00	L726	YNA58R15H	L735	
Bluebird	2156	84	19	YTW59R59REK	YTW59R	33.34	4.00	0.62	L735	YTW59RE	2.69	1.25	1.00	L726	YNA59R15H	L735	
Kiwi	2167	72	7	YTW59R591REK	YTW59R	33.34	4.00	0.62	L735	YTW591RE	2.69	1.25	1.00	L726	YNA59R15H	L735	

**Complete Assembly:** Includes Aluminum body, Steel eye, 15 degree terminal and aluminum hardware. For stainless steel hardware add SS to end of catalog number for complete assembly (example: YTW32R34REKSS) or to terminal (YNA32R15HSS) if ordered separately.

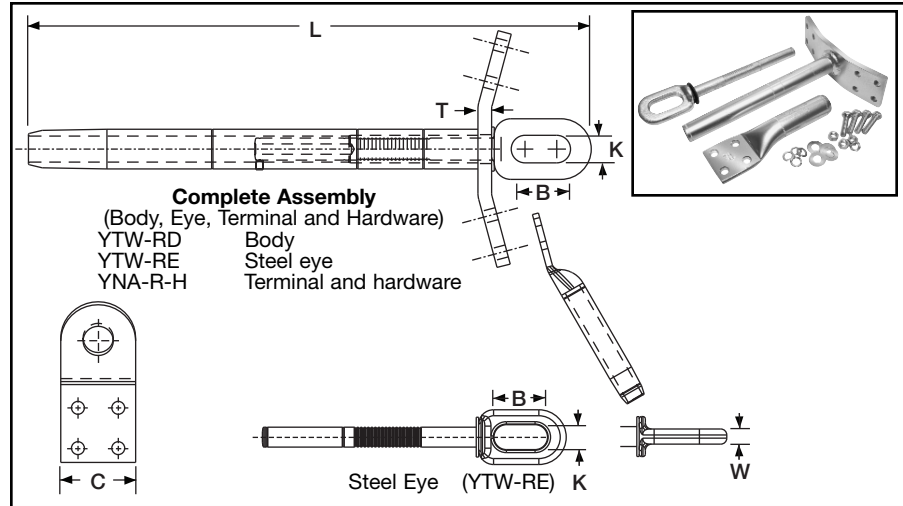
For assembly without terminal and hardware add NT to end of complete assembly catalog number (example: YTW32R34REKNT). Two hole NEMA pads standard on conductors up to 556.5 kcmil; Four hole NEMA pads on larger conductor sizes.

\* Overlap crimps.  
‡ Wide dies may be used, add suffix "W" to part number (example: L725W).

**TYPES YTW-RD-REK,  
YTW-RD, YTW-RE,  
YNA-R-H**

**Double Pad Full Tension  
Deadend for ACSR Conductor**

Full tension compression deadend for ACSR transmission lines up to and including 230 kV. Standard 15° NEMA tap pad provides either 0° or 30° tap when YNA-R15 terminal is used.



Conductor Name	ACSR		Double Pad		Inches			Body Die*‡	Steel Eye*	Inches			Eye Die	Terminal with Hardware	Term Die*‡	
	Size kcmil	Stranding Alum	Steel	Complete Assembly	Alum. Body	L	C			T	B	K				W
Linnet	336.4	26	7	YTW32RD34REK	YTW32RD	17.53	2.25	0.50	L717	YTW34RE	2.50	0.88	0.62	L718	YNA32R15H	L717
Oriole	336.4	30	7	YTW32RD33REK	YTW32RD	17.53	2.25	0.50	L717	YTW33RE	2.50	0.88	0.62	L718	YNA32R15H	L717
Ibis	397.5	26	7	YTW34RD34REK	YTW34RD	17.60	2.25	0.50	L719	YTW34RE	2.50	0.88	0.62	L718	YNA34R15H	L719
Flicker	477	24	7	YTW36RD362REK	YTW36RD	15.44	2.25	0.50	L720	YTW362RE	2.50	0.88	0.62	L721	YNA36R15H	L720
Hawk	477	26	7	YTW36RD36REK	YTW36RD	19.41	2.25	0.50	L720	YTW36RE	2.50	0.88	0.62	L721	YNA36R15H	L720
Parakeet	556.5	24	7	YTW39RD43REK	YTW39RD	19.66	2.25	0.50	L722	YTW43RE	2.50	0.88	0.69	L723	YNA39R15H	L722
Dove	556.5	26	7	YTW39RD43REK	YTW39RD	19.66	2.25	0.50	L722	YTW43RE	2.50	0.88	0.69	L723	YNA39R15H	L722
Peacock	605	24	7	YTW43RD43REK	YTW43RD	20.49	3.25	0.50	L724	YTW43RE	2.50	0.88	0.69	L723	YNA43R15H	L724
Squab	605	26	7	YTW43RD43REK	YTW43RD	20.49	3.25	0.50	L724	YTW43RE	2.50	0.88	0.69	L723	YNA43R15H	L724
Rook	636	24	7	YTW43RD43REK	YTW43RD	20.49	3.25	0.50	L724	YTW43RE	2.50	0.88	0.69	L723	YNA43R15H	L724
Grosbeak	636	26	7	YTW43RD43REK	YTW43RD	20.49	3.25	0.50	L724	YTW43RE	2.50	0.88	0.69	L723	YNA43R15H	L724
Flamingo	666.6	24	7	YTW43RD43REK	YTW43RD	20.49	3.25	0.50	L724	YTW43RE	2.50	0.88	0.69	L723	YNA43R15H	L724
Starling	715.5	26	7	YTW451RD48REK	YTW451RD	25.41	3.25	0.50	L725	YTW48RE	2.69	1.25	0.75	L726	YNA451R15H	L725
Cuckoo	795	24	7	YTW451RD45REK	YTW451RD	25.41	3.25	0.50	L725	YTW45RE	2.69	1.25	0.75	L726	YNA451R15H	L725
Drake	795	26	7	YTW451RD48REK	YTW451RD	25.41	3.25	0.50	L725	YTW48RE	2.69	1.25	0.75	L726	YNA451R15H	L725
Tern	795	45	7	YTW451RD481REK	YTW451RD	25.41	3.25	0.50	L725	YTW481RE	2.69	1.25	0.75	L726	YNA451R15H	L725
Condor	795	54	7	YTW451RD45REK	YTW451RD	25.41	3.25	0.50	L725	YTW45RE	2.69	1.25	0.75	L726	YNA451R15H	L725
Ruddy	900	45	7	YTW48RD481REK	YTW48RD	25.50	3.25	0.50	L727	YTW481RE	2.69	1.25	0.75	L726	YNA49R15H	L727
Rail	954	45	7	YTW48RD481REK	YTW48RD	25.50	3.25	0.50	L727	YTW481RE	2.69	1.25	0.75	L726	YNA49R15H	L727
Cardinal	954	54	7	YTW48RD48REK	YTW48RD	25.50	3.25	0.50	L727	YTW48RE	2.69	1.25	0.75	L726	YNA49R15H	L727
Ortolan	1033.5	45	7	YTW49RD483REK	YTW49RD	27.35	3.25	0.50	L727	YTW483RE	2.69	1.25	1.00	L726	YNA49R15H	L727
Curllew	1033.5	54	7	YTW49RD50REK	YTW49RD	27.35	3.25	0.50	L727	YTW50RE	2.69	1.25	1.00	L726	YNA49R15H	L727
Bluejay	1113	45	7	YTW49RD483REK	YTW49RD	27.35	3.25	0.50	L727	YTW483RE	2.69	1.25	1.00	L726	YNA49R15H	L727
Finch	1113	54	19	YTW52RD50REK	YTW52RD	31.55	3.25	0.50	L728	YTW50RE	2.69	1.25	1.00	L726	YNA52R15H	L728
Bunting	1192.5	45	7	YTW52RD521REK	YTW52RD	31.55	4.00	0.62	L728	YTW521RE	2.69	1.25	1.00	L726	YNA52R15H	L728
Bittern	1272	45	7	YTW52RD521REK	YTW52RD	31.55	4.00	0.62	L728	YTW521RE	2.69	1.25	1.00	L726	YNA52R15H	L728
Pheasant	1272	54	19	YTW52RD56REK	YTW52RD	31.55	4.00	0.62	L728	YTW56RE	2.69	1.25	1.00	L726	YNA52R15H	L728
Dipper	1351.5	45	7	YTW52RD521REK	YTW52RD	31.55	4.00	0.62	L728	YTW521RE	2.69	1.25	1.00	L726	YNA52R15H	L728
Martin	1351.5	54	19	YTW52RD56REK	YTW52RD	31.55	4.00	0.62	L728	YTW56RE	2.69	1.25	1.00	L726	YNA52R15H	L728
Nuthatch	1510.5	45	7	YTW549RD521REK	YTW549RD	31.55	4.00	0.62	L729	YTW521RE	2.69	1.25	1.00	L726	YNA56R15H	L729
Parrot	1510.5	54	19	YTW549RD56REK	YTW549RD	31.55	4.00	0.62	L729	YTW56RE	2.69	1.25	1.00	L726	YNA56R15H	L729
Lapwing	1590	45	7	YTW549RD549REK	YTW549RD	31.55	4.00	0.62	L729	YTW549RE	2.69	1.25	1.00	L726	YNA56R15H	L729
Falcon	1590	54	19	YTW56RD590REK	YTW56RD	31.99	4.00	0.62	L729	YTW590RE	2.69	1.25	1.00	L726	YNA56R15H	L729
Chukar	1780	84	19	YTW58RD58REK	YTW58RD	32.99	4.00	0.62	L735	YTW58RE	2.69	1.25	1.00	L726	YNA58R15H	L735
Bluebird	2156	84	19	YTW59RD59REK	YTW59RD	33.34	4.00	0.62	L735	YTW59RE	2.69	1.25	1.00	L726	YNA59R15H	L735
Kiwi	2167	72	7	YTW59RD591REK	YTW59RD	33.34	4.00	0.62	L735	YTW591RE	2.69	1.25	1.00	L726	YNA59R15H	L735

**Complete Assembly:** Includes Aluminum body, Steel eye, 15 degree terminal and aluminum hardware. For stainless steel hardware add SS to end of catalog number for complete assembly (example: YTW32RD34REKSS) or to terminal (YNA32R15HSS) if ordered separately.

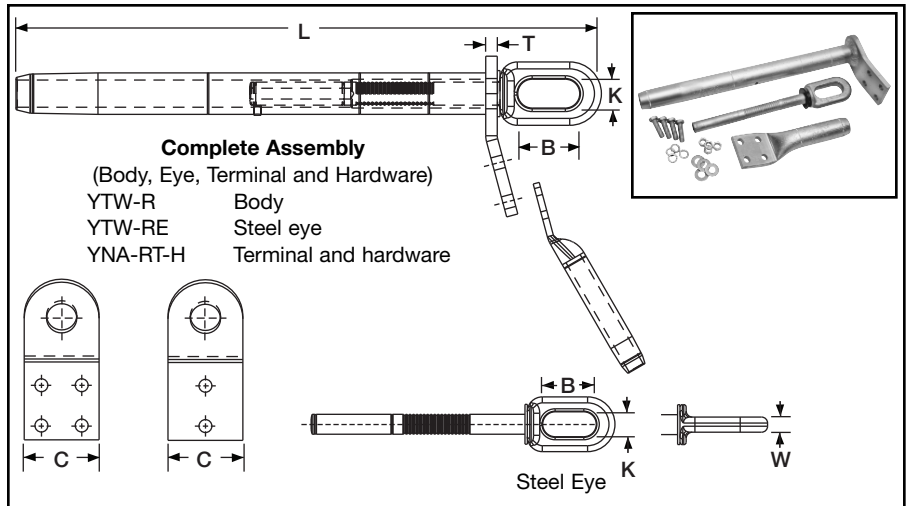
For assembly without terminal and hardware add NT to end of complete assembly catalog number (example: YTW32RD34REKNT). Two hole NEMA pads standard on conductors up to 556.5 kcmil; Four hole NEMA pads on larger conductor sizes.

\* Overlap crimps.  
‡ Wide dies may be used, add suffix "W" to part number (example: L725W).

**TYPES YTW-RT-REK,  
YTW-RT, YTW-RE,  
YNA-RT-H EHV**

**Single Pad, EHV Full Tension  
Deadend for ACSR Conductor**

Full tension compression deadend for ACSR transmission lines at 345 kV and over. Standard 15° NEMA tap pad provides either 0° or 30° tap when YNA-R15 terminal is used.



Conductor Name	ACSR		Stranding		Complete Assembly	Alum. Body	Inches			Body Die*‡	Steel Eye*	Inches			Eye Die	Terminal with Hardware	Term Die*‡
	Size kcmil	Alum	Steel	L			C	T	B			K	W				
Linnet	336.4	26	7	YTW32RT34REK	YTW32RT	17.53	2.25	0.50	L717	YTW34RE	2.50	0.88	0.62	L718	YNA32RT15H	L717	
Oriole	336.4	30	7	YTW32RT33REK	YTW32RT	17.53	2.25	0.50	L717	YTW33RE	2.50	0.88	0.62	L718	YNA32RT15H	L717	
Ibis	397.5	26	7	YTW34RT34REK	YTW34RT	17.60	2.25	0.50	L719	YTW34RE	2.50	0.88	0.62	L718	YNA34RT15H	L719	
Flicker	477	24	7	YTW36RT362REK	YTW36RT	19.41	2.25	0.50	L720	YTW362RE	2.50	0.88	0.62	L721	YNA36RT15H	L720	
Hawk	477	26	7	YTW36RT36REK	YTW36RT	19.41	2.25	0.50	L720	YTW36RE	2.50	0.88	0.62	L721	YNA36RT15H	L720	
Parakeet	556.5	24	7	YTW39RT43REK	YTW39RT	19.66	2.25	0.50	L722	YTW43RE	2.50	0.88	0.69	L723	YNA39RT15H	L722	
Dove	556.5	26	7	YTW39RT43REK	YTW39RT	19.66	2.25	0.50	L722	YTW43RE	2.50	0.88	0.69	L723	YNA39RT15H	L722	
Peacock	605	24	7	YTW43RT43REK	YTW43RT	20.49	3.25	0.50	L724	YTW43RE	2.50	0.88	0.69	L723	YNA43RT15H	L724	
Squab	605	26	7	YTW43RT43REK	YTW43RT	20.49	3.25	0.50	L724	YTW43RE	2.50	0.88	0.69	L723	YNA43RT15H	L724	
Rook	636	24	7	YTW43RT43REK	YTW43RT	20.49	3.25	0.50	L724	YTW43RE	2.50	0.88	0.69	L723	YNA43RT15H	L724	
Grosbeak	636	26	7	YTW43RT43REK	YTW43RT	20.49	3.25	0.50	L724	YTW43RE	2.50	0.88	0.69	L723	YNA43RT15H	L724	
Flamingo	666.6	24	7	YTW43RT43REK	YTW43RT	20.49	3.25	0.50	L724	YTW43RE	2.50	0.88	0.69	L723	YNA43RT15H	L724	
Starling	715.5	26	7	YTW451RT48REK	YTW451RT	25.41	3.25	0.50	L725	YTW48RE	2.69	1.25	0.75	L726	YNA451RT15H	L725	
Cuckoo	795	24	7	YTW451RT45REK	YTW451RT	25.41	3.25	0.50	L725	YTW45RE	2.69	1.25	0.75	L726	YNA451RT15H	L725	
Drake	795	26	7	YTW451RT48REK	YTW451RT	25.41	3.25	0.50	L725	YTW48RE	2.69	1.25	0.75	L726	YNA451RT15H	L725	
Tern	795	45	7	YTW451RT481REK	YTW451RT	25.41	3.25	0.50	L725	YTW481RE	2.69	1.25	0.75	L726	YNA451RT15H	L725	
Condor	795	54	7	YTW451RT45REK	YTW451RT	25.41	3.25	0.50	L725	YTW45RE	2.69	1.25	0.75	L726	YNA451RT15H	L725	
Ruddy	900	45	7	YTW48RT481REK	YTW48RT	25.50	3.25	0.50	L727	YTW481RE	2.69	1.25	0.75	L726	YNA49RT15H	L727	
Rail	954	45	7	YTW48RT481REK	YTW48RT	25.50	3.25	0.50	L727	YTW481RE	2.69	1.25	0.75	L726	YNA49RT15H	L727	
Cardinal	954	54	7	YTW48RT48REK	YTW48RT	25.50	3.25	0.50	L727	YTW48RE	2.69	1.25	0.75	L726	YNA49RT15H	L727	
Ortolan	1033.5	45	7	YTW49RT483REK	YTW49RT	27.35	3.25	0.50	L727	YTW483RE	2.69	1.25	1.00	L726	YNA49RT15H	L727	
Curlew	1033.5	54	7	YTW49RT50REK	YTW49RT	27.35	3.25	0.50	L727	YTW50RE	2.69	1.25	1.00	L726	YNA49RT15H	L727	
Bluejay	1113	45	7	YTW49RT483REK	YTW49RT	27.35	3.25	0.50	L727	YTW483RE	2.69	1.25	1.00	L726	YNA49RT15H	L727	
Finch	1113	54	19	YTW52RT50REK	YTW52RT	31.55	3.25	0.50	L728	YTW50RE	2.69	1.25	1.00	L726	YNA52RT15H	L728	
Bunting	1192.5	45	7	YTW52RT521REK	YTW52RT	31.55	4.00	0.62	L728	YTW521RE	2.69	1.25	1.00	L726	YNA52RT15H	L728	
Bittern	1272	45	7	YTW52RT521REK	YTW52RT	31.55	4.00	0.62	L728	YTW521RE	2.69	1.25	1.00	L726	YNA52RT15H	L728	
Pheasant	1272	54	19	YTW52RT56REK	YTW52RT	31.55	4.00	0.62	L728	YTW56RE	2.69	1.25	1.00	L726	YNA52RT15H	L728	
Dipper	1351.5	45	7	YTW52RT521REK	YTW52RT	31.55	4.00	0.62	L728	YTW521RE	2.69	1.25	1.00	L726	YNA52RT15H	L728	
Martin	1351.5	54	19	YTW52RT56REK	YTW52RT	31.55	4.00	0.62	L728	YTW56RE	2.69	1.25	1.00	L726	YNA52RT15H	L728	
Nuthatch	1510.5	45	7	YTW549RT521REK	YTW549RT	31.55	4.00	0.62	L729	YTW521RE	2.69	1.25	1.00	L726	YNA56RT15H	L729	
Parrot	1510.5	54	19	YTW549RT56REK	YTW549RT	31.55	4.00	0.62	L729	YTW56RE	2.69	1.25	1.00	L726	YNA56RT15H	L729	
Lapwing	1590	45	7	YTW549RT549REK	YTW549RT	31.55	4.00	0.62	L729	YTW549RE	2.69	1.25	1.00	L726	YNA56RT15H	L729	
Falcon	1590	54	19	YTW56RT590REK	YTW56RT	31.99	4.00	0.62	L729	YTW590RE	2.69	1.25	1.00	L726	YNA56RT15H	L729	
Chukar	1780	84	19	YTW58RT58REK	YTW58RT	32.99	4.00	0.62	L735	YTW58RE	2.69	1.25	1.00	L726	YNA58RT15H	L735	
Bluebird	2156	84	19	YTW59RT59REK	YTW59RT	33.34	4.00	0.62	L735	YTW59RE	2.69	1.25	1.00	L726	YNA59RT15H	L735	
Kiwi	2167	72	7	YTW59RT591REK	YTW59RT	33.34	4.00	0.62	L735	YTW591RE	2.69	1.25	1.00	L726	YNA59RT15H	L735	

**Complete Assembly:** Includes Aluminum body, 15 degree terminal and aluminum hardware. For stainless steel hardware add SS to end of catalog number for complete assembly (example: YTW32RD34REKSS) or to terminal (YNA32R15HSS) if ordered separately.

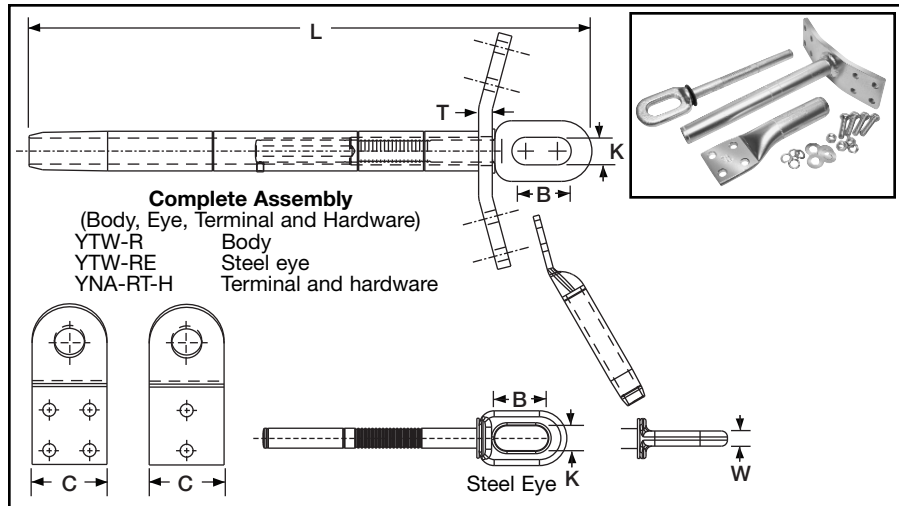
For assembly without terminal and hardware add NT to end of complete assembly catalog number (example: YTW32RD34REKNT). Two hole NEMA pads standard on conductors up to 556.5 kcmil; Four hole NEMA pads on larger conductor sizes.

\* Overlap crimps.  
‡ Wide dies may be used, add suffix "W" to part number (example: L725W).

# TYPES YTW-RDT-REK, YTW-RDT, YTW-RE, YNA-RT-H EHV

## Double Pad, EHV Full Tension Deadend for ACSR

Full tension compression deadend for ACSR transmission lines at 345 kV and over. Standard 15° NEMA tap pad provides either 0° or 30° tap when YNA-R15 terminal is used.



Conductor Name	ACSR		Double Pad		Inches			Body Die*‡	Steel Eye*	Inches			Eye Die	Terminal with Hardware	Term Die*‡
	Size kcmil	Stranding	Complete Assembly	Alum. Body	L	C	T			B	K	W			
Linnet	336.4	26 7	YTW32RDT34REK	YTW32RDT	17.53	2.25	0.50	L717	YTW34RE	2.50	0.88	0.62	L718	YNA32RT15H	L717
Oriole	336.4	30 7	YTW32RDT33REK	YTW32RDT	17.53	2.25	0.50	L717	YTW33RE	2.50	0.88	0.62	L718	YNA32RT15H	L717
Ibis	397.5	26 7	YTW34RDT34REK	YTW34RDT	17.60	2.25	0.50	L719	YTW34RE	2.50	0.88	0.62	L718	YNA34RT15H	L719
Flicker	477	24 7	YTW36RDT362REK	YTW36RDT	15.44	2.25	0.50	L720	YTW362RE	2.50	0.88	0.62	L721	YNA36RT15H	L720
Hawk	477	26 7	YTW36RDT36REK	YTW36RDT	19.41	2.25	0.50	L720	YTW36RE	2.50	0.88	0.62	L721	YNA36RT15H	L720
Parakeet	556.5	24 7	YTW39RDT43REK	YTW39RDT	19.66	2.25	0.50	L722	YTW43RE	2.50	0.88	0.69	L723	YNA39RT15H	L722
Dove	556.5	26 7	YTW39RDT43REK	YTW39RDT	19.66	2.25	0.50	L722	YTW43RE	2.50	0.88	0.69	L723	YNA39RT15H	L722
Peacock	605	24 7	YTW43RDT43REK	YTW43RDT	20.49	3.25	0.50	L724	YTW43RE	2.50	0.88	0.69	L723	YNA43RT15H	L724
Squab	605	26 7	YTW43RDT43REK	YTW43RDT	20.49	3.25	0.50	L724	YTW43RE	2.50	0.88	0.69	L723	YNA43RT15H	L724
Rook	636	24 7	YTW43RDT43REK	YTW43RDT	20.49	3.25	0.50	L724	YTW43RE	2.50	0.88	0.69	L723	YNA43RT15H	L724
Grosbeak	636	26 7	YTW43RDT43REK	YTW43RDT	20.49	3.25	0.50	L724	YTW43RE	2.50	0.88	0.69	L723	YNA43RT15H	L724
Flamingo	666.6	24 7	YTW43RDT43REK	YTW43RDT	20.49	3.25	0.50	L724	YTW43RE	2.50	0.88	0.69	L723	YNA43RT15H	L724
Starling	715.5	26 7	YTW451RDT48REK	YTW451RDT	25.41	3.25	0.50	L725	YTW48RE	2.69	1.25	0.75	L726	YNA451RT15H	L725
Cuckoo	795	24 7	YTW451RDT45REK	YTW451RDT	25.41	3.25	0.50	L725	YTW45RE	2.69	1.25	0.75	L726	YNA451RT15H	L725
Drake	795	26 7	YTW451RDT48REK	YTW451RDT	25.41	3.25	0.50	L725	YTW48RE	2.69	1.25	0.75	L726	YNA451RT15H	L725
Tern	795	45 7	YTW451RDT481REK	YTW451RDT	25.41	3.25	0.50	L725	YTW481RE	2.69	1.25	0.75	L726	YNA451RT15H	L725
Condor	795	54 7	YTW451RDT45REK	YTW451RDT	25.41	3.25	0.50	L725	YTW45RE	2.69	1.25	0.75	L726	YNA451RT15H	L725
Ruddy	900	45 7	YTW48RDT481REK	YTW48RDT	25.50	3.25	0.50	L727	YTW481RE	2.69	1.25	0.75	L726	YNA49RT15H	L727
Rail	954	45 7	YTW48RDT481RE	YTW48RDT	25.50	3.25	0.50	L727	YTW481RE	2.69	1.25	0.75	L726	YNA49RT15H	L727
Cardinal	954	54 7	YTW48RDT48REK	YTW48RDT	25.50	3.25	0.50	L727	YTW48RE	2.69	1.25	0.75	L726	YNA49RT15H	L727
Ortolan	1033.5	45 7	YTW49RDT483REK	YTW49RDT	27.35	3.25	0.50	L727	YTW483RE	2.69	1.25	1.00	L726	YNA49RT15H	L727
Curlew	1033.5	54 7	YTW49RDT50REK	YTW49RDT	27.35	3.25	0.50	L727	YTW50RE	2.69	1.25	1.00	L726	YNA49RT15H	L727
Bluejay	1113	45 7	YTW49RDT483REK	YTW49RDT	27.35	3.25	0.50	L727	YTW483RE	2.69	1.25	1.00	L726	YNA49RT15H	L727
Finch	1113	54 19	YTW52RDT50REK	YTW52RDT	31.55	4.00	0.62	L728	YTW50RE	2.69	1.25	1.00	L726	YNA52RT15H	L728
Bunting	1192.5	45 7	YTW52RDT521REK	YTW52RDT	31.55	4.00	0.62	L728	YTW521RE	2.69	1.25	1.00	L726	YNA52RT15H	L728
Bittern	1272	45 7	YTW52RDT521REK	YTW52RDT	31.55	4.00	0.62	L728	YTW521RE	2.69	1.25	1.00	L726	YNA52RT15H	L728
Pheasant	1272	54 19	YTW52RDT56REK	YTW52RDT	31.55	4.00	0.62	L728	YTW56RE	2.69	1.25	1.00	L726	YNA52RT15H	L728
Dipper	1351.5	45 7	YTW52RDT521REK	YTW52RDT	31.55	4.00	0.62	L728	YTW521RE	2.69	1.25	1.00	L726	YNA52RT15H	L728
Martin	1351.5	54 19	YTW52RDT56REK	YTW52RDT	31.55	4.00	0.62	L728	YTW56RE	2.69	1.25	1.00	L726	YNA52RT15H	L728
Nuthatch	1510.5	45 7	YTW549RDT521REK	YTW549RDT	31.55	4.00	0.62	L729	YTW521RE	2.69	1.25	1.00	L726	YNA56RT15H	L729
Parrot	1510.5	54 19	YTW549RDT56REK	YTW549RDT	31.55	4.00	0.62	L729	YTW56RE	2.69	1.25	1.00	L726	YNA56RT15H	L729
Lapwing	1590	45 7	YTW549RDT549REK	YTW549RDT	31.55	4.00	0.62	L729	YTW549RE	2.69	1.25	1.00	L726	YNA56RT15H	L729
Falcon	1590	54 19	YTW56RDT590REK	YTW56RDT	31.99	4.00	0.62	L729	YTW590RE	2.69	1.25	1.00	L726	YNA56RT15H	L729
Chukar	1780	84 19	YTW58RDT58REK	YTW58RDT	32.99	4.00	0.62	L735	YTW58RE	2.69	1.25	1.00	L726	YNA58RT15H	L735
Bluebird	2156	84 19	YTW59RDT59REK	YTW59RDT	33.34	4.00	0.62	L735	YTW59RE	2.69	1.25	1.00	L726	YNA59RT15H	L735
Kiwi	2167	72 7	YTW59RDT591REK	YTW59RDT	33.34	4.00	0.62	L735	YTW591RE	2.69	1.25	1.00	L726	YNA59RT15H	L735

**Complete Assembly:** Includes Aluminum body, Steel eye, 15 degree terminal and aluminum hardware. For stainless steel hardware add SS to end of catalog number for complete assembly (example: YTW32RDT34REKSS) or to terminal (YNA32R15HSS) if ordered separately.

For assembly without terminal and hardware add NT to end of complete assembly catalog number (example: YTW32RDT34REKNT). Two hole NEMA pads standard on conductors up to 556.5 kcmil; Four hole NEMA pads on larger conductor sizes.

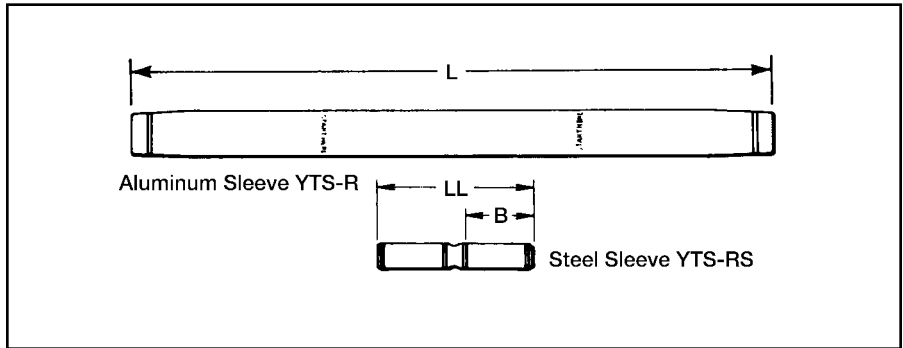
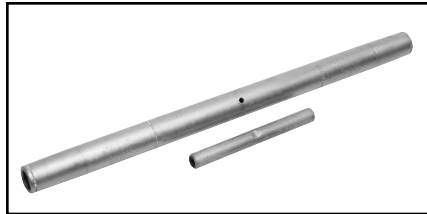
\* Overlap crimps.  
‡ Wide dies may be used, add suffix "W" to part number (example: L725W).



**TYPE YTS-R-RS**

**Full Tension Splice Kit for ACSR Conductor**

Full tension, two-piece, compression splice for ACSR transmission lines up to and including 230 kV. Outer aluminum sleeve has filler hole and plug for PENETROX™ joint compound. Kit includes the outer aluminum and inner steel sleeve.



Conductor Name	ACSR			Splice Kit	Aluminum Sleeve			Steel Sleeve		
	Size kcmil	Stranding			Inches		Die*‡	Inches		Die*
		Alum.	Steel		L	O.D.		LL	B	
Linnet	336.4	26	7	YTS32R34RS	17.30	1.19	L717	5.75	2.64	L718
Oriole	336.4	30	7	YTS32R33RS	17.30	1.19	L717	5.75	2.64	L718
Ibis	397.5	26	7	YTS34R34RS	17.20	1.28	L719	5.75	2.64	L718
Flicker	477	24	7	YTS36R362RS	18.16	1.41	L720	5.75	2.66	L721
Hawk	477	26	7	YTS36R36RS	18.16	1.41	L720	5.75	2.66	L721
Parakeet	556.5	24	7	YTS39R43RS	19.88	1.50	L722	5.90	2.66	L723
Dove	556.5	26	7	YTS39R43RS	19.88	1.50	L722	5.90	2.66	L723
Peacock	605	24	7	YTS43R43RS	21.44	1.61	L724	5.90	2.66	L723
Squab	605	26	7	YTS43R43RS	21.44	1.61	L724	5.90	2.66	L723
Rook	636	24	7	YTS43R43RS	21.44	1.61	L724	5.90	2.66	L723
Grosbeak	636	26	7	YTS43R43RS	21.44	1.61	L724	5.90	2.66	L723
Flamingo	666.6	24	7	YTS43R43RS	21.44	1.61	L724	5.90	2.66	L723
Starling	715.5	26	7	YTS451R48RS	28.00	1.80	L725	9.00	4.19	L726
Cuckoo	795	24	7	YTS451R449RS	28.00	1.80	L725	9.00	4.19	L726
Drake	795	26	7	YTS451R48RS	28.00	1.80	L725	9.00	4.19	L726
Tern	795	45	7	YTS451R48RS	28.00	1.80	L725	9.16	4.19	L726
Condor	795	54	7	YTS451R449RS	28.00	1.80	L725	9.00	4.19	L726
Rail	954	45	7	YTS48R481RS	28.00	1.97	L727	9.16	4.19	L726
Cardinal	954	54	7	YTS48R48RS	28.00	1.97	L727	9.00	4.19	L726
Ortolan	1033.5	45	7	YTS49R483RS	28.00	1.97	L727	9.16	4.19	L726
Curlew	1033.5	54	7	YTS49R48RS	28.00	1.97	L727	9.00	4.19	L726
Bluejay	1113	45	7	YTS49R483RS	28.00	1.97	L727	9.16	4.19	L726
Finch	1113	54	19	YTS52R48RS	41.07	2.25	L728	9.00	4.19	L726
Bunting	1192.5	45	7	YTS52R521RS	41.07	2.25	L728	9.00	4.19	L726
Bittern	1272	45	7	YTS52R521RS	41.07	2.25	L728	9.00	4.19	L726
Pheasant	1272	54	19	YTS52R59RS	41.07	2.25	L728	9.10	4.25	L726
Dipper	1351.5	45	7	YTS52R521RS	41.07	2.25	L728	9.00	4.19	L726
Martin	1351.5	54	19	YTS52R59RS	41.07	2.25	L728	9.10	4.25	L726
Nuthatch	1510.5	45	7	YTS549R521RS	31.73	2.50	L729	9.00	4.19	L726
Parrot	1510.5	54	19	YTS549R59RS	31.73	2.50	L729	9.10	4.25	L726
Lapwing	1590	45	7	YTS549R549RS	31.73	2.50	L729	9.00	4.19	L726
Falcon	1590	54	19	YTS56R59RS	31.73	2.50	L729	9.10	4.25	L726
Chukar	1780	84	19	YTS58R48RS	34.20	2.50	L735	9.00	4.19	L726
Bluebird	2156	84	19	YTS59R59RS	41.93	2.50	L735	9.10	4.25	L726
Kiwi	2167	72	7	YTS59R521RS	41.93	2.50	L735	9.00	4.19	L726

Splice Kit: Includes aluminum sleeve and steel sleeve.

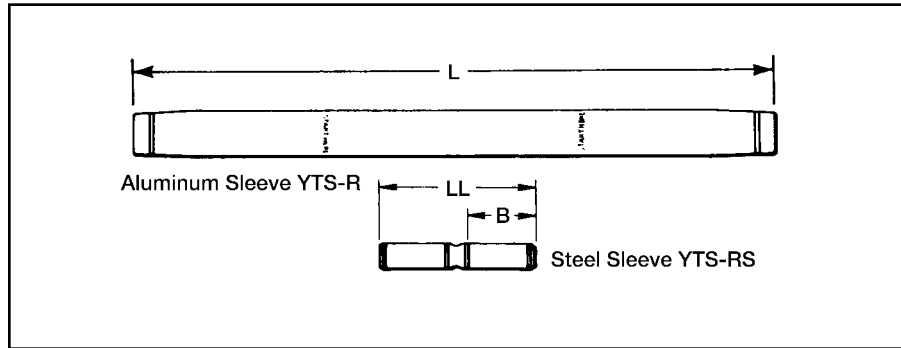
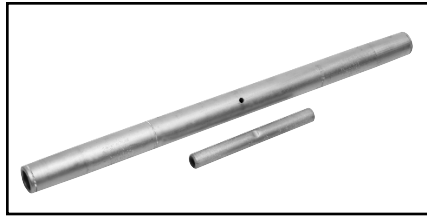
\* Overlap crimps.

‡ Wide dies may be used, add suffix "W" to part number (example: L725W).

## TYPE YTS-RT-RS EHV

### Full Tension Splice Kit for ACSR Conductor

Full tension, two-piece, compression splice for ACSR transmission lines at 345 kV and over. Outer aluminum sleeve has filler hole and plug for PENETROX™ joint compound. Kit includes the outer aluminum and inner steel sleeve.



Conductor Name	ACSR			Splice Kit	Aluminum Sleeve			Steel Sleeve		
	Size kcmil	Stranding			Inches		Die*‡	Inches		Die*
		Alum.	Steel		L	O.D.		LL	B	
Linnet	336.4	26	7	YTS32RT34RS	17.30	1.19	L717	5.75	2.64	L718
Oriole	336.4	30	7	YTS32RT33RS	17.30	1.19	L717	5.75	2.64	L718
Ibis	397.5	26	7	YTS34RT34RS	17.20	1.28	L719	5.75	2.64	L718
Flicker	477	24	7	YTS36RT362RS	18.16	1.41	L720	5.75	2.66	L721
Hawk	477	26	7	YTS36RT36RS	18.16	1.41	L720	5.75	2.66	L721
Parakeet	556.5	24	7	YTS39RT43RS	19.88	1.50	L722	5.90	2.66	L723
Dove	556.5	26	7	YTS39RT43RS	19.88	1.50	L722	5.90	2.66	L723
Peacock	605	24	7	YTS43RT43RS	21.44	1.61	L724	5.90	2.66	L723
Squab	605	26	7	YTS43RT43RS	21.44	1.61	L724	5.90	2.66	L723
Rook	636	24	7	YTS43RT43RS	21.44	1.61	L724	5.90	2.66	L723
Grosbeak	636	26	7	YTS43RT43RS	21.44	1.61	L724	5.90	2.66	L723
Flamingo	666.6	24	7	YTS43RT43RS	21.44	1.61	L724	5.90	2.66	L723
Starling	715.5	26	7	YTS451RT48RS	28.00	1.80	L725	9.00	4.19	L726
Cuckoo	795	24	7	YTS451RT449RS	28.00	1.80	L725	9.00	4.19	L726
Drake	795	26	7	YTS451RT48RS	28.00	1.80	L725	9.00	4.19	L726
Tern	795	45	7	YTS451RT48RS	28.00	1.80	L725	9.16	4.19	L726
Condor	795	54	7	YTS451RT449RS	28.00	1.80	L725	9.00	4.19	L726
Rail	954	45	7	YTS48RT481RS	28.00	1.97	L727	9.16	4.19	L726
Cardinal	954	54	7	YTS48RT48RS	28.00	1.97	L727	9.00	4.19	L726
Ortolan	1033.5	45	7	YTS49RT483RS	28.00	1.97	L727	9.16	4.19	L726
Curlew	1033.5	54	7	YTS49RT48RS	28.00	1.97	L727	9.00	4.19	L726
Bluejay	1113	45	7	YTS49RT483RS	28.00	1.97	L727	9.16	4.19	L726
Finch	1113	54	19	YTS52RT48RS	41.07	2.25	L728	9.00	4.19	L726
Bunting	1192.5	45	7	YTS52RT521RS	41.07	2.25	L728	9.00	4.19	L726
Bittern	1272	45	7	YTS52RT521RS	41.07	2.25	L728	9.00	4.19	L726
Pheasant	1272	54	19	YTS52RT59RS	41.07	2.25	L728	9.10	4.25	L726
Dipper	1351.5	45	7	YTS52RT521RS	41.07	2.25	L728	9.00	4.19	L726
Martin	1351.5	54	19	YTS52RT59RS	41.07	2.25	L728	9.10	4.25	L726
Nuthatch	1510.5	45	7	YTS549RT521RS	31.73	2.50	L729	9.00	4.19	L726
Parrot	1510.5	54	19	YTS549RT59RS	31.73	2.50	L729	9.10	4.25	L726
Lapwing	1590	45	7	YTS549RT549RS	31.73	2.50	L729	9.00	4.19	L726
Falcon	1590	54	19	YTS56RT59RS	31.73	2.50	L729	9.10	4.25	L726
Chukar	1780	84	19	YTS58RT48RS	34.20	2.50	L735	9.00	4.19	L726
Bluebird	2156	84	19	YTS59RT59RS	41.93	2.50	L735	9.10	4.25	L726
Kiwi	2167	72	7	YTS59RT521RS	41.93	2.50	L735	9.00	4.19	L726

Splice Kit: Includes aluminum sleeve and steel sleeve.

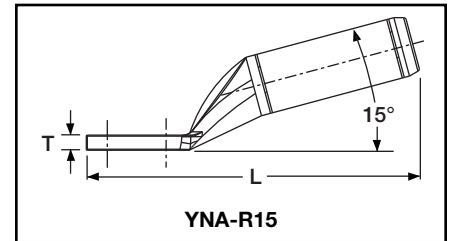
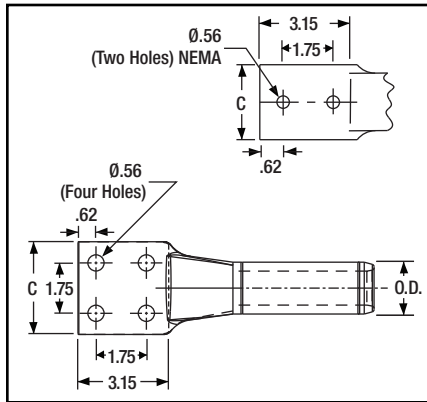
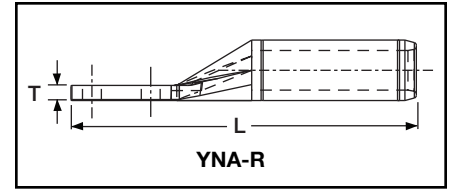
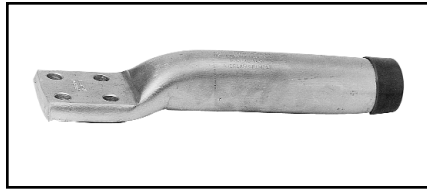
\* Overlap crimps.

‡ Wide dies may be used, add suffix "W" to part number (example: L725W).

**TYPES YNA-R15,  
YNA-R**

**Compression Terminal  
for ACSR Conductor**

Compression terminal for ACSR transmission lines up to and including 230 kV. Two hole NEMA tongue through 556.5 kcmil and four hole on larger sizes. Includes PENETROX™ joint compound in barrel and oxide retardant on pad.



Conductor Name	ACSR			15° Terminal		Straight Terminal		Inches		Die*‡
	Size kcmil	Stranding		Catalog Number	Inches L	Catalog Number	Inches L	C †	T	
		Alum.	Steel							
Linnet	336.4	26	7	YNA32R15	9.16	YNA32R	8.96	1.68	0.39	L717
Oriole	336.4	30	7	YNA32R15	9.16	YNA32R	8.96	1.68	0.39	L717
Ibis	397.5	26	7	YNA34R15	9.31	YNA34R	9.08	1.78	0.46	L719
Flicker	477	24	7	YNA36R15	9.62	YNA36R	9.47	1.96	0.48	L720
Hawk	477	26	7	YNA36R15	9.62	YNA36R	9.47	1.96	0.48	L720
Parakeet	556.5	24	7	YNA39R15	10.09	YNA39R	9.84	2.08	0.53	L722
Dove	556.5	26	7	YNA39R15	10.09	YNA39R	9.84	2.08	0.53	L722
Peacock	605	24	7	YNA43R15	10.16	YNA43R	10.07	3.22	0.36	L724
Squab	605	26	7	YNA43R15	10.16	YNA43R	10.07	3.22	0.36	L724
Rook	636	24	7	YNA43R15	10.16	YNA43R	10.07	3.22	0.36	L724
Grosbeak	636	26	7	YNA43R15	10.16	YNA43R	10.07	3.22	0.36	L724
Flamingo	666.6	24	7	YNA43R15	10.16	YNA43R	10.07	3.22	0.36	L724
Starling	715.5	26	7	YNA451R15	10.21	YNA451R	10.28	3.22	0.45	L725
Cuckoo	795	24	7	YNA451R15	10.21	YNA451R	10.28	3.22	0.45	L725
Drake	795	26	7	YNA451R15	10.21	YNA451R	10.28	3.22	0.45	L725
Tern	795	45	7	YNA451R15	10.21	YNA451R	10.28	3.22	0.45	L725
Condor	795	54	7	YNA451R15	10.21	YNA451R	10.28	3.22	0.45	L725
Ruddy	900	45	7	YNA49R15	10.35	YNA49R	10.46	3.22	0.52	L727
Rail	954	45	7	YNA49R15	10.35	YNA49R	10.46	3.22	0.52	L727
Cardinal	954	54	7	YNA49R15	10.35	YNA49R	10.46	3.22	0.52	L727
Ortolan	1033.5	45	7	YNA49R15	10.35	YNA49R	10.46	3.22	0.52	L727
Curlew	1033.5	54	7	YNA49R15	10.35	YNA49R	10.46	3.22	0.52	L727
Bluejay	1113	45	7	YNA49R15	10.35	YNA49R	10.46	3.22	0.52	L727
Finch	1113	54	19	YNA52R15	12.09	YNA52R	12.24	3.22	0.71	L728
Bunting	1192.5	45	7	YNA52R15	12.09	YNA52R	12.24	3.22	0.71	L728
Bittern	1272	45	7	YNA52R15	12.09	YNA52R	12.24	3.22	0.71	L728
Pheasant	1272	54	19	YNA52R15	12.09	YNA52R	12.24	3.22	0.71	L728
Dipper	1351.5	45	7	YNA52R15	12.09	YNA52R	12.24	3.22	0.71	L728
Martin	1351.5	54	19	YNA52R15	12.09	YNA52R	12.24	3.22	0.71	L728
Nuthatch	1510.5	45	7	YNA56R15	12.50	YNA56R	12.74	3.44	0.86	L729
Parrot	1510.5	54	19	YNA56R15	12.50	YNA56R	12.74	3.44	0.86	L729
Lapwing	1590	45	7	YNA56R15	12.50	YNA56R	12.74	3.44	0.86	L729
Falcon	1590	54	19	YNA56R15	12.50	YNA56R	12.74	3.44	0.86	L729
Chukar	1780	84	19	YNA58R15	13.25	YNA58R	13.34	3.47	0.86	L735
Bluebird	2156	84	19	YNA59R15	13.12	YNA59R	13.25	3.57	0.64	L735
Kiwi	2167	72	7	YNA59R15	13.12	YNA59R	13.25	3.57	0.64	L735

† Two hole NEMA pads standard for conductors up to 556.5 kcmil; Four hole NEMA pads on larger conductor sizes.

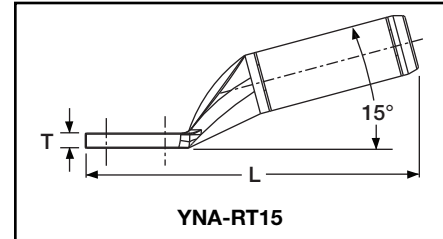
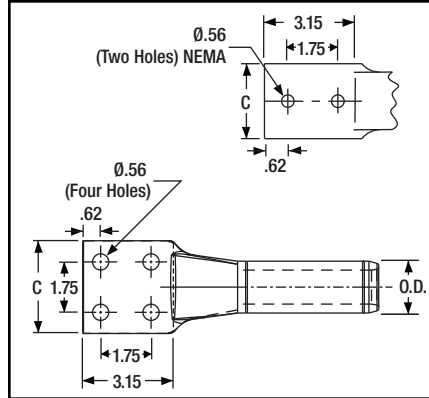
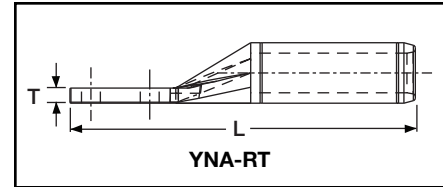
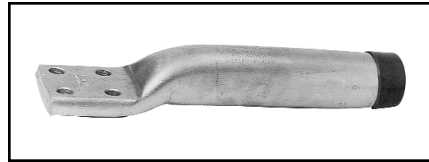
To specify hardware for bolting to corresponding deadends add the suffix H to the catalog number (example: YNA52RH).

\* Overlap crimps.  
‡ Wide dies may be used, add suffix "W" to part number (example: L725W).

# TYPES YNA-RT15, YNA-RT EHV

## Compression Terminal for ACSR Conductor

Compression terminal for ACSR transmission lines at 345 kV and over. Two hole NEMA tongue supplied through 636 kcmil and four hole on larger sizes. Includes PENETROX™ joint compound in barrel and oxide retardant on pad.



Conductor Name	ACSR		15° Terminal		Straight Terminal		Inches		Die*‡	
	Size kcmil	Stranding		Catalog Number	Inches L	Catalog Number	Inches L	C †		T
		Alum.	Steel							
Linnet	336.4	26	7	YNA32RT15	9.16	YNA32RT	8.96	1.68	0.39	L717
Oriole	336.4	30	7	YNA32RT15	9.16	YNA32RT	8.96	1.68	0.39	L717
Ibis	397.5	26	7	YNA34RT15	9.31	YNA34RT	9.08	1.78	0.46	L719
Flicker	477	24	7	YNA36RT15	9.62	YNA36RT	9.47	1.96	0.48	L720
Hawk	477	26	7	YNA36RT15	9.62	YNA36RT	9.47	1.96	0.48	L720
Parakeet	556.5	24	7	YNA39RT15	10.09	YNA39RT	9.84	2.08	0.53	L722
Dove	556.5	26	7	YNA39RT15	10.09	YNA39RT	9.84	2.08	0.53	L722
Peacock	605	24	7	YNA43RT15	10.16	YNA43RT	10.07	3.22	0.36	L724
Squab	605	26	7	YNA43RT15	10.16	YNA43RT	10.07	3.22	0.36	L724
Rook	636	24	7	YNA43RT15	10.16	YNA43RT	10.07	3.22	0.36	L724
Grosbeak	636	26	7	YNA43RT15	10.16	YNA43RT	10.07	3.22	0.36	L724
Flamingo	666.6	24	7	YNA43RT15	10.16	YNA43RT	10.07	3.22	0.36	L724
Starling	715.5	26	7	YNA451RT15	10.65	YNA451RT	10.57	3.22	0.45	L725
Cuckoo	795	24	7	YNA451RT15	10.65	YNA451RT	10.57	3.22	0.45	L725
Drake	795	26	7	YNA451RT15	10.65	YNA451RT	10.57	3.22	0.45	L725
Tern	795	45	7	YNA451RT15	10.65	YNA451RT	10.57	3.22	0.45	L725
Condor	795	54	7	YNA451RT15	10.65	YNA451RT	10.57	3.22	0.45	L725
Ruddy	900	45	7	YNA49RT15	10.94	YNA49RT	10.77	3.22	0.52	L727
Rail	954	45	7	YNA49RT15	10.94	YNA49RT	10.77	3.22	0.52	L727
Cardinal	954	54	7	YNA49RT15	10.94	YNA49RT	10.77	3.22	0.52	L727
Ortolan	1033.5	45	7	YNA49RT15	10.94	YNA49RT	10.77	3.22	0.52	L727
Curlew	1033.5	54	7	YNA49RT15	10.94	YNA49RT	10.77	3.22	0.52	L727
Bluejay	1113	45	7	YNA49RT15	10.94	YNA49RT	10.77	3.22	0.52	L727
Finch	1113	54	19	YNA52RT15	12.62	YNA52RT	13.82	3.22	0.71	L728
Bunting	1192.5	45	7	YNA52RT15	12.62	YNA52RT	13.82	3.22	0.71	L728
Bittern	1272	45	7	YNA52RT15	12.62	YNA52RT	13.82	3.22	0.71	L728
Pheasant	1272	54	19	YNA52RT15	12.62	YNA52RT	13.82	3.22	0.71	L728
Dipper	1351.5	45	7	YNA52RT15	12.62	YNA52RT	13.82	3.22	0.71	L728
Martin	1351.5	54	19	YNA52RT15	12.62	YNA52RT	13.82	3.22	0.71	L728
Nuthatch	1510.5	45	7	YNA56RT15	13.36	YNA56RT	13.76	3.44	0.86	L729
Parrot	1510.5	54	19	YNA56RT15	13.36	YNA56RT	13.76	3.44	0.86	L729
Lapwing	1590	45	7	YNA56RT15	13.36	YNA56RT	13.76	3.44	0.86	L729
Falcon	1590	54	19	YNA56RT15	13.36	YNA56RT	13.76	3.44	0.86	L729
Chukar	1780	84	19	YNA58RT15	13.81	YNA58RT	13.76	3.47	0.86	L735
Bluebird	2156	84	19	YNA59RT15	13.75	YNA59RT	14.06	3.57	0.64	L735
Kiwi	2167	72	7	YNA59RT15	13.75	YNA59RT	14.06	3.57	0.64	L735

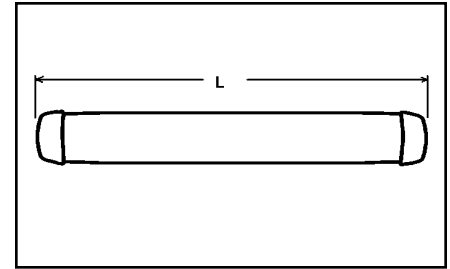
† Two hole NEMA pads standard for conductors up to 556.5 kcmil; Four hole NEMA pads on larger conductor sizes. Shielding cap STS43A-4N required for EHV applications (two caps required).

To specify hardware for bolting to corresponding deadends add the suffix H to catalog number (example: YNA52RTH).  
\* Overlap crimps.  
‡ Wide dies may be used, add suffix "W" to part number (example: L725W).

**TYPE YNS-R**

**Jumper Loop Sleeve  
for ACSR Conductor**

Jumper sleeve for ACSR transmission lines up to and including 230 kV. Sleeve is pre-filled with PENETROX™ joint compound and capped.



Conductor Name	ACSR		Catalog Number	Inches		Die*‡	
	Size kcmil	Stranding		L	O.D.		
		Alum.	Steel				
Linnet	336.4	26	7	YNS32R	8.60	1.19	L717
Oriole	336.4	30	7	YNS32R	8.60	1.19	L717
Ibis	397.5	26	7	YNS34R	8.68	1.30	L719
Flicker	477	24	7	YNS36R	9.20	1.41	L720
Hawk	477	26	7	YNS36R	9.20	1.41	L720
Parakeet	556.5	24	7	YNS39R	9.76	1.50	L722
Dove	556.5	26	7	YNS39R	9.76	1.50	L722
Peacock	605	24	7	YNS43R	9.98	1.61	L724
Squab	605	26	7	YNS43R	9.98	1.61	L724
Rook	636	24	7	YNS43R	9.98	1.61	L724
Grosbeak	636	26	7	YNS43R	9.98	1.61	L724
Flamingo	666.6	24	7	YNS43R	9.98	1.61	L724
Starling	715.5	26	7	YNS451R	10.00	1.80	L725
Cuckoo	795	24	7	YNS451R	10.00	1.80	L725
Drake	795	26	7	YNS451R	10.00	1.80	L725
Tern	795	45	7	YNS451R	10.00	1.80	L725
Condor	795	54	7	YNS451R	10.00	1.80	L725
Ruddy	900	45	7	YNS49R	10.00	1.97	L727
Rail	954	45	7	YNS49R	10.00	1.97	L727
Cardinal	954	54	7	YNS49R	10.00	1.97	L727
Ortolan	1033.5	45	7	YNS49R	10.00	1.97	L727
Curlew	1033.5	54	7	YNS49R	10.00	1.97	L727
Bluejay	1113	45	7	YNS49R	10.00	1.97	L727
Finch	1113	54	19	YNS52R	15.48	2.25	L728
Bunting	1192.5	45	7	YNS52R	15.48	2.25	L728
Bittern	1272	45	7	YNS52R	15.48	2.25	L728
Pheasant	1272	54	19	YNS52R	15.48	2.25	L728
Dipper	1351.5	45	7	YNS52R	15.48	2.25	L728
Martin	1351.5	54	19	YNS52R	15.48	2.25	L728
Nuthatch	1510.5	45	7	YNS56R	14.80	2.50	L729
Parrot	1510.5	54	19	YNS56R	14.80	2.50	L729
Lapwing	1590	45	7	YNS56R	14.80	2.50	L729
Falcon	1590	54	19	YNS56R	14.80	2.50	L729
Chukar	1780	84	19	YNS58R	14.74	2.50	L735
Bluebird	2156	84	19	YNS59R	14.56	2.50	L735
Kiwi	2167	72	7	YNS59R	14.56	2.50	L735

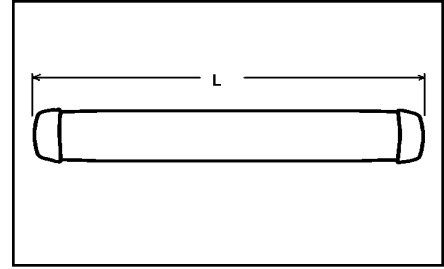
\* Overlap crimps

‡ Wide dies may be used, add suffix "W" to part number (example: L725W).

## TYPE YNS-RT EHV

### Jumper Loop Sleeve for ACSR Conductor

Jumper sleeve for ACSR transmission lines over 230 kV. Sleeve is pre-filled with PENE-TROX™ joint compound and capped.



Conductor Name	ACSR		Jumper Sleeve	Inches		Die*‡	
	Size kcmil	Stranding		L	O.D.		
		Alum.	Steel				
Linnet	336.4	26	7	YNS32RT	8.96	1.19	L717
Oriole	336.4	30	7	YNS32RT	8.96	1.19	L717
Ibis	397.5	26	7	YNS34RT	9.10	1.30	L719
Flicker	477	24	7	YNS36RT	9.64	1.41	L720
Hawk	477	26	7	YNS36RT	9.64	1.41	L720
Parakeet	556.5	24	7	YNS39RT	10.26	1.50	L722
Dove	556.5	26	7	YNS39RT	10.26	1.50	L722
Peacock	605	24	7	YNS43RT	10.48	1.61	L724
Squab	605	26	7	YNS43RT	10.48	1.61	L724
Rook	636	24	7	YNS43RT	10.48	1.61	L724
Grosbeak	636	26	7	YNS43RT	10.48	1.61	L724
Flamingo	666.6	24	7	YNS43RT	10.48	1.61	L724
Starling	715.5	26	7	YNS451RT	10.60	1.80	L725
Cuckoo	795	24	7	YNS451RT	10.60	1.80	L725
Drake	795	26	7	YNS451RT	10.60	1.80	L725
Tern	795	45	7	YNS451RT	10.60	1.80	L725
Condor	795	54	7	YNS451RT	10.60	1.80	L725
Ruddy	900	45	7	YNS49RT	10.66	1.97	L727
Rail	954	45	7	YNS49RT	10.66	1.97	L727
Cardinal	954	54	7	YNS49RT	10.66	1.97	L727
Ortolan	1033.5	45	7	YNS49RT	10.66	1.97	L727
Curlew	1033.5	54	7	YNS49RT	10.66	1.97	L727
Bluejay	1113	45	7	YNS49RT	10.66	1.97	L727
Finch	1113	54	19	YNS52RT	16.20	2.25	L728
Bunting	1192.5	45	7	YNS52RT	16.20	2.25	L728
Bittern	1272	45	7	YNS52RT	16.20	2.25	L728
Pheasant	1272	54	19	YNS52RT	16.20	2.25	L728
Dipper	1351.5	45	7	YNS52RT	16.20	2.25	L728
Martin	1351.5	54	19	YNS52RT	16.20	2.25	L728
Nuthatch	1510.5	45	7	YNS56RT	15.58	2.50	L729
Parrot	1510.5	54	19	YNS56RT	15.58	2.50	L729
Lapwing	1590	45	7	YNS56RT	15.58	2.50	L729
Falcon	1590	54	19	YNS56RT	15.58	2.50	L729
Chukar	1780	84	19	YNS58RT	15.46	2.50	L735
Bluebird	2156	84	19	YNS59RT	15.14	2.50	L735
Kiwi	2167	72	7	YNS59RT	15.14	2.50	L735

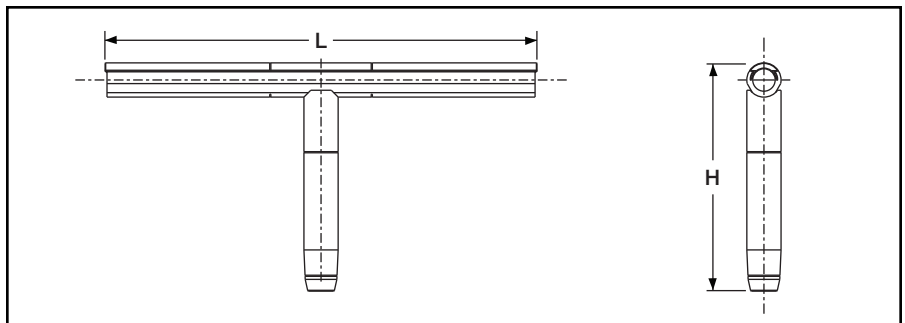
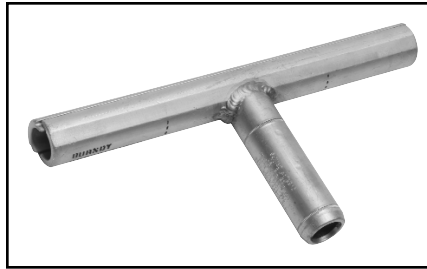
\* Overlap crimps

‡ Wide dies may be used, add suffix "W" to part number (example: L725W).

**TYPE YNT-R-R**

**Compression T-Tap for ACSR Conductor**

Two piece compression T-Tap for ACSR transmission lines that include up to 230 kV. Tap element is pre-filled with PENETROX™ joint compound and sealed.



Conductor Name	ACSR Size		Stranding		T-Tap*	Inches		Die**‡
	kcmil		Alum.	Steel		L	H	
Linnet	336.4		26	7	YNT32R32R	15.46	6.39	L717
Oriole	336.4		30	7	YNT32R32R	15.46	6.39	L717
Ibis	397.5		26	7	YNT34R34R	15.60	6.53	L719
Flicker	477		24	7	YNT36R36R	16.29	6.85	L720
Hawk	477		26	7	YNT36R36R	16.29	6.85	L720
Parakeet	556.5		24	7	YNT39R39R	16.69	7.13	L722
Dove	556.5		26	7	YNT39R39R	16.69	7.13	L722
Peacock	605		24	7	YNT43R43R	17.48	7.20	L724
Squab	605		26	7	YNT43R43R	17.48	7.20	L724
Rook	636		24	7	YNT43R43R	17.48	7.20	L724
Grosbeak	636		26	7	YNT43R43R	17.48	7.20	L724
Flamingo	666.6		24	7	YNT43R43R	17.48	7.20	L724
Starling	715.5		26	7	YNT451R451R	17.60	7.70	L725
Cuckoo	795		24	7	YNT451R451R	17.60	7.70	L725
Drake	795		26	7	YNT451R451R	17.60	7.70	L725
Tern	795		45	7	YNT451R451R	17.60	7.70	L725
Condor	795		54	7	YNT451R451R	17.60	7.70	L725
Ruddy	900		45	7	YNT49R49R	17.66	7.90	L727
Rail	954		45	7	YNT49R49R	17.66	7.90	L727
Cardinal	954		54	7	YNT49R49R	17.66	7.90	L727
Ortolan	1033.5		45	7	YNT49R49R	17.66	7.90	L727
Curlew	1033.5		54	7	YNT49R49R	17.66	7.90	L727
Bluejay	1113		45	7	YNT49R49R	17.66	7.90	L727
Finch	1113		54	19	YNT52R52R	21.61	11.10	L728
Bunting	1192.5		45	7	YNT52R52R	21.61	11.10	L728
Bittern	1272		45	7	YNT52R52R	21.61	11.10	L728
Pheasant	1272		54	19	YNT52R52R	21.61	11.10	L728
Dipper	1351.5		45	7	YNT52R52R	21.61	11.10	L728
Martin	1351.5		54	19	YNT52R52R	21.61	11.10	L728
Nuthatch	1510.5		45	7	YNT56R56R	23.65	11.08	L729
Parrot	1510.5		54	19	YNT56R56R	23.65	11.08	L729
Lapwing	1590		45	7	YNT56R56R	23.65	11.08	L729
Falcon	1590		54	19	YNT56R56R	23.65	11.08	L729
Chukar	1780		84	19	YNT58R58R	23.53	11.02	L735
Bluebird	2156		84	19	YNT59R59R	23.21	10.86	L735
Kiwi	2167		72	7	YNT59R59R	23.21	10.86	L735

\* For EHV applications add suffix "T" to catalog number (example: YNT49R49RT).

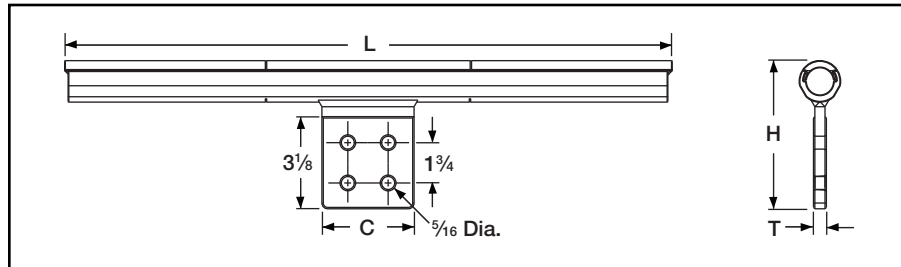
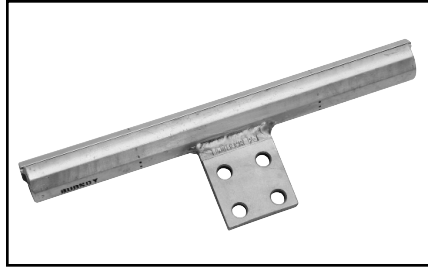
\*\* Overlap crimps

‡ Wide dies may be used, add suffix "W" to part number (example: L725W).

# TYPE YNTA-R

## T-Tap with Pad for ACSR Conductor

Two piece compression T-Tap to a NEMA pad for ACSR transmission lines. Up to and including 230 kV.



Conductor Name	Size kcmil	ACSR Stranding		T-Tap with Pad	Inches				Die*‡
		Alum.	Steel		L	C	H	T	
Linnet	336.4	26	7	YNTA32R	15.46	2.00	4.94	0.50	L717
Oriole	336.4	30	7	YNTA32R	15.46	2.00	4.94	0.50	L717
Ibis	397.5	26	7	YNTA34R	15.60	2.00	5.05	0.50	L719
Flicker	477	24	7	YNTA36R	16.29	2.25	5.16	0.56	L720
Hawk	477	26	7	YNTA36R	16.29	2.25	5.16	0.56	L720
Parakeet	556.5	24	7	YNTA39R	16.69	2.25	5.25	0.56	L722
Dove	556.5	26	7	YNTA39R	16.69	2.25	5.25	0.56	L722
Peacock	605	24	7	YNTA43R	17.48	3.25	5.36	0.56	L724
Squab	605	26	7	YNTA43R	17.48	3.25	5.36	0.56	L724
Rook	636	24	7	YNTA43R	17.48	3.25	5.36	0.56	L724
Grosbeak	636	26	7	YNTA43R	17.48	3.25	5.36	0.56	L724
Flamingo	666.6	24	7	YNTA43R	17.48	3.25	5.36	0.56	L724
Starling	715.5	26	7	YNTA451R	17.60	3.25	5.55	0.56	L725
Cuckoo	795	24	7	YNTA451R	17.60	3.25	5.55	0.56	L725
Drake	795	26	7	YNTA451R	17.60	3.25	5.55	0.56	L725
Tern	795	45	7	YNTA451R	17.60	3.25	5.55	0.56	L725
Condor	795	54	7	YNTA451R	17.60	3.25	5.55	0.56	L725
Ruddy	900	45	7	YNTA49R	17.66	3.25	5.72	0.56	L727
Rail	954	45	7	YNTA49R	17.66	3.25	5.72	0.56	L727
Cardinal	954	54	7	YNTA49R	17.66	3.25	5.72	0.56	L727
Ortolan	1033.5	45	7	YNTA49R	17.66	3.25	5.72	0.56	L727
Curlew	1033.5	54	7	YNTA49R	17.66	3.25	5.72	0.56	L727
Bluejay	1113	45	7	YNTA49R	17.66	3.25	5.72	0.56	L727
Finch	1113	54	19	YNTA54R	21.61	3.25	6.00	0.69	L728
Bunting	1192.5	45	7	YNTA54R	21.61	3.25	6.00	0.69	L728
Bittern	1272	45	7	YNTA54R	21.61	3.25	6.00	0.69	L728
Pheasant	1272	54	19	YNTA54R	21.61	3.25	6.00	0.69	L728
Dipper	1351.5	45	7	YNTA54R	21.61	3.25	6.00	0.69	L728
Martin	1351.5	54	19	YNTA54R	21.61	3.25	6.00	0.69	L728
Nuthatch	1510.5	45	7	YNTA56R	23.65	3.59	6.25	0.69	L729
Parrot	1510.5	54	19	YNTA56R	23.65	3.59	6.25	0.69	L729
Lapwing	1590	45	7	YNTA56R	23.65	3.59	6.25	0.69	L729
Falcon	1590	54	19	YNTA56R	23.65	3.59	6.25	0.69	L729
Chukar	1780	84	19	YNTA58R	23.53	3.59	6.25	0.69	L735
Bluebird	2156	84	19	YNTA59R	23.21	3.59	6.25	0.69	L735
Kiwi	2167	72	7	YNTA59R	23.21	3.59	6.25	0.69	L735

Two hole NEMA pads standard for conductors up to 556.5 kcmil; Four hole NEMA pads on larger conductor sizes. For EHV applications add suffix "T" to catalog number (example: YNTA49RT).

For EHV applications order (2) two tap pad shielding caps STS43A4N-catalog number indicates (1) cap.

\* Overlap crimps

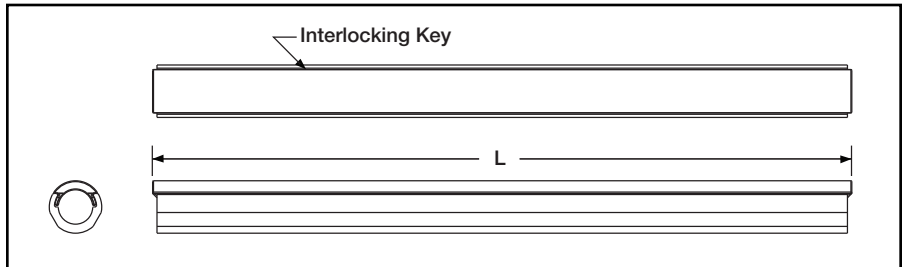
‡ Wide dies may be used, add suffix "W" to part number (example: L725W).



## TYPE YNU-R

### Repair Sleeve for ACSR Conductor

For HV and EHV applications. Two-piece repair sleeve for temporary restoration of conductivity to damaged ACSR transmission lines. Use of PENETROX™ joint compound required.



Conductor Name	ACSR Size		Repair Sleeve	Inches		Die*‡
	Size kcmil	Stranding		L		
		Alum. Steel				
Linnet	336.4	26 7	YNU32R	14.00		L717
Oriole	336.4	30 7	YNU32R	14.00		L717
Ibis	397.5	26 7	YNU34R	14.00		L719
Flicker	477	24 7	YNU36R	14.00		L720
Hawk	477	26 7	YNU36R	14.00		L720
Parakeet	556.5	24 7	YNU39R	16.00		L722
Dove	556.5	26 7	YNU39R	16.00		L722
Peacock	605	24 7	YNU43R	16.00		L724
Squab	605	26 7	YNU43R	16.00		L724
Rook	636	24 7	YNU43R	16.00		L724
Grosbeak	636	26 7	YNU43R	16.00		L724
Flamingo	666.6	24 7	YNU43R	16.00		L724
Starling	715.5	26 7	YNU451R	16.00		L725
Cuckoo	795	24 7	YNU451R	16.00		L725
Drake	795	26 7	YNU451R	16.00		L725
Tern	795	45 7	YNU451R	16.00		L725
Condor	795	54 7	YNU451R	16.00		L725
Ruddy	900	45 7	YNU49R	16.00		L727
Rail	954	45 7	YNU49R	16.00		L727
Cardinal	954	54 7	YNU49R	16.00		L727
Ortolan	1033.5	45 7	YNU49R	16.00		L727
Curlew	1033.5	54 7	YNU49R	16.00		L727
Bluejay	1113	45 7	YNU49R	16.00		L727
Finch	1113	54 19	YNU54R	16.00		L728
Bunting	1192.5	45 7	YNU54R	16.00		L728
Bittern	1272	45 7	YNU54R	16.00		L728
Pheasant	1272	54 19	YNU54R	16.00		L728
Dipper	1351.5	45 7	YNU54R	16.00		L728
Martin	1351.5	54 19	YNU54R	16.00		L728
Nuthatch	1510.5	45 7	YNU56R	19.00		L729
Parrot	1510.5	54 19	YNU56R	19.00		L729
Lapwing	1590	45 7	YNU56R	19.00		L729
Falcon	1590	54 19	YNU56R	19.00		L729
Chukar	1780	84 19	YNU58R	19.00		L735
Bluebird	2156	84 19	YNU59R	19.00		L735
Kiwi	2167	72 7	YNU59R	19.00		L735

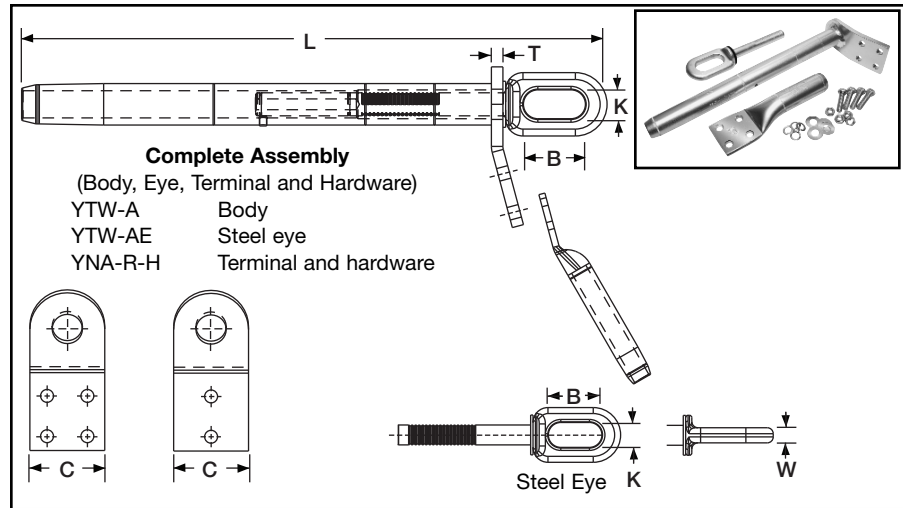
\* Overlap crimps

‡ Wide dies may be used, add suffix "W" to part number (example: L725W).

**TYPES YTW-A-AEK,  
YTW-A, YTW-AE,  
YNA-RH**

**Single Pad Full Tension Deadend  
for Stranded Aluminum Cable**

Full tension compression deadend for SAC transmission lines. One design for applications up to and including 230 kV. Two hole NEMA tap pad supplied through 636 kcmil. Larger sizes have 4 hole NEMA pad. Standard 15° tap pad when used with YNA-R15H terminal provides either 0° or 30° tap. Aluminum body is pre-filled with PENETROX™ joint compound and capped.



Conductor Name	Aluminum		Single Pad		Inches			Steel Eye	Inches			Tools		Terminal* with Hardware	Terminal Die*‡			
	kcmil	Str.	Complete Assembly	Aluminum Body	C	L	T		B	K	W	Die Index	Y60BHU*‡					
Tulip	336.4	19	YTW301A331AEK	YTW301A	2.25	9.62	0.50	YTW331AE	2.50	0.62	0.88	0.69	717	L717	YNA32R15H	L717		
	350	37															YTW311A331AEK	YTW311A
Canna	397.5	19	YTW331A331AEK	YTW331A		12.25							YTW39AE	0.69	722	L722		
	400	37															YTW351A351AEK	YTW351A
Cosmos	450	37	YTW361A39AEK	YTW361A		14.38							YTW431AE	0.75	725	L725		
	477	19															YTW39A39AEK	YTW39A
Syringa	477	37	YTW391A431AEK	YTW391A		15.62							YTW463AE	1.00	727	L727		
	Hyacinth	500															37	YTW445A463AEK
Dahlia		556.5	19	YTW451A463AEK		YTW451A							17.13	YTW47AE	1.00	728	L728	
	Mistletoe	556.5	37															YTW457A463AEK
Orchid		600	61	YTW463A463AEK	YTW463A	18.50	YTW486AE	1.25	740	L740	YNA59R15H	L735						
	Violet	636	37										YTW47A47AEK	YTW47A	18.50	YTW486AE	1.25	740
Nasturtium		715.5	61	YTW484A484AEK	YTW484A	18.50	YTW486AE	1.25	740	L740	YNA59R15H	L740						
	Cattail	750	61										YTW486A486AEK	YTW486A	18.50	YTW486AE	1.25	740
Arbutus		795	37	YTW486A486AEK	YTW486A	18.50	YTW486AE	1.25	740	L740	YNA59R15H	L740						
	Lilac	795	61										YTW486A486AEK	YTW486A	18.50	YTW486AE	1.25	740
Anemone		874.5	37	YTW486A486AEK	YTW486A	18.50	YTW486AE	1.25	740	L740	YNA59R15H	L740						
	Crocus	874.5	61										YTW486A486AEK	YTW486A	18.50	YTW486AE	1.25	740
Magnolia		954	37	YTW486A486AEK	YTW486A	18.50	YTW486AE	1.25	740	L740	YNA59R15H	L740						
	Goldenrod	954	61										YTW486A486AEK	YTW486A	18.50	YTW486AE	1.25	740
Bluebell		1033.5	37	YTW486A486AEK	YTW486A	18.50	YTW486AE	1.25	740	L740	YNA59R15H	L740						
	Larkspur	1033.5	61										YTW486A486AEK	YTW486A	18.50	YTW486AE	1.25	740
Marigold		1113	37	YTW486A486AEK	YTW486A	18.50	YTW486AE	1.25	740	L740	YNA59R15H	L740						
	Hawthorn	1113	61										YTW486A486AEK	YTW486A	18.50	YTW486AE	1.25	740
Nacrcissus		1192.6	61	YTW486A486AEK	YTW486A	18.50	YTW486AE	1.25	740	L740	YNA59R15H	L740						
	Columbine	1272	61										YTW486A486AEK	YTW486A	18.50	YTW486AE	1.25	740
Carnation		1351.5	61	YTW486A486AEK	YTW486A	18.50	YTW486AE	1.25	740	L740	YNA59R15H	L740						
	Coreopsis	1431	61										YTW486A486AEK	YTW486A	18.50	YTW486AE	1.25	740
Jessamine		1590	61	YTW486A486AEK	YTW486A	18.50	YTW486AE	1.25	740	L740	YNA59R15H	L740						
	Cowslip	1750	91										YTW486A486AEK	YTW486A	18.50	YTW486AE	1.25	740
Sagebrush		2000	91	YTW486A486AEK	YTW486A	18.50	YTW486AE	1.25	740	L740	YNA59R15H	L740						
	Lupine	2250	61										YTW486A486AEK	YTW486A	18.50	YTW486AE	1.25	740
2300		91	YTW486A486AEK	YTW486A	18.50	YTW486AE	1.25	740	L740	YNA59R15H	L740							
2500	91	YTW486A486AEK										YTW486A	18.50	YTW486AE	1.25	740	L740	YNA59R15H

\* Overlap Crimp.

‡ Wide dies may be used, add suffix "W" to part number (example: L725W).

Complete Assembly: Includes Aluminum Body, Steel eye, 15 degree terminal and aluminum hardware.

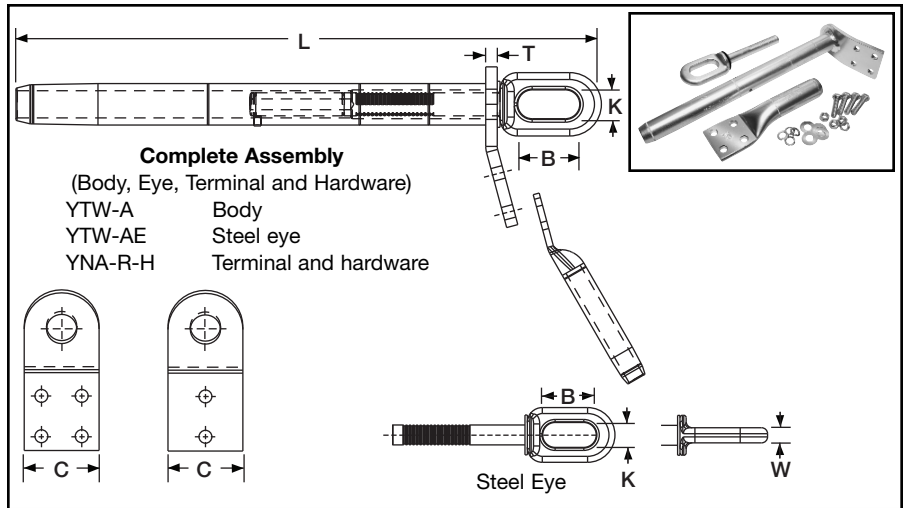
For stainless steel hardware add SS to the end of the catalog number. For complete assembly (example: YTW391A431AEKSS) or to terminal (YNA43R15HSS) if ordered separately.

For assembly without terminal and hardware add NT to the end of the complete catalog number (example: YTW391A431AEKNT).

**TYPES YTW-AT-AEK,  
YTW-AT, YTW-AE,  
YNA-RTH EHV**

**Single Pad, EHV Full Tension  
Deadend for Stranded  
Aluminum Cable**

Full tension compression deadend for SAC transmission lines at 345 kV and over. Two hole NEMA tap pad supplied through 636 kcmil. Larger sizes have 4 hole NEMA pad. Standard 15° tap pad when used with YNA-R15H terminal provides either 0° or 30° tap. Aluminum body is pre-filled with PENE-TROX™ joint compound and capped.



Aluminum			Single Pad		Inches			Steel Eye	Inches			Tools		Terminal* with Hardware	Terminal Die*‡				
Conductor Name	kcmil	Str.	Complete Assembly	Aluminum Body	C	L	T		B	K	W	Die Index	Y60BHU*‡						
Tulip	336.4	19	YTW301AT331AEK	YTW301AT	2.25	9.62	0.50	YTW331AE	2.50	0.88	0.62	717	L717	YNA32RT15H	L717				
	350	37																	
Canna	397.5	19	YTW311AT331AEK	YTW311AT								9.75	11.62	YTW351AE	0.69	720	L720	YNA36RT15H	L720
	400	37																	
Cosmos	450	37	YTW331AT331AE	YTW331AT								12.25	12.75	YTW39AE	0.75	722	L722	YNA39RT15H	L722
	477	19																	
Syringa	477	37	YTW351AT351AEK	YTW351AT								14.38	14.75	YTW431AE	0.62	724	L724	YNA43RT15H	L724
Hyacinth	500	37																	
Dahlia	556.5	19	YTW361AT39AEK	YTW361AT								14.75	15.62	YTW463AE	1.00	725	L725	YNA451RT15H	L725
Mistletoe	556.5	37																	
Orchid	600	61	YTW39AT39AEK	YTW39AT	15.62	16.50	YTW47AE	1.25	727	L727	YNA49RT15H	L727							
	636	37																	
Violet	715.5	37	YTW391AT431AEK	YTW391AT	17.13	16.38	YTW484AE	1.00	728	L728	YNA52RT15H	L728							
Nasturtium	715.5	61																	
Cattail	750	61	YTW431AT431AEK	YTW431AT	17.13	17.13	YTW47AE	1.25	728	L728	YNA54RT15H	L729							
	Arbutus	795											37						
Lilac	795	61	YTW445AT463AEK	YTW445AT	18.50	18.50	YTW486AE	1.25	735	L735	YNA58RT15H	L735							
	800	61																	
Anemone	874.5	37	YTW451AT463AEK	YTW451AT	18.50	18.50	YTW486AE	1.25	740	L740	YNA59RT15H	L740							
Crocus	874.5	61																	
Magnolia	954	37	YTW457AT463AEK	YTW457AT	18.50	18.50	YTW486AE	1.25	740	L740	YNA59RT15H	L740							
Goldenrod	954	61																	
Bluebell	1033.5	37	YTW463AT463AEK	YTW463AT	18.50	18.50	YTW486AE	1.25	740	L740	YNA59RT15H	L740							
Larkspur	1033.5	61																	
Marigold	1113	37	YTW47AT47AEK	YTW47AT	18.50	18.50	YTW486AE	1.25	740	L740	YNA59RT15H	L740							
	1113	61																	
Hawthorn	1192.6	61	YTW484AT484AEK	YTW484AT	18.50	18.50	YTW486AE	1.25	740	L740	YNA59RT15H	L740							
Narcissus	1272	61																	
Columbine	1351.5	61	YTW486AT484AEK	YTW486AT	18.50	18.50	YTW486AE	1.25	740	L740	YNA59RT15H	L740							
Carnation	1431	61																	
Coreopsis	1590	61	YTW486AT484AEK	YTW486AT	18.50	18.50	YTW486AE	1.25	740	L740	YNA59RT15H	L740							
Jessamine	1750	61																	
Cowslip	2000	91	YTW486AT484AEK	YTW486AT	18.50	18.50	YTW486AE	1.25	740	L740	YNA59RT15H	L740							
Sagebrush	2250	91																	
Lupine	2300	61	YTW486AT484AEK	YTW486AT	18.50	18.50	YTW486AE	1.25	740	L740	YNA59RT15H	L740							
	2500	91																	

\* Overlap Crimp.

‡ Wide dies may be used, add suffix "W" to part number (example: L725W).

Complete Assembly: Includes Aluminum Body, Steel eye, 15 degree terminal and aluminum hardware.

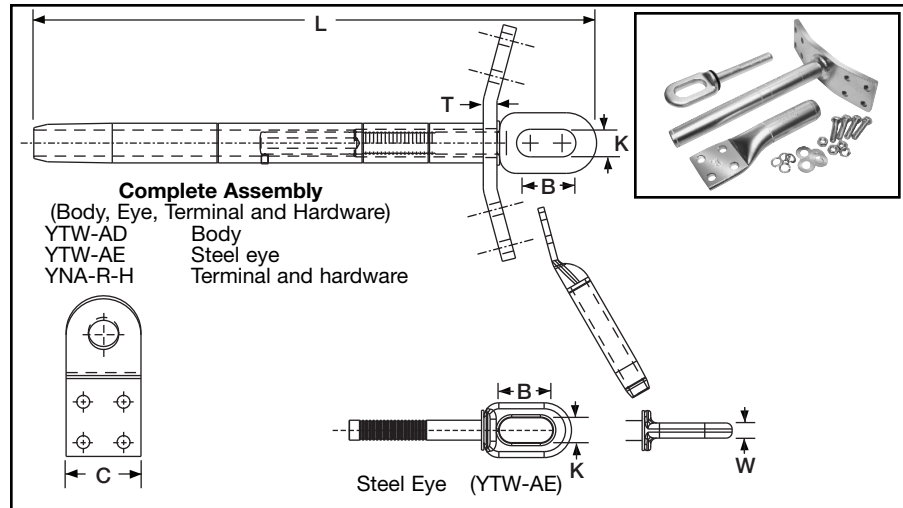
For stainless steel hardware add SS to the end of the catalog number. For complete assembly (example: YTW391A431AEKSS) or to terminal (YNA43R15HSS) if ordered separately.

For assembly without terminal and hardware add NT to the end of the complete catalog number (example: YTW391A431AEKNT).

**TYPES YTW-AD-AEK,  
YTW-AD, YTW-AE,  
YNA-RH**

**Double Pad Full Tension  
Deadend for Stranded  
Aluminum Cable**

Full tension compression deadend for SAC transmission lines. One design for applications up to and including 230 kV. Two hole NEMA tap pad supplied through 636 kcmil. Larger sizes have 4 hole NEMA pad. Standard 15° tap pad when used with YNA-R15H terminal provides either 0° or 30° tap. Aluminum body is pre-filled with PENETROX™ joint compound and capped.



Aluminum			Single Pad		Inches			Steel Eye	Inches			Tools		Terminal* with Hardware	Terminal Die*‡
Conductor Name	kcmil	Str.	Complete Assembly	Aluminum Body	C	L	T		B	K	W	Die Index	Y60BHU*‡		
Tulip	336.4	19	YTW301AD331AEK	YTW301AD	2.25	9.62	0.50	2.50	0.62	0.88	717	L717	YNA32R15H	L717	
	350	37													YTW311AD331AEK
Canna	397.5	19	YTW331AD331AEK	YTW331AD		11.62					720	L720	YNA36R15H	L720	
	400	37													YTW351AD351AEK
Cosmos	450	37	YTW39AD39AEK	YTW39AD		12.75					724	L724	YNA43R15H	L724	
	477	19													YTW391AD431AEK
Syringa	477	37	YTW431AD431AEK	YTW431AD		14.75					727	L727	YNA49R15H	L727	
Hyacinth	500	37													YTW445AD463AEK
	Dahlia	556.5	19	YTW451AD463AEK		YTW451AD					16.5	728	L728	YNA54R15H	
Mistletoe	556.5	37	YTW457AD463AEK												YTW457AD
	Orchid	600		61	YTW47AD47AEK	YTW47AD	16.38	735	L735	YNA59R15H	L735				
Violet	715.5	37	YTW48AD484AEK	YTW48AD								18.50	740	L740	YNA59R15H
	Nasturtium	715.5			61	YTW486AD486AEK	YTW486AD	18.50	740	L740	YNA59R15H				
Cattail	750	61	YTW47AE	YTW47AE	16.38							740	L740	YNA59R15H	L740
	Arbutus	795				37	YTW484AE	YTW484AD	16.38	740	L740				
Lilac		795	61	YTW486AE	YTW486AD	18.50						740	L740	YNA59R15H	L740
	800	61	YTW486AE				YTW486AD	18.50	740	L740	YNA59R15H				
Anemone	874.5	37		YTW486AE	YTW486AD	18.50						740	L740	YNA59R15H	L740
Crocus	874.5	61	YTW486AE				YTW486AD	18.50	740	L740	YNA59R15H				
Magnolia	954	37		YTW486AE	YTW486AD	18.50						740	L740	YNA59R15H	L740
	Goldenrod	954	61				YTW486AE	YTW486AD	18.50	740	L740				
Bluebell	1033.5	37	YTW486AE	YTW486AD	18.50	740						L740	YNA59R15H	L740	
Larkspur	1033.5	61					YTW486AE	YTW486AD	18.50	740	L740				YNA59R15H
Marigold	1113	37	YTW486AE	YTW486AD	18.50	740						L740	YNA59R15H	L740	
	1113	61					YTW486AE	YTW486AD	18.50	740	L740				YNA59R15H
Hawthorn	1192.6	61	YTW486AE	YTW486AD	18.50	740						L740	YNA59R15H	L740	
Narcissus	1272	61					YTW486AE	YTW486AD	18.50	740	L740				YNA59R15H
Columbine	1351.5	61	YTW486AE	YTW486AD	18.50	740						L740	YNA59R15H	L740	
	Carnation	1431					61	YTW486AE	YTW486AD	18.50	740				L740
Coreopsis	1590	61	YTW486AE	YTW486AD	18.50	740	L740					YNA59R15H	L740		
	Jessamine	1750						61	YTW486AE	YTW486AD	18.50			740	L740
Cowslip	2000	91	YTW486AE	YTW486AD	18.50	740	L740	YNA59R15H				L740			
Sagebrush	2250	91							YTW486AE	YTW486AD	18.50		740	L740	YNA59R15H
	2300	61	YTW486AE	YTW486AD	18.50	740	L740	YNA59R15H				L740			
Lupine	2500	91							YTW486AE	YTW486AD	18.50		740	L740	YNA59R15H

\* Overlap Crimp.  
‡ Wide dies may be used, add suffix "W" to part number (example: L725W).  
Complete Assembly: Includes Aluminum Body, Steel eye, 15 degree terminal and aluminum hardware.

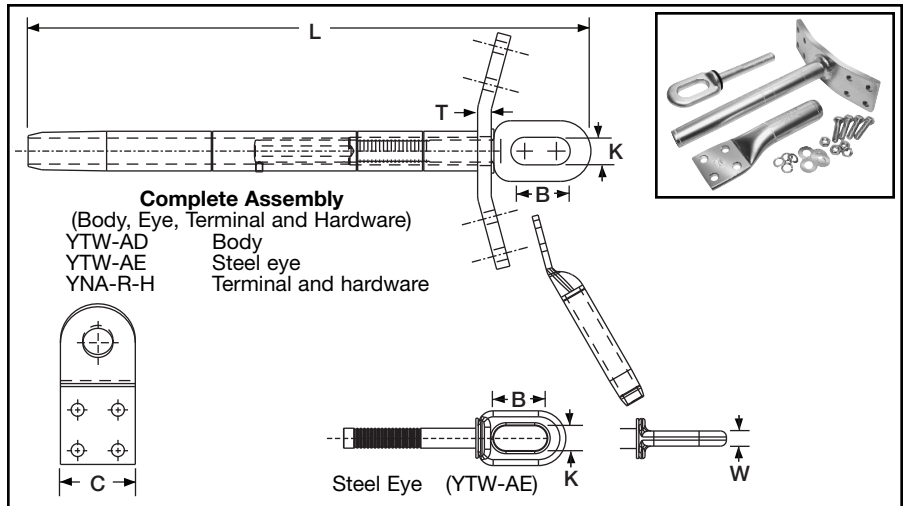
For stainless steel hardware add SS to the end of the catalog number. For complete assembly (example: YTW391A431AEKSS) or to terminal (YNA43R15HSS) if ordered separately.

For assembly without terminal and hardware add NT to the end of the complete catalog number (example: YTW391A431AEKNT).

**TYPES YTW-ADT-AEK,  
YTW-ADT, YTW-AE,  
YNA-RTH EHV**

**Double Pad, EHV Full Tension  
Deadend for Stranded  
Aluminum Cable**

Full tension compression deadend for SAC transmission line at 345kV and over. Two hole NEMA tap pad supplied through 636 kcmil. Larger sizes have 4 hole NEMA pad. Standard 15° tap pad when used with YNA-R15H terminal provides either 0° or 30° tap. Aluminum body is pre-filled with PENE-TROX™ joint compound and capped.



Conductor Name	Aluminum		Single Pad		Inches			Steel Eye	Inches			Tools		Terminal* with Hardware	Terminal Die*‡	
	kcmil	Str.	Complete Assembly	Aluminum Body	C	L	T		B	K	W	Die Index	Y60BHU*‡			
Tulip	336.4	19	YTW301ADT331AEK	YTW301ADT	2.25	9.62	0.50	YTW331AE	2.50	0.62	717	L717	YNA32R15H	L717		
	350	37													YTW311ADT331AEK	YTW311ADT
Canna	397.5	19	YTW331ADT331AE	YTW331ADT		11.62							720	L720		
	400	37													YTW351ADT351AEK	YTW351ADT
Cosmos	450	37	YTW361ADT39AEK	YTW361ADT		12.75							724	L724		
	477	19													YTW39ADT39AEK	YTW39ADT
Syringa	477	37	YTW391ADT431AEK	YTW391ADT		14.75							727	L727		
Hyacinth	500	37													YTW431ADT431AEK	YTW431ADT
Dahlia	556.5	19	YTW445ADT463AEK	YTW445ADT		16.50							729	L729		
Mistletoe	556.5	37													YTW451ADT463AEK	YTW451ADT
	Orchid	600	61	YTW457ADT463AEK	YTW457ADT	16.38	740	L740	YNA58R15H	L735						
Violet	636	37	YTW463ADT463AEK								YTW463ADT	18.50	740	L740	YNA59R15H	L740
	Nasturtium	715.5		37	YTW47AE	YTW47ADT	0.62	740	L740	YNA59R15H						
Cattail	750	61	YTW47AE	YTW47ADT							0.62	740	L740	YNA59R15H	L740	
	Arbutus	795			37	YTW48AE	YTW48ADT	0.62	740	L740						YNA59R15H
Lilac		795	61	YTW48AE	YTW48ADT						0.62	740	L740	YNA59R15H	L740	
	Anemone	874.5	37			YTW48AE	YTW48ADT	0.62	740	L740						YNA59R15H
Crocus		874.5	61	YTW48AE	YTW48ADT						0.62	740	L740	YNA59R15H	L740	
	Magnolia	954	37			YTW48AE	YTW48ADT	0.62	740	L740						YNA59R15H
Goldenrod		954	61	YTW48AE	YTW48ADT						0.62	740	L740	YNA59R15H	L740	
	Bluebell	1033.5	37			YTW48AE	YTW48ADT	0.62	740	L740						YNA59R15H
Larkspur		1033.5	61	YTW48AE	YTW48ADT						0.62	740	L740	YNA59R15H	L740	
	Marigold	1113	37			YTW48AE	YTW48ADT	0.62	740	L740						YNA59R15H
Hawthorn		1113	61	YTW48AE	YTW48ADT						0.62	740	L740	YNA59R15H	L740	
	Narcissus	1192.6	61			YTW48AE	YTW48ADT	0.62	740	L740						YNA59R15H
Columbine		1351.5	61	YTW48AE	YTW48ADT						0.62	740	L740	YNA59R15H	L740	
	Carnation	1431	61			YTW48AE	YTW48ADT	0.62	740	L740						YNA59R15H
Coreopsis		1590	61	YTW48AE	YTW48ADT						0.62	740	L740	YNA59R15H	L740	
	Jessamine	1750	61			YTW48AE	YTW48ADT	0.62	740	L740						YNA59R15H
Cowslip		2000	91	YTW48AE	YTW48ADT						0.62	740	L740	YNA59R15H	L740	
	Sagebrush	2250	91			YTW48AE	YTW48ADT	0.62	740	L740						YNA59R15H
Lupine		2300	61	YTW48AE	YTW48ADT						0.62	740	L740	YNA59R15H	L740	
	2500	91	YTW48AE			YTW48ADT	0.62	740	L740	YNA59R15H						L740

\* Overlap Crimp.

‡ Wide dies may be used, add suffix "W" to part number (example: L725W).

Complete Assembly: Includes Aluminum Body, Steel eye, 15 degree terminal and aluminum hardware.

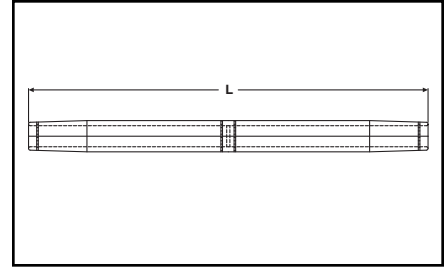
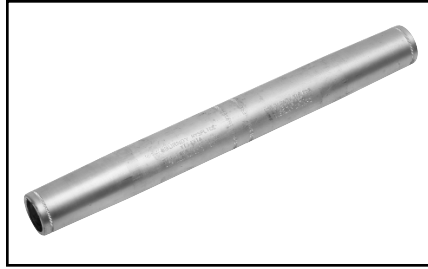
For stainless steel hardware add SS to the end of the catalog number. For complete assembly (example: YTW391A431AEKSS) or to terminal (YNA43R15HSS) if ordered separately.

For assembly without terminal and hardware add NT to the end of the complete catalog number (example: YTW391A431AEKNT).

## TYPE YTS-A

### Full Tension Splice for Stranded Aluminum Transmission Line

Full tension splice for Stranded Aluminum Transmission line up to and including 230 kV. Manufactured of aluminum tube with staked-in cable stop. Pre-filled with PENETROX™ joint compound and capped.



Conductor Name	Conductor		Catalog Number	Inches L	Tool, Die Sets			
	Aluminum				Die Index	Y45*	Y46*	Y60BHU* ‡
	kcmil	Strands						
Tulip	336.4	19	YTS301A	9.13	717	S725	P725	L725
	350	37	YTS301A	9.13	717	S725	P725	L725
Canna	397.5	19	YTS311A	9.29	719	S719	P719	L719
	400	37	YTS311A	9.29	719	S719	P719	L719
	450	37	YTS331A	9.27	719	S719	P719	L719
Cosmos	477	19	YTS331A	9.27	719	S719	P719	L719
Syringa	477	37	YTS331A	9.27	719	S719	P719	L719
Hyacinth	500	37	YTS351A	11.18	720	S720	P720	L720
Dahila	556.5	19	YTS351A	11.18	720	S720	P720	L720
Mistletoe	556.5	37	YTS351A	11.18	720	S720	P720	L720
	600	61	YTS361A	12.14	722	S722	P722	L722
Orchid	636	37	YTS361A	12.14	722	S722	P722	L722
Violet	715.5	37	YTS39A	13.36	724	S724	P724	L724
Nasturtium	715.5	61	YTS39A	13.36	724	S724	P724	L724
Cattail	750	61	YTS39A	13.36	724	S724	P724	L724
Arbutus	795	37	YTS391A	15.81	724	S724	P724	L724
Lilac	795	61	YTS391A	15.81	724	S724	P724	L724
	800	61	YTS391A	15.81	724	S724	P724	L724
Anemone	874.5	37	YTS431A	16.51	725	S725	P725	L725
Crocus	874.5	61	YTS431A	16.51	725	—	—	L725
Magnolia	954	37	YTS431A	16.51	725	—	—	L725
Goldenrod	954	61	YTS431A	16.51	725	—	—	L725
Bluebell	1033.5	37	YTS445A	18.51	727	—	—	L727
Larkspur	1033.5	61	YTS445A	18.51	727	—	—	L727
	1113	37	YTS445A	18.51	727	—	—	L727
Marigold	1113	61	YTS445A	18.51	727	—	—	L727
Hawthorn	1192.6	61	YTS451A	18.40	727	—	—	L727
Nacrcissus	1272	61	YTS451A	18.40	727	—	—	L727
Columbine	1351.5	61	YTS457A	19.96	728	—	—	L728
Carnation	1431	61	YTS457A	19.96	728	—	—	L728
Coreopsis	1590	61	YTS463A	21.50	728	—	—	L728
	2300	61	YTS484A	20.19	735	—	—	L735
	2000	169	YTS48A	21.62	735	—	—	L735
Lupine	2500	91	YTS486A	24.28	740	—	—	L740
Jessamine	1750	61	YTS47A	19.96	725	S725	P725	L725

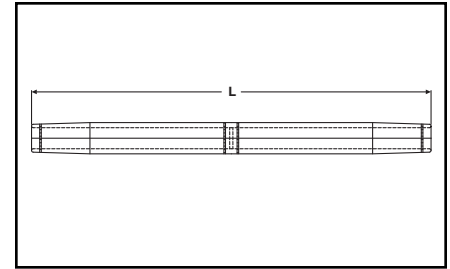
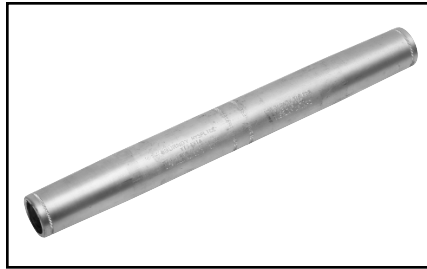
\* Overlap Crimps.

‡ Wide dies may be used, add suffix "W" to part number (example: L725W).

**TYPE YTS-AT EHV**

**Full Tension Splice for Stranded Aluminum Transmission Line**

Full tension splice for Stranded Aluminum Transmission line at 345 kV and over. Manufactured of aluminum tube with staked-in cable stop. Pre-filled with PENETROX™ joint compound and capped.



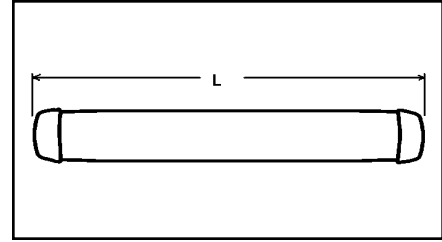
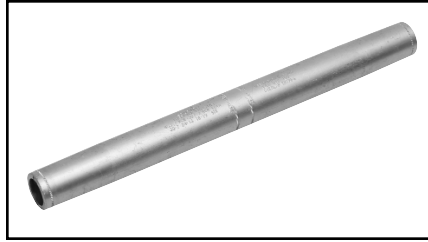
Conductor Name	Conductor		Catalog Number	Inches L	Tool, Die Sets			
	Aluminum kcmil	Strands			Die Index	Y45*	Y46*	Y60BHU* ‡
Tulip	336.4	19	YTS301AT	9.75	717	S725	P725	L725
	350	37	YTS301AT	9.75	717	S725	P725	L725
Canna	397.5	19	YTS311AT	9.99	719	S719	P719	L719
	400	37	YTS311AT	9.99	719	S719	P719	L719
	450	37	YTS331AT	10.01	719	S719	P719	L719
Cosmos	477	19	YTS331AT	10.01	719	S719	P719	L719
Syringa	477	37	YTS331AT	10.01	719	S719	P719	L719
Hyacinth	500	37	YTS351AT	11.88	720	S720	P720	L720
Dahila	556.5	19	YTS351AT	11.88	720	S720	P720	L720
Mistletoe	556.5	37	YTS351AT	11.88	720	S720	P720	L720
	600	61	YTS361AT	12.92	722	S722	P722	L722
Orchid	636	37	YTS361AT	12.92	722	S722	P722	L722
Violet	715.5	37	YTS39AT	14.36	724	S724	P724	L724
Nasturtium	715.5	61	YTS39AT	14.36	724	S724	P724	L724
Cattail	750	61	YTS39AT	14.36	724	S724	P724	L724
Arbutus	795	37	YTS391AT	16.56	724	S724	P724	L724
Lilac	795	61	YTS391AT	16.56	724	S724	P724	L724
	800	61	YTS391AT	16.56	724	S724	P724	L724
Anemone	874.5	37	YTS431AT	17.92	725	S725	P725	L725
Crocus	874.5	61	YTS431AT	17.92	725	S725	P725	L725
Magnolia	954	37	YTS431AT	17.92	725	S725	P725	L725
Goldenrod	954	61	YTS431AT	17.92	725	S725	P725	L725
Bluebell	1033.5	37	YTS445AT	19.57	727	—	—	L727
Larkspur	1033.5	61	YTS445AT	19.57	727	—	—	L727
	1113	37	YTS445AT	19.57	727	—	—	L727
Marigold	1113	61	YTS445AT	19.57	727	—	—	L727
Hawthorn	1192.6	61	YTS451AT	19.24	727	—	—	L727
Narcissus	1272	61	YTS451AT	19.24	727	—	—	L727
Columbine	1351.5	61	YTS457AT	21.08	728	—	—	L728
Carnation	1431	61	YTS457AT	21.08	728	—	—	L728
Coreopsis	1590	61	YTS463AT	22.56	728	—	—	L728
	2300	61	YTS484AT	23.00	735	—	—	L735
	2000	169	YTS48AT	23.02	735	—	—	L735
Lupine	2500	91	YTS486AT	25.40	740	—	—	L740
Jessamine	1750	61	YTS47AT	21.08	725	S725	P725	L725

\* Overlap Crimps.  
 ‡ Wide dies may be used, add suffix "W" to part number (example: L725W).

# TYPE YTS-AR

## Full Tension Splice for ACAR

Full tension splice for ACAR transmission lines up to and including 230 kV. Manufactured of aluminum tube with staked-in cable stop. Pre-filled with PENETROX™ joint compound and capped.



Catalog Number	Conductor		L	Tool, Die Sets			
	ACAR			Die Index	Y45*	Y46*	Y60BHU* ‡
	kcmil	Str.					
YTS32AR	395.1	12-7	15.25"	717	S717	P717	L717
	395.2	15-7					
YTS39AR	634.9	12-7	16.38"	722	S722	P722	L722
	649.5	18-19					
		15-4					
		12-7					
	653.1	18-19					
15-4							
YTS451AR	840.2	24-13	19.50"	725	S725	P725	L725
	853.7	30-7					
		24-13					
	862.7	18-19					
		30-7					
	927.2	24-13					
18-19							
YTS48AR	983.1	30-7	21.38"	727	—	—	L727
	1012.2	24-13					
		30-7					
	1024.5	24-13					
		18-19					
	1081	30-7					
24-13							
18-19							
YTS49AR	1109	30-7	21.42"	727	—	—	L727
		24-13					
		18-19					
	1172	30-7					
		24-13					
		18-19					
1198	30-7						
	24-13						
	18-19						
YTS51AR	1277	42-19	21.50"	728	—	—	L728
		54-7					
	1280	30-7					
24-13							
YTS55AR	1534	42-19	25.38"	728	—	—	L728
		54-7					
YTS59AR	2267	48-13	23.50"	814	—	—	**
		2277					
	2338						
		48-13					
	2335	42-19					
		72-19					
YTS592AR	2493	30-61	28.38"	990	—	—	***
		54-37					

\* Overlap crimps.

‡ Wide dies may be used, add suffix "W" to part number (example: L725W).

\*\* Use die H814 in Alcoa Press H2H, die M814 in Alcoa Press 150B and die MH814 in Alcoa Press 100A. These dies are manufactured by BURNDY®.

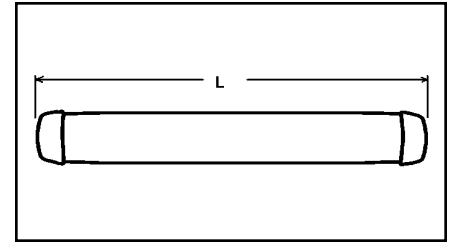
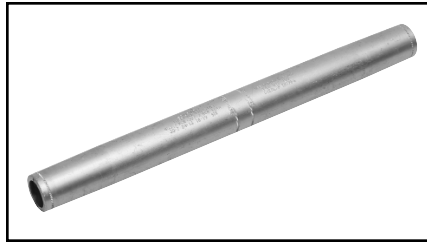
\*\*\* Use die H990 in Alcoa Press H2H, die M990 in Alcoa Press 150B and die MH990 in Alcoa Press 100A. These dies are manufactured by BURNDY®.



**TYPE YTS-ART EHV**

**Full Tension Splice for ACAR**

Full tension splice for ACAR transmission lines at 345 kV and over. Manufactured of aluminum tube with staked-in cable stop. Pre-filled with PENETROX™ joint compound and capped.



Catalog Number	Conductor		Inches L	Tool, Die Sets			
	ACAR			Die Index	Y45*	Y46*	Y60BHU* ‡
	kcmil	Str.					
YTS32ART	395.1	12-7	15.52	717	S717	P717	L717
	395.2	15-7					
YTS39ART	634.9	12-7	16.95	722	S722	P722	L722
	649.5	18-19					
	653.1	15-4					
		12-7					
YTS451ART	840.2	24-13	20.36	725	S725	P725	L725
	853.7	30-7					
		24-13					
	862.7	18-19					
	927.2	30-7					
		24-13					
18-19							
YTS48ART	983.1	30-7	22.36	727	—	—	L727
	1012.2	24-13					
	1024.5	30-7					
		24-13					
	1081	18-19					
		30-7					
24-13							
YTS49ART	1109	18-19	22.38	727	—	—	L727
		30-7					
		24-13					
	1172	18-19					
		30-7					
		24-13					
1198	18-19						
	42-19						
	42-19						
YTS51ART	1277	54-7	22.46	728	—	—	L728
		30-7					
	1280	24-13					
		18-19					
YTS55ART	1534	42-19	26.40	728	—	—	L728
YTS59ART	2267	54-7	24.75	814	—	—	**
		48-13					
	2277	42-19					
	2338	54-7					
		48-13					
		42-19					
2335	72-19						
	30-61						
YTS592ART	2493	54-37	29.40	990	—	—	***

\* Overlap crimps.  
 ‡ Wide dies may be used, add suffix "W" to part number (example: L725W).

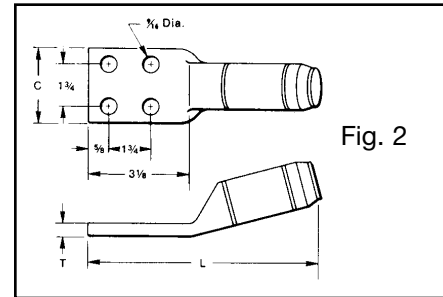
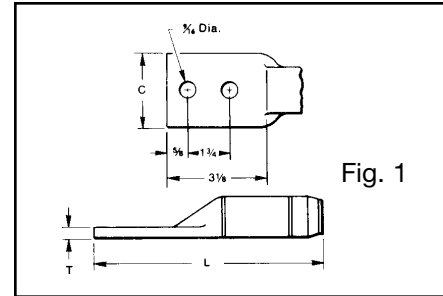
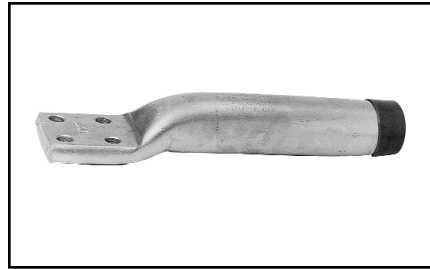
\*\* Use die H814 in Alcoa Press H2H, die M814 in Alcoa Press 150B and die MH814 in Alcoa Press 100A. These dies are manufactured by BURNDY®.

\*\*\* Use die H990 in Alcoa Press H2H, die M990 in Alcoa Press 150B and die MH990 in Alcoa Press 100A. These dies are manufactured by BURNDY®.

# TYPES YNA-R15 & YNA-R

## Compression Terminal for ACAR and Stranded Aluminum Cable

Compression terminal ACAR and Stranded Aluminum Cable. Two hole NEMA tongue supplied through 650 kcmil Aluminum. For transmission line up to and including 230 kV supplied on tongue through 650 kcmil Aluminum. Four hole NEMA supplied on larger sizes. When used with YTW Deadends the 15° angle tongue provides either a 0° or 30° tap. Uses same dies as equivalent full-tension sleeve or deadend. Barrel pre-filled with PENETROX™ joint compound and capped. Pad coated with oxide-retardant.



Catalog Number †		Conductor		Fig. No.	C	L 15°	L Straight	T	Tools, Die Sets				
15°	Straight	ACAR	Aluminum						Die Index	Y45*	Y46*	Y60BHU*‡	
YNA32R15	YNA32R	395.1 - 395.2	336.4 - 350	1	1.68"	9.16"	8.96"	0.39"	717	S717	P717	L717	
YNA34R15	YNA34R	—	397.5 - 477		1.78"	9.31"	9.08"	0.46"	719	S719	P719	L719	
YNA36R15	YNA36R	—	500 - 556.5		1.96"	9.62"	9.47"	0.48"	720	S720	P720	L720	
YNA39R15	YNA39R	634.9 - 653.1	600 - 650		2.08"	10.09"	9.84"	0.53"	722	S722	P722	L722	
YNA43R15	YNA43R	—	700 - 800			10.16"	10.07"	0.36"	724	S724	P724	L724	
YNA451R15	YNA451R	840.2 - 927.2	795 - 1000	2		10.21"	10.28"	0.45"	725	S725	P725	L725	
YNA49R15	YNA49R	983.1 - 1198	1033.5 - 1272		3.22"	10.35"	10.46"	0.52"	727			L727	
YNA52R15	YNA52R	1277 - 1280	1351.5 - 1510			12.09"	12.24"	0.71"	728			L728	
YNA54R15	YNA54R	1534	1590 - 1600			13.30"	13.46"	0.71"	728			L728	
YNA56R15	YNA56R	—	1700 - 1800			3.44"	12.50"	12.74"	0.81"	729	—	—	L729
YNA58R15	YNA58R	—	2000			3.47"	13.25"	13.34"	0.80"	735			L735
YNA59R15	YNA59R	—	2250 - 2300			3.57"	13.12"	13.25"	0.64"	735			L735
YNA594R15	YNA594R	2267 - 2500	2500			3.70"	12.81"	14.35"	0.68"	740			L740

† To specify mounting hardware for bolting to corresponding deadend pad, add suffix "H" to catalog number (example: YNA54RTH).

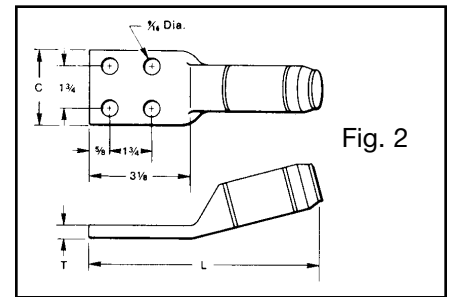
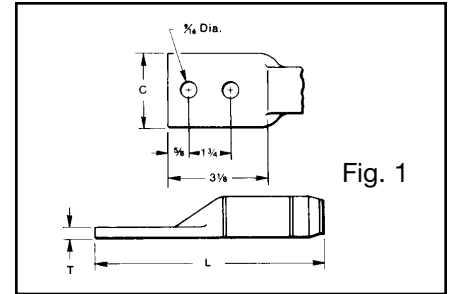
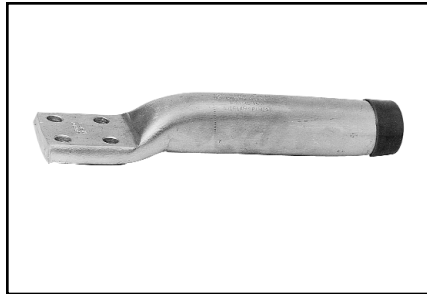
\* Overlap crimps.

‡ Wide dies may be used, add suffix "W" to part number (example: L725W).

# TYPES YNA-RT15, YNA-RT, EHV

## Compression Terminal for ACAR and Stranded Aluminum Cable

Compression terminal ACAR and Stranded Aluminum Cable. For transmission lines over 230 kV. Two hole NEMA supplied on tongue through 650 kcmil Aluminum. Four hole NEMA supplied on larger sizes. When used with YTW Deadends the 15° angle tongue provides either a 0° or 30° tap. Uses same dies as equivalent full-tension sleeve or deadend. Barrel pre-filled with PENETROX™ joint compound and capped. Pad coated with oxide-retardant.



Catalog Number †		Conductor		Fig. No.	C	L 15°	L Straight	T	Tools, Die Sets				
15°	Straight	ACAR	Aluminum						Die Index	Y45*	Y46*	Y60BHU*‡	
YNA32RT15	YNA32RT	395.1 - 395.2	336.4 - 350	1	1.68"	9.04"	9.14"	0.39"	717	S717	P717	L717	
YNA34RT15	YNA34RT	—	397.5 - 477		1.78"	9.21"	9.30"	0.46"	719	S719	P719	L719	
YNA36RT15	YNA36RT	—	500 - 556.5		1.96"	9.63"	9.70"	0.48"	720	S720	P720	L720	
YNA39RT15	YNA39RT	634.9 - 653.1	600 - 650		2.08"	10.02"	10.09"	0.53"	722	S722	P722	L722	
YNA43RT15	YNA43RT	—	700 - 800		10.21"	10.32"	0.36"	724	S724	P724	L724		
YNA451RT15 ‡	YNA451RT ‡	840.2 - 927.2	795 - 1000	2	3.22"	10.65"	10.57"	0.45"	725	S725	P725	L725	
YNA49RT15 ‡	YNA49RT ‡	983.1 - 1198	1033.5 - 1272			10.94"	10.71"	0.52"	727			L727	
YNA52RT15 ‡	YNA52RT ‡	1277 - 1280	1351.5 - 1510			12.62"	13.82"	0.71"	728			L728	
YNA54RT15 ‡	YNA54RT ‡	1534	1590 - 1600			14.02"	13.79"	0.71"	728			L728	
YNA56RT15 ‡	YNA56RT ‡	—	1700 - 1800			3.44"	13.36"	13.76"	0.81"	729	—	—	L729
YNA58RT15 ‡	YNA58RT ‡	—	2000			3.47"	14.08"	13.70"	0.80"	735			L735
YNA59RT15 ‡	YNA59RT ‡	—	2250 - 2300			3.57"	13.75"	13.54"	0.64"	735			L735
YNA594RT15 ‡	YNA594RT ‡	2267 - 2500	2500			3.70"	13.50"	14.06"	0.68"	740			L740

† To specify mounting hardware for bolting to corresponding deadend pad, add suffix "H" to catalog number (example: YNA54RTH).

\* Overlap crimps.

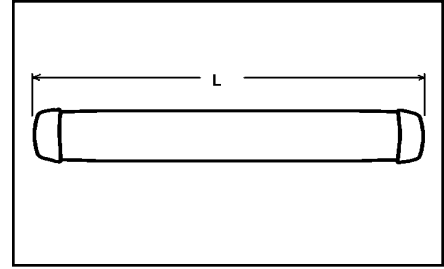
‡ Wide dies may be used, add suffix "W" to part number (example: L725W).

‡‡ If shielding caps are required for this item, use Catalog Number STS43A-4N.

## TYPE YNS-R

### Jumper Loop Sleeve for ACAR and Stranded Aluminum Conductor

Jumper sleeve for ACAR and Stranded Aluminum Cable up to and including 230 kV. Sleeve prefilled with PENETROX™ joint compound and capped.



Catalog Number	Conductor		Inches L	Tools, Die Sets			
	ACAR	Aluminum		Die Index	Y45*	Y46*	Y60BHU*‡
YNS32R	395.1 - 395.2	336.4 - 350	8.60	717	S717	P717	L717
YNS34R	—	397.5 - 477	8.68	719	S719	P719	L719
YNS36R	—	500 - 556.5	9.20	720	S720	P720	L720
YNS39R	634.9 - 655.1	600 - 650	9.76	722	S722	P722	L722
YNS43R	—	700 - 800	9.98	724	S724	P724	L724
YNS451R	840.2 - 927.2	795 - 1000	10.04	725	S725	P725	L725
YNS49R	983.1 - 1198	1033.5 - 1272	10.08	727	—	—	L727
YNS52R	1277 - 1280	1351.5 - 1510	15.48	728	—	—	L728
YNS54R	1534	1590 - 1600	15.48	728	—	—	L728
YNS56R	—	1700 - 1800	14.80	729	—	—	L729
YNS58R	—	2000	14.74	735	—	—	L735
YNS59R	—	2250	14.56	735	—	—	L735
YNS594R	2267 - 2500	2500	14.04	740	—	—	L740

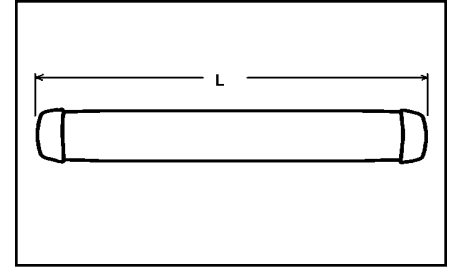
\* Overlap crimps.

‡ Wide dies may be used, add suffix "W" to part number (example: L725W).

**TYPE YNS-RT EHV**

**Jumper Loop Sleeve  
for ACAR and Stranded  
Aluminum Conductor**

Jumper sleeve for ACAR and Stranded Aluminum Cable over 230 kV. Sleeve prefilled with PENETROX™ joint compound and capped.



Catalog Number	Conductor		Inches L	Tools, Die Sets			
	ACAR	Aluminum		Die Index	Y45*	Y46*	Y60BHU*‡
YNS32RT	395.1 - 395.2	336.4 - 350	8.86	717	S717	P717	L717
YNS34RT	—	397.5 - 477	9.10	719	S719	P719	L719
YNS36RT	—	500 - 556.5	9.64	720	S720	P720	L720
YNS39RT	634.9 - 655.1	600 - 650	10.26	722	S722	P722	L722
YNS43RT	—	700 - 800	10.48	724	S724	P724	L724
YNS451RT	840.2 - 927.2	795 - 1000	10.60	725	S725	P725	L725
YNS49RT	983.1 - 1198	1033.5 - 1272	10.66	727	—	—	L727
YNS52RT	1277 - 1280	1351.5 - 1510	16.20	728	—	—	L728
YNS54RT	1534	1590 - 1600	16.11	728	—	—	L728
YNS56RT	—	1700 - 1800	15.58	729	—	—	L729
YNS58RT	—	2000	15.46	735	—	—	L735
YNS59RT	—	2250	15.14	735	—	—	L735
YNS594RT	2267 - 2500	2500	16.53	740	—	—	L740

\* Overlap crimps.

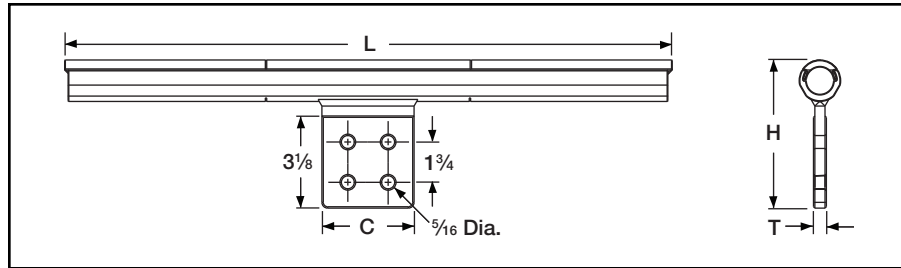
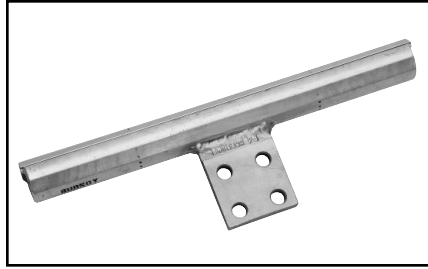
‡ Wide dies may be used, add suffix "W" to part number (example: L725W).

# TYPE YNTA-R

## T-Tap With Pad

For ACAR and Stranded Aluminum Cable

Two-piece compression T-Tap with pad for ACAR and Stranded aluminum transmission lines.



Catalog Number	Conductor		Fig. No.	Inches				Tools, Die Sets			
	ACAR	Aluminum		L	C	H	T	Die Index	Y45*	Y46*	Y60BHU*‡
YNTA32R	395.1 - 395.2	336.4 - 350	1	15.46	2.00	4.94	0.50	717	S717	P717	L717
YNTA34R		397.5 - 477	1	15.60	2.00	5.05	0.50	719	S719	P719	L719
YNTA36R		500 - 556.5	1	16.29	2.25	5.16	0.56	720	S720	P720	L720
YNTA39R	634.9 - 653.1	600 - 650	1	16.69	2.25	5.25	0.56	722	S722	P722	L722
YNTA43R		700 - 800	2	17.48	3.25	5.36	0.56	724	S724	P724	L724
YNTA451R	840.2 - 927.2	795 - 1000	2	17.60	3.25	5.55	0.56	725	S725	P725	L725
YNTA49R	983.1 - 1198	1033.5 - 1272	2	17.66	3.25	5.72	0.56	727	—	—	L727
YNTA54R		1351.5 - 1600	2	21.61	3.25	6.00	0.69	728	—	—	L728
YNTA56R	1650	1700 - 1800	2	23.65	3.59	6.25	0.69	729	—	—	L729
YNTA58R		2000	2	23.53	3.59	6.25	0.69	735	—	—	L735
YNTA59R		2300	2	23.21	3.59	6.25	0.69	735	—	—	L735
YNTA594R	2267 - 2500	2500	2	24.3	3.59	6.35	0.69	740	—	—	L740

Two hole NEMA pads standard for conductors up to 650 kcmil.  
Four hole NEMA pads on larger conductor sizes.

\* Overlap crimps.

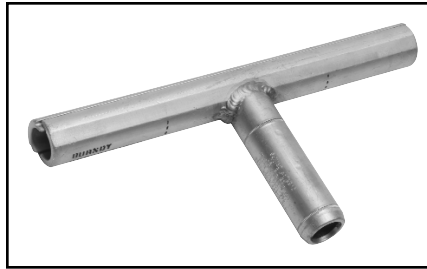
\*\* For Extra High Voltage (EHV) applications order two tap pad shielding caps STS43A4N. Catalog number indicates 1 cap. Two caps required per assembly.

‡ Wide dies may be used add suffix "W" to the part number (example: L725W).

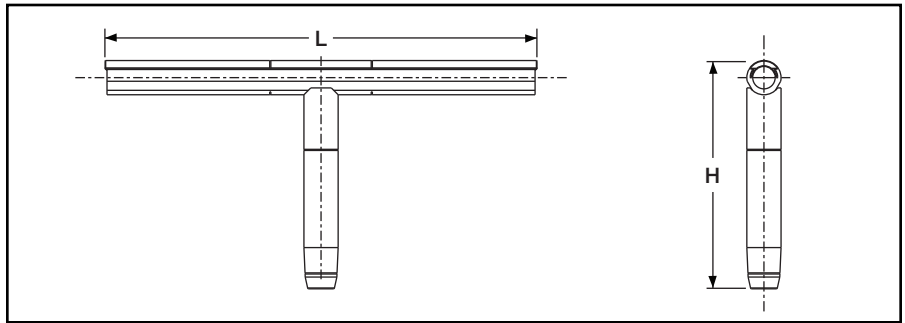
**TYPE YNT-R-R**

**Compression T-Tap**

Two-Piece Compression T-Tap for ACAR and Stranded Aluminum Transmission Lines



Installed with same dies as equivalent full tension splice. Tap element pre-filled with PENE-TROX™ joint compound.



Catalog Number	Conductor		Inches		Tools, Die Sets			
	Run and Tap				Die Index	Y45*	Y46*	Y60BHU*‡
	ACAR	Aluminum	L	H				
YNT32R32R		336.4 - 350	15.46	6.39	717	S717	P717	L717
YNT34R34R		397.5 - 477	15.60	6.53	719	S719	P719	L719
YNT36R36R		500 - 556.5	16.29	6.85	720	S720	P720	L720
YNT39R39R		600 - 650	16.69	7.13	722	S722	P722	L722
YNT43R43R		700 - 800	17.48	7.20	724	S724	P724	L724
YNT451R451R	840.2 - 927.2	795 - 1000	17.60	7.70	725	S725	P725	L725
YNT49R49R		1033.5 - 1272	17.66	7.90	727	—	—	L727
YNT52R52R		1510	21.61	11.10	728	—	—	L728
YNT54R54R		1590 - 1600	21.61	11.10	728	—	—	L728
YNT56R56R	1650	1700 - 1800	23.65	11.08	729	—	—	L729
YNT58R58R		2000	23.53	11.02	735	—	—	L735
YNT59R59R		2300	23.21	10.88	735	—	—	L735
YNT594R594R	2267 - 2500	2500	24.30	11.45	740	—	—	L740

\* Overlap Crimps.

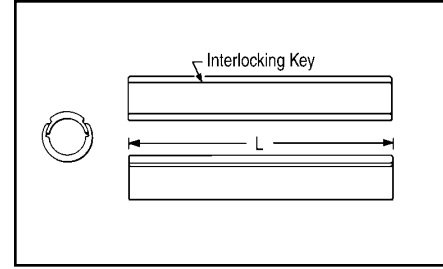
\*\* For Extra High Voltage (EHV) applications add suffix "T" to the catalog number (example: YBT49R49RT).

‡ Wide dies may be used add suffix "W" to the part number (example: L725W).

## TYPE YNU-R

### Repair Sleeve for ACAR and Stranded Aluminum Cable

Two piece repair sleeves for restoring conductivity to damaged ACAR or Stranded Aluminum Cable transmission lines. Installed with same dies as equivalent full tension splice. Use of PENETROX™ joint compound required. For High Voltage and Extra High Voltage (EHV) Applications.



Catalog Number	Conductor		Inches L	Tools, Die Sets			
	ACAR	Aluminum		Die Index	Y45*	Y46*	Y60BHU*‡
YNU32R	—	336.4 - 350	14.00	717	S717	P717	L717
YNU34R	—	397.5 - 477	14.00	719	S719	P719	L719
YNU36R	—	500 - 556.5	14.00	720	S720	P720	L720
YNU39R	—	600 - 650	16.00	722	S722	P722	L720
YNU43R	—	700 - 800	16.00	724	S724	P724	L724
YNU451R	840.2 - 927.2	795 - 1000	16.00	725	S725	P725	L725
YNU49R	—	1033.5 - 1272	16.00	727	—	—	L727
YNU54R	—	1351.5 - 1600	16.00	728	—	—	L728
YNU56R	—	1700 - 1800	19.00	729	—	—	L729
YNU59R	—	2000 - 2300	19.00	735	—	—	L735
YNU594R	2267 - 2500	2500	20.00	740	—	—	L740
YNU595R	2500	2500	24.60	791	—	—	L791

\* Overlap Crimps.

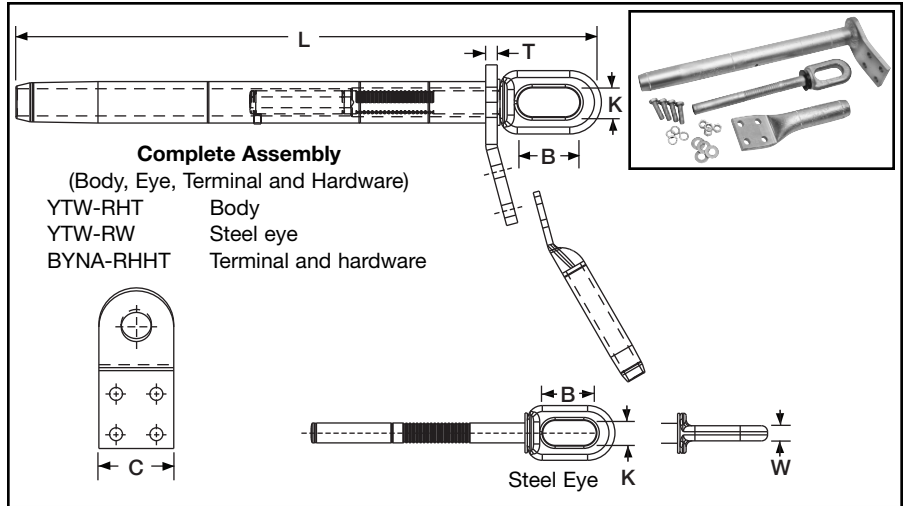
‡ Wide dies may be used, add suffix "W" to part number (example: L725W).



**TYPES YTW-R-REKHT,  
YTW-RHT, YTW-REHT,  
BYNA-R-HHT**

**Single Pad Full Tension  
Deadend for ACSS Conductor**

Full tension compression deadend for 250°C rated ACSS transmission lines up to and including 230 kV. Standard 15° NEMA tap pad provides either 0° or 30° tap when BYNA-R15 terminal is used.



Conductor Name	ACSS		Single Pad		Inches			Body Die*‡	Steel Eye	Inches			Eye Die*	Terminal † with Hardware	Term Die*‡	
	Size kcmil	Stranding Alum	Steel	Complete Assembly	Alum. Body	L	C			T	B	K				W
Linet	336.4	26	7	YTW32R34REKHT	YTW32RHT	21.53	3.25	0.50	L717	YTW34REHT	2.50	0.88	0.62	L718	BYNA32R15HHT	L717
Oriole	336.4	30	7	YTW32R33REKHT	YTW32RHT	21.53	3.25	0.50	L717	YTW33REHT	2.50	0.88	0.62	L718	BYNA32R15HHT	L717
Ibis	397.5	26	7	YTW34R34REKHT	YTW34RHT	21.60	3.25	0.50	L719	YTW34REHT	2.50	0.88	0.62	L718	BYNA34R15HHT	L719
Flicker	477	24	7	YTW36R362REKHT	YTW36RHT	23.41	3.25	0.50	L720	YTW362REHT	2.50	0.88	0.62	L721	BYNA36R15HHT	L720
Hawk	477	26	7	YTW36R36REKHT	YTW36RHT	23.41	3.25	0.50	L720	YTW36REHT	2.50	0.88	0.62	L721	BYNA36R15HHT	L720
Parakeet	556.5	24	7	YTW39R43REKHT	YTW39RHT	23.66	3.25	0.50	L722	YTW43REHT	2.50	0.88	0.69	L723	BYNA39R15HHT	L722
Dove	556.5	26	7	YTW39R43REKHT	YTW39RHT	23.66	3.25	0.50	L722	YTW43REHT	2.50	0.88	0.69	L723	BYNA39R15HHT	L722
Peacock	605	24	7	YTW43R43REKHT	YTW43RHT	24.49	3.25	0.50	L724	YTW43REHT	2.50	0.88	0.69	L723	BYNA43R15HHT	L724
Squab	605	26	7	YTW43R43REKHT	YTW43RHT	24.49	3.25	0.50	L724	YTW43REHT	2.50	0.88	0.69	L723	BYNA43R15HHT	L724
Rook	636	24	7	YTW43R43REKHT	YTW43RHT	24.49	3.25	0.50	L724	YTW43REHT	2.50	0.88	0.69	L723	BYNA43R15HHT	L724
Grosbeak	636	26	7	YTW43R43REKHT	YTW43RHT	24.49	3.25	0.50	L724	YTW43REHT	2.50	0.88	0.69	L723	BYNA43R15HHT	L724
Flamingo	666.6	24	7	YTW43R43REKHT	YTW43RHT	24.49	3.25	0.50	L724	YTW43REHT	2.50	0.88	0.69	L723	BYNA43R15HHT	L724
Starling	715.5	26	7	YTW451R48REKHT	YTW451RHT	29.41	3.25	0.50	L725	YTW48REHT	2.69	1.25	0.75	L726	BYNA451R15HHT	L725
Cuckoo	795	24	7	YTW451R45REKHT	YTW451RHT	29.41	3.25	0.50	L725	YTW45REHT	2.69	1.25	0.75	L726	BYNA451R15HHT	L725
Drake	795	26	7	YTW451R48REKHT	YTW451RHT	29.41	3.25	0.50	L725	YTW48REHT	2.69	1.25	0.75	L726	BYNA451R15HHT	L725
Tern	795	45	7	YTW451R481REKHT	YTW451RHT	29.41	3.25	0.50	L725	YTW481REHT	2.69	1.25	0.75	L726	BYNA451R15HHT	L725
Condor	795	54	7	YTW451R45REKHT	YTW451RHT	29.41	3.25	0.50	L725	YTW45REHT	2.69	1.25	0.75	L726	BYNA451R15HHT	L725
Ruddy	900	45	7	YTW48R481REKHT	YTW48RHT	29.50	3.25	0.50	L727	YTW481REHT	2.69	1.25	0.75	L726	BYNA49R15HHT	L727
Rail	954	45	7	YTW48R481REKHT	YTW48RHT	29.50	3.25	0.50	L727	YTW481REHT	2.69	1.25	0.75	L726	BYNA49R15HHT	L727
Cardinal	954	54	7	YTW48R48REKHT	YTW48RHT	29.50	3.25	0.50	L727	YTW48REHT	2.69	1.25	0.75	L726	BYNA49R15HHT	L727
Ortolan	1033.5	45	7	YTW49R483REKHT	YTW49RHT	31.35	3.25	0.50	L727	YTW483REHT	2.69	1.25	1.00	L726	BYNA49R15HHT	L727
Curlew	1033.5	54	7	YTW49R50REKHT	YTW49RHT	31.35	3.25	0.50	L727	YTW50REHT	2.69	1.25	1.00	L726	BYNA49R15HHT	L727
Bluejay	1113	45	7	YTW49R483REKHT	YTW49RHT	31.35	3.25	0.50	L727	YTW483REHT	2.69	1.25	1.00	L726	BYNA49R15HHT	L727
Finch	1113	54	19	YTW52R50REKHT	YTW52RHT	35.55	3.25	0.50	L728	YTW50REHT	2.69	1.25	1.00	L726	BYNA52R15HHT	L728
Bunting	1192.5	45	7	YTW52R521REKHT	YTW52RHT	35.55	4.00	0.62	L728	YTW521REHT	2.69	1.25	1.00	L726	BYNA52R15HHT	L728
Bittern	1272	45	7	YTW52R521REKHT	YTW52RHT	35.55	4.00	0.62	L728	YTW521REHT	2.69	1.25	1.00	L726	BYNA52R15HHT	L728
Pheasant	1272	54	19	YTW52R56REKHT	YTW52RHT	35.55	4.00	0.62	L728	YTW56REHT	2.69	1.25	1.00	L726	BYNA52R15HHT	L728
Dipper	1351.5	45	7	YTW52R521REKHT	YTW52RHT	35.55	4.00	0.62	L728	YTW521REHT	2.69	1.25	1.00	L726	BYNA52R15HHT	L728
Martin	1351.5	54	19	YTW52R56REKHT	YTW52RHT	35.55	4.00	0.62	L728	YTW56REHT	2.69	1.25	1.00	L726	BYNA52R15HHT	L728
Nuthatch	1510.5	45	7	YTW549R521REKHT	YTW549RHT	35.55	4.00	0.62	L729	YTW521REHT	2.69	1.25	1.00	L726	BYNA56R15HHT	L729
Parrot	1510.5	54	19	YTW549R56REKHT	YTW549RHT	35.55	4.00	0.62	L729	YTW56REHT	2.69	1.25	1.00	L726	BYNA56R15HHT	L729
Lapwing	1590	45	7	YTW549R549REKHT	YTW549RHT	35.55	4.00	0.62	L729	YTW549REHT	2.69	1.25	1.00	L726	BYNA56R15HHT	L729
Falcon	1590	54	19	YTW56R590REKHT	YTW56RHT	35.99	4.00	0.62	L729	YTW590REHT	2.69	1.25	1.00	L726	BYNA56R15HHT	L729
Chukar	1780	84	19	YTW58R58REKHT	YTW58RHT	36.99	4.00	0.62	L735	YTW58REHT	2.69	1.25	1.00	L726	BYNA58R15HHT	L735
Bluebird	2156	84	19	YTW59R59REKHT	YTW59RHT	37.34	4.00	0.62	L735	YTW59REHT	2.69	1.25	1.00	L726	BYNA59R15HHT	L735
Kiwi	2167	72	7	YTW59R591REKHT	YTW59RHT	37.34	4.00	0.62	L735	YTW591REHT	2.69	1.25	1.00	L726	BYNA59R15HHT	L735

**Complete Assembly:** Includes Aluminum body, Steel eye, 15 degree terminal and aluminum hardware. For stainless steel hardware add SS to end of catalog number for complete assembly (example: YTW32R34REKHTSS) or to terminal if ordered separately (BYNA32R15HTSSHTSS).

For assembly without terminal and hardware add NT to end of complete assembly catalog number (example: YTW32R34REKHTNT).

† BYNA terminals must be crimped from cable end moving toward pad end.

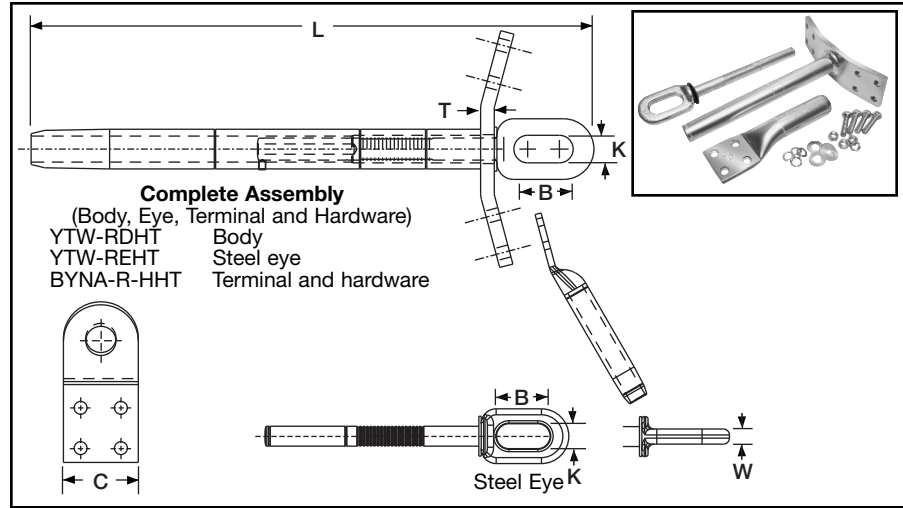
\* Overlap crimps  
‡ Wide dies may be used, add suffix "W" to part number (example: L725W).

High Temperature

TYPES YTW-RD-REKHT,  
YTW-RDHT, YTW-REHT,  
BYNA-R-HHT

Double Pad Full Tension  
Deadend for ACSS Conductor

Full tension compression deadend for 250°C rated ACSS transmission lines up to and including 230 kV. Standard 15° NEMA tap pads provide either 0° or 30° tap when BYNA-R15 terminal is used.



Conductor Name	ACSS		Double Pad		Inches			Body Die*†	Steel Eye	Inches			Eye Die*	Terminal † with Hardware	Term Die*‡	
	Size kcmil	Stranding Alum	Stranding Steel	Complete Assembly	Alum. Body	L	C			T	B	K				W
Linnet	336.4	26	7	YTW32RD34REKHT	YTW32RDHT	21.53	3.25	0.50	L717	YTW34REHT	2.50	0.88	0.62	L718	BYNA32R15HHT	L717
Oriole	336.4	30	7	YTW32RD33REKHT	YTW32RDHT	21.53	3.25	0.50	L717	YTW33REHT	2.50	0.88	0.62	L718	BYNA32R15HHT	L717
Ibis	397.5	26	7	YTW34RD34REKHT	YTW34RDHT	21.60	3.25	0.50	L719	YTW34REHT	2.50	0.88	0.62	L718	BYNA34R15HHT	L719
Flicker	477	24	7	YTW36RD362REKHT	YTW36RDHT	23.41	3.25	0.50	L720	YTW362REHT	2.50	0.88	0.62	L721	BYNA36R15HHT	L720
Hawk	477	26	7	YTW36RD36REKHT	YTW36RDHT	23.41	3.25	0.50	L720	YTW36REHT	2.50	0.88	0.62	L721	BYNA36R15HHT	L720
Parakeet	556.5	24	7	YTW39RD43REKHT	YTW39RDHT	23.66	3.25	0.50	L722	YTW43REHT	2.50	0.88	0.69	L723	BYNA39R15HHT	L722
Dove	556.5	26	7	YTW39RD43REKHT	YTW39RDHT	23.66	3.25	0.50	L722	YTW43REHT	2.50	0.88	0.69	L723	BYNA39R15HHT	L722
Peacock	605	24	7	YTW43RD43REKHT	YTW43RDHT	24.49	3.25	0.50	L724	YTW43REHT	2.50	0.88	0.69	L723	BYNA43R15HHT	L724
Squab	605	26	7	YTW43RD43REKHT	YTW43RDHT	20.49	3.25	0.50	L724	YTW43REHT	2.50	0.88	0.69	L723	BYNA43R15HHT	L724
Rook	636	24	7	YTW43RD43REKHT	YTW43RDHT	24.49	3.25	0.50	L724	YTW43REHT	2.50	0.88	0.69	L723	BYNA43R15HT	L724
Grosbeak	636	26	7	YTW43RD43REKHT	YTW43RDHT	24.49	3.25	0.50	L724	YTW43REHT	2.50	0.88	0.69	L723	BYNA43R15HHT	L724
Flamingo	666.6	24	7	YTW43RD43REKHT	YTW43RDHT	24.49	3.25	0.50	L724	YTW43REHT	2.50	0.88	0.69	L723	BYNA43R15HHT	L724
Starling	715.5	26	7	YTW451RD48REKHT	YTW451RDHT	29.41	3.25	0.50	L725	YTW48REHT	2.69	1.25	0.75	L726	BYNA451R15HHT	L725
Cuckoo	795	24	7	YTW451RD45REKHT	YTW451RDHT	29.41	3.25	0.50	L725	YTW45REHT	2.69	1.25	0.75	L726	BYNA451R15HHT	L725
Drake	795	26	7	YTW451RD48REKHT	YTW451RDHT	29.41	3.25	0.50	L725	YTW48REHT	2.69	1.25	0.75	L726	BYNA451R15HHT	L725
Tern	795	45	7	YTW451RD481REKHT	YTW451RDHT	29.41	3.25	0.50	L725	YTW481REHT	2.69	1.25	0.75	L726	BYNA451R15HHT	L725
Condor	795	54	7	YTW451RD45REKHT	YTW451RDHT	29.41	3.25	0.50	L725	YTW45REHT	2.69	1.25	0.75	L726	BYNA451R15HHT	L725
Ruddy	900	45	7	YTW48RD481REKHT	YTW48RDHT	29.50	3.25	0.50	L727	YTW481REHT	2.69	1.25	0.75	L726	BYNA48R15HHT	L727
Rail	954	45	7	YTW48RD481REKHT	YTW48RDHT	29.50	3.25	0.50	L727	YTW481REHT	2.69	1.25	0.75	L726	BYNA48R15HHT	L727
Cardinal	954	54	7	YTW48RD48REKHT	YTW48RDHT	29.50	3.25	0.50	L727	YTW48REHT	2.69	1.25	0.75	L726	BYNA48R15HHT	L727
Ortolan	1033.5	45	7	YTW49RD483REKHT	YTW49RDHT	31.35	3.25	0.50	L727	YTW483REHT	2.69	1.25	1.00	L726	BYNA49R15HHT	L727
Curlew	1033.5	54	7	YTW49RD50REKHT	YTW49RDHT	31.35	3.25	0.50	L727	YTW50REHT	2.69	1.25	1.00	L726	BYNA49R15HHT	L727
Bluejay	1113	45	7	YTW49RD483REKHT	YTW49RDHT	31.35	3.25	0.50	L727	YTW483REHT	2.69	1.25	1.00	L726	BYNA49R15HHT	L727
Finch	1113	54	19	YTW52RD50REKHT	YTW52RDHT	35.55	3.25	0.50	L728	YTW50REHT	2.69	1.25	1.00	L726	BYNA52R15HHT	L728
Bunting	1192.5	45	7	YTW52RD521REKHT	YTW52RDHT	35.55	4.00	0.62	L728	YTW521REHT	2.69	1.25	1.00	L726	BYNA52R15HHT	L728
Bittern	1272	45	7	YTW52RD521REKHT	YTW52RDHT	35.55	4.00	0.62	L728	YTW521REHT	2.69	1.25	1.00	L726	BYNA52R15HHT	L728
Pheasant	1272	54	19	YTW52RD56REKHT	YTW52RDHT	35.55	4.00	0.62	L728	YTW56REHT	2.69	1.25	1.00	L726	BYNA52R15HHT	L728
Dipper	1351.5	45	7	YTW52RD521REKHT	YTW52RDHT	35.55	4.00	0.62	L728	YTW521REHT	2.69	1.25	1.00	L726	BYNA52R15HHT	L728
Martin	1351.5	54	19	YTW52RD56REKHT	YTW52RDHT	35.55	4.00	0.62	L728	YTW56REHT	2.69	1.25	1.00	L726	BYNA52R15HHT	L728
Nuthatch	1510.5	45	7	YTW549RD521REKHT	YTW549RDHT	35.55	4.00	0.62	L729	YTW521REHT	2.69	1.25	1.00	L726	BYNA549R15HHT	L729
Parrot	1510.5	54	19	YTW549RD56REKHT	YTW549RDHT	35.55	4.00	0.62	L729	YTW56REHT	2.69	1.25	1.00	L726	BYNA56R15HHT	L729
Lapwing	1590	45	7	YTW549RD549REKHT	YTW549RDHT	35.55	4.00	0.62	L729	YTW549REHT	2.69	1.25	1.00	L726	BYNA56R15HHT	L729
Falcon	1590	54	19	YTW56RD590REKHT	YTW56RDHT	35.99	4.00	0.62	L729	YTW590REHT	2.69	1.25	1.00	L726	BYNA56R15HHT	L729
Chukar	1780	84	19	YTW58RD58REKHT	YTW58RDHT	36.99	4.00	0.62	L735	YTW58REHT	2.69	1.25	1.00	L726	BYNA58R15HHT	L735
Bluebird	2156	84	19	YTW59RD59REKHT	YTW59RDHT	37.34	4.00	0.62	L735	YTW59REHT	2.69	1.25	1.00	L726	BYNA59R15HHT	L735
Kiwi	2167	72	7	YTW59RD591REKHT	YTW59RDHT	37.34	4.00	0.62	L735	YTW591REHT	2.69	1.25	1.00	L726	BYNA59R15HHT	L735

**Complete Assembly:** Includes Aluminum body, Steel eye, 15 degree terminal and aluminum hardware.  
For stainless steel hardware add SS to end of catalog number for complete assembly (example: YTW32R34REKHTSS) or to terminal if ordered separately (BYNA32R15HTSSHTSS).

For assembly without terminal and hardware add NT to end of complete assembly catalog number (example: YTW32R34REKHTNT).

† BYNA terminals must be crimped from cable end moving toward pad end.

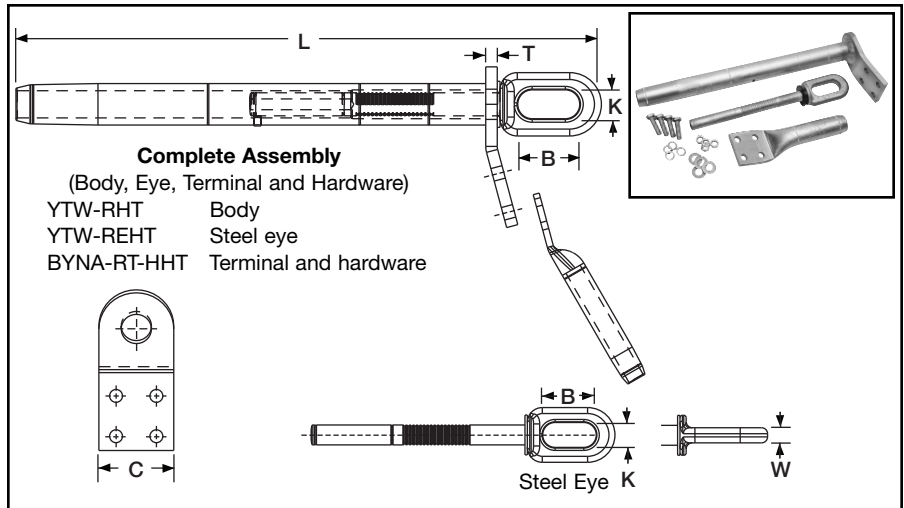
\* Overlap crimps

‡ Wide dies may be used, add suffix "W" to part number (example: L725W).

**TYPES  
YTW-RT-REKHT,  
YTW-RTHT, YTW-REHT,  
BYNA-RT-HHT EHV**

**Single Pad, EHV  
Full Tension Deadend  
for ACSS Conductor**

Full tension compression deadend for 250°C rated ACSS transmission lines at 345 kV and over. Standard 15° NEMA tap pad provides either 0° or 30° tap when BYNA-RT15 terminal is used.



**Complete Assembly**  
(Body, Eye, Terminal and Hardware)  
YTW-RHT Body  
YTW-REHT Steel eye  
BYNA-RT-HHT Terminal and hardware

Conductor Name	ACSS		Single Pad		Inches			Body Die*†	Steel Eye	Inches			Eye Die*	Terminal † with Hardware	Term Die*‡	
	Size kcmil	Stranding Alum	Stranding Steel	Complete Assembly	Alum. Body	L	C			T	B	K				W
Linnet	336.4	26	7	YTW32RT34REKHT	YTW32RTHT	21.53	3.25	0.50	L717	YTW34REHT	2.50	0.88	0.62	L718	BYNA32RT15HHT	L717
Oriole	336.4	30	7	YTW32RT33REKHT	YTW32RTHT	21.53	3.25	0.50	L717	YTW33REHT	2.50	0.88	0.62	L718	BYNA32RT15HHT	L717
Ibis	397.5	26	7	YTW34RT34REKHT	YTW34RTHT	21.60	3.25	0.50	L719	YTW34REHT	2.50	0.88	0.62	L718	BYNA34RT15HHT	L719
Flicker	477	24	7	YTW36RT362REKHT	YTW36RTHT	23.41	3.25	0.50	L720	YTW362REHT	2.50	0.88	0.62	L721	BYNA36RT15HHT	L720
Hawk	477	26	7	YTW36RT36REKHT	YTW36RTHT	23.41	3.25	0.50	L720	YTW36REHT	2.50	0.88	0.62	L721	BYNA36RT15HHT	L720
Parakeet	556.5	24	7	YTW39RT43REKHT	YTW39RTHT	23.66	3.25	0.50	L722	YTW43REHT	2.50	0.88	0.69	L723	BYNA39RT15HHT	L722
Dove	556.5	26	7	YTW39RT43REKHT	YTW39RTHT	23.66	3.25	0.50	L722	YTW43REHT	2.50	0.88	0.69	L723	BYNA39RT15HHT	L722
Peacock	605	24	7	YTW43RT43REKHT	YTW43RTHT	24.49	3.25	0.50	L724	YTW43REHT	2.50	0.88	0.69	L723	BYNA43RT15HHT	L724
Squab	605	26	7	YTW43RT43REKHT	YTW43RTHT	24.49	3.25	0.50	L724	YTW43REHT	2.50	0.88	0.69	L723	BYNA43RT15HHT	L724
Rook	636	24	7	YTW43RT43REKHT	YTW43RTHT	24.49	3.25	0.50	L724	YTW43REHT	2.50	0.88	0.69	L723	BYNA43RT15HHT	L724
Grosbeak	636	26	7	YTW43RT43REKHT	YTW43RTHT	24.49	3.25	0.50	L724	YTW43REHT	2.50	0.88	0.69	L723	BYNA43RT15HHT	L724
Flamingo	666.6	24	7	YTW43RT43REKHT	YTW43RTHT	24.49	3.25	0.50	L724	YTW43REHT	2.50	0.88	0.69	L723	BYNA43RT15HHT	L724
Starling	715.5	26	7	YTW451RT48REKHT	YTW451RTHT	29.41	3.25	0.50	L725	YTW48REHT	2.69	1.25	0.75	L726	BYNA451RT15HHT	L725
Cuckoo	795	24	7	YTW451RT45REKHT	YTW451RTHT	29.41	3.25	0.50	L725	YTW45REHT	2.69	1.25	0.75	L726	BYNA451RT15HHT	L725
Drake	795	26	7	YTW451RT48REKHT	YTW451RTHT	29.41	3.25	0.50	L725	YTW48REHT	2.69	1.25	0.75	L726	BYNA451RT15HHT	L725
Tern	795	45	7	YTW451RT481REKHT	YTW451RTHT	29.41	3.25	0.50	L725	YTW481REHT	2.69	1.25	0.75	L726	BYNA451RT15HHT	L725
Condor	795	54	7	YTW451RT45REKHT	YTW451RTHT	29.41	3.25	0.50	L725	YTW45REHT	2.69	1.25	0.75	L726	BYNA451RT15HHT	L725
Ruddy	900	45	7	YTW48RT481REKHT	YTW48RTHT	29.50	3.25	0.50	L727	YTW481REHT	2.69	1.25	0.75	L726	BYNA49RT15HHT	L727
Rail	954	45	7	YTW48RT481REKHT	YTW48RTHT	29.50	3.25	0.50	L727	YTW481REHT	2.69	1.25	0.75	L726	BYNA49RT15HHT	L727
Cardinal	954	54	7	YTW48RT48REKHT	YTW48RTHT	29.50	3.25	0.50	L727	YTW48REHT	2.69	1.25	0.75	L726	BYNA49RT15HHT	L727
Ortolan	1033.5	45	7	YTW49RT483REKHT	YTW49RTHT	31.35	3.25	0.50	L727	YTW483REHT	2.69	1.25	1.00	L726	BYNA49RT15HHT	L727
Curlew	1033.5	54	7	YTW49RT50REKHT	YTW49RTHT	31.35	3.25	0.50	L727	YTW50REHT	2.69	1.25	1.00	L726	BYNA49RT15HHT	L727
Bluejay	1113	45	7	YTW49RT483REKHT	YTW49RTHT	31.35	3.25	0.50	L727	YTW483REHT	2.69	1.25	1.00	L726	BYNA49RT15HHT	L727
Finch	1113	54	19	YTW52RT50REKHT	YTW52RHT	35.55	3.25	0.50	L728	YTW50REHT	2.69	1.25	1.00	L726	BYNA52RT15HHT	L728
Bunting	1192.5	45	7	YTW52RT521REKHT	YTW52RTHT	35.55	4.00	0.62	L728	YTW521REHT	2.69	1.25	1.00	L726	BYNA52RT15HHT	L728
Bittern	1272	45	7	YTW52RT521REKHT	YTW52RTHT	35.55	4.00	0.62	L728	YTW521REHT	2.69	1.25	1.00	L726	BYNA52RT15HHT	L728
Pheasant	1272	54	19	YTW52RT56REKHT	YTW52RTHT	35.55	4.00	0.62	L728	YTW56REHT	2.69	1.25	1.00	L726	BYNA52RT15HHT	L728
Dipper	1351.5	45	7	YTW52RT521REKHT	YTW52RTHT	35.55	4.00	0.62	L728	YTW521REHT	2.69	1.25	1.00	L726	BYNA52RT15HHT	L728
Martin	1351.5	54	19	YTW52RT56REKHT	YTW52RTHT	35.55	4.00	0.62	L728	YTW56REHT	2.69	1.25	1.00	L726	BYNA52RT15HHT	L728
Nuthatch	1510.5	45	7	YTW549RT521REKHT	YTW549RTHT	35.55	4.00	0.62	L729	YTW521REHT	2.69	1.25	1.00	L726	BYNA56RT15HHT	L729
Parrot	1510.5	54	19	YTW549RT56REKHT	YTW549RTHT	35.55	4.00	0.62	L729	YTW56REHT	2.69	1.25	1.00	L726	BYNA56RT15HHT	L729
Lapwing	1590	45	7	YTW549RT549REKHT	YTW549RTHT	35.55	4.00	0.62	L729	YTW549REHT	2.69	1.25	1.00	L726	BYNA56RT15HHT	L729
Falcon	1590	54	19	YTW56RT590REKHT	YTW56RTHT	35.99	4.00	0.62	L729	YTW590REHT	2.69	1.25	1.00	L726	BYNA56RT15HHT	L729
Chukar	1780	84	19	YTW58RT58REKHT	YTW58RTHT	36.99	4.00	0.62	L735	YTW58REHT	2.69	1.25	1.00	L726	BYNA58RT15HHT	L735
Bluebird	2156	84	19	YTW59RT59REKHT	YTW59RTHT	37.34	4.00	0.62	L735	YTW59REHT	2.69	1.25	1.00	L726	BYNA59RT15HHT	L735
Kiwi	2167	72	7	YTW59RT591REKHT	YTW59RTHT	37.34	4.00	0.62	L735	YTW591REHT	2.69	1.25	1.00	L726	BYNA59RT15HHT	L735

**Complete Assembly:** Includes Aluminum body, Steel eye, 15 degree terminal and aluminum hardware. For stainless steel hardware add SS to end of catalog number for complete assembly (example: YTW32R34REKHTSS) or to terminal if ordered separately (BYNA32R15HTSSHHTSS).

For assembly without terminal and hardware add NT to end of complete assembly catalog number (example: YTW32R34REKHTNT).  
† BYNA terminals must be crimped from cable end moving toward pad end.

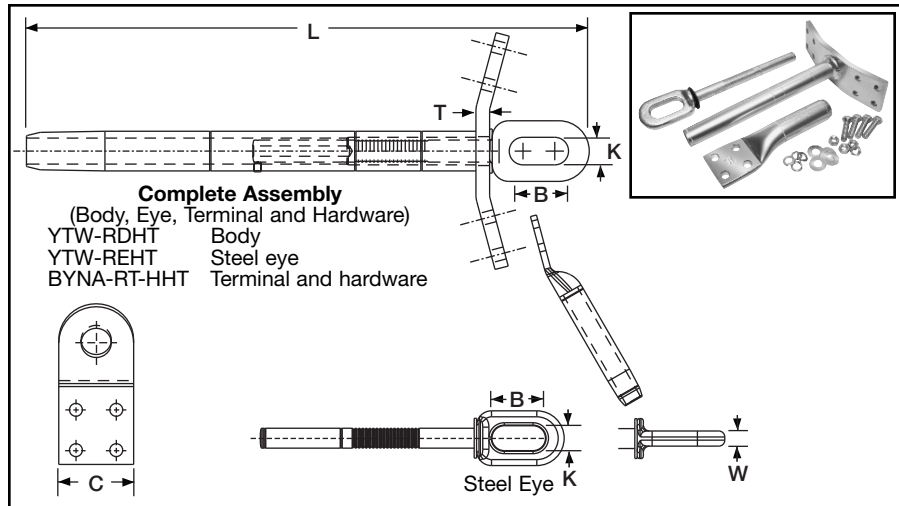
\* Overlap crimps  
‡ Wide dies may be used, add suffix "W" to part number (example: L725W).

High Temperature

**TYPES**  
**YTW-RDT-REKHT,**  
**YTW-RDTHT,**  
**BYNA-RT-HHT EHV**

**Double Pad, EHV**  
**Full Tension Deadend**  
**for ACSS Conductor**

Full tension compression deadend for 250°C rated ACSS transmission lines at 345 kV and over. Standard 15° NEMA tap pad provides either 0° or 30° tap when BYNA-R15 terminal is used.



Conductor Name	ACSS		Double Pad		Inches			Body Die*†	Steel Eye	Inches			Eye Die*	Terminal † with Hardware	Term Die*‡	
	Size kcmil	Stranding Alum	Stranding Steel	Complete Assembly	Alum. Body	L	C			T	B	K				W
Linnet	336.4	26	7	YTW32RDT34REKHT	YTW32RDTH	21.53	3.25	0.50	L717	YTW34REHT	2.50	0.88	0.62	L718	BYNA32RT15HHT	L717
Oriole	336.4	30	7	YTW32RDT33REKHT	YTW32RDTH	21.53	3.25	0.50	L717	YTW33REHT	2.50	0.88	0.62	L718	BYNA32RT15HHT	L717
Ibis	397.5	26	7	YTW34RDT34REKHT	YTW34RDTH	21.60	3.25	0.50	L719	YTW34REHT	2.50	0.88	0.62	L718	BYNA34RT15HHT	L719
Flicker	477	24	7	YTW36RDT362REKHT	YTW36RDTH	23.41	3.25	0.50	L720	YTW362REHT	2.50	0.88	0.62	L721	BYNA36RT15HHT	L720
Hawk	477	26	7	YTW36RDT36REKHT	YTW36RDTH	23.41	3.25	0.50	L720	YTW36REHT	2.50	0.88	0.62	L721	BYNA36RT15HHT	L720
Parakeet	556.5	24	7	YTW39RDT43REKHT	YTW39RDTH	23.66	3.25	0.50	L722	YTW43REHT	2.50	0.88	0.69	L723	BYNA39RT15HHT	L722
Dove	556.5	26	7	YTW39RDT43REKHT	YTW39RDTH	23.66	3.25	0.50	L722	YTW43REHT	2.50	0.88	0.69	L723	BYNA39RT15HHT	L722
Peacock	605	24	7	YTW43RDT43REKHT	YTW43RDTH	24.49	3.25	0.50	L724	YTW43REHT	2.50	0.88	0.69	L723	BYNA43RT15HHT	L724
Squab	605	26	7	YTW43RDT43REKHT	YTW43RDTH	20.49	3.25	0.50	L724	YTW43REHT	2.50	0.88	0.69	L723	BYNA43RT15HHT	L724
Rook	636	24	7	YTW43RDT43REKHT	YTW43RDTH	24.49	3.25	0.50	L724	YTW43REHT	2.50	0.88	0.69	L723	BYNA43RT15HT	L724
Grosbeak	636	26	7	YTW43RDT43REKHT	YTW43RDTH	24.49	3.25	0.50	L724	YTW43REHT	2.50	0.88	0.69	L723	BYNA43RT15HHT	L724
Flamingo	666.6	24	7	YTW43RDT43REKHT	YTW43RDTH	24.49	3.25	0.50	L724	YTW43REHT	2.50	0.88	0.69	L723	BYNA43RT15HHT	L724
Starling	715.5	26	7	YTW451RDT48REKHT	YTW451RDTH	29.41	3.25	0.50	L725	YTW48REHT	2.69	1.25	0.75	L726	BYNA451RT15HHT	L725
Cuckoo	795	24	7	YTW451RDT45REKHT	YTW451RDTH	29.41	3.25	0.50	L725	YTW45REHT	2.69	1.25	0.75	L726	BYNA451RT15HHT	L725
Drake	795	26	7	YTW451RDT48REKHT	YTW451RDTH	29.41	3.25	0.50	L725	YTW48REHT	2.69	1.25	0.75	L726	BYNA451RT15HHT	L725
Tern	795	45	7	YTW451RDT481REKHT	YTW451RDTH	29.41	3.25	0.50	L725	YTW481REHT	2.69	1.25	0.75	L726	BYNA451RT15HHT	L725
Condor	795	54	7	YTW451RDT45REKHT	YTW451RDTH	29.41	3.25	0.50	L725	YTW45REHT	2.69	1.25	0.75	L726	BYNA451RT15HHT	L725
Ruddy	900	45	7	YTW48RDT481REKHT	YTW48RDTH	29.50	3.25	0.50	L727	YTW481REHT	2.69	1.25	0.75	L726	BYNA48RT15HHT	L727
Rail	954	45	7	YTW48RDT481REKHT	YTW48RDTH	29.50	3.25	0.50	L727	YTW481REHT	2.69	1.25	0.75	L726	BYNA48RT15HHT	L727
Cardinal	954	54	7	YTW48RDT48REKHT	YTW48RDTH	29.50	3.25	0.50	L727	YTW48REHT	2.69	1.25	0.75	L726	BYNA48RT15HHT	L727
Ortolan	1033.5	45	7	YTW49RDT483REKHT	YTW49RDTH	31.35	3.25	0.50	L727	YTW483REHT	2.69	1.25	1.00	L726	BYNA49RT15HHT	L727
Curlew	1033.5	54	7	YTW49RDT50REKHT	YTW49RDTH	31.35	3.25	0.50	L727	YTW50REHT	2.69	1.25	1.00	L726	BYNA49RT15HHT	L727
Bluejay	1113	45	7	YTW49RDT483REKHT	YTW49RDTH	31.35	3.25	0.50	L727	YTW483REHT	2.69	1.25	1.00	L726	BYNA49RT15HHT	L727
Finch	1113	54	19	YTW52RDT50REKHT	YTW52RDTH	35.55	4.00	0.62	L728	YTW50REHT	2.69	1.25	1.00	L726	BYNA52RT15HHT	L728
Bunting	1192.5	45	7	YTW52RDT521REKHT	YTW52RDTH	35.55	4.00	0.62	L728	YTW521REHT	2.69	1.25	1.00	L726	BYNA52RT15HHT	L728
Bittern	1272	45	7	YTW52RDT521REKHT	YTW52RDTH	35.55	4.00	0.62	L728	YTW521REHT	2.69	1.25	1.00	L726	BYNA52RT15HHT	L728
Pheasant	1272	54	19	YTW52RDT56REKHT	YTW52RDTH	35.55	4.00	0.62	L728	YTW56REHT	2.69	1.25	1.00	L726	BYNA52RT15HHT	L728
Dipper	1351.5	45	7	YTW52RDT521REKHT	YTW52RDTH	35.55	4.00	0.62	L728	YTW521REHT	2.69	1.25	1.00	L726	BYNA52RT15HHT	L728
Martin	1351.5	54	19	YTW52RDT56REKHT	YTW52RDTH	35.55	4.00	0.62	L728	YTW56REHT	2.69	1.25	1.00	L726	BYNA52RT15HHT	L728
Nuthatch	1510.5	45	7	YTW549RDT521REKHT	YTW549RDTH	35.55	4.00	0.62	L729	YTW521REHT	2.69	1.25	1.00	L726	BYNA56RT15HHT	L729
Parrot	1510.5	54	19	YTW549RDT56REKHT	YTW549RDTH	35.55	4.00	0.62	L729	YTW56REHT	2.69	1.25	1.00	L726	BYNA56RT15HHT	L729
Lapwing	1590	45	7	YTW549RDT549REKHT	YTW549RDTH	35.55	4.00	0.62	L729	YTW549REHT	2.69	1.25	1.00	L726	BYNA56RT15HHT	L729
Falcon	1590	54	19	YTW56RDT590REKHT	YTW56RDTH	35.99	4.00	0.62	L729	YTW590REHT	2.69	1.25	1.00	L726	BYNA56RT15HHT	L729
Chukar	1780	84	19	YTW58RDT58REKHT	YTW58RDTH	36.99	4.00	0.62	L735	YTW58REHT	2.69	1.25	1.00	L726	BYNA58RT15HHT	L735
Bluebird	2156	84	19	YTW59RDT59REKHT	YTW59RDTH	37.34	4.00	0.62	L735	YTW59REHT	2.69	1.25	1.00	L726	BYNA59RT15HHT	L735
Kiwi	2167	72	7	YTW59RDT591REKHT	YTW59RDTH	37.34	4.00	0.62	L735	YTW591REHT	2.69	1.25	1.00	L726	BYNA59RT15HHT	L735

**Complete Assembly:** Includes Aluminum body, Steel eye, 15 degree terminal and aluminum hardware.  
 For stainless steel hardware add SS to end of catalog number for complete assembly (example: YTW32R34REKHTSS) or to terminal if ordered separately (BYNA32R15HTSSHTSS).

For assembly without terminal and hardware add NT to end of complete assembly catalog number (example: YTW32R34REKHTNT).

† BYNA terminals must be crimped from cable end moving toward pad end.

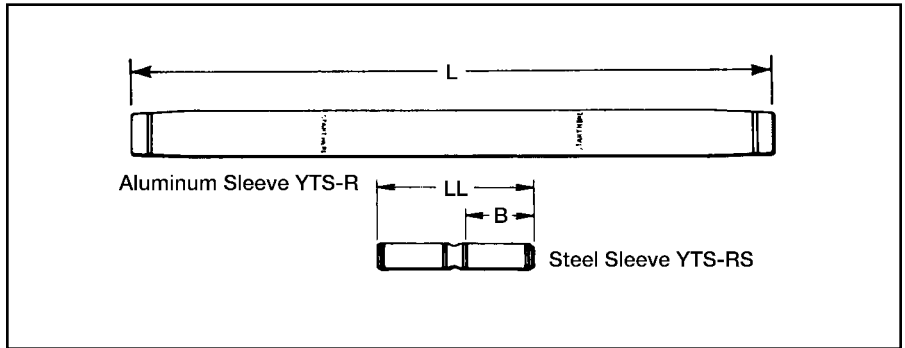
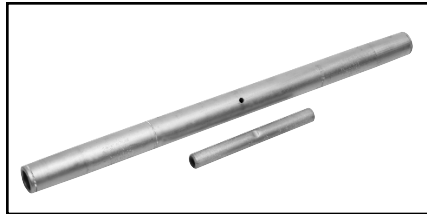
\* Overlap crimps

‡ Wide dies may be used, add suffix "W" to part number (example: L725W).

**TYPE YTS-R-RSHT**

**Full Tension Splice Kit  
for ACSS Conductor**

Full tension, two-piece, compression splice for 250°C ACSS transmission lines up to and including 230 kV. Outer aluminum sleeve has filler hole and plug for PENETROX™ joint compound. Kit includes the outer aluminum and inner steel sleeve.



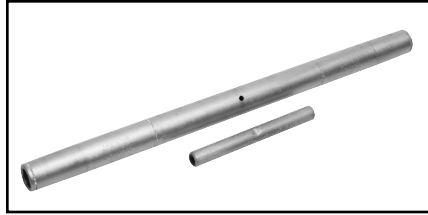
Conductor Name	ACSS			Splice Kit	Aluminum Sleeve			Steel Sleeve		
	Size kcmil	Stranding			Inches		Die*‡	Inches		Die*
		Alum.	Steel		L	O.D.		LL	B	
Linnet	336.4	26	7	YTS32R34RSHT	25.30	1.19	L717	5-1/4"	2.64	L718
Ibis	397.5	26	7	YTS34R34RSHT	25.20	1.28	L719	5-1/4"	2.64	L718
Flicker	477	24	7	YTS36R36RSHT	26.16	1.41	L720	5-7/8"	2.66	L721
Hawk	477	26	7	YTS36R36RSHT	26.16	1.41	L720	5-7/8"	2.66	L721
Parakeet	556.5	24	7	YTS39R43RSHT	27.88	1.50	L722	5-7/8"	2.66	L723
Dove	556.5	26	7	YTS39R43RSHT	27.88	1.50	L722	5-7/8"	2.66	L723
Peacock	605	24	7	YTS43R43RSHT	29.44	1.61	L724	5-7/8"	2.66	L723
Squab	605	26	7	YTS43R43RSHT	29.44	1.61	L724	5-7/8"	2.66	L723
Rook	636	24	7	YTS43R43RSHT	29.44	1.61	L724	5-7/8"	2.66	L723
Grosbeak	636	26	7	YTS43R43RSHT	29.44	1.61	L724	5-7/8"	2.66	L723
Flamingo	666.6	24	7	YTS43R43RSHT	29.44	1.61	L724	5-7/8"	2.66	L723
Starling	715.5	26	7	YTS451R48RSHT	36.00	1.80	L725	9"	4.19	L726
Cuckoo	795	24	7	YTS451R449RSHT	36.00	1.80	L725	9"	4.19	L726
Drake	795	26	7	YTS451R48RSHT	36.00	1.80	L725	9"	4.19	L726
Tern	795	45	7	YTS451R48RSHT	36.00	1.80	L725	9-1/8"	4.19	L726
Condor	795	54	7	YTS451R449RSHT	36.00	1.80	L725	9"	4.19	L726
Rail	954	45	7	YTS48R481RSHT	36.00	1.97	L727	9-1/8"	4.19	L726
Cardinal	954	54	7	YTS48R48RSHT	36.00	1.97	L727	9"	4.19	L726
Ortolan	1033.5	45	7	YTS49R483RSHT	36.00	1.97	L727	9-1/8"	4.19	L726
Curlew	1033.5	54	7	YTS49R48RSHT	36.00	1.97	L727	9"	4.19	L726
Bluejay	1113	45	7	YTS49R483RSHT	36.00	1.97	L727	9-1/8"	4.19	L726
Finch	1113	54	19	YTS52R48RSHT	49.07	2.25	L728	9"	4.19	L726
Bunting	1192.5	45	7	YTS52R521RSHT	49.07	2.25	L728	9"	4.19	L726
Bittern	1272	45	7	YTS52R521RSHT	49.07	2.25	L728	9"	4.19	L726
Pheasant	1272	54	19	YTS52R59RSHT	49.07	2.25	L728	9-1/8"	4.25	L726
Dipper	1351.5	45	7	YTS52R521RSHT	49.07	2.25	L728	9"	4.19	L726
Martin	1351.5	54	19	YTS52R59RSHT	49.07	2.25	L728	9-1/8"	4.25	L726
Nuthatch	1510.5	45	7	YTS49R521RSHT	39.73	2.50	L729	9"	4.19	L726
Parrot	1510.5	54	19	YTS49R59RSHT	39.73	2.50	L729	9-1/8"	4.25	L726
Lapwing	1590	45	7	YTS49R549RSHT	39.73	2.50	L729	9"	4.19	L726
Falcon	1590	54	19	YTS56R59RSHT	39.73	2.50	L729	9-1/8"	4.25	L726
Chukar	1780	84	19	YTS58R48RSHT	42.20	2.50	L735	4-1/4"	4.19	L726
Bluebird	2156	84	19	YTS59R59RSHT	49.93	2.50	L735	4-1/4"	4.25	L726
Kiwi	2167	72	7	YTS59R521RSHT	49.93	2.50	L735	4-1/4"	4.19	L726

Splice Kit: Includes aluminum sleeve and steel sleeve.  
 \* Overlap crimps.  
 ‡ Wide dies may be used, add suffix "W" to part number (example: L725W).

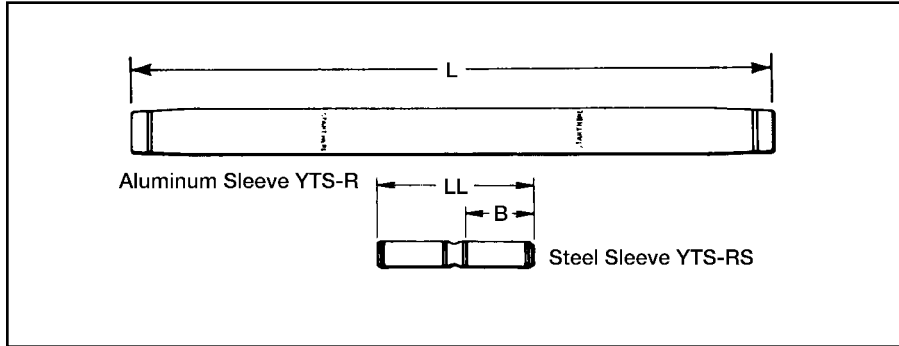
High Temperature

**TYPE YTS-RT-RSHT  
EHV**

**Full Tension Splice Kit  
for ACSS Conductor**



Full tension, two-piece, compression splice for 250°C ACSS transmission lines at 345 kV and over. Outer aluminum sleeve has filler hole and plug for PENETROX™ joint compound. Kit includes the outer aluminum and inner steel sleeve.



Conductor Name	ACSS		Splice Kit	Aluminum Sleeve			Steel Sleeve			
	Size kcmil	Stranding		Inches		Die*‡	Inches		Die*	
		Alum.		Steel	L		O.D.	LL		B
Linnet	336.4	26	7	YTS32RT34RSHT	25.30	1.19	L717	5.75	2.64	L718
Oriole	336.4	30	7	YTS32RT33RSHT	25.30	1.19	L717	5.75	2.64	L718
Ibis	397.5	26	7	YTS34RT34RSHT	25.20	1.28	L719	5.75	2.64	L718
Flicker	477	24	7	YTS36RT362RSHT	26.16	1.41	L720	5.75	2.66	L721
Hawk	477	26	7	YTS36RT36RSHT	26.16	1.41	L720	5.75	2.66	L721
Parakeet	556.5	24	7	YTS39RT43RSHT	27.88	1.50	L722	5.90	2.66	L723
Dove	556.5	26	7	YTS39RT43RSHT	27.88	1.50	L722	5.90	2.66	L723
Peacock	605	24	7	YTS43RT43RSHT	29.44	1.61	L724	5.90	2.66	L723
Squab	605	26	7	YTS43RT43RSHT	29.44	1.61	L724	5.90	2.66	L723
Rook	636	24	7	YTS43RT43RSHT	29.44	1.61	L724	5.90	2.66	L723
Grosbeak	636	26	7	YTS43RT43RSHT	29.44	1.61	L724	5.90	2.66	L723
Flamingo	666.6	24	7	YTS43RT43RSHT	29.44	1.61	L724	5.90	2.66	L723
Starling	715.5	26	7	YTS451RT48RSHT	36.00	1.80	L725	9.00	4.19	L726
Cuckoo	795	24	7	YTS451RT449RSHT	36.00	1.80	L725	9.00	4.19	L726
Drake	795	26	7	YTS451RT48RSHT	36.00	1.80	L725	9.00	4.19	L726
Tern	795	45	7	YTS451RT48RSHT	36.00	1.80	L725	9.16	4.19	L726
Condor	795	54	7	YTS451RT449RSHT	36.00	1.80	L725	9.00	4.19	L726
Rail	954	45	7	YTS48RT481RSHT	36.00	1.97	L727	9.16	4.19	L726
Cardinal	954	54	7	YTS48RT48RSHT	36.00	1.97	L727	9.00	4.19	L726
Ortolan	1033.5	45	7	YTS49RT483RSHT	36.00	1.97	L727	9.16	4.19	L726
Curlew	1033.5	54	7	YTS49RT48RSHT	36.00	1.97	L727	9.00	4.19	L726
Bluejay	1113	45	7	YTS49RT483RSHT	36.00	1.97	L727	9.16	4.19	L726
Finch	1113	54	19	YTS52RT48RSHT	49.07	2.25	L728	9.00	4.19	L726
Bunting	1192.5	45	7	YTS52RT521RSHT	49.07	2.25	L728	9.00	4.19	L726
Bittern	1272	45	7	YTS52RT521RSHT	49.07	2.25	L728	9.00	4.19	L726
Pheasant	1272	54	19	YTS52RT59RSHT	49.07	2.25	L728	9.10	4.25	L726
Dipper	1351.5	45	7	YTS52RT521RSHT	49.07	2.25	L728	9.00	4.19	L726
Martin	1351.5	54	19	YTS52RT59RSHT	49.07	2.25	L728	9.10	4.25	L726
Nuthatch	1510.5	45	7	YTS549RT521RSHT	39.73	2.50	L729	9.00	4.19	L726
Parrot	1510.5	54	19	YTS549RT59RSHT	39.73	2.50	L729	9.10	4.25	L726
Lapwing	1590	45	7	YTS549RT549RSHT	39.73	2.50	L729	9.00	4.19	L726
Falcon	1590	54	19	YTS56RT59RSHT	39.73	2.50	L729	9.10	4.25	L726
Chukar	1780	84	19	YTS58RT48RSHT	42.20	2.50	L735	9.00	4.19	L726
Bluebird	2156	84	19	YTS59RT59RSHT	49.93	2.50	L735	9.10	4.25	L726
Kiwi	2167	72	7	YTS59RT521RSHT	49.93	2.50	L735	9.00	4.19	L726

Splice Kit: Includes aluminum sleeve and steel sleeve.

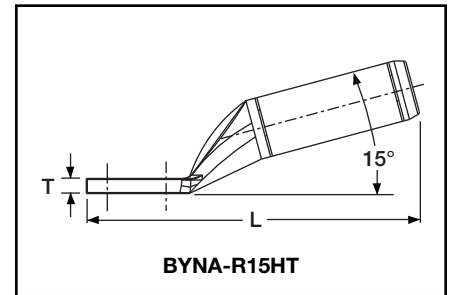
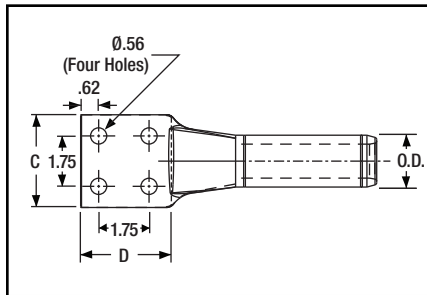
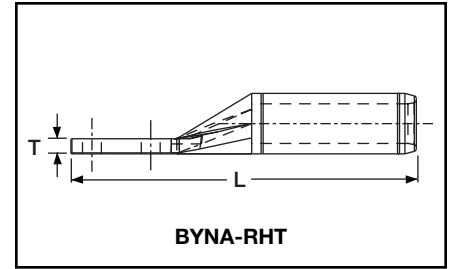
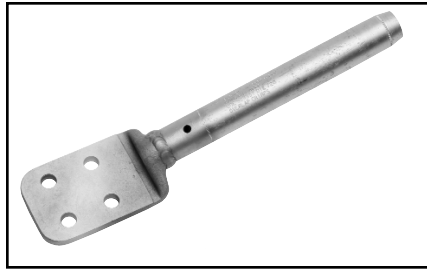
\* Overlap crimps.

‡ Wide dies may be used, add suffix "W" to part number (example: L725W).

**TYPES BYNA-R15HT,  
BYNA-RHT**

**Compression Terminal  
for ACSS Conductor**

Compression terminal for ACSS transmission lines up to and including 230 kV.



Conductor Name	ACSS			15° Terminal		Straight Terminal		Inches			Die*‡
	Size kcmil	Stranding		Catalog Number	Inches L	Catalog Number	Inches L	C	D	T	
		Alum.	Steel								
Linnet	336.4	26	7	BYNA32R15HT	16.21	BYNA32RHT	16.56	3.25	4.50	0.39	L717
Oriole	336.4	30	7	BYNA32R15HT	16.21	BYNA32RHT	16.56	3.25	4.50	0.39	L717
Ibis	397.5	26	7	BYNA34R15HT	16.24	BYNA34RHT	16.60	3.25	4.50	0.46	L719
Flicker	477	24	7	BYNA36R15HT	16.51	BYNA36RHT	16.92	3.25	4.50	0.48	L720
Hawk	477	26	7	BYNA36R15HT	16.51	BYNA36RHT	16.92	3.25	4.50	0.48	L720
Parakeet	556.5	24	7	BYNA39R15HT	16.89	BYNA39RHT	17.30	3.25	4.50	0.53	L722
Dove	556.5	26	7	BYNA39R15HT	16.89	BYNA39RHT	17.30	3.25	4.50	0.53	L722
Peacock	605	24	7	BYNA43R15HT	14.41	BYNA43RHT	15.46	3.07	3.95	0.36	L724
Squab	605	26	7	BYNA43R15HT	14.41	BYNA43RHT	15.46	3.07	3.95	0.36	L724
Rook	636	24	7	BYNA43R15HT	14.41	BYNA43RHT	15.46	3.07	3.95	0.36	L724
Grosbeak	636	26	7	BYNA43R15HT	14.41	BYNA43RHT	15.46	3.07	3.95	0.36	L724
Flamingo	666.6	24	7	BYNA43R15HT	14.41	BYNA43RHT	15.46	3.07	3.95	0.36	L724
Starling	715.5	26	7	BYNA45R15HT	15.10	BYNA45RHT	15.46	3.22	3.95	0.45	L725
Cuckoo	795	24	7	BYNA45R15HT	15.10	BYNA45RHT	15.46	3.22	3.95	0.45	L725
Drake	795	26	7	BYNA45R15HT	15.10	BYNA45RHT	15.46	3.22	3.95	0.45	L725
Tern	795	45	7	BYNA45R15HT	15.10	BYNA45RHT	15.46	3.22	3.95	0.45	L725
Condor	795	54	7	BYNA45R15HT	15.10	BYNA45RHT	15.46	3.22	3.95	0.45	L725
Ruddy	900	45	7	BYNA49R15HT	15.14	BYNA49RHT	15.66	3.22	3.95	0.52	L727
Rail	954	45	7	BYNA49R15HT	15.14	BYNA49RHT	15.66	3.22	3.95	0.52	L727
Cardinal	954	54	7	BYNA49R15HT	15.14	BYNA49RHT	15.66	3.22	3.95	0.52	L727
Ortolan	1033.5	45	7	BYNA49R15HT	15.14	BYNA49RHT	15.66	3.22	3.95	0.52	L727
Curlew	1033.5	54	7	BYNA49R15HT	15.14	BYNA49RHT	15.66	3.22	3.95	0.52	L727
Bluejay	1113	45	7	BYNA49R15HT	15.14	BYNA49RHT	15.66	3.22	3.95	0.52	L727
Finch	1113	54	19	BYNA52R15HT	16.81	BYNA52RHT	18.71	3.22	3.95	0.71	L728
Bunting	1192.5	45	7	BYNA52R15HT	16.81	BYNA52RHT	18.71	3.22	3.95	0.71	L728
Bittern	1272	45	7	BYNA52R15HT	16.81	BYNA52RHT	18.71	3.22	3.95	0.71	L728
Pheasant	1272	54	19	BYNA52R15HT	16.81	BYNA52RHT	18.71	3.22	3.95	0.71	L728
Dipper	1351.5	45	7	BYNA52R15HT	16.81	BYNA52RHT	18.71	3.22	3.95	0.71	L728
Martin	1351.5	54	19	BYNA52R15HT	16.81	BYNA52RHT	18.71	3.22	3.95	0.71	L728
Nuthatch	1510.5	45	7	BYNA56R15HT	17.56	BYNA56RHT	18.65	3.44	3.95	0.86	L729
Parrot	1510.5	54	19	BYNA56R15HT	17.56	BYNA56RHT	18.65	3.44	3.95	0.86	L729
Lapwing	1590	45	7	BYNA56R15HT	17.56	BYNA56RHT	18.65	3.44	3.95	0.86	L729
Falcon	1590	54	19	BYNA56R15HT	17.56	BYNA56RHT	18.65	3.44	3.95	0.86	L729
Chukar	1780	84	19	BYNA58R15HT	18.28	BYNA58RHT	18.59	3.47	3.95	0.86	L735
Bluebird	2156	84	19	BYNA59R15HT	17.95	BYNA59RHT	18.43	3.57	3.95	0.64	L735
Kiwi	2167	72	7	BYNA59R15HT	17.95	BYNA59RHT	18.43	3.57	3.95	0.64	L735

To specify hardware for bolting to corresponding deadends add the suffix "H" to the catalog number (example: BYNA52RHHT).

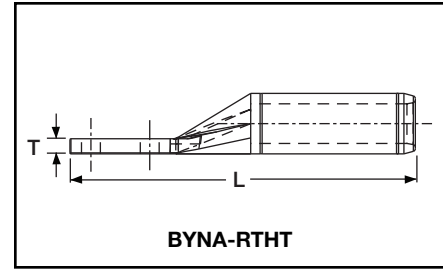
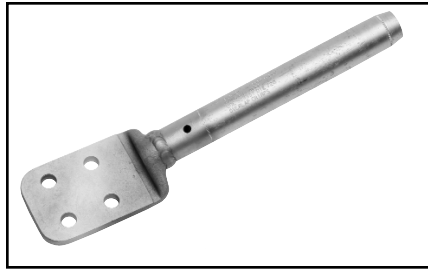
\* Overlap crimps.  
‡ Wide dies may be used, add suffix "W" to part number (example: L725W).

High Temperature

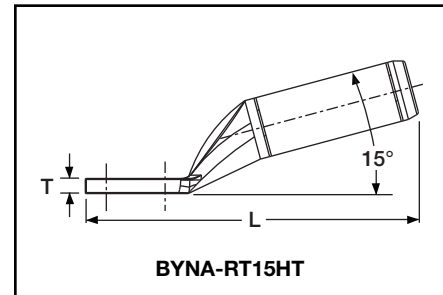
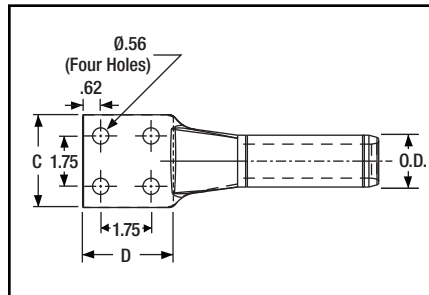
**TYPES BYNA-RT15HT,  
BYNA-RTHT EHV**

**Compression Terminal  
for ACSS Conductor**

Compression terminal for 250°C ACSS transmission lines at 345 kV and over.



BYNA-RTHT



BYNA-RT15HT

Conductor Name	Size kcmil	ACSS Stranding		15° Terminal		Straight Terminal		Inches			Die*‡
		Alum.	Steel	Catalog Number	Inches L	Catalog Number	Inches L	C	D	T	
Linnet	336.4	26	7	BYNA32RT15HT	16.41	BYNA32RTHT	16.56	3.25	4.50	0.39	L717
Oriole	336.4	30	7	BYNA32RT15HT	16.41	BYNA32RTHT	16.56	3.25	4.50	0.39	L717
Ibis	397.5	26	7	BYNA34RT15HT	16.45	BYNA34RTHT	16.60	3.25	4.50	0.46	L719
Flicker	477	24	7	BYNA36RT15HT	16.76	BYNA36RTHT	16.92	3.25	4.50	0.48	L720
Hawk	477	26	7	BYNA36RT15HT	16.76	BYNA36RTHT	16.92	3.25	4.50	0.48	L720
Parakeet	556.5	24	7	BYNA39RT15HT	17.12	BYNA39RTHT	17.30	3.25	4.50	0.53	L722
Dove	556.5	26	7	BYNA39RT15HT	17.12	BYNA39RTHT	17.30	3.25	4.50	0.53	L722
Peacock	605	24	7	BYNA43RT15HT	14.41	BYNA43RTHT	15.46	3.07	3.95	0.36	L724
Squab	605	26	7	BYNA43RT15HT	14.41	BYNA43RTHT	15.46	3.07	3.95	0.36	L724
Rook	636	24	7	BYNA43RT15HT	14.41	BYNA43RTHT	15.46	3.07	3.95	0.36	L724
Grosbeak	636	26	7	BYNA43RT15HT	14.41	BYNA43RTHT	15.46	3.07	3.95	0.36	L724
Flamingo	666.6	24	7	BYNA43RT15HT	14.41	BYNA43RTHT	15.46	3.07	3.95	0.36	L724
Starling	715.5	26	7	BYNA451RT15HT	15.10	BYNA451RTHT	15.46	3.22	3.95	0.45	L725
Cuckoo	795	24	7	BYNA451RT15HT	15.10	BYNA451RTHT	15.46	3.22	3.95	0.45	L725
Drake	795	26	7	BYNA451RT15HT	15.10	BYNA451RTHT	15.46	3.22	3.95	0.45	L725
Tern	795	45	7	BYNA451RT15HT	15.10	BYNA451RTHT	15.46	3.22	3.95	0.45	L725
Condor	795	54	7	BYNA451RT15HT	15.10	BYNA451RTHT	15.46	3.22	3.95	0.45	L725
Ruddy	900	45	7	BYNA49RT15HT	15.14	BYNA49RTHT	15.66	3.22	3.95	0.52	L727
Rail	954	45	7	BYNA49RT15HT	15.14	BYNA49RTHT	15.66	3.22	3.95	0.52	L727
Cardinal	954	54	7	BYNA49RT15HT	15.14	BYNA49RTHT	15.66	3.22	3.95	0.52	L727
Ortolan	1033.5	45	7	BYNA49RT15HT	15.14	BYNA49RTHT	15.66	3.22	3.95	0.52	L727
Curlew	1033.5	54	7	BYNA49RT15HT	15.14	BYNA49RTHT	15.66	3.22	3.95	0.52	L727
Bluejay	1113	45	7	BYNA49RT15HT	15.14	BYNA49RTHT	15.66	3.22	3.95	0.52	L727
Finch	1113	54	19	BYNA52RT15HT	16.81	BYNA52RTHT	18.71	3.22	3.95	0.71	L728
Bunting	1192.5	45	7	BYNA52RT15HT	16.81	BYNA52RTHT	18.71	3.22	3.95	0.71	L728
Bittern	1272	45	7	BYNA52RT15HT	16.81	BYNA52RTHT	18.71	3.22	3.95	0.71	L728
Pheasant	1272	54	19	BYNA52RT15HT	16.81	BYNA52RTHT	18.71	3.22	3.95	0.71	L728
Dipper	1351.5	45	7	BYNA52RT15HT	16.81	BYNA52RTHT	18.71	3.22	3.95	0.71	L728
Martin	1351.5	54	19	BYNA52RT15HT	16.81	BYNA52RTHT	18.71	3.22	3.95	0.71	L728
Nuthatch	1510.5	45	7	BYNA56RT15HT	17.56	BYNA56RTHT	18.65	3.44	3.95	0.86	L729
Parrot	1510.5	54	19	BYNA56RT15HT	17.56	BYNA56RTHT	18.65	3.44	3.95	0.86	L729
Lapwing	1590	45	7	BYNA56RT15HT	17.56	BYNA56RTHT	18.65	3.44	3.95	0.86	L729
Falcon	1590	54	19	BYNA56RT15HT	17.56	BYNA56RTHT	18.65	3.44	3.95	0.86	L729
Chukar	1780	84	19	BYNA58RT15HT	18.28	BYNA58RTHT	18.59	3.47	3.95	0.86	L735
Bluebird	2156	84	19	BYNA59RT15HT	17.95	BYNA59RTHT	18.43	3.57	3.95	0.64	L735
Kiwi	2167	72	7	BYNA59RT15HT	17.95	BYNA59RTHT	18.43	3.57	3.95	0.64	L735

To specify hardware for bolting to corresponding deadends add the suffix "H" to the catalog number (example: BYNA52RHHT).

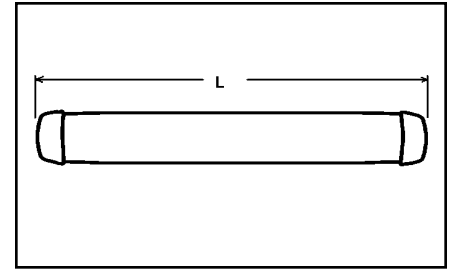
\* Overlap crimps.  
‡ Wide dies may be used, add suffix "W" to part number (example: L725W).



**TYPE BYNS-RHT**

**Jumper Loop Sleeve  
for ACSS Conductor**

Jumper sleeve for 250°C ACSS transmission lines up to and including 230 kV. Sleeve is pre-filled with PENETROX™ joint compound and capped.



Conductor Name	ACSS		Stranding	Jumper Sleeve	Inches	Die*‡
	Size kcmil	Alum.			Steel	
Linet	336.4	26	7	BYNS32RHT	16.90	L717
Oriole	336.4	30	7	BYNS32RHT	16.90	L717
Ibis	397.5	26	7	BYNS34RHT	17.10	L719
Flicker	477	24	7	BYNS36RHT	17.60	L719
Hawk	477	26	7	BYNS36RHT	17.60	L719
Parakeet	556.5	24	7	BYNS39RHT	18.20	L720
Dove	556.5	26	7	BYNS39RHT	18.20	L720
Peacock	605	24	7	BYNS43RHT	18.50	L722
Squab	605	26	7	BYNS43RHT	18.50	L722
Rook	636	24	7	BYNS43RHT	18.50	L722
Grosbeak	636	26	7	BYNS43RHT	18.50	L722
Flamingo	666.6	24	7	BYNS43RHT	18.50	L722
Starling	715.5	26	7	BYNS451RHT	18.60	L725
Cuckoo	795	24	7	BYNS451RHT	18.60	L725
Drake	795	26	7	BYNS451RHT	18.60	L725
Tern	795	45	7	BYNS451RHT	18.60	L725
Condor	795	54	7	BYNS451RHT	18.60	L725
Ruddy	900	45	7	BYNS49RHT	18.70	L727
Rail	954	45	7	BYNS49RHT	18.70	L727
Cardinal	954	54	7	BYNS49RHT	18.70	L727
Ortolan	1033.5	45	7	BYNS49RHT	18.70	L727
Curlew	1033.5	54	7	BYNS49RHT	18.70	L727
Bluejay	1113	45	7	BYNS49RHT	18.70	L727
Finch	1113	54	19	BYNS52RHT	24.20	L728
Bunting	1192.5	45	7	BYNS52RHT	24.20	L728
Bittern	1272	45	7	BYNS52RHT	24.20	L728
Pheasant	1272	54	19	BYNS52RHT	24.20	L728
Dipper	1351.5	45	7	BYNS52RHT	24.20	L728
Martin	1351.5	54	19	BYNS52RHT	24.20	L728
Nuthatch	1510.5	45	7	BYNS56RHT	23.60	L729
Parrot	1510.5	54	19	BYNS56RHT	23.60	L729
Lapwing	1590	45	7	BYNS56RHT	23.60	L729
Falcon	1590	54	19	BYNS56RHT	23.60	L729
Chukar	1780	84	19	BYNS58RHT	23.40	L735
Bluebird	2156	84	19	BYNS59RHT	23.40	L735
Kiwi	2167	72	7	BYNS59RHT	23.20	L735

\* Overlap crimps.

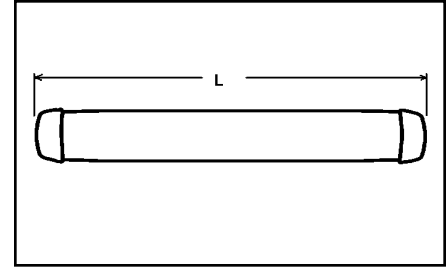
‡ Wide dies may be used, add suffix "W" to part number (example: L725W).

High Temperature

**TYPE BYNS-RTHT  
EHV**

**Jumper Loop Sleeve  
for ACSS Conductor**

Jumper sleeve for 250°C ACSS transmission lines at 345 kV and over. Sleeve is pre-filled with PENETROX™ joint compound and capped.



Conductor Name	ACSS		Stranding	Jumper Sleeve	Inches	Die*‡
	Size kcmil	Alum.			Steel	
Linnet	336.4	26	7	BYNS32RTHT	16.90	L717
Oriole	336.4	30	7	BYNS32RTHT	16.90	L717
Ibis	397.5	26	7	BYNS34RTHT	17.10	L719
Flicker	477	24	7	BYNS36RTHT	17.60	L719
Hawk	477	26	7	BYNS36RTHT	17.60	L719
Parakeet	556.5	24	7	BYNS39RTHT	18.20	L720
Dove	556.5	26	7	BYNS39RTHT	18.20	L720
Peacock	605	24	7	BYNS43RTHT	18.50	L722
Squab	605	26	7	BYNS43RTHT	18.50	L722
Rook	636	24	7	BYNS43RTHT	18.50	L722
Grosbeak	636	26	7	BYNS43RTHT	18.50	L722
Flamingo	666.6	24	7	BYNS43RTHT	18.50	L722
Starling	715.5	26	7	BYNS451RTHT	18.60	L725
Cuckoo	795	24	7	BYNS451RTHT	18.60	L725
Drake	795	26	7	BYNS451RTHT	18.60	L725
Tern	795	45	7	BYNS451RTHT	18.60	L725
Condor	795	54	7	BYNS451RTHT	18.60	L725
Ruddy	900	45	7	BYNS49RTHT	18.70	L727
Rail	954	45	7	BYNS49RTHT	18.70	L727
Cardinal	954	54	7	BYNS49RTHT	18.70	L727
Ortolan	1033.5	45	7	BYNS49RTHT	18.70	L727
Curlew	1033.5	54	7	BYNS49RTHT	18.70	L727
Bluejay	1113	45	7	BYNS49RTHT	18.70	L727
Finch	1113	54	19	BYNS52RTHT	24.20	L728
Bunting	1192.5	45	7	BYNS52RTHT	24.20	L728
Bittern	1272	45	7	BYNS52RTHT	24.20	L728
Pheasant	1272	54	19	BYNS52RTHT	24.20	L728
Dipper	1351.5	45	7	BYNS52RTHT	24.20	L728
Martin	1351.5	54	19	BYNS52RTHT	24.20	L728
Nuthatch	1510.5	45	7	BYNS56RTHT	23.60	L729
Parrot	1510.5	54	19	BYNS56RTHT	23.60	L729
Lapwing	1590	45	7	BYNS56RTHT	23.60	L729
Falcon	1590	54	19	BYNS56RTHT	23.60	L729
Chukar	1780	84	19	BYNS58RTHT	23.40	L735
Bluebird	2156	84	19	BYNS59RTHT	23.40	L735
Kiwi	2167	72	7	BYNS59RTHT	23.20	L735

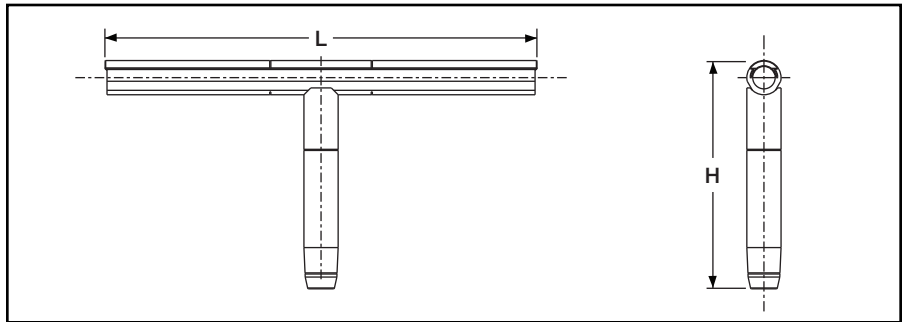
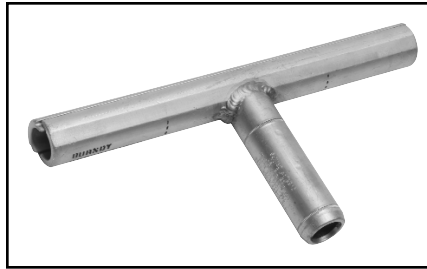
\* Overlap crimps.

‡ Wide dies may be used, add suffix "W" to part number (example: L725W).

## TYPE YNT-R-RHT

### Compression T-Tap for ACSS Conductor

Two piece compression T-Tap for ACSR transmission lines that include up to 230 kV. Tap element is pre-filled with PENETROX™ joint compound and sealed.



Conductor Name	ACSS		Stranding	T-Tap*	Inches		Die*‡
	Size kcmil	Alum.			Steel	L	
Linnet	336.4	26	7	YNT32R32RHT	23.46	10.39	L717
Oriole	336.4	30	7	YNT32R32RHT	23.46	10.39	L717
Ibis	397.5	26	7	YNT34R34RHT	23.60	10.53	L719
Flicker	477	24	7	YNT36R36RHT	24.29	10.85	L720
Hawk	477	26	7	YNT36R36RHT	24.29	10.85	L720
Parakeet	556.5	24	7	YNT39R39RHT	24.69	11.13	L722
Dove	556.5	26	7	YNT39R39RHT	24.69	11.13	L722
Peacock	605	24	7	YNT43R43RHT	25.48	11.20	L724
Squab	605	26	7	YNT43R43RHT	25.48	11.20	L724
Rook	636	24	7	YNT43R43RHT	25.48	11.20	L724
Grosbeak	636	26	7	YNT43R43RHT	25.48	11.20	L724
Flamingo	666.6	24	7	YNT43R43RHT	25.48	11.20	L724
Starling	715.5	26	7	YNT451R451RHT	25.60	11.70	L725
Cuckoo	795	24	7	YNT451R451RHT	25.60	11.70	L725
Drake	795	26	7	YNT451R451RHT	25.60	11.70	L725
Tern	795	45	7	YNT451R451RHT	25.60	11.70	L725
Condor	795	54	7	YNT451R451RHT	25.60	11.70	L725
Ruddy	900	45	7	YNT49R49RHT	25.66	11.90	L727
Rail	954	45	7	YNT49R49RHT	25.66	11.90	L727
Cardinal	954	54	7	YNT49R49RHT	25.66	11.90	L727
Ortolan	1033.5	45	7	YNT49R49RHT	25.66	11.90	L727
Curlew	1033.5	54	7	YNT49R49RHT	25.66	11.90	L727
Bluejay	1113	45	7	YNT49R49RHT	25.66	11.90	L727
Finch	1113	54	19	YNT52R52RHT	29.61	15.10	L728
Bunting	1192.5	45	7	YNT52R52RHT	29.61	15.10	L728
Bittern	1272	45	7	YNT52R52RHT	29.61	15.10	L728
Pheasant	1272	54	19	YNT52R52RHT	29.61	15.10	L728
Dipper	1351.5	45	7	YNT52R52RHT	29.61	15.10	L728
Martin	1351.5	54	19	YNT52R52RHT	29.61	15.10	L728
Nuthatch	1510.5	45	7	YNT56R56RHT	31.65	15.08	L729
Parrot	1510.5	54	19	YNT56R56RHT	31.65	15.08	L729
Lapwing	1590	45	7	YNT56R56RHT	31.65	15.08	L729
Falcon	1590	54	19	YNT56R56RHT	31.65	15.08	L729
Chukar	1780	84	19	YNT58R58RHT	31.53	15.02	L735
Bluebird	2156	84	19	YNT59R59RHT	31.21	14.86	L735
Kiwi	2167	72	7	YNT59R59RHT	31.21	14.86	L735

\* Overlap crimps.  
‡ Wide dies may be used, add suffix "W" to part number (example: L725W).

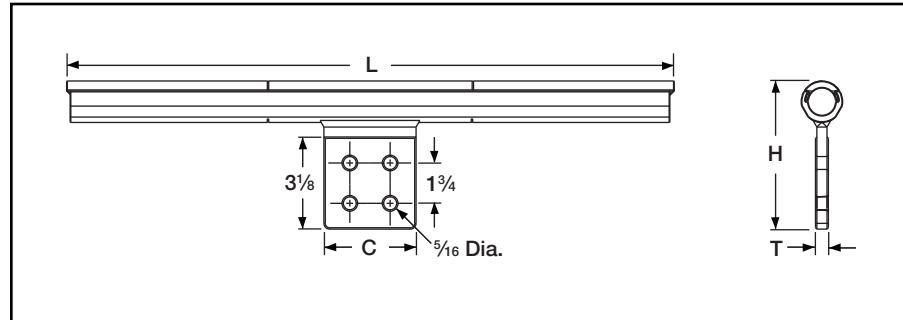
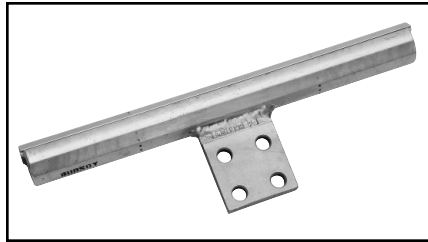
For EHV applications add "T" to the catalog number (example: YNT49R49RHTT).

High Temperature

TYPE YNTA-RHT

T-Tap with Pad  
for ACSS Conductor

Two piece compression T-Tap to a NEMA pad for ACSS transmission lines. Up to and including 230 kV.



Conductor Name	ACSS		T-Tap with Pad	Inches				Die*‡	
	Size kcmil	Stranding		L	C	H	T		
		Alum.	Steel						
Linnet	336.4	26	7	YNTA32RHT	23.46	3.25	4.94	0.50	L717
Oriole	336.4	30	7	YNTA32RHT	23.46	3.25	4.94	0.50	L717
Ibis	397.5	26	7	YNTA34RHT	23.60	3.25	5.05	0.50	L719
Flicker	477	24	7	YNTA36RHT	24.29	3.25	5.16	0.56	L720
Hawk	477	26	7	YNTA36RHT	24.29	3.25	5.16	0.56	L720
Parakeet	556.5	24	7	YNTA39RHT	24.69	3.25	5.25	0.56	L722
Dove	556.5	26	7	YNTA39RHT	24.69	3.25	5.25	0.56	L722
Peacock	605	24	7	YNTA43RHT	25.48	3.25	5.36	0.56	L724
Squab	605	26	7	YNTA43RHT	25.48	3.25	5.36	0.56	L724
Rook	636	24	7	YNTA43RHT	25.48	3.25	5.36	0.56	L724
Grosbeak	636	26	7	YNTA43RHT	25.48	3.25	5.36	0.56	L724
Flamingo	666.6	24	7	YNTA43RHT	25.48	3.25	5.36	0.56	L724
Starling	715.5	26	7	YNTA451RHT	25.60	3.25	5.55	0.56	L725
Cuckoo	795	24	7	YNTA451RHT	25.60	3.25	5.55	0.56	L725
Drake	795	26	7	YNTA451RHT	25.60	3.25	5.55	0.56	L725
Tern	795	45	7	YNTA451RHT	25.60	3.25	5.55	0.56	L725
Condor	795	54	7	YNTA451RHT	25.60	3.25	5.55	0.56	L725
Ruddy	900	45	7	YNTA49RHT	25.66	3.25	5.72	0.56	L727
Rail	954	45	7	YNTA49RHT	25.66	3.25	5.72	0.56	L727
Cardinal	954	54	7	YNTA49RHT	25.66	3.25	5.72	0.56	L727
Ortolan	1033.5	45	7	YNTA49RHT	25.66	3.25	5.72	0.56	L727
Curlew	1033.5	54	7	YNTA49RHT	25.66	3.25	5.72	0.56	L727
Bluejay	1113	45	7	YNTA49RHT	25.66	3.25	5.72	0.56	L727
Finch	1113	54	19	YNTA54RHT	29.61	3.25	6.00	0.69	L728
Bunting	1192.5	45	7	YNTA54RHT	29.61	3.25	6.00	0.69	L728
Bittern	1272	45	7	YNTA54RHT	29.61	3.25	6.00	0.69	L728
Pheasant	1272	54	19	YNTA54RHT	29.61	3.25	6.00	0.69	L728
Dipper	1351.5	45	7	YNTA54RHT	29.61	3.25	6.00	0.69	L728
Martin	1351.5	54	19	YNTA54RHT	29.61	3.25	6.00	0.69	L728
Nuthatch	1510.5	45	7	YNTA56RHT	31.65	3.59	6.25	0.69	L729
Parrot	1510.5	54	19	YNTA56RHT	31.65	3.59	6.25	0.69	L729
Lapwing	1590	45	7	YNTA56RHT	31.65	3.59	6.25	0.69	L729
Falcon	1590	54	19	YNTA56RHT	31.65	3.59	6.25	0.69	L729
Chukar	1780	84	19	YNTA58RHT	31.53	3.59	6.25	0.69	L735
Bluebird	2156	84	19	YNTA59RHT	31.21	3.59	6.25	0.69	L735
Kiwi	2167	72	7	YNTA59RHT	31.21	3.59	6.25	0.69	L735

For EHV applications add "T" to the catalog number (example: YNTA49RHTT).

For EHV applications order (2) two tap pad shielding caps, STS-A-NCG catalog number indicates (1) cap.

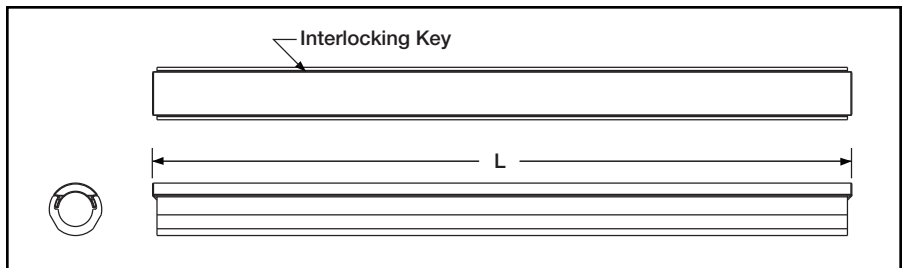
\* Overlap crimps.

‡ Wide dies may be used, add suffix "W" to part number (example: L725W).

**TYPE YNU-RHT**

**Repair Sleeve for ACSS  
Conductor**

For HV and EHV applications. Two-piece repair sleeve for temporary restoration of conductivity to damaged ACSS transmission lines. Use of PENETROX™ joint compound required.



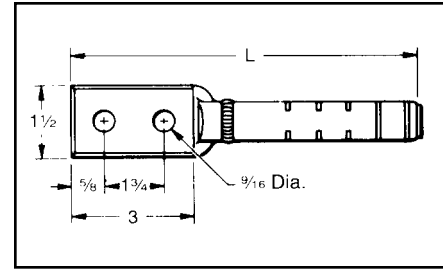
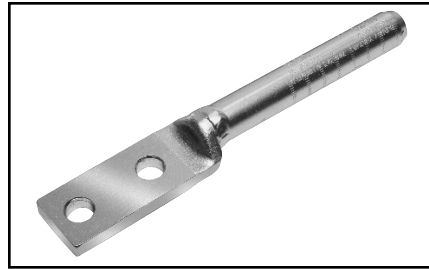
Conductor Name	ACSS Size		Repair Sleeve	Inches		Die*‡
	Size kcmil	Stranding		L		
		Alum. Steel				
Linnet	336.4	26 7	YNU32RHT	22.00		L717
Oriole	336.4	30 7	YNU32RHT	22.00		L717
Ibis	397.5	26 7	YNU34RHT	22.00		L719
Flicker	477	24 7	YNU36RHT	22.00		L720
Hawk	477	26 7	YNU36RHT	22.00		L720
Parakeet	556.5	24 7	YNU39RHT	24.00		L722
Dove	556.5	26 7	YNU39RHT	24.00		L722
Peacock	605	24 7	YNU43RHT	24.00		L724
Squab	605	26 7	YNU43RHT	24.00		L724
Rook	636	24 7	YNU43RHT	24.00		L724
Grosbeak	636	26 7	YNU43RHT	24.00		L724
Flamingo	666.6	24 7	YNU43RHT	24.00		L724
Starling	715.5	26 7	YNU451RHT	24.00		L725
Cuckoo	795	24 7	YNU451RHT	24.00		L725
Drake	795	26 7	YNU451RHT	24.00		L725
Tern	795	45 7	YNU451RHT	24.00		L725
Condor	795	54 7	YNU451RHT	24.00		L725
Ruddy	900	45 7	YNU49RHT	24.00		L727
Rail	954	45 7	YNU49RHT	24.00		L727
Cardinal	954	54 7	YNU49RHT	24.00		L727
Ortolan	1033.5	45 7	YNU49RHT	24.00		L727
Curlew	1033.5	54 7	YNU49RHT	24.00		L727
Bluejay	1113	45 7	YNU49RHT	24.00		L727
Finch	1113	54 19	YNU54RHT	24.00		L728
Bunting	1192.5	45 7	YNU54RHT	24.00		L728
Bittern	1272	45 7	YNU54RHT	24.00		L728
Pheasant	1272	54 19	YNU54RHT	24.00		L728
Dipper	1351.5	45 7	YNU54RHT	24.00		L728
Martin	1351.5	54 19	YNU54RHT	24.00		L728
Nuthatch	1510.5	45 7	YNU56RHT	27.00		L729
Parrot	1510.5	54 19	YNU56RHT	27.00		L729
Lapwing	1590	45 7	YNU56RHT	27.00		L729
Falcon	1590	54 19	YNU56RHT	27.00		L729
Chukar	1780	84 19	YNU58RHT	27.00		L735
Bluebird	2156	84 19	YNU59RHT	27.00		L735
Kiwi	2167	72 7	YNU59RHT	27.00		L735

\* Overlap crimps.  
‡ Wide dies may be used, add suffix "W" to part number (example: L725W).

## TYPE YNA-M-T

### Compression Terminal for Alumoweld and EHS Steel

Compression terminal for joining Alumoweld and EHS steel to YTW-M-T or YTW-E dead-end. Installed with same dies as equivalent full tension splice and deadend. Barrel is pre-filled with PENETROX™ joint compound and capped.



Catalog Number	Conductor		L	Tools, Die Sets, & (Number of Crimps)		
	Alumoweld	EHS Steel		DIE Index	Y35, Y750, Y45†, Y46‡‡	Y60BHU*
YNA7M10T	7 #10, 3 #7	5/16" 7 Str.	8-1/2	676 or 721	U676 (4) —	— L721
YNA7M8T	7 #8, 3 #5	3/8" 7 Str.	9-3/4	668 or 723	U688 (7) —	— L723
YNA7M7T	7 #7	7/16" 7 Str.	9-7/8	678 or 726	U678 (10) —	— L726
YNA7M6T	7 #6	1/2" 7 Str.	9-3/4	679 or 726	U679 (11) —	— L726

\* Overlap crimps.

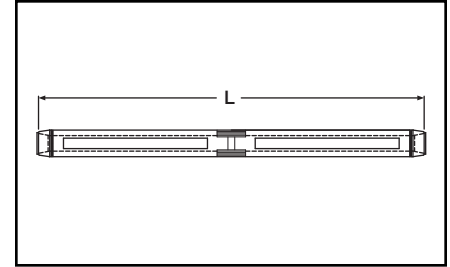
† U Die with adapter PT-6515.

‡‡ U Die with adapter PUADP-1.

## TYPE YDS-M-T

### Full Tension Sleeve for Alumoweld

Full-tension splice for Alumoweld transmission lines. Five connectors accommodate eight conductor sizes. Sleeve is pre-filled with PENETROX™ joint compound and capped.



RUS Accepted

Catalog ††† Number	Conductor	L	Tools, Die Sets		
	Alumoweld		Die Index	Y35, Y750, Y45†, Y46††	Y60BHU*
YDS7M10T	7 #10, 3 #7	10	676 or 721	U676 (8)	— L721
YDS7M9T	7 #9, 3 #6	10-3/8	677	U677 (10)	—
YDS7M8T	7 #8, 3 #5	12-1/4	668 or 723	U668 (13)	— L723
YDS7M7T	7 #7	14-1/2	678 or 726	U678 (19)	— L726
YDS7M6T	7 #6	15-1/8	679 or 726	U679 (2)	— L726

\* Overlap crimps.

† U Die with adapter PT-6515.

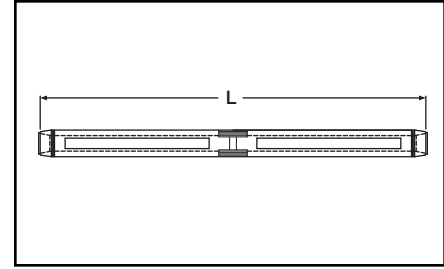
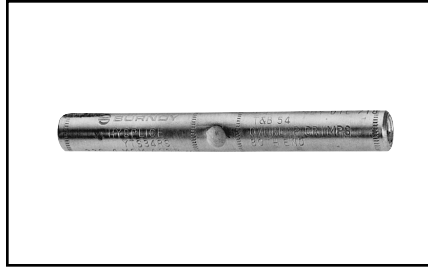
†† U Die with adapter PUADP-1.

††† Sleeve is high strength aluminum alloy for optimum corrosion resistance.

## TYPE YTS-E

### Full Tension Splice for EHS Steel

Full tension splice for EHS steel guy, messenger or "static" cable. Sleeve is pre-filled with PENETROX™ joint compound and capped.



Catalog Number	Conductor †	L	Tools, Die Sets	
	EHS Steel		Die Index	Y60BHU*
YTS312E	5/16" 7 Str.	11.30"	721	L721
YTS375E	3/8" 7 Str.	10.38"	723	L723
YTS438E	7/16" 7 Str.	11.78"	726	L726
YTS500E	1/2" 7 Str.	16.63"	789	L789

\* Overlap crimps.

† Sleeve is high strength aluminum alloy for optimum corrosion resistance.



# Full Tension Deadend Kit

## Compression Deadend for ACCC® Conductor

Full tension deadends for ACCC® transmission lines up to and including 230 kV. Standard 15° NEMA tap pad provides either 0° or 30° tap when BYNA-RT15HACCC terminal is used.

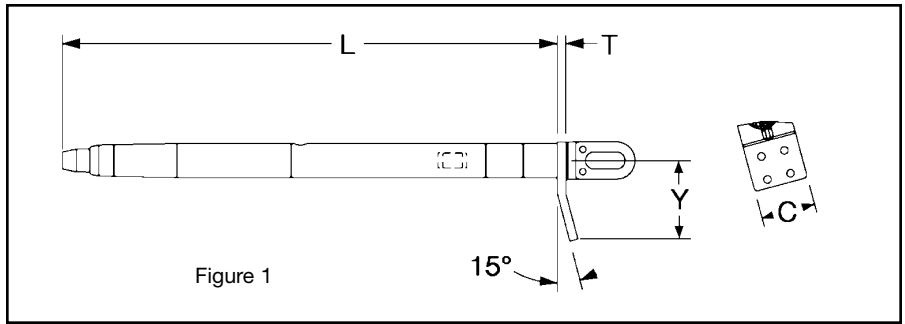
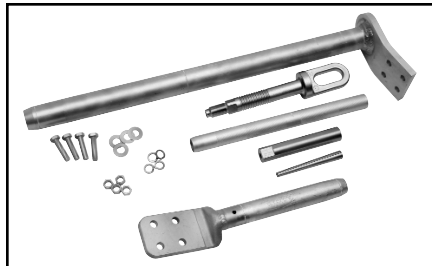


Figure 1

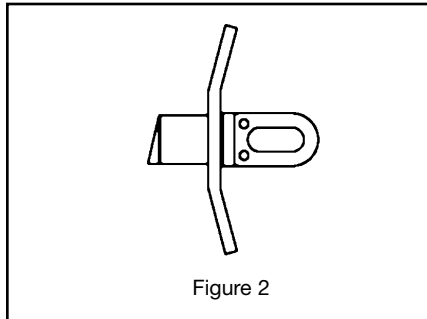


Figure 2

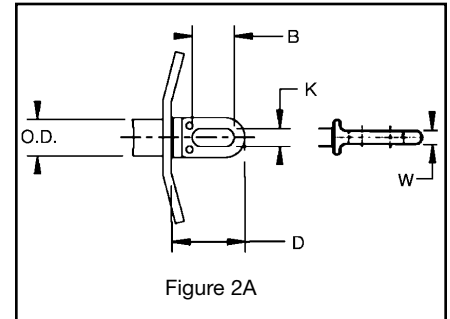


Figure 2A

Conductor Name	Size kcmil	Catalog Number Kit Assembly	Fig. No.	Dimensions - Deadend Body (Fig. 1)				Dimensions - Steel Eye (Fig. 2A)				Kit Components Terminal	Installation Tooling		
				L	T	C	Y	D	B	K	W		Y60BHU		
													Die*‡ Deadend	Die*‡ Terminal	Inspection Pin Dia.
Linnet	431	5600-1020	1	31.25 [794]	.62 [16]	4.00 [102]	5.60 [142]	4.5 [114]	2.5 [64]	1.12 [28]	0.62 [16]	BYNA32RT15HACCC	L717W	0.748	
		5600-1020D	2												
Copenhagen	440	5600-1022	1												
		5600-1022D	2												
Glasgow	473	5600-1044	1												
		5600-1044D	2												
Casablanca	546	5600-1028	1												
		5600-1028D	2												
Hawk	611	5600-1030	1												
		5600-1030D	2												
Lisbon	629	5600-1032	1												
		5600-1032D	2												
Dove	713	5600-1040	1												
		5600-1040D	2												
Amsterdam	733	5600-1042	1												
		5600-1042D	2												
Grosbeak	816	5600-1050	1												
		5600-1050D	2												
Brussels	839	5600-1052	1												
		5600-1052D	2												
Oslo	627	5600-1026	1												
		5600-1026D	2												
Stockholm	913	5600-1054	1												
		5600-1054D	2												
Warsaw	1016	5600-1056	1												
		5600-1056D	2												
Drake	1020	5600-1060	1												
		5600-1060D	2												
Dublin	1043	5600-1062	1												
		5600-1062D	2												
				36.19 [919]				5.10 [130]	2.91 [74]	1.26 [32]	0.75 [19]	BYNA451RT15HACCC	L735W	L725W	1.164

**Notes:**  
 ACCC is a Registered Trade Mark of CTC Cable Corp.  
 1. Deadend Assembly consists of Aluminum Body, Steel Eye and Terminal with mounting hardware.

2. Designed for corona free operation up to 230 kV, contact factory for 345 kV and 500 kV operation.
3. For stainless steel hardware, contact factory.
4. Dimensions in brackets [ ] denotes metric units and are rounded to nearest whole numbers.

\* Overlap crimps.  
 ‡ Wide dies may be used, add suffix "W" to part number (example: L725W).

*(Continued on next page)*

# Full Tension Deadend Kit

(Continued)

## Compression Deadend for ACCC® Conductor

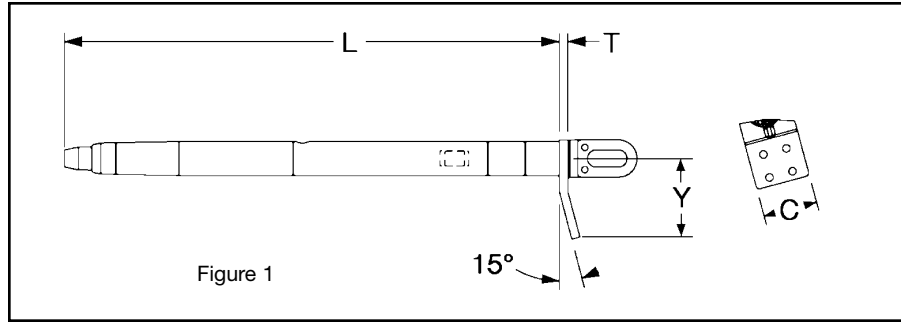


Figure 1

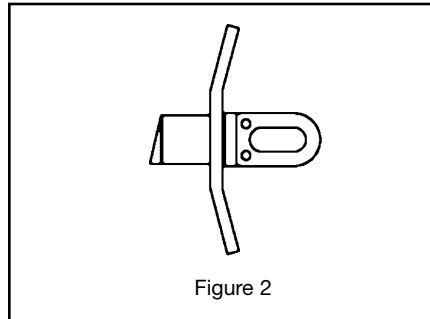
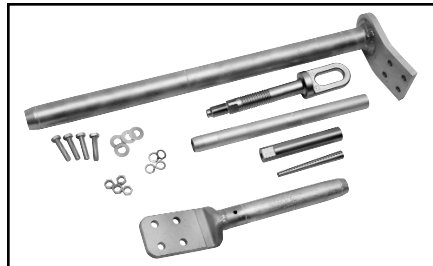


Figure 2

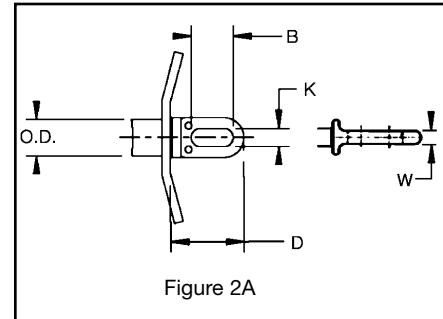


Figure 2A

Conductor Name	Size kcmil	Catalog Number Kit Assembly	Fig. No.	Dimensions - Deadend Body (Fig. 1)				Dimensions - Steel Eye (Fig. 2A)				Kit Components Terminal	Installation Tooling		
				L	T	C	Y	D	B	K	W		Y60BHU		
													Die*‡	Die*‡	Inspection Pin Dia.
Hamburg	1092	5600-1058	1	36.19 [919]	0.62 [16]	4.00 [102]	5.60 [142]	5.10 [130]	2.91 [74]	1.26 [32]	0.75 [19]	BYNA590MRT15HACCC	L735W	L727W	1.24
		5600-1058D	2												
Milan	1134	5600-1064	1												
		5600-1064D	2												
Rome	1183	5600-1066	1												
		5600-1066D	2												
Cardinal	1222	5600-1070	1												
		5600-1070D	2												
Vienna	1255	5600-1072	1												
		5600-1072D	2												
Budapest	1332	5600-1074	1												
		5600-1074D	2												
Prague	1377	5600-1076													
		5600-1076D													
Munich	1461	5600-1078	1												
		5600-1078D	2												
London	1512	5600-1079	1												
		5600-1079D	2												
Bittern	1572	5600-1080	1												
		5600-1080D	2												
Paris	1620	5600-1082	1												
		5600-1082D	2												
											BYNA760MRT15HACCC		L728W	1.35	
												BYNA52RT15HACCC		L728W	1.454

**Notes:**  
ACCC is a Registered Trade Mark of CTC Cable Corp.  
1. Deadend Assembly consists of Aluminum Body, Steel Eye and Terminal with mounting hardware.

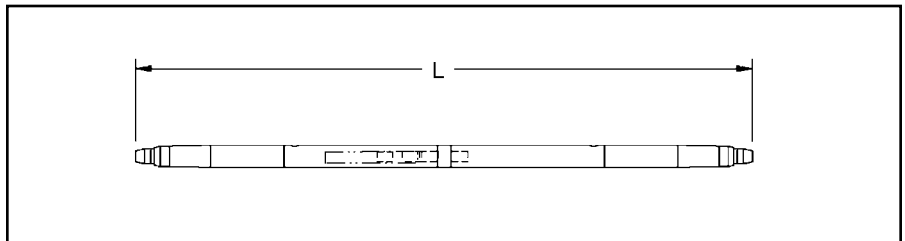
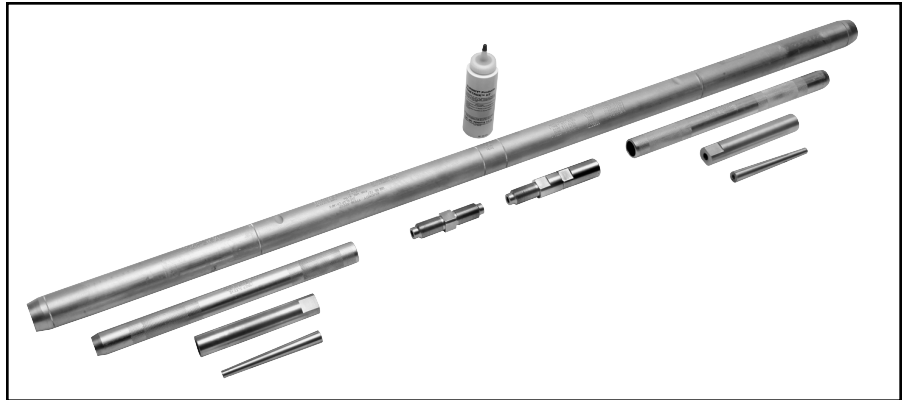
2. Designed for corona free operation up to 230 kV, contact factory for 345 kV and 500 kV operation.  
3. For stainless steel hardware, contact factory.

4. Dimensions in brackets [ ] denotes metric units and are rounded to nearest whole numbers.  
\* Overlap crimps.  
‡ Wide dies may be used, add suffix "W" to part number (example: L725W).

**Full Tension Splice Kit**

**Compression Splice  
for ACCC® Conductor**

Full tension two piece splice for ACCC® transmission lines up to and including 230 kV.



Conductor Name	Size kcmil	Catalog Number	Dimensions (Inches) L	Installation Tool	
				Die*‡	Tool
Linnet	431	5600-2020	60.80 [1544]	L727W	
Copenhagen	440	5600-2022			
Glasgow	473	5600-2044			
Casablanca	546	5600-2028			
Hawk	611	5600-2030			
Lisbon	629	5600-2032			
Dove	713	5600-2040			
Amsterdam	733	5600-2042			
Grosbeak	816	5600-2050			
Brussels	839	5600-2052			
Oslo	627	5600-2026	67.00 [1702]	L735W	Y60BHU
Stockholm	913	5600-2054			
Warsaw	1016	5600-2056			
Drake	1020	5600-2060			
Dublin	1043	5600-2062			
Hamburg	1092	5600-2058			
Milan	1134	5600-2064			
Rome	1183	5600-2066			
Cardinal	1222	5600-2070			
Vienna	1255	5600-2072			
Budapest	1332	5600-2074			
Prague	1377	5600-2076			
Munich	1461	5600-2078			
London	1512	5600-2079			
Bittern	1572	5600-2080			
Paris	1620	5600-2082			

1. Designed for corona free operation up to 230 kV, contact factory for 345 kV and 500 kV operation.
2. Dimensions in brackets [ ] denotes metric units and are rounded to nearest whole number.

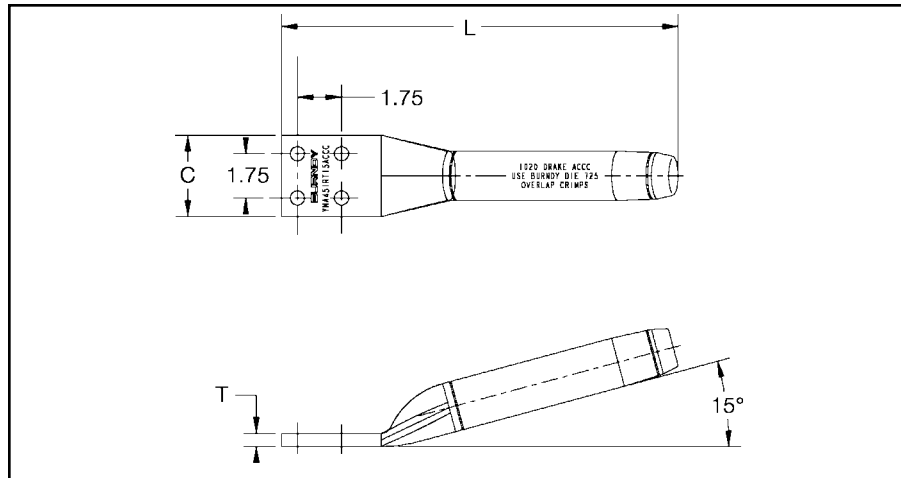
\* Overlap crimps.  
‡ Wide dies may be used, add suffix "W" to part number (example: L725W).  
ACCC is a Registered Trade Mark of CTC Cable Corp.

High Temperature

**TYPES BYNA-RTACCC,  
BYNA-RT15ACCC**

**Compression Terminals  
Straight and 15 Degree  
for ACCC® Conductor**

Compression terminal for ACCC® transmission lines up to and including 230 kV.



Conductor Name	Size kcmil	Straight Catalog Number	15 Degree Catalog Number	Dimensions (Inches)				Installation Tooling						
				Straight L	15 Degree L	C	T	Die Index	Y45*	Y46*	Y60BHU*‡			
Linnet	431	BYNA32RTACCC	BYNA32RT15ACCC	15.5	15.5	3.25	0.50	717	S717	P717	L717W			
Copenhagen	440			[393]	[393]									
Glasgow	473	BYNA245MRTACCC	BYNA245MRT15ACCC	15.8	15.8					719	S719	P719	L719W	
Casablanca	546	BYNA36RTACCC	BYNA36RT15ACCC	15.8	15.8					720	S720	P720	L720W	
Hawk	611			[402]	[402]									
Lisbon	629													
Oslo	627													
Dove	713	BYNA39RTACCC	BYNA39RT15ACCC	16.2	16.2					722	S722	P722	L722W	
Amsterdam	733	BYNA43RTACCC	BYNA43RT15ACCC	16.2	16.2					724	S724	P724	L724W	
Grosbeak	816			[411]	[411]									
Brussels	839													
Stockholm	913													
Warsaw	1016	BYNA451RTACCC	BYNA451RT15ACCC	15.3	15.0		0.45	725	S725	P725	L725W			
Drake	1020			[389]	[380]		[11]							
Dublin	1043													
Hamburg	1092	BYNA590MRTACCC	BYNA590MRT15ACCC	15.6	15.7		0.52	727	—	—	L727W			
Milan	1134			[397]	[399]		[13]							
Rome	1183													
Cardinal	1222													
Vienna	1255	BYNA49RTACCC	BYNA49RT15ACCC	15.6	15.7		0.52	727	—	—	L727W			
Budapest	1332			[397]	[399]		[13]							
Prague	1377													
Munich	1461	BYNA760MRTACCC	BYNA760MRT15ACCC	17.1	17.3		0.71	728	—	—	L728W			
London	1512	[435]	[438]		[18]									
Bittern	1572	BYNA52RTACCC	BYNA52RT15ACCC	17.1	17.3		0.71	728	—	—	L728W			
Paris	1620			[435]	[438]		[18]							

**Notes:**

ACCC is a Registered Trade Mark of CTC Cable Corp.

- To specify mounting hardware to corresponding deadend or pad add H to the part number (example: BYNA451RTHACCC).

- To specify stainless steel hardware add suffix SS to the catalog number (example: BYNA451RTACCCSS).
- Designed for corona free operation up to 230 kV, contact factory for 345 kV and 500 kV operation.

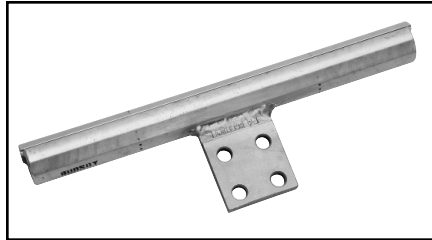
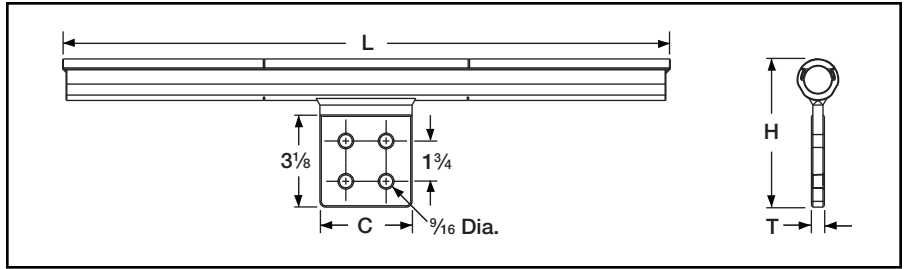
- Dimensions in brackets [ ] denotes metric units and are rounded to nearest whole numbers.

\* Overlap crimps.  
‡ Wide dies may be used, add suffix "W" to part number (example: L725W).

**TYPE YNTA-RTACCC**

**Compression T-Tap  
for ACCC® Conductor**

Two piece compression T-Tap to a NEMA pad for ACCC® transmission lines up to and including 230 kV.



Conductor Name	Size kcmil	Catalog Number	Dimensions (Inches)				Installation Tooling					
			L	C	H	T	Die Index	Y45*	Y46*	Y60BHU*‡		
Linnet	431	YNTA32RTACCC	24.92	4.00	5.82	0.56	[14]	717	S717	P717	L717W	
Copenhagen	440		[633]		[148]							
Glasgow	473	YNTA245MRTACCC	25.50		5.93			719	S719	P719	L719W	
Casablanca	546	YNTA36RTACCC	25.50		[648]			6.03	720	S720	P720	L720W
Hawk	611							[153]	722	S722	P722	L722W
Lisbon	629											
Olso	627	YNTA39RTACCC	26.06		[662]			6.13	724	S724	P724	L724W
Dove	713							[156]				
Amsterdam	733											
Grosbeak	816	YNTA43RTACCC	26.28		[667]			6.24	725	S725	P725	L725W
Brussels	839							[158]				
Stockholm	913	YNTA451RTACCC	26.38		[670]			6.43	727	—	—	L727W
Warsaw	1016			[163]								
Drake	1020											
Dublin	1043	YNTA49RTACCC	26.36	[669]	6.60	728	—	—	L728W			
Hamburg	1092											
Milan	1134											
Rome	1183											
Cardinal	1222											
Vienna	1255											
Budapest	1332	YNTA52RTACCC	29.32	[745]	7.00	0.69	[17]					
Prague	1377											
Munich	1461											
London	1512											
Bittern	1572											
Paris	1620											

ACCC is a Registered Trade Mark of CTC Cable Corp.  
 1. Designed for corona free operation up to 230 kV, contact factory for 345 kV and 500 kV operation.

2. Dimensions in brackets [ ] denotes metric units and are rounded to nearest whole number.

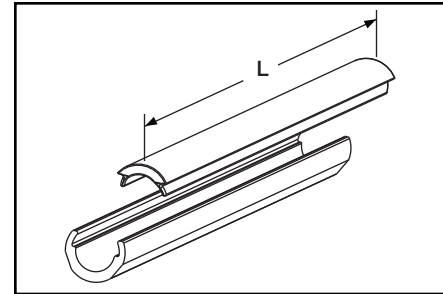
\* Overlap crimps.  
 ‡ Wide dies may be used, add suffix "W" to part number (example: L725W).

High Temperature

**TYPE YNU-RACCC**

**Compression Repair Sleeve for ACCC® Conductor**

Two piece compression repair sleeve for temporary restoration of conductivity to damaged ACCC® transmission lines.



Conductor Name	Size kcmil	Catalog Number	Dimension (Inches) L	Installation Tooling				
				Die Index	Y45*	Y46*	Y60BHU*‡	
Linnet	431	YNU32RACCC	22.00 [559]	717	S717	P717	L717W	
Copenhagen	440							
Glasgow	473	YNU245MRACCC		719	S719	P719	L719W	
Casablanca	546	YNU36RACCC		720	S720	P720	L720W	
Hawk	611							
Lisbon	629							
Oslo	627	YNU39RACCC	24.00 [610]	722	S722	P722	L722W	
Dove	713							
Amsterdam	733							
Grosbeak	816	YNU43RACCC		724	S724	P724	L724W	
Brussels	839	YNU451RACCC		24.00 [610]	725	S725	P725	L725W
Stockholm	913							
Warsaw	1016							
Drake	1020	YNU49RACCC	727		—	—	L727W	
Dublin	1043							
Hamburg	1092							
Milan	1134							
Rome	1183							
Cardinal	1222							
Vienna	1255	YNU52RACCC	728	—	—	L728W		
Budapest	1332							
Prague	1377							
Munich	1461							
London	1512							
Bittern	1572							
Paris	1620							

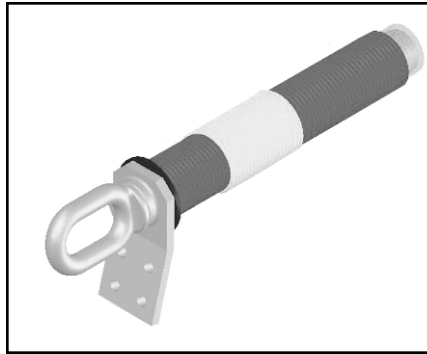
ACCC is a Registered Trade Mark of CTC Cable Corp.  
 Dimensions in brackets [ ] denotes metric units and are rounded to nearest whole number.

\* Overlap crimps.  
 ‡ Wide dies may be used, add suffix "W" to part number (example: L725W).

**TYPE IMPLO™**

**Dead End Joints**

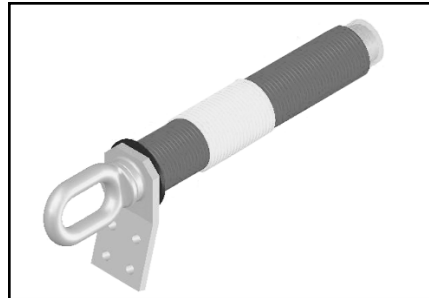
IMPLO™ Dead End Joints accommodate a wide range of ACSR, ACSS, ACSS/TW, ASC, and ASC/TW conductors; and provide a consistent, smooth, high quality installation every time . . . with no tools or dies. Various dead end configurations, tap pad angles, and eye-bolt versions available, 15 degree tap pad standard.



Conductor				Catalog Number	Length (Inches) [mm]
Code	Type	Strand	kcmil		
Linnnet	ACSR	26/7	336.4	2050	12.99" [330]
Oriole	ACSR	30/7	336.4		
Chickadee	ACSR	18/1	397.5		
Brant	ACSR	24/7	397.5		
Ibis	ACSR	26/7	397.5	2050 ACSS	12.99" [330]
Oriole	ACSS	30/7	336.4		
Lark	ACSR	30/7	397.5	2051	13.39" [340]
Hawk	ACSR	26/7	477	2052	13.78" [350]
Dove	ACSR	26/7	556.5		
Customer Specific	ACSR	26/7	585	2053	14.76" [375]
Rook	ACSR	24/7	636		
Flamingo	ACSR	24/7	666.6		
Stilt	ACSR	24/7	715.5		
Crow	ACSR	54/7	715.5	2054	14.76" [375]
Gannet	ACSR	26/7	666.6		
Grosbeak	ACSR	26/7	636		
Type 16 [Crowsnest]	ACSR/SD	—	636	2055	15.55" [395]
Customer Specific	ACSR	42/7	971.6	2056	15.16" [385]
Starling	ACSR	26/7	715.5		
Cuckoo	ACSR	24/7	795		
Condor	ACSR	54/7	795		
Crane	ACSR	54/7	874.5	2057	15.16" [385]
Type 13	ACSR/SD	20/7	795		
Drake	ACSR	26/7	795		
Drake	ACSS	26/7	795		
Cardinal	ACSS/TW	54/7	954	2058	15.55" [395]
Type 16	ACSR/SD	22/7	795		
Mallard	ACSR	30/19	795	2059	15.55" [395]
Ruddy	ACSR	45/7	900		
Rail	ACSR	45/7	954	2060	15.55" [395]
Canary	ACSR	54/7	900		
Canary	ACSS	54/7	900		
Cardinal	ACSR/SD	T.13	954		
Cardinal	ACSR	54/7	954	2061	16.34" [415]
Curlew	ACSR	54/7	1033.5		
Moose	ACSR	54/7	500 mm	2062	16.34" [415]
Ortolan	ACSR	45/7	1033.5		
Bluejay	ACSR	54/7	1113	2063	17.13" [435]
Finch	ACSR	54/19	1113		
Grackle	ACSR	54/19	1192.5	2064	17.13" [435]
Customer Specific	ACSR/TW	56/19	1443.7		
Bunting	ACSR	45/7	1192.5	2065	17.13" [435]
Bittern	ACSR	45/7	1272		
Potomac/TW	ACSR/TW	36/7	1557.4		

**TYPE IMPLO™**

**Dead End Joints**  
(Continued)

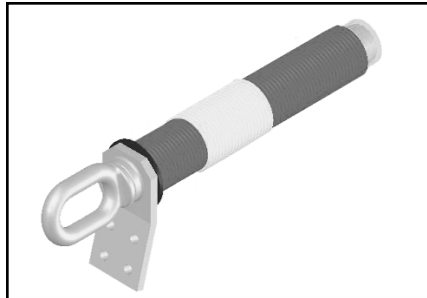


Conductor				Catalog Number	Length (Inches) [mm]
Code	Type	Strand	kcmil		
Pheasant	ACSR	54/19	1272	2066	17.52"
Martin	ACSR	54/19	1351.5		[445]
Dipper	ACSR	45/7	1351.5	2067	17.52"
Bobolink	ACSR	45/7	1431		[445]
Plover	ACSR	54/19	1431	2070	17.91"
Parrot	ACSR	54/19	1510.5		[455]
Customer Specific	AACSR	26/7	811.5	2071	15.55" [395]
Nuthatch	ACSR	45/7	1510.5	2072	17.91"
Lapwing	ACSR	45/7	1590		[455]
Type 7 (Keephill)	ACSR/SD	41/7	1590		
Falcon	ACSR	54/19	1590	2073	18.31" [465]
Chukar	ACSR	84/19	1780	2074	19.88" [505]
Bluebird	ACSR	84/19	2156	2075	19.49" [495]
Kiwi	ACSR	72/7	2167	2076	19.49" [495]
Nelson	ACSR	72/7	1843.3	2077	18.90"
Customer Specific	ACSR	72/7	2032.1		[480]
Mockingbird	ACSR	72/7	2034.5		
Customer Specific	ACSR	72/7	1843.2		
Seahawk	ACSR	68/7	1869	2079	18.90"
Toutle/TW	ACSR/TW	17/7	795		[480]
Customer Specific	ACSR	48/7	623.8	2080	13.79" [350]
Thrasher	ACSR	76/19	2312	2083	20.88" [510]
Skylark	ACSR	36/1	1272	2084	17.13" [435]
Meadowsweet	ASC	37	600	2085	13.78"
Orchid	ASC	37	636		[350]
Violet	ASC	37	715.5		
Nasturtium	ASC	61	715.5		
Arbutus	ASC/TW	17	795		
Baker	ASC/TW	34	795		
Bluebell	ASC	37	1033.5		
Larkspur	ASC	61	1033.5	2086	15.55" [395]
Marigold	ASC	61	1113	2089	17.13"
Customer Specific	ACSR	42/7	1277.5		[435]
Type 5 (Scissortail)	SDC	34/7	1272		
Deschutes/TW	ACSR/TW	35/7	1519	2090	14.76" [375]
Mica - Mica	ACSR	24/7 - 26/7E	666.9-648.2		
Hawthorn	ASC	61	1192.5	2093	16.34"
Narcissus	ASC	61	1272		[415]
Hornbill	ACSR	48/7	1590	2094	17.91"
Athabasca/TW	ACSR/TW	42/7	1780		[455]
Chukar/TW	ACSR/TW	52/19	1780		
Tern	ACSR	45/7	795	2095	15.16" [385]
Type 6.4	SDC	17/7	477	2097	13.39" [340]
Emu	ACSR	108/37	3364	2100	
Coot	ACSR	36/1	795	2103	14.76" [375]
Pelican	ACSR	18/1	477	2112	13.39"
Osprey	ACSR	18/1	556.5		[340]



**TYPE IMPLO™**

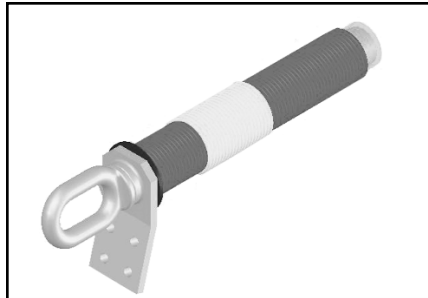
**Dead End Joints**  
(Continued)



Code	Conductor			Catalog Number	Length (Inches) [mm]
	Type	Strand	kcmil		
Flicker	ACSR	24/7	477	2113	13.39"
Parakeet	ACSR/TW	18/7	556.5		[340]
Hen	ACSR	30/7	477	2114	13.78"
Heron	ACSR	30/7	500		[350]
Peacock	ACSR	24/7	605	2117	13.78" [350]
Duck	ACSR	54/7	605		
Goose	ACSR	54/7	636		
Customer Specific	ACSR	54/7	605		
Parakeet	ACSR	18/7	556.5	2118	13.78" [350]
Eagle	ACSR	30/7	556.5		
Squab	ACSR	26/7	605	2120	14.76" [375]
Wood Duck	ACSR	30/7	605	2121	14.76" [375]
Teal	ACSR	30/19	605		
Scoter	ACSR	30/7	636		
Egret	ACSR	30/19	636		
Kingbird	ACSR	18/1	636	2123	13.78" [350]
Swift	ACSR	36/1	636		
Customer Specific	ACSR	18/1-18/7	583.2		
Rogue/TW	ACSR/TW	17/7	954	2124	15.16" [385]
Type 7	SDC	21/7	954		
Kettle	ACSR/TW	21/7	954		
Redwing	ACSR	30/19	715.5	2131	15.16" [385]
Grand Rapids	ACSR	22/7	685.4	2133	14.76" [375]
Type 5	SDC	17/7	795		
Macaw	ACSR	42/7	795		
Catbird	ACSR	36/1	954	2138	15.16" [385]
Phoenix	ACSR	42/7	954	2139	15.55" [395]
Towhee	ACSR	48/7	954	2140	15.16" [385]
Snowbird	ACSR	42/7	1033.5	2141	16.34" [415]
4/0	ACSR	6/1	211.6	2142	12.20" [310]
Penguin	ACSR	6/1	211.6		
Ostrich	ACSR	26/7	300	2143	12.60" [320]
Merlin	AACSR	18/1	336.4		
Partridge	ACSR	26/7	266.8	2144	12.60" [320]
Owl	ACSR	6/7	266.8		
Customer Specific	ACSR	22/7	490	2145	13.39" [340]
Road Runner	ACSR	76/19	2057	2146	19.88" [505]
Dotterel	ACSR	12/7	177 mm	2147	12.20" [310]
Canna	ASC	19	397.5	2149	12.99" [330]
Cosmos	ASC	19	477		
Neon	AAC	19	210 mm sq.		
Syringa	ASC	37	477		
Zinnia	ASC	19	500	2150	13.39" [340]
Hyacinth	ASC	37	500		
Dahlia	ASC	19	556.5		
Mistletoe	ASC	37	556.5		

**TYPE IMPLO™**

**Dead End Joints**  
(Continued)

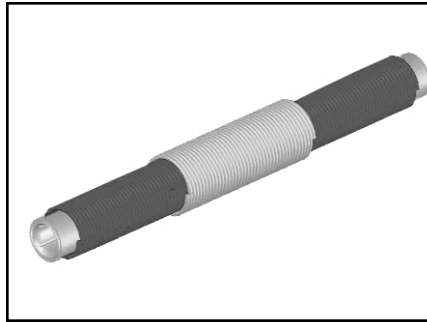


Code	Conductor			Catalog Number	Length (Inches) [mm]
	Type	Strand	kcmil		
Arbutus	AAC	37	795	2157	14.76" [375]
Phosphorus	AAAC	37	807		
Lilac	AAC	61	795		
Anemone	ASC	37	874.5	2158	15.16" [385]
Crocus	ASC	61	874.5		
Magnolia	ASC	37	954		
Golden Rod	ASC	61	954		
Greeley	AAAC	37	927.2	2165	17.13" [435]
Hood	ASC/TW	34	1589		
Sulphur	AASC	61	647 mm sq.		
Columbine	ASC	61	1351.5	2166	17.52" [445]
Carnation	AAAC	61	1431		
Gladiolus	ASC	61	1510.5		
Coreopsis	ASC	61	1590	2167	17.91" [455]
Moa	ACSR	76/7	1590		
Jessamine	ASC	61	1750	2169	17.91" [455]
Cowslip	ASC	91	2000	2170	19.88" [505]
Jefferson/TW	AAC/TW	52	2406		
Sagebrush	ASC	91	2250	2171	19.49" [495]
Customer Specific	ASC	91	2303		
Bitterroot	ASC	91	2750	2173	20.88" [510]
Tulip	ASC	19	336.4	2174	12.60" [320]
Daffodil	ASC	19	350		
Laurel	ASC	19	266.8	2179	12.20" [310]
Customer Specific	ASC	91	3000	2182	20.88" [510]
3640 kcmil	ASC	91	3640	2183	21.85" [555]
3500 kcmil	ASC	91	3500		
Sansum	ACSR	72/37	1273.5	2190	17.91" [455]
Customer Specific	ACSR	26/7	932.7	2192	16.34" [415]
Customer Specific	ACSR	28/19	1307.4	2300	21.73" [552]
Customer Specific	ACSR	69/19	1924	2301	24.02" [610]

**TYPE IMPLO™**

**Full Tension Joints**

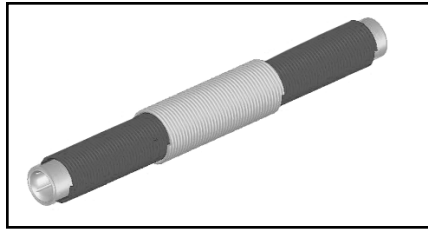
IMPLO™ Full Tension Joints accommodate a wide range of ACSR, ACSS, ACSS/TW, ASC, and ASC/TW conductors; and provide a consistent, smooth, high quality installation every time . . . with no tools or dies.



Conductor				Catalog Number	Length (Inches) [mm]		
Code	Type	Strand	kcmil				
Linnet	ACSR	26/7	336.4	<b>1050</b>	18.90" [480]		
Oriole	ACSR	30/7	336.4				
Chickadee	ACSR	18/1	397.5				
Brant	ACSR	24/7	397.5				
Ibis	ACSR	26/7	397.5				
Oriole	ACSS	30/7	336.4	<b>1050 ACSS</b>	18.90" [480]		
Lark	ACSR	30/7	397.5	<b>1051</b>	19.30" [500]		
Hawk	ACSR	26/7	477	<b>1052</b>	20.47" [520]		
Dove	ACSR	26/7	556.5				
Customer Specific	ACSR	26/7	585	<b>1053</b>	21.26" [540]		
Rook	ACSR	24/7	636				
Flamingo	ACSR	24/7	666.6				
Stilt	ACSR	24/7	715.5				
Crow	ACSR	54/7	715.5				
Gannet	ACSR	26/7	666.6				
Grosbeak	ACSR	26/7	636				
Type 16 (Crowsnest)	ACSR/SD	—	636				
Customer Specific	ACSR	42/7	971.6			<b>1055</b>	22.83" [580]
Starling	ACSR	26/7	715.5			<b>1056</b>	22.83" [580]
Cuckoo	ACSR	24/7	795				
Condor	ACSR	54/7	795				
Crane	ACSR	54/7	874.5				
Type 13	ACSR/SD	20/7	795				
Drake	ACSR	26/7	795	<b>1057</b>	22.83" [580]		
Drake	ACSS	26/7	795				
Cardinal	ACSS/TW	54/7	954				
Type 16	ACSR/SD	22/7	795				
Mallard	ACSR	30/19	795	<b>1058</b>	22.83" [580]		
Ruddy	ACSR	45/7	900	<b>1059</b>	22.83" [580]		
Rail	ACSR	45/7	954				
Canary	ACSR	54/7	900	<b>1060</b>	22.83" [580]		
Canary	ACSS	54/7	900				
Cardinal	ACSR/SD	T.13	954				
Cardinal	ACSR	54/7	954				
Curlew	ACSR	54/7	1033.5	<b>1061</b>	24.41" [620]		
Moose	ACSR	54/7	500 mm				
Ortolan	ACSR	45/7	1033.5	<b>1062</b>	24.41" [620]		
Bluejay	ACSR	54/7	1113				
Finch	ACSR	54/19	1113	<b>1063</b>	25.98" [660]		
Grackle	ACSR	54/19	1192.5	<b>1064</b>	25.98" [660]		
Customer Specific	ACSR/TW	56/19	1443.7				
Bunting	ACSR	45/7	1192.5	<b>1065</b>	25.98" [660]		
Bittern	ACSR	45/7	1272				
Potomac/TW	ACSR/TW	36/7	1557.4				

**TYPE IMPLO™**

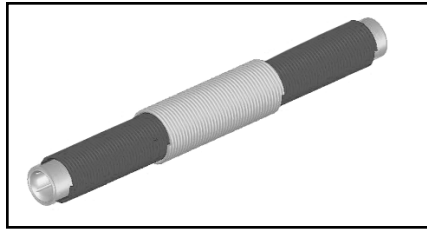
**Full Tension Joints**  
(Continued)



Conductor				Catalog Number	Length (Inches) [mm]
Code	Type	Strand	kcmil		
Pheasant	ACSR	54/19	1272	1066	26.77"
Martin	ACSR	54/19	1351.5		[680]
Dipper	ACSR	45/7	1351.5	1067	26.77"
Bobolink	ACSR	45/7	1431		[680]
Plover	ACSR	54/19	1431	1070	27.56"
Parrot	ACSR	54/19	1510.5		[700]
Customer Specific	AACSR	26/7	811.5	1071	22.83" [580]
Nuthatch	ACSR	45/7	1510.5	1072	27.56"
Lapwing	ACSR	45/7	1590		[700]
Type 7 (Keephill)	ACSR/SD	41/7	1590		
Falcon	ACSR	54/19	1590	1073	28.35" [720]
Chukar	ACSR	84/19	1780	1074	31.50" [800]
Bluebird	ACSR	84/19	2156	1075	30.71" [780]
Kiwi	ACSR	72/7	2167	1076	30.71" [780]
Nelson	ACSR	72/7	1843.3	1077	29.53"
Customer Specific	ACSR	72/7	2032.1		[750]
Mockingbird	ACSR	72/7	2034.5		
Customer Specific	ACSR	72/7	1843.2		
Seahawk	ACSR	68/7	1869	1079	29.53" [750]
Toutle/TW	ACSR/TW	17/7	795	1080	20.47"
Customer Specific	ACSR	48/7	623.8		[520]
Thrasher	ACSR	76/19	2312	1083	31.89" [810]
Skylark	ACSR	36/1	1272	1084	25.98" [660]
Meadowsweet	ASC	37	600	1085	20.47"
Orchid	ASC	37	636		[520]
Violet	ASC	37	715.5		
Nasturtium	ASC	61	715.5		
Arbutus	ASC/TW	17	795		
Baker	ASC/TW	34	795		
Bluebell	ASC	37	1033.5		
Larkspur	ASC	61	1033.5	1086	22.83"
Marigold	ASC	61	1113		[580]
Customer Specific	ACSR	42/7	1277.5		
Type 5 (Scissortail)	SDC	34/7	1272	1089	25.98"
Deschutes/TW	ACSR/TW	35/7	1519		[660]
Mica - Mica	ACSR	24/7 - 26/7E	666.9-648.2	1090	21.26" [540]
Hawthorn	ASC	61	1192.5	1093	24.41"
Narcissus	ASC	61	1272		[620]
Hornbill	ACSR	48/7	1590	1094	27.56"
Athabasca/TW	ACSR/TW	42/7	1780		[700]
Chukar/TW	ACSR/TW	52/19	1780		
Tern	ACSR	45/7	795	1095	22.83" [580]
Type 6.4	SDC	17/7	477	1097	19.30" [500]
Emu	ACSR	108/37	3364	1100	51.26" [1302]
Coot	ACSR	36/1	795	1103	21.26" [540]
Pelican	ACSR	18/1	477	1112	19.30"
Osprey	ACSR	18/1	556.5		[500]
Flicker	ACSR	24/7	477	1113	19.30"
Parakeet	ACSR/TW	18/7	556.5		[500]
Hen	ACSR	30/7	477	1114	20.47"
Heron	ACSR	30/7	500		[520]

**TYPE IMPLO™**

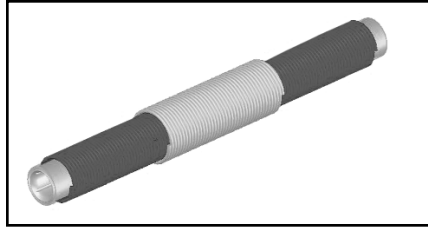
**Full Tension Joints**  
(Continued)



Conductor				Catalog Number	Length (Inches) [mm]
Code	Type	Strand	kcmil		
Peacock	ACSR	24/7	605	1117	20.47" [520]
Duck	ACSR	54/7	605		
Goose	ACSR	54/7	636		
Customer Specific	ACSR	54/7	605		
Parakeet	ACSR	18/7	556.5	1118	20.47" [520]
Eagle	ACSR	30/7	556.5	1120	21.26" [540]
Squab	ACSR	26/7	605	1121	21.26" [540]
Wood Duck	ACSR	30/7	605		
Teal	ACSR	30/19	605		
Scoter	ACSR	30/7	636		
Egret	ACSR	30/19	636	1123	20.47" [520]
Kingbird	ACSR	18/1	636		
Swift	ACSR	36/1	636		
Customer Specific	ACSR	18/1-18/7	583.2		
Rogue/TW	ACSR/TW	17/7	954	1124	22.83" [580]
Type 7	SDC	21/7	954		
Kettle	ACSR/TW	21/7	954		
Redwing	ACSR	30/19	715.5	1131	22.83" [580]
Grand Rapids	ACSR	22/7	685.4	1133	21.26" [540]
Type 5	SDC	17/7	795		
Macaw	ACSR	42/7	795		
Catbird	ACSR	36/1	954	1138	22.83" [580]
Phoenix	ACSR	42/7	954	1139	22.83" [580]
Towhee	ACSR	48/7	954	1140	22.83" [580]
Snowbird	ACSR	42/7	1033.5	1141	24.41" [620]
4/O	ACSR	6/1	211.6	1142	17.32" [440]
Penguin	ACSR	6/1	211.6		
Ostrich	ACSR	26/7	300	1143	18.11" [460]
Merlin	AACSR	18/1	336.4		
Partridge	ACSR	26/7	266.8		
Owl	ACSR	6/7	266.8	1144	18.11" [460]
Customer Specific	ACSR	22/7	495	1145	19.30" [500]
Road Runner	ACSR	76/19	2057	1146	31.50" [800]
Dotterel	ACSR	12/7	177 mm	1147	17.32" [440]
Canna	ASC	19	397.5	1149	18.90" [480]
Cosmos	ASC	19	477		
Neon	AAC	19	210 mm sq.		
Syringa	ASC	37	477		
Zinnia	ASC	19	500	1150	19.30" [500]
Hyacinth	ASC	37	500		
Dahlia	ASC	19	556.5		
Mistletoe	ASC	37	556.5	1157	21.26" [540]
Arbutus	AAC	37	795		
Phosphorus	AAAC	37	807		
Lilac	AAC	61	795	1158	22.83" [580]
Anemone	ASC	37	874.5		
Crocus	ASC	61	874.5		
Magnolia	ASC	37	954		
Golden Rod	ASC	61	954		
Greeley	AAAC	37	927.2		

**TYPE IMPLO™**

**Full Tension Joints**  
(Continued)

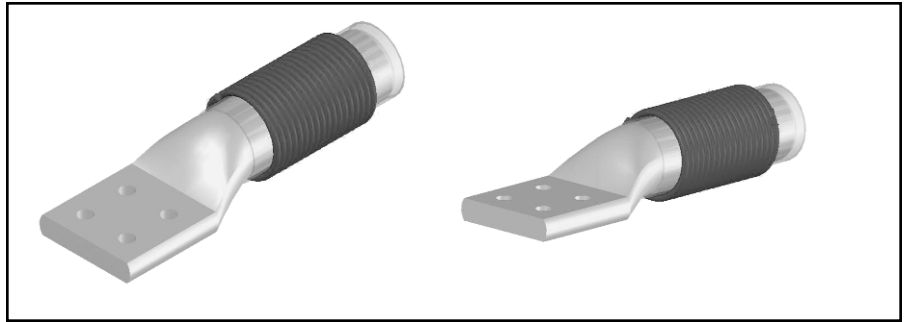


Conductor				Catalog Number	Length (Inches) [mm]
Code	Type	Strand	kcmil		
Hood	ASC/TW	34	1589	1165	25.98" [660]
Sulphur	AASC	61	647 mm sq.		
Columbine	ASC	61	1351.5		
Carnation	AAAC	61	1431	1166	26.77" [680]
Gladiolus	ASC	61	1510.5		
Coreopsis	ASC	61	1590		
Moa	ACSR	76/7	1590	1167	27.56" [700]
Jessamine	ASC	61	1750	1169	27.56" [700]
Cowslip	ASC	91	2000	1170	31.50" [800]
Jefferson/TW	AAC/TW	52	2406		
Sagebrush	ASC	91	2250	1171	30.71" [780]
Customer Specific	ASC	91	2303		
Bitterroot	ASC	91	2750	1173	31.89" [810]
Tulip	ASC	19	336.4	1174	18.11" [460]
Daffodil	ASC	19	350		
Laurel	ASC	19	266.8	1179	17.32" [440]
Customer Specific	ASC	91	3000	1182	30.71" [780]
Customer Specific	ASC	91	3640	1183	34.25" [870]
Customer Specific	ASC	91	3500		
Sansum	ACSR	72/37	1273.5	1190	27.56" [700]
Customer Specific	ACSR	26/7	932.7	1192	24.41" [620]
Customer Specific	ACSR	28/19	1307.4	1300	9.45" [240]
Customer Specific	ACSR	69/19	1924	1301	37.40" [950]

**TYPE IMPLO™**

**Jumper Terminals**

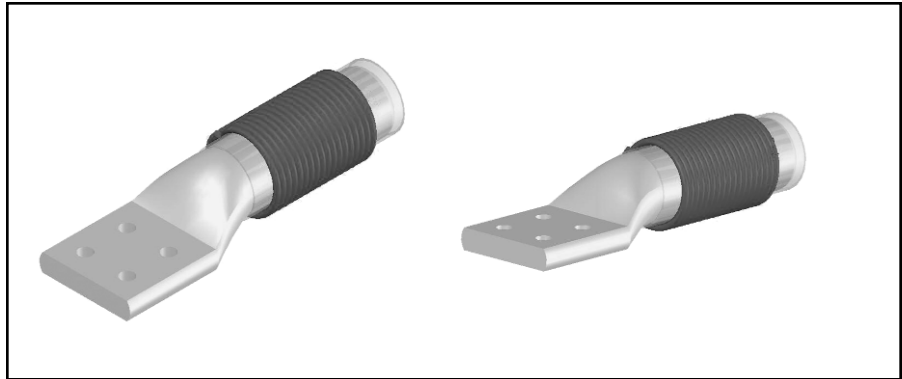
IMPLO™ Jumper Terminals accommodate a wide range of ACSR, ACSS, ACSS/TW, ASC, and ASC/TW conductors; and provide a consistent, smooth, high quality installation every time . . . with no tools or dies, 15 degree tap pad standard.



Conductor				Catalog Number	Length (Inches) [mm]
Code	Type	Strand	kcmil		
Linnet	ACSR	26/7	336.4	3050	3.74" [95]
Oriole	ACSR	30/7	336.4		
Chickadee	ACSR	18/1	397.5		
Brant	ACSR	24/7	397.5		
Ibis	ACSR	26/7	397.5		
Oriole	ACSS	30/7	336.4	3050 ACSS	3.75" [95]
Lark	ACSR	30/7	397.5	3051	3.75" [95]
Hawk	ACSR	26/7	477		
Dove	ACSR	26/7	556.5	3052	4.72" [120]
Customer Specific	ACSR	26/7	585		
Rook	ACSR	24/7	636	3053	5.31" [135]
Flamingo	ACSR	24/7	666.6		
Stilt	ACSR	24/7	715.5		
Crow	ACSR	54/7	715.5		
Gannet	ACSR	26/7	666.6		
Grosbeak	ACSR	26/7	636	3054	5.31" [135]
Type 16 (Crowsnest)	ACSR/SD	—	636		
Customer Specific	ACSR	42/7	971.6	3055	5.71" [145]
Starling	ACSR	26/7	715.5		
Cuckoo	ACSR	24/7	795	3056	5.31" [135]
Condor	ACSR	54/7	795		
Crane	ACSR	54/7	874.5		
Type 13	ACSR/SD	20/7	795		
Drake	ACSR	26/7	795		
Drake	ACSS	26/7	795	3057	5.31" [135]
Cardinal	ACSS/TW	54/7	954		
Type 16	ACSR/SD	22/7	795	3058	5.71" [145]
Mallard	ACSR	30/19	795		
Ruddy	ACSR	45/7	900	3059	5.71" [145]
Rail	ACSR	45/7	954		
Canary	ACSR	54/7	900	3060	5.71" [145]
Canary	ACSS	54/7	900		
Cardinal	ACSR/SD	T.13	954		
Cardinal	ACSR	54/7	954		
Curlew	ACSR	54/7	1033.5		
Moose	ACSR	54/7	500 mm	3061	5.71" [145]
Ortolan	ACSR	45/7	1033.5		
Bluejay	ACSR	54/7	1113	3062	5.71" [145]
Finch	ACSR	54/19	1113		
Grackle	ACSR	54/19	1192.5	3063	6.10" [155]
Customer Specific	ACSR/TW	56/19	1443.7		
Bunting	ACSR	45/7	1192.5	3064	6.10" [155]
Bittern	ACSR	45/7	1272		
Potomac/TW	ACSR/TW	36/7	1557.4		

**TYPE IMPLO™**

**Jumper Terminals**  
(Continued)

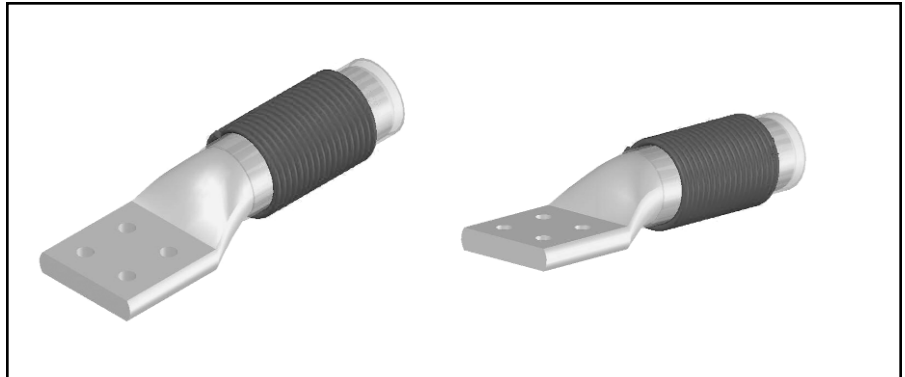


Code	Conductor			Catalog Number	Length (Inches) [mm]
	Type	Strand	kcmil		
Pheasant	ACSR	54/19	1272	3066	6.50"
Martin	ACSR	54/19	1351.5		[165]
Dipper	ACSR	45/7	1351.5	3067	6.50"
Bobolink	ACSR	45/7	1431		[165]
Plover	ACSR	54/19	1431	3070	7.48"
Parrot	ACSR	54/19	1510.5		[190]
Customer Specific	AACSR	26/7	811.5	3071	5.71" [145]
Nuthatch	ACSR	45/7	1510.5	3072	7.48" [190]
Lapwing	ACSR	45/7	1590		
Type 7 (Keephill)	ACSR/SD	41/7	1590		
Falcon	ACSR	54/19	1590	3073	7.87" [200]
Chukar	ACSR	84/19	1780	3074	7.68" [195]
Bluebird	ACSR	84/19	2156	3075	7.68" [195]
Kiwi	ACSR	72/7	2167	3076	7.68" [195]
Nelson	ACSR	72/7	1843.3	3077	7.68" [195]
Customer Specific	ACSR	72/7	2032.1		
Mockingbird	ACSR	72/7	2034.5		
Customer Specific	ACSR	72/7	1843.2		
Seahawk	ACSR	68/7	1869	3079	7.68" [195]
Toutle/TW	ACSR/TW	17/7	795	3080	4.72" [120]
Customer Specific	ACSR	48/7	623.8		
Thrasher	ACSR	76/19	2312	3083	9.45" [240]
Skylark	ACSR	36/1	1272	3084	6.10" [155]
Meadowsweet	ASC	37	600	3085	4.72" [120]
Orchid	ASC	37	636		
Violet	ASC	37	715.5		
Nasturtium	ASC	61	715.5		
Arbutus	ASC/TW	17	795		
Baker	ASC/TW	34	795		
Bluebell	ASC	37	1033.5	3086	5.71" [145]
Larkspur	ASC	61	1033.5		
Marigold	ASC	61	1113		
Customer Specific	ACSR	42/7	1277.5	3089	6.10" [155]
Type 5 (Scissortail)	SDC	34/7	1272		
Deschutes/TW	ACSR/TW	35/7	1519		
Mica - Mica	ACSR	24/7 - 26/7E	666.9-648.2	3090	5.31" [135]
Hawthorn	ASC	61	1192.5	3093	5.71" [145]
Narcissus	ASC	61	1272		
Hornbill	ACSR	48/7	1590	3094	7.48" [190]
Athabasca/TW	ACSR/TW	42/7	1780		
Chukar/TW	ACSR/TW	52/19	1780		
Tern	ACSR	45/7	795	3095	5.31" [135]
Type 6.4	SDC	17/7	477	3097	3.74" [95]



**TYPE IMPLO™**

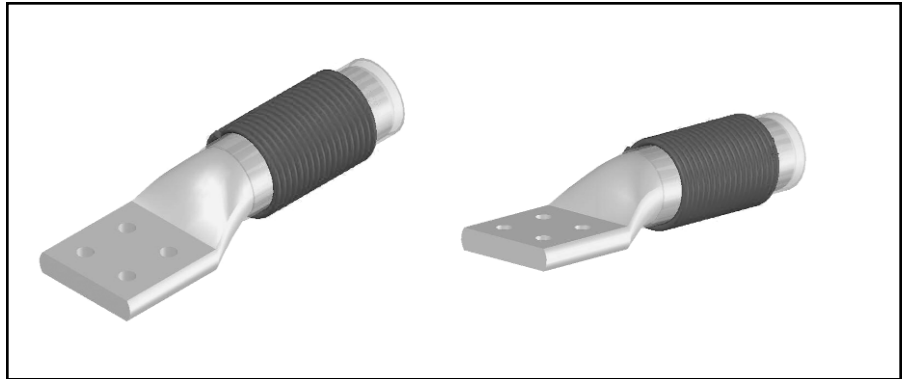
**Jumper Terminals**  
(Continued)



Code	Conductor			Catalog Number	Length (Inches) [mm]
	Type	Strand	kcmil		
Coot	ACSR	36/1	795	3103	5.31" [135]
Pelican	ACSR	18/1	477	3112	3.74"
Osprey	ACSR	18/1	556.5		[95]
Flicker	ACSR	24/7	477	3113	3.74"
Parakeet	ACSR/TW	18/7	556.5		[95]
Hen	ACSR	30/7	477	3114	4.72"
Heron	ACSR	30/7	500		[120]
Peacock	ACSR	24/7	605	3117	4.72" [120]
Duck	ACSR	54/7	605		
Goose	ACSR	54/7	636		
Customer Specific	ACSR	54/7	605		
Parakeet	ACSR	18/7	556.5		
Eagle	ACSR	30/7	556.5	3118	4.72" [120]
Squab	ACSR	26/7	605	3120	5.31" [135]
Wood Duck	ACSR	30/7	605	3121	5.31" [135]
Teal	ACSR	30/19	605		
Scoter	ACSR	30/7	636		
Egret	ACSR	30/19	636		
Kingbird	ACSR	18/1	636	3123	4.72" [120]
Swift	ACSR	36/1	636		
Customer Specific	ACSR	18/1-18/7	583.2		
Rogue/TW	ACSR/TW	17/7	954	3124	5.31" [135]
Type 7	SDC	21/7	954		
Kettle	ACSR/TW	21/7	954		
Redwing	ACSR	30/19	715.5	3131	5.39" [137]
Grand Rapids	ACSR	22/7	685.4	3133	5.31" [135]
Type 5	SDC	17/7	795		
Macaw	ACSR	42/7	795		
Catbird	ACSR	36/1	954		
Phoenix	ACSR	42/7	954	3138	5.31" [135]
Towhee	ACSR	48/7	954	3139	5.71" [145]
Snowbird	ACSR	42/7	1033.5	3140	5.31" [135]
4/0	ACSR	6/1	211.6	3141	5.71" [145]
Penguin	ACSR	6/1	211.6		
Ostrich	ACSR	26/7	300	3142	3.54" [90]
Merlin	AACSR	18/1	336.4		
Partridge	ACSR	26/7	266.8	3143	3.54" [90]
Owl	ACSR	6/7	266.8		
Customer Specific	ACSR	22/7	490	3144	3.54" [90]
Road Runner	ACSR	76/19	2057	3145	3.74" [95]
Dotterel	ACSR	12/7	177 mm	3146	7.68" [195]
				3147	3.54" [90]

**TYPE IMPLO™**

**Jumper Terminals**  
(Continued)

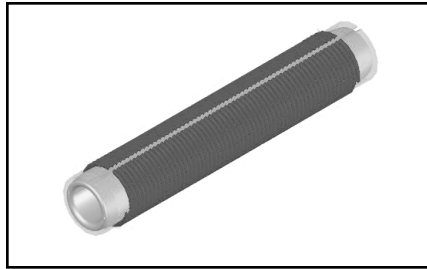


Code	Conductor			Catalog Number	Length (Inches) [mm]
	Type	Strand	kcmil		
Canna	ASC	19	397.5	3149	3.74" [95]
Cosmos	ASC	19	477		
Neon	AAC	19	210 mm sq.		
Syringa	ASC	37	477		
Zinnia	ASC	19	500	3150	3.74" [95]
Hyacinth	ASC	37	500		
Dahlia	ASC	19	556.5		
Mistletoe	ASC	37	556.5		
Arbutus	AAC	37	795	3157	5.31" [135]
Phosphorus	AAAC	37	807		
Lilac	AAC	61	795		
Anemone	ASC	37	874.5	3158	5.31" [135]
Crocus	ASC	61	874.5		
Magnolia	ASC	37	954		
Golden Rod	ASC	61	954		
Greeley	AAAC	37	927.2	3165	6.10" [155]
Hood	ASC/TW	34	1589		
Sulphur	AASC	61	647 mm sq.		
Columbine	ASC	61	1351.5	3166	6.50" [165]
Carnation	AAAC	61	1431		
Gladiolus	ASC	61	1510.5		
Coreopsis	ASC	61	1590		
Moa	ACSR	76/7	1590	3167	7.48" [190]
Jessamine	ASC	61	1750	3169	7.48" [190]
Cowslip	ASC	91	2000	3170	7.68" [195]
Jefferson/TW	AAC/TW	52	2406		
Sagebrush	ASC	91	2250	3171	7.68" [195]
Customer Specific	ASC	91	2303		
Bitterroot	ASC	91	2750	3173	9.45" [240]
Tulip	ASC	19	336.4	3174	3.54" [90]
Daffodil	ASC	19	350		
Laurel	ASC	19	266.8	3179	3.54" [90]
Customer Specific	ASC	91	3000	3182	9.45" [240]
Customer Specific	ASC	91	3640		
Customer Specific	ASC	91	3500	3183	12.60" [320]
Sansum	ACSR	72/37	1273.5	3190	7.48" [190]
Customer Specific	ACSR	26/7	932.7	3192	5.71" [145]
Customer Specific	ACSR	28/19	1307.4	3300	
Customer Specific	ACSR	69/19	1924	3301	7.68" [195]

**TYPE IMPLO™**

**Repair Sleeve**

IMPLO™ Repair Sleeves accommodate a wide range of ACSR, ACSS, ACSS/TW, ASC, and ASC/TW conductors; and provide a consistent, smooth, high quality installation every time . . . with no tools or dies.



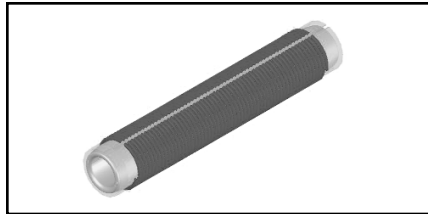
Conductor				Catalog Number	Length (Inches) [mm]
Code	Type	Strand	kcmil		
Linnet	ACSR	26/7	336.4	9050	15.98" [406]
Oriole	ACSR	30/7	336.4		
Chickadee	ACSR	18/1	397.5		
Brant	ACSR	24/7	397.5		
Ibis	ACSR	26/7	397.5		
Oriole	ACSS	30/7	336.4	9050 ACSS	15.98" [406]
Lark	ACSR	30/7	397.5	9051	15.98" [406]
Hawk	ACSR	26/7	477		
Dove	ACSR	26/7	556.5	9052	15.98" [406]
Customer Specific	ACSR	26/7	585		
Rook	ACSR	24/7	636	9053	15.98" [406]
Flamingo	ACSR	24/7	666.6		
Stilt	ACSR	24/7	715.5		
Crow	ACSR	54/7	715.5		
Gannet	ACSR	26/7	666.6		
Grosbeak	ACSR	26/7	636	9054	15.98" [406]
Type 16 (Crowsnest)	ACSR/SD	—	636		
Customer Specific	ACSR	42/7	971.6	9055	15.98" [406]
Starling	ACSR	26/7	715.5	9056	15.98" [406]
Cuckoo	ACSR	24/7	795		
Condor	ACSR	54/7	795		
Crane	ACSR	54/7	874.5		
Type 13	ACSR/SD	20/7	795		
Drake	ACSR	26/7	795	9057	15.98" [406]
Drake	ACSS	26/7	795		
Cardinal	ACSS/TW	54/7	954		
Type 16	ACSR/SD	22/7	795		
Mallard	ACSR	30/19	795		
Ruddy	ACSR	45/7	900	9058	15.98" [406]
Rail	ACSR	45/7	954		
Canary	ACSR	54/7	900	9059	15.98" [406]
Canary	ACSS	54/7	900		
Cardinal	ACSR/SD	T.13	954		
Cardinal	ACSR	54/7	954		
Curlew	ACSR	54/7	1033.5		
Moose	ACSR	54/7	500 mm	9060	51.98" [406]
Ortolan	ACSR	45/7	1033.5		
Bluejay	ACSR	54/7	1113	9061	15.98" [406]
Finch	ACSR	54/19	1113		
Grackle	ACSR	54/19	1192.5	9062	15.98" [406]
Customer Specific	ACSR/TW	56/19	1443.7		
Bunting	ACSR	45/7	1192.5	9063	15.98" [406]
Bittern	ACSR	45/7	1272		
Potomac/TW	ACSR/TW	36/7	1557.4		
Pheasant	ACSR	54/19	1272	9064	15.98" [406]
Martin	ACSR	54/19	1351.5		

**Note:** Repair Sleeves are generally supplied in one of 2 lengths: 406 mm and 460 mm, as appropriate.

Repair Sleeves for T-Taps can be supplied for any conductor requirement, as above. Dimensions may vary.

**TYPE IMPLO™**

**Repair Sleeve**  
(Continued)



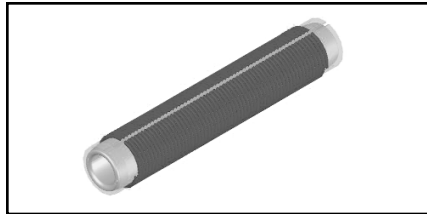
Conductor				Catalog Number	Length (Inches) [mm]
Code	Type	Strand	kcmil		
Dipper	ACSR	45/7	1351.5	9067	18.11"
Bobolink	ACSR	45/7	1431		[460]
Plover	ACSR	54/19	1431		18.11"
Parrot	ACSR	54/19	1510.5	9070	[460]
Customer Specific	AACSR	26/7	811.5		15.98" [406]
Nuthatch	ACSR	45/7	1510.5	9072	15.98"
Lapwing	ACSR	45/7	1590		[406]
Type 7 (Keephill)	ACSR/SD	41/7	1590		
Falcon	ACSR	54/19	1590		9073
Chukar	ACSR	84/19	1780	9074	15.98" [406]
Bluebird	ACSR	84/19	2156	9075	18.11" [460]
Kiwi	ACSR	72/7	2167	9076	18.11" [460]
Nelson	ACSR	72/7	1843.3	9077	15.98" [406]
Customer Specific	ACSR	72/7	2032.1		18.11" [460]
Mockingbird	ACSR	72/7	2034.5		18.11" [460]
Customer Specific	ACSR	72/7	1843.2		15.98" [406]
Seahawk	ACSR	68/7	1869		9079
Toutle/TW	ACSR/TW	17/7	795	9080	15.98"
Customer Specific	ACSR	48/7	623.8		[406]
Thrasher	ACSR	76/19	2312	9083	
Skylark	ACSR	36/1	1272	9084	15.98" [406]
Meadowsweet	ASC	37	600	9085	
Orchid	ASC	37	636		
Violet	ASC	37	715.5		15.98"
Nasturtium	ASC	61	715.5		[406]
Arbutus	ASC/TW	17	795		
Baker	ASC/TW	34	795		
Bluebell	ASC	37	1033.5		
Larkspur	ASC	61	1033.5	9086	15.98"
Marigold	ASC	61	1113	[406]	
Customer Specific	ACSR	42/7	1277.5	9089	15.98"
Type 5 (Scissortail)	SDC	34/7	1272		[406]
Deschutes/TW	ACSR/TW	35/7	1519		
Mica - Mica	ACSR	24/7 - 26/7E	666.9-648.2	9090	15.98" [406]
Hawthorn	ASC	61	1192.5	9093	15.98"
Narcissus	ASC	61	1272		[406]
Hornbill	ACSR	48/7	1590	9094	15.98"
Athabasca/TW	ACSR/TW	42/7	1780		[406]
Chukar/TW	ACSR/TW	52/19	1780		
Tern	ACSR	45/7	795	9095	15.98" [406]
Type 6.4	SDC	17/7	477	9097	15.98" [406]
Emu	ACSR	108/37	3364	9100	27.56" [700]
Coot	ACSR	36/1	795	9103	15.98" [406]
Pelican	ACSR	18/1	477	9112	15.98"
Osprey	ACSR	18/1	556.5		[406]
Flicker	ACSR	24/7	477	9113	15.98"
Parakeet	ACSR/TW	18/7	556.5		[406]
Hen	ACSR	30/7	477	9114	15.98"
Heron	ACSR	30/7	500		[406]

**Note:** Repair Sleeves are generally supplied in one of 2 lengths: 406 mm and 460 mm, as appropriate.

Repair Sleeves for T-Taps can be supplied for any conductor requirement, as above. Dimensions may vary.

**TYPE IMPLO™**

**Repair Sleeve**  
(Continued)



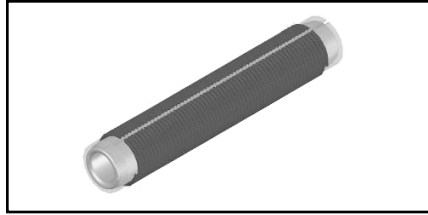
Conductor				Catalog Number	Length (Inches) [mm]
Code	Type	Strand	kcmil		
Peacock	ACSR	24/7	605	9117	15.98" [406]
Duck	ACSR	54/7	605		
Goose	ACSR	54/7	636		
Customer Specific	ACSR	54/7	605		
Parakeet	ACSR	18/7	556.5	9118	15.98" [406]
Eagle	ACSR	30/7	556.5	9120	15.98" [406]
Squab	ACSR	26/7	605	9121	15.98" [406]
Wood Duck	ACSR	30/7	605		
Teal	ACSR	30/19	605		
Scoter	ACSR	30/7	636		
Egret	ACSR	30/19	636	9123	15.98" [406]
Kingbird	ACSR	18/1	636		
Swift	ACSR	36/1	636		
Customer Specific	ACSR	18/1-18/7	583.2		
Rogue/TW	ACSR/TW	17/7	954	9124	15.98" [406]
Type 7	SDC	21/7	954		
Kettle	ACSR/TW	21/7	954		
Redwing	ACSR	30/19	715.5	9131	15.98" [406]
Grand Rapids	ACSR	22/7	685.4	9133	15.98" [406]
Type 5	SDC	17/7	795		
Macaw	ACSR	42/7	795		
Catbird	ACSR	36/1	954	9138	15.98" [406]
Phoenix	ACSR	42/7	954	9139	15.98" [406]
Towhee	ACSR	48/7	954	9140	15.98" [406]
Snowbird	ACSR	42/7	1033.5	9141	15.98" [406]
4/0	ACSR	6/1	211.6	9142	15.98" [406]
Penguin	ACSR	6/1	211.6		
Ostrich	ACSR	26/7	300	9143	15.98" [406]
Merlin	AACSR	18/1	336.4		
Partridge	ACSR	26/7	266.8		
Owl	ACSR	6/7	266.8	9144	15.98" [406]
Customer Specific	ACSR	22/7	490	9145	15.98" [406]
Road Runner	ACSR	76/19	2057	9146	15.98" [406]
Dotterel	ACSR	12/7	177 mm	9147	15.98" [406]
Canna	ASC	19	397.5	9149	15.98" [406]
Cosmos	ASC	19	477		
Neon	AAC	19	210 mm sq.		
Syringa	ASC	37	477		
Zinnia	ASC	19	500	9150	15.98" [406]
Hyacinth	ASC	37	500		
Dahlia	ASC	19	556.5		
Mistletoe	ASC	37	556.5	9157	15.98" [406]
Arbutus	AAC	37	795		
Phosphorus	AAAC	37	807		
Lilac	AAC	61	795		

**Note:** Repair Sleeves are generally supplied in one of 2 lengths: 406 mm and 460 mm, as appropriate.

Repair Sleeves for T-Taps can be supplied for any conductor requirement, as above. Dimensions may vary.

**TYPE IMPLO™**

**Repair Sleeve**  
(Continued)



Conductor				Catalog Number	Length (Inches) [mm]
Code	Type	Strand	kcmil		
Anemone	ASC	37	874.5	9158	15.98" [406]
Crocus	ASC	61	874.5		
Magnolia	ASC	37	954		
Golden Rod	ASC	61	954		
Greeley	AAAC	37	927.2		
Hood	ASC/TW	34	1589	9165	18.11" [460]
Sulphur	AASC	61	647 mm sq.		
Columbine	ASC	61	1351.5		
Carnation	AAAC	61	1431	9166	18.11" [460]
Gladiolus	ASC	61	1510.5		
Coreopsis	ASC	61	1590		
Moa	ACSR	76/7	1590	9167	15.98" [406]
Jessamine	ASC	61	1750	9169	15.98" [406]
Cowslip	ASC	91	2000	9170	15.98" [406]
Jefferson/TW	AAC/TW	52	2406		
Sagebrush	ASC	91	2250	9171	15.98" [406]
Customer Specific	ASC	91	2303		
Bitterroot	ASC	91	2750	9173	[460]
Tulip	ASC	19	336.4	9174	15.98" [406]
Daffodil	ASC	19	350		
Laurel	ASC	19	266.8	9179	15.98" [406]
Customer Specific	ASC	91	3000	9182	
Customer Specific	ASC	91	3640		
Customer Specific	ASC	91	3500	9183	18.11" [460]
Sansum	ACSR	72/37	1273.5		
Customer Specific	ACSR	26/7	932.7	9190	15.98" [406]
Customer Specific	ACSR	28/19	1307.4	9192	15.98" [406]
Customer Specific	ACSR	69/19	1924	9300	15.98" [406]
Customer Specific	ACSR			9301	15.98" [406]

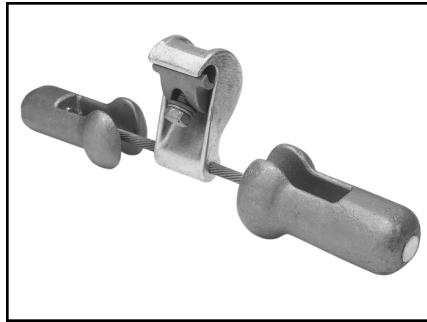
**Note:** Repair Sleeves are generally supplied in one of 2 lengths: 406 mm and 460 mm, as appropriate.

Repair Sleeves for T-Taps can be supplied for any conductor requirement, as above. Dimensions may vary.

**TYPE TDM-RG1**

**Stockbridge Damper**

The Stockbridge Damper is designed to enhance conductor life by lessening potential vibration-induced fatigue.



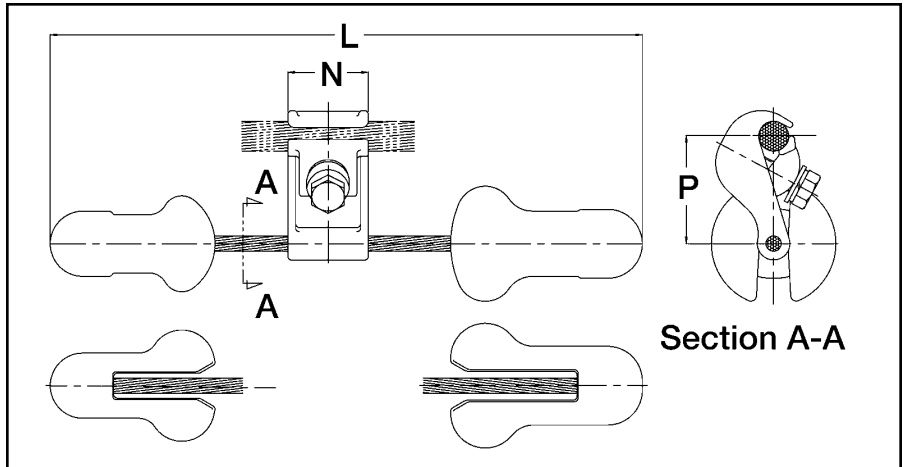
**Standards**

The Stockbridge Dampers meet the following standards:

- **IEC 61897** Overhead lines—Requirements and Test for Stockbridge Aeolian Vibration Dampers.
- **IEEE Std 664-1993** IEEE Guide for Laboratory Measurement of the Power Dissipation Characteristics of Aeolian Vibration Dampers for Single Conductors.

**Features and Benefits**

- Clamps designed around common conductor sizes
  - ◊ Ease of specification
- Single bolt design
  - ◊ Ease of installation
  - ◊ Single wrench installation
- Accurate components assembly represents greater energy dissipation
  - ◊ Provides extended life for overhead lines
- Messenger cable and weights have a corrosion resistant finish
  - ◊ Weight design eliminates water entrapment
  - ◊ Smooth surfaces and rounded edges to eliminate possible corona discharge



Conductors: ACSR, AAC, ACAR/Static Wires (Galvanized Steel, Alumoweld, Copperweld)							
Catalog Number	Clamp Diameter Range	N	P	L	Wrench Size	Tightening Torque	Weight
TDM99RG1	Ø 0.24" – Ø 0.61" (6 mm – 15.5 mm)	1.70" 43 mm	2.20" 56 mm	12.20" 310 mm	7/16" 11.17 mm	265 in.-lb. 3.0 daN.m	3.7 lb. (1.68 kg)
TDM177RG1	Ø 0.59" – Ø 0.79" (15 mm – 20 mm)	2.00" 51 mm	3.00" 76 mm	14.40" 365 mm	1/2" 12.70 mm	355 in.-lb. 4.0 daN.m	6.2 lb. (2.81 kg)
TDM177RG2	Ø 0.71" – Ø 1.18" (18 mm – 30 mm)	2.00" 51 mm	3.60" 91 mm	14.40" 365 mm	5/8" 16 mm	530 in.-lb. 6.0 daN.m	6.4 lb. (2.9 kg)
TDM210RG1	Ø 0.79" – Ø 1.11" (20 mm – 28.2 mm)	2.40" 60 mm	3.20" 81 mm	19.70" 500 mm	5/8" 16 mm	530 in.-lb. 6.0 daN.m	9.5 lb. (4.30 kg)
TDM210RG2	Ø 1.30" – Ø 1.50" (33 mm – 38.1 mm)	2.40" 60 mm	3.75" 95 mm	19.70" 500 mm	5/8" 16 mm	530 in.-lb. 6.0 daN.m	9.9 lb. (4.50 kg)
TDM246RG1	Ø 0.71" – Ø 1.18" (18 mm – 30 mm)	2.70" 68 mm	3.60" 91 mm	21.00" 534 mm	5/8" 16 mm	530 in.-lb. 6.0 daN.m	13.2 lb. (5.99 kg)
TDM330RG1	Ø 1.18" – Ø 1.26" (30 mm – 32 mm)	2.70" 68 mm	3.60" 91 mm	21.00" 535 mm	5/8" 16 mm	530 in.-lb. 6.0 daN.m	13.2 lb. (5.99 kg)
TDM393RG1	Ø 1.26" – Ø 1.54" (32 mm – 39 mm)	2.70" 68 mm	3.75" 95 mm	21.00" 534 mm	5/8" 16 mm	530 in.-lb. 6.0 daN.m	13.5 lb. (6.12 kg)
TDM430RG1	Ø 1.54" – Ø 1.85" (39 mm – 47 mm)	2.70" 68 mm	4.09" 104 mm	21.00" 534 mm	5/8" 16 mm	530 in.-lb. 6.0 daN.m	14.0 lb. (6.35 kg)

For installation point contact factory at numbers below.

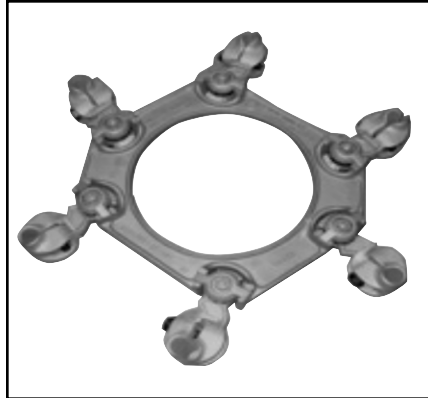
## TYPE S-D-R-SG

### Spacer Damper

Since the 1960's BURNDY® Spacer Dampers have been used on bundled conductor transmission lines around the world. Over 850,000 units have been installed on over 40,000 phase miles of conductor. Projects have included 2, 3, 4 and 6 bundle arrangements at voltage levels from 230 kV to 800 kV AC and up to +/-600 kV DC.

BURNDY® motion control products are engineered per customer requirements and industry standards. Our engineering team has the experience and technology to provide the proper motion control answers to your bundled conductor transmission line projects.

Our history of design, testing and field installation experience enables us to provide Spacer Damper products along with placement recommendations for optimum performance.



Conductors: ACSR, AAC, ACAR						
Catalog Number	Bundle Size	Conductor kcmil	Conductor Diameter	Spacing	Wrench Size	Tightening Torque
<b>S2D451R-SG1</b>	2	795	1.107" 28.1 mm	18" 457 mm	5/8" 16 mm	55 ft.-lb. 74.6 daN.m
<b>S3D451R-SG1</b>	3	795	1.107" 28.1 mm	18" 457 mm	5/8" 16 mm	55 ft.-lb. 74.6 daN.m
<b>S3D55R-SG1</b>	3	1590	1.54" 39 mm	18" 457 mm	5/8" 16 mm	55 ft.-lb. 74.6 daN.m
<b>S4D48R-SG1</b>	4	954	1.196" 30.4 mm	18" 457 mm	5/8" 16 mm	55 ft.-lb. 74.6 daN.m
<b>S6D441R-SG1</b>	6	957	1.06" 26.9 mm	30" Dia. 762 mm	5/8" 16 mm	55 ft.-lb. 74.6 daN.m

In most cases Spacer Dampers are custom designed for the specific transmission line requirements. Contact the factory for more information.  
For installation points per span contact factory.



**Information for Damping Study**

**Customer Contact:**

Customer Name \_\_\_\_\_  
 Telephone/Email \_\_\_\_\_  
 Project Name \_\_\_\_\_  
 Request Date \_\_\_\_\_  
 Project Start Date \_\_\_\_\_

**Stockbridge Damper**

**Spacer Damper**

**Conductor Information**

Line Voltage \_\_\_\_\_  
 Number of Phases \_\_\_\_\_  
 Number of Conductors per Phase \_\_\_\_\_  
 Total Circuit Miles \_\_\_\_\_

**Conductor Name/Size**

*(i.e., Drake 795 26/7)*

**Cable Name**      AAC      AAAC      ACSR      ACAR      ACCC      ACSS      Steel      Other      Trapezoidal  
                                               

**Armor Rod**      Length       Diameter       Type: AR \_\_\_\_\_      AGS \_\_\_\_\_

**Wind**

Laminar \_\_\_\_\_  
 With small turbulences \_\_\_\_\_  
 With turbulences \_\_\_\_\_  
 Prevailing wind direction relative to line \_\_\_\_\_  
 Wind (mph) \_\_\_\_\_

**Environment**

Flat country (deserts, lakes) \_\_\_\_\_  
 Valley with small vegetation \_\_\_\_\_  
 Trees & Mountains \_\_\_\_\_  
 Special conditions (river crossings, etc.) \_\_\_\_\_  
 Temperature (F):    Average       Minimum   
 Ice Condition — *specify loading zone:* \_\_\_\_\_  
 Ice (inches)

**Span**

Ruling Span (ft) \_\_\_\_\_  
 Maximum Span Length (ft) \_\_\_\_\_  
 Optional to list Spans: 600, 950, 450, etc. \_\_\_\_\_

**Tension**

Design Tension — lbs.

**Additional Comments:** \_\_\_\_\_  
 \_\_\_\_\_  
 \_\_\_\_\_

## TYPES PENETROX™ A, A-13, E AND HT

### Oxide-Inhibiting Joint Compounds

PENETROX™ oxide-inhibiting compounds produce low initial contact resistance, seal out air and moisture, prevent oxidation or corrosion, exhibit superior weathering characteristics, are usable over wide temperature ranges, and provide a high conductivity "gas-tight" joint. All PENETROX™ compounds contain homogeneously suspended metal particles. The suspended metal particles assist in penetrating thin oxide films, act as electrical "bridges" between conductor strands, aid in gripping the conductor, improve electrical conductivity and enhance the integrity of the connection.

The specially formulated PENETROX™ compounds are for use with compression and bolted connectors providing an improved service life for both copper and aluminum connections. Additionally, the non-toxic compounds are an excellent lubricant for threaded applications reducing galling and seizing.



#### PENACARTRIDGE

PENACARTRIDGE is a 1 lb. cartridge filled with PENETROX-A. It's designed to fit standard caulking guns for easy insertion into transmission and distribution connectors. Additionally, this packaging design provides a convenient method for applying PENETROX™ to many different applications.



#### PENETROX™ A-13

PENETROX™ A-13 is a synthetic base compound with evenly suspended zinc particles. It is recommended for aluminum to aluminum, aluminum to copper connection plus aluminum conduit threads. It is compatible with rubber, polyethylene and other insulating materials. UL Listed for all voltages.



#### PENETROX™ A

PENETROX A is a natural (petroleum) base compound with evenly suspended zinc particles. It is recommended for aluminum to aluminum, aluminum to copper connections and aluminum conduit threads. It is not recommended for use with rubber or polyethylene insulated conductors. UL Listed to 600 V.



#### PENETROX™ E

PENETROX™ E is a synthetic base compound with evenly suspended copper particles. It is recommended for copper to copper, copper threads and all grounding applications. UL Listed.



#### PENETROX™ HT

PENETROX™ HT is a synthetic silicone based compound with evenly suspended zinc particles and nickel-aluminum alloy particles. It is recommended for aluminum to aluminum connection. It is compatible with rubber. Designed for use with High Temperature ACSS and ACCC connectors. Not UL Listed.

# PENETROX A, A-13, E AND HT

## TECHNICAL INFORMATION

### PENETROX A

PENETROX A consists of a natural (petroleum) base vehicle in which zinc particles are suspended. For aluminum to aluminum, aluminum to copper applications and aluminum conduit threads. It is not recommended for use with rubber and polyethylene insulated conductors. UL Listed to 600 volts.

### PENETROX A-13

PENETROX A-13 consists of a non-petroleum base vehicle in which zinc particles are suspended. Recommended for aluminum to aluminum, aluminum to copper applications and aluminum conduit threads. Compatible with insulating materials such as rubber, or polyethylene. UL Listed and recommended for all voltages.

### PENETROX E

PENETROX E consists of a non-petroleum base vehicle in which copper granules are suspended. Recommended for copper to copper applications, grounding and for use on copper conduit threads. UL Listed.

### PENETROX HT

PENETROX HT consists of a non-petroleum base vehicle in which zinc and nickel-aluminum particles are suspended. Recommended for use with aluminum to aluminum High Temperature rated ACSS and ACCC conductors. Not UL Listed.

### Easy to apply:

1. Scratch brush the conductor surfaces until bright and clean.
2. Immediately apply PENETROX™ to the conductive surfaces.
3. For EHV applications, remove all excess PENETROX™ after installation is complete.



### SHELF LIFE

When stored in its original container in cool (under 100°F) dry environment, PENETROX™ oxide inhibiting compound will remain workable and functional for (5) years from the date marked on the container provided it is mixed per instructions prior to use.

## PROPERTIES OF PENETROX™

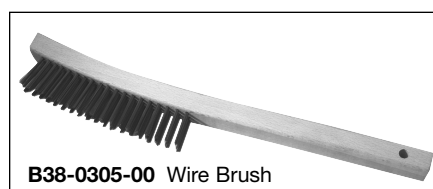
Property	Value PENETROX™ Definition	PENETROX™ HT	PENETROX™ E & A13	PENETROX™ A
Penetration (Unworked)	The value in accordance to ASTM D217 indicates the consistency of a grease. The higher the number, the softer the grease.	240	250	230
Dropping Point (Minimum)	The temperature at which the grease passes from the semi-solid to a liquid state under test conditions.	>580° F	500° F	230° F
Pour Point (Maximum)	The lowest temperature at which the compound will flow. Pour point is the lubricant's ability to perform in cold conditions.	-58° F	-10° F	-15° F

\* MSDS sheets available through customer service.

## ORDERING INFORMATION

Catalog Number				Container Type	Container Size
PENETROX™ A	PENETROX™ A-13	PENETROX™ E	PENETROX™ HT		
PENA 1/2	—	—	—	Tube	1/2 oz.
PEN A-4	PEN A13-4	PEN E-4	PENHT-4	Squeeze Bottle	4 oz.
P8A	PEN A13-8	PEN E-8	PENHT-8	Squeeze Bottle	8 oz.
PENACARTRIDGE	PENA13CARTRIDGE	—	PENHT-1LB	Cartridge	1 lb.*
PEN A-QT	PEN A13-QT	PEN E-QT	—	Plastic Tub	1 Quart
PEN A-GAL	PEN A13-GAL	PEN E-GAL	PENHT-GAL	Can	1 Gallon
PEN A-5GAL	PEN A13-5GAL	PEN E-5GAL	—	Pail	5 Gallons
PEN A-55GAL	PEN A13-55GAL	PEN E-55GAL	—	Drum	55 Gallons

\* 1 lb. cartridge will fit standard caulking guns.



## Y60BHU AND Y60BHU-D

### HYPRESS™

60 Ton Remote Power Operated Hydraulic Tools

Single and Double Acting Hydraulic Tool Designs

The Y60BHU HYPRESS™, single acting, and Y60BHU-D HYPRESS™, double acting, are both designed to provide fast, easy operation plus a durable and substantially longer design life expectancy. Both Y60BHU and Y60BHU-D HYPRESS™ tools accommodate the same “L” dies. The “L” dies are designed for copper and aluminum code cables and aerial conductor sizes through 2500 kcmil and will accommodate ACSR through 2156 (84/19) str. Five-year limited warranty.

## TYPE “L” DIES

### For Use With Y60BHU and Y60BHUD

BURNDY® offers two types of “L” dies. Our standard width L dies (example: L735).



Standard L Die



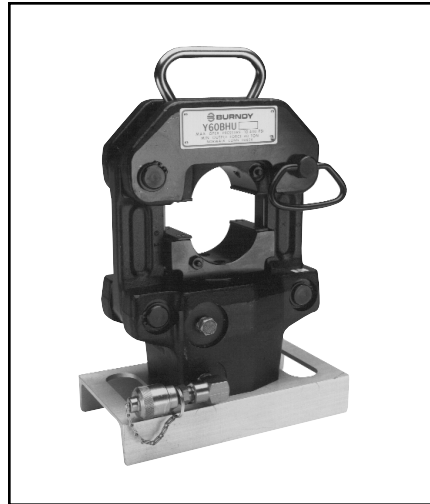
Wide L Die

Wider “L” dies with Indicia marks (example: L735W). Indicia marks on the die provide the installer with the start location for the next overlap crimp consistently on aluminum connector surfaces. Reduces the number of crimps and installation time.



The following dies are available in this series:

<b>L717W</b>	<b>L719W</b>
<b>L720W</b>	<b>L722W</b>
<b>L724W</b>	<b>L725W</b>
<b>L727W</b>	<b>L728W</b>
<b>L729W</b>	<b>L735W</b>



### BENEFITS

- Easy to carry with heavy duty handle.
- Easy to remove splices with nest that pivots open.
- Safety and security is provided with captive locking pin for nest die.
- Long life expectancy (50,000 cycles) with heavy duty steel frame.
- Fast easy die changing and secure die positioning with positive die release locking pins.
- Faster retraction with double acting hydraulic system (Y60BHUD).
- Protected male coupler with captive cap.
- Stability is provided with sturdy steel base.
- Easy, less costly repairs with fewer parts that are easily accessible (example: Bottom die holder).
- 5-year limited warranty.

### SPECIFICATIONS

- Force developed:** 60 tons
- Operating pressure:** 10,000 psi
- Hydraulic oil:** BURNDY® ALFLUID™
- Life expectancy:** 50,000 cycles min.
- Height:** 16.62”
- Weight (less case):** 70 lbs.
- Shipping weight:** 97 lbs.

### FOR USE ON

#### Copper

- 300 kcmil-2000 kcmil Str. Code Cable
- Terminals  
YA, YA-2N, YAB-4N, YA-L, YA-2LN, YA-LB
- Splices  
YS, YST, YS-L, YS-T, YSP-T

#### Aluminum

- 250 kcmil-2000 kcmil Str. Code Cable
- Terminals  
YA-A
- Splices  
YS-A, YS-AT

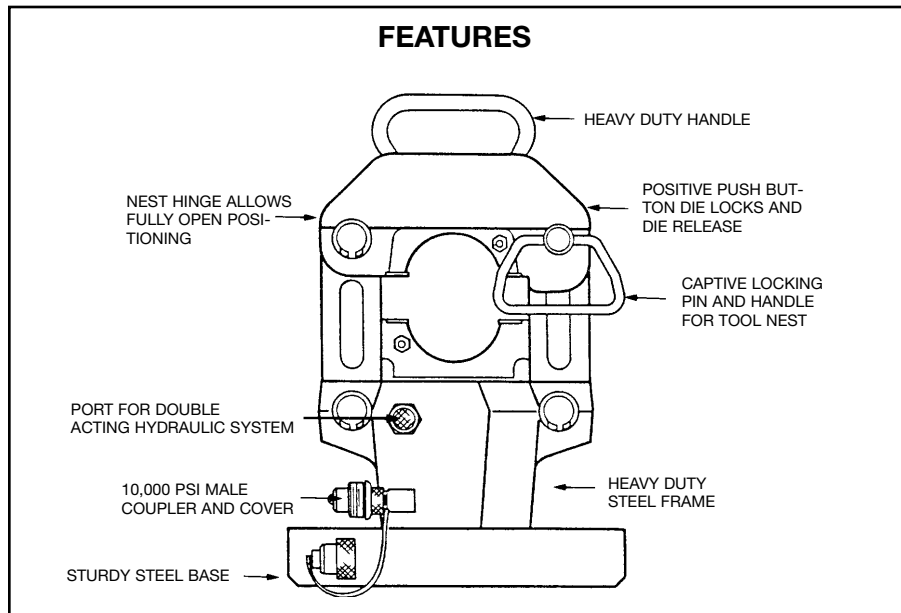
#### Transmission and Distribution Connectors

##### Tension Sleeves:

- Copper: 1/0 str. - 1000 kcmil
- Aluminum: 1/0 str. - 2300 kcmil
- ACSR: 1/0 - 2156 (84/19 str.)

##### Aerial:

- Copper: 4/0 str. - 2500 kcmil
- Aluminum: 3/0 str. - 2500 kcmil
- YTS, YTN, YNS, YNA, YNT, YNTA, YNU, YDS, YDN, YCS, YCA, YCU



**PATRIOT® PAT46-18V**

**Battery Actuated Tool**

**Hydraulic Self-Contained  
15-Ton Crimping Tool**

The BURNDY® PATRIOT® PAT46-18V incorporates the latest engineering technology with a patented high speed hydraulic pump. Our battery actuated hydraulic tool provides a consistent, reliable connection every time. The PAT46-18V features BURNDY's Y46 tool head, capable of using all "P" and "U" style dies.

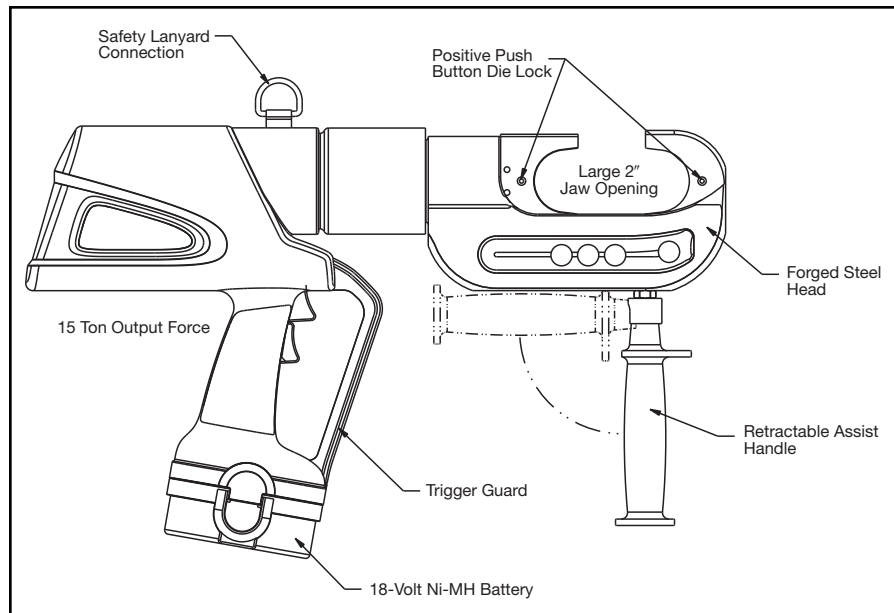
Each PATRIOT® uses standard BURNDY® dies and off-the-shelf connectors available worldwide. Supplied with a durable high impact formed carrying case to hold the tool, battery charger, two batteries, tool retention lanyard, and die compartments to hold both "P" and "U" die sets (dies sold separately). All BURNDY® PATRIOT® PAT46 tools are provided with a 5-year limited warranty.

**PAT46C-18V** — with rubber covered head is available.



**Features and Benefits**

- BURNDY's largest battery actuated crimp tool, providing 15-tons of output force with a 2" jaw opening.
  - ◇ Allows users to install the largest variety of splices, taps and terminals with one tool. Also provides easy placement and removal from continuous conductor lengths.
- State of the art C-Head crimp design with 355° head rotation.
  - ◇ Versatile tool head positioning lets user get into tight areas easier.
- Retractable assist handle under head of tool for better handling of tool.
  - ◇ Allows for better balance of tool and retractable for getting head into tight areas.
- Durable high impact formed carrying case.
  - ◇ Provides superior protection and stores all accessories.
- 18-volt Ni-MH battery eliminates voltage depression (memory issues).
  - ◇ Less "down-time" due to high capacity, high voltage 18-volt battery
- 5-year limited warranty on tool. 1-year warranty on battery and charger.



**SPECIFICATIONS**

- Output Force:** 15 tons (13.6 metric tons)
- Weight:** 26.2 lbs. (11.88 kg)
- Length:** 20.77" (52.76 cm)
- Height:** 14.43" (36.65 cm)
- Width:** 3.70" (9.40 cm)
- Operating Voltage:** 18V-DC
- Battery Recharge Time:** <45 minutes

**FOR USE ON**

Connector Type	Conductor Range
Copper, #8 AWG str. - 1500 kcmil Code Cable, Navy Cable, Flexible and Extra Flexible 1/2" - 1" Ground Rods	Terminals, grounding: to 500 kcmil YGA, YGHA, YGF Terminals, uninsulated: #8 to 1500 kcmil: YA, YA-2N, YA-L, YA-LB, YA-TC, YA-2LN, YAB-4N, YAV-L Box, YAV-L, YAV-RS Box, YAV-RS, YA-TC-FX Terminals, insulated: #8 to 2/0 YAEV-L Box, YAEV-L, YAEV-H, YAEV-RS, YAEV-RH Splices: #8 to 1500 kcmil YS, YS-T, YS-L, YS-LB, YST, YSP-T, YGS, YGHS Taps: YH, YCHC #14 to 1000 kcmil, YC-C to 4/0 AWG Taps, grounding: to 500 kcmil YGHC-C, YGHP-C, YGHR-C
Aluminum #8 AWG - 1250 kcmil Code Cables	Terminals: YA-A, AYP, AYPO Splices: YS-A, YS-AT, YRB Taps: YFD, YFN, YFO, YFR
ACSR	See BURNDY® Overhead Transmission and Distribution Catalog Module

**ACCESSORIES**

- **Cutter Die:** Cat# **P15K**  
Die max. 1.2" dia.
- **"U" Die Adapter:** Cat# **PUADP-1**
- **Battery:** Cat# **BAT18V**  
High Capacity Ni-MH (2.6 AH)
- **Chargers:**
  - 120V-AC Cat# **PATCHGR18V**
  - 12/24V-DC Cat# **BCT/PATDCCHGR**
  - 240/250V-AC Cat# **PATCHGR250V**

**PATRIOT®  
PATCUT129ACSR-18V**

**Battery Actuated Tool**

**Hydraulic Self-Contained Cutter**

The BURNDY® PATCUT129ACSR-18V battery powered cutting tool is compact, fast, easy to use and incorporates the latest in battery tool technology. The ergonomic design allows one hand operation so that the other is free to manipulate the conductor in the proper cutting position. The PATCUT129ACSR-18V incorporates a specialized latch style cutting head that allows interference-free closure for mid-span cuts. The cutter head rotates 180 degrees to allow users to get into tight areas easier. The PATCUT129ACSR-18V is capable of cutting up to 1.29" diameter copper and aluminum cable, 1113 ACSR, 5/8" ground rod, 1/2" rebar, 5/8" diameter soft steel bolts, up to 1/2" standard guy strand, and up to 3/8" EHS guy strand.

The PATCUT129ACSR-18V operates on industry standard 18-volt Ni/MH batteries that eliminate voltage depression or "memory" issues. The PATCUT129ACSR-18V comes equipped with a high impact formed carrying case to hold the tool, a tool retention lanyard, a battery charger and two batteries. The PATCUT129ACSR-18V is provided with a 5-year limited warranty (excluding blades), and 1-year on batteries and charger.



**Features and Benefits**

- Battery powered cutting technology.
  - ◇ Easy tool operation and portability.
- Advance design high-speed pump completes tough cuts faster.
  - ◇ Longer life, efficiency, and reliability.
- Specialized latch head design.
  - ◇ Interference free closure for mid-span cuts.
- Ergonomic design allows one hand operation.
  - ◇ User has one hand free to manipulate material to be cut.
- 180 degree head rotation.
  - ◇ Versatile head positioning allows user to get into tight areas easier.
- Mechanical ram release.
  - ◇ Reliable ram release (no battery power consumption).
- Operates on 18 volt Ni-MH batteries.
  - ◇ Eliminates voltage depression or "memory" issues.
- Durable high impact formed carrying case.
  - ◇ Provides tool protection and stores all accessories.
- 5-year limited warranty on tool (excluding blades) and 1 year on batteries and charger.
  - ◇ Customer satisfaction and support.

**SPECIFICATIONS**

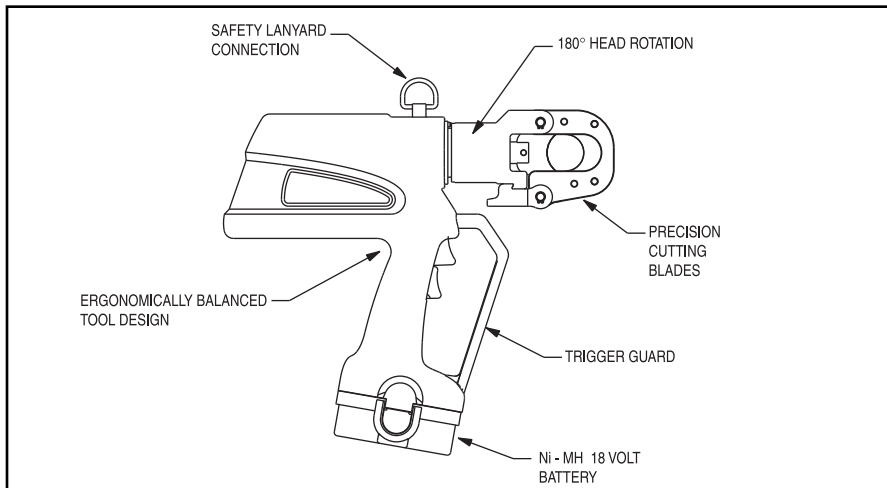
- Tool Weight:** 11 lbs.
- Length:** 14.5"
- Width:** 3.5"
- Height:** 13.5"
- Operating Voltage:** 18 V-DC
- Recharge Time:** < 45 mins.

**FOR USE ON**

- Copper Cable: up to 1.29"
- Aluminum Cable: up to 1.29"
- ACSR: up to 1113 ACSR
- Ground Rod: up to 5/8"
- Rebar: up to 1/2"
- Soft Steel Bolts: up to 5/8"
- Standard Guy Strand: up to 1/2"
- EHS Guy Strand: up to 3/8"

**ACCESSORIES**

- **Lanyard:** Cat# **PT208620**
- **Battery:** Hi-capacity (2.6 AH) Cat# **BAT18V**
- **Charger:**
  - 120V-AC Cat# **PATCHGR18V**
  - 12/24V-DC Cat# **BCT/PATDCCHGR**
  - 240/250V-AC Cat# **PATCHGR250V**
- **Replacement Blades:**
  - Cat# **PT10037388** (Moving Blade)
  - Cat# **PT10037384** (Fixed Blade)



**PATRIOT®  
PATHCC10-18V SERIES**

**BATTERY ACTUATED TOOL**

**Hydraulic Self-Contained Cutter**

The BURNDY® PATHCC10-18V series C-head cutter is an innovative compact and mobile cutting tool that allows users to interchange different cutting blades customized for their application. With a “C”-shaped style head and large opening, it’s easy to scoop and cut without the need to open or close a latch. The tool head swivels 355° and comes with a retractable assist handle to help maneuver the cutting head into position. The PATHCC10-18V blade alignment technology ensures a clean cut and maximum blade life.

The PATHCC10-18V series tool accommodates four different interchangeable blade types: HCCACSR, HCCSOL, HCCCUAL, and HCCGUY. The PATHCC10-18V series tool comes in a variety of options to include a covered head version (PATHCC10C-18V), and the ability to order the tool with specific blades only. See the table for individual catalog numbers.

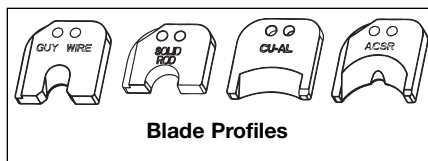
The PATHCC10-18V series cutters operate on 18-volt Ni-MH batteries. Each tool comes equipped with an impact resistant formed carrying case along with a tool retention lanyard, battery charger and two batteries. The carrying case also has pre-formed pockets to house all four blade types. The PATHCC10-18V series tools are provided with a 5-year limited warranty (excluding blades) and a lifetime power-train warranty on the INFINITY DRIVE®. The batteries and charger are provided with a 1-year limited warranty.



Tool Catalog Number	Blade Provided
PATHCC10-18V	HCCACSR, HCCGUY, HCCSOL, HCCCUAL
PATHCC10ACSR-18V	HCCACSR
PATHCC10GUY-18V	HCCGUY
PATHCC10SOL-18V	HCCSOL
PATHCC10CUAL-18V	HCCCUAL
PATHCC10*	None

\* The PATHCC10 is an economical solution for those customers already set up with batteries and chargers. The PATHCC10 is strictly the tool and carrying case; it does not include blades, batteries or a charger. Order blades separately.

Each BURNDY® HCC blade kit is designed specifically for the material it is intended to cut. Each blade is made from high strength tool steel and then hardened to ensure a long life. Each blade kit comes complete with screws and wrench for installation. The HCCGUY and HCCSOL blade kits are also provided with a blade holder. This holder provides additional support when cutting. The blade table points out the materials each blade is designed to cut.



**Blade Profiles**

**SPECIFICATIONS**

- Tool Weight:** 20.4 lbs
- Length:** 21.4"
- Width:** 3.7"
- Height:** 12.8"
- Operating Voltage:** 18V
- Recharge Time:** < 45 minutes

**FOR USE ON**

*Reference Blade Table*

- ACSR: up to 1590 (Falcon)
- EHS guy strand: up to 9/16"
- Standard guy strand: up to 9/16"
- Ground Rod: up to 3/4"
- Rebar: up to 5/8"
- Soft steel bolts: up to 5/8"
- Copper: up to 1.50"
- Aluminum: up to 1.50"

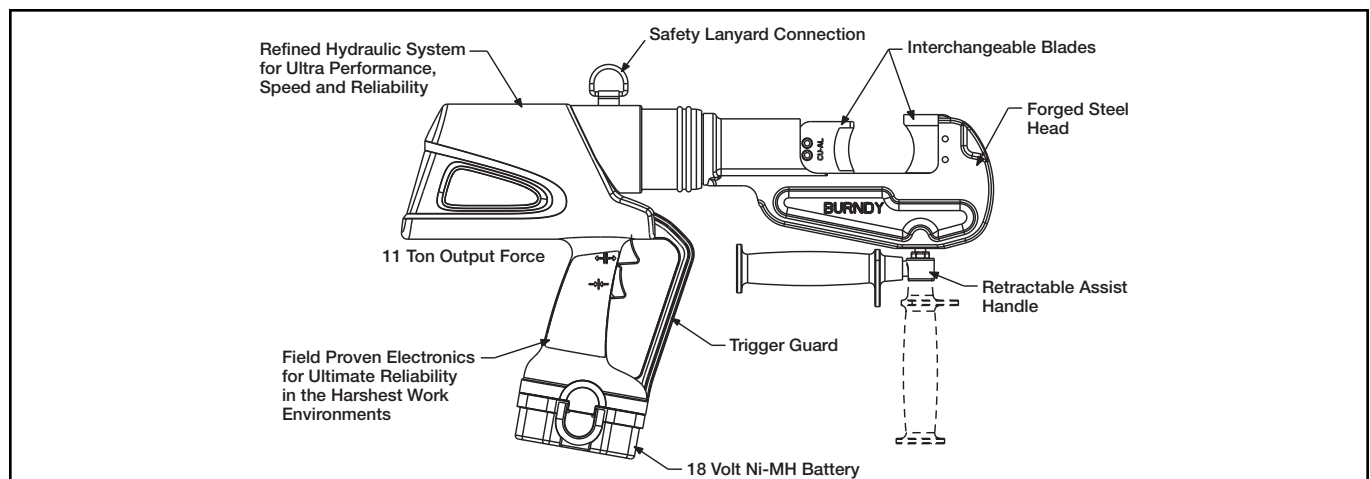
**ACCESSORIES**

**Battery:** Cat# **BAT18V**  
Hi-capacity 18V (2.6AH)

**Chargers:**  
120V-AC Cat# **PATCHGR18V**  
12/24V-DC Cat# **BCT/PATDCCHGR**  
240/250V-AC Cat# **PATCHGR250V**

Blade Table		
Catalog Number	Cutting Material	Max. O.D.
HCCACSR	ACSR	1590 kcmil
HCCCUAL	Cu & Al	1.5" (38 mm)
HCCSOL	Ground Rod	3/4" (19 mm)
	Rebar	5/8" (16 mm)
	Soft Steel Bolts	5/8" (16 mm)
HCCGUY	Std. Guy Wire	9/16" (14 mm)
	EHS Guy Wire	9/16" (14 mm)

The HCCSOL and HCCGUY blade kits include a blade holder for the stationary blade. To order replacement blades without the blade holder order catalog number HCC-SOLRPLBLDS or HCCGUYRPLBLDS.



**Y45**

**HYPRESS™**

**15 Ton Remote Power Operated Hydraulic Tool—10,000 PSI**

The Y45 Series is designed for remote hydraulic operation. A C-shaped head design provides easy installation of tap and splice connectors. The hook style head with extensive ram travel operates easily on large distribution and transmission conductors. Together with accessories, the Y45 Series tooling may be used on overhead lines. The small light-weight head design is very adaptable for work in underground trenches and manholes. Uses standard BURNDY® “S” Dies.

Cat. No. **PT6515** is required to use “U-” type dies in all Y45 variations. Order Head, Hose, Pump, Dies, and accessories separately. 5-year limited warranty.



**SPECIFICATIONS**

	<b>Y45</b>
<b>Operating pressure:</b>	10,000 psi
<b>Force developed:</b>	15 Tons
<b>Weight (less case):</b>	15-3/4 lbs.
<b>Maximum Width:</b>	7-1/4"
<b>Maximum Height:</b>	14-1/4"

**FOR USE ON**

AWG/kcmil Wire Size Range	Connector Type	
Tension Sleeves	Copper	#8 sol.-500 kcmil
	Aluminum	#6 sol.-954 kcmil
	ACSR	#4 -795 (26/7)
Taps	Aluminum	#14-954 (18/1) ACSR
	ACSR	#6-795 (54/7)
Aerial Cable Connectors	Copper	#6 str.-1500 kcmil
	Aluminum	#4 str.-1000 kcmil
<b>HYGROUND®</b>		
Compression Grounding	Copper	#6-500 kcmil 1/2" - 1" ground rods
Code Cable Terminals and Splices	Copper	#8-1500 kcmil
	Aluminum	#8-1000 kcmil
Taps	Copper	#14-1000 kcmil
	Aluminum	#14-900 kcmil

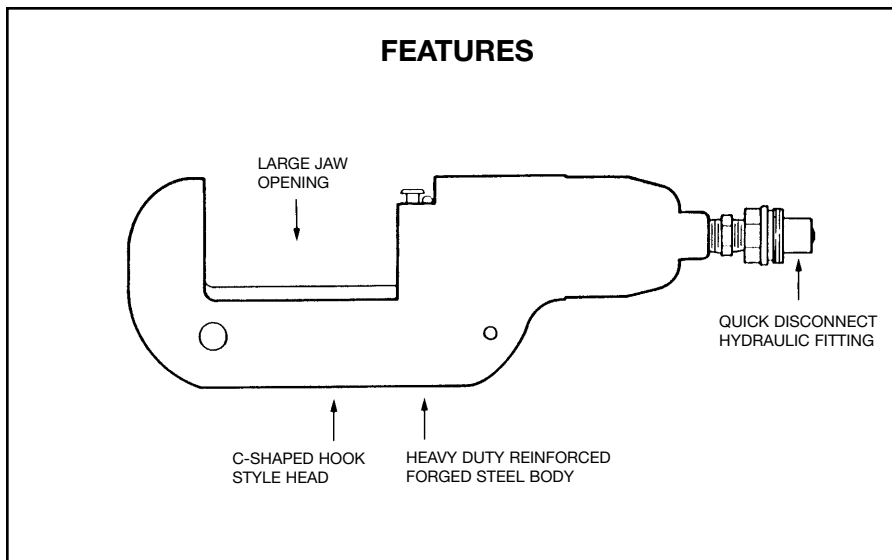
**BENEFITS**

- Easy connector installation and tool removal from line conductors with the open C-shaped head.
- Easily lifted into working position using lifting eye.
- Easy die changing plus secure die alignment is provided with the positive die lock buttons.
- Long life expectancy is provided with fully protected ram and die buttons.
- Rapid assembly and disassembly is provided with the quick disconnect hydraulic coupler.
- Rugged design provides long life expectancy.
- 5-year limited warranty.

**ACCESSORIES:**

Cat. No. **PT6515**  
Description:  
Adapter for use with “U-” die sets.

Cat. No. **PT6545**  
Description:  
Die carrying case for “S” and “P” type dies. Holds eight (8) die sets. (Dies sold separately.)





# Y46 AND Y46C

## HYPRESS™

### 15 Ton Force Remote Operated Hydraulic Tool—10,000 PSI

The Y46 standard tool and Y46C rubber covered tools are lightweight, compact and versatile with installation dies for both circumferential and nest-indentor types. Accessories include “U-” die adapter, a cable cutting die for 1.2” diameter non-steel conductors, plus a lifting eye and universal hot-stick adapter for overhead line construction. 5-year limited warranty.



### BENEFITS

- Compact “C” shaped head allows easy placement and removal from continuous conductor lengths.
- Versatile and economical-HYPRESS™ tools work on all commonly used copper and aluminum products.
- Dies and adapters lock into or remove from tool head easily with the positive push button die locks.
- Safety, strength and high quality is provided with strong forged steel and precision machined components.
- Excellent for HYGROUND® compression grounding applications through 1” ground rods and up to 500 kcmil taps, terminals and splices.
- Compression terminal, splice and tap connectors are UL Listed and CSA Certified when installed with the Y46 and Y46C HYPRESS™ and recommended die set.
- Y46C has a permanently molded head of 3/16” rubber and includes a separate molded rubber boot to cover the lower HYPRESS™ body and hydraulic coupler for impact protection.

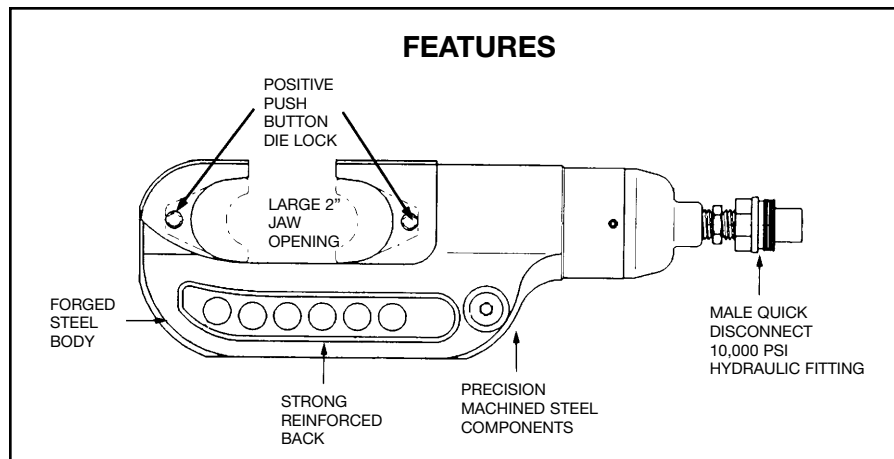
### SPECIFICATIONS

	<b>Y46</b>	<b>Y46C</b>
<b>Force developed:</b>	15 Tons	15 Tons
<b>Operating pressure:</b>	10,000 psi	10,000 psi
<b>Jaw opening:</b>	2”	2”
<b>Maximum width:</b>	4-1/2”	4-3/4”
<b>Overall length:</b>	15”	21-3/4” (incl. boot)
<b>Weight (less case):</b>	16 lbs.	17-1/2 lbs.
<b>Molded Covering:</b>	No	Yes

### FOR USE ON

<b>Connector Type</b>	<b>Conductor Range</b>
Copper	Terminals-Grounding to 500 kcmil
#8 AWG str.-1500 kcmil	YGA, YGHA, YGF
Code Cable	Terminals-Uninsulated #8 to 1500 kcmil
Navy Cables	YA, YA-2N, YA-L, YA-LB, YA-TC, YA-2LN, YAB-4N,
Flexible and Extra Flexible	YAV-L Box, YAV-L, YAV-RS Box, YAV-RS, YA-TC-FX
1/2”-1” Ground Rods	Terminals-Insulated #8 to 2/0 YAEV-L Box, YAEV-L, YAEV-H, YAEV-RS, YAEV-RH
	Splices #8 to 1500 kcmil
	YS, YS-T, YS-L, YS-LB, YST, YSP-T, YGS, YGHS
	Taps
	YH, YCHC #14 to 1000 kcmil
	YC-C to 4/0 AWG
	Taps-Grounding to 500 kcmil
	YGHC-C, YGHP-C, YGHR-C
Aluminum	Terminals
#8 AWG-1250 kcmil	YA-A, AYP, AYPO
Code Cables	Splices
	YS-A, YS-AT, YRB
	Taps
	YFD, YFN, YFO, YFR
ACSR	See Burndy Overhead Transmission and Distribution Catalog Module

### FEATURES



### ACCESSORIES:

- Cat. No.**
- P15K** Cutter die max. 1.2” dia.
  - PUADP-1** “U”-die adapter
  - PT10128** Universal hotstick adapter-Y46
- Y46-2** Same as Y46 with Female coupler

## RHCC129ACSR

### 10,000 PSI Remote Cable Cutter

#### Remote Power Operated Hydraulic Cable Cutter

The BURNDY® RHCC129ACSR remote hydraulic cable cutter incorporates a specialized latch style cutting head that allows interference-free closure for mid-span cuts. The RHCC129ACSR with its precision cutting blades is capable of cutting up to 1.29" diameter bare or insulated copper and aluminum cable, 1113 ACSR, 5/8" ground rod, 1/2" rebar, 5/8" diameter soft steel bolts, 1/2" standard guy strand, and up to 3/8" EHS guy strand.

The RHCC129ACSR is provided with a 5-year limited warranty (excluding blades).



### Features and Benefits

- Specialized latch head design.
  - ◇ Interference free closure for mid-span cuts.
- Precision cutting blades.
  - ◇ For clean cuts on Cu/Al, ACSR, ground rods, rebar, guy strand, and soft steel bolts.
- High strength steel cylinder.
  - ◇ For durability and long life.
- Lightweight ergonomic design allows one hand operation.
  - ◇ User has one hand free to manipulate material to be cut.
- Durable canvas carrying bag.
  - ◇ Provides tool protection and stores all accessories.
- 5-year limited warranty on tool (excluding blades).
  - ◇ Customer satisfaction and support.

### SPECIFICATIONS

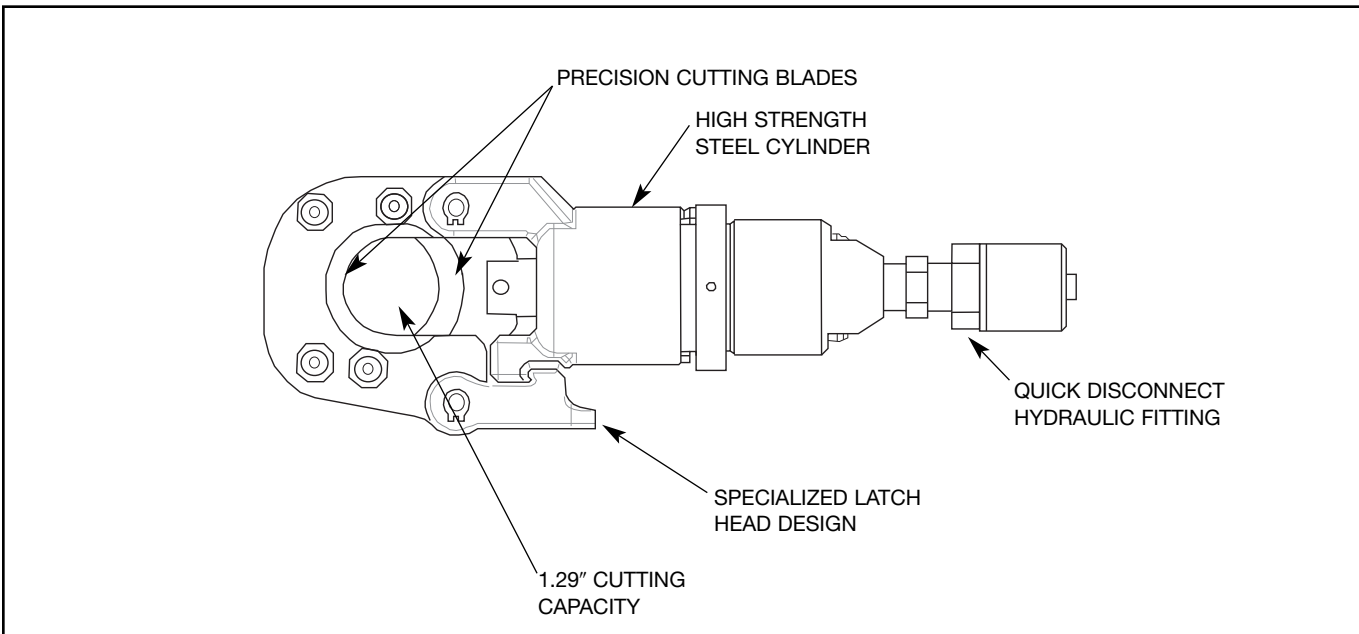
- Operating Pressure:** 10,000 psi (700 bar)
- Tool Weight:** 5.85 lbs. (2.65 kg)
- Length:** 11.25" (286 mm)
- Width:** 3.7" (94 mm)

### FOR USE ON

- Copper Cable: up to 1.29"
- Aluminum Cable: up to 1.29"
- ACSR: up to 1113 ACSR
- Ground Rod: up to 5/8"
- Rebar: up to 1/2"
- Soft Steel Bolts: up to 5/8"
- Standard Guy Strand: up to 1/2"
- EHS Guy Strand: up to 3/8"

### ACCESSORIES

- Canvas Bag:** Cat# **PT10043890**
- Replacement Blades:** Cat# **PT10037388** (Moving Blade)  
Cat# **PT10037384** (Fixed Blade)
- Hot Stick Adapter:** Cat# **RHCCHSA**



**Y10AC9**

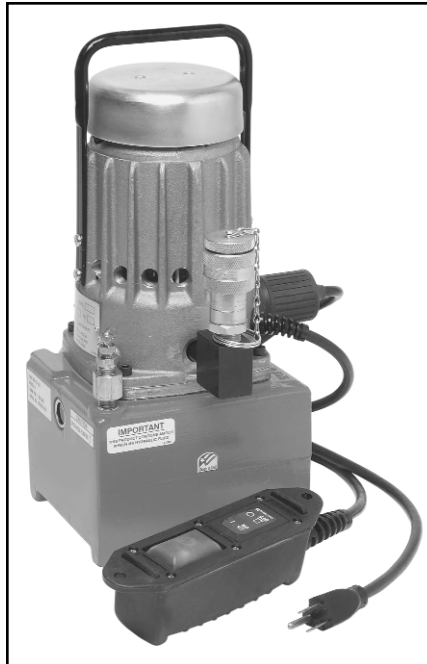
**Electric Hydraulic Pump**

Hydraulic Output Pressure of 10,000 PSI

The Y10AC9 electric hydraulic pump is for use with all HYPRESS™ heads and cutters requiring 10,000 PSI operating pressure. The Y10AC9 is equipped with a built-in, factory set pressure relief valve. An audible “pop” and recycling of the pump as well as relaxing of the hose signal completion of the crimping/cutting cycle. Pump is supplied with a durable hand-held electric pendant switch.

**Features and Benefits**

- Lightweight, small size.
  - ◇ Easy to lift, carry and transport tool around job site with lightweight body and handle.
- Factory set relief valve.
  - ◇ High quality crimps are achieved with built-in, factory set pressure relief valve and audible recycling of pump to signal completion of crimp cycle.
- 100,000 (+) life cycles.
  - ◇ Long durable life expectancy with light-weight cast aluminum reservoir body.
- Convenient 115V AC electric powered motor.
- Saves time with quick disconnect hydraulic fitting.
- Sealed electric pendant switch.
  - ◇ Easy operation with durable remote pendant switch with 10-foot cord.
- 5-year limited warranty.



**Specifications**

- Motor:** 115V AC 50/60 Hz  
5/8 HP, 10,000 rpm  
11 amp current draw
- Reservoir Volume:** 1.61 quarts
- Height:** 14.38"
- Base:** 6.5" × 8.25"
- Weight:** 28 lbs. (with oil)

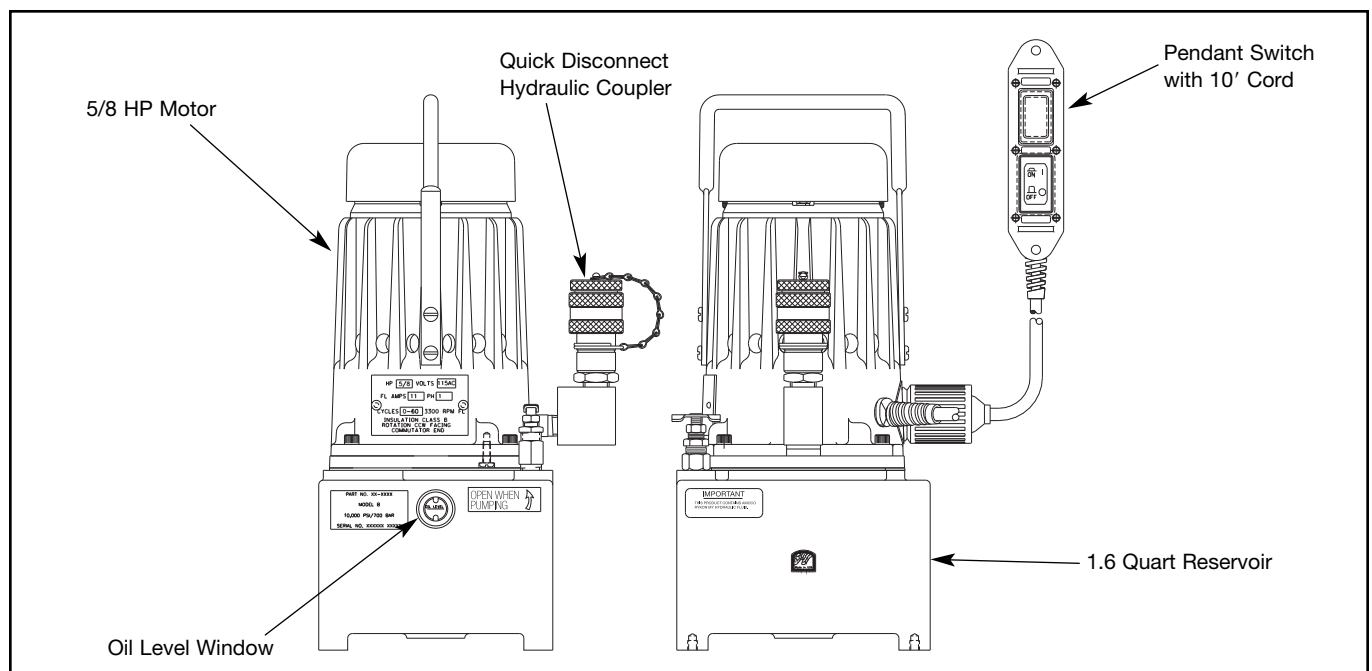
**FOR USE ON**

- Y34BH, Y35BH, Y35BH4, Y39BH, Y45, Y46, Y46C, Y750BHXT, Y750CBHXT, Y644MBH, Y4PC834MBH, Y81KFTMBH, Y60BHU, RHCC129ACSR, RHCC245CUAL

**ACCESSORIES**

- Catalog Number: YAC-CASE**  
Steel carrying case with handle and locking latch.

The BURNDY® **Y10AC9OEM** is an additional electric hydraulic pump offering that comes equipped with a foot switch and “jog-and-hold” feature. Keep both hands on the connection with the Y10AC9OEM pump kit. For further details please contact customer service.



## EPP10 AND EPP6

### EPP Series Electric/Hydraulic Pump

Hydraulic Output Pressures  
of 10,000 PSI and 6,000 PSI

The lightweight and durable EPP10 electric/hydraulic pump is for use with all BURNDY® HYPRESS™ remote heads and cutters requiring 10,000 PSI operating pressure. Both the EPP10 and the EPP6 are equipped with a built-in, factory set pressure relief valve. An audible “pop” and recycling of the pump and relaxing of the hose, signals completion of the crimping/cutting cycle. Both pumps are supplied with a durable hand-held electric pendant switch, for remote operation of the unit, and have a manual selection switch mounted for operation of the unit at the pump. The operator can select which method is best suited for the application.

An optional carry/shipping case can be ordered. All EPP Series pumps have been life cycle tested to over 100,000 cycles without failure, and are warranted to be free of defects in materials and workmanship for five (5) years when properly maintained and operated.



### FEATURES

- Lightweight.
- Small size.
- Factory set relief valve.
- 100,000 (+) life cycles.
- Sealed electric pendant switch.

### BENEFITS

- High quality crimps are achieved with built in, factory set pressure release valve and audible recycling of pump to signal completion of crimp cycle.
- Easy to lift, carry and transport tool around job site with lightweight body and handle.
- Convenient 115 V-AC electric powered motor.
- Durable remote pendant switch.
- Easy operation controlled with pendant switch, or manual switch.
- Saves time with quick disconnect hydraulic fitting.
- Long durable life expectancy with lightweight cast aluminum reservoir body.
- 5-year limited warranty.

### SPECIFICATIONS

<b>Motor:</b>	115 V-AC/60 Hz 1/2 HP @ 3450 RPM
<b>Maximum current draw:</b>	12.5 amperes
<b>Reservoir volume:</b>	2 qts.
<b>Height:</b>	16"
<b>Base:</b>	6" × 8"
<b>Weight:</b>	30 lbs.

### FOR USE ON

<b>EPP10</b>	10,000	Y34BH, Y35BH, Y35BH-4, Y39BH, Y45, Y46, Y46C, Y60BHU, 750BH, Y750BH-2, Y644MBH, RHCC Series Cutters
<b>EPP6</b>	6,000	Y35L, Y28B

### ACCESSORIES

Cat. No. **EPPCASE-1**  
Steel carrying case with handle and locking latch.

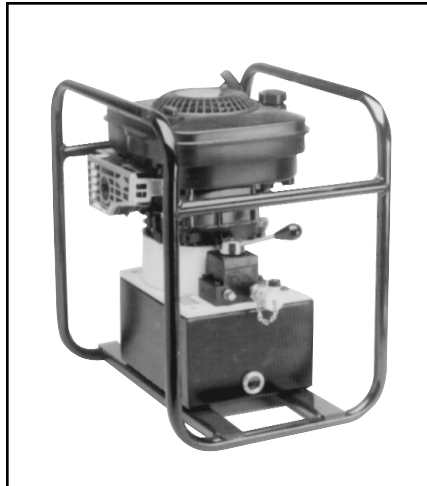
**GP10**

**GP Series Gasoline Engine Driven Hydraulic Pump**

Hydraulic Output Pressures of 10,000 PSI

The GP series gasoline engine driven hydraulic pump is a heavy-duty design that is rugged and portable. Supplied with a four (4) H.P. engine, the pump operates all BURNDY® remote compression heads and cable cutters.

All GP style pumps have a built-in, factory pre-set, automatic pressure release overload valve with a definite pulsing and recycling to signal the completion of a crimp. The manual control valve allows user to “Jog and Hold” due to the unique check valve design that keeps pressure in the output line until retracted.



**Specifications**

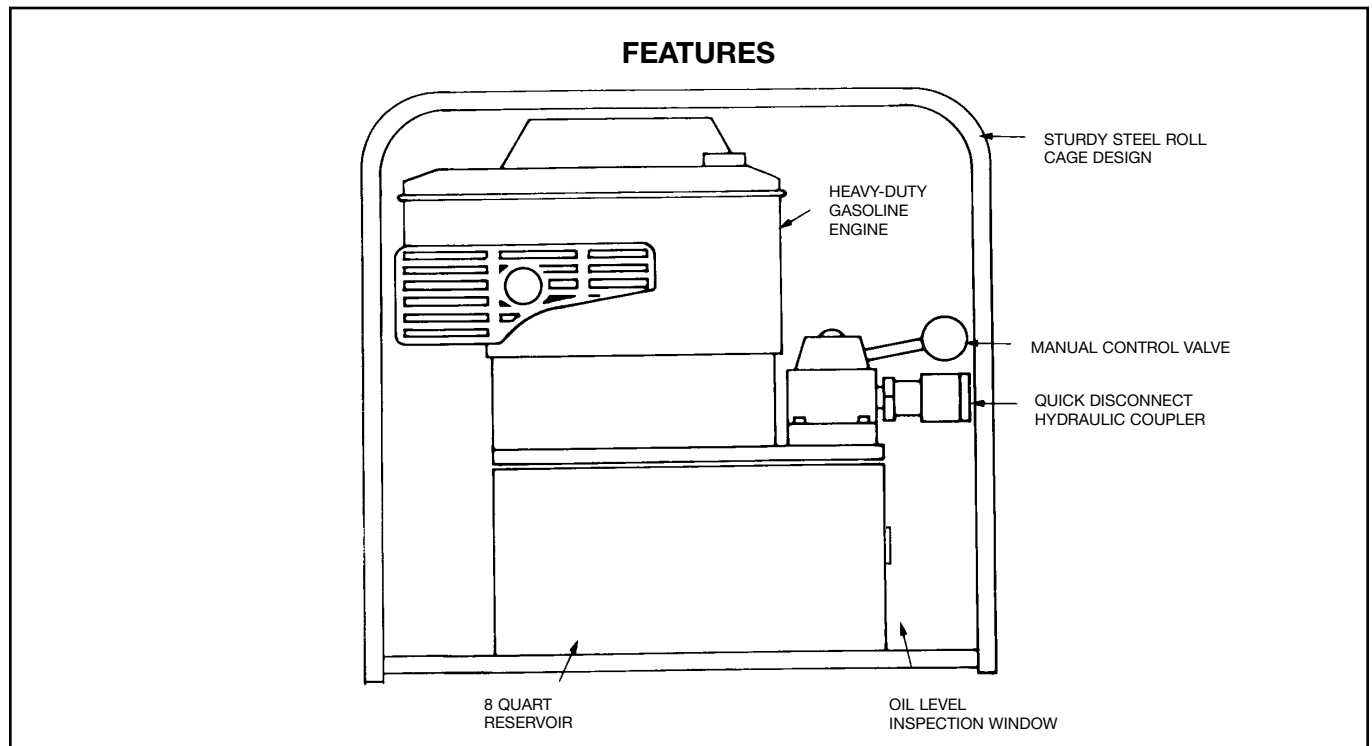
- Engine:** 4 H.P., 4 cycle
- Reservoir volume:** 2 gallons (8 qts.)
- Pump height:** 19-3/4"
- Pump width:** 13"
- Pump length:** 18"
- Overall height:** 22-1/4"
- Overall width:** 16"
- Overall length:** 21"
- Pump and motor dry weight:** 64-1/4 lbs.
- Overall dry weight:** 77-3/4 lbs.

**FOR USE ON**

Pump	PSI	Hydraulic Tools and Cutter
GP10	10,000	Y34BH, Y35BH, Y35BH-4, Y39BH, Y45, Y46, Y46C, Y60BHU, Y60BHU-D, Y750BH, Y750BH-2, RHCC Series Cutters

**BENEFITS**

- Portable pump with sturdy steel roll cage.
- Durable heavy-duty four (4) H.P. engine for all HYPRESS™ applications and long life expectancy.
- Manual control valve permits easy control of crimping or cutting operations.
- Fast hose assembly with quick disconnect pressure matched hydraulic couplers.
- Ample hydraulic capacity with (8) quart reservoir.
- 5-year limited warranty.



## HYDRAULIC HOSES

### NON CONDUCTIVE HOSES\*



**10,000 PSI**

Cat. No.	Description
<b>PT 29900-10</b>	10' - 3/16" diameter - non conductive hose with stackable couplers (male/female) - orange
<b>PT 29900-15</b>	15' - 3/16" diameter - non conductive hose with stackable couplers (male/female) - orange
<b>PT 29900-25</b>	25' - 3/16" diameter - non conductive hose with stackable couplers (male/female) - orange
<b>PT 29901-10</b>	10' - 1/4" diameter - non conductive hose with stackable couplers (male/female) - orange
<b>PT 29901-15</b>	15' - 1/4" diameter - non conductive hose with stackable couplers (male/female) - orange
<b>PT 29901-25</b>	25' - 1/4" diameter - non conductive hose with stackable couplers (male/female) - orange

**Note:** 1/4" diameter hose provides higher flow rate for faster ram movement.

\* For proper care and maintenance of hydraulic hoses, consult the "Hydraulic Hose Care" manual, Form No. 7828

### NON CONDUCTIVE HOSES\*



**6,000 PSI**

Cat. No.	Description
<b>PT 29902-10</b>	10' - non conductive hose with stackable couplers (male/female) - orange
<b>PT 29902-15</b>	15' - non conductive hose with stackable couplers (male/female) - orange
<b>PT 29902-25</b>	25' - non conductive hose with stackable couplers (male/female) - orange
<b>PT 29074-1</b>	Non conductive hose carrying bag

\* For proper care and maintenance of hydraulic hoses, consult the "Hydraulic Hose Care" manual, Form No. 7828

### CONDUCTIVE HOSES\*



**10,000 PSI**

Cat. No.	Description
<b>PT 91</b>	8' - steel braided hose with steel spring reinforced ends. Stackable couplers (male/female) - Black. No electrical rating. DO NOT use on energized conductor.

**8,800 PSI**

Cat No.	Description
<b>PT 76</b>	8' - steel braided hose with steel spring reinforced ends. Stackable couplers (male/female) - Black. No electrical rating. DO NOT use on energized conductor.

\* For proper care and maintenance of hydraulic hoses, consult the "Hydraulic Hose Care" manual, Form No. 7828.

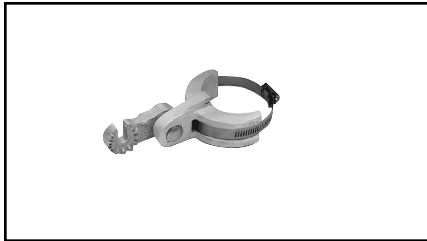


**Do not attempt to repair or recouple the hose yourself!**

**ACCESSORIES**



**PT 29074-1** Insulated hose carrying bag  
Designed to provide protection and cleanliness of non-conductive hoses. Accommodates 100 ft. of non-conductive coiled to 17-1/2" O.D. and 3-3/4" wide. Maximum carrying capacity: 10 lbs.



Adjustable Head Grip For joining HYPRESS™ heads to universal hot sticks  
**PT 29075** (for Y35L)  
**PT 29402-1** (for Y35BH)  
**PT 10128** (for Y46)



**DIE CASES**  
**PT 29291**  
(Y750, Y35/Y39) die case for "U" -type die sets  
**PT 6545**  
(Y45 and Y46) die case for "S" and "P" -type die sets



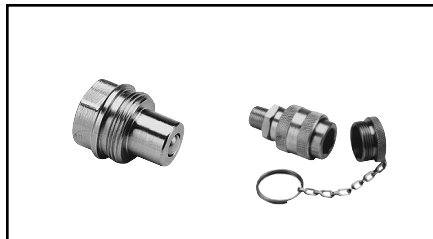
Replacement Coupler 6,000 PSI operating pressure  
**PT 29091** (male)  
**PT 29214-1** (female)



**HYFLUID™**  
**HYFLUID™ QT.**  
**HYFLUID™ GAL.**  
(available in quart and gallon size containers)  
Hydraulic fluid for BURNDY® HYPRESS™ hand operated tools:  
Y35 and Y35-2 HYPRESS™ tools  
Y39 HYPRESS™ tool  
Y750 REVOLVER HYPRESS™ tools



**ALFLUID™**  
**ALFLUID™ QT.**  
**ALFLUID™ GAL.**  
(available in quart and gallon size containers)  
Use ALFLUID™ in hand operated tools during extended use below 32 degrees.  
All weather Hydraulic Fluid for BURNDY® pumps:  
HP hand pump  
FP foot pump  
GP gasoline pump  
EPP. electric pump  
AC-3H auto/man. elect. pump  
DC-3H auto/man. elect. pump



Replacement Coupler 10,000 PSI operating pressure  
**PT 94** (male)  
**PT 93** (female)



In-line Pressure Gauge 10,000 PSI operating pressure for hydraulic pumps  
**PT 11018**

## Alpha-Numeric

CATALOG NO.	PAGE NO.	CATALOG NO.	PAGE NO.	CATALOG NO.	PAGE NO.	CATALOG NO.	PAGE NO.	CATALOG NO.	PAGE NO.
1050	57	1300	60	2190	56	3183	64	5600-2079	49
1050 ACSS	57	1301	60	2192	56	3190	64	5600-2080	49
1051	57	2050	53	2300	56	3192	64	5600-2082	49
1052	57	2050 ACSS	53	2301	56	3300	64	9050	65
1053	57	2051	53	3050	61	3301	64	9050 ACSS	65
1054	57	2052	53	3050 ACSS	61	5600-1020	47	9051	65
1055	57	2053	53	3051	61	5600-1020D	47	9052	65
1056	57	2054	53	3052	61	5600-1022	47	9053	65
1057	57	2055	53	3053	61	5600-1022D	47	9054	65
1058	57	2056	53	3054	61	5600-1026	47	9055	65
1059	57	2057	53	3055	61	5600-1026D	47	9056	65
1060	57	2058	53	3056	61	5600-1028	47	9057	65
1061	57	2059	53	3057	61	5600-1028D	47	9058	65
1062	57	2060	53	3058	61	5600-1030	47	9059	65
1063	57	2061	53	3059	61	5600-1030D	47	9060	65
1064	57	2062	53	3060	61	5600-1032	47	9061	65
1065	57	2063	53	3061	61	5600-1032D	47	9062	65
1066	58	2064	53	3062	61	5600-1040	47	9063	65
1067	58	2065	53	3063	61	5600-1040D	47	9064	65
1070	58	2066	54	3064	61	5600-1042	47	9065	65
1071	58, 66	2067	54	3065	61	5600-1042D	47	9066	65
1072	58	2070	54	3066	62	5600-1044	47	9067	66
1073	58	2071	54	3067	62	5600-1044D	47	9070	66
1074	58	2072	54	3070	62	5600-1050	47	9072	66
1075	58	2073	54	3071	62	5600-1050D	47	9073	66
1076	58	2074	54	3072	62	5600-1052	47	9074	66
1077	58	2075	54	3073	62	5600-1052D	47	9075	66
1079	58	2076	54	3074	62	5600-1054	47	9076	66
1080	58	2077	54	3075	62	5600-1054D	47	9077	66
1083	58	2079	54	3076	62	5600-1056	47	9079	66
1084	58	2080	54	3077	62	5600-1056D	47	9080	66
1085	58	2083	54	3079	62	5600-1058	48	9083	66
1086	58	2084	54	3080	62	5600-1058D	48	9084	66
1089	58	2085	54	3083	62	5600-1060	47	9085	66
1090	58	2086	54	3084	62	5600-1060D	47	9086	66
1093	58	2089	54	3085	62	5600-1062	47	9089	66
1094	58	2090	54	3086	62	5600-1062D	47	9090	66
1095	58	2093	54	3089	62	5600-1064	48	9093	66
1097	58	2094	54	3090	62	5600-1064D	48	9094	66
1100	58	2095	54	3093	62	5600-1066	48	9095	66
1103	58	2097	54	3094	62	5600-1066D	48	9097	66
1112	58	2100	54	3095	62	5600-1070	48	9100	66
1113	58	2103	54	3097	62	5600-1070D	48	9103	66
1114	58	2112	54	3103	63	5600-1072	48	9112	66
1117	59	2113	55	3112	63	5600-1074	48	9113	66
1118	59	2114	55	3113	63	5600-1074D	48	9114	66
1120	59	2117	55	3114	63	5600-1076	48	9117	67
1121	59	2118	55	3117	63	5600-1076D	48	9118	67
1123	59	2120	55	3118	63	5600-1078	48	9120	67
1124	59	2121	55	3120	63	5600-1078D	48	9121	67
1131	59	2123	55	3121	63	5600-1079	48	9123	67
1133	59	2124	55	3123	63	5600-1079D	48	9124	67
1138	59	2131	55	3124	63	5600-1080	48	9131	67
1139	59	2133	55	3131	63	5600-1080D	48	9133	67
1140	59	2138	55	3133	63	5600-1082	48	9138	67
1141	59	2139	55	3138	63	5600-1082D	48	9139	67
1142	59	2140	55	3139	63	5600-2020	49	9140	67
1143	59	2141	55	3140	63	5600-2022	49	9141	67
1144	59	2142	55	3141	63	5600-2026	49	9142	67
1145	59	2143	55	3142	63	5600-2028	49	9143	67
1146	59	2144	55	3143	63	5600-2030	49	9144	67
1147	59	2145	55	3144	63	5600-2032	49	9145	67
1149	59	2146	55	3145	63	5600-2040	49	9146	67
1150	59	2147	55	3146	63	5600-2042	49	9147	67
1157	59	2149	55	3147	63	5600-2044	49	9149	67
1158	59	2150	55	3149	64	5600-2050	49	9150	67
1165	60	2157	56	3150	64	5600-2052	49	9157	67
1166	60	2158	56	3157	64	5600-2054	49	9158	68
1167	60	2165	56	3158	64	5600-2056	49	9165	68
1169	60	2166	56	3165	64	5600-2058	49	9166	68
1170	60	2167	56	3166	64	5600-2060	49	9167	68
1171	60	2169	56	3167	64	5600-2062	49	9169	68
1173	60	2170	56	3169	64	5600-2064	49	9170	68
1174	60	2171	56	3170	64	5600-2066	49	9171	68
1179	60	2173	56	3171	64	5600-2070	49	9173	68
1182	60	2174	56	3173	64	5600-2072	49	9174	68
1183	60	2179	56	3174	64	5600-2074	49	9179	68
1190	60	2182	56	3179	64	5600-2076	49	9182	68
1192	60	2183	56	3182	64	5600-2078	49	9183	68



CATALOG NO.	PAGE NO.	CATALOG NO.	PAGE NO.	CATALOG NO.	PAGE NO.	CATALOG NO.	PAGE NO.	CATALOG NO.	PAGE NO.
9190	68	BYNA52RT15HT	38	PATHCC10ACSR-18V	77	Y10AC90EM	81	YNA594R	24
9192	68	BYNA52RTACCC	50	PATHCC10CUAL-18V	77	Y45 78		YNA594R15	24
9300	68	BYNA52RTHT	38	PATHCC10GUY-18V	77	Y46 79		YNA594R15H	16, 18, 19
9301	68	BYNA56R15HHT	31, 32	PATHCC10SOL-18V	77	Y46-2	79	YNA594RT	25
ALFLUID™ GAL.	85	BYNA56R15HT	37	PEN A-4	73	Y46C	79	YNA594RT15	25
ALFLUID™ QT.	85	BYNA56RHT	37	PEN A-55GAL	73	Y60BHU	74	YNA594RT15H	17
B38-0305-00	73	BYNA56RT15HHT	33, 34	PEN A-5GAL	73	Y60BHU-D	74	YNA59R	9, 24
BAT18V	75-77	BYNA56RT15HT	38	PEN A-GAL	73	YAC-CASE	81	YNA59R15	9, 24
BCT/PATDCCHGR	75-77	BYNA56RTHT	38	PEN A-QT	73	YDS7M10T	45	YNA59R15H	3, 4, 16, 18, 19
BYNA245MRT15ACCC	50	BYNA58R15HHT	31, 32	PEN A13-4	73	YDS7M6T	45	YNA59RT	10, 25
BYNA245MRT15HACCC	47	BYNA58R15HT	37	PEN A13-55GAL	73	YDS7M7T	45	YNA59RT15	10, 25
BYNA245MRTACCC	50	BYNA58RHT	37	PEN A13-5GAL	73	YDS7M8T	45	YNA59RT15H	5, 6, 17
BYNA32RT15HHT	31, 32	BYNA58RT15HHT	33, 34	PEN A13-8	73	YDS7M9T	45	YNA7M10T	44
BYNA32R15HT	37	BYNA58RT15HT	38	PEN A13-GAL	73	YNA32R	9, 24	YNA7M6T	44
BYNA32RHT	37	BYNA58RTHT	38	PEN A13-QT	73	YNA32R15	9, 24	YNA7M7T	44
BYNA32RT15ACCC	50	BYNA590MRT15ACCC	50	PEN E-4	73	YNA32RT15H	3, 4, 16, 18, 19	YNA7M8T	44
BYNA32RT15HACCC	47	BYNA590MRT15HACCC	48	PEN E-55GAL	73	YNA32RT	10, 25	YNS32R	11, 26
BYNA32RT15HHT	33, 34	BYNA590MRTACCC	50	PEN E-5GAL	73	YNA32RT15	10, 25	YNS32RT	12, 27
BYNA32RT15HT	38	BYNA59R15HHT	31, 32	PEN E-8	73	YNA32RT15H	5, 6, 17	YNS34R	11, 26
BYNA32RTACCC	50	BYNA59R15HT	37	PEN E-GAL	73	YNA34R	9, 24	YNS34RT	12, 27
BYNA32RTHT	38	BYNA59RHT	37	PEN E-QT	73	YNA34R15	9, 24	YNS36R	11, 26
BYNA34R15HHT	31, 32	BYNA59RT15HHT	33, 34	PENA 1/2	73	YNA34R15H	3, 4, 16, 18, 19	YNS36RT	12, 27
BYNA34R15HT	37	BYNA59RT15HT	38	PENA13CARTRIDGE	73	YNA34RT	10, 25	YNS39R	11, 26
BYNA34RHT	37	BYNA59RTHT	38	PENACARTRIDGE	72, 73	YNA34RT15	10, 25	YNS39RT	12, 27
BYNA34RT15HHT	33, 34	BYNA760MRT15ACCC	50	PENETROX™ A	72	YNA34RT15H	5, 6, 17	YNS43R	11, 26
BYNA34RT15HT	38	BYNA760MRT15HACCC	48	PENETROX™ A-13	72	YNA36R	9, 24	YNS43RT	12, 27
BYNA34RTHT	38	BYNA760MRTACCC	50	PENETROX™ E	72	YNA36R15	9, 24	YNS451R	11, 26
BYNA36R15HHT	31, 32	BYNS32RHT	39	PENETROX™ HT	72	YNA36R15H	3, 4, 16, 18, 19	YNS451RT	12, 27
BYNA36R15HT	37	BYNS32RTHT	40	PENHT-1LB	73	YNA36RT	10, 25	YNS49R	11, 26
BYNA36RHT	37	BYNS34RHT	39	PENHT-4	73	YNA36RT15	10, 25	YNS49RT	12, 27
BYNA36RT15ACCC	50	BYNS34RTHT	40	PENHT-8	73	YNA36RT15H	5, 6, 17	YNS52R	11, 26
BYNA36RT15HACCC	47	BYNS36RHT	39	PENHT-GAL	73	YNA39R	9, 24	YNS52RT	12, 27
BYNA36RT15HHT	33, 34	BYNS36RTHT	40	PT 10128	85	YNA39R15	9, 24	YNS54R	26
BYNA36RT15HT	38	BYNS39RHT	39	PT 11018	85	YNA39R15H	3, 4, 16, 18, 19	YNS54RT	27
BYNA36RTACCC	50	BYNS39RTHT	40	PT 29074-1	84, 85	YNA39RT	10, 25	YNS56R	11, 26
BYNA36RTHT	38	BYNS43RHT	39	PT 29075	85	YNA39RT15	10, 25	YNS56RT	12, 27
BYNA39R15HHT	31, 32	BYNS43RTHT	40	PT 29091	85	YNA39RT15H	5, 6, 17	YNS58R	11, 26
BYNA39R15HT	37	BYNS451RHT	39	PT 29214-1	85	YNA43R	9, 24	YNS58RT	12, 27
BYNA39RHT	37	BYNS451RTHT	40	PT 29291	85	YNA43R15	9, 24	YNS594R	26
BYNA39RT15ACCC	50	BYNS49RHT	39	PT 29402-1	85	YNA43R15H	3, 4, 16, 18, 19	YNS594RT	27
BYNA39RT15HACCC	47	BYNS49RTHT	40	PT 29900-10	84	YNA43RT	10, 25	YNS59R	11, 26
BYNA39RT15HHT	33, 34	BYNS52RHT	39	PT 29900-15	84	YNA43RT15	10, 25	YNS59RT	12, 27
BYNA39RT15HT	38	BYNS52RTHT	40	PT 29900-20	84	YNA43RT15H	5, 6, 17	YNT32R32R	13, 29
BYNA39RTACCC	50	BYNS56RHT	39	PT 29901-15	84	YNA451R	9, 24	YNT32R32RHT	41
BYNA39RTHT	38	BYNS56RTHT	40	PT 29901-15	84	YNA451R15	9, 24	YNT34R34R	13, 29
BYNA43R15HHT	31, 32	BYNS58RHT	39	PT 29901-25	84	YNA451R15H	3, 4, 16, 18, 19	YNT34R34RHT	41
BYNA43R15HT	32, 37	BYNS58RTHT	40	PT 29902-10	84	YNA451RT	10, 25	YNT36R36R	13, 29
BYNA43RHT	37	BYNS59RHT	39	PT 29902-15	84	YNA451RT15	10, 25	YNT36R36RHT	41
BYNA43RT15ACCC	50	BYNS59RTHT	40	PT 29902-25	84	YNA451RT15H	5, 6, 17	YNT39R39R	13, 29
BYNA43RT15H	38	EPP10	82	PT 6545	85	YNA49R	9, 24	YNT39R39RHT	41
BYNA43RT15HACCC	47	EPP6	82	PT 76	84	YNA49R15	9, 24	YNT43R43R	13, 29
BYNA43RT15HHT	33, 34	EPPCASE-1	82	PT 91	84	YNA49R15H	3, 4, 16, 18, 19	YNT43R43RHT	41
BYNA43RT15HT	34, 38	GP10	83	PT 93	85	YNA49RT	10, 25	YNT451R451R	13, 29
BYNA43RTACCC	50	HCCACSR	77	PT 94	85	YNA49RT15	10, 25	YNT451R451RHT	41
BYNA43RTHT	38	HCCUAL	77	PT10037384	76, 80	YNA49RT15H	5, 6, 17	YNT49R49R	13, 29
BYNA451R15HHT	31, 32	HCCGUY	77	PT10037388	76, 80	YNA52R	9, 24	YNT49R49RHT	41
BYNA451R15HT	37	HCCGUYRPLBLDS	77	PT10043890	80	YNA52R15	9, 24	YNT52R52R	13, 29
BYNA451RHT	37	HCCSOL	77	PT10128	79	YNA52R15H	3, 4, 16, 18, 19	YNT52R52RHT	41
BYNA451RT15ACCC	50	HCCSOLRPLBLDS	77	PT208620	76	YNA52RT	10, 25	YNT54R54R	29
BYNA451RT15HACCC	47	HYFLUID™ GAL.	85	PT6515	78	YNA52RT15	10, 25	YNT56R56R	13, 29
BYNA451RT15HHT	33, 34	HYFLUID™ QT.	85	PT6545	78	YNA52RT15H	5, 6, 17	YNT56R56RHT	41
BYNA451RT15HT	38	L717W	74	PUADP-1	75, 79	YNA54R	24	YNT58R58R	13, 29
BYNA451RTACCC	50	L719W	74	RHCC129ACSR	80	YNA54R15	24	YNT58R58RHT	41
BYNA451RTHT	38	L720W	74	RHCCHA	80	YNA54R15H	16, 18, 19	YNT594R594R	29
BYNA49R15HHT	31, 32	L722W	74	S2D451R-SG1	70	YNA54RT	25	YNT59R59R	13, 29
BYNA49R15HT	37	L724W	74	S3D451R-SG1	70	YNA54RT15	25	YNT59R59RHT	41
BYNA49RHT	37	L725W	74	S3D55R-SG1	70	YNA54RT15H	17	YNTA245MRTACCC	51
BYNA49RT15ACCC	50	L727W	74	S4D48R-SG1	70	YNA56R	9, 24	YNTA32R	14, 28
BYNA49RT15HACCC	48	L728W	74	S6D441R-SG1	70	YNA56R15	9, 24	YNTA32RHT	42
BYNA49RT15HHT	33, 34	L729W	74	TDM177RG1	69	YNA56R15H	3, 4, 16, 18, 19	YNTA32RTACCC	51
BYNA49RT15HT	38	L735W	74	TDM177RG2	69	YNA56RT	10, 25	YNTA34R	14, 28
BYNA49RTACCC	50	P15K	75, 79	TDM210RG1	69	YNA56RT15	10, 25	YNTA34RHT	42
BYNA49RTHT	38	P8A 73		TDM210RG2	69	YNA56RT15H	5, 6, 17	YNTA36R	14, 28
BYNA52R15HHT	31, 32	PAT46-18V	75	TDM246RG1	69	YNA58R	9, 24	YNTA36RHT	42
BYNA52R15HT	37	PATCHGR18V	75-77	TDM330RG1	69	YNA58R15	9, 24	YNTA36RTACCC	51
BYNA52RHT	37	PATCHGR250V	75-77	TDM393RG1	69	YNA58R15H	3, 4, 16, 18, 19	YNTA39R	14, 28
BYNA52RT15ACCC	50	PATCUT129ACSR-18V	76	TDM430RG1	69	YNA58RT	10, 25	YNTA39RHT	42
BYNA52RT15HACCC	48	PATHCC10	77	TDM99RG1	69	YNA58RT15	10, 25	YNTA39RTACCC	51
BYNA52RT15HHT	33, 34	PATHCC10-18V	77	Y10AC9	81	YNA58RT15H	5, 6, 17	YNTA43R	14, 28

Alpha-Numeric

CATALOG NO.	PAGE NO.	CATALOG NO.	PAGE NO.	CATALOG NO.	PAGE NO.	CATALOG NO.	PAGE NO.	CATALOG NO.	PAGE NO.
YNTA43RHT	42	YTS36RT362RSHT	36	YTS52RT521RS	8	YTW331A331AE	16	YTW391AT	17
YNTA43RTACCC	51	YTS36RT36RS	8	YTS52RT521RSHT	36	YTW331AD	18	YTW391AT431AEK	17
YNTA451R	14, 28	YTS36RT36RSHT	36	YTS52RT59RS	8	YTW331AD331AE	18	YTW39A	16
YNTA451RHT	42	YTS375E	46	YTS52RT59RSHT	36	YTW331ADT	19	YTW39A39AEK	16
YNTA451RTACCC	51	YTS391A	20	YTS549S59RSHT	35	YTW331ADT331AE	19	YTW39AD	18
YNTA49R	14, 28	YTS391AT	21	YTS549R521RS	7	YTW331AE	16-19	YTW39AD39AEK	18
YNTA49RHT	42	YTS39A	20	YTS549R521RSHT	35	YTW331AT	17	YTW39ADT	19
YNTA49RTACCC	51	YTS39AR	22	YTS549R549RS	7	YTW331AT331AE	17	YTW39ADT39AEK	19
YNTA52RTACCC	51	YTS39ART	23	YTS549R549RSHT	35	YTW33RE	3-6	YTW39AE	16-19
YNTA54R	14, 28	YTS39AT	21	YTS549R59RS	7	YTW33REHT	31-34	YTW39AT	17
YNTA54RHT	42	YTS39R43RS	7	YTS549RT521RS	8	YTW34R	3	YTW39AT39AEK	17
YNTA56R	14, 28	YTS39R43RSHT	35	YTS549RT521RSHT	36	YTW34R34REK	3	YTW39R	3
YNTA56RHT	42	YTS39RT43RS	8	YTS549RT549RS	8	YTW34R34REKHT	31	YTW39R43REK	3
YNTA58R	14, 28	YTS39RT43RSHT	36	YTS549RT549RSHT	36	YTW34RD	4	YTW39R43REKHT	31
YNTA58RHT	42	YTS431A	20	YTS549RT59RS	8	YTW34RD34REK	4	YTW39RD	4
YNTA594R	28	YTS431AT	21	YTS549RT59RSHT	36	YTW34RD34REKHT	32	YTW39RD43REK	4
YNTA59R	14, 28	YTS438E	46	YTS55AR	22	YTW34RDHT	32	YTW39RD43REKHT	32
YNTA59RHT	42	YTS43R43RS	7	YTS55ART	23	YTW34RDT	6	YTW39RDHT	32
YNU245MRACCC	52	YTS43R43RSHT	35	YTS55R59RS	7	YTW34RDT34REK	6	YTW39RDT	6
YNU32R	15, 30	YTS43RT43RS	8	YTS56R59RSHT	35	YTW34RDT34REKHT	34	YTW39RDT43REK	6
YNU32RACCC	52	YTS43RT43RSHT	36	YTS56RT59RS	8	YTW34RDTH	34	YTW39RDT43REKHT	34
YNU32RHT	43	YTS445A	20	YTS56RT59RSHT	36	YTW34RE	3-6	YTW39RDTH	34
YNU34R	15, 30	YTS445AT	21	YTS58R48RS	7	YTW34REHT	31-34	YTW39RHT	31
YNU34RHT	43	YTS451A	20	YTS58R48RSHT	35	YTW34RHT	31	YTW39RT	5
YNU36R	15, 30	YTS451AR	22	YTS58RT48RS	8	YTW34RT	5	YTW39RT43REK	5
YNU36RACCC	52	YTS451ART	23	YTS58RT48RSHT	36	YTW34RT34REK	5	YTW39RT43REKHT	33
YNU36RHT	43	YTS451AT	21	YTS592AR	22	YTW34RT34REKHT	33	YTW39RTH	33
YNU39R	15, 30	YTS451R449RS	7	YTS592ART	23	YTW34RTH	33	YTW431A	16
YNU39RACCC	52	YTS451R449RSHT	35	YTS59AR	22	YTW351A	16	YTW431A431AEK	16
YNU39RHT	43	YTS451R48RS	7	YTS59ART	23	YTW351A351AEK	16	YTW431AD	18
YNU43R	15, 30	YTS451R48RSHT	35	YTS59R521RS	7	YTW351AD	18	YTW431AD431AEK	18
YNU43RACCC	52	YTS451RT449RS	8	YTS59R521RSHT	35	YTW351AD351AEK	18	YTW431ADT	19
YNU43RHT	43	YTS451RT449RSHT	36	YTS59R59RS	7	YTW351ADT	19	YTW431ADT431AEK	19
YNU451R	15, 30	YTS451RT449RSHT	36	YTS59R59RSHT	35	YTW351ADT351AEK	19	YTW431AE	16-19
YNU451RACCC	52	YTS451RT48RS	8	YTS59RT521RS	8	YTW351AE	16-19	YTW431AT	17
YNU451RHT	43	YTS451RT48RSHT	36	YTS59RT521RSHT	36	YTW351AT	17	YTW431AT431AEK	17
YNU49R	15, 30	YTS457A	20	YTS59RT59RS	8	YTW351T351AEK	17	YTW43R	3
YNU49RACCC	52	YTS457AT	21	YTS59RT59RSHT	36	YTW361A	16	YTW43R43REK	3
YNU49RHT	43	YTS463A	20	YTW301A	16	YTW361A39AEK	16	YTW43R43REKHT	31
YNU52RACCC	52	YTS463AT	21	YTW301A331AEK	16	YTW361AD	18	YTW43RD	4
YNU54R	15, 30	YTS47A	20	YTW301AD	18	YTW361AD39AEK	18	YTW43RD43REK	4
YNU54RHT	43	YTS47AT	21	YTW301AD331AEK	18	YTW361ADT	19	YTW43RD43REKHT	32
YNU56R	15, 30	YTS484A	20	YTW301ADT	19	YTW361ADT39AEK	19	YTW43RDHT	32
YNU56RHT	43	YTS484AT	21	YTW301ADT331AEK	19	YTW361AT	17	YTW43RDT	6
YNU58R	15	YTS486A	20	YTW301AT	17	YTW361AT39AEK	17	YTW43RDT43REK	6
YNU58RHT	43	YTS486AT	21	YTW301AT331AEK	17	YTW362RE	3-6	YTW43RDT43REKHT	34
YNU594R	30	YTS48A	20	YTW311A	16	YTW362REHT	31-34	YTW43RDTH	34
YNU595R	30	YTS48AR	22	YTW311A331AEK	16	YTW36R	3	YTW43RE	3-6
YNU59R	15, 30	YTS48ART	23	YTW311AD	18	YTW36R362REK	3	YTW43REHT	31-34
YNU59RHT	43	YTS48AT	21	YTW311AD331AEK	18	YTW36R362REKHT	31	YTW43RHT	31
YTS301A	20	YTS48R481RS	7	YTW311ADT	19	YTW36R36REK	3	YTW43RT	5
YTS301AT	21	YTS48R481RSHT	35	YTW311ADT331AEK	19	YTW36R36REKHT	31	YTW43RT43REK	5
YTS311A	20	YTS48R48RS	7	YTW311AT	17	YTW36RD	4	YTW43RT43REKHT	33
YTS311AT	21	YTS48R48RSHT	35	YTW311AT331AEK	17	YTW36RD362REK	4	YTW43RTH	33
YTS312E	46	YTS48RT481RS	8	YTW32R	3	YTW36RD362REKHT	32	YTW445A	16
YTS32AR	22	YTS48RT481RSHT	36	YTW32R33REK	3	YTW36RD36REK	4	YTW445A463AEK	16
YTS32ART	23	YTS48RT48RS	8	YTW32R33REKHT	31	YTW36RD36REKHT	32	YTW445AD	18
YTS32R33RS	7	YTS48RT48RSHT	36	YTW32R34REK	3	YTW36RDHT	3	YTW445AD463AEK	18
YTS32R34RS	7	YTS49AR	22	YTW32R34REKHT	31	YTW36RDT	6	YTW445ADT	19
YTS32R34RSHT	35	YTS49ART	23	YTW32RD	4	YTW36RDT362REK	6	YTW445ADT463AEK	19
YTS32RT33RS	8	YTS49R483RS	7	YTW32RD33REK	4	YTW36RDT362REKHT	34	YTW445AT	17
YTS32RT33RSHT	36	YTS49R483RSHT	35	YTW32RD33REKHT	32	YTW36RDT36REK	6	YTW445AT463AEK	17
YTS32RT34RS	8	YTS49R48RS	7	YTW32RD34REK	4	YTW36RDT36REKHT	34	YTW451	17
YTS32RT34RSHT	36	YTS49R48RSHT	35	YTW32RD34REKHT	32	YTW36RDTH	34	YTW451A	16
YTS331A	20	YTS49RT483RS	8	YTW32RDTH	32	YTW36RE	3-6	YTW451A463AEK	16
YTS331AT	21	YTS49RT483RSHT	36	YTW32RDT	6	YTW36REHT	31-34	YTW451AD	18
YTS34R34RS	7	YTS49RT48RS	8	YTW32RDT33REK	6	YTW36RHT	31	YTW451AD463AEK	18
YTS34R34RSHT	35	YTS49RT48RSHT	36	YTW32RDT33REKHT	34	YTW36RT	5	YTW451ADT	19
YTS34RT34RS	8	YTS500E	46	YTW32RDT34REK	6	YTW36RT362REK	5	YTW451ADT463AEK	19
YTS34RT34RSHT	36	YTS51AR	22	YTW32RDT34REKHT	34	YTW36RT362REKHT	33	YTW451AT463AEK	19
YTS351A	20	YTS51ART	23	YTW32RDTH	34	YTW36RT36REK	3	YTW451R	3
YTS351AT	21	YTS52R48RS	7	YTW32RHT	31	YTW36RT36REKHT	33	YTW451R45REK	3
YTS361A	20	YTS52R48RSHT	35	YTW32RT	5	YTW36RTH	33	YTW451R45REKHT	31
YTS361AT	21	YTS52R521RS	7	YTW32RT33REK	5	YTW391A	16	YTW451R481REK	3
YTS36R362RS	7	YTS52R521RSHT	35	YTW32RT33REKHT	33	YTW391A431AEK	16	YTW451R481REKHT	31
YTS36R362RSHT	35	YTS52R59RS	7	YTW32RT34REK	5	YTW391AD	18	YTW451R48REK	3
YTS36R36RS	7	YTS52R59RSHT	35	YTW32RT34REKHT	33	YTW391AD431AEK	18	YTW451R48REKHT	31
YTS36R36RSHT	35	YTS52RT48RS	8	YTW32RTH	33	YTW391ADT	19	YTW451RD	4
YTS36RT362RS	8	YTS52RT48RSHT	36	YTW331A	16	YTW391ADT431AEK	19	YTW451RD45REK	4

CATALOG NO.	PAGE NO.	CATALOG NO.	PAGE NO.	CATALOG NO.	PAGE NO.	CATALOG NO.	PAGE NO.	CATALOG NO.	PAGE NO.
YTW451RD45REKHT	32	YTW483REHT	31-34	YTW49R	3	YTW52RT50REKHT	33	YTW56RT	5
YTW451RD481REK	4	YTW484A	16	YTW49R483REK	3	YTW52RT521REK	5	YTW56RT590REK	5
YTW451RD481REKHT	32	YTW484A484AEK	16	YTW49R483REKHT	31	YTW52RT521REKHT	33	YTW56RT590REKHT	33
YTW451RD48REK	4	YTW484AD	18	YTW49R50REK	3	YTW52RT56REK	5	YTW56RTHHT	33
YTW451RD48REKHT	32	YTW484AD484AEK	18	YTW49R50REKHT	31	YTW52RT56REKHT	33	YTW58R	3
YTW451RDHT	32	YTW484ADT	19	YTW49RD	4	YTW52RTHHT	33	YTW58R58REK	3
YTW451RDT	6	YTW484ADT484AEK	19	YTW49RD483REK	4	YTW549R	3	YTW58R58REKHT	31
YTW451RDT45REK	6	YTW484AE	16-19	YTW49RD483REKHT	32	YTW549R521REK	3	YTW58RD	4
YTW451RDT45REKHT	34	YTW484AT	17	YTW49RD50REK	4	YTW549R521REKHT	31	YTW58RD58REK	4
YTW451RDT481REK	6	YTW484AT484AEK	17	YTW49RD50REKHT	32	YTW549R549REK	3	YTW58RD58REKHT	32
YTW451RDT481REKHT	34	YTW486A	16	YTW49RDHT	32	YTW549R549REKHT	31	YTW58RDHT	32
YTW451RDT48REK	6	YTW486A486AE	16	YTW49RDT	6	YTW549R56REK	3	YTW58RDT	6
YTW451RDT48REKHT	34	YTW486AD	18	YTW49RDT483REK	6	YTW549R56REKHT	31	YTW58RDT58REK	6
YTW451RDTHHT	34	YTW486AD486AE	18	YTW49RDT483REKHT	34	YTW549RD	4	YTW58RDT58REKHT	34
YTW451RHT	31	YTW486ADT	19	YTW49RDT50REK	6	YTW549RD521REK	4	YTW58RDTHHT	34
YTW451RHT	5	YTW486ADT486AE	19	YTW49RDT50REKHT	34	YTW549RD521REKHT	32	YTW58RE	3-6
YTW451RT45REK	5	YTW486AE	16-19	YTW49RDTHT	34	YTW549RD549REK	4	YTW58REHT	31-34
YTW451RT45REKHT	33	YTW486AT	17	YTW49RHT	31	YTW549RD549REKHT	32	YTW58RHT	31
YTW451RT481REK	5	YTW486AT486AEK	17	YTW49RT	5	YTW549RD56REK	4	YTW58RT	5
YTW451RT481REKHT	33	YTW48A	16	YTW49RT483REK	5	YTW549RD56REKHT	32	YTW58RT58REK	5
YTW451RT48REK	5	YTW48A484AEK	16	YTW49RT483REKHT	33	YTW549RDHT	32	YTW58RT58REKHT	33
YTW451RT48REKHT	33	YTW48AD	18	YTW49RT50REK	5	YTW549RDT	6	YTW58RTHHT	33
YTW451RTHHT	33	YTW48AD484AEK	18	YTW49RT50REKHT	33	YTW549RDT521REK	6	YTW590RE	3-6
YTW457A	16	YTW48ADT	19	YTW49RTHHT	33	YTW549RDT521REKHT	34	YTW590REHT	32-34
YTW457A463AEK	16	YTW48ADT484AEK	19	YTW50RE	3-6	YTW549RDT549REK	6	YTW591RE	3-6
YTW457AD	18	YTW48AT	17	YTW50REHT	31-34	YTW549RDT549REKHT	34	YTW591REHT	31-34
YTW457AD463AEK	18	YTW48AT484AEK	17	YTW521RE	3-6	YTW549RDT56REK	6	YTW59R	3
YTW457ADT	19	YTW48R	3	YTW521REHT	31-34	YTW549RDT56REKHT	34	YTW59R591REK	3
YTW457ADT463AEK	19	YTW48R481REK	3	YTW52R	3	YTW549RDTHHT	34	YTW59R591REKHT	31
YTW457AT	17	YTW48R481REKHT	31	YTW52R50REK	3	YTW549RE	3-6	YTW59R59REK	3
YTW457AT463AEK	17	YTW48R48REK	3	YTW52R50REKHT	31	YTW549REHT	31-34	YTW59R59REKHT	31
YTW45RE	3-6	YTW48R48REKHT	31	YTW52R521REK	3	YTW549RHT	31	YTW59RD	4
YTW45REHT	31-34	YTW48RD	4	YTW52R521REKHT	31	YTW549RT	5	YTW59RD591REK	4
YTW463A	16	YTW48RD481REK	4	YTW52R56REK	3	YTW549RT521REK	5	YTW59RD591REKHT	32
YTW463A463AEK	16	YTW48RD481REKHT	32	YTW52R56REKHT	31	YTW549RT521REKHT	33	YTW59RD59REK	4
YTW463AD	18	YTW48RD48REK	4	YTW52RD	4	YTW549RT549REK	5	YTW59RD59REKHT	32
YTW463AD463AEK	18	YTW48RD48REKHT	32	YTW52RD50REK	4	YTW549RT549REKHT	33	YTW59RDHT	32
YTW463ADT	19	YTW48RDHT	32	YTW52RD50REKHT	32	YTW549RT56REK	5	YTW59RDT	6
YTW463ADT463AEK	19	YTW48RDT	6	YTW52RD521REK	4	YTW549RT56REKHT	33	YTW59RDT591REK	6
YTW463AE	16-19	YTW48RDT481RE	6	YTW52RD521REKHT	32	YTW549RTHHT	33	YTW59RDT591REKHT	34
YTW463AT	17	YTW48RDT481REK	6	YTW52RD56REK	4	YTW56R	3	YTW59RDT59REK	6
YTW463AT463AEK	17	YTW48RDT481REKHT	34	YTW52RD56REKHT	32	YTW56R590REK	3	YTW59RDT59REKHT	34
YTW47A	16	YTW48RDT48REK	6	YTW52RDHT	32	YTW56R590REKHT	31	YTW59RDTHHT	34
YTW47A47AEK	16	YTW48RDT48REKHT	34	YTW52RDT	6	YTW56RD	4	YTW59RE	3-6
YTW47AD	18	YTW48RDTHHT	34	YTW52RDT50REK	6	YTW56RD590REK	4	YTW59REHT	31-34
YTW47AD47AEK	18	YTW48RE	3-6	YTW52RDT50REKHT	34	YTW56RD590REKHT	32	YTW59RHT	31
YTW47ADT	19	YTW48REHT	31-34	YTW52RDT521REK	6	YTW56RDHT	32	YTW59RT	5
YTW47ADT47AEK	19	YTW48RHT	31	YTW52RDT521REKHT	34	YTW56RDT	6	YTW59RT591REK	5
YTW47AE	16-19	YTW48RT	5	YTW52RDT56REK	6	YTW56RDT590REK	6	YTW59RT591REKHT	33
YTW47AT	17	YTW48RT481REK	5	YTW52RDT56REKHT	34	YTW56RDT590REKHT	34	YTW59RT59REK	5
YTW47AT47AEK	17	YTW48RT481REKHT	33	YTW52RDTHHT	34	YTW56RDTHHT	34	YTW59RT59REKHT	33
YTW481RE	3-6	YTW48RT48REK	5	YTW52RHT	31, 33	YTW56RE	3-6	YTW59RTHHT	33
YTW481REHT	31-34	YTW48RT48REKHT	33	YTW52RT	5	YTW56REHT	31-34		
YTW483RE	3-6	YTW48RTHHT	33	YTW52RT50REK	5	YTW56RHT	31		







*Experience. Technology. Answers.<sup>TM</sup>*



[www.burndy.com](http://www.burndy.com) | 1-800-346-4175

**Customer Service Department**

7 Aviation Park Drive  
Londonderry, NH 03053  
1-800-346-4175  
1-603-647-5299 (International)

**Canada**

1-800-361-6975 (Quebec)  
1-800-387-6487 (All other provinces)

**Mexico**

011-52-722-265-4400

**Brazil**

011-55-11-5515-7200

**Tool Repair Center**

Littleton Industrial Park  
Littleton, NH 03561  
1-800-426-8720



*Experience. Technology. Answers.™*

