



RITTAL
ELECTROMATE

**Industrial & Commercial
Enclosures & Climate
Control Products**

ESSENTIAL ENCLOSURE SOL



For over four decades Rittal has provided a steady stream of solutions to better meet the needs of the markets we serve. This innovation-oriented philosophy has set the world standard

for products and categories that have become the mainstays of the global marketplace. And to achieve this accomplishment, Rittal has dedicated itself to producing products that offer a fine blend of aesthetic design, maximum protection, compatibility and functionality — for the utmost in enclosure packaging solutions. And nothing exemplifies the essential hard-working products you need like the Rittal • Electromate EnclosureZone program.

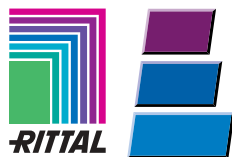
A World Of Solutions.

Truly a world of solutions has resulted between the marriage of the Rittal and Electromate product lines. You see, Rittal offers a comprehensive range of enclosures for practically any application. Big or small, simple or complex, the Rittal EZ products can provide just the right products you need. From simple JIC boxes to advanced climate control products, outdoor packaging to operator interface solutions, our high-quality products are waiting to go to



Solid workmanship meets manufacturing technology with Rittal's high quality manufacturing processes.

work on your next project. Add to that the tough, hard-working Electromate NEMA-style products like junction boxes, freestanding cabinets, wireway/ trough and more, and you have a world of solutions with down-to-earth value in every box.



A powerful line-up — Rittal and Electromate products provide you with a complete range of quality enclosure solutions.



SOLUTIONS FROM RITTAL.

Essential Enclosure Quality.

The quality and consistency of the EZ product line is the direct result of a careful blend of skillful workmanship combined with both advanced manufacturing capabilities and conventional skills that exist in all of our Rittal operations facilities. In fact, the



The Rittal team goes to work everyday to ensure our customers and distributor partners get precisely the enclosure they need.

pride of our well-trained manufacturing team is reflected in every enclosure product we make — from an Electromate JIC box to a Rittal PC industrial enclosure. And this dedication doesn't stop there. Our team of responsive and knowledgeable service and technical experts strives to provide top-notch service and support each and every day. Altogether it is a total package coupled with the utmost in enclosures — designed to give you the essential enclosures you need.

TABLE OF CONTENTS

EZ Look for this notation that designates an EZ item — EZ products are stocked, quick ship items!

INDUSTRIAL

Wallmount Enclosures	pgs IND 1-58
Wireway/Trough	pgs IND 59-72
Freestanding Enclosures	pgs IND 73-92
FMD Enclosures	pgs IND 93-142
Operator Interface	pgs IND 143-198
Noncorrosive	pgs IND 199-299

COMMERCIAL

Type 1 Wallmount Enclosures	pgs COM 1-2
Hinge Cover Boxes	pgs COM 3-5
Current Transformer Enclosures	pg COM 6
Lay-In Type 1 Wireway	pgs COM 7-8
Screw Cover Pull Boxes	pgs COM 9-10
Hinge Cover Pull Boxes	pg COM 11
Raintight Screw Cover Enclosures	pg COM 12
Raintight Wiring Trough	pg COM 13
Gasketed Screw Cover Boxes	pg COM 14
Technical Drawings	pgs COM 15-31

NETWORKING

QuickRack ValuePack Enclosures	pgs NET 1-2
QuickRack PowerPack Enclosures	pgs NET 3-4
BasicRacks	pgs NET 5-6
QuickBox Enclosures	pgs NET 7-8
Technical Drawings	pgs NET 9-11

OUTSIDE PLANT

Basic Aluminum Outdoor Enclosures	pgs OSP 1-2
Technical Drawings	pg OSP 3

CLIMATE CONTROL

1S Filter Fans/Pagoda Roof Fans	pgs CLI 1-2
Air Conditioners	pgs CLI 3-4
Micro/Mini Air Conditioners	pgs CLI 5-6
Air/Air Heat Exchangers	pgs CLI 7-8
Enclosure Heaters	pg CLI 9
Air/Water Heat Exchangers	pg CLI 10
Chillers	pgs CLI 11-12
Vortex Kooler Enclosure Coolers	pgs CLI 13-14
Technical Drawings	pgs CLI 15-30

ACCESSORIES

Rittal Accessories	pgs ACC 1-16
Electromate Accessories	pgs ACC 17-31

TECHNICAL APPENDIX

Technical Information	pgs TEC 1-30
-----------------------------	--------------



THE PERFECT ENCLOSURE F

Finding the perfect enclosure for a variety of applications couldn't be easier with the Rittal and Electromate EnclosureZone program. Whether your application is in a harsh industrial setting with dirt, dust and heat, in an outdoor environment with security considerations, or in a data center filled with valuable networking equipment, Rittal has the ideal packaging and climate control solution for you. Choose from a variety of solutions for every zone that you operate in — from industrial, commercial, networking, outside plant and thermal management — and you can be assured of a top-quality, maximum protection solution specifically for your next installation. Rittal and Electromate — the perfect enclosure for your application needs.



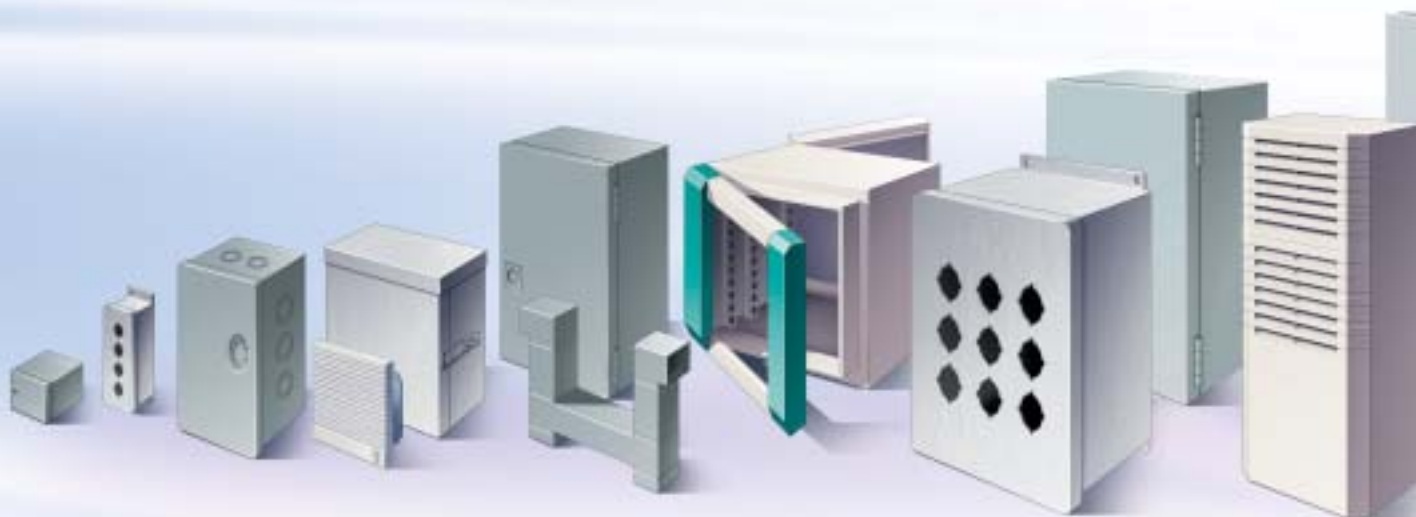
INDUSTRIAL

Looking for tough enclosure products for the most demanding industrial applications? Then look to Rittal's line of proven industrial packaging products, as well as the Electromate family of NEMA-style solutions. Choose from high quality, high protection products like JIC/ wallmount boxes, pushbutton enclosures, operator interface products, freestanding enclosures, flange mount disconnect products, wireway/trough and more. Offered in a variety of materials, sizes and protection ratings, these products provide a smart solution for any industrial installation.



COMMERCIAL

Designed for general purpose electrical installations, Rittal's line of commercial Electromate products ensure basic protection for Type 1 applications. The line is comprised of Type 1/3R small and medium enclosures, pull boxes, hinge cover enclosures, as well as industrial lay-in wireway. Top that off with numerous raintight solutions designed for indoor and outdoor installations. For general industrial jobs, choose from a host of sizes for protection of sensitive components or for easy wireway management.



OR EVERY INSTALLATION.



NETWORKING

Rittal's family of indoor networking enclosure products was developed to offer a unique blend of style, quality, advanced functionality and value, as well as respond to the movement of networking to the plant floor. The QuickRack line of enclosure cabinets offers an attractive design coupled with easy assembly. Flexibility and cost efficiency are highlighted with the QuickBox family of wallmount boxes. And add to that the economical 19" BasicRack. Altogether Rittal's line-up of networking products can satisfy virtually any indoor installation.



OUTSIDE PLANT

Weather the elements with Rittal's CS outdoor enclosure product offering. For general utilities and traffic management installations, Rittal's outdoor line of aluminum enclosures provides top-notch solutions. Combine Rittal's modular enclosure strength with outdoor protection and the result is the versatile CS Basic line of enclosures. Choose from a variety of enclosure sizes and accessories to complete your outdoor plant installation.



CLIMATE CONTROL

From the simplest to the harshest environments, Rittal has the ideal thermal management solution for virtually any enclosure installation. The Rittal thermal management offering includes solutions for low to high ambient temperatures — from air conditioners and filter fans to air/air and air/water heat exchangers, chillers, heaters and Vortex Coolers. Top that off with a range of applicable accessories to complete the climate control solution. So whether you need to heat it up or cool it down, look to Rittal's extensive climate control family.



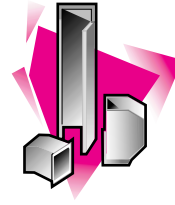
MAXIMIZE YOUR ZONES OF

Real world applications demand real world enclosure products. And no one offers an extensive line-up of packaging products like Rittal's EnclosureZone Program. Designed for your typical installations like industrial and commercial, the program provides standard solutions for these applications. Add to that a variety of solutions for zones that are proliferating the marketplace like networking and outside plant, and the offering is complete. The EZ family of products has the real world solution you need for your next real world application.



JIC/WALLMOUNT SOLUTIONS

A wide range of wallmount solutions including JIC, wallmount and pushbutton boxes, are offered to protect sensitive installed components.



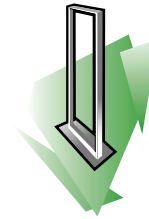
WIREWAY SOLUTIONS

Wire management is simple and easy with Rittal Electromate's line-up of lay-in and feed-through wireway for industrial installations.



NETWORK BOXES

These 2-part wallmount boxes from Rittal are ideal for termination and networking equipment, as well as patch fields.



OPEN RACKS

The relay rack solutions from Rittal offer a complete equipment management system for a wide variety of 19" solutions.

ENCLOSURE ZONES

INDUSTRIAL ZONE

The traditional zone, the plant floor has numerous opportunities for enclosure solutions. From PLCs and drives to pushbuttons, controls and conduit, an enclosure is needed at just about every junction throughout the manufacturing environment.

OUTSIDE PLANT ZONE

Many installations also include the need for housings to protect equipment for utilities, traffic management and outdoor applications. This zone requires the highest level of protection, security and flexibility.

THERMAL MANAGEMENT ZONE

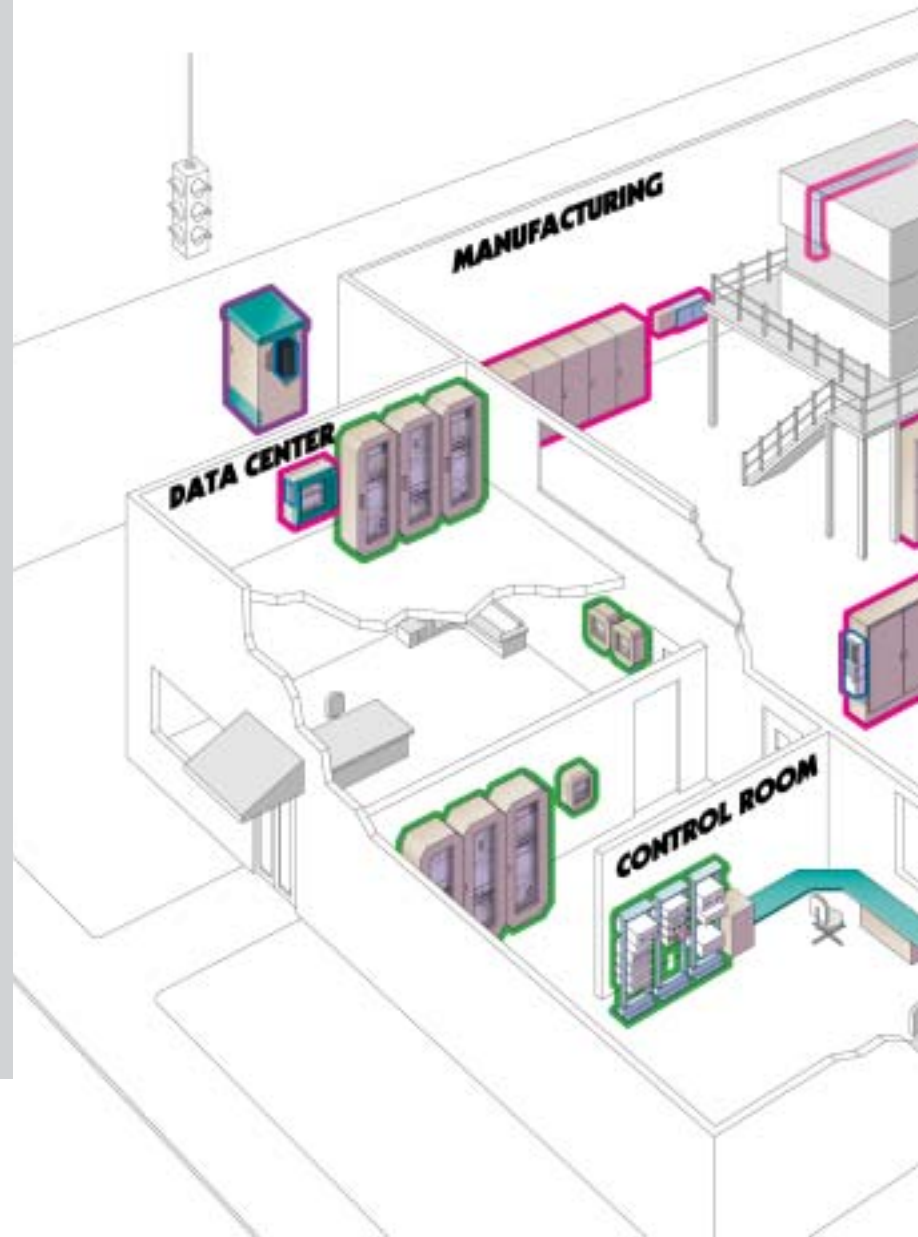
To complement all of these zone opportunities is the thermal management line-up of products. From harsh and dirty ambient conditions to clean rooms to outdoor environments, climate control products are needed in a variety of settings.

COMMERCIAL ZONE

The standard commercial need can be found in virtually any installation setting. For both Type 1 and 3R applications, JIC, wallmount, pull boxes and trough are required to house the wide variety of electrical components.

NETWORKING ZONE

Networking is proliferating many of the environments as the use of servers, hubs, routers and patch panels increases. The flexibility to hold various manufacturers' equipment in a safe, secure atmosphere is of the utmost importance.

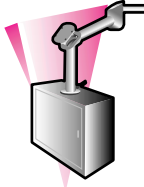


OPPORTUNITY WITH RITTAL.



FREESTANDING ENCLOSURES

Both freestanding cabinets and floor-mount enclosures provide the utmost in NEMA protection for control center equipment.



HMI PRODUCTS

Rittal operator interface solutions encompass a variety of products, from pendant arm enclosures/systems and consoles to PC industrial enclosures.



COMMERCIAL PRODUCTS

Ideal for Type 1/3R applications, the Rittal Electromate line-up of commercial products provides boxes, enclosures and wireway.



ENCLOSED CABINETS

Ideal for light commercial and network/termination equipment, Rittal's enclosed cabinets offer the utmost in design and protection.



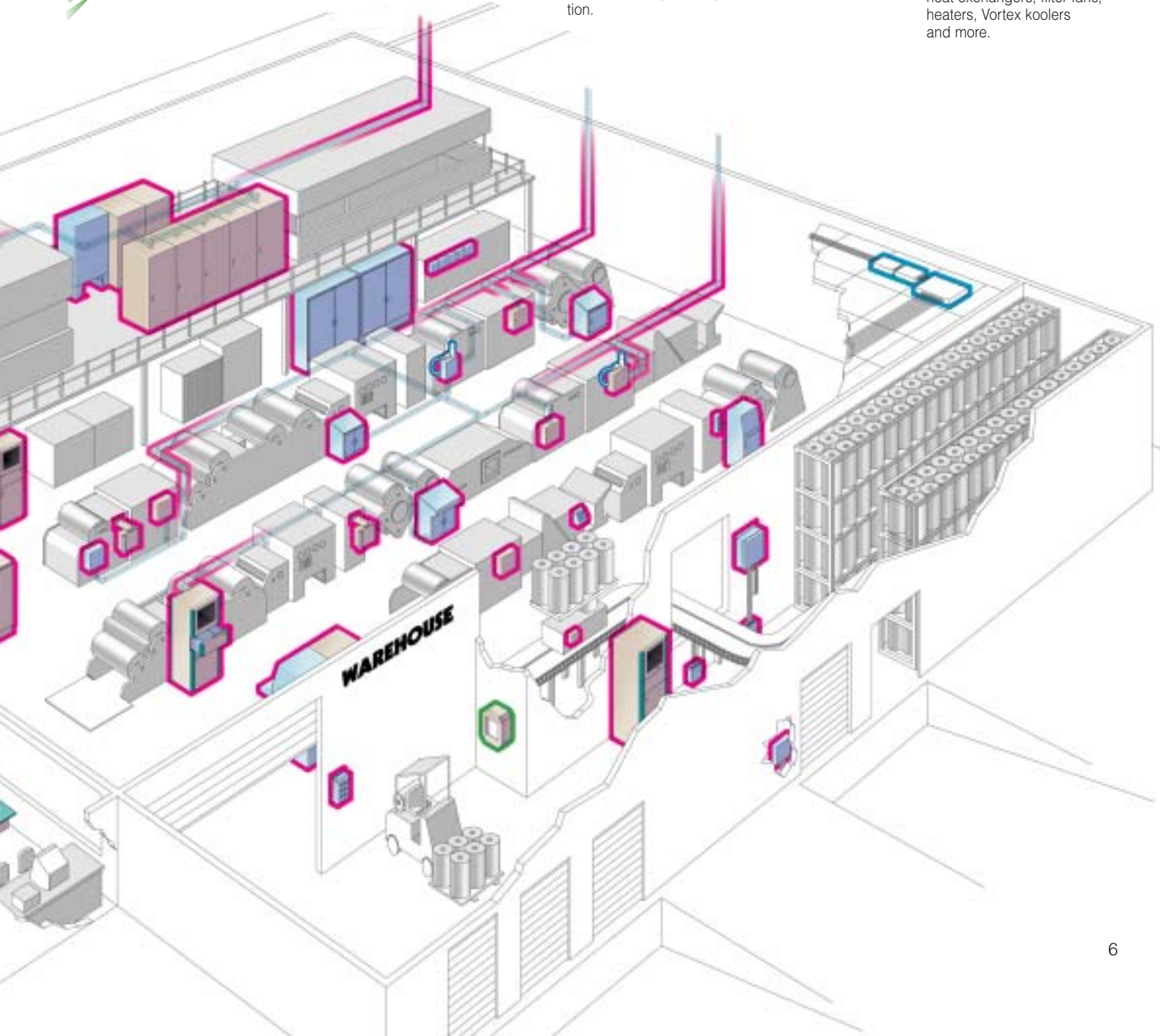
OUTSIDE PLANT PRODUCTS

For traffic management, utilities and outside plant applications, Rittal's outdoor freestanding enclosures provide a viable solution with top-notch protection.



CLIMATE CONTROL SOLUTIONS

Rittal's family of thermal management products is comprised of air conditioners, heat exchangers, filter fans, heaters, Vortex coolers and more.





I N D U S T R I A L S O L U T I O N S



RITTAL
ELECTROMATE



INDUSTRIAL SOLUTIONS

Wallmount Enclosures pgs IND 1-58

Wireway/Trough pgs IND 59-72

Freestanding
Enclosures pgs IND 73-92

FMD Enclosures pgs IND 93-142

Operator Interface pgs IND 143-198

Noncorrosive pgs IND 199-299



KL Junction Boxes



NEMA Rated Junction Boxes Without Gland Panels

Rittal's KL Series NEMA rated junction boxes offer perfect protection against harsh environments for delicate electrical and electronic equipment. The knife-edge perimeter of the enclosure prevents entry of dirt and liquids when the enclosure is opened. Integrated mounting rails with holes inside the enclosure offer flexible options for component installation. A powder paint finish provides a durable, long lasting surface.

NEMA Rated Junction Boxes With Gland Panels

These junction boxes save both time and money with pre-cut gland openings and covers for interconnecting multi-conductor installations.



Page IND 199

Part No.	Approx. outside dimensions H"xW"xD"	NEMA rating	No. of gland openings	Enclosure						Mounting Panel					
				Exact outside dimensions						Dimensions					
				inches			mm			inches			mm		
				H	W	D	H	W	D	H	W	H	W		
Junction Boxes Without Gland Panels															
EZ 1514210	6x6x3	1, 4, 12	-	5.91	5.91	3.15	150	150	80	1560700	4.92	5.31	125	135	
EZ 1515210	6x12x3	1, 4, 12	-	5.91	11.81	3.15	150	300	80	1561700	4.92	11.22	125	285	
EZ 1517210	8x12x3	1, 4, 12	-	7.87	11.81	3.15	200	300	80	1563700	6.89	11.22	175	285	
EZ 1500210	6x6x5	1, 4, 12	-	5.91	5.91	4.72	150	150	120	1560700	4.92	5.31	125	135	
EZ 1501210	6x12x5	1, 4, 12	-	5.91	11.81	4.72	150	300	120	1561700	4.92	11.22	125	285	
EZ 1502210	8x8x5	1, 4, 12	-	7.87	7.87	4.72	200	200	120	1562700	6.89	7.28	175	185	
EZ 1503210	8x12x5	1, 4, 12	-	7.87	11.81	4.72	200	300	120	1563700	6.89	11.22	175	285	
EZ 1504210	8x16x5	1, 4, 12	-	7.87	15.75	4.72	200	400	120	1564700	6.89	15.16	175	385	
EZ 1505210	8x20x5	1, 4, 12	-	7.87	19.69	4.72	200	500	120	1565700	6.89	19.09	175	485	
EZ 1507210	12x12x5	1, 4, 12	-	11.81	11.81	4.72	300	300	120	1567700	10.83	11.22	275	285	
EZ 1508210	12x16x5	1, 4, 12	-	11.81	15.75	4.72	300	400	120	1568700	10.83	15.16	275	385	
EZ 1509210	12x20x5	1, 4, 12	-	11.81	19.69	4.72	300	500	120	1569700	10.83	19.09	275	485	
EZ 1511210	16x16x5	1, 4, 12	-	15.75	15.75	4.72	400	400	120	1571700	14.76	15.16	375	385	
Junction Boxes With Gland Panels															
EZ 1530210	6x12x5	1, 12	2	5.91	11.81	4.72	150	300	120	1561700	4.92	11.22	125	285	
EZ 1531210	8x12x5	1, 12	2	7.87	11.81	4.72	200	300	120	1563700	6.89	11.22	175	285	

EZ Designates a product in the EnclosureZone program.



Configuration

- NEMA 1, 4, 12/IP 66, (without gland panels) or NEMA 1, 12/IP 55, (with gland panels)
- UL/CSA/TÜV approvals
- Welded cold rolled steel body
- Foamed-on gaskets
- Integrated mounting rails
- Optional mounting panel
- Wide range of accessories
- Off-the-shelf availability
- Powder paint provides superior corrosion protection
- Knife-edge design protects against liquid entry
- Rear mounting holes allow direct wallmounting or the use of optional mounting feet

Technical Specifications

- Material:**
- *Housing:* 17 ga/1.38 mm sheet steel
 - *Cover:* 18 ga/1.25 mm sheet steel
- Finish/color:**
- *Housing and cover:* powder painted, RAL 7032 pebble grey

Protection Ratings

NEMA Type 1 4 4X 12 13

Certifications/Approvals

Listings UL CUL CSA TÜV

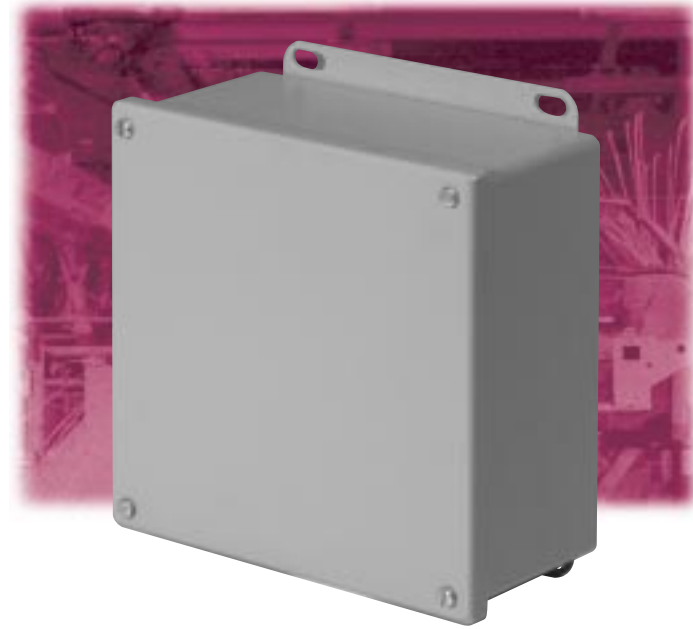
Technical Drawings

Pages **IND 35-36**

Accessories						
Part No.	Wallmounting bracket	Cover hinge	Quick release fastener	Ground strap 7" long/11 AWG	Pole mounting kit	
Junction Boxes Without Gland Panels						
EZ 1514210	1590000	1592000	1593000	2564000	2584000	
EZ 1515210	1590000	1592000	1593000	2564000	2584000	
EZ 1517210	1590000	1592000	1593000	2564000	2584000	
EZ 1500210	1590000	1592000	1593000	2564000	2584000	
EZ 1501210	1590000	1592000	1593000	2564000	2584000	
EZ 1502210	1590000	1592000	1593000	2564000	2584000	
EZ 1503210	1590000	1592000	1593000	2564000	2584000	
EZ 1504210	1590000	1592000	1593000	2564000	2584000	
EZ 1505210	1590000	1592000	1593000	2564000	2584000	
EZ 1507210	1590000	1592000	1593000	2564000	2584000	
EZ 1508210	1590000	1592000	1593000	2564000	2584000	
EZ 1509210	1590000	1592000	1593000	2564000	2584000	
EZ 1511210	1590000	1592000	1593000	2564000	2584000	
KL Junction Boxes With Gland Panels						
EZ 1530210	1590000	1592000	1593000	2564000	2584000	
EZ 1531210	1590000	1592000	1593000	2564000	2584000	

EZ Designates a product in the EnclosureZone program.

Screw Cover Junction Boxes



Carbon Steel NEMA Enclosures

These NEMA rated junction boxes are designed primarily for indoor use to house pilot devices, such as limit switches, foot switches, pushbuttons, selector switches, pilot lights, etc., and to protect such equipment against dirt and dust, external condensation, and spraying of water and oil.

Enclosure				Mounting Panel			
Part No.	Outside dimensions (inches)			Part No.	H	W	Usable depth
	H	W	D				
E 404SC*	4.00	4.00	3.00	NONE	-	-	-
E 4044SC	4.00	4.00	4.00	NONE	-	-	-
EZ E 604SC*	6.00	4.00	3.00	E 6P4	4.88	2.88	2.50
E 6044SC*	6.00	4.00	4.00	E 6P4	4.88	2.88	3.50
EZ E 606SC*	6.00	6.00	4.00	E 6P6	4.88	4.88	3.50
EZ E 806SC	8.00	6.00	3.50	E 8P6	6.88	4.88	3.00
E 8066SC	8.00	6.00	6.00	E 8P6	6.88	4.88	5.50
E 808SC	8.00	8.00	4.00	E 8P8	6.88	6.88	3.50
E 1008SC	10.00	8.00	4.00	E 10P8	8.88	6.88	3.50
E 1010SC	10.00	10.00	4.00	E 10P10	8.88	8.88	3.50
E 10106SC	10.00	8.00	6.00	E 10P10	8.88	8.88	5.50
E 10086SC	10.00	8.00	6.00	E 10P8	8.88	6.88	5.50
E 1210SC	12.00	10.00	5.00	E 12P10	10.88	8.88	4.50
E 1212SC	12.00	12.00	6.00	E 12P12	10.88	10.88	5.50
EZ E 1412SC	14.00	12.00	6.00	E 14P12	12.88	10.88	5.50
E 1614SC	16.00	14.00	6.00	E 16P14	14.88	12.88	5.50

* 16 gauge

EZ Designates a product in the EnclosureZone program.

Configuration

- Continuously welded seams, finished smooth
- Poron strip gasket
- Plated steel captive screws
- Lift-off cover
- External mounting brackets
- Mounting panel provisions installed (except E 404SC and E 4044SC)

Technical Specifications**Material:**

- *Enclosure/cover:* 14 or 16 gauge carbon steel (see table)

Finish/color:

- *Enclosure/cover:* polyester-urethane powder coat over phosphatized surfaces, inside and outside – ANSI 61 grey
- *Optional mounting panels:* painted white

Protection Ratings

NEMA Type 1 4 4X 12 13



Certifications/Approvals

Listings UL CUL CSA TÜV

Technical Drawings

Page **IND 37**

Accessories

Part No.	Terminal block kit	Terminal rails	Window kit	Touch-up paint
E 404SC*	-	-	-	E L21
E 4044SC	-	-	-	E L21
 E 604SC*	-	-	-	E L21
E 6044SC*	-	-	-	E L21
 E 606SC*	-	-	-	E L21
 E 806SC	E 6JTMA	E 8JS	-	E L21
E 8066SC	E 6JTMA	E 8JS	-	E L21
E 808SC	E 8JTMA	E 8JS	E PWK53NF	E L21
E 1008SC	E 8JTMA	E 10JS	E PWK53NF	E L21
E 1010SC	E 10JTMAXD	E 10JS	E PWK53NF	E L21
E 10106SC	E 10JTMAXD	E 10JS	E PWK53NF	E L21
E 10086SC	E 8JTMA	E 10JS	E PWK53NF	E L21
E 1210SC	E 10JTMAXD	E 12JS	E PWK53NF	E L21
E 1212SC	E 12JTMA	E 12JS	E PWK95NF	E L21
 E 1412SC	E 12JTMA	E 14JS	E PWK95NF	E L21
E 1614SC	E 14JTMA	E 16JS	E PWK95NF	E L21

* 16 gauge

Lift-Off Hinge Cover Boxes



Carbon Steel Wallmount Enclosures

These NEMA rated junction boxes are designed to house pilot devices, such as limit switches, foot switches, pushbuttons, selector switches, pilot lights, etc., and to protect this equipment against dirt and dust, spraying of water, oil or coolant.

Part No.	Enclosure			Mounting Panel			
	Outside dimensions (inches)			Part No.	H	W	Usable depth
	H	W	D				
E 404LP*	4.00	4.00	3.00	NONE	-	-	-
E 4044LP	4.00	4.00	4.00	NONE	-	-	-
E 604LP*	6.00	4.00	3.00	E 6P4	4.88	2.88	2.50
E 6044LP*	6.00	4.00	4.00	E 6P4	4.88	2.88	3.50
EZ E 606LP*	6.00	6.00	4.00	E 6P6	4.88	4.88	3.50
E 806LP	8.00	6.00	3.50	E 8P6	6.88	4.88	3.00
EZ E 1008LP	10.00	8.00	4.00	E 10P8	8.88	6.88	3.50
E 1210LP	12.00	10.00	5.00	E 12P10	10.88	8.88	4.50
E 1412LP	14.00	12.00	6.00	E 14P12	12.88	10.88	5.50
E 1614LP	16.00	14.00	6.00	E 16P14	14.88	12.88	5.50
E 1816LP	18.00	16.00	6.00	E 18P16	16.88	14.88	5.50

* 16 gauge

EZ Designates a product in the EnclosureZone program.



Configuration

- Continuously welded seams, finished smooth
- Robotically applied urethane gasket
- Plated steel captive clamps, screws, chain and clip
- Lift-off cover
- External mounting brackets
- Mounting panel provisions installed (except E 404LP and E 4044LP)

Technical Specifications

- Material:**
- *Enclosure/cover:* 14 or 16 gauge carbon steel (see table)
- Finish/color:**
- *Enclosure/cover:* polyester-urethane powder coat over phosphatized surfaces, inside and outside – ANSI 61 grey
 - *Optional mounting panels:* painted white

Protection Ratings

NEMA Type 1 4 4X 12 13

Certifications/Approvals

Listings UL CUL CSA TÜV

Technical Drawings

Page IND 38

Accessories				
Part No.	Terminal block kit	Terminal rails	Window kit	Touch-up paint
E 404LP*	-	-	-	E L21
E 4044LP	-	-	-	E L21
E 604LP*	-	-	-	E L21
E 6044LP*	-	-	-	E L21
E 606LP*	-	-	-	E L21
E 806LP	E 6JTMA	E 8JS	-	E L21
E 1008LP	E 6JTMA	E 10JS	E PWK53NF	E L21
E 1210LP	E 10JTMAXD	E 12JS	E PWK53NF	E L21
E 1412LP	E 12JTMA	E 14JS	E PWK95NF	E L21
E 1614LP	E 14JTMA	E 16JS	E PWK95NF	E L21
E 1816LP	E 14JTMA	E 16JS	E PWK95NF	E L21

* 16 gauge

Designates a product in the EnclosureZone program.

EB Instrument Enclosures



NEMA Rated Instrument Enclosures

Rittal's EB Series instrument enclosures offer protection for dense wiring and sensitive small instruments. These "JIC" type boxes combine many of the advantages of Rittal's AE and KL Series enclosures, at an economical cost.

Features include standard 180° hinges and locks with double-bit inserts. A foamed-on gasket and knife-edge perimeter ensure NEMA 4 protection.

Part No.	Approximate outside dimensions H"xW"xD"	NEMA rating	Enclosure							Part No.	Mounting Panel					
			Exact outside dimensions									Dimensions				
			inches			mm			inches		mm					
			H	W	D	H	W	D	H		W	H	W			
EZ 1551600	6x6x3	1, 4, 12	5.91	5.91	3.15	150	150	80	included	5.31	4.92	135	125			
EZ 1553600	6x6x5	1, 4, 12	5.91	5.91	4.72	150	150	120	included	5.31	4.92	135	125			
EZ 1751600	8x6x5	1, 4, 12	7.87	5.91	4.72	200	150	120	included	7.28	4.92	185	125			
EZ 1549600	8x8x5	1, 4, 12	7.87	7.87	4.72	200	200	120	included	7.28	6.89	185	175			
EZ 1554600	12x8x5	1, 4, 12	11.81	7.87	4.72	300	200	120	included	11.22	6.89	285	175			
EZ 1555600	12x12x5	1, 4, 12	11.81	11.81	4.72	300	300	120	included	11.22	10.83	285	275			
EZ 1556600	16x12x5	1, 4, 12	15.75	11.81	4.72	400	300	120	included	15.16	10.83	385	275			
EZ 1752600	10x8x6	1, 4, 12	9.84	7.87	6.10	250	200	155	included	9.25	6.89	235	175			
EZ 1753600	12x10x6	1, 4, 12	11.81	9.84	6.10	300	250	155	included	11.22	8.86	285	225			
EZ 1754600	14x12x6	1, 4, 12	13.78	11.81	6.10	350	300	155	included	13.19	10.83	335	275			
EZ 1755600	16x14x6	1, 4, 12	15.75	13.78	6.10	400	350	155	included	15.16	12.80	385	325			
EZ 1578600	24x12x6	1, 4, 12	23.62	11.81	6.10	600	300	155	included	23.03	10.83	585	275			

EZ Designates a product in the EnclosureZone program.



Configuration

- NEMA 1, 4, 12/IP 66 protection
- UL/CSA/TÜV approvals
- Permanent hinges, removable door
- Turnbuckle locks for easy access and secure seal
- Mounting panel included
- Rear mounting holes allow direct wall mounting or the use of optional mounting feet
- Integrated grounding provisions
- One piece construction, continuously welded seams
- Knife-edge design protects against liquid entry
- Foamed-on gasket ensures perfect seal
- Off-the-shelf availability
- Powder paint provides superior corrosion protection

Technical Specifications

- Material:**
- *Housing:* 17 ga/1.38 mm sheet steel
 - *Door:* 18 ga/1.25 mm sheet steel
 - *Mounting panel:* hot-dipped galvanized zinc
- Finish/color:**
- *Housing and door:* powder painted, RAL 7032 pebble grey
 - *Mounting panel:* Type M

Protection Ratings

NEMA Type 1 4 4X 12 13

Certifications/Approvals

Listings UL CUL CSA TÜV

Technical Drawings

Page **IND 39**

Accessories						
Part No.	Wallmounting brackets		Handles		Ground strap 7" long/11 AWG	
	5/16" standoff	1-5/8" standoff	Thumb turn	T-handle		
EZ 1551600	1590000	2503200	2576000	2575000	2564000	
EZ 1553600	1590000	2503200	2576000	2575000	2564000	
EZ 1751600	1590000	2503200	2576000	2575000	-	
EZ 1549600	1590000	2503200	2576000	2575000	2564000	
EZ 1554600	1590000	2503200	2576000	2575000	2564000	
EZ 1555600	1590000	2503200	2576000	2575000	2564000	
EZ 1556600	1590000	2503200	2576000	2575000	2564000	
EZ 1752600	1590000	2503200	2576000	2575000	-	
EZ 1753600	1590000	2503200	2576000	2575000	-	
EZ 1754600	1590000	2503200	2576000	2575000	-	
EZ 1755600	1590000	2503200	2576000	2575000	-	
EZ 1578600	1590000	2503200	2576000	2575000	2564000	

EZ Designates a product in the EnclosureZone program.

Continuous Hinge Cover Enclosures



Carbon Steel Junction Boxes

These NEMA rated junction boxes offer perfect protection for delicate electrical and electronic equipment such as limit switches, foot switches, pushbuttons, selector switches and pilot lights. Installed equipment is protected against dirt, dust, oil and water seepage.



Page IND 201



Page IND 203

Enclosure				Mounting Panel			
Part No.	Outside dimensions (inches)			Part No.	H	W	Usable depth
	H	W	D				
EZ E 404CH*	4.00	4.00	3.00	NONE	-	-	-
E 4044CH	4.00	4.00	4.00	NONE	-	-	-
EZ E 604CH*	6.00	4.00	3.00	E 6P4	4.88	2.88	2.50
EZ E 6044CH*	6.00	4.00	4.00	E 6P4	4.88	2.88	3.50
EZ E 606CH*	6.00	6.00	4.00	E 6P6	4.88	4.88	3.50
EZ E 806CH	8.00	6.00	3.50	E 8P6	6.88	4.88	3.00
EZ E 8066CH	8.00	6.00	6.00	E 8P6	6.88	4.88	5.50
EZ E 808CH	8.00	8.00	4.00	E 8P8	6.88	6.88	3.50
EZ E 1008CH	10.00	8.00	4.00	E 10P8	8.88	6.88	3.50
E 1088CHS	10.00	8.00	4.00	E 10P8	8.88	6.88	3.50
EZ E 10086CH	10.00	8.00	6.00	E 10P8	8.88	6.88	5.50
EZ E 10106CH	10.00	10.00	6.00	E 10P10	8.88	8.88	5.50
EZ E 12064CH	12.00	6.00	4.00	E 12P6	10.88	4.88	3.50
EZ E 1210CH	12.00	10.00	5.00	E 12P10	10.88	8.88	4.50
E 1210CHS	12.00	10.00	5.00	E 10P10	10.88	8.88	4.50
EZ E 12108CH	12.00	10.00	8.00	E 12P10	10.88	8.88	7.50
EZ E 1212CH	12.00	12.00	6.00	E 12P12	10.88	10.88	5.50
E 14086CH	14.00	8.00	6.00	E 14P8	12.88	6.88	5.50
EZ E 1412CH	14.00	12.00	6.00	E 14P12	12.88	10.88	5.50
E 1412CHS	14.00	12.00	6.00	E 14P12	12.88	10.88	5.50
EZ E 14128CH	14.00	12.00	8.00	E 14P12	12.88	10.88	7.50
E 16106CH	16.00	10.00	6.00	E 16P10	14.88	8.88	5.50
EZ E 1614CH	16.00	14.00	6.00	E 16P14	14.88	12.88	5.50
E 1614CHS	16.00	14.00	6.00	E 16P14	14.88	12.88	5.50
EZ E 16148CH	16.00	14.00	8.00	E 16P14	14.88	12.88	7.50
EZ E 161410CH	16.00	14.00	10.00	E 16P14	14.88	12.88	9.50

* 16 gauge

EMI/RFI Enclosure				Mounting Panel			
Part No.	Outside dimensions (inches)			Part No.	H	W	Usable depth
	H	W	D				
E 604CHRFI*	6.00	4.00	3.00	E 6P4	4.88	2.88	2.50
E 606CHRFI	6.00	6.00	4.00	E 6P6	4.88	4.88	3.50
E 806CHRFI*	8.00	6.00	3.50	E 8P6	6.88	4.88	3.00
E 1008CHRFI	10.00	8.00	4.00	E 10P8	8.88	6.88	3.50
E 1210CHRFI	12.00	10.00	5.00	E 12P10	10.88	8.88	4.50
E 1412CHRFI	14.00	12.00	6.00	E 14P12	12.88	10.88	5.50
E 1614CHRFI	16.00	14.00	6.00	E 16P14	14.88	12.88	5.50

* 16 gauge

EZ Designates a product in the EnclosureZone program.



Configuration

- Continuously welded seams, finished smooth
- Robotically applied urethane gasket
- Continuous steel hinge
- Door removed by pulling steel hinge pin
- Plated steel cover clamps and stainless screws
- External mounting brackets
- Mounting panel provisions installed (except E 404CH and E 4044CH)
- Oil resistant gasket covered with a woven plated steel mesh, attached with an oil resistant adhesive (EMI/RFI enclosure only)

Technical Specifications

- Material:**
- *Enclosure/door:* 14 or 16 gauge carbon steel (see table)
- Finish/color:**
- *Enclosure/door:* polyester-urethane powder coat over phosphatized surfaces, inside and outside – ANSI 61 grey
 - *Optional mounting panels:* painted white

Protection Ratings

NEMA Type 1 4 4X 12 13

Certifications/Approvals

Listings UL CUL CSA TÜV

Technical Drawings

Pages **IND 40-41**

Accessories				
Part No.	Terminal block kit	Terminal rails	Window kit	Touch-up paint
EZ E 404CH*	-	-	-	E L21
E 4044CH	-	-	-	E L21
EZ E 604CH*	-	-	-	E L21
EZ E 6044CH*	-	-	-	E L21
EZ E 606CH*	-	-	-	E L21
EZ E 806CH	E 6JTMA	E 8JS	-	E L21
EZ E 8066CH	E 6JTMA	E 8JS	-	E L21
EZ E 808CH	E 8JTMA	E 8JS	-	E L21
EZ E 1008CH	E 8JTMA	E 10JS	E PWK53NF	E L21
E 1008CHS	E 10JTMAXD	E 8JS	E PWK53NF	E L21
EZ E 10086CH	E 8JTMA	E 10JS	E PWK53NF	E L21
EZ E 10106CH	E 10JTMA	E 10JS	E PWK53NF	E L21
EZ E 12064CH	E 6JTMA	E 12JS	-	E L21
EZ E 1210CH	E 10JTMAXD	E 12JS	E PWK53NF	E L21
E 1210CHS	E 12JTMA	E 10JS	E PWK53NF	E L21
EZ E 12108CH	E 10JTMAXD	E 12JS	E PWK53NF	E L21
EZ E 1212CH	E 12JTMA	E 12JS	E PWK95NF	E L21
E 14086CH	E 8JTMA	E 14JS	E PWK95NF	E L21
EZ E 1412CH	E 12JTMA	E 14JS	E PWK95NF	E L21
E 1412CHS	E 14JTMA	E 12JS	E PWK95NF	E L21
EZ E 14128CH	E 12JTMA	E 14JS	E PWK95NF	E L21
E 16106CH	E 10JTMAXD	E 16JS	E PWK95NF	E L21
EZ E 1614CH	E 14JTMA	E 16JS	E PWK95NF	E L21
E 1614CHS	E 16JTMA	E 14JS	E PWK95NF	E L21
EZ E 16148CH	E 14JTMA	E 16JS	E PWK95NF	E L21
EZ E 161410CH	E 14JTMA	E 16JS	E PWK95NF	E L21

* 16 gauge

Accessories				
Part No.	Terminal block kit	Terminal rails	Window kit	Touch-up paint
E 604CHRFI*	-	-	-	E L21
E 606CHRFI	-	-	-	E L21
E 806CHRFI*	E 6JTMA	E 8JS	-	E L21
E 1008CHRFI	E 8JTMA	E 10JS	E PWK53NF	E L21
E 1210CHRFI	E 10JTMAXD	E 12JS	E PWK53NF	E L21
E 1412CHRFI	E 12JTMA	E 14JS	E PWK95NF	E L21
E 1614CHRFI	E 14JTMA	E 16JS	E PWK95NF	E L21

* 16 gauge

EZ Designates a product in the EnclosureZone program.

Continuous Hinge Quick Release Boxes



NEMA Rated Wallmount Enclosures

These NEMA rated junction boxes are designed primarily for indoor use to house pilot devices, such as limit switches, foot switches, pushbuttons, selector switches and pilot lights, and to protect such equipment against splashing water, seepage of water, falling or hose directed water, and spraying of water and oil.

Configuration

- Continuously welded seams, finished smooth
- Robotically applied urethane gasket
- Continuous steel hinge
- Door removed by pulling steel hinge pin
- Quick-release clamps
- External mounting brackets
- Mounting panel provisions installed (except E 404CHQR)

Technical Specifications

- Material:**
- *Enclosure/door:* 14 or 16 gauge carbon steel (see table)
- Finish/color:**
- *Enclosure/door:* polyester-urethane powder coat over phosphatized surfaces, inside and outside – ANSI 61 grey
 - *Optional mounting panels:* painted white

Protection Ratings

NEMA Type 1 4 4X 12 13

Certifications/Approvals

Listings UL CUL CSA TÜV

Technical Drawings

Page IND 41

Enclosure				Mounting Panel			
Part No.	Outside dimensions (inches)			Part No.	H	W	Usable depth
	H	W	D				
E 404CHQR*	4.00	4.00	3.00	NONE	-	-	-
E 604CHQR*	6.00	4.00	3.00	E 6P4	4.88	2.88	2.50
E 606CHQR*	6.00	6.00	4.00	E 6P6	4.88	4.88	3.50
E 806CHQR	8.00	6.00	3.50	E 8P6	6.88	4.88	3.00
E 1008CHQR	10.00	8.00	4.00	E 10P8	8.88	6.88	3.50
E 1210CHQR	12.00	10.00	5.00	E 12P10	10.88	8.88	4.50
E 1412CHQR	14.00	12.00	6.00	E 14P12	12.88	10.88	5.50
E 1614CHQR	16.00	14.00	6.00	E 16P14	14.88	12.88	5.50

* 16 gauge

Accessories				
Part No.	Terminal block kit	Terminal rails	Window kit	Touch-up paint
E 404CHQR*	-	-	-	E L21
E 604CHQR*	-	-	-	E L21
E 606CHQR*	-	-	-	E L21
E 806CHQR	E 6JTMA	E 8JS	-	E L21
E 1008CHQR	E 8JTMA	E 10JS	E PWK53NF	E L21
E 1210CHQR	E 10JTMAXD	E 12JS	E PWK53NF	E L21
E 1412CHQR	E 12JTMA	E 14JS	E PWK95NF	E L21
E 1614CHQR	E 14JTMA	E 16JS	E PWK95NF	E L21

* 16 gauge

Continuous Hinge Wing Turn Boxes



Electromate Wallmount Enclosures

These NEMA rated junction boxes are designed primarily for indoor use to house pilot devices, such as limit switches, foot switches, pushbuttons, selector switches, pilot lights, etc., and to protect these devices against dirt and dust, oil seepage, external condensation, or coolant.



Configuration

- Continuously welded seams, finished smooth
- Robotically applied urethane gasket
- Continuous steel hinge
- Door removed by pulling steel hinge pin
- Butterfly draw latch
- External mounting brackets
- Mounting panel provisions installed

Technical Specifications

Material:

- *Enclosure/door:* 14 or 16 gauge carbon steel (see table)

Finish/color:

- *Enclosure/door:* polyester-urethane powder coat over phosphatized surfaces, inside and outside – ANSI 61 grey
- *Optional mounting panels:* painted white

Protection Ratings

NEMA Type 1 4 4X 12 13

Certifications/Approvals

Listings UL CUL CSA TÜV

Technical Drawings

Page **IND 42**

Enclosure				Mounting Panel			
Part No.	Outside dimensions (inches)			Part No.	H	W	Usable depth
	H	W	D				
E 604CHWL*	6.00	4.00	4.48	E 6P4	4.88	2.88	4.04
E 806CHWL	8.00	6.00	4.48	E 8P6	6.88	4.88	4.04
E 1008CHWL	10.00	8.00	4.48	E 10P8	8.88	6.88	4.04
E 1210CHWL	12.00	10.00	5.48	E 12P10	10.88	8.88	5.04
E 1412CHWL	14.00	12.00	6.48	E 14P12	12.88	10.88	6.04
E 1614CHWL	16.00	14.00	6.48	E 16P14	14.88	12.88	6.04

* 16 gauge

Accessories				
Part No.	Terminal block kit	Terminal rails	Window kit	Touch-up paint
E 604CHWL*	-	-	-	E L21
E 806CHWL	E 6JTMA	E 8JS	-	E L21
E 1008CHWL	E 8JTMA	E 10JS	E PWK53NF	E L21
E 1210CHWL	E 10JTMAXD	E 12JS	E PWK53NF	E L21
E 1412CHWL	E 12JTMA	E 14JS	E PWK95NF	E L21
E 1614CHWL	E 14JTMA	E 16JS	E PWK95NF	E L21

* 16 gauge

Continuous Hinge Cover Boxes



NEMA 4 Carbon Steel Enclosures

These NEMA rated junction boxes offer perfect protection for delicate electrical and electronic equipment. They are designed to house pilot devices, such as limit switches, foot switches, pushbuttons, selector switches and pilot lights. Installed equipment is protected against splashing water, seepage of water, falling or hose directed water, severe external condensation and spraying of water, oil or coolant.



Page IND 205

Enclosure				Mounting Panel			
Part No.	Outside dimensions (inches)			Part No.	H	W	Usable depth
	H	W	D				
E 404CHNF*	4.00	4.00	3.00	NONE	-	-	-
EZ E 604CHNF*	6.00	4.00	3.00	E 6P4	4.88	2.88	2.50
E 6044CHNF*	6.00	4.00	4.00	E 6P4	4.88	2.88	3.50
EZ E 606CHNF*	6.00	6.00	4.00	E 6P6	4.88	4.88	3.50
EZ E 806CHNF	8.00	6.00	3.50	E 8P6	6.88	4.88	3.00
EZ E 1008CHNF	10.00	8.00	4.00	E 10P8	8.88	6.88	3.50
EZ E 10086CHNF	10.00	8.00	6.00	E 10P8	8.88	6.88	5.50
EZ E 1210CHNF	12.00	10.00	5.00	E 12P10	10.88	8.88	4.50
EZ E 1212CHNF	12.00	12.00	6.00	E 12P12	10.88	10.88	5.50
EZ E 1412CHNF	14.00	12.00	6.00	E 14P12	12.88	10.88	5.50
EZ E 1614CHNF	16.00	14.00	6.00	E 16P14	14.88	12.88	5.50

* 16 gauge

EZ Designates a product in the EnclosureZone program.



Configuration

- Continuously welded seams, finished smooth
- Robotically applied urethane gasket
- Continuous steel hinge
- Door removed by pulling steel hinge pin
- Stainless steel captive clamps and screws
- External mounting brackets
- Mounting panel provisions installed (except E 404CHNF)

Technical Specifications

- Material:**
- *Enclosure/door:* 14 or 16 gauge carbon steel (see table)
- Finish/color:**
- *Enclosure/door:* polyester-urethane powder coat over phosphatized surfaces, inside and outside - ANSI 61 grey
 - *Optional mounting panels:* painted white

Protection Ratings

- NEMA Type** 1 4 4X 12 13

Certifications/Approvals

- Listings** UL CUL CSA TÜV

Technical Drawings

Page IND 43

Accessories				
Part No.	Terminal block kit	Terminal rails	Window kit	Touch-up paint
E 404CHNF*	-	-	-	E L21
E 604CHNF*	-	-	-	E L21
E 6044CHNF*	-	-	-	E L21
E 606CHNF*	-	-	-	E L21
E 806CHNF	E 6JTMA	E 8JS	-	E L21
E 1008CHNF	E 8JTMA	E 10JS	E PWK53NF	E L21
E 10086CHNF	E 8JTMA	E 10JS	E PWK53NF	E L21
E 1210CHNF	E 10JTMA	E 12JS	E PWK53NF	E L21
E 1212CHNF	E 12JTMA	E 12JS	E PWK95NF	E L21
E 1412CHNF	E 12JTMA	E 14JS	E PWK95NF	E L21
E 1614CHNF	E 14JTMA	E 16JS	E PWK95NF	E L21

* 16 gauge

Clamp Cover Junction Enclosures



NEMA Rated Carbon Steel Boxes

These NEMA rated junction boxes offer perfect protection for delicate electrical and electronic equipment. They are designed to house pilot devices, such as limit switches, foot switches, pushbuttons, selector switches and pilot lights.

They can be used inside or outside to protect installed equipment against splashing water, seepage of water, falling or hose directed water, severe external condensation and spraying of water, oil or coolants.



Configuration

- Continuously welded seams, finished smooth
- Robotically applied urethane gasket
- Stainless steel cover clamps and screws
- External mounting brackets
- Mounting panel provisions installed (except E 404NF)

Technical Specifications

Material:

- *Enclosure/door:* 14 or 16 gauge carbon steel (see table)

Finish/color:

- *Enclosure/door:* polyester-urethane powder coat over phosphatized surfaces, inside and outside – ANSI 61 grey
- *Optional mounting panels:* painted white

Protection Ratings

NEMA Type 1 4 4X 12 13

Certifications/Approvals

Listings UL CUL CSA TÜV

Technical Drawings

Page IND 44

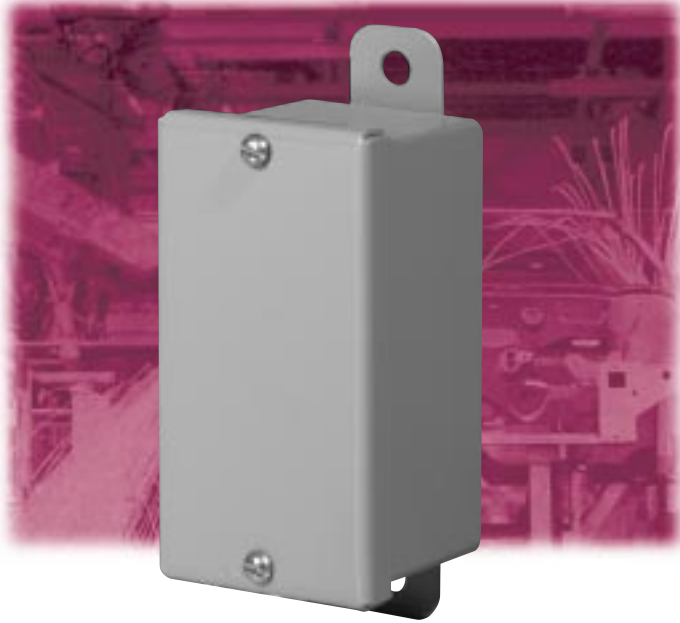
Enclosure				Mounting Panel			
Part No.	Outside dimensions (inches)			Part No.	H	W	Usable depth
	H	W	D				
E 404NF*	4.00	4.00	3.00	NONE	-	-	-
E 604NF*	6.00	4.00	3.00	E 6P4	4.88	2.88	2.50
E 6044NF*	6.00	4.00	4.00	E 6P4	4.88	2.88	3.50
E 606NF*	6.00	6.00	4.00	E 6P6	4.88	4.88	3.50
E 806NF	8.00	6.00	3.50	E 8P6	6.88	4.88	3.00
E 8064NF	8.00	6.00	4.00	E 8P6	6.88	4.88	3.50
E 1008NF	10.00	8.00	4.00	E 10P8	8.88	6.88	3.50
E 1210NF	12.00	10.00	5.00	E 12P10	10.88	8.88	4.50
E 1412NF	14.00	12.00	6.00	E 14P12	12.88	10.88	5.50
E 1614NF	16.00	14.00	6.00	E 16P14	14.88	12.88	5.50

* 16 gauge

Accessories				
Part No.	Terminal block kit	Terminal rails	Window kit	Touch-up paint
E 404NF*	-	-	-	E L21
E 604NF*	-	-	-	E L21
E 6044NF*	-	-	-	E L21
E 606NF*	-	-	-	E L21
E 806NF	E 6JTMA	E 8JS	-	E L21
E 8064NF	E 6JTMA	E 8JS	-	E L21
E 1008NF	E 8JTMA	E 10JS	E PWK53NF	E L21
E 1210NF	E 10JTMAXD	E 12JS	E PWK53NF	E L21
E 1412NF	E 12JTMA	E 14JS	E PWK95NF	E L21
E 1614NF	E 14JTMA	E 16JS	E PWK95NF	E L21

* 16 gauge

Handy Box Enclosures



Small Carbon Steel Boxes

These NEMA rated boxes are designed primarily for indoor use to house pilot devices, such as limit switches, foot switches, pushbuttons, selector switches, pilot lights, etc., and to protect such equipment against dirt, dust, oil and water seepage.

Configuration

- Continuously welded seams, finished smooth
- Poron strip gasket
- Plated steel screws hold cover tight
- External mounting brackets

Technical Specifications

Material:

- *Enclosure/cover:* 16 gauge carbon steel

Finish/color:

- *Enclosure/cover:* polyester-urethane powder coat over phosphatized surfaces, inside and outside – ANSI 61 grey

Protection Ratings


NEMA Type 1 4 4X 12 13


Certifications/Approvals

Listings UL CUL CSA TÜV

Technical Drawings

Page **IND 45**

Part No.	Enclosure			Accessories
	Outside dimensions (inches)			
	H	W	D	Touch-up paint
 E 4022HB	4.00	2.00	2.00	E L21
 E 4033HB	4.25	2.88	2.63	E L21

 Designates a product in the EnclosureZone program.

Two Door Wallmount Enclosures



Large Carbon Steel Boxes

These NEMA rated enclosures are designed for indoor use to protect enclosed equipment against lint and dust, external condensation, and spraying of water, oil or coolant.

Enclosure				Mounting Panel			
Part No.	Outside dimensions			Part No.	H	W	Usable depth
	H	W	D				
EZ E 244208WF	24.00	42.00	8.00	E 42P24	21.00	39.00	8.00
EZ E 244808WF	24.00	48.00	8.00	E 48P24	21.00	45.00	8.00
E 304210WF	30.00	42.00	10.00	E 42P30	27.00	39.00	10.00
E 304810WF	30.00	48.00	10.00	E 48P30	27.00	45.00	10.00
E 306010WF	30.00	60.00	10.00	E 60P30	27.00	57.00	10.00
E 364212WF	36.00	42.00	12.00	E 42P36	33.00	39.00	12.00
EZ E 364812WF	36.00	48.00	12.00	E 48P36	33.00	45.00	12.00
EZ E 366012WF	36.00	60.00	12.00	E 60P36	33.00	57.00	11.37*
EZ E 424212WF	42.00	42.00	12.00	E 42P42	39.00	39.00	12.00
E 424812WF	42.00	48.00	12.00	E 48P42	39.00	45.00	12.00
E 426012WFA	42.00	60.00	12.00	E 60WFP42	38.00	56.00	11.37*
E 484812WFA	48.00	48.00	12.00	E 48WFP48	44.00	44.00	12.00

* Usable depth reduced by .625" at door stiffener.

EZ Designates a product in the EnclosureZone program.



Configuration

- Continuously welded seams, finished smooth
- Neoprene strip gasket
- Continuous hinge with removable pin
- Gasketed overlapping doors
- 3 point latch with key-locking handle
- Door and body stiffeners in larger sizes
- Mounting panel provisions installed
- External mounting brackets
- Print pocket included

Technical Specifications

- Material:**
- *Enclosure/door:* 14 gauge carbon steel
- Finish/color:**
- *Enclosure/door:* polyester-urethane powder coat over phosphatized surfaces – ANSI 61 grey outside and white inside
 - *Optional mounting panels:* painted white

Protection Ratings

NEMA Type 1 4 4X 12 13

Certifications/Approvals

Listings UL CUL CSA TÜV

Technical Drawings

Page IND 46

Accessories						
Part No.	Door stop kit	Drip shield kit	Window kit	Touch-up paint	Light kit	
E 244208WF	E DSTOPK	E DK42	E PWK1711NF	E L21	See ACC 29	
E 244808WF	E DSTOPK	E DK48	E PWK1711NF	E L21	See ACC 29	
E 304210WF	E DSTOPK	E DK42	E PWK2315NF	E L21	See ACC 29	
E 304810WF	E DSTOPK	E DK48	E PWK2315NF	E L21	See ACC 29	
E 306010WF	E DSTOPK	E DK60	E PWK2315NF	E L21	See ACC 29	
E 364212WF	E DSTOPK	E DK42	E PWK2919NF	E L21	See ACC 29	
E 364812WF	E DSTOPK	E DK48	E PWK2919NF	E L21	See ACC 29	
E 366012WF	E DSTOPK	E DK60	E PWK2919NF	E L21	See ACC 29	
E 424212WF	E DSTOPK	E DK42	E PWK2919NF	E L21	See ACC 29	
E 424812WF	E DSTOPK	E DK48	E PWK2919NF	E L21	See ACC 29	
E 426012WFA	E DSTOPK	E DK60	E PWK3523NF	E L21	See ACC 29	
E 484812WFA	E DSTOPK	E DK48	E PWK3523NF	E L21	See ACC 29	

Designates a product in the EnclosureZone program.

Flush Mount Boxes



Flush Mount Carbon Steel Boxes

These NEMA rated enclosures can be mounted flush with the wall and are designed for indoor use to protect enclosed equipment against lint, dust, and spraying of water.

Enclosure				Mounting Panel			
Part No.	Outside dimensions			Part No.	H	W	Usable depth
	H	W	D				
E 161206FM	16.00	12.00	6.00	E 16P12	13.00	9.00	6.00
E 201606FM	20.00	16.00	6.00	E 20P16	17.00	13.00	6.00
E 202006FM	20.00	20.00	6.00	E 20P20	17.00	17.00	6.00
E 242006FM	24.00	20.00	6.00	E 24P20	21.00	17.00	6.00
E 242408FM	24.00	24.00	8.00	E 24P24	21.00	21.00	8.00
E 302408FM	30.00	24.00	8.00	E 30P24	27.00	21.00	8.00



Configuration

- Includes mounting frame for flush mount
- Continuously welded seams, finished smooth
- Urethane gasket
- Continuous hinge with removable hinge pin
- Slotted hex head captive screws secure door
- Hasp and staple for padlock
- Door and body stiffeners in larger sizes
- Mounting panel provisions installed
- Print pocket included

Technical Specifications

- Material:**
- *Enclosure/door:* 14 gauge carbon steel
 - *Mounting frame:* 12 gauge carbon steel
- Finish/color:**
- *Enclosure/door:* polyester-urethane powder coat over phosphatized surfaces – ANSI 61 grey outside and white inside
 - *Optional mounting panels:* painted white

Protection Ratings

NEMA Type 1 4 4X 12 13

Certifications/Approvals

Listings UL CUL CSA TÜV

Technical Drawings

Page **IND 47**

Accessories							
Part No.	Terminal block kit	Terminal rails	Window kit	Light kit	Dead front kit		Touch-up paint
					Panel	Risers	
E 161206FM	E 12NTMA2	E 16NS	E PWK95NF	See ACC 29	-	-	E L21
E 201606FM	E 16NTMA2	E 20NS	E PWK138NF	See ACC 29	E DF20P16	E DF6R4	E L21
E 202006FM	E 20NTMA2	E 20NS	E PWK138NF	See ACC 29	E DF20P20	E DF6R4	E L21
E 242006FM	E 20NTMA2	E 24NS	E PWK1711NF	See ACC 29	E DF24P20	E DF6R4	E L21
E 242408FM	E 24NTMA3	E 24NS	E PWK1711NF	See ACC 29	E DF24P24	E DF8R4	E L21
E 302408FM	E 24NTMA3	E 30NS	E PWK2315NF	See ACC 29	E DF30P24	E DF8R4	E L21

Large Oil-Tight Boxes



Large Oil Tight Carbon Steel Boxes

These NEMA rated enclosures are designed primarily for indoor use to protect installed equipment against lint and dust, seepage, and spraying of water, oil, or coolant.

Enclosure				Mounting Panel			
Part No.	Outside dimensions			Part No.	H	W	Usable depth
	H	W	D				
E 20C16A	20.00	16.00	7.00	E 20P16	17.00	13.00	6.00
E 20C16B	20.00	16.00	9.00	E 20P16	17.00	13.00	8.00
E 20C20A	20.00	20.00	7.00	E 20P20	17.00	17.00	6.00
E 20C20B	20.00	20.00	9.00	E 20P20	17.00	17.00	8.00
E 24C20A	24.00	20.00	7.00	E 24P20	21.00	17.00	6.00
E 24B20B	24.00	20.00	9.00	E 24P20	21.00	17.00	8.00
E 24C24A	24.00	24.00	7.00	E 24P24	21.00	21.00	6.00
E 24C24B	24.00	24.00	9.00	E 24P24	21.00	21.00	8.00
E 24C24C	24.00	24.00	11.00	E 24P24	21.00	21.00	10.00
E 30C20A	30.00	20.00	7.00	E 30P20	27.00	17.00	6.00
E 30C20B	30.00	20.00	9.00	E 30P20	27.00	17.00	8.00
E 30C24A	30.00	24.00	7.00	E 30P24	27.00	21.00	6.00
E 30C24B	30.00	24.00	9.00	E 30P24	27.00	21.00	8.00
E 30C24D	30.00	24.00	13.00	E 30P24	27.00	21.00	12.00
E 36C24A	36.00	24.00	7.00	E 36P24	33.00	21.00	6.00
E 36C24B	36.00	24.00	9.00	E 36P24	33.00	21.00	8.00
E 36C24C	36.00	24.00	11.00	E 36P24	33.00	21.00	10.00
E 36C30B	36.00	30.00	9.00	E 36P30	33.00	27.00	7.38*
E 36C30D	36.00	30.00	13.00	E 36P30	33.00	27.00	11.38*
E 48C36C	48.00	36.00	11.00	E 48P36	45.00	33.00	9.38*

* Usable depth reduced by .625" at door stiffener.



Configuration

- Continuously welded seams, finished smooth
- Urethane gasket
- Continuous hinge with removable pin
- Slotted pan head captive screws secure door
- Mounting panel provisions installed
- Print pocket included
- External mounting brackets

Technical Specifications

- Material:**
- *Enclosure/door:* 14 gauge carbon steel
- Finish/color:**
- *Enclosure/door:* polyester-urethane powder coat over phosphatized surfaces – ANSI 61 grey inside and outside
 - *Optional mounting panels:* painted white

Protection Ratings

NEMA Type 1 4 4X 12 13

Certifications/Approvals

Listings UL CUL CSA TÜV

Technical Drawings

Page IND 48

Accessories

Part No.	Terminal kits	Terminal rails	Window kits	Dead front kit		Light kit	Touch-up paint
				Panel	Risers		
E 20C16A	E 16NTMA2	E 20NS	E PWK138NF	E DF20P16	E DF6R4	See ACC 29	E L21
E 20C16B	E 16NTMA2	E 20NS	E PWK138NF	E DF20P16	E DF8R4	See ACC 29	E L21
E 20C20A	E 20NTMA2	E 20NS	E PWK138NF	E DF20P20	E DF6R4	See ACC 29	E L21
E 20C20B	E 20NTMA2	E 20NS	E PWK138NF	E DF20P20	E DF8R4	See ACC 29	E L21
E 24C20A	E 20NTMA2	E 24NS	E PWK1711NF	E DF24P20	E DF6R4	See ACC 29	E L21
E 24B20B	E 20NTMA2	E 24NS	E PWK1711NF	E DF24P20	E DF8R4	See ACC 29	E L21
E 24C24A	E 24NTMA3	E 24NS	E PWK1711NF	E DF24P24	E DF6R4	See ACC 29	E L21
E 24C24B	E 24NTMA3	E 24NS	E PWK1711NF	E DF24P24	E DF8R4	See ACC 29	E L21
E 24C24C	E 24NTMA3	E 24NS	E PWK1711NF	E DF24P24	E DF10R4	See ACC 29	E L21
E 30C20A	E 20NTMA2	E 30NS	E PWK2315NF	-	-	See ACC 29	E L21
E 30C20B	E 20NTMA2	E 30NS	E PWK2315NF	-	-	See ACC 29	E L21
E 30C24A	E 24NTMA3	E 30NS	E PWK2315NF	E DF30P24	E DF6R4	See ACC 29	E L21
E 30C24B	E 24NTMA3	E 30NS	E PWK2315NF	E DF30P24	E DF8R4	See ACC 29	E L21
E 30C24D	E 24NTMA3	E 30NS	E PWK2315NF	E DF30P24	E DF12R4	See ACC 29	E L21
E 36C24A	E 24NTMA3	E 36NS	E PWK2919NF	-	-	See ACC 29	E L21
E 36C24B	E 24NTMA3	E 36NS	E PWK2919NF	E DF36P24	E DF8R5	See ACC 29	E L21
E 36C24C	E 24NTMA3	E 36NS	E PWK2919NF	E DF36P24	E DF10R5	See ACC 29	E L21
E 36C30B	E 30NTMA3	E 36NS	E PWK2919NF	E DF36P30	E DF8R5	See ACC 29	E L21
E 36C30D	E 30NTMA3	E 36NS	E PWK2919NF	E DF36P30	E DF12R5	See ACC 29	E L21
E 48C36C	E 30NTMA3	E 48NS	E PWK3523NF	E DF48P36	E DF10R6	See ACC 29	E L21

AE Wallmount Enclosures



NEMA Rated Wallmount Enclosures

Rittal's AE compact enclosures can be used for many different types of applications. Their NEMA 4 or NEMA 12 protection rating is ensured through a secure locking system, foamed-on gaskets, and knife-edge perimeter. They feature a body constructed from cold rolled steel, steel doors, mounting panels, and pre-installed cable entry panels.



Page IND 211



Page IND 93

Part No.	Approximate outside dimensions H'xW'xD'	NEMA rating	No. of doors	Enclosure						Mounting Panel			
				Exact outside dimensions						Dimensions			
				inches			mm			inches		mm	
H	W	D	H	W	D	H	W	H	W				
EZ 1032600	12x8x5	1, 12	1	11.81	7.87	4.72	300	200	120	10.83	6.38	275	162
EZ 1035600	12x8x6	1, 12	1	11.81	7.87	6.10	300	200	155	10.83	6.38	275	162
EZ 1030600	12x15x6	1, 3R, 4, 12	1	11.81	14.96	6.10	300	380	155	10.83	13.15	275	334
EZ 1033600	12x12x8	1, 3R, 4, 12	1	11.81	11.81	8.27	300	300	210	10.83	10.00	275	254
EZ 1031600	12x15x8	1, 3R, 4, 12	1	11.81	14.96	8.27	300	380	210	10.83	13.15	275	334
EZ 1380600	15x15x8	1, 3R, 4, 12	1	14.96	14.96	8.27	380	380	210	13.98	13.15	355	334
EZ 1039600	15x24x8	1, 3R, 4, 12	1	14.96	23.62	8.27	380	600	210	13.98	21.61	355	549
EZ 1034600	16x12x8	1, 3R, 4, 12	1	15.75	11.81	8.27	400	300	210	14.76	10.00	375	254
EZ 1045600	20x16x8	1, 3R, 4, 12	1	19.69	15.75	8.27	500	400	210	18.70	13.94	475	354
EZ 1050600	20x20x8	1, 3R, 4, 12	1	19.69	19.69	8.27	500	500	210	18.50	17.68	470	449
EZ 1038600	24x15x8	1, 3R, 4, 12	1	23.62	14.96	8.27	600	380	210	22.44	13.15	570	334
EZ 1060600	24x24x8	1, 3R, 4, 12	1	23.62	23.62	8.27	600	600	210	22.44	21.61	570	549
EZ 1076600	30x24x8	1, 3R, 4, 12	1	29.92	23.62	8.27	760	600	210	28.74	21.61	730	549
EZ 1077600	30x30x8	1, 3R, 4, 12	1	29.92	29.92	8.27	760	760	210	28.74	27.72	730	704
EZ 1100600	30x40x8	1, 12	2	29.92	39.37	8.27	760	1000	210	28.74	37.17	730	944
EZ 1057600	27x20x10	1, 3R, 4, 12	1	27.50	19.68	9.84	700	500	250	26.38	17.68	670	449
EZ 1058600	32x24x10	1, 3R, 4, 12	1	31.50	23.62	9.84	800	600	250	30.31	21.61	770	549
EZ 1090600	40x24x10	1, 3R, 4, 12	1	39.37	23.62	9.84	1000	600	250	37.60	21.61	955	549
EZ 1350600	20x20x12	1, 3R, 4, 12	1	19.69	19.69	11.81	500	500	300	18.50	17.68	470	449
EZ 1073600	30x30x12	1, 3R, 4, 12	1	29.92	29.92	11.81	760	760	300	28.74	27.72	730	704
EZ 1130600	30x40x12	1, 12	2	29.92	39.37	11.81	760	1000	300	28.74	37.17	730	944
EZ 1097500	36x30x12	1, 3R, 4, 12	1	35.43	29.92	11.81	900	760	300	33.66	27.72	855	704
EZ 1180600	40x32x12	1, 3R, 4, 12	1	39.37	31.50	11.81	1000	800	300	37.60	29.09	955	739
EZ 1110600	40x40x12	1, 12	2	39.37	39.37	11.81	1000	1000	300	37.60	36.97	955	939
EZ 1260600	47x24x12	1, 3R, 4, 12	1	47.24	23.62	11.81	1200	600	300	45.47	21.26	1155	540
EZ 1280600	47x32x12	1, 3R, 4, 12	1	47.24	31.50	11.81	1200	800	300	45.47	29.13	1155	740
EZ 1097670	47x36x12	1, 3R, 4, 12	1	47.24	35.43	11.81	1200	900	300	45.47	33.07	1155	840
EZ 1213600	47x40x12	1, 12	2	47.24	39.37	11.81	1200	1000	300	45.47	37.00	1155	940
EZ 1114600	55x40x12	1, 12	2	55.12	39.37	11.81	1400	1000	300	53.35	37.00	1355	940
EZ 1339600	15x24x14	1, 3R, 4, 12	1	14.96	23.62	13.78	380	600	350	13.98	21.61	355	549
EZ 1338600	24x15x14	1, 3R, 4, 12	1	23.62	14.96	13.78	600	380	350	22.44	21.61	570	549
EZ 1360600	24x24x14	1, 3R, 4, 12	1	23.62	23.62	13.78	600	600	350	22.44	21.61	570	549
EZ 1376600	30x24x14	1, 3R, 4, 12	1	29.92	23.62	13.78	760	600	350	28.74	21.61	730	549

EZ Designates a product in the EnclosureZone program.



Configuration

- Vertical mounting rails on doors
- Right or left hand hinging on all single door models
- Turnbuckle or rod type locks for easy access and secure seal
- Rear mounting holes allow direct wallmounting or the use of optional mounting feet
- One piece body construction with continuously welded seams
- Knife-edge design protects against liquid entry
- Integrated grounding provisions
- Mounting panel included
- Powder paint provides superior corrosion protection
- Foamed-on gaskets ensure perfect seal
- Wide range of accessories

Technical Specifications

- Material:**
- Sheet steel
 - *Housing:* 16 ga/1.5 mm
 - *Door:* 14 ga/2 mm (except AE 1032, 1035: 16 ga/1.5 mm)
 - *Mounting panel:* 11 gauge hot-dipped galvanized zinc
- Finish/color:**
- *Housing and door:* powder painted, RAL 7032 pebble grey
 - *Mounting panel:* Type M

Protection Ratings

NEMA Type 1 3R 4 12 13

Certifications/Approvals

Listings UL CUL CSA TÜV

Technical Drawings

Pages **IND 49-52**

Accessories									
Part No.	Swing frame (also order EL 2093 screws & EL 2092 nuts)	Wallmounting brackets		Base		Handles			Plastic print pocket
		3/8" standoff	1-5/8" standoff	4" high	8" high	Ergoform-S	Thumb turn	T-handle	
EZ 1032600	-	2508200	2503200	-	-	-	2576000	2575000	-
EZ 1035600	-	2508200	2503200	-	-	-	2576000	2575000	-
EZ 1030600	-	2508200	2503200	-	-	-	2576000	2575000	-
EZ 1033600	-	2508200	2503200	-	-	-	2576000	2575000	-
EZ 1031600	-	2508200	2503200	-	-	-	2576000	2575000	-
EZ 1380600	-	2508200	2503200	-	-	-	2576000	2575000	2514000
EZ 1039600	2026200	2508200	2503200	-	-	-	2576000	2575000	2514000
EZ 1034600	-	2508200	2503200	-	-	-	2576000	2575000	2514000
EZ 1045600	-	2508200	2503200	-	-	-	2576000	2575000	2514000
EZ 1050600	-	2508200	2503200	-	-	-	2576000	2575000	2514000
EZ 1038600	-	2508200	2503200	-	-	-	2576000	2575000	2514000
EZ 1060600	2027200	2508200	2503200	-	-	-	2576000	2575000	2514000
EZ 1076600	2034200	2508200	2503200	-	-	-	2576000	2575000	2514000
EZ 1077600	2034200	2508200	2503200	-	-	-	2576000	2575000	2514000
EZ 1100600	-	2508200	2503200	-	-	-	2576000	2575000	2514000
EZ 1057600	-	2508200	2503200	-	-	-	2576000	2575000	2514000
EZ 1058600	-	2508200	2503200	-	-	-	2576000	2575000	2514000
EZ 1090600	-	2508200	2503200	-	-	-	2576000	2575000	2514000
EZ 1350600	-	2508200	2503200	-	-	-	2576000	2575000	2514000
EZ 1073600	2034200	2508200	2503200	-	-	-	2576000	2575000	2514000
EZ 1130600	-	2508200	2503200	2801200	2802200	-	2576000	2575000	2514000
EZ 1097500	-	2508200	2503200	-	-	-	2576000	2575000	2514000
EZ 1180600	-	2508200	2503200	2818200	2828200	-	2576000	2575000	2514000
EZ 1110600	-	2508200	2503200	2801200	2802200	-	2576000	2575000	2514000
EZ 1260600	-	2508200	2503200	2816200	2826200	2450000	-	-	2514000
EZ 1280600	-	2508200	2503200	2818200	2828200	2450000	-	-	2514000
EZ 1097670	-	2508200	2503200	-	-	2450000	2576000	2575000	2514000
EZ 1213600	-	2508200	2503200	2801200	2802200	2450000	-	-	2514000
EZ 1114600	-	2508200	2503200	2801200	2802200	2450000	-	-	2514000
EZ 1339600	2026200	2508200	2503200	-	-	-	2576000	2575000	2514000
EZ 1338600	-	2508200	2503200	-	-	-	2576000	2575000	2514000
EZ 1360600	2027200	2508200	2503200	-	-	-	2576000	2575000	2514000
EZ 1376600	2034200	2508200	2503200	-	-	-	2576000	2575000	2514000

EZ Designates a product in the EnclosureZone program.

Legacy Series Enclosures



Carbon Steel Wallmount Boxes

Legacy Series instrument boxes offer protection for dense wiring and sensitive small electronic and electrical equipment controls and pilot devices, such as limit switches, foot switches, pushbuttons, selector switches and pilot lights. Installed equipment is protected against splashing water, seepage of water, falling or hose directed water, severe external condensation and spraying of water, oil or coolant.



Page IND 213

INITIAL - ELECTROMATE
LEGACY
SERIES

Enclosure				Mounting Panel				
Part No.	Outside dimensions (inches)			Latch system	White (Full Size)	Zinc (Full Size)	White (NEMA Style)	
	H	W	D		Panel Part No.	Panel Part No.	Panel Part No.	
EZ L W120806	12.00	8.00	6.00	1 Qtr. Turn	L W12P8W	L W12P8	-	
EZ L W121206	12.00	12.00	6.00	1 Qtr. Turn	L W12P12W	L W12P12	-	
EZ L W121608	12.00	16.00	8.00	1 Qtr. Turn	L W12P16W	L W12P16	E 16P12	
EZ L W161206	16.00	12.00	6.00	1 Qtr. Turn	L W16P12W	L W16P12	E 16P12	
EZ L W161208	16.00	12.00	8.00	1 Qtr. Turn	L W16P12W	L W16P12	E 16P12	
EZ L W161606	16.00	16.00	6.00	1 Qtr. Turn	L W16P16W	L W16P16	E 16P16	
EZ L W161608	16.00	16.00	8.00	1 Qtr. Turn	L W16P16W	L W16P16	E 16P16	
EZ L W201606	20.00	16.00	6.00	2 Qtr. Turn	L W20P16W	L W20P16	E 20P16	
EZ L W201608	20.00	16.00	8.00	2 Qtr. Turn	L W20P16W	L W20P16	E 20P16	
L W202006	20.00	20.00	6.00	2 Qtr. Turn	L W20P20W	L W20P20	E 20P20	
EZ L W202008	20.00	20.00	8.00	2 Qtr. Turn	L W20P20W	L W20P20	E 20P20	
EZ L W202012	20.00	20.00	12.00	2 Qtr. Turn	L W20P20W	L W20P20	E 20P20	
L W202408	20.00	24.00	8.00	2 Qtr. Turn	L W20P24W	L W20P24	E 24P20	
EZ L W241608	24.00	16.00	8.00	2 Qtr. Turn	L W24P16W	L W24P16	E 24P16	
L W242006	24.00	20.00	6.00	2 Qtr. Turn	L W24P20W	L W24P20	E 24P20	
EZ L W242008	24.00	20.00	8.00	2 Qtr. Turn	L W24P20W	L W24P20	E 24P20	
L W242406	24.00	24.00	6.00	2 Qtr. Turn	L W24P24W	L W24P24	E 24P24	
EZ L W242408	24.00	24.00	8.00	2 Qtr. Turn	L W24P24W	L W24P24	E 24P24	
L W242410	24.00	24.00	10.00	2 Qtr. Turn	L W24P24W	L W24P24	E 24P24	
EZ L W242412	24.00	24.00	12.00	2 Qtr. Turn	L W24P24W	L W24P24	E 24P24	
EZ L W242416	24.00	24.00	16.00	2 Qtr. Turn	L W24P24W	L W24P24	E 24P24	
L W243008	24.00	30.00	8.00	2 Qtr. Turn	L W24P30W	L W24P30	E 30P24	
EZ L W302408	30.00	24.00	8.00	2 Qtr. Turn	L W30P24W	L W30P24	E 30P24	
EZ L W302412	30.00	24.00	12.00	2 Qtr. Turn	L W30P24W	L W30P24	E 30P24	
EZ L W303008	30.00	30.00	8.00	2 Qtr. Turn	L W30P30W	L W30P30	E 30P30	
L W303010	30.00	30.00	10.00	2 Qtr. Turn	L W30P30W	L W30P30	E 30P30	
EZ L W303012	30.00	30.00	12.00	2 Qtr. Turn	L W30P30W	L W30P30	E 30P30	
EZ L W362408	36.00	24.00	8.00	2 Qtr. Turn	L W36P24W	L W36P24	E 36P24	
L W362412	36.00	24.00	12.00	2 Qtr. Turn	L W36P24W	L W36P24	E 36P24	
L W363008	36.00	30.00	8.00	2 Qtr. Turn	L W36P30W	L W36P30	E 36P30	
EZ L W363012	36.00	30.00	12.00	2 Qtr. Turn	L W36P30W	L W36P30	E 36P30	
L W363612	36.00	36.00	12.00	2 Qtr. Turn	L W36P36W	L W36P36	E 36P36	
EZ L W423212	42.00	32.00	12.00	3 Point Lock System	L W42P32W	L W42P32	E 42P32	
EZ L W483612	48.00	36.00	12.00	3 Point Lock System	L W48P36W	L W48P36	E 48P36	
L W483616	48.00	36.00	16.00	3 Point Lock System	L W48P36W	L W48P36	E 48P36	
EZ L W603612	60.00	36.00	12.00	3 Point Lock System	L W60P36W	L W60P36	E 60P36	

EZ Designates a product in the EnclosureZone program.

Configuration

- Continuously welded seams, finished smooth
- Robotically applied urethane gasket
- Door opens 130°
- Knife edge flange
- Easily removable stainless steel hinge pins
- Integral channel around door provides additional stability and prevents entry of water and dirt when enclosure is opened
- Quarter turn latching
- Screwdriver lock insert
- Mounting panel provisions installed
- Mounting panel available in both white (NEMA and full size) and zinc (full size) styles
- Grounding provisions on enclosure body and door
- Print pocket included

Technical Specifications

Material:

- *Enclosure/door:* 14 gauge carbon steel

Finish/color:

- *Enclosure/door:* polyester-urethane powder coat over phosphatized surfaces, inside and outside - ANSI 61 grey

Protection Ratings

NEMA Type 1 4 4X 12 13

Certifications/Approvals

Listings UL CUL CSA TÜV

Technical Drawings

Page **IND 53**

Accessories

Part No.	Terminal block kit	Terminal rails	Latching accessories	Window kit	Light kit	Wallmounting brackets	Dead front kit		Touch-up paint
							Panel	Risers	
EZ L W120806	-	-	See ACC 20	E PWK53NF	See ACC 29	2508200	-	-	E L21
EZ L W121206	-	-	See ACC 20	E PWK53NF	See ACC 29	2508200	L DF12P12	L DF6R4	E L21
EZ L W121608	-	-	See ACC 20	E PWK53NF	See ACC 29	2508200	-	-	E L21
EZ L W161206	E 12NTMA2	E 16NS	See ACC 20	E PWK95NF	See ACC 29	2508200	L DF16P12	L DF6R4	E L21
EZ L W161208	E 12NTMA2	E 16NS	See ACC 20	E PWK95NF	See ACC 29	2508200	L DF16P12	L DF8R4	E L21
EZ L W161606	E 16NTMA2	E 16NS	See ACC 20	E PWK95NF	See ACC 29	2508200	L DF16P16	L DF6R4	E L21
EZ L W161608	E 16NTMA2	E 16NS	See ACC 20	E PWK95NF	See ACC 29	2508200	L DF16P16	L DF8R4	E L21
EZ L W201606	E 16NTMA2	E 20NS	See ACC 20	E PWK138NF	See ACC 29	2508200	L DF20P16	L DF6R4	E L21
EZ L W201608	E 16NTMA2	E 20NS	See ACC 20	E PWK138NF	See ACC 29	2508200	L DF20P16	L DF8R4	E L21
L W202006	E 20NTMA2	E 20NS	See ACC 20	E PWK138NF	See ACC 29	2508200	L DF20P20	L DF6R4	E L21
EZ L W202008	E 20NTMA2	E 20NS	See ACC 20	E PWK138NF	See ACC 29	2508200	L DF20P20	L DF8R4	E L21
EZ L W202012	E 20NTMA2	E 20NS	See ACC 20	E PWK138NF	See ACC 29	2508200	L DF20P20	L DF12R4	E L21
L W202408	E 24NTMA3	E 20NS	See ACC 20	E PWK1711NF	See ACC 29	2508200	-	-	E L21
EZ L W241608	E 16NTMA2	E 24NS	See ACC 20	E PWK175NF	See ACC 29	2508200	L DF24P16	L DF8R4	E L21
L W242006	E 20NTMA2	E 24NS	See ACC 20	E PWK1711NF	See ACC 29	2508200	L DF24P20	L DF6R4	E L21
EZ L W242008	E 20NTMA2	E 24NS	See ACC 20	E PWK1711NF	See ACC 29	2508200	L DF24P20	L DF8R4	E L21
L W242406	E 24NTMA3	E 24NS	See ACC 20	E PWK1711NF	See ACC 29	2508200	L DF24P24	L DF6R4	E L21
EZ L W242408	E 24NTMA3	E 24NS	See ACC 20	E PWK1711NF	See ACC 29	2508200	L DF24P24	L DF8R4	E L21
L W242410	E 24NTMA3	E 24NS	See ACC 20	E PWK1711NF	See ACC 29	2508200	L DF24P24	L DF10R4	E L21
EZ L W242412	E 24NTMA3	E 24NS	See ACC 20	E PWK1711NF	See ACC 29	2508200	L DF24P24	L DF12R4	E L21
EZ L W242416	E 24NTMA3	E 24NS	See ACC 20	E PWK1711NF	See ACC 29	2508200	L DF24P24	L DF16R4	E L21
L W243008	E 30NTMA3	E 24NS	See ACC 20	E PWK2315NF	See ACC 29	2508200	-	-	E L21
EZ L W302408	E 24NTMA3	E 30NS	See ACC 20	E PWK2315NF	See ACC 29	2508200	L DF30P24	L DF8R4	E L21
EZ L W302412	E 24NTMA3	E 30NS	See ACC 20	E PWK2315NF	See ACC 29	2508200	L DF30P24	L DF12R4	E L21
EZ L W303008	E 30NTMA3	E 30NS	See ACC 20	E PWK2315NF	See ACC 29	2508200	L DF30P30	L DF8R5	E L21
L W303010	E 30NTMA3	E 30NS	See ACC 20	E PWK2315NF	See ACC 29	2508200	L DF30P30	L DF10R5	E L21
EZ L W303012	E 30NTMA3	E 30NS	See ACC 20	E PWK2315NF	See ACC 29	2508200	L DF30P30	L DF12R5	E L21
EZ L W362408	E 24NTMA3	E 36NS	See ACC 20	E PWK2919NF	See ACC 29	2508200	L DF36P24	L DF8R5	E L21
L W362412	E 24NTMA3	E 36NS	See ACC 20	E PWK2919NF	See ACC 29	2508200	L DF36P24	L DF12R5	E L21
L W363008	E 30NTMA3	E 36NS	See ACC 20	E PWK2919NF	See ACC 29	2508200	L DF36P30	L DF8R5	E L21
EZ L W363012	E 30NTMA3	E 36NS	See ACC 20	E PWK2919NF	See ACC 29	2508200	L DF36P30	L DF12R5	E L21
L W363612	E 36NTMA3	E 36NS	See ACC 20	E PWK2919NF	See ACC 29	2508200	L DF36P36	L DF12R6	E L21
EZ L W423212	E 30NTMA3	E 42NS	See ACC 20	E PWK3523NF	See ACC 29	2508200	-	-	E L21
EZ L W483612	E 36NTMA3	E 48NS	See ACC 20	E PWK3523NF	See ACC 29	2508200	-	-	E L21
L W483616	E 36NTMA3	E 48NS	See ACC 20	E PWK3523NF	See ACC 29	2508200	-	-	E L21
EZ L W603612	E 36NTMA3	E 60NS	See ACC 20	E PWK3523NF	See ACC 29	2508200	-	-	E L21

EZ Designates a product in the EnclosureZone program.

One Door Wallmount Boxes



NEMA 4 Carbon Steel Enclosures

These NEMA 4 rated enclosures are designed for indoor or outdoor use and can be used for many different applications. They protect installed equipment against splashing water, seepage of water, falling or hose directed water and severe external condensation.



Part No.	Enclosure			Part No.	Mounting Panel		
	Outside dimensions (inches)				H	W	Usable depth
	H	W	D				
EZ E 16H12A	16.00	12.00	6.00	E 16P12	13.00	9.00	6.00
EZ E 16H12B	16.00	12.00	8.00	E 16P12	13.00	9.00	8.00
E 16H16A	16.00	16.00	6.00	E 16P16	13.00	13.00	6.00
E 16H20A	16.00	20.00	6.00	E 20P16	13.00	17.00	6.00
EZ E 20H16A	20.00	16.00	6.00	E 20P16	17.00	13.00	6.00
EZ E 20H16B	20.00	16.00	8.00	E 20P16	17.00	13.00	8.00
E 20H16C	20.00	16.00	10.00	E 20P16	17.00	13.00	10.00
EZ E 20H20A	20.00	20.00	6.00	E 20P20	17.00	17.00	6.00
EZ E 20H20B	20.00	20.00	8.00	E 20P20	17.00	17.00	8.00
E 20H24B	20.00	24.00	8.00	E 24P20	17.00	21.00	8.00
E 24H12A	24.00	12.00	6.00	E 24P12	21.00	9.00	6.00
E 24H16A	24.00	16.00	6.00	E 24P16	21.00	13.00	6.00
E 24H20A	24.00	20.00	6.00	E 24P20	21.00	17.00	6.00
EZ E 24H20B	24.00	20.00	8.00	E 24P20	21.00	17.00	8.00
EZ E 24H20C	24.00	20.00	10.00	E 24P20	21.00	17.00	10.00
EZ E 24H24A	24.00	24.00	6.00	E 24P24	21.00	21.00	6.00
EZ E 24H24B	24.00	24.00	8.00	E 24P24	21.00	21.00	8.00
E 24H30B	24.00	30.00	8.00	E 30P24	21.00	27.00	8.00
E 30H20A	30.00	20.00	6.00	E 30P20	27.00	17.00	6.00
E 30H20B	30.00	20.00	8.00	E 30P20	27.00	17.00	8.00
E 30H24A	30.00	24.00	6.00	E 30P24	27.00	21.00	6.00
EZ E 30H24B	30.00	24.00	8.00	E 30P24	27.00	21.00	8.00
EZ E 30H24C	30.00	24.00	10.00	E 30P24	27.00	21.00	10.00
EZ E 30H24D	30.00	24.00	12.00	E 30P24	27.00	21.00	12.00
EZ E 30H30B	30.00	30.00	8.00	E 30P30	27.00	27.00	8.00
E 36H24A	36.00	24.00	6.00	E 36P24	33.00	21.00	6.00
E 36H24B	36.00	24.00	8.00	E 36P24	33.00	21.00	8.00
EZ E 36H30B	36.00	30.00	8.00	E 36P30	33.00	27.00	7.37*
E 36H30C	36.00	30.00	10.00	E 36P30	33.00	27.00	9.37*
EZ E 36H30D	36.00	30.00	12.00	E 36P30	33.00	27.00	11.37*
E 36H30F	36.00	30.00	16.00	E 36P30	33.00	27.00	15.37*
E 42H30B	42.00	30.00	8.00	E 42P30	39.00	27.00	7.37*
E 42H36B	42.00	36.00	8.00	E 42P36	39.00	33.00	7.37*
E 48H30C	48.00	30.00	10.00	E 48P30	45.00	27.00	9.37*
E 48H36B	48.00	36.00	8.00	E 48P36	45.00	33.00	7.37*
E 48H36C	48.00	36.00	10.00	E 48P36	45.00	33.00	9.37*
EZ E 48H36D	48.00	36.00	12.00	E 48P36	45.00	33.00	11.37*
E 48H36F	48.00	36.00	16.00	E 48P36	45.00	33.00	15.37*
E 60H36B	60.00	36.00	8.00	E 60P36	57.00	33.00	7.37*
E 60H36C	60.00	36.00	10.00	E 60P36	57.00	33.00	9.37*
E 60H36F	60.00	36.00	16.00	E 60P36	57.00	33.00	15.37*

* Usable depth reduced by .625" at door stiffener.

EZ Designates a product in the EnclosureZone program.

Configuration

- Continuously welded seams, finished smooth
- Robotically applied urethane gasket
- Continuous steel hinge
- Stainless steel captive clamps
- Hasp and staple provided for padlocking
- Door and body stiffeners on larger sizes
- Mounting panel provisions installed
- External mounting brackets
- Print pocket included

Technical Specifications

Material:

- *Enclosure/door:* 14 gauge carbon steel

Finish/color:

- *Enclosure/door:* polyester-urethane powder coat over phosphatized surfaces, inside and outside – ANSI 61 grey
- *Optional mounting panels:* painted white

Protection Ratings

NEMA Type

- 1
 4
 4X
 12
 13

Certifications/Approvals

Listings

- UL
 CUL
 CSA
 TÜV

Technical Drawings

Page IND 54

Accessories

Part No.	Drip shield kit	Terminal block kit	Terminal rails	Light kit	Window kit	Dead front kit	
						Panel	Risers
EZ E 16H12A	E DK12NF	E 12NTMA2	E 16NS	See ACC 29	E PWK95NF	E DF16P12	E DF6R4
EZ E 16H12B	E DK12NF	E 12NTMA2	E 16NS	See ACC 29	E PWK138NF	E DF16P12	E DF8R4
E 16H16A	E DK16NF	E 16NTMA2	E 16NS	See ACC 29	E PWK138NF	E DF16P16	E DF6R4
E 16H20A	E DK20NF	E 20NTMA2	E 16NS	See ACC 29	E PWK138NF	E DF20P16	E DF6R4
EZ E 20H16A	E DK16NF	E 16NTMA2	E 20NS	See ACC 29	E PWK138NF	E DF20P16	E DF6R4
EZ E 20H16B	E DK16NF	E 16NTMA2	E 20NS	See ACC 29	E PWK138NF	E DF20P16	E DF8R4
E 20H16C	E DK16NF	E 16NTMA2	E 20NS	See ACC 29	E PWK138NF	E DF20P16	E DF10R4
EZ E 20H20A	E DK20NF	E 20NTMA2	E 20NS	See ACC 29	E PWK138NF	E DF20P20	E DF6R4
EZ E 20H20B	E DK20NF	E 20NTMA2	E 20NS	See ACC 29	E PWK138NF	E DF20P20	E DF8R4
E 20H24B	E DK24NF	E 24NTMA3	E 20NS	See ACC 29	E PWK1711NF	E DF24P20	E DF8R4
E 24H12A	E DK12NF	E 12NTMA2	E 24NS	See ACC 29	E PWK175NF	-	-
E 24H16A	E DK16NF	E 16NTMA2	E 24NS	See ACC 29	E PWK175NF	-	-
E 24H20A	E DK20NF	E 20NTMA2	E 24NS	See ACC 29	E PWK1711NF	E DF24P20	E DF6R4
EZ E 24H20B	E DK20NF	E 20NTMA2	E 24NS	See ACC 29	E PWK1711NF	E DF24P20	E DF8R4
EZ E 24H20C	E DK20NF	E 20NTMA2	E 24NS	See ACC 29	E PWK1711NF	E DF24P20	E DF10R4
EZ E 24H24A	E DK24NF	E 24NTMA3	E 24NS	See ACC 29	E PWK1711NF	E DF24P24	E DF6R4
EZ E 24H24B	E DK24NF	E 24NTMA3	E 24NS	See ACC 29	E PWK1711NF	E DF24P24	E DF8R4
E 24H30B	E DK30NF	E 30NTMA3	E 24NS	See ACC 29	E PWK2315NF	E DF30P24	E DF8R4
E 30H20A	E DK20NF	E 20NTMA2	E 30NS	See ACC 29	E PWK2315NF	-	-
E 30H20B	E DK20NF	E 20NTMA2	E 30NS	See ACC 29	E PWK2315NF	-	-
E 30H24A	E DK24NF	E 24NTMA3	E 30NS	See ACC 29	E PWK2315NF	E DF30P24	E DF6R4
EZ E 30H24B	E DK24NF	E 24NTMA3	E 30NS	See ACC 29	E PWK2315NF	E DF30P24	E DF8R4
EZ E 30H24C	E DK24NF	E 24NTMA3	E 30NS	See ACC 29	E PWK2315NF	E DF30P24	E DF10R4
EZ E 30H24D	E DK24NF	E 24NTMA3	E 30NS	See ACC 29	E PWK2315NF	E DF30P24	E DF12R4
EZ E 30H30B	E DK30NF	E 30NTMA3	E 30NS	See ACC 29	E PWK2315NF	E DF30P30	E DF8R5
E 36H24A	E DK24NF	E 24NTMA3	E 36NS	See ACC 29	E PWK2919NF	-	-
E 36H24B	E DK24NF	E 24NTMA3	E 36NS	See ACC 29	E PWK2919NF	E DF36P24	E DF8R5
EZ E 36H30B	E DK30NF	E 30NTMA3	E 36NS	See ACC 29	E PWK2919NF	E DF36P30	E DF8R5
E 36H30C	E DK30NF	E 30NTMA3	E 36NS	See ACC 29	E PWK2919NF	E DF36P30	E DF10R5
EZ E 36H30D	E DK30NF	E 30NTMA3	E 36NS	See ACC 29	E PWK2919NF	E DF36P30	E DF12R5
E 36H30F	E DK30NF	E 30NTMA3	E 36NS	See ACC 29	E PWK2919NF	E DF36P30	E DF16R5
E 42H30B	E DK30NF	E 30NTMA3	E 42NS	See ACC 29	E PWK3523NF	-	-
E 42H36B	E DK36NF	E 36NTMA3	E 42NS	See ACC 29	E PWK3523NF	E DF42P36	E DF8R6
E 48H30C	E DK30NF	E 30NTMA3	E 48NS	See ACC 29	E PWK3523NF	-	-
E 48H36B	E DK36NF	E 36NTMA3	E 48NS	See ACC 29	E PWK3523NF	E DF48P36	E DF8R6
E 48H36C	E DK36NF	E 36NTMA3	E 48NS	See ACC 29	E PWK3523NF	E DF48P36	E DF10R6
EZ E 48H36D	E DK36NF	E 36NTMA3	E 48NS	See ACC 29	E PWK3523NF	E DF48P36	E DF12R6
E 48H36F	E DK36NF	E 36NTMA3	E 48NS	See ACC 29	E PWK3523NF	E DF48P36	E DF16R6
E 60H36B	E DK36NF	E 36NTMA3	E 60NS	See ACC 29	E PWK3523NF	-	-
E 60H36C	E DK36NF	E 36NTMA3	E 60NS	See ACC 29	E PWK3523NF	-	-
E 60H36F	E DK36NF	E 36NTMA3	E 60NS	See ACC 29	E PWK3523NF	-	-

EZ Designates a product in the EnclosureZone program.

One Door Wallmount Enclosures



Carbon Steel Electromate Boxes

These NEMA rated enclosures are designed for indoor use to protect enclosed equipment against lint and dust, external condensation, and spraying of water, oil or coolant.



Page IND 221

Enclosure				Mounting Panel			
Part No.	Outside dimensions (inches)			Part No.	H	W	Usable depth
	H	W	D				
E 122406	12.00	24.00	6.00	E 12P24	9.00	21.00	6.00
E 122408	12.00	24.00	8.00	E 12P24	9.00	21.00	8.00
EZ E 161206	16.00	12.00	6.00	E 16P12	13.00	9.00	6.00
EZ E 161208	16.00	12.00	8.00	E 16P12	13.00	9.00	8.00
EZ E 161210	16.00	12.00	10.00	E 16P12	13.00	9.00	10.00
EZ E 161606	16.00	16.00	6.00	E 16P16	13.00	13.00	6.00
EZ E 161608	16.00	16.00	8.00	E 16P16	13.00	13.00	8.00
E 162006	16.00	20.00	6.00	E 20P16	13.00	17.00	6.00
EZ E 162008	16.00	20.00	8.00	E 20P16	13.00	17.00	8.00
E 201206	20.00	12.00	6.00	E 20P12	17.00	9.00	6.00
E 201208	20.00	12.00	8.00	E 20P12	17.00	9.00	8.00
EZ E 201606	20.00	16.00	6.00	E 20P16	17.00	13.00	6.00
EZ E 201608	20.00	16.00	8.00	E 20P16	17.00	13.00	8.00
E 201610	20.00	16.00	10.00	E 20P16	17.00	13.00	10.00
EZ E 201612	20.00	16.00	12.00	E 20P16	17.00	13.00	12.00
EZ E 202006	20.00	20.00	6.00	E 20P20	17.00	17.00	6.00
EZ E 202008	20.00	20.00	8.00	E 20P20	17.00	17.00	8.00
EZ E 202010	20.00	20.00	10.00	E 20P20	17.00	17.00	10.00
E 202406	20.00	24.00	6.00	E 24P20	17.00	21.00	6.00
EZ E 202408	20.00	24.00	8.00	E 24P20	17.00	21.00	8.00
E 241206	24.00	12.00	6.00	E 24P12	21.00	9.00	6.00
E 241208	24.00	12.00	8.00	E 24P12	21.00	9.00	8.00
E 241210	24.00	12.00	10.00	E 24P12	21.00	9.00	10.00
E 241606	24.00	16.00	6.00	E 24P16	21.00	13.00	6.00
EZ E 241608	24.00	16.00	8.00	E 24P16	21.00	13.00	8.00
EZ E 242006	24.00	20.00	6.00	E 24P20	21.00	17.00	6.00
EZ E 242008	24.00	20.00	8.00	E 24P20	21.00	17.00	8.00
EZ E 242010	24.00	20.00	10.00	E 24P20	21.00	17.00	10.00
EZ E 242012	24.00	20.00	12.00	E 24P20	21.00	17.00	12.00

* Usable depth reduced by .625" at door stiffener.

(Chart continued on page IND 31).

EZ Designates a product in the EnclosureZone program.



Configuration

- Continuously welded seams, finished smooth
- Robotically applied urethane gasket
- Continuous hinge with removable pin
- Plated steel captive clamps
- Hasp and staple for padlocking
- Door and body stiffeners in larger sizes
- Mounting panel provisions installed
- External mounting brackets
- Print pocket included

Technical Specifications

- Material:**
- *Enclosure/door:* 14 gauge carbon steel
- Finish/color:**
- *Enclosure/door:* polyester-urethane powder coat over phosphatized surfaces,
 - inside: white
 - outside: ANSI 61 grey
 - *Optional mounting panels:* painted white

Protection Ratings

NEMA Type 1 4 4X 12 13

Certifications/Approvals

Listings UL CUL CSA TÜV

Technical Drawings

Pages **IND 55-56**

Accessories								
Part No.	Door stop kit	Drip shield kit	Terminal blocks	Terminal rails	Light kit	Dead front kit		Touch-up paint
						Panel	Risers	
E 122406	E DSTOPK	E DK24	-	-	See ACC 29	-	-	E L21
E 122408	E DSTOPK	E DK24	-	-	See ACC 29	-	-	E L21
EZ E 161206	-	E DK12	E 12NTMA2	E 16NS	See ACC 29	E DF16P12	E DF6R4	E L21
EZ E 161208	-	E DK12	E 12NTMA2	E 16NS	See ACC 29	E DF16P12	E DF8R4	E L21
EZ E 161210	-	E DK12	E 12NTMA2	E 16NS	See ACC 29	E DF16P12	E DF10R4	E L21
EZ E 161606	-	E DK16	E 16NTMA2	E 16NS	See ACC 29	E DF16P16	E DF6R4	E L21
EZ E 161608	-	E DK16	E 16NTMA2	E 16NS	See ACC 29	E DF16P16	E DF8R4	E L21
E 162006	-	E DK20	E 20NTMA2	E 16NS	See ACC 29	E DF20P16	E DF6R4	E L21
EZ E 162008	-	E DK20	E 20NTMA2	E 16NS	See ACC 29	E DF20P16	E DF8R4	E L21
E 201206	-	E DK12	E 12NTMA2	E 20NS	See ACC 29	-	-	E L21
E 201208	-	E DK12	E 12NTMA2	E 20NS	See ACC 29	-	-	E L21
EZ E 201606	-	E DK16	E 16NTMA2	E 20NS	See ACC 29	E DF20P16	E DF6R4	E L21
EZ E 201608	-	E DK16	E 16NTMA2	E 20NS	See ACC 29	E DF20P16	E DF8R4	E L21
E 201610	-	E DK16	E 16NTMA2	E 20NS	See ACC 29	E DF20P16	E DF10R4	E L21
EZ E 201612	-	E DK16	E 16NTMA2	E 20NS	See ACC 29	E DF20P16	E DF12R4	E L21
EZ E 202006	-	E DK20	E 20NTMA2	E 20NS	See ACC 29	E DF20P20	E DF6R4	E L21
EZ E 202008	-	E DK20	E 20NTMA2	E 20NS	See ACC 29	E DF20P20	E DF8R4	E L21
EZ E 202010	-	E DK20	E 20NTMA2	E 20NS	See ACC 29	E DF20P20	E DF10R4	E L21
E 202406	E DSTOPK	E DK24	E 24NTMA3	E 20NS	See ACC 29	E DF24P20	E DF6R4	E L21
EZ E 202408	E DSTOPK	E DK24	E 24NTMA3	E 20NS	See ACC 29	E DF24P20	E DF8R4	E L21
E 241206	-	E DK12	E 12NTMA2	E 24NS	See ACC 29	-	-	E L21
E 241208	-	E DK12	E 12NTMA2	E 24NS	See ACC 29	-	-	E L21
E 241210	-	E DK12	E 12NTMA2	E 24NS	See ACC 29	-	-	E L21
E 241606	-	E DK16	E 16NTMA2	E 24NS	See ACC 29	-	-	E L21
EZ E 241608	-	E DK16	E 16NTMA2	E 24NS	See ACC 29	-	-	E L21
EZ E 242006	-	E DK20	E 20NTMA2	E 24NS	See ACC 29	E DF24P20	E DF6R4	E L21
EZ E 242008	-	E DK20	E 20NTMA2	E 24NS	See ACC 29	E DF24P20	E DF8R4	E L21
EZ E 242010	-	E DK20	E 20NTMA2	E 24NS	See ACC 29	E DF24P20	E DF10R4	E L21
EZ E 242012	-	E DK20	E 20NTMA2	E 24NS	See ACC 29	E DF24P20	E DF12R4	E L21

(Chart continued on page IND 32).

EZ Designates a product in the EnclosureZone program.

Enclosure (Continued)				Mounting Panel (Continued)			
Part No.	Outside dimensions (inches)			Part No.	H	W	Usable depth
	H	W	D				
E 242016	24.00	20.00	16.00	E 24P20	21.00	17.00	16.00
EZ E 242406	24.00	24.00	6.00	E 24P24	21.00	21.00	6.00
EZ E 242408	24.00	24.00	8.00	E 24P24	21.00	21.00	8.00
EZ E 242410	24.00	24.00	10.00	E 24P24	21.00	21.00	10.00
EZ E 242412	24.00	24.00	12.00	E 24P24	21.00	21.00	12.00
E 242416	24.00	24.00	16.00	E 24P24	21.00	21.00	16.00
EZ E 243008	24.00	30.00	8.00	E 30P24	21.00	27.00	8.00
E 301606	30.00	16.00	6.00	E 30P16	27.00	13.00	6.00
E 302006	30.00	20.00	6.00	E 30P20	27.00	17.00	6.00
EZ E 302008	30.00	20.00	8.00	E 30P20	27.00	17.00	8.00
EZ E 302010	30.00	20.00	10.00	E 30P20	27.00	17.00	10.00
E 302406	30.00	24.00	6.00	E 30P24	27.00	21.00	6.00
EZ E 302408	30.00	24.00	8.00	E 30P24	27.00	21.00	8.00
EZ E 302410	30.00	24.00	10.00	E 30P24	27.00	21.00	10.00
EZ E 302412	30.00	24.00	12.00	E 30P24	27.00	21.00	12.00
E 302416	30.00	24.00	16.00	E 30P24	27.00	21.00	16.00
E 302420	30.00	24.00	20.00	E 30P24	27.00	21.00	20.00
E 302424	30.00	24.00	24.00	E 30P24	27.00	21.00	24.00
EZ E 303008	30.00	30.00	8.00	E 30P30	27.00	27.00	8.00
EZ E 303012	30.00	30.00	12.00	E 30P30	27.00	27.00	12.00
EZ E 303608	30.00	36.00	8.00	E 36P30	27.00	33.00	8.00
E 362406	36.00	24.00	6.00	E 36P24	33.00	21.00	6.00
EZ E 362408	36.00	24.00	8.00	E 36P24	33.00	21.00	8.00
EZ E 362410	36.00	24.00	10.00	E 36P24	33.00	21.00	10.00
EZ E 362412	36.00	24.00	12.00	E 36P24	33.00	21.00	12.00
E 363006	36.00	30.00	6.00	E 36P30	33.00	27.00	5.37*
EZ E 363008	36.00	30.00	8.00	E 36P30	33.00	27.00	7.37*
EZ E 363010	36.00	30.00	10.00	E 36P30	33.00	27.00	9.37*
EZ E 363012	36.00	30.00	12.00	E 36P30	33.00	27.00	11.37*
EZ E 363016	36.00	30.00	16.00	E 36P30	33.00	27.00	15.37*
E 363020	36.00	30.00	20.00	E 36P30	33.00	27.00	19.37*
EZ E 363608	36.00	36.00	8.00	E 36P36	33.00	33.00	7.37*
EZ E 363612	36.00	36.00	12.00	E 36P36	33.00	33.00	11.37*
E 422408	42.00	24.00	8.00	E 42P24	39.00	21.00	8.00
E 423008	42.00	30.00	8.00	E 42P30	39.00	27.00	7.37*
E 423010	42.00	30.00	10.00	E 42P30	39.00	27.00	9.37*
E 423012	42.00	30.00	12.00	E 42P30	39.00	27.00	11.37*
E 423608	42.00	36.00	8.00	E 42P36	39.00	33.00	7.37*
EZ E 423610	42.00	36.00	10.00	E 42P36	39.00	33.00	9.37*
EZ E 423612	42.00	36.00	12.00	E 42P36	39.00	33.00	11.37*
E 423616	42.00	36.00	16.00	E 42P36	39.00	33.00	15.37*
E 482408	48.00	24.00	8.00	E 48P24	45.00	21.00	8.00
E 483008	48.00	30.00	8.00	E 48P30	45.00	27.00	7.37*
E 483010	48.00	30.00	10.00	E 48P30	45.00	27.00	9.37*
EZ E 483608	48.00	36.00	8.00	E 48P36	45.00	33.00	7.37*
EZ E 483610	48.00	36.00	10.00	E 48P36	45.00	33.00	9.37*
EZ E 483612	48.00	36.00	12.00	E 48P36	45.00	33.00	11.37*
E 483616	48.00	36.00	16.00	E 60P36	57.00	33.00	15.37*
EZ E 483620	48.00	36.00	20.00	E 48P36	45.00	33.00	19.37*
E 603608	60.00	36.00	8.00	E 60P36	57.00	33.00	7.37*
EZ E 603610	60.00	36.00	10.00	E 60P36	57.00	33.00	9.37*
EZ E 603612	60.00	36.00	12.00	E 60P36	57.00	33.00	11.37*
EZ E 603616	60.00	36.00	16.00	E 60P36	57.00	33.00	15.37*
E 603620	60.00	36.00	20.00	E 60P36	57.00	33.00	19.37*
E 723612	72.00	36.00	12.00	E 72P36	69.00	33.00	11.37*
EMI/RFI Enclosure							
E 161206RFI	16.00	12.00	6.00	E 16P12	13.00	9.00	6.00
E 201606RFI	20.00	16.00	6.00	E 20P16	17.00	13.00	6.00
E 242006RFI	24.00	20.00	6.00	E 24P20	21.00	17.00	6.00
E 242408RFI	24.00	24.00	8.00	E 24P24	21.00	21.00	8.00
E 302408RFI	30.00	24.00	8.00	E 30P24	27.00	21.00	8.00
E 363008RFI	36.00	30.00	8.00	E 36P30	33.00	27.00	7.37*
E 483608RFI	48.00	36.00	8.00	E 48P36	45.00	33.00	7.37*
E 603612RFI	60.00	36.00	12.00	E 60P36	57.00	33.00	11.37*

* Usable depth reduced by .625" at door stiffener.

EZ Designates a product in the EnclosureZone program.

Accessories								
Part No.	Door stop kit	Drip shield kit	Terminal blocks	Terminal rails	Light kit	Dead front kit		Touch-up paint
						Panel	Risers	
E 242016	-	E DK20	E 20NTMA2	E 24NS	See ACC 29	E DF20P16	E DF16R4	E L21
EZ E 242406	E DSTOPK	E DK24	E 24NTMA3	E 24NS	See ACC 29	E DF24P24	E DF6R4	E L21
EZ E 242408	E DSTOPK	E DK24	E 24NTMA3	E 24NS	See ACC 29	E DF24P24	E DF8R4	E L21
EZ E 242410	E DSTOPK	E DK24	E 24NTMA3	E 24NS	See ACC 29	E DF24P24	E DF10R4	E L21
EZ E 242412	E DSTOPK	E DK24	E 24NTMA3	E 24NS	See ACC 29	E DF24P24	E DF12R4	E L21
E 242416	E DSTOPK	E DK24	E 24NTMA3	E 24NS	See ACC 29	E DF24P24	E DF16R4	E L21
EZ E 243008	E DSTOPK	E DK30	E 30NTMA3	E 24NS	See ACC 29	E DF30P24	E DF8R4	E L21
E 301606	-	E DK16	E 16NTMA2	E 30NS	See ACC 29	-	-	E L21
E 302006	-	E DK20	E 20NTMA2	E 30NS	See ACC 29	-	-	E L21
EZ E 302008	-	E DK20	E 20NTMA2	E 30NS	See ACC 29	-	-	E L21
EZ E 302010	-	E DK20	E 20NTMA2	E 30NS	See ACC 29	-	-	E L21
E 302406	E DSTOPK	E DK24	E 20NTMA2	E 30NS	See ACC 29	E DF30P24	E DF6R4	E L21
EZ E 302408	E DSTOPK	E DK24	E 24NTMA3	E 30NS	See ACC 29	E DF30P24	E DF8R4	E L21
EZ E 302410	E DSTOPK	E DK24	E 24NTMA3	E 30NS	See ACC 29	E DF30P24	E DF10R4	E L21
EZ E 302412	E DSTOPK	E DK24	E 24NTMA3	E 30NS	See ACC 29	E DF30P24	E DF12R4	E L21
E 302416	E DSTOPK	E DK24	E 24NTMA3	E 30NS	See ACC 29	E DF30P24	E DF16R4	E L21
E 302420	E DSTOPK	E DK24	E 24NTMA3	E 30NS	See ACC 29	E DF30P24	E DF16R4	E L21
E 302424	E DSTOPK	E DK24	E 24NTMA3	E 30NS	See ACC 29	E DF30P24	E DF16R4	E L21
EZ E 303008	E DSTOPK	E DK30	E 30NTMA3	E 30NS	See ACC 29	E DF30P30	E DF8R5	E L21
EZ E 303012	E DSTOPK	E DK30	E 30NTMA3	E 30NS	See ACC 29	E DF30P30	E DF12R5	E L21
EZ E 303608	E DSTOPK	E DK36	E 36NTMA3	E 30NS	See ACC 29	E DF36P30	E DF8R5	E L21
E 362406	E DSTOPK	E DK24	E 24NTMA3	E 36NS	See ACC 29	-	-	E L21
EZ E 362408	E DSTOPK	E DK24	E 24NTMA3	E 36NS	See ACC 29	E DF36P24	E DF8R5	E L21
EZ E 362410	E DSTOPK	E DK24	E 24NTMA3	E 36NS	See ACC 29	E DF36P24	E DF10R5	E L21
EZ E 362412	E DSTOPK	E DK24	E 24NTMA3	E 36NS	See ACC 29	E DF36P24	E DF12R5	E L21
E 363006	E DSTOPK	E DK30	E 30NTMA3	E 36NS	See ACC 29	-	-	E L21
EZ E 363008	E DSTOPK	E DK30	E 30NTMA3	E 36NS	See ACC 29	E DF36P30	E DF8R5	E L21
EZ E 363010	E DSTOPK	E DK30	E 30NTMA3	E 36NS	See ACC 29	E DF36P30	E DF10R5	E L21
EZ E 363012	E DSTOPK	E DK30	E 30NTMA3	E 36NS	See ACC 29	E DF36P30	E DF12R5	E L21
EZ E 363016	E DSTOPK	E DK30	E 30NTMA3	E 36NS	See ACC 29	E DF36P30	E DF16R5	E L21
E 363020	E DSTOPK	E DK30	E 30NTMA3	E 36NS	See ACC 29	E DF36P30	E DF16R5	E L21
EZ E 363608	E DSTOPK	E DK36	E 36NTMA3	E 36NS	See ACC 29	E DF36P36	E DF8R6	E L21
EZ E 363612	E DSTOPK	E DK36	E 36NTMA3	E 36NS	See ACC 29	E DF36P36	E DF12R6	E L21
E 422408	E DSTOPK	E DK24	E 24NTMA3	E 42NS	See ACC 29	-	-	E L21
E 423008	E DSTOPK	E DK30	E 30NTMA3	E 42NS	See ACC 29	-	-	E L21
E 423010	E DSTOPK	E DK30	E 30NTMA3	E 42NS	See ACC 29	-	-	E L21
E 423012	E DSTOPK	E DK30	E 30NTMA3	E 42NS	See ACC 29	-	-	E L21
E 423608	E DSTOPK	E DK36	E 36NTMA3	E 42NS	See ACC 29	E DF42P36	E DF8R6	E L21
EZ E 423610	E DSTOPK	E DK36	E 36NTMA3	E 42NS	See ACC 29	E DF42P36	E DF10R6	E L21
EZ E 423612	E DSTOPK	E DK36	E 36NTMA3	E 42NS	See ACC 29	E DF42P36	E DF12R6	E L21
E 423616	E DSTOPK	E DK36	E 36NTMA3	E 42NS	See ACC 29	E DF42P36	E DF16R6	E L21
E 482408	E DSTOPK	E DK24	E 24NTMA3	E 48NS	See ACC 29	-	-	E L21
E 483008	E DSTOPK	E DK30	E 30NTMA3	E 48NS	See ACC 29	-	-	E L21
E 483010	E DSTOPK	E DK30	E 30NTMA3	E 48NS	See ACC 29	-	-	E L21
EZ E 483608	E DSTOPK	E DK36	E 36NTMA3	E 48NS	See ACC 29	E DF48P36	E DF8R6	E L21
EZ E 483610	E DSTOPK	E DK36	E 36NTMA3	E 48NS	See ACC 29	E DF48P36	E DF10R6	E L21
EZ E 483612	E DSTOPK	E DK36	E 36NTMA3	E 48NS	See ACC 29	E DF48P36	E DF12R6	E L21
E 483616	E DSTOPK	E DK36	E 36NTMA3	E 48NS	See ACC 29	E DF48P36	E DF16R6	E L21
EZ E 483620	E DSTOPK	E DK36	E 36NTMA3	E 48NS	See ACC 29	E DF48P36	E DF16R6	E L21
E 603608	E DSTOPK	E DK36	E 36NTMA3	E 60NS	See ACC 29	-	-	E L21
EZ E 603610	E DSTOPK	E DK36	E 36NTMA3	E 60NS	See ACC 29	-	-	E L21
EZ E 603612	E DSTOPK	E DK36	E 36NTMA3	E 60NS	See ACC 29	-	-	E L21
EZ E 603616	E DSTOPK	E DK36	E 36NTMA3	E 60NS	See ACC 29	-	-	E L21
E 603620	E DSTOPK	E DK36	E 36NTMA3	E 60NS	See ACC 29	-	-	E L21
E 723612	E DSTOPK	E DK36	-	-	See ACC 29	-	-	E L21
EM/RFI Enclosure								
E 161206RF	-	E DK12	E 12NTMA2	E 16NS	See ACC 29	E DF16P12	E DF6R4	E L21
E 201606RF	-	E DK16	E 16NTMA2	E 20NS	See ACC 29	E DF20P16	E DF6R4	E L21
E 242006RF	-	E DK20	E 20NTMA2	E 24NS	See ACC 29	E DF24P20	E DF6R4	E L21
E 242408RF	E DSTOPK	E DK24	E 24NTMA3	E 24NS	See ACC 29	E DF24P24	E DF8R4	E L21
E 302408RF	E DSTOPK	E DK24	E 24NTMA3	E 30NS	See ACC 29	E DF30P24	E DF8R4	E L21
E 363008RF	E DSTOPK	E DK30	E 30NTMA3	E 36NS	See ACC 29	E DF36P30	E DF8R5	E L21
E 483608RF	E DSTOPK	E DK36	E 36NTMA3	E 48NS	See ACC 29	E DF48P30	E DF8R6	E L21
E 603612RF	E DSTOPK	E DK36	E 36NTMA3	E 60NS	See ACC 29	-	-	E L21

EZ Designates a product in the EnclosureZone program.

EL 3-Part Wallmount Enclosures



NEMA Rated Wallmount Enclosures

Rittal's three part wallmount enclosures provide a perfect solution for packaging and protecting electronic equipment, even under extreme conditions. Its versatile design offers integral 19" rails for direct mounting of 19" rackmount equipment. Our special 3-7-8 program provides 378 different sizes and configurations through standard components.

In addition to its attractive design, this cabinet features easy assembly and installation, problem-free operation, and a NEMA 12 protection rating.

A swing frame lock, which is not accessible until after the front door has been opened, provides limited access for security purposes.



Enclosure

Part No.	Usable rack space 1U=1.75"	Approximate outside dimensions H"xW"xD"	NEMA rating	Exact outside dimensions						Max. equipment depth	
				inches			mm			inches	mm
				H	W	D	H	W	D	D	D
EZ 7706024	6	14x24x24	1, 12	13.58	23.62	23.62	345	600	600	14.17	360
EZ 7709024	9	19x24x24	1, 12	18.82	23.62	23.62	478	600	600	18.11	460
EZ 7712024	12	24x24x24	1, 12	24.09	23.62	23.62	612	600	600	18.11	460
EZ 7715024	15	29x24x24	1, 12	29.37	23.62	23.62	746	600	600	18.11	460
EZ 7718024	18	35x24x24	1, 12	34.57	23.62	23.62	878	600	600	18.11	460
EZ 7721024	21	40x24x24	1, 12	39.84	23.62	23.62	1012	600	600	18.11	460

EZ Designates a product in the EnclosureZone program.



Configuration

- NEMA 1, 12/IP55 protection
- UL/CSA approvals
- Swing-out mid-section provides easy access to components
- Maximum stability through folded 16 ga steel construction
- Lockable front door
- Viewing window provides easy visibility of components
- Large, removable cable gland panels
- Adjustable 19" angles allow flexible space utilization
- Patented mounting system provides efficient space use
- E-coat primer and powder paint provide superior corrosion protection
- Knife-edge design protects against liquid entry
- Integrated grounding provisions
- Rear mounting holes allow direct wallmounting or the use of optional mounting feet

Technical Specifications

- Material:**
- *Rear section module and mid-section:* 16 ga/1.5 mm sheet steel
 - *Front door:* extruded aluminum with diecast aluminum corner pieces; .16"/4 mm security glass
- Finish:**
- *Enclosure:* E-coat primed, textured, RAL 7032 pebble grey
 - *Front door:* textured, RAL 7033 mortar grey

Protection Ratings

NEMA Type 1 4 4X 12 13

Certifications/Approvals

Listings UL CUL CSA TÜV

Technical Drawings

Page **IND 57**

Accessories

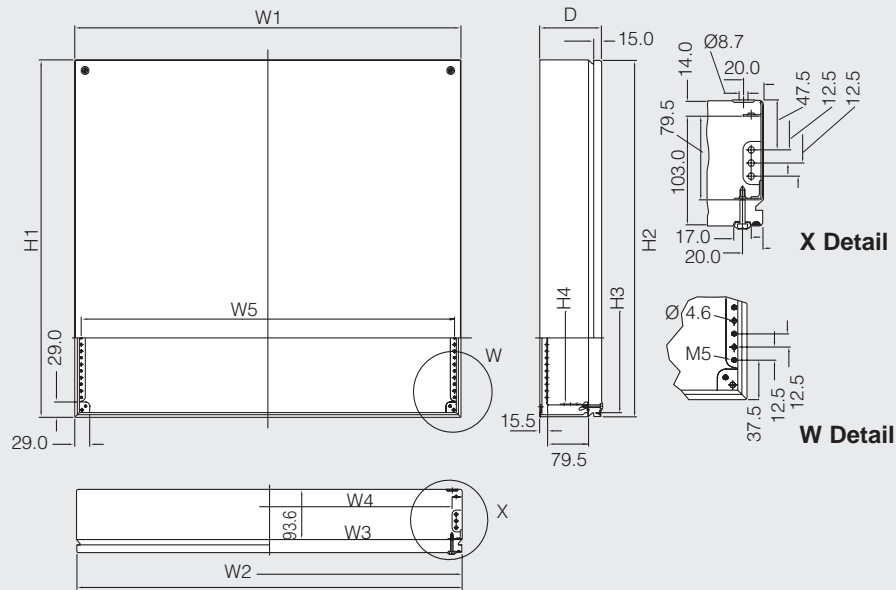
Part No.	Wallmount brackets		Mini Ergoform-S handle	Lock inserts for Mini Ergoform-S push/lock	C-rail	Slide rails	19" rack captive nuts	Captive nut screws	Rackmount shelf
	3/8" standoff	1-1/2" standoff							
7706024	2508200	2503200	2242000	2469000	2238000	2240000	2092200	2093200	7148000
7709024	2508200	2503200	2242000	2469000	2239000	2250000	2092200	2093200	7148000
7712024	2508200	2503200	2242000	2469000	2239000	2250000	2092200	2093200	7148000
7715024	2508200	2503200	2242000	2469000	2239000	2250000	2092200	2093200	7148000
7718024	2508200	2503200	2242000	2469000	2239000	2250000	2092200	2093200	7148000
7721024	2508200	2503200	2242000	2469000	2239000	2250000	2092200	2093200	7148000

Designates a product in the EnclosureZone program.



Technical Specifications

KL Junction Boxes Without Gland Panels



KL Junction Boxes Without Gland Panels, 3.15"/80 mm Deep															
Part No.	Exact outside dimensions						H2	H3	H4	W2	W3	W4	W5	Weight	
	H (H1)		W (W1)		D (D)									lbs	kg
	inches	mm	inches	mm	inches	mm									
EZ 1514210	5.91	150	5.91	150	3.15	80	148	132	100	148	132	109	125	3.1	1.4
EZ 1515210	5.91	150	11.81	300	3.15	80	148	132	100	298	282	259	275	4.6	2.1
EZ 1517210	7.87	200	11.81	300	3.15	80	198	182	150	298	282	259	275	5.7	2.6

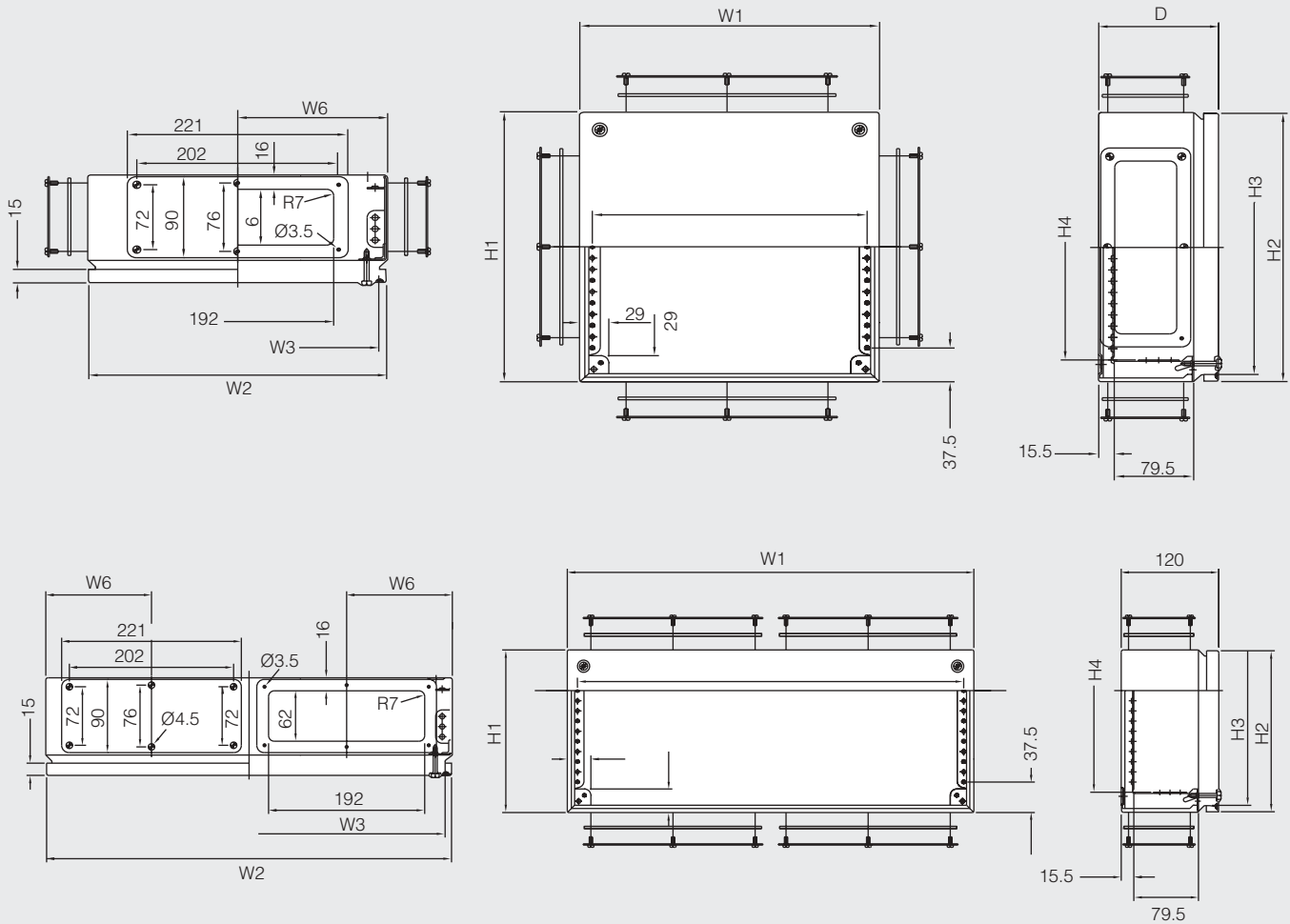
KL Junction Boxes Without Gland Panels, 4.72"/120 mm Deep															
Part No.	Exact outside dimensions						H2	H3	H4	W2	W3	W4	W5	Weight	
	H (H1)		W (W1)		D (D)									lbs	kg
	inches	mm	inches	mm	inches	mm									
EZ 1500210	5.91	150	5.91	150	4.72	120	148	132	100	148	132	109	125	3.5	1.6
EZ 1501210	5.91	150	11.81	300	4.72	120	148	132	100	298	282	259	275	5.5	2.5
EZ 1502210	7.87	200	7.87	200	4.72	120	198	182	150	198	182	159	175	5.1	2.3
EZ 1503210	7.87	200	11.81	300	4.72	120	198	182	150	298	282	259	275	6.8	3.1
EZ 1504210	7.87	200	15.75	400	4.72	120	198	182	150	398	382	359	375	8.6	3.9
EZ 1505210	7.87	200	19.69	500	4.72	120	198	182	150	498	482	459	475	9.9	4.5
EZ 1507210	11.81	300	11.81	300	4.72	120	298	282	250	298	282	259	275	9.3	4.2
EZ 1508210	11.81	300	15.75	400	4.72	120	298	282	250	398	382	359	375	11.0	5.0
EZ 1509210	11.81	300	19.69	500	4.72	120	298	282	250	498	482	459	475	13.2	6.0
EZ 1511210	15.75	400	15.75	400	4.72	120	398	382	350	398	382	359	375	13.7	6.2

EZ Designates a product in the EnclosureZone program.



Technical Specifications

KL Junction Boxes With Gland Panels



KL Junction Boxes With Gland Panels															
Part No.	Exact outside dimensions						H2	H3	H4	W2	W3	W5	W6	Weight	
	H (H1)		W (W1)		D (D)									lbs	kg
	inches	mm	inches	mm	inches	mm									
EZ 1530210	5.91	150	11.81	300	4.72	120	148	132	100	298	282	275	150	5.9	2.7
EZ 1531210	7.87	200	11.81	300	4.72	120	198	182	150	298	282	275	150	7.3	3.3

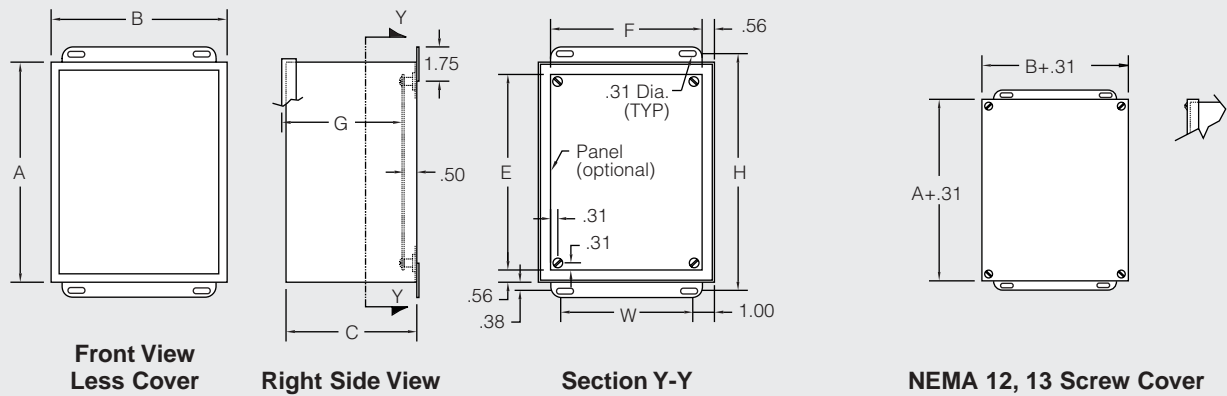
KL Junction Boxes With Gland Panels (Continued)				
Part No.	Cover screws	Total no. of glands	No. of glands horizontal	No. of glands vertical
EZ 1530210	4	2	1	-
EZ 1531210	4	2	1	-

Dimensions in millimeters (mm) unless otherwise indicated.

EZ Designates a product in the EnclosureZone program.

Technical Specifications

Screw Cover Junction Boxes



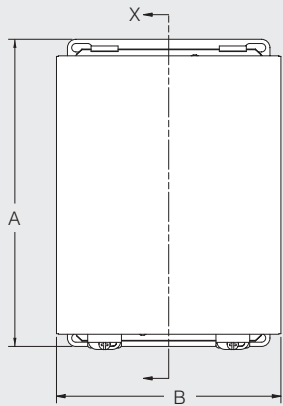
Part No.	Enclosure					Part No.	Mounting Panel		
	Outside dimensions (inches)			Mounting centers			Panel size		Usable depth
	H	W	D	H	W		E	F	
E 404SC*	4.00	4.00	3.00	4.75	2.00	NONE	-	-	-
E 4044SC	4.00	4.00	4.00	4.75	2.00	NONE	-	-	-
EZ E 604SC*	6.00	4.00	3.00	6.75	2.00	E 6P4	4.88	2.88	2.50
E 6044SC*	6.00	4.00	4.00	6.75	2.00	E 6P4	4.88	2.88	3.50
EZ E 606SC*	6.00	6.00	4.00	6.75	4.00	E 6P6	4.88	4.88	3.50
EZ E 806SC	8.00	6.00	3.50	8.75	4.00	E 8P6	6.88	4.88	3.00
E 8066SC	8.00	6.00	6.00	8.75	4.00	E 8P6	6.88	4.88	5.50
E 808SC	8.00	8.00	4.00	8.75	6.00	E 8P8	6.88	6.88	3.50
E 1008SC	10.00	8.00	4.00	10.75	6.00	E 10P8	8.88	6.88	3.50
E 1010SC	10.00	10.00	4.00	10.75	8.00	E 10P10	8.88	8.88	3.50
E 10106SC	10.00	10.00	6.00	10.75	8.00	E 10P10	8.88	8.88	5.50
E 10086SC	10.00	8.00	6.00	10.75	6.00	E 10P8	8.88	6.88	5.50
E 1210SC	12.00	10.00	5.00	12.75	8.00	E 12P10	10.88	8.88	3.50
E 1212SC	12.00	12.00	6.00	12.75	10.00	E 12P12	10.88	10.88	5.50
EZ E 1412SC	14.00	12.00	6.00	14.75	10.00	E 14P12	12.88	10.88	5.50
E 1614SC	16.00	14.00	6.00	16.75	12.00	E 16P14	14.88	12.88	5.50

* 16 gauge

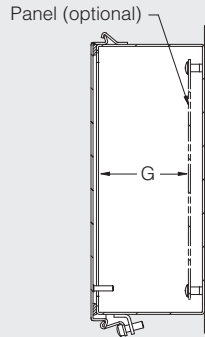
EZ Designates a product in the EnclosureZone program.

Technical Specifications

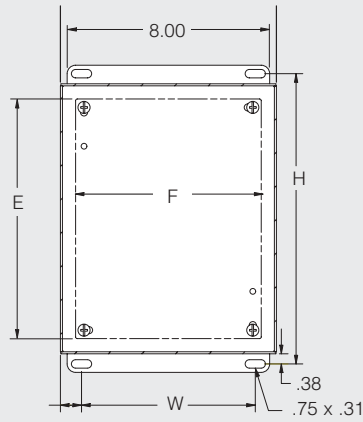
Lift-Off Hinge Cover Boxes



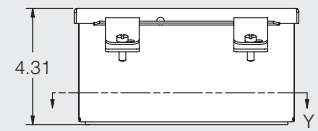
NEMA 12,13 Lift Cover



Right Side View



Section Y-Y



Top View

Part No.	Enclosure					Mounting Panel			
	Outside dimensions (inches)			Mounting centers		Part No.	Panel size		Usable depth
	Height	Width	Depth	H	W		E	F	
E 404LP*	4.00	4.00	3.00	4.75	2.00	NONE	-	-	-
E 4044LP	4.00	4.00	4.00	4.75	2.00	NONE	-	-	-
E 604LP*	6.00	4.00	3.00	6.75	2.00	E 6P4	4.88	2.88	2.50
E 6044LP*	6.00	4.00	4.00	6.75	2.00	E 6P4	4.88	2.88	3.50
EZ E 606LP*	6.00	6.00	4.00	6.75	4.00	E 6P6	4.88	4.88	3.50
E 806LP	8.00	6.00	3.50	8.75	4.00	E 8P6	6.88	4.88	3.00
EZ E 1008LP	10.00	8.00	4.00	10.75	6.00	E 10P8	8.88	6.88	3.50
E 1210LP	12.00	10.00	5.00	12.75	8.00	E 12P10	10.88	8.88	4.50
E 1412LP	14.00	12.00	6.00	14.75	10.00	E 14P12	12.88	10.88	5.50
E 1614LP	16.00	14.00	6.00	16.75	12.00	E 16P14	14.88	12.88	5.50
E 1816LP	18.00	16.00	6.00	18.75	14.00	E 18P16	16.88	14.88	5.50

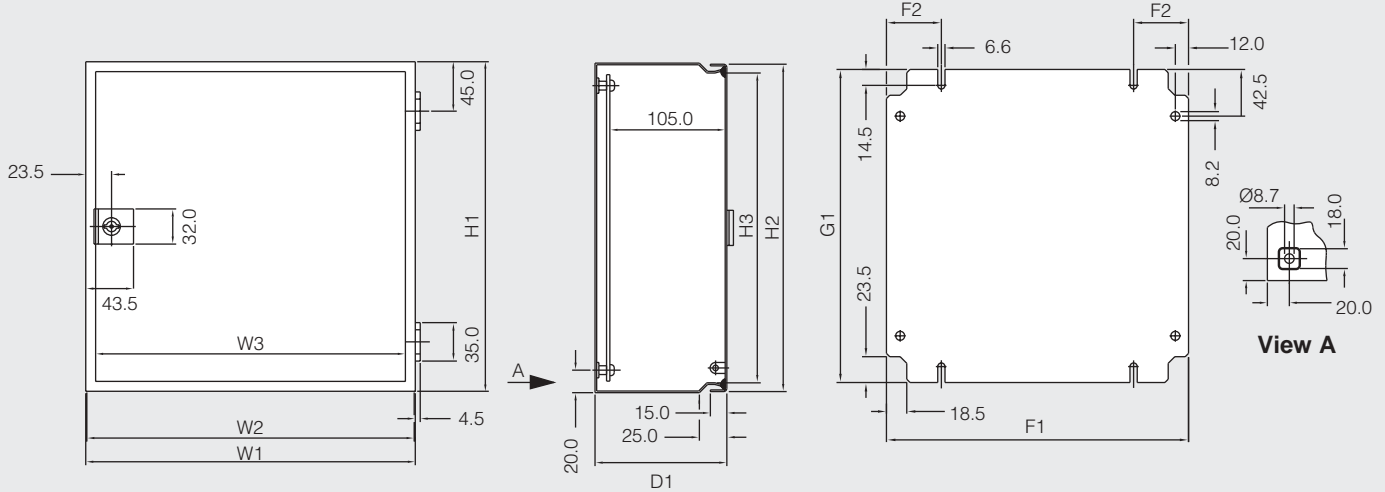
* 16 gauge

EZ Designates a product in the EnclosureZone program.



Technical Specifications

EB Instrument Enclosures



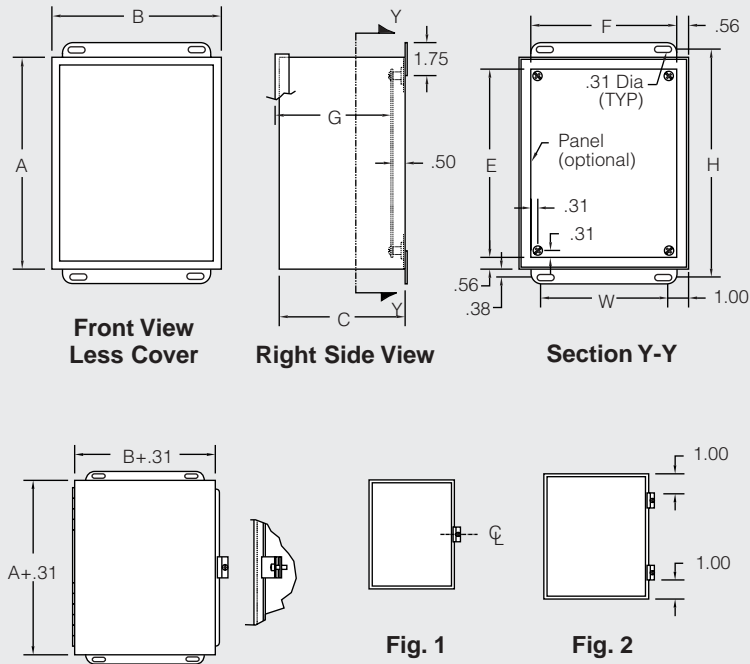
Enclosure															
Part No.	H1		W1		D		H2	H3	W2	W3	Weight		Mounting panel standard equipment		
	inches	mm	inches	mm	inches	mm					lbs	kg	F1	F2	G1
EZ 1551600	5.91	150	5.91	150	3.15	80	148	132	148	132	3.7	1.7	125	62.5	135
EZ 1553600	5.91	150	5.91	150	4.72	120	148	132	148	132	4.4	2.0	125	62.5	135
EZ 1751600	7.87	200	5.91	150	4.72	120	198	182	148	132	5.3	2.4	125	65	185
EZ 1549600	7.87	200	7.87	200	4.72	120	198	182	198	182	6.2	2.8	175	50	185
EZ 1554600	11.81	300	7.87	200	4.72	120	298	282	198	182	7.9	3.6	175	50	285
EZ 1555600	11.81	300	11.81	300	4.72	120	298	282	298	282	11.0	5.0	275	50	285
EZ 1556600	15.75	400	11.81	300	4.72	120	398	382	298	282	15.4	7.0	275	50	385
EZ 1752600	9.84	250	7.87	200	6.10	155	248	232	198	182	7.9	3.6	175	50	235
EZ 1753600	11.81	300	9.84	250	6.10	155	298	282	248	232	11.0	5.0	225	50	285
EZ 1754600	13.78	350	11.81	300	6.10	155	348	332	298	282	12.8	5.8	275	50	335
EZ 1755600	15.75	400	13.78	350	6.10	155	398	382	348	332	13.7	6.2	325	50	385
EZ 1578600	23.62	600	11.81	300	6.10	155	598	582	298	282	18.3	8.3	275	50	585

Dimensions in millimeters (mm) unless otherwise indicated.

EZ Designates a product in the EnclosureZone program.

Technical Specifications

Continuous Hinge Cover Enclosures



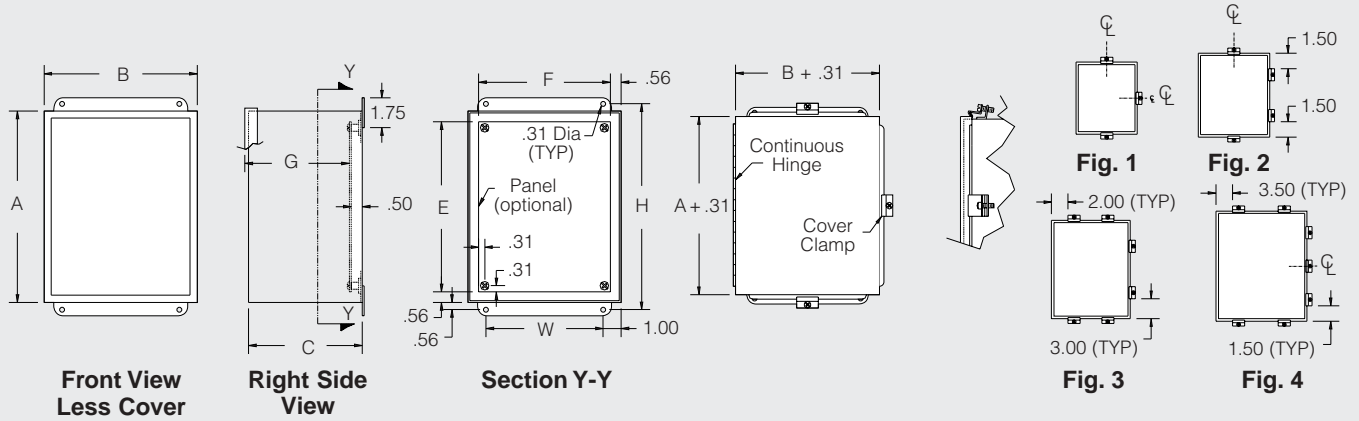
Part No.	Enclosure					Mounting Panel				
	Outside dimensions (inches)			Mounting centers		Part No.	Panel size		Usable depth	Clamps
	H	W	D	H	W		E	F		
EZ E 404CH*	4.00	4.00	3.00	4.75	2.00	NONE	-	-	-	-
E 4044CH	4.00	4.00	4.00	4.75	2.00	NONE	-	-	-	Fig. 1
EZ E 604CH*	6.00	4.00	3.00	6.75	2.00	E 6P4	4.88	2.88	2.50	Fig. 1
EZ E 6044CH*	6.00	4.00	4.00	6.75	2.00	E 6P4	4.88	2.88	3.50	Fig. 1
EZ E 606CH*	6.00	6.00	4.00	6.75	4.00	E 6P6	4.88	4.88	3.50	Fig. 1
EZ E 806CH	8.00	6.00	3.50	8.75	4.00	E 8P6	6.88	4.88	3.00	Fig. 2
EZ E 8066CH	8.00	6.00	6.00	8.75	4.00	E 18P6	6.88	4.88	5.50	Fig. 2
EZ E 808CH	8.00	8.00	4.00	8.75	6.00	E 8P8	6.88	6.88	3.50	Fig. 2
EZ E 1008CH	10.00	8.00	4.00	10.75	6.00	E 10P8	8.88	6.88	3.50	Fig. 2
E 1008CHS	10.00	8.00	4.00	10.75	6.00	E 10P8	8.88	6.88	3.50	-
EZ E 10086CH	10.00	8.00	6.00	10.75	6.00	E 10P8	8.88	6.88	5.50	Fig. 2
EZ E 10106CH	10.00	10.00	6.00	10.75	8.00	E 10P10	8.88	8.88	5.50	Fig. 2
EZ E 12064CH	12.00	6.00	4.00	12.75	4.00	E 12P6	10.88	4.88	3.50	Fig. 2
EZ E 1210CH	10.00	10.00	5.00	10.75	8.00	E 10P10	8.88	8.88	4.50	Fig. 2
E 1210CHS	12.00	10.00	5.00	12.75	8.00	E 10P10	10.88	8.88	4.50	-
EZ E 12108CH	12.00	10.00	8.00	12.75	8.00	E 12P10	10.88	8.88	7.50	Fig. 2
EZ E 1212CH	12.00	12.00	6.00	12.75	10.00	E 12P12	10.88	10.88	5.50	Fig. 2
E 14086CH	14.00	8.00	6.00	14.75	6.00	E 14P8	12.88	6.88	5.50	Fig. 2
EZ E 1412CH	14.00	12.00	6.00	14.75	10.00	E 14P12	12.88	10.88	5.50	Fig. 2
E 1412CHS	14.00	12.00	6.00	14.75	10.00	E 14P12	12.88	10.88	5.50	-
EZ E 14128CH	14.00	12.00	8.00	14.75	10.00	E 14P12	12.88	10.88	7.50	Fig. 2
E 16106CH	16.00	10.00	6.00	16.75	8.00	E 16P10	14.88	8.88	5.50	Fig. 2
EZ E 1614CH	16.00	14.00	6.00	16.75	12.00	E 16P14	14.88	12.88	5.50	Fig. 2
E 1614CHS	16.00	14.00	6.00	16.75	12.00	E 16P14	14.88	12.88	5.50	-
EZ E 16148CH	16.00	14.00	8.00	16.75	12.00	E 16P14	14.88	12.88	7.50	Fig. 2
EZ E 161410CH	16.00	14.00	10.00	16.75	12.00	E 16P14	14.88	12.88	9.50	Fig. 2

* 16 gauge

EZ Designates a product in the EnclosureZone program.

Technical Specifications

EMI/RFI Continuous Hinge Cover Enclosures

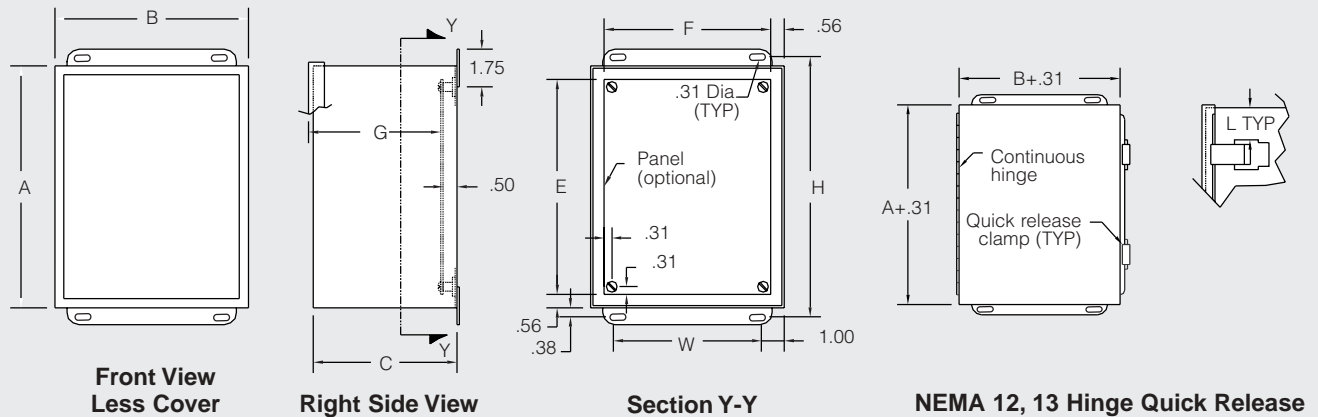


EMI/RFI Enclosure						Mounting Panel				
Part No.	Outside dimensions (inches)			Mounting centers		Part No.	Panel size		Usable depth	Clamps
	H	W	D	H	W		E	F		
	A	B	C						G	
E 604CHRFI*	6.00	4.00	3.00	6.75	2.00	E 6P4	4.88	2.88	2.50	Fig. 1
E 606CHRFI	6.00	6.00	4.00	6.75	4.00	E 6P6	4.88	4.88	3.50	Fig. 1
E 806CHRFI*	8.00	6.00	3.50	8.75	4.00	E 8P6	6.88	4.88	3.00	Fig. 1
E 1008CHRFI	10.00	8.00	4.00	10.75	6.00	E 10P8	8.88	6.88	3.50	Fig. 2
E 1210CHRFI	12.00	10.00	5.00	12.75	8.00	E 12P10	10.88	8.88	4.50	Fig. 3
E 1412CHRFI	14.00	12.00	6.00	14.75	10.00	E 14P12	12.88	10.88	5.50	Fig. 3
E 1614CHRFI	16.00	14.00	6.00	16.75	12.00	E 16P14	14.88	12.88	5.50	Fig. 4

* 16 gauge

Technical Specifications

Continuous Hinge Quick Release Boxes

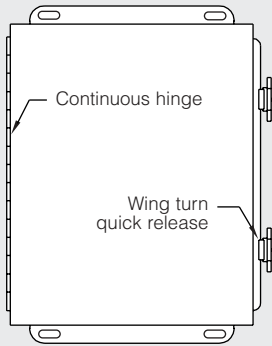


Enclosure						Mounting Panel				
Part No.	Outside dimensions (inches)			Mounting centers		Part No.	Panel size		Usable depth	Clamps
	H	W	D	H	W		E	F		
	A	B	C						G	
E 404CHQR*	4.00	4.00	3.00	4.75	2.00	NONE	-	-	Fig. 1	
E 604CHQR*	6.00	4.00	3.00	6.75	2.00	E 6P4	4.88	2.88	2.50	Fig. 1
E 606CHQR*	6.00	6.00	4.00	6.75	4.00	E 6P6	4.88	4.88	3.50	Fig. 1
E 806CHQR	8.00	6.00	3.50	8.75	4.00	E 8P6	6.88	4.88	3.00	Fig. 1
E 1008CHQR	10.00	8.00	4.00	10.75	6.00	E 10P8	8.88	6.88	3.50	Fig. 2
E 1210CHQR	12.00	10.00	5.00	12.75	8.00	E 12P10	10.88	8.88	4.50	Fig. 3
E 1412CHQR	14.00	12.00	6.00	14.75	10.00	E 14P12	12.88	10.88	5.50	Fig. 3
E 1614CHQR	16.00	14.00	6.00	16.75	12.00	E 16P14	14.88	12.88	5.50	Fig. 4

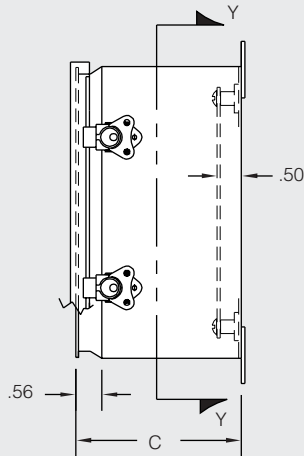
* 16 gauge

Technical Specifications

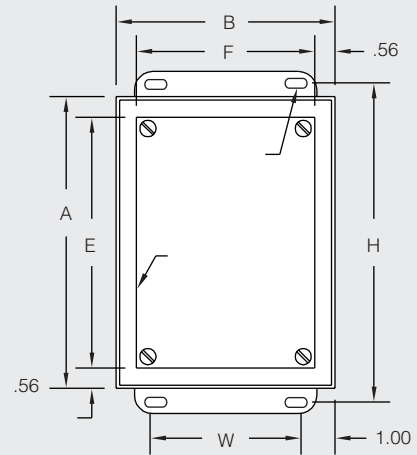
Continuous Hinge Wing Turn Boxes



Front View



Right Side View



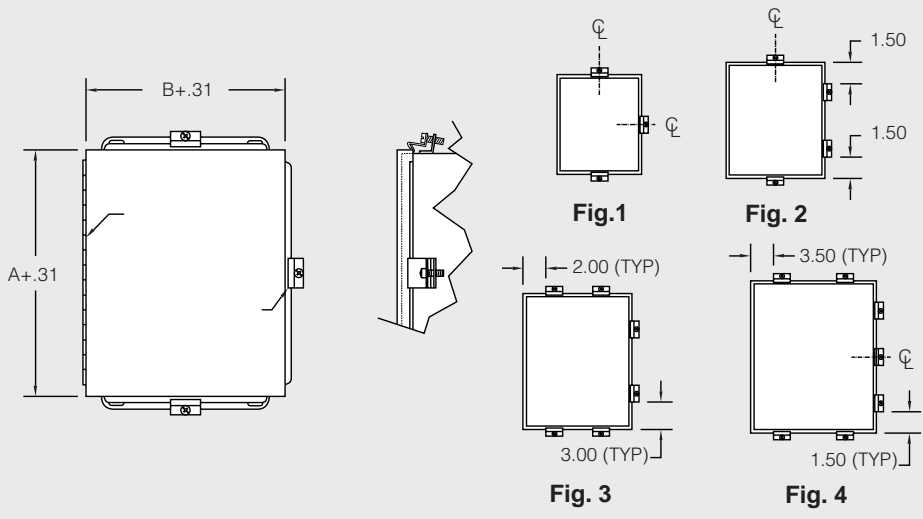
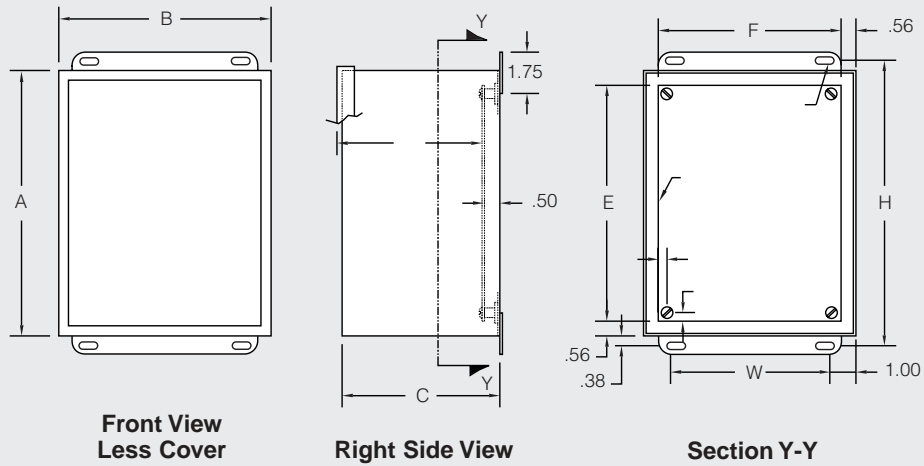
Section Y-Y

Part No.	Enclosure					Mounting Panel			
	Outside dimensions (inches)			Mountings centers		Part No.	Panel size		Usable depth
	H	W	D	H	W		E	F	
E 604CHWL*	6.00	4.00	4.48	6.75	2.00	E 6P4	4.88	2.88	4.04
E 806CHWL	8.00	6.00	4.48	8.75	4.00	E 8P6	6.88	4.88	4.04
E 1008CHWL	10.00	8.00	4.48	10.75	6.00	E 10P8	8.88	6.88	4.04
E 1210CHWL	12.00	10.00	5.48	12.75	8.00	E 12P10	10.88	8.88	5.04
E 1412CHWL	14.00	12.00	6.48	14.75	10.00	E 14P12	12.88	10.88	6.04
E 1614CHWL	16.00	14.00	6.48	16.75	12.00	E 16P14	14.88	12.88	6.04

* 16 gauge

Technical Specifications

Continuous Hinge Cover Boxes



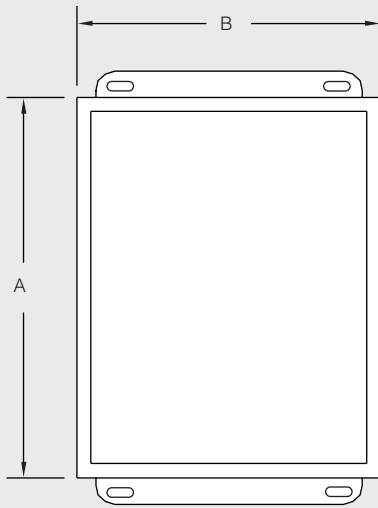
Part No.	Enclosure					Part No.	Mounting Panel			
	Outside dimensions (inches)			Mounting centers			Panel size		Usable depth	Clamps
	Height	Width	Depth	H	W		E	F		
E 404CHNF*	4.00	4.00	3.00	4.75	2.00	NONE	-	-	-	Fig. 1
EZ E 604CHNF*	6.00	4.00	3.00	6.75	2.00	E 6P4	4.88	2.88	2.50	Fig. 1
E 6044CHNF*	6.00	4.00	4.00	6.75	2.00	E 6P4	4.88	2.88	3.50	Fig. 1
EZ E 606CHNF*	6.00	6.00	4.00	6.75	4.00	E 6P6	4.88	4.88	3.50	Fig. 1
EZ E 806CHNF	8.00	6.00	3.50	8.75	4.00	E 8P6	6.88	4.88	3.00	Fig. 1
EZ E 1008CHNF	10.00	8.00	4.00	10.75	6.00	E 10P8	8.88	6.88	3.50	Fig. 2
EZ E 10086CHNF	10.00	8.00	6.00	10.75	6.00	E 10P8	8.88	6.88	5.50	Fig. 2
EZ E 1210CHNF	12.00	10.00	5.00	12.75	8.00	E 12P10	10.88	8.88	4.50	Fig. 3
EZ E 1212CHNF	12.00	12.00	6.00	12.75	10.00	E 12P12	10.88	10.88	5.50	Fig. 3
EZ E 1412CHNF	14.00	12.00	6.00	14.75	10.00	E 14P12	12.88	10.88	5.50	Fig. 3
EZ E 1614CHNF	16.00	14.00	6.00	16.75	12.00	E 16P14	14.88	12.88	5.50	Fig. 4

* 16 gauge

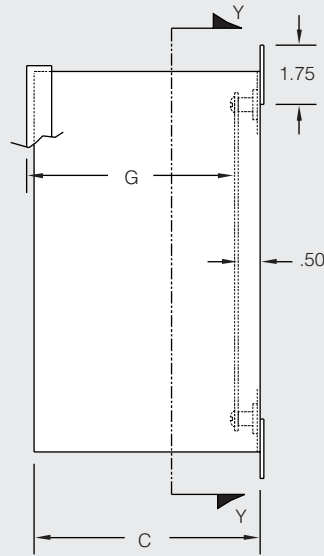
EZ Designates a product in the EnclosureZone program.

Technical Specifications

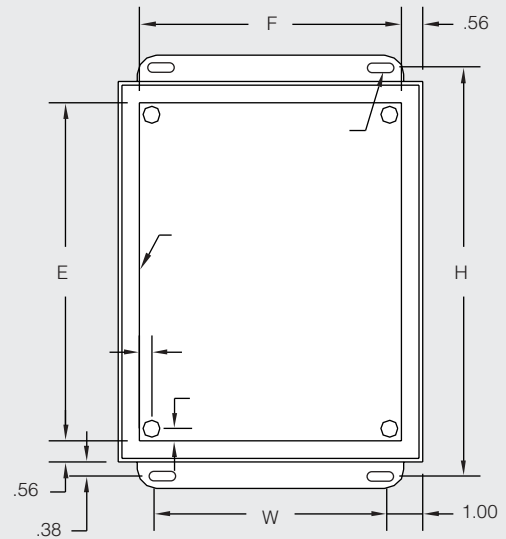
Clamp Cover Junction Enclosures



Front View
Less Cover



Right Side View

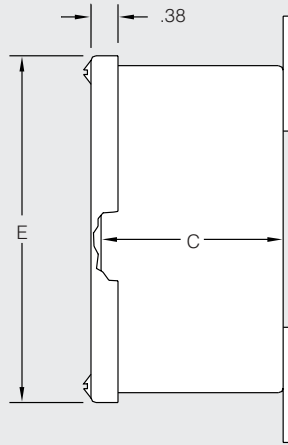
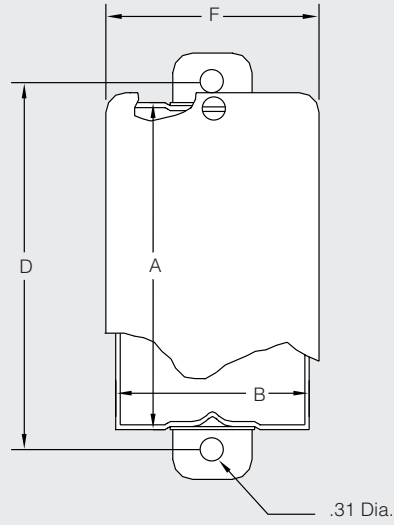


Section Y-Y

Part No.	Enclosure					Mounting Panel				
	Outside dimensions (inches)			Mounting centers		Part No.	Panel size		Usable depth	Clamps
	H	W	D				E	F		
E 404NF*	4.00	4.00	3.00	4.75	2.00	NONE	-	-	-	Fig. 1
E 604NF*	6.00	4.00	3.00	6.75	2.00	E 6P4	4.88	2.88	2.50	Fig. 1
E 6044NF*	6.00	4.00	4.00	6.75	2.00	E 6P4	4.88	2.88	3.50	Fig. 1
E 606NF*	6.00	6.00	4.00	6.75	4.00	E 6P6	4.88	4.88	3.50	Fig. 1
E 806NF	8.00	6.00	4.00	8.75	4.00	E 8P6	6.88	4.88	3.50	Fig. 1
E 8064NF	8.00	6.00	4.00	8.75	4.00	E 8P6	6.88	4.88	3.50	Fig. 1
E 1008NF	10.00	8.00	4.00	10.75	6.00	E 10P8	8.88	6.88	3.50	Fig. 2
E 1210NF	12.00	10.00	5.00	12.75	8.00	E 12P10	10.88	8.88	4.50	Fig. 3
E 1412NF	14.00	12.00	6.00	14.75	10.00	E 14P12	12.88	10.88	5.50	Fig. 3
E 1614NF	16.00	14.00	6.00	16.75	12.00	E 16P14	14.88	12.88	5.50	Fig. 4

* 16 gauge

Technical Specifications
Handy Box Enclosures

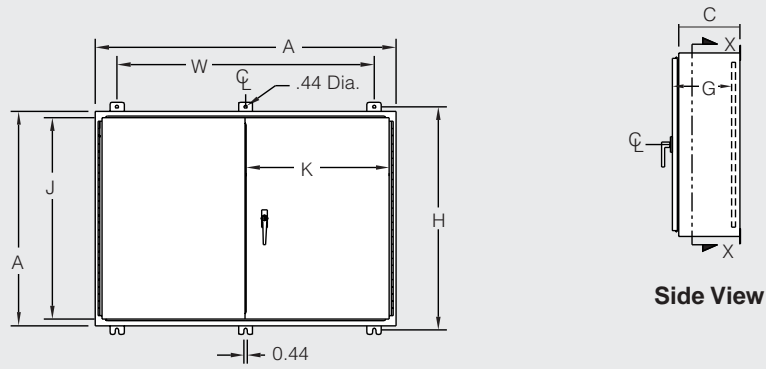


Enclosure						
Part No.	Outside dimensions (inches)			Mounting centers	Cover size	
	H	W	D		E	F
EZ E 4022HB	A	B	C	H	E	F
	4.00	2.00	2.00	2.50	4.25	2.25
EZ E 4033HB						
	4.25	2.88	2.63	3.38	4.50	3.13

EZ Designates a product in the EnclosureZone program.

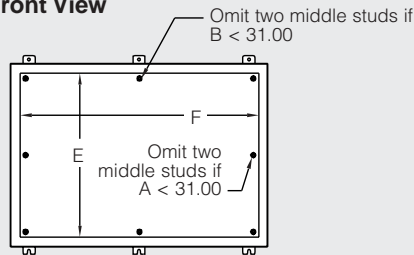
Technical Specifications

Two Door Wallmount Enclosures

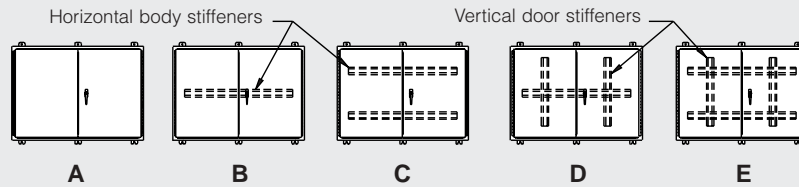


Front View

Side View



Section X-X



Stiffener Arrangement

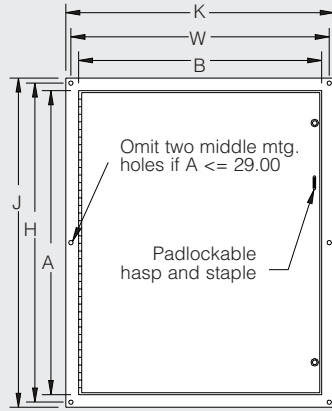
Part No.	Enclosure						Mounting Panel					
	Outside dimensions (inches)			Mounting centers		Door and body stiffener arrangement	Cover size		Part No.	Panel size		Usable depth
	H	W	D	H	W		J	K		E	F	
EZ E 244208WF	24.00	42.00	8.00	25.25	36.00	A	22.19	20.06	E 42P24	21.00	39.00	8.00
EZ E 244808WF	24.00	48.00	8.00	25.25	42.00	A	22.19	23.06	E 48P24	21.00	45.00	8.00
E 304210WF	30.00	42.00	10.00	31.25	36.00	B	28.19	20.06	E 42P30	27.00	39.00	10.00
E 304810WF	30.00	48.00	10.00	31.25	42.00	B	28.19	23.06	E 48P30	27.00	45.00	10.00
E 306010WF	30.00	60.00	10.00	31.25	54.00	B	28.19	29.06	E 60P30	27.00	57.00	10.00
E 364212WF	36.00	42.00	12.00	37.25	36.00	B	34.19	20.06	E 42P36	33.00	39.00	12.00
EZ E 364812WF	36.00	48.00	12.00	37.25	42.00	B	34.19	23.06	E 48P36	33.00	45.00	12.00
EZ E 366012WF	36.00	60.00	12.00	37.25	54.00	D	34.19	29.06	E 60P36	33.00	57.00	11.37*
EZ E 424212WF	42.00	42.00	12.00	43.25	36.00	C	40.19	20.06	E 42P42	39.00	39.00	12.00
E 424812WF	42.00	48.00	12.00	43.25	42.00	C	40.19	23.06	E 48P42	39.00	45.00	12.00
E 426012WFA	42.00	60.00	12.00	43.25	54.00	E	40.19	29.06	E 60WFP42	38.00	56.00	11.37*
E 484812WFA	48.00	48.00	12.00	49.25	42.00	C	46.19	23.06	E 48WFP48	44.00	44.00	12.00

* Usable depth reduced by .625" at door stiffener.

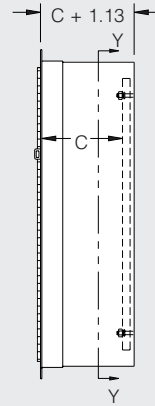
EZ Designates a product in the EnclosureZone program.

Technical Specifications

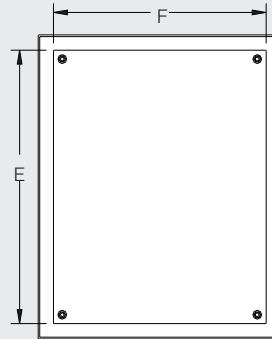
Flush Mount Boxes



Front View



Side View

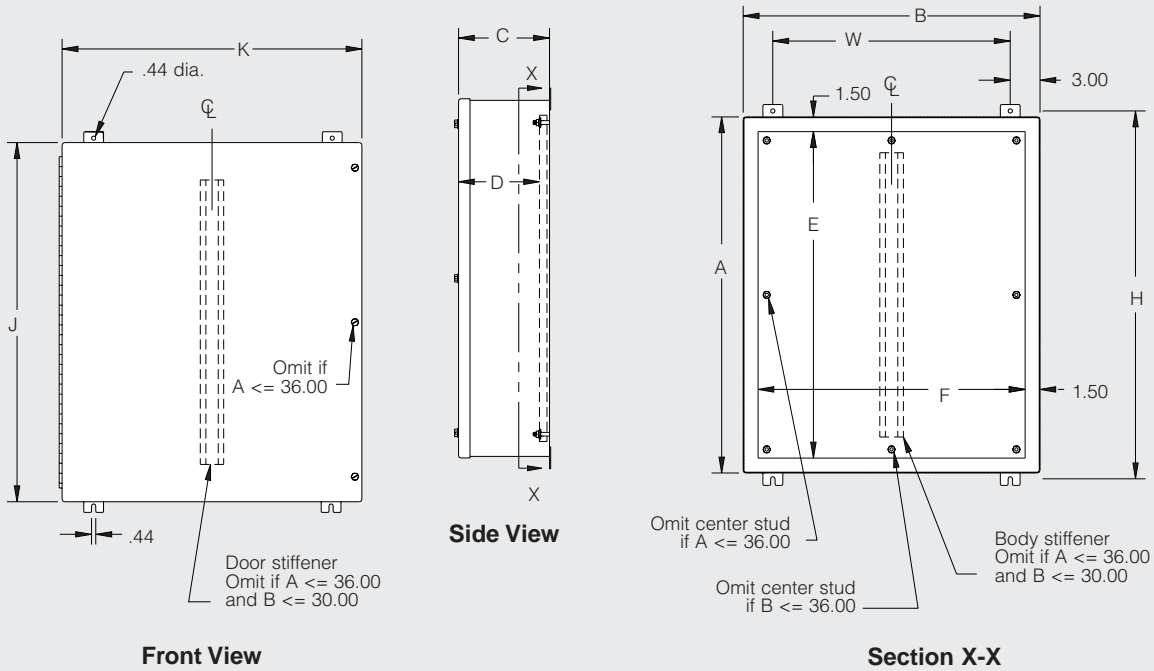


Section Y-Y

Part No.	Enclosure								Mounting Panel				
	Outside dimensions (inches)			Mounting centers		Mounting cut-out size		Overall flange size		Part No.	Panel size		Usable depth
	H	W	D	H	W			J	K		E	F	
E 161206FM	16.00	12.00	6.00	17.50	13.50	15.75	11.75	18.50	14.50	E 16P12	13.00	9.00	6.00
E 201606FM	20.00	16.00	6.00	21.50	17.50	19.75	15.75	22.50	18.50	E 20P16	17.00	13.00	6.00
E 202006FM	20.00	20.00	6.00	21.50	21.50	19.75	19.75	22.50	22.50	E 20P20	17.00	17.00	6.00
E 242006FM	24.00	20.00	6.00	25.50	21.50	23.75	19.75	26.50	22.50	E 24P20	21.00	17.00	6.00
E 242408FM	24.00	24.00	8.00	25.50	25.50	23.75	23.75	26.50	26.50	E 24P24	21.00	21.00	8.00
E 302408FM	30.00	24.00	8.00	31.50	25.50	29.75	23.75	32.50	26.50	E 30P24	27.00	21.00	8.00

Technical Specifications

Large Oil-Tight Boxes



Part No.	Enclosure					Door and body stiffener	Cover size		Mounting Panel			Usable depth
	Outside dimensions (inches)			Mounting centers			J	K	Panel size		D	
	H	W	D	H	W				E	F		
A	B	C	H	W	J	K	E	F	D			
E 20C16A	20.00	16.00	7.00	21.25	10.00	NO	20.31	16.31	E 20P16	17.00	13.00	6.00
E 20C16B	20.00	16.00	9.00	21.25	10.00	NO	20.31	16.31	E 20P16	17.00	13.00	8.00
E 20C20A	20.00	20.00	7.00	21.25	14.00	NO	20.31	20.31	E 20P20	17.00	17.00	6.00
E 20C20B	20.00	20.00	9.00	21.25	14.00	NO	20.31	20.31	E 20P20	17.00	17.00	8.00
E 24C20A	24.00	20.00	7.00	25.25	14.00	NO	24.31	20.31	E 24P20	21.00	17.00	6.00
E 24C20B	24.00	20.00	9.00	25.25	14.00	NO	24.31	20.31	E 24P20	21.00	17.00	8.00
E 24C24A	24.00	24.00	7.00	25.25	18.00	NO	24.31	24.31	E 24P24	21.00	21.00	6.00
E 24C24B	24.00	24.00	9.00	25.25	18.00	NO	24.31	24.31	E 24P24	21.00	21.00	8.00
E 24C24C	24.00	24.00	11.00	25.25	18.00	NO	24.31	24.31	E 24P24	21.00	21.00	10.00
E 30C20A	30.00	20.00	7.00	31.25	14.00	NO	30.31	20.31	E 30P20	27.00	17.00	6.00
E 30C20B	30.00	20.00	9.00	31.25	14.00	NO	30.31	20.31	E 30P20	27.00	17.00	8.00
E 30C24A	30.00	24.00	7.00	31.25	18.00	NO	30.31	24.31	E 30P24	27.00	21.00	6.00
E 30C24B	30.00	24.00	9.00	31.25	18.00	NO	30.31	24.31	E 30P24	27.00	21.00	8.00
E 30C24D	30.00	24.00	13.00	31.25	18.00	NO	30.31	24.31	E 30P24	27.00	21.00	12.00
E 36C24A	36.00	24.00	7.00	37.25	18.00	NO	36.31	24.31	E 36P24	33.00	21.00	6.00
E 36C24B	36.00	24.00	9.00	37.25	18.00	NO	36.31	24.31	E 36P24	33.00	21.00	8.00
E 36C24C	36.00	24.00	11.00	37.25	18.00	NO	36.31	24.31	E 36P24	33.00	21.00	10.00
E 36C30B	36.00	30.00	9.00	37.25	24.00	YES	36.31	30.31	E 36P30	33.00	27.00	7.38*
E 36C30D	36.00	30.00	13.00	37.25	24.00	YES	36.31	30.31	E 36P30	33.00	27.00	11.38*
E 48C36C	48.00	36.00	11.00	49.25	30.00	YES	48.31	36.31	E 48P36	45.00	33.00	9.38*

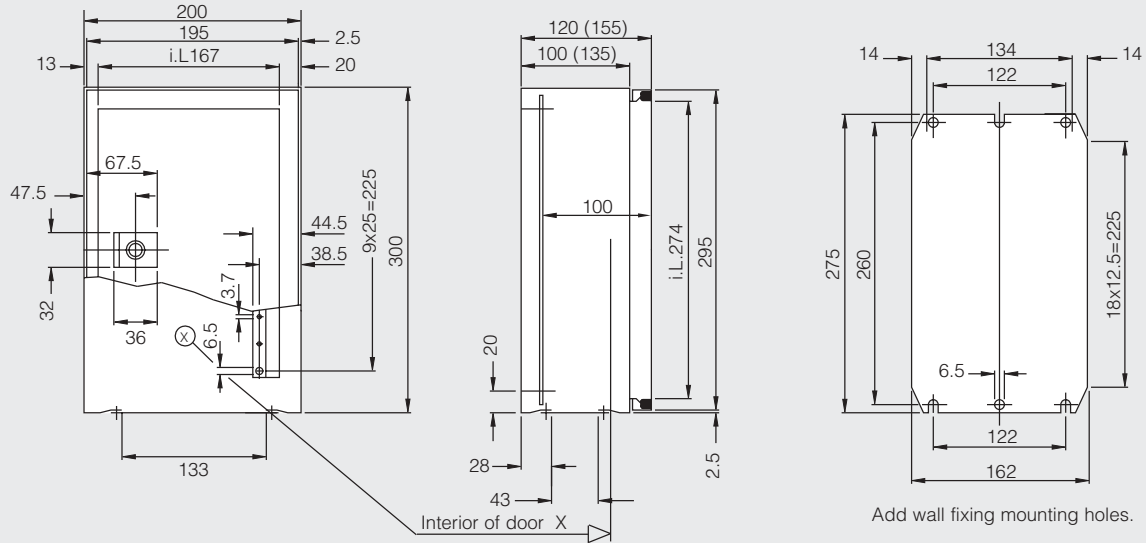
* Usable depth reduced by .625" at door stiffener.



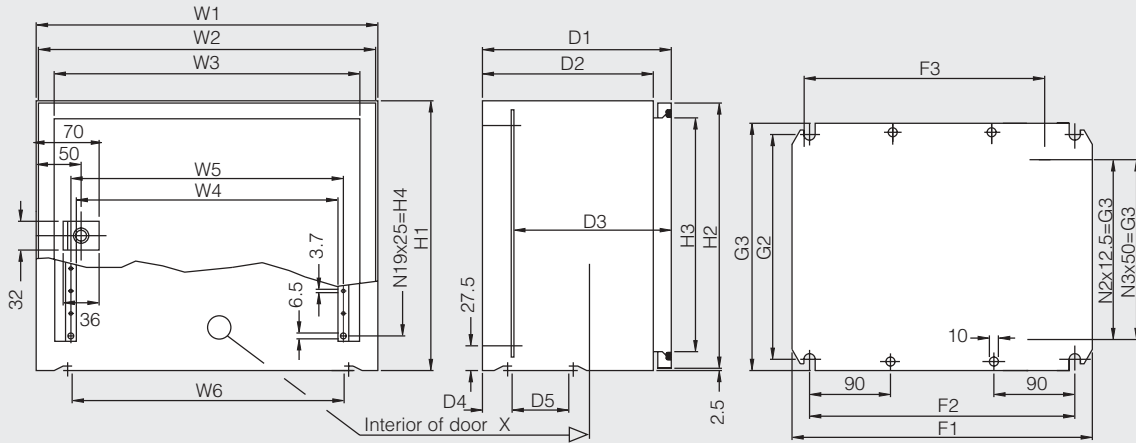
Technical Specifications

AE Wallmount Enclosures

1032600/1035600



1030600/1031600/1033600/1034600/1380600/1039600/1339600



Enclosure								
Part No.	Height (H1)		Width (W1)		Depth (D1)		Weight	
	inches	mm	inches	mm	inches	mm	lbs	kg
EZ 1032600	11.81	300	7.87	200	4.72	120	8.8	4
EZ 1035600	11.81	300	7.87	200	6.10	155	9.9	4.5
EZ 1030600	11.81	300	14.96	380	6.10	155	18.5	8.4
EZ 1033600	11.81	300	11.81	300	8.27	210	15.4	7
EZ 1031600	11.81	300	14.96	380	8.27	210	19.2	8.7
EZ 1380600	14.96	380	14.96	380	8.27	210	25.3	11.5
EZ 1039600	14.96	380	23.62	600	8.27	210	37.4	17
EZ 1339600	14.96	380	23.62	600	13.78	350	48.5	22
EZ 1034600	15.75	400	11.81	300	8.27	210	19.4	8.8

Detailed Dimensions																			
Part No.	H2	H3	H4	N1	W2	W3	W4	W5	W6	D2	D3	D4	D5	F1	F2	F3	G1	G2	G3
EZ 1032600	See drawings above.																		
EZ 1035600	See drawings above.																		
EZ 1030600	295	260	225	9	375	340	291	303	303	135	113-129	33	63	334	295	267.5	275	250	200
EZ 1033600	295	260	225	9	295	260	211	223	233	190	168-184	33	45	254	215	187.5	275	250	200
EZ 1031600	295	260	225	9	375	340	291	303	303	190	168-184	33	63	334	295	267.5	275	250	200
EZ 1380600	375	340	275	11	375	340	291	303	303	190	168-184	33	63	334	295	267.5	355	330	300
EZ 1039600	375	340	275	11	595	560	511	523	500	190	168-184	38	113	549	510	482.5	355	330	300
EZ 1339600	375	340	275	11	595	560	511	523	500	330	308-324	38	113	549	510	482.5	355	330	300
EZ 1034600	395	360	325	13	295	260	211	223	233	190	168-184	33	45	254	215	187.5	375	350	300

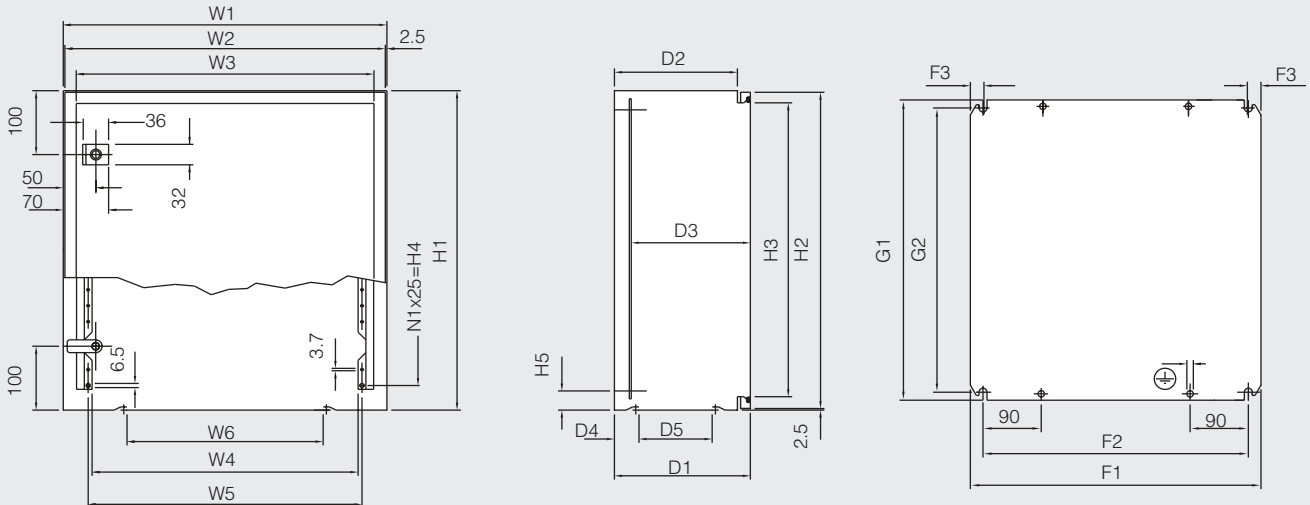
Dimensions in millimeters (mm) unless otherwise indicated.

EZ Designates a product in the EnclosureZone program.



Technical Specifications

AE Wallmount Enclosures



Mounting Panel

Add wall fixing mounting holes.

Part No.	Enclosure						Weight
	Height (H1)		Width (W1)		Depth (D1)		
	inches	mm	inches	mm	inches	mm	
EZ 1045600	19.69	500	15.75	400	8.27	210	28.6
EZ 1050600	19.69	500	19.69	500	8.27	210	41.6
EZ 1038600	23.62	600	14.96	380	8.27	210	36.6
EZ 1060600	23.62	600	23.62	600	8.27	210	57.5
EZ 1076600	29.92	760	23.62	600	8.27	210	70.7
EZ 1077600	29.92	760	29.92	760	8.27	210	88.1
EZ 1058600	31.50	800	23.62	600	9.84	250	97.9
EZ 1057600	27.56	700	19.69	500	9.84	250	57.4
EZ 1090600	39.37	1000	23.62	600	9.84	250	121.0
EZ 1350600	19.69	500	19.69	500	11.81	300	46.3
EZ 1073600	29.92	760	29.92	760	11.81	300	98.0
EZ 1097500	35.43	900	29.92	760	11.81	300	110.0
EZ 1180600	39.37	1000	31.50	800	11.81	300	125.6
EZ 1338600	23.62	600	14.96	380	13.78	350	46.9
EZ 1360600	23.62	600	23.62	600	13.78	350	67.8
EZ 1376600	29.92	760	23.62	600	13.78	350	83.7

Part No.	Detailed Dimensions																		
	H2	H3	H4	H5	W2	W3	W4	W5	W6	D2	D3	D4	D5	N1	F1	F2	F3	G1	G2
EZ 1045600	495	460	425	30	395	360	311	323	303	190	168-184	38	113	17	354	315	13.5	450	400
EZ 1050600	495	460	425	30	495	460	411	423	303	190	168-184	38	113	17	449	410	21.0	470	445
EZ 1038600	595	560	525	30	375	340	291	303	303	190	168-184	33	63	21	334	295	13.5	570	545
EZ 1060600	595	560	525	30	595	560	511	523	500	190	168-184	38	113	21	549	510	21.0	570	545
EZ 1076600	755	720	675	30	595	560	511	523	500	190	168-184	38	113	27	549	510	21.0	730	705
EZ 1077600	755	720	675	30	755	720	671	683	500	190	168-184	38	113	27	704	665	21.0	730	705
EZ 1058600	795	760	725	30	595	560	511	523	500	230	208-224	38	113	29	549	510	21.0	770	745
EZ 1057600	695	660	625	30	495	460	411	423	303	230	208-224	38	113	25	449	410	21.0	670	645
EZ 1090600	995	960	925	35	595	560	511	523	500	230	208-224	38	113	37	539	500	21.0	955	930
EZ 1350600	495	460	425	30	495	460	411	423	303	280	258-274	38	113	17	449	410	21.0	470	445
EZ 1073600	755	720	675	30	755	720	671	683	500	280	258-274	38	113	27	704	665	21.0	730	705
EZ 1097500	895	860	750	30	755	720	671	683	500	280	258-274	38	113	30	704	665	21.0	870	845
EZ 1180600	995	960	925	35	795	760	711	723	500	280	258-274	70	113	37	739	700	21.0	955	930
EZ 1338600	595	560	525	30	375	340	291	303	303	330	308-324	84	113	21	334	295	13.5	570	545
EZ 1360600	595	560	525	30	595	560	511	523	500	330	308-324	38	113	21	549	510	21.0	570	545
EZ 1376600	755	720	675	30	595	560	511	523	500	330	308-324	38	113	27	549	510	21.0	730	705

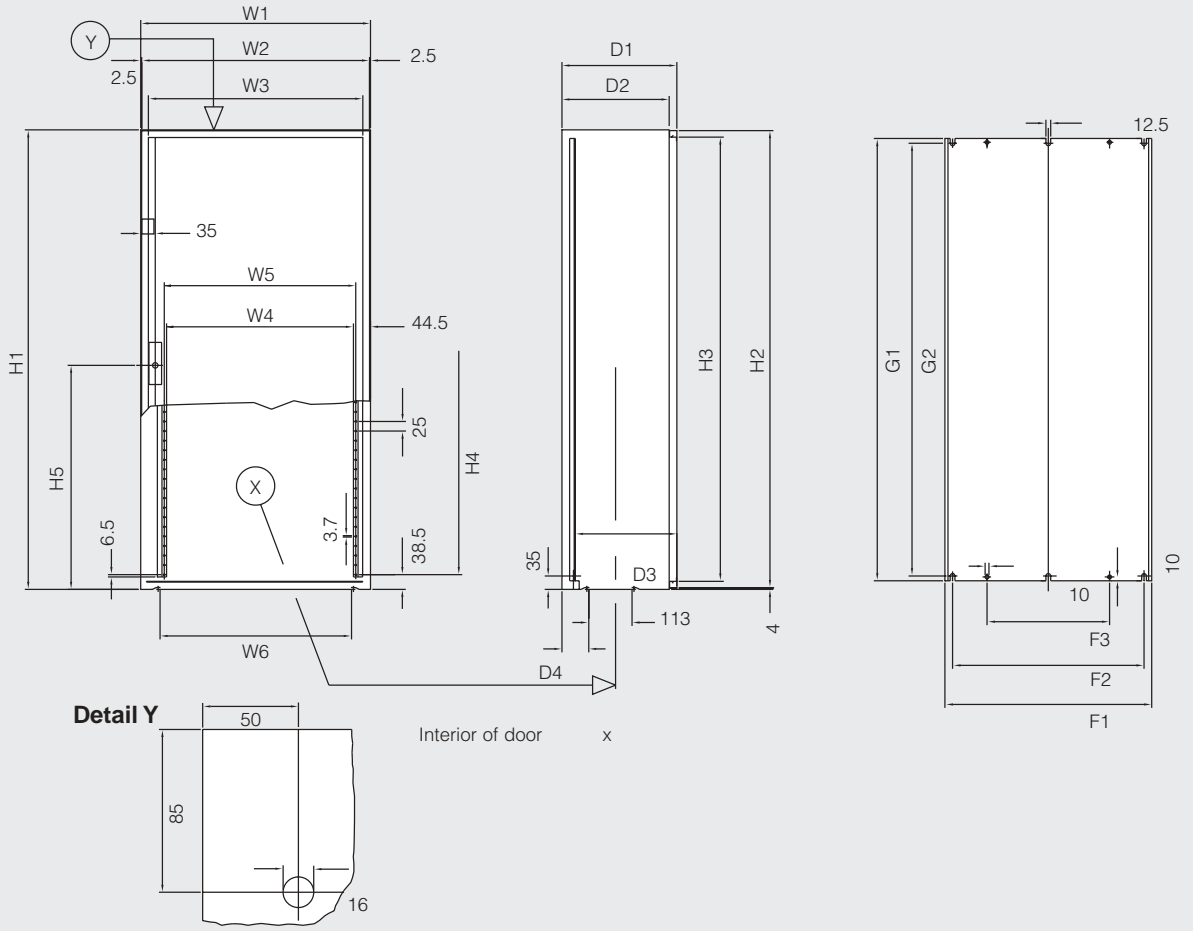
Dimensions in millimeters (mm) unless otherwise indicated.

EZ Designates a product in the EnclosureZone program.



Technical Specifications

AE Wallmount Enclosures



Enclosure			
Height (H1)	inches	47.24	47.24
	mm	1200	1200
Width (W1)	inches	23.62	31.50
	mm	600	800
Depth (D1)	inches	11.81	11.81
	mm	300	300
Part No.	EZ	1260600	EZ 1280600
Weight	lbs/kg	5.3/2.4	7.9/3.6
			EZ 1097670
			165.0/75.0

Dimensions in millimeters (mm) unless otherwise indicated.

Detailed Dimensions																		
Part No.	H2	H3	H4	H5	W2	W3	W4	W5	W6	D2	D3	D4	N1	F1	F2	F3	G1	G2
EZ 1260600	1194	1160	1125	585	595	560	488	500	500	281	264	70	45	540	500	320	1155	1130
EZ 1280600	1194	1160	1125	585	795	760	688	700	500	281	264	70	45	740	700	520	1155	1130
EZ 1097670	1194	1160	1125	585	895	860	788	800	500	281	264	70	45	840	800	620	1155	1130

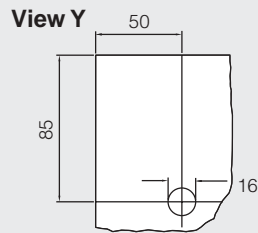
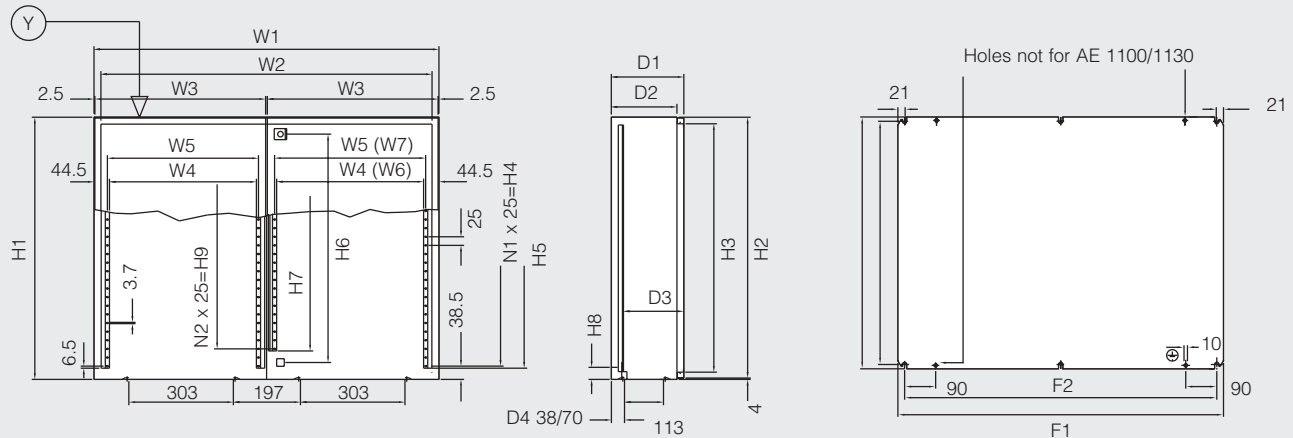
Dimensions in millimeters (mm) unless otherwise indicated.

EZ Designates a product in the EnclosureZone program.



Technical Specifications

AE Wallmount Enclosures



Mounting panel

Add rearwall fixing mounted hole pattern.

Enclosure										
Height (H1)	inches	29.92	29.92	39.37	47.24	55.12				
	mm	760	760	1000	1200	1400				
Width (W1)	inches	39.37	39.37	39.37	39.37	39.37				
	mm	1000	1000	1000	1000	1000				
Depth (D1)	inches	8.27	11.81	11.81	11.81	11.81				
	mm	210	300	300	300	300				
Part No.	EZ	1100600	EZ	1130600	EZ	1110600	EZ	1213600	EZ	1114600
Weight	lbs	114.6	123.5	156.5	187.4	213.8				
	kg	52.0	56.0	71.0	85.0	97.0				

Dimensions in millimeters (mm) unless otherwise indicated.

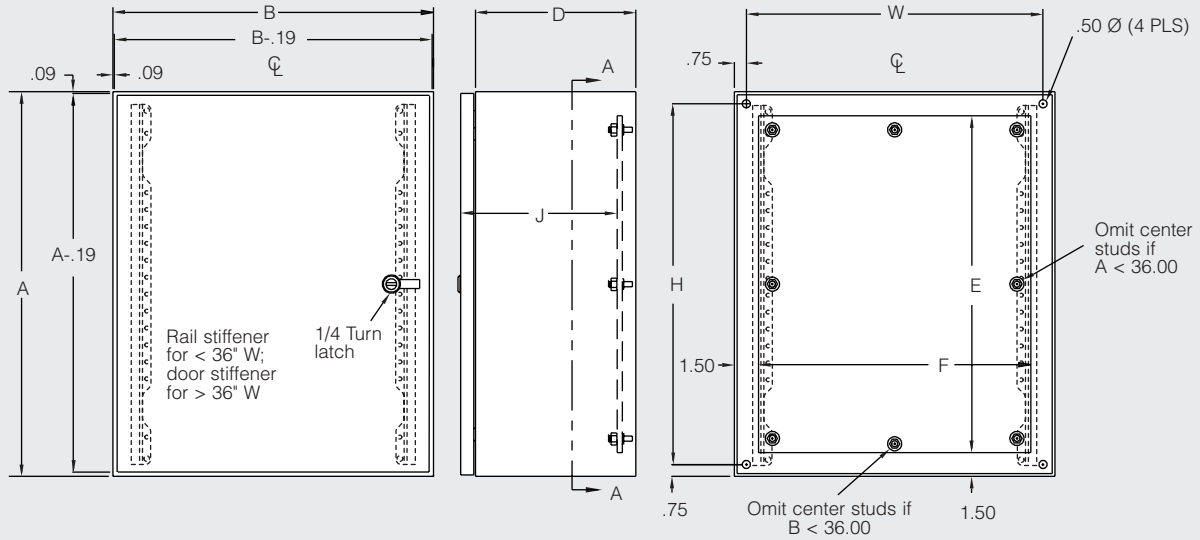
Detailed Dimensions																							
EZ Part No.	H2	H3	H4	H5	H6	H7	H8	H9	W2	W3	W4	W5	W6	W7	D2	D3	D4	N1	N2	F1	F2	G1	G2
EZ 1100600	755	720	675	698	662	598	30	575	960	495	424	436	-	-	190	168-184	38	27	23	944	905	730	705
EZ 1130600	755	720	675	698	662	598	30	575	960	495	424	436	-	-	280	258-274	70	27	23	944	905	730	705
EZ 1110600	995	960	925	938	894	838	35	825	960	495	424	436	-	-	280	258-274	70	37	33	939	900	955	930
EZ 1213600	1194	1160	1125	-	585	1125	35	-	960	495	424	436	393	405	282	264	70	45	-	940	900	1155	1130
EZ 1114600	1394	1360	1325	-	685	1325	35	-	960	495	424	436	393	405	282	264	70	53	-	940	900	1355	1330

Dimensions in millimeters (mm) unless otherwise indicated.

EZ Designates a product in the EnclosureZone program.

Technical Specifications

Legacy Series Enclosures



Front View

Right Side View

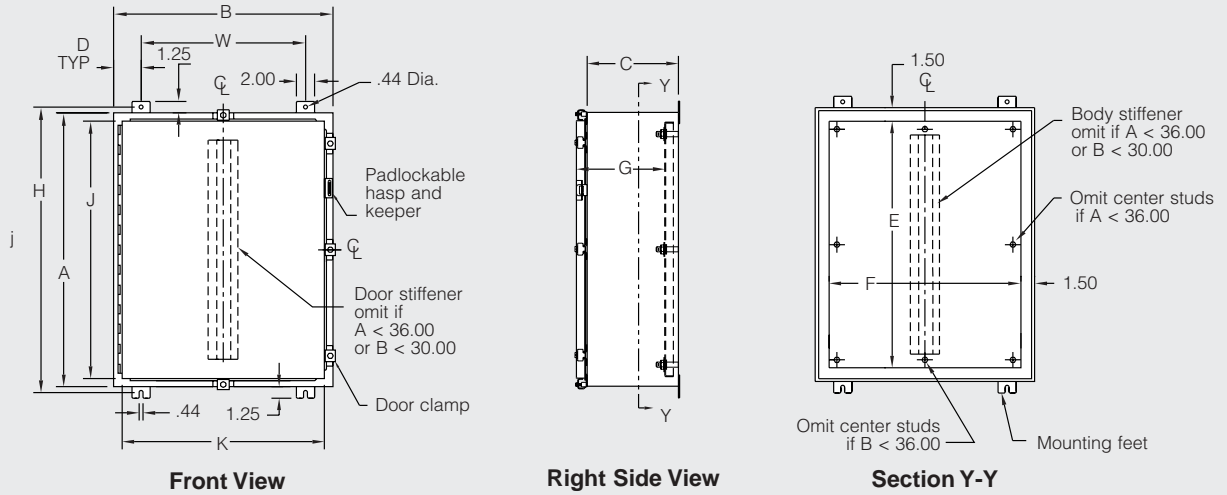
Section A-A

Part No.	Enclosure					Mounting Panel							
	Outside dimensions (inches)			Mounting centers		White (Full Size)	Zinc (Full Size)	Panel size		White (NEMA Style)	Panel size		Usable depth
	H	W	D	H	W	Panel Part No.	Panel Part No.	A	B	Panel Part No.	A	B	
EZ L W120806	12.00	8.00	6.00	10.5	6.5	L W12P8W	L W12P8	10.2	6.2	-	-	-	5.0
EZ L W121206	12.00	12.00	6.00	10.5	10.5	L W12P12W	L W12P12	10.2	10.2	-	-	-	5.0
EZ L W121608	12.00	16.00	8.00	10.5	14.5	L W12P16W	L W12P16	10.2	14.2	E 16P12	13.0	9.0	7.0
EZ L W161206	16.00	12.00	6.00	14.5	10.5	L W16P12W	L W16P12	14.2	10.2	E 16P12	13.0	9.0	5.0
EZ L W161208	16.00	12.00	8.00	14.5	10.5	L W16P12W	L W16P12	14.2	10.2	E 16P12	13.0	9.0	7.0
EZ L W161606	16.00	16.00	6.00	14.5	14.5	L W16P16W	L W16P16	14.2	14.2	E 16P16	13.0	13.0	5.0
EZ L W161608	16.00	16.00	8.00	14.5	14.5	L W16P16W	L W16P16	14.2	14.2	E 16P16	13.0	13.0	7.0
EZ L W201606	20.00	16.00	6.00	18.5	14.5	L W20P16W	L W20P16	18.2	14.2	E 20P16	17.0	13.0	5.0
EZ L W201608	20.00	16.00	8.00	18.5	14.5	L W20P16W	L W20P16	18.2	14.2	E 20P16	17.0	13.0	7.0
L W202006	20.00	20.00	6.00	18.5	18.5	L W20P20W	L W20P20	18.2	18.2	E 20P20	17.0	17.0	5.0
EZ L W202008	20.00	20.00	8.00	18.5	18.5	L W20P20W	L W20P20	18.2	18.2	E 20P20	17.0	17.0	7.0
EZ L W202012	20.00	20.00	12.00	18.5	18.5	L W20P20W	L W20P20	18.2	18.2	E 20P20	17.0	17.0	11.0
L W202408	20.00	24.00	8.00	18.5	22.5	L W20P24W	L W20P24	18.2	22.2	E 24P20	21.0	17.0	7.0
EZ L W241608	24.00	16.00	8.00	22.5	14.5	L W24P16W	L W24P16	22.2	14.2	E 24P16	21.0	13.0	7.0
L W242006	24.00	20.00	6.00	22.5	18.5	L W24P20W	L W24P20	22.2	18.2	E 24P20	21.0	17.0	5.0
EZ L W242008	24.00	20.00	8.00	22.5	18.5	L W24P20W	L W24P20	22.2	18.2	E 24P20	21.0	17.0	7.0
L W242406	24.00	24.00	6.00	22.5	22.5	L W24P24W	L W24P24	22.2	22.2	E 24P24	21.0	21.0	5.0
EZ L W242408	24.00	24.00	8.00	22.5	22.5	L W24P24W	L W24P24	22.2	22.2	E 24P24	21.0	21.0	7.0
L W242410	24.00	24.00	10.00	22.5	22.5	L W24P24W	L W24P24	22.2	22.2	E 24P24	21.0	21.0	9.0
EZ L W242412	24.00	24.00	12.00	22.5	22.5	L W24P24W	L W24P24	22.2	22.2	E 24P24	21.0	21.0	11.0
EZ L W242416	24.00	24.00	16.00	22.5	22.5	L W24P24W	L W24P24	22.2	22.2	E 24P24	21.0	21.0	15.0
L W243008	24.00	30.00	8.00	22.5	28.5	L W24P20W	L W24P20	22.2	18.2	E 30P24	27.0	21.0	7.0
EZ L W302408	30.00	24.00	8.00	28.5	22.5	L W30P24W	L W30P24	28.2	22.2	E 30P24	27.0	21.0	7.0
EZ L W302412	30.00	24.00	12.00	28.5	22.5	L W30P24W	L W30P24	28.2	22.2	E 30P24	27.0	21.0	11.0
EZ L W303008	30.00	30.00	8.00	28.5	28.5	L W30P30W	L W30P30	28.2	28.2	E 30P30	27.0	27.0	7.0
L W303010	30.00	30.00	10.00	28.5	28.5	L W30P30W	L W30P30	28.2	28.2	E 30P30	27.0	27.0	9.0
EZ L W303012	30.00	30.00	12.00	28.5	28.5	L W30P30W	L W30P30	28.2	28.2	E 30P30	27.0	27.0	11.0
EZ L W362408	36.00	24.00	8.00	34.5	22.5	L W36P24W	L W36P24	34.2	22.2	E 36P24	33.0	21.0	7.0
L W362412	36.00	24.00	12.00	34.5	22.5	L W36P24W	L W36P24	34.2	22.2	E 36P24	33.0	21.0	11.0
L W363008	36.00	30.00	8.00	34.5	28.5	L W36P30W	L W36P30	34.2	28.2	E 36P30	33.0	27.0	7.0
EZ L W363012	36.00	30.00	12.00	34.5	28.5	L W36P30W	L W36P30	34.2	28.2	E 36P30	33.0	27.0	11.0
L W363612	36.00	36.00	12.00	34.5	34.5	L W36P36W	L W36P36	34.2	34.2	E 36P36	33.0	33.0	11.0
EZ L W423212	42.00	32.00	12.00	40.5	30.5	L W42P32W	L W42P32	40.2	30.2	E 42P32	39.0	29.0	11.0
L W483612	48.00	36.00	12.00	46.5	34.5	L W48P36W	L W48P36	46.2	34.2	E 48P36	45.0	33.0	11.0
EZ L W483616	48.00	36.00	16.00	46.5	34.5	L W48P36W	L W48P36	46.2	34.2	E 48P36	45.0	33.0	15.0
EZ L W603612	60.00	36.00	12.00	58.5	34.5	L W60P36W	L W60P36	58.2	34.2	E 60P36	57.0	33.0	11.0

EZ Designates a product in the EnclosureZone program.

Technical Specifications

One Door Wallmount Boxes



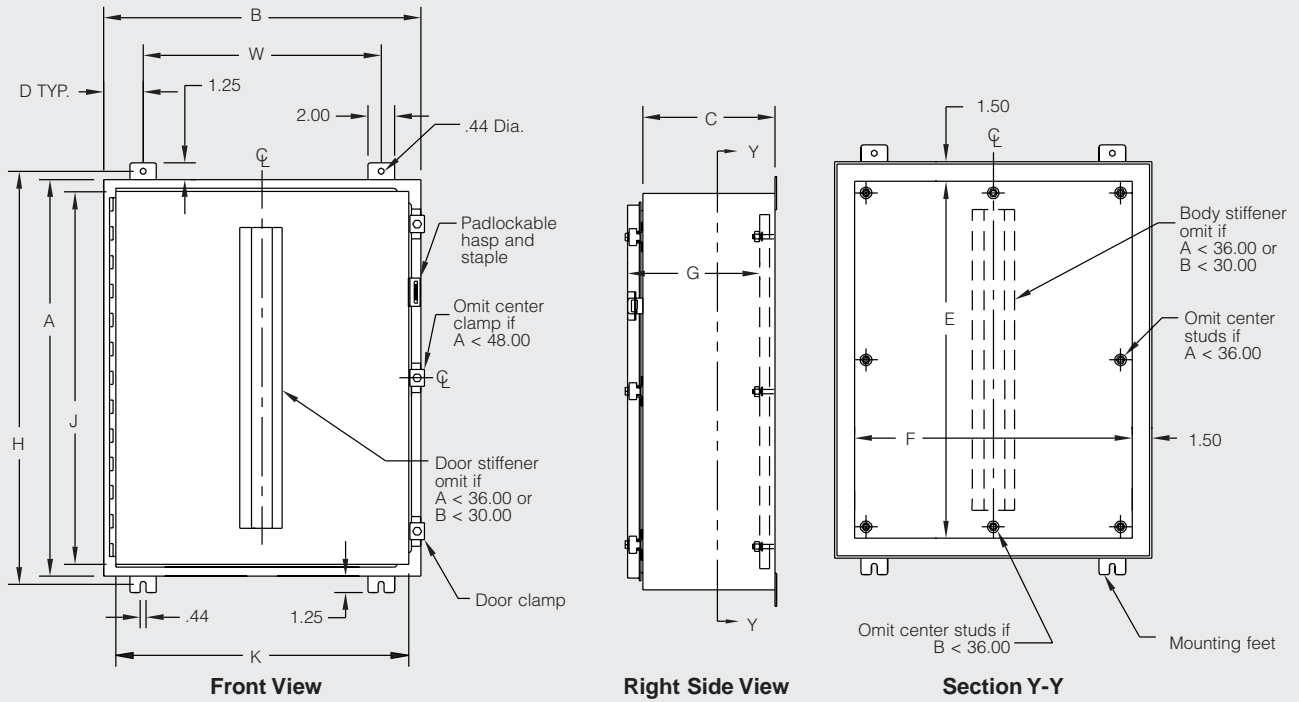
Part No.	Enclosure						Door and body stiffener	Cover size		Mounting Panel			
	Outside dimensions (inches)			Mounting centers				J	K	Panel size		Usable depth	
	H	W	D	H	W	D				E	F		G
EZ E 16H12A	16.00	12.00	6.00	17.25	9.50	1.25	NO	14.19	10.16	E 16P12	13.00	9.00	6.00
EZ E 16H12B	16.00	12.00	8.00	17.25	9.50	1.25	NO	14.19	10.16	E 16P12	13.00	9.00	8.00
E 16H16A	16.00	16.00	6.00	17.25	10.00	3.00	NO	14.19	14.16	E 16P16	13.00	13.00	6.00
E 16H20A	16.00	20.00	6.00	17.25	14.00	3.00	NO	14.19	18.16	E 20P16	13.00	17.00	6.00
EZ E 20H16A	20.00	16.00	6.00	21.25	10.00	3.00	NO	18.19	14.16	E 20P16	17.00	13.00	6.00
EZ E 20H16B	20.00	16.00	8.00	21.25	10.00	3.00	NO	18.19	14.16	E 20P16	17.00	13.00	8.00
E 20H16C	20.00	16.00	10.00	21.25	10.00	3.00	NO	18.19	14.16	E 20P16	17.00	13.00	10.00
EZ E 20H20A	20.00	20.00	6.00	21.25	14.00	3.00	NO	18.19	18.16	E 20P20	17.00	17.00	6.00
EZ E 20H20B	20.00	20.00	8.00	21.25	14.00	3.00	NO	18.19	18.16	E 20P20	17.00	17.00	8.00
E 20H24B	20.00	24.00	8.00	21.25	18.00	3.00	NO	18.19	18.19	E 24P20	21.00	17.00	8.00
E 24H12A	24.00	12.00	6.00	25.25	9.50	1.25	NO	22.19	10.16	E 12P24	21.00	9.00	6.00
E 24H16A	24.00	16.00	6.00	25.25	10.00	3.00	NO	22.19	14.16	E 24P16	21.00	13.00	6.00
E 24H20A	24.00	20.00	6.00	25.25	14.00	3.00	NO	22.19	18.16	E 24P20	21.00	17.00	6.00
EZ E 24H20B	24.00	20.00	8.00	25.25	14.00	3.00	NO	22.19	18.16	E 24P20	21.00	17.00	8.00
EZ E 24H20C	24.00	20.00	10.00	25.25	14.00	3.00	NO	22.19	18.16	E 24P20	21.00	17.00	10.00
EZ E 24H24A	24.00	24.00	6.00	25.25	18.00	3.00	NO	22.19	22.16	E 24P24	21.00	21.00	6.00
EZ E 24H24B	24.00	24.00	8.00	25.25	18.00	3.00	NO	22.19	22.16	E 24P24	21.00	21.00	8.00
E 24H30B	24.00	30.00	8.00	25.25	24.00	3.00	NO	28.19	28.16	E 30P24	27.00	21.00	8.00
E 30H20A	30.00	20.00	6.00	31.25	14.00	3.00	NO	28.19	18.16	E 30P20	27.00	17.00	6.00
E 30H20B	30.00	20.00	8.00	31.25	14.00	3.00	NO	28.19	18.16	E 30P20	27.00	17.00	8.00
E 30H24A	30.00	24.00	6.00	31.25	18.00	3.00	NO	28.19	22.16	E 30P24	27.00	21.00	6.00
EZ E 30H24B	30.00	24.00	8.00	31.25	18.00	3.00	NO	28.19	22.16	E 30P24	27.00	21.00	8.00
EZ E 30H24C	30.00	24.00	10.00	31.25	18.00	3.00	NO	28.19	22.16	E 30P24	27.00	21.00	10.00
EZ E 30H24D	30.00	24.00	12.00	31.25	18.00	3.00	NO	28.19	22.16	E 30P24	27.00	21.00	12.00
EZ E 30H30B	30.00	30.00	8.00	31.25	24.00	3.00	NO	28.19	28.16	E 30P30	27.00	27.00	8.00
E 36H24A	36.00	24.00	6.00	37.25	18.00	3.00	NO	34.19	22.16	E 36P24	33.00	21.00	6.00
E 36H24B	36.00	24.00	8.00	37.25	18.00	3.00	NO	34.19	22.16	E 36P24	33.00	21.00	8.00
EZ E 36H30B	36.00	30.00	8.00	37.25	24.00	3.00	YES	34.19	28.16	E 36P30	33.00	27.00	7.37*
E 36H30C	36.00	30.00	10.00	37.25	24.00	3.00	YES	34.19	28.16	E 36P30	33.00	27.00	9.37*
EZ E 36H30D	36.00	30.00	12.00	37.25	24.00	3.00	YES	34.19	28.16	E 36P30	33.00	27.00	11.37*
E 36H30F	36.00	30.00	16.00	37.25	24.00	3.00	YES	34.19	28.16	E 36P30	33.00	27.00	15.37*
E 42H30B	42.00	30.00	8.00	43.25	24.00	3.00	YES	40.19	28.16	E 42P30	39.00	27.00	7.37*
E 42H36B	42.00	36.00	8.00	43.25	30.00	3.00	YES	40.19	34.16	E 42P36	39.00	33.00	7.37*
E 48H30C	48.00	30.00	10.00	49.25	24.00	3.00	YES	46.19	28.16	E 48P30	45.00	27.00	9.37*
E 48H36B	48.00	36.00	8.00	49.25	30.00	3.00	YES	46.19	34.16	E 48P36	45.00	33.00	7.37*
E 48H36C	48.00	36.00	10.00	49.25	30.00	3.00	YES	46.19	34.16	E 48P36	45.00	33.00	9.37*
EZ E 48H36D	48.00	36.00	12.00	49.25	30.00	3.00	YES	46.19	34.16	E 48P36	45.00	33.00	11.37*
E 48H36F	48.00	36.00	16.00	49.25	30.00	3.00	YES	46.19	34.16	E 48P36	45.00	33.00	15.37*
E 60H36B	60.00	36.00	8.00	61.25	30.00	3.00	YES	58.19	34.16	E 60P36	57.00	33.00	7.37*
E 60H36C	60.00	36.00	10.00	61.25	30.00	3.00	YES	58.19	34.16	E 60P36	57.00	33.00	9.37*
E 60H36F	60.00	36.00	16.00	61.25	30.00	3.00	YES	58.19	34.16	E 60P36	57.00	33.00	15.37*

* Usable depth reduced by .625" at door stiffener.

EZ Designates a product in the EnclosureZone program.

Technical Specifications

One Door Wallmount Enclosures



Part No.	Enclosure							Mounting Panel					
	Outside dimensions (inches)			Mounting centers			Door and body stiffener	Door size		Part No.	Panel size		Usable depth
	H	W	D	H	W	D		J	K		E	F	
E 122406	12.00	24.00	6.00	13.25	18.00	3.00	NO	10.19	22.16	E 12P24	9.00	21.00	6.00
E 122408	12.00	24.00	8.00	13.25	18.00	3.00	NO	10.19	22.16	E 12P24	9.00	21.00	8.00
EZ E 161206	16.00	12.00	6.00	17.25	9.50	1.25	NO	14.19	10.16	E 16P12	13.00	9.00	6.00
EZ E 161208	16.00	12.00	8.00	17.25	9.50	1.25	NO	14.19	10.16	E 16P12	13.00	9.00	8.00
EZ E 161210	16.00	12.00	10.00	17.25	9.50	1.25	NO	14.19	10.16	E 16P12	13.00	9.00	10.00
EZ E 161606	16.00	16.00	6.00	17.25	10.00	3.00	NO	14.19	14.16	E 16P16	13.00	13.00	6.00
EZ E 161608	16.00	16.00	8.00	17.25	10.00	3.00	NO	14.19	14.16	E 16P16	13.00	13.00	8.00
E 162006	16.00	20.00	6.00	17.25	14.00	3.00	NO	14.19	18.16	E 20P16	13.00	17.00	6.00
EZ E 162008	16.00	20.00	8.00	17.25	14.00	3.00	NO	14.19	18.16	E 20P16	13.00	17.00	8.00
E 201206	20.00	12.00	6.00	21.25	9.50	1.25	NO	18.19	10.16	E 20P12	17.00	9.00	6.00
E 201208	20.00	12.00	8.00	21.25	9.50	1.25	NO	18.19	10.16	E 20P12	17.00	9.00	8.00
EZ E 201606	20.00	16.00	6.00	21.25	10.00	3.00	NO	18.19	14.16	E 20P16	17.00	13.00	6.00
EZ E 201608	20.00	16.00	8.00	21.25	10.00	3.00	NO	18.19	14.16	E 20P16	17.00	13.00	8.00
E 201610	20.00	16.00	10.00	21.25	10.00	3.00	NO	18.19	14.16	E 20P16	17.00	13.00	10.00
EZ E 201612	20.00	16.00	12.00	21.25	10.00	3.00	NO	18.19	14.16	E 20P16	17.00	13.00	12.00
EZ E 202006	20.00	20.00	6.00	21.25	14.00	3.00	NO	18.19	18.16	E 20P20	17.00	17.00	6.00
EZ E 202008	20.00	20.00	8.00	21.25	14.00	3.00	NO	18.19	18.16	E 20P20	17.00	17.00	8.00
EZ E 202010	20.00	20.00	10.00	21.25	14.00	3.00	NO	18.19	18.16	E 20P20	17.00	17.00	10.00
E 202406	20.00	24.00	6.00	21.25	18.00	3.00	NO	18.19	22.16	E 24P20	17.00	21.00	6.00
EZ E 202408	20.00	24.00	8.00	21.25	18.00	3.00	NO	18.19	22.16	E 24P20	17.00	21.00	8.00
E 241206	24.00	12.00	6.00	25.25	9.50	1.25	NO	22.19	10.16	E 12P24	21.00	9.00	6.00
E 241208	24.00	12.00	8.00	25.25	9.50	1.25	NO	22.19	10.16	E 12P24	21.00	9.00	8.00
E 241210	24.00	12.00	10.00	25.25	9.50	1.25	NO	22.19	10.16	E 24P12	21.00	9.00	10.00
E 241606	24.00	16.00	6.00	25.25	10.00	3.00	NO	22.19	14.16	E 24P16	21.00	13.00	6.00
EZ E 241608	24.00	16.00	8.00	25.25	10.00	3.00	NO	22.19	14.16	E 24P16	21.00	13.00	8.00
EZ E 242006	24.00	20.00	6.00	25.25	14.00	3.00	NO	22.19	18.16	E 24P20	21.00	17.00	6.00
EZ E 242008	24.00	20.00	8.00	25.25	14.00	3.00	NO	22.19	18.16	E 24P20	21.00	17.00	8.00
EZ E 242010	24.00	20.00	10.00	25.25	14.00	3.00	NO	22.19	18.16	E 24P20	21.00	17.00	10.00
EZ E 242012	24.00	20.00	12.00	25.25	14.00	3.00	NO	22.19	18.16	E 24P20	21.00	17.00	12.00
E 242016	24.00	20.00	16.00	25.25	14.00	3.00	NO	22.19	18.16	E 24P20	21.00	17.00	16.00
EZ E 242406	24.00	24.00	6.00	25.25	18.00	3.00	NO	22.19	22.16	E 24P24	21.00	21.00	6.00
EZ E 242408	24.00	24.00	8.00	25.25	18.00	3.00	NO	22.19	22.16	E 24P24	21.00	21.00	8.00
EZ E 242410	24.00	24.00	10.00	25.25	18.00	3.00	NO	22.19	22.16	E 24P24	21.00	21.00	10.00

* Usable depth reduced by .625" at door stiffener.

(Chart continued on next page).

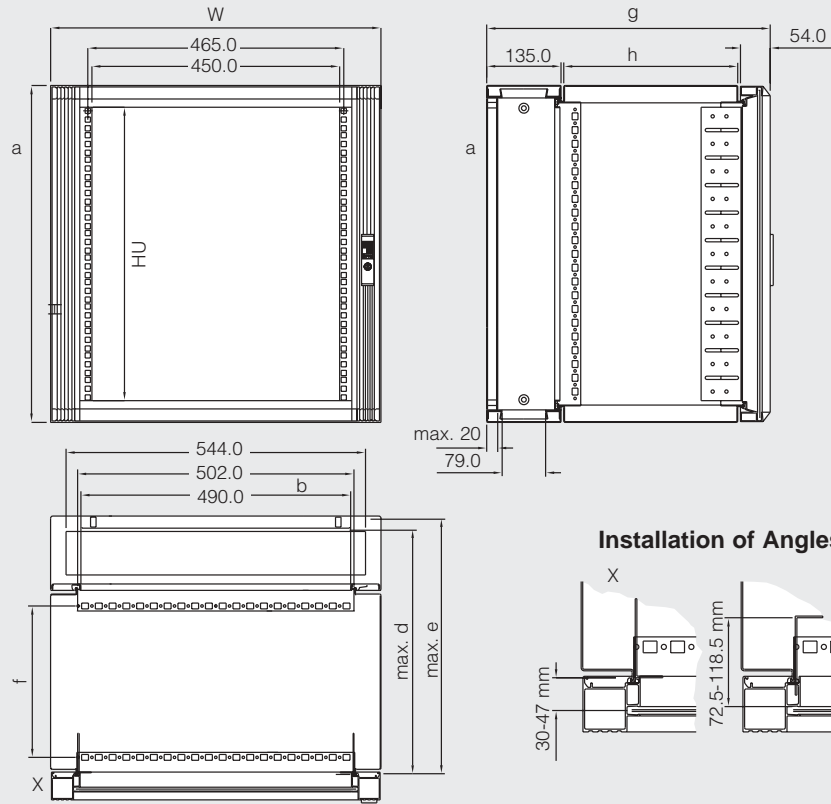
EZ Designates a product in the EnclosureZone program.



Technical Specifications

EL 3-Part Wallmount Enclosures

Section B-B



Enclosure							
HU (1HU=1.75")	6HU	9HU	12HU	15HU	18HU	21HU	
Part No.	EZ 7706024	EZ 7709024	EZ 7712024	EZ 7715024	EZ 7718024	EZ 7721024	
Height (H) inches	13.58	18.82	24.09	29.37	34.57	39.84	
mm	345	478	612	746	878	1012	
Width (W) inches	23.62	23.62	23.62	23.62	23.62	23.62	
mm	600	600	600	600	600	600	
b (mm)	274	407	541	674	807	941	
c (mm)	299	432	565	699	832	965	
d (mm)	442	442	442	442	442	442	
e (mm)	460	460	460	460	460	460	
f (mm)	275	275	275	275	275	275	
g (mm)	600	600	600	600	600	600	
h (mm)	391	391	391	391	391	391	
Load capacity lbs	66	99	132	165	165	165	
center section kg	30	45	60	75	75	75	

Dimensions in millimeters (mm) unless otherwise indicated.

EZ Designates a product in the EnclosureZone program.

Lay-In Type 12 Wireway



Carbon Steel Wire Management

Wire management becomes effortless with Rittal Electromate's lay-in wireway products. This system allows fast installation and easy access of wiring throughout the entire run. Wiring is protected against dust, dirt, and water.

Configuration

- Lay-in type wireways are available in the following sizes:
2.5" x 2.5"
4.0" x 4.0"
6.0" x 6.0"
6.0" x 12.0"
8.0" x 8.0"
- Lengths from 6" to 120"
- Continuously welded seams, finished smooth
- Edges on all sections and fittings are finished to prevent damage to wiring
- A complete seal is ensured through heavy butt hinges and quick-release latches
- Oil-resistant urethane gaskets inside cover and between flanges ensure seal when sections and fittings are bolted together
- Hinged sealing plate allows fast and easy access along entire run
- Complete line of fittings are available

Technical Specifications

- Material:**
- *Wireways/covers:* 14 or 16 gauge carbon steel
 - *Flange ends:* 10 gauge carbon steel
- Finish/color:**
- *Wireways/covers:* polyester-urethane powder coat over phosphatized surfaces – ANSI 61 grey inside and outside

Protection Ratings

NEMA Type 1 4 4X 12 13

Certifications/Approvals

Listings UL CUL CSA TÜV

Technical Drawings

Pages **IND 65-68**

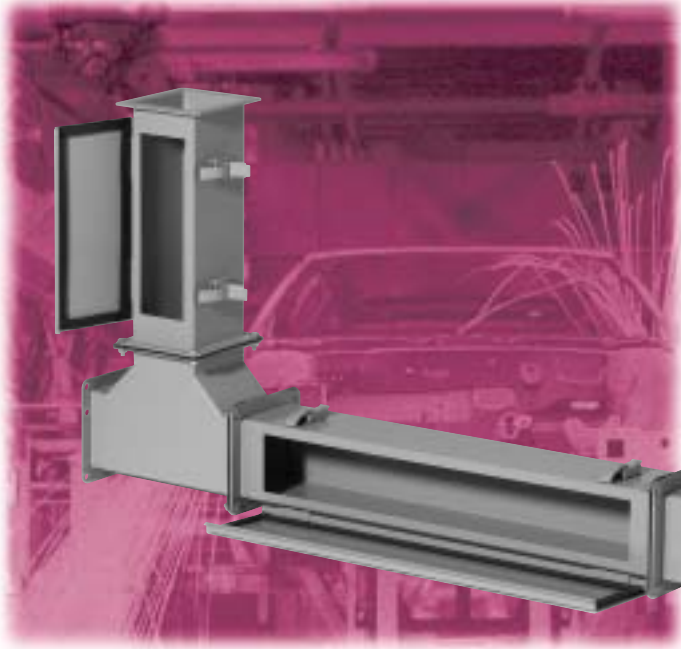
* As indicated within the chart to the right.



Wireway						Description	Touch-up paint
Part No.							
2.50x2.50	4.00x4.00	6.00x6.00	6.00x12.00	8.00x8.00			
E 22L06	EZ E 44L06*	EZ E 66L06	E 612L06	E 88L06		6.00" straight section	E L21
E 22L12	EZ E 44L12*	EZ E 66L12	E 612L12	E 88L12		12.00" straight section	E L21
E 22L24	EZ E 44L24*	EZ E 66L24	E 612L24	E 88L24		24.00" straight section	E L21
-	EZ E 44L30*	-	-	-		30.00" straight section	E L21
E 22L36	EZ E 44L36*	EZ E 66L36	E 612L36	E 88L36		36.00" straight section	E L21
E 22L48	EZ E 44L48*	EZ E 66L48	E 612L48	E 88L48		48.00" straight section	E L21
E 22L60	EZ E 44L60*	EZ E 66L60	E 612L60	E 88L60		60.00" straight section	E L21
E 22L120	EZ E 44L120*	EZ E 66L120	E 612L120	E 88L120		120.00" straight section	E L21
E 22LT4	EZ E 44LT4	EZ E 66LT4	-	E 88LT4		Telescopic fitting 2" to 4"	E L21
E 22LT10	EZ E 44LT10	EZ E 66LT10	E 612LT10	-		Telescopic fitting 4" to 10"	E L21
-	-	-	-	E 88LT10		Telescopic fitting 4.5" to 10.00"	E L21
E 22LXL	EZ E 44LXL	EZ E 66LXL	E 612LXL	E 88LXL		Lay-In cutoff fitting	E L21
E 22LE45A	EZ E 44LE45A	EZ E 66LE45A	E 612LE45A	E 88LE45A		45° Elbow, top opening	E L21
E 22LE45B	EZ E 44LE45B	EZ E 66LE45B	-	E 88LE45B		45° Elbow, inside opening	E L21
E 22LE45C	EZ E 44LE45C	EZ E 66LE45C	-	E 88LE45C		45° Elbow, outside opening	E L21
E 22LE90A	EZ E 44LE90A	EZ E 66LE90A	E 612LE90A	E 88LE90A		90° Elbow, top opening	E L21
E 22LE90B	EZ E 44LE90B	EZ E 66LE90B	E 612LE90B	E 88LE90B		90° Elbow, inside opening	E L21
E 22LE90C	EZ E 44LE90C	EZ E 66LE90C	E 612LE90C	E 88LE90C		90° Elbow, outside opening	E L21
E 22LTA	EZ E 44LTA	EZ E 66LTA	E 612LTA	E 88LTA		Tee fitting, top opening	E L21
E 22LTC	EZ E 44LTC	EZ E 66LTC	-	E 88LTC		Tee fitting, outside opening	E L21
E 22LC	EZ E 44LC	EZ E 66LC	E 612LC	E 88LC		Cross pull box	E L21
E 22LP	EZ E 44LP	EZ E 66LP	E 612LP	E 88LP		Closure plate	E L21
E 22LB	EZ E 44LB	EZ E 66LB	E 612LB	E 88LB		Box connecting kit	E L21
E 22LCPK	EZ E 44LCPK	EZ E 66LCPK	E 612LCPK	E 88LCPK		Center connecting plate kit	E L21
E 22LG	EZ E 44LG	EZ E 66LG	-	E 88LG		Collar gasket	E L21
E 22LH	E 44LH	EZ E 66LH	E 612LH	E 88LH		Kit to Connect Robroy/Keystone to Rittal Electromate	E L21
-	EZ E 44LRE22	-	-	-		Reducer 4" to 2.5"	E L21
-	-	EZ E 66LRE44	-	-		Reducer 6" to 4"	E L21
-	-	-	E 612LRE44	-		Reducer 12" to 4"	E L21
-	-	-	E 612LRE66	-		Reducer 12" to 6"	E L21
-	-	-	E 612LRE88	-		Reducer 12" to 8"	E L21
-	-	-	-	E 88LRE44		Reducer 8" to 4"	E L21
-	-	-	-	E 88LRE66		Reducer 8" to 6"	E L21
E 22HD	EZ E 44HD	EZ E 66HD	-	E 88HD		Drop hanger	E L21
E 22HB	EZ E 44HB	EZ E 66HB	-	E 88HB		Bracket hanger	E L21
E 22LN1	EZ E 44LN1	EZ E 66LN1	-	E 88LN1		1.00" Nipple	E L21
E 22LN2	EZ E 44LN2	EZ E 66LN2	-	E 88LN2		2.00" Nipple	E L21
E 22LN3	EZ E 44LN3	EZ E 66LN3	-	E 88LN3		3.00" Nipple	E L21
E 22LE90KT	EZ E 44LE90KT	EZ E 66LE90KT	-	E 88LE90KT		90° Elbow, clockwise transposition	E L21
E 22LE90KOKT	EZ E 44LE90KOKT	EZ E 66LE90KOKT	-	E 88LE90KOKT		90° Elbow, counterclockwise transposition	E L21
E 22LKT	EZ E 44LKT	EZ E 66LKT	-	E 88LKT		Clockwise transposition section	E L21
E 22LKOKT	EZ E 44LKOKT	EZ E 66LKOKT	-	E 88LKOKT		Counterclockwise transposition section	E L21
-	EZ E 44BK60	EZ E 66BK60	-	E 88BK60		60" Barrier kit	E L21
E 22LF	EZ E 44LF	EZ E 66LF	-	E 88LF		Kit to connect lay-in to feed-through	E L21
E 22LH	E 44LH	EZ E 66LH	E 612LH	E 88LH		Kit to connect to Robroy/Keystone lay-in type 12	E L21

* UL listed.

Feed-Through Type 12 Wireway



Carbon Steel Wire Management

Rittal Electromate's feed-through wireway products require "pull through" installation of wiring. Wiring is protected against dust, dirt, oil, and water. All straight sections feature a hinged-top design for easy access.



Page IND 225

Configuration

- Feed-through wireways are available in the following sizes:
2.5" x 2.5"
4.0" x 4.0"
6.0" x 6.0"
8.0" x 8.0"
- Lengths from 12" to 120"
- Continuously welded seams, finished smooth
- Edges on all sections and fittings are finished to prevent damage to wiring
- A complete seal is ensured through heavy butt hinges and quick-release latches
- Oil-resistant urethane gaskets inside cover and between flanges ensure seal when sections and fittings are bolted together

Technical Specifications

- Material:**
- *Wireways/covers:* 14 gauge carbon steel
 - *Flange ends:* 10 gauge carbon steel
- Finish/color:**
- *Wireways/covers:* polyester-urethane powder coat over phosphatized surfaces – ANSI 61 grey inside and outside

Protection Ratings

- NEMA Type** 1 4 4X 12 13

Certifications/Approvals

- Listings** UL CUL CSA TÜV

Technical Drawings

Pages IND 69-70



Wireway						
Part No.				Description	Touch-up paint	
2.50x2.50	4.00x4.00	6.00x6.00	8.00x8.00			
E 22W12	EZ E 44W12	EZ E 66W12	E 88W12	12.00" straight section	E L21	
E 22W24	EZ E 44W24	EZ E 66W24	E 88W24	24.00" straight section	E L21	
E 22W36	EZ E 44W36	EZ E 66W36	E 88W36	36.00" straight section	E L21	
E 22W48	EZ E 44W48	EZ E 66W48	E 88W48	48.00" straight section	E L21	
E 22W60	EZ E 44W60	EZ E 66W60	E 88W60	60.00" straight section	E L21	
E 22W120	EZ E 44W120	EZ E 66W120	E 88W120	120.00" straight section	E L21	
E 22WA	EZ E 44WA	EZ E 66WA	E 88WA	Telescopic fitting	E L21	
E 22WX	EZ E 44WX	EZ E 66WX	E 88WX	Cutoff fitting	E L21	
E 22WE22.5	EZ E 44WE22.5	EZ E 66WE22.5	E 88WE22.5	22.5° elbow	E L21	
E 22WE45	EZ E 44WE45	EZ E 66WE45	E 88WE45	45° elbow	E L21	
E 22WE90	EZ E 44WE90	EZ E 66WE90	E 88WE90	90° elbow	E L21	
E 22WT	EZ E 44WT	EZ E 66WT	E 88WT	Tee	E L21	
E 22WC	EZ E 44WC	EZ E 66WC	E 88WC	Cross pull box	E L21	
E 22WP	EZ E 44WP	EZ E 66WP	E 88WP	Closure plate	E L21	
E 22WB	EZ E 44WB	EZ E 66WB	E 88WB	Box connecting kit	E L21	
E 22WG	EZ E 44WG	EZ E 66WG	E 88WG	Collar gasket	E L21	
E 22WTF	EZ E 44WTF	EZ E 66WTF	E 88WTF	Flange	E L21	
-	EZ E 44WR22	-	-	Reducer 4" to 2.5"	E L21	
-	-	EZ E 66WR44	-	Reducer 6" to 4"	E L21	
-	-	-	E 88WR66	Reducer 8" to 6"	E L21	
E 22WSC	EZ E 44WSC	EZ E 66WSC	E 88WSC	Swivel nipple	E L21	
E 22WN1	EZ E 44WN1	EZ E 66WN1	E 88WN1	1.00" nipple	E L21	
E 22WN2	EZ E 44WN2	EZ E 66WN2	E 88WN2	2.00" nipple	E L21	
E 22WN3	EZ E 44WN3	EZ E 66WN3	E 88WN3	3.00" nipple	E L21	
E 22WN6	EZ E 44WN6	EZ E 66WN6	E 88WN6	6.00" nipple	E L21	
E 22HB	EZ E 44HB	EZ E 66HB	E 88HB	Bracket hanger	E L21	
E 22HD	EZ E 44HD	EZ E 66HD	E 88HD	Drop hanger	E L21	
-	EZ E 44BK60	EZ E 66BK60	E 88BK60	60" Barrier kit	E L21	
E 22LF	EZ E 44LF	EZ E 66LF	E 88LF	Kit to connect feed-through to lay-in	E L21	

Hinge/Screw Cover Wiring Trough

Carbon Steel Type 12 Wire Management

Rittal Electromate's wireway trough offers a simple solution to protect wiring against dust, dirt, oil, and water.



Configuration

- Hinge cover wireways are available in the following sizes:
4.0" x 4.0"
6.0" x 6.0"
8.0" x 8.0"
12.0" x 12.0"
- Screw cover wireways are available in two sizes:
2.5" x 2.5"
4.0" x 4.0"
- Lengths from 12" to 60" for hinge cover
- Lengths from 12" to 30" for screw cover
- Continuously welded seams, finished smooth
- Edges on all sections and fittings are finished to prevent damage to wiring
- Captive cover screws ensure proper seal on screw cover versions
- A complete seal is ensured through continuous hinges and screw clamps
- Oil-resistant urethane gaskets
- External mounting brackets

Technical Specifications

- Material:**
- *Wireways/covers:* 14 gauge carbon steel
- Finish/color:**
- *Wireways/covers:* polyester-urethane powder coat over phosphatized surfaces – ANSI 61 grey inside and outside

Protection Ratings

- NEMA Type** 1 4 4X 12 13

Certifications/Approvals

- Listings** UL CUL CSA TÜV

Technical Drawings

Pages IND 71-72

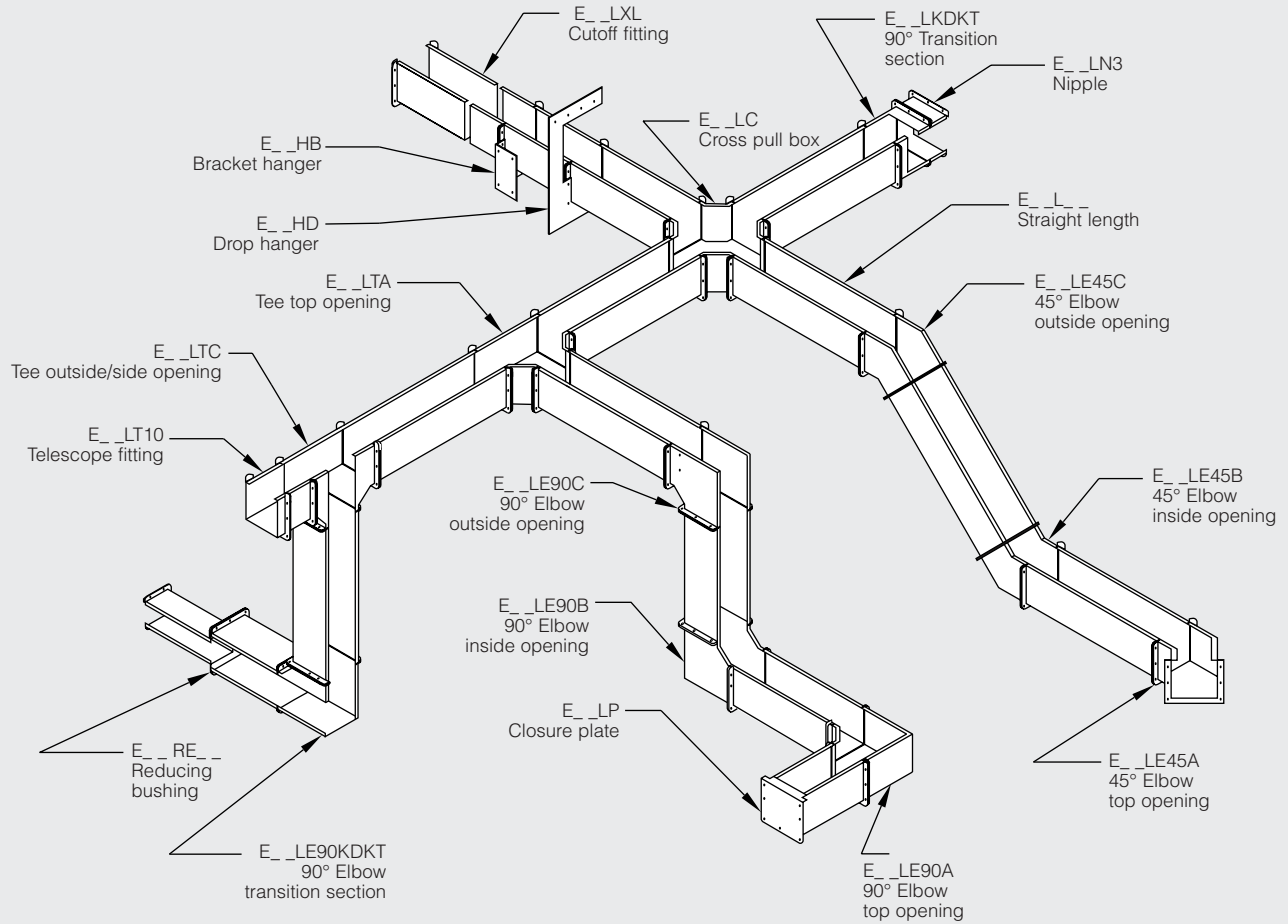


Hinge Cover Wiring Trough				
Part No.	Outside dimensions (inches)			Touch-up paint
	H	W	L	
EZ E 4412HC	4.00	4.00	12.00	E L21
EZ E 4418HC	4.00	4.00	18.00	E L21
EZ E 4424HC	4.00	4.00	24.00	E L21
E 4430HC	4.00	4.00	30.00	E L21
E 4436HC	4.00	4.00	36.00	E L21
E 4448HC	4.00	4.00	48.00	E L21
E 4460HC	4.00	4.00	60.00	E L21
E 4472HC	4.00	4.00	72.00	E L21
E 6612HC	6.00	6.00	12.00	E L21
EZ E 6618HC	6.00	6.00	18.00	E L21
EZ E 6624HC	6.00	6.00	24.00	E L21
E 6630HC	6.00	6.00	30.00	E L21
E 6636HC	6.00	6.00	36.00	E L21
E 6648HC	6.00	6.00	48.00	E L21
E 6660HC	6.00	6.00	60.00	E L21
E 6672HC	6.00	6.00	72.00	E L21
E 8812HC	8.00	8.00	12.00	E L21
E 8824HC	8.00	8.00	24.00	E L21
E 8836HC	8.00	8.00	36.00	E L21
E 8848HC	8.00	8.00	48.00	E L21
E 8860HC	8.00	8.00	60.00	E L21
E 121224HC	12.00	12.00	24.00	E L21
E 121236HC	12.00	12.00	36.00	E L21
E 121248HC	12.00	12.00	48.00	E L21
E 121260HC	12.00	12.00	60.00	E L21

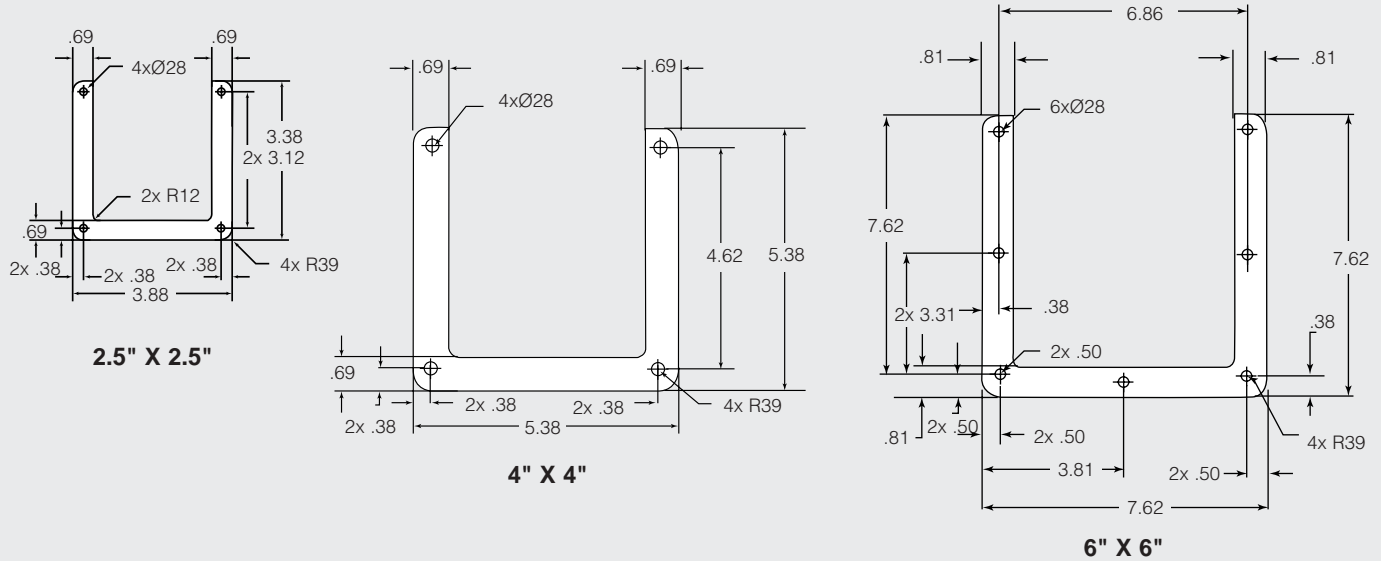
Screw Cover Wiring Trough				
Part No.	Outside dimensions (inches)			Touch-up paint
	H	W	L	
E 2212SC	2.50	2.50	12.00	E L21
E 4412SC	4.00	4.00	12.00	E L21
E 4418SC	4.00	4.00	18.00	E L21
E 4424SC	4.00	4.00	24.00	E L21
E 4430SC	4.00	4.00	30.00	E L21

Technical Specifications

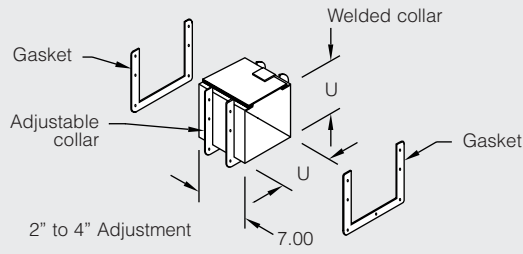
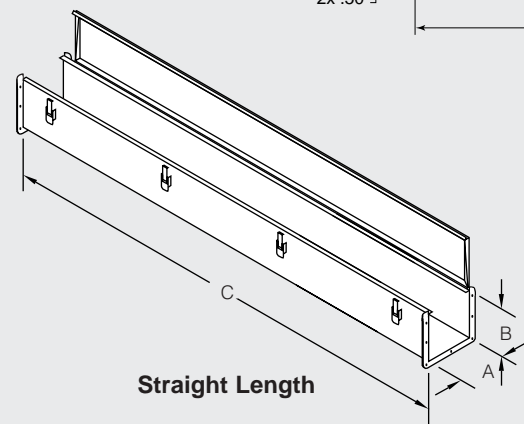
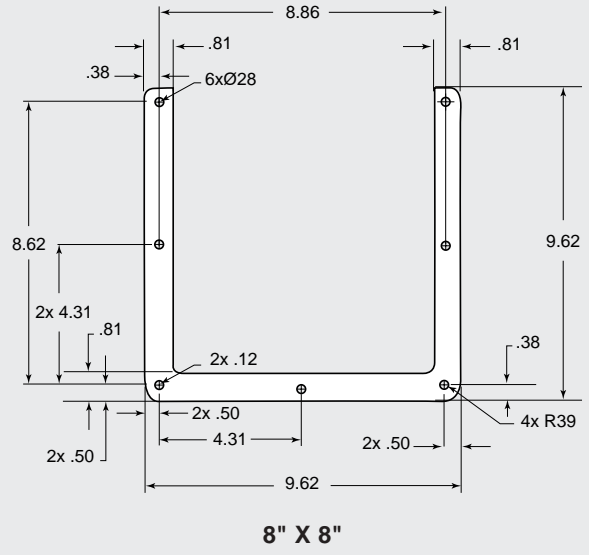
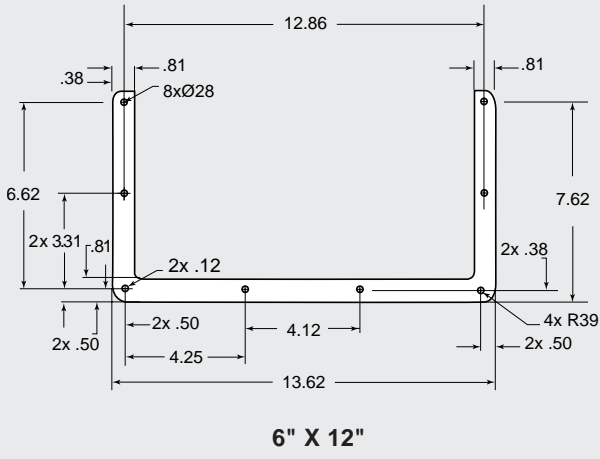
Lay-In Type 12 Wireway



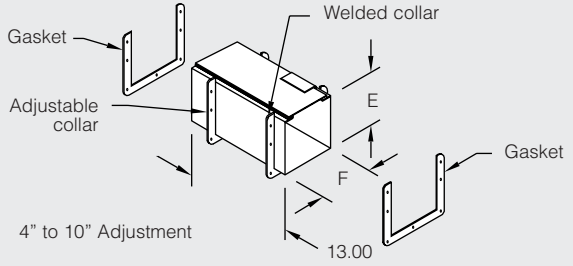
Wireway																													
A x B	C	C	C	C	C	C	C	C	E	F	G	H	I	J	K	M	N	O	P	Q	R	S	T	U	V	W	X	Y	Z
2.5 x 2.5	6	12	24	-	36	48	60	120	2.28	2.28	-	5.25	6.00	4.54	5.79	3.50	2.50	0.50	4.50	2.25	3.75	10.50	5.87	2.28	4.00	5.25	3.00	8.00	4.00
4 x 4	6	12	24	30	36	48	60	120	3.77	3.77	3.82	6.75	6.00	5.29	7.29	4.75	3.00	1.00	6.00	2.25	4.75	11.50	5.87	3.77	4.75	6.75	3.30	9.50	4.75
6 x 6	6	12	24	-	36	48	60	120	5.77	5.77	5.82	8.75	6.00	6.29	9.29	7.00	5.00	1.00	7.38	2.50	7.00	18.50	9.62	5.77	5.75	8.75	3.72	11.50	5.75
6 x 12	6	12	24	-	36	48	60	120	5.84	11.77	-	14.75	-	6.29	9.29	-	-	-	-	-	-	-	-	-	5.75	8.75	5.00	17.50	8.75
8 x 8	6	12	24	-	36	48	60	120	7.77	7.77	6.82	10.75	6.00	7.29	11.29	9.00	7.00	1.00	9.00	2.50	9.00	20.50	9.62	7.77	6.75	10.75	4.12	13.50	6.75



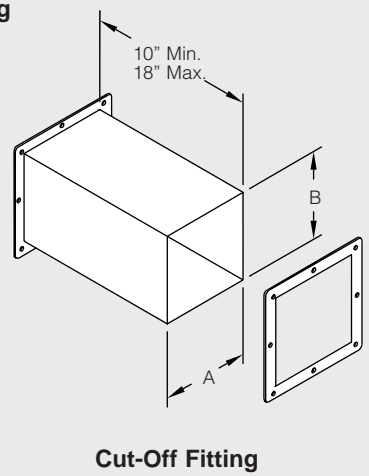
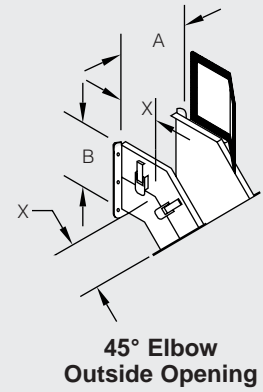
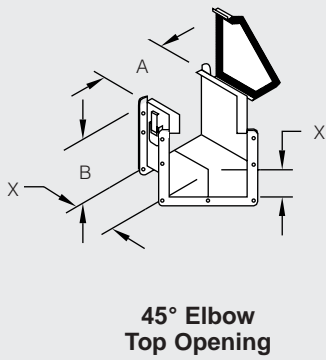
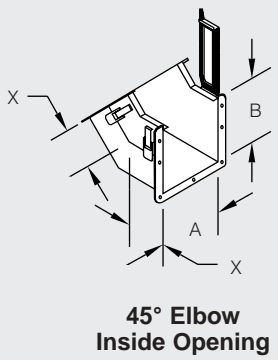
Technical Specifications
Lay-In Type 12 Wireway



Telescope Fitting

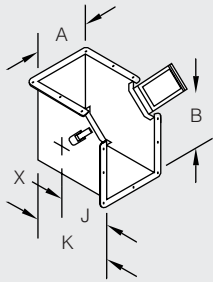


Telescope Fitting

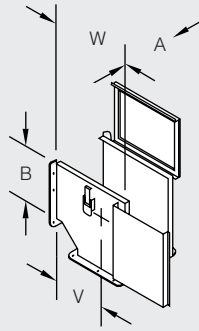


Technical Specifications

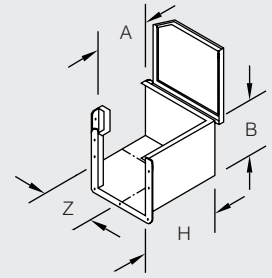
Lay-In Type 12 Wireway



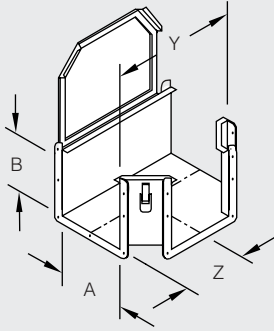
90° Elbow Inside Opening



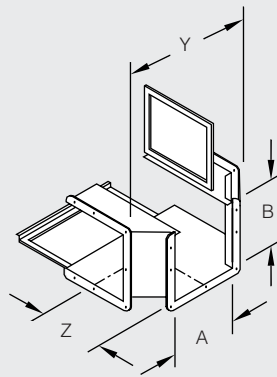
90° Elbow Outside Opening



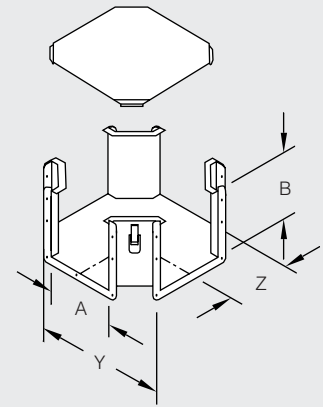
90° Elbow Top Opening



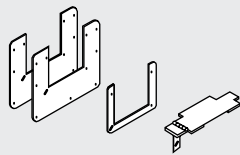
Tee Top Opening



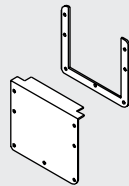
Tee Outside & Side Opening



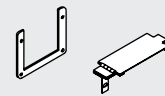
Cross Pull Box



Reducing Bushing



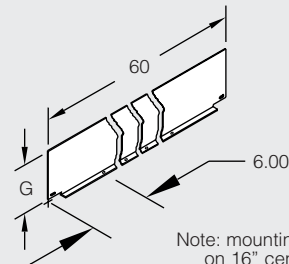
Closure Kit



Center Connecting Kit



Collar Gasket

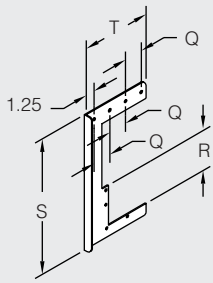


60" Barrier Kit

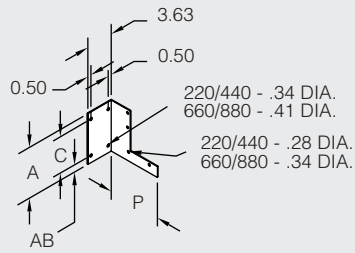
Note: mounting holes on 16" centers

Technical Specifications

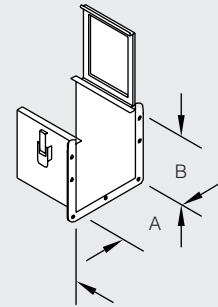
Lay-In Type 12 Wireway



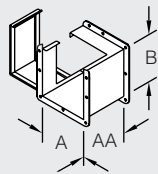
Drop Hanger



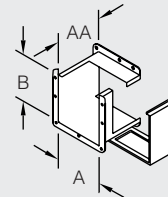
Bracket Hanger



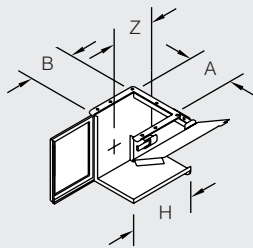
Nipple



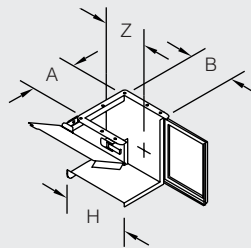
**90° Transition Section
Counter Clockwise**



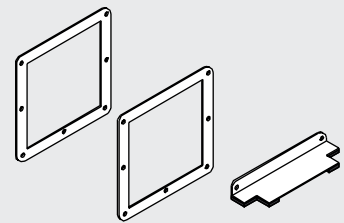
**90° Transition Section
Clockwise**



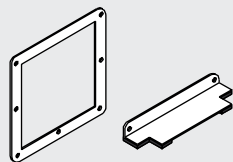
**90° Elbow Counter Clockwise
Transition Section**



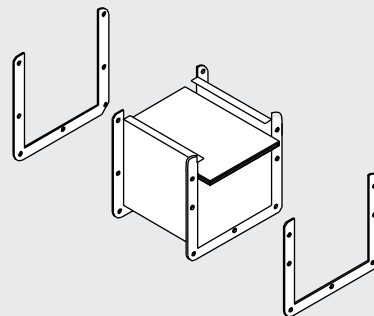
**90° Elbow Clockwise
Transition Section**



Box Connecting Kit



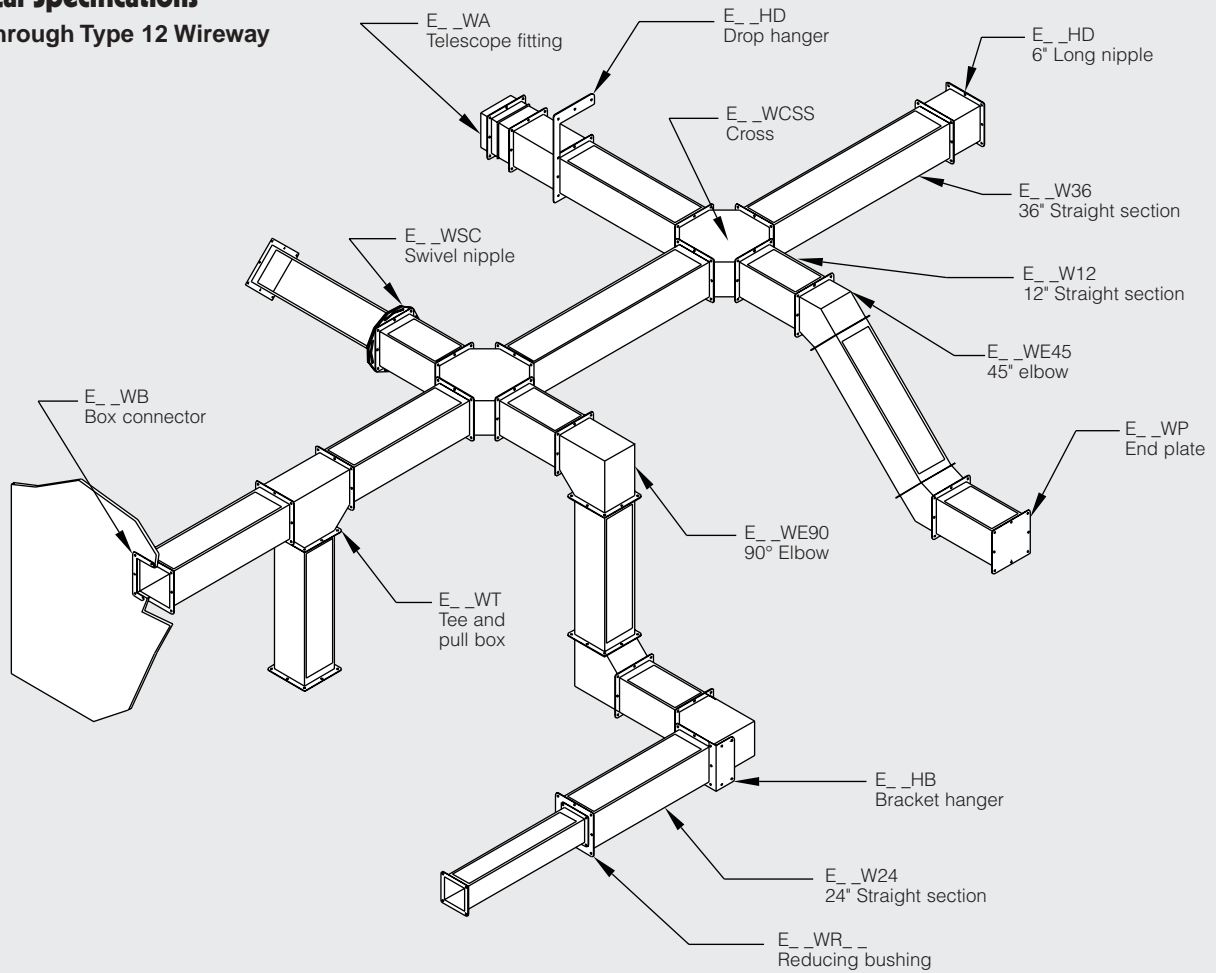
**Kit To Connect Lay-In
To Feed-Through**



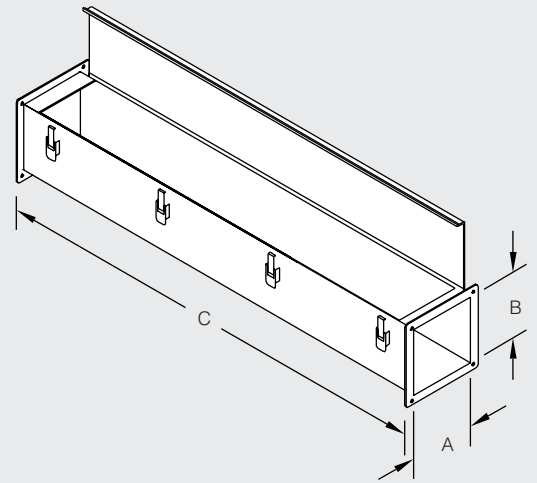
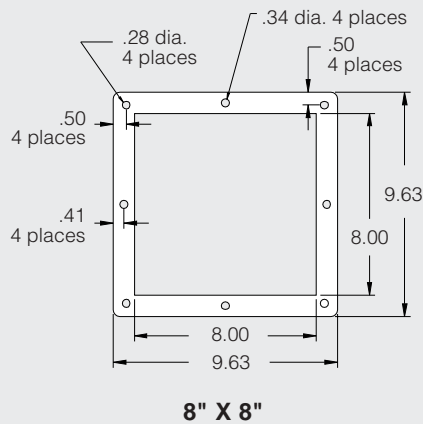
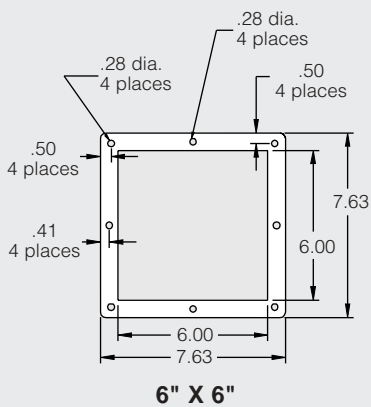
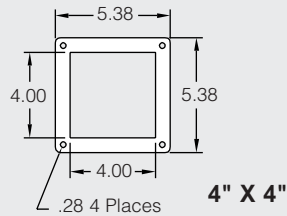
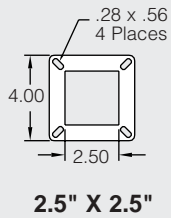
**Rittal Electromate
To Robroy/Keystone Adaptor**

Technical Specifications

Feed-Through Type 12 Wireway

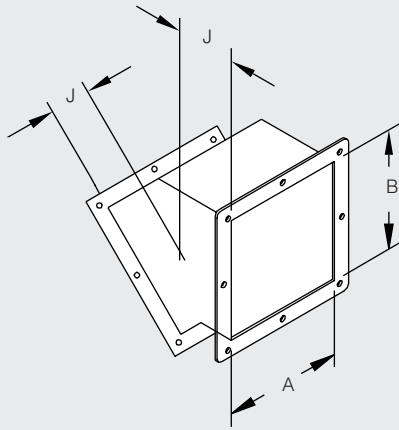


Wireway															
A x B	C	C	C	C	C	C	E	F	G	I	J	K	L	M	N
2.5 x 2.5	12	24	36	48	60	120	2.22	6.10	4.00	-	3.00	2.75	5.25	4.00	8.00
4 x 4	12	24	36	48	60	120	3.68	7.54	5.38	2.50	3.30	2.90	6.25	4.75	9.50
6 x 6	12	24	36	48	60	120	5.68	10.36	7.62	4.00	3.72	3.10	8.75	5.75	11.50
8 x 8	12	24	36	48	60	120	7.68	13.20	9.62	6.00	4.12	3.30	10.75	6.75	13.50

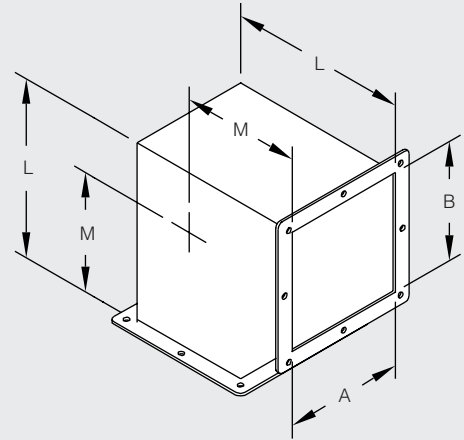


Technical Specifications

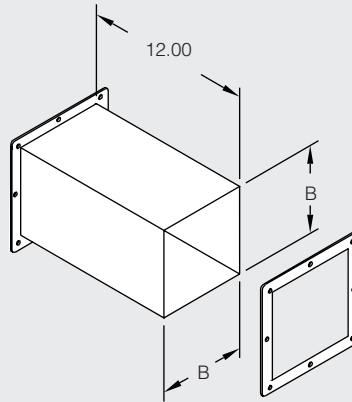
Feed-Through Type 12 Wireway



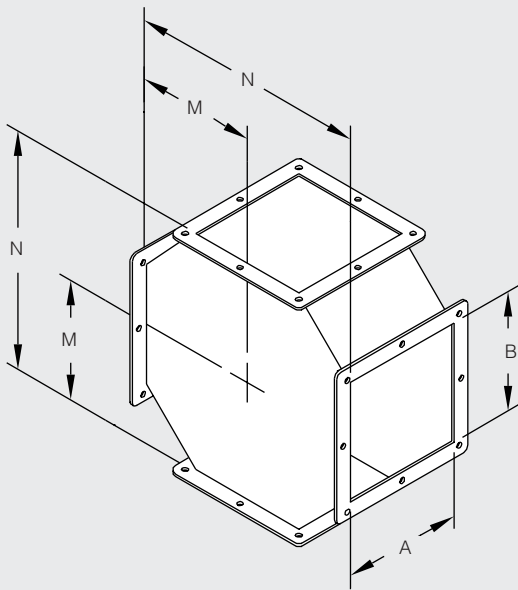
45° Elbow



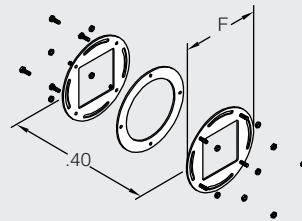
90° Elbow



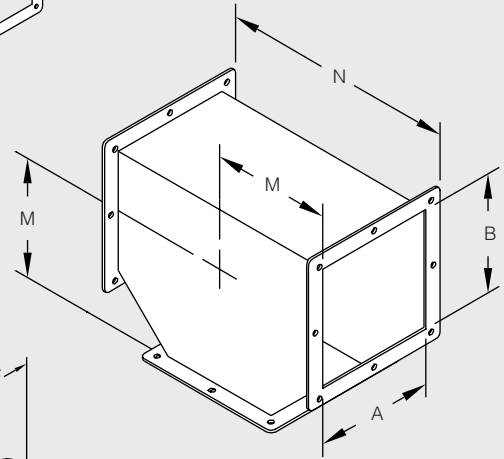
Cut-Off Fitting



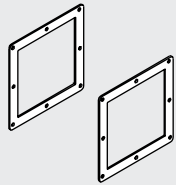
Cross



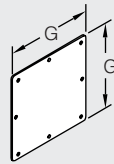
Swivel Nipple



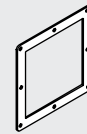
Tee



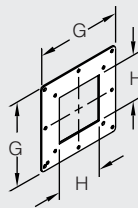
Box Connector



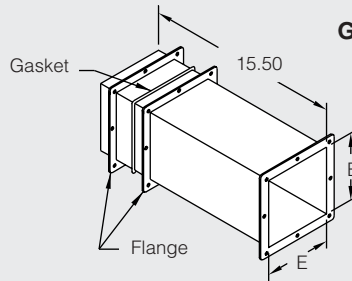
Closure Plate



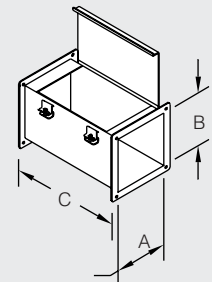
Gasket Flange



Reducing Bushing



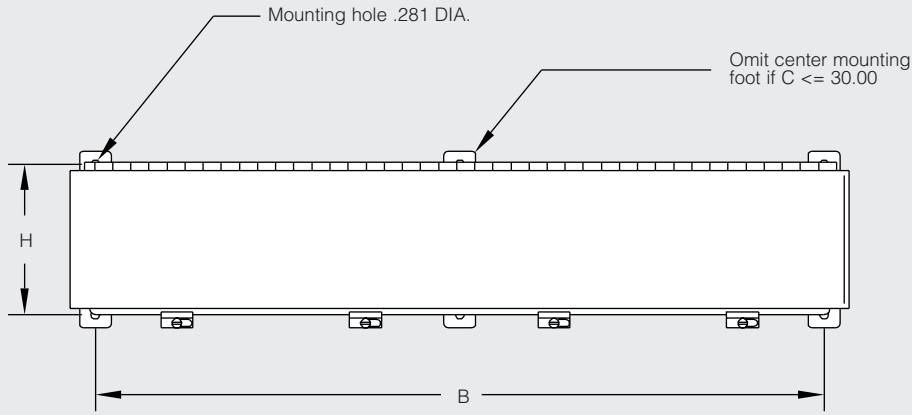
**Telescope Fitting
(1.50 to 13.50)**



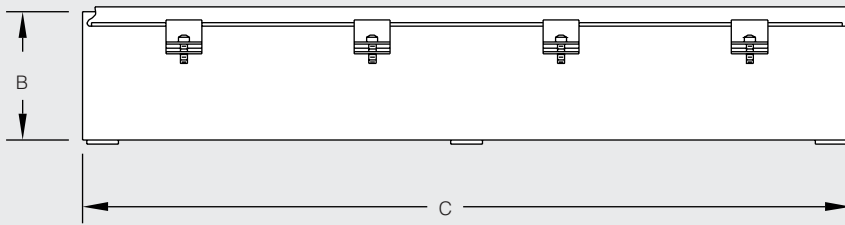
Nipple

Technical Specifications

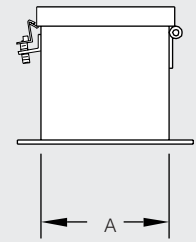
Hinge Cover Wiring Trough



Top View



Right Side View



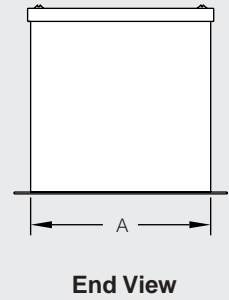
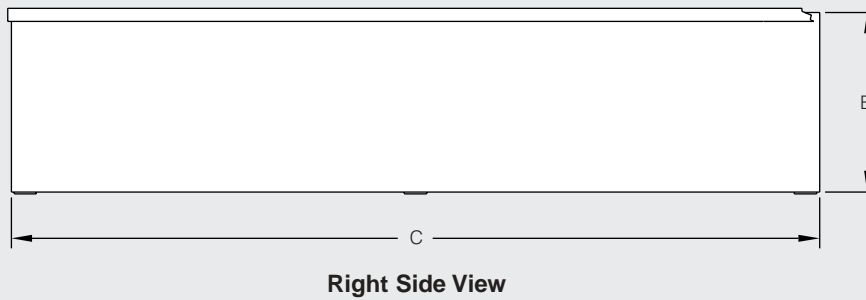
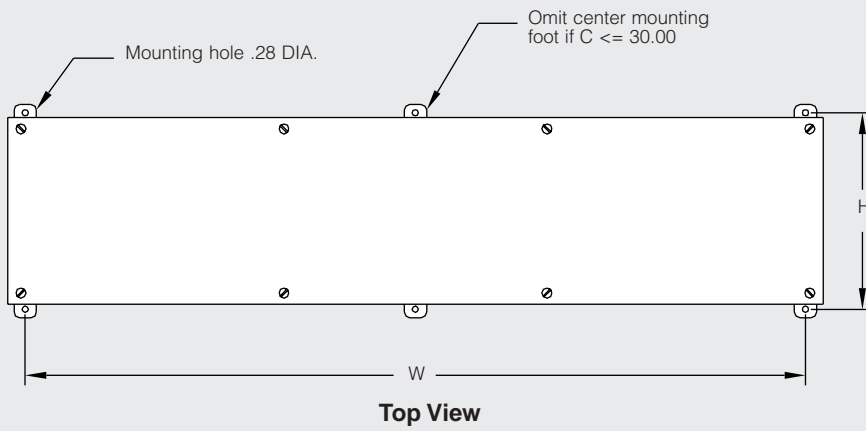
End View

Wiring Trough							
Part No.	Outside dimensions (inches)			Mounting centers		No. of screw clamps	
	H	W	L	H	W		
EZ E 4412HC	4.00	4.00	12.00	4.68	10.75	2	
EZ E 4418HC	4.00	4.00	18.00	4.68	16.75	2	
EZ E 4424HC	4.00	4.00	24.00	4.68	22.75	2	
E 4430HC	4.00	4.00	30.00	4.68	28.75	3	
E 4436HC	4.00	4.00	36.00	4.68	34.75	3	
E 4448HC	4.00	4.00	48.00	4.68	46.75	3	
E 4460HC	4.00	4.00	60.00	4.68	58.75	3	
E 4472HC	4.00	4.00	72.00	4.68	70.75	3	
E 6612HC	6.00	6.00	12.00	6.68	10.75	2	
EZ E 6618HC	6.00	6.00	18.00	6.68	16.75	2	
EZ E 6624HC	6.00	6.00	24.00	6.68	22.75	2	
E 6630HC	6.00	6.00	30.00	6.68	28.75	3	
E 6636HC	6.00	6.00	36.00	6.68	34.75	3	
E 6648HC	6.00	6.00	48.00	6.68	46.75	3	
E 6660HC	6.00	6.00	60.00	6.68	58.75	3	
E 6672HC	6.00	6.00	72.00	6.68	70.75	3	
E 8812HC	8.00	8.00	12.00	8.68	10.75	2	
E 8824HC	8.00	8.00	24.00	8.68	22.75	2	
E 8836HC	8.00	8.00	36.00	8.68	34.75	3	
E 8848HC	8.00	8.00	48.00	8.68	46.75	3	
E 8860HC	8.00	8.00	60.00	8.68	58.75	3	
E 121224HC	12.00	12.00	24.00	12.68	22.75	2	
E 121236HC	12.00	12.00	36.00	12.68	34.75	3	
E 121248HC	12.00	12.00	48.00	12.68	46.75	3	
E 121260HC	12.00	12.00	60.00	12.68	58.75	3	

EZ Designates a product in the EnclosureZone program.

Technical Specifications

Screw Cover Wiring Trough



Wiring Trough						
Part No.	Outside dimensions (inches)			Mounting centers		No. of screw clamps
	H	W	L	H	W	
E 2212SC	2.50	2.50	12.00	3.25	10.75	4
E 4412SC	4.00	4.00	12.00	4.75	10.75	4
E 4418SC	4.00	4.00	18.00	4.75	16.75	6
E 4424SC	4.00	4.00	24.00	4.75	22.75	6
E 4430SC	4.00	4.00	30.00	4.75	28.75	8

AK Freestanding Enclosures



AK Series NEMA Rated Freestanding Enclosures

Rittal's AK enclosures provide mid-size solutions for industrial applications. Rittal's AK Series features sturdy, unibody construction with a knife-edge perimeter to provide protection against dust and moisture.

Part No.	Approximate outside dimensions H"xW"xD"	NEMA rating	Number of doors	Enclosure						Mounting Panel			
				Exact outside dimensions						Dimensions			
				inches			mm			inches		mm	
				H	W	D	H	W	D	H	W	H	W
EZ 1646600	48x24x16	1, 12	1	47.24	23.62	15.75	1200	600	400	44.29	20.24	1125	514
EZ 1648600	48x32x16	1, 12	1	47.24	31.50	15.75	1200	800	400	44.29	28.11	1125	714
EZ 1650600	48x39x16	1, 12	1	47.24	39.37	15.75	1200	1000	400	44.29	35.39	1125	914
EZ 1652600	48x47x16	1, 12	2	47.24	47.24	15.75	1200	1200	400	44.29	43.86	1125	1114
EZ 1647600	56x39x16	1, 12	1	55.12	39.37	15.75	1400	1000	400	52.17	35.39	1325	914

EZ Designates a product in the EnclosureZone program.



Configuration

- NEMA 1 and 12, IP55 or 56
- Foamed-on gaskets
- Maximum strength and stability through a welded unibody construction
- Stiffener/mounting frame on door
- Off-the-shelf availability
- E-coat primer and powder paint provide superior corrosion resistance
- Knife-edge design protects against liquid entry
- Integrated grounding provisions on all surfaces

Technical Specifications

- Material:**
- *Body:* 16 ga/1.5 mm sheet steel
 - *Door(s):* 14 ga/2 mm
 - *Mounting panel:* 11 ga/3 mm, hot-dipped galvanized zinc
- Finish/color:**
- *Body, door(s):* E-coat primed, powder painted, RAL 7032 pebble grey
 - *Mounting panel:* Type M

Protection Ratings

NEMA Type 1 4 4X 12 13

Certifications/Approvals

Listings UL CUL CSA TÜV

Technical Drawings

Page **IND 85**

Accessories						
Part No.	Base		Print pocket	Door switch	Handle	
	4" high	8" high			Ergoform-S	Pushbutton insert
EZ 1646600	2911200	2912200	2514000	4127000	2450000	2468000
EZ 1648600	2901200	2902200	2514000	4127000	2450000	2468000
EZ 1650600	2891200	2892200	2514000	4127000	2450000	2468000
EZ 1652600	2921200	2922200	2514000	4127000	2450000	2468000
EZ 1647600	2891200	2892200	2514000	4127000	2450000	2468000

EZ Designates a product in the EnclosureZone program.

One Door Freestanding Enclosures



NEMA Rated Carbon Steel Enclosures

Rittal Electromate NEMA 4 freestanding enclosures accept standard as well as rackmount electrical and electronic components. These enclosures are intended for indoor or outdoor applications to protect installed equipment against splashing water, seepage of water, falling or hose directed water, and external condensation.



Page IND 226

Configuration

- Continuously welded seams, finished smooth
- Oil resistant neoprene strip gasket
- Continuous stainless steel hinge with removable pin
- Hasp and staple for padlock
- Stainless steel captive clamps
- Removable heavy duty lifting eyes mounted to the top
- C-channels are welded to interior sides for optional mounting
- Print pocket included

Technical Specifications

Material:

- *Enclosure/door:* 12 gauge carbon steel

Finish/color:

- *Enclosure/door:* polyester-urethane powder coat over phosphatized surfaces – ANSI 61 grey inside and outside
- *Optional mounting panels:* painted white

Protection Ratings

NEMA Type 1 4 4X 12 13

Certifications/Approvals

Listings UL CUL CSA TÜV

Technical Drawings

Page IND 86

Enclosure				Full Mounting Panel			Half Mounting Panel		
Part No.	Outside dimensions (inches)			Part No.	Panel size		Part No.	Panel size	
	H	W	D		H	W		H	W
E 72H2518FS	72.00	25.00	18.00	E 72P24F1	60.00	20.00	E 72P24F2	30.88	20.00
E 72H3124FS	72.00	31.00	24.00	E 72P30F1	60.00	26.00	E 72P30F2	30.88	26.00
E 72H3724FS	72.00	37.00	24.00	E 72P36F1	60.00	32.00	E 72P36F2	30.88	32.00

Accessories				
Part No.	Light kit	Door stop kit	Window kit	Touch-up paint
E 72H2518FS	See ACC 29	E DSTOPK	E PWK2315NF	E L21
E 72H3124FS	See ACC 29	E DSTOPK	E PWK3523NF	E L21
E 72H3724FS	See ACC 29	E DSTOPK	E PWK3523NF	E L21

Designates a product in the EnclosureZone program.

One Door Modular Cabinets



Freestanding Carbon Steel Modular Enclosures

Rittal Electromate modular NEMA 12 rated enclosures can be interconnected together to form a multi-door system for large control center applications. These enclosures are intended for indoor use to protect installed equipment against dust, dirt, oil and water.



Configuration

- Continuously welded seams, finished smooth
- Body stiffener for added support
- Oil resistant neoprene strip gasket
- Continuous steel hinge with removable pin
- 3-point latch with padlockable black textured diecast zinc handle
- Removable heavy duty lifting eyes mounted to the top
- Removable 10 gauge carbon steel mounting panel included
- Print pocket included
- Both sides of enclosure are open with door hinged on left side
- Interlock is furnished for use with modular disconnect enclosures

Technical Specifications

- Material:**
- *Enclosure/door:* 10 gauge carbon steel
- Finish/color:**
- *Enclosure/door:* polyester-urethane powder coat over phosphatized surfaces - ANSI 61 grey outside and white inside
 - *Mounting panel:* painted white

Protection Ratings

NEMA Type 1 4 4X 12 13

Certifications/Approvals

Listings UL CUL CSA TÜV

Technical Drawings

Page **IND 86**

Part No.	Enclosure			Mounting Panel		
	Outside dimensions (inches)			Panel size		Usable depth
	H	W	D	H	W	
E MOD723918	72.00	38.75	18.00	60.00	33.75	17.00
E MOD727718	72.00	77.00	18.00	60.00	72.00	17.00
EZ E MOD843918	84.00	38.75	18.00	72.00	33.75	17.00
E MOD843924	84.00	38.75	24.00	72.00	33.75	23.00
E MOD847718	84.00	77.00	18.00	72.00	72.00	17.00
E MOD847724	84.00	77.00	24.00	72.00	72.00	23.00

Accessories							
Part No.	End plates	Flat plates	Gasket kits	Light kits	Handle accessories	Window kit	Touch-up paint
E MOD723918	E MOD72EPT	E MOD72FTPT	E MOD72GK	See ACC 29	See ACC 20	E PWK3523NF	E L21
E MOD727718	E MOD72EPT	E MOD72FTPT	E MOD72GK	See ACC 29	See ACC 20	E PWK3523NF	E L21
EZ E MOD843918	E MOD84EPT	E MOD84FTPT	E MOD84GK	See ACC 29	See ACC 20	E PWK3523NF	E L21
E MOD843924	E MOD8424EPT	E MOD8424FTPT	E MOD8424GK	See ACC 29	See ACC 20	E PWK3523NF	E L21
E MOD847718	E MOD84EPT	E MOD84FTPT	E MOD84GK	See ACC 29	See ACC 20	E PWK3523NF	E L21
E MOD847724	E MOD8424EPT	E MOD8424FTPT	E MOD8424GK	See ACC 29	See ACC 20	E PWK3523NF	E L21

EZ Designates a product in the EnclosureZone program.

One/Two Door Freestanding Cabinets



Single/Dual Access Enclosures

Rittal Electromate NEMA rated freestanding enclosures accept standard as well as rackmount electrical and electronic components. These enclosures are intended for indoor applications to protect installed equipment against dust, dirt, oil and water.



Page IND 227

Enclosure							Mounting Panel				
Part No.	Outside dimensions (inches)			Door size		Maximum usable depth panel installed	Part No.	Description*	Panel size		
	H	W	D	H	W				H	W	
One Door, Single Access											
EZ E 602418FS	60.00	24.00	18.00	50.25	22.22	17.63	E 60P24F1	Full Panel	48.00	20.00	
E 603624FS	60.00	36.00	24.00	50.25	34.22	23.63	E 60P36F1	Full Panel	48.00	32.00	
EZ E 722418FS	72.00	24.00	18.00	62.25	22.22	17.63	E 72P24F1	Full Panel	60.00	20.00	
E 722424FS	72.00	24.00	24.00	62.25	22.22	23.63	E 72P24F1	Full Panel	60.00	20.00	
EZ E 723018FS	72.00	30.00	18.00	62.25	28.22	17.63	E 72P30F1	Full Panel	60.00	26.00	
E 723024FS	72.00	30.00	24.00	62.25	28.22	23.63	E 72P30F1	Full Panel	60.00	26.00	
EZ E 723618FS	72.00	36.00	18.00	62.25	34.22	17.63	E 72P36F1	Full Panel	60.00	32.00	
EZ E 723624FS	72.00	36.00	24.00	62.25	34.22	23.63	E 72P36F1	Full Panel	60.00	32.00	
E 723630FS	72.00	36.00	30.00	62.25	34.22	29.63	E 72P36F1	Full Panel	60.00	32.00	
E 723636FS	72.00	36.00	36.00	62.25	34.22	35.63	E 72P36F1	Full Panel	60.00	32.00	
E 902420FS	90.00	24.00	20.00	80.25	22.22	19.63	E 90P24F1	Full Panel	78.00	20.00	
EZ E 903620FS	90.00	36.00	20.00	80.25	34.22	19.63	E 90P36F1	Full Panel	78.00	32.00	
EZ E 903624FS	90.00	36.00	24.00	80.25	34.22	23.63	E 90P36F1	Full Panel	78.00	32.00	
E 903636FS	90.00	36.00	36.00	80.25	34.22	35.63	E 90P36F1	Full Panel	78.00	32.00	
Two Door, Single Access											
E 604818FSDD	60.00	48.00	18.00	50.25	23.06	15.13	E 60P48F1	Full Panel	48.00	44.00	
EZ E 724818FSDD	72.00	48.00	18.00	62.25	23.06	15.13	E 72P48F1	Full Panel	60.00	44.00	
E 724824FSDD	72.00	48.00	24.00	62.25	23.06	21.13	E 72P48F1	Full Panel	60.00	44.00	
E 726018FSDD	72.00	60.00	18.00	62.25	29.06	15.13	E 72P60F1	Full Panel	60.00	56.00	
E 726024FSDD	72.00	60.00	24.00	62.25	29.06	21.13	E 72P60F1	Full Panel	60.00	56.00	
E 726036FSDD	72.00	60.00	36.00	62.25	29.06	33.13	E 72P60F1	Full Panel	60.00	56.00	
E 727218FSDD	72.00	72.00	18.00	62.25	35.06	15.15	E 72P72F1	Full Panel	60.00	68.00	
E 727224FSDD	72.00	72.00	24.00	62.25	35.06	21.13	E 72P72F1	Full Panel	60.00	68.00	
E 904820FSDD	90.00	48.00	20.00	80.25	23.06	17.13	E 90P48F1	Full Panel	78.00	44.00	
EZ E 907220FSDD	90.00	72.00	20.00	80.25	35.06	17.13	E 90P72F1	Full Panel	78.00	68.00	
EZ E 907224FSDD	90.00	72.00	24.00	80.25	35.06	21.13	E 90P72F1	Full Panel	78.00	68.00	
E 907236FSDD	90.00	72.00	36.00	80.25	35.06	33.13	E 90P72F1	Full Panel	78.00	68.00	

* Half panels also available.

(Chart continued on page IND 79).

EZ Designates a product in the EnclosureZone program.



Configuration

- Standard types are available:
 - Type “FS” – one door, single access
 - Type “FSDD” – two door, single access
 - Type “FSDA” – one door, dual access
 - Type “FSDAD” – two door, dual access
- Continuously welded seams, finished smooth
- Body stiffener for added support
- Oil resistant neoprene strip gasket
- Continuous steel hinge with removable pin
- 3-point latch with padlockable black textured diecast zinc handle
- Removable heavy duty lifting eyes mounted to the top
- C-channels are welded to interior sides for optional mounting
- Print pocket included

Technical Specifications

- Material:**
- *All steel parts:* 12 gauge carbon steel
 - *Back of FSDD:* 10 gauge carbon steel
- Finish/color:**
- *Enclosure/door:* polyester-urethane powder coat over phosphatized surfaces, ANSI 61 grey outside and white inside
 - *Optional mounting panels:* painted white

Protection Ratings

NEMA Type 1 4 4X 12 13

Certifications/Approvals

Listings UL CUL CSA TÜV

Technical Drawings

Pages **IND 87-88**

Accessories

Part No.	Door stop kit	Light kit	Handle accessories	Window kit	Touch-up paint
One Door, Single Access					
EZ E 602418FS	E DSTOPK	See ACC 29	See ACC 20	E PWK2315NF	E L21
E 603624FS	E DSTOPK	See ACC 29	See ACC 20	E PWK3523NF	E L21
EZ E 722418FS	E DSTOPK	See ACC 29	See ACC 20	E PWK2315NF	E L21
E 722424FS	E DSTOPK	See ACC 29	See ACC 20	E PWK2315NF	E L21
EZ E 723018FS	E DSTOPK	See ACC 29	See ACC 20	E PWK3523NF	E L21
E 723024FS	E DSTOPK	See ACC 29	See ACC 20	E PWK3523NF	E L21
EZ E 723618FS	E DSTOPK	See ACC 29	See ACC 20	E PWK3523NF	E L21
EZ E 723624FS	E DSTOPK	See ACC 29	See ACC 20	E PWK3523NF	E L21
E 723630FS	E DSTOPK	See ACC 29	See ACC 20	E PWK3523NF	E L21
E 723636FS	E DSTOPK	See ACC 29	See ACC 20	E PWK3523NF	E L21
E 902420FS	E DSTOPK	See ACC 29	See ACC 20	E PWK2315NF	E L21
EZ E 903620FS	E DSTOPK	See ACC 29	See ACC 20	E PWK3523NF	E L21
EZ E 903624FS	E DSTOPK	See ACC 29	See ACC 20	E PWK3523NF	E L21
E 903636FS	E DSTOPK	See ACC 29	See ACC 20	E PWK3523NF	E L21
Two Door, Single Access					
E 604818FSDD	E DSTOPK	See ACC 29	See ACC 20	E PWK2919NF	E L21
EZ E 724818FSDD	E DSTOPK	See ACC 29	See ACC 20	E PWK2919NF	E L21
E 724824FSDD	E DSTOPK	See ACC 29	See ACC 20	E PWK2919NF	E L21
E 726018FSDD	E DSTOPK	See ACC 29	See ACC 20	E PWK3523NF	E L21
E 726024FSDD	E DSTOPK	See ACC 29	See ACC 20	E PWK3523NF	E L21
E 726036FSDD	E DSTOPK	See ACC 29	See ACC 20	E PWK3523NF	E L21
E 727218FSDD	E DSTOPK	See ACC 29	See ACC 20	E PWK3523NF	E L21
E 727224FSDD	E DSTOPK	See ACC 29	See ACC 20	E PWK3523NF	E L21
E 904820FSDD	E DSTOPK	See ACC 29	See ACC 20	E PWK3523NF	E L21
EZ E 907220FSDD	E DSTOPK	See ACC 29	See ACC 20	E PWK3523NF	E L21
EZ E 907224FSDD	E DSTOPK	See ACC 29	See ACC 20	E PWK3523NF	E L21
E 907236FSDD	E DSTOPK	See ACC 29	See ACC 20	E PWK3523NF	E L21

(Chart continued on page IND 80).

EZ Designates a product in the EnclosureZone program.



Enclosure (Continued)						Mounting Panel (Continued)			
Part No.	Outside dimensions (inches)			Door size		Part No.	Description	Panel size	
	H	W	D	H	W			H	W
One Door, Dual Access									
E 722424FSDA	72.00	24.00	24.00	62.25	22.22	E 72P24F1	Full Panel	60.00	20.00
E 722436FSDA	72.00	24.00	36.00	62.25	22.22	E 72P24F1	Full Panel	60.00	20.00
E 723024FSDA	72.00	30.00	24.00	62.25	28.22	E 72P30F1	Full Panel	60.00	26.00
E 723624FSDA	72.00	36.00	24.00	62.25	34.22	E 72P36F1	Full Panel	60.00	32.00
E 723636FSDA	72.00	36.00	36.00	62.25	34.22	E 72P36F1	Full Panel	60.00	32.00
E 903624FSDA	90.00	36.00	24.00	80.25	34.22	E 90P36F1	Full Panel	78.00	32.00
E 903636FSDA	90.00	36.00	36.00	80.25	34.22	E 90P36F1	Full Panel	78.00	32.00
Two Door, Dual Access									
E 724824FSDAD	72.00	48.00	24.00	62.25	23.06	E 72P48F1	Full Panel	60.00	44.00
E 726024FSDAD	72.00	60.00	24.00	62.25	29.06	E 72P60F1	Full Panel	60.00	56.00
E 726036FSDAD	72.00	60.00	36.00	62.25	29.06	E 72P60F1	Full Panel	60.00	56.00
E 727218FSDAD	72.00	72.00	24.00	62.25	35.06	E 72P72F1	Full Panel	60.00	68.00
E 907224FSDAD	90.00	72.00	24.00	80.25	35.06	E 90P72F1	Full Panel	78.00	68.00



Accessories (Continued)					
Part No.	Door stop kit	Light kit	Handle accessories	Window kit	Touch-up paint
One Door, Dual Access					
E 722424FSDA	E DSTOPK	See ACC 29	See ACC 20	E PWK2315NF	E L21
E 722436FSDA	E DSTOPK	See ACC 29	See ACC 20	E PWK2315NF	E L21
E 723024FSDA	E DSTOPK	See ACC 29	See ACC 20	E PWK3523NF	E L21
E 723624FSDA	E DSTOPK	See ACC 29	See ACC 20	E PWK3523NF	E L21
E 723636FSDA	E DSTOPK	See ACC 29	See ACC 20	E PWK3523NF	E L21
E 903624FSDA	E DSTOPK	See ACC 29	See ACC 20	E PWK3523NF	E L21
E 903636FSDA	E DSTOPK	See ACC 29	See ACC 20	E PWK3523NF	E L21
Two Door, Dual Access					
E 724824FSDAD	E DSTOPK	See ACC 29	See ACC 20	E PWK2315NF	E L21
E 726024FSDAD	E DSTOPK	See ACC 29	See ACC 20	E PWK3523NF	E L21
E 726036FSDAD	E DSTOPK	See ACC 29	See ACC 20	E PWK3523NF	E L21
E 727218FSDAD	E DSTOPK	See ACC 29	See ACC 20	E PWK3523NF	E L21
E 907224FSDAD	E DSTOPK	See ACC 29	See ACC 20	E PWK3523NF	E L21

Two Door Floormount Enclosures

NEMA 12 and 4 Carbon Steel Cabinets

These NEMA 12 and 4 rated floormount enclosures are designed for indoor or outdoor use to protect electrical and electronic equipment against splashing water, seepage of water, falling or hose directed water and external condensation.



NEMA 12

NEMA 4



Page IND 103

NEMA 12



Page IND 230



Page IND 229

NEMA 4

NEMA 12 Enclosure				Mounting Panel			
Part No.	Outside dimensions (inches)			Part No.	Panel size		Usable depth
	H	W	D		H	W	
E 544208	54.00	42.00	8.00	E 54P42	50.00	38.00	8.00
EZ E 604808	60.00	48.00	8.00	E 60P48	56.00	44.00	8.00
EZ E 604810	60.00	48.00	10.00	E 60P48	56.00	44.00	10.00
EZ E 604812	60.00	48.00	12.00	E 60P48	56.00	44.00	12.00
EZ E 604816	60.00	48.00	16.00	E 60P48	56.00	44.00	16.00
E 604820	60.00	48.00	20.00	E 60P48	56.00	44.00	20.00
E 604824	60.00	48.00	24.00	E 60P48	56.00	44.00	24.00
EZ E 606010	60.00	60.00	10.00	E 60P60	56.00	56.00	10.00
EZ E 606012	60.00	60.00	12.00	E 60P60	56.00	56.00	12.00
EZ E 606016	60.00	60.00	16.00	E 60P60	56.00	56.00	16.00
E 606024	60.00	60.00	24.00	E 60P60	56.00	56.00	24.00
EZ E 726010	72.00	60.00	10.00	E 72P60	68.00	56.00	10.00
EZ E 726012	72.00	60.00	12.00	E 72P60	68.00	56.00	12.00
EZ E 726016	72.00	60.00	16.00	E 72P60	68.00	56.00	16.00
E 726020	72.00	60.00	20.00	E 72P60	68.00	56.00	20.00
E 726024	72.00	60.00	24.00	E 72P60	68.00	56.00	24.00
EZ E 727210	72.00	72.00	10.00	E 72P72	68.00	68.00	10.00
EZ E 727212	72.00	72.00	12.00	E 72P72	68.00	68.00	12.00
EZ E 727216	72.00	72.00	16.00	E 72P72	68.00	68.00	16.00
EZ E 727220	72.00	72.00	20.00	E 72P72	68.00	68.00	20.00
E 727224	72.00	72.00	24.00	E 72P72	68.00	68.00	24.00

NEMA 4 Enclosure				Mounting Panel			
Part No.	Outside dimensions (inches)			Part No.	Panel size		Usable depth
	H	W	D		H	W	
E 62H48C	62.00	48.00	10.00	E 60P48	56.00	44.00	10.00
E 62H60D	62.00	60.00	12.00	E 60P60	56.00	56.00	12.00
E 74H60D	74.00	60.00	12.00	E 72P60	68.00	56.00	12.00
E 74H72D	74.00	72.00	12.00	E 72P72	68.00	68.00	12.00
EZ E 74H72J	74.00	72.00	24.00	E 72P72	68.00	68.00	24.00

EZ Designates a product in the EnclosureZone program.



Configuration

- Continuously welded seams, finished smooth
- Gasketed overlapping doors
- Body stiffener for added support
- 3-point latching with padlockable black textured diecast zinc handle (NEMA 12 only)
- Oil resistant neoprene strip gasket
- Continuous stainless steel heavy duty hinge with removable pin
- Mounting panel provisions installed
- Removable heavy duty lifting eyes
- 12" floor stands are welded to enclosure
- Print pocket included
- Removable center post (NEMA 4 only)
- Hasp and staple for padlocking (NEMA 4 only)

Technical Specifications:

NEMA 12 Material:

- Enclosure/door: 12 gauge carbon steel

NEMA 4 Material:

- Carbon steel
Body: 12 gauge
Back: 10 gauge for H or W ≥ 72"

Finish/color:

- Enclosure/door: polyester-urethane powder coat over phosphatized surfaces, ANSI 61 grey outside and white inside
- Optional mounting panels: painted white

Protection Ratings

NEMA Type 1 4 4X 12 13

Certifications/Approvals

Listings UL CUL CSA TÜV

Technical Drawings

Pages **IND 89-90**

Accessories						
Part No.	Drip shield kit	Door stop kit	Light kit	Handle accessories	Window kit	Touch-up paint
E 544208	E DK48	E DSTOPK	See ACC 29	See ACC 20	E PWK2315NF	E L21
E 604808	E DK48	E DSTOPK	See ACC 29	See ACC 20	E PWK2315NF	E L21
E 604810	E DK48	E DSTOPK	See ACC 29	See ACC 20	E PWK2315NF	E L21
E 604812	E DK48	E DSTOPK	See ACC 29	See ACC 20	E PWK2315NF	E L21
E 604816	E DK48	E DSTOPK	See ACC 29	See ACC 20	E PWK2315NF	E L21
E 604820	E DK48	E DSTOPK	See ACC 29	See ACC 20	E PWK2315NF	E L21
E 604824	E DK48	E DSTOPK	See ACC 29	See ACC 20	E PWK2315NF	E L21
E 606010	E DK60	E DSTOPK	See ACC 29	See ACC 20	E PWK3523NF	E L21
E 606012	E DK60	E DSTOPK	See ACC 29	See ACC 20	E PWK3523NF	E L21
E 606016	E DK60	E DSTOPK	See ACC 29	See ACC 20	E PWK3523NF	E L21
E 606024	E DK60	E DSTOPK	See ACC 29	See ACC 20	E PWK3523NF	E L21
E 726010	E DK60	E DSTOPK	See ACC 29	See ACC 20	E PWK3523NF	E L21
E 726012	E DK60	E DSTOPK	See ACC 29	See ACC 20	E PWK3523NF	E L21
E 726016	E DK60	E DSTOPK	See ACC 29	See ACC 20	E PWK3523NF	E L21
E 726020	E DK60	E DSTOPK	See ACC 29	See ACC 20	E PWK3523NF	E L21
E 726024	E DK60	E DSTOPK	See ACC 29	See ACC 20	E PWK3523NF	E L21
E 727210	E DK72	E DSTOPK	See ACC 29	See ACC 20	E PWK3523NF	E L21
E 727212	E DK72	E DSTOPK	See ACC 29	See ACC 20	E PWK3523NF	E L21
E 727216	E DK72	E DSTOPK	See ACC 29	See ACC 20	E PWK3523NF	E L21
E 727220	E DK72	E DSTOPK	See ACC 29	See ACC 20	E PWK3523NF	E L21
E 727224	E DK72	E DSTOPK	See ACC 29	See ACC 20	E PWK3523NF	E L21

Accessories					
Part No.	Fast operating clamp	Door stop kit	Light kit	Window kit	Touch-up paint
E 62H48C	E FOC412SS	E DSTOPK	See ACC 29	E PWK2315NF	E L21
E 62H60D	E FOC412SS	E DSTOPK	See ACC 29	E PWK2919NF	E L21
E 74H60D	E FOC412SS	E DSTOPK	See ACC 29	E PWK2919NF	E L21
E 74H72D	E FOC412SS	E DSTOPK	See ACC 29	E PWK3523NF	E L21
E 74H72J	E FOC412SS	E DSTOPK	See ACC 29	E PWK3523NF	E L21

Designates a product in the EnclosureZone program.

Multi-Door Freestanding Enclosures



Multi-Door Carbon Steel

Rittal Electromate NEMA rated freestanding multi-door enclosures are designed to accept standard as well as rackmount electrical and electronic components in large control centers. These enclosures are intended for indoor applications to protect installed equipment against dust, dirt, oil and water.

Part No.	Enclosure							Mounting Panel				Usable depth
	Outside dimensions (inches)			Door size				Panel size				
	H	W	D	Single door		Double door		Behind single door		Behind double door		
				D	E	D	F	H	J	H	K	
3 Door Enclosure												
E 86M3EDWP	86.00	112.00	18.00	80.50	35.69	80.50	35.78	78.00	34.00	78.00	70.00	17.00
E 86M3EWP	86.00	112.00	14.00	80.50	35.69	80.50	35.78	78.00	34.00	78.00	70.00	13.00
4 Door Enclosure												
E 86M4EDWP	86.00	149.00	18.00	80.50	35.81	-	-	78.00	70.00	-	-	17.00
E 86M4EWP	86.00	149.00	14.00	80.50	35.81	-	-	78.00	70.00	-	-	13.00
5 Door Enclosure												
E 86M5EDWP	86.00	187.00	18.00	80.50	35.69	80.50	35.84	78.00	34.00	78.00	70.00	17.00
E 86M5EWP	86.00	187.00	14.00	80.50	35.69	80.50	35.84	78.00	34.00	78.00	70.00	13.00



Configuration

- Continuously welded seams, finished smooth
- Body stiffener for added support
- Urethane gasket
- Overlapping doors at two door openings
- Continuous steel hinge with removable pin
- 3-point latch with padlockable handle
- Removable heavy duty lifting eyes mounted to the top
- Mounting panels included
- Print pocket included

Technical Specifications

Material:

- *Enclosure/door:* 10 gauge carbon steel

Finish/color:

- *Enclosure/door:* polyester-urethane powder coat over phosphatized surfaces – ANSI 61 grey outside and white inside
- *Mounting panels:* painted white

Protection Ratings

NEMA Type 1 4 4X 12 13

Certifications/Approvals

Listings UL CUL CSA TÜV

Technical Drawings

Pages **IND 91-92**

Accessories

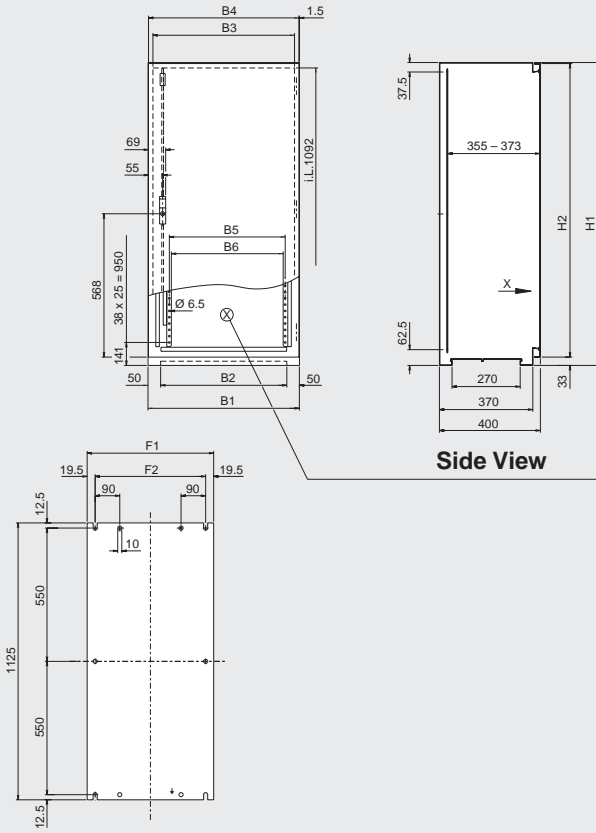
Part No.	Door stop kit	Light kit	Handle accessories	Window kit	Touch-up paint
3 Door Enclosure					
E 86M3EDWP	E DSTOPK	See ACC 29	See ACC 20	E PWK3523NF	E L21
E 86M3EWP	E DSTOPK	See ACC 29	See ACC 20	E PWK3523NF	E L21
4 Door Enclosure					
E 86M4EDWP	E DSTOPK	See ACC 29	See ACC 20	E PWK3523NF	E L21
E 86M4EWP	E DSTOPK	See ACC 29	See ACC 20	E PWK3523NF	E L21
5 Door Enclosure					
E 86M5EDWP	E DSTOPK	See ACC 29	See ACC 20	E PWK3523NF	E L21
E 86M5EWP	E DSTOPK	See ACC 29	See ACC 20	E PWK3523NF	E L21



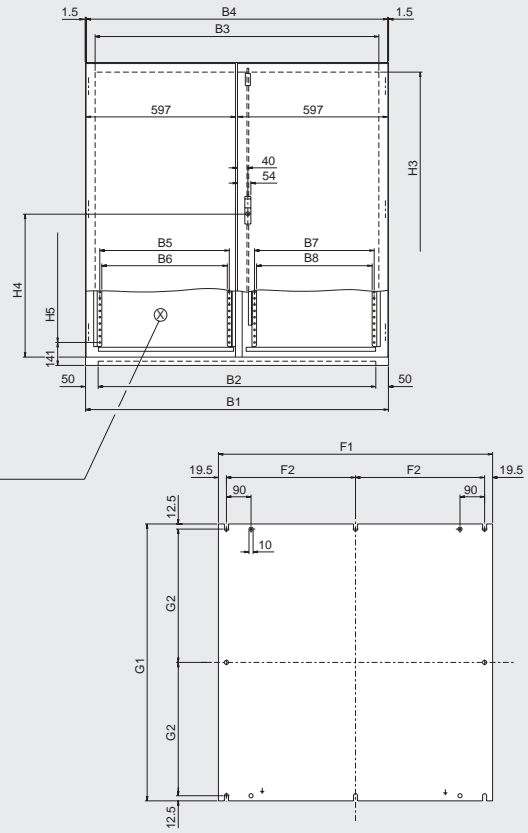
Technical Specifications

AK Freestanding Enclosures

1646/1648



1650/1652/1647



Side View

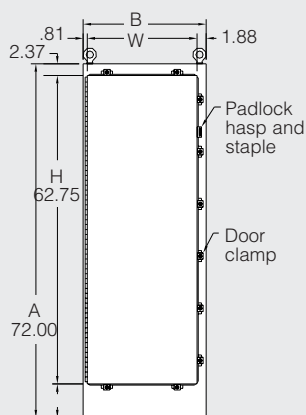
Part No.	Number of doors	Enclosure						Mounting Panel			
		Exact outside dimensions						Dimensions			
		inches			mm			inches		mm	
		H	W	D	H	W	D	H	W	H	W
EZ 1646600	1	47.24	23.62	15.75	1200	600	400	44.29	20.24	1125	514
EZ 1648600	1	47.24	31.50	15.75	1200	800	400	44.29	28.11	1125	714
EZ 1650600	2	47.24	39.37	15.75	1200	1000	400	44.29	35.39	1125	914
EZ 1652600	2	47.24	47.24	15.75	1200	1200	400	44.29	43.86	1125	1114
EZ 1647600	2	55.12	39.37	15.75	1400	1000	400	52.17	35.39	1325	914

Detailed Dimensions																	
Part No.	B1	B2	B3	B4	B5	B6	B7	B8	F1	F2	G1	G2	H1	H2	H3	H4	H5
EZ 1646600	600	500	524	597	459	443	-	-	514	475	-	-	1200	1166	-	-	-
EZ 1648600	800	700	724	797	659	643	-	-	714	675	-	-	1200	1166	-	-	-
EZ 1650600	1000	900	924	997	413	397	377	361	914	437.5	1125	550	1200	1166	1092	568	38 x 28 = 950
EZ 1652600	1200	1100	1124	1197	513	497	477	461	1114	538	1125	550	1200	1166	1092	568	38 x 28 = 950
EZ 1647600	1000	900	924	997	413	397	377	361	914	437.5	1325	650	1400	1366	1292	668	46 x 25 = 1160

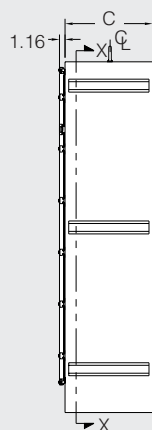
EZ Designates a product in the EnclosureZone program.

Technical Specifications

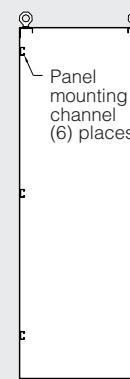
One Door Freestanding Enclosures



Front View



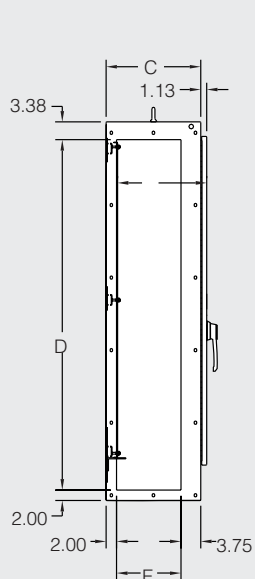
Side View



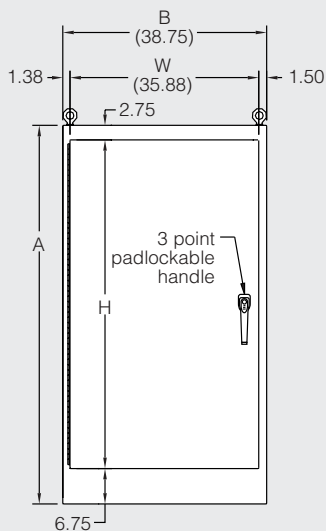
Section X-X

Part No.	Enclosure			Door size		Part No.	Full Mounting Panel		Part No.	Half Mounting Panel	
	Outside dimensions (inches)			H	W		Panel size			Panel size	
	H	W	D				E	F		E	F
E 72H2518FS	72.00	25.00	18.00	62.75	22.31	E 72P24F1	60.00	20.00	E 72P24F2	30.88	20.00
E 72H3124FS	72.00	31.00	24.00	62.75	28.31	E 72P30F1	60.00	26.00	E 72P30F2	30.88	26.00
EZ E 72H3724FS	72.00	37.00	24.00	62.75	34.31	E 72P36F1	60.00	32.00	E 72P36F2	30.88	32.00

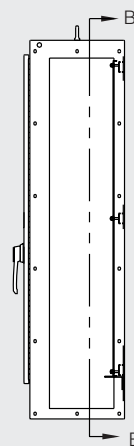
One Door Modular Cabinets



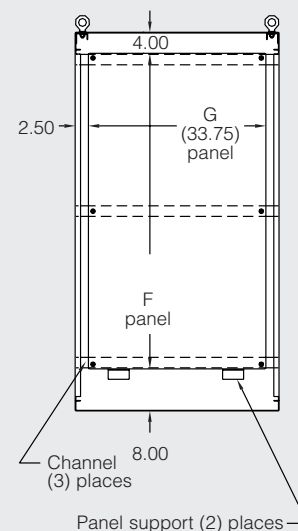
Left Side View



Front View



Right Side View



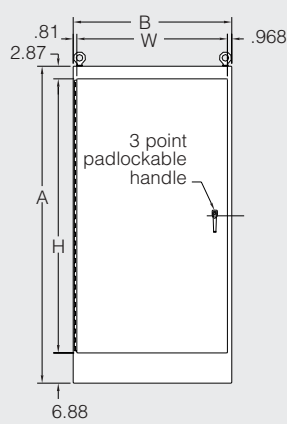
Section A-A

Part No.	Enclosure			Door size		Mounting Panel		Usable depth
	Outside dimensions (inches)			H	W	Panel size		
	H	W	D			F	G	
E MOD723918	72.00	38.75	18.00	62.50	35.88	60.00	33.75	17.00
E MOD727718	72.00	77.00	18.00	62.50	35.88	60.00	72.00	17.00
EZ E MOD843918	84.00	38.75	18.00	74.50	35.88	72.00	33.75	17.00
EZ E MOD843924	84.00	38.75	24.00	74.50	35.88	72.00	33.75	23.00
E MOD847718	84.00	77.00	18.00	74.50	35.88	72.00	72.00	17.00
E MOD847724	84.00	77.00	24.00	74.50	35.88	72.00	72.00	23.00

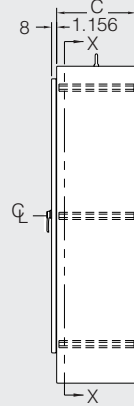
EZ Designates a product in the EnclosureZone program.

Technical Specifications

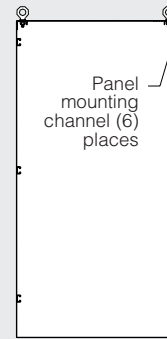
One Door Freestanding Cabinets



Front View

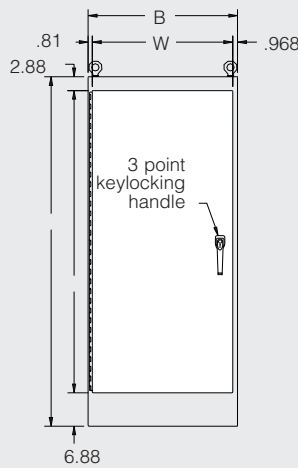


Side View

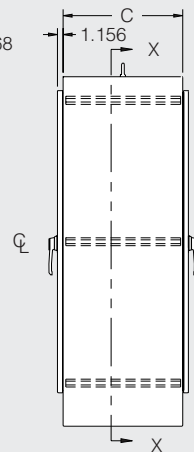


Section X-X

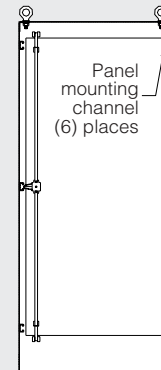
Enclosure							Mounting Panel					
Part No.	Outside dimensions (inches)			Door size		Maximum usable depth panel installed	Part No.	Description	Panel size		Fits enclosure	
	H	W	D	H	W				H	W	A	B
	A	B	C									
One Door, Single Access												
EZ E 602418FS	60.00	24.00	18.00	50.25	22.22	17.63	E 60P24F1	Full panel	48.00	20.00	60.00	24.00
E 603624FS	60.00	36.00	24.00	50.25	34.22	23.63	E 60P36F1	Full panel	48.00	32.00	60.00	36.00
EZ E 722418FS	72.00	24.00	18.00	62.25	22.22	17.63	E 72P24F1	Full panel	60.00	20.00	72.00	24.00
E 722424FS	72.00	24.00	24.00	62.25	22.22	23.63	E 72P24F1	Full panel	60.00	20.00	72.00	24.00
EZ E 723018FS	72.00	30.00	18.00	62.25	28.22	17.63	E 72P30F1	Full panel	60.00	26.00	72.00	30.00
E 723024FS	72.00	30.00	24.00	62.25	28.22	23.63	E 72P30F1	Full panel	60.00	26.00	72.00	30.00
EZ E 723618FS	72.00	36.00	18.00	62.25	34.22	17.63	E 72P36F1	Full panel	60.00	32.00	72.00	36.00
EZ E 723624FS	72.00	36.00	24.00	62.25	34.22	23.63	E 72P36F1	Full panel	60.00	32.00	72.00	36.00
E 723630FS	72.00	36.00	30.00	62.25	34.22	29.63	E 72P36F1	Full panel	60.00	32.00	72.00	36.00
E 723636FS	72.00	36.00	36.00	62.25	34.22	35.63	E 72P36F1	Full panel	60.00	32.00	72.00	36.00
E 902420FS	90.00	24.00	20.00	80.15	22.22	19.63	E 90P24F1	Full panel	78.00	20.00	90.00	24.00
EZ E 903620FS	90.00	36.00	20.00	80.25	34.22	19.63	E 90P36F1	Full panel	78.00	32.00	90.00	36.00
EZ E 903624FS	90.00	36.00	24.00	80.25	34.22	23.63	E 90P36F1	Full panel	78.00	32.00	90.00	36.00
E 903636FS	90.00	36.00	36.00	80.25	34.22	35.63	E 90P36F1	Full panel	78.00	32.00	90.00	36.00



Front View



Right Side View



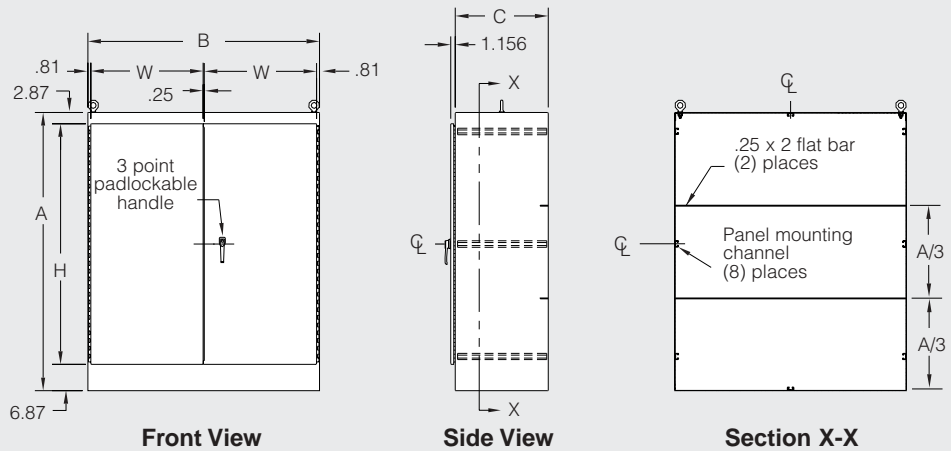
Section X-X

Enclosure						Mounting Panel					
Part No.	Outside dimensions (inches)			Door size		Part No.	Description	Panel size		Fits enclosure	
	H	W	D	H	W			H	W	A	B
	A	B	C								
One Door, Dual Access											
E 722424FSDA	72.00	24.00	24.00	62.25	22.22	E 72P24F1	Full panel	60.00	20.00	72.00	24.00
E 722436FSDA	72.00	24.00	36.00	62.25	22.22	E 72P24F1	Full panel	60.00	20.00	72.00	24.00
E 723024FSDA	72.00	30.00	24.00	62.25	28.22	E 72P30F1	Full panel	60.00	26.00	72.00	30.00
E 723624FSDA	72.00	36.00	24.00	62.25	34.22	E 72P36F1	Full panel	60.00	32.00	72.00	36.00
E 723636FSDA	72.00	36.00	36.00	62.25	34.22	E 72P36F1	Full panel	60.00	32.00	72.00	36.00
E 903624FSDA	90.00	36.00	24.00	80.25	34.22	E 90P36F1	Full panel	78.00	32.00	90.00	36.00
E 903636FSDA	90.00	36.00	36.00	80.25	34.22	E 90P36F1	Full panel	78.00	32.00	90.00	36.00

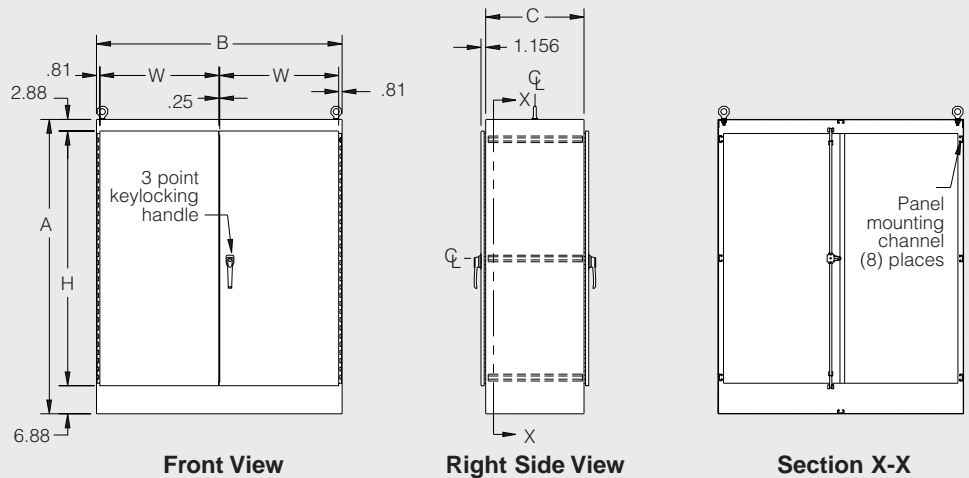
EZ Designates a product in the EnclosureZone program.

Technical Specifications

Two Door Freestanding Cabinets



Enclosure							Mounting Panel					
Part No.	Outside dimensions (inches)			Door size		Maximum usable depth panel installed	Part No.	Description	Panel size		Fits enclosure	
	H	W	D	H	W				H	W	A	B
	A	B	C									
Two Door, Single Access												
E 604818FSDD	60.00	48.00	18.00	50.25	23.06	15.13	E 60P48F1	Full panel	48.00	44.00	60.00	48.00
E 724818FSDD	72.00	48.00	18.00	62.25	23.06	15.13	E 72P48F1	Full panel	60.00	44.00	72.00	48.00
E 724824FSDD	72.00	48.00	24.00	62.25	23.06	21.13	E 72P48F1	Full panel	60.00	44.00	72.00	48.00
E 726018FSDD	72.00	60.00	18.00	62.25	29.06	15.13	E 72P60F1	Full panel	60.00	56.00	72.00	60.00
E 726024FSDD	72.00	60.00	24.00	62.25	29.06	21.13	E 72P60F1	Full panel	60.00	56.00	72.00	60.00
E 726036FSDD	72.00	60.00	36.00	62.25	29.06	33.15	E 72P60F1	Full panel	60.00	56.00	72.00	60.00
E 727218FSDD	72.00	72.00	18.00	62.25	35.06	15.13	E 72P72F1	Full panel	60.00	68.00	72.00	72.00
E 727224FSDD	72.00	72.00	24.00	62.25	35.06	21.13	E 72P72F1	Full panel	60.00	68.00	72.00	72.00
E 904820FSDD	90.00	48.00	20.00	80.25	23.06	17.13	E 90P48F1	Full panel	78.00	44.00	90.00	48.00
E 907220FSDD	90.00	72.00	20.00	80.25	35.06	17.13	E 90P72F1	Full panel	78.00	68.00	90.00	72.00
E 907224FSDD	90.00	72.00	24.00	80.25	35.06	21.13	E 90P72F1	Full panel	78.00	68.00	90.00	72.00
E 907236FSDD	90.00	72.00	36.00	80.25	35.06	33.13	E 90P72F1	Full panel	78.00	68.00	90.00	72.00

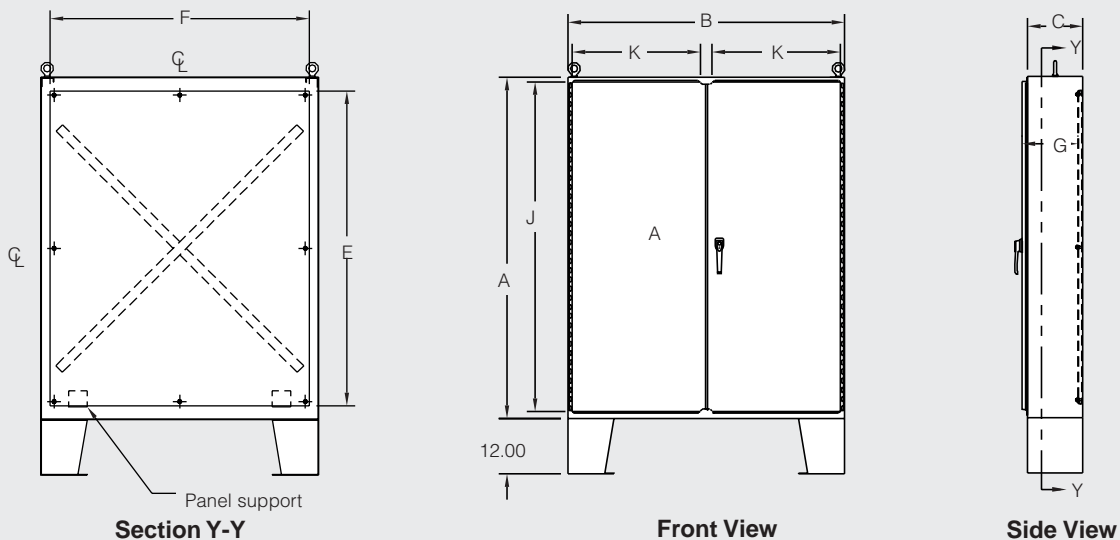


Enclosure						Mounting Panel					
Part No.	Outside dimensions (inches)			Door size		Part No.	Description	Panel size		Fits enclosure	
	H	W	D	H	W			H	W	A	B
	A	B	C								
Two Door, Dual Access											
E 724824FSDAD	72.00	48.00	24.00	62.25	23.06	E 72P48F1	Full panel	60.00	44.00	72.00	48.00
E 726024FSDAD	72.00	60.00	24.00	62.25	29.06	E 72P60F1	Full panel	60.00	56.00	72.00	60.00
E 726036FSDAD	72.00	60.00	36.00	62.25	29.06	E 72P60F1	Full panel	60.00	56.00	72.00	60.00
E 727218FSDAD	72.00	72.00	24.00	62.25	35.06	E 72P72F1	Full panel	60.00	68.00	72.00	72.00
E 907224FSDAD	90.00	72.00	24.00	80.25	35.06	E 90P72F1	Full panel	78.00	68.00	90.00	72.00

Designates a product in the EnclosureZone program.

Technical Specifications

Two Door Floormount Enclosures – NEMA 12



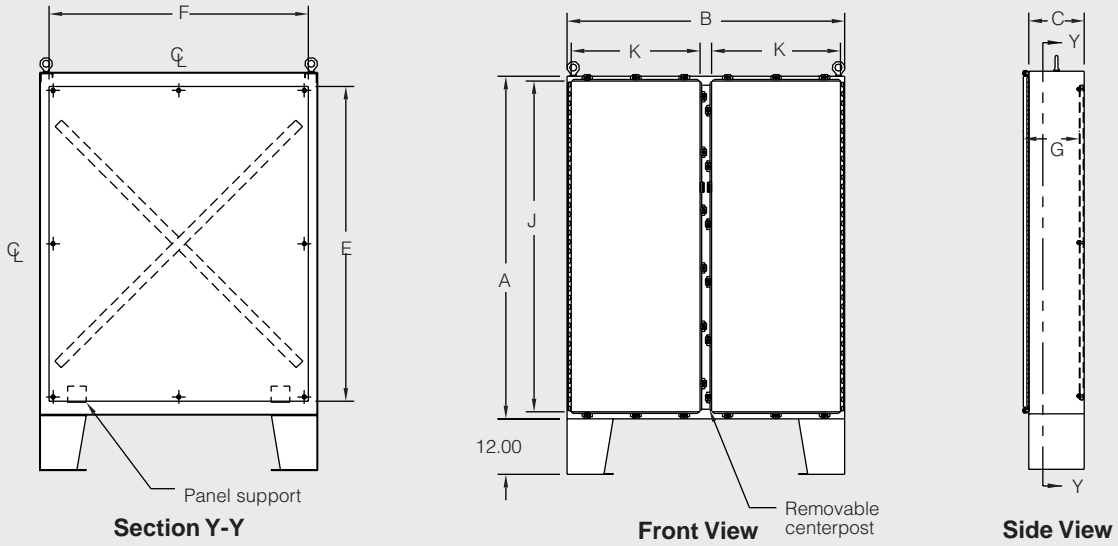
NEMA 12 Enclosure						Mounting Panel			
Part No.	Outside dimensions (inches)			Door size		Part No.	Panel size		Usable depth
	H	W	D	J	K		E	F	
	A	B	C						
E 544208	54.00	42.00	8.00	52.25	20.06	E 54P42	50.00	38.00	8.00
EZ E 604808	60.00	48.00	8.00	58.25	23.06	E 60P48	56.00	44.00	8.00
EZ E 604810	60.00	48.00	10.00	58.25	23.06	E 60P48	56.00	44.00	10.00
EZ E 604812	60.00	48.00	12.00	58.25	23.06	E 60P48	56.00	44.00	12.00
EZ E 604816	60.00	48.00	16.00	58.25	23.06	E 60P48	56.00	44.00	16.00
E 604820	60.00	48.00	20.00	58.25	23.06	E 60P48	56.00	44.00	20.00
E 604824	60.00	48.00	24.00	58.25	23.06	E 60P48	56.00	44.00	24.00
EZ E 606010	60.00	60.00	10.00	58.25	29.06	E 60P60	56.00	56.00	10.00
EZ E 606012	60.00	60.00	12.00	58.25	29.06	E 60P60	56.00	56.00	12.00
EZ E 606016	60.00	60.00	16.00	58.25	29.06	E 60P60	56.00	56.00	16.00
E 606024	60.00	60.00	24.00	58.25	29.06	E 60P60	56.00	56.00	24.00
EZ E 726010	72.00	60.00	10.00	70.25	29.06	E 72P60	68.00	56.00	10.00
EZ E 726012	72.00	60.00	12.00	70.25	29.06	E 72P60	68.00	56.00	12.00
EZ E 726016	72.00	60.00	16.00	70.25	29.06	E 72P60	68.00	56.00	16.00
E 726020	72.00	60.00	20.00	70.25	29.06	E 72P60	68.00	56.00	20.00
E 726024	72.00	60.00	24.00	70.25	29.06	E 72P60	68.00	56.00	24.00
EZ E 727210	72.00	72.00	10.00	70.25	35.06	E 72P72	68.00	68.00	10.00
EZ E 727212	72.00	72.00	12.00	70.25	35.06	E 72P72	68.00	68.00	12.00
EZ E 727216	72.00	72.00	16.00	70.25	35.06	E 72P72	68.00	68.00	16.00
EZ E 727220	72.00	72.00	20.00	70.25	35.06	E 72P72	68.00	68.00	20.00
E 727224	72.00	72.00	24.00	70.25	35.06	E 72P72	68.00	68.00	24.00

EZ Designates a product in the EnclosureZone program.



Technical Specifications

Two Door Floormount Enclosures – NEMA 4

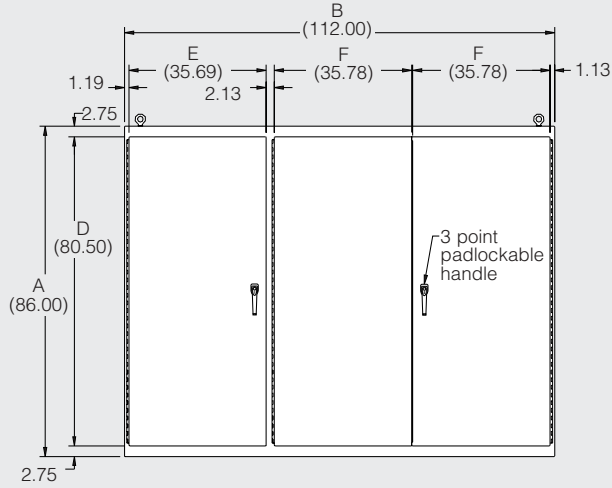


Part No.	NEMA 4 Enclosure					Mounting Panel			
	Outside dimensions (inches)			Door size		Part No.	Panel size		Usable depth
	H	W	D	J	K		E	F	
	A	B	C						
E 62H48C	62.00	48.00	10.00	59.50	21.81	E 60P48	56.00	44.00	10.00
E 62H60D	62.00	60.00	12.00	59.50	27.81	E 60P60	56.00	56.00	12.00
E 74H60D	74.00	60.00	12.00	71.50	27.81	E 72P60	68.00	56.00	12.00
EZ E 74H72D	74.00	72.00	12.00	71.50	33.81	E 72P72	68.00	68.00	12.00
E 74H72J	74.00	72.00	24.00	71.50	33.81	E 72P72	68.00	68.00	24.00

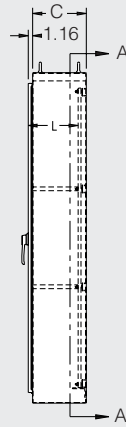
EZ Designates a product in the EnclosureZone program.

Technical Specifications

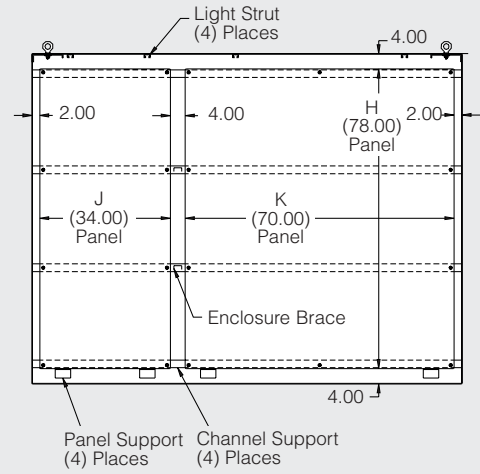
Multi-Door Freestanding Enclosures



Front View

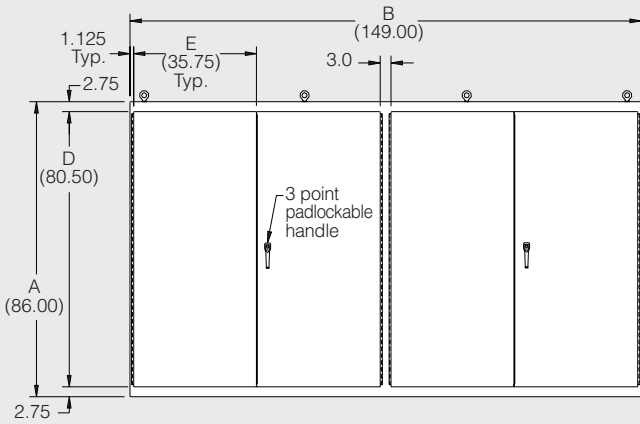


Side View

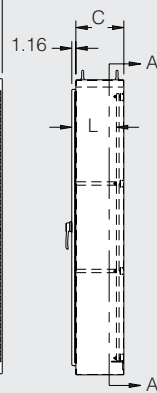


Section A-A

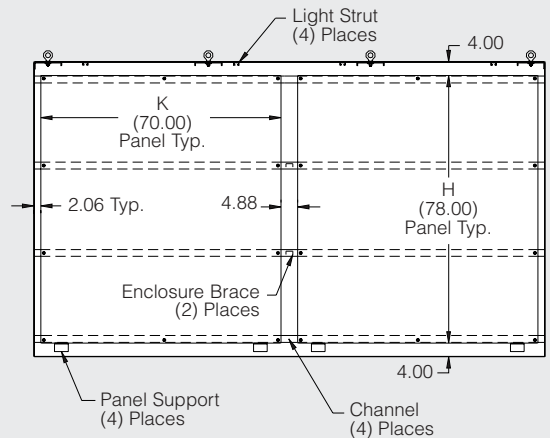
Part No.	Enclosure				Mounting Panel							
	Outside dimensions (inches)			Door size				Panel size				Usable depth
	H	W	D	Single door		Double door		Behind single door		Behind double door		
			D	E	D	F	H	J	H	K		
3 Door Enclosure												
E 86M3EDWP	86.00	112.00	18.00	80.50	35.69	80.50	35.78	78.00	34.00	78.00	70.00	17.00
E 86M3EWP	86.00	112.00	14.00	80.50	35.69	80.50	35.78	78.00	34.00	78.00	70.00	13.00



Front View



Side View

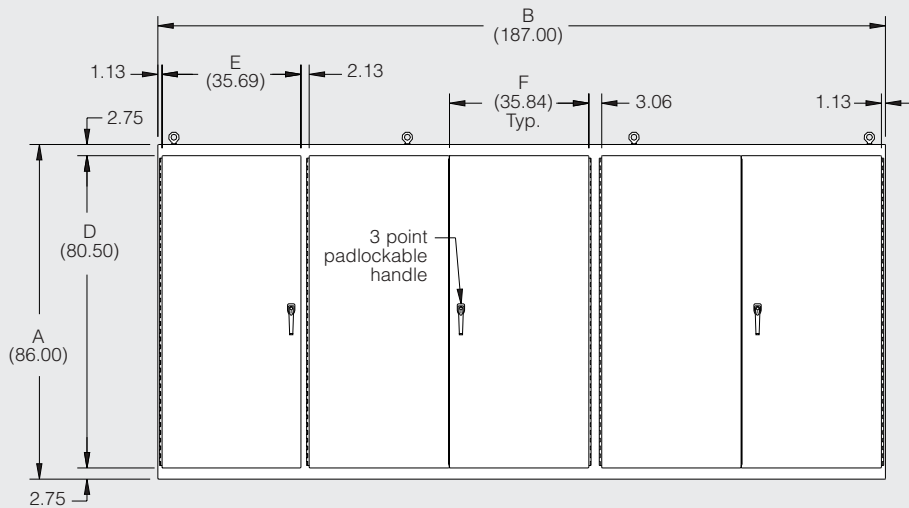


Section A-A

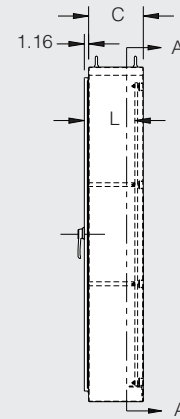
Part No.	Enclosure				Mounting Panel							
	Outside dimensions (inches)			Door size				Panel size				Usable depth
	H	W	D	Single door		Double door		Behind single door		Behind double door		
			D	E	D	F	H	J	H	K		
4 Door Enclosure												
E 86M4EDWP	86.00	149.00	18.00	80.50	35.81	-	-	78.00	70.00	-	-	17.00
E 86M4EWP	86.00	149.00	14.00	80.50	35.81	-	-	78.00	70.00	-	-	13.00

Technical Specifications

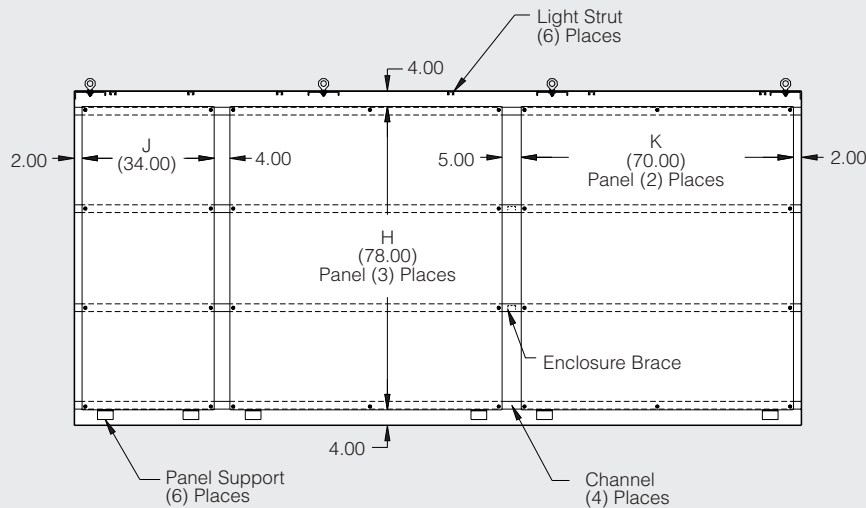
Multi-Door Freestanding Enclosures



Front View



Side View



Section A-A

Part No.	Enclosure							Mounting Panel				Usable depth
	Outside dimensions (inches)			Door size				Panel size				
	H	W	D	Single door		Double door		Behind single door		Behind double door		
				D	E	D	F	H	J	H	K	
5 Door Enclosure												
E 86M5EDWP	86.00	187.00	18.00	80.50	35.69	80.50	35.84	78.00	34.00	78.00	70.00	17.00
E 86M5EWP	86.00	187.00	14.00	80.50	35.69	80.50	35.84	78.00	34.00	78.00	70.00	13.00

AE Wallmount FMD Enclosures



AE Wallmount Carbon Steel Cabinets

Superior in design, Rittal's AE flange mounted disconnect enclosures have fewer moving parts, which reduces assembly and installation time. The special lock system integrates the door lock, operating lever, and door handle into one smooth operating system. The unique, hinged flange door provides easy access during installation and provides more usable installation space.

Rittal FMD enclosures have a universal cut-out for all major variable depth operator handles including Allen-Bradley, Cutler-Hammer, GE, Square D, and Siemens.

Handle cutout and location has been designed for applications up to 200A.



Part No.	Enclosure									Mounting Panel			
	Nominal outside dimensions H'xW'xD' (approximate)	NEMA rating	Number of doors	Exact outside dimensions						Dimensions			
				inches			mm			inches		mm	
				H	W	D	H	W	D	H	W	H	W
EZ 1075600	30x24x8	1, 12	1	29.92	23.62	8.27	760	600	210	28.74	21.61	730	549
EZ 1074600	30x30x12	1, 12	1	29.92	29.92	11.81	760	760	300	28.74	27.72	730	704
EZ 1183600	40x32x12	1, 12	1	39.37	31.50	11.81	1000	800	300	37.60	29.09	955	739
EZ 1283600	47x32x12	1, 12	1	47.24	31.50	11.81	1200	800	300	45.47	29.13	1155	740
EZ 1115600	55x40x12	1, 12	1	55.12	39.37	11.81	1400	1000	300	53.35	37.00	1355	940

EZ Designates a product in the EnclosureZone program.



Configuration

- NEMA 1, and 12/IP55 protection
- UL/CSA approvals
- Hinged flange door allows easy component installation and a larger mounting panel
- Universal cut-out accepts most operator handles up to 200A
- All disconnecting hardware is included
- Rear mounting holes allow direct wallmounting or the use of optional mounting feet
- Reinforced mounting panel included
- Powder paint provides superior corrosion protection
- Knife-edge design protects against liquid entry

Technical Specifications

- Material:**
Sheet steel
- *Housing:* 16 ga/1.5 mm
 - *Door:* 14 ga/2 mm
 - *Mounting panel:* 14 ga/2 mm hot-dipped galvanized zinc
- Finish/color:**
- *Housing and door:* powder painted, RAL 7032 pebble grey
 - *Mounting panel:* Type M

Protection Ratings

- NEMA Type** 1 4 4X 12 13

Certifications/Approvals

- Listings** UL CUL CSA TÜV

Technical Drawings

Page **IND 105**

FMD Technical Information

Pages **IND 111-142**

Accessories				
Part No.	Wallmounting brackets			Plastic print pocket
	3/8" standoff		1 1/2" standoff	
1075600	2508200		2503200	2514000
1074600	2508200		2503200	2514000
1183600	2508200		2503200	2514000
1283600	2508200		2503200	2514000
1115600	2508200		2503200	2514000

Designates a product in the EnclosureZone program.

NEMA 4 Wallmount Boxes



Carbon Steel FMD Cabinets

Rittal Electromate NEMA rated wallmount disconnect enclosures accept all standard available disconnects and circuit-breakers, including:

Allen Bradley:

1494 V operators for disconnects/circuit-breakers

Cutler Hammer/Westinghouse:

C361 operators for disconnect switches

C371 operators for circuit-breakers

General Electric:

Type STDA operators for disconnects

ITE/Siemens:

Max-Flex operators for disconnect switches/circuit-breakers

Square D:

Class 9422 operators for disconnects/circuit-breakers

ABB:

Operators for disconnect switches/circuit-breakers



Page IND 231

Enclosure				Mounting Panel			
Part No.	Outside dimensions (inches)			Part No.	Panel size		Usable depth
	H	W	D		H	W	
E 24HS2108	24.00	21.38	8.00	E 24P20	21.00	17.00	8.00
E 24HS2508	24.00	25.38	8.00	E 24P24	21.00	21.00	8.00
E 30HS2508	30.00	25.38	8.00	E 30P24	27.00	21.00	8.00
E 36HS2508	36.00	25.38	8.00	E 36P24	33.00	21.00	8.00
E 36HS3108	36.00	31.38	8.00	E 36P30	33.00	27.00	7.37*
EZ E 42HS3112	42.00	31.38	12.00	E 42P30	39.00	27.00	11.37*
E 42HS3712	42.00	37.38	12.00	E 42P36	39.00	33.00	11.37*
EZ E 48HS3712	48.00	37.38	12.00	E 48P36	45.00	33.00	11.37*
E 60HS3712	60.00	37.38	12.00	E 60P36	57.00	33.00	11.37*

* Usable depth reduced by .625" at stiffener.

EZ Designates a product in the EnclosureZone program.



Configuration

- Continuously welded seams, finished smooth
- Continuous stainless steel hinge with removable pin
- Robotically applied urethane gasket
- Rolled edge prevents entry of dirt and liquids
- Cutout in body for operating handle
- 12 gauge stainless steel captive clamps
- Mounting panel provisions installed
- External mounting brackets
- Print pocket included

Technical Specifications

Material:

- *Enclosure/door:* 14 gauge carbon steel

Finish/color:

- *Enclosure/door:* polyester-urethane powder coat over phosphatized surfaces - ANSI 61 grey outside and white inside
- *Optional mounting panels:* painted white

Protection Ratings

NEMA Type 1 4 4X 12 13

Certifications/Approvals

Listings UL CUL CSA TÜV



Technical Drawings


Page **IND 106**

FMD Technical Information

Pages **IND 111-142**

Accessories

Part No.	Window kit	Touch-up paint
E 24HS2108	E PWK1711NF	E L21
E 24HS2508	E PWK1711NF	E L21
E 30HS2508	E PWK2315NF	E L21
E 36HS2508	E PWK2919NF	E L21
E 36HS3108	E PWK2919NF	E L21
 E 42HS3112	E PWK3523NF	E L21
E 42HS3712	E PWK3523NF	E L21
 E 48HS3712	E PWK3523NF	E L21
E 60HS3712	E PWK3523NF	E L21

 Designates a product in the EnclosureZone program.

NEMA 12 Wallmount Boxes



Carbon Steel FMD Cabinets

Rittal Electromate NEMA rated wallmount disconnect enclosures accept all standard available disconnects and circuit-breakers, including:

Allen Bradley:

1494 V operators for disconnects/circuit-breakers

Cutler Hammer/Westinghouse:

C361 operators for disconnect switches

C371 operators for circuit-breakers

General Electric:

Type STDA operators for disconnects

ITE/Siemens:

Max-Flex operators for disconnect switches/circuit-breakers

Square D:

Class 9422 operators for disconnects/circuit-breakers

ABB:

Operators for disconnect switches/circuit-breakers

Note:

Additional door hardware is required and must be ordered from disconnect manufacturer.

Enclosure				Mounting Panel			
Part No.	Outside dimensions (inches)			Part No.	Panel size		Usable depth
	H	W	D		H	W	
E 20SA2208	20.00	21.38	8.00	E 20P20	17.00	17.00	7.75
E 20SA2210	20.00	21.38	10.00	E 20P20	17.00	17.00	9.75
E 24SA2208	24.00	21.38	8.00	E 24P20	21.00	17.00	7.75
E 24SA2210	24.00	21.38	10.00	E 24P20	21.00	17.00	9.75
E 24SA2608	24.00	25.38	8.00	E 24P24	21.00	21.00	7.75
E 24SA2610	24.00	25.38	10.00	E 24P24	21.00	21.00	9.75
E 30SA2208	30.00	21.38	8.00	E 30P20	27.00	17.00	7.75
E 30SA2210	30.00	21.38	10.00	E 30P20	27.00	17.00	9.75
E 30SA2608	30.00	25.38	8.00	E 30P24	27.00	21.00	7.75
E 30SA2610	30.00	25.38	10.00	E 30P24	27.00	21.00	9.75
E 30SA2612	30.00	25.38	12.00	E 30P24	27.00	21.00	11.75
E 36SA2608	36.00	25.38	8.00	E 36P24	33.00	21.00	7.75
E 36SA2610	36.00	25.38	10.00	E 36P24	33.00	21.00	9.75
E 36SA3208	36.00	31.38	8.00	E 36P30	33.00	27.00	7.12*
E 36SA3210	36.00	31.38	10.00	E 36P30	33.00	27.00	9.12*
E 36SA3212	36.00	31.38	12.00	E 36P30	33.00	27.00	11.12*
E 36SA3216	36.00	31.38	16.00	E 36P30	33.00	27.00	15.12*
E 42SA3208	42.00	31.38	8.00	E 42P30	39.00	27.00	7.12*
E 42SA3210	42.00	31.38	10.00	E 42P30	39.00	27.00	9.12*
E 42SA3212	42.00	31.38	12.00	E 42P30	39.00	27.00	11.12*
E 42SA3808	42.00	37.38	8.00	E 42P36	39.00	33.00	7.12*
E 42SA3810	42.00	37.38	10.00	E 42P36	39.00	33.00	9.12*
E 42SA3812	42.00	37.38	12.00	E 42P36	39.00	33.00	11.12*
E 48SA3808	48.00	37.38	8.00	E 48P36	45.00	33.00	7.12*
E 48SA3810	48.00	37.38	10.00	E 48P36	45.00	33.00	9.12*
E 48SA3812	48.00	37.38	12.00	E 48P36	45.00	33.00	11.12*
E 48SA3816	48.00	37.38	16.00	E 48P36	45.00	33.00	15.12*
E 60SA3808	60.00	37.38	8.00	E 60P36	57.00	33.00	7.12*
E 60SA3810	60.00	37.38	10.00	E 60P36	57.00	33.00	9.12*
EZ E 60SA3812	60.00	37.38	12.00	E 60P36	57.00	33.00	11.12*
E 60SA3812400#	60.00	37.38	12.00	E 60P36	57.00	33.00	11.12*
E 60SA3816	60.00	37.38	16.00	E 60P36	57.00	33.00	15.12*

* Usable depth reduced by .625" at door stiffener.

Designed for 200 and 400 amp Allen Bradley Bulletin 1494V disconnect switches using 1494V-H2 operating handle.

EZ Designates a product in the EnclosureZone program.



Configuration

- Continuously welded seams, finished smooth
- Continuous steel hinge with removable pin
- Urethane gasket
- Rolled edge prevents entry of dirt and liquids
- Cutouts in body and door for operating handle, operating mechanism, and door closing mechanism
- Mounting panel provisions installed
- External mounting brackets
- Print pocket included

Technical Specifications

Material:

- *Enclosure/door:* 14 gauge carbon steel

Finish/color:

- *Enclosure/door:* polyester-urethane powder coat over phosphatized surfaces – ANSI 61 grey outside and white inside
- *Optional mounting panels:* painted white

Protection Ratings

NEMA Type 1 4 4X 12 13

Certifications/Approvals

Listings UL CUL CSA TÜV

Technical Drawings

Page **IND 107**

FMD Technical Information

Pages **IND 111-142**

Accessories

Part No.	Window kit	Touch-up paint
E 20SA2208	E PWK138NF	E L21
E 20SA2210	E PWK138NF	E L21
E 24SA2208	E PWK1711NF	E L21
E 24SA2210	E PWK1711NF	E L21
E 24SA2608	E PWK1711NF	E L21
E 24SA2610	E PWK1711NF	E L21
E 30SA2208	E PWK1711NF	E L21
E 30SA2210	E PWK1711NF	E L21
E 30SA2608	E PWK2315NF	E L21
E 30SA2610	E PWK2315NF	E L21
E 30SA2612	E PWK2315NF	E L21
E 36SA2608	E PWK2919NF	E L21
E 36SA2610	E PWK2919NF	E L21
E 36SA3208	E PWK2919NF	E L21
E 36SA3210	E PWK2919NF	E L21
E 36SA3212	E PWK2919NF	E L21
E 36SA3216	E PWK2919NF	E L21
E 42SA3208	E PWK3523NF	E L21
E 42SA3210	E PWK3523NF	E L21
E 42SA3212	E PWK3523NF	E L21
E 42SA3808	E PWK3523NF	E L21
E 42SA3810	E PWK3523NF	E L21
E 42SA3812	E PWK3523NF	E L21
E 48SA3808	E PWK3523NF	E L21
E 48SA3810	E PWK3523NF	E L21
E 48SA3812	E PWK3523NF	E L21
E 48SA3816	E PWK3523NF	E L21
E 60SA3808	E PWK3523NF	E L21
E 60SA3810	E PWK3523NF	E L21
E 60SA3812	E PWK3523NF	E L21
E 60SA3812400#	E PWK3523NF	E L21
E 60SA3816	E PWK3523NF	E L21

Designed for 200 and 400 amp Allen Bradley Bulletin 1494V disconnect switches using 1494V-H2 operating handle.

Designates a product in the EnclosureZone program.

NEMA 12 Wallmount Enclosures



Carbon Steel FMD Enclosures

These Rittal Electromate NEMA rated wallmount disconnect enclosures accept Allen-Bradley 1494F flange mounted disconnect switches and 1494D flange mounted operators for circuit-breakers.

For enclosure height ("A") < 40":

A 2-point door closing mechanism is required

For enclosure height ("A") ≥ 40":

A 3-point door closing mechanism is required

Note:

Additional door hardware is required and must be ordered from disconnect manufacturer.

Enclosure				Mounting Panel			
Part No.	Outside dimensions (inches)			Part No.	Panel size		Usable depth
	H	W	D		H	W	
E 20AB2208	20.00	21.38	8.00	E 20P20	17.00	17.00	7.75
E 24AB2208	24.00	21.38	8.00	E 24P20	21.00	17.00	7.75
E 24AB2210	24.00	21.38	10.00	E 24P20	21.00	17.00	9.75
E 24AB2608	24.00	25.38	8.00	E 24P24	21.00	21.00	7.75
E 24AB2610	24.00	25.38	10.00	E 24P24	21.00	21.00	9.75
E 30AB2208	30.00	21.38	8.00	E 30P20	27.00	17.00	7.75
E 30AB2210	30.00	21.38	10.00	E 30P20	27.00	17.00	9.75
E 30AB2608	30.00	25.38	8.00	E 30P24	27.00	21.00	7.75
E 30AB2610	30.00	25.38	10.00	E 30P24	27.00	21.00	9.75
E 36AB2608	36.00	25.38	8.00	E 36P24	33.00	21.00	7.75
E 36AB2610	36.00	25.38	10.00	E 36P24	33.00	21.00	9.75
E 36AB3208	36.00	31.38	8.00	E 36P30	33.00	27.00	7.12*
E 36AB3210	36.00	31.38	10.00	E 36P30	33.00	27.00	9.12*
E 36AB3212	36.00	31.38	12.00	E 36P30	33.00	27.00	11.12*
E 42AB3208	42.00	31.38	8.00	E 42P30	39.00	27.00	7.12*
E 42AB3210	42.00	31.38	10.00	E 42P30	39.00	27.00	9.12*
E 42AB3212	42.00	31.38	12.00	E 42P30	39.00	27.00	11.12*
E 42AB3808	42.00	37.38	8.00	E 42P36	39.00	33.00	7.12*
E 42AB3810	42.00	37.38	10.00	E 42P36	39.00	33.00	9.12*
E 42AB3812	42.00	37.38	12.00	E 42P36	39.00	33.00	11.12*
E 48AB3808	48.00	37.38	8.00	E 48P36	45.00	33.00	7.12*
E 48AB3810	48.00	37.38	10.00	E 48P36	45.00	33.00	9.12*
E 48AB3812	48.00	37.38	12.00	E 48P36	45.00	33.00	11.12*
E 48AB381220#	48.00	37.38	12.00	E 48P36	45.00	33.00	11.12*
E 48AB3816	48.00	37.38	16.00	E 48P36	45.00	33.00	15.12*
E 60AB3810	60.00	37.38	10.00	E 60P36	57.00	33.00	9.12*
E 60AB3812	60.00	37.38	12.00	E 60P36	57.00	33.00	11.12*
E 60AB381220#	60.00	37.38	12.00	E 60P36	57.00	33.00	11.12*
E 60AB3816	60.00	37.38	16.00	E 48P36	45.00	33.00	15.12*

* Usable depth reduced by .625" at door stiffener.

Designed for 200 and 400 amp Allen-Bradley Bulletin 1494V disconnect switches using 1494V H2 operating handle.





Configuration

- Continuously welded seams, finished smooth
- Continuous steel hinge with removable pin
- Urethane gasket
- Rolled edge prevents entry of dirt and liquids
- Cutouts in body and door for operating handle, operating mechanism, and door closing mechanism
- Mounting panel provisions installed
- External mounting brackets
- Print pocket included

Technical Specifications

- Material:**
- *Enclosure/door:* 14 gauge carbon steel
- Finish/color:**
- *Enclosure/door:* polyester-urethane powder coat over phosphatized surfaces – ANSI 61 grey outside and white inside
 - *Optional mounting panels:* painted white

Protection Ratings

NEMA Type 1 4 4X 12 13

Certifications/Approvals

Listings UL CUL CSA TÜV

Technical Drawings

Page **IND 108**

FMD Technical Information

Pages **IND 111-142**

Accessories		
Part No.	Window kit	Touch-up paint
E 20AB2208	E PWK138NF	E L21
E 24AB2208	E PWK1711NF	E L21
E 24AB2210	E PWK1711NF	E L21
E 24AB2608	E PWK1711NF	E L21
E 24AB2610	E PWK1711NF	E L21
E 30AB2208	E PWK1711NF	E L21
E 30AB2210	E PWK1711NF	E L21
E 30AB2608	E PWK2315NF	E L21
E 30AB2610	E PWK2315NF	E L21
E 36AB2608	E PWK2919NF	E L21
E 36AB2610	E PWK2919NF	E L21
E 36AB3208	E PWK2919NF	E L21
E 36AB3210	E PWK2919NF	E L21
E 36AB3212	E PWK2919NF	E L21
E 42AB3208	E PWK3523NF	E L21
E 42AB3210	E PWK3523NF	E L21
E 42AB3212	E PWK3523NF	E L21
E 42AB3808	E PWK3523NF	E L21
E 42AB3810	E PWK3523NF	E L21
E 42AB3812	E PWK3523NF	E L21
E 48AB3808	E PWK3523NF	E L21
E 48AB3810	E PWK3523NF	E L21
E 48AB3812	E PWK3523NF	E L21
E 48AB381220#	E PWK3523NF	E L21
E 48AB3816	E PWK3523NF	E L21
E 60AB3810	E PWK3523NF	E L21
E 60AB3812	E PWK3523NF	E L21
E 60AB381220#	E PWK3523NF	E L21
E 60AB3816	E PWK3523NF	E L21

Designed for 200 and 400 amp Allen Bradley Bulletin 1494V disconnect switches using 1494V-H2 operating handle.

Freestanding Heavy Duty Enclosures



NEMA 12 Carbon Steel Cabinets

Rittal Electromate NEMA rated freestanding disconnect enclosures accept all standard available disconnects and circuit-breakers, including:

Allen Bradley:

- 1494 V operators for disconnects/circuit-breakers
- 1494 F operators for disconnect switches
- 1494 D operators for circuit-breakers

Cutler Hammer/Westinghouse:

- C361 operators for disconnect switches
- C371 operators for circuit-breakers

General Electric:

- Type STDA operators for disconnects

ITE/Siemens:

- Max-Flex operators for disconnect switches/circuit-breakers

Square D:

- Class 9422 operators for disconnects/circuit-breakers

ABB:

- Operators for disconnect switches/circuit-breakers



Part No.	Enclosure			Mounting Panel						Usable depth	Door Size	
	Outside dimensions (inches)			Panel size							H	W
	H	W	D	Panel size		Size behind single door		Size behind double door				
				H	W	H	W	H	W			
One Door Heavy Duty Enclosure												
E 72XM2818WP	72.00	27.50	18.00	60.00	21.75	-	-	-	-	18.00	62.50	23.83
EZ E 72XM3418WP	72.00	33.50	18.00	60.00	27.75	-	-	-	-	18.00	62.50	29.83
E 72XM4018WP	72.00	39.50	18.00	60.00	33.75	-	-	-	-	18.00	62.50	35.83
EZ E 84XM4018WP	84.00	39.50	18.00	72.00	33.75	-	-	-	-	18.00	74.50	35.83
E 90XM4020WP	90.00	39.50	20.00	78.00	33.75	-	-	-	-	20.00	80.50	35.83
E 90XM4024WP	90.00	39.50	24.00	78.00	33.75	-	-	-	-	24.00	80.50	35.83
Two Door Heavy Duty Enclosure												
E 72XM5418WP	72.00	53.75	18.00	60.00	48.00	-	-	-	-	17.00	62.50	23.88
E 72XM6618WP	72.00	65.75	18.00	60.00	60.00	-	-	-	-	17.00	62.50	29.88
E 72XM7818WP	72.00	77.75	18.00	60.00	72.00	-	-	-	-	17.00	62.50	35.88
E 72XM7824WP	72.00	77.75	24.00	60.00	72.00	-	-	-	-	23.00	62.50	35.88
EZ E 84XM7818WP	84.00	77.75	18.00	72.00	72.00	-	-	-	-	17.00	74.50	35.88
E 90XM7820WP	90.00	77.75	20.00	78.00	72.00	-	-	-	-	19.00	80.50	35.88
E 90XM7824WP	90.00	77.75	24.00	78.00	72.00	-	-	-	-	23.00	80.50	35.88
Three Door Heavy Duty Enclosure												
E 72XM3EQ18WP	72.00	99.50	18.00	-	-	60.00	27.75	60.00	60.00	17.00	62.50	29.88
E 72XM3EW18WP	72.00	117.50	18.00	-	-	60.00	33.75	60.00	72.00	17.00	62.50	35.88
E 84XM3EW18WP	84.00	117.50	18.00	-	-	72.00	33.75	72.00	72.00	17.00	74.50	35.88
E 90XM3EW24WP	90.00	117.50	24.00	-	-	78.00	33.75	78.00	72.00	23.00	80.50	35.88
Four Door Heavy Duty Enclosure												
E 84XM4EW18WP	84.00	157.50	18.00	72.00*	72.00*	-	-	-	-	17.00	74.50	35.88
Five Door Heavy Duty Enclosure												
E 84XM5EW18WP	84.00	196.75	18.00	-	-	72.00	33.75	72.00*	72.00*	17.00	74.50	35.88

Part No.	Enclosure			Mounting Panel				Usable depth	Door Size	
	Outside dimensions (inches)			Panel size					H	W
	H	W	D	Panel size		Opening size left side				
				H	W	H	W			
Modular Enclosure										
E MOD72X4018 ¹⁾	72.00	39.75	18.00	60.00	33.75	66.63	12.25	17.06	62.50	35.88
E MOD72X7818 ²⁾	72.00	78.00	18.00	60.00	72.70	66.63	12.25	17.06	62.50	36.38
E MOD84X4018 ¹⁾	84.00	39.75	18.00	72.00	33.75	78.63	12.25	17.06	74.50	35.88
E MOD84X4024 ¹⁾	84.00	39.75	24.00	72.00	33.75	78.63	18.25	23.06	74.50	35.88
E MOD84X7818 ²⁾	84.00	78.00	18.00	72.00	72.00	78.63	12.25	17.06	74.50	36.88
E MOD84X7824 ²⁾	84.00	78.00	24.00	72.00	72.00	78.63	18.25	23.06	74.50	36.38

¹⁾ Single door. ²⁾ Double door. * Two mounting panels used.

EZ Designates a product in the EnclosureZone program.



Configuration

- Continuously welded seams, finished smooth
- Body stiffeners provide extra rigidity
- Center post can be removed for panel installation
- Urethane gasket
- Rolled edge prevents entry of dirt and liquids
- Heavy duty continuous steel hinge with removable pin
- Heavy duty 3-point latch secures doors
- Mounting panels included
- Doors can be closed in any order
- Mechanical interlock on master door prevents slave door from being opened unless master door is opened first
- Intergrated defeater on master door

- Operator adaptors may be used to fit most disconnect operators in universal cutout on flange
- 24" deep enclosures feature mounting base to raise disconnects to the proper height off the mounting panel
- Heavy duty lifting eyes
- Print pocket included

Technical Specifications

- Material:**
- *Enclosure/door:* 10 gauge carbon steel
 - *Mounting panel:* 10 gauge carbon steel

- Finish/color:**
- *Enclosure/door:* polyester-urethane powder coat over phosphatized surfaces – ANSI 61 grey outside and white inside
 - *Mounting panel:* painted white

Protection Ratings

NEMA Type 1 4 4X 12 13

Certifications/Approvals

Listings UL CUL CSA TÜV

Technical Drawings

Pages IND 109-110

FMD Technical Information

Pages IND 111-142

Accessories			
Part No.		Window kit	Touch-up paint
One Door Heavy Duty Enclosure			E L21
E 72XM2818WP		E PWK2315NF	E L21
E 72XM3418WP		E PWK3523NF	E L21
E 72XM4018WP		E PWK3523NF	E L21
E 84XM4018WP		E PWK3523NF	E L21
E 90XM4020WP		E PWK3523NF	E L21
E 90XM4024WP		E PWK3523NF	E L21
Two Door Heavy Duty Enclosure			
E 72XM5418WP		E PWK2315NF	E L21
E 72XM6618WP		E PWK3523NF	E L21
E 72XM7818WP		E PWK3523NF	E L21
E 72XM7824WP		E PWK3523NF	E L21
E 84XM7818WP		E PWK3523NF	E L21
E 90XM7820WP		E PWK3523NF	E L21
E 90XM7824WP		E PWK3523NF	E L21
Three Door Heavy Duty Enclosure			
E 72XM3EQ18WP		E PWK3523NF	E L21
E 72XM3EW18WP		E PWK3523NF	E L21
E 84XM3EW18WP		E PWK3523NF	E L21
E 90XM3EW24WP		E PWK3523NF	E L21
Four Door Heavy Duty Enclosure			
E 84XM4EW18WP		E PWK3523NF	E L21
Five Door Heavy Duty Enclosure			
E 84XM5EW18WP		E PWK3523NF	E L21

Accessories			
Part No.		Window kit	Touch-up paint
Modular Enclosure			
E MOD72X4018		E PWK3523NF	E L21
E MOD72X7818		E PWK3523NF	E L21
E MOD84X4018		E PWK3523NF	E L21
E MOD84X4024		E PWK3523NF	E L21
E MOD84X7818		E PWK3523NF	E L21
E MOD84X7824		E PWK3523NF	E L21

Designates a product in the EnclosureZone program.

Floormount Freestanding Enclosures



NEMA 12 Carbon Steel FMD Cabinets

Rittal Electromate NEMA rated floormount disconnect enclosures accept all standard available disconnects and circuit-breakers, including:

Allen Bradley:

- 1494 V Operators for disconnects/circuit-breakers
- 1494 F Operators for disconnect switches
- 1494 D Operators for circuit-breakers

Cutler Hammer/Westinghouse:

- C361 Operators for disconnect switches
- C371 Operators for circuit-breakers

General Electric:

- Type STDA Operators for disconnects

ITE/Siemens:

- Max-Flex Operators for disconnect switches/circuit-breakers

Square D:

- Class 9422 Operators for disconnects/circuit-breakers

ABB:

- Operators for disconnect switches/circuit-breakers



Page IND 81



Page IND 232

Part No.	Enclosure			Part No.	Mounting Panel		Usable depth
	Outside dimensions (inches)				Panel size		
	H	W	D		H	W	
E 60CPX4812 ¹⁾	60.00	48.00	12.00	E 60P48	56.00	44.00	12.00
E 60CPX6012 ¹⁾	60.00	60.00	12.00	E 60P60	56.00	56.00	12.00
EZ E 60X4912 ²⁾	60.00	49.38	12.00	E 60P48	56.00	44.00	12.00
EZ E 60X4918 ²⁾	60.00	49.38	18.00	E 60P48	56.00	44.00	18.00
EZ E 60X6112 ²⁾	60.00	61.38	12.00	E 60P60	56.00	56.00	12.00
EZ E 60X6118 ²⁾	60.00	61.38	18.00	E 60P60	56.00	56.00	18.00
E 72CPX7212 ¹⁾	72.00	72.00	12.00	E 72P72	68.00	68.00	12.00
E 72CPX7218 ¹⁾	72.00	72.00	18.00	E 72P72	68.00	68.00	18.00
EZ E 72X6112 ²⁾	72.00	61.38	12.00	E 72P60	68.00	56.00	12.00
EZ E 72X6118 ²⁾	72.00	61.38	18.00	E 72P60	68.00	56.00	18.00
EZ E 72X7312 ²⁾	72.00	73.38	12.00	E 72P72	68.00	68.00	12.00
EZ E 72X7318 ²⁾	72.00	73.38	18.00	E 72P72	68.00	68.00	18.00
E 72X7324 ²⁾	72.00	73.00	24.00	E 72P72	68.00	68.00	24.00

¹⁾ Disconnect operator on right flange. ²⁾ Disconnect operator on center post.

EZ Designates a product in the EnclosureZone program.



Configuration

- Continuously welded seams, finished smooth
- Body stiffeners provide extra rigidity
- Center post can be removed for panel installation
- Urethane gasket
- Rolled edge prevents entry of dirt and liquids
- Heavy duty continuous steel hinge with removable pin
- Heavy duty 3-point latch secures doors
- Mounting panel provisions installed
- Enclosure is provided with 15" floor stands welded to enclosure
- Heavy duty lifting eyes
- For type "X" enclosures: master door is right-hand door
- Integrated defeater on master door; doors can be closed in any order
- Mechanical interlock on master door prevents slave door from being opened unless master door is opened first
- Operator adaptors may be used to fit most disconnect operators in universal cutout on flange
- 24" deep enclosures feature mounting base to raise disconnects to the proper height off the mounting panel
- Print pocket included

Technical Specifications

- Material:**
- *Enclosure/door:* 10 gauge carbon steel
- Finish/color:**
- *Enclosure/door:* polyester-urethane powder coat over phosphatized surfaces - ANSI 61 grey outside and white inside
 - *Optional mounting panels:* painted white

Protection Ratings

NEMA Type 1 4 4X 12 13

Certifications/Approvals

Listings UL CUL CSA TÜV

Technical Drawings

Page IND 111

FMD Technical Information

Pages IND 111-142

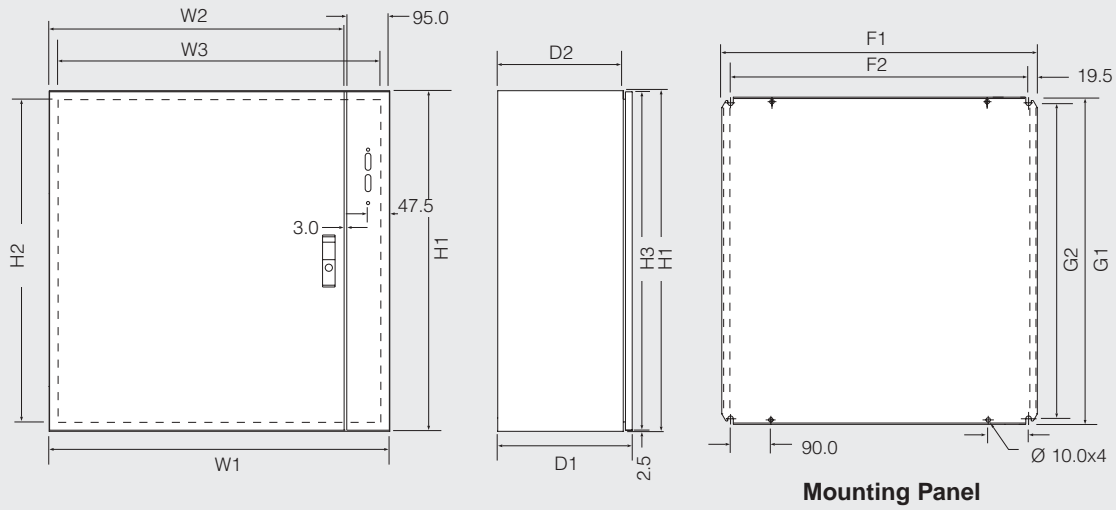
Accessories		
Part No.	Window kit	Touch-up paint
E 60CPX4812	E PWK2315NF	E L21
E 60CPX6012	E PWK2919NF	E L21
E 60X4912	E PWK2315NF	E L21
E 60X4918	E PWK2315NF	E L21
E 60X6112	E PWK2919NF	E L21
E 60X6118	E PWK2919NF	E L21
E 72CPX7212	E PWK3523NF	E L21
E 72CPX7218	E PWK3523NF	E L21
E 72X6112	E PWK2919NF	E L21
E 72X6118	E PWK2919NF	E L21
E 72X7312	E PWK3523NF	E L21
E 72X7318	E PWK3523NF	E L21
E 72X7324	E PWK3523NF	E L21

Designates a product in the EnclosureZone program.



Technical Specifications

AE Wallmount FMD Enclosures



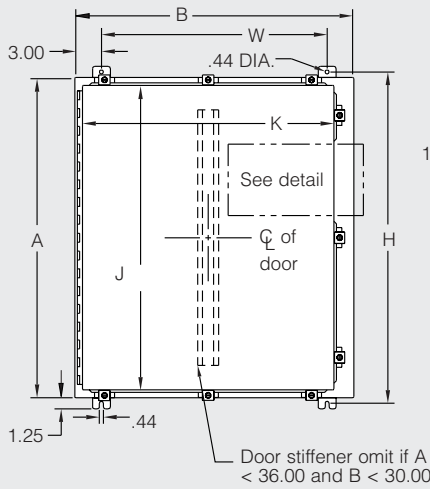
Mounting Panel

Part No.	Enclosure																
	Exact outside dimensions						H2	H3	W2	W3	D2	F1	F2	G1	G2	Weight	
	Height (H1)		Width (W1)		Depth (D1)											lbs	kg
	inches	mm	inches	mm	inches	mm											
EZ 1075600	29.92	760	23.62	600	8.27	210	720	755	500	560	190	549	510	730	705	70.6	32.1
EZ 1074600	29.92	760	29.92	760	11.81	300	720	755	660	720	280	704	665	730	705	97.9	44.5
EZ 1183600	39.37	1000	31.50	800	11.81	300	960	995	700	760	280	739	700	955	930	125.4	57.0
EZ 1283600	47.24	1200	31.50	800	11.81	300	1160	1195	700	760	280	739	700	1155	1130	154.0	70.0
EZ 1115600	55.12	1400	39.37	1000	11.81	300	1360	1395	900	960	280	940	900	1355	1330	213.4	97.0

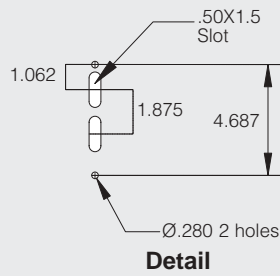
EZ Designates a product in the EnclosureZone program.

Technical Specifications

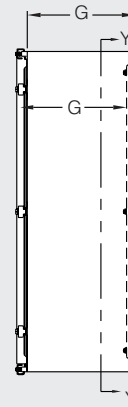
NEMA 4 Wallmount Boxes



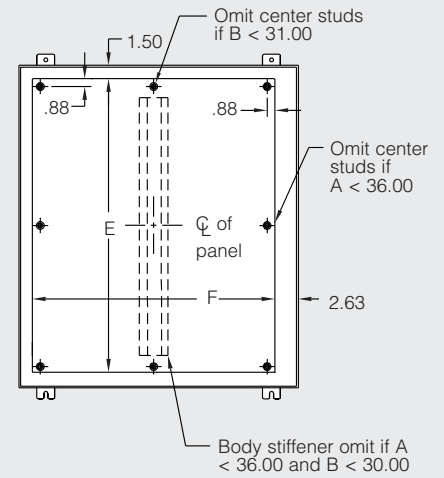
Front View



Detail



Right Side View



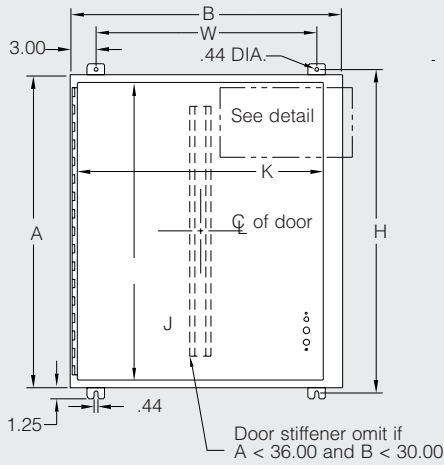
Section Y-Y

Part No.	Enclosure						Mounting Panel					
	Outside dimensions (inches)			Mounting centers		Door and body stiffener	Door size		Part No.	Panel size		Usable depth
	H	W	D	H	W		J	K		E	F	
E 24HS2108	24.00	21.38	8.00	25.25	15.38	NO	22.25	18.25	E 24P20	21.00	17.00	8.00
E 24HS2508	24.00	25.38	8.00	25.25	19.38	NO	22.25	22.25	E 24P24	21.00	21.00	8.00
E 30HS2508	30.00	25.38	8.00	31.25	19.38	NO	28.25	22.25	E 30P24	27.00	21.00	8.00
E 36HS2508	36.00	25.38	8.00	37.25	19.38	NO	34.25	22.25	E 36P24	33.00	21.00	8.00
E 36HS3108	36.00	31.38	8.00	37.25	25.38	YES	34.25	28.25	E 36P30	33.00	27.00	7.37*
E 42HS3112	42.00	31.38	12.00	43.25	25.38	YES	40.25	28.25	E 42P30	39.00	27.00	11.37*
E 42HS3712	42.00	37.38	12.00	43.25	31.38	YES	40.25	34.25	E 42P36	39.00	33.00	11.37*
E 48HS3712	48.00	37.38	12.00	49.25	31.38	YES	46.25	34.25	E 48P36	45.00	33.00	11.37*
E 60HS3712	60.00	37.38	12.00	61.25	31.38	YES	58.25	34.25	E 60P36	57.00	33.00	11.37*

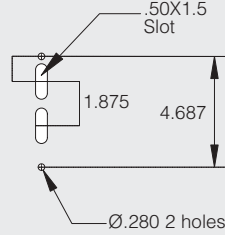
* Usable depth reduced by .625" at door stiffener.

Technical Specifications

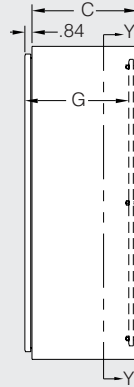
NEMA 12 Wallmount Boxes



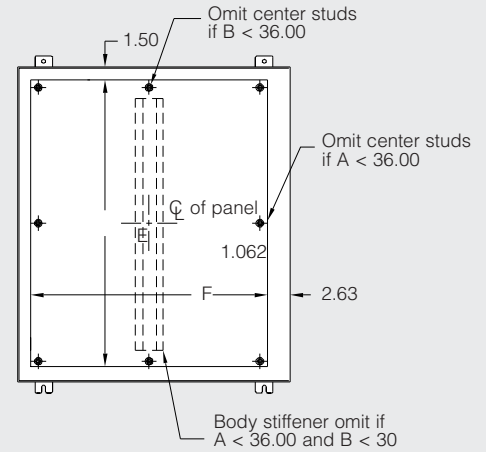
Front View



Detail



Section Y-Y



Right Side View

Part No.	Enclosure						Mounting Panel					
	Outside dimensions (inches)			Mounting centers		Door and body stiffener	Door size		Part No.	Panel size		Usable depth
	H	W	D	H	W		J	K		E	F	
E 20SA2208	20.00	21.38	8.00	21.25	15.38	NO	18.25	18.25	E 20P20	17.00	17.00	7.75
E 20SA2210	20.00	21.38	10.00	21.25	15.38	NO	18.25	18.25	E 20P20	17.00	17.00	9.75
E 24SA2208	24.00	21.38	8.00	25.25	15.38	NO	22.25	18.25	E 24P20	21.00	17.00	7.75
E 24SA2210	24.00	21.38	10.00	25.25	15.38	NO	22.25	18.25	E 24P20	21.00	17.00	9.75
E 24SA2608	24.00	25.38	8.00	25.25	19.38	NO	22.25	22.25	E 24P24	21.00	21.00	7.75
E 24SA2610	24.00	25.38	10.00	25.25	19.38	NO	22.25	22.25	E 24P24	21.00	21.00	9.75
E 30SA2208	30.00	21.38	8.00	31.25	15.38	NO	28.25	18.25	E 30P20	27.00	17.00	7.75
E 30SA2210	30.00	21.38	10.00	31.25	15.38	NO	28.25	18.25	E 30P20	27.00	17.00	9.75
E 30SA2608	30.00	25.38	8.00	31.25	19.38	NO	28.25	22.25	E 30P24	27.00	21.00	7.75
E 30SA2610	30.00	25.38	10.00	31.25	19.38	NO	28.25	22.25	E 30P24	27.00	21.00	9.75
E 30SA2612	30.00	25.38	12.00	31.25	19.38	NO	28.25	22.25	E 30P24	27.00	21.00	11.75
E 36SA2608	36.00	25.38	8.00	37.25	19.38	NO	34.25	22.25	E 36P24	33.00	21.00	7.75
E 36SA2610	36.00	25.38	10.00	37.25	19.38	NO	34.25	22.25	E 36P24	33.00	21.00	9.75
E 36SA3208	36.00	31.38	8.00	37.25	25.38	YES	34.25	28.25	E 36P30	33.00	27.00	15.12*
E 36SA3210	36.00	31.38	10.00	37.25	25.38	YES	34.25	28.25	E 36P30	33.00	27.00	9.12*
E 36SA3212	36.00	31.38	12.00	37.25	25.38	YES	34.25	28.25	E 36P30	33.00	27.00	11.12*
E 36SA3216	36.00	31.38	16.00	43.25	25.38	YES	40.25	28.25	E 42P30	39.00	27.00	7.12*
E 42SA3208	42.00	31.38	8.00	43.25	25.38	YES	40.25	28.25	E 42P30	39.00	27.00	9.12*
E 42SA3210	42.00	31.38	10.00	43.25	31.38	YES	40.25	34.25	E 42P36	39.00	33.00	7.12*
E 42SA3212	42.00	31.38	12.00	43.25	25.38	YES	40.25	28.25	E 42P30	39.00	27.00	11.12*
E 42SA3808	42.00	37.38	8.00	43.25	31.38	YES	40.25	34.25	E 42P36	39.00	33.00	9.12*
E 42SA3810	42.00	37.38	10.00	43.25	31.38	YES	40.25	34.25	E 42P36	39.00	33.00	11.12*
E 42SA3812	42.00	37.38	12.00	49.25	31.38	YES	46.25	34.25	E 48P36	45.00	33.00	7.12*
E 48SA3808	48.00	37.38	8.00	49.25	31.38	YES	46.25	34.25	E 48P36	45.00	33.00	9.12*
E 48SA3810	48.00	37.38	10.00	49.25	31.38	YES	46.25	34.25	E 48P36	45.00	33.00	15.12*
E 48SA3812	48.00	37.38	12.00	49.25	31.38	YES	46.25	34.25	E 48P36	45.00	33.00	11.12*
E 48SA3816	48.00	37.38	16.00	49.25	31.38	YES	46.25	34.25	E 48P36	45.00	33.00	15.12*
E 60SA3808	60.00	37.38	8.00	61.25	31.38	YES	58.25	34.25	E 60P36	57.00	33.00	7.12*
E 60SA3810	60.00	37.38	10.00	61.25	31.38	YES	58.25	34.25	E 60P36	57.00	33.00	9.12*
EZ E 60SA3812	60.00	37.38	12.00	61.25	31.38	YES	58.25	34.25	E 60P36	57.00	33.00	11.12*
E 60SA3812400#	60.00	37.38	12.00	61.25	31.38	YES	58.25	34.25	E 60P36	57.00	33.00	11.12*
E 60SA3816	60.00	37.38	16.00	61.25	31.38	YES	58.25	34.25	E 60P36	57.00	33.00	15.12

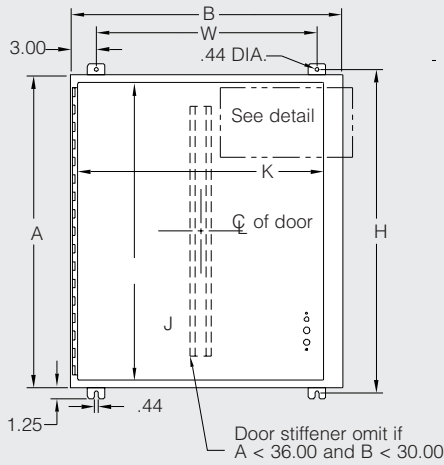
* Usable depth reduced by .625" at door stiffener.

Designed for 200 and 400 amp Allen Bradley Bulletin 1494V disconnect switches using 1494V-H2 operating handle.

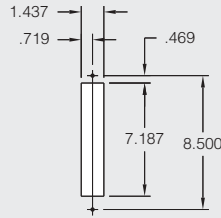
EZ Designates a product in the EnclosureZone program.

Technical Specifications

NEMA 12 Wallmount Enclosures



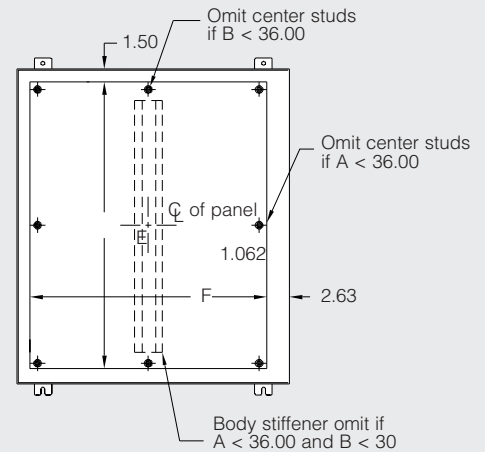
Front View



Detail



Section Y-Y



Right Side View

Part No.	Enclosure						Mounting Panel					
	Outside dimensions (inches)			Mounting centers		Door and body stiffener	Door size		Part No.	Panel size		Usable depth
	H	W	D	H	W		J	K		E	F	
E 20AB2208	20.00	21.38	8.00	21.25	15.38	NO	18.25	18.25	E 20P20	17.00	17.00	7.75
E 24AB2208	24.00	21.38	8.00	25.25	15.38	NO	22.25	18.25	E 24P20	21.00	17.00	7.75
E 24AB2210	24.00	21.38	10.00	25.25	15.38	NO	22.25	18.25	E 24P20	21.00	17.00	9.75
E 24AB2608	24.00	25.38	8.00	25.25	19.38	NO	22.25	22.25	E 24P24	21.00	21.00	7.75
E 24AB2610	24.00	25.38	10.00	25.25	19.38	NO	22.25	22.25	E 24P24	21.00	21.00	9.75
E 30AB2208	30.00	21.38	8.00	31.25	15.38	NO	28.25	18.25	E 30P20	27.00	17.00	7.75
E 30AB2210	30.00	21.38	10.00	31.25	15.38	NO	28.25	18.25	E 30P20	27.00	17.00	9.75
E 30AB2608	30.00	25.38	8.00	31.25	19.38	NO	28.25	22.25	E 30P24	27.00	21.00	7.75
E 30AB2610	30.00	25.38	10.00	31.25	19.38	NO	28.25	22.25	E 30P24	27.00	21.00	9.75
E 36AB2608	36.00	25.38	8.00	37.25	19.38	NO	34.25	22.25	E 36P24	33.00	21.00	7.75
E 36AB2610	36.00	25.38	10.00	37.25	19.38	NO	34.25	22.25	E 36P24	33.00	21.00	9.75
E 36AB3208	36.00	31.38	8.00	37.25	25.38	YES	34.25	28.25	E 36P30	33.00	27.00	7.12*
E 36AB3210	36.00	31.38	10.00	37.25	25.38	YES	34.25	28.25	E 36P30	33.00	27.00	9.12*
E 36AB3212	36.00	31.38	12.00	37.25	25.38	YES	34.25	28.25	E 36P30	33.00	27.00	11.12*
E 42AB3208	42.00	31.38	8.00	43.25	25.38	YES	40.25	28.25	E 42P30	39.00	27.00	7.12*
E 42AB3210	42.00	31.38	10.00	43.25	25.38	YES	40.25	28.25	E 42P30	39.00	27.00	9.12*
E 42AB3212	42.00	31.38	12.00	43.25	25.38	YES	40.25	28.25	E 42P30	39.00	27.00	11.12*
E 42AB3808	42.00	37.38	8.00	43.25	31.38	YES	40.25	34.25	E 42P36	39.00	33.00	7.12*
E 42AB3810	42.00	37.38	10.00	43.25	31.38	YES	40.25	34.25	E 42P36	39.00	33.00	9.12*
E 42AB3812	42.00	37.38	12.00	43.25	31.38	YES	40.25	34.25	E 42P36	39.00	33.00	11.12*
E 48AB3808	48.00	37.38	8.00	49.25	31.38	YES	46.25	34.25	E 48P36	45.00	33.00	7.12*
E 48AB3810	48.00	37.38	10.00	49.25	31.38	YES	46.25	34.25	E 48P36	45.00	33.00	9.12*
E 48AB3812	48.00	37.38	12.00	49.25	31.38	YES	46.25	34.25	E 48P36	45.00	33.00	11.12*
E 48AB381220#	48.00	37.38	12.00	49.25	31.38	YES	46.25	34.25	E 48P36	45.00	33.00	11.12*
E 48AB3816	48.00	37.38	16.00	49.25	31.38	YES	46.25	34.25	E 48P36	45.00	33.00	15.12*
E 60AB3810	60.00	37.38	10.00	61.25	31.38	YES	58.25	34.25	E 60P36	57.00	33.00	9.12*
E 60AB3812	60.00	37.38	12.00	61.25	31.38	YES	58.25	34.25	E 60P36	57.00	33.00	11.12*
E 60AB381220#	60.00	37.38	12.00	61.25	31.38	YES	58.25	34.25	E 60P36	57.00	33.00	11.12*
E 60AB3816	60.00	37.38	16.00	61.25	31.38	YES	58.25	34.25	E 48P36	45.00	33.00	15.12*

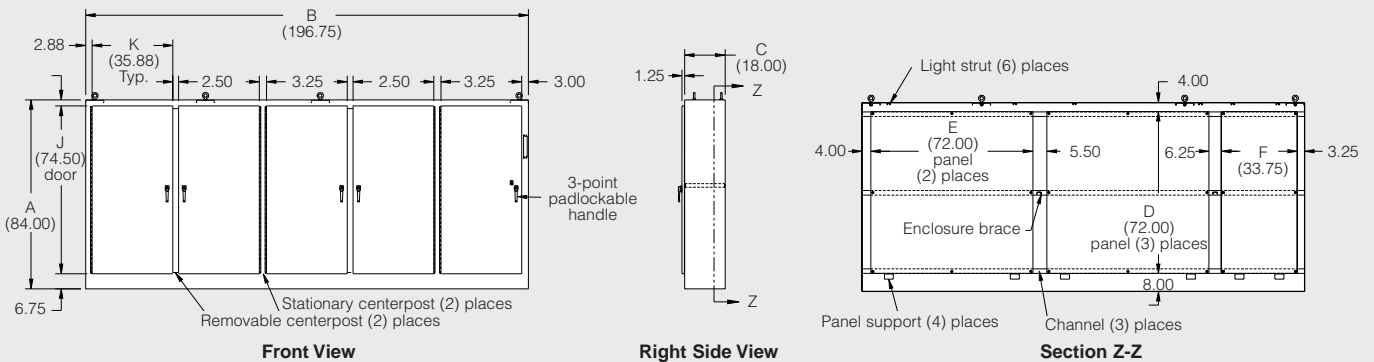
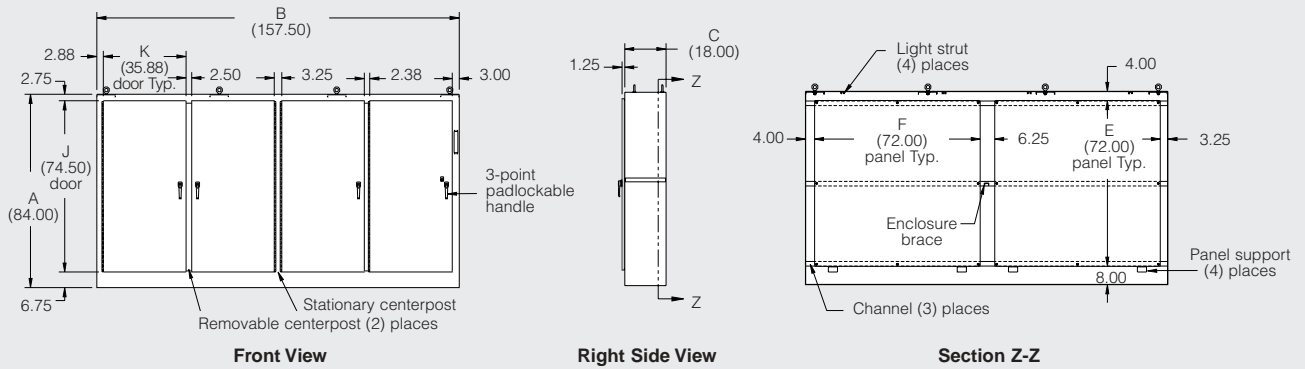
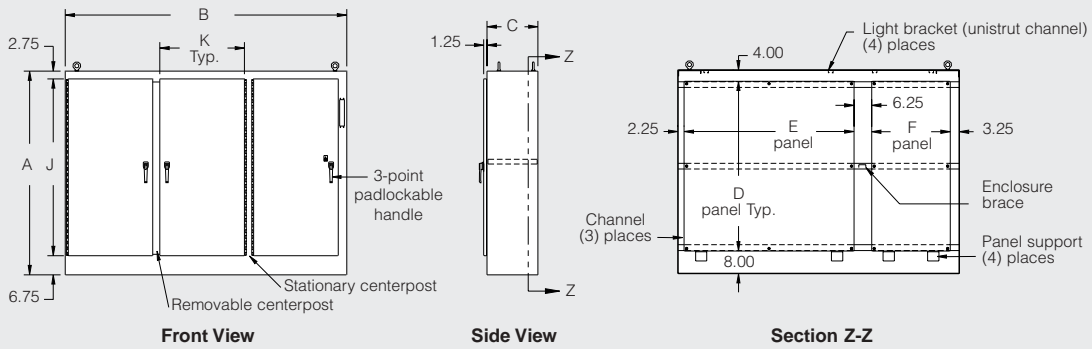
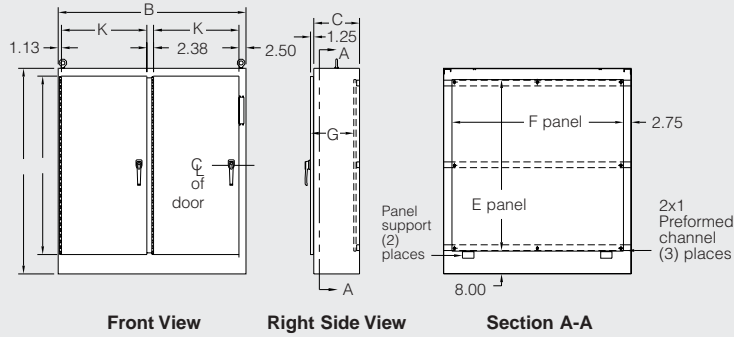
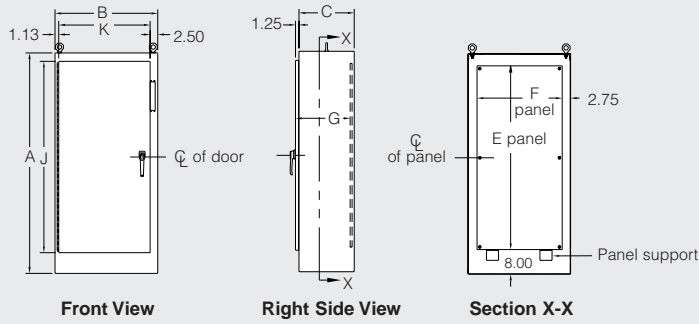
* Usable depth reduced by .625" at door stiffener.

Designed for 200 and 400 amp Allen Bradley Bulletin 1494V disconnect switches using 1494V-H2 operating handle.

Technical Specifications

Freestanding Heavy Duty Enclosures

- One Door
- Two Door
- Three Door
- Four Door
- Five Door





Enclosure				Mounting Panel								
Part No.	Outside dimensions (inches)			Panel size						Usable depth	Door Size	
				Panel size		Size behind single door		Size behind double door			H	W
	H	W	D	H	W	H	W	H	W			
One Door Heavy Duty Enclosure												
E 72XM2818WP	72.00	27.50	18.00	60.00	21.75	-	-	-	-	18.00	62.50	23.83
EZ E 72XM3418WP	72.00	33.50	18.00	60.00	27.75	-	-	-	-	18.00	62.50	29.83
E 72XM4018WP	72.00	39.50	18.00	60.00	33.75	-	-	-	-	18.00	62.50	35.83
EZ E 84XM4018WP	84.00	39.50	18.00	72.00	33.75	-	-	-	-	18.00	74.50	35.83
E 90XM4020WP	90.00	39.50	20.00	78.00	33.75	-	-	-	-	20.00	80.50	35.83
E 90XM4024WP	90.00	39.50	24.00	78.00	33.75	-	-	-	-	24.00	80.50	35.83
Two Door Heavy Duty Enclosure												
E 72XM5418WP	72.00	53.75	18.00	60.00	48.00	-	-	-	-	17.00	62.50	23.88
E 72XM6618WP	72.00	65.75	18.00	60.00	60.00	-	-	-	-	17.00	62.50	29.88
E 72XM7818WP	72.00	77.75	18.00	60.00	72.00	-	-	-	-	17.00	62.50	35.88
E 72XM7824WP	72.00	77.75	24.00	60.00	72.00	-	-	-	-	23.00	62.50	35.88
EZ E 84XM7818WP	84.00	77.75	18.00	72.00	72.00	-	-	-	-	17.00	74.50	35.88
E 90XM7820WP	90.00	77.75	20.00	78.00	72.00	-	-	-	-	19.00	80.50	35.88
E 90XM7824WP	90.00	77.75	24.00	78.00	72.00	-	-	-	-	23.00	80.50	35.88
Three Door Heavy Duty Enclosure												
E 72XM3EQ18WP	72.00	99.50	18.00	-	-	60.00	27.75	60.00	60.00	17.00	62.50	29.88
E 72XM3EW18WP	72.00	117.50	18.00	-	-	60.00	33.75	60.00	72.00	17.00	62.50	35.88
E 84XM3EW18WP	84.00	117.50	18.00	-	-	72.00	33.75	72.00	72.00	17.00	74.50	35.88
E 90XM3EW24WP	90.00	117.50	24.00	-	-	78.00	33.75	78.00	72.00	23.00	80.50	35.88
Four Door Heavy Duty Enclosure												
E 84XM4EW18WP	84.00	157.50	18.00	72.00*	72.00*	-	-	-	-	17.00	74.50	35.88
Five Door Heavy Duty Enclosure												
E 84XM5EW18WP	84.00	196.75	18.00	-	-	72.00	33.75	72.00*	72.00*	17.00	74.50	35.88

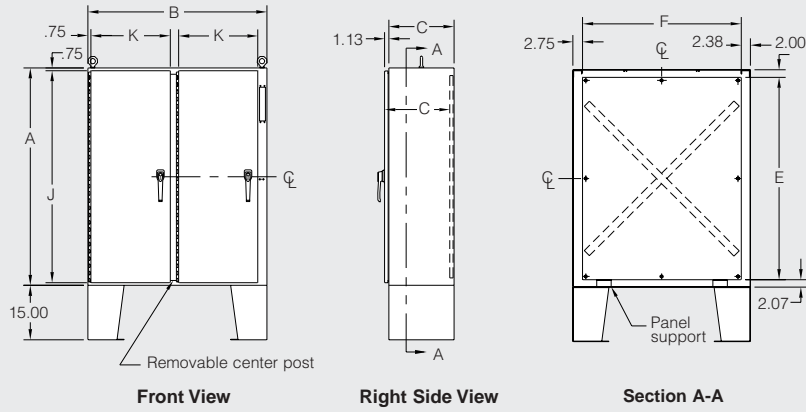
Enclosure				Mounting Panel						
Part No.	Outside dimensions (inches)			Panel size				Usable depth	Door Size	
				Panel size		Opening size left side			H	W
	H	W	D	H	W	H	W			
Modular Enclosure										
E MOD72X4018 ¹⁾	72.00	39.75	18.00	60.00	33.75	66.63	12.25	17.06	62.50	35.88
E MOD72X7818 ²⁾	72.00	78.00	18.00	60.00	72.70	66.63	12.25	17.06	62.50	36.38
E MOD84X4018 ¹⁾	84.00	39.75	18.00	72.00	33.75	78.63	12.25	17.06	74.50	35.88
E MOD84X4024 ¹⁾	84.00	39.75	24.00	72.00	33.75	78.63	18.25	23.06	74.50	35.88
E MOD84X7818 ²⁾	84.00	78.00	18.00	72.00	72.00	78.63	12.25	17.06	74.50	36.88
E MOD84X7824 ²⁾	84.00	78.00	24.00	72.00	72.00	78.63	18.25	23.06	74.50	36.38

¹⁾ Single door. ²⁾ Double door. * Two mounting panels used.

EZ Designates a product in the EnclosureZone program.

Technical Specifications

Floormount Freestanding Enclosures



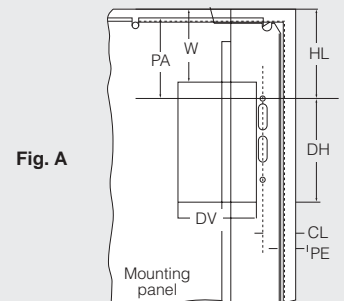
Part No.	Enclosure					Mounting Panel			
	Outside dimensions (inches)			Door size		Part No.	Panel size		Usable depth
	H	W	D	J	K		E	F	
	A	B	C	J	K		E	F	C
E 60CPX4812 ¹⁾	60.00	48.00	12.00	58.50	22.00	E 60P48	56.00	44.00	12.00
E 60CPX6012 ¹⁾	60.00	60.00	12.00	58.50	28.00	E 60P60	56.00	56.00	12.00
EZ E 60X4912 ²⁾	60.00	49.38	12.00	58.50	21.88	E 60P48	56.00	44.00	12.00
EZ E 60X4918 ²⁾	60.00	49.38	18.00	58.50	21.88	E 60P48	56.00	44.00	18.00
EZ E 60X6112 ²⁾	60.00	61.38	12.00	58.50	27.88	E 60P60	56.00	56.00	12.00
EZ E 60X6118 ²⁾	60.00	61.38	18.00	58.50	27.88	E 60P60	56.00	56.00	18.00
E 72CPX7212 ¹⁾	72.00	72.00	12.00	70.50	34.00	E 72P72	68.00	68.00	12.00
E 72CPX7218 ¹⁾	72.00	72.00	18.00	70.50	34.00	E 72P72	68.00	68.00	18.00
EZ E 72X6112 ²⁾	72.00	61.38	12.00	70.50	27.88	E 72P60	68.00	56.00	12.00
EZ E 72X6118 ²⁾	72.00	61.38	18.00	70.50	27.88	E 72P60	68.00	56.00	18.00
EZ E 72X7312 ²⁾	72.00	73.38	12.00	70.50	33.88	E 72P72	68.00	68.00	12.00
EZ E 72X7318 ²⁾	72.00	73.38	18.00	70.50	33.88	E 72P72	68.00	68.00	18.00
E 72X7324 ²⁾	72.00	73.00	24.00	70.50	33.88	E 72P72	68.00	68.00	24.00

¹⁾ Disconnect operator on right flange. ²⁾ Disconnect operator on center post.

AE Wallmount FMD Enclosures

Part No.	AE Wallmount FMD Enclosures													
	Dimensions						Master door		Slave door		Panel size			
	inches			mm			inches	mm	inches	mm	inches		mm	
	H	W	D	H	W	D	D1	D1	D2	D2	H	W	H	W
EZ 1075600	29.92	23.62	8.27	760	600	210	19.68	500	-	-	28.74	21.61	730	549
EZ 1074600	29.92	29.92	11.81	760	760	300	25.98	660	-	-	28.74	27.72	730	704
EZ 1183600	39.37	31.50	11.81	1000	800	300	27.55	700	-	-	37.60	29.09	955	739
EZ 1283600	47.24	31.50	11.81	1200	800	300	27.55	700	-	-	45.47	29.13	1155	740
EZ 1115600	55.12	39.37	11.81	1400	1000	300	35.43	900	-	-	53.35	37.00	1355	940

Part No.	AE Wallmount FMD Enclosures (Continued)							
	See figure A for illustration							
	CL		HL		PA		PE	
	inches	mm	inches	mm	inches	mm	inches	mm
EZ 1075600	1.87	47.5	5.18	131.6	4.59	116.6	1.003	25.5
EZ 1074600	1.87	47.5	5.18	131.6	4.59	116.6	1.102	28
EZ 1183600	1.87	47.5	9.74	247.6	8.86	225.1	1.2	30.5
EZ 1283600	1.87	47.5	9.74	247.6	8.86	225.1	1.18	30
EZ 1115600	1.87	47.5	11.6	295	10.72	272.5	1.18	30



EZ Designates a product in the EnclosureZone program.



AE Wallmount FMD Enclosures

Allen Bradley 1494V Disconnects/Circuit-Breakers (Fig. A pg. IND 111)															
Allen Bradley Part No.	Amp rating	Fuse clip	Fuse class	DH		DW*		When HL=131.6 (5.1)		When HL=180.6 (7.11)		When HL=247.6 (9.74)		When HL=295 (11.6)	
				inches	mm	inches	mm	inches	mm	inches	mm	inches	mm	inches	mm
				W	W	W	W	W	W	W	W				
1494V-DS30	30A	Unfused	-	3.8	98.4	7.12	181	3.3	84.8	5.26	133.8	7.9	200.8	9.7	248.2
1494V-DS30	30A	30A-250V	H,K,R	5.19	131.9	7.12	181	3.3	84.8	5.26	133.8	7.9	200.8	9.7	248.2
1494V-DS30	30A	30A-600V	H,K,R	7.9	202.4	7.12	181	3.3	84.8	5.26	133.8	7.9	200.8	9.7	248.2
1494V-DS30	30A	30A-600V	J	5.19	131.9	7.12	181	3.3	84.8	5.26	133.8	7.9	200.8	9.7	248.2
1494V-DS30	30A	60A-250V	H,K,R	5.9	151.6	7.12	181	3.3	84.8	5.26	133.8	7.9	200.8	9.7	248.2
1494V-DS30	30A	60A-600V	H,K,R	8.47	215.2	7.12	181	3.3	84.8	5.26	133.8	7.9	200.8	9.7	248.2
1494V-DS30	30A	60A-600V	J	5.3	135.5	7.12	181	3.3	84.8	5.26	133.8	7.9	200.8	9.7	248.2
1494V-DS60	60A	Unfused	-	3.8	98.4	7.12	181	3.3	84.8	5.26	133.8	7.9	200.8	9.7	248.2
1494V-DS60	60A	60A-250V	H,K,R	5.9	151.6	7.12	181	3.3	84.8	5.26	133.8	7.9	200.8	9.7	248.2
1494V-DS60	60A	60A-600V	H,K,R	8.47	215.2	7.12	181	3.3	84.8	5.26	133.8	7.9	200.8	9.7	248.2
1494V-DS60	60A	60A-600V	J	5.3	135.5	7.12	181	3.3	84.8	5.26	133.8	7.9	200.8	9.7	248.2
1494V-DS60	60A	30A-600V	H,K,R	7.9	202.4	7.12	181	3.3	84.8	5.26	133.8	7.9	200.8	9.7	248.2
1494V-DS60	60A	100A-250V	H,K	8.86	225.1	7.12	181	3.3	84.8	5.26	133.8	7.9	200.8	9.7	248.2
1494V-DS60	60A	100A-600V	H,K	10.8	275.9	7.12	181	3.3	84.8	5.26	133.8	7.9	200.8	9.7	248.2
1494V-DS60	60A	100A-600V	J	7.6	193.3	7.12	181	3.3	84.8	5.26	133.8	7.9	200.8	9.7	248.2
1494V-DS100	100A	Unfused	-	3.8	98.4	7.12	181	-	-	-	-	7.3	186.1	9.19	233.5
1494V-DS100	100A	100A-250V	H,K,R	9.6	244.1	7.12	181	-	-	-	-	7.3	186.1	9.19	233.5
1494V-DS100	100A	100A-600V	H,K,R	11.6	294.9	7.12	181	-	-	-	-	7.3	186.1	9.19	233.5
1494V-DS100	100A	100A-600V	J	8.3	212.3	7.12	181	-	-	-	-	7.3	186.1	9.19	233.5
1494V-DS100	100A	200A-250V	H,K	12.4	315.1	7.12	181	-	-	-	-	7.3	186.1	9.19	233.5
1494V-DS100	100A	200A-600V	H,K	14.9	378.6	7.12	181	-	-	-	-	7.3	186.1	9.19	233.5
1494V-DS100	100A	200A-600V	J	11.03	280.2	7.12	181	-	-	-	-	7.3	186.1	9.19	233.5
1494V-DS200	200A	Unfused	-	4.6	118.3	8.4	213.9	-	-	-	-	6.3	160.7	8.19	208.1
1494V-DS200	200A	200A-250V	H,K,R	11.8	300.4	8.4	213.9	-	-	-	-	6.3	160.7	8.19	208.1
1494V-DS200	200A	200A-600V	H,K,R	14.3	363.9	8.4	213.9	-	-	-	-	6.3	160.7	8.19	208.1
1494V-DS200	200A	200A-600V	J	10.4	265.5	8.4	213.9	-	-	-	-	6.3	160.7	8.19	208.1
1494V-M40	150A	EDH, FD, FDB, FDC, HFD, HMCP	-	6	152	4.125	104.7	4.1	104.1	6.11	155.1	8.74	222.2	10.6	269.6
1494V-M50	250A	JD, JDB, JDC, HJD HMCP	-	10	254	4.125	104.7	-	-	5.57	141.7	8.2	208.5	10.07	256
1494V-M60	400A	KD, KDB, KDC, HKD HMCP	-	10.125	257	5.5	140	-	-	7.75	197	10.39	264	12.25	311.4

* Does not include space for optional auxiliary switch.

Note: 1. For applications above 200A, please contact your local Rittal representative.



AE Wallmount FMD Enclosures

Square D Class 9422 Disconnects/Circuit-Breakers (Fig. A pg. IND 111)

Square D Switch Part No.	Amp rating	Fuse clip	Fuse class	DH		DW*		When HL=131.6 (5.1)		When HL=180.6 (7.11)		When HL=247.6 (9.74)		When HL=295 (11.6)	
				inches	mm	inches	mm	inches	mm	inches	mm	inches	mm	inches	mm
						W	W	W	W	W	W	W	W	W	W
TCN30	30A	Unfused	-	3.8	96.52	6.2	157.48	3.5	88.9	5.51	139.9	8.14	206.7	10	254
TCF30	30A	30A-250V	H, K, R	5.42	137.79	6.2	157.48	3.5	88.9	5.51	139.9	8.14	206.7	10	254
TCF33	30A	30A-600V	H, K, R	8.05	204.4	6.2	157.48	3.5	88.9	5.51	139.9	8.14	206.7	10	254
TCF33	30A	30A-600V	J	5.42	137.79	6.2	157.48	3.5	88.9	5.51	139.9	8.14	206.7	10	254
TCF33	30A	60A-250V	H, K, R	6.05	153.6	6.2	157.48	3.5	88.9	5.51	139.9	8.14	206.7	10	254
TDN60	60A	Unfused	-	3.8	96.52	6.2	157.48	3.5	88.9	5.51	139.9	8.14	206.7	10	254
TDF60	60A	60A-250V	H, K, R	6.05	153.6	6.2	157.48	3.5	88.9	5.51	139.9	8.14	206.7	10	254
TDF60	60A	30A-600V	H, K, R	8.05	204.4	6.2	157.48	3.5	88.9	5.51	139.9	8.14	206.7	10	254
TDF63	60A	60A-600V	H, K, R	8.55	217.17	6.2	157.48	3.5	88.9	5.51	139.9	8.14	206.7	10	254
TDF63	60A	60A-600V	J	5.42	137.79	6.2	157.48	3.5	88.9	5.51	139.9	8.14	206.7	10	254
TEN10	100A	Unfused	-	3.8	96.52	6.2	157.48	-	-	5.51	139.9	8.14	206.7	10	254
TEF10	100A	100A-250V	H, K, R	8.25	209.55	6.2	157.48	-	-	5.51	139.9	8.14	206.7	10	254
TEF10	100A	100A-600V	H, K, R	10.25	260.35	6.2	157.48	-	-	5.51	139.9	8.14	206.7	10	254
TEF10	100A	100A-600V	J	7.05	179.07	6.2	157.48	-	-	5.51	139.9	8.14	206.7	10	254
TF1	200A	Unfused	-	5.25	133.35	11.63	295.4	-	-	-	-	6.49	164.8	8.35	212.09
TF2	200A	200A-250V	H, K, R	11.2	284.48	11.63	295.4	-	-	-	-	6.49	164.8	8.35	212.09
TF2	200A	200A-600V	H, K, R	13.7	347.98	11.63	295.4	-	-	-	-	6.49	164.8	8.35	212.09
TF2	200A	200A-600V	J	9.83	249.68	11.63	295.4	-	-	-	-	6.49	164.8	8.35	212.09
TF3	200A	400A-600V	J	14.25	361.95	11.63	295.4	-	-	-	-	6.49	164.8	8.35	212.09
RG1	75, 100A	GJL	Circuit breaker	3.75	95.2	3.54	90	4.1	104.1	6.11	155.1	8.74	221.9	10.6	269.2
RN1	100A	FAL, FHL	Circuit breaker	8.03	203.9	4.5	114	4.63	117.6	6.64	168.6	9.27	235.4	11.13	282.7
RP1	250A	KAL, KHL	Circuit breaker	9.66	245.3	4.5	114	-	-	6.64	168.6	9.27	235.4	11.13	282.7

* DW dimension without operating mechanism.

Note:

1. For applications above 200A, please contact your local Rittal representative.

AE Wallmount FMD Enclosures



GE Type STDA Disconnects (Fig. A pg. IND 111)

GE Operating Mechanism Part No.	Amp rating	Fuse clip	Fuse class	DH		DW		When HL=131.6 (5.1)		When HL=180.6 (7.11)		When HL=247.6 (9.74)		When HL=295 (11.6)	
				inches	mm	inches	mm	inches	mm	inches	mm	inches	mm	inches	mm
								W	W	W	W	W	W	W	W
TDOM1A	30A	Unfused	-	3.75	95.2	5.7	144.4	1.52	38.3	3.4	87.8	6.09	154.8	7.9	202.2
TDOM1A	30A	30A-250V	H, R	5.6	142.8	5.7	144.4	1.52	38.3	3.4	87.8	6.09	154.8	7.9	202.2
TDOM1B	30A	30A-600V	H, R	8.6	219	5.7	144.4	1.52	38.3	3.4	87.8	6.09	154.8	7.9	202.2
TDOM1B	30A	60A-250V	H, R	7	177.8	5.7	144.4	1.52	38.3	3.4	87.8	6.09	154.8	7.9	202.2
TDOM1B	30A	60A-250V	H, R	9.5	241.3	5.7	144.4	1.52	38.3	3.4	87.8	6.09	154.8	7.9	202.2
TDOM1A	60A	Unfused	-	4.06	103.1	5.7	144.4	1.52	38.3	3.4	87.8	6.09	154.8	7.9	202.2
TDOM1B	60A	60A-250V	H, R	7	177.8	5.7	144.4	1.52	38.3	3.4	87.8	6.09	154.8	7.9	202.2
TDOM1B	60A	60A-600V	H, R	9.5	241.3	5.7	144.4	1.52	38.3	3.4	87.8	6.09	154.8	7.9	202.2
TDOM1B	60A	100A-250V	H, R	8.4	213.5	5.7	144.4	1.52	38.3	3.4	87.8	6.09	154.8	7.9	202.2
TDOM1B	60A	100A-600V	H, R	10.4	264.3	5.7	144.4	1.52	38.3	3.4	87.8	6.09	154.8	7.9	202.2
TDOM1A	100A	Unfused	-	4.1	104.7	5.7	144.4	-	-	-	-	6.09	154.8	7.9	202.2
TDOM1B	100A	100A-250V	H, R	8.4	213.5	5.7	144.4	-	-	-	-	6.09	154.8	7.9	202.2
TDOM1B	100A	100A-600V	H, R	10.4	264.3	5.7	144.4	-	-	-	-	6.09	154.8	7.9	202.2
TDOM1B	100A	200A-250V	H, R	13.9	353.2	5.7	144.4	-	-	-	-	6.09	154.8	7.9	202.2
TDOM1B	100A	200A-600V	H, R	16.4	416.7	5.7	144.4	-	-	-	-	6.09	154.8	7.9	202.2
TDOM2	200A	Unfused	-	7.59	192.8	8.78	223	-	-	-	-	-	-	7.4	188.6
TDOM2	200A	200A-250V	H, R	13.9	353.2	8.78	223	-	-	-	-	-	-	7.4	188.6
TDOM2	200A	200A-600V	H, R	16.4	416.7	8.78	223	-	-	-	-	-	-	7.4	188.6

Note:

1. For applications above 200A, please contact your local Rittal representative.

GE Type STDA Circuit-Breakers (Fig. A pg. IND 111)

GE Operating Mechanism Part No.	Amp rating	Frame type	DH		DW		When HL=131.6 (5.1)		When HL=180.6 (7.11)		When HL=247.6 (9.74)		When HL=295 (11.6)	
			inches	mm	inches	mm	inches	mm	inches	mm	inches	mm	inches	mm
							W	W	W	W	W	W	W	W
TDOM1A	150A	TEB, TED, THED	5.59	142	4.1	104.1	-	-	-	-	7.4	187.9	9.26	235.2
TDOM1A	150A	TEC	5.59	142	4.1	104.7	-	-	-	-	7.4	187.9	9.26	235.2
TDOM1B	150A	TB1	9.59	243.6	4.1	104.7	-	-	-	-	7.4	187.9	9.26	235.2
TDOM1B	150A	TEC, TECL	7.46	189.7	4.1	104.7	-	-	-	-	7.4	187.9	9.26	235.2
TDOM1C	150A	TEL	5.59	142	4.1	104.7	-	-	-	-	7.4	187.9	9.26	235.2
TDOM1D	150A	THLC1	8.37	212.7	4.1	104.7	-	-	-	-	7.74	196.5	9.6	243.8
TDOM3	225A	TFJ	8.93	227	4.1	104.7	-	-	-	-	7.56	192	9.42	239.2
TDOM3	225A	TFK, THFK, TFL	8.93	227	4.1	104.7	-	-	-	-	7.56	192	9.42	239.2
TDOM6	225A	THLC2	10.8	275.4	5.7	145.2	-	-	-	-	7.56	192	9.42	239.2

AE Wallmount FMD Enclosures

ITE Max-Flex Operators for Disconnect Switches (Fig. A pg. IND 116)

Switch Operator Part No.	Max-Flex variable depth complete handle mechanism	Fixed depth complete handle mechanism	Amp rating	Fuse kit	Fuse class	Panel space requirements					
						inches			mm		
						A	B	C	A	B	C
MCS603R MCS603L	FHOS06036R FHOS06036L	FDFS06R	30	No fuse	-	6.13	5.52	-	155.7	140.2	-
				30A, 250V	H, R	6.13	5.52	8.11	155.7	140.2	205.9
				30A, 600V	H, R	6.13	5.52	10.11	155.7	140.2	256.7
MCS606R MCS606L	FHOS06036R FHOS06036L	FDFS06R	60	No fuse	-	6.13	5.52	-	155.7	140.2	-
				60A, 250V	H, R	6.13	5.52	7.86	155.7	140.2	199.6
				60A, 600V	H, R	6.13	5.52	10.38	155.7	140.2	263.6
MCS610R MCS610L	FHOS06036R FHOS06036L	FDFS06R	100	No fuse	-	7.38	7.59	-	187.4	192.7	-
				100A, 250V	H, R	7.38	7.59	11.85	187.4	192.7	300.9
				100A, 600V	H, R	7.38	7.59	13.85	187.4	192.7	351.7
MCS620R MCS620L	FHOS20036R	FDFS20R	200	No fuse	-	9.17	9.00	-	232.9	228.6	-
				200A, 250V	H, R	9.17	9.00	14.7	232.9	228.6	373.3
				200A, 600V	H, R	9.17	9.00	17.2	232.9	228.6	436.8
MCS620R MCS620L	FHOS20036R	FDFS20R	200	No fuse	-	9.17	9.00	-	232.9	228.6	-
				200A, 250V	H, R	9.17	9.00	14.7	232.9	228.6	373.3
				200A, 600V	H, R	9.17	9.00	17.2	232.9	228.6	436.8
MCS620R MCS620L	FHOS20036R	FDFS20R	200	No fuse	-	9.17	9.00	-	232.9	228.6	-
				200A, 250V	H, R	9.17	9.00	14.7	232.9	228.6	373.3
				200A, 600V	H, R	9.17	9.00	17.2	232.9	228.6	436.8
MCS620R MCS620L	FHOS20036R	FDFS20R	200	No fuse	-	9.17	9.00	-	232.9	228.6	-
				200A, 250V	H, R	9.17	9.00	14.7	232.9	228.6	373.3
				200A, 600V	H, R	9.17	9.00	17.2	232.9	228.6	436.8
MCS620R MCS620L	FHOS20036R	FDFS20R	200	No fuse	-	9.17	9.00	-	232.9	228.6	-
				200A, 250V	H, R	9.17	9.00	14.7	232.9	228.6	373.3
				200A, 600V	H, R	9.17	9.00	17.2	232.9	228.6	436.8
MCS620R MCS620L	FHOS20036R	FDFS20R	200	No fuse	-	9.17	9.00	-	232.9	228.6	-
				200A, 250V	H, R	9.17	9.00	14.7	232.9	228.6	373.3
				200A, 600V	H, R	9.17	9.00	17.2	232.9	228.6	436.8
MCS620R MCS620L	FHOS20036R	FDFS20R	200	No fuse	-	9.17	9.00	-	232.9	228.6	-
				200A, 250V	H, R	9.17	9.00	14.7	232.9	228.6	373.3
				200A, 600V	H, R	9.17	9.00	17.2	232.9	228.6	436.8
MCS620R MCS620L	FHOS20036R	FDFS20R	200	No fuse	-	9.17	9.00	-	232.9	228.6	-
				200A, 250V	H, R	9.17	9.00	14.7	232.9	228.6	373.3
				200A, 600V	H, R	9.17	9.00	17.2	232.9	228.6	436.8
MCS620R MCS620L	FHOS20036R	FDFS20R	200	No fuse	-	9.17	9.00	-	232.9	228.6	-
				200A, 250V	H, R	9.17	9.00	14.7	232.9	228.6	373.3
				200A, 600V	H, R	9.17	9.00	17.2	232.9	228.6	436.8

Note:

- To order Class R fuse kit, you must order Class H fuse kit and corresponding Class R fuse conversion kit.
- Max-Flex standard cable length is 36 inches. Alternate cable lengths are available.
- Maximum length with Class H and R fuses.

Maximum "E" Dimension For ITE Max-Flex With Disconnect Switch (Fig. B pg. IND 116)

Switch Part No.	Cable Part No.	When enclosure depth=MPL position									
		When 8.27 (210)= 7.24 (184)		When 9.84 (250)=8.82 (224)		When 11.81 (300)=10.78 (274)		When 13.87 (350)=12.75 (324)		When 15.75 (400)=10.75 (273)	
		inches	mm	inches	mm	inches	mm	inches	mm	inches	mm
MCS603, MCS606, MCS610	FHOEC036	16.0	406	13.0	330	13.5	343	8.0	203	13.5	343
MCS620	FHOEC036	15.0	381	12.0	304	12.5	317	7.0	178	12.5	317

Maximum "E" Dimension For ITE Max-Flex With Disconnect Switch (Fig. B pg. IND 116)

Enclosure depth		36" Cable									
		Fmin					Fmax				
inches	mm	inches		mm		inches		mm		mm	
8.27	210	7.0		177.8		14.5		368.3			
9.84	250	5.5		139.7		13.1		332.7			
11.81	300	5.0		127		12.0		304.8			
13.87	350	4.0		101.6		9.4		238.7			
15.75	400	4.0		101.6		9.4		238.7			

Fixed Depth Flange Mounted Handle With ITE Disconnect Switch (Fig. C pg. IND 116)

Switch Part No.	Handle Part No.	Dimensions									
		X1		X2		Y1		Y2		Z1	
		inches	mm	inches	mm	inches	mm	inches	mm	inches	mm
MCS603, MCS606	FDFS06R	3.52	89.4	1.5	38.1	0.0	0.0	1.89	48	6.44	163.5
MCS610	FDFS06R	3.91	99.3	1.81	45.9	0.13	3.3	3.0	76.2	6.44	163.5
MCS620	FDFS20R	1.51	38.3	7.86	199.6	0.38	9.6	5.44	138.1	10.93	277.6

Note:

- Z1 is the distance between the enclosure door and MPL.



AE Wallmount FMD Enclosures

For ITE Max-Flex Operators for Circuit-Breakers

Breaker Part No.	Amp rating	Circuit breaker frame size	For use with breaker type(s)
FHOE036	125	ED, HED, EF (CE)	ED2, ED4, ED6, HED4, HED6 ET1, HHED6, EFC
FHOE036	125	CED, EF (CE)	CED6, CED6 ET1, EFF
FHOF036	250	FD, FXD, HFD, HFXD, FF (CE)	FXD6-A, FD6-A, HFD6, HFXD6, HHFD6, FD6 ET1, FFC, FFF
FHOF036	250	CFD	CFD6, CFD6 ET1

Note:

1. For applications above 200A, please contact your local Rittal representative.

ITE Circuit Breaker Mounting Dimensions (Fig. D pg. IND 116)

Circuit breaker frame size	Amp rating	See fig. D												Tap size
		A		B		C		D*		K		DH (normal)		
		inches	mm	inches	mm	inches	mm	inches	mm	inches	mm	inches	mm	
ED, HED, EF CED, EF	125	1.0	25.4	5.0	127	0.65	16.5	6.33	160.7	-	-	6.81	172.9	#8-32
		1.0	25.4	5.0	127	0.65	16.5	8.93	226.8	3.25	82.5	6.81	172.9	
FXD, FD, HFD, HFXD, FF CFD	250	1.5	38.1	7.5	190.5	1.0	25.4	9.5	241.3	-	-	6.78	172.2	#1/4 20
		1.5	38.1	7.5	190.5	1.0	25.4	14.2	361.9	4.6	117.4	6.78	172.2	

Maximum "E" Dimension For ITE Max-Flex With Circuit-Breaker (Fig. D pg. IND 116)

Cable Part No.	Frame size	When enclosure depth=MPL position									
		When 8.27 (210)= 7.24 (184)		When 9.84 (250)=8.82 (224)		When 11.81 (300)=10.78 (274)		When 13.87 (350)=12.75 (324)		When 15.75 (400)=10.75 (273)	
		inches	mm	inches	mm	inches	mm	inches	mm	inches	mm
FHOEC036	ED, HED, CED, EF	13.5	342.9	13.5	342.9	13	330	10.7	271	10.7	271
FHOEC036	FXD, FD, HFD, HFXD, FF, CFD										

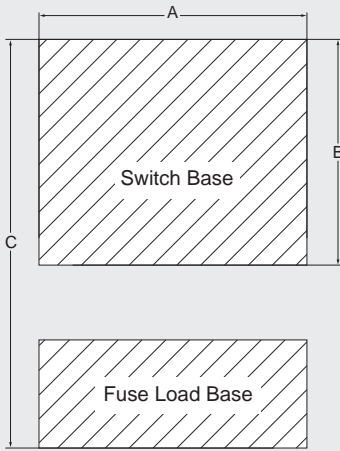


Fig. A

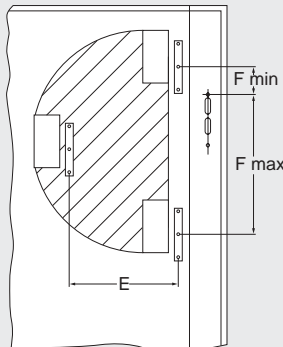


Fig. B

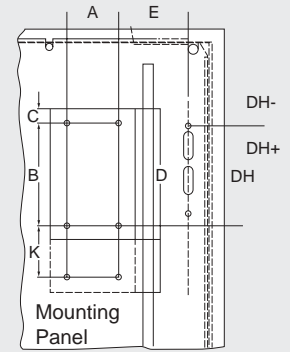


Fig. D

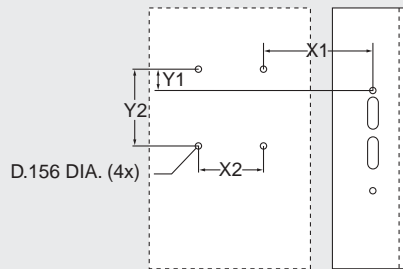


Fig. C



AE Wallmount FMD Enclosures

Cutler-Hammer (C361 Disconnect Switches) (Fig. A pg. IND 111)

Cutler-Hammer Part No.	Amp rating	Fuse clip	Fuse class	DH		DW		When HL=131.6 (5.18)		When HL=180.6 (7.11)		When HL=247.6 (9.74)		When HL=295 (11.6)	
				inches	mm	inches	mm	inches	mm	inches	mm	inches	mm	inches	mm
								W	W	W	W	W	W	W	W
NC	30A	Unfused	-	3.9	99.18	6	152.4	3.58	91.13	5.51	140.1	8.14	206.9	10	254.2
SC21	30A	30A-250V	H,K,R	7.6	194.74	6	152.4	3.58	91.13	5.51	140.1	8.14	206.9	10	254.2
SC61	30A	60A-250V	H,K,R	8.16	207.4	6	152.4	3.58	91.13	5.51	140.1	8.14	206.9	10	254.2
SC61	30A	30A-600V	H,K,J,R	7.6	194.74	6	152.4	3.58	91.13	5.51	140.1	8.14	206.9	10	254.2
ND	60A	Unfused	-	3.9	99.18	6	152.4	3.58	91.13	5.51	140.1	8.14	206.9	10	254.2
SD22	60A	Unfused	-	3.9	99.18	6	152.4	3.58	91.13	5.51	140.1	8.14	206.9	10	254.2
SD22	60A	60A-250V	H,K,R	8.16	207.4	6	152.4	3.58	91.13	5.51	140.1	8.14	206.9	10	254.2
SD62	60A	60A-600V	H,K,R	8.16	207.4	6	152.4	3.58	91.13	5.51	140.1	8.14	206.9	10	254.2
SD62	60A	60A-600V	J	7.79	197.9	6	152.4	3.58	91.13	5.51	140.1	8.14	206.9	10	254.2
NE	100A	Unfused	-	8.9	226.05	7	187.5	3.23	82	5.16	131.06	7.79	197.8	9.65	245.1
SE263	100A	100A-250V	H,K,R	8.9	226.05	7	187.5	3.23	82	5.16	131.06	7.79	197.8	9.65	245.1
SE263	100A	100A-600V	H,K,R	8.9	226.05	7	187.5	3.23	82	5.16	131.06	7.79	197.8	9.65	245.1
SE263	100A	100A-600V	J	8.9	226.05	7	187.5	3.23	82	5.16	131.06	7.79	197.8	9.65	245.1
NF	200A	Unfused	-	13.1	333.8	9.75	247.6	-	-	-	-	-	-	6.74	171.3
SF264	200A	200A-250V	H,K,R	13.1	333.8	9.75	247.6	-	-	-	-	-	-	6.74	171.3
SF264	200A	200A-600V	H,K,R	13.1	333.8	9.75	247.6	-	-	-	-	-	-	6.74	171.3
SF264	200A	200A-600V	J	13.1	333.8	9.75	247.6	-	-	-	-	-	-	6.74	171.3

Note:

1. For applications above 200A, please contact your local Rittal representative.
2. DH dimension includes the lowering mechanism.

Cutler-Hammer (C371 Circuit-Breaker Operator) (Fig. A pg. IND 111)

Cutler-Hammer Part No.	Amp rating	Frame type	DH		DW		When HL=131.6 (5.18)		When HL=180.6 (7.11)		When HL=247.6 (9.74)		When HL=295 (11.6)	
			inches	mm	inches	mm	inches	mm	inches	mm	inches	mm	inches	mm
							W	W	W	W	W	W	W	W
C371E	150A	Cutler-Hammer FDB, FD, FDC, HFD EHD	5.33	135.38	4.125	105	4.51	114.5	6.44	163.5	9.07	230.3	10.93	277.6
C371E	150A	Westinghouse F Frame/Series C	5.33	135.38	4.125	105	4.51	114.5	6.44	163.5	9.07	230.3	10.93	277.6
C371F	225A	Cutler-Hammer HJD, JD, JDC	9.37	238.1	10	254	-	-	6.48	164.7	9.11	231.5	10.97	278.7
C371F	250A	Westinghouse J Frame/Series C	9.37	238.1	10	254	-	-	6.48	164.7	9.11	231.5	10.97	278.7

Note:

1. For applications above 200A, please contact your local Rittal representative.

NEMA 4/4X Wallmount Enclosures (HS)

NEMA 4 Wallmount Carbon Steel Enclosures/NEMA 4X Wallmount Stainless Steel Enclosures																
Part No.	Exact outside dimensions						Mounting centers				Door and body stiffener	Door size				Mounting Panel Part No.
	inches			mm			inches		mm			inches		mm		
	A	B	C	A	B	C	H	W	H	W		J	K	J	K	
E 24HS2108/	24	21.38	8	609.6	543.1	203.2	25.25	15.38	641.4	390.7	NO	22.25	18.25	565.2	463.6	E 24P20
E 24HS2108SS	24	21.38	8	609.6	543.1	203.2	25.25	15.38	641.4	390.7	NO	22.25	18.25	565.2	463.6	E 24P20
E 24HS2508/	24	25.38	8	609.6	644.7	203.2	25.25	19.38	641.4	492.3	NO	22.25	22.25	565.2	565.2	E 24P24
E 24HS2508SS	24	25.38	8	609.6	644.7	203.2	25.25	19.38	641.4	492.3	NO	22.25	22.25	565.2	565.2	E 24P24
E 30HS2508/	30	25.38	8	762.0	644.7	203.2	31.25	19.38	793.8	492.3	NO	28.25	22.25	717.6	565.2	E 30P24
E 30HS2508SS	30	25.38	8	762.0	644.7	203.2	31.25	19.38	793.8	492.3	NO	28.25	22.25	717.6	565.2	E 30P24
E 36HS2508/	24	21.38	8	609.6	543.1	203.2	25.25	15.38	641.4	390.7	NO	25.25	15.38	641.4	390.7	E 36P24
E 36HS2508SS	24	21.38	8	609.6	543.1	203.2	25.25	15.38	641.4	390.7	NO	25.25	15.38	641.4	390.7	E 36P24
E 36HS3108/	36	31.38	8	914.4	797.1	203.2	37.25	25.38	946.2	644.7	YES*	34.25	28.25	870.0	717.6	E 36P30
E 36HS3108SS	36	31.38	8	914.4	797.1	203.2	37.25	25.38	946.2	644.7	YES*	34.25	28.25	870.0	717.6	E 36P30
EZ E 42HS3112/	42	31.38	12	1066.8	797.1	304.8	43.25	25.38	1098.6	644.7	YES*	40.25	28.25	1022.4	717.6	E 42P30
E 42HS3112SS	42	31.38	12	1066.8	797.1	304.8	43.25	25.38	1098.6	644.7	YES*	40.25	28.25	1022.4	717.6	E 42P30
E 42HS3712/	42	37.38	12	1066.8	949.5	304.8	43.25	31.38	1098.6	797.1	YES*	40.25	34.25	1022.4	870.0	E 42P36
E 42HS3712SS	42	37.38	12	1066.8	949.5	304.8	43.25	31.38	1098.6	797.1	YES*	40.25	34.25	1022.4	870.0	E 42P36
EZ E 48HS3712/	48	37.38	12	1219.2	949.5	304.8	49.25	31.38	1251.0	797.1	YES*	46.25	34.25	1174.8	870.0	E 48P36
E 48HS3712SS	48	37.38	12	1219.2	949.5	304.8	49.25	31.38	1251.0	797.1	YES*	46.25	34.25	1174.8	870.0	E 48P36
E 60HS3712/	60	37.38	12	1524.0	949.5	304.8	61.25	31.38	1555.8	797.1	YES*	58.25	34.25	1479.6	870.0	E 60P36
EZ E 60HS3712SS	60	37.38	12	1524.0	949.5	304.8	61.25	31.38	1555.8	797.1	YES*	58.25	34.25	1479.6	870.0	E 60P36

* Usable depth reduced by .625" at door stiffener.

NEMA 4 Wallmount Carbon Steel Enclosures/NEMA 4X Wallmount Stainless Steel Enclosures (Continued)														
Part No.	Mounting panel size				Usable depth		Fig. A pg. IND 123							
	inches		mm		inches	mm	inches				mm			
	E	F	E	F	G	G	CL	HL	PA	PE	CL	HL	PA	PE
E 24HS2108/	21	17	533.4	431.8	8	203.2	1.594	8.625	7.125	2.565	40.5	219.1	181.0	65.2
E 24HS2108SS	21	17	533.4	431.8	8	203.2	1.594	8.625	7.125	2.565	40.5	219.1	181.0	65.2
E 24HS2508/	21	21	533.4	533.4	8	203.2	1.594	8.625	7.125	2.565	40.5	219.1	181.0	65.2
E 24HS2508SS	21	21	533.4	533.4	8	203.2	1.594	8.625	7.125	2.565	40.5	219.1	181.0	65.2
E 30HS2508/	27	21	685.8	533.4	8	203.2	1.594	8.625	7.125	2.565	40.5	219.1	181.0	65.2
E 30HS2508SS	27	21	685.8	533.4	8	203.2	1.594	8.625	7.125	2.565	40.5	219.1	181.0	65.2
E 36HS2508/	21	17	533.4	431.8	8	203.2	1.594	8.625	7.125	2.565	40.5	219.1	181.0	65.2
E 36HS2508SS	21	17	533.4	431.8	8	203.2	1.594	8.625	7.125	2.565	40.5	219.1	181.0	65.2
E 36HS3108/	33	27	838.2	685.8	7.37	187.2	1.594	8.625	7.125	2.565	40.5	219.1	181.0	65.2
E 36HS3108SS	33	27	838.2	685.8	7.37	187.2	1.594	8.625	7.125	2.565	40.5	219.1	181.0	65.2
EZ E 42HS3112/	39	27	990.6	685.8	11.37	288.8	1.594	11.625	10.125	2.565	40.5	295.3	257.2	65.2
E 42HS3112SS	39	27	990.6	685.8	11.37	288.8	1.594	11.625	10.125	2.565	40.5	295.3	257.2	65.2
E 42HS3712/	39	33	990.6	838.2	11.37	288.8	1.594	11.625	10.125	2.565	40.5	295.3	257.2	65.2
E 42HS3712SS	39	33	990.6	838.2	11.37	288.8	1.594	11.625	10.125	2.565	40.5	295.3	257.2	65.2
EZ E 48HS3712/	45	33	1143.0	838.2	11.37	288.8	1.594	11.625	10.125	2.565	40.5	295.3	257.2	65.2
E 48HS3712SS	45	33	1143.0	838.2	11.37	288.8	1.594	11.625	10.125	2.565	40.5	295.3	257.2	65.2
E 60HS3712/	57	33	1447.8	838.2	11.37	288.8	1.594	11.625	10.125	2.565	40.5	295.3	257.2	65.2
EZ E 60HS3712SS	57	33	1447.8	838.2	11.37	288.8	1.594	11.625	10.125	2.565	40.5	295.3	257.2	65.2

EZ Designates a product in the EnclosureZone program.

NEMA 12 Wallmount Boxes (SA)

NEMA 12 Wallmount Carbon Steel Enclosures/NEMA 12 Wallmount Stainless Steel Enclosures																
Part No.	Exact outside dimensions						Mounting centers				Door and body stiffener	Door size				Mounting Panel Part No.
	inches			mm			inches		mm			inches		mm		
	A	B	C	A	B	C	H	W	H	W		J	K	J	K	
E 20SA2208/ E 20SA2208SS	20	21.38	8	508.0	543.1	203.2	21.25	15.38	539.8	390.7	NO	18.25	18.25	463.6	463.6	E 20P20 E 20P20
E 20SA2210/ E 20SA2210SS	20	21.38	10	508.0	543.1	254.0	21.25	15.38	539.8	390.7	NO	18.25	18.25	463.6	463.6	E 20P20 E 20P20
E 24SA2208/ E 24SA2208SS	24	21.38	8	609.6	543.1	203.2	25.25	15.38	641.4	390.7	NO	22.25	18.25	565.2	463.6	E 24P20 E 24P20
E 24SA2210/ E 24SA2210SS	24	21.38	10	609.6	543.1	254.0	25.25	15.38	641.4	390.7	NO	22.25	18.25	565.2	463.6	E 24P20 E 24P20
E 24SA2608/ E 24SA2608SS	24	25.38	8	609.6	644.7	203.2	25.25	19.38	641.4	492.3	NO	22.25	22.25	565.2	565.2	E 24P24 E 24P24
E 24SA2610/ E 24SA2610SS	24	25.38	10	609.6	644.7	254.0	25.25	19.38	641.4	492.3	NO	22.25	22.25	565.2	565.2	E 24P24 E 24P24
E 30SA2208/ E 30SA2208SS	30	21.38	8	762.0	543.1	203.2	31.25	15.38	793.8	390.7	NO	28.25	18.25	717.6	463.6	E 30P20 E 30P20
E 30SA2210/ E 30SA2210SS	30	21.38	10	762.0	543.1	254.0	31.25	15.38	793.8	390.7	NO	28.25	18.25	717.6	463.6	E 30P20 E 30P20
E 30SA2608/ E 30SA2608SS	30	25.38	8	762.0	644.7	203.2	31.25	19.38	793.8	492.3	NO	28.25	22.25	717.6	565.2	E 30P24 E 30P24
E 30SA2610/ E 30SA2610SS	30	25.38	10	762.0	644.7	254.0	31.25	19.38	793.8	492.3	NO	28.25	22.25	717.6	565.2	E 30P24 E 30P24
E 30SA2612/ E 30SA2612SS	30	25.38	12	762.0	644.7	304.8	31.25	19.38	793.8	492.3	NO	28.25	22.25	717.6	565.2	E 30P24 E 30P24
E 36SA2608/ E 36SA2608SS	36	25.38	8	914.4	644.7	203.2	37.25	19.38	946.2	492.3	NO	34.25	22.25	870.0	565.2	E 36P24 E 36P24
E 36SA2610/ E 36SA2610SS	36	25.38	10	914.4	644.7	254.0	37.25	19.38	946.2	492.3	NO	34.25	22.25	870.0	565.2	E 36P24 E 36P24
E 36SA3208/ E 36SA3208SS	36	31.38	8	914.4	797.1	203.2	37.25	25.38	946.2	644.7	YES *	34.25	28.25	870.0	717.6	E 36P30 E 36P30
E 36SA3210/ E 36SA3210SS	36	31.38	10	914.4	797.1	254.0	37.25	25.38	946.2	644.7	YES *	34.25	28.25	870.0	717.6	E 36P30 E 36P30
E 36SA3212/ E 36SA3212SS	36	31.38	12	914.4	797.1	304.8	37.25	25.38	946.2	644.7	YES *	34.25	28.25	870.0	717.6	E 36P30 E 36P30
E 36SA3216/ E 36SA3216SS	36	31.38	16	914.4	797.1	406.4	37.25	25.38	946.2	644.7	YES *	34.25	28.25	870.0	717.6	E 36P30 E 36P30
E 42SA3208/ E 42SA3208SS	42	31.38	8	1066.8	797.1	203.2	43.25	25.38	1098.6	644.7	YES *	40.25	28.25	1022.4	717.6	E 42P30 E 42P30
E 42SA3210/ E 42SA3210SS	42	31.38	10	1066.8	797.1	254.0	43.25	25.38	1098.6	644.7	YES *	40.25	28.25	1022.4	717.6	E 42P30 E 42P30
E 42SA3212/ E 42SA3212SS	42	31.38	12	1066.8	797.1	304.8	43.25	25.38	1098.6	644.7	YES *	40.25	28.25	1022.4	717.6	E 42P30 E 42P30
E 42SA3808/ E 42SA3808SS	42	37.38	8	1066.8	949.5	203.2	43.25	31.38	1098.6	797.1	YES *	40.25	34.25	1022.4	870.0	E 42P36 E 42P36
E 42SA3810/ E 42SA3810SS	42	37.38	10	1066.8	949.5	254.0	43.25	31.38	1098.6	797.1	YES *	40.25	34.25	1022.4	870.0	E 42P36 E 42P36
E 42SA3812/ E 42SA3812SS	42	37.38	12	1066.8	949.5	304.8	43.25	31.38	1098.6	797.1	YES *	40.25	34.25	1022.4	870.0	E 42P36 E 42P36
E 48SA3808/ E 48SA3808SS	48	37.38	8	1219.2	949.5	203.2	49.25	31.38	1251.0	797.1	YES *	46.25	34.25	1174.8	870.0	E 48P36 E 48P36
E 48SA3810/ E 48SA3810SS	48	37.38	10	1219.2	949.5	254.0	49.25	31.38	1251.0	797.1	YES *	46.25	34.25	1174.8	870.0	E 48P36 E 48P36
E 48SA3812/ E 48SA3812SS	48	37.38	12	1219.2	949.5	304.8	49.25	31.38	1251.0	797.1	YES *	46.25	34.25	1174.8	870.0	E 48P36 E 48P36
E 48SA3816/ E 48SA3816SS	48	37.38	16	1219.2	949.5	406.4	49.25	31.38	1251.0	797.1	YES *	46.25	34.25	1174.8	870.0	E 48P36 E 48P36
E 60SA3808/ E 60SA3808SS	60	37.38	8	1524.0	949.5	203.2	61.25	31.38	1555.8	797.1	YES *	58.25	34.25	1479.6	870.0	E 60P36 E 60P36
E 60SA3810/ E 60SA3810SS	60	37.38	10	1524.0	949.5	254.0	61.25	31.38	1555.8	797.1	YES *	58.25	34.25	1479.6	870.0	E 60P36 E 60P36
E 60SA3812/ E 60SA3812SS	60	37.38	12	1524.0	949.5	304.8	61.25	31.38	1555.8	797.1	YES *	58.25	34.25	1479.6	870.0	E 60P36 E 60P36
E 60SA3816/ E 60SA3816SS	60	37.38	16	1524.0	949.5	406.4	61.25	31.38	1555.8	797.1	YES *	58.25	34.25	1479.6	870.0	E 60P36 E 60P36
E 60SA3812400#/ E 60SA3812400SS#	60	37.38	12	1524.0	949.5	304.8	61.25	31.38	1555.8	797.1	YES *	58.25	34.25	1479.6	870.0	E 60P36 E 60P36

* Usable depth reduced by .625" at door stiffener. # Designed for 200 and 400A Allen Bradley Bulletin 1494V disconnect switches using 1494V-H2 operating handle.



NEMA 12 Wallmount Enclosures (SA) Continued

NEMA 12 Wallmount Carbon Steel Enclosures/NEMA 12 Wallmount Stainless Steel Enclosures (Continued)														
Part No.	Mounting panel size				Usable depth		Fig. A pg. IND 123							
	inches		mm		inches	mm	inches				mm			
	E	F	E	F	G	G	CL	HL	PA	PE	CL	HL	PA	PE
E 20SA2208/ E 20SA2208SS	17	17	431.8	431.8	7.75	196.9	1.5	4.75	3.250	2.565	38.1	120.7	82.6	65.2
E 20SA2210/ E 20SA2210SS	17	17	431.8	431.8	9.75	247.7	1.5	7.094	5.594	2.565	38.1	180.2	142.1	65.2
E 24SA2208/ E 24SA2208SS	21	17	533.4	431.8	7.75	196.9	1.5	4.75	3.250	2.565	38.1	120.7	82.6	65.2
E 24SA2210/ E 24SA2210SS	21	17	533.4	431.8	9.75	247.7	1.5	7.094	5.594	2.565	38.1	180.2	142.1	65.2
E 24SA2608/ E 24SA2608SS	21	21	533.4	533.4	7.75	196.9	1.5	4.75	3.250	2.565	38.1	120.7	82.6	65.2
E 24SA2610/ E 24SA2610SS	21	21	533.4	533.4	9.75	247.7	1.5	7.094	5.594	2.565	38.1	180.2	142.1	65.2
E 30SA2208/ E 30SA2208SS	27	17	685.8	431.8	7.75	196.9	1.5	4.75	3.250	2.565	38.1	120.7	82.6	65.2
E 30SA2210/ E 30SA2210SS	27	17	685.8	431.8	9.75	247.7	1.5	7.094	5.594	2.565	38.1	180.2	142.1	65.2
E 30SA2608/ E 30SA2608SS	27	21	685.8	533.4	7.75	196.9	1.5	4.75	3.250	2.565	38.1	120.7	82.6	65.2
E 30SA2610/ E 30SA2610SS	27	21	685.8	533.4	9.75	247.7	1.5	7.094	5.594	2.565	38.1	180.2	142.1	65.2
E 30SA2612/ E 30SA2612SS	27	21	685.8	533.4	11.75	298.5	1.5	11.625	10.125	2.565	38.1	295.3	257.2	65.2
E 36SA2608/ E 36SA2608SS	33	21	838.2	533.4	7.75	196.9	1.5	4.75	3.250	2.565	38.1	120.7	82.6	65.2
E 36SA2610/ E 36SA2610SS	33	21	838.2	533.4	9.75	247.7	1.5	7.094	5.594	2.565	38.1	180.2	142.1	65.2
E 36SA3208/ E 36SA3208SS	33	27	838.2	685.8	7.12	180.8	1.5	4.75	3.250	2.565	38.1	120.7	82.6	65.2
E 36SA3210/ E 36SA3210SS	33	27	838.2	685.8	9.12	231.6	1.5	7.094	5.594	2.565	38.1	180.2	142.1	65.2
E 36SA3212/ E 36SA3212SS	33	27	838.2	685.8	11.12	282.4	1.5	11.625	10.125	2.565	38.1	295.3	257.2	65.2
E 36SA3216/ E 36SA3216SS	33	27	838.2	685.8	15.12	384.0	1.5	11.625	10.125	2.565	38.1	295.3	257.2	65.2
E 42SA3208/ E 42SA3208SS	39	27	990.6	685.8	7.12	180.8	1.5	4.75	3.250	2.565	38.1	120.7	82.6	65.2
E 42SA3210/ E 42SA3210SS	39	27	990.6	685.8	9.12	231.6	1.5	7.094	5.594	2.565	38.1	180.2	142.1	65.2
E 42SA3212/ E 42SA3212SS	39	27	990.6	685.8	11.12	282.4	1.5	11.625	10.125	2.565	38.1	295.3	257.2	65.2
E 42SA3808/ E 42SA3808SS	39	33	990.6	838.2	7.12	180.8	1.5	4.75	3.250	2.565	38.1	120.7	82.6	65.2
E 42SA3810/ E 42SA3810SS	39	33	990.6	838.2	9.12	231.6	1.5	7.094	5.594	2.565	38.1	180.2	142.1	65.2
E 42SA3812/ E 42SA3812SS	39	33	990.6	838.2	11.12	282.4	1.5	11.625	10.125	2.565	38.1	295.3	257.2	65.2
E 48SA3808/ E 48SA3808SS	45	33	1143.0	838.2	7.12	180.8	1.5	4.75	3.250	2.565	38.1	120.7	82.6	65.2
E 48SA3810/ E 48SA3810SS	45	33	1143.0	838.2	9.12	231.6	1.5	7.094	5.594	2.565	38.1	180.2	142.1	65.2
E 48SA3812/ E 48SA3812SS	45	33	1143.0	838.2	11.12	282.4	1.5	11.625	10.125	2.565	38.1	295.3	257.2	65.2
E 48SA3816/ E 48SA3816SS	45	33	1143.0	838.2	15.12	384.0	1.5	11.625	10.125	2.565	38.1	295.3	257.2	65.2
E 60SA3808/ E 60SA3808SS	57	33	1447.8	838.2	7.12	180.8	1.5	4.75	3.250	2.565	38.1	120.7	82.6	65.2
E 60SA3810/ E 60SA3810SS	57	33	1447.8	838.2	9.12	231.6	1.5	7.094	5.594	2.565	38.1	180.2	142.1	65.2
E 60SA3812/ E 60SA3812SS	57	33	1447.8	838.2	11.12	282.4	1.5	11.625	10.125	2.565	38.1	295.3	257.2	65.2
E 60SA3816/ E 60SA3816SS	57	33	1447.8	838.2	15.12	384.0	1.5	11.625	10.125	2.565	38.1	295.3	257.2	65.2
E 60SA3812400#/ E 60SA3812400SS#	57	33	1447.8	838.2	11.12	282.4	1.5	18.375	16.875	2.565	38.1	466.7	428.6	65.2

* Usable depth reduced by .625" at door stiffener. # Designed for 200 and 400A Allen Bradley Bulletin 1494V disconnect switches using 1494V-H2 operating handle.

NEMA 12 Wallmount Enclosures (AB)

NEMA 12 Wallmount Carbon Steel Enclosures/NEMA 12 Wallmount Stainless Steel Enclosures																
Part No.	Exact outside dimensions						Mounting centers				Door and body stiffener	Door size				Mounting Panel Part No.
	inches			mm			inches		mm			inches		mm		
	A	B	C	A	B	C	H	W	H	W		J	K	J	K	
E 20AB2208/	20	21.38	8	508.0	543.1	203.2	21.25	15.38	539.8	390.7	NO	18.25	18.25	463.6	463.6	E 20P20
E 20AB2208SS	20	21.38	8	508.0	543.1	203.2	21.25	15.38	539.8	390.7	NO	18.25	18.25	463.6	463.6	E 20P20
E 24AB2208/	24	21.38	8	609.6	543.1	203.2	25.25	15.38	641.4	390.7	NO	22.25	18.25	565.2	463.6	E 24P20
E 24AB2208SS	24	21.38	8	609.6	543.1	203.2	25.25	15.38	641.4	390.7	NO	22.25	18.25	565.2	463.6	E 24P20
E 24AB2210/	24	21.38	10	609.6	543.1	254.0	25.25	15.38	641.4	390.7	NO	22.25	18.25	565.2	463.6	E 24P20
E 24AB2210SS	24	21.38	10	609.6	543.1	254.0	25.25	15.38	641.4	390.7	NO	22.25	18.25	565.2	463.6	E 24P20
E 24AB2608/	24	25.38	8	609.6	644.7	203.2	25.25	19.38	641.4	492.3	NO	22.25	22.25	565.2	565.2	E 24P24
E 24AB2608SS	24	25.38	8	609.6	644.7	203.2	25.25	19.38	641.4	492.3	NO	22.25	22.25	565.2	565.2	E 24P24
E 24AB2610/	24	25.38	10	609.6	644.7	254.0	25.25	19.38	641.4	492.3	NO	22.25	22.25	565.2	565.2	E 24P24
E 24AB2610SS	24	25.38	10	609.6	644.7	254.0	25.25	19.38	641.4	492.3	NO	22.25	22.25	565.2	565.2	E 24P24
E 30AB2208/	30	21.38	8	762.0	543.1	203.2	31.25	15.38	793.8	390.7	NO	28.25	18.25	717.6	463.6	E 30P20
E 30AB2208SS	30	21.38	8	762.0	543.1	203.2	31.25	15.38	793.8	390.7	NO	28.25	18.25	717.6	463.6	E 30P20
E 30AB2210/	30	21.38	10	762.0	543.1	254.0	31.25	15.38	793.8	390.7	NO	28.25	18.25	717.6	463.6	E 30P20
E 30AB2210SS	30	21.38	10	762.0	543.1	254.0	31.25	15.38	793.8	390.7	NO	28.25	18.25	717.6	463.6	E 30P20
E 30AB2608/	30	25.38	8	762.0	644.7	203.2	31.25	19.38	793.8	492.3	NO	28.25	22.25	717.6	565.2	E 30P24
E 30AB2608SS	30	25.38	8	762.0	644.7	203.2	31.25	19.38	793.8	492.3	NO	28.25	22.25	717.6	565.2	E 30P24
E 30AB2610/	30	25.38	10	762.0	644.7	254.0	31.25	19.38	793.8	492.3	NO	28.25	22.25	717.6	565.2	E 30P24
E 30AB2610SS	30	25.38	10	762.0	644.7	254.0	31.25	19.38	793.8	492.3	NO	28.25	22.25	717.6	565.2	E 30P24
E 36AB2608/	36	25.38	8	914.4	644.7	203.2	37.25	19.38	946.2	492.3	NO	34.25	22.25	870.0	565.2	E 36P24
E 36AB2608SS	36	25.38	8	914.4	644.7	203.2	37.25	19.38	946.2	492.3	NO	34.25	22.25	870.0	565.2	E 36P24
E 36AB2610/	36	25.38	10	914.4	644.7	254.0	37.25	19.38	946.2	492.3	NO	34.25	22.25	870.0	565.2	E 36P24
E 36AB2610SS	36	25.38	10	914.4	644.7	254.0	37.25	19.38	946.2	492.3	NO	34.25	22.25	870.0	565.2	E 36P24
E 36AB3208/	36	31.38	8	914.4	797.1	203.2	37.25	25.38	946.2	644.7	YES *	34.25	28.25	870.0	717.6	E 36P30
E 36AB3208SS	36	31.38	8	914.4	797.1	203.2	37.25	25.38	946.2	644.7	YES *	34.25	28.25	870.0	717.6	E 36P30
E 36AB3210/	36	31.38	10	914.4	797.1	254.0	37.25	25.38	946.2	644.7	YES *	34.25	28.25	870.0	717.6	E 36P30
E 36AB3210SS	36	31.38	10	914.4	797.1	254.0	37.25	25.38	946.2	644.7	YES *	34.25	28.25	870.0	717.6	E 36P30
E 36AB3212/	36	31.38	12	914.4	797.1	304.8	37.25	25.38	946.2	644.7	YES *	34.25	28.25	870.0	717.6	E 36P30
E 36AB3212SS	36	31.38	12	914.4	797.1	304.8	37.25	25.38	946.2	644.7	YES *	34.25	28.25	870.0	717.6	E 36P30
E 42AB3208/	42	31.38	8	1066.8	797.1	203.2	43.25	25.38	1098.6	644.7	YES *	40.25	28.25	1022.4	717.6	E 42P30
E 42AB3208SS	42	31.38	8	1066.8	797.1	203.2	43.25	25.38	1098.6	644.7	YES *	40.25	28.25	1022.4	717.6	E 42P30
E 42AB3210/	42	31.38	10	1066.8	797.1	254.0	43.25	25.38	1098.6	644.7	YES *	40.25	28.25	1022.4	717.6	E 42P30
E 42AB3210SS	42	31.38	10	1066.8	797.1	254.0	43.25	25.38	1098.6	644.7	YES *	40.25	28.25	1022.4	717.6	E 42P30
E 42AB3212/	42	31.38	12	1066.8	797.1	304.8	43.25	25.38	1098.6	644.7	YES *	40.25	28.25	1022.4	717.6	E 42P30
E 42AB3212SS	42	31.38	12	1066.8	797.1	304.8	43.25	25.38	1098.6	644.7	YES *	40.25	28.25	1022.4	717.6	E 42P30
E 42AB3808/	42	37.38	8	1066.8	949.5	203.2	43.25	31.38	1098.6	797.1	YES *	40.25	34.25	1022.4	870.0	E 42P36
E 42AB3808SS	42	37.38	8	1066.8	949.5	203.2	43.25	31.38	1098.6	797.1	YES *	40.25	34.25	1022.4	870.0	E 42P36
E 42AB3810/	42	37.38	10	1066.8	949.5	254.0	43.25	31.38	1098.6	797.1	YES *	40.25	34.25	1022.4	870.0	E 42P36
E 42AB3810SS	42	37.38	10	1066.8	949.5	254.0	43.25	31.38	1098.6	797.1	YES *	40.25	34.25	1022.4	870.0	E 42P36
E 42AB3812/	42	37.38	12	1066.8	949.5	304.8	43.25	31.38	1098.6	797.1	YES *	40.25	34.25	1022.4	870.0	E 42P36
E 42AB3812SS	42	37.38	12	1066.8	949.5	304.8	43.25	31.38	1098.6	797.1	YES *	40.25	34.25	1022.4	870.0	E 42P36
E 48AB3808/	48	37.38	8	1219.2	949.5	203.2	49.25	31.38	1251.0	797.1	YES *	46.25	34.25	1174.8	870.0	E 48P36
E 48AB3808SS	48	37.38	8	1219.2	949.5	203.2	49.25	31.38	1251.0	797.1	YES *	46.25	34.25	1174.8	870.0	E 48P36
E 48AB3810/	48	37.38	10	1219.2	949.5	254.0	49.25	31.38	1251.0	797.1	YES *	46.25	34.25	1174.8	870.0	E 48P36
E 48AB3810SS	48	37.38	10	1219.2	949.5	254.0	49.25	31.38	1251.0	797.1	YES *	46.25	34.25	1174.8	870.0	E 48P36
E 48AB3812/	48	37.38	12	1219.2	949.5	304.8	49.25	31.38	1251.0	797.1	YES *	46.25	34.25	1174.8	870.0	E 48P36
E 48AB3812SS	48	37.38	12	1219.2	949.5	304.8	49.25	31.38	1251.0	797.1	YES *	46.25	34.25	1174.8	870.0	E 48P36
E 48AB381220#/	48	37.38	12	1219.2	949.5	304.8	49.25	31.38	1251.0	797.1	YES *	46.25	34.25	1174.8	870.0	E 48P36
E 48AB381220SS#	48	37.38	12	1219.2	949.5	304.8	49.25	31.38	1251.0	797.1	YES *	46.25	34.25	1174.8	870.0	E 48P36
E 48AB3816/	48	37.38	16	1219.2	949.5	406.4	49.25	31.38	1251.0	797.1	YES *	46.25	34.25	1174.8	870.0	E 48P36
E 48AB3816SS	48	37.38	16	1219.2	949.5	406.4	49.25	31.38	1251.0	797.1	YES *	46.25	34.25	1174.8	870.0	E 48P36
E 60AB3810/	60	37.38	10	1524.0	949.5	254.0	61.25	31.38	1555.8	797.1	YES *	58.25	34.25	1479.6	870.0	E 60P36
E 60AB3810SS	60	37.38	10	1524.0	949.5	254.0	61.25	31.38	1555.8	797.1	YES *	58.25	34.25	1479.6	870.0	E 60P36
E 60AB3812/	60	37.38	12	1524.0	949.5	304.8	61.25	31.38	1555.8	797.1	YES *	58.25	34.25	1479.6	870.0	E 60P36
E 60AB3812SS	60	37.38	12	1524.0	949.5	304.8	61.25	31.38	1555.8	797.1	YES *	58.25	34.25	1479.6	870.0	E 60P36
E 60AB381220#/	60	37.38	12	1524.0	949.5	304.8	61.25	31.38	1555.8	797.1	YES *	58.25	34.25	1479.6	870.0	E 60P36
E 60AB381220SS#	60	37.38	12	1524.0	949.5	304.8	61.25	31.38	1555.8	797.1	YES *	58.25	34.25	1479.6	870.0	E 60P36
E 60AB3816/	60	37.38	16	1524.0	949.5	406.4	61.25	31.38	1555.8	797.1	YES *	58.25	34.25	1479.6	870.0	E 60P36
E 60AB3816SS	60	37.38	16	1524.0	949.5	406.4	61.25	31.38	1555.8	797.1	YES *	58.25	34.25	1479.6	870.0	E 60P36

* Usable depth reduced by .625" at door stiffener.

Designed for 200 and 400A Allen Bradley Bulletin 1494V disconnect switches using 1494V-H2 operating handle.

NEMA 12 Wallmount Enclosures (AB) Continued

NEMA 12 Wallmount Carbon Steel Enclosures/NEMA 12 Wallmount Stainless Steel Enclosures (Continued)														
Part No.	Mounting panel size				Usable depth		Fig. A pg. IND 123							
	inches		mm		inches	mm	inches				mm			
	E	F	E	F	G	G	CL	HL	PA	PE	CL	HL	PA	PE
E 20AB2208/ E 20AB2208SS	17	17	431.8	431.8	7.75	196.9	1.313	3.844	2.344	2.565	33.4	97.6	59.5	65.2
E 24AB2208/ E 24AB2208SS	21	17	533.4	431.8	7.75	196.9	1.313	3.844	2.344	2.565	33.4	97.6	59.5	65.2
E 24AB2210/ E 24AB2210SS	21	17	533.4	431.8	9.75	247.7	1.313	6.75	5.250	2.565	33.4	171.5	133.4	65.2
E 24AB2608/ E 24AB2608SS	21	21	533.4	533.4	7.75	196.9	1.313	3.844	2.344	2.565	33.4	97.6	59.5	65.2
E 24AB2610/ E 24AB2610SS	21	21	533.4	533.4	9.75	247.7	1.313	6.75	5.250	2.565	33.4	171.5	133.4	65.2
E 30AB2208/ E 30AB2208SS	27	17	685.8	431.8	7.75	196.9	1.313	6.75	5.250	2.565	33.4	171.5	133.4	65.2
E 30AB2210/ E 30AB2210SS	27	17	685.8	431.8	9.75	247.7	1.313	6.75	5.250	2.565	33.4	171.5	133.4	65.2
E 30AB2608/ E 30AB2608SS	27	21	685.8	533.4	7.75	196.9	1.313	3.844	2.344	2.565	33.4	97.6	59.5	65.2
E 30AB2610/ E 30AB2610SS	27	21	685.8	533.4	9.75	247.7	1.313	6.75	5.250	2.565	33.4	171.5	133.4	65.2
E 36AB2608/ E 36AB2608SS	33	21	838.2	533.4	7.75	196.9	1.313	3.844	2.344	2.565	33.4	97.6	59.5	65.2
E 36AB2610/ E 36AB2610SS	33	21	838.2	533.4	9.75	247.7	1.313	6.75	5.250	2.565	33.4	171.5	133.4	65.2
E 36AB3208/ E 36AB3208SS	33	27	838.2	685.8	7.12	180.8	1.313	3.844	2.344	2.565	33.4	97.6	59.5	65.2
E 36AB3210/ E 36AB3210SS	33	27	838.2	685.8	9.12	231.6	1.313	6.75	5.250	2.565	33.4	171.5	133.4	65.2
E 36AB3212/ E 36AB3212SS	33	27	838.2	685.8	11.12	282.4	1.313	9.5	8.000	2.565	33.4	241.3	203.2	65.2
E 42AB3208/ E 42AB3208SS	39	27	990.6	685.8	7.12	180.8	1.313	3.844	2.344	2.565	33.4	97.6	59.5	65.2
E 42AB3210/ E 42AB3210SS	39	27	990.6	685.8	9.12	231.6	1.313	6.75	5.250	2.565	33.4	171.5	133.4	65.2
E 42AB3212/ E 42AB3212SS	39	27	990.6	685.8	11.12	282.4	1.313	9.5	8.000	2.565	33.4	241.3	203.2	65.2
E 42AB3808/ E 42AB3808SS	39	33	990.6	838.2	7.12	180.8	1.313	3.844	2.344	2.565	33.4	97.6	59.5	65.2
E 42AB3810/ E 42AB3810SS	39	33	990.6	838.2	9.12	231.6	1.313	6.75	5.250	2.565	33.4	171.5	133.4	65.2
E 42AB3812/ E 42AB3812SS	39	33	990.6	838.2	11.12	282.4	1.313	9.5	8.000	2.565	33.4	241.3	203.2	65.2
E 48AB3808/ E 48AB3808SS	45	33	1143.0	838.2	7.12	180.8	1.313	3.844	2.344	2.565	33.4	97.6	59.5	65.2
E 48AB3810/ E 48AB3810SS	45	33	1143.0	838.2	9.12	231.6	1.313	6.75	5.250	2.565	33.4	171.5	133.4	65.2
E 48AB3812/ E 48AB3812SS	45	33	1143.0	838.2	11.12	282.4	1.313	9.5	8.000	2.565	33.4	241.3	203.2	65.2
E 48AB381220#/ E 48AB381220SS#	45	33	1143.0	838.2	11.12	282.4	1.313	10.5	9.000	2.565	33.4	266.7	228.6	65.2
E 48AB3816/ E 48AB3816SS	45	33	1143.0	838.2	15.12	384.0	1.313	9.5	8.000	2.565	33.4	241.3	203.2	65.2
E 60AB3810/ E 60AB3810SS	57	33	1447.8	838.2	9.12	231.6	1.313	6.75	5.250	2.565	33.4	171.5	133.4	65.2
E 60AB3812/ E 60AB3812SS	57	33	1447.8	838.2	11.12	282.4	1.313	9.5	8.000	2.565	33.4	241.3	203.2	65.2
E 60AB381220#/ E 60AB381220SS#	57	33	1447.8	838.2	11.12	282.4	1.313	10.5	9.000	2.565	33.4	266.7	228.6	65.2
E 60AB3816/ E 60AB3816SS	57	33	1447.8	838.2	15.12	384.0	1.313	9.5	8.000	2.565	33.4	241.3	203.2	65.2

* Usable depth reduced by .625" at door stiffener.

Designed for 200 and 400A Allen Bradley Bulletin 1494V disconnect switches using 1494V-H2 operating handle.

NEMA 4/4X And NEMA 12 Wallmount Enclosures

For HS, SA Enclosures: Allen-Bradley 1494V Disconnects/Circuit-Breakers (Fig. A pg. IND 123)

Allen Bradley Part No.	Amp rating	Fuse clip	Fuse class	DH		DW*		SA HL=4.75 (120.6)		SA HL=7.094 (180.2)		HS HL=8.625 (219)		HS, SA HL=11.6 (295)		SA# HL=18.375 (466.7)	
				inches	mm	inches	mm	inches	mm	inches	mm	inches	mm	inches	mm	inches	mm
1494V-DS30	30A	Unfused	-	3.87	98.3	7.12	180.8	3.01	76.5	5.35	135.9	6.8	172.7	9.86	250.4	-	-
1494V-DS30	30A	30A-250V	H,K,R	5.19	131.8	7.12	180.8	3.01	76.5	5.35	135.9	6.8	172.7	9.86	250.4	-	-
1494V-DS30	30A	30A-600V	H,K,R	7.96	202.2	7.12	180.8	3.01	76.5	5.35	135.9	6.8	172.7	9.86	250.4	-	-
1494V-DS30	30A	30A-600V	J	5.19	131.8	7.12	180.8	3.01	76.5	5.35	135.9	6.8	172.7	9.86	250.4	-	-
1494V-DS30	30A	60A-250V	H,K,R	5.41	137.4	7.12	180.8	3.01	76.5	5.35	135.9	6.8	172.7	9.86	250.4	-	-
1494V-DS30	30A	60A-600V	H,K,R	8.47	215.1	7.12	180.8	3.01	76.5	5.35	135.9	6.8	172.7	9.86	250.4	-	-
1494V-DS30	30A	60A-600V	J	5.3	134.6	7.12	180.8	3.01	76.5	5.35	135.9	6.8	172.7	9.86	250.4	-	-
1494V-DS60	60A	Unfused	-	3.87	98.3	7.12	180.8	-	-	5.1	129.5	6.69	169.9	9.67	245.6	-	-
1494V-DS60	60A	60A-250V	H,K,R	5.41	137.4	7.12	180.8	-	-	5.1	129.5	6.69	169.9	9.67	245.6	-	-
1494V-DS60	60A	60A-600V	H,K,R	8.47	215.1	7.12	180.8	-	-	5.1	129.5	6.69	169.9	9.67	245.6	-	-
1494V-DS60	60A	60A-600V	J	5.3	134.6	7.12	180.8	-	-	5.1	129.5	6.69	169.9	9.67	245.6	-	-
1494V-DS60	60A	30A-600V	H,K,R	7.96	202.2	7.12	180.8	-	-	5.1	129.5	6.69	169.9	9.67	245.6	-	-
1494V-DS60	60A	100A-250V	H,K	8.86	225.0	7.12	180.8	-	-	5.1	129.5	6.69	169.9	9.67	245.6	-	-
1494V-DS60	60A	100A-600V	H,K	10.8	274.3	7.12	180.8	-	-	5.1	129.5	6.69	169.9	9.67	245.6	-	-
1494V-DS60	60A	100A-600V	J	7.6	193.0	7.12	180.8	-	-	5.1	129.5	6.69	169.9	9.67	245.6	-	-
1494V-DS100	100A	Unfused	-	3.8	96.5	7.12	180.8	-	-	-	-	6.5	165.1	9.5	241.3	-	-
1494V-DS100	100A	100A-250V	H,K,R	9.6	243.8	7.12	180.8	-	-	-	-	6.5	165.1	9.5	241.3	-	-
1494V-DS100	100A	100A-600V	H,K,R	11.6	294.6	7.12	180.8	-	-	-	-	6.5	165.1	9.5	241.3	-	-
1494V-DS100	100A	100A-600V	J	8.3	210.8	7.12	180.8	-	-	-	-	6.5	165.1	9.5	241.3	-	-
1494V-DS100	100A	200A-250V	H,K	12.4	315.0	7.12	180.8	-	-	-	-	6.5	165.1	9.5	241.3	-	-
1494V-DS100	100A	200A-600V	H,K	14.9	378.5	7.12	180.8	-	-	-	-	6.5	165.1	9.5	241.3	-	-
1494V-DS100	100A	200A-600V	J	11.03	280.2	7.12	180.8	-	-	-	-	6.5	165.1	9.5	241.3	-	-
1494V-DS200	200A	Unfused	-	4.6	116.8	8.4	213.4	-	-	-	-	-	-	8.15	207.0	-	-
1494V-DS200	200A	200A-250V	H,K,R	11.8	299.7	8.4	213.4	-	-	-	-	-	-	8.15	207.0	-	-
1494V-DS200	200A	200A-600V	H,K,R	14.3	363.2	8.4	213.4	-	-	-	-	-	-	8.15	207.0	-	-
1494V-DS200	200A	200A-600V	J	10.4	264.2	8.4	213.4	-	-	-	-	-	-	8.15	207.0	-	-
1494V-M40	150A	EDH, FD, FDB, FDC, HFD, HMCP	-	5	127.0	4.125	104.8	-	-	6	152.4	7.6	193.0	10.6	269.2	-	-
1494V-M50	250A	JD, JDB, JDC, HJD, HMCP	-	7.65	194.3	4.125	104.8	-	-	-	-	-	-	10.57	268.5	17.3	439.42
1494V-M60	400A	KD, KDB, KDC, HKD, HMCP	-	8.3	210.8	5.5	139.7	-	-	-	-	-	-	-	-	15.3	388.62

* Does not include space for optional auxiliary switch.

Designed for 200 and 400A Allen Bradley Bulletin 1494V disconnect switches using 1494V-H2 operating handle.

Note:

1. For applications above 200A, please contact your local Rittal representative.

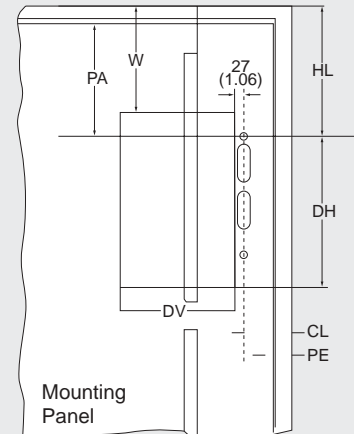


Fig. A



NEMA 12 Wallmount Enclosures

For AB Enclosures: Allen-Bradley 1494V Disconnects/Circuit-Breakers

Allen Bradley Part No.	Amp rating	Fuse clip	Fuse class	DH		DW*		AB HL=6.504 in/97.6mm (3.844)		AB HL=9.41 in/171.4mm (6.75)		AB HL=12.16 in/241.3mm (9.5)		AB HL=13.16 in/266.7mm (10.5)	
				inches	mm	inches	mm	inches	mm	inches	mm	inches	mm	inches	mm
1494V-DS30	30A	Unfused	-	3.87	98.3	7.12	180.8	4.76	120.9	7.67	194.8	10.42	264.7	11.42	290.1
1494V-DS30	30A	30A-250V	H, K, R	5.19	131.8	7.12	180.8	4.76	120.9	7.67	194.8	10.42	264.7	11.42	290.1
1494V-DS30	30A	30A-600V	H, K, R	7.96	202.2	7.12	180.8	4.76	120.9	7.67	194.8	10.42	264.7	11.42	290.1
1494V-DS30	30A	30A-600V	J	5.19	131.8	7.12	180.8	4.76	120.9	7.67	194.8	10.42	264.7	11.42	290.1
1494V-DS30	30A	60A-250V	H, K, R	5.41	137.4	7.12	180.8	4.76	120.9	7.67	194.8	10.42	264.7	11.42	290.1
1494V-DS30	30A	60A-600V	H, K, R	8.47	215.1	7.12	180.8	4.76	120.9	7.67	194.8	10.42	264.7	11.42	290.1
1494V-DS30	30A	60A-600V	J	5.3	134.6	7.12	180.8	4.76	120.9	7.67	194.8	10.42	264.7	11.42	290.1
1494V-DS60	60A	Unfused	-	3.87	98.3	7.12	180.8	4.57	116.1	7.48	190.0	10.23	259.8	11.23	285.2
1494V-DS60	60A	60A-250V	H, K, R	5.41	137.4	7.12	180.8	4.57	116.1	7.48	190.0	10.23	259.8	11.23	285.2
1494V-DS60	60A	60A-600V	H, K, R	8.47	215.1	7.12	180.8	4.57	116.1	7.48	190.0	10.23	259.8	11.23	285.2
1494V-DS60	60A	60A-600V	J	5.3	134.6	7.12	180.8	4.57	116.1	7.48	190.0	10.23	259.8	11.23	285.2
1494V-DS60	60A	30A-600V	H, K, R	7.96	202.2	7.12	180.8	4.57	116.1	7.48	190.0	10.23	259.8	11.23	285.2
1494V-DS60	60A	100A-250V	H, K	8.86	225.0	7.12	180.8	4.57	116.1	7.48	190.0	10.23	259.8	11.23	285.2
1494V-DS60	60A	100A-600V	H, K	10.8	274.3	7.12	180.8	4.57	116.1	7.48	190.0	10.23	259.8	11.23	285.2
1494V-DS60	60A	100A-600V	J	7.6	193.0	7.12	180.8	4.57	116.1	7.48	190.0	10.23	259.8	11.23	285.2
1494V-DS100	100A	Unfused	-	3.8	96.5	7.12	180.8	-	-	7.31	185.7	10.06	255.5	11.06	280.9
1494V-DS100	100A	100A-250V	H, K, R	9.6	243.8	7.12	180.8	-	-	7.31	185.7	10.06	255.5	11.06	280.9
1494V-DS100	100A	100A-600V	H, K, R	11.6	294.6	7.12	180.8	-	-	7.31	185.7	10.06	255.5	11.06	280.9
1494V-DS100	100A	100A-600V	J	8.3	210.8	7.12	180.8	-	-	7.31	185.7	10.06	255.5	11.06	280.9
1494V-DS100	100A	200A-250V	H, K	12.4	315.0	7.12	180.8	-	-	7.31	185.7	10.06	255.5	11.06	280.9
1494V-DS100	100A	200A-600V	H, K	14.9	378.5	7.12	180.8	-	-	7.31	185.7	10.06	255.5	11.06	280.9
1494V-DS100	100A	200A-600V	J	11.03	280.2	7.12	180.8	-	-	7.31	185.7	10.06	255.5	11.06	280.9
1494V-DS200	200A	Unfused	-	4.6	116.8	8.4	213.4	-	-	-	-	8.71	221.2	9.71	246.6
1494V-DS200	200A	200A-250V	H, K, R	11.8	299.7	8.4	213.4	-	-	-	-	8.71	221.2	9.71	246.6
1494V-DS200	200A	200A-600V	H, K, R	14.3	363.2	8.4	213.4	-	-	-	-	8.71	221.2	9.71	246.6
1494V-DS200	200A	200A-600V	J	10.4	264.2	8.4	213.4	-	-	-	-	8.71	221.2	9.71	246.6
1494V-M40	150A	EHD,FD,FDB, FDC,HFD,HMCP	-	5	127.0	4.125	104.8	-	-	8.66	220.0	11.41	289.8	12.41	315.2
1494V-M50	250A	JD,JDB,JDC, HJD,HMCP	-	7.65	194.3	4.125	104.8	-	-	7.1	180.3	9.85	250.2	10.85	275.6
1494V-M60	400A	KD,KDB,KDC, HKD,HMCP	-	8.3	210.8	5.5	139.7	-	-	-	-	7.45	189.2	8.45	214.6

* Does not include space for optional auxiliary switch.

Note:

1. For applications above 200A, please contact your local Rittal representative.

NEMA 4/4X And NEMA 12 Wallmount Enclosures

For HS, SA Enclosures: Square D Class 9422 Disconnects/Circuit-Breakers (Fig. A pg. IND 123)

Square D Type 9422 Part No.	Amp rating	Fuse clip	Fuse class	DH		DW*		SA HL=4.75 (120.6)		SA HL=7.094 (180.2)		HS HL=8.625 (219)		HS,SA HL=11.625 (295)	
				inches	mm	inches	mm	inches	mm	inches	mm	inches	mm	inches	mm
				W	W	W	W	W	W	W	W				
TCN30	30A	Unfused	-	3.8	96.5	6.2	157.5	3.15	80.0	5.49	139.4	7.03	178.4	10	254.0
TCF30	30A	30A-250V	H,K,R	5.42	137.7	6.2	157.5	3.15	80.0	5.49	139.4	7.03	178.4	10	254.0
TCF33	30A	30A-600V	H,K,R	8.05	8.1	6.2	157.5	3.15	80.0	5.49	139.4	7.03	178.4	10	254.0
TCF33	30A	30A-600V	J	5.42	137.7	6.2	157.5	3.15	80.0	5.49	139.4	7.03	178.4	10	254.0
TCF33	30A	60A-250V	H,K,R	6.05	153.7	6.2	157.5	3.15	80.0	5.49	139.4	7.03	178.4	10	254.0
TDN60	60A	Unfused	-	3.8	96.5	6.2	157.5	3.15	80.0	5.49	139.4	7.03	178.4	10	254.0
TDF60	60A	60A-250V	H,K,R	6.05	153.7	6.2	157.5	3.15	80.0	5.49	139.4	7.03	178.4	10	254.0
TDF60	60A	30A-600V	H,K,R	8.05	204.5	6.2	157.5	3.15	80.0	5.49	139.4	7.03	178.4	10	254.0
TDF63	60A	60A-600V	H,K,R	8.55	217.2	6.2	157.5	3.15	80.0	5.49	139.4	7.03	178.4	10	254.0
TDF63	60A	60A-600V	J	5.42	137.7	6.2	157.5	3.15	80.0	5.49	139.4	7.03	178.4	10	254.0
TEN10	100A	Unfused	-	3.8	96.5	6.2	157.5	-	-	5.49	139.4	7.03	178.4	10	254.0
TEF10	100A	100A-250V	H,K,R	8.25	209.6	6.2	157.5	-	-	5.49	139.4	7.03	178.4	10	254.0
TEF10	100A	100A-600V	H,K,R	10.25	260.4	6.2	157.5	-	-	5.49	139.4	7.03	178.4	10	254.0
TEF10	100A	100A-600V	J	7.05	179.1	6.2	157.5	-	-	5.49	139.4	7.03	178.4	10	254.0
TF1	200A	Unfused	-	5.25	133.4	11.63	295.4	-	-	-	-	-	-	8.35	212.1
TF2	200A	200A-250V	H,K,R	11.2	284.5	11.63	295.4	-	-	-	-	-	-	8.35	212.1
TF2	200A	200A-600V	H,K,R	13.7	348.0	11.63	295.4	-	-	-	-	-	-	8.35	212.1
TF2	200A	200A-600V	J	9.83	249.7	11.63	295.4	-	-	-	-	-	-	8.35	212.1
TF3	200A	400A-600V	J	14.25	362.0	11.63	295.4	-	-	-	-	-	-	8.35	212.1
RG1	75,100A	GJL	Circuit-breaker	4.72	119.9	3.54	89.9	-	-	6.09	154.7	7.63	193.7	10.6	269.2
RN1	100A	FAL, FHL	Circuit-breaker	6	152.4	4.5	114.3	-	-	6.184	157.1	9.54	242.2	10.69	271.5
RP1	250A	KAL, KHL	Circuit-breaker	8	203.2	4.5	114.3	-	-	6.184	157.1	9.54	242.2	10.69	271.5

NEMA 12 Wallmount Enclosures

For AB Enclosures: Square D Class 9422 Disconnect/Circuit-Breakers

Square D Type 9422 Part No.	Amp rating	Fuse clip	Fuse class	DH		DW*		AB HL=6.604 in/97.6mm (3.844)		AB HL=9.5 in/171.4mm (6.75)		AB HL=12.26 in/241.3mm (9.5)		AB HL=13.26 in/266.7mm (10.5)	
				inches	mm	inches	mm	inches	mm	inches	mm	inches	mm	inches	mm
				W	W	W	W	W	W	W	W				
TCN30	30A	Unfused	-	3.8	96.5	6.2	157.5	5.004	127.1	7.91	200.9	10.66	270.8	11.66	296.2
TCF30	30A	30A-250V	H, K, R	5.42	137.7	6.2	157.5	5.004	127.1	7.91	200.9	10.66	270.8	11.66	296.2
TCF33	30A	30A-600V	H, K, R	8.05	8.1	6.2	157.5	5.004	127.1	7.91	200.9	10.66	270.8	11.66	296.2
TCF33	30A	30A-600V	J	5.42	6.1	6.2	157.5	5.004	127.1	7.91	200.9	10.66	270.8	11.66	296.2
TCF33	30A	60A-250V	H, K, R	6.05	153.7	6.2	157.5	5.004	127.1	7.91	200.9	10.66	270.8	11.66	296.2
TDN60	60A	Unfused	-	3.8	96.5	6.2	157.5	5.004	127.1	7.91	200.9	10.66	270.8	11.66	296.2
TDF60	60A	60A-250V	H, K, R	6.05	153.7	6.2	157.5	5.004	127.1	7.91	200.9	10.66	270.8	11.66	296.2
TDF60	60A	30A-600V	H, K, R	8.05	204.5	6.2	157.5	5.004	127.1	7.91	200.9	10.66	270.8	11.66	296.2
TDF63	60A	60A-600V	H, K, R	8.55	217.2	6.2	157.5	5.004	127.1	7.91	200.9	10.66	270.8	11.66	296.2
TDF63	60A	60A-600V	J	5.42	137.7	6.2	157.5	5.004	127.1	7.91	200.9	10.66	270.8	11.66	296.2
TEN10	100A	Unfused	-	3.8	96.5	6.2	157.5	-	-	7.91	200.9	10.66	270.8	11.66	296.2
TEF10	100A	100A-250V	H, K, R	8.25	209.6	6.2	157.5	-	-	7.91	200.9	10.66	270.8	11.66	296.2
TEF10	100A	100A-600V	H, K, R	10.25	260.4	6.2	157.5	-	-	7.91	200.9	10.66	270.8	11.66	296.2
TEF10	100A	100A-600V	J	7.05	179.1	6.2	157.5	-	-	7.91	200.9	10.66	270.8	11.66	296.2
TF1	200A	Unfused	-	5.25	133.4	11.63	295.4	-	-	6.26	159.0	9.01	228.9	10.01	254.3
TF2	200A	200A-250V	H, K, R	11.2	284.5	11.63	295.4	-	-	6.26	159.0	9.01	228.9	10.01	254.3
TF2	200A	200A-600V	H, K, R	13.7	348.0	11.63	295.4	-	-	6.26	159.0	9.01	228.9	10.01	254.3
TF2	200A	200A-600V	J	9.83	249.7	11.63	295.4	-	-	6.26	159.0	9.01	228.9	10.01	254.3
TF3	200A	400A-600V	J	14.25	362.0	11.63	295.4	-	-	6.26	159.0	9.01	228.9	10.01	254.3
RG1	75, 100A	GJL	Circuit-breaker	4.72	119.9	3.54	89.9	-	-	5.85	148.6	8.6	218.4	9.6	243.8
RN1	100A	FAL, FHL	Circuit-breaker	6	152.4	4.5	114.3	-	-	-	-	8.69	220.7	9.69	246.1
RP1	250A	KAL, KHL	Circuit-breaker	8	203.2	4.5	114.3	-	-	-	-	8.69	220.7	9.69	246.1

* DW dimension without operating mechanism.

Note:

1. For applications above 200A, please contact your local Rittal representative.

NEMA 4/4X And NEMA 12 Wallmount Enclosures

For HS, SA Enclosures: General Electric STDA Disconnects/Circuit-Breakers (Fig. A pg. IND 123)															
GE Type STDA Part No.	Amp rating	Fuse clip	Fuse class	DH		DW		SA HL=4.75 (120.6)		SA HL=7.094 (180.2)		HS HL=8.625 (219)		HS, SA HL=11.6 (295)	
				inches	mm	inches	mm	W	W	W		W			
Disconnects															
TDOM1A	30A	Unfused	-	1.18	30.0	4.09	103.9	-	-	4.44	112.8	7.4	188.0		
TDOM1A	30A	30A-250V	H, R	3	76.2	4.09	103.9	-	-	4.44	112.8	7.4	188.0		
TDOM1B	30A	30A-600V	H, R	6	8.1	5.68	144.3	-	-	4.44	112.8	7.4	188.0		
TDOM1B	30A	60A-250V	H, R	3	6.1	4.09	103.9	-	-	4.44	112.8	7.4	188.0		
TDOM1B	30A	60A-600V	H, R	6	152.4	5.68	144.3	-	-	4.44	112.8	7.4	188.0		
TDOM1A	60A	Unfused	-	1.18	30.0	4.09	103.9	-	-	4.44	112.8	7.4	188.0		
TDOM1B	60A	60A-250V	H, R	4.4	111.8	5.68	144.3	-	-	4.44	112.8	7.4	188.0		
TDOM1B	60A	60A-600V	H, R	6.9	175.3	5.87	149.1	-	-	4.44	112.8	7.4	188.0		
TDOM1B	60A	100A-250V	H, R	4.4	111.8	5.68	144.3	-	-	4.44	112.8	7.4	188.0		
TDOM1B	60A	100A-600V	H, R	6.9	175.3	5.87	149.1	-	-	4.44	112.8	7.4	188.0		
TDOM1A	100A	Unfused	-	1.18	30.0	4.09	103.9	-	-	4.44	112.8	7.4	188.0		
TDOM1B	100A	100A-250V	H, R	5.8	147.3	6.18	157.0	-	-	4.44	112.8	7.4	188.0		
TDOM1B	100A	100A-600V	H, R	7.8	198.1	6.18	157.0	-	-	4.44	112.8	7.4	188.0		
TDOM1B	100A	200A-250V	H, R	11.6	294.6	6.18	157.0	-	-	4.44	112.8	7.4	188.0		
TDOM1B	100A	200A-600V	H, R	16.1	408.9	6.18	157.0	-	-	4.44	112.8	7.4	188.0		
TDOM2	200A	Unfused	-	7.5	190.5	8.4	213.4	-	-	-	-	8.35	7.9		
TDOM2	200A	200A-250V	H, R	13.5	342.9	8.4	213.4	-	-	-	-	8.35	7.9		
TDOM2	200A	200A-600V	H, R	16	406.4	8.4	213.4	-	-	-	-	8.35	7.9		
Circuit-Breakers															
TDOM1A	150A	TEB, TED, THED	-	3.96	100.6	4.1	104.1	-	-	6.28	159.5	8.9	226.1		
TDOM1A	150A	TEC	-	3.96	100.6	4.1	104.1	-	-	6.28	159.5	8.9	226.1		
TDOM1B	150A	TB1	-	7.96	8.1	4.1	104.1	-	-	6.28	159.5	8.9	226.1		
TDOM1B	150A	TEC, TECL	-	5.84	6.1	4.1	104.1	-	-	6.28	159.5	8.9	226.1		
TDOM1C	150A	TEL	-	3.96	100.6	4.1	104.1	-	-	6.28	159.5	8.9	226.1		
TDOM1D	150A	THLC1	-	6.75	171.5	4.1	104.1	-	-	6.62	168.1	9.6	243.8		
TDOM3	225A	TFJ	-	7.3	185.4	4.1	104.1	-	-	-	-	8.78	223.0		
TDOM3	225A	TFK, THFK, TFL	-	7.3	185.4	4.1	104.1	-	-	-	-	8.78	223.0		
TDOM3	225A	THLC2	-	4.8	121.9	5.7	144.8	-	-	-	-	-	-		

Note:

1. For applications above 200A, please contact your local Rittal representative.

NEMA 12 Wallmount Enclosures

For AB Enclosures: General Electric STDA Disconnects															
Allen Bradley Type Disconnect Part No.	Amp rating	Fuse clip	Fuse class	DH		DW		AB HL=6.814 in/171.4mm (3.844)		AB HL=9.72 in/171.4mm (6.75)		AB HL=12.47 in/241.3mm (9.5)		AB HL=13.47 in/266.7mm (10.5)	
				inches	mm	inches	mm	inches	mm	inches	mm	inches	mm	inches	mm
								W	W	W	W	W	W	W	W
TDOM1A	30A	Unfused	-	1.18	30.0	4.09	103.9	-	-	5.5325	140.5	8.2825	210.4	9.2825	235.8
TDOM1A	30A	30A-250V	H, R	3	76.2	4.09	103.9	-	-	5.5325	140.5	8.2825	210.4	9.2825	235.8
TDOM1B	30A	30A-600V	H, R	6	8.1	5.68	144.3	-	-	5.5325	140.5	8.2825	210.4	9.2825	235.8
TDOM1B	30A	60A-250V	H, R	3	6.1	4.09	103.9	-	-	5.5325	140.5	8.2825	210.4	9.2825	235.8
TDOM1B	30A	60A-600V	H, R	6	152.4	5.68	144.3	-	-	5.5325	140.5	8.2825	210.4	9.2825	235.8
TDOM1A	60A	Unfused	-	1.18	30.0	4.09	103.9	-	-	5.5325	140.5	8.2825	210.4	9.2825	235.8
TDOM1B	60A	60A-250V	H, R	4.4	111.8	5.68	144.3	-	-	5.5325	140.5	8.2825	210.4	9.2825	235.8
TDOM1B	60A	60A-600V	H, R	6.9	175.3	5.87	149.1	-	-	5.5325	140.5	8.2825	210.4	9.2825	235.8
TDOM1B	60A	100A-250V	H, R	4.4	111.8	5.68	144.3	-	-	5.5325	140.5	8.2825	210.4	9.2825	235.8
TDOM1B	60A	100A-600V	H, R	6.9	175.3	5.87	149.1	-	-	5.5325	140.5	8.2825	210.4	9.2825	235.8
TDOM1A	100A	Unfused	-	1.18	30.0	4.09	103.9	-	-	5.5325	140.5	8.2825	210.4	9.2825	235.8
TDOM1B	100A	100A-250V	H, R	5.8	147.3	6.18	157.0	-	-	5.5325	140.5	8.2825	210.4	9.2825	235.8
TDOM1B	100A	100A-600V	H, R	7.8	198.1	6.18	157.0	-	-	5.5325	140.5	8.2825	210.4	9.2825	235.8
TDOM1B	100A	200A-250V	H, R	11.6	294.6	6.18	157.0	-	-	5.5325	140.5	8.2825	210.4	9.2825	235.8
TDOM1B	100A	200A-600V	H, R	16.1	408.9	6.18	157.0	-	-	5.5325	140.5	8.2825	210.4	9.2825	235.8
TDOM2	200A	Unfused	-	7.5	190.5	8.4	213.4	-	-	6.064	154.0	8.814	223.9	9.814	249.3
TDOM2	200A	200A-250V	H, R	13.5	342.9	8.4	213.4	-	-	6.064	154.0	8.814	223.9	9.814	249.3
TDOM2	200A	200A-600V	H, R	16	406.4	8.4	213.4	-	-	6.064	154.0	8.814	223.9	9.814	249.3

Note:

1. For applications above 200A, please contact your local Rittal representative.

NEMA 12 Wallmount Enclosures

For AB Enclosures: General Electric STDA Disconnects															
Allen Bradley Type Circuit- Breaker Part No.	Amp rating	Fuse clip	Fuse class	DH		DW		AB HL=6.814 in/97.6mm (3.844)		AB HL=9.72 in/171.4mm (6.75)		AB HL=12.47 in/241.3mm (9.5)		AB HL=13.47 in/266.7mm (10.5)	
				inches	mm	inches	mm	inches	mm	inches	mm	inches	mm	inches	mm
				W	W	W	W	W	W	W	W				
TDOM1A	150A	EB, TED, THED	-	3.96	100.6	4.1	104.1	-	-	7.3762	187.4	10.126	257.2	11.126	282.6
TDOM1A	150A	TEC	-	3.96	100.6	4.1	104.1	-	-	7.3762	187.4	10.126	257.2	11.126	282.6
TDOM1B	150A	TB1	-	7.96	8.1	4.1	104.1	-	-	7.3762	187.4	10.126	257.2	11.126	282.6
TDOM1B	150A	TEC, TECL	-	5.84	6.1	4.1	104.1	-	-	7.3762	187.4	10.126	257.2	11.126	282.6
TDOM1C	150A	TEL	-	3.96	100.6	4.1	104.1	-	-	7.3762	187.4	10.126	257.2	11.126	282.6
TDOM1D	150A	THLC1	-	6.75	171.5	4.1	104.1	-	-	7.72	196.1	10.47	265.9	11.47	291.3
TDOM3	225A	TFJ	-	7.3	185.4	4.1	104.1	-	-	6.907	175.4	9.657	245.3	10.657	270.7
TDOM3	225A	TFK, THFK, TFL	-	7.3	185.4	4.1	104.1	-	-	6.907	175.4	9.657	245.3	10.657	270.7
TDOM3	225A	THLC2	-	4.8	121.9	5.7	144.8	-	-	-	-	-	-	6.876	174.7

NEMA 4/4X And NEMA 12 Wallmount Enclosures

For HS, SA Enclosures: Cutler-Hammer C361 Disconnect Switches (Fig. A pg. IND 123)							
Cutler-Hammer Part No.	Amp rating	Fuse clip	Fuse class	DH		DW	
				inches	mm	inches	mm
NC	30A	Unfused	-	3.90	99.06	6.00	152.40
SC21	30A	30A-250V	H, K, R	7.60	193.04	6.00	152.40
SC61	30A	60A-250V	H, K, R	8.16	207.26	6.00	152.40
SC61	30A	30A-600V	H, K, J, R	7.60	193.04	6.00	152.40
ND	60A	Unfused	-	3.90	99.06	6.00	152.40
SD22	60A	Unfused	-	3.90	99.06	6.00	152.40
SD22	60A	60A-250V	H, K, R	8.16	207.26	6.00	152.40
SD62	60A	60A-600V	H, K, R	8.16	207.26	6.00	152.40
SD62	60A	60A-600V	J	7.79	197.87	6.00	152.40
NE	100A	Unfused	-	8.90	226.06	7.00	177.80
SE263	100A	100A-250V	H, K, R	8.90	226.06	7.00	177.80
SE263	100A	100A-600V	H, K, R	8.90	226.06	7.00	177.80
SE263	100A	100A-600V	J	8.90	226.06	7.00	177.80
NF	200A	Unfused	-	13.10	332.74	9.75	247.65
SF264	200A	200A-250V	H, K, R	13.10	332.74	9.75	247.65
SF64	200A	200A-600V	H, K, R	13.10	332.74	9.75	247.65
SF264	200A	200A-600V	J	13.10	332.74	9.75	247.65

For HS, SA Enclosures: Cutler-Hammer C361 Disconnect Switches (Fig. A pg. IND 123) (Continued)								
Cutler-Hammer Part No.	HL=4.75 (120.6)		HL=7.094 (180.2)		HL=8.625 (219)		W (HS, SA) HL=11.6 (295)	
	inches	mm	inches	mm	inches	mm	inches	mm
NC	3.10	78.74	5.50	139.70	7.03	178.56	10.00	254.00
SC21	3.10	78.74	5.50	139.70	7.03	178.56	10.00	254.00
SC61	3.10	78.74	5.50	139.70	7.03	178.56	10.00	254.00
SC61	3.10	78.74	5.50	139.70	7.03	178.56	10.00	254.00
ND	3.10	78.74	5.50	139.70	7.03	178.56	10.00	254.00
SD22	3.10	78.74	5.50	139.70	7.03	178.56	10.00	254.00
SD22	3.10	78.74	5.50	139.70	7.03	178.56	10.00	254.00
SD62	3.10	78.74	5.50	139.70	7.03	178.56	10.00	254.00
SD62	3.10	78.74	5.50	139.70	7.03	178.56	10.00	254.00
NE	-	-	5.08	129.03	6.60	167.64	9.59	243.59
SE263	-	-	5.08	129.03	6.60	167.64	9.59	243.59
SE263	-	-	5.08	129.03	6.60	167.64	9.59	243.59
SE263	-	-	5.08	129.03	6.60	167.64	9.59	243.59
NF	-	-	-	-	-	-	6.67	169.42
SF264	-	-	-	-	-	-	6.67	169.42
SF264	-	-	-	-	-	-	6.67	169.42
SF264	-	-	-	-	-	-	6.67	169.42

Note:

1. For applications above 200A, please contact your local Rittal representative.
2. DH dimension includes the lowering mechanism.

NEMA 4/4X And NEMA 12 Wallmount Enclosures

For HS, SA Enclosures: Cutler-Hammer C371 Circuit-Breaker Operator (Fig. A pg. IND 123)

Cutler-Hammer Part No.	Amp rating	Frame type	DH		DW	
			inches	mm	inches	mm
C371E	150A	Cutler-Hammer FDB, FD, FDC, HFD, EHD	5.33	135.38	4.13	104.78
C371E	150A	Westinghouse F Frame/Series C	5.33	135.38	4.13	104.78
C371F	225A	Cutler-Hammer HJD, JD, JDC	9.37	238.00	10.00	254.00
C371F	225A	Westinghouse J Frame/Series C	9.37	238.00	10.00	254.00

For HS, SA Enclosures: Cutler-Hammer C371 Circuit-Breaker Operator (Fig. A pg. IND 123) (Continued)

Cutler-Hammer Part No.	W (SA) HL=4.75 (120.6)		W (SA) HL=7.094 (180.2)		W (HS) HL=8.625 (219)		W (HS, SA) HL=11.6 (295)	
	inches	mm	inches	mm	inches	mm	inches	mm
C371E	4.67	118.62	7.00	177.80	8.54	216.92	11.52	292.61
C371E	4.67	118.62	7.00	177.80	8.54	216.92	11.52	292.61
C371F	-	-	6.00	152.40	7.53	191.26	10.50	266.70
C371F	-	-	6.00	152.40	7.53	191.26	10.50	266.70

Note:

- For applications above 200A, please contact your local Rittal representative.

NEMA 12 Wallmount Enclosures

For AB Enclosures: Cutler-Hammer (C361 Disconnect Switches)

Cutler-Hammer Type Part No.	Amp rating	Fuse clip	Fuse class	DH		DW		AB HL=6.504 in/97.6mm (3.844)		AB HL=9.41 in/171.4mm (6.75)		AB HL=12.16 in/241.3mm (9.5)		AB HL=13.16 in/266.7mm (10.5)	
				inches	mm	inches	mm	inches	mm	inches	mm	inches	mm	inches	mm
				W	W	W	W	W	W	W	W				
NC	30A	Unfused	-	3.90	99.06	6.00	152.40	4.91	124.76	7.82	198.58	10.57	268.43	11.57	293.83
SC21	30A	30A-250V	H,K,R	7.60	193.04	6.00	152.40	4.91	124.76	7.82	198.58	10.57	268.43	11.57	293.83
SC61	30A	60A-250V	H,K,R	8.16	207.26	6.00	152.40	4.91	124.76	7.82	198.58	10.57	268.43	11.57	293.83
SC61	30A	30A-600V	H,K,J,R	7.60	193.04	6.00	152.40	4.91	124.76	7.82	198.58	10.57	268.43	11.57	293.83
ND	60A	Unfused	-	3.90	99.06	6.00	152.40	4.91	124.76	7.82	198.58	10.57	268.43	11.57	293.83
SD22	60A	Unfused	-	3.90	99.06	6.00	152.40	4.91	124.76	7.82	198.58	10.57	268.43	11.57	293.83
SD22	60A	60A-250V	H,K,R	8.16	207.26	6.00	152.40	4.91	124.76	7.82	198.58	10.57	268.43	11.57	293.83
SD62	60A	60A-600V	H,K,R	8.16	207.26	6.00	152.40	4.91	124.76	7.82	198.58	10.57	268.43	11.57	293.83
SD62	60A	60A-600V	J	7.79	197.87	6.00	152.40	4.91	124.76	7.82	198.58	10.57	268.43	11.57	293.83
NE	100A	Unfused	-	8.90	226.06	7.00	177.80	-	-	7.40	187.96	10.15	257.81	11.15	283.21
SE263	100A	100A-250V	H,K,R	8.90	226.06	7.00	177.80	-	-	7.40	187.96	10.15	257.81	11.15	283.21
SE263	100A	100A-600V	H,K,R	8.90	226.06	7.00	177.80	-	-	7.40	187.96	10.15	257.81	11.15	283.21
SE263	100A	100A-600V	J	8.90	226.06	7.00	177.80	-	-	7.40	187.96	10.15	257.81	11.15	283.21
NF	200A	Unfused	-	13.10	332.74	9.75	247.65	-	-	-	-	7.21	183.01	8.21	208.41
SF264	200A	200-250V	H,K,R	13.10	332.74	9.75	247.65	-	-	-	-	7.21	183.01	8.21	208.41
SF264	200A	200-600V	H,K,R	13.10	332.74	9.75	247.65	-	-	-	-	7.21	183.01	8.21	208.41
SF264	200A	200A-600V	J	13.10	332.74	9.75	247.65	-	-	-	-	7.21	183.01	8.21	208.41

Note:

- For applications above 200A, please contact your local Rittal representative.

NEMA 4/4X And NEMA 12 Wallmount Enclosures

For HS, SA, AB Enclosures: Siemens ITE Max-Flex Operators for Disconnect Switches (Fig. A pg. IND 130)											
Switch Part No.	Max-Flex variable depth Complete handle mechanism	Fixed depth Complete handle mechanism	Amp rating	Fuse kit	Fuse class	Panel space requirements					
						A		B		C	
						inches	mm	inches	mm	inches	mm
MCS603R MCS603L	FHOS06036R FHOS06036L	FDFS06R	30	No fuse	-	6.13	155.7	5.52	140.2	-	-
				30A, 250V	H, R	6.13	155.7	5.52	140.2	8.11	205.9
				30A, 600V	H, R	6.13	155.7	5.52	140.2	10.11	256.7
MCS606R MCS606L	FHOS06036R FHOS06036L	FDFS06R	60	No fuse	-	6.13	155.7	5.52	140.2	-	-
				60A, 250V	H, R	6.13	155.7	5.52	140.2	7.86	199.6
				60A, 600V	H, R	6.13	155.7	5.52	140.2	10.38	263.6
MCS610R MCS610L	FHOS06036R FHOS06036L	FDFS06R	100	No fuse	-	7.38	187.4	7.59	192.7	-	-
				100A, 250V	H, R	7.38	187.4	7.59	192.7	11.85	300.9
				100A, 600V	H, R	7.38	187.4	7.59	192.7	13.85	351.7
MCS620R MCS620L	FHOS20036R FHOS20036L	FDFS20R	200	No fuse	-	9.17	232.9	9.00	228.6	-	-
				200A, 250V	H, R	9.17	232.9	9.00	228.6	14.7	373.3
				200A, 600V	H, R	9.17	232.9	9.00	228.6	17.2	436.8
MCS620R MCS620L	FHOS20036R FHOS20036L	FDFS20R	200	200A, 600V	J	9.17	232.9	9.00	228.6	13.32	338.3

*To order Class R fuse kit, you must order Class H fuse kit and corresponding Class R fuse conversion kit.

*Max-Flex standard cable length is 36 inches. Alternate cable lengths are available by special order.

*Maximum length with Class H and R fuses.

For HS, SA, AB Enclosures: Maximum "E" Dimension For ITE Max-Flex With Disconnect Switch (Fig. B pg. IND 130)													
Switch Part No.	Cable Part No.	Enclosure depth											
		When E=8 (203.2)		When E=10 (254)		When E=12 (304.8)		When E=16 (406.4)		When E=18 (457.2)		When E=20 (508)	
		inches	mm	inches	mm	inches	mm	inches	mm	inches	mm	inches	mm
MCS603, MCS606, MCS610	FHOEC036	16.0	406	13.0	330	13.5	343	8.0	203	-	-	-	-
	FHOEC048	16	660.4	16	660.4	16	660.4	23	584.2	21	533.4	18	457.2
MCS620	FHOJC036	15	381	12.0	304	12.5	317	7.0	178	-	-	-	-
	FHOJC046	25	635	25	635	25	635	22	558.8	20	508	17	431.8

For HS, SA, AB Enclosures: Maximum "E" Dimension For ITE Max-Flex With Disconnect Switch (Fig. B pg. IND 130) (Continued)									
Enclosure depth		36" Cable				46" Cable			
		Fmin		Fmax		Fmin		Fmax	
inches	mm	inches	mm	inches	mm	inches	mm	inches	mm
8	203.2	7	177.8	14.5	368.3	16.1	408.94	23.9	607.06
10	254	5.5	139.7	13.1	332.74	16	406.4	23.6	599.44
12	304.8	5	127	12	304.8	15.9	403.86	22.8	579.12
16	406.4	4	101.6	9.4	238.76	14.7	373.38	22	558.8
18	457.2	-	-	-	-	14.6	370.84	21.9	556.26
20	508	-	-	-	-	13.3	337.82	19.9	505.46
24	609.6	-	-	-	-	12	304.8	16.9	429.26

Maximum "E" dimension only if F=4.6 (116.8)

For HS, SA, AB Enclosures: ITE Max-Flex Operators for Disconnect Switch (Fig. C, D pg. IND 130)											
Switch Part No.	Handle Part No.	Dimensions — see fig. C, D									
		X1		X2		Y1		Y2		Z1*	
		inches	mm	inches	mm	inches	mm	inches	mm	inches	mm
MCS603, MCS606	FDFS06R	3.52	89.4	1.5	38.1	0.0	0.0	1.89	48	6.44	163.5
MCS610	FDFS06R	3.91	99.3	1.81	45.9	0.13	3.3	3.0	76.2	6.44	163.5
MCS620	FDFS06R	1.51	38.3	7.86	199.6	0.38	9.6	5.44	138.1	10.93	277.6

* Z1 is the distance between the disconnect mounting surface and mounting panel (mechanical adjustments required if Z1 and usable depth not equal).

NEMA 4/4X And NEMA 12 Wallmount Enclosures

Maximum "E" Dimension For ITE Max-Flex With Circuit-Breaker (Fig. E pg. IND 130)

Cable Part No.	Frame size	When enclosure depth=8 (203.2)		When enclosure depth=10 (254)		When enclosure depth=12 (304.8)		When enclosure depth=16 (406.4)		When enclosure depth=18 (457.2)		When enclosure depth=20 (508)		When enclosure depth=24 (609.6)		When enclosure depth=30 (762)	
		inches	mm	inches	mm	inches	mm	inches	mm	inches	mm	inches	mm	inches	mm	inches	mm
		E=	E=	E=	E=	E=	E=	E=	E=	E=	E=	E=	E=	E=	E=	E=	E=
FHOEC036	ED, HED, CED, EF	13.8	203.2	13.5	203.2	13	203.2	10.7	203.2	8.7	203.2	5.3	203.2	-	-	-	-
FHOEC036	FXD, FD, HFD, CFD, HFXD, FF	11.2	203.2	11	203.2	10.5	203.2	8.3	203.2	5.5	203.2	3.5	203.2	-	-	-	-

Maximum "E" dimension only if F=116.8 (4.6).

For HS, SA, AB Enclosures: ITE Max-Flex Operators For Circuit-Breakers

Breaker Operator Catalog No.	Amp rating	Circuit-breaker frame size	For use with breaker type(s)
FHOE036	125	ED, HED, EF (CE)	ED2, ED4, ED6, HED4, HED6, ED6, ETI, HHED6, EFC
FHOE036	125	CED, EF (CE)	CED6, CED6 ETI, EFF
FHOF036	250	FD, FXD, HFD, HFXD, FF (CE)	FXD6-A, FD6-A, HFD6, HFXD6, HHFD6, FD6 ETI, FFC, FFF
FHOF036	250	CFD	CFD6, CFD6 ETI

* For applications above 200A, please contact your local Rittal representative.

Circuit-Breaker Mounting Dimensions

Circuit Breaker Frame Size	Amp rating	See fig. E												Tap size
		A		B		C		D*		K		DH (normal)		
		inches	mm	inches	mm	inches	mm	inches	mm	inches	mm	inches	mm	
ED, HED, EF, CED	125	1.0	25.4	5.0	127	0.65	16.5	6.33	160.7	-	-	6.81	172.9	#8-32
CED6, CED6-ETI	125	1.0	25.4	5.0	127	0.65	16.5	8.93	226.8	3.25	82.5	6.81	172.9	#8-32
FXD, FD, HFD, HFXD, FF	250	1.5	38.1	7.5	190.5	1.0	25.4	9.5	241.3	-	-	6.78	172.2	#1/4 20
CFD	250	1.5	38.1	7.5	190.5	1.0	25.4	14.25	361.9	4.6	117.4	6.78	172.2	#1/4 20

* For applications above 200A, please contact your local Rittal representative.

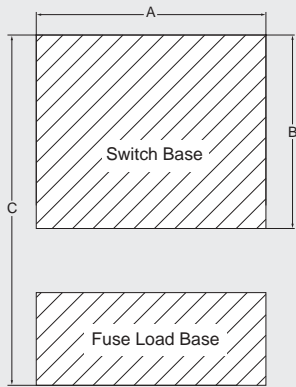


Fig. A

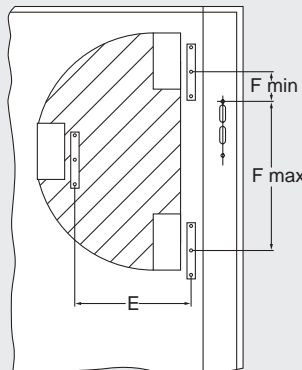


Fig. B

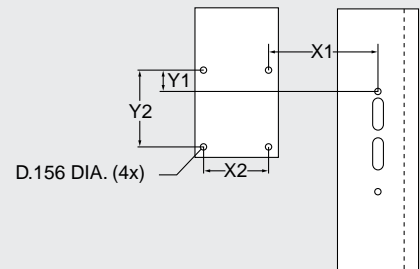


Fig. C

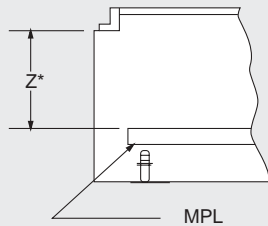


Fig. D

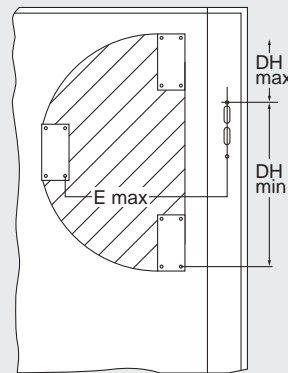


Fig. E

Freestanding Heavy Duty Enclosures (XM)


Freestanding Heavy Duty One Door Carbon Steel/Stainless Steel Disconnect Enclosures										
Part No.	Exact outside dimensions						Door size			
	inches			mm			inches		mm	
	A	B	C	A	B	C	J	K	J	K
E 72XM2818WP/ E 72XM2818WPSS	72	27.5	18	1828.8	698.5	457.2	62.5	23.83	1587.5	605.3
EZ E 72XM3418WP/ E 72XM3418WPSS	72	33.5	18	1828.8	850.9	457.2	62.5	29.83	1587.5	757.7
E 72XM4018WP/ E 72XM4018WPSS	72	39.5	18	1828.8	1003.3	457.2	62.5	35.83	1587.5	910.1
EZ E 84XM4018WP/ E 84XM4018WPSS	84	39.5	18	2133.6	1003.3	457.2	74.5	35.83	1892.3	910.1
E 90XM4020WP/ E 90XM4020WPSS	90	39.5	20	2286.0	1003.3	508.0	80.5	35.83	2044.7	910.1
E 90XM4024WP/ E 90XM4024WPSS	90	39.5	24	2286.0	1003.3	609.6	80.5	35.83	2044.7	910.1

Freestanding Heavy Duty One Door Carbon Steel/Stainless Steel Disconnect Enclosures (Continued)														
Part No.	Mounting panel size				Usable depth		Fig. A pg. IND 134							
	inches		mm		inches	mm	inches				mm			
	E	F	E	F	C	C	CL	HL	H	PE	CL	HL	H	PE
E 72XM2818WP/ E 72XM2818WPSS	60	21.75	1524.0	552.5	18	457.2	-	9.125	3.875	2.5	-	231.8	98.4	63.5
EZ E 72XM3418WP/ E 72XM3418WPSS	60	27.75	1524.0	704.9	18	457.2	-	9.125	3.875	2.5	-	231.8	98.4	63.5
E 72XM4018WP/ E 72XM4018WPSS	60	33.75	1524.0	857.3	18	457.2	-	9.125	3.875	2.438	-	231.8	98.4	61.9
EZ E 84XM4018WP/ E 84XM4018WPSS	72	33.75	1828.8	857.3	18	457.2	-	14.625	3.875	2.438	-	371.5	98.4	61.9
E 90XM4020WP/ E 90XM4020WPSS	78	33.75	1981.2	857.3	20	508.0	-	17.594	3.875	2.438	-	446.9	98.4	61.9
E 90XM4024WP/ E 90XM4024WPSS	78	33.75	1981.2	857.3	24	609.6	-	17.594	3.875	2.438	-	446.9	98.4	61.9

Freestanding Heavy Duty Two Door Carbon Steel/Stainless Steel Disconnect Enclosures										
Part No.	Exact outside dimensions						Door size			
	inches			mm			inches		mm	
	A	B	C	A	B	C	J	K	J	K
E 72XM5418WP/ E 72XM5418WPSS	72	53.75	18	1828.8	1365.3	457.2	62.5	23.88	1587.5	606.6
E 72XM6618WP/ E 72XM6618WPSS	72	65.75	18	1828.8	1670.1	457.2	62.5	29.88	1587.5	759.0
E 72XM7818WP/ E 72XM7818WPSS	72	77.75	18	1828.8	1974.9	457.2	62.5	35.88	1587.5	911.4
E 72XM7824WP/ E 72XM7824WPSS	72	77.75	24	1828.8	1974.9	609.6	62.5	35.88	1587.5	911.4
EZ E 84XM7818WP/ E 84XM7818WPSS	84	77.75	18	2133.6	1974.9	457.2	74.5	35.88	1892.3	911.4
E 90XM7820WP/ E 90XM7820WPSS	90	77.75	20	2286.0	1974.9	508.0	80.5	35.88	2044.7	911.4
E 90XM7824WP/ E 90XM7824WPSS	90	77.75	24	2286.0	1974.9	609.6	80.5	35.88	2044.7	911.4

EZ Designates a product in the EnclosureZone program.

Freestanding Heavy Duty Enclosures (XM)


Freestanding Heavy Duty Two Door Carbon Steel/Stainless Steel Disconnect Enclosures (Continued)														
Part No.	Mounting panel size				Usable depth		Fig. A pg. IND 134							
	inches		mm		inches	mm	inches				mm			
	E	F	E	F	C	C	CL	HL	H	PE	CL	HL	H	PE
E 72XM5418WP/ E 72XM5418WPSS	60	48	1524.0	1219.2	17	431.8	1.375	9.125	3.688	2.5	34.9	231.8	93.7	63.5
E 72XM6618WP/ E 72XM6618WPSS	60	60	1524.0	1524.0	17	431.8	1.375	9.125	3.688	2.5	34.9	231.8	93.7	63.5
E 72XM7818WP/ E 72XM7818WPSS	60	72	1524.0	1828.8	17	431.8	1.375	9.125	3.688	2.5	34.9	231.8	93.7	63.5
E 72XM7824WP/ E 72XM7824WPSS	60	72	1524.0	1828.8	23	584.2	1.375	9.125	3.688	2.5	34.9	231.8	93.7	63.5
 E 84XM7818WP/ E 84XM7818WPSS	72	72	1828.8	1828.8	17	431.8	1.375	14.625	3.688	2.5	34.9	371.5	93.7	63.5
E 90XM7820WP/ E 90XM7820WPSS	78	72	1981.2	1828.8	19	482.6	1.375	17.594	3.688	2.5	34.9	446.9	93.7	63.5
E 90XM7824WP/ E 90XM7824WPSS	78	72	1981.2	1828.8	23	584.2	1.375	17.594	3.688	2.5	34.9	446.9	93.7	63.5

Freestanding Heavy Duty Three Door Carbon Steel/Stainless Steel Disconnect Enclosures										
Part No.	Exact outside dimensions						Door size			
	inches			mm			inches		mm	
	A	B	C	A	B	C	J	K	J	K
E 72XM3EQ18WP/ E 72XM3EQ18WPSS	72	99.5	18	1828.8	2527.3	457.2	62.5	1587.5	29.88	759.0
E 72XM3EW18WP/ E 72XM3EW18WPSS	72	117.5	18	1828.8	2984.5	457.2	62.5	1587.5	35.88	911.4
E 84XM3EW18WP/ E 84XM3EW18WPSS	84	117.5	18	2133.6	2984.5	457.2	74.5	1892.3	35.88	911.4
E 90XM3EW24WP/ E 90XM3EW24WPSS	90	117.5	24	2286.0	2984.5	609.6	80.5	2044.7	35.88	911.4

Freestanding Heavy Duty Three Door Carbon Steel/Stainless Steel Disconnect Enclosures (Continued)																		
Part No.	Mounting panel size behind double door				Mounting panel size behind single door				Usable depth		Fig. A pg. IND 134							
	inches		mm		inches		mm		inches	mm	inches				mm			
	D	E	D	E	D	F	D	F	C	C	CL	HL	H	PE	CL	HL	H	PE
E 72XM3EQ18WP/ E 72XM3EQ18WPSS	60	60	1524.0	1524.0	60	27.75	1524.0	704.9	17	431.8	-	9.125	3.688	3	-	231.8	93.7	76.2
E 72XM3EW18WP/ E 72XM3EW18WPSS	60	72	1524.0	1828.8	60	33.75	1524.0	857.3	17	431.8	-	9.125	3.688	3	-	231.8	93.7	76.2
E 84XM3EW18WP/ E 84XM3EW18WPSS	72	72	1828.8	1828.8	72	33.75	1828.8	857.3	17	431.8	-	14.625	3.688	3	-	371.5	93.7	76.2
E 90XM3EW24WP/ E 90XM3EW24WPSS	78	72	1981.2	1828.8	78	33.75	1981.2	857.3	23	584.2	-	17.564	3.688	3	-	446.1	93.7	76.2

Freestanding Heavy Duty Four Door Carbon Steel/Stainless Steel Disconnect Enclosures											
Part No.	Exact outside dimensions						Door size				
	inches			mm			inches		mm		
	A	B	C	A	B	C	J	K	J	K	
E 84XM4EW18WP/ E 84XM4EW18WPSS	84	157.5	18	2133.6	4000.5	457.2	74.5	35.88	1892.3	911.4	

Freestanding Heavy Duty Four Door Carbon Steel/Stainless Steel Disconnect Enclosures (Continued)														
Part No.	Mounting panel size 2 used				Usable depth		Fig. A pg. IND 134							
	inches		mm		inches	mm	inches				mm			
	E	F	E	F	C	C	CL	HL	H	PE	CL	HL	H	PE
E 84XM4EW18WP/ E 84XM4EW18WPSS	72	72	1828.8	1828.8	17	431.8	-	14.625	3.688	3	-	371.5	93.7	76.2

 Designates a product in the EnclosureZone program.

Freestanding Heavy Duty Enclosures (XM)

Freestanding Heavy Duty Five Door Carbon Steel/Stainless Steel Disconnect Enclosures										
Part No.	Exact outside dimensions						Door size			
	inches			mm			inches		mm	
	A	B	C	A	B	C	J	K	J	K
E 84XM5EW18WP/ E 84XM5EW18WPSS	84	196.75	18	2133.6	4997.5	457.2	74.5	35.88	1892.3	911.4

Freestanding Heavy Duty Five Door Carbon Steel/Stainless Steel Disconnect Enclosures (Continued)																		
Part No.	Mounting panel size behind double door				Mounting panel size behind single door				Usable depth		Fig. A pg. IND 134							
	inches		mm		inches		mm		inches	mm	inches				mm			
	D	E	D	E	D	F	D	F	C	C	CL	HL	H	PE	CL	HL	H	PE
E 84XM5EW18WP/ E 84XM5EW18WPSS	72	72	1828.8	1828.8	72	33.75	1828.8	857.3	17	431.8	-	14.625	3.688	3	-	371.5	93.7	76.2


Freestanding Modular Enclosures (MOD)

Freestanding Modular One Door Carbon Steel/Stainless Steel Disconnect Enclosures														
Part No.	Exact outside dimensions						Door size				Size left side			
	inches			mm			inches		mm		inches		mm	
	A	B	C	A	B	C	H	W	H	W	D	E	D	E
E MOD72X4018/ E MOD72X4018SS	72	39.75	18	1828.8	1009.7	457.2	62.5	35.88	1587.5	911.4	66.33	12.25	1684.8	311.2
E MOD84X4018/ E MOD84X4018SS	84	39.75	18	2133.6	1009.7	457.2	74.5	35.88	1892.3	911.4	78.63	12.25	1997.2	311.2
E MOD84X4024/ E MOD84X4024SS	84	39.75	24	2133.6	1009.7	609.6	74.5	35.88	1892.3	911.4	78.63	18.25	1997.2	463.6

Freestanding Modular One Door Carbon Steel/Stainless Steel Disconnect Enclosures (Continued)														
Part No.	Mounting panel size				Usable depth		Fig. A pg. IND 134							
	inches		mm		inches	mm	inches				mm			
	F	G	F	G	J	J	CL	HL	H	PE	CL	HL	H	PE
E MOD72X4018/ E MOD72X4018SS	60	33.75	1524.0	857.3	17.06	433.3	-	9.125	3.688	2.5	-	231.8	93.7	63.5
E MOD84X4018/ E MOD84X4018SS	72	33.75	1828.8	857.3	17.06	433.3	-	14.625	3.688	2.5	-	371.5	93.7	63.5
E MOD84X4024/ E MOD84X4024SS	72	33.75	1828.8	857.3	23.06	585.7	-	14.625	3.688	2.5	-	371.5	93.7	63.5

Freestanding Modular Two Door Carbon Steel/Stainless Steel Disconnect Enclosures														
Part No.	Exact outside dimensions						Door size				Size left side			
	inches			mm			inches		mm		inches		mm	
	A	B	C	A	B	C	H	W	H	W	D	E	D	E
E MOD72X7818/ E MOD72X7818SS	72	78	18	1828.8	1981.2	457.2	62.5	36.38	1587.5	924.1	66.33	12.25	1684.8	311.2
E MOD84X7818/ E MOD84X7818SS	84	78	18	2133.6	1981.2	457.2	74.5	36.38	1892.3	924.1	78.63	12.25	1997.2	311.2
E MOD84X7824/ E MOD84X7824SS	84	78	24	2133.6	1981.2	609.6	74.5	36.38	1892.3	924.1	78.63	18.25	1997.2	463.6

Freestanding Modular Two Door Carbon Steel/Stainless Steel Disconnect Enclosures (Continued)														
Part No.	Mounting panel size				Usable depth		Fig. A pg. IND 134							
	inches		mm		inches	mm	inches				mm			
	F	G	F	G	J	J	CL	HL	H	PE	CL	HL	H	PE
E MOD72X7818/ E MOD72X7818SS	60	72.7	1524.0	1846.6	17.06	433.3	-	9.125	3.688	2.5	-	231.8	93.7	63.5
E MOD84X7818/ E MOD84X7818SS	72	72	1828.8	1828.8	17.06	433.3	-	14.625	3.688	2.5	-	371.5	93.7	63.5
E MOD84X7824/ E MOD84X7824SS	72	72	1828.8	1828.8	23.06	585.7	-	14.625	3.688	2.5	-	371.5	93.7	63.5

 Designates a product in the EnclosureZone program.

Floormount Freestanding Enclosures (X)

Floormount Freestanding Carbon Steel/Stainless Steel Enclosures												
Part No.	Exact outside dimensions						Door size				Mounting Panel Part No.	
	inches			mm			inches		mm			
	A	B	C	A	B	C	J	K	J	K		
EZ E 60X4912/ E 60X4912SS	60	49.38	12	1524.0	1254.3	304.8	58.5	21.88	1485.9	555.8	E 60P48	
EZ E 60X4918/ E 60X4918SS	60	49.38	18	1524.0	1254.3	457.2	58.5	21.88	1485.9	555.8	E 60P48	
EZ E 60X6112/ E 60X6112SS	60	61.38	12	1524.0	1559.1	304.8	58.5	27.88	1485.9	708.2	E 60P60	
EZ E 60X6118/ E 60X6118SS	60	61.38	18	1524.0	1559.1	457.2	58.5	27.88	1485.9	708.2	E 60P60	
EZ E 72X6112/ E 72X6112SS	72	61.38	12	1828.8	1559.1	304.8	70.5	27.88	1790.7	708.2	E 72P60	
EZ E 72X6118/ E 72X6118SS	72	61.38	18	1828.8	1559.1	457.2	70.5	27.88	1790.7	708.2	E 72P60	
EZ E 72X7312/ E 72X7312SS	72	73.38	12	1828.8	1863.9	304.8	70.5	33.88	1790.7	860.6	E 72P72	
EZ E 72X7318/ E 72X7318SS	72	73.38	18	1828.8	1863.9	457.2	70.5	33.88	1790.7	860.6	E 72P72	
E 72X7324/ E 72X7324SS	72	73.38	24	1828.8	1863.9	609.6	70.5	33.88	1790.7	860.6	E 72P72	

Floormount Freestanding Carbon Steel/Stainless Steel Enclosures (Continued)														
Part No.	Mounting panel size				Usable depth		Fig. A pg. IND 134							
	inches		mm		inches	mm	inches				mm			
	E	F	E	F	G	G	CL	HL	H	PE	CL	HL	H	PE
EZ E 60X4912/ E 60X4912SS	56	44	1422.4	1117.6	12	304.8	1.375	5.125	1.875	2.5	34.9	130.2	47.6	63.5
EZ E 60X4918/ E 60X4918SS	56	44	1422.4	1117.6	18	457.2	1.375	5.125	1.875	2.5	34.9	130.2	47.6	63.5
EZ E 60X6112/ E 60X6112SS	56	56	1422.4	1422.4	12	304.8	1.375	5.125	1.875	2.5	34.9	130.2	47.6	63.5
EZ E 60X6118/ E 60X6118SS	56	56	1422.4	1422.4	18	457.2	1.375	5.125	1.875	2.5	34.9	130.2	47.6	63.5
EZ E 72X6112/ E 72X6112SS	68	56	1727.2	1422.4	12	304.8	1.375	10.625	1.875	2.5	34.9	269.9	47.6	63.5
EZ E 72X6118/ E 72X6118SS	68	56	1727.2	1422.4	18	457.2	1.375	10.625	1.875	2.5	34.9	269.9	47.6	63.5
EZ E 72X7312/ E 72X7312SS	68	68	1727.2	1727.2	12	304.8	1.375	10.625	1.875	2.5	34.9	269.9	47.6	63.5
EZ E 72X7318/ E 72X7318SS	68	68	1727.2	1727.2	18	457.2	1.375	10.625	1.875	2.5	34.9	269.9	47.6	63.5
E 72X7324/ E 72X7324SS	68	68	1727.2	1727.2	24	609.6	1.375	10.625	1.875	2.5	34.9	269.9	47.6	63.5

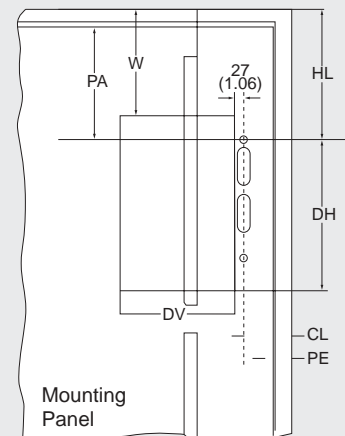


Fig. A

EZ Designates a product in the EnclosureZone program.

Floormount Freestanding Enclosures (CPX)

Floormount Freestanding Disconnect Enclosures											
Part No.	Exact outside dimensions						Door size				Mounting Panel Part No.
	inches			mm			inches		mm		
	A	B	C	A	B	C	J	K	J	K	
E 60CPX4812/ E 60CPX4812SS	60	48	12	1524.0	1219.2	304.8	58.5	22	1485.9	558.8	E 60P48 E 60P48
E 60CPX6012/ E 60CPX6012SS	60	60	12	1524.0	1524.0	304.8	58.5	28	1485.9	711.2	E 60P60 E 60P60
E 72CPX7212/ E 72CPX7212SS	72	72	12	1828.8	1828.8	304.8	70.5	34	1790.7	863.6	E 72P72 E 72P72
E 72CPX7218/ E 72CPX7218SS	72	72	18	1828.8	1828.8	457.2	70.5	34	1790.7	863.6	E 72P72 E 72P72

Floormount Freestanding Disconnect Enclosures (Continued)											
Part No.	Mounting panel size				Usable depth		Fig. A pg. IND 134				
	inches		mm		inches	mm	inches		mm		
	E	F	E	F	G	G	HL	H	HL	H	
E 60CPX4812/ E 60CPX4812SS	56	44	1422.4	1117.6	12	304.8	5.125	1.875	130.2	47.6	
E 60CPX6012/ E 60CPX6012SS	56	56	1422.4	1422.4	12	304.8	5.125	1.875	130.2	47.6	
E 72CPX7212/ E 72CPX7212SS	68	68	1727.2	1727.2	12	304.8	10.625	1.875	269.9	47.6	
E 72CPX7218/ E 72CPX7218SS	68	68	1727.2	1727.2	18	457.2	10.625	1.875	269.9	47.6	

Heavy Duty, Modular And Floormount Enclosures

For X, CPX, XM, MOD Enclosures: Allen-Bradley 1494V Disconnects/Circuit-Breakers (Fig. A pg. IND 134)																	
Allen Bradley Part No.	Amp rating	Fuse clip	Fuse class	DH		DW*		X, CPX HL=5.125 (130.2)		X, CPX HL=10.625 (269.8)		XM, MOD HL=9.125 (231.7)		XM, MOD HL=14.625 (371.4)		XM HL=17.594 (446.8)	
				inches	mm	inches	mm	inches	mm	inches	mm	inches	mm	inches	mm	inches	mm
								W	W	W	W	W	W	W	W	W	W
1494V-DS30	30A	Unfused	-	3.87	98.3	7.12	180.8	6.045	153.5	11.545	293.2	10.045	255.1	15.545	394.8	18.514	470.3
1494V-DS30	30A	30A-250V	H,K,R	5.19	131.8	7.12	180.8	6.045	153.5	11.545	293.2	10.045	255.1	15.545	394.8	18.514	470.3
1494V-DS30	30A	30A-600V	H,K,R	7.96	202.2	7.12	180.8	6.045	153.5	11.545	293.2	10.045	255.1	15.545	394.8	18.514	470.3
1494V-DS30	30A	30A-600V	J	5.19	131.8	7.12	180.8	6.045	153.5	11.545	293.2	10.045	255.1	15.545	394.8	18.514	470.3
1494V-DS30	30A	60A-250V	H,K,R	5.41	137.4	7.12	180.8	6.045	153.5	11.545	293.2	10.045	255.1	15.545	394.8	18.514	470.3
1494V-DS30	30A	60A-600V	H,K,R	8.47	215.1	7.12	180.8	6.045	153.5	11.545	293.2	10.045	255.1	15.545	394.8	18.514	470.3
1494V-DS30	30A	60A-600V	J	5.3	134.6	7.12	180.8	6.045	153.5	11.545	293.2	10.045	255.1	15.545	394.8	18.514	470.3
1494V-DS60	60A	Unfused	-	3.87	98.3	7.12	180.8	5.855	148.7	11.355	288.4	9.855	250.3	15.355	390	18.324	465.4
1494V-DS60	60A	60A-250V	H,K,R	5.41	137.4	7.12	180.8	5.855	148.7	11.355	288.4	9.855	250.3	15.355	390	18.324	465.4
1494V-DS60	60A	60A-600V	H,K,R	8.47	215.1	7.12	180.8	5.855	148.7	11.355	288.4	9.855	250.3	15.355	390	18.324	465.4
1494V-DS60	60A	60A-600V	J	5.3	134.6	7.12	180.8	5.855	148.7	11.355	288.4	9.855	250.3	15.355	390	18.324	465.4
1494V-DS60	60A	30A-600V	H,K,R	7.96	202.2	7.12	180.8	5.855	148.7	11.355	288.4	9.855	250.3	15.355	390	18.324	465.4
1494V-DS60	60A	100A-250V	H,K	8.86	225.0	7.12	180.8	5.855	148.7	11.355	288.4	9.855	250.3	15.355	390	18.324	465.4
1494V-DS60	60A	100A-600V	H,K	10.8	274.3	7.12	180.8	5.855	148.7	11.355	288.4	9.855	250.3	15.355	390	18.324	465.4
1494V-DS60	60A	100A-600V	J	7.6	193.0	7.12	180.8	5.855	148.7	11.355	288.4	9.855	250.3	15.355	390	18.324	465.4
1494V-DS100	100A	Unfused	-	3.8	96.5	7.12	180.8	5.685	144.4	11.185	284.1	9.685	246	15.185	385.7	18.154	461.1
1494V-DS100	100A	100A-250V	H,K,R	9.6	243.8	7.12	180.8	5.685	144.4	11.185	284.1	9.685	246	15.185	385.7	18.154	461.1
1494V-DS100	100A	100A-600V	H,K,R	11.6	294.6	7.12	180.8	5.685	144.4	11.185	284.1	9.685	246	15.185	385.7	18.154	461.1
1494V-DS100	100A	100A-600V	J	8.3	210.8	7.12	180.8	5.685	144.4	11.185	284.1	9.685	246	15.185	385.7	18.154	461.1
1494V-DS100	100A	200A-250V	H,K	12.4	315.0	7.12	180.8	5.685	144.4	11.185	284.1	9.685	246	15.185	385.7	18.154	461.1
1494V-DS100	100A	200A-600V	H,K	14.9	378.5	7.12	180.8	5.685	144.4	11.185	284.1	9.685	246	15.185	385.7	18.154	461.1
1494V-DS100	100A	200A-600V	J	11.03	280.2	7.12	180.8	5.685	144.4	11.185	284.1	9.685	246	15.185	385.7	18.154	461.1
1494V-DS200	200A	Unfused	-	4.6	116.8	8.4	213.4	-	-	9.835	249.8	8.335	211.7	13.835	351.4	16.804	462.8
1494V-DS200	200A	200A-250V	H,K,R	11.8	299.7	8.4	213.4	-	-	9.835	249.8	8.335	211.7	13.835	351.4	16.804	462.8
1494V-DS200	200A	200A-600V	H,K,R	14.3	363.2	8.4	213.4	-	-	9.835	249.8	8.335	211.7	13.835	351.4	16.804	462.8
1494V-DS200	200A	200A-600V	J	10.4	264.2	8.4	213.4	-	-	9.835	249.8	8.335	211.7	13.835	351.4	16.804	462.8
1494V-M40	150A	EHD, FD, FDB, FDC, HFD, HMCP	-	5	127.0	4.125	104.8	7.035	178.7	12.535	318.4	11.035	280.3	16.535	420	19.504	495.4
1494V-M50	250A	JD, JDB, JDC, HJD, HMCP	-	7.65	194.3	4.125	104.8	-	-	10.975	278.8	9.475	240.7	14.975	380.4	17.944	455.8
1494V-M60	400A	KD, KDB, KDC, HKD, HMCP	-	8.3	210.8	5.5	139.7	-	-	8.575	217.8	7.075	179.7	12.575	319.4	15.544	394.8

* Does not include space for optional auxiliary switch.

Note: 1. For applications above 200A, please contact your local Rittal representative.

Heavy Duty, Modular And Floor Mount Enclosures

For X, CPX, XM, MOD Enclosures: Square D Class 9422 Disconnects/Circuit-Breakers (Fig. A pg. IND 134)

Square D Type 9422 Part No.	Amp rating	Fuse clip	Fuse class	DH		DW*		X, CPX HL=5.125 (130.2)		X, CPX HL=10.625 (269.8)		XM, MOD HL=9.125 (231.7)		XM, MOD HL=14.625 (371.4)		XM HL=17.594 (446.8)	
				inches	mm	inches	mm	inches	mm	inches	mm	inches	mm	inches	mm	inches	mm
								W	W	W	W	W	W	W	W		
TCN30	30A	Unfused	-	3.8	96.5	6.2	157.5	6.285	159.6	11.785	299.3	10.285	261.2	15.785	400.9	18.754	476.4
TCF33	30A	30A-250V	H,K,R	5.42	137.7	6.2	157.5	6.285	159.6	11.785	299.3	10.285	261.2	15.785	400.9	18.754	476.4
TCF33	30A	30A-600V	H,K,R	8.05	204.5	6.2	157.5	6.285	159.6	11.785	299.3	10.285	261.2	15.785	400.9	18.754	476.4
TCF33	30A	30A-600V	J	5.42	137.7	6.2	157.5	6.285	159.6	11.785	299.3	10.285	261.2	15.785	400.9	18.754	476.4
TCF33	30A	60A-250V	H,K,R	6.05	153.7	6.2	157.5	6.285	159.6	11.785	299.3	10.285	261.2	15.785	400.9	18.754	476.4
TDN60	60A	Unfused	-	3.8	96.5	6.2	157.5	6.285	159.6	11.785	299.3	10.285	261.2	15.785	400.9	18.754	476.4
TDF60	60A	60A-250V	H,K,R	6.05	153.7	6.2	157.5	6.285	159.6	11.785	299.3	10.285	261.2	15.785	400.9	18.754	476.4
TDF60	60A	30A-600V	H,K,R	8.05	204.5	6.2	157.5	6.285	159.6	11.785	299.3	10.285	261.2	15.785	400.9	18.754	476.4
TDF63	60A	60A-600V	H,K,R	8.55	217.2	6.2	157.5	6.285	159.6	11.785	299.3	10.285	261.2	15.785	400.9	18.754	476.4
TDF63	60A	60A-600V	J	5.42	137.7	6.2	157.5	6.285	159.6	11.785	299.3	10.285	261.2	15.785	400.9	18.754	476.4
TEN10	100A	Unfused	-	3.8	96.5	6.2	157.5	6.285	159.6	11.785	299.3	10.285	261.2	15.785	400.9	18.754	476.4
TEF10	100A	100A-250V	H,K,R	8.25	209.6	6.2	157.5	6.285	159.6	11.785	299.3	10.285	261.2	15.785	400.9	18.754	476.4
TEF10	100A	100A-600V	H,K,R	10.25	260.4	6.2	157.5	6.285	159.6	11.785	299.3	10.285	261.2	15.785	400.9	18.754	476.4
TEF10	100A	100A-600V	J	7.05	179.1	6.2	157.5	6.285	159.6	11.785	299.3	10.285	261.2	15.785	400.9	18.754	476.4
TF1	200A	Unfused	-	5.25	133.4	11.63	295.4	-	-	10.135	257.4	8.635	219.3	14.135	359	17.104	434.4
TF2	200A	200A-250V	H,K,R	11.2	284.5	11.63	295.4	-	-	10.135	257.4	8.635	219.3	14.135	359	17.104	434.4
TF2	200A	200A-600V	H,K,R	13.7	348.0	11.63	295.4	-	-	10.135	257.4	8.635	219.3	14.135	359	17.104	434.4
TF2	200A	200A-600V	J	9.83	249.7	11.63	295.4	-	-	10.135	257.4	8.635	219.3	14.135	359	17.104	434.4
TF3	200A	400A-600V	J	14.25	362.0	11.63	295.4	-	-	10.135	257.4	8.635	219.3	14.135	359	17.104	434.4
RG1	75,100A	GJL	Circuit-breaker	4.72	119.9	3.54	89.9	6.785	172.3	12.385	314.6	10.885	276.5	16.385	416.2	19.354	491.6
RN1	100A	FAL, FHL	Circuit-breaker	6	152.4	4.5	114.3	6.875	174.6	12.475	316.9	10.975	278.8	16.475	418.5	19.444	493.9
RP1	250A	KAL, KHL	Circuit-breaker	8	203.2	4.5	114.3	6.875	174.6	12.475	316.9	10.975	278.8	16.475	418.5	19.44	493.9

* DW dimension without operating mechanism

Note:

- 1. For applications above 200A, please contact your local Rittal representative.

For X, CPX, XM, MOD Enclosures: General Electric STDA Disconnects (Fig. A pg. IND 134)

GE Type STDA Part No.	Amp rating	Fuse clip	Fuse class	DH		DW		X, CPX HL=5.125 (130.2)		X, CPX HL=10.625 (269.8)		XM, MOD HL=9.125 (231.7)		XM, MOD HL=14.625 (371.4)		XM HL=17.594 (446.8)	
				inches	mm	inches	mm	inches	mm	inches	mm	inches	mm	inches	mm	inches	mm
								W	W	W	W	W	W	W	W		
TDOM1A	30A	Unfused	-	1.18	30.0	4.09	103.9	3.9075	99.3	9.445	239.9	7.9075	200.9	13.4075	340.6	16.3765	416
TDOM1A	30A	30A-250V	H, R	3	76.2	4.09	103.9	3.9075	99.3	9.445	239.9	7.9075	200.9	13.4075	340.6	16.3765	416
TDOM1A	30A	30A-600V	H, R	6	8.1	5.68	144.3	3.9075	99.3	9.445	239.9	7.9075	200.9	13.4075	340.6	16.3765	416
TDOM1B	30A	60A-250V	H, R	3	6.1	4.09	103.9	3.9075	99.3	9.445	239.9	7.9075	200.9	13.4075	340.6	16.3765	416
TDOM1B	30A	60A-600V	H, R	6	152.4	5.68	144.3	3.9075	99.3	9.445	239.9	7.9075	200.9	13.4075	340.6	16.3765	416
TDOM1A	60A	Unfused	-	1.18	30.0	4.09	103.9	3.9075	99.3	9.445	239.9	7.9075	200.9	13.4075	340.6	16.3765	416
TDOM1B	60A	60A-250V	H, R	4.4	111.8	5.68	144.3	3.9075	99.3	9.445	239.9	7.9075	200.9	13.4075	340.6	16.3765	416
TDOM1B	60A	60A-600V	H, R	6.9	175.3	5.87	149.1	3.9075	99.3	9.445	239.9	7.9075	200.9	13.4075	340.6	16.3765	416
TDOM1B	60A	100A-250V	H, R	4.4	111.8	5.68	144.3	3.9075	99.3	9.445	239.9	7.9075	200.9	13.4075	340.6	16.3765	416
TDOM1B	60A	100A-600V	H, R	6.9	175.3	5.87	149.1	3.9075	99.3	9.445	239.9	7.9075	200.9	13.4075	340.6	16.3765	416
TDOM1A	100A	Unfused	-	1.18	30.0	4.09	103.9	-	-	-	239.9	7.9075	200.9	13.4075	340.6	16.3765	416
TDOM1B	100A	100A-250V	H, R	5.8	147.3	6.18	157.0	-	-	-	239.9	7.9075	200.9	13.4075	340.6	16.3765	416
TDOM1B	100A	100A-600V	H, R	7.8	198.1	6.18	157.0	-	-	-	239.9	7.9075	200.9	13.4075	340.6	16.3765	416
TDOM1B	100A	200A-250V	H, R	11.6	294.6	6.18	157.0	-	-	-	239.9	7.9075	200.9	13.4075	340.6	16.3765	416
TDOM1B	100A	200A-600V	H, R	16.1	408.9	6.18	157.0	-	-	-	239.9	7.9075	200.9	13.4075	340.6	16.3765	416
TDOM2	200A	Unfused	-	7.5	190.5	8.4	213.4	-	-	9.939	252.5	8.439	214.4	13.939	354.1	16.908	429.5
TDOM2	200A	200A-250V	H, R	13.5	342.9	8.4	213.4	-	-	9.939	252.5	8.439	214.4	13.939	354.1	16.908	429.5
TDOM2	200A	200A-600V	H, R	16	406.4	8.4	213.4	-	-	9.939	252.5	8.439	214.4	13.939	354.1	16.908	429.5

Note:

- 1. For applications above 200A, please contact your local Rittal representative.
- 2. W dimension is greater than the required wire bending space specified in article 430-10 NEC.

Heavy Duty, Modular And Floormount Enclosures

For X, CPX, XM, MOD Enclosures: General Electric STDA Circuit-Breakers (Fig. A pg. IND 134)

GE Type STDA Part No.	Amp rating	Fuse clip	Fuse class	DH		DW		X, CPX HL=5.125 (130.2)		X, CPX HL=10.625 (269.8)		XM, MOD HL=9.125 (231.7)		XM, MOD HL=14.625 (371.4)		XM HL=17.594 (446.8)	
				inches	mm	inches	mm	inches	mm	inches	mm	inches	mm	inches	mm	inches	mm
								W	W	W	W	W	W	W	W	W	W
TDOM1A	150A	TEB, TED, THED	-	3.96	100.6	4.1	104.1	-	-	11.251	285.8	9.751	247.7	15.251	387.4	18.22	462.8
TDOM1A	150A	TEC	-	3.96	100.6	4.1	104.1	-	-	11.251	285.8	9.751	247.7	15.251	387.4	18.22	462.8
TDOM1B	150A	TB1	-	7.96	202.18	4.1	104.1	-	-	11.251	285.8	9.751	247.7	15.251	387.4	18.22	462.8
TDOM1B	150A	TEC, TECL	-	5.84	148.33	4.1	104.1	-	-	11.251	285.8	9.751	247.7	15.251	387.4	18.22	462.8
TDOM1C	150A	TEL	-	3.96	100.6	4.1	104.1	-	-	11.251	285.8	9.751	247.7	15.251	387.4	18.22	462.8
TDOM1D	150A	THLC1	-	6.75	171.5	4.1	104.1	6.095	154.8	11.595	294.5	10.095	256.4	15.595	396.1	18.564	471.5
TDOM3	225A	TFJ	-	7.3	185.4	4.1	104.1	-	-	10.782	273.9	9.282	235.8	14.782	375.5	17.751	450.9
TDOM3	225A	TFK, THFK, TFL	-	7.3	185.4	4.1	104.1	-	-	10.782	273.9	9.282	235.8	14.782	375.5	17.751	450.9
TDOM3	225A	THLC2	-	4.8	121.9	5.7	144.8	-	-	7.001	177.8	-	-	11.004	279.4	13.97	354.8

For X, CPX, XM, MOD Enclosures: Cutler-Hammer C371 Circuit-Breaker Operator (Fig. A pg. IND 134)

Cutler-Hammer Part No.	Amp rating	Frame type	DH		DW		X, CPX HL=5.125 (130.2)		X, CPX HL=10.625 (269.8)		XM, MOD HL=231.7 (9.125)		XM, MOD HL=371.4 (14.625)		XM HL=446.8 (17.594)	
			inches	mm	inches	mm	inches	mm	inches	mm	inches	mm	inches	mm	inches	mm
							W	W	W	W	W	W	W	W	W	W
C371E	150A	Cutler Hammer FDB, FD, FDC, HFD, EHD	5.33	135.38	4.13	104.78	7.71	195.71	13.21	335.41	11.71	297.31	17.21	437.01	20.17	512.42
C371E	150A	Westinghouse F Frame/Series C	5.33	135.38	4.13	104.78	7.71	195.71	13.21	335.41	11.71	297.31	17.21	437.01	20.17	512.42
C371F	225A	Cutler Hammer HJD, JD, JDC	9.37	238	10	254	6.69	169.95	12.19	309.65	10.69	271.55	16.19	411.25	19.16	486.66
C371F	225A	Westinghouse F Frame/Series C	9.37	238	10	254	6.69	169.95	12.19	309.65	10.69	271.55	16.19	411.25	19.16	486.66

Note:

1. For applications above 200A, please contact your local Rittal representative.

Heavy Duty, Modular And Floormount Enclosures

For X, CPX, XM, MOD Enclosures: Cutler-Hammer (C361 Disconnect Switches)

Cutler-Hammer Type Part No.	Amp rating	Fuse clip	Fuse class	DH		DW	
				inches	mm	inches	mm
NC	30A	Unfused	-	3.90	99.06	6.00	152.40
SC21	30A	30A-250V	H,K,R	7.60	193.04	6.00	152.40
SC61	30A	60A-250V	H,K,R	8.16	207.26	6.00	152.40
SC61	30A	30A-600V	H,K,J,R	7.60	193.04	6.00	152.40
ND	60A	Unfused	-	3.90	99.06	6.00	152.40
SD22	60A	Unfused	-	3.90	99.06	6.00	152.40
SD22	60A	60A-250V	H,K,R	8.16	207.26	6.00	152.40
SD62	60A	60A-600V	H,K,R	8.16	207.26	6.00	152.40
SD62	60A	60A-600V	J	7.79	197.87	6.00	152.40
NE	100A	Unfused	-	8.90	226.06	7.00	177.80
SE263	100A	100A-250V	H,K,R	8.90	226.06	7.00	177.80
SE263	100A	100A-600V	H,K,R	8.90	226.06	7.00	177.80
SE263	100A	100A-600V	J	8.90	226.06	7.00	177.80
NF	200A	Unfused	-	13.10	332.74	9.75	247.65
SF264	200A	200-250V	H,K,R	13.10	332.74	9.75	247.65
SF264	200A	200-600V	H,K,R	13.10	332.74	9.75	247.65
SF264	200A	200A-600V	J	13.10	332.74	9.75	247.65

For X, CPX, XM, MOD Enclosures: Cutler-Hammer (C361 Disconnect Switches) (Continued)

Cutler-Hammer Type Part No.	X, CPX HL=7.785 in/130.2mm (5.125)		X, CPX HL=13.285 in/269.8mm (10.625)		XM, MOD HL=11.785 in/231.7mm (9.125)		XM, MOD HL=17.285 in/371.4mm (14.625)		XM HL=20.254 in/446.8mm (17.594)	
	inches	mm	inches	mm	inches	mm	inches	mm	inches	mm
	W	W	W	W	W	W	W	W	W	W
NC	6.19	157.30	11.69	297.00	10.19	258.90	15.69	398.60	18.66	474.01
SC21	6.19	157.30	11.69	297.00	10.19	258.90	15.69	398.60	18.66	474.01
SC61	6.19	157.30	11.69	297.00	10.19	258.90	15.69	398.60	18.66	474.01
SC61	6.19	157.30	11.69	297.00	10.19	258.90	15.69	398.60	18.66	474.01
ND	6.19	157.30	11.69	297.00	10.19	258.90	15.69	398.60	18.66	474.01
SD22	6.19	157.30	11.69	297.00	10.19	258.90	15.69	398.60	18.66	474.01
SD22	6.19	157.30	11.69	297.00	10.19	258.90	15.69	398.60	18.66	474.01
SD62	6.19	157.30	11.69	297.00	10.19	258.90	15.69	398.60	18.66	474.01
SD62	6.19	157.30	11.69	297.00	10.19	258.90	15.69	398.60	18.66	474.01
NE	5.78	146.69	11.28	286.39	9.78	248.29	15.28	387.99	18.24	463.40
SE263	5.78	146.69	11.28	286.39	9.78	248.29	15.28	387.99	18.24	463.40
SE263	5.78	146.69	11.28	286.39	9.78	248.29	15.28	387.99	18.24	463.40
SE263	5.78	146.69	11.28	286.39	9.78	248.29	15.28	387.99	18.24	463.40
NF	-	-	8.33	211.58	6.83	173.48	12.33	313.18	15.30	388.59
SF264	-	-	8.33	211.58	6.83	173.48	12.33	313.18	15.30	388.59
SF264	-	-	8.33	211.58	6.83	173.48	12.33	313.18	15.30	388.59
SF264	-	-	8.33	211.58	6.83	173.48	12.33	313.18	15.30	388.59

Q = 2.66 in - 30A,60A,100A,200A.

HL = "HL"+Q

Note:

1. For applications above 200A, please contact your local Rittal representative.
2. W dimension is greater than the required wire bending space specified in article 430-10 NEC.
3. DH dimension includes the lowering mechanism.

Heavy Duty, Modular And Floormount Enclosures

For X, CPX, XM, MOD Enclosures: Siemens ITE Max-Flex Operators for Disconnect Switches (Fig. A pg. IND 140)											
Switch Part No.	Max-Flex variable depth complete handle mechanism	Fixed depth complete handle mechanism	Amp rating	Fuse kit	Fuse class	Panel space requirements					
						A		B		C	
						inches	mm	inches	mm	inches	mm
MCS603R MCS603L	FHOS06036R FHOS06036L	FDFS06R	30	No fuse	-	6.13	155.7	5.52	140.2	-	-
				30A, 250V	H, R	6.13	155.7	5.52	140.2	8.11	205.9
				30A, 600V	H, R	6.13	155.7	5.52	140.2	10.11	256.7
				30A, 600V	J	6.13	155.7	5.52	140.2	8.48	215.3
MCS606R MCS606L	FHOS06036R FHOS06036L	FDFS06R	60	No fuse	-	6.13	155.7	5.52	140.2	-	-
				60A, 250V	H, R	6.13	155.7	5.52	140.2	7.86	199.6
				60A, 600V	H, R	6.13	155.7	5.52	140.2	10.38	263.6
				60A, 600V	J	6.13	155.7	5.52	140.2	8.35	212
MCS610R MCS610L	FHOS06036R FHOS06036L	FDFS06R	100	No fuse	-	7.38	187.4	7.59	192.7	-	-
				100A, 250V	H, R	7.38	187.4	7.59	192.7	11.85	300.9
				100A, 600V	H, R	7.38	187.4	7.59	192.7	13.85	351.7
				100A, 600V	J	7.38	187.4	7.59	192.7	10.6	269.2
MCS620R MCS620L	FHOS20036R FHOS20036L	FDFS20R	200	No fuse	-	9.17	232.9	9.00	228.6	-	-
				200A, 250V	H, R	9.17	232.9	9.00	228.6	14.7	373.3
				200A, 600V	H, R	9.17	232.9	9.00	228.6	17.2	436.8
				200A, 600V	J	9.17	232.9	9.00	228.6	13.32	338.3

*To order Class R fuse kit, you must order Class H fuse kit and corresponding Class R fuse conversion kit.

*Max-Flex standard cable length is 36 inches. Alternate cable lengths are available by special order.

*Maximum length with Class H and R fuses.

For X, CPX, XM, MOD Enclosures: Maximum "E" Dimension For ITE Max-Flex With Disconnect Switch (Fig. B pg. IND 140)													
Switch Part No.	Cable Part No.	Enclosure depth											
		When E=8 (203.2)		When E=10 (254)		When E=12 (304.8)		When E=16 (406.4)		When E=18 (457.2)		When E=20 (508)	
		inches	mm	inches	mm	inches	mm	inches	mm	inches	mm	inches	mm
MCS603, MCS606,	FHOEC036	16.0	406	13.0	330	13.5	343	8.0	203	-	-	-	-
MCS610	FHOEC048	16	660.4	16	660.4	16	660.4	23	584.2	21	533.4	18	457.2
MCS620	FHOJC036	15	381	12.0	304	12.5	317	7.0	178	-	-	-	-
	FHOJC046	25	635	25	635	25	635	22	558.8	20	508	17	431.8

For X, CPX, XM, MOD Enclosures: Maximum "E" Dimension For ITE Max-Flex With Disconnect Switch (Fig. B pg. IND 140) (Continued)									
Enclosure depth		36" Cable				46" Cable			
		Fmin		Fmax		Fmin		Fmax	
inches	mm	inches	mm	inches	mm	inches	mm	inches	mm
8	203.2	7	177.8	14.5	368.3	16.1	408.94	23.9	607.06
10	254	5.5	139.7	13.1	332.74	16	406.4	23.6	599.44
12	304.8	5	127	12	304.8	15.9	403.86	220.8	579.12
16	406.4	4	101.6	9.4	238.76	14.7	373.38	22	558.8
18	457.2	-	-	-	-	14.6	370.84	21.9	556.26
20	508	-	-	-	-	13.3	337.82	19.9	505.46
24	609.6	-	-	-	-	12	304.8	16.9	429.26

Maximum "E" dimension only if F=4.6 (116.8)

For X, CPX, XM, MOD Enclosures: ITE Max-Flex Operators for Disconnect Switch (Fig. C, D pg. IND 140)											
Switch Part No.	Handle Part No.	Dimensions — see fig. C, D									
		X1		X2		Y1		Y2		Z1*	
		inches	mm	inches	mm	inches	mm	inches	mm	inches	mm
MCS603, MCS606	FDFS06R	3.52	89.4	1.5	38.1	0.0	0.0	1.89	48	6.44	163.5
MCS610	FDFS06R	3.91	99.3	1.81	45.9	0.13	3.3	3.0	76.2	6.44	163.5
MCS620	FDFS06R	1.51	38.3	7.86	199.6	0.38	9.6	5.44	138.1	10.93	277.6

* Z1 is the distance between the disconnect mounting surface and mounting panel (mechanical adjustments required if Z1 and usable depth not equal).

Heavy Duty, Modular And Floormount Enclosures

Maximum "E" Dimension For ITE Max-Flex With Circuit-Breaker (Fig. E pg. IND 140)

Cable Part No.	Frame size	When enclosure depth=8 (203.2)		When enclosure depth=10 (254)		When enclosure depth=12 (304.8)		When enclosure depth=16 (406.4)		When enclosure depth=18 (457.2)		When enclosure depth=20 (508)		When enclosure depth=24 (609.6)		When enclosure depth=30 (762)	
		inches	mm	inches	mm	inches	mm	inches	mm	inches	mm	inches	mm	inches	mm	inches	mm
		E=	E=	E=	E=	E=	E=	E=	E=	E=	E=	E=	E=	E=	E=	E=	E=
FHOEC036	ED, HED, CED, EF	13.8	203.2	13.5	203.2	13	203.2	10.7	203.2	8.7	203.2	5.3	203.2	-	-	-	-
FHOEC036	FXD, FD, HFD, CFD, HFXD, FF	11.2	203.2	11	203.2	10.5	203.2	8.3	203.2	5.5	203.2	3.5	203.2	-	-	-	-

Maximum "E" dimension only if F=116.8 (4.6).

For X, CPX, XM, MOD Enclosures: ITE Max-Flex Operators For Circuit-Breakers

Breaker Operator Catalog No.	Amp rating	Circuit-breaker frame size	For use with breaker type(s)
FHOE036	125	ED, HED, EF (CE)	ED2, ED4, ED6, HED4, HED6, ED6, ETI, HHED6, EFC
FHOE036	125	CED, EF (CE)	CED6, CED6 ETI, EFF
FHOF036	250	FD, FXD, HFD, HFXD, FF (CE)	FXD6-A, FD6-A, HFD6, HFXD6, HHFD6, FD6 ETI, FFC, FFF
FHOF036	250	CFD	CFD6, CFD6 ETI

* For applications above 200A, please contact your local Rittal representative.

Circuit-Breaker Mounting Dimensions (Fig. E pg. IND 140)

Circuit-Breaker Frame Size	Amp rating	A		B		C		D*		K		DH (normal)		Tap size
		inches	mm	inches	mm	inches	mm	inches	mm	inches	mm	inches	mm	
ED, HED, EF, CED	125	1.0	25.4	5.0	127	0.65	16.5	6.33	160.7	-	-	6.81	172.9	#8-32
CED6, CED6-ETI	125	1.0	25.4	5.0	127	0.65	16.5	8.93	226.8	3.25	82.5	6.81	172.9	#8-32
FXD, FD, HFD, HFXD, FF	250	1.5	38.1	7.5	190.5	1.0	25.4	9.5	241.3	-	-	6.78	172.2	#1/4 20
CFD	250	1.5	38.1	7.5	190.5	1.0	25.4	14.25	361.9	4.6	117.4	6.78	172.2	#1/4 20

* For applications above 200A, please contact your local Rittal representative.

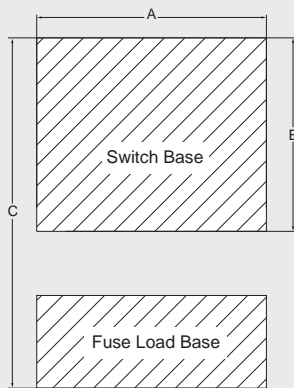


Fig. A

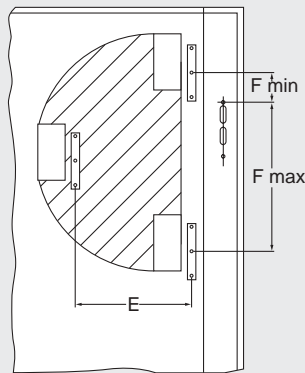


Fig. B

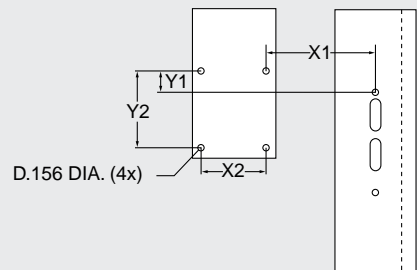


Fig. C

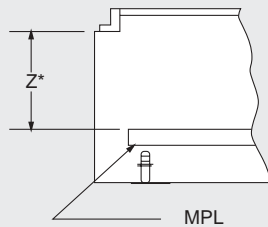


Fig. D

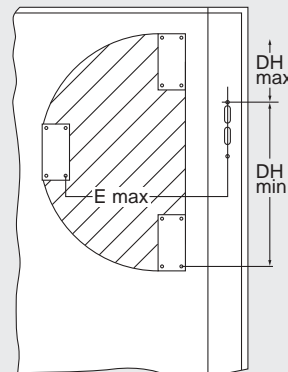
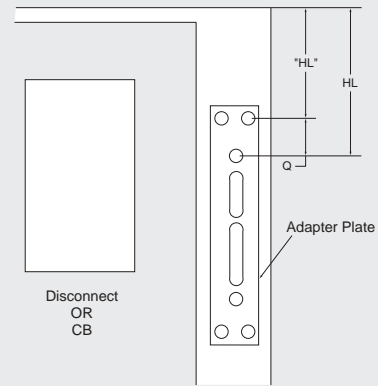


Fig. E



Adapter Plate											
Part No.		EAKAB	EAKAB (200A)	EAKITE (1 Slot)	EAKITE (2 Slot)	EAKCHV	EAKWHAMT	EAKSD	EAKABV (1 Slot)	EADABV (2 Slot)	EADKETDA Spring Mount
Q-left	inches	1.07	0.59	2.13	2.50	2.51	1.27	2.41	2.64	2.51	2.51
	mm	27.18	14.99	54.10	63.50	63.75	32.26	61.21	67.06	63.75	63.75
Q-right	inches	1.07	0.62	-	2.75	2.66	3.96	2.76	1.02	2.66	2.97
	mm	27.18	15.75	-	69.85	67.56	100.58	70.10	25.91	67.56	75.44
Part No.		EAKABCHR	EAKABCHR (200A)	EAKWHAMTCHR	EAKSDCHR	EAKGETDACHR	EAKITECHR (1 Slot)	EAKITECHR (2 Slot)	EAKCHVCHR	EAKABVCHR (1 Slot)	EAKABVCHR (2 Slot)
Q-left	inches	0.69	0.59	1.27	2.41	2.51	2.13	2.50	2.51	2.64	2.51
	mm	17.53	14.99	32.26	61.21	63.75	54.10	63.50	63.75	67.06	63.75
Q-right	inches	1.07	0.62	3.96	2.76	2.97	-	2.75	2.66	1.02	2.66
	mm	27.18	15.75	100.58	70.10	75.44	-	69.85	67.56	25.91	67.56



Adapter plate

Disconnect Ordering Information

Allen-Bradley

Using 1494V disconnect switch, order:

- * 1. A disconnect switch (fusible or non-fusible).
- 2. An operating handle.
- 3. A connecting rod.
- 4. A trailer fuse block kit (if required).
- 5. A fuse clip kit (if required).

Using 1494V circuit-breaker operating mechanism, order:

- 1. A circuit-breaker (General Electric or Westinghouse).
- 2. A circuit-breaker operating mechanism.
- 3. An operating handle.
- 4. A connecting rod.
- 5. Accessories (if required).

General Electric

Using a disconnect switch, order:

- * 1. A disconnect switch (QMR/QMW).
- * 2. A fuse clip kit or no-fuse kit.
- * 3. A flange handle (STDA1).
- * 4. A variable depth operating mechanism.
- 5. An extended length drive rod (if required).
- 6. Accessories (if required).

Using a circuit-breaker, order:

- 1. A circuit-breaker.
- 2. A flange handle (STDA1).
- 3. A variable depth operating mechanism.

* These are available as a disconnect switch assembly from General Electric.

Cutler-Hammer

Using C361 disconnect switch, order:

- * 1. A disconnect switch with an operating mechanism.
- * 2. An operating handle

Using C371 circuit-breaker, order:

- 1. A circuit-breaker (Cutler-Hammer or Westinghouse).
- * 2. An operating mechanism.
- * 3. An operating handle.

* These are available as an assembly from Cutler-Hammer.

Square D

Using a disconnect switch, order:

- 1. A disconnect switch with operating mechanism.
- 2. An universal handle mechanism.
- 3. An operating rod (if required).

Using a circuit-breaker, order:

- 1. A circuit-breaker
- 2. An operating mechanism.
- 3. An universal handle mechanism.
- 4. An operating rod (if required).

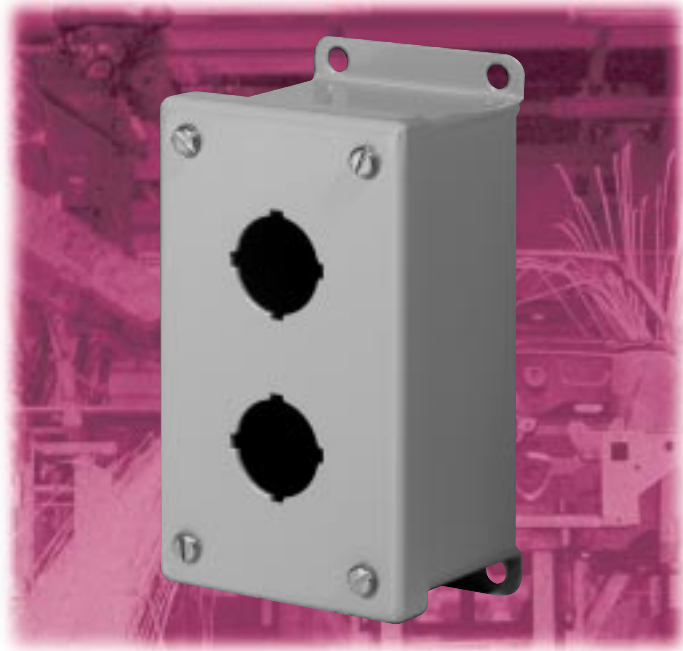
ITE

Using flange-mounted operating mechanisms and circuit-breakers, order:

- 1. A circuit-breaker
- 2. Pressure wire connectors.
- * 3. A flange-mounted handle.
- * 4. A circuit-breaker operator mechanism.
- * 5. An operating cable.

* Available from ITE as a complete mechanism with 914 mm (36") cable only. Order separate different cable lengths.

Standard Pushbutton Boxes



NEMA Rated Pushbutton Enclosures

These NEMA rated boxes are designed for indoor use to house pushbuttons, selector switches, pilot lights, etc., and to protect such equipment against dirt, dust, and spraying of water, oil or coolant.

Several models of these pushbutton enclosures can be mounted onto a Rittal Electromate column and base and used as an operator station.



Configuration

- Continuously welded seams, finished smooth
- Poron strip gasket
- Standard pushbutton holes accept all brands of 30.5 mm “4-way” oil tight pushbuttons, switches, and pilot lights
- Captive plated screws to hold cover
- External mounting brackets

Technical Specifications

Material:

- *Enclosure/cover:* 14 gauge carbon steel

Finish/color:

- *Enclosure/cover:* polyester-urethane powder coat over phosphatized surfaces, inside and outside – ANSI 61 grey

Protection Ratings

NEMA Type 1 4 4X 12 13

Certifications/Approvals

Listings UL CUL CSA TÜV

Technical Drawings

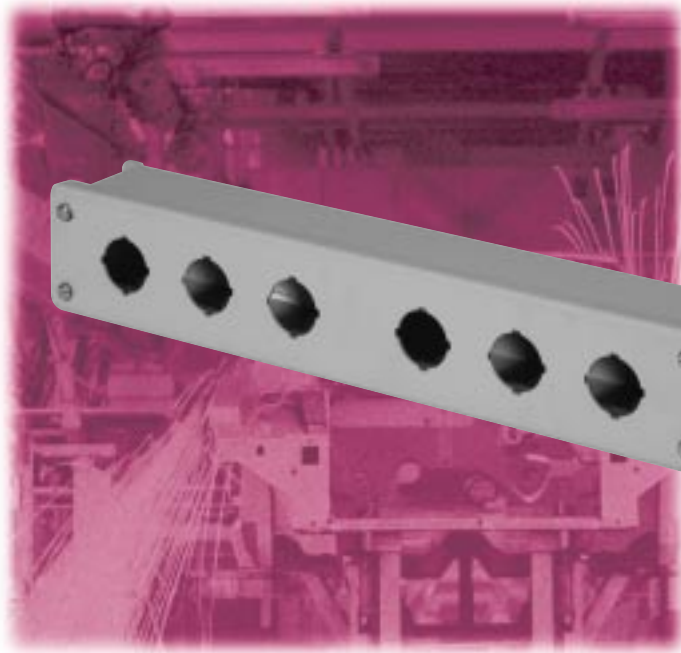
Page IND 178

Standard Pushbutton Box				Accessories
Part No.	Outside dimensions (inches)			Oil tight hole seals
	H	W	D	
EZ E 1PB	3.50	3.25	2.75	See ACC 18
EZ E 2PB	5.75	3.25	2.75	See ACC 18
EZ E 3PB	8.00	3.25	2.75	See ACC 18
EZ E 4PB	10.25	3.25	2.75	See ACC 18
EZ E 4SPB	7.25	6.25	3.00	See ACC 18
E 5PB	12.50	3.25	2.75	See ACC 18
EZ E 6PB*	9.50	6.25	3.00	See ACC 18
E 6PBVL	14.75	3.25	2.75	See ACC 18
E 8PB	20.25	3.25	2.75	See ACC 18
E 9PB*	9.50	8.50	3.00	See ACC 18
E 10PB	24.75	3.25	2.75	See ACC 18
E 12PB*	11.75	8.50	3.00	See ACC 18
E 16PB*	11.75	10.75	3.00	See ACC 18

* Can be mounted to a Rittal Electromate column and base.

EZ Designates a product in the EnclosureZone program.

Slim Pushbutton Boxes



NEMA Rated Pushbutton Enclosures

These NEMA rated boxes are designed for indoor use to house pushbuttons, selector switches, pilot lights, etc., and to protect such equipment against dirt, dust, and spraying of water, oil or coolant.

Several models of these pushbutton enclosures can be mounted onto a Rittal Electromate column and base and used as an operator station.



Page IND 236

Configuration

- Continuously welded seams, finished smooth
- Poron strip gasket
- Standard pushbutton holes accept all brands of 30.5 mm “4-way” oil tight pushbuttons, switches, and pilot lights
- Captive plated screws to hold cover
- External mounting brackets

Technical Specifications

Material:

- *Enclosure/cover:* 14 gauge carbon steel

Finish/color:

- *Enclosure/cover:* polyester-urethane powder coat over phosphatized surfaces, inside and outside – ANSI 61 grey

Protection Ratings

NEMA Type 1 4 4X 12 13

Certifications/Approvals

Listings UL CUL CSA TÜV

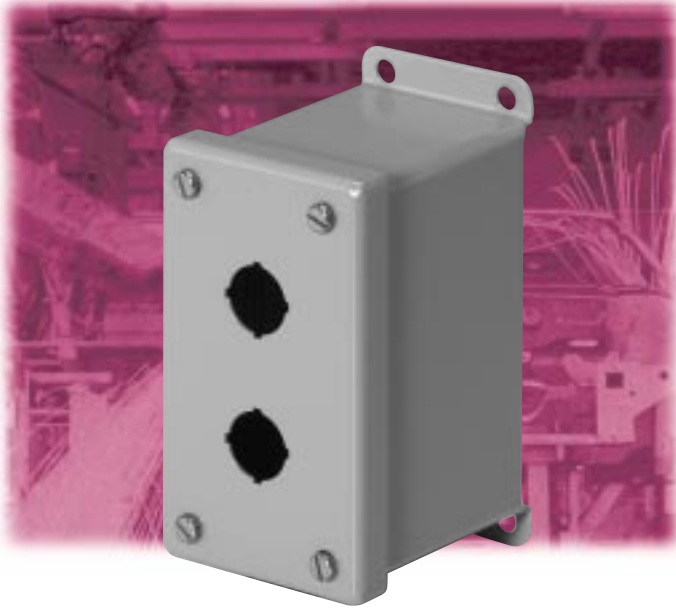
Technical Drawings

Page IND 179

Slim Pushbutton Box				Accessories
Part No.	Outside dimensions (inches)			Oil tight hole seals
	H	W	D	
EZ E 1PBSL	4.00	2.50	2.50	See ACC 18
E 2PBSL	6.25	2.50	2.50	See ACC 18
E 3PBSL	8.50	2.50	2.50	See ACC 18
E 4PBSL	10.75	2.50	2.50	See ACC 18
E 5PBSL	13.00	2.50	2.50	See ACC 18
E 6PBSL*	16.25	2.50	2.50	See ACC 18

* Add an additional 1" between pushbutton holes at center of enclosure.

Miniature Pushbutton Boxes



NEMA Rated Pushbutton Enclosures

These NEMA rated boxes are designed for indoor use to house pushbuttons, selector switches, pilot lights, etc., which mount in miniature “4-way” pushbutton holes, and to protect such equipment against dirt, dust, and spraying of water, oil or coolant.

Several models of these pushbutton enclosures can be mounted onto a Rittal Electromate column and base and used as an operator station.



Configuration

- Continuously welded seams, finished smooth
- Poron strip gasket
- Standard pushbutton holes accept all brands of 22.5 mm “4-way” oil tight pushbuttons, switches, and pilot lights
- Captive plated screws hold cover
- External mounting brackets

Technical Specifications

- Material:**
- *Enclosure/cover:* 14 gauge carbon steel
- Finish/color:**
- *Enclosure/cover:* polyester-urethane powder coat over phosphatized surfaces, inside and outside – ANSI 61 grey

Protection Ratings

- NEMA Type** 1 4 4X 12 13

Certifications/Approvals

- Listings** UL CUL CSA TÜV

Technical Drawings

Page IND 179

Part No.	Miniature Pushbutton Box			Accessories
	Outside dimensions (inches)			
	H	W	D	Oil tight hole seals
EZ E 1PBGGM	3.25	2.75	3.50	See ACC 18
EZ E 2PBGGM	5.13	2.75	3.50	See ACC 18
EZ E 3PBGGM	7.00	2.75	3.50	See ACC 18
E 4PBGGM	8.88	2.75	3.50	See ACC 18
E 6PBGGM*	8.50	5.00	4.25	See ACC 18
E 9PBGGM*	8.50	6.50	4.25	See ACC 18
E 12PBGGM*	10.38	6.50	4.25	See ACC 18
E 16PBGGM*	10.38	8.00	4.25	See ACC 18
E 20PBGGM*	12.25	8.00	4.25	See ACC 18
E 25PBGGM*	12.25	9.50	4.25	See ACC 18
E 30PBGGM*	14.13	9.50	4.25	See ACC 18

* Can be mounted to a Rittal Electromate column and base.

EZ Designates a product in the EnclosureZone program.

Extra Large Pushbutton Boxes



NEMA Rated Pushbutton Enclosures

These NEMA rated boxes feature extra spacing between pushbutton holes and are designed for indoor use to house pushbuttons, selector switches, pilot lights, etc., and to protect such equipment against dirt, dust, and spraying of water, oil or coolant.

Configuration

- Continuously welded seams, finished smooth
- Poron strip gasket
- Standard pushbutton holes accept all brands of 22.5 mm “4-way” oil tight pushbuttons, switches, and pilot lights
- Continuous steel hinges
- Cover can be removed by pulling hinge pin
- Captive plated screws hold cover
- External mounting brackets
- Steel mounting panel installed

Technical Specifications

- Material:**
- *Enclosure/cover:* 14 gauge carbon steel
- Finish/color:**
- *Enclosure/cover:* polyester-urethane powder coat over phosphatized surfaces, inside and outside – ANSI 61 grey
 - *Mounting panels:* painted white

Protection Ratings

NEMA Type 1 4 4X 12 13

Certifications/Approvals

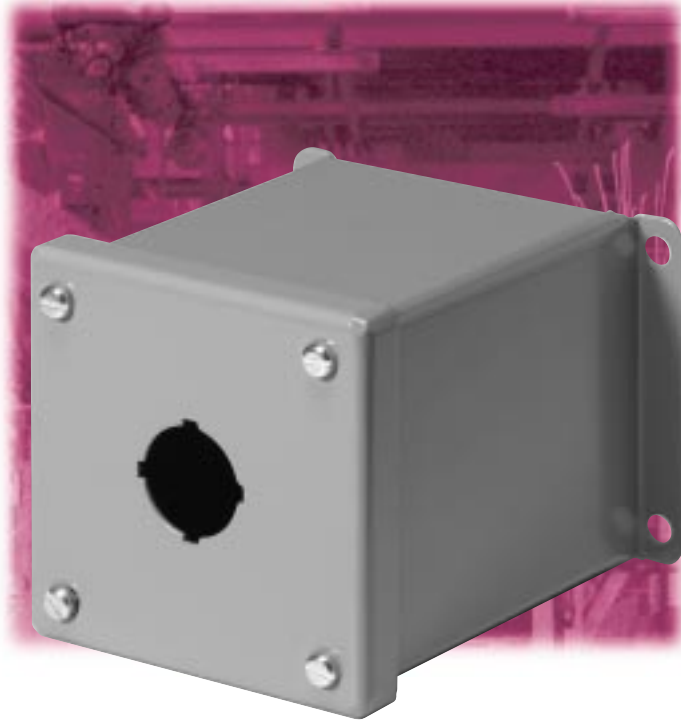
Listings UL CUL CSA TÜV

Technical Drawings

Page IND 180

Extra Large Pushbutton Box				Accessories
Part No.	Outside dimensions (inches)			Oil tight hole seals
	H	W	D	
E 4SPBY25	8.50	7.50	6.00	See ACC 18
E 6PBY25	11.00	7.50	6.00	See ACC 18
E 9PBY25	11.00	10.00	6.00	See ACC 18
E 12PBY25	13.50	10.00	6.00	See ACC 18
E 16PBY25	13.50	12.50	6.00	See ACC 18
E 20PBY25	16.00	12.50	6.00	See ACC 18
E 25PBY25	16.00	15.00	6.00	See ACC 18
E 30PBY25	18.50	15.00	6.00	See ACC 18
E 36PBY25	18.50	17.50	6.00	See ACC 18
E 42PBY25	21.00	17.50	6.00	See ACC 18

Extra Deep Pushbutton Boxes



NEMA Rated Pushbutton Enclosures

These NEMA rated boxes are designed for indoor use to house pushbuttons, selector switches, pilot lights, etc., and to protect such equipment against dirt, dust, and spraying of water, oil or coolant. Their extra depth accommodates stacked pushbutton units.

Several models of these pushbutton enclosures can be mounted onto a Rittal Electromate column and base and used as an operator station.



Page IND 238

Configuration

- Continuously welded seams, finished smooth
- Poron strip gasket
- Standard pushbutton holes accept all brands of 30.5 mm "4-way" oil tight pushbuttons, switches, and pilot lights
- Captive plated screws hold cover
- External mounting brackets

Technical Specifications

Material:

- *Enclosure/cover:* 14 gauge carbon steel

Finish/color:

- *Enclosure/cover:* polyester-urethane powder coat over phosphatized surfaces, inside and outside – ANSI 61 grey

Protection Ratings

NEMA Type 1 4 4X 12 13

Certifications/Approvals

Listings UL CUL CSA TÜV

Technical Drawings

Page IND 181

Extra Deep Pushbutton Box				Accessories
Part No.	Outside dimensions (inches)			Oil tight hole seals
	H	W	D	
EZ E 1PBXD	4.00	4.00	4.75	See ACC 18
E 2PBXD	6.00	4.00	4.75	See ACC 18
EZ E 3PBXD	8.00	4.00	4.75	See ACC 18
E 4PBXD	10.00	4.00	4.75	See ACC 18
E 4SPBXD*	7.25	6.25	4.75	See ACC 18
E 6PBXD*	9.50	6.25	4.75	See ACC 18
E 9PBXD*	9.50	8.50	4.75	See ACC 18
E 10PBXD*	14.00	6.25	4.75	See ACC 18
E 12PBXD*	11.75	8.50	4.75	See ACC 18
E 16PBXD*	11.75	10.75	4.75	See ACC 18
E 16SPBXD*	20.75	6.25	4.75	See ACC 18
E 20PBXD*	14.00	10.75	4.75	See ACC 18
E 25PBXD*	14.00	13.00	4.75	See ACC 18

* Can be mounted to Rittal Electromate column and base.

EZ Designates a product in the EnclosureZone program.

Sloping Front Pushbutton Boxes



NEMA Rated Pushbutton Enclosures

These NEMA rated boxes feature a slanted front and are designed for indoor use to house pushbuttons, selector switches, pilot lights, etc., and to protect such equipment against dirt, dust, and spraying of water, oil or coolant.

Several models of these pushbutton enclosures can be mounted onto a Rittal Electromate column and base and used as an operator station.



Configuration

- Continuously welded seams, finished smooth
- Poron strip gasket
- Standard pushbutton holes accept all brands of 30.5 mm "4-way" oil tight pushbuttons, switches, and pilot lights
- Captive plated screws hold cover
- External mounting brackets

Technical Specifications

Material:

- *Enclosure/cover:* 14 gauge carbon steel

Finish/color:

- *Enclosure/cover:* polyester-urethane powder coat over phosphatized surfaces, inside and outside – ANSI 61 grey

Protection Ratings

NEMA Type 1 4 4X 12 13

Certifications/Approvals

Listings UL CUL CSA TÜV

Technical Drawings

Page IND 182

Sloping Front Pushbutton Box				Accessories
Part No.	Outside dimensions (inches)			Oil tight hole seals
	H	W	D	
E 1PBA	3.50	3.25	4.88	See ACC 18
EZ E 2PBA	3.50	5.50	4.88	See ACC 18
E 3PBA	3.50	7.75	4.88	See ACC 18
E 4PBA	3.50	10.00	4.88	See ACC 18
EZ E 4SPBA	7.25	6.25	6.75	See ACC 18
E 6PBA	7.25	8.50	6.75	See ACC 18
E 8PBA	7.25	10.75	6.75	See ACC 18
E 9PBA	9.50	8.50	7.88	See ACC 18
E 10PBA	7.25	13.00	6.75	See ACC 18
E 12PBA	7.25	15.25	6.75	See ACC 18
E 12SPBA	11.75	8.50	9.00	See ACC 18
E 16PBA	11.75	10.75	9.00	See ACC 18
E 16SPBA	7.25	19.75	6.75	See ACC 18
E 20PBA	11.75	13.00	9.00	See ACC 18
E 25PBA	14.00	13.00	10.13	See ACC 18
E 30PBA	14.00	15.25	10.13	See ACC 18

EZ Designates a product in the EnclosureZone program.

AP Desk Consoles



Desk Console System

Rittal's AP Series console system answers the need for variability, performance, safety, assembly, and aesthetics for operator interface applications. The AP design allows unlimited combinations of bottom, center, and top sections. Also available are complete, one-piece desk units. Their perfect design facilitates easy assembly and provides security and usability.

Universal Console System

The universal AP console is the newest addition to the AP family. It features a uni-body construction with an integrated 25mm interior hole pattern for easy component installation. Available with or without an optional desk unit, it also features a full-sized mounting panel.

Part No.	Number Of Doors	Enclosure						Mounting Panel			
		Exact outside dimensions						Dimensions			
		inches			mm			inches		mm	
		H	W	D	H	W	D	H	W	H	W
Bottom Section											
EZ 2600600 ¹	1 f	26.38	31.50	15.75	670	800	400	23.62	28.15	600	715
EZ 2620600 ²	2 f	26.38	47.24	15.75	670	1200	400	23.62	43.90	600	1115
EZ 2610600 ³	1 f/1 r	26.38	31.50	19.69	670	800	500	20.94	27.64	532	702
EZ 2640600 ⁴	2 f/2 r	26.38	47.24	19.69	670	1200	500	20.94	43.39	532	1102
EZ 2650600 ⁵	2 f/2 r	26.38	62.99	19.69	670	1600	500	20.94	59.13	532	1502
Center Section											
EZ 2611200 ¹	1	7.87	31.50	33.46	200	800	850	-	-	-	-
EZ 2641200 ²	1	7.87	47.24	33.46	200	1200	850	-	-	-	-
EZ 2613200 ³	1	7.87	31.50	37.40	200	800	950	-	-	-	-
EZ 2643200 ⁴	1	7.87	47.24	37.40	200	1200	950	-	-	-	-
EZ 2653200 ⁵	1	7.87	62.99	37.40	200	1600	950	-	-	-	-
Top Section											
EZ 2612600 ¹	1 f	16.93	31.50	15.75	430	800	400	13.78	28.15	350	715
EZ 2642600 ²	1 f	16.93	47.24	15.75	430	1200	400	13.78	43.90	350	1115
EZ 2614600 ³	1 f/1 r	16.93	31.50	19.69	430	800	500	13.70	28.62	348	727
EZ 2644600 ⁴	1 f/1 r	16.93	47.24	19.69	430	1200	500	13.70	44.37	348	1127
EZ 2647600 ³	1 f/1 r	24.80	31.50	23.62	630	800	600	21.57	28.62	548	727
EZ 2648600 ⁴	1 f/1 r	24.80	47.24	23.62	630	1200	600	21.57	44.37	548	1127
EZ 2649600 ⁵	1 f/1 r	24.80	62.99	23.62	630	1600	600	21.57	60.12	548	1527
Desk Console System											
EZ 2666600	1 f	37.80	23.62	15.75/18.90	960	600	400/480	30.71	20.87	780	530
EZ 2668600	1 f	37.80	31.50	15.75/18.90	960	800	400/480	30.71	28.74	780	730
EZ 2670600	1 f	37.80	39.37	15.75/18.90	960	1000	400/480	30.71	36.61	780	930
EZ 2672600	1 f	37.80	47.24	15.75/18.90	960	1200	400/480	30.71	44.49	780	1130
Universal Console System											
EZ 2694600	2 f/1 r	51.18	23.62	16.42/19.76	1300	600	417/502	47.05	19.57	1195	497

Note: When specifying two or three-part consoles, please use the superscript number to match bottom, center and top sections.

EZ Designates a product in the EnclosureZone program.



Configuration

- Doors front and rear on specific models
- Safety catches and cables secure open lid
- Mounting panel included
- Depth adjustable mounting panel for AP 2610600/2640600/2650600/2694600
- 2-part and 3-part cable entry panels
- Integrated mounting rails in center section
- Knife-edge design protects against liquid entry
- Maximum strength and stability through unibody construction
- E-coat primer and powder paint provide superior corrosion resistance
- Integrated grounding provisions
- Foamed-on gasketing
- Modular bottom, center, and top sections allow a variety of combinations for specific applications
- Top sections are available in two heights and depths
- System installation holes (Universal console) (25 mm spacing)
- Desk unit can be rotated 180° for either sloped or horizontal desk surface (Universal console)
- Full height mounting panel (Universal console)

Technical Specifications

- Material:**
- *Sheet steel housing:* 16 ga/1.5 mm
 - *Doors and lids:* 14 ga/2 mm
 - *Mounting panel:* 11 ga/3 mm, hot dipped galvanized zinc
- Finish/color:**
- *Housing, doors, and lids:* E-coat primed, powder painted, RAL 7032 pebble grey
 - *Mounting panel:* Type M
 - *Universal console trim:* RAL 5018 teal green

Protection Ratings

NEMA Type ■ ■

1 4 4X 12 13

Certifications/Approvals

Listings ■ ■ ■

UL CUL CSA TÜV

Technical Drawings

Pages **IND 183-187**

Accessories											
Part No.	Bases		Base castors	Console lid	Aluminum pencil ledge	Handles		Inductive mouse (COM or PS/2)	Inductive mouse pad (COM)	Inductive mouse pad (PS/2)	Mouse pad support
	4" high	8" high				Ergoform-S	Pushbutton				
Bottom Section											
2600600	2901200	2902200	4570000	2615200	–	2450000	2468000	–	–	–	–
2620600	2921200	2922200	4570000	2645200	–	2450000	2468000	–	–	–	–
2610600	2841200	2842200	4570000	2616200	–	2450000	2468000	–	–	–	–
2640600	2851200	2852200	4570000	2646200	–	2450000	2468000	–	–	–	–
2650600	2863200	2864200	4570000	2656200	–	2450000	2468000	–	–	–	–
Center Section											
2611200	–	–	–	2615200	2678000	–	–	6445000	6444000	6444500	2380000
2641200	–	–	–	2645200	2682000	–	–	6445000	6444000	6444500	2380000
2613200	–	–	–	2616200	2678000	–	–	6445000	6444000	6444500	2380000
2643200	–	–	–	2646200	2682000	–	–	6445000	6444000	6444500	2380000
2653200	–	–	–	2656200	–	–	–	6445000	6444000	6444500	2380000
Desk Console System											
2666600	2911200	2912200	4570000	–	2676000	2450000	2468000	6445000	6444000	6444500	2380000
2668600	2901200	2902200	4570000	–	2678000	2450000	2468000	6445000	6444000	6444500	2380000
2670600	2891200	2892200	4570000	–	2680000	2450000	2468000	6445000	6444000	6444500	2380000
2672600	2921200	2922200	4570000	–	2682000	2450000	2468000	6445000	6444000	6444500	2380000

Accessories									
Part No.	Bases		Desk unit	Handles		Inductive mouse (COM or PS/2)	Inductive mouse pad (COM)	Inductive mouse pad (PS/2)	Mouse pad support
	4" high	8" high		Ergoform-S	Pushbutton insert				
Universal Console System									
2694600	2807200	2808200	2696200	2450000	2468000	6445000	6444000	6444500	2380000

Designates a product in the EnclosureZone program.

Consoles, Pedestals and Bases



Carbon Steel Desk Units

These NEMA rated individual desk units are designed for indoor use to meet the requirements of most operator interface applications.

Control components such as meters, pushbuttons, pilot lights, and switches, can be mounted on the top-hinged control panel that slants 30° or 60°.

Pedestal and base assemblies allow the desk units to be floor mounted. Wiring connections can be made through the base, the vertical column or directly to the desk unit.



Page IND 239

Consoles			
Part No.	Outside dimensions (inches)		
	H	W	D
Consoles			
EZ E 8C8	8.00	8.00	7.09
EZ E 8C12	8.00	12.00	7.09
E 8C16	8.00	16.00	7.09
E 8C20	8.00	20.00	7.09
EZ E 12C12	12.00	12.00	9.09
E 12C16	12.00	16.00	9.09
E 12C20	12.00	20.00	9.09
E 12C24	12.00	24.00	9.09
EZ E 16C16	16.00	16.00	11.09
EZ E 16C20	16.00	20.00	11.09
E 16C24	16.00	24.00	11.09
E 16C30	16.00	30.00	11.09
E 16C36	16.00	36.00	11.09
E 20C20	20.00	20.00	13.09
E 20C24	20.00	24.00	13.09
E 20C30	20.00	30.00	13.09

EZ Designates a product in the EnclosureZone program.



Configuration

Console:

- Continuously welded seams, finished smooth
- Poron strip gasket
- Control panel slants 30° or 60° and is attached with a continuous steel hinge at top and secured with captive screws

Pedestal/column:

- Removable, gasketed access plate in column body
- Urethane gasket

Base:

- Pre-punched holes to accept column
- Two formed channels welded to underside of base

Technical Specifications

Material:

- *Console/desk unit:* 14 gauge carbon steel
- *Pedestal/column:* 14 gauge carbon steel with 10 gauge steel mounting flange at each end
- *Base:* 12 gauge carbon steel

Finish/color:

- *All steel parts:* polyester-urethane powder coat over phosphatized surfaces, inside and outside – ANSI 61 grey

Protection Ratings

NEMA Type 1 4 4X 12 13

Certifications/Approvals

Listings UL CUL CSA TÜV

Technical Drawings

Pages IND 188-189

Pedestals and Bases

Part No.	Outside dimensions (inches)		
	H	W	D
Pedestals			
E 44CCOL	4.00	4.00	–
E 66CCOL	6.00	6.00	–
Bases			
E 18SBASE	18.00	18.00	–
E 24SBASE	24.00	24.00	–

Designates a product in the EnclosureZone program.

Series Operator Enclosures



Carbon Steel Freestanding Consoles

These NEMA rated freestanding steel operator consoles are designed for indoor use and meet the requirements of a variety of operator interface applications.

Control instruments such as pushbuttons, pilot lights, meters, switches, etc., can be mounted on the control panel that slants 16° (Series 9), 45° (Series 12) and 60° (Series 14). Optional console top and/or writing desk provide additional flexibility. Control equipment components can be mounted on removable sub-panels on the side and back walls inside the enclosure.

Series 9 Console

Part No.	Height	Width	Depth	Rear mounting panel	Rear mounting panel size		Side mounting panel	Side mounting panel size		Caster kit
EZ E C924B	48.00	24.00	18.00	E 30P20	27.00	17.00	E 30P20	27.00	17.00	E C10C
EZ E C936B	48.00	36.00	18.00	E 30P30	27.00	27.00	E 30P20	27.00	17.00	E C10C

Series 12 Console

Body Part No.	Body Height	Top Height	Width	Rear mounting panel size		Top Part No.	Instrument panel		Access panel		Writing Desk Part No.	Caster Kit Part No.
EZ E C12B	36.00	20.00	36.00	32.00	30.00	EZ E C12T	19.19	35.19	20.19	32.19	EZ E C12W	E 12C
E C1224B	36.00	20.00	24.00	32.00	18.00	E C1224T	19.19	23.19	20.19	20.19	E C1224W	E 12C
E C1248BD	36.00	20.00	48.00	32.00	42.00	E C1248T	19.19	47.19	20.19	44.19	E C1248W	E 12C

Series 14 Console

Body Part No.	Top Part No.	Body height	Top height	Width	Half Mounting Panel Part No.	Half mounting panel size		Full Mounting Panel Part No.	Full mounting panel size		Swingout Mounting Panel Part No.	Swingout mounting panel size		Writing Desk Part No.	Relay Rack Part No.	Caster Kit Part No.
						H	W		H	W		H	W			
EZ E C14B	EZ E C14T	50.00	16.00	24.00	EZ E C14P2	22.00	17.00	E C14P3	42.50	17.00	E C14P1	22.00	18.13	EZ E C14W	EZ E C14R	E C12C
EZ E C1436B	EZ E C1436T	50.00	16.00	36.00	EZ E C1436P2	22.00	29.00	E C1436P3	42.50	29.00	E C1436P1	22.00	30.13	EZ E C1436W	EZ E C14R	E C12C

EZ Designates a product in the EnclosureZone program.



Configuration

- Continuously welded seams, finished smooth
- Urethane gasket
- Control panel slants (Series 9 slants 16°, Series 12 slants 45°, Series 14 slants 60°) and is attached with a continuous steel hinge at front and secured with captive screws
- Mechanical brace to hold control panel open to 90°
- 3-point latch with oil tight key locking handle
- Mounting panel provisions installed
- Print pocket included

Technical Specifications

- Material:**
- *Enclosure/door:* 14 gauge carbon steel
- Finish/color:**
- *Enclosure/door:* polyester-urethane powder coat over phosphatized surfaces, ANSI 61 grey outside and white inside
 - *Optional mounting panels:* painted white

Protection Ratings

- NEMA Type** 1 4 4X 12 13

Certifications/Approvals

- Listings** UL CUL CSA TÜV

Technical Drawings

Pages **IND 190-192**

PC Computer Enclosures



Standard PC Freestanding Enclosures

PCs are important interfaces in today's computer-aided manufacturing environment. The Rittal PC computer enclosure houses monitor, CPU, keyboard, printer, and/or other components in one cabinet that is equally at home on the shop floor as in an office environment.

PC Desktop/Pedestal Enclosures

The PC Desktop/Pedestal enclosure is a one piece unit designed to sit on a desk, table top or a pedestal.

Standard PC Freestanding Enclosures

Part No.	Configuration	Keyboard storage	Exact outside dimensions					
			inches			mm		
			H	W	D	H	W	D
EZ 4603603	Solid front panel	Drawer	63	24	26	1600	600	650
EZ 4603604	Solid front panel	Console	63	24	26	1600	600	650
EZ 4603703	Safety glass	Drawer	63	24	26	1600	600	650
EZ 4603704	Safety glass	Console	63	24	26	1600	600	650
EZ 4603820	Solid front panel	Fold-down	63	24	26	1600	600	650
EZ 4603913	Safety glass	Drawer/Panel	63	24	26	1600	600	650
EZ 4603920	Safety glass	Fold-down	63	24	26	1600	600	650
EZ 4609703	Safety glass	Drawer	63	24	34	1660	600	850
EZ 4609920	Safety glass	Fold-down	63	24	34	1600	600	850

PC Desktop/Pedestal Enclosures

Part No.	Configuration	Keyboard storage	Exact outside dimensions					
			inches			mm		
			H	W	D	H	W	D
EZ 4617703	Safety glass	Drawer	30	24	26	750	600	650
EZ 4617704	Safety glass	Console	30	24	26	750	600	650
EZ 4617913	Safety glass	Drawer/Panel	30	24	26	750	600	650
EZ 4617920	Safety glass	Fold-down	30	24	26	750	600	650

EZ Designates a product in the EnclosureZone program.



Configuration

- Knife-edge design averts liquid away from foamed-on gasket
- Integrated grounding provisions on all surfaces
- Accepts up to 19" monitors

Technical Specifications

- Material:**
- *Body:* 16 ga/1.5 mm sheet steel
 - *Rear door:* 14 ga/2 mm sheet steel
 - *Sidewalls:* 16 ga/1.5 mm sheet steel
 - *Bottom front door:* 14 ga/2 mm sheet steel
 - *Corner trim panels:* extruded aluminum
 - *Monitor panel:* 3 mm security glass with 19" or 21" mask
 - *Keyboard front panel:* plastic UL 94-VO

- Finish/color:**
- *Body:* E-coat primed, powder painted, RAL 7035 light grey
 - *Corner trim panels:* powder painted, RAL 5018 teal green

Protection Ratings

NEMA Type 1 4 4X 12 13

Certifications/Approvals

Listings UL CUL CSA TÜV

Technical Drawings

Pages **IND 193-195**

Accessories													
Part No.	Bases		Reinforced castors	Mouse pad	Shelf	Tower PC Carriage			Inductive mouse (COM or PS/2)	Inductive mouse pad (COM)	Inductive mouse pad (PS/2)	Mouse pad support	Mouse holder
	4" high	Mobile				Carriage	Installation Kit	Extra shelf					
EZ 4603603	2813200	4640600	4634000	4614000	4619660	4641000	4376/4183/4162/9962544	4642000	6444500	6444000	6445000	2380000	2382000
EZ 4603604	2813200	4640600	4634000	–	4619660	4641000	4376/4183/4162/9962544	4642000	6444500	6444000	6445000	2380000	2382000
EZ 4603703	2813200	4640600	4634000	4614000	4619660	4641000	4376/4183/4162/9962544	4642000	6444500	6444000	6445000	2380000	2382000
EZ 4603704	2813200	4640600	4634000	–	4619660	4641000	4376/4183/4162/9962544	4642000	6444500	6444000	6445000	2380000	2382000
EZ 4603820	2813200	4640600	4634000	4613000	4619660	4641000	4376/4183/4162/9962544	4642000	6444500	6444000	6445000	2380000	2382000
EZ 4603913	2813200	4640600	4634000	4614000	4619660	4641000	4376/4183/4162/9962544	4642000	6444500	6444000	6445000	2380000	2382000
EZ 4603920	2813200	4640600	4634000	4613000	4629660	4641000	4376/4183/4162/9962544	4642000	6444500	6444000	6445000	2380000	2382000
EZ 4609703	2846200	4640800	4634000	4614000	4619680	4641000	4377/4183/4162/9962544	4642000	6444500	6444000	6445000	2380000	2382000
EZ 4609920	2846200	4640800	4634000	4613000	4629680	4641000	4377/4183/4162/9962544	4642000	6444500	6444000	6445000	2380000	2382000

Accessories											
Part No.	Pedestals		Pedestal accessories		Mouse pad	Shelf	Inductive mouse (COM or PS/2)	Inductive mouse pad (COM)	Inductive mouse pad (PS/2)	Mouse pad support	Mouse holder
	Without cable conduit	With cable conduit	Mounting bracket	Casters							
EZ 4617703	6141000	6141100	6147000	6148000	4614000	4619660	6445000	6444000	6444500	2380000	2382000
EZ 4617704	6141000	6141100	6147000	6148000	–	4619660	6445000	6444000	6444500	2380000	2382000
EZ 4617913	6141000	6141100	6147000	6148000	4614000	4619660	6445000	6444000	6444500	2380000	2382000
EZ 4617920	6141000	6141100	6147000	6148000	4613000	4629660	6445000	6444000	6444500	2380000	2382000

EZ Designates a product in the EnclosureZone program.

CP Pendant Arm Enclosures



Optipanel Series

Operator Interface Enclosures

Rittal's CP Series was developed to meet the requirements of today's sophisticated control technology including:

- Dense packaging of sensitive components
- Direct accessibility, anywhere on the plant floor
- A high degree of flexibility and ergonomic adaptation to the work place.

Numerous models of operator interface enclosures and two pendant systems combine with an extensive range of support arms, journals, hinges, and connection components to cover virtually any operator interface situation.

The high degree of flexibility and ergonomic design provide unlimited variety for today's diverse work environment.

Part No.	NEMA rating	Enclosure						Mounting Area					
		Exact outside dimensions						Usable mounting area				Usable depth	
		inches			mm			inches		mm		inches	mm
		H	W	D	H	W	D	H	W	H	W	D	D
Control Panel Enclosures/CP 6500 (CP-L) Series													
EZ 6540200	1, 12	7.9	11.8	6.1	200	300	155	5.91	9.84	150	250	5.91	150
EZ 6534000	1, 12	7.9	11.8	7.1	200	300	180	6.11	8.94	155	227	6.62	168
EZ 6535000	1, 12	11.8	11.8	7.1	300	300	180	10.05	8.94	255	227	6.62	168
EZ 6536000	1, 12	11.8	15.7	7.1	300	400	180	10.05	12.88	255	327	6.62	168
EZ 6537000	1, 12	15.7	11.8	7.1	400	300	180	13.99	8.94	355	227	6.62	168
EZ 6538000	1, 12	15.7	15.7	7.1	400	400	180	13.99	12.88	355	327	6.62	168
EZ 6531200	1, 12	11.81	14.96	9.21	300	380	234	9.84	12.99	250	330	8.07	205
EZ 6530200	1, 12	14.96	14.96	9.21	380	380	234	12.99	12.99	330	330	8.07	205
EZ 6533200	1, 12	14.96	23.62	9.21	380	600	234	12.99	21.65	330	550	8.07	205
EZ 6532200	1, 12	19.69	19.69	9.21	500	500	234	17.72	17.72	450	450	8.07	205
Control Panel Enclosures/Optipanel Series													
EZ 6380000	1, 12	13.94	20.75	4.33	354	527	110	12.22	19.00	310.3	482.6	3.94	100

EZ Designates a product in the EnclosureZone program.



Configuration

Control Panel/CP 6500 Enclosures

- NEMA 1, 12/IP 54 or 55
- Various configurations for specific applications
- Enclosures can be used with either the CP 6000 or CP 6500 support arm system
- Integrated handle grip and front panel
- Designed for small to medium sized HMI applications

Optipanel Enclosures

- NEMA 1, 12/IP 65 (with front plate installed)
- Designed specifically for compact operator interface devices and components
- Extruded aluminum housing reduces weight

Technical Specifications

Control Panel/CP 6500 Enclosures

Material:

- *Enclosure, door:* 16 ga/1.5 mm sheet steel
- *Front panel:* 14 ga/2 mm aluminum
- *Handle grips:* aluminum

Finish:

- *Enclosure, door:* E-coat primed, painted, RAL 7035 light grey
- *Handle:* painted
 - 6534-6538 – RAL 5018 teal green
 - 6530-6533/6540 – RAL 7030 stone grey

Optipanel Enclosures

- *Enclosure, door:* anodized aluminum
- *Corner pieces:* zinc die-cast, powder coated RAL 7035 light grey
- *Corner protectors, trim:* self-extinguishing plastic, RAL 7024 graphite

Protection Ratings

NEMA Type 1 4 4X 12 13

Certifications/Approvals

Listings UL CUL CSA TÜV

Technical Drawings

Page IND 196

Accessories				
Part No.	Pendant arms and couplings	Signal pillars	Interface box	
Control Panel Enclosures/CP 6500 (CP-L) Series				
EZ 6540200	See accessories section	See accessories section	-	
EZ 6534000	See accessories section	See accessories section	-	
EZ 6535000	See accessories section	See accessories section	2482000	
EZ 6536000	See accessories section	See accessories section	2482000	
EZ 6537000	See accessories section	See accessories section	2482000	
EZ 6538000	See accessories section	See accessories section	2482000	
EZ 6531000	See accessories section	See accessories section	2482000	
EZ 6530000	See accessories section	See accessories section	2482000	
EZ 6533000	See accessories section	See accessories section	2482000	
EZ 6532000	See accessories section	See accessories section	2482000	

Accessories					
Part No.	Pendant arms and couplings	Aluminum front panel	Fixing hardware (panel)	Fixing hardware for O/I displays	Signal pillars
Control Panel Enclosures/Optipanel Series					
EZ 6380000	See accessories section	6028000	6050000	6058500	See accessories section

EZ Designates a product in the EnclosureZone program.

CP Pendant Arm Systems



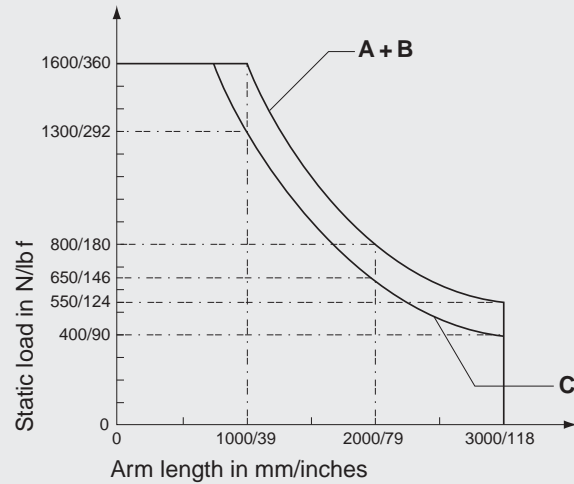
Operator Interface And Support Arm Systems

Rittal's CP 6000 (CP-XL) Series pendant arm systems were developed to offer a high degree of flexibility and ergonomic adaptation to the work environment required by today's sophisticated control technology. A wide variety of enclosures, support arm systems, and accessories combine to satisfy virtually any operator interface need.

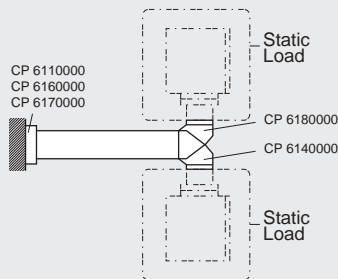
Unlimited Variety-CP 6000 (CP-XL)

Rittal's flexible CP 6000 pendant arm system offers many advantages over conventional support arm systems. With its extensive range of support arms, journals, and couplings, it offers a sophisticated solution for virtually every application.

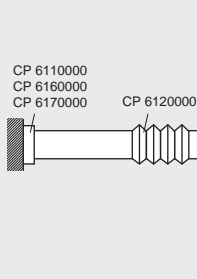
Today's operator interface control systems guarantee optimal information exchange and user-friendliness, but at the same time, place increasing demands on the interface between the operator and machine.



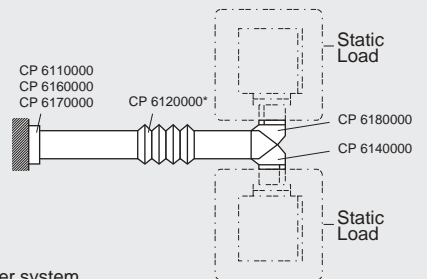
A: Open and solid support section



B: Solid support section



C: Open support section



* Only once per system where possible!



Configuration

- Self-tapping screws for easy and secure installation of the pendant arm system
- Support arm cover clips on to support arm for easy access to wiring
- Cable routing before/after installation is easy because one side of the support arm is open
- The enclosed portion of the support arm provides additional shielding
- Torsion resistant extruded aluminum support arms have high load bearing capacity and attractive styling
- Extruded aluminum support arms can be easily cut to a required length
- Enclosures can swivel 350° continuously with couplings
- 90° elbow coupling secures connection between support arm sections and also allows easy cable routing
- Enclosure coupling can be used for top or bottom installation
- Couplings come with either plastic covers or rubber boots which can be removed for easy access to wiring

Technical Specifications

Finish/color:

- *Arm:* RAL 7035 light grey
- *Couplings:* RAL 7030 stone grey

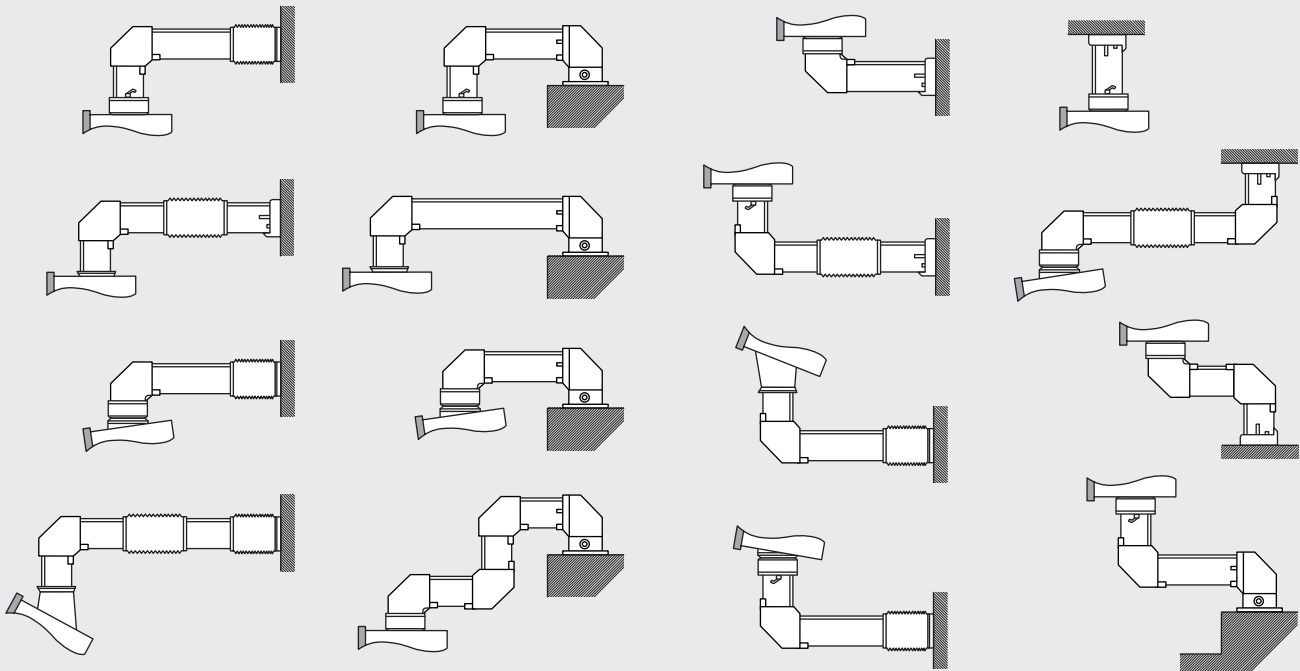
Protection Ratings

NEMA Type	<input checked="" type="checkbox"/>	<input type="checkbox"/>	<input type="checkbox"/>	<input checked="" type="checkbox"/>	<input type="checkbox"/>
	1	4	4X	12	13

Certifications/Approvals

Listings	<input type="checkbox"/>	<input type="checkbox"/>	<input type="checkbox"/>	<input type="checkbox"/>
	UL	CUL	CSA	TÜV

These Are A Few Examples From A Wide Range Of CP 6000 (CP-XL) Possibilities



CP Pendant Arm Systems



Operator Interface And Support Arm Systems

Rittal's CP 6500 (CP-L) Series pendant arm systems were developed to offer a high degree of flexibility and ergonomic adaptation to the work environment required by today's sophisticated control technology. A wide variety of enclosures, support arm systems, and accessories combine to satisfy virtually any operator interface need.

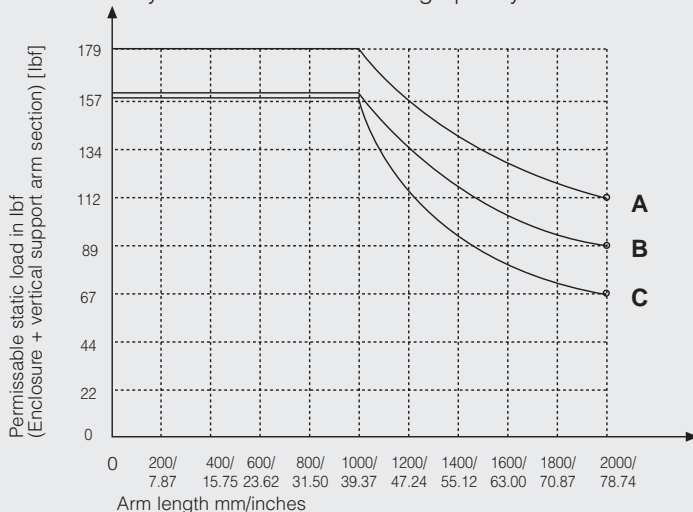
Extensive Versatility-CP 6500 (CP-L)

The support arm system CP-L is designed for small and medium-sized command panels. It offers a whole range of connection and hinged parts, and hence a large number of possible applications.

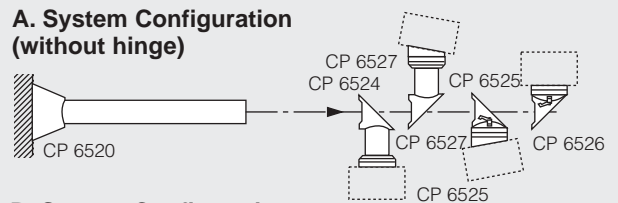
This ensures optimum operation at the interface between man and machine. In other words, the CP-L support arm system provides perfect back-up for optimum information exchange and user friendly handling of graphical interactive control systems.

Permissible load depending on system configuration

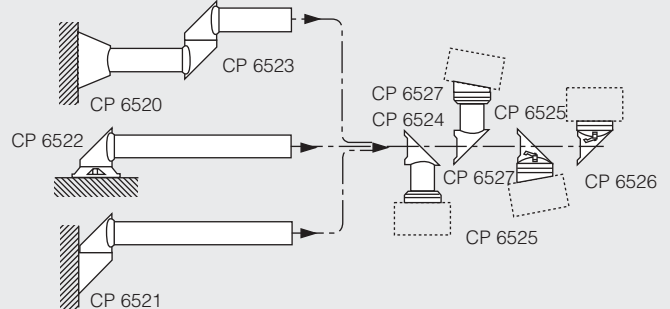
Only one CP 6523 swivel hinge per system



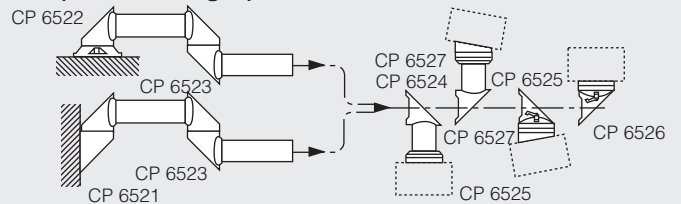
A. System Configuration (without hinge)



B. System Configuration (with one hinge)



C. System Configuration (with two hinges)



Configuration

- Self-tapping screws for easy and secure installation of the pendant arm system
- Torsion resistant extruded aluminum support arms have high load bearing capacity and attractive styling
- Extruded aluminum support arms can be easily cut to a required length
- Enclosures can swivel 350° continuously with couplings
- 90° elbow coupling secures connection between support arm sections and also allows easy cable routing
- Enclosure coupling can be used for top bottom installation
- Couplings come with plastic covers which can be removed for easy access to wiring

Technical Specifications

- Finish/color:**
- *Arm:* RAL 7035 light grey
 - *Couplings:* RAL 7030 stone grey

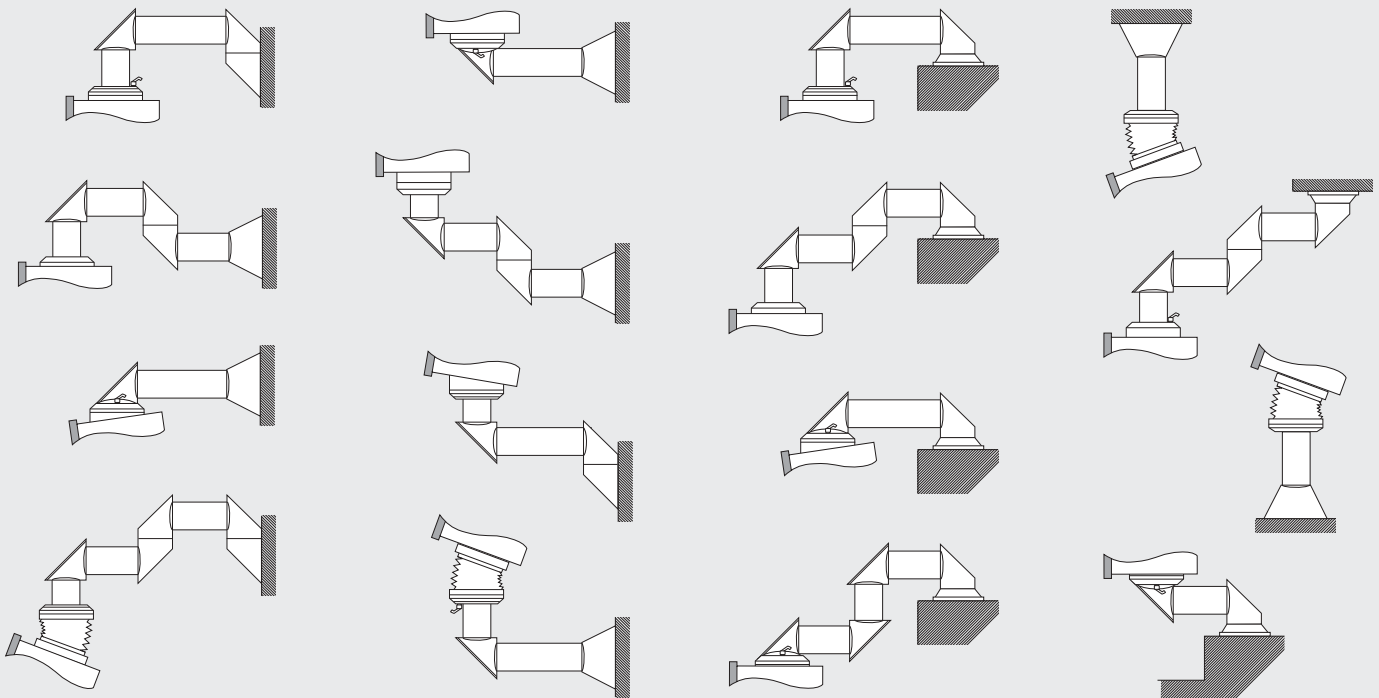
Protection Ratings

- NEMA Type**
- | | | | | |
|-------------------------------------|--------------------------|--------------------------|-------------------------------------|--------------------------|
| <input checked="" type="checkbox"/> | <input type="checkbox"/> | <input type="checkbox"/> | <input checked="" type="checkbox"/> | <input type="checkbox"/> |
| 1 | 4 | 4X | 12 | 13 |

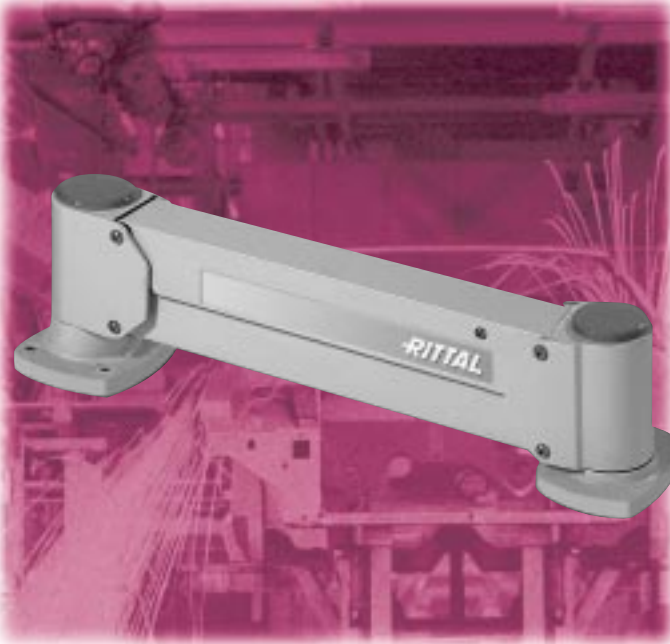
Certifications/Approvals

- Listings**
- | | | | |
|--------------------------|--------------------------|--------------------------|--------------------------|
| <input type="checkbox"/> | <input type="checkbox"/> | <input type="checkbox"/> | <input type="checkbox"/> |
| UL | CUL | CSA | TÜV |

These Are A Few Examples From A Wide Range Of CP 6500 (CP-L) Possibilities



CP-Vertical Pendant Arm Systems



Smart HMI Solutions

Rittal's new operator-driven CP-Vertical pendant arm systems allow any operator to comfortably use a plant floor operator interface device, regardless of the operator's height. To adjust height, the operator merely activates a release mechanism and the interface can be effortlessly repositioned at a new height or moved out of the way. The pendant arm uses a gas spring counterbalancing system that can be easily user calibrated to each system's load that assists in moving and locking the interface device in the desired vertical position.

What's more is, this pendant arm system can be easily incorporated with the new Optipanel enclosures that are specifically designed for flat panel displays. The CP-V System is also ideal for all of Rittal's Command Panel (CP) enclosures.

Pendant Arm System

Part No.	Description	Max. load	Vertical travel T
EZ 9967987	Post top/CP-V	100 lbs	13"
EZ 9967988	Post top/CP-VL	75 lbs	23"
EZ 9967989	Post top/CP-VXL	50 lbs	30"
EZ 9967993	Wallmount/CP-V	100 lbs	13"
EZ 9967994	Wallmount/CP-VL	75 lbs	23"
EZ 9967995	Wallmount/CP-VXL	50 lbs	30"
EZ 9967996	Machine top/CP-V	100 lbs	13"
EZ 9967997	Machine top/CP-VL	75 lbs	23"
EZ 9967998	Machine top/CP-VXL	50 lbs	30"
EZ 9967999	Universal mount/CP-V	100 lbs	13"
EZ 9968000	Universal mount/CP-VL	75 lbs	23"
EZ 9968001	Universal mount/CP-VXL	50 lbs	30"

Accessories

Part No.	Description
EZ 9968002	6" Horizontal extension
EZ 9968003	12" Horizontal extension
EZ 9968004	18" Horizontal extension
EZ 9968005	24" Horizontal extension
EZ 9968006	18" Jointed extension arm
EZ 9968007	24" Jointed extension arm
EZ 9968008	4" Vertical extension piece
EZ 9968009	8" Vertical extension piece
EZ 9968010	12" Vertical extension piece
EZ 9968011	36" Floor post
EZ 9968013	74" Floor post
EZ 9968014	Release handle W < 15 ¹
EZ 9968015	Release handle W > 15 ¹

¹ Must choose one release handle per arm.

EZ Designates a product in the EnclosureZone program.



Configuration

- **Sizes**
 - CP-V 5" H x 3" W x 26" L
 - CP-VL 5" H x 3" W x 31" L
 - CP-VXL 5" H x 3" W x 39" L
- **Vertical travel**
 - CP-V 13"
 - CP-VL 23"
 - CP-VXL 30"
- Adjusts to viewing height of each operator with simple motion
- Counterbalance can be adjusted by user for loads up to 100 lbs. (depending on arm)
- 13", 23", or 30" of vertical adjustment
- Locks and unlocks with a convenient release mechanism
- Swivels at both ends
- Optional extensions and floor posts
- NEMA Type 4, 12 sealed cable passageway protects wiring
- Wallmount, machine top, post top or universal mounting options
- Universal mount incorporates the ability to post, wall, or machine mount CP-Vertical arm
- All arms can be easily reconfigured for inverted applications
- A release handle mechanism must be ordered for each arm

Technical Specifications

- Material:**
- Aluminum
- Finish/color:**
- Powder painted RAL 7035 light grey

Protection Ratings

NEMA Type 1 4 4X 12 13

Certifications/Approvals

Listings UL CUL CSA TÜV

Technical Drawings

Pages **IND 197-198**

Each CP-Vertical Pendant Arm System Will Include The Following:

- CP-Vertical pendant arm that can be counterbalanced by the user based on load rating
- Mounting method (Post, Wallmount, Machine, Universal) will be attached to pendant arm
- A release cable will be included
- Conversion wrench and instructions
- Hardware to attach enclosure to CP-Vertical arm

Note: Hardware to attach the CP-Vertical pendant arm to mounting surface is not provided.

Below Is A Step-By-Step Guide To Selecting A CP-Vertical Pendant Arm System:

1) Determine Maximum Load:*

Maximum load = _____
 Weight of enclosure (lbs.)
 + total weight of all components mounted ON or INSIDE of enclosure

Maximum load (lbs.) = _____

* Load = Weight of enclosure + total weight of all components mounted inside enclosure.

2) Determine Proper CP-Vertical Pendant Arm Based On Load:

Select a vertical travel based on your maximum load calculation from above.

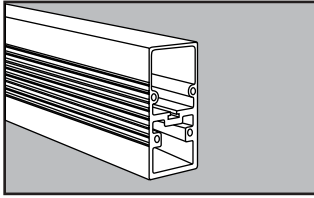
Maximum Load Range (+0%)	CP-V	CP-VL	CP-VXL
	13" Vertical Travel	23" Vertical Travel	30" Vertical Travel
0 to 50 lbs.	Yes	Yes	Yes
51 to 75 lbs.	Yes	Yes	No
76 to 100 lbs.	Yes	No	No

3) Determine Mounting Method:

Based on the CP-Vertical Pendant Arm you selected (i.e. CP-V, CP-VL, CP-VXL) in step #2, select a mounting method that best fits your application.

Mounting method	CP-V	CP-VL	CP-VXL
	13" Vertical Travel	23" Vertical Travel	30" Vertical Travel
	Part No.	Part No.	Part No.
Post top	9967987	9967988	9967989
Wallmount	9967993	9967994	9967995
Machine top	9967996	9967997	9967998
Universal	9967999	9968000	9968001

CP 6000 (CP-XL) Accessories



CP 6000 Support Arm

The basic component of a CP 6000 pendant arm system. Connection components are attached with self-tapping screws and make combinations of any desired length possible.

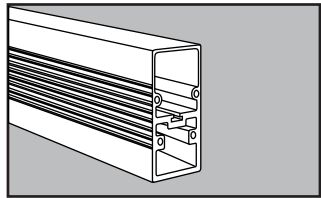
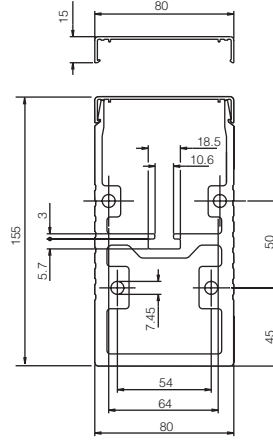
Configuration: bend- and torsion-resistant extruded aluminum complete with clip-on cover. Available in three different lengths.

Color: RAL 7035 light grey

Weight: support arm: 6.0 lbs/ft/9.05 kg/m

Cover: .3 lbs/ft/.45 kg/m.

CP 6000 Support Arm		
Length (inches/mm)	Packs of	Part No.
19.7/500	1	EZ 6050000
39.4/1000	1	EZ 6100000
78.7/2000	1	EZ 6200000



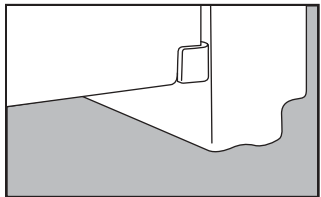
CP 6000 Support Arm, Solid

The solution for higher weight loads. Approximately 20% more loading capacity than the clip-on cover support arm version.

Color: RAL 7035 light grey

Weight: 23 lbs/10.3 kg

Solid CP 6000 Support Arm		
Length (inches/mm)	Packs of	Part No.
19.7/500	1	EZ 6050500
39.4/1000	1	EZ 6100500
70.7/2000	1	EZ 6200500

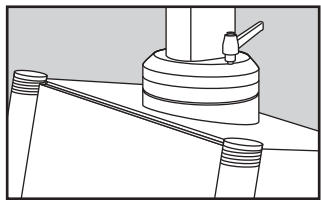


Adjustment Shim

Allows subsequent adjustment of CP support arms.

Material: sheet steel, zinc coated, yellow chromate.

Adjustment Shim		
	Packs of	Part No.
Adjustment shim	10	EZ 6205000



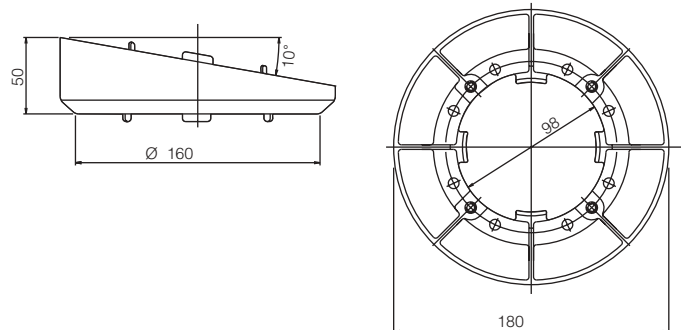
10° Tilting Adaptor

Tilts enclosure for increased user-friendliness; installed between housing and enclosure or 90° arm coupling.

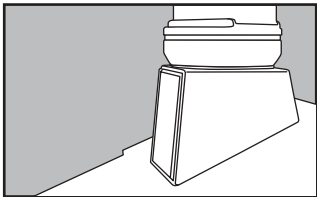
Material: zinc diecast; comes with gaskets and installation hardware.

Color: RAL 7030 stone grey.

10° Tilting Adaptor		
Weight	Packs of	Part No.
2.6 lbs/1.2 kg	1	EZ 6023000



EZ Designates a product in the EnclosureZone program.



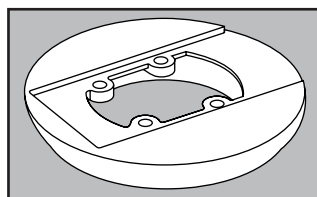
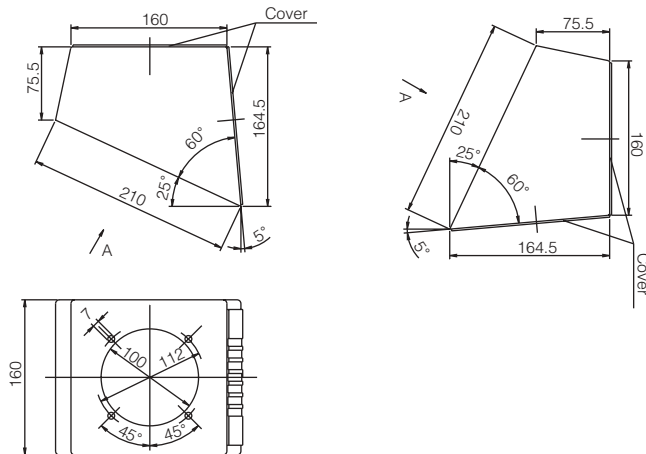
Tilting Adaptor 25°/60°

Installs between enclosure and CP 6130 enclosure coupling; tilts 25° or 60°.

Material: zinc diecast; comes with gaskets and installation hardware.

Color: RAL 7030 stone grey.

Tilting Adaptor 25°/60°		
Weight	Packs of	Part No.
8.4 lbs/3.8 kg	1	6150000



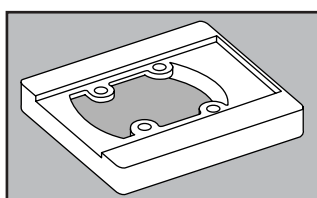
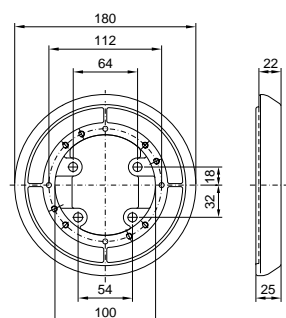
Fixed Enclosure Coupling

For fixed attachment of the enclosure in conjunction with 10° tilting adaptor (CP 6023000) and 25°/60° tilting adaptor (CP 6150000).

Configuration: Die-cast zinc; including gasket and installation hardware. Not suitable for use as a base point for a support arm system.

Color: RAL 7030 stone grey.

Fixed Enclosure Coupling		
Weight	Packs of	Part No.
2.4 lbs/1.1 kg	1	6130600



Fixed Enclosure Coupling

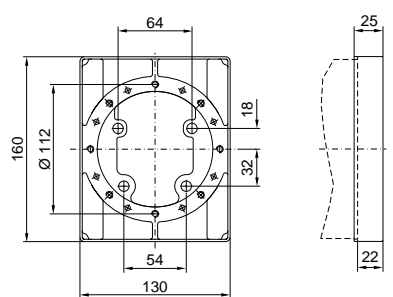
For rigid top or bottom mounting of enclosures to vertical support arms.

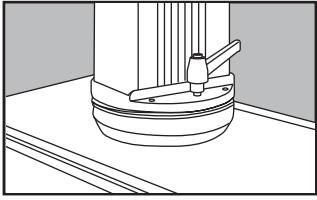
Configuration: zinc die-cast; includes gaskets and installation hardware.

Not suitable for use as base bracket for a support arm system.

Color: RAL 7030 stone grey.

Enclosure Coupling, Fixed		
Weight	Packs of	Part No.
3.1 lbs/1.4 kg	1	6130500





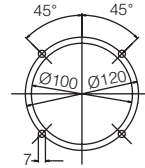
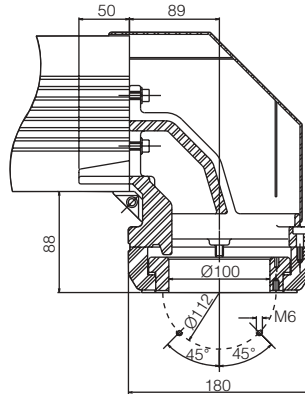
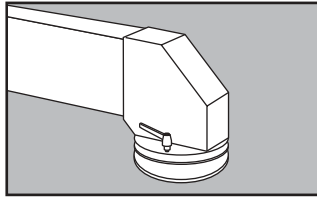
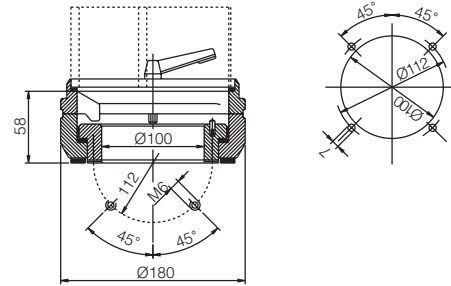
Enclosure Coupling

For top or bottom installation of enclosures to vertical support arms.

Material: zinc diecast; enclosure rotates infinitely through 350° and adjustable; maintenance-free bearing; includes gaskets and installation hardware. Not to be used as a support arm base bracket.

Color: RAL 7030 stone grey.

Enclosure Coupling		
Weight	Packs of	Part No.
7.7 lbs/3.5 kg	1	EZ 6130000



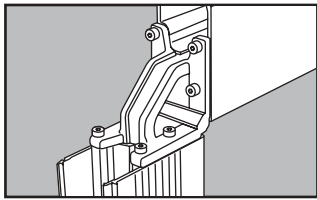
90° Enclosure Coupling

For top or bottom installation of enclosures to horizontal support arms without having to install an additional vertical support arm.

Material: spheroidal graphite iron and zinc diecast; rotates 180° and can be locked in place; maintenance-free bearing; plastic cover; gaskets and installation hardware. Not to be used as a support arm base bracket.

Color: RAL 7030 stone grey.

90° Enclosure Coupling		
Weight	Packs of	Part No.
12.1 lbs/5.5 kg	1	EZ 6040000



90° Arm Coupling

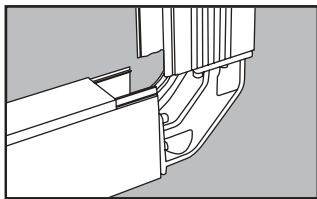
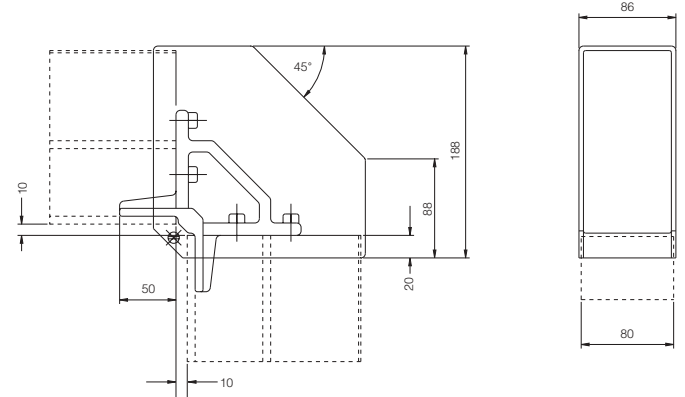
Connects vertical support arms to horizontal support arms.

Material: spheroidal graphite iron with protective plastic cover; gaskets and installation hardware.

Color: RAL 7030 stone grey.

US Patent No. 4,997,155
German Patent No. 38 05 422
European Patent No. 0 330 027
valid for FR, IT

90° Arm Coupling		
Weight	Packs of	Part No.
4.2 lbs/1.9 kg	1	EZ 6140000



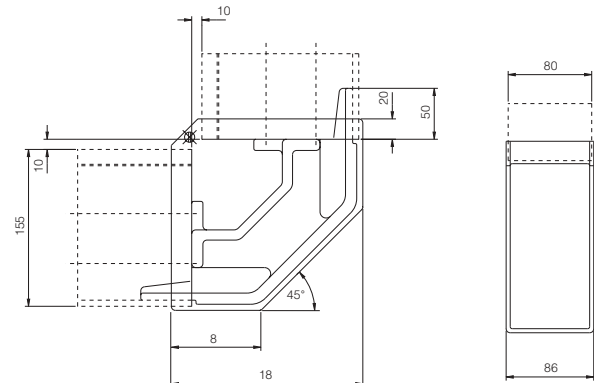
90° Arm Coupling (For Inverted Mounting)

Allows vertical support arm to be directed upwards from a lower, horizontal support arm at floor level which ensures trouble-free cable routing.

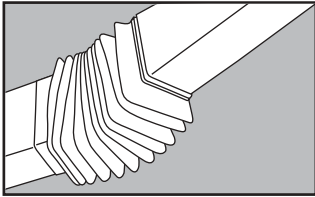
Material: spheroidal graphite iron with protective plastic cover; gaskets and installation hardware.

Color: RAL 7030 stone grey.

90° Arm Coupling		
Weight	Packs of	Part No.
7.0 lbs/3.2 kg	1	EZ 6180000



EZ Designates a product in the EnclosureZone program.



Intermediate Hinge

Connects horizontal suspension arms.

Material: spheroidal graphite iron; rotates 180°, includes bellows with zip fastener for easy access to cable duct; gaskets, and installation hardware.

Color: RAL 7030 stone grey.

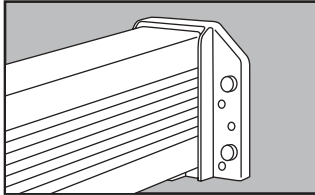
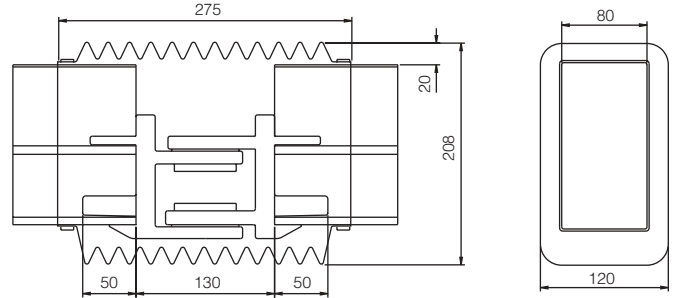
US Patent No. 4,998,702

German Patent No. 38 05 424

European Patent No. 0 330 029

valid for FR, GB, IT

Intermediate Hinge		
Weight	Packs of	Part No.
13.4 lbs/6.1 kg	1	6120000



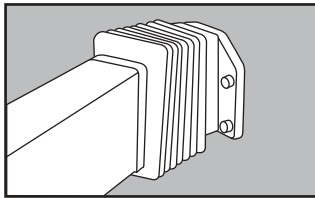
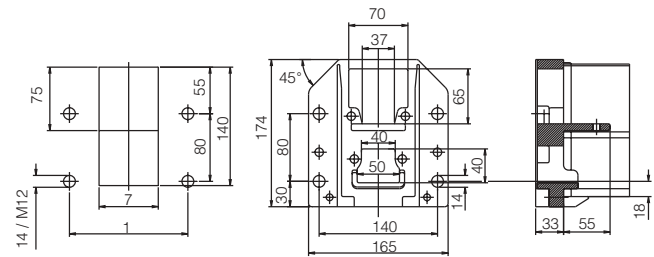
Wall/Base Bracket

Allows rigid mounting of the pendant arm system to vertical or horizontal surfaces.

Material: spheroidal graphite iron, includes gaskets and installation hardware.

Color: RAL 7030 stone grey.

Wall/Base Bracket		
Weight	Packs of	Part No.
7.9 lbs/3.6 kg	1	6160000



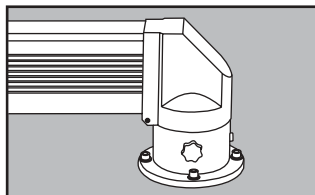
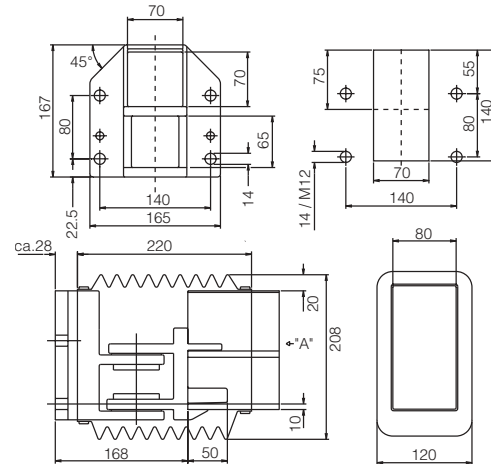
Vertical Hinge

For installation of a swiveling pendant arm system to vertical surfaces.

Material: spheroidal graphite iron; rotates 180°, includes bellows, gaskets, and installation hardware.

Color: RAL 7030 stone grey.

Vertical Hinge		
Weight	Packs of	Part No.
18.5 lbs/8.4 kg	1	6110000



Horizontal Hinge

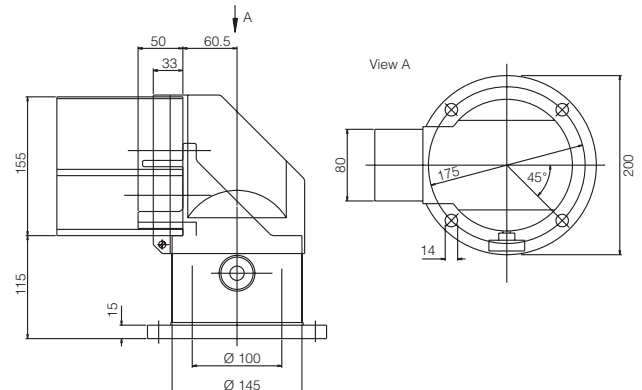
For installation of a swiveling pendant arm system to horizontal surfaces.

Material: steel and cast iron with plastic cover; maintenance free bearing, rotates 350°, with safety stop; includes gaskets and installation hardware.

Note: Not to be used as an enclosure coupling.

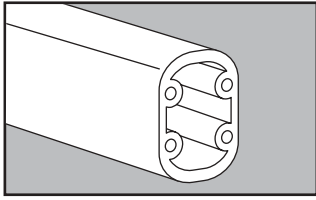
Color: RAL 7030 stone grey.

Horizontal Hinge		
Weight	Packs of	Part No.
24.2 lbs/11.0 kg	1	6170000



Designates a product in the EnclosureZone program.

CP 6500 (CP-L) Accessories



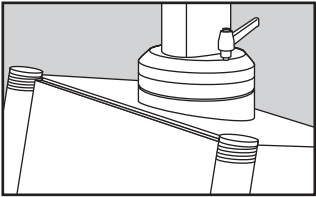
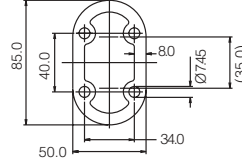
CP 6500 Support Arm

The basic component of the pendant arm system.

Material: Bend- and torsion-resistant extruded aluminum. Integrated holes for self-tapping screws make combinations up to any desired length possible.

Color: RAL 7035 light grey
Weight: 3.16 lbs/ft/4.7 kg/m.

CP 6500 Support Arm		
Length (inches/mm)	Packs of	Part No.
19.7/500	1	EZ 6511000
39.4/1000	1	EZ 6513000
78.7/2000	1	EZ 6515000

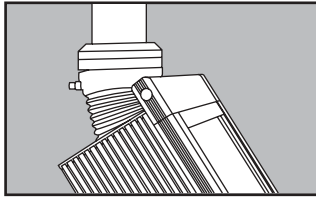
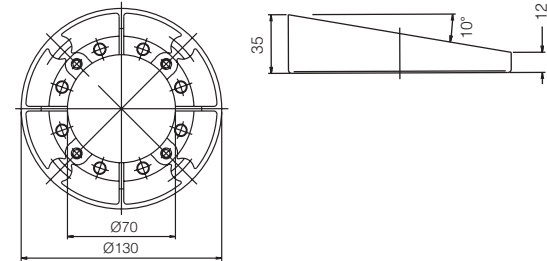


10° Tilting Adaptor

Tilts enclosure for increased operator friendliness; installed between housing and enclosure or 90° arm coupling.

Material: cast zinc; comes with gaskets and installation hardware.
Color: RAL 7030 stone grey.

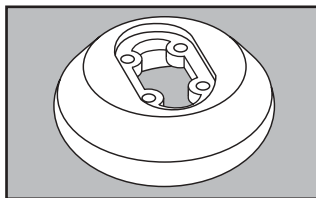
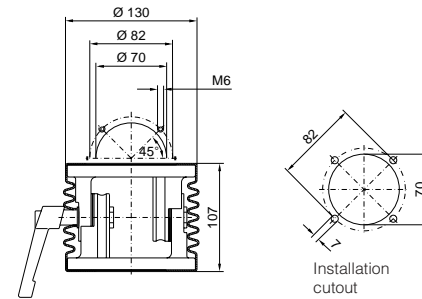
10° Tilting Adaptor		
Weight	Packs of	Part No.
1.3 lbs/.6 kg	1	EZ 6527000



Tilt Adaptor +/-45° Adjustable

For flexible adjustment for optimum viewing angle of flat screen LCD displays. Can be mounted on pendant arm with a CP 6525 enclosure coupling or a CP 6526 90° enclosure coupling.

+/-45° Tilt Adaptor		
Weight	Packs of	Part No.
2.2 lbs/1.0 kg	1	EZ 6529000



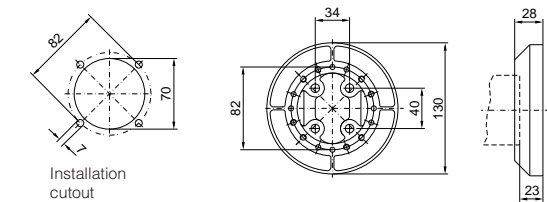
Enclosure Coupling, Fixed

For fixed bottom mounting of enclosure to vertical support arm.

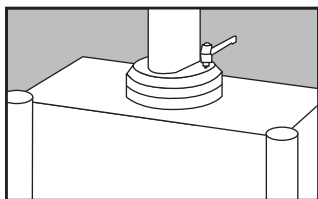
Configuration: zinc die-cast; includes gaskets and installation hardware. Cannot be used as a support base bracket.

Color: RAL 7030 stone grey.

Enclosure Coupling, Fixed		
Weight	Packs of	Part No.
1.8 lbs/0.8 kg	1	EZ 6525500



EZ Designates a product in the EnclosureZone program.



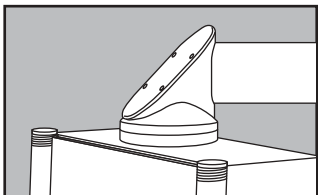
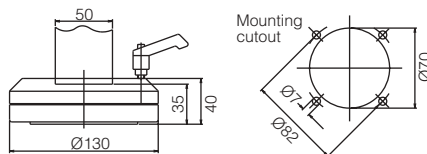
Enclosure Coupling, Rotating

For top or bottom installation of enclosure to vertical support arm.

Configuration: maximum rotation 350°. Not to be used as a support arm.

Color: RAL 7030 stone grey.

Enclosure Coupling		
Weight	Packs of	Part No.
3.3 lbs/1.5 kg	1	6525000



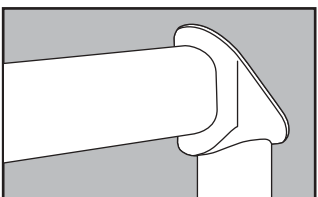
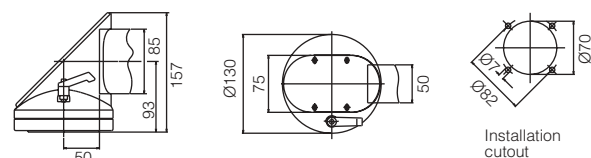
90° Enclosure Coupling

For top or bottom installation of enclosure to vertical support arm.

Configuration: maximum rotation 350°. Not to be used as a base mounting bracket.

Color: RAL 7030 stone grey.

90° Enclosure Coupling		
Weight	Packs of	Part No.
3.3 lbs/1.5 kg	1	6526000

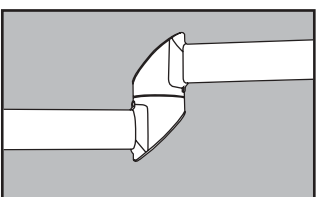
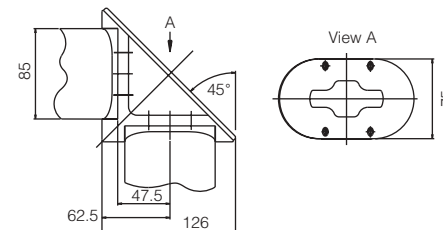


90° Arm Elbow

Connects horizontal and vertical support arms.

Color: RAL 7030 stone grey.

90° Arm Elbow		
Weight	Packs of	Part No.
1.1 lbs/0.5 kg	1	6524000



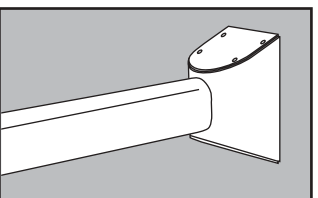
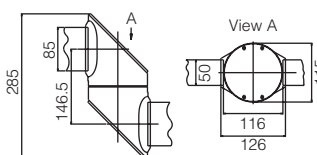
Intermediate Hinge

Connects horizontal suspension arms.

Configuration: maximum rotation 350°.

Color: RAL 7030 stone grey.

Intermediate Hinge		
Weight	Packs of	Part No.
5.5 lbs/2.5 kg	1	6523000

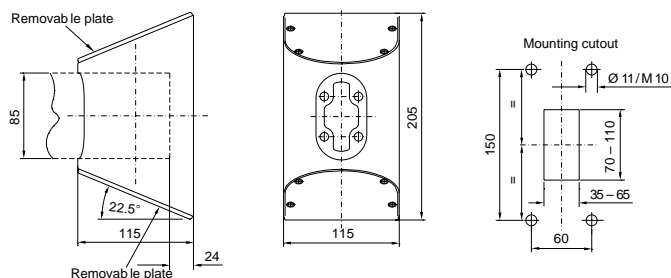


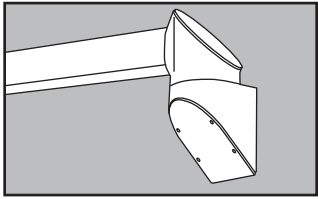
Wall/Base Mounting Bracket

For rigid installation of a stationary suspension arm system to a vertical or horizontal mounting surface.

Color: RAL 7030 stone grey.

Wall/Base Mounting Bracket		
Weight	Packs of	Part No.
3.5 lbs/1.6 kg	1	6520000





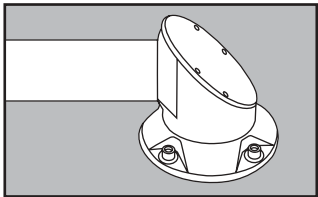
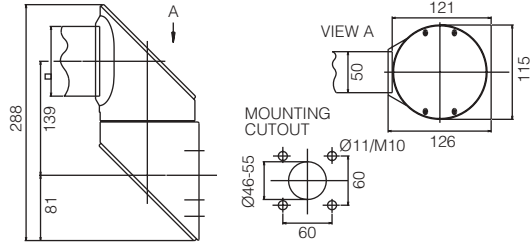
Vertical Hinge

For installation of a swiveling support arm system to a vertical mounting surface.

Configuration: maximum rotation 350°, can be locked in place.

Color: RAL 7030 stone grey.

Vertical Hinge		
Weight	Packs of	Part No.
6.2 lbs/2.8 kg	1	EZ 6521000



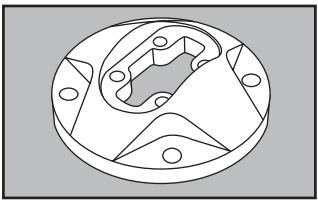
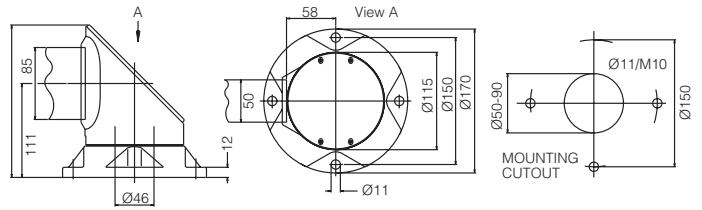
Horizontal Hinge

For installation of a swiveling support arm to a horizontal mounting surface. Ceiling installation possible.

Configuration: maximum rotation 350° not to be used as a coupling for enclosures.

Color: RAL 7030 stone grey.

Horizontal Hinge		
Weight	Packs of	Part No.
5.5 lbs/2.5 kg	1	EZ 6522000



Wall/Floor Mount, Small

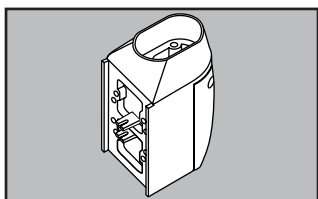
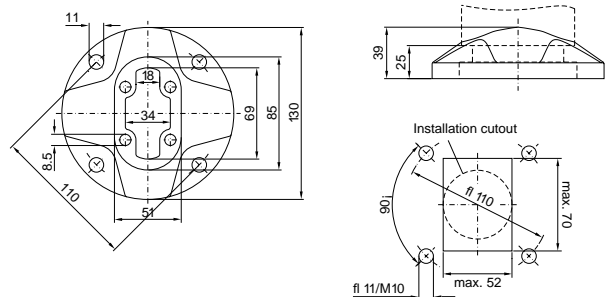
For fixed mounting of support arm systems on vertical and horizontal surfaces. Especially well suited for assembly of compact support arm systems with cable entry from the inside.

Description: aluminum die-cast, including gasketing and self-threading screws for CP-L support arm installation.

Color: RAL 7030 stone grey.

Note: standard screws may be used for the assembly of walls and floors.

Wall/Floor Mount, Small		
Weight	Packs of	Part No.
1.3 lbs/0.6 kg	1	EZ 6520500



90° Angle Adaptor, (6000 to 6500) (CP-XL to CP-L)

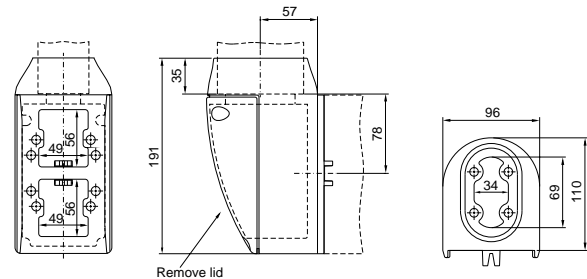
A coupling between

- horizontal support rail CP-XL and
- vertical support rail CP-L when the configuration is chosen for standard or aesthetic reasons.

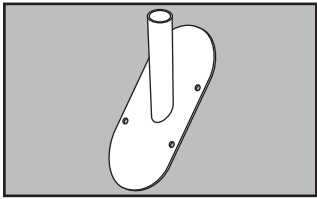
Description: aluminum die-cast, including gaskets and self-threading screws for mounting of CP-L/CP-XL support arm.

Color: RAL 7030 stone grey.

90° Angle Adaptor, CP-XL to CP-L		
Weight	Packs of	Part No.
3.3 lbs/1.5 kg	1	EZ 6528100



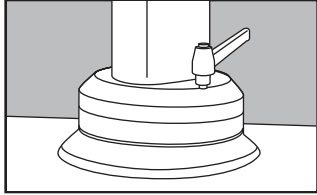
EZ Designates a product in the EnclosureZone program.



Mounting Component for Support Arm System

For attaching a signal pillar with connection component for conduit mounting onto support arm system CP-L. To fit angle piece CP 6524000 and angle coupling CP 6526000

Design: sheet steel
Color: RAL 7030 stone grey.



Connection Adaptor

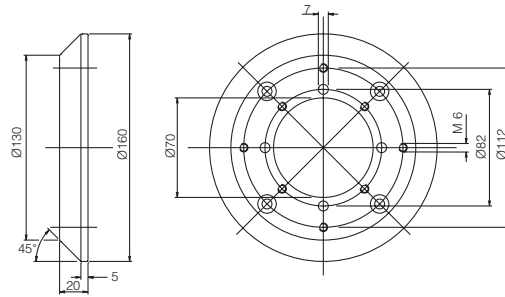
Makes following, interchangeable connection options possible.

- Connect CP 6000 enclosure to CP 6500 support arm system.
- Connect CP 6500 enclosures to CP 6000 support arm system.

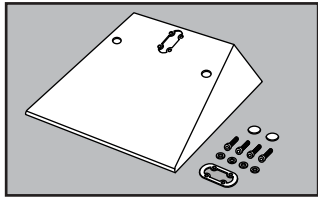
Material: cast aluminum; powder painted, RAL 7030 stone grey.

Mounting Component	
Mounting component	Part No.
For support arm system CP-L	EZ 2375000

Connection Adaptor		
Weight	Packs of	Part No.
1.1 lbs/5 kg	1	EZ 6528000



Pedestal Accessories



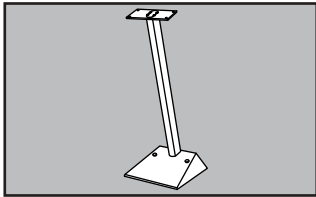
Pedestal Base, Small

With reinforcement bracket for the installation of support arm profile CP-L:

- rear with one hole for a standard M20 cable conduit connection.
- top with two holes (grommets included) for bottom floor mounting cross rail.

Small Pedestal Base	
PU	Part No.
1	EZ 6143200

Note: standard M8 screws are acceptable for bottom mounting.
Material: sheet steel 3/22"/2.5 mm
Color: RAL 7035 light grey.



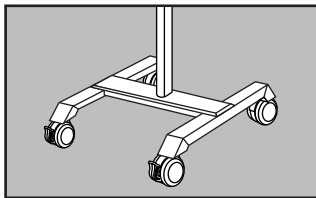
Enclosure Flange CP-L

For the rigid installation of:

- KL enclosures 1515.210 (HWD 150 x 360 x 80 mm)
- mounted inside as reinforcement plate for all appropriately sized enclosures (also E-boxes and compact AE enclosures) in conjunction with:
 - enclosure coupling CP 6525000
 - enclosure mount CP 6525500
 - tilted adaptor CP 6526000 to support arm CP-L.

Enclosure Flange CP-L	
PU	Part No.
1	EZ 6143210

With installation materials for enclosure and support arm plus 2 gaskets.
Material: sheet steel
Color: RAL 7035 light grey.



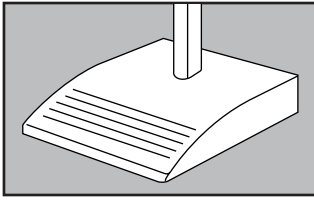
Mobile Pedestal For CP 6000 And CP 6500

Offers operator friendliness and installation flexibility for CP operator enclosure applications. All CP and similar operator enclosures can be mounted on the special coupling plate of the CP 6136000 mobile pedestal. Large casters facilitate easy movement, even on uneven floors; the front casters feature brakes.

Mobile Pedestal For CP 6000 And CP 6500	
Pedestal with mounting plate	Part No.
for CP 6500	EZ 6136500
for CP 6000	EZ 6136000

The base allows for easy cable entry while cables can be routed through the support pillar.
Configuration: mobile base, with 4 casters, including two with integral brakes; support pillar. Only for CP 6136.000: special coupling; installation hardware.
Color: RAL 7030/7035 grey.
Casters: RAL 9005 black.

EZ Designates a product in the EnclosureZone program.



Pedestal/Platform

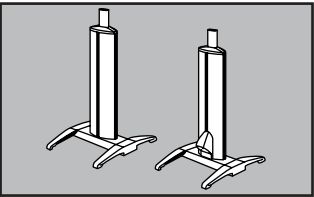
Provides a fixed, mobile pedestal mounting solution.

Standard configuration includes:

- knockouts for PG strain connector inserts
- integrated cable collecting angle
- knockout for concealed mounting of cable conduit adapters up to PG 36 or M 50.

With the following accessories:

- double wheel casters 7495000
- leveling feet 4612000



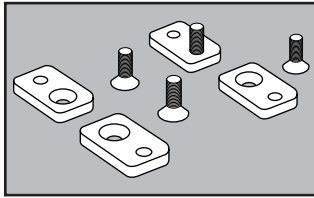
Pedestal For Command Panel

Enclosure may be mounted via

- enclosure coupling CP 6525500 (rigid).
- enclosure coupling CP 6525000 (swivel).

Technical details:

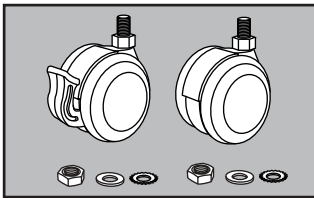
Cast feet with holes for floor mounting.



Base Mount For Pedestal For CP 6141 Enclosure

For secure mounting at the installation site.

- bracket is mounted to the pedestal with four countersunk screws in the existing threaded holes (M 12).
- bracket is mounted to the floor via through-holes (Ø11 mm), depending on the construction of the floor, with commercially available screws and dowels.

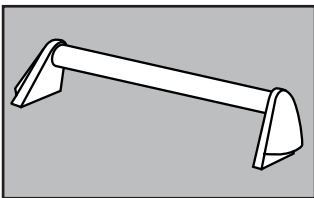


Twin Casters For CP 6141000/100 Enclosures

For mobile use, easy installation. For:

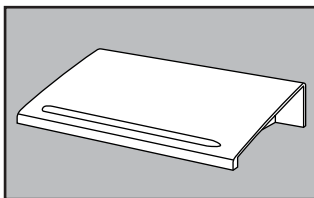
- pedestals CP 6141000 and CP 6141100.
- pedestal base plate CP 6137030—CP 6137535.

Load capacity per castor: 165 lbs/75 kg static load 2 twin casters with brake.



Foot Rest For CP 6141000/100

Packs of 2 connector pieces, 1 round tube.



Trim Panel For CP 6141000/100

May be installed front and rear.

Pedestal/Platform		
For support arm	Color RAL	Part No.
CP 6500	7035	EZ 6137535
CP 6000	7035	EZ 6137035

- wallmounting bracket KL 1580000 or 1590000 the pedestal can be customized for any environment.

Material: sheet steel

Finish: powder painted: RAL 7030 stone grey or RAL 7035 light grey textured

Configuration: pedestal/floor plate with integrated reinforcement and installation cutout for CP 6000 or CP 6500 support arms; includes installation hardware for support arms.

Pedestal For Command Panel			
Height		Cable conduit adaptor	Part No.
inches	mm		
39.37	1000	without	EZ 6141000
39.37	1000	with	EZ 6141100

Support tubes:

- oval, twin-walled cover, easily opened from the outside. Cables may then be routed behind the cover for protection.

Base Mount For Pedestal	
Packs of	Part No.
1 set	EZ 6147000

Configuration: 4 base mounting brackets, 4 countersunk screws, M 12.

Twin Casters	
Packs of	Part No.
1 set	EZ 6148000

Overall height: 3.5"/90 mm
2 twin casters without brake

Color: black with grey wheels.

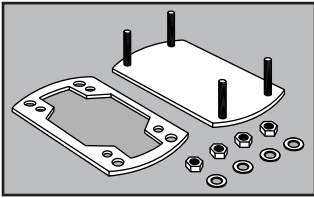
Foot Rest		
For pedestal	Packs of	Part No.
CP 6141000	1 set	EZ 6145100
CP 6141100		

Trim Panel		
For pedestal	Packs of	Part No.
CP 6141000	1	EZ 6144100
CP 6141100		

EZ Designates a product in the EnclosureZone program.



Optipanel Accessories



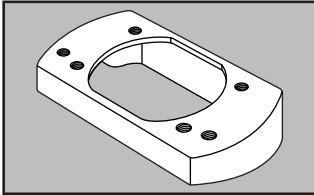
Cover Plate

To cover an unused support arm cutout.

Material: sheet steel, clear chromate.

Configuration: cover plate with gasket, including installation material.

Cover Plate		
Support Arm Connection		Part No.
CP-L	EZ	6505100



10° Tilting Adaptor CP-L

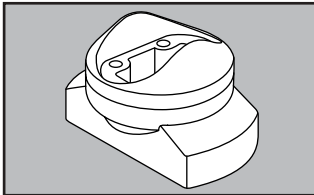
For installation between:

- enclosure coupling CP 6525100 or
- enclosure coupling CP 6525600 and housing.

Configuration: zinc die-cast; includes gasketing and installation materials. Not designed as a base for a support arm system.

Color: RAL 7030 stone grey.

10° Tilting Adaptor		
Weight		Part No.
1.10 lbs/0.5 kg	EZ	6527100



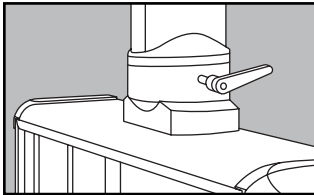
Enclosure Mount CP-L, Fixed

For fixed installation of enclosure to support arm CP-L. Can be mounted to the top or bottom of an enclosure.

Configuration: zinc die-cast; includes gasketing and installation materials. Not designed as a base for a support arm system.

Color: RAL 7030 stone grey.

Enclosure Mount		
Weight		Part No.
2.20 lbs/1.0 kg	EZ	6525600



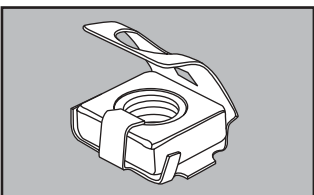
Enclosure Coupling CP-L, Rotating

Rotating mount of enclosure to CP-L. Top or bottom mount.

Configuration: zinc die-cast including gasketing and installation materials. Approximately 350° rotation. Not designed as a base for a support arm.

Color: RAL 7030 stone grey.

Enclosure Coupling		
Weight		Part No.
2.65 lbs/1.2 kg	EZ	6525100



M5 Springnut

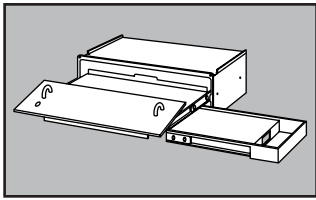
For internal installation of components into Optipanel with depth of 4 and 6"/100 and 150 mm. Easy installation, the spring secures against undesired movement.

Material: steel, galvanized, chromated.

M5 Springnut		
Packs of		Part No.
50	EZ	6108000

EZ Designates a product in the EnclosureZone program.

General Accessories



Keyboard Drawer With Mouse Pad

19" front panel/3.5 U, for installation in:

- any sufficiently large space (door, side panel etc.).

The mouse pad is prepared to accept the inductive mouse pad NEMA 6/IP 67.

Technical specifications:

- space for keyboards up to H x W x D = 1.7" x 18.4" x 6.8" (42 x 460 x 170 mm)

Mouse pad:

- pulls out at the sides including mouse storage compartment for standard pads and prepared for NEMA 6/IP 67 mouse pad.

Keyboard Drawer With Mouse Pad			
Height	Width	Depth	Part No.
3.5 U	482.6 mm	251 mm	EZ 6003000

Front panel:

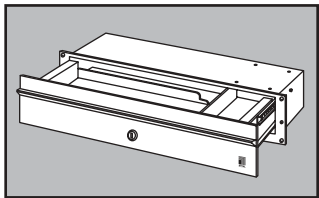
- folds out as a wrist support
- lockable, 3 mm double-bit insert may be exchanged for 27 mm inserts, version A, lock cylinder insert with lock no. 3524 E (SZ 2571000).
- even with the drawer open, a high level of mechanical protection and shielding are retained.

Front panel: Aluminum, natural anodized

Configuration: keyboard drawer with mouse pad, including installation hardware and self-adhesive cable tie attachment.

Material:

Drawer housing: sheet steel, painted RAL 7035



Keyboard Drawer 19"/2U

Can be mounted in all 19" systems or on any sufficiently large surface (door, side wall, etc.). Its low weight (5.5 lbs/2.5 kg) makes it ideal for use in support arm systems because adequate room remains for cabling, even when the support arm is connected from below. It can also be locked with a 3524 E lock.

High mechanical protection and shielding is maintained, even when the drawer is open.

Technical data:

- Total available space: 15.35" x 1.26" x 5.47" / 390 x 32 x 139 mm

19" Keyboard Drawer			
Height	Width	Depth	Part No.
2 U	19"/482.6 mm	5.90"/150 mm	EZ 6002000

- Drawer has 2.35"/60 mm high space on right for a mouse or trackball or for a 3 1/2" disk drive.
- When a mouse is used or when a 3 1/2" disk drive is installed, only enough space remains for an 11.2"/284 mm wide keyboard.

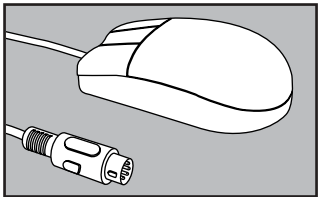
Front panel and handle: aluminum, natural anodized

Configuration: Drawer housing with drawer, includes slides with stops for 'open' position, front panel with handles, gasket and installation hardware.

Material:

Frame: sheet steel, zinc-plated, chromated

Drawer housing and drawer: aluminum



NEMA 6/IP 67 Mouse/Mouse Pad

An ideal input device for all areas where heavy contamination is unavoidable, or where high standards of hygiene are crucial. Because the mouse detects positions inductively, there is no need for a trackball, and the housing is completely sealed with a protective film. This achieves a high protection category of NEMA 6/IP 67.

The mouse operates in conjunction with the inductive mouse pad IP 67 and is available for connection to either a COM or a PS/2 interface.

Material:

Mouse pad: plastic PBT

Mouse: plastic ABS

Color:

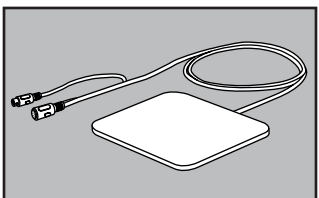
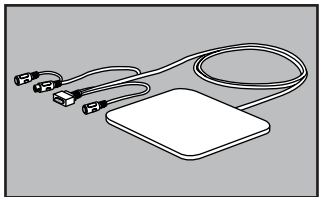
Mouse pad: similar to RAL 7032 grey

Mouse: similar to RAL 7032 grey

Technical specifications:

NEMA 6/IP 67 mouse

Mouse connector: DIN 7-pole



NEMA 6/IP 67 Mouse /Mouse Pad				
Part No.	Description	H x W x D inches	H x W x D mm	Packs of
EZ 6444000	Inductive mouse pad IP 67 COM interface	8 x 10 x .6	205 x 250 x 15	1
EZ 6444500	Inductive mouse pad IP 67 PS/2 interface	8 x 10 x .6	205 x 250 x 15	1
EZ 6445000	Mouse IP 67 for COM and PS/2 interface	-	-	1

Mouse pad COM interface

Mouse pad—PC connection:

9-pole D-SUB socket DIN 5-pole connector

Mouse pad PS/2 interface

Mouse pad -PC connection:

PS/2 connector

Temperature range:

32°F to 131°F/0°C to 55°C

Power consumption: < 20 mA

Pad size (H x W x D):

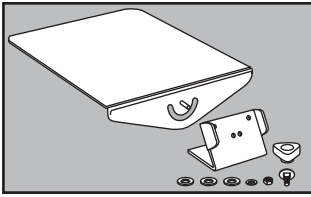
8" x 10" x .6"/205 x 250 x 15 mm

IP 67/NEMA 4

Cable lengths: 2,000 mm
Runs under DOS, Windows 3.1/3.11, Windows 95/98, Windows NT

Ratings: NEMA 6/IP 67.

EZ Designates a product in the EnclosureZone program.

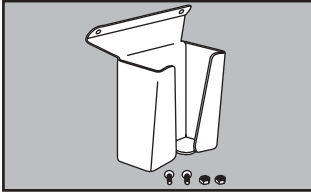


Mouse Pad Tray

Is mounted on vertical handles of keyboard housings for accommodation of SM 6444000 and SM 6444500 IP 67 mouse pads. The slope of the mouse pad tray is infinitely adjustable. Installation requires drilling two installation holes in the handle grip brackets.

Material: sheet steel, chromated
Configuration: mouse pad tray, installation hardware.

Mouse Pad Tray		
Description	Packs of	Part No.
Mouse pad tray	1	EZ 2381000

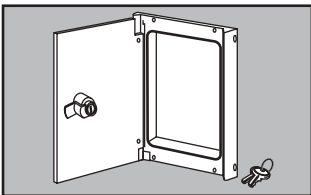


Mouse Holder

Fits Rittal mouse pad trays to ensure safe storage of a standard mouse or the Rittal SM 6445000 IP 67 mouse.

Material: sheet steel, chromated
Configuration: mouse holder, installation hardware.

Mouse Holder		
Packs of		Part No.
1	EZ	2382000



Interface Box

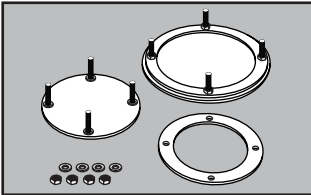
The Rittal interface box provides secure accommodation for all standard computer ports, disk drives and sockets. The lockable metal cover provides a high mechanical load-bearing capacity, protects against unauthorized access and ensures an increased shielding effect for the installed equipment.

Material:
Frame: extruded aluminum section
Mounting tray: sheet steel, 1.5 mm
Cover: aluminum, 3.0 mm

Interface Box		
		Part No.
No socket	EZ	2482000

Surface finish:
Frame and mounting tray: powder coated in RAL 7035 light grey
Cover: natural anodized

Supply includes: frame with hinged cover, cam with lock insert no. 3524 E, mounting tray including seal and installation hardware.

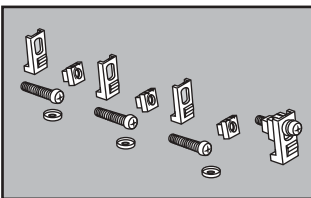


Cover Plate

For secure sealing of an unused support arm connection in the enclosure (CP-L, CP-XL).

Material: sheet steel, clear chromate
Configuration: cover plate with gasket, including installation hardware.

Cover Plate		
Support arm connection	Packs of	Part No.
CP 6000	1	EZ 6505000
CP 6500	1	EZ 6505500



Mounting Kit

For installation of:

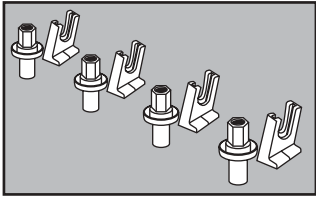
- aluminum front panels
- control panels
- keyboards

in keyboard trays and keyboard housings.

Packs of 30, including clip-in clamps, cage nuts, screws, washers.

Mounting Kit		
Thread		Part No.
M4	EZ	6058000
M5	EZ	6053000

For installation of control panels with studs, only clip-in clamps are needed.

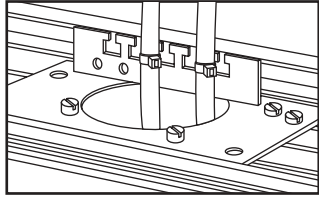


Mounting Kit For Threaded Bolts

for fastening

- aluminum front panels
- control panels
- keyboards

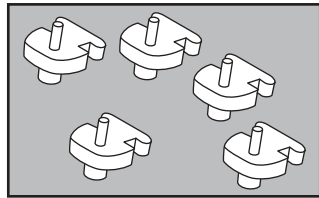
to keyboard housings with threaded bolts.



Cable Clamping Bracket For Operator Housing

To fit support arm cutout CP-L and CP-XL. Cable clamping optionally via:

- cable clamps
- cable ties for quick assembly SZ 2597.000
- commercially available cable ties. Bracket height = 25 mm with fitted 40 mm C rail.



Cable Tie Fastener

For all commercially available cable ties up to a width of 4.8 mm. The fastener is inserted into the screw channel and fixed by hammering down the split rivet.

Material: polyamide 6.6

Mounting Kit		
Thread		Part No.
M4	EZ	6058500
M5	EZ	6053500

Cable Clamping Bracket		
		Part No.
Cable clamping bracket	EZ	6052000

Material: sheet steel, zinc plated, passivated.

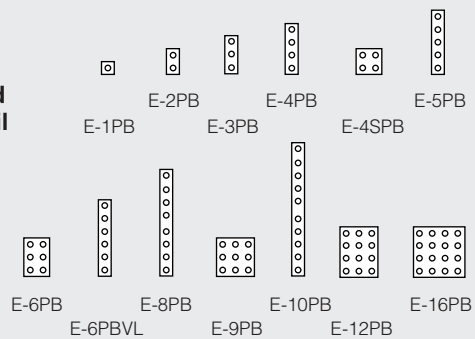
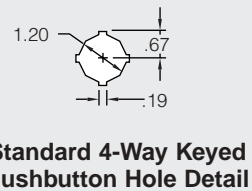
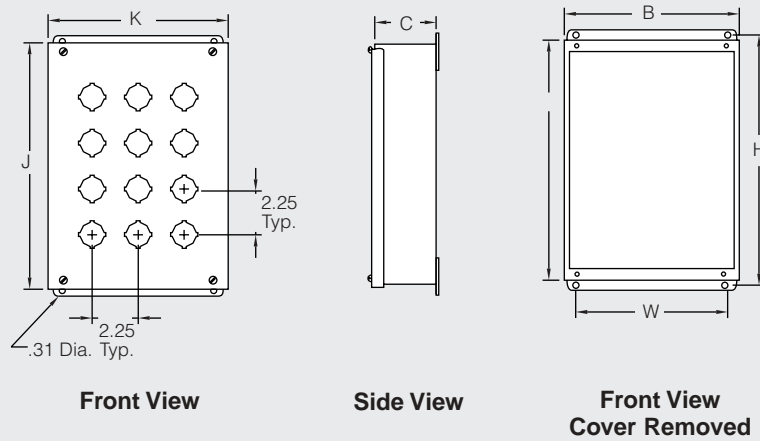
Supply includes: 1 cable clamping bracket, 1 C rail 2 self-tapping screws M5 x 10 mm.

Cable Tie Fastener		
Packs of		Part No.
100	EZ	6059000

EZ Designates a product in the EnclosureZone program.

Technical Specifications

Standard Pushbutton Boxes



Hole Arrangement Centered On Cover

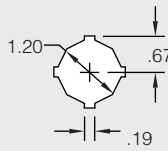
Standard Pushbutton Box							
Part No.	Outside dimensions (inches)			Mounting centers		Cover size	
	H	W	D	H	W	J	K
EZ E 1PB	3.50	3.25	2.75	4.00	2.38	3.81	3.56
EZ E 2PB	5.75	3.25	2.75	6.25	2.38	6.06	3.56
EZ E 3PB	8.00	3.25	2.75	8.50	2.38	8.31	3.56
EZ E 4PB	10.25	3.25	2.75	10.75	2.38	10.56	3.56
EZ E 4SPB	7.25	6.25	3.00	7.75	5.38	7.56	6.56
E 5PB	12.50	3.25	2.75	13.00	2.38	12.81	3.56
EZ E 6PB*	9.50	6.25	3.00	10.00	5.38	9.81	6.56
E 6PBVL	14.75	3.25	2.75	15.25	2.38	15.06	3.56
E 8PB	20.25	3.25	2.75	20.75	2.38	20.56	3.56
E 9PB*	9.50	8.50	3.00	10.00	7.63	9.81	8.81
E 10PB	24.75	3.25	2.75	25.25	2.38	25.06	3.56
E 12PB*	11.75	8.50	3.00	12.25	7.63	12.06	8.81
E 16PB*	11.75	10.75	3.00	12.25	9.88	12.06	11.06

* Can be mounted to a Rittal Electromate column and base.

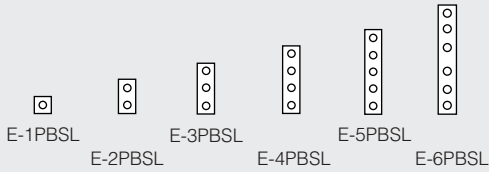
EZ Designates a product in the EnclosureZone program.

Technical Specifications

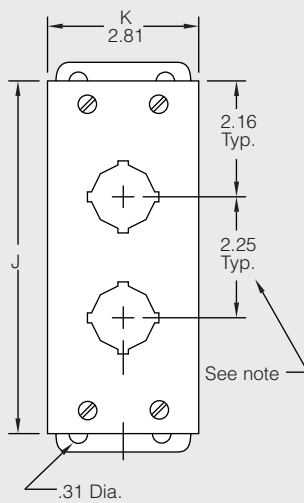
Slim Pushbutton Boxes



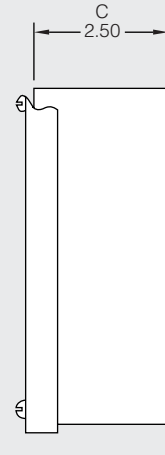
Standard 4-Way Keyed Pushbutton Hole Detail



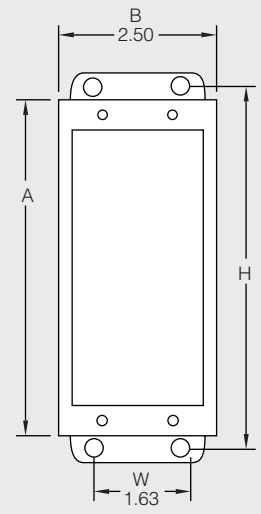
Hole Arrangement Centered On Cover



Front View



Side View

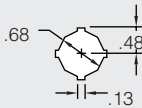


Front View Cover Removed

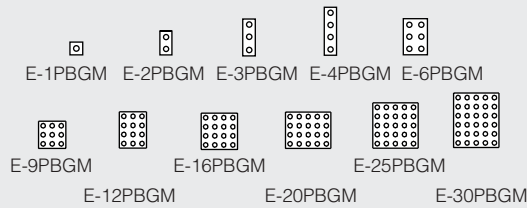
Slim Pushbutton Box							
Part No.	Outside dimensions (inches)			Mounting centers		Cover size	
	H	W	D	H	W	J	K
EZ E 1PBLSL	4.00	2.50	2.50	4.50	1.63	4.31	2.81
E 2PBLSL	6.25	2.50	2.50	6.75	1.63	6.56	2.81
E 3PBLSL	8.50	2.50	2.50	9.00	1.63	8.81	2.81
E 4PBLSL	10.75	2.50	2.50	11.25	1.63	11.06	2.81
E 5PBLSL	13.00	2.50	2.50	13.50	1.63	13.31	2.81
E 6PBLSL*	16.25	2.50	2.50	16.75	1.63	16.56	2.81

* Add an additional 1" between pushbutton holes at center of enclosure.

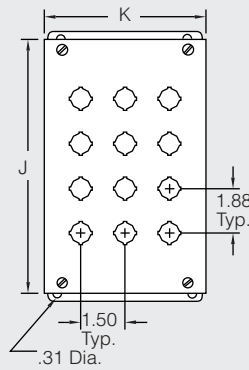
Miniature Pushbutton Boxes



Standard 4-Way Keyed Pushbutton Hole Detail



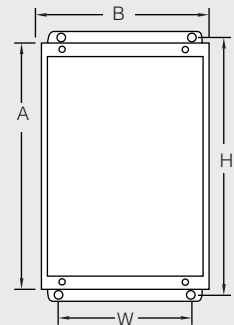
Hole Arrangement Centered On Cover



Front View Cover Assembled



Side View



Front View Cover Removed

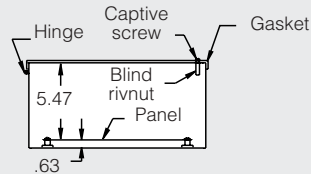
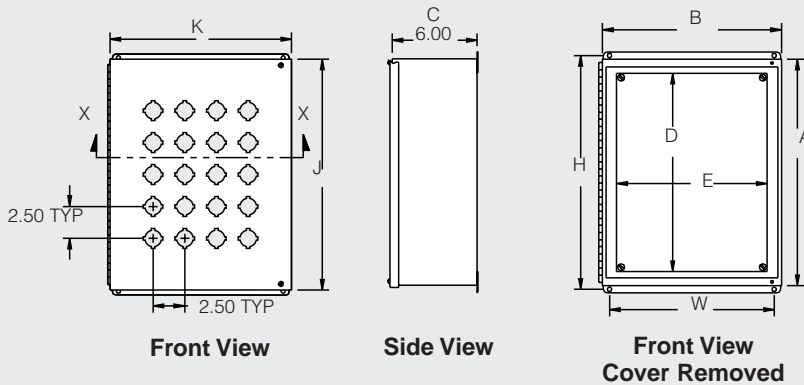
Miniature Pushbutton Box							
Part No.	Outside dimensions (inches)			Mounting centers		Cover size	
	H	W	D	H	W	J	K
EZ E 1PBGM	3.25	2.75	3.50	3.75	1.88	3.56	3.06
EZ E 2PBGM	5.13	2.75	3.50	5.63	1.88	5.44	3.06
EZ E 3PBGM	7.00	2.75	3.50	7.50	1.88	7.31	3.06
E 4PBGM	8.88	2.75	3.50	9.38	1.88	9.19	3.06
E 6PBGM*	8.50	5.00	4.25	9.00	4.13	8.81	5.31
E 9PBGM*	8.50	6.50	4.25	9.00	5.63	8.81	6.81
E 12PBGM*	10.38	6.50	4.25	10.88	5.63	10.69	6.81
E 16PBGM*	10.38	8.00	4.25	10.88	7.13	10.69	8.31
E 20PBGM*	12.25	8.00	4.25	12.75	7.13	12.56	8.31
E 25PBGM*	12.25	9.50	4.25	12.75	8.63	12.56	9.81
E 30PBGM*	14.13	9.50	4.25	14.63	8.63	14.44	9.81

* Can be mounted to a Rittal Electromate column and base.

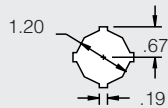
EZ Designates a product in the EnclosureZone program.

Technical Specifications

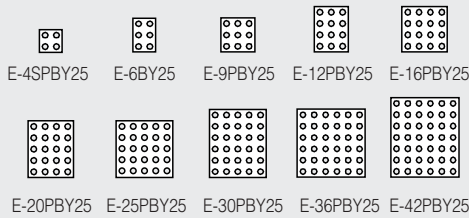
Extra Large Pushbutton Boxes



Section X-X



Standard 4-way
Keyed Pushbutton
Hole Detail

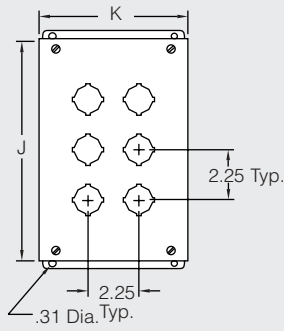


Hole Arrangement
Centered On Cover

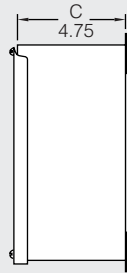
Extra Large Pushbutton Box			
Part No.	Outside dimensions (inches)		
	H	W	D
E 4SPBY25	8.50	7.50	6.00
E 6PBY25	11.00	7.50	6.00
E 9PBY25	11.00	10.00	6.00
E 12PBY25	13.50	10.00	6.00
E 16PBY25	13.50	12.50	6.00
E 20PBY25	16.00	12.50	6.00
E 25PBY25	16.00	15.00	6.00
E 30PBY25	18.50	15.00	6.00
E 36PBY25	18.50	17.50	6.00
E 42PBY25	21.00	17.50	6.00

Technical Specifications

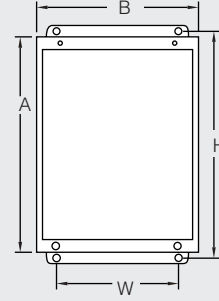
Extra Deep Pushbutton Boxes



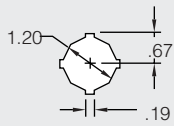
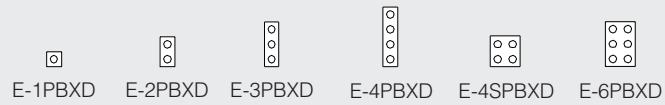
**Front View
Cover Assembled**



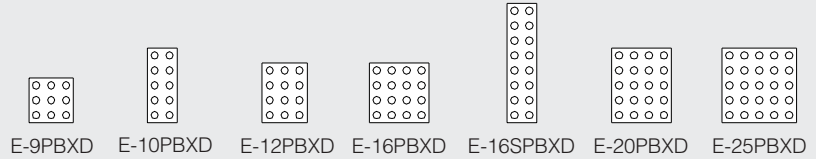
Side View



**Front View
Cover Removed**



**Standard 4-Way Keyed
Pushbutton Hole Detail**



Hole Arrangement Centered On Cover

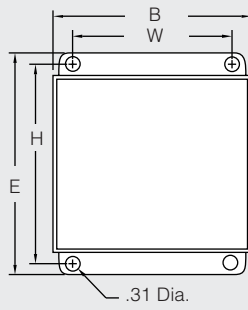
Extra Deep Pushbutton Box							
Part No.	Outside dimensions (inches)			Mounting centers		Cover size	
	H	W	D	H	W	J	K
EZ E 1PBXD	4.00	4.00	4.75	4.50	3.13	4.31	4.31
E 2PBXD	6.00	4.00	4.75	6.50	3.13	6.31	4.31
EZ E 3PBXD	8.00	4.00	4.75	8.50	3.13	6.31	4.31
E 4PBXD	10.00	4.00	4.75	10.50	3.13	10.31	4.31
E 4SPBXD*	7.25	6.25	4.75	7.75	5.38	7.56	6.56
E 6PBXD*	9.50	6.25	4.75	10.00	5.38	9.81	6.56
E 9PBXD*	9.50	8.50	4.75	10.00	7.63	9.81	8.81
E 10PBXD*	14.00	6.25	4.75	14.50	5.38	14.31	6.56
E 12PBXD*	11.75	8.50	4.75	12.25	7.63	12.06	8.81
E 16PBXD*	11.75	10.75	4.75	12.25	9.88	12.06	11.06
E 16SPBXD*	20.75	6.25	4.75	21.25	5.38	21.06	6.56
E 20PBXD*	14.00	10.75	4.75	14.50	9.88	14.31	11.06
E 25PBXD*	14.00	13.00	4.75	14.50	12.13	14.31	13.31

* Can be mounted to Rittal Electromate column and base.

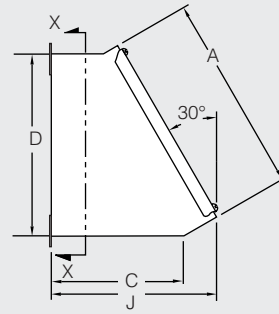
EZ Designates a product in the EnclosureZone program.

Technical Specifications

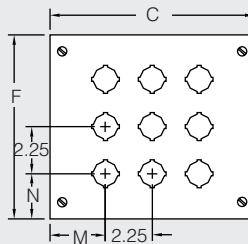
Sloping Front Pushbutton Boxes



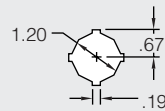
Section X-X



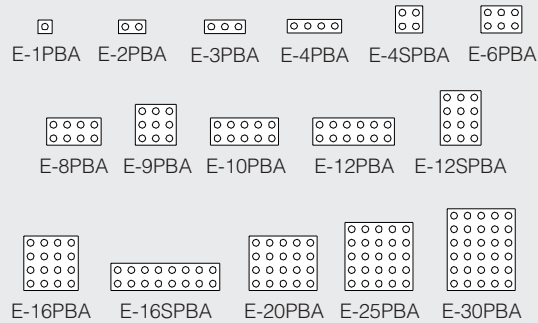
Side View



Cover Detail



Standard 4-Way Keyed Pushbutton Hole Detail



Hole Arrangement

Sloping Front Pushbutton Box												
Part No.	Outside dimensions (inches)			Height of base D	Overall height E	Mounting centers		Cover size		Hole location		Usable depth J
	H	W	D			H	W	F	G	M	N	
E 1PBA	3.50	3.25	4.88	3.53	4.53	4.03	2.38	3.81	3.56	1.78	1.91	3.38
EZ E 2PBA	3.50	5.50	4.88	3.53	4.53	4.03	4.63	3.81	5.81	1.78	1.91	3.38
E 3PBA	3.50	7.75	4.88	3.53	4.53	4.03	6.88	3.81	8.06	1.78	1.91	3.38
E 4PBA	3.50	10.00	4.88	3.53	4.53	4.03	9.13	3.81	10.31	1.78	1.91	3.38
EZ E 4SPBA	7.25	6.25	6.75	6.78	7.78	7.28	5.38	7.56	6.56	2.16	2.66	5.25
E 6PBA	7.25	8.50	6.75	6.78	7.78	7.28	7.63	7.56	8.81	2.16	2.66	5.25
E 8PBA	7.25	10.75	6.75	6.78	7.78	7.28	9.88	7.56	11.06	2.16	2.66	5.25
E 9PBA	9.50	8.50	7.88	8.75	9.75	9.25	7.63	9.81	8.81	2.16	2.66	6.38
E 10PBA	7.25	13.00	6.75	6.78	7.78	7.28	12.13	7.56	13.31	2.16	2.66	5.25
E 12PBA	7.25	15.25	6.75	6.78	7.78	7.28	14.38	7.56	15.56	2.16	2.66	5.25
E 12SPBA	11.75	8.50	9.00	10.69	11.69	11.19	7.63	12.06	8.81	2.16	2.66	7.50
E 16PBA	11.75	10.75	9.00	10.69	11.69	11.19	9.88	12.06	11.06	2.16	2.66	7.50
E 16SPBA	7.25	19.75	6.75	6.78	7.78	7.28	18.88	7.56	20.06	2.16	2.66	5.25
E 20PBA	11.75	13.00	9.00	10.69	11.69	11.19	12.13	12.06	13.31	2.16	2.66	7.50
E 25PBA	14.00	13.00	10.13	12.63	13.63	13.13	12.13	14.31	13.31	2.16	2.66	8.63
E 30PBA	14.00	15.25	10.13	12.63	13.63	13.13	14.38	14.31	15.56	2.16	2.66	8.63

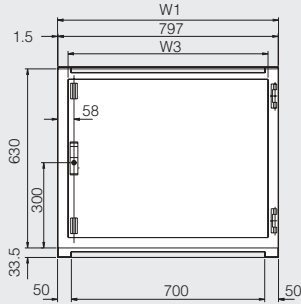
EZ Designates a product in the EnclosureZone program.



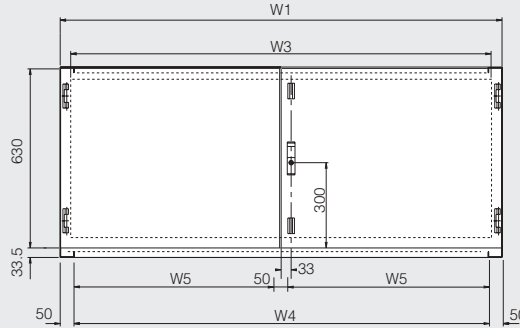
Technical Specifications

AP Desk Consoles, Bottom Section

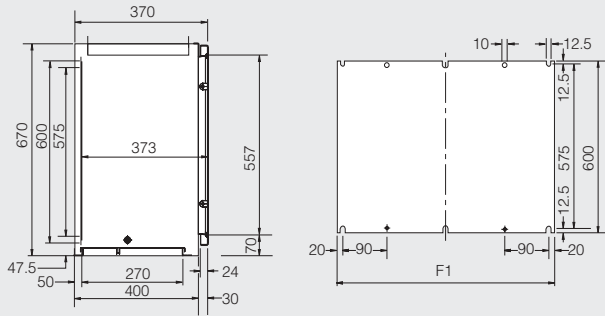
2600600/2610600



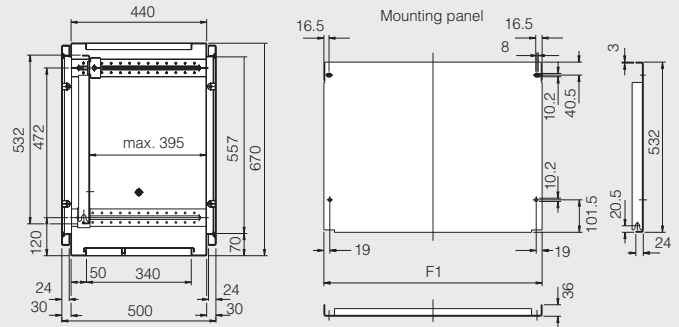
2620600/2640600/2650600



2600600/2620600



2610600/2640600/2650600



Enclosure					
Height (H1) (inches)	26.38	26.38	26.38	26.38	26.38
(mm)	670	670	670	670	670
Width (W1) (inches)	31.50	31.50	47.24	47.24	62.99
(mm)	800	800	1200	1200	1600
Depth (D) (inches)	15.75	19.69	15.75	19.69	19.69
(mm)	400	500	400	500	500
Part No.	EZ 2600600	EZ 2610600	EZ 2620600	EZ 2640600	EZ 2650600
W3	724	724	1124	1124	1524
W4	-	-	1100	1100	1500
W5	-	-	525	525	725
F1	715	702	1115	1102	1502
No. doors	1	1	2	2	2
Weight lbs	95.7	115.5	137.5	165.2	211.5
kg	43.5	52.5	62.5	75.0	96.0

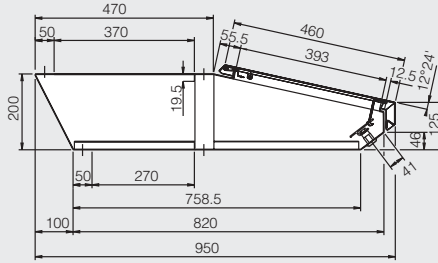
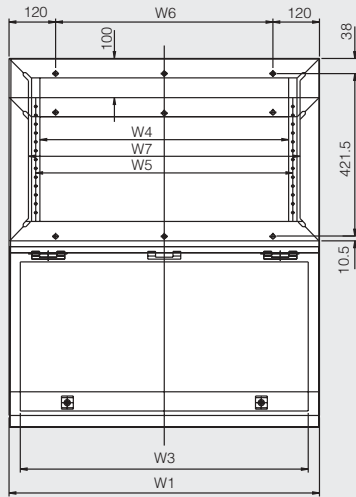
EZ Designates a product in the EnclosureZone program.



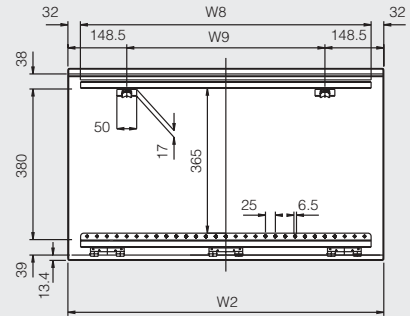
Technical Specifications

AP Desk Consoles, Center Section

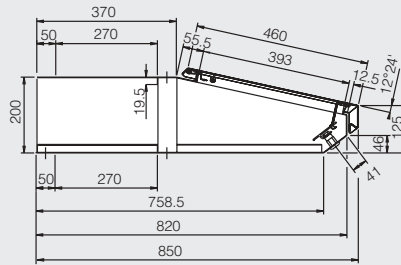
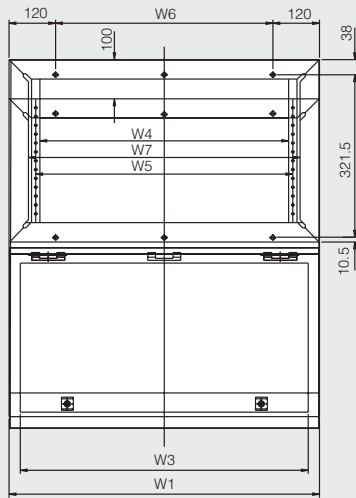
2613200/2643200/2653200



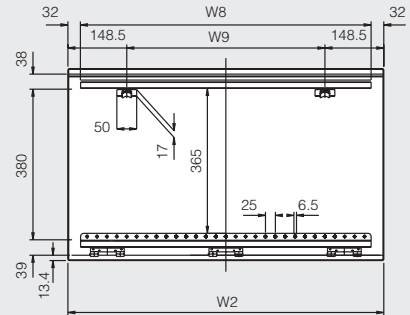
Inside View Of Lid



2611200/2641200



Inside View Of Lid



Enclosure						
Height	(inches)	7.87	7.87	7.87	7.87	7.87
	(mm)	200	200	200	200	200
Width (W1)	(inches)	31.50	31.50	47.24	47.24	62.99
	(mm)	800	800	1200	1200	1600
Depth	(inches)	15.75	19.69	15.75	19.69	19.69
	(mm)	400	500	400	500	500
Part No.	EZ	2611200	EZ	2613200	EZ	2641200
					EZ	2643200
						EZ
						2653200
W2		797	797	1197	1197	1597
W3		742	742	1142	1142	1542
W4		640	640	1040	1040	1440
W5		660	660	1060	1060	1460
W6		560	560	960	960	1360
W7		700	700	1100	1100	1500
W8		733	733	1133	1133	1533
W9		500	500	900	900	2 x 650
Weight	lbs	56.1	67.3	78.1	93.7	116.2
	kg	25.5	30.6	35.5	42.6	52.8

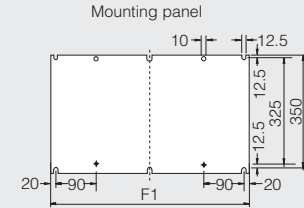
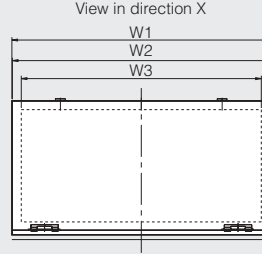
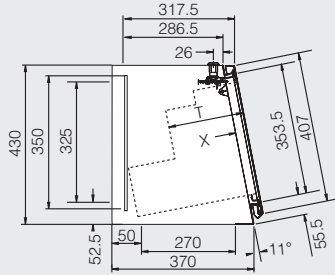
EZ Designates a product in the EnclosureZone program.



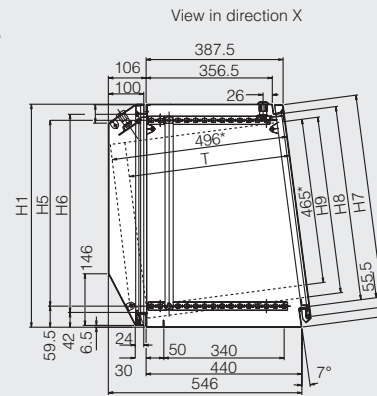
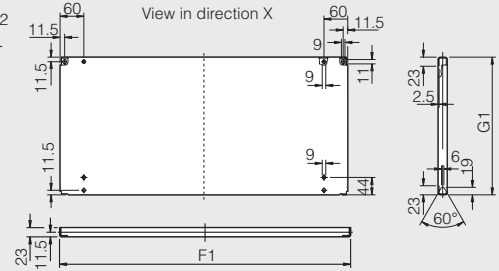
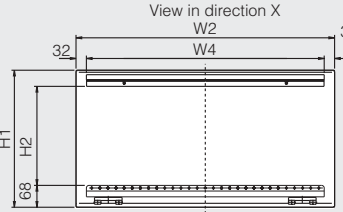
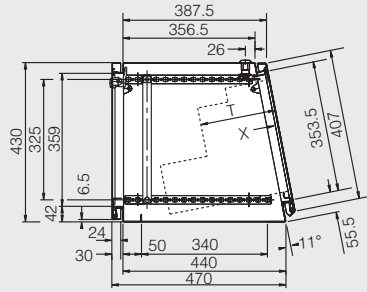
Technical Specifications

AP Desk Consoles, Top Section

2612600/2642600



2614600/2644600



2647600/2648600/2649600

Enclosure								
Height	(inches)	16.93	16.93	16.93	16.93	24.80	24.80	24.80
	(mm)	430	430	430	430	630	630	630
Width (W1)	(inches)	31.50	31.50	47.24	47.24	31.50	47.24	62.99
	(mm)	800	800	1200	1200	800	1200	1600
Depth	(inches)	15.75	19.69	15.75	19.69	23.62	23.62	23.62
	(mm)	400	500	400	500	600	600	600
Part No.		EZ 2612600	EZ 2614600	EZ 2642600	EZ 2644600	EZ 2647600	EZ 2648600	EZ 2649600
H1		422	422	422	422	622	622	622
H2		304	304	304	304	504	504	504
H3		-	-	-	-	623.5	623.5	623.5
H4		-	-	-	-	548	548	548
H5		-	-	-	-	525	525	525
H6		-	-	-	-	559	559	559
H7		-	-	-	-	607	607	607
H8		-	-	-	-	550	550	550
H9		-	-	-	-	500	500	500
W2		797	797	1197	1197	797	1197	1597
W3		742	742	1142	1142	742	1142	1542
W4		733	733	1133	1133	733	1133	1533
W5		-	-	-	-	732	1132	1532
W6		-	-	-	-	500	900	1300
T rotatable, 3HU300		300	300	300	300	500	500	-
T rotatable, 6HU195		195	195	195	195	395	395	-
T rotatable, max. height		110	110	110	110	310	310	310
T fixed, max. height		300	430	300	430	455	455	455
F1		715	727	1115	1127	727	1127	1527
G1		-	348	-	348	548	548	548
Weight	lbs	49.5	67.3	88.0	105.6	105.1	141.68	190.9
	kg	22.5	30.6	40.0	48.0	47.8	64.4	86.8

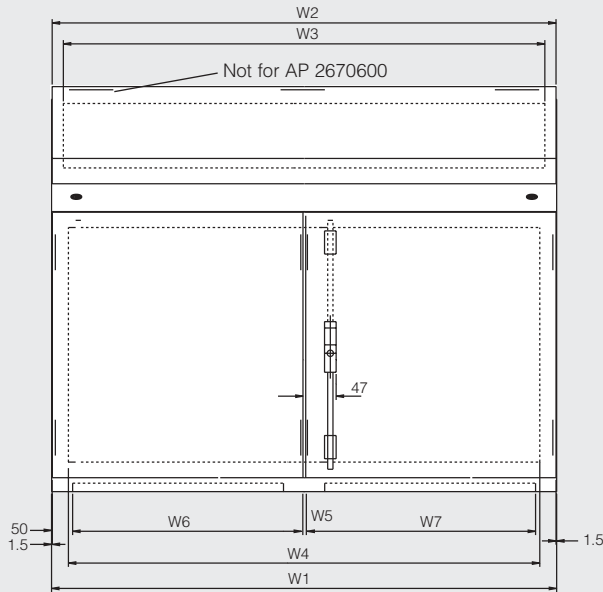
EZ Designates a product in the EnclosureZone program.



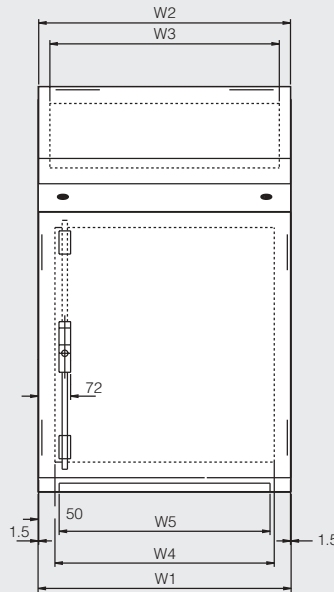
Technical Specifications

AP Desk Console Systems

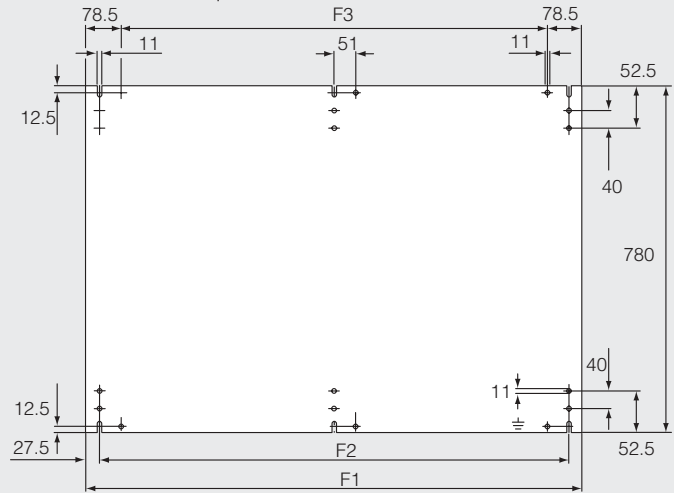
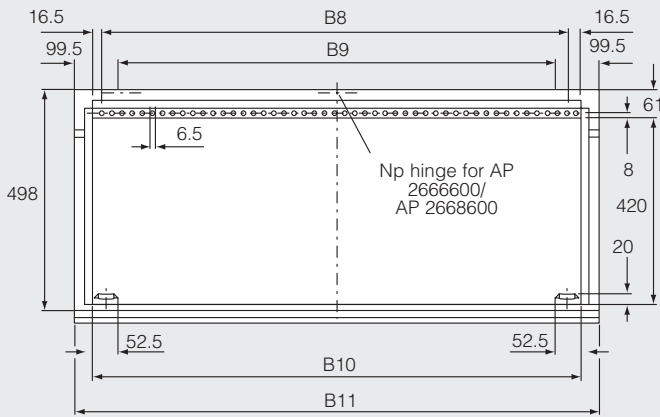
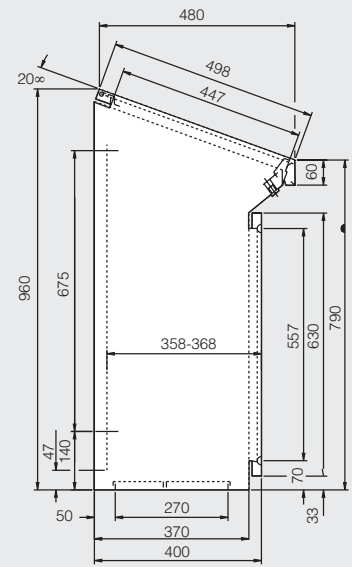
2670600/2672600



2666600/2668600



2666600/2668600/
2670600/2672600



Enclosure					
Height	(inches)	37.80	37.80	37.80	37.80
	(mm)	960	960	960	960
Width (W1)	(inches)	23.62	31.50	39.37	47.24
	(mm)	600	800	1000	1200
Depth	(inches)	15.75/18.90	15.75/18.90	15.75/18.90	15.75/18.90
	(mm)	400/480	400/480	400/480	400/480
Part No.	EZ	2666600	EZ	2668600	EZ
				2670600	EZ
					2672600
W2		597	797	997	1197
W3		544	744	944	1144
W4		524	724	924	1124
W5		500	700	900	1100
W6		-	-	495	595
W7		-	-	497	597
W8		500	700	900	1100
W9		398	598	798	998
W10		535	735	935	1135
W11		597	797	997	1197
F1		530	730	930	1130
F2		475	675	875	1075
No. doors		1	1	2	2
Weight	lbs	113.3	137.5	174.9	198.0
	kg	51.5	62.5	79.5	90.0

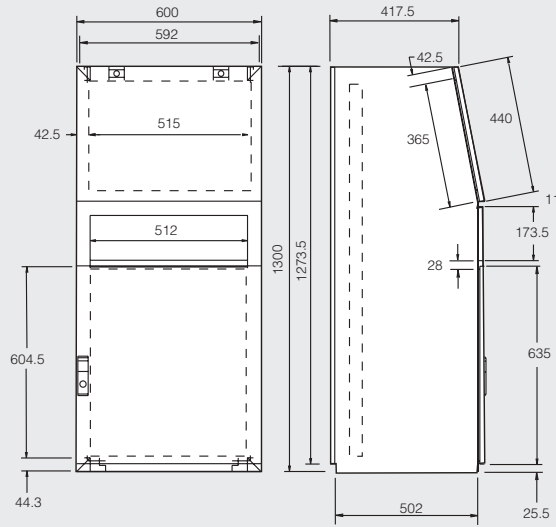
EZ Designates a product in the EnclosureZone program.



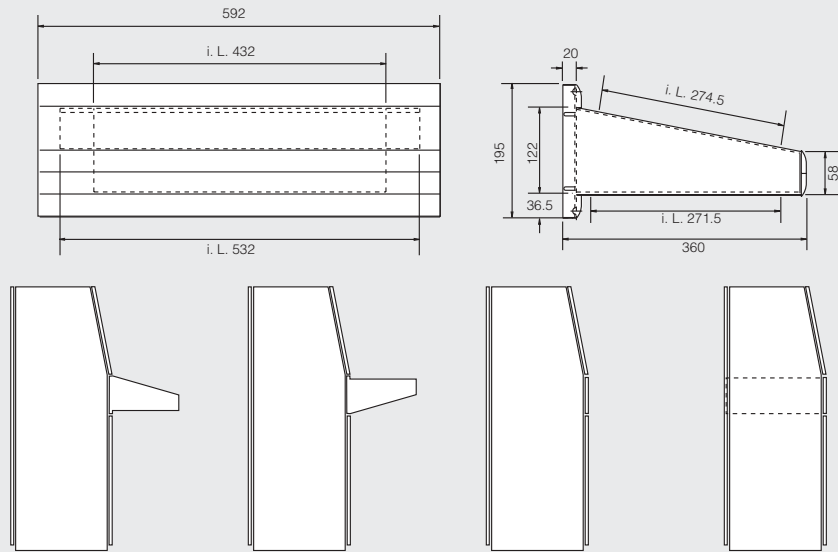
Technical Specifications

AP Universal Console Systems

2694600



Desk Unit



AP 2694 + 2696

AP 2694 + 2696

AP 2694 + MC 4702

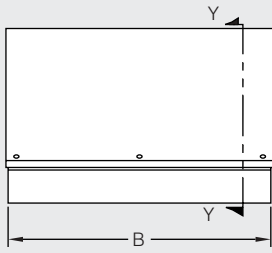
AP 2694 + MC 4757

Console		
Dimensions H x W x D	Version	Part No.
51.18" x 23.62" x 19.69" 1300 x 600 x 500 mm	Top lid, shorted front door	2694600

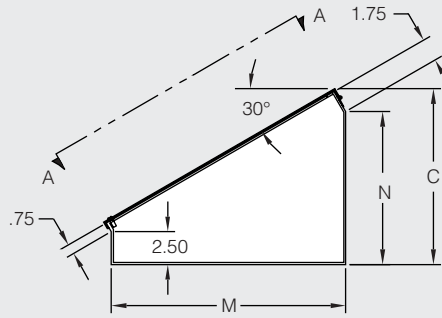
Designates a product in the EnclosureZone program.

Technical Specifications

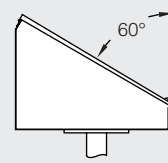
Consoles, Pedestals and Bases



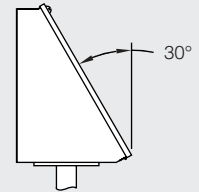
Front View



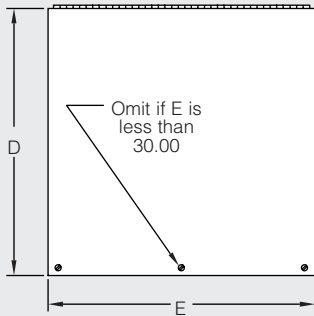
Section Y-Y



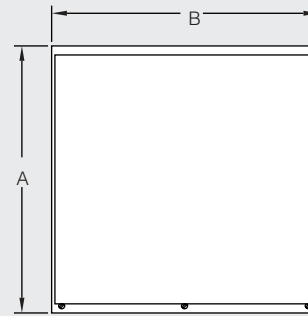
Section Y-Y



Console can be positioned at either 60° or 30° angle



View A-A



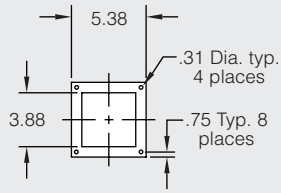
View A-A
(with cover removed)

Consoles							
Part No.	Outside dimensions (inches)			Cover size		M	N
	H	W	D	D	E		
	A	B	C				
EZ E 8C8	8.00	8.00	7.09	8.31	8.31	7.44	5.63
EZ E 8C12	8.00	12.00	7.09	8.31	12.31	7.44	5.63
E 8C16	8.00	16.00	7.09	8.31	16.31	7.44	5.63
E 8C20	8.00	20.00	7.09	8.31	16.31	7.44	5.63
EZ E 12C12	12.00	12.00	9.09	12.31	12.31	10.91	7.63
E 12C16	12.00	16.00	9.09	12.31	16.31	10.91	7.63
E 12C20	12.00	20.00	9.09	12.31	24.31	10.91	7.63
E 12C24	12.00	24.00	9.09	12.31	24.31	10.91	7.63
EZ E 16C16	16.00	16.00	11.09	16.31	16.31	14.38	9.63
EZ E 16C20	16.00	20.00	11.09	16.31	20.31	14.38	9.63
E 16C24	16.00	24.00	11.09	16.31	24.31	14.38	9.63
E 16C30	16.00	30.00	11.09	8.31	16.31	7.44	5.63
E 16C36	16.00	36.00	11.09	16.31	36.31	14.38	9.63
E 20C20	20.00	20.00	13.09	20.31	20.31	17.84	11.63
E 20C24	20.00	24.00	13.09	20.31	24.31	17.84	11.63
E 20C30	20.00	30.00	13.09	20.31	30.31	17.84	11.63

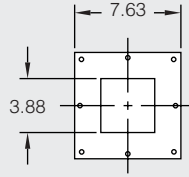
EZ Designates a product in the EnclosureZone program.

Technical Specifications

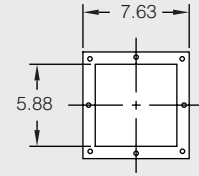
Consoles, Pedestals and Bases



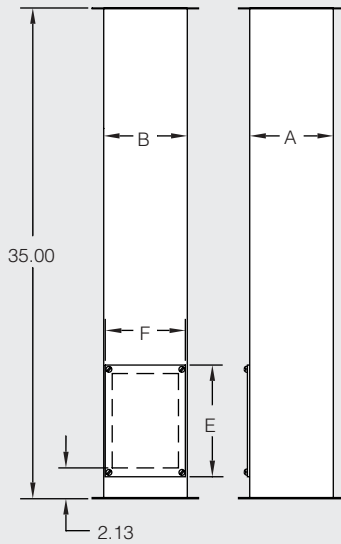
**4x4 Top
Column Flange**



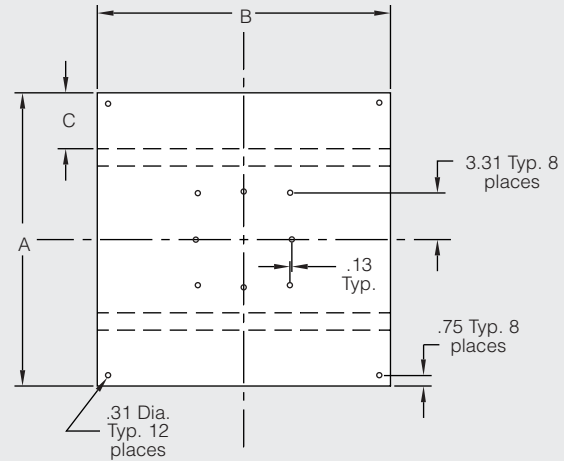
**4x4 Bottom
Column Flange
See Base For Hole Locations**



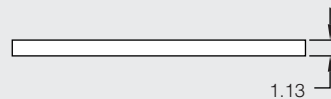
**6x6 Bottom
Column Flange
See Base For Hole Locations**



Column



Base Top View



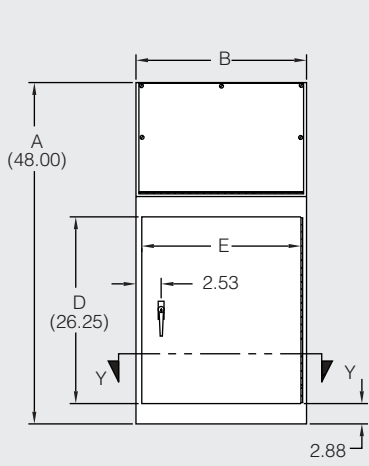
Base End View

Pedestal				
Part No.	Outside dimensions (inches)		Cover plate	
	A	B	E	F
EZ E 44CCOL	4.00	4.00	7.00	3.75
E 66CCOL	6.00	6.00	7.75	5.75

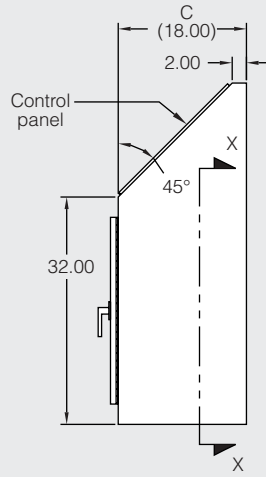
Base			
Part No.	A	B	Stiffener location
			E
EZ E 18SBASE	18.00	18.00	3.00
EZ E 24SBASE	24.00	24.00	5.00

EZ Designates a product in the EnclosureZone program.

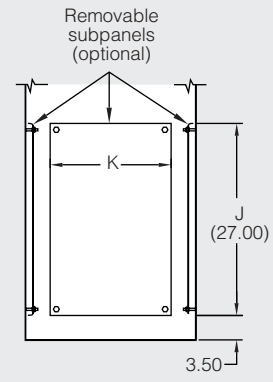
Technical Specifications
Series 9 Operator Enclosures



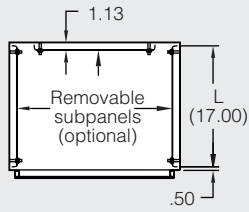
Front View



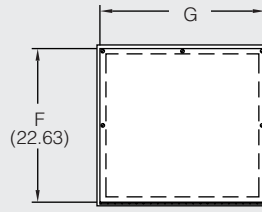
Side View



Section X-X



Section Y-Y



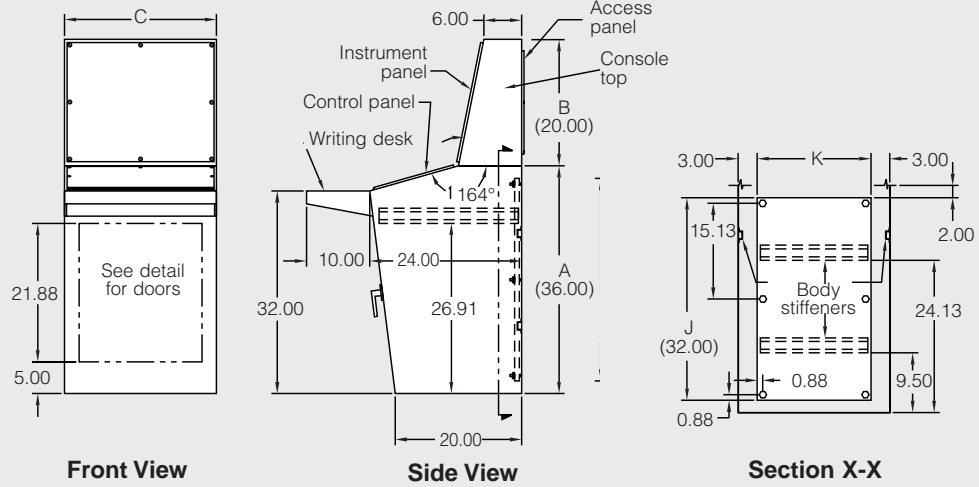
Control Panel Detail

Console														
Part No.	H	W	D	Door size panel		Control panel		Rear mounting panel	Rear mounting panel size		Side mounting	Side mounting panel size		Caster kit
	A	B	C	D	E	F	G		J	F		J	L	
EZ E C924B	48.00	24.00	18.00	26.25	22.38	23.19	23.19	E 30P20	27.00	17.00	E 30P20	27.00	17.00	E C10C
EZ E C936B	48.00	36.00	18.00	26.25	34.38	22.63	35.19	E 30P30	27.00	27.00	E 30P20	27.00	17.00	E C10C

EZ Designates a product in the EnclosureZone program.

Technical Specifications

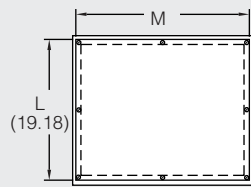
Series 12 Operator Enclosures



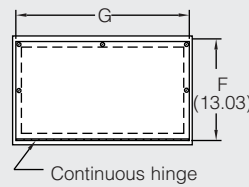
Front View

Side View

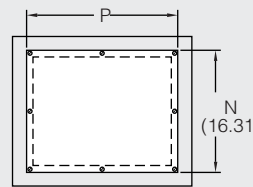
Section X-X



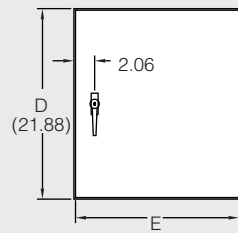
Instrument Panel



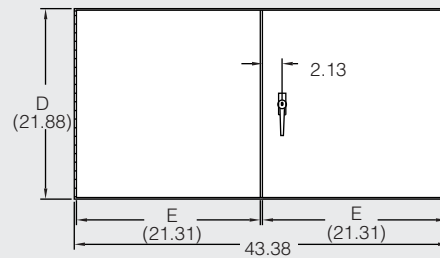
Control Panel



Access Panel



Single Door Detail A



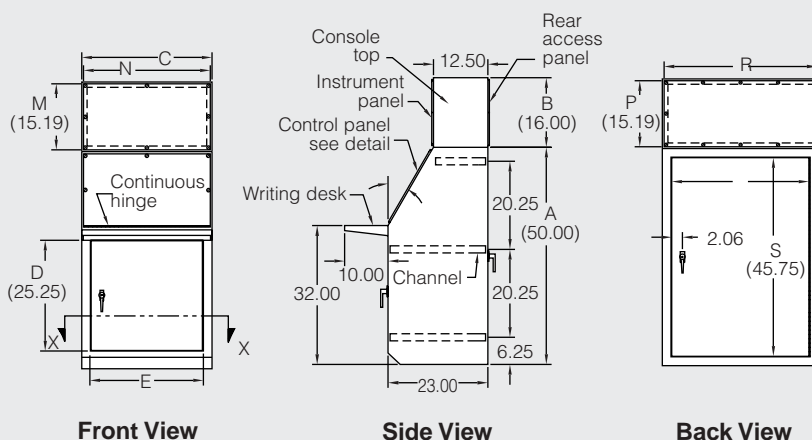
Double Door Detail B

Console														
Body Part No.	Body height	Top height	Width	Door size		Control panel		Rear mounting panel size		Top Part No.	Instrument panel		Access panel	
	A	B	C	D	E	F	G	J	K		L	M	N	P
EZ E C12B	36.00	20.00	36.00	21.88	31.94	13.03	35.19	32.00	30.00	EZ E C12T	19.19	35.19	20.19	32.19
E C1224B	36.00	20.00	24.00	21.88	18.94	13.03	23.19	32.00	18.00	E C1224T	19.19	23.19	20.19	20.19
E C1248BD	36.00	20.00	48.00	21.88	21.31	13.03	47.19	32.00	42.00	E C1248T	19.19	47.19	20.19	44.19

EZ Designates a product in the EnclosureZone program.

Technical Specifications

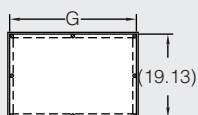
Series 14 Operator Enclosures



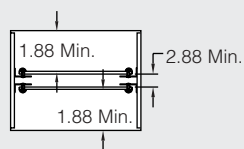
Front View

Side View

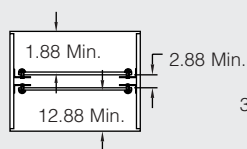
Back View



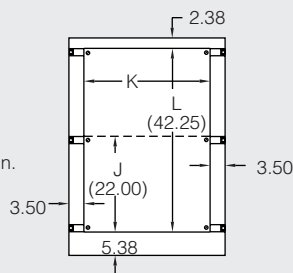
Control Panel



Section X-X
(Half Panels Installed)
Panel and panel
mounting hardware
shown are optional



Section X-X
(Half Panels Installed)
Panel and panel
mounting hardware
shown are optional



Section View Showing
Half And Full Panels

Console											
Body Part No.	Top Part No.	Body height	Top height	Width	Front door size		Control panel size		Half Mounting Panel Part No.	Half mounting panel size	
		A	B		C	D	E	F		G	J
EZ E C14B	EZ E C14T	50.00	16.00	24.00	25.25	19.59	19.13	23.19	EZ E C14P2	22.00	17.00
EZ E C1436B	EZ E C1436T	50.00	16.00	36.00	25.25	31.59	19.13	35.19	EZ E C1436P2	22.00	29.00

Console (Continued)											
Full Mounting Panel Part No.	Full mounting panel size		Swingout Mounting Panel Part No.	Swingout mounting panel size		Instrument panel size		Access panel size		Full rear door size	
	L	K		M	N	P	R	S	T		
E C14P3	42.50	17.00	E C14P1	22.00	18.13	15.19	23.19	15.19	23.19	45.75	19.59
E C1436P3	42.50	29.00	E C1436P1	22.00	30.13	15.19	35.19	15.19	35.19	45.75	31.59

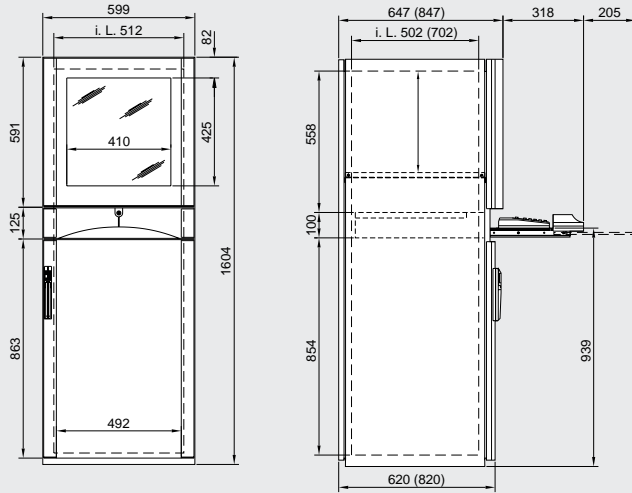
EZ Designates a product in the EnclosureZone program.



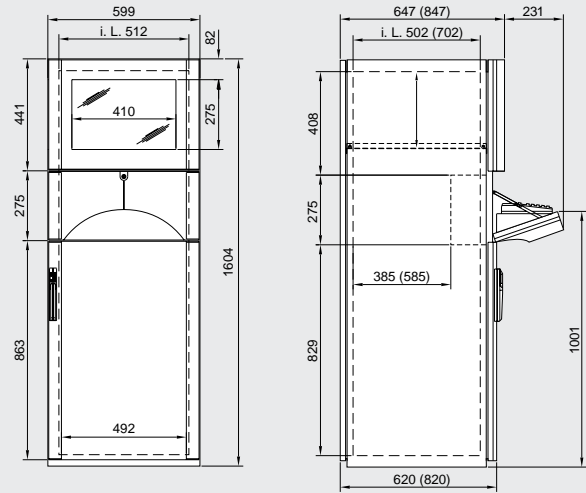
Technical Specifications

PC Computer Enclosures

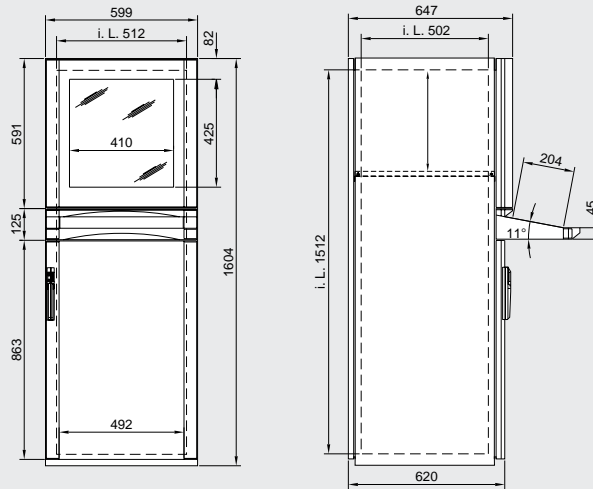
With Keyboard Drawer



With Keyboard Shelf



With Console



i.L. = available space

HU = available installation height (1HU = 1.75")

Enclosure						
Front installation	Packs of	With keyboard drawer (including keyboard bracket)	With keyboard shelf	With console	With keyboard drawer (including keyboard bracket)	With keyboard shelf
H (inches/mm)	-	62.99"/1600 mm	62.99"/1600 mm	62.99"/1600 mm	62.99"/1600 mm	62.99"/1600 mm
W (inches/mm)	-	23.62"/600 mm	23.62"/600 mm	23.62"/600 mm	23.62"/600 mm	23.62"/600 mm
D (inches/mm)	-	25.59"/650 mm	25.59"/650 mm	35.83"/910 mm	33.46"/850 mm	33.46"/850 mm
Part No.	1	EZ 4603703	EZ 4603920	EZ 4603704	EZ 4609703	EZ 4609920

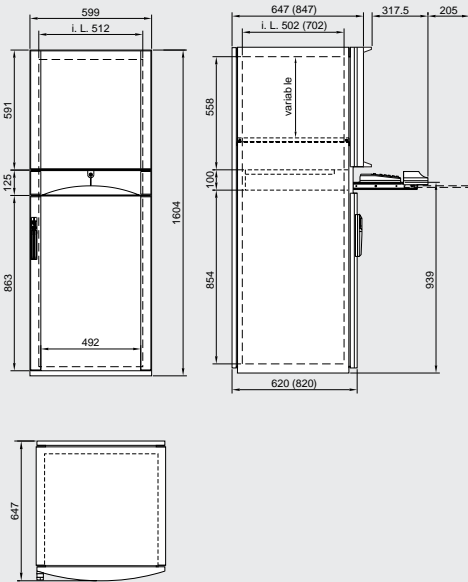
EZ Designates a product in the EnclosureZone program.



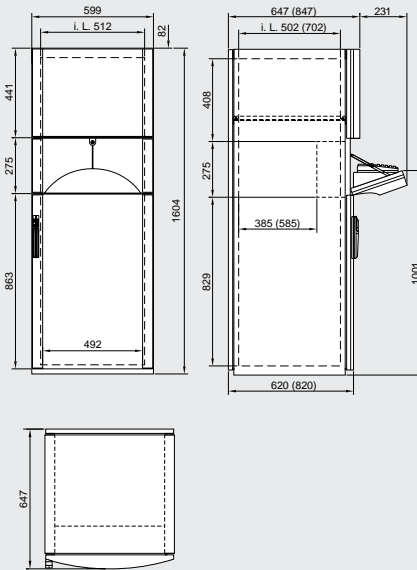
Technical Specifications

PC Computer Enclosures

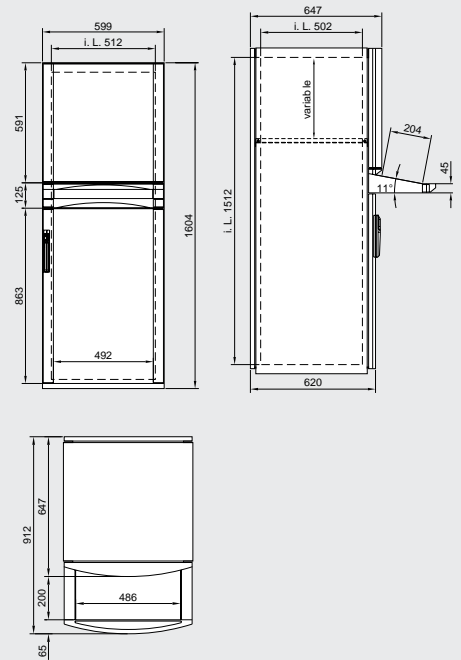
With Keyboard Drawer



With Folding Keyboard

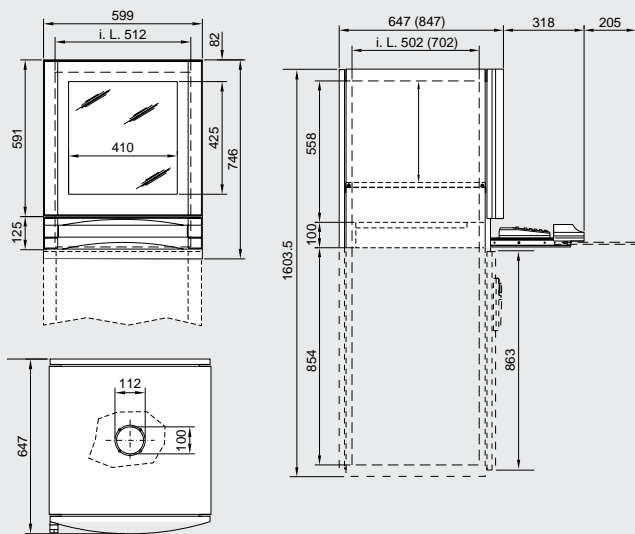


With Desk Section



Enclosure

Front installation	With keyboard drawer	With folding keyboard	With console
H (inches/mm)	63.0/1600	63.0/1600	63.0/1600
W (inches/mm)	23.6/600	23.6/600	23.6/600
D (inches/mm)	25.6/650	25.6/650	25.6/35.8 (650/910)
Part No.	EZ 4603603	EZ 4603820	EZ 4603604



Enclosure

Front installation	PC enclosure	PC desktop enclosure
Front door	-	-
H (inches/mm)	63.0/1600	29.5/750
W (inches/mm)	23.6/600	23.6/600
D (inches/mm)	25.6/650	25.6/650
Part No.	EZ 4603913	EZ 4617913

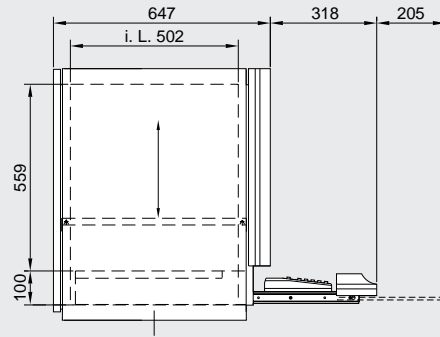
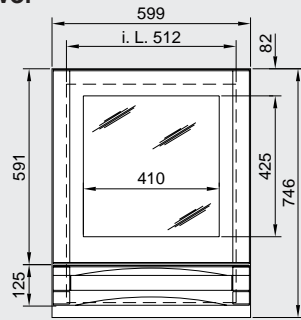
EZ Designates a product in the EnclosureZone program.



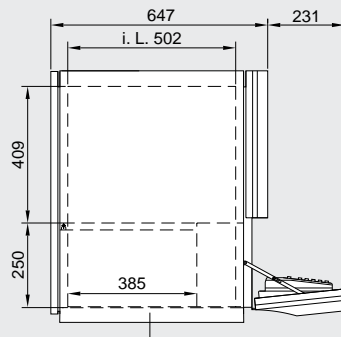
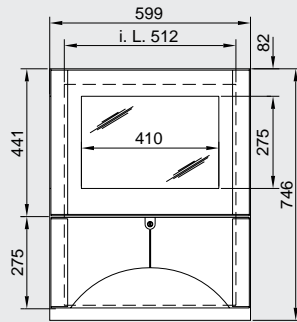
Technical Specifications

PC Computer Enclosures

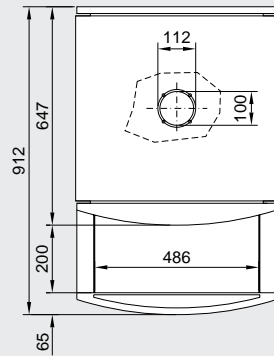
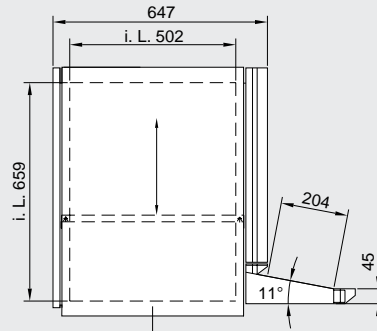
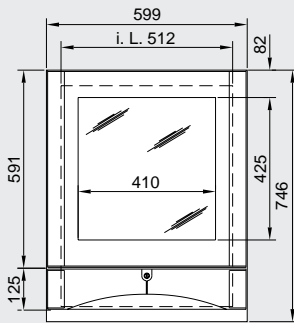
With Keyboard Drawer



With Keyboard Shelf



With Console



Enclosure				
Front installation	Packs of	With keyboard drawer	With keyboard shelf	With console
H (inches/mm)	-	29.53"/750 mm	29.53"/750 mm	29.53"/750 mm
W (inches/mm)	-	23.62"/600 mm	23.62"/600 mm	23.62"/600 mm
D (inches/mm)	-	25.59"/650 mm	25.59"/650 mm	25.59"/650 mm
Part No.	1	EZ 4617703	EZ 4617920	EZ 4617704

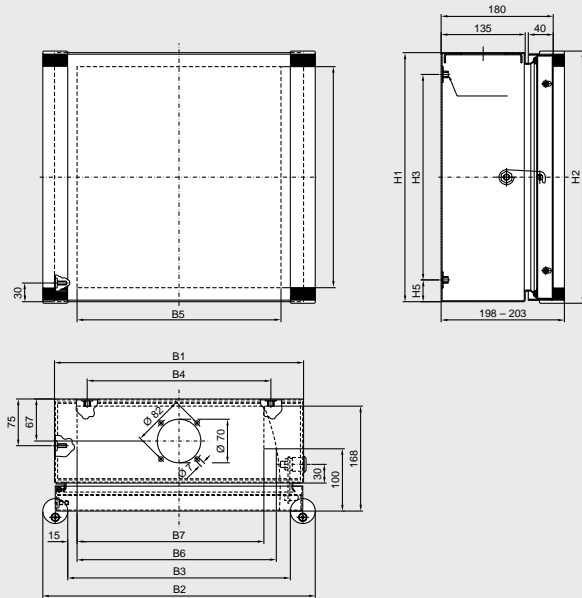
EZ Designates a product in the EnclosureZone program.



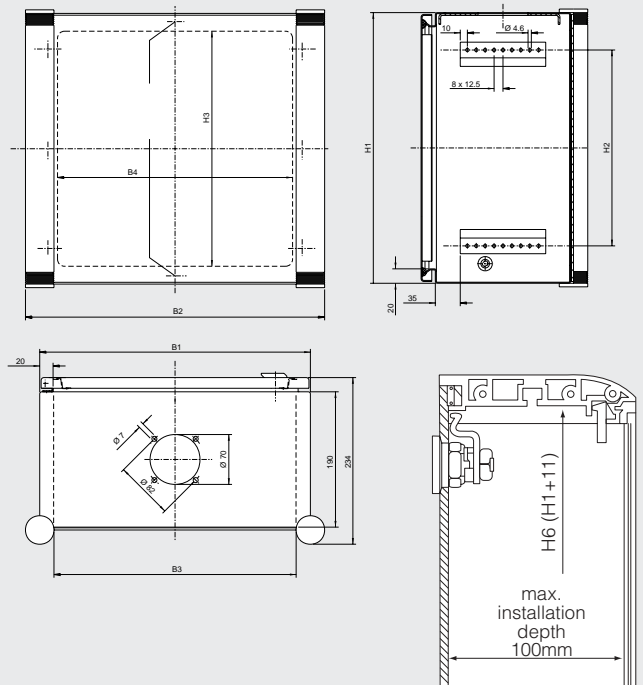
Technical Specifications

CP Pendant Arm Enclosures

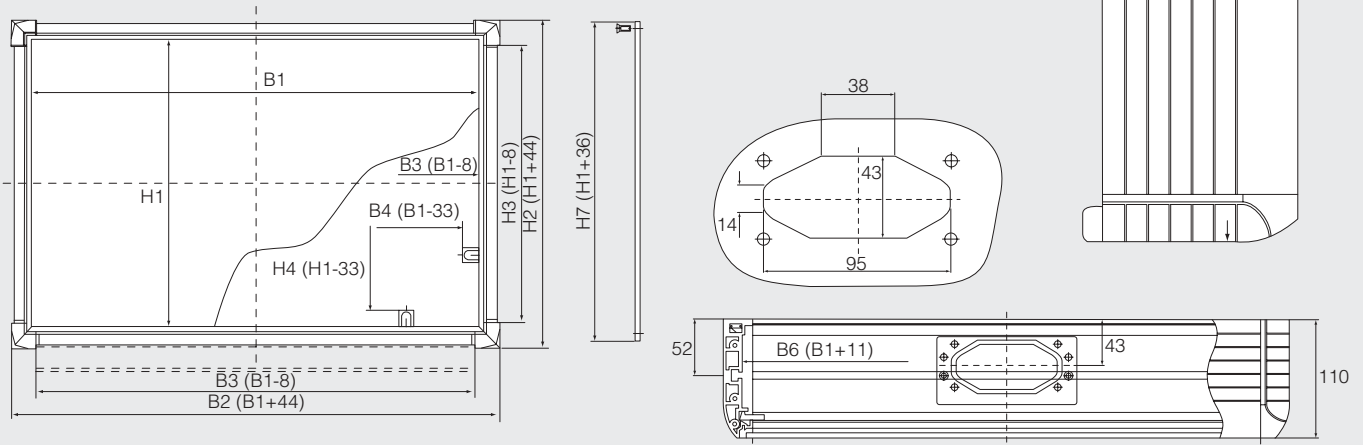
6534000-6538000



6530200-6533200/6540200



6380000



Part No.	Height dimensions				Width dimensions				Depth	Weight	
	H1	H2	H3	H4	B1	B2	B3	B4		lbs	kg
6540200	200	250	52.5	95	300	250	340	260	155	9.9	4.5
6534000	200	205	122	155	300	338	258	260	180	22.0	10.0
6535000	300	305	250	255	300	338	258	215	180	26.2	11.9
6536000	300	305	250	255	400	438	358	295	180	29.1	13.2
6537000	400	405	350	355	300	338	258	215	180	29.1	13.2
6538000	400	405	330	355	400	438	358	295	180	30.8	14.0
6531200	300	250	62.5	175	380	330	420	340	210	22.3	10.1
6530200	380	330	52.5	275	380	330	420	340	210	18.3	8.3
6533200	380	330	52.5	275	600	550	640	560	210	32.9	14.9
6532200	500	450	62.5	375	500	450	540	460	210	28.7	13.0
6380000	310	354	321	277	483	527	-	450	110	-	-

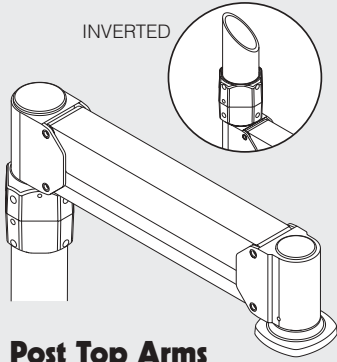
Dimensions in millimeters (mm) unless otherwise indicated.

Designates a product in the EnclosureZone program.



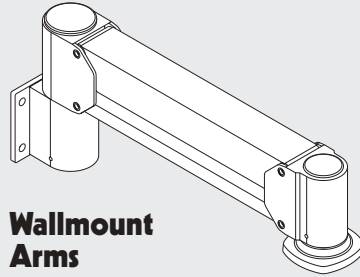
Technical Specifications

CP-Vertical Pendant Arm Systems



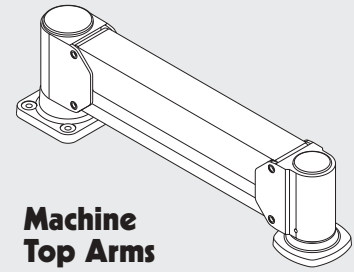
Post Top Arms

Attaches to a plain end 3.5" OD tube or pipe. Cables exit through tube.



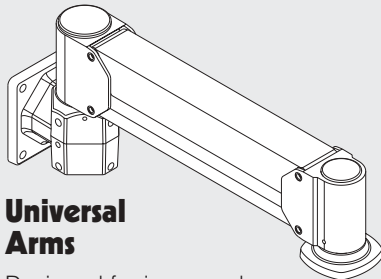
Wallmount Arms

Attaches to a vertical surface with 5.3" H x 6.0" W mounting plate with 4 (.5") Ø hole pattern on 4.75" H x 3.50" W centers. 2.0" Ø hole through center for cable exit. 2.5" NPS threaded opening as alternate cable exit.



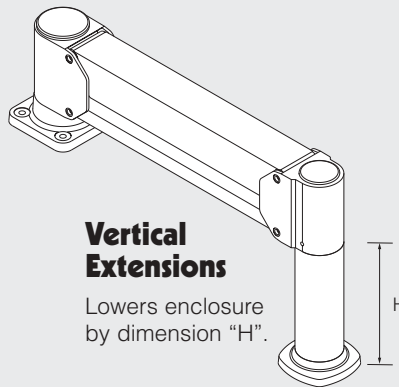
Machine Top Arms

Attaches to horizontal surface with 5" x 5" mounting plate with 4 (.37") Ø hole pattern on 3.54" centers. 1.5" Ø hole through center for cable exit.



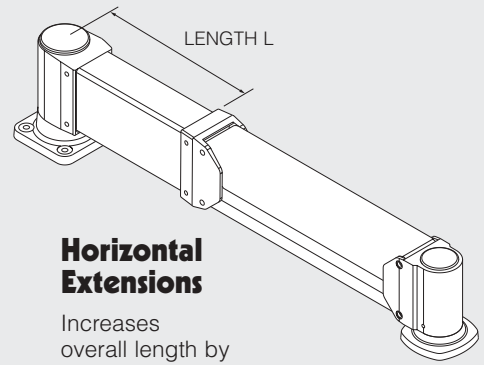
Universal Arms

Designed for increased flexibility. Mounting method can be easily configured based on user requirements.



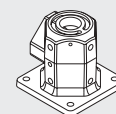
Vertical Extensions

Lowers enclosure by dimension "H".

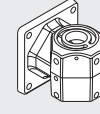


Horizontal Extensions

Increases overall length by dimension "L".



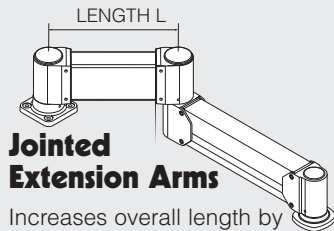
UNIVERSAL AS MACHINE TOP



UNIVERSAL AS WALLMOUNT

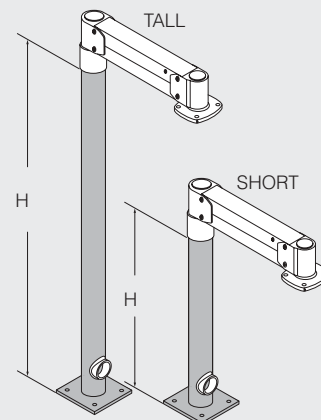


UNIVERSAL AS POST TOP



Jointed Extension Arms

Increases overall length by dimension "L" and adds additional swivel joint, providing in-out motion.



Floor Posts

36", 74", or 79" tall, 3.5" x .25" OD post with square base plate. 1.5" NPT female coupling near base can be used for cable entry. Post can be easily shortened.

Note: When using jointed extension arms, a 79" tall post should be used.

CP-Vertical Pendant Arm Specifications

Part No.	Description	Max. load	Vertical travel T	T1	T2	T3	Length (L)	Height (H)	Base plate
EZ 9967987	Post top / CP-V	100 lbs.	13"	-	-	5.6"	22.25"	-	-
EZ 9967988	Post top / CP-VL	75 lbs.	23"	5.9"	17.1"	6.3"	28"	-	-
EZ 9967989	Post top / CP-VXL	50 lbs.	30"	7.4"	22.6"	8.7"	35"	-	-
EZ 9967993	Wallmount / CP-V	100 lbs.	13"	-	-	5.6"	22.25"	-	-
EZ 9967994	Wallmount / CP-VL	75 lbs.	23"	5.9"	17.1"	6.3"	28"	-	-
EZ 9967995	Wallmount / CP-VXL	50 lbs.	30"	7.4"	22.6"	8.7"	35"	-	-
EZ 9967996	Machine top / CP-V	100 lbs.	13"	-	-	5.6"	22.25"	-	-
EZ 9967997	Machine top / CP-VL	75 lbs.	23"	5.9"	17.1"	6.3"	28"	-	-
EZ 9967998	Machine top / CP-VXL	50 lbs.	30"	7.4"	22.6"	8.7"	35"	-	-
EZ 9967999	Universal mount / CP-V	100 lbs.	13"	-	-	5.6"	22.25"	-	-
EZ 9968000	Universal mount / CP-VL	75 lbs.	23"	5.9"	17.1"	6.3"	28"	-	-
EZ 9968001	Universal mount / CP-VXL	50 lbs.	30"	7.4"	22.6"	8.7"	35"	-	-

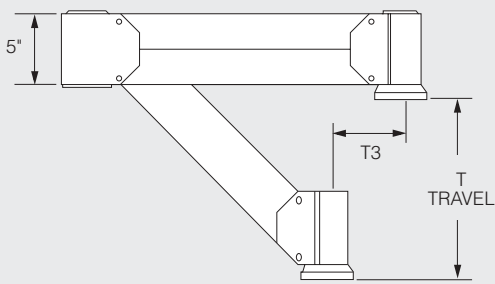


Technical Specifications

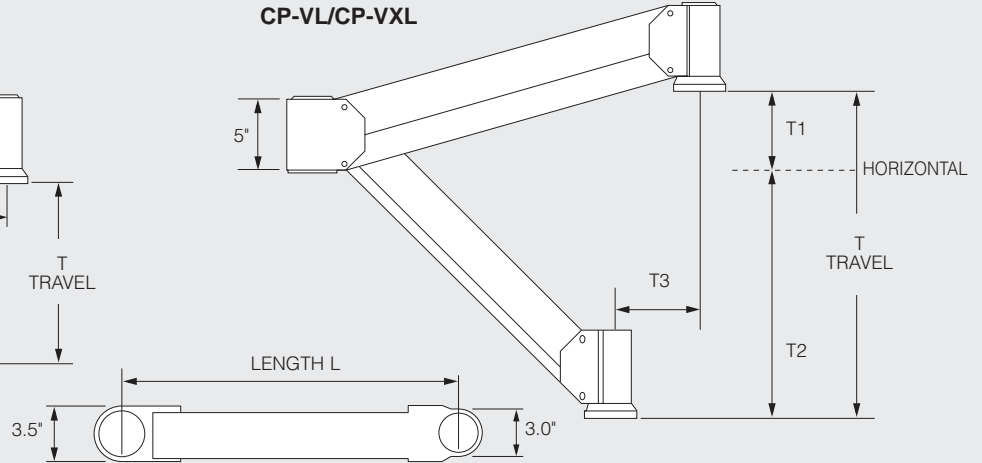
CP-Vertical Pendant Arm Systems

CP-Vertical Travel

CP-V

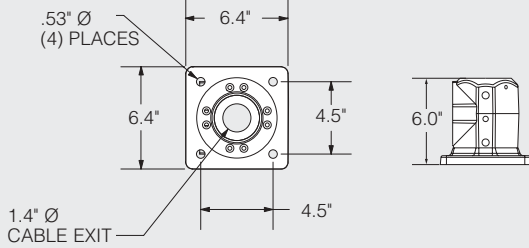


CP-VL/CP-VXL

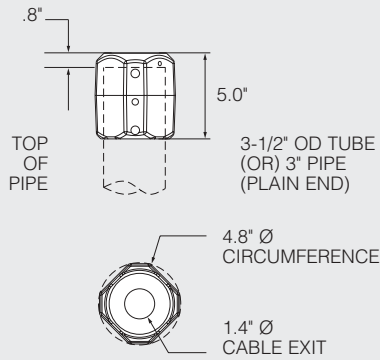


CP-Vertical Mounting Dimensions

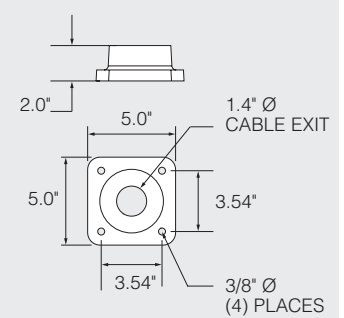
Machine Top Universal Mounting



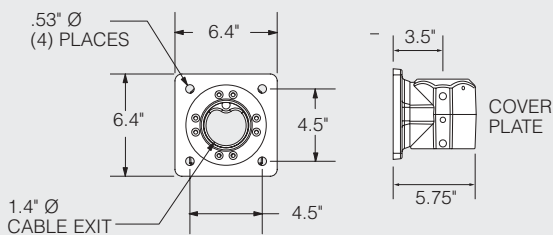
Post Top Mounting



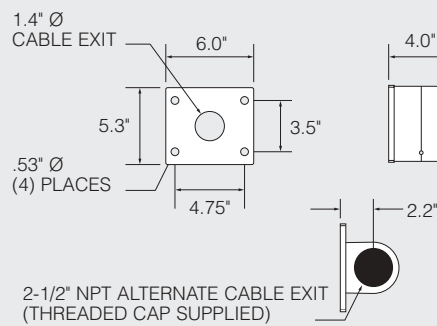
Machine Top Mounting



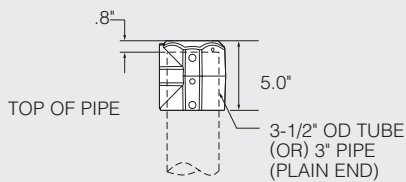
Wallmount Universal Mounting



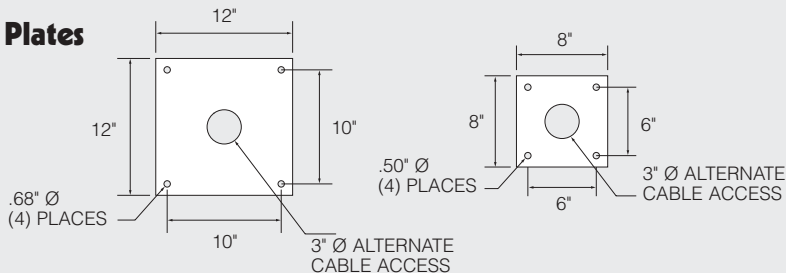
Wallmount Mounting



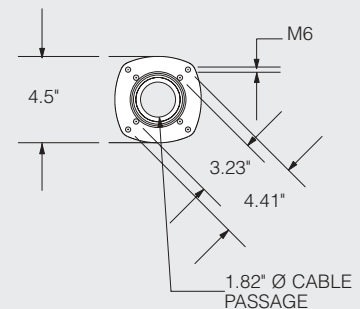
Post Universal Mounting



Floor Post Plates



Enclosure Mounting Coupling



KL Junction Boxes



KL NEMA Rated Junction Boxes

Rittal KL wallmount enclosures offer a sophisticated stainless steel design with high protection ratings and practical dimensions. They resist corrosion, protect against dust and liquids, as well as promote hygiene.



Page IND 1

Part No.	Approximate outside dimensions H"xW"xD"	NEMA rating	Enclosure						Mounting Panel							
			Exact outside dimensions									Part No.	Dimensions			
			inches			mm			inches		mm					
			H	W	D	H	W	D	H	W	H		W			
EZ 1521010	6x6x3	1, 4, 4X, 12	5.91	5.91	3.15	150	150	80	1560700	5.31	4.92	135	125			
EZ 1522010	6x12x3	1, 4, 4X, 12	5.91	11.81	3.15	150	300	80	1561700	11.22	4.92	285	125			
EZ 1523010	8x8x3	1, 4, 4X, 12	7.87	7.87	3.15	200	200	80	1562700	7.28	6.89	185	175			
EZ 1524010	8x12x3	1, 4, 4X, 12	7.87	11.81	3.15	200	300	80	1563700	11.22	6.89	285	175			
EZ 1525010	8x16x5	1, 4, 4X, 12	7.87	15.75	4.72	200	400	120	1564700	15.16	6.89	385	175			

EZ Designates a product in the EnclosureZone program.



Configuration

- NEMA 1, 4, 4X, 12/IP 66
- UL/CSA/TÜV approvals
- Optional mounting panel
- Constructed from Type 304 or 316 stainless steel
- Knife-edge design protects against liquid entry
- Integrated grounding provisions
- Welded stainless steel body
- Screw down cover
- Foamed-on gaskets ensure perfect seal
- Wide range of accessories
- Off-the-shelf availability

Technical Specifications

- Material:**
- Type 304 stainless steel
 - *Housing:* 18 ga/1.25 mm
 - *Cover:* 18 ga/1.25 mm
 - *Finish:* housing and cover, brushed finish
- Finish:**
- *Exterior surfaces:* brushed finish
 - *Mounting panel:* Type M

Protection Ratings

NEMA Type 1 4 4X 12 13

Certifications/Approvals

Listings UL CUL CSA TÜV

Technical Drawings

Page **IND 255**

Accessories						
Part No.	Stainless steel wallmounting brackets 5/16" stand-off	Cover hinge	Quick release fastener	Pole mounting kit	Ground strap 7" long/ 11 AWG	
1521010	1594000	1592000	1593000	2584000	2564000	
1522010	1594000	1592000	1593000	2584000	2564000	
1523010	1594000	1592000	1593000	2584000	2564000	
1524010	1594000	1592000	1593000	2584000	2564000	
1525010	1594000	1592000	1593000	2584000	2564000	

Designates a product in the EnclosureZone program.

Continuous Hinge Cover Enclosures



Stainless Steel Junction Boxes

These NEMA rated stainless steel junction boxes offer perfect protection for delicate electrical and electronic equipment and are designed primarily for indoor use. They are ideal for pilot devices, such as limit switches, foot switches, pushbuttons, selector switches, pilot lights, etc., and protect such equipment against dirt, dust, external condensation, and spraying of water, oil or coolant.



Part No.	Enclosure			Part No.	Mounting Panel		Usable depth
	Outside dimensions (inches)				Panel size		
	H	W	D	H	W		
E 404CHSS	4.00	4.00	3.00	NONE	-	-	-
E 4044CHSS	4.00	4.00	4.00	NONE	-	-	-
E 604CHSS	6.00	4.00	3.00	E 6P4	4.88	2.88	2.50
E 6044CHSS	6.00	4.00	4.00	E 6P4	4.88	2.88	3.50
EZ E 606CHSS	6.00	6.00	4.00	E 6P6	4.88	4.88	3.50
E 806CHSS	8.00	6.00	3.50	E 8P6	6.88	4.88	3.00
EZ E 8066CHSS	8.00	6.00	6.00	E 8P6	6.88	4.88	5.50
E 808CHSS	8.00	8.00	4.00	E 8P8	6.88	6.88	3.50
E 1008CHSS	10.00	8.00	4.00	E 10P8	8.88	6.88	3.50
E 10086CHSS	10.00	8.00	6.00	E 10P8	8.88	6.88	5.50
E 10106CHSS	10.00	10.00	6.00	E 10P10	8.88	8.88	5.50
E 12064CHSS	12.00	6.00	4.00	E 12P6	10.88	4.88	3.50
E 1210CHSS	12.00	10.00	5.00	E 12P10	10.88	8.88	4.50
E 12108CHSS	12.00	10.00	8.00	E 12P10	10.88	8.88	7.50
E 1212CHSS	12.00	12.00	6.00	E 12P12	10.88	10.88	5.50
E 14086CHSS	14.00	8.00	6.00	E 14P8	12.88	6.88	5.50
E 1412CHSS	14.00	12.00	6.00	E 14P12	12.88	10.88	5.50
E 14128CHSS	14.00	12.00	8.00	E 14P12	12.88	10.88	7.50
E 16106CHSS	16.00	10.00	6.00	E 16P10	14.88	8.88	5.50
E 1614CHSS	16.00	14.00	6.00	E 16P14	14.88	12.88	5.50
E 16148CHSS	16.00	14.00	8.00	E 16P14	14.88	12.88	7.50
E 161410CHSS	16.00	14.00	10.00	E 16P14	14.88	12.88	9.50

EZ Designates a product in the EnclosureZone program.



Configuration

- Continuously welded seams, finished smooth
- Robotically applied urethane gasket
- Continuous stainless steel hinges
- Door removed by pulling steel hinge pin
- Stainless steel cover clamps and screws
- External mounting brackets
- Mounting panel provisions installed (except E 404CHSS and E 4044CHSS)

Technical Specifications

- Material:**
- *Enclosure/door:* 14 gauge Type 304 stainless steel
- Finish:**
- *Enclosure/door:* # 3 brushed finish
 - *Optional stainless steel mounting panels:* unpainted
 - *Optional carbon steel mounting panels:* painted white

Protection Ratings


NEMA Type 1 4 4X 12 13


Certifications/Approvals

Listings UL CUL CSA TÜV

Technical Drawings

Page **IND 256**

Accessories			
Part No.	Terminal block kit	Terminal rails	Window kit
E 404CHSS	-	-	-
E 4044CHSS	-	-	-
E 604CHSS	-	-	-
E 6044CHSS	-	-	-
 E 606CHSS	-	-	-
E 806CHSS	E 6JTMA	E 8JS	-
 E 8066CHSS	E 6JTMA	E 8JS	E PWK53NFSS
E 808CHSS	E 8JTMA	E 8JS	E PWK53NFSS
E 1008CHSS	E 8JTMA	E 10JS	E PWK53NFSS
E 10086CHSS	E 8JTMA	E 10JS	E PWK53NFSS
E 10106CHSS	E 10JTMA	E 10JS	E PWK53NFSS
E 12064CHSS	E 6JTMA	E 12JS	E PWK53NFSS
E 1210CHSS	E 10JTMA	E 12JS	E PWK53NFSS
E 12108CHSS	E 10JTMA	E 12JS	E PWK53NFSS
E 1212CHSS	E 12JTMA	E 12JS	E PWK53NFSS
E 14086CHSS	E 8JTMA	E 14JS	E PWK53NFSS
E 1412CHSS	E 12JTMA	E 14JS	E PWK95NFSS
E 14128CHSS	E 12JTMA	E 14JS	E PWK95NFSS
E 16106CHSS	E 10JTMA	E 16JS	E PWK95NFSS
E 1614CHSS	E 14JTMA	E 16JS	E PWK95NFSS
E 16148CHSS	E 14JTMA	E 16JS	E PWK95NFSS
E 161410CHSS	E 14JTMA	E 16JS	E PWK95NFSS

 Designates a product in the EnclosureZone program.

Continuous Hinge Cover Enclosures



Aluminum Junction Boxes

These NEMA rated, light-weight aluminum junction boxes offer perfect protection for delicate electrical and electronic equipment in areas where corrosion problems exist. They are ideal for pilot devices, such as limit switches, foot switches, pushbuttons, selector switches, pilot lights, etc., and protect such equipment against dirt, dust, and spraying of water, oil or coolant.



Enclosure				Mounting Panel			
Part No.	Outside dimensions (inches)			Part No.	Panel size		Usable depth
	H	W	D		H	W	
EZ E 606CHAL	6.00	6.00	4.00	E 6P6	4.88	4.88	3.50
EZ E 8064CHAL	8.00	6.00	4.00	E 8P6	6.88	4.88	3.50
EZ E 1008CHAL	10.00	8.00	4.00	E 10P8	8.88	6.88	3.50
EZ E 12106CHAL	12.00	10.00	6.00	E 12P10	10.88	8.88	5.50
EZ E 1412CHAL	14.00	12.00	6.00	E 14P12	12.88	10.88	5.50
EZ E 1614CHAL	16.00	14.00	6.00	E 16P14	14.88	12.88	5.50

EZ Designates a product in the EnclosureZone program.



Configuration

- Continuously welded seams, finished smooth
- Robotically applied urethane gasket
- Continuous aluminum hinge with removable pin
- Stainless steel captive clamps and screws
- External mounting brackets
- Mounting panel provisions installed

Technical Specifications

- Material:**
- *Enclosure/door:* .080 aluminum Type 5052 H-32
- Finish:**
- *Enclosure/door:* brushed finish
 - *Optional aluminum mounting panels:* unpainted
 - *Optional carbon steel mounting panels:* painted white

Protection Ratings

NEMA Type 1 4 4X 12 13

Certifications/Approvals

Listings UL CUL CSA TÜV

Technical Drawings

Page **IND 257**

Accessories			
Part No.	Terminal block kit	Terminal rails	Window kit
E 606CHAL	-	-	-
E 8064CHAL	E 6JTMA	E 8JS	-
E 1008CHAL	E 8JTMA	E 10JS	E PWK53NFSS
E 12106CHAL	E 10JTMAXD	E 12JS	E PWK53NFSS
E 1412CHAL	E 12JTMA	E 14JS	E PWK95NFSS
E 1614CHAL	E 14JTMA	E 16JS	E PWK95NFSS

Designates a product in the EnclosureZone program.

Continuous Hinge Cover Boxes



NEMA 4X Stainless Steel Enclosures

These NEMA rated stainless steel junction boxes offer perfect protection for delicate electrical and electronic equipment. They meet the tough requirements of the chemical and food industries and off-shore environments. Their corrosion resistant design offers protection against chemical influences.

They can be used inside or outside to protect installed equipment against splashing water, seepage of water, falling or hose directed water, severe external condensation and spraying of water, oil or coolants.



Enclosure		Outside dimensions (inches)			Mounting Panel		Usable depth	
Part No. 304 SS	Part No. 316 SS	H	W	D	Part No.	Panel size		
					H W			
EZ E 404CHNFSS	E 404CHNFSS6	4.00	4.00	3.00	-	-	-	
EZ E 604CHNFSS	E 604CHNFSS6	6.00	4.00	3.00	E 6P4	4.88	2.88	2.50
EZ E 6044CHNFSS	E 6044CHNFSS6	6.00	4.00	4.00	E 6P4	4.88	2.88	3.50
EZ E 606CHNFSS	EZ E 606CHNFSS6	6.00	6.00	4.00	E 6P6	4.88	4.88	3.50
EZ E 806CHNFSS	E 806CHNFSS6	8.00	6.00	3.50	E 8P6	6.88	4.88	3.00
EZ E 8064CHNFSS	E 8064CHNFSS6	8.00	6.00	4.00	E 8P6	6.88	4.88	3.50
EZ E 1008CHNFSS	E 1008CHNFSS6	10.00	8.00	4.00	E 10P8	8.88	6.88	3.50
EZ E 10086CHNFSS	E 10086CHNFSS6	10.00	8.00	6.00	E 10P8	8.88	6.88	5.50
EZ E 1210CHNFSS	E 1210CHNFSS6	12.00	10.00	5.00	E 12P10	10.88	8.88	4.50
EZ E 12106CHNFSS	EZ E 12106CHNFSS6	12.00	10.00	6.00	E 12P10	10.88	8.88	5.50
EZ E 1212CHNFSS	E 1212CHNFSS6	12.00	12.00	6.00	E 12P12	10.88	10.88	5.50
EZ E 1412CHNFSS	E 1412CHNFSS6	14.00	12.00	6.00	E 14P12	12.88	10.88	5.50
EZ E 1614CHNFSS	E 1614CHNFSS6	16.00	14.00	6.00	E 16P14	14.88	12.88	5.50

EZ Designates a product in the EnclosureZone program.



Configuration

- Continuously welded seams, finished smooth
- Robotically applied urethane gasket
- Continuous steel hinge
- Door removed by pulling steel hinge pin
- Stainless steel captive clamps and screws
- External mounting brackets
- Mounting panel provisions installed (except E 404CHNFSS and E 404CHNFSS6)

Technical Specifications

- Material:**
- *Enclosure/door:* 14 gauge Type 304 or Type 316 stainless steel (see table)
- Finish:**
- *Enclosure/door:* # 3 brushed finish
 - *Optional stainless steel mounting panels:* unpainted
 - *Optional carbon steel mounting panels:* painted white

Protection Ratings

NEMA Type 1 4 4X 12 13

Certifications/Approvals

Listings UL CUL CSA TÜV

Technical Drawings

Page **IND 258**

Accessories				
Part No. 304 SS	Part No. 316 SS	Terminal block kit	Terminal rails	Window kit
EZ E 404CHNFSS	E 404CHNFSS6	-	-	-
EZ E 604CHNFSS	E 604CHNFSS6	-	-	-
EZ E 6044CHNFSS	E 6044CHNFSS6	-	-	-
EZ E 606CHNFSS	EZ E 606CHNFSS6	-	-	-
EZ E 806CHNFSS	E 806CHNFSS6	E 6JTMA	E 8JS	-
EZ E 8064CHNFSS	E 8064CHNFSS6	E 6JTMA	E 8JS	-
EZ E 1008CHNFSS	E 1008CHNFSS6	E 8JTMA	E 10JS	E PWK53NFSS
EZ E 10086CHNFSS	E 10086CHNFSS6	E 8JTMA	E 10JS	E PWK53NFSS
EZ E 1210CHNFSS	E 1210CHNFSS6	E 10JTMAXD	E 12JS	E PWK53NFSS
EZ E 12106CHNFSS	EZ E 12106CHNFSS6	E 10JTMAXD	E 12JS	E PWK53NFSS
EZ E 1212CHNFSS	E 1212CHNFSS6	E 12JTMA	E 12JS	E PWK53NFSS
EZ E 1412CHNFSS	E 1412CHNFSS6	E 12JTMA	E 14JS	E PWK95NFSS
EZ E 1614CHNFSS	E 1614CHNFSS6	E 14JTMA	E 16JS	E PWK95NFSS

EZ Designates a product in the EnclosureZone program.

Clamp Cover Junction Enclosures



NEMA Rated Stainless Steel Boxes

These NEMA rated stainless steel junction boxes offer perfect protection for delicate electrical and electronic equipment. They meet the tough requirements of the chemical and food industries and off-shore environments. Their corrosion resistant design offers protection against chemical influences.

They can be used inside or outside to protect installed equipment against splashing water, seepage of water, falling or hose directed water, severe external condensation and spraying of water, oil or coolants.



Part No.		Enclosure			Mounting Panel				
Part No.	NFSS	Part No.	Outside dimensions (inches)			Part No.	Panel size		Usable depth
	NFSS6		H	W	D		H	W	
EZ	E 404NFSS	E 404NFSS6	4.00	4.00	3.00	NONE	-	-	-
	E 604NFSS	E 604NFSS6	6.00	4.00	3.00	E 6P4	4.88	2.88	2.50
	E 6044NFSS	E 6044NFSS6	6.00	4.00	4.00	E 6P4	4.88	2.88	3.50
	E 606NFSS	E 606NFSS6	6.00	6.00	4.00	E 6P6	4.88	4.88	3.50
	E 8064NFSS	E 8064NFSS6	8.00	6.00	4.00	E 8P6	6.88	4.88	3.50
	E 1008NFSS	E 1008NFSS6	10.00	8.00	4.00	E 10P8	8.88	6.88	3.50
EZ	E 1210NFSS	E 1210NFSS6	12.00	10.00	5.00	E 12P10	10.88	8.88	4.50
	E 12106NFSS	E 12106NFSS6	12.00	10.00	6.00	E 12P10	10.88	8.88	5.50
	E 1412NFSS	E 1412NFSS6	14.00	12.00	6.00	E 14P12	12.88	10.88	5.50
	E 1614NFSS	E 1614NFSS6	16.00	14.00	6.00	E 16P14	14.88	12.88	5.50

EZ Designates a product in the EnclosureZone program.



Configuration

- Continuously welded seams, finished smooth
- Robotically applied urethane gasket
- Stainless steel cover clamps and screws
- External mounting brackets
- Mounting panel provisions installed (except E 404NFSS and E 404NFSS6)

Technical Specifications

Material:

- *Enclosure/door:* 14 gauge Type 304 stainless steel

Finish:

- *Enclosure/door:* # 3 brushed finish
- *Optional stainless steel mounting panels:* unpainted
- *Optional carbon steel mounting panels:* painted white

Protection Ratings

NEMA Type 1 4 4X 12 13

Certifications/Approvals

Listings UL CUL CSA TÜV

Technical Drawings

Page **IND 259**

Accessories					
Part No. NFSS	Part No. NFSS6	Terminal block kit	Terminal rails	Window kit	
E 404NFSS	E 404NFSS6	-	-	-	
E 604NFSS	E 604NFSS6	-	-	-	
E 6044NFSS	E 6044NFSS6	-	-	-	
E 606NFSS	E 606NFSS6	-	-	-	
E 8064NFSS	E 8064NFSS6	E 6JTMA	E 8JS	-	
E 1008NFSS	E 1008NFSS6	E 8JTMA	E 10JS	E PWK53NFSS	
E 1210NFSS	E 1210NFSS6	E 10JTMAXD	E 12JS	E PWK53NFSS	
E 12106NFSS	E 12106NFSS6	E 10JTMAXD	E 12JS	E PWK53NFSS	
E 1412NFSS	E 1412NFSS6	E 12JTMA	E 14JS	E PWK95NFSS	
E 1614NFSS	E 1614NFSS6	E 14JTMA	E 16JS	E PWK95NFSS	

Designates a product in the EnclosureZone program.

Clamp Cover Junction Enclosures



NEMA Rated Aluminum Boxes

These NEMA rated, durable aluminum junction boxes offer perfect protection for delicate electrical and electronic equipment. They are designed to house pilot devices, such as limit switches, foot switches, pushbuttons, selector switches and pilot lights.

They can be used inside or outside to protect installed equipment against splashing water, seepage of water, falling or hose directed water, severe external condensation and spraying of water, oil or coolants or where corrosion is a problem.



Page IND 15



Page IND 207

Enclosure				Mounting Panel			
Part No.	Outside dimensions (inches)			Part No.	Panel size		Usable depth
	H	W	D		H	W	
E 604NFAL	6.00	4.00	3.00	E 6P4	4.88	2.88	2.50
EZ E 606NFAL	6.00	6.00	4.00	E 6P6	4.88	4.88	3.50
EZ E 8064NFAL	8.00	6.00	4.00	E 8P6	6.88	4.88	3.50
EZ E 1008NFAL	10.00	8.00	4.00	E 10P8	8.88	6.88	3.50
EZ E 1210NFAL	12.00	10.00	5.00	E 12P10	10.88	8.88	4.50
E 1412NFAL	14.00	12.00	6.00	E 14P12	12.88	10.88	5.50
E 1614NFAL	16.00	14.00	6.00	E 16P14	14.88	12.88	5.50

EZ Designates a product in the EnclosureZone program.



Configuration

- Continuously welded seams, finished smooth
- Robotically applied urethane gasket
- Stainless steel clamps and screws
- External mounting brackets
- Mounting panel provisions installed

Technical Specifications

Material:

- *Enclosure/cover:* .080 aluminum Type 5052 H-32

Finish:

- *Enclosure/cover:* natural-brushed finish
- *Optional aluminum mounting panels:* unpainted
- *Optional carbon steel mounting panels:* painted white

Protection Ratings





NEMA Type 1 4 4X 12 13


Certifications/Approvals

Listings UL CUL CSA TÜV

Technical Drawings

Page **IND 260**

Accessories			
Part No.	Terminal block kit	Terminal rails	Window kit
E 604NFAL	-	-	-
 E 606NFAL	-	-	-
 E 8064NFAL	E 6JTMA	E 8JS	-
 E 1008NFAL	E 8JTMA	E 10JS	E PWK53NFSS
 E 1210NFAL	E 10JTMAXD	E 12JS	E PWK53NFSS
E 1412NFAL	E 12JTMA	E 14JS	E PWK95NFSS
E 1614NFAL	E 14JTMA	E 16JS	E PWK95NFSS

 Designates a product in the EnclosureZone program.

AE Wallmount Enclosures



NEMA Rated Wallmount Enclosures

Since its introduction more than 30 years ago, Rittal's unequaled AE wallmount enclosures have been continually improved. The stainless steel AE enclosures provide the strongest possible corrosion resistance, thus satisfying the needs of the most demanding industries.



Page IND 23

Part No.	Approximate outside dimensions H"xW"xD"	NEMA rating	Number of doors	Enclosure						Mounting Panel			
				Exact outside dimensions						Dimensions			
				inches			mm			inches		mm	
				H	W	D	H	W	D	H	W	H	W
EZ 1002660	12x8x6	1, 4, 4X, 12	1	11.81	7.87	6.10	300	200	155	10.83	6.38	275	162
EZ 1004660	12x15x6	1, 4, 4X, 12	1	11.81	14.96	6.10	300	380	155	10.83	13.15	275	334
EZ 1005660	15x12x8	1, 4, 4X, 12	1	14.96	11.81	8.27	380	300	210	13.98	13.15	355	334
EZ 1006660	15x15x8	1, 4, 4X, 12	1	14.96	14.96	8.27	380	380	210	13.98	13.15	355	334
EZ 1009660	15x24x8	1, 4, 4X, 12	1	14.96	23.62	8.27	380	600	210	13.98	21.61	355	549
EZ 1097000	16x12x8	1, 4, 4X, 12	1	15.75	11.81	8.27	400	300	210	14.76	10.00	375	254
EZ 1007660	20x20x8	1, 4, 4X, 12	1	19.69	19.69	8.27	500	500	210	18.50	17.68	470	449
EZ 1008660	24x15x8	1, 4, 4X, 12	1	23.62	14.96	8.27	600	380	210	22.44	13.15	570	334
EZ 1010660	24x24x8	1, 4, 4X, 12	1	23.62	23.62	8.27	600	600	210	22.44	21.61	570	549
EZ 1012660	30x24x8	1, 4, 4X, 12	1	29.92	23.62	8.27	760	600	210	28.74	21.61	730	549
EZ 1014660	30x30x12	1, 4, 4X, 12	1	29.92	29.92	11.81	760	760	300	28.74	27.72	730	704
EZ 1016660	40x32x12	1, 4, 4X, 12	1	39.37	31.50	11.81	1000	800	300	37.60	29.09	955	739
EZ 1017660	47x31x12	1, 4, 4X, 12	1	47.24	31.50	11.81	1200	800	300	45.28	29.13	1150	740

Note: Also available with no integrated blind nuts — order Part No. XXXX.600.

EZ Designates a product in the EnclosureZone program.



Configuration

- NEMA 1, 4X, 12, 14 protection/IP 66
- UL/CSA/TÜV approvals
- Mounting panel included
- Hinged door
- Constructed from Type 304 stainless steel
- Knife-edge design protects against liquid entry
- Integrated grounding provisions
- Welded stainless steel body
- Foamed-on gaskets ensure perfect seal
- Wide range of accessories
- Off-the-shelf availability

Technical Specifications

- Material:**
- Type 304 stainless steel
 - *Housing:* 18 ga/1.25 mm (AE 1002)
16 ga/1.5 mm (AE 1004-1017)
 - *Door:* 16 ga/1.5 mm (AE 1002-1008)
14 ga/2.0 mm (AE 1010-1017)
 - *Mounting panel:* hot-dipped galvanized zinc
14 ga/2.0 mm (AE 1002-1004)
13 ga/2.5 mm (AE 1005-1009)
12 ga/2.75 mm (AE 1010)
11 ga/3.0 mm (AE 1012-1017)

- Finish:**
- *Exterior surfaces:* brushed finish
 - *Mounting panel:* Type M

Protection Ratings

NEMA Type 1 4 4X 12 13

Certifications/Approvals

Listings UL CUL CSA TÜV

Technical Drawings

Page **IND 261**

Accessories					
Part No.	Stainless steel wallmounting brackets 3/8" stand-off	T-Handle	Pole mounting kit	Ground strap 7" long/ 11 AWG	Print pocket
EZ 1002660	2433000	2572000	2584000	2564000	-
EZ 1004660	2433000	2572000	2584000	2564000	-
EZ 1005660	2433000	2572000	2584000	2564000	-
EZ 1006660	2433000	2572000	2584000	2564000	2514000
EZ 1009660	2433000	2572000	2584000	2564000	2514000
EZ 1097000	2433000	2572000	2584000	2564000	-
EZ 1007660	2433000	2572000	2584000	2564000	2514000
EZ 1008660	2433000	2572000	2584000	2564000	2514000
EZ 1010660	2433000	2572000	2584000	2564000	2514000
EZ 1012660	2433000	2572000	2584000	2564000	2514000
EZ 1014660	2433000	2572000	-	2564000	2514000
EZ 1016660	2433000	2572000	-	2564000	2514000
EZ 1017660	2433000	-	-	2564000	2514000

EZ Designates a product in the EnclosureZone program.

Legacy Series Enclosures



Stainless Steel Wallmount Boxes

Legacy Series stainless steel instrument boxes offer protection for dense wiring and sensitive small electronic and electric equipment controls and pilot devices, such as limit switches, foot switches, pushbuttons, selector switches and pilot lights. Installed equipment is protected against splashing water, seepage of water, falling or hose directed water, severe external condensation and spraying of water, oil or coolant.



Page IND 25

Part No.	Enclosure			Latch system	Mounting Panel		
	Outside dimensions (inches)				White (Full Size) Panel Part No.	Zinc (Full Size) Panel Part No.	White (NEMA Style) Panel Part No.
	H	W	D				
EZ L W120806SS	12.00	8.00	6.00	1 Qtr. Turn	L W12P8W	L W12P8	-
EZ L W121206SS	12.00	12.00	6.00	1 Qtr. Turn	L W12P12W	L W12P12	-
EZ L W161206SS	16.00	12.00	6.00	1 Qtr. Turn	L W16P12W	L W16P12	E 16P12
EZ L W161208SS	16.00	12.00	8.00	1 Qtr. Turn	L W16P12W	L W16P12	E 16P12
EZ L W161606SS	16.00	16.00	6.00	1 Qtr. Turn	L W16P16W	L W16P16	E 16P16
EZ L W161608SS	16.00	16.00	8.00	1 Qtr. Turn	L W16P16W	L W16P16	E 16P16
L W162008SS	16.00	20.00	8.00	2 Qtr. Turn	L W16P20W	L W16P20	E 20P16
L W201606SS	20.00	16.00	6.00	2 Qtr. Turn	L W20P16W	L W20P16	E 20P16
EZ L W201608SS	20.00	16.00	8.00	2 Qtr. Turn	L W20P16W	L W20P16	E 20P16
L W202006SS	20.00	20.00	6.00	2 Qtr. Turn	L W20P20W	L W20P20	E 20P20
EZ L W202008SS	20.00	20.00	8.00	2 Qtr. Turn	L W20P20W	L W20P20	E 20P20
EZ L W202012SS	20.00	20.00	12.00	2 Qtr. Turn	L W20P20W	L W20P20	E 20P20
L W241608SS	24.00	16.00	8.00	2 Qtr. Turn	L W24P16W	L W24P16	E 24P16
EZ L W242008SS	24.00	20.00	8.00	2 Qtr. Turn	L W24P20W	L W24P20	E 24P20
EZ L W242012SS	24.00	20.00	12.00	2 Qtr. Turn	L W24P20W	L W24P20	E 24P20
EZ L W242408SS	24.00	24.00	8.00	2 Qtr. Turn	L W24P24W	L W24P24	E 24P24
EZ L W242412SS	24.00	24.00	12.00	2 Qtr. Turn	L W24P24W	L W24P24	E 24P24
EZ L W302408SS	30.00	24.00	8.00	2 Qtr. Turn	L W30P24W	L W30P24	E 30P24
EZ L W302412SS	30.00	24.00	12.00	2 Qtr. Turn	L W30P24W	L W30P24	E 30P24
EZ L W303008SS	30.00	30.00	8.00	2 Qtr. Turn	L W30P30W	L W30P30	E 30P30
EZ L W303012SS	30.00	30.00	12.00	2 Qtr. Turn	L W30P30W	L W30P30	E 30P30
EZ L W362408SS	36.00	24.00	8.00	2 Qtr. Turn	L W36P24W	L W36P24	E 36P24
L W362412SS	36.00	24.00	12.00	2 Qtr. Turn	L W36P24W	L W36P24	E 36P24
L W363008SS	36.00	30.00	8.00	2 Qtr. Turn	L W36P30W	L W36P30	E 36P30
EZ L W363012SS	36.00	30.00	12.00	2 Qtr. Turn	L W36P30W	L W36P30	E 36P30
L W363612SS	36.00	36.00	12.00	2 Qtr. Turn	L W36P36W	L W36P36	E 36P36
EZ L W483612SS	48.00	36.00	12.00	3 Point Lock System	L W48P36W	L W48P36	E 48P36
L W603612SS	60.00	36.00	12.00	3 Point Lock System	L W60P36W	L W60P36	E 60P36
EZ L W603616SS	60.00	36.00	16.00	3 Point Lock System	L W60P36W	L W60P36	E 60P36

EZ Designates a product in the EnclosureZone program.



Configuration

- Continuously welded seams, finished smooth
- Robotically applied urethane gasket
- Easily removable stainless steel hinge pins
- Knife edge flange
- Door opens 130°
- Integral channel around door provides additional stability and prevents entry of water and dirt when enclosure is opened
- Quarter turn latching
- Screwdriver lock insert
- Mounting panel provisions installed
- Mounting panel available in white (NEMA/ full size) and zinc (full size) styles
- Wallmounting brackets included
- Grounding provisions on enclosure body
- Print pocket included

Technical Specifications

- Material:**
- *Enclosure/door:* 14 gauge Type 304 stainless steel
 - *Note:* Type 316 available upon request
- Finish:**
- *Enclosure/door:* # 4 brushed finish

Protection Ratings

NEMA Type 1 4 4X 12 13

Certifications/Approvals

Listings UL CUL CSA TÜV

Technical Drawings

Page **IND 262**

Accessories						
Part No.	Wallmounting brackets	Light kit	Dead front kit			
			Panel (full size)	Panel (NEMA)	Risers	
EZ L W120806SS	2433000	See ACC 29	-	-	-	
EZ L W121206SS	2433000	See ACC 29	L DF12P12	-	L DF6R4	
EZ L W161206SS	2433000	See ACC 29	L DF16P12	E DF16P12	L DF6R4	
EZ L W161208SS	2433000	See ACC 29	L DF16P12	E DF16P12	L DF8R4	
EZ L W161606SS	2433000	See ACC 29	L DF16P16	E DF16P16	L DF6R4	
EZ L W161608SS	2433000	See ACC 29	L DF16P16	E DF16P16	L DF8R4	
L W162008SS	2433000	See ACC 29	-	E DF20P16	L DF8R4	
L W201606SS	2433000	See ACC 29	L DF20P16	E DF20P16	L DF6R4	
EZ L W201608SS	2433000	See ACC 29	L DF20P16	E DF20P16	L DF8R4	
L W202006SS	2433000	See ACC 29	L DF20P20	E DF20P20	L DF6R4	
EZ L W202008SS	2433000	See ACC 29	L DF20P20	E DF20P20	L DF8R4	
EZ L W202012SS	2433000	See ACC 29	L DF20P20	E DF20P20	L DF12R4	
L W241608SS	2433000	See ACC 29	L DF24P16	-	L DF8R4	
EZ L W242008SS	2433000	See ACC 29	L DF24P20	E DF24P20	L DF8R4	
EZ L W242012SS	2433000	See ACC 29	L DF24P20	E DF24P20	L DF12R4	
EZ L W242408SS	2433000	See ACC 29	L DF24P24	E DF24P24	L DF8R4	
EZ L W242412SS	2433000	See ACC 29	L DF24P24	E DF24P24	L DF12R4	
EZ L W302408SS	2433000	See ACC 29	L DF30P24	E DF30P24	L DF8R4	
EZ L W302412SS	2433000	See ACC 29	L DF30P24	E DF30P24	L DF12R4	
EZ L W303008SS	2433000	See ACC 29	L DF30P30	E DF30P30	L DF8R5	
EZ L W303012SS	2433000	See ACC 29	L DF30P30	E DF30P30	L DF12R5	
EZ L W362408SS	2433000	See ACC 29	L DF36P24	E DF36P24	L DF8R5	
L W362412SS	2433000	See ACC 29	L DF36P24	E DF36P24	L DF12R5	
L W363008SS	2433000	See ACC 29	L DF36P30	E DF36P30	L DF8R5	
EZ L W363012SS	2433000	See ACC 29	L DF36P30	E DF36P30	L DF12R5	
L W363612SS	2433000	See ACC 29	L DF36P36	E DF36P36	L DF12R6	
EZ L W483612SS	2433000	See ACC 29	-	E DF48P36	L DF12R6	
L W603612SS	2433000	See ACC 29	-	-	-	
EZ L W603616SS	2433000	See ACC 29	-	-	-	

EZ Designates a product in the EnclosureZone program.

One Door Wallmount Boxes



NEMA 4X Stainless Steel Enclosures

These NEMA 4X rated stainless steel enclosures are designed for indoor or outdoor use and can be used for many different applications. They protect installed equipment against splashing water, seepage of water, falling or hose directed water and severe external condensation.



Enclosure					Mounting Panel			
Part No. 304 SS	Part No. 316 SS	Outside dimensions (inches)			Part No.	Panel size		Usable depth
		H	W	D		H	W	
EZ E 16H1206SS	E 16H1206SS6	16.00	12.00	6.00	E 16P12	13.00	9.00	6.00
EZ E 16H1208SS	E 16H1208SS6	16.00	12.00	8.00	E 16P12	13.00	9.00	8.00
EZ E 16H1606SS	EZ E 16H1606SS6	16.00	16.00	6.00	E 16P16	13.00	13.00	6.00
E 16H2006SS	E 16H2006SS6	16.00	20.00	6.00	E 20P16	13.00	17.00	6.00
EZ E 20H1606SS	E 20H1606SS6	20.00	16.00	6.00	E 20P16	17.00	13.00	6.00
EZ E 20H1608SS	E 20H1608SS6	20.00	16.00	8.00	E 20P16	17.00	13.00	8.00
EZ E 20H1610SS	E 20H1610SS6	20.00	16.00	10.00	E 20P16	17.00	13.00	10.00
EZ E 20H2006SS	E 20H2006SS6	20.00	20.00	6.00	E 20P20	17.00	17.00	6.00
EZ E 20H2008SS	E 20H2008SS6	20.00	20.00	8.00	E 20P20	17.00	17.00	8.00
EZ E 20H2408SS	E 20H2408SS6	20.00	24.00	8.00	E 24P20	17.00	21.00	8.00
E 24H1206SS	E 24H1206SS6	24.00	12.00	6.00	E 12P24	21.00	9.00	6.00
E 24H1606SS	E 24H1606SS6	24.00	16.00	6.00	E 24P16	21.00	13.00	6.00
EZ E 24H1608SS	E 24H1608SS6	24.00	16.00	8.00	E 24P16	21.00	13.00	8.00
EZ E 24H2006SS	E 24H2006SS6	24.00	20.00	6.00	E 24P20	21.00	17.00	6.00
EZ E 24H2008SS	E 24H2008SS6	24.00	20.00	8.00	E 24P20	21.00	17.00	8.00
EZ E 24H2010SS	E 24H2010SS6	24.00	20.00	10.00	E 24P20	21.00	17.00	10.00
EZ E 24H2406SS	E 24H2406SS6	24.00	24.00	6.00	E 24P24	21.00	21.00	6.00
EZ E 24H2408SS	EZ E 24H2408SS6	24.00	24.00	8.00	E 24P24	21.00	21.00	8.00
EZ E 24H2412SS	EZ E 24H2412SS6	24.00	24.00	12.00	E 24P24	21.00	21.00	12.00
EZ E 24H3008SS	E 24H3008SS6	24.00	30.00	8.00	E 30P24	21.00	27.00	8.00
E 30H2006SS	E 30H2006SS6	30.00	20.00	6.00	E 30P20	27.00	17.00	6.00
EZ E 30H2008SS	E 30H2008SS6	30.00	20.00	8.00	E 30P20	27.00	17.00	8.00
E 30H2406SS	E 30H2406SS6	30.00	24.00	6.00	E 30P24	27.00	21.00	6.00
EZ E 30H2408SS	EZ E 30H2408SS6	30.00	24.00	8.00	E 30P24	27.00	21.00	8.00
EZ E 30H2410SS	E 30H2410SS6	30.00	24.00	10.00	E 30P24	27.00	21.00	10.00
EZ E 30H2412SS	E 30H2412SS6	30.00	24.00	12.00	E 30P24	27.00	21.00	12.00
E 30H2416SS	E 30H2416SS6	30.00	24.00	16.00	E 30P24	27.00	21.00	16.00
EZ E 30H3008SS	E 30H3008SS6	30.00	30.00	8.00	E 30P30	27.00	27.00	8.00
EZ E 36H2408SS	EZ E 36H2408SS6	36.00	24.00	8.00	E 36P24	33.00	21.00	8.00
EZ E 36H2410SS	E 36H2410SS6	36.00	24.00	10.00	E 36P24	33.00	21.00	10.00
EZ E 36H3008SS	E 36H3008SS6	36.00	30.00	8.00	E 36P30	33.00	27.00	7.37*
EZ E 36H3010SS	E 36H3010SS6	36.00	30.00	10.00	E 36P30	33.00	27.00	9.37*
EZ E 36H3012SS	EZ E 36H3012SS6	36.00	30.00	12.00	E 36P30	33.00	27.00	11.37*
EZ E 36H3016SS	E 36H3016SS6	36.00	30.00	16.00	E 36P30	33.00	27.00	15.37*
EZ E 36H3612SS	E 36H3612SS6	36.00	36.00	12.00	E 36P36	33.00	33.00	11.37*

* Usable depth reduced by .625" at door stiffener.

Chart continues on page IND 217.

EZ Designates a product in the EnclosureZone program.

Configuration

- Continuously welded seams, finished smooth
- Robotically applied urethane gasket
- Continuous stainless steel hinge with removable pin
- Stainless steel captive clamps
- Hasp and staple for padlocking
- Door and body stiffeners on larger sizes
- Mounting panel provisions installed
- External mounting brackets
- Print pocket included

Technical Specifications

Material:

- *Enclosure/door:* 14 gauge stainless steel Type 304 or Type 316 (see table)

Finish:

- *Enclosure/door:* # 3 brushed finish
- *Optional stainless steel mounting panels:* unpainted
- *Optional carbon steel mounting panels:* painted white

Protection Ratings

NEMA Type

- 1 4 4X 12 13

Certifications/Approvals

Listings

- UL CUL CSA TÜV

Technical Drawings

Page **IND 263**

Accessories

Part No. 304 SS	Part No. 316 SS	Drip shield kit	Terminal block kit	Terminal rails	Fast operating clamp	Window kit	Dead front kits	
							Panel	Riser
EZ E 16H1206SS	E 16H1206SS6	E DK12NFSS	E 12NTMA2	E 16NS	E FOC412SS	E PWK95NFSS	E DF16P12	E DF6R4
EZ E 16H1208SS	E 16H1208SS6	E DK12NFSS	E 12NTMA2	E 16NS	E FOC412SS	E PWK138NFSS	E DF16P12	E DF8R4
EZ E 16H1606SS	EZ E 16H1606SS6	E DK16NFSS	E 16NTMA2	E 16NS	E FOC412SS	E PWK95NFSS	E DF16P16	E DF6R4
E 16H2006SS	E 16H2006SS6	E DK20NFSS	E 20NTMA2	E 16NS	E FOC412SS	E PWK138NFSS	E DF20P16	E DF6R4
EZ E 20H1606SS	E 20H1606SS6	E DK16NFSS	E 16NTMA2	E 20NS	E FOC412SS	E PWK138NFSS	E DF20P16	E DF6R4
EZ E 20H1608SS	E 20H1608SS6	E DK16NFSS	E 16NTMA2	E 20NS	E FOC412SS	E PWK138NFSS	E DF20P16	E DF8R4
EZ E 20H1610SS	E 20H1610SS6	E DK16NFSS	E 16NTMA2	E 20NS	E FOC412SS	E PWK138NFSS	E DF20P16	E DF10R4
EZ E 20H2006SS	E 20H2006SS6	E DK20NFSS	E 20NTMA2	E 20NS	E FOC412SS	E PWK138NFSS	E DF20P20	E DF6R4
EZ E 20H2008SS	E 20H2008SS6	E DK20NFSS	E 20NTMA2	E 20NS	E FOC412SS	E PWK138NFSS	E DF20P20	E DF8R4
EZ E 20H2408SS	E 20H2408SS6	E DK24NFSS	E 24NTMA3	E 20NS	E FOC412SS	E PWK138NFSS	E DF24P20	E DF8R4
E 24H1206SS	E 24H1206SS6	E DK12NFSS	E 12NTMA2	E 24NS	E FOC412SS	E PWK138NFSS	-	-
E 24H1606SS	E 24H1606SS6	E DK16NFSS	E 16NTMA2	E 24NS	E FOC412SS	E PWK138NFSS	-	-
EZ E 24H1608SS	E 24H1608SS6	E DK16NFSS	E 16NTMA2	E 24NS	E FOC412SS	E PWK138NFSS	-	-
EZ E 24H2006SS	E 24H2006SS6	E DK20NFSS	E 20NTMA2	E 24NS	E FOC412SS	E PWK1711NFSS	E DF24P20	E DF6R4
EZ E 24H2008SS	E 24H2008SS6	E DK20NFSS	E 20NTMA2	E 24NS	E FOC412SS	E PWK1711NFSS	E DF24P20	E DF8R4
EZ E 24H2010SS	E 24H2010SS6	E DK20NFSS	E 20NTMA2	E 24NS	E FOC412SS	E PWK1711NFSS	E DF24P20	E DF10R4
EZ E 24H2406SS	E 24H2406SS6	E DK24NFSS	E 24NTMA3	E 24NS	E FOC412SS	E PWK1711NFSS	E DF24P24	E DF6R4
EZ E 24H2408SS	EZ E 24H2408SS6	E DK24NFSS	E 24NTMA3	E 24NS	E FOC412SS	E PWK1711NFSS	E DF24P24	E DF8R4
EZ E 24H2412SS	EZ E 24H2412SS6	E DK24NFSS	E 24NTMA3	E 24NS	E FOC412SS	E PWK1711NFSS	E DF24P24	E DF12R4
EZ E 24H3008SS	E 24H3008SS6	E DK30NFSS	E 30NTMA3	E 24NS	E FOC412SS	E PWK1711NFSS	E DF30P24	E DF8R4
E 30H2006SS	E 30H2006SS6	E DK20NFSS	E 20NTMA2	E 30NS	E FOC412SS	E PWK1711NFSS	-	-
EZ E 30H2008SS	E 30H2008SS6	E DK20NFSS	E 20NTMA2	E 30NS	E FOC412SS	E PWK1711NFSS	-	-
E 30H2406SS	E 30H2406SS6	E DK24NFSS	E 24NTMA3	E 30NS	E FOC412SS	E PWK2315NFSS	E DF30P24	E DF6R4
EZ E 30H2408SS	EZ E 30H2408SS6	E DK24NFSS	E 24NTMA3	E 30NS	E FOC412SS	E PWK2315NFSS	E DF30P24	E DF8R4
EZ E 30H2410SS	E 30H2410SS6	E DK24NFSS	E 24NTMA3	E 30NS	E FOC412SS	E PWK2315NFSS	E DF30P24	E DF10R4
EZ E 30H2412SS	E 30H2412SS6	E DK24NFSS	E 24NTMA3	E 30NS	E FOC412SS	E PWK2315NFSS	E DF30P24	E DF12R4
E 30H2416SS	E 30H2416SS6	E DK24NFSS	E 24NTMA3	E 30NS	E FOC412SS	E PWK2315NFSS	E DF30P24	E DF16R4
EZ E 30H3008SS	E 30H3008SS6	E DK30NFSS	E 30NTMA3	E 30NS	E FOC412SS	E PWK2315NFSS	E DF30P30	E DF8R5
EZ E 36H2408SS	EZ E 36H2408SS6	E DK24NFSS	E 24NTMA3	E 36NS	E FOC412SS	E PWK2315NFSS	E DF36P24	E DF8R5
EZ E 36H2410SS	E 36H2410SS6	E DK24NFSS	E 24NTMA3	E 36NS	E FOC412SS	E PWK2315NFSS	E DF36P24	E DF10R5
EZ E 36H3008SS	E 36H3008SS6	E DK30NFSS	E 30NTMA3	E 36NS	E FOC412SS	E PWK2919NFSS	E DF36P30	E DF8R5
EZ E 36H3010SS	E 36H3010SS6	E DK30NFSS	E 30NTMA3	E 36NS	E FOC412SS	E PWK2919NFSS	E DF36P30	E DF10R5
EZ E 36H3012SS	EZ E 36H3012SS6	E DK30NFSS	E 30NTMA3	E 36NS	E FOC412SS	E PWK2919NFSS	E DF36P30	E DF12R5
EZ E 36H3016SS	E 36H3016SS6	E DK30NFSS	E 30NTMA3	E 36NS	E FOC412SS	E PWK2919NFSS	E DF36P30	E DF16R5
EZ E 36H3612SS	E 36H3612SS6	E DK36NFSS	E 36NTMA3	E 36NS	E FOC412SS	E PWK2919NFSS	E DF36P36	E DF12R6

Chart continued on page IND 218.

EZ Designates a product in the EnclosureZone program.

Enclosure (Continued)					Mounting Panel (Continued)			
Part No. 304 SS	Part No. 316 SS	Outside dimensions (inches)			Part No.	Panel size		Usable depth
		H	W	D		H	W	
E 42H3008SS	E 42H3008SS6	42.00	30.00	8.00	E 42P30	39.00	27.00	7.37*
EZ E 42H3010SS	E 42H3010SS6	42.00	30.00	10.00	E 42P30	39.00	27.00	9.37*
EZ E 42H3608SS	E 42H3608SS6	42.00	36.00	8.00	E 42P36	39.00	33.00	7.37*
E 48H3010SS	E 48H3010SS6	48.00	30.00	10.00	E 48P30	45.00	27.00	9.37*
E 48H3608SS	E 48H3608SS6	48.00	36.00	8.00	E 48P36	45.00	33.00	7.37*
E 48H3610SS	E 48H3610SS6	48.00	36.00	10.00	E 48P36	45.00	33.00	9.37*
EZ E 48H3612SS	E 48H3612SS6	48.00	36.00	12.00	E 48P36	45.00	33.00	11.37*
EZ E 48H3616SS	E 48H3616SS6	48.00	36.00	16.00	E 48P36	45.00	33.00	15.37*
E 60H3608SS	E 60H3608SS6	60.00	36.00	8.00	E 60P36	57.00	33.00	7.37*
E 60H3610SS	E 60H3610SS6	60.00	36.00	10.00	E 60P36	57.00	33.00	9.37*
EZ E 60H3612SS	E 60H3612SS6	60.00	36.00	12.00	E 60P36	57.00	33.00	11.37*
EZ E 60H3616SS	EZ E 60H3616SS6	60.00	36.00	16.00	E 60P36	57.00	33.00	15.37*

* Usable depth reduced by .625" at door stiffener.

EZ Designates a product in the EnclosureZone program.



Accessories (Continued)								
Part No. 304 SS	Part No. 316 SS	Drip shield kit	Terminal block kit	Terminal rails	Fast operating clamp	Window kit	Dead front kit	
							Panel	Risers
E 42H3008SS	E 42H3008SS6	E DK30NFSS	E 30NTMA3	E 42NS	E FOC412SS	E PWK2919NFSS	-	-
E 42H3010SS	E 42H3010SS6	E DK30NFSS	E 30NTMA3	E 42NS	E FOC412SS	E PWK2919NFSS	-	-
E 42H3608SS	E 42H3608SS6	E DK36NFSS	E 36NTMA3	E 42NS	E FOC412SS	E PWK2919NFSS	E DF42P36	E DF8R6
E 48H3010SS	E 48H3010SS6	E DK30NFSS	E 30NTMA3	E 48NS	E FOC412SS	E PWK2919NFSS	-	-
E 48H3608SS	E 48H3608SS6	E DK36NFSS	E 36NTMA3	E 48NS	E FOC412SS	E PWK2919NFSS	E DF48P36	E DF8R6
E 48H3610SS	E 48H3610SS6	E DK36NFSS	E 36NTMA3	E 48NS	E FOC412SS	E PWK2919NFSS	E DF48P36	E DF10R6
E 48H3612SS	E 48H3612SS6	E DK36NFSS	E 36NTMA3	E 48NS	E FOC412SS	E PWK2919NFSS	E DF48P36	E DF12R6
E 48H3616SS	E 48H3616SS6	E DK36NFSS	E 36NTMA3	E 48NS	E FOC412SS	E PWK2919NFSS	E DF48P36	E DF16R6
E 60H3608SS	E 60H3608SS6	E DK36NFSS	E 36NTMA3	E 60NS	E FOC412SS	E PWK2919NFSS	-	-
E 60H3610SS	E 60H3610SS6	E DK36NFSS	E 36NTMA3	E 60NS	E FOC412SS	E PWK2919NFSS	-	-
E 60H3612SS	E 60H3612SS6	E DK36NFSS	E 36NTMA3	E 60NS	E FOC412SS	E PWK2919NFSS	-	-
E 60H3616SS	E 60H3616SS6	E DK36NFSS	E 36NTMA3	E 60NS	E FOC412SS	E PWK2919NFSS	-	-

Designates a product in the EnclosureZone program.

One Door Wallmount Boxes



NEMA 4X Aluminum Enclosures

These NEMA 4X rated aluminum enclosures are designed for indoor or outdoor use and can be used for many different applications. They protect installed equipment against splashing water, seepage of water, falling or hose directed water and severe external condensation.



Page IND 27



Page IND 215

Enclosure				Mounting Panel			
Part No.	Outside dimensions (inches)			Part No.	Panel size		Usable depth
	H	W	D		H	W	
EZ E 16H1206AL	16.00	12.00	6.00	E 16P12	13.00	9.00	6.00
EZ E 16H1608AL	16.00	16.00	8.00	E 16P16	13.00	13.00	8.00
EZ E 20H1606AL	20.00	16.00	6.00	E 20P16	17.00	13.00	6.00
E 20H1610AL	20.00	16.00	10.00	E 20P16	17.00	13.00	10.00
EZ E 20H2006AL	20.00	20.00	6.00	E 20P20	17.00	17.00	6.00
EZ E 24H2006AL	24.00	20.00	6.00	E 24P20	21.00	17.00	6.00
E 24H2010AL	24.00	20.00	10.00	E 24P20	21.00	17.00	10.00
EZ E 24H2408AL	24.00	24.00	8.00	E 24P24	21.00	21.00	8.00
EZ E 30H2408AL	30.00	24.00	8.00	E 30P24	27.00	21.00	8.00
EZ E 30H2412AL	30.00	24.00	12.00	E 30P24	27.00	21.00	12.00
E 36H2408AL	36.00	24.00	8.00	E 36P24	33.00	21.00	8.00
E 36H3008AL	36.00	30.00	8.00	E 36P30	33.00	27.00	7.37*
EZ E 36H3012AL	36.00	30.00	12.00	E 36P30	33.00	27.00	11.37*
E 48H3608AL	48.00	36.00	8.00	E 48P36	45.00	33.00	7.37*
E 60H3612AL	60.00	36.00	12.00	E 60P36	57.00	33.00	11.37*

* Usable depth reduced by .625" at stiffener.

EZ Designates a product in the EnclosureZone program.



Configuration

- Continuously welded seams, finished smooth
- Robotically applied urethane gasket
- Continuous hinge with removable pin
- 12 gauge stainless steel captive clamps
- Hasp and staple for padlocking
- Door and body stiffeners on larger sizes
- Mounting panel provisions installed
- External mounting brackets
- Print pocket included

Technical Specifications

- Material:**
- *Enclosure/door:* .080 aluminum Type 5052 H-32
- Finish:**
- *Enclosure/door:* natural, brushed finish
 - *Optional aluminum mounting panels:* unpainted
 - *Optional carbon steel mounting panels:* painted white

Protection Ratings

NEMA Type 1 4 4X 12 13

Certifications/Approvals

Listings UL CUL CSA TÜV

Technical Drawings

Page **IND 264**

Accessories						
Part No.	Door stop kit	Drip shield kit	Terminal block kit	Terminal rails	Fast operating clamp assembly	Window kit
E 16H1206AL	-	E DK12NFSS	E 12NTMA2	E 16NS	E FOC412SS	E PWK95NFSS
E 16H1608AL	-	E DK16NFSS	E 16NTMA2	E 16NS	E FOC412SS	E PWK95NFSS
E 20H1606AL	-	E DK16NFSS	E 16NTMA2	E 20NS	E FOC412SS	E PWK138NFSS
E 20H1610AL	-	E DK16NFSS	E 16NTMA2	E 20NS	E FOC412SS	E PWK138NFSS
E 20H2006AL	-	E DK20NFSS	E 20NTMA2	E 20NS	E FOC412SS	E PWK138NFSS
E 24H2006AL	-	E DK20NFSS	E 20NTMA2	E 24NS	E FOC412SS	E PWK1711NFSS
E 24H2010AL	-	E DK20NFSS	E 20NTMA2	E 24NS	E FOC412SS	E PWK1711NFSS
E 24H2408AL	E DSTOPK	E DK24NFSS	E 24NTMA3	E 24NS	E FOC412SS	E PWK1711NFSS
E 30H2408AL	E DSTOPK	E DK24NFSS	E 24NTMA3	E 30NS	E FOC412SS	E PWK2315NFSS
E 30H2412AL	E DSTOPK	E DK24NFSS	E 24NTMA2	E 30NS	E FOC412SS	E PWK2315NFSS
E 36H2408AL	E DSTOPK	E DK24NFSS	E 24NTMA2	E 36NS	E FOC412SS	E PWK2315NFSS
E 36H3008AL	E DSTOPK	E DK30NFSS	E 30NTMA2	E 36NS	E FOC412SS	E PWK2919NFSS
E 36H3012AL	E DSTOPK	E DK30NFSS	E 30NTMA3	E 36NS	E FOC412SS	E PWK2919NFSS
E 48H3608AL	E DSTOPK	E DK36NFSS	E 36NTMA3	E 48NS	E FOC412SS	E PWK2919NFSS
E 60H3612AL	E DSTOPK	E DK36NFSS	E 36NTMA3	E 60NS	E FOC412SS	E PWK2919NFSS

Designates a product in the EnclosureZone program.

One Door Wallmount Enclosures



Stainless Steel Electromate Boxes

These stainless steel NEMA rated enclosures are designed for indoor or outdoor use to protect enclosed equipment against lint and dust, external condensation, and spraying of water, oil or coolant.



Page IND 29

Enclosure				Mounting Panel			
Part No.	Outside dimensions			Part No.	H	W	Usable depth
	H	W	D				
E 122406SS	12.00	24.00	6.00	E 12P24	9.00	21.00	6.00
E 122408SS	12.00	24.00	8.00	E 12P24	9.00	21.00	6.00
E 161206SS	16.00	12.00	6.00	E 16P12	13.00	9.00	6.00
E 161208SS	16.00	12.00	8.00	E 16P12	13.00	9.00	8.00
E 161210SS	16.00	12.00	10.00	E 16P12	13.00	9.00	10.00
E 161606SS	16.00	16.00	6.00	E 16P16	13.00	13.00	6.00
E 161608SS	16.00	16.00	8.00	E 16P16	13.00	13.00	8.00
E 162006SS	16.00	20.00	6.00	E 20P16	13.00	17.00	6.00
E 162008SS	16.00	20.00	8.00	E 20P16	13.00	17.00	8.00
E 201206SS	20.00	12.00	6.00	E 20P12	17.00	9.00	6.00
E 201208SS	20.00	12.00	8.00	E 20P12	17.00	9.00	8.00
E 201606SS	20.00	16.00	6.00	E 20P16	17.00	13.00	6.00
E 201608SS	20.00	16.00	8.00	E 20P16	17.00	13.00	8.00
E 201610SS	20.00	16.00	10.00	E 20P16	17.00	13.00	10.00
E 201612SS	20.00	16.00	12.00	E 20P16	17.00	13.00	12.00
E 202006SS	20.00	20.00	6.00	E 20P20	17.00	17.00	6.00
E 202008SS	20.00	20.00	8.00	E 20P20	17.00	17.00	8.00
E 202010SS	20.00	20.00	10.00	E 20P20	17.00	17.00	10.00
E 202406SS	20.00	24.00	6.00	E 24P20	17.00	21.00	6.00
E 202408SS	20.00	24.00	8.00	E 24P20	17.00	21.00	8.00
E 241206SS	24.00	12.00	6.00	E 12P24	21.00	9.00	6.00
E 241208SS	24.00	12.00	8.00	E 12P24	21.00	9.00	8.00
E 241210SS	24.00	12.00	10.00	E 12P24	21.00	9.00	10.00
E 241606SS	24.00	16.00	6.00	E 24P16	21.00	13.00	6.00
E 241608SS	24.00	16.00	8.00	E 24P16	21.00	13.00	8.00
E 242006SS	24.00	20.00	6.00	E 24P20	21.00	17.00	6.00
E 242008SS	24.00	20.00	8.00	E 24P20	21.00	17.00	8.00
E 242010SS	24.00	20.00	10.00	E 24P20	21.00	17.00	10.00
E 242012SS	24.00	20.00	12.00	E 24P20	21.00	17.00	12.00
E 242016SS	24.00	20.00	16.00	E 24P20	21.00	17.00	16.00
E 242406SS	24.00	24.00	6.00	E 24P24	21.00	21.00	6.00

Chart continues on page IND 223.



Configuration

- Continuously welded seams, finished smooth
- Urethane gasket
- Continuous stainless steel hinge
- Door removed by pulling stainless steel hinge pin
- Stainless steel captive clamps
- Hasp and staple for padlocking
- Door and body stiffeners in larger sizes
- Mounting panel provisions installed
- External mounting brackets
- Print pocket included

Technical Specifications

- Material:**
- *Enclosure/door:* 14 gauge Type 304 stainless steel
- Finish/color:**
- *Enclosure/door:* #3 brushed finish
 - *Optional stainless steel mounting panels:* unpainted
 - *Optional carbon steel mounting panels:* painted white

Protection Ratings

NEMA Type 1 4 4X 12 13

Certifications/Approvals

Listings UL CUL CSA TÜV

Technical Drawings

Pages **IND 265-266**

Accessories								
Part No.	Drip shield kit	Terminal block kit	Terminal rails	Light kit	Fast operating assembly	Window kit	Dead front kit	
							Panel	Riser
E 122406SS	E DK24NFSS	-	-	See ACC 29	E FOC412SS	E PWK175NFSS	-	-
E 122408SS	E DK24NFSS	-	-	See ACC 29	E FOC412SS	E PWK175NFSS	-	-
E 161206SS	E DK12NFSS	E 12NTMA2	E 16NS	See ACC 29	E FOC412SS	E PWK95NFSS	E DF16P12	E DF6R4
E 161208SS	E DK12NFSS	E 12NTMA2	E 16NS	See ACC 29	E FOC412SS	E PWK95NFSS	E DF16P12	E DF8R4
E 161210SS	E DK12NFSS	E 12NTMA2	E 16NS	See ACC 29	E FOC412SS	E PWK95NFSS	E DF16P12	E DF10R4
E 161606SS	E DK16NFSS	E 16NTMA2	E 16NS	See ACC 29	E FOC412SS	E PWK138NFSS	E DF16P16	E DF6R4
E 161608SS	E DK16NFSS	E 16NTMA2	E 16NS	See ACC 29	E FOC412SS	E PWK138NFSS	E DF16P16	E DF8R4
E 162006SS	E DK20NFSS	E 20NTMA2	E 16NS	See ACC 29	E FOC412SS	E PWK138NFSS	E DF20P16	E DF6R4
E 162008SS	E DK20NFSS	E 20NTMA2	E 16NS	See ACC 29	E FOC412SS	E PWK138NFSS	E DF20P16	E DF8R4
E 201206SS	E DK12NFSS	E 12NTMA2	E 20NS	See ACC 29	E FOC412SS	E PWK138NFSS	-	-
E 201208SS	E DK12NFSS	E 12NTMA2	E 20NS	See ACC 29	E FOC412SS	E PWK138NFSS	-	-
E 201606SS	E DK16NFSS	E 16NTMA2	E 20NS	See ACC 29	E FOC412SS	E PWK138NFSS	E DF20P16	E DF6R4
E 201608SS	E DK16NFSS	E 16NTMA2	E 20NS	See ACC 29	E FOC412SS	E PWK138NFSS	E DF20P16	E DF8R4
E 201610SS	E DK16NFSS	E 16NTMA2	E 20NS	See ACC 29	E FOC412SS	E PWK138NFSS	E DF20P16	E DF10R4
E 201612SS	E DK16NFSS	E 16NTMA2	E 20NS	See ACC 29	E FOC412SS	E PWK138NFSS	E DF20P16	E DF12R4
E 202006SS	E DK20NFSS	E 20NTMA2	E 20NS	See ACC 29	E FOC412SS	E PWK138NFSS	E DF20P20	E DF6R4
E 202008SS	E DK20NFSS	E 20NTMA2	E 20NS	See ACC 29	E FOC412SS	E PWK138NFSS	E DF20P20	E DF8R4
E 202010SS	E DK20NFSS	E 20NTMA2	E 20NS	See ACC 29	E FOC412SS	E PWK138NFSS	E DF20P20	E DF10R4
E 202406SS	E DK24NFSS	E 24NTMA3	E 20NS	See ACC 29	E FOC412SS	E PWK1711NFSS	E DF24P20	E DF6R4
E 202408SS	E DK24NFSS	E 24NTMA3	E 20NS	See ACC 29	E FOC412SS	E PWK1711NFSS	E DF24P20	E DF8R4
E 241206SS	E DK12NFSS	E 12NTMA2	E 24NS	See ACC 29	E FOC412SS	E PWK175NFSS	-	-
E 241208SS	E DK12NFSS	E 12NTMA2	E 24NS	See ACC 29	E FOC412SS	E PWK175NFSS	-	-
E 241210SS	E DK12NFSS	E 12NTMA2	E 24NS	See ACC 29	E FOC412SS	E PWK175NFSS	-	-
E 241606SS	E DK16NFSS	E 16NTMA2	E 24NS	See ACC 29	E FOC412SS	E PWK138NFSS	-	-
E 241608SS	E DK16NFSS	E 16NTMA2	E 24NS	See ACC 29	E FOC412SS	E PWK138NFSS	-	-
E 242006SS	E DK20NFSS	E 20NTMA2	E 24NS	See ACC 29	E FOC412SS	E PWK1711NFSS	E DF24P20	E DF6R4
E 242008SS	E DK20NFSS	E 20NTMA2	E 24NS	See ACC 29	E FOC412SS	E PWK1711NFSS	E DF24P20	E DF8R4
E 242010SS	E DK20NFSS	E 20NTMA2	E 24NS	See ACC 29	E FOC412SS	E PWK1711NFSS	E DF24P20	E DF10R4
E 242012SS	E DK20NFSS	E 20NTMA2	E 24NS	See ACC 29	E FOC412SS	E PWK1711NFSS	E DF24P20	E DF12R4
E 242016SS	E DK20NFSS	E 20NTMA2	E 24NS	See ACC 29	E FOC412SS	E PWK1711NFSS	E DF24P20	E DF16R4
E 242406SS	E DK24NFSS	E 24NTMA3	E 24NS	See ACC 29	E FOC412SS	E PWK1711NFSS	E DF24P24	E DF6R4

Chart continues on page IND 224.

Enclosure (Continued)				Mounting Panel (Continued)			
Part No.	Outside dimensions			Part No.	H	W	Usable depth
	H	W	D				
E 242408SS	24.00	24.00	8.00	E 24P24	21.00	21.00	8.00
E 242410SS	24.00	24.00	10.00	E 24P24	21.00	21.00	10.00
E 242412SS	24.00	24.00	12.00	E 24P24	21.00	21.00	12.00
E 242416SS	24.00	24.00	16.00	E 24P24	21.00	21.00	16.00
E 243008SS	24.00	30.00	8.00	E 30P24	21.00	27.00	8.00
E 301606SS	30.00	16.00	6.00	E 30P16	27.00	13.00	6.00
E 302006SS	30.00	20.00	6.00	E 30P20	27.00	17.00	6.00
E 302008SS	30.00	20.00	8.00	E 30P20	27.00	17.00	8.00
E 302010SS	30.00	20.00	10.00	E 30P20	27.00	17.00	10.00
E 302406SS	30.00	24.00	6.00	E 30P24	27.00	21.00	6.00
E 302408SS	30.00	24.00	8.00	E 30P24	27.00	21.00	8.00
E 302410SS	30.00	24.00	10.00	E 30P24	27.00	21.00	10.00
E 302412SS	30.00	24.00	12.00	E 30P24	27.00	21.00	12.00
E 302416SS	30.00	24.00	16.00	E 30P24	27.00	21.00	16.00
E 302420SS	30.00	24.00	20.00	E 30P24	27.00	21.00	20.00
E 303008SS	30.00	30.00	8.00	E 30P30	27.00	27.00	8.00
E 303012SS	30.00	30.00	12.00	E 30P30	27.00	27.00	12.00
E 303608SS	30.00	36.00	8.00	E 36P30	27.00	33.00	8.00
E 362406SS	36.00	24.00	6.00	E 36P24	33.00	21.00	6.00
E 362408SS	36.00	24.00	8.00	E 36P24	33.00	21.00	8.00
E 362410SS	36.00	24.00	10.00	E 36P24	33.00	21.00	10.00
E 362412SS	36.00	24.00	12.00	E 36P24	33.00	21.00	12.00
E 363006SS	36.00	30.00	6.00	E 36P30	33.00	27.00	5.37*
E 363008SS	36.00	30.00	8.00	E 36P30	33.00	27.00	7.37*
E 363010SS	36.00	30.00	10.00	E 36P30	33.00	27.00	9.37*
E 363012SS	36.00	30.00	12.00	E 36P30	33.00	27.00	11.37*
E 363016SS	36.00	30.00	16.00	E 36P30	33.00	27.00	15.37*
E 363020SS	36.00	30.00	20.00	E 36P30	33.00	27.00	19.37*
E 363608SS	36.00	36.00	8.00	E 36P30	33.00	27.00	7.37*
E 363612SS	36.00	36.00	12.00	E 36P36	33.00	33.00	11.37*
E 422408SS	42.00	24.00	8.00	E 42P24	39.00	21.00	8.00
E 423008SS	42.00	30.00	8.00	E 42P30	39.00	27.00	7.37*
E 423010SS	42.00	30.00	10.00	E 42P30	39.00	27.00	9.37*
E 423012SS	42.00	30.00	12.00	E 42P30	39.00	27.00	11.37*
E 423608SS	42.00	36.00	8.00	E 42P36	39.00	33.00	7.37*
E 423610SS	42.00	36.00	10.00	E 42P36	39.00	33.00	9.37*
E 423612SS	42.00	36.00	12.00	E 42P36	39.00	33.00	11.37*
E 423616SS	42.00	36.00	16.00	E 42P36	39.00	33.00	15.37*
E 482408SS	48.00	24.00	8.00	E 42P24	39.00	21.00	8.00
E 483008SS	48.00	30.00	8.00	E 48P30	45.00	27.00	7.37*
E 483010SS	48.00	30.00	10.00	E 48P30	45.00	27.00	9.37*
E 483608SS	48.00	36.00	8.00	E 48P36	45.00	33.00	7.37*
E 483610SS	48.00	36.00	10.00	E 48P36	45.00	33.00	9.37*
E 483612SS	48.00	36.00	12.00	E 48P36	45.00	33.00	11.37*
E 483616SS	48.00	36.00	16.00	E 48P36	45.00	33.00	15.37*
E 483620SS	48.00	36.00	20.00	E 48P36	45.00	33.00	19.37*
E 603608SS	60.00	36.00	8.00	E 60P36	57.00	33.00	7.37*
E 603610SS	60.00	36.00	10.00	E 60P36	57.00	33.00	9.37*
E 603612SS	60.00	36.00	12.00	E 60P36	57.00	33.00	11.37*
E 603616SS	60.00	36.00	16.00	E 60P36	57.00	33.00	15.37*
E 603620SS	60.00	36.00	20.00	E 60P36	57.00	33.00	19.37*
E 723016SS	72.00	30.00	16.00	E 72P30	69.00	27.00	15.37*
E 723612SS	72.00	36.00	12.00	E 72P36	69.00	33.00	11.37*

* Usable depth reduced by .625" at door stiffener.



Accessories (Continued)

Part No.	Drip shield kit	Terminal block kit	Terminal rails	Light kit	Fast operating assembly	Window kit	Dead front kit	
							Panel	Riser
E 242408SS	E DK24NFSS	E 24NTMA3	E 24NS	See ACC 29	E FOC412SS	E PWK1711NFSS	E DF24P24	E DF8R4
E 242410SS	E DK24NFSS	E 24NTMA3	E 24NS	See ACC 29	E FOC412SS	E PWK1711NFSS	E DF24P24	E DF10R4
E 242412SS	E DK24NFSS	E 24NTMA3	E 24NS	See ACC 29	E FOC412SS	E PWK1711NFSS	E DF24P24	E DF12R4
E 242416SS	E DK24NFSS	E 24NTMA3	E 24NS	See ACC 29	E FOC412SS	E PWK1711NFSS	E DF24P24	E DF16R4
E 243008SS	E DK30NFSS	E 30NTMA3	E 24NS	See ACC 29	E FOC412SS	E PWK1711NFSS	E DF30P24	E DF8R4
E 301606SS	E DK16NFSS	E 16NTMA2	E 30NS	See ACC 29	E FOC412SS	E PWK138NFSS	-	-
E 302006SS	E DK20NFSS	E 20NTMA2	E 30NS	See ACC 29	E FOC412SS	E PWK1711NFSS	-	-
E 302008SS	E DK20NFSS	E 20NTMA2	E 30NS	See ACC 29	E FOC412SS	E PWK1711NFSS	-	-
E 302010SS	E DK20NFSS	E 20NTMA2	E 30NS	See ACC 29	E FOC412SS	E PWK1711NFSS	-	-
E 302406SS	E DK24NFSS	E 24NTMA3	E 30NS	See ACC 29	E FOC412SS	E PWK2315NFSS	E DF30P24	E DF6R4
E 302408SS	E DK24NFSS	E 24NTMA3	E 30NS	See ACC 29	E FOC412SS	E PWK2315NFSS	E DF30P24	E DF8R4
E 302410SS	E DK24NFSS	E 24NTMA3	E 30NS	See ACC 29	E FOC412SS	E PWK2315NFSS	E DF30P24	E DF10R4
E 302412SS	E DK24NFSS	E 24NTMA3	E 30NS	See ACC 29	E FOC412SS	E PWK2315NFSS	E DF30P24	E DF12R4
E 302416SS	E DK24NFSS	E 24NTMA3	E 30NS	See ACC 29	E FOC412SS	E PWK2315NFSS	E DF30P24	E DF16R4
E 302420SS	E DK24NFSS	E 24NTMA3	E 30NS	See ACC 29	E FOC412SS	E PWK2315NFSS	E DF30P24	E DF16R4
E 303008SS	E DK30NFSS	E 30NTMA3	E 30NS	See ACC 29	E FOC412SS	E PWK2315NFSS	E DF30P30	E DF8R5
E 303012SS	E DK30NFSS	E 30NTMA3	E 30NS	See ACC 29	E FOC412SS	E PWK2315NFSS	E DF30P30	E DF12R5
E 303608SS	E DK36NFSS	E 36NTMA3	E 30NS	See ACC 29	E FOC412SS	E PWK2919NFSS	E DF36P30	E DF8R5
E 362406SS	E DK24NFSS	E 24NTMA3	E 36NS	See ACC 29	E FOC412SS	E PWK2315NFSS	-	-
E 362408SS	E DK24NFSS	E 24NTMA3	E 36NS	See ACC 29	E FOC412SS	E PWK2315NFSS	E DF36P24	E DF8R5
E 362410SS	E DK24NFSS	E 24NTMA3	E 36NS	See ACC 29	E FOC412SS	E PWK2315NFSS	E DF36P24	E DF10R5
E 362412SS	E DK24NFSS	E 24NTMA3	E 36NS	See ACC 29	E FOC412SS	E PWK2315NFSS	E DF36P24	E DF12R5
E 363006SS	E DK30NFSS	E 30NTMA3	E 36NS	See ACC 29	E FOC412SS	E PWK2919NFSS	-	-
E 363008SS	E DK30NFSS	E 30NTMA3	E 36NS	See ACC 29	E FOC412SS	E PWK2919NFSS	E DF36P30	E DF8R5
E 363010SS	E DK30NFSS	E 30NTMA3	E 36NS	See ACC 29	E FOC412SS	E PWK2919NFSS	E DF36P30	E DF10R5
E 363012SS	E DK30NFSS	E 30NTMA3	E 36NS	See ACC 29	E FOC412SS	E PWK2919NFSS	E DF36P30	E DF12R5
E 363016SS	E DK30NFSS	E 30NTMA3	E 36NS	See ACC 29	E FOC412SS	E PWK2919NFSS	E DF36P30	E DF16R5
E 363020SS	E DK30NFSS	E 30NTMA3	E 36NS	See ACC 29	E FOC412SS	E PWK2919NFSS	E DF36P30	E DF16R5
E 363608SS	E DK36NFSS	E 36NTMA3	E 36NS	See ACC 29	E FOC412SS	E PWK2919NFSS	E DF36P36	E DF8R6
E 363612SS	E DK36NFSS	E 36NTMA3	E 36NS	See ACC 29	E FOC412SS	E PWK2919NFSS	E DF36P36	E DF12R6
E 422408SS	E DK24NFSS	E 24NTMA3	E 42NS	See ACC 29	E FOC412SS	E PWK2315NFSS	-	-
E 423008SS	E DK30NFSS	E 30NTMA3	E 42NS	See ACC 29	E FOC412SS	E PWK2919NFSS	-	-
E 423010SS	E DK30NFSS	E 30NTMA3	E 42NS	See ACC 29	E FOC412SS	E PWK2919NFSS	-	-
E 423012SS	E DK30NFSS	E 30NTMA3	E 42NS	See ACC 29	E FOC412SS	E PWK2919NFSS	-	-
E 423608SS	E DK36NFSS	E 36NTMA3	E 42NS	See ACC 29	E FOC412SS	E PWK2919NFSS	E DF42P36	E DF8R6
E 423610SS	E DK36NFSS	E 36NTMA3	E 42NS	See ACC 29	E FOC412SS	E PWK2919NFSS	E DF42P36	E DF10R6
E 423612SS	E DK36NFSS	E 36NTMA3	E 42NS	See ACC 29	E FOC412SS	E PWK2919NFSS	E DF42P36	E DF12R6
E 423616SS	E DK36NFSS	E 36NTMA3	E 42NS	See ACC 29	E FOC412SS	E PWK2919NFSS	E DF42P36	E DF16R6
E 482408SS	E DK24NFSS	E 24NTMA3	E 48NS	See ACC 29	E FOC412SS	E PWK2919NFSS	-	-
E 483008SS	E DK30NFSS	E 30NTMA3	E 48NS	See ACC 29	E FOC412SS	E PWK2919NFSS	-	-
E 483010SS	E DK30NFSS	E 30NTMA3	E 48NS	See ACC 29	E FOC412SS	E PWK2919NFSS	-	-
E 483608SS	E DK36NFSS	E 36NTMA3	E 48NS	See ACC 29	E FOC412SS	E PWK2919NFSS	E DF48P36	E DF8R6
E 483610SS	E DK36NFSS	E 36NTMA3	E 48NS	See ACC 29	E FOC412SS	E PWK2919NFSS	E DF48P36	E DF10R6
E 483612SS	E DK36NFSS	E 36NTMA3	E 48NS	See ACC 29	E FOC412SS	E PWK2919NFSS	E DF48P36	E DF12R6
E 483616SS	E DK36NFSS	E 36NTMA3	E 48NS	See ACC 29	E FOC412SS	E PWK2919NFSS	E DF48P36	E DF16R6
E 483620SS	E DK36NFSS	E 36NTMA3	E 48NS	See ACC 29	E FOC412SS	E PWK2919NFSS	E DF48P36	E DF16R6
E 603608SS	E DK36NFSS	E 36NTMA3	E 60NS	See ACC 29	E FOC412SS	E PWK2919NFSS	-	-
E 603610SS	E DK36NFSS	E 36NTMA3	E 60NS	See ACC 29	E FOC412SS	E PWK2919NFSS	-	-
E 603612SS	E DK36NFSS	E 36NTMA3	E 60NS	See ACC 29	E FOC412SS	E PWK2919NFSS	-	-
E 603616SS	E DK36NFSS	E 36NTMA3	E 60NS	See ACC 29	E FOC412SS	E PWK2919NFSS	-	-
E 603620SS	E DK36NFSS	E 36NTMA3	E 60NS	See ACC 29	E FOC412SS	E PWK2919NFSS	-	-
E 723016SS	E DK30NFSS	-	-	See ACC 29	E FOC412SS	E PWK2919NFSS	-	-
E 723612SS	E DK36NFSS	-	-	See ACC 29	E FOC412SS	E PWK2919NFSS	-	-

Feed-Through Type 4X Wireway



Stainless Steel Wire Management

Rittal Electromate's stainless steel feed-through wireway products were designed to be used in applications where the environment is wet or corrosive. All straight sections feature a hinged-top design for easy access.



Configuration

- Stainless steel feed-through wireways are available in two sizes:
4.0" x 4.0"
6.0" x 6.0"
- Lengths from 12" to 120"
- Continuously welded seams, finished smooth
- Edges on all sections and fittings are finished to prevent damage to wiring
- A complete seal is ensured through heavy butt hinges and quick-release latches
- Oil-resistant gaskets inside cover and between flanges ensure seal when sections and fittings are bolted together

Technical Specifications

- Material:**
- Wireways/covers: 14 gauge stainless steel
 - Flange ends: 10 gauge stainless steel
- Finish:**
- Wireways/covers: # 3 brushed finish

Protection Ratings

NEMA Type 1 4 4X 12 13

Certifications/Approvals

Listings UL CUL CSA TÜV

Technical Drawings

Pages **IND 267-268**

Part. No.		Wireway		Description
	4.00 x 4.00		6.00 x 6.00	
EZ	E 44W12SS	EZ	E 66W12SS	12.00" Straight section
EZ	E 44W24SS	EZ	E 66W24SS	24.00" Straight section
EZ	E 44W36SS	EZ	E 66W36SS	36.00" Straight section
EZ	E 44W48SS	EZ	E 66W48SS	48.00" Straight section
EZ	E 44W60SS	EZ	E 66W60SS	60.00" Straight section
EZ	E 44W120SS	EZ	E 66W120SS	120.00" Straight section
EZ	E 44WASS	EZ	E 66WASS	Telescopic fitting
EZ	E 44WX	EZ	E 66WX	Cutoff fitting
EZ	E 44WE45SS	EZ	E 66WE45SS	45° Elbow
EZ	E 44WE90SS	EZ	E 66WE90SS	90° Elbow
EZ	E 44WTSS	EZ	E 66WTSS	Tee
EZ	E 44WPSS	EZ	E 66WPSS	Closure plate
EZ	E 44WBSS	EZ	E 66WBSS	Box connecting kit
EZ	E 44WGSS	EZ	E 66WGSS	Collar gasket
	-	EZ	E 66WR44SS	Reducer 6" to 4", center hole
	-	EZ	E 66WRE44SS	Reducer 6" to 4", edge hole
EZ	E 44WN6SS	EZ	E 66WN6SS	6.00" Nipple
EZ	E 44HBSS	EZ	E 66HBSS	Bracket hanger
EZ	E 44HDSS	EZ	E 66HDSS	Drop hanger

EZ Designates a product in the EnclosureZone program.

One Door Freestanding Enclosures



NEMA Rated Stainless Steel Enclosures

Rittal Electromate NEMA 4X freestanding stainless steel enclosures accept standard as well as rackmount electrical and electronic components. These enclosures are intended for indoor or outdoor applications to protect installed equipment against splashing water, seepage of water, falling or hose directed water, and external condensation.



Page IND 75

Configuration

- Continuously welded seams, finished smooth
- Neoprene strip gasket
- Continuous stainless steel hinge with removable pin
- Hasp and staple for padlock
- Stainless steel captive clamps
- Removable heavy duty lifting eyes mounted to the top
- C-channels are welded to interior sides for optional mounting
- Print pocket included

Technical Specifications

Material:

- *Enclosure/door:* 12 gauge Type 304 stainless steel

Finish/color:

- *Enclosure/door:* # 3 brushed finish
- *Optional stainless steel mounting panels:* unpainted
- *Optional carbon steel mounting panels:* painted white

Protection Ratings

NEMA Type 1 4 4X 12 13

Certifications/Approvals

Listings UL CUL CSA TÜV

Technical Drawings

Page IND 269

Enclosure				Full Mounting Panel			Half Mounting Panel		
Part No.	Outside dimensions (inches)			Part No.	Panel size		Part No.	Panel size	
	H	W	D		H	W		H	W
EZ E 72H2518FSSS	72.00	25.00	18.00	E 72P24F1	60.00	20.00	E 72P24F2	30.88	20.00
EZ E 72H3124FSSS	72.00	31.00	24.00	E 72P30F1	60.00	26.00	E 72P30F2	30.88	26.00
EZ E 72H3724FSSS	72.00	37.00	24.00	E 72P36F1	60.00	32.00	E 72P36F2	30.88	32.00

Accessories				
Part No.	Door stop kit	Window kit	Fast operating clamp	Light kit
EZ E 72H2518FSSS	E DSTOPK	E PWK2315NFSS	E FOC412SS	See ACC 29
EZ E 72H3124FSSS	E DSTOPK	E PWK3523NFSS	E FOC412SS	See ACC 29
EZ E 72H3724FSSS	E DSTOPK	E PWK3523NFSS	E FOC412SS	See ACC 29

EZ Designates a product in the EnclosureZone program.

One/Two Door Freestanding Cabinets



Single/Dual Access Enclosures

Rittal Electromate stainless steel NEMA rated freestanding enclosures accept standard as well as rackmount electrical and electronic components. These enclosures are intended for indoor applications to protect installed equipment against dust, dirt, oil and water.



Configuration

- Standard types are available
 - Type "FS" – one door, single access
 - Type "FSD" – two door, single access
 - Type "FSDA" – one door, dual access
 - Type "FSDAD" – two door, dual access
- Continuously welded seams, finished smooth
- Body stiffener for added support
- Neoprene strip gasket
- Continuous stainless steel hinge with removable pin
- 3-point latch with oil tight key locking handle
- Removable heavy duty lifting eyes mounted to the top
- C-channels are welded to interior sides for optional mounting
- Print pocket included

Technical Specifications

- Material:**
- *All steel parts:* 12 gauge Type 304 stainless steel
 - *Back of FSD:* 10 gauge Type 304 stainless steel
- Finish:**
- *Enclosure/door(s):* # 3 brushed finish
 - *Optional carbon steel mounting panels:* painted white

Protection Ratings

NEMA Type 1 4 4X 12 13

Certifications/Approvals


Listings UL CUL CSA TÜV

Technical Drawings

Pages **IND 270-271**

Enclosure							Mounting Panel				Accessories			
Part No.	Outside dimensions (inches)			Door size		Maximum usable depth panel installed	Part No.	Description	Panel size		Handle accessories	Door stop kit	Light kit	Window kit
	H	W	D	H	W				H	W				
One Door Single Access														
E 602418FSSS	60.00	24.00	18.00	50.25	22.22	17.63	E 60P24F1	Full panel	48.00	20.00	See ACC 20	E DSTOPK	See ACC 29	E PWK2315NFSS
E 603624FSSS	60.00	36.00	24.00	50.25	34.22	23.63	E 60P36F1	Full panel	48.00	32.00	See ACC 20	E DSTOPK	See ACC 29	E PWK3523NFSS
E 722418FSSS	72.00	24.00	18.00	62.25	22.22	17.63	E 72P24F1	Full panel	60.00	20.00	See ACC 20	E DSTOPK	See ACC 29	E PWK2315NFSS
E 722424FSSS	72.00	24.00	24.00	62.25	22.22	23.63	E 72P24F1	Full panel	60.00	20.00	See ACC 20	E DSTOPK	See ACC 29	E PWK2315NFSS
E 723018FSSS	72.00	30.00	18.00	62.25	28.22	17.63	E 72P30F1	Full panel	60.00	26.00	See ACC 20	E DSTOPK	See ACC 29	E PWK3523NFSS
E 723024FSSS	72.00	30.00	24.00	62.25	28.22	23.63	E 72P30F1	Full panel	60.00	26.00	See ACC 20	E DSTOPK	See ACC 29	E PWK3523NFSS
EZ E 723618FSSS	72.00	36.00	18.00	62.25	34.22	17.63	E 72P36F1	Full panel	60.00	32.00	See ACC 20	E DSTOPK	See ACC 29	E PWK3523NFSS
EZ E 723624FSSS	72.00	36.00	24.00	62.25	34.22	23.63	E 72P36F1	Full panel	60.00	32.00	See ACC 20	E DSTOPK	See ACC 29	E PWK3523NFSS
E 723630FSSS	72.00	36.00	30.00	62.25	34.22	29.63	E 72P36F1	Full panel	60.00	32.00	See ACC 20	E DSTOPK	See ACC 29	E PWK3523NFSS
E 723636FSSS	72.00	36.00	36.00	62.25	34.22	35.63	E 72P36F1	Full panel	60.00	32.00	See ACC 20	E DSTOPK	See ACC 29	E PWK3523NFSS
E 902420FSSS	90.00	24.00	20.00	80.25	22.22	19.63	E 90P24F1	Full panel	78.00	20.00	See ACC 20	E DSTOPK	See ACC 29	E PWK2315NFSS
E 903620FSSS	90.00	36.00	20.00	80.25	34.22	19.63	E 90P36F1	Full panel	78.00	32.00	See ACC 20	E DSTOPK	See ACC 29	E PWK3523NFSS
E 903624FSSS	90.00	36.00	24.00	80.25	34.22	23.63	E 90P36F1	Full panel	78.00	32.00	See ACC 20	E DSTOPK	See ACC 29	E PWK3523NFSS
E 903636FSSS	90.00	36.00	36.00	80.25	34.22	35.63	E 90P36F1	Full panel	78.00	32.00	See ACC 20	E DSTOPK	See ACC 29	E PWK3523NFSS

EZ Designates a product in the EnclosureZone program.

Enclosure							Mounting Panel				Accessories			
Part No.	Outside dimensions (inches)			Door size		Maximum usable depth panel installed	Part No.	Description	Panel size		Handle accessories	Door stop kit	Light kit	Window kit
	H	W	D	H	W				H	W				
Two Door Single Access														
E 604818FSDSS	60.00	48.00	18.00	50.25	23.06	15.13	E 60P48F1	Full panel	48.00	44.00	See ACC 20	E DSTOPK	See ACC 29	E PWK2315NFSS
E 724818FSDSS	72.00	48.00	18.00	62.25	23.06	15.13	E 72P48F1	Full panel	60.00	44.00	See ACC 20	E DSTOPK	See ACC 29	E PWK2315NFSS
E 724824FSDSS	72.00	48.00	24.00	62.25	23.06	21.13	E 72P48F1	Full panel	60.00	44.00	See ACC 20	E DSTOPK	See ACC 29	E PWK2315NFSS
E 726018FSDSS	72.00	60.00	18.00	62.25	29.06	15.13	E 72P60F1	Full panel	60.00	56.00	See ACC 20	E DSTOPK	See ACC 29	E PWK2919NFSS
E 726024FSDSS	72.00	60.00	24.00	62.25	29.06	21.13	E 72P60F1	Full panel	60.00	56.00	See ACC 20	E DSTOPK	See ACC 29	E PWK2919NFSS
 E 726036FSDSS	72.00	60.00	36.00	62.25	29.06	33.13	E 72P60F1	Full panel	60.00	56.00	See ACC 20	E DSTOPK	See ACC 29	E PWK2919NFSS
E 727218FSDSS	72.00	72.00	18.00	62.25	35.06	15.13	E 72P72F1	Full panel	60.00	68.00	See ACC 20	E DSTOPK	See ACC 29	E PWK3523NFSS
E 727224FSDSS	72.00	72.00	24.00	62.25	35.06	21.13	E 72P72F1	Full panel	60.00	68.00	See ACC 20	E DSTOPK	See ACC 29	E PWK3523NFSS
E 904820FSDSS	90.00	48.00	20.00	80.25	23.06	17.13	E 90P48F1	Full panel	78.00	44.00	See ACC 20	E DSTOPK	See ACC 29	E PWK2315NFSS
E 907220FSDSS	90.00	72.00	20.00	80.25	35.06	17.13	E 90P72F1	Full panel	78.00	68.00	See ACC 20	E DSTOPK	See ACC 29	E PWK2919NFSS
E 907224FSDSS	90.00	72.00	24.00	80.25	35.06	21.13	E 90P72F1	Full panel	78.00	68.00	See ACC 20	E DSTOPK	See ACC 29	E PWK3523NFSS
E 907236FSDSS	90.00	72.00	36.00	80.25	35.06	33.13	E 90P72F1	Full panel	78.00	68.00	See ACC 20	E DSTOPK	See ACC 29	E PWK3523NFSS

Enclosure							Mounting Panel				Accessories			
Part No.	Outside dimensions (inches)			Door size		Maximum usable depth panel installed	Part No.	Description	Panel size		Handle accessories	Door stop kit	Light kit	Window kit
	H	W	D	H	W				H	W				
One Door Dual Access														
E 722424FSDASS	72.00	24.00	24.00	62.25	22.31	-	E 72P24F1	Full panel	60.00	20.00	See ACC 20	E DSTOPK	See ACC 29	E PWK2315NFSS
E 722430FSDASS	72.00	24.00	30.00	62.25	22.31	-	E 72P24F1	Full panel	60.00	20.00	See ACC 20	E DSTOPK	See ACC 29	E PWK2315NFSS
E 722436FSDASS	72.00	24.00	36.00	62.25	22.31	-	E 72P24F1	Full panel	60.00	20.00	See ACC 20	E DSTOPK	See ACC 29	E PWK2315NFSS
E 723024FSDASS	72.00	30.00	24.00	62.25	28.31	-	E 72P30F1	Full panel	60.00	26.00	See ACC 20	E DSTOPK	See ACC 29	E PWK2919NFSS
E 723624FSDASS	72.00	36.00	24.00	62.25	34.31	-	E 72P36F1	Full panel	60.00	32.00	See ACC 20	E DSTOPK	See ACC 29	E PWK3523NFSS
E 723636FSDASS	72.00	36.00	36.00	62.25	34.31	-	E 72P36F1	Full panel	60.00	32.00	See ACC 20	E DSTOPK	See ACC 29	E PWK3523NFSS
E 903624FSDASS	90.00	36.00	24.00	80.25	34.31	-	E 90P36F1	Full panel	78.00	32.00	See ACC 20	E DSTOPK	See ACC 29	E PWK3523NFSS
E 903636FSDASS	90.00	36.00	36.00	80.25	34.31	-	E 90P36F1	Full panel	78.00	32.00	See ACC 20	E DSTOPK	See ACC 29	E PWK3523NFSS
Two Door Dual Access														
E 724824FSDADSS	72.00	48.00	24.00	62.25	23.06	-	E 72P48F1	Full panel	60.00	44.00	See ACC 20	E DSTOPK	See ACC 29	E PWK2315NFSS
E 726024FSDADSS	72.00	60.00	24.00	62.25	29.06	-	E 72P60F1	Full panel	60.00	56.00	See ACC 20	E DSTOPK	See ACC 29	E PWK2919NFSS
E 726036FSDADSS	72.00	60.00	36.00	62.25	29.06	-	E 72P60F1	Full panel	60.00	56.00	See ACC 20	E DSTOPK	See ACC 29	E PWK2919NFSS
E 727224FSDADSS	72.00	72.00	24.00	62.25	35.06	-	E 72P72F1	Full panel	60.00	68.00	See ACC 20	E DSTOPK	See ACC 29	E PWK3523NFSS
E 907224FSDADSS	90.00	72.00	24.00	80.25	35.06	-	E 90P728F1	Full panel	78.00	68.00	See ACC 20	E DSTOPK	See ACC 29	E PWK3523NFSS

 Designates a product in the EnclosureZone program.

Two Door Floormount Enclosures



NEMA 4X Stainless Steel Cabinets

These NEMA 4X rated stainless steel floormount enclosures are designed for indoor or outdoor use to protect equipment against splashing water, seepage of water, falling or hose directed water and external condensation.



Configuration

- Continuously welded seams, finished smooth
- Removable center post
- Body stiffener for added support
- Stainless steel captive clamps
- Oil resistant neoprene strip gasket
- Continuous stainless steel heavy duty hinge with removable pin
- Hasp and staple for padlocking
- Mounting panel provisions installed
- Removable heavy duty lifting eyes
- 12" floor stands are welded to enclosure
- Print pocket included

Technical Specifications

- Material:**
- Type 304/316 stainless steel
 - Body: 12 gauge
 - Back: 12 gauge (10 gauge for H or W ≥ 72")
- Finish:**
- Enclosure/door: # 3 brushed finish
 - Optional stainless steel mounting panels: unpainted
 - Optional carbon steel mounting panels: painted white

Protection Ratings

- NEMA Type** 1 4 4X 12 13

Certifications/Approvals

- Listings** UL CUL CSA TÜV

Technical Drawings

Page **IND 272**

Enclosure				Mounting Panel			Accessories				
Part No.	Outside dimensions (inches)			Part No.	Panel size		Usable depth	Light kit	Door stop kit	Window kit	Fast operating clamp
	H	W	D		H	W					
E 62H4810SS	62.00	48.00	10.00	E 60P48	56.00	44.00	10.00	See ACC 29	E DSTOPK	E PWK2315NFSS	E FOC412SS
E 62H4810SS6	62.00	48.00	10.00	E 60P48	56.00	44.00	10.00	See ACC 29	E DSTOPK	E PWK2315NFSS	E FOC412SS
EZ E 62H4812SS	62.00	48.00	12.00	E 60P48	56.00	44.00	12.00	See ACC 29	E DSTOPK	E PWK2315NFSS	E FOC412SS
E 62H4812SS6	62.00	48.00	12.00	E 60P48	56.00	44.00	12.00	See ACC 29	E DSTOPK	E PWK2315NFSS	E FOC412SS
EZ E 62H6012SS	62.00	60.00	12.00	E 60P60	56.00	56.00	12.00	See ACC 29	E DSTOPK	E PWK2919NFSS	E FOC412SS
E 62H6012SS6	62.00	60.00	12.00	E 60P60	56.00	56.00	12.00	See ACC 29	E DSTOPK	E PWK2919NFSS	E FOC412SS
E 74H6012SS	74.00	60.00	12.00	E 72P60	68.00	56.00	12.00	See ACC 29	E DSTOPK	E PWK2919NFSS	E FOC412SS
E 74H6012SS6	74.00	60.00	12.00	E 72P60	68.00	56.00	12.00	See ACC 29	E DSTOPK	E PWK2919NFSS	E FOC412SS
E 74H7212SS	74.00	72.00	12.00	E 72P72	68.00	68.00	12.00	See ACC 29	E DSTOPK	E PWK3523NFSS	E FOC412SS
E 74H7212SS6	74.00	72.00	12.00	E 72P72	68.00	68.00	12.00	See ACC 29	E DSTOPK	E PWK3523NFSS	E FOC412SS
EZ E 74H7224SS	74.00	72.00	24.00	E 72P72	68.00	68.00	24.00	See ACC 29	E DSTOPK	E PWK3523NFSS	E FOC412SS
E 74H7224SS6	74.00	72.00	24.00	E 72P72	68.00	68.00	24.00	See ACC 29	E DSTOPK	E PWK3523NFSS	E FOC412SS

EZ Designates a product in the EnclosureZone program.

Two Door Floormount Enclosures

NEMA 12 Stainless Steel Cabinets

These NEMA rated stainless steel floormount enclosures are designed for indoor use to protect equipment against lint, dust, dirt, light splashing, seepage, and corrosive liquids.



Configuration

- Continuously welded seams, finished smooth
- Gasketed overlapping doors
- Body stiffener for added support
- 3-point latching mechanism operated by oil tight key-locking handle
- Urethane gasket
- Continuous stainless steel heavy duty hinge with removable pin
- Mounting panel provisions installed
- Removable heavy duty lifting eyes
- 12" floor stands are welded to enclosure
- Print pocket included

Technical Specifications

- Material:**
- *Enclosure/door:* 12 gauge Type 304 stainless steel
- Finish:**
- *Enclosure/door:* # 3 brushed finish
 - *Optional stainless steel mounting panels:* unpainted
 - *Optional carbon steel mounting panels:* painted white

Protection Ratings

NEMA Type 1 4 4X 12 13

Certifications/Approvals

Listings UL CUL CSA TÜV

Technical Drawings

Page **IND 273**

Enclosure				Mounting Panel			Accessories				
Part No.	Outside dimensions (inches)			Part No.	Panel size		Usable depth	Window kit	Door stop kit	Light kit	Handle accessories
	H	W	D		H	W					
E 544208SS	54.00	42.00	8.00	E 54P42	50.00	38.00	8.00	E PWK1711NFSS	E DSTOPK	See ACC 29	See ACC 20
E 604808SS	60.00	48.00	8.00	E 60P48	56.00	44.00	8.00	E PWK2315NFSS	E DSTOPK	See ACC 29	See ACC 20
E 604810SS	60.00	48.00	10.00	E 60P48	56.00	44.00	10.00	E PWK2315NFSS	E DSTOPK	See ACC 29	See ACC 20
E 604812SS	60.00	48.00	12.00	E 60P48	56.00	44.00	12.00	E PWK2315NFSS	E DSTOPK	See ACC 29	See ACC 20
E 604816SS	60.00	48.00	16.00	E 60P48	56.00	44.00	16.00	E PWK2315NFSS	E DSTOPK	See ACC 29	See ACC 20
E 604820SS	60.00	48.00	20.00	E 60P48	56.00	44.00	20.00	E PWK2315NFSS	E DSTOPK	See ACC 29	See ACC 20
E 604824SS	60.00	48.00	24.00	E 60P48	56.00	44.00	24.00	E PWK2315NFSS	E DSTOPK	See ACC 29	See ACC 20
E 606010SS	60.00	60.00	10.00	E 60P60	56.00	56.00	10.00	E PWK2919NFSS	E DSTOPK	See ACC 29	See ACC 20
E 606012SS	60.00	60.00	12.00	E 60P60	56.00	56.00	12.00	E PWK2919NFSS	E DSTOPK	See ACC 29	See ACC 20
E 606016SS	60.00	60.00	16.00	E 60P60	56.00	56.00	16.00	E PWK2919NFSS	E DSTOPK	See ACC 29	See ACC 20
E 606024SS	60.00	60.00	24.00	E 60P60	56.00	56.00	24.00	E PWK2919NFSS	E DSTOPK	See ACC 29	See ACC 20
E 726010SS	72.00	60.00	10.00	E 72P60	68.00	56.00	10.00	E PWK2919NFSS	E DSTOPK	See ACC 29	See ACC 20
E 726012SS	72.00	60.00	12.00	E 72P60	68.00	56.00	12.00	E PWK2919NFSS	E DSTOPK	See ACC 29	See ACC 20
E 726016SS	72.00	60.00	16.00	E 72P60	68.00	56.00	16.00	E PWK2919NFSS	E DSTOPK	See ACC 29	See ACC 20
E 726020SS	72.00	60.00	20.00	E 72P60	68.00	56.00	20.00	E PWK2919NFSS	E DSTOPK	See ACC 29	See ACC 20
E 726024SS	72.00	60.00	24.00	E 72P60	68.00	56.00	24.00	E PWK2919NFSS	E DSTOPK	See ACC 29	See ACC 20
E 727210SS	72.00	72.00	10.00	E 72P72	68.00	68.00	10.00	E PWK3523NFSS	E DSTOPK	See ACC 29	See ACC 20
E 727212SS	72.00	72.00	12.00	E 72P72	68.00	68.00	12.00	E PWK3523NFSS	E DSTOPK	See ACC 29	See ACC 20
E 727216SS	72.00	72.00	16.00	E 72P72	68.00	68.00	16.00	E PWK3523NFSS	E DSTOPK	See ACC 29	See ACC 20
E 727220SS	72.00	72.00	20.00	E 72P72	68.00	68.00	20.00	E PWK3523NFSS	E DSTOPK	See ACC 29	See ACC 20
E 727224SS	72.00	72.00	24.00	E 72P72	68.00	68.00	24.00	E PWK3523NFSS	E DSTOPK	See ACC 29	See ACC 20

NEMA 4X Wallmount Boxes



Stainless Steel FMD Cabinets

Rittal Electromate NEMA rated wallmount disconnect enclosures accept all standard available disconnects and circuit-breakers, including:

Allen Bradley:

1494 V operators for disconnects/circuit-breakers

Cutler Hammer/Westinghouse:

C361 operators for disconnect switches
C371 operators for circuit-breakers

General Electric:

Type STDA operators for disconnects

ITE/Siemens:

Max-Flex operators for disconnect switches/circuit-breakers

Square D:

Class 9422 operators for disconnects/circuit-breakers

ABB:

Operators for disconnect switches/circuit-breakers



Configuration

- Continuously welded seams, finished smooth
- Continuous stainless steel hinge with removable pin
- Robotically applied urethane gasket
- Rolled edge prevents entry of dirt and liquids
- Cutout in body for operating handle
- 12 gauge stainless steel captive clamps
- Mounting panel provisions installed
- External mounting brackets
- Print pocket included

Technical Specifications

Material:

- *Enclosure/door:* 14 gauge stainless steel

Finish:

- *Enclosure/door:* # 3 brushed finish
- *Optional stainless steel mounting panels:* unpainted
- *Optional carbon steel mounting panels:* painted white

Protection Ratings

NEMA Type 1 4 4X 12 13

Certifications/Approvals

Listings UL CUL CSA TÜV

Technical Drawings

Page **IND 274**

Enclosure				Mounting Panel			Accessories		
Part No.	Outside dimensions (inches)			Part No.	Panel size		Usable depth	Operator adaptors	Window kit
	H	W	D		H	W			
E 24HS2108SS	24.00	21.38	8.00	E 24P20	21.00	17.00	8.00	See ACC 17	E PWK1711NFSS
E 24HS2508SS	24.00	25.38	8.00	E 24P24	21.00	21.00	8.00	See ACC 17	E PWK1711NFSS
E 30HS2508SS	30.00	25.38	8.00	E 30P24	27.00	21.00	8.00	See ACC 17	E PWK2315NFSS
E 36HS2508SS	36.00	25.38	8.00	E 36P24	32.00	21.00	8.00	See ACC 17	E PWK2919NFSS
E 36HS3108SS	36.00	31.38	8.00	E 36P30	33.00	27.00	7.37*	See ACC 17	E PWK2919NFSS
E 42HS3112SS	42.00	31.38	12.00	E 42P30	39.00	27.00	11.37*	See ACC 17	E PWK2919NFSS
E 42HS3712SS	42.00	37.38	12.00	E 42P36	39.00	33.00	11.37*	See ACC 17	E PWK3523NFSS
EZ E 48HS3712SS	48.00	37.38	12.00	E 48P36	45.00	33.00	11.37*	See ACC 17	E PWK3523NFSS
EZ E 60HS3712SS	60.00	37.38	12.00	E 60P36	57.00	33.00	11.37*	See ACC 17	E PWK3523NFSS

* Usable depth reduced by .625" at door stiffener.

EZ Designates a product in the EnclosureZone program.

Floormount Freestanding Enclosures



Floormount NEMA 12 Stainless Steel Cabinets

Rittal Electromate NEMA rated floormount disconnect enclosures accept all standard available disconnects and circuit-breakers, including:

Allen Bradley:

- 1494 V operators for disconnects/circuit-breakers
- 1494 F operators for disconnect switches
- 1494 D operators for circuit-breakers

Cutler Hammer/Westinghouse:

- C361 operators for disconnect switches
- C371 operators for circuit-breakers

General Electric:

- Type STDA operators for disconnects

ITE/Siemens:

- Max-Flex operators for disconnect switches/circuit-breakers

Square D:

- Class 9422 operators for disconnects/circuit-breakers

ABB:

- Operators for disconnect switches/circuit-breakers



Page IND 103

Configuration

- Continuously welded seams, finished smooth
- Body stiffeners provide extra rigidity
- Center post can be removed for panel installation
- Urethane gasket
- Rolled edge prevents entry of dirt and liquids
- Heavy duty continuous steel hinge with removable pin
- Heavy duty 3-point latch secures doors
- Mounting panel provision installed
- Enclosure is provided with 15" floor stands welded to enclosure
- Heavy duty lifting eyes

Technical Specifications

Material:

- Enclosure/door: 10 gauge stainless steel

Finish:

- Enclosure/door: # 3 brushed finish
- Optional stainless steel mounting panels: unpainted
- Optional carbon steel mounting panels: painted white

Protection Ratings

NEMA Type 1 4 4X 12 13

Certifications/Approvals

Listings UL CUL CSA TÜV

Technical Drawings

Page IND 275

Enclosure				Mounting Panel			Accessories			
Part No.	Outside dimensions (inches)			Part No.	Panel size		Usable depth	Window kit	Light kit	Handle accessories
	H	W	D		H	W				
E 60CPX4812SS ²⁾	60.00	48.00	12.00	E 60P48	56.00	44.00	12.00	E PWK2315NFSS	See ACC 29	See ACC 20
E 60CPX6012SS ²⁾	60.00	60.00	12.00	E 60P60	56.00	56.00	12.00	E PWK2919NFSS	See ACC 29	See ACC 20
E 60X4912SS ¹⁾	60.00	49.00	12.00	E 60P48	56.00	44.00	12.00	E PWK2315NFSS	See ACC 29	See ACC 20
E 60X4918SS ¹⁾	60.00	49.00	18.00	E 60P48	56.00	44.00	18.00	E PWK2315NFSS	See ACC 29	See ACC 20
E 60X6112SS ¹⁾	60.00	61.00	12.00	E 60P60	56.00	56.00	12.00	E PWK2919NFSS	See ACC 29	See ACC 20
E 60X6118SS ¹⁾	60.00	61.00	18.00	E 60P60	56.00	56.00	18.00	E PWK2919NFSS	See ACC 29	See ACC 20
E 72CPX7212SS ²⁾	72.00	72.00	12.00	E 72P72	68.00	68.00	12.00	E PWK3523NFSS	See ACC 29	See ACC 20
E 72CPX7218SS ²⁾	72.00	72.00	18.00	E 72P72	68.00	68.00	18.00	E PWK3523NFSS	See ACC 29	See ACC 20
E 72X6112SS ¹⁾	72.00	61.00	12.00	E 72P60	68.00	56.00	12.00	E PWK2919NFSS	See ACC 29	See ACC 20
E 72X6118SS ¹⁾	72.00	61.00	18.00	E 72P60	68.00	56.00	18.00	E PWK2919NFSS	See ACC 29	See ACC 20
E 72X7312SS ¹⁾	72.00	73.00	12.00	E 72P72	68.00	68.00	12.00	E PWK3523NFSS	See ACC 29	See ACC 20
E 72X7318SS ¹⁾	72.00	73.00	18.00	E 72P72	68.00	68.00	18.00	E PWK3523NFSS	See ACC 29	See ACC 20
E 72X7324SS ¹⁾	72.00	73.00	24.00	E 72P72	66.00	68.00	24.00	E PWK3523NFSS	See ACC 29	See ACC 20

¹⁾ Disconnect operator on right flange.

²⁾ Disconnect operator on center post.

Freestanding Heavy Duty Enclosures



Freestanding NEMA 12 Stainless Steel Enclosures

Rittal Electromate NEMA rated flange mount disconnect enclosures accept all standard available disconnects and circuit-breakers, including:

Allen Bradley:

- 1494 V operators for disconnects/circuit-breakers
- 1494 F operators for disconnect switches
- 1494 D operators for circuit-breakers

Cutler Hammer/Westinghouse:

- C361 operators for disconnect switches
- C371 operators for circuit-breakers

General Electric:

- Type STDA operators for disconnects

ITE/Siemens:

- Max-Flex operators for disconnect switches/circuit-breakers

Square D:

- Class 9422 operators for disconnects/circuit-breakers

ABB:

- Operators for disconnect switches/circuit-breakers



Page IND 101

Part No.	Enclosure					Mounting Panel							Usable depth
	Outside dimensions			Door size		Panel size		Panel size (behind single door)		Panel size (behind double door)			
	H	W	D	H	W	H	W	H	W	H	W		
One Door													
E 72XM2818WPSS	72.00	27.50	18.00	62.50	23.83	60.00	21.75	-	-	-	-	18.00	
E 72XM3418WPSS	72.00	33.50	18.00	62.50	29.83	60.00	27.75	-	-	-	-	18.00	
E 72XM4018WPSS	72.00	39.50	18.00	62.50	35.83	60.00	33.75	-	-	-	-	18.00	
E 84XM4018WPSS	84.00	39.50	18.00	74.50	35.83	72.00	33.75	-	-	-	-	18.00	
E 90XM4020WPSS	90.00	39.50	20.00	80.50	35.83	78.00	33.75	-	-	-	-	20.00	
E 90XM4024WPSS	90.00	39.50	24.00	80.50	35.83	78.00	33.75	-	-	-	-	24.00	
Two Door													
E 72XM5418WPSS	72.00	53.75	18.00	62.50	23.88	60.00	48.00	-	-	-	-	17.00	
E 72XM6618WPSS	72.00	65.75	18.00	62.50	29.88	60.00	60.00	-	-	-	-	17.00	
E 72XM7818WPSS	72.00	77.75	18.00	62.50	35.88	60.00	72.00	-	-	-	-	17.00	
E 72XM7824WPSS	72.00	77.75	24.00	62.50	35.88	60.00	72.00	-	-	-	-	23.00	
E 84XM7818WPSS	84.00	77.75	18.00	74.50	35.88	72.00	72.00	-	-	-	-	17.00	
E 90XM7820WPSS	90.00	77.75	20.00	80.50	35.88	78.00	72.00	-	-	-	-	19.00	
E 90XM7824WPSS	90.00	77.75	24.00	80.50	35.88	78.00	72.00	-	-	-	-	23.00	
Three Door													
E 72XM3EQ18WPSS	72.00	99.50	18.00	62.50	29.88	60.00	60.00	60.00	27.75	60.00	60.00	17.00	
E 72XM3EW18WPSS	72.00	117.50	18.00	62.50	35.88	60.00	72.00	60.00	33.75	60.00	72.00	17.00	
E 84XM3EW18WPSS	84.00	117.50	18.00	74.50	35.88	72.00	72.00	72.00	33.75	72.00	72.00	17.00	
E 90XM3EW24WPSS	90.00	117.50	24.00	80.50	35.88	78.00	72.00	78.00	33.75	78.00	72.00	23.00	
Four Door													
E 84XM4EW18WPSS	84.00	157.50	18.00	74.50	35.88	72.00	72.00	-	-	72.00	72.00	17.00	
Five Door													
E 84XM5EW18WPSS	84.00	196.75	18.00	74.50	35.88	72.00	72.00	72.00	33.75	72.00	72.00	17.00	



Configuration

- Continuously welded seams, finished smooth
- Body stiffeners provide extra rigidity
- Center post can be removed for panel installation
- Urethane gasket
- Rolled edge prevents entry of dirt and liquids
- Heavy duty continuous steel hinge with removable pin
- Heavy duty 3-point latch secures doors
- Mounting panels included
- For type "X" enclosures:
master door is right-hand door
- For type "CPX" enclosures:
master door is left-hand door
- Integrated defeater on master door
- Doors can be closed in any order
- Mechanical interlock on master door prevents slave door from being opened unless master door is opened first
- Operator adaptors may be used to fit most disconnect operators in universal cutout on flange
- 24" deep enclosures feature mounting base to raise disconnects to the proper height off the mounting panel
- Heavy duty lifting eyes
- Print pocket included

Technical Specifications

- Material:**
- Enclosure/door: 10 gauge stainless steel
 - Mounting panels: 10 gauge carbon steel
- Finish/color:**
- Enclosure/door: #3 brushed finish
 - Carbon steel mounting panels: painted white

Protection Ratings

NEMA Type 1 4 4X 12 13

Certifications/Approvals

Listings UL CUL CSA TÜV

Technical Drawings

Pages 276-278

Accessories				
Part No.	Window kit	Light kit	Handle accessories	
One Door				
E 72XM2818WPSS	E PWK2315NFSS	See ACC 29	See ACC 20	
E 72XM3418WPSS	E PWK2919NFSS	See ACC 29	See ACC 20	
E 72XM4018WPSS	E PWK3523NFSS	See ACC 29	See ACC 20	
E 84XM4018WPSS	E PWK3523NFSS	See ACC 29	See ACC 20	
E 90XM4020WPSS	E PWK3523NFSS	See ACC 29	See ACC 20	
E 90XM4024WPSS	E PWK3523NFSS	See ACC 29	See ACC 20	
Two Door				
E 72XM5418WPSS	E PWK2315NFSS	See ACC 29	See ACC 20	
E 72XM6618WPSS	E PWK2919NFSS	See ACC 29	See ACC 20	
E 72XM7818WPSS	E PWK3523NFSS	See ACC 29	See ACC 20	
E 72XM7824WPSS	E PWK3523NFSS	See ACC 29	See ACC 20	
E 84XM7818WPSS	E PWK3523NFSS	See ACC 29	See ACC 20	
E 90XM7820WPSS	E PWK3523NFSS	See ACC 29	See ACC 20	
E 90XM7824WPSS	E PWK3523NFSS	See ACC 29	See ACC 20	
Three Door				
E 72XM3EQ18WPSS	E PWK2919NFSS	See ACC 29	See ACC 20	
E 72XM3EW18WPSS	E PWK3523NFSS	See ACC 29	See ACC 20	
E 84XM3EW18WPSS	E PWK3523NFSS	See ACC 29	See ACC 20	
E 90XM3EW24WPSS	E PWK3523NFSS	See ACC 29	See ACC 20	
Four Door				
E 84XM4EW18WPSS	E PWK3523NFSS	See ACC 29	See ACC 20	
Five Door				
E 84XM5EW18WPSS	E PWK3523NFSS	See ACC 29	See ACC 20	

Standard Pushbutton Boxes



NEMA Rated Pushbutton Enclosures

These stainless steel NEMA rated boxes are designed for indoor use to house pushbuttons, selector switches, pilot lights, etc., and to protect such equipment against dirt, dust, and spraying of water, oil or coolant.

Several models of these pushbutton enclosures can be mounted onto a Rittal Electromate column and base and used as an operator station.



Configuration

- Continuously welded seams, finished smooth
- Poron strip gasket
- Standard pushbutton holes accept all brands of "4-way" oil tight pushbuttons, switches, and pilot lights
- Captive stainless steel screws to hold cover
- External mounting brackets

Technical Specifications

Material:

- *Enclosure/cover:* 14 gauge Type 304 stainless steel

Finish:

- *Enclosure/cover:* # 3 brushed finish

Protection Ratings

NEMA Type 1 4 4X 12 13

Certifications/Approvals

Listings UL CUL CSA TÜV

Technical Drawings

Page IND 279

Standard Pushbutton Box				Accessories
Part No.	Outside dimensions (inches)			Oil tight hole seals
	H	W	D	
EZ E 1PBSS	3.50	3.25	2.75	See ACC 18
EZ E 2PBSS	5.75	3.25	2.75	See ACC 18
EZ E 3PBSS	8.00	3.25	2.75	See ACC 18
E 4PBSS	10.25	3.25	2.75	See ACC 18
E 4SPBSS*	7.25	6.25	3.00	See ACC 18
E 5PBSS	12.50	3.25	2.75	See ACC 18
E 6PBSS*	9.50	6.25	3.00	See ACC 18
E 9PBSS*	9.50	8.50	3.00	See ACC 18
E 12PBSS	11.75	8.50	3.00	See ACC 18

* Can be mounted to a Rittal Electromate column and base.

EZ Designates a product in the EnclosureZone program.

Slim Pushbutton Boxes

NEMA Rated Pushbutton Enclosures

These NEMA rated boxes are designed for indoor use to house pushbuttons, selector switches, pilot lights, etc., and to protect such equipment against dirt, dust, and spraying of water, oil or coolant.



Configuration

- Continuously welded seams, finished smooth
- Poron strip gasket
- Standard pushbutton holes accept all brands of "4-way" oil tight pushbuttons, switches, and pilot lights
- Captive stainless steel screws to hold cover
- External mounting brackets

Technical Specifications

Material:

- *Enclosure/cover:* 14 gauge Type 304 stainless steel

Finish:

- *Enclosure/cover:* # 3 brushed finish

Protection Ratings

NEMA Type 1 4 4X 12 13

Certifications/Approvals

Listings UL CUL CSA TÜV

Technical Drawings

Page IND 280

Slim Pushbutton Box				Accessories
Part No.	Outside dimensions (inches)			Oil tight hole seals
	H	W	D	
E 1PBSLSS	4.00	2.50	2.50	See ACC 18
E 2PBSLSS	6.25	2.50	2.50	See ACC 18

Miniature Pushbutton Boxes



NEMA Rated Pushbutton Enclosures

These stainless steel NEMA rated boxes are designed for indoor use to house pushbuttons, selector switches, pilot lights, etc., which mount in miniature “4-way” pushbutton holes, and to protect such equipment against dirt, dust, and spraying of water, oil or coolant.

Several models of these pushbutton enclosures can be mounted onto a Rittal Electromate column and base and used as an operator station.



Page IND 145

Configuration

- Continuously welded seams, finished smooth
- Poron strip gasket
- Standard pushbutton holes accept all brands of 22.5 mm “4-way” oil tight pushbuttons, switches, and pilot lights
- Captive stainless steel screws to hold cover
- External mounting brackets

Technical Specifications

Material:

- *Enclosure/cover:* 14 gauge Type 304 stainless steel

Finish:

- *Enclosure/cover:* # 3 brushed finish

Protection Ratings

NEMA Type 1 4 4X 12 13

Certifications/Approvals

Listings UL CUL CSA TÜV

Technical Drawings

Page IND 281

Part No.	Miniature Pushbutton Box			Accessories
	Outside dimensions (inches)			
	H	W	D	Oil tight hole seals
EZ E 1PBGMSS	3.25	2.75	3.50	See ACC 18
E 2PBGMSS	5.13	2.75	3.50	See ACC 18
E 3PBGMSS	7.00	2.75	3.50	See ACC 18
E 4PBGMSS	8.88	2.75	3.50	See ACC 18
E 6PBGMSS*	8.50	5.00	4.25	See ACC 18
E 9PBGMSS	8.50	6.50	4.25	See ACC 18
E 12PBGMSS	10.38	6.50	4.25	See ACC 18

* Can be mounted to a Rittal Electromate column and base.

EZ Designates a product in the EnclosureZone program.

Extra Deep Pushbutton Boxes

NEMA Rated Pushbutton Enclosures

These stainless steel NEMA rated boxes are designed for indoor use to house pushbuttons, selector switches, pilot lights, etc., and to protect such equipment against dirt, dust, and spraying of water, oil or coolant. Their extra depth accommodates stacked pushbutton units.

Several models of these pushbutton enclosures can be mounted onto a Rittal Electromate column and base and used as an operator station.



Page IND 147

Configuration

- Continuously welded seams, finished smooth
- Poron strip gasket
- Standard pushbutton holes accept all brands of "4-way" oil tight pushbuttons, switches, and pilot lights
- Captive stainless steel screws to hold cover
- External mounting brackets

Technical Specifications

- Material:**
- *Enclosure/cover:* 14 gauge Type 304 stainless steel
- Finish:**
- *Enclosure/cover:* # 3 brushed finish

Protection Ratings

NEMA Type 1 4 4X 12 13

Certifications/Approvals

Listings UL CUL CSA TÜV

Technical Drawings

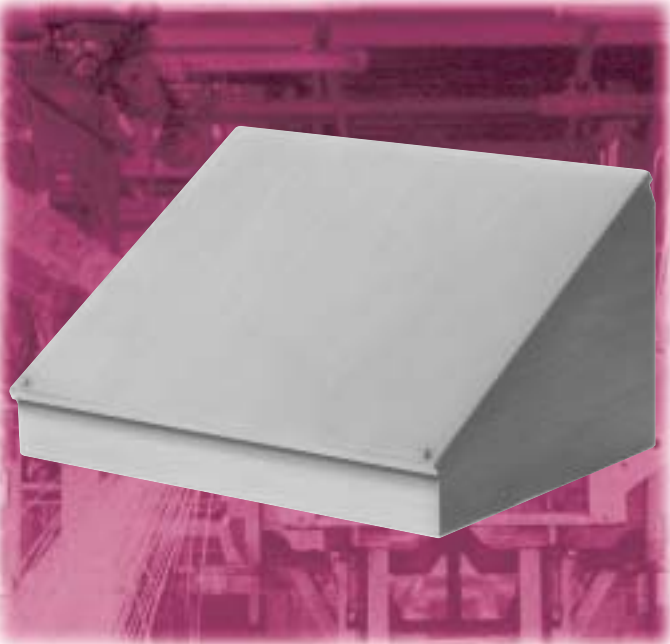
Page IND 282

Extra Deep Pushbutton Box				Accessories
Part No.	Outside dimensions (inches)			Oil tight hole seals
	H	W	D	
EZ E 1PBDSS	4.00	4.00	4.75	See ACC 18
E 2PBDSS	6.00	4.00	4.75	See ACC 18
E 3PBDSS	8.00	4.00	4.75	See ACC 18
E 4PBDSS	10.00	4.00	4.75	See ACC 18
E 4SPBDSS*	7.25	6.25	4.75	See ACC 18
E 6PBDSS*	9.50	6.25	4.75	See ACC 18
E 9PBDSS	9.50	8.50	4.75	See ACC 18
E 10PBDSS	14.00	6.25	4.75	See ACC 18
E 12PBDSS	11.75	8.50	4.75	See ACC 18
E 16PBDSS	11.75	10.75	4.75	See ACC 18
E 16SPBDSS	20.75	6.25	4.75	See ACC 18
E 20PBDSS	14.00	10.75	4.75	See ACC 18
E 25PBDSS	14.00	13.00	4.75	See ACC 18

* Can be mounted to a Rittal Electromate column and base.

EZ Designates a product in the EnclosureZone program.

Consoles, Pedestals and Bases



Stainless Steel Desk Units

These NEMA rated individual desk units are designed for indoor use to meet the requirements of most operator interface applications.

Control components such as meters, pushbuttons, pilot lights, and switches, can be mounted on the top-hinged control panel that slants 30° or 60°. Pedestal and base assemblies allow the desk units to be floor mounted. Wiring connections can be made through the base, the vertical column or directly to the desk unit.



Console, Pedestal & Base			
Part No.	Outside dimensions (inches)		
	H	W	D
Consoles			
E 8C8SS	8.00	8.00	7.09
EZ E 8C12SS	8.00	12.00	7.09
E 8C16SS	8.00	16.00	7.09
E 8C20SS	8.00	20.00	7.09
EZ E 12C12SS	12.00	12.00	9.09
E 12C16SS	12.00	16.00	9.09
E 12C20SS	12.00	20.00	9.09
EZ E 12C24SS	12.00	24.00	9.09
E 16C16SS	16.00	16.00	11.09
E 16C20SS	16.00	20.00	11.09
E 16C24SS	16.00	24.00	11.09
E 16C30SS	16.00	30.00	11.09
E 16C36SS	16.00	36.00	11.09
E 20C20SS	20.00	20.00	13.09
E 20C24SS	20.00	24.00	13.09
E 20C30SS	20.00	30.00	13.09
Pedestals			
E 44COLSS	4.00	4.00	-
EZ E 66COLSS	6.00	6.00	-
Bases			
E 18SBASESS	18.00	18.00	-
EZ E 24SBASESS	24.00	24.00	-

EZ Designates a product in the EnclosureZone program.

Configuration

Console:

- Continuously welded seams, finished smooth
- Poron strip gasket
- Control panel slants 30° or 60° and is attached with a continuous steel hinge at top and secured with captive screws

Pedestal/column:

- Removable, gasketed access plate in column body
- Urethane gasket

Base:

- Pre-punched holes to accept column
- Two formed channels welded to underside of base

Technical Specifications

Material:

- *Console/desk unit:* 14 gauge Type 304 stainless steel
- *Pedestal/column:* 14 gauge Type 304 stainless steel with 10 gauge steel mounting flange at each end
- *Base:* 12 gauge Type 304 stainless steel

Finish:

- *All stainless steel parts:* # 3 brushed polish

Protection Ratings

NEMA Type 1 4 4X 12 13

Certifications/Approvals

Listings UL CUL CSA TÜV

Technical Drawings

Pages IND 283-284

KS Fiberglass Enclosures

NEMA Rated Fiberglass Enclosures

Rittal's corrosion resistant KS Series wallmount enclosures are made of fiberglass-reinforced unsaturated polyester. These fully insulated, fiberglass enclosures are appropriate for indoor/outdoor and harsh industrial environments. In addition, they are self-extinguishing per UL 94-VO and temperature resistant between -22° and 212°F.



Part No.	Approximate outside dimensions H"xW"xD"	NEMA rating	Number of doors	Enclosure						Mounting Panel			
				Exact outside dimensions						Dimensions			
				inches			mm			inches		mm	
				H	W	D	H	W	D	H	W	H	W
Without Viewing Window													
EZ 1432600	14x10x6	1, 4, 4X, 12	1	13.78	9.84	5.91	350	250	150	11.81	7.68	300	195
EZ 1434600	16x12x8	1, 4, 4X, 12	1	15.75	11.81	7.87	400	300	200	13.78	9.65	350	245
EZ 1444600	16x16x8	1, 4, 4X, 12	1	15.75	15.75	7.87	400	400	200	13.78	13.58	350	345
EZ 1446600	24x16x8	1, 4, 4X, 12	1	23.62	15.75	7.87	600	400	200	21.65	13.58	550	345
EZ 1466600	24x24x8	1, 4, 4X, 12	1	23.62	23.62	7.87	600	600	200	21.65	21.46	550	545
EZ 1468600	32x24x12	1, 4, 4X, 12	1	31.50	23.62	11.81	800	600	300	29.53	20.35	750	517
EZ 1480600	40x32x12	1, 12	1	39.37	31.50	11.81	1000	800	300	37.40	28.23	950	717

EZ Designates a product in the EnclosureZone program.



Configuration

- NEMA 1, 4, 4X, 12 protection/IP 66
- UL/CSA/TUV approvals
- Viewing window: 3 mm clear acrylic with rubber gasket
- Integrated rain protection strip at top and bottom edges of doors eliminates need for rain canopy
- Foamed-on gasket
- 180° stainless steel hinges
- Fixing nuts molded in backwall and door accept M6 threaded nuts for easy attachment of components
- C-sections molded in side walls allow infinite depth adjustment of mounting panels
- Mounting panel included
- Off-the-shelf availability

Technical Specifications

- Material:**
- *Body and door:* fiberglass reinforced unsaturated polyester
 - *Mounting panel:* hot-dipped galvanized zinc
14 ga/2 mm (KS 1432-1434)
12 ga/2.5 mm (KS 1444-1480)
- Finish/color:**
- *Body and door:* fiberglass, pigmented RAL 7032 pebble grey
 - *Mounting panel:* Type M

Protection Ratings

NEMA Type 1 4 4X 12 13

Certifications/Approvals

Listings UL CUL CSA TÜV

Technical Drawings

Pages **IND 285-286**

Accessories							
Part No.	Wallmounting bracket	Mounting panel adjustment bracket	Threaded insert nuts	Handles		Pole mount kit	
				Thumb turn	Ergoform-S		
Without Viewing Window							
1432600	1483000	1481000	1482000	1484000	-	2584000	
1434600	1483000	1481000	1482000	1484000	-	2584000	
1444600	1483000	1481000	1482000	1484000	-	2584000	
1446600	1483000	1481000	1482000	1484000	-	2584000	
1466600	1483000	1481000	1482000	1484000	-	2584000	
1468600	1483000	1491000	1482000	-	1490000	2584000	
1480600	1483000	1491000	1482000	-	1490000	2584000	

Designates a product in the EnclosureZone program.

Screw Cover Junction Boxes



Legacy Fiberglass Junction Enclosures

These fiberglass junction boxes are designed primarily for indoor or outdoor use and can be used for many different applications. They protect installed equipment against splashing water, seepage of water, falling or hose directed water and severe external condensation.



Configuration

- Lift-off cover
- Stainless steel screw/retention chain
- Molded-in mounting provisions
- Rounded corners
- Overhang cover
- Foamed-in-place polyurethane gasketing

Technical Specifications

- Material:**
- *Body and door:* hot compression molded fiberglass reinforced polyester
 - *Optional mounting panel:* carbon steel
- Finish/color:**
- *Body and door:* fiberglass, pigmented light grey
 - *Optional mounting panel:* painted white

Protection Ratings

NEMA Type 1 3 4X 12 6P

Certifications/Approvals

Listings UL CUL CSA TÜV

Technical Drawings

Page **IND 287**

Part No.	Enclosure						Mounting Panel			
	Outside dimensions (inches)			Inside dimensions (inches)			Part No.	Panel size		Usable depth J
	H	W	D	H	W	D		H	W	
EZ L FJ604NFSC	7.50	5.43	4.75	5.84	3.85	4.45	L MPL64CS	4.875	2.875	4
EZ L FJ606NFSC	7.50	7.50	4.75	5.72	5.72	4.45	L MPL66CS	4.875	4.875	4
EZ L FJ806NFSC	9.62	7.50	4.74	7.73	5.74	4.45	L MPL86CS	6.875	4.875	4
EZ L FJ1008NFSC	11.62	9.41	4.25	9.73	7.73	3.98	L MPL108CS	8.875	6.875	3.5
EZ L FJ1210NFSC	13.56	11.43	5.21	11.79	9.80	4.94	L MPL1210CS	10.875	8.875	4.5
EZ L FJ1412NFSC	15.50	13.50	6.25	13.53	11.55	5.94	L MPL1412CS	12.875	10.875	5.37
EZ L FJ1614NFSC	17.53	15.46	6.23	15.63	13.60	5.94	L MPL1614CS	14.875	12.875	5.36
EZ L FJ1816NFSC	19.62	17.61	8.82	17.69	15.69	8.45	L MPL1816CS	16.875	14.875	7.99
EZ L FJ2016NFSC	22.00	17.68	8.83	19.72	15.72	8.45	L MPLJ2016CS	18.875	14.875	8

EZ Designates a product in the EnclosureZone program.

Hinged Screw Cover Junction Boxes



Legacy Fiberglass Junction Enclosures

These fiberglass junction boxes are designed primarily for indoor or outdoor use and can be used for many different applications. They protect installed equipment against splashing water, seepage of water, falling or hose directed water and severe external condensation.

These boxes are available in standard and extended depth versions.



Configuration

Standard Version:

- Full length stainless steel hinged cover
- Stainless steel screws
- 180° door opening
- Overhang cover
- Foamed-in-place polyurethane gasketing

Extended Depth Version:

- Full length stainless steel hinged cover
- Stainless steel screws
- 180° door opening
- Overhang cover
- Foamed-in-place polyurethane gasketing
- Extended depth cover available in 10 x 8 configuration only

Technical Specifications

Material:

- *Body and door:* hot compression molded fiberglass reinforced polyester
- *Optional mounting panel:* carbon steel

Finish/color:

- *Body and door:* fiberglass, pigmented light grey
- *Optional mounting panel:* painted white

Protection Ratings

NEMA Type 1 3 4X 12 6P

Certifications/Approvals

Listings UL CUL CSA TÜV

Technical Drawings

Page IND 288

Standard Enclosure							Mounting Panel			
Part No.	Outside dimensions (inches)			Inside dimensions (inches)			Part No.	Panel size		Usable depth J
	H	W	D	H	W	D		H	W	
L FJ604CHNFSC	7.50	5.47	6.22	5.84	3.85	5.95	L MPL64CS	4.875	2.875	4
L FJ606CHNFSC	7.50	7.50	4.75	5.72	5.72	4.45	L MPL66CS	4.875	4.875	4
L FJ806CHNFSC	9.62	7.50	4.74	7.73	5.74	4.45	L MPL86CS	6.875	4.875	4
L FJ1008CHNFSC	11.62	9.41	4.25	9.73	7.73	3.98	L MPL108CS	8.875	6.875	3.5
L FJ1210CHNFSC	13.56	11.43	5.21	11.79	9.80	4.94	L MPL1210CS	10.875	8.875	4.5
L FJ1412CHNFSC	15.50	13.50	6.25	13.53	11.55	5.94	L MPL1412CS	12.875	10.875	5.37
L FJ1614CHNFSC	17.53	15.46	6.23	15.63	13.60	5.94	L MPL1614CS	14.875	12.875	5.36
L FJ1816CHNFSC	19.62	17.61	8.82	17.69	15.69	8.45	L MPL1816CS	16.875	14.875	7.99
L FJ2016CHNFSC	22.00	17.68	8.83	19.72	15.72	8.45	L MPLJ2016CS	18.875	14.875	8

Extended Depth Enclosure							Mounting Panel			
Part No.	Outside dimensions (inches)			Inside dimensions (inches)			Part No.	Panel size		Usable depth J
	H	W	D	H	W	D		H	W	
L FJ604CHNFSCX	7.50	5.47	6.22	5.84	3.85	5.95	L MPL64CS	4.875	2.875	5.49
L FJ606CHNFSCX	7.50	7.52	6.22	5.72	5.72	5.95	L MPL66CS	4.875	8.875	5.49
L FJ806CHNFSCX	9.62	7.46	6.22	7.73	5.74	5.95	L MPL86CS	6.875	4.875	5.49
L FJ1008CHNFSCX	11.62	9.37	6.61	9.73	7.73	6.36	L MPL108CS	8.875	6.875	5.91
L FJ1210CHNFSCX	13.56	11.43	6.61	11.79	9.80	6.32	L MPL1210CS	10.875	8.875	5.87
L FJ1412CHNFSCX	15.50	13.38	7.69	13.53	11.55	7.45	L MPL1412CS	12.875	10.875	6.87
L FJ1614CHNFSCX	17.53	15.43	7.71	15.63	13.60	7.45	L MPL1614CS	14.875	12.875	6.87
L FJ1816CHNFSCX	19.62	17.48	10.62	17.69	15.69	10.31	L MPL1816CS	16.875	14.875	9.86
L FJ2016CHNFSCX	22.00	17.56	10.64	19.72	15.72	10.33	L MPLJ2016CS	18.875	14.875	9.87

Designates a product in the EnclosureZone program.

Lockable Quick Release Junction Boxes



Legacy Fiberglass Junction Enclosures

These fiberglass junction boxes are designed primarily for indoor or outdoor use and can be used for many different applications. They protect installed equipment against splashing water, seepage of water, falling or hose directed water and severe external condensation.

These boxes are available in standard and extended depth versions.



Configuration

- Quick-release clamps with secure loop for padlock provisions (padlock not included)
- Can be lifted and released with ease
- 180° door opening
- Foamed-in-place polyurethane gasketing

Technical Specifications

- Material:**
- *Body and door:* hot compression molded fiberglass reinforced polyester
 - *Optional mounting panel:* carbon steel
- Finish/color:**
- *Body and door:* fiberglass, pigmented light grey
 - *Optional mounting panel:* painted white

Protection Ratings

NEMA Type 1 3 4X 12 6P

Certifications/Approvals

Listings UL CUL CSA TÜV

Technical Drawings

Page **IND 289**

Standard Enclosure							Mounting Panel			
Part No.	Outside dimensions (inches)			Inside dimensions (inches)			Part No.	Panel size		Usable depth
	H	W	D	H	W	D		H	W	
EZ L FJ604CHNFQ	7.50	5.43	4.75	5.84	3.85	4.45	L MPL64CS	4.875	2.875	4
EZ L FJ606CHNFQ	7.50	7.50	4.75	5.72	5.72	4.45	L MPL66CS	4.875	4.875	4
EZ L FJ806CHNFQ	9.62	7.50	4.74	7.73	5.74	4.45	L MPL86CS	6.875	4.875	4
EZ L FJ1008CHNFQ	11.62	9.41	4.25	9.73	7.73	3.98	L MPL108CS	8.875	6.875	3.5
EZ L FJ1210CHNFQ	13.56	11.43	5.21	11.79	9.80	4.94	L MPL1210CS	10.875	8.875	4.5
EZ L FJ1412CHNFQ	15.50	13.50	6.25	13.53	11.55	5.94	L MPL1412CS	12.875	10.875	5.37
EZ L FJ1614CHNFQ	17.53	15.46	6.23	15.63	13.60	5.94	L MPL1614CS	14.875	10.875	5.36
EZ L FJ1816CHNFQ	19.62	17.61	8.82	17.69	15.69	8.45	L MPL1816CS	16.875	14.875	7.99
EZ L FJ2016CHNFQ	22.00	17.68	8.83	19.72	15.72	8.45	L MPLJ2016CS	18.875	14.875	8

Extended Depth Enclosure							Mounting Panel			
Part No.	Outside dimensions (inches)			Inside dimensions (inches)			Part No.	Panel size		Usable depth
	H	W	D	H	W	D		H	W	
EZ L FJ604CHNFQX	7.50	5.47	6.22	5.84	3.85	5.95	L MPL64CS	4.875	2.875	5.49
EZ L FJ606CHNFQX	7.50	7.52	6.22	5.72	5.72	5.95	L MPL66CS	4.875	4.875	5.49
EZ L FJ806CHNFQX	9.62	7.46	6.22	7.73	5.74	5.95	L MPL86CS	6.875	4.875	5.49
EZ L FJ1008CHNFQX	11.62	9.37	6.61	9.73	7.73	6.36	L MPL108CS	8.875	6.875	5.91
EZ L FJ1210CHNFQX	13.56	11.43	6.61	11.79	9.80	6.32	L MPL1210CS	10.875	8.875	5.87
EZ L FJ1412CHNFQX	15.50	13.38	7.69	13.53	11.55	7.45	L MPL1412CS	12.875	10.875	6.87
EZ L FJ1614CHNFQX	17.53	15.43	7.71	15.63	13.60	7.45	L MPL1614CS	14.875	12.875	6.87
EZ L FJ1816CHNFQX	19.62	17.48	10.62	17.69	15.69	10.31	L MPL1816CS	16.875	14.875	9.86
EZ L FJ2016CHNFQX	22.00	17.56	10.64	19.72	15.72	10.33	L MPLJ2016CS	18.875	14.875	9.87

EZ Designates a product in the EnclosureZone program.

Flush Viewing Window Junction Boxes



Legacy Fiberglass Junction Enclosures

These fiberglass junction boxes are designed primarily for indoor or outdoor use and can be used for many different applications. They protect installed equipment against splashing water, seepage of water, falling or hose directed water and severe external condensation.



Configuration

- Scratch and abrasion resistant UVA acrylic flush viewing window
- Quick-release clamps with secure loop for padlock provisions (padlock not included)
- Can be lifted and released with ease
- 180° door opening
- Foamed-in-place polyurethane gasketing

Technical Specifications

- Material:**
- *Body and door:* hot compression molded fiberglass reinforced polyester
 - *Optional mounting panel:* carbon steel
- Finish/color:**
- *Body and door:* fiberglass, pigmented light grey
 - *Optional mounting panel:* painted white

Protection Ratings

- NEMA Type** 1 3 4X 12 6P

Certifications/Approvals

- Listings** UL CUL CSA TÜV

Technical Drawings

Page IND 290

Part No.	Enclosure						Mounting Panel			
	Outside dimensions (inches)			Inside dimensions (inches)			Panel size		Usable depth	
	H	W	D	H	W	D	H	W		J
EZ L FJ806CHNFQW	9.62	7.50	4.74	7.73	5.74	4.45	L MPL86CS	6.875	4.875	4
EZ L FJ1008CHNFQW	11.62	9.41	4.25	9.73	7.73	3.98	L MPL108CS	8.875	6.875	3.5
EZ L FJ1210CHNFQW	13.56	11.43	5.21	11.79	9.80	4.94	L MPL1210CS	10.875	8.875	4.5
EZ L FJ1412CHNFQW	15.50	13.50	6.25	13.53	11.55	5.94	L MPL1412CS	12.875	10.875	5.37
EZ L FJ1614CHNFQW	17.53	15.46	6.23	15.63	13.60	5.94	L MPL1614CS	14.875	12.875	5.36
EZ L FJ1816CHNFQW	19.62	17.61	8.82	17.69	15.69	8.45	L MPL1816CS	16.875	14.875	7.99
EZ L FJ2016CHNFQW	22.00	17.68	8.83	19.72	15.72	8.45	L MPLJ2016CS	18.875	14.875	8

EZ Designates a product in the EnclosureZone program.

Hinged Screw Cover Instrumentation Boxes



Legacy Fiberglass Instrumentation Enclosures

These fiberglass instrumentation boxes are designed primarily for indoor or outdoor use and can be used for many different applications. They protect installed equipment against splashing water, seepage of water, falling or hose directed water and severe external condensation. These boxes are ideal for the OEM looking for a housing with stylish protection.

These boxes are available in hinged screw cover and viewing window versions.



Configuration

Hinged Screw Cover Version:

- Integrally hinged cover that secures with two screws
- Stainless steel screw recessed from cover
- 180° door opening

Viewing Window Version:

- Scratch and abrasion resistant UVA acrylic flush viewing window
- Integrally hinged cover secures with two screws
- Stainless steel screw recessed from cover
- 180° door opening
- Foamed-in-place polyurethane gasketing

Technical Specifications

Material:

- *Body and door:* hot compression molded fiberglass reinforced polyester
- *Optional mounting panel:* carbon steel

Finish/color:

- *Body and door:* fiberglass, pigmented light grey
- *Optional mounting panel:* painted white

Protection Ratings

NEMA Type 1 3 4X 12 13

Certifications/Approvals

Listings UL CUL CSA TÜV

Technical Drawings

Page **IND 291**

Hinged Screw Cover Enclosure							Mounting Panel			
Part No.	Outside dimensions (inches)			Inside dimensions (inches)			Part No.	Panel size		Usable depth
	H	W	D	H	W	D		H	W	
EZ L FI707CHNFSC	7.21	7.21	5.09	6.65	6.65	4.84	L MPL66CS	4.875	4.875	4.39
EZ L FI907CHNFSC	9.21	7.21	5.09	8.59	6.59	4.84	L MPL86CS	6.875	4.875	4.39
EZ L FI1109CHNFSC	11.21	9.21	6.09	10.59	8.59	5.84	L MPL108CS	8.875	6.875	5.39
EZ L FI1311CHNFSC	13.21	11.21	6.59	12.59	10.59	6.34	L MPL1210CS	10.875	8.875	5.89
EZ L FI1513CHNFSC	15.21	13.21	7.09	14.55	12.55	6.84	L MPL1412CS	12.875	10.875	6.39

Viewing Window Enclosure							Mounting Panel			
Part No.	Outside dimensions (inches)			Inside dimensions (inches)			Part No.	Panel size		Usable depth
	H	W	D	H	W	D		H	W	
EZ L FI707CHNFSCW	7.21	7.21	5.09	6.65	6.65	4.84	L MPL66CS	4.875	4.875	4.39
EZ L FI907CHNFSCW	9.21	7.21	5.09	8.59	6.59	4.84	L MPL86CS	6.875	4.875	4.39
EZ L FI1109CHNFSCW	11.21	9.21	6.09	10.59	8.59	5.84	L MPL108CS	8.875	6.875	5.39
EZ L FI1311CHNFSCW	13.21	11.21	6.59	12.59	10.59	6.34	L MPL1210CS	10.875	8.875	5.89
EZ L FI1513CHNFSCW	15.21	13.21	7.09	14.55	12.55	6.84	L MPL1412CS	12.875	10.875	6.39

EZ Designates a product in the EnclosureZone program.

Hinged Quick Release Instrumentation Boxes



Legacy Fiberglass Instrumentation Enclosures

These fiberglass instrumentation boxes are designed primarily for indoor or outdoor use and can be used for many different applications. They protect installed equipment against splashing water, seepage of water, falling or hose directed water and severe external condensation. These boxes are ideal for the OEM looking for a housing with stylish protection.



Configuration

- Quick-release clamps with secure loop for padlock provisions (padlock not included)
- Can be lifted and released with ease
- 180° door opening
- Foamed-in-place polyurethane gasketing

Technical Specifications

- Material:**
- *Body and door:* hot compression molded fiberglass reinforced polyester
 - *Optional mounting panel:* carbon steel
- Finish/color:**
- *Body and door:* fiberglass, pigmented light grey
 - *Optional mounting panel:* painted white

Protection Ratings

NEMA Type 1 3 4X 12 13

Certifications/Approvals

Listings UL CUL CSA TÜV

Technical Drawings

Page **IND 292**

Enclosure								Mounting Panel		
Part No.	Outside dimensions (inches)			Inside dimensions (inches)			Part No.	Panel size		Usable depth
	H	W	D	H	W	D		H	W	
L F1707CHNFQ	7.21	7.21	5.09	6.65	6.65	4.84	L MPL66CS	4.875	4.875	4.39
L F1907CHNFQ	9.21	7.21	5.09	8.59	6.59	4.84	L MPL86CS	6.875	4.875	4.39
L F1109CHNFQ	11.21	9.21	6.09	10.59	8.59	5.84	L MPL108CS	8.875	6.875	5.39
L F11311CHNFQ	13.21	11.21	6.59	12.59	10.59	6.34	L MPL1210CS	10.875	8.875	5.89
L F11513CHNFQ	15.21	13.21	7.09	14.55	12.55	6.84	L MPL1412CS	12.875	10.875	6.39

Designates a product in the EnclosureZone program.

NEMA 4X Wallmount Boxes



Legacy Fiberglass Wallmount Enclosures

These fiberglass wallmount boxes are designed primarily for indoor or outdoor use and can be used for many different applications. They protect installed equipment against splashing water, seepage of water, falling or hose directed water and severe external condensation.



Configuration

- Rigid body construction and watertight seal
- Foamed-in-place polyurethane gasketing
- Integral mounting brackets
- Molded-in panel mounting inserts
- Built-in padlock hasp

Technical Specifications

- Material:**
- *Body and door:* hot compression molded fiberglass reinforced polyester
 - *Optional mounting panel:* carbon steel
- Finish/color:**
- *Body and door:* fiberglass, pigmented light grey
 - *Optional mounting panel:* painted white

Protection Ratings

NEMA Type 1 3 4X 12 13

Certifications/Approvals

Listings UL CUL CSA TÜV

Technical Drawings

Page **IND 293**

Part No.	Enclosure						Mounting Panel			
	Outside dimensions (inches)			Inside dimensions (inches)			Part No.	Panel size		Usable depth
	H	W	D	H	W	D		H	W	
EZ L FW20H1612	22.75	16.87	13.77	19.70	16.04	13.24	L MPL2016CS	17.00	13.00	12.26
EZ L FW24H2008	27.00	21.24	9.90	24.05	20.39	9.25	L MPL2420CS	21.00	17.00	8.25
EZ L FW24H2410	27.00	25.24	11.90	24.05	24.39	11.25	L MPL2424CS	21.00	21.00	10.25
EZ L FW24H2412	27.00	25.24	13.90	24.05	24.39	13.25	L MPL2424CS	21.00	21.00	12.25
EZ L FW30H2008	32.86	20.99	9.89	29.90	20.14	9.23	L MPL3020CS	27.00	17.00	8.23
EZ L FW30H2407	33.41	26.32	8.81	30.46	25.47	8.12	L MPL3024CS	27.00	21.00	7.12
EZ L FW30H2410	33.41	26.32	11.95	30.46	25.47	11.27	L MPL3024CS	27.00	21.00	10.27
EZ L FW36H3010	39.31	32.50	12.05	36.31	31.69	11.36	L MPL3630CS	33.00	27.00	10.36
EZ L FW36H3012	39.31	32.50	14.05	36.31	31.69	13.36	L MPL3630CS	33.00	27.00	12.36
EZ L FW48H3612	51.29	36.62	13.93	48.33	36.22	13.25	L MPL4836CS	45.00	33.00	12.25
EZ L FW48H3616	51.29	36.62	17.93	48.33	36.22	17.25	L MPL4836CS	45.00	33.00	16.25

EZ Designates a product in the EnclosureZone program.

NEMA 3R Wallmount Boxes



Legacy Fiberglass Wallmount Enclosures

These fiberglass wallmount boxes are designed primarily for indoor or outdoor use and can be used for many different applications. They protect installed equipment against splashing water, seepage of water, falling or hose directed water and severe external condensation.



Configuration

- Rainshield top for water protection
- Rigid body construction and watertight seal
- Integral mounting feet for ease of installation
- Molded-in panel mounting inserts
- Built-in padlock hasp

Technical Specifications

- Material:**
- *Body and door:* hot compression molded fiberglass reinforced polyester
 - *Optional mounting panel:* carbon steel
- Finish/color:**
- *Body and door:* fiberglass, pigmented light grey
 - *Optional mounting panel:* painted white

Protection Ratings

NEMA Type 1 3R 4X 12 13

Certifications/Approvals

Listings UL CUL CSA TÜV

Technical Drawings

Page **IND 294**

Part No.	Enclosure						Mounting Panel			
	Outside dimensions (inches)			Inside dimensions (inches)			Part No.	Panel size		Usable depth
	H	W	D	H	W	D		H	W	
EZ L FW20R1612HCR	22.75	16.87	14.27	19.70	16.04	13.24	L MPL2016CS	17.00	13.00	12.26
EZ L FW24R2008HCR	27.00	21.24	9.90	24.05	20.39	9.25	L MPL2420CS	21.00	17.00	8.25
EZ L FW24R2410HCR	27.00	25.24	11.90	24.05	24.39	11.25	L MPL2424CS	21.00	21.00	10.25
EZ L FW30R2410HCR	33.41	26.32	11.95	30.46	25.47	11.27	L MPL3024CS	27.00	21.00	12.25
EZ L FW30R2412HCR	33.41	26.32	13.79	30.46	25.47	13.10	L MPL3024CS	27.00	21.00	8.23
EZ L FW36R3010HCR	39.31	32.50	12.05	36.31	31.69	11.36	L MPL3630CS	33.00	27.00	7.12
EZ L FW36R3012HCR	39.31	32.50	14.05	36.31	31.69	13.36	L MPL3630CS	33.00	27.00	10.27
EZ L FW48R3612HCR	51.29	36.62	14.43	48.33	36.22	13.25	L MPL4836CS	45.00	33.00	10.36
EZ L FW48R3616HCR	51.29	36.62	18.43	48.33	36.22	17.25	L MPL4836CS	45.00	33.00	12.36

EZ Designates a product in the EnclosureZone program.

Fiberglass Wallmount Boxes



Legacy Fiberglass FMD Enclosures

Rittal Electromate wallmount disconnect enclosures accept all standard available disconnects and circuit-breakers, including:

- Square D non-fusible disconnects
- Square D fusible disconnects
- Allen Bradley non-fusible disconnects
- Allen Bradley fusible disconnects
- General Electric non-fusible disconnects
- General Electric fusible disconnects



Configuration

- Environmentally sealed disconnect
- Foamed-in-place polyurethane gasketing
- Rigid body construction and watertight seal
- Molded-in panel mounting inserts
- Integral mounting brackets for ease of installation

Technical Specifications

- Material:**
- *Body and door:* hot compression molded fiberglass reinforced polyester
 - *Optional mounting panel:* carbon steel
- Finish/color:**
- *Body and door:* fiberglass, pigmented light grey
 - *Optional mounting panel:* painted white

Protection Ratings

NEMA Type 1 3 4X 12 3R

Certifications/Approvals

Listings UL CUL CSA TÜV

Technical Drawings

Page **IND 295**

Part No.	Enclosure						Mounting Panel			
	Outside dimensions (inches)			Inside dimensions (inches)			Part No.	Panel size		Usable depth
	H	W	D	H	W	D		H	W	
EZ L F16HS10	18.75	10.96	10.25	15.92	10.27	8.53	L MPL1610CD	13.00	8.50	7.8
EZ L F20HS16	22.75	16.87	11.00	19.70	16.04	9.24	L MPL2016CD	16.875	13.375	8.26
EZ L F24HS24	27.00	25.24	13.19	24.05	24.39	11.25	L MPL2424CD	20.875	21.375	10.25
EZ L F30HS24	33.41	26.32	13.19	30.46	25.47	11.27	L MPL3024CD	26.875	21.375	10.27
EZ L F36HS30	39.31	32.50	13.31	36.31	31.69	11.36	L MPL3630CD	32.875	27.375	10.36

EZ Designates a product in the EnclosureZone program.

NEMA 4X Freestanding Boxes



Legacy Fiberglass Freestanding Enclosures

These fiberglass freestanding boxes are designed primarily for indoor or outdoor use and can be used for many different applications. They protect installed equipment against splashing water, seepage of water, falling or hose directed water and severe external condensation.



Configuration

- Rigid body construction and water resistant seal
- Foamed-in-place polyurethane gasketing or neoprene gasketing (72.50" H cabinets)
- Wallmount or freestanding models available
- Molded-in panel mounting inserts or studs
- Eyebolts and crossbar construction
- Built-in padlock hasp

Technical Specifications

- Material:**
- *Body and door:* hot compression molded fiberglass reinforced polyester
 - *Optional mounting panel:* carbon steel
- Finish/color:**
- *Body and door:* fiberglass, pigmented light grey
 - *Optional mounting panel:* painted white

Protection Ratings

NEMA Type 1 3 4X 12 3R

Certifications/Approvals

Listings UL CUL CSA TÜV

Technical Drawings

Pages **IND 296-297**

Part No.	Enclosure						Mounting Panel			
	Outside dimensions (inches)			Inside dimensions (inches)			Part No.	Panel Size		Usable depth
	H	W	D	H	W	D		H	W	
EZ L F60H3612	63.50	36.50	14.12	60.13	36.13	13.44	L MPL6036CS	57.00	33.00	12.44
EZ L F60H3616	63.50	36.50	18.12	60.13	36.13	17.44	L MPL6036CS	57.00	33.00	16.44
EZ L F72H2525FS	72.50	25.50	26.38	72.00	25.00	25.75	L MPL7225CS	64.00	21.00	24.74
EZ L F72H4925FSDD	72.50	49.50	26.38	72.00	49.00	25.75	L MPL7249CS	64.00	22.00	24.74

EZ Designates a product in the EnclosureZone program.

30/22 mm Pushbutton Enclosures



Legacy Fiberglass Pushbutton Boxes

These fiberglass boxes are designed for indoor and outdoor use to house pushbuttons, selector switches, pilot lights and more and to protect such equipment against dirt, dust, and spraying of water, oil or coolant.



Configuration

- Lift-off cover
- Recessed captive stainless steel screws to hold cover
- Notched key hole design
- Metal grounding strap provided
- External mounting brackets available
- Foamed-in-place polyurethane gasketing

Technical Specifications

- Material:**
- *Body and door:* hot compression molded fiberglass reinforced polyester
- Finish/color:**
- *Body and door:* fiberglass, pigmented light grey

Protection Ratings

NEMA Type 1 3 4X 12 6P

Certifications/Approvals

Listings UL CUL CSA TÜV

Technical Drawings

Page **IND 298**

30 mm Enclosure						
Part No.	Outside dimensions (inches)			Inside dimensions (inches)		
	H	W	D	H	W	D
EZ L F1PB	6.63	3.81	3.89	6.00	3.19	3.63
EZ L F2PB	6.63	3.81	3.89	6.00	3.19	3.63
EZ L F3PB	8.88	3.81	3.89	8.26	3.19	3.63
EZ L F4PB	11.13	3.81	3.89	10.51	3.19	3.63
EZ L F5PB	13.78	3.63	3.14	13.19	3.03	2.87

22 mm Enclosure						
Part No.	Outside dimensions (inches)			Inside dimensions (inches)		
	H	W	D	H	W	D
EZ L F1PBGM	6.63	3.81	3.89	6.00	3.19	3.63
EZ L F2PBGM	6.63	3.81	3.89	6.00	3.19	3.63
EZ L F3PBGM	6.63	3.81	3.89	6.00	3.19	3.63
EZ L F4PBGM	8.88	3.81	3.89	8.26	3.19	3.63
EZ L F5PBGM	11.13	3.81	3.89	10.51	3.19	3.63

EZ Designates a product in the EnclosureZone program.

Small Box Pushbutton Enclosures



Legacy Fiberglass Pushbutton Boxes

These fiberglass boxes are designed for indoor and outdoor use to house pushbuttons, selector switches, pilot lights and more and to protect such equipment against dirt, dust, and spraying of water, oil or coolant.



Configuration

- Lift-off cover
- Continuous polyurethane cover gasket
- Small raised beveled cover flush with enclosure sides
- Recessed captive stainless steel screws
- External mounting brackets available
- Foamed-in-place polyurethane gasketing

Technical Specifications

- Material:**
- *Body and door:* hot compression molded fiberglass reinforced polyester
- Finish/color:**
- *Body and door:* fiberglass, pigmented light grey

Protection Ratings

NEMA Type 1 3 4X 12 6P

Certifications/Approvals

Listings UL CUL CSA TÜV

Technical Drawings

Page **IND 299**

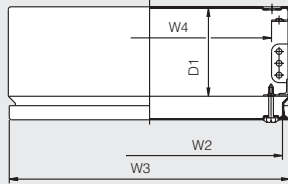
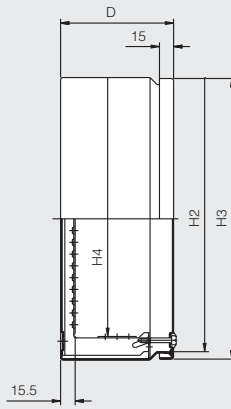
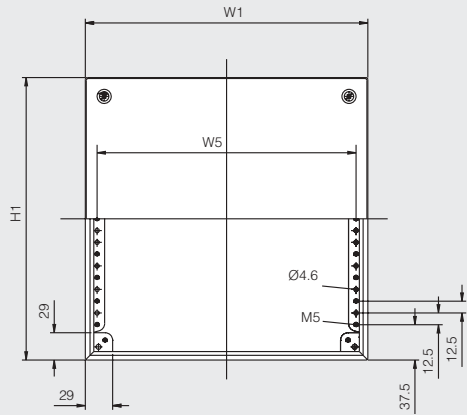
Enclosure							
Part No.	Outside dimensions (inches)			Inside dimensions (inches)			
	H	W	D	H	W	D	
L FJ332HB	3.72	3.63	2.95	3.13	3.03	2.70	
L FJ532HB	5.97	3.63	3.14	5.38	3.03	2.87	
L FJ644HB	6.63	3.81	3.89	6.00	3.19	3.63	
L FJ844HB	8.88	3.81	3.89	8.26	3.19	3.63	
L FJ1144HB	11.13	3.81	3.89	10.51	3.19	3.63	

Designates a product in the EnclosureZone program.

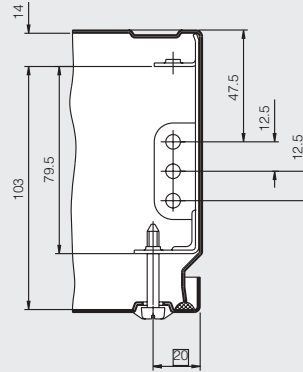


Technical Specifications

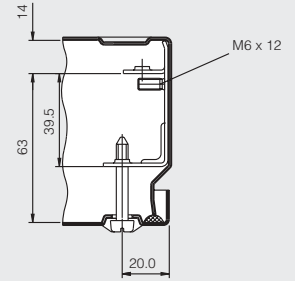
KL Junction Boxes



Detail X
D=120



Detail Y
D=80



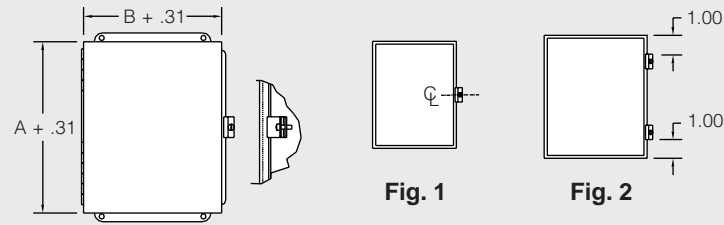
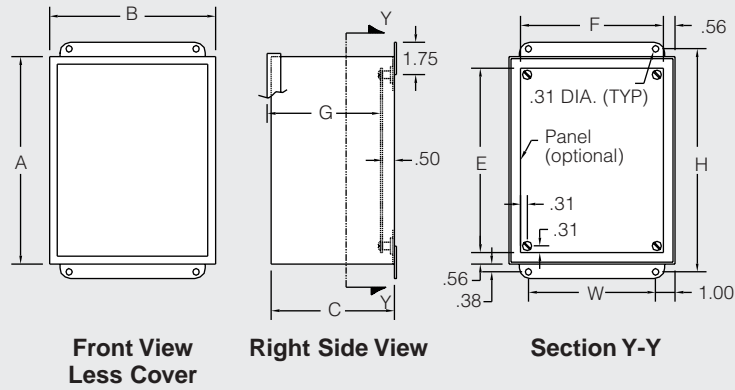
Enclosure						
Height (H1)	inches	5.91	5.91	7.87	7.87	7.87
	mm	150	150	200	200	200
Width (W1)	inches	5.91	11.81	7.87	11.81	15.75
	mm	150	300	200	300	400
Depth (D)	inches	3.15	3.15	3.15	3.15	4.72
	mm	80	80	80	80	120
Part No.		EZ 1521010	EZ 1522010	EZ 1523010	EZ 1524010	EZ 1525010
H2		132	132	182	182	182
H3		148	148	198	198	198
H4		100	100	150	150	150
W2		132	282	182	282	382
W3		148	298	198	298	398
W4		109	259	159	259	359
W5		125	275	175	275	375
D1		53.6	53.6	53.6	53.6	93.6
Weight	lbs.	2.9	4.0	4.0	5.3	7.9
	kg	1.3	1.8	1.8	2.4	1.5

Dimensions in millimeters (mm) unless otherwise indicated.

EZ Designates a product in the EnclosureZone program.

Technical Specifications

Continuous Hinge Cover Enclosures

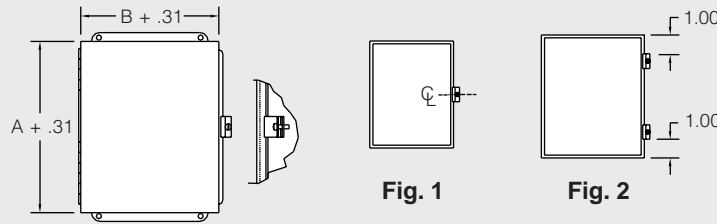
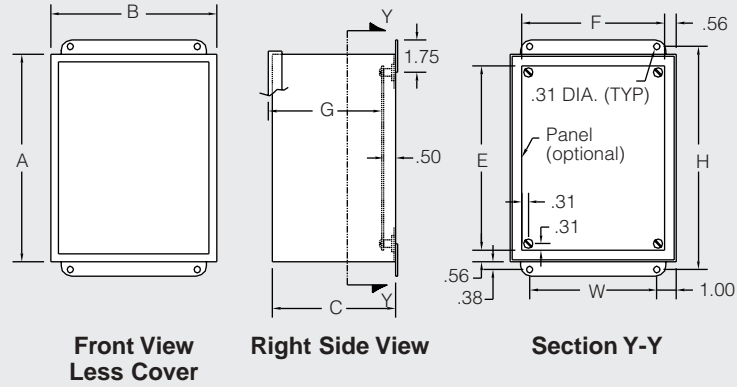


Enclosure					Mounting Panel					
Part No.	Height A	Width B	Depth C	Mounting centers		Part No.	Panel size		Usable depth G	Clamps
				H	W		E	F		
E 404CHSS	4.00	4.00	3.00	4.75	2.00	NONE	-	-	-	Fig. 1
E 4044CHSS	4.00	4.00	4.00	4.75	2.00	NONE	-	-	-	Fig. 1
E 604CHSS	6.00	4.00	3.00	6.75	2.00	E 6P4	4.88	2.88	2.50	Fig. 1
E 6044CHSS	6.00	4.00	4.00	6.75	2.00	E 6P4	4.88	2.88	3.50	Fig. 1
EZ E 606CHSS	6.00	6.00	4.00	6.75	4.00	E 6P6	4.88	4.88	3.50	Fig. 1
E 806CHSS	8.00	6.00	3.50	8.75	4.00	E 8P6	6.88	4.88	3.00	Fig. 2
EZ E 8066CHSS	8.00	6.00	6.00	8.75	4.00	E 8P6	6.88	4.88	5.50	Fig. 2
E 808CHSS	8.00	8.00	4.00	8.75	6.00	E 8P8	6.88	6.88	3.50	Fig. 2
E 1008CHSS	10.00	8.00	4.00	10.75	6.00	E 10P8	8.88	6.88	3.50	Fig. 2
E 10086CHSS	10.00	8.00	6.00	10.75	6.00	E 10P8	8.88	6.88	5.50	Fig. 2
E 10106CHSS	10.00	10.00	6.00	10.75	8.00	E 10P10	8.88	8.88	5.50	Fig. 2
E 12064CHSS	12.00	6.00	4.00	12.75	4.00	E 12P6	10.88	4.88	3.50	Fig. 2
E 1210CHSS	12.00	10.00	5.00	10.75	8.00	E 12P10	10.88	8.88	4.50	Fig. 2
E 12108CHSS	12.00	10.00	8.00	12.75	8.00	E 12P10	10.88	8.88	7.50	Fig. 2
E 1212CHSS	12.00	12.00	6.00	12.75	10.00	E 12P12	10.88	10.88	5.50	Fig. 2
E 14086CHSS	14.00	8.00	6.00	14.75	6.00	E 14P8	12.88	6.88	5.50	Fig. 2
E 1412CHSS	14.00	12.00	6.00	14.75	10.00	E 14P12	12.88	10.88	5.50	Fig. 2
E 14128CHSS	14.00	12.00	8.00	14.75	10.00	E 14P12	12.88	10.88	7.50	Fig. 2
E 16106CHSS	16.00	10.00	6.00	16.75	8.00	E 16P10	14.88	8.88	5.50	Fig. 2
E 1614CHSS	16.00	14.00	6.00	16.75	12.00	E 16P14	14.88	12.88	5.50	Fig. 2
E 16148CHSS	16.00	14.00	8.00	16.75	12.00	E 16P14	14.88	12.88	7.50	Fig. 2
E 161410CHSS	16.00	14.00	10.00	16.75	12.00	E 16P14	14.88	12.88	9.50	Fig. 2

EZ Designates a product in the EnclosureZone program.

Technical Specifications

Continuous Hinge Cover Enclosures

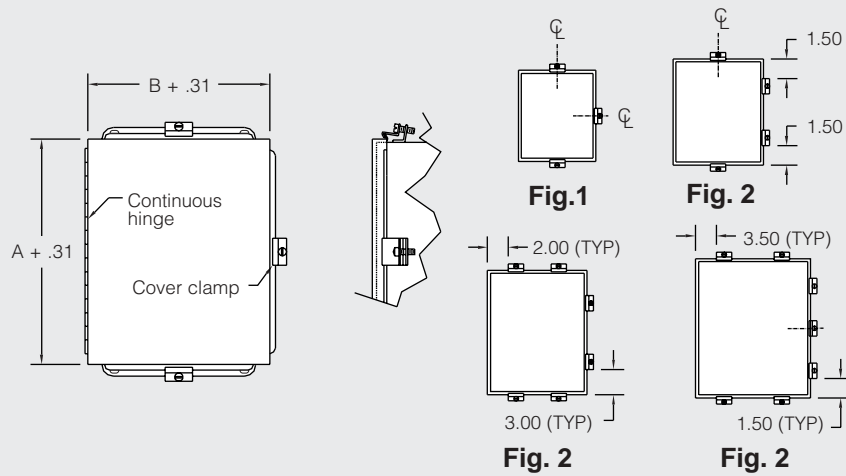
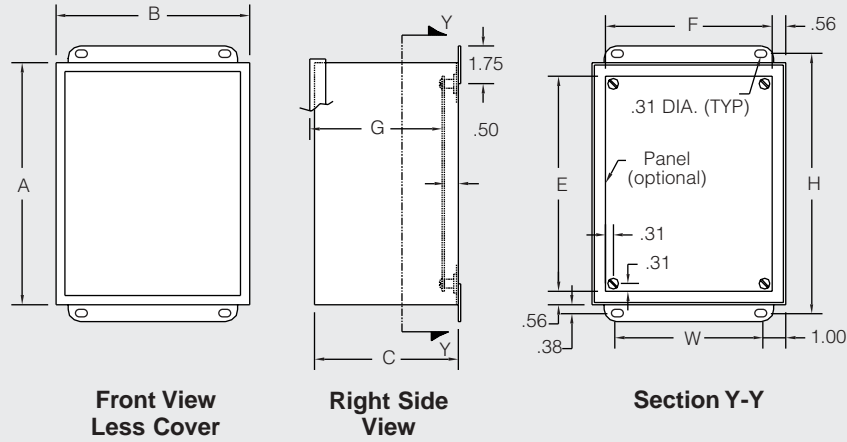


Part No.	Enclosure			Mounting Panel						
	Height A	Width B	Depth C	Mounting centers		Part No.	Panel size		Usable depth G	Clamps
				H	W		E	F		
EZ E 606CHAL	6.00	6.00	4.00	6.75	4.00	E 6P6	4.88	4.88	3.50	Fig. 1
EZ E 8064CHAL	8.00	6.00	4.00	8.75	4.00	E 8P6	6.88	4.88	3.50	Fig. 2
EZ E 1008CHAL	10.00	8.00	4.00	10.75	6.00	E 10P8	8.88	6.88	3.50	Fig. 2
EZ E 12106CHAL	12.00	10.00	6.00	12.75	8.00	E 12P10	10.88	8.88	5.50	Fig. 2
EZ E 1412CHAL	14.00	12.00	6.00	14.75	10.00	E 14P12	12.88	10.88	5.50	Fig. 2
EZ E 1614CHAL	16.00	14.00	6.00	16.75	12.00	E 16P14	14.88	12.88	5.50	Fig. 2

EZ Designates a product in the EnclosureZone program.

Technical Specifications

Continuous Hinge Cover Boxes

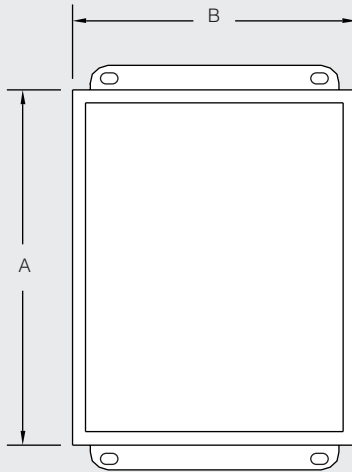


Enclosure							Mounting Panel				
Part No. 304 SS	Part No. 316 SS	Height A	Width B	Depth C	Mounting centers		Part No.	Panel size		Usable depth G	Clamps
					H	W		E	F		
EZ E 404CHNFSS	E 404CHNFSS6	4.00	4.00	3.00	4.75	2.00	-	-	-	-	Fig. 1
EZ E 604CHNFSS	E 604CHNFSS6	6.00	4.00	3.00	6.75	2.00	E 6P4	4.88	2.88	2.50	Fig. 1
EZ E 6044CHNFSS	E 6044CHNFSS6	6.00	4.00	4.00	6.75	2.00	E 6P4	4.88	2.88	3.50	Fig. 1
EZ E 606CHNFSS	EZ E 606CHNFSS6	6.00	6.00	4.00	6.75	4.00	E 6P6	4.88	4.88	3.50	Fig. 1
EZ E 806CHNFSS	E 806CHNFSS6	8.00	6.00	3.50	8.75	4.00	E 8P6	6.88	4.88	3.00	Fig. 1
EZ E 8064CHNFSS	E 8064CHNFSS6	8.00	6.00	4.00	8.75	4.00	E 8P6	6.88	4.88	3.50	Fig. 1
EZ E 1008CHNFSS	E 1008CHNFSS6	10.00	8.00	4.00	10.75	6.00	E 10P8	8.88	6.88	3.50	Fig. 2
EZ E 10086CHNFSS	E 10086CHNFSS6	10.00	8.00	6.00	10.75	6.00	E 10P8	8.88	6.88	5.50	Fig. 2
EZ E 1210CHNFSS	E 1210CHNFSS6	12.00	10.00	5.00	12.75	8.00	E 12P10	10.88	8.88	4.50	Fig. 3
EZ E 12106CHNFSS	EZ E 12106CHNFSS6	12.00	10.00	6.00	12.75	8.00	E 12P10	10.88	8.88	5.50	Fig. 3
EZ E 1212CHNFSS	E 1212CHNFSS6	12.00	12.00	6.00	12.75	10.00	E 12P12	10.88	10.88	5.50	Fig. 3
EZ E 1412CHNFSS	E 1412CHNFSS6	14.00	12.00	6.00	14.75	10.00	E 14P12	12.88	10.88	5.50	Fig. 3
EZ E 1614CHNFSS	E 1614CHNFSS6	16.00	14.00	6.00	16.75	12.00	E 16P14	14.88	12.88	5.50	Fig. 4

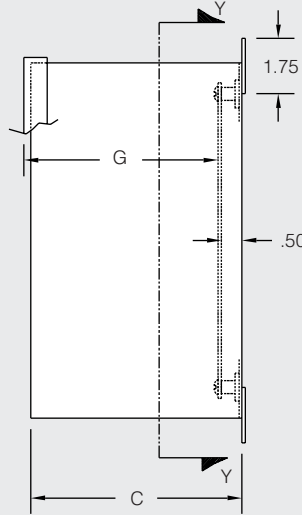
EZ Designates a product in the EnclosureZone program.

Technical Specifications

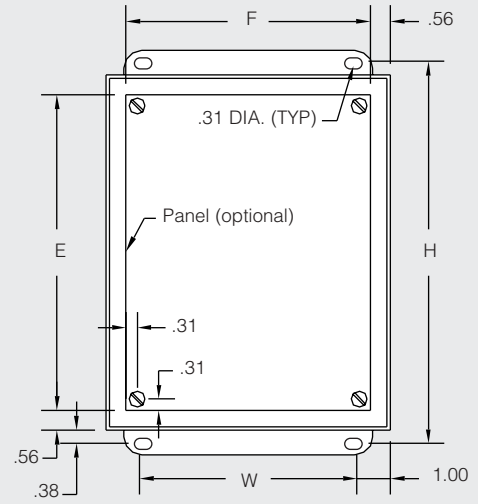
Clamp Cover Junction Enclosures



**Front View
Less Cover**



Right Side View



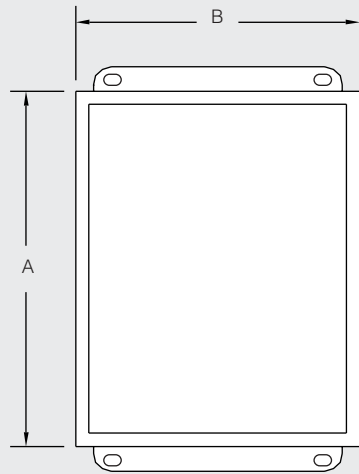
Section Y-Y

Enclosure						Mounting Panel			
Part No.	Height A	Width B	Depth C	Mounting centers		Part No.	Panel size		Usable depth G
				H	W		E	F	
EZ E 404NFSS	4.00	4.00	3.00	4.75	2.00	NONE	-	-	-
E 404NFSS6	4.00	4.00	3.00	4.75	2.00	NONE	-	-	-
E 604NFSS	6.00	4.00	3.00	6.75	2.00	E 6P4	4.88	2.88	2.50
E 604NFSS6	6.00	4.00	3.00	6.75	2.00	E 6P4	4.88	2.88	2.50
E 6044NFSS	6.00	4.00	4.00	6.75	2.00	E 6P4	4.88	2.88	3.50
E 6044NFSS6	6.00	4.00	4.00	6.75	2.00	E 6P4	4.88	2.88	3.50
E 606NFSS	6.00	6.00	4.00	6.75	4.00	E 6P6	4.88	4.88	3.50
E 606NFSS6	6.00	6.00	4.00	6.75	4.00	E 6P6	4.88	4.88	3.50
E 8064NFSS	8.00	6.00	4.00	8.75	4.00	E 8P6	6.88	4.88	3.50
E 8064NFSS6	8.00	6.00	4.00	8.75	4.00	E 8P6	6.88	4.88	3.50
E 1008NFSS	10.00	8.00	4.00	10.75	6.00	E 10P8	8.88	6.88	3.50
E 1008NFSS6	10.00	8.00	4.00	10.75	6.00	E 10P8	8.88	6.88	3.50
EZ E 1210NFSS	12.00	10.00	5.00	12.75	8.00	E 12P10	10.88	8.88	4.50
E 1210NFSS6	12.00	10.00	5.00	12.75	8.00	E 12P10	10.88	8.88	4.50
E 12106NFSS	12.00	10.00	6.00	12.75	8.00	E 12P10	10.88	8.88	5.50
E 12106NFSS6	12.00	10.00	6.00	12.75	8.00	E 12P10	10.88	8.88	5.50
E 1412NFSS	14.00	12.00	6.00	14.75	10.00	E 14P12	12.88	10.88	5.50
E 1412NFSS6	14.00	12.00	6.00	14.75	10.00	E 14P12	12.88	10.88	5.50
E 1614NFSS	16.00	14.00	6.00	16.75	12.00	E 16P14	14.88	12.88	5.50
E 1614NFSS6	16.00	14.00	6.00	16.75	12.00	E 16P14	14.88	12.88	5.50

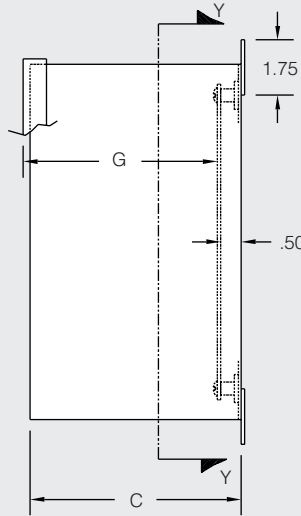
EZ Designates a product in the EnclosureZone program.

Technical Specifications

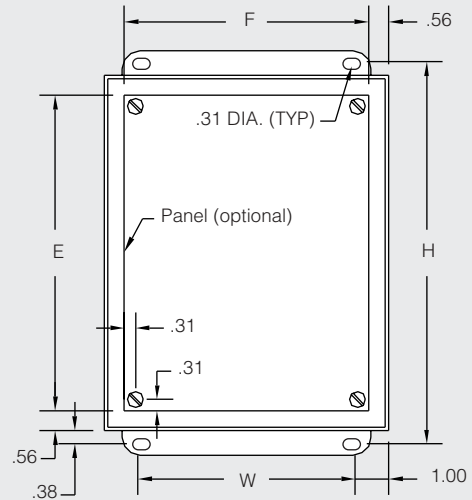
Clamp Cover Junction Enclosures



Front View
Less Cover



Right Side View



Section Y-Y

Enclosure				Mounting Panel					
Part No.	Height A	Width B	Depth C	Mounting centers		Part No.	Panel size		Usable depth G
				H	W		E	F	
E 604NFAL	6.00	4.00	3.00	6.75	2.00	E 6P4	4.88	2.88	2.50
EZ E 606NFAL	6.00	6.00	4.00	6.75	4.00	E 6P6	4.88	4.88	3.50
EZ E 8064NFAL	8.00	6.00	4.00	8.75	4.00	E 8P6	6.88	4.88	3.50
EZ E 1008NFAL	10.00	8.00	4.00	10.75	6.00	E 10P8	8.88	6.88	3.50
EZ E 1210NFAL	12.00	10.00	5.00	12.75	8.00	E 12P10	10.88	8.88	4.50
E 1412NFAL	14.00	12.00	6.00	14.75	10.00	E 14P12	12.88	10.88	5.50
E 1614NFAL	16.00	14.00	6.00	16.75	12.00	E 16P14	14.88	12.88	5.50

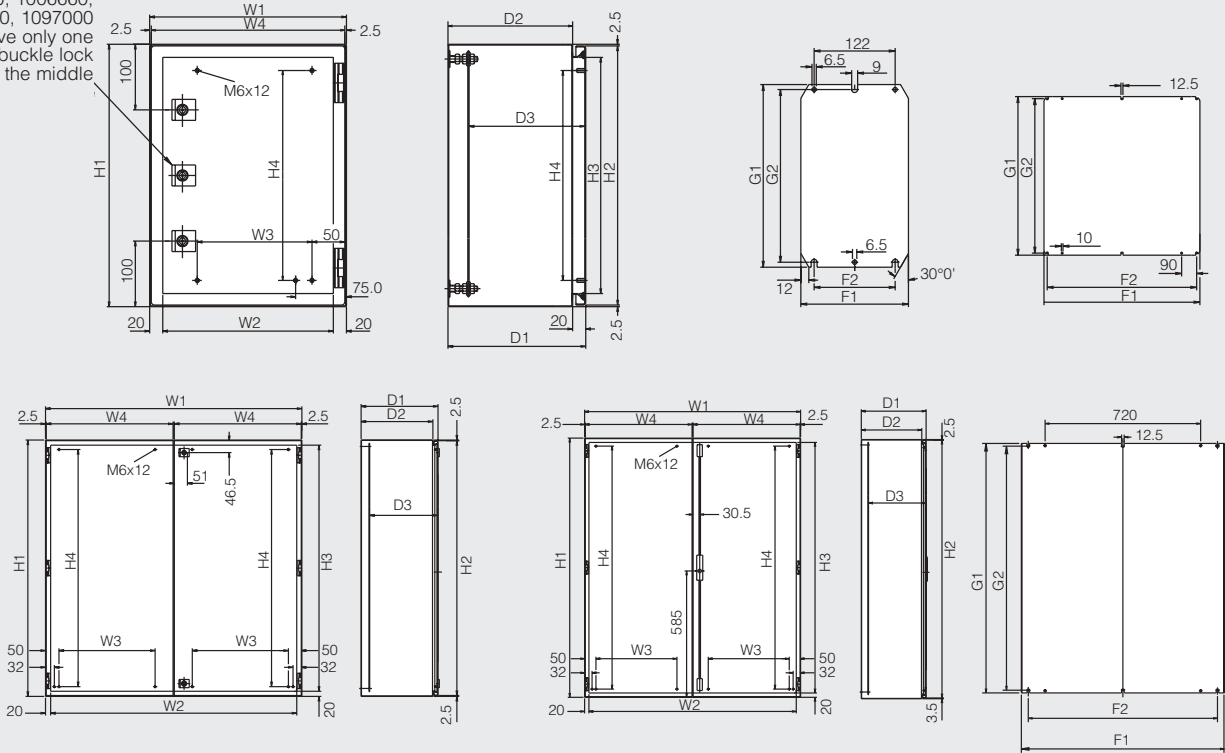
EZ Designates a product in the EnclosureZone program.



Technical Specifications

AE Wallmount Enclosures

AE 1002660, 1004660,
1005660, 1006660,
1009660, 1097000
have only one
turnbuckle lock
in the middle



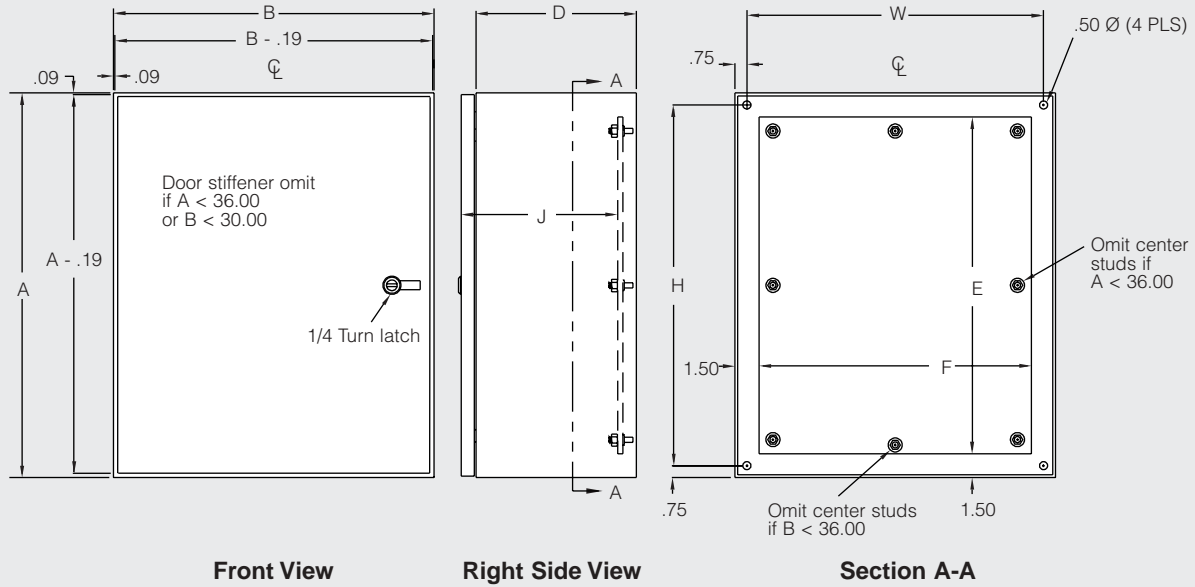
Part No.	Enclosure															Weight	
	H1	W1	D1	H2	H3	H4	W2	W3	W4	D2	D3	F1	F2	G1	G2	lbs	kg
	EZ 1002660	300	200	155	295	274	225	33	-	195	135	135	162	122	275	260	9.9
EZ 1004660	300	380	155	295	260	225	340	250	375	135	113-129	334	295	275	250	19.4	8.8
EZ 1005660	380	300	210	375	340	275	260	175	295	190	168-184	254	215	355	330	19.1	8.7
EZ 1006660	380	380	210	375	340	275	340	250	375	190	168-184	334	295	355	330	26.4	12.0
EZ 1009660	380	600	210	375	340	275	560	475	595	190	168-184	549	510	355	330	37.4	17.0
EZ 1097000	400	300	210	395	360	325	260	175	295	190	168-184	254	215	254	215	20.5	9.3
EZ 1007660	500	500	210	495	460	425	460	375	495	190	168-184	449	410	470	445	41.6	18.9
EZ 1008660	600	380	210	595	560	525	340	250	375	190	168-184	334	295	570	545	37.4	17.0
EZ 1010660	600	600	210	595	560	525	560	475	595	190	168-184	549	510	570	545	55.0	25.0
EZ 1012660	760	600	210	755	720	675	560	475	595	190	168-184	549	510	730	705	69.7	31.7
EZ 1014660	760	760	300	755	720	675	720	625	755	280	258-274	704	665	730	705	93.5	42.5
EZ 1016660	1000	800	300	995	960	920	760	675	795	280	258-274	739	700	955	930	116.4	52.9
EZ 1017660	1200	800	300	1194	1160	1125	760	675	795	280	258-274	739	700	1150	1130	154.0	70.0

Dimensions in millimeters (mm) unless otherwise indicated.

EZ Designates a product in the EnclosureZone program.

Technical Specifications

Legacy Series Enclosures



Front View

Right Side View

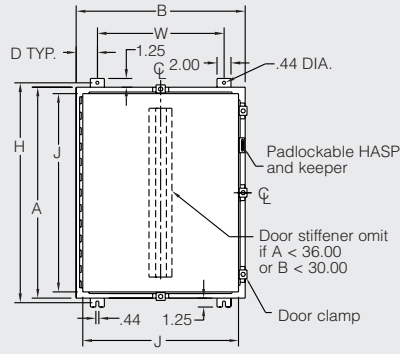
Section A-A

Part No.	Enclosure					Mounting Panel							
	Outside dimensions (inches)			Mounting centers		White (Full Size)	Zinc (Full Size)	Panel size		White (NEMA Style)	Panel size		Usable depth
	H	W	D	H	W	Panel Part No.	Panel Part No.	H	W	Panel Part No.	H	W	J
EZ L W120806SS	12.00	8.00	6.00	10.5	10.5	L W12P8W	L W12P8	10.2	6.2	E 12P8	-	-	5.0
EZ L W121206SS	12.00	12.00	6.00	10.5	10.5	L W12P12W	L W12P12	10.2	10.2	E 12P12	-	-	5.0
EZ L W161206SS	16.00	12.00	6.00	14.5	10.5	L W16P12W	L W16P12	14.2	10.2	E 16P12	13.0	9.0	5.0
EZ L W161208SS	16.00	12.00	8.00	14.5	10.5	L W16P12W	L W16P12	14.2	10.2	E 16P12	13.0	9.0	7.0
EZ L W161606SS	16.00	16.00	6.00	14.5	14.5	L W16P16W	L W16P16	14.2	14.2	E 16P16	13.0	13.0	5.0
EZ L W161608SS	16.00	16.00	8.00	14.5	14.5	L W16P16W	L W16P16	14.2	14.2	E 16P16	13.0	13.0	7.0
L W162008SS	16.00	20.00	8.00	14.5	18.5	L W16P20W	L W16P20	14.2	18.2	E 20P16	13.0	13.0	7.0
L W201606SS	20.00	16.00	6.00	18.5	14.5	L W20P16W	L W20P16	18.2	14.2	E 20P16	17.0	13.0	5.0
EZ L W201608SS	20.00	16.00	8.00	18.5	14.5	L W20P16W	L W20P16	18.2	14.2	E 20P16	17.0	13.0	7.0
L W202006SS	20.00	20.00	6.00	18.5	18.5	L W20P20W	L W20P20	18.2	18.2	E 20P20	17.0	17.0	5.0
EZ L W202008SS	20.00	20.00	8.00	18.5	18.5	L W20P20W	L W20P20	18.2	18.2	E 20P20	17.0	17.0	7.0
EZ L W202012SS	20.00	20.00	12.00	18.5	18.5	L W20P20W	L W20P20	18.2	18.2	E 20P20	17.0	17.0	11.0
L W241608SS	24.00	16.00	8.00	22.5	14.5	L W24P16W	L W24P16	22.2	14.2	E 24P16	21.0	13.0	7.0
EZ L W242008SS	24.00	20.00	8.00	22.5	18.5	L W24P20W	L W24P20	22.2	18.2	E 24P20	21.0	17.0	7.0
EZ L W242012SS	24.00	20.00	12.00	22.5	18.5	L W24P20W	L W24P20	22.2	18.2	E 24P20	21.0	17.0	11.0
EZ L W242408SS	24.00	24.00	8.00	22.5	22.5	L W24P24W	L W24P24	22.2	22.2	E 24P24	21.0	21.0	7.0
EZ L W242412SS	24.00	24.00	12.00	22.5	22.5	L W24P24W	L W24P24	22.2	22.2	E 24P24	21.0	21.0	11.0
EZ L W302408SS	30.00	24.00	8.00	28.5	22.5	L W30P24W	L W30P24	28.2	22.2	E 30P24	27.0	21.0	7.0
EZ L W302412SS	30.00	24.00	12.00	28.5	22.5	L W30P24W	L W30P24	28.2	22.2	E 30P24	27.0	21.0	11.0
EZ L W303008SS	30.00	30.00	8.00	28.5	28.5	L W30P30W	L W30P30	28.2	28.2	E 30P30	27.0	27.0	7.0
EZ L W303012SS	30.00	30.00	12.00	28.5	28.5	L W30P30W	L W30P30	28.2	28.2	E 30P30	27.0	27.0	11.0
EZ L W362408SS	36.00	24.00	8.00	34.5	22.5	L W36P24W	L W36P24	34.2	22.2	E 36P24	33.0	21.0	7.0
L W362412SS	36.00	24.00	12.00	34.5	22.5	L W36P24W	L W36P24	34.2	22.2	E 36P24	33.0	21.0	11.0
L W363008SS	36.00	30.00	8.00	34.5	28.5	L W36P30W	L W36P30	34.2	26.2	E 36P30	33.0	27.0	7.0
EZ L W363012SS	36.00	30.00	12.00	34.5	28.5	L W36P30W	L W36P30	34.2	28.2	E 36P30	33.0	27.0	11.0
L W363612SS	36.00	36.00	12.00	34.5	34.5	L W36P36W	L W36P36	34.2	34.2	E 36P36	33.0	33.0	11.0
EZ L W483612SS	48.00	36.00	12.00	46.5	34.5	L W48P36W	L W48P36	46.2	34.2	E 48P36	45.0	33.0	11.0
L W603612SS	60.00	36.00	12.00	58.5	34.5	L W60P36W	L W60P36	58.2	34.2	E 60P36	57.0	33.0	11.0
EZ L W603616SS	60.00	36.00	16.00	58.5	34.5	L W60P36W	L W60P36	58.2	34.2	E 60P36	57.0	33.0	15.0

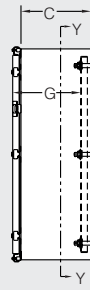
EZ Designates a product in the EnclosureZone program.

Technical Specifications

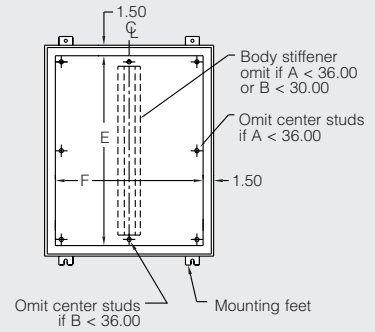
One Door Wallmount Boxes



Front View



Right Side View



Section Y-Y

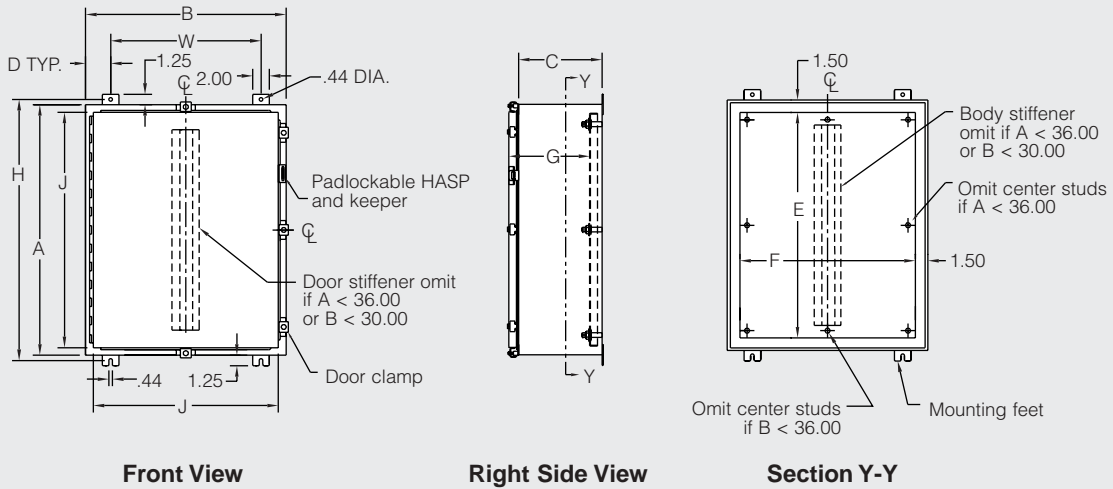
Enclosure									Mounting Panel					
Part No. 304 SS	Part No. 316 SS	Height A	Width B	Depth C	Mounting centers			Door and body stiffener	Cover size		Part No.	Panel size		Usable depth G
					H	W	D		J	K		E	F	
EZ E 16H1206SS	E 16H1206SS6	16.00	12.00	6.00	17.25	9.50	1.25	NO	14.19	10.16	E 16P12	13.00	9.00	6.00
EZ E 16H1208SS	E 16H1208SS6	16.00	12.00	8.00	17.25	9.50	1.25	NO	14.19	10.16	E 16P12	13.00	9.00	8.00
EZ E 16H1606SS	EZ E 16H1606SS6	16.00	16.00	6.00	17.25	10.00	3.00	NO	14.19	14.16	E 16P16	13.00	13.00	6.00
E 16H2006SS	E 16H2006SS6	16.00	20.00	6.00	17.25	14.00	3.00	NO	14.19	18.16	E 20P16	13.00	17.00	6.00
EZ E 20H1606SS	E 20H1606SS6	20.00	16.00	6.00	21.25	10.00	3.00	NO	18.19	14.16	E 20P16	17.00	13.00	6.00
EZ E 20H1608SS	E 20H1608SS6	20.00	16.00	8.00	21.25	10.00	3.00	NO	18.19	14.16	E 20P16	17.00	13.00	8.00
EZ E 20H1610SS	E 20H1610SS6	20.00	16.00	10.00	21.25	10.00	3.00	NO	18.19	14.16	E 20P16	17.00	13.00	10.00
EZ E 20H2006SS	E 20H2006SS6	20.00	20.00	6.00	21.25	14.00	3.00	NO	18.19	18.16	E 20P20	17.00	17.00	6.00
EZ E 20H2008SS	E 20H2008SS6	20.00	20.00	8.00	21.25	14.00	3.00	NO	18.19	18.16	E 20P20	17.00	17.00	8.00
EZ E 20H2408SS	E 20H2408SS6	20.00	24.00	8.00	21.25	18.00	3.00	NO	18.19	22.16	E 24P20	17.00	21.00	8.00
E 24H1206SS	E 24H1206SS6	24.00	12.00	6.00	25.25	9.50	1.25	NO	22.19	10.16	E 12P24	21.00	9.00	6.00
E 24H1606SS	E 24H1606SS6	24.00	16.00	6.00	25.25	10.00	3.00	NO	22.19	14.16	E 24P16	21.00	13.00	6.00
EZ E 24H1608SS	E 24H1608SS6	24.00	16.00	8.00	25.25	10.00	3.00	NO	22.19	14.16	E 24P16	21.00	13.00	8.00
EZ E 24H2006SS	E 24H2006SS6	24.00	20.00	6.00	25.25	14.00	3.00	NO	22.19	18.16	E 24P20	21.00	17.00	6.00
EZ E 24H2008SS	E 24H2008SS6	24.00	20.00	8.00	25.25	14.00	3.00	NO	22.19	18.16	E 24P20	21.00	17.00	8.00
EZ E 24H2010SS	E 24H2010SS6	24.00	20.00	10.00	25.25	14.00	3.00	NO	22.19	18.16	E 24P20	21.00	17.00	10.00
EZ E 24H2406SS	E 24H2406SS6	24.00	24.00	6.00	25.25	18.00	3.00	NO	22.19	22.16	E 24P24	21.00	21.00	6.00
EZ E 24H2408SS	EZ E 24H2408SS6	24.00	24.00	8.00	25.25	18.00	3.00	NO	22.19	22.16	E 24P24	21.00	21.00	8.00
EZ E 24H2412SS	EZ E 24H2412SS6	24.00	24.00	12.00	25.25	18.00	3.00	NO	22.19	22.16	E 24P24	21.00	21.00	12.00
EZ E 24H3008SS	E 24H3008SS6	24.00	30.00	8.00	25.25	24.00	3.00	NO	22.19	28.16	E 30P24	21.00	27.00	8.00
E 30H2006SS	E 30H2006SS6	30.00	20.00	6.00	31.25	14.50	3.00	NO	28.19	18.16	E 30P20	27.00	17.00	6.00
EZ E 30H2008SS	E 30H2008SS6	30.00	20.00	8.00	31.25	14.00	3.00	NO	28.19	18.16	E 30P20	27.00	17.00	8.00
E 30H2406SS	E 30H2406SS6	30.00	24.00	6.00	31.25	18.00	3.00	NO	28.19	22.16	E 30P24	27.00	21.00	6.00
EZ E 30H2408SS	EZ E 30H2408SS6	30.00	24.00	8.00	31.25	18.00	3.00	NO	28.19	22.16	E 30P24	27.00	21.00	8.00
EZ E 30H2410SS	E 30H2410SS6	30.00	24.00	10.00	31.25	18.00	3.00	NO	28.19	22.16	E 30P24	27.00	21.00	10.00
EZ E 30H2412SS	E 30H2412SS6	30.00	24.00	12.00	31.25	18.00	3.00	NO	28.19	22.16	E 30P24	27.00	21.00	12.00
E 30H2416SS	E 30H2416SS6	30.00	24.00	16.00	31.25	18.00	3.00	NO	28.19	22.16	E 30P24	27.00	21.00	16.00
EZ E 30H3008SS	E 30H3008SS6	30.00	30.00	8.00	31.25	24.00	3.00	NO	28.19	28.16	E 30P30	27.00	27.00	8.00
EZ E 36H2408SS	EZ E 36H2408SS6	36.00	24.00	8.00	37.25	18.00	3.00	NO	34.19	22.16	E 36P24	33.00	21.00	8.00
EZ E 36H2410SS	E 36H2410SS6	36.00	24.00	10.00	37.25	18.00	3.00	NO	34.19	22.16	E 36P24	33.00	21.00	10.00
EZ E 36H3008SS	E 36H3008SS6	36.00	30.00	8.00	37.25	24.00	3.00	YES	34.19	28.16	E 36P30	33.00	27.00	7.37*
EZ E 36H3010SS	E 36H3010SS6	36.00	30.00	10.00	37.25	24.00	3.00	YES	34.19	28.16	E 36P30	33.00	27.00	9.37*
EZ E 36H3012SS	EZ E 36H3012SS6	36.00	30.00	12.00	37.25	24.00	3.00	YES	34.19	28.16	E 36P30	33.00	27.00	11.37*
EZ E 36H3016SS	E 36H3016SS6	36.00	30.00	16.00	37.25	24.00	3.00	YES	34.19	28.16	E 36P30	33.00	27.00	15.37*
EZ E 36H3612SS	E 36H3612SS6	36.00	36.00	12.00	37.25	30.00	3.00	YES	34.19	34.16	E 36P36	33.00	33.00	11.37*
E 42H3008SS	E 42H3008SS6	42.00	30.00	8.00	43.25	24.00	3.00	YES	40.19	28.16	E 42P30	39.00	27.00	7.37*
EZ E 42H3010SS	E 42H3010SS6	42.00	30.00	10.00	43.25	24.00	3.00	YES	40.19	28.16	E 42P30	39.00	27.00	9.37*
EZ E 42H3608SS	E 42H3608SS6	42.00	36.00	8.00	43.25	30.00	3.00	YES	40.19	34.16	E 42P36	39.00	33.00	7.37*
E 48H3010SS	E 48H3010SS6	48.00	30.00	10.00	49.25	24.00	3.00	YES	46.19	28.16	E 48P30	45.00	27.00	9.37*
E 48H3608SS	E 48H3608SS6	48.00	36.00	8.00	49.25	30.00	3.00	YES	46.19	34.16	E 48P36	45.00	33.00	7.37*
E 48H3610SS	E 48H3610SS6	48.00	36.00	10.00	49.25	30.00	3.00	YES	46.19	34.16	E 48P36	45.00	33.00	9.37*
EZ E 48H3612SS	E 48H3612SS6	48.00	36.00	12.00	49.25	30.00	3.00	YES	46.19	34.16	E 48P36	45.00	33.00	11.37*
EZ E 48H3616SS	E 48H3616SS6	48.00	36.00	16.00	49.25	30.00	3.00	YES	46.19	34.16	E 48P36	45.00	33.00	15.37*
E 60H3608SS	E 60H3608SS6	60.00	36.00	8.00	61.25	30.00	3.00	YES	58.19	34.16	E 60P36	57.00	33.00	7.37*
E 60H3610SS	E 60H3610SS6	60.00	36.00	10.00	61.25	30.00	3.00	YES	58.19	34.16	E 60P36	57.00	33.00	9.37*
EZ E 60H3612SS	E 60H3612SS6	60.00	36.00	12.00	61.25	30.00	3.00	YES	58.19	34.16	E 60P36	57.00	33.00	11.37*
EZ E 60H3616SS	EZ E 60H3616SS6	60.00	36.00	16.00	61.25	30.00	3.00	YES	58.19	34.16	E 60P36	57.00	33.00	15.37*

* Usable depth reduced by .625" at door stiffener.

EZ Designates a product in the EnclosureZone program.

Technical Specifications

One Door Wallmount Boxes



Front View

Right Side View

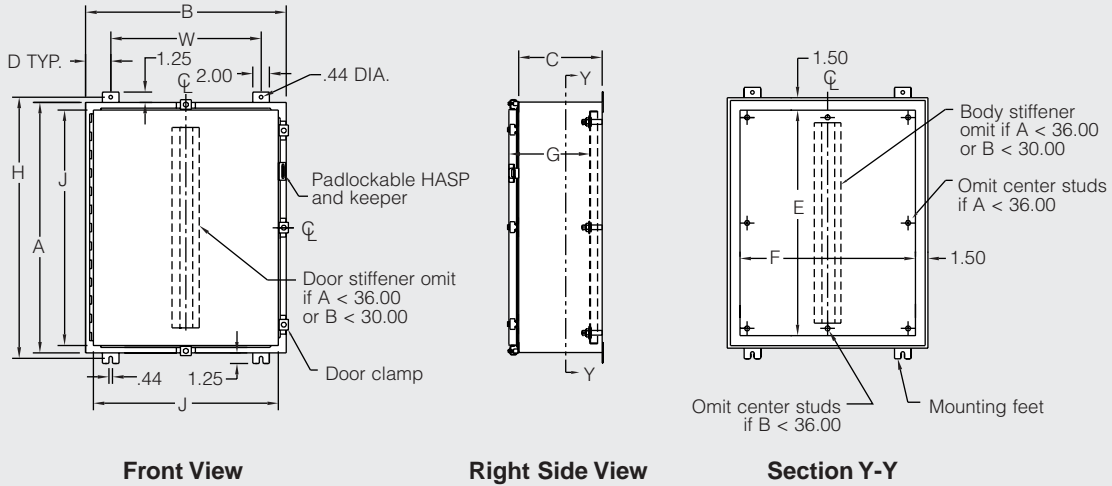
Section Y-Y

Part No.	Enclosure							Mounting Panel					
	Height A	Width B	Depth C	Mounting centers			Door and body stiffener	Cover size		Part No.	Panel size		Usable depth G
				H	W	D		J	K		E	F	
EZ E 16H1206AL	16.00	12.00	6.00	17.25	9.50	1.25	NO	14.19	10.16	E 16P12	13.00	9.00	6.00
EZ E 16H1608AL	16.00	16.00	8.00	17.25	10.00	3.00	NO	14.19	14.16	E 16P16	13.00	13.00	8.00
EZ E 20H1606AL	20.00	16.00	6.00	21.25	10.00	3.00	NO	18.19	14.16	E 20P16	17.00	13.00	6.00
E 20H1610AL	20.00	16.00	10.00	21.25	10.00	3.00	NO	18.19	14.16	E 20P16	17.00	13.00	10.00
EZ E 20H2006AL	20.00	20.00	6.00	21.25	14.00	3.00	NO	18.19	18.16	E 20P20	17.00	17.00	6.00
EZ E 24H2006AL	24.00	20.00	6.00	25.25	14.00	3.00	NO	22.19	18.16	E 24P20	21.00	17.00	6.00
E 24H2010AL	24.00	20.00	10.00	25.25	14.00	3.00	NO	22.19	18.16	E 24P20	21.00	17.00	10.00
EZ E 24H2408AL	24.00	24.00	8.00	25.25	18.00	3.00	NO	22.19	22.16	E 24P24	21.00	21.00	8.00
EZ E 30H2408AL	30.00	24.00	8.00	31.25	18.00	3.00	NO	28.19	22.16	E 30P24	27.00	21.00	8.00
EZ E 30H2412AL	30.00	24.00	12.00	31.25	18.00	3.00	NO	28.19	22.16	E 30P24	27.00	21.00	12.00
E 36H2408AL	36.00	24.00	8.00	37.25	18.00	3.00	NO	34.19	22.16	E 36P24	33.00	21.00	8.00
E 36H3008AL	36.00	30.00	8.00	37.25	24.00	3.00	YES	34.19	28.16	E 36P30	33.00	27.00	7.37*
EZ E 36H3012AL	36.00	30.00	12.00	37.25	24.00	3.00	YES	34.19	28.16	E 36P30	33.00	27.00	11.37*
E 48H3608AL	48.00	36.00	8.00	49.25	30.00	3.00	YES	46.19	34.16	E 48P36	45.00	33.00	7.37*
E 60H3612AL	60.00	36.00	12.00	61.25	30.00	3.00	YES	58.19	34.16	E 60P36	57.00	33.00	11.37*

* Usable depth reduced by .625" at door stiffener.

Technical Specifications

One Door Wallmount Enclosures



Front View

Right Side View

Section Y-Y

Part No.	Enclosure							Mounting Panel					
	Outside dimensions			Mounting centers			Door and body stiffener	Door size		Part No.	Panel size		Usable depth
	H	W	D	H	W	D		J	K		H	W	
E 122406SS	12.00	24.00	6.00	13.25	18.00	3.00	NO	10.19	22.16	E 12P24	9.00	21.00	6.00
E 122408SS	12.00	24.00	8.00	13.25	18.00	3.00	NO	10.19	22.16	E 12P24	9.00	21.00	8.00
E 161206SS	16.00	12.00	6.00	17.25	9.50	1.25	NO	14.19	10.16	E 16P12	13.00	9.00	6.00
E 161208SS	16.00	12.00	8.00	17.25	9.50	1.25	NO	14.19	10.16	E 16P12	13.00	9.00	8.00
E 161210SS	16.00	12.00	10.00	17.25	9.50	1.25	NO	14.19	10.16	E 16P12	13.00	9.00	10.00
E 161606SS	16.00	16.00	6.00	17.25	10.00	3.00	NO	14.19	14.16	E 16P16	13.00	13.00	6.00
E 161608SS	16.00	16.00	8.00	17.25	10.00	3.00	NO	14.19	14.16	E 16P16	13.00	13.00	8.00
E 162006SS	16.00	20.00	6.00	17.25	14.00	3.00	NO	14.19	18.16	E 20P16	13.00	17.00	6.00
E 162008SS	16.00	20.00	8.00	17.25	14.00	3.00	NO	14.19	18.16	E 20P16	13.00	17.00	8.00
E 201206SS	20.00	12.00	6.00	21.25	9.50	1.25	NO	18.19	10.16	E 20P12	17.00	9.00	6.00
E 201208SS	20.00	12.00	8.00	21.25	9.50	1.25	NO	18.19	10.16	E 20P12	17.00	9.00	8.00
E 201606SS	20.00	16.00	6.00	21.25	10.00	3.00	NO	18.19	14.16	E 20P16	17.00	13.00	6.00
E 201608SS	20.00	16.00	8.00	21.25	10.00	3.00	NO	18.19	14.16	E 20P16	17.00	13.00	8.00
E 201610SS	20.00	16.00	10.00	21.25	10.00	3.00	NO	18.19	14.16	E 20P16	17.00	13.00	10.00
E 201612SS	20.00	16.00	12.00	21.25	10.00	3.00	NO	18.19	14.16	E 20P16	17.00	13.00	12.00
E 202006SS	20.00	20.00	6.00	21.25	14.00	3.00	NO	18.19	18.16	E 20P20	17.00	17.00	6.00
E 202008SS	20.00	20.00	8.00	21.25	14.00	3.00	NO	18.19	18.16	E 20P20	17.00	17.00	8.00
E 202010SS	20.00	20.00	10.00	21.25	14.00	3.00	NO	18.19	18.16	E 20P20	17.00	17.00	10.00
E 202406SS	20.00	24.00	6.00	21.25	18.00	3.00	NO	18.19	22.16	E 24P20	17.00	21.00	6.00
E 202408SS	20.00	24.00	8.00	21.25	18.00	3.00	NO	18.19	22.16	E 24P20	17.00	21.00	8.00
E 241206SS	24.00	12.00	6.00	25.25	9.50	1.25	NO	22.19	10.16	E 12P24	21.00	9.00	6.00
E 241208SS	24.00	12.00	8.00	25.25	9.50	1.25	NO	22.19	10.16	E 12P24	21.00	9.00	8.00
E 241210SS	24.00	12.00	10.00	25.25	9.50	1.25	NO	22.19	10.16	E 12P24	21.00	9.00	10.00
E 241606SS	24.00	16.00	6.00	25.25	10.00	3.00	NO	22.19	14.16	E 24P16	21.00	13.00	6.00
E 241608SS	24.00	16.00	8.00	25.25	10.00	3.00	NO	22.19	14.16	E 24P16	21.00	13.00	8.00
E 242006SS	24.00	20.00	6.00	25.25	14.00	3.00	NO	22.19	18.16	E 24P20	21.00	17.00	6.00
E 242008SS	24.00	20.00	8.00	25.25	14.00	3.00	NO	22.19	18.16	E 24P20	21.00	17.00	8.00
E 242010SS	24.00	20.00	10.00	25.25	14.00	3.00	NO	22.19	18.16	E 24P20	21.00	17.00	10.00
E 242012SS	24.00	20.00	12.00	25.25	14.00	3.00	NO	22.19	18.16	E 24P20	21.00	17.00	12.00
E 242016SS	24.00	20.00	16.00	25.25	14.00	3.00	NO	22.19	18.16	E 24P20	21.00	17.00	16.00
E 242406SS	24.00	24.00	6.00	25.25	18.00	3.00	NO	22.19	22.16	E 24P24	21.00	21.00	6.00

Chart continues on page IND 266.

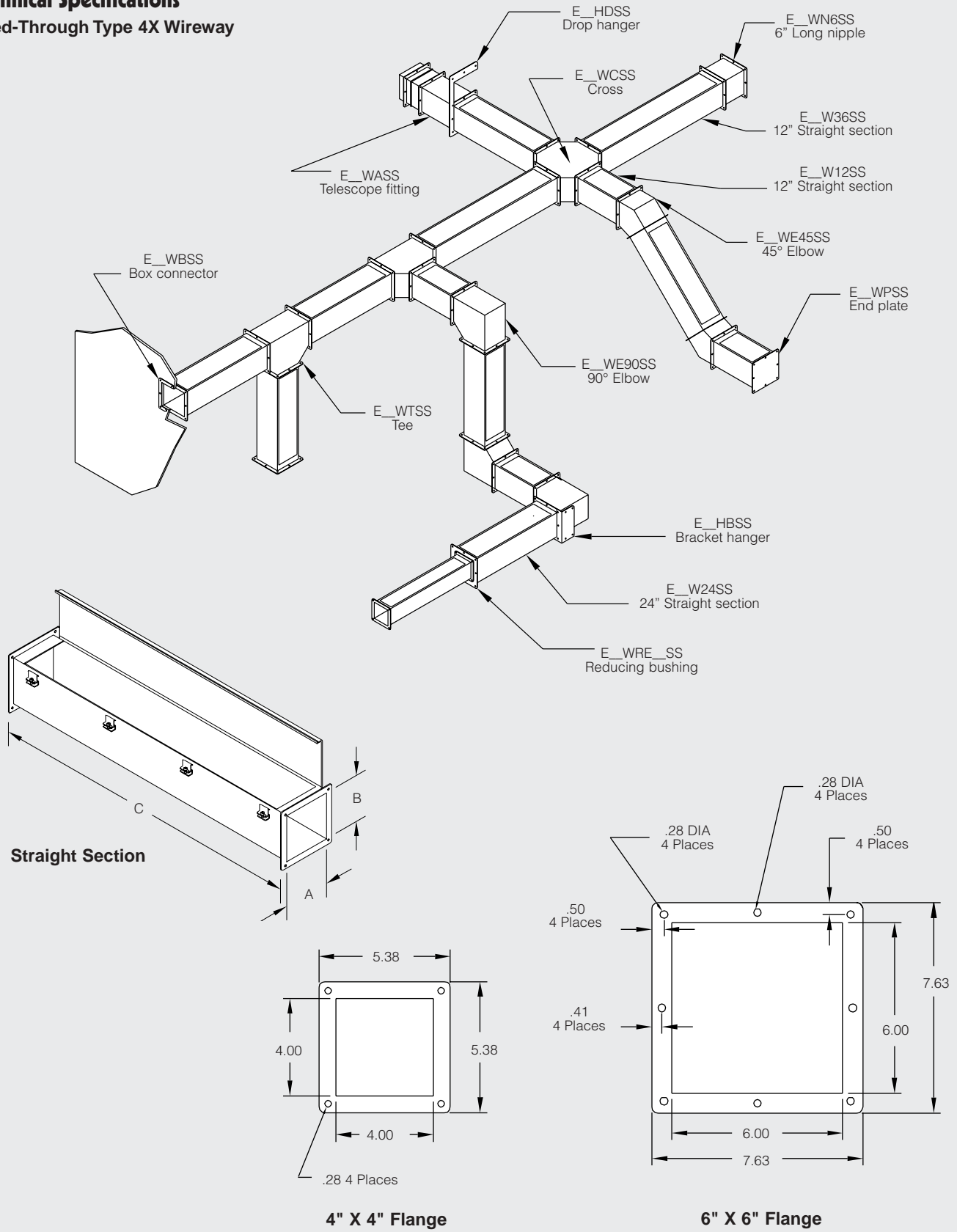


Part No.	Enclosure							Mounting Panel					
	Outside dimensions			Mounting centers			Door and body stiffener	Door size		Part No.	Panel size		Usable depth
	H	W	D	H	W	D		J	K		H	W	
E 242408SS	24.00	24.00	8.00	25.25	18.00	3.00	NO	22.19	22.16	E 24P24	21.00	21.00	8.00
E 242410SS	24.00	24.00	10.00	25.25	18.00	3.00	NO	22.19	22.16	E 24P24	21.00	21.00	10.00
E 242412SS	24.00	24.00	12.00	25.25	18.00	3.00	NO	22.19	22.16	E 24P24	21.00	21.00	12.00
E 242416SS	24.00	24.00	16.00	25.25	18.00	3.00	NO	22.19	22.16	E 24P24	21.00	21.00	16.00
E 243008SS	24.00	30.00	8.00	25.25	24.00	3.00	NO	22.19	28.16	E 30P24	21.00	27.00	8.00
E 301606SS	30.00	16.00	6.00	31.25	10.00	3.00	NO	28.19	14.16	E 30P16	27.00	13.00	6.00
E 302006SS	30.00	20.00	6.00	31.25	14.00	3.00	NO	28.19	18.16	E 30P20	27.00	17.00	6.00
E 302008SS	30.00	20.00	8.00	31.25	14.00	3.00	NO	28.19	18.16	E 30P20	27.00	17.00	8.00
E 302010SS	30.00	20.00	10.00	31.25	14.00	3.00	NO	28.19	18.16	E 30P20	27.00	17.00	10.00
E 302406SS	30.00	24.00	6.00	31.25	18.00	3.00	NO	28.19	22.16	E 30P24	27.00	21.00	6.00
E 302408SS	30.00	24.00	8.00	31.25	18.00	3.00	NO	28.19	22.16	E 30P24	27.00	21.00	8.00
E 302410SS	30.00	24.00	10.00	31.25	18.00	3.00	NO	28.19	22.16	E 30P24	27.00	21.00	10.00
E 302412SS	30.00	24.00	12.00	31.25	18.00	3.00	NO	28.19	22.16	E 30P24	27.00	21.00	12.00
E 302416SS	30.00	24.00	16.00	31.25	18.00	3.00	NO	28.19	22.16	E 30P24	27.00	21.00	16.00
E 302420SS	30.00	24.00	20.00	31.25	18.00	3.00	NO	28.19	22.16	E 30P24	27.00	21.00	20.00
E 303008SS	30.00	30.00	8.00	31.25	24.00	3.00	NO	28.19	22.16	E 30P30	27.00	27.00	8.00
E 303012SS	30.00	30.00	12.00	31.25	24.00	3.00	NO	28.19	28.16	E 30P30	27.00	27.00	12.00
E 303608SS	30.00	36.00	8.00	31.25	30.00	3.00	NO	28.19	34.16	E 36P30	27.00	33.00	8.00
E 362406SS	36.00	24.00	6.00	37.25	18.00	3.00	NO	34.19	22.16	E 36P24	33.00	21.00	6.00
E 362408SS	36.00	24.00	8.00	37.25	18.00	3.00	NO	34.19	22.16	E 36P24	33.00	21.00	8.00
E 362410SS	36.00	24.00	10.00	37.25	18.00	3.00	NO	34.19	22.16	E 36P24	33.00	21.00	10.00
E 362412SS	36.00	24.00	12.00	37.25	18.00	3.00	NO	34.19	22.16	E 36P24	33.00	21.00	12.00
E 363006SS	36.00	30.00	6.00	37.25	24.00	3.00	YES	34.19	28.16	E 36P30	33.00	27.00	5.37*
E 363008SS	36.00	30.00	8.00	37.25	24.00	3.00	YES	34.19	28.16	E 36P30	33.00	27.00	7.37*
E 363010SS	36.00	30.00	10.00	37.25	24.00	3.00	YES	34.19	28.16	E 36P30	33.00	27.00	9.37*
E 363012SS	36.00	30.00	12.00	37.25	24.00	3.00	YES	34.19	28.16	E 36P30	33.00	27.00	11.37*
E 363016SS	36.00	30.00	16.00	37.25	24.00	3.00	YES	34.19	28.16	E 36P30	33.00	27.00	15.37*
E 363020SS	36.00	30.00	20.00	37.25	24.00	3.00	YES	34.19	28.16	E 36P30	33.00	27.00	19.37*
E 363608SS	36.00	36.00	8.00	37.25	30.00	3.00	YES	34.19	28.16	E 36P36	33.00	33.00	7.37*
E 363612SS	36.00	36.00	12.00	37.25	30.00	3.00	YES	34.19	34.16	E 36P36	33.00	33.00	11.37*
E 422408SS	42.00	24.00	8.00	43.25	18.00	3.00	NO	40.19	22.16	E 42P24	39.00	21.00	8.00
E 423008SS	42.00	30.00	8.00	43.25	24.00	3.00	YES	40.19	28.16	E 42P30	39.00	27.00	7.37*
E 423010SS	42.00	30.00	10.00	43.25	24.00	3.00	YES	40.19	28.16	E 42P30	39.00	27.00	9.37*
E 423012SS	42.00	30.00	12.00	43.25	24.00	3.00	YES	40.19	28.16	E 42P30	39.00	27.00	11.37*
E 423608SS	42.00	36.00	8.00	43.25	30.00	3.00	YES	40.19	34.16	E 42P36	39.00	33.00	7.37*
E 423610SS	42.00	36.00	10.00	43.25	30.00	3.00	YES	40.19	34.16	E 42P36	39.00	33.00	9.37*
E 423612SS	42.00	36.00	12.00	43.25	30.00	3.00	YES	40.19	34.16	E 42P36	39.00	33.00	11.37*
E 423616SS	42.00	36.00	16.00	43.25	30.00	3.00	YES	40.19	34.16	E 42P36	39.00	33.00	15.37*
E 482408SS	48.00	24.00	8.00	49.25	18.00	3.00	NO	46.19	22.16	E 48P24	45.00	21.00	8.00
E 483008SS	48.00	30.00	8.00	49.25	24.00	3.00	YES	46.19	28.16	E 48P30	45.00	27.00	7.37*
E 483010SS	48.00	30.00	10.00	49.25	24.00	3.00	YES	46.19	28.16	E 48P30	45.00	27.00	9.37*
E 483608SS	48.00	36.00	8.00	49.25	30.00	3.00	YES	46.19	34.16	E 48P36	45.00	33.00	7.37*
E 483610SS	48.00	36.00	10.00	49.25	30.00	3.00	YES	46.19	34.16	E 48P36	45.00	33.00	9.37*
E 483612SS	48.00	36.00	12.00	49.25	30.00	3.00	YES	46.19	34.16	E 48P36	45.00	33.00	11.37*
E 483616SS	48.00	36.00	16.00	49.25	30.00	3.00	YES	46.19	34.16	E 48P36	45.00	33.00	15.37*
E 483620SS	48.00	36.00	20.00	49.25	30.00	3.00	YES	46.19	34.16	E 48P36	45.00	33.00	19.37*
E 603608SS	60.00	36.00	8.00	61.25	30.00	3.00	YES	58.19	34.16	E 60P36	57.00	33.00	7.37*
E 603610SS	60.00	36.00	10.00	61.25	30.00	3.00	YES	58.19	34.16	E 60P36	57.00	33.00	9.37*
E 603612SS	60.00	36.00	12.00	61.25	30.00	3.00	YES	58.19	34.16	E 60P36	57.00	33.00	11.37*
E 603616SS	60.00	36.00	16.00	61.25	30.00	3.00	YES	58.19	34.16	E 60P36	57.00	33.00	15.37*
E 603620SS	60.00	36.00	20.00	61.25	30.00	3.00	YES	58.19	34.16	E 60P36	57.00	33.00	19.37*
E 723016SS	72.00	30.00	16.00	73.25	24.00	3.00	YES	70.19	28.16	E 72P30	69.00	27.00	15.37*
E 723612SS	72.00	36.00	12.00	73.25	30.00	3.00	YES	70.19	34.16	E 72P36	69.00	33.00	11.37*

* Usable depth reduced by .625" at door stiffener.

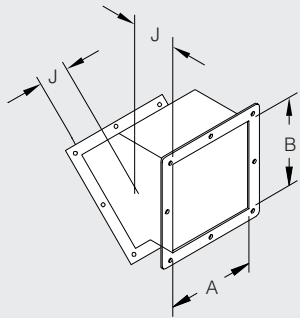
Technical Specifications

Feed-Through Type 4X Wireway

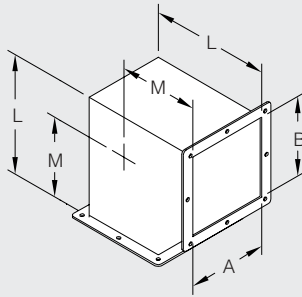


Wireway															
A x B	C	C	C	C	C	C	E	F	G	I	J	K	L	M	N
4 x 4	12	24	36	48	60	120	3.68	7.54	5.38	2.50	3.30	2.90	7.00	4.75	9.50
6 x 6	12	24	36	48	60	120	5.68	10.36	7.62	4.00	3.72	3.10	9.00	5.75	11.50

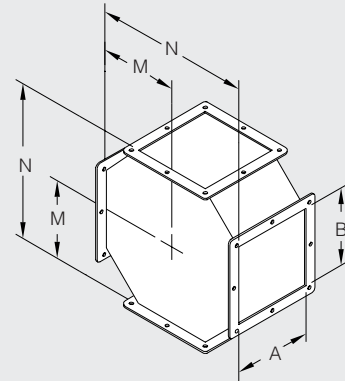
Technical Specifications
Feed-Through Type 4X Wireway



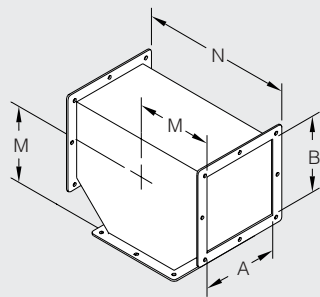
45° Elbow



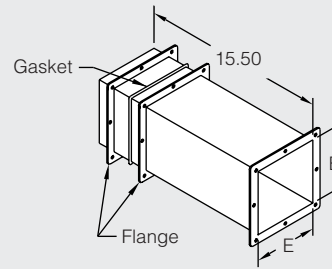
90° Elbow



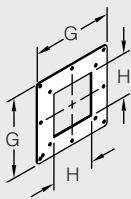
Cross



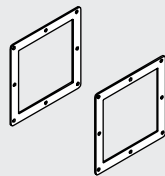
Tee



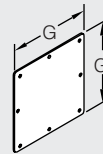
Telescope Fitting



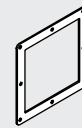
Reducing Bushing



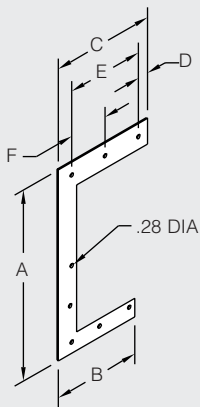
Box Connector



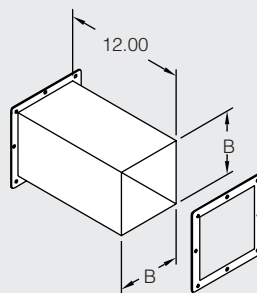
Closure Plate



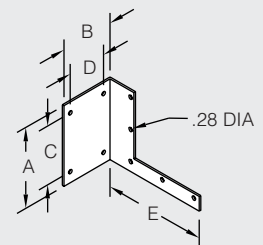
Gasket Flange



Drop Hanger



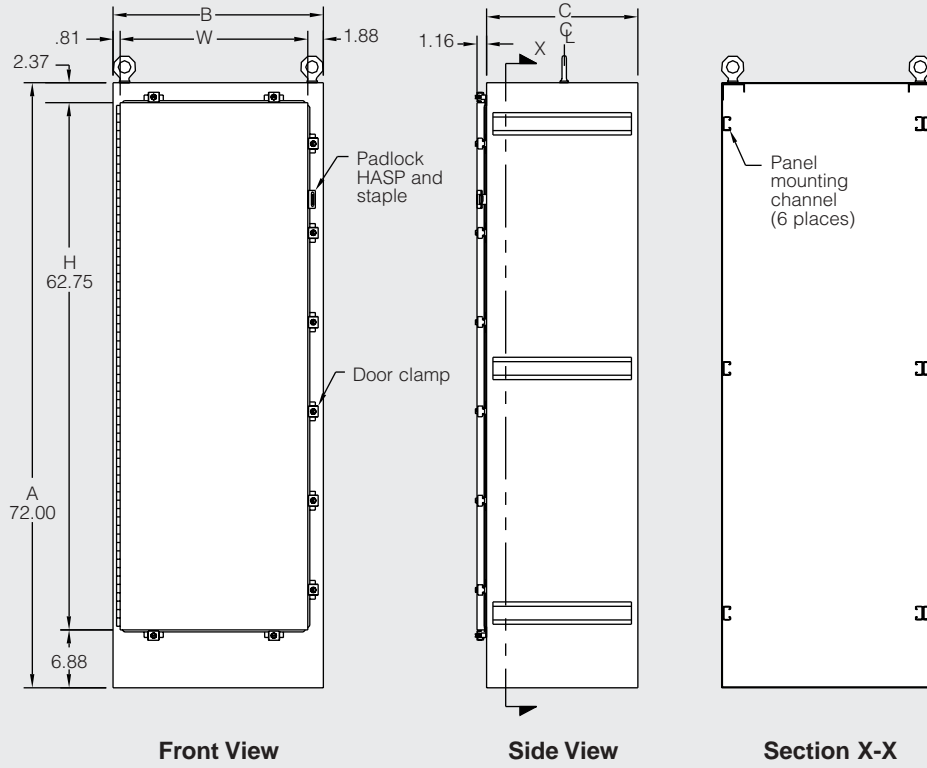
Cut-Off Fitting



Bracket Hanger

Technical Specifications

One Door Freestanding Enclosures



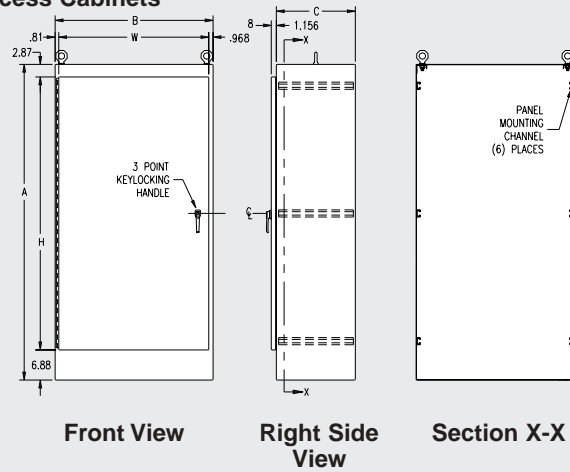
Part No.	Enclosure			Full Mounting Panel		Half Mounting Panel					
	Height A	Width B	Depth C	Door size		Part No.	Panel size		Part No.	Panel size	
				H	W		E	F		E	F
E 72H2518FSSS	72.00	25.00	18.00	62.75	22.31	E 72P24F1	60.00	20.00	E 72P24F2	30.88	20.00
E 72H3124FSSS	72.00	31.00	24.00	62.75	28.31	E 72P30F1	60.00	26.00	E 72P30F2	30.88	26.00
E 72H3724FSSS	72.00	37.00	24.00	62.75	34.31	E 72P36F1	60.00	32.00	E 72P36F2	30.88	32.00

Designates a product in the EnclosureZone program.

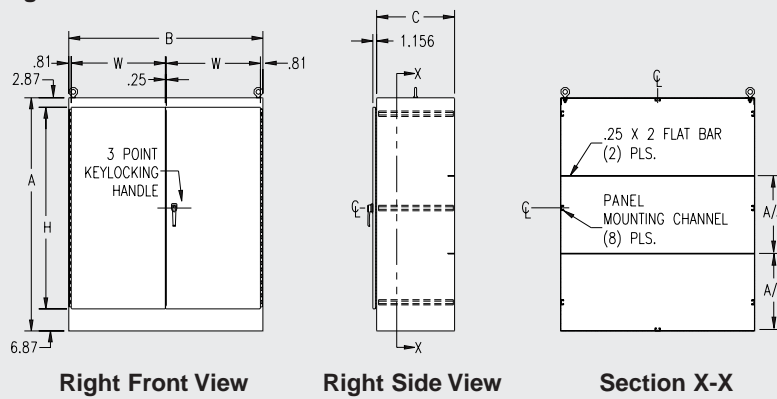


Technical Specifications

One Door Freestanding Single Access Cabinets



Two Door Freestanding Single Access Cabinets

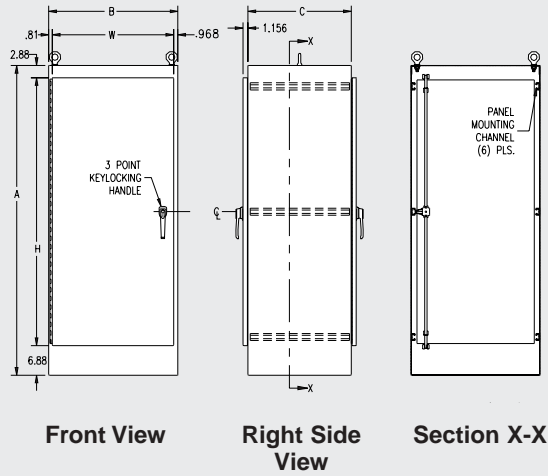


Enclosure						
Part No.	Outside dimensions (inches)			Door size		Maximum usable depth panel installed
	H	W	D	H	W	
One Door Single Access						
E 602418FSSS	60.00	24.00	18.00	50.25	22.22	17.63
E 603624FSSS	60.00	36.00	24.00	50.25	34.22	23.63
E 722418FSSS	72.00	24.00	18.00	62.25	22.22	17.63
E 722424FSSS	72.00	24.00	24.00	62.25	22.22	23.63
E 723018FSSS	72.00	30.00	18.00	62.25	28.22	17.63
E 723024FSSS	72.00	30.00	24.00	62.25	28.22	23.63
EZ E 723618FSSS	72.00	36.00	18.00	62.25	34.22	17.63
EZ E 723624FSSS	72.00	36.00	24.00	62.25	34.22	23.63
E 723630FSSS	72.00	36.00	30.00	62.25	34.22	29.63
E 723636FSSS	72.00	36.00	36.00	62.25	34.22	35.63
E 902420FSSS	90.00	24.00	20.00	80.25	22.22	19.63
E 903620FSSS	90.00	36.00	20.00	80.25	34.22	19.63
E 903624FSSS	90.00	36.00	24.00	80.25	34.22	23.63
E 903636FSSS	90.00	36.00	36.00	80.25	34.22	35.63
Two Door Single Access						
E 604818FSDDSS	60.00	48.00	18.00	50.25	23.06	15.13
E 724818FSDDSS	72.00	48.00	18.00	62.25	23.06	15.13
E 724824FSDDSS	72.00	48.00	24.00	62.25	23.06	21.13
E 726018FSDDSS	72.00	60.00	18.00	62.25	29.06	15.13
E 726024FSDDSS	72.00	60.00	24.00	62.25	29.06	21.13
E 726036FSDDSS	72.00	60.00	36.00	62.25	29.06	33.13
EZ E 727218FSDDSS	72.00	72.00	18.00	62.25	35.06	15.13
E 727224FSDDSS	72.00	72.00	24.00	62.25	35.06	21.13
E 904820FSDDSS	90.00	48.00	20.00	80.25	23.06	17.13
E 907220FSDDSS	90.00	72.00	20.00	80.25	35.06	17.13
E 907224FSDDSS	90.00	72.00	24.00	80.25	35.06	21.13
E 907236FSDDSS	90.00	72.00	36.00	80.25	35.06	33.13

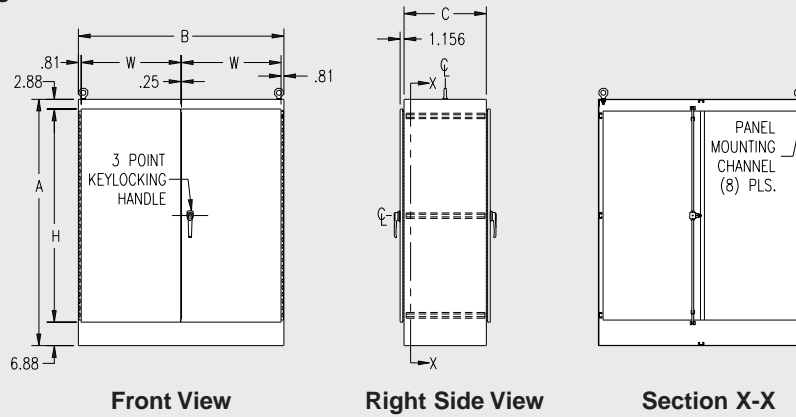
EZ Designates a product in the EnclosureZone program.

Technical Specifications

One Door Freestanding Dual Access Cabinets



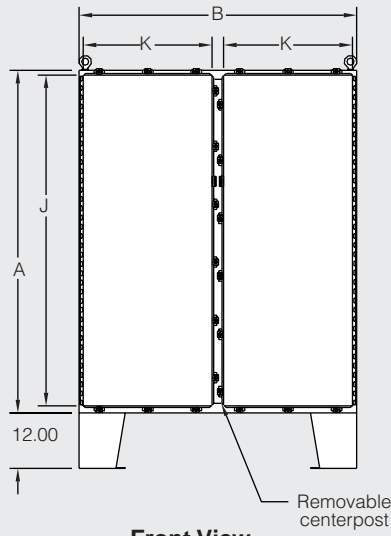
Two Door Freestanding Dual Access Cabinets



Part No.	Enclosure			Accessories		
	Outside dimensions (inches)			Door size		Maximum usable depth panel installed
	H	W	D	H	W	
One Door Dual Access						
E 722424FSDASS	72.00	24.00	24.00	62.25	22.31	-
E 722430FSDASS	72.00	24.00	30.00	62.25	22.31	-
E 722436FSDASS	72.00	24.00	36.00	62.25	22.31	-
E 723024FSDASS	72.00	30.00	24.00	62.25	28.31	-
E 723624FSDASS	72.00	36.00	24.00	62.25	34.31	-
E 723636FSDASS	72.00	36.00	36.00	62.25	34.31	-
E 903624FSDASS	90.00	36.00	24.00	80.25	34.31	-
E 903636FSDASS	90.00	36.00	36.00	80.25	34.31	-
Two Door Dual Access						
E 724824FSDADSS	72.00	48.00	24.00	62.25	23.06	-
E 726024FSDADSS	72.00	60.00	24.00	62.25	29.06	-
E 726036FSDADSS	72.00	60.00	36.00	62.25	29.06	-
E 727224FSDADSS	72.00	72.00	24.00	62.25	35.06	-
E 907224FSDADSS	90.00	72.00	24.00	80.25	35.06	-

Technical Specifications

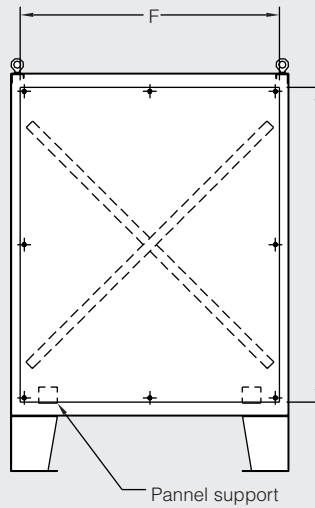
Two Door Floormount Enclosures



Front View



Side View



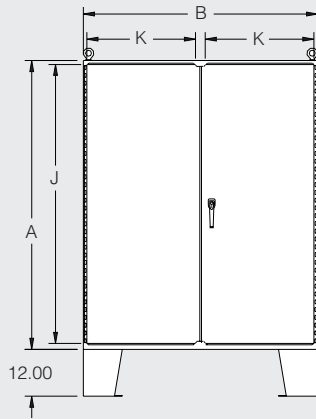
Section Y-Y

Enclosure				Mounting Panel					
Part No. 304SS	Height A	Width B	Depth C	Door size		Part No.	Panel size		Usable depth G
				J	K		E	F	
E 62H4810SS	62.00	48.00	10.00	59.50	21.81	E 60P48	56.00	44.00	10.00
E 62H4810SS6	62.00	48.00	10.00	59.50	21.81	E 60P48	56.00	44.00	10.00
EZ E 62H4812SS	62.00	48.00	12.00	59.50	21.81	E 60P48	56.00	44.00	12.00
E 62H4812SS6	62.00	48.00	12.00	59.50	21.81	E 60P48	56.00	44.00	12.00
EZ E 62H6012SS	62.00	60.00	12.00	59.50	27.81	E 60P60	56.00	56.00	12.00
E 62H6012SS6	62.00	60.00	12.00	59.50	27.81	E 60P60	56.00	56.00	12.00
E 74H6012SS	74.00	60.00	12.00	71.50	27.81	E 72P60	68.00	56.00	12.00
E 74H6012SS6	74.00	60.00	12.00	71.50	27.81	E 72P60	68.00	56.00	12.00
E 74H7212SS	74.00	72.00	12.00	71.50	33.81	E 72P72	68.00	68.00	12.00
E 74H7212SS6	74.00	72.00	12.00	71.50	33.81	E 72P72	68.00	68.00	12.00
EZ E 74H7224SS	74.00	72.00	24.00	71.50	33.81	E 72P72	68.00	68.00	24.00
E 74H7224SS6	74.00	72.00	24.00	71.50	33.81	E 72P72	68.00	68.00	24.00

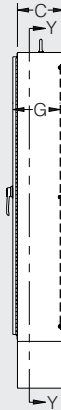
EZ Designates a product in the EnclosureZone program.

Technical Specifications

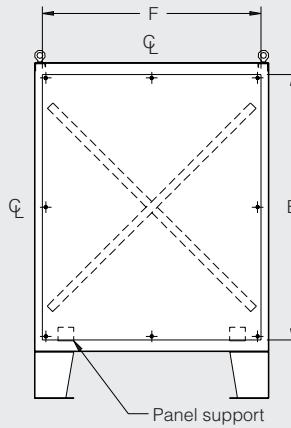
Two Door Floormount Enclosures



Front View



Side View

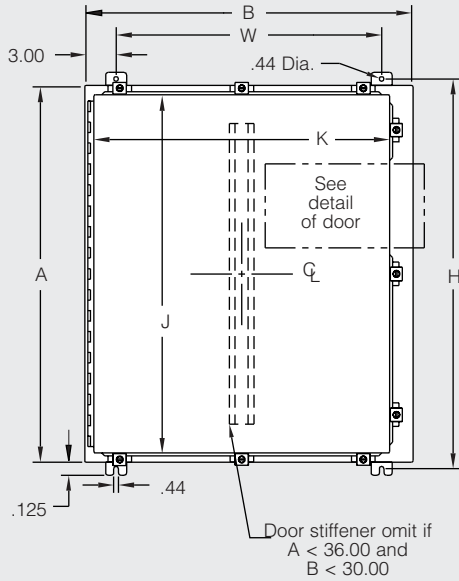


Section Y-Y

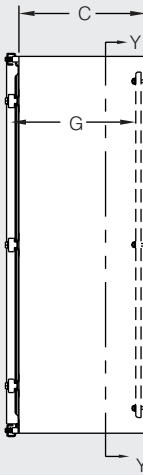
Part No.	Enclosure			Part No.	Mounting Panel		Usable depth
	Outside dimensions (inches)				Panel size		
	H	W	D	H	W		
E 544208SS	54.00	42.00	8.00	E 54P42	50.00	38.00	8.00
E 604808SS	60.00	48.00	8.00	E 60P48	56.00	44.00	8.00
E 604810SS	60.00	48.00	10.00	E 60P48	56.00	44.00	10.00
E 604812SS	60.00	48.00	12.00	E 60P48	56.00	44.00	12.00
E 604816SS	60.00	48.00	16.00	E 60P48	56.00	44.00	16.00
E 604820SS	60.00	48.00	20.00	E 60P48	56.00	44.00	20.00
E 604824SS	60.00	48.00	24.00	E 60P48	56.00	44.00	24.00
E 606010SS	60.00	60.00	10.00	E 60P60	56.00	56.00	10.00
E 606012SS	60.00	60.00	12.00	E 60P60	56.00	56.00	12.00
E 606016SS	60.00	60.00	16.00	E 60P60	56.00	56.00	16.00
E 606024SS	60.00	60.00	24.00	E 60P60	56.00	56.00	24.00
E 726010SS	72.00	60.00	10.00	E 72P60	68.00	56.00	10.00
E 726012SS	72.00	60.00	12.00	E 72P60	68.00	56.00	12.00
E 726016SS	72.00	60.00	16.00	E 72P60	68.00	56.00	16.00
E 726020SS	72.00	60.00	20.00	E 72P60	68.00	56.00	20.00
E 726024SS	72.00	60.00	24.00	E 72P60	68.00	56.00	24.00
E 727210SS	72.00	72.00	10.00	E 72P72	68.00	68.00	10.00
E 727212SS	72.00	72.00	12.00	E 72P72	68.00	68.00	12.00
E 727216SS	72.00	72.00	16.00	E 72P72	68.00	68.00	16.00
E 727220SS	72.00	72.00	20.00	E 72P72	68.00	68.00	20.00
E 727224SS	72.00	72.00	24.00	E 72P72	68.00	68.00	24.00

Technical Specifications

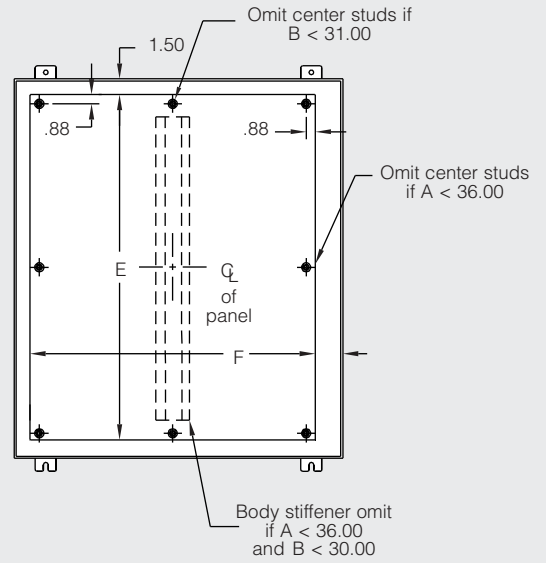
NEMA 4X Wallmount Boxes



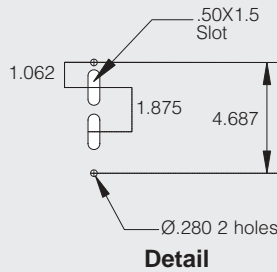
Front View



Right Side View



Section Y-Y



Detail

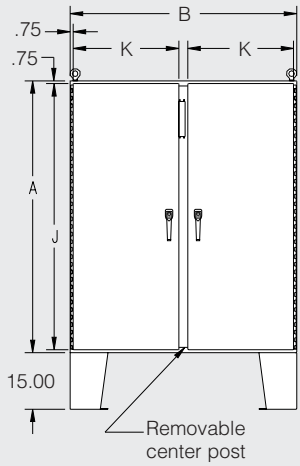
Part No.	Enclosure						Mounting Panel					
	Height A	Width B	Depth C	Mounting centers		Door and body stiffener	Door size		Part No.	Panel size		Usable depth
				H	W		J	K		E	F	
E 24HS2108SS	24.00	21.38	8.00	25.25	15.38	NO	22.25	18.25	E 24P20	21.00	17.00	8.00
E 24HS2508SS	24.00	25.38	8.00	25.25	19.38	NO	22.25	22.25	E 24P24	21.00	21.00	8.00
E 30HS2508SS	30.00	25.38	8.00	31.25	19.38	NO	28.25	22.25	E 30P24	27.00	21.00	8.00
E 36HS2508SS	36.00	25.38	8.00	37.25	19.38	NO	34.25	22.25	E 36P24	33.00	21.00	8.00
E 36HS3108SS	36.00	31.38	8.00	37.25	25.38	YES	34.25	28.25	E 36P30	33.00	27.00	7.37*
E 42HS3112SS	42.00	31.38	12.00	43.25	25.38	YES	40.25	28.25	E 42P30	39.00	27.00	11.37*
E 42HS3712SS	42.00	37.38	12.00	43.25	31.38	YES	40.25	34.25	E 42P26	39.00	33.00	11.37*
E 48HS3712SS	48.00	37.38	12.00	49.25	31.38	YES	46.25	34.25	E 48P36	45.00	33.00	11.37*
E 60HS3712SS	60.00	37.38	12.00	61.25	31.38	YES	58.25	34.25	E 60P36	57.00	33.00	11.37*

* Usable depth reduced by .625" at door stiffener.

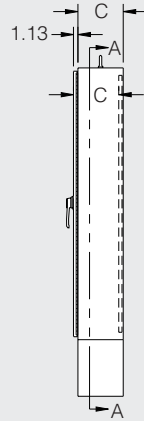
Technical Specifications

Floormount Freestanding Enclosures

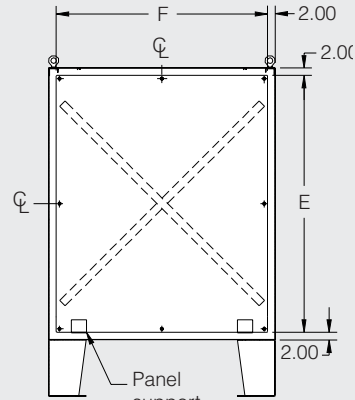
Disconnect operator
on center post



Front View

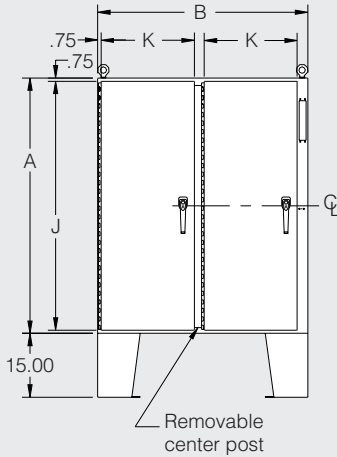


Right Side View

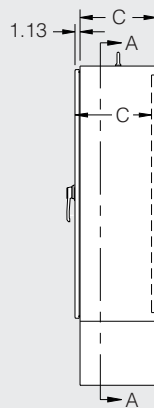


Section A-A

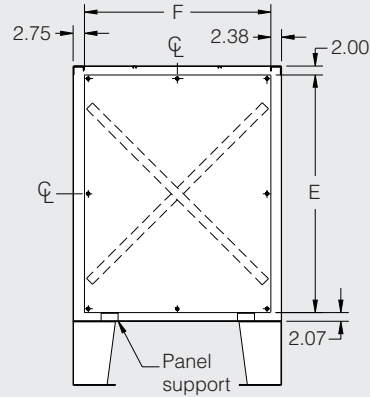
Disconnect operator
on right flange



Front View



Right Side View



Section A-A

Part No.	Enclosure					Mounting Panel			
	Outside dimensions (inches)			Door size		Part No.	Panel size		Usable depth
	H	W	D	H	W		H	W	
E 60CPX4812SS ²⁾	60.00	48.00	12.00	58.50	22.00	E 60P48	56.00	44.00	12.00
E 60CPX6012SS ²⁾	60.00	60.00	12.00	58.50	28.00	E 60P60	56.00	56.00	12.00
E 60X4912SS ¹⁾	60.00	49.00	12.00	58.50	21.88	E 60P48	56.00	44.00	12.00
E 60X4918SS ¹⁾	60.00	49.00	18.00	58.50	21.88	E 60P48	56.00	44.00	18.00
E 60X6112SS ¹⁾	60.00	61.00	12.00	58.50	27.88	E 60P60	56.00	56.00	12.00
E 60X6118SS ¹⁾	60.00	61.00	18.00	58.50	27.88	E 60P60	56.00	56.00	18.00
E 72CPX7212SS ²⁾	72.00	72.00	12.00	70.50	34.00	E 72P72	68.00	68.00	12.00
E 72CPX7218SS ²⁾	72.00	72.00	18.00	70.50	34.00	E 72P72	68.00	68.00	18.00
E 72X6112SS ¹⁾	72.00	61.00	12.00	70.50	27.88	E 72P60	68.00	56.00	12.00
E 72X6118SS ¹⁾	72.00	61.00	18.00	70.50	27.88	E 72P60	68.00	56.00	18.00
E 72X7312SS ¹⁾	72.00	73.00	12.00	70.50	33.88	E 72P72	68.00	68.00	12.00
E 72X7318SS ¹⁾	72.00	73.00	18.00	70.50	33.88	E 72P72	68.00	68.00	18.00
E 72X7324SS ¹⁾	72.00	73.00	24.00	70.50	33.88	E 72P72	68.00	68.00	24.00

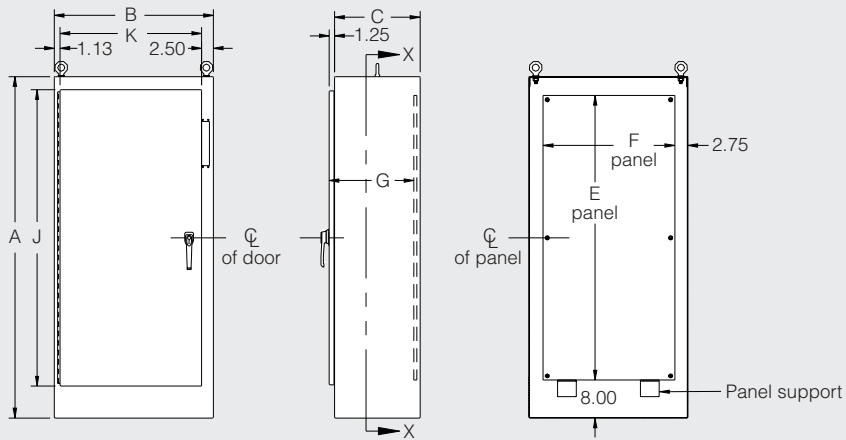
¹⁾ Disconnect operator on right flange.

²⁾ Disconnect operator on center post.

Technical Specifications

Freestanding Heavy Duty Enclosures

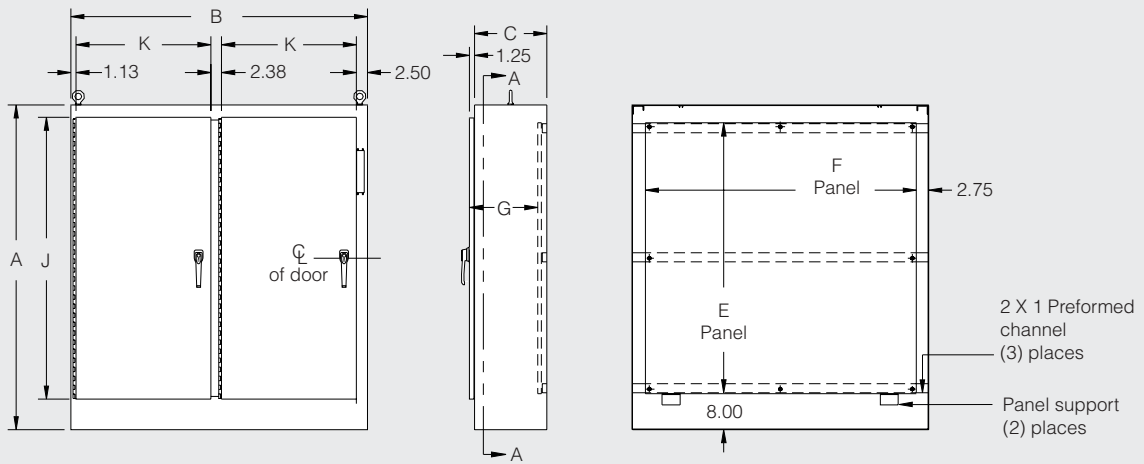
- One Door
- Two Door
- Three Door
- Four Door
- Five Door



Front View

Right Side View

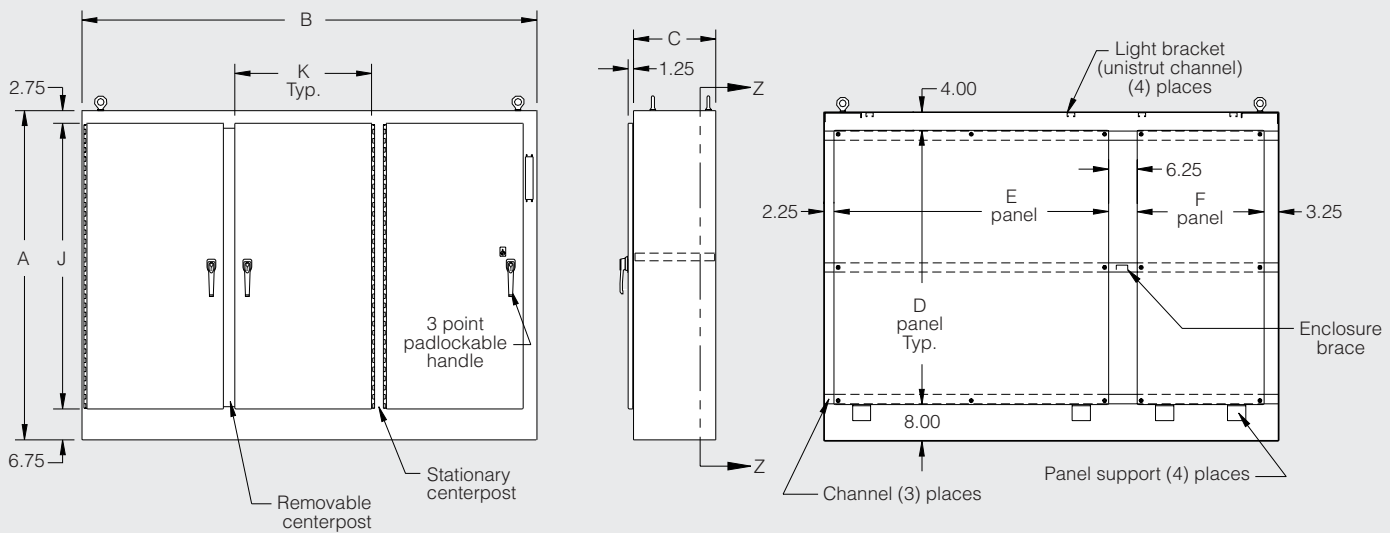
Section X-X



Front View

Right Side View

Section A-A



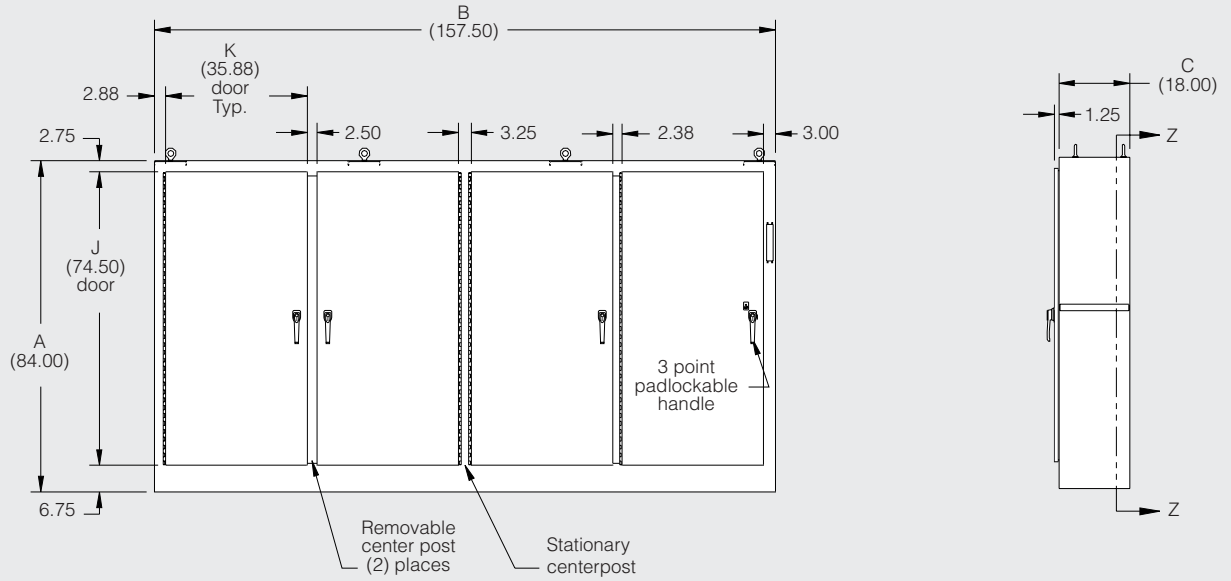
Front View

Side View

Section Z-Z

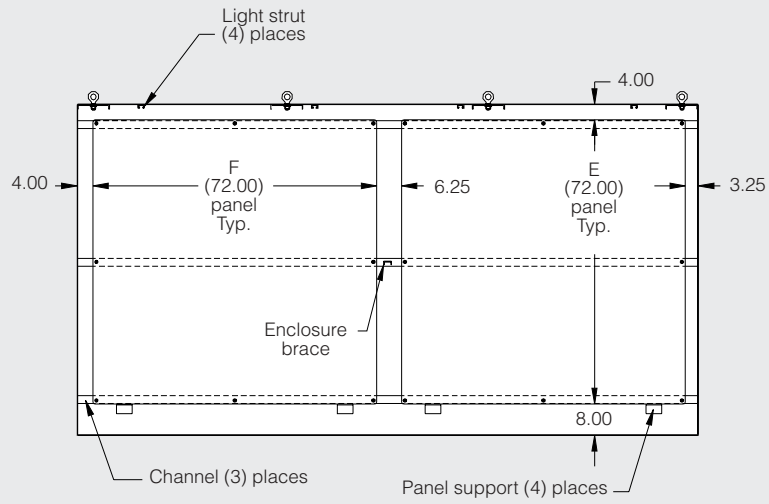
Technical Specifications

Freestanding Heavy Duty Enclosures



Front View

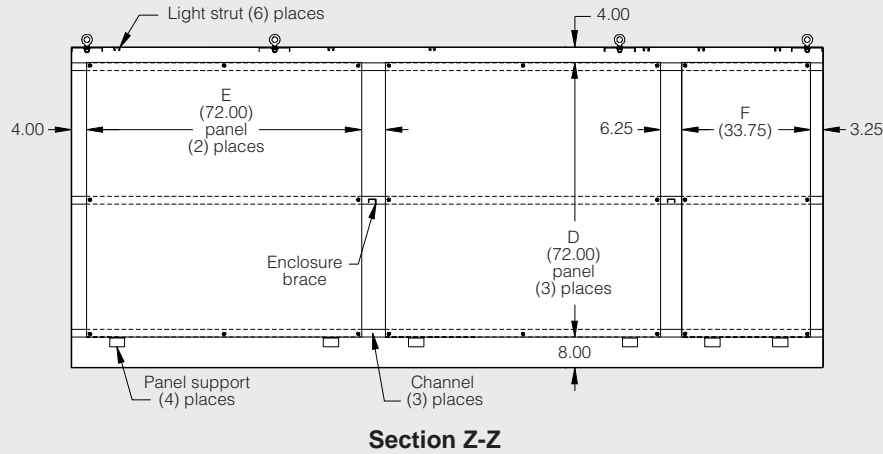
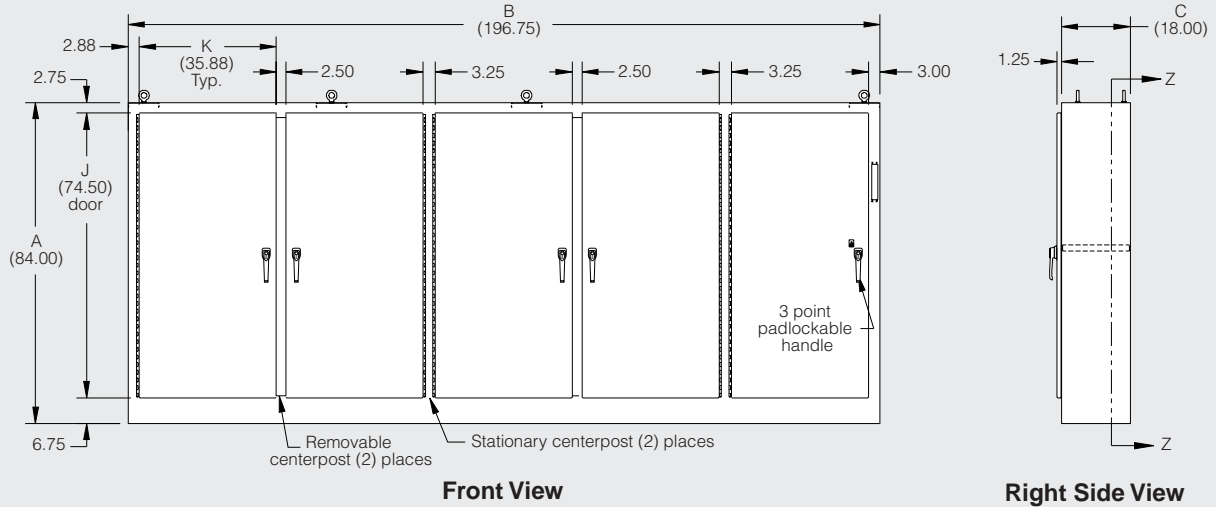
Right Side View



Section Z-Z

Technical Specifications

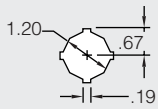
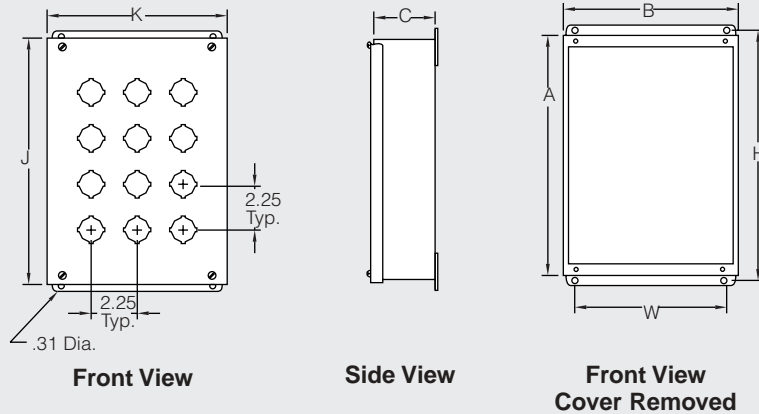
Freestanding Heavy Duty Enclosures



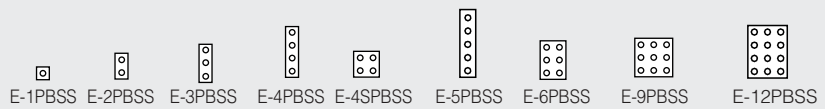
Part No.	Enclosure					Mounting Panel						
	Outside dimensions			Door size		Panel size		Panel size (behind single door)		Panel size (behind double door)		Usable depth
	H	W	D	H	W	H	W	H	W	H	W	
One Door												
E 72XM2818WPSS	72.00	27.50	18.00	62.50	23.83	60.00	21.75	-	-	-	-	18.00
E 72XM3418WPSS	72.00	33.50	18.00	62.50	29.83	60.00	27.75	-	-	-	-	18.00
E 72XM4018WPSS	72.00	39.50	18.00	62.50	35.83	60.00	33.75	-	-	-	-	18.00
E 84XM4018WPSS	84.00	39.50	18.00	74.50	35.83	72.00	33.75	-	-	-	-	18.00
E 90XM4020WPSS	90.00	39.50	20.00	80.50	35.83	78.00	33.75	-	-	-	-	20.00
E 90XM4024WPSS	90.00	39.50	24.00	80.50	35.83	78.00	33.75	-	-	-	-	24.00
Two Door												
E 72XM5418WPSS	72.00	53.75	18.00	62.50	23.88	60.00	48.00	-	-	-	-	17.00
E 72XM6618WPSS	72.00	65.75	18.00	62.50	29.88	60.00	60.00	-	-	-	-	17.00
E 72XM7818WPSS	72.00	77.75	18.00	62.50	35.88	60.00	72.00	-	-	-	-	17.00
E 72XM7824WPSS	72.00	77.75	24.00	62.50	35.88	60.00	72.00	-	-	-	-	23.00
E 84XM7818WPSS	84.00	77.75	18.00	74.50	35.88	72.00	72.00	-	-	-	-	17.00
E 90XM7820WPSS	90.00	77.75	20.00	80.50	35.88	78.00	72.00	-	-	-	-	19.00
E 90XM7824WPSS	90.00	77.75	24.00	80.50	35.88	78.00	72.00	-	-	-	-	23.00
Three Door												
E 72XM3EQ18WPSS	72.00	99.50	18.00	62.50	29.88	60.00	60.00	60.00	27.75	60.00	60.00	17.00
E 72XM3EW18WPSS	72.00	117.50	18.00	62.50	35.88	60.00	72.00	60.00	33.75	60.00	72.00	17.00
E 84XM3EW18WPSS	84.00	117.50	18.00	74.50	35.88	72.00	72.00	72.00	33.75	72.00	72.00	17.00
E 90XM3EW24WPSS	90.00	117.50	24.00	80.50	35.88	78.00	72.00	78.00	33.75	78.00	72.00	23.00
Four Door												
E 84XM4EW18WPSS	84.00	157.50	18.00	74.50	35.88	72.00	72.00	-	-	72.00	72.00	17.00
Five Door												
E 84XM5EW18WPSS	84.00	196.75	18.00	74.50	35.88	72.00	72.00	72.00	33.75	72.00	72.00	17.00

Technical Specifications

Standard Pushbutton Boxes



Standard 4-Way Keyed Pushbutton Hole Detail



Hole Arrangement Centered On Cover

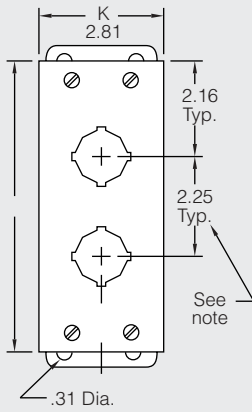
Standard Pushbutton Box							
Part No.	Height A	Width B	Depth C	Mounting centers		Cover size	
				H	W	J	K
EZ E 1PBSS	3.50	3.25	2.75	4.00	2.38	3.81	3.56
EZ E 2PBSS	5.75	3.25	2.75	6.25	2.38	6.06	3.56
EZ E 3PBSS	8.00	3.25	2.75	8.50	2.38	8.31	3.56
E 4PBSS	10.25	3.25	2.75	10.75	2.38	10.56	3.56
E 4SPBSS*	7.25	6.25	3.00	7.75	5.38	7.56	6.56
E 5PBSS	12.50	3.25	2.75	13.00	2.38	12.81	3.56
E 6PBSS*	9.50	6.25	3.00	10.00	5.38	9.81	6.56
E 9PBSS*	9.50	8.50	3.00	10.00	7.63	9.81	8.81
E 12PBSS	11.75	8.50	3.00	12.25	7.63	12.06	8.81

* Can be mounted to a Rittal Electromate column and base.

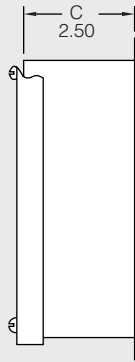
EZ Designates a product in the EnclosureZone program.

Technical Specifications

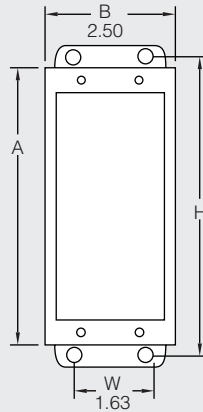
Slim Pushbutton Boxes



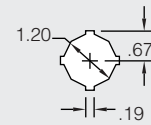
Front View



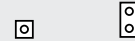
Side View



**Front View
Cover Removed**



**Standard 4-Way Keyed
Pushbutton Hole Detail**

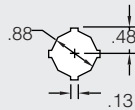
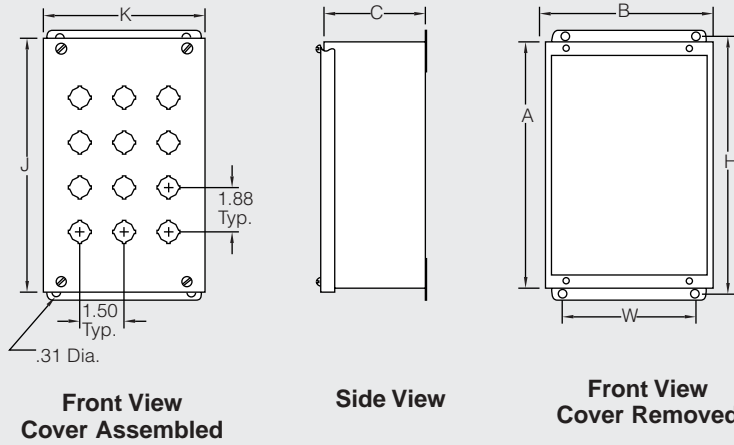


**E-1PBSLSS E-2PBSLSS
Hole Arrangement
Centered On Cover**

Slim Pushbutton Box							
Part No.	Height A	Width B	Depth C	Mounting centers		Cover size	
				H	W	J	K
E 1PBSLSS	4.00	2.50	2.50	4.50	1.63	4.31	2.81
E 2PBSLSS	6.25	2.50	2.50	6.75	1.63	6.56	2.81

Technical Specifications

Miniature Pushbutton Boxes



**Standard 4-Way Keyed
Pushbutton Hole Detail**



Hole Arrangement Centered On Cover

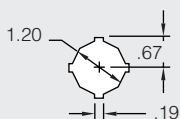
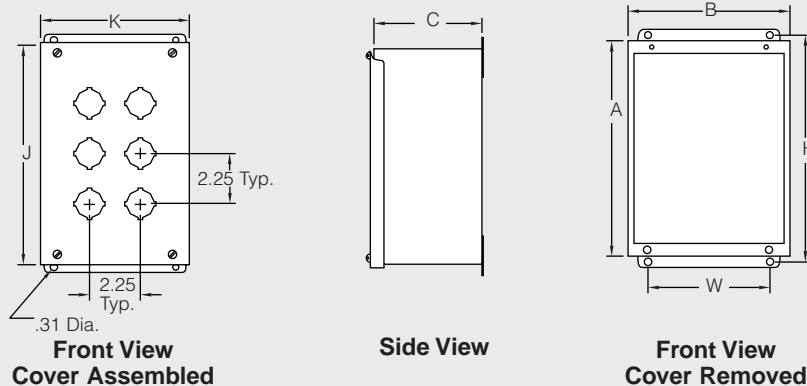
Miniature Pushbutton Box							
Part No.	Height A	Width B	Depth C	Mounting centers		Cover size	
				H	W	J	K
EZ E 1PBGMS	3.25	2.75	3.50	3.75	1.88	3.56	3.06
E 2PBGMS	5.13	2.75	3.50	5.63	1.88	5.44	3.06
E 3PBGMS	7.00	2.75	3.50	7.50	1.88	7.31	3.06
E 4PBGMS	8.88	2.75	3.50	9.38	1.88	9.19	3.06
E 6PBGMS*	8.50	5.00	4.25	9.00	4.13	8.81	5.31
E 9PBGMS	8.50	6.50	4.25	9.00	5.63	8.81	6.81
E 12PBGMS	10.38	6.50	4.25	10.88	5.63	10.69	6.81

* Can be mounted to a Rittal Electromate column and base.

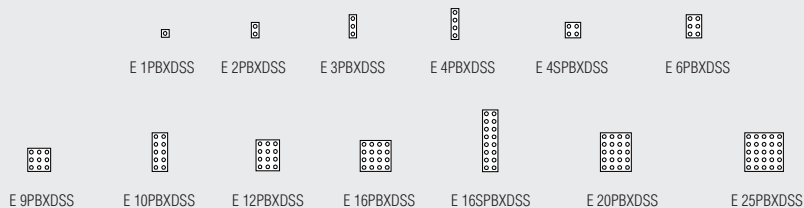
EZ Designates a product in the EnclosureZone program.

Technical Specifications

Extra Deep Pushbutton Boxes



**Standard 4-Way
Keyed Pushbutton
Hole Detail**



Hole Arrangement Centered On Cover

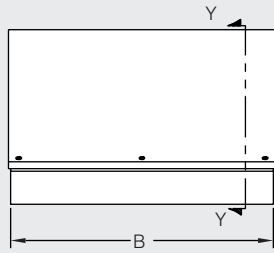
Extra Deep Pushbutton Box							
Part No.	Height A	Width B	Depth C	Mounting centers		Cover size	
				H	W	J	K
EZ E 1PBXDSS	4.00	4.00	4.75	4.50	3.13	4.31	4.31
E 2PBXDSS	6.00	4.00	4.75	6.50	3.13	6.31	4.31
E 3PBXDSS	8.00	4.00	4.75	8.50	3.13	8.31	4.31
E 4PBXDSS	10.00	4.00	4.75	10.50	3.13	10.31	4.31
E 4SPBXDSS*	7.25	6.25	4.75	7.75	5.38	7.56	6.56
E 6PBXDSS*	9.50	6.25	4.75	10.00	5.38	9.81	6.56
E 9PBXDSS	9.50	8.50	4.75	10.00	7.63	9.81	8.81
E 10PBXDSS	14.00	6.25	4.75	14.50	5.38	14.31	6.56
E 12PBXDSS	11.75	8.50	4.75	12.25	7.63	12.06	8.81
E 16PBXDSS	11.75	10.75	4.75	12.25	9.88	12.06	11.06
E 16SPBXDSS	20.75	6.25	4.75	21.25	5.38	21.06	6.56
E 20PBXDSS	14.00	10.75	4.75	14.50	9.88	14.31	11.06
E 25PBXDSS	14.00	13.00	4.75	14.50	12.13	14.31	13.31

* Can be mounted to a Rittal Electromate column and base.

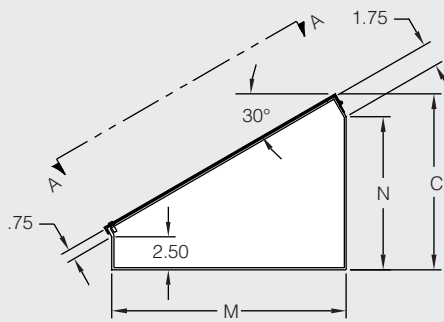
EZ Designates a product in the EnclosureZone program.

Technical Specifications

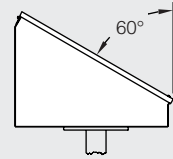
Consoles, Pedestals and Bases



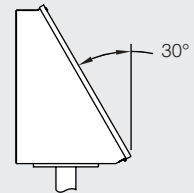
Front View



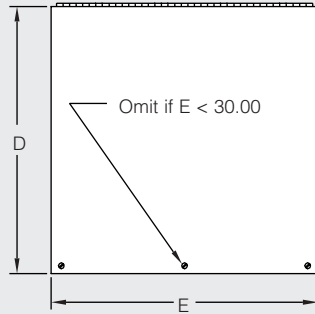
Section Y-Y



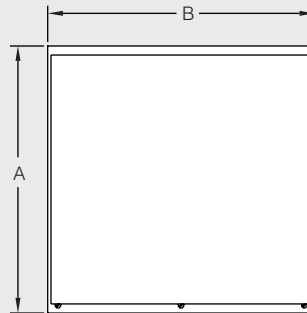
Section Y-Y



Console can be positioned at either 30° or 60° angle



View A-A



View A-A
(with cover removed)

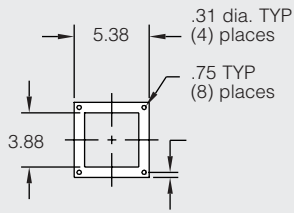
Console, Pedestal & Base

Part No.	Height A	Width B	Depth C	Cover plate		Stiffener location C	Cover size		Desk depth/height	
				E	F		D	E	M	N
Consoles										
E 8C8SS	8.00	8.00	7.09	-	-	-	8.31	8.31	7.44	5.63
EZ E 8C12SS	8.00	12.00	7.09	-	-	-	8.31	12.31	7.44	5.63
E 8C16SS	8.00	16.00	7.09	-	-	-	8.31	16.31	7.44	5.63
E 8C20SS	8.00	20.00	7.09	-	-	-	8.31	20.31	7.44	5.63
EZ E 12C12SS	12.00	12.00	9.09	-	-	-	12.31	12.31	10.91	7.63
E 12C16SS	12.00	16.00	9.09	-	-	-	12.31	16.31	10.91	7.63
E 12C20SS	12.00	20.00	9.09	-	-	-	12.31	20.31	10.91	7.63
EZ E 12C24SS	12.00	24.00	9.09	-	-	-	12.31	24.31	10.91	7.63
E 16C16SS	16.00	16.00	11.09	-	-	-	16.31	16.31	14.38	9.63
E 16C20SS	16.00	20.00	11.09	-	-	-	16.31	20.31	14.38	9.63
E 16C24SS	16.00	24.00	11.09	-	-	-	16.31	24.31	14.38	9.63
E 16C30SS	16.00	30.00	11.09	-	-	-	16.31	30.31	14.38	9.63
E 16C36SS	16.00	36.00	11.09	-	-	-	16.31	36.31	14.38	9.63
E 20C20SS	20.00	20.00	13.09	-	-	-	20.31	20.31	17.84	11.63
E 20C24SS	20.00	24.00	13.09	-	-	-	20.31	24.31	17.84	11.63
E 20C30SS	20.00	30.00	13.09	-	-	-	20.31	30.31	17.84	11.63
Pedestals										
E 44COLSS	4.00	4.00	-	7.00	3.75	-	-	-	-	-
EZ E 66COLSS	6.00	6.00	-	7.75	5.75	-	-	-	-	-
Bases										
E 18SBASESS	18.00	18.00	-	-	-	3.00	-	-	-	-
EZ E 24SBASESS	24.00	24.00	-	-	-	5.00	-	-	-	-

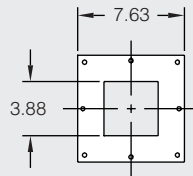
EZ Designates a product in the EnclosureZone program.

Technical Specifications

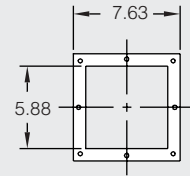
Consoles, Pedestals and Bases



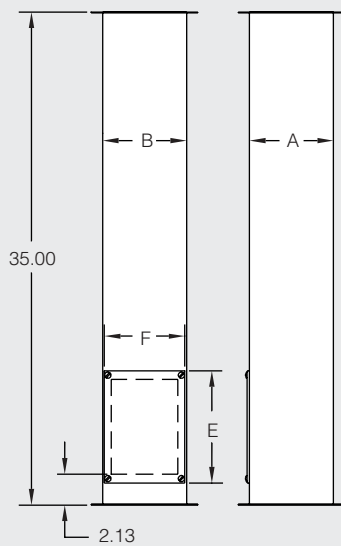
**4x4 Top
Column Flange**



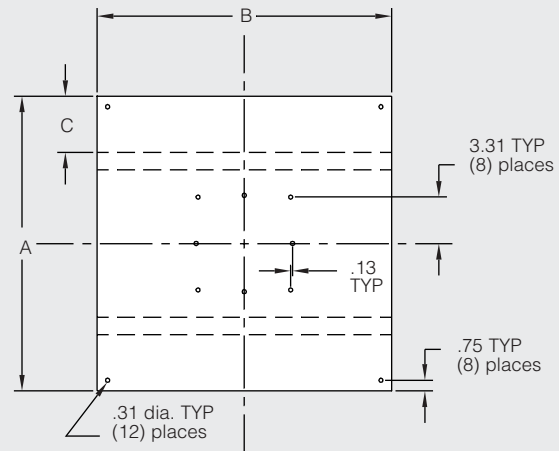
**4x4 Bottom
Column Flange
See Base for Hole Locations**



**6x6 Bottom
Column Flange
See Base for Hole Locations**



Column



Base Top View

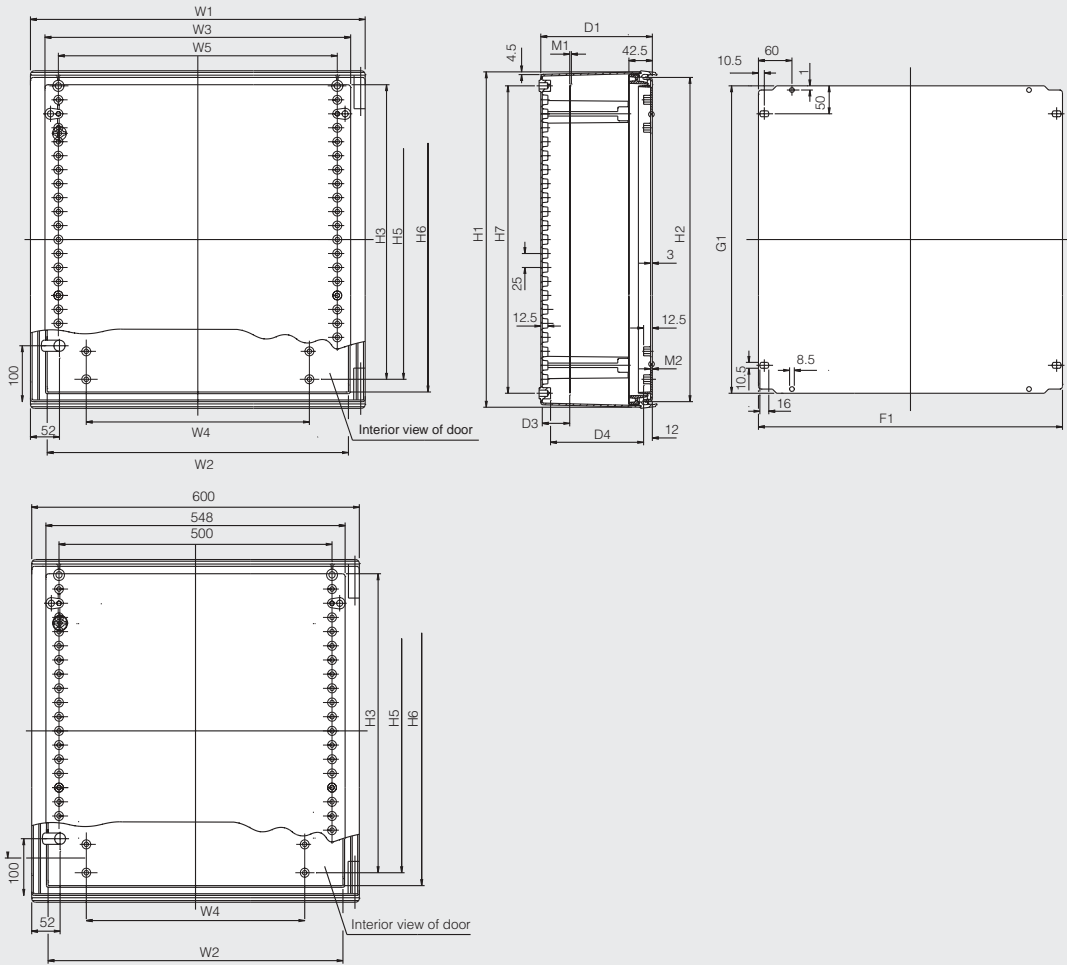


Base End View



Technical Specifications

KS Fiberglass Enclosures



Enclosure						
Height (H1)	inches	13.78	15.75	15.75	23.62	23.62
	mm	350	400	400	600	600
Width (W1)	inches	9.84	11.81	15.75	15.75	23.62
	mm	250	300	400	400	600
Depth (D1)	inches	5.91	7.87	7.87	7.87	7.87
	mm	150	200	200	200	200
Part No.		EZ 1432600	EZ 1434600	EZ 1444600	EZ 1446600	EZ 1466600
Door(s)		1	1	1	1	1
Weight	lbs	10.1	13.6	14.3	25.3	35.0
	kg	4.6	6.0	6.5	11.5	15.9

Dimensions in millimeters (mm) unless otherwise indicated.

Detailed Dimensions																			
Part No.	Height dimensions						Width dimensions					Depth dimensions					Mounting panel		
	H1	H2	H3	H5	H6	H7	W1	W2	W3	W4	W5	D1	D3	D4	M1	M2	F1	G1	
EZ 1432600	350	330	306	250	295	300	250	190	200	75	150	150	12-55	130	2.0	3.0	195	300	
EZ 1434600	400	380	355	300	345	350	300	240	249	100	200	200	12-105	180	2.0	3.0	245	350	
EZ 1444600	400	380	354	300	345	350	400	340	458	200	300	200	12-105	180	2.5	3.2	345	350	
EZ 1446600	600	580	554	500	545	550	400	340	348	200	300	200	12-105	180	2.5	3.5	345	550	
EZ 1466600	600	580	554	500	545	550	600	540	548	400	500	200	12-105	180	2.5	3.5	545	550	

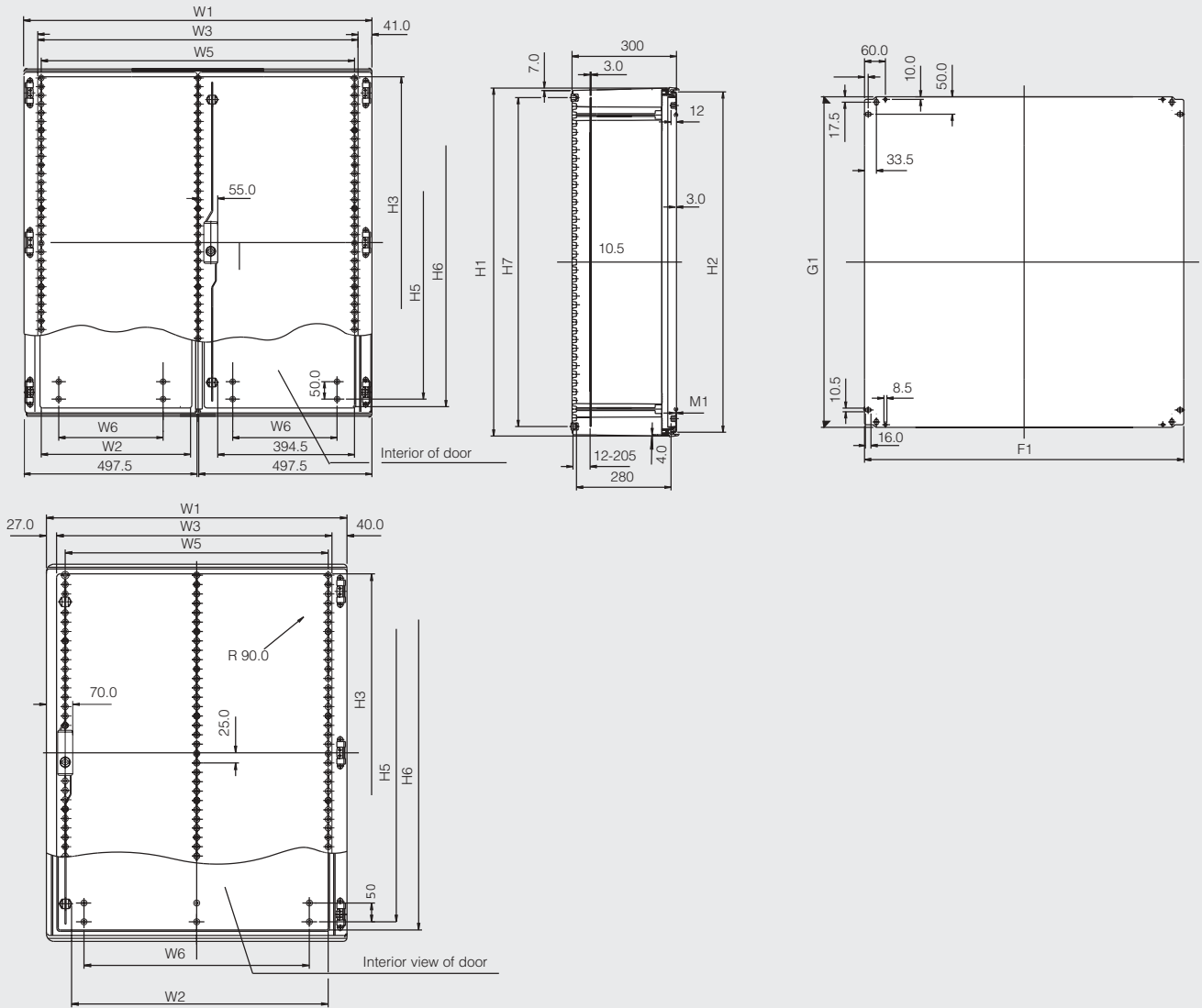
Dimensions in millimeters (mm) unless otherwise indicated.

EZ Designates a product in the EnclosureZone program.



Technical Specifications

KS Fiberglass Enclosures



Enclosure				
Height (H1)	inches		31.50	39.37
	mm		800	1000
Width (W1)	inches		23.62	31.50
	mm		600	800
Depth (D1)	inches		11.81	11.81
	mm		300	300
Part No.	EZ	1468600	EZ	1480600
Door(s)		1		1
Weight	lbs.		53.5	85.9
	kg		24.3	39.0

Dimensions in millimeters (mm) unless otherwise indicated.

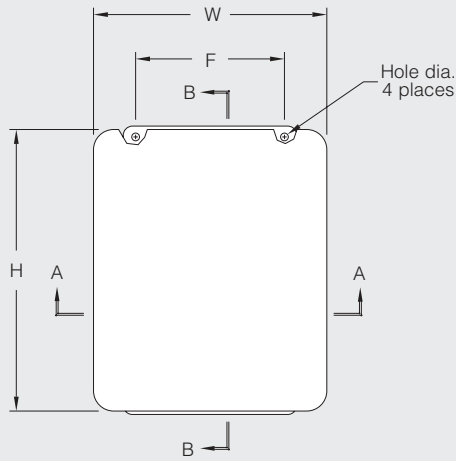
Detailed Dimensions														
Part No.	H1	H2	H3	H5	H6	H7	W1	W2	W3	W5	W6	M1	F1	G1
1468000	800	780	753	700	740	750	600	485	533	600	400	3.7	750	517
1480000	100	980	953	900	940	950	800	685	733	700	600	3.7	950	717

Dimensions in millimeters (mm) unless otherwise indicated.

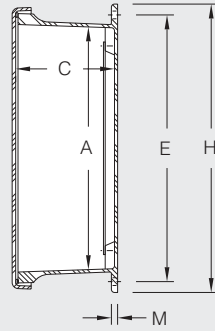
EZ Designates a product in the EnclosureZone program.

Technical Specifications

Screw Cover Junction Boxes

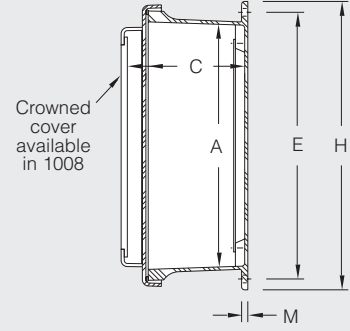


Standard Flat Cover

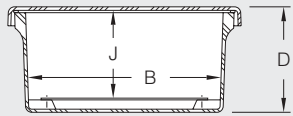


Section B-B

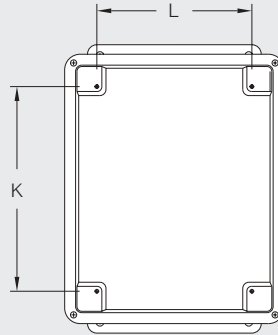
Crowned Cover



Section B-B



Section A-A



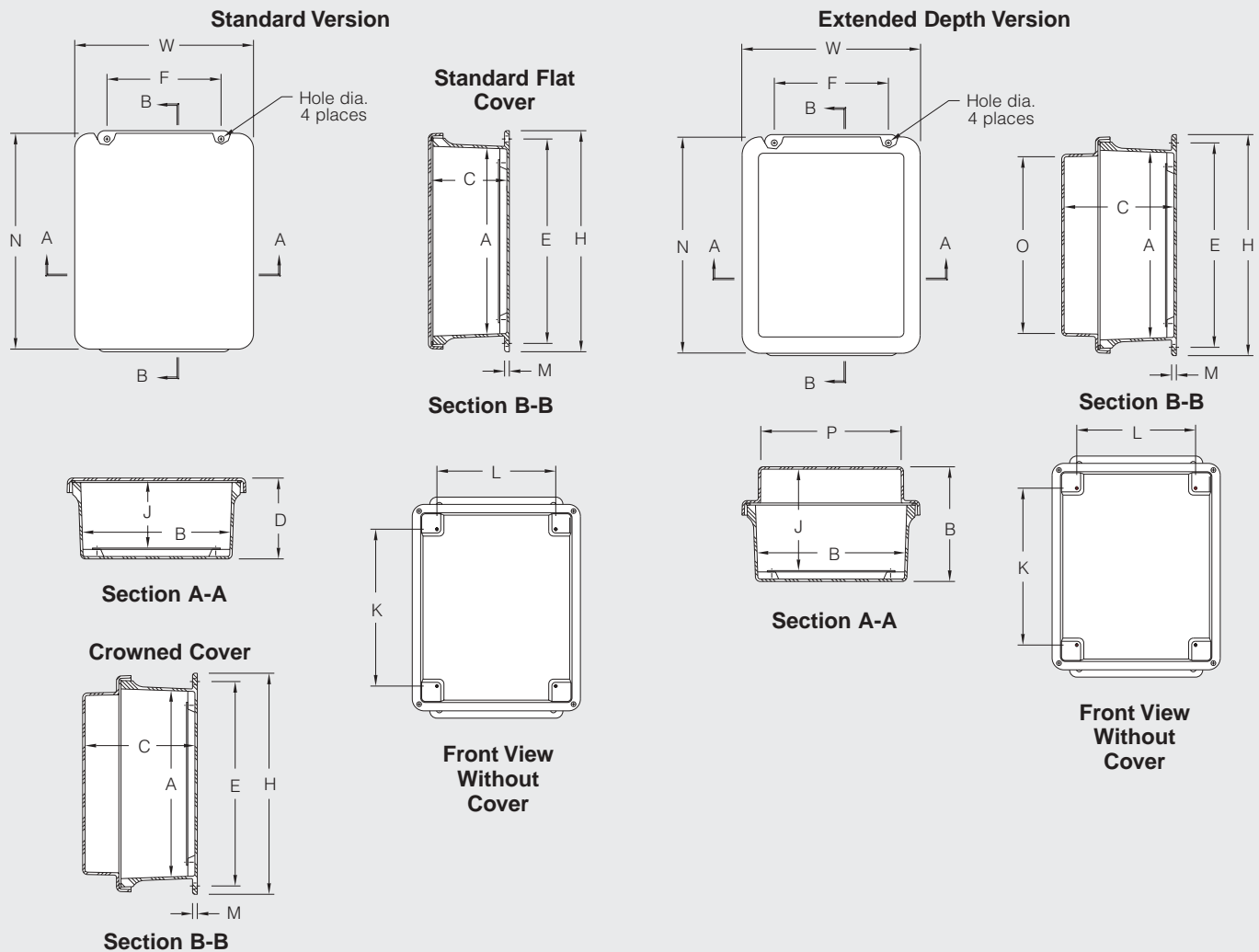
Front View Without Cover

Enclosure														
Part No.	Outside dimensions (inches)			Inside dimensions (inches)			Mounting centers		J	K	L	M	N	Hole dia.
	H	W	D	A	B	C	H	W						
EZ L FJ604NFSC	7.50	5.43	4.75	5.84	3.85	4.45	6.75	2	4	4.25	2.25	.25	7.39	.31
EZ L FJ606NFSC	7.50	7.50	4.75	5.72	5.72	4.45	6.75	4	4	4.25	4.25	.25	7.52	.31
EZ L FJ806NFSC	9.62	7.50	4.74	7.73	5.74	4.45	8.88	4	4	6.25	4.25	.25	9.5	.31
EZ L FJ1008NFSC	11.62	9.41	4.25	9.73	7.73	3.98	10.75	6	3.5	8.25	6.25	.25	11.35	.31
EZ L FJ1210NFSC	13.56	11.43	5.21	11.79	9.80	4.94	12.75	8	4.5	10.25	8.25	.25	13.41	.31
EZ L FJ1412NFSC	15.50	13.50	6.25	13.53	11.55	5.94	14.62	10	5.37	12.25	10.25	.25	15.47	.31
EZ L FJ1614NFSC	17.53	15.46	6.23	15.63	13.60	5.94	16.75	12	5.36	14.25	12.25	.25	17.45	.31
EZ L FJ1816NFSC	19.62	17.61	8.82	17.69	15.69	8.45	18.88	12	7.99	16.25	14.25	.25	19.61	.31
EZ L FJ2016NFSC	22.00	17.68	8.83	19.72	15.72	8.45	21.25	10	8	18.25	14.25	.25	21.68	.31

EZ Designates a product in the EnclosureZone program.

Technical Specifications

Hinged Screw Cover Junction Boxes



Standard Enclosure															
Part No.	Outside dimensions (inches)			Inside dimensions (inches)			Mounting centers		J	K	L	M	N	Hole dia.	
	H	W	D	A	B	C	H	W							
EZ L FJ604CHNFSC	7.50	5.47	6.22	5.84	3.85	5.95	6.75	2	4	4.25	2.25	.25	7.39	.31	
EZ L FJ606CHNFSC	7.50	7.50	4.75	5.72	5.72	4.45	6.75	4	4	4.25	4.25	.25	7.52	.31	
EZ L FJ806CHNFSC	9.62	7.50	4.74	7.73	5.74	4.45	8.88	4	4	6.25	4.25	.25	9.5	.31	
EZ L FJ1008CHNFSC	11.62	9.41	4.25	9.73	7.73	3.98	10.75	6	3.5	8.25	6.25	.25	11.35	.31	
EZ L FJ1210CHNFSC	13.56	11.43	5.21	11.79	9.80	4.94	12.75	8	4.5	10.25	8.25	.25	13.41	.31	
EZ L FJ1412CHNFSC	15.50	13.50	6.25	13.53	11.55	5.94	14.62	10	5.37	12.25	10.25	.25	15.47	.31	
EZ L FJ1614CHNFSC	17.53	15.46	6.23	15.63	13.60	5.94	16.75	12	5.36	14.25	12.25	.25	17.45	.31	
EZ L FJ1816CHNFSC	19.62	17.61	8.82	17.69	15.69	8.45	18.88	12	7.99	16.25	14.25	.25	19.61	.31	
EZ L FJ2016CHNFSC	22.00	17.68	8.83	19.72	15.72	8.45	21.25	10	8	18.25	14.25	.25	21.68	.31	

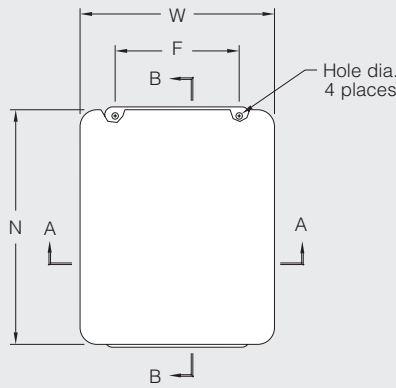
Extended Depth Enclosure																
Part No.	Outside dimensions (inches)			Inside dimensions (inches)			Mounting centers		J	K	L	M	N	O	P	Hole dia.
	H	W	D	A	B	C	H	W								
EZ L FJ604CHNFSCX	7.50	5.47	6.22	5.84	3.85	5.95	6.75	2	5.49	4.25	2.25	.25	7.45	5.31	3.34	.31
EZ L FJ606CHNFSCX	7.50	7.52	6.22	5.72	5.72	5.95	6.75	4	5.49	4.25	4.25	.25	7.52	5.34	5.31	.31
EZ L FJ806CHNFSCX	9.62	7.46	6.22	7.73	5.74	5.95	8.88	4	5.49	6.25	4.25	.25	9.36	7.25	5.28	.31
EZ L FJ1008CHNFSCX	11.62	9.37	6.61	9.73	7.73	6.36	10.75	6	5.91	8.25	6.25	.25	11.38	9.3	7.38	.31
EZ L FJ1210CHNFSCX	13.56	11.43	6.61	11.79	9.80	6.32	12.75	8	5.87	10.25	8.25	.25	13.41	11.2	9.23	.31
EZ L FJ1412CHNFSCX	15.50	13.38	7.69	13.53	11.55	7.45	14.62	10	6.87	12.25	10.25	.25	15.42	13.2	11.16	.31
EZ L FJ1614CHNFSCX	17.53	15.43	7.71	15.63	13.60	7.45	16.75	12	6.87	14.25	12.25	.25	17.43	15.2	13.24	.31
EZ L FJ1816CHNFSCX	19.62	17.48	10.62	17.69	15.69	10.31	18.88	12	9.86	16.25	14.25	.25	19.49	17.25	15.25	.31
EZ L FJ2016CHNFSCX	22.00	17.56	10.64	19.72	15.72	10.33	21.25	10	9.87	18.25	14.25	.25	21.56	19.31	15.39	.31

EZ Designates a product in the EnclosureZone program.

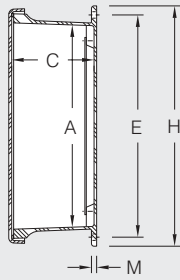
Technical Specifications

Lockable Quick Release Junction Boxes

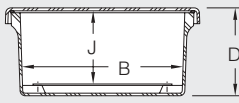
Standard Version



Standard Flat Cover

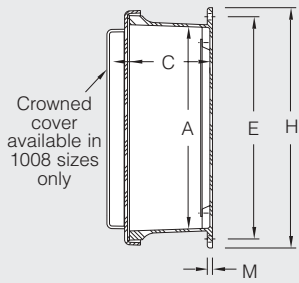


Section B-B

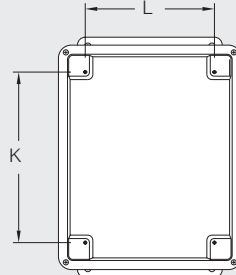


Section A-A

Crowned Cover

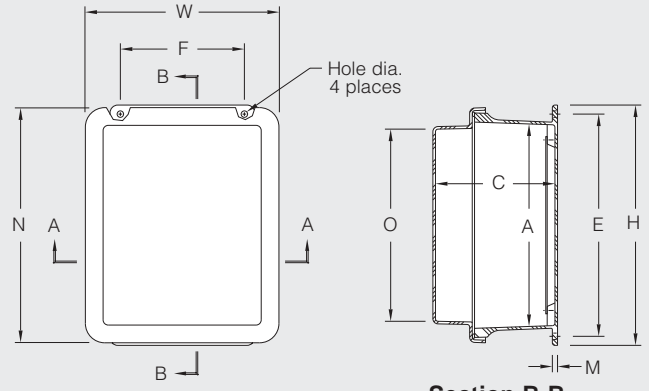


Section B-B

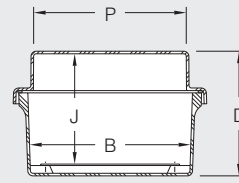


Front View Without Cover

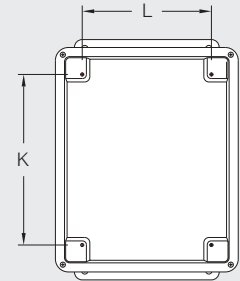
Extended Depth Version



Section B-B



Section A-A



Front View Without Cover

Standard Enclosure

Part No.	Outside dimensions (inches)			Inside dimensions (inches)			Mounting centers		J	K	L	M	N	Hole dia.
	H	W	D	A	B	C	H	W						
EZ L FJ604CHNFQ	7.50	5.43	4.75	5.84	3.85	4.45	6.75	2	4	4.25	2.25	.25	7.39	.31
EZ L FJ606CHNFQ	7.50	7.50	4.75	5.72	5.72	4.45	6.75	4	4	4.25	4.25	.25	7.52	.31
EZ L FJ806CHNFQ	9.62	7.50	4.74	7.73	5.74	4.45	8.88	4	4	6.25	4.25	.25	9.5	.31
EZ L FJ1008CHNFQ	11.62	9.41	4.25	9.73	7.73	3.98	10.75	6	3.5	8.25	6.25	.25	11.35	.31
EZ L FJ1210CHNFQ	13.56	11.43	5.21	11.79	9.80	4.94	12.75	8	4.5	10.25	8.25	.25	13.41	.31
EZ L FJ1412CHNFQ	15.50	13.50	6.25	13.53	11.55	5.94	14.62	10	5.37	12.25	10.25	.25	15.47	.31
EZ L FJ1614CHNFQ	17.53	15.46	6.23	15.63	13.60	5.94	16.75	12	5.36	14.25	12.25	.25	17.45	.31
EZ L FJ1816CHNFQ	19.62	17.61	8.82	17.69	15.69	8.45	18.88	12	7.99	16.25	14.25	.25	19.61	.31
EZ L FJ2016CHNFQ	22.00	17.68	8.83	19.72	15.72	8.45	21.25	10	8	18.25	14.25	.25	21.68	.31

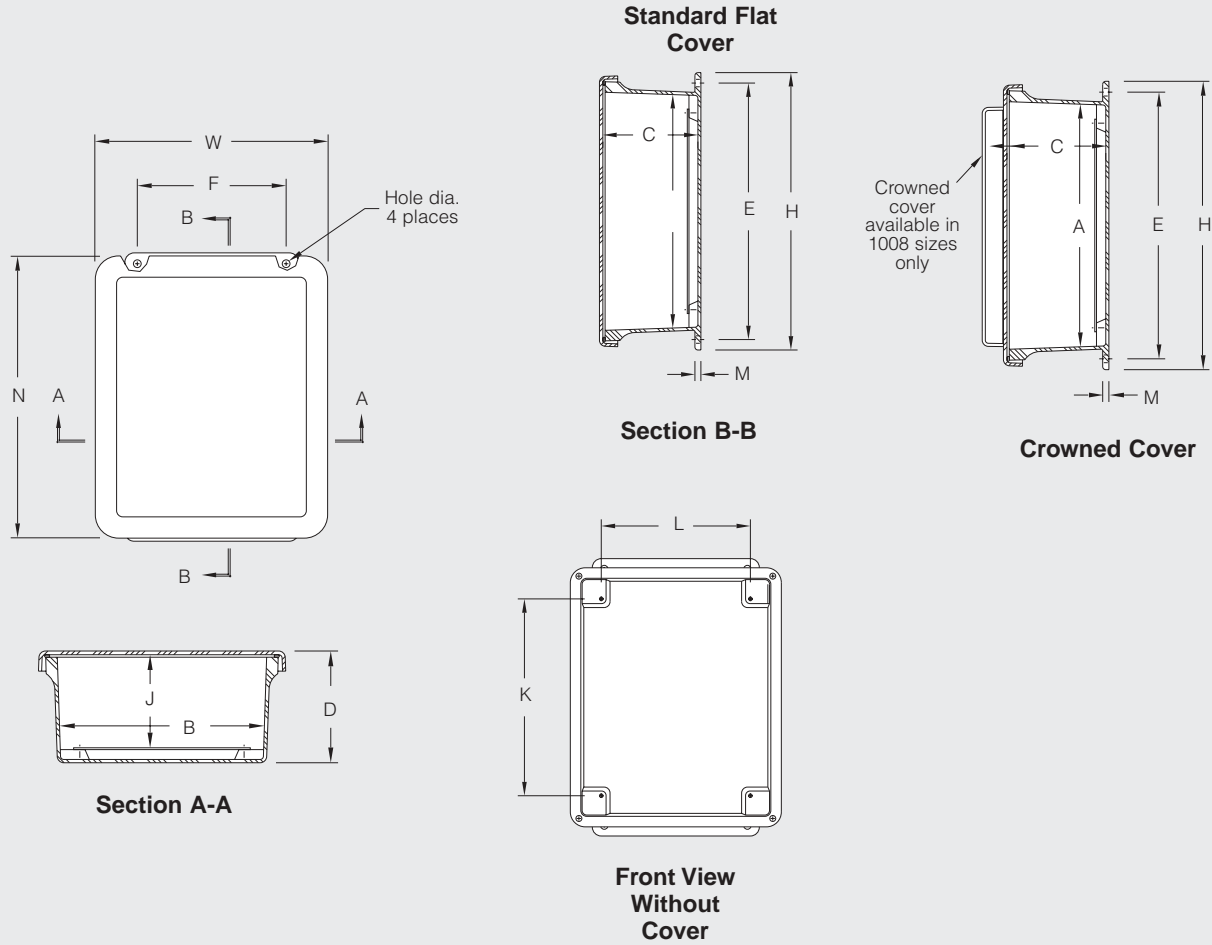
Extended Depth Enclosure

Part No.	Outside dimensions (inches)			Inside dimensions (inches)			Mounting centers		J	K	L	M	N	O	P	Hole dia.
	H	W	D	A	B	C	H	W								
EZ L FJ604CHNFQX	7.50	5.47	6.22	5.84	3.85	5.95	6.75	2	5.49	4.25	2.25	.25	7.45	5.31	3.34	.31
EZ L FJ606CHNFQX	7.50	7.52	6.22	5.72	5.72	5.95	6.75	4	5.49	4.25	4.25	.25	7.52	5.34	5.31	.31
EZ L FJ806CHNFQX	9.62	7.46	6.22	7.73	5.74	5.95	8.88	4	5.49	6.25	4.25	.25	9.36	7.25	5.28	.31
EZ L FJ1008CHNFQX	11.62	9.37	6.61	9.73	7.73	6.36	10.75	6	5.91	8.25	6.25	.25	11.38	9.3	7.38	.31
EZ L FJ1210CHNFQX	13.56	11.43	6.61	11.79	9.80	6.32	12.75	8	5.87	10.25	8.25	.25	13.41	11.2	9.23	.31
EZ L FJ1412CHNFQX	15.50	13.38	7.69	13.53	11.55	7.45	14.62	10	6.87	12.25	10.25	.25	15.42	13.2	11.16	.31
EZ L FJ1614CHNFQX	17.53	15.43	7.71	15.63	13.60	7.45	16.75	12	6.87	14.25	12.25	.25	17.43	15.2	13.24	.31
EZ L FJ1816CHNFQX	19.62	17.48	10.62	17.69	15.69	10.31	18.88	12	9.86	16.25	14.25	.25	19.49	17.25	15.25	.31
EZ L FJ2016CHNFQX	22.00	17.56	10.64	19.72	15.72	10.33	21.25	10	9.87	18.25	14.25	.25	21.56	19.31	15.39	.31

EZ Designates a product in the EnclosureZone program.

Technical Specifications

Flush Viewing Window Junction Boxes

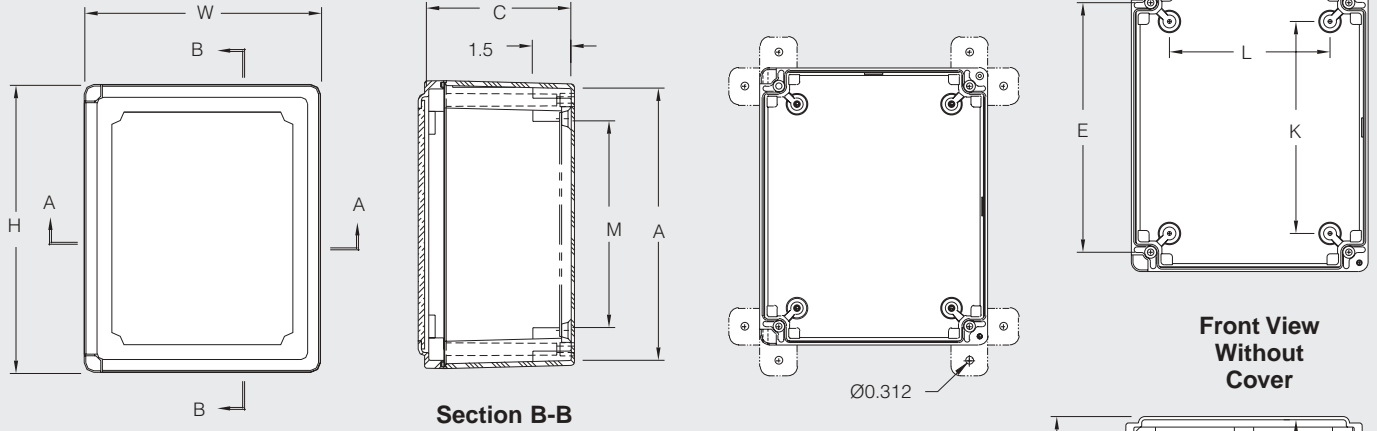


Part No.	Enclosure													
	Outside dimensions (inches)			Inside dimensions (inches)			Mounting centers		J	K	L	M	N	Hole dia.
	H	W	D	A	B	C	H	W						
EZ L FJ806CHNFQW	9.62	7.50	4.74	7.73	5.74	4.45	8.88	4	4	6.25	4.25	.25	9.5	.31
EZ L FJ1008CHNFQW	11.62	9.41	4.25	9.73	7.73	3.98	10.75	6	3.5	8.25	6.25	.25	11.35	.31
EZ L FJ1210CHNFQW	13.56	11.43	5.21	11.79	9.80	4.94	12.75	8	4.5	10.25	8.25	.25	13.41	.31
EZ L FJ1412CHNFQW	15.50	13.50	6.25	13.53	11.55	5.94	14.62	10	5.37	12.25	10.25	.25	15.47	.31
EZ L FJ1614CHNFQW	17.53	15.46	6.23	15.63	13.60	5.94	16.75	12	5.36	14.25	12.25	.25	17.45	.31
EZ L FJ1816CHNFQW	19.62	17.61	8.82	17.69	15.69	8.45	18.88	12	7.99	16.25	14.25	.25	19.61	.31
EZ L FJ2016CHNFQW	22.00	17.68	8.83	19.72	15.72	8.45	21.25	10	8	18.25	14.25	.25	21.68	.31

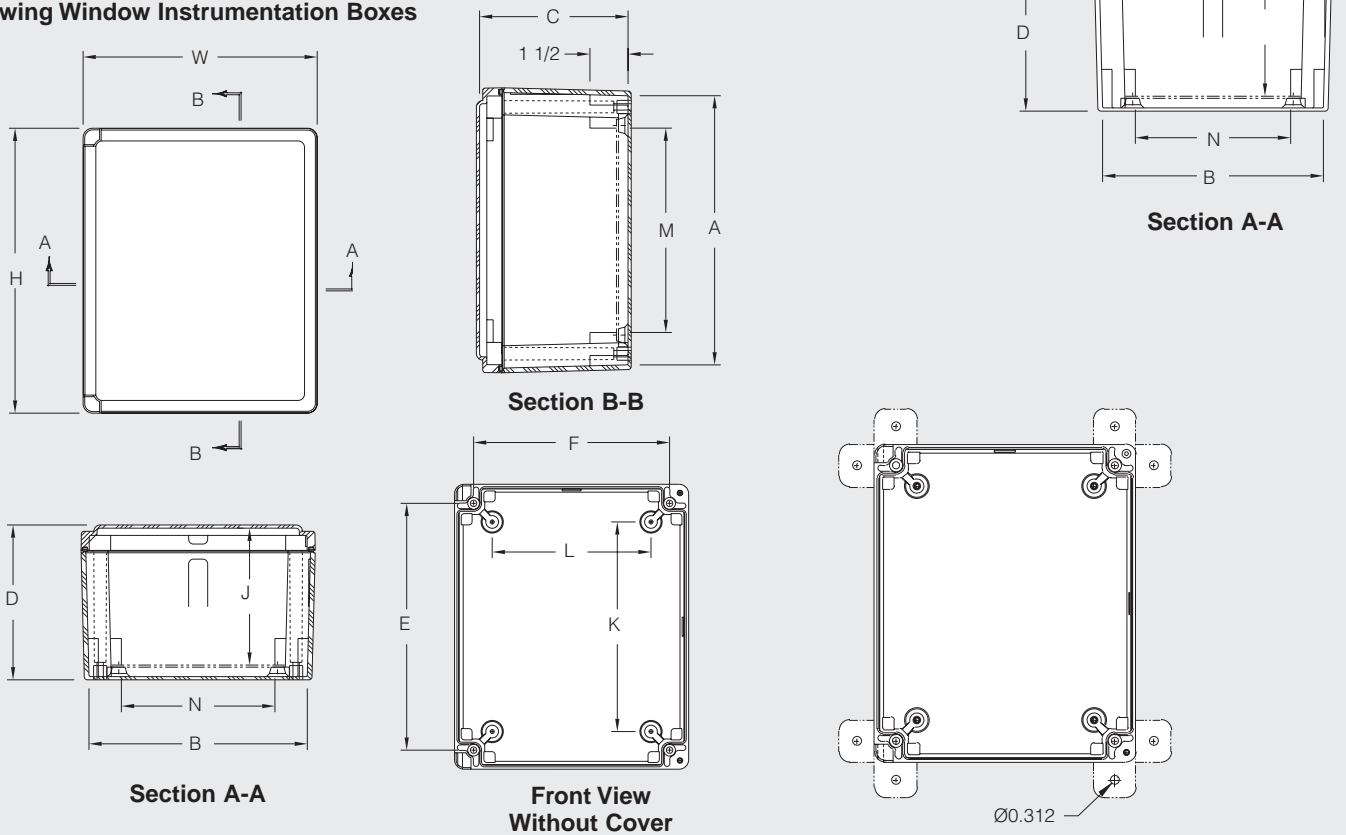
EZ Designates a product in the EnclosureZone program.

Technical Specifications

Hinged Screw Cover Instrumentation Boxes



Viewing Window Instrumentation Boxes



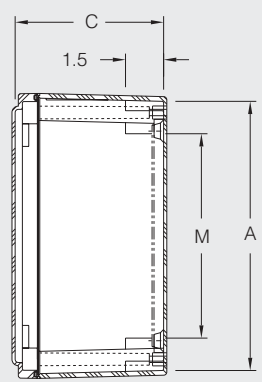
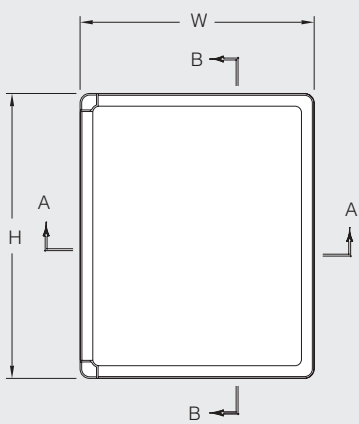
Hinged Screw Cover Enclosure													
Part No.	Outside dimensions (inches)			Inside dimensions (inches)			Mounting centers		J	K	L	M	N
	H	W	D	A	B	C	H	W					
EZ L FI707CHNFSC	7.21	7.21	5.09	6.65	6.65	4.84	5.71	5.71	4.39	4.25	4.25	4.04	4.04
EZ L FI907CHNFSC	9.21	7.21	5.09	8.59	6.59	4.84	7.71	5.71	4.39	6.25	4.25	6.04	4.04
EZ L FI1109CHNFSC	11.21	9.21	6.09	10.59	8.59	5.84	9.71	7.71	5.39	8.25	6.25	8.04	6.04
EZ L FI1311CHNFSC	13.21	11.21	6.59	12.59	10.59	6.34	11.71	9.71	5.89	10.25	8.25	10.04	8.04
EZ L FI1513CHNFSC	15.21	13.21	7.09	14.55	12.55	6.84	13.71	11.71	6.39	12.25	10.25	12.04	10.04

Viewing Window Enclosure													
Part No.	Outside dimensions (inches)			Inside dimensions (inches)			Mounting centers		J	K	L	M	N
	H	W	D	A	B	C	H	W					
EZ L FI707CHNFSCW	7.21	7.21	5.09	6.65	6.65	4.84	5.71	5.71	4.39	4.25	4.25	4.04	4.04
EZ L FI907CHNFSCW	9.21	7.21	5.09	8.59	6.59	4.84	7.71	5.71	4.39	6.25	4.25	6.04	4.04
EZ L FI1109CHNFSCW	11.21	9.21	6.09	10.59	8.59	5.84	9.71	7.71	5.39	8.25	6.25	8.04	6.04
EZ L FI1311CHNFSCW	13.21	11.21	6.59	12.59	10.59	6.34	11.71	9.71	5.89	10.25	8.25	10.04	8.04
EZ L FI1513CHNFSCW	15.21	13.21	7.09	14.55	12.55	6.84	13.71	11.71	6.39	12.25	10.25	12.04	10.04

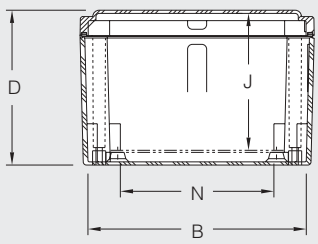
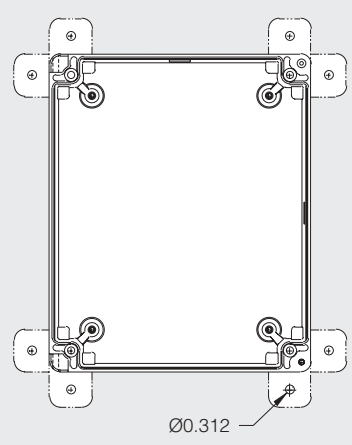
EZ Designates a product in the EnclosureZone program.

Technical Specifications

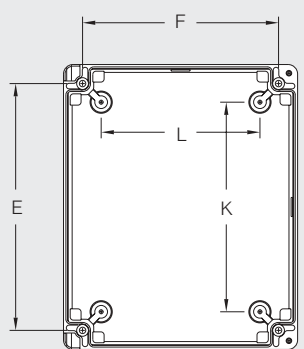
Hinged Quick Release Instrumentation Boxes



Section B-B



Section A-A



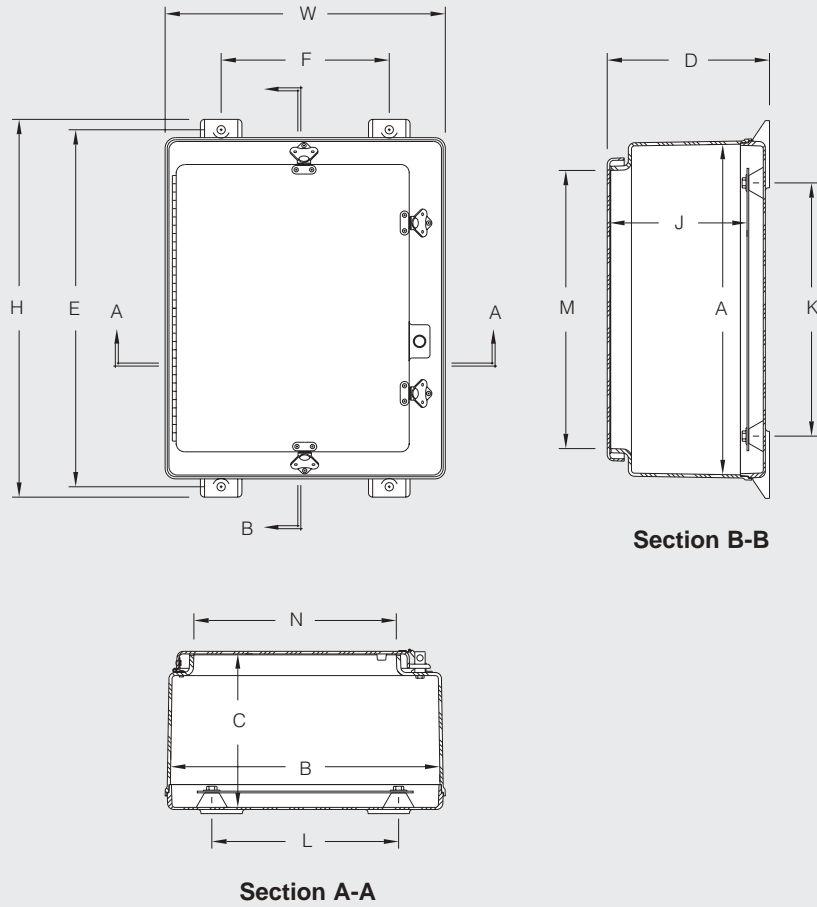
Front View Without Cover

Enclosure													
Part No.	Outside dimensions (inches)			Inside dimensions (inches)			Mounting centers		J	K	L	M	N
	H	W	D	A	B	C	H	W					
EZ L FI707CHNFQ	7.21	7.21	5.09	6.65	6.65	4.84	4.875	4.875	4.39	4.25	4.25	4.25	4.04
EZ L FI907CHNFQ	9.21	7.21	5.09	8.59	6.59	4.84	6.875	4.875	4.39	6.25	4.25	6.04	4.04
EZ L FI1109CHNFQ	11.21	9.21	6.09	10.59	8.59	5.84	8.875	6.875	5.39	8.25	6.25	8.04	6.04
EZ L FI1311CHNFQ	13.21	11.21	6.59	12.59	10.59	6.34	10.875	8.875	5.89	10.25	8.25	10.04	8.04
EZ L FI1513CHNFQ	15.21	13.21	7.09	14.55	12.55	6.84	12.875	10.875	6.39	12.25	10.25	12.04	10.04

EZ Designates a product in the EnclosureZone program.

Technical Specifications

NEMA 4X Wallmount Boxes

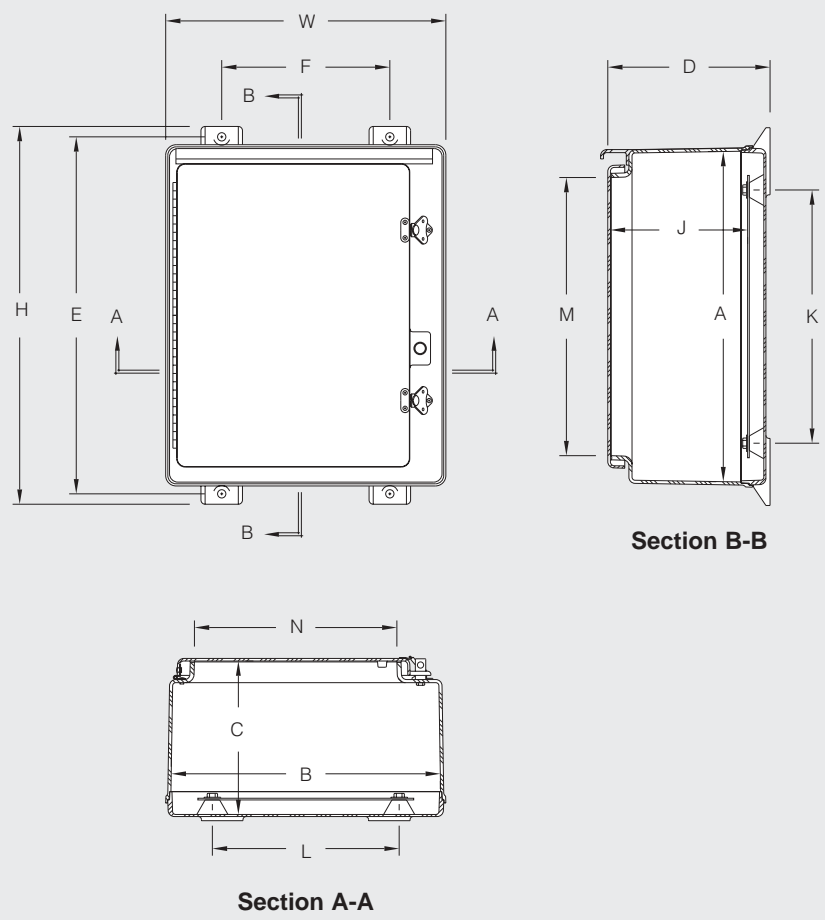


Enclosure													
Part No.	Outside dimensions (inches)			Inside dimensions (inches)			Mounting centers		J	K	L	Enclosure opening	
	H	W	D	A	B	C	H	W				M	N
EZ L FW20H1612	22.75	16.87	13.77	19.70	16.04	13.24	21.50	10.12	12.26	15.25	11.25	16.75	12.19
EZ L FW24H2008	27.00	21.24	9.90	24.05	20.39	9.25	25.75	14.00	8.25	19.25	15.25	21.25	16.00
EZ L FW24H2410	27.00	25.24	11.90	24.05	24.39	11.25	25.75	17.87	10.25	19.25	19.25	21.25	20.00
EZ L FW24H2412	27.00	25.24	13.90	24.05	24.39	13.25	25.75	17.87	12.25	19.25	19.25	21.25	20.00
EZ L FW30H2008	32.86	20.99	9.89	29.90	20.14	9.23	31.75	14.25	8.23	25.25	15.25	27.00	16.50
EZ L FW30H2407	33.41	26.32	8.81	30.46	25.47	8.12	32.25	18.50	7.12	25.25	19.25	27.38	21.25
EZ L FW30H2410	33.41	26.32	11.95	30.46	25.47	11.27	32.25	18.50	10.27	25.25	19.25	27.38	21.25
EZ L FW36H3010	39.31	32.50	12.05	36.31	31.69	11.36	38.13	23.88	8.36	31.25	25.25	33.25	27.25
EZ L FW36H3012	39.31	32.50	14.05	36.31	31.69	13.36	38.13	23.88	10.36	31.25	25.25	33.25	27.25
EZ L FW48H3612	51.29	36.62	13.93	48.33	36.22	13.25	50.12	29.25	12.25	43.25	31.25	45.25	32.00
EZ L FW48H3616	51.29	36.62	17.93	48.33	36.22	17.25	50.12	29.26	16.25	43.25	31.25	45.25	32.00

EZ Designates a product in the EnclosureZone program.

Technical Specifications

NEMA 3R Wallmount Boxes

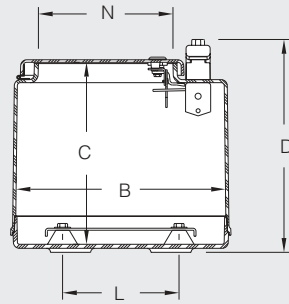
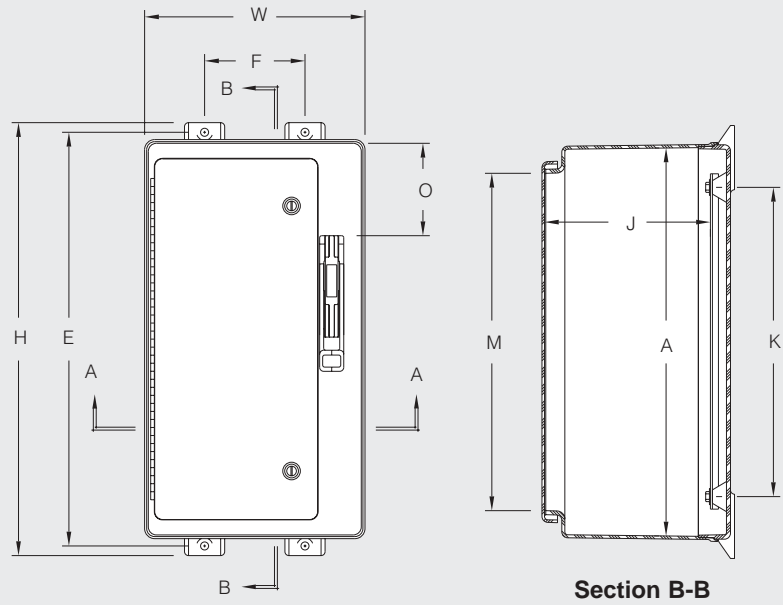


Enclosure													
Part No.	Outside dimensions (inches)			Inside dimensions (inches)			Mounting centers		J	K	L	Enclosure opening	
	H	W	D	A	B	C	H	W				M	N
EZ L FW20R1612HCR	22.75	16.87	14.27	19.70	16.04	13.24	21.50	10.12	12.26	15.25	11.25	16.75	12.19
EZ L FW24R2008HCR	27.00	21.24	9.90	24.05	20.39	9.25	25.75	14.00	8.25	19.25	15.25	21.25	16.00
EZ L FW24R2410HCR	27.00	25.24	11.90	24.05	24.39	11.25	25.75	17.87	10.25	19.25	19.25	21.25	20.00
EZ L FW30R2410HCR	33.41	26.32	11.95	30.46	25.47	11.27	32.25	18.50	10.27	25.25	19.25	27.38	21.25
EZ L FW30R2412HCR	33.41	26.32	13.79	30.46	25.47	13.10	32.25	18.50	12.10	25.25	19.25	27.38	21.25
EZ L FW36R3010HCR	39.31	32.50	12.05	36.31	31.69	11.36	38.13	23.88	10.36	31.25	25.25	33.25	27.25
EZ L FW36R3012HCR	39.31	32.50	14.05	36.31	31.69	13.36	38.13	23.88	12.36	31.25	25.25	33.25	27.25
EZ L FW48R3612HCR	51.29	36.62	14.43	48.33	36.22	13.25	50.12	29.25	12.25	43.25	31.25	45.25	32.00
EZ L FW48R3616HCR	51.29	36.62	18.43	48.33	36.22	50.12	29.26	29.26	16.25	43.25	31.25	45.25	32.00

EZ Designates a product in the EnclosureZone program.

Technical Specifications

Fiberglass Wallmount Boxes



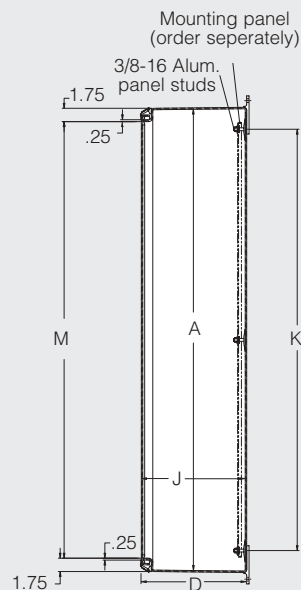
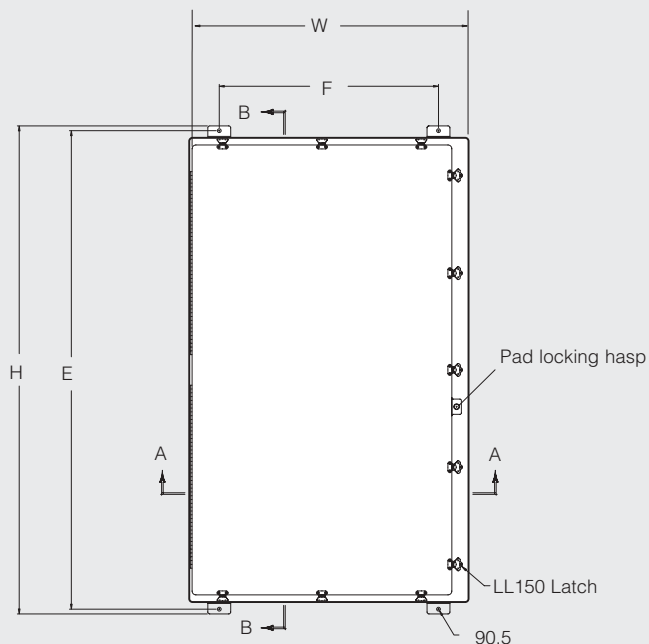
Section A-A

Part No.	Enclosure													
	Outside dimensions (inches)			Inside dimensions (inches)			Mounting centers		J	K	L	Enclosure opening		
	H	W	D	A	B	C	H	W				M	N	O
EZ L F16HS10	18.75	10.96	10.25	15.92	10.27	8.53	17.50	7.00	7.8	12	7.5	13.14	6	3.50
EZ L F20HS16	22.75	16.87	11.00	19.70	16.04	9.24	21.50	10.12	8.26	15.25	11.25	16.75	12.19	3.50
EZ L F24HS24	27.00	25.24	13.19	24.05	24.39	11.25	25.75	17.87	10.25	19.25	19.25	21.25	20.00	5.75
EZ L F30HS24	33.41	26.32	13.19	30.46	25.47	11.27	32.25	18.50	10.27	25.25	19.25	27.38	21.25	12.25
EZ L F36HS30	39.31	32.50	13.31	36.31	31.69	11.36	38.13	23.88	10.36	31.25	25.25	33.25	27.50	12.25

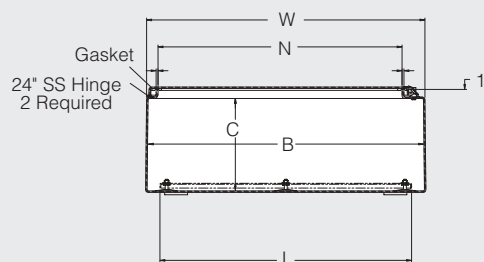
EZ Designates a product in the EnclosureZone program.

Technical Specifications

NEMA 4X Freestanding Boxes



Section B-B



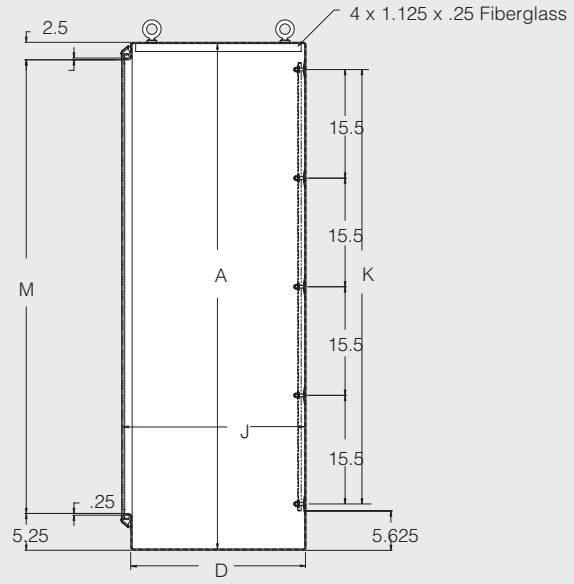
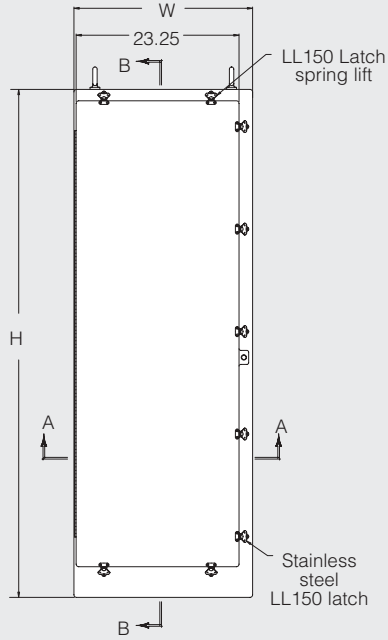
Section A-A

Enclosure													
Part No.	Outside dimensions (inches)			Inside dimensions (inches)			Mounting centers		J	K	L	M	N
	H	W	D	A	B	C	H	W					
EZ L F60H3612	63.50	36.50	14.12	60.13	36.13	13.44	57.00	33.00	12.44	53.06	31	55.75	32.00
EZ L F60H3616	63.50	36.50	18.12	60.13	36.13	17.44	57.00	33.00	16.44	53.06	31	55.75	32.00

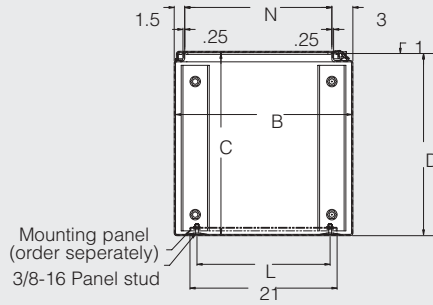
EZ Designates a product in the EnclosureZone program.

Technical Specifications

NEMA 4X Freestanding Boxes



Section B-B



Section A-A

Enclosure													
Part No.	Outside dimensions (inches)			Inside dimensions (inches)			Mounting centers		J	K	L	M	N
	H	W	D	A	B	C	H	W					
EZ L F72H2525FS	72.50	25.50	26.38	72.00	25.00	25.75	64.00	21.00	24.74	62	19	64.75	21.00
EZ L F72H4925FSDD	72.50	49.50	26.38	72.00	49.00	25.75	64.00	22.00	24.74	62	20	64.75	21.00

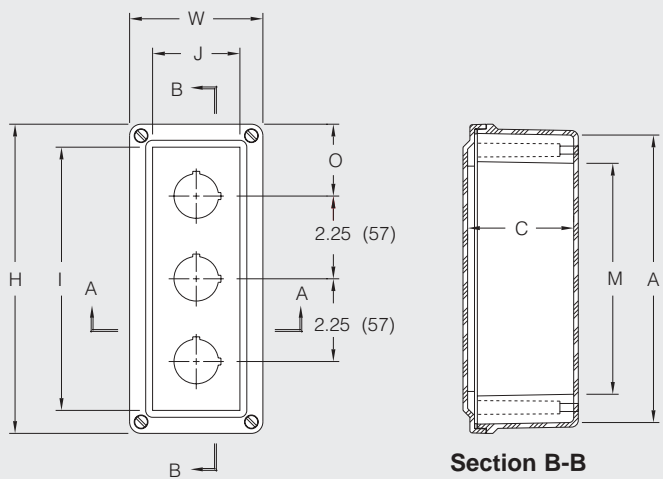
EZ Designates a product in the EnclosureZone program.



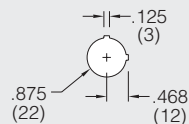
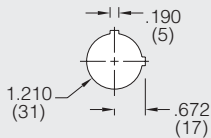
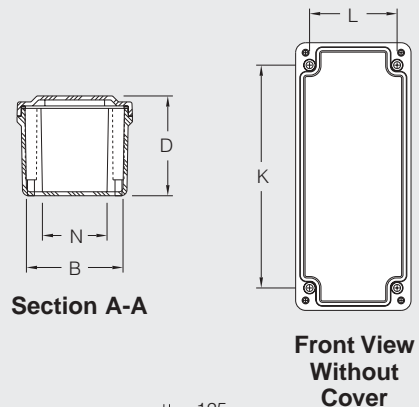
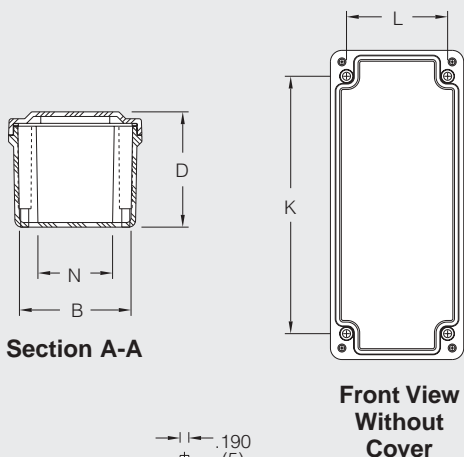
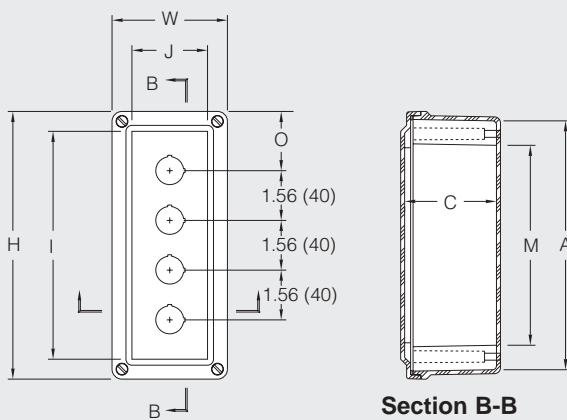
Technical Specifications

30/22mm Pushbutton Enclosures

30 mm Enclosure



20 mm Enclosure



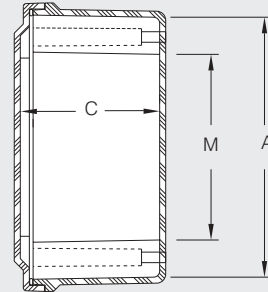
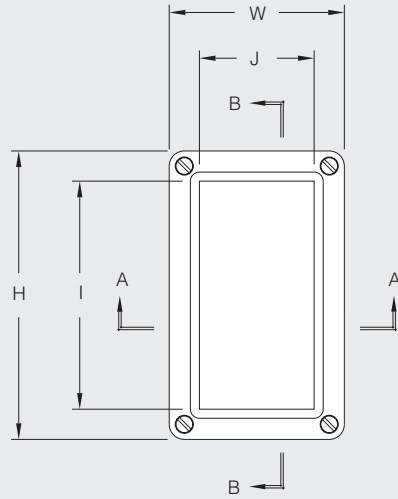
30mm Enclosure													
Part No.	Outside dimensions (inches)			Inside dimensions (inches)			I	J	K	L	M	N	O
EZ L F1PB	6.63	3.81	3.89	6.00	3.19	5.31	5.31	2.5	4.88	2.94	4.13	2.19	3.31
EZ L F2PB	6.63	3.81	3.89	6.00	3.19	3.63	5.31	2.5	4.88	2.94	4.13	2.19	2.19
EZ L F3PB	8.88	3.81	3.89	8.26	3.19	3.63	7.56	2.5	7.13	2.94	6.38	2.19	2.19
EZ L F4PB	11.13	3.81	3.89	10.51	3.19	3.63	9.81	2.5	9.37	2.94	8.63	2.19	2.19
EZ L F5PB	13.78	3.63	3.14	13.19	3.03	2.87	12.53	2.38	12.37	2.75	11.66	2.03	2.39

22mm Enclosure													
Part No.	Outside dimensions (inches)			Inside dimensions (inches)			I	J	K	L	M	N	O
EZ L F1PBG	6.63	3.81	3.89	6.00	3.19	3.63	5.31	2.5	4.88	2.94	4.13	2.19	3.31
EZ L F2PBG	6.63	3.81	3.89	6.00	3.19	3.63	5.31	2.5	4.88	2.94	4.13	2.19	2.53
EZ L F3PBG	6.63	3.81	3.89	6.00	3.19	3.63	5.31	2.5	4.88	2.94	4.13	2.19	1.75
EZ L F4PBG	8.88	3.81	3.89	8.26	3.19	3.63	7.56	2.5	7.13	2.94	6.38	2.19	2.09
EZ L F5PBG	11.13	3.81	3.89	10.51	3.19	3.63	9.81	2.5	9.37	2.94	8.63	2.19	2.44

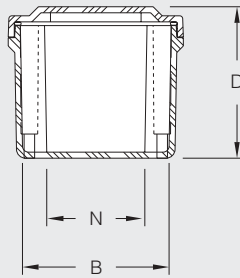
EZ Designates a product in the EnclosureZone program.

Technical Specifications

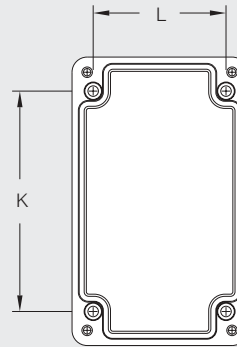
Small Box Pushbutton Enclosures



Section B-B



Section A-A



**Front View
Without
Cover**

Enclosure												
Part No.	Outside dimensions (inches)			Inside dimensions (inches)			I	J	K	L	M	N
EZ L FJ332HB	3.72	3.63	2.95	3.13	3.03	2.70	3.22	2.12	2.31	2.75	1.59	2.03
EZ L FJ532HB	5.97	3.63	3.14	5.38	3.03	2.87	4.72	2.38	4.56	2.75	3.84	2.03
EZ L FJ644HB	6.63	3.81	3.89	6.00	3.19	3.63	5.31	2.50	4.88	2.94	4.13	2.19
EZ L FJ844HB	8.88	3.81	3.89	8.26	3.19	3.63	7.56	2.50	7.13	2.94	6.38	2.19
EZ L FJ1144HB	11.13	3.81	3.89	10.51	3.19	3.63	9.81	2.50	9.37	2.94	8.63	2.19

EZ Designates a product in the EnclosureZone program.



COMMERCIAL PRODUCTS

Type 1 Wallmount Enclosures	pgs COM 1-2
Hinge Cover Boxes	pgs COM 3-5
Current Transformer Enclosures	pg COM 6
Lay-In Type 1 Wireway	pgs COM 7-8
Screw Cover Pull Boxes	pgs COM 9-10
Hinge Cover Pull Boxes	pg COM 11
Raintight Screw Cover Enclosures	pg COM 12
Raintight Wiring Trough	pg COM 13
Gasketed Screw Cover Boxes	pg COM 14
Technical Drawings	pgs COM 15-31

COMMERCIAL PRODUCTS



RITTAL
ELECTROMATE



Small Type 1 Wallmount Enclosures



Carbon Steel Commercial Boxes

These enclosures are ideal for housing electrical and electronic controls. They are designed for indoor use to protect installed equipment in standard environments.

Configuration

- Continuous steel hinge with removable pin
- Flush, slotted latch
- Mounting panel provisions installed
- Mounting holes in back wall

Technical Specifications

- Material:**
- *Enclosure/door:* 16 gauge carbon steel
- Finish/color:**
- *Enclosure/door:* polyester-urethane powder coat over phosphatized surfaces, inside and outside – ANSI 61 grey
 - *Optional mounting panels:* painted white

Protection Ratings

NEMA Type 1 4 4X 12 13

Certifications/Approvals

Listings UL CUL CSA TÜV

Technical Drawings

Page COM 15

Enclosure				Mounting Panel			Accessories		
Part No.	Outside dimensions (inches)			Part No.	Panel size		Usable depth	Cylinder lock	Touch-up paint
	H	W	D		H	W			
E 6N64	6.00	6.00	4.00	E 6N6P	4.25	4.25	3.44	E L5	E L21
E 8N64	8.00	6.00	4.00	E 8N6P	6.25	4.25	3.44	E L5	E L21
E 8N66	8.00	6.00	6.00	E 8N6P	6.25	4.25	5.44	E L5	E L21
E 8N84	8.00	8.00	4.00	E 8N8P	6.25	6.25	3.44	E L5	E L21
E 10N84	10.00	8.00	4.00	E 10N8P	8.25	6.25	3.44	E L5	E L21
E 10N86	10.00	8.00	6.00	E 10N8P	8.25	6.25	5.44	E L5	E L21
E 10N104	10.00	10.00	4.00	E 10N10P	8.25	8.25	3.44	E L5	E L21
E 10N106	10.00	10.00	6.00	E 10N10P	8.25	8.25	5.44	E L5	E L21
E 12N104	12.00	10.00	4.00	E 12N10P	10.25	8.25	3.44	E L5	E L21
E 12N106	12.00	10.00	6.00	E 12N10P	10.25	8.25	5.44	E L5	E L21
E 12N124	12.00	12.00	4.00	E 12N12P	10.25	10.25	3.44	E L5	E L21
E 12N126	12.00	12.00	6.00	E 12N12P	10.25	10.25	5.44	E L5	E L21
E 12N128	12.00	12.00	8.00	E 12N12P	10.25	10.25	7.44	E L5	E L21
E 14N124	14.00	12.00	4.00	E 14N12P	12.25	10.25	3.44	E L5	E L21
E 14N126	14.00	12.00	6.00	E 14N12P	12.25	10.25	5.44	E L5	E L21
E 14N128	14.00	12.00	8.00	E 14N12P	12.25	10.25	7.44	E L5	E L21
E 16N126	16.00	12.00	6.00	E 16N12P	14.25	10.25	5.44	E L5	E L21
E 20N126	20.00	12.00	6.00	E 20N12P	18.25	10.25	5.44	E L5	E L21
E 24N126	24.00	12.00	6.00	E 24N12P	22.25	10.25	5.44	E L5	E L21

Designates a product in the EnclosureZone program.

Large/Extra Large Type 1 Wallmount Enclosures



Carbon Steel Commercial Boxes

These large wallmount enclosures can be used for many different applications. They are designed for indoor use to prevent accidental contact with enclosed equipment in areas where standard service conditions prevail.

Configuration

- Removable doors, attached with butt-hinges
- Flush, non-locking latch
- Single point key locking handle; continuous hinge with removable pin — extra large versions only
- Mounting holes in back of enclosure

Technical Specifications

- Material**
- Enclosure/door: 14 gauge carbon steel
- Finish/color:**
- Enclosure/door: polyester-urethane powder coat over phosphatized surfaces, inside and outside – ANSI 61 grey
 - Optional mounting panel: painted white

Protection Ratings

NEMA Type 1 4 4X 12 13

Certifications/Approvals

Listings UL CUL CSA TÜV

Technical Drawings

Page COM 16

Enclosure				Mounting Panel			Accessories		
Part No.	Outside dimensions (inches)			Part No.	Panel size		Usable depth	Cylinder lock kit	Touch-up paint
	H	W	D		H	W			
EZ E 16N12A	16.00	12.00	6.63	E 16N12P2	13.00	10.50	6.00	E L5	E L21
E 16N12B	16.00	12.00	8.63	E 16N12P2	13.00	10.50	8.00	E L5	E L21
EZ E 16N16A	16.00	16.00	6.63	E 16N16P2	13.00	14.50	6.00	E L5	E L21
E 16N20A	16.00	20.00	6.63	E 16N20P	13.00	18.50	6.00	E L5	E L21
EZ E 20N16A	20.00	16.00	6.63	E 20N16P	17.00	14.50	6.00	E L5	E L21
EZ E 20N16B	20.00	16.00	8.63	E 20N16P	17.00	14.50	8.00	E L5	E L21
EZ E 20N20A	20.00	20.00	6.63	E 20N20P	17.00	18.50	6.00	E L5	E L21
EZ E 20N20B	20.00	20.00	8.63	E 20N20P	17.00	18.50	8.00	E L5	E L21
E 20N24B	20.00	24.00	8.63	E 20N24P	17.00	22.50	8.00	E L5	E L21
EZ E 24N16A	24.00	16.00	6.63	E 24N16P	21.00	14.50	6.00	E L5	E L21
EZ E 24N20A	24.00	20.00	6.63	E 24N20P	21.00	18.50	6.00	E L5	E L21
EZ E 24N20B	24.00	20.00	8.63	E 24N20P	21.00	18.50	8.00	E L5	E L21
E 24N20C	24.00	20.00	10.63	E 24N20P	21.00	18.50	10.00	E L5	E L21
EZ E 24N24A	24.00	24.00	6.63	E 24N24P	21.00	22.50	6.00	E L5	E L21
EZ E 24N24B	24.00	24.00	8.63	E 24N24P	21.00	22.50	8.00	E L5	E L21
E 24N24D	24.00	24.00	12.63	E 24N24P	21.00	22.50	12.00	E L5	E L21
EZ E 30N20A	30.00	20.00	6.63	E 30N20P	27.00	18.50	6.00	E L5	E L21
E 30N20B	30.00	20.00	8.63	E 30N20P	27.00	18.50	8.00	E L5	E L21
EZ E 30N24A	30.00	24.00	6.63	E 30N24P	27.00	22.50	6.00	E L5	E L21
E 30N24B	30.00	24.00	8.63	E 30N24P	27.00	22.50	12.00	E L5	E L21
EZ E 30N24C	30.00	24.00	10.63	E 30N24P	27.00	22.50	10.00	E L5	E L21
E 30N24D	30.00	24.00	12.63	E 36N24P	27.00	22.50	12.00	E L5	E L21
EZ E 30N30B	30.00	30.00	8.63	E 30N30P	27.00	28.50	8.00	E L5	E L21
EZ E 36N24A	36.00	24.00	6.63	E 36N24P	33.00	22.50	6.00	E L5	E L21
EZ E 36N24B	36.00	24.00	8.63	E 36N24P	33.00	22.50	8.00	E L5	E L21
EZ E 36N30A	36.00	30.00	6.63	E 36N30P	33.00	28.50	6.00	E L5	E L21
EZ E 36N30B	36.00	30.00	8.63	E 36N30P	33.00	28.50	8.00	E L5	E L21
E 36N30C	36.00	30.00	10.63	E 36N30P	33.00	28.50	10.00	E L5	E L21
E 36N30D	36.00	30.00	12.63	E 36N30P	33.00	28.50	12.00	E L5	E L21
E 42N24B	42.00	24.00	8.63	E 42N24P	39.00	22.50	8.00	E L5	E L21
E 42N3009*	42.00	30.00	9.25	E 42P30	39.00	27.00	7.50	E L5	E L21
E 42N3013*	42.00	30.00	13.25	E 42P30	39.00	27.00	11.50	E L5	E L21
E 42N3609*	42.00	36.00	9.25	E 42P36	39.00	33.00	7.50	E L5	E L21
E 42N3613*	42.00	36.00	13.25	E 42P36	39.00	33.00	11.50	E L5	E L21
EZ E 48N3609*	48.00	36.00	9.25	E 48P36	45.00	33.00	7.50	E L5	E L21
E 48N3611*	48.00	36.00	11.25	E 48P36	45.00	33.00	9.50	E L5	E L21
E 48N3613*	48.00	36.00	13.25	E 48P36	45.00	33.00	11.50	E L5	E L21
E 48N3617*	48.00	36.00	17.25	E 48P36	45.00	33.00	15.50	E L5	E L21

* Extra large versions. **EZ** Designates a product in the EnclosureZone program.

Small Hinge Cover Boxes



Type 3R Galvaneal Steel Wallmount Boxes

These NEMA 3R rated hinge cover boxes are ideal as wiring and junction boxes. Designed for both indoor and outdoor use, they protect installed equipment against rain, sleet and snow, or dripping water.

Configuration

- Seamless sides, front and back
- Drip shield top
- Continuous steel hinge with removable pin
- Draw-latch with provision for padlock
- Mounting panel provisions installed
- External mounting brackets
- Knockouts for conduit in bottom
- No gasketing

Technical Specifications

Materials:

- *Enclosure/cover:* spot-welded 16 gauge galvaneal steel

Finish/color:

- *Enclosure/cover:* polyester-urethane powder coat over phosphatized surfaces, inside and outside – ANSI 61 grey
- *Optional mounting panels:* painted white

Protection Ratings

NEMA Type 1 3R 4X 12 13

Certifications/Approvals

Listings UL CUL CSA TÜV

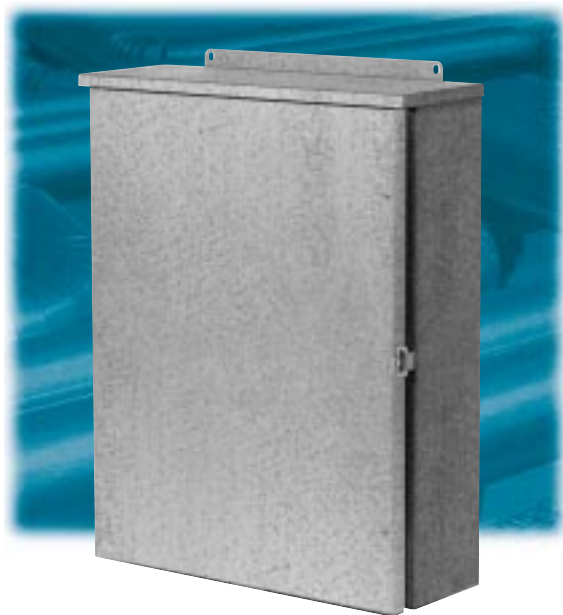
Technical Drawings

Page **COM 17**

Enclosure				Mounting Panel			Accessories			
Part No.	Outside dimensions (inches)			Part No.	Panel size		Usable depth	Terminal block kit	Terminal rails	Touch-up paint
	H	W	D		H	W				
EZ E 6R64HCR	6.00	6.00	4.00	E 6N6P	4.25	4.25	3.41	-	-	E L21
EZ E 8R64HCR	8.00	6.00	4.00	E 8N6P	6.25	4.25	3.41	E 6JTMA	E 8JS	E L21
EZ E 8R86HCR	8.00	8.00	6.00	E 8N8P	6.25	6.25	5.41	E 8JTMA	E 8JS	E L21
EZ E 10R86HCR	10.00	8.00	6.00	E 10N8P	8.25	6.25	5.41	E 8JTMA	E 10JS	E L21
EZ E 12R106HCR	12.00	10.00	6.00	E 12N10P	10.25	8.25	5.41	E 10JTMA	E 12JS	E L21
EZ E 12R126HCR	12.00	12.00	6.00	E 12N12P	10.25	10.25	5.41	E 12JTMA	E 12JS	E L21

EZ Designates a product in the EnclosureZone program.

Large Hinge Cover Boxes



Type 3R Galvaneal Steel Wallmount Boxes

These NEMA 3R rated hinge cover boxes are ideal as wiring and junction boxes. Designed for both indoor and outdoor use, they protect installed equipment against rain, sleet and snow, or dripping water.

Configuration

- Seamless sides, front and back
- Drip shield top
- Continuous stainless steel hinge with removable pin
- Captive plated steel screws secure cover
- Hasp and staple for padlock
- Mounting panel provisions installed
- External mounting brackets
- No gasketing or knockouts

Technical Specifications

Material:

- *Enclosure/cover:* 14 or 16 gauge galvaneal steel

Finish/color:

- *Enclosure/cover:* polyester-urethane powder coat over phosphatized surfaces, inside and outside – ANSI 61 grey
- *Optional mounting panels:* painted white

Protection Ratings

NEMA Type 1 3R 4X 12 13

Certifications/Approvals

Listings UL CUL CSA TÜV

Technical Drawings

Page **COM 18**

Part No.	Enclosure				Material gauge	Part No.	Mounting Panel		Usable depth	Accessories		
	Outside dimensions (inches)			Panel size			Terminal block kit	Terminal rails		Touch-up paint		
H	W	D	H		W							
E 16R126HCR	16.00	12.00	6.00	16	E 16P12	13.00	9.00	4.81	E 12NTMA2	E 16NS	E L21	
E 16R166HCR	16.00	16.00	6.00	16	E 16P16	13.00	13.00	4.81	E 16NTMA2	E 16NS	E L21	
E 20R166HCR	20.00	16.00	6.00	16	E 20P16	17.00	13.00	4.81	E 16NTMA2	E 20NS	E L21	
E 20R208HCR	20.00	20.00	8.00	14	E 20P20	17.00	17.00	6.81	E 20NTMA2	E 20NS	E L21	
E 24R208HCR	24.00	20.00	8.00	14	E 24P20	21.00	17.00	6.81	E 20NTMA2	E 24NS	E L21	
E 24R248HCR	24.00	24.00	8.00	14	E 24P24	21.00	21.00	6.81	E 24NTMA3	E 24NS	E L21	
E 30R248HCR	30.00	24.00	8.00	14	E 30P24	27.00	21.00	6.81	E 24NTMA3	E 30NS	E L21	
E 30R3012HCR	30.00	30.00	12.00	14	E 30P30	27.00	27.00	10.81	E 30NTMA3	E 30NS	E L21	
E 30R3016HCR	30.00	30.00	16.00	14	E 30P30	27.00	27.00	14.81	E 30NTMA3	E 30NS	E L21	
E 36R2412HCR	36.00	24.00	12.00	14	E 36P24	33.00	21.00	10.81	E 24NTMA3	E 36NS	E L21	
E 36R3012HCR	36.00	30.00	12.00	14	E 36P30	33.00	27.00	10.81	E 30NTMA3	E 36NS	E L21	
E 36R3612HCR	36.00	36.00	12.00	14	E 36P36	33.00	33.00	10.81	E 36NTMA3	E 36NS	E L21	
E 36R3616HCR	36.00	36.00	16.00	14	E 36P36	33.00	33.00	14.81	E 36NTMA3	E 36NS	E L21	
E 42R3012HCR	42.00	30.00	12.00	14	E 42P30	39.00	27.00	10.81	E 30NTMA3	E 42NS	E L21	
E 42R3612HCR	42.00	36.00	12.00	14	E 42P36	39.00	33.00	10.81	E 36NTMA3	E 42NS	E L21	
E 48R3612HCR	48.00	36.00	12.00	14	E 48P36	45.00	33.00	10.81	E 36NTMA3	E 48NS	E L21	
E 60R3612HCR	60.00	36.00	12.00	14	E 60P36	57.00	33.00	10.81	E 36NTMA3	E 60NS	E L21	

Designates a product in the EnclosureZone program.

Hinge Cover Enclosures



Type 3R Stainless Steel Wallmount Boxes

These NEMA 3R rated stainless steel hinge cover boxes are ideal as wiring and junction boxes. Designed for both indoor and outdoor use, they protect installed equipment against rain, sleet and snow, or dripping water.

Configuration

- Seamless sides, front and back
- Drip shield top
- Continuous stainless steel hinge with removable pin
- Captive plated steel screws secure cover
- Hasp and staple for padlock
- Mounting panel provisions installed
- External mounting brackets
- No gasketing or knockouts

Technical Specifications

- Material:**
- Enclosure/door: 14 or 16 gauge stainless steel (see table)
- Finish/color:**
- Enclosure/cover: # 3 brushed finish
 - Optional stainless steel mounting panels: unpainted
 - Optional carbon steel mounting panels: painted white

Protection Ratings

NEMA Type 1 3R 4X 12 13

Certifications/Approvals

Listings UL CUL CSA TÜV

Technical Drawings

Page **COM 19**

Enclosure					Mounting Panel				Accessories	
Part No.	Outside dimensions (inches)			Material gauge	Part No.	Panel size		Usable depth	Terminal block kit	Terminal rails
	H	W	D			H	W			
E 16R126HCRSS	16.00	12.00	6.00	16	E 16P12	13.00	9.00	4.81	E 12NTMA2	E 16NS
E 16R166HCRSS	16.00	16.00	6.00	16	E 16P16	13.00	13.00	4.81	E 16NTMA2	E 16NS
E 20R166HCRSS	20.00	16.00	6.00	16	E 20P16	17.00	13.00	4.81	E 16NTMA2	E 20NS
E 20R208HCRSS	20.00	20.00	8.00	14	E 20P20	17.00	17.00	6.81	E 20NTMA2	E 20NS
E 24R208HCRSS	24.00	20.00	8.00	14	E 24P20	21.00	17.00	6.81	E 20NTMA2	E 24NS
E 24R248HCRSS	24.00	24.00	8.00	14	E 24P24	21.00	21.00	6.81	E 24NTMA3	E 24NS
E 30R248HCRSS	30.00	24.00	8.00	14	E 30P24	27.00	21.00	6.81	E 24NTMA3	E 30NS
E 30R3012HCRSS	30.00	30.00	12.00	14	E 30P30	27.00	27.00	10.81	E 30NTMA3	E 30NS
E 30R3016HCRSS	30.00	30.00	16.00	14	E 30P30	27.00	27.00	14.81	E 30NTMA3	E 30NS
E 36R2412HCRSS	36.00	24.00	12.00	14	E 36P24	33.00	21.00	10.81	E 24NTMA3	E 36NS
E 36R3012HCRSS	36.00	30.00	12.00	14	E 36P30	33.00	27.00	10.81	E 30NTMA3	E 36NS
E 36R3612HCRSS	36.00	36.00	12.00	14	E 36P36	33.00	33.00	10.81	E 36NTMA3	E 36NS
E 36R3616HCRSS	36.00	36.00	16.00	14	E 36P36	33.00	33.00	14.81	E 36NTMA3	E 36NS
E 42R3012HCRSS	42.00	30.00	12.00	14	E 42P30	39.00	27.00	10.81	E 30NTMA3	E 42NS
E 42R3612HCRSS	42.00	36.00	12.00	14	E 42P36	39.00	33.00	10.81	E 36NTMA3	E 42NS
E 48R3612HCRSS	48.00	36.00	12.00	14	E 48P36	45.00	33.00	10.81	E 36NTMA3	E 48NS
E 60R3612HCRSS	60.00	36.00	12.00	14	E 60P36	57.00	33.00	10.81	E 36NTMA3	E 60NS

Current Transformer Enclosures



Type 1 Carbon Steel Enclosures

Rittal Electromate current transformer cabinets can also be used as junction boxes, service boxes, meter boxes, etc. They are designed for indoor use.



Configuration

- Butt hinges
- *Single door enclosures:* non-locking T handle
- *Double door enclosures:* vault handle with 3-way latch
- Mounting holes in back wall
- No gasketing or knockouts

Technical Specifications

- Material:**
- *Enclosure/cover:* 12 or 14 gauge carbon steel (see table)
- Finish/color:**
- *Enclosure/cover:* polyester-urethane powder coat over phosphatized surfaces, inside and outside – ANSI 61 grey

Protection Ratings

NEMA Type 1 3R 4X 12 13

Certifications/Approvals

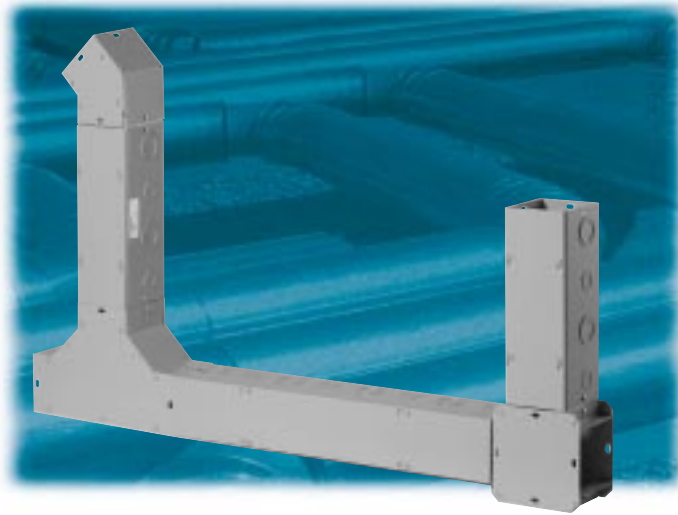
Listings UL CUL CSA TÜV

Technical Drawings

Page COM 20

Part No.	Enclosure			Material gauge	Accessories	
	Outside dimensions (inches)				Drip shield kit	Touch-up paint
	H	W	D			
E 182410CT	18.00	24.00	10.00	14	E DK2410CTC	E L21
E 24167CTL	24.00	16.00	7.00	14	-	E L21
E 242410CT	24.00	24.00	10.00	14	E DK2410CTC	E L21
E 243210CT	24.00	32.00	10.00	14	E DK3210CTC	E L21
E 244212CT	24.00	42.00	12.00	12	E DK4212CTC	E L21
E 302410CT	30.00	24.00	10.00	14	E DK2410CTC	E L21
E 303010CT	30.00	30.00	10.00	12	E DK3010CTC	E L21
E 303610CT	30.00	36.00	10.00	12	E DK3610CTC	E L21
E 32247CTL	32.00	24.00	7.00	14	-	E L21
E 362410CT	36.00	24.00	10.00	14	E DK2410CTC	E L21
E 363610CT	36.00	36.00	10.00	12	E DK3610CTC	E L21
E 36427CTL	36.00	42.00	7.00	12	-	E L21
E 364810CTL	36.00	48.00	7.00	12	E DK4810CTC	E L21
E 443010CTL	44.00	30.00	10.00	12	E DK3010CTC	E L21
E 484810CT	48.00	48.00	10.00	12	E DK4810CTC	E L21
E 484812CT	48.00	48.00	10.00	12	-	E L21

Lay-In Type 1 Wireway



Commercial Wireway

Wiring becomes effortless with Rittal Electromate's wireway products because wires and cables are laid in rather than pulled through. Straight sections and fittings are open on one side and later covered up.

Configuration

- Lay-in type wireways are available in the following sizes:

2.5" x 2.5"	8.0" x 8.0"
4.0" x 4.0"	10.0" x 10.0"
6.0" x 6.0"	12.0" x 12.0"
- Lengths from 12" to 120"
- Available with and without knockouts
- Available in:
 - Hinge cover
 - Carbon steel screw cover
 - Galvanized steel screw cover
- Key-hole screw-slot design permits easy attaching of cover to body
- Cover attached with plated screws

Technical Specifications

Carbon Steel Version

Material:

- Wireway/covers: 14 or 16 gauge carbon steel

Finish/color:

- Wireway/covers: polyester-urethane powder coat over phosphatized surfaces, inside and outside – ANSI 61 grey

Galvanized Steel Version

Material:

- Wireway/covers: 14 or 16 gauge galvanized steel

Finish/color:

- Wireway/covers: unpainted

Protection Ratings

NEMA Type 1 4 4X 12 13

Certifications/Approvals

Listings UL CUL CSA TÜV

Technical Drawings

Pages **COM 21-24**

Hinge Cover Wireway

Part No.						Description
2.50 x 2.50	4.00 x 4.00	6.00 x 6.00	8.00 x 8.00	10.00 x 10.00	12.00 x 12.00	
E W2212HCPK	E W4412HCPK	E W6612HCPK	E W8812HCPK	-	-	12.00" Straight Section (with 4 knockouts per side)
E W2212HCP	E W4412HCP	E W6612HCP	E W8812HCP	E W101012HCP	E W121212HCP	12.00" Straight Section (without knockouts)
E W2224HCPK	E W4424HCPK	E W6624HCPK	E W8824HCPK	-	-	24.00" Straight Section (with 8 knockouts per side)
E W2224HCP	E W4424HCP	E W6624HCP	E W8824HCP	E W101024HCP	E W121224HCP	24.00" Straight Section (without knockouts)
E W2236HCPK	E W4436HCPK	E W6636HCPK	E W8836HCPK	-	-	36.00" Straight Section (with 12 knockouts per side)
E W2236HCP	E W4436HCP	E W6636HCP	E W8836HCP	E W101036HCP	E W121236HCP	36.00" Straight Section (without knockouts)
E W2248HCPK	E W4448HCPK	E W6648HCPK	E W8848HCPK	-	-	48.00" Straight Section (with 16 knockouts per side)
E W2248HCP	E W4448HCP	E W6648HCP	E W8848HCP	E W101048HCP	E W121248HCP	48.00" Straight Section (without knockouts)
E W2260HCPK	E W4460HCPK	E W6660HCPK	E W8860HCPK	-	-	60.00" Straight Section (with 20 knockouts per side)
E W2260HCP	E W4460HCP	E W6660HCP	E W8860HCP	E W101060HCP	E W121260HCP	60.00" Straight Section (without knockouts)
E W22120HCPK	E W44120HCPK	E W66120HCPK	E W88120HCPK	-	-	120.00" Straight Section (with 40 knockouts per side)
E W22120HCP	E W44120HCP	E W66120HCP	E W88120HCP	E W1010120HCP	E W1212120HCP	120.00" Straight Section (without knockouts)

Screw Cover Wireway

Carbon Steel Part No.						Description
2.50 x 2.50	4.00 x 4.00	6.00 x 6.00	8.00 x 8.00	10.00 x 10.00	12.00 x 12.00	
E W2212PK	E W4412PK	E W6612PK	E W8812PK	-	-	12.00" Straight Section (with 4 knockouts per side)
E W2212P	E W4412P	E W6612P	E W8812P	E W101012P	E W121212P	12.00" Straight Section (without knockouts)
E W2224PK	E W4424PK	E W6624PK	E W8824PK	-	-	24.00" Straight Section (with 8 knockouts per side)
E W2224P	E W4424P	E W6624P	E W8824P	E W101024P	E W121224P	24.00" Straight Section (without knockouts)
E W2236PK	E W4436PK	E W6636PK	E W8836PK	-	-	36.00" Straight Section (with 12 knockouts per side)
E W2236P	E W4436P	E W6636P	E W8836P	E W101036P	E W121236P	36.00" Straight Section (without knockouts)
E W2248PK	E W4448PK	E W6648PK	E W8848PK	-	-	48.00" Straight Section (with 16 knockouts per side)
E W2248P	E W4448P	E W6648P	E W8848P	E W101048P	E W121248P	48.00" Straight Section (without knockouts)

Designates a product in the EnclosureZone program.



Screw Cover Wireway							Description
Carbon Steel Part No.							
2.50 x 2.50	4.00 x 4.00	6.00 x 6.00	8.00 x 8.00	10.00 x 10.00	12.00 x 12.00		
E W2260PK	EZ E W4460PK	EZ E W6660PK	E W8860PK	-	-	60.00" Straight Section (with 20 knockouts per side)	
E W2260P	EZ E W4460P	EZ E W6660P	E W8860P	E W101060P	E W121260P	60.00" Straight Section (without knockouts)	
E W22120PK	EZ E W44120PK	EZ E W66120PK	E W88120PK	-	-	120.00" Straight Section (with 40 knockouts per side)	
E W22120P	EZ E W44120P	EZ E W66120P	E W88120P	E W1010120P	E W1212120P	120.00" Straight Section (without knockouts)	
E W220AP	E W440AP	E W660AP	E W880AP	E W10100AP	E W12120AP	Open Adaptor	
E W22KEYAP	E W44KEYAP	E W66KEYAP	E W88KEYAP	E W10KEYAP	E W12KEYAP	Adapter Robroy/Keystone to REM f/ Type 1 Painted Wireway	
E W22AP	EZ E W44AP	EZ E W66AP	E W88AP	E W10AP	E W12AP	Panel Adaptor	
E W22C	E W44C	E W66C	E W88C	E W10C	E W12C	Connector	
E W22ETXP	EZ E W44ETXP	EZ E W66ETXP	E W88ETXP	E W10ETXP	E W12ETXP	90° Elbow Tee-Cross	
E W22HLP	EZ E W44HLP	EZ E W66HLP	E W88HLP	E W10HLP	E W12HLP	45° Elbow	
E W22IOLP	EZ E W44IOLP	EZ E W66IOLP	E W88IOLP	E W10IOLP	E W12IOLP	90° In/Outside Elbow	
E W22LP	EZ E W44LP	EZ E W66LP	E W88LP	-	-	90° Elbow	
E W22SLP	EZ E W44SLP	EZ E W66SLP	E W88SLP	E W10SLP	E W12SLP	90° Sweep Elbow	
E W22TP	EZ E W44TP	EZ E W66TP	E W88TP	E W10TP	E W12TP	Tee Pull Box	
E W22CPBP	E W44CPBP	E W66CPBP	E W88CPBP	-	-	Cross Pull Fitting	
E W22UHP	EZ E W44UHP	EZ E W66UHP	E W88UHP	E W10UHP	E W12UHP	Universal Hanger	
E W44BK60	E W66BK60	E W88BK60	-	-	-	60" Barrier Kit	
E W22SHP	EZ E W44SHP	EZ E W66SHP	E W88SHP	E W10SHP	E W12SHP	Support Hanger	
E W22TSFP	EZ E W44TSFP	EZ E W66TSFP	E W88TSFP	E W10TSFP	E W12TSFP	Telescope Fitting	
-	EZ E W44RE22P	-	-	-	-	4.00 to 2.00 Reducer	
-	-	EZ E W66RE44P	-	-	-	6.00 to 4.00 Reducer	
-	-	-	E W88RE66	-	-	8.00 to 6.00 Reducer	
-	-	-	E W88RE66P	-	-	8.00 to 6.00 Reducer	
-	-	-	-	E W1010RE88P	-	10.00 to 8.00 Reducer	
-	-	-	-	-	E W1212RE1010P	12.00 to 10.00 Reducer	
-	-	-	-	-	E W1212RE88P	12.00 to 8.00 Reducer	
E W22LAP	EZ E W44LAP	EZ E W66LAP	E W88LAP	-	-	90° Transposition Adaptor	
E W22ECPK	EZ E W44ECPK	EZ E W66ECPK	E W88ECPK	E W10ECPK	E W12ECPK	End Cap (with 1 knockout)	
E W22ECP	EZ E W44ECP	EZ E W66ECP	E W88ECP	E W10ECP	E W12ECP	End Cap (without knockout)	
Galvanized Steel Part No.						Description	
2.50 x 2.50	4.00 x 4.00	6.00 x 6.00	8.00 x 8.00	10.00 x 10.00	12.00 x 12.00		
E W2212K	E W4412K	E W6612K	E W8812K	E W101012	-	12.00" Straight Section (with 4 knockouts per side)	
E W2212	E W4412	E W6612	E W8812	E W121212	-	12.00" Straight Section (without knockouts)	
E W2224K	E W4424K	E W6624K	E W8824K	-	-	24.00" Straight Section (with 8 knockouts per side)	
E W2224	E W4424	E W6624	E W8824	E W101024	E W121224	24.00" Straight Section (without knockouts)	
E W2236K	E W4436K	E W6636K	E W8836K	-	-	36.00" Straight Section (with 12 knockouts per side)	
E W2236	E W4436	E W6636	E W8836	E W101036	E W121236	36.00" Straight Section (without knockouts)	
E W2248K	E W4448K	E W6648K	E W8848K	-	-	48.00" Straight Section (with 16 knockouts per side)	
E W2248	E W4448	E W6648	E W8848	E W101048	E W121248	48.00" Straight Section (without knockouts)	
E W2260K	E W4460K	E W6660K	E W8860K	-	-	60.00" Straight Section (with 20 knockouts per side)	
E W2260	E W4460	E W6660	E W8860	E W101060	E W121260	60.00" Straight Section (without knockouts)	
E W22120K	E W44120K	E W66120K	E W88120K	-	-	120.00" Straight Section (with 40 knockouts per side)	
E W22120	E W44120	E W66120	E W88120	E W1010120	E W1212120	120.00" Straight Section (without knockouts)	
E W220A	E W440A	E W660A	E W880A	E W10100A	E W12120A	Open Adaptor	
E W22A	E W44A	E W66A	E W88A	E W10A	E W12A	Panel Adaptor	
E W22C	E W44C	E W66C	E W88C	E W10C	E W12C	Connector	
E W22ETX	E W44ETX	E W66ETX	E W88ETX	E W10ETX	E W12ETX	90° Elbow Tee-Cross	
E W22HL	E W44HL	E W66HL	E W88HL	E W10HL	E W12HL	45° Elbow	
E W22IOL	E W44IOL	E W66IOL	E W88IOL	E W10IOL	E W12IOL	90° In/Outside Elbow	
E W22L	E W44L	E W66L	E W88L	E W10LE W12L	-	90° Elbow	
E W22SL	E W44SL	E W66SL	E W88SL	E W10SL	E W12SL	90° Sweep Elbow	
E W22T	E W44T	E W66T	E W88T	E W10TE W12T	-	Tee Pull Box	
E W44CPB	E W66CPB	E W88CPB	E W10CPB	E W12CPB	-	Cross Pull Box	
E W22UH	E W44UH	E W66UH	E W88UH	E W10UH	E W12UH	Universal Hanger	
E W22SH	E W44SH	E W66SH	E W88SH	E W10SH	E W12SH	Support Hanger	
E W22TSF	E W44TSF	E W66TSF	E W88TSF	E W10TSF	E W12TSF	Telescope Fitting	
-	E W44RE22	-	-	-	-	4.00 to 2.00 Reducer	
-	-	E W66RE44	-	-	-	6.00 to 4.00 Reducer	
-	-	-	-	E W1010RE88	-	10.00 to 8.00 Reducer	
-	-	-	-	-	E W1212RE1010	12.00 to 10.00 Reducer	
-	-	-	-	-	E W1212RE88	12.00 to 8.00 Reducer	
E W22LA	E W44LA	E W66LA	E W88LA	-	-	90° Transposition Adaptor	
E W22ECK	E W44ECK	E W66ECK	E W88ECK	E W10ECK	E W12ECK	End Cap (with 1 knockout)	
E W22EC	E W44EC	E W66EC	E W88EC	E W10EC	E W12EC	End Cap (without knockout)	

EZ Designates a product in the EnclosureZone program.

Screw Cover Pull Boxes



Carbon Steel/Galvanized Steel Enclosures

These small enclosures are ideal for housing electrical and electronic controls. They are designed for indoor use to protect installed equipment in standard environments.

Configuration

- Flat, removable covers
- Covers fastened with plated steel screws
- Key-hole screw-slot design permits easy attaching of cover to body
- Mounting holes on back wall
- Available with or without knockouts
- Covers must be ordered separately for flush installations
- Available in painted steel or unpainted galvanized steel

Technical Specifications

Material:

- *Enclosure/cover:* 12, 14, or 16 gauge steel or galvanized steel

Finish/color:

- *Enclosure/cover:* polyester-urethane powder coat over phosphatized surfaces, inside and outside – ANSI 61 grey
- Galvanized product is unpainted

Protection Ratings

NEMA Type 1 4 4X 12 13

Certifications/Approvals

Listings UL CUL CSA TÜV

Technical Drawings

Pages **COM 25-26**



Enclosure				Accessories				
Part No. Galvanized		Part No. Painted		Outside dimensions (inches)			Flush covers	Touch-up paint
Without knockouts	With knockouts	With knockouts	Without knockouts	H	W	D		
E SCB444	E SCB444K	EZ E SCB444PK	E SCB444P	4.00	4.00	4.00	E FC44P	E L21
E SCB644	E SCB644K	E SCB644PK	E SCB644P	6.00	4.00	4.00	E FC64P	E L21
E SCB663	E SCB663K	E SCB663PK	E SCB663P	6.00	6.00	3.00	E FC66P	E L21
EZ E SCB664	EZ E SCB664K	EZ E SCB664PK	EZ E SCB664P	6.00	6.00	4.00	E FC66P	E L21
E SCB666	E SCB666K	EZ E SCB666PK	EZ E SCB666P	6.00	6.00	6.00	E FC66P	E L21
E SCB864	EZ E SCB864K	EZ E SCB864PK	E SCB864P	8.00	6.00	4.00	E FC86P	E L21
E SCB866	E SCB866K	E SCB866PK	E SCB866P	8.00	6.00	6.00	E FC86P	E L21
EZ E SCB884	EZ E SCB884K	EZ E SCB884PK	EZ E SCB884P	8.00	8.00	4.00	E FC88P	E L21
EZ E SCB886	EZ E SCB886K	EZ E SCB886PK	EZ E SCB886P	8.00	8.00	6.00	E FC88P	E L21
E SCB1084	E SCB1084K	E SCB1084PK	E SCB1084P	10.00	8.00	4.00	E FC108P	E L21
E SCB1086	E SCB1086K	E SCB1086PK	E SCB1086P	10.00	8.00	6.00	E FC108P	E L21
EZ E SCB10104	E SCB10104K	EZ E SCB10104PK	EZ E SCB10104P	10.00	10.00	4.00	E FC1010P	E L21
E SCB10106	E SCB10106K	EZ E SCB10106PK	EZ E SCB10106P	10.00	10.00	6.00	E FC1010P	E L21
E SCB1264	E SCB1264K	E SCB1264PK	E SCB1264P	12.00	6.00	4.00	E FC126P	E L21
E SCB1284	E SCB1284K	E SCB1284PK	E SCB1284P	12.00	8.00	4.00	E FC128P	E L21
E SCB1286	E SCB1286K	E SCB1286PK	E SCB1286P	12.00	8.00	6.00	E FC128P	E L21
E SCB12104	E SCB12104K	EZ E SCB12104PK	E SCB12104P	12.00	10.00	4.00	E FC1210P	E L21
EZ E SCB12124	EZ E SCB12124K	EZ E SCB12124PK	EZ E SCB12124P	12.00	12.00	4.00	E FC1212P	E L21
EZ E SCB12126	EZ E SCB12126K	EZ E SCB12126PK	EZ E SCB12126P	12.00	12.00	6.00	E FC1212P	E L21
E SCB12128	-	-	E SCB12128P	12.00	12.00	8.00	E FC1212P	E L21
E SCB15124	E SCB15124K	EZ E SCB15124PK	E SCB15124P	15.00	12.00	4.00	E FC1512P	E L21
E SCB15126	E SCB15126K	E SCB15126PK	E SCB15126P	15.00	12.00	6.00	E FC1512P	E L21
E SCB15156	E SCB15156K	E SCB15156PK	E SCB15156P	15.00	15.00	6.00	E FC1515P	E L21
E SCB18124	E SCB18124K	E SCB18124PK	E SCB18124P	18.00	12.00	4.00	E FC1812P	E L21
E SCB18126	E SCB18126K	EZ E SCB18126PK	E SCB18126P	18.00	12.00	6.00	E FC1812P	E L21
E SCB18156	E SCB18156K	E SCB18156PK	E SCB18156P	18.00	15.00	6.00	E FC1815P	E L21
EZ E SCB18186	EZ E SCB18186K	EZ E SCB18186PK	EZ E SCB18186P	18.00	18.00	6.00	E FC1818P	E L21
E SCB18188	-	-	E SCB18188P	18.00	18.00	8.00	E FC1818P	E L21
E SCB24186	E SCB24186K	E SCB24186PK	E SCB24186P	24.00	18.00	6.00	E FC2418P	E L21
E SCB24188	-	-	E SCB24188P	24.00	18.00	8.00	E FC2418P	E L21
EZ E SCB24246	E SCB24246K	EZ E SCB24246PK	EZ E SCB24246P	24.00	24.00	6.00	E FC2424P	E L21
EZ E SCB24248	-	-	EZ E SCB24248P	24.00	24.00	8.00	E FC2424P	E L21
E SCB242410	-	-	E SCB242410P	24.00	24.00	10.00	E FC2424P	E L21
E SCB30246	E SCB30246K	E SCB30246PK	E SCB30246P	30.00	24.00	6.00	E FC3024P	E L21
E SCB30248	-	-	E SCB30248P	30.00	24.00	8.00	E FC3024P	E L21
E SCB30308	-	-	E SCB30308P	30.00	30.00	8.00	E FC3030P	E L21
E SCB303010	-	-	E SCB303010P	30.00	30.00	10.00	E FC3030P	E L21
E SCB36248	-	-	E SCB36248P	36.00	24.00	8.00	E FC3624P	E L21
E SCB362412	-	-	E SCB362412P	36.00	24.00	12.00	E FC3624P	E L21
E SCB363610	-	-	E SCB363610P	36.00	36.00	10.00	E FC3636P	E L21
E SCB363612	-	-	E SCB363612P	36.00	36.00	12.00	E FC3636P	E L21

EZ Designates a product in the EnclosureZone program.

Hinge Cover Pull Boxes



Carbon Steel Commercial Boxes

These Rittal Electromate hinge cover enclosures can be used as a junction box, pull box, service box, switch box, or cutout box.

Configuration

- Formed steel or butt hinges
- Various sizes of knockouts on side, top and bottom
- Mounting holes on back wall

Technical Specifications

Material:

- *Enclosure/cover:* 14 or 16 gauge carbon steel

Finish/color:

- *Enclosure/cover:* polyester-urethane powder coat over phosphatized surfaces, inside and outside – ANSI 61 grey

Protection Ratings

NEMA Type 1 4 4X 12 13

Certifications/Approvals

Listings UL CUL CSA TÜV

Technical Drawings

Pages **COM 27-28**

Part No.	Enclosure			Material gauge	Accessories
	Outside dimensions (inches)				
	H	W	D		Touch-up paint
E HCB553PK	4.50	5.00	3.06	16	E L21
E HCB593PK	4.50	9.00	3.06	16	E L21
E HCB664PK	6.00	6.00	4.06	16	E L21
E HCB666PK	6.00	6.00	6.06	16	E L21
E HCB864PK	8.00	6.00	4.06	16	E L21
E HCB884PK	8.00	8.00	4.06	16	E L21
E HCB1082PK	10.00	8.00	2.00	16	E L21
E HCB1084PK	10.00	8.00	4.06	16	E L21
E HCB10104PK	10.00	10.00	4.06	16	E L21
E HCB1264PK	12.00	6.00	4.06	16	E L21
E HCB1284PK	12.00	8.00	4.06	16	E L21
E HCB12104PK	12.00	10.00	4.06	16	E L21
E HCB12106PK	12.00	10.00	6.06	16	E L21
E HCB12124PK	12.00	12.00	4.06	16	E L21
E HCB12126PK	12.00	12.00	6.06	16	E L21
E HCB15124PK	15.00	12.00	4.00	16	E L21
E HCB15126PK	15.00	12.00	6.00	16	E L21
E HCB18124PK	18.00	12.00	4.00	16	E L21
E HCB18126PK	18.00	12.00	6.00	16	E L21
E HCB18154PK	18.00	15.00	4.06	16	E L21
E HCB18156PK	18.00	15.00	6.00	16	E L21
E HCB18186PK	18.00	18.00	6.06	16	E L21
E HCB24186PK	24.00	18.00	6.06	14	E L21
E HCB24246PK	24.00	24.00	6.00	14	E L21

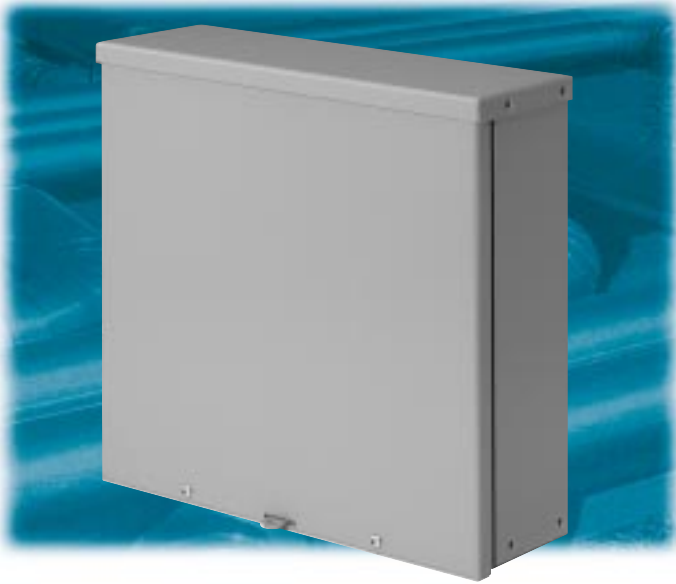
Designates a product in the EnclosureZone program.

Raintight Screw Cover Enclosures



Type 3R Galvaneal Steel/Galvanized Boxes

These Rittal Electromate screw cover enclosures can be used as wiring and junction boxes for outdoor applications. They protect installed equipment against rain, sleet and snow.



Configuration

- Drip shield top
- Seamless sides, front and back
- Removable, slip-on cover
- Plated steel screws secure cover
- Padlock provision
- Knockouts for conduit in bottom
- Mounting holes on back wall
- Available in painted galvaneal steel or unpainted galvanized steel

Technical Specifications

- Material:**
- *Enclosure/cover:* 14 or 16 gauge galvaneal or galvanized steel
- Finish/color:**
- *Enclosure/cover:* polyester-urethane powder coat over phosphatized surfaces, inside and outside – ANSI 61 grey
 - Galvanized product is unpainted

Protection Ratings

NEMA Type 1 3R 4X 12 13

Certifications/Approvals

Listings UL CUL CSA TÜV

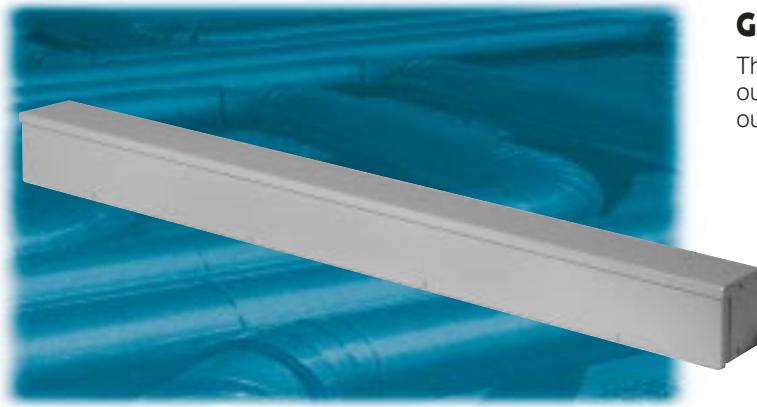
Technical Drawings

Page **COM 29**

Part No.		Enclosure			Accessories
Painted	Galvanized	Outside dimensions (inches)			Touch-up paint
		H	W	D	
E RTB644P	E RTB644	6.00	4.00	4.00	E L21
EZ E RTB664P	EZ E RTB664	6.00	6.00	4.00	E L21
E RTB666P	E RTB666	6.00	6.00	6.00	E L21
E RTB864P	E RTB864	8.00	6.00	4.00	E L21
EZ E RTB884P	E RTB884	8.00	8.00	4.00	E L21
EZ E RTB886P	E RTB886	8.00	8.00	6.00	E L21
EZ E RTB1084P	E RTB1084	10.00	8.00	4.00	E L21
EZ E RTB10104P	E RTB10104	10.00	10.00	4.00	E L21
EZ E RTB10106P	E RTB10106	10.00	10.00	6.00	E L21
E RTB1264P	E RTB1264	12.00	6.00	4.00	E L21
E RTB1284P	E RTB1284	12.00	8.00	4.00	E L21
E RTB1286P	E RTB1286	12.00	8.00	6.00	E L21
E RTB12124P	E RTB12124	12.00	12.00	4.00	E L21
E RTB12126P	EZ E RTB12126	12.00	12.00	6.00	E L21
E RTB15124P	E RTB15124	15.00	12.00	4.00	E L21
E RTB15126P	E RTB15126	15.00	12.00	6.00	E L21
EZ E RTB18126P	EZ E RTB18126	18.00	12.00	6.00	E L21
E RTB18128P	E RTB18128	18.00	12.00	8.00	E L21
EZ E RTB18186P	E RTB18186	18.00	18.00	6.00	E L21
EZ E RTB18188P	E RTB18188	18.00	18.00	8.00	E L21
E RTB24126P	-	24.00	12.00	6.00	E L21
E RTB24186P	E RTB24186	24.00	18.00	6.00	E L21
EZ E RTB24248P	E RTB24248	24.00	24.00	8.00	E L21
EZ E RTB242412P	E RTB242412	24.00	24.00	12.00	E L21
E RTB30248P	E RTB30248	30.00	24.00	8.00	E L21

EZ Designates a product in the EnclosureZone program.

Raintight Wiring Trough



Galvaneal Steel Commercial Wireway

These Rittal Electromate troughs are designed for indoor and outdoor use. Indoors they protect against dripping water; outdoors they protect wiring against rain, sleet and snow.

Configuration

- Galvaneal steel troughs are available in the following sizes:
 4.0" x 4.0" 10.0" x 10.0"
 6.0" x 6.0" 12.0" x 12.0"
 8.0" x 8.0"
- Lengths from 12" to 72"
- Drip shield top
- Seamless sides, front and back
- Removable, slip-on cover
- Cover fastened with plated steel screws along bottom edge
- Knockouts for conduit on bottom
- Mounting holes on back wall
- No gasketing

Technical Specifications

- Material:**
- Enclosure/cover: 14 or 16 gauge galvaneal steel
- Finish/color:**
- Enclosure/cover: polyester-urethane powder coat over phosphatized surfaces, inside and outside – ANSI 61 grey
 - Galvanized product is unpainted

Protection Ratings

NEMA Type 1 3R 4X 12 13

Certifications/Approvals

Listings UL CUL CSA TÜV

Technical Drawings

Page **COM 30**

Part No.		Wiring Trough			Material gauge	Accessories
Painted	Galvanized	Outside dimensions (inches)				
		H	W	D		Touch-up paint
E RTT4412P	E RTT4412	4.00	4.00	12.00	16	E L21
EZ E RTT4424P	E RTT4424	4.00	4.00	24.00	16	E L21
EZ E RTT4436P	EZ E RTT4436	4.00	4.00	36.00	16	E L21
EZ E RTT4448P	EZ E RTT4448	4.00	4.00	48.00	16	E L21
EZ E RTT4460P	EZ E RTT4460	4.00	4.00	60.00	16	E L21
E RTT6612P	E RTT6612	6.00	6.00	12.00	16	E L21
EZ E RTT6624P	E RTT6624	6.00	6.00	24.00	16	E L21
E RTT6636P	E RTT6636	6.00	6.00	36.00	16	E L21
EZ E RTT6648P	E RTT6648	6.00	6.00	48.00	16	E L21
E RTT6660P	E RTT6660	6.00	6.00	60.00	16	E L21
EZ E RTT6672P	E RTT6672	6.00	6.00	72.00	16	E L21
E RTT8812P	E RTT8812	8.00	8.00	12.00	14	E L21
EZ E RTT8824P	E RTT8824	8.00	8.00	24.00	14	E L21
E RTT8836P	E RTT8836	8.00	8.00	36.00	14	E L21
EZ E RTT8848P	E RTT8848	8.00	8.00	48.00	14	E L21
E RTT8860P	E RTT8860	8.00	8.00	60.00	14	E L21
EZ E RTT8872P	E RTT8872	8.00	8.00	72.00	14	E L21
-	E RTT1036	10.00	10.00	36.00	14	-
-	E RTT1048	10.00	10.00	48.00	14	-
-	E RTT1060	10.00	10.00	60.00	14	-
-	E RTT1072	10.00	10.00	72.00	14	-
-	E RTT1236	12.00	12.00	36.00	14	-
-	E RTT1248	12.00	12.00	48.00	14	-
-	E RTT1260	12.00	12.00	60.00	14	-
-	E RTT1272	12.00	12.00	72.00	14	-

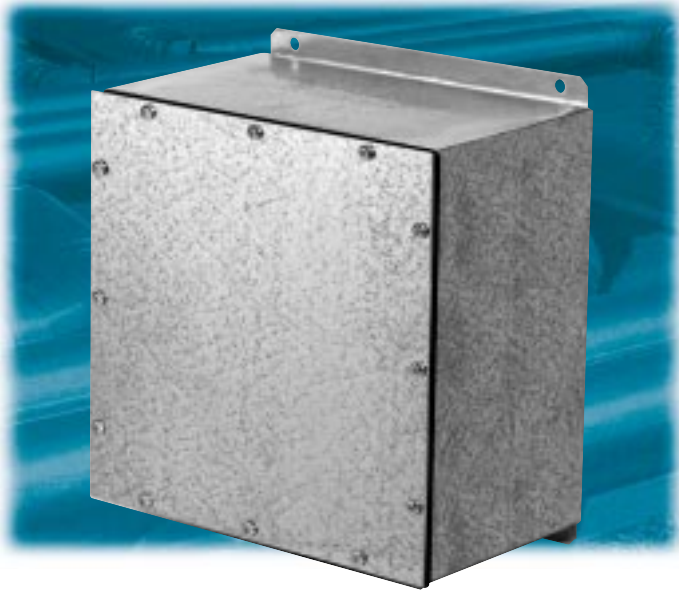
EZ Designates a product in the EnclosureZone program.

Gasketed Screw Cover Boxes



Galvanized Commercial Enclosures

These Rittal Electromate screw cover enclosures can be used as wiring, pull, junction, or terminal boxes for indoor applications in dusty or wet environments.



Configuration

- Continuously welded seams, finished smooth
- Cover fastened with plated steel screws
- Oil resistant gasket

Technical Specifications

- Material:**
- *Enclosure:* 14 gauge G-90 galvanized steel
 - *Cover:* 14 gauge G-90 galvanized steel
- Finish/color:**
- *Enclosure/cover:* unpainted external welded seams: zinc-rich covering provides protection equivalent to galvanized steel

Protection Ratings

NEMA Type 1 4 4X 12 13

Certifications/Approvals

Listings UL CUL CSA TÜV

Technical Drawings

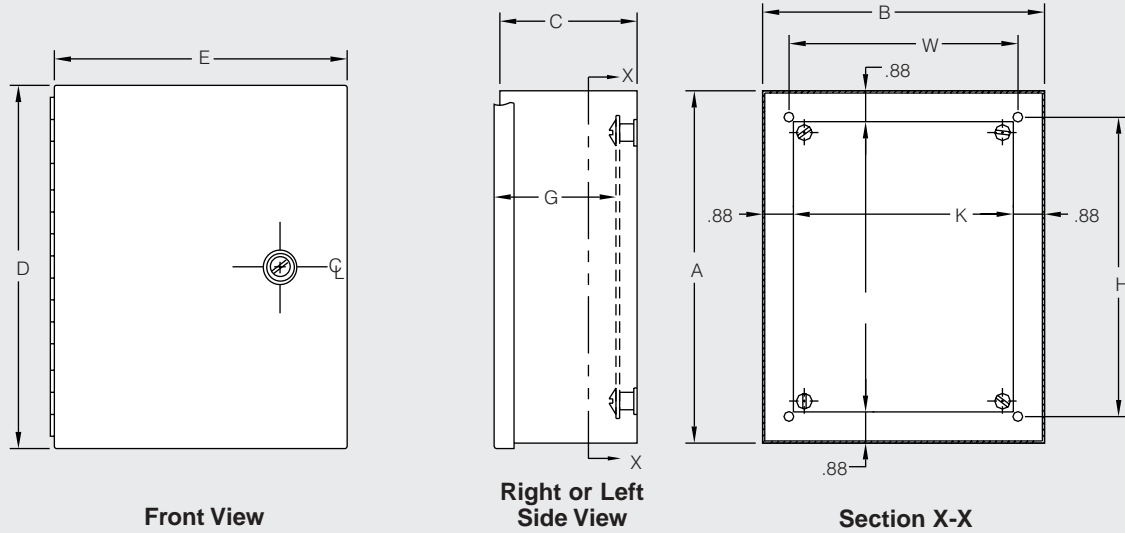
Page COM 31

Enclosure				
Part No.	Outside dimensions (inches)			
	H	W	D	
E WTB664	6.00	6.00	4.00	
E WTB666	6.00	6.00	6.00	
E WTB864	8.00	6.00	4.00	
E WTB884	8.00	8.00	4.00	
E WTB886	8.00	8.00	6.00	
E WTB1084	10.00	8.00	4.00	
E WTB10104	10.00	10.00	4.00	
E WTB10106	10.00	10.00	6.00	
E WTB12124	12.00	12.00	4.00	
E WTB12126	12.00	12.00	6.00	
E WTB12128	12.00	12.00	8.00	
E WTB16126	16.00	12.00	6.00	
E WTB16166	16.00	16.00	6.00	
E WTB18188	18.00	18.00	8.00	
E WTB20166	20.00	16.00	6.00	
E WTB20208	20.00	20.00	8.00	
E WTB24248	24.00	24.00	8.00	
E WTB242410	24.00	24.00	10.00	
E WTB242412	24.00	24.00	12.00	
E WTB30248	30.00	24.00	8.00	
E WTB362410	36.00	24.00	10.00	
E WTB363012	36.00	30.00	12.00	
E WTB363612	36.00	36.00	12.00	

Designates a product in the EnclosureZone program.

Technical Specifications

Small Type 1 Wallmount Enclosures

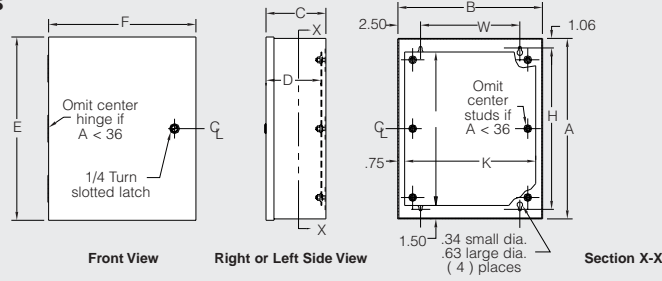


Part No.	Enclosure			Mounting Panel				Part No.	Panel size		Usable depth
	Outside dimensions (inches)			Mounting centers		Door size			Panel size		
	Height A	Width B	Depth C	H	W	D	E		J	K	
E 6N64	6.00	6.00	4.00	3.00	5.00	6.31	6.31	E 6N6P	4.25	4.25	3.44
EZ E 8N64	8.00	6.00	4.00	5.00	5.00	8.31	6.31	E 8N6P	6.25	4.25	3.44
EZ E 8N66	8.00	6.00	6.00	5.00	5.00	8.31	6.31	E 8N6P	6.25	4.25	5.44
E 8N84	8.00	8.00	4.00	5.00	7.00	8.31	8.31	E 8N8P	6.25	6.25	3.44
EZ E 10N84	10.00	8.00	4.00	7.00	7.00	10.31	8.31	E 10N8P	8.25	6.25	3.44
E 10N86	10.00	8.00	6.00	7.00	7.00	10.31	8.31	E 10N8P	8.25	6.25	5.44
EZ E 10N104	10.00	10.00	4.00	7.00	9.00	10.31	10.31	E 10N10P	8.25	8.25	3.44
EZ E 10N106	10.00	10.00	6.00	7.00	9.00	10.31	10.31	E 10N10P	8.25	8.25	5.44
EZ E 12N104	12.00	10.00	4.00	9.00	9.00	12.31	10.31	E 12N10P	10.25	8.25	3.44
EZ E 12N106	12.00	10.00	6.00	9.00	9.00	12.31	10.31	E 12N10P	10.25	8.25	5.44
EZ E 12N124	12.00	12.00	4.00	9.00	11.00	12.31	12.31	E 12N12P	10.25	10.25	3.44
EZ E 12N126	12.00	12.00	6.00	9.00	11.00	12.31	12.31	E 12N12P	10.25	10.25	5.44
E 12N128	12.00	12.00	8.00	9.00	11.00	12.31	12.31	E 12N12P	10.25	10.25	7.44
E 14N124	14.00	12.00	4.00	9.00	11.00	14.31	12.31	E 14N12P	12.25	10.25	3.44
EZ E 14N126	14.00	12.00	6.00	11.00	11.00	14.31	12.31	E 14N12P	12.25	10.25	5.44
EZ E 14N128	14.00	12.00	8.00	11.00	11.00	14.31	12.31	E 14N12P	12.25	10.25	7.44
EZ E 16N126	16.00	12.00	6.00	13.00	11.00	16.31	12.31	E 16N12P	14.25	10.25	5.44
EZ E 20N126	20.00	12.00	6.00	17.00	11.00	20.31	12.31	E 20N12P	18.25	10.25	5.44
EZ E 24N126	24.00	12.00	6.00	21.00	11.00	24.31	12.31	E 24N12P	22.25	10.25	5.44

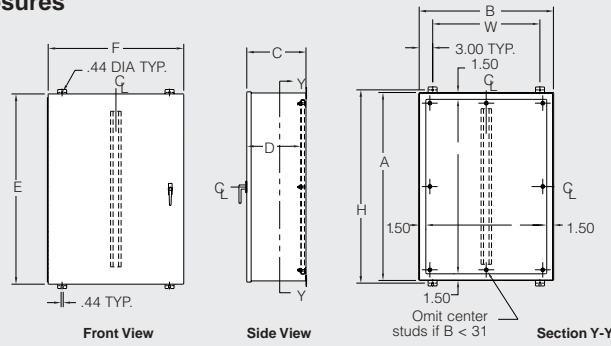
EZ Designates a product in the EnclosureZone program.

Technical Specifications

Large Type 1 Wallmount Enclosures



Extra Large Type 1 Wallmount Enclosures

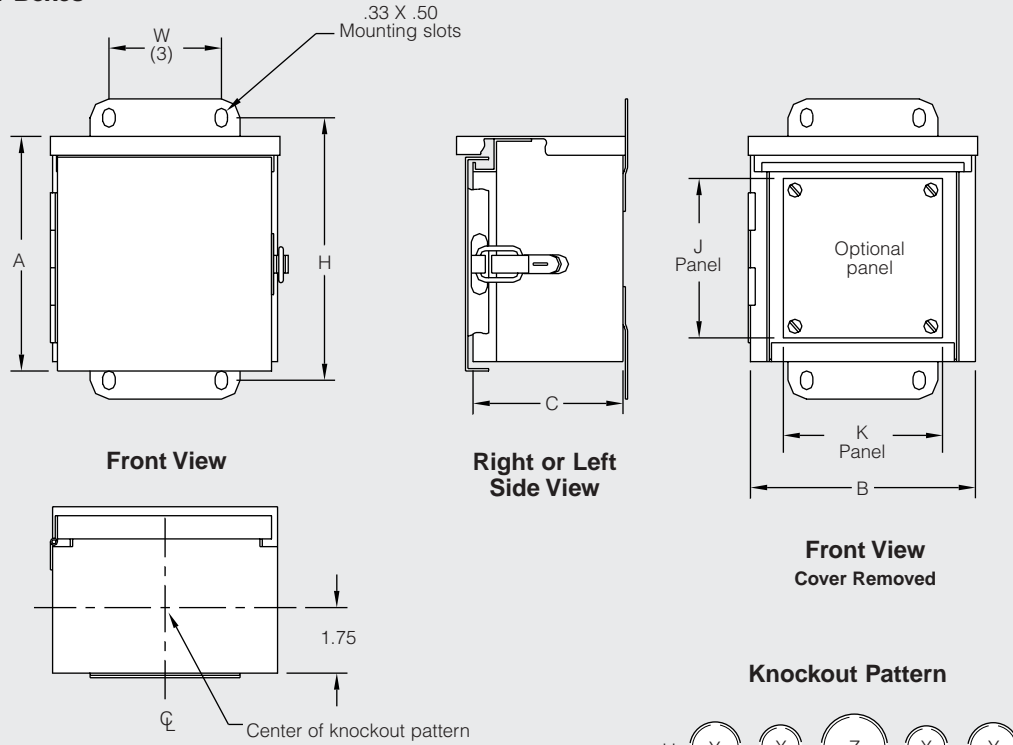


Part No.	Enclosure			Mounting Panel				Part No.	Panel size		Usable depth
	Outside dimensions (inches)			Mounting centers		Door size			Panel size		
	Height A	Width B	Depth C	H	W	E	F		J	K	
EZ E 16N12A	16.00	12.00	6.63	13.88	7.00	16.38	12.38	E 16N12P2	13.00	10.50	6.00
E 16N12B	16.00	12.00	8.63	13.88	7.00	16.38	12.38	E 16N12P2	13.00	10.50	8.00
EZ E 16N16A	16.00	16.00	6.63	13.88	11.00	16.38	16.38	E 16N16P2	13.00	14.50	6.00
E 16N20A	16.00	20.00	6.63	13.88	15.00	16.38	20.38	E 16N120P	13.00	18.50	6.00
EZ E 20N16A	20.00	16.00	6.63	17.88	11.00	20.38	16.38	E 20N16P	17.00	14.50	6.00
EZ E 20N16B	20.00	16.00	8.63	17.88	11.00	20.38	16.38	E 20N16P	17.00	14.50	8.00
EZ E 20N20A	20.00	20.00	6.63	17.88	15.00	20.38	20.38	E 20N20P	17.00	18.50	6.00
EZ E 20N20B	20.00	20.00	8.63	17.88	15.00	20.38	20.38	E 20N20P	17.00	18.50	8.00
E 20N24B	20.00	24.00	8.63	17.88	19.00	20.38	24.38	E 20N24P	17.00	22.50	8.00
EZ E 24N16A	24.00	16.00	6.63	21.88	11.00	24.38	16.38	E 24N16P	21.00	14.50	6.00
EZ E 24N20A	24.00	20.00	6.63	21.88	15.00	24.38	20.38	E 24N20P	21.00	18.50	6.00
EZ E 24N20B	24.00	20.00	8.63	21.88	15.00	24.38	20.38	E 24N20P	21.00	18.50	8.00
E 24N20C	24.00	20.00	10.63	21.88	15.00	24.38	20.38	E 24N20P	21.00	18.50	10.00
EZ E 24N24A	24.00	24.00	6.63	21.88	19.00	24.38	24.38	E 24N24P	21.00	22.50	6.00
EZ E 24N24B	24.00	24.00	8.63	21.88	19.00	24.38	24.38	E 24N24P	21.00	22.50	8.00
E 24N24D	24.00	24.00	12.63	21.88	19.00	24.38	24.38	E 24N24P	21.00	22.50	12.00
EZ E 30N20A	30.00	20.00	6.63	27.88	15.00	30.38	20.38	E 30N20P	27.00	18.50	6.00
E 30N20B	30.00	20.00	8.63	27.88	15.00	30.38	20.38	E 30N20P	27.00	18.50	8.00
EZ E 30N24A	30.00	24.00	6.63	27.88	19.00	30.38	24.38	E 30N24P	27.00	22.50	6.00
E 30N24B	30.00	24.00	8.63	27.88	19.00	30.38	24.38	E 30N24P	27.00	22.50	12.00
EZ E 30N24C	30.00	24.00	10.63	27.88	19.00	30.38	24.38	E 30N24P	27.00	22.50	10.00
E 30N24D	30.00	24.00	12.63	27.88	19.00	30.38	24.38	E 30N24P	27.00	22.50	12.00
EZ E 30N30B	30.00	30.00	8.63	27.88	25.00	30.38	30.38	E 30N30P	27.00	28.50	8.00
EZ E 36N24A	36.00	24.00	6.63	33.88	19.00	36.38	24.38	E 36N24P	33.00	22.50	6.00
EZ E 36N24B	36.00	24.00	8.63	33.88	19.00	36.38	24.38	E 36N24P	33.00	22.50	8.00
EZ E 36N30A	36.00	30.00	6.63	33.88	25.00	36.38	30.38	E 36N30P	33.00	28.50	6.00
EZ E 36N30B	36.00	30.00	8.63	33.88	25.00	36.38	30.38	E 36N30P	33.00	28.50	8.00
E 36N30C	36.00	30.00	10.63	33.88	25.00	36.38	33.00	E 36N30P	33.00	28.50	10.00
E 36N30D	36.00	30.00	12.63	33.88	25.00	36.38	30.38	E 36N30P	33.00	28.50	12.00
E 42N24B	42.00	24.00	8.63	39.88	19.00	42.38	24.38	E 42N24P	39.00	22.50	8.00
E 42N3009*	42.00	30.00	9.25	43.25	24.00	42.50	30.38	E 42N30	39.00	27.00	7.50
E 42N3013*	42.00	30.00	13.25	43.25	24.00	42.50	30.38	E 42N30	39.00	27.00	11.50
E 42N3609*	42.00	36.00	9.25	43.25	30.00	42.50	36.38	E 42N36	39.00	33.00	7.50
E 42N3613*	42.00	36.00	13.25	43.25	30.00	42.50	36.38	E 42N36	39.00	33.00	11.50
EZ E 48N3609*	48.00	36.00	9.25	49.25	30.00	48.50	36.38	E 48P36	45.00	33.00	7.50
E 48N3611*	48.00	36.00	11.25	49.25	30.00	48.50	36.38	E 48P36	45.00	33.00	9.50
E 48N3613*	48.00	36.00	13.25	49.25	30.00	48.50	36.38	E 48P36	45.00	33.00	11.50
E 48N3617*	48.00	36.00	17.25	49.25	30.00	48.50	36.38	E 48P36	45.00	33.00	15.50

* Extra large versions. **EZ** Designates a product in the EnclosureZone program.

Technical Specifications

Small Hinge Cover Boxes



Front View

Right or Left Side View

Front View Cover Removed

Bottom View

Knockout Pattern

Knockout (Conduit Size)

- X: 1/2 & 3/4
- Y: 3/4 & 1
- Z: 1 & 1-1/4

Knockout Center To Center Dim.

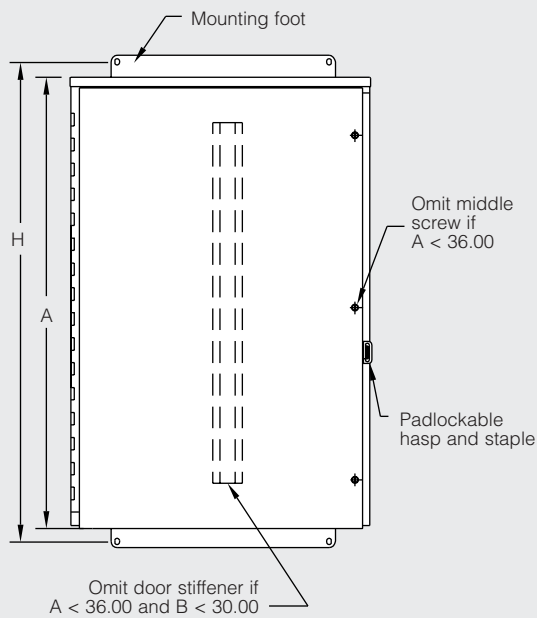
- S: 1.750
- T: 1.937

Part No.	Enclosure			Mounting centers	Knockout pattern	Mounting Panel		Usable depth		
	Outside dimensions (inches)					Part No.	Panel size			
	Height A	Width B	Depth C				J		K	
EZ E 6R64HCR	6.00	6.00	4.00	7.00	3.00	N	E 6N6P	4.25	4.25	3.41
EZ E 8R64HCR	8.00	6.00	4.00	9.00	3.00	N	E 8N6P	6.25	4.25	3.41
EZ E 8R86HCR	8.00	8.00	6.00	9.00	3.00	P	E 8N8P	6.25	6.25	5.41
EZ E 10R86HCR	10.00	8.00	6.00	11.00	3.00	P	E 10N8P	8.25	6.25	5.41
EZ E 12R106HCR	12.00	10.00	6.00	13.00	3.00	P	E 12N10P	10.25	8.25	5.41
EZ E 12R126HCR	12.00	12.00	6.00	13.00	3.00	H	E 12N12P	10.25	10.25	5.41

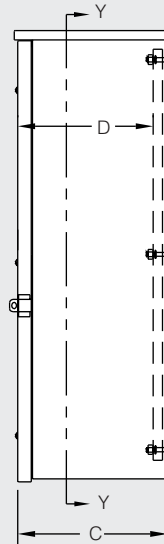
EZ Designates a product in the EnclosureZone program.

Technical Specifications

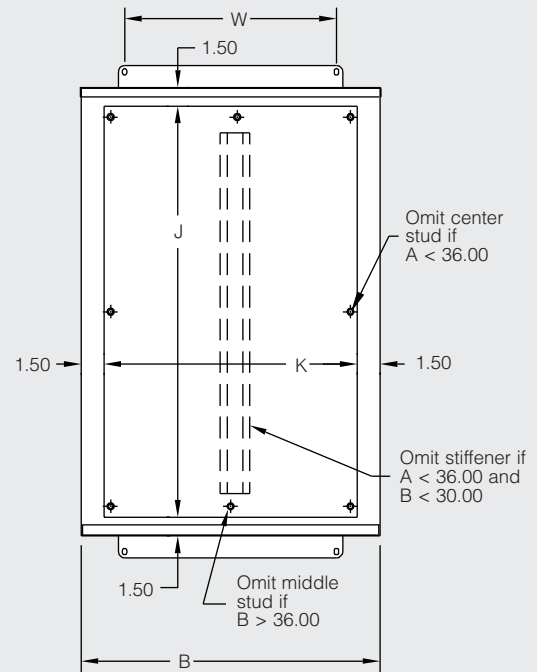
Large Hinge Cover Boxes



Front View



Right Side View



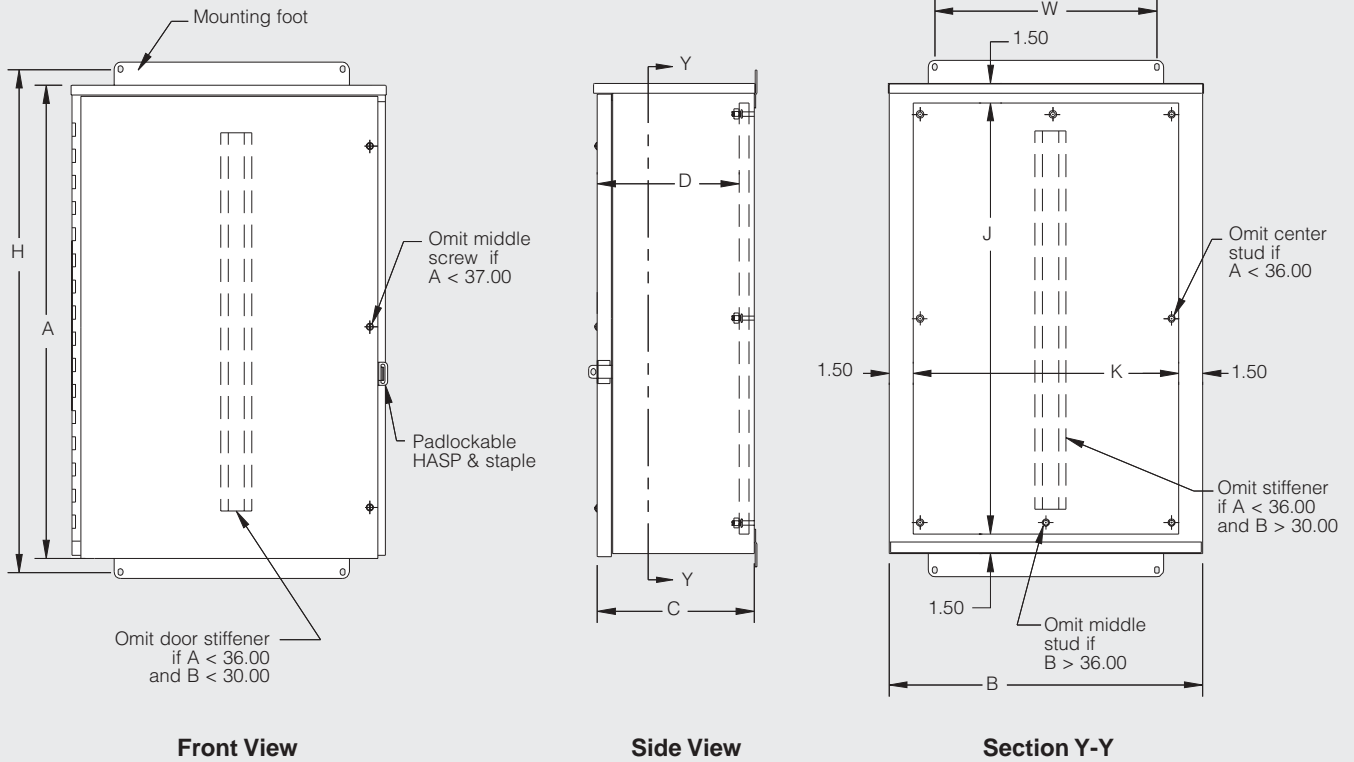
Section Y-Y

Part No.	Enclosure						Mounting Panel			
	Outside dimensions (inches)			Mounting centers		Door and body stiffener	Part No.	Panel size		Usable depth
	Height A	Width B	Depth C	H	W			H	W	
E 16R126HCR	16.00	12.00	6.00	17.00	5.00	NO	E 16P12	13.00	9.00	4.81
EZ E 16R166HCR	16.00	16.00	6.00	17.25	9.00	NO	E 16P16	13.00	13.00	4.81
EZ E 20R166HCR	20.00	16.00	6.00	21.25	9.00	NO	E 20P16	17.00	13.00	4.81
EZ E 20R208HCR	20.00	20.00	8.00	21.25	13.00	NO	E 20P20	17.00	17.00	6.81
EZ E 24R208HCR	24.00	20.00	8.00	25.25	13.00	NO	E 24P20	21.00	17.00	6.81
EZ E 24R248HCR	24.00	24.00	8.00	25.25	17.00	NO	E 24P24	21.00	21.00	6.81
EZ E 30R248HCR	30.00	24.00	8.00	31.25	17.00	NO	E 30P24	27.00	21.00	6.81
EZ E 30R3012HCR	30.00	30.00	12.00	31.25	23.00	NO	E 30P30	27.00	27.00	10.81
E 30R3016HCR	30.00	30.00	16.00	31.25	23.00	NO	E 30P30	27.00	27.00	14.81
EZ E 36R2412HCR	36.00	24.00	12.00	37.25	17.00	NO	E 36P24	33.00	21.00	10.81
EZ E 36R3012HCR	36.00	30.00	12.00	37.25	23.00	YES	E 36P30	33.00	27.00	10.81
EZ E 36R3612HCR	36.00	36.00	12.00	37.25	29.00	YES	E 36P36	33.00	33.00	10.81
E 36R3616HCR	36.00	36.00	16.00	37.25	29.00	YES	E 36P36	33.00	33.00	14.81
E 42R3012HCR	42.00	30.00	12.00	43.25	23.00	YES	E 42P30	39.00	27.00	10.81
E 42R3612HCR	42.00	36.00	12.00	43.25	29.00	YES	E 42P36	39.00	33.00	10.81
EZ E 48R3612HCR	48.00	36.00	12.00	49.25	29.00	YES	E 48P36	45.00	33.00	10.81
E 60R3612HCR	60.00	36.00	12.00	61.25	29.00	YES	E 60P36	57.00	33.00	10.81

EZ Designates a product in the EnclosureZone program.

Technical Specifications

Hinge Cover Enclosures

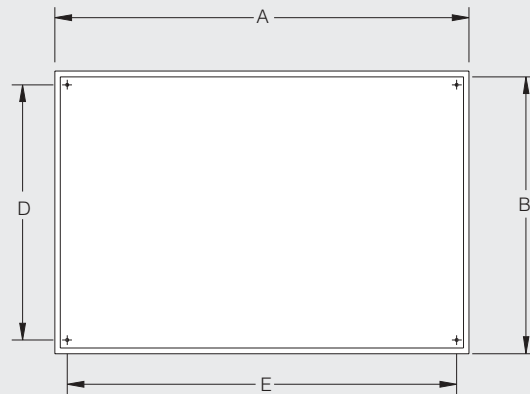
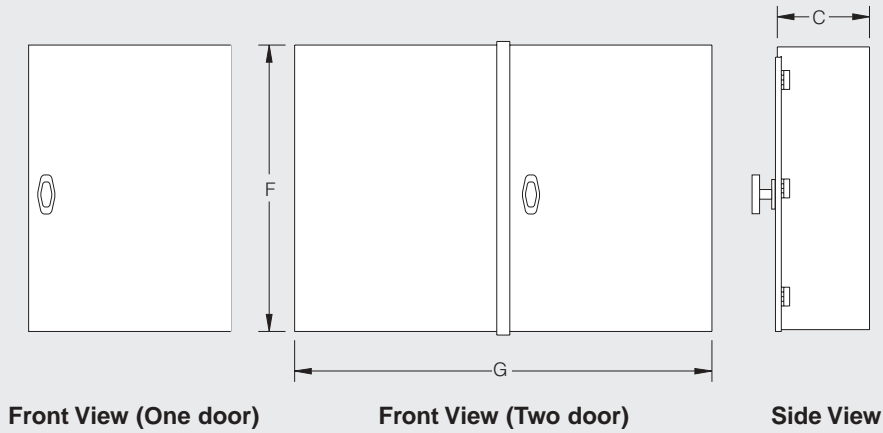


Part No.	Enclosure				Mounting Panel						
	Outside dimensions (inches)			Material gauge	Mounting centers		Door and body stiffener	Panel size		Usable depth D	
	H	W	D		H	W		J	K		
E 16R126HCRSS	16.00	12.00	6.00	16	17.00	5.00	NO	E 16P12	13.00	9.00	4.81
E 16R166HCRSS	16.00	16.00	6.00	16	17.25	9.00	NO	E 16P16	13.00	13.00	4.81
E 20R166HCRSS	20.00	16.00	6.00	16	21.25	9.00	NO	E 20P16	17.00	13.00	4.81
E 20R208HCRSS	20.00	20.00	8.00	14	21.25	13.00	NO	E 20P20	17.00	17.00	6.81
E 24R208HCRSS	24.00	20.00	8.00	14	25.25	13.00	NO	E 24P20	21.00	17.00	6.81
E 24R248HCRSS	24.00	24.00	8.00	14	25.25	17.00	NO	E 24P24	21.00	21.00	6.81
E 30R248HCRSS	30.00	24.00	8.00	14	31.25	17.00	NO	E 30P24	27.00	21.00	6.81
E 30R3012HCRSS	30.00	30.00	12.00	14	31.25	23.00	NO	E 30P30	27.00	27.00	10.81
E 30R3016HCRSS	30.00	30.00	16.00	14	31.25	23.00	NO	E 30P30	27.00	27.00	14.81
E 36R2412HCRSS	36.00	24.00	12.00	14	37.25	17.00	NO	E 36P24	33.00	21.00	10.81
E 36R3012HCRSS	36.00	30.00	12.00	14	37.25	23.00	YES	E 36P30	33.00	27.00	10.81
E 36R3612HCRSS	36.00	36.00	12.00	14	37.25	29.00	YES	E 36P36	33.00	33.00	10.81
E 36R3616HCRSS	36.00	36.00	16.00	14	37.25	29.00	YES	E 36P36	33.00	33.00	14.81
E 42R3012HCRSS	42.00	30.00	12.00	14	43.25	23.00	YES	E 42P30	39.00	27.00	10.81
E 42R3612HCRSS	42.00	36.00	12.00	14	43.25	29.00	YES	E 42P36	39.00	33.00	10.81
E 48R3612HCRSS	48.00	36.00	12.00	14	49.25	29.00	YES	E 48P36	57.00	33.00	10.81
E 60R3612HCRSS	60.00	36.00	12.00	14	61.25	29.00	YES	E 60P36	45.00	33.00	10.81



Technical Specifications

Current Transformer Enclosures

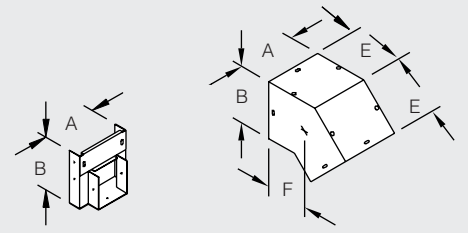
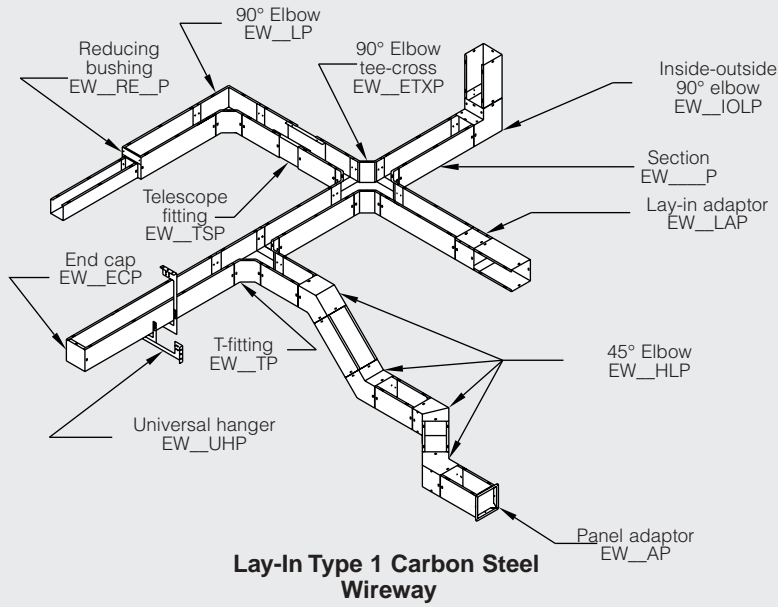


Front View (doors removed)

Part No.	Enclosure			Number of doors	Material gauge	Mounting centers		Overall door size	
	Outside dimensions (inches)					D	E	F	G
	A	B	C						
E 182410CT	18.00	24.00	10.00	2	14	16.12	21.38	18.40	24.34
E 24167CTL	24.00	16.00	7.00	1	14	22.12	13.38	24.40	16.34
E 242410CT	24.00	24.00	10.00	1	14	22.12	21.38	24.40	24.34
E 243210CT	24.00	32.00	10.00	2	14	22.12	29.38	24.40	32.34
E 244212CT	24.00	42.00	12.00	2	12	22.12	39.38	24.40	42.34
E 302410CT	30.00	24.00	10.00	1	14	28.12	21.38	30.40	24.34
E 303010CT	30.00	30.00	10.00	2	12	28.12	27.38	30.40	30.34
E 303610CT	30.00	36.00	10.00	2	12	28.12	33.38	30.40	36.34
E 32247CTL	32.00	24.00	7.00	1	14	30.12	21.38	32.40	24.34
E 362410CT	36.00	24.00	10.00	1	14	34.12	21.38	36.40	24.34
E 363610CT	36.00	36.00	10.00	2	12	34.12	33.38	36.40	36.34
E 36427CTL	36.00	42.00	7.00	2	12	34.12	39.38	36.40	42.34
E 364810CTL	36.00	48.00	7.00	2	12	34.12	45.38	36.40	48.34
E 443010CT	44.00	30.00	10.00	2	12	42.12	27.38	44.40	30.34
E 484810CT	48.00	48.00	10.00	2	12	46.12	45.38	48.40	48.34
E 484812CT	48.00	48.00	10.00	2	12	46.12	45.38	48.40	48.34

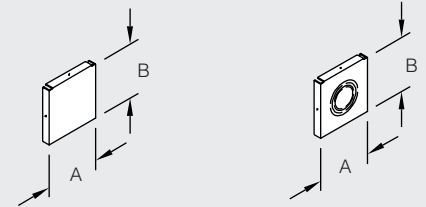
Technical Specifications

Lay-In Type 1 Carbon Steel Wireway



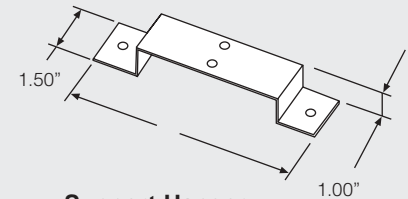
Reducing Bushing

45° Elbow

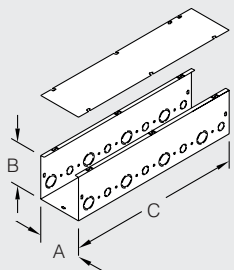


End Cap Without Knockouts

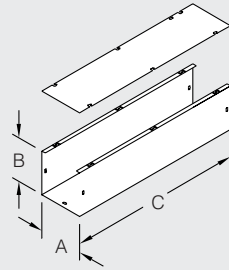
End Cap With Knockouts



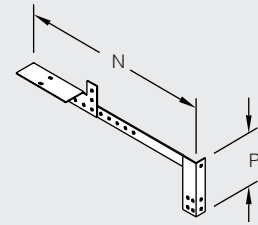
Support Hanger



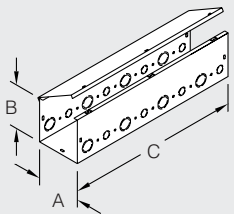
Straight Section Painted With Knockouts



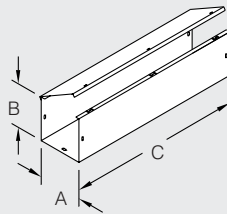
Straight Section Painted Without Knockouts



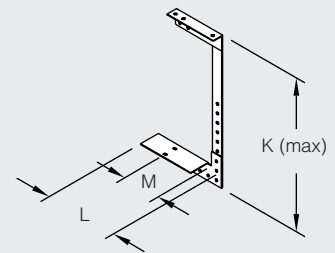
Universal Hanger



Hinge Cover Wireway Straight Section With Knockouts



Hinge Cover Wireway Straight Section Without Knockouts



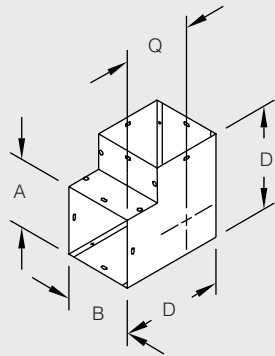
Use As A Drop Hanger

Wireway																							
A x B	C	C	C	C	C	C	D	E	F	G	H	J	K	L	M	N	P	Q	R	S	T	U	V
2.50 x 2.50	12	24	36	48	60	120	4.50	2.75	2.25	2.25	7.91	4.62	8.50	4.50	3.38	7.25	3.75	3.25	5.50	6.88	11.12	5.50	6.00
4.00 x 4.00	12	24	36	48	60	120	6.00	3.38	2.50	3.00	9.41	6.12	10.50	6.00	4.12	9.25	4.50	4.00	6.25	8.12	12.38	6.19	6.00
6.00 x 6.00	12	24	36	48	60	120	8.00	4.25	3.00	4.00	11.34	8.12	15.00	7.12	5.12	13.75	5.50	5.00	7.25	10.12	14.38	7.19	6.00
8.00 x 8.00	12	24	36	48	60	120	10.00	5.00	3.38	5.00	13.44	10.12	21.00	10.81	7.00	13.75	7.75	6.00	8.25	12.38	16.62	8.31	6.00
10.00 x 10.00	12	24	36	48	60	120	12.00	6.33	4.22	6.00	15.62	12.12	22.00	13.51	8.75	13.75	9.69	7.00	-	-	18.50	9.25	-
12.00 x 12.00	12	24	36	48	60	120	14.00	6.25	4.25	7.00	17.44	14.12	23.00	15.56	9.78	13.75	12.50	8.00	-	-	20.50	10.25	-

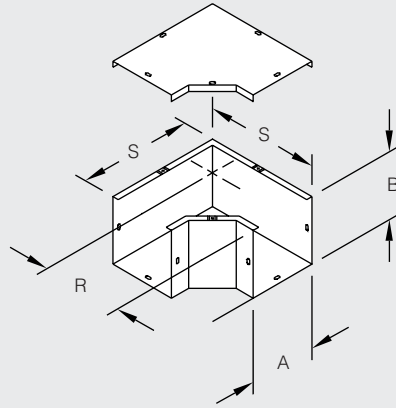


Technical Specifications

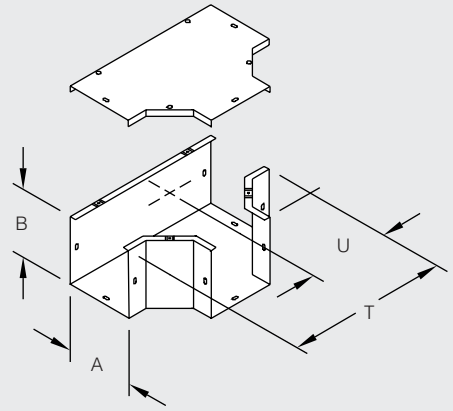
Lay-In Type 1 Carbon Steel Wireway



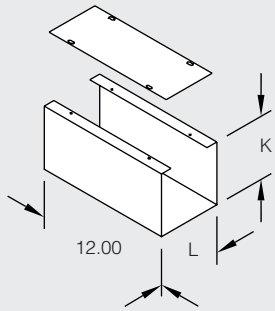
**Inside-Outside
90° Elbow**



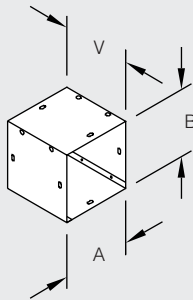
90° Elbow



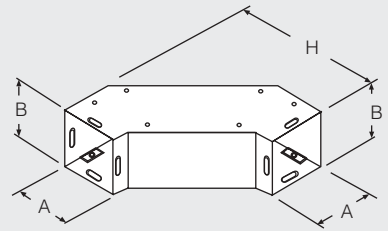
Tee Pull Box



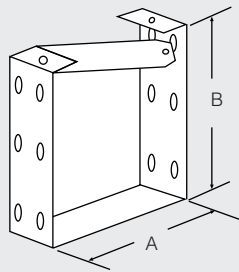
Telescoping Fitting



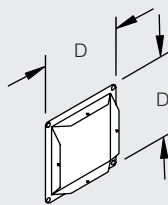
**90° Transposition
Adaptor**



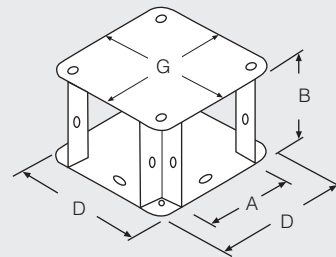
90° Sweep Elbow



U-Connector



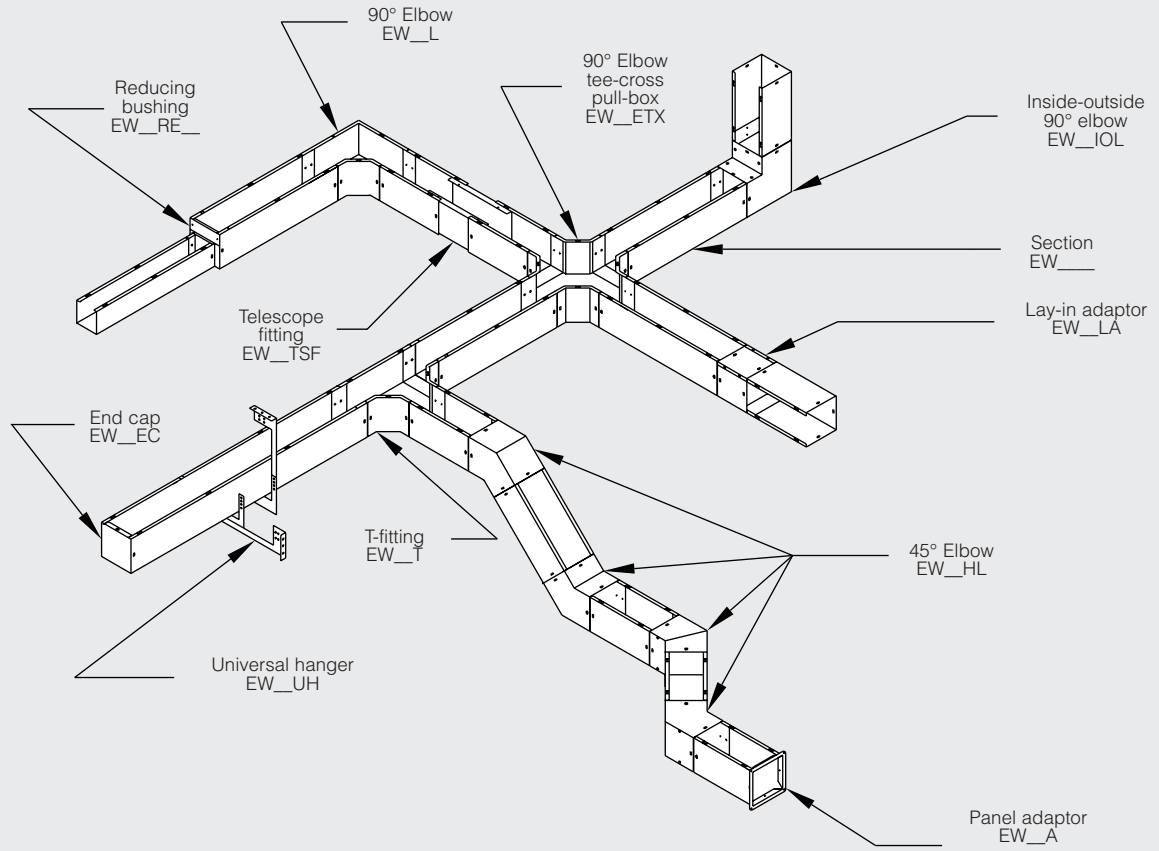
Panel Adaptor



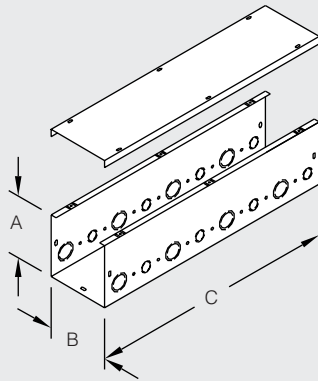
90° Elbow-Tee-Cross

Technical Specifications

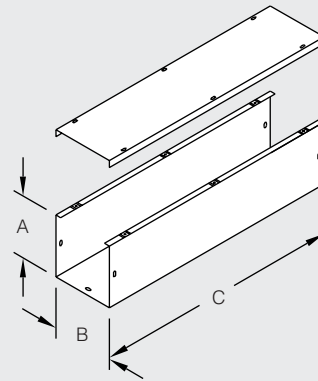
Lay-In Type 1 Galvanized Steel Wireway



Lay-In Type 1 Galvanized Steel Wireway



Straight Section Galvanized With Knockouts



Straight Section Galvanized Without Knockouts

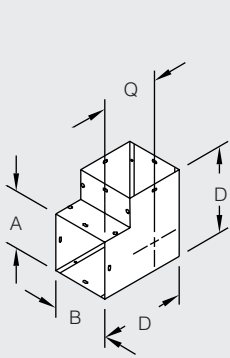
Wireway																							
A x B*	C	C	C	C	C	C	D	E	F	G	H	J	K	L	M	N	P	Q	R	S	T	U	V
2.50 x 2.50	12	24	36	48	60	120	4.50	2.75	2.25	2.25	7.91	4.62	8.50	4.50	3.38	7.25	3.75	3.25	5.50	6.88	11.12	5.50	6.00
4.00 x 4.00	12	24	36	48	60	120	6.00	3.38	2.50	3.00	9.41	6.12	10.50	6.00	4.12	9.25	4.50	4.00	6.25	8.12	12.38	6.19	6.00
6.00 x 6.00	12	24	36	48	60	120	8.00	4.25	3.00	4.00	11.34	8.12	15.00	7.12	5.12	13.75	5.50	5.00	7.25	10.12	14.38	7.19	6.00
8.00 x 8.00	12	24	36	48	60	120	10.00	5.06	3.38	5.00	13.44	10.12	21.00	10.81	7.00	13.75	7.75	6.00	8.25	12.38	16.62	8.31	6.00
10.00 x 10.00	12	24	36	48	60	120	12.00	6.33	4.22	6.00	15.62	12.12	22.00	13.51	8.75	13.75	9.69	7.00	-	-	18.50	9.25	-
12.00 x 12.00	12	24	36	48	60	120	14.00	6.75	4.25	7.00	17.44	14.12	23.00	15.56	9.78	13.75	12.50	8.00	-	-	20.50	10.25	-

* Inside dimensions

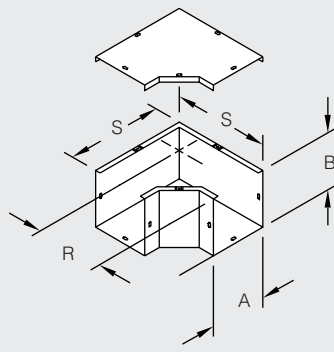


Technical Specifications

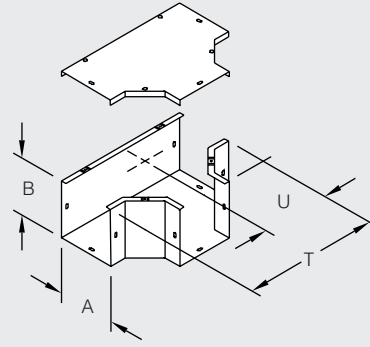
Lay-In Type 1 Galvanized Steel Wireway



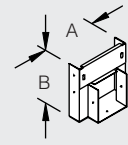
**Inside-Outside
90° Elbow**



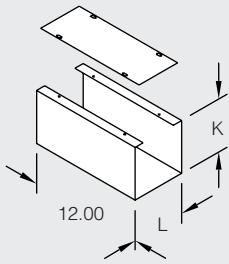
90° Elbow



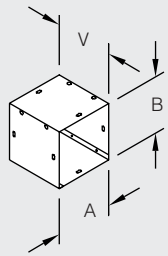
Tee Pull Box



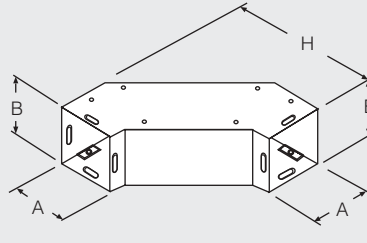
**Reducing
Bushing**



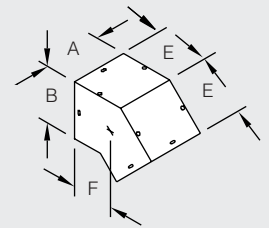
Telescoping Fitting



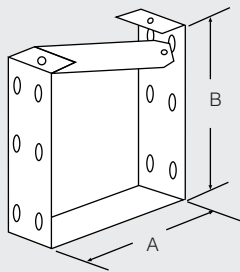
90° Transposition Adaptor



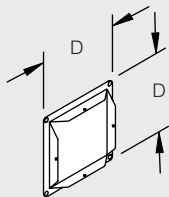
90° Sweep Elbow



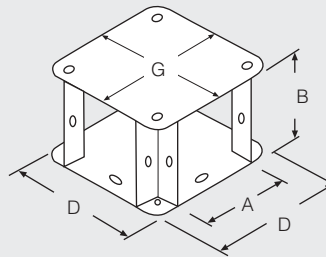
45° Elbow



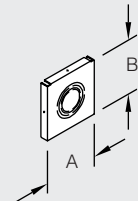
U-Connector



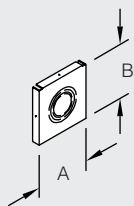
Panel Adaptor



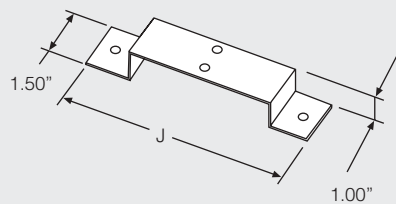
90° Elbow Tee-Cross



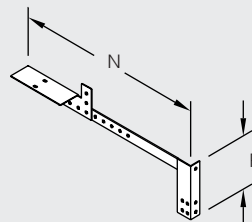
**End Cap
Without Knockouts**



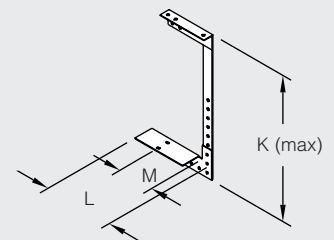
**End Cap
With Knockouts**



Support Hanger

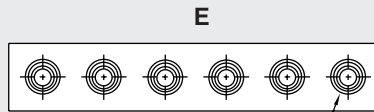
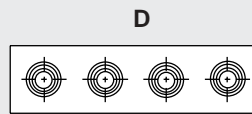
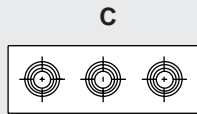
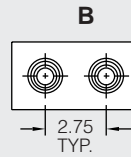
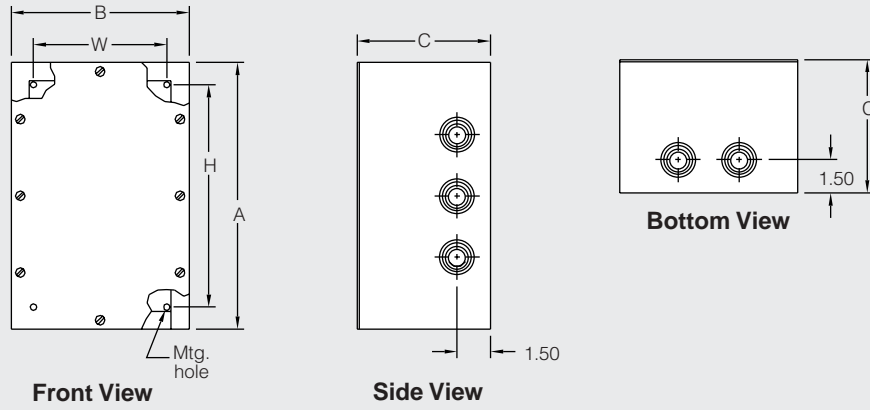


Universal Hanger



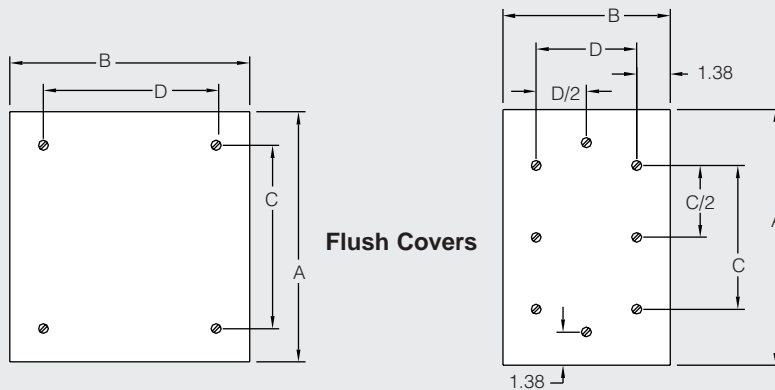
Use As A Drop Hanger

Technical Specifications
Screw Cover Pull Boxes



1/2, 3/4, 1 & 1 1/4 Dia. knockout
(conduit size) typ all knockouts

Screw Cover Pull Box





Technical Specifications

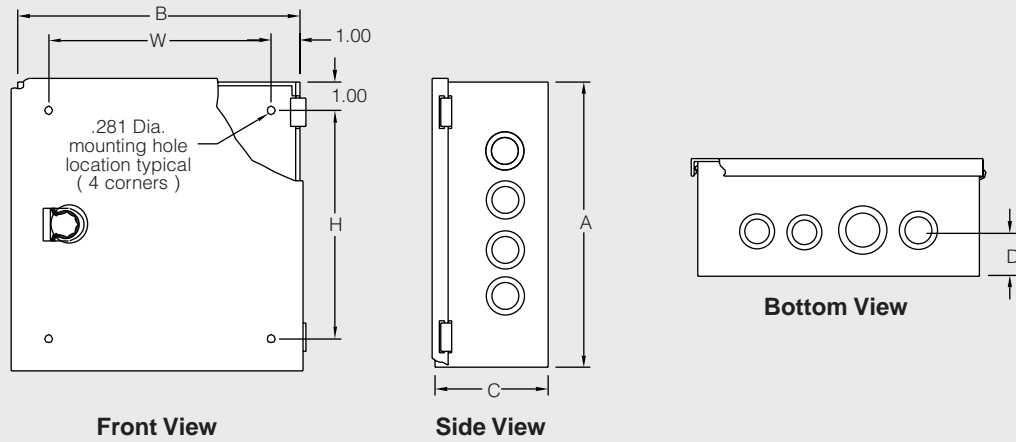
Screw Cover Pull Boxes

Enclosure											
Part No. Galvanized		Part No. Painted		Outside dimensions (inches)			Mounting centers		Number of cover screws	Knockout pattern left/right side	Knockout pattern top/bottom
Without knockouts	With knockouts	With knockouts	Without knockouts	Height A	Width B	Depth C	H	W			
E SCB444	E SCB444K	EZ E SCB444PK	E SCB444P	4.00	4.00	4.00	2.50	2.50	4	A	A
E SCB644	E SCB644K	E SCB644PK	E SCB644P	6.00	4.00	4.00	4.50	2.50	4	A	A
E SCB663	E SCB663K	E SCB663PK	E SCB663P	6.00	6.00	3.00	4.00	4.00	4	A	A
EZ E SCB664	EZ E SCB664K	EZ E SCB664PK	EZ E SCB664P	6.00	6.00	4.00	4.50	4.50	4	B	B
E SCB666	E SCB666K	EZ E SCB666PK	EZ E SCB666P	6.00	6.00	6.00	4.50	4.50	4	B	B
E SCB864	EZ E SCB864K	EZ E SCB864PK	E SCB864P	8.00	6.00	4.00	6.50	4.50	4	B	B
E SCB866	E SCB866K	E SCB866PK	E SCB866P	8.00	6.00	6.00	6.50	4.50	4	B	B
EZ E SCB884	EZ E SCB884K	EZ E SCB884PK	EZ E SCB884P	8.00	8.00	4.00	6.50	6.50	4	B	B
EZ E SCB886	EZ E SCB886K	EZ E SCB886PK	EZ E SCB886P	8.00	8.00	6.00	6.50	6.50	4	B	B
E SCB1084	E SCB1084K	E SCB1084PK	E SCB1084P	10.00	8.00	4.00	8.50	6.50	4	B	B
E SCB1086	E SCB1086K	E SCB1086PK	E SCB1086P	10.00	8.00	6.00	8.50	6.50	4	B	B
EZ E SCB10104	E SCB10104K	EZ E SCB10104PK	EZ E SCB10104P	10.00	10.00	4.00	8.50	8.50	4	C	C
E SCB10106	E SCB10106K	EZ E SCB10106PK	EZ E SCB10106P	10.00	10.00	6.00	8.50	8.50	4	C	C
E SCB1264	E SCB1264K	E SCB1264PK	E SCB1264P	12.00	6.00	4.00	10.50	4.50	4	D	B
E SCB1284	E SCB1284K	E SCB1284PK	E SCB1284P	12.00	8.00	4.00	10.50	6.50	4	D	B
E SCB1286	E SCB1286K	E SCB1286PK	E SCB1286P	12.00	8.00	6.00	10.50	6.50	4	D	B
E SCB12104	E SCB12104K	EZ E SCB12104PK	E SCB12104P	12.00	10.00	4.00	10.50	8.50	4	C	C
EZ E SCB12124	EZ E SCB12124K	EZ E SCB12124PK	EZ E SCB12124P	12.00	12.00	4.00	10.50	10.50	4	C	C
EZ E SCB12126	EZ E SCB12126K	EZ E SCB12126PK	EZ E SCB12126P	12.00	12.00	6.00	10.50	10.50	4	C	C
E SCB12128	-	-	E SCB12128P	12.00	12.00	8.00	9.12	9.38	4	-	-
E SCB15124	E SCB15124K	EZ E SCB15124PK	E SCB15124P	15.00	12.00	4.00	13.50	10.50	4	C	C
E SCB15126	E SCB15126K	E SCB15126PK	E SCB15126P	15.00	12.00	6.00	13.50	10.50	4	C	C
E SCB15156	E SCB15156K	E SCB15156PK	E SCB15156P	15.00	15.00	6.00	13.50	13.50	4	C	C
E SCB18124	E SCB18124K	E SCB18124PK	E SCB18124P	18.00	12.00	4.00	16.50	10.50	4	E	C
E SCB18126	E SCB18126K	EZ E SCB18126PK	E SCB18126P	18.00	12.00	6.00	16.50	10.50	4	E	C
E SCB18156	E SCB18156K	E SCB18156PK	E SCB18156P	18.00	15.00	6.00	16.50	13.50	4	E	C
EZ E SCB18186	EZ E SCB18186K	EZ E SCB18186PK	EZ E SCB18186P	18.00	18.00	6.00	16.50	16.50	4	E	E
E SCB18188	-	-	E SCB18188P	18.00	18.00	8.00	16.50	16.50	4	-	-
E SCB24186	E SCB24186K	E SCB24186PK	E SCB24186P	24.00	18.00	6.00	22.50	16.50	4	E	E
E SCB24188	-	-	E SCB24188P	24.00	18.00	8.00	21.12	15.38	4	-	-
EZ E SCB24246	E SCB24246K	EZ E SCB24246PK	EZ E SCB24246P	24.00	24.00	6.00	22.50	22.50	4	E	E
EZ E SCB24248	-	-	EZ E SCB24248P	24.00	24.00	8.00	21.12	21.38	4	-	-
E SCB242410	-	-	E SCB242410P	24.00	24.00	10.00	21.12	21.38	4	-	-
E SCB30246	E SCB30246K	E SCB30246PK	E SCB30246P	30.00	24.00	6.00	27.12	21.38	8	E	E
E SCB30248	-	-	E SCB30248P	30.00	24.00	8.00	27.12	21.38	8	-	-
E SCB30308	-	-	E SCB30308P	30.00	30.00	8.00	27.12	27.38	8	-	-
E SCB36248	-	-	E SCB36248P	36.00	24.00	8.00	33.12	21.38	8	-	-
E SCB303010	-	-	E SCB303010P	30.00	30.00	10.00	27.12	27.38	8	-	-
E SCB362412	-	-	E SCB362412P	36.00	24.00	12.00	33.12	21.38	8	-	-
E SCB363610	-	-	E SCB363610P	36.00	36.00	10.00	33.12	33.38	8	-	-
E SCB363612	-	-	E SCB363612P	36.00	36.00	12.00	33.12	33.38	8	-	-

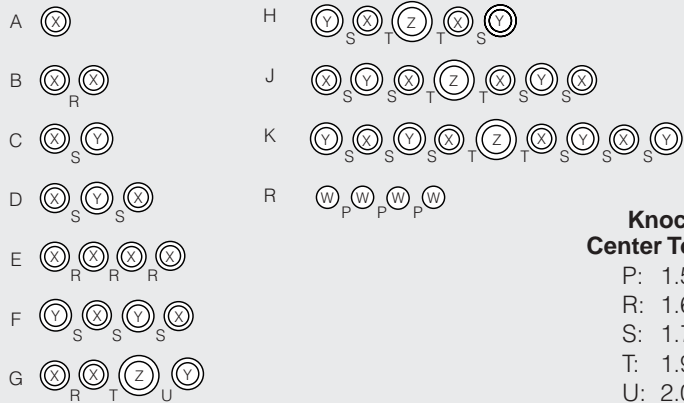
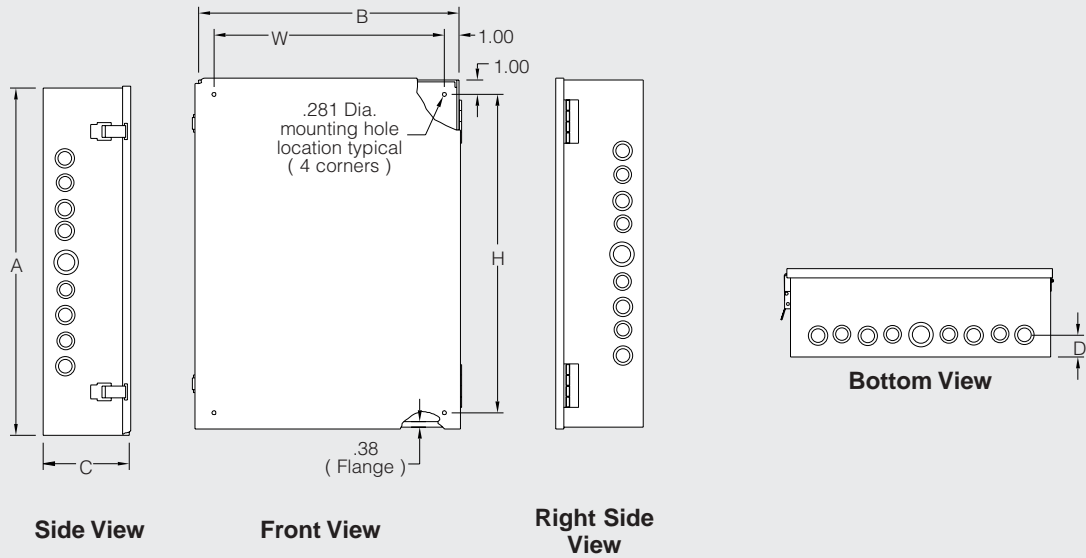
EZ Designates a product in the EnclosureZone program.

Technical Specifications

Hinge Cover Pull Boxes



For 24" High EHC B Boxes Only



**Knockout
Center To Center**

- P: 1.500
- R: 1.625
- S: 1.750
- T: 1.937
- U: 2.062

**Knockout
(Conduit Size)**

- W: 1/2
- X: 1/2 & 3/4
- Y: 3/4 & 1
- Z: 1 & 1-1/4



Technical Specifications

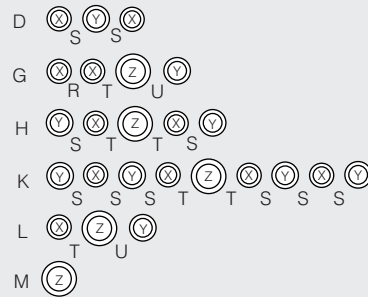
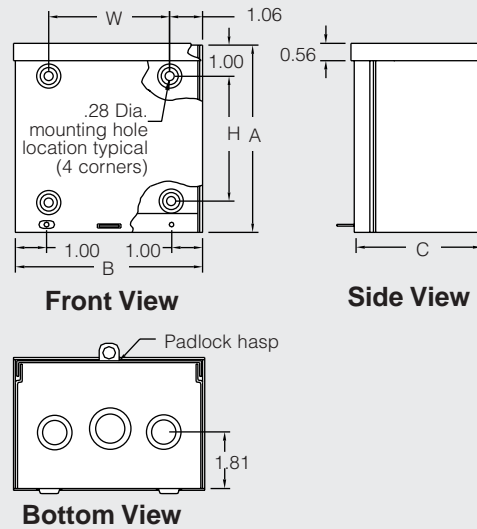
Hinge Cover Pull Boxes

Enclosure									
Part No.	Outside dimensions (inches)			Mounting centers		Knockout pattern left/right side	Knockout pattern top/bottom	Knockout pattern location D	
	Height	Width	Depth	H	W				
	A	B	C						
E HCB553PK	4.50	5.00	3.06	2.50	3.00	A	C	1.25	
E HCB593PK	4.50	9.00	3.06	2.50	7.00	A	F	1.25	
E HCB664PK	6.00	6.00	4.06	4.00	4.00	C	D	1.50	
E HCB666PK	6.00	6.00	6.06	4.00	4.00	B	D	1.50	
E HCB864PK	8.00	6.00	4.06	6.00	4.00	D	D	1.50	
E HCB884PK	8.00	8.00	4.06	6.00	6.00	D	F	1.50	
E HCB1082PK	10.00	8.00	2.00	8.00	6.00	R	R	1.00	
E HCB1084PK	10.00	8.00	4.06	8.00	6.00	F	F	1.50	
E HCB10104PK	10.00	10.00	4.06	8.00	8.00	F	G	1.50	
E HCB1264PK	12.00	6.00	4.06	10.00	4.00	H	D	1.50	
E HCB1284PK	12.00	8.00	4.06	10.00	6.00	H	F	1.50	
E HCB12104PK	12.00	10.00	4.06	10.00	8.00	H	G	1.50	
E HCB12106PK	12.00	10.00	6.06	10.00	8.00	H	G	1.50	
E HCB12124PK	12.00	12.00	4.06	10.00	10.00	H	H	1.50	
E HCB12126PK	12.00	12.00	6.06	10.00	10.00	H	H	1.50	
E HCB15124PK	15.00	12.00	4.00	13.00	10.00	J	H	1.50	
E HCB15126PK	15.00	12.00	6.00	13.00	10.00	J	H	1.50	
E HCB18124PK	18.00	12.00	4.00	16.00	10.00	J	H	1.50	
E HCB18126PK	18.00	12.00	6.00	16.00	10.00	K	H	1.50	
E HCB18154PK	18.00	15.00	4.06	16.00	13.00	K	J	1.50	
E HCB18156PK	18.00	15.00	6.00	16.00	13.00	K	J	1.50	
E HCB18186PK	18.00	18.00	6.06	16.00	16.00	K	K	1.50	
E HCB24186PK	24.00	18.00	6.06	22.00	16.00	K	K	1.50	
E HCB24246PK	24.00	24.00	6.00	22.00	62.00	K	K	1.50	

Designates a product in the EnclosureZone program.

Technical Specifications

Raintight Screw Cover Enclosures



Knockout Center To Center

- R: 1.625
- S: 1.750
- T: 1.937
- U: 2.062

Knockout (Conduit Size)

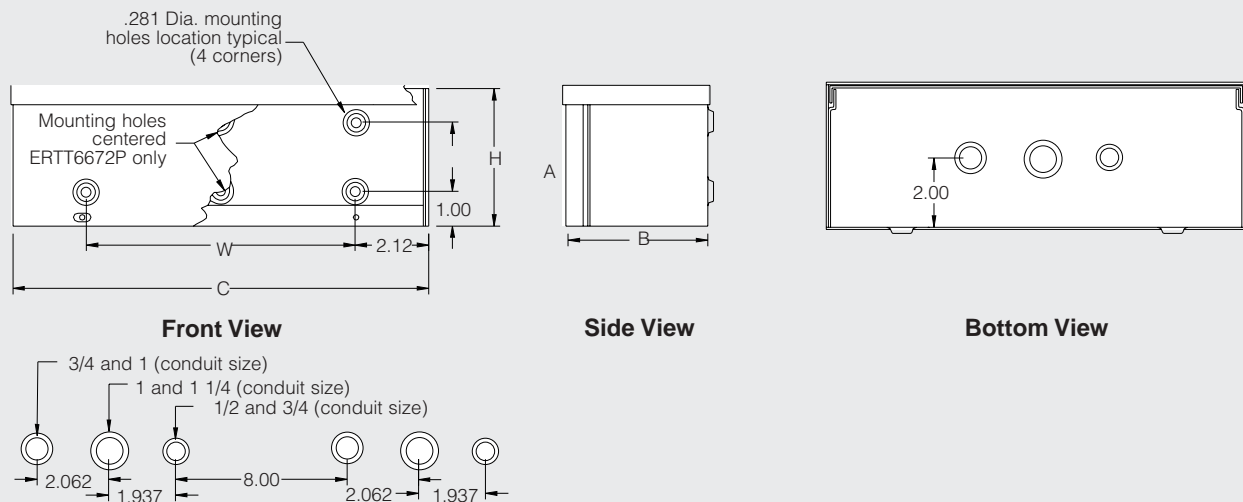
- X: 1/2 & 3/4
- Y: 3/4 & 1
- Z: 1 & 1-1/4

Part No.		Outside dimensions (inches)			Mounting centers		Knockout Pattern	Knockout Pattern
Painted	Galvanized	Height	Width	Depth			Painted	Galvanized
		A	B	C	H	W		
E RTB644P	E RTB644	6.00	4.00	4.00	4.00	1.88	M	M
EZ E RTB664P	EZ E RTB664	6.00	6.00	4.00	4.00	3.88	D	D
E RTB666P	E RTB666	6.00	6.00	6.00	4.00	3.88	D	D
E RTB864P	E RTB864	8.00	6.00	4.00	6.00	3.88	D	D
EZ E RTB884P	EZ E RTB884	8.00	8.00	4.00	6.00	5.88	D	L
EZ E RTB886P	EZ E RTB886	8.00	8.00	6.00	6.00	5.88	L	L
EZ E RTB1084P	EZ E RTB1084	10.00	8.00	4.00	8.00	5.88	L	L
EZ E RTB10104P	EZ E RTB10104	10.00	10.00	4.00	10.00	5.88	G	L
EZ E RTB10106P	EZ E RTB10106	10.00	10.00	6.00	8.00	7.88	G	G
E RTB1264P	E RTB1264	12.00	6.00	4.00	8.00	7.88	L	G
E RTB1284P	E RTB1284	12.00	8.00	4.00	10.00	3.88	L	D
E RTB1286P	E RTB1286	12.00	8.00	6.00	10.00	7.88	L	L
E RTB12124P	E RTB12124	12.00	12.00	4.00	10.00	9.88	H	H
E RTB12126P	EZ E RTB12126	12.00	12.00	6.00	10.00	9.88	H	H
E RTB15124P	E RTB15124	15.00	12.00	4.00	13.00	9.88	H	H
E RTB15126P	E RTB15126	15.00	12.00	6.00	13.00	9.88	H	H
EZ E RTB18126P	EZ E RTB18126	18.00	12.00	6.00	16.00	15.88	H	H
E RTB18128P	E RTB18128	18.00	12.00	8.00	16.00	9.88	-	-
EZ E RTB18186P	EZ E RTB18186	18.00	18.00	6.00	16.00	15.88	K	K
EZ E RTB18188P	EZ E RTB18188	18.00	18.00	8.00	16.00	15.88	-	-
E RTB24126P	-	24.00	12.00	6.00	22.00	9.88	H	-
EZ E RTB24186P	EZ E RTB24186	24.00	18.00	6.00	22.00	15.88	K	K
EZ E RTB24248P	EZ E RTB24248	24.00	24.00	8.00	22.00	21.88	-	-
E RTB242412P	E RTB242412	24.00	24.00	12.00	22.00	21.88	-	-
E RTB30248P	E RTB30248	30.00	24.00	8.00	28.00	21.88	-	-

EZ Designates a product in the EnclosureZone program.

Technical Specifications

Raintight Wiring Trough

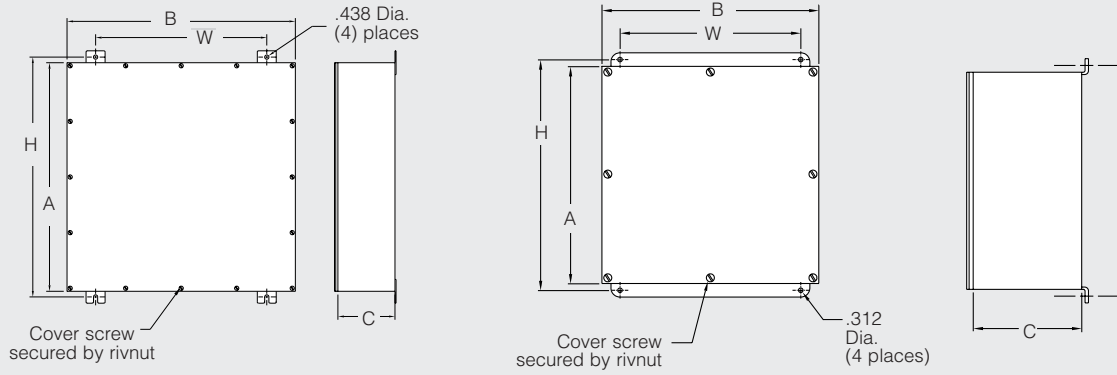


Wiring Trough							
Part No.		Outside dimensions (inches)			Mounting centers		Number of knockouts in bottom
Painted	Galvanized	Height A	Width B	Length C	H	W	
E RTT4412P	E RTT4412	4.00	4.00	12.00	2.00	2.00	3
EZ E RTT4424P	E RTT4424	4.00	4.00	24.00	2.00	2.00	6
EZ E RTT4436P	EZ E RTT4436	4.00	4.00	36.00	2.00	2.00	9
EZ E RTT4448P	EZ E RTT4448	4.00	4.00	48.00	2.00	2.00	12
EZ E RTT4460P	EZ E RTT4460	4.00	4.00	60.00	2.00	2.00	15
E RTT6612P	E RTT6612	6.00	6.00	12.00	4.00	4.00	3
EZ E RTT6624P	E RTT6624	6.00	6.00	24.00	4.00	4.00	6
E RTT6636P	E RTT6636	6.00	6.00	36.00	4.00	4.00	9
EZ E RTT6648P	E RTT6648	6.00	6.00	48.00	4.00	4.00	12
E RTT6660P	E RTT6660	6.00	6.00	60.00	4.00	4.00	15
EZ E RTT6672P	E RTT6672	6.00	6.00	72.00	4.00	4.00	18
E RTT8812P	E RTT8812	8.00	8.00	12.00	6.00	6.00	-
EZ E RTT8824P	E RTT8824	8.00	8.00	24.00	6.00	6.00	-
E RTT8836P	E RTT8836	8.00	8.00	36.00	6.00	6.00	-
EZ E RTT8848P	E RTT8848	8.00	8.00	48.00	6.00	6.00	-
E RTT8860P	E RTT8860	8.00	8.00	60.00	6.00	6.00	-
EZ E RTT8872P	E RTT8872	8.00	8.00	72.00	6.00	6.00	-
-	E RTT1036	10.00	10.00	36.00	8.00	8.00	-
-	E RTT1048	10.00	10.00	48.00	8.00	8.00	-
-	E RTT1060	10.00	10.00	60.00	8.00	8.00	-
-	E RTT1072	10.00	10.00	72.00	8.00	8.00	-
-	E RTT1236	12.00	12.00	36.00	10.00	10.00	-
-	E RTT1248	12.00	12.00	48.00	10.00	10.00	-
-	E RTT1260	12.00	12.00	60.00	10.00	10.00	-
-	E RTT1272	12.00	12.00	72.00	10.00	10.00	-

EZ Designates a product in the EnclosureZone program.

Technical Specifications

Gasketed Screw Cover Boxes



Enclosure						
Part No.	Outside dimensions (inches)			Mounting centers		
	Height A	Width B	Depth C	H	W	
EZ E WTB664	6.00	6.00	4.00	6.75	4.00	
E WTB666	6.00	6.00	6.00	6.75	4.00	
E WTB864	8.00	6.00	4.00	8.75	4.00	
EZ E WTB884	8.00	8.00	4.00	8.75	6.00	
E WTB886	8.00	8.00	6.00	8.75	6.00	
E WTB1084	10.00	8.00	4.00	10.75	6.00	
E WTB10104	10.00	10.00	4.00	10.75	8.00	
E WTB10106	10.00	10.00	6.00	10.75	8.00	
E WTB12124	12.00	12.00	4.00	12.75	10.00	
EZ E WTB12126	12.00	12.00	6.00	12.75	10.00	
E WTB12128	12.00	12.00	8.00	12.75	10.00	
EZ E WTB16126	16.00	12.00	6.00	16.75	10.00	
E WTB16166	16.00	16.00	6.00	16.75	14.00	
E WTB18188	18.00	18.00	8.00	18.75	16.00	
E WTB20166	20.00	16.00	6.00	20.75	14.00	
E WTB20208	20.00	20.00	8.00	20.75	18.00	
E WTB24248	24.00	24.00	8.00	25.25	18.00	
E WTB242410	24.00	24.00	10.00	25.25	18.00	
EZ E WTB242412	24.00	24.00	12.00	25.25	18.00	
E WTB30248	30.00	24.00	8.00	31.25	18.00	
E WTB362410	36.00	24.00	10.00	37.25	18.00	
E WTB363012	36.00	30.00	12.00	37.25	24.00	
E WTB363612	36.00	36.00	12.00	37.25	30.00	

EZ Designates a product in the EnclosureZone program.



NETWORKING SOLUTIONS

QuickRack ValuePack
Enclosurespgs NET 1-2

QuickRack PowerPack
Enclosurespgs NET 3-4

BasicRackspgs NET 5-6

QuickBox Enclosures.....pgs NET 7-8

Technical Drawingspgs NET 9-11

NETWORKING SOLUTIONS



QuickRack ValuePack Enclosures



Value-Packed Network Cabinets

Rittal offers a variety of QuickRack cabinets in the most popular configurations for the networking market. Heights range from 24 to 47U and include a choice of widths and depths. These standard cabinets come packed full of features that make the cabinet an easy to work with solution for many network applications. For quick availability, easy transportation and innovative design, look no further than the QuickRack ValuePack.

ValuePack Enclosure

Part No. QR with sidewalls	Part No. QR without sidewalls	U	Dimensions					
			(Approx.) inches			mm		
			H	W	D	H	W	D
9967140	7503770	24	48	24	24	1200	600	600
9967139	7503773	24	48	32	32	1200	800	800
9967138	7503778	42	78	24	24	2000	600	600
9967137	7503779	42	78	24	32	2000	600	800
9967135	7503781	42	78	32	32	2000	800	800
9967134	7503782	47	86	24	24	2200	600	600
9967133	7503783	47	86	24	32	2200	600	800
9967131	7503785	47	86	32	32	2200	800	800

* Note: multiple cabinets can be bayed together using Part No. 7526565. Remember to order one cabinet with sidewalls per row of cabinets and the rest without.

Designates a product in the EnclosureZone program.



Configuration

- Front safety glass viewing door with lock insert
- Vented rear steel door with lock insert
- Full height 19" DK rails, front and rear
- Two sets of horizontal rail supports
- Leveling feet
- Available with or without sidewalls
- 50 captive nuts
- 100 mounting screws

Technical Specifications

- Material:**
- *Enclosure/door:* carbon steel
- Finish/color:**
- *Flat parts:* E-coat primed, powder painted, RAL 7035 light grey
 - *Vertical posts:* E-coat primed, powder painted, RAL 7030 stone grey

Protection Ratings

- NEMA Type** 1 4 4X 12 13

Certifications/Approvals

- Listings** UL CUL CSA TÜV

Technical Drawings

Page NET 9

Accessories						
Part No. QR with sidewalls	Part No. QR without sidewalls	19" rackmount shelf*	Cable base	Cable collecting rails		
				Across width	Across depth	
9967140	7503770	7144035	7526300	7526930	7526940	
9967139	7503773	7145035	7526320	7526935	7526945	
9967138	7503778	7144035	7526300	7526930	7526940	
9967137	7503779	7145035	7526310	7526930	7526945	
9967135	7503781	7145035	7526320	7526935	7526945	
9967134	7503782	7144035	7526300	7526930	7526940	
9967133	7503783	7145035	7526310	7526930	7526945	
9967131	7503785	7145035	7526320	7526935	7526945	

* Fixed shelves that mount to horizontal rail supports also available. Cabinets come standard with DK style rails.



QuickRack PowerPack Enclosures



Get The Rittal Power

For a more advanced network cabinet offering, get the QuickRack PowerPack. The PowerPack offering combines the value-packed QuickRack cabinet with two exciting features: an eight outlet power strip and a fan tray for air movement within the cabinet. Add to that the advantages of the cabinet itself—cost-efficiency, accessibility and easy transition of applications—and you'll get the power from QuickRack.

Part No. QR with sidewalls		Part No. QR without sidewalls		U	Dimensions					
					(Approx.) inches			mm		
					H	W	D	H	W	D
9966977	9966978	24		48	24	24	1200	600	600	
9966979	9966980	24		48	32	32	1200	800	800	
9966971	9966972	42		78	24	24	2000	600	600	
9966973	9966974	42		78	24	32	2000	600	800	
9966975	9966976	42		78	32	32	2000	800	800	
9966967	9966968	47		86	24	32	2200	600	800	
9966969	9966970	47		86	32	32	2200	800	800	

Note: multiple cabinets can be bayed together using Part No. 7526965. Remember to order one cabinet with sidewalls per row of cabinets and the rest without.

Designates a product in the EnclosureZone program.



Configuration

- Front safety glass viewing door with lock insert
- Vented rear steel door with lock insert
- Full height 19" DK rails, front and rear
- Two sets of horizontal rail supports
- Roof with fan tray (two fans on 24" W, three fans on 32" W), 9' cord/plug
- 8 outlet, 15 amp power outlet strip
- Leveling feet
- Available with or without sidewalls
- 50 captive nuts
- 100 mounting screws

Technical Specifications

- Material:**
- *Enclosure/door:* carbon steel
- Finish/color:**
- *Flat parts:* E-coat primed, powder painted, RAL 7035 light grey
 - *Vertical posts:* E-coat primed, powder painted, RAL 7030 stone grey

Protection Ratings

NEMA Type 1 4 4X 12 13

Certifications/Approvals

Listings UL CUL CSA TÜV

Technical Drawings

Page **NET 10**

Accessories						
Part No. QR with sidewalls	Part No. QR without sidewalls	19" rackmount shelf*	Cable base	Cable collecting rails		
				Across width	Across width	
EZ 9966977	EZ 9966978	7144035	7526300	7526930	7526940	
EZ 9966979	EZ 9966980	7145035	7526310	7526930	7526945	
EZ 9966971	EZ 9966972	7144035	7526300	7526930	7526940	
EZ 9966973	EZ 9966974	7145035	7526310	7526930	7526945	
EZ 9966975	EZ 9966976	7145035	7526320	7526935	7526945	
EZ 9966967	EZ 9966968	7145035	7526310	7526930	7526945	
EZ 9966969	EZ 9966970	7145035	7526320	7526935	7526945	

* Fixed shelves that mount to horizontal rail supports also available. Cabinets come standard with DK style rails.

BasicRacks



19" Open Rack Solutions

Rittal's 19" BasicRack is the perfect solution for standard equipment applications and basic 19" component installations. This rack is bolted to the floor for greater stability, either standing alone or interconnected for larger projects. Because of the simple design of this Rittal rack, users will benefit with easy access to equipment as well as quick assembly and installation. If you are looking for a complete, low-cost but high-quality basic equipment management system, Rittal's BasicRack is the ideal solution.

Rack									
Part No.	U	Exact dimensions						Color	
		inches			mm				
		H	W	D	H	W	D		
EZ 9967637	24	48	20	15	1200	500	375	Black	
EZ 9967638	24	48	20	15	1200	500	375	Clear	
EZ 9967635	45	84	20	15	2122	500	375	Black	
EZ 9967636	45	84	20	15	2122	500	375	Clear	

EZ Designates a product in the EnclosureZone program.



Configuration

- Knock down in one package
- All hardware for installation
- 2 aluminum extrusions
- 5/8" - 5/8" x 1/2" hole pattern
- 12-24 tapped screw holes
- Available in clear chemical coat and black paint

Technical Specifications

- Material:**
- Aluminum
- Finish/color:**
- Clear chemical coated grey
 - Black paint

Protection Ratings

- NEMA Type**
- 1 4 4X 12 13

Certifications/Approvals

- Listings**
- UL CUL CSA TÜV

Technical Drawings

Page NET 11

Accessories

Part No.	Rack storage drawer	Double divider shelf	Adjustable monitor shelf	Divider shelf	3' vertical cable management	7' vertical cable management	Sliding extension shelf	19" keyboard w/mouse pad
9967637	9967641	9967643	9967645	9967639	9967653	-	9967647	9967649
9967638	9967642	9967644	9967646	9967640	9967654	-	9967648	9967650
9967635	9967641	9967643	9967645	9967639	9967653	9967651	9967647	9967649
9967636	9967642	9967644	9967646	9967640	9967654	9967652	9967648	9967650

Designates a product in the EnclosureZone program.

QuickBox Enclosures



Versatile Wallmount Solutions

Rittal's new QuickBox wallmount enclosures combine variety with flexibility and cost efficiency. With its depth-adjustable 19" mounting surface, the QuickBox is the ideal solution for packaging network equipment or floor distributors. One enclosure, 12 models - that means 12 standard products instead of complicated custom fabrication. Choose from a large selection of sizes, with or without viewing door, that offer cost-efficient, customer-oriented solutions for the most diverse applications.

The QuickBox is available off-the-shelf, completely assembled. In every respect the QuickBox is the optimum combination of the proven quality and flexibility of Rittal enclosures.

Enclosure									
Part No.	U	SU	Exact dimensions						
			inches			mm			
			H	W	D	H	W	D	
24" Wide x 24" Deep With Viewing Door									
EZ 7502016	6	10	14.25	23.62	23.62	362	600	600	
EZ 7502026	9	15	19.49	23.62	23.62	495	600	600	
EZ 7502036	12	20	24.75	23.62	23.62	628	600	600	
EZ 7502046	15	26	30.00	23.62	23.62	762	600	600	
EZ 7502056	18	31	35.24	23.62	23.62	895	600	600	
EZ 7502066	21	36	40.47	23.62	23.62	1028	600	600	
24" Wide x 24" Deep With Solid Door									
EZ 7502116	6	10	14.25	23.62	23.62	362	600	600	
EZ 7502126	9	15	19.49	23.62	23.62	495	600	600	
EZ 7502136	12	20	24.75	23.62	23.62	628	600	600	
EZ 7502146	15	26	30.00	23.62	23.62	762	600	600	
EZ 7502156	18	31	35.24	23.62	23.62	895	600	600	
EZ 7502166	21	36	40.47	23.62	23.62	1028	600	600	

EZ Designates a product in the EnclosureZone program.



Configuration

- Wallmount section with 19" rails and brush inserts
- Housing cover with base
- Cover with vent slots and brush inserts
- Sheet steel or viewing door options
- Security locks on front door and two sides
- Cable collecting combination rail
- Front 19" rails, infinitely depth adjustable

Technical Specifications

- Material:**
- *Wallmount section with mounting angles:* 14 ga/2.0 mm sheet steel
 - *Housing cover:* 19 ga/1.0 mm sheet steel
 - *Door:* sheet steel or viewing door with sheet steel frame and security glass insert
- Finish/color:**
- Powder painted, RAL 7035 light grey

Protection Ratings

NEMA Type 1 4 4X 12 13

Certifications/Approvals

Listings UL CUL CSA TÜV

Technical Drawings

Page **NET 11**

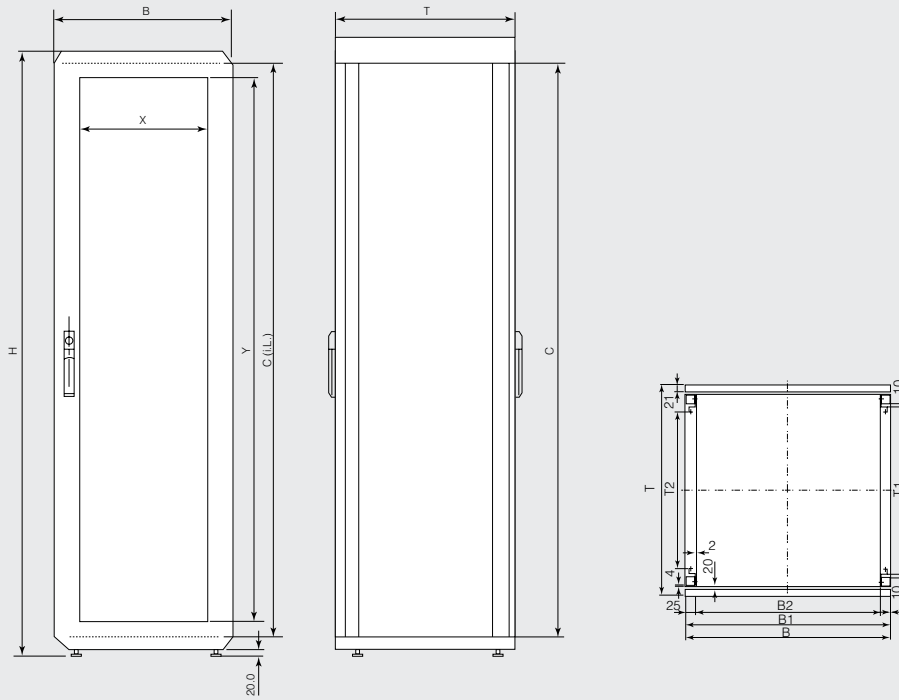
Accessories								
Part No.	19" rails	Cable collecting rails (depth)	Cable collecting rails (width)	2U shelf	Fixed shelf*	Telescopic slides*	Shelf 20" deep*	Telescopic slides 20" deep
24" Wide x 24" Deep With Viewing Door								
7502016	7502201	7502302	7502304	7119400	7144035	7061000	7145035	7081000
7502026	7502202	7502302	7502304	7119400	7144035	7061000	7145035	7081000
7502036	7502203	7502302	7502304	7119400	7144035	7061000	7145035	7081000
7502046	7502204	7502302	7502304	7119400	7144035	7061000	7145035	7081000
7502056	7502205	7502302	7502304	7119400	7144035	7061000	7145035	7081000
7502066	7502206	7502302	7502304	7119400	7144035	7061000	7145035	7081000
24" Wide x 24" Deep With Solid Door								
7502116	7502201	7502302	7502304	7119400	7144035	7061000	7145035	7081000
7502126	7502202	7502302	7502304	7119400	7144035	7061000	7145035	7081000
7502136	7502203	7502302	7502304	7119400	7144035	7061000	7145035	7081000
7502146	7502204	7502302	7502304	7119400	7144035	7061000	7145035	7081000
7502156	7502205	7502302	7502304	7119400	7144035	7061000	7145035	7081000
7502166	7502206	7502302	7502304	7119400	7144035	7061000	7145035	7081000

* Need second set of 19" rails for rear cabinet.



Technical Specifications

QuickRack ValuePack Enclosures



Enclosure							
Part No. QR with sidewalls	Part No. QR without sidewalls	Cabinet dimensions			Inside cabinet dimension mm C	Width of glass door mm X	Height of glass door mm Y
		Height mm H	Width mm B	Depth mm T			
EZ 9967140	EZ 7503770	1200	600	600	1100	425	1000
EZ 9967139	EZ 7503773	1200	800	800	1100	625	1000
EZ 9967138	EZ 7503778	2000	600	600	1900	425	1800
EZ 9967137	EZ 7503779	2000	600	800	1900	425	1800
EZ 9967135	EZ 7503781	2000	800	800	1900	625	1800
EZ 9967134	EZ 7503782	2200	600	600	2100	425	2000
EZ 9967133	EZ 7503783	2200	600	800	2100	425	2000
EZ 9967131	EZ 7503785	2200	800	800	2100	625	2000

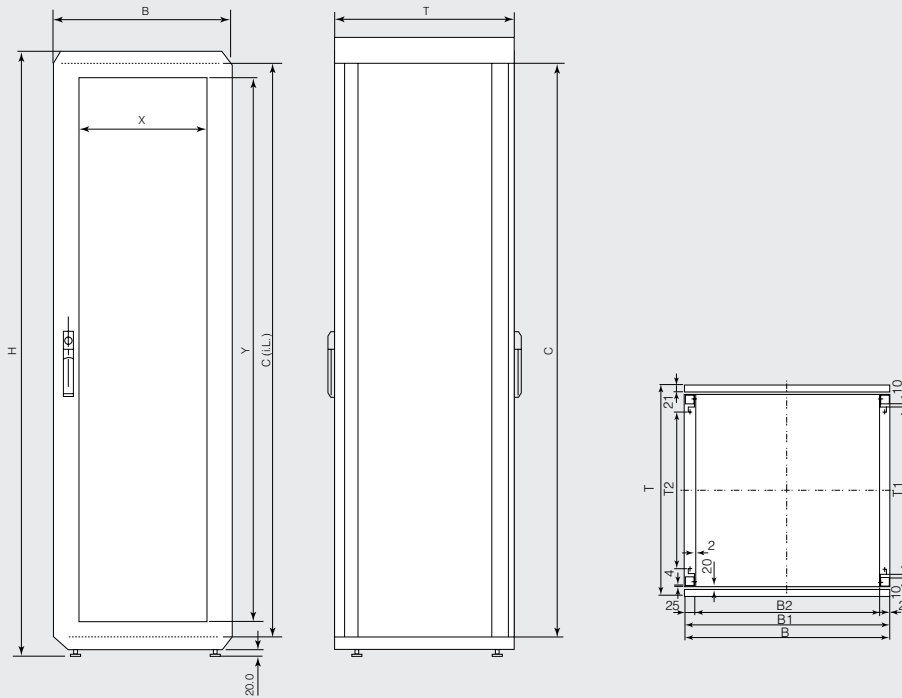
Roof Dimensions						
Width x depth	Outside width inches B	Width without sidewalls inches B1	Width inside frame uprights inches B2	Outside depth inches T	Inside frame posts inches T1	Inside frame roll form inches T2
23.62" x 23.62"	23.62	23.46	21.50	18.90	17.22	17.72
23.62" x 31.50"	23.62	23.46	21.50	31.50	26.80	25.60
31.50" x 23.62"	31.50	31.30	29.40	23.62	18.90	17.72
31.50" x 31.50"	31.50	31.30	29.40	31.50	26.80	25.60

EZ Designates a product in the EnclosureZone program.



Technical Specifications

QuickRack PowerPack Enclosures



Enclosure							
Part No. QR with sidewalls	Part No. QR without sidewalls	Cabinet dimensions			Inside cabinet dimension mm C	Width of glass door mm X	Height of glass door mm Y
		Height mm H	Width mm B	Depth mm T			
EZ 9966977	EZ 9966978	1200	600	600	1100	425	1000
EZ 9966979	EZ 9966980	1200	800	800	1100	625	1000
EZ 9966971	EZ 9966972	2000	600	600	1900	425	1800
EZ 9966973	EZ 9966974	2000	600	800	1900	425	1800
EZ 9966975	EZ 9966976	2000	800	800	1900	625	1800
EZ 9966967	EZ 9966968	2200	600	800	2100	425	2000
EZ 9966969	EZ 9966970	2200	800	800	2100	625	2000

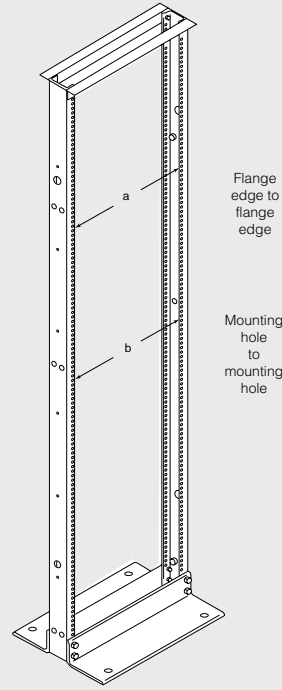
Roof Dimensions						
Width x depth	Outside width inches B	Width without sidewalls inches B1	Width inside frame uprights inches B2	Outside depth inches T	Inside frame posts inches T1	Inside frame roll form inches T2
23.62" x 23.62"	23.62	23.46	21.50	18.90	17.22	17.72
23.62" x 31.50"	23.62	23.46	21.50	31.50	26.80	25.60
31.50" x 23.62"	31.50	31.30	29.40	23.62	18.90	17.72
31.50" x 31.50"	31.50	31.30	29.40	31.50	26.80	25.60

EZ Designates a product in the EnclosureZone program.



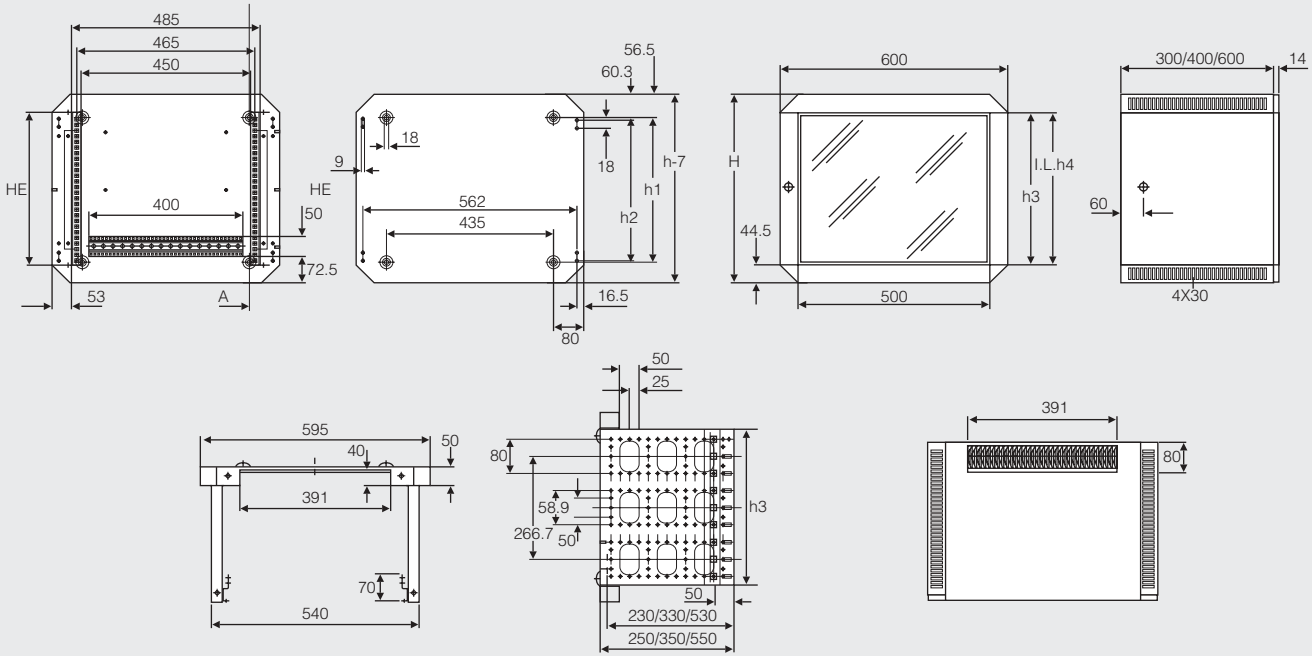
Technical Specifications

BasicRacks



Rack					
Part No.	Dimensions (inches)			a	b
	H	W	D		
EZ 9967637	48	20	15	17.75	18.31
EZ 9967638	48	20	15	17.75	18.31
EZ 9967635	84	20	15	17.75	18.31
EZ 9967636	84	20	15	17.75	18.31

QuickBox Enclosures



Enclosure										
Part No. QB with viewing door	Part No. QB with solid door	U	SU	Height	Width	Depth	h1	h2	h3	h4
EZ 7502016	EZ 7502116	6	10	14.25"/362 mm	23.62"/600 mm	23.62"/600 mm	9.53"/242 mm	9.21"/234 mm	10.51"/267 mm	10.75"/273 mm
EZ 7502026	EZ 7502126	9	15	19.49"/495 mm	23.62"/600 mm	23.62"/600 mm	14.76"/375 mm	14.45"/367 mm	15.75"/400 mm	15.98"/406 mm
EZ 7502036	EZ 7502136	12	20	24.75"/628 mm	23.62"/600 mm	23.62"/600 mm	20.00"/508 mm	19.72"/501 mm	21.02"/534 mm	21.26"/540 mm
EZ 7502046	EZ 7502146	15	26	30.00"/762 mm	23.62"/600 mm	23.62"/600 mm	25.28"/642 mm	24.96"/634 mm	26.26"/667 mm	26.50"/673 mm
EZ 7502056	EZ 7502156	18	31	35.24"/895 mm	23.62"/600 mm	23.62"/600 mm	30.51"/775 mm	30.20"/767 mm	31.50"/800 mm	31.73"/806 mm
EZ 7502066	EZ 7502166	21	36	40.47"/1028 mm	23.62"/600 mm	23.62"/600 mm	35.75"/908 mm	35.47"/901 mm	36.77"/934 mm	37.00"/940 mm

EZ Designates a product in the EnclosureZone program.

OUTSIDE PLANT PRODUCTS

Basic Aluminum Outdoor
Enclosures pgs OSP 1-2
Technical Drawings pg OSP 3



O U T S I D E P L A N T P R O D U C T S



RITTAL
ELECTROMATE



Basic Aluminum Outdoor Enclosures



Single-Wall Modular Cabinets

CS Outdoor Basic enclosures combine the properties of a compact housing design along with the modular enclosure concept. These single-wall aluminum unibody housings are especially suitable for use in traffic control, utilities distribution and environmental technology.

Part No.		Enclosure		
		Outside dimensions (mm)		
		H	W	D
EZ	9783040	800	600	400
EZ	9783010	800	800	400
EZ	9784010	800	1200	400
EZ	9783050	1200	600	400
EZ	9783020	1200	800	400
EZ	9784020	1200	1200	400

EZ Designates a product in the EnclosureZone program.



Configuration

- Enclosure closed on all sides
- 3-point locking system through the Ergoform-S handle
- Cabling via cable entry plates
- NEMA 3R protection
- 4"/100 mm high plinth
- Rain hood

Technical Specifications

Material:

- *Enclosure/door:* Aluminum AlMg3: 5/64"/2.0 mm
- *Rain hood:* Aluminum AlMg3: 5/64"/2.0 mm
- *Plinth:* Aluminum AlMg3: 7.64"/3.0 mm

Finish/color:

- *Enclosure/door:* powder painted, RAL 7035 light grey
- *Rain hood:* powder painted, RAL 5018 teal green
- *Plinth:* powder painted, RAL 5018 teal green

Protection Ratings

NEMA Type 3R 4 4X 12 13

Certifications/Approvals

Listings UL CUL CSA TÜV

Technical Drawings

Page **OSP 3**

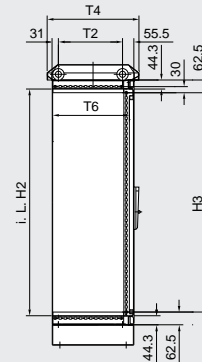
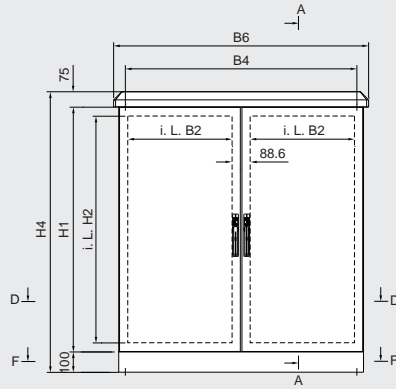
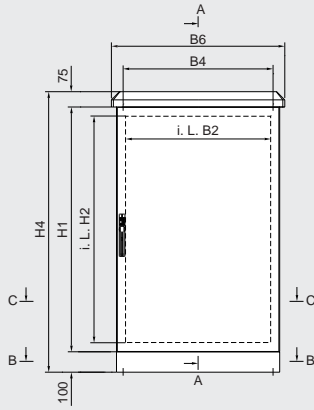
Accessories					
Part No.	Mounting panel	One-piece gland plates	19° mounting angles		Ergoform-S handle
			Spray-finish, RAL 7035	Zinc plated, passivated	
EZ 9783040	9765090	9785017	9785001	9785002	9785030
EZ 9783010	9765097	9785018	9785001	9785002	9785030
EZ 9784010	2 x 9765090	2 x 9785017	9785001	9785002	9785030
EZ 9783050	9765092	9785017	9785003	9785004	9785030
EZ 9783020	9765095	9785018	9785003	9785004	9785030
EZ 9784020	2 x 9765092	2 x 9785017	9785003	9785004	9785030

EZ Designates a product in the EnclosureZone program.

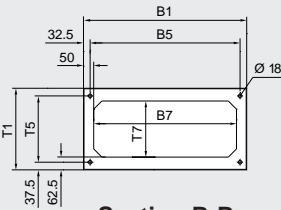


Technical Specifications

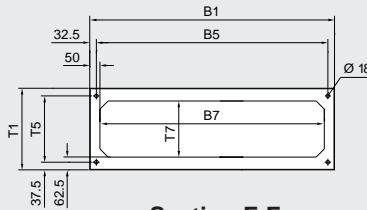
Basic Aluminum Outdoor Enclosures



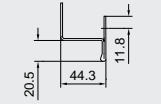
Section A-A



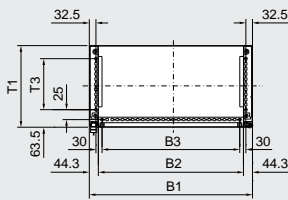
Section B-B



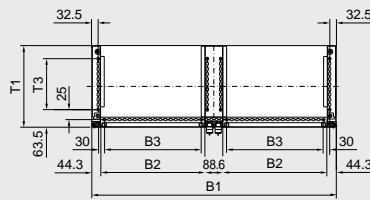
Section F-F



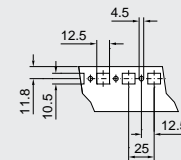
Cross-section



Section C-C



Section D-D



Hole pattern

Enclosure						
Height in mm	800	800	800	1200	1200	1200
Width in mm	600	800	1200	600	800	1200
Depth in mm	400	400	400	400	400	400
Part No.	EZ 9783040	EZ 9783010	EZ 9784010	EZ 9783050	EZ 9783020	EZ 9784020
Door(s)	1	1	2	1	1	2
B1	600	800	1200	600	800	1200
B2	511.4	711.4	511.4	511.4	711.4	511.4
B3	475	675	475	475	675	475
B4	540	740	1140	540	740	1140
B5	535	735	1135	535	735	1135
B6	650	850	1250	650	850	1250
B7	500	700	1100	500	700	1100
H1	800	800	800	1200	1200	1200
H2	711.4	711.4	711.4	1111.4	1111.4	1111.4
H3	675	675	675	1075	1075	1075
H4	975	975	975	1375	1395	1375
T1	400	400	400	400	400	400
T2	314.5	314.5	314.5	314.5	314.5	314.5
T3	250	250	250	250	250	250
T4	450	450	450	450	450	450
T5	325	325	325	325	325	325
T6	375	375	375	375	375	375
T7	275	275	275	275	275	275

EZ Designates a product in the EnclosureZone program.

CLIMATE CONTROL SOLUTIONS

1S Filter Fans/Pagoda	
Roof Fans	pgs CLI 1-2
Air Conditioners.....	pgs CLI 3-4
Micro/Mini	
Air Conditioners.....	pgs CLI 5-6
Air/Air	
Heat Exchangers.....	pgs CLI 7-8
Enclosure Heaters	pg CLI 9
Air/Water	
Heat Exchangers	pg CLI 10
Chillers	pgs CLI 11-12
Vortex Kooler	
Enclosure Coolers.....	pgs CLI 13-14
Technical Drawings	pgs CLI 15-30

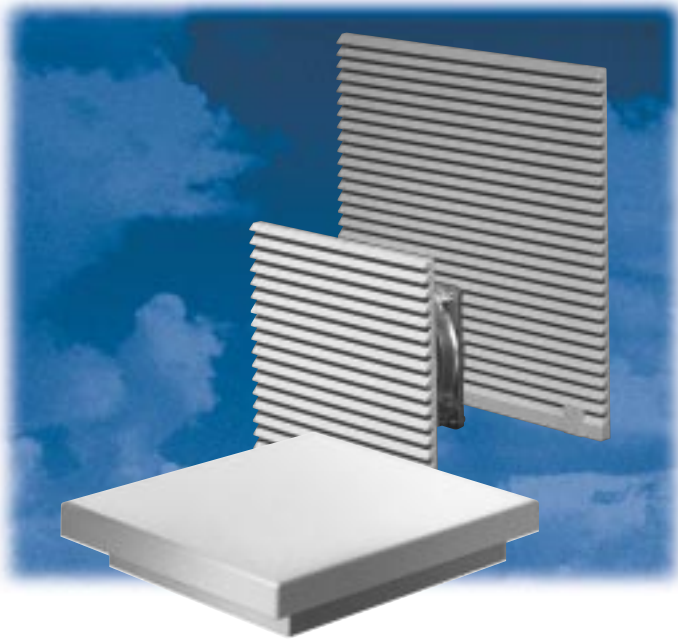
C L I M A T E C O N T R O L S O L U T I O N S



RITTAL
ELECTROMATE



1S Filter Fans And Pagoda Roof Fans



1S Filter Fans and Pagoda Roof Fans

Rittal filter fans provide an off-the-shelf, easy to install, economical, and effective method for providing enclosure cooling when the allowable enclosure internal temperature is higher than the ambient temperature. Available in a variety of sizes and voltages, filter fans include dense polyester filters, aerodynamically designed polymer plenums, long life fans, terminal blocks for easy wiring, and attractive aesthetics.

Filter fans carry UL/CSA recognition and CE marking for the entire assembly. NEMA 12/IP 54 protection offered via special sealing gasket and fine filter. Unlike many competitive products, Rittal filter fans' cfm rating are derated to account for filter's and louver's flow resistance.

Filter Fans/Pagoda Roof Fans

Part No. RAL 7032 pebble grey	Part No. RAL 7035 light grey	Rating cfm ¹	Exact outside dimensions						Voltage	Current	Noise dBa	Temperature range
			inches			mm						
			H	W	D ²	H	W	D ²				
1S Filter Fans												
EZ 3321100	-	15	4.6	4.6	1.7	117.0	117.0	42.0	230/50/60	69/58 mA	41/46	14-131°F
EZ 3321115	EZ 3321117	15	4.6	4.6	1.7	117.0	117.0	42.0	115/50/60	138/115 mA	41/46	14-131°F
EZ 3322115	EZ 3322117	40	5.9	5.9	2.2	149.0	149.0	57.0	115/50/60	0.11/0.12 A	46/49	14-131°F
EZ 3322100	EZ 3322107	40	5.9	5.9	2.2	149.0	149.0	57.0	230/50/60	0.24/0.23 A	46/49	14-131°F
EZ 3323115	EZ 3323117	70	8.0	8.0	3.3	204.0	204.0	82.5	115/50/60	0.24/0.23 A	46/49	14-131°F
EZ 3323100	EZ 3323107	70	8.0	8.0	3.3	204.0	204.0	82.5	230/50/60	0.11/0.12 A	46/49	14-131°F
EZ 3325115	EZ 3325117	155	10.0	10.0	4.1	255.0	255.0	105.0	115/50/60	0.53/0.49 A	54/56	14-131°F
EZ 3325100	EZ 3325107	155	10.0	10.0	4.1	255.0	255.0	105.0	230/50/60	0.28/0.24 A	54/56	14-131°F
EZ 3326115	EZ 3326117	330	12.7	12.7	5.1	323.0	323.0	129.0	115/50/60	0.58/0.70 A	59/61	14-131°F
EZ 3326100	EZ 3326107	330	12.7	12.7	5.1	323.0	323.0	129.0	230/50/60	0.29/0.35 A	59/61	14-131°F
EZ 3327100	-	425	12.7	12.7	5.7	323.0	323.0	145.0	230/50/60	0.65/0.95 A	75/76	14-131°F
EZ 3327115	-	425	12.7	12.7	5.7	323.0	323.0	145.0	115/50/60	1.5/2.0 A	75/76	14-131°F
Pagoda Roof Fans												
EZ 9966814	-	360	20.8	17.6	2.2	529.0	446.0	55.0	115/50/60	0.72 A	59	14-140°F
EZ 9966815	-	360	20.8	17.6	2.2	529.0	446.0	55.0	230/50/60	0.36 A	59	14-140°F
EZ 9966892	-	Roof only	20.8	17.6	2.2	529.0	446.0	55.0	-	-	-	-
EZ 3149000	-	210	16.5	13.4	1.7	420.0	340.0	44.0	230/50/60	0.20	53	14-140°F
EZ 3169000	-	210	16.5	13.4	1.7	420.0	340.0	44.0	115/50/60	0.55	59	14-140°F
EZ 3148000	-	Roof only	16.5	13.4	0.6	420.0	340.0	15.0	-	-	-	-

Individual Fans

Part No.	Rating cfm ¹	Exact outside dimensions						Voltage	Current	Noise dBa	Temperature range
		inches			mm						
		H	W	D ²	H	W	D ²				
EZ 7980110	100	10.0	10.0	3.5	254.0	254.0	89.0	115/60	0.5 A	50	-4-140°F
EZ 9964163	500	4.6	4.6	1.0	119.0	119.0	25.0	115/50/60	0.1 A	49	-4-158°F
EZ 9965364	100	-	-	-	-	-	-	115/50/60	-	-	-

¹ Unimplemented airflow (includes filter and louver) ² Denotes depth filter fan extends into enclosure.

EZ Designates a product in the EnclosureZone program.



Configuration

- UL/CSA recognition, CE compliance
- Low profile design
- Quick installation
- Long life ball bearing fan motors
- NEMA 12/IP 54 with optional sealing gasket and fine filter
- Off-the-shelf availability
- Terminal block connection
- Blow air into enclosure (except pagoda roof fans)

Technical Specifications

- Material:**
- Polymer plenum/louver
 - Metal fan housing
- Finish/color:**
- RAL 7032 pebble grey (.100/.115)
 - RAL 7035 light grey (.107/.117)

Protection Ratings

NEMA Type 1 4 4X 12 13

Certifications/Approvals

Listings UL CUL CSA TÜV CE

Technical Drawings

PagesCLI 15-17

CLI Technical Information

PagesTEC 17-30

Accessories							
Part No. RAL 7032 pebble grey	Part No. RAL 7035 light grey	Exhaust filter/louver	Standard replacement filter	Fine filter	Gasket	Rain cover (Type 304 stainless steel)	10' power cord/plug
1S Filter Fans							
3321100	-	3321200	3321700	-	-	3321800	-
3321115	3321117	3321200	3321700	-	-	3321800	-
3322115	3322117	3322200/3322207	3322700	-	3322900	3322800	9962136
3322100	3322107	3322200/3322207	3322700	-	3322900	3322800	9965837
3323115	3323117	3323200/3323207	3171100	3181100	3191100	3323800	9962136
3323100	3323107	3323200/3323207	3171100	3181100	3191100	3323800	9965837
3325115	3325117	3325200/3325207	3172100	3182100	3192100	3324800	9962136
3325100	3325107	3325200/3325207	3172100	3182100	3192100	3324800	9965837
3326115	3326117	3326200/3326207	3173100	3183100	3193100	3326800	9962136
3326100	3326107	3326200/3326207	3173100	3183100	3193100	3326800	9965837
3327100	-	3326200	3327700	3183100	3193100	3326800	9965837
3327115	-	3326200	3327700	3183100	3193100	3326800	9962136
Pagoda Roof Fans		Exhaust filter/louver	Thermostat	Fine filter	Gasket	Rain cover	10' power cord/plug
9966814	-	3326200	311000	-	-	-	-
9966815	-	3326200	311000	-	-	-	-
9966892	-	3326200	-	-	-	-	-
3149000	-	3326200	3110000	-	-	-	-
3169000	-	3326200	3110000	-	-	-	-
3148000	-	3326200	-	-	-	-	-

Accessories		
Part No.	Exhaust filter/louver	Thermostat
7980110	3322200/3322207	3110000
9964163	3326200	3110000
9965364	-	-

Designates a product in the EnclosureZone program.

Air Conditioners



Pro-Ozone Industrial Air Conditioners

Designed to provide reliable cooling performance in a variety of industrial environments, the Rittal line of enclosure air conditioners are proven performers in a variety of applications around the world. Providing temperature protection to sensitive electronics in ambient temperatures up to 131°F while integrating seamlessly into the enclosure is what sets Rittal air conditioners apart from the competition. Global approvals and a variety of available voltages ensure that the air conditioner will be accepted wherever you are shipping your products.

Roofmount Air Conditioners

Part No.	Rating BTU/hr ¹	Exact outside dimensions						Voltage	Temperature control	Current	Temperature range	Weight lbs
		inches			mm							
		H	W	D	H	W	D					
EZ 3272100	2950	13.39	23.62	14.88	340.0	600.0	378.0	115/50/60	Thermostat	6.3/6.6 A	68-131°F	90.0
EZ 3296100	2950	13.39	23.62	14.88	340.0	600.0	378.0	230/50/60	Thermostat	3.2/3.9 A	68-131°F	84.0
EZ 3280100	4800	15.7	23.6	13.4	400.0	600.0	340.0	115/50/60	Thermostat	10.5/12.8 A	68-131°F	110.0
EZ 3290100	4800	15.7	23.6	13.4	400.0	600.0	340.0	230/50/60	Thermostat	5.3/6.0 A	68-131°F	97.0
EZ 3256100	7030	18.0	24.0	18.0	454.0	600.0	460.0	230/50/60	Thermostat	8.9/9.8 A	68-131°F	119.0
EZ 3261140	9550	16.0	28.0	24.0	400.0	700.0	600.0	460/60-3~	Thermostat	2.8 A	68-131°F	171.0

¹ 60 Hz cooling performance at 95°F ambient, 95°F internal temperature per DIN 3168.

Wallmount Air Conditioners

Part No.	Rating BTU/hr ¹	Exact outside dimensions						Voltage	Temperature control	Current	Temperature range	Weight lbs
		inches			mm							
		H	W	D	H	W	D					
EZ 3281100	3300	37.5	15.8	9.1	950.0	400.0	230.0	115/50/60	Thermostat	6.5/7.6 A	68-131°F	95.0
EZ 3293100	3300	37.5	15.8	9.1	950.0	400.0	230.0	230/50/60	Thermostat	3.0/3.6 A	68-131°F	88.0
EZ 3279100	4950	49.8	15.8	10.2	1265.0	400.0	260.0	115/50/60	Thermostat	11.5/12.0 A	68-131°F	126.0
EZ 3298100	4950	49.8	15.8	10.2	1265.0	400.0	260.0	230/50/60	Thermostat	5.5/5.7 A	68-131°F	119.0
EZ 3260460	5575	50.0	16.0	10.0	1265.0	400.0	260.0	460/60-3~	Microcontroller	2.0 A	68-131°F	132.0
EZ 3260146	5575	50.0	16.0	10.0	1265.0	400.0	260.0	460/60-3~	Thermostat	2.0 A	68-131°F	132.0
EZ 3390100	7575	62.0	16.0	12.0	1580.0	400.0	290.0	230/50/60-3~	Thermostat	6.9/8.9 A	68-131°F	146.0
EZ 3390115	7575	62.0	16.0	12.0	1580.0	400.0	290.0	115/50/60	Thermostat	13.8/17.8 A	68-131°F	154.0
EZ 3390146	7575	62.0	16.0	12.0	1580.0	400.0	290.0	460/60-3~	Thermostat	2.5 A	68-131°F	152.0
EZ 3392100	9965	62.0	16.0	12.0	1580.0	400.0	290.0	230/50/60	Thermostat	8.2/10.0 A	68-131°F	152.0
EZ 3392115	9965	62.0	16.0	12.0	1580.0	400.0	290.0	115/50/60	Thermostat	16.4/20.0 A	68-131°F	161.0
EZ 3392146	9965	62.0	16.0	12.0	1580.0	400.0	290.0	460/60-3~	Thermostat	3.5 A	68-131°F	161.0
EZ 3391560	15940	62.0	20.0	14.0	1580.0	500.0	340.0	460/60-3~	Microcontroller	5.3 A	68-131°F	187.0

¹ 60 Hz cooling performance at 95°F ambient, 95°F internal temperature per DIN 3168.

EZ Designates a product in the EnclosureZone program.



Configuration

- UL/CUL recognition, CE compliance
- CFC/HCFC-free R134a refrigerant
- Long life radial fans
- Exterior or interior mount for wallmount versions
- Energy saving TXV technology
- 50/60 Hz operation
- Easy filter change
- High pressure safety control
- Adjustable thermostat
- Off-the-shelf availability
- Terminal block connection

Technical Specifications

- Material:**
- Steel housing, polymer louvers
- Finish:**
- RAL 7032 pebble grey

Protection Ratings

NEMA Type 1 4 4X 12 13

Certifications/Approvals

Listings UL CUL CSA TÜV CE

Technical Drawings

Pages **CLI 18-21**

CLI Technical Information

Pages **TEC 17-30**

Accessories				
Part No.	Foam filter	Metal filter	10' power cord	
Roofmount Air Conditioners				
3272100	3286100	3286200	9962136	
3296100	3294100	3286200	9965837	
3280100	3286100	3286200	-	
3290100	3286100	3286200	9965837	
3256100	3254000	3254200	9965837	
3261140	3286100	3286200	-	

Accessories				
Part No.	Foam filter	Metal filter	10' power cord	
Wallmount Air Conditioners				
3281100	3294100	3294200	9962136	
3293100	3294100	3294200	9965837	
3279100	3294100	3294200	9962136	
3298100	3294100	3294200	9965837	
3260460	3294100	3294200	-	
3260146	3294100	3294200	-	
3390100	3294100	3294200	9965837	
3390115	3294100	3294200	-	
3390146	3294100	3294200	-	
3392100	3294100	3294200	9965837	
3392115	3294100	3294200	-	
3392146	3294100	3294200	-	
3391560	3294100	3294200	-	

Designates a product in the EnclosureZone program.

Micro And Mini Air Conditioners



Micro 1S Air Conditioners

As more densely populated enclosures continue to grow in popularity, the need for air conditioners with smaller footprints arises. The micro series air conditioners from Rittal meet this need by providing impressive performance in an extremely small footprint — maintaining a total depth of only 4.75". Additional mounting flexibility is also offered through the ability to mount the unit on the exterior of the enclosure or recessed on the inside of the enclosure. NEMA 12 protection is assured through a sealed barrier between the external and internal airflow paths.

Mini 1S Air Conditioners

Rittal's mini air conditioner provides effective cooling in a small footprint. Designed for versatility, the wallmount mini air conditioner offers performance in excess of 2000 BTU/hr in a footprint of only 25" H x 16" W. Additional mounting flexibility is also offered through the ability to mount the unit on the wall of the enclosure or recessed into the wall. NEMA 12 protection is assured through a sealed barrier between the external and internal airflow paths.

Micro 1S Air Conditioners

Part No.	Rating BTU/hr ¹	Exact outside dimensions						Voltage	Mounting	Current	Temperature range	Weight lbs
		inches			mm							
		H	W	D	H	W	D					
EZ 3206100	1175	12.0	20.0	5.0 ²	300.0	490.0	120.0	115/50/60	Horizontal	3.5/3.8 A	68-122°F	35.0
EZ 3204100	1175	12.0	20.0	5.0	300.0	490.0	120.0	230/50/60	Horizontal	1.5 A	68-122°F	29.0
EZ 3205100	1230	20.5	10.6	5.0 ²	520.0	270.0	120.0	115/50/60	Vertical	3.5/3.6 A	68-122°F	35.0
EZ 3203100	1230	20.5	10.6	5.0	520.0	270.0	120.0	230/50/60	Vertical	1.8/1.6 A	68-122°F	29.0

¹ 60 Hz cooling performance at 95°F ambient, 95°F internal temperature per DIN 3168 ² External transformer mounts to back of unit, 53 mm deep x 115 mm.

Mini 1S Air Conditioners

Part No.	Rating BTU/hr ¹	Exact outside dimensions						Voltage	Mounting	Current	Temperature range	Weight lbs
		inches			mm							
		H	W	D	H	W	D					
EZ 3266100	1300	13.4	23.6	13.7	340.0	600.0	348.0	115/50/60	Roof	4.5/5.2 A	68-122°F	68.0
EZ 3265100	1300	13.4	23.6	13.7	340.0	600.0	348.0	230/50/60	Roof	2.2/2.5 A	68-122°F	57.0
EZ 3262100	2400	25.0	15.75	9.76	635.0	400.0	248.0	115/50/60	Wall	5.1/6.0 A	68-122°F	70.0
EZ 3269100	2400	25.0	15.75	9.76	635.0	400.0	248.0	230/50/60	Wall	3.1/4.0 A	68-122°F	66.0

¹ 60 Hz cooling performance at 95°F ambient, 95°F internal temperature per DIN 3168.

EZ Designates a product in the EnclosureZone program.



Configuration

- UL/CUL recognition, CE compliance
- CFC/HCFC-free R134a refrigerant
- Overtemperature alarm contact (Micro only)
- Exterior or interior mount
- 50/60 Hz operation
- Long life radial fans
- Off-the-shelf availability
- Terminal block connection
- Thermostat control

Technical Specifications

- Material:**
- Steel housing, polymer louvers
- Finish/color:**
- RAL 7032 pebble grey

Protection Ratings

- NEMA Type** 1 4 4X 12 13

Certifications/Approvals

- Listings** UL CUL CSA TÜV CE

Technical Drawings

PagesCLI 22-23

CLI Technical Information

PagesTEC 17-30

Accessories		
Part No.	Foam filter	10' power cord
3206100	9965899	9965837
3204100	9965899	9965837
3205100	9965899	9962136
3203100	9965899	9962136

Accessories			
Part No.	Foam filter	Metal filter	10' power cord
3266100	3267100	-	9962136
3265100	3267100	-	9965837
3262100	3294100	3294200	9962136
3269100	3294100	3294200	9965837

Designates a product in the EnclosureZone program.

Air/Air Heat Exchangers



Techline Air/Air Heat Exchangers

Rittal Techline air/air heat exchangers provide a low maintenance, high NEMA protection, and lightweight solution for removing heat from enclosures when the allowable internal temperature is higher than the ambient temperature. The high performance, long life, radial fans along with the wide heat exchanger channel spacing provide significant results — including filterless operation whereby any dirt in the ambient airpath is exhausted back out of the heat exchanger. A separate internal airpath ensures that no dirty air is drawn through the enclosure. Lightweight aluminum housings as well as internal or external mounting options provide for flexible, easy installation.

Outdoor/NEMA 4/3R Air/Air Heat Exchangers

Provide a low maintenance, high NEMA protection, and lightweight solution for removing heat from enclosures when the allowable internal temperature is higher than the ambient temperature. The epoxy sealed impingement style heat exchanger core meets Bellcore GR 487 salt fog and mil Std 810E blowing dust requirements, and the closed cell neoprene gasketing helps maintain NEMA 4 enclosure protection. A separate internal air path ensures that no dirty air is drawn in through the enclosure. Lightweight aluminum housings as well as internal or external mounting options provide for flexible, easy installation.

Air/Air Heat Exchangers

Part No.	Rating W/C ¹	Exact outside dimensions						Voltage	Current ²	Noise dBa	Temperature range	Weight lbs
		inches			mm							
		H	W	D	H	W	D					
EZ 3125110	14.6	15.0	7.4	6.4	380.0	187.5	162.5	115	0.56/.50A	54.0	23-131°F	10.14
EZ 3125000	14.6	15.0	7.4	6.4	380.0	187.5	162.5	230	0.28/.25A	54.0	23-131°F	10.14
EZ 3126000	18.7	20.0	8.0	6.5	500.0	187.5	162.5	230/50/60	0.28/0.25A	54.0	23-131°F	10.8
EZ 3126110	18.7	20.0	8.0	6.5	500.0	187.5	162.5	115/50/60	0.28/0.25A	54.0	23-131°F	10.8
EZ 3128000	19.5	20.0	11.0	4.5	500.0	272.0	110.0	230/50/60	0.28/0.25A	61.0	23-131°F	11.24
EZ 3128110	19.5	20.0	11.0	4.5	500.0	272.0	110.0	115/50/60	0.28/0.25A	61.0	23-131°F	11.24
EZ 3129110	30.0	30.7	10.7	4.3	780.0	271.5	110.0	115	0.72/.90A	67.5	23-131°F	16.31
EZ 3129000	30.0	30.7	10.7	4.3	780.0	271.5	110.0	230	0.36/.45A	67.5	23-131°F	16.31
EZ 3130000	37.0	29.0	14.0	4.5	730.0	355.0	110.0	230/50/60	0.36A/0.45A	64.0	23-131°F	17.85
EZ 3130110	37.0	29.0	14.0	4.5	730.0	355.0	110.0	115/50/60	0.36A/0.45A	64.0	23-131°F	17.85
EZ 3131110	42.0	47.2	10.7	4.3	1200.0	271.5	110.0	115	0.72/.90A	62.0	23-131°F	20.5
EZ 3131000	42.0	47.2	10.7	4.3	1200.0	271.5	110.0	230	0.36/.45A	62.0	23-131°F	20.5
EZ 3133000	63.0	58.0	18.0	4.5	1480.0	439.0	110.0	230/50/60	0.36A/0.45A	68.0	23-131°F	27.5
EZ 3133110	63.0	58.0	18.0	4.5	1480.0	439.0	110.0	115/50/60	0.36A/0.45A	68.0	23-131°F	27.5
EZ 3134110	69.0	70.1	17.3	4.3	1780.0	439.0	110.0	115	0.72/.90A	61.0	23-131°F	41.6
EZ 3134000	69.0	70.1	17.3	4.3	1780.0	439.0	110.0	230	0.36/.45A	61.0	23-131°F	41.6

¹ Cooling capacity of heat exchanger only. Additional cooling effect of convection through enclosure walls depends on cabinet dimensions and delta T.

² Current draw per fan (2 fans per heat exchanger).



Configuration

- UL/CUL recognition, CE compliance (NEMA 12 models)
- Long life, powerful radial fans
- Internal or external mounting
- Lightweight/easy installation
- Separate internal and external airpaths
- Easily removable core for cleaning (NEMA 12 models)
- Available in multiple sizes and voltages
- Off-the-shelf availability
- 10' power cord (no plug) included

Technical Specifications

- Material:**
- Aluminum housing/core
- Finish/color:**
- Black (NEMA 12)
 - RAL 7032 pebble grey (NEMA 4/3R)

Protection Ratings

- NEMA Type** 1 3R 4 4X 12 13

Certifications/Approvals

- Listings** UL CUL CSA TÜV CE

Technical Drawings

Pages CLI 24-25

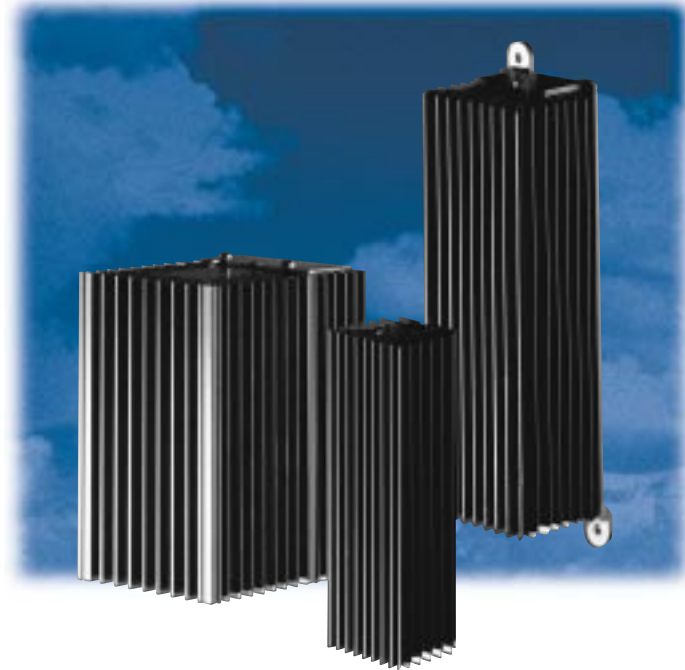
CLI Technical Information

Pages TEC 17-30

NEMA 4/3R Air/Air Heat Exchangers																
Part No.	Rating W/C ¹	Exact outside dimensions						Voltage	Rated current	Pre-fuse T	External cycle (free delivery)	Internal cycle (free delivery)	Noise level Bellcore GR487	Temperature range		Wt. lbs
		inches			mm									°F	°C	
		H	W	D	H	W	D									
9967581	20	10.25	14.25	7.4	260	362	188	115/50/60	0.54 A/0.52 A	0.75 A	230 cfm/390 m ³ /h	230 cfm/390 m ³ /h	64 dBa	-40 to +158	-40 to +70	16
9967582	20	10.25	14.25	7.4	260	362	188	230/50/60	0.26 A/0.28 A	0.38 A	230 cfm/390 m ³ /h	230 cfm/390 m ³ /h	64 dBa	-40 to +158	-40 to +70	16
9967584	38	24.25	14.25	7.4	616	362	188	115/50/60	1.1 A/1.0 A	1.5 A	460 cfm/788 m ³ /h	460 cfm/788 m ³ /h	67 dBa	-40 to +158	-40 to +70	33
9967585	38	24.25	14.25	7.4	616	362	188	230/50/60	0.52 A/0.56 A	0.75 A	460 cfm/788 m ³ /h	460 cfm/788 m ³ /h	67 dBa	-40 to +158	-40 to +70	33
9967587	57	35.25	14.25	7.4	895	362	188	115/50/60	1.6 A/1.5 A	2.0 A	690 cfm/1173 m ³ /h	690 cfm/1173 m ³ /h	68 dBa	-40 to +158	-40 to +70	50
9967588	57	35.25	14.25	7.4	895	362	188	230/50/60	0.8 A/0.9 A	2.0 A	690 cfm/1173 m ³ /h	690 cfm/1173 m ³ /h	68 dBa	-40 to +158	-40 to +70	50

¹ Cooling capacity of heat exchanger only. Additional cooling effect of convection through enclosure walls depends on cabinet dimensions and delta T.

Enclosure Heaters



Rittal Enclosure Heaters

Enclosure heaters help ensure that a safe environment inside the enclosure is maintained, even in applications where rapid temperature change results in the dew point being reached, thereby causing condensation on critical electronics. PTC technology means that heater surface temperature is kept at a safe level and that heat output is maximized while energy consumption is minimized.

Additionally, the aluminum fin heat transfer element provides efficient heat distribution. Finally, DIN rail or screw mounting options provide users with maximum flexibility and fast installation.

Configuration

- UL/CUL/CE approvals (most models)
- Dual voltage 110/230 V (some models)
- Maximum surface temperature of 160°F ensures safety
- Quick mounting via DIN rail or screws

Technical Specifications

Material:

- Aluminum extrusion

Finish/color:

- Black

Protection Ratings

NEMA Type 1 4 4X 12 13

Certifications/Approvals

Listings UL CUL TÜV CE

Technical Drawings

Page **CLI 26**

CLI Technical Information

Pages **TEC 17-30**

Heaters									
Part No.	Rating ¹ (watts)	Exact outside dimensions						Voltage	Fuse
		inches			mm				
		H	W	D	H	W	D		
EZ 3106000	20.0	4.9	1.8	1.4	125.0	45.0	35.0	110-240 V AC/DC	2.0 A
EZ 3115000	30.0	4.3	2.5	2.1	110.0	64.0	54.0	110-240 V AC/DC	2.0 A
EZ 3116000	50.0	7.3	2.5	2.1	185.0	64.0	54.0	110-240 V AC/DC	4.0 A
EZ 3107000	130.0	5.5	3.1	4.6	140.0	80.0	118.0	110-240 V AC/DC	4.0 A
EZ 3102000	300.0	6.6	4.7	4.7	168.0	120.0	120.0	230 V AC	4.0 A
EZ 3102110	300.0	6.6	4.7	4.7	168.0	120.0	120.0	115 V AC	4.0 A
EZ 9967053	1000.0	5.7	5.7	4.0	145.0	145.0	102.0	115/50/60	12.0 A
EZ 9967054	1000.0	5.7	5.7	4.0	145.0	145.0	102.0	230/50/60	6.0 A

¹ Continuous heat output at 68°F ambient temperature.

Accessories		
Part No.	Thermostat	10' power cord
EZ 3106000	3110000	-
EZ 3115000	3110000	-
EZ 3116000	3110000	-
EZ 3107000	3110000	-
EZ 3102000	3110000	9965837
EZ 3102110	3110000	9962136
EZ 9967053	3110000	9962136
EZ 9967054	3110000	9965837

EZ Designates a product in the EnclosureZone program.



Air/Water Heat Exchangers



Air/Water Heat Exchangers

For the harshest of environments, where ambient temperatures exceed 130°F and the air is exceptionally dirty or oily, air/water heat exchangers provide the best cooling solution. Since ambient air does not enter the heat exchanger, performance is maintained without having to worry about cleaning filters, heat exchange cassettes, or coils. Other advantages include compact footprint, the ability to cool below ambient temperature, lower energy consumption, and lower capital cost than air conditioners when cool plant water is available.

Rittal's air/water heat exchangers include features such as solenoid valves, condensate deflector screens, and overflow drainage paths.



A Complete Line Of Chillers Is Also Available — Check With Your Rittal Representative.

Configuration

- UL/CUL recognition, CE compliance
- Operation up to 158°F ambient
- Work well in dirty environments
- Provide up to 17,000 BTU/hr in small footprint
- Require only 1-2 gal/minute of water
- Long life radial fan
- Overtemperature alarm contact
- Off-the-shelf availability
- Terminal block connection

Technical Specifications

- Material:**
- Steel housing
- Finish/color:**
- RAL 7032 pebble grey

Protection Ratings

NEMA Type 1 4 4X 12 13

Certifications/Approvals

Listings UL CUL CSA TÜV CE

Technical Drawings

Page **CLI 27**

CLI Technical Information

Pages **TEC 17-30**

Air/Water Heat Exchangers													Accessories	
Part No.	Rating BTU/hr ¹	Exact outside dimensions						Voltage	Current	Pressure, psi	Air temperature range	Weight lbs	Power cord	
		inches			mm									
		H	W	D	H	W	D							
3214100	2050	19.7	7.9	3.7	500.0	200.0	100.0	230/50/60	0.17/0.18A	15-145	34-158°F	15	9965837	
3217100	3400	20.5	11.8	5.3	520.0	300.0	135.0	230/50/60	0.6/0.55 A	15-145	34-158°F	21	9965837	
3217115	3400	20.5	11.8	5.3	520.0	300.0	135.0	115/50/60	1.1 A	15-145	34-158°F	21	9962136	
3218100	10240	37.4	15.8	7.9	950.0	400.0	200.0	230/50/60	0.42/0.48 A	15-145	34-158°F	46	9965837	
3218115	10240	37.4	15.8	7.9	950.0	400.0	200.0	115/50/60	1.0 A	15-145	34-158°F	46	9962136	
3216100	17050	55.5	18.0	10.0	1400.0	450.0	250.0	230/50/60	0.9/1.3A	15-145	34-158°F	123	9965837	

¹ Cooling capacity at 95°F internal temperature, 50°F water temperature, 0.9 gal/hr flow rate.

Designates a product in the EnclosureZone program.

Mini Chillers



Mini Chillers

The chiller supplies coolant within a $\pm 2^{\circ}\text{C}$ temperature range via the electronic controller. In this way, the water can be routed to the equipment by the integral pump, without the need for an additional reservoir. The pump capacity curve and flow resistance of the equipment connected to the chiller allows for proper sizing. The design of the chillers will blend in seamlessly with our climate control equipment. The micro-controller may be installed in the front or the rear. A stand alone installation is also possible.



A Complete Line Of Chillers Is Also Available — Check With Your Rittal Representative.

Configuration

- Space saving and modular construction of the cooling components. Components built on a rugged base panel, yet easily accessible for maintenance
- Controls and electric components protected to NEMA 12/IP 44
- Hermetically sealed compressor
- Condensers with axial fans
- Coolant transfer pumps
- Exact temperature control and monitoring through microprocessor technology and digital displays
- Ready for connection with terminal block
- Collective fault signal with potential free relay contact

Technical Specifications

- Material:**
- Steel housing, plastic louvers
- Finish/color:**
- RAL 7032 pebble grey

Protection Ratings

- NEMA Type** 1 4 4X 12 13

Certifications/Approvals

- Listings** UL CUL TÜV CE

Technical Drawings

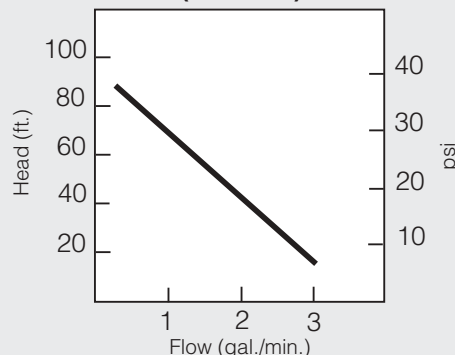
Page **CLI 28**

CLI Technical Information

Pages **TEC 17-30**

Mini Chillers										
Part No.	Exact outside dimensions						Voltage	Current	Pressure, psi	Cooling capacity BTU
	inches			mm						
	H	W	D	H	W	D				
3318510	16	24	17	400	600	426	230/50/60 V	4.1 A	363	3275/3650
3319510	16	24	17	400	600	426	230/50/60 V	5.4 A	363	5085/5665

Pump Capacity Curve (50/60 Hz)



Designates a product in the EnclosureZone program.

Chillers



Chillers

Compact, space saving design. These chillers are used to cool water and are able to maintain constant coolant flow, via an integral pump. The warmed return coolant flows into the chiller reservoir, where it is cooled back down to the set discharge temperature in the fully hermetic cooling cycle. All safety components are designed to DIN EN 378 and VBG 20. The refrigerants used comply with the latest regulations.



A Complete Line Of Chillers Is Also Available — Check With Your Rittal Representative.

Configuration

- Compact design of the cooling components with built-in reservoir
- Choice of front or back display
- Controls and electrical components protected to NEMA 12/IP 54
- Hermetically sealed compressors; condensers with axial fans
- High capacity pump
- Exact temperature control through micro-processor technology and digital displays
- Fully wired, ready for connection
- Collective fault signal with potential free contact
- Special configurations upon request

Technical Specifications

- Material:**
- Steel housing, plastic louvers
- Finish/color:**
- RAL 7032 pebble grey

Protection Ratings

NEMA Type 1 4 4X 12 13

Certifications/Approvals

Listings UL CUL TÜV CE

Technical Drawings

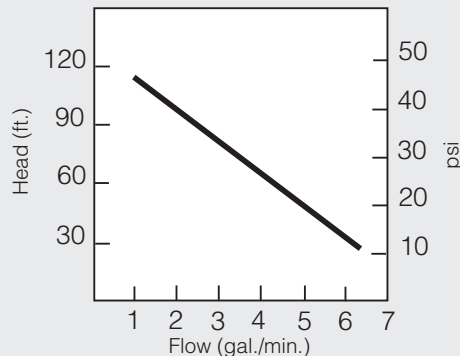
Page **CLI 29**

CLI Technical Information

Pages **TEC 17-30**

Chillers										
Part No.	Exact outside dimensions						Voltage	Current	Pressure, psi	Cooling capacity BTU
	inches			mm						
	H	W	D	H	W	D				
3320502	27	24	25	680	600	625	460/60, 3~	3 A	334	11,390
3334502	27	24	25	680	600	625	460/60, 3~	5.2 A	334	17,080

Pump Capacity Curve (50/60 Hz)



Designates a product in the EnclosureZone program.

Vortex Kooler Enclosure Coolers



Vortex Koolers

These units use compressed air to create a cool stream of air which is distributed inside the enclosure with a hose ducting kit. These Koolers are especially effective in small enclosures, when an existing source of compressed air exists, when heat loads are low to moderate, or when a NEMA 4/4X cooling solution is required. Vortex Koolers are also effective in applications where EMI/RFI must be minimized.

Vortex Koolers

Part No.	NEMA rating	Voltage ¹	Cooling capacity (BTU) ²	Noise level at dBA at 100 psi	Air consumption SCFM	Pressure range psi	Port size NPT inches
EZ 8012903	12	115/50/60	400	69	8	70-150	.125
EZ 8012904	12	115/50/60	900	80	15	70-150	.25
EZ 8012905	12	115/50/60	1500	83	25	70-150	.25
EZ 8012906	12	115/50/60	2500	90	35	70-150	.25
EZ 8012907	12	115/50/60	5000	90	70	70-150	.25
EZ 8012908	4	115/50/60	900	83	15	70-150	.25
EZ 8012909	4	115/50/60	1700	86	25	70-150	.25
EZ 8012912	4	115/50/60	2500	90	35	70-150	.25
EZ 8012913	4	115/50/60	5000	90	70	70-150	.25
EZ 8012910	4X	115/50/60	900	83	15	70-150	.25
EZ 8012914	4X	115/50/60	1700	86	25	70-150	.25
EZ 8012915	4X	115/50/60	2500	90	35	70-150	.25
EZ 8012911	4X	115/50/60	5000	90	70	70-150	.25

¹ 230 V available by substituting 230 V solenoid.

² Rated at 100 psig; 70°F/ 21°C inlet air temperature, 90°F/ 32°C thermostat setting, -40°F/ -40°C pressure dew point; derate 30% 110°F ambient, > 2% humidity, derate 25% for 80 psig pressure.

EZ Designates a product in the EnclosureZone program.



Configuration

- Includes Vortex Kooler, thermostat, solenoid, filter and ducting kit
- 230 V solenoid is available for 230 V operation

Technical Specifications

- Material:**
- stainless steel or aluminum

Protection Ratings

NEMA Type 1 4 4X 12 13

Certifications/Approvals

Listings UL CUL CSA TÜV CE

Technical Drawings

Page **CLI 30**

CLI Technical Information

Pages **TEC 17-30**

Vortex Accessories		
Part No.	Description	Port size NPT (inches)
8012916	5 micron filter for up to 1700 BTU capacity	.375
8012917	5 micron filter for up to 2500 BTU capacity	.375
8012918	5 micron filter for up to 5000 BTU capacity	.75
8012919	Oil filter for up to 1700 BTU capacity	.375
8012920	Oil filter for up to 2500 BTU capacity	.375
8012921	Water trap for up to 1700 BTU capacity	.375
8012922	Water trap for up to 2500 BTU capacity	.375
8012923	NEMA 12 230 V solenoid for up to 1700 BTU capacity	.25
8012924	NEMA 4/4X 230 V solenoid for up to 1700 BTU capacity	.25
8012925	NEMA 4/4X 230 V solenoid for up to 2500 BTU capacity	.375

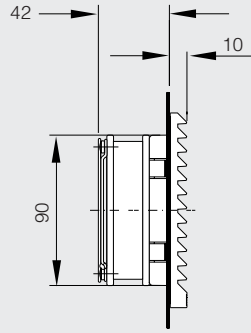
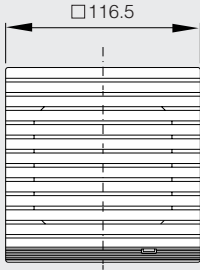
Designates a product in the EnclosureZone program.



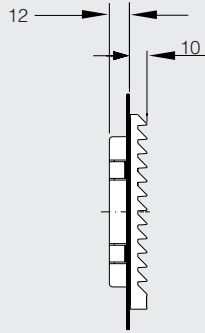
Technical Specifications

1S Filter Fans

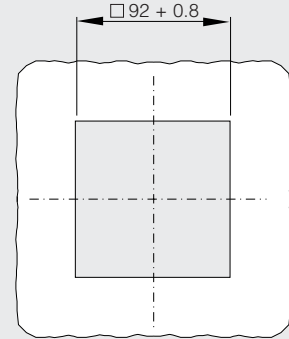
3321xxx



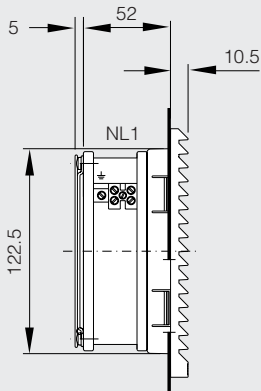
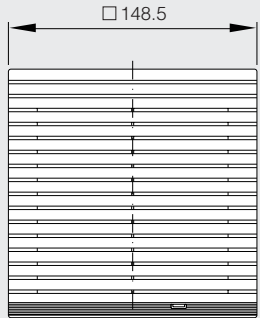
Exhaust Filter



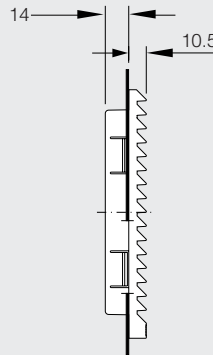
Installation Cut-Out



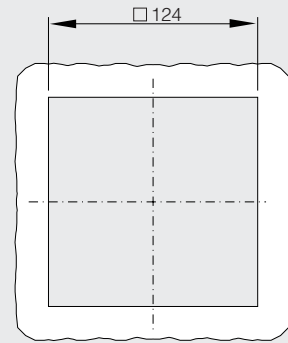
3322xxx



Exhaust Filter



Installation Cut-Out



1S Filter Fans				
Part No.	3321100	3321115/3321117	3322100/3322107	3322115/3322117
Rated voltage Volt/Hz	230/50/60	115/50/60	230/50/60	115/50/60
Air Displacement at 60 Hz (unimpeded air flow)	15 cfm/25 m³/h		40 cfm/66 m³/h	
Air displacement at 60 Hz	1 SK 3321200: 9 cfm/18 m³/h	1 x 3322200	30 cfm/50 m³/h 1 x 3323200	33 cfm/55 m³/h
Axial fan with	Self-starting shaded pole motor			
Rated current	69.0 mA	136.0 mA	0.11 A	0.23 A
Power consumption	12.5 W	12.5 W	18 W	18 W
Type of connection	24' lead		Terminal block	
Temperature range	+14°F to +131°F/-10°C to +55°C			
Noise level	41/46 dBA		46/50 dBA	
Protection rating per EN 60 529/10.91	IP 43 when using standard filters.			

Specifications subject to change.
Dimensions in millimeters (mm) unless otherwise indicated.

Designates a product in the EnclosureZone program.



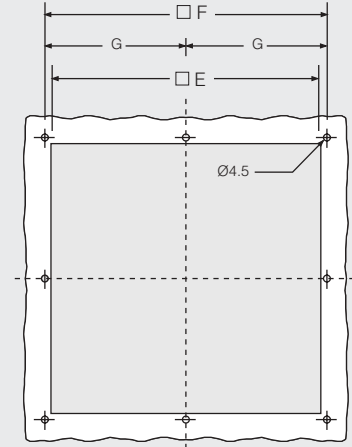
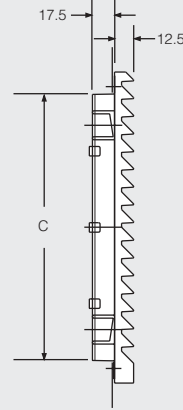
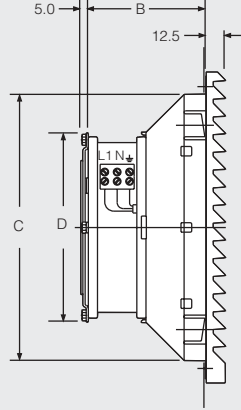
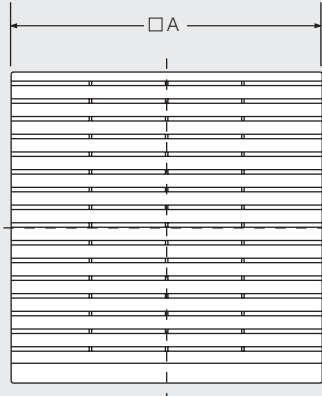
Technical Specifications

1S Filter Fans

3323xxx/3325xxx/3326xxx/3327xxx

Exhaust Filter

Installation Cut-Out



1S Filter Fans (Continued)								
Part No.	3323100/ 3323107	3323115/ 3323117	3325100/ 3325107	3325115/ 3325117	3326100/ 3326107	3326115/ 3326117	3327100	3327115
Rated voltage Volt/Hz	230/50/60	115/50/60	230/50/60	115/50/60	230/50/60	115/50/60	230/50/60	115/50/60
Air Displacement at 60 Hz (unimpeded air flow)	70 cfm/120 m³/h		155 cfm/265 m³/h		330 cfm/560 m³/h		425 cfm/720 m³/h	
Air displacement at 60 Hz	1 x SK 3323200 50 cfm/82 m³/h 2 x SK 3323200 60 cfm/98 m³/h 1 x SK 3325200 55 cfm/90 m³/h		1 x SK 3325200 112 cfm/190 m³/h 2 x SK 3325200 127 cfm/220 m³/h 1 x SK 3326200 125 cfm/215 m³/h		1 x SK 3326200 230 cfm/390 m³/h 2 x SK 3326200 290 cfm/495 m³/h		1 SK 3326200 335 cfm/575 m³/h	
Fan motor	Self-starting shaded pole motor		Self-starting shaded pole motor				Permanent split capacitor motor	
Rated current	0.12 A 0.11 A	0.24 A 0.23 A	0.28 A 0.24 A	0.53 A 0.49 A	0.29 A 0.35 A	0.58 A 0.70 A	0.65 A	1.5 A
Power consumption	19 W/18 W	19 W/18 W	41 W/38 W	41 W/38 W	64 W/80 W	64 W/80 W	155 W	167 W
Type of connection	Terminal block							
Temperature range	+14°F to +131°F/-10°C to +55°C							
Noise level	46/49 dBa		54/56 dBa		56/61 dBa		75/76 dBa	
Protection rating per EN 60 529/10.91	IP 43/ NEMA 12/IP 54 when a sealing frame and fine filter is used.							
Part No. exhaust filters	3323200		3325200		3326200		3326200	
A (mm)	204		255		323		323	
B (mm)	77.5		100		124		145	
C (mm)	176		222		290		290	
D (mm)	120		150		225		280	
E (mm)	177		224		292		292	
F (mm)	185		234		302		302	
G (mm)	(92.5)		(117)		(151)		(151)	

Specifications subject to change. Dimensions in millimeters (mm) unless otherwise indicated.

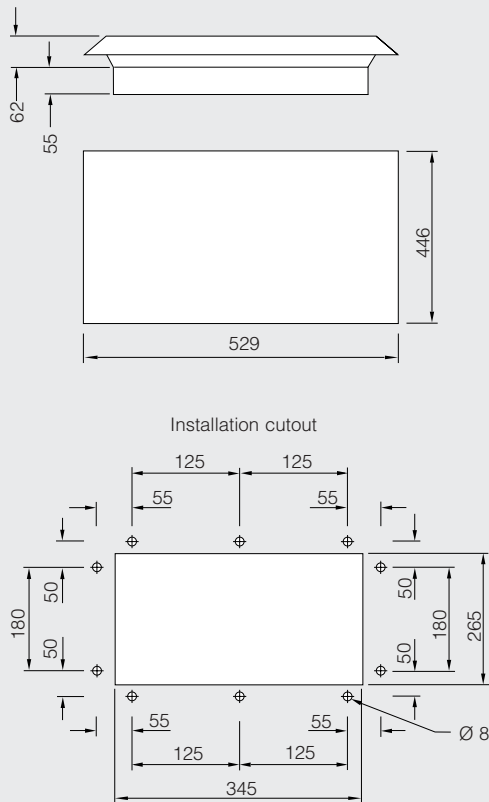
Designates a product in the EnclosureZone program.



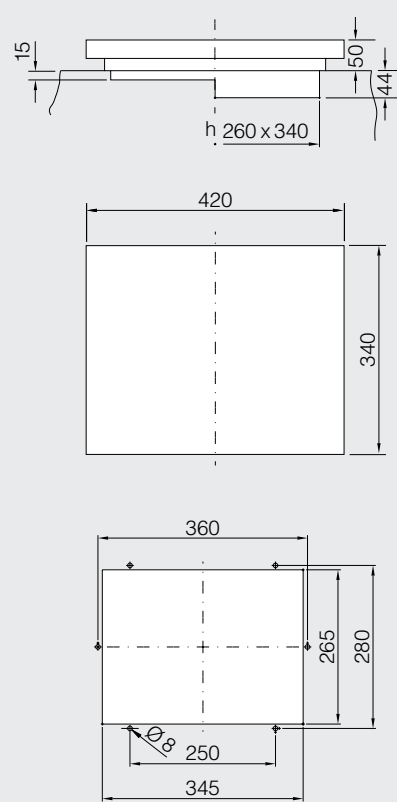
Technical Specifications

Pagoda Roof Fans

9966814/9966815/9966892



3149000/3169000/3148000



Pagoda Fans						
Part No.	EZ 9966814	EZ 9966815	EZ 9966892 (vent only)	EZ 3148000 (vent only)	EZ 3149000	EZ 3169000
Rated operating voltage Volt/Hz	115/50/60	230/50/60	-	-	230/50/60	115/50/60
Air Displacement at 60Hz	360 cfm		-	-	210 cfm	
Rated current maximum	0.72 A	0.36 A	-	-	0.2 A	0.55 A
Power consumption	82 W	-	-	-	42 W	65 W
Temperature range	14°F to 140°F/-10°C to +60°C		-	-	14°F to 140°F/-10°C to +60°C	
Type of connection	10° cord/no plug		-	-	-	
Noise Level	59 dBA		-	-	53 dBA	
rpm	3400 min ⁻¹		-	-	1400 min ⁻¹	
Weight	20 lbs/9.1 kg		10 lbs/4.5 kg	8.8 lbs/4 kg	17.5 lbs/7.8 kg	
Color	RAL 7032 pebble grey		RAL 7032, textured		-	RAL 7032, textured
Protective category	NEMA 3R/IP 55		-	-	IP 43	

Specifications subject to change.

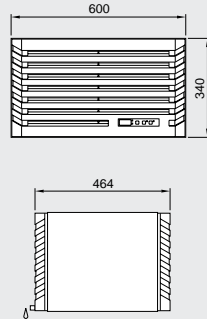
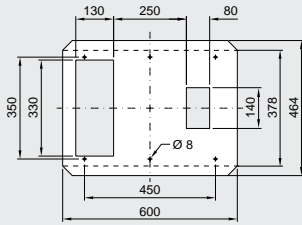
EZ Designates a product in the EnclosureZone program.



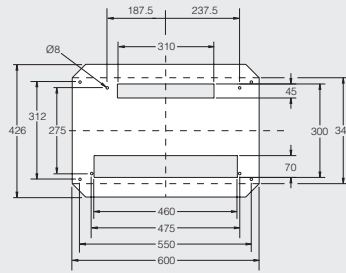
Technical Specifications

Roofmount Air Conditioners

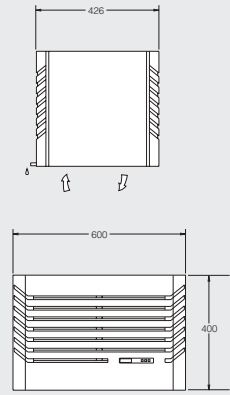
3272100/3296100



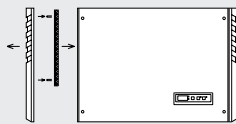
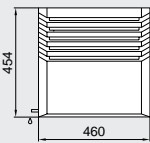
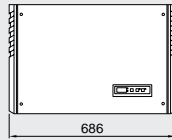
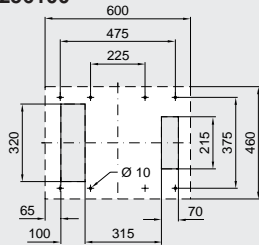
3280100/3290100



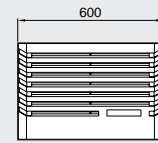
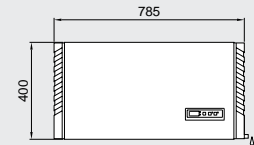
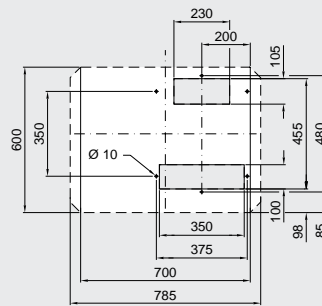
Installation cutout



3256100



3261140



Roofmount Air Conditioners							
Part No.		3272100	3296100	3280100	3290100	3256100	3261140
Rated voltage	Volt/Hz	115/50/60	230/50/60	115/50/60	230/50/60	230/50/60	460/60-3~
Dimensions in inches/mm (without grille)	H	13.39"/340 mm		15.75"/400 mm		18"/454 mm	16"/400 mm
	W	23.62"/600 mm		23.62"/600 mm		24"/600 mm	28"/700 mm
	D	14.88"/378 mm		13.39"/340 mm		18"/460 mm	24"/600 mm
Useful cooling capacity per DIN 3168	L35 L35 (95°F internal/95°F ambient)	2750/2950 BTU/ 800/860 W		4800 BTU/ 1400 W		7000/7030 BTU/ 2050/2060 W 5085 BTU/ 1490 W	9550 BTU/ 2800 W
	L35 L50 (95°F internal/122°F ambient)	2100/2350 BTU/ 615/685 W		3625/4175 BTU/ 1060/1220 W			8020 BTU/ 2350 W
Maximum rated current	6.3 A/6.6 A	3.2 A/3.9 A	10.5 A/12.8 A	5.3 A/6.0 A	8.9 A/9.8 A	2.8 A	
Starting current		18.2 A/20.7 A	11.4 A/11.0 A	24.6 A/28.7 A	16.6 A/15.5 A	24.7 A/22.5 A	14.0 A
Pre-fuse T		10.0 A/10.0 A	6.0 A/6.0 A	16.0 A/16.0 A	6.0 A/10 A	10.0 A/10.0 A	6.0 A
Power consumption	L35 L35	345 W/450 W	330 W/430 W	740 W/825 W	710 W/800 W	1480 W/1480 W	1350 W
	L35 L50	415 W/545 W	390 W/525 W		840 W/920 W	1590 W	1600 W
Refrigerant	R134 a	25 oz/750 g		33.5 oz/950 g		35 oz/980 g	29 oz/825 g
Maximum pressure		363 psi/25 bar		335 psi/23 bar		348 psi/24 bar	348 psi/24 bar
Temperature range		+68°F to +131°F/+20°C to +55°C		+68°F to +131°F/+20°C to +55°C		+68°F to +131°F/+20°C to +55°C	
Noise level		62 dBa		62 dBa		62 dBa	65 dBa
Protection rating per EN 60 529/10.91	External circuit	NEMA 2/IP 34		NEMA 2/IP 34		NEMA 2/IP 24	
	Internal circuit	NEMA 12/13/IP 54		NEMA 12/13/IP 54		NEMA 12/IP 54	
Duty cycle		100%		100%		100%	
Type of connection		Terminal block		Terminal block		Terminal block	
Weight		90 lbs/41 kg	84 lbs/38 kg	110 lbs/50 kg	97 lbs/44 kg	119 lbs/54 kg	171 lbs/78 kg
Air displacement of fans (unimpeded air flow)							
External circuit		535/615 cfm / 910 m³/h/1045 m³/h		2 x 535/555 cfm/910/940 m³/h		421 cfm/720 m³/h	618 cfm/1050 m³/h
Internal circuit		100/110 cfm / 171 m³/h/185 m³/h		129/131 cfm/220/222 m³/h		222 cfm/380 m³/h	412 cfm/700 m³/h
Temperature control		Thermostat		Thermostat		Thermostat	
	Setting range	+68°F to +131°F/+20°C to +55°C					
	Factory setting	+95°F/+35°C					

Specifications subject to change. Dimensions in millimeters (mm) unless otherwise indicated.

Designates a product in the EnclosureZone program.

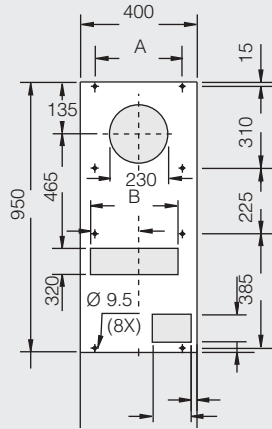


Technical Specifications

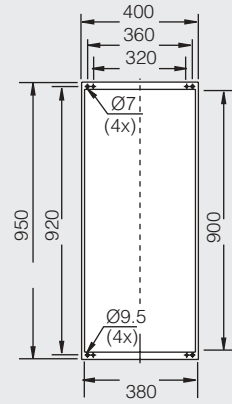
Wallmount Air Conditioners

3281100/3293100

Installation cutout external



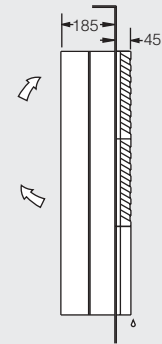
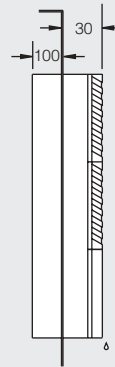
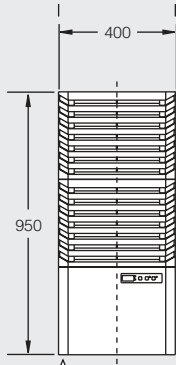
Installation cutout fully/partially recessed



External

Partially recessed

Fully recessed



Wallmount Air Conditioners			
Part No.		3293100	3281100
Rated voltage	Volt/Hz	230/50/60	115/50/60
Dimensions in inches/mm (with grille)	H	37.40"/950 mm	37.40"/950 mm
	W	15.75"/400 mm	15.75"/400 mm
	D	9.06"/230 mm	9.06"/230 mm
Useful cooling capacity per DIN 3168	L35 L35 (95°F internal/95°F ambient)	2800/3300 BTU/ 825/960 W	2800/3300 BTU/ 825/960 W
	L35 L50 (95°F internal/122°F ambient)	2325/2525 BTU/ 680/740 W	2325/2525 BTU/ 680/740 W
Maximum rated current		3.0 A/3.6 A	6.5 A/7.6 A
Starting current		8.5 A/10.0 A	16.4 A/20.1 A
Pre-fuse T		6.0 A/6.0 A	10.0 A/10.0 A
Power consumption	L35 L35	450 W/595 W	470 W/600 W
	L35 L50	500 W/670 W	530 W/680 W
Refrigerant	R134a	18.5 oz/525 g	
Maximum pressure		363 psi/25 bar	
Temperature range		+68°F to +131°F/+20°C to +55°C	
Noise level		62 dBA	
Protection rating per EN 60 529/10.91		External circuit NEMA 2/IP 34/internal circuit NEMA 12/13/IP 54/NEMA 4/4x cover available	
Duty cycle		100%	
Type of connection		Terminal block	Terminal block
Weight		88 lbs/40 kg	95 lbs/43 kg
Air displacement of fans (unimpeded air flow)			
External circuit		351 cfm/600 m ³ /h	
Internal circuit		146 cfm/250 m ³ /h	
Temperature control		Built-in thermostat	
	Setting range	+68°F to +131°F/+20°C to +55°C	
	Factory setting	+95°F/+35°C	
		Built-in thermostat +68°F to +131°F/+20°C to +55°C/ +95°F/+35°C	

Specifications subject to change. Dimensions in millimeters (mm) unless otherwise indicated.

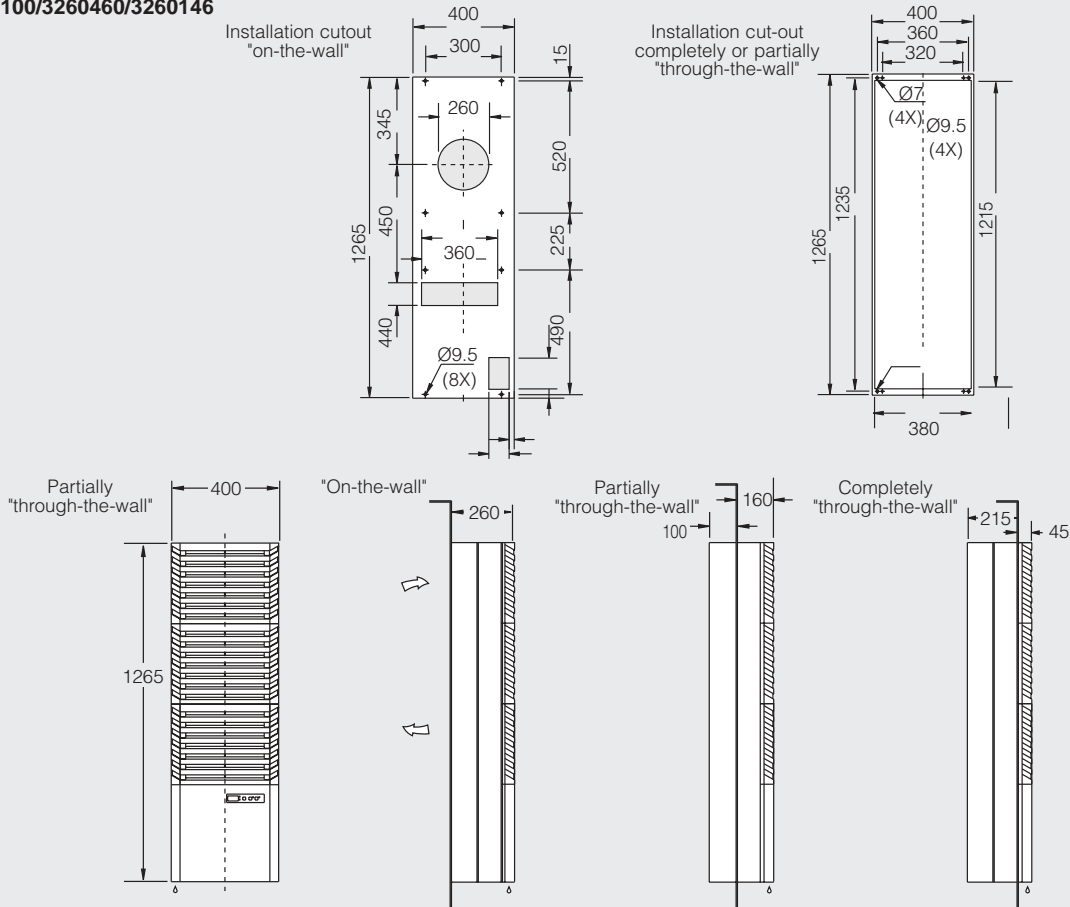
Designates a product in the EnclosureZone program.



Technical Specifications

Wallmount Air Conditioners

3298100/3279100/3260460/3260146



Wallmount Air Conditioners						
Part No.		3298100	3279100	3260460	3260146	
Rated voltage	Volt/Hz	230/50/60	115/50/60	460-3~		
Dimensions in inches/mm (with grille)	H	49.80"/1265 mm	49.80"/1265 mm	50"/1265 mm		
	W	15.75"/400 mm	15.75"/400 mm	16"/400 mm		
	D	10.24"/260 mm	10.24"/260 mm	10"/260 mm		
Useful cooling capacity (95°F internal/95°F ambient) per DIN 3168 (95°F internal/122°F ambient)	L35 L35	4775/4950 BTU/1400/1450 W	4775/4950 BTU/1400/1450 W	5940/5560 BTU		
	L35 L50	3750/3925 BTU/1100/1150 W	3750/3925 BTU/1100/1150 W	4575/4160 BTU		
Maximum rated current		5.5 A/5.7 A	11.5 A/12 A	2.1 A/2.0 A		
Starting current		17.5 A/16.5 A	36.0 A/37.0 A	8.6 A		
Pre-fuse T		10.0 A/10.0 A	16 A/16 A	6.0 A		
Power consumption	L35 L35	830 W/1040 W	850 W/1080 W	900 W/750 W		
	L35 L50	940 W/1170 W	975 W/1265 W	1060 W/920 W		
Refrigerant	R134a	19.0 oz/525 g			19.4 oz/550 g	
Maximum pressure		363psi/25 bar			348 psi/24 bar	
Temperature range		+68°F to +131°F/+20°C to +55°C				
Noise level		62 dBa	62 dBa	65 dBa		
Protection rating per EN 60 529/10.91		External circuit NEMA 2/IP34/internal circuit NEMA 12/13 IP54/NEMA 4/4x cover available				
Duty cycle		100%				
Type of connection		Terminal block	Terminal block	Terminal block		
Weight		119 lbs/54 kg	126 lbs/57 kg	132 lbs/60 kg		
Air displacement of fans (unimpeded air flow)						
External circuit		410/310 cfm/685/510 m³/h	410/310 cfm/685/510 m³/h	257 cfm/440 m³/h		
Internal circuit		520/620 cfm/860/1030 m³/h	520/620 cfm/860/1030 m³/h	170 cfm/290 m³/h		
Temperature control		Built-in thermostat			Microcontroller	Thermostat
	Setting range Factory setting	+68°F to +131°F/+20°C to +55°C +95°F/+35°C				

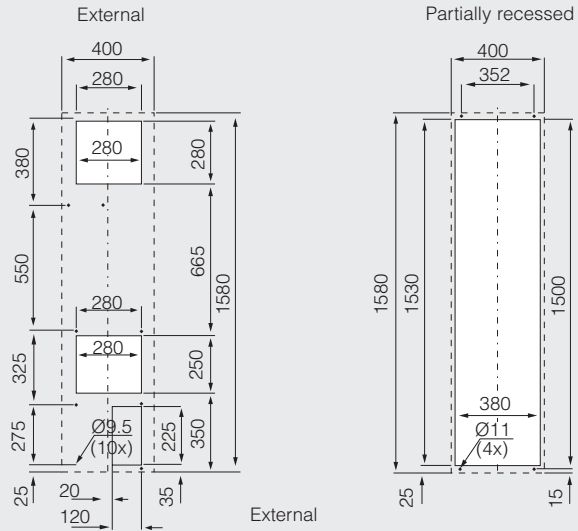
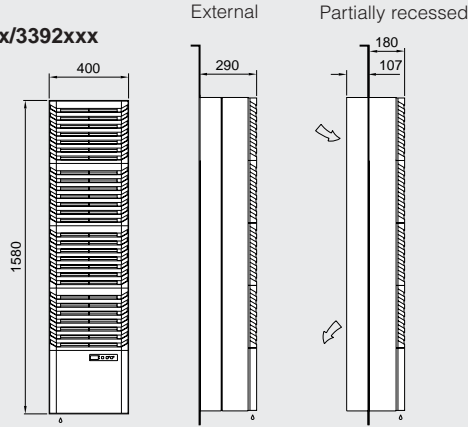
Specifications subject to change. Dimensions in millimeters (mm) unless otherwise indicated.

Designates a product in the EnclosureZone program.

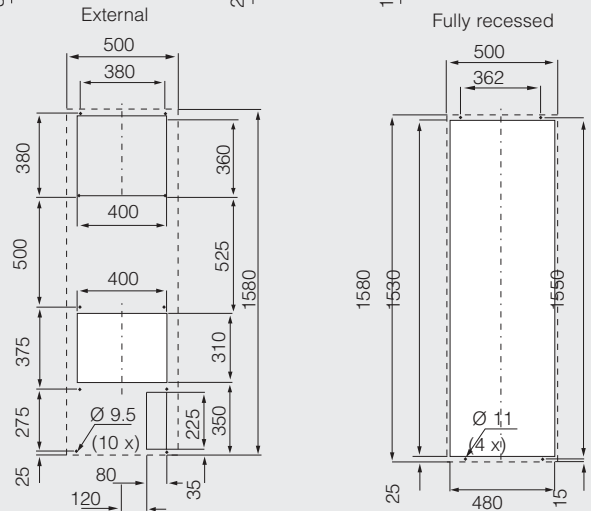
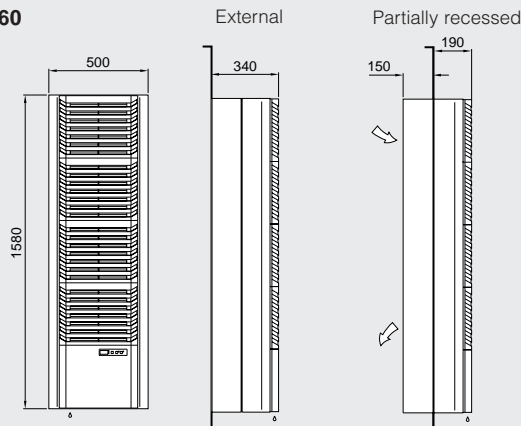
Technical Specifications

Wallmount Air Conditioners

3390xxx/3392xxx



3391560



Wallmount Air Conditioners

Part No.	EZ 3390100	EZ 3390115	EZ 3390146	EZ 3392100	EZ 3392115	EZ 3392146	EZ 3391560		
Rated voltage	230/50/60		115/50/60	460/60-3~		230/50/60	115/50/60	460/60-3~	
Dimensions in inches/mm (with grille)	H	62"/1580 mm		62"/1580 mm		62"/1580 mm			
	W	16"/400 mm		16"/400 mm		20"/500 mm			
	D	12"/290 mm		12"/290 mm		13.5"/340 mm			
Useful cooling capacity (95°F internal/95°F ambient)	L35 L35	6895/7575 BTU			8800/9965 BTU		13800/15940 BTU		
	per DIN 3168 (95°F internal/122°F ambient)	L35 L50	4980/5390 BTU			6245/6825 BTU		10240/12115 BTU	
Maximum rated current	6.9 A/8.9 A		13.8 A/17.8 A	2.3 A/2.5 A		8.2 A/10.0 A	16.4 A/20.0 A	3.2 A/3.5 A	4.5 A/5.3 A
Starting current	24.0 A/23.0 A		48.0 A/46.0 A	9.1 A/8.2 A		25.0 A/24.0 A	50.0 A/48.0 A	6.4 A	15.5 A/17.0 A
Pre-fuse T	10.0 A/10.0 A		20.0 A/20.0 A	10.0 A/10.0 A		10.0 A/16.0 A	20.0 A/24.0 A	10.0 A/10.0 A	10 A/10 A
Power consumption	L35 L35	1160 W/1460 W	1180 W/1490 W	870 W/1120 W		1400 W/1800 W	1430 W/1840 W	1320 W/1740 W	1600 W/2030 W
	L35 L50	1310 W/1620 W	1330 W/1650 W	1060 W/1340 W		1620 W/2080 W	1650 W/2130 W	1570 W/2020 W	1900 W/2420 W
Refrigerant	R134a		36 oz/1025 g		41 oz/1175 g		62 oz/1750 g		
Maximum pressure	406 psi/28 bar		406 psi/28 bar		406 psi/28 bar		406 psi/28 bar		
Temperature range	+68°F to +131°F/+20°C to +55°C				+68°F to +131°F/+20°C to +55°C				
Noise level	66 dBa				67 dBa		65 dBa		
Protection rating per EN 60 529/10.91	External circuit NEMA 2/IP 34/internal circuit NEMA 12/13 IP 54/NEMA 3R cover available								
Duty cycle	100%				100%				
Type of connection	terminal block				terminal block				
Weight	146 lbs/66 kg	154 lbs/70 kg	152 lbs/69 kg	152 lbs/69 kg	161 lbs/73 kg	161 lbs/73 kg	187 lbs/85 kg		
Air displacement of fans (unimpeded air flow)									
External circuit	374 cfm/640 m³/h			415 cfm/710 m³/h			643 cfm/1100 m³/h		
Internal circuit	320 cfm/550 m³/h			374 cfm/640 m³/h			497 cfm/850 m³/h		
Temperature control	Thermostat		Thermostat		Microcontroller				
	Setting range	+68°F to +131°F/+20°C to +55°C		+68°F to +131°F/+20°C to +55°C		+68°F to +131°F/+20°C to +55°C			
	Factory setting	+95°F/+35°C		+95°F/+35°C		+95°F/+35°C			

Specifications subject to change. Dimensions in millimeters (mm) unless otherwise indicated.
 EZ Designates a product in the EnclosureZone program.

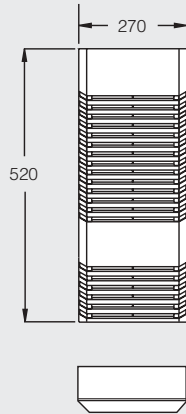
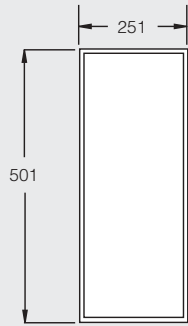


Technical Specifications

Micro Air Conditioners

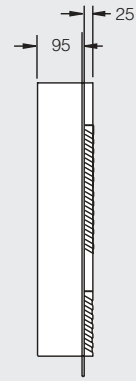
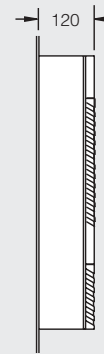
3203100/3205100 (For Vertical Mounting)

Installation cut-out
"on-the-wall"/"through-the-wall"



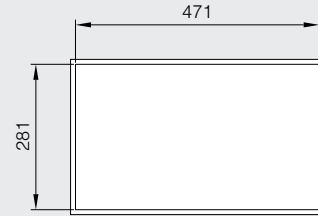
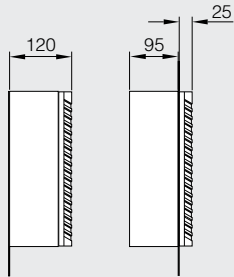
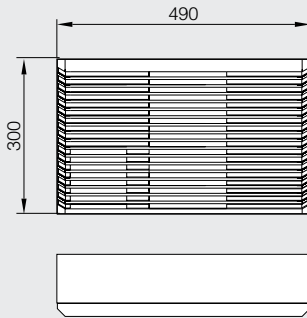
"On-the-wall"

"Through-the-wall"



3206100/3204100 (For Horizontal Mounting)

External Fully recessed



Micro Air Conditioners					
Part No.		EZ 3203100	EZ 3205100	EZ 3206100	EZ 3204100
Rated voltage	Volt/Hz	230/50/60	115/50/60	115/50/60	230/50/60
Dimensions in inches/mm (with grille)	H	20.47"/520 mm	20.47"/520 mm	12"/300 mm	12"/300 mm
	W	10.63"/270 mm	10.63"/270 mm	20"/490 mm	20"/490 mm
	D	5.0"/120 mm	5.0"/120 mm (+53 Ext. transformer)	5"/120 mm (+53 Ext. transformer)	5"/120 mm
Useful cooling capacity (95°F internal/95°F ambient) per DIN 3168 (95°F internal/122°F ambient)	L35 L35 L35 L50	1195/1230 BTU/350 W 715/680 BTU/200 W	1195/1230 BTU/350 W 715/680 BTU/200 W	1100/1175 BTU 545/580 BTU	1100/1175 BTU 545/580 BTU
Maximum rated current		1.8 A/1.6 A	3.5 A/3.6 A	3.5 A/3.8 A	1.5 A/1.5 A
Starting current		2.7 A/2.8 A	4 A/4.5 A	4.2 A/4.5 A	1.9 A/2.0 A
Pre-fuse T		4 A	6 A	6A	4A
Power consumption (per DIN 3168)	L35 L35	275 W/280 W	275 W/280 W	285 W/290 W	285 W/290 W
	L35 L50	315 W/315 W	315 W/315 W	295 W/305 W	295 W/305 W
Refrigerant	R134 a	4.5 oz/125 g	4.5 oz/125 g	5 oz/150 g	5 oz/150 g
Temperature range		+68°F to +122°F/+20°C to +50°C			
Noise level		62 dBa			
Protection rating per EN 60 529/10.91		External circuit NEMA 2/IP34/internal circuit NEMA 12/13/IP 54			
Duty cycle		100%			
Type of connection		Terminal block	Terminal block	Terminal block	Terminal block
Weight		29 lbs/13 kg	35 lbs/16 kg	35 lbs/16 kg	29 lbs/13 kg
Air displacement		73/86 cfm/142/167 m³/h		83/98 cfm/142/167 m³/h	
External circuit		41/48 cfm/80/93 m³/h		47/54 cfm/80/93 m³/h	
Temperature control		Electronic Setting range +68°F to +122°F/+20°C to +50°C (factory setting +95°F/+35°C)			
Overtemperature alarm		Via built-in microcontroller Potential free contact: I _{max} = 5 A, U _{max} = 230 V			

Specifications subjects to change. Dimensions in millimeters (mm) unless otherwise indicated.

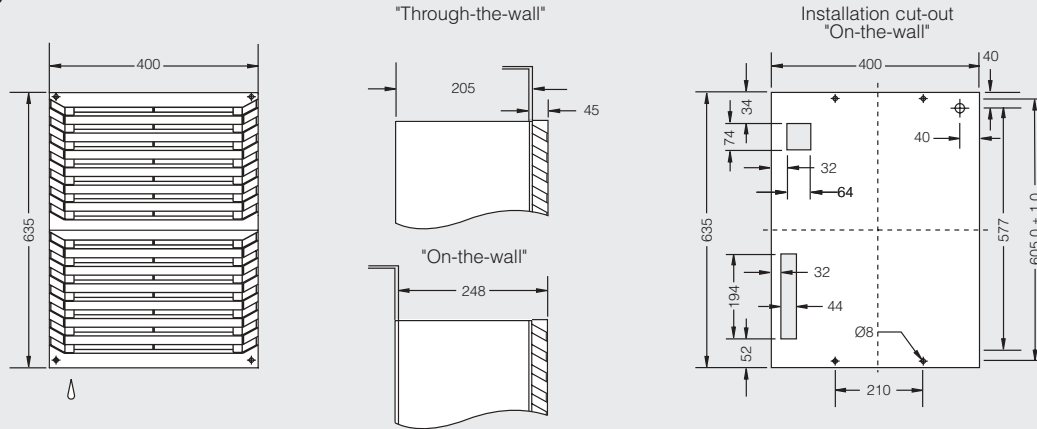
EZ Designates a product in the EnclosureZone program.



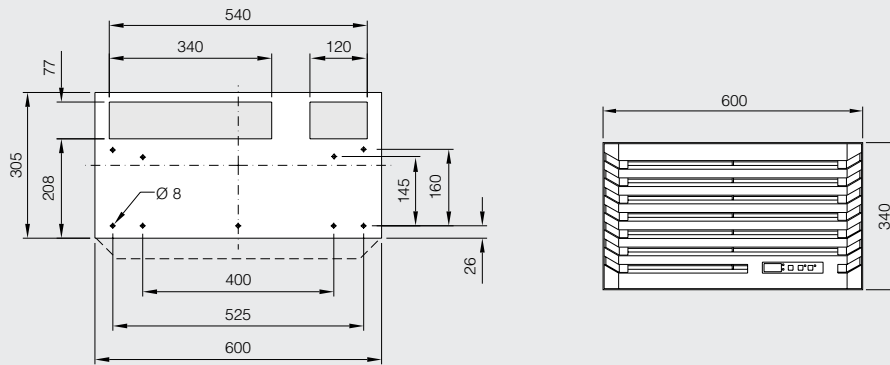
Technical Specifications

Mini Air Conditioners

3262100/3269100



3265100/3266100



Mini Air Conditioners					
Part No.		3262100	3269100	3265100	3266100
Rated voltage	Volt/Hz	115/50/60	230/50/60	230/50/60	115/50/60
Dimensions in inches/mm (with grille)	H	25.00"/635 mm	25.00"/635 mm	13.4"/340 mm	13.4"/340 mm
	W	15.75"/400 mm	15.75"/400 mm	23.6"/600 mm	23.6"/600 mm
	D	9.76"/248 mm	9.76"/248 mm	13.7"/348 mm	13.7"/348 mm
Useful cooling capacity (95°F internal/95°F ambient)	L35 L35	2352/2400 BTU/ 680/700 W	2325/2400 BTU/ 680/700 W	1400/1300 BTU/ 410/380 W	1400/1300 BTU/ 410/380 W
	per DIN 3168 (95°F internal/122°F ambient)	L35 L50	1700/1775 BTU/ 500/520 W	785/820 BTU/ 230/240 W	820/820 BTU/ 240/240 W
Maximum rated current		5.1 A/6.0 A	3.1 A/4.0 A	2.2 A/2.5 A	4.5 A/5.2 A
Starting current		25.2 A/34.3 A	12.6 A/14.4 A	6.6 A/7.2 A	13.5 A/13.5 A
Pre-fuse T		6.0 A/10.0 A	6.0 A/6.0 A	6.0 A/6.0 A	6.0 A/6.0 A
Power consumption	L35 L35	480 W/600 W	460 W/580 W	310 W/440 W	340 W/450 W
	L35 L50	540 W/675 W	520 W/660 W	350 W/450 W	380 W/490 W
Refrigerant	R134 a	12.0 oz/335 g	12.0 oz/335 g	11.5 oz/325 g	11.5 oz/325 g
Maximum pressure		350 psi/24 bar		350 psi/24 bar	
Temperature range		+68°F to +122°F/+20°C to +50°C		68°F to 122°F/ +20°C to +50°C	
Noise level		62 dBa		62 dBa	
Protection rating per EN 60 529/10.91		External circuit NEMA 2/IP 34 Internal circuit NEMA 12/13/IP 54 NEMA 4/4x cover available		External circuit NEMA 2/IP 24 Internal circuit NEMA 12/IP 54	
Duty cycle		100%			
Type of connection		Terminal block	Terminal block	Terminal block	Terminal block
Weight		70 lbs/32 kg	66 lbs/30 kg	57 lbs/26 kg	68 lbs/31 kg
Air displacement of fans (unimpeded air flow)					
External circuit		145 cfm/243 m³/h		145 cfm/243 m³/h	
Internal circuit		145 cfm/243 m³/h		145 cfm/243 m³/h	
Temperature control		Built-in thermostat (factory setting +95°F/+35°C)			

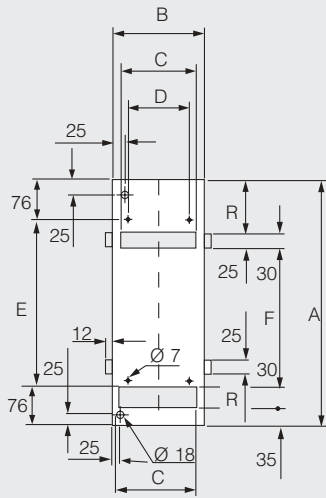
Specifications subject to change. Dimensions in millimeters (mm) unless otherwise indicated.

Designates a product in the EnclosureZone program.

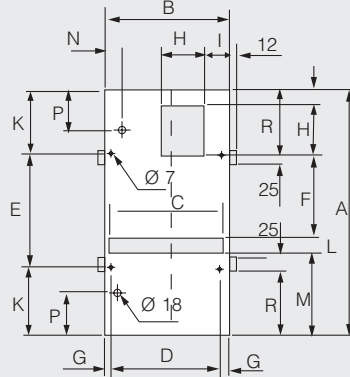


Technical Specifications

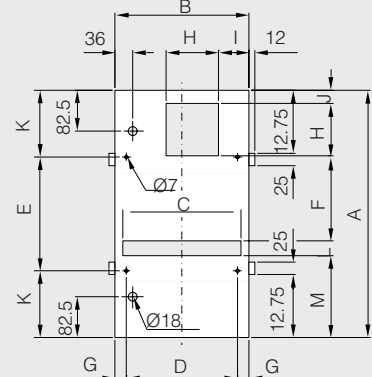
Air/Air Heat Exchangers



3125XXX/3126XXX
Installation cutout
"external mount"



3128XXX/3129XXX/3130XXX
Installation cutout
"external mount"



3128XXX/3129XXX/3130XXX
Installation cutout
"external mount"

Air/Air Heat Exchangers						
Part No.	115/50/60	3125110	3126110	3129110	3128110	3130110
Part No.	230/50/60	3125000	3126000	3129000	3128000	3130000
Dimensions in inches/mm	H	14.96"/380.0 mm	20"/500 mm	30.71"/780 mm	20"/500 mm	29"/730 mm
	W	7.38"/187.5 mm	8"/187.5 mm	10.67"/271 mm	11"/272 mm	14"/355 mm
	D	6.40"/162.5 mm	6.5"/162.5 mm	4.33"/110 mm	4.5"/110 mm	4.5"/110 mm
Specific thermal capacity		14.6 W/C	18.7 W/C	30.0 W/C	19.5 W/C	37.0 W/C
Air displacement of fans (unimpeded air flow)						
External circuit		170 cfm/290 m ³ /h	152/175 cfm/260/300 m ³ /h	350 cfm/600 m ³ /h	152/175 cfm/260/300 m ³ /h	335 cfm/570 m ³ /h
Internal circuit		170 cfm/290 m ³ /h	152/175 cfm/260/300 m ³ /h	350 cfm/600 m ³ /h	152/175 cfm/260/300 m ³ /h	335 cfm/570 m ³ /h
Noise level		54 dBA	54 dBA	67.5 dBA	61 dBA	64 dBA
Fans per heat exchanger		2	2	2	2	2
Temperature range		+23°F to +131°F/-50°C to +55°C				
Weight		9.5 lbs/4.3 kg	10.8 lbs/4.9 kg	16.3 lbs/7.4 kg	11.24 lbs/5.1 kg	17.85 lbs/8.1 kg
Electrical specifications per fan						
Rated current per fan		0.28 A/0.25 A	0.28 A/0.25 A	0.36 A/0.45 A	0.28 A/0.25 A	0.36 A/0.45 A
Power capacity per fan (230 V)		43/42 W	43/42 W	82/103 W	43/42 W	82/103 W
Cooling surface		.62 m ²	.99 m ²	1.01 m ²	.63 m ²	1.23 m ²
Protection rating (Internal circuit)		NEMA 12/IP 54 per EN 60 529/10.91				
Power cord		2 x 10 ft./3 m	2 x 10 ft./3 m	2 x 16 ft./5 m	2 x 10 ft./3 m	2 x 16 ft./5 m
A (mm)		380	500	780	500	730
B (mm)		187.5	187.5	271	271	355
C (mm)		155	155	239	239	323
D (mm)		127	127	220	225	304
E (mm)		228	348	460	230	410
F (mm)		178	298	296.5	172	246.5
G (mm)		-	-	25.5	23	25.5
H (mm)		-	-	160	106	160
I (mm)		-	-	40	61.5	40
J (mm)		-	-	30	26.5	30
K (mm)		-	-	160	135	160
L (mm)		-	-	62	30	62
M (mm)		-	-	231.5	165.5	231.5
N (mm)		-	-	36	48	36
P (mm)		-	-	82.5	135	82.5
R (mm)		-	107.5	-	117.5	127.5

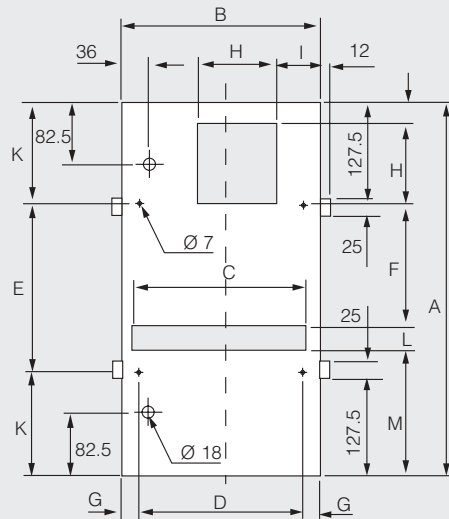
Specifications subject to change. Dimensions in millimeters (mm) unless otherwise indicated.

Designates a product in the EnclosureZone program.



Technical Specifications

Air/Air Heat Exchangers



3131XXX/3133XXX/3134XXX

Installation cutout
"external mount"

Air/Air Heat Exchangers				
Part No.	115/50/60	EZ 3131110	EZ 3133110	EZ 3134110
Part No.	230/50/60	EZ 3131000	EZ 3133000	EZ 3134000
Dimensions in inches/mm	H	47.24"/1200 mm	58"/1480 mm	70.08"/1780 mm
	W	10.67"/271 mm	18"/439 mm	17.28"/439 mm
	D	4.33"/110 mm	4.5"/110 mm	4.33"/110 mm
Specific thermal capacity		42.0 W/C	63.0 W/C	69.0 W/C
Air displacement of fans (unimpeded air flow)				
External circuit		350 cfm/600 m ³ /h	335 cfm/570 m ³ /h	350 cfm/600 m ³ /h
Internal circuit		350 cfm/600 m ³ /h	335 cfm/570 m ³ /h	350 cfm/600 m ³ /h
Noise level		62 dBa	68 dBa	61 dBa
Fans per heat exchanger		2	2	2
Temperature range		+23°F to +131°F/-5°C to +55°C		
Weight		20.5 lbs/9.3 kg	27.5 lbs/12.5 kg	41.6 lbs/18.9 kg
Electrical specifications per fan				
Rated current per fan	(230 V)	0.36 A/0.45 A	0.36 A/0.45 A	0.36 A/0.45 A
Power capacity per fan		82/103 W	82/103 W	82/103 W
Cooling surface		2.46 m ²	5.44 m ²	7.00 m ²
Protection rating (internal circuit)		NEMA 12/1P 54 per EN 60 529/10.91		
Power cord		2 x 5 m	2 x 5 m	2 x 5 m
A (mm)		1200.00	1480.00	1780.00
B (mm)		271.00	439.00	439.00
C (mm)		239.00	407.00	407.00
D (mm)		220.00	388.00	388.00
E (mm)		880.00	1160.00	1460.00
F (mm)		716.50	996.50	1296.50
G (mm)		25.50	25.50	25.50
H (mm)		160.00	160.00	160.00
I (mm)		40.00	40.00	40.00
J (mm)		30.00	30.00	30.00
K (mm)		160.00	160.00	160.00
L (mm)		62.00	62.00	62.00
M (mm)		231.50	231.50	231.50

Specifications subject to change. Dimensions in millimeters (mm) unless otherwise indicated.

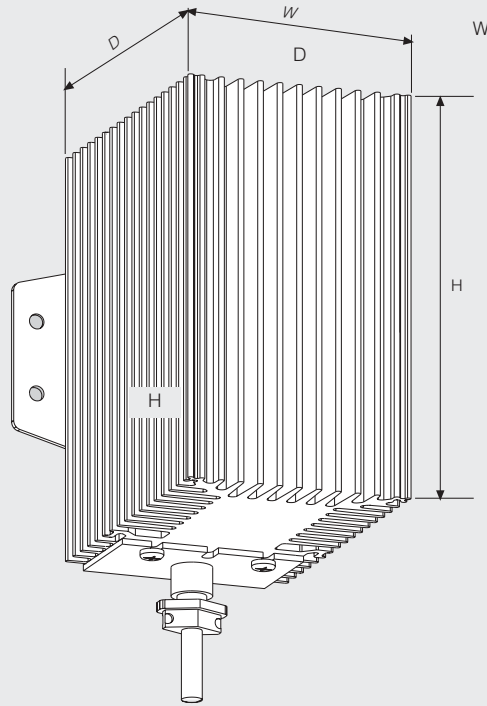
Designates a product in the EnclosureZone program.



Technical Specifications

Enclosure Heaters

3106000/3115000/3116000/3107000/3102xxx



Enclosure Heaters									
Part No.	3106000	3115000	3116000	3107000	3102000 includes fan	3102110 includes fan	9967053 includes fan	9967054 includes fan	
Dimensions in mm	H	125	110	185	140	168	145	145	
	W	45	64	64	80	120	145	145	
	D	35	54	54	118	145	102	102	
Rated voltage	110 V-240 V AC				230 V	115 V	115 V	230 V	
Continuous heat output at $T_u = 20^\circ\text{C}$	10 W	30 W	50 W	130 W	300 W	300 W	1000 W	1000 W	
Pre-fuse T	2.0 A	4.0 A	4.0 A	4.0 A	4.0 A	4.0 A	12.0 A	6.0 A	
Type of connection	1'/0.3 m cord				Terminal block				

Specifications subject to change.

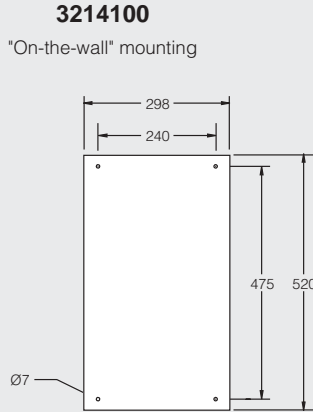
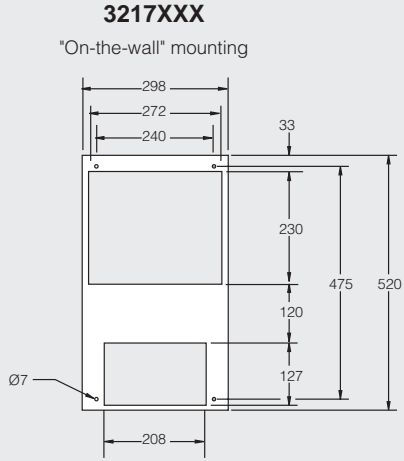
Dimensions in millimeters (mm) unless otherwise indicated.

Designates a product in the EnclosureZone program.

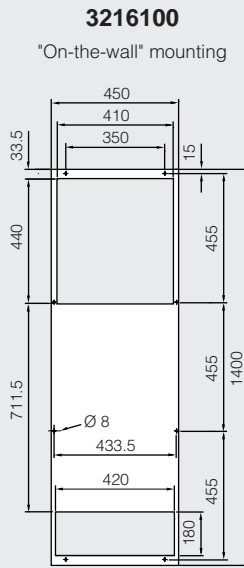
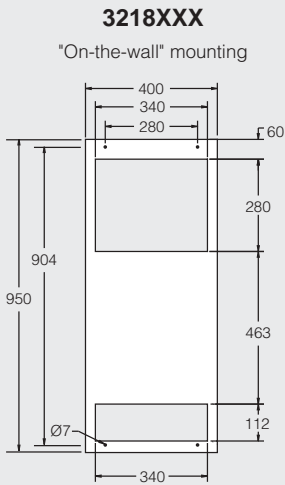
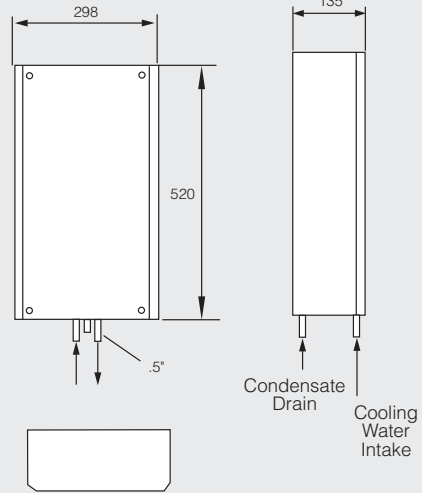


Technical Specifications

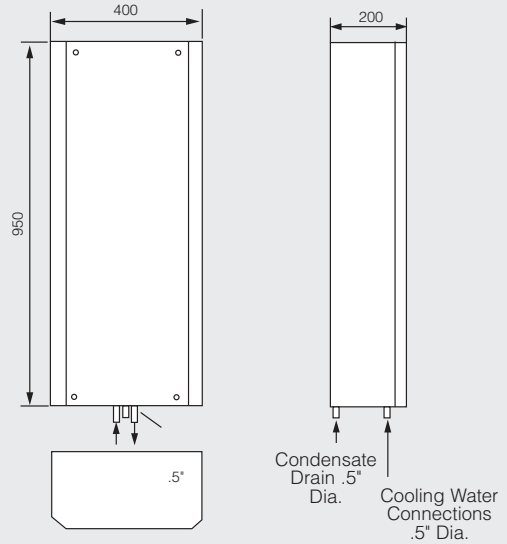
Air/Water Heat Exchangers



3217XXX



3218XXX



Air/Water Heat Exchangers							
Part No.		3214100	3217100	3217115	3218100	3218115	3216100
Rated voltage	Volt/Hz	230/50/60	230/50/60	115/50/60	230/50/60	115/50/60	230/50/60
Dimensions in inches/mm	H	19.7"/500 mm	20.47"/520 mm		37.40"/950 mm		55.5"/1400 mm
	W	7.9"/200 mm	11.73"/298 mm		15.75"/400 mm		18"/450 mm
	D	3.7"/100 mm	5.31"/135 mm		7.87"/200 mm		10"/250 mm
Useful cooling output (95°F internal/50°F water)	L35 W 10, 200 l/h	2050 BTU/680 W	3400 BTU/1000 W		10250 BTU/3000 W		17050 BTU/5000 W
	L35 W 10, 400 l/h	3400 BTU/1000 W	3750 BTU/1100 W		11950 BTU/3500 W		17050 BTU/5000 W
Maximum rated current		0.17/0.18 A	0.6/0.5 A	1.1 A	0.42 A/0.48 A	1.0 A	0.9/1.3 A
Pre-fuse T		2.0 A	4.0 A		4.0 A		4.0 A
Refrigerant		water (pH-neutral)					
Water entry temperature		+35°F to +86°F/+1°C to +30°C					
Operating pressure		15 to 145 psi/1 to 10 bar					
Ambient temperature range		+34°F to +158°F/+1°C to +70°C					
Noise level		58 dBa					
Protection rating per EN 60 529/10.91		NEMA 4/IP 65*					
Type of connection		Terminal block					
Weight		15 lbs/6.8 kg	26.5 lbs/ 12 kg		46.3 lbs/21 kg		123 lbs/56 kg
Air displacement		-	140 cfm/240 m ³ /h		260 cfm/450 m ³ /h		-
Temperature control		Thermostat Setting range +68°F to +140°F/ +20°C to +60°C					
Temperature monitoring		Built-in thermostat with change-over contact, 16 A capacity					

* When heat exchanger/cabinet interface is sealed. Specifications subject to change.

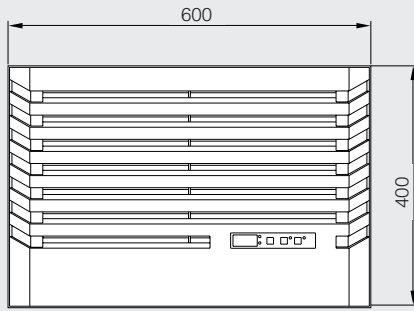
Dimensions in millimeters (mm) unless otherwise indicated.

Designates a product in the EnclosureZone program.

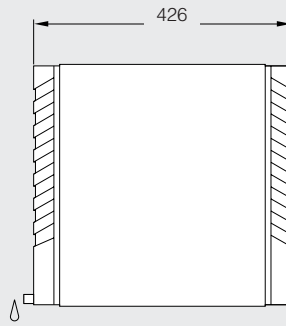


Technical Specifications

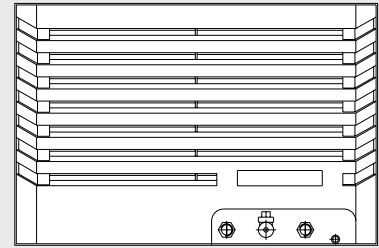
Mini Chillers



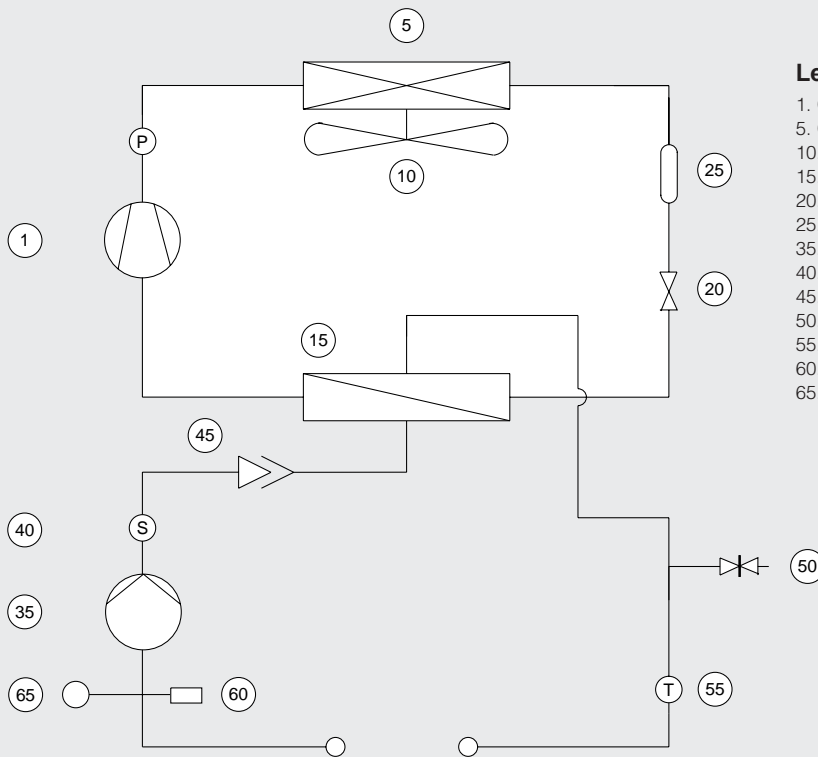
Front View



Side View



Rear View



Functional Diagram

Legend:

- 1. Compressor
- 5. Condenser
- 10. Condenser fan
- 15. Evaporator
- 20. Expansion valve
- 25. Filter dryer
- 35. Water pump
- 40. Flow switches
- 45. Vent valve
- 50. Water intake
- 55. Water temperature sensor
- 60. Pressure valve
- 65. Pressure expansion chamber

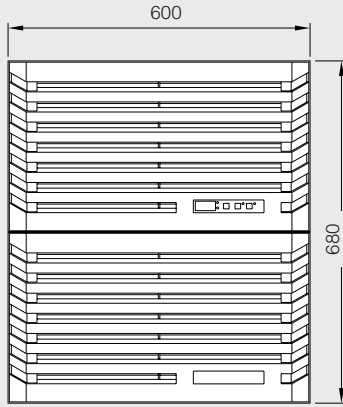
Mini Chillers										
Part No.	Exact outside dimensions						Voltage	Current	Pressure, psi	Cooling capacity BTU
	inches			mm						
	H	W	D	H	W	D				
3318510	16	24	17	400	600	426	230/50/60 V	4.1 A	363	3275/3650
3319510	16	24	17	400	600	426	230/50/60 V	5.4 A	363	5085/5665

Designates a product in the EnclosureZone program.

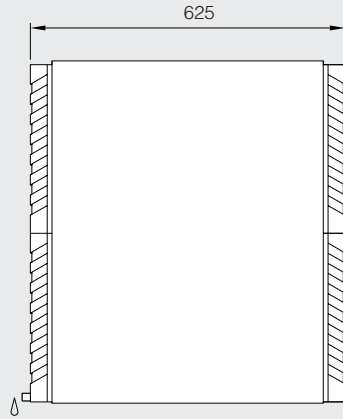


Technical Specifications

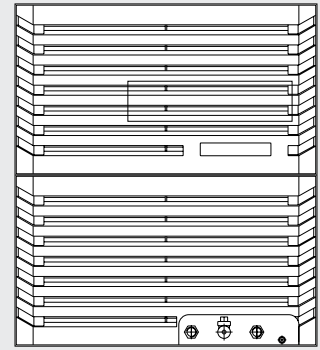
Chillers



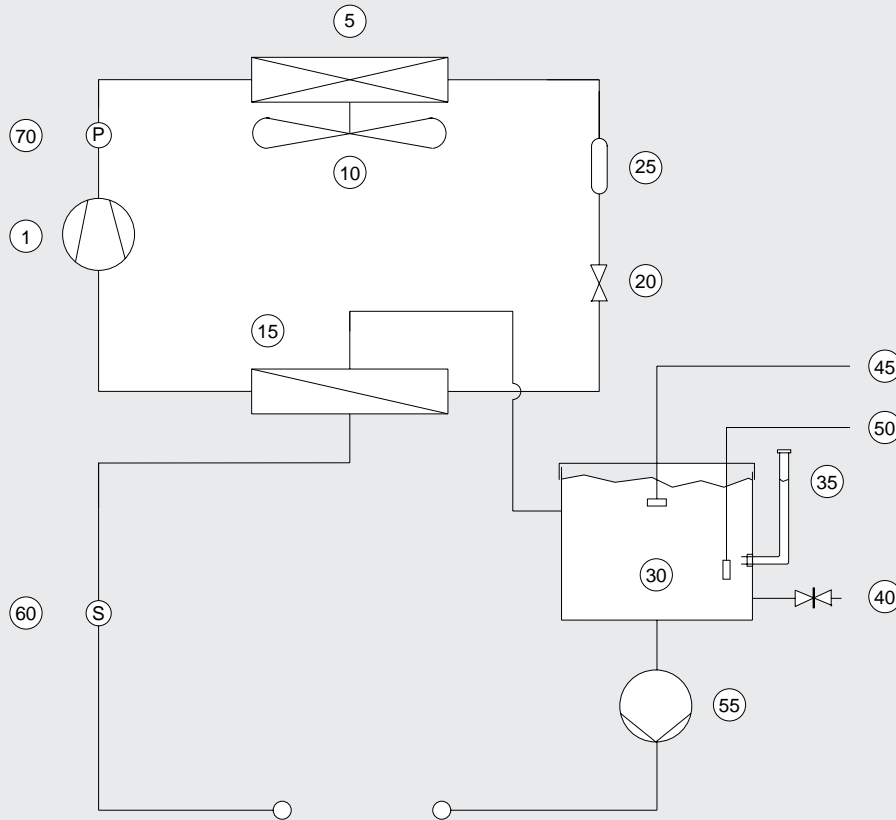
Front View



Side View



Rear View



Functional Diagram

Legend:

- 1. Compressor
- 5. Condenser
- 10. Condenser fan
- 15. Evaporator
- 20. Expansion valve
- 25. Filter dryer
- 30. Water tank
- 35. Intake valve
- 40. Drain
- 45. Water level switch (optional)
- 50. Temperature sensor
- 55. Pump
- 60. Flow monitor
- 70. Pressostat

Chillers										
Part No.	Exact outside dimensions						Voltage	Current	Pressure, psi	Cooling capacity BTU
	inches			mm						
	H	W	D	H	W	D				
EZ 3320502	27	24	25	680	600	625	460/60, 3~	3 A	334	11,390
EZ 3334502	27	24	25	680	600	625	460/60, 3~	5.2 A	334	17,080

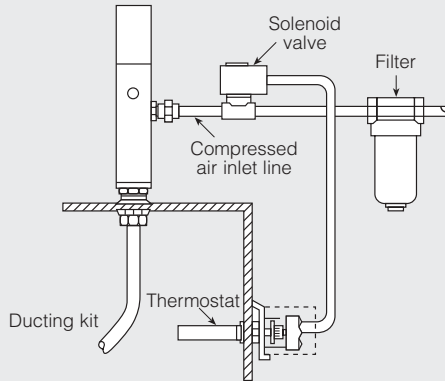
EZ Designates a product in the EnclosureZone program.



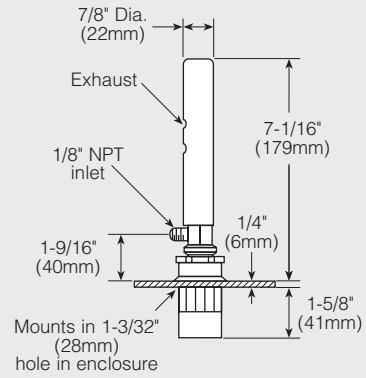
Technical Specifications

Vortex Kooler Enclosure Coolers

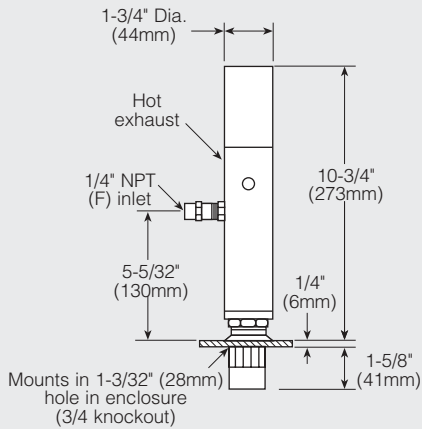
NEMA 12 Vortex Kooler System



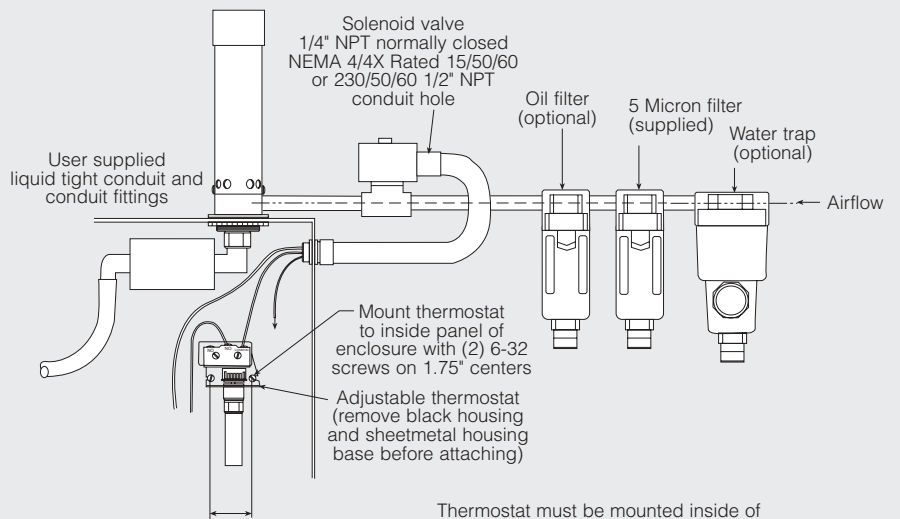
400 BTU Vortex Koolers



NEMA 12 900-2500 BTU Vortex Koolers

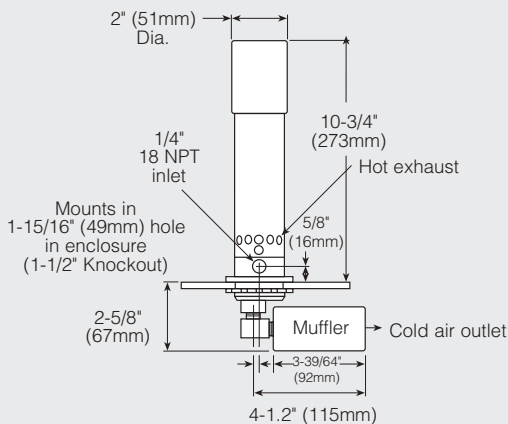


NEMA 4/4X Vortex Kooler System

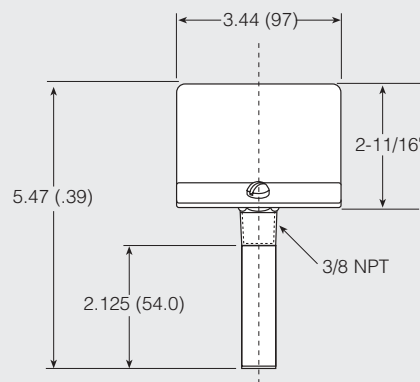


Thermostat must be mounted inside of NEMA 4 or 4X enclosure to maintain NEMA rating of Vortex Kooler system

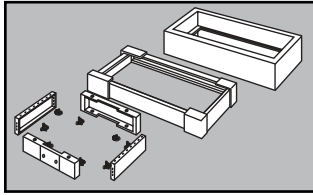
NEMA 4/4X Vortex Koolers



Thermostat mounts in 11/16\"/>



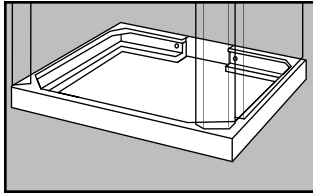
Bases And Accessories



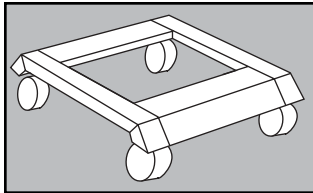
Plinths And Cable Bases For AE Enclosures

Plinths And Cable Bases For AK Enclosures

Plinths And Cable Bases For AP Enclosures



Plinths And Cable Bases For PC Enclosures



Mobile Base

Combines high functionality with modern design.

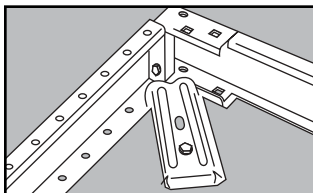
- Enclosure can easily be moved
- High floor clearance
- High load capacity, 265 lbs/120 kg static load per caster.

Configuration: base with 4 casters, including two with brake.

Color:

Base: RAL 7032 pebble grey/
7033 mortar grey

Casters: RAL 9005 black



Floor Clamp

8 ga/4 mm galvanized sheet steel, chromated.

Plinths And Cable Bases For AE Enclosures				
For enclosures WxD		Packs of	Part No.	
inches	mm		4" plinth	8" base
24x12	600x300	1	2816200	-
31x12	800x300	1	2818200	2828200
39x12	1000x300	1	2801200	2802200

Plinths And Cable Bases For AK Enclosures				
For enclosures WxD		Packs of	Part No.	
inches	mm		4" plinth	8" base
24x16	600x400	1	2911200	2912200
31x16	800x400	1	2901200	2902200
47x16	1200x400	1	2921200	2922200

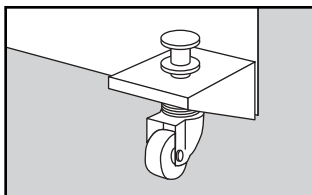
Plinths And Cable Bases For AP Enclosures				
For enclosures WxD		Packs of	Part No.	
inches	mm		4" plinth	8" base
24x16	600x400	1	2911200	2912200
24x20	600x500	1	2807200	2808200
31x16	800x400	1	2901200	2902200
31x20	800x500	1	2841200	2842200
39x16	1000x400	1	2891200	2892200
47x16	1200x400	1	2921200	2922200
47x20	1200x500	1	2851200	2852200
63x16	1600x400	1	2961200	2962200
63x20	1600x500	1	2863200	2864200

Plinths And Cable Bases For PC Enclosures				
For enclosure WxD		Packs of	Part No.	
inches	mm		4" base	8" base
24x24	600x600	1	2813200	2814200
24x31	600x800	1	2846200	-

Mobile Base				
For enclosure WxD		Packs of	Part No.	
inches	mm		4" base	8" base
24x24	600x600	1	2981200	
24x31	600x800	1	2982200	

Floor Clamp		
	Packs of	Part No.
Floor clamp	10	2817000

Designates a product in the EnclosureZone program.



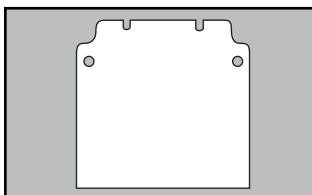
Wheel Casters

Use only on installed plinths or cable bases.

Configuration: 1 set includes 4 casters. Also available with foot brake: 2 casters with and 2 casters without brakes per set.

Wheel Casters			
For enclosure	Brake	Packs of	Part No.
AE, AK, PC	yes	1 set	4570000

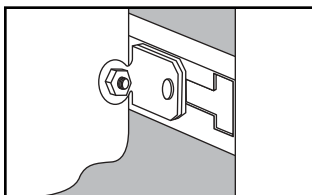
Mounting Surfaces And Accessories



Mounting Panels For KL Enclosures

Material: hot-dipped galvanized zinc
Finish: Type M

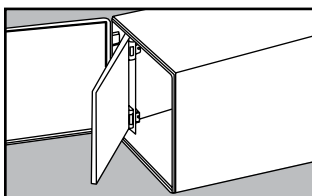
Mounting Panels For KL Enclosures				
Mounting panel HxW		Packs of	Part No.	Fits
inches	mm			
5.31x4.92	135x125	1	1560700	KL 1500/14/21
7.28x6.89	185x175	1	1562700	KL 1502/23
11.22x4.92	285x125	1	1561700	KL 1501/15/30/22
11.22x6.89	285x175	1	1563700	KL 1503/17/31/24
11.22x10.83	285x275	1	1567700	KL 1507
15.16x6.89	385x175	1	1564700	KL 1504/25
15.16x10.83	385x275	1	1568700	KL 1508
15.16x14.76	385x375	1	1571700	KL 1511
19.09x6.89	485x175	1	1565700	KL 1505
19.09x10.83	485x275	1	1569700	KL 1509
23.03x6.89	585x175	1	1566700	KL
23.03x10.83	585x275	1	1570700	KL
23.03x14.76	585x375	1	1572700	KL
30.91x6.89	785x175	1	1574700	KL
30.91x14.76	785x375	1	1573700	KL
7.28x4.92	185x125	1	1575700	EB 1751
15.16x4.92	385x125	1	1576700	KL
9.25x6.89	235x175	1	1597460	EB 1752
11.22x8.86	285x225	1	1597470	KL/EB
13.19x10.83	335x275	1	1597480	KL/EB
15.16x12.79	385x325	1	1597490	KL/EB



Mounting Panel Depth Adjustment Bracket For KS

Slides into molded C-rails in KS enclosures and is infinitely adjustable. Also allows installation of rails instead of mounting panel.

Mounting Panel Depth Adjustment Bracket For KS		
For Enclosure	Packs of	Part No.
KS 1468, KS 1480	4	1491000
KS 1432, KS 1434, KS 1444, KS 1446, KS 1466	4	1481000



Dead-Front Kit For AE Enclosures

Provides a NEMA 1 safety barrier and mounting surface towards the front of AE enclosures. Easy installation and can be retrofitted to existing enclosures. Depth adjustable by using SZ 2574 system blocks and modified C-rails.

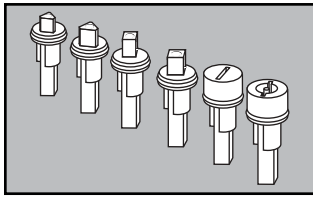
Configuration: mounting brackets, sheet steel panel and hardware.

Color: RAL 7032 pebble grey

Dead-Front Kit For AE Enclosures			
For AE enclosure HxW		Packs of	Part No.
inches	mm		
20x20	500x500	1	9962957
24x24	600x600	1	9962958
30x24	760x760	1	9962959
30x30	760x760	1	9962960

Designates a product in the EnclosureZone program.

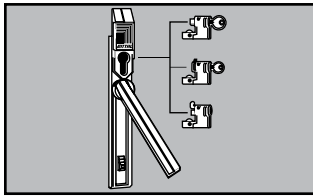
Locking Systems



KS Lock Inserts

Specially designed safety lock system for KS Series fiberglass-reinforced enclosures. Replaces standard turn-buckle locks and accepts a special series of KS lock inserts and convenient thumb turn handles.

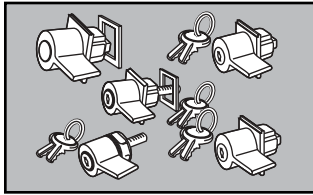
KS Lock Inserts		
KS lock system	Packs of	Part No.
Thumb turn handle with key	1	1484000
Screwdriver insert	1	1489000



Ergoform-S Lock System For KS Enclosures

Specially designed safety handle/lock system for KS Series fiberglass-reinforced enclosures. Accepts the whole range of standard Ergoform-S lock inserts as well as the special KS lock system inserts.

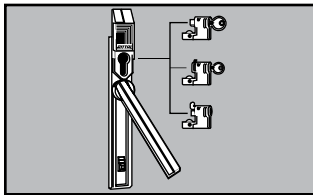
Ergoform-S Lock System For KS Enclosures		
Ergoform-S lock system	Packs of	Part No.
Ergoform-S safety handle	1	1490000



Thumb Turn Handles

Thumb Turn Handles		
For	Packs of	Part No.
AE/CP	1	2576000*
AE/EL	1	2533000*
AP (top/center)	1	2599000

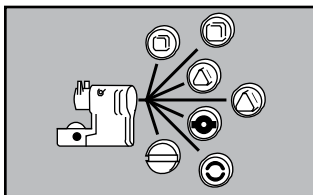
* Does not fit AE 1114/1213 and AE stainless steel.



Ergoform-S Lock System

Rittal's patented security lock system for enclosures: handle springs forward for easy door opening, accepts a wide range of lock inserts, easy to install, no modifications required.

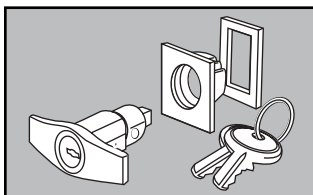
Ergoform-S Lock System For KS Enclosures			
Type	Finish	Packs of	Part No.
Standard	Grey/brown	1	2450000



Lock Inserts

For Ergoform-S.

Lock Inserts			
Type	Size	Packs of	Part No.
Square	0.28" (7 mm)	1	2460000
Square	0.31" (8 mm)	1	2461000
Triangular	0.28" (7 mm)	1	2462000
Triangular	0.31" (8 mm)	1	2463000
Screwdriver	-	1	2464000
Daimler-Benz	-	1	2465000
Double bit	-	1	2466000
Pushbutton	-	1	2468000
Pushbutton/key	Key # 2123 E	1	2469000

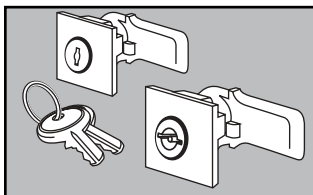


T-Handles

Material: die-cast zinc, chrome plated.

Configuration: includes installation hardware, gasket, and 2 keys.

T-Handles		
Type B		
Version		Part No.
With no. 3524 E security insert		2575000
Without security insert		2572000



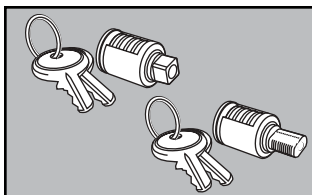
Replacement Lock For AE

Turn-buckle lock complete with double bit or lock/key insert.

Replacement Lock For AE		
Replacement lock	Packs of	Part No.
With double bit insert	1	2420000*
With 3524E insert	1	2430000*

* Does not fit AE 1114/1213 and AE stainless steel.

Designates a product in the EnclosureZone program.

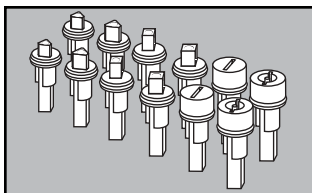


Security Insert

Lock system with 2 keys.

Security Insert		
For	Packs of	Part No.
AE/CP	1	2571000

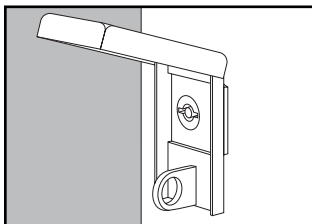
* For all AE, EL and CP enclosures. Does not fit AE 1114/1213.



Lock Inserts

1.61" (41 mm) inserts for FT 2749 control panel lock; SR 2026/2027/2034 swing frames.

Lock Inserts		
Type	Packs of	Part No.
		1.61"
S/S screwdriver	1	9964254



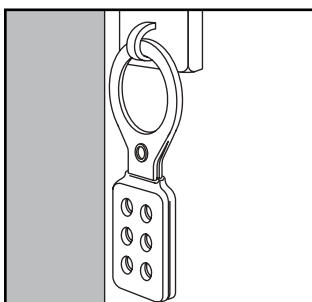
Padlock Hasp

Can be retrofitted on all AE compact enclosures with Type A lock. Ready for padlocks and safety lockouts.

Material: zinc diecast

Configuration: padlock hasp including installation hardware.

Padlock Hasp		
Packs of		Part No.
1		2493000



Safety Lockout

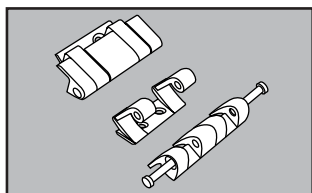
Prevents unauthorized opening of the enclosure and accidental activation of the system. The safety lockout is the ideal solution in cases where individual access for several persons is required for maintenance and repair purposes. The safety lockout provides space for 6 padlocks.

Material: sheet steel, chromated

Configuration: safety lockout without padlocks.

Safety Lockout		
Packs of		Part No.
2		2493500

Door System Accessories

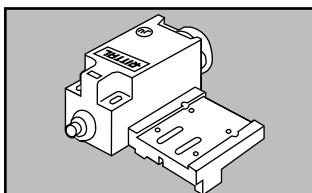


180° Hinges

To replace standard 130° hinges (installation hardware included).

Material: die-cast zinc

180° Hinges		
Packs of		Part No.
2		2449000

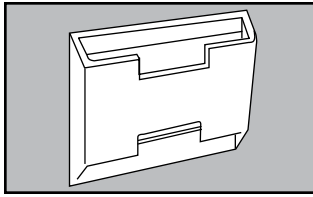


Door Switch

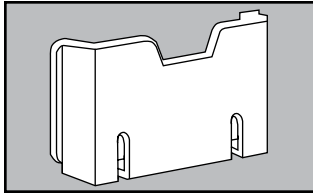
Activates enclosure lighting and/or enclosure climate control components.

Door Switch		
	Packs of	Part No.
Complete set	1	4127000

Designates a product in the EnclosureZone program.

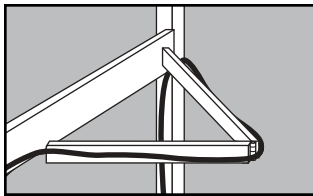


Print Pockets



Print Pockets				
Description	Paper size	Packs of	Part No.	For enclosure (inches/mm)
Transparent pouch	8.5" x 11"	1	2510000	any size
Molded plastic	11" x 17"	1	2513000	any size
	8.5" x 11"	1	2514000	any size

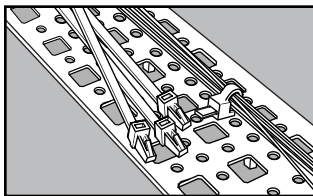
Cable Management



Hinged Cable Carrier

Installs behind component shelves on telescopic slides to provide safe cable routing.

Hinged Cable Carrier			
	Packs of	Part No.	
Cable carrier	1		7163000

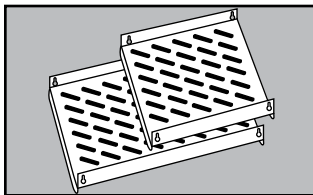


Cable Ties

Clip into system installation holes.

Cable Ties			
	Packs of	Part No.	
Cable ties	100		2597000

Shelves And Accessories



Component Shelves For Fixed installation in 24"/600 mm Wide PC

Are installed directly to enclosure frame - simply hang on 4 screws and tighten.

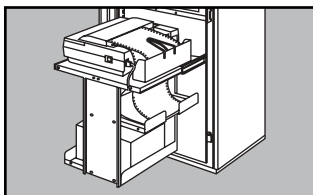
Material: sheet steel

Finish: powder coated, textured, RAL 7035 light grey

Configuration: complete with installation hardware.

Accessories: positioning bolts for vented component shelves (DK 7115000)

Component Shelves For Fixed Installation				
For enclosure depth		Shelf area		Part No.
PC		inches	mm	
inches	mm	inches	mm	
26	650	20.08 x 21.85	510 x 555	4619660
33	850	20.08 x 29.72	510 x 755	4619680



Printer Carriage

For functional housing of printer in an enclosure. Complete with telescopic slides, paper feed and storage shelves. Installation hardware included.

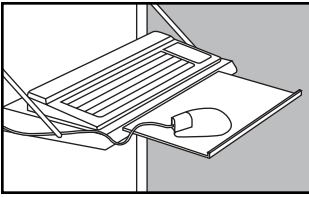
Load capacity: 55 lbs/25 kg

Material: sheet steel

Color: RAL 7032 pebble grey

Printer Carriage				
Printer size	For enclosure W x D		Packs of	Part No.
	inches	mm		
Standard	24 x 24	600 x 600	1	4635000

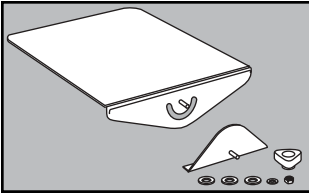
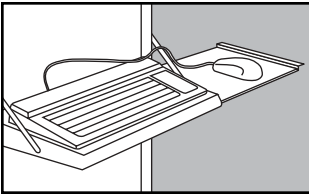
Designates a product in the EnclosureZone program.



Mouse Pad

Can be installed in PC enclosures with keyboard drawer or shelf. Pulls out to right or left side (drawer) or front (shelf). Complete with self-adhesive pad covering and installation hardware.

Mouse Pad		
For enclosure		Part No.
PC fold-down with keyboard shelf		4613000
PC pull-out with keyboard drawer		4614000



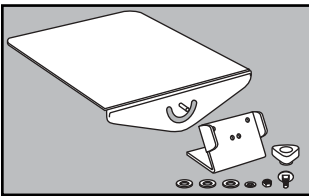
Mouse Pad Tray For Desk Consoles

Can be mounted on operator interface enclosures with a desk console (ie PC) or on other AP Series consoles for accommodation of SM 6444000 and SM 6444500 IP 67 mouse pads. The slope of the mouse pad tray can be infinitely adjusted. Installation requires drilling two installation holes in the console.

Material: sheet steel, chromated

Configuration: mouse pad tray, installation hardware.

Mouse Pad Tray For Desk Consoles		
For	Packs of	Part No.
PC 4603704 AP Series consoles	1	2380000



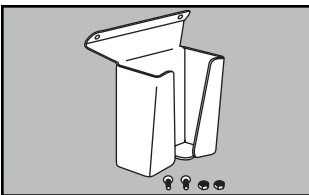
Mouse Pad Tray

Is mounted on vertical handles of keyboard housings for accommodation of SM 6444000 and SM 6444500 IP 67 mouse pads. The slope of the mouse pad tray is infinitely adjustable. Installation requires drilling two installation holes in the handle grip brackets.

Material: sheet steel, chromated

Configuration: mouse pad tray, installation hardware.

Mouse Pad Tray		
Description	Packs of	Part No.
Mouse pad tray	1	2381000



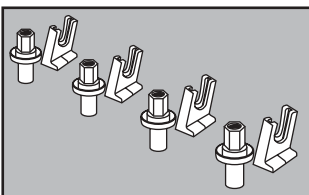
Mouse Holder

Fits Rittal mouse pad trays to ensure safe storage of a standard mouse or the Rittal SM 6445000 IP 67 mouse.

Material: sheet steel, chromated

Configuration: mouse holder, installation hardware.

Mouse Holder		
Packs of		Part No.
1		2382000



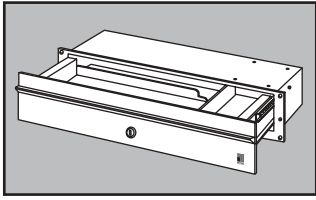
Mounting Kit For Threaded Bolts

For fastening:

- aluminum front panels
- control panels
- keyboards.

Mounting Kit For Threaded Bolts		
Thread		Part No.
M4		6058500
M5		6053500

Designates a product in the EnclosureZone program.



Keyboard Drawer 19 1/2 U

Can be mounted in all 19" systems or on any sufficiently large surface (door, side wall, etc.). Its low weight (5.5 lbs/2.5 kg) makes it ideal for use in support arm systems because adequate room remains for cabling, even when the support arm is connected from below. It can also be locked with a 3524 E lock.

High mechanical protection and shielding is maintained, even when the drawer is open.

Technical data:

- Total available space: 15.35"x1.26"x5.47"/390x32x139 mm
- Drawer has 2.36"/60 mm high space on right for a mouse or trackball or for a 3-1/2" disk drive.
- When a mouse is used or when a 3-1/2" drive is installed, only enough space remains for an 11.2"/284 mm wide keyboard.

Keyboard Drawer 19 1/2 U			
Height	Width	Depth	Part No.
2 U	19"/482.6 mm	5.90"/150 mm	6002200

Material:

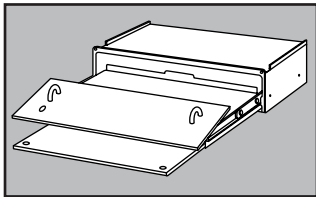
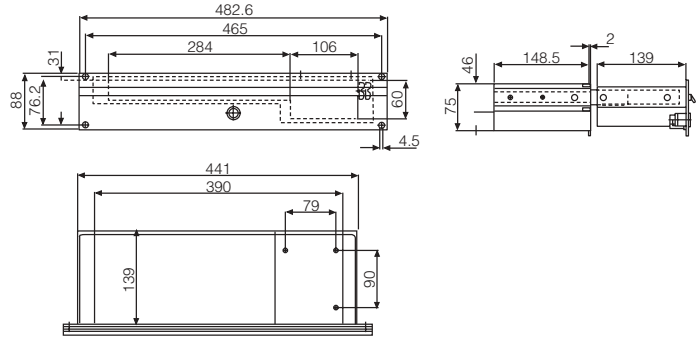
Frame: sheet steel, zinc-plated, chromated

Drawer housing and drawer: aluminum

Front panel and handle: aluminum, natural anodized

Configuration:

Drawer housing with drawer, includes slides with stops for 'open' position, front panel with handle, gasket and installation hardware.



Keyboard Drawer With Mouse Pad

With 19 2/3 U front panel for installation on all sufficiently large surfaces (door, side wall, etc.).

Technical data:

- Accepts keyboards up to HxWxD = 1.65"x18.11"x6.69"/460x42x170 mm
- Storage area for mouse under side of keyboard
- Front pull-out mouse pad

Keyboard Drawer With Mouse Pad			
Height	Width	Depth	Part No.
3 U	19"/482.6 mm	232 mm	6003000

Material:

- reversible, for track ball
- lockable, No. 3542 E insert
- features grip

- High protection rating and EMC shielding is maintained, even when drawer is open.

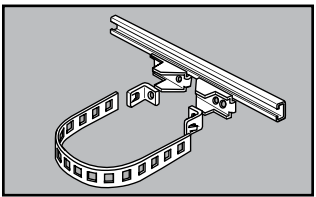
Material:

Mounting frame: steel, zinc-coated, chromated

Keyboard housing and tray: aluminum

Front panel and grip: aluminum, natural anodized

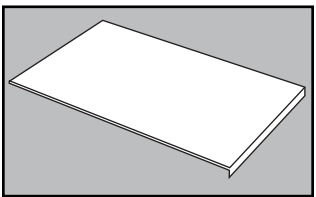
General Accessories



Pole Mounting Kit

For standard wallmount enclosures up to 24" wide. Kit consists of 2 cross rails, 4 clamps, 2 straps and installation hardware.

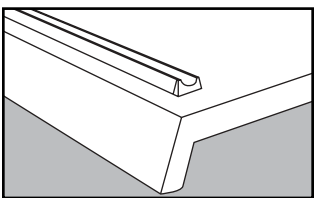
Pole Mounting Kit			
	Packs of	Part No.	Fits
Pole mounting kit	1 kit	2584000	AE, KL



Lids/Covers For AP Consoles

Can cover both bottom consoles and center section.

Lids/Covers For AP Consoles				
Width x Depth		Packs of	Part No.	Fits
inches	mm			
31.50x15.55	800x395	1	2615200	AP 2600, 2611
31.50x19.49	800x495	1	2616200	AP 2610, 2613
47.24x15.55	1200x395	1	2645200	AP 2620, 2641
47.24x19.49	1200x495	1	2646200	AP 2640, 2643
62.99x19.49	1600x495	1	2656200	AP 2650, 2653

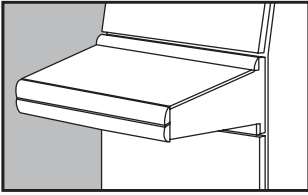


Pencil Ledge For AP Consoles

Prevents pencils and paper from sliding off the console lid.

Pencil Ledge		
Packs of	Part No.	Fits
3	2676000	AP 2666
3	2678000	AP 2611, 2613, 2668
3	2680000	AP 2670
3	2682000	AP 2641, 2643, 2672

Designates a product in the EnclosureZone program.



Console

For installing display and control components. Removable cover plates top and bottom.

Material:

Desk section and cover plates: sheet steel

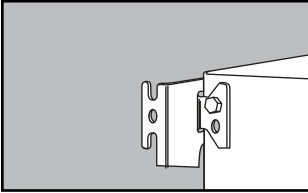
Trim strips: aluminum

Color: textured RAL 7032

Trim strips: RAL 5018

Console	
Height (mm)	Part No.
200	2696200

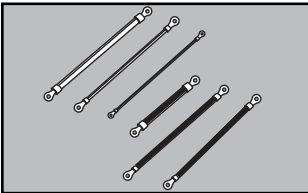
Supply includes: console, 2 cover plates, 3 trim strips, including installation hardware.



Wall Brackets For KL/EB/AE/KS Enclosures

Fasten enclosure securely to wall.

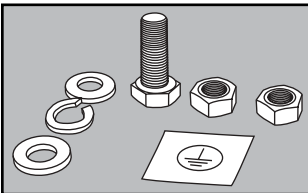
Wall Brackets				
For enclosure type	Stand-off from wall (inches/mm)	Material	Packs of	Part No.
EB/KL	5/16/8	Nickel plated brass	4	1580000
EB/KL	5/16/8	Zinc coated steel	4	1590000
EB/KL S/S	5/16/8	T 304 stainless steel	4	1594000
AE	1 5/8/40	Zinc coated steel	4	2503200
AE	3/8/10	Zinc coated steel	4	2508200
AE S/S	3/8/10	T 304 stainless steel	4	2433000
KS	Flush	Fiberglass reinforced polyimide	4	1483000



Grounding Straps

Choose from 6 ready-to-use grounding straps in different lengths and thicknesses. For M6 and M8 screws.

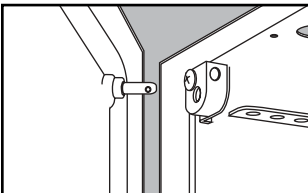
Grounding Straps				
Wire size		Packs of	Part No.	
AWG	∅		7" long	12" long
11	4 mm ²	5	2564000	2567000
5	16 mm ²	5	2565000	2568000
3	25 mm ²	5	2566000	2569000



Screws For Grounding Straps

Includes screws and washers.

Screws For Grounding Straps		
Thread	Packs of	Part No.
M6	10 sets	2570000
M8	10 sets	2559000

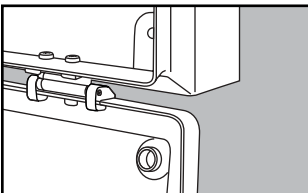


Quick Release Fastener

Saves time during inspection and maintenance. Fits into holes in cover and housing bracket. No drilling required.

US Patent No. 4,550,852

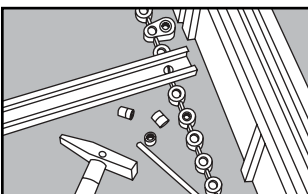
Quick Release Fastener		
	Packs of	Part No.
Fastener	12	1593000



Cover Hinge

Is simply screwed onto the perimeter channel and door edge.

Cover Hinge		
	Packs of	Part No.
Cover hinge	6	1592000

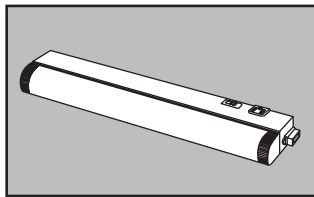


Threaded Insert Nuts For KS

Fit in molded fixing nuts on door and inside rear wall of KS enclosures and facilitate mounting of DIN rails, panels, etc.

Threaded Insert Nuts		
	Packs of	Part No.
Threaded insert nuts	20	1482000

Designates a product in the EnclosureZone program.



Enclosure Lights

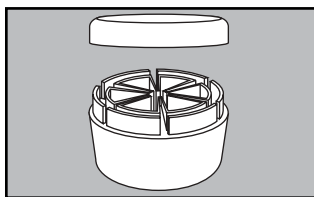
Rittal's new fluorescent enclosure lights are designed for quick and easy installation. The external terminal block means no need to disassemble the light to make electrical connections. Available in 15 or 18 watt rating, they can be used with or without the Rittal 4127000 door switch. Equipped with interference suppression capacitor or a RFI filter they also come with or without a lamp shade or 115 V U.S. style receptacle.

Advantages:

- Low profile for space efficiency
- Quick and easy installation
- Simple external electrical connections
- With or without 120 V U.S. receptacle

Enclosure Lights			
Part No.		Installation length	Technical data
With interference suppression capacitor and no receptacle or shade	With RFI filter, U.S. receptacle and lamp shade	A	
9968108	9968111	18.3"/467 mm	15 W, 120 V, 60 Hz
9968109	9968112	24.4"/620 mm	18 w, 120 V, 60 Hz

- With or without lamE L21p shade
 - Interference suppression
 - UL and CSA approvals
 - Suppression capacitor or RFI filter
 - UL recognized for Canadian and U.S. requirements
 - On/off rocker switch
 - Clear lamp shade option
 - U.S. receptacle option
- Enclosure lights specifications:**
- Rating: 120 V, 60 Hz
 - Color: RAL 7044
 - Lights medium: cool white
 - Includes installation hardware
 - Connection terminals: L1, N, Gnd



Connections Components With Cover

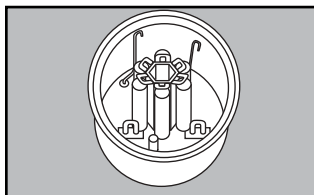
Choose from conduit mounting or wall/base installation units. Screw terminals are in the connection component. Contact hazard protection to VDE.

Material: enclosure of polyamide

Ratings: NEMA 12/IP 54

Color: black

Connections Components With Cover		
Connection components with cover	Part No.	
For conduit mounting		2368000
For wall/base mounting		2368010



Optical Components

With 360° signal emission through optimized prism technology. The optical components may be mounted at any point on the pillar. Number of possible stages = 5 components of equal voltage. Bayonet fastening, B 15d, for incandescent lamps up to a maximum of 7 W.

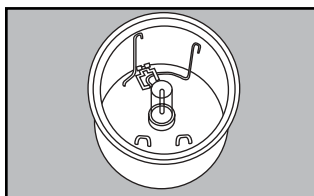
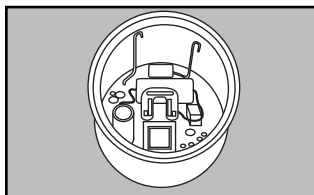
Material:

Enclosure: polymide

Cap: transparent polycarbonate

Ratings: NEMA 12/IP 54 when end cover or audible components are mounted.

Configuration: optical component including gasket (light bulbs not supplied).



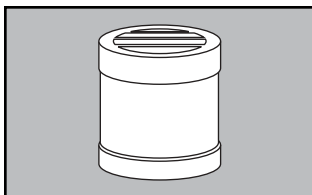
Optical Components					
Color	Red	Green	Yellow	Clear	Blue
Optical components	Part No.				
Continuous light component 12-240 V AC/DC	2369000	2369010	2369020	2369030	2369040
Flashing light component 24 V AC/DC, 125 mA/225 mA	2370000	2370010	2370020	2370030	2370040
Flashing light component 230 V AC, 15 mA	2370050	2370060	2370070	2370080	2370090
Strobe light component 24 V AC/DC, 125 mA/225 mA	2371000	2371010	2371020	2371030	2371040
Strobe light component 230 V AC, 15 mA	2371050	2371060	2371070	2371080	2371090
LED continuous light component 24 V AC/DC, 60 mA	2372000	2372010	2372020	2372030	2372040

Light Bulbs

Light bulbs for optical components with bayonet fastening, B 15d, for new orders and spares.

Light Bulbs		
Light bulb	Packs of	Part No.
24 V, 5 W	3	2374060
230 V, 5 W	3	2374070

Designates a product in the EnclosureZone program.



Audible Components

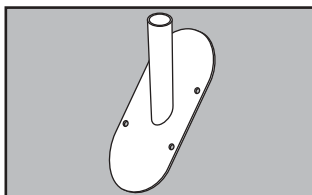
To indicate warnings or malfunctions. Either a continuous or a pulsating tone may be selected. The sound pressure is 85 dB/100 dB.

Material:
Enclosure: polyamide

Color: black

Configuration: audible component including gasket.

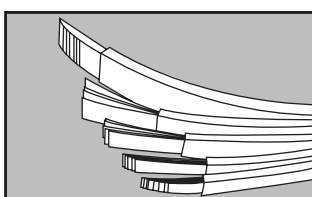
Audible Components		
Audible components		Part No.
85 dB max. 25 mA		2376020
100dB max. 25 mA		2376030



Mounting Components

Matching mounting components finish off the new range of signal pillars from Rittal. Here, you will find the correct connection accessories to suit every mounting variant.

Mounting Components		
Mounting component	Color	Part No.
Base with integral conduit, 25 mm diameter, 110 mm long	Black	2374000
Individual base, plastic	Black	2374010
Individual conduit, 250 mm long	Aluminum	2374020
Individual conduit, 400 mm long	Aluminum	2374030
Bracket for one-sided mounting	Black	2374040
Bracket for conduit mounting	Black	2374050



Laminated Copper Bars Rittal Flexibar "S"

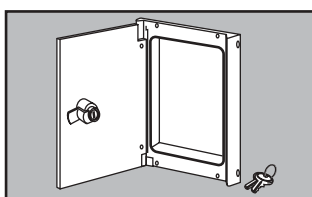
Length: 2000 mm/bar

- Material:**
Cu Lamina —
- High-purity electrolyte copper F 20
- Insulation —
- High-strength vinyl compound
 - Expansion 370%
 - Temperature range: -30°C to +105°C
 - Flame retardant version to UL 94-V0
 - Dielectric strength: 20 kV/mm

Mounting Components							
Construction ¹⁾ (mm)	I _n at 50 K ²⁾	I _n at 30 K ²⁾	I _n at 10 K ²⁾	Curve (short-circuit resistance)	Installation type	Packs of	Part No.
6x9.0x0.8	250 A	220 A	120 A	-	-	1	3565000
6x13.0x0.5	200 A	150 A	110 A	-	-	1	3566000
4x15.5x0.8	300 A	210 A	140 A	-	-	1	3567000
6x15.5x0.8	350 A	290 A	170 A	a	1	1	3568000
10x15.5x0.8	450 A	350 A	190 A	a	1	1	3569000
5x20.0x1.0	400 A	300 A	180 A	a	1	1	3570000
5x24.0x1.0	450 A	370 A	230 A	a	1	1	3571000
10x24.0x1.0	800 A	600 A	340 A	b	1	1	3572000
5x32.0x1.0	550 A	470 A	280 A	b	2/3	1	3573000
10x32.0x1.0	1000 A	800 A	460 A	c	2/3	1	3574000
5x40.0x1.0	800 A	600 A	340 A	b	2/3	1	3575000
10x40.0x1.0	1200 A	950 A	500 A	c	2/3	1	3576000
10x63.0x1.0	1600 A	1240 A	715 A	d	2/3	1	3579000

¹⁾ Number of layers x width of layers x thickness of layers.

²⁾ The sum of the ambient temperature and temperature increase gives the resultant conductor temperature of the laminated flat copper bar. *Example:* SV 3565000 loaded with 220 A, i. e. the temperature increases by 30 K. At an ambient temperature of 35°C, this produces a resultant conductor temperature of 35°C + 30 K = 65°C.



Interface Box

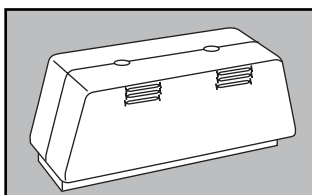
The Rittal interface box provides secure accommodation for all standard computer ports, 3-1/2" disk drives and sockets. The lockable metal cover provides a high mechanical load-bearing capacity, protects against unauthorized access and ensures an increased shielding effect for the installed equipment.

Material:
Frame: extruded aluminum section
Mounting tray: sheet steel, 1.5 mm
Cover: aluminum, 3.0 mm

Interface Box	
	Part No.
No socket	2482000

Surface finish:
Frame and mounting tray: powder coated in RAL 7035 light grey
Cover: natural anodized

Supply includes: frame with hinged cover, cam with lock insert no. 3524 E, mounting tray including seal and installation hardware.



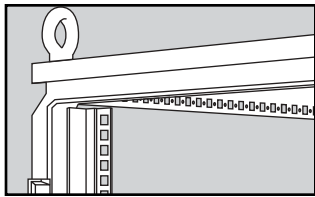
Cable Flange For 24-pin Plug Wall Cutouts

Allows routing of cables with pre-assembled or molded plugs without having to remove the plug. Accommodates .31" to 1.42" (8 to 36 mm) ø cable.

Configuration: 2 half shells including gaskets, 1 attachment clamp.

Cable Flange For 24-Pin Plug Wall Cutouts		
	Packs of	Part No.
Cable flange	1	2400500

Designates a product in the EnclosureZone program.

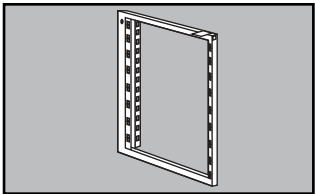


19" Rails

Aluminum or sheet steel 19" rails punched for installation of 19" components. Can easily be installed into all 24"/600 mm wide enclosures for conversion to 19" rack.

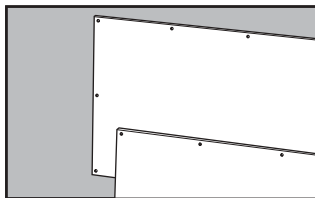
Note: must order EL 2093 screws and EL 2094 nuts.

19" Rails					
U	For enclosure height		Material	Packs of	Part No.
	inches	mm			
17	Lower compartment of PC		Aluminum	4	4632000



Compact Swing Frames For AE And AP 6 - 14 HU

6-14U Compact Swing Frames For AE and AP						
HU	H	W	H	W	Packs of	Part No.
1HU=1.75"	inches	inches	mm	mm	of	
6	12.60	21.30	320	541	1	2026200
11	21.34	21.30	542	541	1	2027200
14	26.61	21.30	676	541	1	2034200

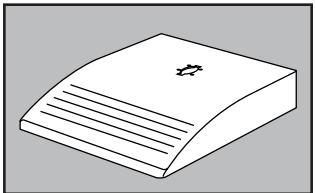


Aluminum Front Panels

For individual assembly of an operating interface. A fixing kit CP 6058000 is required for installation. Other sizes and designs available on request.

Material: 3.0 mm aluminum, natural anodized.

Front Panels			
Width	Height	Packs of	Part No.
482.6 mm (19")	30.3 mm (7 U)	1	6028000



Pedestal/Platform

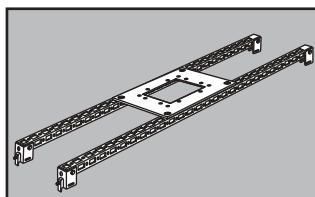
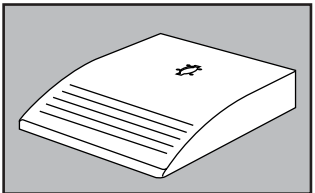
Provides good line of site for remote applications.

Material: sheet steel

Finish: powder painted, textured, RAL 7030 stone grey or RAL 7035 light grey

Configuration: pedestal/floor plate with integrated reinforcement and installation cutout for CP 6000 or CP 6500 support arms; includes installation hardware for support arms

Pedestal/Platform			
For support arm	Color RAL		Part No.
CP 6500	7035		6137535
CP 6000	7035		6137035



Wireway Reinforcement Bracket

The Rittal wireway reinforcement support bracket is used as an accessory for enclosures to facilitate easy installation of NEMA-style wireway directly to the sidewall or roof. The kit makes installing wireway a snap by positioning the enclosure's skin between the wireway and reinforcement bracket. Rittal's bracket installation kit includes system bars, brackets, nuts and bolts for a complete reinforcement option.

Configuration:

- Sidewall/roof mounting
- Complete with hardware
- 11 gauge steel
- RAL 7044 silk grey
- System bars for installation up to 1000 mm deep
- Dual brackets for variable mounting of system bars
- Slide nuts facilitate easy location of support bracket across entire length of system bars

Wireway Reinforcement Bracket						
Part No.	Description	For wireway	Electromate or industrial wireway families			
			Lay-in Type 12	Feed-through Type 12	S/S feed-through Type 4X	
9967667	2.5"x2.5" Wireway reinforce plate	2.5"x2.5"	X	X	-	
9967668	4"x4" Wireway reinforce plate	4"x4"	X	X	X	
9967669	6"x6" Wireway reinforce plate	6"x6"	X	X	X	
9967670	8"x8" Wireway reinforce plate	8"x8"	X	X	-	
9967671	6"x12" Wireway reinforce plate	6"x12"	X	-	-	

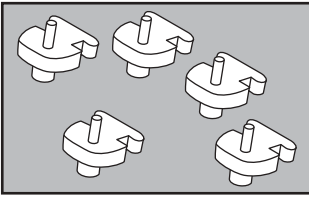
Wireway Reinforcement Bracket					
Part No.	Size	A	B	C	D
9967667	2.5"x2.5"	150 mm (5.91")	150 mm (5.91")	63.50 mm (2.50")	63.50 mm (2.50")
9967668	4"x4"	200 mm (7.87")	200 mm (7.87")	101.60 mm (4.00")	101.60 mm (4.00")
9967669	6"x6"	250 mm (9.84")	250 mm (9.84")	152.40 mm (6.00")	152.40 mm (6.00")
9967670	8"x8"	325 mm (12.79")	325 mm (12.79")	203.20 mm (8.13")	203.20 mm (8.13")
9967671	6"x12"	400 mm (15.75")	250 mm (9.84")	304.80 mm (12.00")	152.40 mm (6.00")

- M6 bolts for fastening
- M6 screws for wireway plate to ensure flush fit

Technical specifications:

Material: steel
Finish: RAL 7044 silk grey

Designates a product in the EnclosureZone program.



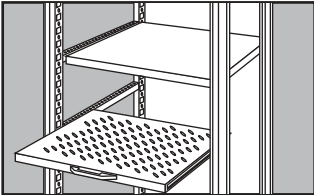
Cable Tie Fastener

For all standard cable ties up to a width of 3/16"/4.8 mm. The fastener is inserted in a mounting channel and fixed in place by striking the split-rivet.

Material: polyamide 6.6

Cable Tie Fastener		
Packs of		Part No.
100		6059000

Networking Accessories



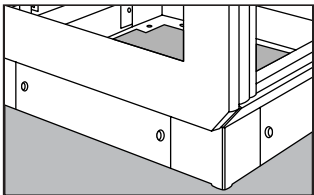
Vented Component Shelves

Weight capability: 110 lbs static capacity

Color: RAL 7035 light grey

Configuration: 1 shelf with installation hardware.

Vented Component Shelves			
Shelf W x D		Part No.	Telescopic rails
inches	mm		
16.10 x 15.75	409 x 400	7144035	7061000



Base

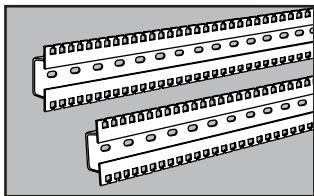
The base provides 4"/100 mm additional height for cable management. Cable entry from all four sides through removable panels. Leveling feet can compensate for unevenness of floor.

Material: sheet steel

Color: RAL 7035 light grey

Configuration: base, includes installation hardware.

Base		
For QuickRack enclosure		Part No.
Frame width	Frame depth	
23.62"/600 mm	23.62"/600 mm	7526300

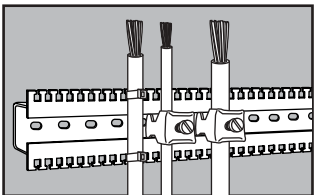


Combination Cable Collecting Rails For QuickRack

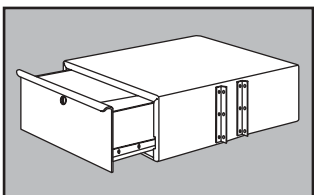
These rails make it possible to fasten cables with cable clamps or cable ties and also allow equipotential bonding between the cable shield and ground bus.

Material: sheet steel

Configuration: combination rail, installation hardware.

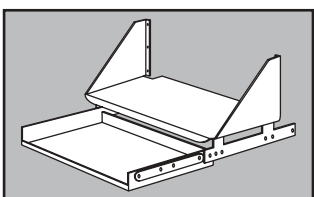


Combination Cable Collecting Rails For QuickRack		
	Packs of	Part No.
Frame width		
23.62"/600 mm	6	7526930
Frame depth		
23.62"/600 mm	6	7526940



Rack Storage Drawer For BasicRacks

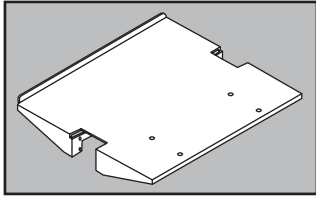
Rack Storage Drawer For BasicRacks		
Color		Part No.
Black		9967641
Clear chemical coat		9967642



Double Divider Shelf For BasicRacks

Double Divider Shelf For BasicRacks		
Color		Part No.
Black		9967643
Clear chemical coat		9967644

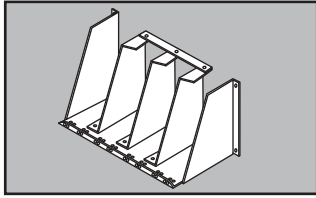
Designates a product in the EnclosureZone program.



Adjustable Monitor Shelf

Convenient for video screens or any equipment at any BasicRack position. Mounting hardware not included.

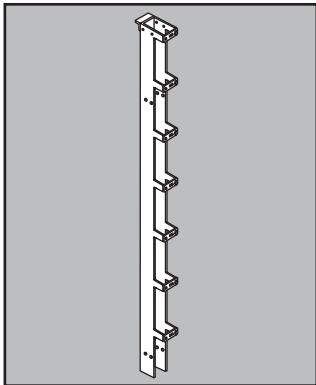
Adjustable Monitor Shelf		
Color		Part No.
Black		9967645
Clear chemical coat		9967646



Divider Shelf

Unique divider shelf for BasicRacks.

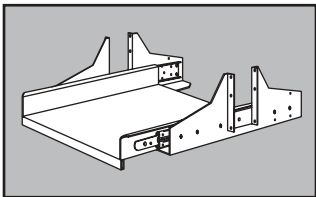
Divider Shelf		
Color		Part No.
Black		9967639
Clear chemical coat		9967640



Cable Management

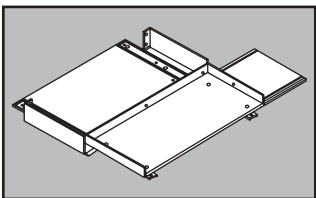
Vertical cable management for BasicRacks.

Cable Management		
Description	Color	Part No.
3 ft.	Black	9967653
3 ft.	Clear chemical coat	9967654
7 ft.	Black	9967651
7 ft.	Clear chemical coat	9967652



Sliding Extension Shelf For BasicRacks

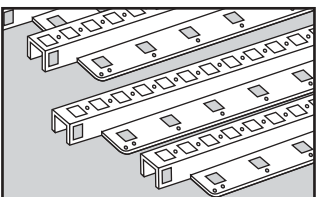
Sliding Extension Shelf For BasicRacks		
Color		Part No.
Black		9967647
Clear chemical coat		9967648



19" Full Size Sliding Keyboard & Mouse Tray

Convenient 19" rack mount tray for holding full size keyboard (up to 19.25" W) and mouse in BasicRacks.

19" Full Size Sliding Keyboard		
Color		Part No.
Black		9967649
Clear chemical coat		9967650



19" Rails (482.6/485 mm)

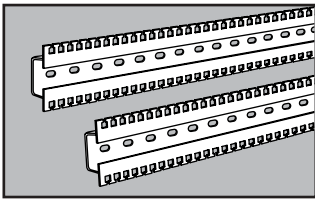
For mounting 19" components in Rittal QuickBox.

Material: sheet steel, RAL 7035 light grey

Configuration: 2 rails, installation hardware.

19" Rails		
For housing U		Part No.
6		7502201
9		7502202
12		7502203
15		7502204
18		7502205
21		7502206

Designates a product in the EnclosureZone program.

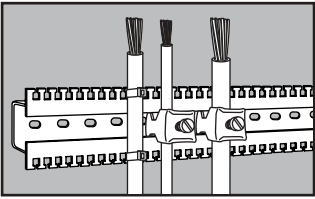


Combination Cable Collecting Rails For QuickBox

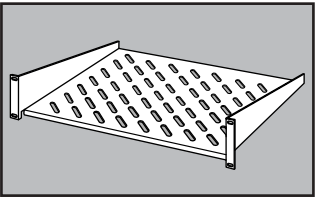
Feature sprockets on top and bottom to which cable ties can be fastened, while cable clamps can be fastened to the built-in C-rail.

Material: aluminum

Configuration: 6 combination rails, installation hardware.

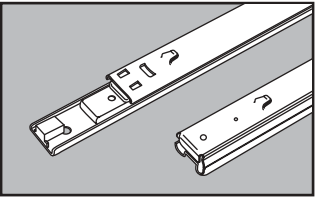


Combination Cable Collecting Rails For QuickBox			
	Length	Packs of	Part No.
For enclosure depth			
23.62"/600 mm	15.75"/400 mm	6	7502302
For enclosure width			
23.62"/600 mm	15.75"/400 mm	6	7502304



19" Cantilever Shelf

19" Cantilever Shelf	
Description	Part No.
2U fixed 19" component shelf 16"/400 mm (D)	7119400



Telescopic Slides For Component Shelves

Are fully extendable, and can also be easily retrofitted to convert fixed shelf into sliding shelf.

Available in two versions:
max. load capacity: 110/lbs/50 kg
max. load capacity: 220 lbs/100 kg

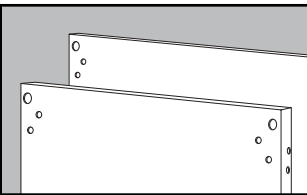
Technical description:

- installation adjustable in .98"/25 mm increments
- 2-stage extension

Material: sheet steel, zinc-coated, chromated.

Telescopic Slides			
For shelf depth	Packs of	Part No.	
		max. load capacity	
		110 lbs/50 kg	220 lbs/100 kg
16"/400 mm	1 set	7061000	7064000

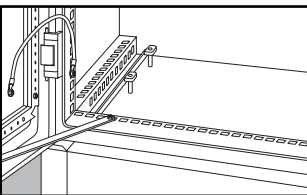
Outside Plant Accessories



Mounting Panels For CS Basic Enclosures

Material: 3 mm aluminum

Mounting Panels		
For enclosure dimensions	Mounting plate	Part No.
H x W (mm)	H x W (mm)	
800 x 600	696 x 499	9765090
1200 x 600	1096 x 499	9765092
800 x 800	696 x 699	9765097
1200 x 800	1096 x 699	9765095
800 x 1200	696 x 499	2 x 9765090



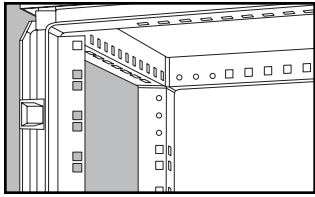
One-Piece Gland Plates

For sealing the base opening and for cable entry.

Material: unpainted aluminum, 2 mm

One-Piece Gland Plates		
For enclosure dimensions	Packs of	Part No.
W x D (mm)		
600 x 400	1 set	9785017
600 x 500	1 set	9785020
800 x 400	1 set	9785018
800 x 500	1 set	9785019
1200 x 400	1 set	2 x 9785017
1200 x 500	1 set	2 x 9785020

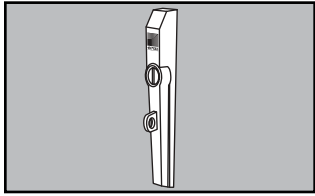
Designates a product in the EnclosureZone program.



19" Mounting Angles

For mounting slide-in 19" electronic equipment. Easily retrofitted. Assembly parts included.

19" Mounting Angles				
For enclosure height (mm)	Surface finish	U	Packs of	Part No.
800	Spray-finish RAL 7035	15	4	9785001
800	Zinc plated, passivated	15	4	9785002
1200	Spray-finish, RAL 7035	24	4	9785003
1200	Zinc plated, passivated	24	4	9785004

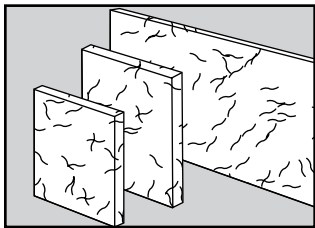


Ergoform-S Handle System

The Ergoform-S padlock handle system provides comfort and security with an additional shackle for a padlock. Hole diameter of shackle: 7 mm.

Ergoform-S Padlock Handle System	
Packs of	Part No.
1	9785030

Climate Control Accessories



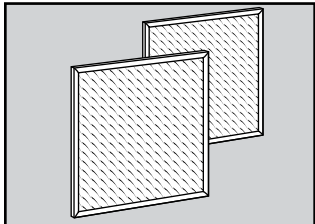
Foam Filters For Air Conditioners

Rittal air conditioners require very little maintenance and are supplied without filters. Filters may be used for extreme conditions.

Material: Open cell polyurethane foam with excellent physical and mechanical properties. Temperature resistant from -40°F to +176°F/-40°C to +80°C.

Thickness: 4"/10 mm

Air Conditioner Filters				
For AC Model	Part No. for Standard Filters	Packs of	Part No. for Metal Filters	Packs of
SK 3280100	3286100	3	3286200	1
SK 3290100				
SK 3260146	3294100	3	3294200	1
SK 3279100				
SK 3281100				
SK 3293100				
SK 3298100				

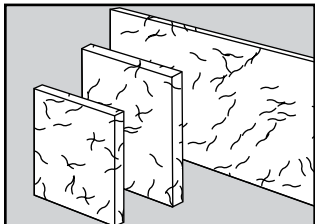


Metal Filters For Air Conditioners

When air conditioners are used in oily environments, washable metal filters are especially useful. Soiled metal filters can be easily washed with water or grease solvents.

Material: Aluminum

Thickness: 4"/10 mm



Replacement Filters For Filter Fans

Made of random laid non-woven fabric with progressive build-up and provide reliable filtration of almost all types of dust down to a 10 µm grain size.

Temperature resistant up to 212°F/100°C. Self extinguishing, class F1 per DIN 53 438.

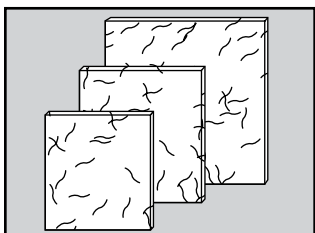
Dusty air side: open structure

Clean air side: closed structure

Replacement Filters For Filter Fans		
Filter fan	Exhaust filter	Part No.
SK 3321 Series	SK 3321200	3321700
SK 3322 Series	SK 3322808	3322700
SK 3323 Series	SK 3323200	3171100
SK 3325 Series	SK 3325200	3172100
SK 3326 Series	SK 3326200	3173100
SK 3327	SK 3326200	3327700

Material: Synthetic fiber

Configuration: Packs of 5



Fine Filters

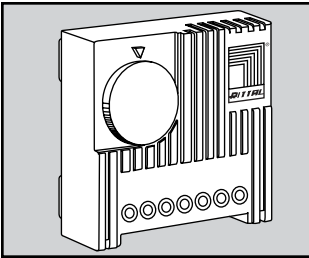
They are used for extremely fine dust with particle sizes below 10 µm. Also used when NEMA 12/IP 54 is required. Anticipate higher air resistance when fine filters are used.

Material: Synthetic fiber

Configuration: Packs of 5

Fine Filters For Filter Fans		
Filter fan	Exhaust filter	Part No.
3323 Series	SK 3323200	3181100
3325 Series	SK 3325200	3182100
3326 Series	SK 3326200	3183100

Designates a product in the EnclosureZone program.



Enclosure Thermostat

Particularly suitable to control filter fans, panel heaters and heat exchangers, but can also be used to signal and monitor the temperature inside an enclosure.

Technical data: Bi-metal sensor acts as temperature sensitive device with thermal feedback

Contact: Single-pole, spring-loaded switch element

Max. contact load:

Cl. 5 – 3 (heating) AC 10.0 (4*) A, DC = 30 W
 Cl. 5 – 4 (cooling) AC 5.0 (4*) A, DC = 30 W

* () = inductive load for $\cos \varphi = 0.6$

Temperature setting range: +41°F to +131°F/+5°C to +55°C

Weight: approx. 4 oz./105 g

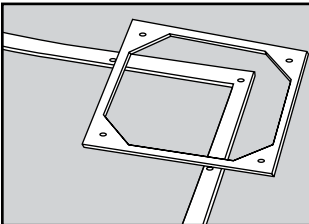
Dimensions: 2.8" x 2.8" x 1.4"/71 x 71 x 33.5 mm

Temperature variance inside enclosure: Approx. 1°C +/- 0.8°C (with normal air)

Technical description:

- Wide voltage range—only one model is required to cover 24 V to 230 V AC/DC
- Easy to connect—terminal block with screw connections on outside
- Flexible mounting options—snaps directly with included adaptor into enclosure profile or can be vertically or horizontally mounted on 35 mm DIN rails per EN 50 022
- UL/CUL recognized. CE marked.

Enclosure Thermostat	
Voltage	Part No.
230/115/60/48/24 V AC	3110000
60/48/24 V DC	



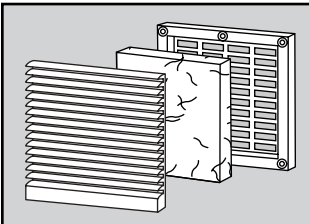
Gaskets For Filter Fan

Helps achieve a protection rating of NEMA 12/IP 54 per EN 60 529/10.91, part 1/11.92 when filter fans are installed fine filters.

Material: Closed cell polyethylene

Configuration: Packs of 5, with installation material.

Sealing Frames for 1S Filter Fans			
Filter fan	Exhaust filter	Part No.	
3323 Series	SK 3323200		3191100
3325 Series	SK 3325200		3192100
3326 Series	SK 3326200		3193100



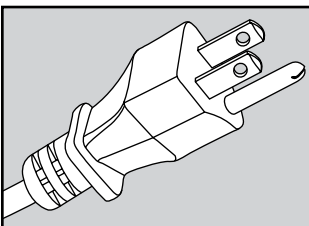
Exhaust Filter Louvers

Can be installed in lower and upper areas of an enclosure to benefit from ventilation through natural convection.

Material: Noryl™ plastic, self-extinguishing per UL 94-VO

Color: RAL 7032 pebble grey
 RAL 7035 light grey (.XX7 Designation)

Exhaust Louvers		
Part No.		Dimensions in mm
3321200	3321207	116.5 x 22.0
3322200	3322207	148.5 x 24.5
3323200	3323207	204.0 x 30.0
3325200	3325207	255.0 x 30.0
3326200	3326207	323.0 x 30.0



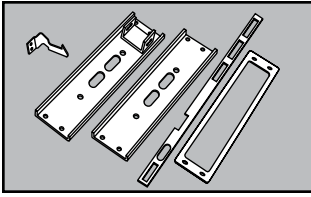
Power Cord

16 ga power cord has NEMA 5-15, 3-prong plug (9962136) and can be used for filter fans and other climate control devices that have terminal block connection.

Power Cord		
Packs of	Voltage	Part No.
1	115/50/60	9962136
1	230/50/60	9965837

Designates a product in the EnclosureZone program.

Door System/Locking System Accessories



Operator Adapters

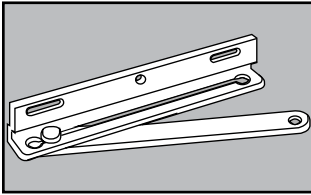
Installation of certain disconnects in the universal cutouts of Rittal Electro-mate flange mounted disconnect enclosures may require an operator adapter to interlock the master door with the disconnect operating mechanism. These adapters are available for steel or stainless steel enclosures and for several brands and types of disconnects. The kits include an adapter plate and other required hardware, and come complete with installation and drilling instructions.

Note: Blank adapter plates can be used to cover the universal cutout when no disconnect is installed. The enclosure can then be used as a standard NEMA Type 12 enclosure.

Material:

Adapters for steel enclosures:
carbon steel

Adapters for stainless steel enclosures:
chrome plated carbon steel



Door Stop Kits

Door stops provide a quick and easy method of securing the door in an open position in most standard 24" and wider Rittal Electromate Type 4, 4X and 12 enclosures. Door stops can be bolted or welded at the top or bottom of the door opening. The opening angle of the door can be easily adjusted with a wing nut.

Door stop kits are available in zinc-plated steel and include the required hardware and installation instructions.

Material: zinc-plated steel

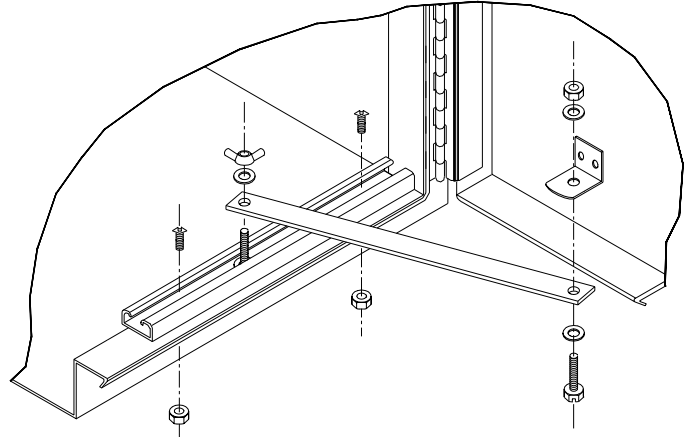
Operator Adapter		
Adapter Plate For Carbon Steel Enclosures Part No.	Adapter Plate For Stainless Steel Enclosures Part No.	Description
E AKAB	E AKABCHR	Allen-Bradley "1494F" and "1494D"
E AKABV	E AKABVCHR	Allen-Bradley variable depth "1494V"
E AKCHV	E AKCHVCHR	CUTLER HAMMER FOR C361/C371
E AKGETDA	E AKGETDACHR	G.E. TDA
E AKITE	E AKITECHR	ITE/G.E. STDA
E AKSD	E AKSDCHR	Square D 9422
E AKWH	E AKWHCHR	Westinghouse
E AKWHAMT	E AKWHAMTCHR	Westinghouse AMT
E AKBAP	E AKBAPCHR	Blank adapter plate

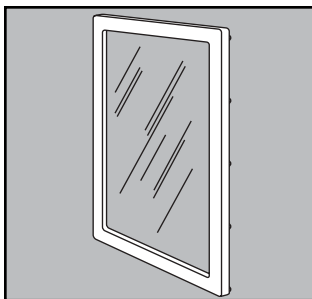
Finish/color:

Adapters for steel enclosures:
polyester-urethane powder coat over phosphatized surfaces, inside and outside – ANSI 61 grey

Adapters for stainless steel enclosures:
chrome plated

Door Stop Kit	
Part No.	Description
E DSTOPK	Door stop kit





Window Kits For NEMA Type 4, 4X, 12 And 13 Enclosures

Windows can be installed in most Rittal Electromate enclosures of suitable size.

Window Kits Are Available In Two Versions:

Steel window kits for indoor use on NEMA Type 4 and Type 12 enclosures.

Stainless steel window kits for indoor or outdoor use on NEMA Type 4, 4X, 12 and 13 enclosures in corrosive environments.

Window kits include all necessary hardware. Installation is easy — just make a cutout in the enclosure and attach the frame and window. Oil-resistant gaskets ensure a tight seal around entire window.

Note: Allow for clearance of gaskets, gasket retainers, door stiffeners, print pockets, door handles, latch rods, and other parts attached to door or cover when you determine the size of window kit you require.

Steel Windows:

Window frame: heavy gauge steel with polyester-urethane powder coat over phosphatized surfaces, inside and outside – ANSI 61 grey

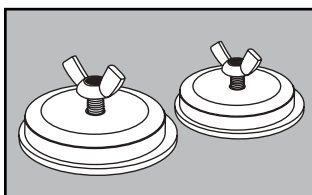
Window pane: .25" lexan with margard surface

Stainless Steel Windows:

Window frame: heavy gauge Type 304 stainless steel with # 3 brushed finish

Window pane: .25" lexan with margard surface

Window Kits					
Steel Part No.	Stainless Steel Part No.	Window clear viewing area	Frame size	Required cutout size	
E PWK53NF	E PWK53NFSS	5.00 x 3.00	7.50 x 5.50	6.69 x 4.69	
E PWK95NF	E PWK95NFSS	9.00 x 5.50	11.50 x 8.00	10.69 x 7.19	
E PWK133NF	-	13.00 x 3.00	15.50 x 5.50	14.69 x 4.69	
E PWK138NF	E PWK138NFSS	13.00 x 8.00	15.50 x 10.50	14.69 x 9.69	
E PWK175NF	-	17.00 x 5.50	19.50 x 8.00	18.69 x 7.19	
E PWK1711NF	E PWK1711NFSS	17.00 x 11.00	19.50 x 13.50	18.69 x 12.69	
E PWK2315NF	E PWK2315NFSS	23.00 x 15.00	25.50 x 17.50	24.69 x 16.69	
E PWK2919NF	E PWK2919NFSS	29.00 x 19.00	31.50 x 25.50	30.69 x 20.69	
E PWK3523NF	-	35.00 x 23.00	37.50 x 25.50	36.69 x 24.69	



Oiltight Hole Seals

Oiltight hole seals are used to seal unused or empty pushbutton holes, conduit openings, and knockout openings from the entry of dirt, dust, oil and water.

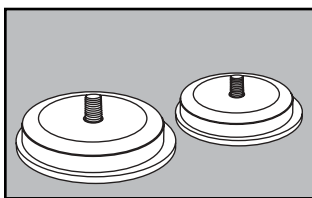
- Oil-resistant gasket
- UL and CUL Component Recognized Type 4, 12 and 13

Stainless Steel Hole Seals:

Steel Hole Seals:

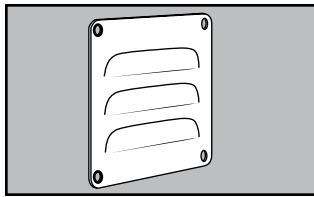
- 12 sizes – for holes up to 4.83"
- Covers holes with a .19" diameter
- Can be used on material thickness up to .31"
- Galvaneal with grey finish
- Back plate galvanized
- Mounting stud and wing nut zinc plated

- 8 sizes – for holes up to 5.13"
- Covers holes with a .19" diameter
- Can be used on material thickness up to .31"
- Front surface polished
- Seal, back plate, stud and wing nut made of 300 series stainless steel
- Oil resistant gasket
- UL and CUL Component Recognized Type 4, 4X, 12, and 13



Oiltight Hole Seals					
Steel Part No.	Stainless Steel Part No.	Designed for	Max. hole diameter	Hole seal diameter	
E SPBG	E SPBGSS	Miniature oiltight pushbutton hole	0.75	1.22	
E S050	E S050SS	.50 inch conduit hole	0.75	1.38	
E S075	E S075SS	.75 inch conduit hole	1.13	1.56	
E SPB	E SPBSS	Standard oiltight pushbutton hole	1.25	1.75	
E S100	E S100SS	1.00 inch conduit hole	1.38	1.88	
E S125	E S125SS	1.25 inch conduit hole	1.69	2.19	
E S150	E S150SS	1.50 inch conduit hole	2.00	2.50	
E S200	E S200SS	2.00 inch conduit hole	2.50	3.00	
E S250	-	2.50 inch conduit hole	3.00	3.50	
E S300	-	3.00 inch conduit hole	3.63	4.13	
E S350	-	3.50 inch conduit hole	4.13	4.33	
E S400	-	4.00 inch conduit hole	4.63	5.13	

Designates a product in the EnclosureZone program.



Louver Panel Kits

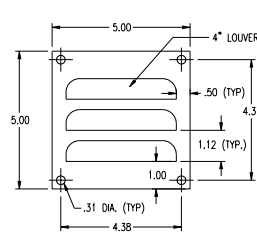
Louver panels help ventilation by using convection and promote air circulation in enclosures with low heat loss. Louver panel kits consist of a steel plate, prepunched with ventilation slots and mounting holes. An oil-resistant gasket is attached to the rear of the panel and mounting hardware is included.

Material: 14 gauge carbon steel

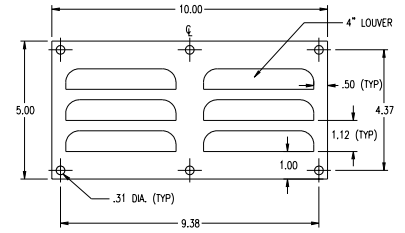
Finish/color: polyester-urethane powder coat over phosphatized surfaces, ANSI 61 grey

Louver Panel Kits		
Part No.	No. of louvers	Recommended cutout size
E LV1	3	4 x 4
E LV2	6	4 x 9

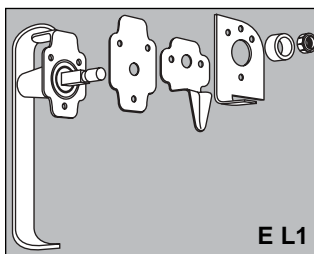
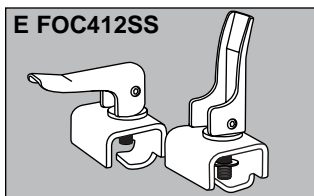
Note: Proper installation of a louver panel requires a cutout in the enclosure wall or door. See table for recommended sizes.



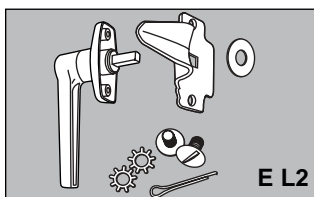
E-LV1



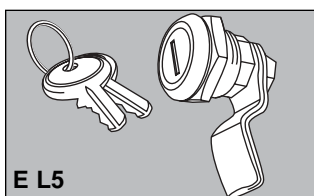
E-LV2



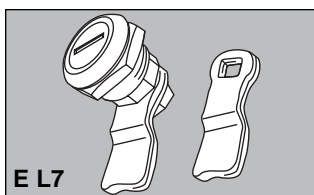
E L1



E L2



E L5



E L7

Latch And Lock Kits

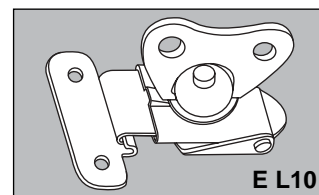
Latch And Lock Kits	
Part No.*	Description
E L1A	NEMA 12 Single point - padlockable
E L1B	NEMA 12 Three point (short) - padlockable
E L1C	NEMA 12 Three point (medium) - padlockable
E L1D	NEMA 12 Three point (long) - padlockable
E L2A	NEMA 12 Single point - key locking
E L2A - CCW	NEMA 12 Single point - key locking, counter-clockwise operation
E L3A	NEMA 12 Single point - nonlocking
E L3A - CCW	NEMA 12 Single point - nonlocking counter-clockwise operation
E L3B	NEMA 12 Three point (short) - nonlocking
E L3B - CCW	NEMA 12 Three point (short) - nonlocking counter-clockwise operation
E L3C	NEMA 12 Three point (medium) - nonlocking
E L3C - CCW	NEMA 12 Three point (medium) - nonlocking counter-clockwise operation
E L3D	NEMA 12 Three point (long) - nonlocking
E L3D - CCW	NEMA 12 Three point (long) - nonlocking counter-clockwise operation
E L2B	NEMA 12 Three point (short) - key locking
E L2B - CCW	NEMA 12 Three point (short) - key locking, counter-clockwise operation
E L2C	NEMA 12 Three point (medium) - key locking
E L2C - CCW	NEMA 12 Three point (medium) - key locking, counter-clockwise operation
E L2D	NEMA 12 Three point (long) - key locking
E L2D-CCW	NEMA 12 Three point (long) - key locking, counter-clockwise operation
E FOC412SS	Fast opening stainless steel clamp for NEMA 4, 12 enclosures (2 per pkg.)
E L5	Cylinder lock
E L6	Draw latch
E L6P	Draw latch (padlockable)
E L7	Flush slotted latch
E L9	"T" handle (key locking)
E L10	Butterfly draw latch
E L12SS	NEMA 4 hold down assembly
E L13SS	NEMA 4 JIC hold down assembly
E L23SS	Fast operating stainless steel clamp for JIC Type Enclosure (1 per pkg.)

*NOTE: Single point designed for enclosures up to 24" in height

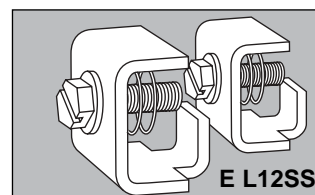
Three point (short) designed for enclosures 24" and 30" in height

Three point (medium) designed for enclosures 36" and 48" in height

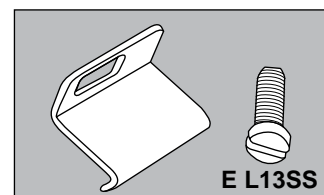
Three point (long) designed for enclosures 60" and 72" in height.



E L10

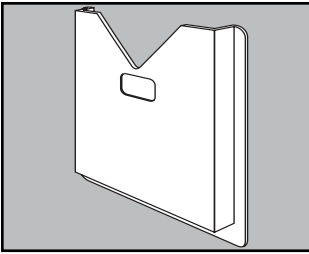


E L12SS



E L13SS

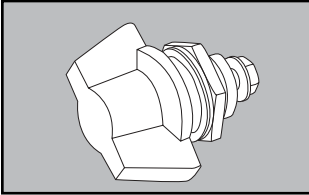
Designates a product in the EnclosureZone program.



Print Pockets

Print pockets can hold manuals, drawings, and other documentation. They are mounted on the inside of doors with adhesive tape.

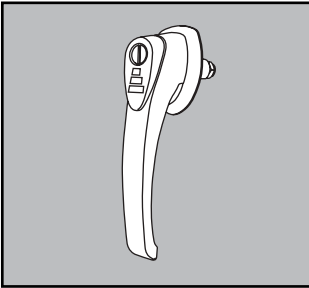
Print Pockets		
Part No.		Size
E POCKET1		Small
E POCKET2		Large



Legacy Latching Accessories

Specific latching accessories designed for carbon steel Legacy enclosures.

Legacy Latching Accessories		
Part No.	Description	Packs of
L LQTKLB	Legacy Latching Kit (Keylocking 1/4 turn)	1
L LWKB	Legacy Latching Kit (Wingknob)	1
L LWKCLB	Legacy Latching Kit (Wingknob keylocking)	1
L LTHB	Legacy Latching Kit (T-handle)	1
L LTHKLB	Legacy Latching Kit (T-handle keylocking)	1



Freestanding Handles

Freestanding Handles		
Part No.	Description	Packs of
E LBHDH	3-Point Latching Black Heavy-Duty Handle (Padlock Only)	1
E LBHDHCP	3-Point Latching Black Heavy-Duty Handle (Slotted Coin Proof)	1
E LBHDHKEY	3-Point Latching Black Heavy-Duty Handle (Key Locking)	1

Mounting Surface Accessories

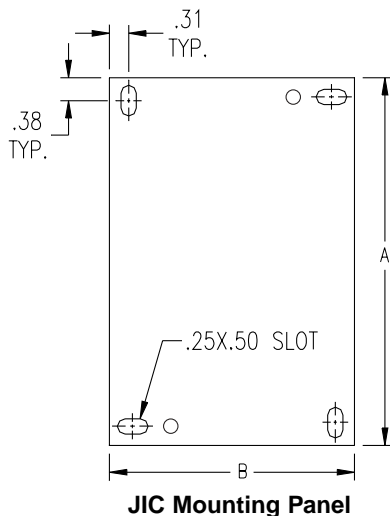
Mounting Panels For Junction Boxes

Mounting panels are available in two versions:

14 gauge steel mounting panels with a white finish.

14 gauge Type 304 stainless steel mounting panels with a commercial #2B finish protected on one side with a plastic film.

Note: All enclosures that accept these mounting panels come complete with mounting hardware.






















Mounting Panels For Junction Enclosures					
Steel Part No.	Stainless Steel Part No.	Aluminum Part No.	Size		
			A	B	
E 6P4	E 6P4SS	E 6P4AL	4.88	2.88	
E 6P6	E 6P6SS	E 6P6AL	4.88	4.88	
E 8P6	E 8P6SS	E 8P6AL	6.88	4.88	
E 8P8	E 8P8SS	-	6.88	6.88	
E 10P8	E 10P8SS	E 10P8AL	8.88	6.88	
E 10P10	E 10P10SS	-	8.88	8.88	
E 12P6	E 12P6SS	-	10.88	4.88	
E 12P10	E 12P10SS	E 12P10AL	10.88	8.88	
E 12P12	E 12P12SS	-	10.88	10.88	
E 14P8	E 14P8SS	-	12.88	6.88	
E 14P12	E 14P12SS	E 14P12AL	12.88	10.88	
E 16P10	E 16P10SS	-	14.88	8.88	
E 16P14	E 16P14SS	E 16P14AL	14.88	12.88	
E 18P16	-	-	16.75	14.75	

Designates a product in the EnclosureZone program.

Mounting Panels For Type 1 And 3R Enclosures

14 gauge steel mounting panels with a white finish.

Note: All enclosures that accept these mounting panels come complete with mounting hardware.

Mounting Panels For Type 1 And Type 3R		
Part No.	Size	
	A	B
E 6N6P	4.25	4.25
 E 8N6P	6.25	4.25
E 8N8P	6.25	6.25
 E 10N8P	8.25	6.25
E 10N10P	8.25	8.25
 E 12N10P	10.25	8.25
 E 12N12P	10.25	10.25
 E 14N12P	12.25	10.25
E 16N12P	14.25	10.25
 E 16N12P2	13.00	10.50
 E 16N16P2	13.00	14.50
 E 20N12P	18.25	10.25
 E 20N16P	17.00	14.50
 E 20N20P	17.00	18.50
 E 24N12P	22.25	10.25
 E 24N16P	21.00	14.50
 E 24N20P	21.00	18.50
 E 24N24P	21.00	22.50
 E 30N20P	27.00	18.50
 E 30N24P	27.00	22.50
 E 30N30P	27.00	28.50
 E 36N24P	33.00	22.50
 E 36N30P	33.00	28.50
E 42N24P	39.00	22.50

Mounting Panels For NEMA Style Boxes

Mounting panels are available in two versions:

12 or 10 gauge steel mounting panels with a white finish.

12 gauge Type 304 stainless steel mounting panels with a commercial #2B finish.

These panels fit the following enclosures:

NEMA 1 – Extra Large

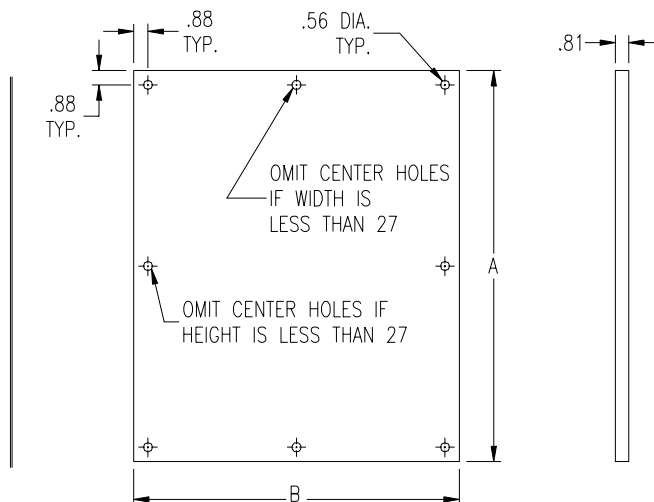
NEMA 3R – Hinge Cover

NEMA 4 & 4X – Single Door

NEMA 12 – Two Door Wallmount, Single Door, Right Flange Disconnect, Large JIC (CH)

Larger mounting panels have flanges on two or four sides; some also have lifting holes.

Note: All enclosures that accept these mounting panels come complete with mounting hardware.














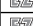
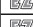








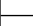








Flat
Mounting
Panel


NEMA
Mounting
Panel

Flanged
Mounting
Panel

(Used If Both Dimensions
Are Less Than 17)

(Used If Either Dimension
Is 17 Or Greater)

NEMA Style Mounting Panels				
Steel Part No.	Stainless Steel Part No.	Aluminum Part No.	Size	
			A	B
 E 16P12	 E 16P12SS	E 16P12AL	13.00	9.00
 E 20P12	E 20P12SS	-	17.00	9.00
 E 16P16	 E 16P16SS	E 16P16AL	13.00	13.00
 E 20P16	E 20P16SS	-	17.00	13.00
 E 24P16	E 24P16SS	-	21.00	13.00
 E 30P16	E 30P16SS	E 20P20AL	27.00	13.00
 E 20P20	E 20P20SS	E 24P20AL	17.00	17.00
 E 24P20	E 24P20SS	-	21.00	17.00
 E 30P20	E 30P20SS	-	27.00	17.00
 E 12P24	E 12P24SS	E 24P24AL	9.00	21.00
 E 24P24	E 24P24SS	E 30P24AL	21.00	21.00
 E 30P24	E 30P24SS	E 36P24AL	27.00	21.00
 E 36P24	E 36P24SS	-	33.00	21.00
 E 42P24	E 42P24SS	-	39.00	21.00
 E 48P24	E 48P24SS	-	45.00	21.00
 E 30P30	E 30P30SS	E 36P30AL	27.00	27.00
 E 36P30	E 36P30SS	-	33.00	27.00
 E 42P30	E 42P30SS	-	39.00	27.00
E 42P32	-	-	39.00	29.00
 E 48P30	E 48P30SS	-	45.00	27.00
E 60P30	E 60P30SS	-	57.00	27.00
E 72P30	E 72P30SS	-	69.00	27.00
 E 36P36	E 36P36SS	-	33.00	33.00
 E 42P36	E 42P36SS	E 48P36AL	39.00	33.00
 E 48P36	E 48P36SS	E 60P36AL	45.00	33.00
 E 60P36	E 60P36SS	-	57.00	33.00
 E 72P36	E 72P36SS	-	69.00	33.00
E 42P42	E 42P42SS	-	39.00	39.00
E 48P42	E 48P42SS	-	45.00	39.00
E 54P42	E 54P42SS	-	50.00	38.00
E 60WFP42	E 60WFP42SS	-	56.00	38.00
E 48WFP48	E 48WFP48SS	-	44.00	44.00
 E 60P48	E 60P48SS	-	56.00	44.00
 E 60P60	E 60P60SS	-	56.00	56.00
 E 72P60	E 72P60SS	-	68.00	56.00
 E 72P72	E 72P72SS	-	68.00	68.00

 Designates a product in the EnclosureZone program.






Mounting Panels For One Door Freestanding

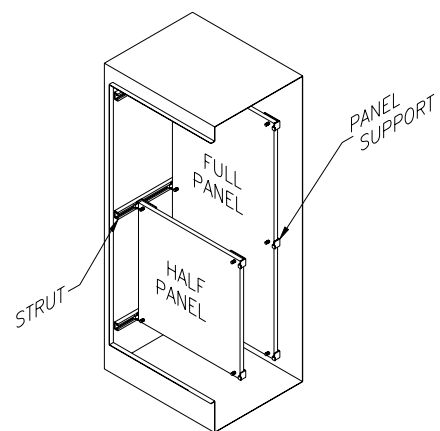
These mounting panels can be positioned at any depth along horizontal C-channels. Half-length mounting panels can be mounted in the upper or lower section of an enclosure. Mounting panel kits include zinc-plated mounting hardware.

Mounting panels fit the following enclosures: one door single access, Type 12

Freestanding Type 4 and 4X

Material: 10 gauge steel painted white

Mounting Panels For One Door Freestanding			
Part No.	Description	Size	
		A	B
E 60P24F1	Full panel	48.00	20.00
E 60P24F2	Half panel	24.88	20.00
 E 72P24F1	Full panel	60.00	20.00
E 72P24F2	Half panel	30.88	20.00
E 90P24F1	Full panel	78.00	20.00
E 90P24F2	Half panel	39.88	20.00
 E 72P30F1	Full panel	60.00	26.00
E 72P30F2	Half panel	30.88	26.00
E 60P36F1	Full panel	48.00	32.00
E 60P36F2	Half panel	24.88	32.00
 E 72P36F1	Full panel	60.00	32.00
 E 72P36F2	Half panel	30.88	32.00
 E 90P36F1	Full panel	78.00	32.00
E 90P36F2	Half panel	39.88	32.00



Mounting Panels For Two Door Freestanding

These mounting panels can be positioned at any depth along horizontal C-channels. Half-length mounting panels can be mounted in the upper or lower section of an enclosure. Each full mounting panel for two-door enclosures comes with a center support that attaches at any depth to the top and bottom mounting C-channels. These center supports can be used in conjunction with heavy duty panel supports.




Mounting panel kits include zinc-plated mounting hardware. Some assembly required.

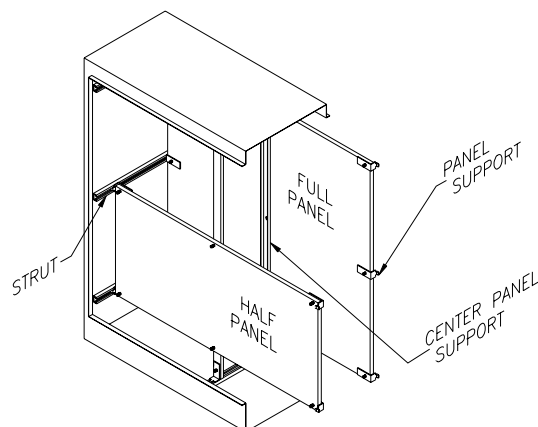
Mounting panels fit the following enclosures:


One door single access, Type 12

Freestanding Type 4 and 4X

Material: 10 gauge steel with a white finish

Regular Mounting Panels For Two Door Freestanding			
Part No.	Description	Size	
		A	B
E 60P48F1	Full panel	48.00	44.00
 E 72P48F1	Full panel	60.00	44.00
E 72P48F2	Half panel	30.88	44.00
E 90P48F1	Full panel	78.00	44.00
E 90P48F2	Half panel	39.88	44.00
 E 72P60F1	Full panel	60.00	56.00
E 72P60F2	Half panel	30.88	56.00
E 72P72F1	Full panel	60.00	68.00
E 72P72F2	Half panel	30.88	68.00
 E 90P72F1	Full panel	78.00	68.00
E 90P72F2	Half panel	39.88	68.00

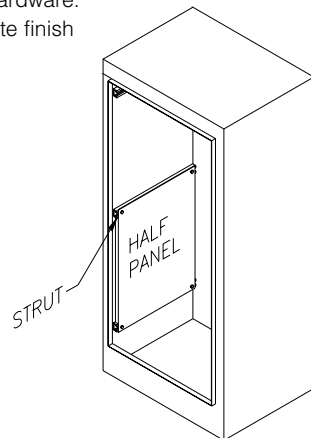


 Designates a product in the EnclosureZone program.

Side-Mount Mounting Panels For Freestanding Enclosures

Side mount panels are attached to mounting channels and provide additional mounting surface on the sides of enclosures. Mounting panel kits include zinc-plated mounting hardware.

Material: 12 gauge steel with a white finish



Side-Mount Mounting Panels For Freestanding			
Part No.	Size		
	A	B	
E 60SMP14**	48.00	14.00	
E 72SMP14**	60.00	14.00	
E 90SMP14**	78.00	14.00	
E 72SMP20***	60.00	20.00	
E 90SMP20***	78.00	20.00	

** 14" wide side-mount panels will not fit in 16" deep two door enclosures if used in conjunction with back panels

*** 20" wide side-mount panels will not fit in 24" deep two door enclosures if used in conjunction with back panels

Heavy Duty Mounting Panel Supports

Heavy duty mounting panel supports provide extra stabilization and support when heavy equipment is installed. They replace the standard mounting panel supports that are supplied with panels. Heavy duty panel supports extend to the bottom of the enclosure and have adjustable panel mounting studs that make it possible to mount panels of any height or a combination of panels.

Heavy Duty Mounting Panel Supports	
Part No.	Length
E 60FSHDPS	57.25
E 72FSHDPS	69.25
E 90FSHDPS	87.25

Center Mounting Panel Supports

Center mounting panel supports can be mounted at any depth and make it possible to install single-wide mounting panels, swing out panels, and relay rack angles for two-door single-access enclosures.

Center Mounting Panel Supports For Two Door Freestanding	
Part No.	Length
E 60FSCPS	57.25
E 72FSCPS	69.25
E 90FSCPS	87.25







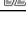







Mounting Panels For Legacy Enclosures

These mounting panels are specifically for Legacy carbon and stainless steel enclosures. Available in white (full size), zinc (full size) and white (NEMA style).

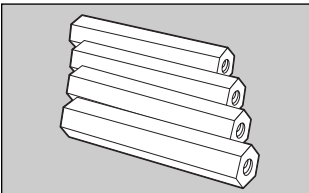
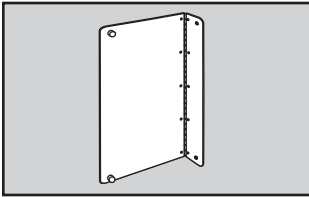
Legacy Mounting Panels				
Part No.		Dimensions (inches)		
Zinc (Full Size)	White (Full Size)	H	W	
LW12P8	LW12P8W	10.2	6.2	
LW12P12	LW12P12W	10.2	10.2	
LW12P16	LW12P16W	10.2	14.2	
LW16P12	LW16P12W	14.2	10.2	
LW16P16	LW16P16W	14.2	14.2	
LW16P20	LW16P20W	14.2	18.2	
LW20P16	LW20P16W	18.2	14.2	
LW20P20	LW20P20W	18.2	18.2	
LW20P24	LW20P24W	18.2	22.2	
LW24P16	LW24P16W	22.2	14.2	
LW24P20	LW24P20W	22.2	18.2	
LW24P24	LW24P24W	22.2	22.2	
LW24P30	LW24P30W	22.2	28.2	
LW30P24	LW30P24W	28.2	22.2	
LW30P30	LW30P30W	28.2	28.2	
LW36P24	LW36P24W	34.2	22.2	
LW36P30	LW36P30W	34.2	28.2	
LW36P36	LW36P36W	34.2	34.2	
LW42P32	LW42P32W	40.2	30.2	
LW48P36	LW48P36W	46.2	34.2	
LW60P36	LW60P36W	58.2	34.2	

Designates a product in the EnclosureZone program.





Mounting Panels For Legacy Enclosures (Continued)




Legacy Mounting Panels		
Part No. White (NEMA Style)	Dimensions (inches)	
	H	W
 E 16P12	13	9
E 16P12	13	9
 E 16P16	13	13
 E 20P16	17	13
E 20P16	17	13
 E 20P20	17	17
E 24P20	21	17
 E 24P16	21	13
 E 24P20	21	17
 E 24P24	21	21
E 30P24	27	21
 E 30P24	27	21
 E 30P30	27	27
 E 36P24	33	21
 E 36P30	33	27
 E 36P36	33	33
E 42P32	39	29
 E 48P36	45	33
 E 60P36	57	33


Dead Front Kits



Dead Front Kits		
NEMA Dead Front Riser Part No.	For enclosure depth (inches)	Packs of
 E DF6R4	6	4
 E DF8R4	8	4
E DF8R5	8	5
E DF8R6	8	6
 E DF10R4	10	4
E DF10R5	10	5
E DF10R6	10	6
E DF12R4	12	4
E DF12R5	12	5
E DF12R6	12	6
E DF16R4	16	4
E DF16R5	16	5
E DF16R6	16	6






Dead Front Kits		
NEMA Dead Front Panel Part No.	For enclosure HxW (inches)	Packs of
E DF16P12	16x12	1
E DF16P16	16x16	1
E DF20P16	20x16	1
 E DF20P20	20x20	1
 E DF24P20	24x20	1
 E DF24P24	24x24	1
 E DF30P24	30x24	1
E DF30P30	30x30	1
E DF36P24	36x24	1
E DF36P30	36x30	1
E DF36P36	36x36	1
E DF42P36	42x36	1
E DF48P36	48x36	1

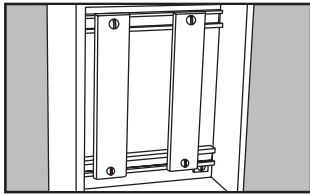
Dead Front Kits		
Legacy Dead Front Riser Part No.	For enclosure depth (inches)	Packs of
 L DF6R4	6	4
 L DF8R4	8	4
L DF8R5	8	5
 L DF10R4	10	4
L DF10R5	10	5
L DF12R4	12	4
L DF12R5	12	5

 Designates a product in the EnclosureZone program.



Dead Front Kits (Continued)

Dead Front Kits		
Legacy Dead Front Panel Part No.	For enclosure HxW (inches)	Packs of
L DF12P12	12x12	1
L DF16P12	16x12	1
L DF16P16	16x16	1
L DF16P20	16x20	1
L DF20P16	20x16	1
 L DF20P20	20x20	1
L DF20P24	20x24	1
L DF24P16	24x16	1
 L DF24P20	24x20	1
 L DF24P24	24x24	1
 L DF30P20	30x20	1
 L DF30P24	30x24	1
L DF30P30	30x30	1
L DF36P24	36x24	1
L DF36P30	36x30	1
L DF36P36	36x36	1



Terminal Block Kits For JIC Enclosures







Terminal block kits allow for a quick method for mounting terminal blocks inside small Rittal Electromate enclosures. Each kit consists of two C-brackets that are mounted to weld nuts in the enclosure, and includes required mounting hardware.

Terminal mounting rails (must be ordered separately) are held in place with screws and spring locking nuts, and can be mounted anywhere on these brackets.






Material/finish:


Brackets and mounting rails: steel with a white enamel finish over phosphatized surfaces

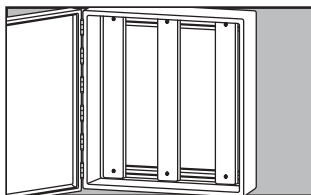
Note: Bracket assemblies and terminal mounting rails must be ordered separately. One bracket assembly plus the required number of terminal mounting rails must be ordered for each enclosure (terminal blocks are not included).

Terminal Block Kit For JIC Enclosures		
Bracket Assembly Part No.	Enclosure dimension parallel to straps	Bracket length
 E 6JTMA	6.00	5.00
 E 8JTMA	8.00	7.00
 E 10JTMA	10.00	9.00
 E 10JTMAXD*	10.00	9.00
 E 12JTMA	12.00	11.00
 E 14JTMA	14.00	13.00

* Provide extra 1.25" clearance from strap to rear wall of enclosure.

Terminal Mounting Rails			
Part No.	Enclosure dimension parallel to mounting rails	Rail length	Usable rail length
 E 8JS	8.00	5.75	4.63
 E 10JS	10.00	7.75	6.63
 E 12JS	12.00	9.75	8.63
 E 14JS	14.00	11.75	10.63
 E 16JS	16.00	13.75	12.63

 Designates a product in the EnclosureZone program.



Terminal Block Kits For Type 4, 4X, 12 And 13 Enclosures

These terminal block kits allow for a quick method to mount terminal blocks inside many Rittal Electromate enclosures including large Type 1 and large hinge cover Type 3R enclosures, as well as most of the two door wallmount Type 4, 4X, 12 and 13 enclosures.

Each kit consists of two or three C-brackets that can be mounted on mounting panels or enclosure walls and includes required mounting hardware.

Terminal mounting rails (must be ordered separately) are held in place with screws and spring locking nuts, and can be mounted anywhere on these brackets. Terminal mounting rail support kits consist of two Z-brackets that make it easy to mount terminal mounting rails.

Material/finish:

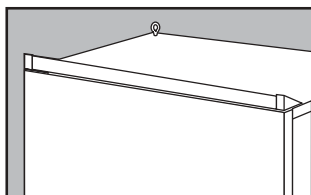
Brackets, mounting rails, support brackets: Steel with a white enamel finish over phosphatized surfaces.

Note: Bracket assemblies, terminal mounting rails, and support kits must be ordered separately. One bracket assembly plus the required number of terminal mounting rails and supports must be ordered for each enclosure (terminal blocks are not included).

Terminal Block Kit For NEMA 4 & NEMA 12 — Bracket Assembly			
Part No.	No. of brackets	Enclosure dimension parallel to straps	Bracket length
E 12NTMA2	2	12.00	8.50
E 16NTMA2	2	16.00	12.50
E 20NTMA2	2	20.00	16.50
E 24NTMA2	2	24.00	20.50
E 24NTMA3	3	24.00	20.50
E 30NTMA2	2	30.00	26.50
E 30NTMA3	3	30.00	26.50
E 36NTMA2	2	36.00	32.50
E 36NTMA3	3	36.00	32.50

Terminal Mounting Rails			
Part No.	Enclosure dimension parallel to mounting rails	Rail length	Usable rail length
E 16NS	16.00	13.00	11.75
E 20NS	20.00	17.00	15.75
E 24NS	24.00	21.00	19.75
E 30NS	30.00	27.00	25.75
E 36NS	36.00	33.00	31.75
E 42NS	42.00	39.00	37.75
E 48NS	48.00	45.00	43.75
E 60NS	60.00	57.00	55.75

Terminal Mounting Rail Support Kit	
Part No.	Description
E TZ	Two "Z" brackets



Drip Shield Kits For Type 12 Enclosures

Drip shields are available in standard versions for Type 12 enclosures. They are mounted above the door opening to protect against dripping water and settling dust when the door is opened. These kits are easily mounted on the enclosure with stainless steel screws and sealing washers, and sealed with sealing compound.

Configuration:

Drip shield
Stainless steel screws
Sealing washers
Sealing compound

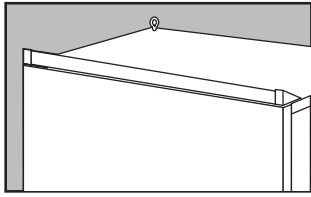
Material/finish:

14 gauge steel with polyester-urethane powder coat over phosphatized surfaces, inside and outside – ANSI 61 grey

Ratings:

When properly installed on a Rittal Electromate enclosure, enclosure maintains UL and CUL Type 12 protection.

Type 12 Drip Shield Kits		
Steel Part No.	Stainless Steel Part No.	For use with enclosure width
E DK12	E DK12SS	12
E DK16	E DK16SS	16
E DK20	E DK20SS	20
E DK24	E DK24SS	24
E DK30	E DK30SS	30
E DK36	E DK36SS	36
E DK42	E DK42SS	42
E DK48	E DK48SS	48
E DK60	E DK60SS	60
E DK72	E DK72SS	72



Drip Shield Kits For Type 4, 4X And Type 12 Enclosures

Type 4 and 4X drip shields are available in standard and stainless steel versions. They are mounted above the door opening to protect against dripping water and dust when the door is opened. These kits are easily mounted on an enclosure with stainless steel screws and sealing washers, and sealed with sealing compound.

Configuration:

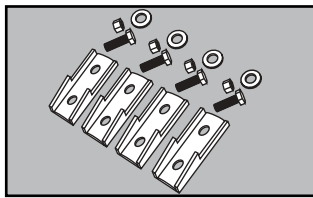
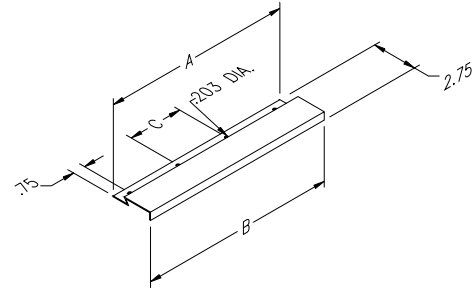
Drip shield
Stainless steel screws
Sealing washers
Sealing compound

Material/finish:

Steel: 14 gauge steel with polyester urethane powder coat over phosphatized surfaces, ANSI 61 grey
Stainless steel: 14 gauge Type 304 stainless steel with a # 3 brushed finish

Ratings: When properly installed on a Rittal Electromate enclosure, enclosure maintains UL and CUL Type 4, 4X and 12 protection.

NEMA 4 Drip Shields					
Steel Part No.	Stainless Steel Part No.	A	B	Mounting holes	C
E DK12NF	E DK12NFSS	11.50	12.00	3	5.00
E DK16NF	E DK16NFSS	15.50	16.00	3	7.00
E DK20NF	E DK20NFSS	19.50	20.00	4	6.00
E DK21NF	E DK21NFSS	20.50	21.00	4	6.33
E DK24NF	E DK24NFSS	23.50	24.00	4	7.33
E DK25NF	E DK25NFSS	24.50	25.00	4	7.67
E DK30NF	E DK30NFSS	29.50	30.00	5	7.00
E DK31NF	E DK31NFSS	30.50	31.00	5	7.25
E DK36NF	E DK36NFSS	35.50	36.00	5	8.50
E DK37NF	E DK37NFSS	36.50	37.00	5	8.75
E DK48NF	E DK48NFSS	47.50	48.00	7	7.67
E DK60NF	E DK60NFSS	59.50	60.00	8	8.29
E DK72NF	E DK72NFSS	71.50	72.00	9	8.75



Wallmounting Bracket Kits

Wallmounting bracket kit C MTKIT is used for wallmounting Legacy Series enclosures. The E L14 wallmounting bracket kit is used for wallmounting NEMA style enclosures. Kits include sealing washers to help maintain NEMA 4 or 12 protection.

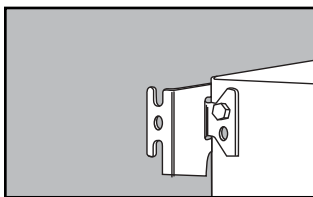
Configuration:

C MTKIT: packs of 4
E L14: packs of 1

Material:

C-MTKIT and E-L14: 10 gauge stainless steel

Wallmounting Bracket Kits	
Part No.	Description
C MTKIT	Wallmounting bracket kit for Legacy Series enclosures
E L14	NEMA wallmounting bracket



Wall Brackets For Legacy Enclosures

Fasten enclosure securely to wall.

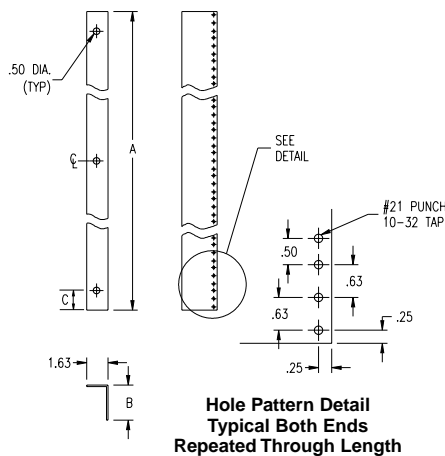
Wall Brackets			
Part No.	Stand-off from wall (inches/mm)	Material	Packs of
2503200	1 ⁵ / ₈ /40	Zinc coated steel	4
2508200	3 ⁷ / ₈ /10	Zinc coated steel	4
2433000	3 ⁷ / ₈ /10	T 304 stainless steel	4

Relay Rack Angles For Freestanding Enclosures

Relay rack angles with # 10-32 tapped mounting holes make it possible to install 19" and 24" rackmount equipment in standard freestanding enclosures. Includes mounting hardware.

Material:

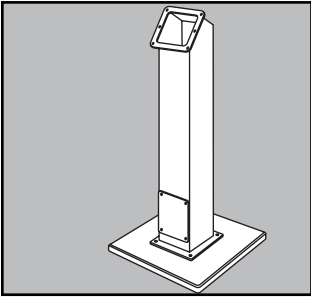
zinc plated, 10 gauge steel



Relay Rack Angles							
Part No.	Description	Fits enclosure			Center mounting hole		
		H	W	A			
E 60RP24F5	Two full length angles	60	24	49.00	2.16	1.38	YES
E 60RP24F6	Two half length angles	60	24	26.25	2.16	1.56	NO
E 72RP24F5	Two full length angles	72	24	61.25	2.16	1.50	YES
E 72RP24F6	Two half length angles	72	24	31.50	2.16	1.38	NO
E 72RP30F5	Two full length angles	72	30	61.25	2.69	1.50	YES
E 72RP30F6	Two half length angles	72	30	31.50	2.69	1.38	NO
E 90RP24F5	Two full length angles	90	24	78.75	2.16	1.25	YES
E 90RP24F6	Two half length angles	90	24	40.25	2.16	1.06	NO

Designates a product in the EnclosureZone program.

Pedestals And Bases



Pedestal/Base

Pedestals provide extra flexibility and operator friendliness for control system applications. Both standard and stainless steel versions are available in two heights and either straight or angled. Wiring and cable routing can be either directly to the enclosure or through the base and column in which case a cutout is required in the enclosure bottom.

Base configuration:

Leveling screws
Holes

Material/finish:

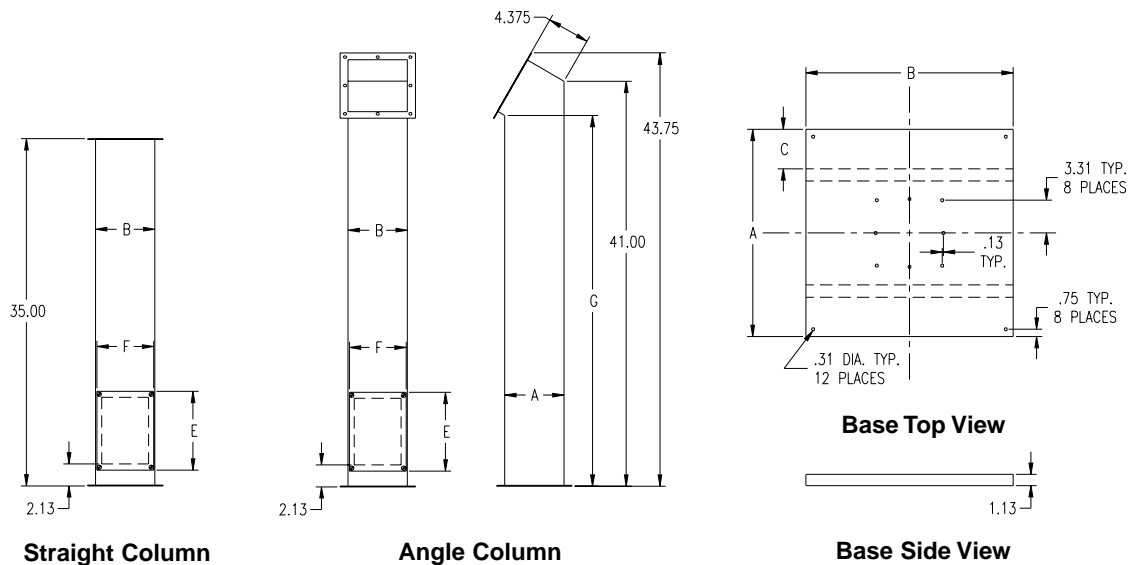
Steel columns: 14 gauge steel with polyester-urethane powder coat over phosphatized surfaces, inside and outside – ANSI 61 grey

Stainless steel columns: Type 304 stainless steel with a # 3 brushed finish

Flanges: 10 gauge steel

Pedestals								
Steel Part No.	Stainless Steel Part No.	Description	Column	Column	Cover plate		Column height	
			A	B	E	F	G	
E 44CCOL	E 44CCOLSS	Straight Column	4.00	4.00	7.00	3.75	35.00	
E 66CCOL	E 66CCOLSS	Straight Column	6.00	6.00	7.75	5.75	35.00	
-	E 44PBCCOLSS	Angled Column	4.00	4.00	7.00	3.75	38.69	
-	E 66PBCCOLSS	Angled Column	6.00	6.00	7.75	5.75	37.53	

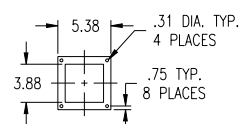
Bases				
Steel Part No.	Stainless Steel Part No.	A	B	Stiffener location
				C
E 18SBASE	E 18SBASESS	18.00	18.00	3.00
E 24SBASE	E 24SBASESS	24.00	24.00	5.00



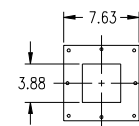
Straight Column

Angle Column

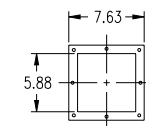
Base Side View



4x4 Top Flange



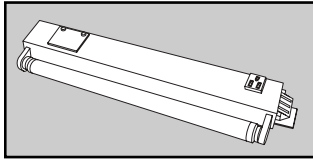
**4x4 Bottom Flange
(See Base For
Hole Location)**



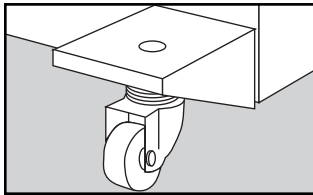
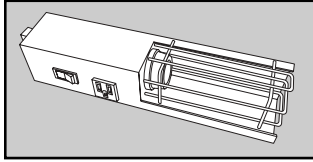
**6x6 Top And Bottom Flange
(See Base For
Hole Location)**

Designates a product in the EnclosureZone program.

General Accessories



Light Kits



Caster Kits

Castors make it easy to move cabinets around.

Load capacity: 350 lbs per caster

Material:

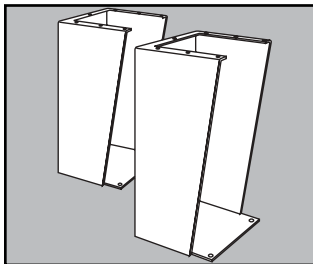
Caster mounting plate: heavy gauge steel with zinc-plated finish

Configuration:

2 fixed casters

2 swivel casters

Mounting hardware



Floor Stand Kits

Floor stand kits can be used to raise freestanding enclosures or to floor mount standard wall mount enclosures off the floor. They are easily installed — just drill holes in bottom of enclosure and bolt to enclosure.

Note: Wallmounting feet do not have to be removed from wallmount enclosures.

Configuration:

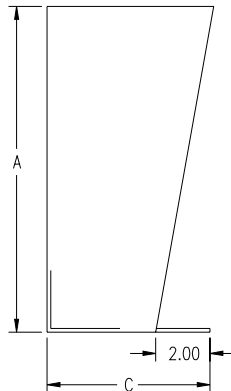
2 stands

Mounting hardware

Material/finish:

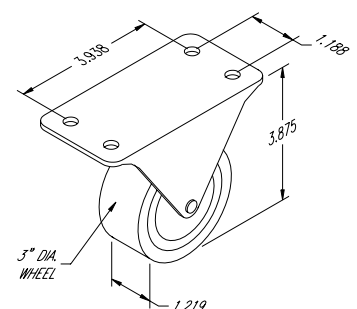
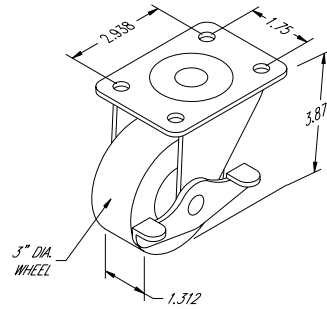
Steel: 10 gauge steel with grey primer over phosphatized surfaces

Stainless steel: 10 gauge Type 304 stainless steel with # 3 brushed finish

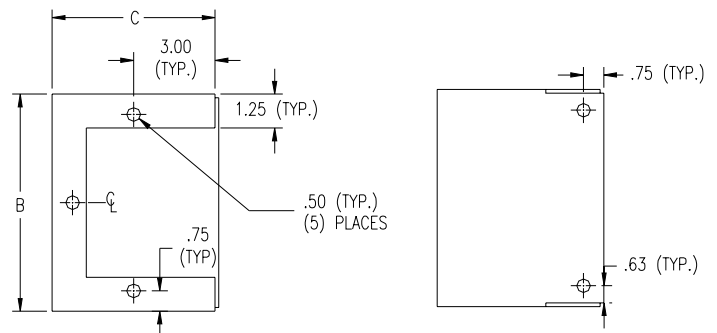


Light Kits			
Part No.	Description		Packs of
E LKF18D	Light Kit - Fluorescent (18") Door Switch		1
E LKF18M	Light Kit - Fluorescent (18") Manual Switch		1
E LKID	Light Kit - Incandescent Door Switch		1
E LKIM	Light Kit - Incandescent Manual Switch		1

Caster Kits	
Part No.	Description
E C10C	Set of four casters



Floor Stand Kits				
Steel Part No.	Stainless Steel Part No.	Height	Width	Depth
		A	B	C
E FK0608	E FK0608SS	6.00	8.00	6.00
E FK0610	E FK0610SS	6.00	10.00	8.00
E FK0612	E FK0612SS	6.00	12.00	8.00
E FK0618	E FK0618SS	6.00	18.00	8.00
E FK1208	E FK1208SS	12.00	8.00	6.00
E FK1210	E FK1210SS	12.00	10.00	8.00
E FK1212	E FK1212SS	12.00	12.00	8.00
E FK1216	E FK1216SS	12.00	16.00	8.00
E FK1218	E FK1218SS	12.00	18.00	8.00
E FK1220	E FK1220SS	12.00	20.00	8.00
E FK1808	E FK1808SS	18.00	8.00	6.00
E FK1810	E FK1810SS	18.00	10.00	8.00
E FK1812	E FK1812SS	18.00	12.00	8.00
E FK2408	E FK2408SS	24.00	8.00	6.00
E FK2410	E FK2410SS	24.00	10.00	8.00
E FK2412	E FK2412SS	24.00	12.00	8.00
E FK2416	E FK2416SS	24.00	16.00	8.00



Designates a product in the EnclosureZone program.

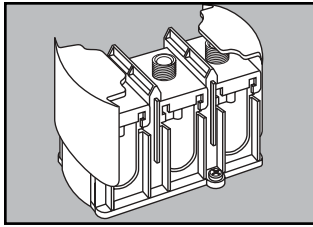
Screw Cover Pull Box Flush Covers

Covers fastened with plated steel screws. Key-hole screw-slot design permits easy attaching of cover to body.

Painted/Flush Covers							
Part No.	Enclosure size		Cover size		Screw cover centers		Material gauge
	H	W	A	B	C	D	
E FC44P	4.00	4.00	6.00	6.00	-	3.25	14
E FC64P	6.00	4.00	8.00	6.00	-	3.25	14
E FC66P	6.00	6.00	8.00	8.00	-	5.25	14
E FC86P	8.00	6.00	10.00	8.00	4.38	5.25	14
E FC126P	12.00	6.00	14.00	8.00	8.38	5.25	14
E FC88P	8.00	8.00	10.00	10.00	4.38	7.25	14
E FC108P	10.00	8.00	12.00	10.00	6.38	7.25	14
E FC128P	12.00	8.00	14.00	10.00	8.38	7.25	14
E FC1010P	10.00	10.00	12.00	12.00	6.38	9.25	14
E FC1210P	12.00	10.00	14.00	12.00	8.38	9.25	14
E FC1212P	12.00	12.00	14.00	14.00	8.38	11.25	14
E FC1512P	15.00	12.00	17.00	14.00	11.38	11.25	14
E FC1812P	18.00	12.00	20.00	14.00	14.38	11.25	14
E FC1515P	15.00	15.00	17.00	17.00	11.38	14.25	14
E FC1815P	18.00	15.00	20.00	17.00	14.38	14.25	14
E FC1818P	18.00	18.00	20.00	20.00	14.38	17.25	14
E FC2418P	24.00	18.00	26.00	20.00	20.38	17.25	14
E FC2424P	24.00	24.00	26.00	26.00	20.38	23.25	14
E FC3024P	30.00	24.00	32.00	26.00	26.38	23.25	14
E FC3624P	36.00	24.00	38.00	26.00	32.38	23.25	14
E FC3030P	30.00	30.00	32.00	32.00	26.38	29.25	12
E FC3636P	36.00	36.00	38.00	38.00	32.38	35.25	12

NEMA 1 Wireway Painted Covers

NEMA 1 Wireway Painted Covers	
Part No.	Description
E WC2212P	Cover for E W2212P
E WC2224P	Cover for E W2224P
E WC2236P	Cover for E W2236P
E WC2248P	Cover for E W2248P
E WC2260P	Cover for E W2260P
E WC4412P	Cover for E W4412P
E WC4424P	Cover for E W4424P
E WC4436P	Cover for E W4436P
E WC4448P	Cover for E W4448P
E WC4460P	Cover for E W4460P
E WC6612P	Cover for E W6612P
E WC6624P	Cover for E W6624P
E WC6636P	Cover for E W6636P
E WC6648P	Cover for E W6648P
E WC6660P	Cover for E W6660P
E WC8812P	Cover for E W8812P
E WC8824P	Cover for E W8824P
E WC8836P	Cover for E W8836P
E WC8848P	Cover for E W8848P
E WC8860P	Cover for E W8860P
E WC101012P	Cover for E W1012P
E WC101024P	Cover for E W1024P
E WC101036P	Cover for E W1036P
E WC101048P	Cover for E W1048P
E WC101060P	Cover for E W1060P
E WC121212P	Cover for E W1212P
E WC121224P	Cover for E W1224P
E WC121236P	Cover for E W1236P
E WC121248P	Cover for E W1248P
E WC121260P	Cover for E W1260P



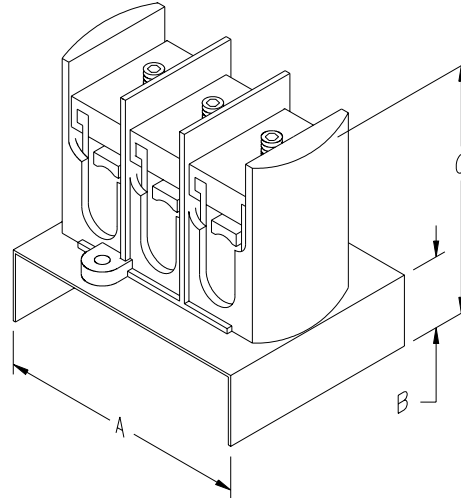
Keytap®

Keytap® provides a simple, quick and less expensive method for mounting cable connectors and terminal block assemblies to the interior of Rittal Electromate enclosures and wireways. 3 or 4 "U" connectors are gang-mounted into multi splice and tap blocks. Blocks hold cables securely in place and

are complete with a quick snap on/off insulating cover and mounting platform. The quick snap on/off insulating cover eliminates tapping and reduces heat build-up by allowing free airflow around the connector. The mounting platform facilitates installation, allows easy access to the block, and permits

the routing of additional wires under the block. This assembly is rated at 600 volts and can be used with either copper or aluminum cable. Connectors are electro-tin plated for low contact resistance and protection against galvanic corrosion.

Keytap®							
Part No.	No. of wires	Wireway size	Max. wire capacity per phase	Tap size range	A	B	C
E 50063WTKIT	3	6 x 6	2-500 mcm	500 mcm thru 6	5.75	1.62	5.62
E 41063WTKIT	3	6 x 6	2-4/0	4/0 thru 6	5.75	2.62	5.62

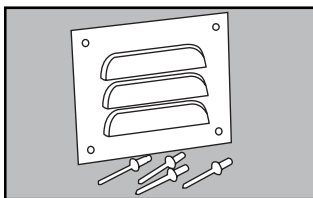


Touch-Up Paint

Rittal Electromate paint can be used for touch-up and repairs of powder coated or enameled surfaces.

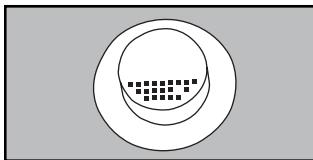
Touch-up Paint	
Part No.	Color
E L17	White enamel
E L21	ANSI 61 grey polyester powder

Fiberglass Accessories



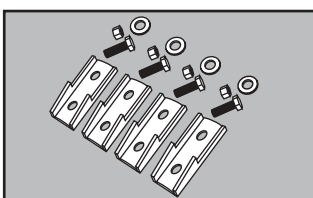
Louver Panel Kits

Louver Panel Kits	
Part No.	Number of louvers
L FLPK3KIT	1
L FLPI	1




Drain/Vent Kits

Drain/Vent Kits	
Part No.	Packs of
L FDV3KIT	1
L FDVI	1



Mounting Foot

Mounting Foot	
Part No.	Packs of
L FIMTGFTKIT	1

 Designates a product in the EnclosureZone program.

Technical Information

Certifications & Standards

Application

The products in this catalog are designed for electrical and electronic enclosure applications in commercial or industrial locations which are classified as non-hazardous; currently Rittal does not manufacture enclosures for hazardous environments. Information on the classification of hazardous and non-hazardous locations appears later in this section.

The enclosure products in this publication should be applied, installed and used only by qualified engineers, technicians or electricians knowledgeable of the standards, laws, regulations and ordinances associated with the respective application.

THE INFORMATION IN THIS SECTION HAS BEEN CONDENSED FROM SEVERAL REFERENCES AND IS PROVIDED FOR GUIDANCE IN SELECTING THE APPROPRIATE ENCLOSURE FOR AN APPLICATION. THE ORIGINAL REFERENCE MUST BE CONSULTED FOR DETAILED INFORMATION.

Installation

Enclosures must be mounted to structures which will support the weight and sustain all other forces which the enclosure and its associated equipment may impose. Before any circuits are energized, all electrical and mechanical clearances must be checked to confirm that the equipment functions safely and properly. Assemblers and installers should consult with manufacturers and observe all regulatory procedures and practices to assure electrical and mechanical conformance in each application.

Industry Standards

The following information is provided with permission of the respective organizations to assist in the selection of an enclosure:

Enclosure Ratings

CSA, IEC, NEMA and UL use rating classifications which establish performance requirements for enclosures. CSA, NEMA and UL are the recognized organizations in North America. IEC standards fulfill a similar function in Europe and other parts of the world. Efforts to harmonize enclosure standards are underway, however several years are anticipated before the effort is complete.

In North America, both UL and CSA are accredited by the Standard Council of Canada (SCC) as Certification Organizations (CO) and Testing Organizations (TO). With its SCC accreditation, UL is able to evaluate products for use in Canada. Approved products carry the cUL mark. Both UL (cUL) and CSA perform follow-up services to assure that manufacturers continue to comply with material and process specifications.

In Europe, the CE Marking signifies that a product complies with all European Union (EU) directives and with applicable health, safety, environmental and consumer protection standards. The mark also promotes free trade into and within the EU. The CE marking is not applied to empty enclosures because they are considered only as inactive parts of the final equipment assembly. The equipment integrator is responsible for compliance with applicable EU directives and standards.

The IEC rating system uses different evaluation criteria and has more classifications than the UL and CSA standards. Because the classification ratings differ, equating IEC classifications with NEMA Type enclosures can be controversial and depends on individual interpretation of ratings.

The National Electrical Manufacturers Association (NEMA) publishes ratings, but does not test or list enclosures. The NEMA enclosure designations are the standard reference for enclosures in this publication, and regardless of type, all enclosures provide protection to personnel against incidental contact with the enclosed equipment. To assist in the proper selection of an enclosure, the NEMA types are differentiated by the environmental conditions as listed below:

- NEMA 1** Indoor use to provide a degree of protection against falling dirt.
- NEMA 2** Indoor use to provide a degree of protection against falling dirt; dripping and light splashing of liquids.
- NEMA 3** Indoor or outdoor use to provide a degree of protection against falling dirt, rain, sleet, snow and windblown dust; and that will be undamaged by the external formation of ice on the enclosure.
- NEMA 3R** Indoor or outdoor use to provide a degree of protection against falling dirt, rain, sleet and snow; and that will be undamaged by the external formation of ice on the enclosure.
- NEMA 3S** Indoor or outdoor use to provide a degree of protection against falling dirt, rain, sleet, snow and windblown dust; and in which the external mechanism(s) remain operable when ice laden.
- NEMA 4** Indoor or outdoor use to provide a degree of protection against falling dirt, rain, sleet, snow, windblown dust, splashing water, hose-directed water; and that will be undamaged by the external formation of ice on the enclosure.

Technical Information

Certifications & Standards

NEMA 4X Indoor or outdoor use to provide a degree of protection against falling dirt, rain, sleet, snow, windblown dust, splashing water, hose-directed water and corrosion; and that will be un-damaged by the external formation of ice on the enclosure.

NEMA 5 Indoor use to provide a degree of protection against falling dirt; settling airborne dust, lint, fibers and flyings; and dripping and light splashing of liquids.

NEMA 6 Indoor or outdoor use to provide a degree of protection against falling dirt; hose-directed water and the entry of water during occasional temporary submersion at a limited depth; and will be undamaged by the external formation of ice on the enclosure.

NEMA 6P Indoor or outdoor use to provide a degree of protection against falling dirt; hose-directed water and the entry of water during prolonged submersion at a limited depth; and will be undamaged by the external formation of ice on the enclosure.

NEMA 12 Indoor use to provide a degree of protection against falling dirt; circulating dust, lint, fibers and flyings; and dripping and light splashing of liquids.

NEMA 13 Indoor use to provide a degree of protection against falling dirt; circulating dust, lint, fibers and flyings; and spraying, splashing and seepage of water, oil and non-corrosive coolants.

Comparison of Enclosure Types for Non-Hazardous Locations												
Provides a Degree of Protection Against the Following Environmental Conditions	TYPE OF ENCLOSURE											
	1	2	3	3R	4	4X	5	6	6P	12	13	
Incidental Contact with Enclosed Equipment	X	X	X	X	X	X	X	X	X	X	X	X
Indoor	X	X	X	X	X	X	X	X	X	X	X	X
Outdoor			X	X	X	X		X	X			
Falling Dirt	X	X	X	X	X	X	X	X	X	X	X	X
Dripping and Light Splashing Liquids		X	X	X	X	X	X	X	X	X	X	X
Rain, Sleet* and Snow			X	X	X	X		X	X			
Circulating Dust, Lint, Fibers and Flyings			X		X	X		X	X	X	X	X
Settling Dust, Lint, Fibers and Flyings			X		X	X	X	X	X	X	X	X
External Ice*			X	X	X	X		X	X			
Hosedown and Splashing Water					X	X		X	X			
Oil and Coolant Seepage										X	X	
Oil and Coolant Spraying and Splashing												X
Corrosive Agents						X			X			
Occasional Temporary Submersion								X	X			
Occasional Prolonged Submersion									X			

* External operating mechanisms are not required to be operable when the enclosure is ice covered.

Technical Information

Certifications & Standards

Reference Documents and Sources

NEMA Standards Publication 250, Enclosures for Electrical Equipment (1000 Volts Maximum) and NEMA Standards Publication ICS6, Enclosures for Industrial Controls and Systems

National Electrical Manufacturers Association

1300 North 17th Street, Suite 1847
Rosslyn, VA 22209

CSA Standard C22.2 No. 14 Industrial Control Equipment for Use in Ordinary (Non-Hazardous) Locations; CSA Standard C22.2 No. 40 Cut-Out, Junction and Pull Boxes; and CSA Standard 22.2 No. 94 Special Purpose Enclosures

Canadian Standard Association

178 Rexdale Boulevard
Etobicoke, Ontario, Canada M9W 1R3

UL 50 Enclosures for Electrical Equipment; UL 94 Tests for Flammability of Plastic Materials for Parts in Devices and Appliances; UL 508 Industrial Control Equipment; UL 870 Wireways, Auxiliary Gutters and Associated Fittings; and UL 746C Polymeric Materials - Use in Electrical Equipment Evaluations

Underwriters Laboratories

333 Pfingsten Road
Northbrook, IL 60062-2096

Underwriters Laboratories of Canada

7 Crouse Road
Scarborough, Ontario M1R 3A9 Canada

IEC 529 Classification of Degrees of Protection by Enclosures; IEC 204 Electrical Equipment of Industrial Machines

International Electrotechnical Commission

1 Rue de Varembei
CH-1211
Geneva 20, Switzerland

ANSI Z55.1 Grey Finishes for Industrial Apparatus and Equipment

American National Standards Institute

1430 Broadway
New York, NY 10018

Information for Comparison of IEC and CSA/NEMA/UL/cUL Ratings

NEMA 250 and UL 50 specify tests for environmental conditions such as falling dirt, ice, corrosion, oil and coolants whereas IEC 529 does not have such requirements. Different rating requirements make comparison difficult and disagreements are common.

The IEC designation consists of the letters IP followed by two numerals. The first number indicates the degree of protection provided by the enclosure with respect to persons and solid foreign objects entering the enclosure. The second number indicates the degree of protection provided by the enclosure with respect to the harmful ingress of water.

The data contained in the following tables are provided for information; however, *caution is necessary when attempting to equate IEC and NEMA enclosure ratings because an exact equivalence is not possible*. The table can only be used to convert NEMA designations to IEC, it should not be used inversely. The cross reference is based on engineering judgement and is not approved by any standards organization.

Technical Information

Certifications & Standards

Approximate Equivalence of CSA/NEMA/UL/cUL and IEC Enclosure Types*

NEMA Enclosure Type	IEC Enclosure Type
1	IP10
2	IP11
3	IP54
3R	IP14
3S	IP54
4	IP66
4X	IP66
6	IP67
12	IP52
13	IP54

*Comparison ratings in this table are taken from Appendix A, NEMA 250-1997. Test data may change the equivalent rating published by the enclosure manufacturer.

Specifications for Construction

Materials Used in Rittal Enclosures

Cold Rolled Steel

A low carbon, cold finished steel, produced by passing bar stock through a set of rolls. Cold rolled sheets have less thickness variation and a better finish than hot rolled steel.

Galvanized Steel

A zinc coated steel which is hot dip galvanized, metal sprayed or electroplated to provide corrosion resistance. Galvanizing provides a sacrificial coating and cathodic protection.

Hot Rolled Steel

A low carbon, hot finished steel, produced by passing bar stock through a set of rolls at a temperature above the re-crystallization temperature. Hot rolled steel sheet has a poorer finish than cold rolled steel.

Pickled and Oiled Steel Sheets

Hot rolled steel sheets which have had the scale removed by means of a hot, weak sulfuric acid bath after which an oil film has been applied for corrosion resistance.

Stainless Steel

A highly corrosion resistant iron alloy containing between 12% and 25% chromium. For superior corrosion resistance, Rittal fabricates enclosures from both Type 304 and 316 Stainless Steel which are non-magnetic. Type 316, a low carbon stainless steel, is harder and more corrosion resistant; it is an excellent material for marine application.

Aluminum

A lightweight metal which quickly forms a natural oxide layer to resist corrosion. Rittal fabricates enclosures from Type 5052 aluminum, the highest strength non-heat treatable aluminum alloy recommended for marine applications.

Galvaneal

A hot-dip zinc coated sheet which has been heated after coating to allow interdiffusion of zinc and iron to form an alloy coating.

Fiberglass

Enclosures are molded under heat and pressure with fiberglass reinforced polyester resin to produce superior chemical resistance in corrosive applications. The glass fiber reinforcement increases enclosure strength to withstand physical loads such as unexpected impacts or additional tensile loads.

Technical Information

Enclosure Selection Guidelines

The enclosure selection process includes the following five considerations:

1. Examination of the Application

Industrial applications usually require strong mechanical enclosures which are durable. Electronic and communication applications are more diverse, but space and security are usually the more dominant considerations.

2. Environment Protection

The environment where the equipment will be located (i.e., outdoors, factory floor, office, laboratory, chemical plant, etc.) establishes the degree of protection required. The NEMA enclosure ratings provide the information needed to select the enclosure for your application requirements.

The application environment is a significant factor in specifying the enclosure material. For mild steel enclosures, painting is the most basic protection; stainless steel should be considered for more corrosive applications. Electromagnetic interference (EMI) and radio frequency interference (RFI) are additional environmental factors which impact enclosure material selection.

3. Space Requirements

Space requirements include size and equipment arrangement as well as aesthetics. Accessories such as windows, back panels, swingout panels, wiring terminals, EMI/RFI shielding and climate control solutions also influence size and appearance.

4. Climate Control Solutions

Especially in electronic enclosure applications, climate control is becoming an important issue because technology advances continue to reduce component size. Smaller components increase heat generation by placing more components in the same enclosure volume. Also in some applications, heaters are required to prevent condensation.

5. Security

The monetary value of equipment placed within enclosures has increased. The safety of personnel can be jeopardized by unauthorized access and operation of equipment. Enclosure security can be enhanced by the selection of hinges, latches, locks and fasteners.

The five steps in this enclosure selection process are not new, but numerous enclosure and design options are available to meet a diversity of needs in each area.

In addition almost any enclosure in this catalog can be modified to meet unique application requirements in a specific environment.

Selecting an Enclosure

The Selection Guidelines and the Enclosure Selection Guide are designed to help select a Rittal enclosure which is best for your application. Before using the Enclosure Selection Guide, the first three steps in the selection process must be completed.

The application, environmental and space requirements are dependent on the sensitivity/criticality of the equipment, and its size and operation. Once these parameters are established, the first three steps are quickly and easily completed. An Enclosure Selection Checklist and supplemental information are provided within this Technical Section to help select the enclosure material for the application environment.

Technical Information

Enclosure Materials

Rittal offers **Aluminum, Galvanized Steel, Painted Steel, Stainless Steel** and **Fiberglass** Enclosures. The choice of material is dependent on the concentration of various corrosives present in the application environment and other physical properties necessary to meet the design specifications. Although NEMA 4X is the only enclosure fabricated and rated for resistance to corrosive agents, other enclosure materials and ratings offer a degree of corrosion resistance in less harsh environments.

To begin the selection process, one must consider all the corrosive agents which can be present in an application, but determining the concentration and corroding agents may be a complex process. Usually several corrosive elements are present and interactions are not always well documented.

Water is the most common corrosive and is usually present to some extent in every enclosure application. Adjacent processing operations or other intermittent activities such as crop dusting, industrial cleaning or road salt may expose the enclosure to a variety of corrosive agents and temperatures. Each environment is unique and all possible corrosive agents should be identified for the intended enclosure application.

Once the corrosive agents and concentrations are identified, information in this section can be used to select the enclosure material. Metal corrosion is influenced by surface finish, surface treatment such as painting or galvanizing, and use of materials such as stainless steel, fiberglass or aluminum which are naturally corrosion resistant.

To select the best enclosure material for an application; chemical resistance, physical strength and economic data are presented in several tables beginning on the next page. In Table 1 enclosure materials are rated on a continuum from "Recommended" to "Limited or Unacceptable" in three broad categories of chemicals. Since the chemical resistance categories in the table are extremely broad, some materials may perform well in specific corrosive environments within a general category and it is best to consult the detailed Chemical Resistance Information provided in Table 3.

Besides the enclosure material, the corrosion resistance of features such as windows, gaskets, latches, etc. must also be considered. Table 4 provides the chemical resistance information which can be used to select the commonly used materials for these features.

Much of the chemical resistance information in Tables 3 and 4 is based on total immersion testing in the chemical for a minimum of 30 days at 72°F. The information in these tables is intended as a guide only. Total immersion testing is considered quite severe and **the results may not necessarily reflect the performance under actual field conditions.** The user assumes responsibility for selection of the material based on the characteristics of the application environment.

Technical Information

Enclosure Materials

Table 1. Broad Categories Of Enclosure Material Chemical Resistance			
CONTINUUM OF USE	GENERAL CATEGORY OF CHEMICALS		
	Acids	Alkalines	Solvents
↓ Recommended ↓ Acceptable ↓ Limited or Unacceptable ↓ ↓	Stainless Steel	Stainless Steel Fiberglass	Stainless Steel Fiberglass Aluminum Powder Coated Steel
	Fiberglass		
	Powder Coated Steel	Galvanized Steel Powder Coated Steel	Galvanized Steel
	Aluminum Galvanized Steel	Aluminum	

Detailed material strength information is beyond the scope of this catalog and should be obtained from a materials reference or Rittal; however, Table 2 provides some relative data to help with this selection.

Table 2. Relative Material Strength And Cost Comparison Of Commonly Used Enclosure Materials				
MATERIAL	RELATIVE PHYSICAL STRENGTH	RELATIVE COST	APPLICATION CONDITIONS	TEMPERATURE LIMITATIONS
Aluminum	Average	Average	Indoor and outdoor, marine, solvents, petrochemical sulfates, nitrates and specific acids.	None for enclosure applications
Mild Steel: Galvanized Painted	High	Average Low	Indoor and outdoor where the respective coating provides acceptable protection in a mildly corrosive environment.	None for enclosure applications
Stainless Steel	High	Average-High	Indoor and outdoor in highly corrosive applications. Food and dairy processing or marine.	None for enclosure applications
Acrylic	Average	Low	Enclosure windows. Weatherable, scratch resistant. Good resistance to solvents.	-31°F (-35°C) to 180°F (82°C)
Poly-carbonate	Average	Low-Average	Enclosure windows. Not recommended for direct sunlight, exposure to organic solvents and concentrated alkalis.	-31°F (-35°C) to 248°F (120°C)
Nylon	Average	Low	Cord grip, hinges, latches.	-22°F (-30°C) to 212°F (100°C)
Fiberglass	Average	Low-Average	Indoor and outdoor for continuously damp and highly corrosive environments. Petrochem, water treatment, food processing, coating, salts and chemicals.	-40°F (C) to 250° (121°C)
Gaskets:				
Neoprene	Low	Low	Oil resistance. Seams may be a problem.	-40°F (C) to 225°F (107°C)
Silicone	Low	Average	Oil resistance temperature and chemical resistance.	-40°F (-40°C) to 350°F (175°C)
Urethane	Low	Average	Water and oil resistance, chemical resistance.	-40°F (C) to 200°F (93°C)

Technical Information

Chemical Resistance

Table 3. Specific Chemical Resistance Information Metals, Coated Metals And Fiberglass Materials

CHEMICAL	Aluminum	Fiber Glass Polyester	Steel			Stainless Steel	
			Polyester Powder	Urethane Enamel	Galvanized	Type 304	Type 316
Acetaldehyde	S	U	—	—	—	S	S
Acetic Acid (10%)	L	S	U	U	U	S	U
Acetone	S	L	L	U	L	S	S
Aluminum Chloride (10%)	U	S	U	U	U	U	M
Aluminum Sulfate (10%)	L	S	U	U	U	U	S
Ammonia Gas	L	S	—	—	—	S	S
Ammonium Chloride	U	S	U	U	U	S	S
Ammonium Hydroxide (10%)	S	L	U	U	U	S	S
Ammonium Nitrate (10%)	M	S	U	U	U	S	S
Ammonium Phosphate (10%)	L	M	S	L	U	S	M
Ammonium Sulfate	S	S	—	—	—	S	S
Aniline	L	U	—	—	—	S	S
ASTM #1 Oil	S	S	S	S	S	S	S
ASTM #3 Oil	S	S	S	S	S	S	S
Axle Grease	S	S	S	S	S	S	S
Benzene	S	S	—	—	S	S	S
Boric Acid (10%)	M	S	U	U	U	S	S
Bromine	U	L	U	U	U	U	U
Butyl Acetate	M	L	—	—	—	S	S
Butyric Acid	U	S	—	—	—	S	S
Calcium Chloride (10%)	L	S	U	U	U	L	S
Calcium Hydroxide (10%)	U	S	U	U	U	S	S
Calcium Hypochlorite (10%)	L	M	U	U	U	U	M
Calcium Sulfate	M	S	U	U	U	S	S
Carbolic Acid (25%)	M	L	U	U	U	S	S
Carbon Disulfide	S	L	—	—	—	S	S
Carbon Tetrachloride	S	M	U	S	S	U	S
Chlorine (dry)	S	S	—	—	—	S	S
Chlorine (water) 5-10 ppm	M	L	S	U	U	U	—
Chlorobenzene	S	S	—	—	S	S	S
Chloroform	L	U	—	—	—	S	S
Chrome Plating Solution	U	L	U	U	U	L	L
Chromic Acid	S	S	—	—	—	U	U
Citric Acid (10%)	U	M	U	U	U	S	S
Copper Sulfate	U	S	—	—	—	S	S
Creosote	L	L	—	—	—	S	S
Cutting Fluid (5 Star) 10%	S	S	U	U	U	S	S
Cutting Fluid (Castrol 980 H)	S	S	S	U	U	S	S
Cutting Fluid (Norton 205)	U	S	U	U	U	S	S
Cutting Fluid (Rustlick) 10%	M	S	U	U	U	S	S
Cutting Oil (Dark)	S	S	S	S	S	S	S
Diethyl Ether	S	S	—	—	—	S	S
Ethyl Alcohol	S	S	M	U	S	S	S
Ethylene Dichloride	S	L	—	—	—	—	—
Ethylene Glycol	S	S	S	S	U	S	S
Ferric Chloride	U	S	U	U	U	S	U
Ferric Nitrate	—	S	—	—	—	S	S
Ferric Sulfate	M	S	—	—	—	S	S

KEY :

S = superior resistance / completely unaffected under all conditions
L = limited resistance / some chemical attack may be expected over time, exposure should be limited to fumes or occasional light splashing
M = moderate resistance / superficial (aesthetic) effects only, example: some loss of surface gloss or color change may occur, but mechanical properties (strength) remain unaffected
U = unsatisfactory severe / chemical attack in a relatively short time
— = no data available

Technical Information

Chemical Resistance

Table 3. Continued

CHEMICAL	Aluminum	Fiber Glass Polyester	Steel			Stainless Steel	
			Polyester Powder	Urethane Enamel	Galvanized	Type 304	Type 316
Fluorine	S	U	—	—	—	M	—
Formaldehyde	S	S	—	—	—	L	S
Formic Acid	U	S	U	U	U	M	S
Fuel Oil (#2)	S	S	M	S	S	S	M
Gasoline	S	M	—	—	—	S	S
Glycerine	S	S	—	—	S	S	S
Hydraulic Brake Fluid	S	S	U	U	S	S	S
Hydraulic Oil	S	S	S	S	S	S	S
Hydrochloric Acid (10%)	U	M	U	U	U	U	U
Hydrocyanic Acid	S	U	—	—	—	S	S
Hydrofluoric Acid (20%)	U	U	U	U	U	U	U
Hydrogen Peroxide	S	M	—	—	—	L	S
Hydrogen Sulfide	M	S	—	—	—	L	S
Hypochlorus Acid	U	S	—	—	—	—	—
Isopropyl Alcohol	S	S	M	U	S	S	S
Kerosene	S	S	S	S	S	S	S
Lacquer Thinner	S	S	L	U	S	S	S
Lactic Acid	M	S	—	—	—	L	S
Lime	M	M	—	—	—	—	—
Liquid Dish Soap (10%)	M	S	U	U	U	S	M
Lubricating Oils	S	S	—	—	—	S	S
Magnesium Chloride (10%)	L	S	U	U	U	S	S
Magnesium Hydroxide (10%)	L	S	U	U	U	S	S
Mercuric Chloride (10%)	U	M	U	U	U	S	U
Methyl Ethyl Ketone	S	L	—	—	—	S	S
Methylene Chloride	S	S	U	U	M	S	S
Milk	S	S	—	—	—	S	S
Mineral Oil	S	S	—	—	—	S	S
Mineral Spirits	S	S	S	S	S	S	S
Motor Oil (10 weight)	S	S	S	S	S	S	S
Nickel Salts	L	S	—	—	—	L	S
Nitric Acid (10%)	U	M	U	U	U	S	S
Nitrobenzene	S	L	—	—	—	S	S
Oleic Acid	S	S	—	—	—	L	S
Perchlorethylene	S	S	S	U	S	S	S
Phosphoric Acid (25%)	U	L	U	U	U	S	S
Phosphoric Acid (50%)	U	U	U	U	U	S	S
Pickling Solution	U	M	U	U	U	S	M
Potassium Carbonate (10%)	U	S	S	S	L	S	S
Potassium Chloride (25%)	L	S	U	U	U	S	S
Potassium Hydroxide (25%)	U	U	U	U	U	M	M
Potassium Nitrate (10%)	U	S	U	U	U	S	S
Potassium Sulfate (10%)	L	S	U	U	U	S	S
Soap (Igepal) 10%	L	S	S	U	U	S	S
Sodium Bicarbonate (10%)	L	S	S	S	U	S	S
Sodium Bisulfate (10%)	U	L	U	U	U	S	S
Sodium Chloride (25%)	L	S	U	U	U	S	S
Sodium Hydroxide	U	U	U	U	U	M	M

KEY :

S = superior resistance / completely unaffected under all conditions	L = limited resistance / some chemical attack may be expected over time, exposure should be limited to fumes or occasional light splashing	M = moderate resistance / superficial (aesthetic) effects only, example: some loss of surface gloss or color change may occur, but mechanical properties (strength) remain unaffected	U = unsatisfactory severe / chemical attack in a relatively short time
— = no data available			

Technical Information

Chemical Resistance

Table 3. Continued

CHEMICAL	Aluminum	Fiber Glass Polyester	Steel			Stainless Steel	
			Polyester Powder	Urethane Enamel	Galvanized	Type 304	Type 316
Sodium Hypochlorite	U	M	U	U	U	S	M
Sodium Nitrate (10%)	M	S	U	U	U	S	S
Sodium Phosphate (10%)	L	S	U	U	U	S	S
Sulfuric Acid (25%)	U	S	U	U	U	S	S
Sulfurus Acid (10%)	U	U	U	U	U	S	S
Tannic Acid ((10%)	L	S	U	U	U	M	M
Tetrahydrofuran	M	L	U	U	U	S	S
Toluene	S	S	L	U	S	S	S
Trichloroethylene	S	U	—	—	—	L	S
Trisodium Phosphate	L	M	—	—	—	—	—
Turpentine	S	M	M	U	L	S	S
Vegetable Oils	S	S	—	—	—	S	S
Vinegar	M	S	—	—	—	S	S
Water, Industrial	L	S	L	L	L	S	S
Water, Rain	L	S	S	L	L	S	S
Water, Sea	L	S	U	U	U	S	S
Water, Tap	L	S	S	L	L	S	S
Xylene	S	S	L	U	S	S	S
Zinc Acetate	S	S	—	—	—	S	S
Zinc Chloride	L	S	S	U	U	M	S
Zinc Sulfate	S	S	—	—	—	M	S

Table 4. Specific Chemical Resistance Information

CHEMICAL	Rigid PVC	Glass Nylon	Gaskets			Windows	
			Neoprene Rubber	Silicone Rubber	Urethane	Acrylic	Poly-carbonate
Acetyldehyde	U	—	S	S	—	—	—
Acetic Acid (10%)	L	U	U	M	L	S	S
Acetone	U	S	U	S	U	U	U
Aluminum Chloride (10%)	S	U	S	S	S	S	S
Aluminum Sulfate (10%)	S	L	U	S	S	S	S
Ammonia Gas	—	S	S	S	—	S	—
Ammonium Chloride	S	U	S	S	S	S	S
Ammonium Hydroxide (10%)	S	—	L	L	S	S	U
Ammonium Nitrate (10%)	S	U	U	S	S	S	U
Ammonium Phosphate (10%)	—	L	U	S	S	S	S
Ammonium Sulfate	S	U	S	S	—	—	—
Aniline	S	L	U	U	—	S	—
ASTM #1 Oil	—	—	M	S	S	S	M
ASTM #3 Oil	—	—	U	L	S	S	M
Axle Grease	—	—	L	S	S	S	M
Benzene	U	S	U	U	—	U	—
Boric Acid (10%)	L	S	S	S	S	S	S
Bromine	U	U	U	U	U	L	U
Butyl Acetate	U	S	U	U	—	U	—
Butyric Acid	U	U	U	—	—	—	—
Calcium Chloride (10%)	S	U	S	S	S	S	S
Calcium Hydroxide (10%)	S	—	U	S	L	S	S

KEY :

S = superior resistance / completely unaffected under all conditions	L = limited resistance / some chemical attack may be expected over time, exposure should be limited to fumes or occasional light splashing	M = moderate resistance / superficial (aesthetic) effects only, example: some loss of surface gloss or color change may occur, but mechanical properties (strength) remain unaffected	U = unsatisfactory severe / chemical attack in a relatively short time
— = no data available			

Technical Information

Chemical Resistance

Table 4. Continued

CHEMICAL	Rigid PVC	Glass Nylon	Gaskets			Windows	
			Neoprene Rubber	Silicone Rubber	Urethane	Acrylic	Poly-carbonate
Calcium Hypochlorite (10%)	S	U	U	S	U	M	S
Calcium Sulfate	S	U	S	S	S	S	S
Carbolic Acid (25%)	—	—	U	U	U	U	U
Carbon Disulfide	U	—	U	—	—	S	—
Carbon Tetrachloride	L	S	U	U	U	S	U
Chlorine (dry)	L	—	—	—	—	—	—
Chlorine (water) 5-10 ppm	L	—	L	S	S	S	S
Chlorobenzene	U	S	U	U	—	L	—
Chloroform	U	U	U	U	—	U	—
Chrome Plating Solution	—	—	U	U	U	S	S
Chromic Acid	L	U	U	M	—	U	—
Citric Acid (10%)	S	L	U	S	U	S	S
Copper Sulfate	S	L	S	S	—	U	—
Creosote	—	U	U	U	—	—	—
Cutting Fluid (5 Star) 10%	—	—	U	S	S	S	M
Cutting Fluid (Castrol 980 H)	—	—	L	S	S	S	L
Cutting Fluid (Norton 205)	—	—	S	S	S	S	S
Cutting Fluid (Rustlick) 10%	—	—	S	S	S	S	S
Cutting Oil (Dark)	—	—	U	S	S	S	S
Diethyl Ether	U	—	—	U	—	U	—
Ethyl Alcohol	S	—	L	S	S	U	M
Ethylene Dichloride	U	—	U	U	—	U	—
Ethylene Glycol	S	—	S	S	S	S	S
Ferric Chloride	S	U	L	S	L	S	S
Ferric Nitrate	S	U	S	M	—	—	—
Ferric Sulfate	S	U	S	M	—	—	—
Fluorine	L	—	—	U	—	—	—
Formaldehyde	L	U	U	M	—	S	—
Formic Acid	L	S	U	L	L	U	S
Fuel Oil (#2)	S	—	U	U	U	S	S
Gasoline	S	S	U	L	—	S	—
Glycerine	S	S	S	S	—	S	—
Hydraulic Brake Fluid	—	—	U	S	U	U	U
Hydraulic Oil	—	—	U	S	S	S	M
Hydrochloric Acid (10%)	S	U	L	L	U	S	S
Hydrocyanic Acid	S	—	S	M	M	—	—
Hydrofluoric Acid (20%)	L	U	U	U	—	S	M
Hydrogen Peroxide	S	U	U	M	—	S	—
Hydrogen Sulfide	S	—	U	M	—	—	—
Hypochlorous Acid	—	—	—	—	—	—	—
Isopropyl Alcohol	—	—	S	S	S	S	S
Kerosene	S	—	U	U	S	S	M
Lacquer Thinner	—	S	U	S	L	U	U
Lactic Acid	S	L	L	—	—	L	—
Lime	—	—	S	M	—	—	—
Liquid Dish Soap (10%)	S	—	L	S	S	S	S
Lubricating Oils	—	—	U	U	—	S	—
Magnesium Chloride (10%)	S	S	S	S	S	S	S

KEY :

S = superior resistance / completely unaffected under all conditions	L = limited resistance / some chemical attack may be expected over time, exposure should be limited to fumes or occasional light splashing	M = moderate resistance / superficial (aesthetic) effects only, example: some loss of surface gloss or color change may occur, but mechanical properties (strength) remain unaffected	U = unsatisfactory severe / chemical attack in a relatively short time
— = no data available			

Technical Information

Chemical Resistance

Table 4. Continued

CHEMICAL	Rigid PVC	Glass Nylon	Gaskets			Windows	
			Neoprene Rubber	Silicone Rubber	Urethane	Acrylic	Poly-carbonate
Magnesium Hydroxide (10%)	S	—	S	S	S	S	S
Mercuric Chloride (10%)	L	—	U	L	U	S	S
Methyl Ethyl Ketone	U	S	S	U	—	L	—
Methylene Chloride	—	U	U	S	U	U	U
Milk	S	—	S	S	—	S	—
Mineral Oil	S	—	L	M	—	S	—
Mineral Spirits	—	—	U	U	S	S	M
Motor Oil (10 weight)	—	—	U	U	S	S	S
Nickel Salts	S	—	U	S	—	—	—
Nitric Acid (10%)	S	U	U	U	U	S	L
Nitrobenzene	U	S	U	—	—	—	—
Oleic Acid	S	U	—	U	—	—	—
Perchloroethylene	—	—	U	S	U	U	U
Phosphoric Acid (25%)	S	U	S	S	U	S	S
Phosphoric Acid (50%)	S	U	S	S	U	S	S
Pickling Solution	—	—	L	M	M	S	S
Potassium Carbonate (10%)	L	S	S	S	S	S	S
Potassium Chloride (25%)	S	L	S	S	S	S	S
Potassium Hydroxide (25%)	S	S	U	L	M	U	U
Potassium Nitrate (10%)	S	L	S	S	S	S	S
Potassium Sulfate (10%)	SL	S	S	S	S	S	S
Soap (Igepal) 10%	S	—	U	S	S	S	S
Sodium Bicarbonate (10%)	S	S	S	S	S	S	S
Sodium Bisulfate (10%)	S	L	S	S	L	S	S
Sodium Chloride (25%)	S	S	S	S	S	S	S
Sodium Hydroxide	S	S	U	U	M	S	U
Sodium Hypochlorite	S	U	U	S	U	S	S
Sodium Nitrate (10%)	S	S	S	S	S	S	S
Sodium Phosphate (10%)	S	—	U	S	S	S	S
Sulfuric Acid (25%)	S	U	S	S	U	S	S
Sulfurous Acid (10%)	S	—	U	U	L	S	S
Tannic Acid ((10%)	S	U	U	L	U	S	S
Tetrahydrofuran	—	S	U	U	U	U	U
Toluene	U	S	U	U	U	U	U
Trichloroethylene	U	U	U	U	—	U	—
Trisodium Phosphate	S	—	—	—	—	—	—
Turpentine	—	S	U	L	U	S	S
Vegetable Oils	S	—	L	S	—	S	—
Vinegar	—	S	L	S	—	S	—
Water, Industrial	S	—	S	S	S	S	S
Water, Rain	S	—	S	S	S	S	S
Water, Sea	S	—	S	S	S	S	S
Water, Tap	S	—	S	S	S	S	S
Xylene	—	S	U	M	U	S	U
Zinc Acetate	—	—	—	U	—	—	—
Zinc Chloride	S	U	M	S	U	S	M
Zinc Sulfate	S	L	S	S	—	—	—

KEY :

S = superior resistance / completely unaffected under all conditions	L = limited resistance / some chemical attack may be expected over time, exposure should be limited to fumes or occasional light splashing	M = moderate resistance / superficial (aesthetic) effects only, example: some loss of surface gloss or color change may occur, but mechanical properties (strength) remain unaffected	U = unsatisfactory severe / chemical attack in a relatively short time
— = no data available			

Technical Information

Enclosure Paint Finishes

The primary function of the enclosure's paint is to provide corrosion protection, but benefits such as improved appearance and added distinction should also be considered. The corrosive severity of the application conditions is the first consideration in selecting the finish. Once a paint has been chosen for its corrosion protection, other factors such as color, gloss, texture, ease of cleaning, retention of properties and maintenance can be evaluated to complete the selection.

Table 5 rates different paint types on a continuum of use from "Recommended" to "Unacceptable" in three broad categories of chemical corrosives. The table also provides moisture, heat and chip resistance information. Table 6 provides a relative cost comparison of the available paint categories and the enclosure materials to which they may be applied.

Table 5. Broad Categories Of Paint Type Characteristics

CONTINUUM OF USE	CHEMICAL RESISTANCE				CHIP RESISTANCE	HEAT RESISTANCE
	Acid	Alkalines	Solvents	Water		
Recommended ↓ ↓			Polyester Powder, Urethane		Epoxy, Polyester Powder, Urethane	Epoxy
	Urethane, Polyester Powder	Urethane, Polyester Powder, Epoxy		Urethane, Polyester Powder		
			Epoxy			
Acceptable ↓ ↓	Alkyds, Epoxy		Epoxy	Alkyds, Epoxy	Alkyds	Alkyds, Polyester Powder, Urethane
			Epoxy			
Limited or Unacceptable ↓ ↓						
		Alkyds	Alkyds			

Table 6. Relative Cost Comparison Of Paint Types

PAINT TYPES	COST	MATERIAL APPLICATION
Alkyd	Medium	Mild Steel
Epoxy	Medium-High	Mild Steel
Polyester Powder	Low-Medium	Mild Steel, Aluminum
Urethane	Medium-High	Mild Steel, Aluminum

Technical Information

Enclosure Paint Finishes

Other considerations in selecting a paint type include:

- Lighter colors will dissipate heat and lower the temperature of internal equipment; darker colors will retain heat and increase the temperature of the cabinet interior. In outdoor applications lighter colors reflect sunlight and operate at lower temperatures.
- For severely corrosive applications, an inhibiting primer with an overcoat of epoxy or urethane is recommended.
- Textured finishes are generally less expensive, easier to touch-up, do not show fingerprints as readily and provide an attractive appearance; a textured paint finish is more difficult to clean.
- Some epoxy paints chalk and lose gloss.
- Safety concerns or corporate specifications may be considered in selecting a color; however, some special colors may add cost and increase lead times.

Topcoating Powdercoated Enclosures

Rittal uses the latest electrostatic powder coating technology to deposit a premium powder paint on enclosures; however, some applications may require a topcoating to meet unique specifications such as a color change or material requirement. A topcoat can be applied to the existing powdercoat using the instructions below:

Topcoat Material	Application Instructions
Air Dry Acrylic Lacquer Hi-Solid Catalyzed Acrylic Hi-Solid Two Part Urethane Automotive Air Dry Acrylic Vinyl Air Dry Hi-Solid Polyester Bake Enamel	Wipe the enclosure surfaces to be topcoated with a clean solvent cloth. Allow the solvent to flash dry for approximately 5 minutes and apply the finish as directed by the paint supplier.
Air Dry Alkyd Hi-Solid Polyamide Epoxy	Lightly sand all surfaces to be topcoated with 320 grit or finer sandpaper. Wipe all surfaces with a clean isopropyl alcohol impregnated cloth. Allow the solvent to flash dry for 5 minutes and apply the finish as directed by the paint supplier.

If the topcoat material does not appear in the table, consult Rittal.

Technical Information

Non-Metallic Properties

Physical Properties Of Non-Metallic Materials

Table 7 provides technical data for assistance in evaluating non-metallic enclosures and selecting the materials used with Legacy fiberglass enclosure accessories. Additional considerations for inclusion in the fiberglass enclosure specification are:

- The resin system shall be pigmented grey unless otherwise specified.
- The resin system shall include a flame retardant to obtain a flammability rating which meets UL 94-5V.
- The heat distortion temperature shall be at least 350°F.
- Standard cover screws shall be stainless steel or stainless steel with fiberglass encapsulated heads. Other hardware items such as hinges and latches shall be stainless steel or fiberglass construction.
- External mounting feet shall be molded or securely attached to the enclosures to provide a corrosion resistant surface mounting system.

Table 7. Physical Properties Of Non-Metallic Materials

Materials Typical Properties	Test Method ASTM	Polyester Fiberglass (SMC)	Polyester Fiberglass Hand Lay-up	Polyester Fiberglass Pultrusion	Acrylic Sheet for Windows	Dispensed Silicone Gaskets	Foamed Urethane Gaskets	Extruded Silicone Gaskets	Neoprene Gaskets
Flexural Strength (psi)	D 790	18K	30K	45K	16K	N/A	N/A	N/A	N/A
Notched Izod (ft - lb/in @ 1/8")	D 256	7-22	5-30	25	0.3-0.4	N/A	N/A	N/A	N/A
Impact Resistance (lb-in)	UL 746C	≥216	—	—	—	N/A	N/A	N/A	N/A
Compressive Strength (psi)	D 695	20K	35K	26K	18K	N/A	N/A	N/A	N/A
Tensile Strength (psi)	D 638	8K	17.5K	40K	10.5K	200	60	100	500
Specific Gravity	D 792	1.77	1.5-2.1	1.7	1.17-1.20	1.32	0.3	0.55	1.24
Flammability	UL 94	V-0 & V-5	—	V-0	—	—	—	—	—
Heat Deflection (°F at 264 psi)	D 648	375-500	>400	<400	205	N/A	N/A	N/A	N/A
Service Temperature Range (°F)		-40°F to 250°F	-40°F to 250°F	-40°F to 250°F	-31°F to 180°F	-40°F to 350°F	-40°F to 200°F	-100°F to 500°F	-40°F to 225°F
K Factor, Thermal Conductivity (BTU/hr/ft ² /°F/in)		1.68	1.68	1.68	1.3	1.3	1.0	1.3	1.45
Dielectric Strength (VPM)	D 149	380	380	200	500	400	330	400	400
Arc Resistance (sec)	D 570	200+	200+	80	No Track	N/A	N/A	N/A	N/A
Water Absorption (% in 24 hr)	D 570	0.10-0.25	0.05-0.5	0.05-0.5	<0.4	0.12-0.15	<2	5	—
Hardness (Barcol-Rockwell M-Shore A)		50-70 Barcol	60-80 Barcol	50 Barcol	105 Rockwell	18 Shore	8 Shore	—	15-95 Shore
Shrinkage in/in Minimum		.005	N/A	N/A	N/A	N/A	N/A	N/A	N/A
Elongation (%)		N/A	N/A	N/A	N/A	850	100	400	100-800
Compression Set 24 hr @ 50%, 72°F		N/A	N/A	N/A	N/A	<5%	<2%	<5%	15-60

— no test data available

K = 1000

N/A not applicable

all materials are UL listed

Technical Information

Non-Metallic Properties

Enclosure Load Capacity

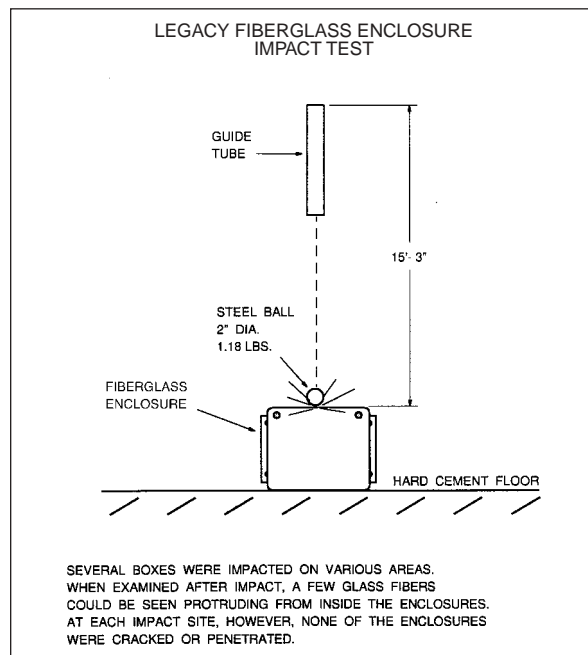
Large control enclosures can support 200 lbs of equipment on the back panel. Smaller junction and instrumentation enclosures should be limited to 75 lbs. Listed values assume the enclosure is vertically mounted against a reasonably flat surface and are based on a minimum safety factor of two.

Maximum Temperature Rating

The deflection temperature* of polyester fiberglass ranges from 375-500°F. Rittal has conducted tests on enclosures at sustained temperatures of 350°F. Polyester fiberglass is a high temperature material compared to other polymers such as PVC, polycarbonate or engineered thermoplastics.

In elevated temperature applications, the highest temperature an enclosure can withstand depends on other components used in the finished product. Such items as PVC air vents, and special gaskets must be considered when establishing a temperature limit for both fiberglass and metal enclosures. Many times this issue is neglected or minimized when rating the product.

*Deflection temperature: The temperature when a material will deflect (distort) under a flexural load of 264 psi. See ASTM D 648.



Integrity of the enclosure was not compromised

Sunlight (UV) Resistance

In time, sunlight may roughen the fiberglass enclosure surface, but its electrical and mechanical properties remain unaffected. Surface roughening caused by UV exposure is a common phenomenon encountered with virtually all fiberglass products, but it only affects surface appearance. Tests have confirmed the effect on polyester fiberglass is only 40 to 80 microns (0.0015"-0.003") in depth. If appearance is a concern, an outdoor acrylic paint (clear or pigmented) will provide protection for many years. Most acrylic paints in ordinary spray cans work well.

Drilling, Sawing, Cutting and Punching

Installers find fiberglass easy to cut or drill. Ordinary drills, hacksaws, hole saws and punches cut through fiberglass with little effort. In large installations requiring many holes, glass abrasion may cause tools to become dull over time. Carbide tip tools work best for such applications. For maximum accuracy, routing of openings is recommended.

Impact Resistance

Rittal's Legacy fiberglass enclosures are quite resistant to damage caused by falling tools or flying debris. When tested in accordance with UL Standard 746C, Section 24, these fiberglass enclosures withstood an impact in excess of 216 pound/inches. The test was performed by dropping a 2" diameter solid steel ball on various areas of the enclosure from a height of 15 ft. The impact force from such a test is comparable to dropping a large wrench from 3 or 4 ft. The durability results from randomly oriented glass reinforcing fibers incorporated in all designs.

Climate Control

Heat Removal From Enclosures

Introduction

Electronics, and especially micro-electronics, have made modern production technology more efficient. But ever smaller electronic components and increasingly dense packaging in enclosures have also made these complex systems more sensitive to external influences such as temperature, dust, oil, and humidity.

This can cause problems because the failure of just one electronic component may lead to the complete shutdown of an entire assembly line. Resultant costs quickly add up.

Heat especially is the number one enemy of sensitive micro-electronics.

A rule of thumb says that the average life span of semi-conductors is cut in half every time the operating temperature increases 20°F (11°C) over its maximum operating temperature. Yet, high temperatures in enclosures can hardly be avoided because electric equipment such as transformers, power distribution components, programmable controllers, and electronic components all generate heat, also known as power loss.

Power related temperature swings in an enclosure or electronic housing can also be considerable. These swings cause stress and premature aging of electronic components which in turn lead to premature failure.

As mentioned, correct functioning of electronic systems and problem free operation of entire assembly lines depends to a great degree on removing the heat that is generated in enclosures or electronic cabinets. In principle, there are three different ways in which heat can be dissipated: conduction, convection, and radiation.

With **conduction**, matter itself moves heat, without itself moving, energy is passed on from molecule to molecule.

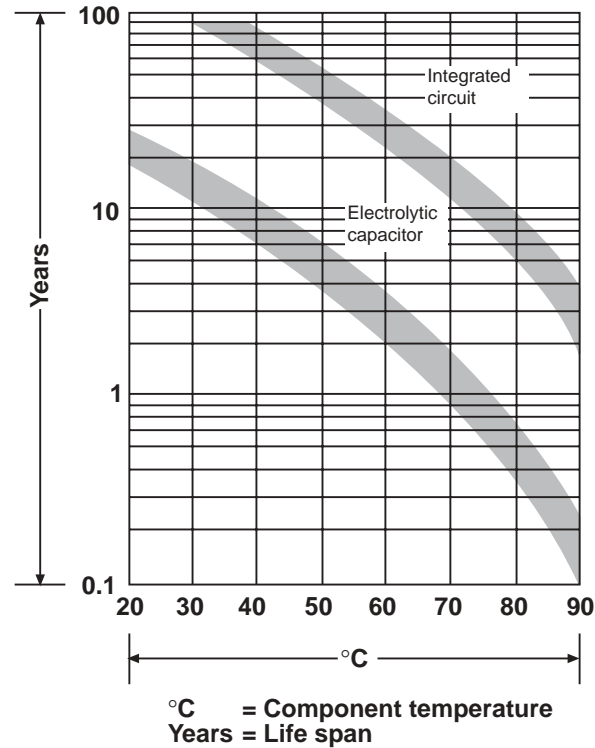
With **convection**, heat is moved through a medium (another material such as a gas or a liquid), the medium absorbs energy in the form of heat and releases energy as heat.

With **radiation**, heat is transferred from one body to another in the form of radiation energy, without any physical matter in between.

Conduction and convection play an important role in enclosures and electronic cabinets; radiation is not a big factor.

An important criterion for heat removal from enclosures is whether the enclosure is an 'open' (air can freely stream through) or 'closed' (air-tight) system. While heat naturally dissipated from the inside of an 'open' enclosure through a flow of air, heat can only be dissipated from a 'closed' system through the walls and roof.

Relationship between electronic component life and temperature



Climate Control

Heat Removal From Enclosures

Specification Fundamentals

To properly determine the specifications of climate control components, a few simple calculations have to be made. The following terms are used:

- Q_v [Watt]: total power loss (heat loss) of all electric and electronic components that are installed in the enclosure.
- Q_s [Watt]: heat dissipation, or absorption, through the outside surfaces of the enclosure (per VDE 0660, part 500). When the temperature inside the enclosure is higher than the ambient temperature ($T_i > T_u$), heat will be radiated from the enclosure ($Q_s > 0$). When the temperature inside the enclosure is lower than the ambient temperature ($T_i < T_u$), the enclosure will absorb heat from its environment ($Q_s < 0$).
- Q_c [Watt]: required cooling capacity of a climate control component; this is the amount of heat a component must remove from the enclosure.
- Q_H [Watt]: required heating capacity of an enclosure heater.
- T_i [°C]: maximum allowable temperature inside the enclosure per the electronic component manufacturer - usually between +35°C and +45°C.
- T_u [°C]: maximum ambient temperature at which all electronic components inside an enclosure or electronic cabinet should perform faultlessly.
- V [m³/h]: required air displacement for a filter fan.
- A [m²]: exposed enclosure surface accordance with DIN 57 600, part 500 or VDE 0600, part 500.
- K [W/m²K]: heat transfer coefficient of an enclosure:
sheet steel - 5.5 W/m²K
plastic - 3.5 W/m²K

Table 8

Location of enclosure per VDE 0660, part 500	
<ul style="list-style-type: none"> ■ Single enclosure, freestanding ▲ Single enclosure, against a wall ⊕ First/last enclosure of a suite, freestanding 	<ul style="list-style-type: none"> ◆ First/last enclosure of a suite, against a wall ♣ Enclosure within a suite, freestanding ★ Enclosure within a suite, against a wall ● Enclosure within a suite, against a wall, with covered roof
Location per VDE 0660/500	Formula for calculation of A [m ²]
■	$A = 1.8 \times H \times (W+D) + 1.4 \times W \times D$
▲	$A = 1.4 \times W \times (H+D) + 1.8 \times D \times H$
⊕	$A = 1.4 \times D \times (H+W) + 1.8 \times W \times H$
◆	$A = 1.4 \times H \times (W+D) + 1.4 \times W \times D$
♣	$A = 1.8 \times W \times H + 1.4 \times W \times D + D \times H$
★	$A = 1.4 \times W \times (H+D) + D \times H$
●	$A = 1.4 \times W \times H + .7 \times W \times D + D \times H$
	H = enclosure height [m] W = enclosure width [m] D = enclosure depth [m]

Calculation of exposed enclosure surface

Special attention should be paid to the total exposed enclosure surface because heat loss dissipated from the enclosure depends not only on its actual value, but also on the enclosure's location. An enclosure that stands all by itself in the middle of a room can dissipate more heat than an enclosure that is placed next to a wall or in a corner. For that reason there are special directions on how the total exposed enclosure surface should be calculated depending on its location. These formulae for the calculation of A (see table above) are specified in DIN 57 660, part 500 or VDE 0660, part 500. (see table)

Inherent convection

Inherent convection is the dissipation of heat through the enclosure walls. For this to happen, the ambient temperature must be lower than the temperature in the enclosure. The maximum temperature increase $(\Delta T)_{max}$ that can occur as against the ambient temperature can be calculated with the following formula:

$$(\Delta T)_{max} = \frac{Q_v}{k \cdot A}$$

Note:

When the heat loss within an enclosure is unknown, but the actual ambient temperature T_u and the temperature T_i inside the enclosure can be determined, the actual heat loss can be calculated with the following basic formula:

$$Q_v = A \cdot k \cdot \Delta T \text{ [Watt]}$$

This measurement must be taken with the enclosure sealed and no fans, heat exchangers or air conditioners operating.

Climate Control

General Information

The Need For Climate Control

When the expense of electronic and electrical components and the costly implications of a system's down time are considered, it is important that all reasonable steps are taken to ensure that steady and reliable performance of a system continues. This should, in almost all circumstances, include climate control — cooling and/or heating.

The Purpose Of Cooling

Electronic and electric equipment often generate a great deal of heat during operation. Frequently located in hostile environments, the equipment may also encounter the additional problem of not having safe, clean air available to dissipate

unwanted heat. Such adverse conditions affect the performance and the life expectancy of electrical/electronic system components.

Rittal cooling devices are precisely designed to solve the problems of internal heat build-up above component tolerances, excessive ambient temperatures, moisture and contaminant laden atmospheres and corrosive environments, which can affect sensitive electronic equipment. A little time and effort spent early in the design process can save a great deal of trouble and expense later by preventing the need to retrofit with proper cooling devices in the field during a down time situation.

Information Needed For Climate Control Selection

The following information should be on hand to properly size cooling products:

- (1) Heat to be dissipated (Watts) by the electrical components inside the enclosure
- (2) Maximum temperature expected outside enclosure (°F)
- (3) Maximum allowable internal enclosure temperature (°F)
- (4) Enclosure dimensions
- (5) Mounting portion of enclosure, i.e. against wall, freestanding, in a suite of enclosures, etc.

Request For Climate Control Application Information

To: Rittal Corporation
1 Rittal Place
Springfield, Ohio 45504
Climate Control Group
Applications Engineer

Tel: (937) 399-0500
Fax: (937) 390-8392
e-mail: Climate-cntl@rittal-corp.com

Date:
Page 1 of:

Company _____ Address: _____

Contact Name: _____ Tel: _____ Project Name/Number: _____

Title: _____ Fax: _____

Application Questionnaire

1. What is the maximum ambient air temperature? _____ °F
2. What is the maximum allowable internal enclosure temperature? _____ °F
3. What is the size and mounting style of the enclosure to be heated or cooled? H _____ W _____ D _____ Mounting: _____ (freestanding, wall, suited)
4. a: What is the measured temperature difference between the outside and inside of the enclosure with the door closed and any vents or openings sealed _____ °F
 or
 b: How many Watts or BTUs of heat is given off by the equipment inside the enclosure? _____
5. At what voltage and frequency is the climate control device required to operate? Voltage _____ and _____ Hz
6. Is chilled water available for use in conjunction with an air/water heat exchanger? If no, is a chilled water cooling system a viable option? _____
7. Is there a specific NEMA or approval rating that the climate control equipment needs to comply with? NEMA _____ UL _____ CE _____ CSA _____
8. Estimated project commercialization date _____
9. Estimated annual climate control product volume _____ units/year
10. Special requirements or considerations _____

Climate Control

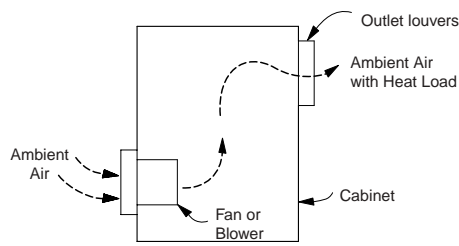
General Selection Considerations

Three Basic Cooling Methods

When selecting a cooling method there are three types to consider.

- (1) **Passive Ventilation** - If there is only a minimal heat gain in your circumstance and the ambient air is relatively cool and clean, then the use of louvers or grilles with filters can be effective. This method, however, usually provides less cooling effect than is necessary with today's components. The temperature rise within a sealed enclosure is seen in Figure 2.
- (2) **Forced Convection Air Cooling** - If the installation will be in a clean, non-hazardous environment with an acceptable ambient (outside the enclosure) temperature range, a simple forced-air cooling system utilizing outside air is usually adequate. Combined with an air filter, such devices generally meet the heat removal needs of typical electronic equipment and many electrical applications (Figure 1). Examples of forced convection air cooling are filter fans, pagoda roof fans, fan trays, and blowers of various types.

FIGURE 1 - Forced Convection Method



Pressurized System - pushes air through enclosure



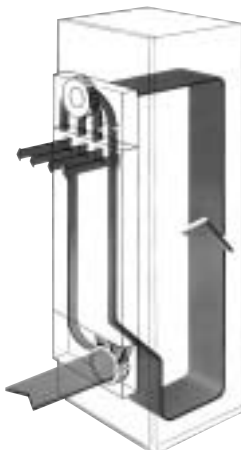
Filter Fan Airflow



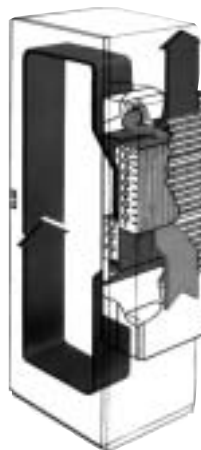
Pagoda Roof Fan Airflow

Fans And Blowers Can Be Used To Pressurize (Preferred) Or Exhaust Cabinet Air. The Ambient Air Should Be Filtered Before It Enters The Cabinet.

- (3) **Closed-Loop Cooling** - In harsh environments involving high temperatures, wash-down requirements, heavy particulate matter or the presence of chemicals capable of damaging components (NEMA 4 or 12 environments), ambient air must be kept out of the enclosure. Closed-loop cooling consists of two separate circulation systems. One system, sealed against the ambient air, cools and recirculates the clean cool air throughout the enclosure. The second system uses ambient air or water to remove and discharge the heat. Examples of closed-loop cooling equipment employed with electronics and process controls are heat exchangers and air conditioners. Blowers are used in higher static pressure applications (when internal equipment is densely packed), and are at maximum efficiency when operating near their peak static pressure.



Air/Air Heat Exchanger Airflow



Air Conditioner Airflow

Climate Control

Technical Information

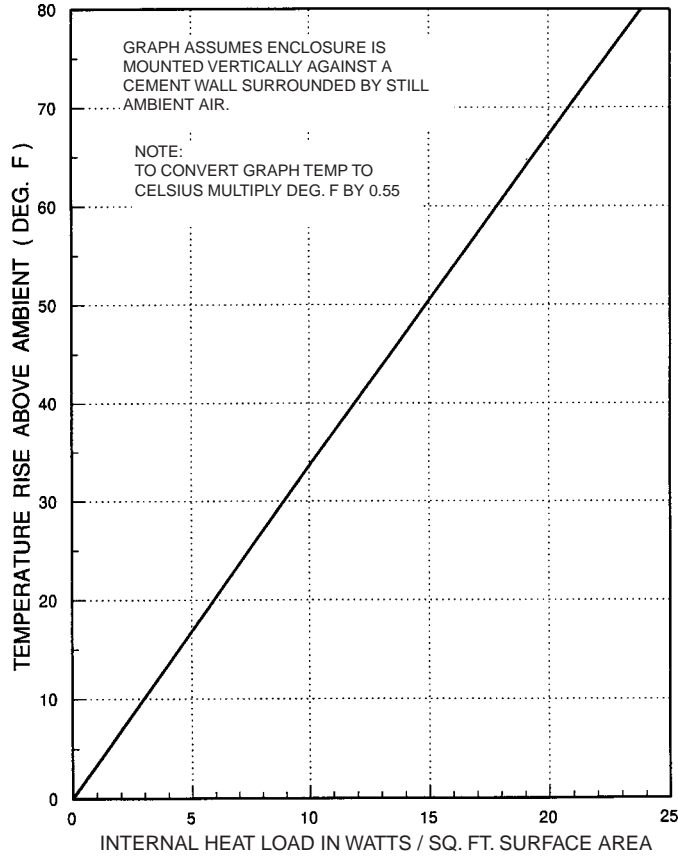
This temperature graph was developed through empirical testing using several enclosures of various sizes.

The temperatures represent an average of one temperature measurement near the bottom of the enclosure and a second measurement near the top. Electric heaters mounted equidistant from the internal surfaces of the enclosure were used as the heat source. Because hot air rises, a significant temperature gradient occurred from top to bottom. Typical of an actual installation, the top was much hotter than the bottom.

The placement of internal parts can affect temperature and enclosures should be sized liberally in applications where temperature rise is critical. Recall that a larger enclosure with twice the surface area reduces the temperature rise by 50%.

Exterior surface finishes significantly influence temperature rise in outdoor applications. For example, painted steel and fiberglass enclosures dissipate heat better than unfinished aluminum enclosures, even though aluminum has superior thermal conductivity, because the colored surfaces of fiberglass and painted steel enclosures are more efficient thermal radiators than unfinished aluminum. Painted surfaces have an emissivity of 0.96 whereas an unfinished aluminum surface has an emissivity of 0.45. In outdoor applications light colored enclosures have a high reflectance which minimizes solar heat gain while dissipating internally generated heat at about the same rate as a similar size dark colored enclosure.

FIGURE 2. - Internal Temperature Rise vs. Internal Heat Load



Climate Control

Technical Information

Additional Cooling Methods

When it has been determined that the heat load is too large for an enclosure to dissipate by radiation and convection, the following supplemental cooling methods are available:

Louvers And Special Ventilation Slots

Louvers and special ventilation slots are designed to remove heat from the enclosure by allowing natural air circulation around the heat source and exhausting the hot air through slots or louvers. This method is relatively inexpensive and has no operating cost; however, it can only be used to dissipate a limited amount of heat and it is difficult to predict the temperature drop produced by a vent utilizing natural convection. This method should not be used in areas where contaminants will enter the enclosure.

Circulating Fans

In larger sealed enclosures, a fan can be used to circulate the air and reduce localized heat concentrations; however, the applications are limited because a closed system fan only redistributes heat, it does not remove the heat generated by the hot spot.

Where an enclosure does not need to be sealed from the outside environment, fans can be used to circulate air through an enclosure and dissipate the heat generated by power supplies, transformers and other heat producing equipment. Fans can provide as much as 10 times the heat transfer rate of natural convection and radiation. Once the heat input in watts/ft² is determined and temperature rise is established from Figure 2, the following equation can be used to calculate the fan flow rate:

$$\text{Fan Flow Rate (cfm)} = \frac{3.17 \times \text{Internal Heat Load (watts)}}{\text{Temperature Rise}}$$

Example

Equipment in an E 363612 enclosure generates sufficient heat to require a fan which will dissipate 300 watts. The maximum ambient temperature in the application environment is 115°F. If the temperature of the other contents in the enclosure cannot exceed 125°F, what size fan is required?

The allowable temperature rise is 125°F - 115°F = 10°F. The application requires dissipation of 300 watts.

Solution

To determine the cubic feet per minute (cfm) required in a standard application, use the following equation (if the air density is significantly more than 0.075 lb. per cubic foot, a non-standard application exists and this equation should not be used):

$$\text{Fan Flow Rate (cfm)} = 3.17 \times \frac{300 \text{ watts}}{10^\circ\text{F}}$$

$$\text{Fan Flow Rate (cfm)} = 95 \text{ cfm}$$

This calculation is exact, but adding an additional 25% capacity to the level is standard to provide a safety factor.

$$1.25 \times \text{Fan Flow Rate (cfm)} = 1.25 \times 95 \text{ cfm} = 119 \text{ cfm}$$

If the air density is non-standard (significantly more than 1.075 lb. per cubic foot), the following equation can be used to calculate the fan capacity:

$$\text{Fan Flow Rate (cfm)} \times 0.075 \text{ lb. per cubic foot} / \text{Non-standard Air Density (lb. per cubic foot)}$$

Fans can be used to draw air through an enclosure and exhaust hot air from an enclosure or to draw cool air into and circulate it through an enclosure. An inlet fan offers the following advantages:

- Raises the internal pressure which helps keep dust and dirt out of an unsealed or frequently open enclosure.
- More turbulent air flow improves heat transfer.
- Longer fan life in cooler incoming air.

The following considerations are important in locating a fan:

- Avoid placing transformers, power supplies or other heat generating devices in front of the fan. Although this cools the device, it increases the heat load on other devices within the enclosure. It is best to place these devices near the exhaust outlet.
- To achieve maximum cooling, the inlet and outlet should be separated by the maximum distance. If the outlet and inlet are adjacent to each other, the hot outlet air will be drawn into the inlet and cooling efficiency will be reduced. In general, the inlet should be at the bottom of the enclosure and the outlet at the top.

Climate Control

Technical Information

- Fans should not be used or located in areas where the air flow is restricted. A plenum is recommended to accelerate air velocity and improve fan performance. A plenum is particularly helpful when a filter is used where airborne contaminants are a problem.
- The air outlet area should at least equal the inlet area. For best results the exhaust opening should be 1.5 times the area of the fan opening.
- Air is less dense at high altitudes. For this reason air flow should be increased in high altitude applications.
- All fans used in parallel should be identical.

Heat Exchangers - Cooling

Applications requiring sealed enclosures present the greatest need for cooling to maintain safe operating temperatures. Heat exchangers are a good option when precise control of heat and humidity are not required and the heat transfer requirements are significant. The required heat exchanger capacity can be calculated using the formula,

Heat Exchanger Capacity (watts/°C) = (Internal Heat Load T + 5.5w/m²-C x Enclosure Surface Area x ΔT) where ΔT = Temperature Rise.

Example

If the internal heat load is 1000 watts in an E 603620 freestanding steel enclosure, what is the minimum cooling capacity for the heat exchanger unit? The maximum ambient temperature is 105°F and the internal equipment will malfunction if the internal enclosure temperature exceeds 130°F.

Internal Heat Load = 1000 watts

Maximum Temperature Differential = T_i - T_o = 105°F - 130°F = -25°F = -14°C, use Absolute Value.

Enclosure Surface Area = 56.7 ft² = 5.3m² from Table 1.

Heat Exchanger Capacity = (1000 - 5.5 x 5.3 x 14)/14 = 42w/c

In this example, the surface area acts to cool the enclosure and is subtracted, the Absolute Temperature Value is used because this is a temperature difference.

Air Conditioning - Cooling

Air conditioning will be required in high ambient temperature locations where precise temperature control and humidity reduction are required in a sealed enclosure. Air conditioning can also be required where neither convection, thermal radiation, louvers, slots nor a circulating fan system provide adequate cooling. Because air conditioners remove moisture from the enclosure, a condensate drain is generally required.

The four step process to size and select the air conditioner is influenced by the internal heat load, enclosure size and the application environment. The following information is required:

Step 1. Determine the Internal Heat Load

Heat generated by all sources within the enclosure shall be added together to establish the internal heat load in watts. The heat load in watts may be multiplied by 3.413 to convert to BTU/hr.

Internal Heat Load _____
watts X 3.413 BTU/hr/watt = _____ BTU/hr.

Step 2. Calculate the Surface Area of the Enclosure

The enclosure surface area calculation is made in Table 1 using formulas.

The surface area for an enclosure with a height (H = 16 in); a width (W = 20 in); and a depth (D = 8 in); is:
Surface Area = [1.8(16 x 20) + 1.8(16 x 8) + 1.4(20 x 8)]/144in² = 7.2 ft² = 0.67m²

Using the H, W and D dimensions, select the appropriate formula and calculate the surface area for your enclosure application:

H = _____

W = _____

D = _____

Surface Area = _____m²

Step 3. Establish the Temperature Differential

The temperature differential (ΔT) is calculated by subtracting the maximum allowable temperature inside the enclosure (T_i) from the maximum ambient temperature outside the enclosure (T_o).

T_o - T_i = ΔT = _____°C

Step 4. Calculating the Required Air Conditioning Capacity

The values determined in the first three steps are used to calculate the required capacity of the air conditioner according to the following formula,

Cooling Capacity (BTU/hr) = Surface Area x ΔT x K + Internal Heat Load,

where

K = 1.25 BTU/hr/ ft² /°F (5.5w/m²-K) for sheet metal enclosures.

Climate Control

Technical Information

Enclosure Heating

Some enclosure systems have minimum as well as maximum operating temperature limitations. When the equipment in an enclosure must be maintained above a minimum temperature at low ambients, these same equations can be modified and used to calculate the supplemental heat required to select and size the heaters. The only differences are that the internal heat load will help heat the enclosure and the temperature difference, ΔT , is calculated by subtracting the minimum ambient temperature (T_o) outside the enclosure from the required temperature (T_i) inside the enclosure. The minimum supplementary heat can be calculated according to one of the following equations:

$$\Delta T = T_i - T_o$$

Supplementary Heat =
Surface Area x ΔT x K where
K = 0.37 watts/ft² °F

Example

If the internal heat load is 100 watts in an E 162008 steel enclosure, which is wallmounted, what is the minimum heating capacity for the heating elements? The minimum ambient temperature is 0°F and the internal equipment will malfunction if the internal enclosure temperature drops below 40°F.

$$\Delta T = T_i - T_o = 40^\circ\text{F} - 0^\circ\text{F} = 40^\circ\text{F}$$

$$=$$

$$6.27 \text{ ft}^2 \times 40^\circ\text{F} \times 0.37 \text{ watts/ft}^2 \text{ }^\circ\text{F} = 93 \text{ watts}$$

In addition to heating, supplementary heaters are often used in enclosures to keep the internal enclosure ambient temperature a few degrees above the ambient temperature to prevent condensation on internal equipment.

Equipment for Climate Control

Most cooling or heating requirements can be calculated from the data in this section and the climate control equipment. If you have a problem determining your cooling or heating requirements or selecting the climate control equipment, please contact Rittal.

Rittal's thermal sizing software, Therm 3.0 for Windows, automatically makes calculations for you.

10 Common Pitfalls During Thermal Analysis/Design

Pitfall	Effect
1. Underestimating maximum ambient temperature	Undersized cooling device — system failure
2. Not considering effect of temperature on performance of an air conditioner	Undersized cooling device — system failure
3. Not derating fan performance for inlet grills, filters, system impedance, etc.	Undersized cooling device — system failure
4. Not considering convective heat loss or gain	Improperly sized cooling device
5. Not accurately estimating component heat loss	Improperly sized cooling device
6. Underestimating component maximum allowable temperature	Oversized cooling device — higher cost
7. Placing cooling device inlets/outlets too close to obstructions	Reduced performance
8. Not specifying necessary filters & maintenance schedule for dirty environments	Reduced performance
9. Not specifying corrosion protection for corrosive environments	System failure
10. Inadequate warning system in the event of cooling failure	Machine shutdown/system failure

Advantages-At-A-Glance

Air Conditioners

Energy efficient design All Rittal air conditioners come standard with thermostatic expansion valves that operate more efficiently than the expansion devices found on most competitors' units. This can save the end user over \$100 per year per air conditioner.

Environmentally friendly technology Our air conditioners come standard with R-134a refrigerant, which is not a CFC or a HCFC. We were the first to convert R-134a and is still the only company with 100% of its product line using this technology.

Reliability/safety Our air conditioners come standard with pressostats helping protect against compressor failure. Evaporator housings are insulated to maximize efficiency and minimize condensation. CE compliances also meet new standards for products exported to Europe.

Low maintenance condenser coils Rittal's wider condenser fin spacing means less likelihood of dirt clogging, and loss of cooling performance.

Long life fans & compressors All Rittal air conditioners come with long-life ball bearing type radial fans. Compressors are thermally protected.

Advanced microprocessor control An advanced microprocessor control option allows you to monitor the performance, pinpoints maintenance needs, and enables remote monitoring.

Installation Rittal's air conditioners are easily and quickly mounted. Terminal blocks offer quick and easy wiring.

Availability/spare parts Rittal has five distribution centers across the U.S., as well as a broad distributor network, for quick access to inventory and spare parts.

Air conditioner repair and disposal Rittal has a repair facility in Springfield, OH. We also offer customers refrigerant recovery and disposal services and on-site repair service.

Broad variety of voltages available Rittal offers 115V, 230V, 400V, and 460V 50 Hz and 60 Hz air conditioner models.

Special features such as stainless steel housings, environmentally protected coils, Class 1 Div 2 explosion proof upgrades are available.

Regulatory Compliance We meet global regulatory requirements such as UL, cUL, GS, CE.

Practical Hints

Rittal air conditioners offer the right solution whenever optimum operating conditions inside an enclosure are required. Even with high ambient temperatures is it possible to cool the enclosure's internal temperature down to well below the ambient temperature.

In terms of airflow technology the favorable arrangement of air intake and exhaust openings for the internal and external air circulation loops, ensures optimum air circulation in the enclosure.

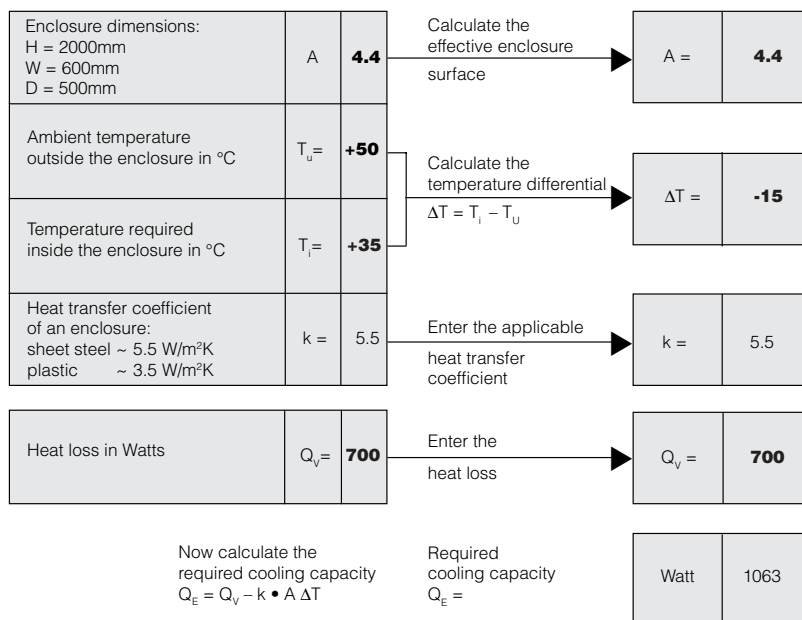
The following example shows how to quickly and accurately calculate the specifications for an enclosure air conditioner.

The following should be taken into consideration:

- Where will the enclosure be located (dust or oil-laden air)?
- What type of location is specified per VDE 0660, part 500?

- What conditions must be anticipated (e.g. ambient temperature and humidity)?
- What is the heat loss Q_v in the enclosure?
- What is the max. required interior temperature T_i for the enclosure?
- Is a specific NEMA or IP (per DIN 40 050) protection rating required?
- What voltage is available for air conditioner operation?
- In enclosure suites, it will be necessary to also take into account the heat which may have been absorbed from adjacent enclosures.
- Air conditioners should always be connected via door limit switches to avoid excessive condensation.
- Enclosures and air conditioners should be located and placed so that there is sufficient space for air intake and exhaust.

How To Determine The Sizing For A Wallmounted Air Conditioner, For The Bold Values:



Advantages-At-A-Glance

Air Conditioners

- Air conditioners should be positioned such that air intakes and outlets have at least 8" of clearance from obstructions.
- The enclosure should be sealed to a NEMA 12 standard to avoid condensation.

Condensation and dehumidification of enclosure air when air conditioners are used

When air conditioners are used, dehumidification of the internal enclosure air is an unavoidable side effect. During the cooling process, a part of the moisture in the air condenses at the evaporator and must be removed from the enclosure. The quantity of condensate depends on the relative humidity, the air temperature at the evaporator as well as on the volume of air inside the enclosure.

The diagram on this page (also called the 'Mollier h-x diagram') specifies the amount of water in the air, contingent on its temperature and relative humidity.

Example:

A model 3293100 air conditioner is set at $T_i = 35^\circ\text{C}$. The relative humidity of the ambient air is 70%. The surface temperature of the evaporator is approx. 18°C - the evaporation temperature of the refrigerant. When air of 35°C is blown over the evaporator to be cooled down condensate will form at the surface of the evaporator.

The difference $x = x_1 - x_2$ indicates how much condensate per kg air would accumulate if the air were completely dehumidified. A deciding factor for the amount of condensate is how well the enclosure is sealed off from its environment.

The volume of condensate can be calculated with the following formula:

$$W = V \cdot \rho \cdot \Delta x$$

where:

$$W = \text{Quantity of water [g]}$$

$$V = \text{Volume of the enclosure [m}^3\text{]}$$

$$\rho = \text{Density of air [kg/m}^3\text{]}$$

$$\Delta x = \text{Dehumidification [g/kg dry air] per the Mollier h-x diagram}$$

When the enclosure door is closed, only the air within the enclosure will be dehumidified and there will be considerably less condensate than with an open door.

$$V = H \cdot W \cdot D = 2\text{m} \cdot 0.6\text{m} \cdot 0.5\text{m}$$

$$V = 0.6 \text{ m}^3$$

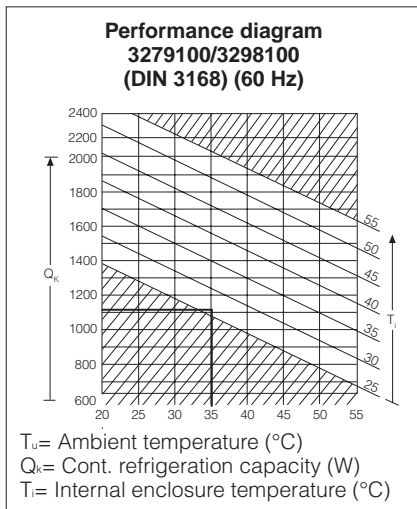
$$W = V \cdot \rho \cdot \Delta x = 0.6 \text{ m}^3 \cdot 1.2 \text{ kg/m}^3 \cdot 11 \text{ g/kg}$$

$$W = 7.92 \text{ g} \approx 8 \text{ ml}$$

Poorly sealed cable entries, damaged door gaskets, and unsealed installation of display screens etc. on enclosures can cause air leakage from the enclosure to increase. If air was leaking from an enclosure at a rate of only 3 cfm, condensate would accumulate at the rate of 3 oz/h.

Conclusion

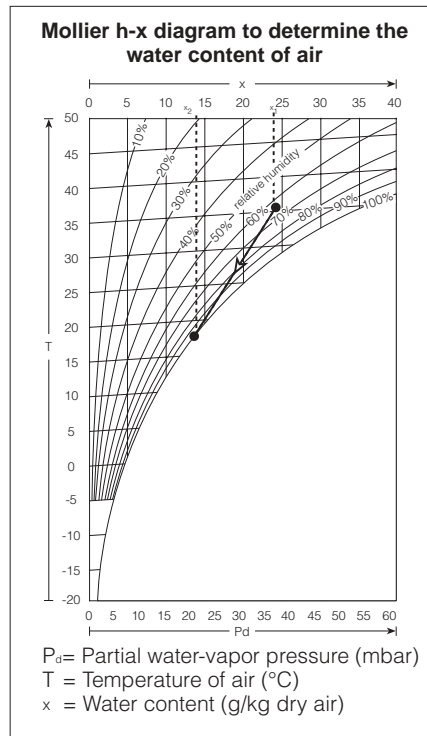
- When the air conditioner is operating the enclosure door should always be closed.
- The enclosure should be sealed on all sides.
- Door switches should be used.
- Air conditioner should meet DIN and EN standards.
- Set temperature only as low as required (Typically 95°F).



Sizing For The Air Conditioner

The calculations have specified the required cooling capacity $Q_k = 1063 \text{ W}$ for an ambient temperature $T_u = 50^\circ\text{C}$ and a required interior enclosure temperature $T_i = +35^\circ\text{C}$.

From the available Rittal air conditioners we selected wallmounted model 3298100 with a cooling capacity of 1100 Watt (see performance diagram above).



Advantages-At-A-Glance

Air/Air Heat Exchangers

Reliable and durable All Rittal heat exchangers are known for their durability and long life radial fans.

Easy maintenance They are equipped with filterless operation for quick maintenance with the easily removable cassette.

Installation All Rittal heat exchangers have simple and clean installation, and no mounting flange is necessary.

Special features Although our heat exchangers are lightweight, they are built with very strong construction.

Regulatory compliance Rittal heat exchangers meet global regulatory requirements such as UL, cUL, VDE, CE.

Practical Hints

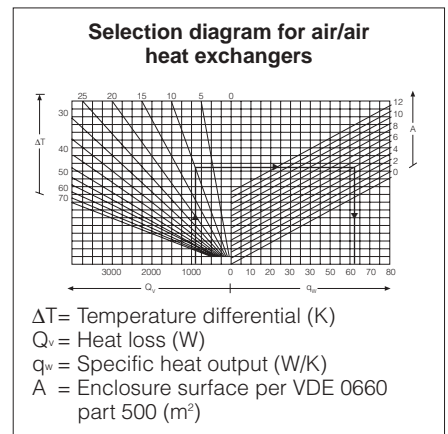
When ambient temperature is considerably lower than the temperature required inside the enclosure, air/air heat exchangers are the climate control component of choice especially if the ambient air contains dust, oil and aggressive chemicals that should not enter the enclosure.

Because of separate interior and exterior air circulation loops, outside air can not enter into the enclosure.

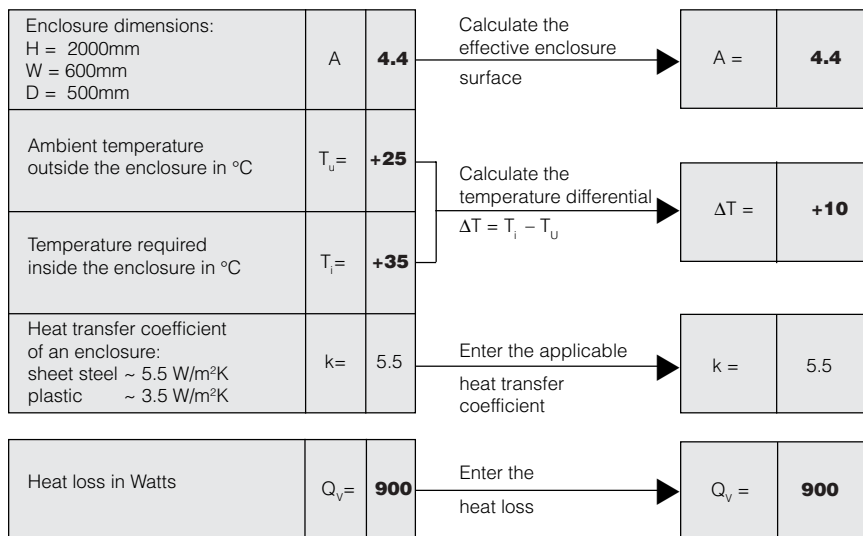
The following should be taken into consideration:

- What ambient temperatures T_u can be expected?
- What is the required interior temperature T_i inside the enclosure?
- What is the total heat loss of components inside the enclosure?

- How much heat, Q_s , is radiated from the inside of the enclosure - through the walls to the environment?
- Is enough space available to install an air/air heat exchanger?



How To Determine The Sizing For An Air/Air Heat Exchanger, For The Bold Values:



Sizing For An Air/Air Heat Exchanger

When the parameters for enclosure surface A, temperature differential ΔT , and heat loss Q_v have been calculated, the required heat exchanger can be determined.

Air/air heat exchanger model SK 3131000 with a specific thermal capacity of 42 W/C most closely meets the requirements.

Now calculate the required cooling capacity
 $q_w = \frac{Q_v - (A \cdot \Delta T \cdot k)}{\Delta T}$

Required cooling capacity	W/K	65.8
q_w		

Advantages-At-A-Glance

Air/Water Heat Exchangers

Reliable And Durable All Rittal heat exchangers are known for their durability and long life radial fans.

Safety These air/water heat exchangers are equipped with such safety features as overtemperature alarm contact, solenoid valves, water level sensors, and overflow drainage paths.

Easy Maintenance They perform well in dirty or oily environments, without the need to clean filters, cassettes, or coils, and require only 1-2 gal/minute of water.

Special Features While the exchangers offer low energy consumption, they also help maintain low capital cost.

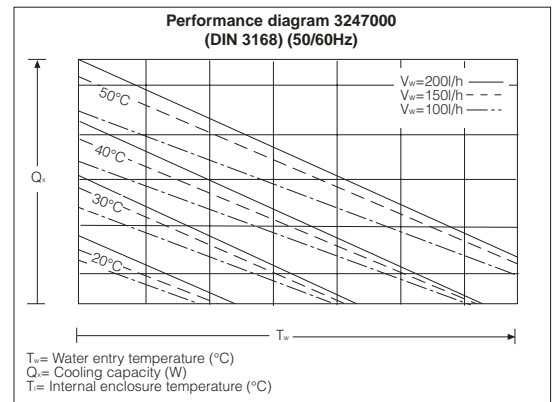
Regulatory Compliance Rittal heat exchangers meet global regulatory requirements such as UL, cUL, VDE, CE.

Practical Hints

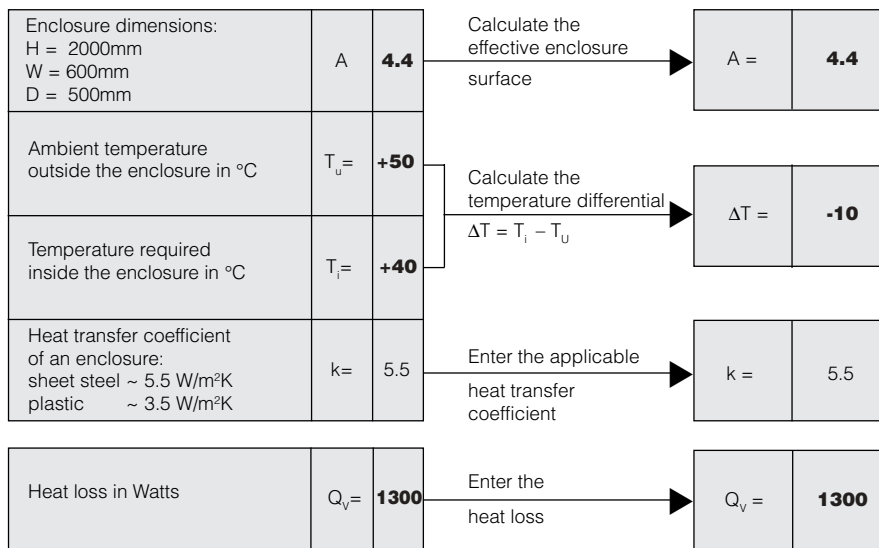
Air/water heat exchangers offer the greatest cooling performance in the smallest available space.

- With a Rittal air/water heat exchanger, the temperature inside the enclosure can be cooled down to below the ambient temperature.
- They can be used in ambient temperatures up to 158°F (70°C).
- Air/water heat exchangers are extremely practical in dirty environments.

- Water as warm as 70°F can be used.
- Minimum service required because there are no filters to exchange and there is no direct contact with the ambient air.
- They are available in wall and roof mounted versions.



How To Determine The Sizing For A Wallmounted Air/Water Heat Exchanger, For The Bold Values:



Sizing For An Air/Water Heat Exchanger

Because we know that the water temperature is + 10°C and that the water flows at a rate of 200 l/h we have specified a model SK 3247000 air/water heat exchanger with a cooling capacity of 1800 Watt which exceeds the required cooling capacity $Q_E = 1542$.

Now calculate the required cooling capacity
 $Q_E = Q_v - k \cdot A \cdot \Delta T$

Required cooling capacity $Q_E =$	Watt	1542
--------------------------------------	------	------

Advantages-At-A-Glance

Filter Fans

Regulatory Compliance Rittal filter fans meet global regulatory requirements such as UL, cUL, GS, CE.

Special features The air throughput in our filter fans has high cfm in a given size.

Reliability and safety NEMA 12 is achievable when using filter fans.

Installation Rittal's filter fans are easily and quickly mounted with the quick snap-in feature, requiring no screws or tools.

Aesthetics all of the filter fans are available with a thin louver profile.

Broad variety of voltages available Rittal offers 115V, 230V, 24V DC filter fan models to meet the spectrum of global needs.

Environmentally friendly technology Rittal filter fans have a special EMC capability that is available with an off-the-shelf EMI/RFI shielded version.

Practical Hints

When the ambient air is clean and the ambient temperature is considerably lower than the temperature required inside the enclosure, Rittal filter fans should be used to remove heat from inside the enclosure.

The design of the venting louvers of Rittal filter fans ensures unsurpassed stability of air volume as far as pressure loss is concerned; it also provides perfect contact hazard protection against water.

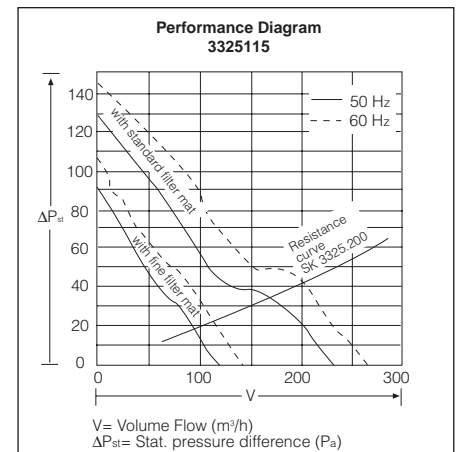
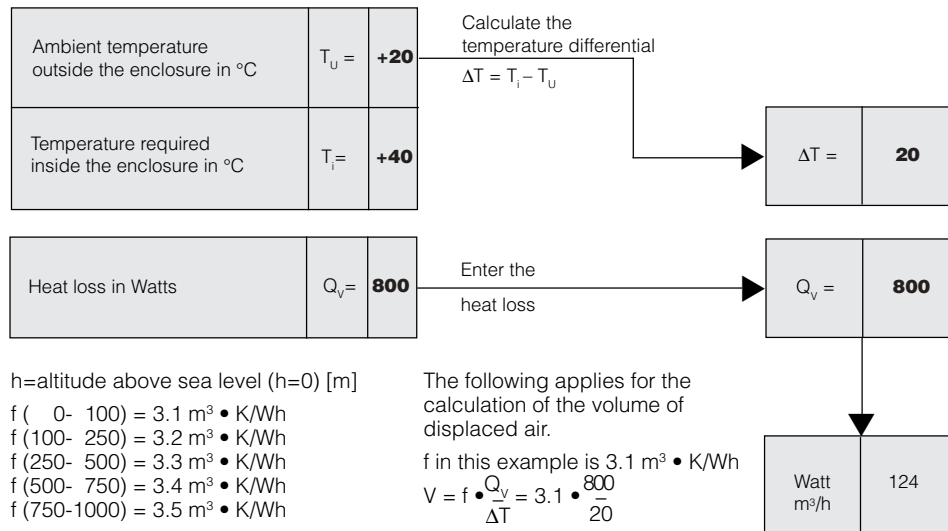
A NEMA 12/13 (IP54) protection rating can be achieved when a sealing frame and fine filter are used (see accessories).

Installation tips

The way in which filter fans are installed in an enclosure, depends on the way components are installed in the enclosure.

- Filter fans and exhaust filters should be installed on the enclosure so that the air intake is at the bottom and the exhaust is at the top.
- Air flow within the enclosure is reversible: (suction or blowing).
- Since a fan's filter will become dirty in use, always select a larger fan than indicated in the actual calculation.
- Use a fine filter when there are very small dust particles in the air.
- Install a sealing frame and fine filter when you want to increase the NEMA rating.

How To Determine The Sizing For A Filter Fan, For The Bold Values:



Sizing For A Filter Fan And Exhaust Filter

We should select a combination of a filter with an exhaust filter that can deliver an air displacement of at least 124 m³/h.

The performance diagram above will help us select the proper combination of filter fan and exhaust filter.

Advantages-At-A-Glance

Panel Heaters

High performance Utilizing PTC technology, the panel heaters operate efficiently with even heat distribution.

Reliability And Safety They have a long life expectancy, while their low surface temperature ensures safe operation.

Installation All panel heaters are wired and ready for easy snap-in or screw fastening installation.

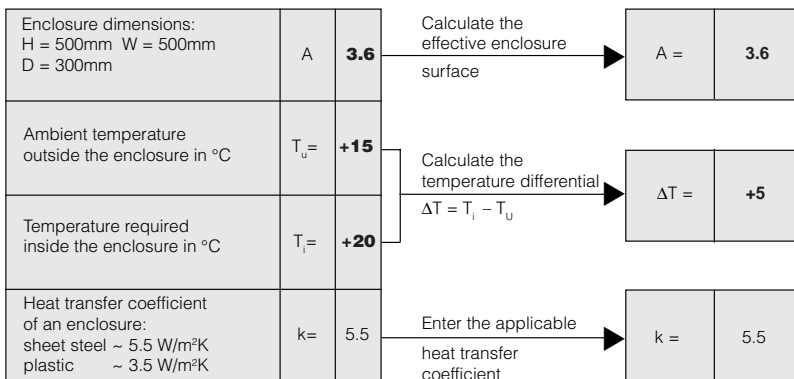
Special Features Designed to be compact and vibration-free, panel heaters are quite powerful and sturdy.

Regulatory Compliance Rittal panel heaters meet global regulatory requirements such as UL, VDE, CE.

Practical Hints

- Maximum efficiency is achieved when enclosure heaters are installed vertically, with the cable entry at the bottom.
- A gap of 2"/50mm from the top or bottom should be allowed to develop the required convection.
- Heaters should be installed at least .4"/10mm from steel side walls and at least 1.4"/35mm from thermo-plastic materials.
- Insofar as possible, heaters should be installed below the components which require protection because hot air rises and will indirectly heat those components.
- In larger enclosures, even heat distribution is best achieved by installing several smaller heaters.
- Heaters can operate without a separate thermostat, but in order to ensure accurate air temperature control within the enclosure, installation of a thermostat is recommended.
- To avoid condensation on installed components, installation of a hygrosat is also recommended.

How To Determine The Sizing For A Panel Heater, For The Bold Values:

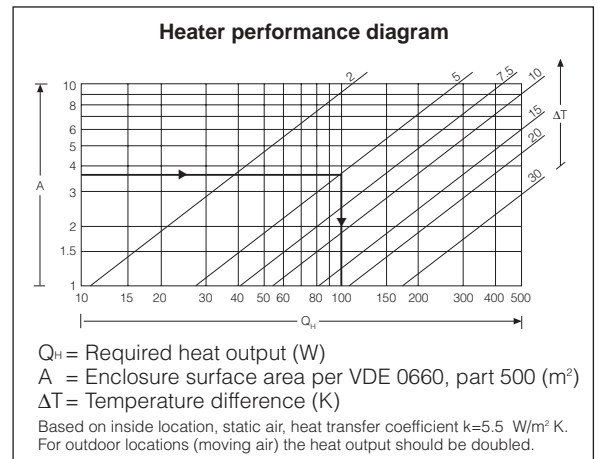


The required heat output can now be calculated with the following formula:

$$Q_H = A \cdot \Delta T \cdot k$$

$$Q_H = 3.6 \cdot 5 \cdot 5.5$$

Watt	99 W
------	------



Sizing For A Heater

Once the values for the enclosure surface and temperature differential are known, the required heat output can be determined from the heater performance diagram. In this case model 3102000 with a heat output of 61 Watt at 10°C was selected.

Rittal • Electromate EnclosureZone Catalog Index

Part No.	Page Reference	Part No.	Page Reference	Part No.	Page Reference	Part No.	Page Reference
1002600	IND 211, IND 261	1183600	IND 93, IND 105	1560700	ACC 2	2370050	ACC 9
1002660	IND 211, IND 261	1213600	IND 23, IND 52	1561700	ACC 2	2370060	ACC 9
1004600	IND 211, IND 261	1260600	IND 23, IND 51	1562700	ACC 2	2370070	ACC 9
1004660	IND 211, IND 261	1280600	IND 23, IND 51	1563700	ACC 2	2370080	ACC 9
1005600	IND 211, IND 261	1283600	IND 93, IND 105	1564700	ACC 2	2370090	ACC 9
1005660	IND 211, IND 261	1338600	IND 23, IND 50	1565700	ACC 2	2371000	ACC 9
1006600	IND 211, IND 261	1339600	IND 23, IND 49	1566700	ACC 2	2371010	ACC 9
1006660	IND 211, IND 261	1350600	IND 23, IND 50	1567700	ACC 2	2371020	ACC 9
1007600	IND 211, IND 261	1360600	IND 23, IND 50	1568700	ACC 2	2371030	ACC 9
1007660	IND 211, IND 261	1376600	IND 23, IND 50	1569700	ACC 2	2371040	ACC 9
1008600	IND 211, IND 261	1380600	IND 23, IND 49	1570700	ACC 2	2371050	ACC 9
1008660	IND 211, IND 261	1380700	IND 23, IND 50	1571700	ACC 2	2371060	ACC 9
1009600	IND 211, IND 261	1432600	IND 241, IND 285	1572700	ACC 2	2371070	ACC 9
1009660	IND 211, IND 261	1434600	IND 241, IND 285	1573700	ACC 2	2371080	ACC 9
1010600	IND 211, IND 261	1444600	IND 241, IND 285	1574700	ACC 2	2371090	ACC 9
1010660	IND 211, IND 261	1446600	IND 241, IND 285	1575700	ACC 2	2372000	ACC 9
1012600	IND 211, IND 261	1466600	IND 241, IND 285	1576700	ACC 2	2372010	ACC 9
1012660	IND 211, IND 261	1468600	IND 241, IND 286	1578600	IND 7, IND 39	2372020	ACC 9
1014600	IND 211, IND 261	1480600	IND 241, IND 286	1580000	ACC 8	2372030	ACC 9
1014660	IND 211, IND 261	1481000	ACC 2	1590000	ACC 8	2372040	ACC 9
1016600	IND 211, IND 261	1482000	ACC 8	1592000	ACC 8	2374000	ACC 10
1016660	IND 211, IND 261	1483000	ACC 8	1593000	ACC 8	2374010	ACC 10
1017600	IND 211, IND 261	1484000	ACC 3	1594000	ACC 8	2374020	ACC 10
1017660	IND 211, IND 261	1489000	ACC 3	1597460	ACC 2	2374030	ACC 10
1030600	IND 23, IND 49	1490000	ACC 3	1597470	ACC 2	2374040	ACC 10
1031600	IND 23, IND 49	1491000	ACC 2	1597480	ACC 2	2374050	ACC 10
1032600	IND 23, IND 49	1500210	IND 1, IND 35	1597490	ACC 2	2374060	ACC 9
1033600	IND 23, IND 49	1501210	IND 1, IND 35	1646600	IND 73, IND 85	2374070	ACC 9
1034600	IND 23, IND 49	1502210	IND 1, IND 35	1647600	IND 73, IND 85	2375000	IND 172
1035600	IND 23, IND 49	1503210	IND 1, IND 35	1648600	IND 73, IND 85	2376020	ACC 10
1038600	IND 23, IND 50	1504210	IND 1, IND 35	1650600	IND 73, IND 85	2376030	ACC 10
1039600	IND 23, IND 49	1505210	IND 1, IND 35	1652600	IND 73, IND 85	2380000	ACC 6
1045600	IND 23, IND 50	1507210	IND 1, IND 35	1751600	IND 7, IND 39	2381000	IND 176, ACC 6
1050600	IND 23, IND 50	1508210	IND 1, IND 35	1752600	IND 7, IND 39	2382000	IND 176, ACC 6
1057600	IND 23, IND 50	1509210	IND 1, IND 35	1753600	IND 7, IND 39	2400500	ACC 10
1058600	IND 23, IND 50	1511210	IND 1, IND 35	1754600	IND 7, IND 39	2420000	ACC 3
1060600	IND 23, IND 50	1514210	IND 1, IND 35	1755600	IND 7, IND 39	2430000	ACC 3
1073600	IND 23, IND 50	1515210	IND 1, IND 35	2026200	ACC 11	2433000	ACC 8, ACC 27
1074600	IND 93, IND 105	1517210	IND 1, IND 35	2027200	ACC 11	2449000	ACC 4
1075600	IND 93, IND 105	1521010	IND 199, IND 255	2034200	ACC 11	2450000	ACC 3
1076600	IND 23, IND 50	1522010	IND 199, IND 255	2368000	ACC 9	2460000	ACC 3
1077600	IND 23, IND 50	1523010	IND 199, IND 255	2368010	ACC 9	2461000	ACC 3
1090600	IND 23, IND 50	1524010	IND 199, IND 255	2369000	ACC 9	2462000	ACC 3
1097000	IND 211, IND 261	1525010	IND 199, IND 255	2369010	ACC 9	2463000	ACC 3
1097500	IND 23, IND 50	1530210	IND 1, IND 36	2369020	ACC 9	2464000	ACC 3
1097670	IND 23, IND 51	1531210	IND 1, IND 36	2369030	ACC 9	2465000	ACC 3
1100600	IND 23, IND 52	1549600	IND 7, IND 39	2369040	ACC 9	2466000	ACC 3
1110600	IND 23, IND 52	1551600	IND 7, IND 39	2370000	ACC 9	2468000	ACC 3
1114600	IND 23, IND 52	1553600	IND 7, IND 39	2370010	ACC 9	2469000	ACC 3
1115600	IND 93, IND 105	1554600	IND 7, IND 39	2370020	ACC 9	2482000	IND 176, ACC 10
1130600	IND 23, IND 52	1555600	IND 7, IND 39	2370030	ACC 9	2493000	ACC 4
1180600	IND 23, IND 50	1556600	IND 7, IND 39	2370040	ACC 9	2493500	ACC 4

Part No.	Page Reference	Part No.	Page Reference	Part No.	Page Reference	Part No.	Page Reference
2503200	ACC 8, ACC 27	2802200	ACC 1	3171100	ACC 15	3322115	CLI 1, CLI 15
2508200	ACC 8, ACC 27	2807200	ACC 1	3172100	ACC 15	3322117	CLI 1, CLI 15
2510000	ACC 5	2808200	ACC 1	3173100	ACC 15	3322200	ACC 16
2513000	ACC 5	2813200	ACC 1	3181100	ACC 15	3322700	ACC 15
2514000	ACC 5	2814200	ACC 1	3182100	ACC 15	3323100	CLI 1, CLI 16
2533000	ACC 3	2816200	ACC 1	3183100	ACC 15	3323107	CLI 1, CLI 16
2559000	ACC 8	2817000	ACC 1	3191100	ACC 16	3323115	CLI 1, CLI 16
2564000	ACC 8	2818200	ACC 1	3192100	ACC 16	3323117	CLI 1, CLI 16
2565000	ACC 8	2828200	ACC 1	3193100	ACC 16	3323200	ACC 16
2566000	ACC 8	2841200	ACC 1	3203100	CLI 5, CLI 22	3325100	CLI 1, CLI 16
2567000	ACC 8	2842200	ACC 1	3204100	CLI 5, CLI 22	3325107	CLI 1, CLI 16
2568000	ACC 8	2846200	ACC 1	3205100	CLI 5, CLI 22	3325115	CLI 1, CLI 16
2569000	ACC 8	2851200	ACC 1	3206100	CLI 5, CLI 22	3325117	CLI 1, CLI 16
2570000	ACC 8	2852200	ACC 1	3214100	CLI 10, CLI 27	3325200	ACC 16
2571000	ACC 4	2863200	ACC 1	3214100	CLI 9, CLI 27	3326100	CLI 1, CLI 16
2572000	ACC 3	2864200	ACC 1	3216100	CLI 10, CLI 27	3326107	CLI 1, CLI 16
2575000	ACC 3	2891200	ACC 1	3216100	CLI 9, CLI 27	3326115	CLI 1, CLI 16
2576000	ACC 3	2892200	ACC 1	3217100	CLI 10, CLI 27	3326117	CLI 1, CLI 16
2584000	ACC 7	2901200	ACC 1	3217100	CLI 9, CLI 27	3327100	CLI 1, CLI 16
2597000	ACC 5	2902200	ACC 1	3217115	CLI 10, CLI 27	3327115	CLI 1, CLI 16
2599000	ACC 3	2911200	ACC 1	3217115	CLI 9, CLI 27	3327700	ACC 15
2600600	IND 149, IND 183	2912200	ACC 1	3218100	CLI 10, CLI 27	3334502	CLI 12, CLI 29
2610600	IND 149, IND 183	2921200	ACC 1	3218100	CLI 9, CLI 27	3390100	CLI 3, CLI 21
2611200	IND 149, IND 184	2922200	ACC 1	3218115	CLI 9, CLI 10, CLI 27	3390115	CLI 3, CLI 21
2612600	IND 149, IND 185	2961200	ACC 1	3256100	CLI 3, CLI 18	3390146	CLI 3, CLI 21
2613200	IND 149, IND 184	2962200	ACC 1	3260146	CLI 3, CLI 20	3391560	CLI 3, CLI 21
2614600	IND 149, IND 185	2981200	ACC 1	3260460	CLI 3, CLI 20	3392100	CLI 3, CLI 21
2615200	ACC 7	2982200	ACC 1	3261140	CLI 3, CLI 18	3392115	CLI 3, CLI 21
2616200	ACC 7	3102000	CLI 9, CLI 26	3262100	CLI 5, CLI 23	3392146	CLI 3, CLI 21
2620600	IND 149, IND 183	3102110	CLI 9, CLI 26	3265100	CLI 5, CLI 23	3565000	ACC 10
2640600	IND 149, IND 183	3106000	CLI 9, CLI 26	3266100	CLI 5, CLI 23	3566000	ACC 10
2641200	IND 149, IND 184	3107000	CLI 9, CLI 26	3269100	CLI 5, CLI 23	3567000	ACC 10
2642600	IND 149, IND 185	3110000	ACC 16	3272100	CLI 3, CLI 18	3568000	ACC 10
2643200	IND 149, IND 184	3115000	CLI 9, CLI 26	3279100	CLI 3, CLI 20	3569000	ACC 10
2644600	IND 149, IND 185	3116000	CLI 9, CLI 26	3280100	CLI 3, CLI 18	3570000	ACC 10
2645200	ACC 7	3125000	CLI 7, CLI 24	3281100	CLI 3, CLI 19	3571000	ACC 10
2646200	ACC 7	3125110	CLI 7, CLI 24	3286100	ACC 15	3572000	ACC 10
2647600	IND 149, IND 185	3126000	CLI 7, CLI 24	3286200	ACC 15	3573000	ACC 10
2648600	IND 149, IND 185	3126110	CLI 7, CLI 24	3290100	CLI 3, CLI 18	3574000	ACC 10
2649600	IND 149, IND 185	3128000	CLI 7, CLI 24	3293100	CLI 3, CLI 19	3575000	ACC 10
2650600	IND 149, IND 183	3128110	CLI 7, CLI 24	3294100	ACC 15	3576000	ACC 10
2653200	IND 149, IND 184	3129000	CLI 7, CLI 24	3294200	ACC 15	3577000	ACC 10
2656200	ACC 7	3129110	CLI 7, CLI 24	3296100	CLI 3, CLI 18	3578000	ACC 10
2666600	IND 149, IND 186	3130000	CLI 7, CLI 24	3298100	CLI 3, CLI 20	3579000	ACC 10
2668600	IND 149, IND 186	3130110	CLI 7, CLI 24	3318510	CLI 11, CLI 28	4127000	ACC 4
2670600	IND 149, IND 186	3131000	CLI 7, CLI 25	3319510	CLI 11, CLI 28	4570000	ACC 2
2672600	IND 149, IND 186	3131110	CLI 7, CLI 25	3320502	CLI 12, CLI 29	4603603	IND 155, IND 194
2676000	ACC 7	3133000	CLI 7, CLI 25	3321100	CLI 1, CLI 15	4603604	IND 155, IND 194
2678000	ACC 7	3133110	CLI 7, CLI 25	3321115	CLI 1, CLI 15	4603703	IND 155, IND 193
2680000	ACC 7	3134000	CLI 7, CLI 25	3321117	CLI 1, CLI 15	4603704	IND 155, IND 193
2682000	ACC 7	3134110	CLI 7, CLI 25	3321200	ACC 16	4603820	IND 155, IND 194
2694600	IND 149, IND 187	3148000	CLI 1, CLI 17	3321700	ACC 15	4603913	IND 155, IND 194
2696200	ACC 8	3149000	CLI 1, CLI 17	3322100	CLI 1, CLI 15	4603920	IND 155, IND 193
2801200	ACC 1	3169000	CLI 1, CLI 17	3322107	CLI 1, CLI 15	4609703	IND 155, IND 193

Part No.	Page Reference	Part No.	Page Reference	Part No.	Page Reference	Part No.	Page Reference
4609920	IND 155, IND 193	6444000	IND 175	7502203	ACC 13	9785020	ACC 14
4613000	ACC 6	6444500	IND 175	7502204	ACC 13	9785030	ACC 15
4614000	ACC 6	6445000	IND 175	7502205	ACC 13	9962136	ACC 16
4617703	IND 155, IND 195	6505000	IND 176	7502206	ACC 13	9962957	ACC 2
4617704	IND 155, IND 195	6505100	IND 174	7502302	ACC 14	9962958	ACC 2
4617913	IND 155, IND 194	6505500	IND 176	7502304	ACC 14	9962959	ACC 2
4617920	IND 155, IND 195	6511000	IND 169	7503770	NET 1, NET 9	9962960	ACC 2
4619660	ACC 5	6513000	IND 169	7503773	NET 1, NET 9	9964163	CLI 1
4619680	ACC 5	6515000	IND 169	7503778	NET 1, NET 9	9964254	ACC 4
4632000	ACC 11	6520000	IND 170	7503779	NET 1, NET 9	9965364	CLI 1
4635000	ACC 5	6520500	IND 171	7503781	NET 1, NET 9	9965837	ACC 16
6002000	IND 175, ACC 7	6521000	IND 171	7503782	NET 1, NET 9	9966814	CLI 1, CLI 17
6003000	IND 175, ACC 7	6522000	IND 171	7503783	NET 1, NET 9	9966815	CLI 1, CLI 17
6023000	IND 165	6523000	IND 170	7503785	NET 1, NET 9	9966892	CLI 1, CLI 17
6028000	ACC 11	6524000	IND 170	7526300	ACC 12	9966967	NET 3, NET 10
6040000	IND 167	6525000	IND 170	7526930	ACC 12	9966968	NET 3, NET 10
6045000	IND 176	6525100	IND 174	7526940	ACC 12	9966969	NET 3, NET 10
6050000	IND 165	6525500	IND 169	7706024	IND 33, IND 57	9966970	NET 3, NET 10
6050500	IND 165	6525600	IND 174	7709024	IND 33, IND 57	9966971	NET 3, NET 10
6052000	IND 177	6526000	IND 170	7712024	IND 33, IND 57	9966972	NET 3, NET 10
6053000	IND 176	6527000	IND 169	7715024	IND 33, IND 57	9966973	NET 3, NET 10
6053500	IND 177, ACC 6	6527100	IND 174	7718024	IND 33, IND 57	9966974	NET 3, NET 10
6058000	IND 176	6528000	IND 172	7721024	IND 33, IND 57	9966975	NET 3, NET 10
6058500	IND 177, ACC 6	6528100	IND 171	7980110	CLI 1	9966976	NET 3, NET 10
6059000	IND 177, ACC 12	6529000	IND 169	8012903	CLI 13, CLI 30	9966977	NET 3, NET 10
6100000	IND 165	6530200	IND 157, IND 196	8012904	CLI 13, CLI 30	9966978	NET 3, NET 10
6100500	IND 165	6531200	IND 157, IND 196	8012905	CLI 13, CLI 30	9966979	NET 3, NET 10
6108000	IND 174	6532200	IND 157, IND 196	8012906	CLI 13, CLI 30	9966980	NET 3, NET 10
6110000	IND 168	6533200	IND 157, IND 196	8012907	CLI 13, CLI 30	9967053	CLI 9, CLI 26
6120000	IND 168	6534000	IND 157, IND 196	8012908	CLI 13, CLI 30	9967054	CLI 9, CLI 26
6130000	IND 167	6535000	IND 157, IND 196	8012909	CLI 13, CLI 30	9967131	NET 1, NET 9
6130500	IND 166	6536000	IND 157, IND 196	8012910	CLI 13, CLI 30	9967133	NET 1, NET 9
6130600	IND 166	6537000	IND 157, IND 196	8012911	CLI 13, CLI 30	9967134	NET 1, NET 9
6136000	IND 172	6538000	IND 157, IND 196	8012912	CLI 13, CLI 30	9967135	NET 1, NET 9
6136500	IND 172	6540200	IND 157, IND 196	8012913	CLI 13, CLI 30	9967137	NET 1, NET 9
6137035	IND 173, ACC 11	7061000	ACC 14	8012914	CLI 13, CLI 30	9967138	NET 1, NET 9
6137535	IND 173, ACC 11	7064000	ACC 14	8012915	CLI 13, CLI 30	9967139	NET 1, NET 9
6140000	IND 167	7119400	ACC 14	9765090	ACC 14	9967140	NET 1, NET 9
6141000	IND 173	7144035	ACC 12	9765092	ACC 14	9967581	CLI 8
6141100	IND 173	7163000	ACC 5	9765095	ACC 14	9967582	CLI 8
6143200	IND 172	7502016	NET 7, NET 11	9765097	ACC 14	9967584	CLI 8
6143210	IND 172	7502026	NET 7, NET 11	9783010	OSP 1, OSP 3	9967585	CLI 8
6144100	IND 173	7502036	NET 7, NET 11	9783020	OSP 1, OSP 3	9967587	CLI 8
6145100	IND 173	7502046	NET 7, NET 11	9783040	OSP 1, OSP 3	9967588	CLI 8
6147000	IND 173	7502056	NET 7, NET 11	9783050	OSP 1, OSP 3	9967635	NET 5, NET 11
6148000	IND 173	7502066	NET 7, NET 11	9784010	OSP 1, OSP 3	9967636	NET 5, NET 11
6150000	IND 166	7502116	NET 7, NET 11	9784020	OSP 1, OSP 3	9967637	NET 5, NET 11
6160000	IND 168	7502126	NET 7, NET 11	9785001	ACC 15	9967638	NET 5, NET 11
6170000	IND 168	7502136	NET 7, NET 11	9785002	ACC 15	9967639	ACC 13
6180000	IND 167	7502146	NET 7, NET 11	9785003	ACC 15	9967640	ACC 13
6200000	IND 165	7502156	NET 7, NET 11	9785004	ACC 15	9967641	ACC 12
6200500	IND 165	7502166	NET 7, NET 11	9785017	ACC 14	9967642	ACC 12
6205000	IND 165	7502201	ACC 13	9785018	ACC 14	9967643	ACC 12
6380000	IND 157, IND 196	7502202	ACC 13	9785019	ACC 14	9967644	ACC 12

Part No.	Page Reference	Part No.	Page Reference	Part No.	Page Reference	Part No.	Page Reference
9967645	ACC 13	E 1008CH	IND 9, IND 40	E 1210CHS	IND 9, IND 40	E 12PBXDSS	IND 238, IND 282
9967646	ACC 13	E 1008CHAL	IND 203, IND 257	E 1210CHSS	IND 201, IND 256	E 12PBY25	IND 146, IND 180
9967647	ACC 13	E 1008CHNF	IND 13, IND 43	E 1210CHWL	IND 12, IND 42	E 12R106HCR	COM 3, COM 17
9967648	ACC 13	E 1008CHNFSS	IND 205, IND 258	E 1210LP	IND 5, IND 38	E 12R126HCR	COM 3, COM 17
9967649	ACC 13	E 1008CHNFSS6	IND 205, IND 258	E 1210NF	IND 15, IND 44	E 12SPBA	IND 148, IND 182
9967650	ACC 13	E 1008CHQR	IND 11, IND 41	E 1210NFAL	IND 209, IND 260	E 14086CH	IND 9, IND 40
9967651	ACC 13	E 1008CHRFI	IND 9, IND 41	E 1210NFSS	IND 207, IND 259	E 14086CHSS	IND 201, IND 256
9967652	ACC 13	E 1008CHS	IND 9, IND 40	E 1210NFSS6	IND 207, IND 259	E 14128CH	IND 9, IND 40
9967653	ACC 13	E 1008CHSS	IND 201, IND 256	E 1210SC	IND 3, IND 37	E 14128CHSS	IND 201, IND 256
9967654	ACC 13	E 1008CHWL	IND 12, IND 42	E 121224HC	IND 64, IND 71	E 1412CH	IND 9, IND 40
9967667	ACC 11	E 1008LP	IND 5, IND 38	E 121236HC	IND 64, IND 71	E 1412CHAL	IND 203, IND 257
9967668	ACC 11	E 1008NF	IND 15, IND 44	E 121248HC	IND 64, IND 71	E 1412CHNF	IND 13, IND 43
9967669	ACC 11	E 1008NFAL	IND 209, IND 260	E 121260HC	IND 64, IND 71	E 1412CHNFSS	IND 205, IND 258
9967670	ACC 11	E 1008NFSS	IND 207, IND 259	E 1212CH	IND 9, IND 40	E 1412CHNFSS6	IND 205, IND 258
9967671	ACC 11	E 1008NFSS6	IND 207, IND 259	E 1212CHNF	IND 13, IND 43	E 1412CHQR	IND 11, IND 41
9967987	IND 163, IND 197	E 1008SC	IND 3, IND 37	E 1212CHNFSS	IND 205, IND 258	E 1412CHRFI	IND 9, IND 41
9967988	IND 163, IND 197	E 10106CH	IND 9, IND 40	E 1212CHNFSS6	IND 205, IND 258	E 1412CHS	IND 9, IND 40
9967989	IND 163, IND 197	E 10106CHSS	IND 201, IND 256	E 1212CHSS	IND 201, IND 256	E 1412CHSS	IND 201, IND 256
9967993	IND 163, IND 197	E 10106SC	IND 3, IND 37	E 1212SC	IND 3, IND 37	E 1412CHWL	IND 12, IND 42
9967994	IND 163, IND 197	E 1010SC	IND 3, IND 37	E 122406	IND 29, IND 55	E 1412LP	IND 5, IND 38
9967995	IND 163, IND 197	E 10JS	ACC 25	E 122406SS	IND 221, IND 265	E 1412NF	IND 15, IND 44
9967996	IND 163, IND 197	E 10JTMA	ACC 25	E 122408	IND 29, IND 55	E 1412NFAL	IND 209, IND 260
9967997	IND 163, IND 197	E 10JTMAXD	ACC 25	E 122408SS	IND 221, IND 265	E 1412NFSS	IND 207, IND 259
9967998	IND 163, IND 197	E 10N104	COM 1, COM 15	E 12C12	IND 151, IND 188	E 1412NFSS6	IND 207, IND 259
9967999	IND 163, IND 197	E 10N106	COM 1, COM 15	E 12C12SS	IND 239, IND 283	E 1412SC	IND 3, IND 37
9968000	IND 163, IND 197	E 10N10P	ACC 21	E 12C16	IND 151, IND 188	E 14JS	ACC 25
9968001	IND 163, IND 197	E 10N84	COM 1, COM 15	E 12C16SS	IND 239, IND 283	E 14JTMA	ACC 25
9968002	IND 163, IND 197	E 10N86	COM 1, COM 15	E 12C20	IND 151, IND 188	E 14N124	COM 1, COM 15
9968003	IND 163, IND 197	E 10N8P	ACC 21	E 12C20SS	IND 239, IND 283	E 14N126	COM 1, COM 15
9968004	IND 163, IND 197	E 10P10	ACC 20	E 12C24	IND 151, IND 188	E 14N128	COM 1, COM 15
9968005	IND 163, IND 197	E 10P10SS	ACC 20	E 12C24SS	IND 239, IND 283	E 14N12P	ACC 21
9968006	IND 163, IND 197	E 10P8	ACC 20	E 12JS	ACC 25	E 14P12	ACC 20
9968007	IND 163, IND 197	E 10P8AL	ACC 20	E 12JTMA	ACC 25	E 14P12AL	ACC 20
9968008	IND 163, IND 197	E 10P8SS	ACC 20	E 12N104	COM 1, COM 15	E 14P12SS	ACC 20
9968009	IND 163, IND 197	E 10PB	IND 143, IND 178	E 12N106	COM 1, COM 15	E 14P8	ACC 20
9968010	IND 163, IND 197	E 10PBA	IND 148, IND 182	E 12N10P	ACC 21	E 14P8SS	ACC 20
9968011	IND 163, IND 197	E 10PBXD	IND 147, IND 181	E 12N124	COM 1, COM 15	E 16106CH	IND 9, IND 40
9968012	IND 163, IND 197	E 10PBXDSS	IND 238, IND 282	E 12N126	COM 1, COM 15	E 16106CHSS	IND 201, IND 256
9968013	IND 163, IND 197	E 10R86HCR	COM 3, COM 17	E 12N128	COM 1, COM 15	E 161206	IND 29, IND 55
9968014	IND 163, IND 197	E 12064CH	IND 9, IND 40	E 12N12P	ACC 21	E 161206FM	IND 19, IND 47
9968015	IND 163, IND 197	E 12064CHSS	IND 201, IND 256	E 12NTMA2	ACC 26	E 161206RFI	IND 31, IND 56
9968016	IND 163, IND 197	E 12106CHAL	IND 203, IND 257	E 12P10	ACC 20	E 161206SS	IND 221, IND 265
9968017	IND 163, IND 197	E 12106CHNFSS	IND 205, IND 258	E 12P10AL	ACC 20	E 161208	IND 29, IND 55
9968108	ACC 9	E 12106CHNFSS6	IND 205, IND 258	E 12P10SS	ACC 20	E 161208SS	IND 221, IND 265
9968109	ACC 9	E 12106NFSS	IND 207, IND 259	E 12P12	ACC 20	E 161210	IND 29, IND 55
9968111	ACC 9	E 12106NFSS6	IND 207, IND 259	E 12P12SS	ACC 20	E 161210SS	IND 221, IND 265
9968112	ACC 9	E 12108CH	IND 9, IND 40	E 12P6	ACC 20	E 161410CH	IND 9, IND 40
C MTKIT	ACC 27	E 12108CHSS	IND 201, IND 256	E 12P6SS	ACC 20	E 161410CHSS	IND 201, IND 256
E 10086CH	IND 9, IND 40	E 1210CH	IND 9, IND 40	E 12PB	IND 143, IND 178	E 16148CH	IND 9, IND 40
E 10086CHNF	IND 13, IND 43	E 1210CHNF	IND 13, IND 43	E 12PBA	IND 148, IND 182	E 16148CHSS	IND 201, IND 256
E 10086CHNFSS	IND 205, IND 258	E 1210CHNFSS	IND 205, IND 258	E 12PBG	IND 145, IND 179	E 1614CH	IND 9, IND 40
E 10086CHNFSS6	IND 205, IND 258	E 1210CHNFSS6	IND 205, IND 258	E 12PBGMS	IND 237, IND 281	E 1614CHAL	IND 203, IND 257
E 10086CHSS	IND 201, IND 256	E 1210CHQR	IND 11, IND 41	E 12PBSS	IND 235, IND 279	E 1614CHNF	IND 13, IND 43
E 10086SC	IND 3, IND 37	E 1210CHRFI	IND 9, IND 41	E 12PBXD	IND 147, IND 181	E 1614CHNFSS	IND 205, IND 258

Part No.	Page Reference	Part No.	Page Reference	Part No.	Page Reference	Part No.	Page Reference
E 1614CHNFSS6	IND 205, IND 258	E 16NS	ACC 26	E 202008	IND 29, IND 55	E 20P16	ACC 21
E 1614CHQR	IND 11, IND 41	E 16NTMA2	ACC 26	E 202008SS	IND 221, IND 265	E 20P16AL	ACC 21
E 1614CHRFI	IND 9, IND 41	E 16P10	ACC 20	E 202010	IND 29, IND 55	E 20P16SS	ACC 21
E 1614CHS	IND 9, IND 40	E 16P10SS	ACC 20	E 202010SS	IND 221, IND 265	E 20P20	ACC 21
E 1614CHSS	IND 201, IND 256	E 16P12	ACC 21	E 202406	IND 29, IND 55	E 20P20AL	ACC 21
E 1614CHWL	IND 12, IND 42	E 16P12AL	ACC 21	E 202406SS	IND 221, IND 265	E 20P20SS	ACC 21
E 1614LP	IND 5, IND 38	E 16P12SS	ACC 21	E 202408	IND 29, IND 55	E 20PBA	IND 148, IND 182
E 1614NF	IND 15, IND 44	E 16P14	ACC 20	E 202408SS	IND 221, IND 265	E 20PBGM	IND 145, IND 179
E 1614NFAL	IND 209, IND 260	E 16P14AL	ACC 20	E 20AB2208	IND 99, IND 108	E 20PBXD	IND 147, IND 181
E 1614NFSS	IND 207, IND 259	E 16P14SS	ACC 20	E 20C16A	IND 21, IND 48	E 20PBXDSS	IND 238, IND 282
E 1614NFSS6	IND 207, IND 259	E 16PB	IND 143, IND 178	E 20C16B	IND 21, IND 48	E 20PBY25	IND 146, IND 180
E 1614SC	IND 3, IND 37	E 16PBA	IND 148, IND 182	E 20C20	IND 151, IND 188	E 20R166HCR	COM 4, COM 18
E 161606	IND 29, IND 55	E 16PBGM	IND 145, IND 179	E 20C20A	IND 21, IND 48	E 20R166HCRSS	COM 5, COM 19
E 161606SS	IND 221, IND 265	E 16PBXD	IND 147, IND 181	E 20C20B	IND 21, IND 48	E 20R208HCR	COM 4, COM 18
E 161608	IND 29, IND 55	E 16PBXDSS	IND 238, IND 282	E 20C20SS	IND 239, IND 283	E 20R208HCRSS	COM 5, COM 19
E 161608SS	IND 221, IND 265	E 16PBY25	IND 146, IND 180	E 20C24	IND 151, IND 188	E 20SA2208	IND 97, IND 107
E 162006	IND 29, IND 55	E 16R126HCR	COM 4, COM 18	E 20C24SS	IND 239, IND 283	E 20SA2210	IND 97, IND 107
E 162006SS	IND 221, IND 265	E 16R126HCRSS	COM 5, COM 19	E 20C30	IND 151, IND 188	E 2212SC	IND 64, IND 72
E 162008	IND 29, IND 55	E 16R166HCR	COM 4, COM 18	E 20C30SS	IND 239, IND 283	E 22HB	IND 62
E 162008SS	IND 221, IND 265	E 16R166HCRSS	COM 5, COM 19	E 20H1606AL	IND 219, IND 264	E 22HD	IND 62
E 16C16	IND 151, IND 188	E 16SPBA	IND 148, IND 182	E 20H1606SS	IND 215, IND 263	E 22L06	IND 60
E 16C16SS	IND 239, IND 283	E 16SPBXD	IND 147, IND 181	E 20H1606SS6	IND 215, IND 263	E 22L12	IND 60
E 16C20	IND 151, IND 188	E 16SPBXDSS	IND 238, IND 282	E 20H1608SS	IND 215, IND 263	E 22L120	IND 60
E 16C20SS	IND 239, IND 283	E 1816LP	IND 5, IND 38	E 20H1608SS6	IND 215, IND 263	E 22L24	IND 60
E 16C24	IND 151, IND 188	E 182410CT	COM 6, COM 20	E 20H1610AL	IND 219, IND 264	E 22L36	IND 60
E 16C24SS	IND 239, IND 283	E 18P16	ACC 20	E 20H1610SS	IND 215, IND 263	E 22L48	IND 60
E 16C30	IND 151, IND 188	E 18SBASE	IND 152, IND 189, ACC 28	E 20H1610SS6	IND 215, IND 263	E 22L60	IND 60
E 16C30SS	IND 239, IND 283	E 18SBASESS	IND 239, IND 283, ACC 28	E 20H16A	IND 27, IND 54	E 22LB	IND 60
E 16C36	IND 151, IND 188	E 1PB	IND 143, IND 178	E 20H16B	IND 27, IND 54	E 22LC	IND 60
E 16C36SS	IND 239, IND 283	E 1PBA	IND 148, IND 182	E 20H16C	IND 27, IND 54	E 22LCPK	IND 60
E 16H1206AL	IND 219, IND 264	E 1PBGM	IND 145, IND 179	E 20H2006AL	IND 219, IND 264	E 22LE45A	IND 60
E 16H1206SS	IND 215, IND 263	E 1PBGMS	IND 237, IND 281	E 20H2006SS	IND 215, IND 263	E 22LE45B	IND 60
E 16H1206SS6	IND 215, IND 263	E 1PBLS	IND 144, IND 179	E 20H2006SS6	IND 215, IND 263	E 22LE45C	IND 60
E 16H1208SS	IND 215, IND 263	E 1PBLSLSS	IND 236, IND 280	E 20H2008SS	IND 215, IND 263	E 22LE90A	IND 60
E 16H1208SS6	IND 215, IND 263	E 1PBSS	IND 235, IND 279	E 20H2008SS6	IND 215, IND 263	E 22LE90B	IND 60
E 16H12A	IND 27, IND 54	E 1PBXD	IND 147, IND 181	E 20H20A	IND 27, IND 54	E 22LE90C	IND 60
E 16H12B	IND 27, IND 54	E 1PBXDSS	IND 238, IND 282	E 20H20B	IND 27, IND 54	E 22LE90KOKT	IND 60
E 16H1606SS	IND 215, IND 263	E 201206	IND 29, IND 55	E 20H2408SS	IND 215, IND 263	E 22LE90KT	IND 60
E 16H1606SS6	IND 215, IND 263	E 201206SS	IND 221, IND 265	E 20H2408SS6	IND 215, IND 263	E 22LF	IND 62
E 16H1608AL	IND 219, IND 264	E 201208	IND 29, IND 55	E 20H24B	IND 27, IND 54	E 22LG	IND 60
E 16H16A	IND 27, IND 54	E 201208SS	IND 221, IND 265	E 20N126	COM 1, COM 15	E 22LH	IND 60
E 16H2006SS	IND 215, IND 263	E 201606	IND 29, IND 55	E 20N12P	ACC 21	E 22LKOKT	IND 60
E 16H2006SS6	IND 215, IND 263	E 201606FM	IND 19, IND 47	E 20N16A	COM 2, COM 16	E 22LKT	IND 60
E 16H20A	IND 27, IND 54	E 201606RFI	IND 31, IND 56	E 20N16B	COM 2, COM 16	E 22LN1	IND 60
E 16JS	ACC 25	E 201606SS	IND 221, IND 265	E 20N16P	ACC 21	E 22LN2	IND 60
E 16N126	COM 1, COM 15	E 201608	IND 29, IND 55	E 20N20A	COM 2, COM 16	E 22LN3	IND 60
E 16N12A	COM 2, COM 16	E 201608SS	IND 221, IND 265	E 20N20B	COM 2, COM 16	E 22LP	IND 60
E 16N12B	COM 2, COM 16	E 201610	IND 29, IND 55	E 20N20P	ACC 21	E 22LT10	IND 60
E 16N12P	ACC 21	E 201610SS	IND 221, IND 265	E 20N24B	COM 2, COM 16	E 22LT4	IND 60
E 16N12P2	ACC 21	E 201612	IND 29, IND 55	E 20N24P	ACC 21	E 22LTA	IND 60
E 16N16A	COM 2, COM 16	E 201612SS	IND 221, IND 265	E 20NS	ACC 26	E 22LTC	IND 60
E 16N16P2	ACC 21	E 202006	IND 29, IND 55	E 20NTMA2	ACC 26	E 22LXL	IND 60
E 16N20A	COM 2, COM 16	E 202006FM	IND 19, IND 47	E 20P12	ACC 21	E 22W12	IND 62
E 16N20P	ACC 21	E 202006SS	IND 221, IND 265	E 20P12SS	ACC 21	E 22W120	IND 62

Part No.	Page Reference	Part No.	Page Reference	Part No.	Page Reference	Part No.	Page Reference
E 22W24	IND 62	E 242416	IND 31, IND 56	E 24N16A	COM 2, COM 16	E 302406SS	IND 223, IND 266
E 22W36	IND 62	E 242416SS	IND 223, IND 266	E 24N16P	ACC 21	E 302408	IND 31, IND 56
E 22W48	IND 62	E 243008	IND 31, IND 56	E 24N20A	COM 2, COM 16	E 302408FM	IND 19, IND 47
E 22W60	IND 62	E 243008SS	IND 223, IND 266	E 24N20B	COM 2, COM 16	E 302408RFI	IND 31, IND 56
E 22WA	IND 62	E 243210CT	COM 6, COM 20	E 24N20C	COM 2, COM 16	E 302408SS	IND 223, IND 266
E 22WB	IND 62	E 244208WF	IND 17, IND 46	E 24N20P	ACC 21	E 302410	IND 31, IND 56
E 22WC	IND 62	E 244212CT	COM 6, COM 20	E 24N24A	COM 2, COM 16	E 302410CT	COM 6, COM 20
E 22WE22.5	IND 62	E 244808WF	IND 17, IND 46	E 24N24B	COM 2, COM 16	E 302410SS	IND 223, IND 266
E 22WE45	IND 62	E 24AB2208	IND 99, IND 108	E 24N24D	COM 2, COM 16	E 302412	IND 31, IND 56
E 22WE90	IND 62	E 24AB2210	IND 99, IND 108	E 24N24P	ACC 21	E 302412SS	IND 223, IND 266
E 22WG	IND 62	E 24AB2608	IND 99, IND 108	E 24NS	ACC 26	E 302416	IND 31, IND 56
E 22WN1	IND 62	E 24AB2610	IND 99, IND 108	E 24NTMA2	ACC 26	E 302416SS	IND 223, IND 266
E 22WN2	IND 62	E 24C20A	IND 21, IND 48	E 24NTMA3	ACC 26	E 302420	IND 31, IND 56
E 22WN3	IND 62	E 24C20B	IND 21, IND 48	E 24P16	ACC 21	E 302420SS	IND 223, IND 266
E 22WN6	IND 62	E 24C24A	IND 21, IND 48	E 24P16SS	ACC 21	E 302424	IND 31, IND 56
E 22WP	IND 62	E 24C24B	IND 21, IND 48	E 24P20	ACC 21	E 303008	IND 31, IND 56
E 22WSC	IND 62	E 24C24C	IND 21, IND 48	E 24P20AL	ACC 21	E 303008SS	IND 223, IND 266
E 22WT	IND 62	E 24H1206SS	IND 215, IND 263	E 24P20SS	ACC 21	E 303010CT	COM 6, COM 20
E 22WTF	IND 62	E 24H1206SS6	IND 215, IND 263	E 24P24	ACC 21	E 303012	IND 31, IND 56
E 22WX	IND 62	E 24H12A	IND 27, IND 54	E 24P24AL	ACC 21	E 303012SS	IND 223, IND 266
E 241206	IND 29, IND 55	E 24H1606SS	IND 215, IND 263	E 24P24SS	ACC 21	E 303608	IND 31, IND 56
E 241206SS	IND 221, IND 265	E 24H1606SS6	IND 215, IND 263	E 24R208HCR	COM 4, COM 18	E 303608SS	IND 223, IND 266
E 241208	IND 29, IND 55	E 24H1608SS	IND 215, IND 263	E 24R208HCRSS	COM 5, COM 19	E 303610CT	COM 6, COM 20
E 241208SS	IND 221, IND 265	E 24H1608SS6	IND 215, IND 263	E 24R248HCR	COM 4, COM 18	E 304210WF	IND 17, IND 46
E 241210	IND 29, IND 55	E 24H16A	IND 27, IND 54	E 24R248HCRSS	COM 5, COM 19	E 304810WF	IND 17, IND 46
E 241210SS	IND 221, IND 265	E 24H2006AL	IND 219, IND 264	E 24SA2208	IND 97, IND 107	E 306010WF	IND 17, IND 46
E 241606	IND 29, IND 55	E 24H2006SS	IND 215, IND 263	E 24SA2210	IND 97, IND 107	E 30AB2208	IND 99, IND 108
E 241606SS	IND 221, IND 265	E 24H2006SS6	IND 215, IND 263	E 24SA2608	IND 97, IND 107	E 30AB2210	IND 99, IND 108
E 241608	IND 29, IND 55	E 24H2008SS	IND 215, IND 263	E 24SA2610	IND 97, IND 107	E 30AB2608	IND 99, IND 108
E 241608SS	IND 221, IND 265	E 24H2008SS6	IND 215, IND 263	E 24SBASE	IND 152, IND 189, ACC 28	E 30AB2610	IND 99, IND 108
E 24167CTL	COM 6, COM 20	E 24H2010AL	IND 219, IND 264	E 24SBASESS	IND 239, IND 283, ACC 28	E 30C20A	IND 21, IND 48
E 242006	IND 29, IND 55	E 24H2010SS	IND 215, IND 263	E 25PBA	IND 148, IND 182	E 30C20B	IND 21, IND 48
E 242006FM	IND 19, IND 47	E 24H2010SS6	IND 215, IND 263	E 25PBGGM	IND 145, IND 179	E 30C24A	IND 21, IND 48
E 242006RFI	IND 31, IND 56	E 24H20A	IND 27, IND 54	E 25PBXD	IND 147, IND 181	E 30C24B	IND 21, IND 48
E 242006SS	IND 221, IND 265	E 24H20B	IND 27, IND 54	E 25PBXDSS	IND 238, IND 282	E 30C24D	IND 21, IND 48
E 242008	IND 29, IND 55	E 24H20C	IND 27, IND 54	E 25PBY25	IND 146, IND 180	E 30H2006SS	IND 215, IND 263
E 242008SS	IND 221, IND 265	E 24H2406SS	IND 215, IND 263	E 2PB	IND 143, IND 178	E 30H2006SS6	IND 215, IND 263
E 242010	IND 29, IND 55	E 24H2406SS6	IND 215, IND 263	E 2PBA	IND 148, IND 182	E 30H2008SS	IND 215, IND 263
E 242010SS	IND 221, IND 265	E 24H2408AL	IND 219, IND 264	E 2PBGM	IND 145, IND 179	E 30H2008SS6	IND 215, IND 263
E 242012	IND 29, IND 55	E 24H2408SS	IND 215, IND 263	E 2PBGMSS	IND 237, IND 281	E 30H20A	IND 27, IND 54
E 242012SS	IND 221, IND 265	E 24H2408SS6	IND 215, IND 263	E 2PBSL	IND 144, IND 179	E 30H20B	IND 27, IND 54
E 242016	IND 31, IND 55	E 24H2412SS	IND 215, IND 263	E 2PBSLSS	IND 236, IND 280	E 30H2406SS	IND 215, IND 263
E 242016SS	IND 221, IND 265	E 24H2412SS6	IND 215, IND 263	E 2PBSS	IND 235, IND 279	E 30H2406SS6	IND 215, IND 263
E 242406	IND 31, IND 55	E 24H24A	IND 27, IND 54	E 2PBXD	IND 147, IND 181	E 30H2408AL	IND 219, IND 264
E 242406SS	IND 221, IND 265	E 24H24B	IND 27, IND 54	E 2PBXDSS	IND 238, IND 282	E 30H2408SS	IND 215, IND 263
E 242408	IND 31, IND 55	E 24H3008SS	IND 215, IND 263	E 301606	IND 31, IND 56	E 30H2408SS6	IND 215, IND 263
E 242408FM	IND 19, IND 47	E 24H3008SS6	IND 215, IND 263	E 301606SS	IND 223, IND 266	E 30H2410SS	IND 215, IND 263
E 242408RFI	IND 31, IND 56	E 24H30B	IND 27, IND 54	E 302006	IND 31, IND 56	E 30H2410SS6	IND 215, IND 263
E 242408SS	IND 223, IND 266	E 24HS2108	IND 95, IND 106	E 302006SS	IND 223, IND 266	E 30H2412AL	IND 219, IND 264
E 242410	IND 31, IND 55	E 24HS2108SS	IND 231, IND 274	E 302008	IND 31, IND 56	E 30H2412SS	IND 215, IND 263
E 242410CT	COM 6, COM 20	E 24HS2508	IND 95, IND 106	E 302008SS	IND 223, IND 266	E 30H2412SS6	IND 215, IND 263
E 242410SS	IND 223, IND 266	E 24HS2508SS	IND 231, IND 274	E 302010	IND 31, IND 56	E 30H2416SS	IND 215, IND 263
E 242412	IND 31, IND 56	E 24N126	COM 1, COM 15	E 302010SS	IND 223, IND 266	E 30H2416SS6	IND 215, IND 263
E 242412SS	IND 223, IND 266	E 24N12P	ACC 21	E 302406	IND 31, IND 56	E 30H24A	IND 27, IND 54

Part No.	Page Reference	Part No.	Page Reference	Part No.	Page Reference	Part No.	Page Reference
E 30H24B	IND 27, IND 54	E 363006	IND 31, IND 56	E 36H3612SS	IND 215, IND 263	E 404CH	IND 9, IND 40
E 30H24C	IND 27, IND 54	E 363006SS	IND 223, IND 266	E 36H3612SS6	IND 215, IND 263	E 404CHNF	IND 13, IND 43
E 30H24D	IND 27, IND 54	E 363008	IND 31, IND 56	E 36HS2508	IND 95, IND 106	E 404CHNFSS	IND 205, IND 258
E 30H3008SS	IND 215, IND 263	E 363008RFI	IND 31, IND 56	E 36HS2508SS	IND 231, IND 274	E 404CHNFSS6	IND 205, IND 258
E 30H3008SS6	IND 215, IND 263	E 363008SS	IND 223, IND 266	E 36HS3108	IND 95, IND 106	E 404CHQR	IND 11, IND 41
E 30H30B	IND 27, IND 54	E 363010	IND 31, IND 56	E 36HS3108SS	IND 231, IND 274	E 404CHSS	IND 201, IND 256
E 30HS2508	IND 95, IND 106	E 363010SS	IND 223, IND 266	E 36N24A	COM 2, COM 16	E 404LP	IND 5, IND 38
E 30HS2508SS	IND 231, IND 274	E 363012	IND 31, IND 56	E 36N24B	COM 2, COM 16	E 404NF	IND 15, IND 44
E 30N20A	COM 2, COM 16	E 363012SS	IND 223, IND 266	E 36N24P	ACC 21	E 404NFSS	IND 207, IND 259
E 30N20B	COM 2, COM 16	E 363016	IND 31, IND 56	E 36N30A	COM 2, COM 16	E 404NFSS6	IND 207, IND 259
E 30N20P	ACC 21	E 363016SS	IND 223, IND 266	E 36N30B	COM 2, COM 16	E 404SC	IND 3, IND 37
E 30N24A	COM 2, COM 16	E 363020	IND 31, IND 56	E 36N30C	COM 2, COM 16	E 41063WTKIT	ACC 31
E 30N24B	COM 2, COM 16	E 363020SS	IND 223, IND 266	E 36N30D	COM 2, COM 16	E 422408	IND 31, IND 56
E 30N24C	COM 2, COM 16	E 363608	IND 31, IND 56	E 36N30P	ACC 21	E 422408SS	IND 223, IND 266
E 30N24D	COM 2, COM 16	E 363608SS	IND 223, IND 266	E 36NS	ACC 26	E 423008	IND 31, IND 56
E 30N24P	ACC 21	E 363610CT	COM 6, COM 20	E 36NTMA2	ACC 26	E 423008SS	IND 223, IND 266
E 30N30B	COM 2, COM 16	E 363612	IND 31, IND 56	E 36NTMA3	ACC 26	E 423010	IND 31, IND 56
E 30N30P	ACC 21	E 363612SS	IND 223, IND 266	E 36P24	ACC 21	E 423010SS	IND 223, IND 266
E 30NS	ACC 26	E 364212WF	IND 17, IND 46	E 36P24AL	ACC 21	E 423012	IND 31, IND 56
E 30NTMA2	ACC 26	E 36427CTL	COM 6, COM 20	E 36P24SS	ACC 21	E 423012SS	IND 223, IND 266
E 30NTMA3	ACC 26	E 364810CTL	COM 6, COM 20	E 36P30	ACC 21	E 423608	IND 31, IND 56
E 30P16	ACC 21	E 364812WF	IND 17, IND 46	E 36P30AL	ACC 21	E 423608SS	IND 223, IND 266
E 30P16SS	ACC 21	E 366012WF	IND 17, IND 46	E 36P30SS	ACC 21	E 423610	IND 31, IND 56
E 30P20	ACC 21	E 36AB2608	IND 99, IND 108	E 36P36	ACC 21	E 423610SS	IND 223, IND 266
E 30P20SS	ACC 21	E 36AB2610	IND 99, IND 108	E 36P36SS	ACC 21	E 423612	IND 31, IND 56
E 30P24	ACC 21	E 36AB3208	IND 99, IND 108	E 36PBY25	IND 146, IND 180	E 423612SS	IND 223, IND 266
E 30P24AL	ACC 21	E 36AB3210	IND 99, IND 108	E 36R2412HCR	COM 4, COM 18	E 423616	IND 31, IND 56
E 30P24SS	ACC 21	E 36AB3212	IND 99, IND 108	E 36R2412HCRSS	COM 5, COM 19	E 423616SS	IND 223, IND 266
E 30P30	ACC 21	E 36C24A	IND 21, IND 48	E 36R3012HCR	COM 4, COM 18	E 424212WF	IND 17, IND 46
E 30P30SS	ACC 21	E 36C24B	IND 21, IND 48	E 36R3012HCRSS	COM 5, COM 19	E 424812WF	IND 17, IND 46
E 30PBA	IND 148, IND 182	E 36C24C	IND 21, IND 48	E 36R3612HCR	COM 4, COM 18	E 426012WFA	IND 17, IND 46
E 30PBG	IND 145, IND 179	E 36C30B	IND 21, IND 48	E 36R3612HCRSS	COM 5, COM 19	E 42AB3208	IND 99, IND 108
E 30PBY25	IND 146, IND 180	E 36C30D	IND 21, IND 48	E 36R3616HCR	COM 4, COM 18	E 42AB3210	IND 99, IND 108
E 30R248HCR	COM 4, COM 18	E 36H2408AL	IND 219, IND 264	E 36R3616HCRSS	COM 5, COM 19	E 42AB3212	IND 99, IND 108
E 30R248HCRSS	COM 5, COM 19	E 36H2408SS	IND 215, IND 263	E 36SA2608	IND 97, IND 107	E 42AB3808	IND 99, IND 108
E 30R3012HCR	COM 4, COM 18	E 36H2408SS6	IND 215, IND 263	E 36SA2610	IND 97, IND 107	E 42AB3810	IND 99, IND 108
E 30R3012HCRSS	COM 5, COM 19	E 36H2410SS	IND 215, IND 263	E 36SA3208	IND 97, IND 107	E 42AB3812	IND 99, IND 108
E 30R3016HCR	COM 4, COM 18	E 36H2410SS6	IND 215, IND 263	E 36SA3210	IND 97, IND 107	E 42H3008SS	IND 217, IND 263
E 30R3016HCRSS	COM 5, COM 19	E 36H24A	IND 27, IND 54	E 36SA3212	IND 97, IND 107	E 42H3008SS6	IND 217, IND 263
E 30SA2208	IND 97, IND 107	E 36H24B	IND 27, IND 54	E 36SA3216	IND 97, IND 107	E 42H3010SS	IND 217, IND 263
E 30SA2210	IND 97, IND 107	E 36H3008AL	IND 219, IND 264	E 3PB	IND 143, IND 178	E 42H3010SS6	IND 217, IND 263
E 30SA2608	IND 97, IND 107	E 36H3008SS	IND 215, IND 263	E 3PBA	IND 148, IND 182	E 42H30B	IND 27, IND 54
E 30SA2610	IND 97, IND 107	E 36H3008SS6	IND 215, IND 263	E 3PBGM	IND 145, IND 179	E 42H3608SS	IND 217, IND 263
E 30SA2612	IND 97, IND 107	E 36H3010SS	IND 215, IND 263	E 3PBGMSS	IND 237, IND 281	E 42H3608SS6	IND 217, IND 263
E 32247CTL	COM 6, COM 20	E 36H3010SS6	IND 215, IND 263	E 3PBSL	IND 144, IND 179	E 42H36B	IND 27, IND 54
E 362406	IND 31, IND 56	E 36H3012AL	IND 219, IND 264	E 3PBSS	IND 235, IND 279	E 42HS3112	IND 95, IND 106
E 362406SS	IND 223, IND 266	E 36H3012SS	IND 215, IND 263	E 3PBXD	IND 147, IND 181	E 42HS3112SS	IND 231, IND 274
E 362408	IND 31, IND 56	E 36H3012SS6	IND 215, IND 263	E 3PBXDSS	IND 238, IND 282	E 42HS3712	IND 95, IND 106
E 362408SS	IND 223, IND 266	E 36H3016SS	IND 215, IND 263	E 4022HB	IND 16, IND 45	E 42HS3712SS	IND 231, IND 274
E 362410	IND 31, IND 56	E 36H3016SS6	IND 215, IND 263	E 4033HB	IND 16, IND 45	E 42N24B	COM 2, COM 16
E 362410CT	COM 6, COM 20	E 36H30B	IND 27, IND 54	E 4044CH	IND 9, IND 40	E 42N24P	ACC 21
E 362410SS	IND 223, IND 266	E 36H30C	IND 27, IND 54	E 4044CHSS	IND 201, IND 256	E 42N3009	COM 2, COM 16
E 362412	IND 31, IND 56	E 36H30D	IND 27, IND 54	E 4044LP	IND 5, IND 38	E 42N3013	COM 2, COM 16
E 362412SS	IND 223, IND 266	E 36H30F	IND 27, IND 54	E 4044SC	IND 3, IND 37	E 42N3609	COM 2, COM 16

Part No.	Page Reference	Part No.	Page Reference	Part No.	Page Reference	Part No.	Page Reference
E 42N3613	COM 2, COM 16	E 44LE45C	IND 60	E 44WSC	IND 62	E 48P24	ACC 21
E 42P24	ACC 21	E 44LE90A	IND 60	E 44WT	IND 62	E 48P24SS	ACC 21
E 42P24SS	ACC 21	E 44LE90B	IND 60	E 44WTF	IND 62	E 48P30	ACC 21
E 42P30	ACC 21	E 44LE90C	IND 60	E 44WTSS	IND 225	E 48P30SS	ACC 21
E 42P30SS	ACC 21	E 44LE90KOKT	IND 60	E 44WX	IND 62	E 48P36	ACC 21
E 42P32	ACC 21	E 44LE90KT	IND 60	E 482408	IND 31, IND 56	E 48P36AL	ACC 21
E 42P36	ACC 21	E 44LF	IND 62	E 482408SS	IND 223, IND 266	E 48P36SS	ACC 21
E 42P36SS	ACC 21	E 44LG	IND 60	E 483008	IND 31, IND 56	E 48P42	ACC 21
E 42P42	ACC 21	E 44LH	IND 60	E 483008SS	IND 223, IND 266	E 48P42SS	ACC 21
E 42P42SS	ACC 21	E 44LKOKT	IND 60	E 483010	IND 31, IND 56	E 48R3612HCR	COM 4, COM 18
E 42PBY25	IND 146, IND 180	E 44LKT	IND 60	E 483010SS	IND 223, IND 266	E 48R3612HCRSS	COM 5, COM 19
E 42R3012HCR	COM 4, COM 18	E 44LN1	IND 60	E 483608	IND 31, IND 56	E 48SA3808	IND 97, IND 107
E 42R3012HCRSS	COM 5, COM 19	E 44LN2	IND 60	E 483608RFI	IND 31, IND 56	E 48SA3810	IND 97, IND 107
E 42R3612HCR	COM 4, COM 18	E 44LN3	IND 60	E 483608SS	IND 223, IND 266	E 48SA3812	IND 97, IND 107
E 42R3612HCRSS	COM 5, COM 19	E 44LP	IND 60	E 483610	IND 31, IND 56	E 48SA3816	IND 97, IND 107
E 42SA3208	IND 97, IND 107	E 44LRE22	IND 60	E 483610SS	IND 223, IND 266	E 48WFP48	ACC 21
E 42SA3210	IND 97, IND 107	E 44LT10	IND 60	E 483612	IND 31, IND 56	E 48WFP48SS	ACC 21
E 42SA3212	IND 97, IND 107	E 44LT4	IND 60	E 483612SS	IND 223, IND 266	E 4PB	IND 143, IND 178
E 42SA3808	IND 97, IND 107	E 44LTA	IND 60	E 483616	IND 31, IND 56	E 4PBA	IND 148, IND 182
E 42SA3810	IND 97, IND 107	E 44LTC	IND 60	E 483616SS	IND 223, IND 266	E 4PBG	IND 145, IND 179
E 42SA3812	IND 97, IND 107	E 44LXL	IND 60	E 483620	IND 31, IND 56	E 4PBGMS	IND 237, IND 281
E 4412HC	IND 64, IND 71	E 44PBCCOLSS	ACC 28	E 483620SS	IND 223, IND 266	E 4PBSL	IND 144, IND 179
E 4412SC	IND 64, IND 72	E 44W12	IND 62	E 484810CT	COM 6, COM 20	E 4PBSS	IND 235, IND 279
E 4418HC	IND 64, IND 71	E 44W120	IND 62	E 484812CT	COM 6, COM 20	E 4PBXD	IND 147, IND 181
E 4418SC	IND 64, IND 72	E 44W120SS	IND 225	E 484812WFA	IND 17, IND 46	E 4PBDSS	IND 238, IND 282
E 4424HC	IND 64, IND 71	E 44W12SS	IND 225	E 48AB3808	IND 99, IND 108	E 4SPB	IND 143, IND 178
E 4424SC	IND 64, IND 72	E 44W24	IND 62	E 48AB3810	IND 99, IND 108	E 4SPBA	IND 148, IND 182
E 443010CT	COM 6, COM 20	E 44W24SS	IND 225	E 48AB3812	IND 99, IND 108	E 4SPBSS	IND 235, IND 279
E 4430HC	IND 64, IND 71	E 44W36	IND 62	E 48AB381220	IND 99, IND 108	E 4SPBXD	IND 147, IND 181
E 4430SC	IND 64, IND 72	E 44W36SS	IND 225	E 48AB3816	IND 99, IND 108	E 4SPBXDSS	IND 238, IND 282
E 4436HC	IND 64, IND 71	E 44W48	IND 62	E 48C36C	IND 21, IND 48	E 4SPBY25	IND 146, IND 180
E 4448HC	IND 64, IND 71	E 44W48SS	IND 225	E 48H3010SS	IND 217, IND 263	E 50063WTKIT	ACC 31
E 4460HC	IND 64, IND 71	E 44W60	IND 62	E 48H3010SS6	IND 217, IND 263	E 544208	IND 81, IND 89
E 4472HC	IND 64, IND 71	E 44W60SS	IND 225	E 48H30C	IND 27, IND 54	E 544208SS	IND 230, IND 273
E 44BK60	IND 62	E 44WA	IND 62	E 48H3608AL	IND 219, IND 264	E 54P42	ACC 21
E 44CCOL	IND 152, IND 189, ACC 28	E 44WASS	IND 225	E 48H3608SS	IND 217, IND 263	E 54P42SS	ACC 21
E 44CCOLSS	IND 239, IND 283, ACC 28	E 44WB	IND 62	E 48H3608SS6	IND 217, IND 263	E 5PB	IND 143, IND 178
E 44HB	IND 62	E 44WBSS	IND 225	E 48H3610SS	IND 217, IND 263	E 5PBSL	IND 144, IND 179
E 44HBSS	IND 225	E 44WC	IND 62	E 48H3610SS6	IND 217, IND 263	E 5PBSS	IND 235, IND 279
E 44HD	IND 62	E 44WE22.5	IND 62	E 48H3612SS	IND 217, IND 263	E 602418FS	IND 77, IND 87
E 44HDSS	IND 225	E 44WE45	IND 62	E 48H3612SS6	IND 217, IND 263	E 602418FSSS	IND 227, IND 270
E 44L06	IND 60	E 44WE45SS	IND 225	E 48H3616SS	IND 217, IND 263	E 603608	IND 31, IND 56
E 44L12	IND 60	E 44WE90	IND 62	E 48H3616SS6	IND 217, IND 263	E 603608SS	IND 223, IND 266
E 44L120	IND 60	E 44WE90SS	IND 225	E 48H36B	IND 27, IND 54	E 603610	IND 31, IND 56
E 44L24	IND 60	E 44WG	IND 62	E 48H36C	IND 27, IND 54	E 603610SS	IND 223, IND 266
E 44L30	IND 60	E 44WGSS	IND 225	E 48H36D	IND 27, IND 54	E 603612	IND 31, IND 56
E 44L36	IND 60	E 44WN1	IND 62	E 48H36F	IND 27, IND 54	E 603612RFI	IND 31, IND 56
E 44L48	IND 60	E 44WN2	IND 62	E 48HS3712	IND 95, IND 106	E 603612SS	IND 223, IND 266
E 44L60	IND 60	E 44WN3	IND 62	E 48HS3712SS	IND 231, IND 274	E 603616	IND 31, IND 56
E 44LB	IND 60	E 44WN6	IND 62	E 48N3609	COM 2, COM 16	E 603616SS	IND 223, IND 266
E 44LC	IND 60	E 44WN6SS	IND 225	E 48N3611	COM 2, COM 16	E 603620	IND 31, IND 56
E 44LCPK	IND 60	E 44WP	IND 62	E 48N3613	COM 2, COM 16	E 603620SS	IND 223, IND 266
E 44LE45A	IND 60	E 44WPSS	IND 225	E 48N3617	COM 2, COM 16	E 603624FS	IND 77, IND 87
E 44LE45B	IND 60	E 44WR22	IND 62	E 48NS	ACC 26	E 603624FSSS	IND 227, IND 270

Part No.	Page Reference	Part No.	Page Reference	Part No.	Page Reference	Part No.	Page Reference
E 6044CH	IND 9, IND 40	E 606LP	IND 5, IND 38	E 60WFP42SS	ACC 21	E 66L06	IND 60
E 6044CHNF	IND 13, IND 43	E 606NF	IND 15, IND 44	E 60X4912	IND 103, IND 111	E 66L12	IND 60
E 6044CHNFSS	IND 205, IND 258	E 606NFAL	IND 209, IND 260	E 60X4912SS	IND 232, IND 275	E 66L120	IND 60
E 6044CHNFSS6	IND 205, IND 258	E 606NFSS	IND 207, IND 259	E 60X4918	IND 103, IND 111	E 66L24	IND 60
E 6044CHSS	IND 201, IND 256	E 606NFSS6	IND 207, IND 259	E 60X4918SS	IND 232, IND 275	E 66L36	IND 60
E 6044LP	IND 5, IND 38	E 606SC	IND 3, IND 37	E 60X6112	IND 103, IND 111	E 66L48	IND 60
E 6044NF	IND 15, IND 44	E 60AB3810	IND 99, IND 108	E 60X6112SS	IND 232, IND 275	E 66L60	IND 60
E 6044NFSS	IND 207, IND 259	E 60AB3812	IND 99, IND 108	E 60X6118	IND 103, IND 111	E 66LB	IND 60
E 6044NFSS6	IND 207, IND 259	E 60AB381220	IND 99, IND 108	E 60X6118SS	IND 232, IND 275	E 66LC	IND 60
E 6044SC	IND 3, IND 37	E 60AB3816	IND 99, IND 108	E 612L06	IND 60	E 66LCPK	IND 60
E 604808	IND 81, IND 89	E 60CPX4812	IND 103, IND 111	E 612L12	IND 60	E 66LE45A	IND 60
E 604808SS	IND 230, IND 273	E 60CPX4812SS	IND 232, IND 275	E 612L120	IND 60	E 66LE45B	IND 60
E 604810	IND 81, IND 89	E 60CPX6012	IND 103, IND 111	E 612L24	IND 60	E 66LE45C	IND 60
E 604810SS	IND 230, IND 273	E 60CPX6012SS	IND 232, IND 275	E 612L36	IND 60	E 66LE90A	IND 60
E 604812	IND 81, IND 89	E 60H3608SS	IND 217, IND 263	E 612L48	IND 60	E 66LE90B	IND 60
E 604812SS	IND 230, IND 273	E 60H3608SS6	IND 217, IND 263	E 612L60	IND 60	E 66LE90C	IND 60
E 604816	IND 81, IND 89	E 60H3610SS	IND 217, IND 263	E 612LB	IND 60	E 66LE90KOKT	IND 60
E 604816SS	IND 230, IND 273	E 60H3610SS6	IND 217, IND 263	E 612LC	IND 60	E 66LE90KT	IND 60
E 604818FSDD	IND 77, IND 88	E 60H3612AL	IND 219, IND 264	E 612LCPK	IND 60	E 66LF	IND 62
E 604818FSDDSS	IND 228, IND 270	E 60H3612SS	IND 217, IND 263	E 612LE45A	IND 60	E 66LG	IND 60
E 604820	IND 81, IND 89	E 60H3612SS6	IND 217, IND 263	E 612LE90A	IND 60	E 66LH	IND 60
E 604820SS	IND 230, IND 273	E 60H3616SS	IND 217, IND 263	E 612LE90B	IND 60	E 66LKOKT	IND 60
E 604824	IND 81, IND 89	E 60H3616SS6	IND 217, IND 263	E 612LE90C	IND 60	E 66LKT	IND 60
E 604824SS	IND 230, IND 273	E 60H36B	IND 27, IND 54	E 612LH	IND 60	E 66LN1	IND 60
E 604CH	IND 9, IND 40	E 60H36C	IND 27, IND 54	E 612LP	IND 60	E 66LN2	IND 60
E 604CHNF	IND 13, IND 43	E 60H36F	IND 27, IND 54	E 612LRE44	IND 60	E 66LN3	IND 60
E 604CHNFSS	IND 205, IND 258	E 60HS3712	IND 95, IND 106	E 612LRE66	IND 60	E 66LP	IND 60
E 604CHNFSS6	IND 205, IND 258	E 60HS3712SS	IND 231, IND 274	E 612LRE88	IND 60	E 66LRE44	IND 60
E 604CHQR	IND 11, IND 41	E 60NS	ACC 26	E 612LT10	IND 60	E 66LT10	IND 60
E 604CHRFI	IND 9, IND 41	E 60P24F1	ACC 22	E 612LTA	IND 60	E 66LT4	IND 60
E 604CHSS	IND 201, IND 256	E 60P24F2	ACC 22	E 612LXL	IND 60	E 66LTA	IND 60
E 604CHWL	IND 12, IND 42	E 60P30	ACC 21	E 62H4810SS	IND 229, IND 272	E 66LTC	IND 60
E 604LP	IND 5, IND 38	E 60P30SS	ACC 21	E 62H4810SS6	IND 229, IND 272	E 66LXL	IND 60
E 604NF	IND 15, IND 44	E 60P36	ACC 21	E 62H4812SS	IND 229, IND 272	E 66PBCCOLSS	ACC 28
E 604NFAL	IND 209, IND 260	E 60P36AL	ACC 21	E 62H4812SS6	IND 229, IND 272	E 66W12	IND 62
E 604NFSS	IND 207, IND 259	E 60P36F1	ACC 22	E 62H48C	IND 81, IND 90	E 66W120	IND 62
E 604NFSS6	IND 207, IND 259	E 60P36F2	ACC 22	E 62H6012SS	IND 229, IND 272	E 66W120SS	IND 225
E 604SC	IND 3, IND 37	E 60P36SS	ACC 21	E 62H6012SS6	IND 229, IND 272	E 66W12SS	IND 225
E 606010	IND 81, IND 89	E 60P48	ACC 21	E 62H60D	IND 81, IND 90	E 66W24	IND 62
E 606010SS	IND 230, IND 273	E 60P48F1	ACC 22	E 6612HC	IND 64, IND 71	E 66W24SS	IND 225
E 606012	IND 81, IND 89	E 60P48SS	ACC 22	E 6618HC	IND 64, IND 71	E 66W36	IND 62
E 606012SS	IND 230, IND 273	E 60P60	ACC 21	E 6624HC	IND 64, IND 71	E 66W36SS	IND 225
E 606016	IND 81, IND 89	E 60P60SS	ACC 21	E 6630HC	IND 64, IND 71	E 66W48	IND 62
E 606016SS	IND 230, IND 273	E 60R3612HCR	COM 4, COM 18	E 6636HC	IND 64, IND 71	E 66W48SS	IND 225
E 606024	IND 81, IND 89	E 60R3612HCRSS	COM 5, COM 19	E 6648HC	IND 64, IND 71	E 66W60	IND 62
E 606024SS	IND 230, IND 273	E 60RP24F5	ACC 27	E 6660HC	IND 64, IND 71	E 66W60SS	IND 225
E 606CH	IND 9, IND 40	E 60RP24F6	ACC 27	E 6672HC	IND 64, IND 71	E 66WA	IND 62
E 606CHAL	IND 203, IND 257	E 60SA3808	IND 97, IND 107	E 66BK60	IND 62	E 66WASS	IND 225
E 606CHNF	IND 13, IND 43	E 60SA3810	IND 97, IND 107	E 66CCOL	IND 152, IND 189, ACC 28	E 66WB	IND 62
E 606CHNFSS	IND 205, IND 258	E 60SA3812	IND 97, IND 107	E 66CCOLSS	IND 239, IND 283, ACC 28	E 66WBSS	IND 225
E 606CHNFSS6	IND 205, IND 258	E 60SA3812400	IND 97, IND 107	E 66HB	IND 62	E 66WC	IND 62
E 606CHQR	IND 11, IND 41	E 60SA3816	IND 97, IND 107	E 66HBSS	IND 225	E 66WE22.5	IND 62
E 606CHRFI	IND 9, IND 41	E 60SMP14	ACC 23	E 66HD	IND 62	E 66WE45	IND 62
E 606CHSS	IND 201, IND 256	E 60WFP42	ACC 21	E 66HDSS	IND 225	E 66WE45SS	IND 225

Part No.	Page Reference	Part No.	Page Reference	Part No.	Page Reference	Part No.	Page Reference
E 66WE90	IND 62	E 723024FSSS	IND 227, IND 270	E 727224FSDADSS	IND 228, IND 271	E 72XM3EQ18WP	IND 101, IND 110
E 66WE90SS	IND 225	E 723612	IND 31, IND 56	E 727224FSDD	IND 77, IND 88	E 72XM3EQ18WPSS	IND 233, IND 278
E 66WG	IND 62	E 723612SS	IND 223, IND 266	E 727224FSDDSS	IND 228, IND 270	E 72XM3EW18WP	IND 101, IND 110
E 66WGSS	IND 225	E 723618FS	IND 77, IND 87	E 727224SS	IND 230, IND 273	E 72XM3EW18WPSS	IND 233, IND 278
E 66WN1	IND 62	E 723618FSSS	IND 227, IND 270	E 72CPX7212	IND 103, IND 111	E 72XM4018WP	IND 101, IND 110
E 66WN2	IND 62	E 723624FS	IND 77, IND 87	E 72CPX7212SS	IND 232, IND 275	E 72XM4018WPSS	IND 233, IND 278
E 66WN3	IND 62	E 723624FSDA	IND 79, IND 87	E 72CPX7218	IND 103, IND 111	E 72XM5418WP	IND 101, IND 110
E 66WN6	IND 62	E 723624FSDASS	IND 228, IND 271	E 72CPX7218SS	IND 232, IND 275	E 72XM5418WPSS	IND 233, IND 278
E 66WN6SS	IND 225	E 723624FSSS	IND 227, IND 270	E 72H2518FS	IND 75, IND 86	E 72XM6618WP	IND 101, IND 110
E 66WP	IND 62	E 723630FS	IND 77, IND 87	E 72H2518FSSS	IND 226, 269	E 72XM6618WPSS	IND 233, IND 278
E 66WPSS	IND 225	E 723630FSSS	IND 227, IND 270	E 72H3124FS	IND 75, IND 86	E 72XM7818WP	IND 101, IND 110
E 66WR44	IND 62	E 723636FS	IND 77, IND 87	E 72H3124FSSS	IND 226, 269	E 72XM7818WPSS	IND 233, IND 278
E 66WR44SS	IND 225	E 723636FSDA	IND 79, IND 87	E 72H3724FS	IND 75, IND 86	E 72XM7824WP	IND 101, IND 110
E 66WRE44SS	IND 225	E 723636FSDASS	IND 228, IND 271	E 72H3724FSSS	IND 226, 269	E 72XM7824WPSS	IND 233, IND 278
E 66WSC	IND 62	E 723636FSSS	IND 227, IND 270	E 72P24F1	ACC 22	E 74H6012SS	IND 229, IND 272
E 66WT	IND 62	E 724818FSDD	IND 77, IND 88	E 72P24F2	ACC 22	E 74H6012SS6	IND 229, IND 272
E 66WTF	IND 62	E 724818FSDDSS	IND 228, IND 270	E 72P30	ACC 21	E 74H60D	IND 81, IND 90
E 66WTSS	IND 225	E 724824FSDAD	IND 79, IND 88	E 72P30F1	ACC 22	E 74H7212SS	IND 229, IND 272
E 66WX	IND 62	E 724824FSDADSS	IND 228, IND 271	E 72P30F2	ACC 22	E 74H7212SS6	IND 229, IND 272
E 6JTMA	ACC 25	E 724824FSDD	IND 77, IND 88	E 72P30SS	ACC 21	E 74H7224SS	IND 229, IND 272
E 6N64	COM 1, COM 15	E 724824FSDDSS	IND 228, IND 270	E 72P36	ACC 21	E 74H7224SS6	IND 229, IND 272
E 6N6P	ACC 21	E 726010	IND 81, IND 89	E 72P36F1	ACC 22	E 74H72D	IND 81, IND 90
E 6P4	ACC 20	E 726010SS	IND 230, IND 273	E 72P36F2	ACC 22	E 74H72J	IND 81, IND 90
E 6P4AL	ACC 20	E 726012	IND 81, IND 89	E 72P36SS	ACC 21	E 8064CHAL	IND 203, IND 257
E 6P4SS	ACC 20	E 726012SS	IND 230, IND 273	E 72P48F1	ACC 22	E 8064CHNFSS	IND 205, IND 258
E 6P6	ACC 20	E 726016	IND 81, IND 89	E 72P48F2	ACC 22	E 8064CHNFSS6	IND 205, IND 258
E 6P6AL	ACC 20	E 726016SS	IND 230, IND 273	E 72P60	ACC 21	E 8064NF	IND 15, IND 44
E 6P6SS	ACC 20	E 726018FSDD	IND 77, IND 88	E 72P60F1	ACC 22	E 8064NFAL	IND 209, IND 260
E 6PB	IND 143, IND 178	E 726018FSDDSS	IND 228, IND 270	E 72P60F2	ACC 22	E 8064NFSS	IND 207, IND 259
E 6PBA	IND 148, IND 182	E 726020	IND 81, IND 89	E 72P60SS	ACC 21	E 8064NFSS6	IND 207, IND 259
E 6PBG	IND 145, IND 179	E 726020SS	IND 230, IND 273	E 72P72	ACC 21	E 8066CH	IND 9, IND 40
E 6PBGMS	IND 237, IND 281	E 726024	IND 81, IND 89	E 72P72F1	ACC 22	E 8066CHSS	IND 201, IND 256
E 6PBSL	IND 144, IND 179	E 726024FSDAD	IND 79, IND 88	E 72P72F2	ACC 22	E 8066SC	IND 3, IND 37
E 6PBSS	IND 235, IND 279	E 726024FSDADSS	IND 228, IND 271	E 72P72SS	ACC 21	E 806CH	IND 9, IND 40
E 6PBVL	IND 143, IND 178	E 726024FSDD	IND 77, IND 88	E 72RP24F5	ACC 27	E 806CHNF	IND 13, IND 43
E 6PBXD	IND 147, IND 181	E 726024FSDDSS	IND 228, IND 270	E 72RP24F6	ACC 27	E 806CHNFSS	IND 205, IND 258
E 6PBXDSS	IND 238, IND 282	E 726024SS	IND 230, IND 273	E 72RP30F5	ACC 27	E 806CHNFSS6	IND 205, IND 258
E 6PBY25	IND 146, IND 180	E 726036FSDAD	IND 79, IND 88	E 72RP30F6	ACC 27	E 806CHQR	IND 11, IND 41
E 6R64HCR	COM 3, COM 17	E 726036FSDADSS	IND 228, IND 271	E 72SMP14	ACC 23	E 806CHRFI	IND 9, IND 41
E 722418FS	IND 77, IND 87	E 726036FSDD	IND 77, IND 88	E 72SMP20	ACC 23	E 806CHSS	IND 201, IND 256
E 722418FSSS	IND 227, IND 270	E 726036FSDDSS	IND 228, IND 270	E 72X6112	IND 103, IND 111	E 806CHWL	IND 12, IND 42
E 722424FS	IND 77, IND 87	E 727210	IND 81, IND 89	E 72X6112SS	IND 232, IND 275	E 806LP	IND 5, IND 38
E 722424FSDA	IND 79, IND 87	E 727210SS	IND 230, IND 273	E 72X6118	IND 103, IND 111	E 806NF	IND 15, IND 44
E 722424FSDASS	IND 228, IND 271	E 727212	IND 81, IND 89	E 72X6118SS	IND 232, IND 275	E 806SC	IND 3, IND 37
E 722424FSSS	IND 227, IND 270	E 727212SS	IND 230, IND 273	E 72X7312	IND 103, IND 111	E 808CH	IND 9, IND 40
E 722430FSDASS	IND 228, IND 271	E 727216	IND 81, IND 89	E 72X7312SS	IND 232, IND 275	E 808CHSS	IND 201, IND 256
E 722436FSDA	IND 79, IND 87	E 727216SS	IND 230, IND 273	E 72X7318	IND 103, IND 111	E 808SC	IND 3, IND 37
E 722436FSDASS	IND 228, IND 271	E 727218FSDAD	IND 78, IND 88	E 72X7318SS	IND 232, IND 275	E 84XM3EW18WP	IND 101, IND 110
E 723016SS	IND 223, IND 266	E 727218FSDD	IND 77, IND 88	E 72X7324	IND 103, IND 111	E 84XM3EW18WPSS	IND 233, IND 278
E 723018FS	IND 77, IND 87	E 727218FSDDSS	IND 228, IND 270	E 72X7324SS	IND 232, IND 275	E 84XM4018WP	IND 101, IND 110
E 723018FSSS	IND 227, IND 270	E 727220	IND 81, IND 89	E 72XM2818WP	IND 101, IND 110	E 84XM4018WPSS	IND 233, IND 278
E 723024FS	IND 77, IND 87	E 727220SS	IND 230, IND 273	E 72XM2818WPSS	IND 233, IND 278	E 84XM4EW18WP	IND 101, IND 110
E 723024FSDA	IND 79, IND 87	E 727224	IND 81, IND 89	E 72XM3418WP	IND 101, IND 110	E 84XM4EW18WPSS	IND 233, IND 278
E 723024FSDASS	IND 228, IND 271	E 727224FSDAD	IND 79, IND 88	E 72XM3418WPSS	IND 233, IND 278	E 84XM5EW18WP	IND 101, IND 110

Part No.	Page Reference	Part No.	Page Reference	Part No.	Page Reference	Part No.	Page Reference
E 84XM5EW18WPSS	IND 233, IND 278	E 88W36	IND 62	E 903636FSDASS	IND 228, IND 271	E AKWH	ACC 17
E 84XM7818WHP	IND 101, IND 110	E 88W48	IND 62	E 903636FSSS	IND 227, IND 270	E AKWHAMT	ACC 17
E 84XM7818WPSS	IND 233, IND 278	E 88W60	IND 62	E 904820FSD	IND 77, IND 88	E AKWHAMTCHR	ACC 17
E 86M3EDWP	IND 83, IND 91	E 88WA	IND 62	E 904820FSDSS	IND 228, IND 270	E AKWHCHR	ACC 17
E 86M3EWP	IND 83, IND 91	E 88WB	IND 62	E 907220FSD	IND 77, IND 88	E C10C	ACC 29
E 86M4EDWP	IND 83, IND 91	E 88WC	IND 62	E 907220FSDSS	IND 228, IND 270	E C1224B	IND 153, IND 191
E 86M4EWP	IND 83, IND 91	E 88WE22.5	IND 62	E 907224FSDAD	IND 79, IND 88	E C1224T	IND 153, IND 191
E 86M5EDWP	IND 83, IND 92	E 88WE45	IND 62	E 907224FSDADSS	IND 228, IND 271	E C1224W	IND 153
E 86M5EWP	IND 83, IND 92	E 88WE90	IND 62	E 907224FSD	IND 77, IND 88	E C1248BD	IND 153, IND 191
E 8812HC	IND 64, IND 71	E 88WG	IND 62	E 907224FSDSS	IND 228, IND 270	E C1248T	IND 153, IND 191
E 8824HC	IND 64, IND 71	E 88WN1	IND 62	E 907236FSD	IND 77, IND 88	E C1248W	IND 153, IND 191
E 8836HC	IND 64, IND 71	E 88WN2	IND 62	E 907236FSDSS	IND 228, IND 270	E C12B	IND 153, IND 191
E 8848HC	IND 64, IND 71	E 88WN3	IND 62	E 90P24F1	ACC 22	E C12C	IND 153
E 8860HC	IND 64, IND 71	E 88WN6	IND 62	E 90P24F2	ACC 22	E C12T	IND 153, IND 191
E 88BK60	IND 62	E 88WP	IND 62	E 90P36F1	ACC 22	E C12W	IND 153
E 88HB	IND 62	E 88WR66	IND 62	E 90P36F2	ACC 22	E C1436B	IND 153, IND 191
E 88HD	IND 62	E 88WSC	IND 62	E 90P48F1	ACC 22	E C1436T	IND 153, IND 191
E 88L06	IND 60	E 88WT	IND 62	E 90P48F2	ACC 22	E C1436W	IND 153
E 88L12	IND 60	E 88WTF	IND 62	E 90P72F1	ACC 22	E C1448BD	IND 153, IND 191
E 88L120	IND 60	E 88WX	IND 62	E 90P72F2	ACC 22	E C14B	IND 153, IND 191
E 88L24	IND 60	E 8C12	IND 151, IND 188	E 90RP24F5	ACC 27	E C14R	IND 153
E 88L36	IND 60	E 8C12SS	IND 239, IND 283	E 90RP24F6	ACC 27	E C14T	IND 153, IND 191
E 88L48	IND 60	E 8C16	IND 151, IND 188	E 90XM3EW24WP	IND 101, IND 110	E C14W	IND 153
E 88L60	IND 60	E 8C16SS	IND 239, IND 283	E 90XM3EW24WPSS	IND 233, IND 278	E C924B	IND 153, IND 190
E 88LB	IND 60	E 8C20	IND 151, IND 188	E 90XM4020WP	IND 101, IND 110	E C936B	IND 153, IND 190
E 88LC	IND 60	E 8C20SS	IND 239, IND 283	E 90XM4020WPSS	IND 233, IND 278	E DF10R4	ACC 24
E 88LCPK	IND 60	E 8C8	IND 151, IND 188	E 90XM4024WP	IND 101, IND 110	E DF10R5	ACC 24
E 88LE45A	IND 60	E 8C8SS	IND 239, IND 283	E 90XM4024WPSS	IND 233, IND 278	E DF10R6	ACC 24
E 88LE45B	IND 60	E 8JS	ACC 25	E 90XM7820WP	IND 101, IND 110	E DF12R4	ACC 24
E 88LE45C	IND 60	E 8JTMA	ACC 25	E 90XM7820WPSS	IND 233, IND 278	E DF12R5	ACC 24
E 88LE90A	IND 60	E 8N64	COM 1, COM 15	E 90XM7824WP	IND 101, IND 110	E DF12R6	ACC 24
E 88LE90B	IND 60	E 8N66	COM 1, COM 15	E 90XM7824WPSS	IND 233, IND 278	E DF16P12	ACC 24
E 88LE90C	IND 60	E 8N6P	ACC 20	E 9PB	IND 143, IND 178	E DF16P16	ACC 24
E 88LE90KOKT	IND 60	E 8N84	COM 1, COM 15	E 9PBA	IND 148, IND 182	E DF16R4	ACC 24
E 88LE90KT	IND 60	E 8N8P	ACC 20	E 9PBG	IND 145, IND 179	E DF16R5	ACC 24
E 88LF	IND 62	E 8P6	ACC 20	E 9PBGMSS	IND 237, IND 281	E DF16R6	ACC 24
E 88LG	IND 60	E 8P6AL	ACC 20	E 9PBSS	IND 235, IND 279	E DF20P16	ACC 24
E 88LH	IND 60	E 8P6SS	ACC 20	E 9PBXD	IND 147, IND 181	E DF20P20	ACC 24
E 88LKOKT	IND 60	E 8P8	ACC 20	E 9PBXDSS	IND 238, IND 282	E DF24P20	ACC 24
E 88LKT	IND 60	E 8P8SS	ACC 20	E 9PBY25	IND 146, IND 180	E DF24P24	ACC 24
E 88LN1	IND 60	E 8PB	IND 143, IND 178	E AKAB	ACC 17	E DF30P24	ACC 24
E 88LN2	IND 60	E 8PBA	IND 148, IND 182	E AKABCHR	ACC 17	E DF30P30	ACC 24
E 88LN3	IND 60	E 8R64HCR	COM 3, COM 17	E AKABV	ACC 17	E DF36P24	ACC 24
E 88LP	IND 60	E 8R86HCR	COM 3, COM 17	E AKABVCHR	ACC 17	E DF36P30	ACC 24
E 88LRE44	IND 60	E 902420FS	IND 77, IND 87	E AKBAP	ACC 17	E DF36P36	ACC 24
E 88LRE66	IND 60	E 902420FSSS	IND 227, IND 270	E AKBAPCHR	ACC 17	E DF42P36	ACC 24
E 88LT10	IND 60	E 903620FS	IND 77, IND 87	E AKCHV	ACC 17	E DF48P36	ACC 24
E 88LT4	IND 60	E 903620FSSS	IND 227, IND 270	E AKCHVCHR	ACC 17	E DF6R4	ACC 24
E 88LTA	IND 60	E 903624FS	IND 77, IND 87	E AKGETDA	ACC 17	E DF8R4	ACC 24
E 88LTC	IND 60	E 903624FSDA	IND 79, IND 87	E AKGETDACHR	ACC 17	E DF8R5	ACC 24
E 88LXL	IND 60	E 903624FSDASS	IND 228, IND 271	E AKITE	ACC 17	E DF8R6	ACC 24
E 88W12	IND 62	E 903624FSSS	IND 227, IND 270	E AKITECHR	ACC 17	E DK12	ACC 26
E 88W120	IND 62	E 903636FS	IND 77, IND 87	E AKSD	ACC 17	E DK12NF	ACC 27
E 88W24	IND 62	E 903636FSDA	IND 79, IND 87	E AKSDCHR	ACC 17	E DK12NFSS	ACC 27

Part No.	Page Reference	Part No.	Page Reference	Part No.	Page Reference	Part No.	Page Reference
E DK12SS	ACC 26	E FC1818P	ACC 30	E HCB12124PK	COM 11, COM 27	E LKF18D	ACC 29
E DK16	ACC 26	E FC2418P	ACC 30	E HCB12126PK	COM 11, COM 27	E LKF18M	ACC 29
E DK16NF	ACC 27	E FC2424P	ACC 30	E HCB1264PK	COM 11, COM 27	E LKID	ACC 29
E DK16NFSS	ACC 27	E FC3024P	ACC 30	E HCB1284PK	COM 11, COM 27	E LKIM	ACC 29
E DK16SS	ACC 26	E FC3030P	ACC 30	E HCB15124PK	COM 11, COM 27	E LV1	ACC 19
E DK20	ACC 26	E FC3624P	ACC 30	E HCB15126PK	COM 11, COM 27	E LV2	ACC 19
E DK20NF	ACC 27	E FC3636P	ACC 30	E HCB18124PK	COM 11, COM 27	E MOD723918	IND 76, IND 86
E DK20NFSS	ACC 27	E FC44P	ACC 30	E HCB18126PK	COM 11, COM 27	E MOD727718	IND 76, IND 86
E DK20SS	ACC 26	E FC64P	ACC 30	E HCB18154PK	COM 11, COM 27	E MOD72EPT	IND 101
E DK21NF	ACC 27	E FC66P	ACC 30	E HCB18156PK	COM 11, COM 27	E MOD72FTPT	IND 101
E DK21NFSS	ACC 27	E FC86P	ACC 30	E HCB18186PK	COM 11, COM 27	E MOD72GK	IND 101
E DK24	ACC 26	E FC88P	ACC 30	E HCB24186PK	COM 11, COM 27	E MOD72X4018	IND 101
E DK24NF	ACC 27	E FK0608	ACC 29	E HCB24246PK	COM 11, COM 27	E MOD72X7818	IND 101
E DK24NFSS	ACC 27	E FK0608SS	ACC 29	E HCB553PK	COM 11, COM 27	E MOD8424EPT	IND 101
E DK24SS	ACC 26	E FK0610	ACC 29	E HCB593PK	COM 11, COM 27	E MOD8424FTPT	IND 101
E DK25NF	ACC 27	E FK0610SS	ACC 29	E HCB664PK	COM 11, COM 27	E MOD8424GK	IND 101
E DK25NFSS	ACC 27	E FK0612	ACC 29	E HCB666PK	COM 11, COM 27	E MOD843918	IND 76, IND 86
E DK30	ACC 26	E FK0612SS	ACC 29	E HCB864PK	COM 11, COM 27	E MOD843924	IND 76, IND 86
E DK30NF	ACC 27	E FK0618	ACC 29	E HCB884PK	COM 11, COM 27	E MOD847718	IND 76, IND 86
E DK30NFSS	ACC 27	E FK0618SS	ACC 29	E L10	ACC 19	E MOD847724	IND 76, IND 86
E DK30SS	ACC 26	E FK1208	ACC 29	E L12SS	ACC 19	E MOD84EPT	IND 101
E DK31NF	ACC 27	E FK1208SS	ACC 29	E L13SS	ACC 19	E MOD84FTPT	IND 101
E DK31NFSS	ACC 27	E FK1210	ACC 29	E L14	ACC 27	E MOD84GK	IND 101
E DK36	ACC 26	E FK1210SS	ACC 29	E L17	ACC 31	E MOD84X4018	IND 101
E DK36NF	ACC 27	E FK1212	ACC 29	E L1A	ACC 19	E MOD84X4024	IND 101
E DK36NFSS	ACC 27	E FK1212SS	ACC 29	E L1B	ACC 19	E MOD84X7818	IND 101
E DK36SS	ACC 26	E FK1216	ACC 29	E L1C	ACC 19	E MOD84X7824	IND 101
E DK37NF	ACC 27	E FK1216SS	ACC 29	E L1D	ACC 19	E POCKET1	ACC 20
E DK37NFSS	ACC 27	E FK1218	ACC 29	E L21	ACC 31	E POCKET2	ACC 20
E DK42	ACC 26	E FK1218SS	ACC 29	E L23SS	ACC 19	E PWK133NF	ACC 18
E DK42SS	ACC 26	E FK1220	ACC 29	E L2A	ACC 19	E PWK138NF	ACC 18
E DK48	ACC 26	E FK1220SS	ACC 29	E L2ACCW	ACC 19	E PWK138NFSS	ACC 18
E DK48NF	ACC 27	E FK1808	ACC 29	E L2B	ACC 19	E PWK1711NF	ACC 18
E DK48NFSS	ACC 27	E FK1808SS	ACC 29	E L2BCCW	ACC 19	E PWK1711NFSS	ACC 18
E DK48SS	ACC 26	E FK1810	ACC 29	E L2C	ACC 19	E PWK175NF	ACC 18
E DK60	ACC 26	E FK1810SS	ACC 29	E L2CCCW	ACC 19	E PWK2315NF	ACC 18
E DK60NF	ACC 27	E FK1812	ACC 29	E L2D	ACC 19	E PWK2315NFSS	ACC 18
E DK60NFSS	ACC 27	E FK1812SS	ACC 29	E L2DCCW	ACC 19	E PWK2919NF	ACC 18
E DK60SS	ACC 26	E FK1816	ACC 29	E L3A	ACC 19	E PWK2919NFSS	ACC 18
E DK72	ACC 26	E FK1816SS	ACC 29	E L3ACCW	ACC 19	E PWK3523NF	ACC 18
E DK72NF	ACC 27	E FK2408	ACC 29	E L3B	ACC 19	E PWK53NF	ACC 18
E DK72NFSS	ACC 27	E FK2408SS	ACC 29	E L3BCCW	ACC 19	E PWK53NFSS	ACC 18
E DK72SS	ACC 26	E FK2410	ACC 29	E L3C	ACC 19	E PWK95NF	ACC 18
E DSTOPK	ACC 17	E FK2410SS	ACC 29	E L3CCCW	ACC 19	E PWK95NFSS	ACC 18
E FC1010P	ACC 30	E FK2412	ACC 29	E L3D	ACC 19	E RTB10104	COM 12, COM 29
E FC108P	ACC 30	E FK2412SS	ACC 29	E L3DCCW	ACC 19	E RTB10104P	COM 12, COM 29
E FC1210P	ACC 30	E FK2416	ACC 29	E L5	ACC 19	E RTB10106	COM 12, COM 29
E FC1212P	ACC 30	E FK2416SS	ACC 29	E L6	ACC 19	E RTB10106P	COM 12, COM 29
E FC126P	ACC 30	E FOC412SS	ACC 19	E L6P	ACC 19	E RTB1084	COM 12, COM 29
E FC128P	ACC 30	E HCB10104PK	COM 11, COM 27	E L7	ACC 19	E RTB1084P	COM 12, COM 29
E FC1512P	ACC 30	E HCB1082PK	COM 11, COM 27	E L9	ACC 19	E RTB12124	COM 12, COM 29
E FC1515P	ACC 30	E HCB1084PK	COM 11, COM 27	E LBHDH	ACC 20	E RTB12124P	COM 12, COM 29
E FC1812P	ACC 30	E HCB12104PK	COM 11, COM 27	E LBHDHCP	ACC 20	E RTB12126	COM 12, COM 29
E FC1815P	ACC 30	E HCB12106PK	COM 11, COM 27	E LBHDHKEY	ACC 20	E RTB12126P	COM 12, COM 29

Part No.	Page Reference	Part No.	Page Reference	Part No.	Page Reference	Part No.	Page Reference
E RTB1264	COM 12, COM 29	E RTT4460	COM 13, COM 30	E SCB1086	COM 10, COM 25	E SCB18186	COM 10, COM 25
E RTB1264P	COM 12, COM 29	E RTT4460P	COM 13, COM 30	E SCB1086K	COM 10, COM 25	E SCB18186K	COM 10, COM 25
E RTB1284	COM 12, COM 29	E RTT6612	COM 13, COM 30	E SCB1086P	COM 10, COM 25	E SCB18186P	COM 10, COM 25
E RTB1284P	COM 12, COM 29	E RTT6612P	COM 13, COM 30	E SCB1086PK	COM 10, COM 25	E SCB18186PK	COM 10, COM 25
E RTB1286	COM 12, COM 29	E RTT6624	COM 13, COM 30	E SCB12104	COM 10, COM 25	E SCB18188	COM 10, COM 25
E RTB1286P	COM 12, COM 29	E RTT6624P	COM 13, COM 30	E SCB12104K	COM 10, COM 25	E SCB18188P	COM 10, COM 25
E RTB15124	COM 12, COM 29	E RTT6636	COM 13, COM 30	E SCB12104P	COM 10, COM 25	E SCB24186	COM 10, COM 25
E RTB15124P	COM 12, COM 29	E RTT6636P	COM 13, COM 30	E SCB12104PK	COM 10, COM 25	E SCB24186K	COM 10, COM 25
E RTB15126	COM 12, COM 29	E RTT6648	COM 13, COM 30	E SCB12124	COM 10, COM 25	E SCB24186P	COM 10, COM 25
E RTB15126P	COM 12, COM 29	E RTT6648P	COM 13, COM 30	E SCB12124K	COM 10, COM 25	E SCB24186PK	COM 10, COM 25
E RTB18126	COM 12, COM 29	E RTT6660	COM 13, COM 30	E SCB12124P	COM 10, COM 25	E SCB24188	COM 10, COM 25
E RTB18126P	COM 12, COM 29	E RTT6660P	COM 13, COM 30	E SCB12124PK	COM 10, COM 25	E SCB24188P	COM 10, COM 25
E RTB18128	COM 12, COM 29	E RTT6672	COM 13, COM 30	E SCB12126	COM 10, COM 25	E SCB242410	COM 10, COM 25
E RTB18128P	COM 12, COM 29	E RTT6672P	COM 13, COM 30	E SCB12126K	COM 10, COM 25	E SCB242410P	COM 10, COM 25
E RTB18186	COM 12, COM 29	E RTT8812	COM 13, COM 30	E SCB12126P	COM 10, COM 25	E SCB24246	COM 10, COM 25
E RTB18186P	COM 12, COM 29	E RTT8812P	COM 13, COM 30	E SCB12126PK	COM 10, COM 25	E SCB24246K	COM 10, COM 25
E RTB18188	COM 12, COM 29	E RTT8824	COM 13, COM 30	E SCB12128	COM 10, COM 25	E SCB24246P	COM 10, COM 25
E RTB18188P	COM 12, COM 29	E RTT8824P	COM 13, COM 30	E SCB12128P	COM 10, COM 25	E SCB24246PK	COM 10, COM 25
E RTB24186	COM 12, COM 29	E RTT8836	COM 13, COM 30	E SCB1264	COM 10, COM 25	E SCB24248	COM 10, COM 25
E RTB24186P	COM 12, COM 29	E RTT8836P	COM 13, COM 30	E SCB1264K	COM 10, COM 25	E SCB24248P	COM 10, COM 25
E RTB242412	COM 12, COM 29	E RTT8848	COM 13, COM 30	E SCB1264P	COM 10, COM 25	E SCB30246	COM 10, COM 25
E RTB242412P	COM 12, COM 29	E RTT8848P	COM 13, COM 30	E SCB1264PK	COM 10, COM 25	E SCB30246K	COM 10, COM 25
E RTB24248	COM 12, COM 29	E RTT8860	COM 13, COM 30	E SCB1284	COM 10, COM 25	E SCB30246P	COM 10, COM 25
E RTB24248P	COM 12, COM 29	E RTT8860P	COM 13, COM 30	E SCB1284K	COM 10, COM 25	E SCB30246PK	COM 10, COM 25
E RTB30248	COM 12, COM 29	E RTT8872	COM 13, COM 30	E SCB1284P	COM 10, COM 25	E SCB30248	COM 10, COM 25
E RTB30248P	COM 12, COM 29	E RTT8872P	COM 13, COM 30	E SCB1284PK	COM 10, COM 25	E SCB30248P	COM 10, COM 25
E RTB644	COM 12, COM 29	E S050	ACC 18	E SCB1286	COM 10, COM 25	E SCB303010	COM 10, COM 25
E RTB644P	COM 12, COM 29	E S050SS	ACC 18	E SCB1286K	COM 10, COM 25	E SCB303010P	COM 10, COM 25
E RTB664	COM 12, COM 29	E S075	ACC 18	E SCB1286P	COM 10, COM 25	E SCB30308	COM 10, COM 25
E RTB664P	COM 12, COM 29	E S075SS	ACC 18	E SCB1286PK	COM 10, COM 25	E SCB30308P	COM 10, COM 25
E RTB666	COM 12, COM 29	E S100	ACC 18	E SCB15124	COM 10, COM 25	E SCB362412	COM 10, COM 25
E RTB666P	COM 12, COM 29	E S100SS	ACC 18	E SCB15124K	COM 10, COM 25	E SCB362412P	COM 10, COM 25
E RTB864	COM 12, COM 29	E S125	ACC 18	E SCB15124P	COM 10, COM 25	E SCB36248	COM 10, COM 25
E RTB864P	COM 12, COM 29	E S125SS	ACC 18	E SCB15124PK	COM 10, COM 25	E SCB36248P	COM 10, COM 25
E RTB884	COM 12, COM 29	E S150	ACC 18	E SCB15126	COM 10, COM 25	E SCB363610	COM 10, COM 25
E RTB884P	COM 12, COM 29	E S150SS	ACC 18	E SCB15126K	COM 10, COM 25	E SCB363610P	COM 10, COM 25
E RTB886	COM 12, COM 29	E S200	ACC 18	E SCB15126P	COM 10, COM 25	E SCB363612	COM 10, COM 25
E RTB886P	COM 12, COM 29	E S200SS	ACC 18	E SCB15126PK	COM 10, COM 25	E SCB363612P	COM 10, COM 25
E RTT1036	COM 13, COM 30	E S250	ACC 18	E SCB15156	COM 10, COM 25	E SCB444	COM 10, COM 25
E RTT1048	COM 13, COM 30	E S300	ACC 18	E SCB15156K	COM 10, COM 25	E SCB444K	COM 10, COM 25
E RTT1060	COM 13, COM 30	E S350	ACC 18	E SCB15156P	COM 10, COM 25	E SCB444P	COM 10, COM 25
E RTT1072	COM 13, COM 30	E S400	ACC 18	E SCB15156PK	COM 10, COM 25	E SCB444PK	COM 10, COM 25
E RTT1236	COM 13, COM 30	E SCB10104	COM 10, COM 25	E SCB18124	COM 10, COM 25	E SCB644	COM 10, COM 25
E RTT1248	COM 13, COM 30	E SCB10104K	COM 10, COM 25	E SCB18124K	COM 10, COM 25	E SCB644K	COM 10, COM 25
E RTT1260	COM 13, COM 30	E SCB10104P	COM 10, COM 25	E SCB18124P	COM 10, COM 25	E SCB644P	COM 10, COM 25
E RTT1272	COM 13, COM 30	E SCB10104PK	COM 10, COM 25	E SCB18124PK	COM 10, COM 25	E SCB644PK	COM 10, COM 25
E RTT4412	COM 13, COM 30	E SCB10106	COM 10, COM 25	E SCB18126	COM 10, COM 25	E SCB663	COM 10, COM 25
E RTT4412P	COM 13, COM 30	E SCB10106K	COM 10, COM 25	E SCB18126K	COM 10, COM 25	E SCB663K	COM 10, COM 25
E RTT4424	COM 13, COM 30	E SCB10106P	COM 10, COM 25	E SCB18126P	COM 10, COM 25	E SCB663P	COM 10, COM 25
E RTT4424P	COM 13, COM 30	E SCB10106PK	COM 10, COM 25	E SCB18126PK	COM 10, COM 25	E SCB663PK	COM 10, COM 25
E RTT4436	COM 13, COM 30	E SCB1084	COM 10, COM 25	E SCB18156	COM 10, COM 25	E SCB664	COM 10, COM 25
E RTT4436P	COM 13, COM 30	E SCB1084K	COM 10, COM 25	E SCB18156K	COM 10, COM 25	E SCB664K	COM 10, COM 25
E RTT4448	COM 13, COM 30	E SCB1084P	COM 10, COM 25	E SCB18156P	COM 10, COM 25	E SCB664P	COM 10, COM 25
E RTT4448P	COM 13, COM 30	E SCB1084PK	COM 10, COM 25	E SCB18156PK	COM 10, COM 25	E SCB664PK	COM 10, COM 25

Part No.	Page Reference	Part No.	Page Reference	Part No.	Page Reference	Part No.	Page Reference
E SCB666	COM 10, COM 25	E W10EC	COM 7-8	E W12ECP	COM 7-8	E W2260P	COM 7-8
E SCB666K	COM 10, COM 25	E W10ECK	COM 7-8	E W12ECPK	COM 7-8	E W2260PK	COM 7-8
E SCB666P	COM 10, COM 25	E W10ECP	COM 7-8	E W12ETX	COM 7-8	E W22A	COM 7-8
E SCB666PK	COM 10, COM 25	E W10ECPK	COM 7-8	E W12ETXP	COM 7-8	E W22AP	COM 7-8
E SCB864	COM 10, COM 25	E W10ETX	COM 7-8	E W12HL	COM 7-8	E W22C	COM 7-8
E SCB864K	COM 10, COM 25	E W10ETXP	COM 7-8	E W12HLP	COM 7-8	E W22CPBP	COM 7-8
E SCB864P	COM 10, COM 25	E W10HL	COM 7-8	E W12IOL	COM 7-8	E W22EC	COM 7-8
E SCB864PK	COM 10, COM 25	E W10HLP	COM 7-8	E W12IOLP	COM 7-8	E W22ECK	COM 7-8
E SCB866	COM 10, COM 25	E W10IOL	COM 7-8	E W12KEYAP	COM 7-8	E W22ECP	COM 7-8
E SCB866K	COM 10, COM 25	E W10IOLP	COM 7-8	E W12L	COM 7-8	E W22ECPK	COM 7-8
E SCB866P	COM 10, COM 25	E W10KEYAP	COM 7-8	E W12SH	COM 7-8	E W22ETX	COM 7-8
E SCB866PK	COM 10, COM 25	E W10L	COM 7-8	E W12SHP	COM 7-8	E W22ETXP	COM 7-8
E SCB884	COM 10, COM 25	E W10SH	COM 7-8	E W12SL	COM 7-8	E W22HL	COM 7-8
E SCB884K	COM 10, COM 25	E W10SHP	COM 7-8	E W12SLP	COM 7-8	E W22HLP	COM 7-8
E SCB884P	COM 10, COM 25	E W10SL	COM 7-8	E W12T	COM 7-8	E W22IOL	COM 7-8
E SCB884PK	COM 10, COM 25	E W10SLP	COM 7-8	E W12TP	COM 7-8	E W22IOLP	COM 7-8
E SCB886	COM 10, COM 25	E W10T	COM 7-8	E W12TSF	COM 7-8	E W22KEYAP	COM 7-8
E SCB886K	COM 10, COM 25	E W10TP	COM 7-8	E W12TSFP	COM 7-8	E W22L	COM 7-8
E SCB886P	COM 10, COM 25	E W10TSF	COM 7-8	E W12UH	COM 7-8	E W22LA	COM 7-8
E SCB886PK	COM 10, COM 25	E W10TSFP	COM 7-8	E W12UHP	COM 7-8	E W22LAP	COM 7-8
E SPB	ACC 18	E W10UH	COM 7-8	E W2212	COM 7-8	E W22LP	COM 7-8
E SPBG	ACC 18	E W10UHP	COM 7-8	E W22120	COM 7-8	E W22OA	COM 7-8
E SPBGSS	ACC 18	E W1210R	COM 7-8	E W22120HCP	COM 7-8	E W22OAP	COM 7-8
E SPBSS	ACC 18	E W121212	COM 7-8	E W22120HCPK	COM 7-8	E W22SH	COM 7-8
E TZ	ACC 26	E W1212120	COM 7-8	E W22120K	COM 7-8	E W22SHP	COM 7-8
E W101012	COM 7-8	E W1212120HCP	COM 7-8	E W22120P	COM 7-8	E W22SL	COM 7-8
E W1010120	COM 7-8	E W1212120P	COM 7-8	E W22120PK	COM 7-8	E W22SLP	COM 7-8
E W1010120HCP	COM 7-8	E W121212HCP	COM 7-8	E W2212HCP	COM 7-8	E W22T	COM 7-8
E W1010120P	COM 7-8	E W121212P	COM 7-8	E W2212HCPK	COM 7-8	E W22TP	COM 7-8
E W101012HCP	COM 7-8	E W121224	COM 7-8	E W2212K	COM 7-8	E W22TSF	COM 7-8
E W101012P	COM 7-8	E W121224HCP	COM 7-8	E W2212P	COM 7-8	E W22TSFP	COM 7-8
E W101024	COM 7-8	E W121224P	COM 7-8	E W2212PK	COM 7-8	E W22UH	COM 7-8
E W101024HCP	COM 7-8	E W121236	COM 7-8	E W2224	COM 7-8	E W22UHP	COM 7-8
E W101024P	COM 7-8	E W121236HCP	COM 7-8	E W2224HCP	COM 7-8	E W42R	COM 7-8
E W101036	COM 7-8	E W121236P	COM 7-8	E W2224HCPK	COM 7-8	E W42RP	COM 7-8
E W101036HCP	COM 7-8	E W121248	COM 7-8	E W2224K	COM 7-8	E W4412	COM 7-8
E W101036P	COM 7-8	E W121248HCP	COM 7-8	E W2224P	COM 7-8	E W44120	COM 7-8
E W101048	COM 7-8	E W121248P	COM 7-8	E W2224PK	COM 7-8	E W44120HCP	COM 7-8
E W101048HCP	COM 7-8	E W121260	COM 7-8	E W2236	COM 7-8	E W44120HCPK	COM 7-8
E W101048P	COM 7-8	E W121260HCP	COM 7-8	E W2236HCP	COM 7-8	E W44120K	COM 7-8
E W101060	COM 7-8	E W121260P	COM 7-8	E W2236HCPK	COM 7-8	E W44120P	COM 7-8
E W101060HCP	COM 7-8	E W121272	COM 7-8	E W2236K	COM 7-8	E W44120PK	COM 7-8
E W101060P	COM 7-8	E W12120A	COM 7-8	E W2236P	COM 7-8	E W4412HCP	COM 7-8
E W101072	COM 7-8	E W12120AP	COM 7-8	E W2236PK	COM 7-8	E W4412HCPK	COM 7-8
E W101072HCP	COM 7-8	E W1212RE1010	COM 7-8	E W2248	COM 7-8	E W4412K	COM 7-8
E W10100A	COM 7-8	E W1212RE1010P	COM 7-8	E W2248HCP	COM 7-8	E W4412P	COM 7-8
E W10100AP	COM 7-8	E W1212RE88	COM 7-8	E W2248HCPK	COM 7-8	E W4412PK	COM 7-8
E W1010RE88	COM 7-8	E W1212RE88P	COM 7-8	E W2248K	COM 7-8	E W4424	COM 7-8
E W1010RE88P	COM 7-8	E W12A	COM 7-8	E W2248P	COM 7-8	E W4424HCP	COM 7-8
E W108R	COM 7-8	E W12AP	COM 7-8	E W2248PK	COM 7-8	E W4424HCPK	COM 7-8
E W10A	COM 7-8	E W12C	COM 7-8	E W2260	COM 7-8	E W4424K	COM 7-8
E W10AP	COM 7-8	E W12CPB	COM 7-8	E W2260HCP	COM 7-8	E W4424P	COM 7-8
E W10C	COM 7-8	E W12EC	COM 7-8	E W2260HCPK	COM 7-8	E W4424PK	COM 7-8
E W10CPB	COM 7-8	E W12ECK	COM 7-8	E W2260K	COM 7-8	E W4436	COM 7-8

Part No.	Page Reference	Part No.	Page Reference	Part No.	Page Reference	Part No.	Page Reference
E W4436HCP	COM 7-8	E W64RP	COM 7-8	E W66IOLP	COM 7-8	E W8860HCPK	COM 7-8
E W4436HCPK	COM 7-8	E W6612	COM 7-8	E W66KEYAP	COM 7-8	E W8860K	COM 7-8
E W4436K	COM 7-8	E W66120	COM 7-8	E W66L	COM 7-8	E W8860P	COM 7-8
E W4436P	COM 7-8	E W66120HCP	COM 7-8	E W66LA	COM 7-8	E W8860PK	COM 7-8
E W4436PK	COM 7-8	E W66120HCPK	COM 7-8	E W66LAP	COM 7-8	E W8872	COM 7-8
E W4448	COM 7-8	E W66120K	COM 7-8	E W66LP	COM 7-8	E W8872HCP	COM 7-8
E W4448HCP	COM 7-8	E W66120P	COM 7-8	E W660A	COM 7-8	E W8872K	COM 7-8
E W4448HCPK	COM 7-8	E W66120PK	COM 7-8	E W660AP	COM 7-8	E W88A	COM 7-8
E W4448K	COM 7-8	E W6612HCP	COM 7-8	E W66RE44	COM 7-8	E W88AP	COM 7-8
E W4448P	COM 7-8	E W6612HCPK	COM 7-8	E W66RE44P	COM 7-8	E W88B	COM 7-8
E W4448PK	COM 7-8	E W6612K	COM 7-8	E W66SH	COM 7-8	E W88BK60	COM 7-8
E W4460	COM 7-8	E W6612P	COM 7-8	E W66SHP	COM 7-8	E W88C	COM 7-8
E W4460HCP	COM 7-8	E W6612PK	COM 7-8	E W66SL	COM 7-8	E W88CPB	COM 7-8
E W4460HCPK	COM 7-8	E W6624	COM 7-8	E W66SLP	COM 7-8	E W88CPBP	COM 7-8
E W4460K	COM 7-8	E W6624HCP	COM 7-8	E W66T	COM 7-8	E W88EC	COM 7-8
E W4460P	COM 7-8	E W6624HCPK	COM 7-8	E W66TP	COM 7-8	E W88ECK	COM 7-8
E W4460PK	COM 7-8	E W6624K	COM 7-8	E W66TSF	COM 7-8	E W88ECP	COM 7-8
E W44A	COM 7-8	E W6624P	COM 7-8	E W66TSFP	COM 7-8	E W88ECPK	COM 7-8
E W44AP	COM 7-8	E W6624PK	COM 7-8	E W66UH	COM 7-8	E W88ETX	COM 7-8
E W44B	COM 7-8	E W6636	COM 7-8	E W66UHP	COM 7-8	E W88ETXP	COM 7-8
E W44BK60	COM 7-8	E W6636HCP	COM 7-8	E W86R	COM 7-8	E W88HL	COM 7-8
E W44C	COM 7-8	E W6636HCPK	COM 7-8	E W86RP	COM 7-8	E W88HLP	COM 7-8
E W44CPB	COM 7-8	E W6636K	COM 7-8	E W8812	COM 7-8	E W88IOL	COM 7-8
E W44CPBP	COM 7-8	E W6636P	COM 7-8	E W88120	COM 7-8	E W88IOLP	COM 7-8
E W44EC	COM 7-8	E W6636PK	COM 7-8	E W88120HCP	COM 7-8	E W88KEYAP	COM 7-8
E W44ECK	COM 7-8	E W6648	COM 7-8	E W88120HCPK	COM 7-8	E W88L	COM 7-8
E W44ECP	COM 7-8	E W6648HCP	COM 7-8	E W88120K	COM 7-8	E W88LA	COM 7-8
E W44ECPK	COM 7-8	E W6648HCPK	COM 7-8	E W88120P	COM 7-8	E W88LAP	COM 7-8
E W44ETX	COM 7-8	E W6648K	COM 7-8	E W88120PK	COM 7-8	E W88LP	COM 7-8
E W44ETXP	COM 7-8	E W6648P	COM 7-8	E W8812HCP	COM 7-8	E W88OA	COM 7-8
E W44HL	COM 7-8	E W6648PK	COM 7-8	E W8812HCPK	COM 7-8	E W88OAP	COM 7-8
E W44HLP	COM 7-8	E W6660	COM 7-8	E W8812K	COM 7-8	E W88RE66	COM 7-8
E W44IOL	COM 7-8	E W6660HCP	COM 7-8	E W8812P	COM 7-8	E W88RE66P	COM 7-8
E W44IOLP	COM 7-8	E W6660HCPK	COM 7-8	E W8812PK	COM 7-8	E W88SH	COM 7-8
E W44KEYAP	COM 7-8	E W6660K	COM 7-8	E W8824	COM 7-8	E W88SHP	COM 7-8
E W44L	COM 7-8	E W6660P	COM 7-8	E W8824HCP	COM 7-8	E W88SL	COM 7-8
E W44LA	COM 7-8	E W6660PK	COM 7-8	E W8824HCPK	COM 7-8	E W88SLP	COM 7-8
E W44LAP	COM 7-8	E W6672P	COM 7-8	E W8824K	COM 7-8	E W88T	COM 7-8
E W44LP	COM 7-8	E W66A	COM 7-8	E W8824P	COM 7-8	E W88TP	COM 7-8
E W44OA	COM 7-8	E W66AP	COM 7-8	E W8824PK	COM 7-8	E W88TSF	COM 7-8
E W44OAP	COM 7-8	E W66B	COM 7-8	E W8836	COM 7-8	E W88TSFP	COM 7-8
E W44RE22	COM 7-8	E W66BK60	COM 7-8	E W8836HCP	COM 7-8	E W88UH	COM 7-8
E W44RE22P	COM 7-8	E W66C	COM 7-8	E W8836HCPK	COM 7-8	E W88UHP	COM 7-8
E W44SH	COM 7-8	E W66CPB	COM 7-8	E W8836K	COM 7-8	E WC101012P	ACC 30
E W44SHP	COM 7-8	E W66CPBP	COM 7-8	E W8836P	COM 7-8	E WC101024P	ACC 30
E W44SL	COM 7-8	E W66EC	COM 7-8	E W8836PK	COM 7-8	E WC101036P	ACC 30
E W44SLP	COM 7-8	E W66ECK	COM 7-8	E W8848	COM 7-8	E WC101048P	ACC 30
E W44T	COM 7-8	E W66ECP	COM 7-8	E W8848HCP	COM 7-8	E WC101060P	ACC 30
E W44TP	COM 7-8	E W66ECPK	COM 7-8	E W8848HCPK	COM 7-8	E WC121212P	ACC 30
E W44TSF	COM 7-8	E W66ETX	COM 7-8	E W8848K	COM 7-8	E WC121224P	ACC 30
E W44TSFP	COM 7-8	E W66ETXP	COM 7-8	E W8848P	COM 7-8	E WC121236P	ACC 30
E W44UH	COM 7-8	E W66HL	COM 7-8	E W8848PK	COM 7-8	E WC121248P	ACC 30
E W44UHP	COM 7-8	E W66HLP	COM 7-8	E W8860	COM 7-8	E WC121260P	ACC 30
E W64R	COM 7-8	E W66IOL	COM 7-8	E W8860HCP	COM 7-8	E WC2212P	ACC 30

Part No.	Page Reference	Part No.	Page Reference	Part No.	Page Reference	Part No.	Page Reference
E WC2224P	ACC 30	L DF24P20	ACC 25	L FJ1008NFSC	IND 243, IND 287	L FW20R1612HCR	IND 250, IND 294
E WC2236P	ACC 30	L DF24P24	ACC 25	L FJ1144HB	IND 254, IND 299	L FW24H2008	IND 249, IND 293
E WC2248P	ACC 30	L DF30P20	ACC 25	L FJ1210CHNFQ	IND 245, IND 289	L FW24H2410	IND 249, IND 293
E WC2260P	ACC 30	L DF30P24	ACC 25	L FJ1210CHNFQW	IND 246, IND 290	L FW24H2412	IND 249, IND 293
E WC4412P	ACC 30	L DF30P30	ACC 25	L FJ1210CHNFQX	IND 245, IND 289	L FW24R2008HCR	IND 250, IND 294
E WC4424P	ACC 30	L DF36P24	ACC 25	L FJ1210CHNFSC	IND 244, IND 288	L FW24R2410HCR	IND 250, IND 294
E WC4436P	ACC 30	L DF36P30	ACC 25	L FJ1210CHNFSCX	IND 244, IND 288	L FW30H2008	IND 249, IND 293
E WC4448P	ACC 30	L DF36P36	ACC 25	L FJ1210NFSC	IND 243, IND 287	L FW30H2407	IND 249, IND 293
E WC4460P	ACC 30	L DF6R4	ACC 24	L FJ1412CHNFQ	IND 245, IND 289	L FW30H2410	IND 249, IND 293
E WC6612P	ACC 30	L DF8R4	ACC 24	L FJ1412CHNFQW	IND 246, IND 290	L FW30R2410HCR	IND 250, IND 294
E WC6624P	ACC 30	L DF8R5	ACC 24	L FJ1412CHNFQX	IND 245, IND 289	L FW30R2412HCR	IND 250, IND 294
E WC6636P	ACC 30	L F16HS10	IND 251, IND 295	L FJ1412CHNFSC	IND 244, IND 288	L FW36H3010	IND 249, IND 293
E WC6648P	ACC 30	L F1PB	IND 253, IND 298	L FJ1412CHNFSCX	IND 244, IND 288	L FW36H3012	IND 249, IND 293
E WC6660P	ACC 30	L F1PBG	IND 253, IND 298	L FJ1412NFSC	IND 243, IND 287	L FW36R3010HCR	IND 250, IND 294
E WC8812P	ACC 30	L F20HS16	IND 251, IND 295	L FJ1614CHNFQ	IND 245, IND 289	L FW36R3012HCR	IND 250, IND 294
E WC8824P	ACC 30	L F24HS24	IND 251, IND 295	L FJ1614CHNFQW	IND 246, IND 290	L FW48H3612	IND 249, IND 293
E WC8836P	ACC 30	L F2PB	IND 253, IND 298	L FJ1614CHNFQX	IND 245, IND 289	L FW48H3616	IND 249, IND 293
E WC8848P	ACC 30	L F2PBG	IND 253, IND 298	L FJ1614CHNFSC	IND 244, IND 288	L FW48R3612HCR	IND 250, IND 294
E WC8860P	ACC 30	L F30HS24	IND 251, IND 295	L FJ1614CHNFSCX	IND 244, IND 288	L FW48R3616HCR	IND 250, IND 294
E WTB10104	COM 14, COM 31	L F36HS30	IND 251, IND 295	L FJ1614NFSC	IND 243, IND 287	L LQTKLB	ACC 20
E WTB10106	COM 14, COM 31	L F3PB	IND 253, IND 298	L FJ1816CHNFQ	IND 245, IND 289	L LTHB	ACC 20
E WTB1084	COM 14, COM 31	L F3PBG	IND 253, IND 298	L FJ1816CHNFQW	IND 246, IND 290	L LTHKLB	ACC 20
E WTB12124	COM 14, COM 31	L F4PB	IND 253, IND 298	L FJ1816CHNFQX	IND 245, IND 289	L LWKB	ACC 20
E WTB12126	COM 14, COM 31	L F4PBG	IND 253, IND 298	L FJ1816CHNFSC	IND 244, IND 288	L LWKLB	ACC 20
E WTB12128	COM 14, COM 31	L F5PB	IND 253, IND 298	L FJ1816CHNFSCX	IND 244, IND 288	L W120806	IND 25, IND 53
E WTB16126	COM 14, COM 31	L F5PBG	IND 253, IND 298	L FJ1816NFSC	IND 243, IND 287	L W120806SS	IND 213, IND 262
E WTB16166	COM 14, COM 31	L F60H3612	IND 252, IND 296	L FJ2016CHNFQ	IND 245, IND 289	L W121206	IND 25, IND 53
E WTB18188	COM 14, COM 31	L F60H3616	IND 252, IND 296	L FJ2016CHNFQW	IND 246, IND 290	L W121206SS	IND 213, IND 262
E WTB20166	COM 14, COM 31	L F72H2525FS	IND 252, IND 297	L FJ2016CHNFQX	IND 245, IND 289	L W121608	IND 25, IND 53
E WTB20208	COM 14, COM 31	L F72H4925FSDD	IND 252, IND 297	L FJ2016CHNFSC	IND 244, IND 288	L W12P12	ACC 23
E WTB242410	COM 14, COM 31	L FDV1	ACC 31	L FJ2016CHNFSCX	IND 244, IND 288	L W12P12W	ACC 23
E WTB242412	COM 14, COM 31	L FDV3KIT	ACC 31	L FJ2016NFSC	IND 243, IND 287	L W12P16	ACC 23
E WTB24248	COM 14, COM 31	L F11109CHNFQ	IND 248, IND 292	L FJ332HB	IND 254, IND 299	L W12P16W	ACC 23
E WTB30248	COM 14, COM 31	L F11109CHNFSC	IND 247, IND 291	L FJ532HB	IND 254, IND 299	L W12P8	ACC 23
E WTB362410	COM 14, COM 31	L F11109CHNFSCW	IND 247, IND 291	L FJ604CHNFQ	IND 245, IND 289	L W12P8W	ACC 23
E WTB363012	COM 14, COM 31	L F11311CHNFQ	IND 248, IND 292	L FJ604CHNFQX	IND 245, IND 289	L W161206	IND 25, IND 53
E WTB363612	COM 14, COM 31	L F11311CHNFSC	IND 247, IND 291	L FJ604CHNFSC	IND 244, IND 288	L W161206SS	IND 213, IND 262
E WTB664	COM 14, COM 31	L F11311CHNFSCW	IND 247, IND 291	L FJ604CHNFSCX	IND 244, IND 288	L W161208	IND 25, IND 53
E WTB666	COM 14, COM 31	L F11513CHNFQ	IND 248, IND 292	L FJ604NFSC	IND 243, IND 287	L W161208SS	IND 213, IND 262
E WTB864	COM 14, COM 31	L F11513CHNFSC	IND 247, IND 291	L FJ606CHNFQ	IND 245, IND 289	L W161606	IND 25, IND 53
E WTB884	COM 14, COM 31	L F11513CHNFSCW	IND 247, IND 291	L FJ606CHNFQX	IND 245, IND 289	L W161606SS	IND 213, IND 262
E WTB886	COM 14, COM 31	L F1707CHNFQ	IND 248, IND 292	L FJ606CHNFSC	IND 244, IND 288	L W161608	IND 25, IND 53
L DF10R4	ACC 24	L F1707CHNFSC	IND 247, IND 291	L FJ606CHNFSCX	IND 244, IND 288	L W161608SS	IND 213, IND 262
L DF10R5	ACC 24	L F1707CHNFSCW	IND 247, IND 291	L FJ606NFSC	IND 243, IND 287	L W162008SS	IND 213, IND 262
L DF12P12	ACC 24	L F1907CHNFQ	IND 248, IND 292	L FJ644HB	IND 254, IND 299	L W16P12	ACC 23
L DF12R4	ACC 24	L F1907CHNFSC	IND 247, IND 291	L FJ806CHNFQ	IND 245, IND 289	L W16P12W	ACC 23
L DF12R5	ACC 24	L F1907CHNFSCW	IND 247, IND 291	L FJ806CHNFQW	IND 246, IND 290	L W16P16	ACC 23
L DF16P12	ACC 25	L F1MTGFTKIT	ACC 31	L FJ806CHNFQX	IND 245, IND 289	L W16P16W	ACC 23
L DF16P16	ACC 25	L FJ 806CHNFSC	IND 244, IND 288	L FJ806CHNFSCX	IND 244, IND 288	L W16P20	ACC 23
L DF16P20	ACC 25	L FJ1008CHNFQ	IND 245, IND 289	L FJ806NFSC	IND 243, IND 287	L W16P20W	ACC 23
L DF20P16	ACC 25	L FJ1008CHNFQW	IND 246, IND 290	L FJ844HB	IND 254, IND 299	L W201606	IND 25, IND 53
L DF20P20	ACC 25	L FJ1008CHNFQX	IND 245, IND 289	L FLP1	ACC 31	L W201606SS	IND 213, IND 262
L DF20P24	ACC 25	L FJ1008CHNFSC	IND 244, IND 288	L FLPK3KIT	ACC 31	L W201608	IND 25, IND 53
L DF24P16	ACC 25	L FJ1008CHNFSCX	IND 244, IND 288	L FW20H1612	IND 249, IND 293	L W201608SS	IND 213, IND 262

<u>Part No.</u>	<u>Page Reference</u>	<u>Part No.</u>	<u>Page Reference</u>
L W202006	IND 25, IND 53	L W363012	IND 25, IND 53
L W202006SS	IND 213, IND 262	L W363012SS	IND 213, IND 262
L W202008	IND 25, IND 53	L W363612	IND 25, IND 53
L W202008SS	IND 213, IND 262	L W363612SS	IND 213, IND 262
L W202012	IND 25, IND 53	L W36P24	ACC 23
L W202012SS	IND 213, IND 262	L W36P24W	ACC 23
L W202408	IND 25, IND 53	L W36P30	ACC 23
L W20P16	ACC 23	L W36P30W	ACC 23
L W20P16W	ACC 23	L W36P36	ACC 23
L W20P20	ACC 23	L W36P36W	ACC 23
L W20P20W	ACC 23	L W423212	IND 25, IND 53
L W20P24	ACC 23	L W42P32	ACC 23
L W20P24W	ACC 23	L W42P32W	ACC 23
L W241608	IND 25, IND 53	L W483612	IND 25, IND 53
L W241608SS	IND 213, IND 262	L W483612SS	IND 213, IND 262
L W242006	IND 25, IND 53	L W483616	IND 25, IND 53
L W242008	IND 25, IND 53	L W48P36	ACC 23
L W242008SS	IND 213, IND 262	L W48P36W	ACC 23
L W242012SS	IND 213, IND 262	L W603612	IND 25, IND 53
L W242406	IND 25, IND 53	L W603612SS	IND 213, IND 262
L W242408	IND 25, IND 53	L W603616SS	IND 213, IND 262
L W242408SS	IND 213, IND 262	L W60P36	ACC 23
L W242410	IND 25, IND 53	L W60P36W	ACC 23
L W242412	IND 25, IND 53		
L W242412SS	IND 213, IND 262		
L W242416	IND 25, IND 53		
L W243008	IND 25, IND 53		
L W24P16	ACC 23		
L W24P16W	ACC 23		
L W24P20	ACC 23		
L W24P20W	ACC 23		
L W24P24	ACC 23		
L W24P24W	ACC 23		
L W24P30	ACC 23		
L W24P30W	ACC 23		
L W302408	IND 25, IND 53		
L W302408SS	IND 213, IND 262		
L W302412	IND 25, IND 53		
L W302412SS	IND 213, IND 262		
L W303008	IND 25, IND 53		
L W303008SS	IND 213, IND 262		
L W303010	IND 25, IND 53		
L W303012	IND 25, IND 53		
L W303012SS	IND 213, IND 262		
L W30P24	ACC 23		
L W30P24W	ACC 23		
L W30P30	ACC 23		
L W30P30W	ACC 23		
L W362408	IND 25, IND 53		
L W362408SS	IND 213, IND 262		
L W362412	IND 25, IND 53		
L W362412SS	IND 213, IND 262		
L W363008	IND 25, IND 53		
L W363008SS	IND 213, IND 262		