

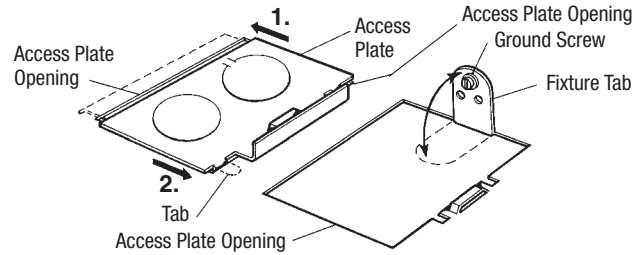
DP/OP/PR/SK/SP Series

Installation Instructions, Standard or Slot Grid Ceiling Systems

Page 1 of 2

1 Access Plate

Remove Access Plate by sliding Access Plate in the direction of Arrow 1. To remove, lift up and slide in the direction of Arrow 2. Bend Fixture Tab up out of body and make ground and ballast connections. Bend Fixture Tab back to original position. Replace Access Plate by reversing removal instructions.



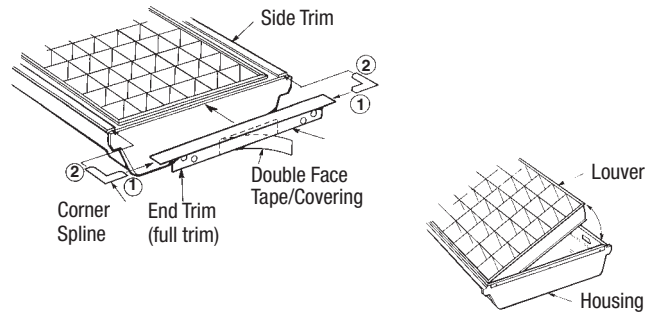
2 For individual fixtures, beginning or end of row, assemble End Trim (full trim) as shown.

Assemble Corner Spline (1) to End Trim by inserting Corner Spline into end of End Trim. Remove Protective Covering from Double Face Tape (fastened to End Trim). Insert Corner Spline (2) into end of Side Trim.

On Overlay and Plaster Frame type, End Trim must be assembled before fixture is installed.

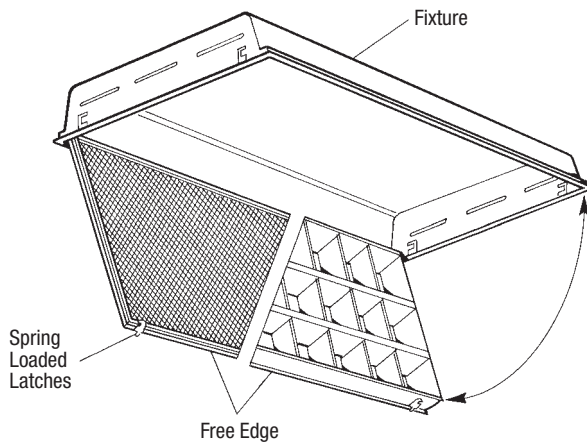
Note: Louver must be removed before installing fixture into ceiling.

For continuous row mounting use Half Trim (must be ordered separately from factory) and replace Hex Head Screws with Flat Head Screws provided in Half Trim Supply Pack.



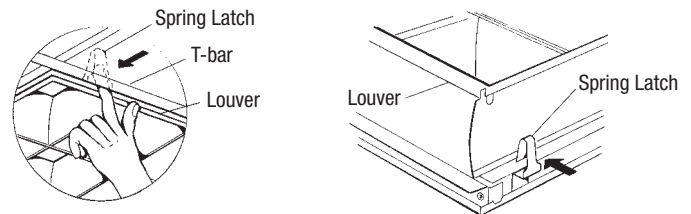
3 Louver and Lens Frame Installation

Place hinge in hinge slot on side rail of Fixture. Be sure hinge is seated in hinge slot properly. Rotate Free Edge up into Fixture and secure with Spring Loaded Latches. To remove Lens Frame, push leg on Spring Loaded Latches towards center of Fixture and reverse installation instructions.



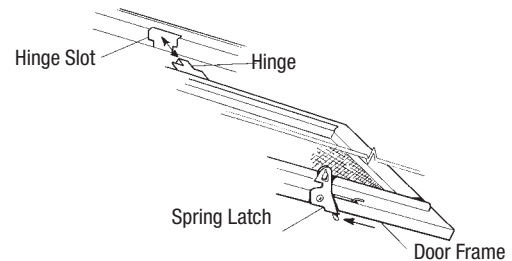
4 For DPA/DPS fixtures

To open Louver, place finger between T-bar and Louver. Press Spring Latch (each end) towards center of the fixture. To close, swing Louver up and secure with Spring Latches.



5 SP Door Frame

For relamping open Door Frame by pressing Spring Latch in the direction of the arrows (both ends of Door Frame). Lift Door Frame to clear Hinge from Hinge Slot. To replace Door Frame, reverse the procedure.



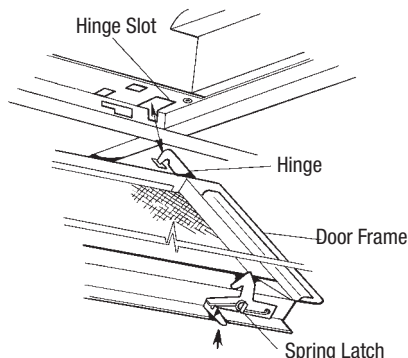
DP/OP/PR/SK/SP Series

Installation Instructions, Standard or Slot Grid Ceiling Systems

Page 2 of 2

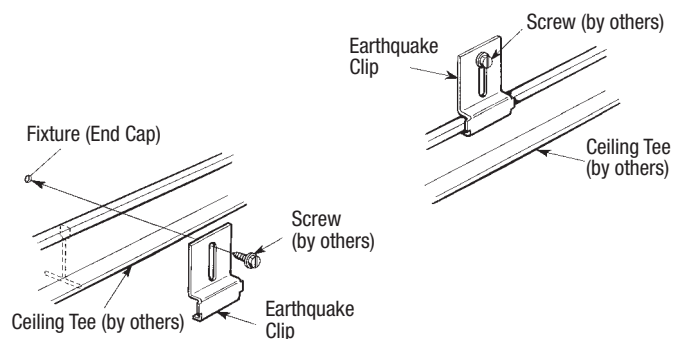
6 Opalescent, Prismalyte Plus or Skyway Door Frame

For relamping, open Door Frame by pushing up on the Spring Latch, (both ends of Door Frame) then lift Door Frame to clear Hinge from Hinge Slot. To replace the Door Frame, reverse procedure.



7 Earthquake Clip (For 1'x4' only)

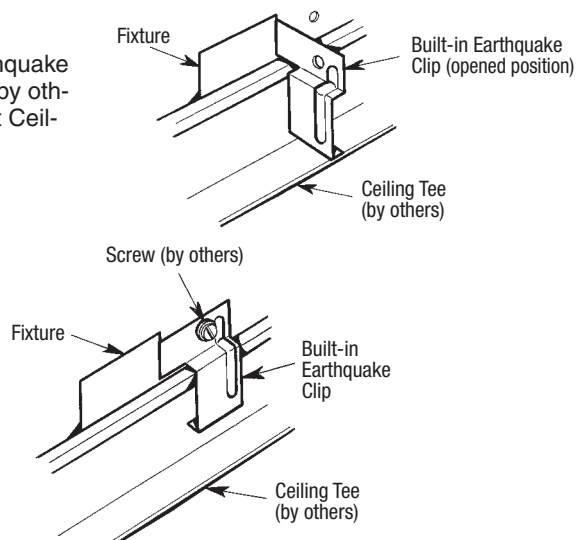
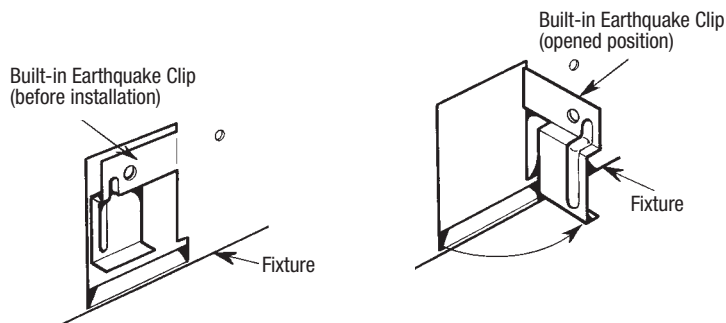
Angle Fixture up into ceiling opening, resting Fixture on Ceiling Tees (by others). With Screw (by others) secure Earthquake Clip to Fixture with Ceiling Tee (by others) between Earthquake Clip and Fixture as shown.



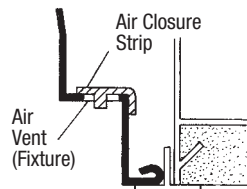
8 Earthquake Clip (For 2' X 2' / 2'x4' only)

Swing-out Built-in Earthquake Clips at each end of Fixture.

Angle Fixture up into ceiling opening with Built-in Earthquake Clips (in the opened position) resting on Ceiling Tees (by others). Bend Built-in Earthquake Clips back flush against Ceiling Tee (by others) and secure with Screw (by others).



9 Optional Air Closure Strip (Air Handling 1'x4' / 2'x2' / 2'x4')



To blank out air, install Air Closure Strip Cover Air Vents with Air Closure Strip and slide in direction of arrow until Air Closure Strip locks into place

Air Closure Strip

Factory Installed. Catalog Number Suffix:

ACS2 (2'x2' Units); **ACS4** (1'x4', 2'x4' Units)

Field Installed. Catalog Number Suffix:

ACS2 CSP (2'x2' Units), **ACS4 CSP** (1'x4', 2'x4' Units)

