

The safety you rely on.

Introducing Crouse-Hinds by Eaton

The leader in electrical products for hazardous, industrial and commercial applications world wide.



Crouse-Hinds
by **EAT•N**



The safety you rely on.

Delivering world-class reliability and safety in high consequence harsh and hazardous environments

Only Eaton's Crouse-Hinds Business can deliver...

- Protection and safety of people and assets around the world with unsurpassed reliability and quality in every product we offer
- Industry leading innovation and product efficiency
- Product solutions designed and certified for global specifications
- Best-in-class, global sales, and customer service teams that provide local support

The Eaton advantage.



Crouse-Hinds remains the brand that stands for safety in the harshest of environments when power management is most critical. While it all began with the Condulet®, the Crouse-Hinds brand has grown into the premier name for a comprehensive portfolio of solutions for high-consequence harsh and hazardous environments.

And now, the next phase in the evolution of the brand you trust: Crouse-Hinds joins the leading Eaton portfolio of reliable, client and safe electrical power management solutions.

More protection. More technology. Expect more.

Crouse-Hinds
by **EATON**



Contents

About Us..... 4-5

Cable Glands & Thread Conversion Products for Hazardous Areas

- Selection Guide for Hazardous Areas..... 8-9
- Selection Guide for Non Hazardous Areas..... 10-11
- Capri ADE Cable Glands Specification Features.. 12-13
- Capri ADE 1F2..... 14-15
- Capri ADE 1F2 DS..... 16-17
- Capri ADE 1F2 with Integral Clamping Module.... 18-19
- Capri ADE 1FC..... 20-21
- Capri ADE 4F..... 22-23
- Capri ADE 5F..... 24-25
- Capri ADE 6F..... 26-27
- Capri ADE 6FC..... 28-29
- Capri ADE Cable Gland Accessories & Kits..... 30
- Capri Accessories..... 31-33
- Capri NEWCAP MS-e..... 34
- Capri NEWCAP CT-e..... 35
- Capri EXACAP Ex-e & Ex-i / CEAG GHG Ex-e & Ex-i.... 36
- CEAG Trumpet..... 37
- Terminator II TMCX..... 38-39
- TMCX..... 40
- TMC..... 41
- TECK..... 42
- Capri Ex Certified Adaptors / Reducers..... 44
- Capri Ex Certified Stopping Plugs..... 45
- Raxton Adaptors..... 46
- Raxton Reducers..... 47
- Raxton Insulated Adaptors..... 48
- Raxton Male to Male / Female to Female Adaptors..... 49
- Raxton Right Angle Adaptors..... 50
- Raxton Swivel Adaptors..... 51
- Raxton 'Y' and 'T' Adaptors..... 52
- Raxton Earth Lead Adaptors & Threaded Earth Plates..... 53
- Raxton Stopping Plugs..... 54-55
- Raxton Breather Drains..... 56
- Raxton Barrier Stopper Boxes..... 57
- Raxton Unions..... 58
- Raxton Nipples / Couplers / Bushes..... 59
- Raxton Locknuts, Washers and Serrated Washers.... 60
- Raxton Earthing Locknuts and Earth Tags..... 61
- Raxton Shrouds..... 62
- Thread Selection / Dimensions..... 63
- Raxton Product Coding..... 64

Cable Glands & Thread Conversion Products for Non-Hazardous Areas

- Capri IGA2..... 66
- Capri IGBW..... 67
- Capri IGCW..... 68
- Capri IGCX..... 69
- Capri IGE1W..... 70
- Capri IGE1X..... 71
- Capri IGE2W..... 72
- Capri IGE2X..... 73
- Capri NEWCAP MS..... 74
- Capri NEWCAP MS multi-wired / flat..... 75
- Capri NEWCAP CT..... 76
- Capri ADE 4i..... 77
- Capri EUROCAP..... 78
- Capri ECP..... 79
- Capri UNICAP..... 80
- CGD..... 81
- CGB..... 82-83
- CGE..... 84
- Capri Industrial Accessories..... 85-92

Technical Information

- Cable Glands Installation Guide..... 94-95
- Capri Cable Gland Certification..... 96-97
- Capri ADE Ex Markings..... 98
- Crouse-Hinds Cable Gland Certification..... 99
- Cable Types and Wiring Methods..... 100
- Selection of Cable Glands..... 101-103
- Bi Metallic Corrosion..... 104
- Thread Dimension Guide..... 105
- Notes..... 106-107

The product information published in our catalogues and literature is not guaranteed. It has been compiled with care and is sufficiently accurate for most purposes. It is subject to change without notice. Occasionally, it may be necessary to modify the materials, finishes, or other components of the product. These changes will in no way reduce the performance or function for which the product is intended.

All statements, technical information and recommendations contained herein are based on information and test we believe to be reliable. The accuracy or completeness thereof are not guaranteed. In accordance with Eaton's Crouse-Hinds' Terms and Conditions of Sale, and since conditions of use are outside our control, the purchaser should determine the suitability of the product for his/her intended use and assumes all risk and liability whatsoever in connection therewith.

All sales of Eaton's Crouse-Hinds products are specifically subject to the Terms and Conditions of Sale as shown in Eaton's Crouse-Hinds distributor price sheets.



Global Cable Glands Solution

Eaton's Crouse-Hinds Business provides a termination solution for virtually every cable type used in hazardous and industrial environments – both onshore and offshore and above and below ground. Our cable glands and accessory products are designed for strict adherence to global specifications for IEC and NEC wiring standards, meeting International and North American certification requirements including ATEX, IECEx, UL and regional certifications. Our products are also certified for dust and mining applications.

From the deserts of Africa to the icy waters of the North Sea, the world turns to Eaton's Crouse-Hinds Business for its complete range of cable installation products. Our cable glands, thread conversion products and cable installation accessories are used in industrial and commercial applications throughout the world enhancing safety and productivity in the most severe environmental conditions.

Eaton's Crouse-Hinds Business cable glands are the easiest and safest solution for your installation and maintenance needs. In any electrical or instrumentation installation, our glands are the reliable and safe way to move power and signals.

Global Support & Manufacturing

Our sales support and manufacturing facilities are strategically positioned around the world to deliver products close to your project. Whenever required we are there on-site during construction, commissioning and training.

Eaton's Crouse-Hinds Business manufactures in 5 continents and sells into more than 100 countries. We have dedicated sales support in every major location with local technical sales and engineering teams to support your immediate needs. As one of the largest oil & gas bulk electrical and instrument material suppliers, we can easily provide you a single source for all the components to complete your project on time and on budget.

Crouse-Hinds
by **EATON**

A Powerful Transformation

Rely on the names you trust for the safety you need

The Capri, CEAG and Raxton products you know are evolving. Our products, part of Eaton's Crouse-Hinds portfolio, are now united with Eaton's leading range of reliable, efficient and safe electrical power management solutions. Combined, we provide the world's largest portfolio of electrical equipment for explosive, classified, and industrial areas.

With unsurpassed product reliability and quality, industry-leading innovation and product efficiency, and products designed and certified for global specifications, Eaton's Crouse-Hinds solutions, including Capri, CEAG and Raxton products, delivers proven solutions for harsh and hazardous environments.

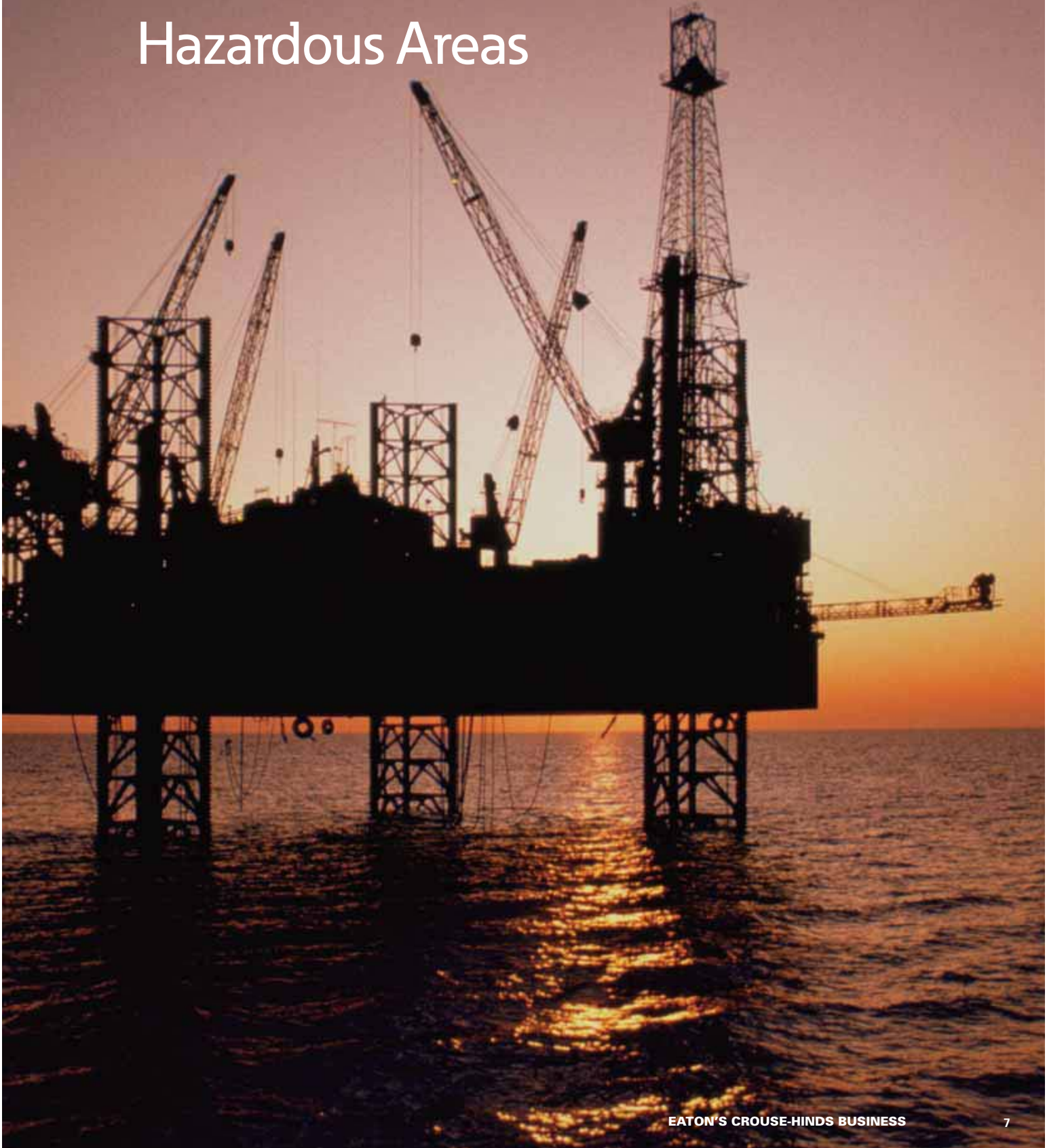
Capri, CEAG and Raxton have a new look as Crouse-Hinds by Eaton, but the products and technology you trust remain unchanged. From explosion-proof panel boards and lighting to connectivity and cable glands, the broadest offering of solutions for harsh and hazardous environments is now available from Crouse-Hinds by Eaton.

**More protection. More technology.
Expect more.**























Cable Glands & Thread Conversion Products for Hazardous Areas



Selection Guide for Cable Glands for Hazardous Areas

CABLE GLAND		CABLE TYPE	GLAND TYPE	STANDARD MATERIAL	CERTIFICATION
ADE 1F2 Page 14-15		<ul style="list-style-type: none"> Non-armoured Marine shipboard cable Tray cable Type P 	<ul style="list-style-type: none"> Non-armoured 	<ul style="list-style-type: none"> Nickel-plated brass Option: <ul style="list-style-type: none"> Stainless Steel Aluminium Bronze 	
ADE 1F2DS Page 16-17		<ul style="list-style-type: none"> Non-armoured Marine shipboard cable Tray cable Type P 	<ul style="list-style-type: none"> Non-armoured 	<ul style="list-style-type: none"> Nickel-plated brass Option: <ul style="list-style-type: none"> Stainless Steel Aluminium Bronze 	
ADE 1F2 Clamping Page 18-19		<ul style="list-style-type: none"> Non-armoured Marine shipboard cable Tray cable Type P 	<ul style="list-style-type: none"> Non-armoured 	<ul style="list-style-type: none"> Nickel-plated brass Option: <ul style="list-style-type: none"> Stainless Steel Aluminium Bronze 	
ADE 1FC Page 20-21		<ul style="list-style-type: none"> Non-armoured Marine shipboard cable Tray cable Type P 	<ul style="list-style-type: none"> Non-armoured 	<ul style="list-style-type: none"> Nickel-plated brass Option: <ul style="list-style-type: none"> Stainless Steel Aluminium Bronze 	
ADE 4F Page 22-23		<ul style="list-style-type: none"> SWA SWB STA Braided marine shipboard Lead sheathed (with washer) 	<ul style="list-style-type: none"> Armoured 	<ul style="list-style-type: none"> Nickel-plated brass Option: <ul style="list-style-type: none"> Stainless Steel Aluminium Bronze 	
ADE 5F Page 24-25		<ul style="list-style-type: none"> SWA SWB STA Braided marine shipboard Lead sheathed (with washer) Type P 	<ul style="list-style-type: none"> Armoured 	<ul style="list-style-type: none"> Nickel-plated brass Option: <ul style="list-style-type: none"> Stainless Steel Aluminium Bronze 	
ADE 6F Page 26-27		<ul style="list-style-type: none"> SWA SWB STA Braided marine shipboard Type P 	<ul style="list-style-type: none"> Armoured 	<ul style="list-style-type: none"> Nickel-plated brass Option: <ul style="list-style-type: none"> Stainless Steel Aluminium Bronze 	
ADE 6FC Page 28-29		<ul style="list-style-type: none"> SWA SWB STA Braided marine shipboard Type P 	<ul style="list-style-type: none"> Armoured 	<ul style="list-style-type: none"> Nickel-plated brass Option: <ul style="list-style-type: none"> Stainless Steel Aluminium Bronze 	
NEWCAP MS-e Page 34		<ul style="list-style-type: none"> Non-armoured Braided cable 	<ul style="list-style-type: none"> Non-armoured 	<ul style="list-style-type: none"> Nickel-plated brass Option: <ul style="list-style-type: none"> Stainless Steel 	











Selection Guide for Cable Glands for Hazardous Areas

CABLE GLAND		CABLE TYPE	GLAND TYPE	STANDARD MATERIAL	CERTIFICATION
NEWCAP CT-e Page 35		<ul style="list-style-type: none"> Non-armoured Braided cable For EMC specific cable and application 	<ul style="list-style-type: none"> Non-armoured 	<ul style="list-style-type: none"> Nickel-plated brass Option: <ul style="list-style-type: none"> Stainless Steel 	
EXACAP Ex-e Page 36		<ul style="list-style-type: none"> Non-armoured 	<ul style="list-style-type: none"> Non-armoured 	<ul style="list-style-type: none"> Nylon 	
EXACAP Ex-i Page 36		<ul style="list-style-type: none"> Non-armoured 	<ul style="list-style-type: none"> Non-armoured 	<ul style="list-style-type: none"> Nylon 	
TRUMPET Page 37		<ul style="list-style-type: none"> Non-armoured 	<ul style="list-style-type: none"> Non-armoured 	<ul style="list-style-type: none"> Nylon 	
TMCX II Page 38-39		<ul style="list-style-type: none"> Metal-clad with interlocked or continuously-welded corrugated TECK armoured Non-armoured Tray cable 	<ul style="list-style-type: none"> Armoured 	<ul style="list-style-type: none"> Aluminium Option: <ul style="list-style-type: none"> Nickel-plated brass Stainless Steel 	
TMCX Page 40		<ul style="list-style-type: none"> Metal-clad with interlocked or continuously-welded corrugated TECK armoured Non-armoured Tray cable 	<ul style="list-style-type: none"> Armoured barrier Non-armoured barrier 	<ul style="list-style-type: none"> Aluminium Option: <ul style="list-style-type: none"> Nickel-plated brass 	
TMC Page 41		<ul style="list-style-type: none"> Metal-clad (interlocked or continuously welded corrugated armoured), non-armoured and tray cable 	<ul style="list-style-type: none"> Armoured barrier 	<ul style="list-style-type: none"> Aluminium 	
TECK Page 42		<ul style="list-style-type: none"> TECK armoured 	<ul style="list-style-type: none"> Non-armoured barrier 	<ul style="list-style-type: none"> Aluminium Option: <ul style="list-style-type: none"> Stainless Steel Steel 	

Selection Guide for Cable Glands for Non-Hazardous Areas

CABLE GLAND		CABLE TYPE	GLAND TYPE	STANDARD MATERIAL	CERTIFICATION
CAPRI IGA2 Page 66		<ul style="list-style-type: none"> Non-armoured cable 	<ul style="list-style-type: none"> Non-armoured 	<ul style="list-style-type: none"> Brass Option: <ul style="list-style-type: none"> Nickel plated 	
CAPRI IGBW Page 67		<ul style="list-style-type: none"> Single wire armoured cable (SWA) 	<ul style="list-style-type: none"> Armoured 	<ul style="list-style-type: none"> Brass Option: <ul style="list-style-type: none"> Nickel plated 	
CAPRI IGCW Page 68		<ul style="list-style-type: none"> Single wire armoured cable (SWA) 	<ul style="list-style-type: none"> Armoured 	<ul style="list-style-type: none"> Brass Option: <ul style="list-style-type: none"> Nickel plated 	
CAPRI IGCX Page 69		<ul style="list-style-type: none"> Single wire armoured cable (SWA) 	<ul style="list-style-type: none"> Armoured 	<ul style="list-style-type: none"> Brass Option: <ul style="list-style-type: none"> Nickel plated 	
CAPRI IGE1W Page 70		<ul style="list-style-type: none"> Single wire armoured cable (SWA) Lead sheath cable 	<ul style="list-style-type: none"> Armoured 	<ul style="list-style-type: none"> Brass Option: <ul style="list-style-type: none"> Nickel plated 	
CAPRI IGE1X Page 71		<ul style="list-style-type: none"> Wire braid armoured cable (SWB) Steel tape cable (STA) 	<ul style="list-style-type: none"> Armoured 	<ul style="list-style-type: none"> Brass Option: <ul style="list-style-type: none"> Nickel plated 	
CAPRI IGE2W Page 72		<ul style="list-style-type: none"> Wire braid armoured cable (SWB) Steel tape cable (STA) 	<ul style="list-style-type: none"> Armoured 	<ul style="list-style-type: none"> Brass Option: <ul style="list-style-type: none"> Nickel plated 	
CAPRI IGE2X Page 73		<ul style="list-style-type: none"> Steel tape cable (STA) Lead sheath cable 	<ul style="list-style-type: none"> Armoured 	<ul style="list-style-type: none"> Brass Option: <ul style="list-style-type: none"> Nickel plated 	

Selection Guide for Cable Glands for Non-Hazardous Areas

CABLE GLAND		CABLE TYPE	GLAND TYPE	STANDARD MATERIAL	CERTIFICATION
NEWCAP MS Page 74		<ul style="list-style-type: none"> Non-armoured round cable Flexible braided cable 	<ul style="list-style-type: none"> Non-armoured 	<ul style="list-style-type: none"> Nickel-plated brass Option: <ul style="list-style-type: none"> Stainless Steel 	
NEWCAP MS MULTI WIRED/ FLAT Page 75		<ul style="list-style-type: none"> Multi wired cable Flat cable 	<ul style="list-style-type: none"> Non-armoured 	<ul style="list-style-type: none"> Nickel-plated brass 	
NEWCAP CT Page 76		<ul style="list-style-type: none"> Braided round cable EMC shielded cable 	<ul style="list-style-type: none"> Non-armoured 	<ul style="list-style-type: none"> Nickel-plated brass 	
ADE 4Fi Page 77		<ul style="list-style-type: none"> SWA SWB STA 	<ul style="list-style-type: none"> Armoured 	<ul style="list-style-type: none"> Nickel-plated brass 	
EUROCAP Page 78		<ul style="list-style-type: none"> Non-armoured round cable 	<ul style="list-style-type: none"> Non-armoured 	<ul style="list-style-type: none"> Nylon 	
CAPRI ECP Page 79		<ul style="list-style-type: none"> Non-armoured round cable 	<ul style="list-style-type: none"> Non-armoured 	<ul style="list-style-type: none"> Nylon 	
UNICAP Page 80		<ul style="list-style-type: none"> Non-armoured round cable 	<ul style="list-style-type: none"> Non-armoured 	<ul style="list-style-type: none"> Nylon 	
CGD Page 81		<ul style="list-style-type: none"> Non-armoured 	<ul style="list-style-type: none"> Non-armoured 	<ul style="list-style-type: none"> Iron alloy/steel 	
CGB Page 82-83		<ul style="list-style-type: none"> Non-armoured and tray cable 	<ul style="list-style-type: none"> Non-armoured 	<ul style="list-style-type: none"> Iron alloy/steel (depending on form) Option: <ul style="list-style-type: none"> Aluminium 	
CGE Page 84		<ul style="list-style-type: none"> Non-armoured 	<ul style="list-style-type: none"> Non-armoured 	<ul style="list-style-type: none"> Iron alloy/steel 	

Capri ADE Cable Glands - Specification Features

Material Specification

Metallic Components

The Capri ADE range of cable glands are available in four different material types:

- Nickel Plated Brass
- 316 Stainless Steel
- Aluminium
- Bronze

Nickel Plated Brass

Nickel Plated Brass is used extensively throughout the oil & gas and petrochemical industries because it provides superior protection against corrosion and contamination under severe conditions and in the most extreme environments over equivalent natural brass products.

All Nickel Plated Brass components, both external and internal, are designed specifically to allow for a nickel plated coating between 5 to 7 microns that ensures the critical tolerances can be maintained. The design tolerance of the components and the quality control of the plating process ensure a uniform coating which protects against the possibility of chipping, flaking, and peeling under extreme conditions.

Seal Material

The seal material of the ADE range has been carefully formulated to achieve the optimized performance across a wide range of operating temperature conditions.

The ADE range of cable glands are available with seals of the following material types:

- **Neoprene** - for standard applications
- **Silicone** - for extended temperature performance



Operating Temperature Range

The ADE models are suitable for the following operating temperatures:

Neoprene Seals -30°C to +80°C

Silicon Seals -60°C to +140°C

Barrier Compound -60°C to +80°C

Refer to individual product data sheets for specifications

For UL Marine refer to certification page 96-97.



Capri ADE Cable Glands - Specification Features

Cable Clamping Technology

Fig. 1 - External Cable Clamping

All ADE models are designed to accommodate an external clamping module which provides additional mechanical strength for strain relief.

Fig. 2 - Outer Sheath Cable Sealing

All ADE models utilize a gland specific seal design (Fig.8), which combined with the material formulation ensures suitable sealing and ingress protection on the outer cable sheath.

Fig. 3 & 4 - Inner Sheath Cable Sealing

The ADE 4F and ADE 5F utilize the same proven seal design as for the outer sheath (Fig.8) whilst the ADE 6F utilizes a diaphragm design seal to achieve the desired flame-path protection.

Fig. 5 & 6 - Universal Clamping - Armoured Cable

The ADE 4F, ADE 5F and ADE 6F models all offer universal designs for all types of armoured cable. These include:

- Steel wire armoured (SWA) cable
- Steel tape armoured (STA) cable
- Steel wire braided (SWB) cable
- Braided marine shipboard cable
- Lead sheath armoured cable
- Type P cable

All designs achieve clamping and earth bonding of the armour for all armour types with no reversible components.

Fig. 7 - Lead sheath Armour Cable

The ADE 4F and ADE 5F ranges are suitable for lead sheath armoured cable with the addition of a simple washer.

Fig. 8 - Specially formulated elastomer seal

Ingress Protection

IP Rating

All ADE models incorporate an elastomeric dust cap to prevent dust and solid ingress prior to installation. IP66 protection is achieved through the thread to thread engagement. Additional protection up to IP68 can be achieved through the addition of a sealing washer or thread sealant.

Deluge Protection

All ADE models comply and are certified to the DTS-01 deluge certification.

The ADE 6F incorporates an additional deluge boot seal for enhanced deluge protection in marine / offshore environments.

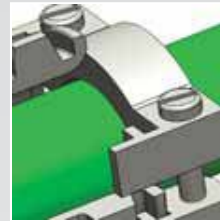


Fig.1

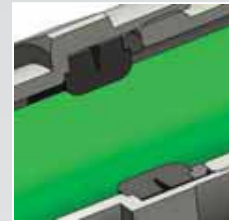


Fig.2

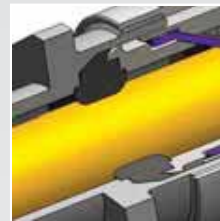


Fig.3



Fig.4

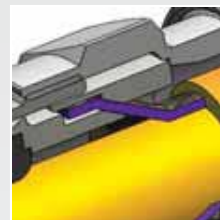


Fig.5

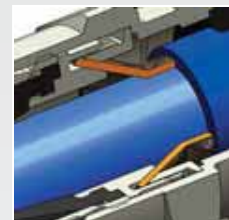


Fig.6



Fig.7



Fig.8

Capri ADE 1F2 - for Non Armoured Cable

Technical Specification



Suitable for the following cable types

- Non-armoured cable
- Marine shipboard cable Type P cable

Certifications and Compliances

Zones 1 and 2 Groups IIA, IIB and IIC

Zones 21 and 22 Groups IIIA, IIIB and IIIC

ATEX Certificate No: INERIS12ATEX0032X

Ex db IIC, Ex db I, Ex eb I, Ex eb IIC, Ex nRc IIC, Ex tb IIIC

IECEX Certificate No: IECEX INE 12.0025X

Class I, Zone 2, AEx e II, Ex e II

cULus Listed: E310130

Marine cULus Listed: E314047

DTS-01:91 Deluge certification

Product Specification

Material:

Nickel-plated brass for superior corrosion resistance.
316 Stainless steel, bronze and aluminium options available.
It is recommended that a suitable lubricant is used on all threads of stainless steel and aluminium versions.

Operating Temperature:

Neoprene seal: -30°C to +80°C

Silicone seal: -60°C to +140°C

Ingress Protection (IP):

Metric Threads:

Fitted on equipment with a flat surface, on threaded hole, or on blank hole ("d" use excluded) fixed by a qualified locknut with all threads engaged:

- IP64 and IP66 without Sealing Washer and surface finish of Ra 0.4µm or on threaded hole and surface finish of Ra 1.6µm max.
- IP64 and IP66 with all Sealing Washers (Red Fibre, Green Fibre, Neoprene, Nylon or PTFE) on surface Ra 6.3µm max.
- IP68 tested 30m/7days with Red Fibre or Green Fibre Sealing Washers on surface Ra 6.3µm max.

NPT Threads:

- IP64, 66 and IP68 tested 30m/7days, always fitted on equipment with threaded hole; HTL lubricant may be needed.

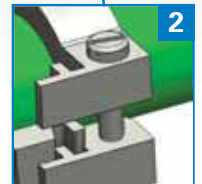
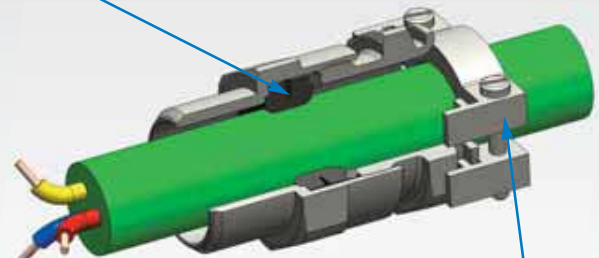
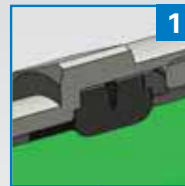
Clamping Technology:

Elastomeric seal on cable outer-sheath

External cable clamping module (optional)



Features & Benefits

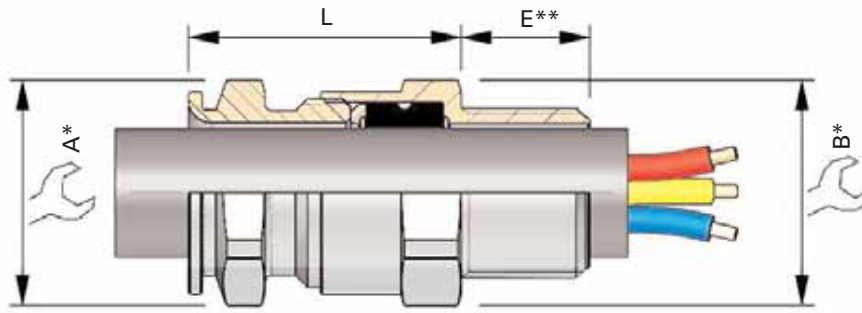


1: Specifically formulated elastomer for IP sealing on outer sheath of cable.

2: Additional external cable clamping for strain relief (optional).

Capri ADE 1F2 - Order Codes & Dimensions

Dimensions



* For 'across corners' dimensions, multiply 'across flats' dimensions by 1.1

** For 'E' see Thread Dimension page 105

SERIES	THREAD SIZE	CABLE SEALING RANGE	MATERIAL	SEALING TYPE	OPTION
ADE1	M25	3	NP	N	

0 = XS	SELECT
1 = S	
2 = M	
3 = L	

VARIANT CODES	
K1	Accessories Kit 1
K2	Accessories Kit 2
K3	Accessories Kit 3
BLANK	No Option
N	Neoprene
S	Silicone
NP	Nickel Plated Brass
SS	Stainless Steel
BZ	Bronze
AL	Aluminium

KIT OPTIONS	
K1	Kit 1 Contents: ● Locknut ● Green Fibre Washer
K2	Kit 2 Contents: ● Locknut ● Green Fibre Washer ● Earth Tag ● Shroud
K3	Kit 3 Contents: ● Locknut ● Green Fibre Washer ● Earth Tag ● Serrated Washer

SERIES	SELECTION TABLE					DIMENSIONS				CAP GLAND SIZE	CAP NUMBER ISO	CAP NUMBER NPT
	THREAD SIZE	THREAD SIZE CODE	THREAD SIZE	THREAD SIZE CODE	CABLE SEALING RANGE	CABLE SEALING RANGE ISO/(NPT)	A	B	L (LENGTH)			
	ISO		NPT		OUTER SHEATH MIN - MAX							
ADE1	12*	M12	1/4"	N025	3	4.5 - 8.0	17	17	25.0	4	CAP806404V1	CAP808404V1
ADE1	16*	M16	3/8"	N038	2	4.5 - 8.5	17	19	25.0	4	CAP806594V1	CAP808594V1
ADE1	16*	M16	3/8"	N038	3	7.0 - 12.0	19	19	27.5	5	CAP806504V1	CAP808504V1
ADE1	20	M20	1/2"	N050	0	2.8 - 5.5	15	24	24.0	3	CAP806664V1	CAP808664V1
ADE1	20	M20	1/2"	N050	1	4.5 - 8.5	17	24	25.0	4	CAP806674V1	CAP808674V1
ADE1	20	M20	1/2"	N050	2	7.0 - 12.0	19	24	27.5	5	CAP806694V1	CAP808694V1
ADE1	20	M20	1/2"	N050	3	10.0 - 16.0 (15.5)	24	24	32.0	6	CAP806604V1	CAP808604V1
ADE1	25	M25	3/4"	N075	1	7.0 - 12.0	19	30	27.5	5	CAP806774V1	CAP808774V1
ADE1	25	M25	3/4"	N075	2	10.0 - 16.0	24	30	32.0	6	CAP806794V1	CAP808794V1
ADE1	25	M25	3/4"	N075	3	13.5 - 20.5	30	30	36.5	7	CAP806704V1	CAP808704V1
ADE1	32	M32	1"	N100	3	18.0 - 27.5 (26.0)	41	41	46.0	8	CAP806804V1	CAP808804V1
ADE1	40	M40	1 1/4"	N125	3	23.0 - 34.0	48	48	50.0	9	CAP806904V1	CAP808904V1
ADE1	50	M50	1 1/2"	N150	1	29.0 - 41.0	55	55	52.0	10	CAP807004V1	CAP809004V1
ADE1	50	M50	2"	N200	2	35.0 - 45.0 (48.0)	64	64	56.5	11	CAP807084V1	CAP809294V1
ADE1	63	M63	2"	N200	3	42.0 - 56.0 (53.0)	72	72	60.0	12	CAP807204V1	CAP809204V1
ADE1	75	M75	2 1/2"	N250	3	50.0 - 65.0 (62.5)	85	85	67.5	13	CAP807304V1	CAP809404V1
ADE1	90	M90	3"	N300	2	58.0 - 74.0	95	95	69.0	14	CAP807594V1	CAP809594V1
ADE1	90	M90	3"	N300	3	66.0 - 83.0 (78.0)	110	110	80.0	15	CAP807504V1	CAP809504V1
ADE1	110	M110	3 1/2"	N350	2	75.0 - 93.0 (92.0)	120	120	80.0	16	CAP807604V1	CAP809604V1
ADE1	110	M110	4"	N400	3	85.0 - 104.0	135	135	90.0	17	CAP807704V1	CAP809704V1

* Not UL certified All dimensions in mm Above CAP product codes for nickel-plated brass model with neoprene seal, refer to page 30 for other options

Capri ADE 1F2 DS - (Double Seal) for Non Armoured Cable

Technical Specification



Suitable for the following cable types

- Non-armoured cable
- Marine shipboard cable Type P cable

Certifications and Compliances

Zones 1 and 2 Groups IIA, IIB and IIC,
Zones 21 and 22 Groups IIIA, IIIB and IIIC

ATEX Certificate No: INERIS12ATEX0032X
II2GD / Ex db IIC/ Ex eb IIC / Ex tb IIIC
II3G Ex nRc IIC, IM2 Ex db I Ex eb I

IECEX Certificate No: IECEX INE 12.0025X

DTS-01:91 Deluge certification

Product Specification

Material:

Nickel-plated brass for superior corrosion resistance.
316 Stainless steel, bronze and aluminium options available.
It is recommended that a suitable lubricant is used on all threads of stainless steel and aluminium versions.

Operating Temperature:

- Neoprene seal: -30°C to +80°C
- Silicone seal: -60°C to +140°C

Ingress Protection (IP):

Metric Threads:

Fitted on equipment with a flat surface, on threaded hole, or on blank hole ("d" use excluded) fixed by a qualified locknut with all threads engaged:

- IP64 and IP66 without Sealing Washer and surface finish of Ra 0.4µm or on threaded hole and surface finish of Ra 1.6µm max.
- IP64 and IP66 with all Sealing Washers (Red Fibre, Green Fibre, Neoprene, Nylon or PTFE) on surface Ra 6.3µm max.
- IP68 tested 30m/7days with Red Fibre or Green Fibre Sealing Washers on surface Ra 6.3µm max.

NPT Threads:

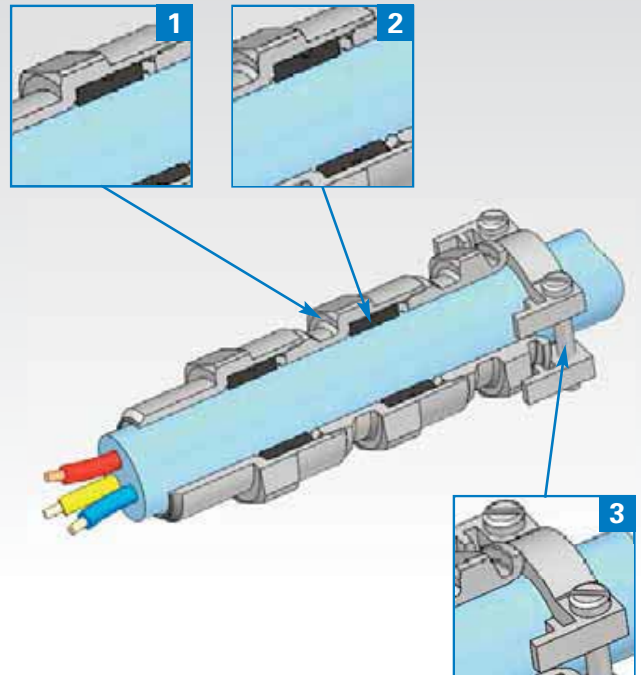
- IP64, 66 and IP68 tested 30m/7days, always fitted on equipment with threaded hole; HTL lubricant may be needed.

Clamping Technology:

Elastomeric seal on cable outer-sheath
External cable clamping module (optional)



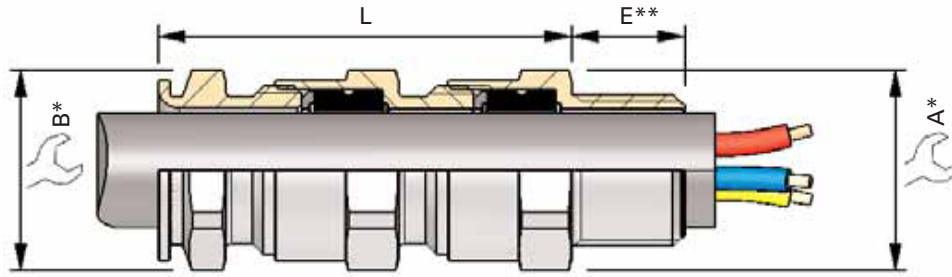
Features & Benefits



- 1: Flameproof and sealing on outer sheath of the cable.
- 2: Environmental sealing and controlled pulling resistance on outer sheath of the cable.
- 3: Additional clamping for strain relief (optional).

Capri ADE 1F2 DS - Order Codes & Dimensions

Dimensions



* For 'across corners' dimensions, multiply 'across flats' dimensions by 1.1

** For 'E' see Thread Dimension page 105

SERIES	THREAD SIZE	CABLE SEALING RANGE	MATERIAL	SEALING TYPE	OPTION
ADE2	M25	3	NP	N	

0 = XS	SELECT
1 = S	
2 = M	
3 = L	

VARIANT CODES	
K1	Accessories Kit 1
K2	Accessories Kit 2
K3	Accessories Kit 3
BLANK	No Option
N	Neoprene
S	Silicone
NP	Nickel Plated Brass
SS	Stainless Steel
BZ	Bronze
AL	Aluminium (not mining)

KIT OPTIONS	
K1	Kit 1 Contents: ● Locknut ● Green Fibre Washer
K2	Kit 2 Contents: ● Locknut ● Green Fibre Washer ● Earth Tag ● Shroud
K3	Kit 3 Contents: ● Locknut ● Green Fibre Washer ● Earth Tag ● Serrated Washer

SELECTION TABLE						DIMENSIONS				CAP GLAND SIZE	CAP NUMBER ISO	CAP NUMBER NPT
SERIES	THREAD SIZE	THREAD SIZE CODE	THREAD SIZE	THREAD SIZE CODE	CABLE SEALING RANGE	CABLE SEALING RANGE ISO/(NPT)	A	B	L (LENGTH)			
	ISO		NPT							OUTER SHEATH MIN - MAX		
ADE2	12	M12	-	-	3	4.5 - 8.0	17	17	42	4	CAP826404V1	-
ADE2	16	M16	-	-	2	4.5 - 8.5	17	19	42	4	CAP826594V1	-
ADE2	16	M16	-	-	3	7.0 - 12.0	19	19	47	5	CAP826504V1	-
ADE2	20	M20	1/2"	N050	0	2.7 - 5.5	15	24	42	3	CAP826654V1	CAP828664V1
ADE2	20	M20	1/2"	N050	1	4.5 - 8.5	17	24	42	4	CAP826664V1	CAP828674V1
ADE2	20	M20	1/2"	N050	2	7.0 - 12.0	19	24	47	5	CAP826674V1	CAP828694V1
ADE2	20	M20	1/2"	N050	3	10.0 - 16.0 (15.5)	24	24	54	6	CAP826684V1	CAP828604V1
ADE2	25	M25	3/4"	N075	1	7.0 - 12.0	19	30	47	5	CAP826764V1	CAP828704V1
ADE2	25	M25	3/4"	N075	2	10.0 - 16.0	24	30	54	6	CAP826774V1	CAP828774V1
ADE2	25	M25	3/4"	N075	3	13.5 - 20.5	30	30	63	7	CAP826784V1	CAP828794V1
ADE2	32	M32	1"	N100	3	18.0 - 27.5 (26.0)	41	41	79	8	CAP826884V1	CAP828804V1
ADE2	40	M40	1 1/4"	N125	3	23.0 - 34.0	48	48	86	9	CAP826984V1	CAP828904V1
ADE2	50	M50	1 1/2"	N150	2	29.0 - 41.0	55	55	90	10	CAP827074V1	CAP829004V1
ADE2	50	M50	2"	N200	3	35.0 - 45.0 (48.0)	64	64	99	11	CAP827084V1	CAP829294V1
ADE2	63	M63	2"	N200	3	42.0 - 56.0 (53.0)	72	72	106	12	CAP827284V1	CAP829204V1
ADE2	75	M75	2 1/2"	N250	3	50.0 - 65.0 (62.5)	85	85	119	13	CAP827304V1	CAP829404V1
ADE2	90	M90	3"	N300	2	58.0 - 74.0	95	95	123	14	CAP827594V1	CAP829594V1
ADE2	90	M90	3"	N300	3	66.0 - 83.0 (78.0)	110	110	139	15	CAP827504V1	CAP829504V1
ADE2	110	M110	3 1/2"	N350	2	75.0 - 93.0 (92.0)	120	120	139	16	CAP827604V1	CAP829604V1
ADE2	110	M110	4"	N400	3	85.0 - 104.0	135	135	156	17	CAP827704V1	CAP829704V1

* Not UL certified All dimensions in mm Above CAP product codes for nickel-plated brass model with neoprene seal, refer to page 30 for other options
For mining applications, please contact us

Capri ADE 1F2 with Integral Clamping Module - for Non Armoured Cable

Technical Specification



Suitable for the following cable types

- Non-armoured cable
- Marine shipboard cable Type P cable

Certifications and Compliances

Zones 1 and 2 Groups I, IIA, IIB and IIC
Zones 21 and 22 Groups IIIA, IIIB and IIIC

ATEX Certificate No: INERIS12ATEX0032X
Ex db I, Ex eb I (for mining applications)
Ex db IIC, Ex eb IIC, Ex nRc IIC, Ex tb IIIC

IECEX Certificate No: IECEX INE 12.0025X

Class I, Zone 2, AEx e II, Ex e II

cULus Listed: E310130

Marine cULus Listed: E314047

DTS-01:91 Deluge certification

Product Specification

Material:

Nickel-plated brass for superior corrosion resistance.
316 Stainless steel, bronze and aluminium options available.
It is recommended that a suitable lubricant is used on all threads of stainless steel and aluminium versions.

Operating Temperature:

- Neoprene seal: -30°C to +80°C
- Silicone seal: -60°C to +140°C

Ingress Protection (IP):

Metric Threads:

Fitted on equipment with a flat surface, on threaded hole, or on blank hole ("d" use excluded) fixed by a qualified locknut with all threads engaged:

- IP64 and IP66 without Sealing Washer and surface finish of Ra 0.4µm or on threaded hole and surface finish of Ra 1.6µm max.
- IP64 and IP66 with all Sealing Washers (Red Fibre, Green Fibre, Neoprene, Nylon or PTFE) on surface Ra 6.3µm max.
- IP68 tested 30m/7days with Red Fibre or Green Fibre Sealing Washers on surface Ra 6.3µm max.

NPT Threads:

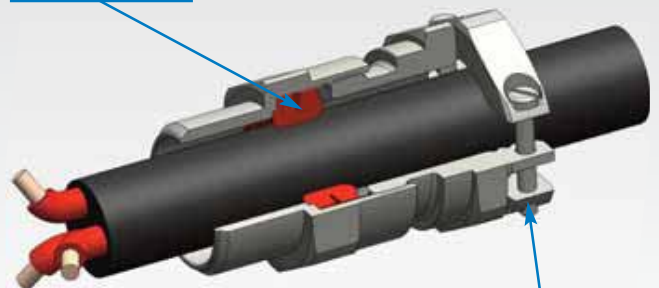
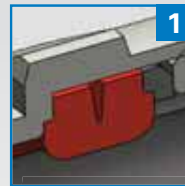
- IP64, 66 and IP68 tested 30m/7days, always fitted on equipment with threaded hole; HTL lubricant may be needed.

Clamping Technology:

Elastomeric seal on cable outer-sheath
External cable clamping



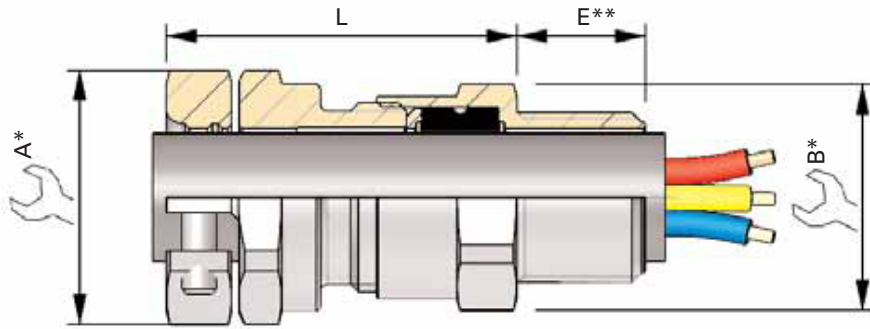
Features & Benefits



- 1: Specifically formulated elastomer for IP sealing on outer sheath of cable.
- 2: Integrated external cable clamping for strain relief.

Capri ADE 1F2 with Integral Clamping Module - Order Codes & Dimensions

Dimensions



* For 'across corners' dimensions, multiply 'across flats' dimensions by 1.1

** For 'E' see Thread Dimension page 105

SERIES	HUB SIZE	CABLE SEALING RANGE	MATERIAL	SEALING TYPE	OPTION
ADE1A	M25	3	NP	N	

0 = XS	SELECT
1 = S	
2 = M	
3 = L	

VARIANT CODES	
K1	Accessories Kit 1
K2	Accessories Kit 2
K3	Accessories Kit 3
BLANK	No Option
N	Neoprene
S	Silicone
NP	Nickel Plated Brass
SS	Stainless Steel
BZ	Bronze
AL	Aluminium (not mining)

KIT OPTIONS	
K1	Kit 1 Contents: ● Locknut ● Green Fibre Washer
K2	Kit 2 Contents: ● Locknut ● Green Fibre Washer ● Earth Tag ● Shroud
K3	Kit 3 Contents: ● Locknut ● Green Fibre Washer ● Earth Tag ● Serrated Washer

SELECTION TABLE						DIMENSIONS				CAP GLAND SIZE	CAP NUMBER ISO	CAP NUMBER NPT	
SERIES	THREAD SIZE	THREAD SIZE CODE	THREAD SIZE	THREAD SIZE CODE	CABLE SEALING RANGE	CABLE SEALING RANGE ISO/(NPT)		A	B				L (LENGTH)
	ISO		NPT			OUTER SHEATH MIN - MAX							
ADE1A	16*	M16	-	-	2	4.5 - 8.5		20	19	32.0	4	CAP036594V1	-
ADE1A	16*	M16	-	-	3	7.0 - 12.0		24	19	35.0	5	CAP036504V1	-
ADE1A	20	M20	1/2"	N050	0	2.8 - 5.5		15	24	28.0	3	CAP036664V1	CAP038664V1
ADE1A	20	M20	1/2"	N050	1	4.5 - 8.5		20	24	32.0	4	CAP036674V1	CAP038674V1
ADE1A	20	M20	1/2"	N050	2	7.0 - 12.0		24	24	35.0	5	CAP036694V1	CAP038694V1
ADE1A	20	M20	1/2"	N050	3	10.0 - 16.0 (15.5)		27	24	40.0	6	CAP036604V1	CAP038604V1
ADE1A	25	M25	3/4"	N075	1	7.0 - 12.0		24	30	40.0	5	CAP036774V1	CAP038774V1
ADE1A	25	M25	3/4"	N075	2	10.0 - 16.0		27	30	40.0	6	CAP036794V1	CAP038794V1
ADE1A	25	M25	3/4"	N075	3	13.5 - 20.5		32	30	45.0	7	CAP036704V1	CAP038704V1
ADE1A	32	M32	1"	N100	3	18.0 - 27.5 (26.0)		41	41	55.0	8	CAP036804V1	CAP038804V1
ADE1A	40	M40	-	-	3	23.0 - 34.0		48	48	59.0	9	CAP036904V1	-

* Not UL certified All dimensions in mm Above CAP product codes for nickel-plated brass model with neoprene seal, refer to page 30 for other options
For mining applications, please contact us

Capri ADE IFC - for Non Armoured Cable

Technical Specification



Suitable for the following cable types

- Non-armoured cable
- Marine shipboard cable Type P cable

Certifications and Compliances

Zones 1 and 2 Groups I, IIA, IIB and IIC
Zones 21 and 22 Groups IIIA, IIIB and IIIC

ATEX Certificate No: INERIS12ATEX0032X
Ex db I, Ex eb I, Ex db IIC, Ex eb IIC, Ex nRc IIC, Ex tb IIIC

IECEX Certificate No: IECEX INE 12.0025X

Class I, Zone 2, AEx de II, Ex de II

cULus Listed: E310130

Class I, Division 2, Groups A, B, C, D

Marine UL Listed: E324850

DTS-01:91 Deluge certification

Product Specification

Material:

Nickel-plated brass for superior corrosion resistance.
316 Stainless steel, bronze and aluminium options available.
It is recommended that a suitable lubricant is used on all threads of stainless steel and aluminium versions.

Operating Temperature:

TSC Compound: -60°C to +80°C
(for UL Marine certification refer to page 96-97)

Ingress Protection (IP):

Metric Threads:

Fitted on equipment with a flat surface, on threaded hole, or on blank hole ("d" use excluded) fixed by a qualified locknut with all threads engaged:

- IP64 and IP66 without Sealing Washer and surface finish of Ra 0.4µm or on threaded hole and surface finish of Ra 1.6µm max.
- IP64 and IP66 with all Sealing Washers (Red Fibre, Green Fibre, Neoprene, Nylon or PTFE) on surface Ra 6.3µm max.
- IP68 tested 30m/7days with Red Fibre or Green Fibre Sealing Washers on surface Ra 6.3µm max.

NPT Threads:

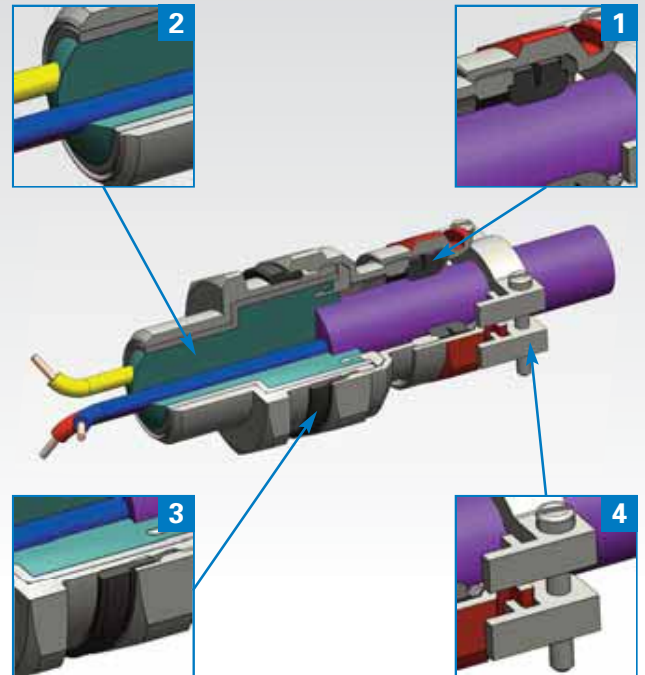
- IP64, 66 and IP68 tested 30m/7days, always fitted on equipment with threaded hole; HTL lubricant may be needed.

Clamping Technology:

Elastomeric seal on cable outer-sheath
Compound barrier seal on cable conductors
External cable clamping module (optional)



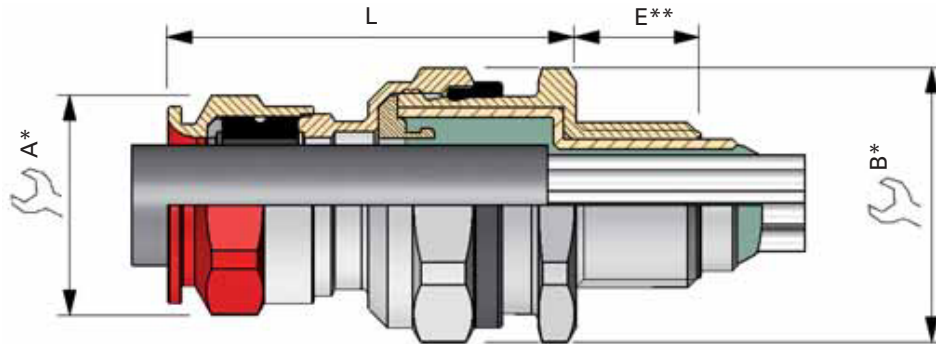
Features & Benefits



- 1: Specifically formulated elastomer for IP sealing on outer sheath of cable.
- 2: Sealing of cable conductors with compound barrier seal.
- 3: Deluge seal provides enhanced ingress protection.
- 4: Additional external cable clamping for strain relief (optional).

Capri ADE IFC - Order Codes & Dimensions

Dimensions



* For 'across corners' dimensions, multiply 'across flats' dimensions by 1.1

** For 'E' see Thread Dimension page 105

SERIES	THREAD SIZE	CABLE SEALING RANGE	MATERIAL	BARRIER	SEALING TYPE	OPTION
ADE1C	M25	3	NP	SC	N	

0 = XS
1 = S
2 = M
3 = L

VARIANT CODES	
K1	Accessories Kit 1
K2	Accessories Kit 2
K3	Accessories Kit 3
FL	Flange (integrated clamping)
BLANK	No Option
N	Neoprene
SC	Solid Compound
NP	Nickel Plated Brass
SS	Stainless Steel
BZ	Bronze
AL	Aluminium (not mining)

KIT OPTIONS	
K1	Kit 1 Contents: • Locknut • Green Fibre Washer
K2	Kit 2 Contents: • Locknut • Green Fibre Washer • Earth Tag • Shroud
K3	Kit 3 Contents: • Locknut • Green Fibre Washer • Earth Tag • Serrated Washer

SELECTION TABLE						DIMENSIONS					CAP GLAND SIZE	CAP NUMBER ISO	CAP NUMBER NPT	
SERIES	THREAD SIZE	THREAD SIZE CODE	THREAD SIZE	THREAD SIZE CODE	CABLE SEALING RANGE	SEALING RANGE MIN - MAX	CONDUCTORS		A	B				L (LENGTH)
							C = Ø MAX OVER CORES	MAX No CORES						
ADE1C	16*	M16	3/8**	N038	3	4.0 - 8.5	6.5	6	15	19	36.0	4	CAP019594V1	CAP011594V1
ADE1C	20	M20	1/2"	N050	1	4.0 - 8.5	6.5	6	15	24	36.0	4	CAP019674V1	CAP011674V1
ADE1C	20	M20	1/2"	N050	2	6.0 - 12.0	9.5	6	19	24	42.0	5	CAP019694V1	CAP011694V1
ADE1C	20	M20	1/2"	N050	3	8.5 - 16.0	12.0	10	24	30	48.0	6	CAP019604V1	CAP011604V1
ADE1C	25	M25	3/4"	N075	2	8.5 - 16.0	12.0	10	24	30	48.0	6	CAP019794V1	CAP011794V1
ADE1C	25	M25	3/4"	N075	3	12.0 - 21.0	17.0	21	30	41	58.0	7	CAP019704V1	CAP011704V1
ADE1C	32	M32	1"	N100	2	12.0 - 21.0	17.0	21	30	41	58.0	7	CAP019894V1	CAP011894V1
ADE1C	32	M32	1"	N100	3	16.0 - 27.5	23.0	42	41	48	70.0	8	CAP019804V1	CAP011804V1
ADE1C	40	M40	1 1/4"	N125	2	16.0 - 27.5	23.0	42	41	48	70.0	8	CAP019994V1	CAP011994V1
ADE1C	40	M40	1 1/4"	N125	3	21.0 - 34.0	29.0	60	48	55	79.0	9	CAP019904V1	CAP011904V1
ADE1C	50	M50	1 1/2"	N150	2	21.0 - 34.0	29.0	60	48	55	79.0	9	CAP019094V1	CAP011094V1
ADE1C	50	M50	2"	N200	1	27.0 - 41.0	36.5	80	55	64	88.0	10	CAP019004V1	CAP011004V1
ADE1C	63	M63	2"	N200	2	33.0 - 48.0	43.0	100	64	72	98.0	11	CAP019294V1	CAP011294V1
ADE1C	63	M63	2"	N200	3	40.0 - 56.0	50.0	100	72	85	103.0	12	CAP019274V1	CAP011204V1
ADE1C	-	-	2 1/2"	N250	2	40.0 - 56.0	50.0	100	72	85	103.0	12	-	CAP011494V1
ADE1C	75	M75	2 1/2"	N250	3	46.0 - 65.0	59.0	120	85	95	111.0	13	CAP019304V1	CAP011404V1
ADE1C	-	-	3"	N300	1	46.0 - 65.0	59.0	120	85	95	111.0	13	-	CAP012504V1
ADE1C	90	M90	3"	N300	2	54.0 - 74.0	66.0	140	95	110	120.0	14	CAP010594V1	CAP012574V1
ADE1C	-	-	3 1/2"	N350	2	54.0 - 74.0	66.0	140	95	110	120.0	14	-	CAP012604V1
ADE1C	90	M90	3"	N300	3	63.0 - 83.0	75.0	140	110	120	125.0	15	CAP010504V1	CAP012594V1
ADE1C	-	-	3 1/2"	N350	3	63.0 - 83.0	75.0	140	110	120	125.0	15	-	CAP012694V1
ADE1C	110	M110	4"	N400	3	72.0 - 93.0	85.0	200	120	135	128.0	16	CAP010794V1	CAP012704V1

* Not UL certified All dimensions in mm Above CAP product codes for nickel-plated brass model with neoprene seal, refer to page 30 for other options

For mining applications, please contact us

Capri ADE 4F - for Armoured Cable

Technical Specification



Suitable for the following cable types

- Steel wire armoured cable (SWA)
- Steel wire braided cable (SWB)
- Steel tape armoured cable (STA)
- Braided marine shipboard cable Type P cable
- Lead sheathed cable (with addition of earthing washer)

Certifications and Compliances

Zones 1 and 2, Groups I, IIA, IIB and IIC
Zones 21 and 22, Groups IIIA, IIIB and IIIC

ATEX Certificate No: INERIS12ATEX0032X
Ex db IIC, Ex db I, Ex eb I, Ex eb IIC, Ex nRc IIC, Ex tb IIIC

IECEX Certificate No: IECEX INE 12.0025X

Class I, Zone 2, AEx e II, EX e II
cULus Listed: E310130

Class I, Zone 1, AEx e II, EX e II
Marine cULus Listed: E314047

DTS-01:91 Deluge certification

Product Specification

Material:

Nickel-plated brass for superior corrosion resistance.
316 Stainless steel, bronze and aluminium options available.
It is recommended that a suitable lubricant is used on all threads of stainless steel and aluminium versions.

Operating Temperature:

Neoprene seal: -30°C to +80°C
Silicone seal: -60°C to +140°C

Ingress Protection (IP):

Metric Threads:

Fitted on equipment with a flat surface, on threaded hole, or on blank hole ("d" use excluded) fixed by a qualified locknut with all threads engaged:

- IP64 and IP66 without Sealing Washer and surface finish of Ra 0.4µm or on threaded hole and surface finish of Ra 1.6µm max.
- IP64 and IP66 with all Sealing Washers (Red Fibre, Green Fibre, Neoprene, Nylon or PTFE) on surface Ra 6.3µm max.
- IP68 tested 30m/7days with Red Fibre or Green Fibre Sealing Washers on surface Ra 6.3µm max.

NPT Threads:

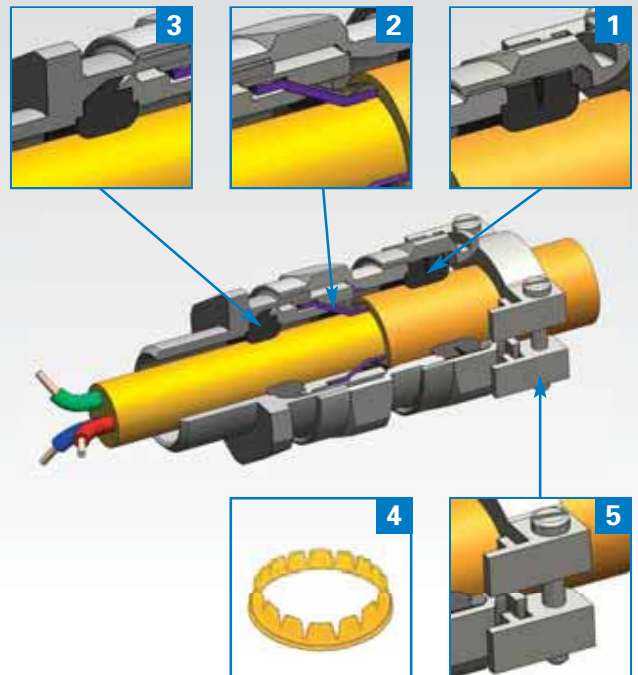
- IP64, 66 and IP68 tested 30m/7days, always fitted on equipment with threaded hole; HTL lubricant may be needed.

Clamping Technology:

Elastomeric seal on cable outer-sheath
Universal armour clamping and bonding for electrical continuity
Elastomeric seal on cable inner-sheath
External cable clamping module (optional)



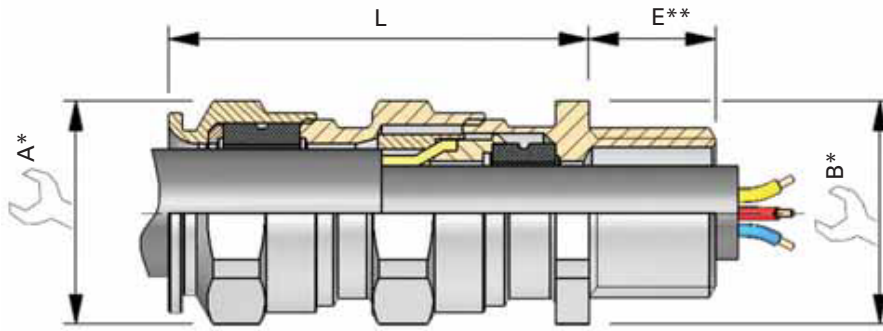
Features & Benefits



- 1: Specifically formulated elastomer for IP sealing on outer sheath of cable.
- 2: Universal clamping design for earthing and bonding of armour shield. Provides mechanical strength and is suitable for all armour shield types, with no requirement to reverse components that may introduce risk of incorrect installation.
- 3: Specifically formulated elastomer for flamepath sealing on inner sheath of the cable.
- 4: Suitable for lead sheath cable with installation of simple washer.
- 5: Additional external cable clamping for strain relief (optional).

Capri ADE 4F - Order Codes & Dimensions

Dimensions



* For 'across corners' dimensions, multiply 'across flats' dimensions by 1.1

** For 'E' see Thread Dimension page 105

SERIES	THREAD SIZE	CABLE SEALING RANGE	MATERIAL	SEALING TYPE	OPTION
ADE4	M25	3	NP	N	

0 = XS	← SELECT
1 = S	
2 = M	
3 = L	

VARIANT CODES	
K1	Accessories Kit 1
K2	Accessories Kit 2
K3	Accessories Kit 3
FL	Flange (integrated clamping)
BLANK	No Option
N	Neoprene
S	Silicone
NP	Nickel Plated Brass
SS	Stainless Steel
BZ	Bronze
AL	Aluminium (not mining)

KIT OPTIONS	
K1	Kit 1 Contents: ● Locknut ● Green Fibre Washer
K2	Kit 2 Contents: ● Locknut ● Green Fibre Washer ● Earth Tag ● Shroud
K3	Kit 3 Contents: ● Locknut ● Green Fibre Washer ● Earth Tag ● Serrated Washer

SERIES	SELECTION TABLE					DIMENSIONS					CAP GLAND SIZE	CAP NUMBER ISO	CAP NUMBER NPT	
	THREAD SIZE	THREAD SIZE CODE	THREAD SIZE	THREAD SIZE CODE	CABLE SEALING RANGE	CABLE SEALING RANGE		ARMOUR RANGE MIN - MAX	A	B				L (LENGTH)
						INNER SHEATH MIN - MAX	OUTER SHEATH MIN - MAX							
ADE4	12*	M12	1/4**	N025	3	4.5 - 8.0	7.0 - 12.0	0.2 - 0.9	19	19	46.0	5	CAP846404V1	CAP848404V1
ADE4	16*	M16	3/8**	N038	1	2.8 - 5.5	4.5 - 8.5	0.2 - 0.9	17	19	41.0	4	CAP846574V1	CAP848574V1
ADE4	16*	M16	3/8**	N038	2	4.5 - 8.0	7.0 - 12.0	0.2 - 0.9	19	19	46.0	5	CAP846594V1	CAP848594V1
ADE4	16*	M16	3/8**	N038	3	7.0 - 12.0	10.0 - 16.0	0.2 - 1.3	24	24	51.0	6	CAP846504V1	CAP848504V1
ADE4	20	M20	1/2"	N050	0	2.8 - 5.5	4.5 - 8.5	0.2 - 0.9	17	24	41.0	4	CAP846654V1	CAP848664V1
ADE4	20	M20	1/2"	N050	1	4.5 - 8.0	7.0 - 12.0	0.2 - 0.9	19	24	46.0	5	CAP846674V1	CAP848674V1
ADE4	20	M20	1/2"	N050	2	7.0 - 12.0	10.0 - 16.0	0.2 - 1.3	30	24	51.0	6	CAP846694V1	CAP848694V1
ADE4	20	M20	1/2"	N050	3	10.0 - 15.5	13.5 - 21.0	0.2 - 1.3	30	30	57.5	7	CAP846604V1	CAP848604V1
ADE4	25	M25	3/4"	N075	1	7.0 - 12.0	10.0 - 16.0	0.2 - 1.3	24	30	51.0	6	CAP846774V1	CAP848774V1
ADE4	25	M25	3/4"	N075	2	10.0 - 15.5	13.5 - 21.0	0.2 - 1.3	30	30	57.5	7	CAP846794V1	CAP848794V1
ADE4	25	M25	3/4"	N075	3	13.5 - 20.5	18.0 - 27.5	0.2 - 1.6	41	41	68.0	8	CAP846704V1	CAP848704V1
ADE4	32	M32	1"	N100	2	13.5 - 21.0	18.0 - 27.5	0.2 - 1.6	41	41	68.0	8	CAP846894V1	CAP848894V1
ADE4	32	M32	1"	N100	3	18.0 - 26.0	23.0 - 34.0	0.2 - 1.6	48	48	76.0	9	CAP846804V1	CAP848804V1
ADE4	40	M40	1 1/4"	N125	2	18.0 - 27.5	23.0 - 34.0	0.2 - 1.6	48	48	76.0	9	CAP846994V1	CAP848994V1
ADE4	40	M40	1 1/4"	N125	3	23.0 - 34.0	29.0 - 41.0	0.2 - 2.0	55	55	88.0	10	CAP846904V1	CAP848904V1
ADE4	50	M50	1 1/2"	N150	2	23.0 - 34.0	29.0 - 41.0	0.2 - 2.0	55	55	88.0	10	CAP847094V1	CAP849094V1
ADE4	50	M50	1 1/2"	N150	3	29.0 - 41.0	35.0 - 48.0	0.2 - 2.5	64	64	97.0	11	CAP847004V1	CAP849004V1
ADE4	63	M63	2"	N200	2	35.0 - 48.0	42.0 - 56.0	0.2 - 2.5	72	72	102.0	12	CAP847294V1	CAP849294V1
ADE4	63	M63	2"	N200	3	42.0 - 53.0	50.0 - 65.0	0.2 - 2.5	85	85	117.0	13	CAP847204V1	CAP849204V1
ADE4	75	M75	2 1/2"	N250	2	42.0 - 56.0	50.0 - 65.0	0.2 - 2.5	85	85	117.0	13	CAP847394V1	CAP849494V1
ADE4	75	M75	2 1/2"	N250	3	50.0 - 62.5	58.0 - 74.0	0.2 - 2.5	95	95	124.0	14	CAP847304V1	CAP849404V1
ADE4	90	M90	3"	N300	1	58.0 - 74.0	66.0 - 83.0	0.2 - 3.2	110	110	133.0	15	CAP847594V1	CAP849594V1
ADE4	90	M90	3"	N300	2	66.0 - 78.0	75.0 - 93.0	0.2 - 3.2	120	120	140.0	16	CAP847504V1	CAP849504V1
ADE4	90	M90	3 1/2"	N350	3	66.0 - 83.0	85.0 - 104.0	0.2 - 3.5	135	135	150.0	17	CAP847574V1	CAP849604V1
ADE4	110	M110	4"	N400	3	75.0 - 93.0	85.0 - 104.0	0.2 - 3.5	135	135	150.0	17	CAP847794V1	CAP849704V1

* Not UL certified All dimensions in mm Above CAP product codes for nickel-plated brass model with neoprene seal, refer to page 30 for other options

For mining applications, please contact us

Capri ADE 5F - for Armoured Cable

Technical Specification



Suitable for the following cable types

- Steel wire armoured cable (SWA)
- Steel wire braided cable (SWB)
- Steel tape armoured cable (STA)
- Braided marine shipboard cable Type P cable
- Lead sheathed cable (with addition of earthing washer)

Certifications and Compliances

Zones 1 and 2, Groups IIA, IIB and IIC,
Zones 21 and 22, Groups IIIA, IIIB and IIIC

ATEX Certificate No: INERIS12ATEX0032X
II2GD / Ex db IIC / Ex eb IIC / Ex tb IIIC
II3G Ex nRc IIC, IM2 Ex db I Ex eb I

IECEX Certificate No: IECEX INE 12.0025X

Product Specification

Material:

Nickel-plated brass for superior corrosion resistance.
316 Stainless steel, bronze and aluminium options available.
It is recommended that a suitable lubricant is used on all threads of stainless steel and aluminium versions.

Operating Temperature:

Neoprene seal: -30°C to +80°C
Silicone seal: -60°C to +140°C

Ingress Protection (IP):

Metric Threads:

Fitted on equipment with a flat surface, on threaded hole, or on blank hole ("d" use excluded) fixed by a qualified locknut with all threads engaged:

- IP64 and IP66 without Sealing Washer and surface finish of Ra 0.4µm or on threaded hole and surface finish of Ra 1.6µm max.
- IP64 and IP66 with all Sealing Washers (Red Fibre, Green Fibre, Neoprene, Nylon or PTFE) on surface Ra 6.3µm max.
- IP68 tested 30m/7days with Red Fibre or Green Fibre Sealing Washers on surface Ra 6.3µm max.

NPT Threads:

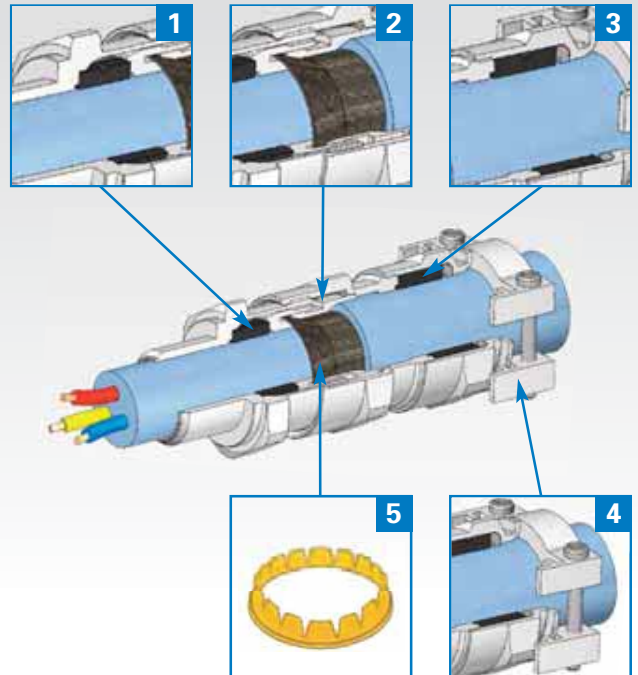
- IP64, 66 and IP68 tested 30m/7days, always fitted on equipment with threaded hole; HTL lubricant may be needed.

Clamping Technology:

Elastomeric seal on cable outer-sheath
Universal armour clamping and bonding for electrical continuity
Elastomeric seal on cable inner-sheath
External cable clamping module (optional)



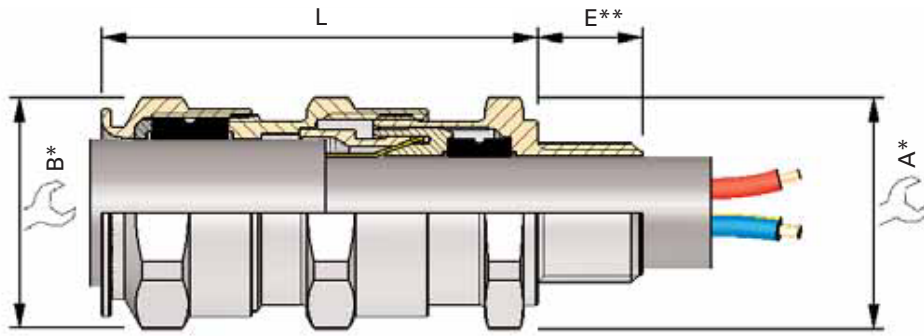
Features & Benefits



- 1: Specifically formulated elastomer for flamepath sealing on inner sheath of cable.
- 2: Universal and inspectable armour clamping and grounding system.
- 3: Specifically formulated elastomer for IP sealing on outer sheath of cable.
- 4: Additional external cable clamping for strain relief (optional).
- 5: Suitable for lead sheath cable with installation of simple washer (optional).

Capri ADE 5F - Order Codes & Dimensions

Dimensions



* For 'across corners' dimensions, multiply 'across flats' dimensions by 1.1

** For 'E' see Thread Dimension page 105

SERIES	THREAD SIZE	CABLE SEALING RANGE	MATERIAL	SEALING TYPE	OPTION
ADE5	M25	3	NP	N	

0 = XS
1 = S
2 = M
3 = L

VARIANT CODES	
K1	Accessories Kit 1
K2	Accessories Kit 2
K3	Accessories Kit 3
FL	Flange (integrated clamping)
BLANK	No Option
N	Neoprene
S	Silicone
NP	Nickel Plated Brass
SS	Stainless Steel
BZ	Bronze
AL	Aluminium (not mining)

KIT OPTIONS	
K1	Kit 1 Contents: ● Locknut ● Green Fibre Washer
K2	Kit 2 Contents: ● Locknut ● Green Fibre Washer ● Earth Tag ● Shroud
K3	Kit 3 Contents: ● Locknut ● Green Fibre Washer ● Earth Tag ● Serrated Washer

SERIES	SELECTION TABLE					DIMENSIONS						CAP GLAND SIZE	CAP NUMBER ISO	CAP NUMBER NPT
	THREAD SIZE	THREAD SIZE CODE	THREAD SIZE	THREAD SIZE CODE	CABLE SEALING RANGE	CABLE SEALING RANGE		ARMOUR RANGE MIN - MAX	A	B	L (LENGTH)			
						INNER SHEATH MIN - MAX	OUTER SHEATH MIN - MAX							
ADE5	12*	M12	1/4"	N025	3	4.5 - 8.0	7.0 - 12.0	0.2 - 0.9	19	19	55.0	5	CAP856404V1	CAP858404V1
ADE5	16*	M16	-	-	1	2.7 - 5.5	4.5 - 8.5	0.2 - 0.9	17	19	50.0	4	CAP856574V1	-
ADE5	16*	M16	3/8"	N038	2	4.5 - 8.0	7.0 - 12.0	0.2 - 0.9	19	19	55.0	5	CAP856594V1	CAP858594V1
ADE5	16*	M16	3/8"	N038	3	7.0 - 12.0	10.0 - 16.0	0.2 - 1.2	24	24	57.0	6	CAP856504V1	CAP858504V1
ADE5	20	M20	1/2"	N050	0	2.7 - 5.5	4.5 - 8.5	0.2 - 0.9	17	24	50.0	4	CAP856654V1	CAP858664V1
ADE5	20	M20	1/2"	N050	1	4.5 - 8.0	7.0 - 12.0	0.2 - 0.9	19	24	55.0	5	CAP856674V1	CAP858674V1
ADE5	20	M20	1/2"	N050	2	7.0 - 12.0	10.0 - 16.0	0.2 - 1.2	24	24	57.0	6	CAP856694V1	CAP858694V1
ADE5	20	M20	1/2"	N050	3	10.0 - 15.5	13.5 - 21.0	0.2 - 1.2	30	30	64.0	7	CAP856604V1	CAP858604V1
ADE5	25	M25	3/4"	N075	1	7.0 - 12.0	10.0 - 16.0	0.2 - 1.2	24	30	57.0	6	CAP856774V1	CAP858774V1
ADE5	25	M25	3/4"	N075	2	10.0 - 15.5	13.5 - 21.0	0.2 - 1.2	30	30	64.0	7	CAP856794V1	CAP858794V1
ADE5	25	M25	3/4"	N075	3	13.5 - 20.5	18.0 - 27.5	0.2 - 1.6	41	41	75.0	8	CAP856704V1	CAP858704V1
ADE5	32	M32	1"	N100	2	13.5 - 21.0	18.0 - 27.5	0.2 - 1.6	41	41	75.0	8	CAP856894V1	CAP858894V1
ADE5	32	M32	1"	N100	3	18.0 - 26.0	23.0 - 34.0	0.2 - 1.6	48	48	83.0	9	CAP856804V1	CAP858804V1
ADE5	40	M40	1 1/4"	N125	2	18.0 - 27.5	23.0 - 34.0	0.2 - 1.6	48	48	83.0	9	CAP856994V1	CAP858994V1
ADE5	40	M40	1 1/4"	N125	3	23.0 - 34.0	29.0 - 41.0	0.2 - 2.0	55	55	90.0	10	CAP856904V1	CAP858904V1
ADE5	50	M50	1 1/2"	N150	2	23.0 - 34.0	29.0 - 41.0	0.2 - 2.0	55	55	90.0	10	CAP857094V1	CAP859094V1
ADE5	50	M50	1 1/2"	N150	3	29.0 - 41.0	35.0 - 48.0	0.2 - 2.5	64	64	99.0	11	CAP857004V1	CAP859004V1
ADE5	63	M63	2"	N200	2	35.0 - 48.0	42.0 - 56.0	0.2 - 2.5	72	72	108.0	12	CAP857294V1	CAP859294V1
ADE5	63	M63	2"	N200	3	42.0 - 53.0	50.0 - 65.0	0.2 - 2.5	85	85	120.0	13	CAP857204V1	CAP859204V1
ADE5	75	M75	2 1/2"	N250	2	42.0 - 56.0	50.0 - 65.0	0.2 - 2.5	85	85	120.0	13	CAP857394V1	CAP859494V1
ADE5	75	M75	2 1/2"	N250	3	50.0 - 62.5	58.0 - 74.0	0.2 - 2.5	95	95	128.0	14	CAP857304V1	CAP859404V1
ADE5	90	M90	3"	N300	2	58.0 - 74.0	66.0 - 83.0	0.2 - 3.1	110	110	150.0	15	CAP857594V1	CAP859594V1
ADE5	90	M90	3"	N300	3	66.0 - 78.0	75.0 - 93.0	0.2 - 3.1	120	120	160.0	16	CAP857504V1	CAP859504V1
ADE5	90	M90	3 1/2"	N350	3	66.0 - 83.0	85.0 - 104.0	0.2 - 3.5	135	135	172.0	17/16	CAP857584V1	CAP859604V1
ADE5	110	M110	4"	N400	3	75.0 - 93.0	85.0 - 104.0	0.2 - 3.5	135	135	172.0	17	CAP857794V1	CAP859704V1

* Not UL certified All dimensions in mm Above CAP product codes for nickel-plated brass model with neoprene seal, refer to page 30 for other options

For mining applications, please contact us

Capri ADE 6F - for Armoured Cable

Technical Specification



Suitable for the following cable types

- Steel wire armoured cable (SWA)
- Steel wire braided cable (SWB)
- Steel tape armoured cable (STA)
- Braided marine shipboard cable Type P cable

Certifications and Compliances

Zones 1 and 2, Groups IIA, IIB and IIC
Zones 21 and 22, Groups IIIA, IIIB and IIIC

ATEX Certificate No: INERIS12ATEX0032X
EX db IIC, Ex eb IIC, Ex nRc IIC, Ex tb IIIC

IECEX Certificate No: IECEX INE 12.0025X

Class I, Zone 2, AEx e II, Ex e II

cULus Listed: E310130

Class I, Zone 1, AEx e II, Ex e II

Marine cULus Listed: E314047

DTS-01 Deluge certification

Product Specification

Material:

Nickel-plated brass for superior corrosion resistance.
316 Stainless steel, bronze and aluminium options available.
It is recommended that a suitable lubricant is used on all threads of stainless steel and aluminium versions.

Operating Temperature:

Silicone seal: -60°C to +80°C

Ingress Protection (IP):

Metric Threads:

Fitted on equipment with a flat surface, on threaded hole, or on blank hole ("d" use excluded) fixed by a qualified locknut with all threads engaged:

- IP64 and IP66 without Sealing Washer and surface finish of Ra 0.4µm or on threaded hole and surface finish of Ra 1.6µm max.
- IP64 and IP66 with all Sealing Washers (Red Fibre, Green Fibre, Neoprene, Nylon or PTFE) on surface Ra 6.3µm max.
- IP68 tested 30m/7days with Red Fibre or Green Fibre Sealing Washers on surface Ra 6.3µm max.

NPT Threads:

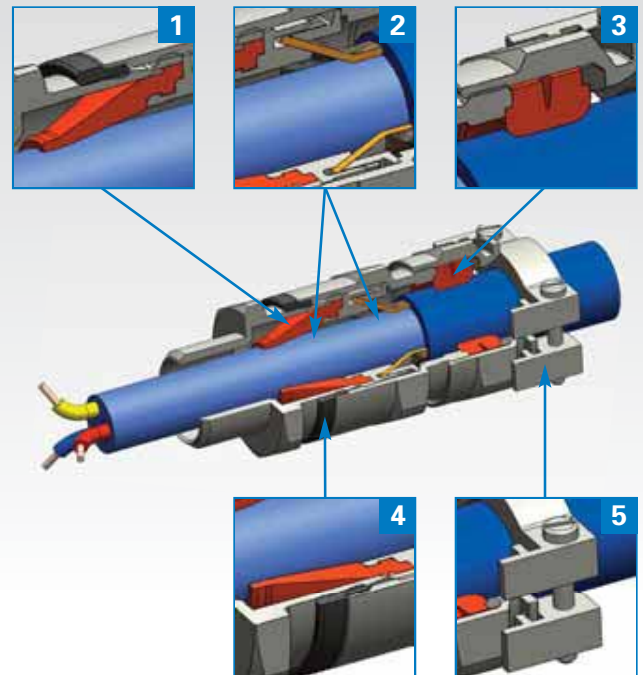
- IP64, 66 and IP68 tested 30m/7days, always fitted on equipment with threaded hole; HTL lubricant may be needed.

Clamping Technology:

Elastomeric seal on cable outer-sheath
Universal armour clamping and bonding for electrical continuity
Cold Flow Protection Diaphragm seal on cable inner-sheath
External cable clamping module (optional)



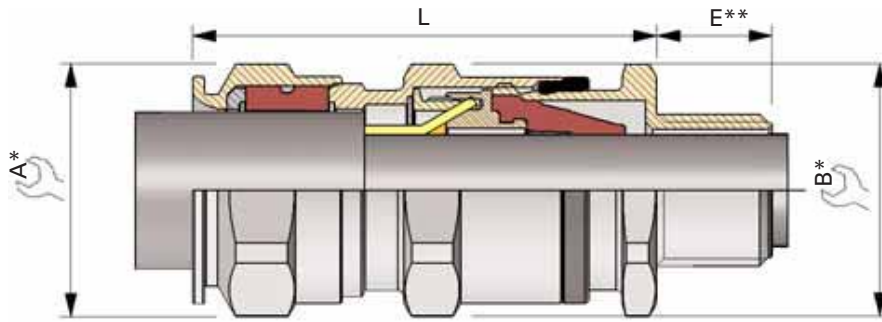
Features & Benefits



- 1: Specifically formulated diaphragm seal offers cold flow protection when required and sealing on cable inner sheath.
- 2: Universal clamping design for earthing and bonding of armour shield. Provides mechanical strength and is suitable for all armour shield types, with no requirement to reverse components that may introduce risk of incorrect installation. Fully inspectable.
- 3: Specifically formulated elastomer for IP sealing on outer sheath of cable.
- 4: Deluge performance to avoid water ingress through the thread.
- 5: Additional external cable clamping for strain relief (optional).

Capri ADE 6F - Order Codes & Dimensions

Dimensions



* For 'across corners' dimensions, multiply 'across flats' dimensions by 1.1

** For 'E' see Thread Dimension page 105

SERIES	THREAD SIZE	CABLE SEALING RANGE	MATERIAL	SEALING TYPE	OPTION
ADE6	M25	3	NP	S	

0 = XS	
1 = S	
2 = M	
3 = L	

VARIANT CODES	
K1	Accessories Kit 1
K2	Accessories Kit 2
K3	Accessories Kit 3
FL	Flange (integrated clamping)
BLANK	No Option
S	Silicone
NP	Nickel Plated Brass
SS	Stainless Steel
BZ	Bronze
AL	Aluminium

KIT OPTIONS	
K1	Kit 1 Contents: ● Locknut ● Green Fibre Washer
K2	Kit 2 Contents: ● Locknut ● Green Fibre Washer ● Earth Tag ● Shroud
K3	Kit 3 Contents: ● Locknut ● Green Fibre Washer ● Earth Tag ● Serrated Washer

SELECTION TABLE						DIMENSIONS						CAP GLAND SIZE	CAP NUMBER ISO	CAP NUMBER NPT
SERIES	THREAD SIZE	THREAD SIZE CODE	THREAD SIZE	THREAD SIZE CODE	CABLE SEALING RANGE	CABLE SEALING RANGE		ARMOUR RANGE MIN - MAX	A	B	L (LENGTH)			
						INNER SHEATH MIN - MAX	OUTER SHEATH MIN - MAX							
	ISO		NPT											
ADE6	16*	M16	3/8**	N038	3	3.0 - 7.5	6.0 - 12.0	0.2 - 0.9	19	19	47.5	5	CAP965595V1	CAP967595V1
ADE6	20	M20	1/2"	N050	1	3.0 - 7.5	6.0 - 12.0	0.2 - 0.9	19	19	47.5	5	CAP965675V1	CAP967675V1
ADE6	20	M20	1/2"	N050	2	6.5 - 11.0	8.5 - 16.0	0.2 - 1.3	24	24	54.5	6	CAP965695V1	CAP967695V1
ADE6	20	M20	1/2"	N050	3	9.0 - 14.5	12.0 - 21.0	0.2 - 1.3	30	30	60.5	7	CAP965605V1	CAP967605V1
ADE6	25	M25	3/4"	N075	2	9.0 - 14.5	12.0 - 21.0	0.2 - 1.3	30	30	60.5	7	CAP965795V1	CAP967795V1
ADE6	25	M25	3/4"	N075	3	12.0 - 19.5	16.0 - 27.5	0.2 - 1.6	41	41	74.0	8	CAP965705V1	CAP967705V1
ADE6	32	M32	1"	N100	2	12.0 - 19.5	16.0 - 27.5	0.2 - 1.6	41	41	74.0	8	CAP965895V1	CAP967895V1
ADE6	32	M32	1"	N100	3	17.5 - 26.0	21.0 - 34.0	0.2 - 1.6	48	48	83.0	9	CAP965805V1	CAP967805V1
ADE6	40	M40	1 1/4"	N125	2	17.5 - 26.0	21.0 - 34.0	0.2 - 1.6	48	48	83.0	9	CAP965995V1	CAP967995V1
ADE6	40	M40	1 1/4"	N125	3	23.0 - 33.0	27.0 - 41.0	0.2 - 2.0	55	55	92.0	10	CAP965905V1	CAP967905V1
ADE6	50	M50	1 1/2"	N150	2	23.0 - 33.0	27.0 - 41.0	0.2 - 2.0	55	55	92.0	10	CAP966095V1	CAP968095V1
ADE6	50	M50	2"	N200	3	28.5 - 41.0	33.0 - 48.0	0.2 - 2.5	64	64	104.0	11	CAP966005V1	CAP968295V1

* Not UL certified All dimensions in mm Above CAP product codes for nickel-plated brass model with silicone seal, refer to page 30 for other options

Capri ADE 6FC - for Armoured Cable

Technical Specification



Suitable for the following cable types

- Steel wire armoured cable (SWA)
- Steel wire braided cable (SWB)
- Steel tape armoured cable (STA)
- Braided marine shipboard cable Type P cable

Certifications and Compliances

Zones 1 and 2, Groups I, IIA, IIB and IIC
Zones 21 and 22, Groups IIIA, IIIB and IIIC

ATEX Certificate No: INERIS12ATEX0032X
Ex db I, Ex eb I, Ex db IIC, Ex eb IIC, Ex nRc IIC, Ex tb IIIC

IECEX Certificate No: IECEX INE 12.0025X

Class I, Zone 2, AEx de II, Ex de II

cULus Listed: E310130

Class I, Division 1, Groups A, B, C and D

Marine UL Listed: E324850

DTS-01 Deluge certification

Product Specification

Material:

Nickel-plated brass for superior corrosion resistance.
316 Stainless steel, bronze and aluminium options available.
It is recommended that a suitable lubricant is used on all threads of stainless steel and aluminium versions.

Operating Temperature:

TSC Compound: -60°C to +80°C
(for UL Marine certification refer to page 96-97)

Ingress Protection (IP):

Metric Threads:

Fitted on equipment with a flat surface, on threaded hole, or on blank hole ("d" use excluded) fixed by a qualified locknut with all threads engaged:

- IP64 and IP66 without Sealing Washer and surface finish of Ra 0.4µm or on threaded hole and surface finish of Ra 1.6µm max.
- IP64 and IP66 with all Sealing Washers (Red Fibre, Green Fibre, Neoprene, Nylon or PTFE) on surface Ra 6.3µm max.
- IP68 tested 30m/7days with Red Fibre or Green Fibre Sealing Washers on surface Ra 6.3µm max.

NPT Threads:

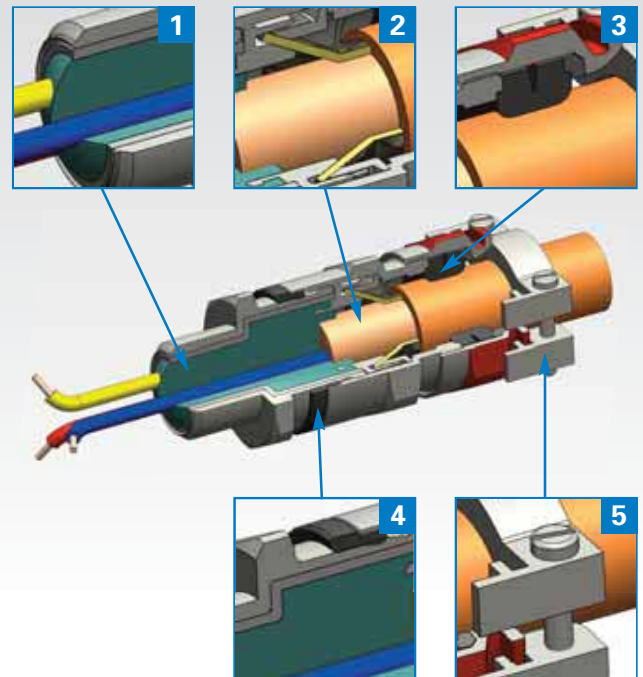
- IP64, 66 and IP68 tested 30m/7days, always fitted on equipment with threaded hole; HTL lubricant may be needed.

Clamping Technology:

Elastomeric seal on cable outer-sheath
Compound barrier seal on cable conductors
Universal armour clamping and bonding for electrical continuity
External cable clamping module (optional)



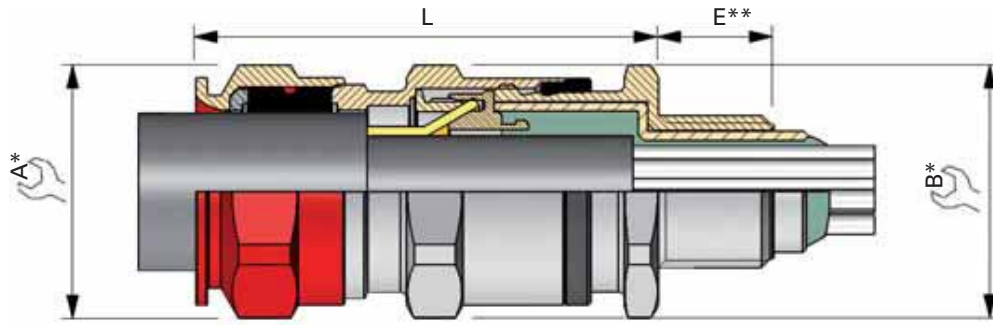
Features & Benefits



- 1: Sealing of cable conductors with compound barrier seal.
- 2: Universal clamping design for earthing and bonding of armour shield. Provides mechanical strength and is suitable for all armour shield types, with no requirement to reverse components that may introduce risk of incorrect installation. Fully inspectable.
- 3: Specifically formulated elastomer for IP sealing on outer sheath of cable
- 4: Deluge performance to avoid water ingress through the thread
- 5: Additional external cable clamping for strain relief (optional).

Capri ADE 6FC - Order Codes & Dimensions

Dimensions



* For 'across corners' dimensions, multiply 'across flats' dimensions by 1.1

** For 'E' see Thread Dimension page 105

SERIES	THREAD SIZE	CABLE SEALING RANGE	MATERIAL	BARRIER	SEALING TYPE	OPTION
ADE6C	M25	3	NP	SC	N	

VARIANT CODES	
K1	Accessories Kit 1
K2	Accessories Kit 2
K3	Accessories Kit 3
FL	Flange (integrated clamping)
BLANK	No Option
N	Neoprene
SC	Solid Compound
NP	Nickel Plated Brass
SS	Stainless Steel
BZ	Bronze
AL	Aluminium (not mining)

KIT OPTIONS	
K1	Kit 1 Contents: • Locknut • Green Fibre Washer
K2	Kit 2 Contents: • Locknut • Green Fibre Washer • Earth Tag • Shroud
K3	Kit 3 Contents: • Locknut • Green Fibre Washer • Earth Tag • Serrated Washer

- 0 = XS
- 1 = S
- 2 = M
- 3 = L

SELECTION TABLE						DIMENSIONS							CAP GLAND SIZE	CAP NUMBER ISO	CAP NUMBER NPT	
SERIES	THREAD SIZE	THREAD SIZE CODE	THREAD SIZE	THREAD SIZE CODE	CABLE SEALING RANGE	OUTER SHEATH MIN - MAX	CONDUCTORS			MAX ARMOUR THICKNESS	A	B				L (LENGTH)
	ISO		NPT				C=Ø MAX COVER CORES	Ø MAX INNER SHEATH	MAX No OF CORES							
ADE6C	16*	M16	3/8**	N038	3	6.0 - 12.0	6.5	8.0	6	0.9	19	19	47.5	5	CAP969594V1	CAP971594V1
ADE6C	20	M20	1/2"	N050	1	6.0 - 12.0	6.5	8.0	6	0.9	19	24	47.5	5	CAP969674V1	CAP971674V1
ADE6C	20	M20	1/2"	N050	2	8.5 - 16.0	9.5	12.0	6	1.2	24	24	54.5	6	CAP969694V1	CAP971694V1
ADE6C	20	M20	1/2"	N050	3	12.0 - 21.0	12.0	16.0	10	1.2	30	30	60.5	7	CAP969604V1	CAP971604V1
ADE6C	25	M25	3/4"	N075	2	12.0 - 21.0	12.0	16.0	10	1.2	30	30	60.5	7	CAP969794V1	CAP971794V1
ADE6C	25	M25	3/4"	N075	3	16.0 - 27.5	17.0	21.0	21	1.6	41	41	74.0	8	CAP969704V1	CAP971704V1
ADE6C	32	M32	1"	N100	2	16.0 - 27.5	17.0	21.0	21	1.6	41	41	74.0	8	CAP969894V1	CAP971894V1
ADE6C	32	M32	1"	N100	3	21.0 - 34.0	23.0	27.5	42	1.6	48	48	83.0	9	CAP969804V1	CAP971804V1
ADE6C	40	M40	1 1/4"	N125	2	21.0 - 34.0	23.0	27.5	42	1.6	48	48	83.0	9	CAP969994V1	CAP971994V1
ADE6C	40	M40	1 1/4"	N125	3	27.0 - 41.0	29.0	34.0	60	2.0	55	55	92.0	10	CAP969904V1	CAP971904V1
ADE6C	50	M50	1 1/2"	N150	2	27.0 - 41.0	29.0	34.0	60	2.0	55	55	92.0	10	CAP970094V1	CAP972094V1
ADE6C	50	M50	2"	N200	1	33.0 - 48.0	36.5	41.0	80	2.5	64	64	104.0	11	CAP970004V1	CAP972294V1
ADE6C	63	M63	2"	N200	2	40.0 - 56.0	43.0	48.0	100	2.5	72	72	108.0	12	CAP970294V1	CAP972274V1
ADE6C	63	M63	2"	N200	3	46.0 - 65.0	50.0	56.0	100	2.5	85	85	118.0	13	CAP970204V1	CAP972204V1
ADE6C	75	M75	2 1/2"	N250	2	46.0 - 65.0	50.0	56.0	100	2.5	85	85	118.0	13	CAP970394V1	CAP972494V1
ADE6C	75	M75	2 1/2"	N250	3	54.0 - 74.0	59.0	65.0	120	2.5	95	95	124.0	14	CAP970304V1	CAP972404V1
ADE6C	-	-	3"	N300	1	54.0 - 74.0	59.0	65.0	120	2.5	95	95	124.0	14	-	CAP972574V1
ADE6C	90	M90	3"	N300	2	63.0 - 83.0	66.0	73.0	140	3.1	110	110	133.0	15	CAP970594V1	CAP972594V1
ADE6C	-	-	3 1/2"	N350	2	63.0 - 83.0	66.0	73.0	140	3.1	110	110	133.0	15	-	CAP972694V1
ADE6C	90	M90	TBC	N300	3	72.0 - 93.0	75.0	82.0	140	3.1	120	120	137.0	16	CAP970504V1	CAP972504V1
ADE6C	-	-	TBC	N350	3	72.0 - 93.0	75.0	82.0	140	3.1	120	120	137.0	16	-	CAP972604V1
ADE6C	110	M110	4"	N400	3	85.0 - 104.0	85.0	92.0	200	3.5	135	135	142.0	17	CAP970794V1	CAP972704V1

* Not UL certified All dimensions in mm Above CAP product codes for nickel-plated brass model with neoprene seal, refer to page 30 for other options

Capri ADE Cable Gland - Accessories & Kits

ADE External Clamping Module - available with all ADE range



SELECTION TABLE					REFERENCE
CABLE RANGE	SIZE	FOR HEXAGON	WIDTH	THICKNESS	
2.8 - 5.5	3	15	18.0	5.0	CAP810334
4.0 - 8.5	4	17	20.0	5.0	CAP810444
6.0 - 11.0	5	19	22.0	5.0	CAP810534
8.5 - 16.0	6	24	27.5	6.0	CAP810634
12.0 - 21.0	7	30	33.5	8.0	CAP810734
16.0 - 27.5	8	41	45.0	8.0	CAP810834
21.0 - 34.0	9	48	52.0	9.5	CAP810934
27.0 - 41.0	10	55	59.0	9.5	CAP811034
33.0 - 48.0	11	64	69.0	12.0	CAP811134
40.0 - 56.0	12	72	78.0	12.0	CAP811234
47.0 - 65.0	13	85	92.0	16.0	CAP811334
54.0 - 74.0	14	95	103.0	16.0	CAP811434
63.0 - 83.0	15	110	118.0	18.0	CAP811534
72.0 - 93.0	16	120	128.0	18.0	CAP811634

ADE CLAMPING MODULE – Material : nickel-plated brass and stainless steel washer and screws.
All dimensions in mm.

ADE 4F and 5F Lead Sheath Washer



SELECTION TABLE			REFERENCE
GLAND SIZE	OUTER LEAD SHEATH		
	MIN	MAX	
5	4.5	7.5	CAP560530
6	7.0	11.0	CAP560630
7	10.0	15.0	CAP560730
8	13.5	20.0	CAP560830
9	18.0	26.5	CAP560930
10	23.0	32.5	CAP561030
11	29.0	39.5	CAP561130
12	35.0	46.5	CAP561230
13	42.0	54.5	CAP561330
14	50.0	61.0	CAP561430
15	58.0	72.5	CAP561530
16	66.0	81.5	CAP561630

ADE 4F and 5F LEAD SHEATH WASHER – Material : Natural brass.
All dimensions in mm.

ADE - CAP Standard Kits



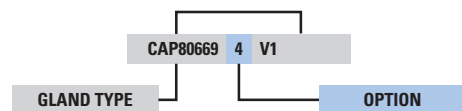
K1, K2 and K3 kits are available for all of the ADE range. K1 kits are also suitable for the NEWCAP range

Technical Note:

NPT kits are available, however please note the following guidelines:
IEC 60079-14 Ed. 4.0 - Section 9.3.10 Connections of cables to equipment.

Cable glands with tapered threads shall not be used in enclosures having gland plates with unthreaded entries.

ORDERING EXAMPLE



CAP NUMBER MATERIAL CODES

4	Nickel Plated Brass with Neoprene Seal
5	Nickel Plated Brass with Silicone Seal
6	Stainless Steel with Silicone Seal
7	Aluminium (on demand)
8	Bronze (on demand)
9	Stainless Steel with Neoprene Seal

For material options, replace the last digit of the gland CAP code before the 'V1' suffix; for example:

CAP806694V1 = ADE 1F2 M20 size 5 Nickel Plated Brass with Neoprene Seal

Change the digit before the 'V1' suffix:

CAP806699V1 = ADE 1F2 M20 size 5 Stainless Steel with Neoprene Seal

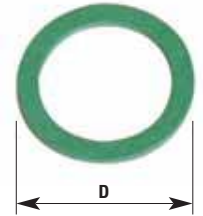
Capri - Accessories

ISO - METRIC SELECTION TABLE			
GASKET			GREEN FIBRE REFERENCE
THREAD SIZE	D	E THICKNESS	
10	15	1.2	CAP221045
12	18	1.2	CAP221245
16	22	1.2	CAP221645
20	27	1.2	CAP222045
25	35	1.5	CAP222545
32	43	1.5	CAP223245
40	55	1.5	CAP224045
50	69	1.5	CAP225045
63	82	2.0	CAP226345
75	94	2.0	CAP227545
90	110	2.0	CAP229045
110	130	2.0	CAP221145

All dimensions in mm.

NPT - SELECTION TABLE			
GASKET			GREEN FIBRE REFERENCE
THREAD SIZE	D	E THICKNESS	
1/4"	18	1.5	CAP239014
3/8"	22	1.5	CAP239038
1/2"	31	1.5	CAP239012
3/4"	35	1.5	CAP239034
1"	43	1.5	CAP239010
1 1/4"	59	1.5	CAP239114
1 1/2"	69	1.5	CAP239112
2"	79	2.0	CAP239020
2 1/2"	94	2.0	CAP239212
3"	110	2.0	CAP239300
3 1/2"	119	2.0	CAP239312
4"	130	2.0	CAP239414

All dimensions in mm.

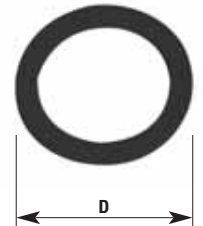


ISO - METRIC SELECTION TABLE			
GASKET			NEOPRENE REFERENCE
THREAD SIZE	D	E THICKNESS	
10	15	1.2	CAP221049
12	18	1.2	CAP221249
16	22	1.2	CAP221649
20	24	1.2	CAP222049
25	30	1.5	CAP222549
32	42	1.5	CAP223249
40	52	1.5	CAP224049
50	63	1.5	CAP225049
63	7	2.0	CAP226349
75	90	2.0	CAP227549
90	106	2.0	CAP229049
110	126	2.0	CAP221149

All dimensions in mm.

NPT - SELECTION TABLE			
GASKET			NEOPRENE REFERENCE
THREAD SIZE	D	E THICKNESS	
1/4"	20	1.5	CAP229014
3/8"	22	1.5	CAP229038
1/2"	27	1.5	CAP229012
3/4"	33	1.5	CAP229034
1"	41	1.5	CAP229010
1 1/4"	52	1.5	CAP229114
1 1/2"	57	1.5	CAP229112
2"	71	2.0	CAP229020
2 1/2"	85	2.0	CAP229212
3"	104	2.0	CAP229300
3 1/2"	120	2.0	CAP229312
4"	130	2.0	CAP229414

All dimensions in mm.

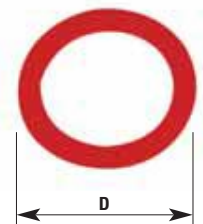


ISO - METRIC SELECTION TABLE			
GASKET			RED FIBRE REFERENCE
THREAD SIZE	D	E THICKNESS	
10	15	1.5	CAP221041
12	18	1.5	CAP221241
16	22	1.5	CAP221641
20	27	1.5	CAP222541
25	35	1.5	CAP222541
32	43	1.5	CAP223241
40	55	1.5	CAP224041
50	69	1.5	CAP225041
63	82	1.5	CAP226341
75	94	1.5	CAP227541
90	110	1.5	CAP229041
110	130	1.5	CAP221141

All dimensions in mm.

NPT - SELECTION TABLE			
GASKET			RED FIBRE REFERENCE
THREAD SIZE	D	E THICKNESS	
1/4"	18	1.5	CAP219014
3/8"	22	1.5	CAP219038
1/2"	31	1.5	CAP219012
3/4"	35	1.5	CAP219034
1"	43	1.5	CAP219010
1 1/4"	59	1.5	CAP219114
1 1/2"	69	1.5	CAP219112
2"	79	1.5	CAP219020
2 1/2"	94	1.5	CAP219212
3"	110	1.5	CAP219300
3 1/2"	119	1.5	CAP219312
4"	130	1.5	CAP219414

All dimensions in mm.



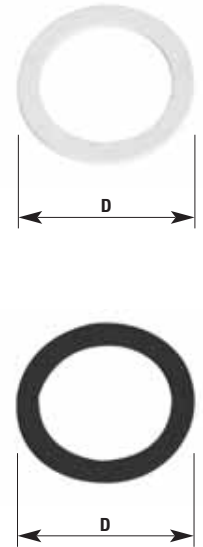
Capri - Accessories

WHITE NYLON WASHERS			
GASKET			WHITE NYLON REFERENCE
THREAD SIZE	D	E THICKNESS	
12	23.8	1.5	CAP221242
16	25.0	1.5	CAP221642
20	28.7	1.5	CAP222042
25	36.0	1.5	CAP222542
32	42.5	1.5	CAP223242
40	52.0	1.5	CAP224042
50	65.0	1.5	CAP225042
63	79.4	1.5	CAP226342
75	90.5	1.5	CAP227542
80	10.4	1.5	CAP228042
90	114.3	1.5	CAP229042
100	114.3	1.5	CAP229942
110	135.0	1.5	CAP221142

All dimensions in mm.

PTFE WASHERS			
GASKET			PTFE REFERENCE
THREAD SIZE	D	E THICKNESS	
12	23.8	1.5	CAP221243
16	25.0	1.5	CAP221643
20	28.7	1.5	CAP222043
25	36.0	1.5	CAP222543
32	42.5	1.5	CAP223243
40	52.0	1.5	CAP224043
50	65.0	1.5	CAP225043
63	79.4	1.5	CAP226343
75	90.5	1.5	CAP227543
80	10.4	1.5	CAP228043
90	114.3	1.5	CAP229043
100	114.3	1.5	CAP229943
110	135.0	1.5	CAP221143

All dimensions in mm.



ISO - METRIC SELECTION TABLE		
LOCKNUT	NICKEL PLATED BRASS	STAINLESS STEEL 316L
THREAD SIZE	REFERENCE	REFERENCE
16	CAP221694	CAP221699
20	CAP222094	CAP222099
25	CAP222594	CAP222599
32	CAP223294	CAP223299
40	CAP224094	CAP224099
50	CAP225094	CAP225099
63	CAP226394	CAP226399
75	CAP227594	CAP227599
90	CAP229094	CAP229099
110	CAP221104	CAP221109

All dimensions in mm.

NPT - SELECTION TABLE		
LOCKNUT	NICKEL PLATED BRASS	STAINLESS STEEL 316L
THREAD SIZE	REFERENCE	REFERENCE
1/2"	CAP280124	CAP280129
3/4"	CAP280134	CAP280139
1"	CAP280144	CAP280149
1 1/4"	CAP280154	CAP280159
1 1/2"	CAP280164	CAP280169
2"	CAP280174	CAP280179
2 1/2"	CAP280184	CAP280189
3"	CAP280194	CAP280199
3 1/2"	CAP280204	CAP280209
4"	CAP280214	CAP280219

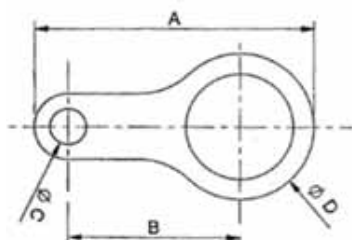
All dimensions in mm.



ISO - METRIC SELECTION TABLE						
EARTH TAG					NICKEL PLATED BRASS REFERENCE	STAINLESS STEEL 316L REFERENCE
THREAD SIZE	A	B	C	D		
16	48.5	30.0	6.5	24.5	CAP567034	CAP567039
20	53.8	33.0	7.0	28.6	CAP567054	CAP567059
25	61.5	36.0	10.5	34.0	CAP567074	CAP567079
32	73.0	41.0	12.2	42.0	CAP567094	CAP567099
40	86.5	44.5	13.5	54.0	CAP567124	CAP567129
50	111.5	58.0	13.5	67.0	CAP567154	CAP567159
63	125.5	67.0	13.5	77.0	CAP567184	CAP567189
75	137.5	73.0	13.5	89.0	CAP567194	CAP567199
90	167.0	93.0	13.5	109.5	CAP567214	CAP567219
110	214.0	125.0	13.5	138.0	CAP567234	CAP567239

All dimensions in mm.

NPT - SELECTION TABLE						
EARTH TAG					NICKEL PLATED BRASS REFERENCE	STAINLESS STEEL 316L REFERENCE
THREAD SIZE	A	B	C	D		
1/2"	61.5	33	10.5	28.6	CAP567064	CAP567069
3/4"	73	36	12.2	34	CAP567084	CAP567089
1"	73	41	12.2	42	CAP567104	CAP567109
1 1/4"	86.5	44.5	13.5	54	CAP567134	CAP567139
1 1/2"	111.5	58	13.5	67	CAP567154	CAP567159
2"	125.5	67	13.5	77	CAP567174	CAP567179
2 1/2"	137.5	73	13.5	89	CAP567194	CAP567199
3"	167	93.0	13.5	109.5	CAP567214	CAP567219
3 1/2"	188	107.3	13.5	121.5	CAP567224	CAP567229
4"	214	125.0	13.5	138.0	CAP567244	CAP567249



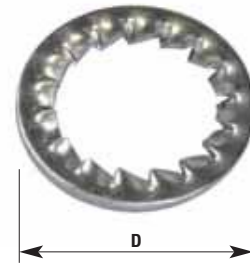
Capri - Accessories

ISO - METRIC SELECTION TABLE		
SERRATED WASHER		GALVANISED STEEL REFERENCE
THREAD SIZE	D	
16	25.5	CAP280016
20	32.5	CAP280020
25	39.5	CAP280025
32	49.5	CAP280032
40	64.5	CAP280040
50	80.5	CAP280050
63	100.0	CAP280063
75	112.0	CAP280075
90	123.0	CAP280090

All dimensions in mm.

ISO - METRIC SELECTION TABLE		
SERRATED WASHER		STAINLESS STEEL 304L REFERENCE
THREAD SIZE	D	
16	25.5	CAP280069
20	32.5	CAP280029
25	39.5	CAP280259
32	49.5	CAP280329
40	64.5	CAP280409
50	80.5	CAP280509
63	100.0	CAP280639
75	112.0	CAP280759
90	123.0	CAP280099

All dimensions in mm.



SELECTION TABLE		
SHROUD		PVC REFERENCE
ADE SIZE	DIAMETER A	
4	16.0	CAP506040
5	20.0	CAP506050
6	25.0	CAP506060
7	31.0	CAP506070
8	43.0	CAP506080
9	52.0	CAP506090
10	59.0	CAP506100
11	67.0	CAP506110
12	75.0	CAP506120
13	90.0	CAP506130
14	100.0	CAP506140
15	116.0	CAP506150
16	127.0	CAP506160

All dimensions in mm.



HTL (High temperature thread lubricant)	
SIZE	CAP REFERENCE
4.0oz	CAP023836

HTL is a high temperature, anti-seize, conductive thread lubricant:

- Effective and stable from -70°F to +1800°F
- Prevents seizure, galling, rust, galvanic action
- Maintains grounding continuity; should not be used on exposed current-carrying parts
- Effective between parts made of dissimilar metals



CAPRI COMPOUND	
SIZE	CAP REFERENCE
0.5oz	CAP560001
1.0oz	CAP560002
4.0oz	CAP560003

For use with ADE 1FC and ADE 6FC cable glands



Technical Specification



Suitable for the following cable types

- Non-armoured cable
- Braided cable

Certifications and Compliances

Zones 1 and 2 Group IIC

Zones 21 and 22 Group IIIC

ATEX Certificate No: INERIS 13ATEX0008X

Ex eb IIC, Ex nRc IIC, Ex tb IIIC

IECEX Certificate No: IECEX INE 13.0003X

Product Specification

Material:

Nickel-plated brass for superior corrosion resistance.

316 stainless steel long fixing thread option available.

It is recommended that a suitable lubricant is used on all threads of stainless steel and aluminium versions.

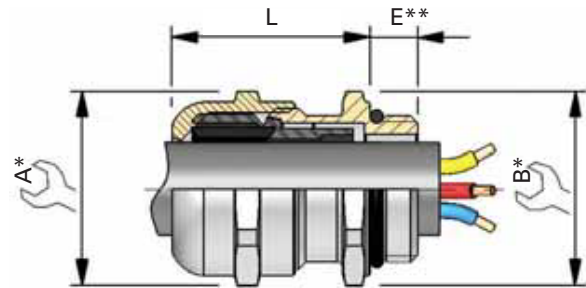
Operating Temperature:

Neoprene seal: -20°C to +80°C

Ingress Protection (IP):

- IP66/IP68 tested 30m/7days on surface Ra 1.6µm max.

Accessory kit available; see page 30 for details.



* For 'across corners' dimensions, multiply 'across flats' dimensions by 1.1

** For 'E' see Thread Dimension page 105

SELECTION TABLE		DIMENSIONS				CAP GLAND SIZE	CAP NUMBER ISO (nickel plated brass)	CAP NUMBER ISO (316 stainless steel long fixing thread)
THREAD SIZE	BRAID THICKNESS	CABLE DIAMETER MIN - MAX	A	B	L (LENGTH)			
ISO								
12	0.70	4.0 - 6.5	15	15	18	4	CAP192124V1	CAP192129V1
16	0.70	4.0 - 6.5	15	18	18	4	CAP192154V1	CAP192159V1
16	0.70	5.5 - 10.0	20	20	24	5	CAP192164V1	CAP192169V1
20	0.70	5.5 - 10.0	20	22	24	5	CAP192194V1	CAP192199V1
20	0.80	7.5 - 13.0	24	24	27	6	CAP192204V1	CAP192209V1
25	0.80	7.5 - 13.0	24	27	27	6	CAP192244V1	CAP192249V1
25	0.85	11.5 - 18.0	30	30	28	7	CAP192254V1	CAP192259V1
32	0.85	11.5 - 18.0	30	34	28	7	CAP192314V1	CAP192319V1
32	0.95	17.5 - 24.5	38	38	30	8	CAP192324V1	CAP192329V1
40	0.95	17.5 - 24.5	38	43	30	8	CAP192394V1	CAP192399V1
40	1.00	24.0 - 32.0	47	47	33	9	CAP192404V1	CAP192409V1
50	1.00	24.0 - 32.0	47	54	33	9	CAP192494V1	CAP192499V1
50	1.15	31.0 - 40.5	57	57	37	10	CAP192504V1	CAP192509V1
63	1.15	31.0 - 40.5	57	68	37	10	CAP192624V1	CAP192629V1
63	1.75	39.0 - 53.0	75	75	48	11	CAP192634V1	CAP192639V1

All dimensions in mm

Technical Specification



Suitable for the following cable types

- Non-armoured cable
- Shielded cable for EMC specific cable and applications

Certifications and Compliances

Zones 1 and 2 Group IIC

Zones 21 and 22 Group IIIC

ATEX Certificate No: INERIS 13ATEX0008X

Ex eb IIC, Ex nRc IIC, Ex tb IIIC

IECEX Certificate No: IECEX INE 13.0003X

Product Specification

Material:

Nickel-plated brass for superior corrosion resistance.

316 stainless steel long fixing thread option available.

It is recommended that a suitable lubricant is used on all threads of stainless steel and aluminium versions.

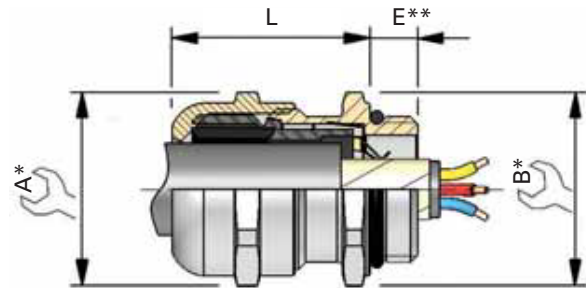
Operating Temperature:

Neoprene seal: -20°C to +80°C

Ingress Protection (IP):

- IP66/IP68 tested 30m/7days on surface Ra 1.6µm max.

Accessory kit available; see page 30 for details



* For 'across corners' dimensions, multiply 'across flats' dimensions by 1.1

** For 'E' see Thread Dimension page 105

SELECTION TABLE		DIMENSIONS					CAP GLAND SIZE	CAP NUMBER ISO (nickel plated brass)	CAP NUMBER ISO (316 stainless steel long fixing thread)
THREAD SIZE	BRAID THICKNESS	DIAMETER ON SHIELD	CABLE DIAMETER MIN - MAX	A	B	L (LENGTH)			
ISO									
12	0.70	3.0	4.0 - 6.5	15	15	18	4	CAP193124V1	CAP193129V1
16	0.70	3.0	4.0 - 6.5	15	18	18	4	CAP193154V1	CAP193159V1
16	0.70	4.5	5.5 - 10.0	20	20	24	5	CAP193164V1	CAP193169V1
20	0.70	4.5	5.5 - 10.0	20	22	24	5	CAP193194V1	CAP193199V1
20	0.80	6.0	7.5 - 13.0	24	24	27	6	CAP193204V1	CAP193209V1
25	0.80	6.0	7.5 - 13.0	24	27	27	6	CAP193244V1	CAP193249V1
25	0.85	10.0	11.5 - 18.0	30	30	28	7	CAP193254V1	CAP193259V1
32	0.85	10.0	11.5 - 18.0	30	34	28	7	CAP193314V1	CAP193319V1
32	0.95	15.0	17.5 - 24.5	38	38	30	8	CAP193324V1	CAP193329V1
40	0.95	15.0	17.5 - 24.5	38	43	30	8	CAP193394V1	CAP193399V1
40	1.00	20.5	24.0 - 32.0	47	47	33	9	CAP193404V1	CAP193409V1
50	1.00	20.5	24.0 - 32.0	47	54	33	9	CAP193494V1	CAP193499V1
50	1.15	27.5	31.0 - 40.5	57	57	37	10	CAP193504V1	CAP193509V1
63	1.15	27.5	31.0 - 40.5	57	68	37	10	CAP193624V1	CAP193629V1
63	1.75	34.5	39.0 - 53.0	75	75	48	11	CAP193634V1	CAP193639V1

All dimensions in mm

Capri EXACAP Ex-e & Ex-i / CEAG GHG Ex-e & Ex-i

Technical Specification



Suitable for the following cable types

Non-armoured cable

Certifications and Compliances

ATEX Certificate No: PTB 99 ATEX 3101X (M12-M16 only)

No: PTB 99 ATEX 3128X (M20-M63 only)

II 2 G Ex e II / II 2 D Ex tD A21 IP66

IECEX Certificate No: IECEX PTB 05.0004X

Product Specification

Operating Temperature:

ATEX / IECEX Certification: -20°C to +70°C

Nylon material

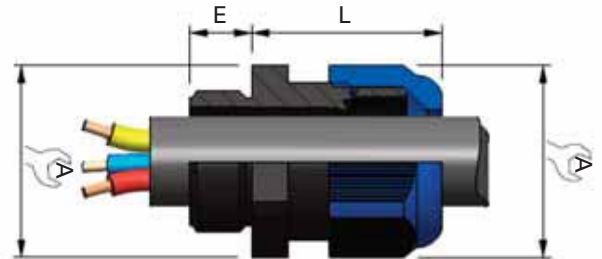
Large cable connection area

Low torque required for tightening

Integrated sealing lip on thread

Ingress Protection (IP):

IP66



SELECTION TABLE		DIMENSIONS			CAP GLAND SIZE	CAP NUMBER EX-e (black)	CAP NUMBER EX-i (blue)	CEAG Number ISO Ex-e (black)	CEAG Number ISO Ex-i (blue)
THREAD SIZE	CABLE DIAMETER MIN - MAX	A	E THREAD LENGTH	L (LENGTH)					
ISO									
12	4.0 - 7.0	15	8	19	4	CAP451217	CAP451216	GHG 960 1955 R 0001	GHG 960 1955 R0101
16	5.5 - 10.0	20	8	23	6	CAP451617	CAP451616	GHG 960 1955 R 0002	GHG 960 1955 R0102
20	5.5 - 13.0	24	12	25	7	CAP452017	CAP452016	GHG 960 1955 R 0023	GHG 960 1955 R0123
25	8.0 - 17.5	29	13	29	9	CAP452517	CAP452516	GHG 960 1955 R 0024	GHG 960 1955 R0124
32	12.0 - 21.0	36	15	35	10	CAP453217	CAP453216	GHG 960 1955 R 0025	GHG 960 1955 R0125
40	17.0 - 28.0	46	15	39	11	CAP454017	CAP454016	GHG 960 1955 R 0026	GHG 960 1955 R0126
50	22.0 - 35.0	55	16	44	12	CAP455017	CAP455016	GHG 960 1955 R 0027	GHG 960 1955 R0127
63	27.0 - 48.0	68	16	47	13	CAP456317	CAP456316	GHG 960 1955 R 0028	GHG 960 1955 R0128

All dimensions in mm

CEAG TRUMPET

Technical Specification



Suitable for the following cable types

➡ Non-armoured cable

Certifications and Compliances

PTB 00 ATEX 3121 X

Ex II 2 G Ex e II/Ex II 2 D Ex tD A21

Product Specification

Nylon material

Large cable connection area

Low torque required for tightening

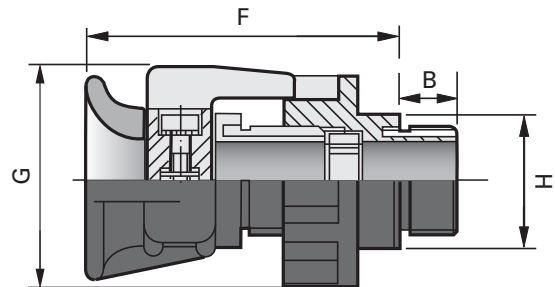
Integrated sealing lip on thread

Operating Temperature:

-40°C to +85°C

Ingress Protection (IP):

IP66



SELECTION TABLE		DIMENSIONS					ORDER NUMBER
GLAND SIZE	METRIC SIZE	GLAND LENGTH 'F' (LESS ENTRY)	OUTER SHEATH MIN - MAX	ACROSS FLATS 'H'	ACROSS CORNERS 'G'	THREAD LENGTH 'B'	
ISO							
20	M20	49.0	8.0 - 13.0	26.0	28.6	15.0	GHG 960 1949 R0111
25	M25	50.0	11.0 - 16.0	32.0	35.2	15.0	GHG 960 1949 R0112
32	M32	65.0	15.0 - 20.0	41.0	45.1	15.0	GHG 960 1949 R0113
40	M40	71.0	19.0 - 27.0	50.0	55.0	15.0	GHG 960 1949 R0114
50	M50	79.0	26.0 - 34.0	60.0	66.0	16.0	GHG 960 1949 R0115
60	M60	89.0	35.0 - 46.0	75.0	82.5	16.0	GHG 960 1949 R0116

All dimensions in mm

Terminator II TMCX - for Armoured/Non Armoured Cable

Technical Specification



Suitable for the following cable types

- Metal clad cable (interlocked or continuously welded corrugated armoured)
- Metal clad cable - Hazardous Locations (MC-HL)
- TECK cable
- TECK Hazardous Locations cable (TECK HL)
- Tray cable

Certifications and Compliances

Class I Division 1 groups A, B, C, D
 Class II Groups E, F, G
 Class III
 NEMA 6P
 cULus Listed: E122485

Product Specification

Material:

Aluminium as standard material with neoprene seal
 316 stainless steel and nickel-plated brass construction available.
 Chico® LiquidSeal liquid compound with fast gel and cure times to reduce waiting time. Also available with regular TSC putty compound.

Operating Temperature:

-40°C to +60°C

For temperatures below -40°C contact manufacturer

Ingress Protection VS

Chico® LiquidSeal

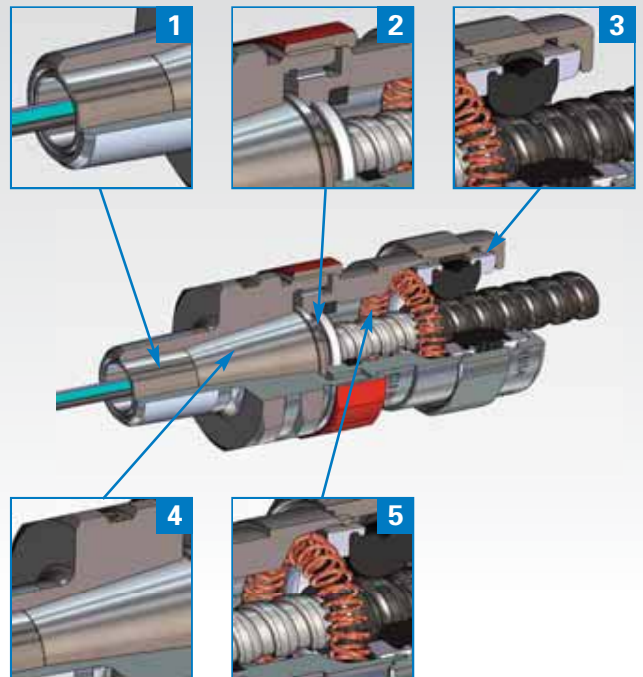
- Highly engineered rapid curing compound.
- Mixing time: 2 minutes
- Application: pour/gun
- Gel time: 10 minutes
- Fully cure time: 30 minutes
- Available for installation in vertical position

TSC Epoxy Compound

- Mixing time: 5 minutes
- Application: by hand
- Fully cure time: 24 hours
- Available for installation in any orientation



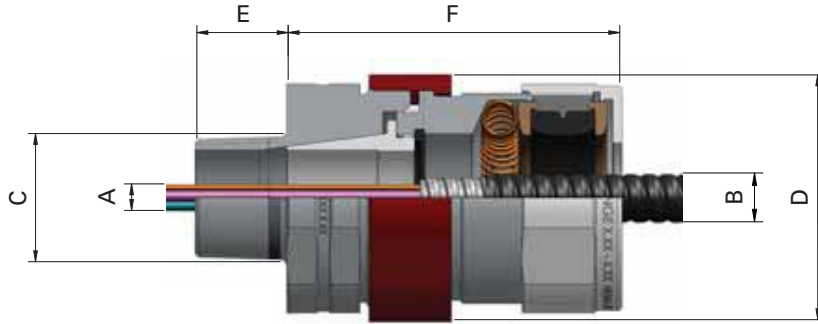
Features & Benefits



- 1:** Choice of liquid or putty compound allows rapid curing and facilitates non-vertical applications. Includes compound dam.
- 2:** Splined shaft ensures the two assemblies lock together and do not rotate, preventing need for two tools to be used.
- 3:** Back nut / cap nut and environmental seal are captive, retaining entry end components.
- 4:** Conical compound chamber ensures perfect flame path every time.
- 5:** Integral union allows for a two-piece assembly gland, minimizing tightening and loosening of nuts, improving assembly time. Red anodized union nut is visible in any orientation for quick identification of Ex gland.

Terminator II TMCX - for Armoured/Non Armoured Cable

Dimensions



SERIES	THREAD SIZE	CABLE SEALING RANGE	MATERIAL	SEALING TYPE	BULK	VARIANT CODES	
TMCX	050	1	NP	L	BULK	BULK	Bulk packed
						L	Liquid Compound
						BLANK	TSC Compound
						NP	Nickel Plated Brass
						SS	Stainless Steel
						BLANK	Aluminium

SELECTION TABLE					DIMENSIONS						ORDER CODE NPT
THREAD SIZE 'C'	THREAD SIZE CODE	THREAD SIZE 'C'	THREAD SIZE CODE	CABLE SEALING RANGE	CABLE SEALING RANGE ISO/NPT		ACROSS CORNERS 'D'	LENGTH 'F'	THREAD LENGTH 'E' NPT	THREAD LENGTH 'E' ISO	
NPT		ISO			ARMOUR RANGE 'A' MIN - MAX	OUTER SHEATH 'B' MIN - MAX					
1/2"	050	20	M20	1	0.40 - 0.86	0.49 - 0.90	1.56	3.05	1.00	25.40	TMCX0501
1/2"	050	20	M20	2	0.56 - 1.14	0.65 - 1.18	1.99	3.18	1.00	25.40	TMCX0502
3/4"	075	25	M25	1	0.40 - 0.86	0.49 - 0.90	1.56	3.05	1.00	25.40	TMCX0751
3/4"	075	25	M25	2	0.56 - 1.14	0.65 - 1.18	1.99	3.18	1.00	25.40	TMCX0752
1"	100	32	M32	1	0.56 - 1.14	0.65 - 1.18	1.99	3.18	1.08	27.40	TMCX1001
1"	100	32	M32	2	0.78 - 1.35	0.87 - 1.39	2.24	3.30	1.08	27.40	TMCX1002
1 1/4"	125	40	M40	1	0.78 - 1.35	0.87 - 1.39	2.24	3.30	1.08	27.40	TMCX1251

All dimensions in inches unless otherwise stated.

COLD SHRINK KIT		REFERENCE
ORDER CODE		
TMCX0501		-
TMCX0502		TMC K4
TMCX0751		TMC K3
TMCX0752		TMC K4
TMCX1001		TMC K4
TMCX1002		TMC K5
TMCX1251		TMC K5

Cold Shrink™ Corrosion Protection Kits are specially designed for Crouse-Hinds TMC, TMCX and TECK fittings to provide protection against corrosive elements like salt spray and moisture. The TMC-K kit is made of a Cold Shrink material that is quick and easy to install on the gland. The Cold Shrink material is made of EPDM rubber that contains no chlorides or sulphurs. The protection kit installs easily over the gland without the use of a heat source to shrink the material tightly over the seal. The Cold Shrink material can be removed easily from the gland by simply cutting it off. See ordering information for complete offering of TMC-K Cold Shrink kits for corrosion protection. Cold Shrink is a registered trademark of the 3M Company.

CHICO® LIQUID SEAL		
CATALOGUE NUMBER	SIZE (ml)	STANDARD CARTON QUANTITY
LSC 10	10ml	10
LSC 20	20ml	10
LSC 50	50ml	5

TSC EPOXY COMPOUND		
CATALOGUE NUMBER	TUBE SIZE (ml)	STANDARD CARTON QUANTITY
TSC 05	0.5oz.	10
TSC 1	1.0oz.	10
TSC 4	4.0oz.	5

TMCX - for Armoured/Non Armoured Cable

Technical Specification



Suitable for the following cable types

- Metal clad cable
(interlocked or continuously welded corrugated armoured)
- Non-armoured cable
- TECK cable
- TECK Hazardous Locations cable (TECK HL)
- Tray cable

Certifications and Compliances

Class I Division 1 groups A, B, C, D
 Class II
 Class III
 UL Listed: E122485
 CSA Listed: LR13046

Product Specification

Material:

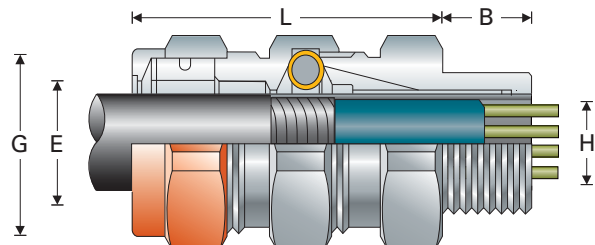
Aluminium as standard material with neoprene seal, brass and nickel-plated brass available as an option.
 Stainless steel copper-plated spring provides grounding continuity of cable armour (MC cable only).
 Provides explosionproof compound seal on conductors and watertight seal on outer sheath of cable.
 Cold Shrink™ Kit is available for extra protection in aggressive environments.

Operating Temperature:

-25°C to +60°C

Ingress Protection (IP):

IP56, NEMA 4



SELECTION TABLE	DIMENSIONS						ORDER NUMBER ALUMINIUM	COLD SHRINK KIT	
THREAD SIZE	ARMOUR RANGE 'H' MIN - MAX	OUTER SHEATH 'E' MIN - MAX	ACROSS FLATS	ACROSS CORNERS 'G'	L (LENGTH)	THREAD LENGTH 'B'		ENTRY THREAD	REFERENCE
NPT									
1/2"	0.44 - 0.65	0.49 - 0.78	1.25	1.38	2.63	0.75	TMCX165	1/2"	TMC-K1
3/4"	0.60 - 0.85	0.65 - 1.00	1.50	1.63	2.88	0.78	TMCX285	3/4"	TMC-K2
1"	0.80 - 1.12	0.85 - 1.31	1.88	2.00	3.13	0.94	TMCX3112	1"	TMC-K3
1 1/4"	1.10 - 1.40	1.15 - 1.62	2.25	2.44	3.13	0.97	TMCX4140	1 1/4"	TMC-K4
1 1/2"	1.33 - 1.61	1.38 - 1.78	2.50	2.75	3.38	0.97	TMCX5161	1 1/2"	TMC-K5
2"	1.57 - 2.06	1.63 - 2.31	3.25	3.50	5.31	1.00	TMCX6206	2"	TMC-K6
2 1/2"	1.93 - 2.47	1.99 - 2.72	3.75	4.00	6.06	1.44	TMCX7247	2 1/2"	TMC-K7
3"	2.45 - 3.02	2.52 - 3.28	4.50	4.88	6.06	1.44	TMCX8302	3"	TMC-K8
3 1/2"	2.95 - 3.52	3.02 - 3.78	5.00	5.38	7.75	1.63	TMCX9352	3 1/2"	TMC-K9
4"	3.50 - 4.02	3.58 - 4.28	5.50	5.88	8.31	1.63	TMCX10402	4"	TMC-K10

All dimensions in inches unless otherwise stated

TMC - for Armoured/Non Armoured Cable

Technical Specification



Suitable for the following cable types

- Metal-clad cable (interlocked or continuously welded corrugated armoured)
- TECK cable
- Non-armoured cable
- Tray cable (not CSA)

Certifications and Compliances

UL Listed: UL File E36379
 CSA Listed: LR291
 NEMA 4 and IP56
 Wet locations

Product Specification

Material:

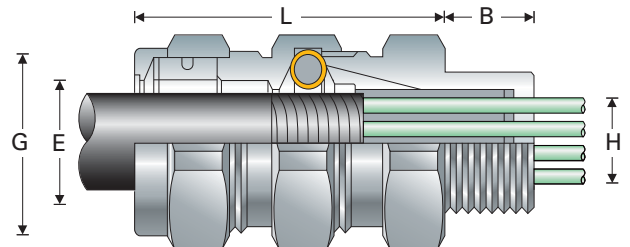
Standard material is aluminium
 Stainless steel copper-plated spring provides grounding continuity of cable armour (MC cable only)
 Watertight seal on outer sheath of cable
 Standard neoprene seal suitable for use in operating temperatures -25° to +60°C
 Cold Shrink™ Kit is available for extra protection in aggressive environments
 Available with NPT threads

Operating Temperature:

-25°C to +60°C

Ingress Protection (IP):

IP56, NEMA 4



SELECTION TABLE	DIMENSIONS						ORDER NUMBER ALUMINIUM
	THREAD SIZE	ARMOUR RANGE 'H' MIN - MAX	OUTER SHEATH 'E' MIN - MAX	ACROSS FLATS	ACROSS CORNERS 'G'	LENGTH 'L'	
NPT							
1/2"	0.44 - 0.65	0.49 - 0.78	1.25	1.38	2.38	0.75	TMC165
3/4"	0.60 - 0.85	0.65 - 1.00	1.50	1.63	2.63	0.78	TMC285
1"	0.80 - 1.12	0.85 - 1.31	1.88	2.00	3.13	0.94	TMC3112
1 1/4"	1.10 - 1.40	1.15 - 1.62	2.25	2.44	2.75	0.97	TMC4140
1 1/2"	1.33 - 1.61	1.38 - 1.78	2.50	2.75	3.38	0.97	TMC5161
2"	1.57 - 2.06	1.63 - 2.31	3.25	3.50	4.50	1.00	TMC6206
2 1/2"	1.93 - 2.47	1.99 - 2.72	3.75	4.00	4.75	1.44	TMC7247
3"	2.45 - 3.02	2.52 - 3.28	4.50	4.88	4.88	1.44	TMC8302
3 1/2"	2.95 - 3.52	3.02 - 3.78	5.00	5.38	5.38	1.63	TMC9352
4"	3.50 - 4.02	3.58 - 4.28	5.50	5.88	5.50	1.63	TMC10402

All dimensions in inches unless otherwise stated

TECK - for TECK Armoured Cable

Technical Specification



Suitable for the following cable types

TECK armoured cable

Certifications and Compliances

CSA Type 4

Class I

Class II Groups E, F, G

Class III

CSA Listed: LR13046

Product Specification

Material:

Aluminium as standard material with neoprene seal – steel, stainless steel and PVC coated aluminium available as an option.

Stainless steel copper-plated spring provides grounding continuity of cable armour (TECK cable only).

Provides watertight seal on outer sheath of cable.

Has integral O ring seal on entry threads.

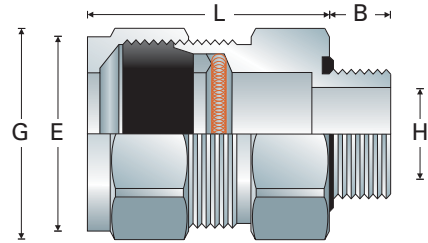
Cold Shrink™ Kit is available for extra protection in aggressive environments.

Operating Temperature:

-25°C to +60°C

Ingress Protection (IP):

IP56, Type 4



SELECTION TABLE	DIMENSIONS						ORDER NUMBER ALUMINIUM	ORDER NUMBER STEEL	ORDER NUMBER STAINLESS STEEL	ORDER NUMBER PVC COATED ALUMINIUM
	THREAD SIZE	ARMOUR RANGE 'H' MIN - MAX	OUTER SHEATH 'E' MIN - MAX	ACROSS FLATS	ACROSS CORNERS 'G'	THREAD LENGTH 'B'				
NPT										
1/2"	0.41 - 0.57	0.52 - 0.65	1.25	1.35	0.63	2.30	TECK050-1	TECK050-1S	TECK050-1SS	TECK050-1PVC
1/2"	0.49 - 0.68	0.60 - 0.76	1.38	1.50	0.63	2.30	TECK050-2	TECK050-2S	TECK050-2SS	TECK050-2PVC
1/2"	0.61 - 0.80	0.72 - 0.88	1.50	1.60	0.63	2.30	TECK050-3	TECK050-3S	TECK050-3SS	TECK050-3PVC
1/2"	0.71 - 0.90	0.82 - 0.98	1.50	1.60	0.63	2.30	TECK050-4	TECK050-4S	TECK050-4SS	TECK050-4PVC
3/4"	0.77 - 0.98	0.88 - 1.06	2.00	2.13	0.63	2.50	TECK075-5	TECK075-5S	TECK075-5SS	TECK075-5PVC
3/4"	0.91 - 1.12	1.02 - 1.20	2.00	2.13	0.63	2.50	TECK075-6	TECK075-6S	TECK075-6SS	TECK075-6PVC
1"	1.08 - 1.29	1.19 - 1.37	2.25	2.40	0.75	2.63	TECK100-7	TECK100-7S	TECK100-7SS	TECK100-7PVC
1 1/4"	1.24 - 1.54	1.35 - 1.62	3.00	3.13	0.80	3.50	TECK125-8	TECK125-8S	-	TECK125-8PVC
1 1/4"	1.39 - 1.54	1.50 - 1.62	3.00	3.13	0.80	3.40	TECK125-9	TECK125-9S	-	TECK125-9PVC
1 1/4"	1.49 - 1.79	1.60 - 1.87	3.00	3.13	0.80	3.50	TECK125-10	TECK125-10S	-	TECK125-10PVC
1 1/2"	1.59 - 1.88	1.70 - 1.96	3.75	3.60	0.80	3.80	TECK150-11	TECK150-11S	-	TECK150-11PVC
1 1/2"	1.79 - 2.11	1.90 - 2.19	3.50	3.75	0.80	3.90	TECK150-12	TECK150-12S	-	TECK150-12PVC
2"	1.79 - 2.11	1.90 - 2.19	3.75	4.00	0.82	4.00	TECK200-13	TECK200-13S	-	TECK200-13PVC
2"	1.99 - 2.28	2.10 - 2.37	3.75	4.00	0.82	4.00	TECK200-14	TECK200-14S	-	TECK200-14PVC
2"	2.19 - 2.48	2.30 - 2.56	4.13	4.40	0.87	4.00	TECK200-15	TECK200-15S	-	TECK200-15PVC
2"	2.39 - 2.66	2.50 - 2.75	4.13	4.40	0.87	4.00	TECK200-16	TECK200-16S	-	TECK200-16PVC
2 1/2"	2.24 - 2.56	2.38 - 2.64	4.50	4.75	1.30	5.00	TECK250-17	TECK250-17S	-	TECK250-17PVC
2 1/2"	2.24 - 2.75	2.58 - 2.84	4.50	4.75	1.30	5.00	TECK250-18	TECK250-18S	-	TECK250-18PVC
3"	2.64 - 2.97	2.79 - 3.06	4.60	4.90	1.40	5.00	TECK300-19	TECK300-19S	-	TECK300-19PVC
3"	2.87 - 3.19	3.00 - 3.27	4.90	5.25	1.40	5.00	TECK300-20	TECK300-20S	-	TECK300-20PVC
3"	3.04 - 3.39	3.21 - 3.48	5.00	5.25	1.40	5.00	TECK300-21	TECK300-21S	-	TECK300-21PVC
3 1/2"	3.27 - 3.59	3.42 - 3.69	5.60	5.90	1.40	5.00	TECK350-22	TECK350-22S	-	TECK350-22PVC
3 1/2"	3.44 - 3.77	3.61 - 3.87	5.50	5.90	1.40	5.00	TECK350-23	TECK350-23S	-	TECK350-23PVC
4"	3.60 - 3.93	3.81 - 4.03	6.13	6.50	1.40	5.00	TECK400-24	TECK400-24S	-	-
4"	3.75 - 4.06	3.96 - 4.18	6.13	6.50	1.40	5.00	TECK400-25	TECK400-25S	-	-
4"	3.91 - 4.22	4.12 - 4.34	6.13	6.50	1.40	5.00	TECK400-26	TECK400-26S	-	-

All dimensions in inches unless otherwise stated

Thread Conversion Products and Accessories



Capri - Ex Certified Adaptors / Reducers

REDUCER / ADAPTOR - METRIC - SELECTION TABLE

MALE	FEMALE												
	M12	M16	M20	M25	M32	M40	M50	M63	M75	M80	M90	M100	M110
M12	CAP745324	CAP745334	CAP741034										
M16	CAP745834	CAP740014	CAP740274	CAP741064									
M20	CAP745844	CAP740024	CAP740284	CAP740544	CAP740804								
M25	CAP746594	CAP740034	CAP740294	CAP740554	CAP740814	CAP741134							
M32	CAP746604	CAP740044	CAP740304	CAP740564	CAP740824	CAP741084	CAP741914						
M40	CAP746614	CAP740054	CAP740314	CAP740574	CAP740834	CAP741094	CAP741354	CAP743644					
M50	CAP746624	CAP740064	CAP740324	CAP740584	CAP740844	CAP741104	CAP741364	CAP741624	CAP745114				
M63	CAP746634	CAP740074	CAP740334	CAP740594	CAP740854	CAP741114	CAP741374	CAP741634	CAP741894	CAP746944			
M75	CAP746644	CAP740084	CAP740344	CAP740604	CAP740864	CAP741124	CAP741384	CAP741644	CAP741904	CAP742414	CAP745394		
M80	CAP746654	CAP746694	CAP746734	CAP746774	CAP746814	CAP746414	CAP745824	CAP745754	CAP748074	CAP742424	CAP746074	CAP746334	
M90	CAP746664	CAP746704	CAP746744	CAP746784	CAP747914	CAP746854	CAP746384	CAP745854	CAP745864	CAP745464	CAP745474	CAP745484	CAP746344
M100	CAP746674	CAP746714	CAP747894	CAP746794	CAP747924	CAP746864	CAP746394	CAP746364	CAP745874	CAP746194	CAP745914	CAP745494	CAP745554
M110	CAP746684	CAP746724	CAP747904	CAP746804	CAP747934	CAP746874	CAP746404	CAP746374	CAP746354	CAP746204	CAP745924	CAP745934	CAP745564



REDUCER / ADAPTOR - METRIC / NPT - SELECTION TABLE

MALE	FEMALE												
	1/4"	3/8"	1/2"	3/4"	1"	1 1/4"	1 1/2"	2"	2 1/2"	3"	3 1/2"	4"	
M12	CAP744104	CAP747794	CAP747804										
M16	CAP744184	CAP744194	CAP744694	CAP747814									
M20	CAP744204	CAP744214	CAP744704	CAP744964	CAP747824								
M25	CAP746884	CAP742954	CAP744714	CAP744974	CAP745234	CAP747834							
M32	CAP746894	CAP746984	CAP744724	CAP744984	CAP745244	CAP745504	CAP745764						
M40	CAP746904	CAP746994	CAP744734	CAP744994	CAP745254	CAP745514	CAP745774	CAP747844					
M50	CAP746914	CAP747004	CAP744744	CAP745004	CAP745264	CAP745524	CAP745784	CAP746044	CAP746304				
M63	CAP746924	CAP747014	CAP744754	CAP745014	CAP745274	CAP745534	CAP745794	CAP746054	CAP746314	CAP747854			
M75	CAP746934	CAP747024	CAP744764	CAP745024	CAP745284	CAP745544	CAP745804	CAP746064	CAP746324	CAP746584	CAP747864		
M80	CAP747884	CAP747034	CAP747074	CAP746514	CAP745294	CAP746474	CAP746434	CAP746114	CAP746144	CAP746184	CAP747874	CAP747874	
M90	CAP746954	CAP747044	CAP747084	CAP746524	CAP745304	CAP746554	CAP746444	CAP744284	CAP744294	CAP744304	CAP744314	CAP746264	
M100	CAP746964	CAP747054	CAP747094	CAP746534	CAP745314	CAP746564	CAP746454	CAP746124	CAP743134	CAP746034	CAP744434	CAP744444	
M110	CAP746974	CAP747064	CAP747104	CAP746544	CAP747114	CAP746574	CAP746464	CAP746134	CAP746174	CAP744514	CAP744524	CAP744534	



REDUCER / ADAPTOR - NPT / NPT - SELECTION TABLE

MALE	FEMALE												
	1/4"	3/8"	1/2"	3/4"	1"	1 1/4"	1 1/2"	2"	2 1/2"	3"	3 1/2"	4"	
1/4"	CAP744574	CAP744584	CAP747704										
3/8"	CAP745574	CAP744614	CAP744624	CAP747714									
1/2"	CAP745584	CAP745594	CAP744874	CAP745134	CAP747724								
3/4"	CAP747124	CAP745604	CAP744884	CAP745144	CAP745404	CAP747734							
1"	CAP747134	CAP747214	CAP744894	CAP745154	CAP745414	CAP745674	CAP745814						
1 1/4"	CAP747144	CAP747224	CAP744904	CAP745164	CAP745424	CAP745684	CAP745944	CAP747744					
1 1/2"	CAP747154	CAP747234	CAP744914	CAP745174	CAP745434	CAP745694	CAP745954	CAP746214	CAP747754				
2"	CAP747164	CAP747244	CAP744924	CAP745184	CAP745444	CAP745704	CAP745964	CAP746224	CAP746484	CAP747764			
2 1/2"	CAP747174	CAP747254	CAP744934	CAP745194	CAP745454	CAP745714	CAP745974	CAP746234	CAP746494	CAP746754	CAP747774		
3"	CAP747184	CAP747264	CAP744944	CAP745204	CAP746084	CAP745724	CAP745984	CAP746244	CAP746504	CAP746764	CAP744634	CAP747784	
3 1/2"	CAP747194	CAP747274	CAP747314	CAP747334	CAP746094	CAP747354	CAP746284	CAP746254	CAP745654	CAP745664	CAP744644	CAP744654	
4"	CAP747204	CAP747284	CAP747324	CAP747344	CAP746104	CAP747364	CAP746294	CAP746824	CAP746274	CAP746834	CAP745734	CAP744774	



REDUCER / ADAPTOR - NPT / ISO - SELECTION TABLE

MALE	FEMALE												
	M12	M16	M20	M25	M32	M40	M50	M63	M75	M80	M90	M100	M110
1/4"	CAP740614	CAP740624	CAP747624										
3/8"	CAP740884	CAP740894	CAP740904	CAP747634									
1/2"	CAP740914	CAP740194	CAP740454	CAP740714	CAP747644								
3/4"	CAP747374	CAP740204	CAP740464	CAP740724	CAP740984	CAP747654							
1"	CAP747384	CAP740214	CAP740474	CAP740734	CAP740994	CAP741254	CAP747664						
1 1/4"	CAP747394	CAP740224	CAP740484	CAP740744	CAP741004	CAP741264	CAP741524	CAP747674					
1 1/2"	CAP747404	CAP740234	CAP740494	CAP740754	CAP741014	CAP741274	CAP741534	CAP741794	CAP747684				
2"	CAP747414	CAP740244	CAP740504	CAP740764	CAP741024	CAP741284	CAP741544	CAP741804	CAP742064	CAP747694			
2 1/2"	CAP747424	CAP740254	CAP740514	CAP740774	CAP741144	CAP741294	CAP741554	CAP741814	CAP742074	CAP742074	CAP741154		
3"	CAP747434	CAP740264	CAP740524	CAP740784	CAP741044	CAP741304	CAP741564	CAP741824	CAP742084	CAP747594	CAP741244	CAP741314	
3 1/2"	CAP747444	CAP747464	CAP747484	CAP747504	CAP747524	CAP747544	CAP747564	CAP747584	CAP741434	CAP747604	CAP741444	CAP741454	CAP741494
4"	CAP747454	CAP747474	CAP747494	CAP747514	CAP747534	CAP747554	CAP747574	CAP742404	CAP742394	CAP747614	CAP741584	CAP741594	CAP741604



LAST CODE DIGIT 9: Stainless Steel 316L

LAST CODE DIGIT 7: Aluminium

Capri - Ex Certified Stopping Plugs

ISO - METRIC SELECTION TABLE		
STOPPING PLUG		NICKEL PLATED BRASS REFERENCE
THREAD SIZE	E	
12	15	CAP190124
16	15	CAP190164
20	15	CAP190204
25	15	CAP190254
32	15	CAP190324
40	15	CAP190404
50	16	CAP190504
63	17	CAP190634
75	18	CAP190754
90	22	CAP199904
100	22	CAP191004
110	22	CAP191014

All dimensions in mm.

NPT - SELECTION TABLE		
STOPPING PLUG		NICKEL PLATED BRASS REFERENCE
THREAD SIZE	E	
1/4"	12	CAP190194
3/8"	12	CAP190294
1/2"	16	CAP190394
3/4"	16	CAP190494
1"	20	CAP190594
1 1/4"	20	CAP190694
1 1/2"	20	CAP190794
2"	20	CAP190894
2 1/2"	28	CAP190994
3"	30	CAP191094
3 1/2"	32	CAP191194
4"	32	CAP191294

All dimensions in mm.

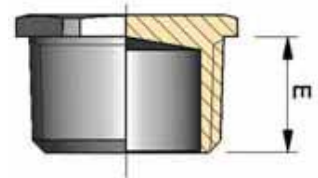


ISO - METRIC SELECTION TABLE		
STOPPING PLUG		STAINLESS STEEL 316L REFERENCE
THREAD SIZE	E	
12	15	CAP190129
16	15	CAP190169
20	15	CAP190209
25	15	CAP190259
32	15	CAP190329
40	15	CAP190409
50	16	CAP190509
63	17	CAP190639
75	18	CAP190759
90	22	CAP199909
100	22	CAP191009
110	22	CAP191019

All dimensions in mm.

NPT - SELECTION TABLE		
STOPPING PLUG		STAINLESS STEEL 316L REFERENCE
THREAD SIZE	E	
1/4"	12	CAP190199
3/8"	12	CAP109299
1/2"	16	CAP190399
3/4"	16	CAP190499
1"	20	CAP190599
1 1/4"	20	CAP190699
1 1/2"	20	CAP190799
2"	20	CAP190899
2 1/2"	28	CAP190999
3"	30	CAP191099
3 1/2"	32	CAP191199
4"	32	CAP191299

All dimensions in mm.



ISO - METRIC SELECTION TABLE				
STOPPING PLUG				POLYAMIDE REFERENCE
THREAD SIZE	A	L	E	
12	15	4.0	15	CAP191127
16	19	4.0	15	CAP191167
20	23	4.0	15	CAP191207
25	28	5.0	15	CAP191257
32	36	5.5	15	CAP191327
40	44	5.5	15	CAP191407
50	54	6.0	16	CAP191507
63	67	6.5	17	CAP191637

All dimensions in mm.



Technical Specification



Certifications and Compliances

Code of Protection Categories

ATEX: I M2, Ex d IMb, Ex e I Mb, or II G, Ex d IIC Gb, Ex e IIC Gb, Ex tb IIIC Db
IECEX: Ex d I/IIC, Ex e I/IIC, Ex tb IIIC Db,
CSA: Ex d IIC Class 1, Zone 1, AEx d IIC (Brass and Stainless only)
GOST: Exdel/IICU, ExdelIICU, ExelIU
INMETRO: Ex de I/IIC Mb/Gb, Ex tb IIIC Db IP66/67
NEPSI: Ex d II C Gb, Ex e II C Gb, DIP A21 Ta IP6X

Nylon Adaptors only:

ATEX: II 2 GD, Ex e IIC Gb, Ex tb IIIC Db
IECEX: Ex e IIC Gb, Ex tb IIIC Db
GOST: ExelIU
INMETRO: Ex e IIC Gb, Ex tb IIIC Db IP66/67

Compliance Standards

ATEX / GOST: EN 60079-0:2009, EN 60079-1: 2007, EN 60079-7: 2007, EN 60079-31:2008
INMETRO: ABNT NBR IEC 60079-0:2008, ABNT NBR IEC 60079-1:2009, ABNT NBR IEC 60079-7:2008, ABNT NBR IEC 60079-31:2011
IECEX: IEC 60079-0:2004, IEC 60079-1:2003, IEC 60079-7:2006-07
CSA: CAN/CSA-E79-0-95, CAN/CSA-E79-1-95, UL 2279 1997, IEC 60079-0:1998, IEC 60079-1:1998 (Brass and Stainless only)
NEPSI: GB 3836.1-2010, GB 3836.2-2010, GB 3836.3-2010, GB 12476.1-2000

Nylon Adaptors only:

ATEX / GOST: EN 60079-0:2009, EN 60079-7: 2007, EN 60079-31:2009
INMETRO: ABNT NBR IEC 60079-0:2008, ABNT NBR IEC 60079-1:2009, ABNT NBR IEC 60079-7:2008, ABNT NBR IEC 60079-31:2011
IECEX: IEC 60079-0:2007, IEC 60079-7:2006, IEC 60079-31:2008

Certificate Details

ATEX: Sira 10ATEX1225X, Sira 10ATEX3335U
IECEX: IECEX SIR 07.0010X, IECEX SIR 12.0014X
CSA: CSA 200455-1003277 (Brass and Stainless only)
GOST: TC RUC-G B.Г506.B.00105
INMETRO: NCC 12.0764X
NEPSI: GYJ13.1313X

TEMPERATURE

The item is classified as a component and therefore metallic products are not given an operating temperature range.
 Nylon temperature range -20°C to 65°C, 'O' ring -30°C to 125°C.
 GF Nylon is UL rated @ H.B. @ 1.5mm.

Ingress Protection (IP):

Independently tested to IP66 / IP68 when fitted in accordance to manufacturer's instructions.

Product Codes

DIGIT 1+2	Code	DIGIT 3	Code	DIGIT 4 & 5 Male	DIGIT 6 & 7 Female	DIGIT 8	DIGIT 9	DIGIT 10					
Description (Adaptors)		Material		Thread Reference		Approval	Special	Plating					
M-F HEX	AB	BRASS	A	M16	11	1/2" NPT	42	ATEX/IECEX/ INMETRO Ex de	Y	None (standard)	X or blank	None	Blank
M-F ROUND	AJ	ALUMINIUM	B	M20	12	3/4" NPT	43	For other approvals please see product coding list on page 64		Customer Special	S	Nickel	N
		MILD STEEL	C	M25	13	1" NPT	44			Zinc	Z		
		STAINLESS STEEL	E	M32	14	1 1/4" NPT	45			Chromatised	C		
		GLASS FILLED NYLON	M	M40	15	1 1/2" NPT	46			Special	S		
				M50	16	2" NPT	47						
				M63	17	2 1/2" NPT	48						
				M75	18	3" NPT	49						
				M90	81	3 1/2" NPT	86						
				M100	82	4" NPT	87	Industrial	X or Blank				

Other sizes / threads are available on request

PRODUCT CODING EXAMPLE	Adaptors	Brass	1" NPT(M)	M32(F)	Ex de	PART NUMBER
	AB	A	44	14	Y	= ABA4414Y



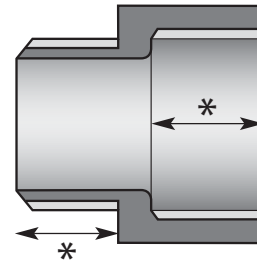
Type AB Hex

Type AJ Round

Product Dimensions

Thread	Metallic Male Thread Max Bore	Nylon Male Thread Max Bore	Metallic Thread A/F (mm)	Nylon Head Dia. (mm)
M16	11.0	8.0	20.8	24.0
M20	14.3	12.5	23.4	27.5
M25	20.5	17.5	27.9	35.5
M32	26.8	24.5	37.6	41.0
M40	33.5	32.5	47.2	50.0
M50	44.0	42.5	56.4	60.0
M63	55.2	53.0	70.1	75.0
M75	66.7	64.0	80.0	85.0
M90	80.0	76.0	105.0	100.0

Adaptors are available for up to two step sizing. e.g. M20 Male x M32 Female



* Minimum 8 full threads parallel 5 full threads taper.

Technical Specification



Certifications and Compliances

Code of Protection Categories

ATEX: I M2, Ex d IMb, Ex e I Mb, or II G, Ex d IIC Gb, Ex e IIC Gb, Ex tb IIIC Db
IECEX: Ex d I/IIC, Ex e I/IIC, Ex tb IIIC Db
CSA: Ex d IIC Class 1, Zone 1, AEx d IIC (Brass and Stainless only)
GOST: Exdel/IICU, ExdelIIICU, ExeIIU
INMETRO: Ex de I/IIC Mb/Gb, Ex tb IIIC Db IP66/67
NEPSI: Ex d II C Gb, Ex e II C Gb, DIP A21 Ta IP6X

Nylon Reducers only:

ATEX: II 2 GD, Ex e IIC Gb, Ex tb IIIC Db
IECEX: Ex e IIC Gb, Ex tb IIIC Db
GOST: ExeIIU
INMETRO: Ex e IIC Gb, Ex tb IIIC Db IP66/67

Compliance Standards

ATEX / GOST: EN 60079-0:2009, EN 60079-1: 2007, EN60079-7: 2007, EN 60079-31:2008
INMETRO: ABNT NBR IEC 60079-0:2008, ABNT NBR IEC 60079-1:2009, ABNT NBR IEC 60079-7:2008, ABNT NBR IEC 60079-31:2011
IECEX: IEC 60079-0:2004, IEC 60079-1:2003, IEC 60079-7:2006-07
CSA: CAN/CSA-E79-0-95, CAN/CSA-E79-1-95, UL 2279 1997, IEC60079-0:1998, IEC 60079-1:1998
NEPSI: GB 3836.1-2010, GB 3836.2-2010, GB 3836.3-2010, GB 12476.1-2000

Nylon Reducers only:
ATEX / GOST: EN 60079-0:2009, EN 60079-7: 2007, EN60079-31:2009
INMETRO: ABNT NBR IEC 60079-0:2008, ABNT NBR IEC 60079-1:2009, ABNT NBR IEC 60079-7:2008, ABNT NBR IEC 60079-31:2011
IECEX: IEC 60079-0:2007, IEC 60079-7:2006, IEC 60079-31:2008

Certificate Details

ATEX: Sira 10ATEX1225X, Sira 10ATEX3335U
IECEX: IECEX SIR 07.0010X, IECEX SIR 12.0014X
CSA: CSA 200455-1003277 (Brass and Stainless only)
GOST: TC RUC-G B.ГБ06.B.00105
INMETRO: NCC 12.0764X
NEPSI: GYJ13.1314X

TEMPERATURE

The item is classified as a component and therefore metallic products are not given an operating temperature range.
 Nylon temperature range -20°C to 65°C, 'O' ring -30°C to 125°C.
 GF Nylon is UL rated @ H.B. @ 1.5mm

Ingress Protection (IP):

Independently tested to IP66 / IP68 when fitted in accordance to manufacturer's instructions.

Product Codes

DIGIT 1+2 Description (Adaptors)	Code	DIGIT 3 Material	Code	DIGIT 4 & 5 Male Thread Reference	DIGIT 6 & 7 Female Thread Reference	DIGIT 8 Approval	DIGIT 9 Special	DIGIT 10 Plating			
M-F HEX	BB	BRASS	A	M16	11	½" NPT	42	None (standard)	X or blank	None	Blank
M-F ROUND	BJ	ALUMINIUM	B	M20	12	¾" NPT	43	Customer Special	S	Nickel	N
		MILD STEEL	C	M25	13	1" NPT	44			Zinc	Z
		STAINLESS STEEL	E	M32	14	1¼" NPT	45			Chromatised	C
		GLASS FILLED NYLON	M	M40	15	1½" NPT	46			Special	S
				M50	16	2" NPT	47				
				M63	17	2½" NPT	48				
				M75	18	3" NPT	49				
				M90	81	3½" NPT	86				
				M100	82	4" NPT	87	Industrial	X or Blank		

Other sizes / threads are available on request

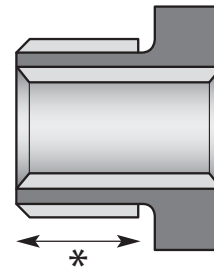


Type BB Hex

Type BJ Round

Product Dimensions

Thread	Metallic Male Thread Max Bore	Nylon Male Thread Max Bore		
M16	20.8	22.0		
M20	23.4	25.0		
M25	27.9	30.0		
M32	37.6	38.0		
M40	47.2	46.0		
M50	56.4	56.0		
M63	70.1	70.0		
M75	80.0	81.0		
M90	105.0	96.0		



* Minimum length of thread 10mm

PRODUCT CODING EXAMPLE	Reducer	Stainless Steel	M32	M25	Ex de	PART NUMBER
	BB	E	14	13	Y	= BBE1413Y

Raxton Insulated Adaptors

Technical Specification



Insulated Adaptors provide a means to isolate the earth of the supply cable from the load equipment thus reducing the risk of damage to electronic equipment within the enclosure in the event of a short circuit to ground through the enclosure.

Certifications and Compliances

Code of Protection Categories

ATEX: Ex d IIC
GOST: Ex d IICU

Compliance Standards

ATEX / GOST: EN 50014:1997, EN50018:2000,
EN 50019: 2000, EN 5081-1-1:1998

Certificate Details

ATEX: Sira 00ATEX1073U
GOST: TC RUC-G B.Г506.B.00105

TEMPERATURE

The item is classified as a component and is therefore not given a temperature rating.

Nylon temperature range -20°C to 130°C.

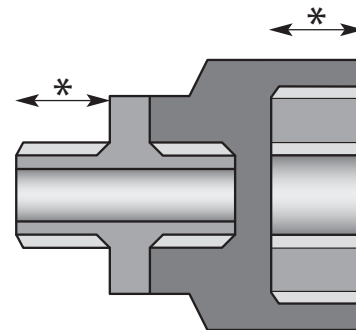
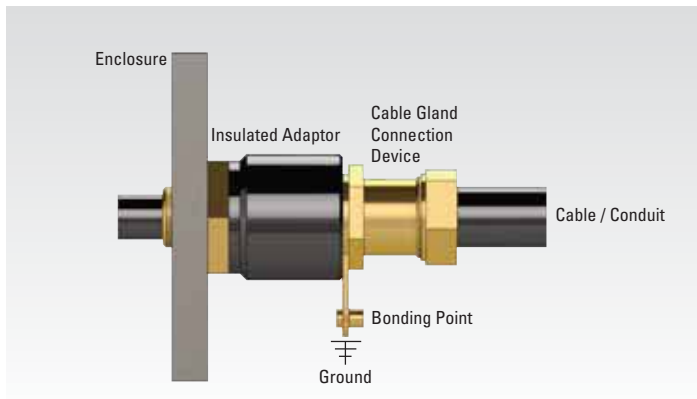
GF Nylon is UL rated @ H.B. @ 1.5mm



Type DB

Product Dimensions

Thread	Protrusion (mm)	Bore (mm)	Dia. (mm)
M16	45.0	11.0	30.0
M20	45.0	14.3	42.0
M25	45.0	20.5	47.0
M32	45.0	26.8	54.0
M40	45.0	33.5	62.0
M50	45.0	44.0	77.0
M63	45.0	55.2	87.0
M75	45.0	66.7	102.0



* Minimum 8 full threads parallel 5 full threads taper.

Product Codes

DIGIT 1+2 Description (Adaptors)	Code	DIGIT 3 Material	Code	DIGIT 4 & 5 Male				DIGIT 6 & 7 Female				DIGIT 8		DIGIT 9		DIGIT 10	
				Thread Reference				Approval				Special		Plating			
INSULATED M-F	DB	BRASS	A	M16	11	½" NPT	42	ATEX/Ex d	D	None (standard)	X or blank	None	Blank				
INSULATED M-M	DD	ALUMINIUM	B	M20	12	¾" NPT	43		R	Customer Special	S	Nickel	N				
INSULATED F-F	DE	MILD STEEL	C	M25	13	1" NPT	44		For other approvals please see product coding list on page 64				Zinc	Z			
		STAINLESS STEEL	E	M32	14	1¼" NPT	45						Chromatised	C			
		GLASS FILLED NYLON	M	M40	15	1½" NPT	46						Special	S			
				M50	16	2" NPT	47										
				M63	17	2½" NPT	48										
				M75	18	3" NPT	49	Industrial	X or Blank								

Other sizes / threads are available on request

PRODUCT CODING EXAMPLE	Ins. Adaptors	Brass	M32(M)	M32(F)	Ex d	PART NUMBER
		DB	A	14	14	D

Raxton Male to Male / Female to Female Adaptors

Technical Specification



Certifications and Compliances

Code of Protection Categories

ATEX: I M2, Ex d IMb, Ex e I Mb, or II GD, Ex d IIC Gb, Ex e IIC Gb, Ex tb IIIC Db

IECEX: Ex d I/IIC Mb/Gb Ex e I/IIC Mb/Gb, Ex tb IIIC Db

GOST: ExdIICU

INMETRO: Ex d IIC Gb, Ex tb IIIC IP66/67

Compliance Standards

ATEX / GOST: EN 60079-0:2009, EN 60079-1:2007, EN 60079-7: 2007, EN 60079-31:2008

INMETRO: ABNT NBR IEC 60079-0:2008, ABNT NBR IEC 60079-1:2009, ABNT NBR IEC 60079-7:2008, ABNT NBR IEC 60079-31:2011

IECEX: IEC 60079-0:2007-10, IEC 60079-1:2007-04, IEC 60079-7:2006-07, IEC 61241-1:2004

Certificate Details

ATEX: Sira 10ATEX1225X

IECEX: IECEX SIR 12.0014X

GOST: TC RUC-G B.ГБ06.B.00105

INMETRO: NCC 12.0764X

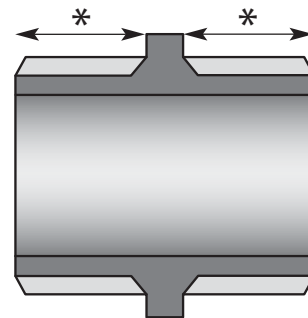
TEMPERATURE

The item is classified as a component and therefore metallic products are not given an operating temperature range.



Product Dimensions

Thread	Length (mm)	Bore (mm)	Dia. A/F (mm)
M16	38.0	11.0	18.0
M20	38.0	14.3	23.4
M25	38.0	20.5	28.0
M32	38.0	26.8	37.6



* Minimum 6 full threads parallel 5 full threads taper.

Product Codes

DIGIT 1+2 Description (Adaptors)	Code	DIGIT 3 Material	Code	DIGIT 4 & 5 Male Thread Reference	DIGIT 6 & 7 Female Thread Reference	DIGIT 8 Approval	DIGIT 9 Special	DIGIT 10 Plating			
M-M	AR	BRASS	A	M16 11 ½" NPT	42	ATEX/IECEX/ INMETRO Ex de	None (standard)	X or blank	None	Blank	
F-F HEX	AU	ALUMINIUM	B	M20 12 ¾" NPT	43		Y	Customer Special	S	Nickel	N
F-F ROUND	AX	MILD STEEL	C	M25 13 1" NPT	44	For other approvals please see product coding list on page 64			Zinc	Z	
		STAINLESS STEEL	E	M32 14 1¼" NPT	45					Chromatised	C
		GLASS FILLED NYLON	M	M40 15 1½" NPT	46					Special	S
				M50 16 2" NPT	47						
				M63 17 2½" NPT	48						
				M75 18 3" NPT	49	Industrial	X or Blank				

PRODUCT CODING EXAMPLE	M-M Adp	Brass	M20(M)	M20(F)	Ex de	PART NUMBER
	AR	A	12	12	Y	= ARA1212Y

Raxton Right Angle Adaptors

Technical Specification



Right Angle Adaptors provide a means of connection where protrusion space is limited, whilst simultaneously if necessary, converting the entry thread to that of a different type or reducing size and/or gender of the female thread.

Certifications and Compliances

Code of Protection Categories

ATEX: I M2, Ex d IMb, Ex e I Mb or II GD, Ex d IIC Gb, Ex e IIC Gb, Ex tb IIIC Db

IECEX: Ex d I/IIC Mb/Gb, Ex e I/IIC Mb/Gb, Ex tb IIIC Db

GOST: ExdIICU

INMETRO: Ex d IIC Gb, Ex tb IIIC IP66/67

Compliance Standards

ATEX / GOST: EN 60079-0:2009, EN60079-1:2007, EN 60079-7:2007, EN 60079-31:2008

INMETRO: ABNT NBR IEC 60079-0:2008, ABNT NBR IEC 60079-1:2009, ABNT NBR IEC 60079-7:2008, ABNT NBR IEC 60079-31:2011

IECEX: IEC 60079-0:2007-10, IEC 60079-1:2007-04, IEC 60079-7:2006-07, IEC 61241-1:2004

Certificate Details

ATEX: Sira 10ATEX1228U

IECEX: IECEX SIR 09.0086U

GOST: TC RUC-G B.Г506.B.00105

INMETRO: NCC 12.0764X

TEMPERATURE

The item is classified as a component and therefore metallic products are not given an operating temperature range.

*M20 and M25 may be supplied as Option A or B

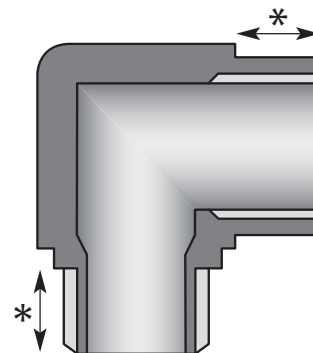
Ingress Protection (IP):

Independently tested to IP66 / IP68 when fitted in accordance to manufacturer's instructions.



Product Dimensions

Thread	Height Assembly (mm)	Bore (mm)	Male Bore Size (mm)	Option Available
M16	45.0	11.0	9.0	A
M20	51.0	14.3	15.0	A or B
M25	57.0	20.5	20.8	A or B
M32	66.0	26.8	26.8	A
M40	75.0	33.5	33.5	A
M50	86.0	44.0	44.0	A
M63	101.5	55.2	55.0	A
M75	119.0	66.7	66.5	A



* Minimum 8 full threads parallel 5 full threads taper.

Product Codes

DIGIT 1+2 Description (Adaptors)	Code	DIGIT 3 Material	Code	DIGIT 4 & 5 Male		DIGIT 6 & 7 Female		DIGIT 8		DIGIT 9		DIGIT 10	
				Thread Reference				Approval		Special		Plating	
RIGHT ANGLE M-F	FG	BRASS	A	M16	11	½" NPT	42	ATEX/IECEX/ INMETRO Ex de	Y	None (standard)	X or blank	None	Blank
RIGHT ANGLE F-F	FN	ALUMINIUM	B	M20	12	¾" NPT	43			Customer Special	S	Nickel	N
RIGHT ANGLE M-M	FK	MILD STEEL	C	M25	13	1" NPT	44	For other approvals please see product coding list on page 64				Zinc	Z
		STAINLESS STEEL	E	M32	14	1¼" NPT	45			Chromatised	C		
				M40	15	1½" NPT	46			Special	S		
				M50	16	2" NPT	47						
				M63	17	2½" NPT	48						
				M75	18	3" NPT	49						
				M90	81	3½" NPT	86						
				M100	82	4" NPT	87	Industrial	X or Blank				

Other sizes / threads are available on request

PRODUCT CODING EXAMPLE	R.A. M-F	Brass	M20(M)	M20(F)	Ex de	PART NUMBER
	FG	A		12	12	Y

Raxton Swivel Adaptors

Technical Specification



The 90° Swivel Adaptor (Types FP, FQ, FR) has been designed to allow a full 360° choice of cable entry/exit positions. This enables the installer to run the cable in any direction which greatly improves ease of installation in confined or difficult situations. The cable entry/exit can be aligned without the over or under torque compromise imposed by the direction of the cable. The Inline type (Types FA, FC, FD) allows independent connection at both ends.

Certifications and Compliances

Code of Protection Categories

ATEX: I M2, Ex d IMb, Ex e I Mb, (not Alum) or IIGd Ex d IIC Gb, Ex e IIC Gb, Ex tb IIIC Db

IECEX: Ex d Ex e IIC Gb, Ex d Ex e IM (Not Alum), Ex tb IIIC Db, IP 6X

INMETRO: Ex d IIC Gb, Ex e IIC Gb, Ex d I Mb, Ex e Mb, Ex tb IIIC Db IP6X

Compliance Standards

ATEX: EN 60079-0:2009, EN60079-1:2007, EN 60079-7:2007, EN 60079-31:2008

INMETRO: ABNT NBR IEC 60079-0:2008, ABNT NBR IEC 60079-1:2009, ABNT NBR IEC 60079-7:2008, ABNT NBR IEC 60079-31:2011

IECEX: IEC 60079-0:2007, IEC 60079-1:2007, IEC 60079-7:2006, IEC 60079-31:2008

Certificate Details

ATEX: Sira 10ATEX1056U

IECEX: IECEX SIR 10.0025U

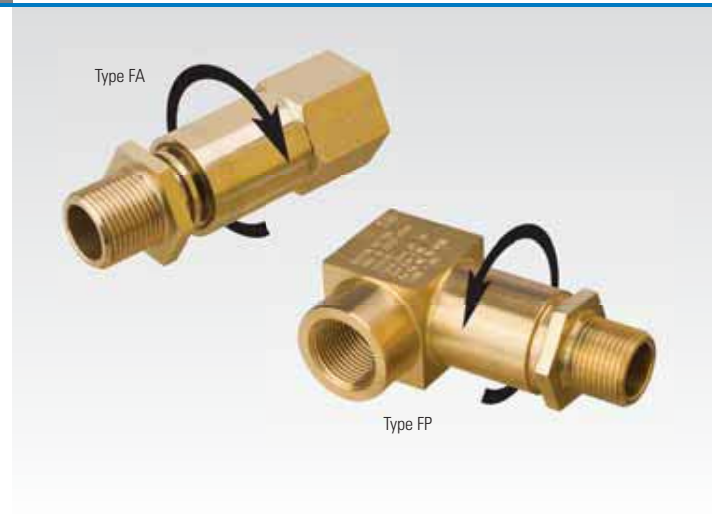
INMETRO: NCC 12.0764X

TEMPERATURE

Temperature range: -50°C to +180°C

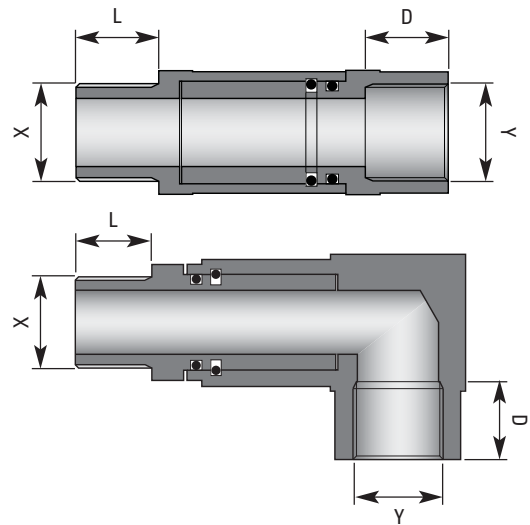
Ingress Protection (IP):

Independently tested to IP66 / IP68 when fitted in accordance to manufacturer's instructions.



Product Dimensions

Thread X	Thread Y	Length (L) (mm)	Depth (D) (mm)	Min Wall (mm)
M16	M20	17.0	17.0	2.25
M25	M25-M20	17.0	17.0	2.75
M32	M32-M20	17.0	17.0	3.00
M40	M40-M20	17.0	17.0	3.00
M50	M50-M20	17.0	17.0	3.00
M63	M63-M20	17.0	17.0	3.25
M75	M75-M20	17.0	17.0	3.25



Product Codes

DIGIT 1+2 Description (Swivel Adaptors)	Code	DIGIT 3 Material	Code	DIGIT 4 & 5 Male Thread Reference	DIGIT 6 & 7 Female Thread Reference	DIGIT 8 Approval	DIGIT 9 Special	DIGIT 10 Plating					
SWIVEL INLINE M-F	FA	BRASS	A	M16	11	½" NPT	42	ATEX/IECEX/ INMETRO Ex de	Y	None (standard)	X or blank	None	Blank
SWIVEL INLINE F-F	FC	ALUMINIUM	B	M20	12	¾" NPT	43	For other approvals please see product coding list on page 64		Customer Special	S	Nickel	N
SWIVEL INLINE M-M	FD	MILD STEEL	C	M25	13	1" NPT	44			Zinc	Z		
SWIVEL 90° M-F	FP	STAINLESS STEEL	E	M32	14	1½" NPT	45			Chromatised	C		
SWIVEL 90° F-F	FQ			M40	15	1½" NPT	46			Special	S		
SWIVEL 90° M-M	FR			M50	16	2" NPT	47						
				M63	17	2½" NPT	48						
				M75	18	3" NPT	49						
				M90	81	3½" NPT	86						
				M100	82	4" NPT	87	Industrial	X or Blank				

Other sizes / threads are available on request

PRODUCT CODING EXAMPLE	Swivel	Brass	1" NPT(M)	M32(F)	Ex de	PART NUMBER
	FA	A	44	14	Y	= FAA4414Y

Raxton 'Y' and 'T' Adaptors

Technical Specification



'Y' (Type YA) and 'T' (Type TA) Adaptors provide an opportunity for two entries where pre-machine entries are limited, and to also change threadform or to different sizes.

Certifications and Compliances

Code of Protection Categories

ATEX: I M2, Ex d IMb, Ex e I Mb or II GD, Ex d IIC Gb, Ex e IIC Gb, Ex tb IIIC Db

IECEX: Ex d I/IIC Mb/Gb, Ex e I/IIC Mb/Gb, Ex tb IIIC Db

Compliance Standards

ATEX: EN 60079-0:2009, EN 60079-1:2007, EN 60079-7:2007, EN60079-31:2008

IECEX: IEC 60079-0: 2007-10, IEC 60079-1: 2007-04, IEC 60079-7: 2006-07, IEC 61241-1: 2004

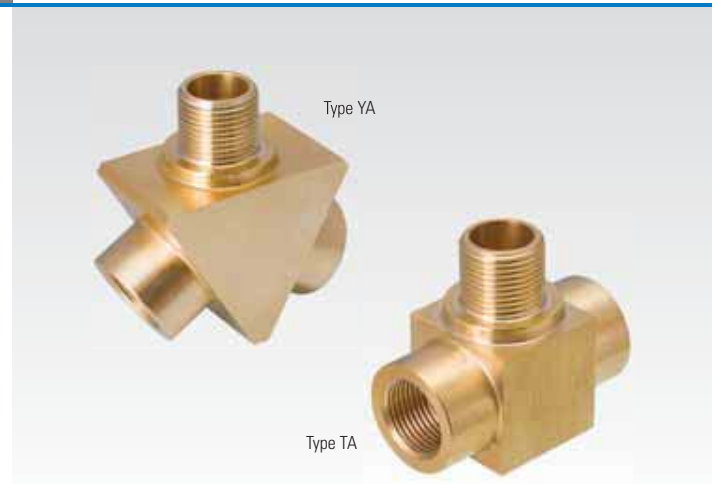
Certificate Details

ATEX: Sira 10ATEX1056U

IECEX: IECEX SIR 10.0025U

TEMPERATURE

The item is classified as a component and therefore metallic products are not given an operating temperature range.



Product Dimensions - 'Y' Adaptor

Thread	Overall Length (mm)	Angle Between Entries		
M20	70.00	120° each		
M25	80.00	120° each		
M32	85.00	120° each		

Product Dimensions - 'T' Adaptor

Thread	Female Size Range	Height (Single Entry to base - mm)	Length (Entry to Entry - mm)
M16	M12 - M20	45.00	55.00
M20	M12 - M25	51.00	60.00
M25	M12 - M32	57.00	65.00
M32	M12 - M40	66.00	72.00
M40	M12 - M50	75.00	80.00
M50	M12 - M63	86.00	90.00
M63	M12 - M75	101.50	105.00
M75	M12 - M90	119.00	120.00



Product Codes

DIGIT 1+2 Description (Adaptors)	Code	DIGIT 3 Material	Code	DIGIT 4 & 5 Male		DIGIT 6 & 7 Female		DIGIT 8		DIGIT 9		DIGIT 10		
				Thread Reference				Approval		Special		Plating		
'Y' ADAPTORS M-F/F	YA	BRASS	A	M12	04	M12	04	ATEX Exde	A	None (standard)	X or blank	None	Blank	
'T' ADAPTORS M-F/F	TA	MILD STEEL	C	M16	11	M16	11	IECEX Exde	R	Customer Special	S	Nickel	N	
		STAINLESS STEEL	E	M20	12	M20	12	For other approvals please see product coding list on page 64				Zinc	Z	
				M25	13	M25	13						Chromatised	C
				M32	14	M32	14						Special	S
				M40	15	M40	15							
				M50	16	M50	16							
				M63	17	M63	17							
				M75	18	M75	18							
				M90	81	M90	81	Industrial	X or Blank					

Other sizes / threads are available on request

PRODUCT CODING EXAMPLE	'Y' M-F	Brass	M20(M)	M25(F)	Ex de	PART NUMBER
	YA	A	12	13	A	= YAA1213

Raxton Earth Lead Adaptors & Threaded Earth Plates

Technical Specification



Earth Lead Adaptors (Type DG) allow for earth continuity to be maintained by providing an earth lead which can be terminated inside the enclosure.

Threaded earth plates (Type DK) are designed to ensure earth continuity when terminating brass glands into non-metallic enclosures. The additional use of a locknut is recommended to ensure pressure is maintained with the wall enclosure.

Certifications and Compliances - Earth Lead Adaptors

Code of Protection Categories

ATEX: I M2, Ex e I Mb or II G D, Ex e IIC Gb, Ex IIIC tb Db
 IECEX: Ex d I/IIC Mb/Gb, Ex E I/IIC Mb/Gb, Ex IIIC tb Db
 GOST: ExeIIU
 INMETRO: Ex e IIC Gb, Ex tb IIIC IP66/67

Compliance Standards

ATEX / GOST: EN 60079-0:2009, EN 60079-7:2007, EN 60079-31:2008

INMETRO: ABNT NBR IEC 60079-0:2008, ABNT NBR IEC 60079-1:2009, ABNT NBR IEC 60079-7:2008, ABNT NBR IEC 60079-31:2011

IECEX: IEC 60079-0:2007-10, IEC 60079-1:2007-04, IEC 60079-7:2006-07, IEC 61241-1:2004

Certificate Details

ATEX: Sira 10ATEX1225X
 IECEX: IECEX SIR 12.0014X
 GOST: TC RUC-G B.ГБ06.B.00105
 INMETRO: NCC 12.0764X

TEMPERATURE

The item is classified as a component and is therefore not given a temperature rating, The 'O' ring has an operating temperature of -30°C to 125°C.

Certifications and Compliances - Threaded Earth Plates

Code of Protection Categories

ATEX: II 2GD, Ex e II

Compliance Standards

ATEX EN 50014:1997, EN50018:2000, EN 50019:2000, EN50281-1-1:1998

Certificate Details

ATEX: Sira 00ATEX1073U

TEMPERATURE

The item is classified as a component and is therefore not given a temperature rating.

Product Codes

DIGIT 1+2	DIGIT 3	DIGIT 4 & 5 Male	DIGIT 6 & 7 Female	DIGIT 8	DIGIT 9	DIGIT 10				
Description (Earth Accessories)	Code	Material	Code	Thread Reference	Approval	Special	Plating			
ADAPTOR M-F	DG	BRASS	A	M16 11 ½" NPT	42	ATEX Exe E	None (standard)	X or blank	None	Blank
PLATE	DK	ALUMINIUM	B	M20 12 ¾" NPT	43	IECEX Exe I/II For other approvals please see product coding list on page 64	Customer Special	S	Nickel	N
		MILD STEEL	C	M25 13 1" NPT	44				Zinc	Z
		STAINLESS STEEL	E	M32 14 1¼" NPT	45				Chromatised	C
				M40 15 1½" NPT	46				Special	S
				M50 16 2" NPT	47					
				M63 17 2½" NPT	48					
				M75 18 3" NPT	49					
				M90 81 3½" NPT	86					
				M100 82 4" NPT	87	Industrial	X or Blank			

Other sizes / threads are available on request

PRODUCT CODING EXAMPLE	EL Adaptor	Brass	M20(M)	M20(F)	Ex e	PART NUMBER
	DG	A	12	12	E	= DGA1212E



Product Dimensions - Earth Lead Adaptors

Earth Lead Adaptor	Length (mm)	Earth Lead x 300mm (mm2)
M16	38.0	2.5
M20	38.0	2.5
M25	38.0	4.0
M32	38.0	6.0
M40	39.0	10.0
M50	39.0	16.0
M63	39.0	25.0
M75	39.0	25.0

Product Dimensions - Threaded Earth Plates

Thread Earth Plate	Length (mm)	Earth Lead x 300mm (mm2)
M16	22.0	2.5
M20	30.0	2.5
M25	32.0	4.0
M32	38.0	6.0
M40	50.8	10.0
M50	63.5	16.0
M63	76.0	25.0
M75	102.0	25.0

Raxton Stopping Plugs

Technical Specification



Certifications and Compliances

Code of Protection Categories

ATEX:	I M2 (not CY), Ex d IMb, Ex e I Mb, or II GD, Ex d IIC Gb, Ex e IIC Gb, Ex tb IIIC Db
IECEX:	Ex d I/IIC Mb/Gb, Ex e I/IIC Mb/Gb, Ex tb IIIC Db, (Group I not for CY)
CSA:	Ex d IIC Class 1, Zone 1, AEx d IIC (Brass and Stainless only)
GOST:	Exdel/IICU, ExdelIICU, ExeIIU
INMETRO:	Ex de I/IIC Mb/Gb, Ex tb IIIC IP66/67 (Brass and Stainless)
(not CY)	Ex de IIC Gb, Ex tb IIIC IP66/67 (Aluminium) Ex e IIC Gb, Ex tb IIIC IP66/67 (Nylon)
NEPSI:	Ex d II C Gb, Ex e II C Gb, DIP A21 Ta IP6X

Compliance Standards

ATEX / GOST:	EN 60079-0:2009, EN 60079-1: 2007, EN 60079-7: 2007, EN 60079-31:2008
IECEX:	IEC 60079-0:2004, IEC 60079-1:2003, IEC 60079-7:2006-07
CSA:	CAN/CSA-E79-0-95, CAN/CSA-E79-1-95, UL 2279 1997, IEC 60079-0:1998, IEC 60079-1:1998
INMETRO:	ABNT NBR IEC 60079-0:2008, ABNT NBR IEC 60079-1:2009, ABNT NBR IEC 60079-7:2008, ABNT NBR IEC 60079-31:2011
NEPSI:	GB 3836.1-2010, GB 3836.2-2010, GB 3836.3-2010, GB 12476.1-2000

Certificate Details

ATEX:	Sira 10ATEX1224X
IECEX:	IECEX SIR 07.0009X
CSA:	CSA 200455-1003277
GOST:	TC RUC-G B.ГБ06.B.00105
INMETRO:	NCC 12.0764X
NEPSI:	GYJ13.1311X

TEMPERATURE

The item is classified as a component and therefore metallic products are not given an operating temperature range.

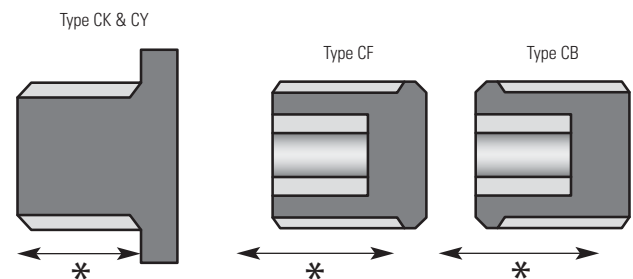
Ingress Protection (IP):

Tested to IP68



Product Dimensions

Thread	RX & Tamper-proof Allen Key Type CF & CB	Hex Head A/F (mm) Type CK & CY		
M16	6.0	19.0		
M20	10.0	23.3		
M25	10.0	28.0		
M32	10.0	37.5		
M40	10.0	47.0		
M50	10.0	56.0		
M63	10.0	70.0		
M75	10.0	80.0		



* Minimum 6 full threads parallel 5 full threads taper.

Product Codes

DIGIT 1+2	Code	DIGIT 3	Code	DIGIT 4 & 5 Male	DIGIT 6 & 7 Female	DIGIT 8	DIGIT 9	DIGIT 10						
Description (Stopper Plugs)		Material		Thread Reference		Approval	Special	Plating						
RX (External Access)	CB	BRASS	A	M16	11	½" NPT	42	ATEX/IECEX/ INMETRO Ex de	Y	None (standard)	X or blank	None	Blank	
TAMPERPROOF	CF	ALUMINIUM	B	M20	12	¾" NPT	43	For other approvals please see product coding list on page 64		Customer Special	S	Nickel	N	
HEX HEAD	CK	MILD STEEL	C	M25	13	1" NPT	44						Zinc	Z
HOLLOW HEX HEAD	CY	STAINLESS STEEL	E	M32	14	1¼" NPT	45						Chromatised	C
		GLASS FILLED NYLON	M	M40	15	1½" NPT	46						Special	S
				M50	16	2" NPT	47							
				M63	17	2½" NPT	48							
				M75	18	3" NPT	49							
				M90	81	3½" NPT	86							
				M100	82	4" NPT	87	Industrial	X or Blank					

Other sizes / threads are available on request

PRODUCT CODING EXAMPLE	Hex Head	Brass	M25(M)	-	Ex de	PART NUMBER
	CB	A	13	00	Y	= BBE1413Y

Raxton Stopping Plugs

Technical Specification



Certifications and Compliances

Code of Protection Categories

Type CQ metallic only:

ATEX: I M2, Ex d IMb, Ex e I Mb, or II GD, Ex d IIC Gb, Ex e IIC Gb, Ex tb IIIC Db

IECEX: Ex d I/IIC Mb/Gb, Ex e I/IIC Mb/Gb, Ex tb IIIC Db

CSA: Ex d IIC Class 1, Zone 1, AEx d IIC

GOST: Exdel/IICU, ExdelIIICU, ExellIU

INMETRO: Ex de I/IIC Mb/Gb, Ex tb IIIC IP66/67 (Brass and Stainless)

(not CY) Ex de IIC Gb, Ex tb IIIC IP66/67 (Aluminium)

NEPSI: Ex d II C Gb, Ex e II C Gb, DIP A21 Ta IP6X

Type CQ/CS Nylon only:

ATEX: II 2 GD, Ex e IIC Gb, Ex tb IIIC Db (not Type CS)

IECEX: Ex e IIC Gb, Ex tb IIIC Db

GOST: ExellIU (not Type CS)

INMETRO: Ex e IIC Gb, Ex tb IIIC IP66/67 (Nylon)

Compliance Standards

Type CQ metallic only:

ATEX / GOST: EN 60079-0:2009, EN 60079-1:2007, EN 60079-7:2007, EN 60079-31:2008

INMETRO: ABNT NBR IEC 60079-0:2008, ABNT NBR IEC 60079-1:2009, ABNT NBR IEC 60079-7:2008, ABNT NBR IEC 60079-31:2011

NEPSI: GB 3836.1-2010, GB 3836.2-2010, GB 3836.3-2010, GB 12476.1-2000

IECEX: IEC 60079-0:2004, IEC 60079-1:2003, IEC 60079-7:2006-07

CSA: AN/CSA-E79-0-95, CAN/CSA-E79-1-95, UL 2279, 1997, IEC 60079-0:1998, IEC60079-1:1998

Type CQ Nylon only:

ATEX / GOST: EN 60079-0:2009, EN 60079-7:2007, EN 60079-31:2009

INMETRO: ABNT NBR IEC 60079-0:2008, ABNT NBR IEC 60079-1:2009, ABNT NBR IEC 60079-7:2008, ABNT NBR IEC 60079-31:2011

IECEX: IEC 60079-0:2007, IEC 60079-7:2006, IEC 60079-31:2008

Type CS only:

IECEX: IEC 60079-0:2007-10, IEC 60079-7:2006-07, IEC 60079-31:2008

Certificate Details

Type CQ metallic only:

ATEX: Sira 10ATEX1224X

IECEX: IECEX SIR 07.0009X

CSA: CSA 200455-1003277

NEPSI: GYJ13.1311X

Type CQ metallic/Nylon:

GOST: TC RUC-G B.ГБ06.B.00105

INMETRO: NCC 12.0764X

Type CQ Nylon only:

ATEX: Sira 10ATEX1225X

IECEX: IECEX SIR 12.0014X

Type CS only:

IECEX: IECEX LCI 08.0035X



Product Dimensions

Thread	Dome Head Allen Key Type CQ	Dome Head Dia (mm) Type CQ	Slotted Head A/F (mm) Type CS
M16	6.0	20.5	19.0
M20	10.0	25.0	23.0
M25	10.0	30.0	28.0
M32	10.0	38.0	36.0
M40	10.0	46.0	44.0
M50	10.0	56.0	54.0
M63	10.0	69.0	67.0
M75	10.0	81.0	N/A

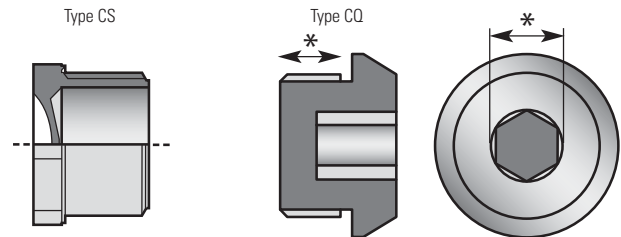
TEMPERATURE

The item is classified as a component and therefore metallic products are not given an operating temperature range.

Nylon temperature range -20°C to 65°C, 'O' ring -30°C to 125°C.

Ingress Protection (IP):

Tested to IP68



* Minimum 6 full threads parallel 5 full threads taper

Product Codes

DIGIT 1+2	Code	DIGIT 3	Code	DIGIT 4 & 5 Male	DIGIT 6 & 7 Female	DIGIT 8	DIGIT 9	DIGIT 10							
Description (Stopper Plugs)		Material		Thread Reference		Approval	Special	Plating							
DOME HEAD	CQ	BRASS	A	M16	11	½" NPT	42	ATEX/IECEX/ INMETRO Ex de	Y	None (standard)	X or blank	None	Blank		
SLOTTED HEAD	CS	ALUMINIUM	B	M20	12	¾" NPT	43	For other approvals please see product coding list on page 64		Customer Special	S	Nickel	N		
		MILD STEEL	C	M25	13	1" NPT	44			Zinc	Z				
		STAINLESS STEEL	E	M32	14	1¼" NPT	45			Chromatised	C				
		GLASS FILLED NYLON	M	M40	15	1½" NPT	46			Special	S				
				M50	16	2" NPT	47								
				M63	17	2½" NPT	48								
				M75	18	3" NPT	49								
				M90	81	3½" NPT	86								
				M100	82	4" NPT	87			Industrial	X or Blank				

Other sizes / threads are available on request

PRODUCT CODING EXAMPLE	Dome Head	Brass	M25(M)	-	Ex de	PART NUMBER
	CQ	A	13	00	Y	= CQA1300Y

Raxton Breather Drains

Technical Specification



The Exde (Type CT) and the Exe (Type CV) effectively drain moisture from an enclosure and allow air from the enclosure to vent into the surrounding atmosphere thereby minimising moisture build up.

Certifications and Compliances

Code of Protection Categories

Type CT Breather Drain Plugs

ATEX: II 2 GD, Ex e IIC Gb, Ex tb IIIC Db

IECEX: Ex d I/IIC Mb/Gb, Ex e I/IIC Mb/Gb, Ex tb IIIC Db, IP 6X

Type CV Breather Drain Plugs

ATEX: I M2, Ex e I Mb or II GD, Ex e IIC Gb, Ex tb IIIC Db.

Nylon: - II 2 GD, Ex e II only.

IECEX: Ex e IIC Mb/Gb, Ex IIIC tb Db (metallic only)

GOST: ExdellCU, ExeIIU. Nylon: - ExeIIU only.

INMETRO: BR-Ex e I/IIC Gb, BR-Ex tD A21, IP 66

Compliance Standards

Type CT Breather Drain Plugs

ATEX / INMETRO / GOST: EN 60079-0:2007, EN 60079-1:2007,

EN 60079-7:2007, EN 61241-0:2006

EN 61241-1:2004

IECEX: IEC 60079-0:2007-10, IEC 60079-1:2007-04,

IEC 60079-7:2006-07, IEC 61241-1:2004

Type CV Breather Drain Plugs

ATEX / INMETRO / GOST: EN 60079-0:2009, EN 60079-1:2007,

EN 60079-7:2007, EN 60079-31:2008

(Metallic only); EN 50014:1997,

EN 50019:1994, EN 50281-1-1:1998 (Nylon only)

IECEX: IEC 60079-0:2007-10, IEC 60079-7:2006-07, IEC 61241-1:2004

(Metallic only)

Certificate Details

ATEX: (CV) Sira 10ATEX3279U

(CT) ITS 13ATEX17782X

IECEX: (CV) IECEX SIR 09.0096U

(CT) IECEX ITS 13.0018X

GOST: POCC GB. 06.B01060

INMETRO: (CV) NCC 12.0926X

(CT) NCC 12.0927X

TEMPERATURE

The Exde Type CT Breather/Drain plug: -50°C to 230°C.

The Exe Breather/Drain plug is classified as a component and therefore metallic products are not given an operating temperature.

Nylon temperature range -20°C to 65°C, 'O' ring -30°C to 125°C.

Ingress Protection (IP):

Tested to IP66

Product Codes

DIGIT 1+2	Code	DIGIT 3	Code	DIGIT 4 & 5 Male		DIGIT 6 & 7 Female		DIGIT 8		DIGIT 9		DIGIT 10		
Description (Breather Drains)		Material		Thread Reference	Thread Reference	Approval	Special	Plating						
B.DRAIN Ex de	CT	BRASS	A	M16	11	½" NPT	42	ATEX Exde	A	None (standard)	X or blank	None	Blank	
B.DRAIN Ex e	CV	STAINLESS STEEL	E	M20	12	¾" NPT	43	IECEX Exde	R	Customer Special	S	Nickel	N	
		GLASS FILLED NYLON	M	M25	13	1" NPT	44	For other approvals please see product coding list on page 64				Zinc	Z	
				M32	14								Chromatised	C
													Special	S
								Industrial	X or Blank					

Other sizes / threads are available on request

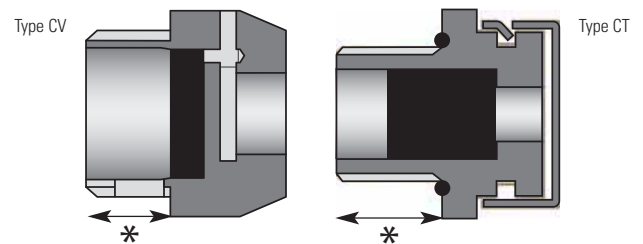


Product Dimensions - Ex e (Type CV)

Thread	Dia. (mm)	Allen Key (mm)	Head Protrusion (mm)
M20	25.4	10	14
M25	30.5	10	14
M32	38.0	10	14
½" NPT	25.4	10	14
¾" NPT	30.5	10	14
1" NPT	38.0	10	14

Product Dimensions - Ex de (Type CT)

Thread	Hex AF (mm)	Thread Length (mm)	OAL (mm)
M20	27.0	16.0	31
M25	31.8	16.0	31
½" NPT	27.0	20.0	35
¾" NPT	27.9	20.0	35



* Minimum 6 full threads parallel 5 full threads taper.

PRODUCT CODING EXAMPLE	Breather Drain	Brass	M25(M)	-	Ex de	PART NUMBER
	CT	A	13	00	A	= CTA1300A

Raxton Barrier Stopper Boxes for Cable Glands and Rigid Conduit

Technical Specification



The Compound Stopper Box is designed to seal conductors at the entry to the enclosure via conduit or to enable an existing compression gland to be converted to a barrier gland. This is achieved by forming a barrier between the individual insulated conductors within the cable to prevent an explosion within the enclosure. The Compound Stopper Box allows compound to be packed around individual insulated conductors. Assembly of the component compresses the packing material and distributes the compound evenly to effect a barrier at point of entry into the enclosure.

The Compound Stopper Box is supplied with compound in a pack, complete with making off instructions and gloves.

Certifications and Compliances

Code of Protection Categories

ATEX: II 2 GD, Ex de IIC

GOST: ExdIIICU

INMETRO: BR-Ex d IIC Gb, BR-Ex tD A21 IP 66/67

Compliance Standards

ATEX / INMETRO / GOST: EN 50014:1997, EN 50018:2000, EN 50019:2000, EN 5081-1-1:1998

Certificate Details

ATEX: ITS 12ATEX17707X

IECEX: IECEX ITS 12.0079X

GOST: POCC GB. 06.B01060

TEMPERATURE

The item is classified as a component and therefore metallic products are not given an operating temperature range.

Ingress Protection (IP):

Independently tested to IP66 / IP68 when fitted in accordance to manufacturer's instructions.

Barrier Stopper Box used with a rigid steel conduit.



Barrier Stopper Box used with a compression type cable gland to provide a barrier gland assembly.

Product Codes

DIGIT 1+2		DIGIT 3		DIGIT 4 & 5 Male				DIGIT 6 & 7 Female		DIGIT 8		DIGIT 9		DIGIT 10	
Description (Stopper Boxes)	Code	Material	Code	Thread Reference				Approval		Special		Plating			
STOPPER BOX M-F	EG	BRASS	A	M16	11	½" NPT	42	For other approvals please see product coding list on page 64	ATEX Ex de	A	None (standard)	X or blank	None	Blank	
STOPPER BOX F-F	EK	ALUMINIUM	B	M20	12	¾" NPT	43				Customer Special	S	Nickel	Z	
		MILD STEEL	C	M25	13	1" NPT	44						Zinc	Z	
		STAINLESS STEEL	E	M32	14	1¼" NPT	45						Chromatised	C	
				M40	15	1½" NPT	46						Special	S	
				M50	16	2" NPT	47								
				M63	17	2½" NPT	48								
				M75	18	3" NPT	49	Industrial	X or Blank						

Other sizes / threads are available on request

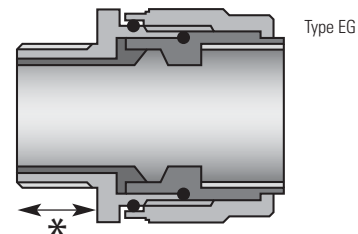
PRODUCT CODING EXAMPLE	Box M-F	Brass	M20(M)	M20(F)	Ex de	PART NUMBER
	EG	A	12	12	A	= EGA1212A



Type EG

Product Dimensions

Thread	Bore MN (mm)	Thread Length (mm)	Protrusion (mm)
M16	7.2	15.0	32.0
M20	12.5	15.0	34.5
M25	18.3	15.0	34.5
M32	24.3	15.0	34.5
M40	30.0	17.0	35.0
M50	41.6	17.0	37.0
M63	53.3	17.0	37.0
M75	65.0	17.0	37.0



Type EG

* Minimum 6 full threads parallel 5 full threads taper.

Technical Specification



Unions are designed to provide a running joint whilst eliminating exposed threads and are particularly suitable for use where a coupler would be impractical.

Unions are available in a variety of threadforms and can be supplied with male to female or female to female thread entries. The female connection thread of the union shall step not more than one size up from the male connection thread, or equal to one size up in the case of a thread gender change: e.g. M20(M) to M25(F) or M20(M) to 3/4" NPT(F).

Certifications and Compliances

Code of Protection Categories

ATEX: I M2, Ex d IMb, Ex e I Mb or II GD, Ex d IIC Gb, Ex e IIC Gb, Ex tb IIIC Db

IECEX: Ex d I/IIC Mb/Gb, Ex e I/IIC Mb/Gb, Ex tb, IIIC Db

GOST: ExdIIICU

INMETRO: BR-Ex d IIC Gb

Compliance Standards

ATEX / INMETRO / GOST: EN 60079-0:2009, EN60079-1:2007, EN 60079-7:2007, EN 60079-31:2008

IECEX: IEC 60079-0:2007-10, IEC 60079-1:2007-04,

IEC 60079-7:2006-07, IEC 61241-1:2004

Certificate Details

ATEX: Sira 10ATEX1227U

IECEX: IECEX SIR 09.0085U

GOST: POCC GB. 06.B01060

INMETRO: NCC 12.0764X

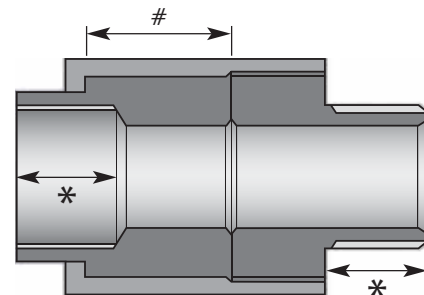
TEMPERATURE

The item is classified as a component and therefore metallic products are not given an operating temperature range.



Product Dimensions

Thread	Protrusion (mm)	Bore (mm)	Dia (mm)
M16	45.0	11.0	30.0
M20	45.0	14.3	42.0
M25	45.0	20.5	47.0
M32	45.0	26.8	54.0
M40	45.0	33.5	62.0
M50	45.0	44.0	77.0
M63	45.0	55.2	87.0
M75	45.0	66.7	102.0



* Minimum 8 full threads parallel 5 full threads taper.

#Flamepath in accordance with appropriate standards.

Product Codes

DIGIT 1+2 Description (Unions)	Code	DIGIT 3 Material	Code	DIGIT 4 & 5 Male		DIGIT 6 & 7 Female		DIGIT 8		DIGIT 9		DIGIT 10		
				Thread Reference		Approval		Special		Plating				
UNION M-F	FB	BRASS	A	M16	11	½" NPT	42	ATEX Ex de	A	None (standard)	X or blank	None	Blank	
UNION F-F	FL	ALUMINIUM	B	M20	12	¾" NPT	43	IECEX Ex de	R	Customer Special	S	Nickel	N	
		MILD STEEL	C	M25	13	1" NPT	44	For other approvals please see product coding list on page 64				Zinc	Z	
		STAINLESS STEEL	E	M32	14	1¼" NPT	45						Chromatised	C
				M40	15	1½" NPT	46						Special	S
				M50	16	2" NPT	47							
				M63	17	2½" NPT	48							
				M75	18	3" NPT	49	Industrial	X or Blank					

Other sizes / threads are available on request

PRODUCT CODING EXAMPLE	Union	Brass	M32(M)	M32(F)	Ex de	PART NUMBER
		FB	A	14	14	A

Raxton Nipples / Couplers / Bushes

Technical Specification

Screwed Nippling

Supplied 50mm long as standard, alternative lengths can be supplied as required.

Available in a variety of thread forms. Materials include Brass, Mild Steel, Stainless Steel, Aluminium and Nylon.

Metallic finishes can be plated to requirements.

Couplers

Available in round or hexagonal. Manufactured in Brass as standard in a wide combination of thread forms and sizes.

Bushes

Male and Female Bushes are available in a variety of thread forms Materials include Brass, Mild Steel, Stainless Steel, Aluminium and may be plated to requirements.

TEMPERATURE

The item is classified as a component and therefore metallic products are not given an operating temperature range.



Product Codes

DIGIT 1+2	Code	DIGIT 3	Code	DIGIT 4 & 5 Male	DIGIT 6 & 7 Female	DIGIT 8		DIGIT 9		DIGIT 10				
Description		Material		Thread Reference		Approval		Special		Plating				
MALE BUSH LONG	JA	BRASS	A	M12	04	½" NPT	42	Industrial	X or Blank	None (standard)	X or blank	None	Blank	
MALE BUSH SHORT	JB	ALUMINIUM	B	M16	11	¾" NPT	43	For other approvals please see product coding list on page 64		Customer Special	S	Nickel	N	
FEMALE BUSH	JC	MILD STEEL	C	M20	12	1" NPT	44						Zinc	Z
NIPPLE	JD	STAINLESS STEEL	E	M25	13	1¼" NPT	45						Chromatised	C
NIPPLE LONG	JE	NYLON BLACK	G	M32	14	1½" NPT	46						Special	S
NIPPLE BARREL	JF			M40	15	2" NPT	47							
COUPLER ROUND	JG			M50	16	2½" NPT	48							
COUPLER HEX	JH			M63	17	3" NPT	49							
COUPLER FLANGE	JJ			M75	18	3½" NPT	86							
				M90	81	4" NPT	87							

Other sizes / threads are available on request

PRODUCT CODING EXAMPLE	Male Bush	Brass	M25(M)	-	-	PART NUMBER
	JA	A	13	00		

Raxton Locknuts, Washers & Serrated Washers

Technical Specification

Locknuts & Lockrings (Type GA, GB)

Raxton offer a large variety of Locknuts/Lockrings which are often recommended for securing cable glands, thread Adaptors or thread Reducers to a gland plate or into equipment. Locknuts are available in Brass, Mild Steel, Stainless Steel, Aluminium or Nylon.

TEMPERATURE

The item is classified as a component and therefore metallic products are not given an operating temperature range.

Product Dimensions

Female Thread	Thread Coding	A/F Dims (mm)	Female Thread	Thread Coding	A/F Dims (mm)
M16	0011	19.0	¾" NPT	0043	33.0
M20	0012	25.4	1" NPT	0044	40.0
M25	0013	30.0	1¼" NPT	0045	50.0
M32	0014	46.0	1½" NPT	0046	56.0
M40	0015	46.0	2" NPT	0047	70.0
M50	0016	65.0	2½" NPT	0048	90.0
M63	0017	80.0	3" NPT	0049	105.0
M75	0018	95.0	3½" NPT	0050	115.0
M90	0019	105.0	4" NPT	0051	130.0

Washers

To maintain the IP rating of the equipment Raxton offer a wide variety of entry thread sealing Washers and 'O' rings. Materials include Nylon, Teflon, Neoprene, Fibre and Rubber. In addition Raxton can offer a non-setting universal jointing sealant.

TEMPERATURE

The item is classified as a component and therefore metallic products are not given an operating temperature range.

Serrated Washers

Raxton Serrated (Shakeproof) Washers are available in both Mild Steel Zinc plated and Stainless Steel and prevent the risk of attachments becoming loose when used in conjunction with a Locknut.

TEMPERATURE

The item is classified as a component and therefore metallic products are not given an operating temperature range.

Product Codes

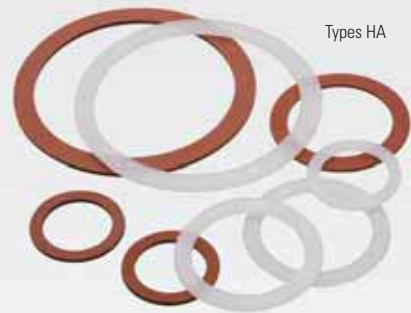
DIGIT 1+2 Description (Earth Accessories)	Code	DIGIT 3 Material	Code	DIGIT 4 & 5 Male Thread Reference	DIGIT 6 & 7 Female	DIGIT 8 Approval	DIGIT 9 Special	DIGIT 10 Plating			
LOCKNUTS	GA	BRASS	A	M16	11 ½" NPT	42 Industrial	X or Blank	None (standard)	X or blank	None	Blank
LOCKRINGS	GB	ALUMINIUM	B	M20	12 ¾" NPT	For other approvals please see product coding list on page 64	Customer Special	S	Nickel	N	
SERRATED WASHERS	GC	MILD STEEL	C	M25	13 1" NPT				Zinc	Z	
CASTELLATED LOCKNUTS	GD	STAINLESS STEEL	E	M32	14 1¼" NPT				Chromatised	C	
WASHERS	HA	NYLON BLACK	G	M40	15 1½" NPT				Special	S	
'O' RINGS	HB	TEFLON	P	M50	16 2" NPT						
		EPDM	Q	M63	17 2½" NPT						
		NEOPRENE	T	M75	18 3" NPT						
		NYLON WHITE	R	M90	81 3½" NPT						
		RED FIBRE	U	M100	82 4" NPT						

Other sizes / threads are available on request

PRODUCT CODING EXAMPLE	Washer	Fibre	(M)	M40(F)	-	PART NUMBER
	HA	U	00	15	-	= HAU0015



Types GA



Types HA



Types GC

Raxton Earthing Locknuts & Earth Tags

Technical Specification

Earthing Locknuts

Raxton Earthing Locknuts offer an alternative to the standard Earth Tag when terminating a metallic cable gland into a thin wall steel enclosure. The Earthing Locknut design includes a number of cutting teeth formed on one surface of the nut. When tightened, these teeth cut into the enclosure wall, preventing the nut from turning and enabling the gland to be tightened to the nut from the outside with only one tool. This allows all connections of the gland to be made within the enclosure, away from the corrosive or flammable atmosphere and away from possible mechanical damage, and results in a neater appearance. The nut may also be fitted with the plain side facing the enclosure where this is preferred.

TEMPERATURE

The item is classified as a component and therefore metallic products are not given an operating temperature range.

Product Dimensions

Female Thread	Thread Coding	A/F Dims (mm)	Female Thread	Thread Coding	A/F Dims (mm)
M12	0010	14.0	½" NPT	0042	30.0
M16	0011	18.0	¾" NPT	0043	36.0
M20	0012	23.0	1" NPT	0044	42.0
M25	0013	28.0	1¼" NPT	0045	50.0
M32	0014	36.0	1½" NPT	0046	55.0
M40	0015	44.0	2" NPT	0047	70.0
M50	0016	54.0	2½" NPT	0048	80.0
M63	0017	70.0	3" NPT	0049	98.0
M75	0018	92.0	3½" NPT	0050	115.0
M90	0019	108.0	4" NPT	0051	130.0

Earth Tags

Raxton Earth Tags provide a means of connecting a flexible earth bond with the gland, thread Adaptor or thread Reducer in any required position whilst ensuring suitable earth continuity. Available in Brass, Aluminium and Stainless Steel and supplied self-colour as standard, additional plating is available if required.

TEMPERATURE

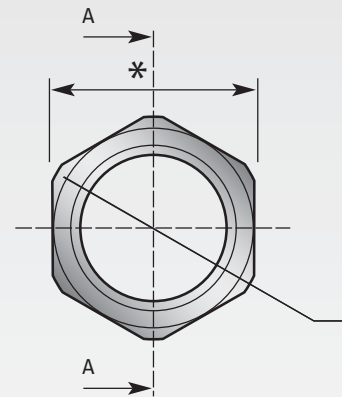
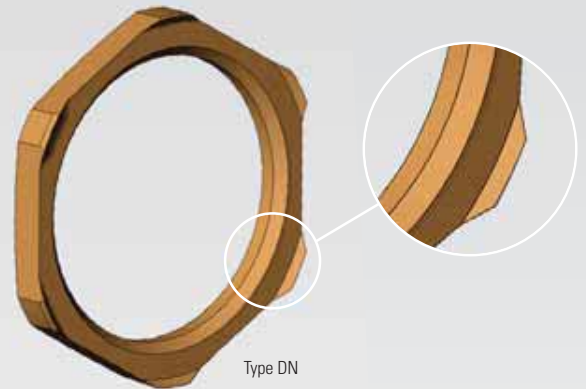
The item is classified as a component and therefore metallic products are not given an operating temperature range.

Product Codes

DIGIT 1+2		DIGIT 3		DIGIT 4 & 5 Male		DIGIT 6 & 7 Female		DIGIT 8		DIGIT 9		DIGIT 10		
Description (Earth Accessories)	Code	Material	Code	Thread Reference				Approval		Special		Plating		
EARTH TAG	DM	BRASS	A	M16	11	½" NPT	42	Industrial	X or Blank	None (standard)	X or blank	None	Blank	
EARTHING LOCKNUT	DN	ALUMINIUM	B	M20	12	¾" NPT	43	For other approvals please see product coding list on page 64		Customer Special	S	Nickel	N	
		STAINLESS STEEL	E	M25	13	1" NPT	44						Zinc	Z
				M32	14	1¼" NPT	45						Chromatised	C
				M40	15	1½" NPT	46						Special	S
				M50	16	2" NPT	47							
				M63	17	2½" NPT	48							
				M75	18	3" NPT	49							
				M90	81	3½" NPT	86							
				M100	82	4" NPT	87							

Other sizes / threads are available on request

PRODUCT CODING EXAMPLE	Earth Tag	Brass	(M)	M20(F)	-	PART NUMBER
	DM	A	00	12	-	= DMA0012



Raxton Shrouds

Technical Specification

Shrouds

Raxton offer a range of push on Shrouds which are used to minimise the risk of dirt or foreign substances gathering on the cable gland body and/or point of cable to the gland interface.

Supplied as standard in black PVC they are suitable for all leading makes of glands.

Raxton also offer coloured PVC shrouds (blue, grey, red), Flame Retardant (FR) black PVC shrouds, Low Smoke and Fume (LSF) Halogen free PVC shrouds in black, white, red, blue, and PCP shrouds in black.

It should be noted that shrouds do not necessarily improve the ingress protection (IP) of the installed gland and may in certain conditions retain unwanted moisture.

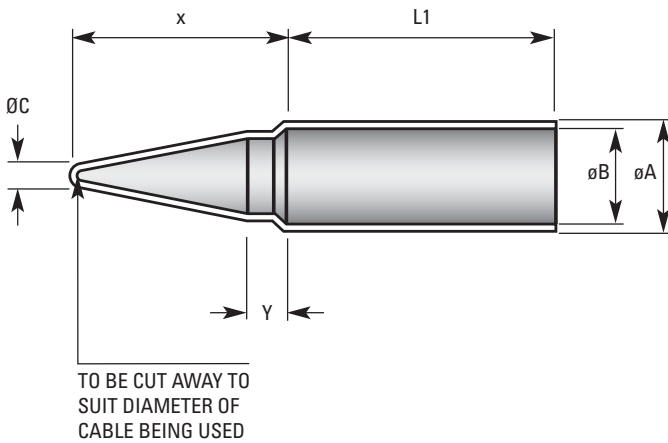
TEMPERATURE

The item is classified as a component and is therefore not given a temperature rating.



Product Dimensions

SIZE M16	ØA	ØB	ØC	X	Y	L1
5	19.9	16.5	2.5	40.0	9.0	57.0
5A	23.8	20.0	2.5	50.0	10.0	60.0
6	25.2	20.0	2.5	50.0	10.0	78.0
7	31.5	26.0	8.0	50.0	10.0	80.0
8	43.0	36.0	11.0	50.0	12.0	78.0
8B	38.8	32.0	11.0	50.0	12.0	80.0
9	49.5	40.0	15.0	50.0	12.0	83.0
10	57.8	48.0	20.0	60.0	14.0	91.0
11	67.2	60.0	25.0	70.0	14.0	105.0
12	75.6	68.0	31.0	75.0	13.0	90.0
12E	84.0	70.0	34.0	75.0	13.0	115.0
13	89.3	75.0	37.0	75.0	13.0	110.0



Product Codes

SHROUD NUMBER	PDM 100 BLACK	PDM 100 FR BLACK	PDM 100 BLUE	PDM 100 GREY	PDM 100 RED	PDM 100 LSF BLACK	PDM 100 LSF WHITE	PDM 100 LSF RED	PDM 100 LSF BLUE	PCP BLACK
5	HCY 5	HCY FR 5	HCB 5	HCG 5	HCR 5	HCB LSF 5	HCW LSF 5	HCR LSF 5	HCL LSF 5	HCY 5X NEO
5A	HCY 5A	HCY FR 5A	HCB 5A	HCG 5A	HCR 5A	HCB LSF 5A	HCW LSF 5A	HCR LSF 5A	HCL LSF 5A	HCY 5A NEO
6	HCY 6	HCY FR 6	HCB 6	HCG 6	HCR 6	HCB LSF 6	HCW LSF 6	HCR LSF 6	HCL LSF 6	HCY 6X NEO
7	HCY 7	HCY FR 7	HCB 7	HCG 7	HCR 7	HCB LSF 7	HCW LSF 7	HCR LSF 7	HCL LSF 7	HCY 7X NEO
8	HCY 8	HCY FR 8	HCB 8	HCG 8	HCR 8	HCB LSF 8	HCW LSF 8	HCR LSF 8	HCL LSF 8	HCY 8X NEO
8B	HCY 8B	HCY FR 8B	HCB 8B	HCG 8B	HCR 8B	HCB LSF 8B	HCW LSF 8B	HCR LSF 8B	HCL LSF 8B	HCY 8B NEO
9	HCY 9	HCY FR 9	HCB 9	HCG 9	HCR 9	HCB LSF 9	HCW LSF 9	HCR LSF 9	HCL LSF 9	HCY 9X NEO
10	HCY 10	HCY FR 10	HCB 10	HCG 10	HCR 10	HCB LSF 10	HCW LSF 10	HCR LSF 10	HCL LSF 10	HCY 10 NEO
11	HCY 11	HCY FR 11	HCB 11	HCG 11	HCR 11	HCB LSF 11	HCW LSF 11	HCR LSF 11	HCL LSF 11	HCY 11 NEO
12	HCY 12	HCY FR 12	HCB 12	HCG 12	HCR 12	HCB LSF 12	HCW LSF 12	HCR LSF 12	HCL LSF 12	HCY 12 NEO
12E	HCY 12E	HCY FR 12E	HCB 12E	HCG 12E	HCR 12E	HCB LSF 12E	HCW LSF 12E	HCR LSF 12E	HCL LSF 12E	HCY 12E NEO
13	HCY 13	HCY FR 13	HCB 13	HCG 13	HCR 13	HCB LSF 13	HCW LSF 13	HCR LSF 13	HCL LSF 13	HCY 13 NEO

Thread Selection / Dimensions

Isometric to BS 3643:1981

SIZE	MAJOR DIAMETER (mm)	THREADS PER INCH	PITCH
16mm (M16)	16	16.93	1.50
20mm (M20)	20	16.93	1.50
25mm (M25)	25	16.93	1.50
32mm (M32)	32	16.93	1.50
40mm (M40)	40	16.93	1.50
50mm (M50)	50	16.93	1.50
63mm (M63)	63	16.93	1.50
75mm (M75)	75	16.93	1.50

National Pipe Thread to ANSI / ASME: 1983

SIZE	MAJOR DIAMETER (mm)	THREADS PER INCH	PITCH
1/8" NPT	10.30	27	0.94
1/4" NPT	13.72	18	1.41
3/8" NPT	17.15	18	1.41
1/2" NPT	21.34	14	1.81
3/4" NPT	26.67	14	1.81
1" NPT	33.40	11 1/2	2.20
1 1/4" NPT	42.16	11 1/2	2.20
1 1/2" NPT	48.26	11 1/2	2.20
2" NPT	60.33	11 1/2	2.20
2 1/2" NPT	73.03	8	3.175
3" NPT	88.90	8	3.175
4" NPT	114.30	8	3.175

British Standard Pipe to BS 21:1985

SIZE	MAJOR DIAMETER (mm)	THREADS PER INCH	PITCH
1/8" BSP	9.73	28	0.91
1/4" BSP	13.16	19	1.34
3/8" BSP	16.66	19	1.34
1/2" BSP	20.96	14	1.81
3/4" BSP	26.44	14	1.81
1" BSP	33.25	11	2.31
1 1/4" BSP	41.91	11	2.31
1 1/2" BSP	47.80	11	2.31
2" BSP	59.61	11	2.31
2 1/2" BSP	75.18	11	2.31
3" BSP	87.88	11	2.31
4" BSP	113.03	11	2.31

Certified Products - Raxton adaptors now available in 2 step format

		FEMALE THREAD																	
		M16	M20	M25	M32	M40	M50	M63	M75	1/2" NPT / BSP	3/4" NPT / BSP	1" NPT / BSP	1 1/4" NPT / BSP	1 1/2" NPT / BSP	2" NPT / BSP	2 1/2" NPT / BSP	3" NPT / BSP	4" NPT	
MALE THREAD	M16																		
	M20																		
	M25																		
	M32																		
	M40																		
	M50																		
	M63																		
	M75																		
	1/2" NPT																		
	3/4" NPT																		
	1" NPT																		
	1 1/4" NPT																		
	1 1/2" NPT																		
	2" NPT																		
	2 1/2" NPT																		
	3" NPT																		
	4" NPT																		
	1/2" BSP																		
	3/4" BSP																		
	1" BSP																		
	1 1/4" BSP																		
	1 1/2" BSP																		
	2" BSP																		
	2 1/2" BSP																		
3" BSP																			

Adaptors
 Reducers
 Not Certified

Raxton Product Coding

DIGIT 1 + 2		CODE
Product	Description	
ADAPTORS	M-F HEX	AB
	M-F ROUND	AJ
	M-M	AR
	F-F HEX	AU
SWIVEL ADAPTORS	F-F ROUND	AX
	M-F INLINE	FA
	M-M INLINE	FD
	F-F INLINE	FC
ADAPTING AIDS	M-F RIGHT ANGLE	FP
	M-M RIGHT ANGLE	FR
	F-F RIGHT ANGLE	FQ
	UNION M-F	FB
REDUCERS	UNION F-F	FL
	UNION M-M	FE
	RIGHT ANGLE M-F	FG
	RIGHT ANGLE F-F	FN
PLUGS	RIGHT ANGLE M-M	FK
	45° ELBOW	FM
	M-F HEX	BB
	M-F ROUND	BJ
INSULATING & EARTHING	RX (Externally Accessible)	CB
	TAMPERPROOF (Internally Accessible)	CF
	HEX HEAD	CK
	HEX HEAD (Hollow)	CY
CABLE RETENTION	DOME HEAD	CQ
	SLOTTED	CS
	DRAIN Exe	CV
	DRAIN Exde	CT
LOCKING	INSULATED M-F	DB
	INSULATED M-M	DD
	INSULATED F-F	DE
	EARTH LEAD M-F	DG
INGRESS PROTECTION (IP) AIDS	EARTH PLATE	DK
	EARTH TAG	DM
	EARTHING LOCK NUTS	DN
	GLANDS	EB
ACCESSORIES	STOPPER BOX M-F	EG
	STOPPER BOX F-F	EK
	FLEXIBLE CONDUIT	EF
	LOCKNUTS	GA
PRODUCT CODING EXAMPLE	LOCKRINGS	GB
	SERRATED WASHERS	GC
	LOCKNUTS CASTELLATED	GD
	WASHERS	HA
PRODUCT CODING EXAMPLE	O RINGS	HB
	SHROUDS	HC
	MALE BUSH LONG	JA
	MALE BUSH STD 17	JB
PRODUCT CODING EXAMPLE	MALE BUSH ROUND	JQ
	FEMALE BUSH	JC
	NIPPLE THREADED 30mm	JD
	NIPPLE LONG THREADED	JE
PRODUCT CODING EXAMPLE	NIPPLE BARREL	JF
	COUPLER ROUND	JG
	COUPLER HEX	JH
	COUPLER FLANGE	JJ

Products shaded are not certified and do not have any associated approvals

THREAD REFERENCES

MALE DIGIT 4 + 5				FEMALE 6 + 7			
ISOMETRIC		NPT		BSP P		BSP T	
SIZE	CODE	SIZE	CODE	SIZE	CODE	SIZE	CODE
M6	01	1/2"	42	1/2"	62	1/2"	52
M8	02	3/4"	43	3/4"	63	3/4"	53
M10	03	1"	44	1"	64	1"	54
M12	04	1 1/4"	45	1 1/4"	65	1 1/4"	55
M16	11	1 1/2"	46	1 1/2"	66	1 1/2"	56
M20	12	2"	47	2"	67	2"	57
M22	07	2 1/2"	48	2 1/2"	68	2 1/2"	58
M24	08	3"	49	3"	69	3"	59
M25	13	3 1/2"	86	4"	89	4"	79
M28	09	4"	87	SPECIAL	60	SPECIAL	50
M32	14	5"	88	Normally Male thread is specified first (digits 4+5), Female thread second (digits 6+7), with all digits used for M-M and F-F products. PG & ET thread components are still available, please consult sales department for advice.			
M38	05	SPECIAL	40				
M40	15						
M50	16						
M63	17						
M75	18						
M80	80						
M90	81						
M100	82						
SPECIAL	10						

DIGIT 3	CODE
Material	
BRASS	A
ALUMINIUM	B
STEEL	C
COPPER & NON-ASB	D
STAINLESS STEEL	E
PVC	F
NYLON BLACK	G
NYLON GREY	H
SILICONE	J
NYLON BLUE	K
LEAD	L
GLASS FILLED NYLON	M
NYLON 66	N
RED FIBRE	U
TEFLON	P
EPDM	Q
NYLON WHITE	R
SPECIAL	S

DIGIT 8	CODE
Approval	
ATEX / IECEx / INMETRO Exd / Exe (all approvals)	Y
ATEX Exde	A
ATEX Exd	D
ATEX Exe	E
Mining Group 1	M
CSA ©Exd IIC	J
CSA (US) Class 1 Zone 1	K
AExd IIC	L
IECEx Exd I/IIC	N
IECEx Exe I/II	P
IECEx Exde I/II	R
Gost Exde IICU	T
Gost Exde I/IICU	U
Gost Exd IICU	V
Gost Exe IICU	W
ATEX / IECEx Exde	B
ATEX / IECEx Exd	C
ATEX / IECEx Exe	Q
Industrial	X or Blank

DIGIT 9	CODE
Special	
None (standard)	X or Blank
Customer Special	S
'O' Ring	U

DIGIT 10	CODE
Plating	
None	Blank
Nickel	N
Zinc	Z
Chromatised	C
Special	S

Product Coding Notes

Male thread is always quoted first (digits 4+5) followed by the Female thread (digits 6+7).

Other threads are available, please consult the sales department.

Digit 8 (No approval) is blank if digits 9 & 10 are not required, otherwise use X.

Digit 9 (Not Customer specific) is blank if digit 10 is not required, otherwise use X.

Digit 10 (Plating) is blank if no plating is required.

PRODUCT CODING EXAMPLE	PRODUCT	MATERIAL	MALE THREAD	FEMALE THREAD	APPROVAL	SPECIAL	PLATING	PART NUMBER
PRODUCT CODING EXAMPLE	Adaptor	Brass	1/2" NPT(M)	M20(F)	Exd	None	Nickel	= ABA4212DXN
	AB	A	42	12	D	X	N	

PRODUCT CODING EXAMPLE	Hex Head Plug	ST/ST	2" BSPT(M)	(F)	Gost Exd IICU	Yes	None	= CKE5700VS
	CK	E	57	00	V	S	Blank	

Cable Glands & Thread Conversion Products for Non-Hazardous Areas



Capri IGA2 - for Non Armoured Cable

Technical Specification

Function:

The IGA2 cable gland provides mechanical retention and a weatherproof seal on the outer sheath of the cable.

Suitable for the following cable types

■ Non-armoured cable

Application

Suitable for indoor and outdoor applications

Product Specification

Material:

Brass, Nickel plated brass

Operating Temperature:

-60°C to +150°C

Standard:

B.S. 6121 Part 1: 1989

Ingress Protection:

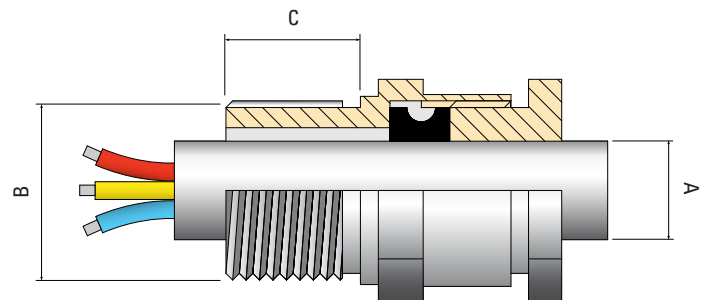
IP66



The gland kit comprises of:

- Gland
- Shroud
- Earth Tag
- Locknut

M20, M25 & M32 sizes supplied in kits of two glands.



GLAND SIZE	ISO	ISO Reference No. Natural Brass (in Gland Kit)	ISO Reference No. Nickel Plated Brass (in Gland Kit)	SELECTION TABLE						NPT Reference No. Natural Brass (in Gland Kit)	NPT Reference No. Nickel Plated Brass (in Gland Kit)
				ENTRY THREAD		DIA. MIN - MAX	ACROSS FLAT	ACROSS CORNER	NPT		
				DIA B	MIN LENGTH C						
20S	M20	IGA2M201BRNK2	IGA2M201NPNK2	20	10	8.00 - 11.70	22.00	25.00	1/2" NPT	IGA2N0501BRNK2	IGA2N0501NPNK2
20L	M20	IGA2M202BRNK2	IGA2M202NPNK2	20	10	11.00 - 14.00	24.00	26.50	1/2" NPT	IGA2N0502BRNK2	IGA2N0502NPNK2
25L	M25	IGA2M252BRNK2	IGA2M252NPNK2	25	10	13.00 - 20.00	29.50	33.00	3/4" NPT	IGA2N0752BRNK2	IGA2N0752NPNK2
32L	M32	IGA2M322BRNK2	IGA2M322NPNK2	32	10	19.00 - 26.30	39.00	43.00	1" NPT	IGA2N1002BRNK2	IGA2N1002NPNK2
40L	M40	IGA2M402BRNK2	IGA2M402NPNK2	40	15	25.00 - 33.00	45.00	51.00	1 1/4" NPT	IGA2N1252BRNK2	IGA2N1252NPNK2
50L	M50	IGA2M502BRNK2	IGA2M502NPNK2	50	15	36.50 - 44.00	61.50	68.00	1 1/2" NPT	IGA2N1502BRNK2	IGA2N1502NPNK2
63L	M63	IGA2M632BRNK2	IGA2M632NPNK2	63	15	48.00 - 56.00	71.50	79.00	2" NPT	IGA2N2002BRNK2	IGA2N2002NPNK2
75L	M75	IGA2M752BRNK2	IGA2M752NPNK2	75	15	60.50 - 68.00	85.50	95.00	2 1/2" NPT	IGA2N2502BRNK2	IGA2N2502NPNK2

To order gland only, remove suffix "K2" from end of reference number.
Other sizes available on request.

Capri IGBW Cable Gland - for Armoured Cable

Technical Specification

Function:

The IGBW cable gland provides mechanical retention and earth continuity through armour wire termination.

Suitable for the following cable types

Single wire armoured cable (SWA)

Application

Suitable for indoor applications

Product Specification

Material:

Brass, Nickel plated brass

Operating Temperature:

-60°C to +150°C

Standard:

B.S. 6121 Part 1: 1989

Ingress Protection:

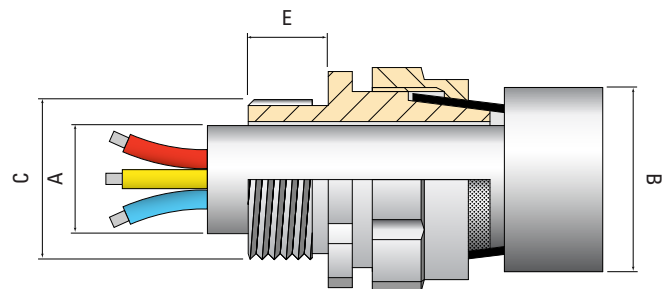
IP66



The gland kit comprises of:

- Gland
- Shroud
- Earth Tag
- Locknut

M20, M25 & M32 sizes supplied in kits of two glands.



GLAND SIZE	ISO	ISO Reference No. Natural Brass (in Gland Kit)	ISO Reference No. Nickel Plated Brass (in Gland Kit)	SELECTION TABLE								NPT Reference No. Natural Brass (in Gland Kit)	NPT Reference No. Nickel Plated Brass (in Gland Kit)
				ENTRY THREAD		CABLE DIMENSION ACCOMMODATION			ACROSS FLAT	ACROSS CORNER	NPT		
				DIA	MIN LENGTH	DIA. MAX	DIA. MAX	ARMOUR THICKNESS					
C	E	A	B										
20S	M20	IGBWM201BRNK2	IGBWM201NPNK2	20	10	11.50	16.00	0.90 - 1.25	21.00	23.40	1/2" NPT	IGBWN0501BRNK2	IGBWN0501NPNK2
20L	M20	IGBWM202BRNK2	IGBWM202NPNK2	20	10	14.50	20.00	0.90 - 1.25	24.00	27.00	1/2" NPT	IGBWN0502BRNK2	IGBWN0502NPNK2
25L	M25	IGBWM252BRNK2	IGBWM252NPNK2	25	10	20.50	26.00	1.25 - 1.60	31.50	35.00	3/4" NPT	IGBWN0752BRNK2	IGBWN0752NPNK2
32L	M32	IGBWM322BRNK2	IGBWM322NPNK2	32	10	26.30	33.00	1.60 - 2.00	40.00	45.00	1" NPT	IGBWN1002BRNK2	IGBWN1002NPNK2
40L	M40	IGBWM402BRNK2	IGBWM402NPNK2	40	15	33.00	40.50	1.60 - 2.00	49.00	55.00	1 1/4" NPT	IGBWN1252BRNK2	IGBWN1252NPNK2
50L	M50	IGBWM502BRNK2	IGBWM502NPNK2	50	15	43.50	52.50	2.00 - 2.50	60.50	68.50	1 1/2" NPT	IGBWN1502BRNK2	IGBWN1502NPNK2
63L	M63	IGBWM632BRNK2	IGBWM632NPNK2	63	15	56.00	66.00	2.50	76.00	86.00	2" NPT	IGBWN2002BRNK2	IGBWN2002NPNK2
75L	M75	IGBWM752BRNK2	IGBWM752NPNK2	75	15	68.00	78.00	2.50	88.00	98.00	2 1/2" NPT	IGBWN2502BRNK2	IGBWN2502NPNK2

To order gland only, remove suffix "K2" from end of reference number.
Other sizes available on request.

Capri IGCW Cable Gland - for Armoured Cable

Technical Specification

Function:

The IGCW cable gland provides mechanical retention, a weatherproof seal on the outer sheath of the cable and earth continuity through armour wire termination.

Suitable for the following cable types

Single wire armoured cable (SWA)

Application

Suitable for indoor and outdoor applications

Product Specification

Material:

Brass, Nickel plated brass

Operating Temperature:

-60°C to +150°C

Standard:

B.S. 6121 Part 1: 1989

Ingress Protection:

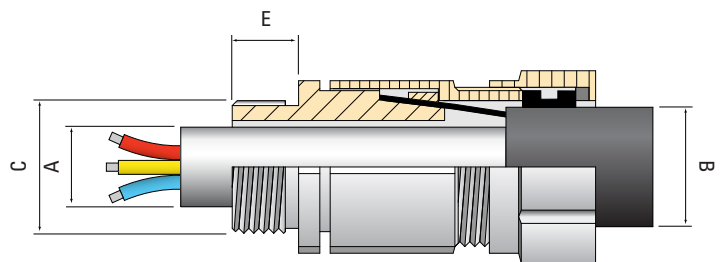
IP66



The gland kit comprises of:

- Gland
- Shroud
- Earth Tag
- Locknut

M20, M25 & M32 sizes supplied in kits of two glands.



GLAND SIZE	ISO	ISO Reference No. Natural Brass (in Gland Kit)	ISO Reference No. Nickel Plated Brass (in Gland Kit)	SELECTION TABLE								NPT Reference No. Natural Brass (in Gland Kit)	NPT Reference No. Nickel Plated Brass (in Gland Kit)
				ENTRY THREAD		CABLE DIMENSION ACCOMMODATION			ACROSS FLAT	ACROSS CORNER	NPT		
				DIA	MIN LENGTH	DIA. MAX	DIA. MAX	ARMOUR THICKNESS					
C	E	A	B										
20S	M20	IGCWM201BRNK2	IGCWM201NPNK2	20	10	11.50	16.00	0.90 - 1.25	22.00	25.00	1/2" NPT	IGCWN0501BRNK2	IGCWN0501NPNK2
20L	M20	IGCWM202BRNK2	IGCWM202NPNK2	20	10	14.50	20.50	0.90 - 1.25	25.50	28.50	1/2" NPT	IGCWN0502BRNK2	IGCWN0502NPNK2
25L	M25	IGCWM252BRNK2	IGCWM252NPNK2	25	10	20.50	27.00	1.25 - 1.60	33.50	37.50	3/4" NPT	IGCWN0752BRNK2	IGCWN0752NPNK2
32L	M32	IGCWM322BRNK2	IGCWM322NPNK2	32	10	26.30	33.00	1.60 - 2.00	40.50	45.50	1" NPT	IGCWN1002BRNK2	IGCWN1002NPNK2
40L	M40	IGCWM402BRNK2	IGCWM402NPNK2	40	15	33.50	40.50	1.60 - 2.00	49.50	56.00	1 1/4" NPT	IGCWN1252BRNK2	IGCWN1252NPNK2
50L	M50	IGCWM502BRNK2	IGCWM502NPNK2	50	15	43.50	52.50	2.00 - 2.50	61.00	68.00	1 1/2" NPT	IGCWN1502BRNK2	IGCWN1502NPNK2
63L	M63	IGCWM632BRNK2	IGCWM632NPNK2	63	15	56.00	66.00	2.50	77.50	86.00	2" NPT	IGCWN2002BRNK2	IGCWN2002NPNK2
75L	M75	IGCWM752BRNK2	IGCWM752NPNK2	75	15	68.00	78.00	2.50	92.00	102.00	2 1/2" NPT	IGCWN2502BRNK2	IGCWN2502NPNK2

To order gland only, remove suffix "K2" from end of reference number.
Other sizes available on request.

Capri IG CX Cable Gland - for Armoured Cable

Technical Specification

Function:

The IG CX cable gland provides mechanical retention, a weatherproof seal on the outer sheath of the cable and earth continuity through armour wire termination.

Suitable for the following cable types

- Wire braid armoured cable (SWB)
- Steel tape armoured cable (STA)

Application

Suitable for indoor and outdoor applications

Product Specification

Material:

Brass, Nickel plated brass

Operating Temperature:

-60°C to +150°C

Standard:

B.S. 6121 Part 1: 1989

Ingress Protection:

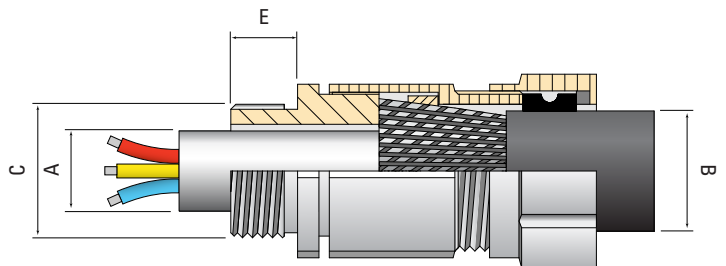
IP66



The gland kit comprises of:

- Gland
- Shroud
- Earth Tag
- Locknut

M20, M25 & M32 sizes supplied in kits of two glands.



GLAND SIZE	ISO	ISO Reference No. Natural Brass (in Gland Kit)	ISO Reference No. Nickel Plated Brass (in Gland Kit)	SELECTION TABLE								NPT Reference No. Natural Brass (in Gland Kit)	NPT Reference No. Nickel Plated Brass (in Gland Kit)
				ENTRY THREAD		CABLE DIMENSION ACCOMMODATION			ACROSS FLAT	ACROSS CORNER	NPT		
				DIA	MIN LENGTH	DIA. MAX	DIA. MAX	ARMOUR THICKNESS					
C	E	A	B										
20S	M20	IGCXM201BRNK2	IGCXM201NPNK2	20	10	11.50	16.00	0.15 - 0.35	22.00	25.00	1/2" NPT	IGCXN0501BRNK2	IGCXN0501NPNK2
20L	M20	IGCXM202BRNK2	IGCXM202NPNK2	20	10	14.50	20.50	0.15 - 0.50	25.50	28.50	1/2" NPT	IGCXN0502BRNK2	IGCXN0502NPNK2
25L	M25	IGCXM252BRNK2	IGCXM252NPNK2	25	10	20.50	27.00	0.15 - 0.50	33.50	37.50	3/4" NPT	IGCXN0752BRNK2	IGCXN0752NPNK2
32L	M32	IGCXM322BRNK2	IGCXM322NPNK2	32	10	26.30	33.00	0.15 - 0.55	40.50	45.50	1" NPT	IGCXN1002BRNK2	IGCXN1002NPNK2
40L	M40	IGCXM402BRNK2	IGCXM402NPNK2	40	15	33.50	40.50	0.20 - 0.60	49.50	56.00	1 1/4" NPT	IGCXN1252BRNK2	IGCXN1252NPNK2
50L	M50	IGCXM502BRNK2	IGCXM502NPNK2	50	15	43.50	52.50	0.30 - 0.80	61.00	68.00	1 1/2" NPT	IGCXN1502BRNK2	IGCXN1502NPNK2
63L	M63	IGCXM632BRNK2	IGCXM632NPNK2	63	15	56.00	66.00	0.30 - 0.80	77.50	86.00	2" NPT	IGCXN2002BRNK2	IGCXN2002NPNK2
75L	M75	IGCXM752BRNK2	IGCXM752NPNK2	75	15	68.00	78.00	0.30 - 1.00	92.00	102.00	2 1/2" NPT	IGCXN2502BRNK2	IGCXN2502NPNK2

To order gland only, remove suffix "K2" from end of reference number.
Other sizes available on request.

Capri IGE1W Cable Gland - for Armoured Cable

Technical Specification

Function:

The IGE1W cable gland provides mechanical retention, a weatherproof seal on the inner and outer sheath of the cable and earth continuity through armour wire termination.

Suitable for the following cable types

Single wire armoured cable (SWA)

Application

Suitable for indoor and outdoor applications

Product Specification

Material:

Brass, Nickel plated brass

Operating Temperature:

-60°C to +150°C

Standard:

B.S. 6121 Part 1: 1989

Ingress Protection:

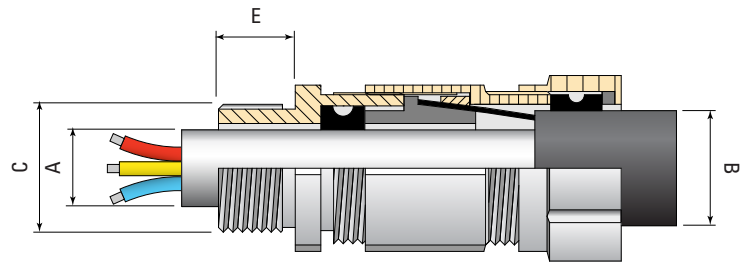
IP66



The gland kit comprises of:

- Gland
- Shroud
- Earth Tag
- Locknut

M20, M25 & M32 sizes supplied in kits of two glands.



GLAND SIZE	ISO	ISO Reference No. Natural Brass (in Gland Kit)	ISO Reference No. Nickel Plated Brass (in Gland Kit)	SELECTION TABLE								NPT Reference No. Natural Brass (in Gland Kit)	NPT Reference No. Nickel Plated Brass (in Gland Kit)
				ENTRY THREAD		CABLE DIMENSION ACCOMMODATION			ACROSS FLAT	ACROSS CORNER	NPT		
				DIA	MIN LENGTH	DIA. MAX	DIA. MAX	ARMOUR THICKNESS					
C	E	A	B										
20S	M20	IGE1WM201BRNK2	IGE1WM201NPNK2	20	10	8.00 - 11.80	12.00 - 16.00	0.90 - 1.25	22.00	25.00	1/2" NPT	IGE1WN0501BRNK2	IGE1WN0501NPNK2
20L	M20	IGE1WM202BRNK2	IGE1WM202NPNK2	20	10	11.00 - 14.00	15.50 - 20.50	0.90 - 1.25	26.00	29.00	1/2" NPT	IGE1WN0502BRNK2	IGE1WN0502NPNK2
25L	M25	IGE1WM252BRNK2	IGE1WM252NPNK2	25	10	13.00 - 20.30	24.00 - 27.00	1.25 - 1.60	34.00	38.00	3/4" NPT	IGE1WN0752BRNK2	IGE1WN0752NPNK2
32L	M32	IGE1WM322BRNK2	IGE1WM322NPNK2	32	10	19.00 - 26.30	26.00 - 33.00	1.60 - 2.00	41.00	46.00	1" NPT	IGE1WN1002BRNK2	IGE1WN1002NPNK2
40L	M40	IGE1WM402BRNK2	IGE1WM402NPNK2	40	15	25.00 - 33.00	33.00 - 40.50	1.60 - 2.00	49.50	56.00	1 1/4" NPT	IGE1WN1252BRNK2	IGE1WN1252NPNK2
50L	M50	IGE1WM502BRNK2	IGE1WM502NPNK2	50	15	36.50 - 44.00	45.70 - 52.50	2.00 - 2.50	61.00	68.00	1 1/2" NPT	IGE1WN1502BRNK2	IGE1WN1502NPNK2
63L	M63	IGE1WM632BRNK2	IGE1WM632NPNK2	63	15	49.00 - 56.00	58.40 - 66.00	2.50	77.50	86.00	2" NPT	IGE1WN2002BRNK2	IGE1WN2002NPNK2
75L	M75	IGE1WM752BRNK2	IGE1WM752NPNK2	75	15	60.50 - 68.00	71.00 - 78.00	2.50	92.00	102.00	2 1/2" NPT	IGE1WN2502BRNK2	IGE1WN2502NPNK2

To order gland only, remove suffix "K2" from end of reference number.
Other sizes available on request.

Capri IGE1X Cable Gland - for Armoured Cable

Technical Specification

Function:

The IGE1X cable gland provides mechanical retention, a weatherproof seal on the inner and outer sheath of the cable and earth continuity through armour wire termination.

Suitable for the following cable types

- Wire braid armoured cable (SWB)
- Steel tape armoured cable (STA)

Application

Suitable for indoor and outdoor applications

Product Specification

Material:

Brass, Nickel plated brass

Operating Temperature:

-60°C to +150°C

Standard:

B.S. 6121 Part 1: 1989

Ingress Protection:

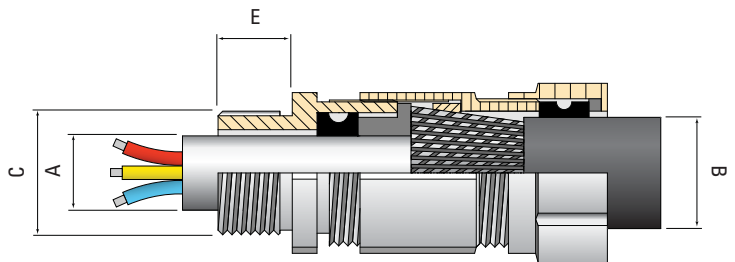
IP66



The gland kit comprises of:

- Gland
- Shroud
- Earth Tag
- Locknut

M20, M25 & M32 sizes supplied in kits of two glands.



GLAND SIZE	ISO	ISO Reference No. Natural Brass (in Gland Kit)	ISO Reference No. Nickel Plated Brass (in Gland Kit)	SELECTION TABLE								NPT Reference No. Natural Brass (in Gland Kit)	NPT Reference No. Nickel Plated Brass (in Gland Kit)
				ENTRY THREAD		CABLE DIMENSION ACCOMMODATION			ACROSS FLAT	ACROSS CORNER	NPT		
				DIA	MIN LENGTH	DIA. MAX	DIA. MAX	ARMOUR THICKNESS					
C	E	A	B										
20S	M20	IGE1XM201BRNK2	IGE1XM201NPNK2	20	10	8.00 - 11.80	12.00 - 16.00	0.15 - 0.35	22.00	25.00	1/2" NPT	IGE1XN0501BRNK2	IGE1XN0501NPNK2
20L	M20	IGE1XM202BRNK2	IGE1XM202NPNK2	20	10	11.00 - 14.00	15.50 - 20.50	0.15 - 0.50	26.00	29.00	1/2" NPT	IGE1XN0502BRNK2	IGE1XN0502NPNK2
25L	M25	IGE1XM252BRNK2	IGE1XM252NPNK2	25	10	13.00 - 20.30	24.00 - 27.00	0.15 - 0.50	34.00	38.00	3/4" NPT	IGE1XN0752BRNK2	IGE1XN0752NPNK2
32L	M32	IGE1XM322BRNK2	IGE1XM322NPNK2	32	10	19.00 - 26.30	26.00 - 33.00	0.15 - 0.55	41.00	46.00	1" NPT	IGE1XN1002BRNK2	IGE1XN1002NPNK2
40L	M40	IGE1XM402BRNK2	IGE1XM402NPNK2	40	15	25.00 - 33.00	33.00 - 40.50	0.20 - 0.60	49.50	56.00	1 1/4" NPT	IGE1XN1252BRNK2	IGE1XN1252NPNK2
50L	M50	IGE1XM502BRNK2	IGE1XM502NPNK2	50	15	36.50 - 44.00	45.70 - 52.50	0.30 - 0.80	61.00	68.00	1 1/2" NPT	IGE1XN1502BRNK2	IGE1XN1502NPNK2
63L	M63	IGE1XM632BRNK2	IGE1XM632NPNK2	63	15	49.00 - 56.00	58.40 - 66.00	0.30 - 0.80	77.50	86.00	2" NPT	IGE1XN2002BRNK2	IGE1XN2002NPNK2
75L	M75	IGE1XM752BRNK2	IGE1XM752NPNK2	75	15	60.50 - 68.00	71.00 - 78.00	0.30 - 1.00	92.00	102.00	2 1/2" NPT	IGE1XN2502BRNK2	IGE1XN2502NPNK2

To order gland only, remove suffix "K2" from end of reference number.
Other sizes available on request.

Capri IGE2W Cable Gland - for Armoured Cable

Technical Specification

Function:

The IGE2W cable gland provides mechanical retention, a weatherproof seal on the inner and outer sheath of the cable and earth continuity through armour wire termination.

Suitable for the following cable types

- Single wire armoured cable (SWA)
- Lead sheathed cable

Application

Suitable for indoor and outdoor applications

Product Specification

Material:

Brass, Nickel plated brass

Operating Temperature:

-60°C to +150°C

Ingress Protection:

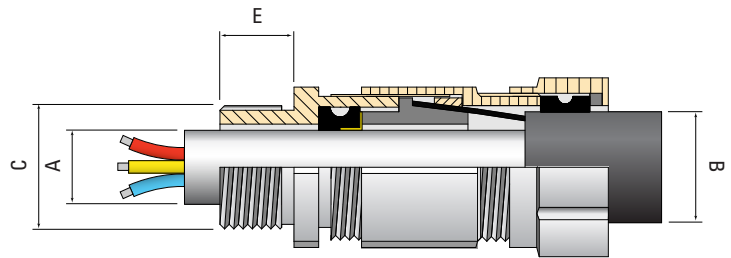
IP66



The gland kit comprises of:

- Gland
- Shroud
- Earth Tag
- Locknut

M20, M25 & M32 sizes supplied in kits of two glands



GLAND SIZE	ISO	ISO Reference No. Natural Brass (in Gland Kit)	ISO Reference No. Nickel Plated Brass (in Gland Kit)	SELECTION TABLE								NPT Reference No. Natural Brass (in Gland Kit)	NPT Reference No. Nickel Plated Brass (in Gland Kit)
				ENTRY THREAD		CABLE DIMENSION ACCOMMODATION			ACROSS FLAT	ACROSS CORNER	NPT		
				DIA	MIN LENGTH	DIA. MAX	DIA. MAX	ARMOUR THICKNESS					
C	E	A	B										
20S	M20	IGE2WM201BRNK2	IGE2WM201NPNK2	20	10	8.00 - 11.80	12.00 - 16.00	0.90 - 1.25	22.00	25.00	1/2" NPT	IGE2WN0501BRNK2	IGE2WN0501NPNK2
20L	M20	IGE2WM202BRNK2	IGE2WM202NPNK2	20	10	11.00 - 14.00	15.50 - 20.50	0.90 - 1.25	26.00	29.00	1/2" NPT	IGE2WN0502BRNK2	IGE2WN0502NPNK2
25L	M25	IGE2WM252BRNK2	IGE2WM252NPNK2	25	10	13.00 - 20.30	24.00 - 27.00	1.25 - 1.60	34.00	38.00	3/4" NPT	IGE2WN0752BRNK2	IGE2WN0752NPNK2
32L	M32	IGE2WM322BRNK2	IGE2WM322NPNK2	32	10	19.00 - 26.30	26.00 - 33.00	1.60 - 2.00	41.00	46.00	1" NPT	IGE2WN1002BRNK2	IGE2WN1002NPNK2
40L	M40	IGE2WM402BRNK2	IGE2WM402NPNK2	40	15	25.00 - 33.00	33.00 - 40.50	1.60 - 2.00	49.50	56.00	1 1/4" NPT	IGE2WN1252BRNK2	IGE2WN1252NPNK2
50L	M50	IGE2WM502BRNK2	IGE2WM502NPNK2	50	15	36.50 - 44.00	45.70 - 52.50	2.00 - 2.50	61.00	68.00	1 1/2" NPT	IGE2WN1502BRNK2	IGE2WN1502NPNK2
63L	M63	IGE2WM632BRNK2	IGE2WM632NPNK2	63	15	49.00 - 56.00	58.40 - 66.00	2.50	77.50	86.00	2" NPT	IGE2WN2002BRNK2	IGE2WN2002NPNK2
75L	M75	IGE2WM752BRNK2	IGE2WM752NPNK2	75	15	60.50 - 68.00	71.00 - 78.00	2.50	92.00	102.00	2 1/2" NPT	IGE2WN2502BRNK2	IGE2WN2502NPNK2

To order gland only, remove suffix "K2" from end of reference number.
Other sizes available on request.

Capri IGE2X Cable Gland - for Armoured Cable

Technical Specification

Function:

The IGE2X cable gland provides mechanical retention, a weatherproof seal on the inner and outer sheath of the cable and earth continuity through armour wire termination.

Suitable for the following cable types

- Wire braid armoured cable (SWB)
- Steel tape armoured cable (STA)
- Lead sheathed cable

Application

Suitable for indoor and outdoor applications

Product Specification

Material:

Brass, Nickel plated brass

Operating Temperature:

Neoprene seal: -30°C to +80°C

Silicone seal: -60°C to +140°C

Ingress Protection:

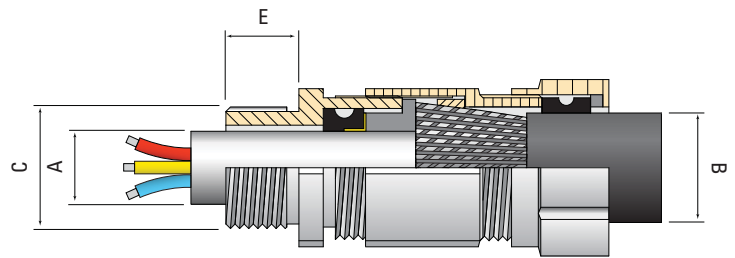
IP66



The gland kit comprises of:

- Gland
- Shroud
- Earth Tag
- Locknut

M20, M25 & M32 sizes supplied in kits of two glands.



GLAND SIZE	ISO	ISO Reference No. Natural Brass (in Gland Kit)	ISO Reference No. Nickel Plated Brass (in Gland Kit)	SELECTION TABLE								NPT Reference No. Natural Brass (in Gland Kit)	NPT Reference No. Nickel Plated Brass (in Gland Kit)
				ENTRY THREAD		CABLE DIMENSION ACCOMMODATION			ACROSS FLAT	ACROSS CORNER	NPT		
				DIA	MIN LENGTH	DIA. MAX	DIA. MAX	ARMOUR THICKNESS					
C	E	A	B										
20S	M20	IGE2XM201BRNK2	IGE2XM201NPNK2	20	10	8.00 - 11.80	12.00 - 16.00	0.15 - 0.35	22.00	25.00	1/2" NPT	IGE2XN0501BRNK2	IGE2XN0501NPNK2
20L	M20	IGE2XM202BRNK2	IGE2XM202NPNK2	20	10	11.00 - 14.00	15.50 - 20.50	0.15 - 0.50	26.00	29.00	1/2" NPT	IGE2XN0502BRNK2	IGE2XN0502NPNK2
25L	M25	IGE2XM252BRNK2	IGE2XM252NPNK2	25	10	13.00 - 20.30	24.00 - 27.00	0.15 - 0.50	34.00	38.00	3/4" NPT	IGE2XN0752BRNK2	IGE2XN0752NPNK2
32L	M32	IGE2XM322BRNK2	IGE2XM322NPNK2	32	10	19.00 - 26.30	26.00 - 33.00	0.15 - 0.55	41.00	46.00	1" NPT	IGE2XN1002BRNK2	IGE2XN1002NPNK2
40L	M40	IGE2XM402BRNK2	IGE2XM402NPNK2	40	15	25.00 - 33.00	33.00 - 40.50	0.20 - 0.60	49.50	56.00	1 1/4" NPT	IGE2XN1252BRNK2	IGE2XN1252NPNK2
50L	M50	IGE2XM502BRNK2	IGE2XM502NPNK2	50	15	36.50 - 44.00	45.70 - 52.50	0.30 - 0.80	61.00	68.00	1 1/2" NPT	IGE2XN1502BRNK2	IGE2XN1502NPNK2
63L	M63	IGE2XM632BRNK2	IGE2XM632NPNK2	63	15	49.00 - 56.00	58.40 - 66.00	0.30 - 0.80	77.50	86.00	2" NPT	IGE2XN2002BRNK2	IGE2XN2002NPNK2
75L	M75	IGE2XM752BRNK2	IGE2XM752NPNK2	75	15	60.50 - 68.00	71.00 - 78.00	0.30 - 1.00	92.00	102.00	2 1/2" NPT	IGE2XN2502BRNK2	IGE2XN2502NPNK2

To order gland only, remove suffix "K2" from end of reference number.
Other sizes available on request.

Capri NEWCAP - MS

Technical Specification

Suitable for the following cable types

- Non-armoured cable

Certifications and Compliances

EN 50262

Product Specification

Material:

Nickel-plated brass for superior corrosion resistance

316 stainless steel option available.

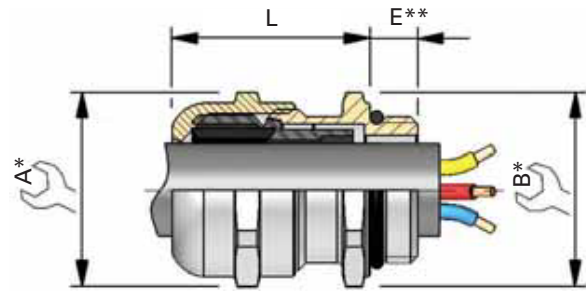
It is recommended that a suitable lubricant is used on all threads of stainless steel and aluminium versions.

Operating Temperature:

Neoprene seal: -20°C to +80°C

Ingress Protection (IP):

- IP66/IP68 tested 30m/7days on surface Ra 1.6µm max.



* For 'across corners' dimensions, multiply 'across flats' dimensions by 1.1

** For 'E' see Thread Dimension page 105.

SELECTION TABLE			DIMENSIONS				CAP GLAND SIZE	CAP NUMBER ISO (nickel plated brass)	CAP NUMBER ISO (316 stainless steel long fixing thread)	CAP NUMBER Pg (nickel plated brass)	CAP NUMBER Pg (316 stainless steel long fixing thread)
THREAD SIZE ISO	THREAD SIZE Pg	BRAID THICKNESS	CABLE DIAMETER MIN - MAX	A	B	L (LENGTH)					
12	Pg7	0.7	3.0 - 6.5	15	15	18	4	CAP187124	CAP187129	CAP186074	CAP186079
16	-	0.7	3.0 - 6.5	15	18	18	4	CAP187544	CAP187549	-	-
16	Pg9	0.7	4.5 - 10.0	20	20	24	5	CAP187164	CAP187169	CAP186094	CAP186099
20	-	0.7	4.5 - 10.0	20	22	24	5	CAP187554	CAP187559	-	-
20	Pg11	0.8	6.0 - 13.0	24	24	27	6	CAP187204	CAP187209	CAP186114	CAP186119
-	Pg13	0.80	6.0 - 13.0	24	24	27	6	CAP186134	CAP186139	-	-
25	-	0.8	6.0 - 13.0	24	27	27	6	CAP187564	CAP187569	-	-
25	Pg16	0.9	10.0 - 18.0	30	30	28	7	CAP187254	CAP187259	CAP186174	CAP186179
32	Pg21	0.9	10.0 - 18.0	30	34	28	7	CAP187574	CAP187579	CAP186194	CAP186199
32	Pg21	1.0	16.0 - 24.5	38	38	30	8	CAP187324	CAP187329	CAP186184	CAP186189
-	Pg29	1.0	16.0 - 24.5	38	38	30	8	CAP186284	CAP186289	-	-
40	-	1.0	16.0 - 24.5	38	43	30	8	CAP187584	CAP187589	-	-
40	Pg29	1.0	22.0 - 32.0	47	47	33	9	CAP187404	CAP187409	CAP186294	CAP186299
50	-	1.0	22.0 - 32.0	47	54	33	9	CAP187594	CAP187599	-	-
50	Pg36	1.2	29.0 - 40.5	57	57	37	10	CAP187504	CAP187509	CAP186364	CAP186369
63	-	1.2	29.0 - 40.5	57	68	37	10	CAP187604	CAP187609	-	-
63	Pg48 DIN	1.8	37.0 - 53.0	75	75	48	11	CAP187634	CAP187639	CAP186484	CAP186489
-	No48 NFC	1.8	37.0 - 53.0	75	75	48	11	CAP186494	CAP186499	-	-

All dimensions in mm.

Capri NEWCAP - MS multi-wired / flat

Technical Specification

Suitable for the following cable types

- ☐ Non-armoured cable
- ☐ Multi-wire cable
- ☐ Flat cable

Certifications and Compliances

EN 50262

Product Specification

Material:

Nickel-plated brass for superior corrosion resistance

Operating Temperature:

Neoprene seal: -20°C to +80°C

Ingress Protection (IP):

- IP66/IP68 tested 30m/7days on surface Ra 1.6µm max



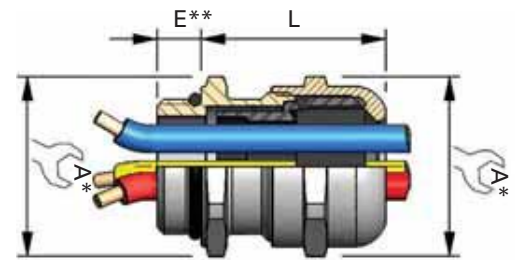
SELECTION TABLE		DIMENSIONS			CAP GLAND SIZE	CAP NUMBER
THREAD SIZE	CABLE DIAMETER MIN - MAX	NUMBER OF CABLES	A	L (LENGTH)		
ISO						
16	1.5 - 3.0	2	20	24	5	CAP187334
16	2.5 - 4.0	2	20	24	5	CAP187424
20	3.0 - 5.0	2	20	27	6	CAP187524
20	2.5 - 5.0	3	24	27	6	CAP187534
20	4.0 - 6.0	2	24	28	6	CAP187624
25	5.0 - 7.0	3	30	28	7	CAP187734
25	6.0 - 8.0	2	30	28	7	CAP187824
32	4.0 - 6.0	4	38	30	8	CAP187814
32	4.5 - 7.0	4	38	30	8	CAP187744
40	4.0 - 6.0	4	47	33	9	CAP187764

All dimensions in mm.

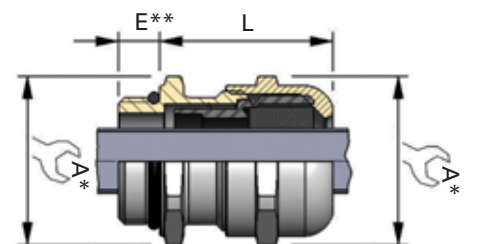
SELECTION TABLE		DIMENSIONS			CAP GLAND SIZE	CAP NUMBER
THREAD SIZE	CABLE WIDTH MIN - MAX	CABLE THICKNESS MIN - MAX	A	L (LENGTH)		
ISO						
25	11.0 - 13.0	4.5 - 6.0	30	28	7	CAP187134
32	11.0 - 18.0	5.0 - 7.0	38	30	8	CAP187184
40	21.0 - 24.0	5.0 - 8.5	47	33	9	CAP187244
40	24.0 - 27.0	8.0 - 11.5	47	33	9	CAP187274
50	30.0 - 32.5	5.0 - 9.0	57	37	10	CAP187304
50	29.0 - 31.0	10.0 - 14.0	57	37	10	CAP187314
50	32.5 - 35.5	9.0 - 12.0	57	37	10	CAP187354
50	34.0 - 37.0	4.5 - 6.5	57	37	10	CAP187374
50	38.0 - 40.0	10.0 - 14.0	57	48	10	CAP187414
63	38.0 - 42.0	4.5 - 6.5	75	48	11	CAP187444

All dimensions in mm.

NEWCAP - MS Multi-Wired



NEWCAP - MS Flat



* For 'across corners' dimensions, multiply 'across flats' dimensions by 1.1

** For 'E' see Thread Dimension page 105

Capri NEWCAP - CT

Technical Specification

Suitable for the following cable types

- Non-armoured cable
- Shielded cable
For EMC specific cable and applications

Certifications and Compliances

EN 50262

Product Specification

Material:

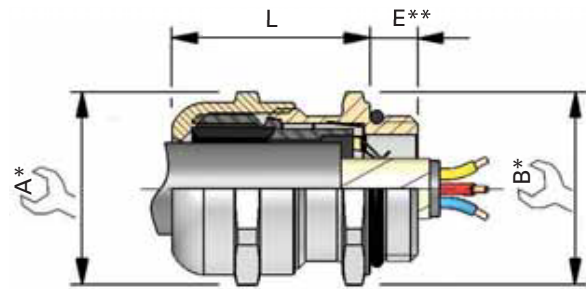
Nickel-plated brass for superior corrosion resistance

Operating Temperature:

Neoprene seal: -20°C to +80°C

Ingress Protection (IP):

- IP66/IP68 tested 30m/7days on surface Ra 1.6µm max.



* For 'across corners' dimensions, multiply 'across flats' dimensions by 1.1

** For 'E' see Thread Dimension page 105

SELECTION TABLE				DIMENSIONS				CAP GLAND SIZE	CAP NUMBER ISO (nickel plated brass)	CAP NUMBER Pg (nickel plated brass)
THREAD SIZE ISO	THREAD SIZE Pg	BRAID THICKNESS	DIAMETER ON SHIELD	CABLE DIAMETER MIN - MAX	A	B	L (LENGTH)			
12	Pg7	0.7	3.0	3.0 - 6.5	15	15	18	4	CAP189124	CAP169074
16	-	0.7	3.0	3.0 - 6.5	15	18	18	4	CAP189544	-
16	Pg9	0.7	4.5	4.5 - 10.0	20	20	24	5	CAP189164	CAP169094
20	-	0.7	4.5	4.5 - 10.0	20	22	24	5	CAP189554	-
20	Pg11	0.8	6.0	6.0 - 13.0	24	24	27	6	CAP189204	CAP169114
-	Pg13	0.8	6.0	6.0 - 13.0	24	24	27	6	CAP169134	-
25	-	0.8	6.0	6.0 - 13.0	24	27	27	6	CAP189564	-
25	Pg16	0.9	10.0	10.0 - 18.0	30	30	28	7	CAP189254	CAP169164
32	Pg21	0.9	10.0	10.0 - 18.0	30	34	28	7	CAP189574	CAP169194
32	Pg21	1.0	15.0	16.0 - 24.5	38	38	30	8	CAP189324	CAP169214
-	Pg29	1.0	15.0	16.0 - 24.5	38	38	30	8	CAP169284	-
40	-	1.0	15.0	16.0 - 24.5	38	43	30	8	CAP189584	-
40	Pg29	1.0	20.5	22.0 - 32.0	47	47	33	9	CAP189404	CAP169294
50	-	1.0	20.5	22.0 - 32.0	47	54	33	9	CAP189594	-
50	Pg36	1.2	27.5	29.0 - 40.5	57	57	37	10	CAP189504	CAP169364
63	-	1.2	27.5	29.0 - 40.5	57	68	37	10	CAP189604	-
63	Pg48 DIN	1.8	34.5	37.0 - 53.0	75	75	48	11	CAP189634	CAP169484
-	No48 NFC	1.8	34.5	37.0 - 53.0	75	75	48	11	CAP169494	-

All dimensions in mm.

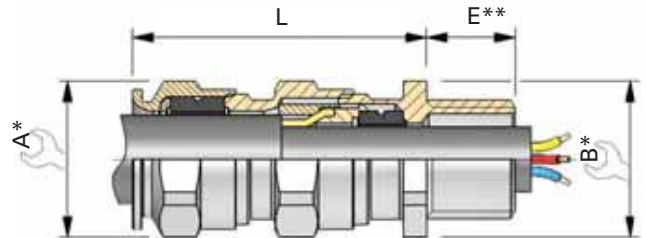
Technical Specification

Suitable for the following cable types

- Steel wire armoured cable (SWA)
- Steel wire braided cable (SWB)
- Steel tape armoured cable (STA)

Features

- Standard nickel-plated brass material for superior corrosion resistance
- Armour clamping and bonding with no reversible components for easy installation, minimizing error
- Provides the sealing on the inner and outer sheath of the armoured cables
- Continuous use temperature: from -20°C to +100°C
- Available with metric or NPT threads



* For 'across corners' dimensions, multiply 'across flats' dimensions by 1.1

** For 'E' see Thread Dimension page 105

SELECTION TABLE						DIMENSIONS					CAP GLAND SIZE	CAP NUMBER ISO	CAP NUMBER NPT	
SERIES	THREAD SIZE	THREAD SIZE CODE	THREAD SIZE	THREAD SIZE CODE	CABLE SEALING RANGE	CABLE SEALING RANGE ISO/(NPT)		MAX ARMOUR THICKNESS	A	B				L (LENGTH)
	ISO		NPT			INNER SHEATH MIN - MAX	OUTER SHEATH MIN - MAX							
ADE4i	12		1/4"			4.0 - 8.0	6.0 - 12.0	0.2 - 0.9	19	19	36	5	CAP946404	CAP948404
ADE4i	16		3/8"			4.0 - 8.5	6.0 - 12.0	0.2 - 0.9	19	19	36	5	CAP946594	CAP948594
ADE4i	16		3/8"			6.0 - 12.0	8.5 - 16.0	0.2 - 1.3	24	24	42	6	CAP946504	CAP948504
ADE4i	20		1/2"			4.0 - 8.5	6.0 - 12.0	0.2 - 0.9	19	24	36	5	CAP946674	CAP948674
ADE4i	20		1/2"			6.0 - 12.0	8.5 - 16.0	0.2 - 1.3	24	24	42	6	CAP946694	CAP948694
ADE4i	20		1/2"			8.5 - 16.0	12.0 - 21.0	0.2 - 1.3	30	30	46	7	CAP946604	CAP948604
ADE4i	25		3/4"			6.0 - 12.0	8.5 - 16.0	0.2 - 1.3	19	30	42	6	CAP946774	CAP948774
ADE4i	25		3/4"			8.5 - 16.0	12.0 - 21.0	0.2 - 1.3	24	30	46	7	CAP946794	CAP948794
ADE4i	25		3/4"			12.0 - 20.5	16.0 - 27.5	0.2 - 1.6	30	41	56	8	CAP946704	CAP948704
ADE4i	32		1"			12.0 - 21.0	16.0 - 27.5	0.2 - 1.6	41	41	56	8	CAP946894	CAP948894
ADE4i	32		1"			16.0 - 27.5	21.0 - 34.0	0.2 - 1.6	41	48	63	9	CAP946804	CAP948804
ADE4i	40		1 1/4"			16.0 - 27.5	21.0 - 34.0	0.2 - 1.6	48	48	63	9	CAP946994	CAP948994
ADE4i	40		1 1/4"			21.0 - 34.0	27.0 - 41.0	0.2 - 2.0	48	55	68	10	CAP946904	CAP948904
ADE4i	50		1 1/2"			21.0 - 34.0	27.0 - 41.0	0.2 - 2.0	55	55	68	10	CAP947094	CAP949094
ADE4i	50		1 1/2"			27.0 - 41.0	33.0 - 48.0	0.2 - 2.5	55	64	74	11	CAP947004	CAP949004
ADE4i	63		2"			27.0 - 41.0	33.0 - 48.0	0.2 - 2.5	64	72	77	12	CAP947294	CAP949294
ADE4i	63		2"			33.0 - 48.0	40.0 - 56.0	0.2 - 2.5	72	85	85	13	CAP947204	CAP949204
ADE4i	75		2 1/2"			40.0 - 56.0	47.0 - 65.0	0.2 - 2.5	85	85	85	13	CAP947394	CAP949949
ADE4i	75		2 1/2"			47.0 - 65.0	54.0 - 74.0	0.2 - 2.5	85	95	92	14	CAP947304	CAP949404
ADE4i	90		3"			54.0 - 74.0	63.0 - 83.0	0.2 - 3.2	95	110	104	15	CAP947594	CAP949564
ADE4i	90		3"			63.0 - 82.0	72.0 - 93.0	0.2 - 3.2	110	120	108	16	CAP947504	CAP949504
ADE4i	-		3 1/2"			63.0 - 82.0	72.0 - 93.0	0.2 - 3.2	120	120	108	16	-	CAP949604
ADE4i	110		4"			72.0 - 92.0	85.0 - 107.0	0.2 - 3.2	135	135	115	17	CAP947794	CAP949704

All dimensions in mm.

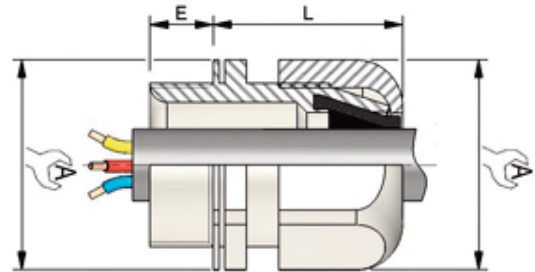
Technical Specification

Suitable for the following cable types

➡ Non-armoured round cable

Features

- Material: Nylon 6/6 – UL 94 V0 – Halogen free
- Colour: Grey RAL 7035 or Black RAL9005
- Neoprene sealing ring
- Max operating temperature: +150°C
- Continuous operating temperature: -40°C to +100°C
- IP68 : 5 bars without sealing washer except Pg36/42/48 and ISO40/50/63 according to NF EN 60529
- Entry thread metric: ISO-NF EN 60423 and NF EN 50262
- Entry thread electrical guide: UTE C 68-311 – DIN 40430



* For 'across corners' dimensions, multiply 'across flats' dimensions by 1.1

SELECTION TABLE		DIMENSIONS				GLAND		SEALING WASHER	LOCKNUT	
SERIES	THREAD SIZE	CABLE DIAMETER MIN - MAX	A	L (LENGTH)	E (THREAD LENGTH)	CAP NUMBER GREY COLOUR	CAP NUMBER GREY COLOUR	CAP NUMBER	CAP NUMBER GREY COLOUR	CAP NUMBER BLACK COLOUR
	ISO									
EUROCAP	12	3.5 - 6.5	15	21	8	CAP401270	CAP401260	CAP221249	CAP261273	CAP261203
EUROCAP	16	4.0 - 8.0	19	25	8	CAP401670	CAP401660	CAP221649	CAP261673	CAP261603
EUROCAP	20	6.0 - 12.0	24	33	9	CAP402070	CAP402060	CAP222049	CAP262073	CAP262003
EUROCAP	25	12.0 - 18.0	32	36	11	CAP402570	CAP402560	CAP222549	CAP262573	CAP262503
EUROCAP	32	17.0 - 25.0	42	40	11	CAP403270	CAP403260	CAP223249	CAP263273	CAP263203
EUROCAP	40*	20.0 - 32.0	53	36	11	CAP404070	CAP404060	CAP224049*	CAP264073	CAP264003
EUROCAP	50*	26.0 - 38.0	60	36	11	CAP405070	CAP405060	CAP225049*	CAP265073	CAP265003
EUROCAP	63*	30.0 - 44.0	68	36	11	CAP406370	CAP406360	CAP226349*	CAP266373	CAP266303

* Delivered with sealing washer. All dimensions in mm.

SELECTION TABLE		DIMENSIONS				GLAND		SEALING WASHER	LOCKNUT	
SERIES	THREAD SIZE	CABLE DIAMETER MIN - MAX	A	L (LENGTH)	E (THREAD LENGTH)	CAP NUMBER GREY COLOUR	CAP NUMBER GREY COLOUR	CAP NUMBER	CAP NUMBER GREY COLOUR	CAP NUMBER BLACK COLOUR
	ISO									
EUROCAP	Pg7	3.5 - 6.5	15	21	8	CAP410770	CAP410760	CAP240749	CAP260770	CAP260760
EUROCAP	Pg9	4.0 - 8.0	19	25	8	CAP410970	CAP410960	CAP240949	CAP260970	CAP260960
EUROCAP	Pg11	5.0 - 10.0	22	29	8	CAP411170	CAP411160	CAP241149	CAP261170	CAP261160
EUROCAP	Pg13	6.0 - 12.0	24	33	9	CAP411370	CAP411360	CAP241349	CAP261370	CAP261360
EUROCAP	Pg16	9.0 - 14.0	27	34	10	CAP411670	CAP411660	CAP241649	CAP261670	CAP261660
EUROCAP	Pg21	12.0 - 18.0	33	36	11	CAP412170	CAP412160	CAP242149	CAP262170	CAP262160
EUROCAP	Pg29*	17.0 - 25.0	42	40	11	CAP412970	CAP412960	CAP242949*	CAP262970	CAP262960
EUROCAP	Pg36*	20.0 - 32.0	53	51	13	CAP413670	CAP413660	CAP243649*	CAP263670	CAP263660
EUROCAP	Pg42*	26.0 - 38.0	60	50	13	CAP414270	CAP414260	CAP244249*	CAP264270	CAP264260
EUROCAP	Pg48 DIN*	30.0 - 44.0	65	53	14	CAP414870	CAP414860	CAP244849*	CAP264878	CAP264879

* Delivered with sealing washer. All dimensions in mm.

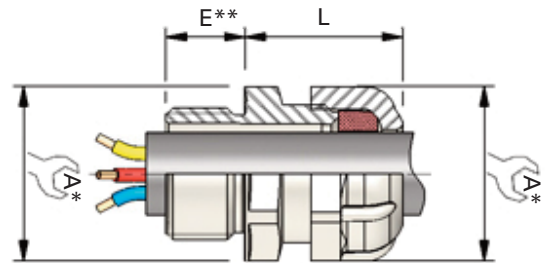
Technical Specification

Suitable for the following cable types

➡ Non-armoured round cable

Features

- Material: Nylon
- Colour: Grey RAL 7035
- Operculated PVC coloured plasticized sealing ring
- Continuous operating temperature: -5°C to +70°C
- PVC hardening temperature: -20°C
- IP68: 5 bars without sealing washer provided if the bearing area is satisfactory
- Entry thread metric: ISO-NF EN 60423 and NF EN 50262
- Entry thread electrical guide: UTE C 68-311 – DIN 40430



* For 'across corners' dimensions, multiply 'across flats' dimensions by 1.1

SELECTION TABLE		DIMENSIONS				SEALING RING COLOUR	GLAND	SEALING WASHER	LOCKNUT
SERIES	THREAD SIZE ISO	CABLE DIAMETER MIN - MAX	A	L (LENGTH)	E (THREAD LENGTH)		CAP NUMBER	CAP NUMBER	CAP NUMBER
ECP	12	3.0 - 6.0	15	18	8		CAP439120	CAP221249	CAP261273
ECP	16	4.0 - 8.0	19	22	8		CAP439160	CAP221649	CAP261673
ECP	16 Bis	5.0 - 10.0	22	22	8		CAP439170	CAP221649	CAP261673
ECP	20	7.5 - 13.0	24	23	9		CAP439200	CAP222049	CAP262073
ECP	20 Bis	9.5 - 15.0	26	23	9		CAP439210	CAP222049	CAP262073
ECP	25	13.0 - 19.0	32	29	11		CAP439250	CAP222549	CAP262573
ECP	32	15.0 - 25.0	41	29	11		CAP439320	CAP223249	CAP263273
ECP	40	21.0 - 32.0	52	35	13		CAP439400	CAP224049	CAP264073
ECP	50	26.0 - 38.0	59	40	13		CAP439500	CAP225049	CAP265073
ECP	63	31.0 - 44.0	65	42	14		CAP439630	CAP226349	CAP266373

All dimensions in mm.

SELECTION TABLE		DIMENSIONS				SEALING RING COLOUR	GLAND	SEALING WASHER	LOCKNUT
SERIES	THREAD SIZE PG	CABLE DIAMETER MIN - MAX	A	L (LENGTH)	E (THREAD LENGTH)		CAP NUMBER	CAP NUMBER	CAP NUMBER
ECP	Pg7	3.0 - 6.0	15	18	9		CAP430070	CAP240749	CAP260770
ECP	Pg9	4.0 - 8.0	19	22	9		CAP430090	CAP240949	CAP260970
ECP	Pg11	5.0 - 10.0	22	22	9		CAP430110	CAP241149	CAP261170
ECP	Pg13	7.5 - 13.0	24	23	10		CAP430130	CAP241349	CAP261370
ECP	Pg16	9.5 - 15.0	28	23	10		CAP430160	CAP241649	CAP261670
ECP	Pg21	13.0 - 19.0	32	29	11		CAP430210	CAP242149	CAP262170
ECP	Pg29*	15.0 - 25.0	41	29	12		CAP430290	CAP242949	CAP262970
ECP	Pg36*	21.0 - 32.0	52	35	14		CAP430360	CAP243649	CAP263670
ECP	Pg42*	26.0 - 38.0	59	40	16		CAP430420	CAP244249	CAP264270
ECP	No 48 NFC	31.0 - 44.0	65	42	18		CAP430480	CAP244849	CAP264878
ECP	Pg48 DIN*	31.0 - 44.0	65	42	18		CAP437480	CAP244849	CAP264878

All dimensions in mm.

Technical Specification

Suitable for the following cable types

➡ Non-armoured cable

Certifications and Compliances

EN 50262

Product Specification

Material: Nylon

Colour: Grey RAL 7035

Operculated thermoplastic sealing ring

Operating Temperature:

Maximum temperature: +150°C

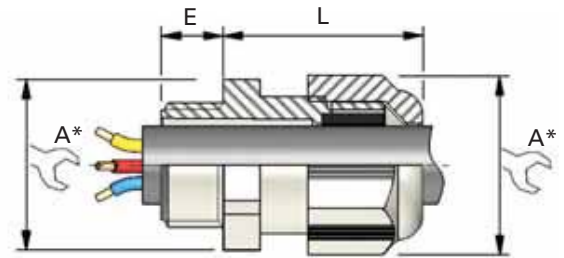
Continuous operating temperature: -40°C to +100°C

Ingress Protection (IP):

IP68: 5 bars without sealing washer provided if the bearing area is satisfactory

Entry thread metric: ISO-NF EN 60423 and NF EN 50262

Entry thread Pg: UTE C 68-311 - DIN 40430



* For 'across corners' dimensions, multiply 'across flats' dimensions by 1.1

SELECTION TABLE		DIMENSIONS				CAP NUMBER ISO	CAP NUMBER Pg
THREAD SIZE	THREAD SIZE	CABLE DIAMETER MIN - MAX	A	L ISO / PG	E ISO / PG		
ISO	Pg						
M12	PG7	3.0 - 6.5	15	14	8	CAP451202	CAP450702
-	PG9	4.0 - 8.0	19	28	8	-	CAP450902
M16	PG11	5.0 - 10.0	22	28 / 29	10/ 8	CAP451602	CAP451102
M20	PG13	6.0 - 12.0	24	29	10/9	CAP452002	CAP451302
-	PG16	10.0 - 14.0	27	33	9	-	CAP451602
M25	PG21	12.0 - 18.0	33	38	10/11	CAP452502	CAP452102
M32	PG29	18.0 - 25.0	42	41	10/11	CAP453202	CAP452902
M40	PG36	22.0 - 32.0	53	52	10/13	CAP454002	CAP453602
M50	PG42	30.0 - 38.0	60	54	18/13	CAP455002	CAP454202
M63	PG48 DIN	34.0 - 44.0	65	55	18/14	CAP456302	CAP454802

All dimensions in mm.

SELECTION TABLE		DIMENSIONS				CAP NUMBER ISO	CAP NUMBER Pg	CAP NUMBER ISO	CAP NUMBER Pg
THREAD SIZE	THREAD SIZE	CABLE DIAMETER MIN - MAX	A	L ISO / PG	E ISO / PG	(fitted with mounting nut)	(fitted with mounting nut)	(with mounting nut - not fitted)	(with mounting nut - not fitted)
ISO	Pg								
M12	PG7	3.0 - 6.5	15	14	8	CAP451212	CAP450712	CAP451272	CAP450772
-	PG9	4.0 - 8.0	19	28	8	-	CAP450912	-	CAP450972
M16	PG11	5.0 - 10.0	22	28 / 29	10/ 8	CAP451612	CAP451112	CAP451672	CAP451172
M20	PG13	6.0 - 12.0	24	29	10/9	CAP452012	CAP451312	CAP452072	CAP451372
-	PG16	10.0 - 14.0	27	33	9	-	CAP451612	-	CAP451672
M25	PG21	12.0 - 18.0	33	38	10/11	CAP452512	CAP452112	CAP452572	CAP452172
M32	PG29	18.0 - 25.0	42	41	10/11	CAP453212	CAP452912	CAP453272	CAP452972
M40	PG36	22.0 - 32.0	53	52	10/13	CAP454012	CAP453612	CAP454072	CAP453672
M50	PG42	30.0 - 38.0	60	54	18/13	CAP455012	CAP454212	CAP455072	CAP454272
M63	PG48 DIN	34.0 - 44.0	65	55	18/14	CAP456312	CAP454812	CAP456372	CAP454872

All dimensions in mm.

CGD - for Non Armoured Cable

Technical Specification



Suitable for the following cable types

- ⇒ Non-armoured cable
- ⇒ Tray cable

Certifications and Compliances

cULus Listed: UL File E23223

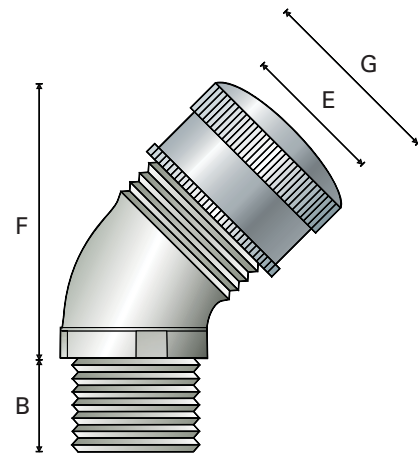
Product Specification

Material:

45° angle with male thread
 Standard body material is Feraloy® iron alloy
 Standard gland nut material is steel
 Weatherproof seal on outer sheath of cable
 Standard neoprene seal suitable for use in operating temperatures -25° to +40°C
 Available with NPT threads

Operating Temperature:

-25°C to +40°C



SELECTION TABLE		DIMENSIONS			NPT CATALOGUE NUMBER
THREAD SIZE	OUTER SHEATH 'E' MIN - MAX	EXTERNAL DIAMETER 'G'	GLAND LENGTH 'F' LESS ENTRY	THREAD LENGTH 'B'	
NPT					
1/2"	0.12 - 0.25	1.19	1.69	0.63	CGD192
1/2"	0.25 - 0.37	1.19	1.69	0.63	CGD193
1/2"	0.37 - 0.50	1.19	1.69	0.63	CGD194
1/2"	0.50 - 0.62	1.19	1.69	0.63	CGD195
1/2"	0.62 - 0.75	1.63	2.06	0.63	CGD196
1/2"	0.75 - 0.87	1.63	2.06	0.63	CGD197
3/4"	0.12 - 0.25	1.14	1.94	0.63	CGD292
3/4"	0.25 - 0.37	1.14	1.94	0.63	CGD293
3/4"	0.37 - 0.50	1.13	1.94	0.63	CGD294
3/4"	0.50 - 0.62	1.13	1.94	0.63	CGD295
3/4"	0.62 - 0.75	1.63	2.00	0.63	CGD296
3/4"	0.75 - 0.87	1.63	2.00	0.63	CGD297

All dimensions in inches unless otherwise stated

CGB - for Non Armoured Cable

Technical Specification



Suitable for the following cable types

- Non-armoured cable
- Tray cable

Certifications and Compliances

cULus Listed – UL File E23223

Product Specification

Material:

Form A - D bodies and gland nuts – steel with zinc electroplate and chromate finish coat

Form E - F bodies and gland nuts – Feraloy® iron alloy with electrogalvanized and aluminium acrylic paint

Weatherproof seal on outer sheath of cable

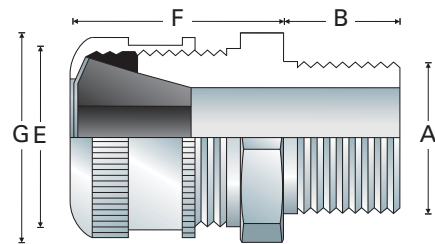
Available with NPT threads

- Available in all aluminium construction

Operating Temperature:

-25°C to +40°C

Standard neoprene seal



CGB - for Non Armoured Cable

Technical Specification

SELECTION TABLE		DIMENSIONS						NPT CATALOGUE NUMBER
THREAD SIZE A	FORM	OUTER SHEATH 'E' MIN - MAX	EXTERNAL DIAMETER 'G'	ACROSS FLATS	ACROSS CORNERS 'G'	GLAND LENGTH 'F' LESS ENTRY	THREAD LENGTH 'B' NPT	
NPT								
3/8"	A	0.12 - 0.25	-	0.75	0.88	1.06	0.44	CGB3814
3/8"	A	0.25 - 0.37	-	0.75	0.88	1.06	0.44	CGB3816
3/8"	A	0.37 - 0.44	-	0.75	0.88	1.06	0.44	CGB3817
3/8"	B	0.12 - 0.25	-	1.00	1.19	1.31	0.44	CGB3892
3/8"	B	0.25 - 0.37	-	1.00	1.19	1.31	0.44	CGB3893
3/8"	B	0.37 - 0.50	-	1.00	1.19	1.31	0.44	CGB3894
1/2"	A	0.12 - 0.25	-	0.88	1.19	1.00	0.62†	CGB114†
1/2"	A	0.25 - 0.37	-	0.88	1.19	1.00	0.62†	CGB116†
1/2"	A	0.37 - 0.44	-	0.88	1.19	1.00	0.62†	CGB117†
1/2"	B	0.12 - 0.25	-	1.00	1.19	1.31	0.75*†	CGB192*†
1/2"	B	0.25 - 0.37	-	1.00	1.19	1.31	0.75*†	CGB193*†
1/2"	B	0.37 - 0.50	-	1.00	1.19	1.31	0.75*†	CGB194*†
1/2"	B	0.50 - 0.62	-	1.00	1.19	1.31	0.75*†	CGB195*†
1/2"	C	0.62 - 0.75	-	1.50	1.66	1.75	0.62*	CGB196*
1/2"	C	0.75 - 0.87	-	1.50	1.66	1.75	0.62*†	CGB197*†
3/4"	B	0.12 - 0.25	-	1.06	1.25	1.38	0.62†	CGB292†
3/4"	B	0.25 - 0.37	-	1.06	1.25	1.38	0.62†	CGB293†
3/4"	B	0.37 - 0.50	-	1.06	1.25	1.38	0.62†	CGB294†
3/4"	B	0.50 - 0.62	-	1.06	1.25	1.38	0.62†	CGB295†
3/4"	C	0.62 - 0.75	-	1.63	1.66	1.75	0.62*†	CGB296*†
3/4"	C	0.75 - 0.87	-	1.63	1.66	1.75	0.62*†	CGB297*†
3/4"	D	0.87 - 1.00	2.25	-	-	2.50	0.62*†	CGB298*†
1"	B	0.25 - 0.37	-	1.38	1.65	1.38	0.69†	CGB393†
1"	B	0.37 - 0.50	-	1.38	1.65	1.38	0.69†	CGB394†
1"	C	0.50 - 0.62	-	1.50	1.88	1.69	0.69*†	CGB395*†
1"	C	0.62 - 0.75	-	1.50	1.88	1.69	0.69*†	CGB396*†
1"	C	0.75 - 0.87	-	1.50	1.88	1.69	0.69*†	CGB397*†
1"	C	0.87 - 1.00	-	-	1.88	1.69	0.69†	CGB3239†
1"	D	0.87 - 1.00	2.38	-	-	2.38	0.62*†	CGB398*†
1"	D	1.00 - 1.19	2.38	-	-	2.38	0.62*†	CGB399*†
1"	D	1.19 - 1.37	2.38	-	-	2.38	0.62*†	CGB3911*†
1 1/4"	D	0.87 - 1.00	2.25	-	-	2.31	0.69	CGB498
1 1/4"	D	1.00 - 1.19	2.25	-	-	2.31	0.69	CGB499
1 1/4"	D	1.19 - 1.37	2.25	-	-	2.31	0.69	CGB4911
1 1/4"	E	1.37 - 1.62	3.00	-	-	2.63	0.69	CGB4913
1 1/4"	E	1.62 - 1.87	3.00	-	-	2.63	0.69	CGB4915
1 1/2"	D	0.87 - 1.00	2.25	-	-	2.31	0.81	CGB598
1 1/2"	D	1.00 - 1.19	2.25	-	-	2.31	0.81	CGB599
1 1/2"	D	1.19 - 1.37	2.25	-	-	2.31	0.81	CGB5911
1 1/2"	E	1.37 - 1.62	3.00	-	-	2.63	0.81	CGB5913
1 1/2"	E	1.62 - 1.87	3.00	-	-	2.63	0.81	CGB5915
2"	E	1.37 - 1.62	3.00	-	-	2.63	0.81	CGB6913
2"	E	1.62 - 1.87	3.00	-	-	2.63	0.81	CGB6915
2"	F	1.87 - 2.19	3.75	-	-	2.56	0.81	CGB6917
2"	F	2.19 - 2.50	3.75	-	-	2.56	0.81	CGB6920
2 1/2"	E	1.37 - 1.62	3.13	-	-	2.63	1.00	CGB7913
2 1/2"	E	1.62 - 1.87	3.13	-	-	2.63	1.00	CGB7915
2 1/2"	F	1.87 - 2.19	3.75	-	-	2.63	1.00	CGB7917
2 1/2"	F	2.19 - 2.50	3.75	-	-	2.63	1.00	CGB7920
3"	F	1.87 - 2.19	3.75	-	-	2.63	1.00	CGB8917
3"	F	2.19 - 2.50	3.75	-	-	2.63	1.00	CGB8920

All dimensions in inches unless otherwise stated

† With optional Aluminium construction

* With optional sealing gasket

CGE - for Non Armoured Cable

Technical Specification



Suitable for the following cable types

➡ Non-armoured cable

Certifications and Compliances

cULus Listed – UL File E23223

Product Specification

Material:

90° angle with male thread

Standard body material is Feraloy® iron alloy

Standard gland nut material is steel

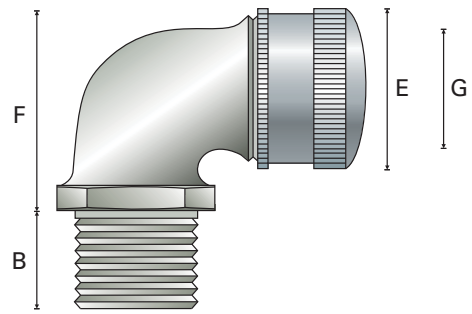
Weatherproof seal on outer sheath of cable

Standard neoprene seal suitable for use in operating temperatures -25° to +40°C

Available with NPT threads

Operating Temperature:

-25°C to +40°C



SELECTION TABLE		DIMENSIONS			NPT CATALOGUE NUMBER
THREAD SIZE	OUTER SHEATH 'E' MIN - MAX	EXTERNAL DIAMETER 'G'	GLAND LENGTH 'F' LESS ENTRY	THREAD LENGTH 'B' NPT	
1/2"	0.12 - 0.25	1.19	1.44	0.71	CGE192
1/2"	0.25 - 0.37	1.19	1.44	0.71	CGE193
1/2"	0.37 - 0.50	1.19	1.44	0.71	CGE194
1/2"	0.50 - 0.62	1.19	1.44	0.71	CGE195
1/2"	0.62 - 0.75	1.63	2.00	0.71	CGE196
1/2"	0.75 - 0.87	1.63	2.00	0.71	CGE197
3/4"	0.12 - 0.25	1.19	1.41	0.71	CGE292
3/4"	0.25 - 0.37	1.19	1.41	0.71	CGE293
3/4"	0.37 - 0.50	1.19	1.41	0.71	CGE294
3/4"	0.50 - 0.62	1.19	1.41	0.71	CGE295
3/4"	0.62 - 0.75	1.63	1.88	0.71	CGE296
3/4"	0.75 - 0.87	1.63	1.88	0.71	CGE297
1"	0.50 - 0.62	1.63	2.06	0.71	CGE395
1"	0.62 - 0.75	1.63	2.09	0.71	CGE396
1"	0.75 - 0.87	1.63	2.09	0.71	CGE397
1"	0.87 - 1.00	2.25	2.09	0.71	CGE3239
1"	0.87 - 1.00	2.25	2.66	0.71	CGE398
1"	1.00 - 1.19	1.63	2.66	0.71	CGE399
1"	1.19 - 1.37	2.25	2.66	0.71	CGE3911

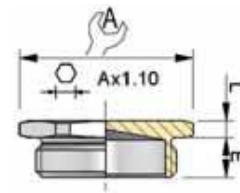
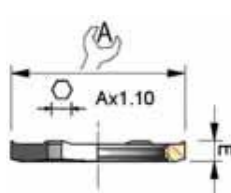
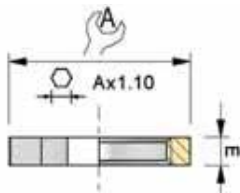
All dimensions in inches unless otherwise stated

Capri Industrial Accessories

Features

Features

- Material : Nickel-plated brass / Stainless steel 316 L (Stainless steel 316 L: replace last digit by 9)
- Electrical thread Pg – Standard guide UTE C 68-311 – DIN 40430
- Adaptors, plugs and reducers: IP66, IP68 with fibre or neoprene sealing washer.



LOCKNUT			REFERENCE
Pg	A	E	
Pg7	15.0	3.0	CAP280704
Pg9	18.0	3.0	CAP280904
Pg11	21.0	3.0	CAP281104
Pg13	23.0	3.0	CAP281304
Pg16	26.0	3.0	CAP281604
Pg21	32.0	3.5	CAP282104
Pg29	41.0	4.0	CAP282904
Pg36	51.0	5.0	CAP283604
Pg42	58.0	5.0	CAP284204
N°48 NFC	64.0	6.0	CAP284804
Pg48 DIN	64.0	6.0	CAP284884

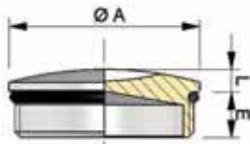
All dimensions in mm.

EARTHING LOCKNUT			REFERENCE
Pg	A	E	
Pg7	15.0	3.0	CAP280794
Pg9	18.0	3.0	CAP280994
Pg11	21.0	3.0	CAP281194
Pg13	23.0	3.0	CAP281394
Pg16	26.0	3.0	CAP281694
Pg21	32.0	3.5	CAP282194
Pg29	41.0	4.0	CAP282994
Pg36	51.0	5.0	CAP283694
Pg42	58.0	5.0	CAP284294
N°48 NFC	64.0	6.0	CAP284894
Pg48 DIN	64.0	6.0	CAP284994

All dimensions in mm.

STOPPING PLUG				REFERENCE
Pg	A	L	E	
Pg7	15.0	2.5	6.5	CAP190704
Pg9	18.0	2.5	6.5	CAP190904
Pg11	21.0	3.0	7.0	CAP191104
Pg13	23.0	3.0	7.0	CAP191304
Pg16	26.0	3.5	7.0	CAP191604
Pg21	32.0	4.0	8.0	CAP192104
Pg29	41.0	4.0	8.5	CAP192904
Pg36	51.0	5.0	8.5	CAP193604
Pg42	58.0	6.0	10.0	CAP194204
N°48 NFC	64.0	6.5	11.0	CAP194804
Pg48 DIN	64.0	6.5	11.0	CAP194884

All dimensions in mm.

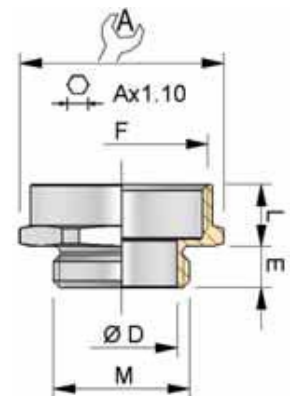


DOME HEAD				REFERENCE
Pg	ØA	L	E	
Pg7	14.0	2.5	6.5	CAP196074
Pg9	17.0	2.5	6.5	CAP196094
Pg11	20.0	3.0	7.0	CAP196114
Pg13	22.0	3.0	7.0	CAP196134
Pg16	24.0	3.5	7.0	CAP196174
Pg21	30.0	4.0	8.0	CAP196214
Pg29	39.0	4.0	8.5	CAP196294
Pg36	50.0	5.0	8.5	CAP196364
Pg42	57.0	6.0	10.0	CAP196424
N°48 NFC	64.0	6.5	11.0	CAP196484
Pg48 DIN	64.0	6.5	11.0	CAP196494

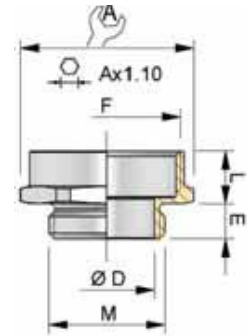
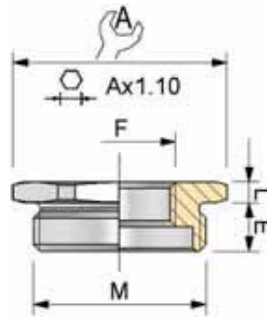
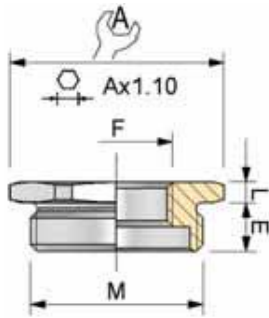
All dimensions in mm.

ADAPTOR							REFERENCE
Pg M	Pg F	A	L	E	ØD		
Pg7	Pg9	17.0	7.5	4.0	10.0	CAP070904	
Pg9	Pg11	20.0	8.5	5.0	12.0	CAP091104	
Pg9	Pg13	22.0	8.5	5.0	12.0	CAP091304	
Pg11	Pg13	22.0	8.5	6.0	15.0	CAP111304	
Pg11	Pg16	24.0	8.5	6.0	15.0	CAP111604	
Pg13	Pg16	24.0	8.5	6.0	16.5	CAP131604	
Pg13	Pg21	30.0	8.5	6.0	16.5	CAP132104	
Pg16	Pg21	30.0	10.0	6.0	18.5	CAP162104	
Pg21	Pg29	40.0	11.5	7.0	24.0	CAP212904	
Pg29	Pg36	50.0	11.5	8.0	32.0	CAP293604	
Pg36	Pg42	58.0	15.0	8.0	41.0	CAP364204	
Pg36	N°48 NFC	64.0	15.0	8.0	41.0	CAP364804	
Pg42	N°48 NFC	64.0	15.0	8.0	48.0	CAP424804	
Pg36	Pg48 DIN	64.0	15.0	8.0	41.0	CAP364884	
Pg42	Pg48 DIN	64.0	15.0	8.0	48.0	CAP424884	

All dimensions in mm.



Technical Specification



REDUCERS					REFERENCE
Pg M	Pg F	A	L	E	
Pg9	Pg7	16.0	2.0	5.0	CAP090704
Pg11	Pg7	20.0	2.0	6.0	CAP110704
Pg11	Pg9	20.0	2.0	6.0	CAP110904
Pg13	Pg9	22.0	2.5	6.0	CAP130904
Pg13	Pg11	22.0	2.5	6.0	CAP131104
Pg16	Pg9	24.0	2.5	6.0	CAP160904
Pg16	Pg11	24.0	2.5	6.0	CAP161104
Pg16	Pg13	24.0	2.5	6.0	CAP161304
Pg21	Pg09	30.0	3.0	7.0	CAP210904
Pg21	Pg11	30.0	3.0	7.0	CAP211104
Pg21	Pg13	30.0	3.0	7.0	CAP211304
Pg21	Pg16	30.0	3.0	7.0	CAP211604
Pg29	Pg16	38.0	3.0	8.0	CAP291604
Pg29	Pg21	38.0	3.0	8.0	CAP292104
Pg36	Pg21	38.0	3.5	8.0	CAP362104
Pg36	Pg29	48.0	3.5	8.0	CAP362904
Pg42	Pg29	58.0	4.0	10.0	CAP422904
Pg42	Pg36	58.0	4.0	10.0	CAP423604
N°48 NFC	Pg29	62.0	4.0	10.0	CAP482904
N°48 NFC	Pg36	62.0	4.0	10.0	CAP483604
N°48 NFC	Pg42	62.0	4.0	10.0	CAP484204
Pg48 DIN	Pg36	62.0	4.0	10.0	CAP483684
Pg48 DIN	Pg42	62.0	4.0	10.0	CAP484284

All dimensions in mm.

REDUCERS							REFERENCE
Pg M	ISO F	A	L	E	ØD	TYPE	
Pg7	12	14.0	7.0	6.5	9.8	1	CAP751774
Pg7	16	19.0	8.5	6.5	9.8	1	CAP750094
Pg9	12	19.0	2.5	6.5		2	CAP751844
Pg9	16	19.0	8.5	6.5	12.0	1	CAP750104
Pg9	20	22.0	8.5	6.5	12.0	1	CAP750364
Pg11	12	21.0	3.0	7.0		2	CAP751874
Pg11	16	21.0	7.5	7.0		2	CAP750114
Pg11	20	22.0	8.5	7.0	15.0	1	CAP750374
Pg13	16	23.0	3.0	7.0		2	CAP750124
Pg13	20	24.0	8.5	7.0	16.8	1	CAP750384
Pg13	25	27.0	9.5	7.0	16.8	1	CAP750644
Pg16	16	27.0	3.0	8.0		2	CAP750134
Pg16	20	27.0	7.5	8.0	18.5	1	CAP750394
Pg16	25	27.0	9.5	8.0	18.8	1	CAP750654
Pg21	25	32.0	3.5	8.0		2	CAP750864
Pg21	32	34.0	10.5	8.0	24.0	1	CAP750924
Pg29	32	42.0	4.0	8.5		2	CAP750934
Pg29	40	42.0	10.5	8.5	32.8	1	CAP751194
Pg36	40	51.0	4.5	8.5		2	CAP751294
Pg36	50	53.0	11.5	8.5	42.5	1	CAP751464
Pg42	50	58.0	4.5	10.0		2	CAP751474
Pg42	63	67.0	13.0	10.0	49.5	1	CAP751734
Pg48 DIN	50	64.0	5.0	11.0		2	CAP751484
Pg48 DIN	63	67.0	13.0	11.0	54.5	1	CAP751744

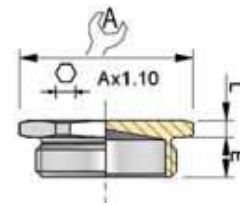
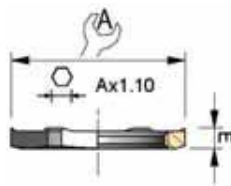
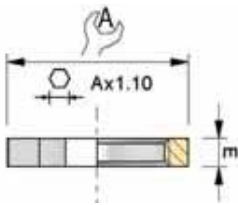
All dimensions in mm.

Capri Industrial Accessories

Technical Specification

Features

- Material : Nickel-plated brass / Stainless steel 316 L (Stainless steel 316 L: replace last digit by 9)
- Electrical thread Pg – Standard guide UTE C 68-311 – DIN 40430
- Adaptors, plugs and reducers: IP66, IP68 with fibre or neoprene sealing washer



LOCKNUT			REFERENCE
ISO	A	E	
10	12.0	2.5	CAP221094
12	23.0	3.0	CAP221294
16	29.0	4.0	CAP221694
20	35.0	4.0	CAP222094
25	44.0	4.5	CAP222594
32	60.0	4.8	CAP223294
40	69.0	5.0	CAP224094
50	87.0	6.5	CAP225094
63	103.0	6.5	CAP226394
75	104.0	8.0	CAP227594
90	122.0	8.0	CAP229094
110	132.0	9.0	CAP221104

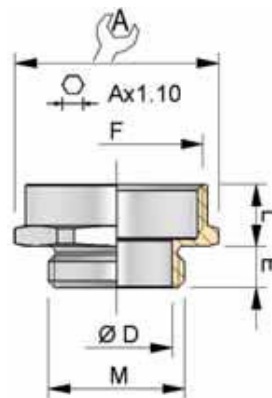
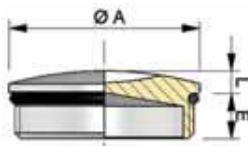
EARTHING LOCKNUT			REFERENCE
ISO	A	E	
10	12.0	2.5	CAP229104
12	23.0	3.0	CAP229124
16	29.0	4.0	CAP229164
20	35.0	4.0	CAP229204
25	44.0	4.5	CAP229254
32	60.0	4.8	CAP229324
40	69.0	5.0	CAP229404
50	87.0	6.5	CAP229504
63	103.0	6.5	CAP229634

STOPPING PLUG				REFERENCE
ISO	A	L	E	
12	15.0	2.5	6.5	CAP197124
16	18.0	2.5	6.5	CAP197164
20	23.0	3.0	6.5	CAP197204
25	28.0	3.0	7.0	CAP197254
32	36.0	3.5	8.0	CAP197324
40	44.0	4.0	8.0	CAP197404
50	54.0	4.5	9.0	CAP197504
63	67.0	5.5	10.0	CAP197634

All dimensions in mm.

All dimensions in mm.

All dimensions in mm.



DOME HEAD			REFERENCE
ISO	A	L	
12	14.0	3.0	CAP196124
16	18.0	3.0	CAP196164
20	22.0	3.0	CAP196204
25	27.0	4.0	CAP196254
32	34.0	4.0	CAP196324
40	44.0	5.0	CAP196404
50	54.0	5.5	CAP196504
63	67.0	6.0	CAP196634

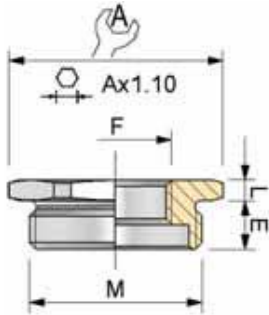
ADAPTOR						REFERENCE
ISO M	ISO F	A	L	E	ØD	
12	16	18.0	8.0	5.0	8.8	CAP755334
16	20	22.0	8.0	6.0	12.5	CAP750274
20	25	27.0	9.0	6.0	16.2	CAP750544
25	32	36.0	10.5	7.0	21.0	CAP750814
32	40	42.0	10.5	8.0	28.0	CAP751084
40	50	52.0	11.5	8.0	35.8	CAP751354
50	63	67.0	12.5	9.0	45.8	CAP751624

All dimensions in mm.

All dimensions in mm.

Capri Industrial Accessories

Technical Specification



REDUCERS					REFERENCE
ISO M	ISO F	A	L	E	
16	12	18.0	2.5	6.0	CAP755834
20	12	22.0	3.0	6.0	CAP750044
20	16	22.0	3.0	6.0	CAP750024
25	16	28.0	3.0	7.0	CAP750034
25	20	28.0	3.0	7.0	CAP750294
32	16	36.0	3.5	8.0	CAP759104
32	20	36.0	3.5	8.0	CAP750304
32	25	36.0	3.5	8.0	CAP750564
40	16	44.0	4.0	8.0	CAP759164
40	20	44.0	4.0	8.0	CAP759204
40	25	44.0	4.0	8.0	CAP750574
40	32	44.0	4.0	8.0	CAP750834
50	40	54.0	4.5	9.0	CAP751204
63	50	67.0	5.0	10.0	CAP751374

All dimensions in mm.

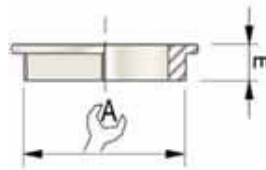
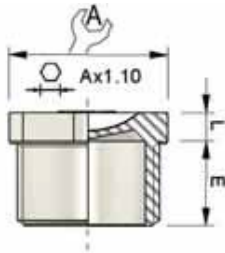


Capri Industrial Accessories

Features

Features

- Material : Nickel-plated brass / Stainless steel 316 L (Stainless steel 316 L: replace last digit by 9)
- Electrical thread Pg – Standard guide UTE C 68-311 – DIN 40430
- Adaptors, plugs and reducers: IP66, IP68 with fibre or neoprene sealing washer

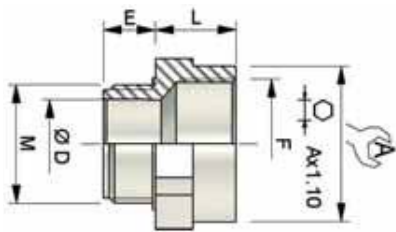
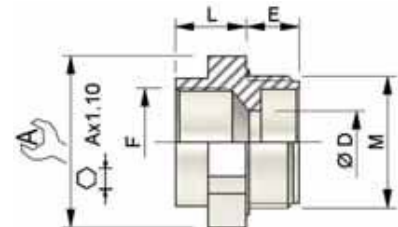


STOPPING PLUG				REFERENCE
Pg	A	L	E	
Pg7	15.0	4.0	8.0	CAP190770
Pg9	19.0	4.5	10.0	CAP190970
Pg11	22.0	4.5	10.5	CAP191170
Pg13	24.0	5.0	11.0	CAP191370
Pg16	27.0	5.0	12.0	CAP191670
Pg21	32.0	5.5	12.5	CAP192170
Pg29	40.0	5.5	13.5	CAP192970
Pg36	54.0	6.0	15.0	CAP193670
Pg42	59.0	6.5	15.0	CAP193670
N°48 NFC	64.0	6.5	15.0	CAP194870
Pg48 DIN	64.0	6.5	10.0	CAP194879

All dimensions in mm.

LOCKNUT				REFERENCE
Pg	A	E		
Pg7	15.0	4.5		CAP260770
Pg9	19.0	4.5		CAP260970
Pg11	22.0	5.0		CAP261170
Pg13	24.0	5.5		CAP261370
Pg16	27.0	6.0		CAP261670
Pg21	32.0	6.5		CAP262170
Pg29	41.0	7.5		CAP262970
Pg36	54.0	9.0		CAP263670
Pg42	60.0	9.0		CAP264270
N°C8 NFC	67.0	9.5		CAP264870
Pg48 DIN	67.0	9.5		CAP264878

All dimensions in mm.



ADAPTORS					REFERENCE
Pg	Pg	A	L	E	
Pg7	Pg9	19.0	13.5	6.5	CAP070970
Pg9	Pg11	22.0	14.0	7.0	CAP091170
Pg11	Pg13	24.0	14.0	8.0	CAP111370
Pg13	Pg16	27.0	14.0	9.0	CAP131670
Pg16	Pg21	32.0	18.5	9.0	CAP162170
Pg21	Pg29	41.0	19.5	10.0	CAP212970
Pg29	Pg36	55.0	22.0	12.0	CAP293670
Pg36	Pg42	60.0	21.0	14.0	CAP364270
Pg36	N°48 NFC	65.0	23.5	14.0	CAP364870

All dimensions in mm.

REDUCERS					REFERENCE
Pg M	PAGE F	A	L	E	
Pg9	Pg7	19.0	11.0	7.0	CAP090770
Pg11	Pg7	22.0	10.5	8.0	CAP110770
Pg11	Pg9	22.0	12.0	8.0	CAP110970
Pg13	Pg9	24.0	11.5	9.0	CAP130970
Pg13	Pg11	24.0	12.0	9.0	CAP131170
Pg16	Pg9	27.0	11.5	9.0	CAP160970
Pg16	Pg11	27.0	12.0	9.0	CAP161170
Pg16	Pg13	27.0	13.0	9.0	CAP161370
Pg21	Pg11	32.0	11.5	10.0	CAP211170
Pg21	Pg13	32.0	12.5	10.0	CAP211370
Pg21	Pg16	32.0	12.5	10.0	CAP211670
Pg29	Pg13	41.0	12.5	12.0	CAP291370
Pg29	Pg16	41.0	12.5	12.0	CAP291670
Pg29	Pg21	41.0	16.5	12.0	CAP292170
Pg36	Pg29	55.0	16.5	14.0	CAP362970
Pg42	Pg36	60.0	20.5	16.0	CAP423670
N°48 NFC	Pg36	65.0	20.5	16.0	CAP483670

All dimensions in mm.

Capri Industrial Accessories

Features

Features

- Material : Nickel-plated brass / Stainless steel 316 L (Stainless steel 316 L: replace last digit by 9)
- Electrical thread Pg – Standard guide UTE C 68-311 – DIN 40430
- Adaptors, plugs and reducers: IP66, IP68 with fibre or neoprene sealing washer



FIBRE SEALING WASHER			REFERENCE
Pg	A	E	
Pg7	17.0	1.5	CAP240750
Pg9	21.0	1.5	CAP240950
Pg11	25.0	1.5	CAP241150
Pg13	27.0	1.5	CAP241350
Pg16	31.0	1.5	CAP241650
Pg21	39.0	1.5	CAP242150
Pg29	50.0	1.5	CAP242950
Pg36	64.0	1.5	CAP243650
Pg42	73.0	1.5	CAP244250
N°48 NFC	79.0	2.0	CAP244850
Pg48 DIN	79.0	2.0	CAP244850
G2"1/2	94.0	2.0	CAP245050
G3"	107.0	2.0	CAP246050
G4"	133.0	2.0	CAP248050

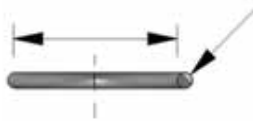
All dimensions in mm.

NEOPRENE SEALING WASHER			REFERENCE
Pg	A	E	
Pg7	17.0	1.2	CAP240749
Pg9	21.0	1.2	CAP240949
Pg11	24.0	1.2	CAP241149
Pg13	27.0	1.2	CAP241349
Pg16	30.0	1.2	CAP241649
Pg21	35.0	1.2	CAP242149
Pg29	45.0	1.2	CAP242949
Pg36	60.0	1.2	CAP243649
Pg42	65.0	1.2	CAP244249
N° 48 NFC	71.0	1.2	CAP244849
Pg48 DIN	71.0	1.2	CAP244849
G2"1/2	90.0	1.2	CAP245049
G3"	109.0	1.2	CAP246049
G4"	136.0	1.2	CAP248049

All dimensions in mm.

PVC REDUCE RING NORMANDIX / ECP				REFERENCE
Pg	Pg	MIN	MAX	
PG9	PG7	3.5	6.5	CAP240735
PG11	PG9	5.5	8.7	CAP240935
PG13	PG9	5.5	8.7	CAP241235
PG13	PG11	7.0	10.5	CAP241135
PG16	PG9	5.5	8.7	CAP241535
PG16	PG11	7.0	10.5	CAP241435
PG16	PG13	8.0	12.5	CAP241335
PG21	PG16	10.0	15.0	CAP241635
PG29	PG21	14.0	19.0	CAP242135
PG36	PG29	17.5	22.5	CAP242935
PG42	PG36	22.0	32.5	CAP242635
No48 NFC	PG36	22.0	32.5	CAP244735

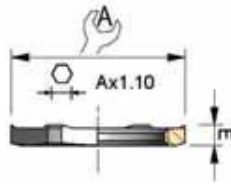
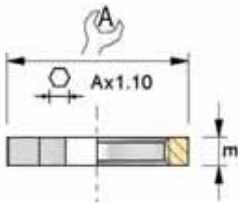
All dimensions in mm.



PERBUNAN O-RING			REFERENCE
Pg	A	E	
Pg7	10.0	1.3	CAP240746
Pg9	12.0	1.6	CAP240946
Pg11	16.0	1.6	CAP241146
Pg13	16.0	1.6	CAP241346
Pg16	18.5	1.6	CAP241646
Pg21	23.5	1.8	CAP242146
Pg29	32.0	1.6	CAP242946
Pg36	41.0	1.8	CAP243646
Pg42	46.0	1.8	CAP244246
N°48 NFC	55.0	2.0	CAP244846
Pg48 DIN	55.0	2.0	CAP244846

All dimensions in mm.

Technical Specification

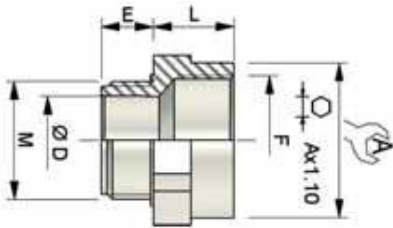
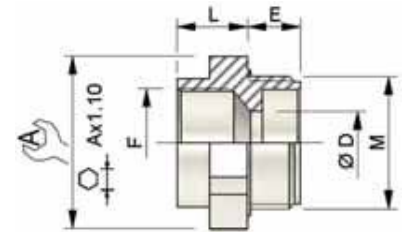


STOPPING PLUG				REFERENCE
ISO	A	L	E	
12	15.0	4.0	15.0	CAP190126
16	19.0	4.0	15.0	CAP190166
20	23.0	4.0	15.0	CAP190206
25	28.0	5.0	15.0	CAP190256
32	36.0	5.5	15.0	CAP190326
40	44.0	5.5	15.0	CAP190406
50	54.0	6.0	16.0	CAP190506
63	67.0	6.5	17.0	CAP190636

All dimensions in mm.

LOCKNUT			REFERENCE
ISO	A	E	
12	18.0	4.5	CAP261273
16	22.0	5.0	CAP261673
20	26.0	5.5	CAP262073
25	32.0	6.0	CAP262573
32	41.0	7.0	CAP263273
40	50.0	8.0	CAP264073
50	60.0	8.0	CAP265073
63	75.0	9.0	CAP266373

All dimensions in mm.



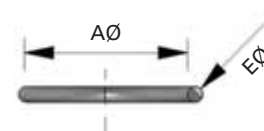
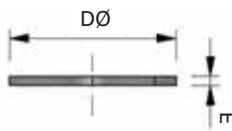
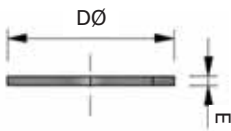
ADAPTOR						REFERENCE
ISO M	ISO F	A	L	E	D	
16	20	24.0	13.0	8.0	11.5	CAP750265
20	25	29.0	15.0	9.0	15.5	CAP750245
25	32	36.0	15.0	11.0	20.0	CAP750705

All dimensions in mm.

REDUCERS					REFERENCE
ISO M	ISO F	A	L	E	
20	12	24.0	4.0	8.0	CAP750015
20	16	24.0	4.5	8.0	CAP750025
25	12	29.0	6.0	8.0	CAP750275
25	16	29.0	6.0	8.0	CAP750285
25	20	29.0	6.0	8.0	CAP750295
32	12	36.0	6.0	8.0	CAP750535
32	16	36.0	6.0	10.0	CAP750545
32	20	36.0	6.0	10.0	CAP750555
32	25	36.0	6.0	10.0	CAP750565
40	16	36.0	6.0	10.0	CAP750805
40	20	46.0	6.0	10.0	CAP750815
40	25	46.0	6.0	10.0	CAP750825
40	32	46.0	6.0	10.0	CAP750835
50	20	55.0	6.0	10.0	CAP751075
50	25	55.0	6.0	12.0	CAP751085
50	32	55.0	6.0	12.0	CAP751095
50	40	55.0	6.0	12.0	CAP751105
63	25	68.0	6.0	12.0	CAP751345
63	32	68.0	6.0	12.0	CAP751355
63	40	68.0	6.0	12.0	CAP751365
63	50	68.0	6.0	12.0	CAP751375

All dimensions in mm.

Technical Specification



FIBRE SEALING WASHER			REFERENCE
ISO	D	E	
10	15.0	1.2	CAP221045
12	18.0	1.2	CAP221245
16	22.0	1.2	CAP221645
20	27.0	1.2	CAP222045
25	35.0	1.5	CAP222545
32	43.0	1.5	CAP223245
40	55.0	1.5	CAP224045
50	69.0	1.5	CAP225045
63	82.0	2.0	CAP226345
75	94.0	2.0	CAP227545
90	110.0	2.0	CAP229045
110	130.0	2.0	CAP221145

All dimensions in mm.

NEOPRENE SEALING WASHER			REFERENCE
ISO	D	E	
10	15.0	1.2	CAP221049
12	18.0	1.2	CAP221249
16	18.0	1.2	CAP221649
20	22.0	1.2	CAP222049
25	24.0	1.5	CAP222549
32	30.0	1.5	CAP223249
40	42.0	1.5	CAP224049
50	52.0	1.5	CAP225049
63	63.0	2.0	CAP226349
75	90.0	2.0	CAP227549
90	106.0	2.0	CAP229049
110	126.0	2.0	CAP221149

All dimensions in mm.

PERBUNAN O-RING			REFERENCE
ISO	A	E	
12	10.0	1.8	CAP241244
16	12.5	1.8	CAP241644
20	17.0	1.8	CAP242044
25	22.0	1.8	CAP242544
32	28.0	1.6	CAP243244
40	37.0	1.8	CAP244044
50	46.0	1.8	CAP245044
63	57.0	1.8	CAP246344

All dimensions in mm.

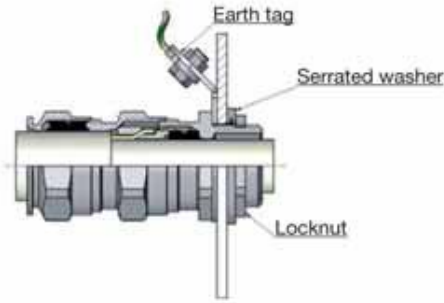
Technical Information



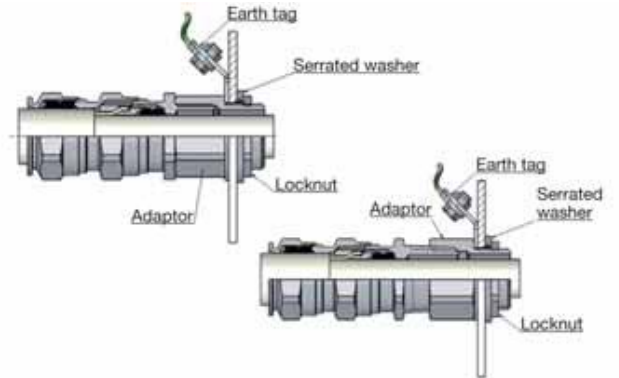
Cable Glands - Installation Guide

Fixing - Blank hole

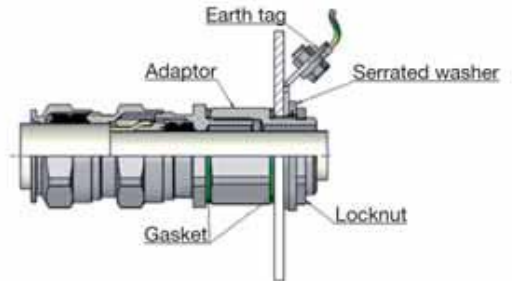
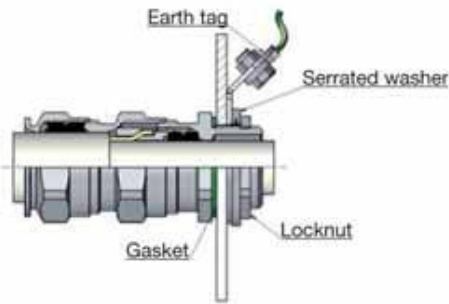
Cable gland



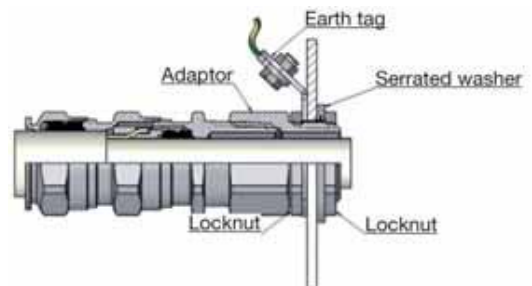
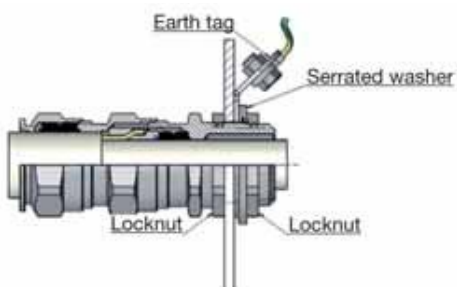
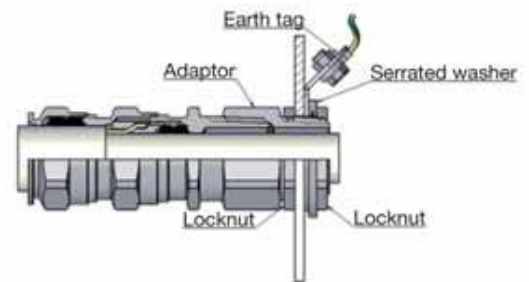
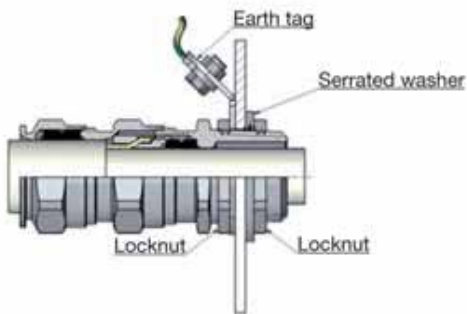
Cable gland with an accessory



ISO



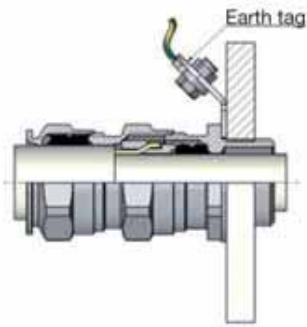
NPT



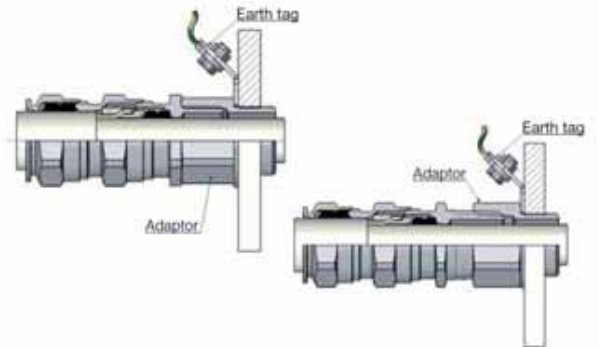
Cable Glands - Installation Guide

Fixing - Threaded hole

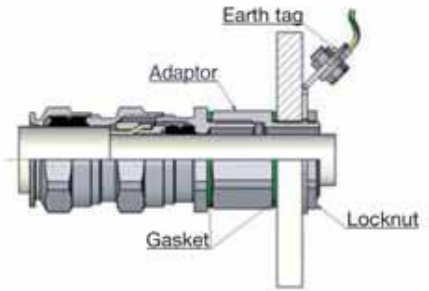
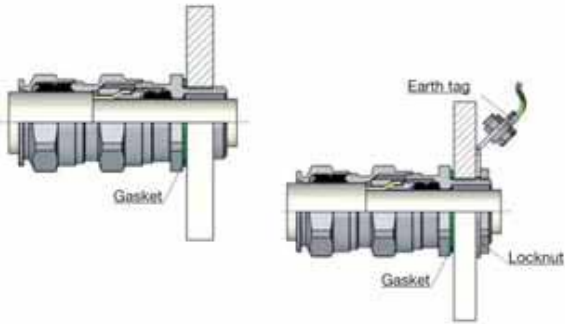
Cable gland



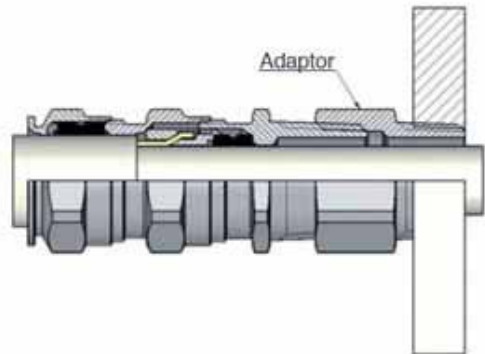
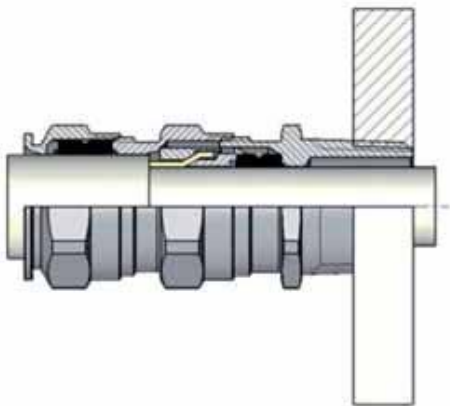
Cable gland with an accessory



ISO



NPT



Capri Cable Gland Certification

	LOCATIONS	HAZARDOUS LOCATIONS		
	LABS:	ATEX / INERIS	IECEx / INERIS	CEPEL
ADE Ex Certification	Certificate No:	INERIS12ATEX0032X:	IECEx INE12.0025X	05.0558X for 1F2, 1F2 A, 1FC 05.0559X for 4F, 5F, 6F, 6FC
<p>ADE-1F2 n°3 to 17 & 1F2 A (Anchorage) Cable outer Ø 2,75 to 104 mm Fixing thread Metric 10 to 110 Fixing thread NPT 1/8" to 4"</p> <p>ADE-1FC n°4 to 16 Cable outer Ø 4 to 93 mm Fixing thread Metric 16 to M 110 Fixing thread NPT 3/8" to 4"</p> <p>ADE-4F & 5F n°4 to 17 Cable outer Ø 4.5 to 104 mm Fixing thread Metric 10 to 110 Fixing thread NPT 1/8" to 4"</p> <p>ADE-6F n°5 to 11 Cable outer Ø 6 to 48 mm Fixing thread Metric 16 to 63 Fixing thread NPT 3/8" to 2"</p> <p>ADE-6FC n°5 to 17 Cable outer Ø 6 to 104 mm Fixing thread Metric 16 to 110 Fixing thread NPT 3/8" to 4"</p>	Standards:	EN 60079-0 : 2009 EN 60079-1 : 2007 EN 60079-7 : 2007 EN 60079-31 : 2009 IEC 60079-0 : 2011 IEC 60079-1 : 2007-04 IEC 60079-7 : 2006-07 IEC 60079-15 : 2010 IEC 60079-31 : 2008	IEC 60079-0 : 2011 IEC 60079-1 : 2007-04 IEC 60079-7 : 2006-07 IEC 60079-15 : 2010 IEC 60079-31 : 2008	ABNT NBR IEC 60079-0:2008 ABNT NBR IEC 60079-1:2009 ABNT NBR IEC 60079-7:2008 IEC 60079-15:2010 ABNT NBR IEC 60529:2009 IEC 60079-31:2008
	Protections: Special note: Not Gr I for: a) Thread smaller M20 & NPT1/2" b) ADE-1F2 & 6F.	II2GD / Ex db IIC/ Ex eb IIC / Ex tb IIIC II3G Ex nRc IIC IM2 Ex db I Ex eb I	Ex db IIC/ Ex eb IIC Ex nRc IIC/ Ex tb IIIC Ex db I Ex eb I	Ex db IIC/ Ex eb IIC Ex nRc IIC/ Ex tb IIIC Ex db I Ex eb I
	Ex Sealing types & Service temperatures:	ADE-1F2, 1F2 A, 4F & 5F: Black neoprene ring: -30 to +80°C Red silicon ring: -60 to +140°C ADE-6F: Red silicon ring: -60 to +80°C ADE-1FC & 6FC: TSC Compound: -60 to +80°C		
	IP:	IP66, IP67, IP68 (30m/7days)		
	Classifications:	Zones 1 and 2; Groups I, IIA, IIB and IIC; "d", "e", "i", "m", "n", "o", "p", "q" Zones 21 and 22; Groups IIIA, IIIB and IIIC; "i", "m", "p", "t"		
	Cable types:	Non-armoured Cable with ADE-1F2, 1F2 A & 1FC Armoured or Braided Cable with ADE-4F, 5F, 6F & 6FC		

ADE UL Certification	Certificate No:	cULus E310130	cULus Marine E314047
All ADE	Standards:	UL 2225 3rd Ed. & UL 514B 5th Ed. CAN/CSA E60079-0:07 & CAN/CSA E60079-7:03	UL 2225 3rd Ed. & UL 514B 5th Ed & Sub part 111.60 of the United States Coast Guard Electrical Engineering Regulations, Subchapter J (Title 46 of Federal Regulations, Parts 110 to 113 inclusive) CAN/CSA E60079-0:07 & CAN/CSA E60079-7:03 & Ships Electrical Standards, TP 127E, Section 26, Subsections 8 and 9
	IP:	IP68	IP68

<p>ADE-1F2 & 1F2 A n°3 to 17 Cable outer Ø 2.75 to 104 mm Fixing thread Metric 10 to 110 Fixing thread NPT 1/8" to 4"</p> <p>ADE-4F n°4 to 17 Cable outer Ø 4.5 to 104 mm Fixing thread Metric 10 to 110 Fixing thread NPT 1/8" to 4"</p> <p>ADE-6F n°5 to 11 Cable outer Ø 6 to 48 mm Fixing thread Metric 16 to 63 Fixing thread NPT 3/8" to 2"</p>	Classifications:	Class I, Zone 2, AEx e II, Ex e I	ADE-1F2: Class I, Zone 2, AEx e II, Ex e I ADE-4F & 6F: Class I, Zone 1, AEx e II, Ex e II
	Ex Sealing type & Service temperature:	ADE-1F2, 1F2 A & 4F: Black neoprene ring: -30 to +80°C Red silicon ring: -60 to +140°C ADE-6F: Red silicon ring: -30 to +80°C	ADE-1F2, 1F2 A & 4F: Black neoprene ring: -30 to +80°C Red silicon ring: -60 to +140°C ADE-6F: Red silicon ring: -30 to +80°C
	Cable type:	ADE-1F2 & 1F2 A: ITC, MV, PLTC, TC Non-armoured cable ADE-4F & 6F: ITC, MV, PLTC, TC Armoured cable ITC (Instrumentation-Tray-Cable), MV (Medium Voltage cable), PLTC (Power-Limited-Tray-Cable) and TC (Tray Cable).	ADE-1F2 & 1F2 A Non-armoured marine shipboard cable ADE-4F & 6F Armoured marine shipboard cable

<p>ADE-1FC n°4 to 16 Cable outer Ø 4 to 93 mm Fixing thread Metric 20 to M 110 Fixing thread NPT 1/2" to 4"</p> <p>ADE-6FC n°5 to 17 Cable outer Ø 6 to 104 mm Fixing thread Metric 20 to 110 Fixing thread NPT 1/2" to 4"</p>	Classifications:	Class I, Zone 2, AEx de II, Ex de II	
	Sealing & temperature:	TSC Compound: -60 to +80°C	
	Cable type:	ADE-1FC: ITC, MV, PLTC, TC Non-armoured cable. ADE-6FC: ITC, MV, PLTC, TC Armoured cable. ITC (Instrumentation-Tray-Cable), MV (Medium Voltage cable), PLTC (Power-Limited-Tray-Cable), TC (Tray Cable).	

HAZARDOUS LOCATIONS		HAZARDOUS LOCATIONS FOR SHIPPING APPLICATIONS			DELUGE
MANIO CCV	NEPSI	DNV	ABS	LLOYDS	Dcns
TC RU C-FR.ГБ05.В.00093:	GYJ13.1082X	E-12360	10-HS577243-2-PDA	11/00072(E1)	DTS01 20121029
P MЭК 60079-0-2011 IEC 60079-1-2011 P 52350.7-2005 (MЭК 60079-7) 31610.7-2012/IEC 60079-7:2006 P MЭК 60079-15-2010 P MЭК 60079-31-2010	GB3836.1-2010 GB3836.2-2010 GB3836.3-2010 GB12476.1-2000	IEC 62444:2010 EN 50262/1998 EN 60079-0 : 2009 EN 60079-1 : 2007 EN 60079-7 : 2007 EN 60079-31 : 2009 IEC 60079-0 : 2011 IEC 60079-1 : 2007-04 IEC 60079-7 : 2006-07 IEC 60079-31 : 2008	ABS: 2013 Steel Vessels Rules 1-1-4/7.7, 1-1-A3, 4-8-3/1.7, 4-8-3/13 UL 2225 2nd Ed. IEC 60079-0:2011 IEC 60079-1:2007 IEC 60079-7:2006 IEC 60079-15:2010 IEC 60079-31:2008 IEC61241-1 :2004	IEC 60079-0:2011 IEC 60079-1:2007 IEC 60079-7:2006 IEC 60079-15:2010 IEC 60079-31:2008 IEC61241-1 :2004 UL 2225 2nd Ed. UL 514B 5th Ed. CSA E 60079-0 :2007 CSA E 60079-7 :2003	DTS01 :1991
1Ex d IIC Gb X / 1Ex e IIC Gb X Ex nR IIC Gc X Ex tb IIIC Db IP6X PB Ex db IX / PB Ex eb IX	Ex d IIC Gb / Ex e IIC Gb Ex d I Mb / Ex e I Mb DIP A21 IP66/IP68	Ex db IIC / Ex eb IIC Ex nRc IIC / Ex tb IIIC Ex db I Ex eb I	<p>- For Zones system, see at left</p> <p>- For Class system, see UL below</p>		
<p>ADE-1F2, 1F2 A, 4F & 5F: Black neoprene ring: -30 to +80°C Red silicon ring: -60 to +140°C ADE-6F: Red silicon ring: -30 to +80°C ADE-1FC & 6FC: TSC Compound: -60 to +80°C</p>					
IP66, IP67, IP68 (30m/7days)					
<p>Zones 1 and 2; Groups I, IIA, IIB and IIC; "d", "e", "l", "m", "n", "o", "p", "q"</p> <p>Zones 21 and 22; Groups IIIA, IIIB and IIIC; "i", "m", "p", "t"</p>					
Non-armoured Cable with ADE-1F2, 1F2 A & 1FC Armoured or Braided Cable with ADE-4F, 5F, 6F & 6FC					

UL Marine E324850
UL 2225 3rd Ed. & UL 514B 5th Ed. & Sub part 111.60 of the United States Coast Guard Electrical Engineering Regulations, Subchapter J (Title 46 of Federal Regulations, Parts 110 to 113 inclusive)
IP68
ADE-1FC: Class I, Division 2, Groups A, B, C & D ADE-6FC: Class I, Division 1, Groups A, B, C & D
TSC Compound: -20 to +40°C
ADE-1FC: Non-armoured marine shipboard cable ADE-6FC: Armoured marine shipboard cable

	Certificate No:	ATEX / INERIS	IECEx / INERIS
		INERIS13ATEX0008X	IECEx INE13.0003X
NEWCAP	Standards:	EN 60079-0 : 2009 EN 60079-7 : 2007 EN 60079-31 : 2009 IEC 60079-0 : 2011 IEC 60079-7 : 2006 IEC 60079-31 : 2008	IEC 60079-0 : 2011 IEC 60079-7 : 2006 IEC 60079-15 : 2010 IEC 60079-31 : 2008
	Protections:	II2GD Ex eb IIC Ex tb IIIC II3G Ex nRc IIC	Ex eb IIC Ex nRc IIC Ex tb IIIC
	IP:	IP66, IP67, IP68	
	Classification:	Zones 1 and 2; Groups IIA, IIB and IIC; "e", "i", "m", "n", "o", "p", "q" Zones 21 and 22; Groups IIIA, IIIB and IIIC; "i", "m", "p", "t"	
	Temperature:	-20 to +80°C	
EXACAP	Certificate N°:	PTB 99 ATEX 3101 X (M12 - M16 only) PTB 99 ATEX 3128 X (M20 - M63 only)	IECEx PTB 05.0004X
	Standards:	EN 60079-0:2004/2006 EN 60079-7:2003/2007 EN 61241-0 : 2006 EN 61241-1 : 2004	IEC 60079-0 : 2000 IEC 60079-7 : 2001
	IP:	IP66	
	Protections:	II2G Ex e II II2D Ex tb A21	Ex eb II
	Temperature:	-25 +70°C	

Capri ADE Ex Markings

ADE-1F2		CCH-CAPRI ADE-1F2 n°8 M32 UL MARINE LISTED SL Ex e II AEx e II CL.I Zn.2 UL LISTED SL Ex e II AEx e II CL.I Zn.2 CE 0081 XX Ex II2GD IIG3 INERIS12ATEX0032X IECEX INE 12.0025X CEPEL 05.0558X Ex db/eb IIC Ex tb IIIC IP66 Ex nRc IIC Cable Ext.Ø 18-27.5
ADE-1F2A		CCH-CAPRI ADE-1F2 n°8 M32 UL MARINE LISTED SL Ex e II AEx e II CL.I Zn.2 UL LISTED SL Ex e II AEx e II CL.I Zn.2 CE 0081 XX Ex II2GD IIG3 INERIS12ATEX0032X IECEX INE 12.0025X CEPEL 05.0558X Ex db/eb IIC Ex tb IIIC IP66 Ex nRc IIC Cable Ext.Ø 18-27.5 Mining marking, depending Thread & Size N° and never for Aluminum version: CCH-CAPRI ADE Ex IM2 Ex db I Ex eb I
ADE-1F2DS		CCH-CAPRI ADE-1F2 n°8 M32 CE 0081 20 12 Ex II2GD INERIS12ATEX0032X IECEX INE 12.0025X Ex db IIC Ex eb IIC Ex tb IIIC IP66 Marking for Non Mining models, depending on Thread & Size N° and never for Aluminum version: CCH-CAPRI ADE-1F2 DS n°xx Marking for Mining models, depending on Thread & Size N° and never for Aluminum version: CCH-CAPRI ADE-1F2 DS n°xx IM2 Ex db I Ex eb I
ADE-1FC		M32x1.5 CCH-CAPRI ADE-1FC n°7 UL LISTED SL CL.I Div.2 UL LISTED SL Ex e II AEx e II CL.I Zn.2 CE 0081 XX Ex II2GD IIG3 INERIS12ATEX0032X IECEX INE 12.0025X CEPEL 05.0558X Ex db/eb IIC Ex tb IIIC IP66 Ex nRc IIC Cable Ext.Ø 12-21 Marking for Mining models, Size N°11 to 16, and never for Aluminum version: CCH-CAPRI ADE Ex IM2 Ex db I Ex eb I
ADE-4F		M32x1.5 CCH-CAPRI ADE-4F n°8 UL MARINE LISTED SL Ex e II AEx e II CL.I Zn.1 UL LISTED SL Ex e II AEx e II CL.I Zn.2 CE 0081 XX Ex II2GD IIG3 INERIS12ATEX0032X IECEX INE 12.0025X CEPEL 05.0559X Ex db/eb IIC Ex tb IIIC IP66 Ex nRc IIC Cable Ext.Ø 18-27.5 Marking for Mining models, depending on Thread & Size N° and never for Aluminum version: CCH-CAPRI ADE Ex IM2 Ex db I Ex eb I
ADE-5F		M32x1.5 CCH-CAPRI ADE-5F n°8 UL MARINE LISTED SL Ex e II AEx e II CL.I Zn.1 UL LISTED SL Ex e II AEx e II CL.I Zn.2 CE 0081 XX Ex II2GD IIG3 INERIS12ATEX0032X IECEX INE 12.0025X CEPEL 05.0559X Ex db/eb IIC Ex tb IIIC IP66 Ex nRc IIC Cable Ext.Ø 18-27.5 Marking for Mining models, depending on Thread & Size N° and never for Aluminum version: CCH-CAPRI ADE Ex IM2 Ex db I Ex eb I
ADE-6F		M32x1.5 CCH-CAPRI ADE-6F n°8 UL MARINE LISTED SL Ex e II AEx e II CL.I Zn.1 UL LISTED SL Ex e II AEx e II CL.I Zn.2 CE 0081 XX Ex II2GD IIG3 INERIS12ATEX0032X IECEX INE 12.0025X CEPEL 05.0559X Ex db/eb IIC Ex tb IIIC IP66 Ex nRc IIC Cable Ext.Ø 18-27.5
ADE-6FC		M32x1.5 CCH-CAPRI ADE-6FC n°8 UL LISTED SL CL.I Div.1 UL LISTED SL Ex e II AEx e II CL.I Zn.2 CE 0081 XX Ex II2GD IIG3 INERIS12ATEX0032X IECEX INE 12.0025X CEPEL 05.0559X Ex db/eb IIC Ex tb IIIC IP66 Ex nRc IIC Cable Ext.Ø 16-27.5 Marking for Mining models, Size N°11 to 17, and never for Aluminum version: CCH-CAPRI ADE Ex IM2 Ex db I Ex eb I

Details of the main Ex marking (example on ADE-1F2):

CCH-CAPRI ADE-1F2 n°10 M50	UL MARINE LISTED	SL Ex e II AEx e II CL.I Zn.2	UL LISTED	SL Ex e II AEx e II CL.I Zn.2	CE 0081 20 XX Ex II2GD IIG3	INERIS12ATEX0032X IECEX INE 12.0025X CEPEL 05.0558X	Ex db/eb IIC Ex tb IIIC IP66 Ex nRc IIC	Cable Ext.Ø 29-41
Name of the manufacturer Product type identification Cable size and Thread type & size	UL MARINE Certification Valid for Canada & the US if c.....us marked	UL Certification Valid for Canada & the US if c.....us marked	ATEX Directive Marking, including the year of production.	Certificate No: ATEX IECEX Cepel / Inmetro	New EPL Specific ATEX & IECEX marking	Cable External Diameter		

Crouse-Hinds Cable Gland Certification

US Cable Gland certification (January 2014):					
UL Certification	Certification No.	cULus E122485	UL E36379	UL E22133	LR13046
	Standards:	UL2225 3rd Ed. & UL 514B	UL 514B	UL 514B	CSA C22.2 N0 174
TMCX II Cable outer Ø 0.49 to 1.39 inches Fixing Thread NPT : 1/2" to 1 1/4"	Classification:	TMCX II : cULus Listed Class I Div 1 ABCD, Class II EFG, Class III			
	Sealing type, Service temperature & Environmental	TMCX II : TSC compound, Chico LiquidSeal : -40°C to +60°C : NEMA 6P			
	Cable type:	TMCX II : MC-HL (Metal Clad for Hazardous Locations), MC (Metal Clad), TECK, TC (Tray Cable)			
TMCX Cable outer Ø 0.49 to 4.28 inches Fixing Thread NPT : 1/2" to 4"	Classification:	TMCX : UL Listed Class I Div 1 ABCD, Class II EFG, Class III			TMCX : CSA Listed Class I Div 1 ABCD, Class II EFG, Class III
	Sealing type, Service temperature & Environmental	TMCX : TSC compound: -25°C to +40°C : NEMA 4X			TMCX : TSC compound: -25°C to +40°C
	Cable type:	TMCX : MC-HL (Metal Clad for Hazardous Locations), MC (Metal Clad), TECK			TMCX : MC-HL (Metal Clad for Hazardous Locations), MC (Metal Clad), TECK
TMC Cable outer Ø 0.49 to 4.28 inches Fixing Thread NPT : 1/2" to 4"	Classification:		UL Listed Ordinary Locations		
	Sealing type, Service temperature & Environmental		Neoprene seal : -25°C to +60°C : NEMA 4		
	Cable type:		MC (Metal Clad)		
TECK Cable outer Ø 0.52 to 4.34 inches Fixing Thread NPT : 1/2" to 4"	Classification:				CSA Certified Class II EFG, Class III
	Sealing type, Service temperature & Environmental				Neoprene seal : -25°C to +60°C : Type 4 and IP56
	Cable type:				TECK
CGB Cable outer Ø 0.12 to 2.50 inches Fixing Thread NPT : 3/8" to 3"	Classification:			cULus Listed Ordinary Locations	
	Sealing type, Service temperature & Environmental			Neoprene seal : -25°C to +40°C	
	Cable type:			Non-armoured	
CGD Cable outer Ø 0.12 to 0.87 inches Fixing Thread NPT : 1/2" to 3/4"	Classification:				
	Sealing type, Service temperature & Environmental				
	Cable type:				
CGE Cable outer Ø 0.12 to 1.37 inches Fixing Thread NPT : 1/2" to 1"	Classification:				
	Sealing type, Service temperature & Environmental				
	Cable type:				

Cable Types and Wiring Methods

		CABLE TYPES														
		MC	MC-HL	TC	MI	TECK	TECK-HL	PLTC	MV	ITC	ITC-HL	SWA	STA	SWB	Braided marine shipboard	Non-armoured
IEC	Zone 1			■								■	■	■	■	■
	Zone 2			■								■	■	■	■	■
NORTH AMERICA	Div 1		■		■	■*	■*				■				■**	
	Div 2	■	■	■	■	■	■	■	■	■	■	■			■	■
	Zone 1		■		■	■*	■*				■				■**	
	Zone 2	■	■	■	■	■	■	■	■	■	■	■			■	■

All wiring for Div 1 is suitable for Div 2

All wiring for Zone 1 is suitable for Zone 2

* Canada ONLY

** Armoured and sheathed marine shipboard cable can be used in Class 1, Division 1 locations offshore as mentioned in API RP114F

For Canada: Not Class 1. For areas under jurisdiction of Transport Canada's Electrical requirements per TP127E. For further details on Canada specific requirements please contact your local Eaton representative.







IEC Wiring methods

Although there are no IEC construction standards for the cables intended for use in flammable atmospheres, according to IEC 60079-14:2002, 10.4.2(b), if a cable gland with an elastomeric flameproof sealing ring is to be used, when connecting cables to Ex d equipment enclosures, the cable should be:- Substantially compact and circular, have an extruded bedding (without gaps), have fillers, if any are used, which are non-hygroscopic.



NEC/CEC Wiring methods

As shown in the table above, the only cables that are permitted for use in Class1 Div1 are those that are mechanically protected by armour. The three protection techniques approved for Class1 Div1 locations are "intrinsically safe", "Purge and Pressurized" and "Explosionproof." When using the explosionproof protection technique, the cable must be sealed at the point of entry with an approved sealing device.

Armoured Cable

	STEEL WIRED ARMoured	ADE4F* ADE5F* ADE6F ADE6FC * Lead sheathed on ADE4F & ADE5F ONLY
	STEEL BRAID ARMoured	
	STEEL TAPE ARMoured	
	TYPE P CABLE	
	METAL CLAD	TMCX TMCX II TMC
	TECK	TMCX TMCX II TECK

Non Armoured Cable

	NON-ARMoured	ADE1F2 ADE1F2DS ADE1FC
	TRAY / TYPE P	TMCX TMC ADE1F2DS

Selection of cable glands - technical references

References to IEC Standards:

60079-14/Ed.5: Explosive atmospheres – Part 14: Electrical installations design, selection and erection

60079-0/Ed.6: Explosive atmospheres - Part 0: Equipment - General requirements

Extract from IEC 60079-14/Ed.5:

10.2 Selection of Cable Glands

Cable glands shall be in accordance with IEC 60079-0 and shall be selected to maintain the requirements of the protection technique according to the table below.

PROTECTION TECHNIQUE FOR THE EQUIPMENT	GLANDS, ADAPTORS AND BLANKING ELEMENT PROTECTION TECHNIQUE			
	Ex 'd' - see 10.6	EX 'e' - see 10.4	Ex 'n' - see 10.4	Ex 't' - see 10.7
Ex 'd'	X			
Ex 'e'	X	X		
Ex 'i' and Ex 'nL' - Group II ^a	X	X	X see 16.5	
Ex 'i' - Group III ^a				X see 16.5
Ex 'm'	Ex 'm' would not normally be applied to wiring connections. The protection technique for connections shall suit the wiring system used.			
Ex 'n' except Ex 'nL' For Ex "nR" see also 10.8	X	X	X	
Ex 'o'	Ex 'o' would not normally be applied to wiring connections. The protection technique for connections shall suit the wiring system used.			
Ex 'p', all types	X	X	X ^b	
Ex 'pD'				X
Ex 'q'	Ex 'q' would not normally be applied to wiring connections. The protection technique for connections shall suit the wiring system used.			
Ex 's'	Only as allowed by the conditions of the certificate.			
Ex 't'				X

X denotes permitted use.

a) If only one intrinsically safe circuit is applied then there are no specified requirements for cable glands.

b) Only permitted for Gc installations.

To meet the ingress protection requirement it may also be necessary to seal between the cable glands, adaptors and blanking elements and the enclosure (for example by means of a sealing washer or thread sealant).

Note 2: In order to meet the minimum requirement of IP54, threaded cable entry devices into threaded cable entry plates or enclosures of 6 mm or greater thickness need no additional sealing between the cable entry device and the entry plate or enclosure providing the axis of the cable entry device is perpendicular to the external surface of the cable entry plate or enclosure.

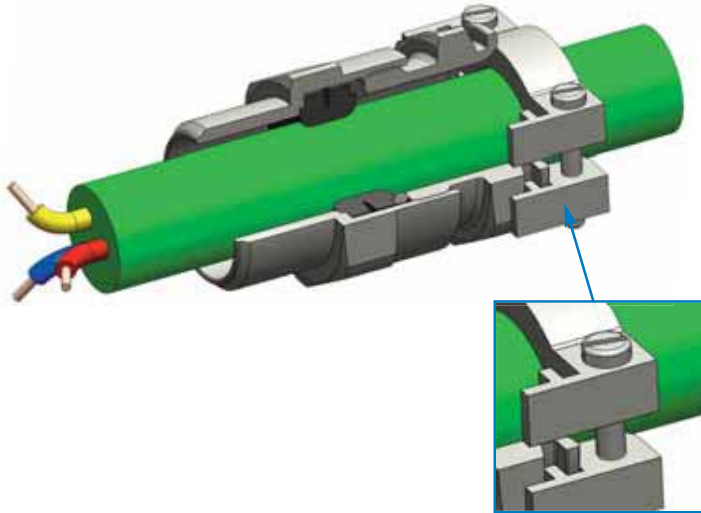
Selection of cable glands - technical references

10.3 Connections of cables to equipment

Cable glands shall be installed in a manner that after installation they are only capable of being released or dismantled by means of a tool.

If additional clamping is required to prevent pulling and twisting of the cable transmitting the forces to the conductor terminations inside the enclosure, a clamp shall be provided, as close as practicable to the gland along the cable.

Capri ADE Gland with clamping module



NOTE 1 Cable clamps within 300 mm of the end of the cable gland are preferred.

Cables shall be routed straight from the cable gland to avoid lateral tension that may compromise the seal around the cable. Where cable glands, blanking elements and adaptors with tapered threads are used in enclosures having gland plates with unthreaded entries, care shall be taken to use appropriate fittings to maintain the enclosure integrity.

NOTE 2 Tapered threads include NPT threads.

When braided or armoured cables have been terminated within the cable gland, the body components that are intended to retain and secure the cable braid or armour should not be able to be released manually or opened by hand without the use of a tool.

The connection of cables to the electrical equipment shall be effected by means of cable glands appropriate to the type of cable used and shall maintain the explosion protection integrity of the relevant type of protection.

Where the threaded entry or hole size is different to that of the cable gland, a threaded adaptor complying with Table 10 shall be fitted.

10.6 Additional requirements for type of protection 'd' – Flameproof enclosures

10.6.1 General

Where cables enter into flameproof equipment via flameproof bushings through the wall of the enclosure which are part of the equipment (indirect entry), the parts of the bushings outside the flameproof enclosure shall be protected in accordance with one of the types of protection listed in IEC 60079-0. For example, the exposed parts of the bushings are within a terminal compartment which may either be another flameproof enclosure or will be protected by type of protection "e".

If an Ex 'd' gland clamping by the sealing ring (compression) is used with braided or armoured cable, it shall be of the type where the braid or armour is terminated in the gland and compression takes place on the inner cable sheath. For fine braided cable, where the braid is less than 0.15 mm diameter and has coverage of at least 70 % compression only on the outer sheath is accepted.

NOTE 1 Flame propagation of flame may occur through the interstices between the strands of standard stranded conductors, or between individual cores of a cable. Special cable construction can be employed as means of reducing and preventing flame propagation. Examples include compacted strands, sealing of the individual strands, and extruded bedding. Further information is given in Annex E.

Selection of cable glands - technical references

Flameproof cable glands, adaptors or blanking elements, having parallel threads may be fitted with a sealing washer between the entry device and the flameproof enclosure provided that, after the washer has been fitted, the applicable thread engagement is still achieved. Thread engagement shall be at least five full threads. Suitable grease may be used provided it is non-setting, non-metallic and non-combustible and any earthing between the two is maintained.

Where taper threads are used, the connection shall be made wrench tight.

The addition of holes or alteration to thread form is only permitted when in compliance with the certification documents and completed by the manufacturer or certified workshops. Where the threaded entry or hole size is different to that of the cable gland, a flameproof threaded adaptor complying with IEC 60079-1 shall be fitted which complies with thread engagement requirements detailed above. Unused cable entries shall be sealed with a flameproof blanking element complying with IEC 60079-1, which shall be fitted directly to the hole (no threaded adaptor shall be used), and shall comply with thread engagement requirements detailed above and shall be secured against loosening.

NOTE 2 Non-threaded cable glands can be used if certified with the complete equipment or if certified as equipment.

10.6.2 Selection of cable glands

The cable entry system shall comply with one of the following:

- a)** Cable glands sealed with setting compound (barrier cable glands) in compliance with IEC 60079-1 and certified as equipment;
- b)** Cables and glands meeting all of the following:
 - cable glands comply with IEC 60079-1 and are certified as equipment
 - cables used comply with 9.3.2(a)
 - the connected cable is at least 3 m in length;
- c)** Indirect cable entry using combination of flameproof enclosure with a bushing and increased safety terminal box;
- d)** Mineral-insulated metal-sheathed cable with or without plastic outer covering with appropriate flameproof cable gland complying with IEC 60079-1;
- e)** Flameproof sealing device (for example a sealing chamber) specified in the equipment documentation or complying with IEC 60079-1 and employing a cable gland appropriate to the cables used. The sealing device shall incorporate compound or other appropriate seals which permit stopping around individual cores. The sealing device shall be fitted at the point of entry of cables to the equipment.

NOTE 1 The minimum length of cable is to minimize the potential for flame transmission through the cable (see also Annex E);

NOTE 2 If the cable gland and actual cable are certified as a part of the equipment (enclosures) then compliance to 10.6.2 is not necessary.

Extract from IEC 60079-0/Ed.6:

Annex A - Supplementary requirements for cable glands

A.2.3 Clamping

A.2.3.1 General

Cable glands shall provide clamping of the cable in order to prevent pulling or twisting applied to it from being transmitted to the connections. Such clamping can be provided by a clamping device, sealing ring or filling compound. Whichever clamping arrangement is used, it shall be capable of meeting the relevant type tests in Clause A.3.

A.2.3.2 Group II or III cable glands

Cable glands for Group II or III equipment, without a clamping device, shall also be accepted as complying with this annex if they are capable of passing the clamping tests with values reduced to 25 % of those required in Clause A.3. The descriptive documents shall then state that such cable glands may not provide sufficient clamping and that the user shall provide additional clamping of the cable to ensure that pulling and twisting is not transmitted to the terminations. Such cable glands shall be marked with the symbol "X" to indicate this specific condition of use according to item e) of 29.3.

The author thanks the International Electrotechnical Commission (IEC) for permission to reproduce Information from its International Standard IEC 60079-14 ed.5.0 (2013). All such extracts are copyright of IEC, Geneva, Switzerland. All rights reserved. Further information on the IEC is available from www.iec.ch. IEC has no responsibility for the placement and context in which the extracts and contents are reproduced by the author, nor is IEC in any way responsible for the other content or accuracy therein.

IEC 60079-14 ed.5.0 Copyright © 2013 IEC Geneva, Switzerland. www.iec.ch

Bi Metallic Corrosion

Material Information

Bi Metallic Corrosion

Bi-metallic corrosion occurs when two metals, with different potentials, are in electrical contact while immersed / in contact in an electrically conducting corrosive liquid / atmosphere. Because the metals have different natural potentials, a current will flow from the anode (more electronegative) metal to the cathode (more electropositive), which will increase the corrosion on the anode.

This additional corrosion is bimetallic corrosion. It is also referred to as a galvanic corrosion, dissimilar metal corrosion or contact corrosion. The electrode potential is determined by many factors but the only fluid / atmospheres for which these factors are really well documented is sea water.

The value of the potential for any alloy, even in sea water, can be changed by a variety of factors such as temperature, velocity, biocide treatment etc. Selection table below are thereby indicatives.

Keys corrosion prevention points

- Don't Mix Metals. If only one material is used in a construction the problem is avoided.
- Consider Area Effect to avoid Bimetallic Corrosion. The area effect should also be considered in avoiding corrosion damage.
- Remember stainless steels, such as 316L, have a thin, protective oxidized film and while this is intact corrosion rates are very low and the alloy is said to be in its passive state.
- The bimetallic corrosion rate of many copper-based and of stainless steels in sea-water, depends upon the flow rate of the water as well as on the area ratio. Natural brass alloys tend to become less noble with increasing flow rate and to corrode more - thereby plating brass will improve the performance, while stainless steels become more noble and corrode less. In well-aerated flowing solutions stainless steels are also likely to become passive and corrode less.



Indoor use

ENCLOSURE					
CABLE GLAND SERIES	316 STAINLESS STEEL	STEEL	BRASS	ALUMINIUM	NON METALLIC
Nickel plated brass	S	S	S	S	S
316L Stainless steel	S	S	S	S	S
Aluminium	S	L	L	S	S
Polyamide	S	S	S	S	S

Outdoor use in sea water environment

Nickel plated brass	L	NC	S	NC	S
316L Stainless steel	S	L	L	NC	S
Aluminium	NC	NC	NC	S	S
Polyamide	S	S	S	S	S

S Suitable

L Limited corrosion

NC Not compliant. Severe corrosion - do not use

Thread Dimension Guide

Thread Lengths

ADE - CABLE GLAND RANGE			
THREAD SIZE ISO	STANDARD LENGTH	THREAD SIZE NPT	STANDARD LENGTH
12	15.0	3/8" NPT	16.6
16	15.0	1/2" NPT	22.2
20	15.0	3/4" NPT	22.5
25	15.0	1" NPT	27.3
32	15.0	1 1/4" NPT	28.0
40	15.0	1 1/2" NPT	28.5
50	16.0	2" NPT	29.2
63	17.0	2 1/2" NPT	42.5
75	18.0	3" NPT	44.0
90	22.0	3 1/2" NPT	45.2
110	22.0	4" NPT	46.5

All dimensions in mm.

NEWCAP - CABLE GLAND RANGE				
THREAD SIZE ISO	STANDARD LENGTH	LONG LENGTH	THREAD SIZE Pg	STANDARD LENGTH
12	6.5	15.0	PG7	6.5
16	6.5	15.0	PG9	6.5
20	6.5	15.0	PG11	6.5
25	7.0	15.0	PG13.5	6.5
32	8.0	15.0	PG16	7.0
40	8.0	15.0	PG21	8.0
50	9.0	15.0	PG29	8.0
63	10.0	15.0	PG36	9.0
			PG48	10.0

All dimensions in mm.

Thread Pitch

ISOMETRIC - (ISO) to BS 3643:1981			
SIZE	MAJOR DIAMETER (MM)	THREADS PER INCH	PITCH
16mm (M16)	16	16.93	1.50
20mm (M20)	20	16.93	1.50
25mm (M25)	25	16.93	1.50
32mm (M32)	32	16.93	1.50
40mm (M40)	40	16.93	1.50
50mm (M50)	50	16.93	1.50
63mm (M63)	63	16.93	1.50
75mm (M75)	75	16.93	1.50

All dimensions in mm.

NATIONAL PIPE THREAD - (NPT) to ANSI / ASME: 1983			
SIZE	MAJOR DIAMETER (MM)	THREADS PER INCH	PITCH
1/8" NPT	10.30	27	0.94
1/4" NPT	13.72	18	1.41
3/8" NPT	17.15	18	1.41
1/2" NPT	21.34	14	1.81
3/4" NPT	26.67	14	1.81
1" NPT	33.40	11 1/2	2.20
1 1/4" NPT	42.16	11 1/2	2.20
1 1/2" NPT	48.26	11 1/2	2.20
2" NPT	60.33	11 1/2	2.20
2 1/2" NPT	73.03	8	3.175
3" NPT	88.90	8	3.175
4" NPT	114.30	8	3.175

All dimensions in mm.

PANZERGEWINDE - (Pg) to EN 40430			
SIZE	MAJOR DIAMETER (MM)	THREADS PER INCH	PITCH
PG7	12.5	20	1.27
PG9	15.5	18	1.4112
PG11	18.6	18	1.4112
PG13.5	20.4	18	1.4112
PG16	22.5	18	1.4112
PG21	28.3	16	1.5875
PG29	37.0	16	1.5875
PG36	47.0	16	1.5875
PG42	54.0	16	1.5875
PG48	59.3	16	1.5875

All dimensions in mm.



Eaton's Crouse-Hinds

The safety you rely on.

See the complete offering of Cable Glands and Accessories at www.crouse-hinds.com.

**U.S. (Global Headquarters):
Eaton's Crouse-Hinds Business**

1201 Wolf Street
Syracuse, NY 13208
(866) 764-5454
FAX: (315) 477-5179
FAX Orders Only:
(866) 653-0640
crouse.customerctr@cooperindustries.com

For more information:

If further assistance is required, please contact an authorized Eaton Distributor, Sales Office, or Customer Service Department.

Canada:

Toll Free: 800-265-0502
FAX: (800) 263-9504
FAX Orders only: (866) 653-0645

Mexico/LatinAmerica/Caribbean:

52-555-804-4000
FAX: 52-555-804-4020
mxmercadotecnia@cooperindustries.com

Europe (Germany):

49 (0) 6271 806-500
49 (0) 6271 806-476
sales.CCH.de@cooperindustries.com

Middle East (Dubai):

971 4 4272500
FAX: 971 4 4298521
sales.CCH.me@cooperindustries.com

Singapore:

65-6645-9888
FAX: 65-6297-4819
chsi-sales@cooperindustries.com

China:

86-21-2899-3600
FAX: 86-21-2899-4055
cchsales@cooperindustries.com

Korea:

82-2-3484-6783
82-2-3484-6778
CCHK-sales@cooperindustries.com

Australia:

61-2-8787-2777
FAX: 61-2-9609-2342
CEASales@cooperindustries.com

India:

91-124-4683888
FAX: 91-124-4683899
cchindia@cooperindustries.com

Eaton Cooper Capri SAS

Eaton Cooper Capri SAS
36-40 Rue des Fontenils
41600 Nouan-le-Fuzelier France

T: +33 (0) 820 820 195
F: +33 (0) 820 820 924
W: www.cooperfrance.com

Ex Innovations Limited T/A Raxton

Westgate, Aldridge
West Midlands WS9 8FS
United Kingdom

T: +44 (0) 1922 450400
F: +44 (0) 1922 450401
W: www.raxton.co.uk

Eaton

1000 Eaton Boulevard
Cleveland, OH 44122
United States
Eaton.com

© 2014 Eaton Corporation
All Rights Reserved
Printed in UK
Publication No. CAP185001
May 2014

Eaton's Crouse-Hinds Business

1201 Wolf Street
Syracuse, NY 13208
(866) 764-5454
crouse.customerctr@cooperindustries.com

Eaton is a registered trademark.
All other trademarks are property
of their respective owners.

Crouse-Hinds
by **EAT•N**