

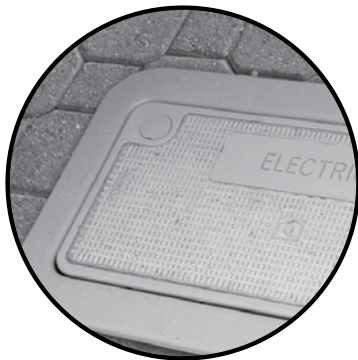
Concrete Products Catalog





R-Series Lids

The Christy brand R-Series lid is the perfect solution for parkway, sidewalk and greenbelt enclosure applications. This reinforced lid and ring are available with bolt down and AMR capabilities.



Patented Protection



Conventional Concrete



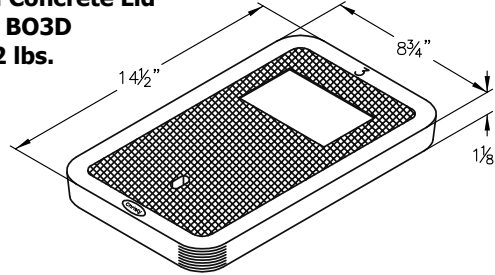
- Substantial increase in strength and durability
- Protects against chipping and cracking
- Ensures consistent dimensions
- UV Inhibitor ensures long life
- New marking plate provides **FAST** turnaround for custom markings

Table of Contents

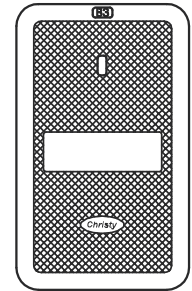
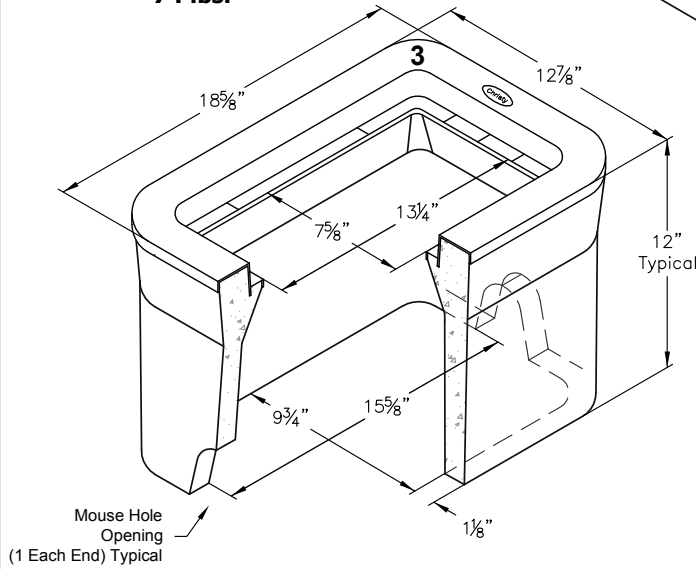
Utility and Valve Boxes	3
Electrical and Telephone Boxes	21
Traffic Utility Boxes & Traffic Valve Boxes	33
Drainage Boxes	43
Washington Department of Transportation (WDOT)	49
Maricopa Association of Governments (MAG)	51
Pits, Vaults, & Catch Basins	55
Fibrelyte Boxes	65
Miscellaneous	71
Cross Reference Guide	75
Installation Procedures	Inside Back Cover

- Etched polypropylene face
- Face anchored in concrete
- Ultra-violet inhibitor
- Exceeds ASTM-D1693 Standards for Environmental Stress Cracking Resistance

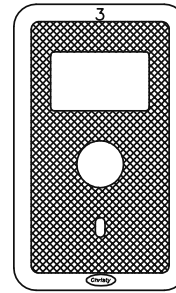
**Reinforced Concrete Lid
No. B03D
12 lbs.**



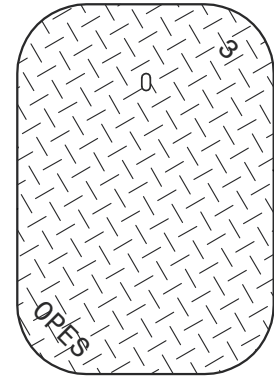
**Utility Box
No. B03 BOX
74 lbs.**



B03C



B03P



B03-61D

A high density reinforced concrete box with non-settling shoulders positioned to maintain grade and facilitate back filling. Approximate dimensions and weight shown.

Oldcastle Ordering Code	Item	Approx. Shipping Weight	Description
B03BOX	BOX	74 lbs.	B03 Utility Box (9 3/4" x 15 5/8") - 28 per pallet
B03C	LID	13 lbs.	Cast Iron Lid
B03D	LID	12 lbs.	Reinforced Concrete Lid
B03TL	LID	15 lbs.	Cast Iron Lid with Lock
BUTLK	KEY	1 lbs.	Universal TL Key for Cast Iron Lids with Lock
B03-61D	COVER	14 lbs.	Steel Checker Plate Cover
B03SL	SLAB	22 lbs.	Reinforced Concrete Slab (12 7/8" x 18 5/8")

Galvanizing available on all steel covers.



Phone: (800) 486-7070 Fax: (800) 486-6804
Copyright © 2011 Oldcastle Precast Inc.

B03 BOX

FILE NAME: B03_ISO

ISSUE DATE: January, 2011

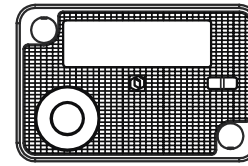
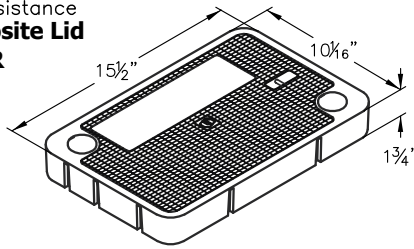
www.oldcastleprecast.com

**B03 UTILITY BOX
9-3/4" x 15-5/8"**



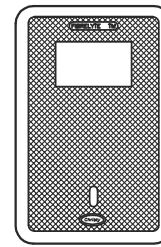
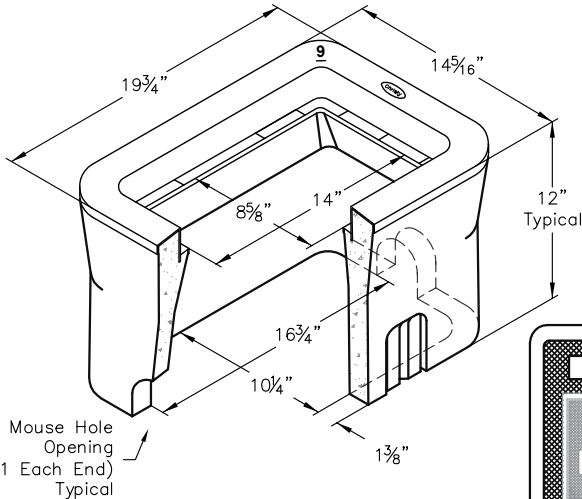
- Etched polypropylene face
- Face anchored in concrete
- Ultra-violet inhibitor
- Exceeds ASTM-D1693 Standards for Environmental Stress Cracking Resistance

**R-Series Composite Lid
No. N09R
20 lbs.**

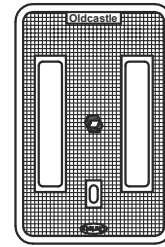


N09RP

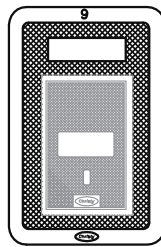
**Utility Box
No. B09 BOX
90 lbs.**



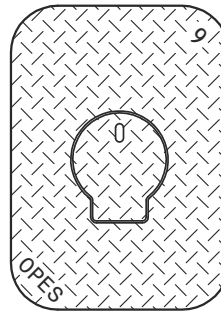
FL09D



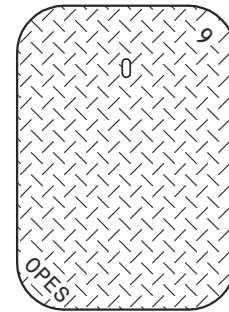
B09C



B09G



B09-61G



B09-61D

A high density reinforced concrete box with non-settling shoulders positioned to maintain grade and facilitate back filling. Approximate dimensions and weight shown.

Oldcastle Ordering Code	Item	Approx. Shipping Weight	Description
B09BOX	BOX	90 lbs.	B09 Utility Box (10 1/4" x 16 3/4") interchangeable with Brooks #36 Box - 28 per pallet
B09C	LID	22 lbs.	Cast Iron Lid
N09R	LID	20 lbs.	R-Series Composite Lid with Polypropylene Ring (Order N90 Bolt Down Kit Separately)
FL09D	LID	5 lbs.	Fibrelyte Lid, Non-Concrete
N09RP	LID	20 lbs.	R-Series Composite Lid with Polypropylene Ring w/ ø2" Probe Hole for Meter Reading Probe (Order N90 Bolt Down Kit Separately)
B09G	LID	18 lbs.	Reinforced Concrete Lid with 5" x 8" Cast Iron, Self-Closing, Reading Lid with Frame
B09TL	LID	23 lbs.	Cast Iron Lid with Lock
BUTLK	KEY	1 lbs.	Universal TL Key for Cast Iron Lids with Lock
B09-61D	COVER	22 lbs.	Steel Checker Plate Cover
B09-61G	COVER	22 lbs.	Steel Checker Plate Cover with 6" Round, Self-Closing Reading Lid
B09X12	EXTENSION	87 lbs.	12" Reinforced Concrete Box Extension - 28 per pallet
B09SL	SLAB	32 lbs.	Reinforced Concrete Slab (13 3/4" x 19 3/4")

Galvanizing available on all steel covers.



Phone: (800) 486-7070 Fax: (800) 486-6804
Copyright © 2011 Oldcastle Precast Inc.

B09 BOX

FILE NAME: B09_ISO

ISSUE DATE: January, 2011

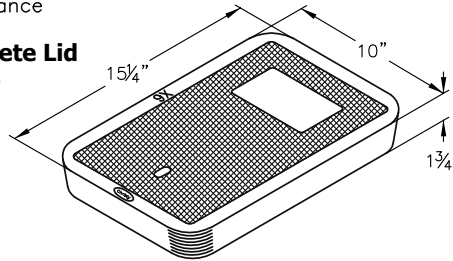
www.oldcastleprecast.com

**B09 UTILITY BOX
10-1/4" X 16-3/4"**

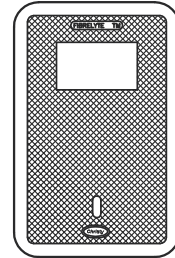
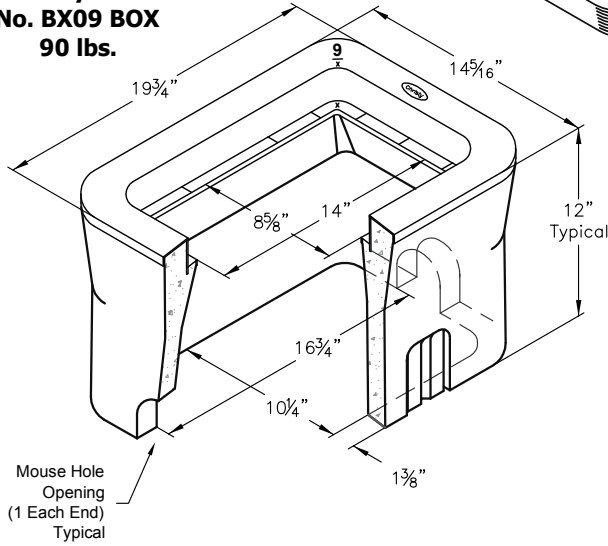


- Etched polypropylene face
- Face anchored in concrete
- Ultra-violet inhibitor
- Exceeds ASTM-D1693 Standards for Environmental Stress Cracking Resistance

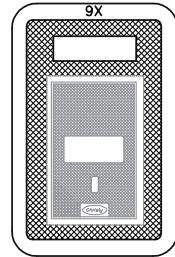
**Reinforced Concrete Lid
No. BX09D
20 lbs.**



**Utility Box
No. BX09 BOX
90 lbs.**

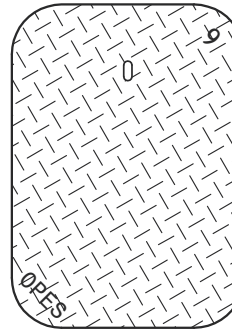
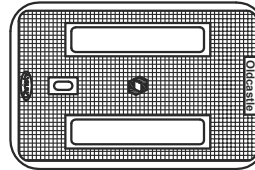


FL09XD

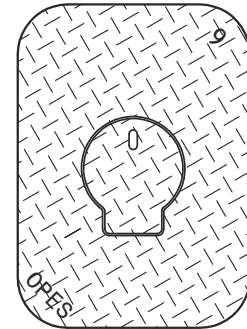


B09XC

B09XG



B09-61D



B09-61G

A high density reinforced concrete box with non-settling shoulders positioned to maintain grade and facilitate back filling. Approximate dimensions and weight shown.

Oldcastle Ordering Code	Item	Approx. Shipping Weight	Description
BX09BOX	BOX	90 lbs.	BX09 Utility Box (10 1/4" x 16 3/4") - 28 per pallet
BX09C	LID	22 lbs.	Cast Iron Lid
BX09D	LID	20 lbs.	Reinforced Concrete Lid
FLX09D	LID	5 lbs.	Fibrelite Lid, Non-Concrete
BX09P	LID	20 lbs.	Reinforced Concrete Lid with 2" hole for Reading Probe
BX09G	LID	18 lbs.	Reinforced Concrete Lid with 5" x 8" Cast Iron, Self-Closing, Reading Lid with Frame
B09XTL	LID	23 lbs.	Cast Iron Lid with Lock
BUTLK	KEY	1 lbs.	Universal TL Key for Cast Iron Lids with Lock
B09-61D	COVER	22 lbs.	Steel Checker Plate Cover
B09-61G	COVER	22 lbs.	Steel Checker Plate Cover with 6" Round, Self-Closing Reading Lid
B09X12	EXTENSION	87 lbs.	12" Reinforced Concrete Box Extension - 28 per pallet
B09SL	SLAB	32 lbs.	Reinforced Concrete Slab (13 3/4" x 19 3/4")

Galvanizing available on all steel covers.



Phone: (800) 486-7070 Fax: (800) 486-6804
Copyright © 2011 Oldcastle Precast Inc.

BX09 BOX

FILE NAME: B09X_ISO

ISSUE DATE: January, 2011

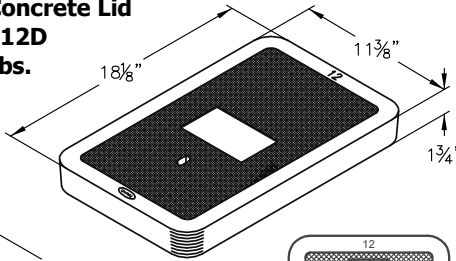
www.oldcastleprecast.com

**BX09 UTILITY BOX
10-1/4" x 16-3/4"**

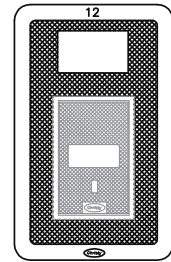
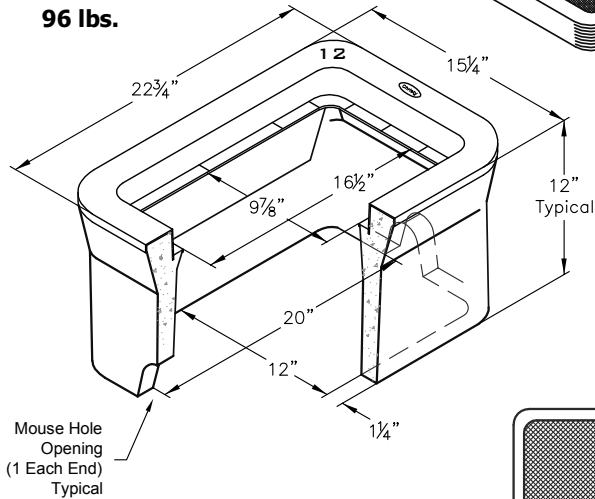


- Etched polypropylene face
- Face anchored in concrete
- Ultra-violet inhibitor
- Exceeds ASTM-D1693 Standards for Environmental Stress Cracking Resistance

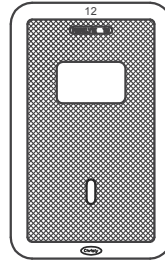
**Reinforced Concrete Lid
No. B12D
26 lbs.**



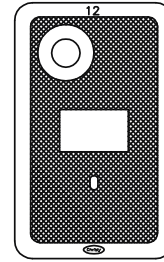
**Utility Box
No. B12 BOX
96 lbs.**



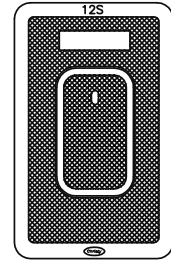
B12G



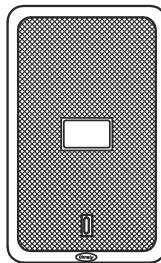
FL12D



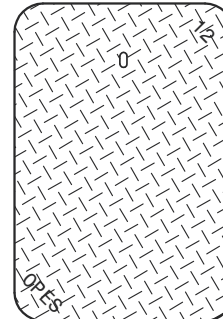
B12P



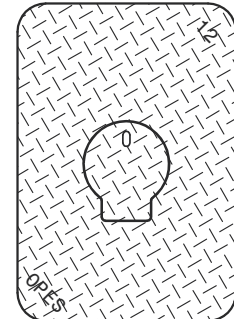
B12S



B12C



B12-61D



B12-61G

A high density reinforced concrete box with non-setting shoulders positioned to maintain grade and facilitate back filling. Approximate dimensions and weight shown.

Oldcastle Ordering Code	Item	Approx. Shipping Weight	Description
B12BOX	BOX	96 lbs.	B12 Utility Box (12" x 20") - 20 per pallet
B12C	LID	26 lbs.	Cast Iron Lid
B12D	LID	28 lbs.	Reinforced Concrete Lid
B12G	LID	26 lbs.	Reinforced Concrete Lid with 5" x 8" Cast Iron, Self-Closing, Reading Lid with Frame
B12P	LID	26 lbs.	Reinforced Concrete Lid with 2" hole for Reading Probe
B12S	LID	36 lbs.	Reinforced concrete with 5 1/2" x 9 7/8" concrete reading lid
FL12D	LID	11 lbs.	Fibrelite Lid, Non-Concrete
B12-61D	COVER	26 lbs.	Steel Checker Plate Cover
B12-61G	COVER	30 lbs.	Steel Checker Plate Cover with 6" Round, Self-Closing Reading Lid
B12X12	EXTENSION	103 lbs.	12" Reinforced Concrete Box Extension - 20 per pallet

Galvanizing available on all steel covers.



Phone: (800) 486-7070 Fax: (800) 486-6804
Copyright © 2011 Oldcastle Precast Inc.

B12 BOX

FILE NAME: B12_ISO

ISSUE DATE: January, 2011

www.oldcastleprecast.com

**B12 UTILITY BOX
12" x 20"**

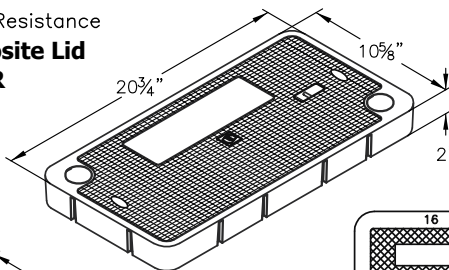


- Etched polypropylene face
- Face anchored in concrete
- Ultra-violet inhibitor
- Exceeds ASTM-D1693 Standards for Environmental Stress Cracking Resistance

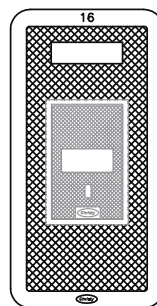
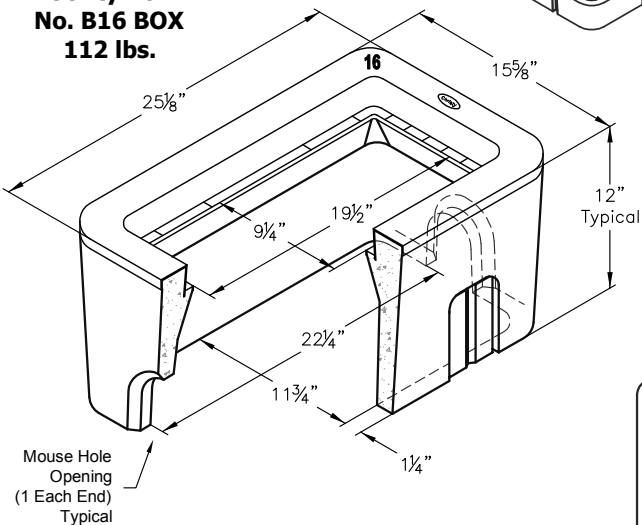
R-Series Composite Lid

No. N16R

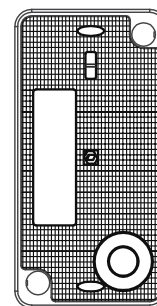
32 lbs.



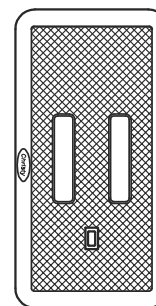
**Utility Box
No. B16 BOX
112 lbs.**



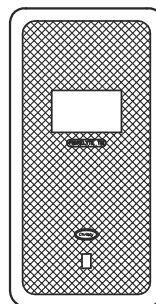
B16G



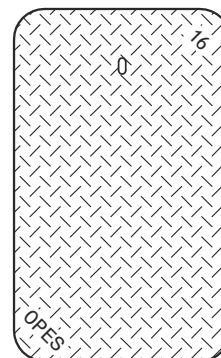
N16RP



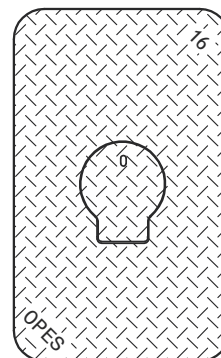
B16C



FL16D



B16-61D



B16-61G

A high density reinforced concrete box with non-settling shoulders positioned to maintain grade and facilitate back filling. Approximate dimensions and weight shown.

Oldcastle Ordering Code	Item	Approx. Shipping Weight	Description
B16BOX	BOX	112 lbs.	B16 Utility Box (11 3/4" x 22 1/4") - 20 per pallet
B16C	LID	36 lbs.	Cast Iron Lid
N16R	LID	32 lbs.	R-Series Composite Lid with Polypropylene Ring (Order N90 Bolt Down Kit Separately)
FL16D	LID	13 lbs.	Fibrelyte Lid, Non-Concrete
N16RP	LID	32 lbs.	R-Series Composite Lid with Polypropylene Ring w/ ø2" Probe Hole for Meter Reading Probe (Order N90 Bolt Down Kit Separately)
B16G	LID	30 lbs.	Reinforced Concrete Lid with 5" x 8" Cast Iron, Self-Closing, Reading Lid with Frame
B16-61D	COVER	28 lbs.	Steel Checker Plate Cover
B16-61G	COVER	30 lbs.	Steel Checker Plate Cover with 6" Round, Self-Closing Reading Lid
B16X12	EXTENSION	113 lbs.	12" Reinforced Concrete Box Extension - 20 per pallet
B30SL	SLAB	52 lbs.	Reinforced Concrete Slab (16" x 28")

Galvanizing available on all steel covers.



Phone: (800) 486-7070 Fax: (800) 486-6804
Copyright© 2011 Oldcastle Precast Inc.

B16 BOX

FILE NAME: B16_ISO

ISSUE DATE: January, 2011

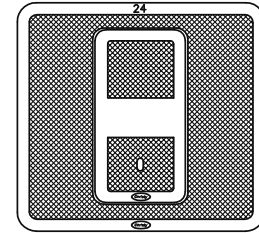
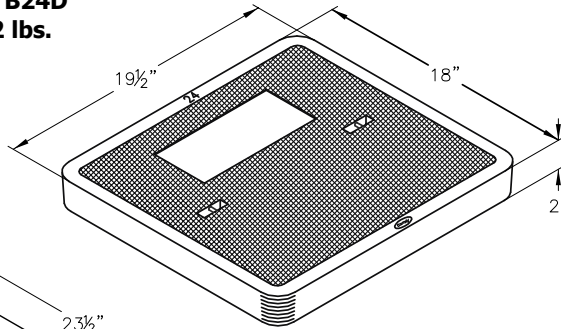
www.oldcastleprecast.com

**B16 UTILITY BOX
11-3/4" x 22-1/4"**

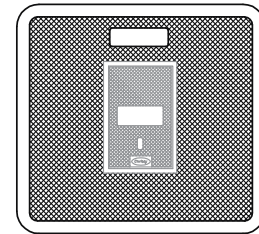


- Etched polypropylene face
- Face anchored in concrete
- Ultra-violet inhibitor
- Exceeds ASTM-D1693 Standards for Environmental Stress Cracking Resistance

**Reinforced Concrete Lid
No. B24D
52 lbs.**

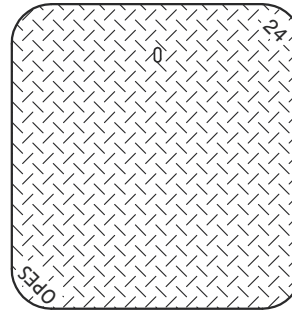
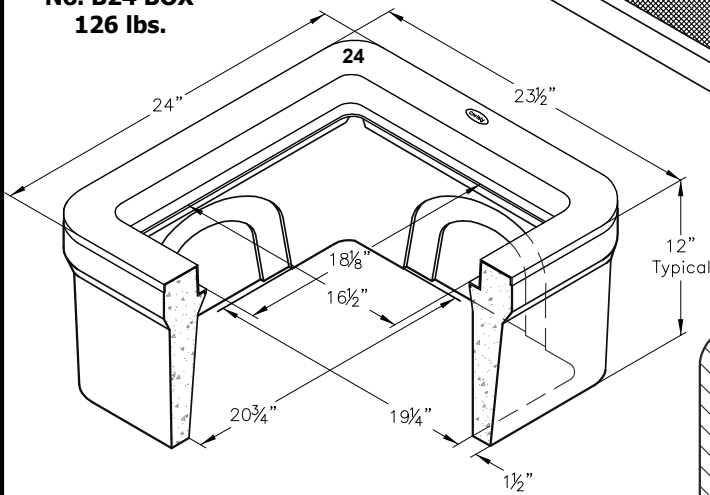


B24E

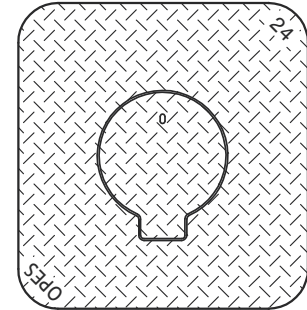


B24G

**Dual Meter Box
No. B24 BOX
126 lbs.**



B24-61D



B24-61G

A high density reinforced designed to permit installation of 2 meters in the same box. One reading lid enables both meters to be read. Non-settling shoulders positioned to maintain grade and facilitate back filling. Approximate dimensions and weight shown.

Oldcastle Ordering Code	Item	Approx. Shipping Weight	Description
B24BOX	BOX	126 lbs.	B24 Utility Box (20 ³ / ₄ " x 19 ¹ / ₄ ") - 12 per pallet
B24D	LID	52 lbs.	Reinforced Concrete Lid
B24E	LID	52 lbs.	Reinforced Concrete Lid with 7" x 13 ¹ / ₂ " Concrete Reading Lid
B24G	LID	20 lbs.	Reinforced Concrete Lid with 5" x 8" Cast Iron, Self-Closing, Reading Lid with Frame
B24-61D	COVER	48 lbs.	Steel Checker Plate Cover
B24-61G	COVER	42 lbs.	Steel Checker Plate Cover with 10" Round, Self-Closing Reading Lid
B24X12	EXTENSION	164 lbs.	12" Reinforced Concrete Box Extension - 12 per pallet

Galvanizing available on all steel covers.



Phone: (800) 486-7070 Fax: (800) 486-6804
Copyright © 2011 Oldcastle Precast Inc.

B24 BOX

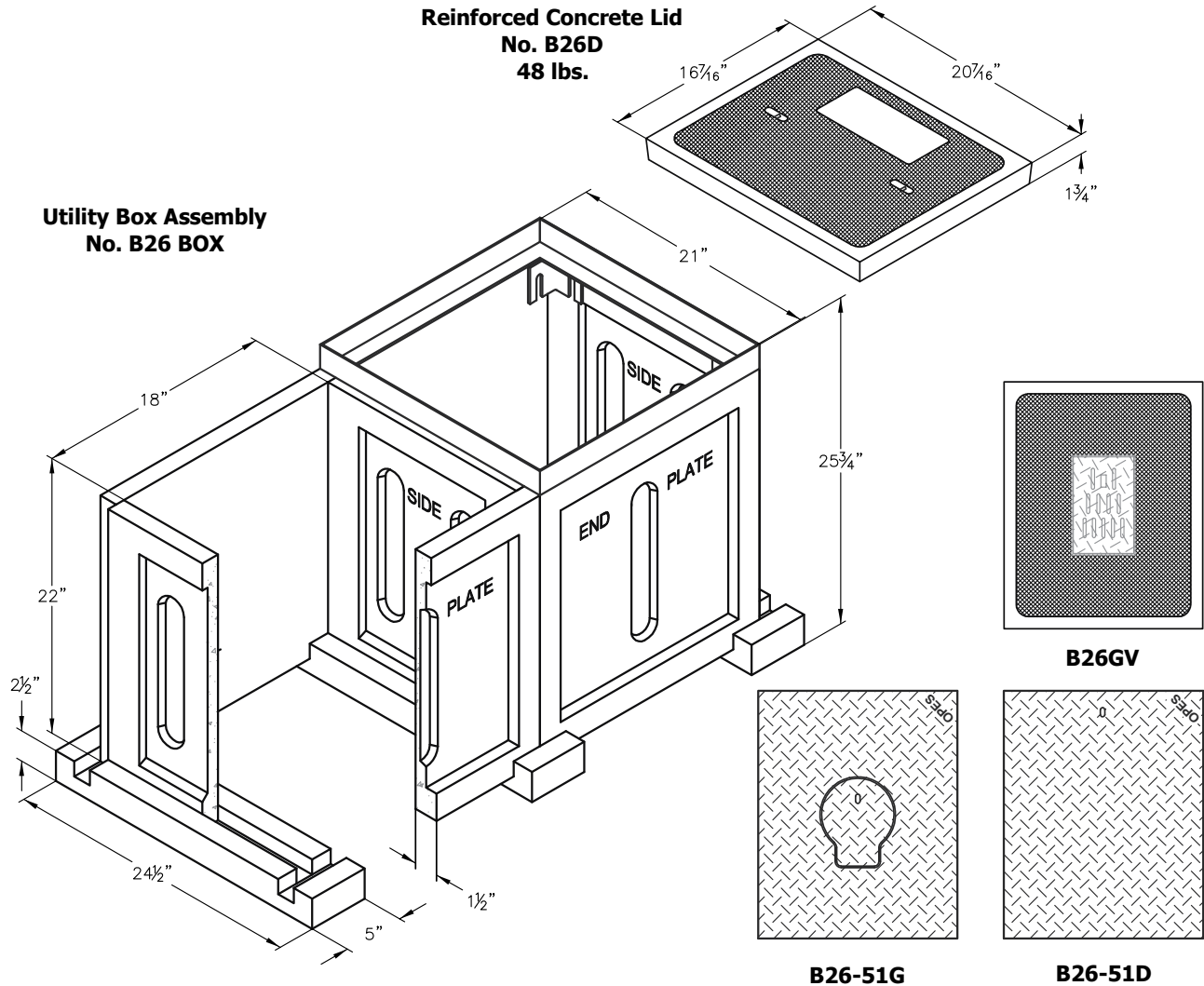
FILE NAME: B24_ISO

ISSUE DATE: January, 2011

www.oldcastleprecast.com

**B24 DUAL METER BOX
20-3/4" x 19-1/4"**





A high density reinforced concrete meter box engineered for simplicity of assembly and ease of adding on additional meter boxes whenever needed. Knockouts designed for flexibility in aligning meters with rigid connections. Approximate dimensions and weight shown.

Oldcastle Ordering Code	Item	Approx. Shipping Weight	Description
B26BOX	BOX		B26 Sectional Utility Box (Meets PG&E Gas Dept. Specs.)
B26SP	SIDE PLATE	34 lbs.	Reinforced Concrete, PG&E Code 04-3211
B26EP	END PLATE	40 lbs.	Reinforced Concrete, PG&E Code 04-3212
B26SIL	SILL	18 lbs.	Reinforced Concrete, PG&E Code 04-3215
B26FR	FRAME	16 lbs.	Steel Fabricated, Galvanized, PG&E Code 04-3216
B26D	LID	48 lbs.	Reinforced Concrete Lid, PG&E Code 04-3213
B26GV	LID	48 lbs.	Reinforced Concrete Lid with 5" x 8" Cast Iron, Self-Closing, Reading Lid with Frame, PG&E Code 04-2328
B26-51D	COVER	33 lbs.	Steel Checker Plate Cover, Galvanized, PG&E Code 04-3266
B26-51G	COVER	28 lbs.	Steel Checker Plate Cover with 6" Round, Self-Closing Reading Lid, Galvanized, PG&E Code 04-3267



Phone: (800) 486-7070 Fax: (800) 486-6804
Copyright © 2011 Oldcastle Precast Inc.

B26 BOX

FILE NAME: B26_ISO

ISSUE DATE: January, 2011

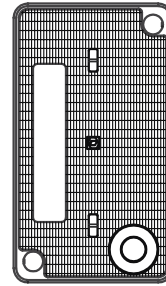
www.oldcastleprecast.com

B26 SECTIONAL UTILITY BOX



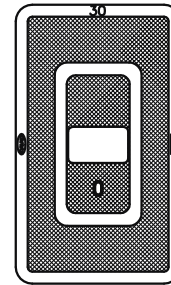
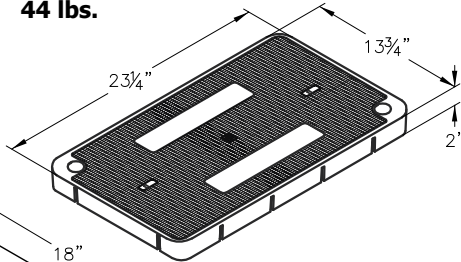
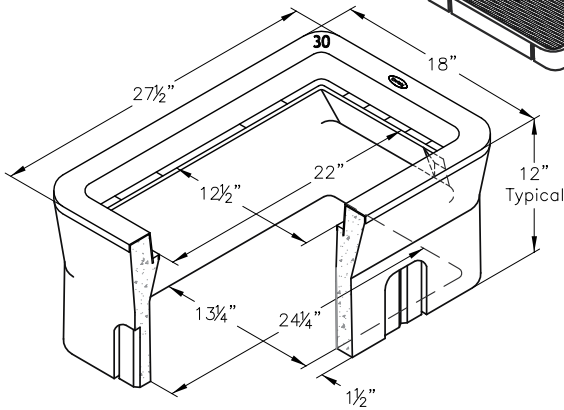
- Etched polypropylene face
- Face anchored in concrete
- Ultra-violet inhibitor
- Exceeds ASTM-D1693 Standards for Environmental Stress Cracking Resistance

**R-Series Composite Lid
No. N30R
44 lbs.**

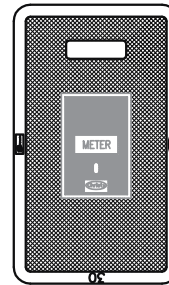


N30RP

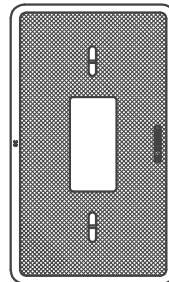
**Utility Box
No. N30 BOX
138 lbs.**



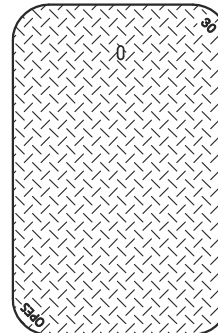
B30E



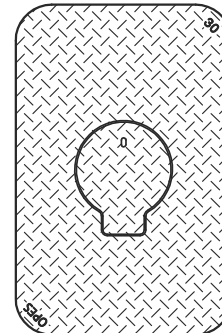
B30G



FL30D



B30-61D



B30-61G

A high density reinforced concrete box with non-settling shoulders positioned to maintain grade and facilitate back filling. Approximate dimensions and weight shown.

Oldcastle Ordering Code	Item	Approx. Shipping Weight	Description
N30BOX	BOX	138 lbs.	N30 Utility Box (13 1/4" x 24 1/4") - 16 per pallet
N30R	LID	44 lbs.	R-Series Composite Lid with Polypropylene Ring (Order N90 Bolt Down Kit Separately)
FL30D	LID	20 lbs.	Fibrelite lid, non-concrete
B30E	LID	56 lbs.	Reinforced Concrete with 7" x 13 1/2" Concrete Reading Lid
B30G	LID	44 lbs.	Reinforced concrete with 5" x 8" cast iron, self-closing, reading lid with frame
N30RP	LID	45 lbs.	R-Series Composite Lid with Polypropylene Ring w/ ϕ 2" Probe Hole for Meter Reading Probe (Order N90 Bolt Down Kit Separately)
B30-61D	COVER	38 lbs.	Steel Checker Plate
B30-61G	COVER	38 lbs.	Steel Checker Plate with 8" Round, Self-Closing Reading Lid
B30X12	EXTENSION	116 lbs.	12" Reinforced Concrete - 16 per pallet
B30SL	SLAB	52 lbs.	Reinforced concrete (16" x 28")

Galvanizing available on all steel covers



Phone: (800) 486-7070 Fax: (800) 486-6804
Copyright © 2011 Oldcastle Precast Inc.

N30 BOX

FILE NAME: B30_ISO

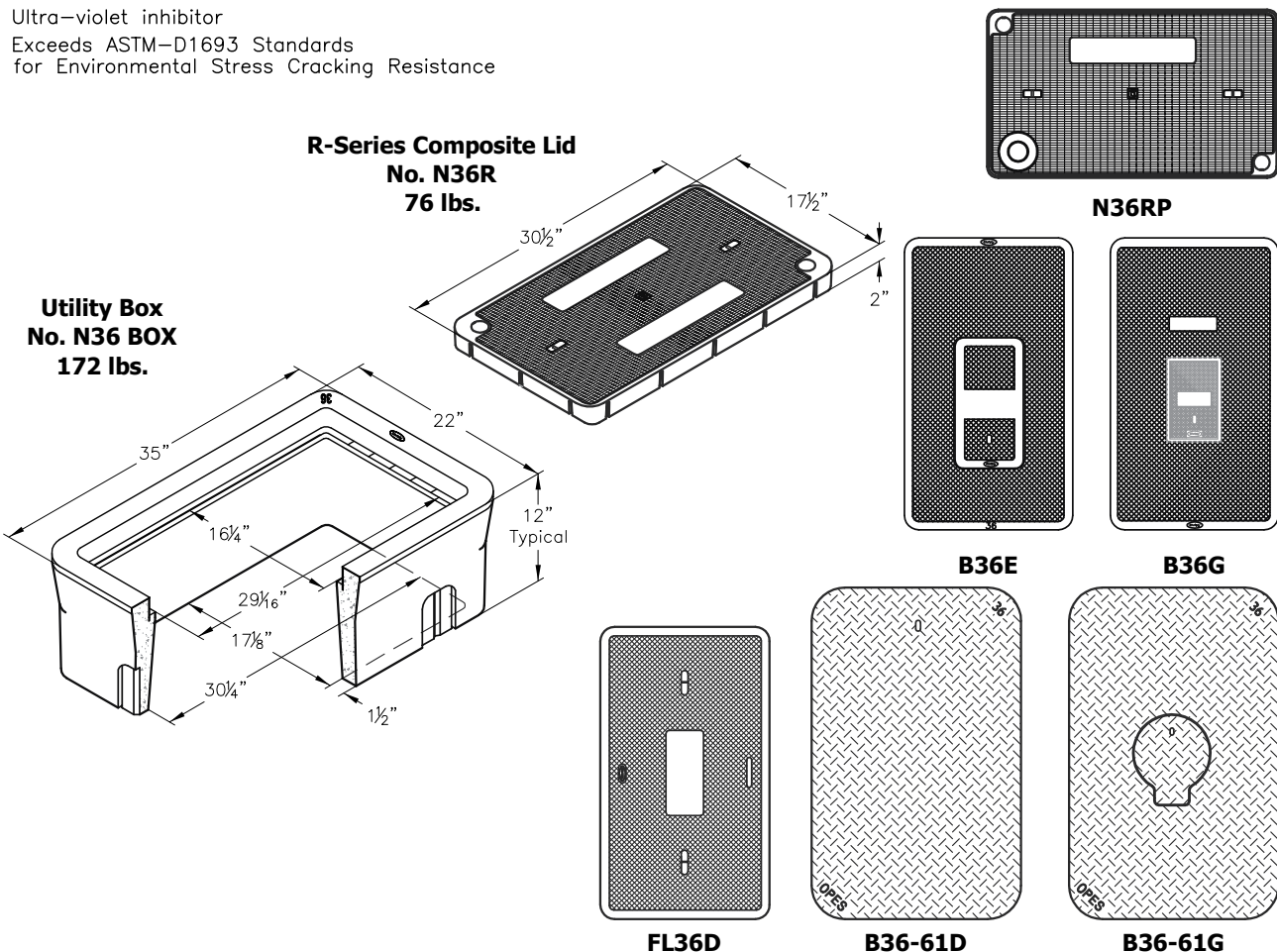
ISSUE DATE: January, 2011

www.oldcastleprecast.com

**N30 UTILITY BOX
13-1/4" x 24-1/4"**



- Etched polypropylene face
- Face anchored in concrete
- Ultra-violet inhibitor
- Exceeds ASTM-D1693 Standards for Environmental Stress Cracking Resistance



A high density reinforced concrete box with non-settling shoulders positioned to maintain grade and facilitate back filling. Approximate dimensions and weight shown.

Oldcastle Ordering Code	Item	Approx. Shipping Weight	Description
N36BOX	BOX	172 lbs.	N36 Utility Box (17 1/8" x 30 1/4") - 8 per pallet
N36R	LID	76 lbs.	R-Series Composite Lid with Polypropylene Ring (Order N90 Bolt Down Kit Separately)
FL36D	LID	35 lbs.	Fibrelyte lid, non-concrete
B36E	LID	96 lbs.	Reinforced Concrete with 7" x 13 1/2" Concrete Reading Lid
B36G	LID	78 lbs.	Reinforced concrete with 5" x 8" cast iron, self-closing, reading lid with frame
N36RP	LID	76 lbs.	R-Series Composite Lid with Polypropylene Ring w/ ø2" Probe Hole for Meter Reading Probe (Order N90 Bolt Down Kit Separately)
B36-61D	COVER	56 lbs.	Steel Checker Plate
B36-61G	COVER	60 lbs.	Steel Checker Plate with 8" Round, Self-Closing Reading Lid
B36X12	EXTENSION	189 lbs.	12" Reinforced Concrete - 8 per pallet
B36SL	SLAB	104 lbs.	Reinforced concrete (20" x 34")

Galvanizing available on all steel covers



Phone: (800) 486-7070 Fax: (800) 486-6804
Copyright © 2011 Oldcastle Precast Inc.

N36 BOX

FILE NAME: B36_ISO

ISSUE DATE: January, 2011

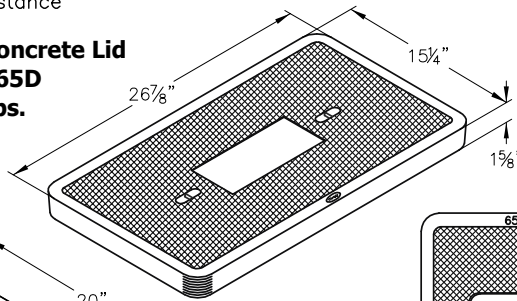
www.oldcastleprecast.com

N36 UTILITY BOX 17-1/8" x 30-1/4"

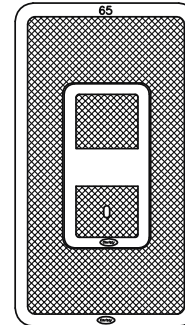
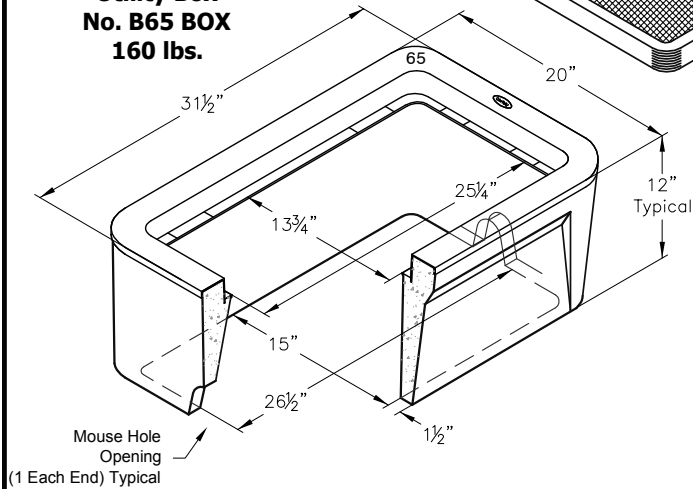


- Etched polypropylene face
- Face anchored in concrete
- Ultra-violet inhibitor
- Exceeds ASTM-D1693 Standards for Environmental Stress Cracking Resistance

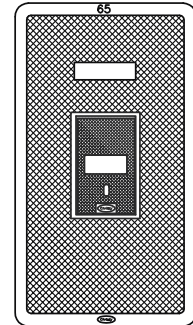
**Reinforced Concrete Lid
No. B65D
56 lbs.**



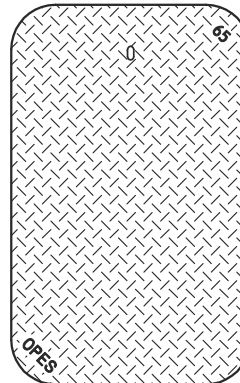
**Utility Box
No. B65 BOX
160 lbs.**



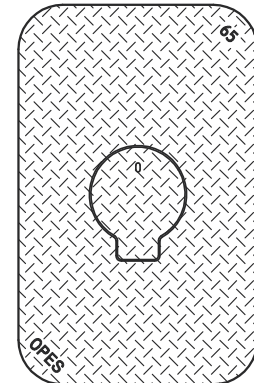
B65E



B65G



B65-61D



B65-61G

A high density reinforced concrete box with non-settling shoulders positioned to maintain grade and facilitate back filling. Approximate dimensions and weight shown.

Oldcastle Ordering Code	Item	Approx. Shipping Weight	Description
B65BOX	BOX	160 lbs.	B65 Utility Box (15" x 26 1/2") - 8 per pallet
B65D	LID	56 lbs.	Reinforced Concrete Lid
B65E	LID	64 lbs.	Reinforced Concrete with 7" x 13 1/2" Concrete Reading Lid
B65G	LID	54 lbs.	Reinforced Concrete with 5 x 8" Cast Iron, Self-Closing, Reading Lid with Frame
B65-61D	COVER	48 lbs.	Steel Checker Plate
B65-61G	COVER	49 lbs.	Steel Checker Plate with 8" Round, Self-Closing Reading Lid
B65X12	EXTENSION	141 lbs.	12" Reinforced Concrete - 8 per pallet
B36SL	SLAB	104 lbs.	Reinforced Concrete (20" x 34")

Galvanizing available on all steel covers



Phone: (800) 486-7070 Fax: (800) 486-6804
Copyright © 2011 Oldcastle Precast Inc.

B65 BOX

FILE NAME: B65_ISO

ISSUE DATE: January, 2011

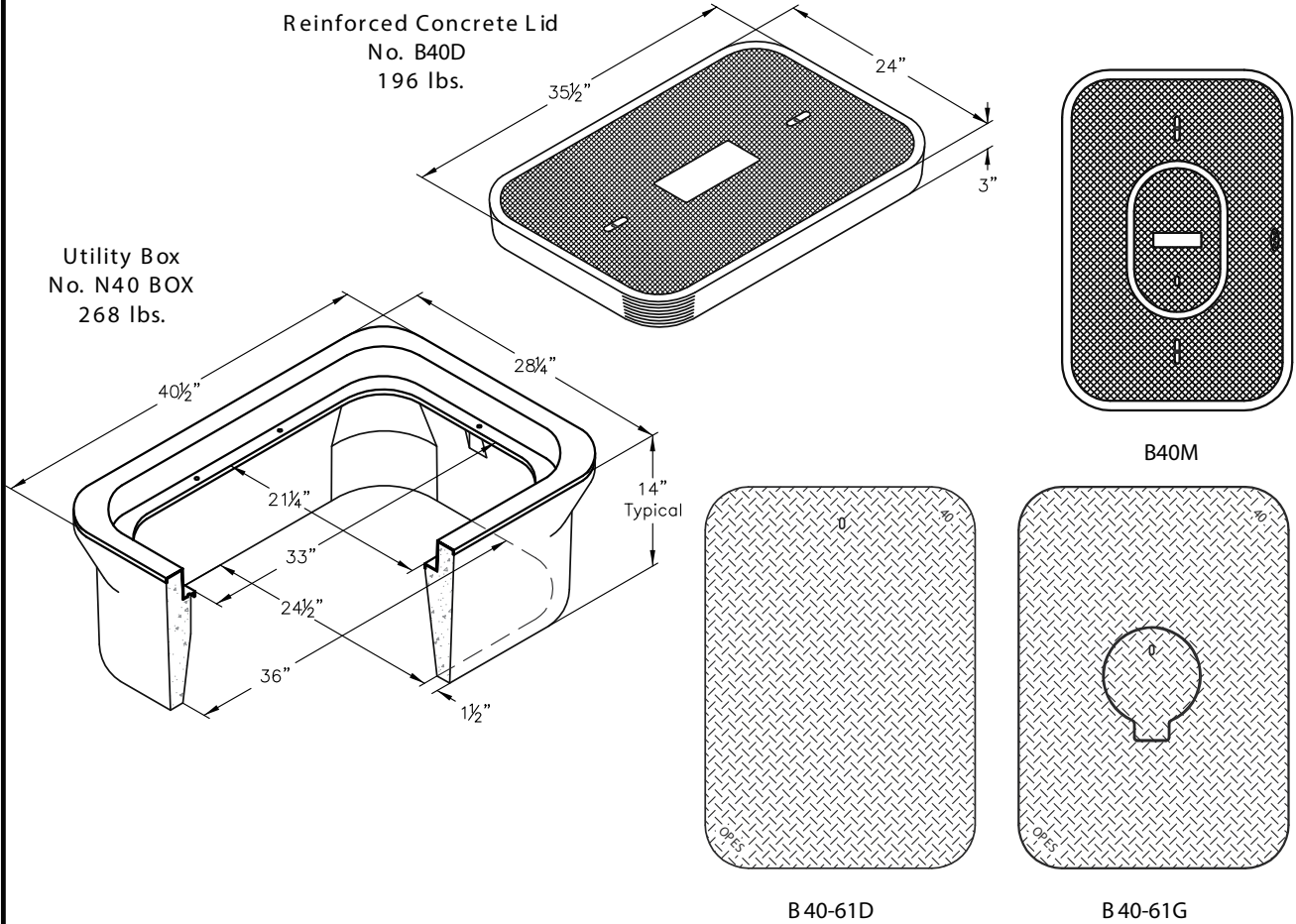
www.oldcastleprecast.com

B65 UTILITY BOX

15" x 26-1/2"



- Etched polypropylene face
- Face anchored in concrete
- Ultra-violet inhibitor
- Exceeds ASTM-D1693 Standards for Environmental Stress Cracking Resistance



A high density reinforced concrete box with non-settling shoulders positioned to maintain grade and facilitate back filling. Approximate dimensions and weight shown.

Oldcastle Ordering Code	Item	Approx. Shipping Weight	Description
N40BOX	BOX	268 lbs.	N40 Utility Box (24 1/2" x 36") - 3 per pallet
B40D	LID	196 lbs.	Reinforced Concrete Lid
B40M	LID	168 lbs.	Reinforced Concrete with 10" x 16" Oval, Reading Lid
B40-61D	COVER	82 lbs.	Steel Checker Plate
B40-61G	COVER	84 lbs.	Steel Checker Plate with 10" Round, Self-Closing Reading Lid
N40X10	EXTENSION	215 lbs.	10" Reinforced Concrete - 4 per pallet
B40SL	SLAB	201 lbs.	Reinforced Concrete (30" x 40")

Galvanizing available on all steel covers



Phone: (800) 486-7070 Fax: (800) 486-6804
 Copyright © 2011 Oldcastle Precast Inc.

N40 BOX

FILE NAME: B40_ISO

ISSUE DATE: January, 2011

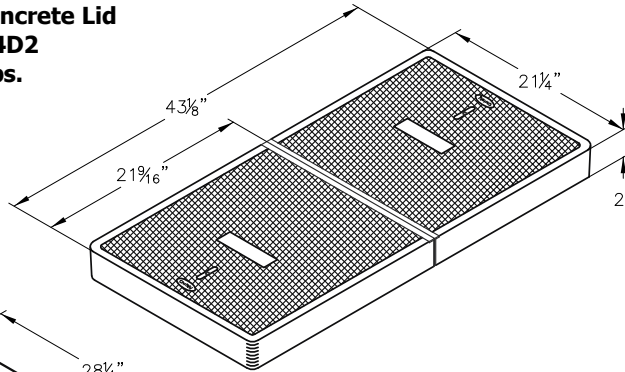
www.oldcastleprecast.com

N40 UTILITY BOX

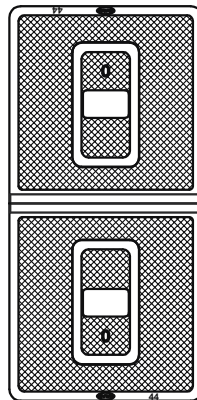
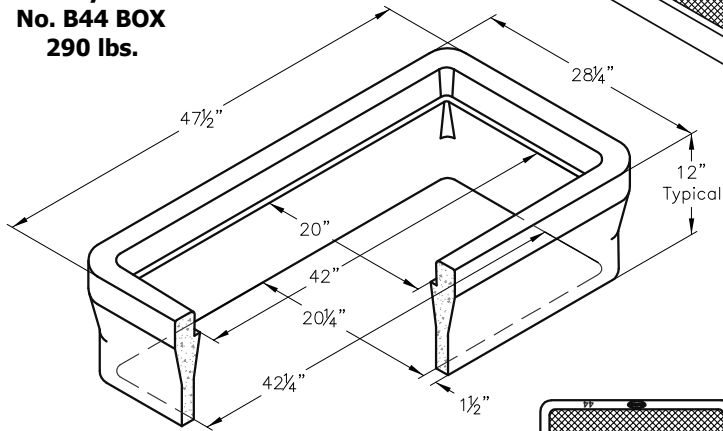
24-1/2" x 36"



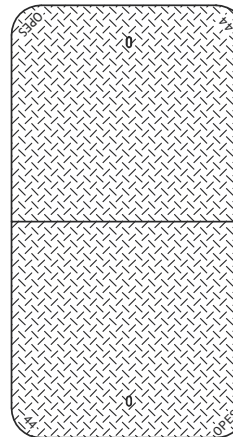
**Reinforced Concrete Lid
No. B44D2
188 lbs.**



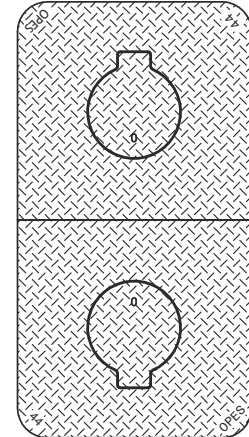
**Utility Box
No. B44 BOX
290 lbs.**



B44E2



B44-62D



B44-62G

A high density reinforced concrete box with non-settling shoulders positioned to maintain grade and facilitate back filling. Approximate dimensions and weight shown.

Oldcastle Ordering Code	Item	Approx. Shipping Weight	Description
B44BOX	BOX	290 lbs.	B44 Utility Box (20 1/4" x 42 1/4") - 6 per pallet
B44D2	LID	188 lbs.	2 pc. Reinforced Concrete Lid
B44E2	LID	200 lbs.	2 pc. Reinforced Concrete with two 7" x 13 1/2" Concrete Reading Lids
B44-62D	COVER	96 lbs.	2 pc. Steel Checker Plate
B44-62G	COVER	99 lbs.	2 pc. Steel Checker Plate with two 6" Round, Self-Closing Reading Lid
B44X8	EXTENSION	178 lbs.	8" Reinforced Concrete - 8 per pallet
B44SL	SLAB	150 lbs.	Reinforced Concrete (24 1/4" x 46")

Galvanizing available on all steel covers



Phone: (800) 486-7070 Fax: (800) 486-6804
Copyright © 2011 Oldcastle Precast Inc.

B44 BOX

FILE NAME: B44_ISO

ISSUE DATE: January, 2011

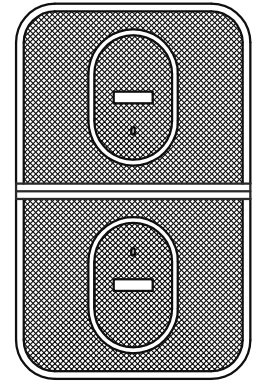
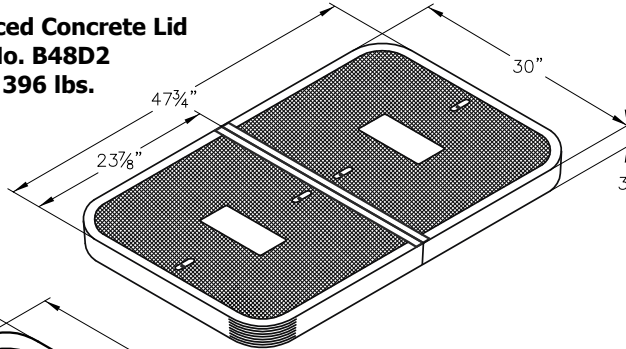
www.oldcastleprecast.com

**B44 UTILITY BOX
20-1/4" x 42-1/4"**



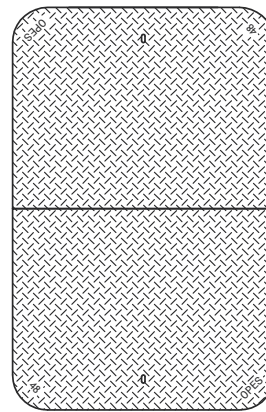
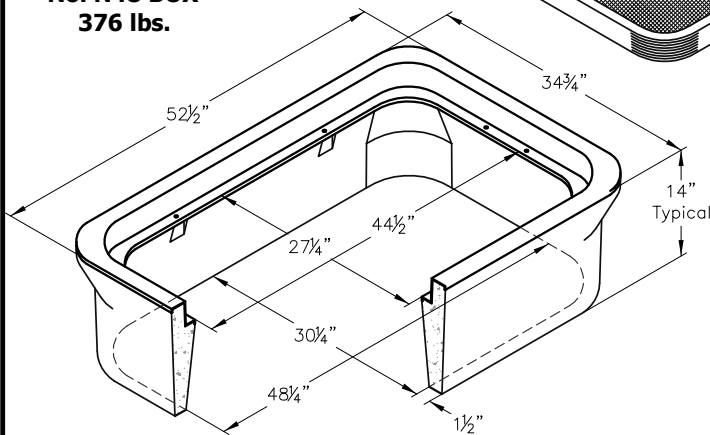
- Etched polypropylene face
- Face anchored in concrete
- Ultra-violet inhibitor
- Exceeds ASTM-D1693 Standards for Environmental Stress Cracking Resistance

**Reinforced Concrete Lid
No. B48D2
396 lbs.**

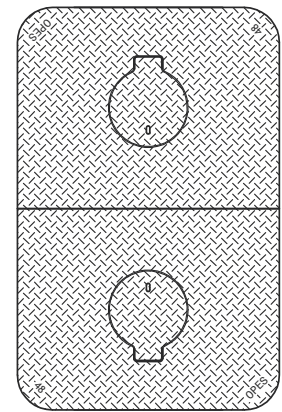


B48M2

**Utility Box
No. N48 BOX
376 lbs.**



B48-62D



B48-62G

A high density reinforced concrete box with non-settling shoulders positioned to maintain grade and facilitate back filling. Approximate dimensions and weight shown.

Oldcastle Ordering Code	Item	Approx. Shipping Weight	Description
N48BOX	BOX	376 lbs.	N48 Utility Box (30 1/4" x 48 1/4") - 3 per pallet
B48D2	LID	396 lbs.	2 pc. Reinforced Concrete Lid
B48M2	LID	321 lbs.	2 pc. Reinforced Concrete with two 10" x 16" Oval, Reading Lids
B48-62D	COVER	155 lbs.	2 pc. Steel Checker Plate
B48-62G	COVER	154 lbs.	2 pc. Steel Checker Plate with two 10" Round, Self-Closing Reading Lid
N48X10	EXTENSION	288 lbs.	10" Reinforced Concrete - 3 per pallet
B48SL	SLAB	406 lbs.	Reinforced Concrete (36" x 53")

Galvanizing available on all steel covers



Phone: (800) 486-7070 Fax: (800) 486-6804
Copyright © 2011 Oldcastle Precast Inc.

N48 BOX

FILE NAME: B48_ISO

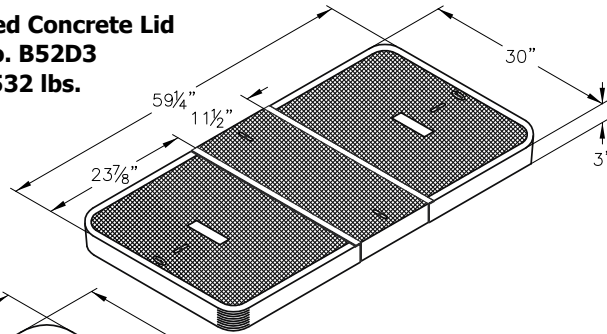
ISSUE DATE: January, 2011

www.oldcastleprecast.com

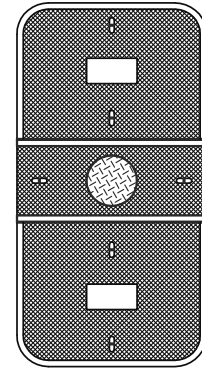
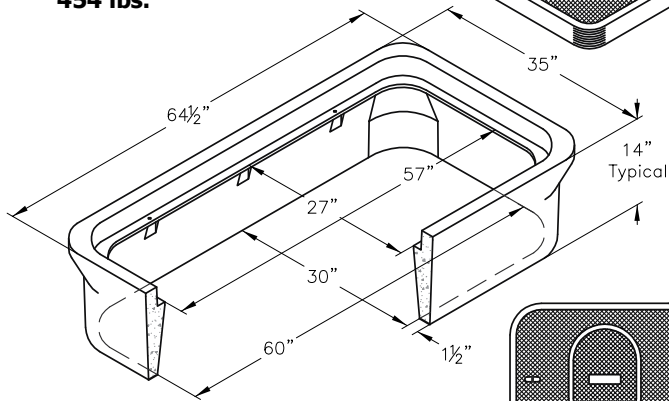
**N48 UTILITY BOX
30-1/4" x 48-1/4"**



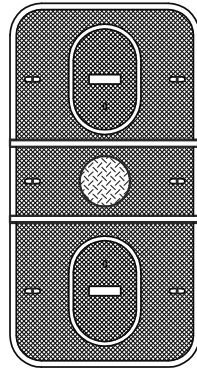
**Reinforced Concrete Lid
No. B52D3
532 lbs.**



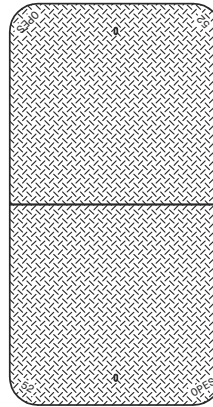
**Utility Box
No. N52 BOX
454 lbs.**



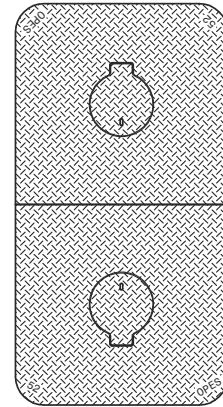
B52F3



B52M3



B52-62D



B52-62G

A high density reinforced concrete box with non-settling shoulders positioned to maintain grade and facilitate back filling. Approximate dimensions and weight shown.

Oldcastle Ordering Code	Item	Approx. Shipping Weight	Description
N52BOX	BOX	454 lbs.	N52 Utility Box (30" x 60") – 3 per pallet
B52D3	LID	532 lbs.	3 pc. Reinforced Concrete Lid
B52F3	LID	476 lbs.	3 pc. Reinforced Concrete with one 8" round Checker Plate, Reading Lid
B52M3	LID	384 lbs.	3 pc. Reinforced Concrete with one 8" round Checker Plate, Reading Lid & two 10" x 16" Oval, Concrete Reading Lids
B52-62D	COVER	178 lbs.	2 pc. Steel Checker Plate
B52-62G	COVER	182 lbs.	2 pc. Steel Checker Plate with two 10" Round, Self-Closing Reading Lids
N52X10	EXTENSION	309 lbs.	10" Reinforced Concrete – 3 per pallet
B52SL	SLAB	550 lbs.	Reinforced Concrete (36" x 53")
B52DCS	SECTION	84 lbs.	Center Section, Reinforced Concrete for 3 pc. Lids
B52FCS	SECTION	80 lbs.	Center Section, Reinforced Concrete with 8" Round Checker Plate Reader Lid for 3 pc. Lids

Galvanizing available on all steel covers



Phone: (800) 486-7070 Fax: (800) 486-6804
Copyright © 2011 Oldcastle Precast Inc.

N52 BOX

FILE NAME: B52_ISO

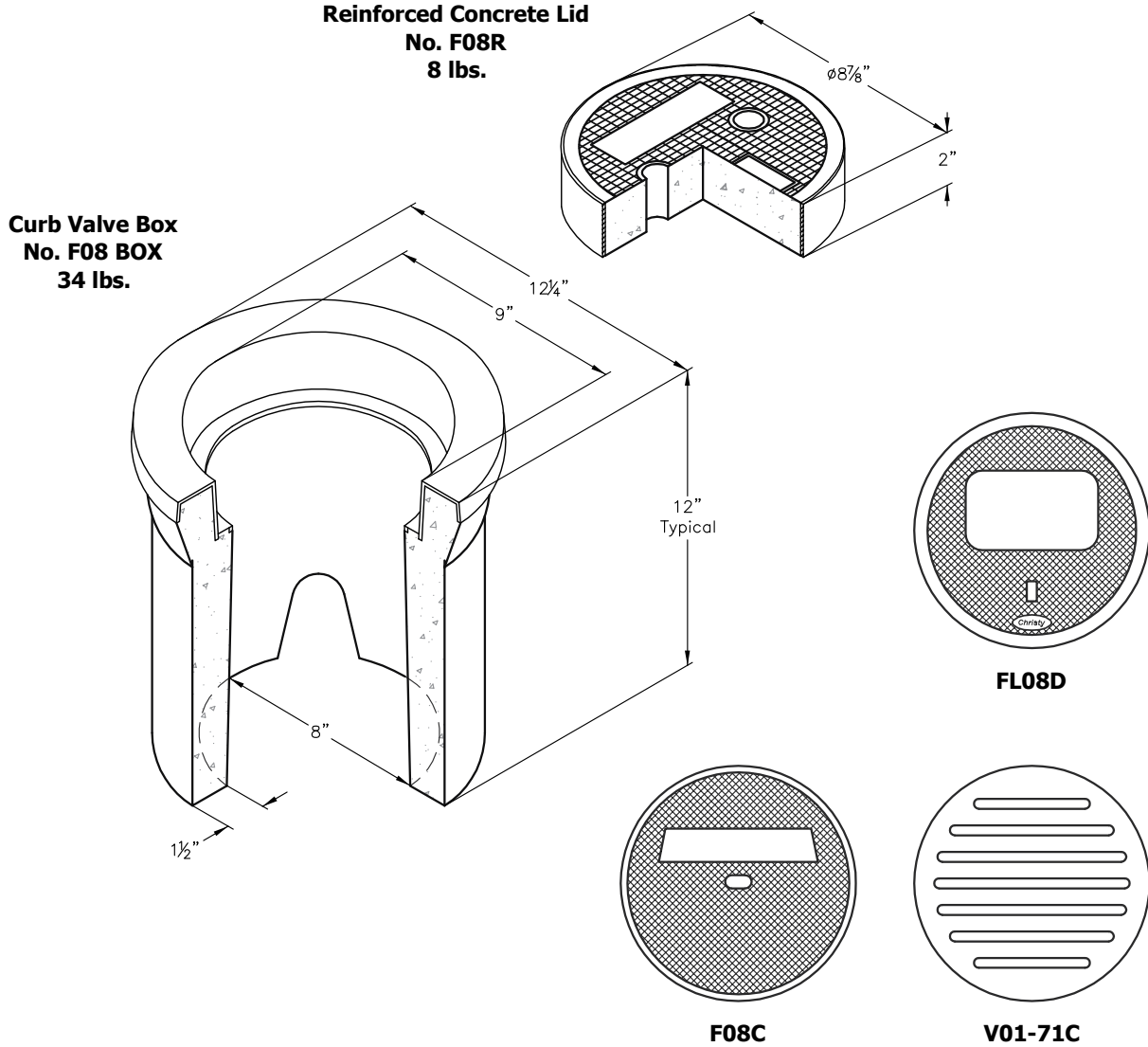
ISSUE DATE: January, 2011

www.oldcastleprecast.com

**N52 UTILITY BOX
30" x 60"**



- Etched polypropylene face
- Face anchored in concrete
- Ultra-violet inhibitor
- Exceeds ASTM-D1693 Standards for Environmental Stress Cracking Resistance



A high density reinforced concrete box with non-settling shoulders positioned to maintain grade and facilitate back filling. Approximate dimensions and weight shown.

Oldcastle Ordering Code	Item	Approx. Shipping Weight	Description
F08BOX	BOX	34 lbs.	F08 Curb Valve Box (8" I.D. x 12" High) - 48 per pallet
F08R	LID	8 lbs.	Reinforced Concrete Lid with Plastic Ring
F08C	LID	8 lbs.	Cast Iron Lid
FLO8D	LID	2 lbs.	Fibrelyte Lid, Non-Concrete
V01-71C	LID	12 lbs.	Cast Iron Grate ADA Compliant



Phone: (800) 486-7070 Fax: (800) 486-6804
 Copyright © 2011 Oldcastle Precast Inc.

F08 BOX

FILE NAME: F08_ISO

ISSUE DATE: January, 2011

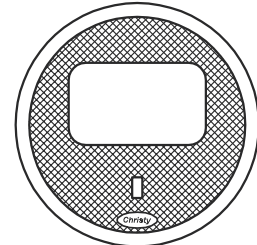
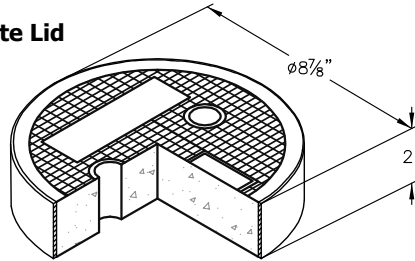
www.oldcastleprecast.com

**F08 CURB VALVE BOX
8" I.D. x 12"**

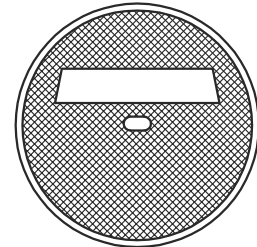


- Etched polypropylene face
- Face anchored in concrete
- Ultra-violet inhibitor
- Exceeds ASTM-D1693 Standards for Environmental Stress Cracking Resistance

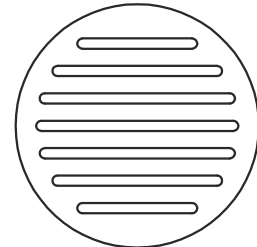
**Reinforced Concrete Lid
No. F08R
8 lbs.**



FL08D

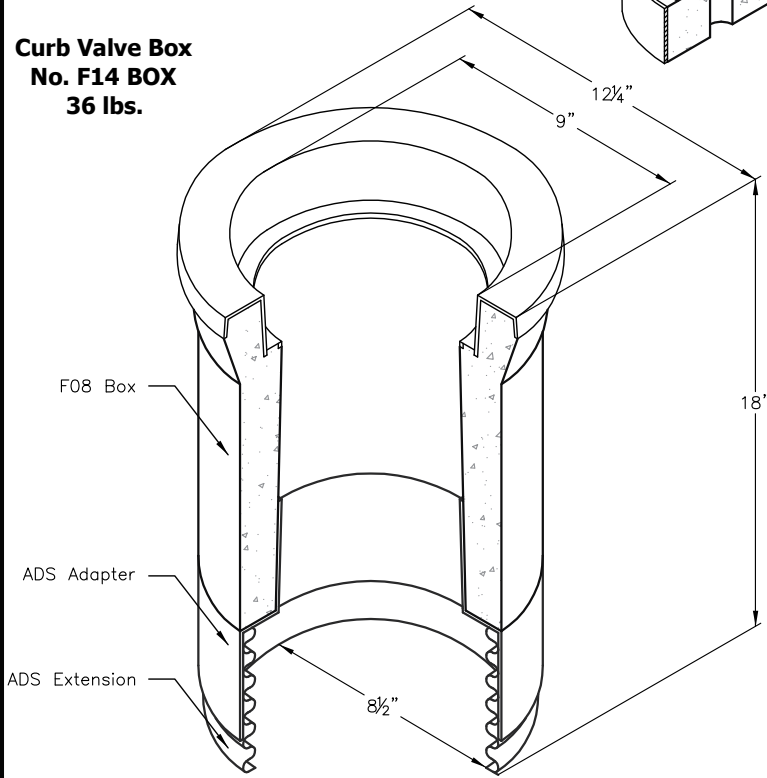


F08C



V01-71C

**Curb Valve Box
No. F14 BOX
36 lbs.**



A high density reinforced concrete box with non-settling shoulders positioned to maintain grade and facilitate back filling. Approximate dimensions and weight shown.

Oldcastle Ordering Code	Item	Approx. Shipping Weight	Description
F14BOX	BOX	34 lbs.	F14 Curb Valve Box (8" I.D. x 12" High) – F08 Box with 6" ADS Extension & Adapter
F08R	LID	8 lbs.	Reinforced Concrete Lid with Plastic Ring
F08C	LID	8 lbs.	Cast Iron Lid
FL08D	LID	2 lbs.	Fibrelite Lid, Non-Concrete
V01-71C	LID	12 lbs.	Cast Iron Grate ADA Compliant
F08XAD	ADAPTER	1 lbs.	ADS Snap Adapter
F14XP6	EXTENSION	1 lbs.	ADS 6" Plastic Extension
F08XP120	EXTENSION	11 lbs.	ADS 10' Plastic Extension



Phone: (800) 486-7070 Fax: (800) 486-6804
Copyright © 2011 Oldcastle Precast Inc.

F14 BOX

FILE NAME: F14_JS0

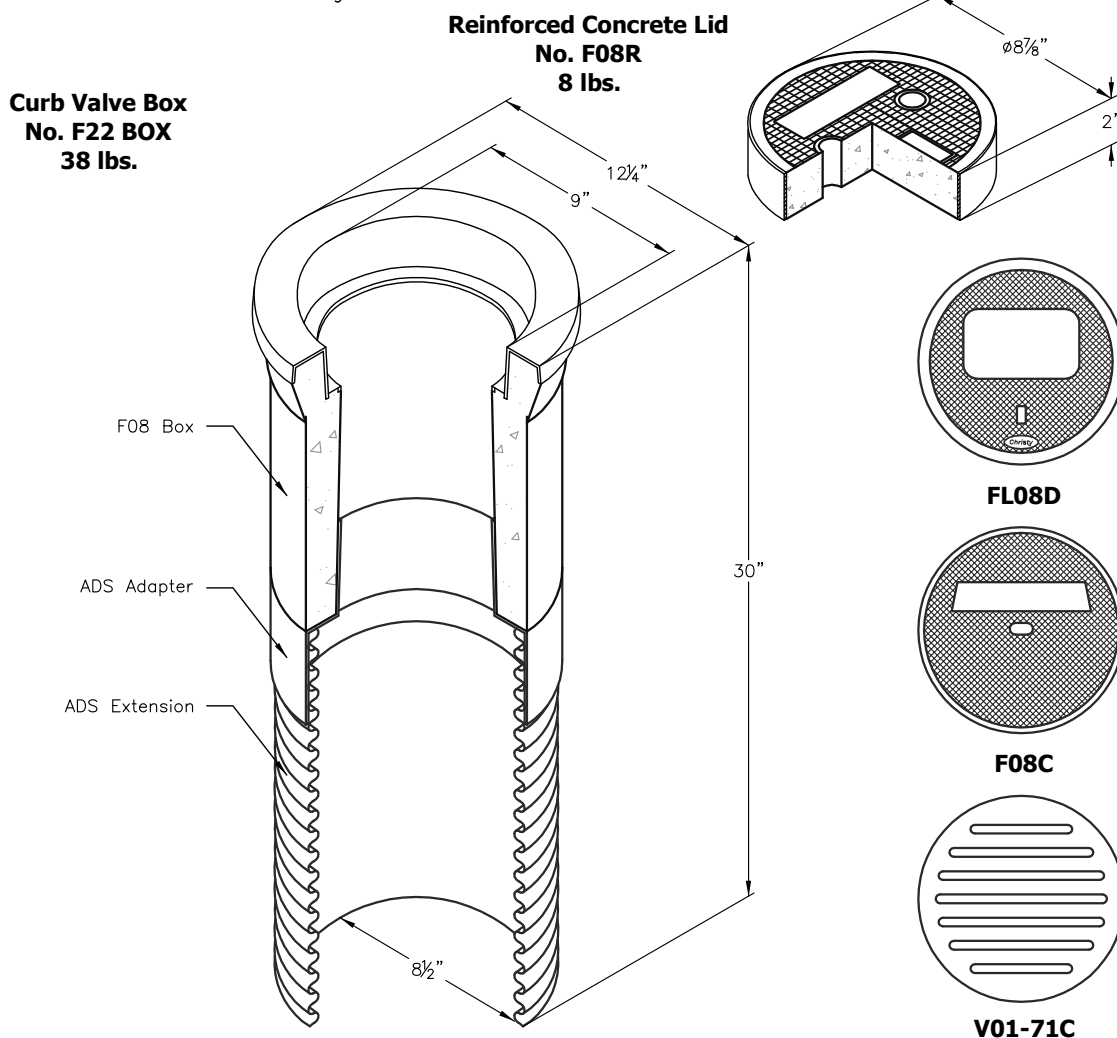
ISSUE DATE: January, 2011

www.oldcastleprecast.com

**F14 CURB VALVE BOX
8" I.D. x 18"**



- Etched polypropylene face
- Face anchored in concrete
- Ultra-violet inhibitor
- Exceeds ASTM-D1693 Standards for Environmental Stress Cracking Resistance



A high density reinforced concrete box with non-settling shoulders positioned to maintain grade and facilitate back filling. Approximate dimensions and weight shown.

Oldcastle Ordering Code	Item	Approx. Shipping Weight	Description
F22BOX	BOX	38 lbs.	F22 Curb Valve Box (8" I.D. x 12" High) – F08 Box with 18" ADS Extension & Adapter
F08R	LID	8 lbs.	Reinforced Concrete Lid with Plastic Ring
F08C	LID	8 lbs.	Cast Iron Lid
FLO8D	LID	2 lbs.	Fibrelite Lid, Non-Concrete
V01-71C	LID	12 lbs.	Cast Iron Lid ADA Compliant
F08XAD	ADAPTER	1 lbs.	ADS Snap Adapter
F22XP18	EXTENSION	3 lbs.	ADS 18" Plastic Extension
F08XP120	EXTENSION	11 lbs.	ADS 10' Plastic Extension



Phone: (800) 486-7070 Fax: (800) 486-6804
 Copyright© 2011 Oldcastle Precast Inc.

F22 BOX

FILE NAME: F22_JSO

ISSUE DATE: January, 2011

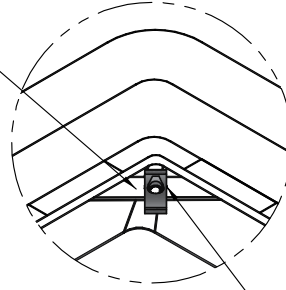
www.oldcastleprecast.com

F22 CURB VALVE BOX
8" I.D. x 30"



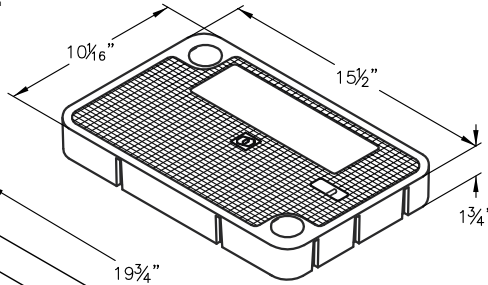
- Etched polypropylene face
- Face anchored in concrete
- Ultra-violet inhibitor
- Exceeds ASTM-D1693 Standards for Environmental Stress Cracking Resistance
- Meets Caltrans #3 1/2 State Specifications

Cast-In Bolt Down Bracket

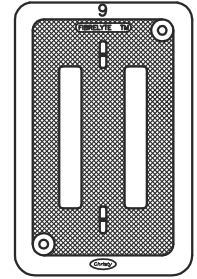
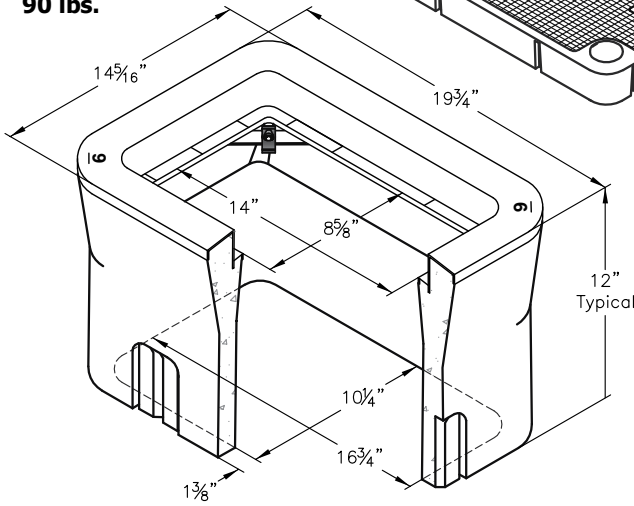


N90 Clip, For Bolt Down Application

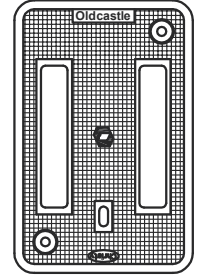
**R-Series Composite Lid
No. N09R
20 lbs.**



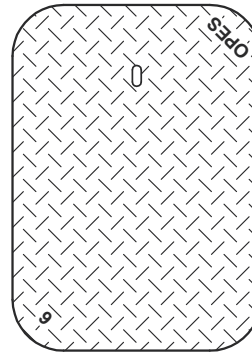
**Electrical Box
No. N09 BOX
90 lbs.**



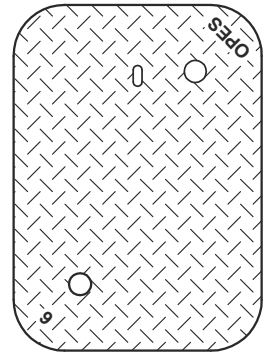
FL09T



N09J



B09-61D



N09-61J

A high density reinforced concrete box with non-setting shoulders positioned to maintain grade and facilitate back filling. Approximate dimensions and weight shown.

Oldcastle Ordering Code	Item	Approx. Shipping Weight	Description
N09BOX	BOX	90 lbs.	N09 Electrical Box (10 1/4" x 16 3/4") - Meets #3-1/2 State Specifications - 28 per pallet
N09R	LID	20 lbs.	R-Series Composite Lid with Polypropylene Ring (Order N90 Bolt Down Kit Separately)
FL09T	LID	5 lbs.	Fibrelite Lid, Non-Concrete, Bolt Down (Order N90 Bolt Down Kit Separately)
N09J	LID	22 lbs.	Cast Iron Lid Bolt Down, (Order N90 Bolt Down Kit Separately)
B09-61D	COVER	22 lbs.	Steel Checker Plate Cover
N09-61J	COVER	22 lbs.	Steel Checker Plate Cover, Bolt Down (Order N90 Bolt Down Kit Separately)
B09X12	EXTENSION	87 lbs.	12" Reinforced Concrete Box Extension - 28 per pallet
B09SL	SLAB	32 lbs.	Reinforced Concrete Slab (13 3/4" x 19 3/4")

Galvanizing available on all steel covers.



Phone: (800) 486-7070 Fax: (800) 486-6804
Copyright © 2011 Oldcastle Precast Inc.

N09 BOX

FILE NAME: N09_ISO

ISSUE DATE: January, 2011

www.oldcastleprecast.com

**N09 ELECTRICAL BOX
10-1/4" x 16-3/4"**

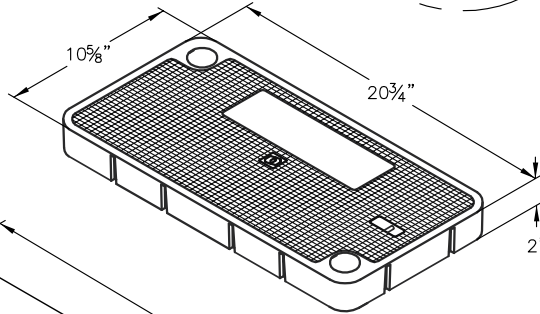


- Etched polypropylene face
- Face anchored in concrete
- Ultra-violet inhibitor
- Exceeds ASTM-D1693 Standards for Environmental Stress Cracking Resistance

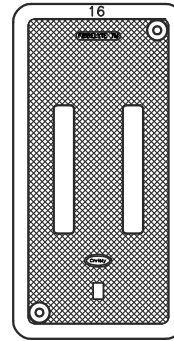
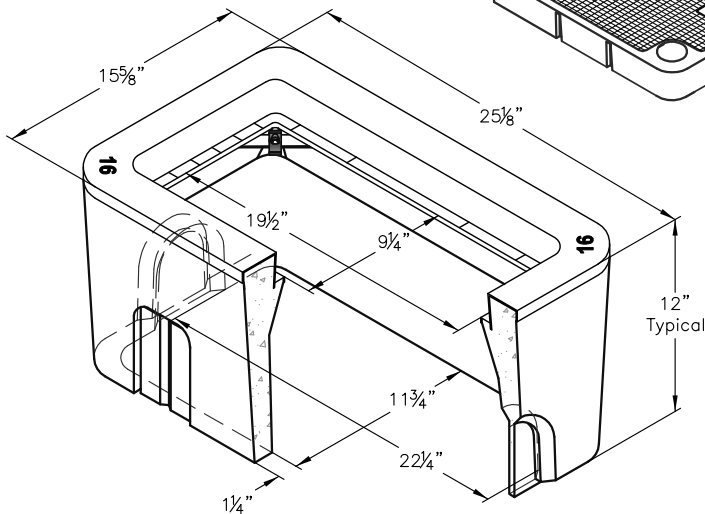
Cast-In Bolt Down Bracket

N90 Clip, For Bolt Down Application

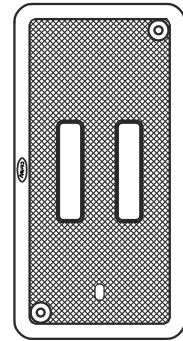
**R-Series Composite Lid
No. N16R
32 lbs.**



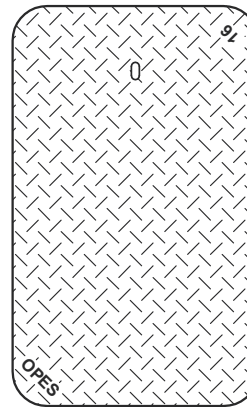
**Electrical Box
No. N16 BOX
112 lbs.**



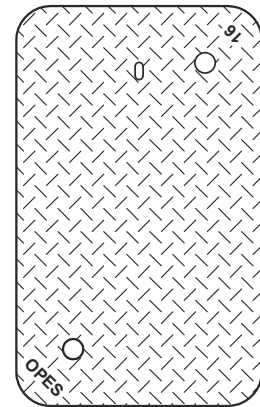
N16J



FL16T



B16-61D



N16-61J

A high density reinforced concrete box with non-settling shoulders positioned to maintain grade and facilitate back filling. Approximate dimensions and weight shown.

Oldcastle Ordering Code	Item	Approx. Shipping Weight	Description
N16BOX	BOX	112 lbs.	N16 Electrical Box (11 3/4" x 22 1/4") - 20 per pallet
N16R	LID	32 lbs.	R-Series Composite Lid with Polypropylene Ring (Order N90 Bolt Down Kit Separately)
FL16T	LID	13 lbs.	Fibrelite Lid, Non-Concrete Bolt Down (Order N90 Bolt Down Kit Separately)
N16J	LID	36 lbs.	Cast Iron Lid Bolt Down (Order N90 Bolt down Kit Separately)
B16-61D	COVER	28 lbs.	Steel Checker Plate Cover
N16-61J	COVER	28 lbs.	Steel Checker Plate Cover, Bolt Down (Order N90 Bolt Down Kit Separately)
B16X12	EXTENSION	113 lbs.	12" Reinforced Concrete Box Extension - 20 per pallet
B30SL	SLAB	52 lbs.	Reinforced Concrete Slab (16" x 28")

Galvanizing available on all steel covers.



Phone: (800) 486-7070 Fax: (800) 486-6804
Copyright © 2011 Oldcastle Precast Inc.

N16 BOX

FILE NAME: N16_ISO

ISSUE DATE: January, 2011

www.oldcastleprecast.com

N16 ELECTRICAL BOX

11-3/4" x 22-1/4"



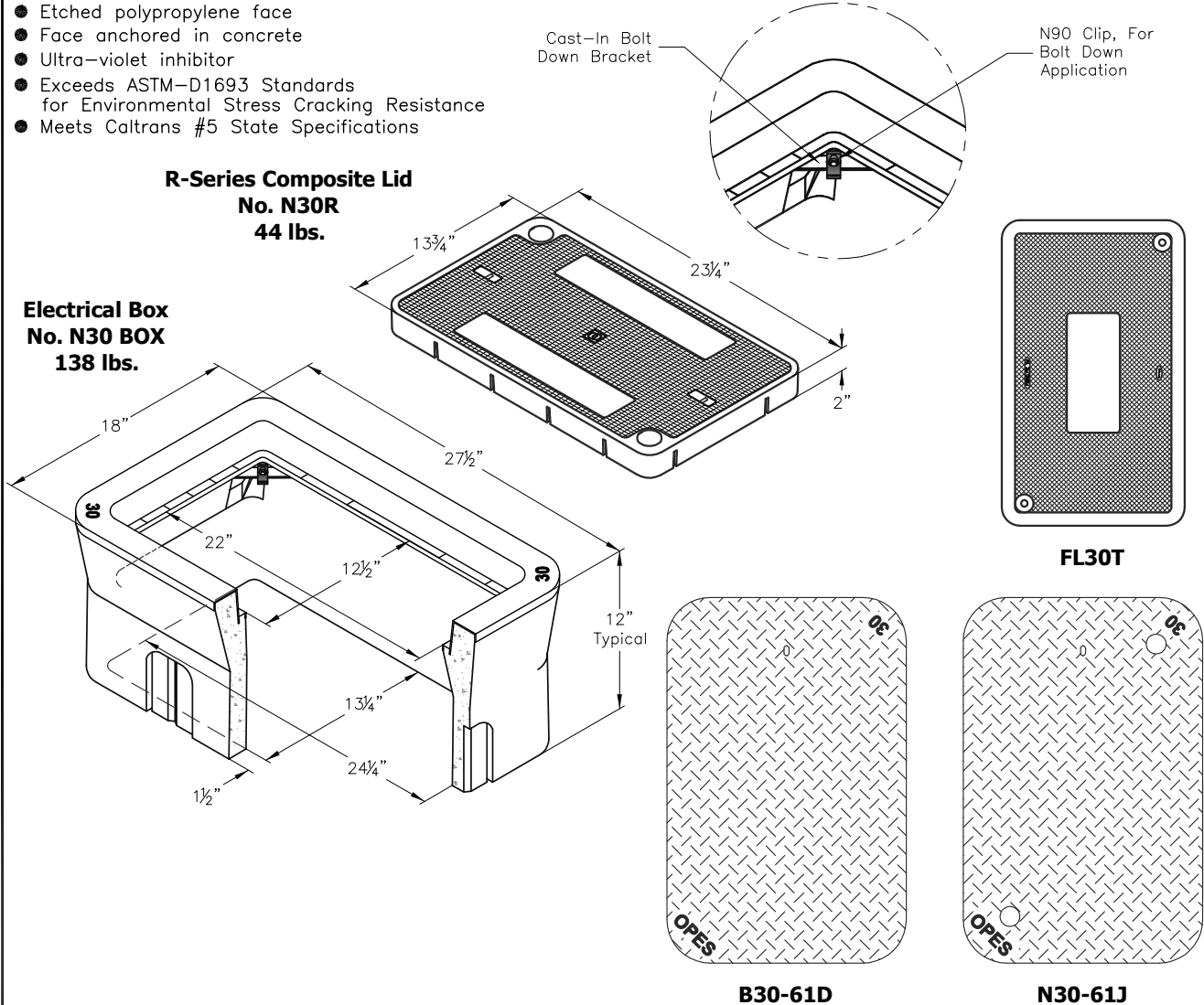
- Etched polypropylene face
- Face anchored in concrete
- Ultra-violet inhibitor
- Exceeds ASTM-D1693 Standards for Environmental Stress Cracking Resistance
- Meets Caltrans #5 State Specifications

Cast-In Bolt Down Bracket

N90 Clip, For Bolt Down Application

**R-Series Composite Lid
No. N30R
44 lbs.**



**Electrical Box
No. N30 BOX
138 lbs.**



A high density reinforced concrete box with non-settling shoulders positioned to maintain grade and facilitate back filling. Approximate dimensions and weight shown.

Oldcastle Ordering Code	Item	Approx. Shipping Weight	Description
N30BOX	BOX	138 lbs.	N30 Electrical Box (13 3/4" x 24 1/4") Meets #5 State Specifications - 16 per pallet
N30R	LID	44 lbs.	R-Series Composite Lid with Polypropylene Ring (Order N90 Bolt Down Kit Separately)
FL30T	LID	20 lbs.	Fibrelyte lid, non-concrete Bolt Down (Order N90 Bolt Down Kit Separately)
B30-61D	COVER	38 lbs.	Steel Checker Plate
N30-61J	COVER	38 lbs.	Steel Checker Plate Bolt Down (Order N90 Bolt Down Kit Separately)
B30X12	EXTENSION	116 lbs.	12" Reinforced Concrete - 16 per pallet
B30SL	SLAB	52 lbs.	Reinforced concrete (16" x 28")

Galvanizing available on all steel covers

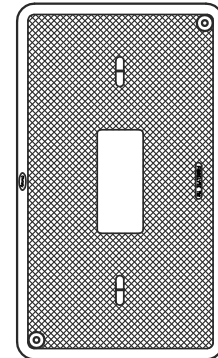
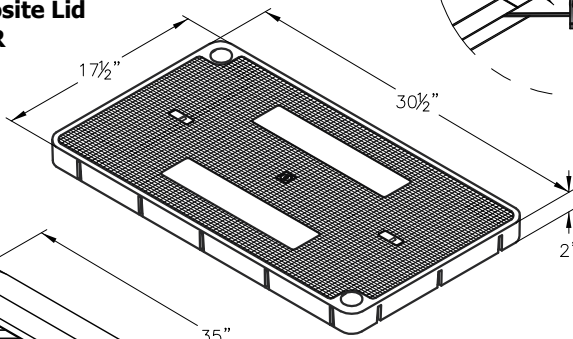
 <p>Phone: (800) 486-7070 Fax: (800) 486-6804 Copyright © 2011 Oldcastle Precast Inc.</p>	N30 BOX	<p>N30 ELECTRICAL BOX 13-1/4" x 24-1/4"</p> 
	FILE NAME: N30_ISO	
	ISSUE DATE: January, 2011	
	www.oldcastleprecast.com	

- Etched polypropylene face
- Face anchored in concrete
- Ultra-violet inhibitor
- Exceeds ASTM-D1693 Standards for Environmental Stress Cracking Resistance
- Meets Caltrans #6 State Specifications

Cast-In Bolt Down Bracket

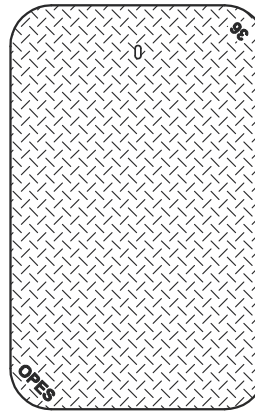
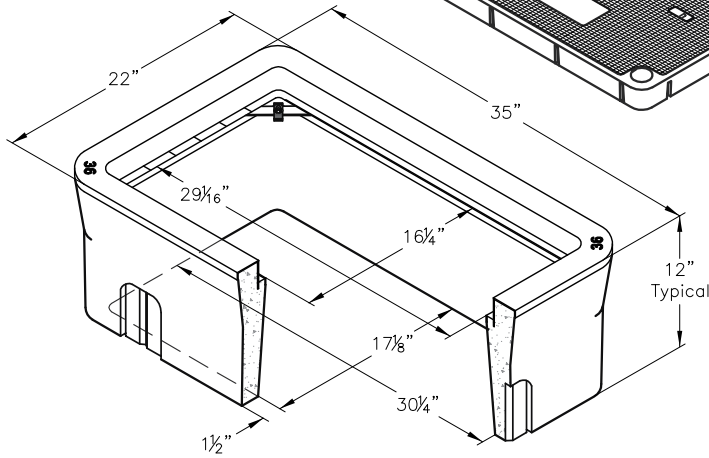
N90 Clip, For Bolt Down Application

**R-Series Composite Lid
No. N36R
76 lbs.**

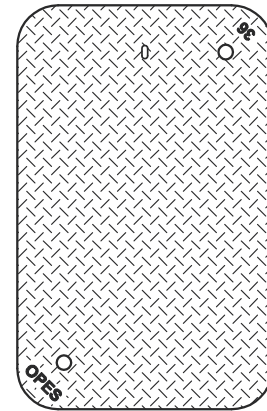


FL36T

**Electrical Box
No. N36 BOX
172 lbs.**



B36-61D



N36-61J

A high density reinforced concrete box with non-settling shoulders positioned to maintain grade and facilitate back filling. Approximate dimensions and weight shown.

Oldcastle Ordering Code	Item	Approx. Shipping Weight	Description
N36BOX	BOX	172 lbs.	N36 Electrical Box (17 1/8" x 30 1/4") Meets #6 State Specifications - 8 per pallet
N36R	LID	76 lbs.	R-Series Composite Lid with Polypropylene Ring (Order N90 Bolt Down Kit Separately)
FL36T	LID	35 lbs.	Fibrelyte lid, non-concrete Bolt Down (Order N90 Bolt Down Kit Separately)
B36-61D	COVER	56 lbs.	Steel Checker Plate
N36-61J	COVER	56 lbs.	Steel Checker Plate Bolt Down (Order N90 Bolt Down Kit Separately)
B36X12	EXTENSION	189 lbs.	12" Reinforced Concrete - 8 per pallet
B36SL	SLAB	104 lbs.	Reinforced concrete (20" x 34")

Galvanizing available on all steel covers



Phone: (800) 486-7070 Fax: (800) 486-6804
Copyright © 2011 Oldcastle Precast Inc.

N36 BOX

FILE NAME: N36_ISO

ISSUE DATE: January, 2011

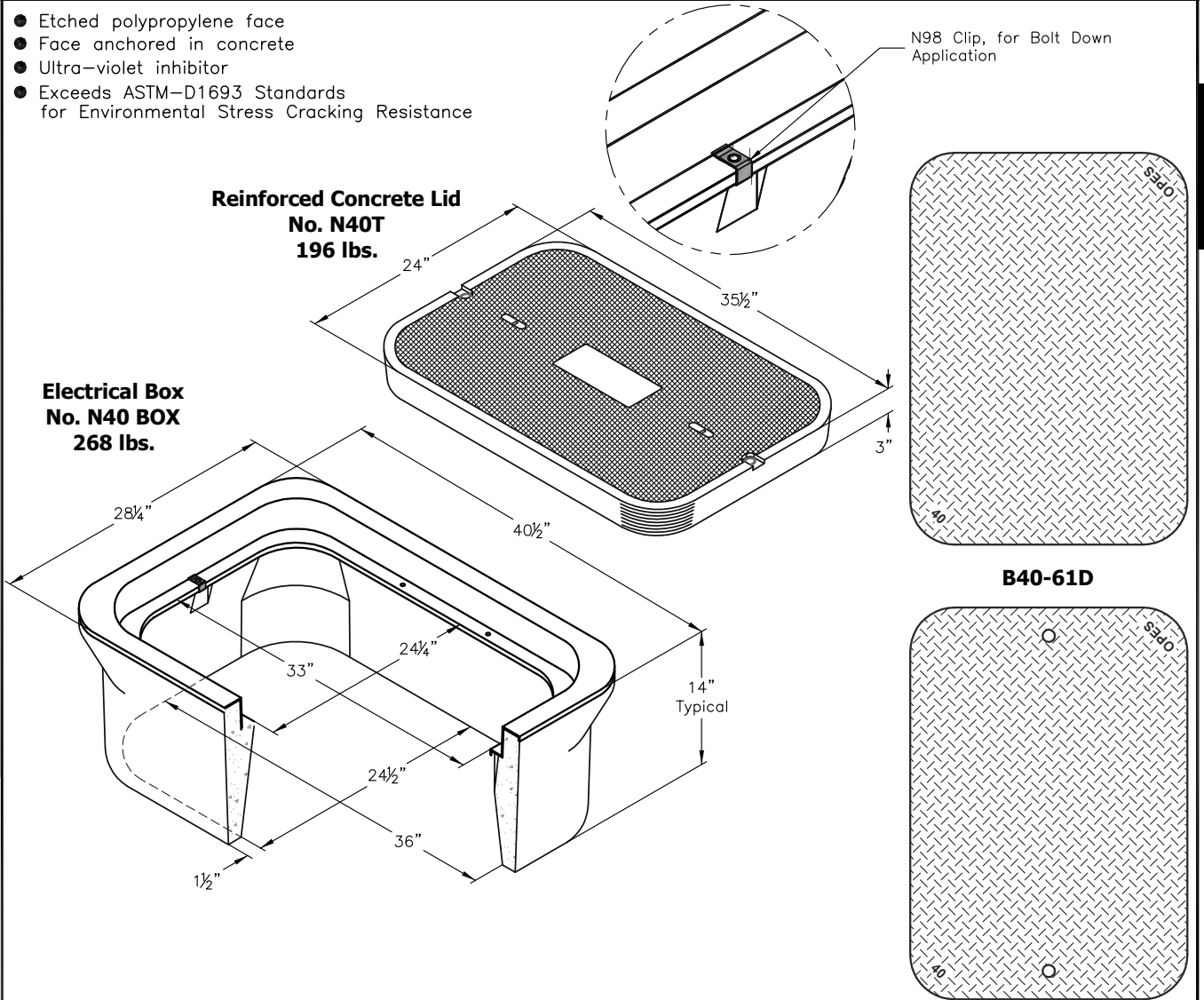
www.oldcastleprecast.com

N36 ELECTRICAL BOX

17-1/8" x 30-1/4"



- Etched polypropylene face
- Face anchored in concrete
- Ultra-violet inhibitor
- Exceeds ASTM-D1693 Standards for Environmental Stress Cracking Resistance



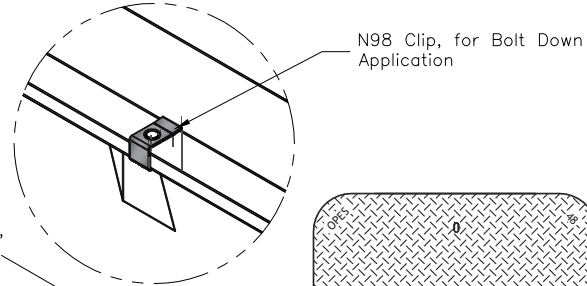
A high density reinforced concrete box with non-settling shoulders positioned to maintain grade and facilitate back filling. Approximate dimensions and weight shown.

Oldcastle Ordering Code	Item	Approx. Shipping Weight	Description
N40BOX	BOX	268 lbs.	N40 Electrical Box (24 1/2" x 36") w/ Bolt Down Provisions- 3 per pallet
N40T	LID	196 lbs.	Reinforced Concrete Lid (Order N98 - Set of 2 - Bolt Down Kit Separately)
B40-61D	COVER	82 lbs.	Steel Checker Plate
N40-61J	COVER	84 lbs.	Steel Checker Plate Bolt Down (Order N98 - Set of 2 - Bolt Down Kit Separately)
N40X10	EXTENSION	215 lbs.	10" Reinforced Concrete - 4 per pallet
B40SL	SLAB	194 lbs.	Reinforced concrete (16" x 28")

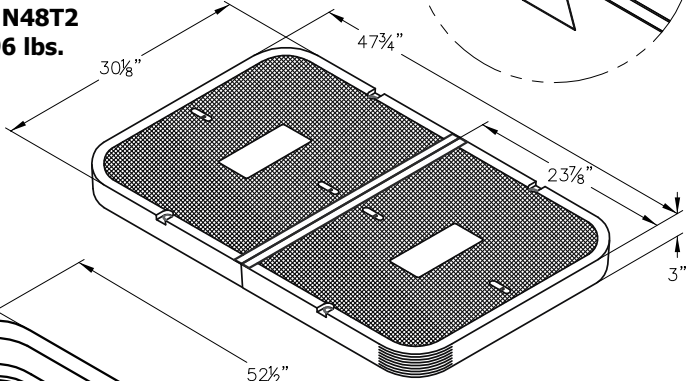
Galvanizing available on all steel covers

<p>Phone: (800) 486-7070 Fax: (800) 486-6804 Copyright © 2011 Oldcastle Precast Inc.</p>	N40 BOX	N40 ELECTRICAL BOX 24-1/2" x 36"
	FILE NAME: N40_ISO	
	ISSUE DATE: January, 2011	
	www.oldcastleprecast.com	

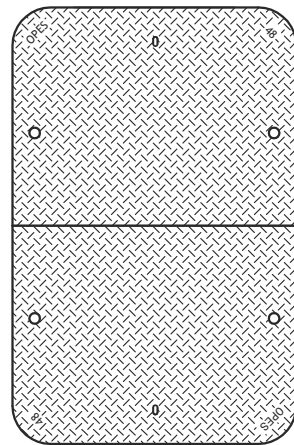
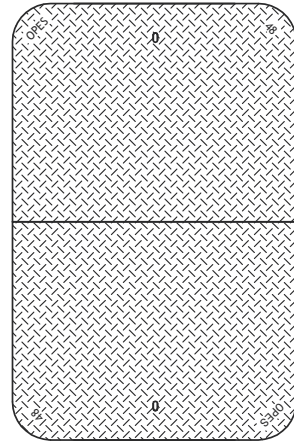
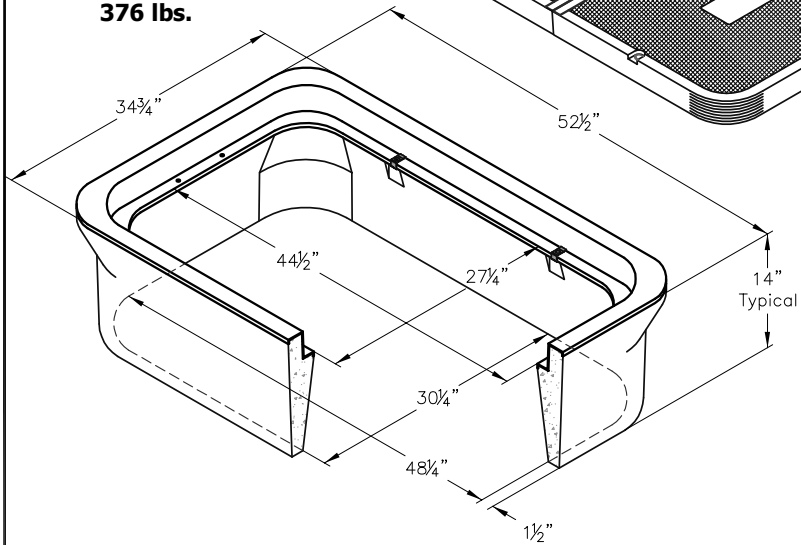
- Etched polypropylene face
- Face anchored in concrete
- Ultra-violet inhibitor
- Exceeds ASTM-D1693 Standards for Environmental Stress Cracking Resistance



**Reinforced Concrete Lid
No. N48T2
396 lbs.**



**Electrical Box
No. N48 BOX
376 lbs.**



A high density reinforced concrete box with non-settling shoulders positioned to maintain grade and facilitate back filling. Approximate dimensions and weight shown.

Oldcastle Ordering Code	Item	Approx. Shipping Weight	Description
N48BOX	BOX	376 lbs.	N48 Electrical Box (30 1/4" x 48 1/4") w/ Bolt Down Provisions - 3 per pallet
N48T2	LID	396 lbs.	2 pc. Reinforced Concrete Lid (Order N98 - Set of 4 - Bolt Down Kit Separately)
B48-62D	COVER	155 lbs.	2 pc. Steel Checker Plate
N48-62J	COVER	155 lbs.	2 pc. Steel Checker Plate Bolt Down (Order N98 - Set of 4 - Bolt Down Kit Separately)
N48X10	EXTENSION	288 lbs.	10" Reinforced Concrete - 3 per pallet
B48SL	SLAB	406 lbs.	Reinforced concrete (36" x 53")

Galvanizing available on all steel covers



Phone: (800) 486-7070 Fax: (800) 486-6804
Copyright © 2011 Oldcastle Precast Inc.

N48 BOX

FILE NAME: N48_ISO

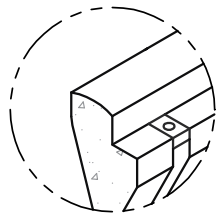
ISSUE DATE: January, 2011

www.oldcastleprecast.com

N48 ELECTRICAL BOX

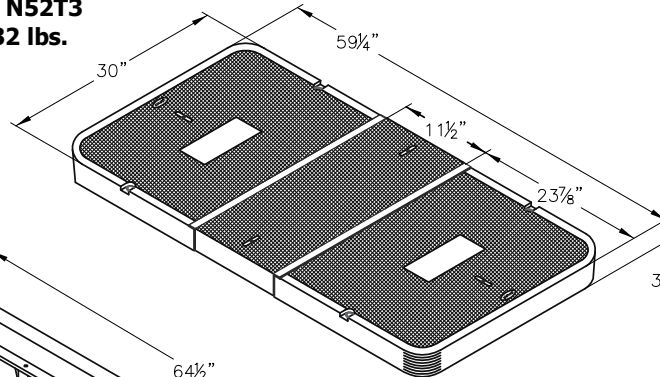
30-1/4" x 48-1/4"



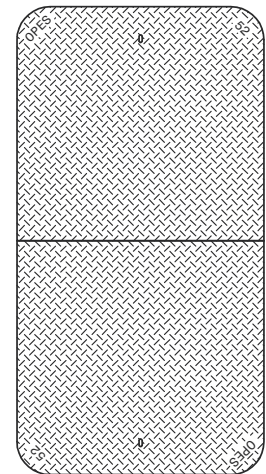
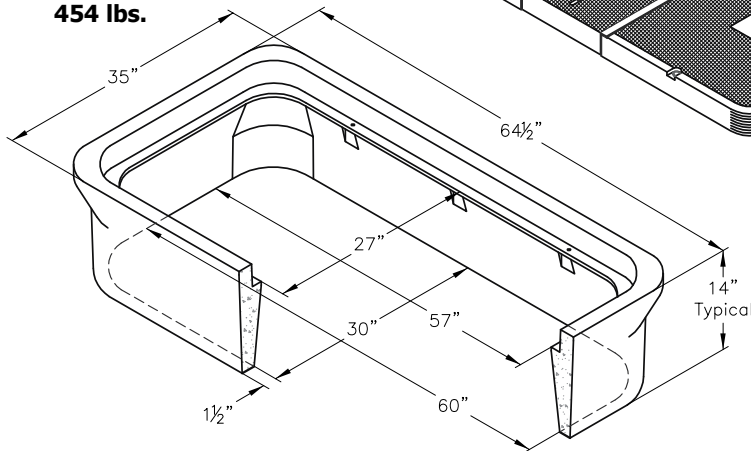


"T" BOX

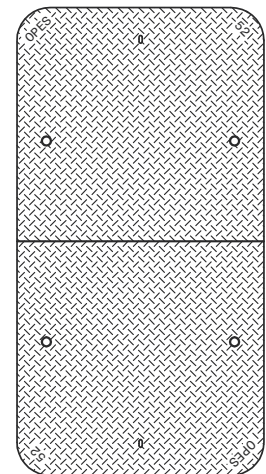
**Reinforced Concrete Lid
No. N52T3
532 lbs.**



**Electrical Box
No. N52 BOX
454 lbs.**



B52-62D



N52-62J

A high density reinforced concrete box with non-settling shoulders positioned to maintain grade and facilitate back filling. Approximate dimensions and weight shown.

Oldcastle Ordering Code	Item	Approx. Shipping Weight	Description
N52BOX	BOX	454 lbs.	N52 Electrical Box (30" x 60") w/ Bolt Down Provisions – 3 per pallet
N52D3	LID	532 lbs.	3 pc. Reinforced Concrete Lid
N52T3	LID	532 lbs.	3 pc. Reinforced Concrete Bolt Down Lid with Interlocking Center Section (Order N98 – Set of 4 – Bolt Down Separately)
B52-62D	COVER	178 lbs.	2 pc. Steel Checker Plate
N52-62J	COVER	178 lbs.	2 pc. Steel Checker Plate Bolt Down (Order N98 – Set of 4 – Bolt Down Kit Separately)
N52X10	EXTENSION	308 lbs.	10" Reinforced Concrete – 3 per pallet
B52SL	SLAB	509 lbs.	Center Section w/ Tabs, Reinforced Concrete for the 3 pc. Bolt Down Lids.
N52TCS	SECTION	80 lbs.	Reinforced concrete (36" x 66")

Galvanizing available on all steel covers



Phone: (800) 486-7070 Fax: (800) 486-6804
Copyright © 2011 Oldcastle Precast Inc.

N52 BOX

FILE NAME: N52_ISO

ISSUE DATE: January, 2011

www.oldcastleprecast.com

N52 ELECTRICAL BOX

30" x 60"

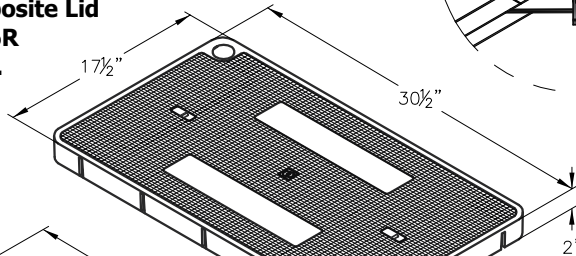


- Etched polypropylene face
- Face anchored in concrete
- Ultra-violet inhibitor
- Exceeds ASTM-D1693 Standards for Environmental Stress Cracking Resistance

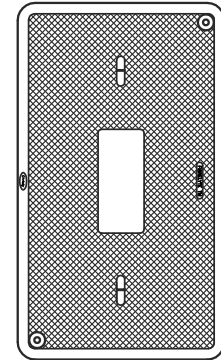
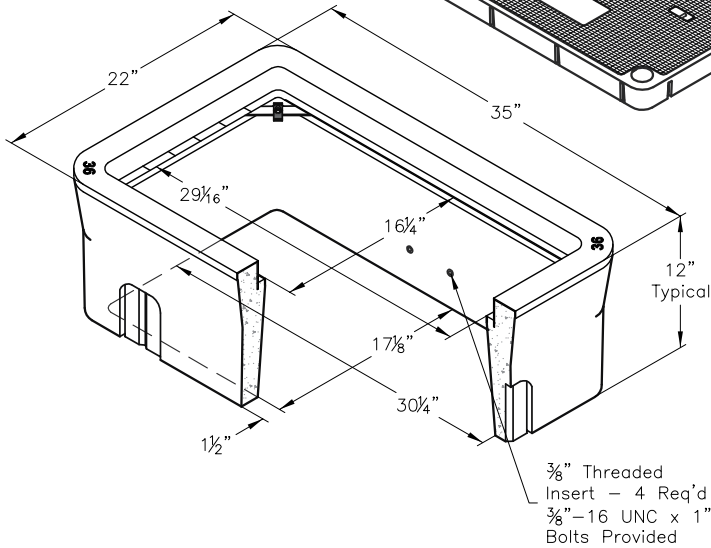
Cast-In Bolt Down Bracket

N90 Clip, For Bolt Down Application

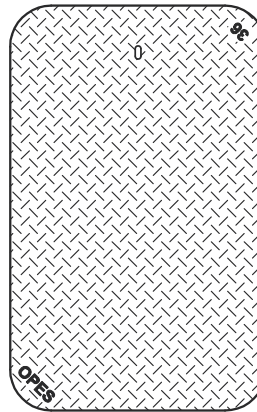
**R-Series Composite Lid
No. N36R
76 lbs.**



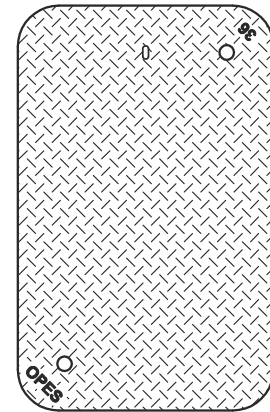
**Telephone Box
No. N36P BOX
172 lbs.**



FL36T



B36-61D



N36-61J

A high density reinforced concrete box with non-settling shoulders positioned to maintain grade and facilitate back filling. Provisions provided for installation of Telephone Racking. Racking not included. Approximate dimensions and weight shown.

Oldcastle Ordering Code	Item	Approx. Shipping Weight	Description
N36PBOX	BOX	172 lbs.	N36P Telephone Box (17 1/8" x 30 1/4") - 8 per pallet
N36R	LID	76 lbs.	R-Series Composite Lid with Polypropylene Ring (Order N90 Bolt Down Kit Separately)
FL36T	LID	35 lbs.	Fibrelyte lid, non-concrete Bolt Down (Order N90 Bolt Down Kit Separately)
B36-61D	COVER	56 lbs.	Steel Checker Plate
N36-61J	COVER	56 lbs.	Steel Checker Plate Bolt Down (Order N90 Bolt Down Kit Separately)
B36X12	EXTENSION	189 lbs.	12" Reinforced Concrete - 8 per pallet
B36SL	SLAB	104 lbs.	Reinforced Concrete (20" x 34")
*Boxes Provided with Bolt Down Provisions for use with Bolt Down Lids.			
Galvanizing available on all steel covers			



Phone: (800) 486-7070 Fax: (800) 486-6804
Copyright © 2011 Oldcastle Precast Inc.

P36 BOX

FILE NAME: P36_ISO

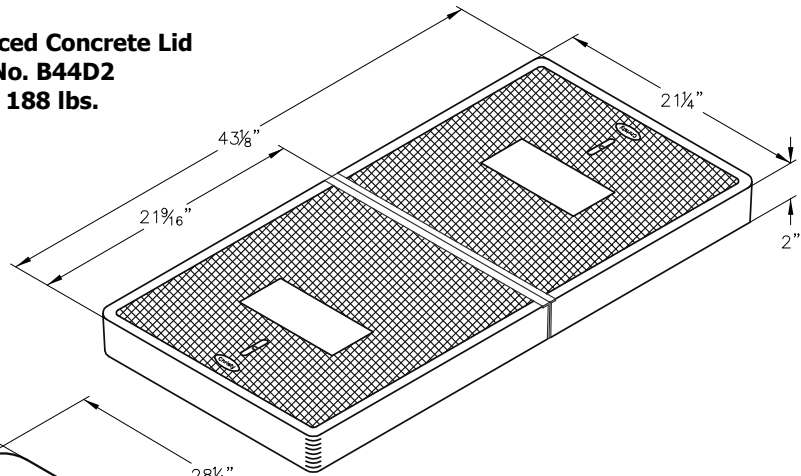
ISSUE DATE: January, 2011

www.oldcastleprecast.com

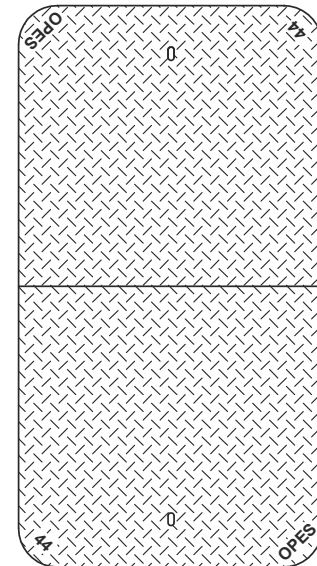
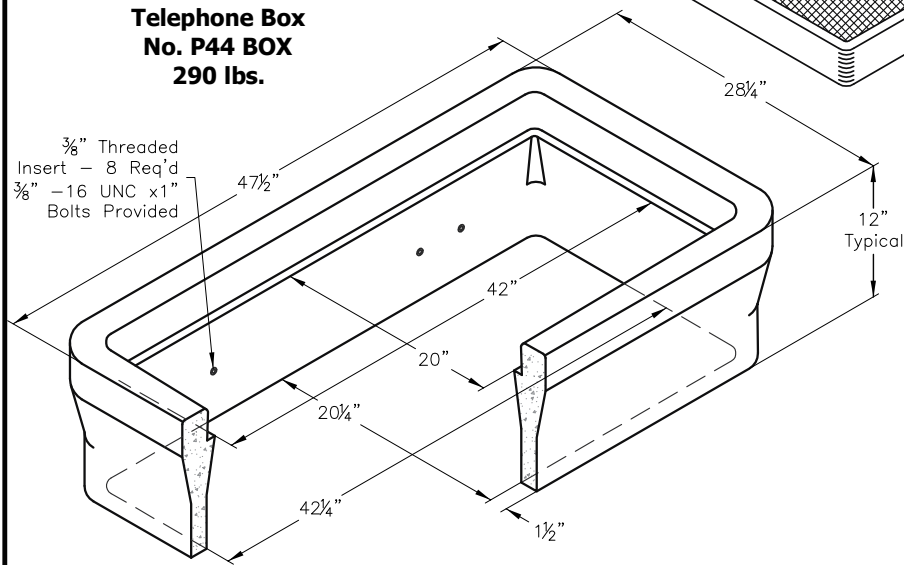
**P36 TELEPHONE BOX
17-1/8" x 30-1/4"**



**Reinforced Concrete Lid
No. B44D2
188 lbs.**



**Telephone Box
No. P44 BOX
290 lbs.**



B44-62D

A high density reinforced concrete box with non-settling shoulders positioned to maintain grade and facilitate back filling. Provisions provided for installation of Telephone Racking. Racking not included. Approximate dimensions and weight shown.

Oldcastle Ordering Code	Item	Approx. Shipping Weight	Description
P44BOX	BOX	290 lbs.	P44 Telephone Box (20 1/4" x 42 1/4") - 6 per pallet
B44D2	LID	188 lbs.	2 pc. Reinforced Concrete Lid
B44-62D	COVER	96 lbs.	2 pc. Steel Checker Plate
B44X8	EXTENSION	178 lbs.	8" Reinforced Concrete - 8 per pallet
B44SL	SLAB	150 lbs.	Reinforced concrete (24 1/4" x 46")

Galvanizing available on all steel covers



Phone: (800) 486-7070 Fax: (800) 486-6804
Copyright © 2011 Oldcastle Precast Inc.

P44 BOX

FILE NAME: P44_ISO

ISSUE DATE: January, 2011

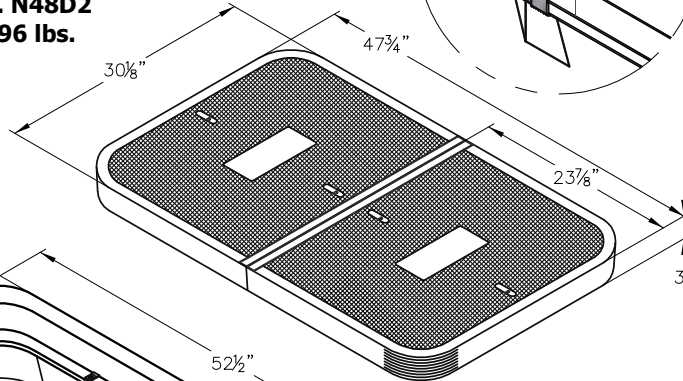
www.oldcastleprecast.com

**P44 TELEPHONE BOX
20-1/4" x 42-1/4"**

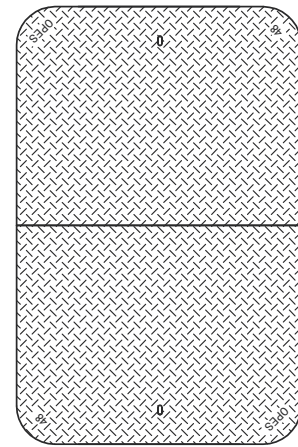
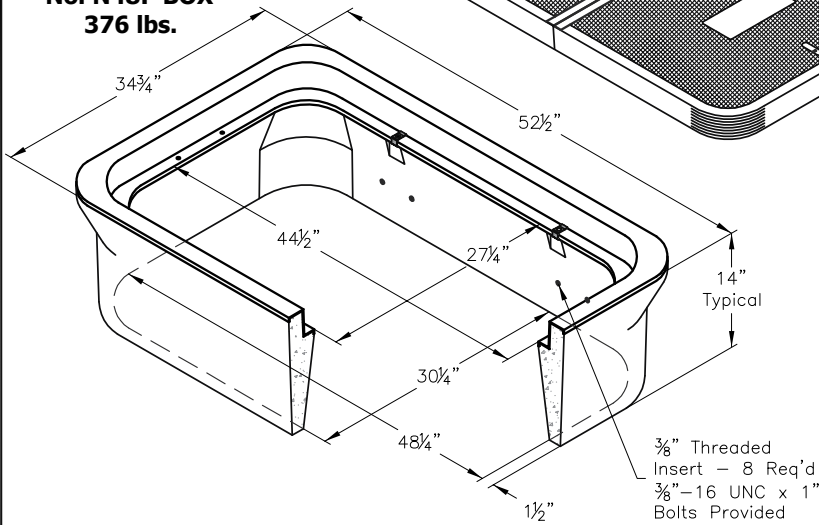


- Etched polypropylene face
- Face anchored in concrete
- Ultra-violet inhibitor
- Exceeds ASTM-D1693 Standards for Environmental Stress Cracking Resistance

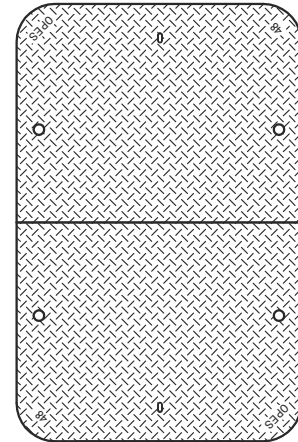
**Reinforced Concrete Lid
No. N48D2
396 lbs.**



**Telephone Box
No. N48P BOX
376 lbs.**



B48-62D



N48-62J

A high density reinforced concrete box with non-settling shoulders positioned to maintain grade and facilitate back filling. Provisions provided for installation of Telephone Racking. Racking not included. Approximate dimensions and weight shown.

Oldcastle Ordering Code	Item	Approx. Shipping Weight	Description
N48PBOX	BOX	376 lbs.	N48P Telephone Box (30 1/4" x 48 1/4") w/ Bolt Down Provisions - 3 per pallet
N48D2	LID	396 lbs.	2 pc. Reinforced Concrete Lid (Order N98 - Set of 4 - Bolt Down Kit Separately)
B48-62D	COVER	155 lbs.	2 pc. Steel Checker Plate
N48-62J	COVER	155 lbs.	2 pc. Steel Checker Plate Bolt Down (Order N98 - Set of 4 - Bolt Down Kit Separately)
B48X10	EXTENSION	288 lbs.	10" Reinforced Concrete - 3 per pallet
B48SL	SLAB	406 lbs.	Reinforced concrete (36" x 53")
*Boxes Provided with Bolt Down Provisions for use with Bolt Down Lids.			
Galvanizing available on all steel covers			



Phone: (800) 486-7070 Fax: (800) 486-6804
Copyright © 2011 Oldcastle Precast Inc.

P48 BOX

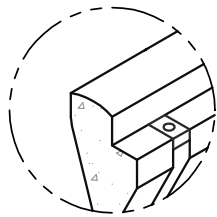
FILE NAME: P48_ISO

ISSUE DATE: January, 2011

www.oldcastleprecast.com

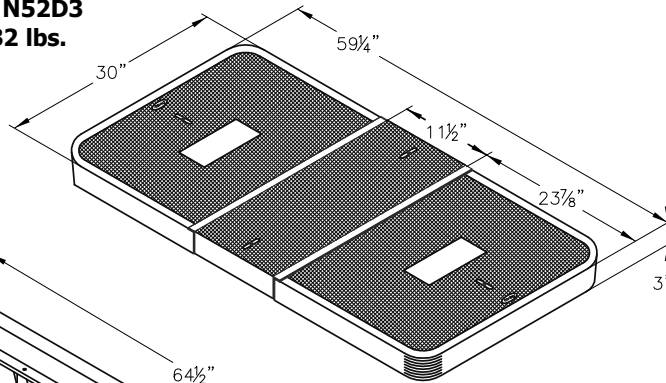
**P48 TELEPHONE BOX
30-1/4" x 48-1/4"**



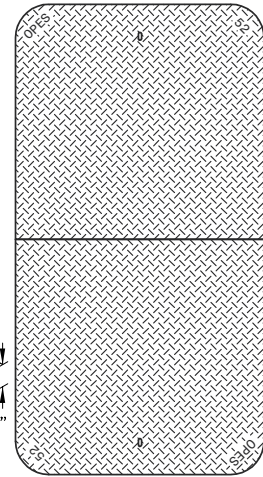
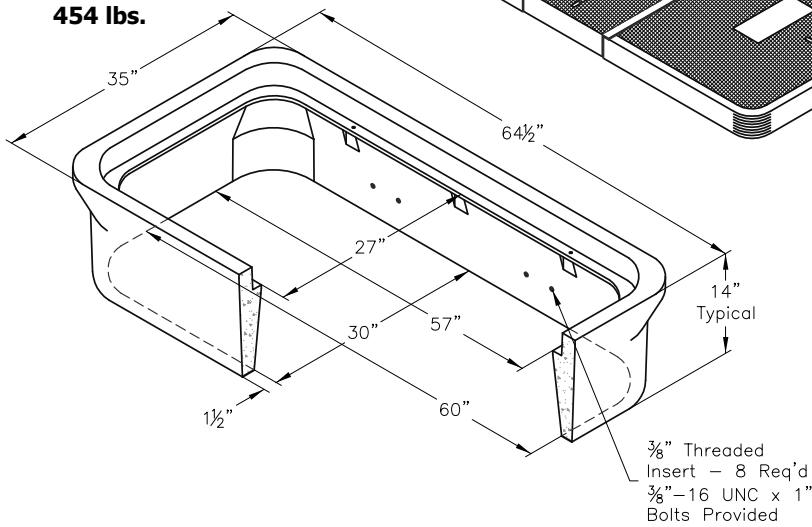


"T" BOX

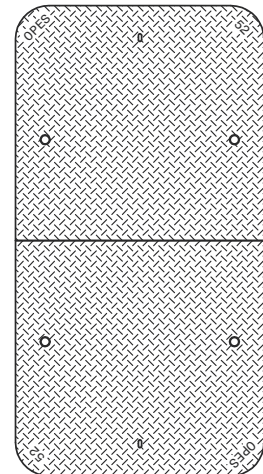
**Reinforced Concrete Lid
No. N52D3
532 lbs.**



**Telephone Box
No. N52P BOX
454 lbs.**



B52-62D



N52-62J

A high density reinforced concrete box with non-settling shoulders positioned to maintain grade and facilitate back filling. Provisions provided for installation of Telephone Racking. Racking not included. Approximate dimensions and weight shown.

Oldcastle Ordering Code	Item	Approx. Shipping Weight	Description
N52PBOX	BOX	454 lbs.	N52P Telephone Box (30" x 60") w/ Bolt Down Provisions - 3 per pallet
N52D3	LID	532 lbs.	3 pc. Reinforced Concrete Lid
B52-62D	COVER	178 lbs.	2 pc. Steel Checker Plate
N52-62J	COVER	178 lbs.	2 pc. Steel Checker Plate (Order Hold Down Bolts Separately)
B52X10	EXTENSION	308 lbs.	10" Reinforced Concrete - 3 per pallet
B52SL	SLAB	509 lbs.	Reinforced Concrete (36" x 66")

Galvanizing available on all steel covers



Phone: (800) 486-7070 Fax: (800) 486-6804
Copyright © 2011 Oldcastle Precast Inc.

P52 BOX

FILE NAME: P52_ISO

ISSUE DATE: January, 2011

www.oldcastleprecast.com

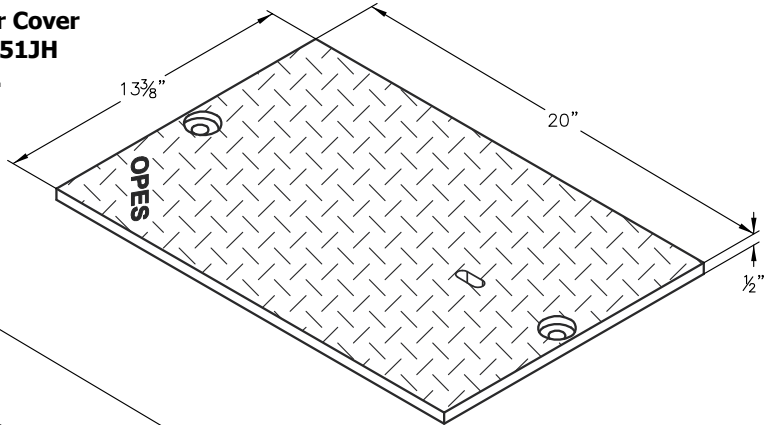
P52 TELEPHONE BOX

30" x 60"

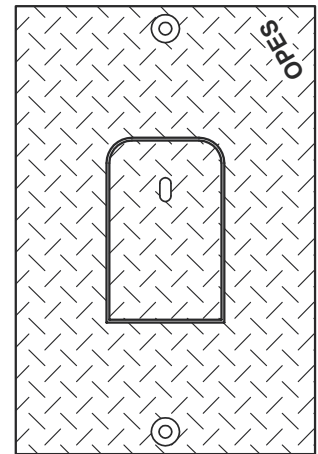
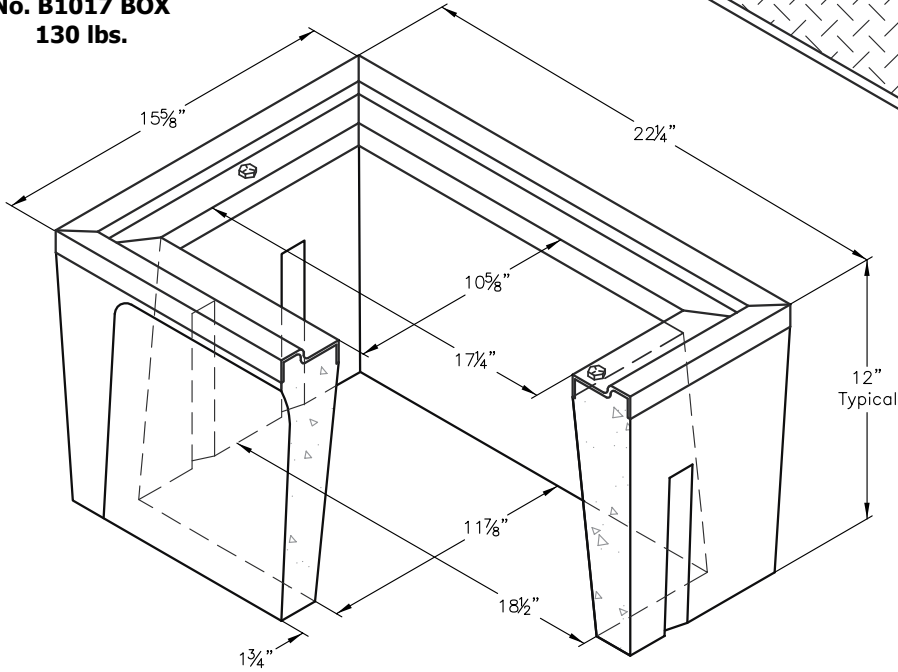


Traffic Box
Caltrans No. 3-1/2T State Specs

Steel Checker Cover
No. B1017-51JH
44 lbs.



Traffic Box
No. B1017 BOX
130 lbs.



B1017-51GH

A high density reinforced concrete box with non-settling shoulders positioned to maintain grade and facilitate back filling. Hex-Head Bolts are included with Box. Approximate dimensions and weight shown.

Oldcastle Ordering Code	Item	Approx. Shipping Weight	Description
B1017BOX	BOX	130 lbs.	B1017 Utility Box (10 5/8" x 17 1/4") H/20 Loading w/ Bolts - 20 per pallet
B1017-51JH	COVER	44 lbs.	Steel Checker Plate, H/20, Bolt Down
B1017-51GH	COVER	46 lbs.	Steel Checker Plate, H/20 with 5" x 8" Reading Lid
B1017X12	EXTENSION	129 lbs.	12" Reinforced Concrete H/20 Loading - 20 per pallet
B9SL	SLAB	32 lbs.	Reinforced Concrete (13 1/4" x 19 3/4")

Galvanizing available on all steel covers



Phone: (800) 486-7070 Fax: (800) 486-6804
 Copyright© 2011 Oldcastle Precast Inc.

B1017 BOX

FILE NAME: B1017_ISO

ISSUE DATE: January, 2011

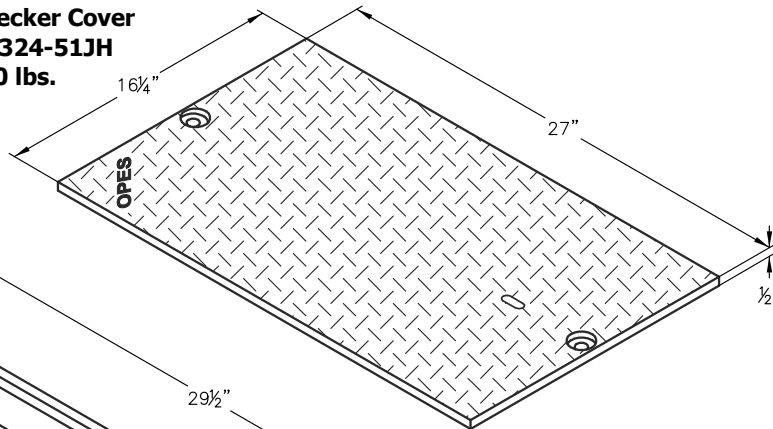
www.oldcastleprecast.com

B1017 BOX H/20 LOADING
10-5/8" x 17-1/4"

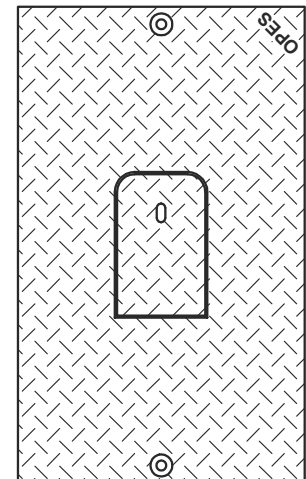
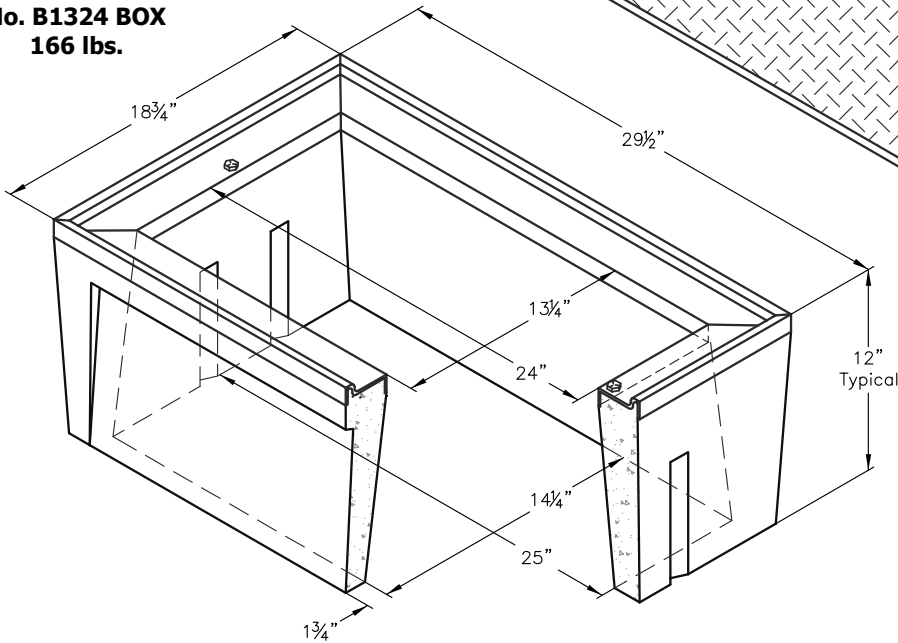


Traffic Box
Caltrans No. 5T State Specs

Steel Checker Cover
No. B1324-51JH
70 lbs.



Traffic Box
No. B1324 BOX
166 lbs.



B1324-51GH

A high density reinforced concrete box with non-settling shoulders positioned to maintain grade and facilitate back filling. Hex-Head Bolts are included with Box. Approximate dimensions and weight shown.

Oldcastle Ordering Code	Item	Approx. Shipping Weight	Description
B1324BOX	BOX	166 lbs.	B1324 Utility Box (13 3/4" x 24") H/20 Loading w/ Bolts - 16 per pallet
B1324-51JH	COVER	70 lbs.	Steel Checker Plate, H/20, Bolt Down
B1324-51GH	COVER	72 lbs.	Steel Checker Plate, H/20 with 5" x 8" Reading Lid
B1324X12	EXTENSION	163 lbs.	12" Reinforced Concrete H/20 Loading - 16 per pallet
B30SL	SLAB	52 lbs.	Reinforced Concrete (16" x 28")

Galvanizing available on all steel covers



Phone: (800) 486-7070 Fax: (800) 486-6804
Copyright © 2011 Oldcastle Precast Inc.

B1324 BOX

FILE NAME: B1324_ISO

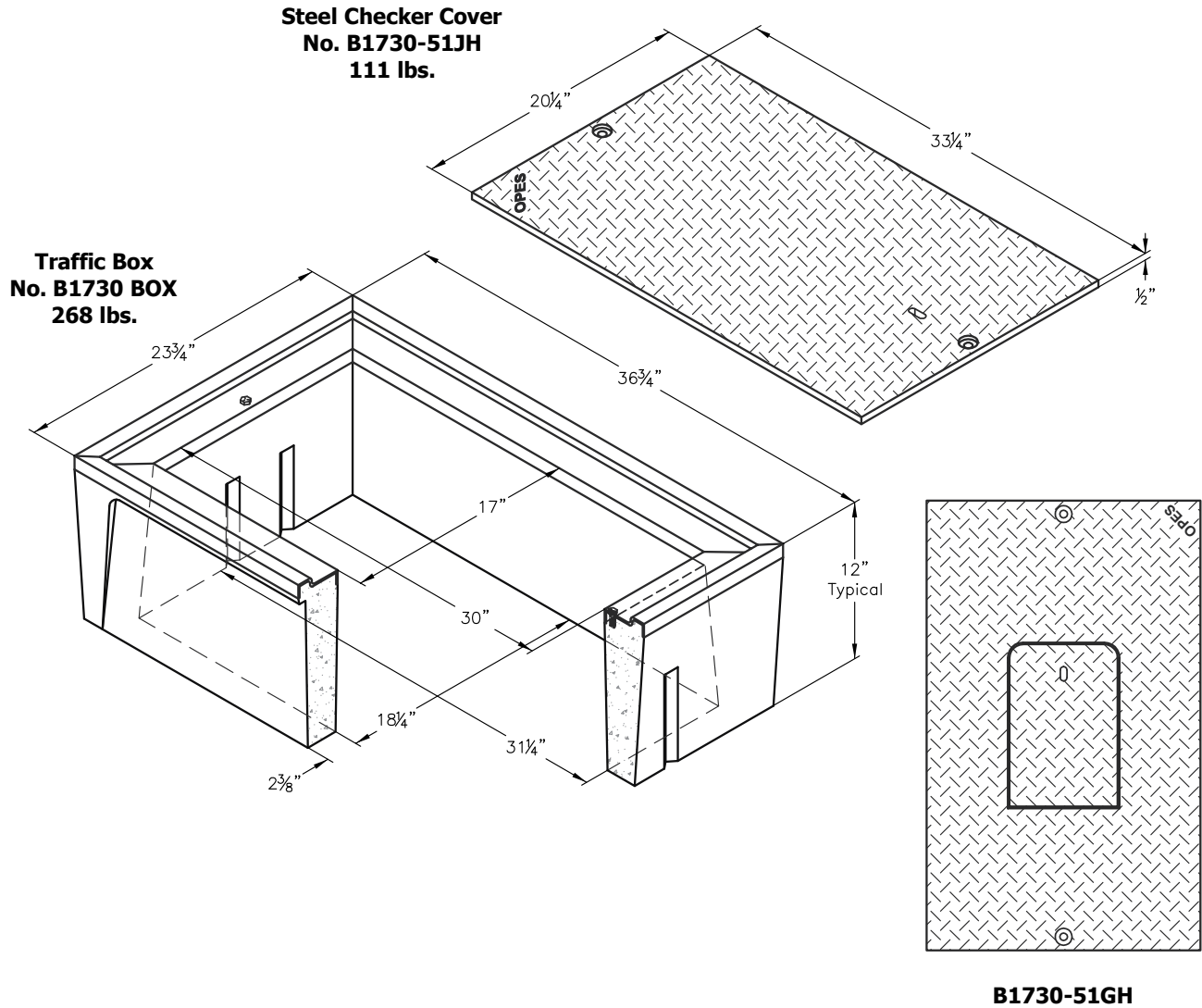
ISSUE DATE: January, 2011

www.oldcastleprecast.com

B1324 BOX H/20 LOADING
13-1/4" x 24"



Traffic Box
Caltrans No. 6T State Specs



A high density reinforced concrete box with non-settling shoulders positioned to maintain grade and facilitate back filling. Head-Head Bolts are included with Box. Approximate dimensions and weight shown.

Oldcastle Ordering Code	Item	Approx. Shipping Weight	Description
B1730BOX	BOX	268 lbs.	B1730 Utility Box (17" x 30") H/20 Loading w/ Bolts - 6 per pallet
B1730-51JH	COVER	111 lbs.	Steel Checker Plate, H/20, Bolt Down
B1730-51GH	COVER	112 lbs.	Steel Checker Plate, H/20 with 8" x 12" Reading Lid
B1730X12	EXTENSION	250 lbs.	12" Reinforced Concrete H/20 Loading - 6 per pallet
B36SL	SLAB	108 lbs.	Reinforced Concrete (20" x 34")

Galvanizing available on all steel covers



Phone: (800) 486-7070 Fax: (800) 486-6804
Copyright © 2011 Oldcastle Precast Inc.

B1730 BOX

FILE NAME: B1730_ISO

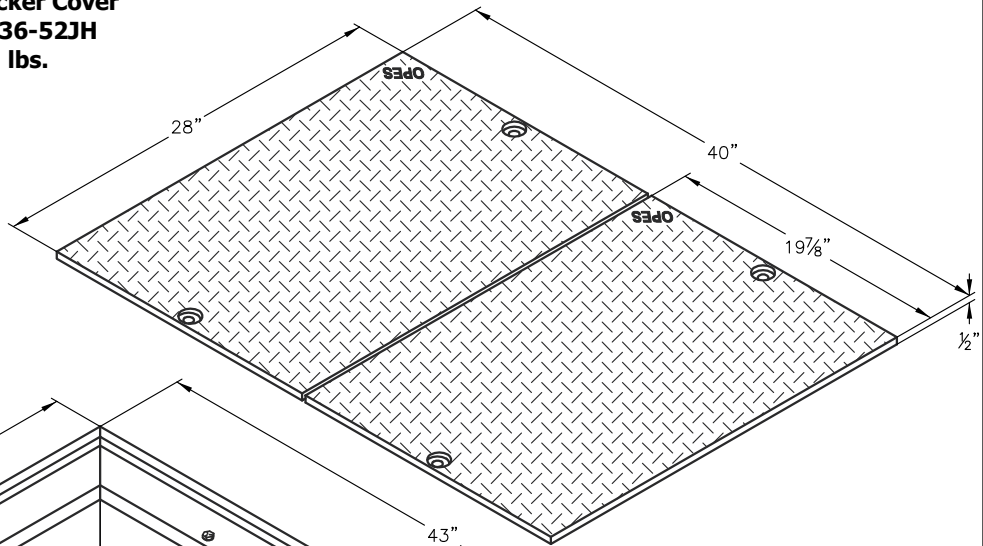
ISSUE DATE: January, 2011

www.oldcastleprecast.com

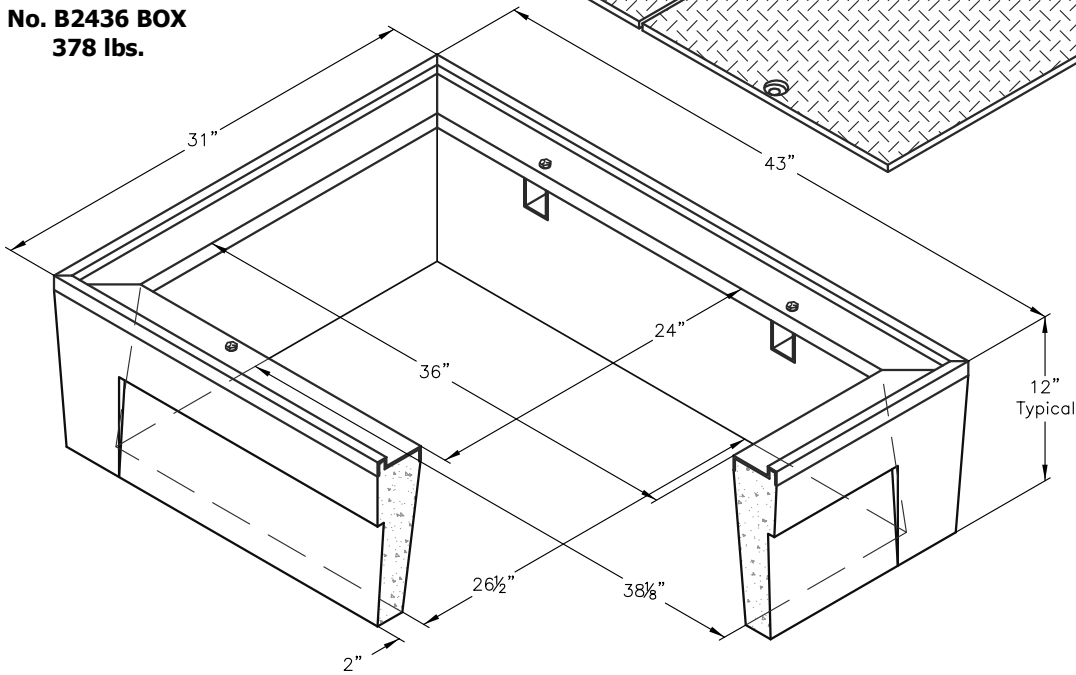
B1730 BOX H/20 LOADING
17" x 30"



**Steel Checker Cover
No. B2436-52JH
218 lbs.**



**Traffic Box
No. B2436 BOX
378 lbs.**



A high density reinforced concrete box with non-settling shoulders positioned to maintain grade and facilitate back filling. Hex-Head Bolts are included with Box. Approximate dimensions and weight shown.

Oldcastle Ordering Code	Item	Approx. Shipping Weight	Description
B2436BOX	BOX	378 lbs.	B2436 Utility Box (24" x 36") H/20 Loading w/ Bolts - 3 per pallet
B2436-52JH	COVER	111 lbs.	2 pc. Steel Checker Plate, H/20, Bolt Down
B2436X12	EXTENSION	250 lbs.	12" Reinforced Concrete H/20 Loading - 3 per pallet
B40SL	SLAB	108 lbs.	Reinforced Concrete (30" x 40")

Galvanizing available on all steel covers



Phone: (800) 486-7070 Fax: (800) 486-6804
Copyright © 2011 Oldcastle Precast Inc.

B2436 BOX

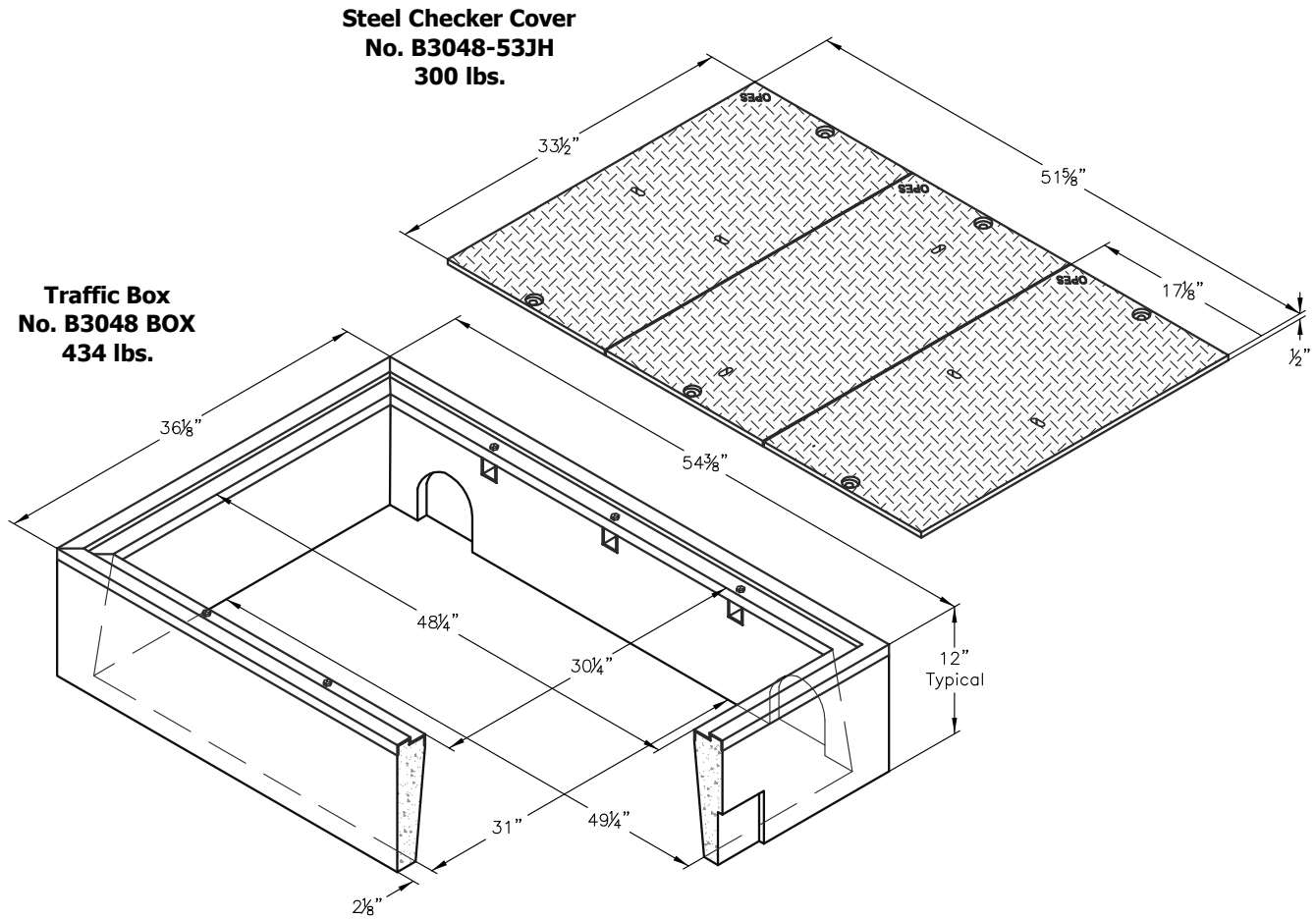
FILE NAME: B2436_ISO

ISSUE DATE: January, 2011

www.oldcastleprecast.com

**B2436 BOX H/20 LOADING
24" x 36"**





**Steel Checker Cover
No. B3048-53JH
300 lbs.**

**Traffic Box
No. B3048 BOX
434 lbs.**

A high density reinforced concrete box with non-settling shoulders positioned to maintain grade and facilitate back filling. Hex-Head Bolts are included with Box. Approximate dimensions and weight shown.

Oldcastle Ordering Code	Item	Approx. Shipping Weight	Description
B3048BOX	BOX	434 lbs.	B3048 Utility Box (30 1/4" x 48 1/4") H/20 Loading w/ Bolts - 3 per pallet
B3048-53JH	COVER	300 lbs.	3 pc. Steel Checker Plate, H/20, Bolt Down
B3048X12	EXTENSION	474 lbs.	12" Reinforced Concrete H/20 Loading - 3 per pallet
B48SL	SLAB	406 lbs.	Reinforced Concrete (36" x 53")
Galvanizing available on all steel covers			



Phone: (800) 486-7070 Fax: (800) 486-6804
Copyright © 2011 Oldcastle Precast Inc.

B3048 BOX

FILE NAME: B3048_ISO

ISSUE DATE: January, 2011

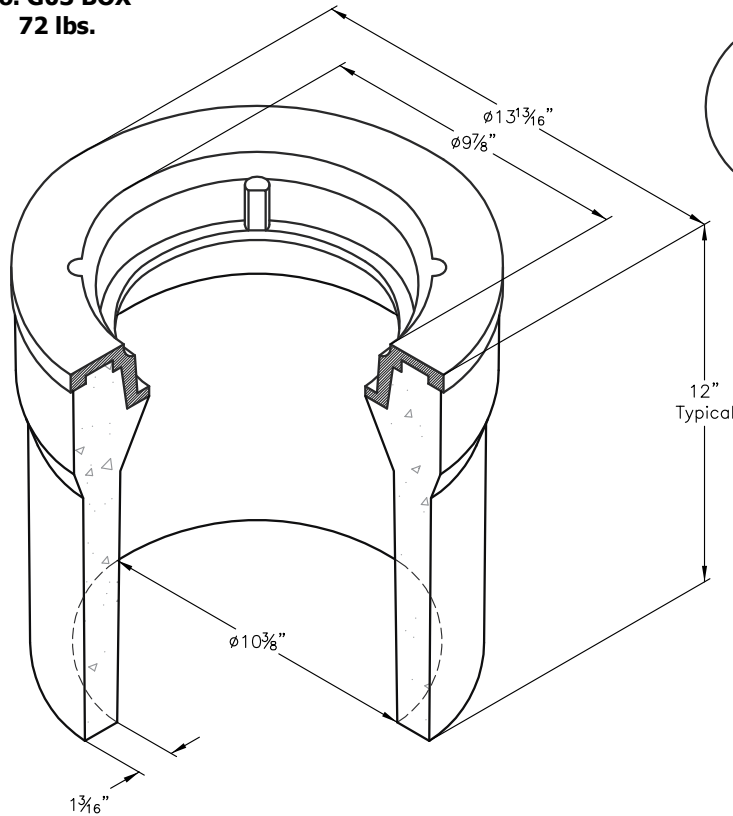
www.oldcastleprecast.com

**B3048 BOX H/20 LOADING
30-1/4" x 48-1/4"**

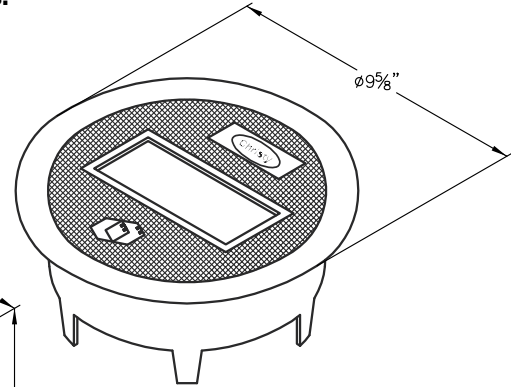


● Traffic Box is H/20 rated

**Traffic Valve Box
No. G03 BOX
72 lbs.**



**Cast Iron Lid
No. G03C
14 lbs.**



A high density reinforced concrete box with cast iron ring for heavy traffic areas. Engineered and designed to be interchangeable with the Brooks 3RT. Approximate dimensions and weight shown.

Oldcastle Ordering Code	Item	Approx. Shipping Weight	Description
G03BOX	BOX	72 lbs.	G03 Traffic Valve Box (10 3/8" I.D. x 12" high) – Interchangeable with Brooks 3RT Box – 36 per pallet
G03C	LID	14 lbs.	Cast Iron Lid
G05X12	EXTENSION	32 lbs.	12" Reinforced Concrete– 36 per pallet
G05XP8	EXTENSION	1 lbs.	ADS 8" plastic
G05XP12	EXTENSION	1 lbs.	ADS 12" plastic
F08XP18	EXTENSION	2 lbs.	ADS 18" plastic
F14XP120	EXTENSION	11 lbs.	ADS 10' length plastic

 **Oldcastle®** Enclosure Solutions

Phone: (800) 486-7070 Fax: (800) 486-6804
Copyright© 2011 Oldcastle Precast Inc.

G03 BOX

FILE NAME: G03_ISO

ISSUE DATE: January, 2011

www.oldcastleprecast.com

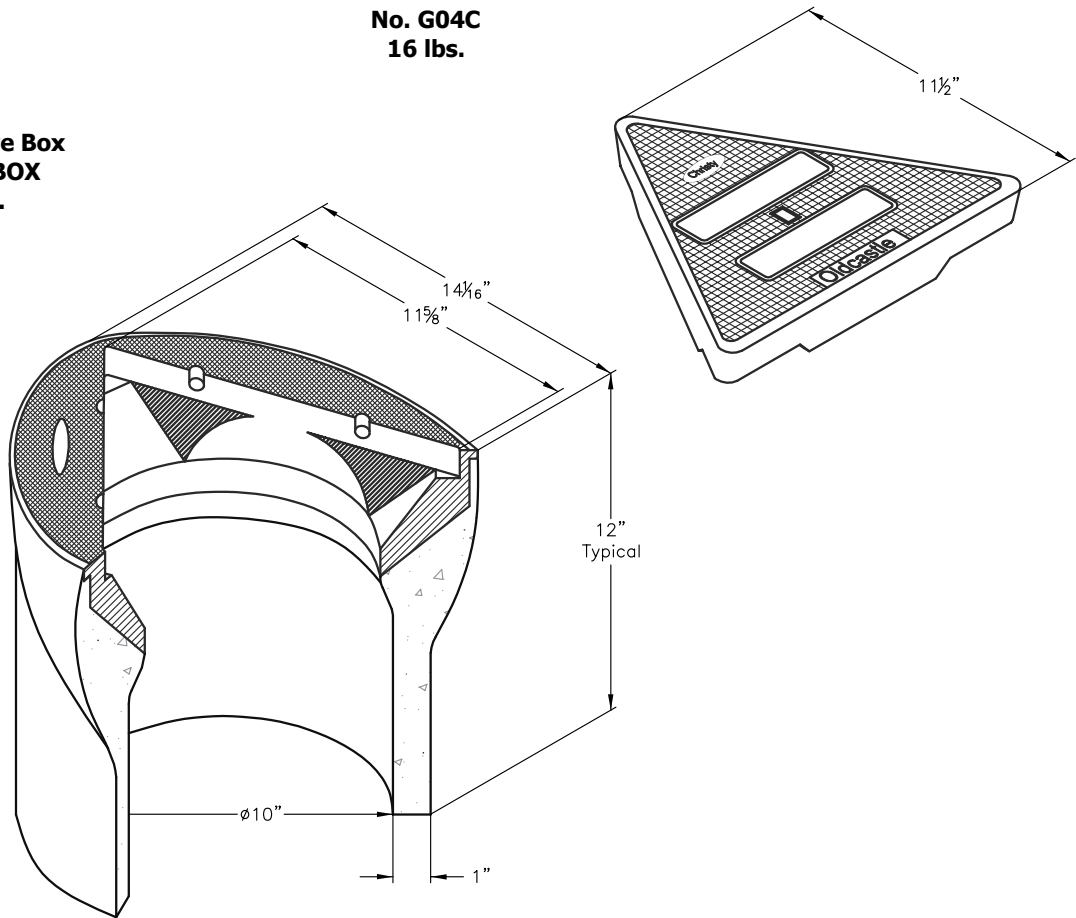
**G03 TRAFFIC VALVE BOX
10-3/8" I.D. x 12"**

 **CHRISTY**
Concrete

- Traffic Box is H/20 rated

**Cast Iron Lid
No. G04C
16 lbs.**

**Traffic Valve Box
No. G04 BOX
60 lbs.**



A high density reinforced concrete box with cast iron triangular top for heavy traffic areas. Engineered and designed to be interchangeable with the Brooks 4TT. Approximate dimensions and weight shown.

Oldcastle Ordering Code	Item	Approx. Shipping Weight	Description
G04BOX	BOX	60 lbs.	G04 Traffic Valve Box (10" I.D. x 12" high) – Interchangeable with Brooks 4TT Box – 36 per pallet
G04C	LID	16 lbs.	Cast Iron Lid
G05X12	EXTENSION	32 lbs.	12" Reinforced Concrete– 36 per pallet
G05XP8	EXTENSION	1 lbs.	ADS 8" plastic
G05XP12	EXTENSION	1 lbs.	ADS 12" plastic
F08XP18	EXTENSION	2 lbs.	ADS 18" plastic
F14XP120	EXTENSION	11 lbs.	ADS 10' length plastic



Phone: (800) 486-7070 Fax: (800) 486-6804
Copyright© 2011 Oldcastle Precast Inc.

G04 BOX

FILE NAME: G04_ISO

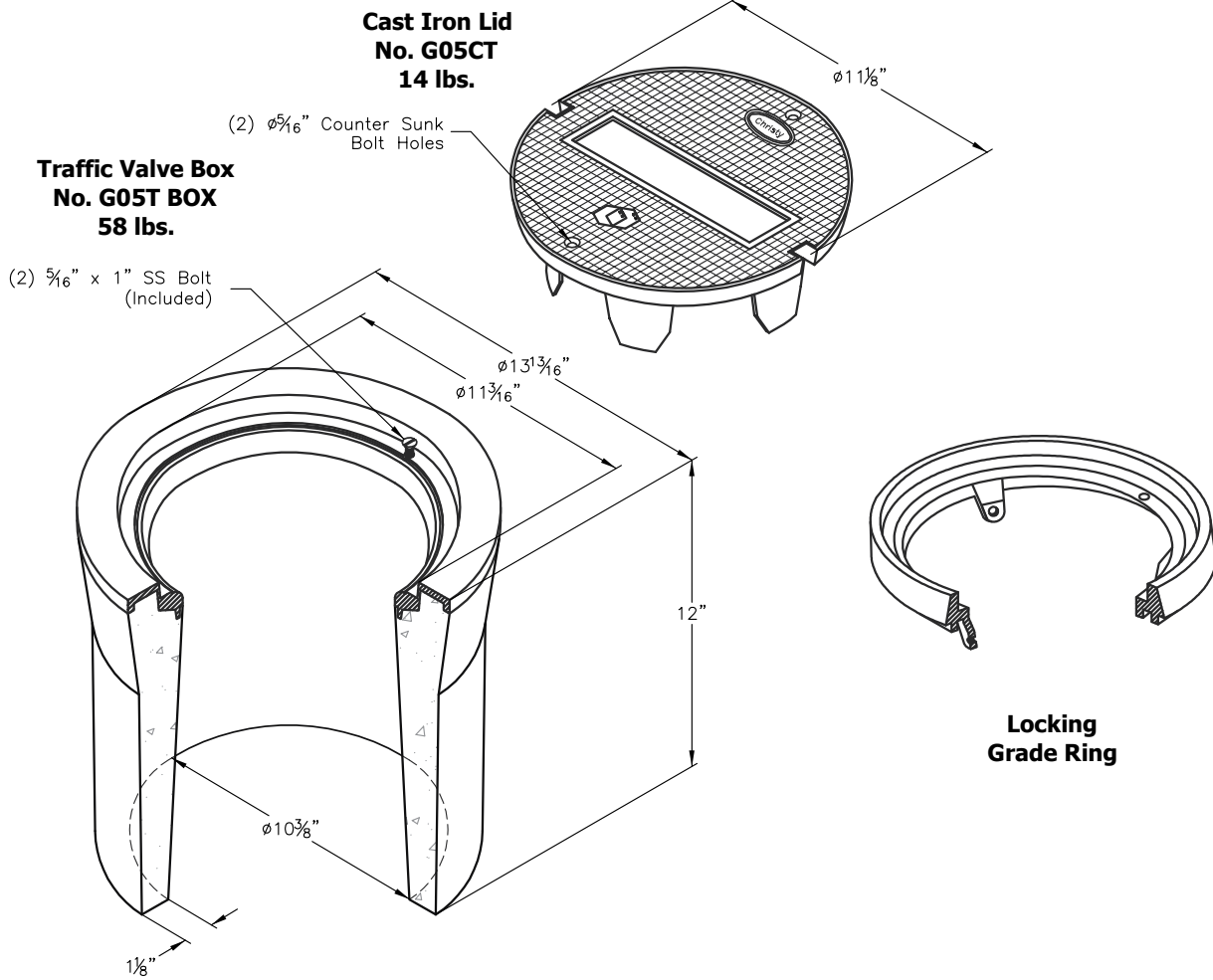
ISSUE DATE: January, 2011

www.oldcastleprecast.com

**G04 TRAFFIC VALVE BOX
10" I.D. x 12"**



● Traffic Box is H/20 rated



The largest throat diameter for a box in its size range permits quick, easy valve adjustments. The large throat also makes this unit highly adaptable as a survey monument box. Unique locking grade rings assure permanence and quality of surface grades when streets are re-paved. The carefully engineered cast iron lid and ring includes machined surfaces and bolting features reducing the danger of lid "pop-out" in high traffic areas. Bolt down recommended for high traffic areas. Approximate dimensions and weight shown.

Oldcastle Ordering Code	Item	Approx. Shipping Weight	Description
G05TBOX	BOX	58 lbs.	G05T Traffic Valve Box (10 3/8" I.D. x 12" high) – 36 per pallet– (includes 1/4"–20 x 1", bolts)
G05CT	LID	14 lbs.	Bolt Down Cast Iron Lid
G05X12	EXTENSION	38 lbs.	12" Reinforced Concrete– 36 per pallet
G05TGR10	GRADE RING	10 lbs.	1" High cast iron
G05TGR15	GRADE RING	14 lbs.	1 1/2" High cast iron
G05TGR20	GRADE RING	18 lbs.	2" High cast iron



Phone: (800) 486-7070 Fax: (800) 486-6804
Copyright © 2011 Oldcastle Precast Inc.

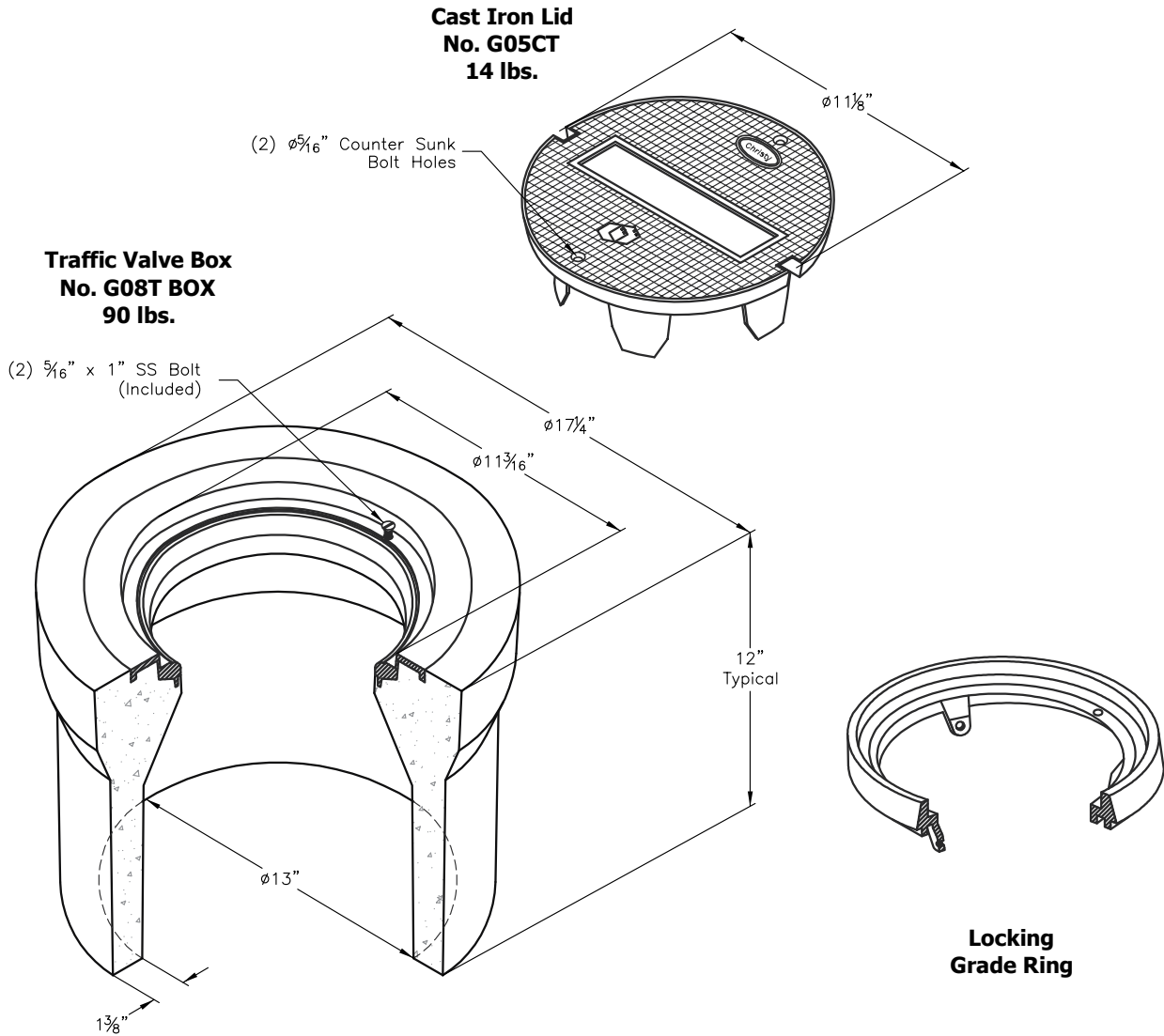
G05T BOX

FILE NAME: G05_JS0
ISSUE DATE: January, 2011
www.oldcastleprecast.com

G05T TRAFFIC VALVE BOX 10-3/8" I.D. x 12"



● Traffic Box is H/20 rated



A high density reinforced concrete box used for access to underground valves. This box has a belled top to prevent settling. Bolt down recommended for high traffic areas. Approximate dimensions and weight shown. Unique locking grade rings assure permanence and quality of surface grades when streets are re-paved. Special lifting hole features incorporated in the lid design affords easy removal.

Oldcastle Ordering Code	Item	Approx. Shipping Weight	Description
G08TBOX	BOX	90 lbs.	G08T Traffic Valve Box (13" I.D. x 12" high) – 10 per pallet
G05CT	LID	14 lbs.	Cast Iron Lid
G08X12	EXTENSION	47 lbs.	12" Reinforced Concrete– 36 per pallet
G05TGR10	GRADE RING	10 lbs.	1" High cast iron
G05TGR15	GRADE RING	14 lbs.	1½" High cast iron
G05TGR20	GRADE RING	18 lbs.	2" High cast iron



Phone: (800) 486-7070 Fax: (800) 486-6804
Copyright © 2011 Oldcastle Precast Inc.

G08T BOX

FILE NAME: G08_ISO

ISSUE DATE: January, 2011

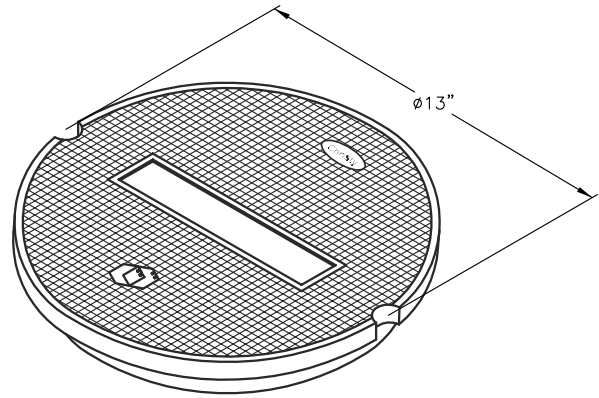
www.oldcastleprecast.com

**G08T TRAFFIC VALVE BOX
13" I.D. x 12"**

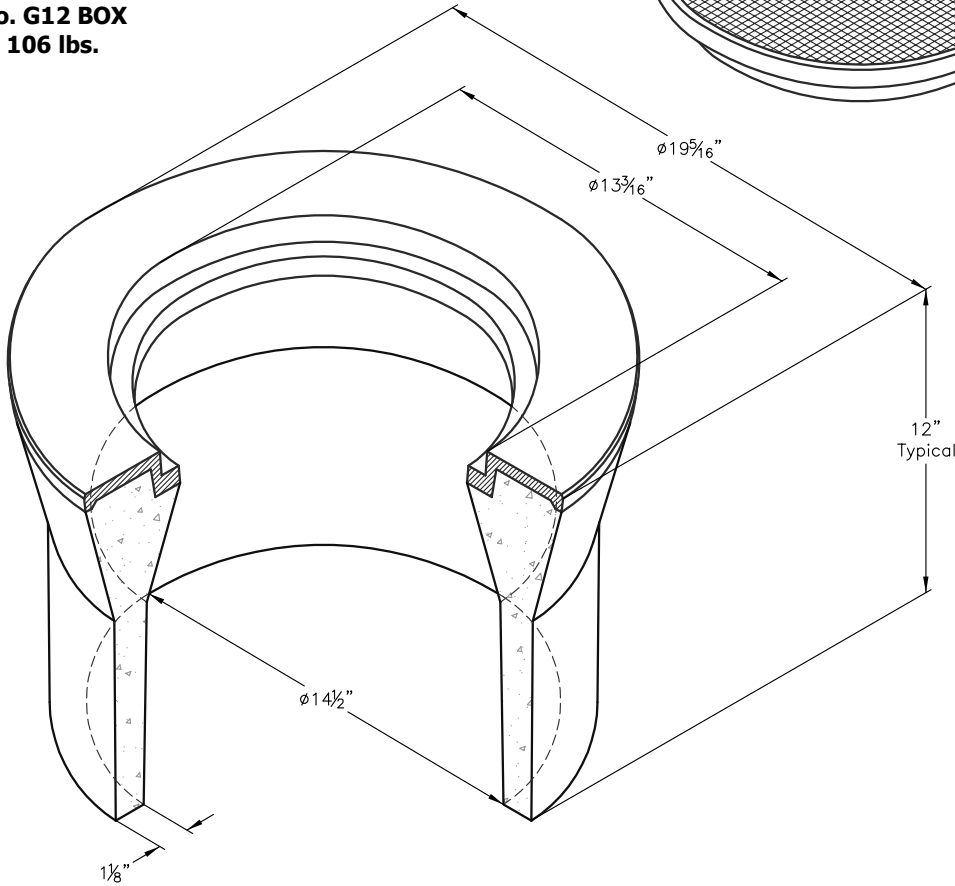


● Traffic Box is H/20 rated

**Cast Iron Lid
No. G12C
24 lbs.**



**Traffic Valve Box
No. G12 BOX
106 lbs.**



A high density reinforced concrete box used for access to underground valves. Cast iron tapered lid and seat with debris proof design, permits snug fit and easy removal. The special concrete design of the box assists to maintain the grade under heavy traffic and isolate the pipeline from road shock. Designed to enclose large shut off valves in heavy auto and truck traffic areas. Telescoping extensions facilitate installation at jobsite and act to isolate pipeline from road shock. Approximate dimensions and weight shown.

Oldcastle Ordering Code	Item	Approx. Shipping Weight	Description
G12BOX	BOX	106 lbs.	G12 Traffic Valve Box (14 1/2" I.D. x 12" high) – 10 per pallet
G12C	LID	24 lbs.	Cast Iron Lid
G12X12	EXTENSION	110 lbs.	12" Reinforced Concrete – 10 per pallet

 **Oldcastle®** Enclosure Solutions

Phone: (800) 486-7070 Fax: (800) 486-6804
Copyright © 2011 Oldcastle Precast Inc.

G12 BOX

FILE NAME: G12_ISO

ISSUE DATE: January, 2011

www.oldcastleprecast.com

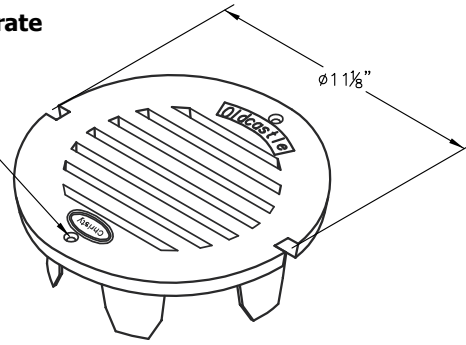
**G12 TRAFFIC VALVE BOX
14-1/2" I.D. x 12"**



- Traffic Box is H/10 rated

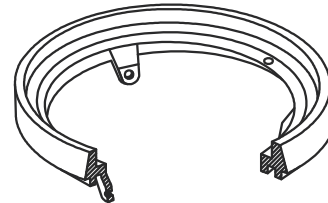
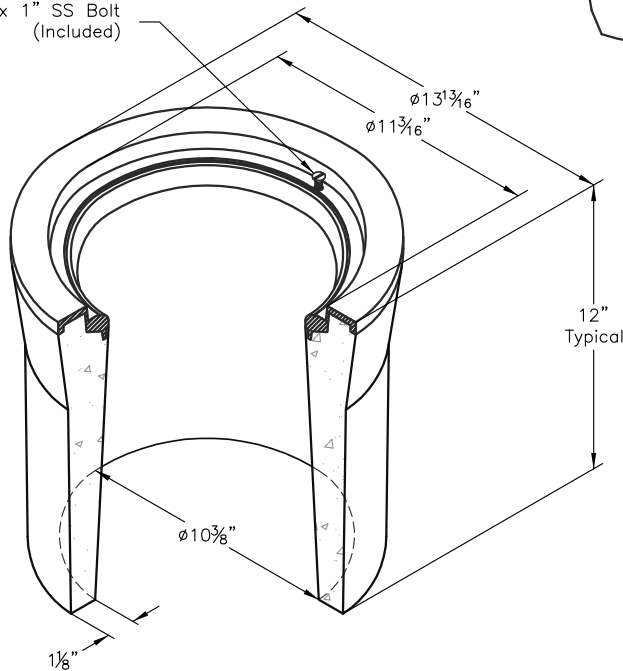
**Traffic Bolt Down Grate
No. V05CT
15 lbs.**

(2) $\phi 5/16$ " Counter Sunk Bolt Holes



**Traffic Valve Box
No. G05T BOX
58 lbs.**

(2) $5/16$ " x 1" SS Bolt (Included)



**Locking
Grade Ring**

The largest throat diameter for an box in its size range permits quick, easy valve adjustments, The large throat also makes this unit highly adaptable as a survey monument box. Unique locking grade rings assure permanence and quality of surface grades when streets are re-paved. The carefully engineered cast iron lid and ring includes machined surfaces and bolting features reducing the danger of lid "pop-out" in high traffic areas. Bolt down recommended for high traffic areas. Approximate dimensions and weight shown.

Oldcastle Ordering Code	Item	Approx. Shipping Weight	Description
G05TBOX	BOX	58 lbs.	G05T Traffic Valve Box (10 $\frac{3}{8}$ " I.D. x 12" high)– 36 per pallet– (includes $\frac{1}{4}$ "–20 x 1", bolts)
V05–71CT	LID	15 lbs.	Cast Iron Grate (Includes holes for bolt down feature) ADA Compliant
G05X12	EXTENSION	38 lbs.	12" reinforced concrete for the G05 & G08 boxes– 36 per pallet
G05TGR10	GRADE RING	10 lbs.	1" High cast iron
G05TGR15	GRADE RING	14 lbs.	1 $\frac{1}{2}$ " High cast iron
G05TGR20	GRADE RING	18 lbs.	2" High cast iron



Phone: (800) 486–7070 Fax: (800) 486–6804
Copyright © 2011 Oldcastle Precast Inc.

V05 BOX

FILE NAME: V05_ISO

ISSUE DATE: January, 2011

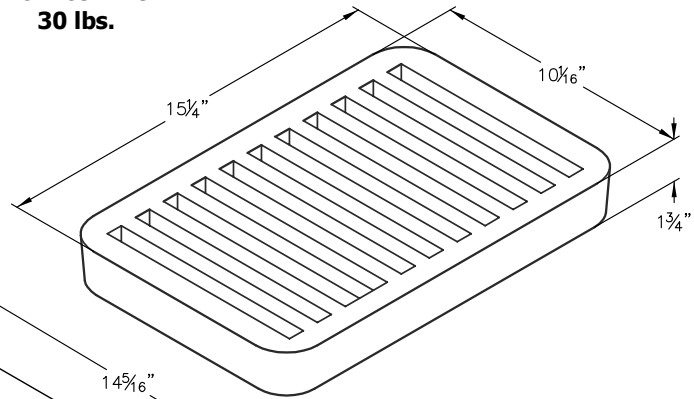
www.oldcastleprecast.com

**V05 DRAIN BOX
10-3/8" I.D. x 12"**

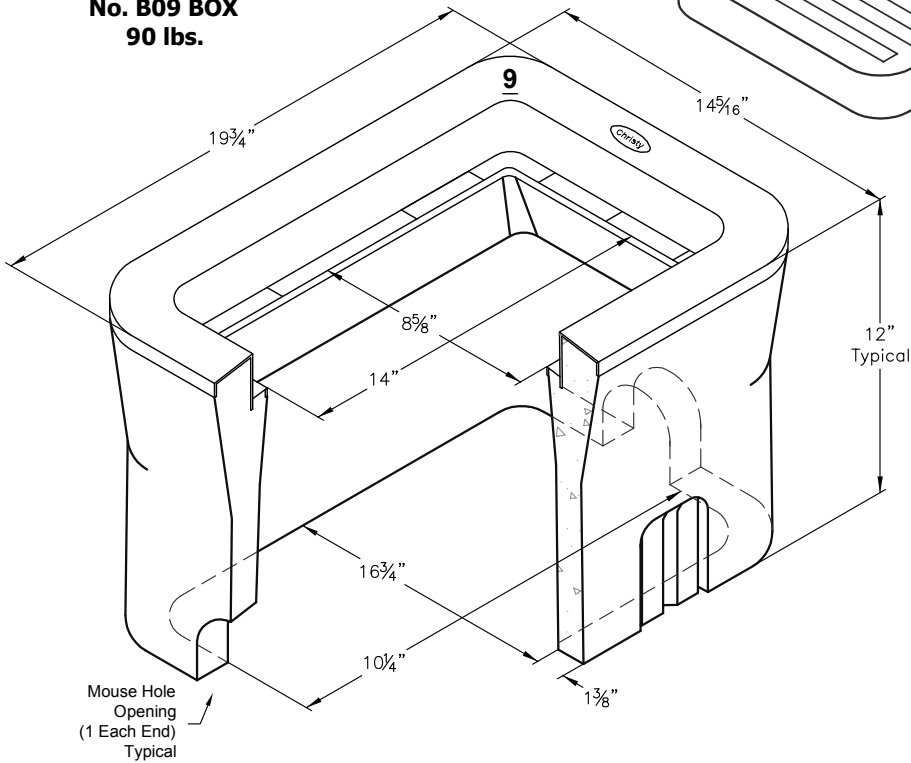


- Etched polypropylene face
- Face anchored in concrete
- Ultra-violet inhibitor
- Exceeds ASTM-D1693 Standards for Environmental Stress Cracking Resistance

**Cast Iron Grate
No. V09-71C
30 lbs.**



**Drain Box
No. B09 BOX
90 lbs.**



A curb type reinforced box for use in light drainage installations. Approximate dimensions and weight shown.

Oldcastle Ordering Code	Item	Approx. Shipping Weight	Description
B09BOX	BOX	90 lbs.	V09 Drain Box (10 1/4" x 16 3/4") - 28 per pallet
V09-71C	LID	30 lbs.	Cast Iron Grate
B09X12	EXTENSION	87 lbs.	12" Reinforced Concrete Box Extension - 28 per pallet



Phone: (800) 486-7070 Fax: (800) 486-6804
Copyright © 2011 Oldcastle Precast Inc.

V09 BOX

FILE NAME: V09_ISO

ISSUE DATE: January, 2011

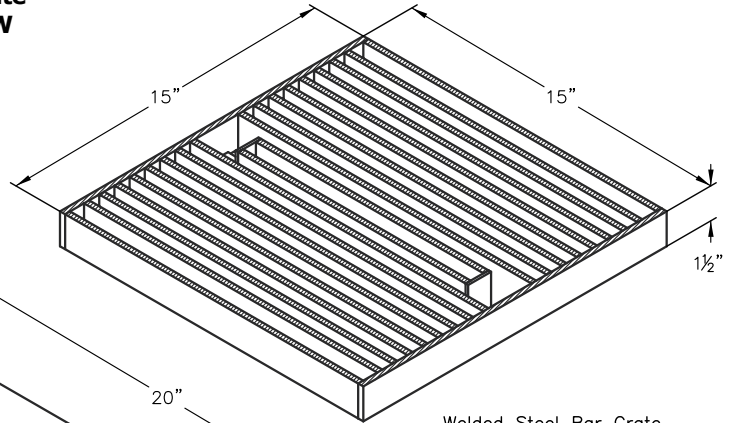
www.oldcastleprecast.com

**V09 DRAIN BOX
10-1/4" x 16-3/4"**

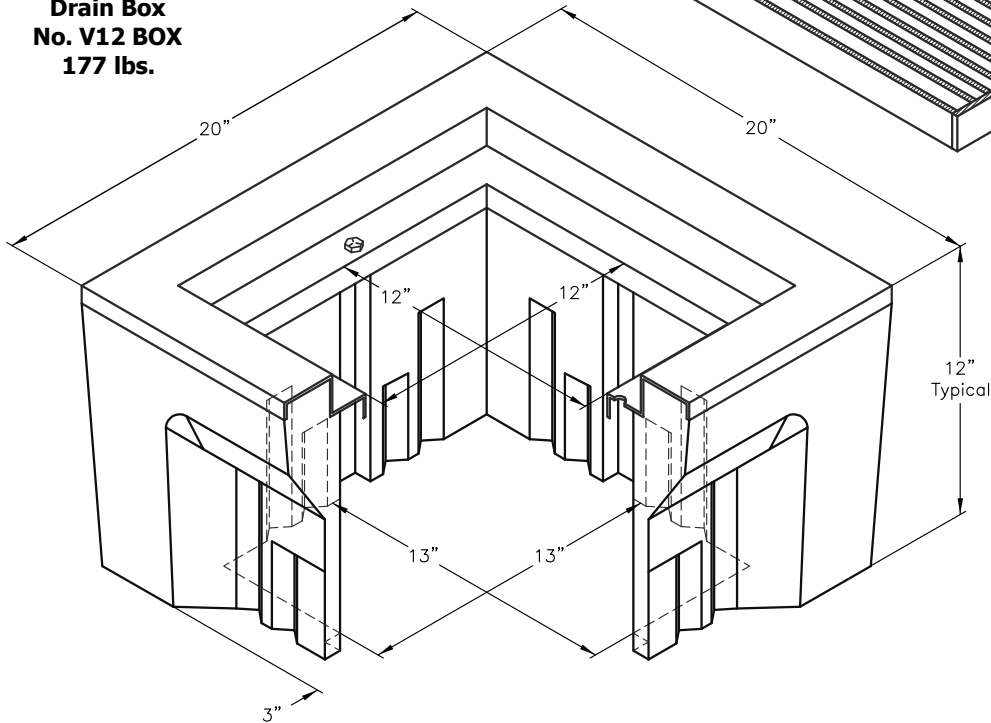


● Drainage Box is H/20 rated

**Cast Iron Grate
No. V12-71W
34 lbs.**



**Drain Box
No. V12 BOX
177 lbs.**



Welded Steel Bar Grate is ADA Approved.

A high density reinforced concrete box with cast in galvanized frame, specifically engineered for heavy traffic areas. Approximate dimensions and weight shown.

Oldcastle Ordering Code	Item	Approx. Shipping Weight	Description
V12BOX	BOX	177 lbs.	V12 Drain Box (12" x 12") - H/20 Loading, Bolt Down, Interchangeable with Brooks #1212 Box- 12 per pallet
V12-71W	LID	34 lbs.	Welded, Steel Cross Bars, H/20 Loading, Galvanized; ADA Approved
V12X12	EXTENSION	120 lbs.	12" Reinforced Concrete - 12 per pallet



Phone: (800) 486-7070 Fax: (800) 486-6804
Copyright © 2011 Oldcastle Precast Inc.

V12 BOX

FILE NAME: V12_ISO

ISSUE DATE: January, 2011

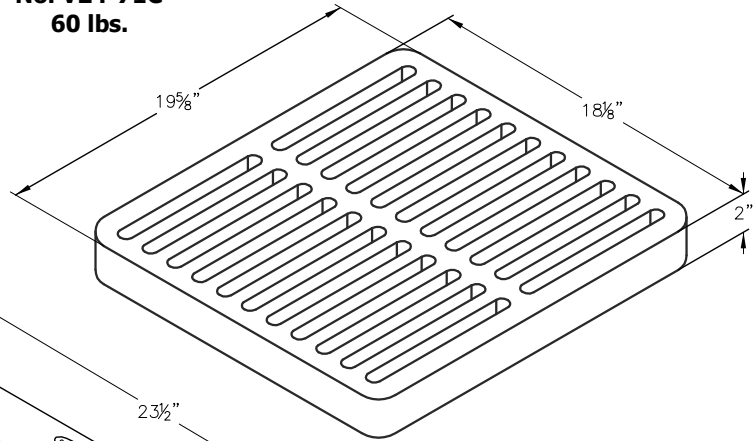
www.oldcastleprecast.com

**V12 DRAIN BOX
12" x 12"**

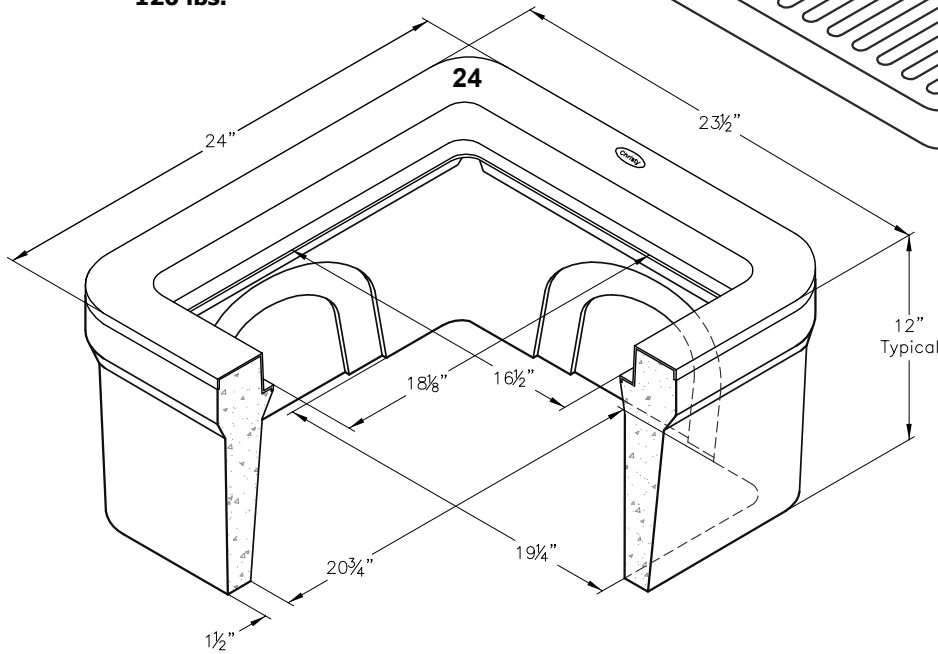


- Etched polypropylene face
- Face anchored in concrete
- Ultra-violet inhibitor
- Exceeds ASTM-D1693 Standards for Environmental Stress Cracking Resistance

**Cast Iron Grate
No. V24-71C
60 lbs.**



**Drain Box
No. V24 BOX
126 lbs.**



A curb type reinforced box for use in light drainage installations. Approximate dimensions and weight shown. Grates are light duty (non-traffic).

Oldcastle Ordering Code	Item	Approx. Shipping Weight	Description
B24BOX	BOX	126 lbs.	V24 Drain Box (20 ³ / ₄ " x 19 ¹ / ₄ ") - 12 per pallet
V24-71C	LID	60 lbs.	Cast Iron Grate
B24X12	EXTENSION	164 lbs.	12" Reinforced Concrete - 12 per pallet



Phone: (800) 486-7070 Fax: (800) 486-6804
Copyright © 2011 Oldcastle Precast Inc.

V24 BOX

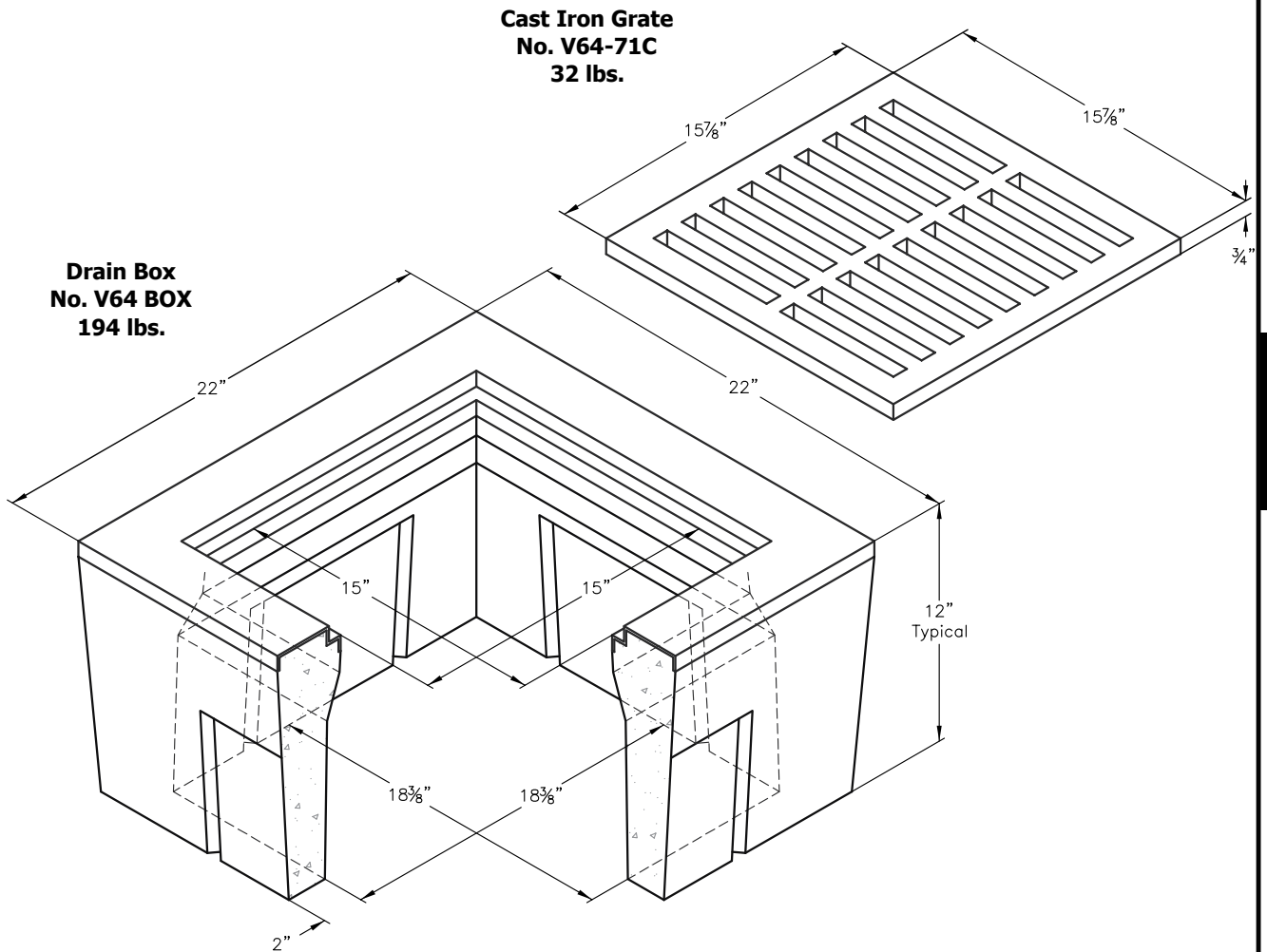
FILE NAME: V24_ISO

ISSUE DATE: January, 2011

www.oldcastleprecast.com

**V24 DRAIN BOX
20-3/4" x 19-1/4"**





This concrete drain box has a cast in galvanized frame and is specifically engineered for drainage in medium areas such as parking lots, school grounds, walkways, ect. Its design permits final grading material to "lock in" and finish clean. Knock-outs accommodate up to 8" O.D. pipe. Approximate dimensions and weight shown. ADA approved grates available upon request.

Oldcastle Ordering Code	Item	Approx. Shipping Weight	Description
V64BOX	BOX	194 lbs.	V64 Drain Box (18 ³ / ₈ " x 18 ³ / ₈ ") - 12 per pallet
V64-71C	LID	32 lbs.	Cast Iron Grate
V64X12	EXTENSION	152 lbs.	12" Reinforced Concrete - 12 per pallet



Phone: (800) 486-7070 Fax: (800) 486-6804
Copyright © 2011 Oldcastle Precast Inc.

V64 DRAIN BOX

FILE NAME: V64_ISO

ISSUE DATE: January, 2011

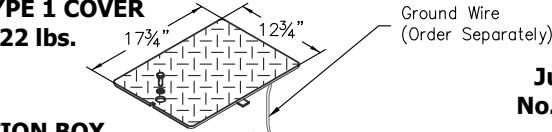
www.oldcastleprecast.com

V64 DRAIN BOX 18-3/8" x 18-3/8"

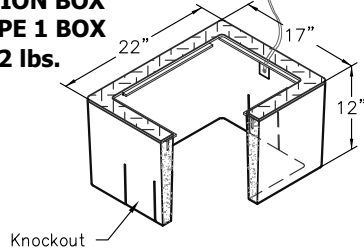


WDOT J-BOXES - STANDARD

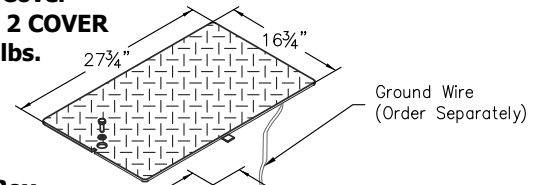
**Steel Cover
No. TYPE 1 COVER
22 lbs.**



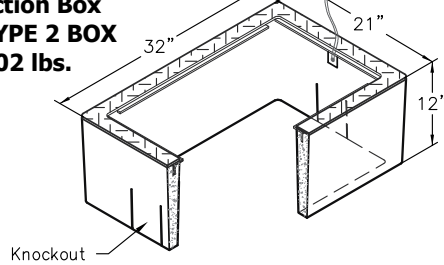
**JUNCTION BOX
No. TYPE 1 BOX
142 lbs.**



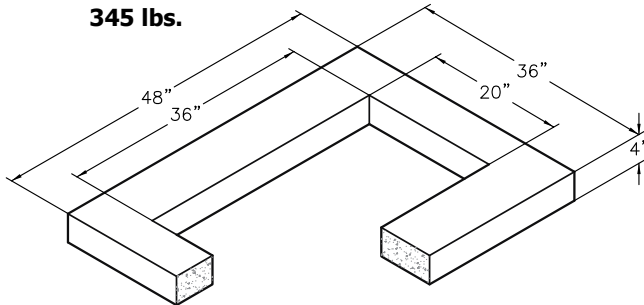
**Steel Cover
No. TYPE 2 COVER
46 lbs.**



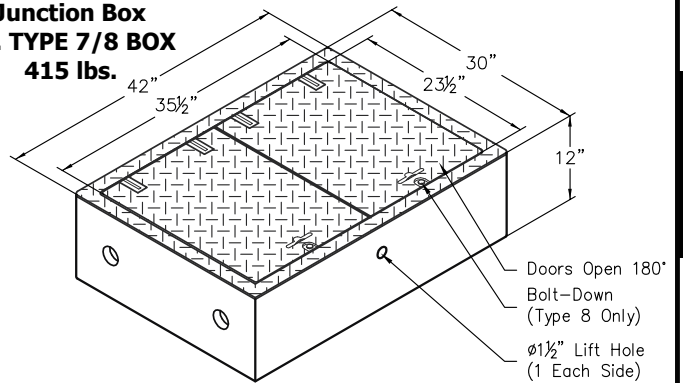
**Junction Box
No. TYPE 2 BOX
202 lbs.**



**Junction Box
No. TYPE 7/8 FOOTER
345 lbs.**



**Junction Box
No. TYPE 7/8 BOX
415 lbs.**



NOTES:

1. Boxes meet Washington Dept. of Transportation Specification 9-29.2
2. 12" extensions available.
3. Optional:
 - NonSlip Cover/Door.
 - Bolt-Down Cover/Door.
 - Grounding Wire
4. Loading: Suitable for H-20 wheel loading in off-street locations where not subjected to high density traffic.
5. Cover Material: Diamond Plate (Black).

Oldcastle Ordering Code	Item	Approx. Shipping Weight	Description
TYPE1	BOX	142 lbs.	Type 1 Pull Box (13" x 18") w/ Black Frame
TYPE1	COVER	22 lbs.	Type 1 Steel Diamond Plate Cover (Black)
TYPE2	BOX	202 lbs.	Type 2 Pull Box (17" x 28") w/ Black Frame
TYPE2	COVER	46 lbs.	Type 2 Steel Diamond Plate Cover (Black)
TYPE7/8	BOX	415 lbs.	Type 7/8 Pull Box (23" x 35") w/ Cover
TYPE7/8	FOOTING	345 lbs.	Type 7/8 Concrete Footer



Phone: (800) 486-7070 Fax: (800) 486-6804
Copyright © 2011 Oldcastle Precast Inc.

WDOT J-BOXES - STD

FILE NAME: WDOTST_ISO

ISSUE DATE: January, 2011

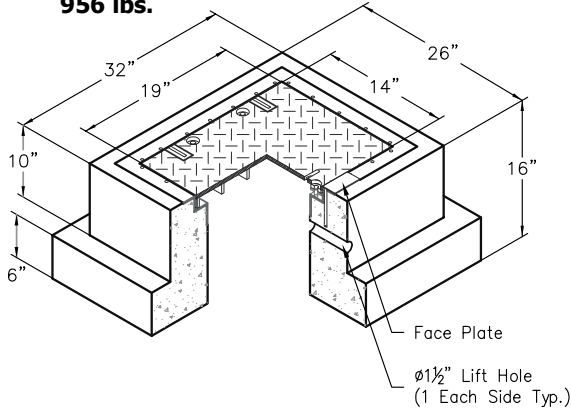
www.oldcastleprecast.com

**WDOT JB1 - 13x18
WDOT JB2 - 17x28
WDOT JB7/8 - 23x35**

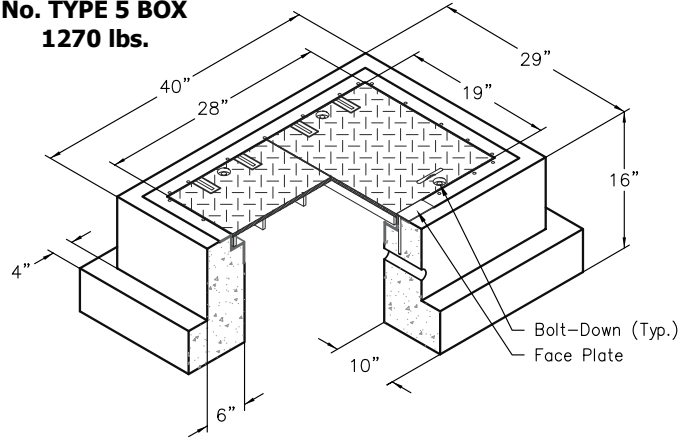


WDOT J-BOXES - HEAVY DUTY

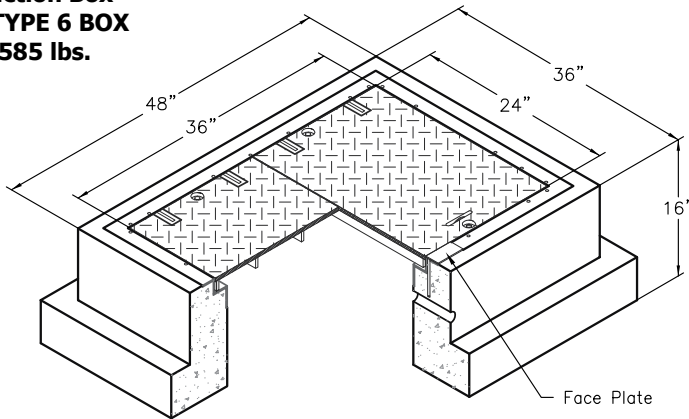
**Junction Box
No. TYPE 4 BOX
956 lbs.**



**Junction Box
No. TYPE 5 BOX
1270 lbs.**



**Junction Box
No. TYPE 6 BOX
1585 lbs.**



NOTES:

1. Boxes meet Washington Dept. of Transportation Specification 9-29.2
2. Loading: Load tested 60,000 lbs.
3. Optional: Grounding wire.
4. Cover Material: Diamond Plate (Zinc Coated).

Oldcastle Ordering Code	Item	Approx. Shipping Weight	Description
TYPE4	BOX	956 lbs.	Type 4 Pull Box (14" x 19")
TYPE4	COVER	162 lbs.	Type 4 Steel Diamond Plate Cover (Zinc Coated)
TYPE5	BOX	1270 lbs.	Type 5 Pull Box (17" x 28")
TYPE5	COVER	271 lbs.	Type 5 Steel Diamond Plate Cover (Zinc Coated)
TYPE6	BOX	1585 lbs.	Type 6 Pull Box (24" x 36")
TYPE6	COVER	510 lbs.	Type 6 Steel Diamond Plate Cover (Zinc Coated)



Phone: (800) 486-7070 Fax: (800) 486-6804
Copyright © 2011 Oldcastle Precast Inc.

WDOT J-BOXES - HD

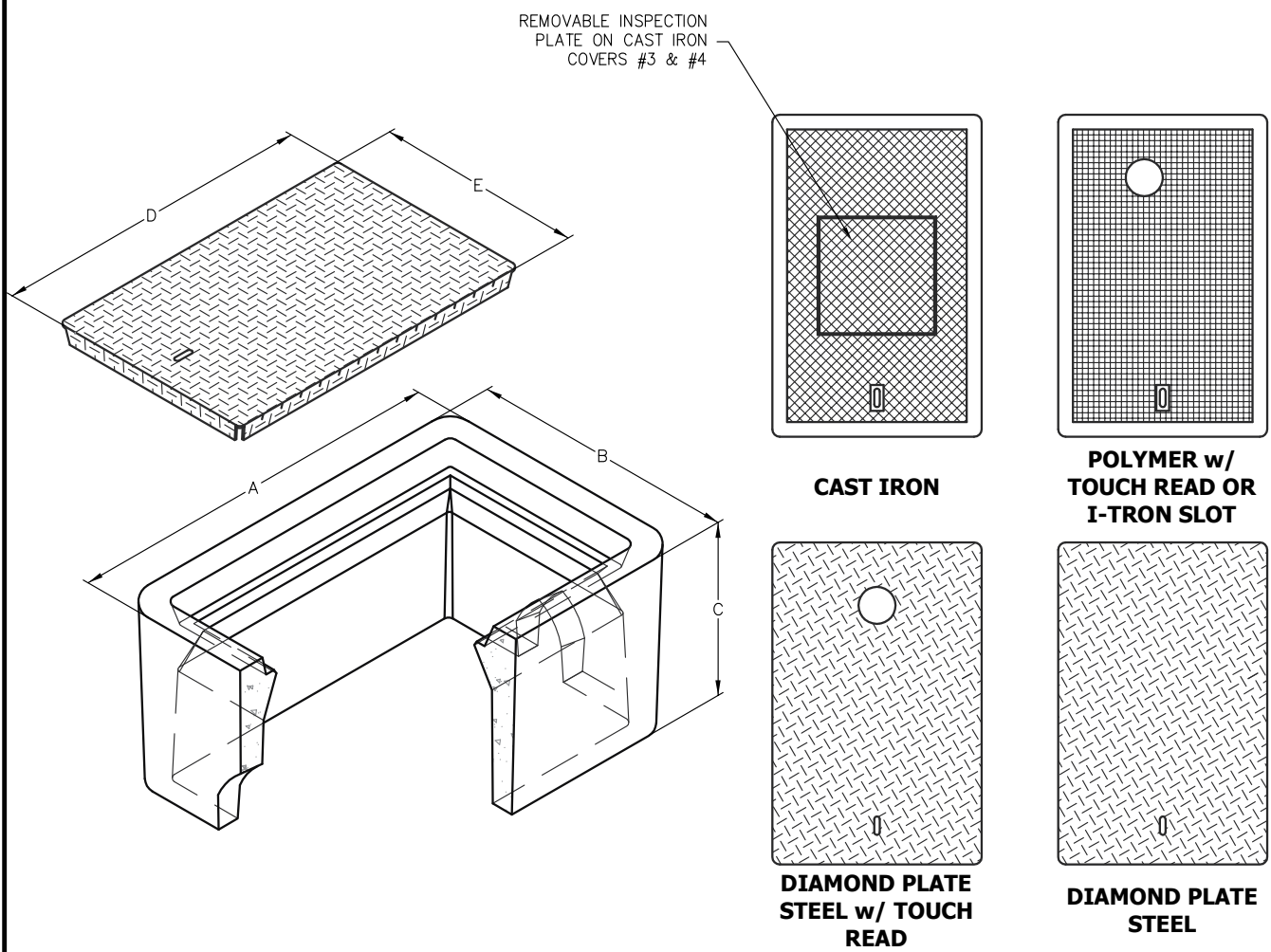
FILE NAME: WDOTHD_ISO

ISSUE DATE: January, 2011

www.oldcastleprecast.com

**WDOT JB4 - 14x19
WDOT JB5 - 17x28
WDOT JB6 - 24x36**





- NOTES:
1. HIGH DENSITY CONCRETE BOXES CONFORMING TO MAG SPEC. 320.
 2. MAG #2 SHOWN:
 - CONCRETE BOX
 - STEEL COVERS
 - CAST IRON LID
 - POLYMER LID
 3. APPROXIMATE DIMENSIONS SHOWN.

MAG SPEC 320 BOX DIMENSIONS					MAG SPEC 320 LIDS				COVER DIMENSIONS	
BOX NO.	A	B	C	BOX WEIGHT	CAST IRON	POLYMER	DIAMOND WITH TOUCH READ & I-TRON SLOT	DIAMOND PLATE	D	E
1	19"	12"	12"	85 lbs.	NO. 1	NO. 1	NO. 1	NO. 1	15-7/8"	9"
2	25-3/4"	18"	12"	139 lbs.	NO. 2	NO. 2	NO. 2	NO. 2	21-3/4"	14-1/8"
3	29-1/2"	18-1/2"	12"	123 lbs.	NO. 3	N/A	NO. 3	NO. 3	26-1/4"	15-1/4"
4	33-1/2"	22-3/4"	12"	196 lbs.	NO. 4	N/A	NO. 4	NO. 4	30"	19-1/2"



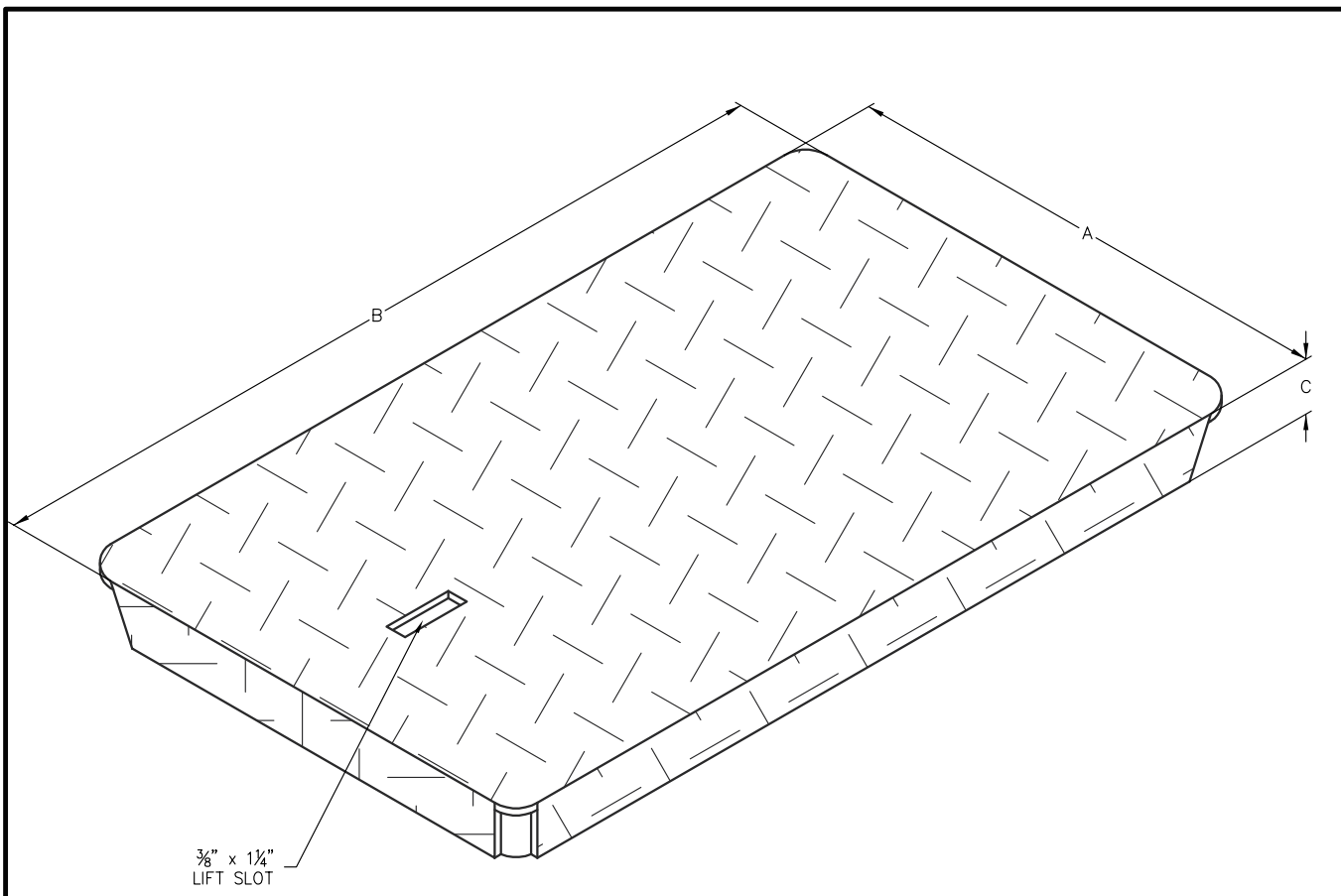
Phone: (800) 486-7070 Fax: (800) 486-6804
Copyright © 2011 Oldcastle Precast Inc.

MAG SPEC 320

FILE NAME: MAGSPECBOX_ISO
ISSUE DATE: January, 2011
www.oldcastleprecast.com

**MAG SPEC 320
CONCRETE METER BOXES**

CONTRACTORS / ENGINEERS SUPPLY



COVER SPECIFICATIONS					
COVER NO	A	B	C	MATERIAL	WEIGHT
T1	8-7/8"	14-3/4"	1-3/16"	14 GAUGE	4-1/4 lbs
1	9"	15-7/8"	1-3/8"	14 GAUGE	5-1/4 lbs
2	14-1/8"	21-3/4"	1-1/2"	12 GAUGE	12-1/4 lbs
3	15-1/4"	26-1/4"	1-1/2"	12 GAUGE	19-1/4 lbs
4	19-1/2"	30"	1-1/2"	11 GAUGE	33 lbs

- NOTES: UNLESS OTHERWISE SPECIFIED.
- MATERIAL: PER MAG SPEC 770.1
A. DIAMOND PLATE STEEL.
B. $\phi 3/4$ SCHEDULE 40 HEAVY WALL BLACK IRON PIPE.
 - FINISH: BLACK HOT DIPPED COAL TAR BITUMINOUS COATING AFTER ASSEMBLY.
 - STRUCTURAL BRACING NOT USED ON COVERS T1 & 1.
 - REINFORCED CORNER SHOWN.
 - OPTIONAL OPEN CORNER.



Phone: (800) 486-7070 Fax: (800) 486-6804
Copyright © 2011 Oldcastle Precast Inc.

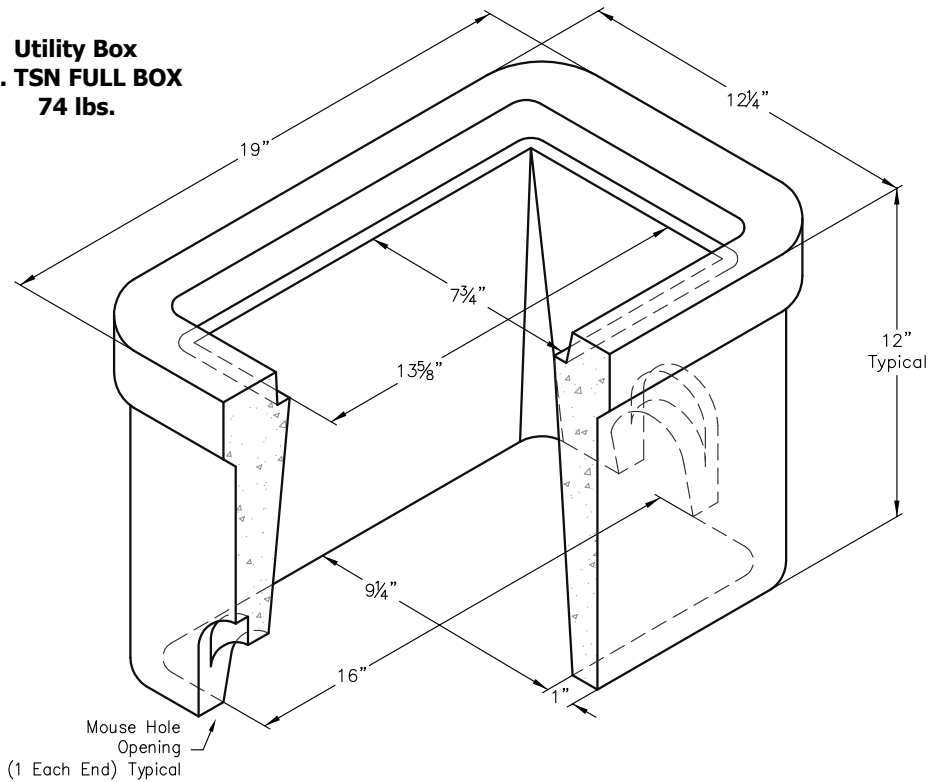
STEEL COVERS

FILE NAME: SWMBOXCOVERS_ISO
ISSUE DATE: January, 2011
www.oldcastleprecast.com

**STEEL WATER METER
BOX COVERS W/ WELDED
W/ WELDED CORNERS**

CONTRACTORS / ENGINEERS SUPPLY

**Utility Box
No. TSN FULL BOX
74 lbs.**



- NOTES: UNLESS OTHERWISE SPECIFIED.
1. METER BOXES SHALL CONFORM TO THE DIMENSIONS AS SHOWN.
 2. MATERIAL: CLASS AA CONCRETE PER SECTION 725. PORTLAND CEMENT CONCRETE POURED AND TAMPED (OR VIBRATED) IN TRUE FORMS.
 3. CUTOUTS (MOUSE HOLES) ARE NOT PLACED IN STACK BOXES. DIMENSIONS NOT APPLICABLE. HIGH DENSITY CONCRETE BOX WITH NON-SETTLING SHOULDERS POSITIONED TO MAINTAIN GRADE AND FACILITATE BACK FILLING.

Oldcastle Ordering Code	Item	Approx. Shipping Weight	Description
TSNFULLBOX	BOX	74 lbs.	Tucson "Full" Water Meter Box



Phone: (800) 486-7070 Fax: (800) 486-6804
Copyright© 2011 Oldcastle Precast Inc.

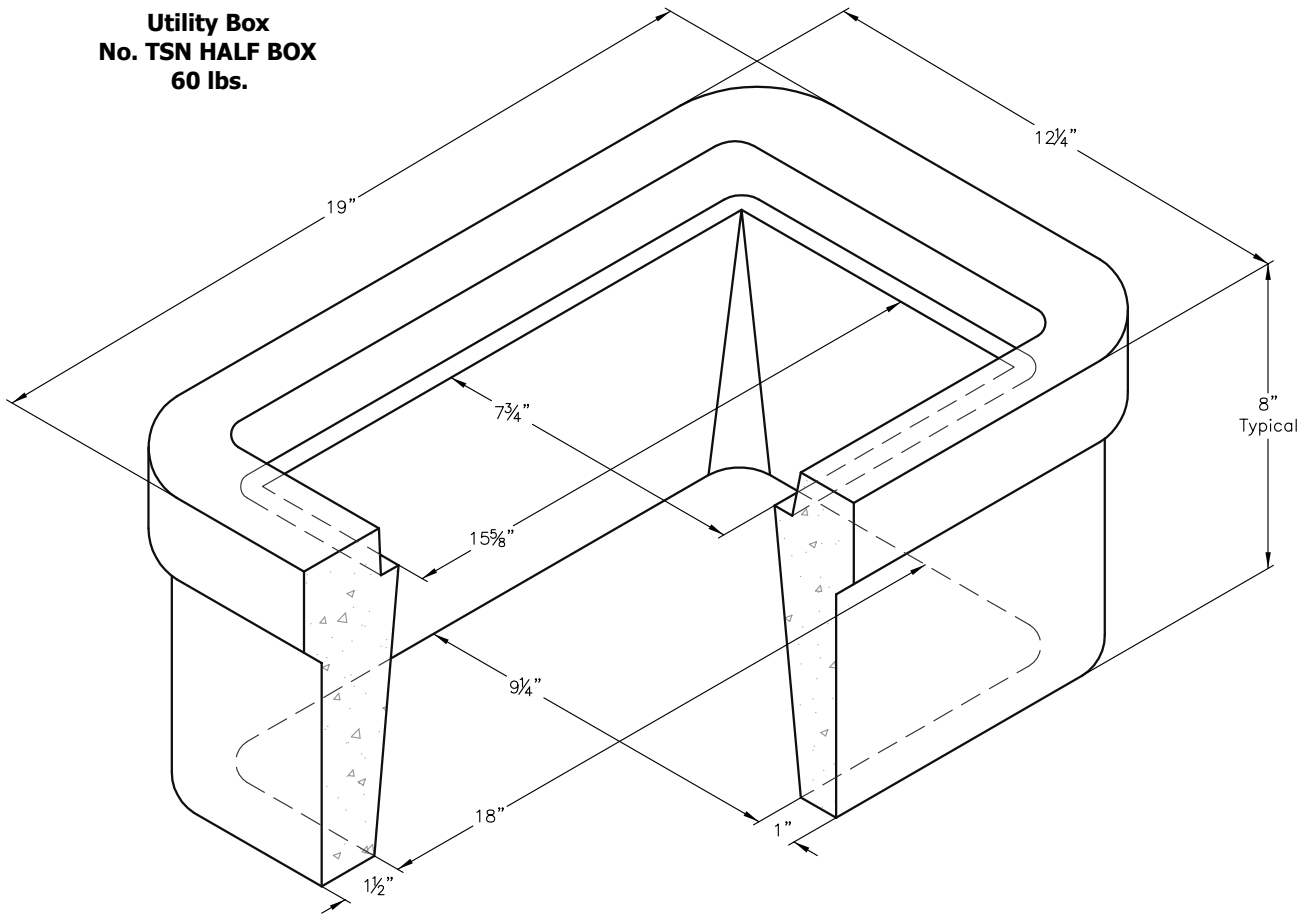
FULL METER BOX

FILE NAME: TUCWMFULLBOX_ISO
ISSUE DATE: January, 2011
www.oldcastleprecast.com

TUCSON CONCRETE WATER METER BOX

CONTRACTORS / ENGINEERS SUPPLY

**Utility Box
No. TSN HALF BOX
60 lbs.**



NOTES: UNLESS OTHERWISE SPECIFIED.

1. METER BOXES SHALL CONFORM TO THE DIMENSIONS AS SHOWN.
 2. MATERIAL: CLASS AA CONCRETE PER SECTION 725. PORTLAND CEMENT CONCRETE POURED AND TAMPED (OR VIBRATED) IN TRUE FORMS.
 3. CUTOUTS (MOUSE HOLES) ARE NOT PLACED IN STACK BOXES. DIMENSIONS NOT APPLICABLE.
- HIGH DENSITY CONCRETE BOX WITH NON-SETTLING SHOULDERS POSITIONED TO MAINTAIN GRADE AND FACILITATE BACK FILLING.

Oldcastle Ordering Code	Item	Approx. Shipping Weight	Description
TSNHALFBOX	BOX	60 lbs.	Tucson "Half" Water Meter Box



Phone: (800) 486-7070 Fax: (800) 486-6804
Copyright © 2011 Oldcastle Precast Inc.

HALF METER BOX

FILE NAME: TUCWMHALFBOX_ISO

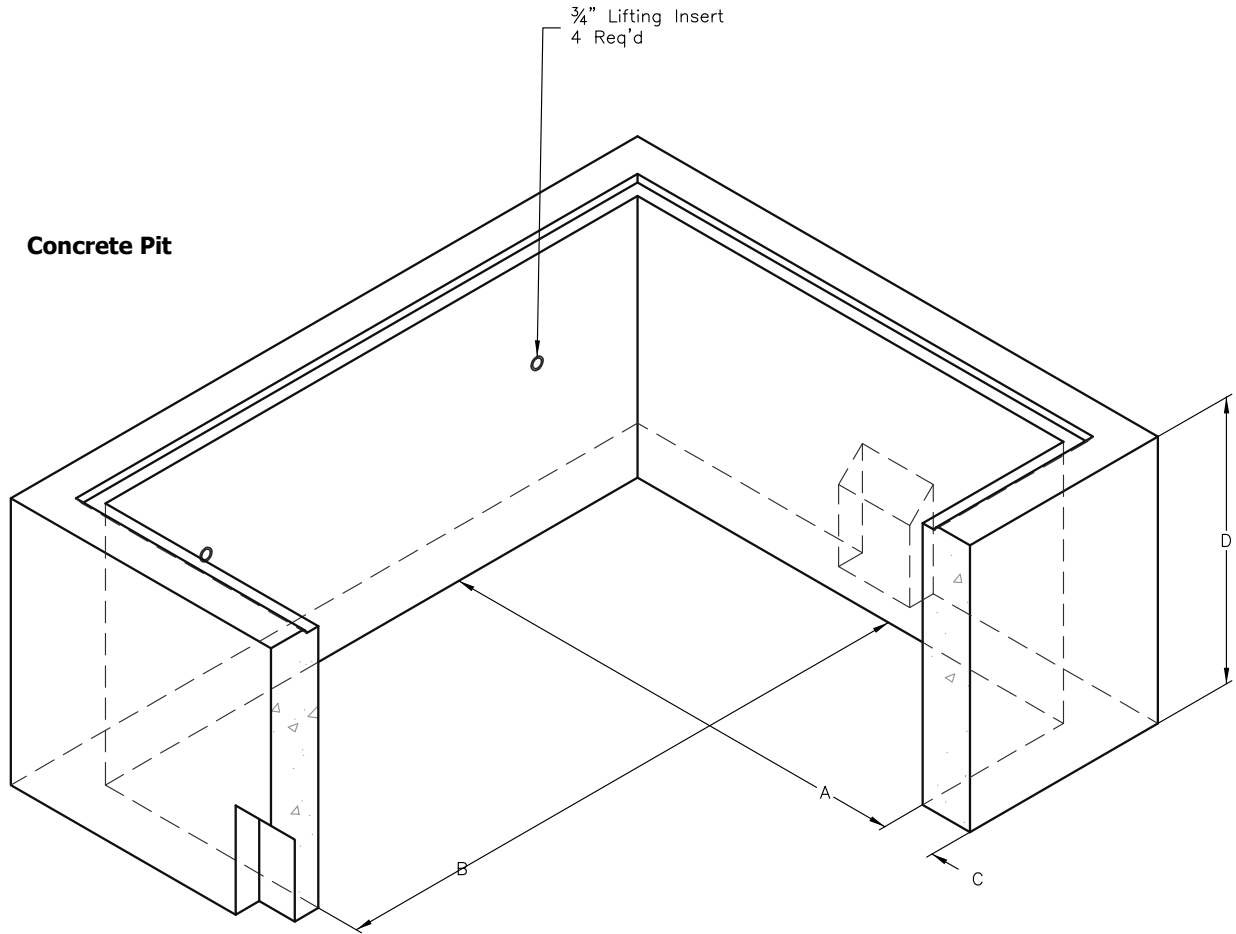
ISSUE DATE: January, 2011

www.oldcastleprecast.com

**TUCSON CONCRETE
WATER METER BOX**

CONTRACTORS / ENGINEERS SUPPLY

"R" SERIES PITS



Concrete Pit

A reinforced concrete box designed to provide high strength without excess weight. This pit is normally supplied with knockouts on ends only. Special openings or knockouts can be provided to customer's specifications at additional cost. Either plain checker plate covers, bolt down covers, or hinged covers are available. R-Series pits do not have bottoms. These pits are poured with a minimum of 5000 psi concrete and are reinforced. Approximate dimensions and weight shown.

PRODUCT NO.	DIMENSIONS					Approx. Wt.
	A	B	C	D		
R17 PIT	3'	5'	4"	2' DEEP	24" DEEP	1860 lbs.
	36"	60"	4"	3' DEEP	36" DEEP	2870 lbs.
R27 PIT	4'	4'	4"	2' DEEP	24" DEEP	1700 lbs.
	48"	48"	4"	3' DEEP	36" DEEP	2540 lbs.
R33 PIT	4'	5'	4"	2' DEEP	24" DEEP	1980 lbs.
	48"	60"	4"	3' DEEP	36" DEEP	2960 lbs.
R37 PIT	4'	7'	4"	2' DEEP	24" DEEP	2300 lbs.
	48"	84"	4"	3' DEEP	36" DEEP	3440 lbs.

Special H/20 load traffic covers and frames available * Reading lids available at additional cost * Galvanizing available on all steel covers * Non-skid surface available H/20 standard for spring assist covers



Phone: (800) 486-7070 Fax: (800) 486-6804
Copyright © 2011 Oldcastle Precast Inc.

"R" SERIES PITS

FILE NAME: R-SERIES-PITS_ISO

ISSUE DATE: January, 2011

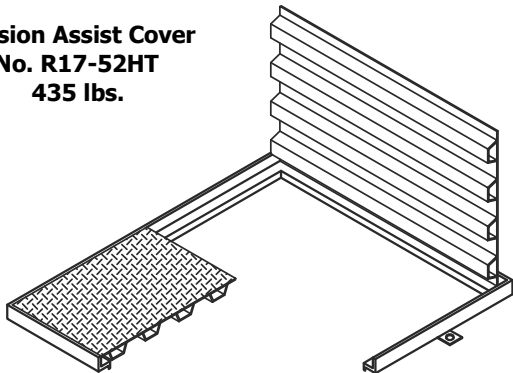
www.oldcastleprecast.com

"R" SERIES PITS

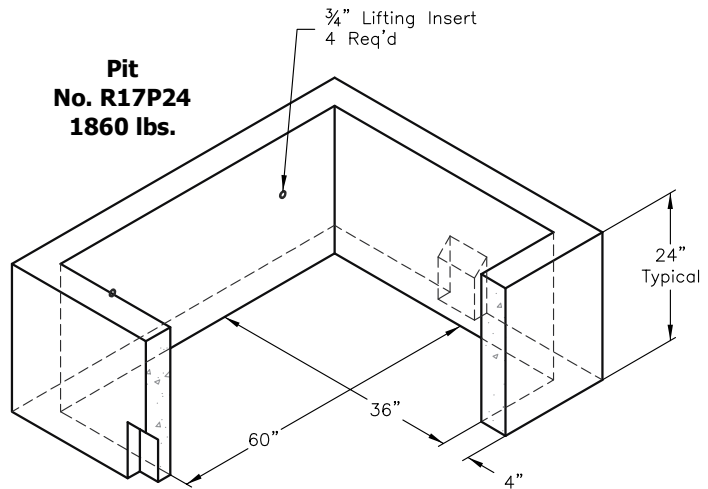


"R" SERIES PITS

**Torsion Assist Cover
No. R17-52HT
435 lbs.**



**Pit
No. R17P24
1860 lbs.**



Accessories Available for R Series Pits

(All lids available with 8" round self-closing reading lid at additional cost- specify if desired)
All dimensions shown are inside.

Oldcastle Ordering Code	Item	Approx. Shipping Weight	Description
R17P24	PIT	1860 lbs.	R17 Pit (3' x 5' x 2' deep) - Shown Above
R17P36	PIT	2870 lbs.	R17 Pit (3' x 5' x 3' deep)
R17-52D	COVER	240 lbs.	2 pc. Steel Checker Plate, Parkway
R17-52J	COVER	240 lbs.	2 pc. Steel Checker Plate, Parkway, Bolt Down
R17-52HT	COVER	435 lbs.	2 pc. Steel Checker Plate, H/20, Hinged, Torsion - Shown Above
R17X24	EXTENSION	1860 lbs.	R17 Extension (3' x 5' x 2' deep)
R17X36	EXTENSION	2870 lbs.	R17 Extension (3' x 5' x 3' deep)
R27P24	PIT	1700 lbs.	R27 Pit (4' x 4' x 2' deep)
R27P36	PIT	2540 lbs.	R27 Pit (4' x 4' x 3' deep)
R27-52D	COVER	250 lbs.	2 pc. Steel Checker Plate, Parkway
R27-52J	COVER	250 lbs.	2 pc. Steel Checker Plate, Parkway, Bolt Down
R27-52HT	COVER	425 lbs.	2 pc. Steel Checker Plate, H/20, Hinged, Torsion
R27X24	EXTENSION	1700 lbs.	R27 Extension (4' x 4' x 2' deep)
R27X36	EXTENSION	2540 lbs.	R27 Extension (4' x 4' x 3' deep)
R33P24	PIT	1980 lbs.	R33 Pit (4' x 5' x 2' deep)
R33P36	PIT	2960 lbs.	R33 Pit (4' x 5' x 3' deep)
R33-52D	COVER	300 lbs.	2 pc. Steel Checker Plate, Parkway
R33-52J	COVER	300 lbs.	2 pc. Steel Checker Plate, Parkway, Bolt Down
R33-52HT	COVER	530 lbs.	2 pc. Steel Checker Plate, H/20, Hinged, Torsion
R33X24	EXTENSION	1980 lbs.	R33 Extension (4' x 5' x 2' deep)
R33X36	EXTENSION	2960 lbs.	R33 Extension (4' x 5' x 3' deep)
R37P24	PIT	2300 lbs.	R37 Pit (4' x 7' x 2' deep)
R37P36	PIT	3440 lbs.	R37 Pit (4' x 7' x 3' deep)
R37-54D	COVER	465 lbs.	2 pc. Steel Checker Plate, Parkway
R37-54J	COVER	465 lbs.	2 pc. Steel Checker Plate, Parkway, Bolt Down
R37-52HT	COVER	685 lbs.	2 pc. Steel Checker Plate, H/20, Hinged, Torsion
R37X24	EXTENSION	2300 lbs.	R37 Extension (4' x 7' x 2' deep)
R37X36	EXTENSION	3440 lbs.	R37 Extension (4' x 7' x 3' deep)

Galvanizing available for all steel covers



Phone: (800) 486-7070 Fax: (800) 486-6804
Copyright© 2011 Oldcastle Precast Inc.

"R" SERIES PITS

FILE NAME: R-SERIES PITS LIST

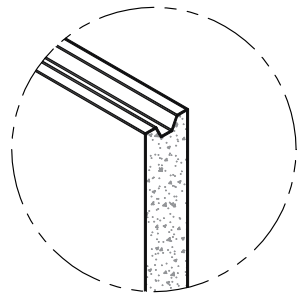
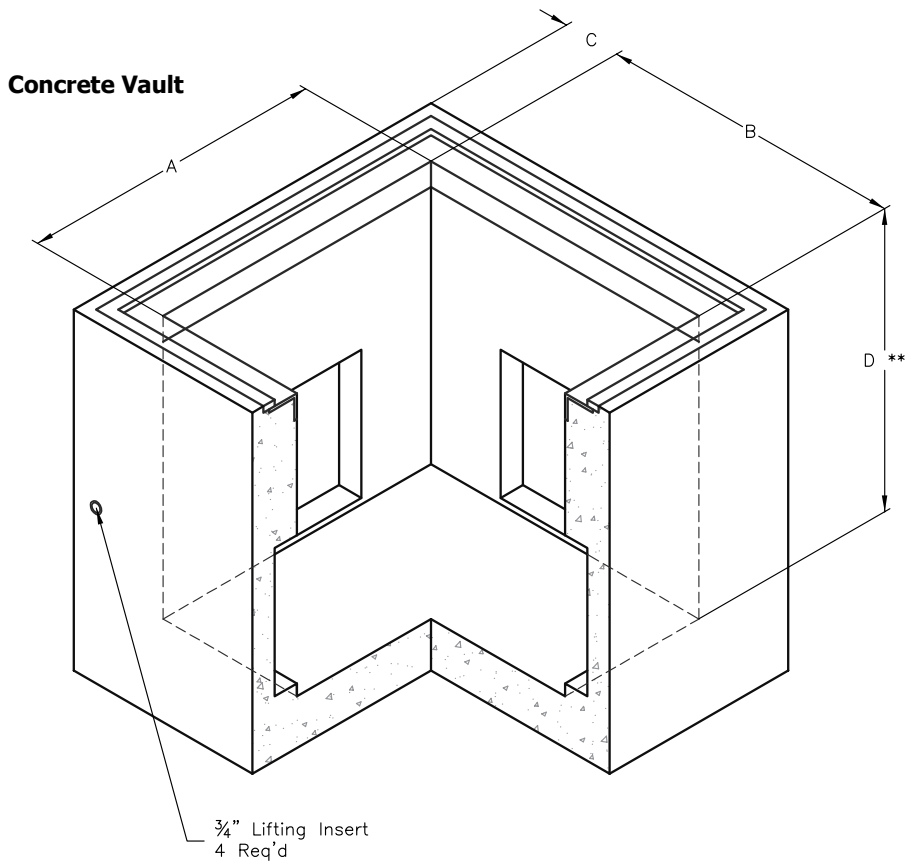
ISSUE DATE: January, 2011

www.oldcastleprecast.com

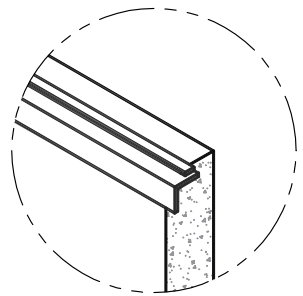
"R" SERIES PITS



"T" SERIES ELECTRICAL VAULTS



Grooved
Grooved to receive tongue of grade rings.



Framed
Cast-in galvanized frame for 1/4" steel covers with bolt down provisions.

- ** • "T" Series Electrical Vaults are available in special heights upon request.
- These vaults are poured with a minimum of 4500 psi concrete and are reinforced.
- Approximate dimensions and weight shown.

PRODUCT NO.	DIMENSIONS				Approx Wt.	
	A	B	C	D		
T21 VAULT	2'	2'	4"	4' DEEP	48" DEEP	1675 lbs.
	24"	24"	4"			
T23 VAULT	2'	2'	6"	4' DEEP	48" DEEP	2825 lbs.
	24"	24"	6"			
T32 VAULT	2'	3'	6"	4' DEEP	48" DEEP	3350 lbs.
	24"	36"	6"			
T36 VAULT	2'	4'	5"	4' DEEP	48" DEEP	3320 lbs.
	24"	48"	5"			
T43 VAULT	3'	3'	6"	4' DEEP	48" DEEP	4220 lbs.
	36"	36"	6"			
T52 VAULT	3'	4'	6"	4' DEEP	48" DEEP	4930 lbs.
	36"	48"	6"			

All parkway covers are steel checker plate with hold down bolts * All traffic covers are supplied with angle stiffeners and hold down bolts*

PITS, Vaults, & Catch Basins



Phone: (800) 486-7070 Fax: (800) 486-6804
Copyright © 2011 Oldcastle Precast Inc.

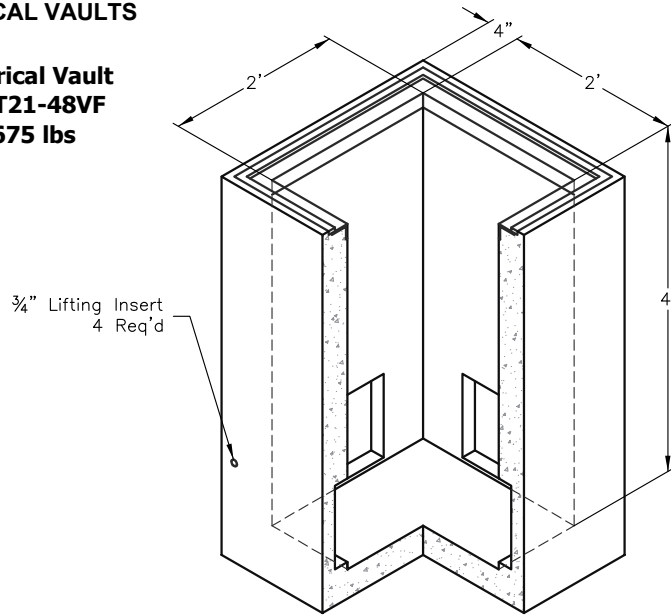
"T" SERIES
FILE NAME: T-SERIES-ELECTRICAL-VAULTS
ISSUE DATE: January, 2011
www.oldcastleprecast.com

"T" SERIES ELECTRICAL VAULTS



"T" SERIES ELECTRICAL VAULTS

**Electrical Vault
No. T21-48VF
1675 lbs**



Oldcastle Ordering Code	Item	Approx. Shipping Weight	Description
T21V	VAULT	1675 lbs.	T21 Electrical Vault (2' x 2' x 4" walls) w/ Vault Frame— Shown Above
T21-51J	COVER	60 lbs.	Steel Checker Plate, Parkway, Bolt Down
T21-51JH	COVER	136 lbs.	Steel Checker Plate, H/20 Loading Bolt Down
T21S	VAULT		T21 Sectional Vault (2' x 2' x 4" walls) w/ Vault Frame
T21ST12VF	TOP SECTION	384 lbs.	12" Reinforced Concrete w/ Vault Frame
T21ST6VF	TOP SECTION	192 lbs.	6" Reinforced Concrete w/ Vault Frame
U21SX12NF	EXTENSION	331 lbs.	12" Reinforced Concrete w/ Knock Outs, No Frame
U21SSLAB	SLAB	271 lbs.	3" Reinforced Concrete (33" x 33")
T21-51J	COVER	60 lbs.	Steel Checker Plate, Parkway, Bolt Down
T23V	VAULT	2825 lbs.	T23 Electrical Vault (2' x 2' x 6" walls) w/ Vault Frame
T21-51J	COVER	60 lbs.	Steel Checker Plate, Parkway, Bolt Down
T21-51JH	COVER	136 lbs.	Steel Checker Plate, H/20 Loading Bolt Down
T32V	VAULT	3350 lbs.	T32 Electrical Vault (2' x 3' x 6" walls) w/ Vault Frame
T32-51J	COVER	95 lbs.	Steel Checker Plate, Parkway, Bolt Down
T32-51JH	COVER	140 lbs.	Steel Checker Plate, H/20 Loading Bolt Down
T36V	VAULT	3320 lbs.	T36 Electrical Vault (2' x 4' x 5" walls) w/ Vault Frame
T36-51J	COVER	135 lbs.	Steel Checker Plate, Parkway, Bolt Down
T36-51JH	COVER	272 lbs.	Steel Checker Plate, H/20 Loading Bolt Down
T43V	VAULT	4220 lbs.	T43 Electrical Vault (3' x 3' x 6" walls) w/ Vault Frame
T43-51J	COVER	135 lbs.	Steel Checker Plate, Parkway, Bolt Down
T43-51JH	COVER	300 lbs.	Steel Checker Plate, H/20 Loading Bolt Down
T52V	VAULT	4930 lbs.	T52 Electrical Vault (3' x 4' x 6" walls) w/ Vault Frame
T52-52J	COVER	180 lbs.	2 pc. Steel Checker Plate, Parkway, Bolt Down
T52-52JH	COVER	287 lbs.	2 pc. Steel Checker Plate, H/20 Loading Bolt Down
T95V	VAULT	3245 lbs.	T95 Electrical Vault (3' x 5' x 30" deep) w/ No Vault Frame
T95-52J	COVER	350 lbs.	2 pc. Steel Checker Plate, Parkway, Bolt Down
T95-52JH	COVER	495 lbs.	2 pc. Steel Checker Plate, H/20 Loading Bolt Down
T95-GR6-VF	GRADE RING	575 lbs.	T95 Grade Ring (3' x 5' x 6" walls) w/ Vault Frame
T95-GR12-VF	GRADE RING	985 lbs.	T95 Grade Ring (3' x 5' x 6" walls) x 12" w/ Vault Frame
T95-GR12-NF	GRADE RING	985 lbs.	T95 Grade Ring (3' x 5' x 6" walls) x 12" w/ No Vault Frame

Galvanizing available for all steel covers



Phone: (800) 486-7070 Fax: (800) 486-6804
Copyright © 2011 Oldcastle Precast Inc.

"T" SERIES

FILE NAME: T-SERIES-ELECTRICAL-VAULTS-LIST

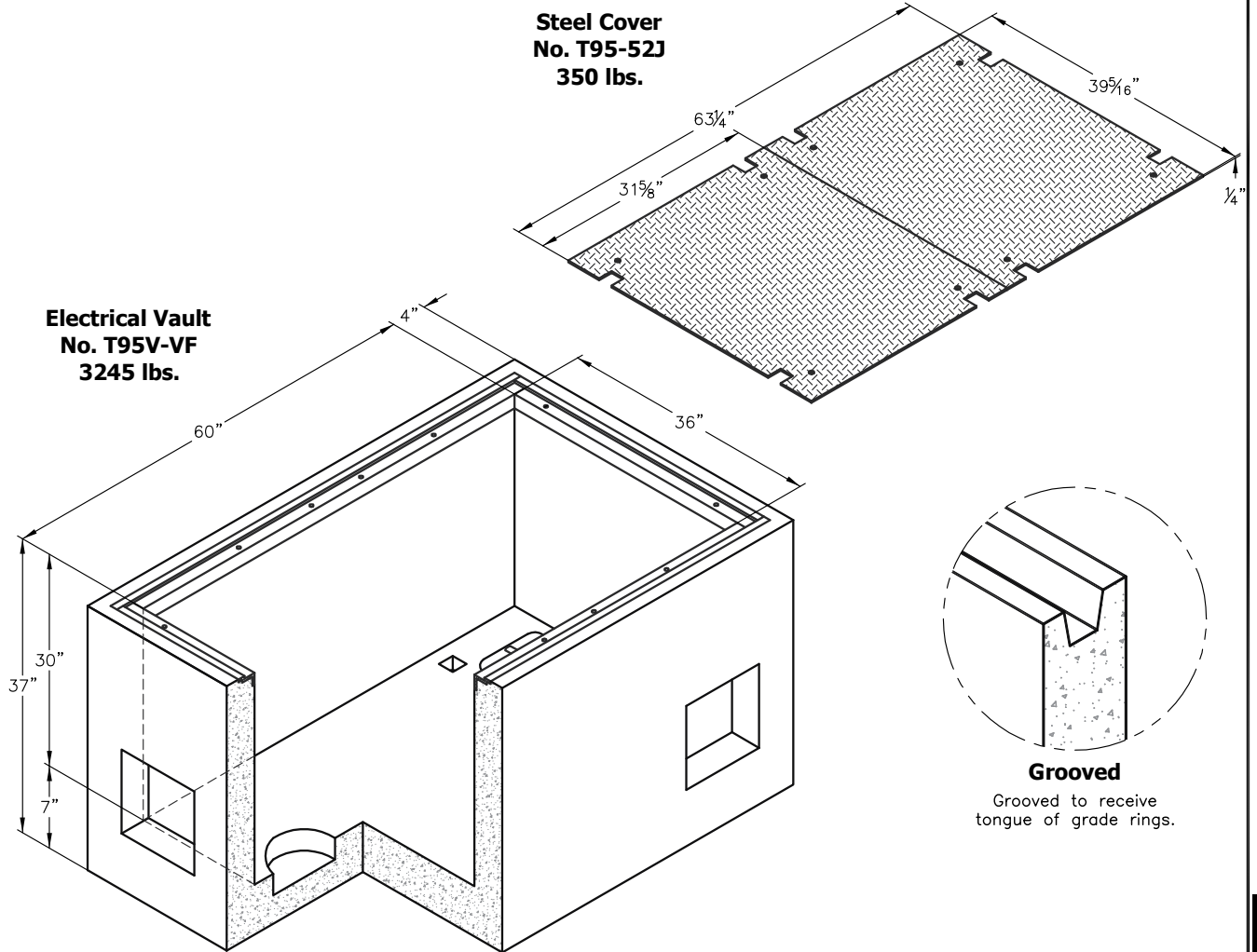
ISSUE DATE: January, 2011

www.oldcastleprecast.com

**"T" SERIES
ELECTRICAL VAULTS**



T95 ELECTRICAL VAULT



A heavy duty reinforced concrete box with standard knockouts and pulling irons. Approximate dimensions and weight shown.

Oldcastle Ordering Code	Item	Approx. Shipping Weight	Description
T95V-NF	VAULT	3245 lbs.	T95 Electrical Vault (3' x 5' x 30" Deep) w/ No Vault Frame
T95V-VF	VAULT	3245 lbs.	T95 Electrical Vault (3' x 5' x 30" Deep) w/ Vault Frame
T95-52J	COVER	350 lbs.	2 pc. Steel Checker Plate Cover, Parkway, Bolt Down
T95-52JH	COVER	495 lbs.	2 pc. Steel Checker Plate Cover, H/20 Loading, Bolt Down
T95GR6-VF	GRADE RING	575 lbs.	T95 Grade Ring (3' x 5' x 6" Deep) w/ Vault Frame
T95GR6-NF	GRADE RING	575 lbs.	T95 Grade Ring (3' x 5' x 6" Deep) w/ No Vault Frame
T95GR12-VF	GRADE RING	985 lbs.	T95 Grade Ring (3' x 5' x 12" Deep) w/ Vault Frame
T95GR12-NF	GRADE RING	985 lbs.	T95 Grade Ring (3' x 5' x 12" Deep) w/ No Vault Frame

Galvanizing available on all steel covers.



Phone: (800) 486-7070 Fax: (800) 486-6804
Copyright © 2011 Oldcastle Precast Inc.

T95 VAULT

FILE NAME: T95_ISO

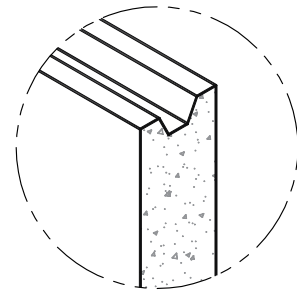
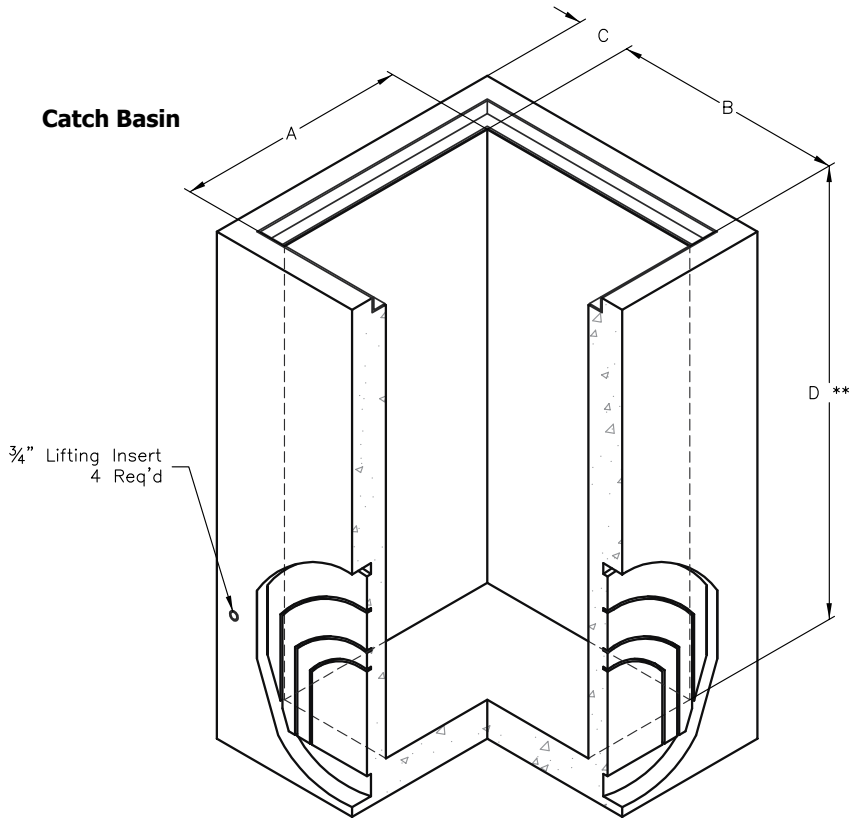
ISSUE DATE: January, 2011

www.oldcastleprecast.com

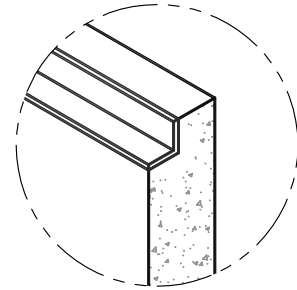
**T95 ELECTRICAL VAULT
3' X 5'**



CATCH BASINS



Grooved
Grooved to receive tongue of grade rings.



Framed
Cast-in galvanized frame for grates 1 1/2" x 1 1/2" angle iron with anchor bolts

- "U" Series Catch basins are specifically designed as a "heavy duty" standard for drainage installations. They provide greater labor savings, quality, and simplicity that standardization of pre-cast units make possible over pour-in-place installations.
- Knock-Outs available in grade rings and catch basins.
- No knock-outs on 6" and 12" grade rings.
- Openings, locations, and sizes to job specifications.
- With or without bottoms.
- Progressive webbed knock-outs provide a maximum flexibility, permitting pipe of any size to be neatly and quickly grouted in at jobsite.
- Standard grade rings are available in 6" increments up to 4' high. Customer specified top edge choices cast into catch basin or grade ring.
- **• "U" Series Catch Basins are available in special heights upon request.
- Approximate dimensions and weight shown.

PRODUCT NO.	DIMENSIONS			D		Approx. Wt.
	A	B	C			
U21 CATCH BASIN	2'	2'	4"	4' DEEP	48" DEEP	1675 lbs.
	24"	24"	4"			
U23 CATCH BASIN	2'	2'	6"	4' DEEP	48" DEEP	2825 lbs.
	24"	24"	6"			
U32 CATCH BASIN	2'	3'	6"	4' DEEP	48" DEEP	3350 lbs.
	24"	36"	6"			
U36 CATCH BASIN	2'	4'	5"	4' DEEP	48" DEEP	3320 lbs.
	24"	48"	5"			
U43 CATCH BASIN	3'	3'	6"	4' DEEP	48" DEEP	4220 lbs.
	36"	36"	6"			
U52 CATCH BASIN	3'	4'	6"	4' DEEP	48" DEEP	4930 lbs.
	36"	48"	6"			



Phone: (800) 486-7070 Fax: (800) 486-6804
Copyright © 2011 Oldcastle Precast Inc.

U SERIES

FILE NAME: U-SERIES-CATCH-BASINS

ISSUE DATE: January, 2011

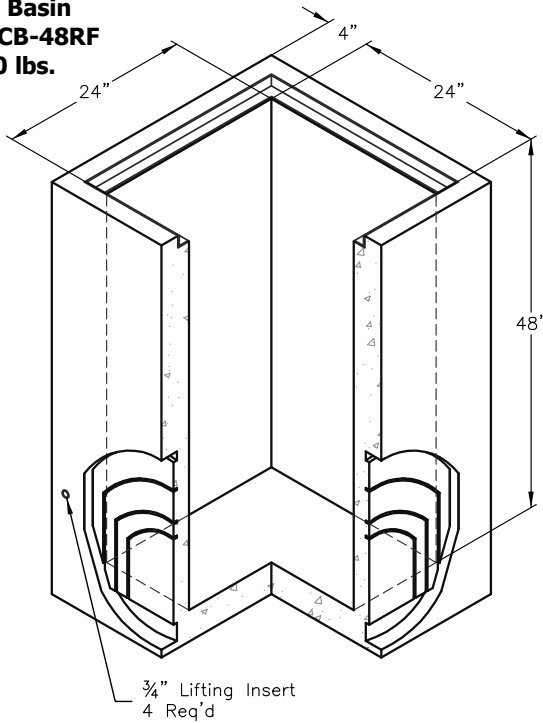
www.christyconcrete.com

"U" SERIES CATCH BASINS

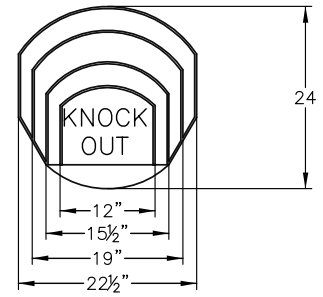


CATCH BASINS

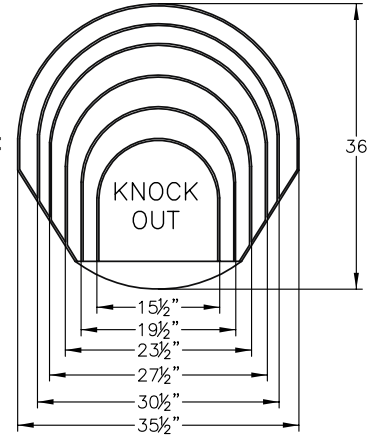
**Catch Basin
No. U21CB-48RF
1950 lbs.**



**Small
Knock Out**



**Large
Knock Out**



Oldcastle Ordering Code	Item	Approx. Shipping Weight	Description
U21CB	CATCH BASIN	1950 lbs.	U21 Catch Basin (2' x 2' x 4" walls) w/ Regular Frame— Shown Above
U21-NT	GRATE	35 lbs.	26½" x 26½" Welded, Galvanized, Non-Traffic
U21-HT	GRATE	75 lbs.	26½" x 26½" Welded, Galvanized, H/20 Traffic
U21S	CATCH BASIN		U21 Sectional Catch Basin (2' x 2' x 4" walls) w/ Regular Frame
U21ST12RF	TOP SECTION	384 lbs.	12" Reinforced Concrete w/ Regular Frame
U21ST6RF	TOP SECTION	192 lbs.	6" Reinforced Concrete w/ Regular Frame
U21SX12NF	EXTENSION	331 lbs.	12" Reinforced Concrete w/ Knock Outs, No Frame
U21SSLAB	SLAB	271 lbs.	3" Reinforced Concrete (33" x 33")
U21-NT	GRATE	35 lbs.	26½" x 26½" Welded, Galvanized, Non-Traffic
U21-HT	GRATE	75 lbs.	26½" x 26½" Welded, Galvanized, H/20 Traffic
U23CB	CATCH BASIN	3250 lbs.	U23 Catch Basin (2' x 2' x 6" walls) w/ Regular Frame
U21-NT	GRATE	35 lbs.	26½" x 26½" Welded, Galvanized, Non-Traffic
U21-HT	GRATE	75 lbs.	26½" x 26½" Welded, Galvanized, H/20 Traffic
U32CB	CATCH BASIN	4100 lbs.	U32 Catch Basin (2' x 3' x 6" walls) w/ Regular Frame
U32-NT	GRATE	46 lbs.	26½" x 38" Welded, Galvanized, Non-Traffic
U32-HT	GRATE	140 lbs.	26½" x 38" Welded, Galvanized, H/20 Traffic
U36CB	CATCH BASIN	4000 lbs.	U36 Catch Basin (2' x 4' x 5" walls) w/ Regular Frame
U36-NT	GRATE	67 lbs.	26½" x 50" Welded, Galvanized, Non-Traffic
U36-HT	GRATE	155 lbs.	26½" x 50" Welded, Galvanized, H/20 Traffic
U43CB	CATCH BASIN	4400 lbs.	U43 Catch Basin (3' x 3' x 6" walls) w/ Regular Frame
U43-NT	GRATE	70 lbs.	35½" x 40" Welded, Galvanized, Non-Traffic
U43-HT	GRATE	232 lbs.	35½" x 40" Welded, Galvanized, H/20 Traffic
U52CB	CATCH BASIN	5300 lbs.	U52 Catch Basin (3' x 4' x 6" walls) w/ Regular Frame
U52-NT	GRATE	94 lbs.	40" x 47¼" Welded, Galvanized, Non-Traffic
U52-HT	GRATE	280 lbs.	40" x 47¼" Welded, Galvanized, H/20 Traffic



Phone: (800) 486-7070 Fax: (800) 486-6804
Copyright © 2011 Oldcastle Precast Inc.

U SERIES

FILE NAME: U-SERIES-CATCH-BASINS-LIST

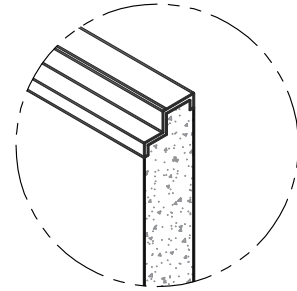
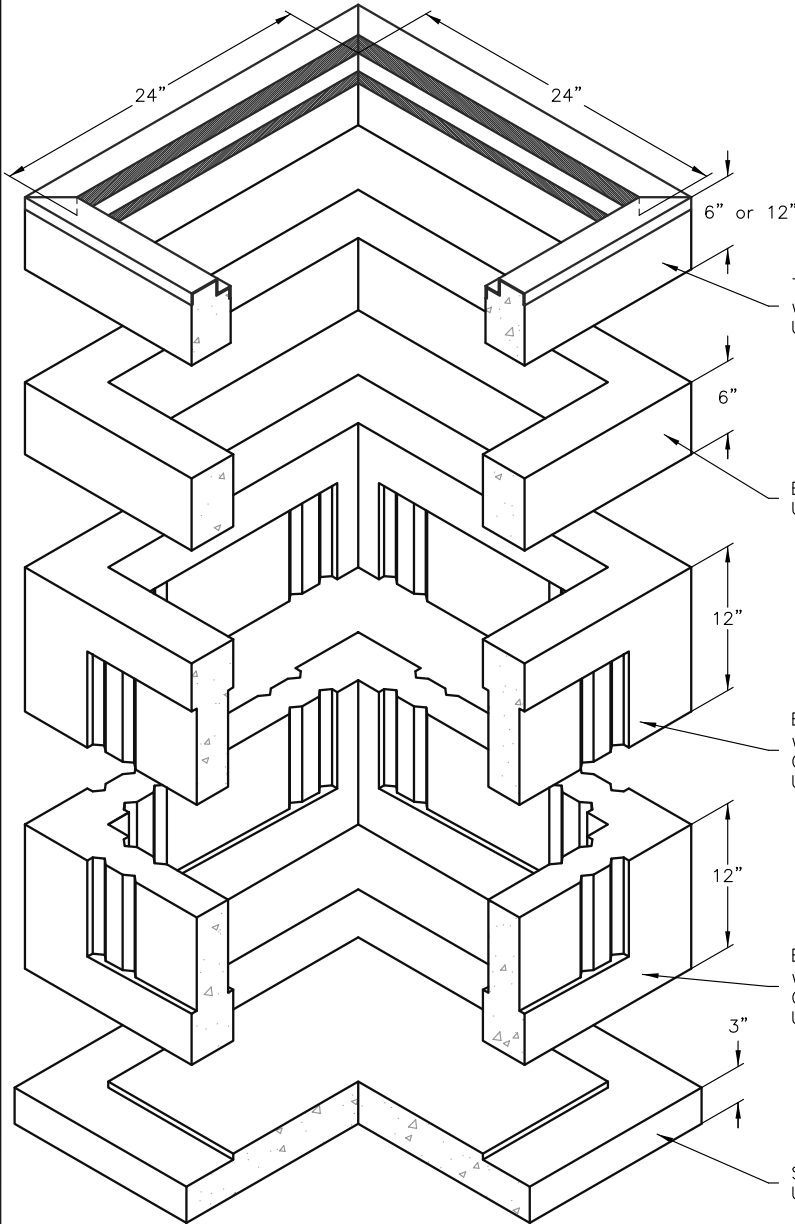
ISSUE DATE: January, 2011

www.christyconcrete.com

**"U" SERIES
CATCH BASINS**



**U21 SECTIONAL
CATCH BASIN**



Cast-in galvanized frame for grate with anchor bolts.

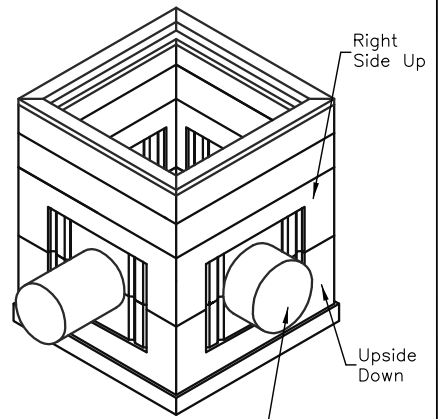
TOP SECTION w/ Regular Frame U21ST6 OR U21ST12

EXTENSION U21SX6

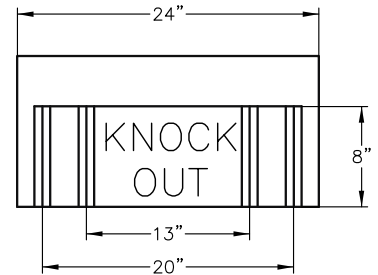
EXTENSION w/ Knock Outs U21SX12

EXTENSION w/ Knock Outs U21SX12

SLAB U21SSL



Fits up to 16" O.D. Pipe



Oldcastle Ordering Code	Item	Approx. Shipping Weight	Description
U21S	DRAIN BOX		U21S Sectional drain Box (24" x 24" I.D.)
U21ST12RF	TOP SECTION	403 lbs.	12" Reinforced concrete with regular frame
U21ST6RF	TOP SECTION	190 lbs.	6" Reinforced concrete with regular frame
U21SX12NF	EXTENSION	337 lbs.	12" Reinforced concrete with knock outs, no frame
U21SSL	SLAB	164 lbs.	3" Reinforced concrete (33" x 33")



Phone: (800) 486-7070 Fax: (800) 486-6804
Copyright © 2011 Oldcastle Precast Inc.

U21S SECTIONAL

FILE NAME: U21S_ISO

ISSUE DATE: January, 2011

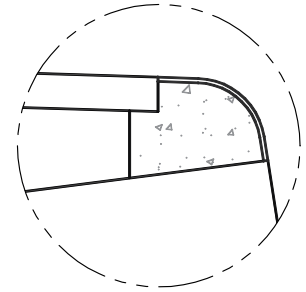
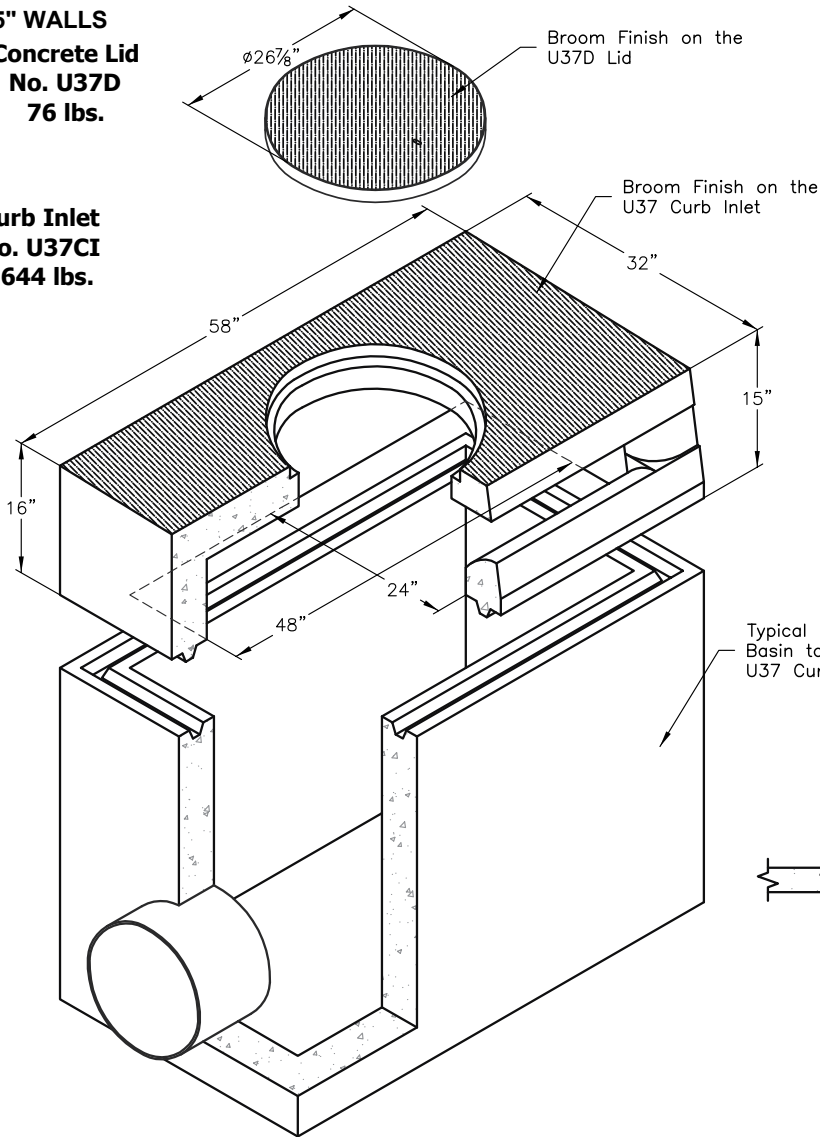
www.oldcastleprecast.com

**U21S SECTIONAL
CATCH BASIN**

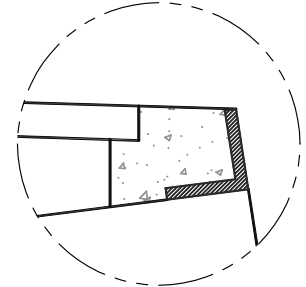


**U37 CURB INLET
w/ 5" WALLS
Concrete Lid
No. U37D
76 lbs.**

**Curb Inlet
No. U37CI
1644 lbs.**



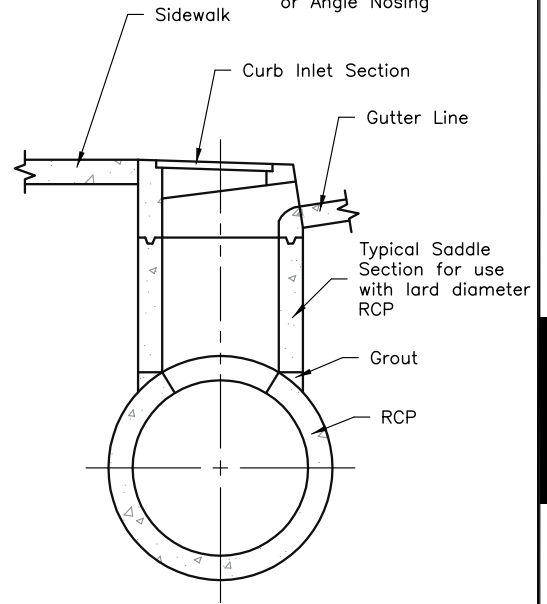
Round Nose



Angle Nose

Specify Rounded Nosing or Angle Nosing

Typical U36 Catch Basin to fit U37 Curb Inlet



Designed to fit U36 catch basins. Also, when used with a 4' x 5' x 6" adapter slab, will fit U52 catch basins.

The U37 Curb Inlet is a precast concrete box reinforced with 4" x 4"/#6 x #6 welded wire fabric and 2" x 2" x 5/16" "T" bar. The solid concrete lid is designed to be heavy enough so as to avoid vandalism and can be removed only by access through the inlet opening. The lid is protected by a galvanized metal ring along the circumference.

Oldcastle Ordering Code	Item	Approx. Shipping Weight	Description
U37CI	CURB INLET	1644 lbs.	U37 Curb Inlet (2' x 4' x 15" deep— 5" walls) Fits U36 Catch Basin
U37ASL	ADAPTER	1380 lbs.	U37-A Adapter Slab (5' x 5' x 6") Reinforced Concrete – Fits U52 Catch Basin
U37D	LID	76 lbs.	24" Diameter Reinforced Concrete



Phone: (800) 486-7070 Fax: (800) 486-6804
Copyright © 2011 Oldcastle Precast Inc.

U37 CURB INLET

FILE NAME: 036CIU37_ISO

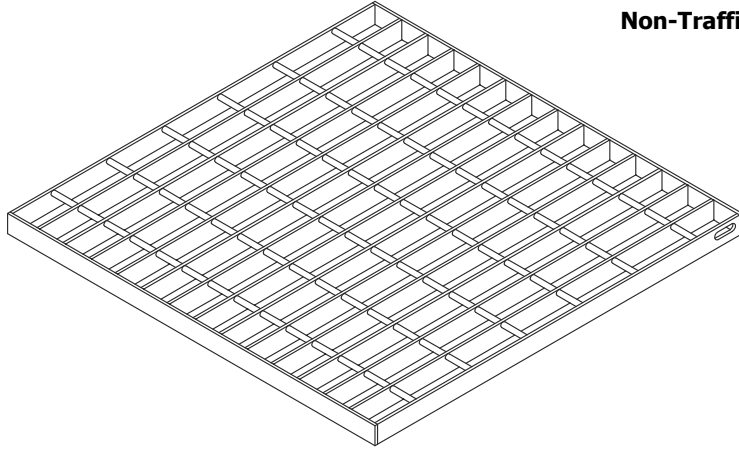
ISSUE DATE: January, 2011

www.oldcastleprecast.com

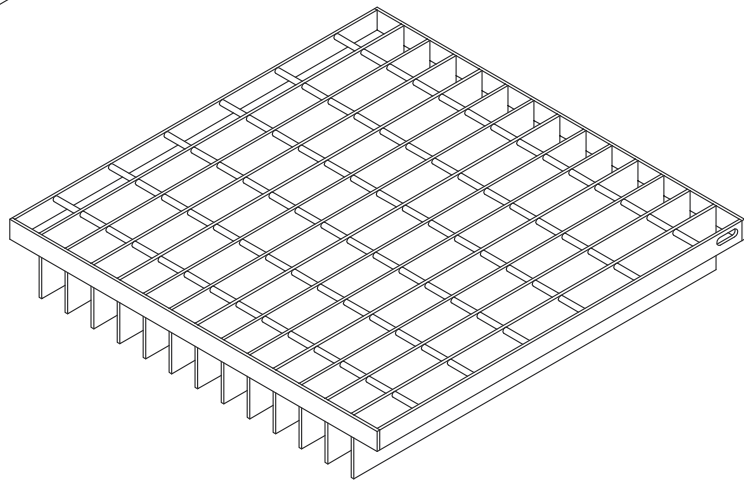
**U37 CURB INLET
2' x 4' x 15" DEEP**



Welded Steel Grates with Cross Bars
77% Open Flow Area



Non-Traffic Loading



H/20 Traffic Loading

- Welded steel grates for "U" series catch basins to meet job specifications.
- Individual city, county, district or state requirement information available on request.
- See catch basin page for frame detail.
- ADA availability for all sizes.

Oldcastle Ordering Code	Item	Approx. Shipping Weight	Description
U21-NT	GRATE	35 lbs.	26½" x 26½" Welded, Galvanized, Non-Traffic. Fits U23 Catch Basin
U21-HT	GRATE	75 lbs.	26½" x 26½" Welded, Galvanized, H/20 Traffic. Fits U23 Catch Basin
U32-NT	GRATE	46 lbs.	26½" x 38" Welded, Galvanized, Non-Traffic
U32-HT	GRATE	112 lbs.	26½" x 38" Welded, Galvanized, H/20 Traffic
U36-NT	GRATE	67 lbs.	26½" x 50" Welded, Galvanized, Non-Traffic
U36-HT	GRATE	155 lbs.	26½" x 50" Welded, Galvanized, H/20 Traffic
U43-NT	GRATE	70 lbs.	35½" x 40" Welded, Galvanized, Non-Traffic
U43-HT	GRATE	232 lbs.	35½" x 40" Welded, Galvanized, H/20 Traffic
U52-NT	GRATE	94 lbs.	40" x 47¼" Welded, Galvanized, Non-Traffic
U52-HT	GRATE	280 lbs.	40" x 47¼" Welded, Galvanized, H/20 Traffic

All grates are galvanized, bicycle proof, and bolt down.



Phone: (800) 486-7070 Fax: (800) 486-6804
 Copyright © 2011 Oldcastle Precast Inc.

STEEL GRATES

FILE NAME: WELDED-STEEL-GRATES_ISO

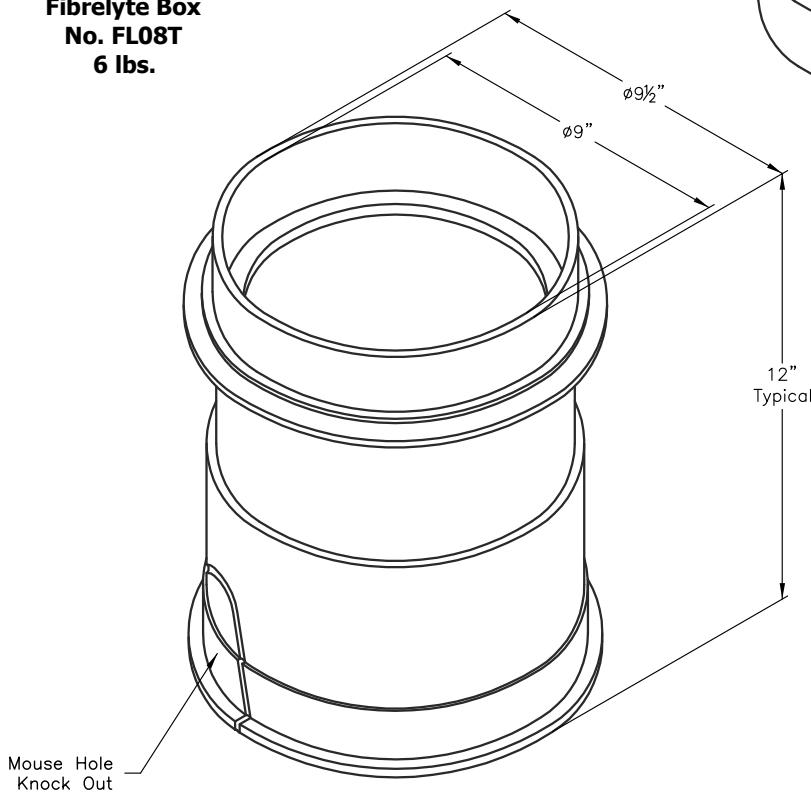
ISSUE DATE: January, 2011

www.oldcastleprecast.com

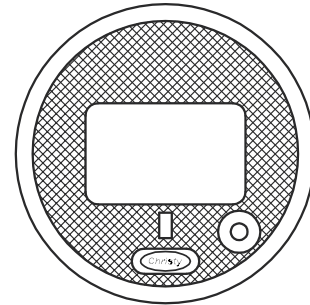
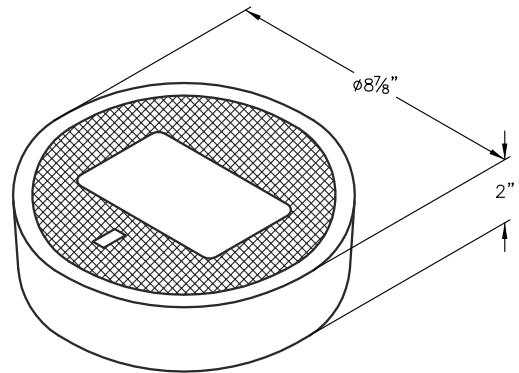
WELDED STEEL GRATES



**Fibrelyte Box
No. FL08T
6 lbs.**



**Fibrelyte Lid
No. FL08D
2 lbs.**



FL08T

All Fibrelyte valve and utility boxes are designed to receive either Fibrelyte, standard Christy Concrete or cast iron lids. Fibrelyte is a durable, light weight and proven alternative to concrete. Approximate dimensions and weight shown.

Oldcastle Ordering Code	Item	Approx. Shipping Weight	Description
FL08TBOX	BOX	6 lbs.	FL08T Box (9" dia. I.D. x 12" High) – 64 per pallet
FL08D	LID	2 lbs.	Fibrelyte Lid
FL08T	LID	2 lbs.	Fibrelyte Lid, Bolt Down
ADS	EXTENSION		ADS plastic extension 6", 8", 12", 18" & 10' Standard lengths. Others on request. No adapter required.



Phone: (800) 486-7070 Fax: (800) 486-6804
Copyright © 2011 Oldcastle Precast Inc.

FL08T BOX

FILE NAME: FL08_ISO

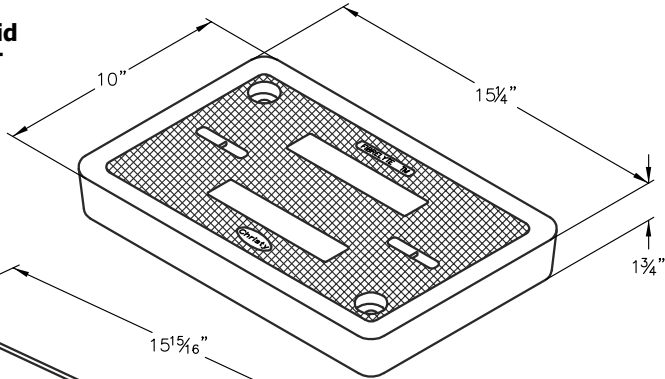
ISSUE DATE: January, 2011

www.oldcastleprecast.com

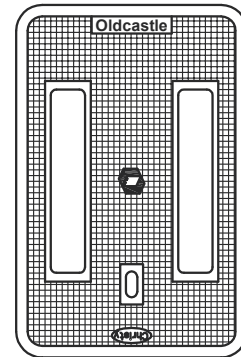
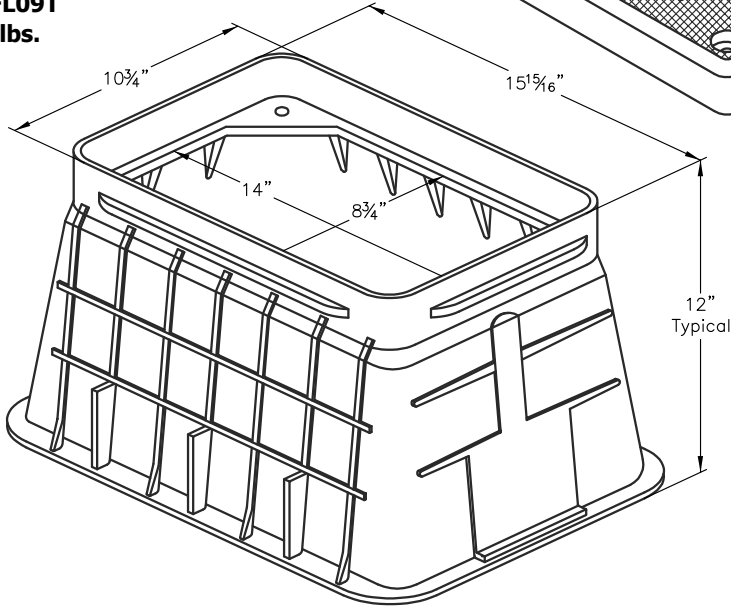
**FL08 FIBRELYTE BOX
9" x 12"**



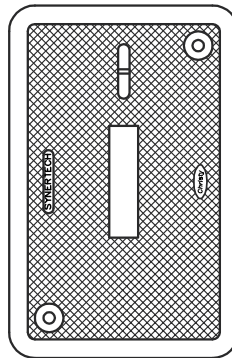
**Fibrelyte Lid
No. FL09T
9 lbs.**



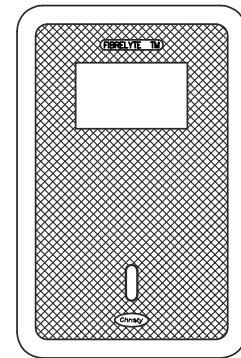
**Fibrelyte Box
No. FL09T
16 lbs.**



B09C



SYN09T



FL09D

All Fibrelyte valve and utility boxes are designed to receive either Fibrelyte, Synertech, standard Christy Concrete or cast iron lids. Both Fibrelyte and Synertech are durable, light weight and proven alternative to concrete. Approximate dimensions and weight shown.

Oldcastle Ordering Code	Item	Approx. Shipping Weight	Description
FL09TBOX	BOX	16 lbs.	FL09T Box (10" x 17" x 12" High) - 48 per pallet
FL09D	LID	9 lbs.	Fibrelyte Lid
FL09T	LID	9 lbs.	Fibrelyte Lid, Bolt Down (order FL99 Bolt Separately)
B09C	LID	20 lbs.	Cast Iron (Bolt Down Available)
SYN09T	LID	21 lbs.	Synertech Lid, Bolt Down (order FL99 Bolt Separately)



Phone: (800) 486-7070 Fax: (800) 486-6804
Copyright © 2011 Oldcastle Precast Inc.

FL09T BOX

FILE NAME: FL09_ISO

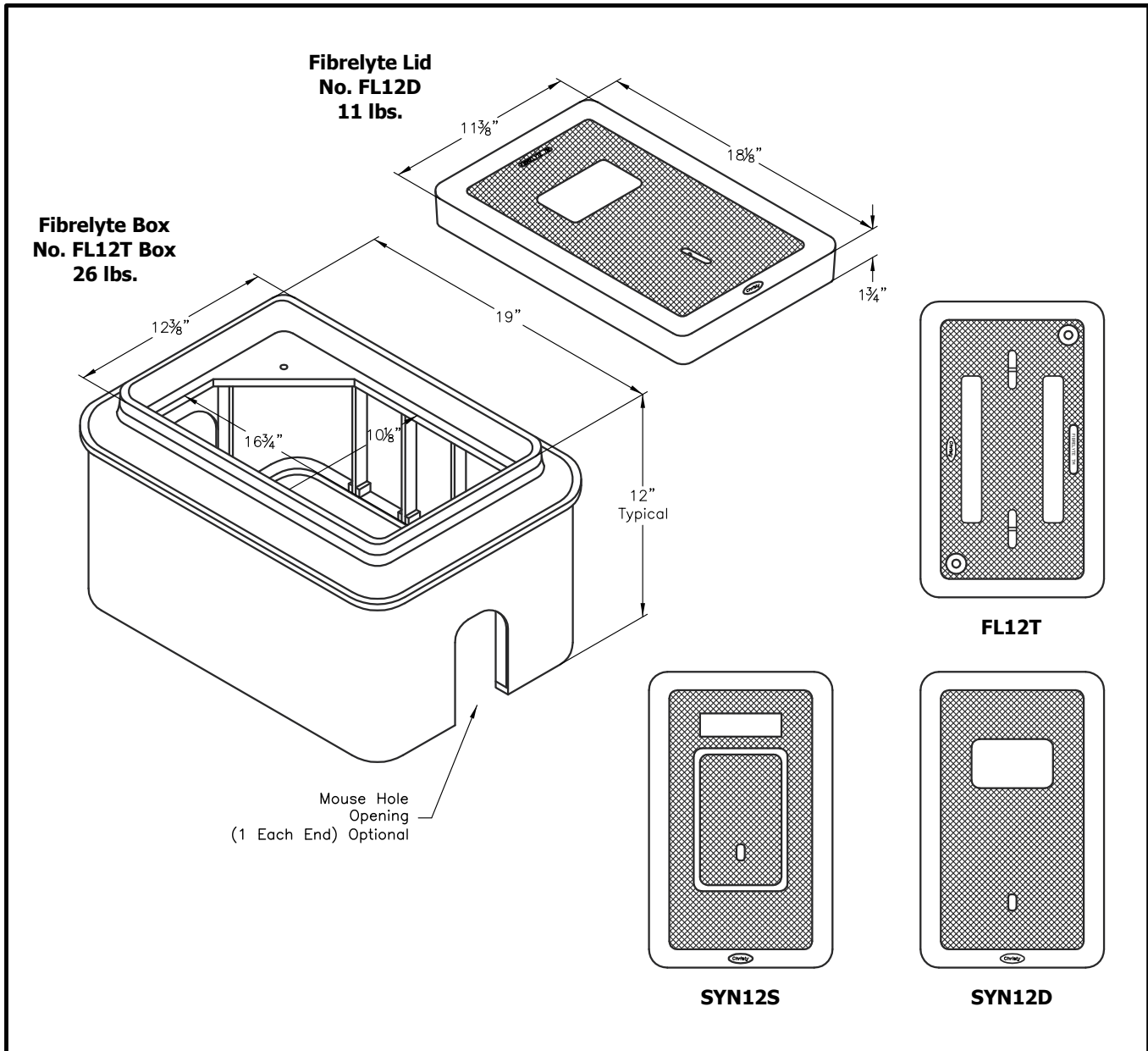
ISSUE DATE: January, 2011

www.oldcastleprecast.com

FL09 FIBRELYTE BOX

10" x 17"





All Fibrelyte valve and utility boxes are designed to receive either Fibrelyte, Synertech, standard Christy Concrete or cast iron lids. Both Fibrelyte and Synertech are durable, light weight and proven alternative to concrete. Approximate dimensions and weight shown.

Oldcastle Ordering Code	Item	Approx. Shipping Weight	Description
FL12TBOX	BOX	26 lbs.	FL12T Box (12" x 20" x 12" High) - 20 per pallet
FL12D	LID	11 lbs.	Fibrelyte Lid
FL12T	LID	11 lbs.	Fibrelyte Lid, Bolt Down (order FL99 bolts separately)
SYN12D	LID	13 lbs.	Synertech lid
SYN12S	LID	13 lbs.	Synertech lid w/ 5 1/2" x 9/8" reading lid



Phone: (800) 486-7070 Fax: (800) 486-6804
Copyright© 2011 Oldcastle Precast Inc.

FL12T BOX

FILE NAME: FL12_ISO

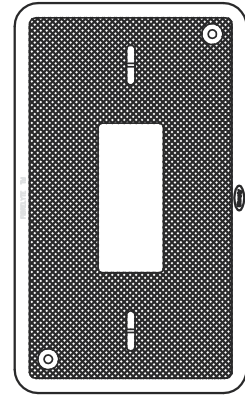
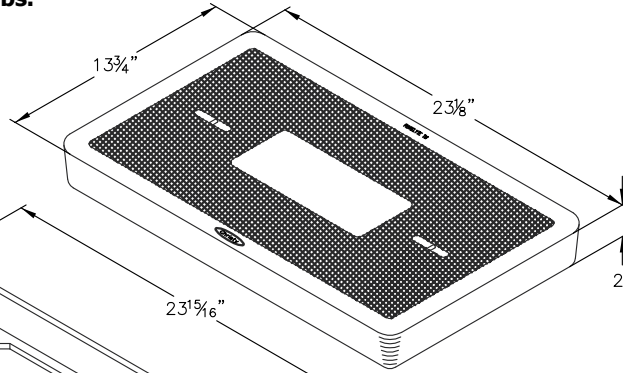
ISSUE DATE: January, 2011

www.oldcastleprecast.com

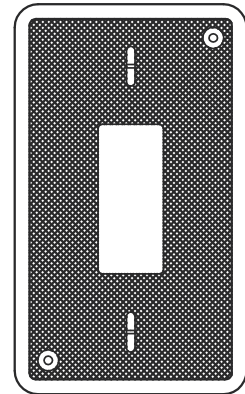
**FL12T FIBRELYTE BOX
12" x 20"**



**Fibrelyte Lid
No. FL30D
20 lbs.**

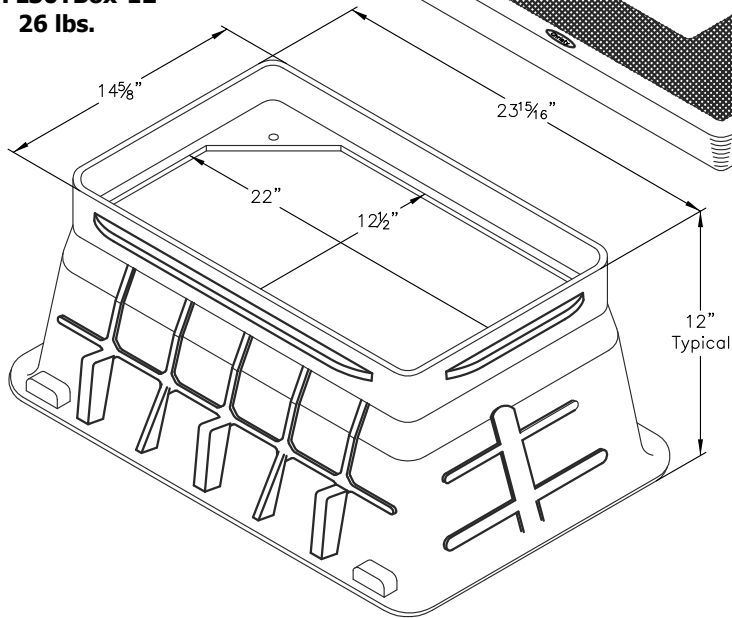


FL30T



SYN1324T

**Fibrelyte Box
No. FL30TBox-12
26 lbs.**



All Fibrelyte valve and utility boxes are designed to receive either Fibrelyte, Synertech, standard Christy Concrete or cast iron lids. Both Fibrelyte and Synertech are durable, light weight and proven alternative to concrete. Approximate dimensions and weight shown.

Oldcastle Ordering Code	Item	Approx. Shipping Weight	Description
FL30TBOX12	BOX	26 lbs.	FL30T Box (13" x 24" x 12" high) – 30 per pallet
FL30TBOX18	BOX	35 lbs.	FL30T Box (13" x 24" x 18" high) – 18 per pallet
FL30TBOX20	BOX	36 lbs.	FL30T Box (13" x 24" x 20" high) – 15 per pallet
FL30TBOX24	BOX	44 lbs.	FL30T Box (13" x 24" x 24" high) – 15 per pallet
FL30D	LID	20 lbs.	Fibrelyte Lid
FL30T	LID	20 lbs.	Fibrelyte Lid, Bolt Down (order FL99 bolts separately)
FL30X6	EXTENSION	9 lbs.	6" High Extension
FL30X8	EXTENSION	10 lbs.	8" High Extension
SYN1324T	LID	33 lbs.	Synertech lid, bolt down (order FL99 bolts separately)



Phone: (800) 486-7070 Fax: (800) 486-6804
Copyright© 2011 Oldcastle Precast Inc.

FL30T BOX

FILE NAME: FL30_ISO

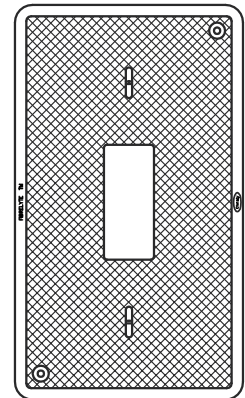
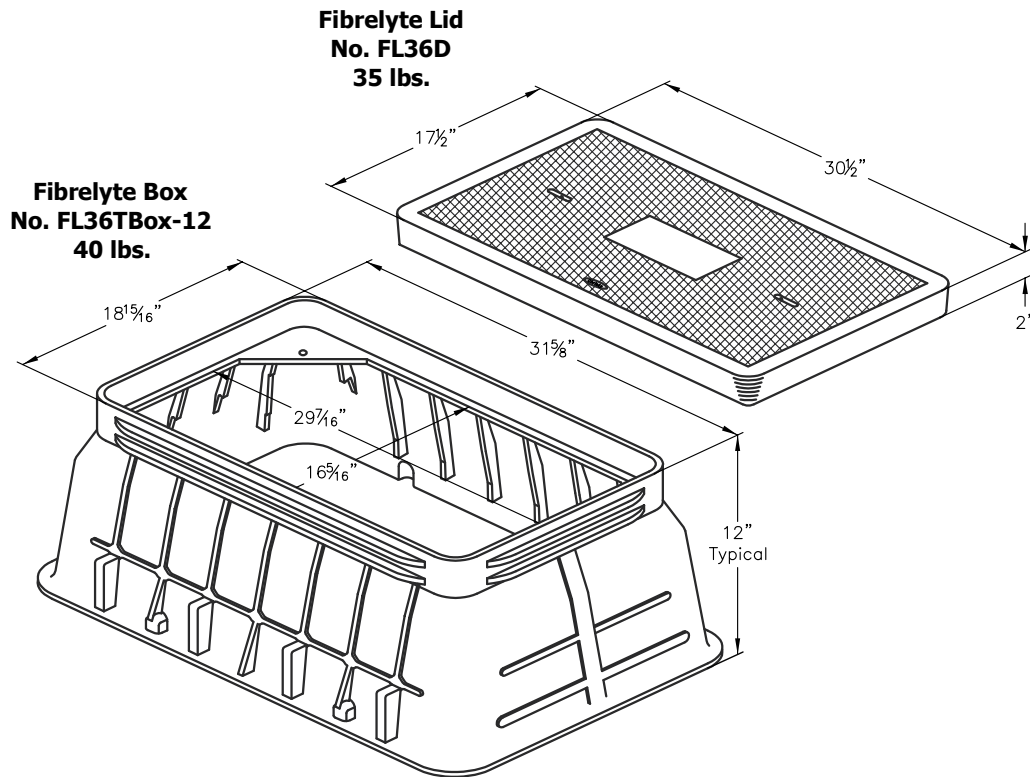
ISSUE DATE: January, 2011

www.oldcastleprecast.com

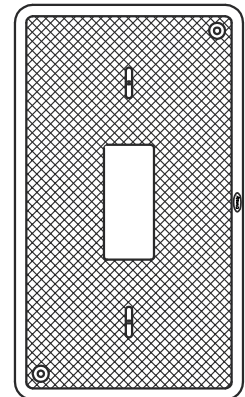
FL30T FIBRELYTE BOX

13" x 24"





FL36T



SYN1730T

All Fibrelyte valve and utility boxes are designed to receive either Fibrelyte, Synertech, standard Christy Concrete or cast iron lids. Both Fibrelyte and Synertech are durable, light weight and proven alternative to concrete. Approximate dimensions and weight shown.

Oldcastle Ordering Code	Item	Approx. Shipping Weight	Description
FL36TBOX12	BOX	40 lbs.	FL36T Box (17" x 30" x 12" high) - 20 per pallet
FL36TBOX18	BOX	52 lbs.	FL36T Box (17" x 30" x 18" high) - 12 per pallet
FL36TBOX20	BOX	58 lbs.	FL36T Box (17" x 30" x 20" high) - 10 per pallet
FL36TBOX24	BOX	64 lbs.	FL36T Box (17" x 30" x 24" high) - 10 per pallet
FL36D	LID	35 lbs.	Fibrelyte Lid
FL36T	LID	35 lbs.	Fibrelyte Lid, Bolt Down (order FL99 bolts separately)
FL36X6	EXTENSION	12 lbs.	6" High Extension
FL36X8	EXTENSION	18 lbs.	8" High Extension
SYN1730T	LID	60 lbs.	Synertech lid, bolt down (order FL99 bolts separately)



Phone: (800) 486-7070 Fax: (800) 486-6804
Copyright © 2011 Oldcastle Precast Inc.

FL36T BOX

FILE NAME: FL36_ISO

ISSUE DATE: January, 2011

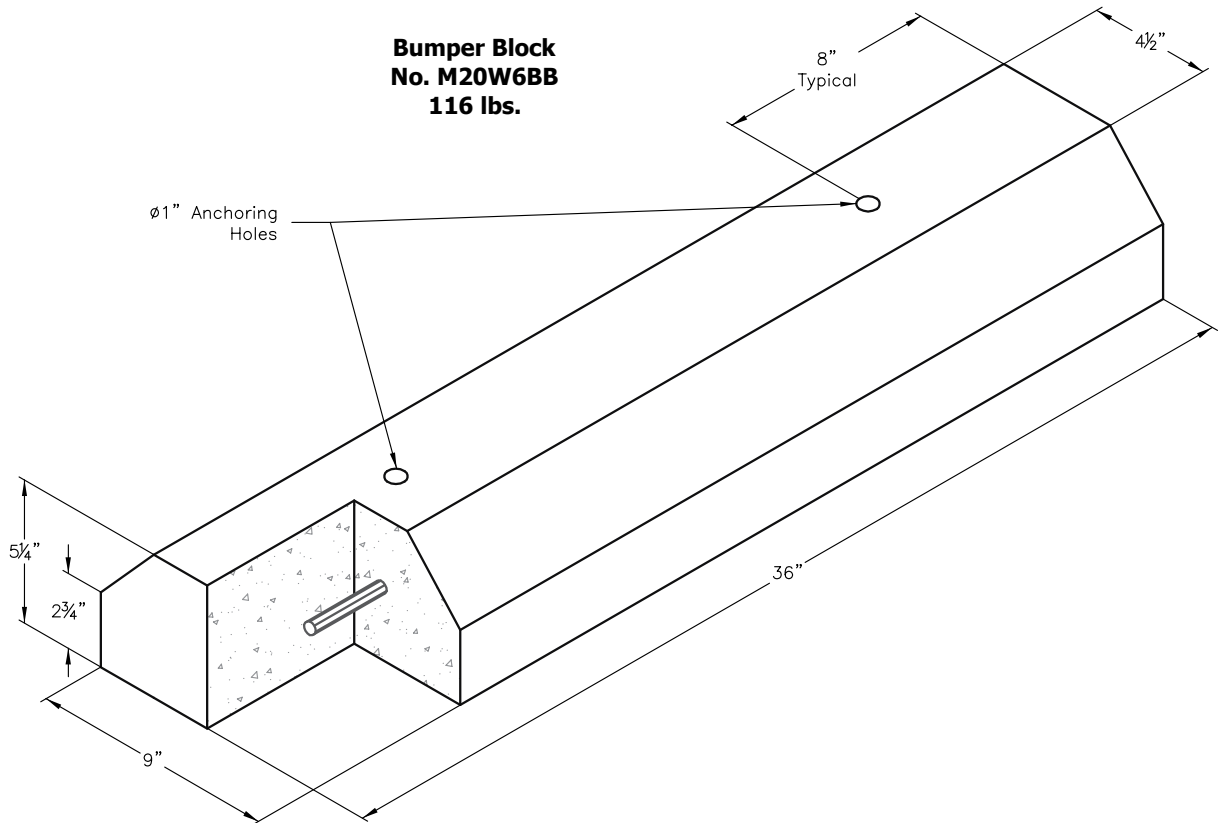
www.oldcastleprecast.com

FL36T FIBRELYTE BOX

17" x 30"



**Bumper Block
No. M20W6BB
116 lbs.**



A specifically designed bumper block for use in school campuses, shopping centers, apartments, playgrounds, ect. Made of reinforced concrete to withstand constant use and rough service. Can be installed with epoxy adhesive for permanent installation or without for non-permanent use. Approximate dimensions and weight shown.

Oldcastle Ordering Code	Item	Approx. Shipping Weight	Description
M20W6BB	BUMPER	116 lbs.	3' Bumper block, reinforced concrete



Phone: (800) 486-7070 Fax: (800) 486-6804
Copyright © 2011 Oldcastle Precast Inc.

BUMPER BLOCK

FILE NAME: 20W6BUMBLOCK_ISO

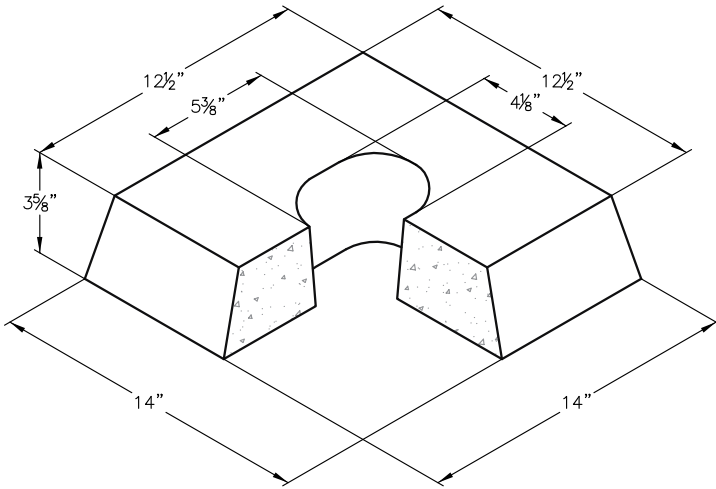
ISSUE DATE: January, 2011

www.oldcastleprecast.com

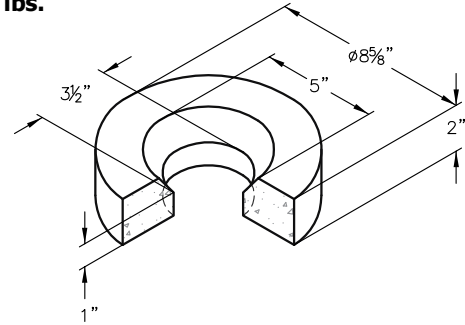
BUMPER BLOCK



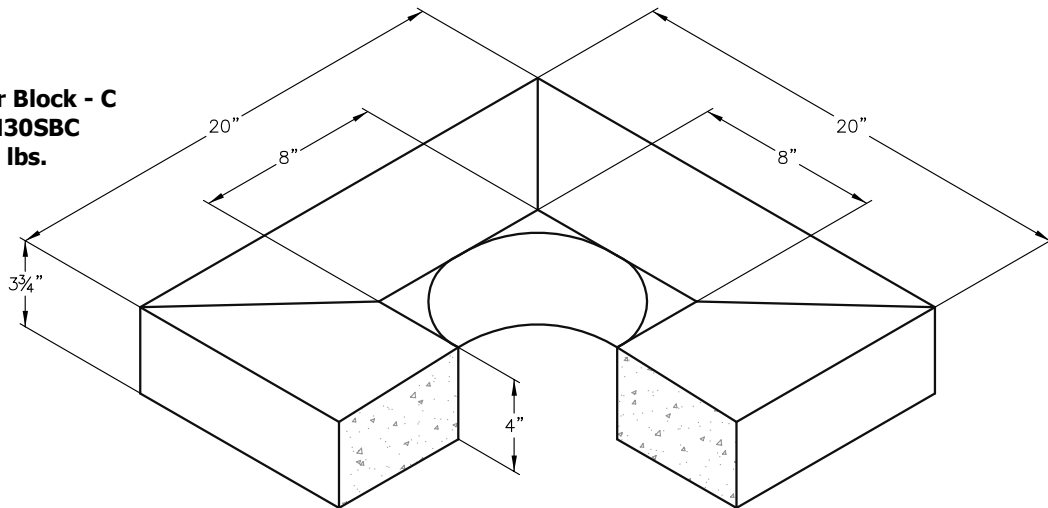
Sprinkler Block - A
No. M30SBA
48 lbs.



Sprinkler Block - B
No. M30SBB
6 lbs.



Sprinkler Block - C
No. M30SBC
94 lbs.



A precast concrete protector for a variety of sprinkler heads. For extra heavy duty applications where maximum protection is required. Can be set above ground or at ground level. Approximate dimensions and weight shown.

Oldcastle Ordering Code	Item	Approx. Shipping Weight	Description
M30SBA	SPRINKLER	48 lbs.	Type A, Sprinkler Block (14" x 14" x 4") – 45 per pallet
M30SBB	SPRINKLER	6 lbs.	Type B, Sprinkler Block (ø8 5/8" x 2") – 100 per pallet
M30SBC	SPRINKLER	94 lbs.	Type C, Sprinkler Block (20" x 20" x 3 3/4") with ø8" hole – 20 per pallet



Phone: (800) 486-7070 Fax: (800) 486-6804
 Copyright© 2011 Oldcastle Precast Inc.

SPRINKLER BLOCKS

FILE NAME: 30SPRBLOCK_ISO

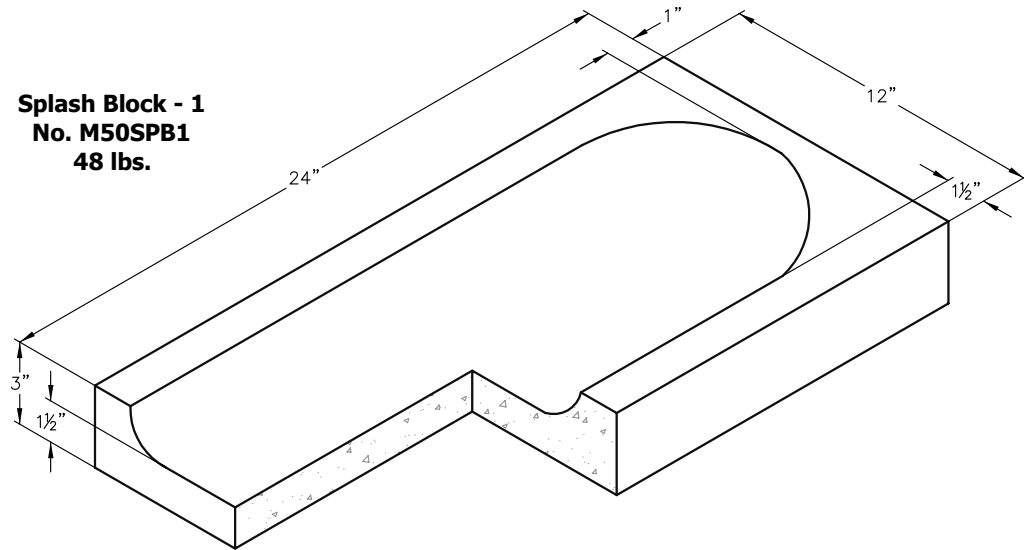
ISSUE DATE: January, 2011

www.oldcastleprecast.com

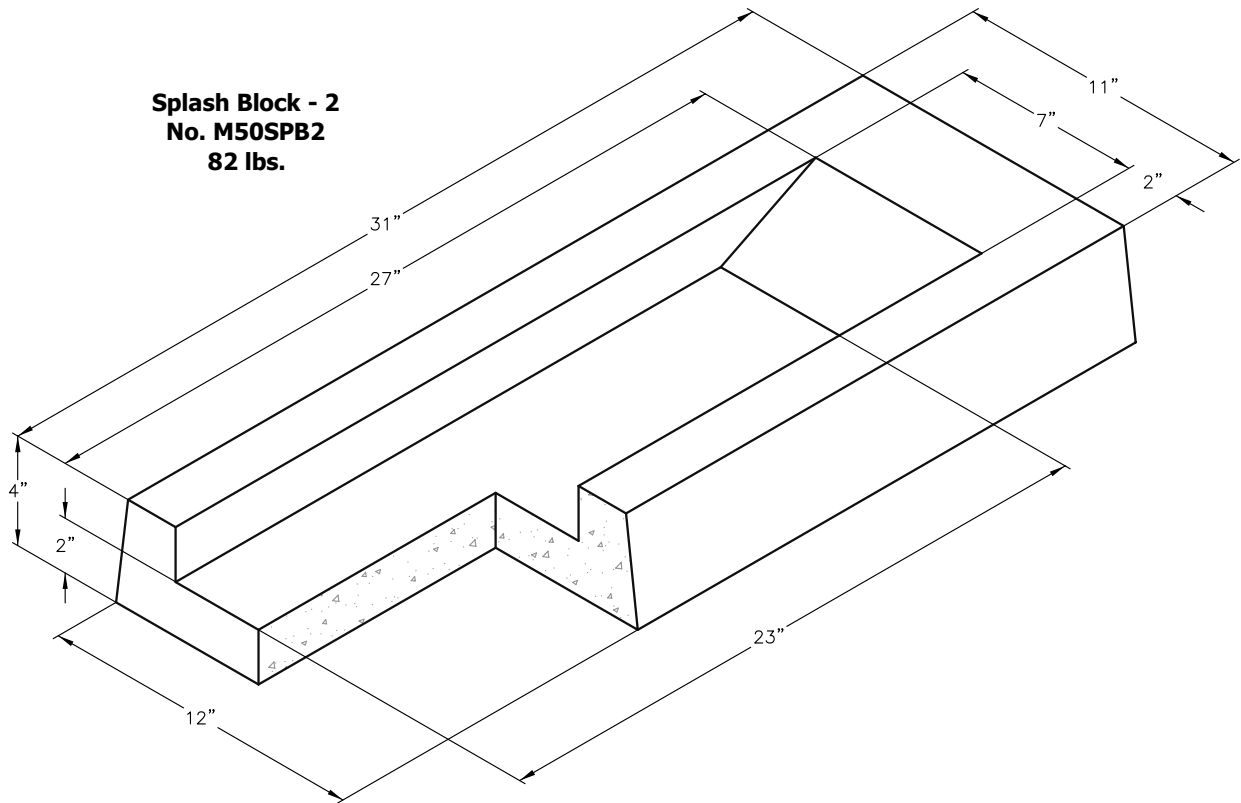
SPRINKLER BLOCKS



**Splash Block - 1
No. M50SPB1
48 lbs.**



**Splash Block - 2
No. M50SPB2
82 lbs.**



Oldcastle Ordering Code	Item	Approx. Shipping Weight	Description
M50SPB1	SPLASH	48 lbs.	12" x 24" Splash Block, Reinforced Concrete
M50SPB2	SPLASH	82 lbs.	12" x 31" Splash Block, Reinforced Concrete, FHA Approved



Phone: (800) 486-7070 Fax: (800) 486-6804
Copyright © 2011 Oldcastle Precast Inc.

SPLASH BLOCK

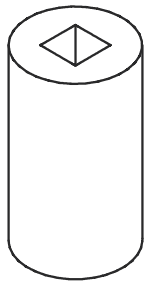
FILE NAME: 50SPLBLOCK_JS0

ISSUE DATE: January, 2011

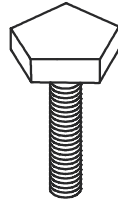
www.oldcastleprecast.com

SPLASH BLOCK

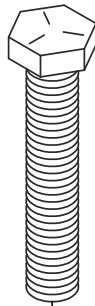




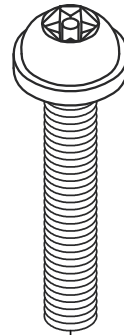
Large Penta Bolt Socket



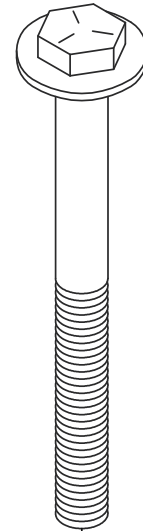
Standard Penta Bolt
3/8" - 16UNC x 1"



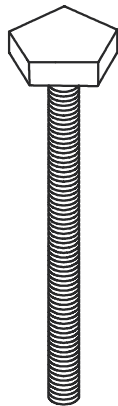
N90HHE02 Bolt Kit
(Set of 2)



N90ESE02 Bolt Kit
(Set of 2)



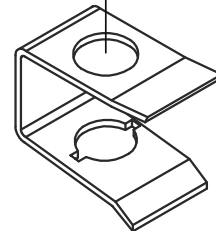
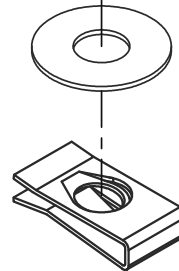
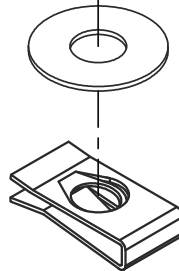
N98HHE03 Bolt Kit
(Set of 2 or 4)



Large Penta Bolt
3/8" - 16UNC x 3 1/2"



Standard Hex Bolt
3/8" - 16UNC x 4"



OES VP Bolt
3/8" - 16UNC x 1"

Oldcastle Ordering Code	Item	Approx. Shipping Weight	Description
N90HHE02	BOLTS (SET)	4 oz.	Hex Head Bolts for N09R, N16R, N30R, N36R Lids (Set of 2)
N90PHE02	BOLTS (SET)	4 oz.	Penta Head Bolts for N09R, N16R, N30R, N36R Lids (Set of 2)
N90ESE02	BOLTS (SET)	4 oz.	OES VP Bolts for N09R, N16R, N30R, N36R Lids (Set of 2)
N98HHE03	BOLTS (SET)	6 oz.	Hex Head Bolts for N40T Lid (Set of 2)
N98PHE03	BOLTS (SET)	6 oz.	Penta Head Bolts for N40T Lid (Set of 2)
N98HHE03	BOLTS (SET)	12 oz.	Hex Head Bolts for N48T Lid (Set of 4)
N98PHE03	BOLTS (SET)	12 oz.	Penta Head Bolts for N48T Lid (Set of 4)
M30PHS	LARGE SOCKET	4 oz.	Large Pentahead Socket
M36LH	LIFTING HOOK	1.5 lb.	3 ft. Universal Lifting Hook for the lids.



Phone: (800) 486-7070 Fax: (800) 486-6804
Copyright © 2011 Oldcastle Precast Inc.

HARDWARE

FILE NAME: MISC-PARTS

ISSUE DATE: January, 2011

www.oldcastleprecast.com

HARDWARE



Curb & Traffic Valve Boxes

Christy	BES	Brooks
F08 Valve Box	F8 Valve Box	#1 RD Valve Box
F08R	F8R	#1 RD
F08C	F8C	#1 RDT
V01-71C	V1-71C	#1 RDTG
F14 Curb Valve Box	F14 Curb Valve Box	#30 18 Curb Valve Box
F08R	F08R	#30 18
FL08D	No Equal	
F08C	F08C	#30 18 T
V01-71C	V01-71C	
F22 Curb Valve Box	F22 Curb Valve Box	#30 30 Curb Valve Box
F08R	F08R	#30 30
FL08D	No Equal	
F08C	F08C	#30 30 T
V01-71C	V01-71C	
G03 Box		#3 Traffic V.B.
G03C	No Equal	#3RTT
G05X12		#3RT-12
G04 Box		#4 Traffic V.B.
G04C	No Equal	#4RTT
G05X12		#4RT-12
G05T Traffic Valve Box	G05 Traffic Valve Box	
G05CT	G05C	
G05X12	G05X12	

Drainage Boxes

Christy	BES	Brooks
G05T Traffic Valve Box	G05T Traffic Valve Box	
V05CT	V05CT	
G05X12	G05X12	
B09 Drain Box	C09 Drain Box	#36 Drain Box
V09-71C	V09-71C	#36 DTG
B09X12	C09X12	#36 Ext.
V12 Drain Box	V12 Drain Box	#1212 Drain Box
V12-71C	V12-71C	#1212 Grate
V12X12	V12X12	
B24 Drain Box	C24 Drain Box	
V24-71C	V24-71C	
B24X12	C24X12	
V64 Drain Box	V64 Drain Box	#1818 Drain Box
V64-71C	V64-71C	#1818 Grate
V64X12	V64X12	#1818 Extension
V64X6 (Discontinued)	No Equal	

Electrical Boxes

Christy	BES	Brooks
N09 Electrical Box	C09E Electrical Box	#3 1/2 PB Electrical Box
N09R	C09D	#3 1/2 PB
N09R	C09T	#3 1/2 PB B/D
N09J	C09J	#3 1/2 PB-T (C.I.) B/D
FL09T	No Equal	
N09-61D	C09-61D	#3 1/2 PB-T (STL)
N09-61J	C09-61J	#3 1/2 PB-T (STL) B/D
B09X12	C09X12	
B09SL	C09SL	#36 Slab
B16 Electrical Box	C16E Electrical Box	#5 PB Electrical Box
N16R	C16D	#5 PB
N16R	C16T	#5 PB B/D
FL16T	No Equal	
N16J	C16J	#5 PB-T (C.I.) B/D
N16-61D	C16-61D	#5 PB-T (STL)
N16-61J	C16-61J	#5 PB-T (STL) B/D
B16X12	C16X12	
B30SL	C16SL	
N30 Electrical Box	C30E Electrical Box	#38 PB Electrical Box
N30R	C30D	#38 PB
N30R	C30T	#38 PB B/D
FL30T	No Equal	
N30-61D	C30-61D	#38 PB-T (STL)
N30-61J	C30-61J	#38 PB-T (STL) B/D
B30X12	C30X12	#38 Ext.
B30SL	C30SL	#38 Slab
N36 Electrical Box	C36E Electrical Box	#66 Electrical Box
N36R	C36D	#66 PB
N36R	C36T	#66 PB B/D
FL36T	No Equal	
N36-61D	C36-61D	#66 PB-T (STL)

Electrical Boxes

Christy	BES	Brooks
N36-61J	C36-61J	#66 PB-T (STL) B/D
B36X12	C36X12	
B36SL	C36SL	
B40 Electrical Box	C40E Electrical Box	#67 PB Electrical Box
N40D	C40D	#67 PB
N40T	C40T	#67 PB B/D
N40-61D	C40-61D	#67 PB-T (STL)
N40-61J	C40-61J	#67 PB-T (STL) B/D
N40X10	C40X10	#67 Ext.
B40SL	C40SL	#67 Slab
B44 Meter Box	C44E Electrical Box	
B44D2	C44D2	
B44-62D	C44-62D	
B44X8	C44X8	
B44SL	C44SL	
N48 Electrical Box	C48E Electrical Box	#68 PB Electrical Box
B48D	C48D	#68 PB
N48D2	C48D2	#68 PB
B48T2	C48T2	#68 PB B/D
B48-62D	C48-62D	#68 PB-T (STL)
N48-62J	C48-62J	#68 PB-T (STL) B/D
N48X10	C48X10	#68 Ext.
B48SL	C48SL	#68 Slab
N52 Electrical Box	C52E Electrical Box	#69 PB Electrical Box
N52D2	C52D2	
N52D3	C52D3	#69 PB
N52T3	C52T3	#69 PB B/D
B52-62D	C52-62D	#69 PB-T (STL)
N52-62J	C52-62J	#69 PB-T (STL) B/D
N52X10	C52X10	#69 Ext.
B52SL	C52SL	#69 Slab

Water Meter Boxes

Christy	BES	Brooks
B03 Meter Box	C03W Meter Box	#3 Meter Box
B03C	C03C	#3T
B03D	C03D	#3s 1 piece
B03P	C03D	
B03-61D	C03-61D	
B09 Meter Box	C09W Meter Box	#36 Meter Box
B09C	C09C	
N09R	C09D	#36 T
N09RP	C09P	
B09G	C09G	#36 1 piece
FL09D	No Equal	
B09-61D	C09-61D	#36 S
B09-61G	C09-61G	#36 H
B09X12	C09X12	#36 Ext.
B09SL	C09SL	#36 Slab
B09X Meter Box	C09X Meter Box	
B09XD	C09XD	
B09XP	C09XP	
B09XG	C09XG	
FL09XD	No Equal	
B09-61D	C09-61D	#36 S
B09-61G	C09-61G	#36 H
B09X12	C09X12	
B09SL	C09SL	

Water Meter Boxes

Christy	BES	Brooks
B12 Meter Box	C12 Meter Box	#37 Meter Box
B12D	C12D	#37 1 piece
B12P	C12P	
B12G	C12G	#37 H
FL12D	No Equal	
B12GP	C12GP	
B12S	C125	#37 S
B12-61D	C12-61D	#37 T
B12-61G	C12-61G	#37 TR
B12X12	C12X12	#37 Ext.
B16 Meter Box	C16W Meter Box	
B16C	C16C	
N16R	C16D	
N16RP	C16P	
B16G	C16G	
FL16D	No Equal	
B16GP	C16GP	
B16-61D	C16-61D	
B16-61G	C16-61G	
B16-61GP	C16-61GP	
B16X12	C16X12	
B30SL	C16SL	
B24 Dual Meter Box	C24 Dual Meter Box	Dual 11 Meter Box
B24D	C24D	Dual 11 pieces
B24E	C24E	Dual 11 5
B24G	C24G	Dual 11 5
B24-61D	C24-61D	Dual 11 T
B24-61G	C24-61G	Dual 11 TR
B24X12	C24 Ext.	Dual 11 Ext.

Water Meter Boxes

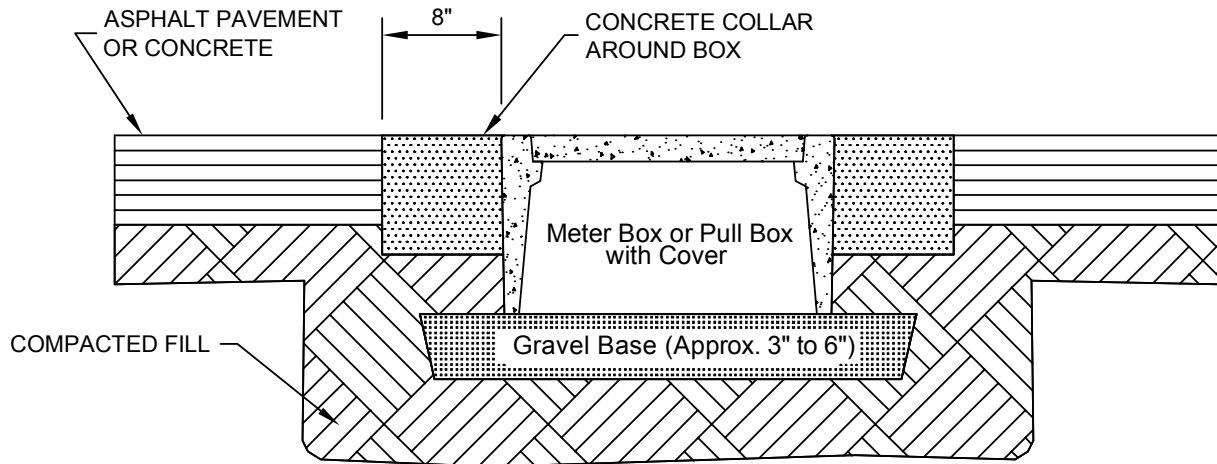
Christy	BES	Brooks
N30 Meter Box	C30 Merter Box	#38 Meter Box
N30R	C30D	#38 1 piece
N30RP	C30P	
B30E	C30E	#38 S
B30G	C30G	#38 H
B30GP	C30GP	
FL30D	No Equal	
B30-61D	C30-61D	#38 T
B30-61P	C30-61P	
B30-61G	C30-61G	#38 TR
B30-61GP	C30-61GP	
B30X12	C30X12	#38 Ext.
B30SL	C30SL	#38 Slab
N36 Meter Box	C36 Meter Box	#66 Meter Box
N36R	C36D	#66 1 piece
N36RP	C36P	
B36E	C36E	#66 S
B36G	C36G	#66 H
B36GP	C36GP	
FL36D	No Equal	
B36-61D	C36-61D	#66 T
B36-61P	C36-61P	
B36-61G	C36-61G	#66 TR
B36-61GP	C36-61GP	
B36X12	C36X12	#66 Ext.
B36SL	C36SL	#66 Slab
N40 Meter Box	C40 Meter Box	#67 Meter Box
B40D	C40D	#67 1 piece
B40P	C40P	
B40M	C40M	#67 S
B40-61D	C40-61D	#67 T
B40-61P	C40-61P	
B40-61G	C40-61G	#67 TR

Water Meter Boxes

Christy	BES	Brooks
N40X10	C40X10	#67 Ext.
B40SL	C40SL	#67 Slab
B44 Meter Box	C44 Meter Box	
B44D2	C44D2	
B44E2	C44E2	
B44-62D	C44-62D	
B44-62G	C44-62G	
B44X8	C44X8	
B44SL	C44SL	
N48 Meter Box	C48 Meter Box	#68 Meter Box
B48D2	C48D2	#68 2 piece
B48M2	C48M2	#68
B48-62D	C48-62D	#68 T
B48-62G	C48-62G	#68 TR
B48-62GP	C48-62GP	
N48X10	C48X10	#68 Ext.
B48SL	C48SL	#68 Slab
N52 Meter Box	C52 Meter Box	#69 Meter Box
B52D3	C52D3	#69 3 piece
B52F3	C52F3	#69 3 piece, r/1
B52M3	C52M3	#69 3 piece
B52-62D	C52-62D	#69 2 piece T
B52-62G	C52-62G	#69 2 piece TR
N52X10	C52X10	#69 Ext.
B52SL	C52SL	#69 Slab

Installation Procedure

Installation in Concrete or Pavement
for driveways, parking lots and off-roadway applications
where subject to occasional non-deliberate light vehicles.



FIELD PREPARATION

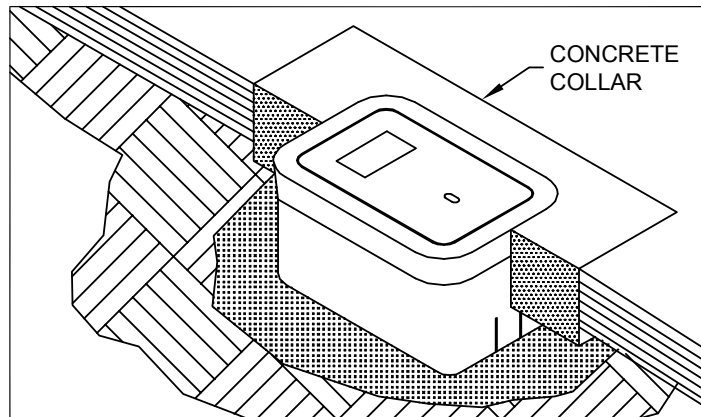
Prepare the excavation approximately 6" deeper than the overall height of the enclosure. The length and width of the excavation should be determined by adding 4" to 6" to the overall length and width of the box.

INSTALLATION RECOMMENDATIONS

Placement of approximately 3" to 6" of compacted material such as sand or gravel is the recommended material because of its drainage characteristics. The compacted material should be leveled so the top of the box is flush to grade.

BACKFILLING

Place selected backfill into the excavation at 12" lifts and compact. The backfill should be discontinued approximately 8" below the finish grade. The final 8" of the excavation should be finished with concrete. This should be accomplished by providing a form around the enclosure that would produce a 8" wide collar (see sketch).



Note: Minimum concrete collar strength is 3,000 psi.

QUICK-SPECIFICATION

Underground enclosures shall be manufactured by Oldcastle/Christy. Boxes and covers shall be concrete and have a pedestrian rated minimum vertical test load of 350 pounds per square foot. The concrete shall test to a minimum of 4500 psi compressive strength.





Distribution Centers Servicing Your Local Areas

