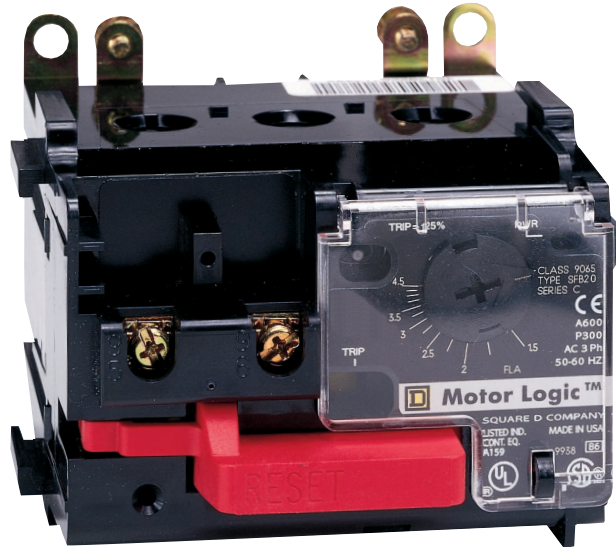


Class 9065

## Motor Logic™ Solid State Overload Relay Base Unit

As the market leader in motor control products, SQUARE D offers the solid state overload relay, Motor Logic™. Motor Logic™ solid state overload relays provide the most complete electronic overload protection available to date for the price.

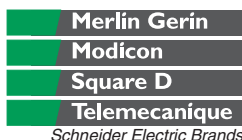
- Fixed thermal unit design eliminates the need for separate thermal units, thus simplifying selection and reducing inventory.
- Self-powered; no external power source required.
- 3:1 Current range adjustability for maximum application flexibility, ease of selection and installation.
- Phase loss protection minimizes potential damage to motors caused by single phasing and can extend the life of the motor.
- Phase unbalance protection provides additional degree of motor protection.
- Easy retrofit of existing Type S starters. Motor Logic™ SSOLR mounts on the same baseplate. The reset mechanism is even in the same location as the reset for existing SQUARE D starters.
- DIN rail mounting option provides maximum mounting flexibility and reduces installation time and cost.
- Power on LED indicator provides visual indication of power status (current flowing to the motor).
- Permanent tamper guard prevents tampering with the trip current adjustment dial setting.
- Available in Class 10 or Class 20 trip classes to meet most applications.
- Harmonic immunity allows operation on same distribution feeder as non-linear loads.
- UL Listed, CSA certified, and CE marked.



The Motor Logic™ solid state overload relay is available as an option on the following products:

- Class 8536, 8736 full voltage non-reversing and reversing starters
- Class 8810 multispeed starters
- Class 8538, 8539, 8738, 8739 full voltage non-reversing and reversing combination starters
- Class 8606, 8630 reduced voltage starters
- Model 6 motor control centers (12" and 6" buckets)

The Motor Logic™ solid state overload relay is also available as a Class 9065 device for stand-alone operation. The 9065 device may be panel or DIN rail mounted. DIN mounting requires DIN adaptor Class 9999 DA01.

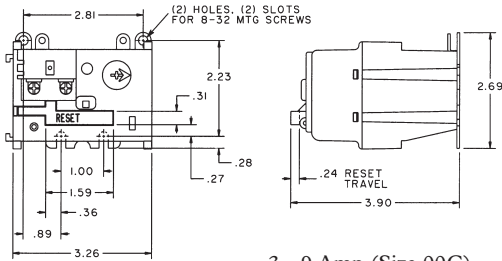


**SQUARE D**  
Schneider Electric

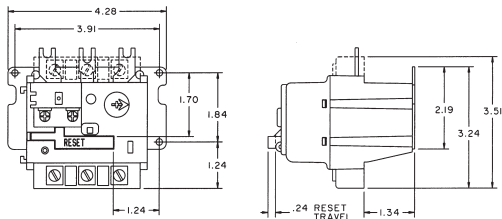
*Get more with the world's Power & Control specialist.*

# Motor Logic™ Solid State Overload Relay Base Unit

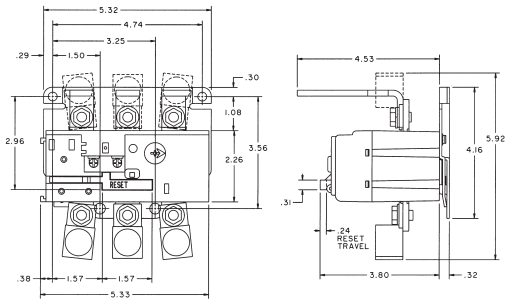
## Dimensions (shown in inches)



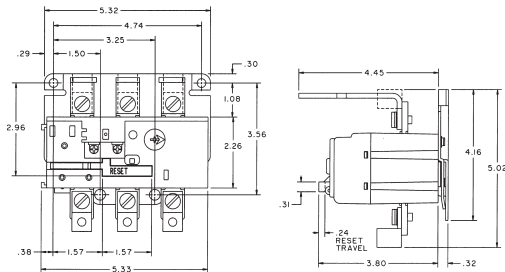
3 - 9 Amp (Size 00C)  
6 - 18 Amp (Size 0)  
9 - 27 Amp (Size 1)



15 - 45 Amp (Size 2)



30 - 90 Amp (Size 3)



45 - 135 Amp (Size 4)

## Additional standard features

- Self-powered
- Repeat trip accuracy: +/- 2%
- Normally closed trip contact
- Visible trip indication
- Trip free operation
- Ambient insensitivity
- Harmonic immunity
- Thermal memory
- Trip test function

## Optional features

- Auxiliary contacts
- Electrical remote reset
- Lug-Lug kits for separate mounting
- DIN rail adapter bracket
- Lug-Extender kit for retrofit (00C, 0, 1)

## Selection

Base Unit for Separate Mounting  
Solid State Overload Relay: 600 VAC Max.

Size/3 Pole	Full Load Current Range (Amperes)	OpenType Trip Class 10	OpenType Trip Class 20
Base Separately Mounted Unit			
00C ◊	3 - 9	SSC10	SSC20
0 ◊	6 - 18	SS010	SS020
1 ◊	9 - 27	SS110	SS120
2	15 - 45	SS210	SS220
3	30 - 90	SS310	SS320
4	45 - 135	SS410	SS420
5 *	90 - 270	SS510	SS520

◊ Sizes 00C, 0, and 1 supplied without lugs. Lug conversion kits listed below.

◊ Lower ampere loads can be protected by looping of power wires.

• Drop-in replacement for "existing" SQUARE D NEMA Type S starters with melting alloy, bimetallic, or Form Y500 overload relays only.

Base Unit for Retrofit to SQUARE D Type S Starters  
Solid State Overload Relay: 600 VAC Max.

Reference Starter Size	Full Load Current Range (Amperes)	OpenType Trip Class 10	OpenType Trip Class 20
Base Unit Replacement for SQUARE D NEMA Type S Starters			
00C ◊	3 - 9	SSC10	SSC20
0 ◊	6 - 18	SS010	SS020
1 ◊	9 - 27	SS110	SS120
2	15 - 45	SR210	SR220
3	30 - 90	SR310	SR320
4	45 - 135	SR410	SR420
5 *	90 - 270	SR510	SR520

◊ Sizes 00C, 0, and 1 supplied without lugs. Lug conversion kits listed below.

◊ Lower ampere loads can be protected by looping of power wires.

• Drop-in replacement for "existing" SQUARE D NEMA Type S starters with melting alloy, bimetallic, or Form Y500 overload relays only.

Lug-Lug and Lug Extender Kits for separate mounting and retrofit  
with Motor Logic Overload Relays on NEMA Type S Starters

Lug Kit Type	Sizes 00C, 0, and 1
Lug - Lug	9999 LLO
Lug - Extender	9999 LBO

Lug - Lug designed for separate mounting.

Lug - Extender designed to retrofit to existing SQUARE D NEMA Type S starters.

Motor Logic is a registered trademark of SQUARE D Company.

Visit the SQUARE D web site at [www.SquareD.com](http://www.SquareD.com)

