

Wiring Devices - Series 309 Pin and Sleeve.

Unique
features.
Versatile.
Safe.

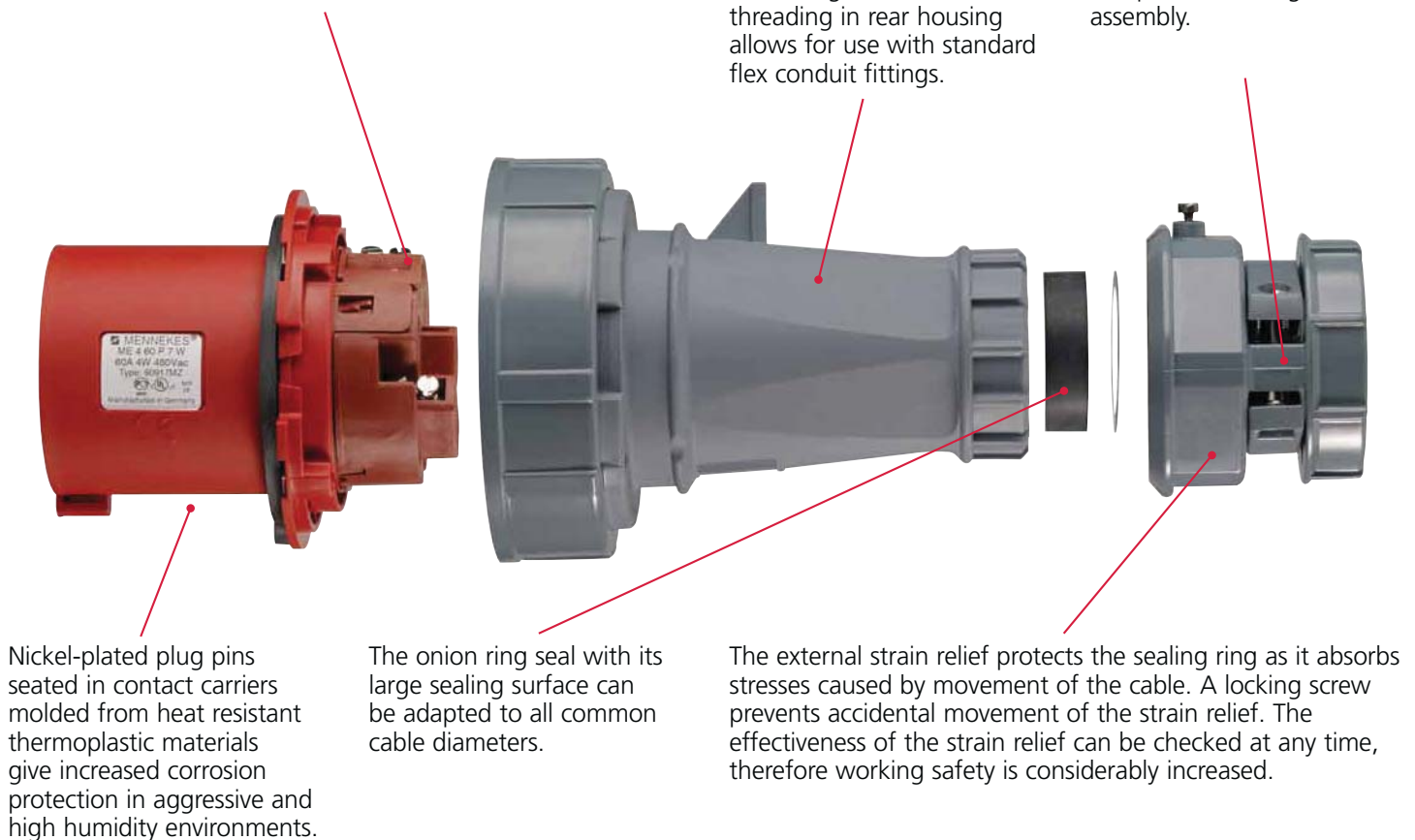


MENNEKES offers a wide range of Wiring Devices for various applications.

The terminals provide a large clamping area, with uniform contact pressure on the conductor providing low contact resistance in use. High operational reliability is assured.

60A and 100A models also have an ergonomic design to facilitate the mating and un-mating of devices. NPT threading in rear housing allows for use with standard flex conduit fittings.

The strain relief clamps and screws are captive reducing the possibility of losing components during assembly.



Features and benefits

Receptacles

Compact units are ideal for panel mount installations. Receptacles have an oversized ground sleeve to prohibit mismatching of different voltages.

Plugs

In-line plugs feature non-metallic housings with locking rings and gaskets for watertight protection.

Inlets

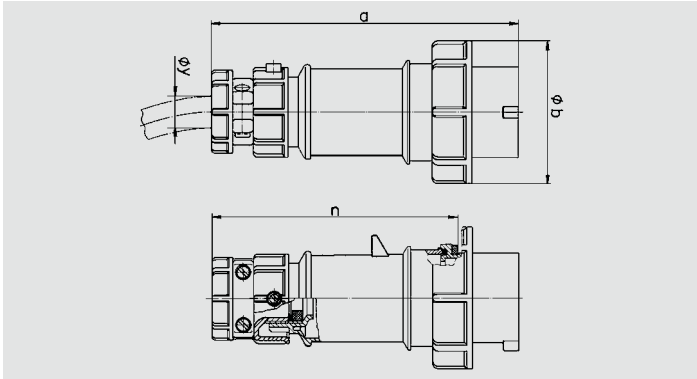
Ideal for generator or motor plug interface applications, inlets are compact and can be surface mounted or mounted with available back boxes.

Connectors

In-line connectors feature dead-front construction for safety and use split brass solid sleeves.

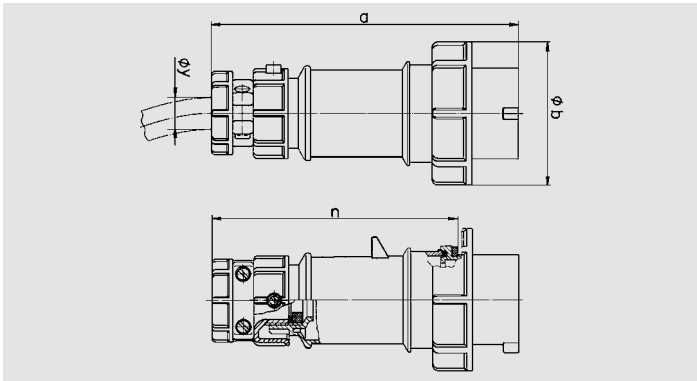
Series 309 - Pin & Sleeve Devices. Plugs

20 Amp - 100 Amp
Watertight



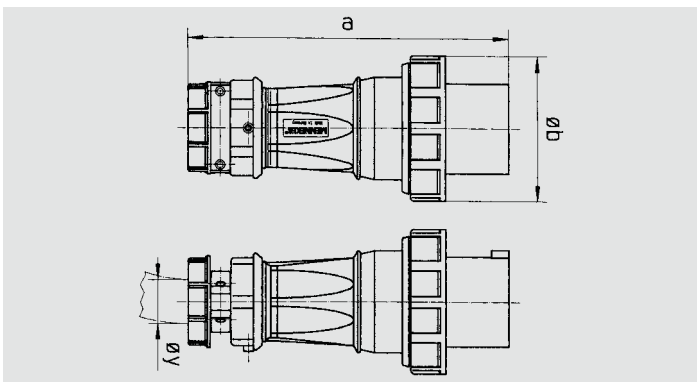
Approximate Dimensions (in inches)

| | Wire Configuration | | |
|----------------------|--------------------|----------------|----------------|
| | 2 Pole, 3 Wire | 3 Pole, 4 Wire | 4 Pole, 5 Wire |
| a | 6.40 | 6.69 | 7.28 |
| b | 2.76 | 3.07 | 3.47 |
| n | 4.96 | 5.26 | 5.97 |
| y | | | |
| Cord Diameter | .36-.76 | .36-.76 | .45-.94 |
| Threaded Entry (NPT) | 3/4 | 3/4 | 1 |



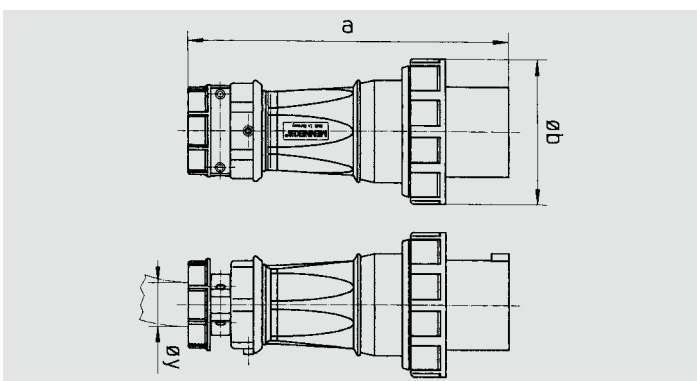
Approximate Dimensions (in inches)

| | Wire Configuration | | |
|----------------------|--------------------|----------------|----------------|
| | 2 Pole, 3 Wire | 3 Pole, 4 Wire | 4 Pole, 5 Wire |
| a | 7.80 | 7.80 | 8.43 |
| b | 3.70 | 3.70 | 3.98 |
| n | 6.14 | 6.14 | 6.77 |
| y | | | |
| Cord Diameter | .43-.94 | .43-.94 | .43-1.12 |
| Threaded Entry (NPT) | 1 | 1 | 1 1/4 |



Approximate Dimensions (in inches)

| | Wire Configuration | | |
|----------------------|--------------------|----------------|----------------|
| | 2 Pole, 3 Wire | 3 Pole, 4 Wire | 4 Pole, 5 Wire |
| a | 9.69 | 9.69 | 9.69 |
| b | 4.49 | 4.49 | 4.49 |
| y | | | |
| Cord Diameter | .57-1.42 | .57-1.42 | .57-1.42 |
| Threaded Entry (NPT) | 1 1/2 | 1 1/2 | 1 1/2 |



Approximate Dimensions (in inches)

| | Wire Configuration | | |
|----------------------|--------------------|----------------|----------------|
| | 2 Pole, 3 Wire | 3 Pole, 4 Wire | 4 Pole, 5 Wire |
| a | 11.54 | 11.54 | 11.54 |
| b | 5.16 | 5.16 | 5.16 |
| y | | | |
| Cord Diameter | .98-1.97 | .98-1.97 | .98-1.97 |
| Threaded Entry (NPT) | 2 | 2 | 2 |

**Plugs
20 Amp**


* Available in splashproof. To order, omit W suffix.

| Wire Configuration | Voltage | Catalog Number* |
|--------------------|------------|-----------------|
| 2 Pole 3 Wire | 125 | ME 320P4W |
| | 250 | ME 320P6W |
| | 480 | ME 320P7W |
| 3 Pole 4 Wire | 125/250 | ME 420P12W |
| | 3Ø250 | ME 420P9W |
| | 3Ø480 | ME 420P7W |
| | 3Ø600 | ME 420P5W |
| 4 Pole 5 Wire | 3ØY120/208 | ME 520P9W |
| | 3ØY277/480 | ME 520P7W |
| | 3ØY347/600 | ME 520P5W |

**Plugs
30 Amp**


* Available in splashproof. To order, omit W suffix.

| | | |
|------------------|------------|------------|
| 2 Pole 3 Wire | 125 | ME 330P4W |
| | 250 | ME 330P6W |
| | 480 | ME 330P7W |
| 3 Pole 4 Wire | 125/250 | ME 430P12W |
| | 3Ø250 | ME 430P9W |
| | 3Ø480 | ME 430P7W |
| | 3Ø600 | ME 430P5W |
| 4 Pole 5 Wire | 3ØY120/208 | ME 530P9W |
| | 3ØY277/480 | ME 530P7W |
| | 3ØY347/600 | ME 530P5W |

**Plugs
60 Amp**


* Available in splashproof. To order, omit W suffix.

| | | |
|------------------|------------|------------|
| 2 Pole 3 Wire | 125 | ME 360P4W |
| | 250 | ME 360P6W |
| | 480 | ME 360P7W |
| 3 Pole 4 Wire | 125/250 | ME 460P12W |
| | 3Ø250 | ME 460P9W |
| | 3Ø480 | ME 460P7W |
| | 3Ø600 | ME 460P5W |
| 4 Pole 5 Wire | 3ØY120/208 | ME 560P9W |
| | 3ØY277/480 | ME 560P7W |
| | 3ØY347/600 | ME 560P5W |

**Plugs
100 Amp**


| | | |
|------------------|------------|-------------|
| 2 Pole 3 Wire | 125 | ME 3100P4W |
| | 250 | ME 3100P6W |
| | 480 | ME 3100P7W |
| 3 Pole 4 Wire | 125/250 | ME 4100P12W |
| | 3Ø250 | ME 4100P9W |
| | 3Ø480 | ME 4100P7W |
| | 3Ø600 | ME 4100P5W |
| 4 Pole 5 Wire | 3ØY120/208 | ME 5100P9W |
| | 3ØY277/480 | ME 5100P7W |
| | 3ØY347/600 | ME 5100P5W |