

SIEMENS

30 Amp General Duty Enclosed Switches



Features

- Compact size
- Visible blade, double break switching action
- Quick make, quick break operating mechanism
- Indoor and galvanized steel outdoor enclosures
- Highly visible "ON" / "OFF" indications
- Bondable Neutral (where indicated)
- Cover interlock on indoor enclosures
- Padlocking provisions to lock cover closed or to lock switch in the "OFF" position

Ratings

- UL listed under file #E4776
- All fusible switches suitable for use as service entrance equipment
- Fused switches rated 10,000 AIC with either plug or Class H fuses or 100,000 AIC with Class R fuses
- Meets federal spec WS865C (type LD or type NDS)

New Switch Catalog Numbering System

PART 1 Switch Type	PART 2 Fused or Non Fused	PART 3 Number of Poles	PART 4 Voltage Rating	PART 5 Ampere Rating	PART 6 With or Without Neutral	PART 7 Enclosure Type
L = Gen. Duty 10k AIC Max. (Plug Fused and 60A Special Application) G = Gen. Duty 100k AIC Max.	F = Fused NF = Non-Fused	1 = 1 2 = 2 3 = 3	1 = 120V or 120/240V 2 = 240V	1 = 30A 2 = 60A	Omit = Less Neutral N = with Neutral	Omit = Type 1 Indoor R = Type 3R Outdoor

Ordering Information

Ampere Rating	Fuse Type	Indoor - Type 1			Outdoor - Type 3R			Horsepower Ratings ① 120/240V AC				HP Rating 250 Volt DC
		Catalog Number	List Price \$	Ship Wt (Std Pkg)	Catalog Number	List Price \$	Ship Wt (Std Pkg)	1 Phase 2W		3 Phase 3W		
								Std	Max	Std	Max	
120 Volt Fusible - 1 Pole and Neutral												
30	Plug	LF111N	46.50	35 (10)	LF111NR	96.00	35 (10)	½ ⑥	2 ⑥	—	—	—
120/240 Volt Fusible - 2 Pole and Neutral												
30	Plug Cartridge	LF211N	57.00	35 (10)	LF211NR	117.00	35 (10)	1½	3	—	—	—
30		GF221N ⑤	74.00	35 (10)	GF221NR ⑤	117.00	35 (10)	1½	3	3 ④	7½ ④	5 (Std)
240 Volt Max Fusible - 3 Pole and Neutral (Also use for 240V, 3P, 3W Applications)												
30	Cartridge	GF321N	117.00	24 (5)	GF321NR	182.00	24 (5)	1½	3	3	7½	—
240 Volt Max Non-Fusible - 3 Pole ② (Also use for 240V, 2P Applications)												
30	—	GNF321	96.00	24 (5)	GNF321R	182.00	24 (5)	—	3	—	7½	5 (Std)
240 Volt Max Non-Fusible - 2 Pole Special Application (Bottom Cable Entry and Exit Only)												
60	—	Use Outdoor	—	—	LNF222R ③	103.00	35 (10)	—	10	—	—	—

① Dual horsepower ratings standard applies when non-time delay fuses are installed Max - applies when time delay fuses are installed.
② Use neutral kit catalog number W410190 for 1 Phase, 3W or 3 Phase, 4W applications.

③ Bottom cable entry & exit only No hub provisions supplied.
④ Suitable for 3 Pole motor loads.

⑤ These switches can also be used for 240V 2P, 2W applications and are UL listed for application on a grounded B system.
⑥ Ratings shown are 120V - 1 Phase, 2W.

Accessories

Catalog Number	Description	List Price \$
HA075S	¾" Type "HA" Outdoor Hub	21.50
HA100S	1" Type "HA" Outdoor Hub	21.50
HA125S	1 ¼" Type "HA" Outdoor Hub	21.50
GSRK321	30A Class R Fuse Clip Kit	15.00
GSGK60	30-60A Equipment Ground Kit	14.20
W410190	30A Neutral Kit	41.00

Lug Wire Ranges (60/75°C)

Description	Wire Range Cu/Al
30A Switch Line	#14 - 6 AWG
30A Switch Load	#14 - 8 AWG
60A Switch Line & Load	#14 - 3 AWG
30A Neutral Kit (W410190)	#14 - 8 AWG
30 - 60A Ground Kit (GSGK60)	#14 - 2 AWG

Dimensions & Old to New Cross Reference

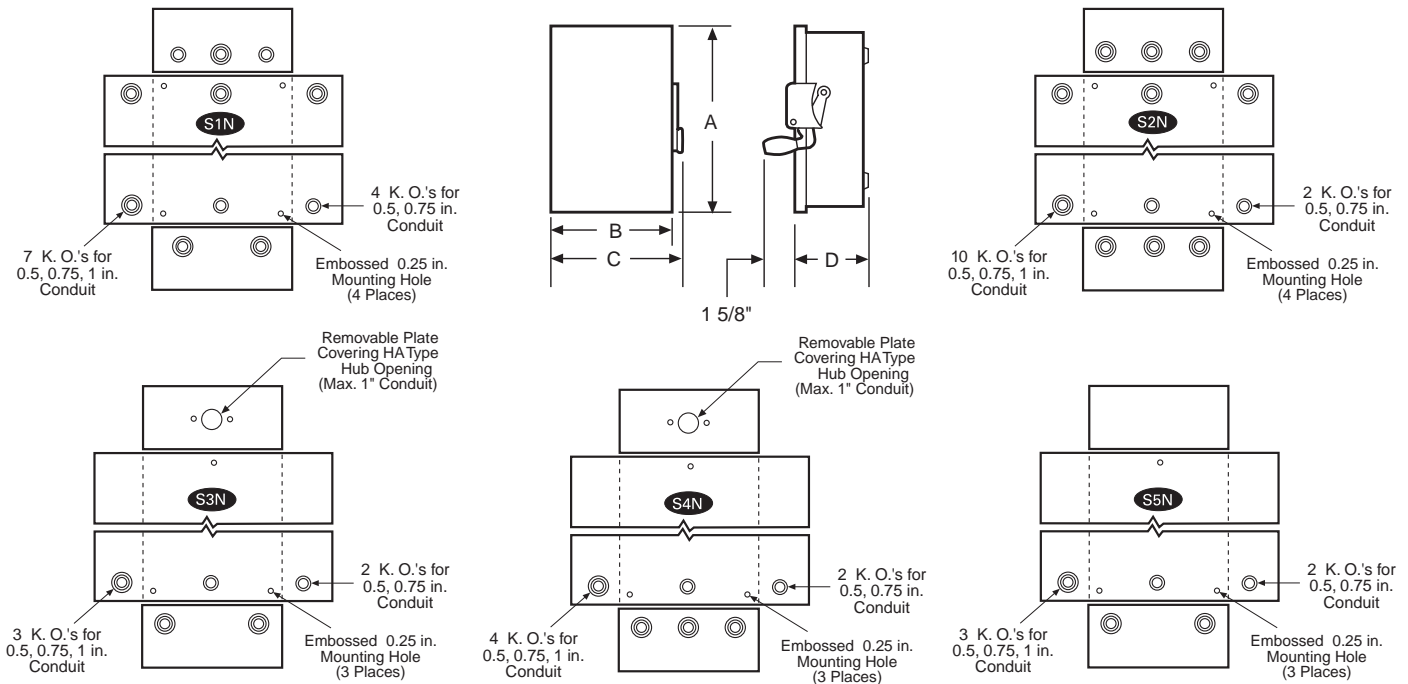
New Switch Catalog Number	Old Vacu-Break Cat. No. (for ref. only)	New Switch Dimensions (Inches)				New Switch Knockout Diagram	
		Height A	Width				Depth D
			Box B	Rain Shed E	With Handle C		
LF111N	CFN211	8 1/4	5 1/2	—	5 13/16	3	S1N
LF111NR	CFNR211	8 1/4	5 3/8	5 9/16	5 13/16	3 1/8	S3N
LF211N	CFN311	8 1/4	5 1/2	—	5 13/16	3	S1N
LF211NR	CFNR311	8 1/4	5 3/8	5 9/16	5 13/16	3 1/8	S3N
LNF222R	CNFR222	8 1/4	5 3/8	5 9/16	5 13/16	3 1/8	S5N
GF221N	JN321	8 1/4	5 1/2	—	5 13/16	3	S1N
GF221N + GSRK321	JN321R	8 1/4	5 1/2	—	5 13/16	3	S1N
GF221NR	NR321	8 1/4	5 3/8	5 9/16	5 13/16	3 1/8	S3N
GF221NR + GSRK321	NR321R	8 1/4	5 3/8	5 9/16	5 13/16	3 1/8	S3N
GF321N	JN421	8 1/4	7 3/8	—	7 11/16	3	S2N
GF321N + GSRK321	JN421R	8 1/4	7 3/8	—	7 11/16	3	S2N
GF321NR	NR421	8 1/4	7 3/16	7 3/8	7 11/16	3 1/8	S4N
GF321NR + GSRK321	NR421R	8 1/4	7 3/16	7 3/8	7 11/16	3 1/8	S4N
GNF321	JU321	8 1/4	7 3/8	—	7 11/16	3	S2N
GNF321R	NFR321	8 1/4	7 3/16	7 3/8	7 11/16	3 1/8	S4N

Replacement Interiors

Catalog Number	Description	List Price \$
W410472 A	Replacement Interior 2P Fusible ①	37.00
W410473 A	Replacement Interior 3P Fusible	53.00
W410473 B	Replacement Interior Non-Fusible	43.00

① For cartridge type fusible switches only.

Outline Drawings and Knockout Diagrams



Siemens Energy & Automation, Inc.
Distribution Products Division
5400 Triangle Parkway
Norcross, GA 30082

For information, call Siemens at:
1-800-964-4114
or visit our web site at:
<http://www.sea.siemens.com>