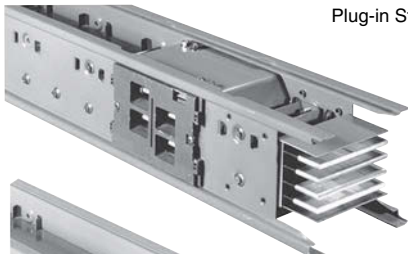




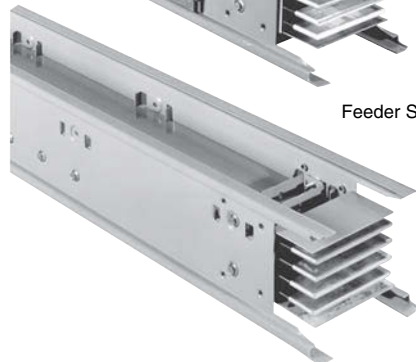
Powerbus 100–400 A pp. 12-2



I-Line Plug-in Busway 225–600 A pp. 12-4
Plug-in Style



Feeder Style



I-Line II Busway 800–5000 A pp. 12-5



I-Line Plug-In Units pp. 12-9



Power-Zone Busway pp.12-16

Powerbus™ Busway

400 Ampere—600 Volt	12-2
225 Ampere—600 Volt	12-2
100 Ampere—600 Volt	12-2
Powerbus Plug-In Units	12-3, 12-20

I-Line™ / I-Line II Busway

I-Line Busway Standard Components	12-4
I-Line II Busway Standard Components	12-5
I-Line II Pricing Instructions	12-6, 12-7
Accessories	12-8
Plug-In Units (Fusible and Circuit Breaker Types)	12-9, 12-10
PowerPact™ H- and J-Frame Plug-in Units	12-11
<i>New!</i> PowerPact™ H-, J-, and L-Frame Plug-in Units with Electronic Trip	12-12
PowerPact™ M-Frame Plug-in Units	12-13
<i>New!</i> PowerPact™ P-Frame Plug-in Units	12-14
PowerPact™ R-Frame Plug-in Units	12-15

Power-Zone™ Busway

Non-Segregated Busway	12-16
Footage and Fittings	12-17
Options and Accessories	12-18

Distinct service advantages make your Busway installation “hassle-free”

- **Missing Link** program guarantees shipment in a maximum of 5 working days of a small quantity of indoor feeder straight lengths and fittings. Orders for outdoor busway or for international destinations may require 2 extra days for processing.
- **Measurement Services** are offered for your critical and complex projects. Schneider Electric will assist with field measurement and assume responsibility for the layout and exact fit of all components. Contact your local Schneider Electric sales office for exact details.
- **Emergency Service**; we are on call 24 hours a day, 7 days a week, 365 days a year. For emergencies, call 1-888-SquareD (1-888-778-2733).
- **Quick Ship** program provides product availability for time sensitive orders. The program is available through the product selectors and offers a limited selection of I-Line busway footage and fittings. Contact your local Schneider Electric sales office for exact details.

Powerbus Busway

Construction

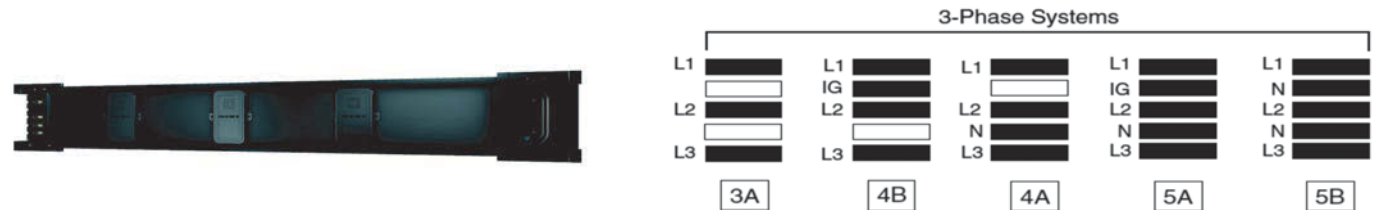
Powerbus busway construction consists of a light-weight electrical grade all-aluminum housing with up to five (5) silver-plated copper conductor bars for maximum electrical efficiency. The total product offer includes straight sections, fittings, accessories, and plug-in units for a total installation. This busway is available in 400 A, 225 A and 100 A ratings. A 50% integral ground is standard.

Straight Sections

Straight sections of busway are available in 10 ft. and 4 ft. lengths in a painted black finish. The Enhanced busway offer includes 10 plug-in openings on each side of a 10 ft. section and 3 plug-in openings on each side of a 4 ft. section.

Metering and Communications Options

Powerbus busway tap boxes and plug-in units are available with optional metering and communication capabilities, which include an integrated display and the ability to remotely monitor the busway.



NOTE: Single phase systems are also available. Contact your local Schneider Electric representative.

Table 12.1: 3Ø3W—Powerbus Straight Lengths and Fittings▲—600 V Maximum

Amperage	Component	Configuration 3A		Configuration 4B	
		Catalog No.	\$ Price	Catalog No.	\$ Price
100 A	Enhanced Straight 10 ft.	PBCE3A100AST120B	1556.00	PBCE4B100AST120B	1860.00
	Enhanced Straight 4 ft.	PBCE3A100AST48B	887.00	PBCE4B100AST48B	1105.00
	Elbow – Left	PBCF3A100ALLB	1344.00	PBCF4B100ALLB	1406.00
	Elbow – Right	PBCF3A100ALRB	1344.00	PBCF4B100ALRB	1406.00
	Cross Fitting	PBCF3A100ACRB	1574.00	PBCF4B100ACRB	1660.00
	Tap Box	PBCF3A100ATBB	1962.00	PBCF4B100ATBB	2152.00
	Tap Box w/Meter■◆	PBCF3A100ATBM()B	5207.00	PBCF4B100ATBM()B	5397.00
225 A	Enhanced Straight 10 ft.	PBCE3A225AST120B	2896.00	PBCE4B225AST120B	3570.00
	Enhanced Straight 4 ft.	PBCE3A225AST48B	1208.00	PBCE4B225AST48B	1475.00
	Elbow – Left	PBCF3A225ALLB	2044.00	PBCF4B225ALLB	2490.00
	Elbow – Right	PBCF3A225ALRB	2044.00	PBCF4B225ALRB	2490.00
	Cross Fitting	PBCF3A225ACRB	2510.00	PBCF4B225ACRB	3060.00
	Tap Box	PBCF3A225ATBB	2600.00	PBCF4B225ATBB	2954.00
	Tap Box w/Meter■	PBCF3A225ATBM()B	5845.00	PBCF4B225ATBM()B	6199.00
400 A	Enhanced Straight 10 ft.	PBCE3A400AST120B	4690.00	PBCE4B400AST120B	5850.00
	Enhanced Straight 4 ft.	PBCE3A400AST48B	1976.00	PBCE4B400AST48B	2340.00
	Elbow – Left	PBCF3A400ALLB	2867.00	PBCF4B400ALLB	3595.00
	Elbow – Right	PBCF3A400ALRB	2867.00	PBCF4B400ALRB	3595.00
	Cross Fitting	PBCF3A400ACRB	3760.00	PBCF4B400ACRB	4694.00
	Tap Box	PBCF3A400ATBB	4275.00	PBCF4B400ATBB	4750.00
	Tap Box w/Meter■	PBCF3A400ATBM()B	7520.00	PBCF4B400ATBM()B	7995.00

Table 12.2: 3Ø4W—Straight Lengths and Fittings▲—600 V Maximum

Amperage	Component	Configuration 4A		Configuration 5A		Configuration 5B	
		Catalog No.	\$ Price	Catalog No.	\$ Price	Catalog No.	\$ Price
100 A	Enhanced Straight 10 ft.	PBCE4A100AST120B	1860.00	PBCE5A100AST120B	2319.00	PBCE5B100AST120B	2319.00
	Enhanced Straight 4 ft.	PBCE4A100AST48B	1105.00	PBCE5A100AST48B	1219.00	PBCE5B100AST48B	1219.00
	Elbow – Left	PBCF4A100ALLB	1406.00	PBCF5A100ALLB	2212.00	PBCF5B100ALLB	2212.00
	Elbow – Right	PBCF4A100ALRB	1406.00	PBCF5A100ALRB	2212.00	PBCF5B100ALRB	2212.00
	Cross Fitting	PBCF4A100ACRB	1660.00	PBCF5A100ACRB	2984.00	PBCF5B100ACRB	2984.00
	Tap Box	PBCF4A100ATBB	2152.00	PBCF5A100ATBB	2502.00	PBCF5B100ATBB	2502.00
	Tap Box w/Meter■◆	PBCF4A100ATBM()B	5397.00	PBCF5A100ATBM()B	5747.00	PBCF5B100ATBM()B	5747.00
225 A	Enhanced Straight 10 ft.	PBCE4A225AST120B	3570.00	PBCE5A225AST120B	4650.00	PBCE5B225AST120B	4650.00
	Enhanced Straight 4 ft.	PBCE4A225AST48B	1475.00	PBCE5A225AST48B	2456.00	PBCE5B225AST48B	2456.00
	Elbow – Left	PBCF4A225ALLB	2490.00	PBCF5A225ALLB	3920.00	PBCF5B225ALLB	3920.00
	Elbow – Right	PBCF4A225ALRB	2490.00	PBCF5A225ALRB	3920.00	PBCF5B225ALRB	3920.00
	Cross Fitting	PBCF4A225ACRB	3060.00	PBCF5A225ACRB	5408.00	PBCF5B225ACRB	5408.00
	Tap Box	PBCF4A225ATBB	2954.00	PBCF5A225ATBB	4570.00	PBCF5B225ATBB	4570.00
	Tap Box w/Meter■	PBCF4A225ATBM()B	6199.00	PBCF5A225ATBM()B	7815.00	PBCF5B225ATBM()B	7815.00
400 A	Enhanced Straight 10 ft.	PBCE4A400AST120B	5850.00	PBCE5A400AST120B	7150.00	PBCE5B400AST120B	7150.00
	Enhanced Straight 4 ft.	PBCE4A400AST48B	2340.00	PBCE5A400AST48B	2860.00	PBCE5B400AST48B	2860.00
	Elbow – Left	PBCF4A400ALLB	3595.00	PBCF5A400ALLB	5145.00	PBCF5B400ALLB	5145.00
	Elbow – Right	PBCF4A400ALRB	3595.00	PBCF5A400ALRB	5145.00	PBCF5B400ALRB	5145.00
	Cross Fitting	PBCF4A400ACRB	4694.00	PBCF5A400ACRB	6565.00	PBCF5B400ACRB	6565.00
	Tap Box	PBCF4A400ATBB	4750.00	PBCF5A400ATBB	6705.00	PBCF5B400ATBB	6705.00
	Tap Box w/Meter■	PBCF4A400ATBM()B	7995.00	PBCF5A400ATBM()B	9950.00	PBCF5B400ATBM()B	9950.00

Note: Also suitable for DC applications.

- ▲ Busway catalog numbers shown include a black painted finish. Contact your local Schneider Electric representative for a natural aluminum finish option.
- Replace the () in the Tap Box w/Meter catalog number with the meter suffix number in the table below. The meter will be configured based on the system voltage.
- ◆ For 100 A busway only, add an additional (L) for top cable access or a (U) for bottom cable access.

Table 12.3: Accessories

Description	100 A		225 A		400 A	
	Catalog No.	\$ Price	Catalog No.	\$ Price	Catalog No.	\$ Price
Standard Hanger	PB100FH	50.00	PB225FH	80.00	PB400FH	100.00
Side Mount Hanger	PB100HFV	120.00	PB225HFV	120.00	PB400HFV	120.00
Vertical Sway Brace	PB100VSB	50.00	PB225VSB	80.00	PB400VSB	100.00
End Closure	PB100AEC	120.00	PB225AEC	226.00	PB400AEC	298.00
Wall Flange	PB100WF	140.00	PB225WF	196.00	PB400WF	244.00
Plug-in Opening Cover	PBPIOCVR	60.00	PBPIOCVR	60.00	PBPIOCVR	60.00

Meter Suffix	System Voltage
1	208Y/120 V 3Ø4W
2	240 V 3Ø3W
4	415/240 V 3Ø4W
5	480Y/277 V 3Ø4W

Three-Phase Systems



Powerbus Plug-in Units

Powerbus plug-in units are rated maximum 100 A and may be offered as field installable or factory assembled units. All units conform to NEMA type 1. An optional kit is available for FA and QO units to raise the protection to IP54. This kit raises the QOR unit to moisture protection of IPX3.

Table 12.4: Plug-In Units— Circuit breakers not included

Busbar Configuration	Space for One (1) 3 Phase FA Circuit Breaker		3 Spaces for QO/QOB Circuit Breakers		3 Spaces for QO/QOB Circuit Breakers 3 Openings for Receptacles: ◉ ◐ ◑	
	Tap Box	FA Unit	QO Unit	QOR Unit		
	Catalog Number	\$ Price	Catalog Number	\$ Price	Catalog Number	\$ Price
3A	PBPTB3A100	614.00	PBPF3A100	832.00	PBPQO3A100	424.00
4B	PBPTB4B100	670.00	PBPF4B100	870.00	PBPQO4B100	452.00
4A	PBPTB4A100	670.00	PBPF4A100	870.00	PBPQO4A100	452.00
5A	PBPTB5A100	782.00	PBPF5A100	946.00	PBPQO5A100	466.00
					PBPQOR3A100	566.00
					PBPQOR4B100	586.00
					PBPQOR4A100	586.00
					PBPQOR5A100	604.00

Note: Plug-in tap box to be installed on 100 A and 225 A busways only.

▲ Certain NEMA receptacles can be field installed in this unit. Consult your local Schneider Electric representative.

Table 12.5: Factory Assembled Units with FA Circuit Breakers—600 V max

Circuit Breaker Rating	3A Configuration		4A Configuration▲		5A Configuration		5B Configuration	
	Catalog Number	\$ Price	Catalog Number	\$ Price	Catalog Number	\$ Price	Catalog Number	\$ Price
15	PBPF3A100A015	1780.00	PBPF4A100A015	1820.00	PBPF5A100A015	1978.00	PBPF5B100A015	1978.00
20	PBPF3A100A020	1780.00	PBPF4A100A020	1820.00	PBPF5A100A020	1978.00	PBPF5B100A020	1978.00
30	PBPF3A100A030	1780.00	PBPF4A100A030	1820.00	PBPF5A100A030	1978.00	PBPF5B100A030	1978.00
40	PBPF3A100A040	1780.00	PBPF4A100A040	1820.00	PBPF5A100A040	1978.00	PBPF5B100A040	1978.00
50	PBPF3A100A050	1780.00	PBPF4A100A050	1820.00	PBPF5A100A050	1978.00	PBPF5B100A050	1978.00
60	PBPF3A100A060	1780.00	PBPF4A100A060	1820.00	PBPF5A100A060	1978.00	PBPF5B100A060	1978.00
70	PBPF3A100A070	1912.00	PBPF4A100A070	1954.00	PBPF5A100A070	2124.00	PBPF5B100A070	2124.00
80	PBPF3A100A080	1912.00	PBPF4A100A080	1954.00	PBPF5A100A080	2124.00	PBPF5B100A080	2124.00
90	PBPF3A100A090	1912.00	PBPF4A100A090	1954.00	PBPF5A100A090	2124.00	PBPF5B100A090	2124.00
100	PBPF3A100A100	1912.00	PBPF4A100A100	1954.00	PBPF5A100A100	2124.00	PBPF5B100A100	2124.00

Note: See Digest Section 7 for FA circuit breaker information.

▲ The 4B configuration catalog numbers are also available and are priced the same as the 4A configuration.

Table 12.6: 120 V Factory Assembled Units

1-pole QO/QOB circuit breakers with NEMA 5-15R or 5-20R receptacles▲

Circuit Breaker Rating	Type	4A Configuration		5A Configuration		5B Configuration	
		Catalog Number	\$ Price	Catalog Number	\$ Price	Catalog Number	\$ Price
Type 1 (3 circuit breakers w. 3 duplex receptacles)							
15	QO	PBPQOR4A100M115	850.00	PBPQOR5A100M115	950.00	PBPQOR5B100M115	950.00
15	QOB	PBPQOR4A100M115B	886.00	PBPQOR5A100M115B	986.00	PBPQOR5B100M115B	986.00
20	QO	PBPQOR4A100M120	850.00	PBPQOR5A100M120	950.00	PBPQOR5B100M120	950.00
20	QOB	PBPQOR4A100M120B	886.00	PBPQOR5A100M120B	986.00	PBPQOR5B100M120B	986.00
Type 2 (3 circuit breakers w. 2 duplex/1 locking recept.)							
15	QO	PBPQOR4A100M215	862.00	PBPQOR5A100M215	962.00	PBPQOR5B100M215	962.00
15	QOB	PBPQOR4A100M215B	898.00	PBPQOR5A100M215B	998.00	PBPQOR5B100M215B	998.00
20	QO	PBPQOR4A100M220	862.00	PBPQOR5A100M220	962.00	PBPQOR5B100M220	962.00
20	QOB	PBPQOR4A100M220B	898.00	PBPQOR5A100M220B	998.00	PBPQOR5B100M220B	998.00
Type 3 (3 circuit breakers w. 1 duplex/2 locking recept.)							
15	QO	PBPQOR4A100M315	874.00	PBPQOR5A100M315	974.00	PBPQOR5B100M315	974.00
15	QOB	PBPQOR4A100M315B	910.00	PBPQOR5A100M315B	1010.00	PBPQOR5B100M315B	1010.00
20	QO	PBPQOR4A100M320	874.00	PBPQOR5A100M320	974.00	PBPQOR5B100M320	974.00
20	QOB	PBPQOR4A100M320B	910.00	PBPQOR5A100M320B	1010.00	PBPQOR5B100M320B	1010.00
Type 4 (3 circuit breakers w. 3 locking receptacles)							
15	QO	PBPQOR4A100M415	886.00	PBPQOR5A100M415	986.00	PBPQOR5B100M415	986.00
15	QOB	PBPQOR4A100M415B	922.00	PBPQOR5A100M415B	1022.00	PBPQOR5B100M415B	1022.00
20	QO	PBPQOR4A100M420	886.00	PBPQOR5A100M420	986.00	PBPQOR5B100M420	986.00
20	QOB	PBPQOR4A100M420B	922.00	PBPQOR5A100M420B	1022.00	PBPQOR5B100M420B	1022.00

Note: See Digest Section 7 for QOU circuit breaker information.

▲ Many more factory assembled units are available using combinations of 1P/2P/3P circuit breakers with other NEMA receptacles. Maximum of 3 breaker spaces available. Consult your local Schneider Electric representative.

Table 12.7: Factory Assembled Units

One (1) QOU circuit breaker and one (1) drop cord with connector▲

Circuit Breaker Rating	Poles	NEMA Connector	Drop Cord Length (ft)	4A Configuration		5A Configuration		5B Configuration	
				Catalog Number	\$ Price	Catalog Number	\$ Price	Catalog Number	\$ Price
15 A	1	L5-15	3	PBPQOU4A100COOL515	886.00	PBPQOU5A100COOL515	986.00	PBPQOU5B100COOL515	986.00
20 A	1	L5-20	3	PBPQOU4A100COOL520	886.00	PBPQOU5A100COOL520	986.00	PBPQOU5B100COOL520	986.00
30 A	1	L5-30	3	PBPQOU4A100COOL530	896.00	PBPQOU5A100COOL530	996.00	PBPQOU5B100COOL530	996.00
15 A	2	L6-15	3	PBPQOU4A100FOOL615	948.00	PBPQOU5A100FOOL615	1048.00	PBPQOU5B100FOOL615	1048.00
20 A	2	L6-20	3	PBPQOU4A100FOOL620	948.00	PBPQOU5A100FOOL620	1048.00	PBPQOU5B100FOOL620	1048.00
30 A	2	L6-30	3	PBPQOU4A100FOOL630	958.00	PBPQOU5A100FOOL630	1058.00	PBPQOU5B100FOOL630	1058.00
20 A	3	L21-20	3	PBPQOU4A100COOL2120	1152.00	PBPQOU5A100COOL2120	1252.00	PBPQOU5B100COOL2120	1252.00
30 A	3	L21-30	3	PBPQOU4A100COOL2130	1162.00	PBPQOU5A100COOL2130	1262.00	PBPQOU5B100COOL2130	1262.00
15 A	1	L5-15	6	PBPQOU4A100FOOL515	946.00	PBPQOU5A100FOOL515	1046.00	PBPQOU5B100FOOL515	1046.00
20 A	1	L5-20	6	PBPQOU4A100FOOL520	946.00	PBPQOU5A100FOOL520	1046.00	PBPQOU5B100FOOL520	1046.00
30 A	1	L5-30	6	PBPQOU4A100FOOL530	956.00	PBPQOU5A100FOOL530	1056.00	PBPQOU5B100FOOL530	1056.00
15 A	2	L6-15	6	PBPQOU4A100FOOL615	1008.00	PBPQOU5A100FOOL615	1108.00	PBPQOU5B100FOOL615	1108.00
20 A	2	L6-20	6	PBPQOU4A100FOOL620	1008.00	PBPQOU5A100FOOL620	1108.00	PBPQOU5B100FOOL620	1108.00
30 A	2	L6-30	6	PBPQOU4A100FOOL630	1018.00	PBPQOU5A100FOOL630	1118.00	PBPQOU5B100FOOL630	1118.00
20 A	3	L21-20	6	PBPQOU4A100FOOL2120	1212.00	PBPQOU5A100FOOL2120	1312.00	PBPQOU5B100FOOL2120	1312.00
30 A	3	L21-30	6	PBPQOU4A100FOOL2130	1222.00	PBPQOU5A100FOOL2130	1322.00	PBPQOU5B100FOOL2130	1322.00

Note: See Digest Section 7 for QOU circuit breaker information. Catalog numbers shown have the breaker in the top slot in the front cover and the drop cord in the left position in the base of the unit. Other combinations are available.

▲ Factory assembled units are available using combinations of 1P/2P/3P circuit breakers with other NEMA and IEC type receptacles. Maximum of three drop cords with six breaker spaces available. Consult your local Schneider Electric representative.

NOTE: Factory Assembled Units with Metering for Powerbus has been moved to page 12-20.

Table 12.8: Standard Components—Aluminum

Aluminum													
Number of Poles and Voltage	Rating (A)	10'-0" Length		6'-0" Length		Front Elbow▲		Top Elbow▲		Plug-In Tee		Plug-In Tap Box	
		Catalog No.	\$ Price	Catalog No.	\$ Price	Catalog No.	\$ Price	Catalog No.	\$ Price	Catalog No.	\$ Price	Catalog No.	\$ Price
3Ø3W	225	AP30210	1900.00	AP3026	1140.00	AP302LF ()	2048.00	AP302LT ()	2048.00	PTT23WG	3060.00	PTB302G	2134.00
	400	AP30410	2320.00	AP3046	1392.00	AP304LF ()	2174.00	AP304LT ()	2174.00	PTT33WG	3060.00	PBTB306G	4036.00
	600	AP30610	2920.00	AP3066	1752.00	AP306LF ()	2354.00	AP306LT ()	2354.00	PTT43WG	3060.00	PBTB306G	4036.00
3Ø4W	225	AP50210	2320.00	AP5026	1392.00	AP502LF ()	2496.00	AP502LT ()	2496.00	PTT24WG	3726.00	PTB502G	2588.00
	400	AP50410	2920.00	AP5046	1752.00	AP504LF ()	2676.00	AP504LT ()	2676.00	PTT34WG	3726.00	PBTB506G	4566.00
	600	AP50610	3980.00	AP5066	2388.00	AP506LF ()	2994.00	AP506LT ()	2994.00	PTT44WG	3726.00	PBTB506G	4566.00
3Ø3W + Integral Ground Bus	225	AP302G10	2520.00	AP302G6	1512.00	AP302GLF ()	2234.00	AP302GLT ()	2234.00	PTT23WG	3060.00	PTB302G	2134.00
	400	AP304G10	2940.00	AP304G6	1764.00	AP304GLF ()	2360.00	AP304GLT ()	2360.00	PTT33WG	3060.00	PBTB306G	4036.00
	600	AP306G10	3580.00	AP306G6	2148.00	AP306GLF ()	2552.00	AP306GLT ()	2552.00	PTT43WG	3060.00	PBTB306G	4036.00
3Ø4W + Integral Ground Bus	225	AP502G10	2940.00	AP502G6	1764.00	AP502GLF ()	2682.00	AP502GLT ()	2682.00	PTT24WG	3726.00	PTB502G	2588.00
	400	AP504G10	3540.00	AP504G6	2124.00	AP504GLF ()	2862.00	AP504GLT ()	2862.00	PTT34WG	3726.00	PBTB506G	4566.00
	600	AP506G10	4640.00	AP506G6	2784.00	AP506GLF ()	3192.00	AP506GLT ()	3192.00	PTT44WG	3726.00	PBTB506G	4566.00

Table 12.9: Standard Components—Copper

Aluminum													
Number of Poles and Voltage	Rating (A)	10'-0" Length		6'-0" Length		Front Elbow▲		Top Elbow▲		Plug-In Tee		Plug-In Tap Box	
		Catalog No.	\$ Price	Catalog No.	\$ Price	Catalog No.	\$ Price	Catalog No.	\$ Price	Catalog No.	\$ Price	Catalog No.	\$ Price
3Ø3W	225	CP30210	2280.00	CP3026	1368.00	CP302LF ()	2162.00	CP302LT ()	2162.00	PTT23WG	3060.00	PTB302G	2134.00
	400	CP30410	3460.00	CP3046	2076.00	CP304LF ()	2516.00	CP304LT ()	2516.00	PTT33WG	3060.00	PBTB306G	4036.00
	600	CP30610	4460.00	CP3066	2676.00	CP306LF ()	2816.00	CP306LT ()	2816.00	PTT43WG	3060.00	PBTB306G	4036.00
3Ø4W	225	CP50210	3060.00	CP5026	1836.00	CP502LF ()	2718.00	CP502LT ()	2718.00	PTT24WG	3726.00	PTB502G	2588.00
	400	CP50410	5080.00	CP5046	3048.00	CP504LF ()	3324.00	CP504LT ()	3324.00	PTT34WG	3726.00	PBTB506G	4566.00
	600	CP50610	5780.00	CP5066	3468.00	CP506LF ()	3468.00	CP506LT ()	3534.00	PTT44WG	3726.00	PBTB506G	4566.00
3Ø3W + Integral Ground Bus	225	CP302G10	3260.00	CP302G6	1956.00	CP302GLF ()	2456.00	CP302GLT ()	2456.00	PTT23WG	3060.00	PTB302G	2134.00
	400	CP304G10	4440.00	CP304G6	2664.00	CP304GLF ()	2810.00	CP304GLT ()	2810.00	PTT33WG	3060.00	PBTB306G	4036.00
	600	CP306G10	5480.00	CP306G6	3288.00	CP306GLF ()	3122.00	CP306GLT ()	3122.00	PTT43WG	3060.00	PBTB306G	4036.00
3Ø4W + Integral Ground Bus	225	CP502G10	4040.00	CP502G6	2424.00	CP502GLF ()	3012.00	CP502GLT ()	3012.00	PTT24WG	3726.00	PTB502G	2588.00
	400	CP504G10	6060.00	CP504G6	3636.00	CP504GLF ()	3618.00	CP504GLT ()	3618.00	PTT34WG	3726.00	PBTB506G	4566.00
	600	CP506G10	6800.00	CP506G6	4080.00	CP506GLF ()	3840.00	CP506GLT ()	3840.00	PTT44WG	3726.00	PBTB506G	4566.00

▲ Add "I" for inside elbow; add "O" for outside elbow.

Table 12.10: Common Accessories

Ampere Rating		Hanger						End Closure		Wall Flange		Floor Flange	
Aluminum	Copper	Flatwise	Vertical	Edgewise	\$ Price	Seismic▲	\$ Price	Catalog No.	\$ Price	Catalog No.	\$ Price	Catalog No.	\$ Price
225	225	HP2F	HP2V	HP3E	64.00	HP2SH	96.00	ACP2EC	446.00	ACP2WF	418.00	ACP2FF	418.00
400	400	HP3F	HP3V	HP3E	64.00	HP3SH	96.00	ACP3EC	446.00	ACP3WF	418.00	ACP3FF	418.00
—	600	HP3F	HP3V	HP3E	64.00	HP3SH	96.00	ACP3EC	446.00	ACP3WF	418.00	ACP3FF	418.00
600	—	HP5F	HP4V	HP5E	64.00	HP5SH	96.00	ACP4EC	446.00	ACP4WF	418.00	ACP4FF	418.00

▲ For seismic applications, seismic hangers must be used with horizontal mount flatwise or edgewise busway. Vertical mount busway may use standard fixed or spring hangers.

"Footage and Fittings" Method of Pricing

NOTE: For fast estimates not requiring catalog numbers, use these charts.

Table 12.11: Footage

Number of Poles and Voltage	Ampere Rating	Aluminum Busway Footage			Copper Busway Footage		
		Standard	High Short Circuit	Ground Bus	Standard	High Short Circuit	Ground Bus
		\$ Price Per Foot	\$ Price Per Foot	\$ Price Per Foot Adder	\$ Price Per Foot	\$ Price Per Foot	\$ Price Per Foot Adder
3Ø3W 600 V	225	190.00	—	62.00	228.00	—	98.00
	400	232.00	—	62.00	346.00	—	98.00
	600	292.00	292.00	66.00	446.00	404.00	102.00
3Ø4W 277/480 V	225	232.00	—	62.00	306.00	—	98.00
	400	292.00	—	62.00	508.00	582.00	98.00
	600	398.00	346.00	66.00	578.00	630.00	102.00

Table 12.12: Fittings

Number of Poles and Voltage	Ampere Rating	Flanged End	Elbow Right Angle	Tap Box	Tee	Unfused Reducer	Expansion Fitting	Adapter Cubicle C/B or Fus.	End Closures	Fire Barriers
		\$ Price Labor Only	\$ Price Labor Only	\$ Price Labor Only	\$ Price Labor Only	\$ Price Labor Only	\$ Price Labor Only	\$ Price Each	\$ Price Each	\$ Price Each
3Ø3W 600 V	225	954.00	1478.00	2134.00	1800.00	—	2486.00	10432.00	446.00	764.00
	400	1098.00	1478.00	4036.00	1800.00	930.00	2800.00	12312.00	446.00	764.00
	600	1408.00	1478.00	4036.00	1800.00	1024.00	3038.00	18298.00	446.00	764.00
3Ø4W 277/480 V	225	982.00	1800.00	2588.00	2098.00	—	2936.00	10882.00	446.00	764.00
	400	1128.00	1800.00	4566.00	2098.00	1288.00	3186.00	12700.00	446.00	764.00
	600	1454.00	1800.00	4566.00	2098.00	1404.00	3634.00	18890.00	446.00	764.00

Table 12.13: Straight Lengths (10 ft.) and Plug-in Tap Box

Number of Poles	Ampere Rating	Aluminum				Both Aluminum and Copper		Copper			
		10'0" Length				Plug-In Tap Box ♦ ★		10'0" Length			
		Feeder Style ▲		Plug-In Style ■				Feeder Style ▲		Plug-In Style ■	
	Catalog No.	\$ Price	Catalog No.	\$ Price	Catalog No.	\$ Price	Catalog No.	\$ Price	Catalog No.	\$ Price	
3Ø3W + Integral Ground Bus	800	AF2308G10ST	3940.00	AP2308G10ST	3940.00	PTB316G ()	4664.00	CF2308G10ST	6440.00	CP2308G10ST	6440.00
	1000	AF2310G10ST	4400.00	AP2310G10ST	4400.00	PTB316G ()	4664.00	CF2310G10ST	6820.00	CP2310G10ST	6820.00
	1200	AF2312G10ST	5920.00	AP2312G10ST	5920.00	PTB316G ()	4664.00	CF2312G10ST	8840.00	CP2312G10ST	8840.00
	1350	AF2313G10ST	6820.00	AP2313G10ST	6820.00	PTB316G ()	4664.00	CF2313G10ST	10320.00	CP2313G10ST	10320.00
	1600	AF2316G10ST	8380.00	AP2316G10ST	8380.00	PTB316G ()	4664.00	CF2316G10ST	11860.00	CP2316G10ST	11860.00
3Ø4W + Integral Ground Bus	800	AF2508G10ST	4780.00	AP2508G10ST	4780.00	PTB516G ()	5324.00	CF2508G10ST	8340.00	CP2508G10ST	8340.00
	1000	AF2510G10ST	5780.00	AP2510G10ST	5780.00	PTB516G ()	5324.00	CF2510G10ST	9860.00	CP2510G10ST	9860.00
	1200	AF2512G10ST	7220.00	AP2512G10ST	7220.00	PTB516G ()	5324.00	CF2512G10ST	11800.00	CP2512G10ST	11800.00
	1350	AF2513G10ST	8260.00	AP2513G10ST	8260.00	PTB516G ()	5324.00	CF2513G10ST	13180.00	CP2513G10ST	13180.00
	1600	AF2516G10ST	10000.00	AP2516G10ST	10000.00	PTB516G ()	5324.00	CF2516G10ST	15940.00	CP2516G10ST	15940.00

- ▲ Feeder style also available in lengths from 16 to 119 inches.
- Plug-in style also available in 4, 6, and 8 foot lengths.
- ♦ Add "(H)" or "(V)" to catalog number based on horizontal or vertical mounting arrangement.
- ★ Cannot be used for 800 A copper busway.

Table 12.14: Fittings (All Feeder Style)

Number of Poles	Ampere Rating	Aluminum						Copper					
		End Tap Box		Edgewise Elbow		Flatwise Elbow		End Tap Box		Edgewise Elbow		Flatwise Elbow	
	Catalog No.	\$ Price	Catalog No.	\$ Price	Catalog No.	\$ Price	Catalog No.	\$ Price	Catalog No.	\$ Price	Catalog No.	\$ Price	
3Ø3W with Integral Ground Bus	800	AF2308GETBMB	4744.00	AF2308GLEM11	2186.00	AF2308GLFM11	2186.00	CF2308GETBMB	4953.00	CF2308GLEM11	2645.00	CF2308GLFM11	2645.00
	1000	AF2310GETBMB	4919.00	AF2310GLEM11	2271.00	AF2310GLFM12	2344.00	CF2310GETBMB	5120.00	CF2310GLEM11	2714.00	CF2310GLFM11	2714.00
	1200	AF2312GETBMB	5253.00	AF2312GLEM11	3051.00	AF2312GLFM12	3150.00	CF2312GETBMB	5497.00	CF2312GLEM11	3587.00	CF2312GLFM12	3734.00
	1350	AF2313GETBMB	5444.00	AF2313GLEM11	3216.00	AF2313GLFM13	3444.00	CF2313GETBMB	5736.00	CF2313GLEM11	3858.00	CF2313GLFM12	4030.00
	1600	AF2316GETBMB	5786.00	AF2316GLEM11	3502.00	AF2316GLFM13	3782.00	CF2316GETBMB	6076.00	CF2316GLEM11	4140.00	CF2316GLFM12	4338.00
3Ø4W with Integral Ground Bus	2000	AF2320GETBMB	6257.00	AF2320GLEM11	3807.00	AF2320GLFM15	4476.00	CF2320GETBMB	6682.00	CF2320GLEM11	4742.00	CF2320GLFM13	5246.00
	2500	AF2325GETBMB	7430.00	AF2325GLEM11	4206.00	AF2325GLFM17	5428.00	CF2325GETBMB	8014.00	CF2325GLEM11	5490.00	CF2325GLFM15	6771.00
	3000	AF2330GETBMB	8003.00	AF2330GLEM11	4529.00	AF2330GLFM18	6160.00	CF2330GETBMB	8745.00	CF2330GLEM11	6161.00	CF2330GLFM16	8067.00
	4000	AF2340GETBMB	9371.00	AF2340GLEM11	5983.00	AF2340GLFM22	9489.00	CF2340GETBMB	10260.00	CF2340GLEM11	7938.00	CF2340GLFM21	12901.00
	5000	—	—	—	—	—	—	CF2350GETBMB	12869.00	CF2350GLEM11	9023.00	CF2350GLFM21	14973.00

Table 12.15: Accessories

Ampere Rating		Hangers				End Closure		Wall Flange				
Al	Cu	Horizontal Mount Busway		Vertical Mount Busway		\$ Price	Seismic▲	\$ Price	Catalog No.	\$ Price	Catalog No.	\$ Price
		Flatwise	Edgewise	Fixed	Spring							
—	800	HF38F	HF43E	HFV	—	64.00	HF38SH	96.00	ACF38EC	446.00	ACF38WF	418.00
800	1000	HF43F	HF43E	HFV	—	64.00	HF43SH	96.00	ACF43EC	446.00	ACF43WF	418.00
1000	1200	HF53F	HF58E	HFV	—	64.00	HF53SH	96.00	ACF53EC	446.00	ACF53WF	418.00
—	1350	HF58F	HF58E	HFV	—	64.00	HF58SH	96.00	ACF58EC	446.00	ACF58WF	418.00
1200	—	HF63F	HF67E	HFV	—	64.00	HF63SH	96.00	ACF63EC	446.00	ACF63WF	418.00
—	1600	HF67F	HF67E	HFV	—	64.00	HF67SH	96.00	ACF67EC	446.00	ACF67WF	418.00
1350	—	HF73F	HF78E	HFV	—	64.00	HF73SH	96.00	ACF73EC	446.00	ACF73WF	418.00
—	2000	HF78F	HF78E	HFV	See Table 12.18 on page 12-8	64.00	HF78SH	96.00	ACF78EC	446.00	ACF78WF	418.00
1600	—	HF88F	HF88E	HFV		64.00	HF88SH	96.00	ACF88EC	446.00	ACF88WF	418.00
2000	2500	HF13F	HF13E	HFV		64.00	HF13SH	96.00	ACF13EC	578.00	ACF13WF	418.00
—	3000	HF15F	HF15E	HFV		64.00	HF15SH	96.00	ACF15EC	578.00	ACF15WF	418.00
2500	3200	HF16F	HF16E	HFV		64.00	HF16SH	96.00	ACF17EC	578.00	ACF17WF	418.00
3000	—	HF19F	HF19E	HFV	64.00	HF19SH	96.00	ACF19EC	578.00	ACF19WF	606.00	
4000	—	HF26F	HF26E	HFV	64.00	HF26SH	96.00	ACF26EC	732.00	ACF26WF	606.00	
—	4000	HF24F	HF24E	HFV	64.00	HF24SH	96.00	ACF24EC	732.00	ACF24WF	606.00	
—	5000	HF25F	HF26E	HFV	64.00	HF25SH	96.00	ACF25EC	732.00	ACF25WF	606.00	

- ▲ For seismic applications, seismic hangers must be used with horizontal mount flatwise or edgewise busway. Vertical mount busway may use standard fixed or spring hangers.

Table 12.16: Footage

Number of Poles and Voltage	Ampere Rating	Aluminum Busway						Copper Busway					
		Indoor Feeder/ Plug-In/Riser		Drip Resistant Feeder/ Plug-In/Riser		Outdoor Feeder		Indoor Feeder/ Plug-In Riser		Drip Resistant Feeder/ Plug-in/Riser		Outdoor Feeder	
		Standard Short Circuit	High Short Circuit	Standard Short Circuit	High Short Circuit	Standard Short Circuit	High Short Circuit	Standard Short Circuit	High Short Circuit	Standard Short Circuit	High Short Circuit	Standard Short Circuit	High Short Circuit
		\$ Price Per Foot	\$ Price Per Foot	\$ Price Per Foot	\$ Price Per Foot	\$ Price Per Foot	\$ Price Per Foot	\$ Price Per Foot	\$ Price Per Foot	\$ Price Per Foot	\$ Price Per Foot	\$ Price Per Foot	\$ Price Per Foot
303W 600 V 50% Integral Ground	800	394.00	440.00	428.00	478.00	462.00	514.00	644.00	708.00	712.00	784.00	778.00	860.00
	1000	440.00	496.00	488.00	548.00	536.00	598.00	682.00	736.00	754.00	814.00	826.00	892.00
	1200	592.00	644.00	654.00	710.00	714.00	774.00	884.00	942.00	974.00	1036.00	1062.00	1130.00
	1350	682.00	732.00	752.00	808.00	822.00	884.00	1032.00	1088.00	1118.00	1182.00	1204.00	1274.00
	1600	838.00	894.00	926.00	990.00	1014.00	1084.00	1186.00	1282.00	1310.00	1416.00	1434.00	1550.00
	2000	1004.00	1062.00	1100.00	1164.00	1194.00	1264.00	1514.00	1594.00	1670.00	1756.00	1824.00	1916.00
	2500	1222.00	1282.00	1350.00	1416.00	1478.00	1550.00	1922.00	1972.00	2112.00	2168.00	2300.00	2362.00
	3000	1398.00	1464.00	1540.00	1612.00	1682.00	1760.00	2288.00	2362.00	2520.00	2602.00	2752.00	2842.00
	3200	1748.00	1830.00	1925.00	2015.00	2103.00	2200.00	2608.00	2692.00	2872.00	2966.00	3137.00	3240.00
	4000	1912.00	2008.00	2106.00	2212.00	2300.00	2416.00	2978.00	3070.00	3274.00	3376.00	3570.00	3682.00
	5000	—	—	—	—	—	—	3570.00	3686.00	3928.00	4054.00	4284.00	4420.00
	304W 277/480 V 50% Integral Ground	800	478.00	528.00	520.00	584.00	562.00	640.00	834.00	918.00	932.00	1024.00	1028.00
1000		578.00	628.00	632.00	686.00	686.00	744.00	986.00	1046.00	1084.00	1152.00	1182.00	1256.00
1200		722.00	772.00	796.00	852.00	870.00	930.00	1180.00	1252.00	1298.00	1378.00	1416.00	1504.00
1350		826.00	884.00	914.00	978.00	1000.00	1070.00	1318.00	1394.00	1452.00	1538.00	1584.00	1680.00
1600		1000.00	1046.00	1094.00	1144.00	1166.00	1240.00	1594.00	1680.00	1754.00	1846.00	1912.00	2012.00
2000		1222.00	1282.00	1350.00	1416.00	1478.00	1550.00	1962.00	2024.00	2162.00	2230.00	2362.00	2434.00
2500		1500.00	1546.00	1648.00	1698.00	1796.00	1848.00	2404.00	2482.00	2648.00	2734.00	2892.00	2986.00
3000		1744.00	1810.00	1914.00	1986.00	2084.00	2162.00	3062.00	3124.00	3368.00	3436.00	3672.00	3746.00
3200		—	—	—	—	—	—	3491.00	3561.00	3840.00	3917.00	4186.00	4270.00
4000		2342.00	2430.00	2572.00	2672.00	2802.00	2912.00	3872.00	3950.00	4256.00	4340.00	4640.00	4730.00
5000		—	—	—	—	—	—	4690.00	4784.00	5156.00	5258.00	5622.00	5732.00

Pricing Instructions For “Factory Assembled” Busway Systems (or Components)

Standard Straight Lengths

The basic component of a busway system is a straight section with a “joint pak” factory-affixed to one end. Plug-in busway is available in standard lengths of 4, 6, 8, and 10 feet. Feeder busway is available in lengths from 16” to 120” in increments of 1”.

Riser Busway

We also offer a “Riser” Plug-In busway with openings on one side only for riser installations. This busway offers the same short circuit ratings as our standard plug-in busway.

Indoor Drip Resistant and IP54 Splash Resistant Busway

These water resistant features are available as an option for indoor plug-in and feeder busway. Price the drip resistant busway using the appropriate per foot price. Price the IP54 splash resistant busway using the outdoor per foot price.

Outdoor Construction (Feeder Busway Only)

Besides the additional charge for outdoor busway, you must also add a charge for a weather seal if the busway passes through a building wall or roof from an interior to an exterior space (found under Miscellaneous Additions and Accessories on page 12-8). Please indicate the thickness of the wall, roof or floor when entering order. Add the “labor only” price for fittings and special features per general pricing instruction.

High Short Circuit Bracing

I-Line busway is available with either standard short circuit bracing or high short circuit bracing. Table 12.19 on 12-8 lists maximum short circuit ratings for each busway type and rating.

General Pricing Instructions

- Prepare a layout sketch of the busway run showing:
 - All dimensions in feet and inches
 - All wall and floor locations and thicknesses
 - All fittings (use top of page 12-7 as a checklist)
- Add all dimensions together. Round up to the next foot.
- Multiply this total by the appropriate price per foot according to the tables above.
- To this, add the “labor only” charges for all fittings from page 12-7.
- Add hangers per page 12-8 (quantities explained below)
- Add for any other unit price items such as end closures, wall flanges, or special lug requirements from page 12-8.

Hangers

Hangers for the I-Line II busway should be priced from the table on page 12-8. Indoor horizontal busway requires one hanger for every 10 feet of busway. Vertical indoor busway requires one hanger for every 16 feet. Outdoor feeder busway requires one hanger for every 5 feet in either vertical or horizontal mounting.

Elbows

The elbow “labor only” charge applies to all types of 90° elbows within a particular rating of busway. The charge does not include any busway footage (i.e. a charge for the appropriate amount of busway footage would have to be added to the “labor only” charge to obtain a “complete device” charge). If elbow is other than 90°, double the labor only charge.

Tee

The labor charge for tees shown in applies to all factory assembled types of 90° tee fittings within a given rating. Dimensions and catalog number suffix of flatwise tee fittings will be found in the Class 5600 Manual. Refer to factory for edgewise tee dimensions. Crosses are also available.

Table 12.17: Fittings

Number of Poles and Voltage	Ampere Rating	"Labor Only" Charges for Each Component (Copper or Aluminum)											Transformer Taps	
		Elbow Right Angle	Elbow Other Than 90°	Tee	Cross	Flanged End	Tap Box or Service Head	Unfused Reducer	Fused or C/B Cubicle	Expansion FTG.	Phase Transition	Bussed XFMR Conn.	One 3Ø XFMR Y or ▲	Three 1Ø XFMR Y or ▲
		3Ø3W 600 V 50% Ground	800	1464.00	2928.00	1792.00	3584.00	1512.00	4416.00	1334.00	20826.00	3950.00	10890.00	11164.00
	1000	1464.00	2928.00	1792.00	3584.00	1722.00	4552.00	1512.00	24108.00	4214.00	11158.00	12112.00	2284.00	6636.00
	1200	1966.00	3932.00	2482.00	4964.00	1900.00	4760.00	2514.00	28938.00	4330.00	11274.00	13270.00	2492.00	6944.00
	1350	1966.00	3932.00	2482.00	4964.00	2016.00	4876.00	3256.00	—	4396.00	11340.00	13690.00	2636.00	7112.00
	1600	1966.00	3932.00	2482.00	4964.00	2202.00	5088.00	3610.00	35192.00	5926.00	12872.00	14654.00	2918.00	7420.00
	2000	1966.00	3932.00	2482.00	4964.00	2624.00	5420.00	4578.00	41174.00	6468.00	13404.00	15816.00	3342.00	7904.00
	2500	1966.00	3932.00	2482.00	4964.00	3134.00	6412.00	4768.00	—	6944.00	13886.00	17594.00	3966.00	9144.00
	3000	1966.00	3932.00	2482.00	4964.00	3706.00	6838.00	7094.00	—	8704.00	15646.00	19562.00	4652.00	10602.00
	3200	2478.00	4956.00	2918.00	5836.00	4447.00	7612.00	8512.00	—	10229.00	17172.00	23474.00	5304.00	11891.00
	4000	2478.00	4956.00	2918.00	5836.00	4606.00	7778.00	8954.00	—	10556.00	17500.00	25188.00	5444.00	12168.00
	5000	2478.00	4956.00	2918.00	5836.00	5384.00	9894.00	11084.00	—	11092.00	18030.00	32432.00	5950.00	14072.00
3Ø4W 277/480 V 50% Ground	800	1792.00	3584.00	2084.00	4168.00	1598.00	5010.00	1722.00	21232.00	4358.00	11296.00	12514.00	2066.00	6684.00
	1000	1792.00	3584.00	2084.00	4168.00	1908.00	5230.00	2024.00	24854.00	4958.00	11902.00	13700.00	2458.00	6928.00
	1200	2478.00	4956.00	2918.00	5836.00	2046.00	5450.00	3454.00	30526.00	5916.00	12858.00	15076.00	2668.00	7278.00
	1350	2478.00	4956.00	2918.00	5836.00	2144.00	5598.00	4404.00	—	6552.00	13496.00	15566.00	2806.00	7470.00
	1600	2478.00	4956.00	2918.00	5836.00	2482.00	5846.00	4778.00	37208.00	7944.00	14882.00	16890.00	3186.00	7802.00
	2000	2478.00	4956.00	2918.00	5836.00	2880.00	6394.00	6422.00	43144.00	8436.00	15380.00	17996.00	3606.00	8532.00
	2500	2478.00	4956.00	2918.00	5836.00	3486.00	7756.00	7932.00	—	9126.00	16070.00	20380.00	4326.00	9960.00
	3000	2478.00	4956.00	2918.00	5836.00	4130.00	8468.00	9538.00	—	11978.00	18922.00	22350.00	5074.00	11622.00
	3200	2918.00	5836.00	3412.00	6824.00	4956.00	9463.00	11445.00	—	13457.00	20397.00	26820.00	5795.00	13139.00
	4000	2918.00	5836.00	3412.00	6824.00	5136.00	9676.00	12754.00	—	13774.00	20714.00	29248.00	5950.00	13464.00
	5000	2918.00	5836.00	3412.00	6824.00	6416.00	11044.00	14984.00	—	14484.00	21428.00	36712.00	7420.00	15216.00

Indoor Tap Boxes

Feeder cable tap boxes are used at the end (-ETMB) or center (-CTB) of a busway run and incorporate a short section of busway into their construction. See Catalog Class 5600 for the length of the tap box then add the "labor only" charges shown above to complete the price.

Plug-in cable tap boxes are plugged into the side of the busway (at any opening except the very last opening of a run). The price shown in the table on page 12-5 is the complete device price. No "labor only" charge is required.

Lugs other than standard mechanical lugs may be selected from the table on page 12-8.

Service Heads

Service heads are of outdoor construction and include Square D™ brand standard lugs. Price footage to end of busway run including dimension of service head. Add service head labor charge.

Unfused Reducer

Unfused reducers are used to reduce from a higher amperage busway to a lower amperage. Price each rating of busway to the centerline of reducer and include the "labor only" price of the higher rating.

NOTE: The National Electric Code does not allow the use of unfused reducers in vertical riser installations. Refer to the NEC for restrictions in industrial installations.

Fused or Circuit Breaker Cubicle

These are used as in-line overcurrent protection devices. They can be used in conjunction with an unfused reducer to offer a device which reduces a run of busway in ampacity and offers overcurrent protection.

I-Line to I-Line II Adapter

This adapter is used to join I-Line II busway (800 A–5000 A) to existing installations of original I-Line busway. If connecting to an existing "slot end" of original I-Line, use a "bolt end" adapter (-12B), and vice versa. Price as four feet of busway for 800 through 5000 A busway.

Expansion Fittings

Expansion fitting labor only charge does not include busway footage. The expansion fitting is built into a 3 ft. – 4 in. straight length for 800 A–5000 A and a 5 feet – 0 inch straight length for 225 A–600 A. Limit of expansion or contraction is ±1-1/2 inches. Not available in outdoor construction.

Bussed Transformer Connection

A bussed transformer connection is used when the busway physically attaches (other than cable) to a three phase transformer. Price busway footage to the edge of transformer L.V. or H.V. terminal. To this, add labor only charge for a "bussed transformer connection." For power company vault termination charges, consult the factory.

Transformer Taps

Transformer taps are used to make cable connection to transformers. Calculate footage price to end of busway. Use standard dimensions. Price of taps includes lugs; if lugs other than standard Square D brand lugs are required, add charges from page 12-8. Note that taps need **NOT** be located directly above transformers for cable connections.

Finger Protection to IP2X

This feature provides improved protection from accidental contact with live parts during insertion and removal of plug-in units. This feature meets the IP2X rating as defined by IEC529 standard. (Pricing on page 12-8.)

Connection to Competitive Busway

Consult your nearest Schneider Electric sales office.

Miscellaneous Additions and Accessories

Table 12.18: Additions and Accessories

Description	\$ Price
Integral Weather Seal Vapor Barrier (Required when busway passes through an exterior wall or roof)	764.00
Roof Collar (Required when busway penetrates an exterior roof)	870.00
Roof Flange Kit (Optional when busway penetrates an exterior roof)	2346.00
Hanger, Horizontal Flatwise and Edgewise (See "Table 12.15: Accessories" on page 5.)	64.00
Hangers, Vertical Fixed (HF-V)	64.00
Hangers, Vertical Spring	
Aluminum Busway	Copper Busway
<ul style="list-style-type: none"> 800 A through 1200 A 2000 A through 2500 A 3000 A through 4000 A 	<ul style="list-style-type: none"> 800 A through 1200 A HFVS1 148.00 1350 A through 2000 A HFVS2 292.00 2500 A through 5000 A HFVS8 292.00
Lugs – Other than Square D Standard	each lug 70.00
Lugs – Square D Standard added to flanged end	each lug 70.00
Sway Brace Collar HP1SBC	82.00
Assembly Tool AT2	N/C
Finger Protection to IP2X (For each plug-in opening) Plug-in Busway only	per foot 17.00

Note: Finger protection can be ordered on I-Line II (800–5000 A) plug-in busway only.

Electrical Data for I-Line II Busway

Standards:	UL857 (File Number E22182); CSA C22.2 No. 27-1994 (File Number LL-61778); IEC 439 Part 2
Systems:	AC-3Ø3W, 3Ø4W, 1Ø2W, 1Ø3W. DC-2-pole. All neutrals are 100% capacity.
Voltage:	600 volts AC/DC, 50 Hz and 60 Hz
Integral Ground:	50% capacity as standard for 800 A to 5000 A, as an option on 225 A to 600 A
Enclosure:	Indoor, indoor drip resistant and outdoor (indoor drip resistant and outdoor are available in I-Line II [800–5000 A] busway only)

Table 12.19: Short Circuit Ratings: UL 3 Cycle▲ Test (KA, RMS Symmetrical)

Ampere Rating	Aluminum				Copper			
	AOF2 AF2	AOFH2 AFH2	AP AP2/AR2	APH APH2/ARH2	COF2 CF2	COFH2 CFH2	CP CP2/CR2	CPH CPH2/CRH2
225	—	—	22	—	—	—	22	—
400	—	—	22	42	—	—	22	42
600	—	—	22	42	—	—	22	42
800	50	85	50	75	50	85	50	75
1000	50	100	50	100	50	85	50	75
1200	50	100	50	100	50	100	50	100
1350	50	100	50	100	50	100	50	100
1600	50	100	50	100	50	100	50	100
2000	100	100	125	150	50	100	65	100
2500	100	150	125	150	100	150	125	150
3000	100	150	125	150	100	150	125	150
3200	—	—	—	—	100	150	125	150
4000	150	200	200	—	150	200	200	—
5000	—	—	—	—	150	200	200	—

▲ 6 cycle and 30 cycle ratings are available. Please reference Catalog 5600CT9101.



"Hook-Swing" Mounting

Table 12.20: Fusible Plug-In Units

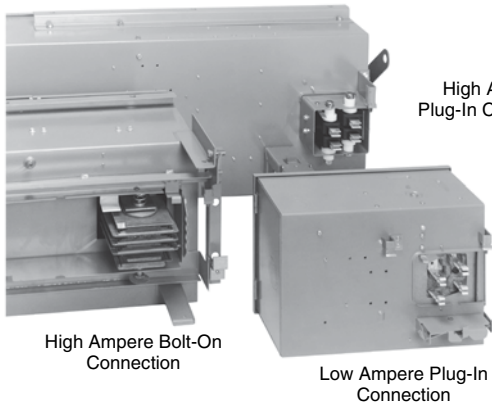
Ampere Rating	Type of Connection	240 Vac 3-Pole, 3 Fuse + G		120/208 Vac, (240 Vac Max.) 4-Pole, 3 Fuse + G		600 Vac 3-Pole, 3 Fuse + G		277/480 Vac, (600 Vac Max.) 4-Pole, 3 Fuse + G	
		Catalog No.	\$ Price	Catalog No.	\$ Price	Catalog No.	\$ Price	Catalog No.	\$ Price
30	Plug-in	PQ3203G	972.00	PQ4203G	1136.00	PQ3603G	1042.00	PQ4603G	1182.00
60		PQ3206G	1042.00	PQ4206G	1182.00	PQ3606G	1110.00	PQ4606G	1230.00
100		PQ3210G	1478.00	PQ4210G	1604.00	PQ3610G	1512.00	PQ4610G	1734.00
200		PQ3220G	2462.00	PQ4220G	2728.00	PQ3620G	2566.00	PQ4620G	2866.00
200▲		PS3220G▲	2462.00	PS4220G▲	2728.00	PS3620G▲	2566.00	PS4620G▲	2866.00
400		PBQ3640G■	6442.00	PBQ4640G■	6996.00	PBQ3640G■	6442.00	PBQ4640G■	6996.00
600		PBQ3660G■	9224.00	PBQ4660G■	10090.00	PBQ3660G■	9224.00	PBQ4660G■	10090.00
800	Bolt-on	—	—	—	—	PTQ36080G ()◆	16014.00	PTQ46080G ()◆	19312.00
1000		—	—	—	—	PTQ36100G ()◆	18810.00	PTQ46100G ()◆	19436.00
1200		—	—	—	—	PTQ36120G ()◆	30042.00	PTQ46120G ()◆	30168.00

Class J Fuses – Provisions for installing Class J fuses are included in 30 through 600 A fusible devices. Conversion to Class J fuse spacing requires relocating the load side fuse base assembly from standard Class H fuse location to an alternate position in the enclosure.

- ▲ For use on vertical riser applications only.
- For vertical riser applications order auxiliary mounting kit—Catalog Number PBQ4060RMK. (Price \$300.)
- ◆ This device uses bolt-on connection. It may be used only on plug-in busway with same number of poles. Add suffix (H) for horizontal applications and suffix (V) for vertical applications. Not for use on 800 A copper busway.

Note: For IP54 splash resistant construction, add "M54" suffix. IP54 price adder is 15%.

Table 12.21: Class R Fuse Kits★



High Ampere Plug-In Connection

High Ampere Bolt-On Connection

Low Ampere Plug-In Connection

Switch Size (A)	Voltage Rating	Kit ★ Catalog No.	\$ Price
30	250 V▼	QMB30R	31.20
	600 V▼	QMB36R	32.60
60	250 V▼	QMB36R	32.60
	600 V▼	QMB60R	32.60
100 200	All	HRK1020	31.80
400 600	All	QMB4060R	74.00

Class R Fuse Kits when installed reject all but class R fuses.

- ★ Kit must be field installed.
- ▼ Contains parts to convert two units.

Table 12.22: Hooksticks

Length	Catalog No.	\$ Price	Length	Catalog No.	\$ Price
8'	515608	452.00	14'	515614	778.00

Surge Protective Device Plug-In Units

All Busway SPD Plug-In Units include as standard:

- Individually Fused Modules
- Circuit Breaker Disconnect
- Cover Mounted Diagnostic Panel
- EMI/RFI Filter
- Audible Alarm with Test/Disable/Enable

Table 12.23: Surge Capacity

System Voltage	60,000 Amperes Per Phase		240,000 Amperes Per Phase	
	Catalog Number	\$ Price	Catalog Number	\$ Price
208Y/120 Vac, 3Ø4W/Grd.	PIU2IMA16	4472.00	PIU2IMA24	6407.00
240Y/120 Vac, 3Ø4W/Grd.	PIU3IMA16	4472.00	PIU3IMA24	6407.00
480Y/277 Vac, 3Ø4W/Grd.	PIU4IMA16	4740.00	PIU4IMA24	6792.00
600Y/347 Vac, 3Ø4W/Grd.	PIU8IMA16	4919.00	PIU8IMA24	7048.00

Note: For IP54 splash resistant construction, add an "M54" suffix. The IP54 price adder is 15%.

Table 12.24: Options

Description	When Required Add Suffix to Catalog Number	\$ Price
Surge Counter and Dry Contacts	—	STD.
Remote Monitor with Dry Contacts	M	788.00

Table 12.25: H-Frame Circuit Breaker Plug-in Units—Standard (80%) Rated—3Ø3W

Trip Rating Ampere	D Interrupting		G Interrupting		J Interrupting		L Interrupting	
	Catalog No.	\$ Price	Catalog No.	\$ Price	Catalog No.	\$ Price	Catalog No.	\$ Price
3Ø3W + G, 600 Vac 50/60 Hz								
15	PHD36015G	1930.00	PHG36015G	2394.00	PHJ36015G	3184.00	PHL36015G	5171.00
20	PHD36020G	1930.00	PHG36020G	2394.00	PHJ36020G	3184.00	PHL36020G	5171.00
30	PHD36030G	1930.00	PHG36030G	2394.00	PHJ36030G	3184.00	PHL36030G	5171.00
40	PHD36040G	1930.00	PHG36040G	2394.00	PHJ36040G	3184.00	PHL36040G	5171.00
50	PHD36050G	1930.00	PHG36050G	2394.00	PHJ36050G	3184.00	PHL36050G	5171.00
60	PHD36060G	1930.00	PHG36060G	2394.00	PHJ36060G	3184.00	PHL36060G	5171.00
70	PHD36070G	2132.00	PHG36070G	2582.00	PHJ36070G	3718.00	PHL36070G	5715.00
80	PHD36080G	2132.00	PHG36080G	2582.00	PHJ36080G	3718.00	PHL36080G	5715.00
90	PHD36090G	2132.00	PHG36090G	2582.00	PHJ36090G	3718.00	PHL36090G	5715.00
100	PHD36100G	2132.00	PHG36100G	2582.00	PHJ36100G	3718.00	PHL36100G	5715.00
125	PHD36125G	4246.00	PHG36125G	6031.00	PHJ36125G	8266.00	PHL36125G	9987.00
150	PHD36150G	4246.00	PHG36150G	6031.00	PHJ36150G	8266.00	PHL36150G	9987.00

Table 12.26: H-Frame Circuit Breaker Plug-in Units—Standard (80%) Rated—3Ø4W

Trip Rating Ampere	D Interrupting		G Interrupting		J Interrupting		L Interrupting	
	Catalog No.	\$ Price	Catalog No.	\$ Price	Catalog No.	\$ Price	Catalog No.	\$ Price
3Ø4W + G, 277/480 Vac (600 Vac Max.) 50/60 Hz								
15	PHD36015GN	2111.00	PHG36015GN	2578.00	PHJ36015GN	3428.00	PHL36015GN	5318.00
20	PHD36020GN	2111.00	PHG36020GN	2578.00	PHJ36020GN	3428.00	PHL36020GN	5318.00
30	PHD36030GN	2111.00	PHG36030GN	2578.00	PHJ36030GN	3428.00	PHL36030GN	5318.00
40	PHD36040GN	2111.00	PHG36040GN	2578.00	PHJ36040GN	3428.00	PHL36040GN	5318.00
50	PHD36050GN	2111.00	PHG36050GN	2578.00	PHJ36050GN	3428.00	PHL36050GN	5318.00
60	PHD36060GN	2111.00	PHG36060GN	2578.00	PHJ36060GN	3428.00	PHL36060GN	5318.00
70	PHD36070GN	2317.00	PHG36070GN	2784.00	PHJ36070GN	4008.00	PHL36070GN	5878.00
80	PHD36080GN	2317.00	PHG36080GN	2784.00	PHJ36080GN	4008.00	PHL36080GN	5878.00
90	PHD36090GN	2317.00	PHG36090GN	2784.00	PHJ36090GN	4008.00	PHL36090GN	5878.00
100	PHD36100GN	2317.00	PHG36100GN	2784.00	PHJ36100GN	4008.00	PHL36100GN	5878.00
125	PHD36125GN	4478.00	PHG36125GN	6267.00	PHJ36125GN	8510.00	PHL36125GN	10254.00
150	PHD36150GN	4478.00	PHG36150GN	6267.00	PHJ36150GN	8510.00	PHL36150GN	10254.00

Table 12.27: J-Frame Circuit Breaker Plug-in Units—Standard (80%) Rated—3Ø3W

Trip Rating Ampere	D Interrupting		G Interrupting		J Interrupting		L Interrupting	
	Catalog No.	\$ Price	Catalog No.	\$ Price	Catalog No.	\$ Price	Catalog No.	\$ Price
3Ø3W + G, 600 Vac 50/60 Hz								
175	PJD36175G	4618.00	PJG36175G	8056.00	PJJ36175G	9424.00	PJL36175G	11581.00
200	PJD36200G	4618.00	PJG36200G	8056.00	PJJ36200G	9424.00	PJL36200G	11581.00
225	PJD36225G	4618.00	PJG36225G	8056.00	PJJ36225G	9424.00	PJL36225G	11581.00
250	PJD36250G	6380.00	PJG36250G	9834.00	PJJ36250G	10816.00	PJL36250G	13292.00

Table 12.28: J-Frame Circuit Breaker Plug-in Units—Standard (80%) Rated—3Ø4W

Trip Rating Ampere	D Interrupting		G Interrupting		J Interrupting		L Interrupting	
	Catalog No.	\$ Price	Catalog No.	\$ Price	Catalog No.	\$ Price	Catalog No.	\$ Price
3Ø4W + G, 277/480 Vac (600 Vac Max.) 50/60 Hz								
175	PJD36175GN	4950.00	PJG36175GN	8366.00	PJJ36175GN	9788.00	PJL36175GN	11910.00
200	PJD36200GN	4950.00	PJG36200GN	8366.00	PJJ36200GN	9788.00	PJL36200GN	11910.00
225	PJD36225GN	4950.00	PJG36225GN	8366.00	PJJ36225GN	9788.00	PJL36225GN	11910.00
250	PJD36250GN	6712.00	PJG36250GN	10144.00	PJJ36250GN	11158.00	PJL36250GN	13669.00

▲ All these devices use plug-in connections.
Note: For IP54 splash resistant construction, add an "M54" suffix. The IP54 price adder is 15%.

Table 12.29: Circuit Breaker Interrupting Ratings

Interrupting Ratings (kA)	D	G	J	L
240 V	25	65	100	125
480 V	18	35	65	100
600 V	14	18	25	50

Table 12.30: H- and J-Frame Circuit Breaker Plug-in Units with Electronic Trip—Standard (80%) Rated—3Ø3W ^{New!}

Trip Rating Ampere	Trip Function▲	Trip Unit	D Interrupting		G Interrupting		J Interrupting		L Interrupting	
			Catalog Number■	\$ Price	Catalog Number■	\$ Price	Catalog Number■	\$ Price	Catalog Number■	\$ Price
Micrologic Standard Trip Unit										
3Ø3W + G, 600 Vac 50/60 Hz										
60	LI	3.2	PHD36060GU31X	2113.00	PHG36060GU31X	2577.00	PHJ36060GU31X	3367.00	PHL36060GU31X	5354.00
100			PHD36100GU31X	2315.00	PHG36100GU31X	2765.00	PHJ36100GU31X	3901.00	PHL36100GU31X	5896.00
150			PHD36150GU31X	4429.00	PHG36150GU31X	6214.00	PHJ36150GU31X	8449.00	PHL36150GU31X	10170.00
250			PJD36250GU31X	6641.00	PJG36250GU31X	10095.00	PJJ36250GU31X	11077.00	PJL36250GU31X	13553.00
60	LSI	3.2 S	PHD36060GU33X	2309.00	PHG36060GU33X	2773.00	PHJ36060GU33X	3563.00	PHL36060GU33X	5550.00
100			PHD36100GU33X	2511.00	PHG36100GU33X	2961.00	PHJ36100GU33X	4097.00	PHL36100GU33X	6094.00
150			PHD36150GU33X	4625.00	PHG36150GU33X	6410.00	PHJ36150GU33X	8645.00	PHL36150GU33X	10366.00
250			PJD36250GU33X	6920.00	PJG36250GU33X	10374.00	PJJ36250GU33X	11356.00	PJL36250GU33X	13832.00
Micrologic Ammeter Trip Unit										
3Ø3W + G, 600 Vac 50/60 Hz										
60	LSI	5.2 A	PHD36060GU43X	2968.00	PHG36060GU43X	3432.00	PHJ36060GU43X	4222.00	PHL36060GU43X	6209.00
100			PHD36100GU43X	3170.00	PHG36100GU43X	3620.00	PHJ36100GU43X	4756.00	PHL36100GU43X	6753.00
150			PHD36150GU43X	5284.00	PHG36150GU43X	7069.00	PHJ36150GU43X	9304.00	PHL36150GU43X	11025.00
250			PJD36250GU43X	7860.00	PJG36250GU43X	11314.00	PJJ36250GU43X	12296.00	PJL36250GU43X	14772.00

Table 12.31: H- and J-Frame Circuit Breaker Plug-in Units with Electronic Trip—Standard (80%) Rated—3Ø4W ^{New!}

Trip Rating Ampere	Trip Function▲	Trip Unit	D Interrupting		G Interrupting		J Interrupting		L Interrupting	
			Catalog Number■	\$ Price	Catalog Number■	\$ Price	Catalog Number■	\$ Price	Catalog Number■	\$ Price
Micrologic Standard Trip Unit										
3Ø4W + G, 600 Vac 50/60 Hz										
60	LI	3.2	PHD36060GNU31X	2294.00	PHG36060GNU31X	2761.00	PHJ36060GNU31X	3611.00	PHL36060GNU31X	5501.00
100			PHD36100GNU31X	2500.00	PHG36100GNU31X	2967.00	PHJ36100GNU31X	4191.00	PHL36100GNU31X	6061.00
150			PHD36150GNU31X	4661.00	PHG36150GNU31X	6450.00	PHJ36150GNU31X	8693.00	PHL36150GNU31X	10437.00
250			PJD36250GNU31X	6973.00	PJG36250GNU31X	10405.00	PJJ36250GNU31X	11419.00	PJL36250GNU31X	13930.00
60	LSI	3.2 S	PHD36060GNU33X	2490.00	PHG36060GNU33X	2957.00	PHJ36060GNU33X	3807.00	PHL36060GNU33X	5697.00
100			PHD36100GNU33X	2696.00	PHG36100GNU33X	3163.00	PHJ36100GNU33X	4387.00	PHL36100GNU33X	6257.00
150			PHD36150GNU33X	4857.00	PHG36150GNU33X	6646.00	PHJ36150GNU33X	8889.00	PHL36150GNU33X	10633.00
250			PJD36250GNU33X	7252.00	PJG36250GNU33X	10684.00	PJJ36250GNU33X	11698.00	PJL36250GNU33X	14209.00
Micrologic Ammeter Trip Unit										
3Ø4W + G, 600 Vac 50/60 Hz										
60	LSI	5.2 A	PHD36060GNU43X	3149.00	PHG36060GNU43X	3616.00	PHJ36060GNU43X	4466.00	PHL36060GNU43X	6356.00
100			PHD36100GNU43X	3355.00	PHG36100GNU43X	3822.00	PHJ36100GNU43X	5046.00	PHL36100GNU43X	6916.00
150			PHD36150GNU43X	5516.00	PHG36150GNU43X	7305.00	PHJ36150GNU43X	9548.00	PHL36150GNU43X	11292.00
250			PJD36250GNU43X	8192.00	PJG36250GNU43X	11624.00	PJJ36250GNU43X	12638.00	PJL36250GNU43X	15149.00

▲ If alternate trip functions are required, contact your local Schneider Electric field office for pricing.
■ All these devices use plug-in connections.
Note: For IP54 splash resistant construction, add an "M54" suffix. The IP54 price adder is 15%.

Table 12.32: L-Frame Circuit Breaker Plug-in Units with Electronic Trip—Standard (80%) Rated—3Ø3W ^{New!}

Trip Rating Ampere	Trip Function▲	Trip Unit	D Interrupting		G Interrupting		J Interrupting		L Interrupting	
			Catalog Number■	\$ Price	Catalog Number■	\$ Price	Catalog Number■	\$ Price	Catalog Number■	\$ Price
Micrologic Standard Trip Unit										
3Ø3W + G, 600 Vac 50/60 Hz										
400	LI	3.3	PBLD36400GU31X	9398.00	PBLG36400GU31X	12846.00	PBLJ36400GU31X	14958.00	PBL36400GU31X	17030.00
600			PBLD36600GU31X	13840.00	PBLG36600GU31X	16975.00	PBLJ36600GU31X	18600.00	PBL36600GU31X	21326.00
400	LSI	3.3 S	PBLD36400GU33X	10496.00	PBLG36400GU33X	14345.00	PBLJ36400GU33X	16676.00	PBL36400GU33X	18049.00
600			PBLD36600GU33X	14939.00	PBLG36600GU33X	18320.00	PBLJ36600GU33X	21093.00	PBL36600GU33X	22344.00
Micrologic Ammeter Trip Unit										
3Ø3W + G, 600 Vac 50/60 Hz										
400	LSI	5.3 A	PBLD36400GU43X	12174.00	PBLG36400GU43X	15640.00	PBLJ36400GU43X	17605.00	PBL36400GU43X	19608.00
600			PBLD36600GU43X	16617.00	PBLG36600GU43X	19377.00	PBLJ36600GU43X	21128.00	PBL36600GU43X	23902.00
400	LSIG	6.3 A	PBLD36400GU44X	15865.00	PBLG36400GU44X	19686.00	PBLJ36400GU44X	21247.00	PBL36400GU44X	23536.00
600			PBLD36600GU44X	20309.00	PBLG36600GU44X	23904.00	PBLJ36600GU44X	24770.00	PBL36600GU44X	27329.00

Table 12.33: L-Frame Circuit Breaker Plug-in Units with Electronic Trip—Standard (80%) Rated—3Ø4W ^{New!}

Trip Rating Ampere	Trip Function▲	Trip Unit	D Interrupting		G Interrupting		J Interrupting		L Interrupting	
			Catalog Number■	\$ Price	Catalog Number■	\$ Price	Catalog Number■	\$ Price	Catalog Number■	\$ Price
Micrologic Standard Trip Unit										
3Ø4W + G, 600 Vac 50/60 Hz										
400	LI	3.3	PBLD36400GNU31X	9890.00	PBLG36400GNU31X	13509.00	PBLJ36400GNU31X	15730.00	PBL36400GNU31X	17910.00
600			PBLD36600GNU31X	14555.00	PBLG36600GNU31X	17851.00	PBLJ36600GNU31X	19560.00	PBL36600GNU31X	22375.00
400	LSI	3.3 S	PBLD36400GNU33X	10885.00	PBLG36400GNU33X	14875.00	PBLJ36400GNU33X	16942.00	PBL36400GNU33X	18716.00
600			PBLD36600GNU33X	15490.00	PBLG36600GNU33X	18996.00	PBLJ36600GNU33X	20870.00	PBL36600GNU33X	23130.00
Micrologic Ammeter Trip Unit										
3Ø4W + G, 600 Vac 50/60 Hz										
400	LSI	5.3 A	PBLD36400GNU43X	12625.00	PBLG36400GNU43X	15956.00	PBLJ36400GNU43X	18256.00	PBL36400GNU43X	20334.00
600			PBLD36600GNU43X	17232.00	PBLG36600GNU43X	19830.00	PBLJ36600GNU43X	21908.00	PBL36600GNU43X	24748.00
400	LSIG	6.3 A	PBLD36400GNU44X	16450.00	PBLG36400GNU44X	20485.00	PBLJ36400GNU44X	22030.00	PBL36400GNU44X	24385.00
600			PBLD36600GNU44X	21055.00	PBLG36600GNU44X	24216.00	PBLJ36600GNU44X	25677.00	PBL36600GNU44X	28294.00

▲ If alternate trip functions are required, contact your local Schneider Electric field office for pricing.
■ All these devices use plug-in connections.
Note: For IP54 splash resistant construction, add an "M54" suffix. The IP54 price adder is 15%.
The 250 A with Standard Trip Unit is also available. Contact your local Schneider Electric field office for ordering information.

Table 12.34: M-Frame Circuit Breaker Plug-in Units with Basic Electronic Trip Unit (ET 1.0)—3Ø3W *New!*

Trip Rating Ampere	G Interrupting		J Interrupting	
	Catalog Number▲■◆	\$ Price	Catalog Number▲■◆	\$ Price
3Ø3W + G, 600 Vac 50/60 Hz				
300	PTMG36300G()	16014.00	PTMJ36300G()	17918.00
350	PTMG36350G()	16014.00	PTMJ36350G()	17918.00
400	PTMG36400G()	16014.00	PTMJ36400G()	17918.00
450	PTMG36450G()	16014.00	PTMJ36450G()	17918.00
500	PTMG36500G()	16014.00	PTMJ36500G()	17918.00
600	PTMG36600G()	16014.00	PTMJ36600G()	17918.00
700	PTMG36700G()	18810.00	PTMJ36700G()	20368.00
800	PTMG36800G()	18810.00	PTMJ36800G()	20368.00

Table 12.35: M-Frame Circuit Breaker Plug-in Units with Basic Electronic Trip Unit (ET 1.0)—3Ø4W *New!*

Trip Rating Ampere	G Interrupting		J Interrupting	
	Catalog Number▲■◆	\$ Price	Catalog Number▲■◆	\$ Price
3Ø4W + G, 600 Vac 50/60 Hz				
300	PTMG36300GN()	16640.00	PTMJ36300GN()	18536.00
350	PTMG36350GN()	16640.00	PTMJ36350GN()	18536.00
400	PTMG36400GN()	16640.00	PTMJ36400GN()	18536.00
450	PTMG36450GN()	16640.00	PTMJ36450GN()	18536.00
500	PTMG36500GN()	16640.00	PTMJ36500GN()	18536.00
600	PTMG36600GN()	16640.00	PTMJ36600GN()	18536.00
700	PTMG36700GN()	19436.00	PTMJ36700GN()	22082.00
800	PTMG36800GN()	19436.00	PTMJ36800GN()	22082.00

- ▲ The ET 1.0 trip unit cannot be field replaced or have the long-time trip point setting adjusted.
 - All these devices use bolt-on connection. It may be used only on busway with same number of poles. Not for use on 800 A copper busway.
 - ◆ To complete the catalog number, replace the blank with an "H" for horizontal applications and "V" for vertical applications.
- Note: For IP54 splash resistant construction, add "M54" suffix. IP54 price adder is 15%.

Table 12.36: P-Frame Circuit Breaker Plug-in Units—3Ø3W *New!*

Trip Rating Ampere	Trip Function	Trip Unit	Interrupting Rating					
			G			J		
			Catalog Number ▲ ■ ◆	\$ Price		Catalog Number ▲ ■ ◆	\$ Price	
80 % Rated	100 % Rated	80 % Rated		100 % Rated				
Micrologic Standard Trip Unit								
3Ø3W + G, 600 Vac 50/60 Hz								
400	LI	3.0	PTPG36040G(U)U31A	26760.00	37560.00	PTPJ36040G(U)U31A	27995.00	38745.00
600			PTPG36060G(U)U31A	26760.00	37560.00	PTPJ36060G(U)U31A	27995.00	38745.00
800			PTPG36080G(U)U31A	26760.00	37560.00	PTPJ36080G(U)U31A	27995.00	38745.00
1000			PTPG36100G(U)U31A	34637.00	45366.00	PTPJ36100G(U)U31A	35929.00	46502.00
1200			PTPG36120G(U)U31A	34637.00	—	PTPJ36120G(U)U31A	35929.00	—
400	LSI	5.0	PTPG36040G(U)U33A	27300.00	37900.00	PTPJ36040G(U)U33A	28532.00	39400.00
600			PTPG36060G(U)U33A	27300.00	37900.00	PTPJ36060G(U)U33A	28532.00	39400.00
800			PTPG36080G(U)U33A	27300.00	37900.00	PTPJ36080G(U)U33A	28532.00	39400.00
1000			PTPG36100G(U)U33A	35064.00	46168.00	PTPJ36100G(U)U33A	36328.00	47934.00
1200			PTPG36120G(U)U33A	35064.00	—	PTPJ36120G(U)U33A	36328.00	—
Micrologic Ammeter Trip Unit								
3Ø3W + G, 600 Vac 50/60 Hz								
400	LI	3.0 A	PTPG36040G(U)U41A	28072.00	38560.00	PTPJ36040G(U)U41A	29295.00	4068.00
600			PTPG36060G(U)U41A	28072.00	38560.00	PTPJ36060G(U)U41A	29295.00	4068.00
800			PTPG36080G(U)U41A	28072.00	38560.00	PTPJ36080G(U)U41A	29295.00	4068.00
1000			PTPG36100G(U)U41A	35826.00	46435.00	PTPJ36100G(U)U41A	37055.00	48856.00
1200			PTPG36120G(U)U41A	35826.00	—	PTPJ36120G(U)U41A	37055.00	—
400	LSI	5.0 A	PTPG36040G(U)U43A	30300.00	40430.00	PTPJ36040G(U)U43A	31520.00	41695.00
600			PTPG36060G(U)U43A	30300.00	40430.00	PTPJ36060G(U)U43A	31520.00	41695.00
800			PTPG36080G(U)U43A	30300.00	40430.00	PTPJ36080G(U)U43A	31520.00	41695.00
1000			PTPG36100G(U)U43A	38010.00	49424.00	PTPJ36100G(U)U43A	39124.00	50342.00
1200			PTPG36120G(U)U43A	38010.00	—	PTPJ36120G(U)U43A	39124.00	—
400	LSIG	6.0 A	PTPG36040G(U)U44A	33052.00	42760.00	PTPJ36040G(U)U44A	34250.00	44330.00
600			PTPG36060G(U)U44A	33052.00	42760.00	PTPJ36060G(U)U44A	34250.00	44330.00
800			PTPG36080G(U)U44A	33052.00	42760.00	PTPJ36080G(U)U44A	34250.00	44330.00
1000			PTPG36100G(U)U44A	40725.00	50824.00	PTPJ36100G(U)U44A	41700.00	51910.00
1200			PTPG36120G(U)U44A	40725.00	—	PTPJ36120G(U)U44A	41700.00	—

Table 12.37: P-Frame Circuit Breaker Plug-in Units—3Ø4W *New!*

Trip Rating Ampere	Trip Function	Trip Unit	Interrupting Rating					
			G			J		
			Catalog Number ▲ ■ ◆	\$ Price		Catalog Number ▲ ■ ◆	\$ Price	
80 % Rated	100 % Rated	80 % Rated		100 % Rated				
Micrologic Standard Trip Unit								
3Ø4W + G, 600 Vac 50/60 Hz								
400	LI	3.0	PTPG36040GN(U)U31A	27760.00	38560.00	PTPJ36040GN(U)U31A	28995.00	39745.00
600			PTPG36060GN(U)U31A	27760.00	38560.00	PTPJ36060GN(U)U31A	28995.00	39745.00
800			PTPG36080GN(U)U31A	27760.00	38560.00	PTPJ36080GN(U)U31A	28995.00	39745.00
1000			PTPG36100GN(U)U31A	35637.00	46366.00	PTPJ36100GN(U)U31A	36929.00	47502.00
1200			PTPG36120GN(U)U31A	35637.00	—	PTPJ36120GN(U)U31A	36929.00	—
400	LSI	5.0	PTPG36040GN(U)U33A	28300.00	38900.00	PTPJ36040GN(U)U33A	29532.00	40400.00
600			PTPG36060GN(U)U33A	28300.00	38900.00	PTPJ36060GN(U)U33A	29532.00	40400.00
800			PTPG36080GN(U)U33A	28300.00	38900.00	PTPJ36080GN(U)U33A	29532.00	40400.00
1000			PTPG36100GN(U)U33A	36064.00	47168.00	PTPJ36100GN(U)U33A	37328.00	48934.00
1200			PTPG36120GN(U)U33A	36064.00	—	PTPJ36120GN(U)U33A	37328.00	—
Micrologic Ammeter Trip Unit								
3Ø4W + G, 600 Vac 50/60 Hz								
400	LI	3.0 A	PTPG36040GN(U)U41A	29072.00	39560.00	PTPJ36040GN(U)U41A	30295.00	41068.00
600			PTPG36060GN(U)U41A	29072.00	39560.00	PTPJ36060GN(U)U41A	30295.00	41068.00
800			PTPG36080GN(U)U41A	29072.00	39560.00	PTPJ36080GN(U)U41A	30295.00	41068.00
1000			PTPG36100GN(U)U41A	36826.00	47435.00	PTPJ36100GN(U)U41A	38055.00	49856.00
1200			PTPG36120GN(U)U41A	36826.00	—	PTPJ36120GN(U)U41A	38055.00	—
400	LSI	5.0 A	PTPG36040GN(U)U43A	31300.00	41430.00	PTPJ36040GN(U)U43A	32520.00	42695.00
600			PTPG36060GN(U)U43A	31300.00	41430.00	PTPJ36060GN(U)U43A	32520.00	42695.00
800			PTPG36080GN(U)U43A	31300.00	41430.00	PTPJ36080GN(U)U43A	32520.00	42695.00
1000			PTPG36100GN(U)U43A	39010.00	50424.00	PTPJ36100GN(U)U43A	40124.00	51342.00
1200			PTPG36120GN(U)U43A	39010.00	—	PTPJ36120GN(U)U43A	40124.00	—
400	LSIG	6.0 A	PTPG36040GN(U)U44A	34052.00	43760.00	PTPJ36040GN(U)U44A	35250.00	45330.00
600			PTPG36060GN(U)U44A	34052.00	43760.00	PTPJ36060GN(U)U44A	35250.00	45330.00
800			PTPG36080GN(U)U44A	34052.00	43760.00	PTPJ36080GN(U)U44A	35250.00	45330.00
1000			PTPG36100GN(U)U44A	41725.00	51824.00	PTPJ36100GN(U)U44A	42700.00	52910.00
1200			PTPG36120GN(U)U44A	41725.00	—	PTPJ36120GN(U)U44A	42700.00	—

- ▲ The standard rating plug supplied with a trip unit will be the "A" rating plug. To specify an alternative rating plug, replace the "A" at the end of the catalog number with the applicable suffix letter. See the chart on page 7-45 for rating plug catalog suffix letters.
- All these devices use bolt-on connection. It may be used only on busway with same number of poles. Not for use on 800 A copper busway. To complete the catalog number, replace the blank with an "H" for horizontal applications and "V" for vertical applications.
- ◆ Listed catalog numbers are for 80% rated circuit breakers. For 100% rated circuit breakers, replace the blank with an "HC" for horizontal applications and "VC" for vertical applications. For example, the catalog number for a 100% standard trip unit with standard LI trip functions at 800 A 3Ø3W for a horizontal application would be PTPG36080GHC U31A.

Notes:

- For IP54 splash resistant construction, add a "M54" suffix. IP54 price adder is 15%.
- The 250 A is available as a special device. Contact your local Schneider Electric field office for ordering information.

Table 12.38: R-Frame Circuit Breaker Plug-in Units—3Ø3W

Trip Rating Ampere	Trip Function	Trip Unit	Interrupting Rating								
			G			J			L		
			Catalog Number ▲ ◆	\$ Price		Catalog Number ▲ ◆	\$ Price		Catalog Number ▲ ◆	\$ Price	
			80 % Rated	100 % Rated		80 % Rated	100 % Rated		80 % Rated	100 % Rated	
Micrologic Standard Trip Unit											
3Ø3W + G, 600 Vac 50/60 Hz											
800	LI	3.0	PTRG36080G(U)31A	42232.00	48472.00	PTRJ36080G(U)31A	43800.00	50040.00	PTRL36080G(U)31A	45366.00	51606.00
1000			PTRG36120G(U)31A	42232.00	48472.00	PTRJ36120G(U)31A	43800.00	50040.00	PTRL36120G(U)31A	45366.00	51606.00
1200			PTRG36120G(U)31A	42232.00	48472.00	PTRJ36120G(U)31A	43800.00	50040.00	PTRL36120G(U)31A	45366.00	51606.00
1600			PTRG36160G(U)31A	42232.00	—	PTRJ36160G(U)31A	43800.00	—	PTRL36160G(U)31A	45366.00	—
800	LSI	5.0	PTRG36080G(U)33A	42686.00	48772.00	PTRJ36080G(U)33A	44254.00	50340.00	PTRL36080G(U)33A	45820.00	51906.00
1000			PTRG36100G(U)33A	42686.00	48772.00	PTRJ36100G(U)33A	44254.00	50340.00	PTRL36100G(U)33A	45820.00	51906.00
1200			PTRG36120G(U)33A	42686.00	48772.00	PTRJ36120G(U)33A	44254.00	50340.00	PTRL36120G(U)33A	45820.00	51906.00
1600			PTRG36160G(U)33A	42686.00	—	PTRJ36160G(U)33A	44254.00	—	PTRL36160G(U)33A	45820.00	—
Micrologic Ammeter Trip Unit											
3Ø3W + G, 600 Vac 50/60 Hz											
800	LI	3.0 A	PTRG36080G(U)41A	43368.00	49342.00	PTRJ36080G(U)41A	44936.00	50910.00	PTRL36080G(U)41A	46502.00	52476.00
1000			PTRG36100G(U)41A	43368.00	49342.00	PTRJ36100G(U)41A	44936.00	50910.00	PTRL36100G(U)41A	46502.00	52476.00
1200			PTRG36120G(U)41A	43368.00	49342.00	PTRJ36120G(U)41A	44936.00	50910.00	PTRL36120G(U)41A	46502.00	52476.00
1600			PTRG36160G(U)41A	43368.00	—	PTRJ36160G(U)41A	44936.00	—	PTRL36160G(U)41A	46502.00	—
800	LSI	5.0 A	PTRG36080G(U)43A	45366.00	51184.00	PTRJ36080G(U)43A	46934.00	52752.00	PTRL36080G(U)43A	48500.00	54318.00
1000			PTRG36100G(U)43A	45366.00	51184.00	PTRJ36100G(U)43A	46934.00	52752.00	PTRL36100G(U)43A	48500.00	54318.00
1200			PTRG36120G(U)43A	45366.00	51184.00	PTRJ36120G(U)43A	46934.00	52752.00	PTRL36120G(U)43A	48500.00	54318.00
1600			PTRG36160G(U)43A	45366.00	—	PTRJ36160G(U)43A	46934.00	—	PTRL36160G(U)43A	48500.00	—
800	LSIG	6.0 A	PTRG36080G(U)44A	47856.00	53426.00	PTRJ36080G(U)44A	49424.00	54994.00	PTRL36080G(U)44A	50990.00	56560.00
1000			PTRG36100G(U)44A	47856.00	53426.00	PTRJ36100G(U)44A	49424.00	54994.00	PTRL36100G(U)44A	50990.00	56560.00
1200			PTRG36120G(U)44A	47856.00	53426.00	PTRJ36120G(U)44A	49424.00	54994.00	PTRL36120G(U)44A	50990.00	56560.00
1600			PTRG36160G(U)44A	47856.00	—	PTRJ36160G(U)44A	49424.00	—	PTRL36160G(U)44A	50990.00	—

Table 12.39: R-Frame Circuit Breaker Plug-in Units—3Ø4W

Trip Rating Ampere	Trip Function	Trip Unit	Interrupting Rating								
			G			J			L		
			Catalog Number ▲ ◆	\$ Price		Catalog Number ▲ ◆	\$ Price		Catalog Number ▲ ◆	\$ Price	
			80 % Rated	100 % Rated		80 % Rated	100 % Rated		80 % Rated	100 % Rated	
Micrologic Standard Trip Unit											
3Ø4W + G, 277/480 Vac (600 Vac Max.) 50/60 Hz											
800	LI	3.0	PTRG36080GN(U)31A	43232.00	49472.00	PTRJ36080GN(U)31A	44800.00	51040.00	PTRL36080GN(U)31A	46366.00	52606.00
1000			PTRG36100GN(U)31A	43232.00	49472.00	PTRJ36100GN(U)31A	44800.00	51040.00	PTRL36100GN(U)31A	46366.00	52606.00
1200			PTRG36120GN(U)31A	43232.00	49472.00	PTRJ36120GN(U)31A	44800.00	51040.00	PTRL36120GN(U)31A	46366.00	52606.00
1600			PTRG36160GN(U)31A	43232.00	—	PTRJ36160GN(U)31A	44800.00	—	PTRL36160GN(U)31A	46366.00	—
800	LSI	5.0	PTRG36080GN(U)33A	43686.00	49772.00	PTRJ36080GN(U)33A	45254.00	51340.00	PTRL36080GN(U)33A	46820.00	52906.00
1000			PTRG36100GN(U)33A	43686.00	49772.00	PTRJ36100GN(U)33A	45254.00	51340.00	PTRL36100GN(U)33A	46820.00	52906.00
1200			PTRG36120GN(U)33A	43686.00	49772.00	PTRJ36120GN(U)33A	45254.00	51340.00	PTRL36120GN(U)33A	46820.00	52906.00
1600			PTRG36160GN(U)33A	43686.00	—	PTRJ36160GN(U)33A	45254.00	—	PTRL36160GN(U)33A	46820.00	—
Micrologic Ammeter Trip Unit											
3Ø4W + G, 277/480 Vac (600 Vac Max.) 50/60 Hz											
800	LI	3.0 A	PTRG36080GN(U)41A	44368.00	50342.00	PTRJ36080GN(U)41A	45936.00	51910.00	PTRL36080GN(U)41A	47502.00	53476.00
1000			PTRG36100GN(U)41A	44368.00	50342.00	PTRJ36100GN(U)41A	45936.00	51910.00	PTRL36100GN(U)41A	47502.00	53476.00
1200			PTRG36120GN(U)41A	44368.00	50342.00	PTRJ36120GN(U)41A	45936.00	51910.00	PTRL36120GN(U)41A	47502.00	53476.00
1600			PTRG36160GN(U)41A	44368.00	—	PTRJ36160GN(U)41A	45936.00	—	PTRL36160GN(U)41A	47502.00	—
800	LSI	5.0 A	PTRG36080GN(U)43A	46366.00	52184.00	PTRJ36080GN(U)43A	47934.00	53752.00	PTRL36080GN(U)43A	49500.00	55318.00
1000			PTRG36100GN(U)43A	46366.00	52184.00	PTRJ36100GN(U)43A	47934.00	53752.00	PTRL36100GN(U)43A	49500.00	55318.00
1200			PTRG36120GN(U)43A	46366.00	52184.00	PTRJ36120GN(U)43A	47934.00	53752.00	PTRL36120GN(U)43A	49500.00	55318.00
1600			PTRG36160GN(U)43A	46366.00	—	PTRJ36160GN(U)43A	47934.00	—	PTRL36160GN(U)43A	49500.00	—
800	LSIG	6.0 A	PTRG36080GN(U)44A	48856.00	54426.00	PTRJ36080GN(U)44A	50424.00	55994.00	PTRL36080GN(U)44A	51990.00	57560.00
1000			PTRG36100GN(U)44A	48856.00	54426.00	PTRJ36100GN(U)44A	50424.00	55994.00	PTRL36100GN(U)44A	51990.00	57560.00
1200			PTRG36120GN(U)44A	48856.00	54426.00	PTRJ36120GN(U)44A	50424.00	55994.00	PTRL36120GN(U)44A	51990.00	57560.00
1600			PTRG36160GN(U)44A	48856.00	—	PTRJ36160GN(U)44A	50424.00	—	PTRL36160GN(U)44A	51990.00	—

- ▲ The standard rating plug supplied with a trip unit will be the "A" rating plug. To specify an alternative rating plug, replace the "A" at the end of the catalog number with the applicable suffix letter. See the chart on page 7-45 for rating plug catalog suffix letters.
- All these devices use bolt-on connection. It may be used only on busway with same number of poles. Not for use on 800 A copper busway. To complete the catalog number, replace the blank with an "H" for horizontal applications and "V" for vertical applications.
- ◆ Listed catalog numbers are for 80% rated circuit breakers. For 100% rated circuit breakers, replace the blank with an "HC" for horizontal applications and "VC" for vertical applications. For example, the catalog number for a 100% standard trip unit with standard LI trip functions at 800 A 3Ø3W for a horizontal application would be PTRG36080GHCU31A.

Notes:

- For IP54 splash resistant construction, add a "M54" suffix. IP54 price adder is 15%.
- The 600 A is available as a special device. Contact your local Schneider Electric field office for ordering information.

- Non-segregated phase bus
- 600 V through 15 kV (1200 A–4000 A)¹
- Aluminum, steel or stainless steel housing
- Aluminum or copper bus bars
- Insulated with fluidized bed epoxy (5 kV–15 kV)
- Complete line of fittings provides for any configuration
- Indoor trapeze and outdoor column supports
- For use in utilities, industrial and commercial facilities

Power-Zone bus is custom designed, manufactured and tested per ANSI C37.23 standards to meet customer specifications. The 600 V product is also UL Listed. It is a completely coordinated package of equipment with all the auxiliary material and supports for connecting transformers, switchgear, MCCs, and motors, in all types of utility, industrial, and commercial facilities.

General Pricing Instruction – Prepare a layout sketch (if applicable) of the run(s) showing all dimensions in feet and inches, all wall and floor locations and thicknesses and all fittings such as elbows, tees, flanged ends, cable tap boxes, expansion fittings, transformer connections, etc. Add all dimensions together using the center line of the bus and adjust the total to the higher whole foot. Multiply this total by the per foot price as determined by the type (indoor or weatherproof) (aluminum or copper) and the number of poles and any optional accessories (aluminum or steel enclosures, fiberglass or porcelain conductor supports, etc.). To this add the charges for each of the elbows, tees, flanged ends, cable tap boxes, expansion fittings, transformer connections, etc. The sum of these items plus the sum of any optional accessory is the price of the entire bus run. NOTE: Because the bus run is custom designed and built there are no “Complete Device” prices.

Bus Footage – The per foot price of the bus may be a combination of several prices depending on the job specifications and requirements. Some of these options are special momentary rating, special housing material and/or finish, special conductor supports, heaters and thermostats, and ground bus. The prices for these options are shown on page 12-16. They should be added to the per foot prices shown on page 12-16.

Weatherproof Bus – Priced the same as indoor. In addition, all weatherproof runs must be equipped with strip heaters to eliminate condensation and, if applicable, a thermostat. A heater should be priced for every seven (7) foot of bus and no more than 20 heaters can be controlled by one thermostat. Also, each bus run should have its own thermostat. The heaters are rated 240 V, 500 watts and operate at 120 V, 125 watts.

Flanged Ends – A flanged end is used to terminate the bus into switchgear, motor control centers, switchboards, or any rigid bus-to-bus connection. It consists of a gasketed equipment flange, up to 1'-0" of 3Ø3W conductor (3Ø4W as applicable), necessary insulation tapes, and required bolting hardware. If additional conductor length is required, add to the footage price on a per foot basis.

Cable Tap Box – A cable tap box includes a gasketed and accessible termination box, lugs, necessary insulation tape (between bus and lugs only), and required bolting hardware. Lug sizes and quantity should be specified by purchaser.



Transformer/Generator Connection – This type of termination should be priced whenever the bus is connecting to a transformer, generator, motor, switch or any connection where the bus bars are connecting to porcelain mounted equipment terminals. It will include the same components as a flanged end plus one set of flexible braid type connectors and a terminal box (if required).

Bushing Box (Weatherhead) – A bushing box is used on service entrance run where the cable connection to the bus must be made via porcelain bushings. It is comprised of the same components as a transformer connection plus 3 through stud type apparatus bushings, bushing stud connectors (lug pads) and a strip heater.

Ground Bus – The bus housing is designed and constructed to provide an electrically continuous ground path. The side rails of the bus housings are capable of carrying the full rated phase current continuously and, under short circuit conditions, are capable of carrying up to 60 kA RMS asymmetrical fault current for 3 seconds. Consequently, a separate ground bus is not necessary unless specified.

Wall Entrance Seal – A wall entrance seal consists of a wall throat, wall flange (one side of wall only), and a barrier which prevents air or vapor from passing from one room to another or from outdoors to indoors. It also carries a 1/2 hour fire rating. Consult factory for higher fire ratings. If additional wall flanges are required, they should be added at the prices given on page 12-18.

Equipment Entrance Seal – An equipment entrance seal should be priced whenever a barrier is required to prevent the passing of flame and/or gasses between the bus housing and the terminating equipment.

Expansion Fittings – An expansion fitting is used to counteract the strain placed on the bus due to the expansion and contraction of the building or the bus itself. One should be priced whenever the bus run crosses a building expansion joint and whenever a straight run of bus exceeds 60 feet.

Flexible Housing (Misalignment) Collar – Required at terminations or wall penetrations when vibrations due to seismic forces may cause damage to the bus. It may also be used to adjust for the “settling” of terminating equipment after installation.

¹ For additional ratings, contact the factory.

Space Heaters/Thermostats

Space heaters must be priced for all weatherproof applications. One heater should be priced for every 7 feet of outdoor bus. If a thermostat is specified to control the heaters, at least one should be priced for each bus run. No more than 20 heaters can be controlled by each thermostat.

Table 12.41: Thermostats/Space Heaters

Description	\$ Price Each
Thermostat	800.00
120 V, 125 W space heater (240 V, 500 W rated)	680.00

Hangers/Supports

Hangers and supports are not included in prices on page 12-16. Price one indoor hanger for every 10 feet (maximum) of indoor bus and one outdoor support for every 12 feet (maximum) of outdoor bus (if required).

Table 12.42: Hangers/Supports

Support Description	Maximum Height	\$ Price Each
Indoor Trapeze Hanger	—	820.00
Outdoor, Single Column Support	6 feet	5709.00
	8 feet	6524.00
	10 feet	7340.00
	12 feet	8155.00
Outdoor, Double Column Support	14 feet	14995.00
	16 feet	16495.00
	18 feet	17994.00
	20 feet	19494.00
	22 feet	20993.00

Construction Options

Table 12.43: Momentary (Asymmetrical Short Circuit) Ratings

Voltage Class	Amperes	\$ Price Per Foot ♦ Multiplier
600 V	75 KA	Standard
	100 KA	1.25
	150 KA	1.50
5 kV	60 KA	Standard
	80 KA	1.05
	100 KA	1.25
15 kV	60 KA	Standard
	80 KA	1.05
	100 KA	1.25
	150 KA	1.50

♦ Include base price (page 12-17) plus all options.

Table 12.44: Bus Enclosures

Material and Finish	Per Foot \$ Price Adder
Painted Aluminum (1/8" Nominal)	Standard
Painted 14 Gauge Steel	680.00
Painted 11 Gauge Steel	800.00
Unpainted 14 Gauge 304 Stainless Steel	1600.00
Unpainted 14 Gauge 316 Stainless Steel	2160.00

Miscellaneous Terminating Accessories

Miscellaneous terminating accessory prices should be added only if not already included in the price of the termination (see pricing instruction for further information).

Table 12.45: Bushing Stud Connectors (Lug Pads)★

Amperes	\$ Price Each
1200 A	5607.00
1600 A	5904.00
2000 A	6315.00
2500 A	7221.00
3000 A	8202.00
4000 A	9528.00

★ If not included on terminating equipment.

Table 12.46: Flexible Connectors

Voltage Class	\$ Price Per Three Phase Connection ▼					
	1200 A	1600 A	2000 A	2500 A	3000 A	4000 A
600 V	7550.00	9175.00	10045.00	12425.00	16705.00	22245.00
5 kV	7706.00	9300.00	10155.00	12535.00	16890.00	22440.00
15 kV	7922.00	9405.00	10265.00	12705.00	17085.00	22635.00

▼ Add 45% for 3Ø4W (100%) connection. Add 30% for 3Ø4W (50%).

Table 12.47: Terminal Boxes

Box Size	11 Gauge Steel	3/16" Aluminum
3' x 2' x 3'	8350.00	11690.00
3' x 3' x 4'	9895.00	13853.00
4' x 3' x 4'	11195.00	15673.00
4' x 4' x 5'	11935.00	16709.00
5' x 4' x 5'	12740.00	17836.00
5' x 5' x 5'	14020.00	19628.00

Table 12.48: Miscellaneous Additions

Description	\$ Price
PVC insulating boots: (optional)▲	
Splice (joint) (3Ø3W)	2000.00
Termination (3Ø3W)	2000.00
Wall Flange: (optional) (in addition to wall entrance seal)	
Aluminum	1750.00
14 Gauge Steel	1250.00
14 Gauge 304 Stainless Steel	2000.00
14 Gauge 316 Stainless Steel	2600.00
Optional Conductor Support	
High Alumina Porcelain■	1150.00
Flexible Housing (Misalignment) Collar (optional)	3560.00

▲ Add 45% for 3Ø4W (100%) connection. Add 30% for 3Ø4W (50%).

■ Per foot

Powerbus Plug-in Units With Metering

Powerbus plug-in units with metering are rated maximum 100 A and are offered as factory assembled units. All units conform to NEMA type 1.

Table 12.49: Factory Assembled Units with Metering

One (1) ED circuit breaker, one (1) drop cord with connector▲, and one (1) PMS350 meter

Circuit Breaker		NEMA Connector	Drop Cord Length (ft)	4A Configuration		5A Configuration		5B Configuration	
Rating	Poles			Catalog Number	\$ Price	Catalog Number	\$ Price	Catalog Number	\$ Price
15 A	1	L5-15	3	PBPEDU4A100COOL515M()	1961.00	PBPEDU5A100COOL515M()	2061.00	PBPEDU5B100COOL515M()	2061.00
20 A	1	L5-20	3	PBPEDU4A100COOL520M()	1971.00	PBPEDU5A100COOL520M()	2071.00	PBPEDU5B100COOL520M()	2071.00
30 A	1	L5-30	3	PBPEDU4A100COOL530M()	1986.00	PBPEDU5A100COOL530M()	2086.00	PBPEDU5B100COOL530M()	2086.00
15 A	2	L6-15	3	PBPEDU4A100COOL615M()	2268.00	PBPEDU5A100COOL615M()	2368.00	PBPEDU5B100COOL615M()	2368.00
20 A	2	L6-20	3	PBPEDU4A100COOL620M()	2278.00	PBPEDU5A100COOL620M()	2378.00	PBPEDU5B100COOL620M()	2378.00
30 A	2	L6-30	3	PBPEDU4A100COOL630M()	2293.00	PBPEDU5A100COOL630M()	2393.00	PBPEDU5B100COOL630M()	2393.00
20 A	3	L21-20	3	PBPEDU4A100COOL2120M()	2482.00	PBPEDU5A100COOL2120M()	2582.00	PBPEDU5B100COOL2120M()	2582.00
30 A	3	L21-30	3	PBPEDU4A100COOL2130M()	2497.00	PBPEDU5A100COOL2130M()	2597.00	PBPEDU5B100COOL2130M()	2597.00
15 A	1	L5-15	6	PBPEDU4A100FOOL515M()	2021.00	PBPEDU5A100FOOL515M()	2121.00	PBPEDU5B100FOOL515M()	2121.00
20 A	1	L5-20	6	PBPEDU4A100FOOL520M()	2031.00	PBPEDU5A100FOOL520M()	2131.00	PBPEDU5B100FOOL520M()	2131.00
30 A	1	L5-30	6	PBPEDU4A100FOOL530M()	2046.00	PBPEDU5A100FOOL530M()	2146.00	PBPEDU5B100FOOL530M()	2146.00
15 A	2	L6-15	6	PBPEDU4A100FOOL615M()	2328.00	PBPEDU5A100FOOL615M()	2428.00	PBPEDU5B100FOOL615M()	2428.00
20 A	2	L6-20	6	PBPEDU4A100FOOL620M()	2338.00	PBPEDU5A100FOOL620M()	2438.00	PBPEDU5B100FOOL620M()	2438.00
30 A	2	L6-30	6	PBPEDU4A100FOOL630M()	2353.00	PBPEDU5A100FOOL630M()	2453.00	PBPEDU5B100FOOL630M()	2453.00
20 A	3	L21-20	6	PBPEDU4A100FOOL2120M()	2542.00	PBPEDU5A100FOOL2120M()	2642.00	PBPEDU5B100FOOL2120M()	2642.00
30 A	3	L21-30	6	PBPEDU4A100FOOL2130M()	2557.00	PBPEDU5A100FOOL2130M()	2657.00	PBPEDU5B100FOOL2130M()	2657.00

Note: See Digest Section 9 for ED circuit breaker information. Catalog numbers shown have the breaker in the top slot in the front cover and the drop cord in the left position in the base of the unit. Other combinations are available. The Power Meter display will be located below the breaker specs.

For remote monitoring capabilities, an EGX gateway is required. The EGX is located in the tap box with metering or in a separate EGX plug-in unit listed below. The units with metering can be daisy-chained together back to the EGX gateway. A maximum of 30 units should be daisy-chained together to one EGX.

- ▲ Factory assembled units are available using combinations of 1P/2P/3P circuit breakers with other NEMA and IEC type receptacles. Maximum of three drop cords with three breaker spaces available. Consult your local Schneider Electric representative.

Table 12.50: EGX Plug-in Unit (480 V Max)

4A Configuration		5A Configuration		5B Configuration	
Catalog No.	\$ Price	Catalog No.	\$ Price	Catalog No.	\$ Price
PBPEGX4A100T	2687.00	PBPEGX5A100T	2787.00	PBPEGX5B100T	2787.00

Note: For remote monitoring capabilities, an EGX gateway is required. The EGX is located in the tap box with metering or in a separate EGX plug-in unit listed above. Units with metering can be daisy-chained together back to the EGX gateway. A maximum of 30 units should be daisy-chained together to one EGX.

Table 12.51: NEMA Receptacles and Connectors

Wiring	Voltage	NEMA Non-Locking			NEMA Locking		
		15 A	20 A	30 A	15 A	20 A	30 A
2-pole, 3-wire grounding	120	5-15	5-20	5-30	L5-15	L5-20	L5-30
2-pole, 3-wire grounding	240	6-15	6-20	6-30	L6-15	L6-20	L6-20
3-pole, 4-wire grounding	120/240	14-15	14-20	14-30	—	L14-20	L14-30
3-pole, 4-wire grounding	3Ø 240	15-15	15-20	15-30	—	L15-20	L15-30
4-pole, 5-wire grounding	3ØY 120/208	—	—	—	—	L21-20	L21-30

Note: Additional NEMA and IEC type receptacles and connectors are available.

Meter Suffix	System Voltage
1	208Y/120 V 3Ø4W
2	240 V 3Ø3W
4	415/240 V 3Ø4W
5	480Y/277 V 3Ø4W

Note: Replace () in above table with the appropriate meter suffix number. Connectors must be rated for appropriate voltages.

