

D

C

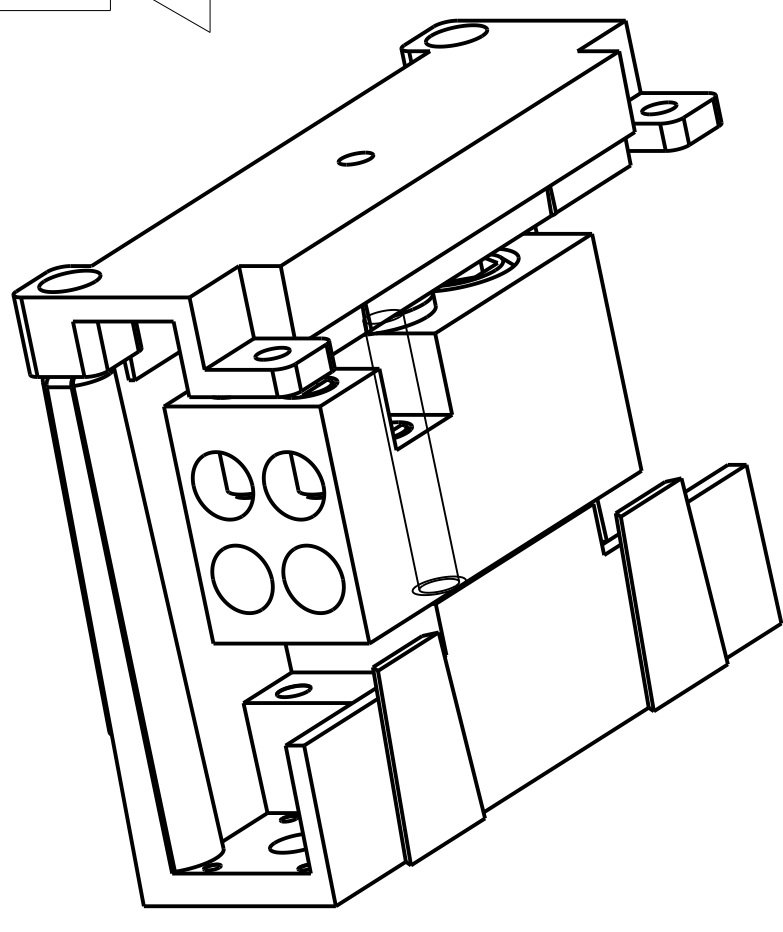
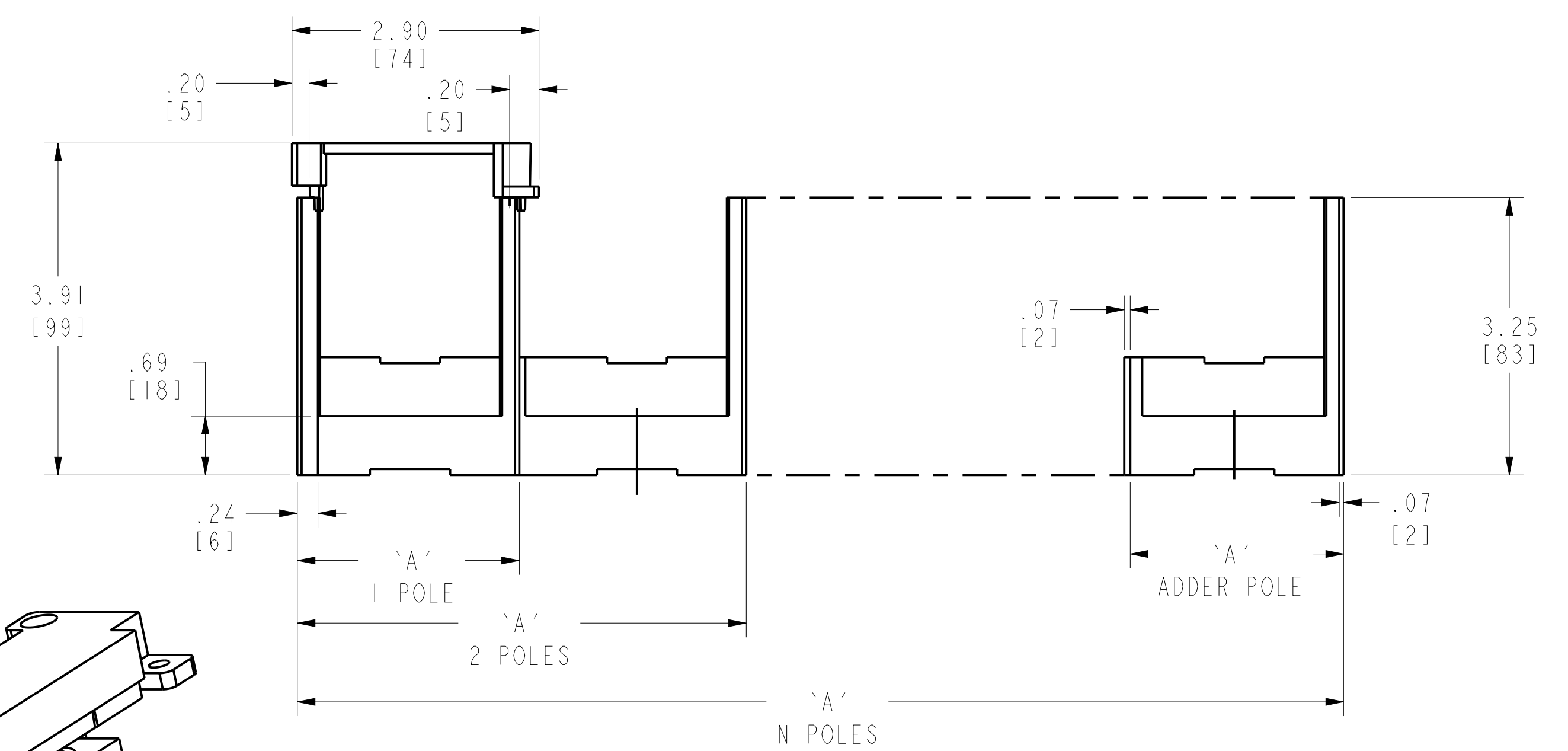
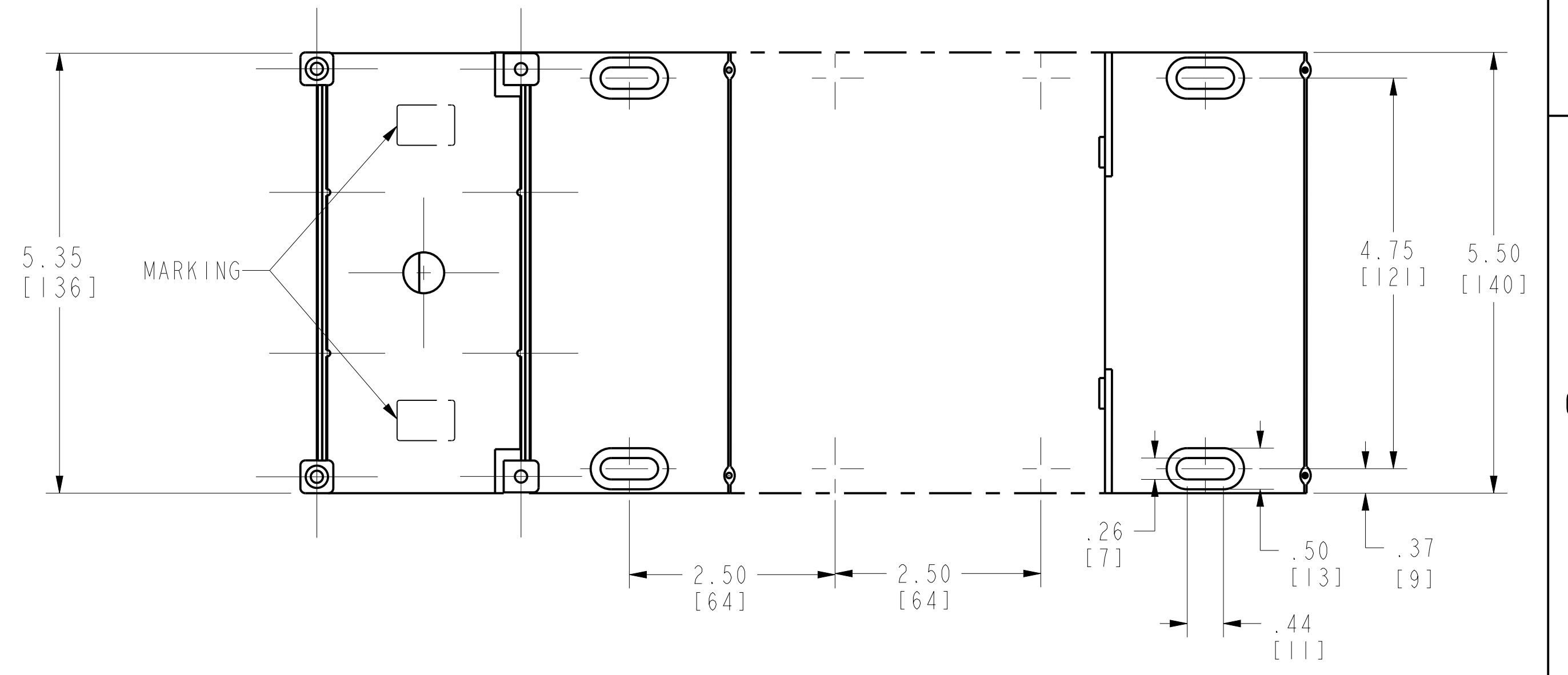
B

A

REV: PEC200

CATALOG NUMBER	NUMBER OF POLES	AMPS	WIRE RANGE		MAX. REQUIRED OVERCURRENT PROTECTION					
			LINE	LOAD	CLASS J (AJT, A4J, HSJ)	CLASS T (A3T/A6T)	RK1 (A2D/A6D) (A2K/A6K) HSRK	RK5 (TR/TRS)	CLASS G (AG)	CLASS CC (ATDR, ATQR, ATMR)
BDA11500	1 (adder)	380	(1) 500-#4	(1) 500-#4	400A	400A	400A	200A	60A	30A
BDA112350	1 (adder)	310	(1) 350-#6	(12) #4-#14	400A	400A	400A	200A	60A	30A
BDA16350	1 (adder)	310	(1) 350-#6	(6) 2/0-#14	400A	400A	400A	200A	60A	30A
BDA16500	1 (adder)	380	(1) 500-#4	(6) 2/0-#14	400A	400A	400A	200A	60A	30A
BDA212500	1 (adder)	760	(2) 500-#4	(12) #4-#14	600A	600A	600A	400A	60A	30A
BDA22350	1 (adder)	620	(2) 350-#6	(2) 350-#6	600A	600A	600A	200A	60A	30A
BDA22500	1 (adder)	760	(2) 500-#4	(2) 500-#4	600A	600A	600A	200A	60A	30A
BDA24500	1 (adder)	760	(2) 500-#4	(4) 4/0-#6	600A	600A	600A	400A	60A	30A
BDA26350	1 (adder)	620	(2) 350-#6	(6) 2/0-#14	600A	600A	400A	200A	60A	30A
BDA26500	1 (adder)	760	(2) 500-#4	(6) 2/0-#14	600A	600A	600A	400A	60A	30A
BDB115001	1	380	(1) 500-#4	(1) 500-#4	400A	400A	400A	200A	60A	30A
BDB115002	2	380	(1) 500-#4	(1) 500-#4	400A	400A	400A	200A	60A	30A
BDB115003	3	380	(1) 500-#4	(1) 500-#4	400A	400A	400A	200A	60A	30A
BDB1123501	1	310	(1) 350-#6	(12) #4-#14	400A	400A	400A	200A	60A	30A
BDB1123502	2	310	(1) 350-#6	(12) #4-#14	400A	400A	400A	200A	60A	30A
BDB1123503	3	310	(1) 350-#6	(12) #4-#14	400A	400A	400A	200A	60A	30A
BDB163501	1	310	(1) 350-#6	(6) 2/0-#14	400A	400A	400A	200A	60A	30A
BDB163502	2	310	(1) 350-#6	(6) 2/0-#14	400A	400A	400A	200A	60A	30A
BDB163503	3	310	(1) 350-#6	(6) 2/0-#14	400A	400A	400A	200A	60A	30A
BDB165001	1	380	(1) 500-#4	(6) 2/0-#14	400A	400A	400A	200A	60A	30A
BDB165002	2	380	(1) 500-#4	(4) 2/0-#14	400A	400A	400A	200A	60A	30A
BDB165003	3	380	(1) 500-#4	(6) 2/0-#14	400A	400A	400A	200A	60A	30A
BDB2125001	1	760	(2) 500-#4	(12) #4-#14	600A	600A	600A	400A	60A	30A
BDB2125002	2	760	(2) 500-#4	(12) #4-#14	600A	600A	600A	400A	60A	30A
BDB2125003	3	760	(2) 500-#4	(12) #4-#14	600A	600A	600A	400A	60A	30A
BDB223501	1	620	(2) 350-#6	(2) 350-#6	600A	600A	600A	200A	60A	30A
BDB223502	2	620	(2) 350-#6	(2) 350-#6	600A	600A	600A	200A	60A	30A
BDB223503	3	620	(2) 350-#6	(2) 350-#6	600A	600A	600A	200A	60A	30A
BDB225001	1	760	(2) 500-#4	(2) 500-#4	600A	600A	600A	200A	60A	30A
BDB225002	2	760	(2) 500-#4	(2) 500-#4	600A	600A	600A	200A	60A	30A
BDB225003	3	760	(2) 500-#4	(2) 500-#4	600A	600A	600A	200A	60A	30A
BDB226001	1	840	(2) 600-#2	(2) 600-#2	600A	600A	600A	400A	60A	30A
BDB245001	1	760	(2) 500-#4	(4) 4/0-#6	600A	600A	600A	400A	60A	30A
BDB245002	2	760	(2) 500-#4	(4) 4/0-#6	600A	600A	600A	400A	60A	30A
BDB245003	3	760	(2) 500-#4	(4) 4/0-#6	600A	600A	600A	400A	60A	30A
BDB263501	1	620	(2) 350-#6	(6) 2/0-#14	600A	600A	400A	200A	60A	30A
BDB263502	2	620	(2) 350-#6	(6) 2/0-#14	600A	600A	400A	200A	60A	30A
BDB263503	3	620	(2) 350-#6	(6) 2/0-#14	600A	600A	400A	200A	60A	30A
BDB265001	1	760	(2) 500-#4	(6) 2/0-#14	600A	600A	600A	400A	60A	30A
BDB265002	2	760	(2) 500-#4	(6) 2/0-#14	600A	600A	600A	400A	60A	30A
BDB265003	3	760	(2) 500-#4	(6) 2/0-#14	600A	600A	600A	400A	60A	30A
BDB4305001	1	-	-	-	-	-	-	-	-	-

NO. OF POLES	DIMENSIONS 'A' INCHES
Adder	2.50
1	2.81
2	5.31
3	7.81
N	(2.50 X N) + .31



- NOTES:
- 1 EXAMPLE FOR 10 POLES:
A = (2.50 X 10) + .31 = 25.31
 - 2 MATERIAL: POLYCARBONATE
 - 3 DIMENSIONS IN BRACKETS [] ARE IN MILLIMETERS ROUNDED OFF TO THE NEAREST MILLIMETER, UNLESS OTHERWISE NOTED, AND ARE FOR REFERENCE ONLY.
 - 4 CONNECTOR BODY: ALUMINUM ALLOY, TIN PLATED.
 - 5 INSULATOR: BLACK THERMOPLASTIC WITH 125°C RTI (RELATIVE TEMPERATURE INDEX).
 - 6 SAFETY COVER: POLYCARBONATE, 1 COVER PER POLE. ORDERED SEPARATELY AS CATALOG NO. BDB-COVER.
 - 7 RECOMMENDED MOUNTING SCREWS: 1/4" (.25Ø)
- 8 100KA SHORT CIRCUIT CURRENT RATING (SCCR) WITH PROPER FUSING.
9. SCCR PER UL1059.
- 10 UL 508A 10KA MIN. RATING.

TO ORDER BURNDY® PRODUCTS CALL
 UNITED STATES
 1-800-346-4175 (LONDONDERRY, NH)
 CANADA:
 1-800-361-6975 (QUEBEC)
 1-800-387-6487 (ALL OTHER PROVINCES)
 FOR PRODUCT INFO: <http://www.burndy.com>

VERS1 POLE™ BDB COVER

ITEM NO:	SEE TABLE
CAT. NO:	SEE TABLE
DRAWN BY:	LS 06/12/2008
CHECKER:	J MICHAUD 10/4/2008
DSN APPVL:	J MICHAUD 10/17/2008
MFG APPVL:	--
QA APPVL:	J BRODEUR 10/22/2008
MKT APPVL:	J SYLVIA 10/17/2008
PROD FAM:	--
PROJECT #:	--
DOCUMENT TYPE:	Sales
REL LEVEL:	Released

SCALE: 1:1

DRAWING NO. SC210971-01

SHEET 1 OF 1

REV C

D

C

B

A

8

7

6

5

4

3

2

1