

Load Break Disconnect Switches FSLBS

UL 508 Non-Fused Load Break Switches

The FSLBS Load Break Switch is a newly designed industrial-grade switch capable of making or breaking loads up to 600V. It is suitable as a motor disconnect. Extremely compact and robust, these switches have a variety of mounting options including DIN-rail, base, or door-mounting. A wide assortment of handles, shafts and accessories are available to accommodate any installation requirement. Both the toggle and rotary styles have a built-in pad-lockable hasp and the integrated box terminals are finger-safe to IP-20. Utilizing a patented, innovative design, the FSLBS can be actuated from the front or either side.

Highlights:

- **Terminals rated for 2 wires!**
- Front or side operation
- Padlockable
- Compact
- Robust
- DIN-rail, base, or door- mounting
- Choice of handles and shafts
- Side-mount auxiliary contacts and additional poles
- Double-break, silver-plated contacts

Applications:

- On/Off switching and disconnect applications in circuits up to 600V, 80A on the load side of branch circuit protection fusing.
- Motor controller, suitable as motor disconnect
- Motor isolator
- General purpose



Ratings:

- Volts** : 600VAC
Amps : 16, 25, 40, 63, and 80A

Suitable as motor disconnect up to 40hp

Approvals:

- UL 508 listed E196672
- CSA 22.2 #14
- IEC 60947-3



Load Break Disconnect Switches FSLBS

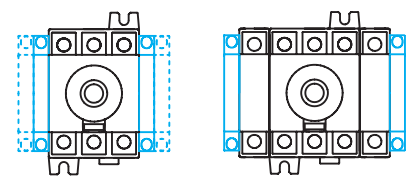
Catalog Numbers - FSLBS

		Ampere Rating		16A	25A	40A	63A	80A	
Select a Switch	Toggle			FSLBST16	FSLBST25	FSLBST40	FSLBST63	FSLBST80	
	Rotary			FSLBS16	FSLBS25	FSLBS40	FSLBS63	FSLBS80	
Select a Handle & Shaft	Direct Operation Handle		No Shaft Required		FSHD	FSHD	FSHD	FSHD	FSHD
			Select a Handle	NEMA 1, 3R, 12	Black	FSH00BR**	FSH00BR**	FSH00BR**	FSH0BR**
		NEMA 1, 3R, 12, 4, 4X	Black	FSH00BR4**	FSH00BR4**	FSH00BR4**	FSH0BR4**	FSH0BR4**	
		NEMA 1, 3R, 12	Red	FSH00RR**	FSH00RR**	FSH00RR**	FSH0RR**	FSH0RR**	
		NEMA 1, 3R, 12, 4, 4X	Red	FSH00RR4**	FSH00RR4**	FSH00RR4**	FSH0RR4**	FSH0RR4**	
	Thru-door	Select a Shaft	150mm/5.9"		FS150	FS150	FS150	FS150	FS150
			200mm/7.9"		FS200	FS200	FS200	FS200	FS200
			320mm/12.6"		FS320	FS320	FS320	FS320	FS320
	Select Accessories	Auxiliary Contacts	NO/NC		FSACNONC	FSACNONC	FSACNONC	FSACNONC	FSACNONC
			NO/NO		FSACNONO	FSACNONO	FSACNONO	FSACNONO	FSACNONO
4th Pole*				FS4P16	FS4P25	FS4P40	FS4P63	FS4P80	
Neutral Pole* (not switched)				FSNP40	FSNP40	FSNP40	FSNP80	FSNP80	
Ground Pole* (not switched)				FSGP40	FSGP40	FSGP40	FSGP80	FSGP80	
Terminal Shrouds				FSTS40	FSTS40	FSTS40	FSTS80	FSTS80	
Door Mounting Kit				FSDMK	FSDMK	FSDMK	FSDMK	FSDMK	

*Consult factory for availability
 **Either FSH00xxx or FSH0xxx can be used.

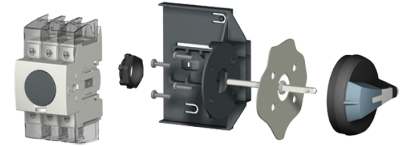
Pre-Break Auxiliary Contacts

Mount directly to the side of the switch. The top contact is pre-break, the bottom contact makes with the switch. Up to four devices can be added, in any combination (maximum of two additional poles).



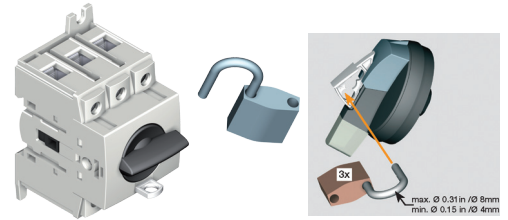
Door Mounting Kit

Allows mounting of the switch to a door or side panel. Utilizing the switch's side actuation provides access to the terminal screws, enabling the wiring to be completed after installation.



Padlocking Capabilities

Switch: With the switch in the 'Off' position, a hasp can be deployed that will lock the switch in this position.
Handle: The white lever in the center of the handle can be rotated out to reveal openings for up to 3 padlocks.



Load Break Disconnect Switches FSLBS

UL and CSA Characteristics - FSLBS

Technical Characteristics	16A	25A	40A	63A	80A
Short circuit current rating at 600 VAC	10kA/65kA	10kA/65kA	10kA/65kA	65kA/50kA	65kA/50kA
Fuse type	J/J	J/J	J/J	J	J
Maximum fuse rating (A)	60/30	60/30	60/30	60/100	60/100
Maximum Horsepower Rating / Max. motor FLA 3 φ					
208 VAC	3 / 11A	7.5 / 24A	7.5 / 24A	15 / 46A	15 / 46A
220 - 240 VAC	5 / 15A	7.5 / 22A	7.5 / 22A	20 / 54A	20 / 54A
440 - 480 VAC	10 / 14A	15 / 17A	20 / 27A	40 / 52A	40 / 52A
600 VAC	10 / 11A	20 / 22A	25 / 27A	40 / 41A	40 / 41A
Connection					
Solid (AWG)	#14 - #10	#14 - #10	#14 - #10	#14 - #10	#14 - #10
	2x #12	2x #12	2x #12	2x #12	2x #12
Stranded (AWG)	#14 - #4	#14 - #4	#14 - #4	#14 - #1	#14 - #1
	2x (#14 - #12)	2x (#14 - #12)	2x (#14 - #12)	2x (#10 - #6)	2x (#10 - #6)
Torque	26.5 lb-in/3 Nm	26.5 lb-in/3 Nm	26.5 lb-in/3 Nm	31.1 lb-in/3.5 Nm	31.1 lb-in/3.5 Nm
Auxiliary Contacts					
Electrical characteristics	A300	A300	A300	A300	A300

FSLBS Dimensions (Inch/mm)

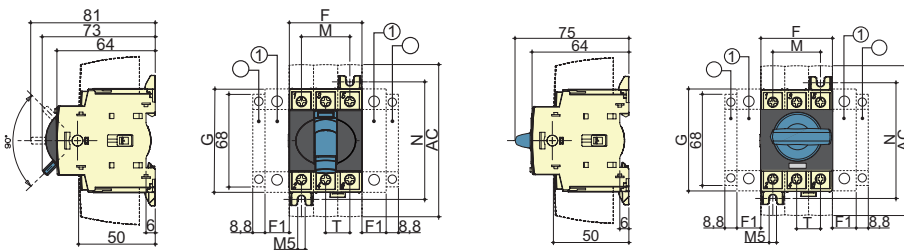
Rating	AC	F	F1	G	J	M	N	T
16, 25, 40A	4.33 / 110	1.77 / 45	0.59 / 15	2.68 / 68	0.59 / 15	1.18 / 30	2.95 / 75	0.59 / 15
63, 80A	4.33 / 110	2.07 / 52.5	0.69 / 17.5	3.00 / 76	0.69 / 17.5	1.38 / 35	3.35 / 85	0.69 / 17.5

1. Additional Pole - maximum of two, one each side
2. Auxiliary Contact - maximum of four, two each side

- E. Minimum is 1.18"/30mm, maximum is 14.6"/372mm
 D. Minimum is 1.18"/30mm, maximum is 9.25"/235mm

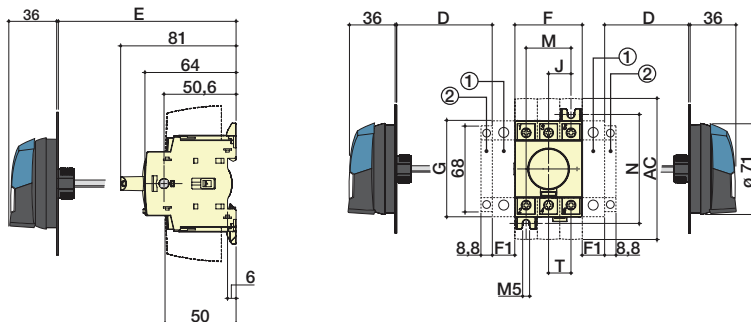
16A to 40A Direct operation "Toggle"

63A and 80A Direct operation "Rotary"



External front operation

External side operation



Non-Fused Load Break Switches FSSC, SX, SXDC, SC

UL 98 Non-Fused Load Break Switches

Mersen disconnect switches are extremely durable, manually operated, non-fused disconnect switches. These heavy-duty switches are designed with the most up-to-date disconnect switch technology available. Designed to suit the UL98 or UL489 standard, the switch gives you a product that “makes and breaks” power circuits on load. The switches are tested and approved for use in demanding applications, such as “Service Entrance”. Up to 400A, the switches are available with visible blade contacts. A wide array of handles are available to meet OSHA padlocking requirements, NEMA configurations, defeater options and NFPA 79 requirements.

Features/Benefits

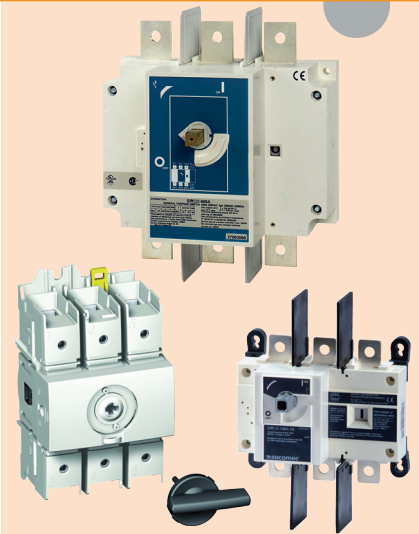
- UL 98 Service entrance rated
- Front or side operated switches
- Padlockable
- Compact
- Robust
- DIN-rail, panel or door mounting
- Lockable, defeatable external handles
- Side-mounted auxiliary contacts and additional poles available
- The SXDC switches are rated 600VDC UL and 1000VDC IEC

Highlights:

- Visible blade contacts up to 400 A
- Line side shrouding supplied with switch
- Defeatable pistol handles automatically re-latch when panel door is closed - no tool necessary to reset latch
- External or direct operation handles
- Flange operation (for use with side operated switches)
- Double-break, silver-plated contacts
- SX series has flexible terminal shields that allow for tighter wire bending

Applications:

- Service entrance or main panel disconnects up to 600VAC, 1200A
- “Make and break” power circuit applications on load
- NFPA 79 solutions
- Photovoltaic



Ratings:

- Volts** : 600VAC / DC
 : UL and 1000VDC IEC
- Amps** : 30A, 60A, 100A, 200A,
 400A, 600A, 800A,
 1000A and 1200A
- SCCR** : Up to 200kA with fuses
 Suitable as motor disconnect up to 200hp

Approvals:




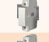






- All switches meet the requirements of UL and CSA
- UL listed guide WHTY, File E191605 for UL 98 (ratings from 30 A to 1200 A)
- CSA 22.2 # 4, class 4652-04, File 703166 (ratings from 30 A to 1200 A)
- IEC 947-3 CE mark (other IEC ratings up to 5,000A available on request, please consult us)



Non-Fused Load Break Switches FSSC

Catalog Numbers (amps) - FSSC

Compact, UL98

Select a Switch		Ampere Rating			30	60	100
		FSSC Non-fused Load Break Switch			FSSC30	FSSC60	FSSC100
Select a Handle & Shaft	Direct Operation Handle	No Shaft Required	Handle for Direct Front Operation				
		Select a Handle	Black	FSHD3	FSHD3	FSHD3	
		Handle for External Front and Side Operation					
		NEMA Type	IEC	Color			
		1, 3R, 12	IP54	Black	FSH0BR	FSH0BR	FSH0BR
		1, 3R, 12, 4X	IP65	Red/Yellow	FSH0RR	FSH0RR	FSH0RR
	Thru-door		Select a Shaft	150mm/5.9"	FS150	FS150	FS150
			200mm/7.9"	FS200	FS200	FS200	
			320mm/12.6"	FS320	FS320	FS320	
			Accessories				
Select Accessories	Fourth Pole*			FSSC4P30	FSSC4P60	FSSC4P100	
	Neutral Pole (Unswitched)*			FSSCNP	FSSCNP	FSSCNP	
	Ground Pole (Unswitched)*			FSSCGP	FSSCGP	FSSCGP	
	3-pole Terminal Shroud (line and load sides)			FSSCTS	FSSCTS	FSSCTS	
	1-pole Terminal Shroud (line and load sides)			FSSCTS1	FSSCTS1	FSSCTS1	
	Auxiliary Contacts, NO and NC			FSACNONC	FSACNONC	FSACNONC	
	Auxiliary Contacts, both NO			FSACNONO	FSACNONO	FSACNONO	

*Consult factory for availability.

UL and CSA Characteristics

Technical characteristics	30A	60A	100A
Short circuit rating at 480 VAC	100kA	100kA	100kA
Short circuit rating at 600 VAC	100kA	100kA	25kA
Fuse type	J	J	J
Max. fuse rating (A)	30	60	100
Max. horsepower rating / Max. motor FLA 3 ph			
220-240 VAC	10 / 28	20 / 54	20 / 54
440-480 VAC	20 / 27	40 / 52	50 / 65
600 VAC	25 / 27	50 / 52	50 / 52
Max. horsepower rating / Max. motor FLA single phase			
120 VAC	5 / 56	5 / 56	5 / 56
240 VAC	10 / 50	10 / 50	10 / 50
480 VAC	25 / 55	25 / 55	25 / 55
Connection			
Solid	1 wire	#12 - #10	#12 - #10
Stranded	1 wire	#12 - 2/0	#12 - 2/0
Auxiliary Contacts			
Electrical characteristic	A300	A300	A300

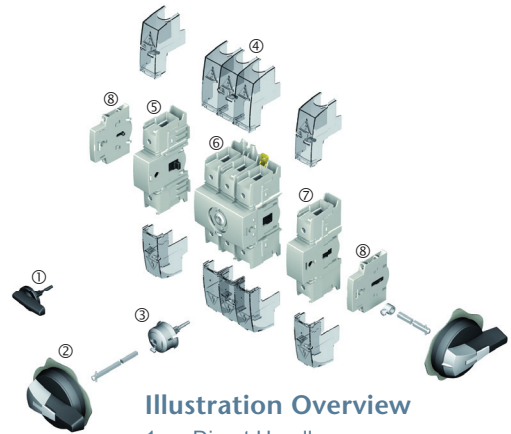


Illustration Overview

1. Direct Handle
2. Door-interlocked External Handle
3. Shaft for External Operation (includes collar)
4. Terminal Shrouds
5. Switched 4th Pole
6. Switch body
7. Unswitched Neutral or Ground Pole
8. NO/NC Auxiliary Contacts

Non-Fused Load Break Switches SX

Front Operated Range 100A to 400A - SX

High HP Rating!

Select a switch



Select a switch

Ampere Rating	Catalog Numbers		
	100	200	400
3-Pole	SX1003	SX2003	SX4003
4-Pole	SX1004	SX2004	SX4004

S type pistol handle for external front and side operation



Select a handle

NEMA Type	IEC	Color	Catalog Numbers		
1, 3R, 12	IP54	Black	HSPBL	HSPBL	HSPBL
1, 3R, 12	IP54	Red / Yellow	HSPRL	HSPRL	HSPRL
1, 3R, 12, 4, 4X	IP65	Black	HSPB4L	HSPB4L	HSPB4L
1, 3R, 12, 4, 4X	IP65	Red / Yellow	HSPR4L	HSPR4L	HSPR4L



Select a shaft

Shaft Length (in/mm)	Catalog Numbers		
7.9 / 200	SS200-10	SS200-10	SS200-10
12.6 / 320	SS320-10	SS320-10	SS320-10
15.7 / 400	SS400-10	SS400-10	SS400-10
19.7 / 500	SS500-10*	SS500-10*	SS500-10*

*Not UL

Pistol handle for direct front operation



	Color	Catalog Numbers		
Direct Handle for SX	Black	SXHD	SXHD	SXHD

Options for front & side operation



	Catalog Numbers		
Terminal lugs for 3-pole (set of 6)	TL200X6	TL200X6	TL400X6
Terminal lugs for 4-pole (set of 8)	TL200X8	TL200X8	TL400X8
1 Auxiliary Contact NO+NC	SXAUX	SXAUX	SXAUX
2 Auxiliary Contact NO+NC	SXAUX2	SXAUX2	SXAUX2
Top Terminal Screen 3-pole	SXTS2T3	SXTS2T3	SXTS4T3
Bottom Terminal Screen 3-pole	SXTS2B3	SXTS2B3	SXTS4B3
Top OR Bottom Terminal Screen 4-pole	SXTS2TB4	SXTS2TB4	SXTS4TB4

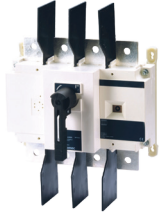
Please contact factory for visible blades and/or flange operation.

Note: Do not mount in a vertical position with window on top. Any other orientation is okay.

Non-Fused Load Break Switches SXDC

Front Operated Range 100A to 400A - SXDC **UL listed 600VDC load-break!**

Select a switch



Select a switch

Ampere Rating	Catalog Numbers		
	100	200	400
3-Pole	SXDC1003	SXDC2003	SXDC4003
4-Pole	SXDC1004	SXDC2004	SXDC4004

S type pistol handle for external front and side operation



Select a handle

NEMA Type	IEC	Color	Catalog Numbers		
1, 3R, 12	IP54	Black	HSPBL	HSPBL	HSPBL
1, 3R, 12	IP54	Red / Yellow	HSPRL	HSPRL	HSPRL
1, 3R, 12, 4, 4X	IP65	Black	HSPB4L	HSPB4L	HSPB4L
1, 3R, 12, 4, 4X	IP65	Red / Yellow	HSPR4L	HSPR4L	HSPR4L



Select a shaft

Shaft Length (in/mm)	Catalog Numbers		
7.9 / 200	SS200-10	SS200-10	SS200-10
12.6 / 320	SS320-10	SS320-10	SS320-10
15.7 / 400	SS400-10	SS400-10	SS400-10
19.7 / 500	SS500-10*	SS500-10*	SS500-10*

*Not UL

Pistol handle for direct front operation



	Color	Catalog Numbers		
Direct Handle for SX	Black	SXHD	SXHD	SXHD

Options for front & side operation



	Catalog Numbers		
Terminal lugs (set of 2)	TL200X2	TL200X2	TL400X2
Jumper bars (set of 2, for 3-pole)	SX2J	SX2J	SX4J*
Jumper bars (set of 3, for 4-pole)	SX2J4	SX2J4	SX4J4*
1 Auxiliary Contact NO+NC	SXAUX	SXAUX	SXAUX
2 Auxiliary Contact NO+NC	SXAUX2	SXAUX2	SXAUX2
Top Terminal Screen 3-pole	SXTS2T3	SXTS2T3	SXTS4T3
Bottom Terminal Screen 3-pole	SXTS2B3	SXTS2B3	SXTS4B3
Top & Bottom Terminal Screen 4-pole	SXTS2TB4	SXTS2TB4	SXTS4TB4

*If the application requires a heavy loading of the switch, doubling of the jumper bars may be necessary.

Note: Do not mount in a vertical position with window on top. Any other orientation is okay.

Non-Fused Load Break Switches sc

Front Operated Range from 600 to 1200A - SC



Select a switch

Ampere Rating	Catalog Numbers			
	600	800	1000	1200
3-pole	SC600	SC800	SC1000	SC1200
4-pole	SC6004	SC8004	SC10004	SC12004

S type pistol handle for front external operation



Select a handle

Recommended for easier switching

NEMA Type	IEC	Color	Catalog Numbers			
1, 3R, 12, 4, 4X	IP65	Black	HSTB4	HSTB4	HSTB4	HSTB4
1, 3R, 12, 4, 4X	IP65	Red / Yellow	HSTR4	HSTR4	HSTR4	HSTR4

Note: Handle is defeatable and is padlockable in the "OFF" position



Select a handle

Recommended for tighter spacing

NEMA Type	IEC	Color	Catalog Numbers			
1, 3R, 12	IP54	Black	HSPBEL	HSPBEL	HSPBEL	HSPBEL
1, 3R, 12	IP54	Red / Yellow	HSPREL	HSPREL	HSPREL	HSPREL
1, 3R, 12, 4, 4X	IP65	Black	HSPB4EL	HSPB4EL	HSPB4EL	HSPB4EL
1, 3R, 12, 4, 4X	IP65	Red / Yellow	HSPR4EL	HSPR4EL	HSPR4EL	HSPR4EL

Note: Handle is defeatable and is padlockable in the "OFF" position



Select a shaft

Shaft Length (in/mm)	Catalog Numbers			
7.9 / 200	SS200-15	SS200-15	SS200-15	SS200-15
12.6 / 320	SS320-15	SS320-15	SS320-15	SS320-15
15.7 / 400	SS400-15	SS400-15	SS400-15	SS400-15

Note: The small shaft protruding from the switch is 15mm x 15mm. The shaft for the handle is 12 x 12mm. A coupler is included and adapts from 12mm to 15mm.

Pistol handle for direct front operation



Select a handle

Color	Catalog Numbers			
Black	HADB5	HADB5	HADB5	HADB5

Note: Handle is defeatable and is padlockable in the "OFF" position

Options for front & side operation



Select a handle



Terminal Lugs Kit	Catalog Numbers			
Six lugs per kit - for 3-pole switches	TL600	TL800 ⁽⁴⁾	TL1200	TL1200
Eight lugs per kit - for 4-pole switches	TL6004	TL8004 ⁽⁴⁾	TL12004	TL12004
Terminal Screen ⁽¹⁾				
3-pole (for line or load side)	TS600SC	TS1200SC	TS1200SC	TS1200SC
4-pole (for line or load side)	TS6004SC	TS12004S	TS12004SC	TS12004SC
Auxiliary Contacts				
Auxiliary Contacts Holder ⁽²⁾	ACHSC	ACHSC	ACHSC	ACHSC
1 N / O, 10A, 600VAC snap-on contact block, A600-Q600, pre-break, late make	AC3	AC3	AC3	AC3
1 N / C, 10A, 600VAC snap-on contact block, A600-Q600, pre-break, late make	AC4	AC4	AC4	AC4
Padlocking facility for external operation ⁽³⁾	SWL01	SWL01	SWL01	SWL01

(1) Line side Terminal Screen supplied as standard with switch.

(2) ACHSC accommodates up to 4 auxiliary contacts.

(3) Allows to padlock the switch when door of the enclosure is open.

(4) TL1200 or TL12004 also fit if 4 holes are required.

Non-Fused Load Break Switches SX

Technical Characteristics for Front and Side Operation - SX

Catalog Numbers - UL, cUL and CSA

Catalog Numbers	SX1002 / SX1003 / SX1004	SX2002 / SX2003 / SX2004	SX4002 / SX4003 / SX4004
Ampere Rating	100	200	400
Operating voltage	600	600	600
Max Horsepower Rating / Max Motor FLA Current Three-Phase			
208 V	25 / 78.5	50 / 150	100 / 286
240 V	30 / 80	79 / 192	125 / 312
480 V	75 / 96	150 / 180	250 / 302
600 V	100 / 99	200 / 192	350 / 336
DC 125 V	10 / 76 ⁽¹⁾	15 / 55 ⁽¹⁾	20 / 148 ⁽¹⁾
DC 250 V	15 / 55 ⁽²⁾	15 / 55 ⁽²⁾	50 / 173 ⁽²⁾
Short circuit rating with fuses (SCCR) kA	200	200	200
Branch circuit fuse type	J	J	J
Max fuse rating (A)	100	200	400
Dimension 3-Pole (front operated switches)			
H (in)	6.3	6.3	10.2
W (in)	7.1	7.1	9.05
D (in)	3.72	3.72	4.92
Shaft Size Square (front operated switches)			
in	0.4 x 0.4	0.4 x 0.4	0.4 x 0.4
mm	10 x 10	10 x 10	10 x 10
3-pole switch operating torque (front operation) (lb in)	88	88	130
Terminal lugs kit (# lugs per kit)	Optional (6)	Optional (6)	Optional (6)
Wire range AWG (# wire holes per lug)	300 kcmil-#6 (1)	300 kcmil-#6 (1)	250 kcmil-1/0 (2)
Wire tightening torque (lb in)	275 max	275 max	375 max

(1) 2-pole in series. (2) 3-pole in series.

Catalog Numbers - IEC 947-3

Catalog Numbers		SX1002 / SX1003 / SX1004	SX2002 / SX2003 / SX2004	SX4002 / SX4003 / SX4004
Ampere Rating	A	100	200	400
Rated Insulation voltage Ui (V)	V	1000	1000	1000
Rated impulse voltage (Uimp)	kV	12	12	12
Operation Current Ie (A)				
400 V AC	AC-22A	100	200	400
	AC-23A	100	200	400
690 V AC	AC-22A	100	200	400
	AC-23A	100	200	315
Motor Power (kW)				
400 V AC	AC-23A	51	100	220
500 V AC	AC-23A	63	140	220
690	AC-23A	90	185	295
Max. peak let through current (gG)	kA peak	17.6	32	40
Connection				
Minimum Cu cable section	mm ²	25	50	185
Minimum Cu busbar section	mm ²	-	-	-

Non-Fused Load Break Switches SXDC

Technical Characteristics - SXDC

Catalog Numbers - UL, cUL and CSA

UL, cUL, and CSA	Catalog Numbers		
	SXDC1002, SXDC1003, SXDC1004	SXDC2002, SXDC2003, SXDC2004	SXDC4002, SXDC4003, SXDC4004
Ampere Rating	100	200	400
Operating Voltage - 3P in series	600V DC	600V DC	600V DC
Prospective short-circuit current (rms) with fuses	20kA	20kA	20kA
Type of Fuse	A70P100	A70P200	LDC
Fuse Rating	100	200	400
Dimensions 3-pole			
Height (without shrouds) (in)	6.3	6.3	10.2
Width (in)	7.1	7.1	9.05
Depth (in)	3.7	3.7	4.9
Shaft size (mm)	10 x 10	10 x 10	10 x 10
3-pole switch operating torque (front operation) (lb in)	88	88	130
Terminal lugs kit (# lugs per kit)	Optional (6)	Optional (6)	Optional (6)
Wire range AWG (# wire holes per lug)	300 kcmil-#6 (1)	300 kcmil-#6 (1)	250 kcmil-1/0 (2)
Wire tightening torque (lb in)	275 max	275 max	375 max
Auxiliary Contacts	A300	A300	A300

Catalog Numbers - IEC 60947-3, DC-22B

IEC 60947-3, DC-22B	Catalog Numbers		
	SXDC1002, SXDC1003, SXDC1004	SXDC2002, SXDC2003, SXDC2004	SXDC4002, SXDC4003, SXDC4004
Ampere Rating	160	250	400
Operating Voltage - 3P in series	750V DC	750V DC	750V DC
Operating Voltage - 4P in series	1,000V DC	1,000V DC	1,000V DC

Non-Fused Load Break Switches sc

Technical Characteristics for Front and Side Operation - SC

Catalog Numbers - UL, cUL and CSA

Catalog Numbers	SC600 / SC6004	SC800 / SC8004	SC1000 / SC10004	SC1200 / SC12004
Ampere Rating (A)	600	800	1000	1200
Operating voltage (V)	600	600	600	600
Max Horsepower Rating / Max Motor FLA Current Three-Phase				
208 V	150 / 415	200 / 554	200 / 554	200 / 554
240 V	200 / 480	200 / 602	200 / 602	200 / 602
480 V	400 / 447	500 / 590	500 / 590	500 / 590
600 V	350 / 336	500 / 472	500 / 472	500 / 472
DC 125 V	20 / 148 ⁽¹⁾	-	-	-
DC 250 V	50 / 173 ⁽²⁾	-	-	-
Short circuit rating with fuses (SCCR) (kA)	200	100	100	100
Branch circuit fuse type	J	J	J	J
Max fuse rating (A)	600	800	1000	1200
Dimension 3-Pole (front operated switches)				
H (in)	12.60	13	13	13
W (in)	11.02	14.64	14.64	14.64
D (in)	5.51	5.51	5.51	5.51
Shaft Size Square (front operated switches)				
in.	0.59 x 0.59	0.59 x 0.59	0.59 x 0.59	0.59 x 0.59
mm	15 x 15	15 x 15	15 x 15	15 x 15
3-pole switch operating torque (front operation) (lb in)	320	320	320	320
Terminal lugs kit (# lugs per kit)	optional (6)	optional (6)	optional (12)	optional (12)
Wire range AWG (# wire holes per lug)	600 kcmil-#2 (2)	600 kcmil-#2 (3)	600 kcmil-#2 (4)	600 kcmil-#2 (4)
Wire tightening torque (lb in)	375	375	375	375

(1) 2-pole in series. (2) 3-pole in series.

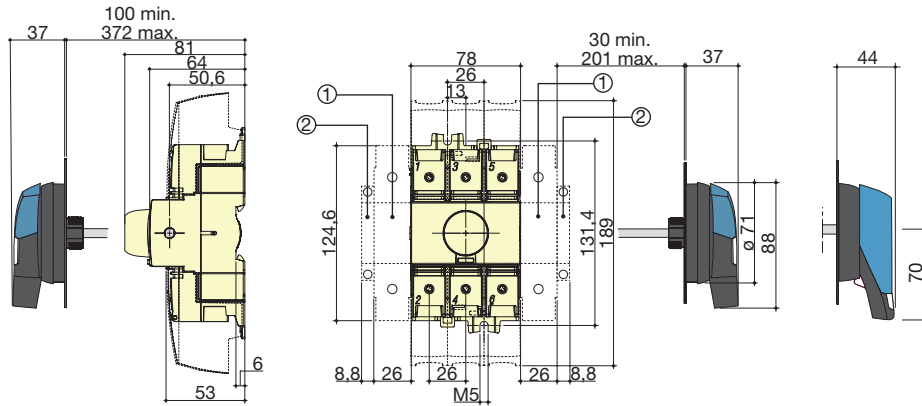
Catalog Numbers - IEC 947-3

Catalog Numbers		SC600 / SC6004	SC800 / SC8004	SC1000 / SC10004	SC1200 / SC12004
Ampere Rating	A	600	800	1000	1200
Rated Insulation voltage Ui	V	1000	1000	1000	1000
Rated impulse voltage (Uimp)	kV	12	12	12	12
Operation current Ie (A)					
400 V AC	AC-22A	630	800	1000	1200
	AC-23A	630	800	1000	1000
690 V AC	AC-22A	500	630	630	630
	AC-23A	200	400	400	400
Motor Power (kW)					
400 V AC	AC-23A	355	450	560	560
500 V AC	AC-23A	450	560	560	560
690 V AC	AC-23A	185	400	400	400
Max. peak let through current (gG)	kA peak	48	75	75	75
Connection					
Minimum Cu cable section	mm ²	2 x 150	2 x 185	2 x 240	-
Minimum CU busbar section	mm ²	2 x 30 x 5	2 x 40 x 5	2 x 50 x 5	2 x 60 x 5

Non-Fused Load Break Switches FSSC, SX, SXDC

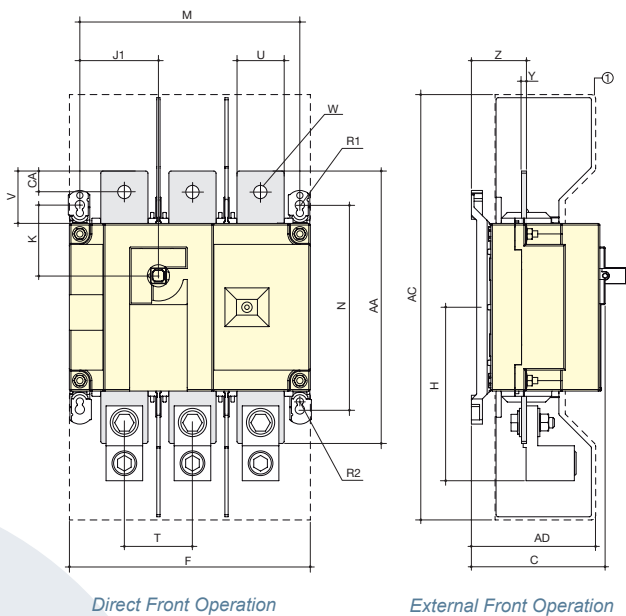
Dimensions (in/mm) for Front and Side Operation

FSSC 30 to 100A



SX and SXDC 100 to 400A

Ampere Rating (A)	Overall dimen.	Terminal shrouds		Switch body						Switch mounting				Connection terminal								
	C	AC	AD	F 3p.	F 4p.	H	J1 3p.	J1 4p.	K	M 3p.	M 4p.	N	R1	R2	T	U	V	W	Y	Z	AA	CA
100 - 200	3.72 in	10.1	3.05	7.09	9.06	4.22	2.17	4.13	1.8	6.3	8.27	5.31	0.35	0.27	1.97	0.98	1.18	0.43	0.14	1.35	6.3	0.6
100 - 200	94.6 mm	256	77.5	180	230	107	55	105	45.6	160	210	135	9	7	50	25	30	11	3.5	34.4	160	15
400	4.92 in	16	4.51	9.05	11.4	6.53	2.95	5.31	2.65	8.26	10.6	7.6	0.35	0.27	2.56	1.77	1.97	0.43	0.2	2.08	10.2	0.8
400	128 mm	406	115	230	290	166	75	135	67.5	210	270	195	9	7	65	45	50	13	5	53	260	20

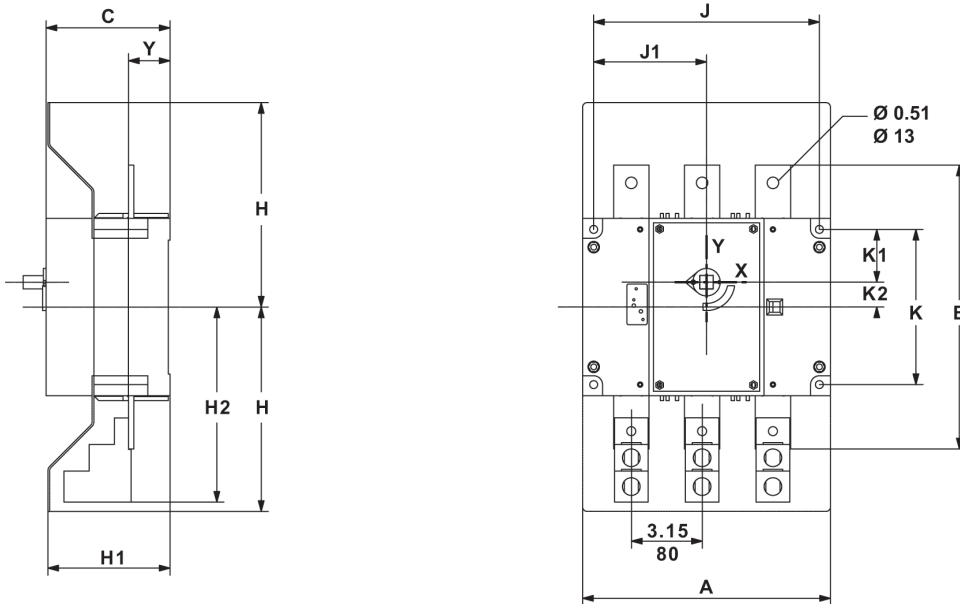


Non-Fused Load Break Switches sc

Dimensions (in/mm) for Front Operation - SC

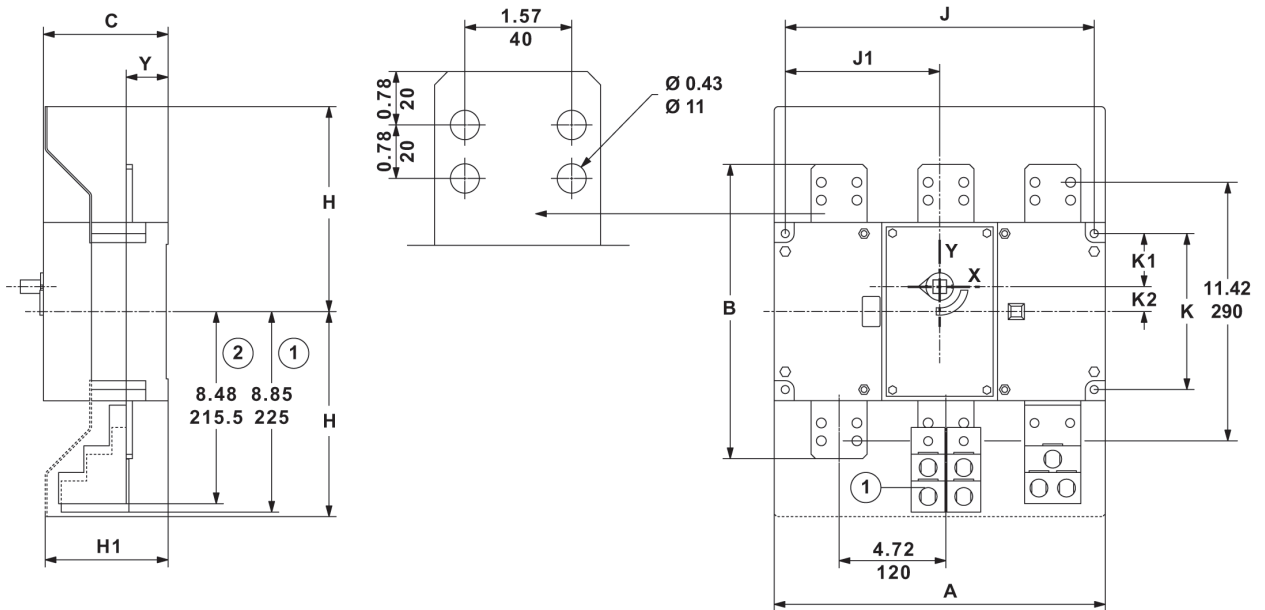
600 A

SC600
 SC6004



800-1000-1200 A

SC800
 SC8004
 SC1000
 SC10004
 SC1200
 SC12004



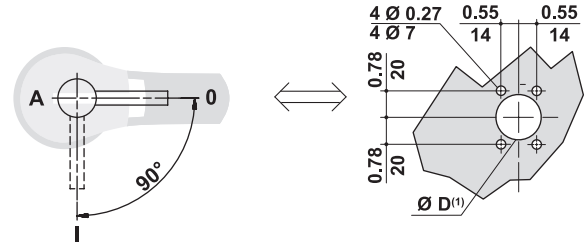
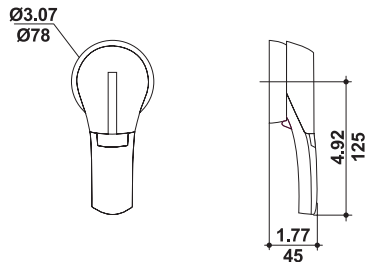
Ampere Rating	No. of Poles	A		B		C		H		H1		H2		J		J1		K		K1		K2		Y	
		In	mm	In	mm	In	mm	In	mm	In	mm	In	mm	In	mm	In	mm	In	mm	In	mm	In	mm	In	mm
400 A	3 P	11.02	280	12.60	320	5.51	140	9.05	230	5.43	138	8.66	220	10.04	255	5	127.5	6.88	175	2.34	59.5	1.10	28	1.85	47
600 A	4 P	14.17	360	12.60	320	5.51	140	9.05	230	5.43	138	8.66	220	13.19	335	6.59	167.5	6.88	175	2.34	59.5	1.10	28	1.85	47
800 A - 1000 A	3 P	14.64	372	13	330	5.51	140	9.05	230	5.43	138	-	-	13.66	347	6.83	173.5	6.88	175	2.34	59.5	1.10	28	1.85	47
1200 A	4 P	19.37	492	13	330	5.51	140	9.05	230	5.43	138	-	-	18.38	467	9.19	233.5	6.88	175	2.34	59.5	1.10	28	1.85	47

Non-Fused Load Break Switches FSSC, SX, SXDC, SC

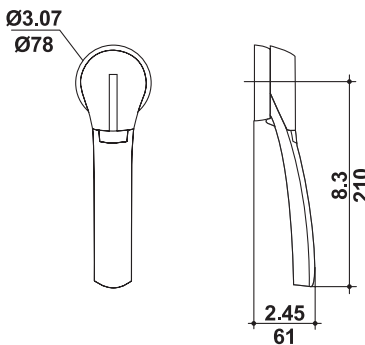
Dimensions (in/mm) for External Front Operation Handles

S type pistol handle

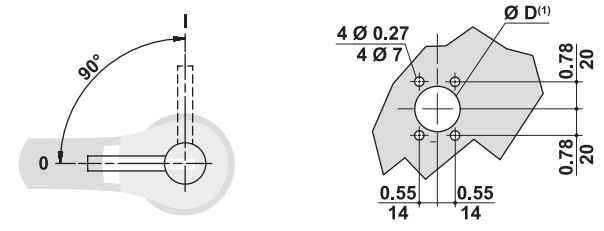
HSPBL
 HSPRL
 HSPB4L
 HSPR4L



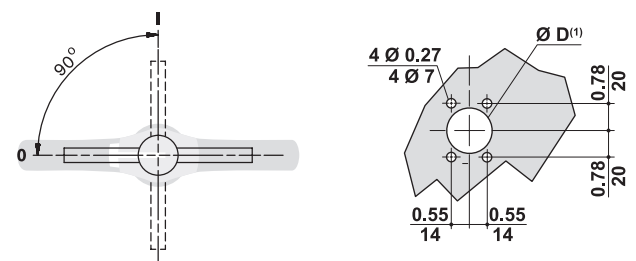
HSPBEL
 HSPREL
 HSPB4EL
 HSPR4EL



Side operation

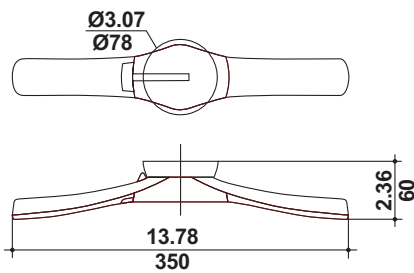


Front operation



S type pistol double handle

HSTB4
 HSTR4

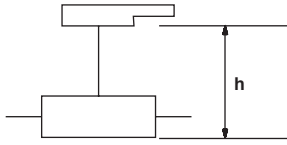


(1) Conventional fixing (from rear): $D = 1.22$ to 1.45 in / 31 to 37 mm.
 Fast fixing (external, door closed): $D = 1.45$ in / 37 mm, fast fixing is achieved with special clips that avoid drilling for fixation of the handle on the door. Clips are included.

Non-Fused Load Break Switches FSSC, SX, SXDC, SC

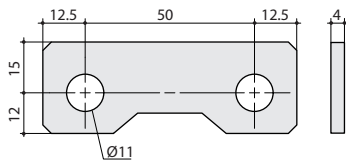
Dimensions (in/mm) from Backplate to Door Distance with Shaft Extension - FSSC, SX, SC

Minimum distance (in / mm)

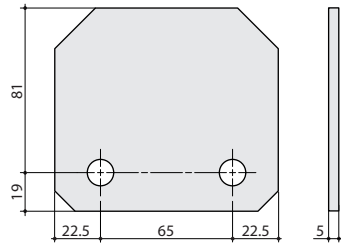


H & C Minimum Dimension	All HSP Handles	
	In	mm
FSSC	6	153
SX 100-200A	6	152
SX 400A	8	203
SC 600-1200 A	8.70	221

Jumper Bars - SXDC



100A and 200A #SX2J



400A and 200A #SX4J

Note: Large size is for heat dissipation.

SX4003

SC600

SC1000

SX4004

SC6004

SC10004

SXDC4003

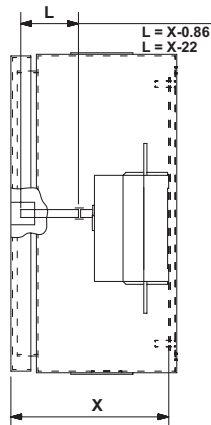
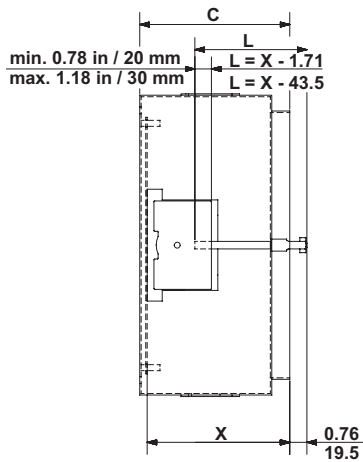
SC800

SC1200

SXDC4004

SC8004

SC12004

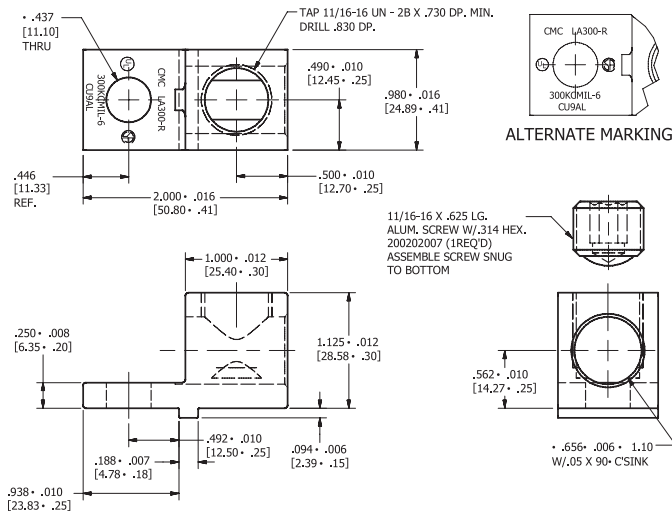


Non-Fused Load Break Switches SX, SXDC, SC

Dimensions (in/mm) for Terminal Lugs

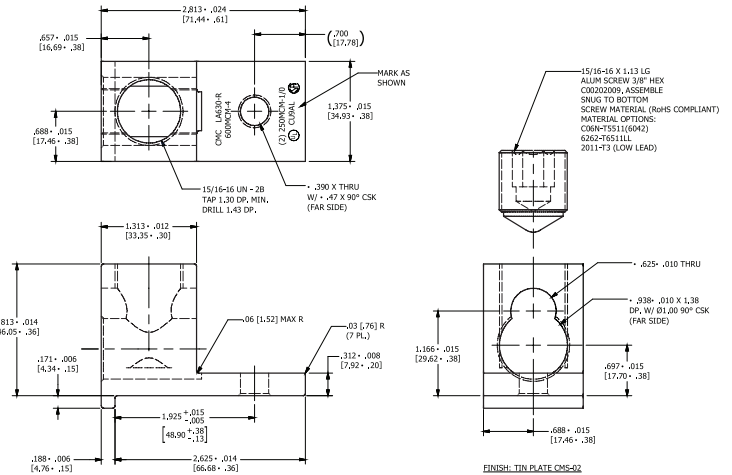
For use with SX series switches

TL200X



1 wire 300kcmil / 0 - #6

TL400X

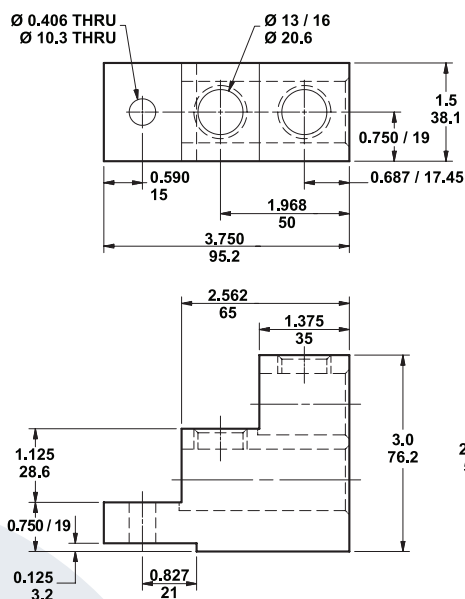


2 wire 250kcmil - 1/0

TL600 and TL1200

TL600: For use with SC 600 (1 lug per terminal)

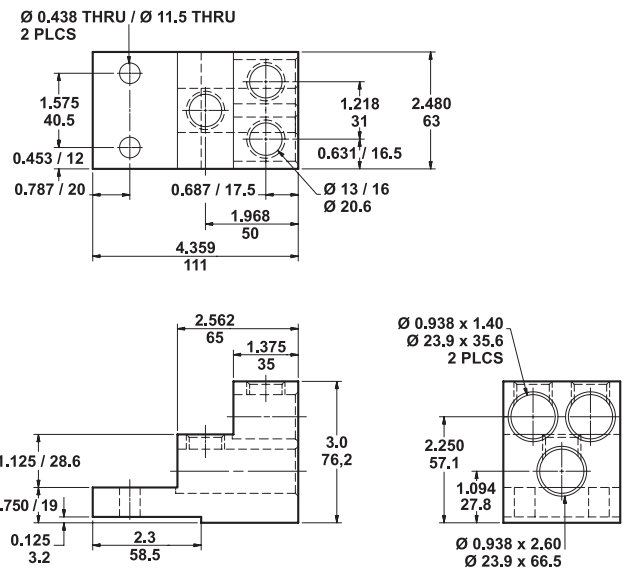
TL1200: For use with SC 800, 1000 & 1200 (2 lugs per terminal)



2 wires 600 MCM-2

TL 800

For use with SC 800



3 wires 600 MCM-2