

UWZ Series AC Hour Meters

The UWZ Series Hour Meters are designed to meet IP20 environmental ratings for indoor applications. All models have a light gray color on black background. Tenths and hundredths numerals are yellow. An orange dial adjacent to the hundredths digit provides running indication.

Ratings

UWZ48 - Surface Mounted

The UWZ48 Surface-Mount hour meter uses a plug-in base where terminal protection is not necessary. The socket base is easy to install and connect. Simply plug the meter into the base and secure with a screw.

Bezel:	1.89" x 1.89" (48 x 48 mm)
Capacity:	99,999.99 hours
Mounting:	Surface
Digits:	0.16" high numerals
Voltage:	24, 120, 240 VAC, 60 Hz
Power Consumption:	1VA
Termination:	Screw lugs
Operating Temperature:	-40°F to 160°F (-40°C to 72°C)
Weight:	2.5 oz.
Ordering Information:	UWZ48 - voltage/frequency

UWZ48A - Enclosed Surface Mount

The UWZ48A Enclosed Surface-Mount is used in conjunction with a terminal cover for added safety. Installation requires fixing the base to wall or panel with two screws, wiring the base, and plugging in the meter with the terminal cover.

Bezel:	1.89" x 1.89" (48 x 48 mm)
Capacity:	99,999.99 hours
Mounting:	Surface
Digits:	0.16" high numerals
Voltage:	24, 120 VAC, 60 Hz
Power Consumption:	1VA
Termination:	Screw lugs
Operating Temperature:	-40°F to 160°F (-40°C to 72°C)
Weight:	2.5 oz.
Ordering Information:	UWZ48A - voltage/frequency

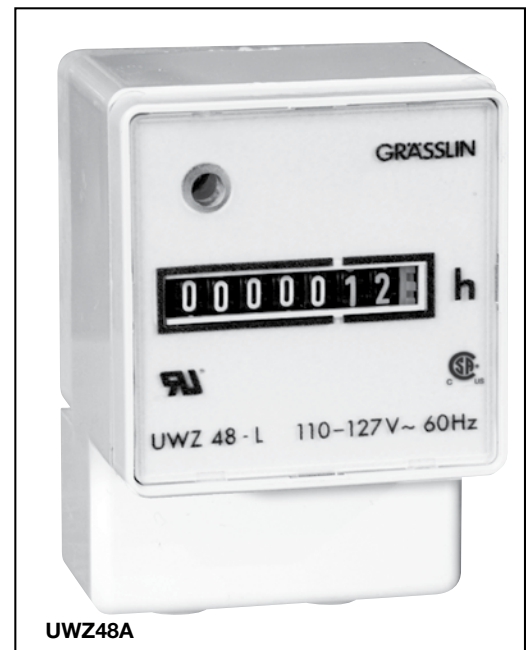
Project: _____

Location: _____

Product Type: _____

Contact/Phone: _____

Model #: _____



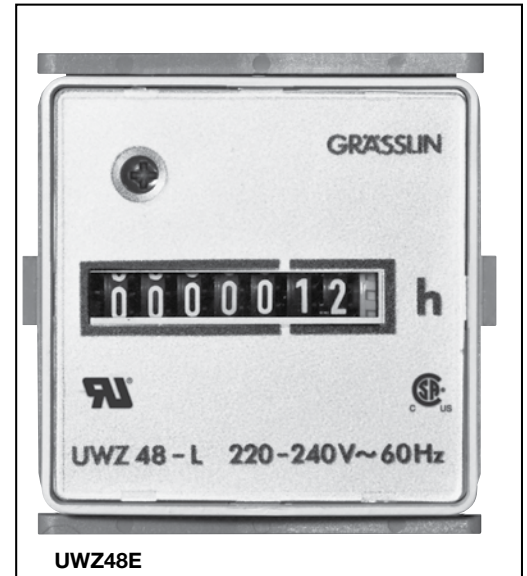
#E22587

#151753

UWZ48E - Flush Mount

Flush mounted with bracket, the UWZ48E unit fits into a 1.79" x 1.79" (45.5 X 45.5 mm) cutout. The thickness of the panel for flush mounting can be up to .35" (9 mm). The unit is secured in position by a plastic slip-on retaining bracket. The unit also fits square or round openings for 72 mm with optional 72 mm bezel.

Bezel:	1.89" x 1.89" (48 mm x 48 mm)
Capacity:	99,999.99 hours
Mounting:	Flush
Digits:	0.16" high numerals
Voltage:	24, 120, 240 VAC, 50 or 60 Hz
Power Consumption:	1VA
Termination:	Combination ¼" spade and screw clamp
Operating Temperature:	-40°F to 160°F (-40°C to 72°C)
Weight:	2.1 oz.
Ordering Information:	UWZ48E - voltage/frequency

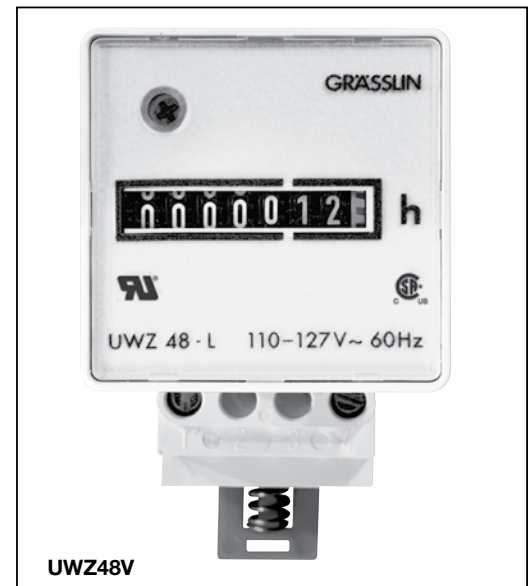


UWZ48E

UWZ48V - DIN Rail Mount

A special snap-on socket base enables the unit to be quickly and simply fitted on DIN rail.

Bezel:	1.89" x 1.89" (48 mm x 48 mm)
Capacity:	99,999.99 hours
Mounting:	DIN Rail
Digits:	0.16" high numerals
Voltage:	24, 120 VAC, 60 Hz
Power Consumption:	1VA
Termination:	Combination ¼" spade and screw clamp
Operating Temperature:	-40°F to 160°F (-40°C to 72°C)
Weight:	2.5 oz
Ordering Information:	UWZ48V - voltage/frequency

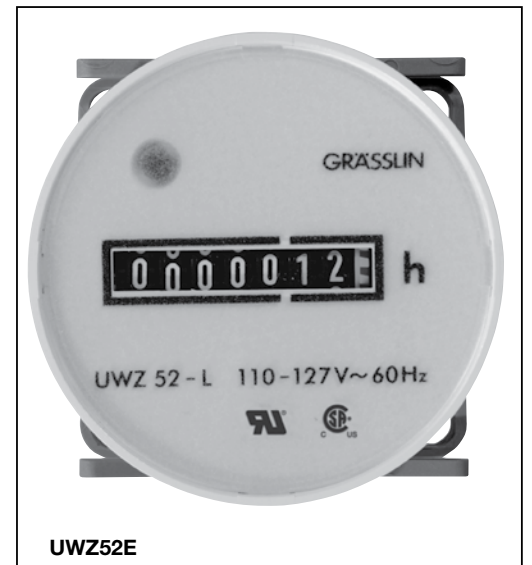


UWZ48V

UWZ52E - Flush Mount

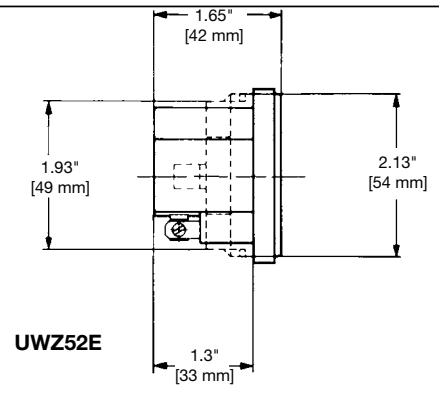
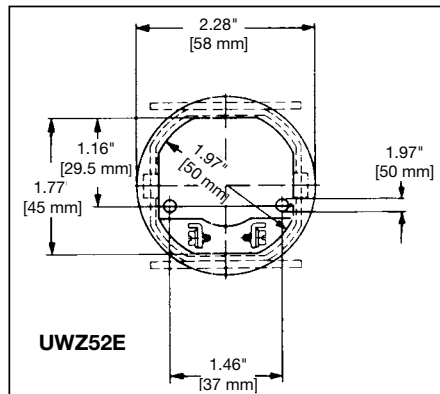
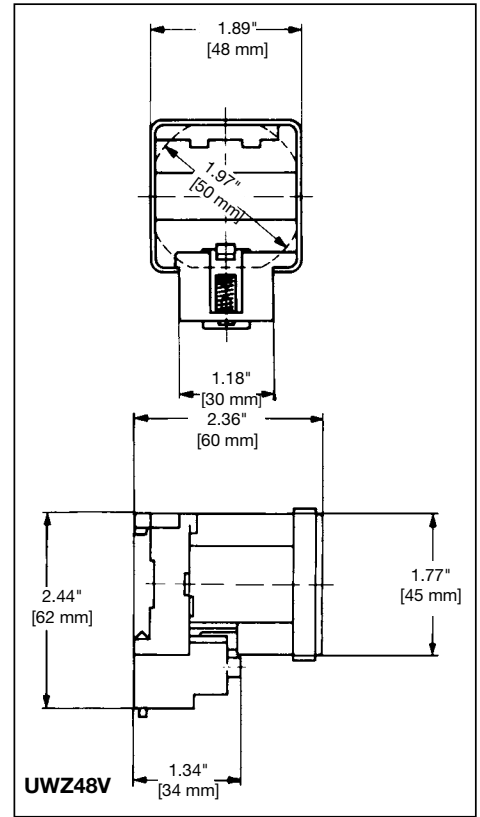
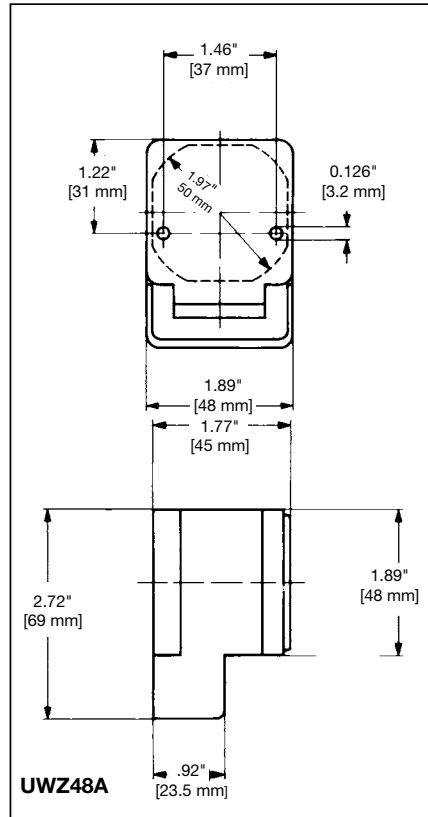
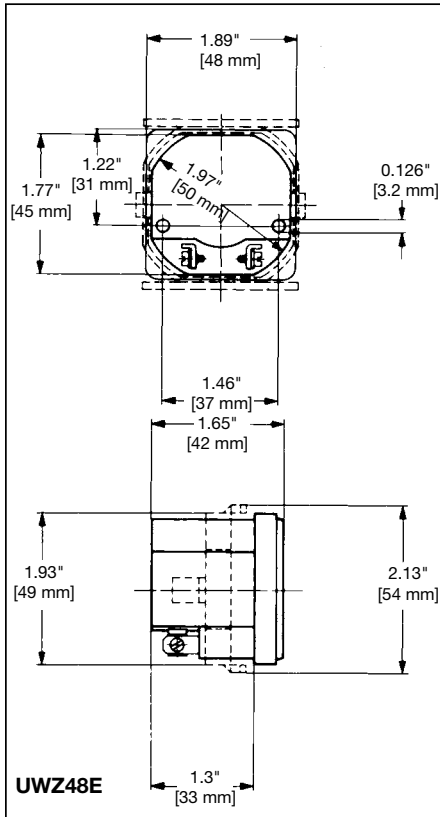
Flush mounted with bracket, the UWZ52E with round face is fastened with a plastic slip-on retaining bracket.

Bezel:	2.28"ø (58 mm)
Capacity:	99,999.99 hours
Mounting:	Flush
Digits:	0.16" high numerals
Voltage:	120 VAC, 60 Hz
Power Consumption:	1VA
Termination:	Combination ¼" spade and screw clamp
Operating Temperature:	-40°F to 160°F (-40°C to 72°C)
Weight:	2.1 oz.
Ordering Information:	UWZ52E - voltage/frequency

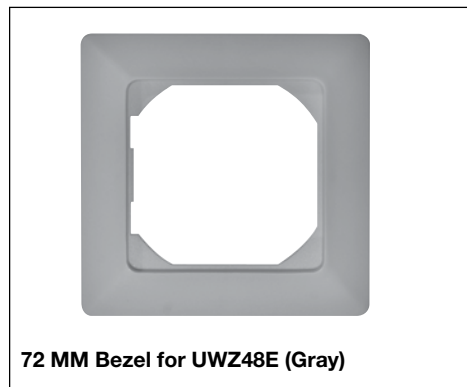


UWZ52E

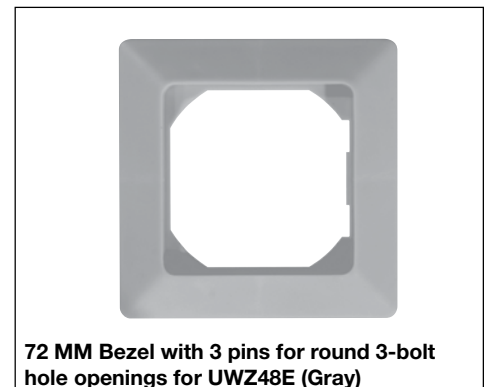
Diagrams



Ordering Information
 BEZ-55G Gray
 BEZ-55 Black



Ordering Information
 BEZ-72



Ordering Information
 BEZ-72P

