

DESCRIPTION

The Enterprise 28 industrial low-bay luminaire combines a round, faceted reflector with an injection-molded lens to provide an efficient, symmetrical beam pattern. U.L. listed and labeled for damp location. CSA Certified. The Enterprise 28 combines durable construction with precise optics for mounting heights below 20'. Perfect for warehouses, gyms, assembly areas, food processing plants and hangars.

Catalog #		Type
Project		
Comments		Date
Prepared by		

SPECIFICATION FEATURES

Construction

HOUSING: Heavy-duty, formed steel housing with an open air ballast for cooler operation is finished in a white polyester powder coat.

Electrical

BALLAST: High power factor ballast with class H insulation. Minimum starting temperature is -40°C (-40°F) for HPS and -30°C (-20°F) for MH. **SOCKET:** Mogul-base socket standard for HPS. For Metal Halide, protected socket standard, for use

with "O" Open rated protected Metal Halide lamps only. **HANDS-FREE RELAMPING:** Internal hangers for reflector/refractor provide toolless, hands-free relamping. Reflector is latched to ballast housing for easy access to lamp.

Optical

SEALED OPTICS: Sealed Optics Enclosed and gasketed optics seal out dirt and other contaminants. **REFLECTOR:** Computer designed, faceted reflector provides

maximum photometric performance. **LENS:** 100% virgin UV stabilized acrylic refractor.

Mounting

Easy slide-on die-cast aluminum mounting box with tapped opening for 3/4" conduit.



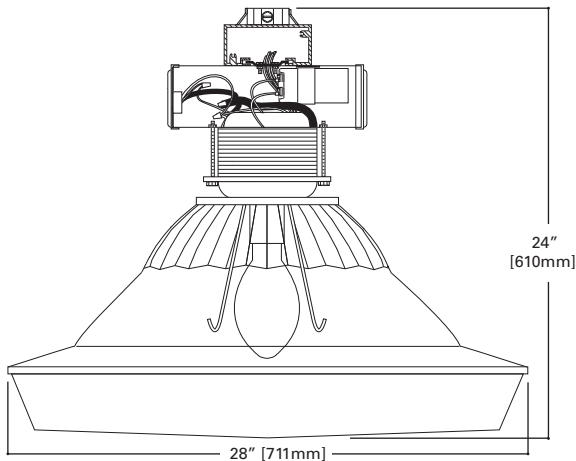
EP ENTERPRISE 28

70 - 450W

High Pressure Sodium
Pulse Start Metal Halide
Metal Halide

ALUMINUM LOW-BAY

DIMENSIONS



TECHNICAL DATA

EISA Compliant @
55°C Maximum Ambient Temperature
90°C Supply Wiring

ENERGY DATA

Reactor Ballast Input Watts

70W HPS NPF/HPF (82 Watts)
100W HPS NPF/HPF (118 Watts)
150W HPS NPF/HPF (175 Watts)
150W MH NPF/HPF (185 Watts)

CWI Ballast Input Watts

250W HPS HPF (300 Watts)
250W MH HPF (300 Watts)
400W HPS HPF (465 Watts)
400W MH HPF (475 Watts)

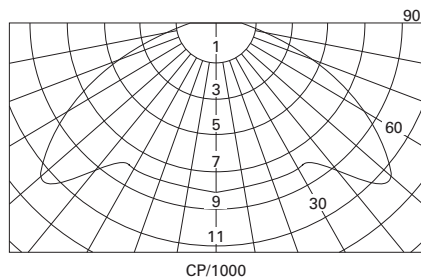
CWA Ballast Input Watts

175W MP HPF (198 Watts) ©
200W MP HPF (227 Watts) ©
250W MP HPF (283 Watts) ©
320W MP HPF (365 Watts) ©
350W MP HPF (400 Watts) ©
400W MP HPF (452 Watts) ©
400W HPS HPF (465 Watts)
450W MP HPF (508 Watts) ©

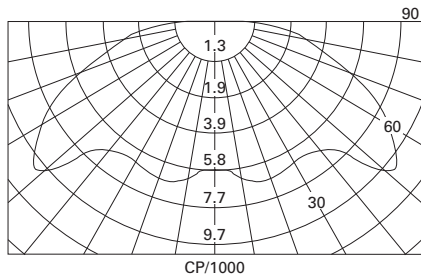
SHIPPING DATA

Approximate Net Weight:
35 lbs. (16 kgs.)

PHOTOMETRICS



HPEP-R28-400
400-Watt HPS
50,000-Lumen Clear Lamp



MPEP-R28-400
400-Watt MP
44,000-Lumen Clear Lamp

Coefficients Of Utilization

rc	Effective floor cavity reflectance 20%																
	80%				70%				50%				30%				
	70	50	30	10	70	50	30	10	50	30	10	50	30	10			
RCR																	
1	90	85	81	78	87	83	79	76	79	76	73	75	73	71			
2	81	74	68	62	79	72	66	61	68	64	60	65	61	58			
3	73	64	56	51	71	62	55	50	59	53	49	56	52	47			
4	67	56	48	42	64	54	47	42	52	46	41	50	44	40			
5	60	49	41	35	58	48	40	34	45	39	34	43	38	33			
6	55	43	34	29	53	42	34	28	40	33	28	38	32	27			
7	50	37	29	24	48	36	29	23	35	28	23	33	27	23			
8	45	33	25	20	44	32	25	20	31	24	20	30	24	19			
9	42	29	22	17	40	29	22	17	28	21	16	26	20	16			
10	39	26	19	14	37	26	19	14	25	18	14	24	18	14			

Spacing Criterion 1.8

Zone	%Lamp	Zone	%Lamp
0-30	13.10	0-90	81.10
0-40	23.70	90-180	02.90
0-60	58.50	Total	83.90

Candlepower

Degree	CP
0	8193
5	7970
10	7787
15	7697
20	7700
25	7810
30	7902
35	8288
40	9391
45	10780
50	11426
55	10231
60	8265
65	6131
70	4603
75	3300
80	2237
85	1420
90	908

Coefficients Of Utilization

rc	Effective floor cavity reflectance 20%																
	80%				70%				50%				30%				
	70	50	30	10	70	50	30	10	50	30	10	50	30	10			
RCR																	
1	89	84	80	77	86	82	78	75	78	75	72	74	72	69			
2	80	73	66	61	77	71	65	60	67	62	58	64	60	57			
3	72	63	55	49	70	61	54	49	58	52	47	55	50	46			
4	65	55	47	41	63	53	46	40	51	44	39	48	43	39			
5	59	48	40	34	57	46	39	33	44	38	33	42	36	32			
6	54	42	33	28	52	41	33	27	39	32	27	37	31	26			
7	49	36	28	23	47	35	28	22	34	27	22	32	26	22			
8	45	32	25	19	43	32	24	19	30	23	19	29	23	18			
9	41	29	21	16	40	28	21	16	27	20	16	26	20	16			
10	38	26	19	14	37	25	19	14	24	18	14	23	18	13			

Spacing Criterion 1.8

Zone	%Lamp	Zone	%Lamp
0-30	12.90	0-90	80.10
0-40	22.60	90-180	02.90
0-60	56.70	Total	83.00

Candlepower

Degree	CP
0	6134
5	6260
10	6623
15	6824
20	6713
25	6711
30	6699
35	6773
40	7175
45	8112
50	9703
55	9502
60	8353
65	5675
70	4030
75	2924
80	1981
85	1276
90	839

ORDERING INFORMATION

Sample Number: MPEP-R28-PL-250-MT-OR-Q



Lamp Type
MP=Pulse Start Metal¹ Halide
MH=Metal Halide^{1, 2}
HP=High Pressure Sodium

Reflector Diameter
R28=28" Reflector Diameter

Reflector Type
 _ = Acrylic
PL: Polycarbonate³

Series
EP: Enterprise

Lamp Wattage
MP
100=100W
175=175W
250=250W
320=320W
400=400W
MH ²
175=175W
250=250W
400=400W
HP
100=100W
250=250W
400=400W

Voltage ⁴
120V=120V
208V=208V
240V=240V
277V=277V
347V: 347V
480V: 480V
MT= Multi-Tap, ⁵ wired 277V
TT: Triple-Tap, ⁶ wired 347V
5T= 5-Tap⁷

Socket
OR= Open Rated⁸ Socket for Metal Halide Lamps
 _ = Non Applicable (HPS or Not compatible with OR Socket)

Options
C3=3' Cord with no plug (Specify Voltage)⁹
PC3=3' Cord with NEMA Plug (120V-L5-15P, ⁹ 208V-L6-15P, 347V-L37-20P, AND 480V-L8-20P) Other cord lengths are available by specifying length (PC6 for 6' Cord) Requires FH-1 or FL-1, or SHK. Example: PC3-120V Use with TPPH-NEMA. Specify Voltage.
PHC= Power Cord and Plug (18" Power Cord and Non-NEMA plug configuration. Must be used with FL-1 and TPPH (Thru-Way Pendant Power Hook). Must specify single voltage.
PHC-NEMA= Power Cord and NEMA Plug (18" Power Cord and 20 AMP NEMA plug configuration). Must be used with FL-1 and TPPH-NEMA (Thru-Way Pendant Power Hook).

PHC-NEMA= Power Cord and NEMA Plug (18" Power Cord and 20 AMP NEMA plug configuration). Must be used with FL-1 and TPPH-NEMA (Thru-Way Pendant Power Hook).

FH-1= Die-cast Aluminum Fixture Hook (with 3/4" threads for easy installation)

FL-1= Malleable Iron Plated Fixture Loop (with 3/4" threads for easy installation)

SHK= Die-cast Aluminum Fixture Hook (with safety screw and 3/4" threads for easy installation)

F1=Single Fuse (120, 277 or 347V only)
F2=Double Fuse (208, 240 or 480V only)

SCF=3' Aircraft Safety Cable secures Housing to Ceiling (Alternative lengths available. Example: SCF6 = 6' Cable)

Q=Quartz Restrike (Hot Strike Only)
EM=Quartz Restrike with "Delay Relay" (Quartz lamp strikes at both hot and cold starts)

EM/SC=Emergency Separate Circuit¹⁰
L/TCB=Less Top Connector Box (Housing shipped less top connector box. (Specify when using TWMB5 accessory)

LL=Lamp Included¹¹
CEC=California Title 20 Compliant Ballast (Applies to 250-320W and 400-450W MP only)

SCR=Aircraft Safety Cable-Housing to Reflector

WMWS=MWS Industrial components attached to the fixture at the factory. (Standard cord length is 3 ft. 6 ft. and 11 ft. also available. Please refer to MWS Modular Wiring System section for additional information.

HC=LumaWatt Fixture Control Module ^{12, 13} (Low voltage leads pulled out of top connection box for areas requiring all wiring to be installed in conduit)

HL=LumaWatt Fixture Control Module ¹³ (Allows low voltage control wire to be daisy-chained between fixtures outside AC conduit run similar to low voltage intercom's, fire alarms and phone systems)

QLL=Quartz Lamp Included (Lamp is Cooper designated product based on luminaire requirements. Lamp is shipped separate from luminaire unless otherwise noted)

FILT= Sintered Bronze filter (Sintered bronze filter prevents the entrance of contaminants)

Accessories ¹⁴
C3=3' Cord-No Plug - Requires FH-1, FL-1, or ⁹ SHK

PC3=3' Cord with NEMA Plug - (120V-L5, ⁹ 208V-L6-15P, 347V-L37-20P and 480V-L8-20P) Other cord lengths are available by specifying length (PC6 for 6' cord). Requires FH-1 or FL-1, or SHK. Use with TPPH-NEMA. Specify Voltage.

PHC= Power Hook Cord and Non-NEMA plug configuration. Must be used with FL-1 and TPPH (Thru-Way Pendant Power Hook)

PHC-NEMA= Power Cord and NEMA plug - 18" Power Cord and 20 Amp NEMA plug configuration. Must be used with FL-1 and TPPH-NEMA (Thru-Way Pendant Power Hook)

WG28/EP= Wire Guard
MBT= Twin Mount Bracket (Fixtures must be same voltage and without hooks, loops or plugs.)

TPPH= Thru-Way Pendant Power Hook. Requires FL-1 and PHC. Specify Voltage.

TPPH-F= Thru-Way Pendant Power Hook Single Fuse, 120, 277 or 347 Volt. Requires FL-1 and PHC. Specify Voltage.

TPPH-F2= Thru-Way Pendant Power Hook - Double Fused, 208, 240, or 480 Volt. Requires FL-1 and PHC. Specify Voltage.

TPPH-F-QD= Thru-Way Pendant Power Hook Single Fuse, Quick Disconnect. Requires FL-1 and PHC. Specify Voltage (120, 277, or 347V)

TPPH-F2-QD=Thru-Way Pendant Power Hook Double Fuse, Quick Disconnect. Requires FL-1 and PHC. Specify Voltage (208, 240, or 480V)

TPPH-NEMA=Thru-Way Pendant Power Hook. Requires FL-1 and PHC-XXXV-NEMA. (Specify

FH-1=Fixture Hook
FL-1=Fixture Loop

SHK=Hook with Safety Screw
TWMB5=Thru-Way Mounting Box¹⁵

- Notes:**
- 1 Open Rated socket and lamp must be used.
 - 2 MH available in non-U.S. markets only.
 - 3 Not recommended for use with Metal Halide lamps due to rapid yellowing typical of polycarbonate material.
 - 4 Products also available in non-US voltages and 50HZ for international markets. Consult your Cooper Representative for availability and ordering information. 88% Efficient EISA Compliant MP Fixtures not available in 347V and TT Voltages.
 - 5 Multi-Tap ballast 120/208/240/277V wired 277V.
 - 6 Triple-Tap ballast 120/277/347V wired 347V.
 - 7 5-Tap ballast 120/208/240/277/480V wired 277V. 400W Metal Halide only. 88% efficient EISA Compliant MP fixtures not available in 5-Tap Voltages.
 - 8 Not applicable for HPS.
 - 9 Requires FH-1 or FL-1 or SHK.
 - 10 Not available with HL or HC options.
 - 11 Lamp is shipped separately.
 - 12 Not available with PC3, C3, PHC or MWS. Not available with single circuit MWS special order.
 - 13 30 second time delay when switching from bright to dim. Consult individual lamp manufacturers recommendations for compatible lamps. For use with CWA ballast only.
 - 14 Order separately.
 - 15 Specify L/TCB when using thru-way mounting box (TWMB5) accessory.

LAMP TYPE	WATTAGE
Pulse Start Metal Halide (MP)	70, 100, 175, 200, 250, 320, 350, 400, 450W
Metal Halide (MH)	175, 250, 400W
High Pressure Sodium (HP)	70, 100, 150, 250, 400W

VOLTAGE CHART	
MT= Multi-Tap	120/208/240/277V (wired 277V)
TT= Triple-Tap	120/277/347V(wired 347V)
5T= 5-Tap ⁸	120/208/240/277/480V (wired 277V)