

Mechanical Interlock Covers

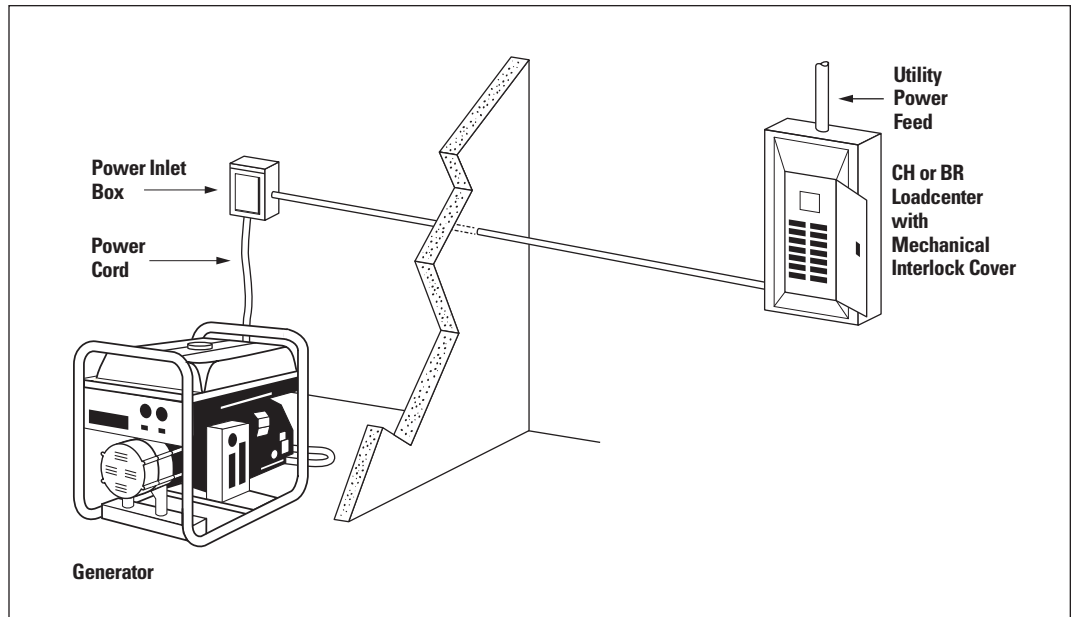


Powering Business Worldwide

Emergency Power Made Easy

How to convert a loadcenter into an emergency power system:

- Add a branch-mounted circuit breaker in the top right position to act as the generator main breaker
 - 20 Amp for 5,000W generators
 - 30 Amp for 7,500W generators
- Replace standard cover with Mechanical Interlock style cover
- Wire from the generator breaker to the location where the generator will be used and wire it into a power inlet box
- The power inlet box contains the receptacle that the generator is plugged into by the homeowner
- Frequently the power cord is not included with the generator so provide as needed



Features and Benefits:

- Mechanically Interlocks Main Breaker with field installed generator branch breaker
- Prevents utility and generator supplies from being on at the same time
- Protects utility linemen from dangerous generator backfeed
- Protects home system from overload
- Easy & cost effective solution
- CH & BR Loadcenters and Meter Breakers for Indoor & Outdoor applications
- Meets NEC Article 702
- UL Listed



MBE48200BTS
(BR Meter Breaker)



CMBE88B200BTS
(CH Meter Breaker)

- Mechanical Interlock Cover

Product Selection Guide

CH Loadcenter Catalog Numbers Trim/Deadfront

Indoor

CH24B150E
CH24B200E CH8EFM or CH8ESM

CH32B150J
CH32B200J
CH3242B200J
CH32N200J
CH32B225J CH8JFM or CH8JSM

CH42B200K
CH42N200K
CH42B225K CH8KFM or CH8KSM

Outdoor

CH8B150RF
CH8B200RF
CH8N200RF
CH24B150R
CH24B200R CH3RDF7M

CH32B150R
CH32B200R
CH32N200R
CH32B225R CH3RDF9M

CH42B200R
CH42N200R
CH42B225R CH3RDF10M

Next Generation Power Center Catalog Numbers Trim/Deadfront

CHPC32B150L
CHPC32B200L
CHPC32N200L CHPC8B32LFM

CHPC42B150L
CHPC42B200L
CHPC42N200L CHPC8B42LFM

CHPC32B125TR
CHPC32B150TR
CHPC32B200TR
CHPC32N200TR CH3RDF15M

CHPC42B150TR
CHPC42B200TR
CHPC42N200TR CH3RDF16M

CHPC32B150TR
CHPC32B200TR CH3RDF17M

CHPC42B200BR CH3RDF18M

Vintage Loadcenter Catalog Numbers Trim/Deadfront

CH20JJM150
CH20JJM200
CH24JJM150 CH7JFREPLM

CH30JJM150
CH30JJM200
CH30JJM150H
CH304JMM200
CH304JJM150
CH304JJM200
CH304JJM200H CH7JFREPL
(Replacement without mechanical interlock)

CH30KKM225
CH40KKM200H
CH40KKM225 CH7KKFREPLM

CH40KKM200H
CH40KKM225H
CH304KKM200
CH304KKM200H CH7KKFREPL
(Replacement without mechanical interlock)

CH304LLM225
CH424LLM225H CH7LLFREPLM

CH424LLM225H CH7LLFREPL
(Replacement without mechanical interlock)

BR Loadcenter Catalog Numbers	Trim/Deadfront
Indoor	
BR1630B150 BR1224N200 BR1632B200 BR1632N200	BRCOV16C4FM
BR2030B150 BR2030H150 BR2040B150 BR2040BC200 BR2040B200 BR2040H200 BR2040NC200 BR2040N200 BR2030B150 BR2030H150 BR2040B150 BR2430B150	BRCOV20D1FM
BR3030BC150 BR3030B150 BR3040B150 BR2440B200 BR2440N200 BR3040BC200 BR3040B200 BR3040N200 BR3040NC200 BR3040H200	BRCOV30G1FM
BR4040BC200 BR4040B200 BR4040H200 BR4040NC200 BR4040N200	BRCOV40L1FM
BR4242B225	BRCOV42L2FM
Indoor with Mechanical Interlock	
BR816B100M	BRCOV8B1FM
BR1212B100M BR1220B100M	BRCOV12B2FM
BR1224N125M	BRCOV12B2FM125
BR1616B100M BR1620B100M BR1624B100M	BRCOV16C1FM
BR1624B125M BR1624N125M	BRCOV16C1FM125
BR2020B100M BR2024H100M	BRCOV20C2FM
BR2024B125M BR2024N125M	BRCOV20C2FM125
BR3030BC100M	BRCOV30D1FM
Outdoor	
BR2040B200R BR2030B150R BR2040B150R	BR3RDF11M
BR3040B200R BR3030B150R	BR3RDF12M
BR4040B200R	BR3RDF13M
BR48B200RF	BR3RDF14M
BR816B150RF BR816B200RF	BR3RDF5M
BR4242B225R	BR3RDF15M
Outdoor with Mechanical Interlock	
BR1020B100RFM BR1224B100RM BR1224N125RM	BR3RDF1M
BR1624B100RM BR1624N125RM	BR3RDF2M
BR2024B125RM BR2024N125R BR2024N125R	BR3RDF4M
3 Phase	
3BR1224B100	3BRCOV12C1FM
3BR1224N125	3BRCOV12C1FM125
3BR3030N100	3BRCOV30D1FM
3BR1224B100R 3BR1224N1225R	BR3RDF2M

CH Meter Breaker Catalog Numbers	Trim/Deadfront
CMB1212B200BTS CMB1212B200BTSD CMB1212P200BTS CMB1212P200BTSD	MBDF1M
CMB2424M200BTS	MBDF1AM
CMBE3242B150BF CMBE3242B150BS CMBE3242B200BF CMBE3242B200BS CMB3242B150BS CMB3242B200BS	MBDF7M
CMBE4242B200BSH CMBE4242B200BTF CMBE4242B200BTS	MBDF8M
CMB24B200TFR CMB24B200TSR	MBDF10M
CMBXB200BTS CMBXP200BTS	MBDF11M
CMBX3242B200BTS CMBX3242P200BTS	MBDF12M
CMBE88B150BTF CMBE88B150BTS CMBE88B200BTF CMBE88B200BTS CMB88B150BTS CMB88B200BTS	MBDF14M

BR Meter Breaker Catalog Numbers	Trim/Deadfront
MB816B200BTS MB816B200BTSCU MB816P200BTS MB816P200BTSCU MB816P200STD	MBDF2M
MB2040B200BTS MB2040P200BTS MB2040P200SD	MBDF3M
MBE816P200TS MBE816P200TSCU	MBDF4M
MBE2040B150BF MBE2040B150BS MBE2040B200BF MBE2040B200BS	MBDF5M
MBE2040B200TF MBE2040B200TS MBE2040P200TF MBE2040P200TS	MBDF6M
MBE4040B200BSH MBE4040B200BSHH MBE4040B200BTS	MBDF9M
MBE3042B200BF MBE3042B225BF	MBDF13M
MBE48B150BTF MBE48B150BTS MBE48B200BTF MBE48B200BTS	MBDF15M
MBE88B150BTF MBE88B150BTS MBE88B200BTF MBE88B200BTS	MBDF16M
MBE2040BC200BTS MBE2040BH200BTF MBE2040BH200BTS MBE2040B150BTF MBE2040B150BTS MBE2040B200BTF MBE2040B200BTS MBE2040B200BTSV MBE2040B225BTF MBE2040B225BTS	MBDF17M

Eaton Corporation is a diversified power management company ranked among the largest Fortune 500 companies. The electrical group is Eaton's largest division and is a global leader in electrical control, power distribution, power quality, automation, and monitoring products and services. Eaton's global electrical product lines, including Cutler-Hammer®, MGE Office Protection Systems™, Powerware®, Holec®, MEM®, Santak and Moeller, provide customer-driven PowerChain Management® solutions to serve the power system needs of the industrial, institutional, government, utility, commercial, residential, IT, mission critical and OEM markets worldwide.

Eaton Corporation
Electrical Group
1000 Cherrington Parkway
Moon Township, PA 15108
United States
877-ETN-CARE (877-386-2273)
Eaton.com

© 2009 Eaton Corporation
All Rights Reserved
Printed in USA
June 2009

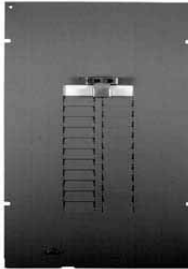


All other trademarks are property of their respective owners.

Related Products

MECHANICAL INTERLOCK COVERS

Covers mechanically interlock two breakers designed for use with a portable generator. Type A covers interlock two CH breakers mounted across from one another. Type B covers interlock a main Type CSR Breaker with a Type CH.



CH8BRM Type A



CH8EFM Type B

DECORATOR COVERS



Now you see it...



Now you don't!

NOW YOU SEE IT...NOW YOU DON'T!

- ✓ For easy use with CH Loadcenters mounted in living space.
- ✓ Easily wallpapered or painted to match any decor.
- ✓ Patented Loadcenter accessory — exclusively from Eaton.

TABLE 2-24. MECHANICAL INTERLOCKS

Type	Fits Loadcenter Catalog Numbers	Mechanical Interlock Panel Cover			
		Flush		Surface	
		Catalog Number	UPC Code	Catalog Number	UPC Code
A	CH12L125B, CH16L125B, CH12L3125B, CH14B100B	CH8BFM	782113099590	CH8BSM	782113099606
	CH20L125C, CH24L125C, CH18L3125C, CH24L3125C, CH22B100C, CH22N100C	CH8CFM	782113099613	CH8CSM	782113099620
	CH24L150D, CH32L150D, CH24L3225D, CH30L3150D	CH8DFM	782113099644	CH8DSM	782113099637
	CH42L225G, CH42L3225G	CH8GFM	782113099675	CH8GSM	782113099682
	Inner Cover of Box B Raintight Inner Cover of Box C Raintight	—	—	CH8BRM CH8CRM	782113099651 782113099668
B	CH24B150E, CH24B200E	CH8EFM	782114799390	CH8ESM	782114799406
	CH32B150J, CH32B200J, CH3242B200J, CH32N200J, CH32B225J	CH8JFM	782114799413	CH8JSM	782114799420
	CH42B200K, CH42N200K, CH42B225K	CH8KFM	782114799437	CH8KSM	782114799444
	CHPC32B150L, CHPC32B200L, CHPC32N200L	CHPC8B32LFM	782114799451	—	—
	CHPC42B150L, CHPC42B200L, CHPC42N200L	CHPC8B42LFM	782114799468	—	—

TABLE 2-25. COVERS

Decorator Cover		For Use with CH Loadcenter Cover	
Catalog Number	UPC Code	Catalog Number	UPC Code
CH8KDNB	782114155424	CH8BF	782113098852
CH8KDNC	782114155417	CH8CF	782113098876
CH8KDND	782114155431	CH8DF/EF	782113098890/ 782113098913
CH8KDNJ	782114155400	CH8GF/JF	782113098937/ 782113098951
CH8KDNC	782114155394	CH8KF	782113098975

Mechanical Interlock Cover

Covers mechanically interlock two breakers — Type BW or BWH main breaker with a Type BR.

Table 26.3-30. Mechanical Interlock Cover

Type	Fits Loadcenter Catalog Numbers	Mechanical Interlock Panel Cover
		Catalog Number
		Flush
B	BR816B200RF BR2040B200R BR3040B200R BR4040B200R	BR3RDF5M BR3RDF11M BR3RDF12M BR3RDF13M
	BR2040B200 BR3040B200 BR4040B200	BRCOV20D1FM BRCOV30G1FM BRCOV40L1FM



Type B