

Catalog Number	
Notes	Type

FEATURES & SPECIFICATIONS

CONSTRUCTION — Weldable-grade, hot-rolled, commercial-quality carbon steel tubing with a minimum yield of 55,000 psi (11-gauge), or 50,000 psi (7-gauge). Uniform wall thickness of .125" or .188". Shaft is one-piece with a full-length longitudinal high-frequency electric resistance weld. Uniformly square in cross-section with flat sides, small corner radii and excellent torsional qualities. Available shaft widths are 4, 5 and 6 inches.

Poles have mastic coating on embedded depth +6" above grade level. Base shroud is finished to match pole. Two drilled conduit access holes, 180 degrees apart, are located 18" below grade.

A handhole having nominal dimensions of 3" x 5" for all shafts. Included is a cover with attachment screws.

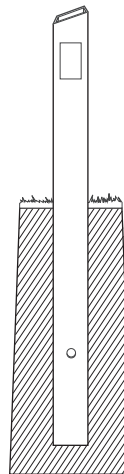
Top cap provided with all drill-mount poles.

Fasteners are high-strength galvanized, zinc-plated or stainless steel.

Finish: Must specify finish.

Grounding: Provision located immediately inside handhole rim. Grounding hardware is not included (provided by others).

NOTE: Specifications subject to change without notice.



Direct Burial

SSSDB

SQUARE STRAIGHT STEEL

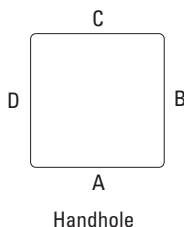
ORDERING INFORMATION

Lead times will vary depending on options selected. Consult with your sales representative.

Example: SSSDB 20 5C DM19 DDB

Series	Nominal fixture mounting height	Nominal shaft base size/ wall thickness	Mounting ¹	Options	Finish ⁹
SSSDB	10 – 30 feet (see back page.)	(See back page.)	Tenon mounting PT Open top T20 2-3/8" O.D. (2" NPS) T25 2-7/8" O.D. (2-1/2" NPS) T30 3-1/2" O.D. (3" NPS) T35 4" O.D. (3-1/2" NPS)	Shipped installed VD Vibration damper TP Tamper proof H1-18Sxx Horizontal arm bracket (1 fixture) ^{4,5} FDLxx Festoon outlet less electrical ⁴ CPL12 xx 1/2" coupling ⁴ CPL34 xx 3/4" coupling ⁴ CPL1 xx 1" coupling ⁴ NPL12 xx 1/2" threaded nipple ⁴ NPL34 xx 3/4" threaded nipple ⁴ NPL1 xx 1" threaded nipple ⁴ EHHxx Extra handhole ^{4,6} MAEX Match existing ⁷ USPOM United States point of manufacture ⁸	Standard colors DDB Dark bronze DWH White DBL Black DMB Medium bronze DNA Natural aluminum GALV Galvanized finish Classic colors DSS Sandstone DGC Charcoal gray DTG Tennis green DBR Bright red DSB Steel blue Architectural colors (powder finish) ⁹

HANDHOLE ORIENTATION



NOTES:

- When ordering tenon mounting and drill mounting for the same pole, follow this example: DM28/T20. The combination includes a required extra handhole.
- The drilling template to be used for a particular luminaire depends on the luminaire that is used. Refer to the Technical Data Section of the Outdoor Binder for Drilling Templates.
- Insert "1" or "2" to designate fixture size; e.g. DM19AST2.
- Specify location and orientation when ordering option.
For 1st "x": Specify the height in feet above base of pole.
Example: 5ft = 5 and 20ft = 20
For 2nd "x": Specify orientation from handhole (A,B,C,D)
Refer to the Handhole Orientation diagram above.
- Horizontal arm is 18" x 2-3/8" O.D. standard.
- Combination of tenon-top and drill mount includes extra handhole.
- Must add original order number.
- Use when mill certifications are required.
- Additional colors available; see www.lithonia.com/archcolors or Architectural Colors brochure (Form No. 794.3). Powder finish standard.

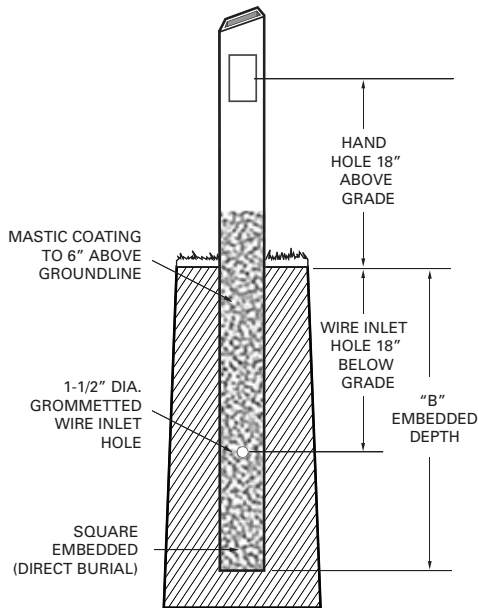
Drill mounting²	DM19 1 at 90°
	DM28 2 at 180°
	DM28PL 2 at 180° with one side plugged
	DM29 2 at 90°
	DM39 3 at 90°
	DM49 4 at 90°
CSX/DSX/ALX/AERIS™/OMERO™ Drill mounting²	DM19AS 1 at 90°
	DM28AS 2 at 180°
	DM29AS 2 at 90°
	DM39AS 3 at 90°
	DM49AS 4 at 90°
AERIS™ Suspend drill mounting^{2,3}	DM19AST_ 1 at 90°
	DM28AST_ 2 at 180°
	DM29AST_ 2 at 90°
	DM39AST_ 3 at 90°
	DM49AST_ 4 at 90°
OMERO™ Suspend drill mounting^{2,3}	DM19MRT_ 1 at 90°
	DM28MRT_ 2 at 180°
	DM29MRT_ 2 at 90°
	DM39MRT_ 3 at 90°
	DM49MRT_ 4 at 90°

SSSDB Square Straight Steel Direct Burial Poles

TECHNICAL INFORMATION

Catalog number	Nominal mounting height above grade (ft.)	Pole shaft size (in. x ft.)	Embedment depth (ft.)	Wall thickness (in.)	Gauge	EPA (ft ²) with 1.3 gust						
						80 mph	Max. fixture weight (lbs.)	90 mph	Max. fixture weight (lbs.)	100 mph	Max. fixture weight (lbs.)	Approx. ship weight (lbs.)
SSSDB 10 4C	10	4 x 13	3	0.125	11	30.6	765	23.8	595	18.9	473	95
SSSDB 12 4C	12	4 x 16	4	0.125	11	24.4	610	18.8	470	14.8	370	110
SSSDB 14 4C	14	4 x 18	4	0.125	11	19.9	498	15.1	378	11.7	293	120
SSSDB 16 4C	16	4 x 20	4	0.125	11	15.9	398	11.8	295	8.9	223	130
SSSDB 18 4C	18	4 x 22	4	0.125	11	12.6	315	9.2	230	6.7	168	140
SSSDB 20 4C	20	4 x 24	4	0.125	11	9.6	240	6.7	167	4.5	150	150
SSSDB 20 4G	20	4 x 24	4	0.188	7	14.0	350	11.0	275	8.0	200	210
SSSDB 20 5C	20	5 x 24	4	0.125	11	17.7	443	12.7	343	9.4	235	195
SSSDB 20 5G	20	5 x 24	4	0.188	7	28.1	703	21.4	535	16.2	405	275
SSSDB 25 4G	25	4 x 30	5	0.188	7	10.8	270	7.7	188	5.4	135	255
SSSDB 25 5C	25	5 x 30	5	0.125	11	9.8	245	6.3	157	3.7	150	235
SSSDB 25 5G	25	5 x 30	5	0.188	7	18.5	463	13.3	333	9.5	238	370
SSSDB 30 5G	30	5 x 35	5	0.188	7	10.7	267	6.7	167	3.9	100	390
SSSDB 30 6G	30	6 x 35	5	0.188	7	19.0	475	13.2	330	9.0	225	530

BASE DETAIL



IMPORTANT INSTALLATION NOTES:

- Do not erect poles without having fixtures installed.
- If poles are stored outside, all protective wrapping must be removed immediately upon delivery to prevent finish damage.
- Lithonia Lighting is not responsible for the foundation design.

IMPORTANT:

- These specifications are intended for general purposes only. Lithonia reserves the right to change material or design, without prior notice, in a continuing effort to upgrade its products.