





Enclosed Safety Switches

Class 3100



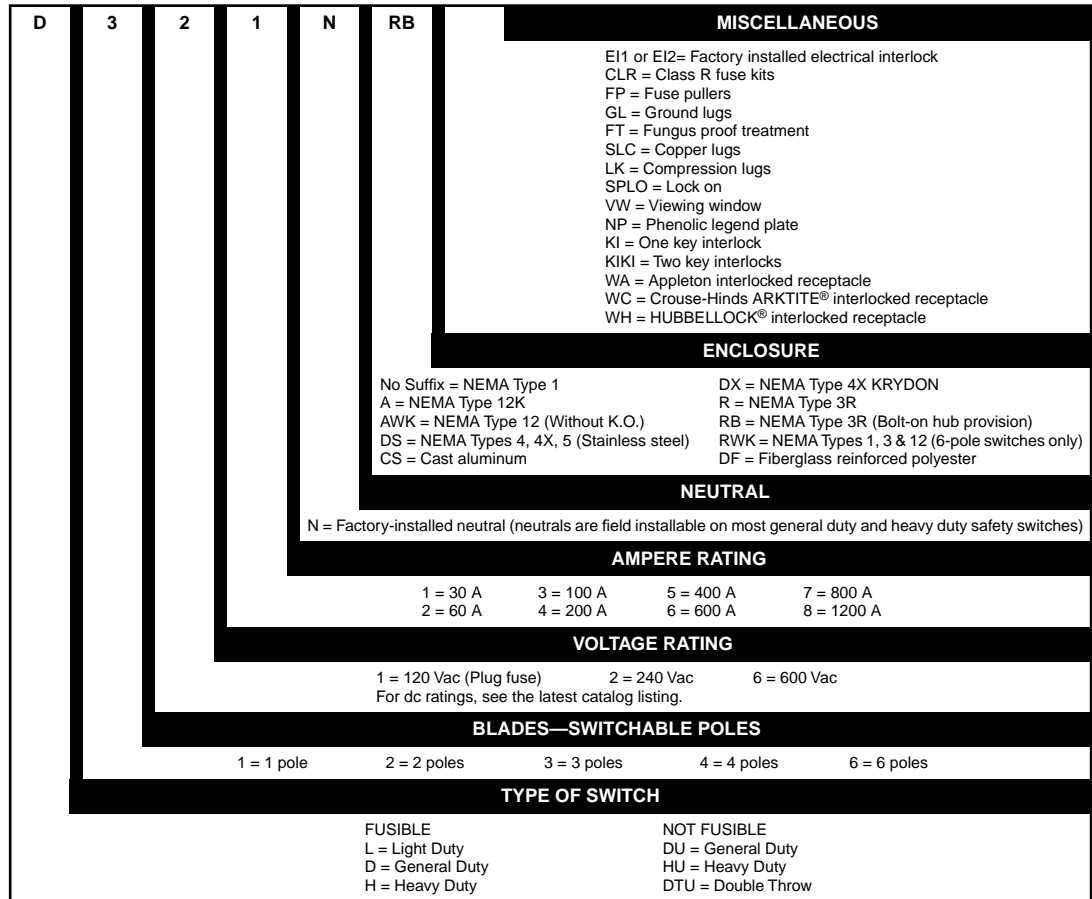
 **Merlin Gerin**
 **Modicon**
 **Square D**
 **Telemecanique**
Schneider Electric Brands

CONTENTS

Description	Page
General Duty	3
Heavy Duty	19
Double Throw	68
Air Conditioning Disconnects	80

Catalog Numbering System for Safety Switches

Typical Safety Switch Catalog Number



For NEMA Types 7 and 9 construction, see the latest Digest listing.

General Duty Safety Switches Table of Contents

Product Description 4
General Information 7
Dimensions 9
Replacement Parts 10



General Duty Safety Switches — Class 3130

Product Description

DESCRIPTION

General duty safety switches are designed for residential and commercial applications where economy is a prime consideration. Typical loads are lighting, air conditioning, and appliances. They are suitable for use as service equipment when equipped with a neutral assembly or a service grounding kit installed.

General duty safety switches are UL® Listed, File E2875, and meet or exceed the NEMA Standard KS1.

CONFIGURATION

- Two fusible, switched poles with insulated, groundable neutral.
- Three fusible, switched poles with insulated, groundable neutral.
- Two or three, not fusible, switched poles without insulated, groundable neutral.

CONSTRUCTION

- Visible blades for positive indication that the switch is “OFF.”
- Quick-make, quick-break operating mechanism.
- Lugs suitable for aluminum or copper conductors. See page 7 for additional lug data.
- Spring reinforced, plated copper fuse clips.



Visible Blade Construction



Spring Reinforced Fuse Clips



Operating Mechanism with Line Base Series F

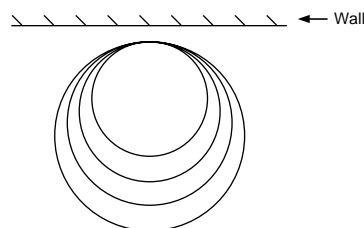


NEMA Type 1 Multiple Padlock Provisions



NEMA Type 3R

- Series F handle/lockplate is a field-replaceable modular design.
- Series F operating mechanism is an enclosed, field-replaceable, modular design.
- Series F NEMA Type 3R covers have side opening construction.
- Top endwalls in 30–200 A NEMA Type 3R switches have bolt-on hub provisions.
- Multiple padlock provisions in “OFF” position.
- Tangential combination knockouts alleviate the need for offset bends.



Tangential Knockouts



General Duty Safety Switches — Class 3130

Product Description

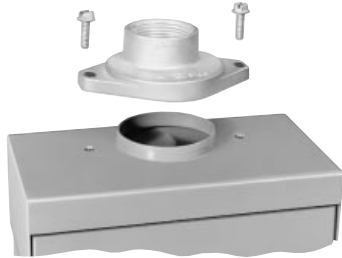
ENCLOSURES

Enclosures are finished in gray, baked enamel that is electrodeposited on cleaned, phosphatized steel.

- NEMA Type 1 general purpose, indoor.
- NEMA Type 3R general purpose, outdoor.

ACCESSORIES

Bolt-on hubs for rainproof applications. Switches with RB suffix accept $\frac{3}{4}$ " through $2\frac{1}{2}$ " bolt-on hubs. Switches with R suffix have blank endwalls.



"RB" Hub

Class R Fuse Kits

- For systems up to 100,000 rms symmetrical amperes.
- See page 8 for selection.



Class R Fuse Kits
Series E



Class R Fuse Kits
Series F

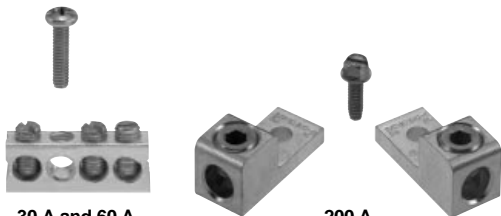


Fuse Puller Kit
Series F

Fuse Puller Kits

Kit consists of three fuse pullers as required for a 3-pole, fusible, 60 A and 100 A general duty switch. Kits can be installed into 60 A Series E1 and F and 100 A Series F switches.

Switch Ampere Rating	Series Number	Fuse Puller Kit Catalog Number
60	E1	H30FP
60	F	FPK03
100	F	FPK0610



30 A and 60 A

200 A

100 A

Grounding Kits

Equipment Ground Kits

- Aluminum
- Field installable

Switch Ampere Rating	Series Number	Equipment Ground Kit Catalog Number
30	E	PK3GTA-1
60	E	PK3GTA-1
60	F	GTK03
100	E	PK0GTA-2
100	F	GTK0610
200	E	PK0GTA-2
400	E	PK0GTA-2 (two required)
600		
800	E	PK0GTA-3



General Duty Safety Switches — Class 3130

Product Description

Electrical Interlock Kits

Electrical interlocks for 60 A and 100 A Series F general duty safety switches are available factory installed or in kit form for field installation. Each kit contains instructions for proper field mounting. A pivot arm operates from the switch mechanism, breaking the control circuit before the main switch blades break. Electrical interlock kits are not offered on Series E switches.

Switch Ampere Rating	Electrical Interlock Kit Catalog Number★
60	EIK031 or EIK032
100	EIK-1 or EIK-2

★ Electrical interlock kit catalog numbers with -1 suffix indicate one normally open and one normally closed contact; -2 indicates two normally open and two normally closed contacts.

Electrical Interlock Contact Ratings•

Interlock Type	AC 50 or 60 Hz				DC		
	Volts	Make	Break	Cont.	Volts	Make and Break	Cont.
1 N.O./1 N.C. Contact (-1 Suffix)	120	40.0 A	15.00 A	15 A	115	.50 A	15 A
	240	20.0 A	10.00 A	15 A	230	.25 A	15 A
	480	10.0 A	6.00 A	15 A	—	—	—
	600	8.0 A	5.00 A	15 A	600	.05 A	15 A
2 N.O./2 N.C. Contacts (-2 Suffix)	120	30.0 A	3.00 A	10 A	115	1.00 A	10 A
	240	15.0 A	1.50 A	10 A	230	.30 A	10 A
	480	7.5 A	.75 A	10 A	—	—	—
	600	6.0 A	.60 A	10 A	600	.10 A	10 A

◆ Single-pole single-throw interlock kits are rated 1/2 hp @ 110 and 220 Vac.

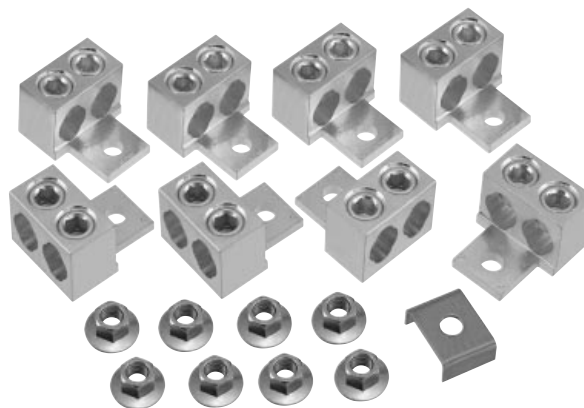
-1 Suffix uses a 9007A01 limit switch.

-2 Suffix uses a 9007C03 limit switch.

Field Installable Lug Kit

Kit consists of three line, three loads, and two neutral lugs as required for a 3-pole 400 A or 600 A general duty switch. Kit can be installed on 400 A or 600 A Series E3 switches.

Switch Ampere Rating	Lug Kit Catalog Number	Wire Range/NEC®	Lug Wire Range
400 or 600 Series E3	GD4060LK	1-1/0-600 kcmil 2-1/0-500 kcmil 4-1/0-250 kcmil	2-1/0-600 kcmil 4-1/0-250 kcmil



Optional Lug Kit for 400 A and 600 A Devices



General Duty Safety Switches — Class 3130

General Information

Application

General duty safety switches are designed for the following applications:

- Residential and light commercial applications.
- Infrequent or moderate operations.
- 240 Vac maximum.
- Up to 100,000 rms symmetrical amperes, using appropriately rated Class R fuses and Class R Fuse Kits, or Class T or J fuses.
- 30–800 A.
- Horsepower rated.



L211N

The light duty enclosed switch is ideal for home applications in disconnecting power to workshops, hobby rooms, furnaces and garages.

- Light duty—visible blades 10,000 A short circuit current rating
- 30 A fusible and not-fusible
- Replacement parts not available.

Standards

General duty safety switches are manufactured in accordance with these standards:

- UL 98, Standard for Enclosed and Dead Front Switches. UL Listed under File E2875.
- NEMA Standards Publication KS1, Enclosed Switches.
- Federal Specifications WS-865c for Type NDS (NEMA Type 1) and Type LD (NEMA Type 3R).

UL Listed Short Circuit Withstand Rating (RMS Symmetrical)

Switch Type	Fuse Class	Short Circuit Rating
Fusible	Plug	10,000
	H	10,000
	J	100,000
	R	100,000
Not Fusible▲	T	100,000
	H	10,000
	J	100,000
	R	100,000
	T	100,000

▲ The UL Listed short-circuit current rating for Square D Company general duty, not fused switches is based on the switch being used in conjunction with fuses. Evaluation of not fused switches in conjunction with molded case circuit breakers has not been performed. If a UL Listed short-circuit current rating is required, this not fused switch must be replaced with a Square D general duty fusible safety switch equipped with the appropriate class and size fusing. The UL Listed short-circuit current rating of the fusible switch is typically as follows: when used with Class H and K fuses—10,000 A, Class R fuses—100,000 A. Consult the wiring diagram of the switch to verify the UL Listed short-circuit current rating.

Terminal Lug Data

Ampere Rating	Conductors Per Phase	Wire Range Wire Bending Space Per NEC® Table 373-6	Lug Wire Range
30	Line	12–6 AWG (Al) or 14–6 AWG (Cu)★ 14–8 AWG (Al/Cu)	12–6 AWG (Al) or 14–6 AWG (Cu)★ 14–8 AWG (Al/Cu)
	Load		
60	1	10–3 AWG (Al) or 14–3 AWG (Cu)	10–2 AWG (Al) or 14–2 AWG (Cu)
100	1	12–1 AWG (Al) or 14–1 AWG (Cu)	12–1/0 AWG (Al) or 14–1/0 AWG (Cu)
200	1	2 AWG–250 kcmil (Al)♦ or 4 AWG–250 kcmil (Cu)♦	2 AWG–300 kcmil (Al)◇ or 4 AWG–300 kcmil (Cu)◇
400	2	1/0 AWG–250 kcmil (Al/Cu)	(1) 1 AWG–600 kcmil (Al/Cu) or (2) 1/0 AWG–250 kcmil (Al/Cu)
600	2	4 AWG–500 kcmil (Al/Cu)	4 AWG–600 kcmil (Al/Cu)
800	3	3/0 AWG–500 kcmil (Al/Cu)	3/0 AWG–500 kcmil (Al/Cu)

★ Excluding 8 AWG solid.

♦ 6 AWG–250 kcmil on load side of not fusible devices.

◇ 6 AWG–300 kcmil on load side of not fusible devices.



General Duty Safety Switches — Class 3130

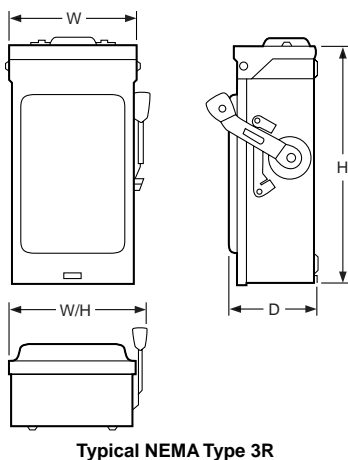
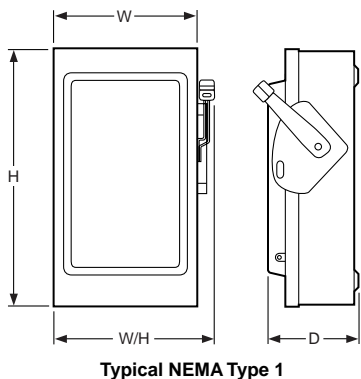
General Information

Catalog Number	Series	Class R Fuse Kits Field Installable†	Horsepower Ratings					
			120 Vac		240 Vac		240 Vac	
			Std.	Max.	Std.		Max.	
			1φ	1φ	1φ	3φ	1φ	3φ
L111N	E2	N/A	1/2	2	1 1/2	...	3	...
L211N	E2	N/A	1/2★	2★	1 1/2★	...	3★	...
L221N	E2	N/A	1/2★	2★	1 1/2★	...	3★	...
D211N	E3	N/A	1/2	2	1 1/2	...	3	...
D211NRB	E2	N/A	1/2	2	1 1/2	...	3	...
D221N	E3	DRK30	1 1/2	3♦	3	7 1/2♦
D221NRB	E3	DRK30	1 1/2	3♦	3	7 1/2♦
D222N	F1	RFK03L	1 1/2	3	3	7 1/2♦	10	15♦
D222NRB	F1	RFK03L	1 1/2	3	3	7 1/2♦	10	15♦
D223N	F3	RFK10	7 1/2	15♦	15	30♦
D223NRB	F3	RFK10	7 1/2	15♦	15	30♦
D224N	E3	DRK1020	15	25♦	...	50♦
D224NRB	E3	DRK1020	15	25♦	...	50♦
D225N	E3	DRK40
D225NR	E1	DRK40
D226N	E3	DRK600
D226NR	E1	DRK600
D321N	E3	DRK30	1 1/2	3	3	7 1/2
D321NRB	E3	DRK30	1 1/2	3	3	7 1/2
D322N	F1	RFK03L	1 1/2	3	3	7 1/2	10	15
D322NRB	F1	RFK03L	1 1/2	3	3	7 1/2	10	15
D323N	F3	RFK10	7 1/2	15	15	30
D323NRB	F3	RFK10	7 1/2	15	15	30
D324N	E4	DRK1020	15	25	...	50
D324NRB	E4	DRK1020	15	25	...	50
D325N	E3	DRK40	50	...	125
D325NT	E3	N/A	50
D325NR	E1	DRK40	50	...	125
D325NTR	E1	N/A	50
D326N	E3	DRK600	75	...	150
D326NT	E3	N/A	75
D326NR	E1	DRK600	75	...	150
D326NTR	E1	N/A	75
DU221RB★	E2	N/A	3	...
DU222RB★	E1	N/A	10	...
DU321★	E2	N/A	3	7 1/2
DU321RB★	E2	N/A	3	7 1/2
DU322★	E1	N/A	10	15
DU322RB★	E1	N/A	10	15
DU323★	F3	N/A	15	30
DU323RB★	F3	N/A	15	30
DU324★	E3	N/A	25	50
DU324RB★	E3	N/A	25	50
DU325★	E3	N/A	125
DU326■	E3	N/A	150
QO200TR△▽●	G3	N/A	10	...
QO260NAT△▽	E2	N/A	10	...
QO2000NRB△□	E1	N/A	20	...
QO2000NS△□	E1	N/A	20	...
T327N	E1	N/A	100
T327NR	E1	N/A	100

- † Rejection kits are available for Series D2, E1, E2, and F1 switches. When installed, this kit rejects all but Class R fuses. When installed with this kit and Class R fuses, the switch is UL Listed for use on systems with up to 100,000 RMS symmetrical amperes available fault current.
- ♦ For corner grounded delta systems.
- ★ Suitable for use as service equipment; requires field installation of a service grounding kit (see Digest 171, page 3-3). Solid neutral assembly SN225KA for the DU324 or DU324RB.
- △ Enclosed molded case switch; see Digest 171, page 1-20.
- ▽ Includes factory installed grounding kit.
- Includes factory installed solid neutral.
- Not service entrance rated; see Digest 171, page 1-20 for more information.
- Suitable for use as service equipment; requires field installation of solid neutral assembly D600SN.
- ★ For single-phase horsepower rating use two switching poles.



General Duty Safety Switches — Class 3130 Dimensions



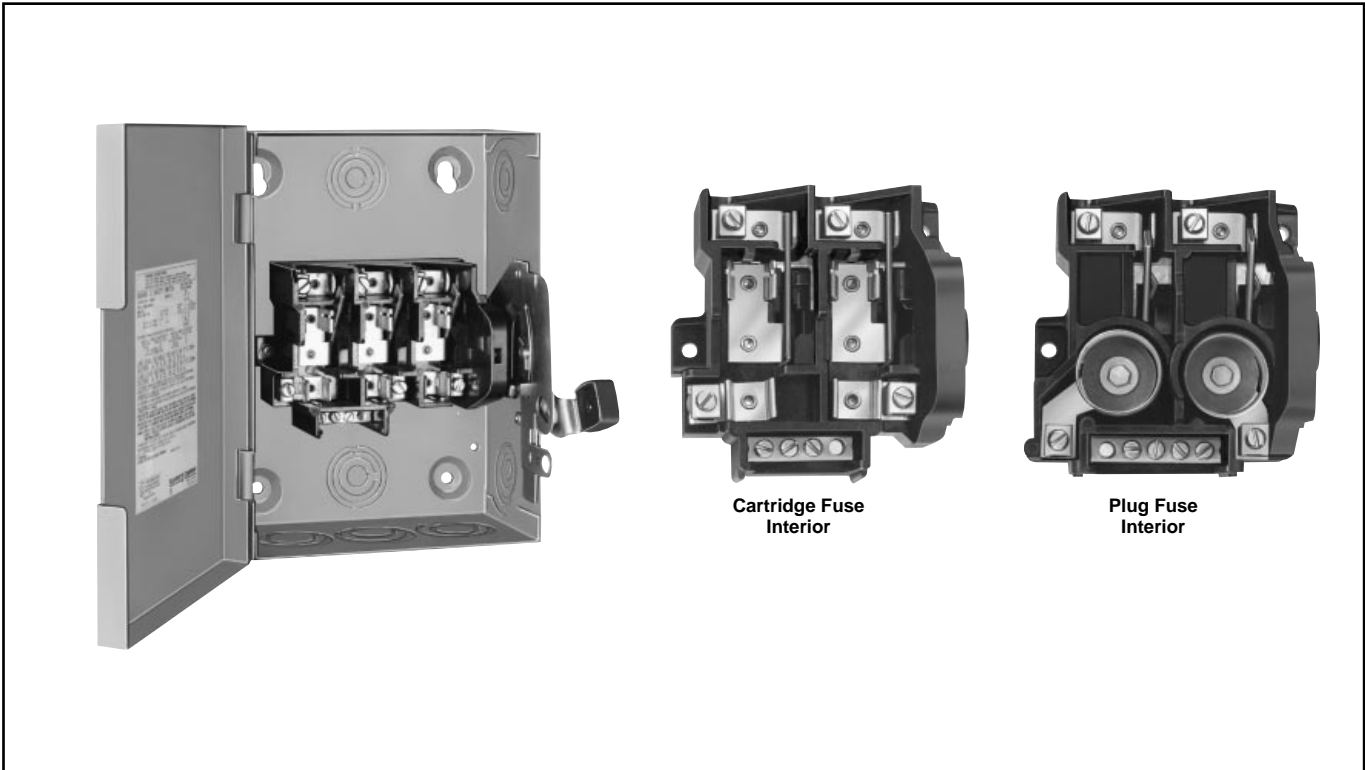
Catalog Number	Series	H		W		W/H		D	
		IN	mm	IN	mm	IN	mm	IN	mm
L111N▲	E2	7.63	194	5.00	127	6.13	156	4.00	102
L211N▲	E2	7.63	194	5.00	127	6.13	156	4.00	102
L221N▲	E2	7.63	194	5.00	127	6.13	156	4.00	102
D211N▲	E3	9.25	235	6.75	171	7.25	184	3.63	92
D211NRB▲	E2	9.63	245	7.25	184	7.75	197	3.75	95
D221N▲	E3	9.25	235	6.75	171	7.25	184	3.63	92
D221NRB▲	E3	9.63	245	7.25	184	7.75	197	3.75	95
D222N	F1	14.60	371	6.51	165	7.45	189	4.87	124
D222NRB	F1	14.88	378	6.63	168	7.45	189	4.87	124
D223N	F3	17.50	445	8.50	216	10.50	267	6.50	165
D223NRB	F3	17.50	445	8.50	216	10.50	267	6.50	165
D224N	E3	28.00	711	13.25	337	15.13	384	6.13	156
D224NRB	E3	28.25	718	13.38	340	15.38	391	6.25	159
D225N	E3	45.12	1146	24.00	610	24.88	632	8.88	226
D225NR	E3	30.63	778	21.38	543	22.25	565	10.13	257
D226N▲	E3	49.13	1248	24.00	610	24.88	632	8.88	226
D226NR▲	E3	49.13	1248	24.75	629	25.13	638	8.88	226
D321N▲	E3	9.25	235	6.75	171	7.25	184	3.63	92
D321NRB▲	E3	9.63	245	7.25	184	7.75	197	3.75	95
D322N	F1	14.60	371	6.51	165	7.45	189	4.87	124
D322NRB	F1	14.88	378	6.63	168	7.45	189	4.87	124
D323N	F3	17.50	445	8.50	216	10.50	267	6.50	165
D323NRB	F3	17.50	445	8.50	216	10.50	267	6.50	165
D324N	E4	28.00	711	13.25	337	15.13	384	6.13	156
D324NRB	E4	28.25	718	13.38	340	15.38	391	6.25	159
D325N▲	E3	45.12	1146	24.00	610	24.88	632	8.88	226
D325NT▲	E3	45.12	1146	24.00	610	24.88	632	8.88	226
D325NR	E1	30.63	778	21.38	543	22.25	565	10.13	257
D325NTR	E1	30.63	778	21.38	543	22.25	565	10.13	257
D326N▲	E3	49.13	1248	24.00	610	24.88	632	8.88	226
D326NT▲	E3	49.13	1248	24.00	610	24.88	632	8.88	226
D326NR	E1	49.13	1248	24.75	629	25.13	638	8.88	226
D326NTR	E1	49.13	1248	24.75	629	25.13	638	8.88	226
DU221RB▲	E2	9.63	245	7.25	184	7.75	197	3.75	95
DU222RB▲	E1	9.63	245	7.25	184	7.75	197	3.75	95
DU321▲	E2	9.25	235	6.75	171	7.25	184	3.63	92
DU321RB▲	E2	9.63	245	7.25	184	7.75	197	3.75	95
DU322▲	E1	9.25	235	6.75	171	7.25	184	3.63	92
DU322RB▲	E1	9.63	245	7.25	184	7.75	197	3.75	95
DU323	F1	17.50	445	8.50	216	10.50	267	6.50	165
DU323RB	F1	17.50	445	8.50	216	10.50	267	6.50	165
DU324	E3	28.00	711	13.25	337	15.13	384	6.13	156
DU324RB	E3	28.25	718	13.38	340	15.38	391	6.25	159
DU325▲	E3	45.12	1146	24.00	610	24.88	632	8.88	226
DU326▲	E3	49.13	1248	24.00	610	24.88	632	8.88	226
QO200TR▲	G3	6.50	165	4.63	118	3.88	99
QO260NATS▲	E2	9.25	235	4.88	124	3.25	83
QO2000NRB▲	E1	14.00	356	7.75	197	4.50	114
QO2000NS▲	E1	13.38	340	6.13	156	3.50	89
T327N▲	E1	49.13	1248	24.00	610	24.88	632	8.88	226
T327NR▲	E1	49.13	1248	24.75	629	25.13	638	8.88	226

▲ Does not have a cover draw as indicated in above drawing.



General Duty Safety Switches — Class 3130

Replacement Parts



30 A, Series E2 and E3

Switch Catalog Number	Series	Complete Interior★	Fuse Shell	Fuse Shell Insulator	Neutral Assembly	Fuse Shell Screw
D211N D211NRB	E3 E2	DN211N DN211N				
D221N D221NRB	E3 E3	DN221N DN221N				
D321N D321NRB	E3 E3	DN321N DN321N				
DU221RB	E2		Order the complete device.			
DU321 DU321RB	E2 E2					

★ Add series number after part number, e.g., DN321-E3. Complete interior includes: base assembly, neutral, and mounting screws.

Neutral bonding screw: 40283-355-50.

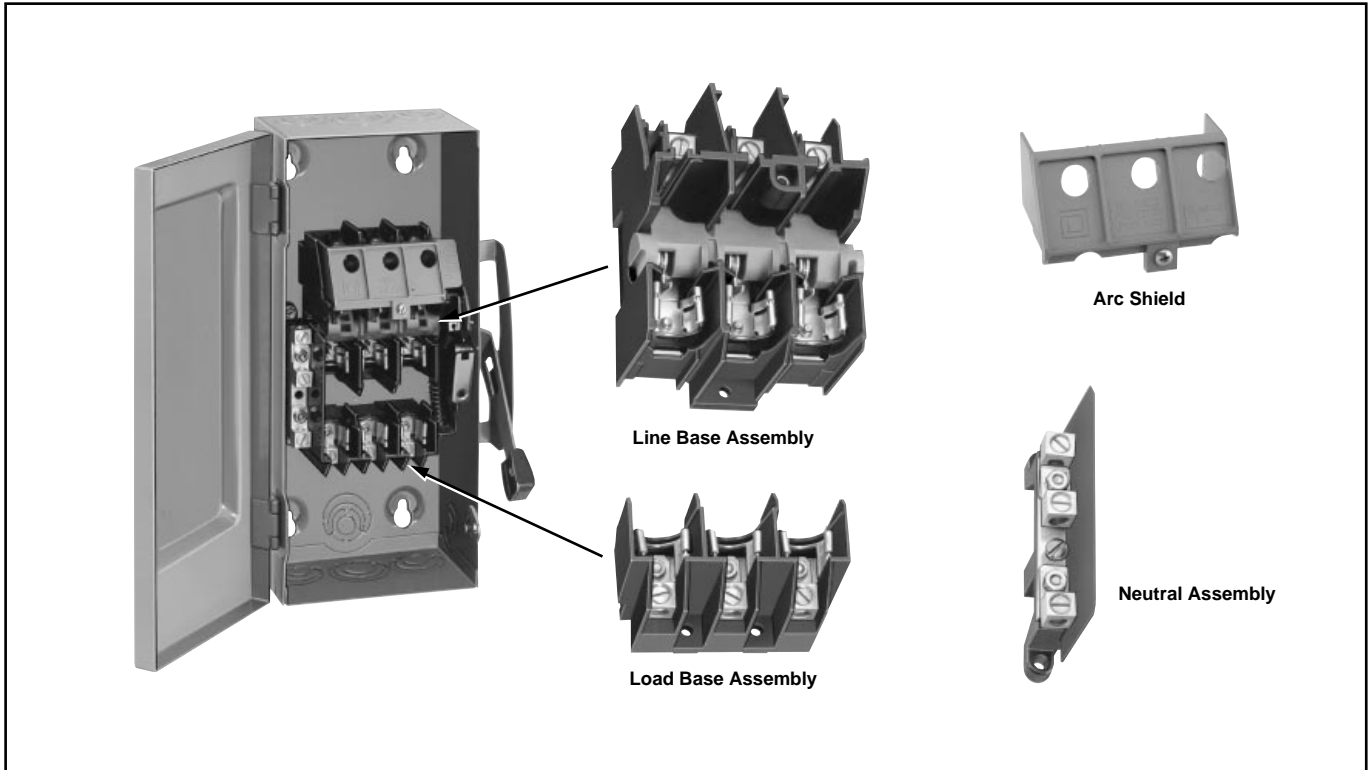
Black handle knob: 220601 and rivet: 24102-091-02.

Parts not listed are not available.



General Duty Safety Switches — Class 3130

Replacement Parts



60 A, Series E

Catalog Number	Series	Complete Interior★	Line Base Assembly	Load Base Assembly	Arc Shield♦	Lug Assembly	Neutral Assembly
D222N	E03	DN222NE3	40566-670-50	40560-026-50	40560-018-01	40251-016-51	SN03
D222NRB	E02, E03	DN222NE3	40566-670-50	40560-026-50	40560-018-01	40251-016-51	SN03
D322N	E03	DN322NE3	40566-667-50	40560-025-50	40560-018-01	40251-016-51	SN03
D322NRB	E03	DN322NE3	40566-667-50	40560-025-50	40560-018-01	40251-016-51	SN03
DU322	E01	DUN322E1	40560-555-50	N/A	N/A	N/A	N/A
DU322RB	E01	DUN322E1	40560-555-50	N/A	N/A	N/A	N/A

★ Complete interior includes: line base assembly, load base assembly, neutral assembly, arc shield, and base mounting screws.

♦ Arc shield mount screw: 40205-071-01, Series E Switches.

Base mounting screw: 21427-171-61, (3) required for line base, (2) required for load base.
Neutral mounting screw: 40205-065-01, (2) required.

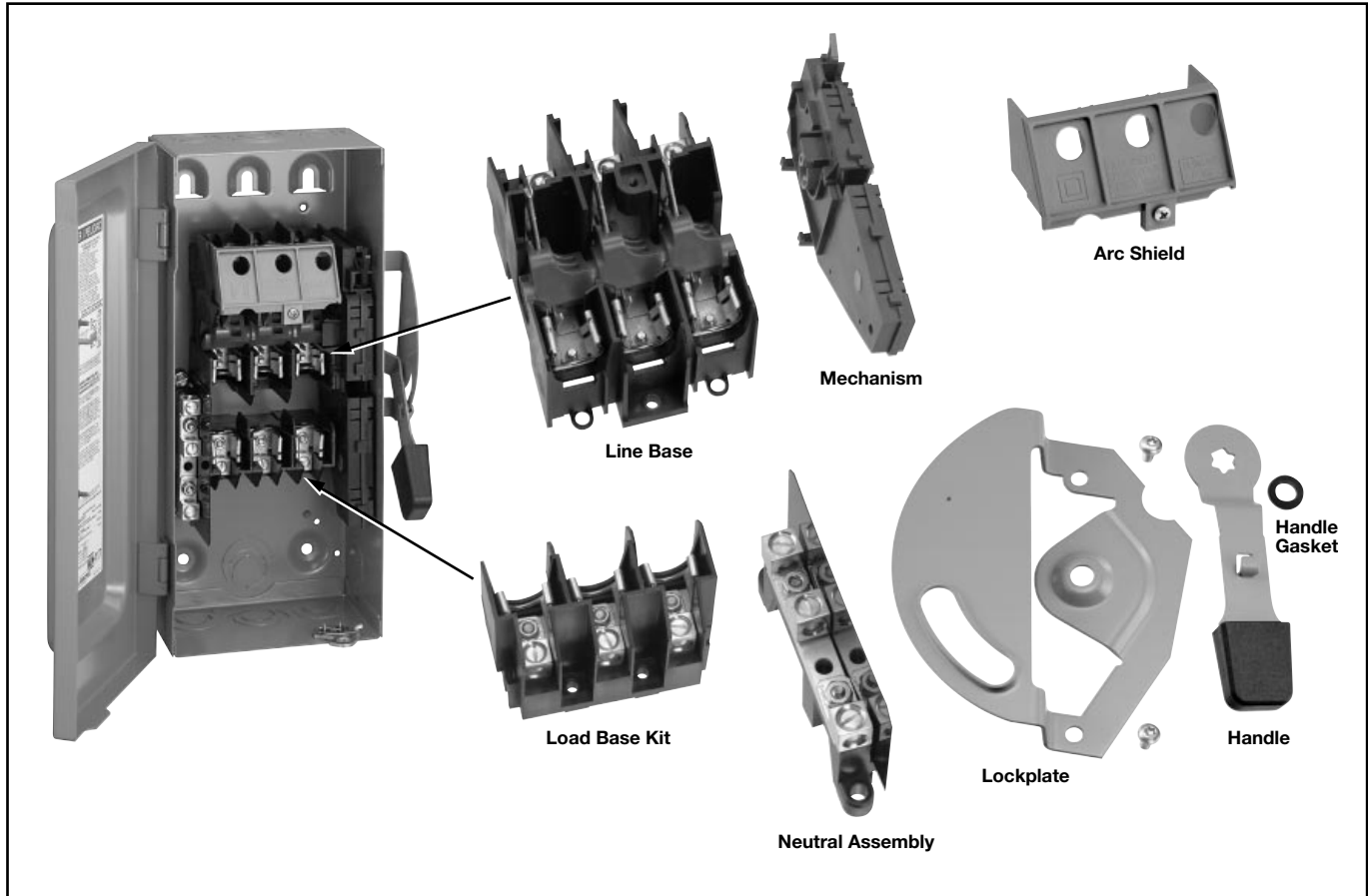
Neutral bonding assembly: 40283-330-51.

Parts not listed are not available.



General Duty Safety Switches — Class 3130

Replacement Parts



60 A, Series F

Catalog Number	Series	Complete Interior★	Line Base Assembly	Load Base Assembly	Arc Shield▲	Mechanism Assembly	Handle Assembly	Handle Gasket	Lockplate	Lug Assembly	Neutral Assembly
D222N	F01	DN222NF1	40566-421-50	40560-026-50	40560-018-01	40566-378-50	40566-387-50	N/A	40566-388-01	40251-016-51	SN03
D222NRB	F01	DN222NF1	40566-421-50	40560-026-50	40560-018-01	40566-378-50	40566-387-50	40566-086-01	40566-388-01	40251-016-51	SN03
D322N	F01	DN322NF1	40566-420-50	40560-025-50	40560-018-01	40566-378-50	40566-387-50	N/A	40566-388-01	40251-016-51	SN03
D322NRB	F01	DN322NF1	40566-420-50	40560-025-50	40560-018-01	40566-378-50	40566-387-50	40566-086-01	40566-388-01	40251-016-51	SN03

★ Complete interior includes: line base assembly, load base assembly, neutral assembly, arc shield, and base mounting screws.

▲ Arc shield mounting screw: 40205-145-01, Series F Switches.

Base mounting screw: 21427-171-61, (3) required for line base, (2) required for load base.

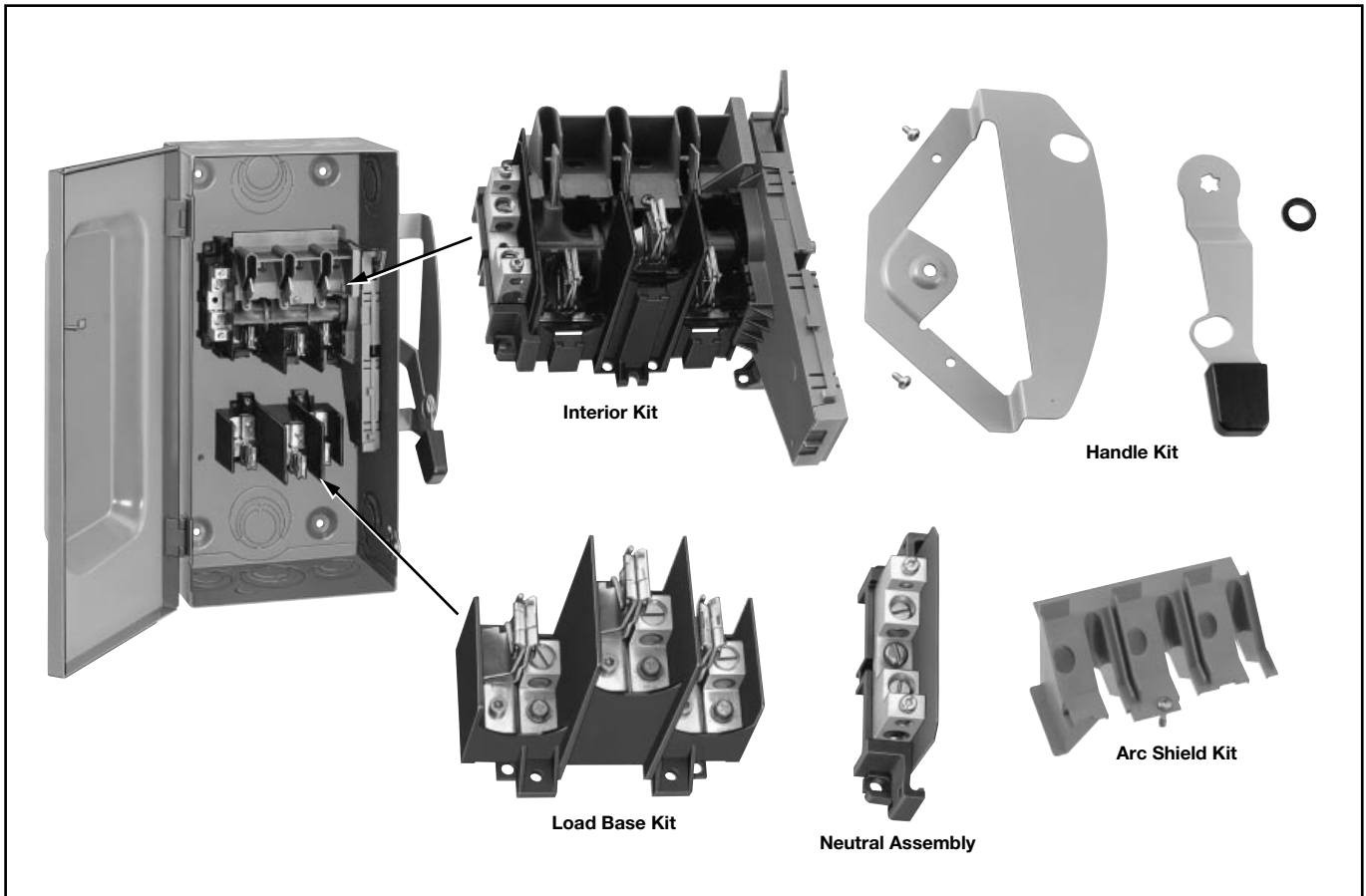
Neutral mounting screw: 40205-065-01, (2) required.

Neutral bonding assembly: 40283-330-51.

Parts not listed are not available.



General Duty Safety Switches — Class 3130 Replacement Parts



100 A, Series F

Switch Catalog Number	Series Number	Interior Kit †	Load Base Kit	Neutral Assembly	Handle Kit ■	Arc Shield Kit	Lug Kit ◆
D223N D223NRB	F01, F03 F01, F03	DSIF2210F DSIF2210F	DLB210F DLB210F	SN0610 SN0610	DH10F DH10F	DAS10F DAS10F	AL10F AL10F
D323N D323NRB	F02, F03 F01, F02, F03	DSIF3210F DSIF3210F	DLB310F DLB310F	SN0610 SN0610	DH10F DH10F	DAS10F DAS10F	AL10F AL10F
DU323 DU323RB	F01, F03 F01, F03	DSIU3210F DSIU3210F	SN0610 SN0610	DH10F DH10F	DAS10F DAS10F	AL10F AL10F

† Interior kit includes line base, load base assembly, mechanism, arc suppressor, mounting screws, lugs, and instructions.

■ Handle kit includes operating handle, gasket, guide plate, and mounting screws.

◆ Lug kit includes (6) lug assemblies and mounting screws.

Neutral bonding assembly: 40283-456-50.

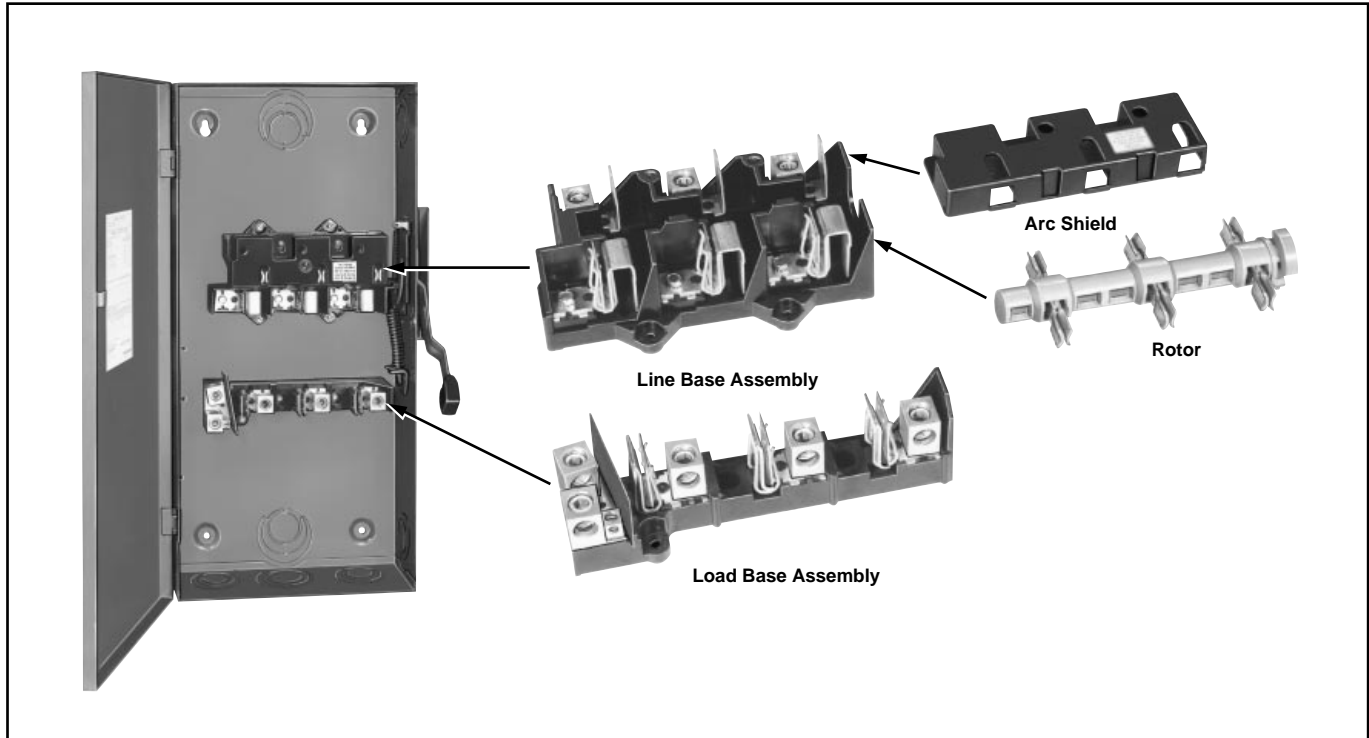
For complete interior, order interior kit and neutral assembly (if required).

Parts not listed are not available.



General Duty Safety Switches — Class 3130

Replacement Parts



200 A, Series E

Catalog Number	Series	Complete Interior★	Line Base Assembly†	Load Base Assembly	Arc Shield	Lug Assembly	Rotor †
D224N D224NRB	E03 E03	DN224NE3 DN224NE3	40510-593-50 40510-593-50	40510-597-50 40510-597-50	40510-540-01 40510-540-01	40251-052-50 40251-052-50	40510-557-50 40510-557-50
D324N D324NRB	E04 E03, E04	DN324NE3 DN324NE3	40510-594-50 40510-594-50	40510-596-50 40510-596-50	40510-540-01 40510-540-01	40251-052-50 40251-052-50	40510-556-50 40510-556-50
DU324 DU324RB	E03 E03	DUN324E3 DUN324E3	40510-595-50 40510-595-50	40510-540-01 40510-540-01	40251-052-50 40251-052-50	40510-556-50 40510-556-50

★ E04 interiors will replace E02 and E03 Interiors.

† If line base assembly or rotor is required order both assemblies.

Bonding screw assembly: 40283-405-51.

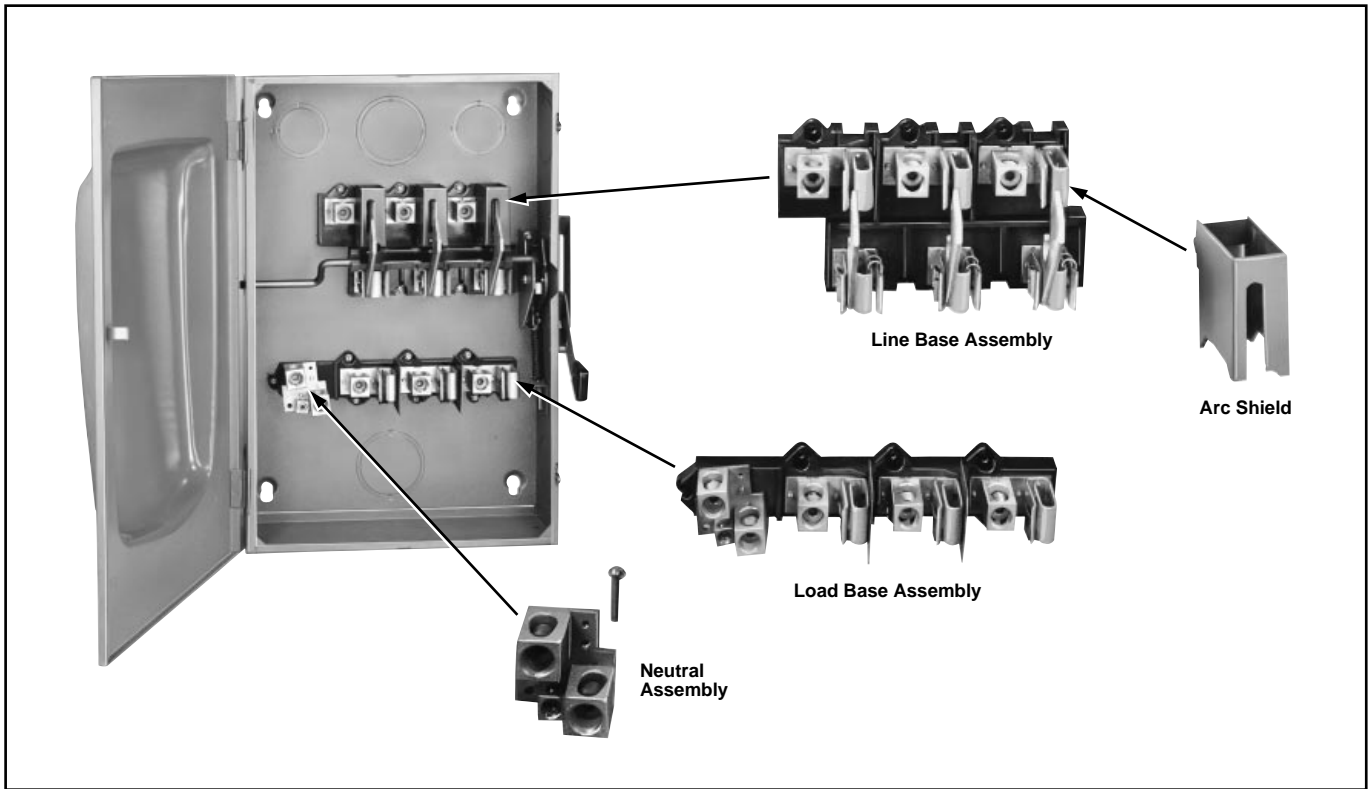
Base mounting screw: 40205-065-01, (4) required for line base, (3) required for load base.

Arc shield mounting screw: 40205-082-01, (2) required.

Parts not listed are not available.



General Duty Safety Switches — Class 3130 Replacement Parts



400 A, Series E

Catalog Number	Series	Complete Interior	Line Base Assembly★	Load Base Assembly★	Arc Suppressor▲	Lug Assembly	Neutral Assembly■
D225N	E01	DN225NE1	40510-460-50	40510-461-50	40510-310-03	N/A	40510-462-50
D225NR	E01	DN225NE1	40510-460-50	40510-461-50	40510-310-03	N/A	40510-462-50
D325	E01	DN325E1	40510-463-50	40510-464-50	40510-310-03	N/A	N/A
D325N	E01, E02	DN325NE2	40510-463-50	40510-465-50	40510-310-03	N/A	40510-462-50
D325NR	E01	DN325NE1	40510-463-50	40510-465-50	40510-310-03	N/A	40510-462-50
D325R	E01	DN325E1	40510-463-50	40510-464-50	40510-310-03	N/A	N/A
D225NT	E01	DN225NTE1	40510-475-50	40510-478-50	40510-310-03	N/A	40510-462-50
D225NTR	E01	DN225NTE1	40510-475-50	40510-478-50	40510-310-03	N/A	40510-462-50
D325NT	E01	DN325NTE1	40510-476-50	40510-480-50	40510-310-03	N/A	40510-462-50
D325NTR	E01	DN325NTE1	40510-476-50	40510-480-50	40510-310-03	N/A	40510-462-50
DU325	E01	DUN325E1	40510-467-50	N/A	40510-310-03	N/A	N/A

★ Base mounting screws: 21427-720-41, (6) required for line base, (7) required for load base.

▲ Arc suppressor mounting screw: 40205-082-01, (1) required.

■ Neutral mounting screw: 21404-202-00, washer: 23602-117-01, (2) each required.

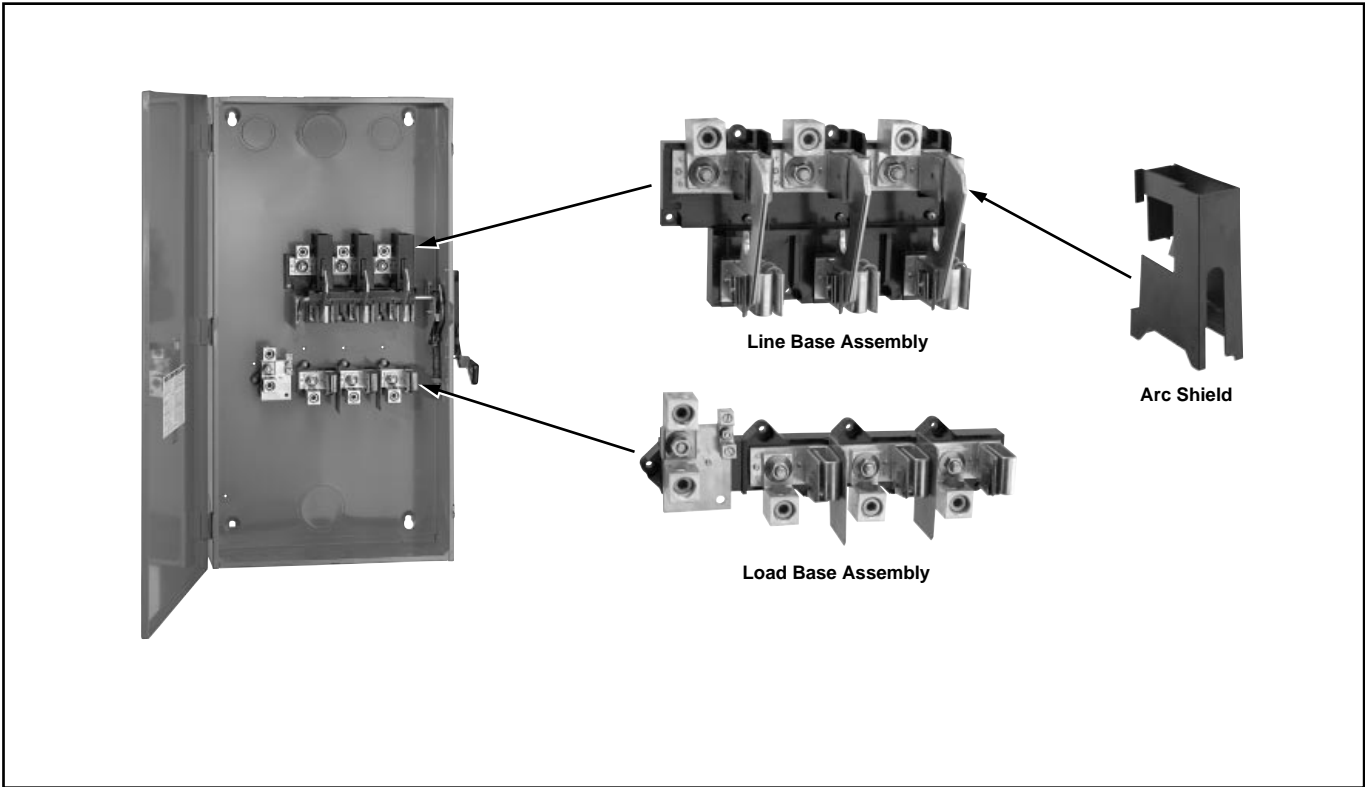
Neutral bonding assembly: 40283-185-79.

Parts not listed are not available.



General Duty Safety Switches — Class 3130

Replacement Parts



400 A, Series E

Catalog Number	Series	Complete Interior	Line Base Assembly★	Load Base Assembly★	Arc Suppressor▲	Lug Assembly■
D225N	E03	DN225NE3	40510-624-50	40510-625-50	40510-574-02	40251-136-50
D325N	E03	DN325NE3	40510-627-50	40510-628-50	40510-574-02	40251-136-50
D325NT	E03	DN325NTE3	40510-476-51	40510-480-51	40510-574-02	40251-136-50
DU325	E03	DUN325E3	40510-467-51	...	40510-574-02	40251-136-50

★ Base mounting screws: 21427-720-41, (6) required for line base, (7) required for load base.

▲ Arc suppressor mounting screw: 40205-082-01, (1) required.

● Neutral mounting screw: 21404-202-00, washer: 23602-117-01, (2) each required.

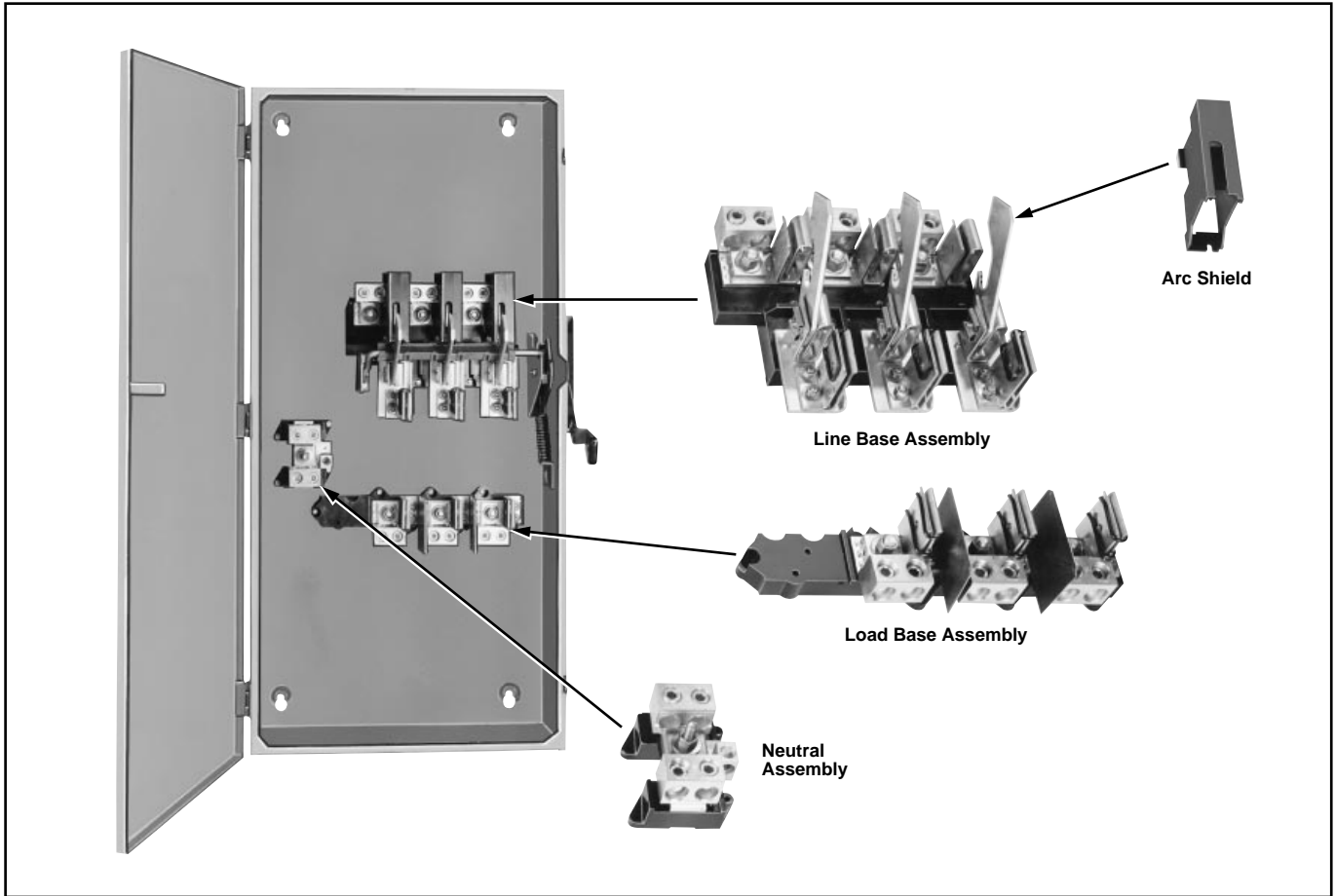
■ Lug mounting nut: 23427-028-00.

Neutral bonding assembly: 40283-185-82.

Parts not listed are not available.



General Duty Safety Switches — Class 3130 Replacement Parts



600 A, Series E

Catalog Number	Series	Complete Interior	Line Base Assembly★	Load Base Assembly★	Arc Suppressor▲	Lug Assembly	Neutral Assembly■
D226N	E01, E03	DN226NE1	40510-438-51	40510-436-51	40510-574-02	40251-137-50	D600SN
D226NR	E01	DN226NRE1	40510-438-51	40510-436-51	40510-574-02	40251-137-50	D600SN
D326	E01	DN326E1	40510-434-51	40510-437-51	40510-574-02	40251-137-50	...
D326N	E01, E02, E03	DN326NE2	40510-434-51	40510-437-51	40510-574-02	40251-137-50	D600SN
D326NR	E01	DN326NRE1	40510-434-51	40510-437-51	40510-574-02	40251-137-50	D600SN
D326R	E01	DN326RE1	40510-434-51	40510-437-51	40510-574-02	40251-137-50	...
D226NT	E01	DN226NTE1	40510-481-51	40510-483-51	40510-574-02	40251-137-50	D600SN
D226NTR	E01	DN226NTRE1	40510-481-51	40510-483-51	40510-574-02	40251-137-50	D600SN
D326NT	E01, E03	DN326NTE1	40510-482-51	40510-484-51	40510-574-02	40251-137-50	D600SN
D326NTR	E01	DN326NTRE1	40510-482-51	40510-484-51	40510-574-02	40251-137-50	D600SN
DU326	E01, E03	DNU326E1	40510-440-51	...	40510-574-02	40251-137-50	...

★ Base mounting screws: 21427-720-41, (6) required for line base, (7) required for load base.

▲ Arc suppressor mounting screw: 40205-082-01, (1) required.

■ Neutral mounting screw : 21404-202-00, washer: 23602-117-01, (2) each required.

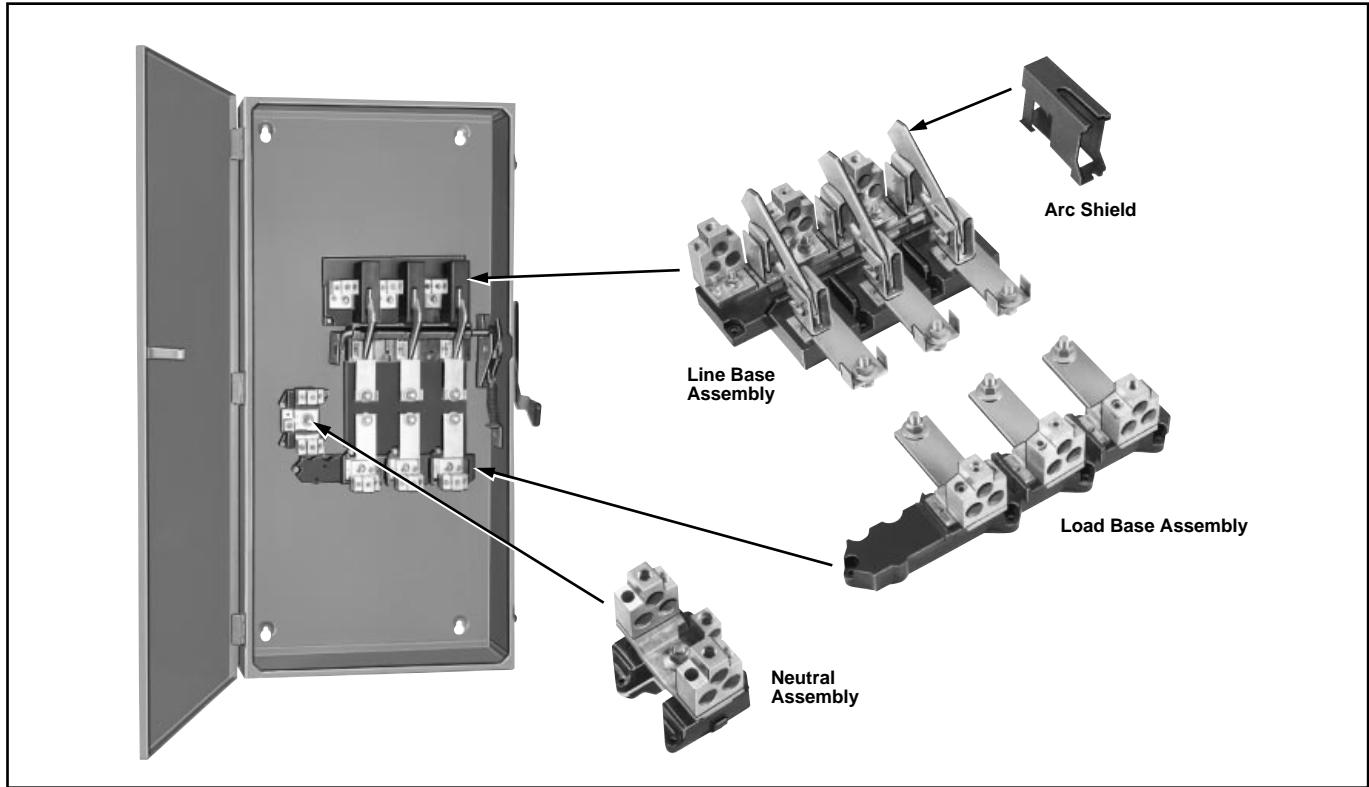
Neutral bonding assembly: 40283-312-50.

Parts not listed are not available.



General Duty Safety Switches — Class 3130

Replacement Parts



800 A, Series E1

Catalog Number	Complete Interior★	Line Base Assembly	Load Base Assembly	Arc Shield	Neutral Assembly
T327N	TN327NE1	40510-512-50	40510-511-50	40510-574-02	40510-507-50
T327NR	TN327NE1	40510-512-50	40510-511-50	40510-574-02	40510-507-50

★ Complete interior includes: line base assembly, load base assembly, arc shields and mounting screws.

Base mounting screw: 21427-202-41, (6) for line base, (7) for load base, (4) for neutral assembly.

NEMA Type 3R cover hinge screw: 21427-20241, (2) per cover.

Arc shield mounting screw: 40205-082-01.

Neutral bonding strap assembly: 40283-312-50.

Parts not listed are not available.



Heavy Duty Safety Switches Table of Contents

Product Description	20
General Information	31
Dimensions	41
Replacement Parts	45



Heavy Duty Safety Switches — Class 3110

Product Description



Series E



Series F

DESCRIPTION

Visible blade heavy duty safety switches are designed for application where maximum performance and continuity of service are required. All heavy duty safety switches feature a quick-make, quick-break operating mechanism, a dual cover interlock and a color-coded indicator handle. They are suitable for use as service equipment when equipped with a field or factory installed neutral assembly or equipment grounding kit, unless a 600Y/347 V or 480Y/277 V, 1000 A or greater, solidly grounded WYE system is used, per NEC 215-10. Heavy duty safety switches are UL Listed (except as noted), File E2875 and 154828, and meet or exceed the NEMA Standard KS1. NEMA Type 12, 12K and stainless steel switches through 200 A are UL Marine Listed for use on vessels over 65 feet long. For UL Listed short circuit withstand ratings, see Digest 171, page 3-6.

CONFIGURATION

- Four fusible, switched poles without insulated, groundable solid neutral.
- Six fusible, switched poles without insulated, groundable solid neutral.
- Four or six not fusible, switched poles without insulated, groundable solid neutral.
- Three fusible, switched poles without insulated groundable solid neutral interlocked to Appleton; Crouse-Hinds or HUBBELLOCK® receptacle.
- Three not fusible, switched poles without insulated groundable solid neutral interlocked to Appleton, Crouse-Hinds or HUBBELLOCK receptacle.



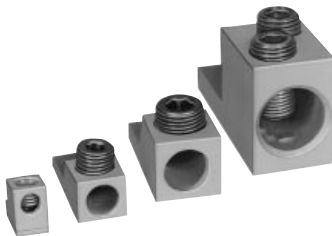
Operating Mechanism
Series E



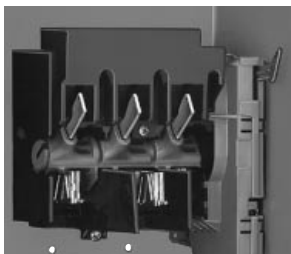
Operating Mechanism
Series F

CONSTRUCTION

- Visible blades for positive blade position indication.
- Optional viewing window allows visual verification of blade position without opening door. Not available on all devices, contact Square D sales offices.
- Red and black handle indication for switch position.
- Series F handle, mechanism, and lockplate are field replaceable.
- Series F Type 3R devices have side opening covers.
- Highly visible embossed ON-OFF marking.
- Quick-make, quick-break, spring-driven operating mechanism.
- Front removable mechanical lugs. Refer to page 31 for further lug data.
 - Standard lugs accommodate aluminum or copper cable termination on NEMA Type 1, 3R, or 4X fiberglass enclosure.
 - Standard lugs accommodate copper only cable termination on NEMA Type 12, 12K or 4, 4X, 5 stainless steel.



Mechanical Lugs



Visible Blades



NEMA Type 1



NEMA Type 3R



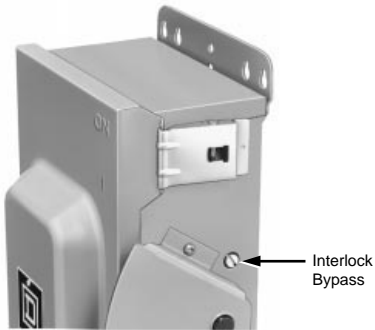
NEMA Type 4, 4X and 5
Stainless Steel



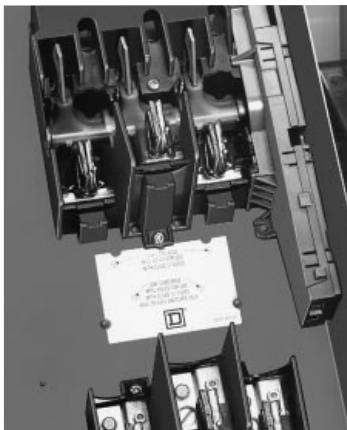
NEMA Type 12



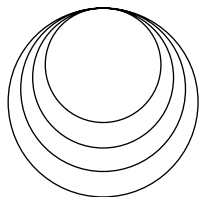
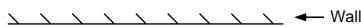
Heavy Duty Safety Switches — Class 3110 Product Description



Fuse Pullers



Class J Fuse Provisions
Alternate mounting holes make for easy conversion to Class J fuses.



Tangential Knockouts



- Dual cover interlock keeps the cover shut when switch is ON. When the cover is open, it interlocks the switch OFF, unless the interlock is bypassed.
- Factory-installed fuse pullers on 30–100 A NEMA Type 4, 4X, and 5 stainless steel and NEMA Type 12 or 12K switches. Field installable on 30–100 A NEMA Type 1 and NEMA Type 3R switches.
- Class J fuse provisions on 30 A–600 A, 600 V switches and 100–600 A, 240 V switches. 600 A devices require a mounting kit (catalog number H600J).
- 30–600 A switches are shipped with standard Class H fuse spacing. These switches will accept Class R fuses also. A field installable rejection kit is available which, when installed, rejects all but Class R fuses. See pages 26 through 30 for Class R fuse kits.
- Multiple padlock provision in OFF position.
- Lock-on provisions factory or field modification.
- Tangential combination knockouts lessen the need for conduit offset bends.

ENCLOSURES

- NEMA Type 1 general purpose, indoor.
- NEMA Type 3R rainproof, outdoor.
- NEMA Type 4, 4X, 5 indoor or outdoor, watertight, dusttight, and corrosion-resistant (Type 304 stainless steel).
- NEMA Type 4X indoor or outdoor, watertight, dusttight, and corrosion-resistant (fiberglass reinforced polyester enclosures).
- NEMA Type 7 and NEMA Type 9 hazardous locations:
 - Class I, Groups C and D.
 - Class II, Groups E, F and G.
 - Class III.
- NEMA Type 12, 12K indoor, dusttight, and dripproof. NEMA Type 12 has no knockouts (suitable for outdoor use). NEMA Type 12K provided with knockouts.
- NEMA Type 3, 3R, 4, 4X, and 12 indoor or outdoor watertight, dusttight, and corrosion-resistant epoxy powder coated cast aluminum.



Heavy Duty Safety Switches — Class 3110

Product Description



H362AWA
Interlocked Receptacle
Switch with Appleton, NEMA Type 3, 3R, 4, 4X
and 12 Rated Receptacle



H362AWC
Interlocked Receptacle
Switch with Crouse-Hinds
ARKTITE Receptacle

RECEPTACLE SWITCHES

Interlocked receptacle switches are furnished with a factory-installed 3-phase 4-wire Appleton POWERTITE®, Crouse-Hinds Style 2 ARKTITE®, or HUBBELLOCK receptacle. The fourth wire is connected to the switch equipment ground terminal and is not a solid neutral termination. Interlocking linkage between the receptacle and switch mechanism prevents insertion or removal of the plug while the switch is in the “ON” position or insertion of any plug other than specified. The interlocking mechanism also prevents the switch from being turned “ON” if a plug has not been fully inserted into the receptacle.

Appleton POWERTITE Receptacle

- Devices are UL Listed and CSA Certified, suitable for use as service equipment.
- Receptacles are epoxy powder coated over copper-free cast aluminum and NEMA Type 1, 3, 3R, 4, 4X, and 12 rated.
- 60 A, H362AWA and HU362AWA are stock items. All other items are non-stock and require an 8-week lead time.
- Short circuit rating: 10,000 A when used with or protected by Class H or K fuses; 200,000 A when used in conjunction with Class R, T or J fuses.

Crouse-Hinds ARKTITE Receptacle

- Devices are UL Listed and suitable for use as service equipment.
- 60 A, H362AWC and HU362AWC are stock items. All other items are non-stock and require a 12-week lead time.
- Short circuit rating: 10,000 A when used with or protected by Class H or K fuses; 200,000 A when used in conjunction with Class R, T or J fuses.

HUBBELLOCK Receptacle

- UL Listed, suitable for use as service equipment; in stock.
- Short circuit rating: 10,000 A

NOTE: The HUBBELLOCK receptacle switch uses the Square D interlocked plug SD12781 only available from Square D.



Heavy Duty Safety Switches — Class 3110

Product Description

Application

Heavy duty safety switches are designed for the following applications:

- Commercial and industrial installations.
- Up to 600 Vac or 600 Vdc maximum.
- Up to 200,000 rms symmetrical amperes short circuit current.
- 30–1200 A.
- Horsepower ratings.
- Two or three fusible switched poles with or without insulated, groundable neutral.
- Four fusible switched poles, neutral not available.
- Two or three not fusible, switched poles with or without insulated, groundable neutral.
- Four not fusible switched poles, neutral not available.
- Six not fusible switched poles, neutral not available.

Standards

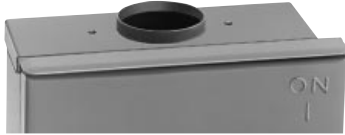
Heavy duty safety switches are manufactured in accordance with these standards:

- UL98, Standard for Enclosed and Dead Front Switches. UL Listed under File E2875, or E154828.
- NEMA Standards Publication KS1, Enclosed Switches.
- Federal Specifications WS-865c for Type HD.
- NOM Certified.

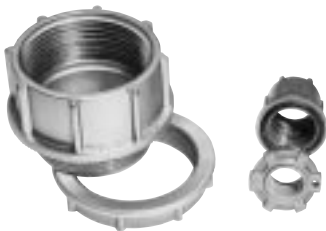


Heavy Duty Safety Switches — Class 3110

Product Description



Bolt-On Hubs



Watertight Hubs



Class R Fuse Kits

ACCESSORIES

Square D heavy duty safety switches are UL Listed for use with the following accessories:

Hubs

Bolt-on hubs for rainproof applications. Switches with RB suffix accept 3/4" through 2 1/2" bolt-on hubs. Switches with R suffix have blank top endwalls. Series F RB devices are compatible with 4" raintight trough only.

Rainproof Bolt-On Hubs—For Use on NEMA Type 3R Enclosures

Conduit Size	3/4	1	1 1/4	1 1/2	2	2 1/2	3	3 1/2	4	Closing Cap	Box Coupling
Hub Cat. Number	B075	B100	B125	B150	B200	B250	B300	B350	B400	BCAP	BC200

NEMA Type 3R rainproof enclosures have a bolt-on closing cap factory installed. Order bolt-on hubs separately from table above. Hubs through size 2 1/2" can be directly installed on RB devices. Devices requiring 3" or larger hubs must have holes cut in the field. Gaskets are provided on 3" and larger hubs.

All hubs are UL Listed for indoor and rainproof applications and suitable for use with conduit having ANSI standard taper pipe thread.

Watertight hubs 1/2" through 4" zinc or chrome plated for field installation on NEMA Type 3R, 12 or 4, 4X, 5 stainless steel switches.

Watertight Hubs—For Use on NEMA Type 4, 4X and 5 Stainless Steel and Type 12 Enclosures

Conduit Trade Size	1/2	3/4	1	1 1/4	1 1/2	2	2 1/2	3	3 1/2	4
Standard Zinc Hub Catalog Number	H050	H075	H100	H125	H150	H200	H250	H300	H350	H400
Chrome Plated Hub Catalog Number	H050CP	H075CP	H100CP	H125CP	H150CP	H200CP	H250CP	H300CP	H350CP	H400CP

Class R Fuse Kits

For systems up to 200,000 rms symmetrical amperes provide rejection for all other fuse types. See pages 26 through 30 for catalog numbers.

Solid Neutral Assemblies

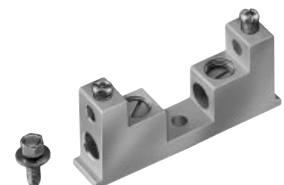
Field installable, insulated, groundable solid neutral assemblies. See pages 26 through 30 for catalog numbers.

Equipment Grounding Kits

Field installable equipment grounding kits. See pages 26 through 30 for catalog numbers.



Field Installable Insulated, Groundable Neutral

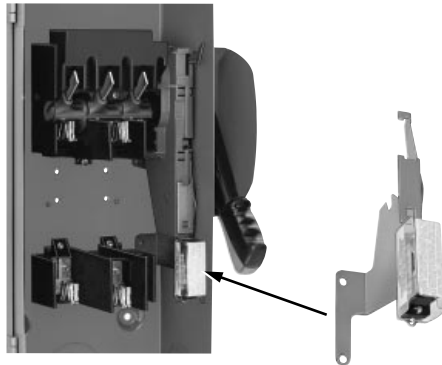


Field Installable Equipment Grounding Kit



Heavy Duty Safety Switches — Class 3110

Product Description



**Electrical Interlock
Series F**

Electrical Interlock Kits

Electrical interlocks for heavy duty safety switches through 1200 A are available factory installed or in kit form for field installation. A pivot arm operates from the switch mechanism, breaking the control circuit before the main switch blades break. Switches with electrical interlock accessories installed are UL Listed. See pages 26 through 30 for catalog numbers.

Electrical Interlock Contact Ratings♦

Interlock Type	AC—50 or 60 Hz			DC			
	Volts	Make	Break	Cont.	Volts	Make & Break	Cont.
1 N.O./	120	40.0 A	15 A	15 A	115	.50 A	15 A
1 N.C.	240	20.0 A	10 A	15 A	230	.25 A	15 A
Contact	480	10.0 A	6 A	15 A
(-1 Suffix)	600	8.0 A	5 A	15 A	600	.05 A	15 A
2 N.O./	120	30.0 A	3.0 A	10 A	115	1.00 A	10 A
2 N.C.	240	15.0 A	1.5 A	10 A	230	.30 A	10 A
Contacts	480	7.5 A	.75 A	10 A
(-2 Suffix)	600	6.0 A	.60 A	10 A	600	.10 A	10 A

♦ Single pole single throw interlock kits are rated 1/2 hp @ 110 and 220 Vac.

-1 Suffix uses a 9007A01 limit switch.

-2 Suffix uses a 9007C03 limit switch.

Fuse Pullers

Kit consists of three fuse pullers as required for a 3-pole, fusible, 240 V or 600 V heavy duty switch. Kits can be installed in switches manufactured after February, 1980. Fuse pullers are supplied as standard equipment on NEMA Type 12, 12K; NEMA Type 4, 4X, 5 stainless steel; NEMA Type 4X fiberglass reinforced polyester, and KRYDON switches through 100 A. See pages 26 through 30 for catalog numbers.

Optional Compression Lugs

Refer to page 31 for applicable options.



Heavy Duty Safety Switches — Class 3110

Production Description

Accessories for Current Series NEMA Type 1 and NEMA Type 3R Switches

Catalog Number	Series	Electrical Interlock (1 contact)	Electrical Interlocks (2 contacts)	Class R Kits	Solid Neutral Al/Cu	Solid Neutral Cu Only	Ground Kit Al	Ground Kit Cu	Fuse Puller	Receptacle Plugs
H100XFA H221A H221AWK H221DS	E1 F1 F1 E1	N/A EIK031 EIK031 EK3001	N/A EIK032 EIK032 EK3002	N/A RFK03L RFK03L HRK30	100SN SN03 SN03 H60SN	N/A SN03C SN03C H60SNC	Std GTK03 GTK03 PK3GTA1	N/A GTK03C GTK03C PK06GTC1	N/A Std. Std. Std.	N/A N/A N/A N/A
H221N H221NRB H222A H222AWK	F1 F1 F4 F4	EIK031 EIK031 EIK031 EIK031	EIK032 EIK032 EIK032 EIK032	RFK03L RFK03L RFK03L RFK03L	Std. Std. SN03 SN03	SN03C SN03C SN03C SN03C	GTK03 GTK03 GTK03 GTK03	GTK03C GTK03C GTK03C GTK03C	FPK03 FPK03 Std. Std.	N/A N/A N/A N/A
H222DS H222N H222NRB H223A	E1 F4 F4 F5	EK3061 EIK031 EIK031 EIK1	EIK3062 EIK032 EIK032 EIK2	HRK60 RFK03L RFK03L RFK10	H60SN Std. Std. SN0610	H60SNC SN03C SN03C SN0610C	PK3GTA1 GTK03 GTK03 GTK0610	PKOGTC1 GTK03C GTK03C GTK0610C	Std. FPK03 FPK03 Std.	N/A N/A N/A N/A
H223AWK H223DS H223N H223NRB	F5 E2 F5 F5	EIK1 EK10201 EIK1 EIK1	EIK2 EK10202 EIK2 EIK2	RFK10 HRK1020 RFK10 RFK10	SN0610 H100SN Std. Std.	SN0610C H100SNC SN0610C SN0610C	GTK0610 PKOGTA2 GTK0610 GTK0610	GTK0610C PKOGTC2 GTK0610C GTK0610C	Std. Std. FPK0610 FPK0610	N/A N/A N/A N/A
H224A H224AWK H224DS H224N	E1 E1 E1 E1	EK10201 EK10201 EK10201 EK10201	EK10202 EK10202 EK10202 EK10202	HRK1020 HRK1020 HRK1020 HRK1020	H200SN H200SN H200SN Std.	H200SNC H200SNC H200SNC H200SNC	PKOGTA2 PKOGTA2 PKOGTA2 PKOGTA2	PKOGTC2 PKOGTC2 PKOGTC2 PKOGTC2	N/A N/A N/A N/A	N/A N/A N/A N/A
H224NRB H225 H225AWK H225DS	E1 E1 E2 E2	EK10201 EIK40601 EIK40601 EIK40601	EK10202 EIK40602 EIK40602 EIK40602	HRK1020 HRK4060 HRK4060 HRK4060	Std. H600SN H600SN H600SN	H200SNC H600SNC H600SNC H600SNC	PKOGTA2 PKOGTA2 PKOGTA2 PKOGTA2	PKOGTC2 PKOGTC3 PKOGTC3 PKOGTC3	N/A N/A N/A N/A	N/A N/A N/A N/A
H225N H225NAWK H225NDS H225NR	E1 E2 E2 E1	EIK40601 EIK40601 EIK40601 EIK40601	EIK40602 EIK40602 EIK40602 EIK40602	HRK4060 HRK4060 HRK4060 HRK4060	Std. H600SN H600SN Std.	H600SNC Std. Std. H600SNC	PKOGTA2 PKOGTA2 PKOGTA2 PKOGTA2	PKOGTC3 PKOGTC2 PKOGTC2 PKOGTC3	N/A N/A N/A N/A	N/A N/A N/A N/A
H225R H225XKA H226 H226AWK	E1 C2 E1 E2	EIK40601 N/A EIK40601 EIK40601	EIK40602 N/A EIK40602 EIK40602	HRK4060 N/A HRK4060 HRK4060	H600SN 225SNA H600SN H600SN	H600SNC N/A H600SNC H600SNC	PKOGTA2 Std PKOGTA2 PKOGTA2	PKOGTC3 N/A PKOGTC3 PKOGTC3	N/A N/A N/A N/A	N/A N/A N/A N/A
H226DS H226N H226NAWK H226NDS	E2 E1 E2 E2	EIK40601 EIK40601 EIK40601 EIK40601	EIK40602 EIK40602 EIK40602 EIK40602	HRK4060 HRK4060 HRK4060 HRK4060	H600SN Std. H600SN H600SN	H600SNC H600SNC Std. Std.	PKOGTA2 PKOGTA2 PKOGTA2 PKOGTA2	PKOGTC3 PKOGTC3 PKOGTC3 PKOGTC3	N/A N/A N/A N/A	N/A N/A N/A N/A
H226NR H226R H227 H227AWK	E1 E1 E4 E4	EIK40601 EIK40601 EIK40601 EIK40601	EIK40602 EIK40602 EIK40602 EIK40602	HRK4060 HRK4060 N/A N/A	Std. H600SN N/A H800SNE4	H600SNC H600SNC N/A N/A	PKOGTA2 PKOGTA2 PKOGTA7 PKOGTA7	PKOGTC3 PKOGTC3 N/A N/A	N/A N/A N/A N/A	N/A N/A N/A N/A
H227N H227NAWK H227NR H227R	E4 E4 E4 E4	EIK40601 EIK40601 EIK40601 EIK40601	EIK40602 EIK40602 EIK40602 EIK40602	N/A N/A N/A N/A	Std. Std. Std. H800SNE4	N/A N/A N/A N/A	PKOGTA7 PKOGTA7 PKOGTA7 PKOGTA7	N/A N/A N/A N/A	N/A N/A N/A N/A	N/A N/A N/A N/A
H228 H228AWK H228N H228NAWK	E4 E4 E4 E4	EIK40601 EIK40601 EIK40601 EIK40601	EIK40602 EIK40602 EIK40602 EIK40602	N/A N/A N/A N/A	H1200SNE4 Std. H1200SNE4 Std.	N/A Std. N/A N/A	PKOGTA8 PKOGTA8 PKOGTA8 PKOGTA8	N/A N/A N/A N/A	N/A N/A N/A N/A	N/A N/A N/A N/A
H228NR H228R H265 H265AWK	E4 E4 E2 E2	EIK40601 EIK40601 EIK40601 EIK40601	EIK40602 EIK40602 EIK40602 EIK40602	N/A N/A HRK4060 HRK4060	Std. H1200SNE4 H600SN H600SN	N/A N/A H600SNC H600SNC	PKOGTA8 PKOGTA8 PKOGTA2 PKOGTA2	N/A N/A PKOGTC3 PKOGTC3	N/A N/A N/A N/A	N/A N/A N/A N/A
H265DS H265R H266 H266A	E2 E2 E2 E2	EIK40601 EIK40601 EIK40601 EIK40601	EIK40602 EIK40602 EIK40602 EIK40602	HRK4060 HRK4060 HRK4060 HRK4060	H600SN H600SN H600SN H600SN	H600SNC H600SNC H600SNC H600SNC	PKOGTA2 PKOGTA2 PKOGTA2 PKOGTA2	PKOGTC3 PKOGTC3 PKOGTC3 PKOGTC3	N/A N/A N/A N/A	N/A N/A N/A N/A
H266AWK H266DS H266R H267	E2 E2 E2 E4	EIK40601 EIK40601 EIK40601 EIK40601	EIK40602 EIK40602 EIK40602 EIK40602	HRK4060 HRK4060 HRK4060 N/A	H600SN H600SN H600SN H800SNE4	H600SNC H600SNC H600SNC N/A	PKOGTA2 PKOGTA2 PKOGTA2 PKOGTA7	PKOGTC3 PKOGTC3 PKOGTC3 N/A	N/A N/A N/A N/A	N/A N/A N/A N/A
H267AWK H267NAWK H267R H268	E4 E4 E4 E4	EIK40601 EIK40601 EIK40601 EIK40601	EIK40602 EIK40602 EIK40602 EIK40602	N/A N/A N/A N/A	H800SNE4 Std. H800SNE4 H1200SNE4	N/A N/A N/A N/A	PKOGTA7 PKOGTA7 PKOGTA7 PKOGTA7	N/A N/A N/A N/A	N/A N/A N/A N/A	N/A N/A N/A N/A
H268AWK H268NAWK H268R H321A	E4 E4 E4 F1	EIK40601 EIK40601 EIK40601 EIK031	EIK40602 EIK40602 EIK40602 EIK032	N/A N/A N/A RFK03L	H1200SNE4 Std. H1200SNE4 SN03	N/A N/A N/A SN03C	PKOGTA7 PKOGTA7 PKOGTA7 GTK03	N/A N/A N/A GTK03C	N/A N/A N/A Std.	N/A N/A N/A N/A
H321AWK H321DS H321N H321NRB	F1 E1 F1 F1	EIK031 EK3001 EIK031 EIK031	EIK032 EK3002 EIK032 EIK032	RFK03L HRK30 RFK03L RFK03L	SN03 H60SN Std. Std.	SN03C H60SNC SN03C SN03C	GTK03 PK3GTA1 GTK03 GTK03	GTK03C PKOGTC1 GTK03C GTK03C	Std. Std. FPK03 FPK03	N/A N/A N/A N/A

Heavy Duty Safety Switches — Class 3110 Product Description

Accessories for Current Series NEMA Type 1 and NEMA Type 3R Switches

Catalog Number	Series	Electrical Interlock (1 contact)	Electrical Interlocks (2 contacts)	Class R Kits	Solid Neutral AI/Cu	Solid Neutral Cu Only	Ground Kit AI	Ground Kit Cu	Fuse Puller	Receptacle Plugs
H322A	F4	EIK031	EIK032	RFK03L	SN03	SN03C	GTK03	GTK03C	Std.	N/A
H322AWK	F4	EIK031	EIK032	RFK03L	SN03	SN03C	GTK03	GTK03C	Std.	N/A
H322DS	E1	EK3061	EK3062	HRK60	H60SN	H60SNC	PK3GTA1	PKOGTC1	Std.	N/A
H322N	F4	EIK031	EIK032	RFK03L	Std.	SN03C	GTK03	GTK03C	FPK03	N/A
H322NRB	F4	EIK031	EIK032	RFK03L	Std.	SN03C	GTK03	GTK03C	FPK03	N/A
H323A	F5	EIK1	EIK2	RFK10	SN0610	SN0610C	GTK0610	GTK0610C	Std.	N/A
H323AWK	F5	EIK1	EIK2	RFK10	SN0610	SN0610C	GTK0610	GTK0610C	Std.	N/A
H323DS	E2	EK10201	EK10202	HRK1020	H100SN	H100SNC	PKOGTA2	PKOGTC2	Std.	N/A
H323N	F5	EIK1	EIK2	RFK10	Std.	SN0610C	GTK0610	GTK0610C	FPK0610	N/A
H323NRB	F5	EIK1	EIK2	RFK10	Std.	SN0610C	GTK0610	GTK0610C	FPK0610	N/A
H324A	E1	EK10201	EK10202	HRK1020	H200SN	H200SNC	PKOGTA2	PKOGTC2	N/A	N/A
H324AWK	E2	EK10201	EK10202	HRK1020	H200SN	H200SNC	PKOGTA2	PKOGTC2	N/A	N/A
H324DS	E1	EK10201	EK10202	HRK1020	H200SN	H200SNC	PKOGTA2	PKOGTC2	N/A	N/A
H324N	E1	EK10201	EK10202	HRK1020	Std.	H200SNC	PKOGTA2	PKOGTC2	N/A	N/A
H324NRB	E1	EK10201	EK10202	HRK1020	Std.	H200SNC	PKOGTA2	PKOGTC2	N/A	N/A
H325	E1	EIK40601	EIK40602	HRK4060	H600SN	H600SNC	PKOGTA2	PKOGTC3	N/A	N/A
H325AWK	E2	EIK40601	EIK40602	HRK4060	H600SN	H600SNC	PKOGTA2	PKOGTC3	N/A	N/A
H325DS	E2	EIK40601	EIK40602	HRK4060	H600SN	H600SNC	PKOGTA2	PKOGTC3	N/A	N/A
H325N	E1	EIK40601	EIK40602	HRK4060	Std.	H600SNC	PKOGTA2	PKOGTC3	N/A	N/A
H325NAWK	E2	EIK40601	EIK40602	HRK4060	H600SN	H600SNC	PKOGTA2	PKOGTC3	N/A	N/A
H325NDS	E2	EIK40601	EIK40602	HRK4060	H600SN	Std.	PKOGTA2	PKOGTC3	N/A	N/A
H325NR	E1	EIK40601	EIK40602	HRK4060	Std.	H600SNC	PKOGTA2	PKOGTC3	N/A	N/A
H325R	E1	EIK40601	EIK40602	HRK4060	H600SN	H600SNC	PKOGTA2	PKOGTC3	N/A	N/A
H326	E1	EIK40601	EIK40602	HRK4060	H600SN	H600SNC	PKOGTA2	PKOGTC3	N/A	N/A
H326AWK	E2	EIK40601	EIK40602	HRK4060	H600SN	H600SNC	PKOGTA2	PKOGTC3	N/A	N/A
H326DS	E2	EIK40601	EIK40602	HRK4060	H600SN	H600SNC	PKOGTA2	PKOGTC3	N/A	N/A
H326N	E1	EIK40601	EIK40602	HRK4060	Std.	H600SNC	PKOGTA2	PKOGTC3	N/A	N/A
H326NAWK	E2	EIK40601	EIK40602	HRK4060	H600SN	Std.	PKOGTA2	PKOGTC3	N/A	N/A
H326NDS	E2	EIK40601	EIK40602	HRK4060	H600SN	Std.	PKOGTA2	PKOGTC3	N/A	N/A
H326NR	E1	EIK40601	EIK40602	HRK4060	Std.	H600SNC	PKOGTA2	PKOGTC3	N/A	N/A
H326R	E1	EIK40601	EIK40602	HRK4060	H600SN	H600SNC	PKOGTA2	PKOGTC3	N/A	N/A
H327	E4	EIK40601	EIK40602	N/A	H800SNE4	N/A	PKOGTA7	N/A	N/A	N/A
H327AWK	E4	EIK40601	EIK40602	N/A	Std.	N/A	PKOGTA7	N/A	N/A	N/A
H327N	E4	EIK40601	EIK40602	N/A	Std.	N/A	PKOGTA7	N/A	N/A	N/A
H327NAWK	E4	EIK40601	EIK40602	N/A	Std.	N/A	PKOGTA7	N/A	N/A	N/A
H327NR	E4	EIK40601	EIK40602	N/A	Std.	N/A	PKOGTA7	N/A	N/A	N/A
H327R	E4	EIK40601	EIK40602	N/A	H800SNE4	N/A	PKOGTA7	N/A	N/A	N/A
H328	E4	EIK40601	EIK40602	N/A	H1200SNE4	N/A	PKOGTA8	N/A	N/A	N/A
H328AWK	E4	EIK40601	EIK40602	N/A	N/A	N/A	PKOGTA8	N/A	N/A	N/A
H328N	E4	EIK40601	EIK40602	N/A	Std.	N/A	PKOGTA8	N/A	N/A	N/A
H328NAWK	E4	EIK40601	EIK40602	N/A	Std.	N/A	PKOGTA8	N/A	N/A	N/A
H328NR	E4	EIK40601	EIK40602	N/A	Std.	N/A	PKOGTA8	N/A	N/A	N/A
H328R	E4	EIK40601	EIK40602	N/A	H1200SNE4	N/A	PKOGTA8	N/A	N/A	N/A
H361	F1	EIK031	EIK032	RFK03H	SN03	SN03C	GTK03	GKT03C	FPK03	N/A
H361-2A	F3	EIK1	EIK2	RFK06	SN0610	SN0610C	GTK0610	GTK0610C	Std.	N/A
H361-2AWK	F3	EIK1	EIK2	RFK06	SN0610	SN0610C	GTK0610	GTK0610C	Std.	N/A
H361A	F1	EIK031	EIK032	RFK03H	SN03	SN03C	GTK03	GTK03C	Std.	N/A
H361AWA	F4	EIK1	EIK2	RFK06	N/A	N/A	N/A	Std.	Std.	ACP3034BC
H361AWC	F4	EIK1	EIK2	RFK06	N/A	N/A	N/A	Std.	Std.	APJ3485
H361AWK	F1	EIK031	EIK032	RFK03H	SN03	SN03C	GTK03	GTK03C	Std.	N/A
H361CS	F3	EIK1	EIK2	RFK06	N/A	N/A	Std.	N/A	FPK0610	N/A
H361CSWA	F4	EIK1	EIK2	RFK06	N/A	N/A	N/A	Std.	FPK0610	ACP3034BC
H361DF	F1	9999TC10	9999TC20	RFK06	H60SN	H60SNC	Std.	N/A	Std.	N/A
H361DS	E1	EK3001	EK3002	HRK30H	H60SN	H60SNC	PK3GTA1	N/A	Std.	Std.
H361DSWC	E1	EK3001	EK3002	HRK30H	N/A	N/A	N/A	Std.	Std.	APJ3485
H361DSWA	E2	EK3001	EK3002	HRK30H	N/A	N/A	N/A	Std.	Std.	ACP3034BC
H361DX	F1	9999TC10	9999TC20	RFK06	H60SN	H60SNC	Std.	N/A	Std.	N/A
H361N	F1	EIK031	EIK032	RFK03H	Std.	SN03C	GTK03	GTK03C	FPK03	N/A
H361NRB	F1	EIK031	EIK032	RFK03H	Std.	SN03C	GTK03	GTK03C	FPK03	N/A
H361RB	F1	EIK031	EIK032	RFK03H	SN03	SN03C	GTK03	GTK03C	FPK03	N/A
H361WA	F5	EIK1	EIK2	RFK06	N/A	N/A	Std.	N/A	FPK0610	ACP3034BC
H361WC	F5	EIK1	EIK2	RFK06	SN0610	SN0610C	Std.	N/A	FPK0610	APJ3485
H362	F5	EIK1	EIK2	RFK06H	SN0610	SN0610C	GTK0610	GTK0610C	FPK0610	N/A
H362A	F5	EIK1	EIK2	RFK06H	SN0610	SN0610C	GTK0610	GTK0610C	Std.	N/A
H362AWA	F5	EIK1	EIK2	RFK06H	SN0610	SN0610C	GTK0610	GTK0610C	Std.	ACP6034BC
H362AWC	F5	EIK1	EIK2	RFK06H	SN0610	SN0610C	GTK0610	GTK0610C	Std.	APJ6485
H362AWH	F5	EIK1	EIK2	RFK06H	SN0610	SN0610C	GTK0610	GTK0610C	Std.	SD12781
H362AWK	F5	EIK1	EIK2	RFK06H	SN0610	SN0610C	GTK0610	GTK0610C	Std.	N/A
H362CS	F5	EIK1	EIK2	RFK06H	N/A	N/A	Std.	N/A	FPK0610	N/A
H362CSWA	F5	EIK1	EIK2	RFK06H	N/A	N/A	N/A	Std.	FPK0610	ACP6034BC
H362DF	F1	9999TC10	9999TC20	RFK06H	H60SN	H60SNC	Std.	N/A	N/A	N/A
H362DS	E1	EK3061	EK3062	HRK60H	H60SN	H60SNC	PK3GTA1	PKOGTC1	Std.	N/A



Heavy Duty Safety Switches — Class 3110

Product Description

Accessories for Current Series NEMA Type 1 and NEMA Type 3R Switches

Catalog Number	Series	Electrical Interlock (1 contact)	Electrical Interlocks (2 contacts)	Class R Kits	Solid Neutral AI/Cu	Solid Neutral Cu Only	Ground Kit AI	Ground Kit Cu	Fuse Puller	Receptacle Plugs
H362DSWA H362DSWC H362DX H362N	E2 E1 F1 F5	EK3061 EK3061 9999TC10 EIK1	EK3062 EK3062 9999TC20 EIK2	HRK60H HRK60H RFK06H RFK06H	N/A N/A H60SN Std.	N/A N/A H60SNC SN0610C	N/A N/A Std. GTK0610	Std. Std. N/A GTK0610C	Std. Std. Std. FPK0610	ACP6034BC APJ6485 N/A N/A
H362NRB H362RB H362WA H362WC	F5 F5 F5 F5	EIK1 EIK1 EIK1 EIK1	EIK2 EIK2 EIK2 EIK2	RFK06H RFK06H RFK06H RFK06H	Std. SN0610 SN0610 SN0610	SN0610C SN0610C SN0610C SN0610C	GTK0610 GTK0610 GTK0610 GTK0610	GTK0610C GTK0610C GTK0610C GTK0610C	FPK0610 FPK0610 FPK0610 FPK0610	N/A N/A ACP6034BC APJ6485
H362WH H363 H363A H363AWA	F5 F5 F5 F5	EIK1 EIK1 EIK1 EIK1	EIK2 EIK2 EIK2 EIK2	RFK06H RFK10 RFK10 RFK10	SN0610 SN0610 SN0610 N/A	SN0610C SN0610C SN0610C N/A	GTK0610 GTK0610 GTK0610 N/A	GTK0610C GTK0610C GTK0610C Std.	FPK0610 FPK0610 Std. Std.	SD12781 N/A N/A ACP1034CD
H363AWC H363AWK H363CS H363CSWA	F5 F5 F5 F5	EIK1 EIK1 EIK1 EIK1	EIK2 EIK2 EIK2 EIK2	RFK10 RFK10 RFK10 RFK10	N/A SN0610 N/A N/A	N/A SN0610C N/A N/A	N/A GTK0610 Std. N/A	Std. GTK0610C N/A Std.	Std. Std. FPK0610 FPK0610	APJ10487 N/A N/A ACP1034CD
H363DF H363DS H363DSWA H363DSWC	F1 E1 E2 E2	9999TC10 EK10201 EK10201 EK10201	9999TC20 EK10202 EK10202 EK10202	RFK10 HRK1020 HRK1020 HRK1020	SN0610 H100SN N/A N/A	SN0610C H100SNC N/A N/A	Std. PKOGTA2 N/A N/A	N/A PKOGTC2 Std. Std.	Std. Std. Std. Std.	N/A N/A ACP1034CD APJ10487
H363DX H363N H363NRB H363RB	F1 F5 F5 F5	9999TC10 EIK1 EIK1 EIK1	9999TC20 EIK2 EIK2 EIK2	RFK10 RFK10 RFK10 RFK10	SN0610 Std. Std. SN0610	SN0610C SN0610C SN0610C SN0610C	Std. GTK0610 GTK0610 GTK0610	N/A GTK0610C GTK0610C GTK0610C	Std. FPK0610 FPK0610 FPK0610	N/A N/A N/A N/A
H363WA H363WC H364 H364A	F5 F5 E2 E1	EIK1 EIK1 EK10201 EK10201	EIK2 EIK2 EK10202 EK10202	RFK10 RFK10 HRK1020 HRK1020	N/A N/A N/A N/A	N/A N/A N/A N/A	Std. Std. PKOGTA2 PKOGTA2	N/A N/A PKOGTC2 PKOGTC2	FPK0610 FPK0610 N/A N/A	ACP1034CD APJ10487 N/A N/A
H364AWK H364DF H364DS H364N	E1 E1 E1 E1	EK10201 9999R8 EK10201 EK10201	EK10202 9999R9 EK10202 EK10202	HRK1020 HRK1020 HRK1020 HRK1020	N/A N/A N/A Std.	N/A N/A N/A H200SNC	PKOGTA2 N/A PKOGTA2 PKOGTA2	PKOGTC2 N/A PKOGTC2 PKOGTC2	N/A N/A N/A N/A	N/A N/A N/A N/A
H364NA H364NAWK H364NDS H364NRB	E1 E1 E1 E1	EK10201 EK10201 EK10201 EK10201	EK10202 EK10202 EK10202 EK10202	HRK1020 HRK1020 HRK1020 HRK1020	H200SN H200SN H200SN Std.	Std. Std. Std. H200SNC	PKOGTA2 PKOGTA2 PKOGTA2 PKOGTA2	PKOGTC2 PKOGTC2 PKOGTC2 PKOGTC2	N/A N/A N/A N/A	N/A N/A N/A N/A
H364RB H365 H365AWK H365DS	E1 E2 E2 E2	EK10201 EIK40601 EIK40601 EIK40601	EK10202 EIK40602 EIK40602 EIK40602	HRK1020 HRK4060 HRK4060 HRK4060	N/A H600SN H600SN H600SN	N/A H600SNC H600SNC H600SNC	PKOGTA2 PKOGTA2 PKOGTA2 PKOGTA2	PKOGTC2 PKOGTC3 PKOGTC3 PKOGTC3	N/A N/A N/A N/A	N/A N/A N/A N/A
H365N H365NAWK H365NDS H365NR	E2 E2 E2 E2	EIK40601 EIK40601 EIK40601 EIK40601	EIK40602 EIK40602 EIK40602 EIK40602	HRK4060 HRK4060 HRK4060 HRK4060	Std. H600SN H600SN Std.	H600SNC Std. Std. H600SNC	PKOGTA2 PKOGTA2 PKOGTA2 PKOGTA2	PKOGTC3 PKOGTC3 PKOGTC3 PKOGTC3	N/A N/A N/A N/A	N/A N/A N/A N/A
H365R H366 H366AWK H366DS	E2 E2 E2 E2	EIK40601 EIK40601 EIK40601 EIK40601	EIK40602 EIK40602 EIK40602 EIK40602	HRK4060 HRK4060 HRK4060 HRK4060	H600SN H600SN H600SN H600SN	H600SNC H600SNC H600SNC H600SNC	PKOGTA2 PKOGTA2 PKOGTA2 PKOGTA2	PKOGTC3 PKOGTC3 PKOGTC3 PKOGTC3	N/A N/A N/A N/A	N/A N/A N/A N/A
H366N H366NAWK H366NDS H366NR	E2 E2 E2 E2	EIK40601 EIK40601 EIK40601 EIK40601	EIK40602 EIK40602 EIK40602 EIK40602	HRK4060 HRK4060 HRK4060 HRK4060	Std. H600SN H600SN Std.	H600SNC Std. Std. H600SNC	PKOGTA2 PKOGTA2 PKOGTA2 PKOGTA2	PKOGTC3 PKOGTC3 PKOGTC3 PKOGTC3	N/A N/A N/A N/A	N/A N/A N/A N/A
H366R H367 H367AWK H367N	E2 E4 E4 E4	EIK40601 EIK40601 EIK40601 EIK40601	EIK40602 EIK40602 EIK40602 EIK40602	HRK4060 N/A N/A N/A	H600SN H800SNE4 H800SNE4 Std.	H600SNC N/A N/A N/A	PKOGTA2 PKOGTA7 PKOGTA7 PKOGTA7	PKOGTC3 N/A N/A N/A	N/A N/A N/A N/A	N/A N/A N/A N/A
H367NAWK H367NR H367R H368	E4 E4 E4 E4	EIK40601 EIK40601 EIK40601 EIK40601	EIK40602 EIK40602 EIK40602 EIK40602	N/A N/A N/A N/A	Std. Std. H800SNE4 H1200SNE4	N/A N/A N/A N/A	PKOGTA7 PKOGTA7 PKOGTA7 PKOGTA8	N/A N/A N/A N/A	N/A N/A N/A N/A	N/A N/A N/A N/A
H368AWK H368N H368NAWK H368NR	E4 E4 E4 E4	EIK40601 EIK40601 EIK40601 EIK40601	EIK40602 EIK40602 EIK40602 EIK40602	N/A N/A N/A N/A	Std. Std. Std. Std.	N/A N/A N/A N/A	PKOGTA8 PKOGTA8 PKOGTA8 PKOGTA8	N/A N/A N/A N/A	N/A N/A N/A N/A	N/A N/A N/A N/A
H368R H461 H461AWK H462	E4 F5 F5 F5	EIK40601 EIK1 EIK1 EIK1	EIK40602 EIK2 EIK2 EIK2	N/A RFK06 RFK06 RFK06H	N/A N/A N/A N/A	H1200SNE4 N/A N/A N/A	PKOGTA8 GTK0610 GTK0610 GTK0610	N/A GTK0610C GTK0610C GTK0610C	N/A Std. Std. FPK0610	N/A N/A N/A N/A
H462AWK H462DS H463 H463AWK	F5 E1 F5 F5	EIK1 EK3061 EIK1 EIK1	EIK2 EK3062 EIK2 EIK2	RFK06H HRK30H RFK10 RFK10	N/A N/A N/A SN0610	N/A N/A N/A SN0610C	GTK0610 PK3GTA1 GTK0610 GTK0610	GTK0610C PKOGTC1 GTK0610C GTK0610C	Std. Std. Std. Std.	N/A N/A N/A N/A

Heavy Duty Safety Switches — Class 3110

Product Description

Accessories for Current Series NEMA Type 1 and NEMA Type 3R Switches

Catalog Number	Series	Electrical Interlock (1 contact)	Electrical Interlocks (2 contacts)	Class R Kits	Solid Neutral AI/Cu	Solid Neutral Cu Only	Ground Kit AI	Ground Kit Cu	Fuse Puller	Receptacle Plugs
H463DS	E1	EK10201	EK10202	HRK1020	N/A	N/A	PKOGTA2	PKOGTC2	Std.	N/A
H464	E1	EK10201	EK10202	HRK1020	N/A	N/A	PKOGTA2	PKOGTC2	N/A	N/A
H464AWK	E1	EK10201	EK10202	HRK1020	N/A	N/A	PKOGTA2	PKOGTC2	N/A	N/A
H464DS	E1	EK10201	EK10202	HRK1020	N/A	N/A	PKOGTA2	PKOGTC2	N/A	N/A
H465	E2	EIK40601	EIK40602	HRK4060	N/A	N/A	PKOGTA2	PKOGTC3	N/A	N/A
H465AWK	E2	EIK40601	EIK40602	HRK4060	N/A	N/A	PKOGTA2	PKOGTC3	N/A	N/A
H466	E2	EIK40601	EIK40602	HRK4060	N/A	N/A	PKOGTA2	PKOGTC3	N/A	N/A
H60XFA	E1	N/A	N/A	N/A	100SNA	N/A	Std.	N/A	N/A	N/A
H663AWK	F5	EIK1	EIK2	RFK10	N/A	N/A	GTK0610	GTK0610C	Std.	N/A
H663DS	E1	EK10201	EK10202	HRK1020	N/A	N/A	PKOGTA2	PKOGTC2	Std.	N/A
H664DS	E1	EK10201	EK10202	HRK1020	N/A	N/A	PKOGTA2	PKOGTC3	N/A	N/A
H664RWK	E1	EK10201	EK10202	HRK1020	N/A	N/A	PKOGTA2	PKOGTC3	N/A	N/A
HU265	E2	EIK40601	EIK40602	N/A	H600SN	H600SNC	PKOGTA2	PKOGTC3	N/A	N/A
HU265AWK	E2	EIK40601	EIK40602	N/A	H600SN	H600SNC	PKOGTA2	PKOGTC3	N/A	N/A
HU265DS	E2	EIK40601	EIK40602	N/A	H600SN	H600SNC	PKOGTA2	PKOGTC3	N/A	N/A
HU265R	E2	EIK40601	EIK40602	N/A	H600SN	H600SNC	PKOGTA2	PKOGTC3	N/A	N/A
HU266	E2	EIK40601	EIK40602	N/A	H600SN	H600SNC	PKOGTA2	PKOGTC3	N/A	N/A
HU266AWK	E2	EIK40601	EIK40602	N/A	H600SN	H600SNC	PKOGTA2	PKOGTC3	N/A	N/A
HU266DS	E2	EIK40601	EIK40602	N/A	H600SN	H600SNC	PKOGTA2	PKOGTC3	N/A	N/A
HU266R	E2	EIK40601	EIK40602	N/A	H600SN	H600SNC	PKOGTA2	PKOGTC3	N/A	N/A
HU267	E4	EIK40601	EIK40602	N/A	H800SNE4	N/A	PKOGTA7	N/A	N/A	N/A
HU267AWK	E4	EIK40601	EIK40602	N/A	H800SNE4	N/A	PKOGTA7	N/A	N/A	N/A
HU267R	E4	EIK40601	EIK40602	N/A	H800SNE4	N/A	PKOGTA7	N/A	N/A	N/A
HU268	E4	EIK40601	EIK40602	N/A	H1200SNE4	N/A	PKOGTA8	N/A	N/A	N/A
HU268AWK	E4	EIK40601	EIK40602	N/A	H1200SNE4	N/A	PKOGTA8	N/A	N/A	N/A
HU268R	E4	EIK40601	EIK40602	N/A	H1200SNE4	N/A	PKOGTA8	N/A	N/A	N/A
HU361	F1	EIK031	EIK032	N/A	SN03	SN03C	GTK03	GTK03C	N/A	N/A
HU361A	F1	EIK031	EIK032	N/A	SN03	SN03C	GTK03	GTK03C	N/A	N/A
HU361AWA	F4	EIK1	EIK2	N/A	N/A	N/A	N/A	Std.	N/A	ACP3034BC
HU361AWC	F4	EIK1	EIK2	N/A	N/A	N/A	N/A	Std.	N/A	APJ3485
HU361AWK	F1	EIK031	EIK032	N/A	SN03	SN03C	GTK03	GTK03C	N/A	N/A
HU361CS	F3	EIK1	EIK2	N/A	N/A	N/A	Std.	N/A	N/A	N/A
HU361CSWA	F4	EIK1	EIK2	N/A	N/A	N/A	N/A	Std.	N/A	ACP3034BC
HU361DF	F1	9999TC10	9999TC20	N/A	H60SN	H60SNC	Std.	N/A	N/A	N/A
HU361DS	E1	EK3001	EK3002	N/A	H60SN	H60SNC	PK3GTA1	PKOGTC1	N/A	N/A
HU361DSWA	E2	EK3001	EK3002	N/A	N/A	N/A	N/A	Std.	N/A	ACP3034BC
HU361DSWC	E1	EK3061	EK3062	N/A	N/A	N/A	N/A	Std.	N/A	APJ3485
HU361DX	F1	9999TC10	9999TC20	N/A	H60SN	H60SNC	Std.	N/A	N/A	N/A
HU361RB	F1	EIK031	EIK032	N/A	SN03	SN03C	GTK03	GTK03C	N/A	N/A
HU361WA	F4	EIK1	EIK2	N/A	N/A	N/A	Std.	N/A	N/A	ACP3034BC
HU361WC	F4	EIK1	EIK2	N/A	SN0610	SN0610C	Std.	N/A	N/A	APJ3485
HU362	F5	EIK1	EIK2	N/A	SN0610	SN0610C	GTK0610	GTK0610C	N/A	N/A
HU362A	F5	EIK1	EIK2	N/A	SN0610	SN0610C	GTK0610	GTK0610C	N/A	N/A
HU362AWA	F5	EIK1	EIK2	N/A	SN0610	SN0610C	GTK0610	GTK0610C	N/A	ACP6034BC
HU362AWC	F5	EIK1	EIK2	N/A	SN0610	SN0610C	GTK0610	GTK0610C	N/A	APJ6485
HU362AWH	F5	EIK1	EIK2	N/A	SN0610	SN0610C	GTK0610	GTK0610C	N/A	SD12781
HU362AWK	F5	EIK1	EIK2	N/A	SN0610	SN0610C	GTK0610	GTK0610C	N/A	N/A
HU362CS	F5	EIK1	EIK2	N/A	N/A	N/A	Std.	N/A	N/A	N/A
HU362CSWA	F5	EIK1	EIK2	N/A	N/A	N/A	N/A	Std.	N/A	ACP6034BC
HU362DF	F1	9999TC10	9999TC20	N/A	H60SN	H60SNC	Std.	N/A	N/A	N/A
HU362DS	E1	EK3061	EK3062	N/A	H60SN	H60SNC	PK3GTA1	PKOGTC1	N/A	N/A
HU362DSWA	E2	EK3061	EK3062	N/A	N/A	N/A	N/A	Std.	N/A	ACP6034BC
HU362DSWC	E1	EK3061	EK3062	N/A	N/A	N/A	N/A	Std.	N/A	APJ6485
HU362DX	F1	9999TC10	9999TC20	N/A	H60SN	H60SNC	Std.	N/A	N/A	N/A
HU362RB	F5	EIK1	EIK2	N/A	SN0610	SN0610C	GTK0610	GTK0610C	N/A	N/A
HU362WA	F5	EIK1	EIK2	N/A	N/A	N/A	Std.	N/A	N/A	ACP6034BC
HU362WC	F5	EIK1	EIK2	N/A	SN0610	SN0610C	Std.	N/A	N/A	APJ6485
HU362WH	F5	EIK1	EIK2	N/A	N/A	N/A	Std.	N/A	N/A	SD12781
HU363	F5	EIK1	EIK2	N/A	SN0610	SN0610C	GTK0610	GTK0610C	N/A	N/A
HU363A	F5	EIK1	EIK2	N/A	SN0610	SN0610C	GTK0610	GTK0610C	N/A	N/A
HU363AWA	F5	EIK1	EIK2	N/A	N/A	N/A	N/A	Std.	N/A	ACP1034CD
HU363AWC	F5	EIK1	EIK2	N/A	N/A	N/A	N/A	Std.	N/A	APJ10487
HU363AWK	F5	EIK1	EIK2	N/A	SN0610	SN0610C	GTK0610	GTK0610C	N/A	N/A
HU363CS	F5	EIK1	EIK2	N/A	N/A	N/A	Std.	N/A	N/A	N/A
HU363CSWA	F5	EIK1	EIK2	N/A	N/A	N/A	N/A	Std.	N/A	ACP1034CD
HU363DF	F1	9999TC10	9999TC20	N/A	SN0610	SN0610C	Std.	N/A	N/A	N/A
HU363DS	E1	EK10201	EK10202	N/A	H100SN	H100SNC	PKOGTA2	PKOGTC2	N/A	N/A
HU363DSWA	E2	EK10201	EK10202	N/A	N/A	N/A	N/A	Std.	N/A	ACP1034CD
HU363DSWC	E2	EK10201	EK10202	N/A	N/A	N/A	N/A	Std.	N/A	APJ10487
HU363DX	F1	9999TC10	9999TC20	N/A	SN0610	SN0610C	Std.	N/A	N/A	N/A
HU363RB	F5	EIK1	EIK2	N/A	SN0610	SN0610C	GTK0610	GTK0610C	N/A	N/A
HU363WA	F5	EIK1	EIK2	N/A	N/A	N/A	Std.	N/A	N/A	ACP1034CD



Heavy Duty Safety Switches — Class 3110

Product Description

Accessories for Current Series NEMA Type 1 and NEMA Type 3R Switches

Catalog Number	Series	Electrical Interlock (1 contact)	Electrical Interlocks (2 contacts)	Class R Kits	Solid Neutral Al/Cu	Solid Neutral Cu Only	Ground Kit Al	Ground Kit Cu	Fuse Puller	Receptacle Plugs
HU363WC	F5	EIK1	EIK2	N/A	N/A	N/A	Std.	N/A	N/A	APJ10487
HU364	E1	EK10201	EK10202	N/A	H200SN	H200SNC	PKOGTA2	PKOGTC2	N/A	N/A
HU364A	E1	EK10201	EK10202	N/A	H200SN	H200SNC	PKOGTA2	PKOGTC2	N/A	N/A
HU364AWK	E1	EK10201	EK10202	N/A	H200SN	H200SNC	PKOGTA2	PKOGTC2	N/A	N/A
HU364DF	E1	9999R8	9999R9	N/A	N/A	N/A	Std.	N/A	N/A	N/A
HU364DS	E1	EK10201	EK10202	N/A	H200SN	H200SNC	PKOGTA2	PKOGTC2	N/A	N/A
HU364RB	E1	EK10201	EK10202	N/A	H200SN	H200SNC	PKOGTA2	PKOGTC2	N/A	N/A
HU365	E2	EIK40601	EIK40602	N/A	H600SN	H600SNC	PKOGTA2	PKOGTC3	N/A	N/A
HU365AWK	E2	EIK40601	EIK40602	N/A	H600SN	H600SNC	PKOGTA2	PKOGTC3	N/A	N/A
HU365DS	E2	EIK40601	EIK40602	N/A	H600SN	H600SNC	PKOGTA2	PKOGTC3	N/A	N/A
HU365R	E2	EIK40601	EIK40602	N/A	H600SN	H600SNC	PKOGTA2	PKOGTC3	N/A	N/A
HU366	E2	EIK40601	EIK40602	N/A	H600SN	H600SNC	PKOGTA2	PKOGTC3	N/A	N/A
HU366AWK	E2	EIK40601	EIK40602	N/A	H600SN	H600SNC	PKOGTA2	PKOGTC3	N/A	N/A
HU366DS	E2	EIK40601	EIK40602	N/A	H600SN	H600SNC	PKOGTA2	PKOGTC3	N/A	N/A
HU366R	E2	EIK40601	EIK40602	N/A	H600SN	H600SNC	PKOGTA2	PKOGTC3	N/A	N/A
HU367	E4	EIK40601	EIK40602	N/A	H800SNE4	N/A	PKOGTA7	N/A	N/A	N/A
HU367AWK	E4	EIK40601	EIK40602	N/A	H800SNE4	N/A	PKOGTA7	N/A	N/A	N/A
HU367R	E4	EIK40601	EIK40602	N/A	H800SNE4	N/A	PKOGTA7	N/A	N/A	N/A
HU368	E4	EIK40601	EIK40602	N/A	H1200SNE4	N/A	PKOGTA8	N/A	N/A	N/A
HU368AWK	E4	EIK40601	EIK40602	N/A	H1200SNE4	N/A	PKOGTA8	N/A	N/A	N/A
HU368R	E4	EIK40601	EIK40602	N/A	H1200SNE4	N/A	PKOGTA8	N/A	N/A	N/A
HU461	F5	EIK1	EIK2	N/A	N/A	N/A	GTK0610	GTK0610C	N/A	N/A
HU461AWK	E1	EK3061	EK3062	N/A	N/A	N/A	PK3GTA1	PKOGTC1	N/A	N/A
HU461DS	E1	EK3061	EK3062	N/A	N/A	N/A	PK3GTA1	PKOGTC1	N/A	N/A
HU462	F5	EIK1	EIK2	N/A	N/A	N/A	GTK0610	GTK0610C	N/A	N/A
HU462AWK	F5	EIK1	EIK2	N/A	N/A	N/A	GTK0610	GTK0610C	N/A	N/A
HU462DS	E1	EK3061	EK3062	N/A	N/A	N/A	PK3GTA1	PKOGTC1	N/A	N/A
HU463	F5	EIK1	EIK2	N/A	N/A	N/A	GTK0610	GTK0610C	N/A	N/A
HU463AWK	F5	EIK1	EIK2	N/A	N/A	N/A	GTK0610	GTK0610C	N/A	N/A
HU463DS	E1	EK10201	EK10202	N/A	N/A	N/A	PKOGTA2	PKOGTC2	N/A	N/A
HU464	E1	EK10201	EK10202	N/A	N/A	N/A	PKOGTA2	PKOGTC2	N/A	N/A
HU464AWK	E1	EK10201	EK10202	N/A	N/A	N/A	PKOGTA2	PKOGTC2	N/A	N/A
HU464DS	E1	EK10201	EK10202	N/A	N/A	N/A	PKOGTA2	PKOGTC2	N/A	N/A
HU465	E2	EIK1	EIK2	N/A	H600SN	N/A	PKOGTA2	PKOGTC3	N/A	N/A
HU465AWK	E2	EIK40601	EIK40602	N/A	N/A	N/A	PKOGTA2	PKOGTC3	N/A	N/A
HU466	E2	EIK40601	EIK40602	N/A	N/A	N/A	PKOGTA2	PKOGTC3	N/A	N/A
HU661AWK	F5	EIK1	EIK2	N/A	N/A	N/A	GTK0610	GTK0610C	N/A	N/A
HU661DS	E1	EK3001	EK3002	N/A	N/A	N/A	PK3GTA1	PKOGTC1	N/A	N/A
HU662AWK	F5	EIK1	EIK2	N/A	N/A	N/A	GTK0610	GTK0610C	N/A	N/A
HU662DS	E1	EK3061	EK3062	N/A	N/A	N/A	PK3GTA1	PKOGTC1	N/A	N/A
HU663AWK	F5	EIK1	EIK2	N/A	N/A	N/A	GTK0610	GTK0610C	N/A	N/A
HU663DS	E1	EK10201	EK10202	N/A	N/A	N/A	PKOGTA2	PKOGTC2	N/A	N/A
HU664DS	E1	EK10201	EK10202	N/A	N/A	N/A	PKOGTA2	PKOGTC2	N/A	N/A
HU664RWK	E1	EK10201	EK10202	N/A	N/A	N/A	PKOGTA2	PKOGTC2	N/A	N/A



Heavy Duty Safety Switches — Class 3110

General Information

Short Circuit Withstand Ratings

Heavy Duty Safety Switch	UL Listed Fuse Class	UL Listed Short Circuit Withstand Rating †† (RMS Symmetrical Amperes)
Fusible or Not Fusible ◊	H K	10,000
	R J L T	200,000

◊ UL Listed, short circuit withstand ratings as shown apply to not fusible switches when used in conjunction with corresponding class fuse.

†† Short circuit withstand ratings apply to AC only.

NOTE: I²t and I_p values for Square D heavy duty safety switches are the same as published UL maximum acceptable I²t and I_p values for corresponding class fuse.

Terminal Lug Data for NEMA Type 1, 3R, and 4X Fiberglass Enclosure Switches

Ampere Rating	NEMA Type Enclosure	Conductors Per Phase	Wire Range Wire Bending Space Per NEC Table 373-6	Lug Wire Range ▲	Optional VERSA-CRIMP® Compression Lug Field Installable
30	1, 3R, 4X ■	1	12–6 AWG (Al) or 14–6 AWG (Cu)	12–2 AWG (Al) or 14–2 AWG (Cu)	...
60	1, 3R, 4X ■	1	12–3 AWG (Al) or 14–3 AWG (Cu)	12–2 AWG (Al) or 14–2 AWG (Cu)	...
100	1, 3R, 4X ■	1	12–1/0 AWG (Al) or 14–1/0 AWG (Cu)	12–1/0 AWG (Al) or 14–1/0 AWG (Cu)	VCEL-021-14S1
200	1, 3R	1	6 AWG – 250 kcmil (Al/Cu)	6 AWG – 300 kcmil (Al/Cu)	VCEL-030-516H
400	1, 3R	1 or 2	1/0 AWG – 750 kcmil (Al/Cu) or 1/0 AWG – 300 kcmil (Al/Cu)	1/0 AWG – 750 kcmil (Al/Cu) and 1/0 AWG – 300 kcmil (Al/Cu)	VCEL-075-12H1 or VCEL-030-516H1 and VCEL-050-12H1
600	1, 3R	2	3/0 AWG – 500 kcmil (Al/Cu)	3/0 AWG – 500 kcmil (Al/Cu)	VCEL-050-12H1
800	1, 3R/5	3	3/0 AWG – 750 kcmil (Al/Cu)	3/0 AWG – 750 kcmil (Al/Cu)	H8LKE2
1200	1, 3R/5	4	3/0 AWG – 750 kcmil (Al/Cu)	3/0 AWG – 750 kcmil (Al/Cu)	H12LKE2

▲ 30–100 A switches suitable for 60°C or 75°C conductors. 200–1200 A switches suitable for 75°C conductors.

■ 4X fiberglass reinforced polyester and KRYDON enclosed switches.

Terminal Lug Data for NEMA Type 4, 4X, 5, 7, 9, 12, and 12K Switches

Ampere Rating	NEMA Type Enclosure	Conductors Per Phase	Wire Range Wire Bending Space Per NEC Table 373-6	Lug Wire Range ▲	Optional VERSA-CRIMP® Compression Lug Field Installable
30	4, 4X, 5 ■ 12, 12K	1	14–6 AWG (Cu)	14–4 AWG (Cu)	...
60	4, 4X, 5 ■ 12, 12K	1	14–4 AWG (Cu) □	14–4 AWG (Cu)	...
100	4, 4X, 5 ■ 12, 12K	1	14–1 AWG (Cu)	14–1/0 AWG (Cu)	VCEL-021-14S1
200	4, 4X, 5 ■ 12, 12K	1	6 AWG – 250 kcmil (Cu) ◆	6 AWG – 250 kcmil (Cu)	VCEL-030-516H1
400	4, 4X 5, 12	1 or 2	1/0 AWG – 600 kcmil (Cu) or 6 AWG – 250 kcmil (Cu)	1 AWG – 600 kcmil (Cu) or 1 AWG – 250 kcmil (Cu)	VCEL-075-12H1 or VCEL-030-516H1 and VCEL-050-12H1
600	4, 4X 5, 12	2	4 AWG – 350 kcmil (Cu)	4 AWG – 350 kcmil (Cu)	VCEL-050-12H1
800	12	3	3/0 AWG – 750 kcmil (Al/Cu)	3/0 AWG – 750 kcmil (Al/Cu)	H8LKE2
1200	12	4	3/0 AWG – 750 kcmil (Al/Cu)	3/0 AWG – 750 kcmil (Al/Cu)	H12LKE2

■ NEMA Type 4, 4X, and 5 stainless steel.

□ H60XFA – 14–6 AWG (Cu).

◆ H225XKA – 4 AWG–300 kcmil (Cu).

▲ 30–100 A switches suitable for 60°C or 75°C conductors. 200–1200 A switches suitable for 75°C conductors.



Heavy Duty Safety Switches — Class 3110

General Information

100 A Heavy Duty Ratings, Series E and F

Catalog Number	Series	120 Vac		240 Vac				480 Vac				600 Vac				Vdc▲			240 Vac		480 Vac		600 Vac	
		Std.	Max.	Std.		Max.		Std.		Max.		Std.		Max.		125	250	600	Std.	Max.	Std.	Max.	Std.	Max.
				1φ	3φ	1φ	3φ	1φ	3φ	1φ	3φ	1φ	3φ	1φ	3φ									
H223DS	E2	7½▲	...	15	20
H223AWK	F5	7½▲	15■	15▲	30■	20●
H223A	F5	7½▲	15■	15▲	30■	20●
H223N	F5	7½▲	15■	15▲	30■	20●
H223NRB	F5	7½▲	15■	15▲	30■	20●
H323DS	E2	15	20
H323A	F5	7½▲	15■	15▲	30■	20●
H323AWK	F5	7½▲	15■	15▲	30■	20●
H323N	F5	7½▲	15■	15▲	30■	20●
H323NRB	F5	7½▲	15■	15▲	30■	20●
H363	F5	10▲	25■	30▲	60■	...	30	...	75	...	50
H363RB	F5	10▲	25■	30▲	60■	...	30	...	75	...	50
H363DS	E1	25	...	60	...	30	...	75
H363A	F5	10▲	25■	30▲	60■	...	30	...	75	...	50
H363AWK	F5	10▲	25■	30▲	60■	...	30	...	75	...	50
H363N	F5	10▲	25■	30▲	60■	...	30	...	75	...	50
H363NRB	F5	10▲	25■	30▲	60■	...	30	...	75	...	50
H463	F5	15	...	30	...	25	...	60	...	30	...	75	...	20●	30	15	30	25	50	30	50
H463DS	E1
H463AWK	F5	15	...	30	...	25	...	60	...	30	...	75	...	20●	30	15	30	25	50	30	50
H663DS	E1
H663AWK	F5	15	...	30	...	25	...	60	...	30	...	75
HU363	F5	...	7½	20▲	40■*	40▲	75*†	40▲	75*	7½	20	50
HU363RB	F5	...	7½	20▲	40■*	40▲	75*†	40▲	75*	7½	20	50
HU363DS	E1	...	10▲	15▲	40‡	30▲	75	40▲	75‡	10	20
HU363A	F5	...	7½	20▲	40■*	40▲	75*†	40▲	75*	7½	20	50
HU363AWK	F5	...	7½	20▲	40■*	40▲	75*†	40▲	75*	7½	20	50
HU463	F5	40	75	75	...	20	30	...	30	...	50	...	50	
HU463DS	E2	40	75	75	...	20	30	...	30	...	50	...	50	
HU463AWK	F5	40	75	75	...	20	30	...	30	...	50	...	50	
HU663DS	E1	40	75	75
HU663AWK	F5	40	75	75

- For corner grounded delta only, install neutral and use switching poles for ungrounded conductors.
- ▲ Use both outer switching poles.
- Standard hp rating.
- ▼ 15 hp maximum on a corner grounded delta system.
- ★ 30 hp maximum on a corner grounded delta system.
- * Use 75C No. 4 Cu or No. 2 Al conductors.
- † 60 hp maximum on corner grounded delta.
- ‡ Use 75C No. 1 copper conductor only.

200 A Heavy Duty Ratings, Series E

Catalog Number	Series	120 Vac		240 Vac				480 Vac				600 Vac				Vdc▲			240 Vac		480 Vac		600 Vac	
		Std.	Max.	Std.		Max.		Std.		Max.		Std.		Max.		125	250	600	Std.	Max.	Std.	Max.	Std.	Max.
				1φ	3φ	1φ	3φ	1φ	3φ	1φ	3φ	1φ	3φ											
H224DS	E1	15	40
H224A	E1	15	40
H224AWK	E1	15	40
H224N	E1	15▲■	25	...	60	40
H224NRB	E1	15▲■	25	15▲■	60	40
H324DS	E1	25	...	60	40
H324A	E2	25	...	60	40
H324AWK	E1	25	...	60	40
H324N	E1	25	...	60	40
H324NRB	E1	25	...	60	40
H364	E2	50	...	125	...	60	...	150	...	50
H364RB	E1	50	...	125	...	60	...	150	...	50
H364DS	E1	50	...	125	...	60	...	150	...	50
H364A	E2	50	...	125	...	60	...	150	...	50
H364AWK	E1	50	...	125	...	60	...	150	...	50
H364N	E1	50	...	125	...	60	...	150	...	50
H364NRB	E1	50	...	125	...	60	...	150	...	50
H364DS	E1	50	...	125	...	60	...	150	...	50
H364A	E2	50	...	125	...	60	...	150	...	50
H364AWK	E1	50	...	125	...	60	...	150	...	50
H464	E1	50	50	50	50	50
H464DS	E1	50	50	50	50	50
H464AWK	E1	50	50	50	50	50
H664DS	E1
H664RWK	E1
HU364	E1	60	125	150	...	40	50
HU364RB	E1	60	125	150	...	40	50
HU364DS	E1	125	150	...	40	50
HU364A	E1	60	125	150	...	40	50
HU364AWK	E1	60	125	150	...	40	50
HU464	E1	50	...	50	...	50
HU464DS	E1	50	...	50	...	50
HU464AWK	E1	50	...	50	...	50
HU664DS	E1	75	150	150
HU664RWK	E1	75	150	150

- For corner grounded delta only, install neutral and use switching poles for ungrounded conductors.
- ▲ Use both outer switching poles.

Heavy Duty Safety Switches — Class 3110

General Information

400 A Heavy Duty Ratings, Series E

Catalog Number	Series	120 Vac		240 Vac				480 Vac				600 Vac				Vdc			240 Vac		480 Vac		600 Vac	
		Std.	Max.	Std.		Max.		Std.		Max.		Std.		Max.		Max. hp Ratings			Std.	Max.	Std.	Max.	Std.	Max.
		1φ	1φ	1φ	3φ	1φ	3φ	1φ	3φ	1φ	3φ	1φ	3φ	1φ	3φ	125	250	600	2φ	2φ	2φ	2φ	2φ	2φ
H225	E2	50
H225R	E2	50
H225DS	E2	50
H225AWK	E2	50
H225N	E2	50■	...	125■
H225NR	E2	50■	...	125■
H225NDS	E2	50■	...	125■
H225NAWK	E2	50■	...	125■
H325	E2	50	...	125	50
H325R	E2	50	...	125	50
H325DS	E2	50	...	125	50
H325AWK	E2	50	...	125	50
H325N	E2	50	...	125	50
H325NR	E2	50	...	125	50
H325NDS	E2	50	...	125	50
H325NAWK	E2	50	...	125	50
H265	E2	100■	...	250■	50
H265R	E2	100■	...	250■	50
H265DS	E2	100■	...	250■	50
H265AWK	E2	100■	...	250■
H365	E2	100	...	250	...	125	...	350	...	50
H365R	E2	100	...	250	...	125	...	350	...	50
H365DS	E2	100	...	250	...	125	...	350	...	50
H365AWK	E2	100	...	250	...	125	...	350	...	50
H365N	E2	100	...	250	...	125	...	350
H365NR	E2	100	...	250	...	125	...	350
H365NDS	E2
H365NAWK	E2
H465▲	E2
H465AWK▲	E2
HU265	E2	50
HU265R	E2	50
HU265DS	E2	50
HU265AWK	E2	50
HU365	E2	125	250	350	...	50
HU365R	E2	125	250	350	...	50
HU365DS	E2
HU365AWK	E2
HU465▲	E2
HU465AWK▲	E2

- For corner grounded only, install neutral and use switching poles for ungrounded conductors.
- ▲ Not suitable for use as service equipment.

Heavy Duty Safety Switches — Class 3110

General Information

600 A Heavy Duty Ratings, Series E

Catalog Number	Series	120 Vac		240 Vac				480 Vac				600 Vac				Vdc			240 Vac		480 Vac		600 Vac	
		Std.	Max.	Std.	Max.		Std.	Max.		Std.	Max.		Max. hp Ratings			Std.	Max.	Std.	Max.	Std.	Max.			
		1φ	1φ	1φ	3φ	1φ	3φ	1φ	3φ	1φ	3φ	1φ	3φ	125	250	600	2φ	2φ	2φ	2φ	2φ	2φ		
H226	E2	75■	...	200■		
H226R	E2	75■	...	200■		
H226DS	E2	75■	...	200■		
H226AWK	E2	75■	...	200■		
H226N	E2	75■	...	200■		
H226NR	E2	75■	...	200■		
H226NDS	E2	75■	...	200■		
H226NAWK	E2	75■	...	200■		
H326	E2	75	...	200		
H326R	E2	75	...	200		
H326DS	E2	75	...	200		
H326AWK	E2	75	...	200		
H326N	E2	75	...	200		
H326NR	E2	75	...	200		
H326NDS	E2	75	...	200		
H326NAWK	E2	75	...	200		
H266	E2	150■	...	400■		
H266R	E2	150■	...	400■		
H266DS	E2	150■	...	400■		
H266AWK	E2	150■	...	400■		
H366	E2	150	...	400	...	200	...	500		
H366R	E2	150	...	400	...	200	...	500		
H366DS	E2	150	...	400	...	200	...	500		
H366AWK	E2	150	...	400	...	200	...	500		
H366N	E2	150	...	400	...	200	...	500		
H366NR	E2	150	...	400	...	200	...	500		
H366NDS	E2	150	...	400	...	200	...	500		
H366NAWK	E2	150	...	400	...	200	...	500		
H466▲	E2		
HU266	E2		
HU266R	E2		
HU266DS	E2		
HU266AWK	E2		
HU366	E2	200	400	500		
HU366R	E2	200	400	500		
HU366DS	E2	200	400	500		
HU366AWK	E2	200	400	500		
HU466▲	E2		

■ For corner grounded only, install neutral and use switching poles for ungrounded conductors.

▲ Not suitable for use as service equipment.

800 A Heavy Duty Ratings, Series E

Catalog Number	Series	120 Vac		240 Vac				480 Vac				600 Vac				Vdc			240 Vac		480 Vac		600 Vac	
		Std.	Max.	Std.	Max.		Std.	Max.		Std.	Max.		Max. hp Ratings			Std.	Max.	Std.	Max.	Std.	Max.			
		1φ	1φ	1φ	3φ	1φ	3φ	1φ	3φ	1φ	3φ	1φ	3φ	1φ	3φ	125	250	600	2φ	2φ	2φ	2φ	2φ	2φ
H227	E4	50	
H227R	E4	50	
H227AWK	E4	50	
H227N	E4	50	
H227NR	E4	50	
H227NAWK	E4	50	
H327	E4	100	...	250	50	
H327R	E4	100	...	250	50	
H327AWK	E4	100	...	250	50	
H327N	E4	100	...	250	50	
H327NR	E4	100	...	250	50	
H327NAWK	E4	100	...	250	50	
H267	E4	50	
H267R	E4	50	
H267AWK	E4	50	
H367	E4	100	...	250	...	200	...	500	...	250	...	500	
H367R	E4	100	...	250	...	200	...	500	...	250	...	500	
H367AWK	E4	100	...	250	...	200	...	500	...	250	...	500	
H367N	E4	100	...	250	...	200	...	500	...	250	...	500	
H367NR	E4	100	...	250	...	200	...	500	...	250	...	500	
H367NAWK	E4	100	...	250	...	200	...	500	...	250	...	500	
HU267	E4	100	...	100	50	
HU267R	E4	100	...	100	50	
HU267AWK	E4	100	...	100	50	
HU367	E4	100	...	100	500	500	
HU367R	E4	100	...	100	500	500	
HU367AWK	E4	100	...	100	500	500	



Heavy Duty Safety Switches — Class 3110

General Information

1200 A Heavy Duty Ratings, Series E

Catalog Number	Series	120 Vac		240 Vac				480 Vac				600 Vac				Vdc			240 Vac		480 Vac		600 Vac	
		Std.	Max.	Std.		Max.		Std.		Max.		Std.		Max.		Max. hp Ratings			Std.	Max.	Std.	Max.	Std.	Max.
		1φ	1φ	1φ	3φ	1φ	3φ	1φ	3φ	1φ	3φ	1φ	3φ	1φ	3φ	125	250	600	2φ	2φ	2φ	2φ	2φ	2φ
H228	E4	50
H228R	E4	50
H228AWK	E4	50
H228N	E4	50
H228NR	E4	50
H228NAWK	E4	50
H328	E4	100	...	250	50
H328R	E4	100	...	250	50
H328AWK	E4	100	...	250	50
H328N	E4	100	...	250	50
H328NR	E4	100	...	250	50
H328NAWK	E4	100	...	250	50
H268	E4	50
H268R	E4	50
H268AWK	E4	50
H368	E4	100	...	250	...	200	...	500	...	250	...	500	50
H368R	E4	100	...	250	...	200	...	500	...	250	...	500	50
H368AWK	E4	100	...	250	...	200	...	500	...	250	...	500	50
H368N	E4	100	...	250	...	200	...	500	...	250	...	500	50
H368NR	E4	100	...	250	...	200	...	500	...	250	...	500	50
H368NAWK	E4	100	...	250	...	200	...	500	...	250	...	500	50
HU268	E4	100	...	100	50
HU268R	E4	100	...	100	50
HU268AWK	E4	100	...	100	50
HU368	E4	100	...	100	500	500	50
HU368R	E4	100	...	100	500	500	50
HU368AWK	E4	100	...	100	500	500	50

Heavy Duty Safety Switches — Class 3110

General Information

Specialty Switches

Catalog Number	Series	120 Vac		240 Vac				480 Vac				600 Vac				Vdc★		
		Std.	Max.	Std.		Max.		Std.		Max.		Std.		Max.		Max. hp Ratings		
		1φ	1φ	1φ	3φ	1φ	3φ	1φ	3φ	1φ	3φ	1φ	3φ	1φ	3φ	125	250	600
Cast Aluminum Enclosures																		
H361CS	F5	5	...	15	...	7½	...	20	...	5★	...
H362CS	F5	15	...	30	...	15	...	50	...	10★	...
H363CS	F5	25	...	60	...	30	...	75	...	20★	...
HU361CS	F5	20	30	...	5★	...
HU362CS	F5	50	60	...	10	...
HU363CS	F5	75	75	...	20	...
Fiberglass Reinforced Polyester Enclosures																		
H361DF	F1	1½★	3■	3★	7½■	3★	5■	7½★	15■	...	7½	...	15	...	5	15
H362DF	F1	3★	7½■	10★	15■	5★	15■	20★	30■	...	15	...	50	...	10	30
H363DF	F1	7½★	15■	15★	30■	10★	25■	30★	60■	...	30	...	75	...	20	50
H364DF	E1	25	...	60	...	50	...	125	...	60	...	150	...	40	50
HU361DF	F1	...	1★	5★	10■	10★	20■	30	3	10	15
HU362DF	F1	...	5★	10★	20◆■	25★	30◆■	60	5	10	30
HU363DF	F1	...	7½	20★	30	40★	75▲■	75	7½	20	50
HU364DF	E1	60	125	150	...	40	50
Krydon Enclosures																		
H361DX	F1	1½★	3■	3★	7½■	3★	5■	7½★	15■	...	7½	...	20	...	5★	15□
H362DX	F1	3★	7½■	10★	15■	5★	15■	20★	30■	...	15	...	50	...	10★	30◇
H363DX	F1	7½★	15■	15★	30■	10★	25■	30■	60■	...	30	...	75	...	20★	50†
HU361DX	F1	...	3	5★	10■	10★	20■	30	3	10	15
HU362DX	F1	...	5	10★	20◆■	25★	50◆■	60	5	10	30
HU363DX	F1	...	7½	20★	30■	40★	75▲■	75	7½	20	50
NEMA Type 7 and 9 Enclosures																		
H60XFA	E1	15	30	50
H60XFA1212	E1	15	30	50
H100XFA	E1	30	60	75
H100XFA1212	E1	30	60	75
H225XKA	C2	60	125	150

- ★ Use outer switching poles.
- For corner grounded only, install neutral and use switching poles for ungrounded conductors.
- ◆ 15 hp on corner grounded delta system.
- ▼ 25 hp on corner grounded delta system.
- ▲ 60 hp on corner grounded delta system.
- ☆ Standard hp rating.
- Standard rating 10 hp.
- ◇ Standard rating 25 hp.
- † Standard rating 40 hp.
- 15 hp rating on corner grounded delta system.
- ‡ 30 hp rating on corner grounded delta system.
- △ 60 hp rating on corner grounded delta system.



Heavy Duty Safety Switches — Class 3110

General Information

Receptacle Switches

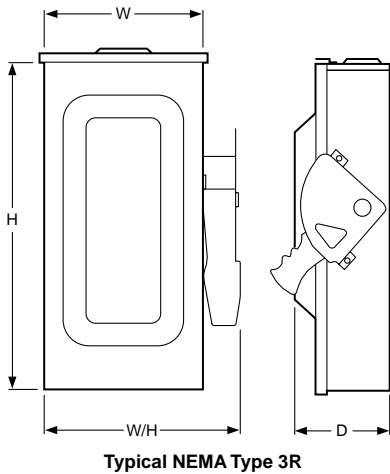
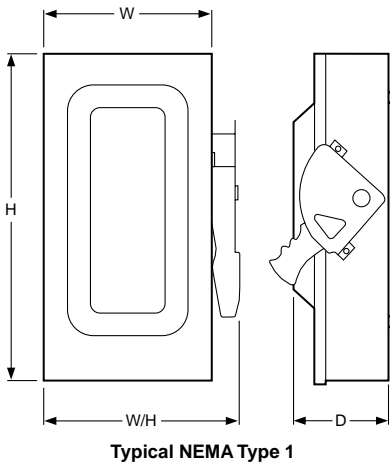
Catalog Number	Series	120 Vac		240 Vac				480 Vac				600 Vac				Vdc		
		Std.	Max.	Std.		Max.		Std.		Max.		Std.		Max.		Max. hp Ratings		
		1φ	1φ	1φ	3φ	1φ	3φ	1φ	3φ	1φ	3φ	1φ	3φ	1φ	3φ	125	250	600
H361WA	F5	5	...	15	...	7½	...	20	...	5▲	...
H361DSWA	E2	5	...	15	...	7½	...	20	...	5▲	...
H361CSWA	F5	5	...	15	...	7½	...	20	...	5▲	...
H361AWA	F5	5	...	15	...	7½	...	20	...	5▲	...
HU361WA	F5	20	30	...	5▲	...
HU361DSWA	E2	20	30	...	5▲	...
HU361CSWA	F5	20	30	...	5▲	...
HU361AWA	F5	20	30	...	5▲	...
H361WC	F5	3▲	5	7.5▲	15	...	7½	...	20	3▲●	5▲	...
H361DSWC	E1
H361AWC	F5	3▲	5	7.5▲	15	...	7½	...	20	3▲●	5▲	...
HU361WC	F5	...	2	5▲	10	10▲	20	15▲	30	3▲	10▲	...
HU361DSWC	E1	...	2	5▲	10	7½▲	20	10▲	30	3▲	5▲	...
HU361AWC	F5	...	2	5▲	10	10▲	20	15▲	30	3▲	10▲	...
H362WA	F5	15	...	30	...	15	...	50	...	10▲*	...
H362DSWA	E2	15	...	30	...	15	...	50	...	10▲*	...
H362CSWA	F5	15	...	30	...	15	...	50	...	10▲*	...
H362AWA	F5	15	...	30	...	15	...	50	...	10▲*	...
HU362WA	F5	50	60	...	10▲	...
HU362DSWA	E2	50	60	...	10▲	...
HU362CSWA	F5	50	60	...	10▲	...
HU362AWA	F5	50	60	...	10▲	...
H362WC	F5	5▲	15	20▲	30	...	15	...	50	5▲*	10▲*	...
H362DSWC	E1	3▲	7½	10▲	15	5▲	15	20▲	30	10▲	15	25▲	50	5▲*	10▲	...
H362AWC	F5	1½	3	3▲	7½	10▲	15	5▲	15	20▲	30	...	15	...	50	5▲*	10▲*	...
HU362WC	F5	...	5	10▲	20	25▲	50	30▲	60	5▲	10▲	...
HU362DSWC	E1	...	5	10▲	20	20▲	50	25▲	60	5▲	10▲	...
HU362AWC	F5	...	5	10▲	20	25	50	30▲	60	5▲	10▲	...
H362WH	F5	5▲	15	20▲	30	...	15	...	50
H362AWH	F5	5▲	15	20▲	30	...	15	...	50
HU362WH	F5	...	5	10▲	20	25▲	50	30▲	60
HU362AWH	F5	...	5	10▲	20	25▲	50	30▲	60
H363WA	F5	25	...	60	...	30	...	75	...	20*▲	...
H363DSWA	E2	25	...	60	...	30	...	75	...	20*▲	...
H363CSWA	F5	25	...	60	...	30	...	75	...	20*▲	...
H363AWA	F5	25	...	60	...	30	...	75	...	20*▲	...
HU363WA	F5	75	75	...	20▲	...
HU363DSWA	E2	75	75	...	20▲	...
HU363CSWA	F5	75	75	...	20▲	...
HU363AWA	F5	75	75	...	20▲	...
H363WC	F5	10▲	25	30▲	60	...	30	...	75	...	20*▲	...
H363DSWC	E1	25	...	60	...	30	...	75	...	20*▲	...
H363AWC	F5	10▲	25	30▲	30	...	30	...	75	...	20*▲	...
HU363WC	F5	75	75	...	20▲	...
HU363DSWC	E2	...	10	15▲	40*†	30▲	75	40▲	75*†	10▲	20▲	...
HU363AWC	F5	...	7½	20▲	30	40▲	75	40▲	75	7½▲	20▲	...

- ▲ Use both outer switching poles.
- 2 standard hp rating.
- ▼ 15 hp maximum on a corner grounded delta system.
- ◆ 30 hp maximum on a corner grounded delta system.
- † Use 75°C N.O. 4 Cu or N.O. 2 Al conductors.
- * Standard hp rating.
- ‡ Not applicable for corner grounded delta.



Heavy Duty Safety Switches — Class 3110

General Information

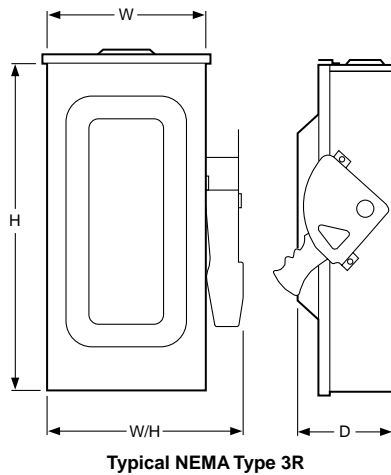
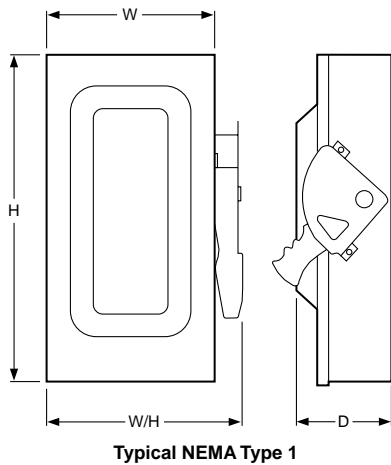


Catalog Number	Approximate Dimensions								
	Series	H		W		W/H		D	
		IN	mm	IN	mm	IN	mm	IN	mm
H221N	F1	14.60	371	6.51	165	7.55	192	4.87	124
H221NRB	F1	14.88	378	6.63	168	7.55	192	4.87	124
H222N	F4	14.60	371	6.51	165	7.55	192	4.87	124
H222NRB	F4	14.88	378	6.63	168	7.55	192	4.87	124
H223N	F5	21.25	540	8.50	216	10.50	267	6.38	162
H223NRB	F5	21.25	540	8.50	216	10.50	267	6.38	162
H224N	E1	27.38	695	12.88	327	14.38	365	7.50	191
H224NRB	E1	27.38	695	13.13	334	14.75	375	7.75	197
H225, N	E1	50.25	1276	27.63	702	27.63	702	10.13	257
H225NR, R	E1	50.31	1278	27.88	708	27.88	708	10.13	257
H226, N	E1	50.25	1276	27.63	702	27.63	702	10.13	257
H226NR, R	E1	50.31	1278	27.88	708	27.88	708	10.13	257
H227, N	E4	69.13	1756	36.62	930	36.62	930	17.75	451
H227NR, R	E4	69.13	1756	36.62	930	36.62	930	17.75	451
H228, N	E4	69.13	1756	36.62	930	36.62	930	17.75	451
H228NR, R	E4	69.13	1756	36.62	930	36.62	930	17.75	451
H265	E2	50.25	1276	27.63	702	27.63	702	10.13	257
H265R	E2	50.31	1278	27.88	708	27.88	708	10.13	257
H266	E2	50.25	1276	27.63	702	27.63	702	10.13	257
H266R	E2	50.31	1278	27.88	708	27.88	708	10.13	257
H267	E4	69.13	1756	36.62	930	36.62	930	17.75	451
H267R	E4	69.13	1756	36.62	930	36.62	930	17.75	451
H268	E4	69.13	1756	36.62	930	36.62	930	17.75	451
H268R	E4	69.13	1756	36.62	930	36.62	930	17.75	451
H321N	F1	14.60	371	6.51	165	7.55	192	4.87	124
H321NRB	F1	14.88	378	6.63	168	7.55	192	4.87	124
H322N	F4	14.60	371	6.51	165	7.55	192	4.87	124
H322NRB	F4	14.88	378	6.63	168	7.55	192	4.87	124
H323N	F5	21.25	540	8.50	216	10.50	267	6.38	162
H323NRB	F5	21.25	540	8.50	216	10.50	267	6.38	162
H324N	E1	27.38	695	12.88	327	14.38	365	7.50	191
H324NRB	E1	27.38	695	13.13	334	14.75	375	7.75	197
H325, N	E1	50.25	1276	27.88	708	27.88	708	10.13	257
H325R, NR	E1	50.31	1278	27.88	708	27.88	708	10.13	257
H326, N	E1	50.25	1276	27.63	702	27.63	702	10.13	257
H326R, NR	E1	50.31	1278	27.88	708	27.88	708	10.13	257
H327, N	E4	69.13	1756	36.62	930	36.62	930	17.75	451
H327R, NR	E4	69.13	1756	36.62	930	36.62	930	17.75	451
H328, N	E4	69.13	1756	36.62	930	36.62	930	17.75	451
H328R, NR	E4	69.13	1756	36.62	930	36.62	930	17.75	451
H361, N	F1	14.60	371	6.51	165	7.55	192	4.87	124
H361-2	F3	17.50	445	9.00	229	10.50	267	6.38	162
H361NRB, RB	F1	14.88	378	6.63	168	7.55	192	4.87	124
H362, N	F5	17.50	445	9.00	229	10.50	267	6.38	162
H362NRB, RB	F5	17.50	445	9.00	229	10.50	267	6.38	162
H362WH	F5	18.19	462	9.00	229	10.50	267	6.81	173
H363, N	F5	21.25	540	8.50	216	10.50	267	6.38	162
H363NRB, RB	F5	21.25	540	8.50	216	10.50	267	6.38	162



Heavy Duty Safety Switches — Class 3110

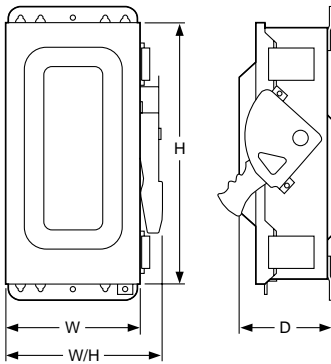
General Information



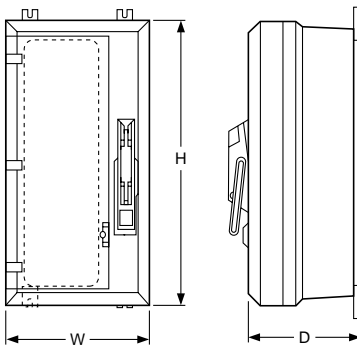
Catalog Number	Approximate Dimensions								
	Series	H		W		W/H		D	
		IN	mm	IN	mm	IN	mm	IN	mm
H364	E2	27.38	695	12.88	327	14.38	365	7.50	191
H364N	E1	27.38	695	16.25	413	17.38	441	7.50	191
H364NRB	E1	27.50	699	16.13	410	18.00	457	7.75	197
H364RB	E1	27.38	695	13.13	334	14.75	375	7.75	197
H365, N	E2	50.25	1276	27.63	702	27.63	702	10.13	257
H365R, NR	E2	50.31	1278	27.88	708	27.88	708	10.13	257
H366, N	E2	50.25	1276	27.63	702	27.63	702	10.13	257
H366NR, R	E2	50.31	1278	27.88	708	27.88	708	10.13	257
H367, N	E4	69.13	1756	36.62	930	36.62	930	17.75	451
H367NR, R	E4	69.13	1756	36.62	930	36.62	930	17.75	451
H368, N	E4	69.13	1756	36.62	930	36.62	930	17.75	451
H368NR, R	E4	69.13	1756	36.62	930	36.62	930	17.75	451
H461	F5	20.50	521	14.75	375	16.13	410	6.85	174
H462	F5	20.50	521	14.75	375	16.13	410	6.85	174
H463	F5	20.50	521	14.75	375	16.13	410	6.85	174
H464	E1	27.38	695	16.25	413	17.38	441	7.50	191
H465	E2	50.25	1276	33.88	861	33.88	861	10.13	257
H466	E2	50.25	1276	33.88	861	33.88	861	10.13	257
HU265	E2	50.25	1276	27.63	702	27.63	702	10.13	257
HU265R	E2	50.31	1278	27.88	708	27.88	708	10.13	257
HU266	E2	50.25	1276	27.63	702	27.63	702	10.13	257
HU266R	E2	50.31	1278	27.88	708	27.88	708	10.13	257
HU267	E4	69.13	1756	36.62	930	36.62	930	17.75	451
HU267R	E4	69.13	1756	36.62	930	36.62	930	17.75	451
HU268	E4	69.13	1756	36.62	930	36.62	930	17.75	451
HU268R	E4	69.13	1756	36.62	930	36.62	930	17.75	451
HU361	F1	14.60	371	6.51	165	7.55	192	4.87	127
HU361RB	F1	14.88	378	6.63	168	7.55	192	4.87	124
HU362	F5	17.50	445	9.00	229	10.50	267	6.38	162
HU362RB	F5	17.50	445	9.00	229	10.50	267	6.38	162
HU362WH	F5	18.19	462	9.00	229	10.50	267	6.81	173
HU363	F5	21.25	540	8.50	216	10.50	267	6.38	162
HU363RB	F5	21.25	540	8.50	216	10.50	267	6.38	162
HU364	E1	27.38	695	12.88	327	14.38	365	7.50	191
HU364RB	E1	27.38	695	13.13	334	14.75	375	7.75	197
HU365	E2	50.25	1276	27.63	702	27.63	702	10.13	257
HU365R	E2	50.31	1278	27.88	708	27.88	708	10.13	257
HU366	E2	50.25	1276	27.63	702	27.63	702	10.13	257
HU366R	E2	50.31	1278	27.88	708	27.88	708	10.13	257
HU367	E4	69.13	1756	36.62	930	36.62	930	17.75	451
HU367R	E4	69.13	1756	36.62	930	36.62	930	17.75	451
HU368	E4	69.13	1756	36.62	930	36.62	930	17.75	451
HU368R	E4	69.13	1756	36.62	930	36.62	930	17.75	451
HU461	F5	20.50	521	14.75	375	16.13	410	6.85	174
HU462	F5	20.50	521	14.75	375	16.13	410	6.85	174
HU463	F5	20.50	521	14.75	375	16.13	410	6.85	174
HU464	E1	27.38	695	16.25	413	17.38	441	7.50	191
HU465	E2	50.25	1276	33.88	861	33.88	861	10.13	257
HU466	E2	50.25	1276	33.88	861	33.88	861	10.13	257



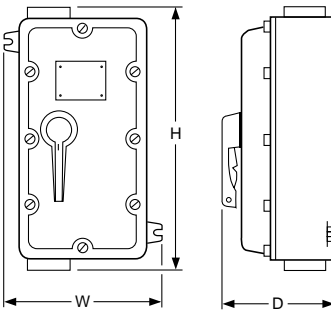
Heavy Duty Safety Switches — Class 3110 Dimensions — NEMA Type 4, 4X, 5, 7, 9, 12 and 12K



Typical NEMA Type 4, 4X, 5, 12, 12K



Typical NEMA Type 4X Fiberglass
Reinforced Polyester and KRYDON



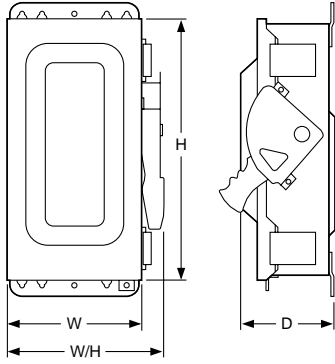
Typical NEMA Type 7, 9

Catalog Number	Series	Approximate Dimensions							
		H		W		W/H		D	
		IN	mm	IN	mm	IN	mm	IN	mm
H60XFA	E1	15.93	405	9.87	251	9.87	251	6.96	177
H100XFA	E1	15.93	405	9.87	251	9.87	251	6.96	177
H221AWK, A	F1	14.60	371	6.63	168	7.55	192	4.96	126
H221DS	E2	14.75	375	6.75	171	7.63	194	5.13	130
H221-2AWK	E1	16.50	419	9.00	229	10.50	267	7.00	178
H222AWK, A	F4	14.60	371	6.63	168	7.55	192	4.96	126
H222DS	E1	16.63	422	8.13	207	9.00	229	6.13	156
H223AWK, A	F5	20.50	521	9.00	229	10.50	267	7.00	178
H223DS	E2	20.62	524	10.38	264	11.50	292	6.50	165
H224AWK, A	E1	27.63	702	13.13	334	14.25	362	8.00	203
H224DS	E1	27.63	702	13.13	334	14.25	362	8.00	203
H225AWK, DS	E2	46.25	1175	26.25	667	26.25	667	10.13	259
H225NAWK, NDS	E2	46.25	1175	26.25	667	26.25	667	10.13	259
H225XKA	C2	22.56	573	10.88	276	10.88	276	7.75	197
H226AWK, DS	E2	46.25	1175	26.25	667	26.25	667	10.13	259
H226NAWK, NDS	E2	46.25	1175	26.25	667	26.25	667	10.13	259
H227AWK, NAWK	E4	69.13	1756	36.62	930	36.62	930	17.75	451
H228AWK, NAWK	E4	69.13	1756	36.62	930	36.62	930	17.75	451
H265AWK, DS	E2	46.25	1175	26.25	667	26.25	667	10.13	259
H266AWK, A, DS	E2	46.25	1175	26.25	667	26.25	667	10.13	259
H267AWK, NAWK	E4	69.13	1756	36.62	930	36.62	930	17.75	451
H268AWK, NAWK	E4	69.13	1756	36.62	930	36.62	930	17.75	451
H321AWK, A, DS	F1	14.60	371	6.63	168	7.55	192	4.96	126
H321DS	E1	14.75	375	6.75	171	7.63	194	5.13	130
H322AWK, A	F1	14.60	371	6.63	168	7.55	192	4.96	126
H322DS	E1	16.63	422	8.13	207	9.00	229	6.13	156
H323AWK, A	F5	20.50	521	9.00	229	10.50	267	7.00	178
H323DS	E2	20.62	524	10.38	264	11.50	292	6.50	165
H324AWK, A, DS	E2	27.63	702	13.13	334	14.25	362	8.00	203
H325AWK, DS	E2	46.25	1175	26.25	667	26.25	667	10.13	259
H325NAWK, NDS	E2	46.25	1175	26.25	667	26.25	667	10.13	259
H326AWK, DS	E2	46.25	1175	26.25	667	26.25	667	10.13	259
H326NAWK, NDS	E2	46.25	1175	26.25	667	26.25	667	10.13	259
H327AWK, NAWK	E4	69.13	1756	36.62	930	36.62	930	17.75	451
H328AWK, NAWK	E4	69.13	1756	36.62	930	36.62	930	17.75	451
H361CS	F5	21.00	533	11.00	279	11.56	294	7.25	184
H362CS	F5	21.00	533	11.00	279	11.56	294	7.25	184
H363CS	F5	23.50	597	11.00	279	11.56	294	7.25	184
H361AWK, A, DS	F1	14.60	371	6.63	168	7.55	192	4.96	126
H361DS	E1	14.75	375	6.75	171	7.63	194	5.13	130
H361DF	F1	16.50	419	11.00	279	11.00	279	8.80	224
H361DX	F1	19.40	493	11.40	290	11.40	290	8.60	218
H361-2AWK, A	F5	16.50	419	9.00	229	10.50	267	7.00	178
H362AWK, A	F5	16.50	419	9.00	229	10.50	267	7.00	178
H362DS	E1	16.63	422	8.13	207	9.00	229	6.13	156
H362AWA	F5	16.50	419	9.00	229	10.50	267	7.00	178
H362AWC	F5	16.50	419	9.00	229	10.50	267	7.00	178
H362AWH	F5	16.50	419	9.00	229	10.50	267	7.00	178
H362DF	F1	16.50	419	11.00	279	11.00	279	8.80	224
H362DX	F1	19.40	493	11.40	290	11.40	290	8.60	218
H363AWK, A	F5	20.50	521	9.00	229	10.50	267	7.00	178
H363DS	E1	20.62	524	10.38	264	11.50	292	6.50	165
H363DF	F1	24.80	630	13.70	348	13.70	348	12.00	305
H363DX	F1	25.25	641	11.40	290	11.40	290	8.60	218
H364AWK, A, DS	E1	27.63	702	13.13	334	14.25	362	8.00	203
H364NAWK, NA, NDS	E1	27.63	702	16.25	413	17.50	445	8.00	203
H364DF	E1	31.30	795	26.30	668	26.30	668	11.80	300
H365AWK, DS	E2	46.25	1175	26.25	667	26.25	667	10.13	259
H365NAWK, NDS	E2	46.25	1175	26.25	667	26.25	667	10.13	259
H366AWK, DS	E2	46.25	1175	26.25	667	26.25	667	10.13	259

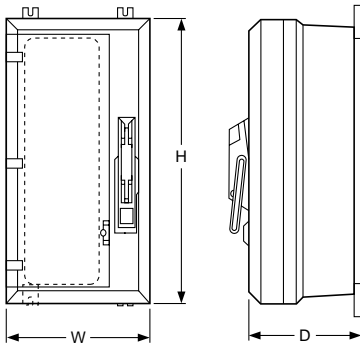


Heavy Duty Safety Switches — Class 3110

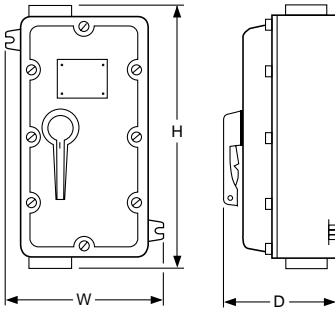
Dimensions — NEMA Type 1 and 3R



Typical NEMA Type 4, 4X, 5, 12, 12K



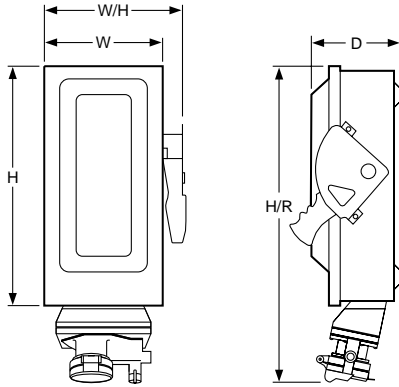
Typical NEMA Type 4X Fiberglass Reinforced Polyester and KRYDON



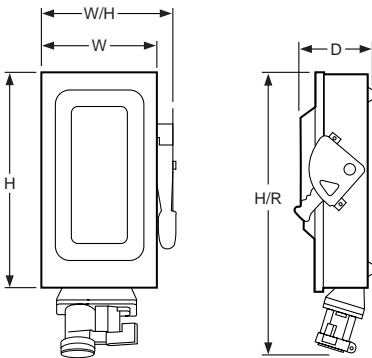
Typical NEMA Type 7, 9

Catalog Number	Series	Approximate Dimensions							
		H		W		W/H		D	
		IN	mm	IN	mm	IN	mm	IN	mm
H366NAWK, NDS	E2	46.25	1175	26.25	667	26.25	667	10.13	259
H367AWK, NAWK	E4	69.13	1756	36.62	930	36.62	930	17.75	451
H368AWK, NAWK	E4	69.13	1756	36.62	930	36.62	930	17.75	451
H461AWK	F5	20.50	521	14.75	375	16.13	410	6.80	173
H462AWK	F5	20.50	521	14.75	375	16.13	410	6.80	173
H462DS	E1	16.63	422	8.13	207	9.00	229	6.13	156
H463AWK	F5	20.50	521	14.75	375	16.13	410	6.80	173
H463 DS	E1	15.00	381	15.25	387	18.25	464	8.50	216
H464AWK, DS	E1	27.63	702	16.25	413	17.50	445	8.00	203
H465AWK	E2	46.25	1175	32.50	826	32.50	826	10.13	259
H663AWK	F5	20.50	521	14.75	375	16.13	410	6.80	173
H663DS	E1	14.25	362	15.25	387	19.25	489	7.80	198
H664RWK	E1	27.75	705	23.00	584	24.25	616	7.88	200
H664DS	E1	33.10	841	37.72	958	41.12	1044	11.00	279
HU265AWK, DS	E2	46.25	1175	26.25	667	26.25	667	10.13	259
HU266AWK, DS	E2	46.25	1175	26.25	667	26.25	667	10.13	259
HU267AWK	E4	69.13	1756	36.62	930	36.62	930	17.75	451
HU268AWK	E4	69.13	1756	36.62	930	36.62	930	17.75	451
HU361AWK, A	F1	14.60	371	6.63	168	7.55	192	4.96	126
HU361DS	E1	14.75	375	6.75	171	7.63	194	5.13	130
HU361DF	E1	16.50	419	11.00	279	11.00	279	8.80	224
HU361DX	E1	19.40	493	11.40	290	11.40	290	8.60	218
HU362AWK, A	F5	16.50	419	9.00	229	10.50	267	7.00	178
HU362DS	E1	16.63	422	8.13	207	9.00	229	6.13	156
HU362AWA	F5	16.50	419	9.00	229	10.50	267	7.00	178
HU362AWC	F5	16.50	419	9.00	229	10.50	267	7.00	178
HU362AWH	F5	16.50	419	9.00	229	10.50	267	7.00	178
HU362DF	F1	16.50	419	11.00	279	11.00	279	8.80	224
HU362DX	F1	19.40	493	11.40	290	11.40	290	8.60	218
HU363AWK, A	F5	20.50	521	9.00	229	10.50	267	7.00	178
HU363DS	E1	20.62	524	10.38	264	11.50	292	6.50	165
HU361CS	F5	21.00	533	11.00	279	11.56	294	7.25	184
HU362CS	F5	21.00	533	11.00	279	11.56	294	7.25	184
HU363CS	F5	21.00	533	11.00	279	11.56	294	7.25	184
HU363DF	F1	24.80	630	13.70	348	13.70	348	12.00	305
HU363DX	F1	25.25	641	11.40	290	11.40	290	8.60	218
HU364DF	E1	31.30	795	26.30	668	26.30	668	11.80	300
HU364AWK, A, DS	E1	27.63	702	13.13	334	14.25	362	8.00	203
HU365AWK, DS	E2	46.25	1175	26.25	667	26.25	667	10.13	259
HU366AWK, DS	E2	46.25	1175	26.25	667	26.25	667	10.13	259
HU367AWK	E4	69.13	1756	36.62	930	36.62	930	17.75	451
HU368AWK	E4	69.13	1756	36.62	930	36.62	930	17.75	451
HU461AWK, DS	E1	16.63	422	9.88	251	11.00	279	6.13	156
HU462AWK	F5	20.50	521	14.75	375	16.13	410	6.80	173
HU462DS	E1	16.63	422	9.88	251	11.00	279	6.13	156
HU463AWK	F5	20.50	521	14.75	375	16.13	410	6.80	173
HU463DS	E1	19.38	492	16.00	406	19.50	495	8.88	226
HU464AWK, DS	E1	27.63	702	16.25	413	17.50	445	8.00	203
HU465AWK	E2	46.25	1175	32.50	826	32.50	826	10.13	259
HU661AWK	F5	20.50	521	14.75	375	16.13	410	6.80	173
HU661DS	E1	19.25	489	17.25	438	18.50	470	6.25	159
HU662AWK	F5	20.50	521	14.75	375	16.13	410	6.80	173
HU662DS	E1	19.25	489	17.25	438	18.50	470	6.25	159
HU663AWK	F5	20.50	521	14.75	375	16.13	410	6.80	173
HU663DS	E1	19.25	489	17.25	438	18.50	470	6.25	159
HU664DS, RWK	E1	24.38	619	23.00	584	24.25	616	7.88	200

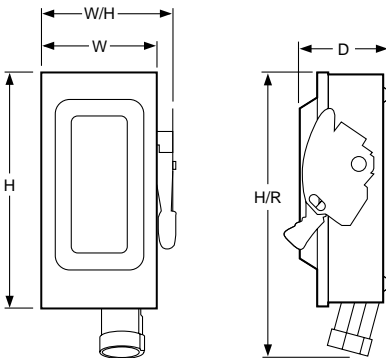
Heavy Duty Safety Switches — Class 3110 Dimensions — NEMA Type 1 and 3R



**APPLETON Receptacle
(Suffix WA)**



**ARKTITE Receptacle
(Suffix WC)**



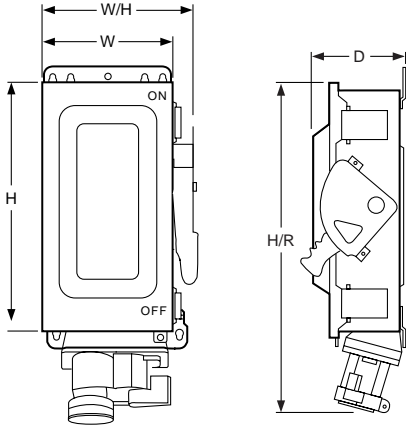
**HUBBELLOCK Receptacle
(Suffix WH)**

Catalog Number	Overall Dimensions IN/mm ± 1/16									
	H		W		W/H		H/R		D	
	IN	mm	IN	mm	IN	mm	IN	mm	IN	mm
H361WA	18.19	462	9.00	229	10.50	267	24.00	610	6.81	173
H362WA	18.19	462	9.00	229	10.50	267	24.00	610	6.81	173
H363WA	21.85	555	9.00	229	10.50	267	27.60	701	6.81	173
H361AWA	16.50	419	9.00	229	10.50	267	22.25	565	7.00	178
H362AWA	16.50	419	9.00	229	10.50	267	22.25	565	7.00	178
H363AWA	20.50	521	9.00	229	10.50	267	26.25	667	7.00	178
HU361WA	18.19	462	9.00	229	10.50	267	24.00	610	6.81	173
HU362WA	18.19	462	9.00	229	10.50	267	24.00	610	6.81	173
HU363WA	21.85	555	9.00	229	10.50	267	22.25	565	7.00	178
HU361AWA	16.50	419	9.00	229	10.50	267	22.25	565	7.00	178
HU362AWA	16.50	419	9.00	229	10.50	267	22.25	565	7.00	178
HU363AWA	20.50	521	9.00	229	10.50	267	26.25	667	7.00	178
H361WC	18.19	462	9.00	229	10.50	267	25.69	652	6.81	173
H362WC	18.19	462	9.00	229	10.50	267	25.69	652	6.81	173
H363WC	21.85	555	9.04	230	10.50	267	29.35	745	6.81	173
H361AWC	16.50	419	9.00	229	10.50	267	25.50	648	7.00	178
H362AWC	16.50	419	9.00	229	10.50	267	25.50	648	7.00	178
H363AWC	20.50	521	9.00	229	10.50	267	28.05	712	7.00	178
HU361WC	18.19	462	9.00	229	10.50	267	25.69	652	6.81	173
HU362WC	18.19	462	9.00	229	10.50	267	25.69	652	6.81	173
HU363WC	21.85	555	9.04	230	10.50	267	29.35	745	6.81	173
HU361AWC	16.50	419	9.00	229	10.50	267	25.50	648	7.00	178
HU362AWC	16.50	419	9.00	229	10.50	267	25.50	648	7.00	178
HU363AWC	20.50	521	9.00	229	10.50	267	28.05	712	7.00	178
H362WH	18.19	462	9.00	229	10.50	267	21.81	554	6.81	173
H362AWH	16.50	419	9.00	229	10.50	267	21.25	540	7.00	178
HU362WH	18.19	462	9.00	229	10.50	267	21.81	554	6.81	173
HU362AWH	16.50	419	9.00	229	10.50	267	21.25	540	7.00	178

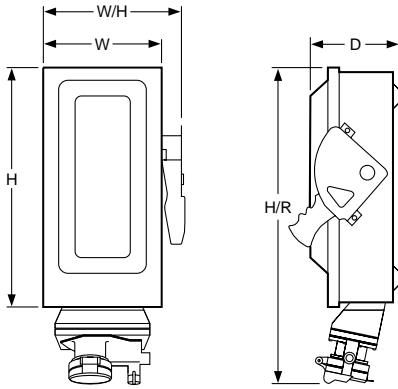


Heavy Duty Safety Switches — Class 3110

Dimensions — NEMA Type 4, 4X, 5, 7, 9, 12, and 12K



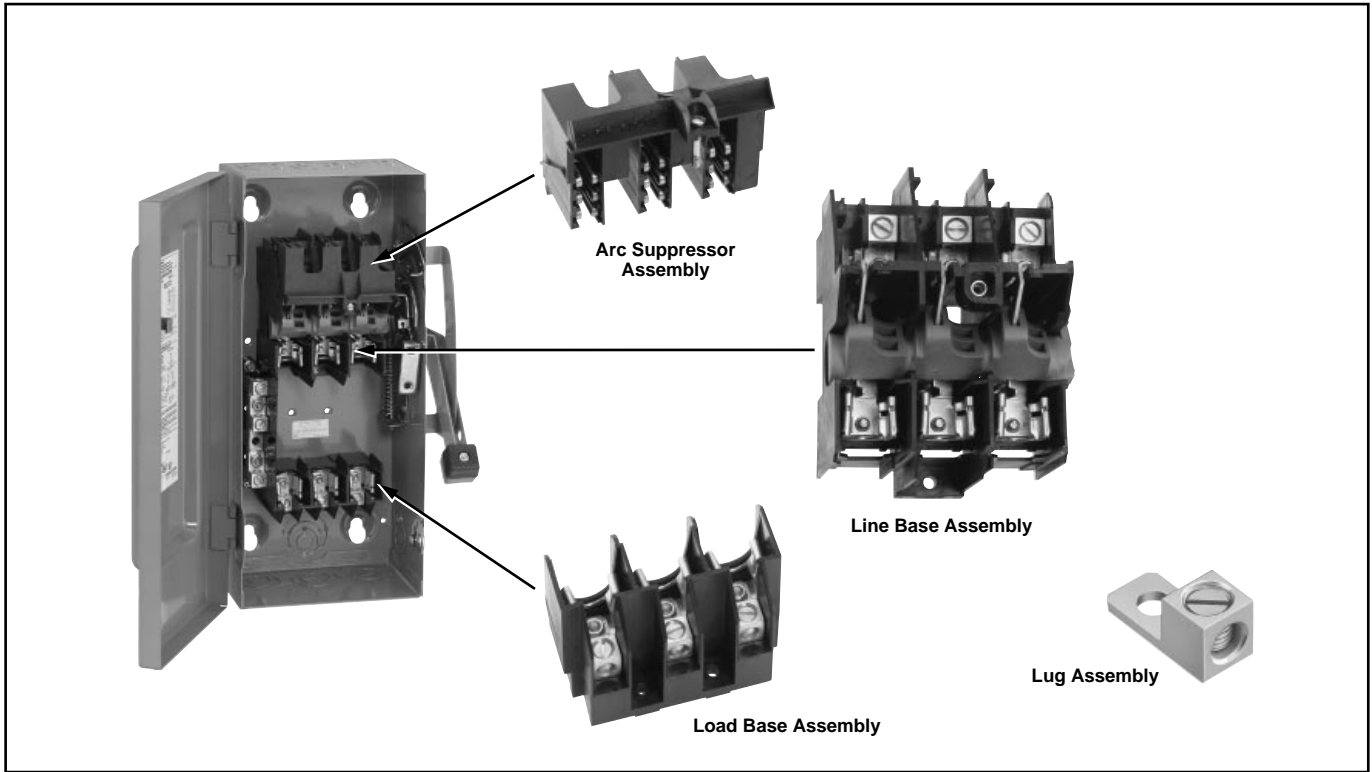
**ARKTITE Receptacle
(Suffix WC)**



**APPLETON Receptacle
(Suffix WA)**

Catalog Number	Overall Dimensions IN/mm ± 1/16									
	H		W		W/H		H/R		D	
	IN	mm	IN	mm	IN	mm	IN	mm	IN	mm
H361DSWA	16.63	422	8.13	207	9.13	232	22.25	565	6.13	156
H362DSWA	16.63	422	8.13	207	9.13	232	22.25	565	6.13	156
H363DSWA	20.63	524	10.38	264	11.50	292	26.25	667	6.50	165
HU361DSWA	16.63	422	8.13	207	9.13	232	22.25	565	6.13	156
HU362DSWA	16.63	422	8.13	207	9.13	232	22.25	565	6.13	156
HU363DSWA	20.63	524	10.38	264	11.50	292	26.25	667	6.50	165
H361CSWA	18.00	457	11.00	279	11.56	294	24.33	618	7.25	184
H362CSWA	18.00	457	11.00	279	11.56	294	24.33	618	7.25	184
H363CSWA	21.40	544	11.00	279	11.56	294	27.96	710	7.25	184
HU361CSWA	18.00	457	11.00	279	11.56	294	24.33	618	7.25	184
HU362CSWA	18.00	457	11.00	279	11.56	294	24.33	618	7.25	184
HU363CSWA	18.00	457	11.00	279	11.56	294	24.33	618	7.25	184
H361DSWC	16.50	419	9.00	229	10.50	267	25.50	648	7.00	178
H362DSWC	16.50	419	9.00	229	10.50	267	25.50	648	7.00	178
H363DSWC	20.50	521	9.00	229	10.50	267	28.05	712	7.00	178
HU361DSWC	16.50	419	9.00	229	10.50	267	25.50	648	7.00	178
HU362DSWC	16.50	419	9.00	229	10.50	267	25.50	648	7.00	178
HU363DSWC	20.50	521	9.00	229	10.50	267	28.05	712	7.00	178

Heavy Duty Safety Switches — Class 3110 Replacement Parts



NEMA Types 1 and 3R, 30 A, Series E

Catalog Number	Series	Complete Interior	Line Base Assembly†	Load Base Assembly	Arc Suppressor Assembly	Lug Assembly	Neutral Assembly★
H221N H221NRB	E1, E2 E1, E2	HN221NE2 HN221NE2	40566-667-50 40566-667-50	40512-542-01 40512-542-01	40251-016-51 40251-016-51	H60SN H60SN
H321N H321NRB	E1, E2 E1, E2	HN321NE2 HN321NE2	40512-574-50 40512-574-50	40512-542-01 40512-542-01	40251-016-51 40251-016-51	H60SN H60SN
H361 H361-2	E1, E2 E1	HN361E2 HN3612E1	40566-667-50 40512-420-50	40560-025-50 40512-425-50	40566-694-51 40512-399-50	40251-016-51 40251-016-51
H361N H361RB	E1 E1	HN361NE1 HN361E1	40566-667-50 40566-667-50	40560-025-50 40560-025-50	40566-694-51 40566-694-51	40251-016-51 40251-016-51	H60SN ...
H361NRB H461-2	E1 E1	HN361NE1 HN461-2E1	40566-667-50 40512-464-50	40560-025-50 40512-443-50	40566-694-51 40512-444-50	40251-016-51 40251-016-51	H60SN ...
HU361 HU361-EI	E1, E2 E1, E2	HUN361E2 HUN361E2	40566-668-50 40566-668-50	40566-694-51 40566-694-51	40251-016-51 40251-016-51
HU361RB HU361RB-EI	E1, E2 E1, E2	HUN361E2 HUN361E2	40566-668-50 40566-668-50	40566-694-51 40566-694-51	40251-016-51 40251-016-51
HU461	E1	HUN461E1	40512-446-50	...	40512-444-50	40251-016-51	...

† Arc suppressor assembly not included in line base assembly.

★ Neutral bonding screw: 40283-330-51.

Handle knob kit: 40283-440-50, Series E Switches.

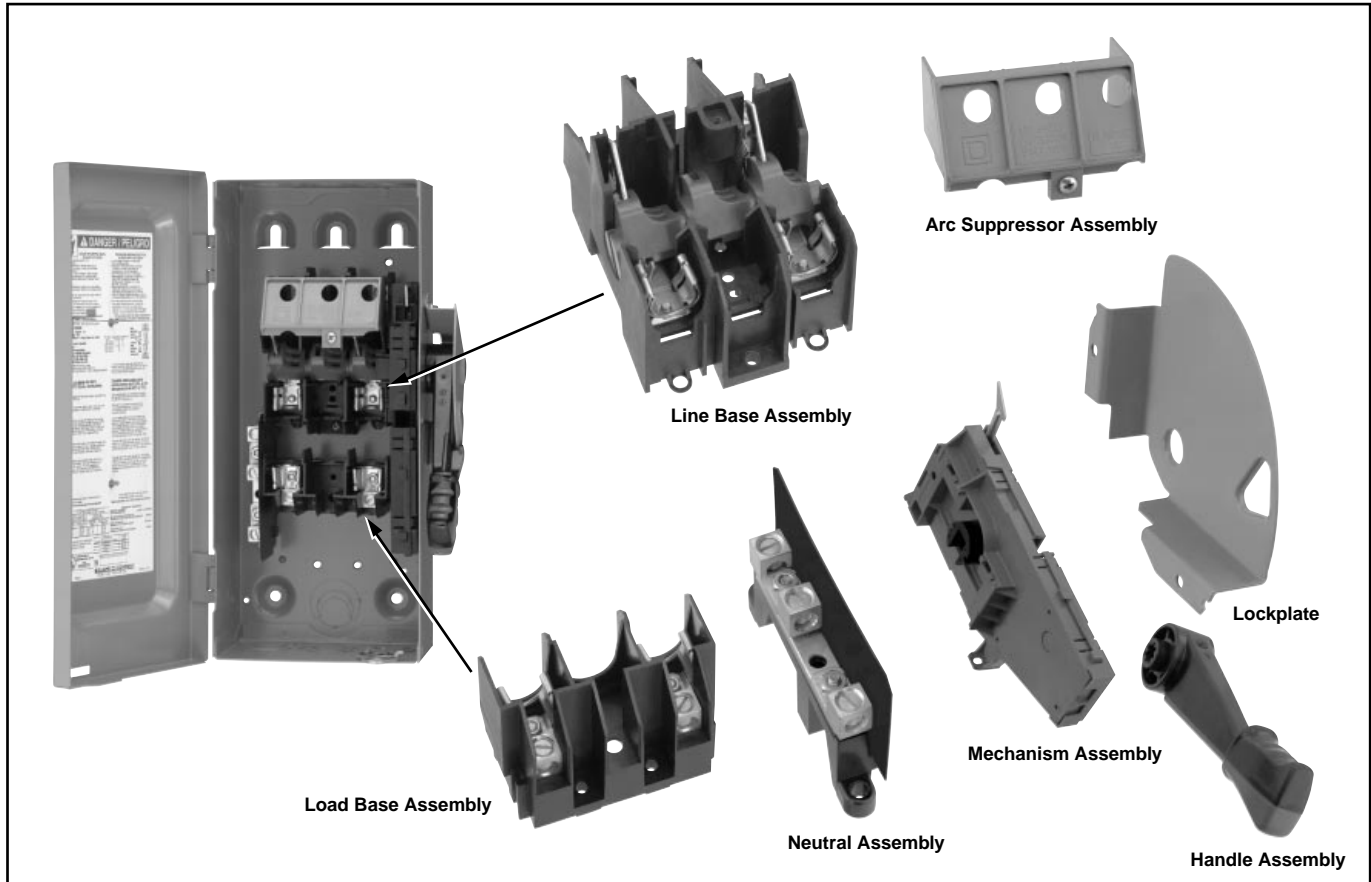
NEMA Type 3R cover hinge screw: 21422-171-61.

Parts not listed are not available.



Heavy Duty Safety Switches — Class 3110

Replacement Parts

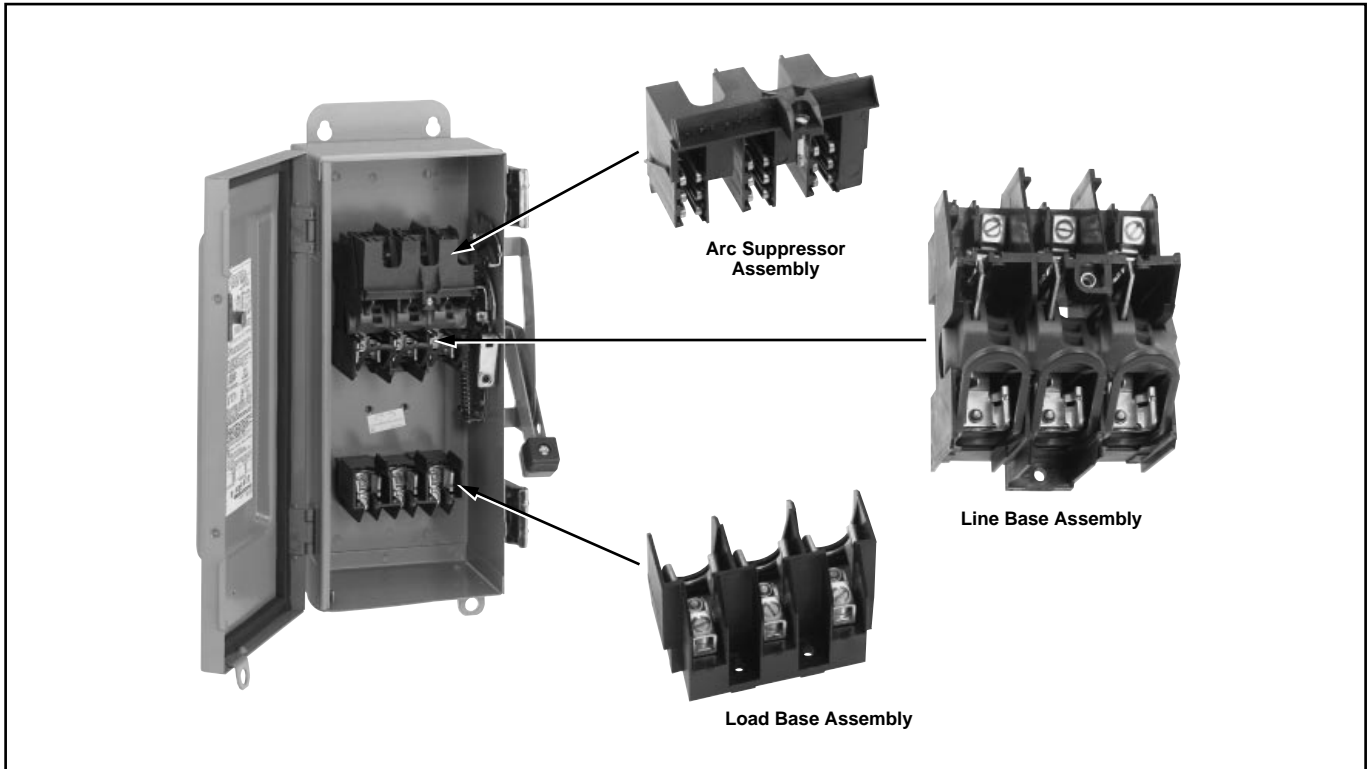


NEMA Types 1 and 3R, 30 A, Series F

Catalog Number	Series	Complete Interior	Line Base Assembly†	Load Base Assembly	Arc Suppressor Assembly	Lug Assembly	Mechanism Assembly	Handle Assembly	Handle Gasket	Lockplate	Neutral Assy.*
H221N	F1	HN221NF1	40566-422-50	40566-410-50	40560-018-01	40251-016-51	40566-107-50	40566-700-50	40566-031-01	40566-376-01	SN03
H221NRB	F1	HN221NF1	40566-422-50	40566-410-50	40560-018-01	40251-016-51	40566-107-50	40566-700-50	40566-031-01	40566-376-01	SN03
H321N	F1	HN321NF1	40566-424-50	40566-411-50	40560-018-01	40251-016-51	40566-107-50	40566-700-50	40566-031-01	40566-376-01	SN03
H321NRB	F1	HN321NF1	40566-424-50	40566-411-50	40560-018-01	40251-016-51	40566-107-50	40566-700-50	40566-031-01	40566-376-01	SN03
H361	F1	HN361F1	40566-420-50	40560-025-50	40566-694-51	40251-016-51	40566-107-50	40566-700-50	40566-031-01	40566-376-01	...
H361RB	F1	HN361F1	40566-420-50	40560-025-50	40566-694-51	40251-016-51	40566-107-50	40566-700-50	40566-031-01	40566-376-01	...
H361N	F1	HN361NF1	40566-420-50	40560-025-50	40566-694-51	40251-016-51	40566-107-50	40566-700-50	40566-031-01	40566-376-01	SN03
H361NRB	F1	HN361NF1	40566-420-50	40560-025-50	40566-694-51	40251-016-51	40566-107-50	40566-700-50	40566-031-01	40566-376-01	...
HU361	F1	HUN361F1	40566-426-50	...	40566-694-51	40251-016-51	40566-107-50	40566-700-50	40566-031-01	40566-376-01	...
HU361RB	F1	HUN361F1	40566-426-50	...	40566-694-51	40251-016-51	40566-107-50	40566-700-50	40566-031-01	40566-376-01	...
H461	F1, F3, F5	HSIF4603F	...	HLB2603206F△	HAS0610F△	AL0306F△	HM0610F◆	HM0610F◆	HM0610F◆	HM0610F◆	...
HU461	F1, F3, F5	HSIU4603606F	HAS0610F△	AL0306F△	HM0610F◆	HM0610F◆	HM0610F◆	HM0610F◆	...

△ Two required.
 † Arc suppressor not included in line base assembly.
 ★ Neutral bond screw: 40283-330-51.
 ◆ HM0610F includes handle, mechanism, lockplate, and gaskets.
 Parts not listed are not available.

Heavy Duty Safety Switches — Class 3110 Replacement Parts



NEMA Types 4, 4X, 5 Stainless Steel, NEMA Types 12, 12K, 30 A, Series E

Catalog Number	Series	Complete Interior	Line Base Assembly†	Load Base Assembly	Arc Suppressor Assembly	Lug Assembly
H221A	E1	HN221AE1	40512-609-50	...	40512-542-01	40256-034-50
H221AWK	E1	HN221AE1	40512-609-50	...	40512-542-01	40256-034-50
H221DS	E1	HN221AE1	40512-609-50	-	40512-542-01	40256-034-50
H221-2AWK	E1	HN2212AE1	40512-624-50	40512-627-50	40512-445-50	40256-034-50
H321A	E1, E2	HN321AE2	40512-608-50	...	40512-542-01	40256-034-50
H321AWK	E1	HN321AE1	40512-608-50	...	40512-542-01	40256-034-50
H321DS	E1	HN321AE1	40512-608-50	...	40512-542-01	40256-034-50
H361A	E1, E2	HN361AE2	40566-671-50	40560-027-50	40566-694-51	40256-034-50
H361AWK	E1	HN361AE1	40566-671-50	40560-027-50	40566-694-51	40256-034-50
H361DS	E1	HN361AE1	40566-671-50	40560-027-50	40566-694-51	40256-034-50
H361-2A	E1	HN3612AE1	40512-492-50	40512-501-50	40512-399-50	40256-034-50
H361-2AWK	E1	HN3612AE1	40512-492-50	40512-501-50	40512-399-50	40256-034-50
H461-2AWK	E1	HN4612AE1	40512-498-50	40512-503-50	40512-444-50	40256-034-50
HU361A	E1	HUN361AE1	40566-672-50	...	40566-694-51	40256-034-50
HU361A-EI	E1	HUN361AE1	40566-672-50	...	40566-694-51	40256-034-50
HU361AWK	E1	HUN361AE1	40566-672-50	...	40566-694-51	40256-034-50
HU361AWK-EI	E1	HUN361AE1	40566-672-50	...	40566-694-51	40256-034-50
HU361DS	E1	HUN361AE1	40566-672-50	...	40566-694-51	40256-034-50
HU361DS-EI	E1	HUN361AE1	40566-672-50	...	40566-694-51	40256-034-50
HU461AWK	E1	HUN461AE1	40512-499-50	...	40512-444-50	40256-034-50
HU461DS	E1	HUN461AE1	40512-499-50	...	40512-444-50	40256-034-50

† Arc suppressor assembly not included in line base assembly.

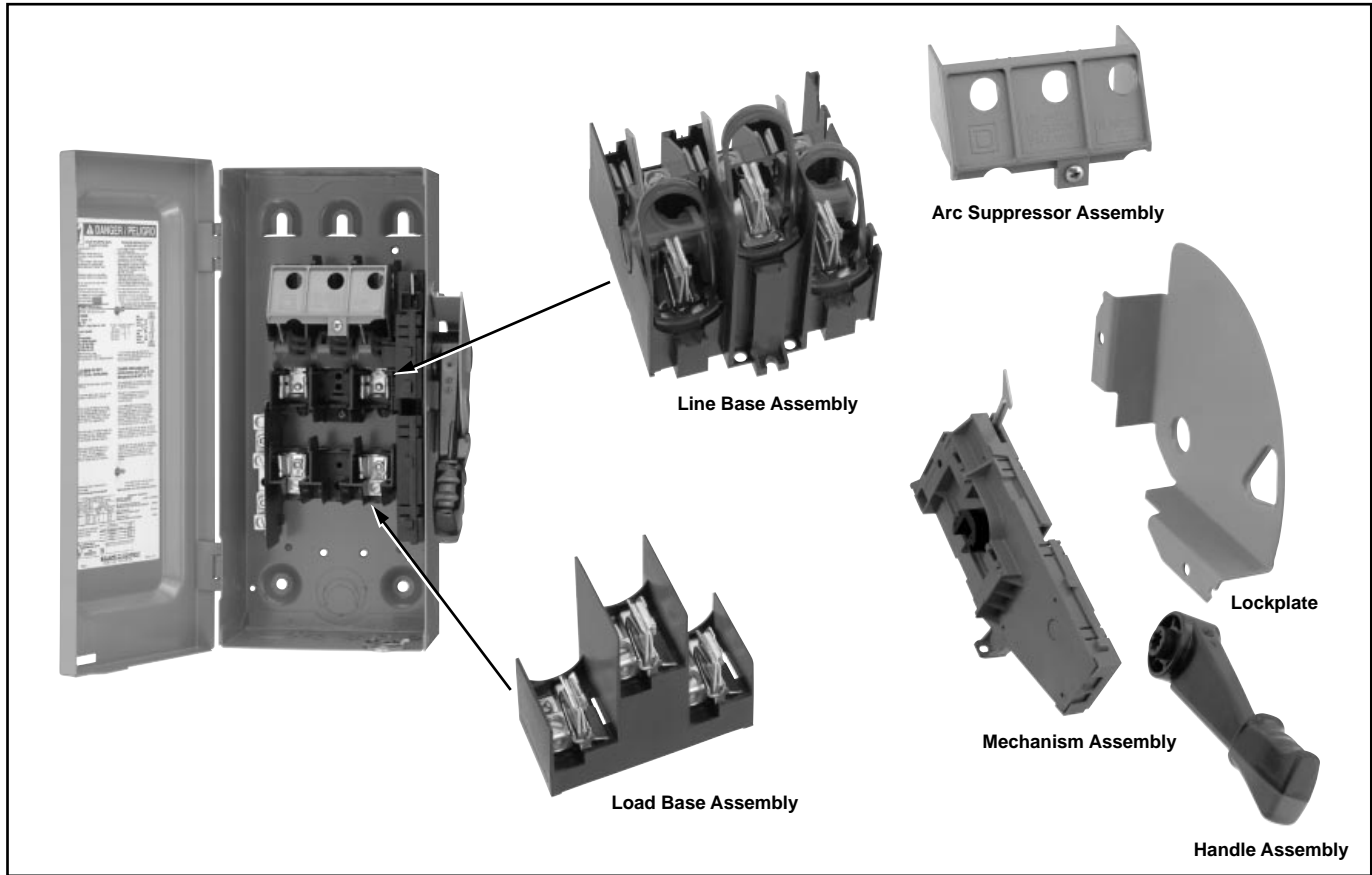
Handle knob kit: 40283-440-50, Series E Switches.

Parts not listed are not available.



Heavy Duty Safety Switches — Class 3110

Replacement Parts



NEMA Types 12, 12K, 30 A, Series F

Catalog Number	Series	Complete Interior	Line Base Assembly†	Load Base Assembly	Arc Suppressor Assembly	Mechanism Assembly	Handle Assembly	Handle Gasket	Lockplate	Lug Assembly
H221A	F1	HN221AF1	40566-427-50	40566-408-50	40560-018-01	40566-107-50	40566-700-50	40566-031-01	40566-376-01	40526-034-50
H221AWK	F1	HN221AF1	40566-427-50	40566-408-50	40560-018-01	40566-107-50	40566-700-50	40566-031-01	40566-376-01	40526-034-50
H321A	F1	HN321AF1	40566-428-50	40566-412-50	40560-018-01	40566-107-50	40566-700-50	40566-031-01	40566-376-01	40526-034-50
H321AWK	F1	HN321AF1	40566-428-50	40566-412-50	40560-018-01	40566-107-50	40566-700-50	40566-031-01	40566-376-01	40526-034-50
HU361A	F1	HUN361AF1	40566-430-50	...	40566-694-51	40566-107-50	40566-700-50	40566-031-01	40566-376-01	40526-034-50
HU361AWK	F1	HUN361AF1	40566-430-50	...	40566-694-51	40566-107-50	40566-700-50	40566-031-01	40566-376-01	40526-034-50
H361A	F1	HN361AF1	40566-429-50	40560-027-50	40566-694-51	40566-107-50	40566-700-50	40566-031-01	40566-376-01	40526-034-50
H361AWK	F1	HN361AF1	40566-429-50	40560-027-50	40566-694-51	40566-107-50	40566-700-50	40566-031-01	40566-376-01	40526-034-50
H361-2A	F1, F3, F5	HSIF3603206CF	...	HLB3603206CF	HAS0610F	HM0610F♦	HM0610F♦	HM0610F♦	HM0610F♦	CL0306F
H361-2AWK	F1, F3, F5	HSIF3603206CF	...	HLB3603206CF	HAS0610F	HM0610F♦	HM0610F♦	HM0610F♦	HM0610F♦	CL0306F
H461AWK	F1, F3, F5	HSIF4603CF	...	HLB2603206CF△	HAS0610F△	HM0610F♦	HM0610F♦	HM0610F♦	HM0610F♦	CL0306F★
HU461AWK	F3, F5	HSIU4603606CF	HAS0610F△	HM0610F♦	HM0610F♦	HM0610F♦	HM0610F♦	CL0306F★
HU661AWK	F3, F5	HSIU6603606CF	HAS0610F△	HM0610F♦	HM0610F♦	HM0610F♦	HM0610F♦	CL0306F★

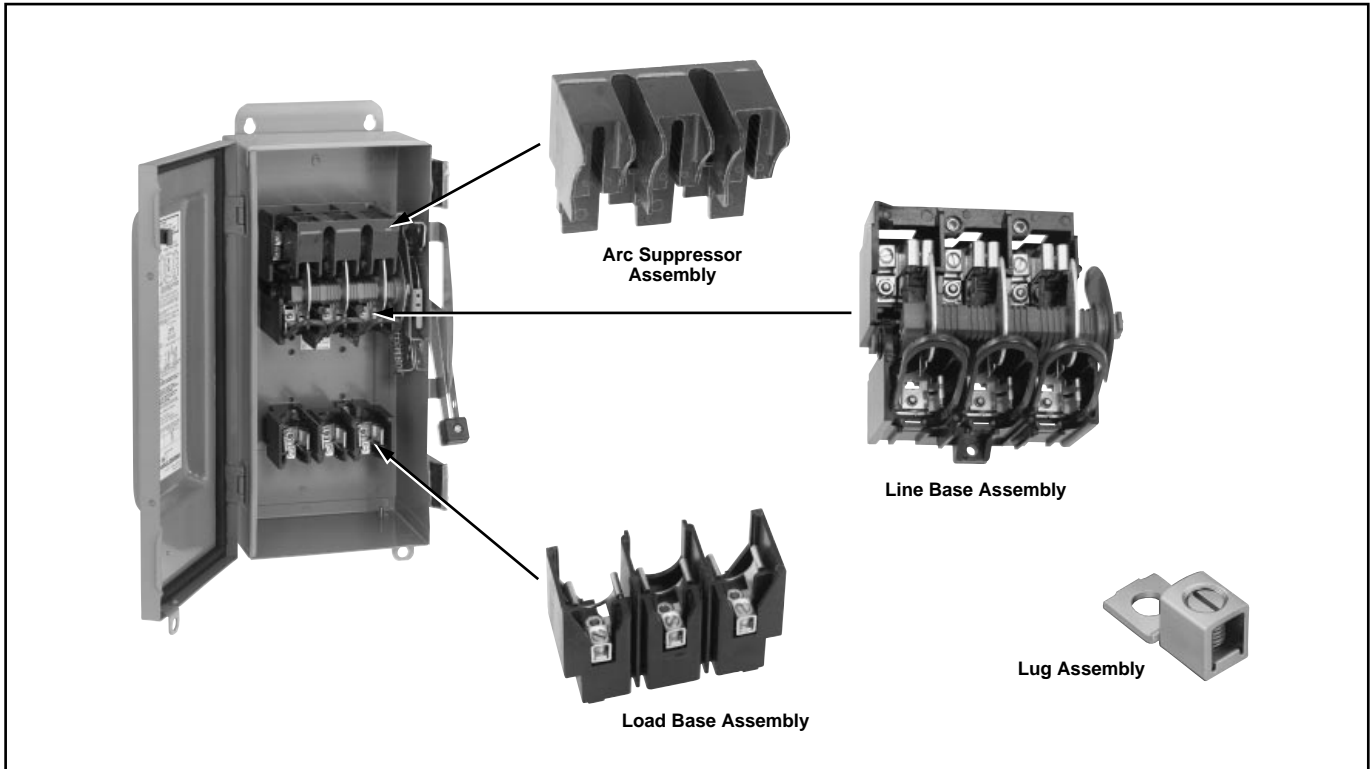
△ Two required.

† Arc suppressor assembly not included in line base assembly.

Parts not listed are not available.



Heavy Duty Safety Switches — Class 3110 Replacement Parts



NEMA Types 4, 4X, 5 Stainless Steel, 60 A, Series E1

Catalog Number	Complete Interior	Line Base Assembly†●	Load Base Assembly●	Arc Suppressor Assembly	Lug Assembly
H222DS	HN222AE1	40512-495-50	40512-503-50	40512-445-50	40256-034-50
H322DS	HN322AE1	40512-492-50	40512-501-50	40512-421-50	40256-034-50
H362DS	HN362AE1	40512-491-50	40512-500-50	40512-399-50	40256-034-50
H462DS	HN462AE1	40512-497-50	40512-502-50△	40512-444-50△	40256-034-50
HU362DS	HUN362AE1	40512-493-50	...	40512-399-50	40256-034-50
HU462DS	HUN462AE1	40512-499-50	...	40512-444-50△	40256-034-50

△ Two required.

† Arc suppressor assembly not included in line base assembly.

● Base mounting screws: 40205-065-01.

NEMA Type 3R door hinge pin: 21427-171-61.

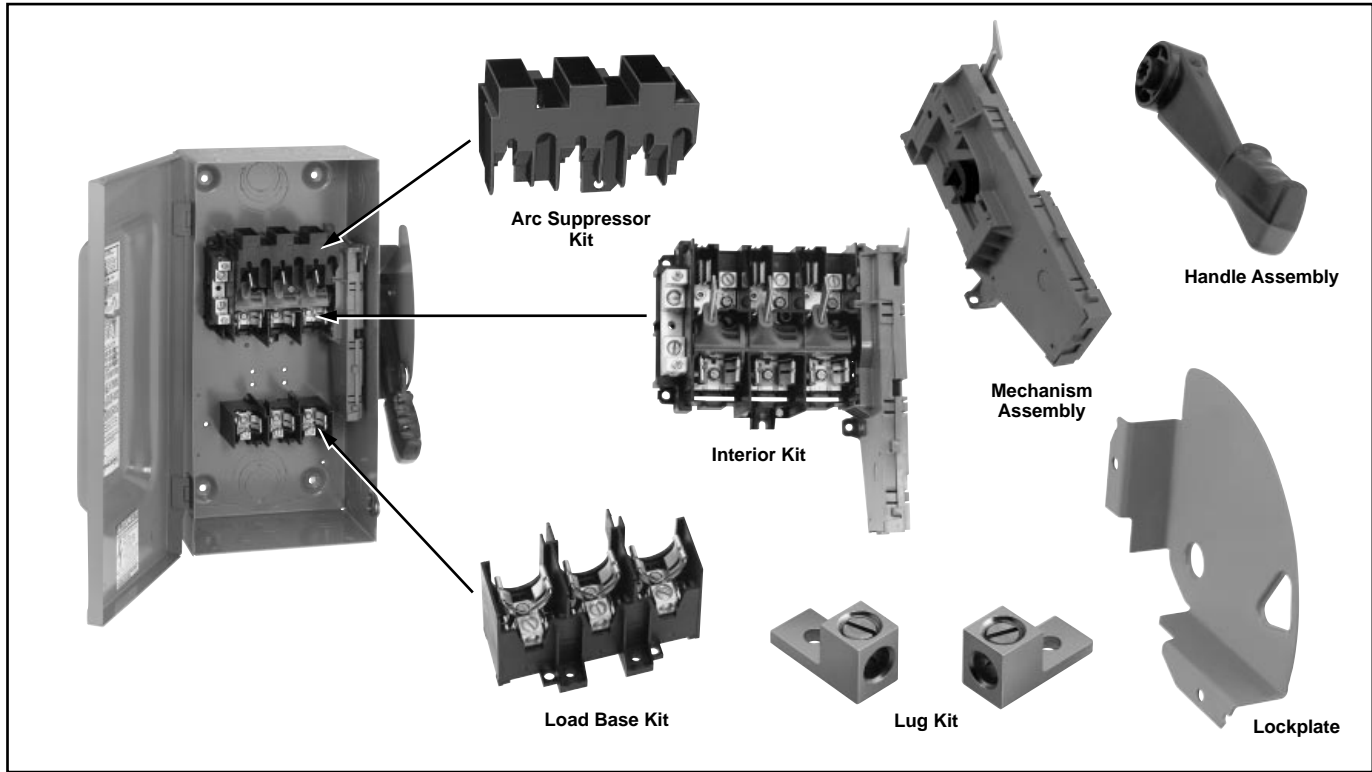
Handle knob kit: 40283-440-50.

Parts not listed are not available.



Heavy Duty Safety Switches — Class 3110

Replacement Parts



NEMA Types 1 and 3R, 60 A, Series F1, F2 and F3 (Kits include all mounting hardware.)

Catalog Number	Series	Interior Kit■	Load Base Kit	Arc Suppressor Kit	Lug Kit (Includes 6 Lugs)	Handle/Mechanism Kit†	Neutral Assembly★
H222N H222NRB	F1, F3 F1, F3	HSIF2206F HSIF2206F	HLB2603206F HLB2603206F	HAS0610F HAS0610F	AL0306F AL0306F	HM0610F HM0610F	SN0610 SN0610
H322N H322NRB	F1, F3 F1, F3	HSIF3206F HSIF3206F	HLB3206F HLB3206F	HAS0610F HAS0610F	AL0306F AL0306F	HM0610F HM0610F	SN0610 SN0610
H362 H362N	F1, F2, F3, F5 F1, F3, F5	HSIF3606F HSIF3606F	HLB3606F HLB3606F	HAS0610F HAS0610F	AL0306F AL0306F	HM0610F HM0610F	... SN0610
H362NRB H362RB	F1, F3, F5 F1, F3, F5	HSIF3606F HSIF3606F	HLB3606F HLB3606F	HAS0610F HAS0610F	AL0306F AL0306F	HM0610F HM0610F	SN0610 ...
H462 HU362	F1, F3, F5 F1, F3, F5	HSIF4606F HSIU3606F	HLB2606FΔ ...	HAS0610FΔ HAS0610F	AL0306FΔ AL0306F	HM0610F HM0610F
HU362RB HU462	F1, F3, F5 F1, F3, F5	HSIU3606F HSIU4603606F	HAS0610F HAS0610FΔ	AL0306F AL0306FΔ	HM0610F HM0610F

Δ Two required.

■ Interior kit includes line and load base assemblies, mechanism, arc suppressor, and instructions.

★ Neutral bonding screw: 40283-456-51.

† Includes lockplate: 40566-050-01.

For complete interior order interior kit, and neutral as required.

Parts not listed are not available.

NEMA Types 1 and 3R, 60 A, Series F4

Catalog Number	Series	Complete Interior	Line Base Assembly†	Load Base Assembly	Arc Suppressor Assembly	Mechanism Assembly	Handle Assembly	Handle Gasket	Lockplate	Lug Assembly	Neutral Assembly★
H222N H222NRB	F4 F4	HN222NF4 HN222NF4	40566-421-50 40566-421-50	40560-026-50 40560-026-50	40560-018-01 40560-018-01	40566-107-50 40566-107-50	40566-700-50 40566-700-50	N/A 40566-301-01	40566-376-01 40566-376-01	40251-016-51 40251-016-51	SN03 SN03
H322N H322NRB	F4 F4	HN322NF4 HN322NF4	40566-420-50 40566-420-50	40560-025-50 40560-025-50	40560-018-01 40560-018-01	40566-107-50 40566-107-50	40566-700-50 40566-700-50	N/A 40566-031-01	40566-376-01 40566-376-01	40251-016-51 40251-016-51	SN03 SN03

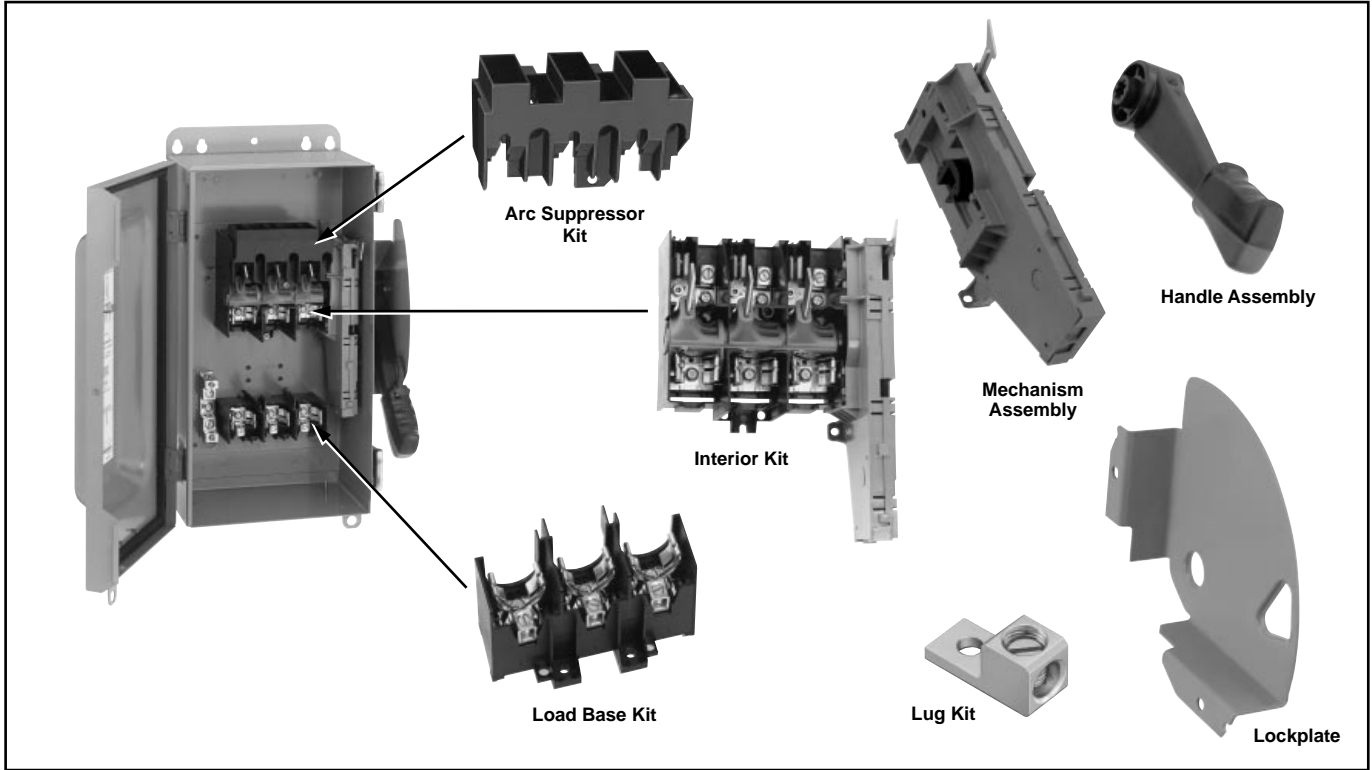
★ Neutral bonding screw: 40283-330-51.

† Arc suppressor assembly not included in line base assembly.

Parts not listed are not available.



Heavy Duty Safety Switches — Class 3110 Replacement Parts



NEMA Types 12, 12K, 60 A, Series F1, F2 and F3 (Kits include all mounting hardware.)

Catalog Number	Series	Interior Kit ■	Load Base Kit	Arc Suppressor Kit	Lug Kit (Includes 6 Cu. Lugs)	Handle/Mechanism Kit†
H222A H222AWK	F1, F3 F1, F3	HSIF2206CF HSIF2206CF	HLB2603206CF HLB2603206CF	HAS0610F HAS0610F	CL0306F CL0306F	HM0610F HM0610F
H322A H322AWK	F1, F2, F3 F1, F3	HSIF3603206CF HSIF3603206CF	HLB3603206CF HLB3603206CF	HAS0610F HAS0610F	CL0306F CL0306F	HM0610F HM0610F
H362A H362AWK	F1, F2, F3, F5 F1, F3, F5	HSIF3606CF HSIF3606CF	HLB3606CF HLB3606CF	HAS0610F HAS0610F	CL0306F CL0306F	HM0610F HM0610F
H462AWK HU362A	F1, F3, F5 F1, F3, F5	HSIF4606CF HSIU3606CF	HLB2606CF△ ...	HAS0610F△ HAS0610F	CL0306F△ CL0306F	HM0610F HM0610F
HU362AWK HU462AWK	F1, F3, F5 F1, F3, F5	HSIU3606CF HSIU4603606CF	HAS0610F HAS0610F△	CL0306F CL0306F△	HM0610F HM0610F
HU662AWK	F1, F3, F5	HSIU6603606CF	...	HAS0610F△	CL0306F△	HM0610F

△ Two required.

■ Interior kit includes line and load base assemblies, mechanism, arc suppressor, and instructions.

† Includes lockplate: 40566-050-01.

For complete interior order interior kit, lug kit, fuse puller kit, and neutral as required.

Fuse puller kit: FPK0610.

Parts not listed are not available.

NEMA Types 12, 12K, 60 A, Series F4

Catalog Number	Series	Complete Interior	Line Base Assembly†	Load Base Assembly	Arc Suppressor Assembly	Mechanism Assembly	Handle Assembly	Handle Gasket	Lockplate	Lug Assembly
H222A H222AWK	F4 F4	HN222AF4 HN222AF4	40566-425-50 40566-425-50	40566-361-50 40566-361-50	40560-018-01 40560-018-01	40566-107-50 40566-107-50	40566-700-50 40566-700-50	40566-031-01 40566-031-01	40566-376-01 40566-376-01	40256-034-50 40256-034-50
H322A H322AWK	F4 F4	HN322AF4 HN322AF4	40566-429-50 40566-429-50	40560-027-50 40560-027-50	40560-018-01 40560-018-01	40566-107-50 40566-107-50	40566-700-50 40566-700-50	40566-031-01 40566-031-01	40566-376-01 40566-376-01	40256-034-50 40256-034-50

† Arc suppressor assembly not included in line base assembly.

Lockplate: 40566-376-01.

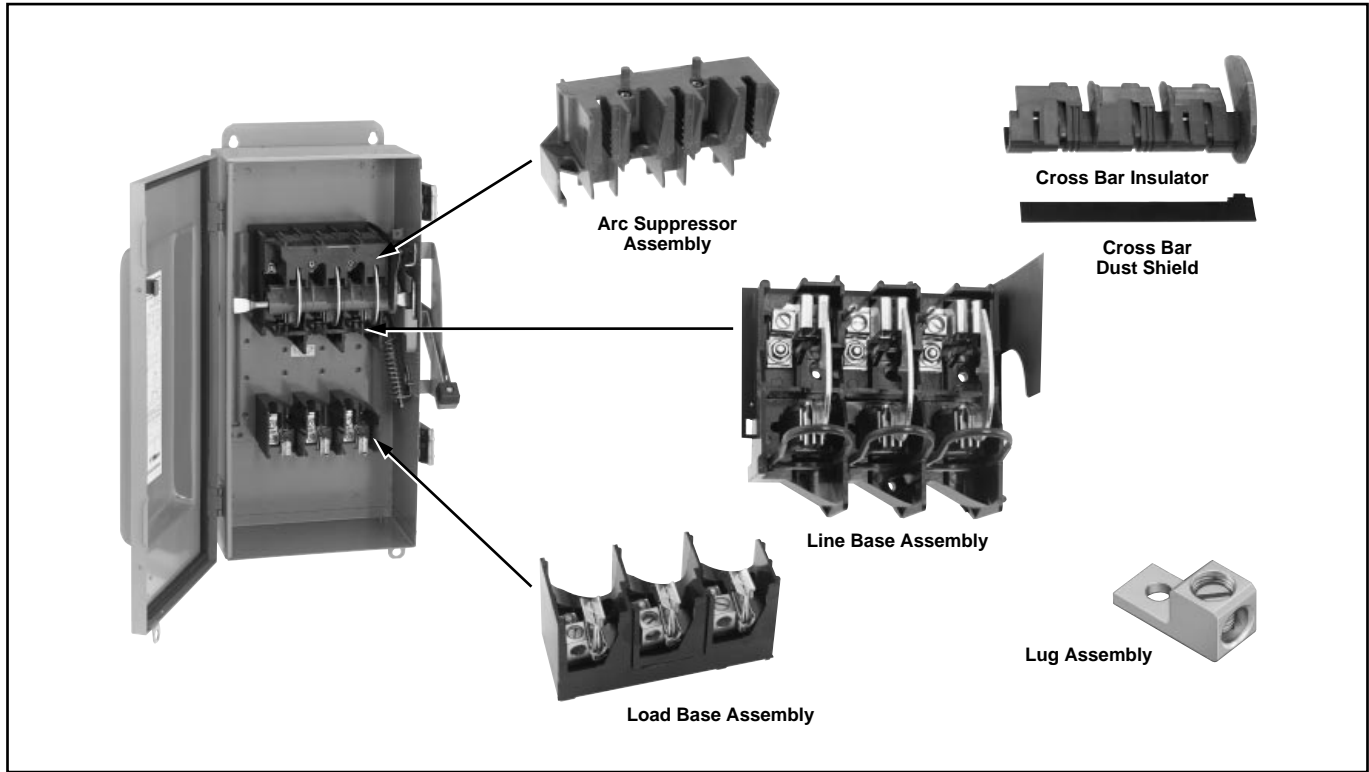
Fuse puller kit: FPK0610.

Parts not listed are not available.



Heavy Duty Safety Switches — Class 3110

Replacement Parts



NEMA Types 4, 4X, 5 Stainless Steel, 100 A, Series E

Catalog Number	Series	Complete Interior	Line Base Assembly †●	Load Base Assembly●	Arc Suppressor Assembly	Lug Assembly	Neutral Assembly★
H223DS H223NDS	E1, E2 E1	HN223AE2 HN223NAE1	40512-712-50 40512-556-50	40512-713-50 40512-571-50	40520-214-50 40512-310-50	40256-014-50 40256-014-50	... H100SNC
H323DS H323NDS	E1, E2 E1	HN323AE2 HN323NAE1	40512-558-50 40512-570-50	40512-572-50 40512-572-50	40520-214-50 40512-484-50	40256-014-50 40256-014-50	- H100SNC
H363DS HU363DS	E1	HN363AE1 HUN363AE1	40512-558-50 40512-560-50	40512-572-50 ...	40520-214-50 40520-214-50	40256-014-50 40256-014-50

Handle knob kit: 40283-440-50.

● Base mounting screws: 40205-065-01.

† Arc suppressor assembly not included in line base assembly.

2-pole cross bar insulator: 40512-319-01, 3-pole cross bar insulator: 40512-318-01.

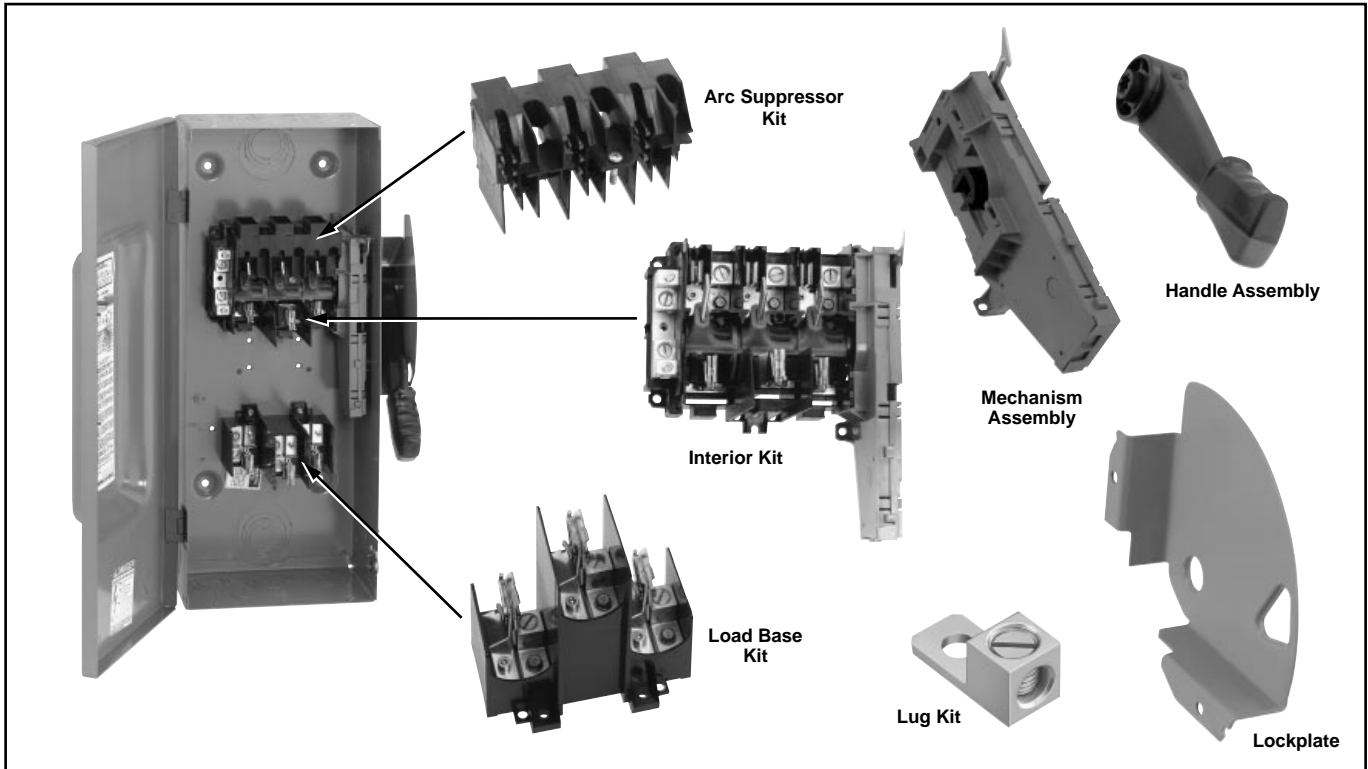
2-pole dust shield: 40512-349-01, 3-pole dust shield: 40512-349-02.

★ Neutral bonding screw: 40283-330-50.

Parts not listed are not available.



Heavy Duty Safety Switches — Class 3110 Replacement Parts



NEMA Types 1 and 3R, 100 A, Series F (Kits include all mounting hardware.)

Catalog Number	Series	Interior Kit ■	Load Base Kit	Arc Suppressor Kit	Lug Kit (Includes 6 Lugs)	Handle/Mechanism Kit†	Neutral Assembly★
H223N H223NRB	F1, F3, F5 F1, F3, F5	HSIF210F HSIF210F	HLB210F HLB210F	HAS0610F HAS0610F	AL10F AL10F	HM0610F HM0610F	SN0610 SN0610
H323N H323NRB	F1, F3, F5 F1, F3, F5	HSIF310F HSIF310F	HLB310F HLB310F	HAS0610F HAS0610F	AL10F AL10F	HM0610F HM0610F	SN0610 SN0610
H363 H363N	F1, F2, F3, F5 F1, F2, F5	HSIF310F HSIF310F	HLB310F HLB310F	HAS0610F HAS0610F	AL10F AL10F	HM0610F HM0610F	... SN0610
H363NRB H363RB	F1, F3, F5 F1, F3, F5	HSIF310F HSIF310F	HLB310F HLB310F	HAS0610F HAS0610F	AL10F AL10F	HM0610F HM0610F	SN0610 ...
H463	F1, F3, F5	HSIF4610F	HLB210F△	HAS0610F△	AL10F△	HM0610F	...
HU363 HU363RB	F1, F3, F5 F1, F3, F5	HSIU3610F HSIU3610F	HAS0610F HAS0610F	AL10F AL10F	HM0610F HM0610F
HU463	F1, F3, F5	HSIU4610F	...	HAS0610F△	AL10F△	HM0610F	...

△ Two required.

■ Interior kit includes line and load base assemblies, mechanism, arc suppressor, and instructions.

For complete interior order interior kit and neutral as required.

★ Neutral bonding screw: 40283-456-51.

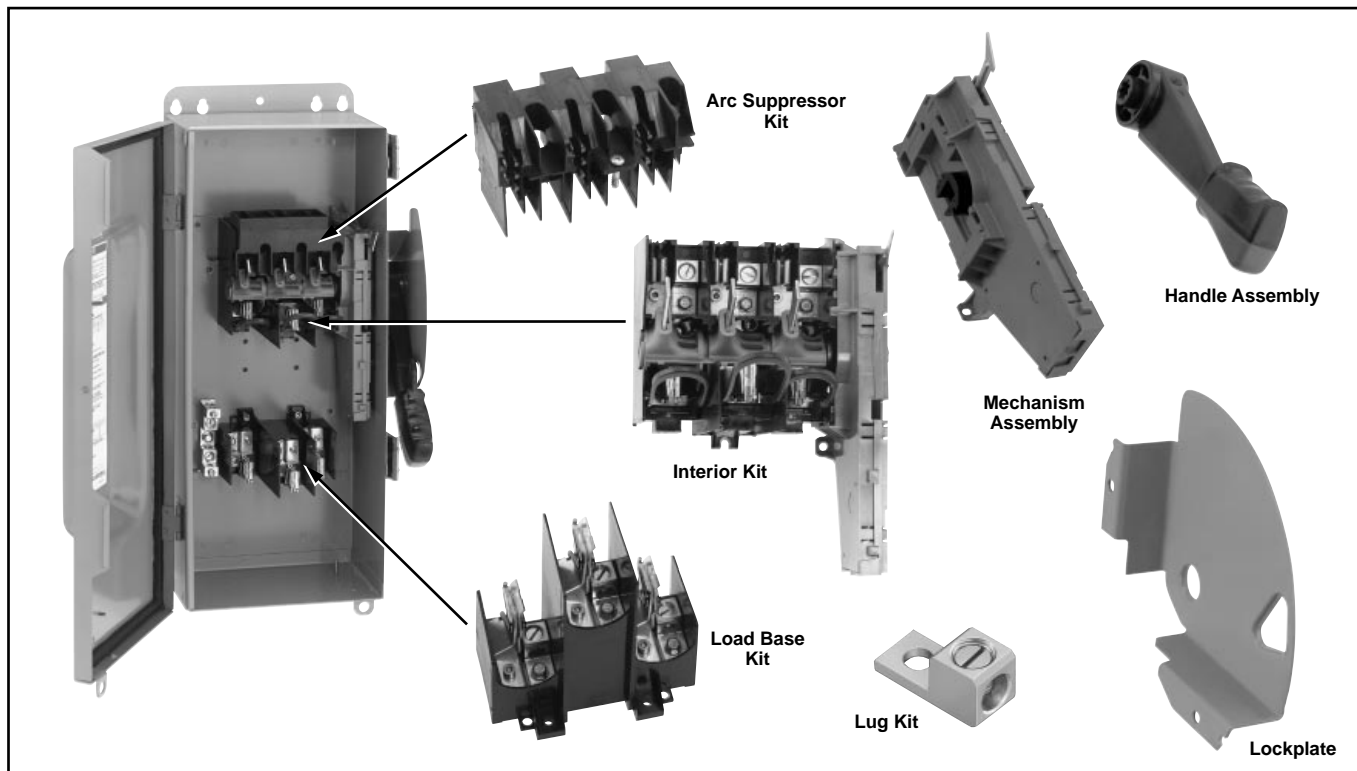
† Includes lockplate: 40566-050-01.

Parts not listed are not available.



Heavy Duty Safety Switches — Class 3110

Replacement Parts



NEMA Types 12, 12K, 100 A, Series F (Kits include all mounting hardware.)

Catalog Number	Series	Interior Kit ■▲	Load Base Kit ▲	Arc Suppressor Kit	Lug Kit (Includes 6 Cu. Lugs)	Handle/Mechanism Kit†
H223A H223AWK	F1, F3, F5 F1, F3, F5	HSIF210CF HSIF210CF	HLB210CF HLB210CF	HAS0610F HAS0610F	CL10F CL10F	HM0610F HM0610F
H323A H323AWK	F1, F2, F3, F5 F1, F3, F5	HSIF310CF HSIF310CF	HLB310CF HLB310CF	HAS0610F HAS0610F	CL10F CL10F	HM0610F HM0610F
H363A H363AWK	F1, F2, F3, F5 F1, F3, F5	HSIF310CF HSIF310CF	HLB310CF HLB310CF	HAS0610F HAS0610F	CL10F CL10F	HM0610F HM0610F
H463AWK H663AWK	F1, F3, F5 F1, F3, F5	HSIF4610CF HSIF6610CF	HLB210CF△ HLB310CF△	HAS0610F△ HAS0610F△	CL10F△ CL10F△	HM0610F HM0610F
HU363A HU363AWK	F1, F3, F5 F1, F3, F5	HSIU3610CF HSIU3610CF	HAS0610F HAS0610F	CL10F CL10F	HM0610F HM0610F
HU463AWK HU663AWK	F1, F3, F5 F1, F3, F5	HSIU4610CF HSIU6610CF	HAS0610F△ HAS0610F△	CL10F△ CL10F△	HM0610F HM0610F

△ Two required.

▲ Order lug kit for copper lugs for interior and load base kits.

■ Interior kit includes line and load base assemblies, mechanism, arc suppressor, and instructions.

For complete interior order interior kit, lug kit, fuse puller kit, and neutral as required.

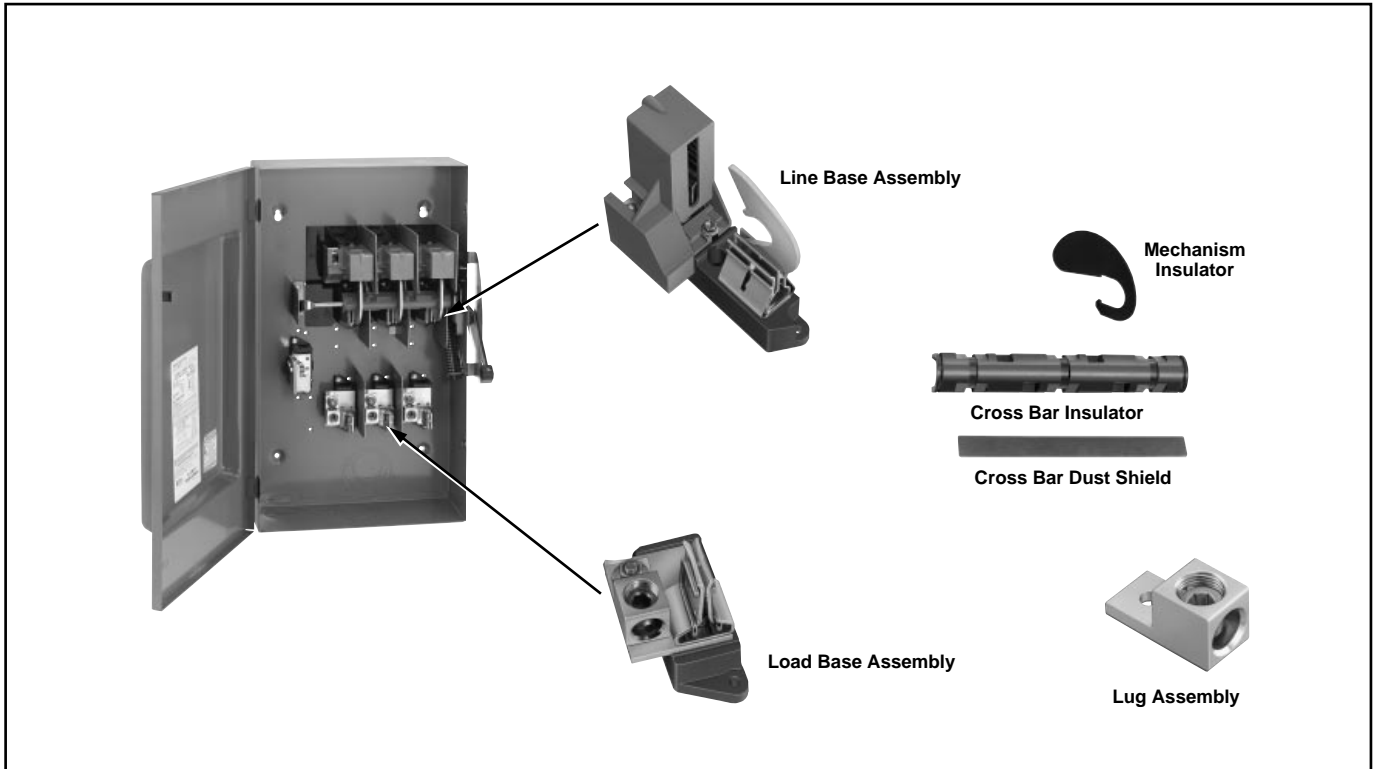
Fuse puller kit: FPK0610.

† Includes lockplate: 40566-050-01.

Parts not listed are not available.



Heavy Duty Safety Switches — Class 3110 Replacement Parts



NEMA Types 1 and 3R, 200 A, Series E

Catalog Number	Series	Complete Interior	Line Base Assembly♦♦	Load Base Assembly●	Arc Suppressor Assembly	Lug Assembly	Neutral Assembly★
H224N H224NRB	E1 E1	HN224NE1 HN224NE1	40560-282-50 40560-282-50	40560-281-50 40560-281-50	40512-706-50 40512-706-50	40251-162-50 40251-162-50	H200SN H200SN
H324N H324NRB	E1 E1	HN324NE1 HN324NE1	40560-280-50 40560-280-50	40560-281-50 40560-281-50	40512-701-02 40512-701-02	40251-162-50 40251-162-50	H200SN H200SN
H364 H364N	E2 E1	HN364E2 HN364NE1	40560-282-50 40560-282-50	40560-281-50 40560-281-50	40512-706-50 40512-706-50	40251-162-50 40251-162-50	... H200SN
H364NRB H364RB	E1 E1	HN364NE1 HN364E1	40560-282-50 40560-282-50	40560-281-50 40560-281-50	40512-706-50 40512-706-50	40251-162-50 40251-162-50	H200SN ...
H464 HU364	E1 E1	HN464E1 HUN364E1	40560-282-50 40560-283-50	40560-281-50 ...	40512-706-50 40512-706-50	40251-162-50 40251-162-50
HU364RB HU464	E1 E1	HUN364E1 HUN464E1	40560-283-50 40560-283-50	40512-706-50 40512-706-50	40251-162-50 40251-162-50

Line base phase insulator, 2-pole, 240 V switches: 40511-373-02.

Line base phase insulator, 3- and 4-pole, 240 V switches: 40511-372-01.

Line base phase insulator, 600 V switches: 40520-253-01.

♦ Arc suppressor assembly is included in line base assembly.

Cross bar insulator: 40511-361-01.

Dust shield: 40511-362-01.

Cross bar insulator: 40511-390-01 (4-pole).

Dust shield: 40511-391-01 (4-pole).

Handle knob kit: 40283-440-50.

Mechanism insulator: 40511-371-01.

● Base mounting screws: 40205-065-01.

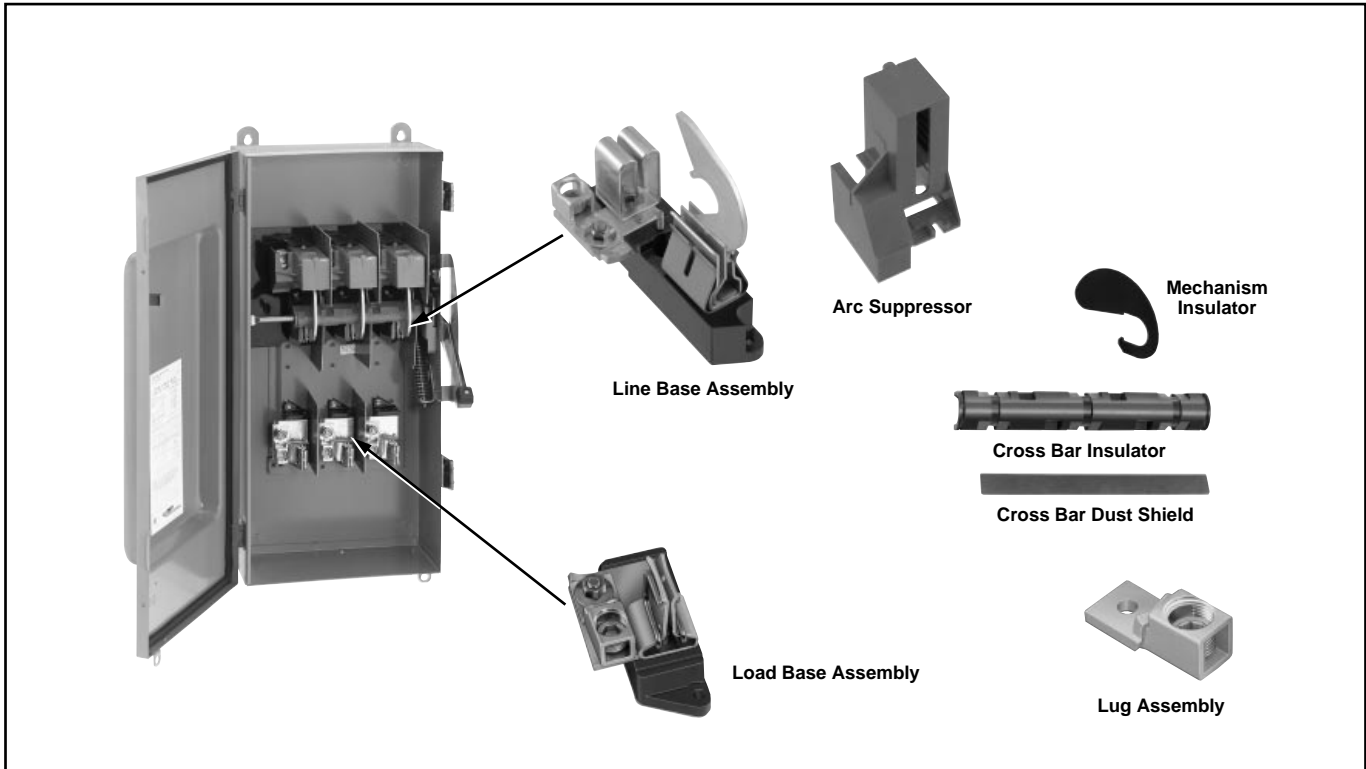
Load base phase insulator: 40520-252-01.

★ Neutral bonding strap assembly: 40552-194-50.

Parts not listed are not available.



Heavy Duty Safety Switches — Class 3110 Replacement Parts



NEMA Types 4, 4X, 5 Stainless Steel, NEMA Types 12, 12K, 200 A, Series E

Catalog Number	Series	Complete Interior	Line Base Assembly ♦♦	Load Base Assembly♦	Arc Suppressor Assembly	Lug Assembly	Neutral Assembly★
H224A H224AWK	E1 E1	HN224AE1 HN224AE1	40560-275-50 40560-275-50	40560-276-50 40560-276-50	40512-706-50 40512-706-50	40560-270-50 40560-270-50
H224DS H324A	E1 E1, E2	HN224AE1 HN324AE2	40560-275-50 40512-568-50	40560-276-50 40560-276-50	40512-706-50 40512-701-02	40560-270-50 40560-270-50
H324AWK H324DS	E1 E1	HN324AE1 HN324AE1	40512-568-50 40512-568-50	40560-276-50 40560-276-50	40512-701-02 40512-701-02	40560-270-50 40560-270-50
H364A H364AWK	E1, E2 E1	HN364AE2 HN364AE1	40560-275-50 40560-275-50	40560-276-50 40560-276-50	40512-706-50 40512-706-50	40560-270-50 40560-270-50
H364DS H364NA	E1 E1	HN364AE1 HN364NAE1	40560-275-50 40560-275-50	40560-276-50 40560-276-50	40512-706-50 40512-706-50	40560-270-50 40560-270-50	... H200SNC
H364NAWK H364NDS	E1 E1	HN364NAE1 HN364NAE1	40560-275-50 40560-275-50	40560-276-50 40560-276-50	40512-706-50 40512-706-50	40560-270-50 40560-270-50	H200SNC H200SNC
H464AWK HU364A	E1 E1	HN464AE1 HUN364AE1	40560-275-50 40560-273-50	40560-276-50 ...	40512-706-50 40512-706-50	40560-270-50 40560-270-50
HU364AWK HU364DS	E1 E1	HUN364AE1 HUN364AE1	40560-273-50 40560-273-50	40512-706-50 40512-706-50	40560-270-50 40560-270-50
HU464AWK	E1	HUN464AE1	40560-273-50	...	40512-706-50	40560-270-50	...
HU664RWK	E1	HUN664AE1	40560-273-50	...	40512-706-50	40560-270-50	...

Line base phase insulator, 2-pole, 240 V switches: 40511-373-02.

Line base phase insulator, 3-pole, 240 V switches and 4-pole, 240 V switches: 40511-372-01.

Line base phase insulator, 600 V switches: 40520-253-01.

♦ Arc suppressor assembly is included in line base assembly.

Cross bar insulator: 40511-361-01.

Dust shield: 40511-362-01.

Cross bar insulator: 40511-390-01 (4-pole).

Dust shield: 40511-391-01 (4-pole).

Handle knob kit: 40283-440-50.

Mechanism insulator: 40511-371-01.

Load base phase insulator: 40520-252-01.

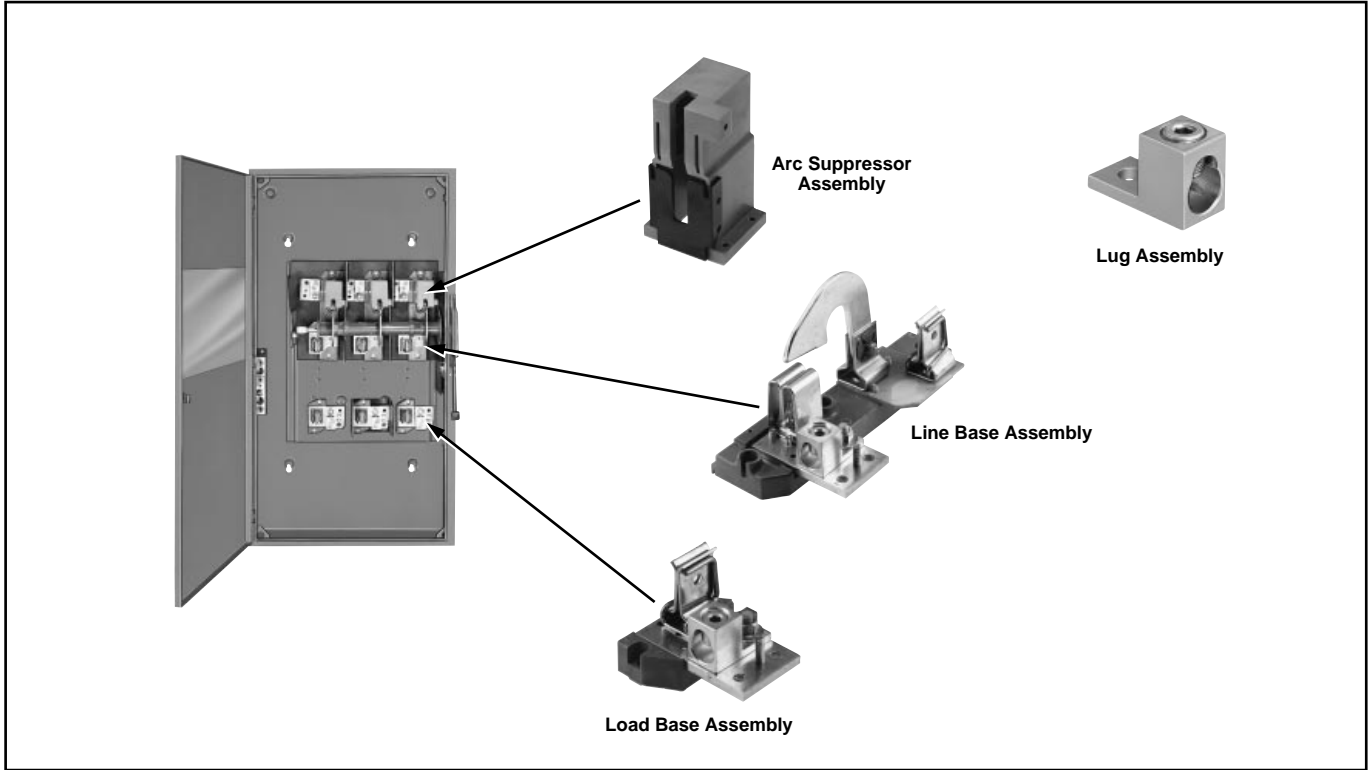
● Base mounting screws: 40205-065-01.

★ Neutral bonding strap assembly: 40512-710-50.

Parts not listed are not available.



Heavy Duty Safety Switches — Class 3110 Replacement Parts



NEMA Types 1 and 3R, 400 A, Series E

Catalog Number	Series	Complete Interior	Line Base Assembly †•	Load Base Assembly•	Arc Suppressor Assembly	Lug Assembly	Neutral Assembly★
H225 H225R	E2 E2	HN225E2 HN225E2	40552-188-50 SEL 40552-188-50 SEL	40552-190-50 SEL 40552-190-50 SEL	40512-708-50 SEL 40512-708-50 SEL	40251-136-50 40251-136-50
H225N H225NR	E2 E2	HN225NE2 HN225NE2	40552-188-50 SEL 40552-188-50 SEL	40552-190-50 SEL 40552-190-50 SEL	40512-708-50 SEL 40512-708-50 SEL	40251-136-50 40251-136-50	40552-252-50 SEL 40552-252-50 SEL
H325 H325R	E1 E1	HN325E1 HN325E1	40552-188-50 SEL 40552-188-50 SEL	40552-190-50 SEL 40552-190-50 SEL	40512-045-01 40512-045-01	40251-136-50 40251-136-50
H325N H325NR	E1 E1	HN325NE1 HN325NE1	40552-188-50 SEL 40552-188-50 SEL	40552-190-50 SEL 40552-190-50 SEL	40512-045-01 40512-045-01	40251-136-50 40251-136-50	40552-252-50 SEL 40552-252-50 SEL
H265 H265R	E2 E2	HN265E2 HN265E2	40552-188-50 SEL 40552-188-50 SEL	40552-190-50 SEL 40552-190-50 SEL	40512-708-50 SEL 40512-708-50 SEL	40251-136-50 40251-136-50
H365 H365R	E2 E2	HN365E2 HN365E2	40552-188-50 SEL 40552-188-50 SEL	40552-190-50 SEL 40552-190-50 SEL	40512-708-50 SEL 40512-708-50 SEL	40251-136-50 40251-136-50
H365N H365NR	E2 E2	HN365NE2 HN365NE2	40552-188-50 SEL 40552-188-50 SEL	40552-190-50 SEL 40552-190-50 SEL	40512-708-50 SEL 40512-708-50 SEL	40251-136-50 40251-136-50	40552-252-50 SEL 40552-252-50 SEL
H465	E2	HN465E2	40552-188-50 SEL	40552-190-50 SEL	40512-708-50 SEL	40251-136-50	...
HU265 HU265R	E2 E2	HUN265E2 HUN265E2	40552-189-50 SEL 40552-189-50 SEL	40512-708-50 SEL 40512-708-50 SEL	40251-136-50 40251-136-50
HU365 HU365R	E2 E2	HUN365E2 HUN365E2	40552-189-50 SEL 40552-189-50 SEL	40512-708-50 SEL 40512-708-50 SEL	40251-136-50 40251-136-50
HU465	E2	HUN465E2	40552-189-50 SEL	...	40512-708-50 SEL	40251-136-50	...

Handle assembly for NEMA Type 1, and 3R: 40512-172-50SEL.

Handle knob kit: 44011-427-50.

Line base assembly phase insulator: 40512-014-01 (fusible), 40552-193-01 (not fusible).

Load base phase insulator: 40552-191-01.

• Base mounting screws: 40206-009-01.

† Arc suppressor assembly not included in line base assembly.

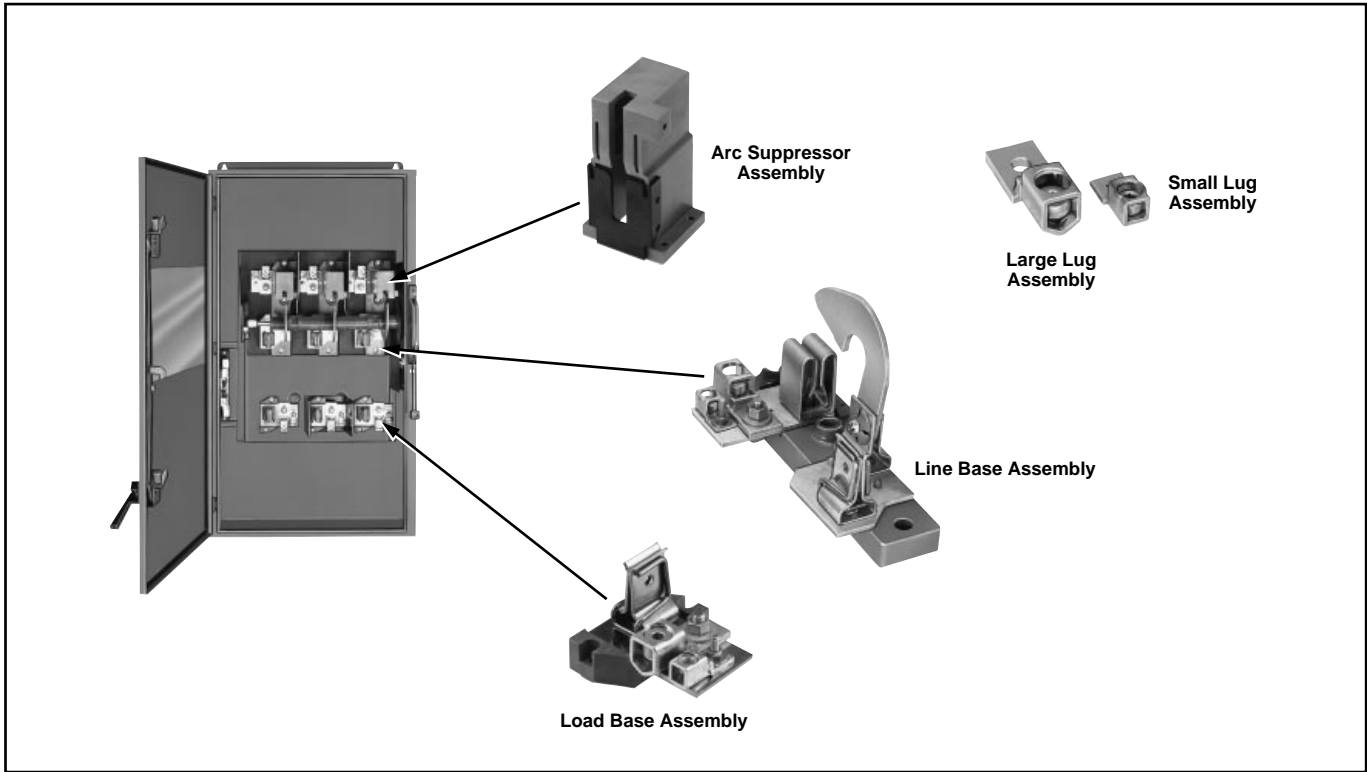
Door thumb screw and retainer: 44050-434-01 and 44050-490-01.

★ Neutral bonding strap: 40283-379-50 SEL.

Parts not listed are not available.



Heavy Duty Safety Switches — Class 3110 Replacement Parts



NEMA Types 4, 4X, 5 Stainless Steel, NEMA Type 12, 400 A, Series E

Catalog Number	Series	Complete Interior	Line Base Assembly†	Load Base Assembly●	Arc Suppressor Assembly	Lug Assembly Small	Lug Assembly Large	Neutral Assembly★
H225AWK H225NAWK	E2 E2	HN225AE2 HN225NAE2	40552-210-50 SEL 40552-210-50 SEL	40552-211-50 SEL 40552-211-50 SEL	40512-708-50 SEL 40512-708-50 SEL	40560-270-50 40560-270-50	40256-026-50 40256-026-50	... H600SNC
H225DS H225NDS	E2 E2	HN225AE2 HN225NAE2	40552-210-50 SEL 40552-210-50 SEL	40552-211-50 SEL 40552-211-50 SEL	40512-045-01 40512-045-01	40560-270-50 40560-270-50	40256-026-50 40256-026-50	... H600SNC
H325AWK H325NAWK	E1 E1	HN325AE1 HN325NAE1	40552-210-50 SEL 40552-210-50 SEL	40552-211-50 SEL 40552-211-50 SEL	40512-045-01 40512-045-01	40560-270-50 40560-270-50	40256-026-50 40256-026-50	... H600SNC
H325DS H325NDS	E1 E1	HN325AE1 HN325NAE1	40552-210-50 SEL 40552-210-50 SEL	40552-211-50 SEL 40552-211-50 SEL	40512-045-01 40512-045-01	40560-270-50 40560-270-50	40256-026-50 40256-026-50	... H600SNC
H265AWK H265DS	E2 E2	HN265AE2 HN265AE2	40552-210-50 SEL 40552-210-50 SEL	40552-211-50 SEL 40552-211-50 SEL	40512-708-50 SEL 40512-708-50 SEL	40560-270-50 40560-270-50	40256-026-50 40256-026-50
H365AWK H365DS	E2 E2	HN365AE2 HN365AE2	40552-210-50 SEL 40552-210-50 SEL	40552-211-50 SEL 40552-211-50 SEL	40512-708-50 SEL 40512-708-50 SEL	40560-270-50 40560-270-50	40256-026-50 40256-026-50
H365NAWK H365NDS	E2 E2	HN365NAE2 HN365NAE2	40552-210-50 SEL 40552-210-50 SEL	40552-211-50 SEL 40552-211-50 SEL	40512-708-50 SEL 40512-708-50 SEL	40560-270-50 40560-270-50	40256-026-50 40256-026-50	H600SNC H600SNC
H465AWK HU265AWK	E2 E2	HN465AE2 HUN265AE2	40552-210-50 SEL 40552-212-50 SEL	40552-211-50 SEL ...	40512-708-50 SEL 40512-708-50 SEL	40560-270-50 40560-270-50	40256-026-50 40256-026-50
HU265DS HU365AWK	E2 E2	HUN265AE2 HUN365AE2	40552-212-50 SEL 40552-212-50 SEL	40512-708-50 SEL 40512-708-50 SEL	40560-270-50 40560-270-50	40256-026-50 40256-026-50
HU365DS HU465AWK	E2 E2	HUN365AE2 HUN465AE2	40552-212-50 SEL 40552-212-50 SEL	40512-708-50 SEL 40512-708-50 SEL	40560-270-50 40560-270-50	40256-026-50 40256-026-50

Handle assembly for NEMA Type 12: 40512-172-50 SEL.

Handle assembly for NEMA Type 4, 4X, and 5 stainless steel: 40512-191-50 SEL.

Vault handle for NEMA Type 12, 4, 4X, and 5 stainless steel: 40512-194-50 SEL.

Handle knob kit: 44011-427-50.

Line base phase insulator: 40512-014-01 (fusible), 40552-193-01 (not fusible).

Load base phase insulator: 40552-191-01.

● Base mounting screws: 40206-009-01.

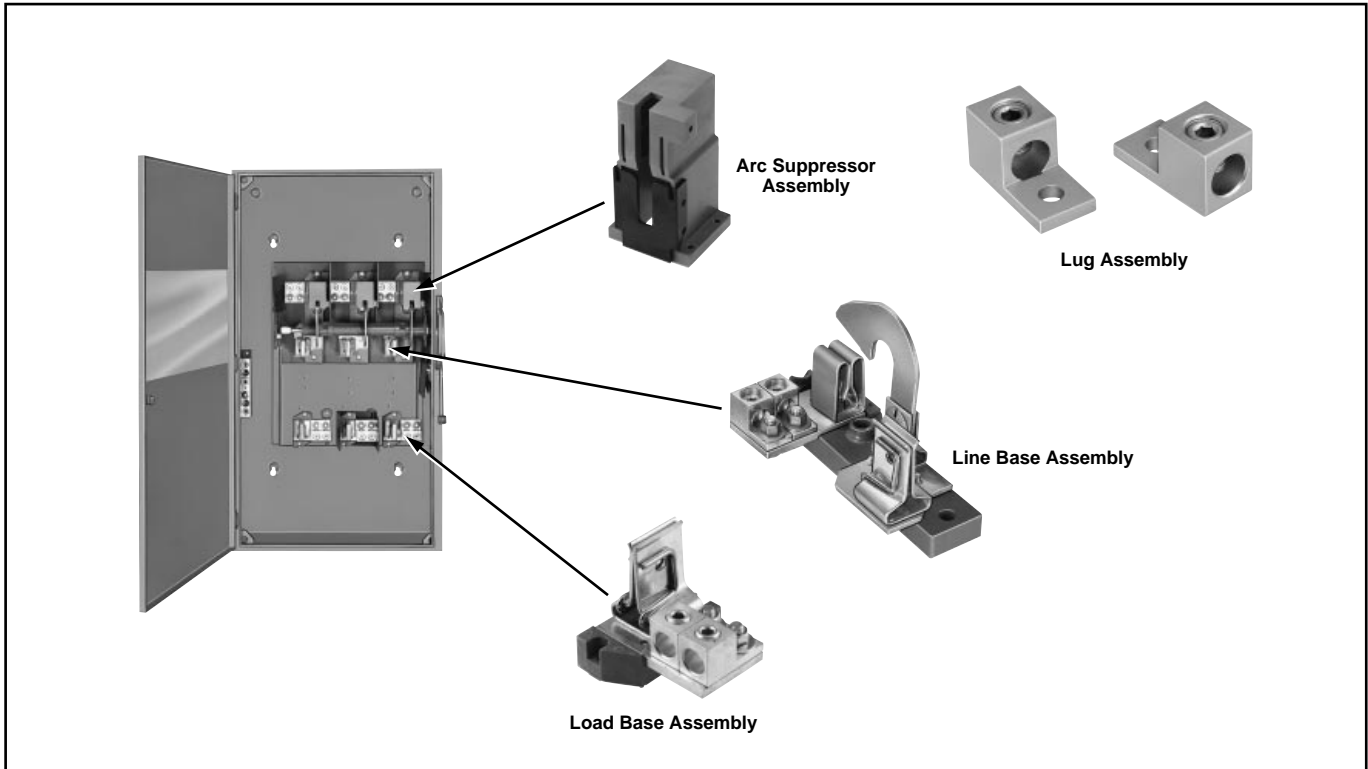
† Arc suppressor assembly not included in line base assembly.

★ Neutral bonding strap: 40283-253-50 SEL.

Parts not listed are not available.



Heavy Duty Safety Switches — Class 3110 Replacement Parts



NEMA Types 1 and 3R, 600 A, Series E

Catalog Number	Series	Complete Interior	Line Base Assembly †•	Load Base Assembly•	Arc Suppressor Assembly	Lug Assembly Δ	Neutral Assembly★
H226 H226R	E2 E2	HN226E2 HN226E2	40552-185-50 SEL 40552-185-50 SEL	40552-187-50 SEL 40552-187-50 SEL	40512-708-50 SEL 40512-708-50 SEL	44050-446-01 44050-446-01
H226N H226NR	E2 E2	HN226NE2 HN226NE2	40552-185-50 SEL 40552-185-50 SEL	40552-187-50 SEL 40552-187-50 SEL	40512-708-50 SEL 40512-708-50 SEL	44050-446-01 44050-446-01	H600SN H600SN
H266 H266R	E2 E2	HN266E2 HN266E2	40552-185-50 SEL 40552-185-50 SEL	40552-187-50 SEL 40552-187-50 SEL	40512-708-50 SEL 40512-708-50 SEL	44050-446-01 44050-446-01
H326 H326R	E1 E1	HN326E1 HN326E1	40552-185-50 SEL 40552-185-50 SEL	40552-187-50 SEL 40552-187-50 SEL	40512-045-01 40512-045-01	44050-446-01 44050-446-01
H326N H326NR	E1 E1	HN326NE1 HN326NE1	40552-185-50 SEL 40552-185-50 SEL	40552-187-50 SEL 40552-187-50 SEL	40512-045-01 40512-045-01	44050-446-01 44050-446-01	H600SN H600SN
H366 H366R	E2 E2	HN366E2 HN366E2	40552-185-50 SEL 40552-185-50 SEL	40552-187-50 SEL 40552-187-50 SEL	40512-708-50 SEL 40512-708-50 SEL	44050-446-01 44050-446-01
H366N H366NR	E2 E2	HN366NE2 HN366NE2	40552-185-50 SEL 40552-185-50 SEL	40552-187-50 SEL 40552-187-50 SEL	40512-708-50 SEL 40512-708-50 SEL	44050-446-01 44050-446-01	H600SN H600SN
H466 HU266	E2 E2	HN466E2 HUN266E2	40552-185-50 SEL 40552-186-50 SEL	40552-187-50 SEL ...	40512-708-50 SEL 40512-708-50 SEL	44050-446-01 44050-446-01
HU266R HU366	E2 E2	HUN266E2 HUN366E2	40552-186-50 SEL 40552-186-50 SEL	40512-708-50 SEL 40512-708-50 SEL	44050-446-01 44050-446-01
HU366R HU466	E2 E2	HUN366E2 HUN466E2	40552-186-50 SEL 40522-186-50 SEL	40512-708-50 SEL 40512-708-50 SEL	44050-446-01 44050-446-01

Handle assembly for NEMA Type 1, and 3R: 40512-172-50 SEL.

Handle knob kit: 44011-427-50.

Line base phase insulator: 40512-014-01 (fusible), 40552-193-01 (not fusible).

Load base phase insulator: 40552-191-01.

• Base mounting screws: 40206-009-01.

† Arc suppressor assembly not included in line base assembly.

Door thumb screw and retainer: 44050-434-01 and 44050-490-01.

★ Neutral bonding strap: 40283-007-50 SEL.

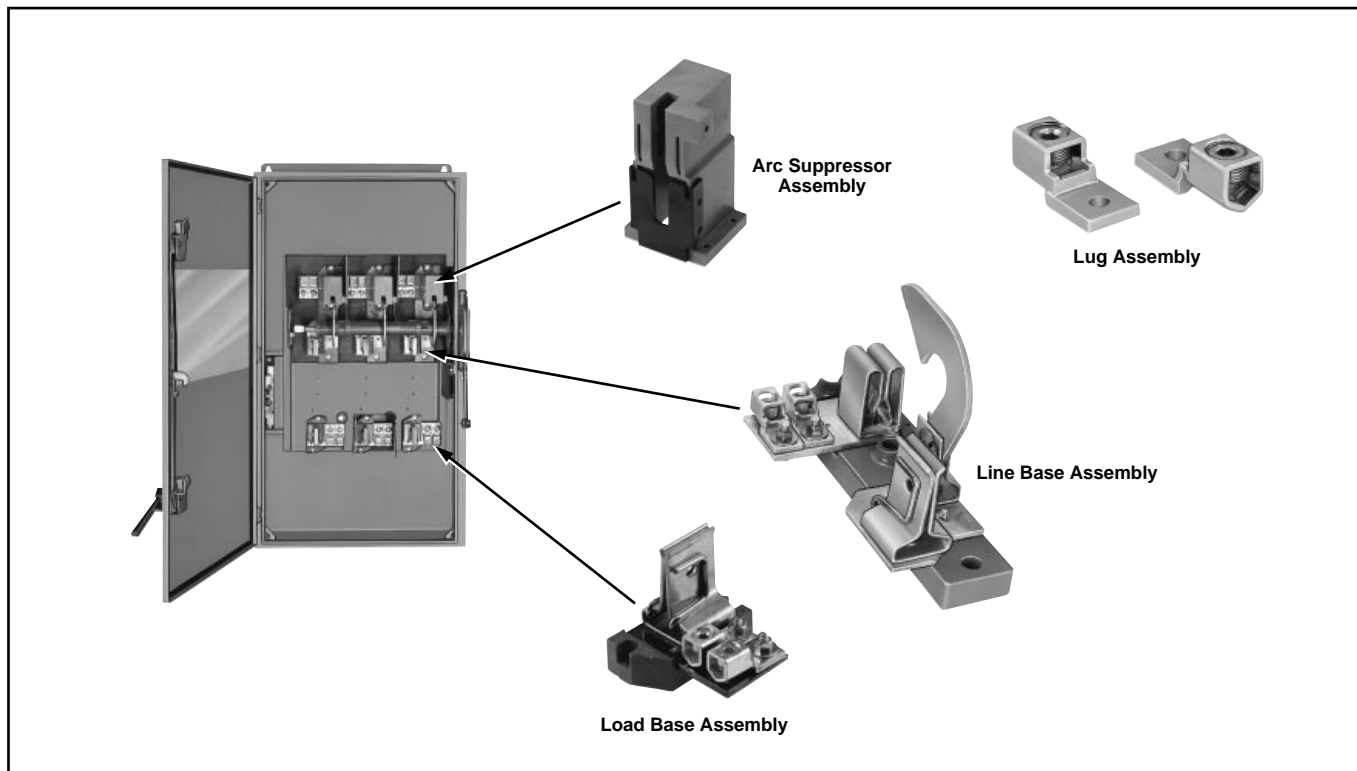
Δ Two required, line or load.

Parts not listed are not available.



Heavy Duty Safety Switches — Class 3110

Replacement Parts



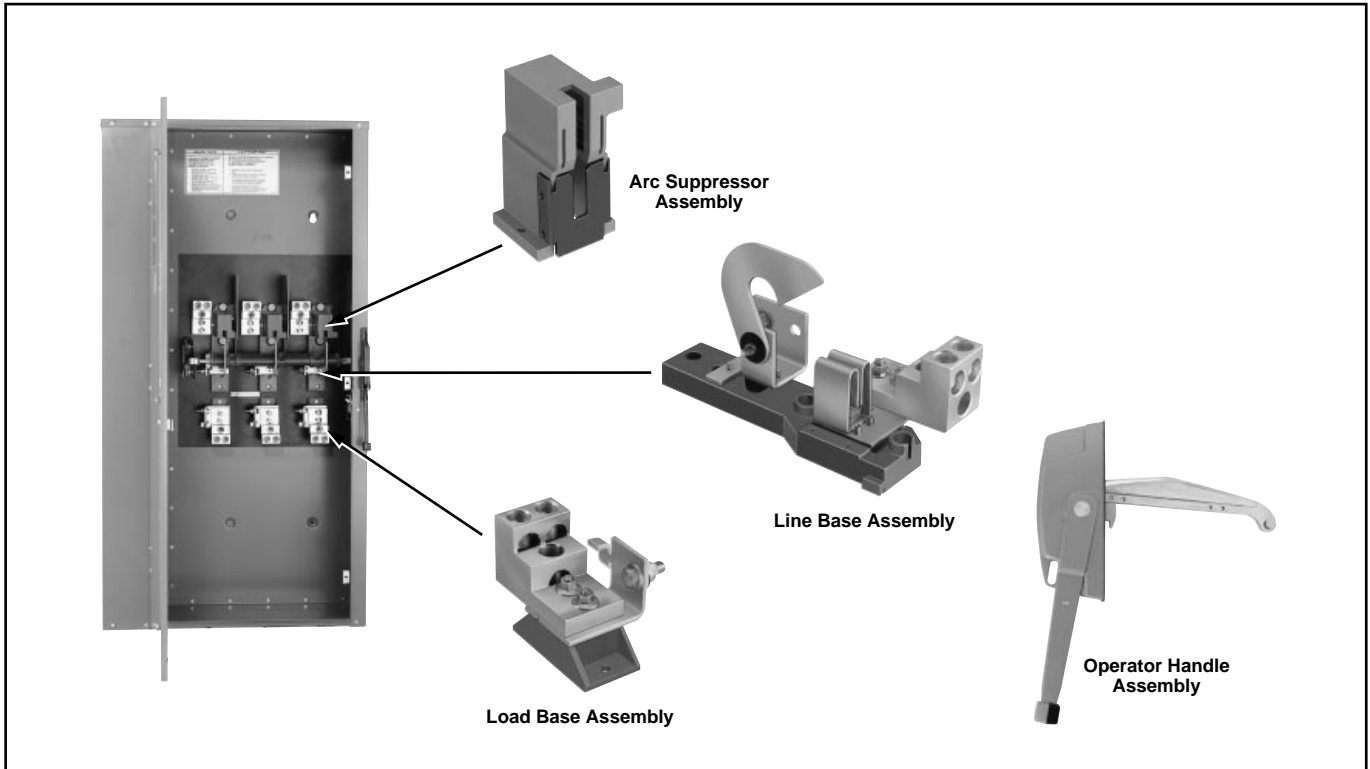
NEMA Types 4, 4X, 5 Stainless Steel, NEMA Type 12, 600 A, Series E2

Catalog Number	Complete Interior	Line Base Assembly†●	Load Base Assembly●	Arc Suppressor Assembly	Lug Assembly Δ	Neutral Assembly★
H226AWK H226NAWK	HN226AE2 HN226NAE2	40552-214-50 SEL 40552-214-50 SEL	40552-215-50 SEL 40552-215-50 SEL	40512-708-50 SEL 40512-708-50 SEL	40256-024-50 40256-024-50	... H600SNC
H226DS H226NDS	HN226AE2 HN226NAE2	40552-214-50 SEL 40552-214-50 SEL	40552-215-50 SEL 40552-215-50 SEL	40512-708-50 SEL 40512-708-50 SEL	40256-024-50 40256-024-50	... H600SNC
H326AWK H326NAWK	HN326AE1 HN326NAE1	40552-214-50 SEL 40552-214-50 SEL	40552-215-50 SEL 40552-215-50 SEL	40512-045-01 40512-045-01	40256-024-50 40256-024-50	... H600SNC
H326DS H326NDS	HN326AE1 HN326NAE1	40552-214-50 SEL 40552-214-50 SEL	40552-215-50 SEL 40552-215-50 SEL	40512-045-01 40512-045-01	40256-024-50 40256-024-50	... H600SNC
H266AWK H266DS	HN266AE2 HN266AE2	40552-214-50 SEL 40552-214-50 SEL	40552-215-50 SEL 40552-215-50 SEL	40512-708-50 SEL 40512-708-50 SEL	40256-024-50 40256-024-50
H366AWK H366DS	HN366AE2 HN366AE2	40552-214-50 SEL 40552-214-50 SEL	40552-215-50 SEL 40552-215-50 SEL	40512-708-50 SEL 40512-708-50 SEL	40256-024-50 40256-024-50
H366NDS H366NAWK	HN366NAE2 HN366NAE2	40552-214-50 SEL 40552-214-50 SEL	40552-215-50 SEL 40552-215-50 SEL	40512-708-50 SEL 40512-708-50 SEL	40256-024-50 40256-024-50	H600SNC H600SNC
HU266AWK HU266DS	HUN266AE2 HUN266AE2	40552-216-50 SEL 40552-216-50 SEL	40512-708-50 SEL 40512-708-50 SEL	40256-024-50 40256-024-50
HU366AWK HU366DS	HUN366AE2 HUN366AE2	40552-216-50 SEL 40552-216-50 SEL	40512-708-50 SEL 40512-708-50 SEL	40256-024-50 40256-024-50

Handle assembly for NEMA Type 12: 40512-172-50 SEL.
 Handle assembly for NEMA Type 4, 4X, and 5 stainless steel: 40512-191-50 SEL.
 Vault handle for NEMA Type 12, 4, 4X, and 5, stainless steel: 40512-194-50 SEL.
 Handle knob kit: 44011-427-50.
 Line base phase insulator: 40512-014-01 (fusible), 40552-193-01 (not fusible).
 Load base phase insulator: 40552-191-01.
 ● Base mounting screws: 40206-009-01.
 † Arc suppressor assembly not included in line base assembly.
 ★ Neutral bonding strap: 40283-253-50 SEL.
 Δ Two required, line or load.
 Parts not listed are not available.



Heavy Duty Safety Switches — Class 3110 Replacement Parts



NEMA Types 1 and 3R, 800 A, Series E4 (Series E3 parts not available.)

Catalog Number	Line Base Assembly†	Load Base Assembly	Arc Suppressor Assembly	Lug Assembly	Neutral Assembly★
H227 H227R	44011-392-50 44011-392-50	44011-393-50 44011-393-50	...	44050-053-02 44050-053-02	...
H227N H227NR	44011-392-50 44011-392-50	44011-393-50 44011-393-50	...	44050-053-02 44050-053-02	H800SNE4 H800SNE4
H267 H267R	44011-392-51 44011-392-51	44011-393-50 44011-393-50	44011-394-50 44011-394-50	44050-053-02 44050-053-02	...
H327 H327R	44011-392-50 44011-392-50	44011-393-50 44011-393-50	...	44050-053-02 44050-053-02	...
H327N H327NR	44011-392-50 44011-392-50	44011-393-50 44011-393-50	...	44050-053-02 44050-053-02	H800SNE4 H800SNE4
H367 H367R	44011-392-51 44011-392-51	44011-393-50 44011-393-50	44011-394-50 44011-394-50	44050-053-02 44050-053-02	...
H367N H367NR	44011-392-51 44011-392-51	44011-393-50 44011-393-50	44011-394-50 44011-394-50	44050-053-02 44050-053-02	H800SNE4 H800SNE4
HU267 HU267R	44011-392-53 44011-392-53	...	44011-394-50 44011-394-50	44050-053-02 44050-053-02	...
HU367 HU367R	44011-392-53 44011-392-53	...	44011-394-50 44011-394-50	44050-053-02 44050-053-02	...

Door thumb screw and retainer: 44050-434-01 and 44050-490-01.

Operator handle assembly: 44011-391-50.

Line base insulating plug: 44011-339-01.

† Arc suppressor assembly not included in line base assembly.

★ Neutral bonding strap: 44011-342-50 SEL.

Handle knob kit: 44011-427-50.

Line phase barrier: 44011-195-01.

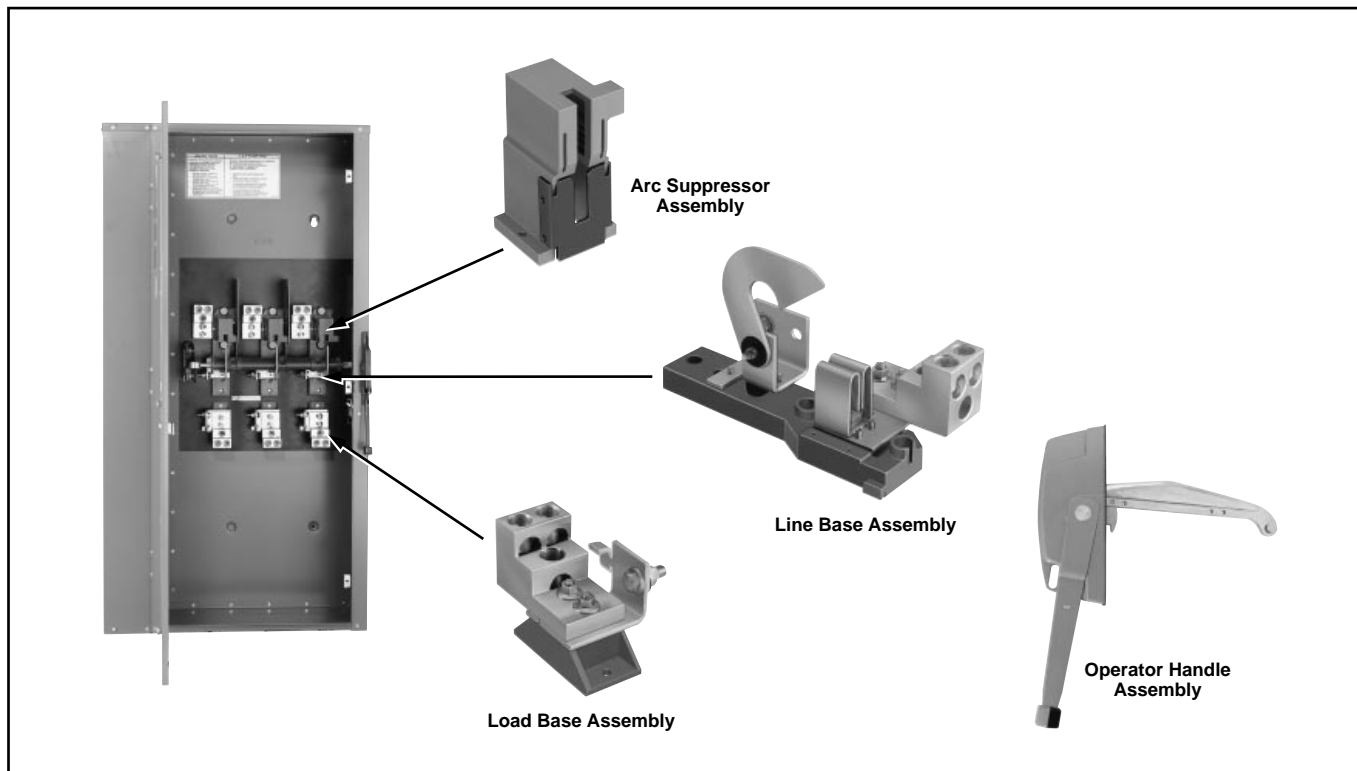
For complete interior, order line base, load base, arc suppressor and neutral assemblies as needed.

Parts not listed are not available.



Heavy Duty Safety Switches — Class 3110

Replacement Parts



NEMA Type 12, 800 A, Series E4 (Series E3 parts not available.)

Catalog Number	Line Base Assembly †	Load Base Assembly	Arc Suppressor Assembly	Lug Assembly	Neutral Assembly★
H227AWK H227NAWK	44011-392-50 44011-392-50	44011-393-50 44011-393-50	...	44050-053-02 44050-053-02	... H800SNE4
H267AWK H267NAWK	44011-392-51 44011-392-51	44011-393-50 44011-393-50	44011-394-50 44011-394-50	44050-053-02 44050-053-02	... H800SNE4
H327AWK H327NAWK	44011-392-50 44011-392-50	44011-393-50 44011-393-50	...	44050-053-02 44050-053-02	... H800SNE4
H367AWK H367NAWK	44011-392-51 44011-392-51	44011-393-50 44011-393-50	44011-394-50 44011-394-50	44050-053-02 44050-053-02	... H800SNE4
HU267AWK HU367AWK	44011-392-53 44011-392-53	44011-394-50 44011-394-50	44050-053-02 44050-053-02

Door thumb screw and retainer: 44050-434-01 and 44050-490-01.

Operator handle assembly: 44011-391-50.

Insulating plug: 44011-339-01.

† Arc suppressor assembly not included in line base assembly.

★ Neutral bonding strap: 44011-342-50 SEL.

Handle knob kit: 44011-427-50.

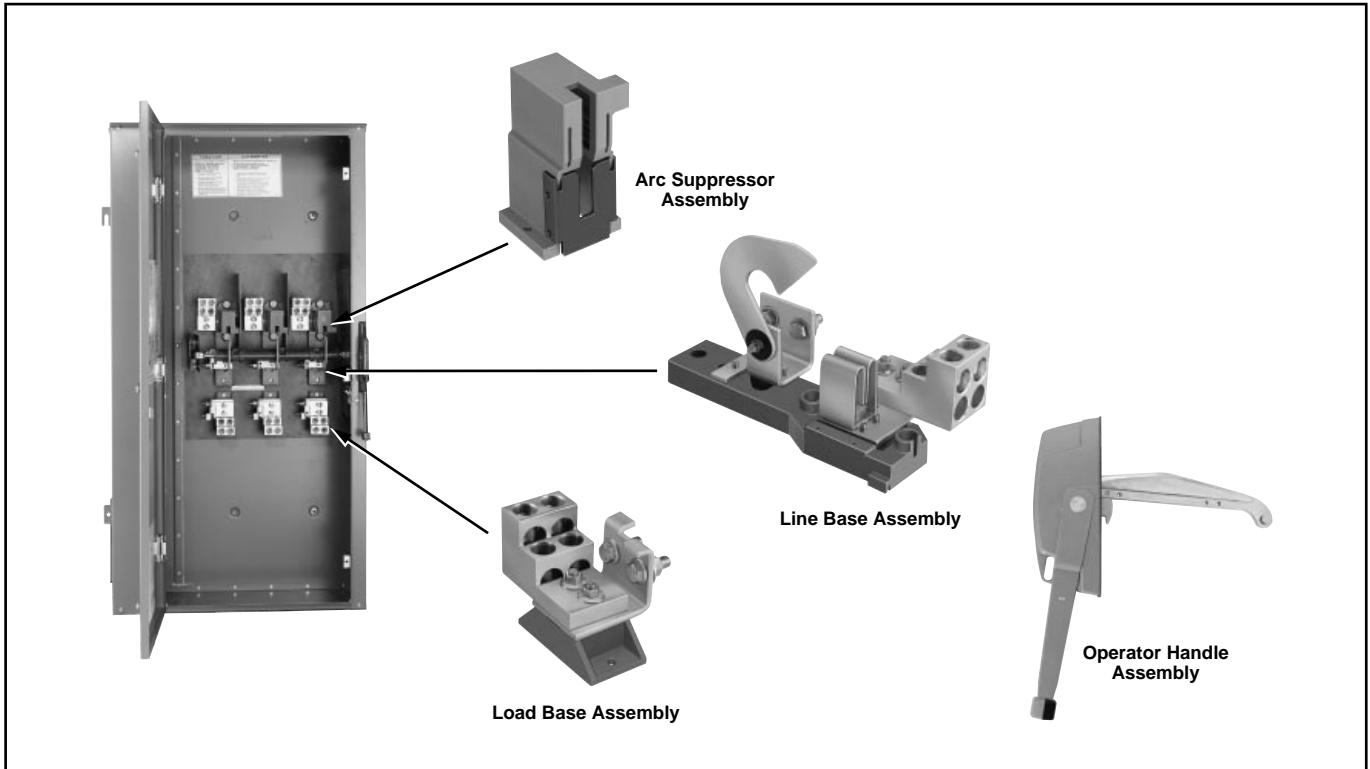
Line phase barrier: 44011-195-01.

For complete interior, order line base, load base, arc suppressor and neutral assemblies as needed.

Parts not listed are not available.



Heavy Duty Safety Switches — Class 3110 Replacement Parts



NEMA Types 1 and 3R, 1200 A, Series E4

Catalog Number	Line Base Assembly†	Load Base Assembly	Arc Suppressor Assembly	Lug Assembly	Neutral Assembly★
H228 H228R	44011-392-54 44011-392-54	44011-393-51 44011-393-51	44050-054-02 44050-054-02
H228N H228NR	44011-392-54 44011-392-54	44011-393-51 44011-393-51	44050-054-02 44050-054-02	H1200SNE4 H1200SNE4
H268 H268R	44011-392-55 44011-392-55	44011-393-51 44011-393-51	44011-394-50 44011-394-50	44050-054-02 44050-054-02
H328 H328R	44011-392-54 44011-392-54	44011-393-51 44011-393-51	44050-054-02 44050-054-02
H328N H328NR	44011-392-54 44011-392-54	44011-393-51 44011-393-51	44050-054-02 44050-054-02	H1200SNE4 H1200SNE4
H368 H368R	44011-392-55 44011-392-55	44011-393-51 44011-393-51	44011-394-50 44011-394-50	44050-054-02 44050-054-02
H368N H368NR	44011-392-55 44011-392-55	44011-393-51 44011-393-51	44011-394-50 44011-394-50	44050-054-02 44050-054-02	H1200SNE4 H1200SNE4
HU268 HU268R	44011-392-57 44011-392-57	44011-394-50 44011-394-50	44050-054-02 44050-054-02
HU368 HU368R	44011-392-57 44011-392-57	44011-394-50 44011-394-50	44050-054-02 44050-054-02

Door thumb screw and retainer: 44050-434-01 and 44050-490-01.

Operator handle assembly: 44011-391-50.

Insulating plug: 44011-339-01.

† Arc suppressor assembly not included in line base assembly.

★ Neutral bonding strap: 44011-342-50 SEL.

Handle knob kit: 44011-427-50.

Line phase barrier: 44011-195-01.

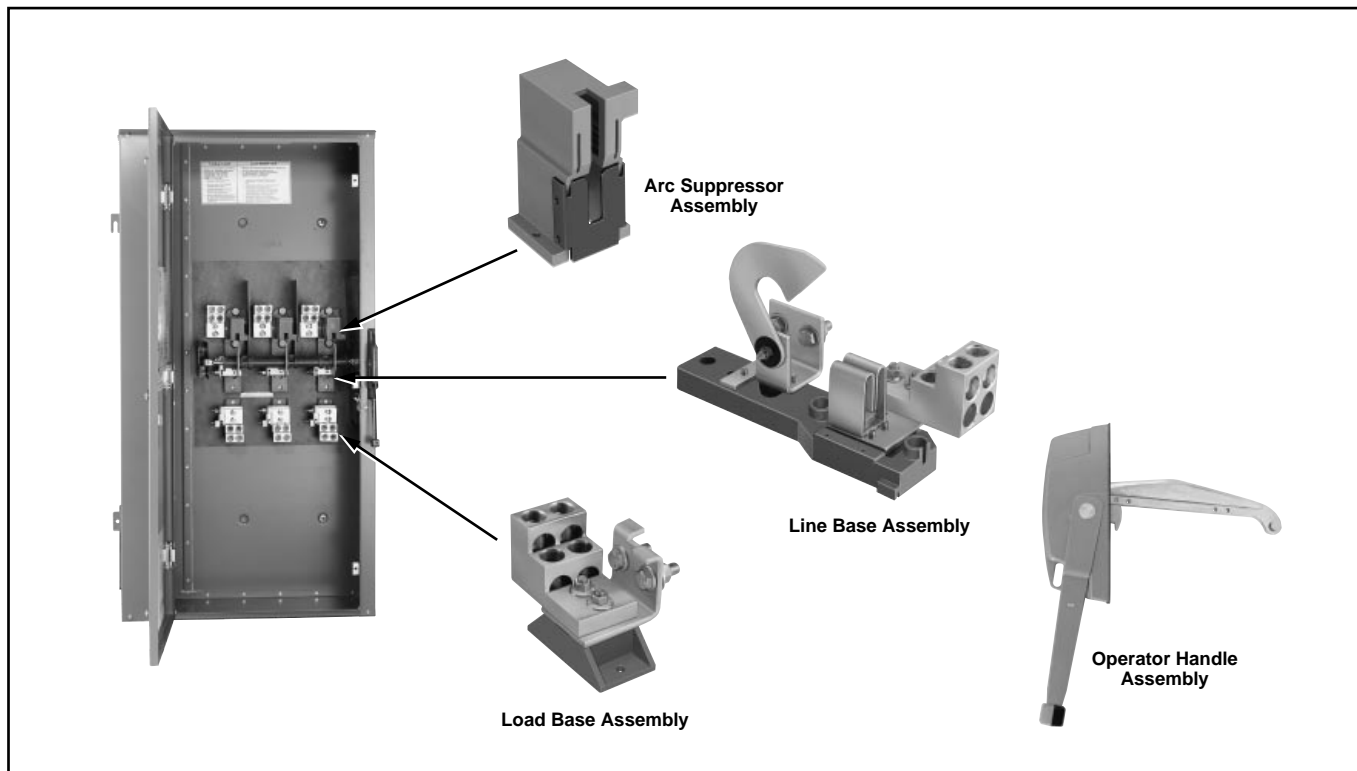
For complete interior, order line base, load base, arc suppressor and neutral assemblies as needed.

Parts not listed are not available.



Heavy Duty Safety Switches — Class 3110

Replacement Parts



NEMA Type 12, 1200 A, Series E4

Catalog Number	Line Base Assembly†	Load Base Assembly	Arc Suppressor Assembly	Lug Assembly	Neutral Assembly★
H228AWK H228NAWK	44011-392-54 44011-392-54	44011-393-51 44011-393-51	44050-054-02 44050-054-02	... H1200SNE4
H268AWK H268NAWK	44011-392-55 44011-392-55	44011-393-51 44011-393-51	44011-394-50 44011-394-50	44050-054-02 44050-054-02	... H1200SNE4
H328AWK H328NAWK	44011-392-54 44011-392-54	44011-393-51 44011-393-51	44050-054-02 44050-054-02	... H1200SNE4
H368AWK H368NAWK	44011-392-55 44011-392-55	44011-393-51 44011-393-51	44011-394-50 44011-394-50	44050-054-02 44050-054-02	... H1200SNE4
HU268AWK HU368AWK	44011-392-57 44011-392-57	44011-394-50 44011-394-50	44050-054-02 44050-054-02

Door thumb screw and retainer: 44050-434-01 and 44050-490-01.

Operator handle assembly: 44011-391-50.

Insulating plug: 44011-339-01.

† Arc suppressor assembly not included in line base assembly.

★ Neutral bonding strap: 44011-342-50 SEL.

Handle knob kit: 44011-427-50.

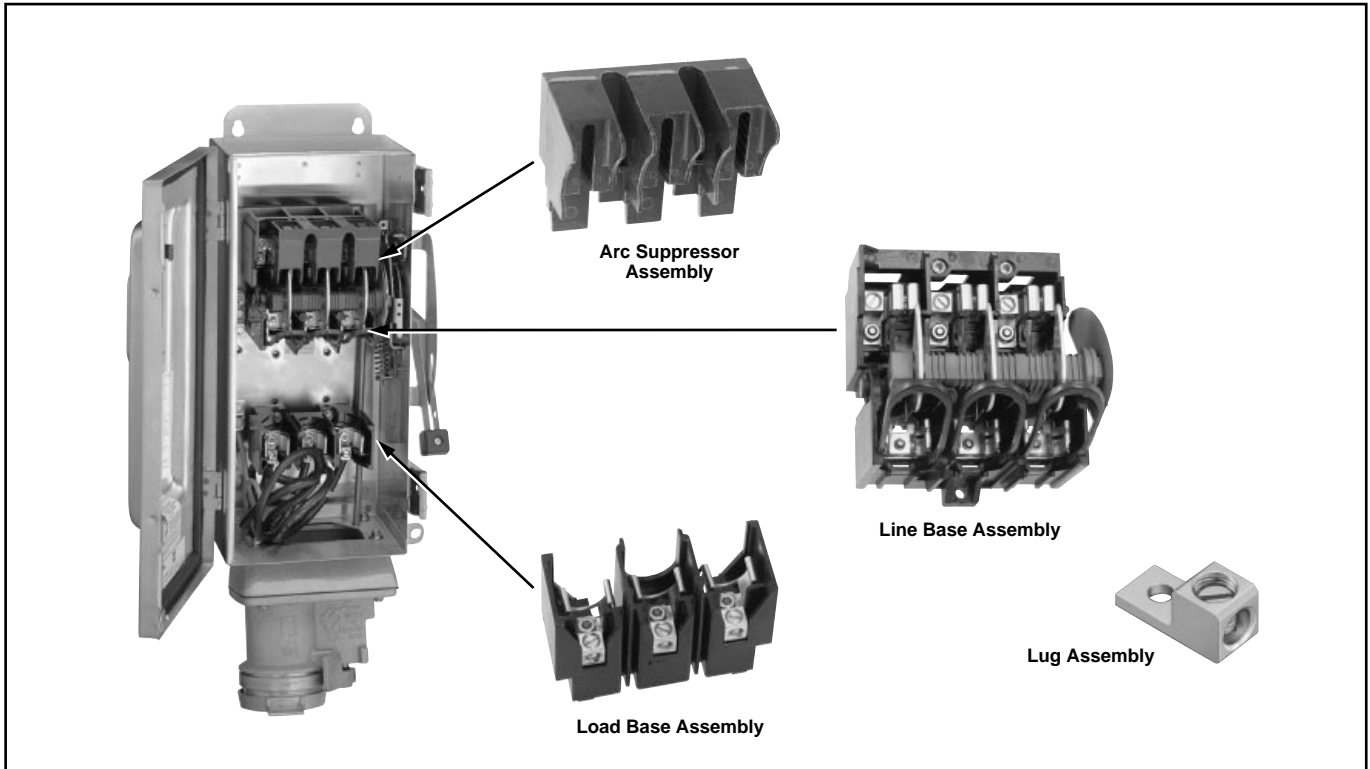
Line phase barrier: 44011-195-01.

For complete interior, order line base, load base, arc suppressor and neutral assemblies as needed.

Parts not listed are not available.



Heavy Duty Safety Switches — Class 3110 Replacement Parts



Receptacle Stainless Steel, Series E

Catalog Number	Series	Line Base Assembly▲●	Load Base Assembly●	Arc Suppressor Assembly	Lug Assembly■	Receptacle
H361DSWA	E02	40512-492-50	40512-501-50	40512-399-50	40256-034-50	WRDK3034
H361DSWC	E01	40512-492-50	40512-501-50	40512-399-50	40256-034-50	25410-028-50
H362DSWA	E02	40512-491-50	40512-500-50	40512-399-50	40256-034-50	WRDK6034
H362DSWC	E01	40512-491-50	40512-500-50	40512-399-50	40256-034-50	25410-023-11
H363DSWA	E02	40512-558-50	40512-572-50	40520-214-50	40256-014-50	WRDK1034
H363DSWC	E01	40512-558-50	40512-572-50	40520-214-50	40256-014-50	25410-022-95
HU361DSWA	E02	40512-493-50	...	40512-399-50	40256-034-50	WRDK3034
HU361DSWC	E01	40512-493-50	...	40512-399-50	40256-034-50	25410-028-50
HU362DSWA	E02	40512-493-50	...	40512-399-50	40256-034-50	WRDK6034
HU362DSWC	E01	40512-493-50	...	40512-399-50	40256-034-50	25410-023-11
HU363DSWA	E02	40512-560-50	...	40520-214-50	40256-014-50	WRDK1034
HU363DSWC	E01	40512-560-50	...	40520-214-50	40256-014-50	25410-022-95

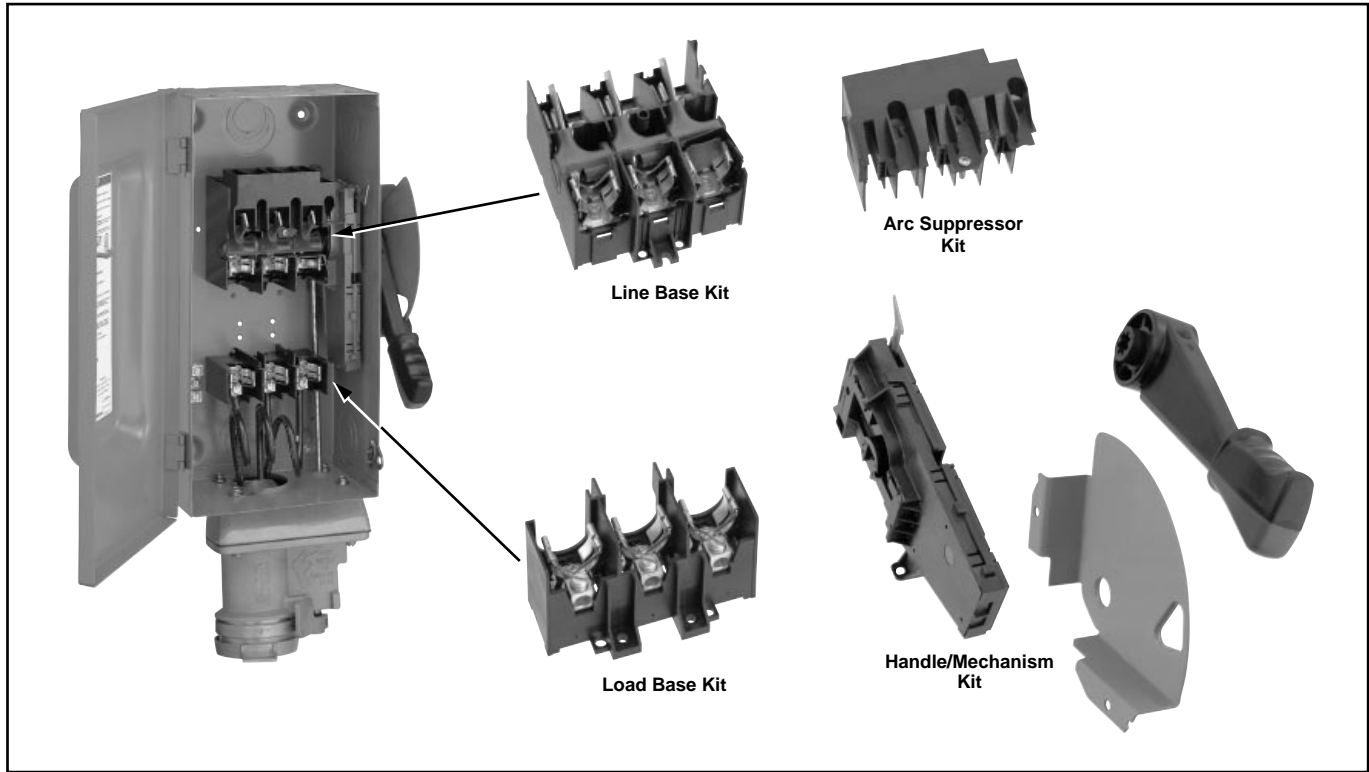
- Lug mounting hardware – 30 and 60 ampere switches: 23425-017-00, 100 A switches: 23427-020-01
 - ▲ 30 and 60 ampere switches order insulator: 40520-114-01, 100 A switches order insulator: 40512-472-01.
 - Base mounting screw: 40205-065-01, (3) required for line base assembly, (2) required for load base assembly.
 - † Arc suppressor assembly not included in line base assembly.
- Handle knob kit: 40283-440-50.

For complete interior, order line base, load base, arc suppressor and neutral assemblies as needed.
Parts not listed are not available.



Heavy Duty Safety Switches — Class 3110

Replacement Parts



Receptacle NEMA Type 1, Series F

Catalog Number	Series	Line Base Assembly†●	Load Base Assembly●	Arc Suppressor ▲	Handle/Mechanism Kit	Lug Kit	Receptacle
H361WA	F1, F3, F4, F5	40566-039-50	40566-041-50	40566-355-50	HMR0306FN1	AL0306F	WRDK3034
H361WC	F2, F4, F5	40566-039-50	40566-041-50	40566-355-50	HMR0306FN1	AL0306F	25110-028-50
H362WA	F1, F3, F4, F5	40567-207-50	40566-040-50	40566-355-50	HMR0306FN1	AL0360F	WRDK6034
H362WC	F2, F4, F5	40567-207-50	40566-040-50	40566-355-50	HMR0306FN1	AL0360F	25410-023-11
H362WH	F1, F3, F5	40567-207-50	40566-040-50	40566-355-50	HMR0306FN1	AL0360F	40511-173-50
H363WA	F1, F3, F4, F5	40566-028-50	40566-036-50	40566-355-50	HMR10FN1	AL10F	WRDK1034
H363WC	F4, F5	40566-028-50	40566-036-50	40566-355-50	HMR10FN1	AL10F	25410-022-50
HU361WA	F1, F3, F4, F5	40566-147-50	...	40566-355-50	HMR0306FN1	AL0306F	WRDK3034
HU361WC	F2, F4, F5	40566-147-50	...	40566-355-50	HMR0306FN1	AL0306F	25410-028-50
HU362WA	F1, F3, F4, F5	40566-091-50	...	40566-355-50	HMR0306FN1	AL0360F	WRDK6034
HU362WC	F2, F4, F5	40566-091-50	...	40566-355-50	HMR0306FN1	AL0360F	25410-023-11
HU362WH	F1, F3, F5	40566-091-50	...	40566-355-50	HMR0306FN1	AL0360F	40511-173-50
HU363WA	F1, F3, F4, F5	40566-085-50	...	40566-355-50	HMR10FN1	AL10F	WRDK1034
HU363WC	F4, F5	40566-085-50	...	40566-355-50	HMR10FN1	AL10F	25410-022-95

▲ Arc suppressor mounting screw: 40205-145-01.

● Base mounting screws: 40205-151-01, (3) required for line base, (2) required for load base.

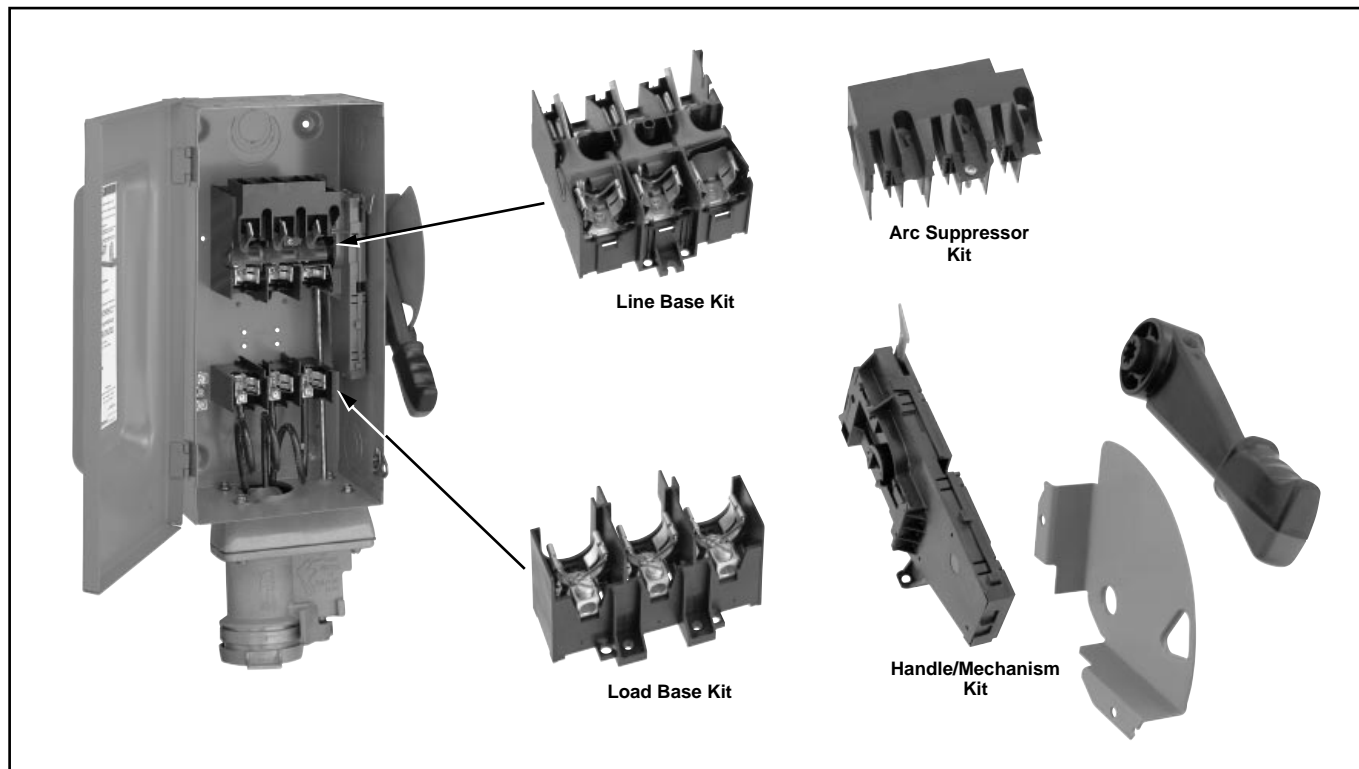
† Arc suppressor assembly not included in line base assembly.

For complete interior, order line base, load base, arc suppressor and neutral assemblies as needed.

Parts not listed are not available.



Heavy Duty Safety Switches — Class 3110 Replacement Parts



Receptacle NEMA Type 12-3R, Series F

Catalog Number	Series	Line Base Assembly●	Load Base Assembly●	Arc Suppressor Assembly▲	Handle/Mechanism Kit	Lug Kit	Receptacle
H361AWA	F1, F3, F4, F5	40566-147-50	40566-143-50	40566-355-50	HMR0306FN12	CL0306F	WRDK3034
H361AWC	F2, F4, F5	40566-147-50	40566-143-50	40566-355-50	HMR0306FN12	CL0306F	25110-028-50
H362AWA	F1, F3, F4, F5	40567-208-50	40566-144-50	40566-355-50	HMR0306FN12	CL0360F	WRDK6034
H362AWC	F2, F4, F5	40567-208-50	40566-144-50	40566-355-50	HMR0306FN12	CL0360F	25410-023-11
H362AWH	F1, F3, F5	40567-208-50	40566-144-50	40566-355-50	HMR0306FN12	CL0360F	40511-173-50
H363AWA	F1, F3, F4, F5	40566-142-50	40566-145-50	40566-355-50	HMR10FN12	CL10F	WRDK1034
H363AWC	F4, F5	40566-142-50	40566-145-50	40566-355-50	HMR10FN12	CL10F	25410-022-50
HU361AWA	F1, F3, F4, F5	40566-128-50	...	40566-355-50	HMR0306FN12	CL0306F	WRDK3034
HU361AWC	F2, F4, F5	40566-128-50	...	40566-355-50	HMR0306FN12	CL0306F	25410-028-50
HU362AWA	F1, F3, F4, F5	40566-128-50	...	40566-355-50	HMR0306FN12	CL0360F	WRDK6034
HU362AWC	F2, F4, F5	40566-128-50	...	40566-355-50	HMR0306FN12	CL0360F	25410-023-11
HU362AWH	F1, F3, F5	40566-128-50	...	40566-355-50	HMR0306FN12	CL0360F	40511-173-50
HU363AWA	F1, F3, F4, F5	40566-141-50	...	40566-355-50	HMR10FN12	CL10F	WRDK1034
HU363AWC	F4, F5	40566-141-50	...	40566-355-50	HMR10FN12	CL10F	25410-022-95

● Base mounting screws: 40205-151-50, (3) required for line base, (2) required for load base.

▲ Arc suppressor mounting screw: 40205-145-01.

† Arc suppressor assembly not included in line base assembly.

For complete interior, order line base, load base, arc suppressor and neutral assemblies as needed.

Parts not listed are not available.



Double Throw Safety Switches

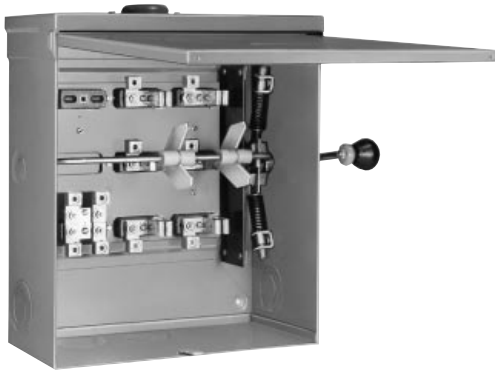
Table of Contents



Product Description 69
General Information 70
Dimensions 73
Replacement Parts 74

Double Throw Safety Switches — Class 3140

Product Description



Visible Blades



Cover Interlock Key Opening
on 82,000 Line



"RB" Hub



Service Ground Kits

DESCRIPTION

Double throw safety switches are designed to transfer a load from one power source to another power source.

CONSTRUCTION

- Visible blades for positive indication that the switch is "OFF".
- Quick-make, quick-break operating mechanism on 82,000 and DTU lines. Load make/break.
- Slow-make, slow-break operating mechanism on 92,000 line. Non-load make/break.
- Lugs suitable for aluminum or copper conductors. See page 70 for additional lug data.
- Phenolic insulating bases.
- Dual cover interlock on NEMA Type 1 82,000 line devices, with keyed defeat mechanism.
- NEMA Type 3R top endwalls on 30–200 A switches have bolt-on hub provisions.
- Padlock provisions in the center "OFF" position on 82,000, 92,000 and DTU lines.
- Padlock provisions in both "ON" positions on 92,000 line.
- Top hinged cover on NEMA Type 3R devices.
- Welded hinges on all but NEMA Type 3R.
- Tangential knockouts alleviate the need for conduit offsets or bends.

ENCLOSURES

- Indoor, general purpose (NEMA Type 1).
- Outdoor, general purpose (NEMA Type 3R).
- Indoor, dusttight, driptight (NEMA Type 12).
- Indoor, outdoor, watertight, dusttight (NEMA Type 4, 5).
- Gray baked enamel finish electrodeposited on cleaned, phosphatized steel (NEMA Type 1, 3R, and 12).

ACCESSORIES

Bolt-on hubs for rainproof applications. Switches with RB suffix accept $\frac{3}{4}$ " through $2\frac{1}{2}$ " bolt-on hubs. Switches with R suffix have blank endwalls and accept 3" through 4" bolt-on hubs.

Field installable equipment grounding kits.

Factory installed electrical interlocks (2 N.O./2 N.C. contacts).

Factory installed neutral assembly. DTU devices supplied with insulated, groundable, bondable neutral as standard.

Lock-on provisions are standard on all 92,000 line switches. These provisions are available factory installed on DTU and 82,000 line switches.

NOTE: Electrical interlock and neutral assemblies must be factory installed.



Double Throw Safety Switches — Class 3140

General Information



NEMA Type 1



NEMA Type 3R

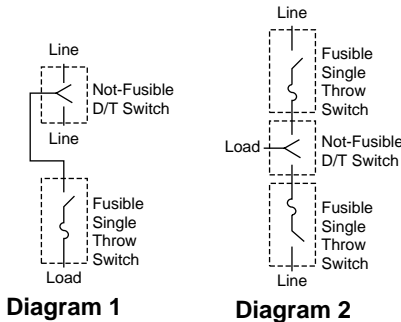


Diagram 1

Diagram 2

Application

Double throw safety switches are designed for:

- Residential, light commercial, and industrial installations.
- Up to 250 Vdc and 600 Vac maximum.
- Up to 10,000 rms symmetrical amperes.
- 30–600 A.
- NEMA Type 1, 3R, 4, 5, or 12 enclosures.

UL Listed Short Circuit Withstand Rating (RMS Symmetrical)

Switch Type	Switch Voltage	Fuse Class	Short Circuit Rating
DTU Not Fusible ■	240 V	H	10,000
		K	10,000
82,000 Line Not Fusible ■	240 V	H	10,000
		K	10,000
		R	100,000
		J	100,000
	T	100,000	
	600 V	H	10,000
		K	10,000
92,000 Line Not Fusible ■	240 V or 600 V	H	10,000
		K	10,000

■ Withstand ratings apply to not fusible switches when protected by the corresponding fuse type.

Diagrams 1 and 2 illustrate methods of applying fuses to double throw switches when required.

Standards

Double throw safety switches are manufactured in accordance with standards published in:

- UL 98, Standard for Enclosed and Dead Front Switches. UL Listed under File E2875.
- NEMA Standards Publication KS1-1983, Enclosed Switches.
- Federal Specifications WS-865c for Type NDD (82,000 line, NEMA Type 1 only).

Systems

Switch Type	Not Fusible Poles	Neutral	Load Make/Break Rated
DTU	2 or 3	Insulated, Groundable, Bondable	Yes
82,000 Line	2, 3, or 4	Factory Installed Only	Yes
92,000 Line	2, 3, or 4	Factory Installed Only	No

Technical Data

Terminal Lug Data★

Ampere Rating	Conductors Per Phase	Wire Range Wire Bending Space per NEC Table 373-6	Lug Wire Range
30	1	12–3 AWG (Al) or 14–3 AWG (Cu)▲	12–2 AWG (Al) or 14–2 AWG (Cu)
60	1	12–3 AWG (Al) or 14–3 AWG (Cu)	12–2 AWG (Al) or 14–2 AWG (Cu)
100	1	12–1 AWG (Al) or 14–1 AWG (Cu)	12–1/0 AWG (Al) or 14–1/0 AWG (Cu)
200	1	6 AWG - 300 MCM (Al/Cu)	6 AWG - 300 MCM (Al/Cu)
400	2	4 AWG - 250 MCM (Al/Cu)	4 AWG - 350 MCM (Al/Cu)
600	2	4 AWG - 500 MCM (Al/Cu)	4 AWG - 600 MCM (Al/Cu)

▲ 12–6 AWG (Al) or 14–6 AWG (Cu) for 92251, 92351, and 92451.

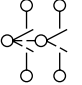
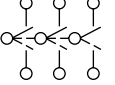
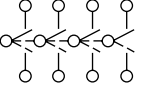
★ 30–100 A switch lugs suitable for 60°C or 75°C conductors. 200–600 A switch lugs suitable for 75°C conductors.



Double Throw Safety Switches — Class 3140

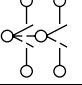
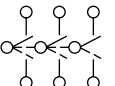
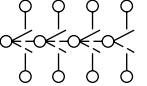
General Information

240 Volt System Catalog Numbers

System	Ampere Rating	NEMA Type 1	NEMA Type 3R	NEMA Type 4, 4X, 5 Stainless	NEMA Type 12 Gasketed
2-pole, 240 Vac – 250 Vdc					
	30	92251	...	Use 3-pole 600 Vac	H92251
	60	82252●	...		H82252●
	100	82253‡	DTU223NRB‡◇	Use 3-pole 600 Vac	H82253‡
	200	82254‡	DTU224NRB‡◇		H82254‡
	200	82254NW‡‡	...	Use 3-pole	H92255
	400	92255◇	92255R‡◇		H92255
	600				
3-pole, 240 Vac					
	30	92351■	...	Use 600 Vac	H92351■
	60	82352‡	...		H82352‡
	100	82353‡	DTU323NRB‡	Use 600 Vac	H82353‡
	200	82354‡	DTU324NRB‡		H82354‡
	200	DTU324N	...	Use 600 Vac	H92355
	400	92355	92355R		H92355
	600	92356■	92356R◆	H92356	
4-pole, 240 Vac					
	30	92451	92451RB◆	Use 600 Vac	H92451▲
	60	92452	92452RB◆		H92452
	100	92453	92453RB◆	Use 600 Vac	H92453
	200	92454	92454RB◆		H82454‡
	400	92455	92455R◆	Use 600 Vac	H92455
	600	92456	92456R◆		H92456▲

◆ Not in PDS stock. Allow 6 weeks shipment.
 ▲ Not UL Listed or suitable for use as service equipment.
 ▼ These devices are not UL Listed.
 ● Rated 3 hp.
 ◇ 240 Vac only.
 ‡ Rated 15 hp.
 ■ 240 Vac, 250 Vdc use outside two poles for switching dc.

600 Volt System Catalog Numbers

System	Ampere Rating	NEMA Type 1	NEMA Type 3R	NEMA Type 4, 4X, 5 Stainless	NEMA Type 12 Gasketed
2-pole, 600 Vac					
	Use 3-pole for 2-pole Applications			Use 3-pole 600 Vac	Use 3-pole 600 Vac
3-pole, 600 Vac – 250 Vdc					
	30
	60	82342‡	82342RB‡	82342DS▼‡	H82342‡
	100	82343‡	82343RB‡	82343DS▼‡	H82343‡
	200	82344★	82344RB★	82344DS★▼‡	H82344★‡
	400	92345▲	92345R▲	...	H92345▲
	600	92346▲	92346R▲	...	H92346▲
4-pole, 600 Vac					
	30
	60	92442▲	92442RB▲◆	92442DS▲	H92442▲
	100	92443▲	92443RB▲◆	92443DS▲	H92443▲
	200	92444▲	92444RB▲◆	92444DS▲	H82444
	400	92445▲	92445R▲◆	...	H92445▲
	600	92446▲	92446R▲◆	...	H92446▲

▼ These devices are not UL Listed.
 ▲ Not UL Listed or suitable for use as service equipment.
 ◆ Not in PDS stock. Allow 6 weeks shipment.
 ‡ Rated 15 hp.
 ★ 480 Vac maximum only.
 ○ 600 Vac only.



Double Throw Safety Switches — Class 3140

General Information

Service Grounding Kit

Field installable equipment grounding kits required for service equipment use.

Ampere Rating	Catalog Number
30	DT30SG
60 100 200	DT100SG
400 600	PK0GTA-2 (2 Required)

Electrical Interlocks

Available factory installed only. Not UL Listed. Electrical interlocks are furnished with 2 N.O./2 N.C. contacts and are installed in both "ON" positions. To order, add suffix EI to standard catalog number.

Solid Neutral Assembly

Available factory installed only on 240 V and 600 V 2- and 3-pole double throw switches. Not UL Listed. To order, add suffix N to standard catalog number.

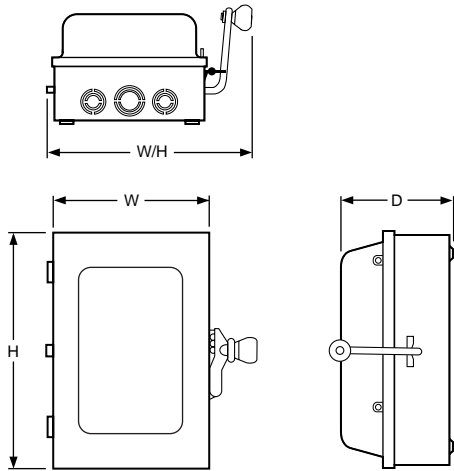
For 240 V, not fusible applications through 200 A, refer to DTU devices listed on Digest 171 page 3-14.



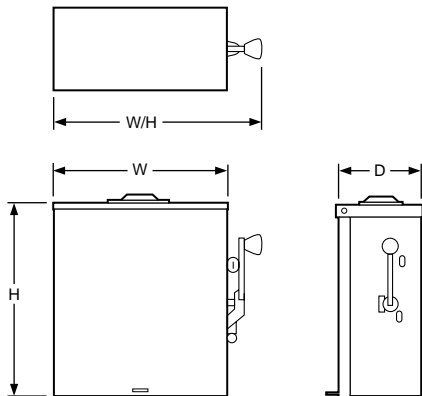
Double Throw Safety Switches — Class 3140

Dimensions

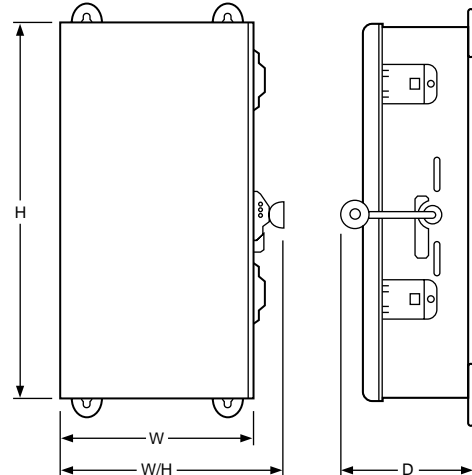
Approximate Dimensions NEMA Types 1 and 3R



Typical NEMA Type 1



Typical NEMA Type 3R



Typical NEMA Type 12

Catalog Number	Series	H		W		W/H		D	
		IN	mm	IN	mm	IN	mm	IN	mm
DTU223NRB	E1	19.38	492	16.00	406	19.50	495	8.88	226
DTU224NRB	E1	32.50	826	20.63	524	24.00	610	10.63	270
DTU323NRB	E1	19.38	492	19.25	489	22.75	578	8.88	226
DTU324NRB	E1	32.50	826	24.13	613	26.25	667	10.63	270
DTU324N	E1	32.50	826	23.50	597	26.85	682	10.63	270
82252	E2	14.38	365	11.19	284	14.44	367	7.00	179
82253	E1	19.50	495	11.25	286	15.00	381	8.00	203
82254	E1	30.88	784	15.75	400	19.63	499	9.75	248
82254NW	E1	30.88	784	20.00	508	23.88	607	11.75	298
82342	E1	14.38	365	14.88	378	18.50	470	7.00	178
82342RB	E1	14.75	375	14.88	378	18.50	470	7.63	194
82343	E1	19.50	495	15.38	391	19.13	486	8.63	219
82343RB	E1	19.38	492	16.00	406	19.50	495	8.88	226
82344	E1	30.88	784	20.00	508	23.88	607	11.75	298
82344RB	E1	32.50	826	20.63	524	24.00	610	10.63	270
82352	E1	14.38	365	14.88	378	18.50	470	7.00	178
82353	E1	19.50	495	15.38	391	19.13	486	8.63	219
82354	E1	30.88	784	20.00	508	23.88	607	11.75	298
92251	E1	11.25	286	10.25	260	14.13	359	6.00	152
92255	E1	31.50	800	21.00	533	24.25	616	14.13	359
92345	E1	31.50	800	29.38	746	32.63	829	14.13	359
92345R	E1	31.25	794	30.13	765	33.00	838	11.38	289
92346	E1	53.00	1346	34.25	870	37.50	953	16.38	416
92346R	E1	52.63	1337	35.13	892	37.75	959	13.88	353
92351	E1	11.25	286	14.00	356	17.63	448	6.13	156
92355	E1	31.50	800	29.38	746	32.63	829	14.13	359
92355R	E1	31.25	794	30.13	765	33.00	838	11.38	289
92356	E1	53.00	1346	34.25	870	37.50	953	16.38	416
92442	E1	13.38	340	17.63	448	20.88	530	6.38	162
92443	E1	22.50	572	20.25	514	24.00	610	11.13	283
92444	E1	31.13	791	24.75	629	28.25	718	11.75	298
92445	E1	31.50	800	37.75	959	41.13	1045	14.13	359
92446	E1	53.00	1346	44.25	1124	47.50	1207	16.38	416
92451	E1	13.38	340	17.63	448	20.88	530	6.38	162
92452	E1	13.38	340	17.63	448	20.88	530	6.38	162
92453	E1	22.50	572	20.25	514	24.00	610	11.13	283
92454	E1	31.13	791	24.75	629	28.25	718	11.75	298
92455	E1	31.50	800	37.75	959	41.13	1045	14.13	359
92456	E1	53.00	1346	44.25	1124	47.50	1207	16.38	416

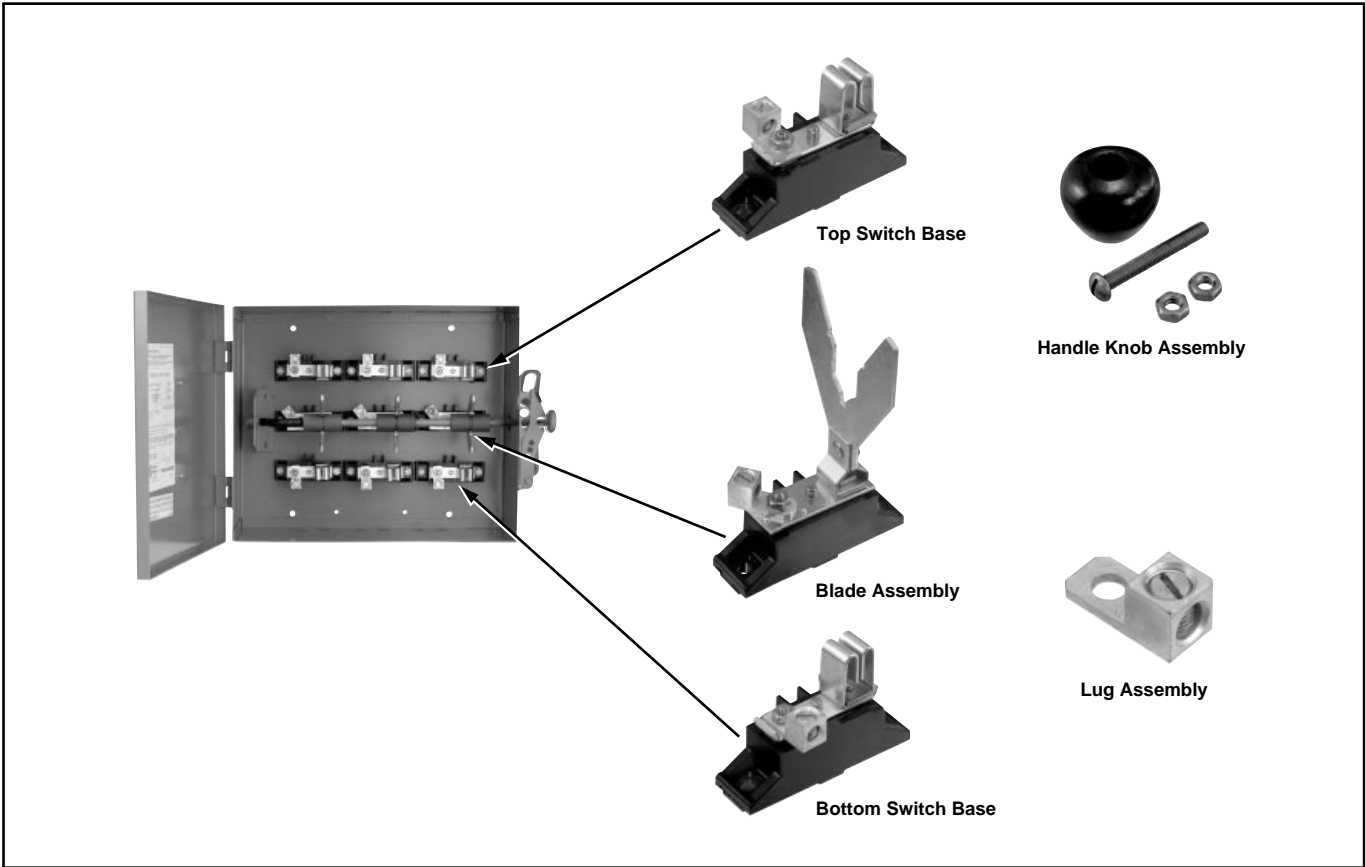
Approximate Dimensions NEMA Types 4, 4X, 5, and 12

Catalog Number	Overall Dimensions To Within (+/-) 1/16							
	H		W		W/H		D	
	IN	mm	IN	mm	IN	mm	IN	mm
H92251	15.00	381	15.25	387	18.25	464	8.50	216
H92351	15.00	381	15.25	387	18.25	464	8.50	216
H92451	14.25	362	15.25	387	19.25	489	7.80	198
H82252	14.60	371	15.60	396	19.60	498	7.80	198
H82352	14.60	371	15.60	396	19.60	498	7.80	198
H92452	14.25	362	15.25	387	19.25	489	7.80	198
H82342	14.60	371	15.60	396	19.60	498	7.80	198
82342DS	14.60	371	15.60	396	19.60	498	7.80	198
H92442								
92442DS	13.80	351	17.60	447	20.30	576	7.80	198
H82253	19.56	497	19.80	503	23.54	598	8.76	223
H82353	19.56	497	19.80	503	23.54	598	8.76	223
H92453	22.25	565	19.75	502	22.75	578	8.76	223
H82343	19.56	497	19.80	503	23.54	598	8.76	223
82343DS	19.56	497	19.80	503	23.54	598	8.76	223
H92443	22.25	565	19.75	502	22.75	578	8.76	223
92443DS	22.82	580	20.00	508	23.75	603	11.50	292
H82254	32.90	836	19.90	505	22.90	582	10.30	262
H82354	32.90	836	19.90	505	22.90	582	10.30	262
H82454	31.10	790	26.56	675	30.44	773	10.25	260
H82344	32.90	836	19.90	505	22.90	582	10.30	262
82344DS	32.90	836	19.90	505	22.90	582	10.30	262
H82444	31.10	790	26.56	675	30.44	773	10.25	260
92444DS	30.62	778	24.25	616	27.25	692	12.50	318
H92255	31.75	806	33.06	840	36.31	922	11.26	286
H92355	31.75	806	33.06	840	36.31	922	11.26	286
H92455	33.10	841	37.72	958	41.12	1044	11.00	279
H92345	31.75	806	33.06	840	36.31	922	11.26	286
H92445	33.10	841	37.72	958	41.12	1044	11.00	279
H92356	53.38	1356	34.38	873	37.38	949	14.50	368
H92456	53.16	1350	44.00	1118	47.25	1200	14.25	362
H92346	53.38	1356	34.38	873	37.38	949	14.50	368
H92446	53.16	1350	44.00	1118	47.25	1200	14.25	362



Double Throw Safety Switches — Class 3140

Replacement Parts



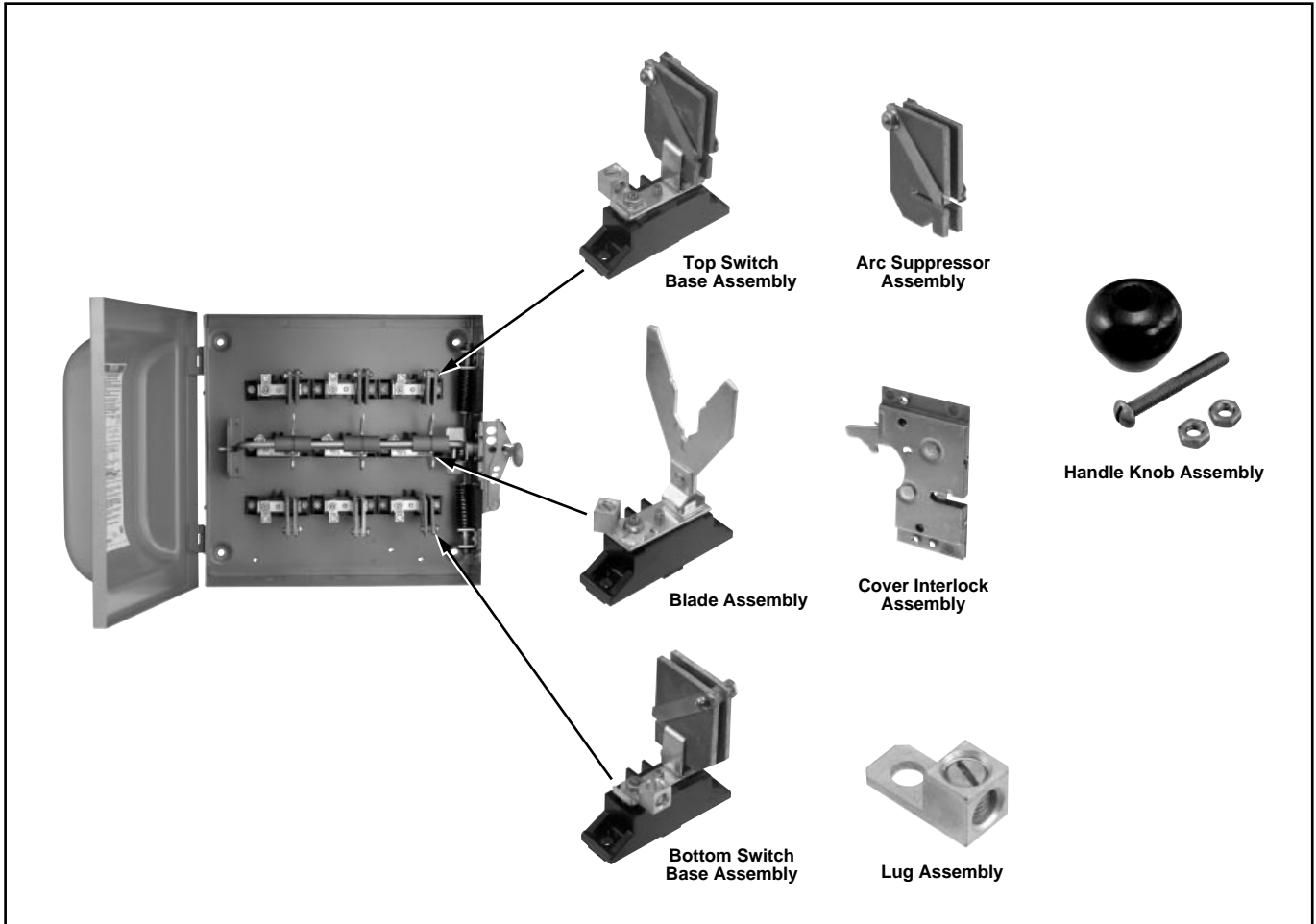
30 A, Series E2 and E3

Catalog Number	Blade Assembly	Top Switch Base Assembly	Bottom Switch Base Assembly	Arc Suppressor Assembly	Handle Knob Assembly	Cover Interlock Assembly	Lug Assembly
92251 H92251	40538-424-50 40538-424-50	40538-425-50 40538-425-50	40538-426-50 40538-426-50	40284-357-50 40284-357-50	40251-016-51 40251-016-51
92351 H92351	40538-424-50 40538-424-50	40538-425-50 40538-425-50	40538-426-50 40538-426-50	40284-357-50 40284-357-50	40251-016-51 40251-016-51
92451 92451RB H92451	40538-424-50 40538-424-50 40538-424-50	40538-425-50 40538-425-50 40538-425-50	40538-426-50 40538-426-50 40538-426-50	40284-357-50 40284-357-50 40284-357-50	40251-016-51 40251-016-51 40251-016-51

Enclosure not available.
Base mounting screws: 21427-17161.



Double Throw Safety Switches — Class 3140 Replacement Parts



60 A, Series E2 and E3

Catalog Number	Blade Assembly	Top Switch Base Assembly	Bottom Switch Base Assembly	Arc Suppressor Assembly	Handle Knob Assembly	Cover Interlock Assembly	Lug Assembly
82252	40538-424-50	40538-425-50	40538-426-50	40538-472-50	40284-357-50	116101	40251-016-51
H82252	40538-424-50	40538-425-50	40538-426-50	40538-472-50	40284-357-50	116101	40251-016-51
82352	40538-424-50	40538-425-50	40538-426-50	...	40284-357-50	116101	40251-016-51
H82352	40538-424-50	40538-425-50	40538-426-50	...	40284-357-50	116101	40251-016-51
92452	40538-424-50	40538-425-50	40538-426-50	...	40284-357-50	...	40251-016-51
92452RB	40538-424-50	40538-425-50	40538-426-50	...	40284-357-50	...	40251-016-51
H92452	40538-424-50	40538-425-50	40538-426-50	...	40284-357-50	...	40251-016-51
82342	40538-424-50	40538-425-50	40538-426-50	40538-472-50	40284-357-50	116101	40251-016-51
82342RB	40538-424-50	40538-425-50	40538-426-50	40538-472-50	40284-357-50	...	40251-016-51
82342DS	40538-424-50	40538-425-50	40538-426-50	40538-472-50	40538-488-50	...	40251-016-51
H82342	40538-424-50	40538-425-50	40538-426-50	40538-472-50	40284-357-50	...	40251-016-51
92442	40538-424-50	40538-435-50	40538-436-50	40538-201-50	40284-357-50	...	40251-016-51
92442RB	40538-424-50	40538-435-50	40538-436-50	40538-201-50	40284-357-50	...	40251-016-51
92442DS	40538-424-50	40538-435-50	40538-436-50	40538-201-50	40538-488-50	...	40251-016-51
H92442	40538-424-50	40538-435-50	40538-436-50	40538-201-50	40284-357-50	...	40251-016-51

Enclosure not available.

Base mounting screws: 21427-17161.

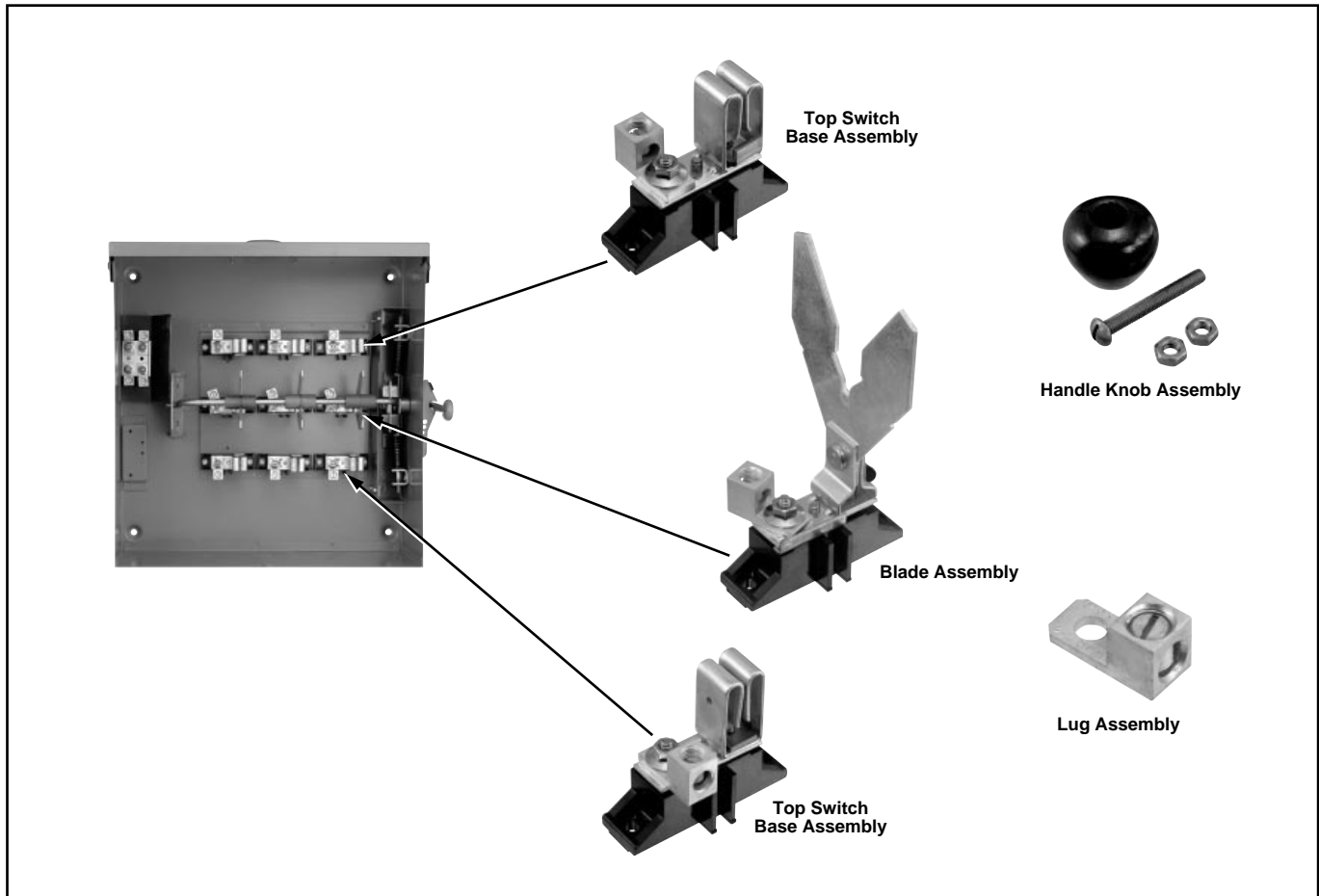
Cover interlock key: 190002 (82,000 line only).

Cover interlock assembly mounting screws: (1) 21422-17181, (1) 21427-17161.



Double Throw Safety Switches — Class 3140

Replacement Parts



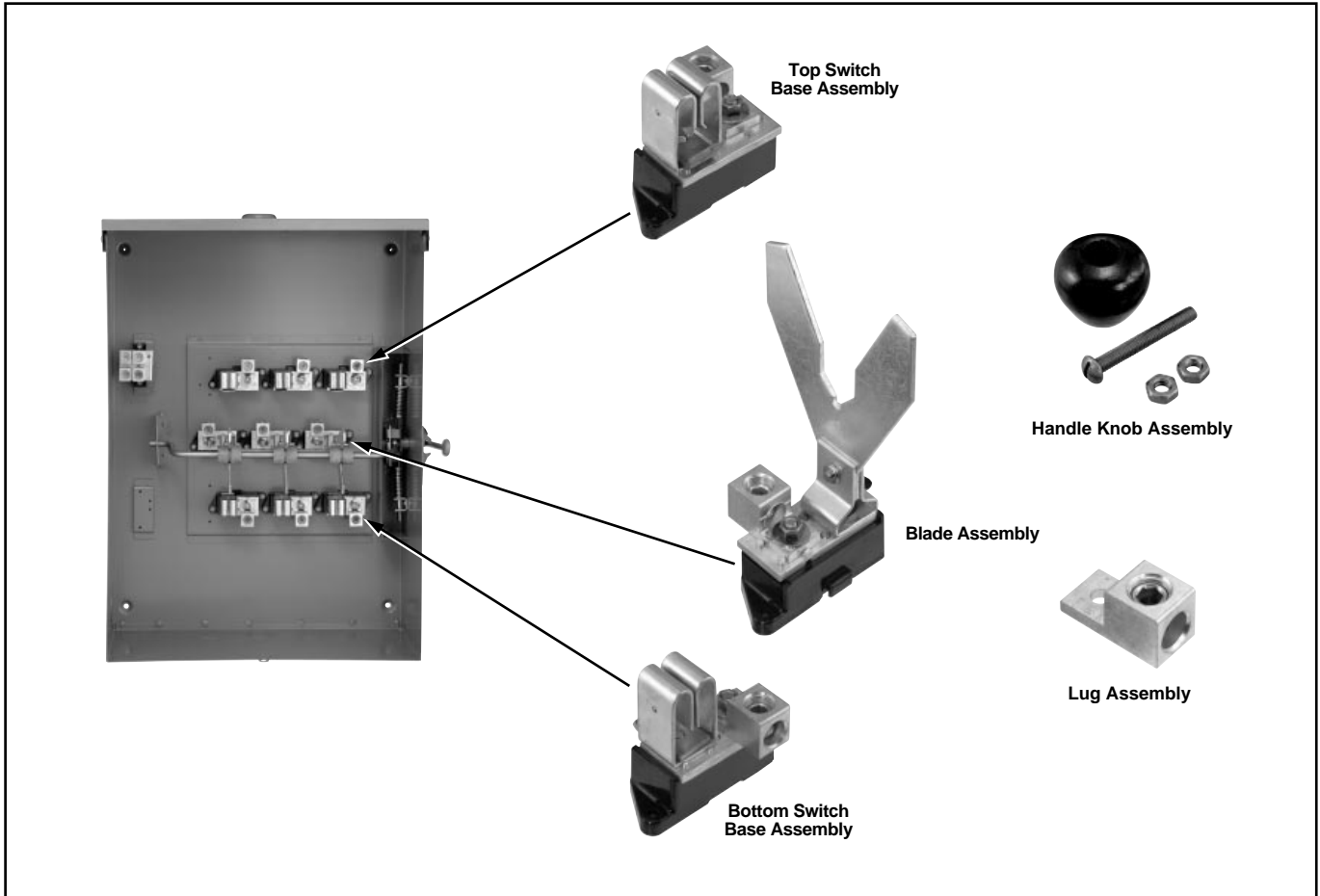
100 A, Series E2 and E3

Catalog Number	Blade Assembly	Top Switch Base Assembly	Bottom Switch Base Assembly	Arc Suppressor Assembly	Handle Knob Assembly	Cover Interlock Assembly	Lug Assembly
82253	40538-222-50	40538-223-50	40538-224-50	...	40284-357-50	116101	40251-018-50
DTU223NRB	40538-222-50	40538-223-50	40538-224-50	...	40284-357-50	...	40251-018-50
H82253	40538-222-50	40538-223-50	40538-224-50	...	40284-357-50	...	40251-018-50
82353	40538-222-50	40538-223-50	40538-224-50	...	40284-357-50	116101	40251-018-50
DTU323NRB	40538-222-50	40538-223-50	40538-224-50	...	40284-357-50	...	40251-018-50
H82353	40538-222-50	40538-223-50	40538-224-50	...	40284-357-50	...	40251-018-50
92453	40538-252-50	40538-326-50	40538-326-50	...	40284-357-50	...	40251-018-50
92453RB	40538-252-50	40538-326-50	40538-326-50	...	40284-357-50	...	40251-018-50
H92453	40538-252-50	40538-326-50	40538-326-50	...	40284-357-50	...	40251-018-50
82343	40538-222-50	40538-223-50	40538-224-50	40538-204-50	40284-357-50	116101	40251-018-50
82343RB	40538-222-50	40538-223-50	40538-224-50	40538-204-50	40284-357-50	...	40251-018-50
82343DS	40538-222-50	40538-223-50	40538-224-50	40538-204-50	40538-488-50	...	40251-018-50
H82343	40538-222-50	40538-223-50	40538-224-50	40538-204-50	40284-357-50	...	40251-018-50
92443	40538-252-50	40538-326-50	40538-326-50	40538-206-50	40284-357-50	...	40251-018-50
92443RB	40538-252-50	40538-326-50	40538-326-50	40538-206-50	40284-357-50	...	40251-018-50
92443DS	40538-252-50	40538-326-50	40538-326-50	40538-206-50	40538-488-50	...	40251-018-50
H92443	40538-252-50	40538-326-50	40538-326-50	40538-206-50	40284-357-50	...	40251-018-50

Enclosure not available.
 Base mounting screws: 21427-17161.
 Cover interlock key: 190002 (82,000 line only).
 Cover interlock assembly mounting screws: (1) 21422-17101, (1) 21427-17161.
 Neutral assembly for DTU223NRB: 40538-229-50.
 Neutral assembly for DTU323NRB: 40538-032-50.
 Photos of cover interlock assembly see 82342, page 75.



Double Throw Safety Switches — Class 3140 Replacement Parts



200 A, Series E2 and E3

Catalog Number	Blade Assembly	Top Switch Base Assembly	Bottom Switch Base Assembly	Arc Suppressor Assembly	Handle Knob Assembly	Cover Interlock Assembly	Lug Assembly
82254 DTU224NRB H82254	40538-165-50	40538-132-51	40538-133-51	40538-189-50	40284-357-50	116101	40251-162-50
	40538-165-50	40538-132-51	40538-133-51	...	40284-357-50	...	40251-162-50
	40538-165-50	40538-132-51	40538-133-51	40538-189-50	40284-357-50	...	40251-162-50
82354 DTU324N DTU324NRB H82354	40538-165-50	40538-132-51	40538-133-51	...	40284-357-50	116101	40251-162-50
	40538-165-50	40538-132-51	40538-133-51	...	40284-357-50	...	40251-162-50
	40538-165-50	40538-132-51	40538-133-51	...	40284-357-50	...	40251-162-50
	40538-165-50	40538-132-51	40538-133-51	...	40284-357-50	...	40251-162-50
92454 92454RB H82454	40538-207-51	40538-132-51	40538-133-51	...	40284-357-50	...	40251-162-50
	40538-207-51	40538-132-51	40538-133-51	...	40284-357-50	...	40251-162-50
	40538-207-51	40538-132-51	40538-133-51	...	40284-357-50	...	40251-162-50
82344 82344RB 82344DS H82344	40538-165-50	40538-132-51	40538-133-51	40538-189-50	40284-357-50	116101	40251-162-50
	40538-165-50	40538-132-51	40538-133-51	40538-189-50	40284-357-50	...	40251-162-50
	40538-165-50	40538-132-51	40538-133-51	40538-189-50	40538-488-50	...	40251-162-50
	40538-165-50	40538-132-51	40538-133-51	40538-189-50	40284-357-50	...	40251-162-50
92444 92444RB 92444DS H82444	40538-207-51	40538-132-51	40538-133-51	40538-197-50	40284-357-50	...	40251-162-50
	40538-207-51	40538-132-51	40538-133-51	40538-197-50	40284-357-50	...	40251-162-50
	40538-207-51	40538-132-51	40538-133-51	40538-197-50	40538-488-50	...	40251-162-50
	40538-207-51	40538-132-51	40538-133-51	40538-197-50	40284-357-50	...	40251-162-50

Enclosure not available.

Base mounting screws: 40205-065-01.

Cover interlock key: 190002 (82,000 line only).

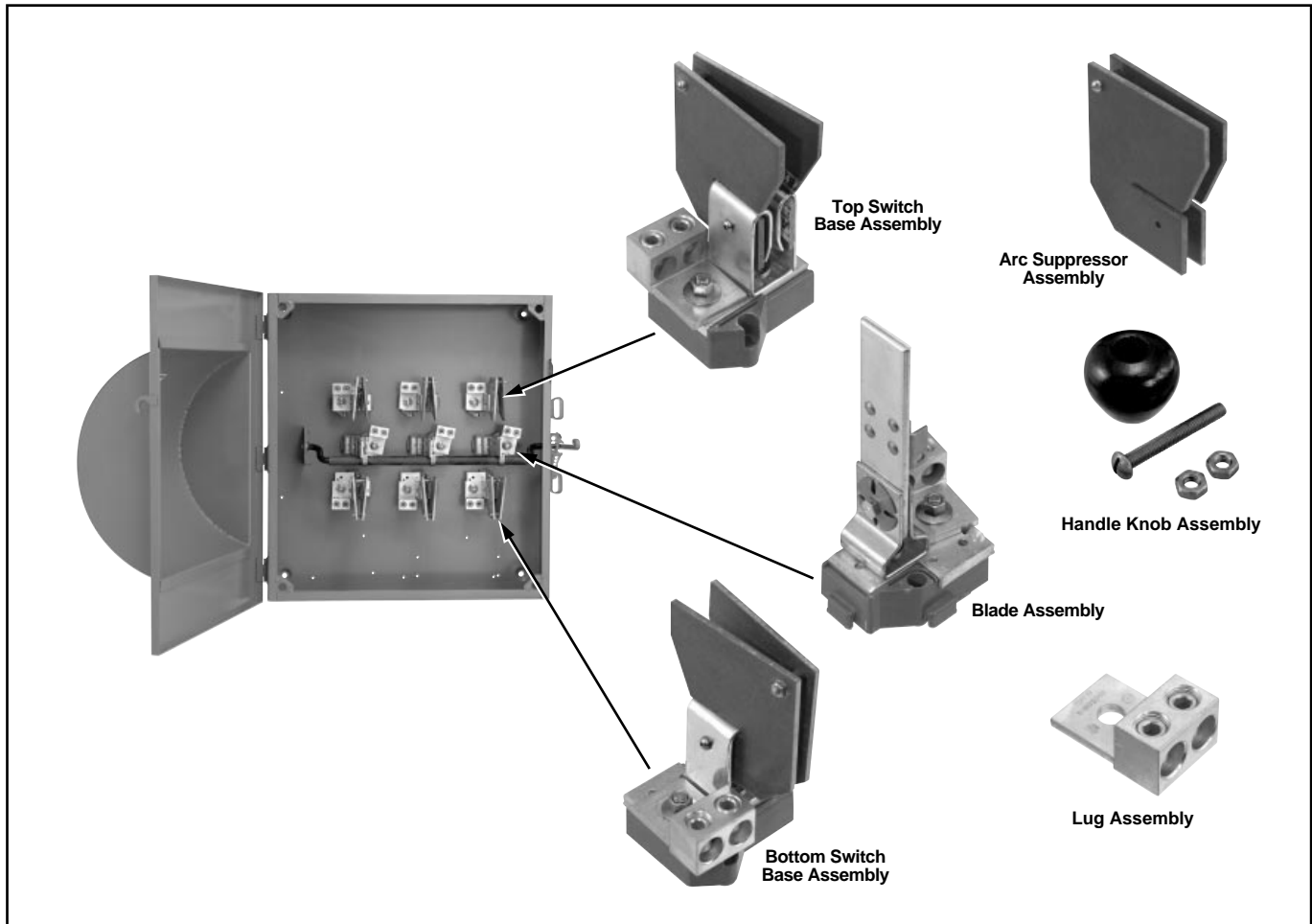
Cover interlock assembly mounting screws: (1) 21422-17101, (1) 21427-17161.

Neutral assembly for DTUs: 40538-021-50.

Photos of cover interlock assembly see 82342, page 75.



Double Throw Safety Switches — Class 3140 Replacement Parts



400 A, Series E2 and E3

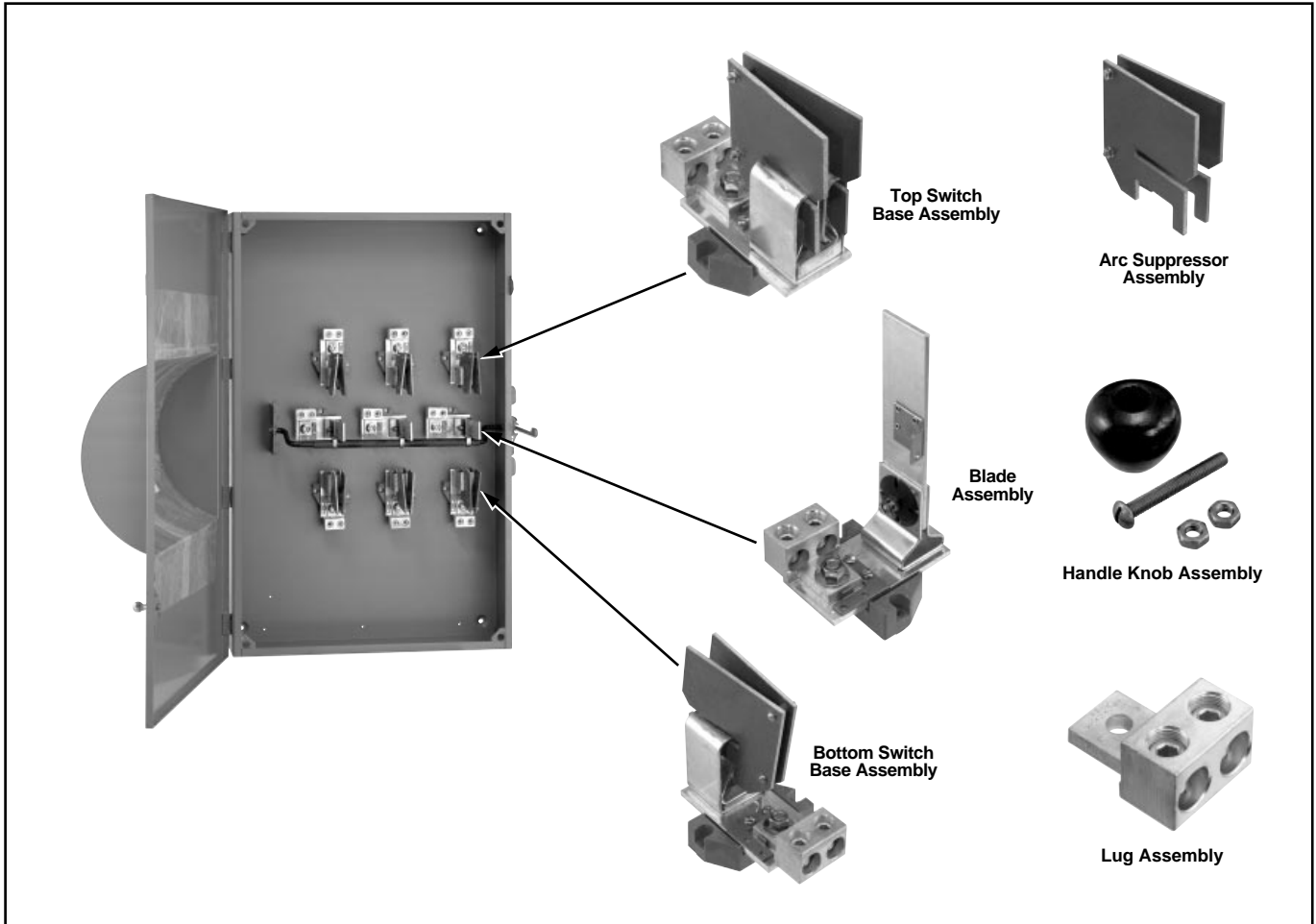
Catalog Number	Blade Assembly	Top Switch Base Assembly	Bottom Switch Base Assembly	Arc Suppressor Assembly	Handle Knob Assembly	Cover Interlock Assembly	Lug Assembly
92255	40538-147-50	40538-142-51	40538-142-50	...	40513-001-50	...	40251-147-50
92255R	40538-147-50	40538-142-51	40538-142-50	...	40513-001-50	...	40251-147-50
H92255	40538-147-50	40538-142-51	40538-142-50	...	40513-001-50	...	40251-147-50
92355	40538-147-50	40538-142-51	40538-142-50	...	40513-001-50	...	40251-147-50
92355R	40538-147-50	40538-142-51	40538-142-50	...	40513-001-50	...	40251-147-50
H92355	40538-147-50	40538-142-51	40538-142-50	...	40513-001-50	...	40251-147-50
92455	40538-083-50	40538-142-51	40538-142-50	...	40513-001-50	...	40251-147-50
92455R	40538-083-50	40538-142-51	40538-142-50	...	40513-001-50	...	40251-147-50
H92455	40538-083-50	40538-142-51	40538-142-50	...	40513-001-50	...	40251-147-50
92345	40538-147-50	40538-142-51	40538-142-50	40538-194-50	40513-001-50	...	40251-147-50
92345R	40538-147-50	40538-142-51	40538-142-50	40538-194-50	40513-001-50	...	40251-147-50
H92345	40538-147-50	40538-142-51	40538-142-50	40538-194-50	40513-001-50	...	40251-147-50
92445	40538-083-50	40538-142-51	40538-142-50	40538-194-50	40513-001-50	...	40251-147-50
92445R	40538-083-50	40538-142-51	40538-142-50	40538-194-50	40513-001-50	...	40251-147-50
H92445	40538-083-50	40538-142-51	40538-142-50	40538-194-50	40513-001-50	...	40251-147-50

Enclosure not available.

Base mounting screws: 40206-009-01.



Double Throw Safety Switches — Class 3140 Replacement Parts



600 A, Series E2 and E3

Catalog Number	Blade Assembly	Top Switch Base Assembly	Bottom Switch Base Assembly	Arc Suppressor Assembly	Handle Knob Assembly	Cover Interlock Assembly	Lug Assembly
92356	40538-266-50	40538-269-50	40538-269-50	...	40513-001-50	...	40251-137-50
92356R	40538-266-50	40538-269-50	40538-269-50	...	40513-001-50	...	40251-137-50
H92356	40538-266-50	40538-269-50	40538-269-50	...	40513-001-50	...	40251-137-50
92456	40538-266-50	40538-269-50	40538-269-50	...	40513-001-50	...	40251-137-50
92456R	40538-266-50	40538-269-50	40538-269-50	...	40513-001-50	...	40251-137-50
H92456	40538-266-50	40538-269-50	40538-269-50	...	40513-001-50	...	40251-137-50
92346	40538-266-50	40538-269-50	40538-269-50	40538-195-01	40513-001-50	...	40251-137-50
92346R	40538-266-50	40538-269-50	40538-269-50	40538-195-01	40513-001-50	...	40251-137-50
H92346	40538-266-50	40538-269-50	40538-269-50	40538-195-01	40513-001-50	...	40251-137-50
92446	40538-266-50	40538-269-50	40538-269-50	40538-195-01	40513-001-50	...	40251-137-50
92446R	40538-266-50	40538-269-50	40538-269-50	40538-195-01	40513-001-50	...	40251-137-50
H92446	40538-266-50	40538-269-50	40538-269-50	40538-195-01	40513-001-50	...	40251-137-50

Enclosure not available.
Base mounting screws: 40206-009-01.



Air Conditioning Disconnects — Class 3150

Product Description



FP222R



FP222R



QO200TR



Mounting Bracket
PKHB

Description

Air conditioning disconnects are UL Listed and CSA certified with AL/Cu lugs. They meet NEC requirements for a disconnecting means on a single-phase residential and commercial air conditioning installations, or other single-phase applications such as swimming pools and pump houses.

Configuration

- NEMA Type 3R outdoor.
- 240 Vac 2-wire with ground.
- Fusible units available in 30 A or 60 A.
- Not-fusible units available in 60 A maximum.
- Not-fusible units available in pull-out or molded case switch versions.
- Available in metallic and non-metallic enclosures.

General Construction

- Factory installed equipment grounding terminals with slot/square drive screws.
- Cover padlock provision.
- Convenient combination knockout provisions on side, back, and bottom enclosure walls for maximum wiring flexibility.
- When mounting disconnects with side-hinged cover, allow 1 inch (25 mm) clearance on hinge side for door to open.

Pull-Out Switch Construction

- Side-hinged door for easy access and installation.
- Deadfront trim with captive mounting screw and molded-in wiring diagram markings.
- Positive pull-out head contact for a durable long-lasting electrical connection. Pull-out head storage in "OFF" position.
- Mounting slot for prehanging during installation.
- Mounting holes spaced for standard brick size mortar joints.
- Cover padlock provision.

Molded Case Switch Construction

- Metallic enclosure has removable cover housing (front, top, and side walls) which provides open area for mounting and convenient installation.
- Easy access to wiring terminals for conductor installation.
- Optional mounting bracket, when used with metallic enclosure, simplifies installation for stucco and lapped siding applications.

Enclosures

- Metallic enclosures are galvanized steel enclosures with gray, powder coat paint rated NEMA Type 3R.
- Non-metallic enclosures are all NEMA Type 3R.

Accessories

Mounting bracket PKHB is specifically designed for mounting the QO200TR. This bracket is installed directly to the stud. After the siding goes up, mount the QO200TR air conditioning disconnect to the bracket with screws.



Air Conditioning Disconnects — Class 3150

Product Description



FP222R

Application

Air conditioning disconnects are designed for the following applications:

- Residential and light commercial applications.
- 240 Vac maximum.
- Suitable for use on systems with up to 10K RMS symmetrical amperes available fault current at 240 Vac.
- 30 A and 60 A.
- Horsepower rated.

Standards

Air conditioning disconnects are manufactured in accordance with these standards:

- UL Standard 1429, UL File Number 54X-2.
- NEMA KS-1.

Product Information

Not Fusible Air Conditioning Disconnect—Molded Case Switch

Service	Ampere Rating	Catalog Number		Maximum HP
		Metallic Enclosure	Non-Metallic Enclosure	
2 Wire (Molded Case Switch Included) – 240 Vac Maximum				
	60	QO200TR	QO200TRNM	10
<ul style="list-style-type: none"> ■ Does not contain overcurrent protection. Suitable for use on systems with up to 10,000 RMS symmetrical amperes available fault current at 240 Vac max. when protected by a fuse or circuit breaker rated 60 A or less. 				

Housing Bracket

Description	Catalog Number
Bracket used with QO200TR for stucco, aluminum and vinyl siding. Order quantity multiples of 10.	PKHB

Not Fusible Air Conditioning Disconnect—Pull-out

Service	Ampere Rating	Catalog Number		Maximum HP
		Metallic Enclosure	Non-Metallic Enclosure	
2 Wire - 240 Vac Maximum				
	60	UFP222R	UFP222RNM	10
<ul style="list-style-type: none"> ■ Does not contain overcurrent protection. Suitable for use on system with up to 10,000 RMS symmetrical amperes available fault current at 240 Vac max. when protected by a fuse or circuit breaker rated 60 A or less. 				

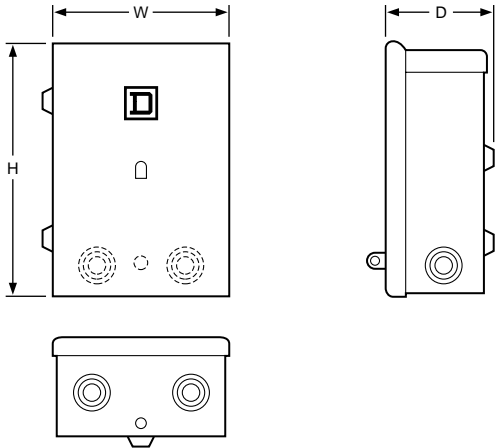
Fusible Air Conditioning Disconnect—Pull-out

Service	Ampere Rating	Catalog Number		Maximum HP
		Metallic Enclosure	Non-Metallic Enclosure	
2 Wire (Pull-out and Fuseholder) – 240 Vac Maximum				
	30	FP221R	FP221RNM	3
	60	FP222R	FP221RNM	10
<ul style="list-style-type: none"> • Suitable for use on systems with up to 10,000 RMS symmetrical amperes available fault current at 240 Vac. 				



Air Conditioning Disconnects — Class 3150

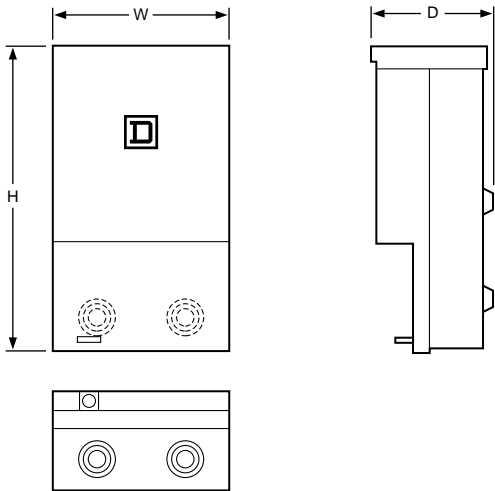
Dimensions



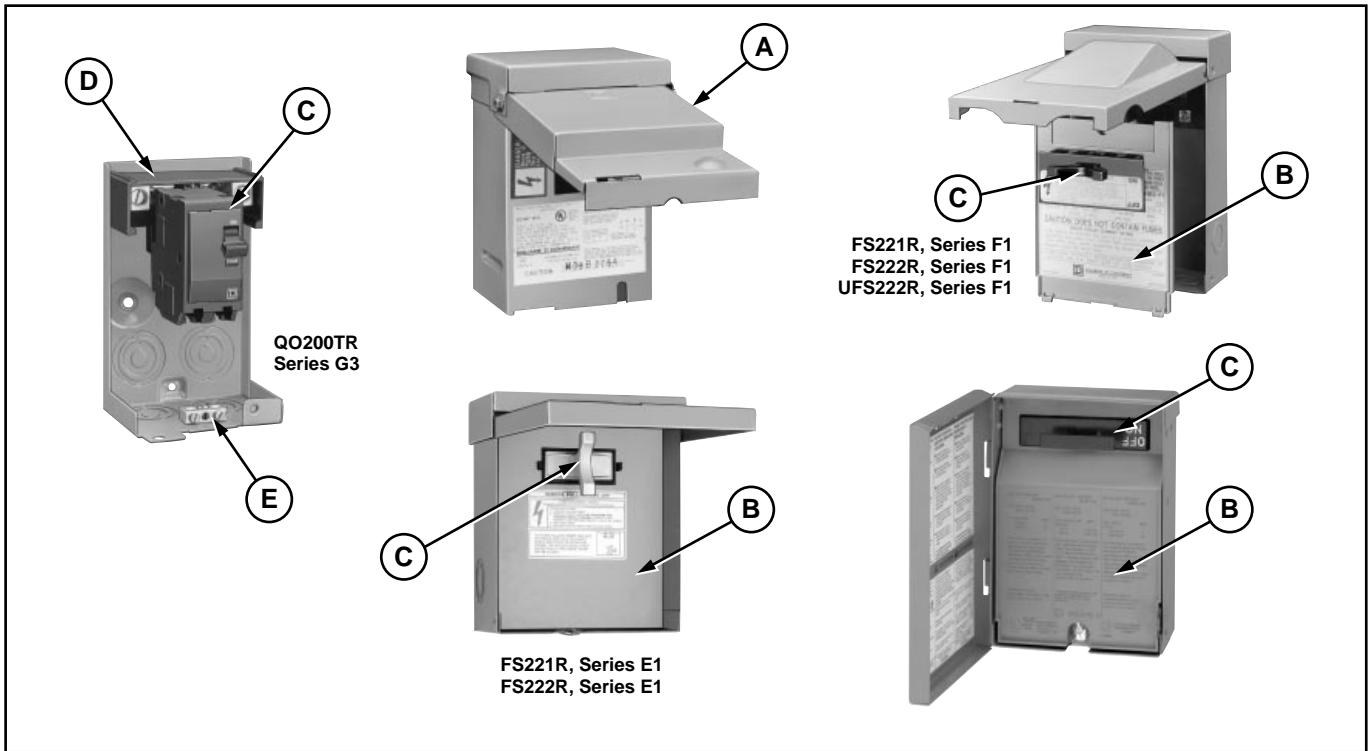
Allow 1 inch (25 mm) clearance on hinge side.

Dimensions

Catalog Number	H		W		D	
	IN	mm	IN	mm	IN	mm
UFP222R	7.40	188	5.25	133	3.16	80
FP221R	7.40	188	5.25	133	3.16	80
FP222R	8.80	221	5.25	133	3.16	80
QO200TR	6.50	165	4.62	117	3.87	98
UFS222RNM	8.79	223	6.52	166	3.90	99
FS221RNM	8.79	223	6.52	166	3.90	99
FS22RNM	8.79	223	6.52	166	3.90	99
QO200TRM	8.79	223	6.52	166	3.90	99



Air Conditioning Disconnects — Class 3150 Replacement Parts



Not Fusible Air Conditioning Disconnect — Molded Case Switch

Catalog Number	Series	Illustration Code				
		A	B	C	D	E
		Cover or RB Door	Interior Trim	Molded Case Switch	Base Assembly	Ground Bar
QO260NATR	G2	137109	40500-264-01	QO200	40504-436-50	40230-184-75
QO200TR	G3	40500-238-51	...	QO200	40500-237-02 40500-241-01 ② 40205-109-01 ② 40251-054-52 ②	40230-184-58
QO200TRNM	G01	N/A	40507-144-01	QO200	40507-146-50	40230-887-50
QO2000NRB	E1	40515-599-01	40515-600-02	QO2000	40515-453-50	...

Fusible Air Conditioning Disconnect — Pull-out

Catalog Number	Series	Illustration Code					
		A	B	C	D		E
		Cover or RB Door	Interior Trim	Pull-out	Line Base▲	Load Base▲	Ground Bar†
FS221R (obsolete)	E1	N/A	FS222FDF	4399H42	N/A	N/A	DPFG
FS221R (obsolete)	F1	N/A	FS221RDF	96-3258-4	N/A	N/A	DPFG
FP221R	G01	N/A	40507-114-01	40507-117-50	40507-130-50	40507-132-50 ②	40230-877-50
FP221RNM	G01	N/A	40507-143-01	40507-140-50	40507-130-50	40507-132-50	40230-887-50
FS222R (obsolete)	E1	N/A	FS222FDF	4399H42	N/A	N/A	DPFG
FS222R (obsolete)	F1	N/A	FS222RDF	96-3258-4	N/A	N/A	DPFG
FP222R	G01	N/A	40507-116-01	40507-117-50	40507-131-50	40507-133-50 ②	40230-877-50
FP222RNM	G01	N/A	40507-143-01	40507-140-50	40507-131-50	40507-133-50	40230-887-50

Not Fusible Air Conditioning Disconnect — Pull-out

Catalog Number	Series	Illustration Code				
		A	B	C	D	E
		Cover or RB Door	Interior Trim	Pull-out	Base Assembly▲	Ground Bar
UFS222R (obsolete)	F1	N/A	UFS222RDF	96-3258-4	N/A	...
UFP222R	G01	N/A	40507-115-01	40507-117-50	40507-118-50	40230-877-50
UFP222RNM	G01	N/A	40507-143-01	40507-140-50	40507-118-50	40230-887-50

▲ Base assembly mounting screws: 21594-171-21.

②, ③, ④ – Quantity required.

All part numbers required.

† Ground bar mounting screws: 40205-025-01.

N/A – Not available, order complete device.

Replacement boxes are not available.

Replacement covers and trims have no labels.

RB door mounting screw: 21427-171-61.

Interior trim mounting screw: 40205-130-01.



Square D Company
1601 Mercer Road
Lexington, KY 40511
1-888-Square D
(1-888-778-2733)
www.squared.com

Schneider Canada, Inc.
19 Waterman Avenue,
M4B 1 Y2
Toronto, Ontario
(416) 752-8020
www.schneider.ca

Catalog No. 3100CT9801 December 1999
(Replaces 3110CT9601; 3110SB9501R11/96; Catalog Class 3130, dated 6/87; 3130SB9401;
Catalog Class 3140, dated 6/87; 3140SB9701; 3150SB9501)