

2014-2015
Stock Products Catalog

WORLDWIDE

Electric Corp

QUICK-SELECT PRODUCT GUIDE

From WorldWide Electric

WorldWide Low Voltage Motors

WorldWide Fractional HP Motors	Page 10-16
WorldWide Farm Duty Motors	Page 17
WorldWide General Purpose Motors	Page 18-28
WorldWide Explosion Proof Motors	Page 29-32
WorldWide Aggregate Motors	Page 33-34
Oil Well Pump Motors	Page 35-36

Hyundai Low Voltage Motors

Hyundai Premium Efficiency Motors	Page 37-45
Hyundai IEEE-841 Motors	Page 46-51
Hyundai Explosion Proof Motors	Page 52-54
Hyundai Severe Duty Large Frame Motors	Page 55

Hyundai Medium & High Voltage Motors	Page 56-59
--------------------------------------	------------

Motor Accessories / Parts	Page 60-80
---------------------------	------------

INSTA-MOD Program	Page 81-82
-------------------	------------

Motor Controls

Variable Frequency Drives	Page 108-122
Soft Starters	Page 123-128
Across-Line Motor Starters	Page 129-143
Contactors and Overload Relays	Page 144-150
Pressure Switches, Alternator Relays and Drum Controllers	Page 151-153
Safety Switches and Transfer Switches	Page 154-158
Pilot Devices	Page 159-161

Gear Reducers

Shaft Mount Reducers	Page 162-175
Worm Gear Reducers - Heavy Duty Cast Iron	Page 176-186
Worm Gear Reducers - Aluminum	Page 187-190
Inline Helical Gear Reducers	Page 192-196

Reference

Warranty Policy	Page 197-200
Freight Terms	Page 201
Warehouse Delivery Maps	Page 202-208
Model Number Index	Page 209-235
Notes	Page 236



WorldWide Electric Motors, Controls And Gear Reducers Have Been Running Successfully For Over Fifteen Years In The Following Applications And Many Others!

Agitators	Converters	Hoists	Pumps
Air Conditioners	Conveyors	Hoppers	Punch Presses
Air Curtains	Coolers	HVAC	Reband Saws
Air Filters	Cotton Gins	Hydraulic Lifts	Reclaim Pumps
Air Locks	Cranes	Hydraulic Power Units	Recycling Equipment
Amusement Park Equipment	Crushers	Ice Makers	Rock Crushers
Augers	Dish Washers	Irrigation Equipment	Saw Mills
Ball Mills	Drag Conveyors	Kilns	Saws
Ball Pitchers	Dredges	Lathes	Screens
Belt Conveyors	Drills	Lubricators	Screw Conveyors
Blowers	Dryers	Material Handling Equipment	Separation Equipment
Boat Lifts	Dust Collectors	Mills	Shakers
Boilers	Elevators	Misters	Shredders
Broachers	Excavators	Mixers	Ski Lift Equipment
Brushes	Extruders	Mud Pumps	Slitters
Bucket Conveyors	Fans	Oil Pump Jacks	Sprayers
Bucket Elevators	Farm Equipment	Oil Wells	Sprinklers
Buffers	Feeders	Opener Devices	Stampers
Centrifugal Pumps	Filter Carts	Packaging Machinery	Sweep Augers
Centrifuges	Fire Pumps	Pellet Mills	Turbines
Chain Conveyors	Flood Irrigation Pumps	Pit Pumps	Vacuums
Chippers	Food Processing Equipment	Pivot Systems	Vibrating Screen Decks
Clampers	Generators	Plunger Pumps	Washers
Classifiers	Grain Dryers	Polishers	Water Curtains
Closing Devices	Grinders	Pool Pumps	Water Transfers
Collectors	Hatchers	Presses	Welders
Compactors	Head Saws	Pressure Washers	Well Drilling
Compressors	Heaters	Printers	Wood Splitters



*All WorldWide Electric Products Carry The Very Finest
Certifications / Accreditations / Quality Assurances Available Today!*



The CSA Mark means a motor has been tested and meets applicable standards for safety and / or performance, including the applicable standards written or administered by the American National Standards Institute (ANSI), Underwriters Laboratories (UL), Canadian Standards Association (CSA), National Sanitation Foundation (NSF) and others.



The CE Mark is a requirement for motors sold to the European Market. The CE Mark identifies a motor as complying with the health and safety requirements spelled out in European Legislation (Directives) and is mandatory for equipment operating in the European Union (EU).



The ISO Certification is a most difficult quality standard for companies to achieve. The International Standards Organization states consistent quality control standards are in place to oversee and ensure the manufacturing process of the product line.



UL Listing means that Underwriters Laboratories Inc. (UL) has tested representative samples of the product and determined that it meets UL's requirements. These requirements are based primarily on UL's published and nationally recognized Standards for Safety. All WorldWide Electric explosion proof motors are UL Listed.



WorldWide Electric Corporation is proud to be an ongoing participant with Advanced Energy in the design and execution of a motor testing / quality assurance program for all WorldWide Electric motor product lines.



*WorldWide Electric Corporation Holds Membership
In The Following Associations ...*

Associate Member



The **Electrical Apparatus Service Association, Inc. (EASA)** is an international trade organization of over 2,100 electromechanical sales and service firms in 58 countries. Through its many engineering and educational programs, EASA provides members with a means of keeping up to date on materials, equipment and state-of-the-art technology.



The **Fluid Power Distributors Association (FPDA)** is the professional network for fluid power, automation and motion technology providers dedicated to significantly enhancing member and channel performance by delivering indispensable networking, education and success strategies.

WORLDWIDE ELECTRIC CORPORATION

Table Of Contents



WORLDWIDE FRACTIONAL HP MOTORS	MULTIPLIER	PAGE
General Purpose Motors - TEFC Enclosure - C-Face - Removable Base		
Single-Phase		10
Three-Phase		11
Stainless Steel / Washdown Duty Motors - TENV Enclosure - C-Face		
Rigid Base		12
Round Body		12
Stainless Steel / Washdown Duty Motors - TEFC Enclosure - C-Face		
Rigid Base		13
Round Body		13
Jet Pump Motors - TEFC Enclosure - C-Face - Removable Base		
Single-Phase		14
Three-Phase		15
Permanent Magnet DC Motors - TENV / TEFC Enclosure - C-Face - Removable Base		16
WORLDWIDE FARM DUTY MOTORS	MULTIPLIER	PAGE
TEFC Enclosure - Rigid Base - Single-Phase		17
WORLDWIDE GENERAL PURPOSE MOTORS	MULTIPLIER	PAGE
TEFC Enclosure - Rigid Base - Three-Phase		
208-230/460 and 460 Volt		18-20
208-230/460 and 460 Volt - Factory Short Shaft		21
208-230/460 and 460 Volt - Factory F2 Mount		22
460 Volt - Part-Winding Start (PWS)		23
575 Volt		24-25
TEFC Enclosure - C-Face - Rigid Base - Three-Phase		
208-230/460 and 460 Volt		26-27
208-230/460 Volt - Factory F2 Mount		28
WORLDWIDE EXPLOSION PROOF MOTORS	MULTIPLIER	PAGE
TEXP Enclosure - Rigid Base - Three-Phase		
208-230/460 and 460 Volt		29-30
575 Volt		31
TEXP Enclosure - C-Face - Rigid Base		32
WORLDWIDE AGGREGATE MOTORS	MULTIPLIER	PAGE
Advanced Design Rock Crusher		33
Shaker Screen - NEMA Design D - High Slip		34
OIL WELL PUMP MOTORS	MULTIPLIER	PAGE
High Efficiency - NEMA Design D		35
High Efficiency - NEMA Design D - Inverter Duty		36



WORLDWIDE ELECTRIC CORPORATION

Table Of Contents



HYUNDAI CROWN TRITON™ SERIES MOTORS - PREMIUM EFFICIENCY		MULTIPLIER	PAGE
TEFC Enclosure - Rigid Base - Three-Phase			
208-230/460 and 460 Volt			37-38
208-230/460 and 460 Volt - Factory Short Shaft			39
208-230/460 and 460 Volt - Factory F2 Mount			40
575 Volt			41
TEFC Enclosure - C-Face - Rigid Base - Three-Phase			
208-230/460 and 460 Volt			42-43
208-230/460 Volt - Factory F2 Mount			44
TEFC Enclosure - C-Face - Round Body - Three-Phase			45
HYUNDAI CROWN TRITON™ SERIES MOTORS - IEEE-841		MULTIPLIER	PAGE
TEFC Enclosure - Rigid Base - Three-Phase			46-47
TEFC Enclosure - Rigid Base - Three-Phase - Epoxy Painted			48-49
TEFC Enclosure - C-Face - Rigid Base - Three-Phase			50
TEFC Enclosure - C-Face - Rigid Base - Three-Phase - Epoxy Painted			51
HYUNDAI CROWN TRITON™ SERIES MOTORS - EXPLOSION PROOF		MULTIPLIER	PAGE
TEXP Enclosure - Rigid Base - Three-Phase			52-53
TEXP Enclosure - C-Face - Rigid Base - Three-Phase			54
HYUNDAI CROWN TRITON™ SERIES MOTORS - SEVERE DUTY LARGE FRAME		MULTIPLIER	PAGE
TEFC Enclosure - Rigid Base - Three-Phase			55
HYUNDAI MEDIUM & HIGH VOLTAGE MOTORS		MULTIPLIER	PAGE
Stock Product - TEFC Enclosure - Three-Phase			56-58
Custom Build Products Available			59
MOTOR ACCESSORIES / PARTS		MULTIPLIER	PAGE
WorldWide Motor Slide Bases			60
WorldWide Fractional HP Motors			
General Purpose Motors			61
Stainless Steel / Washdown Duty Motors			62
Jet Pump Motors			63
WorldWide Permanent Magnet DC Motors			
Variable Speed DC Controls			64
Replacement Parts			65
WorldWide Farm Duty Motors			66





MOTOR ACCESSORIES / PARTS - CONTINUED	MULTIPLIER	PAGE
WorldWide General Purpose Motors		
Motor C-Flange and D-Flange Kits	_____	67
Replacement Parts	_____	68-71
WorldWide Explosion Proof Motors	_____	72
WorldWide Oil Well Pump Motors	_____	73
HYUNDAI Crown Triton™ Series Motors - Premium Efficiency		
Motor C-Flange and D-Flange Kits	_____	74
Replacement Parts	_____	75-77
HYUNDAI Crown Triton™ Series Motors - IEEE-841		
Replacement Parts	_____	78-80
“INSTA-MOD” Program For Electric Motors		81-82
MOTOR DIMENSIONS		PAGE
WorldWide Fractional HP Motors		
General Purpose Motors - TEFC Enclosure - C-Face - Removable Base		
Single-Phase		83
Three-Phase		84
Stainless Steel / Washdown Duty Motors - TENV Enclosure - C-Face		85
Stainless Steel / Washdown Duty Motors - TEFC Enclosure - C-Face		86
Jet Pump Motors - C-Face - Removable Base		
Single-Phase		87
Three-Phase		88
Permanent Magnet DC Motors - TENV / TEFC Enclosure - C-Face - Removable Base		89
WorldWide Farm Duty Motors		90
WorldWide General Purpose Motors		
TEFC Enclosure - Rigid Base - Three-Phase		91-92
TEFC Enclosure - C-Face - Rigid Base - Three-Phase		93-94
WorldWide Explosion Proof Motors		
TEXP Enclosure - Rigid Base - Three-Phase		95
TEXP Enclosure - C-Face - Rigid Base		96
WorldWide Aggregate Motors		
Advanced Design Rock Crusher		97
Shaker Screen		98
WorldWide Oil Well Pump Motors		99
HYUNDAI Crown Triton™ Series Motors - Premium Efficiency		
TEFC Enclosure - Rigid Base - Three-Phase		100
TEFC Enclosure - C-Face - Rigid Base - Three-Phase		101
TEFC Enclosure - C-Face - Round Body - Three-Phase		102





MOTOR DIMENSIONS - CONTINUED		PAGE
HYUNDAI Crown Triton™ Series Motors - IEEE-841		
TEFC Enclosure - Rigid Base - Three-Phase		103
TEFC Enclosure - C-Face - Rigid Base - Three-Phase		104
HYUNDAI Crown Triton™ Series Motors - Explosion Proof - Premium Efficiency		
TEFC Enclosure - Rigid Base - Three-Phase		105
TEFC Enclosure - C-Face - Rigid Base - Three-Phase		106
Motor Slide Bases		107
VARIABLE FREQUENCY DRIVES		PAGE
HYUNDAI N700E Series High Performance Drives		108-117
HYUNDAI Heavy Duty Drive Package		118
HYUNDAI Irrigation Pump Drive Package		119
HYUNDAI Positive Displacement Pump Drive Package		120
HYUNDAI Pump Jack Drive Package		121
Multifunction Keypad		122
SOFT STARTERS		PAGE
WWEHD Heavy Duty Reduced Voltage Soft Starters		123
WWE Heavy Duty Non-Combination Reduced Voltage Soft Starters		124
WWEPPB Heavy Duty Deep Well Soft Starters		125
wwEPIC General Purpose Solid State Soft Starters		126
Soft Starters For High-Feature Applications		127
Medium Voltage Soft Starters		128
ACROSS-LINE MOTOR STARTERS		PAGE
Definite Purpose Motor Starters		129
Heavy Duty Motor Starters		130-133
Heavy Duty Explosion Proof Starters		134
Irrigation Pump Panels		135
Heavy Duty Combination Starters		136-137
Heavy Duty Duplex Controllers		138-139
ESP200 Solid State Electronic Overload Relays		140
Overload Relay Heater Tables		141-142
Replacement Coils		143



CONTACTORS AND OVERLOAD RELAYS	MULTIPLIER	PAGE
Definite Purpose AC Contactors	_____	144
IEC Contactors and Overload Relays	_____	145-149
Manual Motor Starters / Protectors	_____	150
PRESSURE SWITCHES, ALTERNATOR RELAYS AND DRUM CONTROLLERS	MULTIPLIER	PAGE
HUBBELL Pressure Switches	_____	151
HUBBELL Alternator Relays	_____	152
HUBBELL Drum Controllers	_____	153
SAFETY SWITCHES AND TRANSFER SWITCHES	MULTIPLIER	PAGE
General Duty and Heavy Duty Safety Switches	_____	154-155
Double Throw Transfer Switches	_____	156-158
PILOT DEVICES	MULTIPLIER	PAGE
Pilot Devices	_____	159-161
SHAFT MOUNT REDUCERS	MULTIPLIER	PAGE
"Original" Shaft Mount Reducer	_____	
Product Overview		162
Output Shaft Overhung Load Ratings		162
Mechanical Ratings		163-165
Dimensions		166
"Ultimate" Shaft Mount Reducer	_____	
Product Overview		167
Output Shaft Overhung Load Ratings		167
Mechanical Ratings		168-170
Dimensions		171
Competitive Interchange		172
Accessories	_____	
Backstop Assemblies		173
Belt Guards		173
Motor Mounts		173
Tapered Bushing Kits		174
Torque Arms		174
Rebuild Kits For The "Original" SMR		174
ALL-IN-1 "Ultimate" Shaft Mount Reducer System Components	_____	
Screw Conveyor Shafts		175
Screw Conveyor Flanges		175

WORLDWIDE ELECTRIC CORPORATION

Table Of Contents

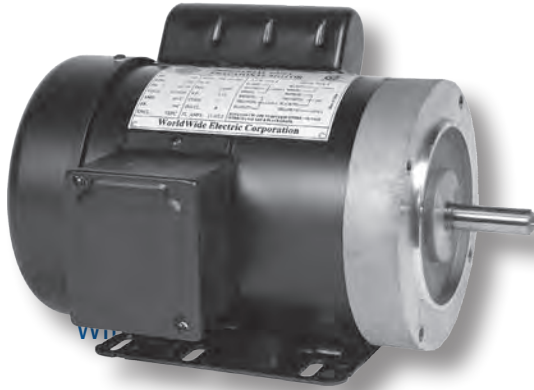


WORM GEAR REDUCERS - HEAVY DUTY CAST IRON		MULTIPLIER	PAGE
Product Overview			176
How To Order			176
Mechanical Ratings			177
Flange Input - Shaft Output			178
Dimensions			179-180
Flange Input - Hollow Bore Output			181
Dimensions			182
Shaft Input - Shaft Output			183
Dimensions			184
Competitive Interchange			185
Accessories			
Mounting Bases			186
WORM GEAR REDUCERS - ALUMINUM		MULTIPLIER	PAGE
Product Overview			187-188
Mechanical Ratings			189
Dimensions			190
Accessories			
Output Flanges			191
Single Output Shafts			191
Double Output Shafts			191
Torque Arms			191
INLINE HELICAL GEAR REDUCERS		MULTIPLIER	PAGE
Product Overview / Mechanical Ratings			192-194
Dimensions			195-196
REFERENCE			PAGE
Warranty Policy			197-200
Freight Terms			201
Warehouse Delivery Maps			202-208
Model Number Index			209-235
Notes			236

WORLDWIDE FRACTIONAL HP MOTORS

General Purpose Motors

TEFC Enclosure ▪ C-Face ▪ Removable Base
Single-Phase ▪ 115/208-230 Volt



Product Overview

- 1/3 - 2 HP
- 3600 and 1800 RPM
- 115/208-230 volt
- TEFC enclosure
- 1.15 service factor
- Class F insulation
- C-face - removable base
- Capacitor start / induction run (1/3 - 1 HP)
- Capacitor start / capacitor run (1.5 - 2 HP) for reduced amperage and high torque
- Shaft slinger to keep moisture and contaminants from the drive-end bearing

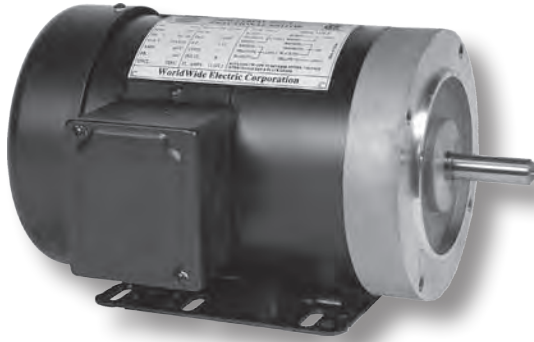


HP	RPM	Voltage	Frame	Model Number	List Price	FL Amps (A)	FL Eff. (%)	Approx. Wt. (lbs.)	Notes
1/3	1800	115/208-230	56C	NT13-18-56CB	\$249.80	2.6	63.0	22	
	3600	115/208-230	56C	NT12-36-56CB	\$249.35	3.3	63.0	23	
1/2	1800	115/208-230	56C	NT12-18-56CB	\$263.19	3.6	64.5	25	
	3600	115/208-230	56C	NT34-36-56CB	\$263.81	4.6	66.5	27	
3/4	1800	115/208-230	56C	NT34-18-56CB	\$286.45	5.0	67.0	29	
	3600	115/208-230	56C	NT1-36-56CB	\$288.63	5.8	69.5	30	
1	1800	115/208-230	56C	NT1-18-56CB	\$319.60	6.5	70.0	36	
	3600	115/208-230	56C	NT1.5-36-56CB	\$360.80	6.5	77.0	31	
1 1/2	1800	115/208-230	56C	NT1.5-18-56CB	\$403.61	7.3	77.0	37	
	3600	115/208-230	56C	NT2-36-56CB	\$397.70	8.5	79.5	37	
2	1800	115/208-230	56C	NT2-18-56CB	\$491.07	9.8	79.0	44	

WORLDWIDE FRACTIONAL HP MOTORS

General Purpose Motors

TEFC Enclosure ▪ C-Face ▪ Removable Base
Three-Phase ▪ 208-230/460 and 575 Volt



Product Overview

- 1/3 - 3 HP
- 3600 and 1800 RPM
- 208-230/460 volt
- TEFC enclosure
- 1.15 service factor
- Class F insulation
- C-face - removable base
- Shaft slinger to keep moisture and contaminants from the drive-end bearing
- Inverter duty
- Suitable for 50 hz operation with 1.0 service factor

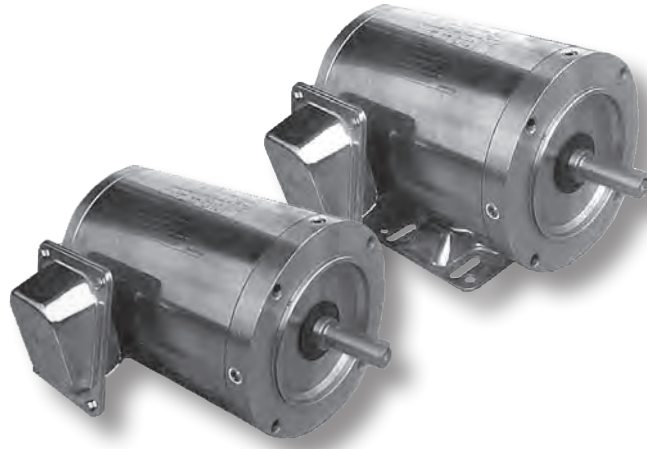


HP	RPM	Voltage	Frame	Model Number	List Price	FL Amps (A)	FL Eff. (%)	Approx. Wt. (lbs.)	Notes
1/3	3600	208-230/460	56C	NAT13-36-56CB	\$209.34	0.65	60.0	18	
	1800	208-230/460	56C	NAT13-18-56CB	\$227.89	0.72	67.0	18	
1/2	3600	208-230/460	56C	NAT12-36-56CB	\$218.49	0.85	67.5	19	
	1800	208-230/460	56C	NAT12-18-56CB	\$242.02	0.95	70.0	19	
3/4	3600	208-230/460	56C	NAT34-36-56CB	\$227.57	1.2	71.5	21	
	1800	208-230/460	56C	NAT34-18-56CB	\$262.44	1.3	73.0	22	
1	3600	208-230/460	56C	NAT1-36-56CB	\$270.27	1.5	74.5	22	
	1800	208-230/460	56C	NAT1-18-56CB	\$292.82	1.8	73.5	25	
1 1/2	3600	208-230/460	56C	NAT1.5-36-56CB	\$306.02	2.05	78.5	26	
	1800	208-230/460	56C	NAT1.5-18-56CB	\$371.15	2.3	78.0	30	
2	3600	208-230/460	56C	NAT2-36-56CB	\$338.20	2.75	79.5	30	
	1800	208-230/460	56C	NAT2-18-56CB	\$437.43	2.9	78.0	35	
3	3600	208-230/460	56C	NAT3-36-56CB	\$391.21	3.8	81.5	36	

WORLDWIDE FRACTIONAL HP MOTORS

Stainless Steel / Washdown Duty Motors

TENV Enclosure ▪ C-Face ▪ Rigid Base and Round Body
Three-Phase ▪ 208-230/460 Volt



Product Overview

- 1/3 - 1 HP
- 1800 RPM
- 208-230/460 volt
- TENV enclosure
- 1.15 service factor
- Class F insulation
- C-face - rigid base and round body
- Double lip seals with an additional shaft slinger on the drive-end
- O-rings installed on endbells to eliminate moisture
- Pre-installed watertight, stainless cord connector
- Inverter duty
- Suitable for 50 hz operation with 1.0 service factor

Rigid Base

HP	RPM	Voltage	Frame	Model Number	List Price	FL Amps (A)	FL Eff. (%)	Approx. Wt. (lbs.)	Notes
1/3	1800	208-230/460	56C	WSSNV13-18-56CB	\$593.87	0.7	82.5	28	
1/2	1800	208-230/460	56C	WSSNV12-18-56CB	\$618.96	0.8	82.5	31	
3/4	1800	208-230/460	56C	WSSNV34-18-56CB	\$660.40	1.2	82.5	33	
1	1800	208-230/460	56C	WSSNV1-18-56CB	\$675.91	1.6	84.0	36	

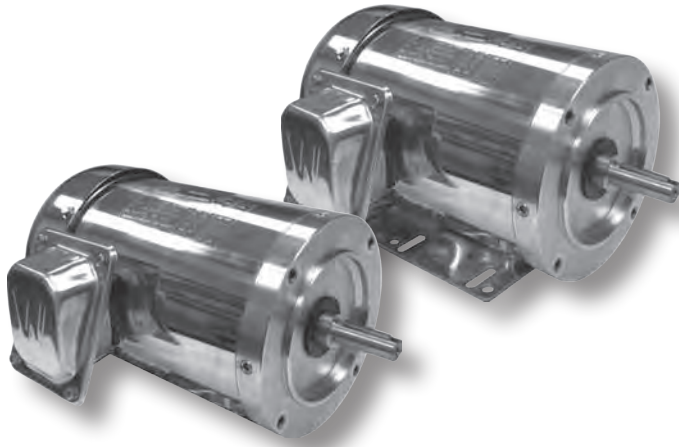
Round Body

HP	RPM	Voltage	Frame	Model Number	List Price	FL Amps (A)	FL Eff. (%)	Approx. Wt. (lbs.)	Notes
1/3	1800	208-230/460	56C	WSSNV13-18-56CRD	\$564.18	0.7	82.5	28	
1/2	1800	208-230/460	56C	WSSNV12-18-56CRD	\$588.01	0.8	82.5	31	
3/4	1800	208-230/460	56C	WSSNV34-18-56CRD	\$627.38	1.2	82.5	33	
1	1800	208-230/460	56C	WSSNV1-18-56CRD	\$642.12	1.6	84.0	36	

WORLDWIDE FRACTIONAL HP MOTORS

Stainless Steel / Washdown Duty Motors

TEFC Enclosure ▪ C-Face ▪ Rigid Base and Round Body
Three-Phase ▪ 208-230/460 Volt



Product Overview

- 1/3 - 2 HP
- 3600 and 1800 RPM
- 208-230/460 volt
- TEFC enclosure
- 1.15 service factor
- Class F insulation
- C-face - rigid base and round body
- Double lip seals on both ends of the motor with an additional shaft slinger on the drive-end
- O-rings installed on endbells to eliminate moisture
- Pre-installed watertight, stainless cord connector
- Inverter duty
- Suitable for 50 hz operation with 1.0 service factor



Rigid Base

HP	RPM	Voltage	Frame	Model Number	List Price	FL Amps (A)	FL Eff. (%)	Approx. Wt. (lbs.)	Notes
1/3	1800	208-230/460	56C	WSS13-18-56CB	\$558.24	0.7	82.5	28	
	3600	208-230/460	56C	WSS12-36-56CB	\$575.67	0.9	77.0	29	
1/2	1800	208-230/460	56C	WSS12-18-56CB	\$581.82	0.8	82.5	31	
	3600	208-230/460	56C	WSS34-36-56CB	\$596.18	1.2	73.0	33	
3/4	1800	208-230/460	56C	WSS34-18-56CB	\$620.78	1.2	82.5	33	
	3600	208-230/460	56C	WSS1-36-56CB	\$624.33	1.5	80.0	35	
1	1800	208-230/460	56C	WSS1-18-56CB	\$635.36	1.6	84.0	36	
	3600	208-230/460	56C	WSS1.5-36-56CB	\$704.33	2.0	84.0	39	
1 1/2	1800	208-230/460	56C	WSS1.5-18-56CB	\$711.03	2.1	84.0	42	
	3600	208-230/460	56C	WSS2-36-56CB	\$757.02	2.4	80.0	46	
2	1800	208-230/460	56C	WSS2-18-56CB	\$751.82	3.0	84.0	49	

Round Body

HP	RPM	Voltage	Frame	Model Number	List Price	FL Amps (A)	FL Eff. (%)	Approx. Wt. (lbs.)	Notes
1/3	1800	208-230/460	56C	WSS13-18-56CRD	\$530.33	0.7	82.5	28	
1/2	1800	208-230/460	56C	WSS12-18-56CRD	\$552.73	0.8	82.5	31	
3/4	1800	208-230/460	56C	WSS34-18-56CRD	\$589.74	1.2	82.5	33	
1	1800	208-230/460	56C	WSS1-18-56CRD	\$603.59	1.6	84.0	36	
1 1/2	1800	208-230/460	56C	WSS1.5-18-56CRD	\$675.48	2.1	84.0	42	
2	1800	208-230/460	56C	WSS2-18-56CRD	\$714.23	3.0	84.0	49	

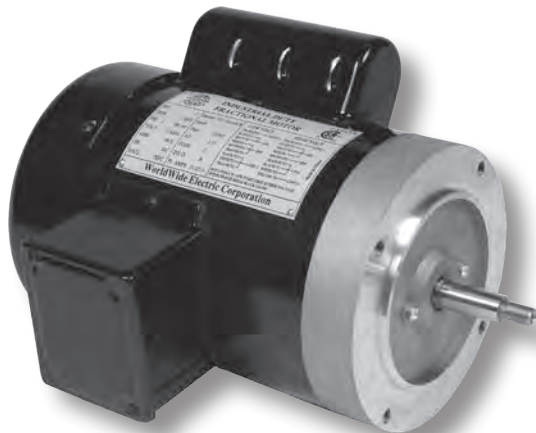


WORLDWIDE FRACTIONAL HP MOTORS

Jet Pump Motors

TEFC Enclosure ▪ C-Face ▪ Removable Base

Single-Phase ▪ 115-208-230 Volt



Product Overview

- 1/3 - 2 HP
- 3600 RPM
- 115/208-230 volt
- TEFC enclosure
- 1.15 service factor
- Class F insulation
- C-face - removable base
- Threaded shaft
- Capacitor start / induction run (1/3 - 1 HP)
- Capacitor start / capacitor run (1.5 - 2 HP) for reduced amperage and high torque
- Shaft slinger to keep moisture and contaminants from the drive-end bearing
- Automatic overload



HP	RPM	Voltage	Frame	Model Number	List Price	FL Amps (A)	FL Eff. (%)	Approx. Wt. (lbs.)	Notes
1/3	3600	115/208-230	56J	TJ13-36-56JB	\$193.45	3.1	58.0	23	
1/2	3600	115/208-230	56J	TJ12-36-56JB	\$220.85	4.4	61.0	25	
3/4	3600	115/208-230	56J	TJ34-36-56JB	\$233.57	5.3	64.0	27	
1	3600	115/208-230	56J	TJ1-36-56JB	\$255.41	5.6	69.0	31	
1 1/2	3600	115/208-230	56J	TJ1.5-36-56JB	\$311.82	7.1	72.0	37	
2	3600	115/208-230	56J	TJ2-36-56JB	\$341.52	9.1	75.0	40	

WORLDWIDE FRACTIONAL HP MOTORS

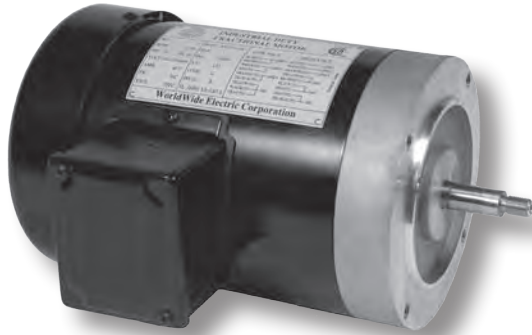
Jet Pump Motors

TEFC Enclosure ▪ C-Face ▪ Removable Base
Three-Phase ▪ 208-230/460 Volt



Product Overview

- 1/3 - 2 HP
- 3600 RPM
- 208-230/460 volt
- TEFC enclosure
- 1.15 service factor
- Class F insulation
- C-face - removable base
- Threaded shaft
- Shaft slinger to keep moisture and contaminants from the drive-end bearing
- Inverter duty
- Suitable for 50 hz operation with 1.0 service factor



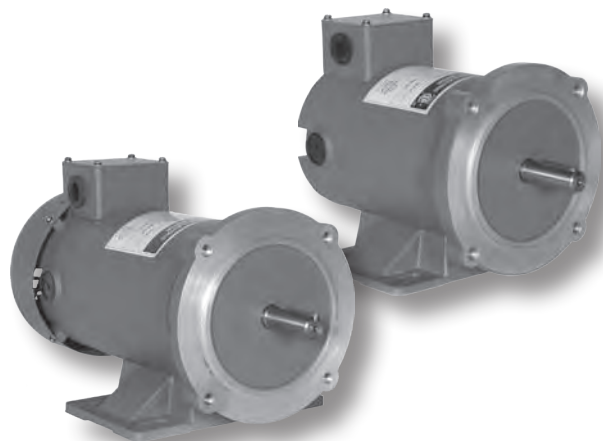
HP	RPM	Voltage	Frame	Model Number	List Price	FL Amps (A)	FL Eff. (%)	Approx. Wt. (lbs.)	Notes
1/3	3600	208-230/460	56J	ATJ13-36-56JB	\$193.49	0.8	57.0	22	
1/2	3600	208-230/460	56J	ATJ12-36-56JB	\$207.78	1.1	62.0	24	
3/4	3600	208-230/460	56J	ATJ34-36-56JB	\$229.20	1.5	67.0	25	
1	3600	208-230/460	56J	ATJ1-36-56JB	\$257.91	1.8	69.0	27	
1 1/2	3600	208-230/460	56J	ATJ1.5-36-56JB	\$283.10	2.3	72.0	30	
2	3600	208-230/460	56J	ATJ2-36-56JB	\$325.89	3.0	75.0	37	

WORLDWIDE FRACTIONAL HP MOTORS

Permanent Magnet DC Motors

TENV / TEFC Enclosure ▪ C-Face ▪ Removable Base

90, 180, 12 and 24 Volt



Product Overview

- 1/4 - 2 HP
- 1800 RPM
- 90, 180, 12 and 24 volt
- TENV enclosure (1/4 - 1/2 HP)
- TEFC enclosure (3/4 - 2 HP)
- 1.0 service factor
- Class F insulation
- C-face - removable base
- 20:1 speed range at constant torque
- High starting torque
- Extra set of brushes and brush springs included
- 12 volt and 24 volt models used in applications where low voltage DC power is supplied by batteries or generators



90 Volt and 180 Volt

HP	RPM	Voltage	Frame	Model Number	List Price	FL Amps (A)	FL Eff. (%)	Approx. Wt. (lbs.)	Notes
1/4	1800	90	56C	WPMDC14-18-90V-56CB	\$272.73	2.9	80.0	17	
1/3	1800	90	56C	WPMDC13-18-90V-56CB	\$291.54	3.5	82.0	19	
	1800	180	56C	WPMDC13-18-180V-56CB	\$288.40	1.8	82.0	19	
1/2	1800	90	56C	WPMDC12-18-90V-56CB	\$373.04	5.2	82.0	22	
	1800	180	56C	WPMDC12-18-180V-56CB	\$369.94	2.6	82.0	22	
3/4	1800	90	56C	WPMDC34-18-90V-56CB	\$423.86	7.8	82.0	28	
	1800	180	56C	WPMDC34-18-180V-56CB	\$420.06	3.9	82.0	28	
1	1800	90	56C	WPMDC1-18-90V-56CB	\$473.98	10.4	82.0	32	
	1800	180	56C	WPMDC1-18-180V-56CB	\$470.25	5.2	82.0	32	
1 1/2	1800	90	56C	WPMDC1.5-18-90V-56CB	\$512.19	15.4	83.0	38	
	1800	180	56C	WPMDC1.5-18-180V-56CB	\$507.81	7.7	83.0	38	
2	1800	180	145TC	WPMDC1.5-18-180V-145TCB	\$759.86	7.7	80.0	47	
	1800	180	56C	WPMDC2-18-180V-56CB	\$812.51	9.8	85.0	65	
	1800	180	145TC	WPMDC2-18-180V-145TCB	\$1,064.57	9.8	80.0	65	

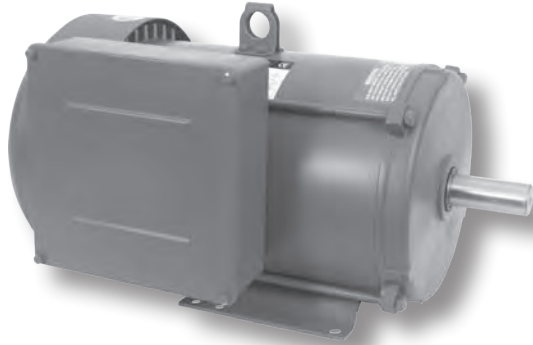
12 Volt and 24 Volt

HP	RPM	Voltage	Frame	Model Number	List Price	FL Amps (A)	FL Eff. (%)	Approx. Wt. (lbs.)	Notes
1/3	1800	12	56C	WPMDC13-18-12V-56CB	\$347.99	26.4	78.0	19	
	1800	24	56C	WPMDC13-18-24V-56CB	\$344.86	13.2	78.0	19	
1/2	1800	12	56C	WPMDC12-18-12V-56CB	\$410.69	40.0	78.0	22	
	1800	24	56C	WPMDC12-18-24V-56CB	\$408.15	20.0	78.0	22	
3/4	1800	12	56C	WPMDC34-18-12V-56CB	\$465.20	61.2	75.0	28	
	1800	24	56C	WPMDC34-18-24V-56CB	\$462.66	30.6	75.0	28	
1	3600	12	56C	WPMDC1-36-12V-56CB	\$513.48	82.2	75.0	26	
	1800	12	56C	WPMDC1-18-12V-56CB	\$517.87	82.2	75.0	33	
1 1/2	1800	24	56C	WPMDC1-18-24V-56CB	\$515.33	41.1	75.0	33	
	1800	24	56C	WPMDC1.5-18-24V-56CB	\$571.79	62.5	76.0	39	



WORLDWIDE FARM DUTY MOTORS HIGH EFFICIENCY

TEFC Enclosure ▪ Rigid Base
Single-Phase ▪ 208-230 Volt



Product Overview

- 2-10 HP
- 1800 RPM
- 208-230 volt
- TEFC enclosure (IP55 enclosure)
- 1.15 service factor
- Class F insulation
- Rigid base
- High efficiency
- Shaft seals on both ends of the motor
- With manual overload

WORLDWIDE
FARM DUTY

HP	RPM	Voltage	Frame	Model Number	List Price	FL Amps (A)	FL Eff. (%)	Approx. Wt. (lbs.)	Notes
2	1800	208-230	182T	FARM2-18-182T	\$465.35	8.5	82.5	78	
3	1800	208-230	184T	FARM3-18-184T	\$654.82	12.9	81.5	84	
5	1800	208-230	184T	FARM5-18-184T	\$781.73	21.2	81.0	93	
7.5	1800	208-230	215TZ	FARM7.5-18-215TZ	\$1,108.91	31.2	85.9	159	D
10	1800	208-230	215T	FARM10-18-215T	\$1,346.53	39.4	87.2	187	D

D Due into stock fourth quarter 2014

www.worldwideelectric.net



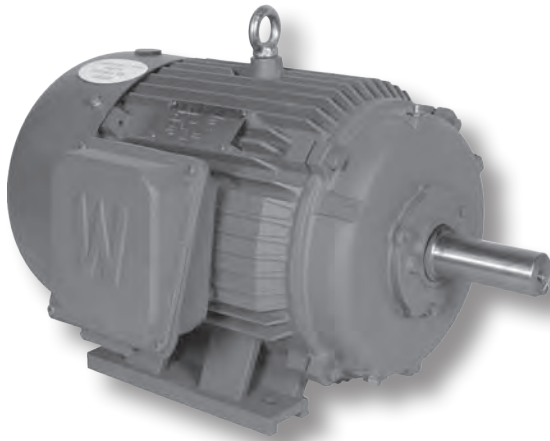
Dimensions On Page 90

Stock Products Catalog | 17

WORLDWIDE GENERAL PURPOSE MOTORS PREMIUM EFFICIENCY / HIGH EFFICIENCY

TEFC Enclosure ▪ Rigid Base

Three-Phase ▪ 208-230/460 and 460 Volt



Product Overview

- 1 - 600 HP
- 3600, 1800, 1200 and 900 RPM
- 208-230/460 volt (1-200 HP)
- 460 volt (250-600 HP)
- TEFC enclosure
- 1.15 service factor
- Class F insulation
- Rigid base
- Premium efficiency (1-200 HP, 3600, 1800 and 1200 RPM)
- EISA-Compliant - high efficiency (1-200 HP, 900 RPM and 250-600 HP)
- Inverter ready, 4:1 CT / 10:1 VT (1-200 HP, 3600, 1800 and 1200 RPM)
- Suitable for 50 hz operation with 1.0 service factor (1-150 HP)



HP	RPM	Voltage	Frame	Model Number	List Price	FL Amps (A)	FL Eff. (%)	Approx. Wt. (lbs.)	Notes
1	1800	208-230/460	143T	PEWWE1-18-143T	\$282.33	1.6	85.5	53	I P
	1200	208-230/460	145T	PEWWE1-12-145T	\$392.74	1.8	82.5	60	I P
	3600	208-230/460	143T	PEWWE1.5-36-143T	\$383.41	2.1	84.0	49	I P
1.5	1800	208-230/460	145T	PEWWE1.5-18-145T	\$348.41	2.3	86.5	62	I P
	1200	208-230/460	182T	PEWWE1.5-12-182T	\$448.71	2.4	87.5	100	I P
2	3600	208-230/460	145T	PEWWE2-36-145T	\$416.88	2.6	85.5	58	I P
	1800	208-230/460	145T	PEWWE2-18-145T	\$369.14	3.0	86.5	67	I P
	1200	208-230/460	184T	PEWWE2-12-184T	\$589.34	3.1	88.5	101	I P
3	3600	208-230/460	182T	PEWWE3-36-182T	\$503.41	3.7	86.5	98	I P
	1800	208-230/460	182T	PEWWE3-18-182T	\$519.75	4.0	89.5	119	I P
	1200	208-230/460	213T	PEWWE3-12-213T	\$793.40	4.4	89.5	168	I P
5	900	208-230/460	215T	WWE3-9-215T	\$1,258.31	5.0	84.0	143	E
	3600	208-230/460	184T	PEWWE5-36-184T	\$622.82	6.0	88.5	106	I P
	1800	208-230/460	184T	PEWWE5-18-184T	\$584.67	6.5	89.5	125	I P
	1200	208-230/460	215T	PEWWE5-12-215T	\$984.01	7.2	89.5	187	I P
7.5	900	208-230/460	254T	WWE5-9-254T	\$1,508.96	7.6	85.5	240	E
	3600	208-230/460	213T	PEWWE7.5-36-213T	\$940.46	8.6	89.5	168	I P
	1800	208-230/460	213T	PEWWE7.5-18-213T	\$805.25	9.3	91.7	181	I P
10	1200	208-230/460	254T	PEWWE7.5-12-254T	\$1,293.17	10.4	91.0	265	I P
	900	208-230/460	256T	WWE7.5-9-256T	\$1,660.72	11.2	85.5	280	E
	3600	208-230/460	215T	PEWWE10-36-215T	\$976.24	11.6	90.2	185	I P
15	1800	208-230/460	215T	PEWWE10-18-215T	\$975.51	12.4	91.7	205	I P
	1200	208-230/460	256T	PEWWE10-12-256T	\$1,622.88	14.2	91.0	302	I P
	900	208-230/460	284T	WWE10-9-284T	\$2,401.78	14.2	88.5	395	E
15	3600	208-230/460	254T	PEWWE15-36-254T	\$1,581.40	17.2	91.0	276	I P
	1800	208-230/460	254T	PEWWE15-18-254T	\$1,345.94	18.2	92.4	311	I P
	1200	208-230/460	284T	PEWWE15-12-284T	\$2,037.81	18.8	91.7	397	I P
	900	208-230/460	286T	WWE15-9-286T	\$3,107.18	20.5	88.5	390	E

- E EISA-Compliant - high efficiency
- I Inverter ready, 4:1 CT / 10:1 VT
- P Premium efficiency
- R Roller bearing on drive end for belted applications

Dimensions On Page 91-92

Continued On Next Page



WORLDWIDE GENERAL PURPOSE MOTORS PREMIUM EFFICIENCY / HIGH EFFICIENCY

TEFC Enclosure ▪ Rigid Base

Three-Phase ▪ 208-230/460 and 460 Volt



HP	RPM	Voltage	Frame	Model Number	List Price	FL Amps (A)	FL Eff. (%)	Approx. Wt. (lbs.)	Notes
20	3600	208-230/460	256T	PEWWE20-36-256T	\$1,927.54	23.2	91.0	306	I P
	1800	208-230/460	256T	PEWWE20-18-256T	\$1,610.89	24.1	93.0	390	I P
	1200	208-230/460	286T	PEWWE20-12-286T	\$2,541.70	25.0	91.7	463	I P
	900	208-230/460	324T	WWE20-9-324T	\$3,642.89	27.3	89.5	529	E
25	3600	208-230/460	284T	PEWWE25-36-284T	\$2,873.08	28.8	91.7	397	I P
	3600	208-230/460	284TS	PEWWE25-36-284TS	\$2,378.91	28.8	91.7	397	I P
	1800	208-230/460	284T	PEWWE25-18-284T	\$2,101.29	29.2	93.6	410	I P
	1200	208-230/460	324T	PEWWE25-12-324T	\$2,890.75	33.7	93.0	595	I P
	900	208-230/460	326T	WWE25-9-326T	\$4,091.93	33.3	89.5	562	E
30	3600	208-230/460	286T	PEWWE30-36-286T	\$2,939.12	34.2	91.7	430	I P
	3600	208-230/460	286TS	PEWWE30-36-286TS	\$2,433.59	34.2	91.7	430	I P
	1800	208-230/460	286T	PEWWE30-18-286T	\$2,380.38	34.7	93.6	450	I P
	1200	208-230/460	326T	PEWWE30-12-326T	\$3,393.49	38.6	93.0	606	I P
	900	208-230/460	364T	WWE30-9-364T	\$4,913.65	38.9	91.0	694	E
40	3600	208-230/460	324T	PEWWE40-36-324T	\$3,785.13	46.3	92.4	518	I P
	3600	208-230/460	324TS	PEWWE40-36-324TS	\$3,134.09	46.3	92.4	518	I P
	1800	208-230/460	324T	PEWWE40-18-324T	\$2,748.57	46.5	94.1	617	I P
	1200	208-230/460	364T	PEWWE40-12-364T	\$4,217.46	50.7	94.1	816	I P
	900	208-230/460	365T	WWE40-9-365T	\$6,099.72	52.4	91.0	754	E
50	3600	208-230/460	326T	PEWWE50-36-326T	\$4,755.68	56.7	93.0	562	I P
	3600	208-230/460	326TS	PEWWE50-36-326TS	\$3,937.71	56.7	93.0	562	I P
	1800	208-230/460	326T	PEWWE50-18-326T	\$3,437.67	57.1	94.5	675	I P
	1200	208-230/460	365T	PEWWE50-12-365T	\$5,530.17	62.5	94.1	915	I P
	900	208-230/460	404T	WWE50-9-404T	\$7,201.09	65.0	91.7	1033	E R
60	3600	208-230/460	364T	PEWWE60-36-364T	\$6,521.60	68.6	93.6	728	I P
	3600	208-230/460	364TS	PEWWE60-36-364TS	\$5,399.88	68.6	93.6	728	I P
	1800	208-230/460	364T	PEWWE60-18-364T	\$4,540.99	69.9	95.0	827	I P
	1200	208-230/460	404T	PEWWE60-12-404T	\$6,114.32	70.3	94.5	1069	I P R
	900	208-230/460	405T	WWE60-9-405T	\$8,183.80	80.0	91.7	1183	E R
75	3600	208-230/460	365T	PEWWE75-36-365T	\$7,809.61	83.8	93.6	772	I P
	3600	208-230/460	365TS	PEWWE75-36-365TS	\$6,466.36	83.8	93.6	772	I P
	1800	208-230/460	365T	PEWWE75-18-365T	\$5,250.86	84.1	95.4	904	I P
	1200	208-230/460	405T	PEWWE75-12-405T	\$6,408.16	85.9	94.5	1158	I P R
	900	208-230/460	444T	WWE75-9-444T	\$11,953.80	95.0	93.0	1378	E R
100	3600	208-230/460	405TS	PEWWE100-36-405TS	\$7,785.40	112	94.1	1103	I P
	1800	208-230/460	405T	PEWWE100-18-405T	\$6,484.81	113	95.4	1213	I P R
	1800	208-230/460	405T	PEWWE100-18-405TBB	\$6,484.81	113	95.4	1213	I P
	1200	208-230/460	444T	PEWWE100-12-444T	\$9,273.43	121	95.0	1455	I P R
	900	208-230/460	445T	WWE100-9-445T	\$12,877.26	131	93.0	1473	E R
125	3600	208-230/460	444TS	PEWWE125-36-444TS	\$10,170.03	132	95.0	1455	I P
	1800	208-230/460	444T	PEWWE125-18-444T	\$8,704.28	137	95.4	1455	I P R
	1800	208-230/460	444T	PEWWE125-18-444TBB	\$8,704.28	137	95.4	1455	I P
	1200	208-230/460	445T	PEWWE125-12-445T	\$10,804.93	145	95.0	1632	I P R
	900	208-230/460	445/7T	WWE125-9-445/7T	\$16,545.52	154	93.6	1798	E R
150	3600	208-230/460	445TS	PEWWE150-36-445TS	\$11,702.63	161	95.0	1654	I P
	1800	208-230/460	445T	PEWWE150-18-445T	\$9,558.45	168	95.8	1632	I P R
	1800	208-230/460	445T	PEWWE150-18-445TBB	\$9,558.45	168	95.8	1632	I P
	1200	208-230/460	445/7T	PEWWE150-12-445/7T	\$13,801.64	176	95.8	2051	I P R
	900	460	449T	WWE150-9-449T	\$18,835.80	186	94.5	2520	E R

WORLDWIDE
GENERAL PURPOSE

E EISA-Compliant - high efficiency
I Inverter ready, 4:1 CT / 10:1 VT
P Premium efficiency
R Roller bearing on drive end for belted applications

Dimensions On Page 91-92

Continued On Next Page



WORLDWIDE GENERAL PURPOSE MOTORS PREMIUM EFFICIENCY / HIGH EFFICIENCY

TEFC Enclosure ▪ Rigid Base

Three-Phase ▪ 208-230/460 and 460 Volt



HP	RPM	Voltage	Frame	Model Number	List Price	FL Amps (A)	FL Eff. (%)	Approx. Wt. (lbs.)	Notes
200	3600	208-230/460	445/7TS	PEWWE200-36-445/7TS	\$15,817.41	217.0	95.4	2051	I P
	1800	208-230/460	445/7T	PEWWE200-18-445/7T	\$12,703.45	228.0	96.2	2051	I P R
	1800	208-230/460	445/7T	PEWWE200-18-445/7TB	\$12,703.45	228.0	96.2	2051	I P
	1200	460	449T	PEWWE200-12-449T	\$16,330.40	234.0	95.8	2508	I P R
	900	460	449T	WWE200-9-449T	\$21,174.00	250	94.3	2900	E R
250	3600	460	449TS	WWE250-36-449TS	\$19,435.49	272	95.0	2305	E
	1800	460	449T	WWE250-18-449T	\$16,074.08	282	95.0	2508	E R
	1800	460	449T	WWE250-18-449TB	\$16,074.08	282	95.0	2508	E
	1800	460	505Z	WWE250-18-505Z	\$18,321.44	276	94.8	2359	E R
	1800	460	505UZ	WWE250-18-505UZ	\$18,321.44	276	94.8	2359	E R
	1200	460	449T	WWE250-12-449T	\$21,168.48	300	95.4	2750	E R
	1200	460	449T	WWE250-12-449TB	\$21,168.48	300	95.4	2750	E
	1200	460	586/7	WWE250-12-586/7	\$28,293.22	289	94.5	3696	E R
	1200	460	586/7UZ	WWE250-12-586/7UZ	\$28,293.22	289	94.5	3696	E R
	900	460	586/7	WWE250-9-586/7	\$35,454.71	309	94.4	4030	E R
300	1800	460	449T	WWE300-18-449T	\$21,808.72	334	95.7	2728	E R
	1800	460	449T	WWE300-18-449TB	\$21,808.72	334	95.7	2728	E
	1800	460	586/7	WWE300-18-586/7	\$26,198.25	323	95.0	3784	E R
	1800	460	586/7	WWE300-18-586/7B	\$26,198.25	323	95.0	3784	E
	1800	460	586/7UZ	WWE300-18-586/7UZ	\$26,198.25	323	95.0	3784	E R
	1200	460	449T	WWE300-12-449T	\$25,161.73	355	94.5	2830	E R
	1200	460	449T	WWE300-12-449TB	\$25,161.73	355	94.5	2830	E
	1200	460	586/7	WWE300-12-586/7	\$30,572.28	337	95.2	4136	E R
	1200	460	586/7UZ	WWE300-12-586/7UZ	\$30,572.28	337	95.2	4136	E R
	900	460	586/7	WWE300-9-586/7	\$36,805.56	364	94.9	4440	E R
900	460	586/7UZ	WWE300-9-586/7UZ	\$36,805.56	364	94.9	4440	E R	
350	1800	460	586/7	WWE350-18-586/7	\$27,342.46	378	95.8	3960	E R
	1800	460	586/7	WWE350-18-586/7B	\$27,342.46	378	95.8	3960	E
	1800	460	586/7UZ	WWE350-18-586/7UZ	\$27,342.46	378	95.8	3960	E R
	1200	460	586/7	WWE350-12-586/7	\$31,529.30	390	95.1	4145	E R
	1200	460	586/7	WWE350-12-586/7B	\$31,529.30	390	95.1	4145	E
	1200	460	586/7UZ	WWE350-12-586/7UZ	\$31,529.30	390	95.1	4145	E R
400	1800	460	586/7	WWE400-18-586/7	\$29,389.79	430	95.3	4101	E R
	1800	460	586/7	WWE400-18-586/7B	\$29,389.79	430	95.3	4101	E
	1800	460	586/7UZ	WWE400-18-586/7UZ	\$29,389.79	430	95.3	4101	E R
	1200	460	586/7	WWE400-12-586/7	\$34,071.48	448	95.0	4409	E R
	1200	460	586/7	WWE400-12-586/7B	\$34,071.48	448	95.0	4409	E
	1200	460	586/7UZ	WWE400-12-586/7UZ	\$34,071.48	448	95.0	4409	E R
450	1800	460	586/7	WWE450-18-586/7	\$36,359.78	478	96.1	4500	E R
	1200	460	586/7	WWE450-12-586/7	\$37,413.08	501	95.8	4500	E R ▲
500	1800	460	586/7	WWE500-18-586/7	\$37,722.53	539	95.8	4630	E R
	1800	460	586/7	WWE500-18-586/7B	\$37,722.53	539	95.8	4630	E
	1800	460	586/7UZ	WWE500-18-586/7UZ	\$37,722.53	539	95.8	4630	E R
	1200	460	586/7	WWE500-12-586/7	\$40,184.66	557	95.0	4740	E R ▲
	1200	460	586/7UZ	WWE500-12-586/7UZ	\$40,184.66	557	95.0	4740	E R ▲
600	1800	460	586/7	WWE600-18-586/7	\$42,702.70	661	95.0	4630	E R ▲

- E EISA-Compliant - high efficiency
- I Inverter ready, 4:1 CT / 10:1 VT
- P Premium efficiency
- R Roller bearing on drive end for belted applications
- ▲ 1.0 service factor



WORLDWIDE
GENERAL PURPOSE

WORLDWIDE GENERAL PURPOSE MOTORS PREMIUM EFFICIENCY / HIGH EFFICIENCY

TEFC Enclosure ▪ Rigid Base ▪ Factory Short Shaft
Three-Phase ▪ 208-230/460 and 460 Volt



Product Overview

- 25-300 HP
- 1800 and 1200 RPM
- 208-230/460 volt (25-200 HP)
- 460 volt (250-300 HP)
- TEFC enclosure
- 1.15 service factor
- Class F insulation
- Rigid base
- Factory short shaft
- Premium efficiency (25-200 HP)
- EISA-Compliant - high efficiency (250-300 HP)
- Inverter ready, 4:1 CT / 10:1 VT (25-200 HP)
- Suitable for 50 hz operation with 1.0 service factor (25-150 HP)



WORLDWIDE
GENERAL PURPOSE

HP	RPM	Voltage	Frame	Model Number	List Price	FL Amps (A)	FL Eff. (%)	Approx. Wt. (lbs.)	Notes
25	1800	208-230/460	284TS	PEWWE25-18-284TS	\$2,537.79	29.2	93.6	410	I P
30	1800	208-230/460	286TS	PEWWE30-18-286TS	\$2,874.86	34.7	93.6	450	I P
40	1800	208-230/460	324TS	PEWWE40-18-324TS	\$3,319.53	46.5	94.1	617	I P
50	1800	208-230/460	326TS	PEWWE50-18-326TS	\$4,151.77	57.1	94.5	675	I P
60	1800	208-230/460	364TS	PEWWE60-18-364TS	\$5,484.28	69.9	95.0	827	I P
75	1800	208-230/460	365TS	PEWWE75-18-365TS	\$6,341.62	84.1	95.4	904	I P
100	1800	208-230/460	405TS	PEWWE100-18-405TSBB	\$7,831.89	113	95.4	1213	I P
	1200	208-230/460	444TS	PEWWE100-12-444TSBB	\$11,199.79	121	95.0	1455	I P
125	1800	208-230/460	444TS	PEWWE125-18-444TSBB	\$10,512.41	137	95.4	1455	I P
	1200	208-230/460	445TS	PEWWE125-12-445TSBB	\$13,049.43	145	95.0	1632	I P
150	1800	208-230/460	445TS	PEWWE150-18-445TSBB	\$11,544.02	168	95.8	1632	I P
	1200	208-230/460	445/7TS	PEWWE150-12-445/7TSBB	\$16,668.65	176	95.8	2051	I P
200	1800	208-230/460	445/7TS	PEWWE200-18-445/7TSBB	\$15,342.33	228	96.2	2051	I P
	1200	460	449TS	PEWWE200-12-449TSBB	\$19,722.71	234	95.8	2508	I P
250	1800	460	449TS	WWE250-18-449TSBB	\$19,413.14	282	95.0	2508	E
	1200	460	449TS	WWE250-12-449TSBB	\$25,565.80	300	95.4	2750	E
300	1800	460	449TS	WWE300-18-449TSBB	\$26,339.03	334	95.7	2728	E
	1200	460	449TS	WWE300-12-449TSBB	\$30,388.57	355	94.5	2830	E

E EISA-Compliant - high efficiency
I Inverter ready, 4:1 CT / 10:1 VT
P Premium efficiency

www.worldwideelectric.net



Dimensions On Page 91-92

Stock Products Catalog | 21

WORLDWIDE GENERAL PURPOSE MOTORS PREMIUM EFFICIENCY / HIGH EFFICIENCY

TEFC Enclosure ▪ Rigid Base ▪ Factory F2 Mount
Three-Phase ▪ 208-230/460 and 460 Volt



Product Overview

- 25-500 HP
- 1800 and 1200 RPM
- 208-230/460 volt (25-200 HP)
- 460 volt (250-500 HP)
- TEFC enclosure
- 1.15 service factor
- Class F insulation
- Rigid base
- Factory F2 mount
- Premium efficiency (25-200 HP)
- EISA-Compliant - high efficiency (250-500 HP)
- Inverter ready, 4:1 CT / 10:1 VT (25-200 HP)
- Suitable for 50 hz operation with 1.0 service factor (25-150 HP)



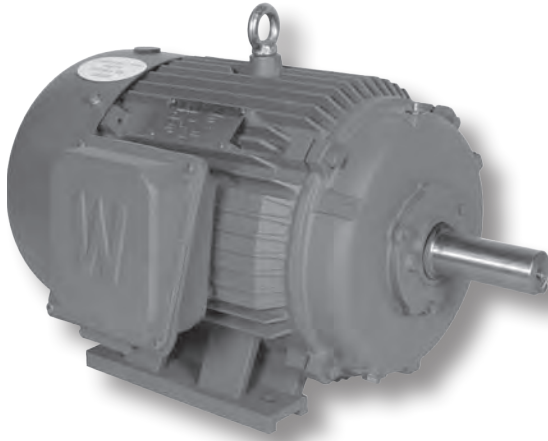
HP	RPM	Voltage	Frame	Model Number	List Price	FL Amps (A)	FL Eff. (%)	Approx. Wt. (lbs.)	Notes
25	1800	208-230/460	284T	PEWWE25-18-284T-F2	\$2,537.79	29.2	93.6	410	I P
30	1800	208-230/460	286T	PEWWE30-18-286T-F2	\$2,874.86	34.7	93.6	450	I P
40	1800	208-230/460	324T	PEWWE40-18-324T-F2	\$3,319.53	46.5	94.1	617	I P
50	1800	208-230/460	326T	PEWWE50-18-326T-F2	\$4,151.77	57.1	94.5	675	I P
60	1800	208-230/460	364T	PEWWE60-18-364T-F2	\$5,484.28	69.9	95.0	827	I P
75	1800	208-230/460	365T	PEWWE75-18-365T-F2	\$6,341.62	84.1	95.4	904	I P
	1200	208-230/460	405T	PEWWE75-12-405T-F2	\$7,739.33	85.9	94.5	1158	I P R
100	1800	208-230/460	405T	PEWWE100-18-405T-F2	\$7,831.89	113	95.4	1213	I P R
	1200	208-230/460	444T	PEWWE100-12-444T-F2	\$11,199.79	121	95.0	1455	I P R
125	1800	208-230/460	444T	PEWWE125-18-444T-F2	\$10,512.41	137	95.4	1455	I P R
	1200	208-230/460	445T	PEWWE125-12-445T-F2	\$13,049.43	145	95.0	1632	I P R
150	1800	208-230/460	445T	PEWWE150-18-445T-F2	\$11,544.02	168	95.8	1632	I P R
	1200	208-230/460	445/7T	PEWWE150-12-445/7T-F2	\$16,668.65	176	95.8	2051	I P R
200	1800	208-230/460	445/7T	PEWWE200-18-445/7T-F2	\$15,342.33	228	96.2	2051	I P R
	1200	460	449T	PEWWE200-12-449T-F2	\$19,722.71	234	95.8	2508	I P R
250	1800	460	449T	WWE250-18-449T-F2	\$19,413.14	282	95.0	2508	E R
	1200	460	449T	WWE250-12-449T-F2	\$25,565.80	300	95.4	2750	E R
300	1800	460	449T	WWE300-18-449T-F2	\$26,339.03	334	95.7	2728	E R
	1200	460	449T	WWE300-12-449T-F2	\$30,388.57	355	94.5	2830	E R
350	1800	460	586/7	WWE350-18-586/7-F2	\$33,022.29	378	95.8	3960	E R
	1200	460	586/7	WWE350-12-586/7-F2	\$38,078.86	390	95.1	4145	E R
400	1800	460	586/7	WWE400-18-586/7-F2	\$35,494.92	430	95.3	4101	E R
	1200	460	586/7	WWE400-12-586/7-F2	\$41,149.13	448	95	4409	E R
500	1800	460	586/7	WWE500-18-586/7-F2	\$45,558.61	539	95.8	4630	E R
	1200	460	586/7	WWE500-12-586/7-F2	\$48,532.20	557	95	4740	E R

- E EISA-Compliant - high efficiency
- I Inverter ready, 4:1 CT / 10:1 VT
- P Premium efficiency
- R Roller bearing on drive end for belted applications



WORLDWIDE GENERAL PURPOSE MOTORS PREMIUM EFFICIENCY / HIGH EFFICIENCY

TEFC Enclosure ▪ Rigid Base ▪ Part-Winding Start (PWS)
Three-Phase ▪ 460 Volt



Product Overview

- 100-300 HP
- 1800 RPM
- 460 volt
- TEFC enclosure
- 1.15 service factor
- Class F insulation
- Rigid base
- Part-winding start (PWS)
- Premium efficiency (100-200 HP)
- EISA-Compliant - high efficiency (250-300 HP)
- Inverter ready, 4:1 CT / 10:1 VT (100-200 HP)
- Suitable for 50 hz operation with 1.0 service factor (100-150 HP)



WORLDWIDE
GENERAL PURPOSE

HP	RPM	Voltage	Frame	Model Number	List Price	FL Amps (A)	FL Eff. (%)	Approx. Wt. (lbs.)	Notes
100	1800	460	405T	PEWWE100-18-460-PWS-405T	\$7,369.10	113	95.4	1213	I P
	1800	460	405T	PEWWE100-18-460-PWS-405TBB	\$7,369.10	113	95.4	1213	I P
125	1800	460	444T	PEWWE125-18-460-PWS-444T	\$9,891.23	137	95.4	1455	I P
	1800	460	444T	PEWWE125-18-460-PWS-444TBB	\$9,891.23	137	95.4	1455	I P
150	1800	460	444/5T	PEWWE150-18-460-PWS-444/5T	\$10,861.88	168	95.8	1632	I P
	1800	460	444/5T	PEWWE150-18-460-PWS-444/5TBB	\$10,861.88	168	95.8	1632	I P
200	1800	460	445/7T	PEWWE200-18-460-PWS-445/7T	\$14,435.74	228	96.2	2051	I P
	1800	460	445/7T	PEWWE200-18-460-PWS-445/7TBB	\$14,435.74	228	96.2	2051	I P
250	1800	460	449T	WWE250-18-460-PWS-449T	\$18,266.00	282	95.0	2508	E
	1800	460	449T	WWE300-18-460-PWS-449T	\$24,782.64	334	95.7	2728	E

E EISA-Compliant - high efficiency
I Inverter ready, 4:1 CT / 10:1 VT
P Premium efficiency

www.worldwideelectric.net

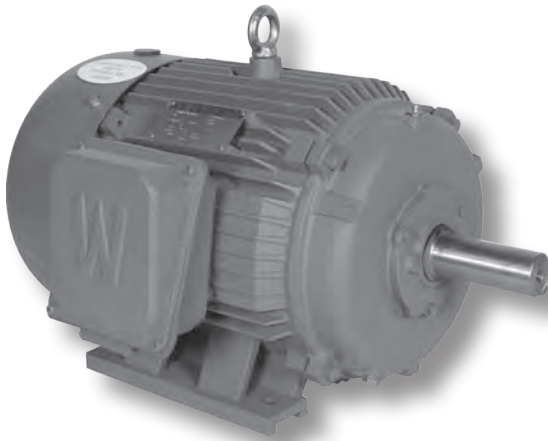


Dimensions On Page 91-92

Stock Products Catalog | 23

WORLDWIDE GENERAL PURPOSE MOTORS PREMIUM EFFICIENCY / HIGH EFFICIENCY

TEFC Enclosure ▪ Rigid Base
Three-Phase ▪ 575 Volt



Product Overview

- 1-500 HP
- 3600, 1800 and 1200 RPM
- 575 volt
- TEFC enclosure
- 1.15 service factor
- Class F insulation
- Rigid base
- Premium efficiency (1-200 HP)
- EISA-Compliant - high efficiency (250-500 HP)
- Inverter ready, 4:1 CT / 10:1 VT (1-200 HP)



WORLDWIDE
GENERAL PURPOSE

HP	RPM	Voltage	Frame	Model Number	List Price	FL Amps (A)	FL Eff. (%)	Approx. Wt. (lbs.)	Notes
1	1800	575	143T	PEWWE1-18-575-143T	\$313.70	1.3	85.5	53	I P
	1200	575	145T	PEWWE1-12-575-145T	\$436.38	1.4	82.5	60	I P
1.5	3600	575	143T	PEWWE1.5-36-575-143T	\$426.01	1.6	84.0	49	I P
	1800	575	145T	PEWWE1.5-18-575-145T	\$387.12	1.8	86.5	62	I P
2	1200	575	182T	PEWWE1.5-12-575-182T	\$498.57	1.9	87.5	100	I P
	3600	575	145T	PEWWE2-36-575-145T	\$463.20	2.1	85.5	58	I P
	1800	575	145T	PEWWE2-18-575-145T	\$410.16	2.4	86.5	67	I P
3	1200	575	184T	PEWWE2-12-575-184T	\$654.82	2.4	88.5	130	I P
	3600	575	182T	PEWWE3-36-575-182T	\$559.34	3.0	86.5	78	I P
5	1800	575	182T	PEWWE3-18-575-182T	\$577.50	3.2	89.5	119	I P
	1200	575	213T	PEWWE3-12-575-213T	\$881.56	3.5	89.5	168	I P
	3600	575	184T	PEWWE5-36-575-184T	\$692.02	4.8	88.5	106	I P
7.5	1800	575	184T	PEWWE5-18-575-184T	\$649.63	5.2	89.5	125	I P
	1200	575	215T	PEWWE5-12-575-215T	\$1,093.34	5.7	89.5	187	I P
	3600	575	213T	PEWWE7.5-36-575-213T	\$1,044.96	6.9	89.5	168	I P
10	1800	575	213T	PEWWE7.5-18-575-213T	\$894.72	7.4	91.7	181	I P
	1200	575	254T	PEWWE7.5-12-575-254T	\$1,436.86	8.3	91.0	265	I P
	3600	575	215T	PEWWE10-36-575-215T	\$1,084.71	9.3	90.2	185	I P
15	1800	575	215T	PEWWE10-18-575-215T	\$1,083.90	9.9	91.7	205	I P
	1200	575	256T	PEWWE10-12-575-256T	\$1,803.20	11.4	91.0	302	I P
	3600	575	254T	PEWWE15-36-575-254T	\$1,757.11	13.8	91.0	276	I P
20	1800	575	254T	PEWWE15-18-575-254T	\$1,495.49	14.6	92.4	311	I P
	1200	575	284T	PEWWE15-12-575-284T	\$2,264.23	15.0	91.7	397	I P
25	3600	575	256T	PEWWE20-36-575-256T	\$2,141.71	18.6	91.0	306	I P
	1800	575	256T	PEWWE20-18-575-256T	\$1,789.88	19.3	93.0	390	I P
	1200	575	286T	PEWWE20-12-575-286T	\$2,824.11	20.0	91.7	463	I P
30	3600	575	284TS	PEWWE25-36-575-284TS	\$2,643.23	23.0	91.7	397	I P
	1800	575	284T	PEWWE25-18-575-284T	\$2,334.77	23.4	93.6	410	I P
	1200	575	324T	PEWWE25-12-575-324T	\$3,211.94	27.0	93.0	595	I P

I Inverter ready, 4:1 CT / 10:1 VT
P Premium efficiency

Dimensions On Page 91-92

Continued On Next Page



WORLDWIDE GENERAL PURPOSE MOTORS

PREMIUM EFFICIENCY / HIGH EFFICIENCY

TEFC Enclosure ▪ Rigid Base
Three-Phase ▪ 575 Volt



HP	RPM	Voltage	Frame	Model Number	List Price	FL Amps (A)	FL Eff. (%)	Approx. Wt. (lbs.)	Notes
30	3600	575	286TS	PEWWE30-36-575-286TS	\$2,703.99	27.8	91.7	430	I P
	1800	575	286T	PEWWE30-18-575-286T	\$2,644.87	27.8	93.6	461	I P
	1200	575	326T	PEWWE30-12-575-326T	\$3,770.54	30.9	93.0	606	I P
40	3600	575	324TS	PEWWE40-36-575-324TS	\$3,482.32	37.0	92.4	518	I P
	1800	575	324T	PEWWE40-18-575-324T	\$3,053.97	37.2	94.1	617	I P
	1200	575	364T	PEWWE40-12-575-364T	\$4,686.07	40.6	94.1	816	I P
50	3600	575	326TS	PEWWE50-36-575-326TS	\$4,375.23	45.4	93.0	562	I P
	1800	575	326T	PEWWE50-18-575-326T	\$3,819.63	45.7	94.5	675	I P
	1200	575	365T	PEWWE50-12-575-365T	\$6,144.63	50.0	94.1	915	I P
60	3600	575	364TS	PEWWE60-36-575-364TS	\$5,999.87	54.9	93.6	728	I P
	1800	575	364T	PEWWE60-18-575-364T	\$5,045.54	55.9	95.0	827	I P
	1200	575	404T	PEWWE60-12-575-404T	\$6,793.69	56.2	94.5	1069	I P R
75	3600	575	365TS	PEWWE75-36-575-365TS	\$7,184.84	67.0	93.6	772	I P
	1800	575	365T	PEWWE75-18-575-365T	\$5,834.29	67.3	95.4	904	I P R
	1200	575	405T	PEWWE75-12-575-405T	\$7,120.18	68.8	94.5	1158	I P R
100	3600	575	405TS	PEWWE100-36-575-405TS	\$8,650.44	89.6	94.1	1103	I P
	1800	575	405T	PEWWE100-18-575-405T	\$7,205.34	90.4	95.4	1213	I P R
	1200	575	444T	PEWWE100-12-575-444T	\$10,303.81	96.8	95.0	1462	I P R
125	3600	575	444TS	PEWWE125-36-575-444TS	\$11,300.03	106	95.0	1455	I P
	1800	575	444T	PEWWE125-18-575-444T	\$9,671.42	110	95.4	1470	I P R
	1200	575	445T	PEWWE125-12-575-445T	\$12,005.48	116	95.0	1632	I P R
150	3600	575	445TS	PEWWE150-36-575-445TS	\$13,002.92	129	95.0	1654	I P
	1800	575	445T	PEWWE150-18-575-445T	\$10,620.50	134	95.8	1640	I P R
	1200	575	445/7T	PEWWE150-12-575-445/7T	\$15,335.16	141	95.8	2051	I P R
	900	575	449T	WWE150-9-575-449T	\$20,928.67	150	94.5	2520	E R
200	3600	575	445/7TS	PEWWE200-36-575-445/7TS	\$17,574.90	174	95.4	2051	I P
	1800	575	445/7T	PEWWE200-18-575-445/7T	\$14,114.94	182	96.2	2075	I P R
	1200	575	449T	PEWWE200-12-575-449T	\$18,144.89	234	95.8	2508	I P R
250	1800	575	449T	WWE250-18-575-449T	\$17,860.09	225	95.1	2508	E R
	1200	575	449T	WWE250-12-575-449T	\$23,520.53	244	95.0	2750	E R
	1200	575	586/7	WWE250-12-575-586/7	\$31,436.91	231	94.5	3696	E R
300	1800	575	586/7	WWE300-18-575-586/7	\$29,109.17	257	95.0	3784	E R
	1200	575	449T	WWE300-12-575-449T	\$27,957.48	285	94.5	2830	E R
	900	575	586/7	WWE300-9-575-586/7	\$40,895.07	294	94.9	4440	E R
400	1800	575	586/7	WWE400-18-575-586/7	\$32,655.32	344	95.1	4101	E R
500	1200	575	586/7	WWE500-12-575-586/7	\$44,649.62	451	95.2	4740	E R ▲

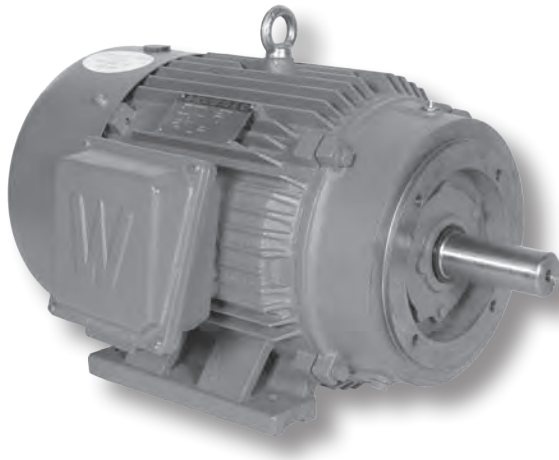
WORLDWIDE
GENERAL PURPOSE

- E EISA-Compliant - high efficiency
- I Inverter ready, 4:1 CT / 10:1 VT
- P Premium efficiency
- R Roller bearing on drive end for belted applications
- ▲ 1.0 service factor



WORLDWIDE GENERAL PURPOSE MOTORS PREMIUM EFFICIENCY / HIGH EFFICIENCY

TEFC Enclosure ▪ C-Face ▪ Rigid Base
Three-Phase ▪ 208-230/460 and 460 Volt



Product Overview

- 1-300 HP
- 3600, 1800 and 1200 RPM
- 208-230/460 volt (1-200 HP)
- 460 volt (250-300 HP)
- TEFC enclosure
- 1.15 service factor
- Class F insulation
- C-face - rigid base
- Premium efficiency (1-200 HP)
- EISA-Compliant - high efficiency (250-300 HP)
- Inverter ready, 4:1 CT / 10:1 VT (1-200 HP)
- Suitable for 50 hz operation with 1.0 service factor (1-150 HP)



HP	RPM	Voltage	Frame	Model Number	List Price	FL Amps (A)	FL Eff. (%)	Approx. Wt. (lbs.)	Notes
1	1800	208-230/460	143TC	PEWWE1-18-143TC	\$294.09	1.6	85.5	53	I P
	1200	208-230/460	145TC	PEWWE1-12-145TC	\$409.10	1.8	82.5	60	I P
1.5	3600	208-230/460	143TC	PEWWE1.5-36-143TC	\$399.39	2.1	84.0	49	I P
	1800	208-230/460	145TC	PEWWE1.5-18-145TC	\$362.93	2.3	86.5	62	I P
2	3600	208-230/460	145TC	PEWWE2-36-145TC	\$434.25	2.6	85.5	58	I P
	1800	208-230/460	145TC	PEWWE2-18-145TC	\$384.52	3.0	86.5	67	I P
3	3600	208-230/460	182TC	PEWWE3-36-182TC	\$524.39	3.7	86.5	98	I P
	1800	208-230/460	182TC	PEWWE3-18-182TC	\$541.41	4.0	89.5	119	I P
	1200	208-230/460	213TC	PEWWE3-12-213TC	\$826.46	4.4	89.5	168	I P
5	3600	208-230/460	184TC	PEWWE5-36-184TC	\$648.77	6.0	88.5	106	I P
	1800	208-230/460	184TC	PEWWE5-18-184TC	\$609.03	6.5	89.5	125	I P
7.5	1200	208-230/460	215TC	PEWWE5-12-215TC	\$1,025.01	7.2	89.5	187	I P
	3600	208-230/460	213TC	PEWWE7.5-36-213TC	\$979.65	8.6	89.5	168	I P
	1800	208-230/460	213TC	PEWWE7.5-18-213TC	\$838.80	9.3	91.7	181	I P
10	1200	208-230/460	254TC	PEWWE7.5-12-254TC	\$1,347.05	10.4	91.0	265	I P
	3600	208-230/460	215TC	PEWWE10-36-215TC	\$1,016.92	11.6	90.2	185	I P
	1800	208-230/460	215TC	PEWWE10-18-215TC	\$1,016.16	12.4	91.7	205	I P
15	1200	208-230/460	256TC	PEWWE10-12-256TC	\$1,690.50	14.2	91.0	302	I P
	3600	208-230/460	254TC	PEWWE15-36-254TC	\$1,647.29	17.2	91.0	276	I P
	1800	208-230/460	254TC	PEWWE15-18-254TC	\$1,402.02	18.2	92.4	311	I P
20	1200	208-230/460	284TC	PEWWE15-12-284TC	\$2,122.72	18.8	91.7	397	I P
	3600	208-230/460	256TC	PEWWE20-36-256TC	\$2,007.85	23.2	91.0	306	I P
	1800	208-230/460	256TC	PEWWE20-18-256TC	\$1,678.01	24.1	93.0	390	I P
25	1200	208-230/460	286TC	PEWWE20-12-286TC	\$2,647.60	25.0	91.7	463	I P
	3600	208-230/460	284TSC	PEWWE25-36-284TSC	\$2,478.03	28.8	91.7	397	I P
	1800	208-230/460	284TC	PEWWE25-18-284TC	\$2,188.84	29.2	93.6	410	I P
	1800	208-230/460	284TSC	PEWWE25-18-284TSC	\$2,646.34	29.2	93.6	410	I P
	1200	208-230/460	324TC	PEWWE25-12-324TC	\$3,011.20	33.7	93.0	595	I P

I Inverter ready, 4:1 CT / 10:1 VT
P Premium efficiency

Dimensions On Page 93-94

Continued On Next Page



WORLDWIDE GENERAL PURPOSE MOTORS PREMIUM EFFICIENCY / HIGH EFFICIENCY

TEFC Enclosure ▪ C-Face ▪ Rigid Base

Three-Phase ▪ 208-230/460 and 460 Volt



HP	RPM	Voltage	Frame	Model Number	List Price	FL Amps (A)	FL Eff. (%)	Approx. Wt. (lbs.)	Notes
30	3600	208-230/460	286TSC	PEWWE30-36-286TSC	\$2,534.99	34.2	91.7	430	I P
	1800	208-230/460	286TC	PEWWE30-18-286TC	\$2,479.56	34.7	93.6	450	I P
	1200	208-230/460	326TC	PEWWE30-12-326TC	\$3,534.89	38.6	93.0	606	I P
40	1800	208-230/460	324TC	PEWWE40-18-324TC	\$2,863.09	46.5	94.1	617	I P
	1200	208-230/460	364TC	PEWWE40-12-364TC	\$4,393.19	50.7	94.1	816	I P
50	1800	208-230/460	326TC	PEWWE50-18-326TC	\$3,580.91	57.1	94.5	675	I P
	1200	208-230/460	365TC	PEWWE50-12-365TC	\$5,760.59	62.5	94.1	915	I P
60	1800	208-230/460	364TC	PEWWE60-18-364TC	\$4,730.20	69.9	95.0	827	I P
	1200	208-230/460	404TC	PEWWE60-12-404TC	\$6,369.08	70.3	94.5	1069	I P
75	3600	208-230/460	365TSC	PEWWE75-36-365TSC	\$6,735.79	83.8	93.6	772	I P
	1800	208-230/460	365TC	PEWWE75-18-365TC	\$5,469.65	84.1	95.4	904	I P
	1800	208-230/460	365TSC	PEWWE75-18-365TSC	\$6,605.86	84.1	95.4	904	I P
	1200	208-230/460	405TC	PEWWE75-12-405TC	\$6,675.17	85.9	94.5	1158	I P
100	3600	208-230/460	405TSC	PEWWE100-36-405TSC	\$8,109.79	112	94.1	1103	I P
	1800	208-230/460	405TC	PEWWE100-18-405TC	\$6,755.01	113	95.4	1213	I P
	1800	208-230/460	405TSC	PEWWE100-18-405TSC	\$8,158.23	113	95.4	1213	I P
	1200	208-230/460	444TC	PEWWE100-12-444TC	\$9,659.82	121	95.0	1455	I P
125	3600	208-230/460	444TSC	PEWWE125-36-444TSC	\$10,593.78	132	95.0	1455	I P
	1800	208-230/460	444TC	PEWWE125-18-444TC	\$9,066.96	137	95.4	1455	I P
	1800	208-230/460	444TSC	PEWWE125-18-444TSC	\$10,950.43	137	95.4	1455	I P
	1200	208-230/460	445TC	PEWWE125-12-445TC	\$11,255.14	145	95.0	1632	I P
150	3600	208-230/460	445TSC	PEWWE150-36-445TSC	\$12,190.24	161	95.0	1654	I P
	1800	208-230/460	445TC	PEWWE150-18-445TC	\$9,956.72	168	95.8	1632	I P
	1800	208-230/460	445TSC	PEWWE150-18-445TSC	\$12,025.02	168	95.8	1632	I P
	1200	208-230/460	445/7TC	PEWWE150-12-445/7TC	\$14,376.71	176	95.8	2051	I P
200	1800	208-230/460	445/7TC	PEWWE200-18-445/7TC	\$13,232.76	228	96.2	2051	I P
	1800	208-230/460	445/7TSC	PEWWE200-18-445/7TSC	\$15,981.59	228	96.2	2051	I P
	1200	460	449TC	PEWWE200-12-449TC	\$17,010.83	234	95.8	2508	I P
250	1800	460	449TC	WWE250-18-449TC	\$17,255.09	282	95.0	2508	E
	1800	460	449TSC	WWE250-18-449TSC	\$20,839.48	282	95.0	2508	E
	1200	460	449TC	WWE250-12-449TC	\$24,339.10	300	95.4	2750	E
300	1800	460	449TC	WWE300-18-449TC	\$24,663.26	334	95.7	2728	E

WORLDWIDE
GENERAL PURPOSE

E EISA-Compliant - high efficiency
I Inverter ready, 4:1 CT / 10:1 VT
P Premium efficiency

www.worldwideelectric.net

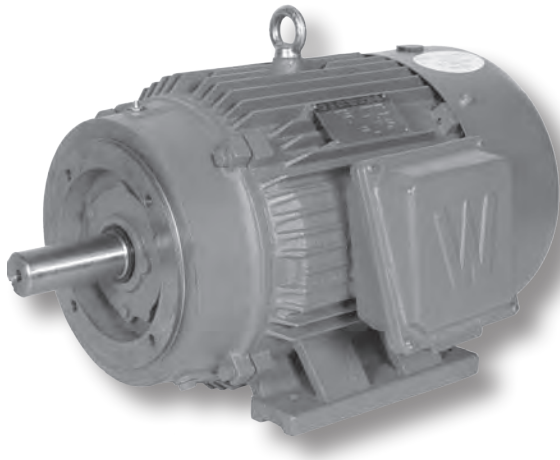


Dimensions On Page 93-94

Stock Products Catalog | 27

WORLDWIDE GENERAL PURPOSE MOTORS PREMIUM EFFICIENCY / HIGH EFFICIENCY

TEFC Enclosure ▪ C-Face ▪ Rigid Base ▪ Factory F2 Mount
Three-Phase ▪ 208-230/460 Volt



Product Overview

- 20-200 HP
- 1800 RPM
- 208-230/460 volt
- TEFC enclosure
- 1.15 service factor
- Class F insulation
- C-face - rigid base
- Factory F2 mount
- Premium efficiency
- Inverter ready, 4:1 CT / 10:1 VT
- Suitable for 50 hz operation with 1.0 service factor (20-150 HP)



WORLDWIDE
GENERAL PURPOSE

HP	RPM	Voltage	Frame	Model Number	List Price	FL Amps (A)	FL Eff. (%)	Approx. Wt. (lbs.)	Notes
20	1800	208-230/460	256TC	PEWWE20-18-256TC-F2	\$2,026.59	24.1	93.0	390	I P
25	1800	208-230/460	284TC	PEWWE25-18-284TC-F2	\$2,643.52	29.2	93.6	410	I P
30	1800	208-230/460	286TC	PEWWE30-18-286TC-F2	\$2,994.64	34.7	93.6	450	I P
40	1800	208-230/460	324TC	PEWWE40-18-324TC-F2	\$3,457.84	46.5	94.1	617	I P
50	1800	208-230/460	326TC	PEWWE50-18-326TC-F2	\$4,324.77	57.1	94.5	675	I P
60	1800	208-230/460	364TC	PEWWE60-18-364TC-F2	\$5,712.80	69.9	95.0	827	I P
75	1800	208-230/460	365TC	PEWWE75-18-365TC-F2	\$6,605.86	84.1	95.4	904	I P
100	1800	208-230/460	405TC	PEWWE100-18-405TC-F2	\$8,158.23	113	95.4	1213	I P
	1800	208-230/460	405TSC	PEWWE100-18-405TSC	\$9,064.70	113	95.4	1213	I P
125	1800	208-230/460	444TC	PEWWE125-18-444TC-F2	\$10,950.43	137	95.4	1455	I P
	1800	208-230/460	444TSC	PEWWE125-18-444TSC-F2	\$12,167.15	137	95.4	1455	I P
150	1800	208-230/460	445TC	PEWWE150-18-445TC-F2	\$12,025.02	168	95.8	1632	I P
	1800	208-230/460	445TSC	PEWWE150-18-445TSC-F2	\$13,361.13	168	95.8	1632	I P
200	1800	208-230/460	445/7TC	PEWWE200-18-445/7TC-F2	\$15,981.60	228.0	96.2	2051	I P

I Inverter ready, 4:1 CT / 10:1 VT
P Premium efficiency



WORLDWIDE EXPLOSION PROOF MOTORS PREMIUM EFFICIENCY / HIGH EFFICIENCY

TEXP Enclosure ▪ Rigid Base

Three-Phase ▪ 208-230/460 and 460 Volt



Product Overview

- 1-300 HP
- 3600, 1800 and 1200 RPM
- 208-230/460 volt (1-100 HP)
- 460 volt (125-300 HP)
- TEXP enclosure
- 1.15 service factor
- Class F insulation
- Rigid base
- Premium efficiency (1-200 HP)
- EISA-Compliant - high efficiency (250-300 HP)
- Three PTC thermistors provided (one per phase)
- UL Listed
- Class I, Division 1, Groups C & D; Class II, Division 1, Groups E, F & G
- CSA Certified for use in Class I, Division 2 Hazardous Locations



CC039B



HP	RPM	Voltage	Frame	Model Number	List Price	FL Amps (A)	FL Eff. (%)	Approx. Wt. (lbs.)	Notes
1	1800	208-230/460	143T	XPEWWE1-18-143T	\$760.37	1.6	85.5	70	C P
1.5	1800	208-230/460	145T	XPEWWE1.5-18-145T	\$830.28	2.2	86.5	71	C P
	1200	208-230/460	182T	XPEWWE1.5-12-182T	\$917.72	2.2	87.5	113	C P
2	3600	208-230/460	145T	XPEWWE2-36-145T	\$869.63	2.6	85.5	75	C P
	1800	208-230/460	145T	XPEWWE2-18-145T	\$917.72	2.8	86.5	73	C P
	1200	208-230/460	184T	XPEWWE2-12-184T	\$1,162.44	2.9	88.5	123	C P
3	3600	208-230/460	182T	XPEWWE3-36-182T	\$1,066.30	3.7	86.5	115	C P
	1800	208-230/460	182T	XPEWWE3-18-182T	\$1,114.35	3.8	89.5	121	C P
	1200	208-230/460	213T	XPEWWE3-12-213T	\$1,411.51	4.1	89.5	219	C P
5	3600	208-230/460	184T	XPEWWE5-36-184T	\$1,315.37	5.8	88.5	128	C P
	1800	208-230/460	184T	XPEWWE5-18-184T	\$1,315.37	6.2	89.5	131	C P
	1200	208-230/460	215T	XPEWWE5-12-215T	\$1,809.20	6.6	89.5	279	C P
7.5	3600	208-230/460	213T	XPEWWE7.5-36-213T	\$1,560.12	8.6	89.5	230	C P
	1800	208-230/460	213T	XPEWWE7.5-18-213T	\$1,726.17	9.2	91.7	237	C P
	1200	208-230/460	254T	XPEWWE7.5-12-254T	\$2,020.12	9.5	91.0	353	P
10	3600	208-230/460	215T	XPEWWE10-36-215T	\$1,804.81	11.5	90.2	252	C P
	1800	208-230/460	215T	XPEWWE10-18-215T	\$1,865.99	12.4	91.7	243	C P
	1200	208-230/460	256T	XPEWWE10-12-256T	\$2,538.98	12.5	91.0	368	P
15	3600	208-230/460	254T	XPEWWE15-36-254T	\$2,525.86	16.7	91.0	385	P
	1800	208-230/460	254T	XPEWWE15-18-254T	\$2,525.86	16.9	92.4	393	P
	1200	208-230/460	284T	XPEWWE15-12-284T	\$3,253.67	18.0	91.7	468	P
20	3600	208-230/460	256T	XPEWWE20-36-256T	\$2,680.19	22.7	91.0	429	P
	1800	208-230/460	256T	XPEWWE20-18-256T	\$2,789.75	23.0	93.0	435	P
	1200	208-230/460	286T	XPEWWE20-12-286T	\$3,868.52	24.4	91.7	480	P
25	3600	208-230/460	284TS	XPEWWE25-36-284TS	\$3,270.15	27.7	91.7	520	P
	1800	208-230/460	284T	XPEWWE25-18-284T	\$3,434.51	27.9	93.6	516	P
	1200	208-230/460	324T	XPEWWE25-12-324T	\$4,648.12	30.2	93.0	630	P

C 143T-215T frames Class I, Division 1, Groups C & D only
P Premium efficiency

Dimensions On Page 95

Continued On Next Page



WORLDWIDE EXPLOSION PROOF MOTORS PREMIUM EFFICIENCY / HIGH EFFICIENCY

TEXP Enclosure ▪ Rigid Base

Three-Phase ▪ 208-230/460 and 460 Volt



HP	RPM	Voltage	Frame	Model Number	List Price	FL Amps (A)	FL Eff. (%)	Approx. Wt. (lbs.)	Notes
30	3600	208-230/460	286TS	XPEWWE30-36-286TS	\$3,783.23	32.8	91.7	537	P
	1800	208-230/460	286T	XPEWWE30-18-286T	\$3,763.15	33.0	93.6	523	P
	1200	208-230/460	326T	XPEWWE30-12-326T	\$5,693.30	35.4	93.0	670	P
40	3600	208-230/460	324TS	XPEWWE40-36-324TS	\$4,761.91	44.9	92.4	650	P
	1800	208-230/460	324T	XPEWWE40-18-324T	\$4,848.60	45.5	94.1	670	P
	1200	208-230/460	364T	XPEWWE40-12-364T	\$7,128.51	47.1	94.1	910	P
50	3600	208-230/460	326TS	XPEWWE50-36-326TS	\$6,218.94	56.0	93.0	695	P
	1800	208-230/460	326T	XPEWWE50-18-326T	\$5,874.33	57.0	94.5	715	P
	1200	208-230/460	365T	XPEWWE50-12-365T	\$7,943.06	59.0	94.1	950	P
60	3600	208-230/460	364TS	XPEWWE60-36-364TS	\$7,324.14	67.5	93.6	870	P
	1800	208-230/460	364T	XPEWWE60-18-364T	\$7,503.47	68.5	95.0	920	P
	1200	208-230/460	404T	XPEWWE60-12-404T	\$10,029.51	69.5	94.5	1245	P
75	3600	208-230/460	365TS	XPEWWE75-36-365TS	\$9,475.05	82.5	93.6	925	P
	1800	208-230/460	365T	XPEWWE75-18-365T	\$8,977.43	83.5	95.4	985	P
	1200	208-230/460	405T	XPEWWE75-12-405T	\$11,458.06	84.5	94.5	1320	P
100	3600	208-230/460	405TS	XPEWWE100-36-405TS	\$12,221.94	112	94.1	1305	P
	1800	208-230/460	405T	XPEWWE100-18-405TBB	\$11,334.91	113	95.4	1350	P
	1200	460	444/ST	XPEWWE100-12-444/5TBB	\$16,062.82	115	95.0	1555	P
125	3600	460	444/5TS	XPEWWE125-36-444/5TS	\$15,124.35	134	95.0	1625	P
	1800	460	444/5T	XPEWWE125-18-444/5TBB	\$14,715.56	134	95.4	1555	P
	1200	460	444/5T	XPEWWE125-12-444/5TBB	\$20,131.31	138	95.0	1740	P
150	3600	460	444/5TS	XPEWWE150-36-444/5TS	\$19,796.04	164	95.0	1720	P
	1800	460	444/5T	XPEWWE150-18-444/5TBB	\$21,738.91	163	95.8	1740	P
	1200	460	447/9T	XPEWWE150-12-447/9TBB	\$27,572.10	167	95.8	1950	P
200	3600	460	444/5TS	XPEWWE200-36-444/5TS	\$25,955.99	223	95.4	1820	P
	1800	460	445/7/9T	XPEWWE200-18-445/7/9TBB	\$26,096.43	223	96.2	1990	P
	1200	460	447/9T	XPEWWE200-12-447/9TBB	\$39,902.26	233	95.8	2585	P
250	3600	460	447/9TS	XWWE250-36-447/9TS	\$32,371.81	274	95.4	2355	E
	1800	460	447/9T	XWWE250-18-447/9TBB	\$34,026.98	275	95.2	2560	E
300	1800	460	447/9T	XWWE300-18-447/9TBB	\$42,471.35	325	95.4	2728	E

WORLDWIDE EXPLOSION PROOF

E EISA-Compliant - high efficiency
P Premium efficiency



WORLDWIDE EXPLOSION PROOF MOTORS PREMIUM EFFICIENCY / HIGH EFFICIENCY

TEXP Enclosure ▪ *Rigid Base*
Three-Phase ▪ *575 Volt*



Product Overview

- 2-100 HP
- 1800 RPM
- 575 volt
- TEXP enclosure
- 1.15 service factor
- Class F insulation
- Rigid base
- Premium efficiency
- Three PTC thermistors provided (one per phase)
- UL Listed
- Class I, Division 1, Groups C & D; Class II, Division 1, Groups E, F & G
- CSA Certified for use in Class I, Division 2 Hazardous Locations



CC039B



HP	RPM	Voltage	Frame	Model Number	List Price	FL Amps (A)	FL Eff. (%)	Approx. Wt. (lbs.)	Notes
2	1800	575	145T	XPEWWE2-18-575-145T	\$1,019.69	2.2	86.5	73	C P
3	1800	575	182T	XPEWWE3-18-575-182T	\$1,238.17	3.0	89.5	121	C P
5	1800	575	184T	XPEWWE5-18-575-184T	\$1,461.52	5.0	89.5	131	C P
7.5	1800	575	213T	XPEWWE7.5-18-575-213T	\$1,917.97	7.4	91.7	237	C P
10	1800	575	215T	XPEWWE10-18-575-215T	\$2,073.32	9.9	91.7	243	C P
15	1800	575	254T	XPEWWE15-18-575-254T	\$2,806.51	13.5	92.4	393	P
20	1800	575	256T	XPEWWE20-18-575-256T	\$3,099.72	18.4	93.0	435	P
25	1800	575	284T	XPEWWE25-18-575-284T	\$3,816.12	22.3	93.6	516	P
30	1800	575	286T	XPEWWE30-18-575-286T	\$4,181.28	26.4	93.6	523	P
40	1800	575	324T	XPEWWE40-18-575-324T	\$5,387.33	36.4	94.1	670	P
50	1800	575	326T	XPEWWE50-18-575-326T	\$6,527.03	45.6	94.5	715	P
60	1800	575	364T	XPEWWE60-18-575-364T	\$8,337.19	54.8	95.0	920	P
75	1800	575	365T	XPEWWE75-18-575-365T	\$9,974.92	66.8	95.4	985	P
100	1800	575	405T	XPEWWE100-18-575-405TBB	\$12,594.34	90.4	95.4	1350	P

WORLDWIDE
EXPLOSION PROOF

C 143T-215T frames Class I, Division 1, Groups C & D only
P Premium efficiency

www.worldwideelectric.net



Dimensions On Page 95

Stock Products Catalog | 31

WORLDWIDE EXPLOSION PROOF MOTORS PREMIUM EFFICIENCY / HIGH EFFICIENCY

TEXP Enclosure ▪ C-Face ▪ Rigid Base
Three-Phase ▪ 208-230/460 and 460 Volt



Product Overview

- 2-300 HP
- 1800 RPM
- 208-230/460 volt (2-100 HP)
- 460 volt (125-300 HP)
- TEXP enclosure
- 1.15 service factor
- Class F insulation
- C-face - rigid base
- Premium efficiency (2-200 HP)
- EISA-Compliant - high efficiency (250-300 HP)
- Three PTC thermistors provided (one per phase)
- UL Listed
- Class I, Division 1, Groups C & D; Class II, Division 1, Groups E, F & G
- CSA Certified for use in Class I, Division 2 Hazardous Locations



HP	RPM	Voltage	Frame	Model Number	List Price	FL Amps (A)	FL Eff. (%)	Approx. Wt. (lbs.)	Notes
2	1800	208-230/460	145TC	XPEWWE2-18-145TC	\$955.96	2.8	86.5	73	C P
3	1800	208-230/460	182TC	XPEWWE3-18-182TC	\$1,160.78	3.8	89.5	121	C P
5	1800	208-230/460	184TC	XPEWWE5-18-184TC	\$1,370.18	6.2	89.5	131	C P
7.5	1800	208-230/460	213TC	XPEWWE7.5-18-213TC	\$1,798.09	9.2	91.7	237	C P
10	1800	208-230/460	215TC	XPEWWE10-18-215TC	\$1,943.74	12.4	91.7	243	C P
15	1800	208-230/460	254TC	XPEWWE15-18-254TC	\$2,631.10	16.9	92.4	393	P
20	1800	208-230/460	256TC	XPEWWE20-18-256TC	\$2,905.99	23.0	93.0	435	P
25	1800	208-230/460	284TC	XPEWWE25-18-284TC	\$3,577.61	27.9	93.6	516	P
30	1800	208-230/460	286TC	XPEWWE30-18-286TC	\$3,919.95	33.0	93.6	523	P
40	1800	208-230/460	324TC	XPEWWE40-18-324TC	\$5,050.63	45.5	94.1	670	P
50	1800	208-230/460	326TC	XPEWWE50-18-326TC	\$6,119.09	57.0	94.5	715	P
60	1800	208-230/460	364TC	XPEWWE60-18-364TC	\$7,816.11	68.5	95.0	920	P
75	1800	208-230/460	365TC	XPEWWE75-18-365TC	\$9,351.49	83.5	95.4	985	P
100	1800	208-230/460	405TC	XPEWWE100-18-405TC	\$11,807.20	113	95.4	1350	P
125	1800	460	444/5TC	XPEWWE125-18-444/5TC	\$15,328.71	134	95.4	1555	P
150	1800	460	444/5TC	XPEWWE150-18-444/5TC	\$22,644.70	163	95.8	1740	P
200	1800	460	445/7/9TC	XPEWWE200-18-445/7/9TC	\$27,183.78	223	96.2	1990	P
250	1800	460	447/9TC	XWWE250-18-447/9TC	\$41,048.62	275	95.2	2560	E
300	1800	460	447/9TC	XWWE300-18-447/9TC	\$48,668.36	325	95.4	2745	E

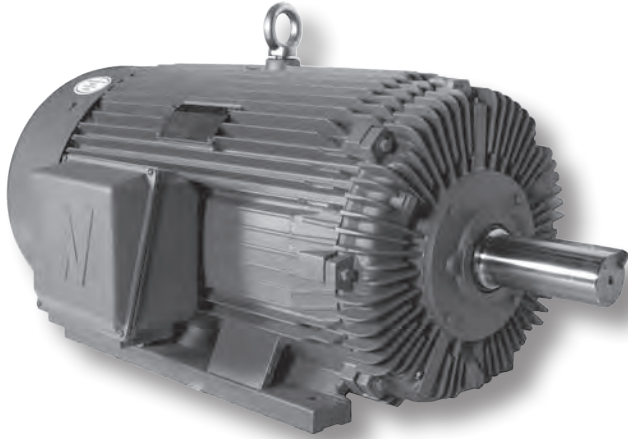
C 143T-215T frames Class I, Division 1, Groups C & D only
E EISA-Compliant - high efficiency
P Premium efficiency



WORLDWIDE AGGREGATE MOTORS ADVANCED DESIGN ROCK CRUSHER

TEFC Enclosure ▪ Rigid Base

Three-Phase ▪ 208-230/460 and 460 Volt



Product Overview

- 100-600 HP
- 1800 and 1200 RPM
- 208-230/460 volt (100-200 HP)
- 460 volt (250-600 HP)
- TEFC enclosure
- 1.15 service factor
- Class F insulation
- Rigid base
- Premium efficiency (100-200 HP)
- EISA-Compliant - high efficiency (250-600 HP)
- Inverter ready, 4:1 CT / 10:1 VT (100-200 HP)
- Suitable for 50 hz operation with 1.0 service factor (100-150 HP)



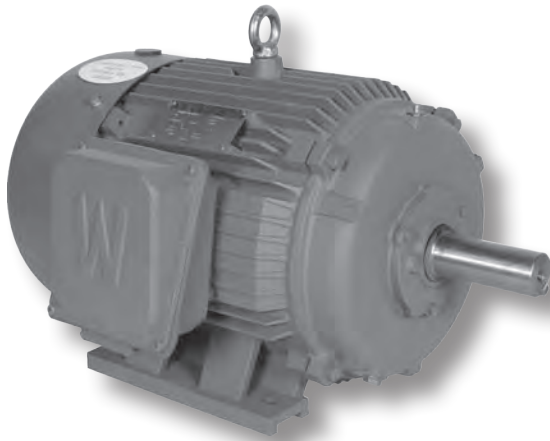
HP	RPM	Voltage	Frame	Model Number	List Price	FL Amps (A)	FL Eff. (%)	Approx. Wt. (lbs.)	Notes
100	1800	208-230/460	405T	PEWWE100-18-405T	\$6,484.81	113	95.4	1213	I P
	1200	208-230/460	444T	PEWWE100-12-444T	\$9,273.43	121	95.0	1455	I P
125	1800	208-230/460	444T	PEWWE125-18-444T	\$8,704.28	137	95.4	1455	I P
	1200	208-230/460	445T	PEWWE125-12-445T	\$10,804.93	145	95.0	1632	I P
150	1800	208-230/460	445T	PEWWE150-18-445T	\$9,558.45	168	95.8	1632	I P
	1200	208-230/460	445/7T	PEWWE150-12-445/7T	\$13,801.64	176	95.8	2051	I P
200	1800	208-230/460	445/7T	PEWWE200-18-445/7T	\$12,703.45	228.0	96.2	2051	I P
	1200	460	449T	PEWWE200-12-449T	\$16,330.40	234.0	95.8	2508	I P
250	1800	460	449T	WWE250-18-449T	\$16,074.08	282	95.0	2508	E R
	1800	460	505Z	WWE250-18-505Z	\$18,321.44	276	94.8	2359	E R
	1800	460	505UZ	WWE250-18-505UZ	\$18,321.44	276	94.8	2359	E R
	1200	460	449T	WWE250-12-449T	\$21,168.48	300	95.4	2750	E R
	1200	460	586/7	WWE250-12-586/7	\$28,293.22	289	94.5	3696	E R
	1200	460	586/7UZ	WWE250-12-586/7UZ	\$28,293.22	289	94.5	3696	E R
300	1800	460	449T	WWE300-18-449T	\$21,808.72	334	95.7	2728	E R
	1800	460	586/7	WWE300-18-586/7	\$26,198.25	323	95.0	3784	E R
	1800	460	586/7UZ	WWE300-18-586/7UZ	\$26,198.25	323	95.0	3784	E R
	1200	460	449T	WWE300-12-449T	\$25,161.73	355	94.5	2830	E R
	1200	460	586/7	WWE300-12-586/7	\$30,572.28	337	95.2	4136	E R
	1200	460	586/7UZ	WWE300-12-586/7UZ	\$30,572.28	337	95.2	4136	E R
350	1800	460	586/7	WWE350-18-586/7	\$27,342.46	378	95.8	3960	E R
	1800	460	586/7UZ	WWE350-18-586/7UZ	\$27,342.46	378	95.8	3960	E R
	1200	460	586/7	WWE350-12-586/7	\$31,529.30	390	95.1	4145	E R
	1200	460	586/7UZ	WWE350-12-586/7UZ	\$31,529.30	390	95.1	4145	E R
400	1800	460	586/7	WWE400-18-586/7	\$29,389.79	430	95.3	4101	E R
	1800	460	586/7UZ	WWE400-18-586/7UZ	\$29,389.79	430	95.3	4101	E R
	1200	460	586/7	WWE400-12-586/7	\$34,071.48	448	95.0	4409	E R
	1200	460	586/7UZ	WWE400-12-586/7UZ	\$34,071.48	448	95.0	4409	E R
450	1800	460	586/7	WWE450-18-586/7	\$36,359.78	478	96.1	4500	E R
	1200	460	586/7	WWE450-12-586/7	\$37,413.08	501	95.8	4500	E R ▲
500	1800	460	586/7	WWE500-18-586/7	\$37,722.53	539	95.8	4630	E R
	1800	460	586/7UZ	WWE500-18-586/7UZ	\$37,722.53	539	95.8	4630	E R
	1200	460	586/7	WWE500-12-586/7	\$40,184.66	557	95.0	4740	E R ▲
	1200	460	586/7UZ	WWE500-12-586/7UZ	\$40,184.66	557	95.0	4740	E R ▲
600	1800	460	586/7	WWE600-18-586/7	\$42,702.70	661	95.0	4630	E R ▲

- E EISA-Compliant - high efficiency
- I Inverter ready, 4:1 CT / 10:1 VT
- P Premium efficiency
- R Roller bearing on drive end for belted applications
- ▲ 1.0 service factor



WORLDWIDE AGGREGATE MOTORS SHAKER SCREEN ▪ DESIGN D ▪ HIGH SLIP

TEFC Enclosure ▪ Rigid Base
Three-Phase ▪ 208-230/460 Volt



Product Overview

- 30 - 50 HP
- 1200 RPM
- 208-230/460 Volt
- TEFC enclosure
- 1.15 service factor
- Class F insulation
- Rigid base
- EISA-Compliant - high efficiency
- WWELUC models provided with three winding thermostats (one per phase)
- SS models provided with three PTC thermistors (one per phase)
- High intensity - high torque
- NEMA Design D - high slip for high inertia belted loads
- Suitable for 50 hz operation with 1.0 service factor

HP	RPM	Voltage	Frame	Model Number	List Price	FL Amps (A)	FL Eff. (%)	Approx. Wt. (lbs.)	Notes
30	1200	208-230/460	326T	WWELUC30-12-326T-F1	\$3,393.49	39.0	87.7	667	
	1200	208-230/460	326T	SS30-12-326T	\$3,393.49	38.0	88.5	610	
40	1200	208-230/460	365T	WWELUC40-12-365T-F1	\$4,217.46	50.0	88.9	806	
	1200	208-230/460	365T	SS40-12-365T	\$4,217.46	49.5	89.0	650	
50	1200	208-230/460	404T	WWELUC50-12-404T-F1	\$5,530.17	61.5	89.9	995	R
	1200	208-230/460	404T	SS50-12-404T	\$5,530.17	60.0	89.0	1035	R

R Roller bearing on drive end for belted applications



WORLDWIDE OIL WELL PUMP MOTORS HIGH EFFICIENCY ▪ NEMA DESIGN D

TEFC Enclosure ▪ Rigid Base
Three-Phase ▪ 230/460/796 Volt



Product Overview

- 3-100 HP
- 1200 RPM
- 230/460/796 volt
- TEFC enclosure
- 1.15 service factor
- Class F insulation
- Rigid base
- EISA-Compliant - high efficiency
- WWELUC models provided with three winding thermostats (one per phase)
- WO models provided with three PTC thermistors (one per phase)
- NEMA Design D - high slip
- Suitable for 50 hz operation with 1.0 service factor

HP	RPM	Voltage	Frame	Model Number	List Price	FL Amps (A)	FL Eff. (%)	Approx. Wt. (lbs.)	Notes
3	1200	230/460/796	213T	WWELUC3-12-213T	\$801.21	4.4	81.8	132	
	1200	230/460/796	213T	WO3-12-213T	\$801.21	4.4	79.0	155	
5	1200	230/460/796	215T	WWELUC5-12-215T	\$948.79	7.3	82.3	154	
	1200	230/460/796	215T	WO5-12-215T	\$948.79	7.3	82.0	175	
7.5	1200	230/460/796	254T	WWELUC7.5-12-254T	\$1,187.80	10.8	86.5	297	
	1200	230/460/796	254T	WO7.5-12-254T	\$1,187.80	10.0	86.5	300	
10	1200	230/460/796	256T	WWELUC10-12-256T	\$1,616.49	14.5	86.6	322	
	1200	230/460/796	256T	WO10-12-256T	\$1,616.49	14.0	87.0	340	
15	1200	230/460/796	284T	WWELUC15-12-284T	\$2,031.16	20.7	87.7	416	
	1200	230/460/796	284T	WO15-12-284T	\$2,031.16	19.0	87.0	410	
20	1200	230/460/796	286T	WWELUC20-12-286T	\$2,494.13	27.0	87.6	458	
	1200	230/460/796	286T	WO20-12-286T	\$2,494.13	25.5	87.5	440	
25	1200	230/460/796	324T	WWELUC25-12-324T	\$2,916.48	32.6	88.4	610	
	1200	230/460/796	324T	WO25-12-324T	\$2,916.48	31.5	88.1	580	
30	1200	230/460/796	326T	WWELUC30-12-326T	\$3,456.52	39.0	87.7	667	
	1200	230/460/796	326T	WO30-12-326T	\$3,456.52	38.0	88.5	610	
40	1200	230/460/796	365T	WWELUC40-12-365T	\$4,673.12	50.0	88.9	806	
	1200	230/460/796	365T	WO40-12-365T	\$4,673.12	49.5	89.0	650	
50	1200	230/460/796	404T	WWELUC50-12-404T	\$5,243.01	61.5	89.9	995	R
	1200	230/460/796	404T	WO50-12-404T	\$5,243.01	60.0	89.0	1035	R
60	1200	230/460/796	405T	WWELUC60-12-405T	\$5,571.51	72.6	89.7	1085	R
	1200	230/460/796	405T	WO60-12-405T	\$5,571.51	74.0	90.3	1200	R
75	1200	230/460/796	444T	WWELUC75-12-444T	\$8,058.96	92.6	90.6	1428	R
	1200	230/460/796	444T	WO75-12-444T	\$8,058.96	88.0	87.5	1378	R
100	1200	230/460/796	445T	WWELUC100-12-445T	\$9,111.59	121	91.0	1747	R
	1200	230/460/796	445T	WO100-12-445T	\$9,111.59	120	87.5	1798	R

R Roller bearing on drive end for belted applications

www.worldwideelectric.net



Dimensions On Page 99

Stock Products Catalog | 35

WORLDWIDE
OIL WELL PUMP

WORLDWIDE OIL WELL PUMP MOTORS

HIGH EFFICIENCY ▪ NEMA DESIGN D ▪ INVERTER DUTY

TEFC Enclosure ▪ Rigid Base
Three-Phase ▪ 230/460/796 Volt



Product Overview

- 40-100 HP
- 1200 RPM
- 230/460/796 volt
- TEFC enclosure
- 1.15 service factor
- Class F insulation
- Rigid base
- EISA-Compliant - high efficiency
- Inverter ready, 10:1 CT / 20:1 VT
- 3000 volt spike resistant, inverter duty wire
- Motors meet NEMA MG-1, Part 31
- Three winding thermostats provided (one per phase)
- NEMA Design D - high slip
- Suitable for 50 hz operation with 1.0 service factor

HP	RPM	Voltage	Frame	Model Number	List Price	FL Amps (A)	FL Eff. (%)	Approx. Wt. (lbs.)	Notes
40	1200	230/460/796	365T	IROW40-12-365T	\$5,192.36	50.0	88.9	806	
50	1200	230/460/796	404T	IROW50-12-404T	\$5,825.57	61.5	89.9	995	R
60	1200	230/460/796	405T	IROW60-12-405T	\$6,190.57	72.6	89.7	1078	R
75	1200	230/460/796	444T	IROW75-12-444T	\$8,954.40	92.6	90.6	1375	R
100	1200	230/460/796	445T	IROW100-12-445T	\$10,123.99	121	91.0	1750	R

WORLDWIDE OIL WELL PUMP

When using any motor with a variable frequency drive, take precautions to eliminate or reduce shaft currents in order to prolong bearing life.

R Roller bearing on drive end for belted applications

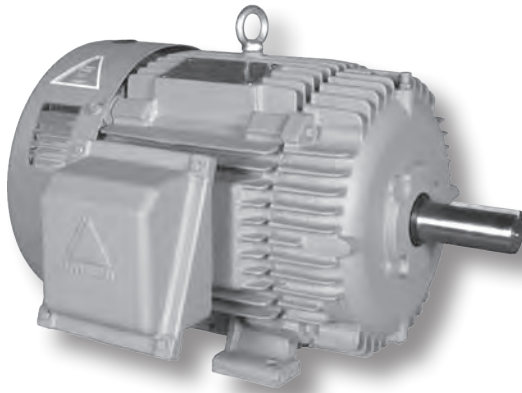


HYUNDAI CROWN TRITON™ SERIES MOTORS

PREMIUM EFFICIENCY

TEFC Enclosure ▪ Rigid Base

Three-Phase ▪ 208-230/460 and 460 Volt



Product Overview

- 1-250 HP
- 3600, 1800 and 1200 RPM
- 208-230/460 volt (1-125 HP)
- 460 volt (150-250 HP)
- TEFC enclosure
- Dual rated service factor 1.15 for 40°C / 1.0 for 65°C
- Class F insulation
- Rigid base
- Premium Efficiency, meets or exceeds EISA 2007 requirements defined in NEMA MG-1 table 12-12
- 5 year warranty
- NEMA Design B
- Cast iron frame and conduit box
- Suitable for part winding start on low voltage (1-125 HP)
- Suitable for wye-delta start (15-250 HP)
- Inverter ready, 10:1 CT / 20:1 VT
- Double drilled feet to accommodate mounting flexibility (324T-449T)
- F2 field mountable
- Class I, Division 2, Groups A, B, C, D
- CC # 038A



CC038A



HP	RPM	Voltage	Frame	Model Number	List Price	FL Amps (A)	FL Eff. (%)	Approx. Wt. (lbs.)	Notes
1	1800	208-230/460	143T	HHI1-18-143T	\$420.00	1.6	85.5	53	
	1200	208-230/460	145T	HHI1-12-145T	\$510.00	1.8	82.5	55	
	3600	208-230/460	143T	HHI1.5-36-143T	\$456.00	2.0	84.0	53	
1.5	1800	208-230/460	145T	HHI1.5-18-145T	\$462.00	2.2	86.5	55	
	1200	208-230/460	182T	HHI1.5-12-182T	\$546.00	2.3	87.5	90	
	3600	208-230/460	145T	HHI2-36-145T	\$496.00	2.6	85.5	55	
2	1800	208-230/460	145T	HHI2-18-145T	\$515.00	3.0	86.5	55	
	1200	208-230/460	184T	HHI2-12-184T	\$673.00	3.0	88.5	105	
	3600	208-230/460	182T	HHI3-36-182T	\$634.00	3.8	86.5	90	
3	1800	208-230/460	182T	HHI3-18-182T	\$625.00	3.9	89.5	90	
	1200	208-230/460	213T	HHI3-12-213T	\$961.00	4.5	89.5	150	
	3600	208-230/460	184T	HHI5-36-184T	\$741.00	6.1	88.5	105	
5	1800	208-230/460	184T	HHI5-18-184T	\$710.00	6.5	89.5	105	
	1200	208-230/460	215T	HHI5-12-215T	\$1,130.00	7.4	89.5	165	
	3600	208-230/460	213T	HHI7.5-36-213T	\$997.00	9.0	89.5	150	
7.5	1800	208-230/460	213T	HHI7.5-18-213T	\$958.00	9.5	91.7	150	
	1200	208-230/460	254T	HHI7.5-12-254T	\$1,718.00	10.3	91.0	260	
	3600	208-230/460	215T	HHI10-36-215T	\$1,130.00	12.0	90.2	165	
10	1800	208-230/460	215T	HHI10-18-215T	\$1,155.00	12.8	91.7	165	
	1200	208-230/460	256T	HHI10-12-256T	\$2,037.00	13.8	91.0	300	
	3600	208-230/460	254T	HHI15-36-254T	\$1,680.00	16.9	91.7	260	
15	1800	208-230/460	254T	HHI15-18-254T	\$1,662.00	18.3	92.4	260	
	1200	208-230/460	284T	HHI15-12-284T	\$2,831.00	19.8	91.7	380	
	3600	208-230/460	256T	HHI20-36-256T	\$2,059.00	23.1	91.7	300	
20	1800	208-230/460	256T	HHI20-18-256T	\$1,918.00	24.8	93.0	300	
	1200	208-230/460	286T	HHI20-12-286T	\$3,335.00	26.7	91.7	410	

When using any motor with a variable frequency drive, take precautions to eliminate or reduce shaft currents in order to prolong bearing life.

Dimensions On Page 100

Continued On Next Page



HYUNDAI CROWN TRITON™ SERIES MOTORS

PREMIUM EFFICIENCY



TEFC Enclosure ▪ Rigid Base

Three-Phase ▪ 208-230/460 and 460 Volt

HP	RPM	Voltage	Frame	Model Number	List Price	FL Amps (A)	FL Eff. (%)	Approx. Wt. (lbs.)	Notes
25	3600	208-230/460	284T	HHI25-36-284T	\$3,075.00	28.5	91.7	380	
	3600	208-230/460	284TS	HHI25-36-284TS	\$2,546.00	28.5	91.7	380	
	1800	208-230/460	284T	HHI25-18-284T	\$2,473.00	30.3	93.6	380	
	1200	208-230/460	324T	HHI25-12-324T	\$3,969.00	31.2	93.0	550	
30	3600	208-230/460	286T	HHI30-36-286T	\$3,611.00	33.8	91.7	410	
	3600	208-230/460	286TS	HHI30-36-286TS	\$2,989.00	33.8	91.7	410	
	1800	208-230/460	286T	HHI30-18-286T	\$2,763.00	36.0	93.6	410	
	1200	208-230/460	326T	HHI30-12-326T	\$4,485.00	37.1	93.0	560	
40	3600	208-230/460	324T	HHI40-36-324T	\$4,620.00	45.5	92.4	530	
	3600	208-230/460	324TS	HHI40-36-324TS	\$3,825.00	45.5	92.4	530	
	1800	208-230/460	324T	HHI40-18-324T	\$3,693.00	48.8	94.1	550	
	1200	208-230/460	364T	HHI40-12-364T	\$6,628.00	48.8	94.1	780	
50	3600	208-230/460	326T	HHI50-36-326T	\$5,474.00	55.8	93.0	540	
	3600	208-230/460	326TS	HHI50-36-326TS	\$4,532.00	55.8	93.0	540	
	1800	208-230/460	326T	HHI50-18-326T	\$4,423.00	59.9	94.5	560	
	1200	208-230/460	365T	HHI50-12-365T	\$7,803.00	60.2	94.1	840	
60	3600	208-230/460	364T	HHI60-36-364T	\$7,955.00	65.6	94.1	780	
	3600	208-230/460	364TS	HHI60-36-364TS	\$6,586.00	65.6	94.1	780	
	1800	208-230/460	364T	HHI60-18-364T	\$6,789.00	69.9	95.0	780	
	1200	208-230/460	404T	HHI60-12-404T	\$8,930.00	71.2	94.5	1120	R
75	3600	208-230/460	365T	HHI75-36-365T	\$9,227.00	79.8	94.5	820	
	3600	208-230/460	365TS	HHI75-36-365TS	\$7,639.00	79.8	94.5	820	
	1800	208-230/460	365T	HHI75-18-365T	\$7,887.00	85.1	95.4	820	
	1200	208-230/460	405T	HHI75-12-405T	\$10,285.00	87.0	94.5	1220	R
100	3600	208-230/460	405TS	HHI100-36-405TS	\$10,248.00	110.1	94.5	1110	
	1800	208-230/460	405T	HHI100-18-405T	\$9,800.00	114.1	95.4	1110	R
	1800	208-230/460	405T	HHI100-18-405TBB	\$9,800.00	114.1	95.4	1110	
	1200	208-230/460	444T	HHI100-12-444T	\$12,944.00	116.6	95.0	1530	R
125	3600	208-230/460	444TS	HHI125-36-444TS	\$14,099.00	139.5	95.0	1610	
	1800	208-230/460	444T	HHI125-18-444T	\$13,400.00	142.0	95.4	1530	R
	1800	208-230/460	444T	HHI125-18-444TBB	\$13,400.00	142.0	95.4	1530	
	1200	208-230/460	445T	HHI125-12-445T	\$15,259.00	147.7	95.0	1700	R
150	3600	460	445TS	HHI150-36-445TS	\$16,006.00	161.5	95.0	1770	
	1800	460	445T	HHI150-18-445T	\$15,493.00	163.8	95.8	1700	R
	1800	460	445T	HHI150-18-445TBB	\$15,493.00	163.8	95.8	1700	
	1200	460	447T	HHI150-12-447T	\$17,800.00	169.5	95.8	1860	R
200	3600	460	447TS	HHI200-36-447TS	\$19,918.00	219.3	95.4	1900	
	1800	460	447T	HHI200-18-447T	\$17,938.00	222.4	96.2	1860	R
	1800	460	447T	HHI200-18-447TBB	\$17,938.00	222.4	96.2	1860	
	1200	460	449T	HHI200-12-449T	\$21,386.00	231.2	95.8	2430	R
250	3600	460	449TS	HHI250-36-449TS	\$26,042.00	276.6	95.8	2430	
	1800	460	449T	HHI250-18-449T	\$22,403.00	281.7	96.2	2430	R
	1800	460	449T	HHI250-18-449TBB	\$22,403.00	281.7	96.2	2430	

When using any motor with a variable frequency drive, take precautions to eliminate or reduce shaft currents in order to prolong bearing life.

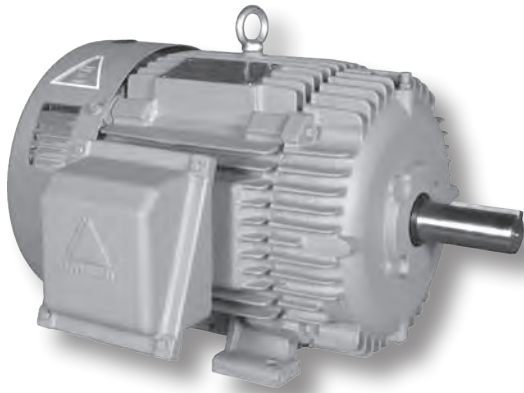
R Roller bearing on drive end for belted applications



HYUNDAI CROWN TRITON™ SERIES MOTORS

PREMIUM EFFICIENCY

TEFC Enclosure ▪ Rigid Base ▪ Factory Short Shaft
Three-Phase ▪ 208-230/460 and 460 Volt



Product Overview

- 25-200 HP
- 1800 and 1200 RPM
- 208-230/460 volt (25-125 HP)
- 460 volt (150-200 HP)
- TEFC enclosure
- Dual rated service factor 1.15 for 40°C / 1.0 for 65°C
- Class F insulation
- Rigid base
- Factory short shaft
- Premium Efficiency, meets or exceeds EISA 2007 requirements defined in NEMA MG-1 table 12-12
- 5 year warranty
- NEMA Design B
- Cast iron frame and conduit box
- Suitable for part winding start on low voltage (25-125 HP)
- Suitable for wye-delta start (25-200 HP)
- Inverter ready, 10:1 CT / 20:1 VT
- Double drilled feet to accommodate mounting flexibility (324TS-449TS)
- F2 field mountable
- Class I, Division 2, Groups A, B, C, D
- CC # 038A



HP	RPM	Voltage	Frame	Model Number	List Price	FL Amps (A)	FL Eff. (%)	Approx. Wt. (lbs.)	Notes
25	1800	208-230/460	284TS	HHI25-18-284TS	\$2,987.00	30.3	93.6	380	
30	1800	208-230/460	286TS	HHI30-18-286TS	\$3,337.00	36.0	93.6	410	
40	1800	208-230/460	324TS	HHI40-18-324TS	\$4,461.00	48.8	94.1	550	
50	1800	208-230/460	326TS	HHI50-18-326TS	\$5,343.00	59.9	94.5	560	
60	1800	208-230/460	364TS	HHI60-18-364TS	\$8,200.00	69.9	95.0	780	
75	1800	208-230/460	365TS	HHI75-18-365TS	\$9,527.00	85.1	95.4	820	
100	1800	208-230/460	405TS	HHI100-18-405TSBB	\$11,836.00	114.1	95.4	1110	
125	1800	208-230/460	444TS	HHI125-18-444TSBB	\$16,184.00	142.0	95.4	1530	
150	1800	460	445TS	HHI150-18-445TSBB	\$18,712.00	163.8	95.8	1700	
	1200	460	447TS	HHI150-12-447TSBB	\$21,498.00	169.5	95.8	1860	
200	1800	460	447TS	HHI200-18-447TSBB	\$21,665.00	222.4	96.2	1860	
	1200	460	449TS	HHI200-12-449TSBB	\$25,830.00	231.2	95.8	2430	

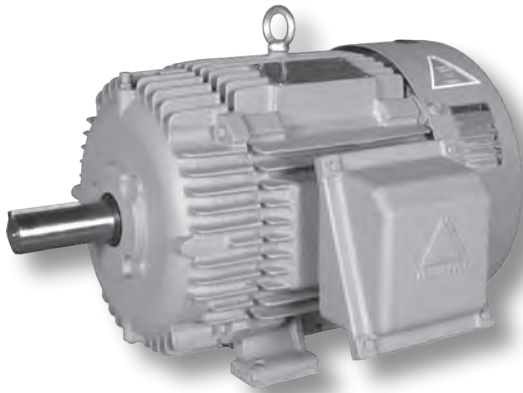
When using any motor with a variable frequency drive, take precautions to eliminate or reduce shaft currents in order to prolong bearing life.



HYUNDAI CROWN TRITON™ SERIES MOTORS

PREMIUM EFFICIENCY

TEFC Enclosure ▪ Rigid Base ▪ Factory F2 Mount
Three-Phase ▪ 208-230/460 and 460 Volt



Product Overview

- 25-200 HP
- 1800 and 1200 RPM
- 208-230/460 volt (25-125 HP)
- 460 volt (150-200 HP)
- TEFC enclosure
- Dual rated service factor 1.15 for 40°C / 1.0 for 65°C
- Class F insulation
- Rigid base
- Factory F2 mount
- Premium Efficiency, meets or exceeds EISA 2007 requirements defined in NEMA MG-1 table 12-12
- 5 year warranty
- NEMA Design B
- Cast iron frame and conduit box
- Suitable for part winding start on low voltage (25-125 HP)
- Suitable for wye-delta start (25-200 HP)
- Inverter ready, 10:1 CT / 20:1 VT
- Double drilled feet to accommodate mounting flexibility (324T-449T)
- F1 field mountable
- Class I, Division 2, Groups A, B, C, D
- CC # 038A



HP	RPM	Voltage	Frame	Model Number	List Price	FL Amps (A)	FL Eff. (%)	Approx. Wt. (lbs.)	Notes
25	1800	208-230/460	284T	HHI25-18-284T-F2	\$2,987.00	30.3	93.6	380	
30	1800	208-230/460	286T	HHI30-18-286T-F2	\$3,337.00	36.0	93.6	410	
40	1800	208-230/460	324T	HHI40-18-324T-F2	\$4,461.00	48.8	94.1	550	
50	1800	208-230/460	326T	HHI50-18-326T-F2	\$5,343.00	59.9	94.5	560	
60	1800	208-230/460	364T	HHI60-18-364T-F2	\$8,200.00	69.9	95.0	780	
75	1800	208-230/460	365T	HHI75-18-365T-F2	\$9,527.00	85.1	95.4	820	
	1200	208-230/460	405T	HHI75-12-405T-F2	\$12,422.00	87.0	94.5	1220	R
100	1800	208-230/460	405T	HHI100-18-405T-F2	\$11,836.00	114.1	95.4	1110	R
125	1800	208-230/460	444T	HHI125-18-444T-F2	\$16,184.00	142.0	95.4	1530	R
150	1800	460	445T	HHI150-18-445T-F2	\$18,712.00	163.8	95.8	1700	R
	1200	460	447T	HHI150-12-447T-F2	\$21,498.00	169.5	95.8	1860	R
200	1800	460	447T	HHI200-18-447T-F2	\$21,665.00	222.4	96.2	1860	R
	1200	460	449T	HHI200-12-449T-F2	\$25,830.00	231.2	95.8	2430	R

HYUNDAI
PREMIUM EFFICIENCY

When using any motor with a variable frequency drive, take precautions to eliminate or reduce shaft currents in order to prolong bearing life.

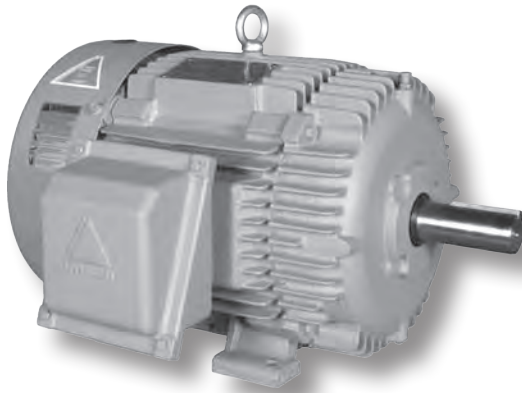
R Roller bearing on drive end for belted applications



HYUNDAI CROWN TRITON™ SERIES MOTORS

PREMIUM EFFICIENCY

TEFC Enclosure ▪ Rigid Base
Three-Phase ▪ 575 Volt



Product Overview

- 1-200 HP
- 3600, 1800 and 1200 RPM
- 575 volt
- TEFC enclosure
- Dual rated service factor
1.15 for 40°C / 1.0 for 65°C
- Class F insulation
- Rigid base
- Premium Efficiency, meets or exceeds
EISA 2007 requirements defined in
NEMA MG-1 table 12-12
- 5 year warranty
- NEMA Design B
- Cast iron frame and conduit box
- Inverter ready, 10:1 CT / 20:1 VT
- Double drilled feet to accommodate
mounting flexibility (324T-447T)
- F2 field mountable
- Class I, Division 2, Groups A, B, C, D
- CC # 038A



HP	RPM	Voltage	Frame	Model Number	List Price	FL Amps (A)	FL Eff. (%)	Approx. Wt. (lbs.)	Notes
1	1800	575	143T	HHI1-18-575-143T	\$467.00	1.3	85.5	53	
1.5	1800	575	145T	HHI1.5-18-575-145T	\$514.00	1.8	86.5	55	
2	1800	575	145T	HHI2-18-575-145T	\$573.00	2.4	86.5	55	
3	1800	575	182T	HHI3-18-575-182T	\$695.00	3.1	89.5	90	
5	3600	575	184T	HHI5-36-575-184T	\$824.00	4.9	88.5	105	
	1800	575	184T	HHI5-18-575-184T	\$789.00	5.2	89.5	105	
	1200	575	215T	HHI5-12-575-215T	\$1,256.00	5.9	89.5	165	
7.5	3600	575	213T	HHI7.5-36-575-213T	\$1,108.00	7.2	89.5	150	
	1800	575	213T	HHI7.5-18-575-213T	\$1,065.00	7.6	91.7	150	
	1200	575	254T	HHI7.5-12-575-254T	\$1,909.00	8.2	91.0	260	
10	1800	575	215T	HHI10-18-575-215T	\$1,284.00	10.2	91.7	165	
15	3600	575	254T	HHI15-36-575-254T	\$1,867.00	13.5	91.7	260	
	1800	575	254T	HHI15-18-575-254T	\$1,847.00	14.6	92.4	260	
20	3600	575	256T	HHI20-36-575-256T	\$2,288.00	18.5	91.7	300	
	1800	575	256T	HHI20-18-575-256T	\$2,132.00	19.8	93.0	300	
25	3600	575	284TS	HHI25-36-575-284TS	\$2,829.00	22.8	91.7	380	
	1800	575	284T	HHI25-18-575-284T	\$2,748.00	24.2	93.6	380	
30	3600	575	286TS	HHI30-36-575-286TS	\$3,322.00	27.0	91.7	410	
	1800	575	286T	HHI30-18-575-286T	\$3,070.00	28.8	93.6	410	
40	1800	575	324T	HHI40-18-575-324T	\$4,104.00	39.0	94.1	550	
50	3600	575	326TS	HHI50-36-575-326TS	\$5,036.00	44.6	93.0	540	
	1800	575	326T	HHI50-18-575-326T	\$4,915.00	47.9	94.5	560	
60	3600	575	364TS	HHI60-36-575-364TS	\$7,318.00	52.5	94.1	780	
	1800	575	364T	HHI60-18-575-364T	\$7,544.00	56.0	95.0	780	
75	1800	575	365T	HHI75-18-575-365T	\$8,764.00	68.1	95.4	820	
100	1800	575	405T	HHI100-18-575-405T	\$10,889.00	91.3	95.4	1110	R
	1200	575	444T	HHI100-12-575-444T	\$14,383.00	93.3	95.0	1530	R
125	1800	575	444T	HHI125-18-575-444T	\$14,889.00	113.6	95.4	1530	R
150	1800	575	445T	HHI150-18-575-445T	\$17,215.00	131.0	95.8	1700	R
	1800	575	445T	HHI150-18-575-445TBB	\$17,215.00	131.0	95.8	1700	R
200	1800	575	447T	HHI200-18-575-447T	\$19,932.00	177.9	96.2	1860	R

When using any motor with a variable frequency drive, take precautions to eliminate or reduce shaft currents in order to prolong bearing life.

R Roller bearing on drive end for belted applications

www.worldwideelectric.net

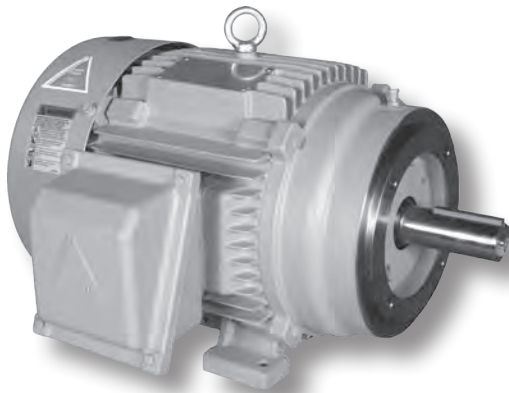


Dimensions On Page 100

HYUNDAI CROWN TRITON™ SERIES MOTORS

PREMIUM EFFICIENCY

TEFC Enclosure ▪ C-Face ▪ Rigid Base
Three-Phase ▪ 208-230/460 and 460 Volt



Product Overview

- 1-200 HP
- 3600, 1800 and 1200 RPM
- 208-230/460 volt (1-125 HP)
- 460 volt (150-200 HP)
- TEFC enclosure
- Dual rated service factor 1.15 for 40°C / 1.0 for 65°C
- Class F insulation
- C-face - rigid base
- Premium Efficiency, meets or exceeds EISA 2007 requirements defined in NEMA MG-1 table 12-12
- 5 year warranty
- NEMA Design B
- Cast iron frame and conduit box
- Suitable for part winding start on low voltage (1-125 HP)
- Suitable for wye-delta start (15-200 HP)
- Inverter ready, 10:1 CT / 20:1 VT
- Double drilled feet to accommodate mounting flexibility (324TC-449TC)
- F2 field mountable
- Class I, Division 2, Groups A, B, C, D
- CC # 038A



HP	RPM	Voltage	Frame	Model Number	List Price	FL Amps (A)	FL Eff. (%)	Approx. Wt. (lbs.)	Notes
1	1800	208-230/460	143TC	HHI1-18-143TC	\$438.00	1.6	85.5	53	
	1200	208-230/460	145TC	HHI1-12-145TC	\$532.00	1.8	82.5	55	
1.5	3600	208-230/460	143TC	HHI1.5-36-143TC	\$475.00	2.0	84.0	53	
	1800	208-230/460	145TC	HHI1.5-18-145TC	\$482.00	2.2	86.5	55	
2	3600	208-230/460	145TC	HHI2-36-145TC	\$517.00	2.6	85.5	55	
	1800	208-230/460	145TC	HHI2-18-145TC	\$537.00	3.0	86.5	55	
3	3600	208-230/460	182TC	HHI3-36-182TC	\$661.00	3.8	86.5	90	
	1800	208-230/460	182TC	HHI3-18-182TC	\$652.00	3.9	89.5	90	
5	3600	208-230/460	184TC	HHI5-36-184TC	\$772.00	6.1	88.5	105	
	1800	208-230/460	184TC	HHI5-18-184TC	\$740.00	6.5	89.5	105	
	1200	208-230/460	215TC	HHI5-12-215TC	\$1,178.00	7.4	89.5	165	
7.5	3600	208-230/460	213TC	HHI7.5-36-213TC	\$1,039.00	9.0	89.5	150	
	1800	208-230/460	213TC	HHI7.5-18-213TC	\$998.00	9.5	91.7	150	
	1200	208-230/460	254TC	HHI7.5-12-254TC	\$1,790.00	10.3	91.0	260	
10	3600	208-230/460	215TC	HHI10-36-215TC	\$1,178.00	12.0	90.2	165	
	1800	208-230/460	215TC	HHI10-18-215TC	\$1,204.00	12.8	91.7	165	
	1200	208-230/460	256TC	HHI10-12-256TC	\$2,122.00	13.8	91.0	300	
15	3600	208-230/460	254TC	HHI15-36-254TC	\$1,750.00	16.9	91.7	260	
	1800	208-230/460	254TC	HHI15-18-254TC	\$1,732.00	18.3	92.4	260	
	1200	208-230/460	284TC	HHI15-12-284TC	\$2,949.00	19.8	91.7	380	
20	3600	208-230/460	256TC	HHI20-36-256TC	\$2,145.00	23.1	91.7	300	
	1800	208-230/460	256TC	HHI20-18-256TC	\$1,998.00	24.8	93.0	300	
	1200	208-230/460	286TC	HHI20-12-286TC	\$3,474.00	26.7	91.7	410	
25	3600	208-230/460	284TSC	HHI25-36-284TSC	\$2,653.00	28.5	91.7	380	
	1800	208-230/460	284TC	HHI25-18-284TC	\$2,577.00	30.3	93.6	380	
	1800	208-230/460	284TSC	HHI25-18-284TSC	\$3,112.00	30.3	93.6	380	
	1200	208-230/460	324TC	HHI25-12-324TC	\$4,135.00	31.2	93.0	550	

When using any motor with a variable frequency drive, take precautions to eliminate or reduce shaft currents in order to prolong bearing life.

Dimensions On Page 101

Continued On Next Page



HYUNDAI CROWN TRITON™ SERIES MOTORS

PREMIUM EFFICIENCY



TEFC Enclosure ▪ C-Face ▪ Rigid Base
Three-Phase ▪ 208-230/460 and 460 Volt

HP	RPM	Voltage	Frame	Model Number	List Price	FL Amps (A)	FL Eff. (%)	Approx. Wt. (lbs.)	Notes
30	3600	208-230/460	286TSC	HHI30-36-286TSC	\$3,114.00	33.8	91.7	410	
	1800	208-230/460	286TC	HHI30-18-286TC	\$2,879.00	36.0	93.6	410	
	1200	208-230/460	326TC	HHI30-12-326TC	\$4,672.00	37.1	93.0	560	
40	1800	208-230/460	324TC	HHI40-18-324TC	\$3,847.00	48.8	94.1	550	
	1200	208-230/460	364TC	HHI40-12-364TC	\$6,905.00	48.8	94.1	780	
50	1800	208-230/460	326TC	HHI50-18-326TC	\$4,608.00	59.9	94.5	560	
	1200	208-230/460	365TC	HHI50-12-365TC	\$8,129.00	60.2	94.1	840	
60	1800	208-230/460	364TC	HHI60-18-364TC	\$7,072.00	69.9	95.0	780	
	1200	208-230/460	404TC	HHI60-12-404TC	\$9,303.00	71.2	94.5	1120	
75	1800	208-230/460	365TC	HHI75-18-365TC	\$8,216.00	85.1	95.4	820	
	1800	208-230/460	365TSC	HHI75-18-365TSC	\$9,924.00	85.1	95.4	820	
	1200	208-230/460	405TC	HHI75-12-405TC	\$10,714.00	87.0	94.5	1220	
100	1800	208-230/460	405TC	HHI100-18-405TC	\$10,209.00	114.1	95.4	1110	
	1800	208-230/460	405TSC	HHI100-18-405TSC	\$12,330.00	114.1	95.4	1110	
	1200	208-230/460	444TC	HHI100-12-444TC	\$13,484.00	116.6	95.0	1530	
125	1800	208-230/460	444TC	HHI125-18-444TC	\$13,959.00	142.0	95.4	1530	
	1800	208-230/460	444TSC	HHI125-18-444TSC	\$16,859.00	142.0	95.4	1530	
	1200	208-230/460	445TC	HHI125-12-445TC	\$15,895.00	147.7	95.0	1700	
150	1800	460	445TC	HHI150-18-445TC	\$16,139.00	163.8	95.8	1700	
	1800	460	445TSC	HHI150-18-445TSC	\$19,493.00	163.8	95.8	1700	
	1200	460	447TC	HHI150-12-447TC	\$18,542.00	169.5	95.8	1860	
200	1800	460	447TC	HHI200-18-447TC	\$18,686.00	222.4	96.2	1860	
	1800	460	447TSC	HHI200-18-447TSC	\$22,569.00	222.4	96.2	1860	
	1200	460	449TC	HHI200-12-449TC	\$22,278.00	231.2	95.8	2430	

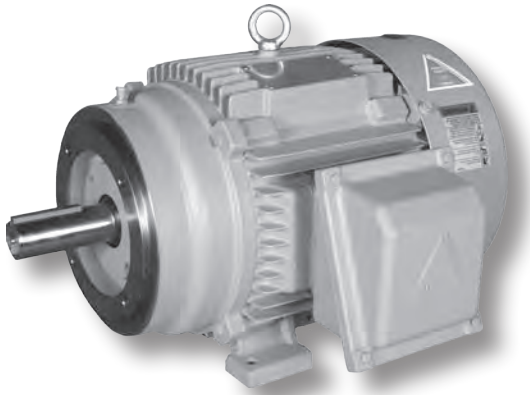
When using any motor with a variable frequency drive, take precautions to eliminate or reduce shaft currents in order to prolong bearing life.



HYUNDAI CROWN TRITON™ SERIES MOTORS

PREMIUM EFFICIENCY

TEFC Enclosure ▪ C-Face ▪ Rigid Base ▪ Factory F2 Mount
Three-Phase ▪ 208-230/460 and 460 Volt



Product Overview

- 20-200 HP
- 1800 RPM
- 208-230/460 volt (20-125 HP)
- 460 volt (150-200 HP)
- TEFC enclosure
- Dual rated service factor
1.15 for 40°C / 1.0 for 65°C
- Class F insulation
- C-face - rigid base
- Factory F2 mount
- Premium Efficiency, meets or exceeds
EISA 2007 requirements defined in
NEMA MG-1 table 12-12
- 5 year warranty
- NEMA Design B
- Cast iron frame and conduit box
- Suitable for part winding start
on low voltage (20-125 HP)
- Suitable for wye-delta start (20-200 HP)
- Inverter ready, 10:1 CT / 20:1 VT
- Double drilled feet to accommodate
mounting flexibility (324TC-447TC)
- F1 field mountable
- Class I, Division 2, Groups A, B, C, D
- CC # 038A



HP	RPM	Voltage	Frame	Model Number	List Price	FL Amps (A)	FL Eff. (%)	Approx. Wt. (lbs.)	Notes
20	1800	208-230/460	256TC	HHI20-18-256TC-F2	\$2,414.00	24.8	93.0	300	
25	1800	208-230/460	284TC	HHI25-18-284TC-F2	\$3,112.00	30.3	93.6	380	
30	1800	208-230/460	286TC	HHI30-18-286TC-F2	\$3,477.00	36.0	93.6	410	
40	1800	208-230/460	324TC	HHI40-18-324TC-F2	\$4,647.00	48.8	94.1	550	
50	1800	208-230/460	326TC	HHI50-18-326TC-F2	\$5,566.00	59.9	94.5	560	
60	1800	208-230/460	364TC	HHI60-18-364TC-F2	\$8,542.00	69.9	95.0	780	
100	1800	208-230/460	405TC	HHI100-18-405TC-F2	\$12,330.00	114.1	95.4	1110	
	1800	208-230/460	405TSC	HHI100-18-405TSC-F2	\$13,700.00	114.1	95.4	1110	
125	1800	208-230/460	444TC	HHI125-18-444TC-F2	\$16,859.00	142.0	95.4	1530	
150	1800	460	445TC	HHI150-18-445TC-F2	\$19,493.00	163.8	95.8	1700	
	1800	460	445TSC	HHI150-18-445TSC-F2	\$21,659.00	163.8	95.8	1700	
200	1800	460	447TC	HHI200-18-447TC-F2	\$22,569.00	222.4	96.2	1860	

HYUNDAI
PREMIUM EFFICIENCY

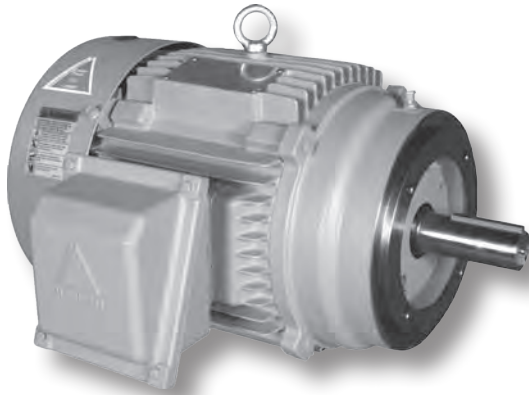
When using any motor with a variable frequency drive, take precautions to eliminate or reduce shaft currents in order to prolong bearing life.



HYUNDAI CROWN TRITON™ SERIES MOTORS

PREMIUM EFFICIENCY

TEFC Enclosure ▪ C-Face ▪ Round Body
Three-Phase ▪ 208-230/460 Volt



Product Overview

- 1-40 HP
- 1800 RPM
- 208-230/460 volt
- TEFC enclosure
- Dual rated service factor
1.15 for 40°C / 1.0 for 65°C
- Class F insulation
- C-face - round body
- Premium Efficiency, meets or exceeds
EISA 2007 requirements defined in
NEMA MG-1 table 12-12
- 5 year warranty
- NEMA Design B
- Cast iron frame and conduit box
- Suitable for part winding start
on low voltage
- Suitable for wye-delta start (15-40 HP)
- Inverter ready, 10:1 CT / 20:1 VT
- F2 field mountable
- Class I, Division 2, Groups A, B, C, D
- CC # 038A



HP	RPM	Voltage	Frame	Model Number	List Price	FL Amps (A)	FL Eff. (%)	Approx. Wt. (lbs.)	Notes
1	1800	208-230/460	143TC	HHI1-18-143TCRD	\$438.00	1.6	85.5	53	
1.5	1800	208-230/460	145TC	HHI1.5-18-145TCRD	\$482.00	2.2	86.5	55	
2	1800	208-230/460	145TC	HHI2-18-145TCRD	\$537.00	3.0	86.5	55	
3	1800	208-230/460	182TC	HHI3-18-182TCRD	\$652.00	3.9	89.5	90	
5	1800	208-230/460	184TC	HHI5-18-184TCRD	\$740.00	6.5	89.5	105	
7.5	1800	208-230/460	213TC	HHI7.5-18-213TCRD	\$998.00	9.5	91.7	150	
10	1800	208-230/460	215TC	HHI10-18-215TCRD	\$1,204.00	12.8	91.7	165	
15	1800	208-230/460	254TC	HHI15-18-254TCRD	\$1,732.00	18.3	92.4	260	
20	1800	208-230/460	256TC	HHI20-18-256TCRD	\$1,998.00	24.8	93.0	300	
25	1800	208-230/460	284TC	HHI25-18-284TCRD	\$2,577.00	30.3	93.6	380	
30	1800	208-230/460	286TC	HHI30-18-286TCRD	\$2,879.00	36.0	93.6	410	
40	1800	208-230/460	324TC	HHI40-18-324TCRD	\$3,847.00	48.8	94.1	550	

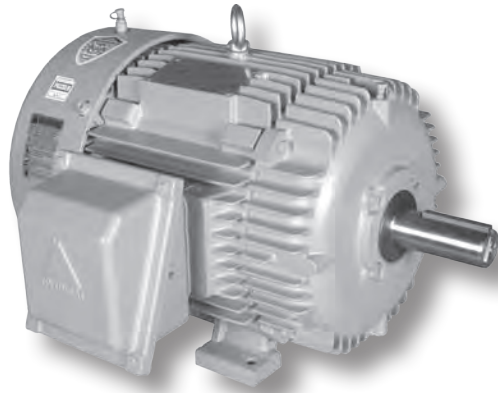
When using any motor with a variable frequency drive, take precautions to eliminate or reduce shaft currents in order to prolong bearing life.



HYUNDAI CROWN TRITON™ SERIES MOTORS

IEEE-841

TEFC Enclosure ▪ Rigid Base
Three-Phase ▪ 460 Volt



Product Overview

- 1-250 HP
- 3600, 1800 and 1200 RPM
- Single voltage, 460 volt
- TEFC enclosure
- Dual rated service factor
1.15 for 40°C / 1.0 for 65°C
- Class F insulation with Class N varnish
- Rigid base
- Full compliance with IEEE-841, version 2009
- Meets or exceeds EISA 2007 requirements defined in NEMA MG-1 table 12-12
- 5 year warranty
- Parker Hannifan ProTech IP66 labyrinth seals on both drive-end and opposite drive-end bearings
- CSA Certified For Class I, Division 2, Groups A, B, C, D
- Inverter duty, 10:1 CT / 1000:1 VT
- Inverter shield insulation and inverter grade magnet wire meets or exceeds NEMA MG-1 Part 31 for exceptional corona and transient protection
- Class B temperature rise
- IP55 degree of protection
- NEMA design B torque
- IEEE-841 motor test report supplied with each motor



HP	RPM	Voltage	Frame	Model Number	List Price	FL Amps (A)	FL Eff. (%)	Approx. Wt. (lbs.)	Notes
1	1800	460	143T	IEEE1-18-143T	\$845.00	1.6	85.5	53	
	1200	460	145T	IEEE1-12-145T	\$1,008.00	1.8	82.5	55	
1.5	3600	460	143T	IEEE1.5-36-143T	\$926.00	2.0	84.0	53	
	1800	460	145T	IEEE1.5-18-145T	\$903.00	2.2	86.5	55	
2	1200	460	182T	IEEE1.5-12-182T	\$1,098.00	2.3	87.5	90	
	3600	460	145T	IEEE2-36-145T	\$970.00	2.6	85.5	55	
3	1800	460	145T	IEEE2-18-145T	\$976.00	3.0	86.5	55	
	1200	460	184T	IEEE2-12-184T	\$1,289.00	3.0	88.5	105	
5	3600	460	182T	IEEE3-36-182T	\$1,199.00	3.8	86.5	90	
	1800	460	182T	IEEE3-18-182T	\$1,196.00	3.9	89.5	90	
7.5	1200	460	213T	IEEE3-12-213T	\$1,649.00	4.5	89.5	150	
	3600	460	184T	IEEE5-36-184T	\$1,342.00	6.1	88.5	105	
10	1800	460	184T	IEEE5-18-184T	\$1,359.00	6.5	89.5	105	
	1200	460	215T	IEEE5-12-215T	\$1,891.00	7.4	89.5	165	
15	3600	460	213T	IEEE7.5-36-213T	\$1,661.00	9.0	89.5	150	
	1800	460	213T	IEEE7.5-18-213T	\$1,673.00	9.5	91.7	150	
20	1200	460	254T	IEEE7.5-12-254T	\$2,675.00	10.3	91.0	260	
	3600	460	215T	IEEE10-36-215T	\$1,818.00	12.0	90.2	165	
25	1800	460	215T	IEEE10-18-215T	\$1,847.00	12.8	91.7	165	
	1200	460	256T	IEEE10-12-256T	\$3,061.00	13.8	91.0	300	
30	3600	460	254T	IEEE15-36-254T	\$2,576.00	16.9	91.7	260	
	1800	460	254T	IEEE15-18-254T	\$2,512.00	18.3	92.4	260	
40	1200	460	284T	IEEE15-12-284T	\$3,854.00	19.8	91.7	360	
	3600	460	256T	IEEE20-36-256T	\$3,020.00	23.1	91.7	300	
50	1800	460	256T	IEEE20-18-256T	\$2,936.00	24.8	93.0	300	
	1200	460	286T	IEEE20-12-286T	\$4,083.00	26.7	91.7	390	

When using any motor with a variable frequency drive, take precautions to eliminate or reduce shaft currents in order to prolong bearing life.

Dimensions On Page 103

Continued On Next Page



HYUNDAI CROWN TRITON™ SERIES MOTORS

IEEE-841

TEFC Enclosure ▪ Rigid Base

Three-Phase ▪ 460 Volt



HP	RPM	Voltage	Frame	Model Number	List Price	FL Amps (A)	FL Eff. (%)	Approx. Wt. (lbs.)	Notes
25	3600	460	284TS	IEEE25-36-284TS	\$3,369.00	28.5	91.7	380	
	1800	460	284T	IEEE25-18-284T	\$3,479.00	30.3	93.6	380	
	1200	460	324T	IEEE25-12-324T	\$4,728.00	31.2	93.0	550	
30	3600	460	286TS	IEEE30-36-286TS	\$3,560.00	33.8	91.7	410	
	1800	460	286T	IEEE30-18-286T	\$3,906.00	36.0	93.6	410	
	1200	460	326T	IEEE30-12-326T	\$5,509.00	37.1	93.0	560	
40	3600	460	324TS	IEEE40-36-324TS	\$5,024.00	45.5	92.4	550	
	1800	460	324T	IEEE40-18-324T	\$4,908.00	48.8	94.1	550	
	1200	460	364T	IEEE40-12-364T	\$9,249.00	48.8	94.1	780	
50	3600	460	326TS	IEEE50-36-326TS	\$5,663.00	55.8	93.0	560	
	1800	460	326T	IEEE50-18-326T	\$5,759.00	59.9	94.5	560	
	1200	460	365T	IEEE50-12-365T	\$10,028.00	60.2	94.1	840	
60	3600	460	364TS	IEEE60-36-364TS	\$8,462.00	65.6	94.1	780	
	1800	460	364T	IEEE60-18-364T	\$9,598.00	69.9	95.0	780	
	1200	460	404T	IEEE60-12-404T	\$11,918.00	71.2	94.5	1120	R
75	3600	460	365TS	IEEE75-36-365TS	\$9,667.00	79.8	94.5	820	
	1800	460	365T	IEEE75-18-365T	\$9,911.00	85.1	95.4	820	
	1200	460	405T	IEEE75-12-405T	\$13,039.00	87.0	94.5	1220	R
100	3600	460	405TS	IEEE100-36-405TS	\$12,124.00	110.1	94.5	1110	
	1800	460	405T	IEEE100-18-405T	\$13,692.00	114.1	95.4	1110	R
	1800	460	405T	IEEE100-18-405TBB	\$13,692.00	114.1	95.4	1110	
	1200	460	444T	IEEE100-12-444T	\$16,204.00	116.6	95.0	1530	R
125	3600	460	444TS	IEEE125-36-444TS	\$18,435.00	139.5	95.0	1610	
	1800	460	444T	IEEE125-18-444T	\$17,941.00	142.0	95.4	1530	R
	1800	460	444T	IEEE125-18-444TBB	\$17,941.00	142.0	95.4	1530	
	1200	460	445T	IEEE125-12-445T	\$18,804.00	147.7	95.0	1700	R
150	3600	460	445TS	IEEE150-36-445TS	\$20,270.00	161.5	95.0	1770	
	1800	460	445T	IEEE150-18-445T	\$20,308.00	163.8	95.8	1640	R
	1800	460	445T	IEEE150-18-445TBB	\$20,308.00	163.8	95.8	1640	
	1200	460	447T	IEEE150-12-447T	\$21,925.00	169.5	95.8	1970	R
200	3600	460	447TS	IEEE200-36-447TS	\$26,514.00	219.3	95.4	1900	
	1800	460	447T	IEEE200-18-447T	\$22,898.00	222.4	96.2	1860	R
	1800	460	447T	IEEE200-18-447TBB	\$22,898.00	222.4	96.2	1860	
	1200	460	449T	IEEE200-12-449T	\$26,052.00	231.2	95.8	2430	R
250	3600	460	449TS	IEEE250-36-449TS	\$30,492.00	276.6	95.8	2430	
	1800	460	449T	IEEE250-18-449T	\$27,466.00	281.7	96.2	2430	R

When using any motor with a variable frequency drive, take precautions to eliminate or reduce shaft currents in order to prolong bearing life.

R Roller bearing on drive end for belted applications

www.worldwideelectric.net



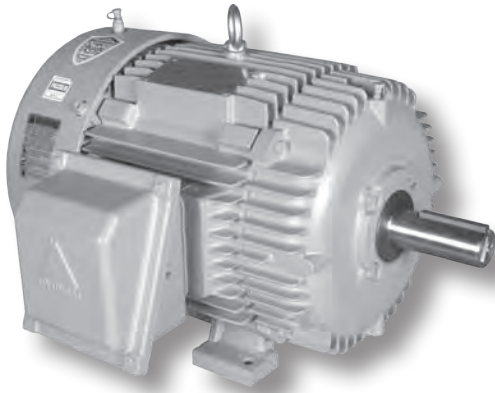
Dimensions On Page 103

Stock Products Catalog | 47

HYUNDAI CROWN TRITON™ SERIES MOTORS

IEEE-841 ▪ EPOXY PAINTED

TEFC Enclosure ▪ Rigid Base
Three-Phase ▪ 460 Volt



Product Overview

- 1-250 HP
- 3600, 1800 and 1200 RPM
- Single voltage, 460 volt
- TEFC enclosure
- Dual rated service factor
1.15 for 40°C / 1.0 for 65°C
- Class F insulation with Class N varnish
- Rigid base
- Full compliance with IEEE-841, version 2009
- Meets or exceeds EISA 2007 requirements defined in NEMA MG-1 table 12-12
- White Epoxy Paint
- Suitable for use in USDA inspected facilities
- Conforms to AWWA D102 Outside Coating Systems: #4 (OCS-4), #5 (OCS-5) and #6 (OCS-6)
- Acceptable for use in high performance architectural applications
- 5 year warranty
- Parker Hannifan ProTech IP66 labyrinth seals on both drive-end and opposite drive-end bearings
- CSA Certified For Class I, Division 2, Groups A, B, C, D
- Inverter duty, 10:1 CT / 1000:1 VT
- Inverter shield insulation and inverter grade magnet wire meets or exceeds NEMA MG-1 Part 31 for exceptional corona and transient protection
- Class B temperature rise
- IP55 degree of protection
- NEMA design B torque
- IEEE-841 motor test report supplied with each motor
- Please allow additional 5-7 business days delivery



HP	RPM	Voltage	Frame	Model Number	List Price	FL Amps (A)	FL Eff. (%)	Approx. Wt. (lbs.)	Notes
1	1800	460	143T	IEEE1-18-143T-EPOXY	\$744.37	1.6	85.5	53	
	1200	460	145T	IEEE1-12-145T-EPOXY	\$817.07	1.8	82.5	55	
	3600	460	143T	IEEE1.5-36-143T-EPOXY	\$780.50	2.0	84.0	53	
1.5	1800	460	145T	IEEE1.5-18-145T-EPOXY	\$770.24	2.2	86.5	55	
	1200	460	182T	IEEE1.5-12-182T-EPOXY	\$885.76	2.3	87.5	90	
	3600	460	145T	IEEE2-36-145T-EPOXY	\$800.12	2.6	85.5	55	
2	1800	460	145T	IEEE2-18-145T-EPOXY	\$802.80	3.0	86.5	55	
	1200	460	184T	IEEE2-12-184T-EPOXY	\$970.94	3.0	88.5	105	
	3600	460	182T	IEEE3-36-182T-EPOXY	\$930.80	3.8	86.5	90	
3	1800	460	182T	IEEE3-18-182T-EPOXY	\$929.46	3.9	89.5	90	
	1200	460	213T	IEEE3-12-213T-EPOXY	\$1,140.87	4.5	89.5	150	
	3600	460	184T	IEEE5-36-184T-EPOXY	\$994.58	6.1	88.5	105	
5	1800	460	184T	IEEE5-18-184T-EPOXY	\$1,002.16	6.5	89.5	105	
	1200	460	215T	IEEE5-12-215T-EPOXY	\$1,248.80	7.4	89.5	165	
	3600	460	213T	IEEE7.5-36-213T-EPOXY	\$1,146.22	9.0	89.5	150	
7.5	1800	460	213T	IEEE7.5-18-213T-EPOXY	\$1,151.57	9.5	91.7	150	
	1200	460	254T	IEEE7.5-12-254T-EPOXY	\$1,645.29	10.3	91.0	260	
	3600	460	215T	IEEE10-36-215T-EPOXY	\$1,216.24	12.0	90.2	165	
10	1800	460	215T	IEEE10-18-215T-EPOXY	\$1,229.18	12.8	91.7	165	
	1200	460	256T	IEEE10-12-256T-EPOXY	\$1,817.45	13.8	91.0	300	
	3600	460	254T	IEEE15-36-254T-EPOXY	\$1,601.14	16.9	91.7	260	
15	1800	460	254T	IEEE15-18-254T-EPOXY	\$1,572.60	18.3	92.4	260	
	1200	460	284T	IEEE15-12-284T-EPOXY	\$2,218.40	19.8	91.7	360	

When using any motor with a variable frequency drive, take precautions to eliminate or reduce shaft currents in order to prolong bearing life.

Dimensions On Page 103

Continued On Next Page



HYUNDAI CROWN TRITON™ SERIES MOTORS

IEEE-841 ▪ EPOXY PAINTED

TEFC Enclosure ▪ Rigid Base

Three-Phase ▪ 460 Volt



HP	RPM	Voltage	Frame	Model Number	List Price	FL Amps (A)	FL Eff. (%)	Approx. Wt. (lbs.)	Notes
20	3600	460	256T	IEEE20-36-256T-EPOXY	\$1,799.16	23.1	91.7	300	
	1800	460	256T	IEEE20-18-256T-EPOXY	\$1,761.70	24.8	93.0	300	
	1200	460	286T	IEEE20-12-286T-EPOXY	\$2,320.54	26.7	91.7	390	
25	3600	460	284TS	IEEE25-36-284TS-EPOXY	\$2,002.09	28.5	91.7	380	
	1800	460	284T	IEEE25-18-284T-EPOXY	\$2,051.15	30.3	93.6	380	
	1200	460	324T	IEEE25-12-324T-EPOXY	\$2,664.85	31.2	93.0	550	
30	3600	460	286TS	IEEE30-36-286TS-EPOXY	\$2,087.28	33.8	91.7	410	
	1800	460	286T	IEEE30-18-286T-EPOXY	\$2,241.60	36.0	93.6	410	
	1200	460	326T	IEEE30-12-326T-EPOXY	\$3,013.18	37.1	93.0	560	
40	3600	460	324TS	IEEE40-36-324TS-EPOXY	\$2,796.87	45.5	92.4	550	
	1800	460	324T	IEEE40-18-324T-EPOXY	\$2,745.13	48.8	94.1	550	
	1200	460	364T	IEEE40-12-364T-EPOXY	\$4,737.86	48.8	94.1	780	
50	3600	460	326TS	IEEE50-36-326TS-EPOXY	\$3,081.86	55.8	93.0	560	
	1800	460	326T	IEEE50-18-326T-EPOXY	\$3,124.68	59.9	94.5	560	
	1200	460	365T	IEEE50-12-365T-EPOXY	\$5,085.29	60.2	94.1	840	
60	3600	460	364TS	IEEE60-36-364TS-EPOXY	\$4,386.86	65.6	94.1	780	
	1800	460	364T	IEEE60-18-364T-EPOXY	\$4,893.51	69.9	95.0	780	
	1200	460	404T	IEEE60-12-404T-EPOXY	\$6,277.45	71.2	94.5	1120	R
75	3600	460	365TS	IEEE75-36-365TS-EPOXY	\$4,924.29	79.8	94.5	820	
	1800	460	365T	IEEE75-18-365T-EPOXY	\$5,033.11	85.1	95.4	820	
	1200	460	405T	IEEE75-12-405T-EPOXY	\$6,777.42	87.0	94.5	1220	R
100	3600	460	405TS	IEEE100-36-405TS-EPOXY	\$6,369.33	110.1	94.5	1110	
	1800	460	405T	IEEE100-18-405T-EPOXY	\$7,068.65	114.1	95.4	1110	R
	1800	460	405T	IEEE100-18-405TBB-EPOXY	\$7,068.65	114.1	95.4	1110	
	1200	460	444T	IEEE100-12-444T-EPOXY	\$8,395.95	116.6	95.0	1530	R
125	3600	460	444TS	IEEE125-36-444TS-EPOXY	\$9,390.98	139.5	95.0	1610	
	1800	460	444T	IEEE125-18-444T-EPOXY	\$9,170.65	142.0	95.4	1530	R
	1800	460	444T	IEEE125-18-444TBB-EPOXY	\$9,170.65	142.0	95.4	1530	
	1200	460	445T	IEEE125-12-445T-EPOXY	\$9,555.55	147.7	95.0	1700	R
150	3600	460	445TS	IEEE150-36-445TS-EPOXY	\$10,209.39	161.5	95.0	1770	
	1800	460	445T	IEEE150-18-445T-EPOXY	\$10,226.33	163.8	95.8	1640	R
	1800	460	445T	IEEE150-18-445TBB-EPOXY	\$10,226.33	163.8	95.8	1640	
	1200	460	447T	IEEE150-12-447T-EPOXY	\$11,136.17	169.5	95.8	1970	R
200	3600	460	447TS	IEEE200-36-447TS-EPOXY	\$13,182.87	219.3	95.4	1900	
	1800	460	447T	IEEE200-18-447T-EPOXY	\$11,570.13	222.4	96.2	1860	R
	1800	460	447T	IEEE200-18-447TBB-EPOXY	\$11,570.13	222.4	96.2	1860	
	1200	460	449T	IEEE200-12-449T-EPOXY	\$12,976.82	231.2	95.8	2430	R
250	3600	460	449TS	IEEE250-36-449TS-EPOXY	\$14,957.06	276.6	95.8	2430	
	1800	460	449T	IEEE250-18-449T-EPOXY	\$13,607.46	281.7	96.2	2430	R

When using any motor with a variable frequency drive, take precautions to eliminate or reduce shaft currents in order to prolong bearing life.

R Roller bearing on drive end for belted applications

www.worldwideelectric.net



Dimensions On Page 103

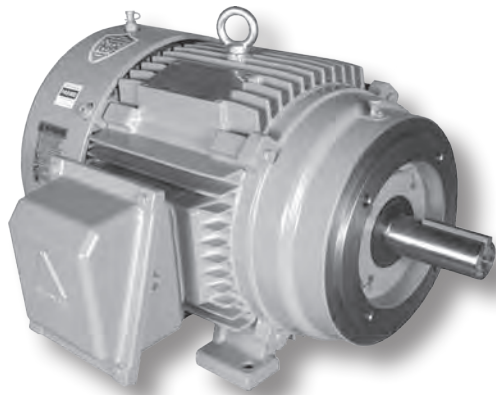
Stock Products Catalog | 49

HYUNDAI CROWN TRITON™ SERIES MOTORS

IEEE-841

TEFC Enclosure ▪ C-Face ▪ Rigid Base

Three-Phase ▪ 460 Volt



Product Overview

- 1-100 HP
- 3600 and 1800 RPM
- Single voltage, 460 volt
- TEFC enclosure
- Dual rated service factor 1.15 for 40°C / 1.0 for 65°C
- Class F insulation with Class N varnish
- C-face - rigid base
- Full compliance with IEEE-841, version 2009
- Meets or exceeds EISA 2007 requirements defined in NEMA MG-1 table 12-12
- 5 year warranty
- Parker Hannifan ProTech IP66 labyrinth seals on both drive-end and opposite drive-end bearings
- CSA Certified For Class I, Division 2, Groups A, B, C, D
- Inverter duty, 10:1 CT / 1000:1 VT
- Inverter shield insulation and inverter grade magnet wire meets or exceeds NEMA MG-1 Part 31 for exceptional corona and transient protection
- Class B temperature rise
- IP55 degree of protection
- NEMA design B torque
- IEEE-841 motor test report supplied with each motor



HP	RPM	Voltage	Frame	Model Number	List Price	FL Amps (A)	FL Eff. (%)	Approx. Wt. (lbs.)	Notes
1	1800	460	143TC	IEEE1-18-143TC	\$881.00	1.6	85.5	53	
	3600	460	143TC	IEEE1.5-36-143TC	\$965.00	2.0	84.0	53	
1.5	1800	460	145TC	IEEE1.5-18-145TC	\$941.00	2.2	86.5	55	
	3600	460	145TC	IEEE2-36-145TC	\$1,011.00	2.6	85.5	55	
2	1800	460	145TC	IEEE2-18-145TC	\$1,017.00	3.0	86.5	55	
	3600	460	182TC	IEEE3-36-182TC	\$1,249.00	3.8	86.5	90	
3	1800	460	182TC	IEEE3-18-182TC	\$1,246.00	3.9	89.5	90	
	3600	460	184TC	IEEE5-36-184TC	\$1,398.00	6.1	88.5	105	
5	1800	460	184TC	IEEE5-18-184TC	\$1,416.00	6.5	89.5	105	
	3600	460	213TC	IEEE7.5-36-213TC	\$1,731.00	9.0	89.5	150	
7.5	1800	460	213TC	IEEE7.5-18-213TC	\$1,743.00	9.5	91.7	150	
	3600	460	215TC	IEEE10-36-215TC	\$1,894.00	12.0	90.2	165	
10	1800	460	215TC	IEEE10-18-215TC	\$1,924.00	12.8	91.7	165	
	3600	460	254TC	IEEE15-36-254TC	\$2,684.00	16.9	91.7	260	
15	1800	460	254TC	IEEE15-18-254TC	\$2,617.00	18.3	92.4	260	
	3600	460	256TC	IEEE20-36-256TC	\$3,146.00	23.1	91.7	300	
20	1800	460	256TC	IEEE20-18-256TC	\$3,059.00	24.8	93.0	300	
	3600	460	284TSC	IEEE25-36-284TSC	\$3,510.00	28.5	91.7	380	
25	1800	460	284TC	IEEE25-18-284TC	\$3,624.00	30.3	93.6	380	
	3600	460	286TSC	IEEE30-36-286TSC	\$3,709.00	33.8	91.7	410	
30	1800	460	286TC	IEEE30-18-286TC	\$4,069.00	36.0	93.6	410	
	3600	460	324TSC	IEEE40-36-324TSC	\$5,234.00	45.5	92.4	550	
40	1800	460	324TC	IEEE40-18-324TC	\$5,113.00	48.8	94.1	550	
	3600	460	326TSC	IEEE50-36-326TSC	\$5,899.00	55.8	93.0	560	
50	1800	460	326TC	IEEE50-18-326TC	\$5,999.00	59.9	94.5	560	
	3600	460	364TC	IEEE60-18-364TC	\$9,998.00	69.9	95.0	780	
60	1800	460	365TC	IEEE75-18-365TC	\$10,324.00	85.1	95.4	820	
75	1800	460	405TC	IEEE100-18-405TC	\$14,263.00	114.1	95.4	1110	

When using any motor with a variable frequency drive, take precautions to eliminate or reduce shaft currents in order to prolong bearing life.

Dimensions On Page 104

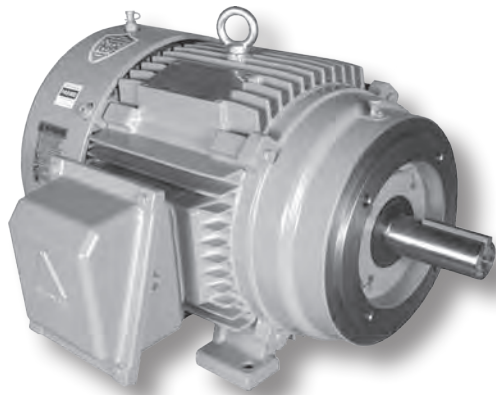


HYUNDAI CROWN TRITON™ SERIES MOTORS

IEEE-841 ▪ EPOXY PAINTED

TEFC Enclosure ▪ C-Face ▪ Rigid Base

Three-Phase ▪ 460 Volt



Product Overview

- 1-100 HP
- 3600 and 1800 RPM
- Single voltage, 460 volt
- TEFC enclosure
- Dual rated service factor
1.15 for 40°C / 1.0 for 65°C
- Class F insulation with Class N varnish
- C-face - rigid base
- Full compliance with IEEE-841, version 2009
- Meets or exceeds EISA 2007 requirements defined in NEMA MG-1 table 12-12
- White Epoxy Paint
- Suitable for use in USDA inspected facilities
- Conforms to AWWA D102 Outside Coating Systems:
#4 (OCS-4), #5 (OCS-5) and #6 (OCS-6)
- Acceptable for use in high performance architectural applications
- 5 year warranty
- Parker Hannifan ProTech IP66 labyrinth seals on both drive-end and opposite drive-end bearings
- CSA Certified For Class I, Division 2, Groups A, B, C, D
- Inverter duty, 10:1 CT / 1000:1 VT
- Inverter shield insulation and inverter grade magnet wire meets or exceeds NEMA MG-1 Part 31 for exceptional corona and transient protection
- Class B temperature rise
- IP55 degree of protection
- NEMA design B torque
- IEEE-841 motor test report supplied with each motor
- Please allow additional 5-7 business days delivery

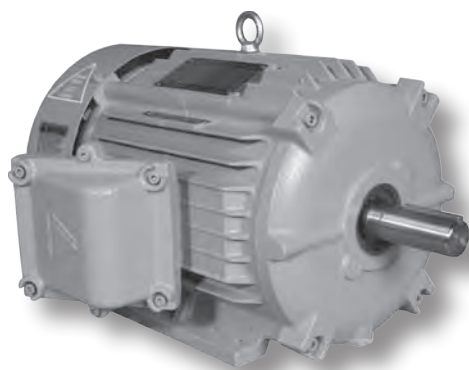


HP	RPM	Voltage	Frame	Model Number	List Price	FL Amps (A)	FL Eff. (%)	Approx. Wt. (lbs.)	Notes
1	1800	460	143TC	IEEE1-18-143TC-EPOXY	\$1,705.00	1.6	85.5	53	
	3600	460	143TC	IEEE1.5-36-143TC-EPOXY	\$1,789.00	2.0	84.0	53	
1.5	1800	460	145TC	IEEE1.5-18-145TC-EPOXY	\$1,765.00	2.2	86.5	55	
	3600	460	145TC	IEEE2-36-145TC-EPOXY	\$1,835.00	2.6	85.5	55	
2	1800	460	145TC	IEEE2-18-145TC-EPOXY	\$1,841.00	3.0	86.5	55	
	3600	460	182TC	IEEE3-36-182TC-EPOXY	\$2,137.00	3.8	86.5	90	
3	1800	460	182TC	IEEE3-18-182TC-EPOXY	\$2,134.00	3.9	89.5	90	
	3600	460	184TC	IEEE5-36-184TC-EPOXY	\$2,286.00	6.1	88.5	105	
5	1800	460	184TC	IEEE5-18-184TC-EPOXY	\$2,304.00	6.5	89.5	105	
	3600	460	213TC	IEEE7.5-36-213TC-EPOXY	\$2,640.00	9.0	89.5	150	
7.5	1800	460	213TC	IEEE7.5-18-213TC-EPOXY	\$2,652.00	9.5	91.7	150	
	3600	460	215TC	IEEE10-36-215TC-EPOXY	\$2,803.00	12.0	90.2	165	
10	1800	460	215TC	IEEE10-18-215TC-EPOXY	\$2,833.00	12.8	91.7	165	
	3600	460	254TC	IEEE15-36-254TC-EPOXY	\$3,698.00	16.9	91.7	260	
15	1800	460	254TC	IEEE15-18-254TC-EPOXY	\$3,631.00	18.3	92.4	260	
	3600	460	256TC	IEEE20-36-256TC-EPOXY	\$4,160.00	23.1	91.7	300	
20	1800	460	256TC	IEEE20-18-256TC-EPOXY	\$4,073.00	24.8	93.0	300	
	3600	460	284TSC	IEEE25-36-284TSC-EPOXY	\$4,630.00	28.5	91.7	380	
25	1800	460	284TC	IEEE25-18-284TC-EPOXY	\$4,744.00	30.3	93.6	380	
	3600	460	286TSC	IEEE30-36-286TSC-EPOXY	\$4,829.00	33.8	91.7	410	
30	1800	460	286TC	IEEE30-18-286TC-EPOXY	\$5,189.00	36.0	93.6	410	
	3600	460	324TSC	IEEE40-36-324TSC-EPOXY	\$6,481.00	45.5	92.4	550	
40	1800	460	324TC	IEEE40-18-324TC-EPOXY	\$6,360.00	48.8	94.1	550	
	3600	460	326TSC	IEEE50-36-326TSC-EPOXY	\$7,146.00	55.8	93.0	560	
50	1800	460	326TC	IEEE50-18-326TC-EPOXY	\$7,246.00	59.9	94.5	560	
	60	1800	460	364TC	IEEE60-18-364TC-EPOXY	\$11,372.00	69.9	95.0	780
75	1800	460	365TC	IEEE75-18-365TC-EPOXY	\$11,698.00	85.1	95.4	820	
100	1800	460	405TC	IEEE100-18-405TC-EPOXY	\$16,420.00	114.1	95.4	1110	

HYUNDAI CROWN TRITON™ SERIES MOTORS EXPLOSION PROOF ▪ PREMIUM EFFICIENCY

TEXP Enclosure ▪ Rigid Base

Three-Phase ▪ 208-230/460 and 460 Volt



Product Overview

- 1-250 HP
- 3600, 1800 and 1200 RPM
- 208-230/460 volt (1-125 HP)
- 460 volt (150-250 HP)
- TEXP enclosure
- 1.15 service factor
- Class F insulation
- Class B temperature rise
- Rigid base
- Premium Efficiency, meets or exceeds EISA 2007 requirements defined in NEMA MG-1 table 12-12
- 5 year warranty
- NEMA design B
- Cast iron frame and conduit box
- Suitable for part winding start on low voltage (1-125 HP)
- Suitable for wye-delta start (15-250 HP)
- Unique multiple rating system for 40° and 55°C ambient
 - 143T-215T: T2C at 40°C, T2B at 55°C, T4 when thermostat is connected
 - 254T-286T: T2D at 40°C, T2C at 55°C, T4 when thermostat is connected
 - 324T-444T: T3 at 40°C, T2D at 55°C, T4 when thermostat is connected
 - 445T-449T: T3 at 40°C, T2D at 55°C, T4 when thermostat connected and 1.0 SF
- Class I, Division 1, Groups C & D, UL Certification
- CC # 038A
- CSA Energy Certified



HP	RPM	Voltage	Frame	Model Number	List Price	FL Amps (A)	FL Eff. (%)	Approx. Wt. (lbs.)	Notes
1	1800	208-230/460	143T	XHHI1-18-143T	\$916.00	1.6	85.5	64	
	1200	208-230/460	145T	XHHI1-12-145T	\$988.00	1.8	82.5	66	
1.5	3600	208-230/460	143T	XHHI1.5-36-143T	\$961.00	2.0	84.0	64	
	1800	208-230/460	145T	XHHI1.5-18-145T	\$971.00	2.2	86.5	66	
	1200	208-230/460	182T	XHHI1.5-12-182T	\$1,210.00	2.3	87.5	112	
2	3600	208-230/460	145T	XHHI2-36-145T	\$1,038.00	2.6	85.5	66	
	1800	208-230/460	145T	XHHI2-18-145T	\$1,056.00	3.0	86.5	66	
	1200	208-230/460	184T	XHHI2-12-184T	\$1,474.00	3.0	88.5	121	
3	3600	208-230/460	182T	XHHI3-36-182T	\$1,398.00	3.8	86.5	112	
	1800	208-230/460	182T	XHHI3-18-182T	\$1,393.00	3.9	89.5	112	
	1200	208-230/460	213T	XHHI3-12-213T	\$1,850.00	4.5	89.5	160	
5	3600	208-230/460	184T	XHHI5-36-184T	\$1,575.00	6.1	88.5	121	
	1800	208-230/460	184T	XHHI5-18-184T	\$1,591.00	6.5	89.5	121	
	1200	208-230/460	215T	XHHI5-12-215T	\$2,296.00	7.4	89.5	180	
7.5	3600	208-230/460	213T	XHHI7.5-36-213T	\$2,050.00	9.0	89.5	160	
	1800	208-230/460	213T	XHHI7.5-18-213T	\$2,195.00	9.5	91.7	160	
	1200	208-230/460	254T	XHHI7.5-12-254T	\$2,900.00	10.3	91.0	310	
10	3600	208-230/460	215T	XHHI10-36-215T	\$2,292.00	12.0	90.2	180	
	1800	208-230/460	215T	XHHI10-18-215T	\$2,341.00	12.8	91.7	180	
	1200	208-230/460	256T	XHHI10-12-256T	\$3,350.00	13.8	91.0	350	
15	3600	208-230/460	254T	XHHI15-36-254T	\$3,325.00	16.9	91.7	310	
	1800	208-230/460	254T	XHHI15-18-254T	\$3,195.00	18.3	92.4	310	
	1200	208-230/460	284T	XHHI15-12-284T	\$4,145.00	19.8	91.7	440	
20	3600	208-230/460	256T	XHHI20-36-256T	\$3,475.00	23.1	91.7	350	
	1800	208-230/460	256T	XHHI20-18-256T	\$3,395.00	24.8	93.0	350	
	1200	208-230/460	286T	XHHI20-12-286T	\$4,500.00	26.7	91.7	480	

Dimensions On Page 105

Continued On Next Page



HYUNDAI CROWN TRITON™ SERIES MOTORS EXPLOSION PROOF ▪ PREMIUM EFFICIENCY

TEXP Enclosure ▪ Rigid Base

Three-Phase ▪ 208-230/460 and 460 Volt



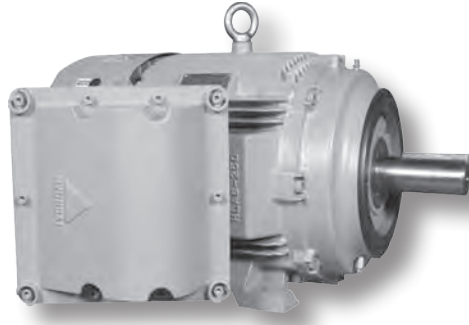
HYUNDAI
EXPLOSION PROOF

HP	RPM	Voltage	Frame	Model Number	List Price	FL Amps (A)	FL Eff. (%)	Approx. Wt. (lbs.)	Notes
25	3600	208-230/460	284TS	XHHI25-36-284TS	\$4,085.00	28.5	91.7	440	
	1800	208-230/460	284T	XHHI25-18-284T	\$4,285.00	30.3	93.6	440	
	1200	208-230/460	324T	XHHI25-12-324T	\$5,775.00	31.2	93.0	840	
30	3600	208-230/460	286TS	XHHI30-36-286TS	\$4,740.00	33.8	91.7	480	
	1800	208-230/460	286T	XHHI30-18-286T	\$4,515.00	36.0	93.6	480	
	1200	208-230/460	326T	XHHI30-12-326T	\$6,310.00	37.1	93.0	820	
40	3600	208-230/460	324TS	XHHI40-36-324TS	\$5,675.00	45.5	92.4	800	
	1800	208-230/460	324T	XHHI40-18-324T	\$6,000.00	48.8	94.1	820	
	1200	208-230/460	364T	XHHI40-12-364T	\$9,350.00	48.8	94.1	1113	
50	3600	208-230/460	326TS	XHHI50-36-326TS	\$7,030.00	55.8	93.0	820	
	1800	208-230/460	326T	XHHI50-18-326T	\$6,998.00	59.9	94.5	840	
	1200	208-230/460	365T	XHHI50-12-365T	\$10,445.00	60.2	94.1	1173	
60	3600	208-230/460	364TS	XHHI60-36-364TS	\$9,675.00	65.6	94.1	1047	
	1800	208-230/460	364T	XHHI60-18-364T	\$9,545.00	69.9	95.0	1113	
	1200	208-230/460	404T	XHHI60-12-404T	\$12,600.00	71.2	94.5	1532	
75	3600	208-230/460	365TS	XHHI75-36-365TS	\$11,010.00	79.8	94.5	1087	
	1800	208-230/460	365T	XHHI75-18-365T	\$10,500.00	85.1	95.4	1153	
	1200	208-230/460	405T	XHHI75-12-405T	\$14,250.00	87.0	94.5	1830	
100	3600	208-230/460	405TS	XHHI100-36-405TS	\$13,750.00	110.1	94.5	1852	
	1800	208-230/460	405T	XHHI100-18-405TBB	\$14,075.00	114.1	95.4	1830	
	1200	208-230/460	444T	XHHI100-12-444TBB	\$17,750.00	116.6	95.0	2116	
125	3600	208-230/460	444TS	XHHI125-36-444TS	\$16,785.00	139.5	95.0	2006	
	1800	208-230/460	444T	XHHI125-18-444TBB	\$17,000.00	142.0	95.4	2116	
	1200	208-230/460	445T	XHHI125-12-445TBB	\$22,150.00	147.7	95.0	2293	
150	3600	460	445TS	XHHI150-36-445TS	\$21,750.00	161.5	95.0	2249	
	1800	460	445T	XHHI150-18-445TBB	\$24,150.00	163.8	95.8	2293	
	1200	460	447T	XHHI150-12-447TBB	\$30,500.00	169.5	95.8	2756	
200	3600	460	447TS	XHHI200-36-447TS	\$28,750.00	219.3	95.4	2690	
	1800	460	447T	XHHI200-18-447TBB	\$28,500.00	222.4	96.2	2756	
	1200	460	449T	XHHI200-12-449TBB	\$43,750.00	231.2	95.8	3086	
250	3600	460	449TS	XHHI250-36-449TS	\$39,400.00	276.6	95.8	3020	
	1800	460	449T	XHHI250-18-449TBB	\$39,500.00	281.7	96.2	3086	



HYUNDAI CROWN TRITON™ SERIES MOTORS EXPLOSION PROOF ▪ PREMIUM EFFICIENCY

TEXP Enclosure ▪ C-Face ▪ Rigid Base
Three-Phase ▪ 208-230/460 Volt



Product Overview

- 2-100 HP, 1800 RPM
- 75-100 HP, 3600 RPM
- 208-230/460 volt
- TEXP enclosure
- 1.15 service factor
- Class F insulation
- Class B temperature rise
- C-face - rigid base
- Premium Efficiency, meets or exceeds IESA 2007 requirements defined in NEMA MG-1 table 12-12
- 5 year warranty
- NEMA design B
- Cast iron frame and conduit box
- Suitable for part winding start on low voltage
- Suitable for wye-delta start (15-100 HP)
- Unique multiple rating system for 40° and 55°C ambient
 - 145T-215T: T2C at 40°C, T2B at 55°C, T4 when thermostat is connected
 - 254T-286T: T2D at 40°C, T2C at 55°C, T4 when thermostat is connected
 - 324T-405T: T3 at 40°C, T2D at 55°C, T4 when thermostat is connected
- Class I, Division 1, Groups C & D, UL Certification
- CC # 038A
- CSA Energy Certified



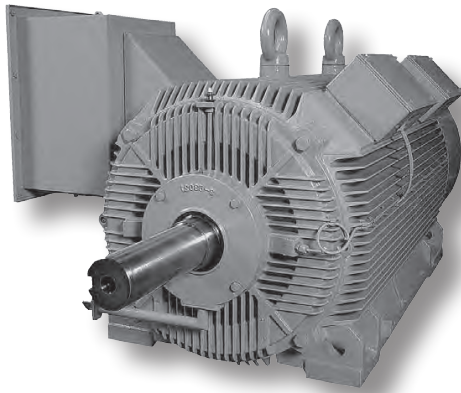
HP	RPM	Voltage	Frame	Model Number	List Price	FL Amps (A)	FL Eff. (%)	Approx. Wt. (lbs.)	Notes
2	1800	208-230/460	145TC	XHHI2-18-145TC	\$1,137.00	3.0	86.5	66	
3	1800	208-230/460	182TC	XHHI3-18-182TC	\$1,510.00	3.9	89.5	112	
5	1800	208-230/460	184TC	XHHI5-18-184TC	\$1,681.00	6.5	89.5	121	
7.5	1800	208-230/460	213TC	XHHI7.5-18-213TC	\$2,375.00	9.5	91.7	160	
10	1800	208-230/460	215TC	XHHI10-18-215TC	\$2,575.00	12.8	91.7	180	
15	1800	208-230/460	254TC	XHHI15-18-254TC	\$3,515.00	18.3	92.4	310	
20	1800	208-230/460	256TC	XHHI20-18-256TC	\$3,610.00	24.8	93.0	350	
25	1800	208-230/460	284TC	XHHI25-18-284TC	\$4,575.00	30.3	93.6	440	
30	1800	208-230/460	286TC	XHHI30-18-286TC	\$4,965.00	36.0	93.6	480	
40	1800	208-230/460	324TC	XHHI40-18-324TC	\$6,450.00	48.8	94.1	820	
50	1800	208-230/460	326TC	XHHI50-18-326TC	\$7,540.00	59.9	94.5	840	
60	1800	208-230/460	364TC	XHHI60-18-364TC	\$9,915.00	69.9	95.0	1113	
75	3600	208-230/460	365TSC	XHHI75-36-365TSC	\$11,650.00	79.8	94.5	1087	
	1800	208-230/460	365TC	XHHI75-18-365TC	\$11,225.00	85.1	95.4	1153	
100	3600	208-230/460	405TSC	XHHI100-36-405TSC	\$14,525.00	110.1	94.5	1852	
	1800	208-230/460	405TC	XHHI100-18-405TC	\$15,250.00	114.1	95.4	1830	



HYUNDAI CROWN TRITON™ SERIES MOTORS SEVERE DUTY LARGE FRAME ▪ PREMIUM EFFICIENCY



TEFC Enclosure ▪ Rigid Base
Three-Phase ▪ 460 Volt



Product Overview

- 250-600 HP
- 3600, 1800 and 1200 RPM
- Single voltage, 460 volt
- Dual frequency rated 50/60 hz nameplate
- TEFC enclosure
- IP55 degree of protection
- 1.15 service factor, 40°C ambient
- Class F insulation with Class N varnish
- Rigid base
- Premium efficiency
- 3 year warranty
- Cast iron frame and conduit box
- Heavy rolled steel fan cover
- Ground lug in terminal box
- Cast iron inner bearing caps
- Double drilled feet
- (3/4" UNC threaded jack screw holes)
- Bi-directional for 1800 and 1200 RPM ratings
- Uni-directional (CCW) for 3600 RPM ratings, each motor shipped with extra fan for directional change
- CSA Certified for Class I, Division 2, Groups A, B, C, D
- Inverter ready, 10:1 CT / 20:1 VT
- Inverter shield insulation and inverter grade magnet wire meets or exceeds NEMA MG-1 Part 31 for exceptional corona and transient protection



HP	RPM	Voltage	Frame	Model Number	List Price	FL Amps (A)	FL Eff. (%)	Approx. Wt. (lbs.)	Notes
250	1200	460	L449T	HSD250-12-L449T	\$28,865.00	298.8	95.8	2890	R
	3600	460	L449TS	HSD300-36-L449TS	\$32,425.00	328.9	95.8	2890	
300	1800	460	L449T	HSD300-18-L449T	\$28,610.00	336.4	96.2	2890	R
	1800	460	L449T	HSD300-18-L449TBB	\$28,610.00	336.4	96.2	2890	
	1200	460	L449T	HSD300-12-L449T	\$29,885.00	353.9	95.8	3090	R
	3600	460	L449TS	HSD350-36-L449TS	\$33,400.00	380.1	95.8	3090	
350	1800	460	L449T	HSD350-18-L449T	\$31,325.00	388.7	96.2	3090	R
	1800	460	L449T	HSD350-18-L449TBB	\$31,325.00	388.7	96.2	3090	
	1200	460	5008	HSD350-12-5008	\$45,275.00	408.9	95.8	3880	R
	3600	460	L449TS	HSD400-36-L449TS	\$45,500.00	438.5	95.8	3770	
400	1800	460	L449T	HSD400-18-L449T	\$41,600.00	448.5	96.2	3570	R
	1800	460	L449T	HSD400-18-L449TBB	\$41,600.00	448.5	96.2	3570	
	1200	460	5010	HSD400-12-5010	\$51,580.00	471.8	95.8	4760	R
	3600	460	5009S	HSD450-36-5009S	\$53,500.00	489.7	95.8	3860	
450	1800	460	5009	HSD450-18-5009	\$48,615.00	495.2	96.2	3970	R
	1800	460	5009	HSD450-18-5009BB	\$48,615.00	495.2	96.2	3970	
	1200	460	5011	HSD450-12-5011	\$58,975.00	526.9	95.8	4850	R
	3600	460	5010S	HSD500-36-5010S	\$54,350.00	548.2	95.8	4740	
500	1800	460	5010	HSD500-18-5010	\$52,035.00	552.0	96.2	4760	R
	1800	460	5010	HSD500-18-5010BB	\$52,035.00	552.0	96.2	4760	
	1800	460	5011	HSD600-18-5011	\$58,750.00	662.4	96.2	4940	R

When using any motor with a variable frequency drive, take precautions to eliminate or reduce shaft currents in order to prolong bearing life.

R Roller bearing on drive end for belted applications

www.worldwideelectric.net



HYUNDAI SEVERE DUTY LARGE FRAME

HYUNDAI MEDIUM & HIGH VOLTAGE MOTORS STOCK ▪ PREMIUM EFFICIENCY

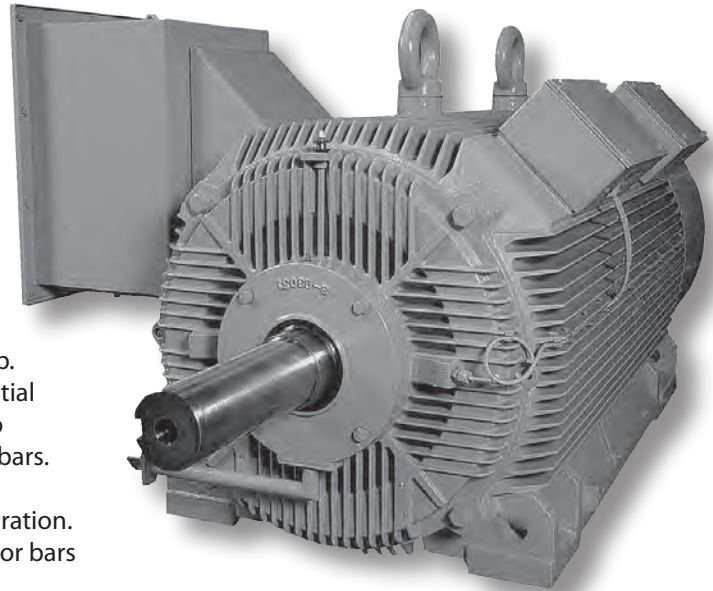


TEFC Enclosure

Three-Phase ▪ 2300/4160 Volt

Stock Motor Highlights

- Heavy duty [cast iron](#) construction.
- [Premium efficient](#) designs.
- [Copper bar rotor](#) for every rating.
- [Induction brazed end rings.](#)
The end ring (connector) is the means of connecting all the copper rotor bars of the rotor assembly. Induction brazing is the preferred method of brazing, as it heats the entire end connector at one time, allowing the brazing action to be completed in one step. This method ensures a better weld and limits the potential of cracked welds and ring distortion when compared to the heating, cooling and reheating of each of the rotor bars.
- [Swagged rotor bars](#) for reliability, low noise and low vibration. This is an extra step Hyundai uses to ensure that the rotor bars are tight within the rotor laminations.
- [Low noise design](#), 85 dB(A) no load at 1 meter.
- [Oversized conduit box](#) allows plenty of room for connections.
- [Inverter rated](#) for 2:1 constant torque and 20:1 variable torque applications when the service factor is derated to 1.0.
- [Class F insulation](#) - [Vacuum Pressure Impregnation.](#)
- [Premium bearings](#) - SKF, NSK or FAG.
- Includes [100 ohm stator RTDs](#) and [120 volt space heaters.](#)
- A [premium motor](#) for a price that is less than the competitor's standard offering.
- Direct coupled and belted applications [ready for shipment](#) in our warehouses.
- [Flexible mounting options](#) with multiple 2F dimensions on NEMA frames. All motors have at least two 2F dimensions. This allows more flexibility when trying to match existing bases.



WWE Stock Motor Frame	Multiple 2F Matches These Frames	Dimensions Of 2F Holes Supplied
5007	5007 / 5008	22" / 25"
5008	5007 / 5008	22" / 25"
5009	5009 / 5010 / 5011	28" / 32" / 36"
5010	5009 / 5010 / 5011	28" / 32" / 36"
5011	5009 / 5010 / 5011	28" / 32" / 36"
5811	5811 / 5812	40" / 45"
5812	5811 / 5812	40" / 45"
6809	6809 / 6810	40" / 45"
6810	6809 / 6810	40" / 45"



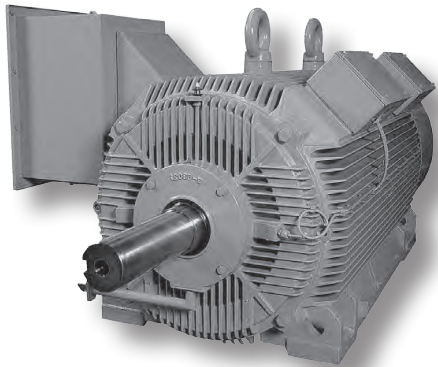
HYUNDAI MEDIUM & HIGH VOLTAGE MOTORS

STOCK ▪ PREMIUM EFFICIENCY



TEFC Enclosure

Three-Phase ▪ 2300/4160 Volt



Product Overview

- 350 - 1200 HP
- 3600, 1800, 1200 and 900 RPM
- Dual voltage 2300/4160
- TEFC enclosure, cast iron construction
- NEMA design B, continuous duty
- Form wound stator coils
- Class F insulation - Vacuum Pressure Impregnation
- Class B temperature rise unless otherwise noted
- Copper bar rotor
- 1.15 service factor
- Maximum 40°C ambient temperature
- 100 ohm platinum stator RTDs (2 per phase)
- 120 volt space heaters
- Frame grounding provisions, ground lug in main terminal box
- Multiple 2F mounting holes
- 18/24 month warranty
- Tapped holes for vertical jackscrews
- VFD rated when using 1.0 service factor
- Oversized main terminal box with stress relief
- Bi-directional for 1800, 1200 and 900 RPM ratings
- 85 dBA at 1 meter



HYUNDAI MEDIUM & HIGH VOLTAGE

HP	RPM	Voltage	Frame	Model Number	List Price	FL Amps (A)	FL Eff. (%)	Approx. Wt. (lbs.)	Notes
350	3600	2300/4160	5007	HT350-36-5007	\$57,235.00	42.4	94.0	4040	
	1800	2300/4160	5007	HT350-18-5007	\$56,495.00	44.4	93.8	4020	
	1800	2300/4160	5007	HT350-18-5007RB	\$56,495.00	44.4	93.8	4020	R
	1200	2300/4160	5009	HT350-12-5009	\$63,438.00	49.4	94.0	4740	
	1200	2300/4160	5009	HT350-12-5009RB	\$63,438.00	49.4	94.0	4740	R
	900	2300/4160	5811	HT350-9-5811RB	\$82,777.00	50.1	94.0	6590	R
400	3600	2300/4160	5007	HT400F-36-5007	\$57,235.00	48.4	94.0	4040	F
	3600	2300/4160	5009	HT400-36-5009	\$61,862.00	48.3	94.3	4740	
	1800	2300/4160	5007	HT400F-18-5007	\$56,495.00	50.7	93.8	4020	F
	1800	2300/4160	5007	HT400F-18-5007RB	\$56,495.00	50.7	93.8	4020	F R
	1800	2300/4160	5008	HT400-18-5008	\$61,332.00	50.6	94.0	4240	
	1800	2300/4160	5008	HT400-18-5008RB	\$61,332.00	50.6	94.0	4240	R
	1200	2300/4160	5009	HT400F-12-5009	\$63,438.00	56.7	93.7	4740	F
	1200	2300/4160	5009	HT400F-12-5009RB	\$63,438.00	56.7	93.7	4740	F R
	1200	2300/4160	5010	HT400-12-5010	\$69,692.00	54.8	94.5	5030	
	1200	2300/4160	5010	HT400-12-5010RB	\$69,692.00	54.8	94.5	5030	R
	900	2300/4160	5811	HT400F-9-5811RB	\$82,777.00	—	—	—	F R
	900	2300/4160	5811	HT400-9-5811RB	\$93,922.00	57.2	94.1	6590	R
450	3600	2300/4160	5009	HT450F-36-5009	\$61,862.00	54.3	94.3	4740	F
	3600	2300/4160	5011	HT450-36-5011	\$73,608.00	53.7	94.3	5120	
	1800	2300/4160	5008	HT450F-18-5008	\$61,332.00	57.0	94.0	4240	F
	1800	2300/4160	5008	HT450F-18-5008RB	\$61,332.00	57.0	94.0	4240	F R
	1800	2300/4160	5009	HT450-18-5009	\$66,890.00	56.8	94.3	4740	
	1800	2300/4160	5009	HT450-18-5009RB	\$66,890.00	56.8	94.3	4740	R
	1200	2300/4160	5010	HT450F-12-5010	\$69,692.00	61.3	93.8	5030	F
	1200	2300/4160	5010	HT450F-12-5010RB	\$69,692.00	61.3	93.8	5030	F R
	1200	2300/4160	5011	HT450-12-5011	\$80,645.00	62.4	94.5	5190	
	1200	2300/4160	5011	HT450-12-5011RB	\$80,645.00	62.4	94.5	5190	R
	900	2300/4160	5811	HT450F-9-5811RB	\$93,922.00	—	—	—	F R
	900	2300/4160	5812	HT450-9-5812RB	\$99,811.00	63.4	94.2	7050	R

F Class F temperature rise
R Roller bearing on drive end for belted applications



Continued On Next Page

HYUNDAI MEDIUM & HIGH VOLTAGE MOTORS

STOCK ■ PREMIUM EFFICIENCY



TEFC Enclosure

Three-Phase ■ 2300/4160 Volt

HYUNDAI
MEDIUM & HIGH VOLTAGE

HP	RPM	Voltage	Frame	Model Number	List Price	FL Amps (A)	FL Eff. (%)	Approx. Wt. (lbs.)	Notes
500	3600	2300/4160	5011	HT500F-36-5011	\$73,608.00	59.7	94.3	5120	F
	3600	2300/4160	5811	HT500-36-5811	\$80,608.00	60.4	95.2	6340	
	1800	2300/4160	5009	HT500F-18-5009	\$66,890.00	63.1	94.3	4740	F
	1800	2300/4160	5009	HT500F-18-5009RB	\$66,890.00	63.1	94.3	4740	F R
	1800	2300/4160	5011	HT500-18-5011	\$77,573.00	62.0	94.9	5190	
	1800	2300/4160	5011	HT500-18-5011RB	\$77,573.00	62.0	94.9	5190	R
	1200	2300/4160	5011	HT500F-12-5011	\$80,645.00	68.8	94.0	5190	F
	1200	2300/4160	5011	HT500F-12-5011RB	\$80,645.00	68.8	94.0	5190	F R
	1200	2300/4160	5811	HT500-12-5811	\$92,454.00	67.6	94.8	6590	
	1200	2300/4160	5811	HT500-12-5811RB	\$92,454.00	67.6	94.8	6590	R
	900	2300/4160	5812	HT500F-9-5812RB	\$99,811.00	—	—	—	F R
	900	2300/4160	6809	HT500-9-6809RB	\$123,376.00	—	—	—	R
600	3600	2300/4160	5811	HT600F-36-5811	\$80,608.00	72.5	95.2	6340	F
	3600	2300/4160	5812	HT600-36-5812	\$89,689.00	72.7	95.8	6810	
	1800	2300/4160	5011	HT600F-18-5011	\$77,573.00	74.4	94.9	5190	F
	1800	2300/4160	5011	HT600F-18-5011RB	\$77,573.00	74.4	94.9	5190	F R
	1800	2300/4160	5811	HT600-18-5811	\$93,987.00	75.6	95.5	6590	
	1800	2300/4160	5811	HT600-18-5811RB	\$93,987.00	75.6	95.5	6590	R
	1200	2300/4160	5811	HT600F-12-5811	\$92,454.00	79.9	94.8	6590	F
	1200	2300/4160	5811	HT600F-12-5811RB	\$92,454.00	79.9	94.8	6590	F R
	1200	2300/4160	5812	HT600-12-5812	\$107,927.00	80.7	95.3	7050	
	1200	2300/4160	5812	HT600-12-5812RB	\$107,927.00	80.7	95.3	7050	R
	900	2300/4160	6809	HT600F-9-6809RB	\$123,376.00	—	—	—	F R
	900	2300/4160	6810	HT600-9-6810RB	\$131,354.00	—	—	—	R
700	3600	2300/4160	5812	HT700F-36-5812	\$89,689.00	84.1	95.8	6810	F
	3600	2300/4160	6809	HT700-36-6809	\$93,755.00	84.1	95.8	7936	
	1800	2300/4160	5811	HT700F-18-5811	\$93,987.00	87.3	95.4	6590	F
	1800	2300/4160	5811	HT700F-18-5811RB	\$93,987.00	87.3	95.4	6590	F R
	1800	2300/4160	5812	HT700-18-5812	\$109,000.00	87.7	95.8	7050	
	1200	2300/4160	5812	HT700F-12-5812	\$107,927.00	92.7	95.3	7050	F
	1200	2300/4160	5812	HT700F-12-5812RB	\$107,927.00	92.7	95.3	7050	F R
	1200	2300/4160	6809	HT700-12-6809	\$120,426.00	94.2	95.5	8400	
	900	2300/4160	6810	HT700F-9-6810RB	\$131,354.00	—	—	—	F R
	800	3600	2300/4160	6809	HT800F-36-6809	\$93,755.00	96.1	95.8	7936
3600		2300/4160	6809	HT800-36-6809	\$129,231.00	97.1	95.8	7936	▲ ‡
1800		2300/4160	5812	HT800F-18-5812	\$109,000.00	99.5	95.5	7050	F
1800		2300/4160	6809	HT800-18-6809	\$117,828.00	100.8	95.7	8160	
1200		2300/4160	6809	HT800F-12-6809	\$120,426.00	105.9	95.3	8400	F
1200		2300/4160	6810	HT800-12-6810	\$131,579.00	106.3	95.7	8820	
900	3600	2300/4160	6809	HT900F-36-6809	\$129,231.00	109.3	95.6	7936	F ‡
	1800	2300/4160	6809	HT900F-18-6809	\$117,828.00	113.5	95.5	8160	F
	1800	2300/4160	6810	HT900-18-6810	\$124,467.00	112.2	95.9	8580	
	1200	2300/4160	6810	HT900F-12-6810	\$131,579.00	116.4	95.3	8820	F
1000	1800	2300/4160	6810	HT1000F-18-6810	\$124,467.00	124.5	95.6	8580	F
	1800	2300/4160	6810	HT1000-18-6810	\$127,251.00	124.6	96.0	8580	
1200	1800	2300/4160	6810	HT1200F-18-6810	\$127,251.00	—	—	—	F

- F Class F temperature rise
- R Roller bearing on drive end for belted applications
- ▲ 1.0 service factor
- ‡ Not rated for VFD applications



HYUNDAI MEDIUM & HIGH VOLTAGE MOTORS CUSTOM BUILD PRODUCTS AVAILABLE

- 250-15,000 HP
- 3.3 / 4.16 / 6 / 6.6 / 10 / 11 / 13.2 kV
- 50 / 60 Hz
- Vertical mounting is available as option



HYUNDAI
MEDIUM & HIGH VOLTAGE

HLE5 Type



- Totally Enclosed Fan Cooled
- Squirrel Cage Rotor
- 2 - 8 Poles
- 250 - 1,400 HP

HRQ3 Type



- Totally Enclosed Air-to-Air Cooled
- Squirrel Cage Rotor
- 2 - 30 Poles
- 1,000 - 11,000 HP

HRN3 Type




- Totally Enclosed Water-to-Air Cooled
- Squirrel Cage Rotor
- 2 - 32 Poles
- 1,000 - 15,000 HP

HRP3 Type



- Weather Protected Type - I / II
- Squirrel Cage Rotor
- 2 - 32 Poles
- 800 - 15,000 HP

HRA3 Type



- Open Drip-Proof
- Squirrel Cage Rotor
- 2 - 32 Poles
- 1,250 - 15,000 HP

HLS7 Type



- Totally Enclosed Air-to-Air Cooled
- Wound Rotor with Slip-Ring
- 4 - 12 Poles
- 500 - 10,000 HP

HRS7 Type



- Open Drip-Proof
- Wound Rotor with Slip-Ring
- 4 - 12 Poles
- 350 - 25,000 HP



MOTOR ACCESSORIES / PARTS

WORLDWIDE MOTOR SLIDE BASES



Product Overview

- Bases are provided with washers
- Bases are painted with an oven-baked primer for better contact of customer's paint
- All "D" bolts (motor mounting bolts) are welded into position to prevent spinning and "dropping" from slots
- All "D" bolts are fixed to the exact foot pattern of the motor to aid in easier motor installation
- Exact drop-in replacement for all major make slide bases
- Single adjusting screws for frames 56-145T
- Double adjusting screws for frames 182T-505T

MOTOR ACCESSORIES / PARTS

Frame	Model Number	List Price	Approx. Wt. (lbs.)
56	W56	\$18.36	3
143T	W143T	\$35.34	6
145T	W145T	\$35.34	7
182T	W182T	\$48.07	10
184T	W184T	\$48.07	10
213T	W213T	\$71.52	15
215T	W215T	\$71.52	17
254T	W254T	\$97.41	19
256T	W256T	\$97.41	20
284T	W284T	\$109.55	24
286T	W286T	\$109.55	25
324T	W324T	\$159.39	35
326T	W326T	\$159.39	36
364T	W364T	\$221.85	49
365T	W365T	\$221.85	50
404T	W404T	\$271.76	66
405T	W405T	\$271.76	68
444T	W444T	\$307.06	74
445T	W445T	\$307.06	76
447T	W447T	\$406.15	102
449T	W449T	\$406.15	105
505T	W505T	\$630.99	137



MOTOR ACCESSORIES / PARTS

WORLDWIDE FRACTIONAL HP MOTORS

General Purpose Motors



Model Number	Base	Capacitor		Capacitor Cover		Centrifugal Switch	Endbell		Fan	Fan Cover	Junction Box	Stationary Switch
		Start	Run	Start	Run		DE	ODE				
--- PLEASE CALL FOR PRICING ---												
NT13-18-56CB	NBASE56-2	NSC56-1 (300uf/165V)	---	NSCCOVER56	---	NCSWITCH56-2	NDEEBELL56-1	NODEEBELL56	NFAN56	NFCOVER56	NJBOX56	NSSWITCH56
NT12-36-56CB	NBASE56-2	NSC56-1 (300uf/165V)	---	NSCCOVER56	---	NCSWITCH56-1	NDEEBELL56-1	NODEEBELL56	NFAN56	NFCOVER56	NJBOX56	NSSWITCH56
NT12-18-56CB	NBASE56-2	NSC56-2 (400uf/165V)	---	NSCCOVER56	---	NCSWITCH56-2	NDEEBELL56-1	NODEEBELL56	NFAN56	NFCOVER56	NJBOX56	NSSWITCH56
NT34-36-56CB	NBASE56-2	NSC56-2 (400uf/165V)	---	NSCCOVER56	---	NCSWITCH56-1	NDEEBELL56-1	NODEEBELL56	NFAN56	NFCOVER56	NJBOX56	NSSWITCH56
NT34-18-56CB	NBASE56-2	NSC56-2 (400uf/165V)	---	NSCCOVER56	---	NCSWITCH56-2	NDEEBELL56-2	NODEEBELL56	NFAN56	NFCOVER56	NJBOX56	NSSWITCH56
NT1-36-56CB	NBASE56-2	NSC56-3 (500uf/165V)	---	NSCCOVER56	---	NCSWITCH56-1	NDEEBELL56-2	NODEEBELL56	NFAN56	NFCOVER56	NJBOX56	NSSWITCH56
NT1-18-56CB	NBASE56-2	NSC56-2 (400uf/165V)	---	NSCCOVER56	---	NCSWITCH56-2	NDEEBELL56-3	NODEEBELL56	NFAN56	NFCOVER56	NJBOX56	NSSWITCH56
NT1.5-36-56CB	NBASE56-2	NSC56-4 (800uf/165V)	NRC56 (40uf/250V)	NSCCOVER56	NRCCOVER56	NCSWITCH56-1	NDEEBELL56-2	NODEEBELL56	NFAN56	NFCOVER56	NJBOX56	NSSWITCH56
NT1.5-18-56CB	NBASE56-2	NSC56-4 (800uf/165V)	NRC56 (40uf/250V)	NSCCOVER56	NRCCOVER56	NCSWITCH56-2	NDEEBELL56-3	NODEEBELL56	NFAN56	NFCOVER56	NJBOX56	NSSWITCH56
NT2-36-56CB	NBASE56-2	NSC56-4 (800uf/165V)	NRC56 (40uf/250V)	NSCCOVER56	NRCCOVER56	NCSWITCH56-1	NDEEBELL56-3	NODEEBELL56	NFAN56	NFCOVER56	NJBOX56	NSSWITCH56
NT2-18-56CB	NBASE56-2	NSC56-4 (800uf/165V)	NRC56 (40uf/250V)	NSCCOVER56	NRCCOVER56	NCSWITCH56-2	NDEEBELL56-4	NODEEBELL56	NFAN56	NFCOVER56	NJBOX56	NSSWITCH56
NAT13-36-56CB	NBASE56-2	---	---	---	---	---	NDEEBELL56-1	NODEEBELL56	NFAN56	NFCOVER56	NJBOX56	---
NAT13-18-56CB	NBASE56-2	---	---	---	---	---	NDEEBELL56-1	NODEEBELL56	NFAN56	NFCOVER56	NJBOX56	---
NAT12-36-56CB	NBASE56-2	---	---	---	---	---	NDEEBELL56-1	NODEEBELL56	NFAN56	NFCOVER56	NJBOX56	---
NAT12-18-56CB	NBASE56-2	---	---	---	---	---	NDEEBELL56-1	NODEEBELL56	NFAN56	NFCOVER56	NJBOX56	---
NAT34-36-56CB	NBASE56-2	---	---	---	---	---	NDEEBELL56-1	NODEEBELL56	NFAN56	NFCOVER56	NJBOX56	---
NAT34-18-56CB	NBASE56-2	---	---	---	---	---	NDEEBELL56-1	NODEEBELL56	NFAN56	NFCOVER56	NJBOX56	---
NAT1-36-56CB	NBASE56-2	---	---	---	---	---	NDEEBELL56-1	NODEEBELL56	NFAN56	NFCOVER56	NJBOX56	---
NAT1-18-56CB	NBASE56-2	---	---	---	---	---	NDEEBELL56-2	NODEEBELL56	NFAN56	NFCOVER56	NJBOX56	---
NAT1.5-36-56CB	NBASE56-2	---	---	---	---	---	NDEEBELL56-1	NODEEBELL56	NFAN56	NFCOVER56	NJBOX56	---
NAT1.5-18-56CB	NBASE56-2	---	---	---	---	---	NDEEBELL56-2	NODEEBELL56	NFAN56	NFCOVER56	NJBOX56	---
NAT2-36-56CB	NBASE56-2	---	---	---	---	---	NDEEBELL56-2	NODEEBELL56	NFAN56	NFCOVER56	NJBOX56	---
NAT2-18-56CB	NBASE56-2	---	---	---	---	---	NDEEBELL56-2	NODEEBELL56	NFAN56	NFCOVER56	NJBOX56	---
NAT3-36-56CB	NBASE56-2	---	---	---	---	---	NDEEBELL56-2	NODEEBELL56	NFAN56	NFCOVER56	NJBOX56	---

MOTOR ACCESSORIES / PARTS



MOTOR ACCESSORIES / PARTS

WORLDWIDE FRACTIONAL HP MOTORS

Stainless Steel / Washdown Duty Motors



Model Number	Fan	Fan Cover	Junction Box	Key	Oil Seal	Slinger	Stainless Steel Cord Connector
List Price	\$6.50	\$66.00	\$44.70	\$1.70	\$1.90	\$1.30	\$78.00
WSSNV13-18-56CB	—	—	SSJBOX	SSKEY	SSOILSEAL	SSSLINGER	SSCC
WSSNV12-18-56CB	—	—	SSJBOX	SSKEY	SSOILSEAL	SSSLINGER	SSCC
WSSNV34-18-56CB	—	—	SSJBOX	SSKEY	SSOILSEAL	SSSLINGER	SSCC
WSSNV1-18-56CB	—	—	SSJBOX	SSKEY	SSOILSEAL	SSSLINGER	SSCC
WSSNV13-18-56CRD	—	—	SSJBOX	SSKEY	SSOILSEAL	SSSLINGER	SSCC
WSSNV12-18-56CRD	—	—	SSJBOX	SSKEY	SSOILSEAL	SSSLINGER	SSCC
WSSNV34-18-56CRD	—	—	SSJBOX	SSKEY	SSOILSEAL	SSSLINGER	SSCC
WSSNV1-18-56CRD	—	—	SSJBOX	SSKEY	SSOILSEAL	SSSLINGER	SSCC
WSS13-18-56CB	SSFAN	SSFCOVER	SSJBOX	SSKEY	SSOILSEAL	SSSLINGER	SSCC
WSS12-36-56CB	SSFAN	SSFCOVER	SSJBOX	SSKEY	SSOILSEAL	SSSLINGER	SSCC
WSS12-18-56CB	SSFAN	SSFCOVER	SSJBOX	SSKEY	SSOILSEAL	SSSLINGER	SSCC
WSS34-36-56CB	SSFAN	SSFCOVER	SSJBOX	SSKEY	SSOILSEAL	SSSLINGER	SSCC
WSS34-18-56CB	SSFAN	SSFCOVER	SSJBOX	SSKEY	SSOILSEAL	SSSLINGER	SSCC
WSS1-36-56CB	SSFAN	SSFCOVER	SSJBOX	SSKEY	SSOILSEAL	SSSLINGER	SSCC
WSS1-18-56CB	SSFAN	SSFCOVER	SSJBOX	SSKEY	SSOILSEAL	SSSLINGER	SSCC
WSS1.5-36-56CB	SSFAN	SSFCOVER	SSJBOX	SSKEY	SSOILSEAL	SSSLINGER	SSCC
WSS1.5-18-56CB	SSFAN	SSFCOVER	SSJBOX	SSKEY	SSOILSEAL	SSSLINGER	SSCC
WSS2-36-56CB	SSFAN	SSFCOVER	SSJBOX	SSKEY	SSOILSEAL	SSSLINGER	SSCC
WSS2-18-56CB	SSFAN	SSFCOVER	SSJBOX	SSKEY	SSOILSEAL	SSSLINGER	SSCC
WSS13-18-56CRD	SSFAN	SSFCOVER	SSJBOX	SSKEY	SSOILSEAL	SSSLINGER	SSCC
WSS12-18-56CRD	SSFAN	SSFCOVER	SSJBOX	SSKEY	SSOILSEAL	SSSLINGER	SSCC
WSS34-18-56CRD	SSFAN	SSFCOVER	SSJBOX	SSKEY	SSOILSEAL	SSSLINGER	SSCC
WSS1-18-56CRD	SSFAN	SSFCOVER	SSJBOX	SSKEY	SSOILSEAL	SSSLINGER	SSCC
WSS1.5-18-56CRD	SSFAN	SSFCOVER	SSJBOX	SSKEY	SSOILSEAL	SSSLINGER	SSCC
WSS2-18-56CRD	SSFAN	SSFCOVER	SSJBOX	SSKEY	SSOILSEAL	SSSLINGER	SSCC

MOTOR ACCESSORIES / PARTS



MOTOR ACCESSORIES / PARTS

WORLDWIDE FRACTIONAL HP MOTORS

Jet Pump Motors



Model Number	Capacitor		Capacitor Cover	Centrifugal Switch	Endbell		Fan	Fan Cover	Junction Box	Overload	Removable Base
	Start	Run			DE	ODE					
List Price	\$16.88	\$16.88	\$6.76	\$16.88	\$16.88	\$16.88	\$6.76	\$8.44	\$8.44	\$15.24	\$15.24
TJ13-36-56JB	SCTJ13	—	CCOVER56	CSWITCHTJ	FEBELL56CTE-B	REBELL56TE	FAN56TEFC	FCOVER56TE	TBOX56	PROTJ13	RBASE56C
TJ12-36-56JB	SCTJ12	—	CCOVER56	CSWITCHTJ	FEBELL56CTE-B	REBELL56TE	FAN56TEFC	FCOVER56TE	TBOX56	PROTJ12	RBASE56C
TJ34-36-56JB	SCTJ34	—	CCOVER56	CSWITCHTJ	FEBELL56CTE-B	REBELL56TE	FAN56TEFC	FCOVER56TE	TBOX56	PROTJ34	RBASE56C
TJ1-36-56JB	SCTJ1	—	CCOVER56	CSWITCHTJ	FEBELL56CTE-B	REBELL56TE	FAN56TEFC	FCOVER56TE	TBOX56	PROTJ1	RBASE56C
TJ1.5-36-56JB	SCTJ1.5	RCTJ1.5	CCOVER56	CSWITCHTJ	FEBELL56CTE-B	REBELL56TE	FAN56TEFC	FCOVER56TE	TBOX56	PROTJ1.5	RBASE56C
TJ2-36-56JB	SCTJ2	RCTJ2	CCOVER56	CSWITCHTJ	FEBELL56CTE-B	REBELL56TE	FAN56TEFC	FCOVER56TE	TBOX56	PROTJ2	RBASE56C
ATJ13-36-56JB	—	—	—	—	FEBELL56CTE-B	REBELL56TE	FAN56TEFC	FCOVER56TE	TBOX56	—	RBASE56C
ATJ12-36-56JB	—	—	—	—	FEBELL56CTE-B	REBELL56TE	FAN56TEFC	FCOVER56TE	TBOX56	—	RBASE56C
ATJ34-36-56JB	—	—	—	—	FEBELL56CTE-B	REBELL56TE	FAN56TEFC	FCOVER56TE	TBOX56	—	RBASE56C
ATJ1-36-56JB	—	—	—	—	FEBELL56CTE-B	REBELL56TE	FAN56TEFC	FCOVER56TE	TBOX56	—	RBASE56C
ATJ1.5-36-56JB	—	—	—	—	FEBELL56CTE-B	REBELL56TE	FAN56TEFC	FCOVER56TE	TBOX56	—	RBASE56C
ATJ2-36-56JB	—	—	—	—	FEBELL56CTE-B	REBELL56TE	FAN56TEFC	FCOVER56TE	TBOX56	—	RBASE56C

MOTOR ACCESSORIES / PARTS



MOTOR ACCESSORIES / PARTS WORLDWIDE FRACTIONAL HP MOTORS

Permanent Magnet DC Motors

Variable Speed DC Controls



Product Overview

- Dual voltage - 120/240 VAC, 50/60 hz
- Adjustable horsepower settings
- Barrier terminal strip
- Packaged bridge supply (fullwave)
- 1% speed regulation with armature voltage feedback; $\pm 1/2\%$ with tach feedback
- Adjustable minimum speed (0-30% of max.)
- Adjustable maximum speed (66-110% of base)
- Adjustable IR compensation
- Adjustable linear acceleration (0.5-8 sec.)
- Adjustable current limit to 15 amps
- Line voltage compensation
- 5K ohm speed potentiometer with leads, knob and dial included
- Power on / off switch
- 50:1 speed range
- Overload capacity: 150% for one minute
- Transient voltage protection
- Voltage following mode or DC tachometer follower by supplying underground analog input signal (0-12 VDC)
- DC tachometer feedback (6 V at base speed)
- Inhibit circuit - permits start and stop without breaking AC lines
- Remote start/stop via pot circuit or inhibit circuit
- Shunt field supply provided (1 amp max.; 100 V for 120 VAC; 200 V for 240 VAC input)
- AC line fuse
- Rated NEMA 4/12 with threaded conduit holes



ISO9001
CERTIFIED



RoHS
COMPLIANT

Non-Reversing (ON / OFF)

Single-Phase Input	Output	HP Range	Model Number	List Price
120 VAC	0-90 VDC	1/8 - 1.0	WDCCONT	\$405.96
240 VAC	0-180 VDC	1/4 - 2.0	WDCCONT	\$405.96

Reversing (FORWARD / OFF / REVERSE)

Single-Phase Input	Output	HP Range	Model Number	List Price
120 VAC	0-90 VDC	1/8 - 1.0	WDCCONTREV	\$616.21
240 VAC	0-180 VDC	1/4 - 2.0	WDCCONTREV	\$616.21



MOTOR ACCESSORIES / PARTS

WORLDWIDE FRACTIONAL HP MOTORS

Permanent Magnet DC Motors



HP	Model Number		Description	List Price
BRUSH & BRUSH SPRINGS (SOLD AS A SET)				
1/4 - 1 HP, 90 Volt (56C)	DCBRBRS1	(0.27 W x 0.7 H)	BRUSH & BRUSH SPRINGS FOR DC MOTOR FRAME 56C - 1/4 - 1 HP, 90 Volt	\$9.00
1.5 HP, 90 Volt (56C)	DCBRBRS3	(0.35 W x 0.63 H)	BRUSH & BRUSH SPRINGS FOR DC MOTOR FRAME 56C - 1.5 HP, 90 Volt	\$11.50
1/3 - 1.5 HP, 180 Volt (56C)	DCBRBRS1	(0.27 W x 0.7 H)	BRUSH & BRUSH SPRINGS FOR DC MOTOR FRAME 56C - 1/3 - 1.5 HP, 180 Volt	\$9.00
2 HP, 180 Volt (56C)	DCBRBRS2	(0.49 W x 0.7 H)	BRUSH & BRUSH SPRINGS FOR DC MOTOR FRAME 56C - 2 HP, 180 Volt	\$11.50
1.5 - 2 HP, 180 Volt (145TC)	DCBRBRS2	(0.49 W x 0.7 H)	BRUSH & BRUSH SPRINGS FOR DC MOTOR FRAME 145TC - 1.5 - 2 HP, 180 Volt	\$11.50
1/3 - 1 HP, 12 Volt (56C)	DCBRBRS4	(0.33 W x 0.76 H)	BRUSH & BRUSH SPRINGS FOR DC MOTOR FRAME 56C - 1/3 - 1 HP, 12 Volt	\$26.00
1/3 - 1/2 HP, 24 Volt (56C)	DCBRBRS1	(0.27 W x 0.7 H)	BRUSH & BRUSH SPRINGS FOR DC MOTOR FRAME 56C - 1/3 - 1/2 HP, 24 Volt	\$9.00
3/4 - 1.5 HP, 24 Volt (56C)	DCBRBRS2	(0.33 W x 0.76 H)	BRUSH & BRUSH SPRINGS FOR DC MOTOR FRAME 56C - 3/4 - 1.5 HP, 24 Volt	\$11.50
BRUSH CAPS				
1/4 - 1 HP (56C)	DCBCAP1		BRUSH CAP FOR DC MOTOR FRAME 56C - 1/4 - 1 HP	\$2.20
1.5 - 2 HP (56C)	DCBCAP2		BRUSH CAP FOR DC MOTOR FRAME 56C - 1.5 - 2 HP	\$2.70
1.5 - 2 HP (145TC)	DCBCAP2		BRUSH CAP FOR DC MOTOR FRAME 145TC - 1.5 - 2 HP	\$2.70
ENDBELLS - DRIVE-END				
1/4 - 1 HP (56C)	DCDEEB1		DRIVE-END ENDBELL FOR DC MOTOR FRAME 56C - 1/4 - 1 HP	\$51.50
1.5 - 2 HP (56C)	DCDEEB2		DRIVE-END ENDBELL FOR DC MOTOR FRAME 56C - 1.5 - 2 HP	\$93.00
1.5 - 2 HP (145TC)	DCDEEB2		DRIVE-END ENDBELL FOR DC MOTOR FRAME 145TC - 1.5 - 2 HP	\$93.00
ENDBELLS - OPPOSITE DRIVE-END				
1/4 - 1 HP (56C)	DCODEEB1		OPPOSITE DRIVE-END ENDBELL FOR DC MOTOR FRAME 56C - 1/4 - 1 HP	\$36.80
1.5 - 2 HP (56C)	DCODEEB2		OPPOSITE DRIVE-END ENDBELL FOR DC MOTOR FRAME 56C - 1.5 - 2 HP	\$76.00
1.5 - 2 HP (145TC)	DCODEEB2		OPPOSITE DRIVE-END ENDBELL FOR DC MOTOR FRAME 145TC - 1.5 - 2 HP	\$76.00
FANS				
1/4 - 1 HP (56C)	DCFAN1		FAN FOR DC MOTOR FRAME 56C - 1/4 - 1 HP	\$5.00
1.5 - 2 HP (56C)	DCFAN2		FAN FOR DC MOTOR FRAME 56C - 1.5 - 2 HP	\$6.50
1.5 - 2 HP (145TC)	DCFAN2		FAN FOR DC MOTOR FRAME 145TC - 1.5 - 2 HP	\$6.50
FAN COVERS				
1/4 - 1 HP (56C)	DCFCOVER1		FAN COVER FOR DC MOTOR FRAME 56C - 1/4 - 1 HP	\$9.40
1.5 - 2 HP (56C)	DCFCOVER2		FAN COVER FOR DC MOTOR FRAME 56C - 1.5 - 2 HP	\$12.00
1.5 - 2 HP (145TC)	DCFCOVER2		FAN COVER FOR DC MOTOR FRAME 145TC - 1.5 - 2 HP	\$12.00
JUNCTION BOXES				
1/4 - 1 HP (56C)	DCJBOX		JUNCTION BOX FOR DC MOTOR FRAME 56C - 1/4 - 1 HP	\$6.10
1.5 - 2 HP (56C)	DCJBOX		JUNCTION BOX FOR DC MOTOR FRAME 56C - 1.5 - 2 HP	\$6.10
1.5 - 2 HP (145TC)	DCJBOX		JUNCTION BOX FOR DC MOTOR FRAME 145TC - 1.5 - 2 HP	\$6.10
REMOVABLE BASES				
1/4 - 1.5 HP (56C)	DCBASE1		REMOVABLE BASE FOR DC MOTOR FRAME 56C - 1/4 - 1.5 HP	\$28.10
2 HP (56C)	DCBASE 2-56C		REMOVABLE BASE FOR DC MOTOR FRAME 56C - 2 HP	\$51.00
1.5 - 2 HP (145TC)	DCBASE 2		REMOVABLE BASE FOR DC MOTOR FRAME 145TC - 1.5 - 2 HP	\$51.00

MOTOR ACCESSORIES / PARTS



MOTOR ACCESSORIES / PARTS

WORLDWIDE FARM DUTY MOTORS



Model Number	Capacitor		Centrifugal Switch	Endbell		Fan	Fan Cover	Junction Box	Overload
	Start	Run		DE	ODE				
--- PLEASE CALL FOR PRICING ---									
FARM2-18-182T	SCFARM2	RCFARM2	CSWITCHFARM2	FEBELLFARM180	REBELLFARM180-2	FAN182TEFC	FCOVERFARM180	JBXFARM180	PROFARM2
FARM3-18-184T	SCFARM3	RCFARM3	CSWITCHFARM3	FEBELLFARM180	REBELLFARM180	FAN184TEFC	FCOVERFARM180	JBXFARM180	PROFARM3
FARM5-18-184T	SCFARM5	RCFARM5	CSWITCHFARM5	FEBELLFARM180	REBELLFARM180	FAN184aTEFC	FCOVERFARM180	JBXFARM180	PROFARM5
FARM7.5-18-215TZ	---	---	---	---	---	---	---	---	---
FARM10-18-215T	---	---	---	---	---	---	---	---	---

MOTOR ACCESSORIES / PARTS



MOTOR ACCESSORIES / PARTS

WORLDWIDE GENERAL PURPOSE MOTORS

Motor C-Flange and D-Flange Kits



C-Flange Kits

Frame Size	Model Number	List Price	Approx. Wt. (lbs.)
143T / 145T	PEW140TC	\$31.96	7
182T / 184T	PEW180TC	\$44.41	14
213T / 215T (2/4/6 POLE)	PEW210TC	\$62.15	14
213T / 215T (8 POLE)	W210TC	\$62.15	14
254T / 256T (2/4/6 POLE)	PEW250TC	\$106.56	36
254T / 256T (8 POLE)	W250TC	\$106.56	36
284T / 286T (2/4/6 POLE)	PEW280TC	\$133.24	38
284T / 286T (8 POLE)	W280TC	\$133.24	38
324T / 326T (2/4/6 POLE)	PEW320TC	\$186.52	48
324T / 326T (8 POLE)	W320TC	\$186.52	48
364T / 365T (2/4/6 POLE)	PEW360TC	\$266.42	55
364T / 365T (8 POLE)	W360TC	\$266.42	55
404T / 405T (2 POLE)	PEW400TC-2	\$395.51	148
404T / 405T (4/6 POLE)	PEW400TC	\$395.51	148
404T / 405T (8 POLE)	W400TC	\$395.51	148
444T / 445T (2 POLE)	PEW444/5/7TC-2	\$418.76	155
444T / 445T (4/6 POLE)	PEW444/5TC	\$418.76	155
444T / 445T (8 POLE)	W444/5TC	\$418.76	155
447T (2 POLE)	PEW447TC-2	\$418.76	160
447T (4/6 POLE)	PEW447TC	\$418.76	160
447T (8 POLE)	W447TC	\$418.76	160
449T (2 POLE)	W449TC-2	\$612.64	160
449T (4/6/8 POLE)	W449TC	\$612.64	160
505Z / 505UZ	W500TC	\$612.64	160
586/7 / 586/7UZ	W580TC	\$1,046.93	240

D-Flange Kits

Frame Size	Model Number	List Price	Approx. Wt. (lbs.)
143T / 145T	PEW140TD	\$31.96	7
182T / 184T	PEW180TD	\$44.41	14
213T / 215T (2/4/6 POLE)	PEW210TD	\$62.15	14
213T / 215T (8 POLE)	W210TD	\$62.15	14
254T / 256T (2/4/6 POLE)	PEW250TD	\$106.56	36
254T / 256T (8 POLE)	W250TD	\$106.56	36
284T / 286T (2/4/6 POLE)	PEW280TD	\$133.24	38
284T / 286T (8 POLE)	W280TD	\$133.24	38
324T / 326T (2/4/6 POLE)	PEW320TD	\$186.52	48
324T / 326T (8 POLE)	W320TD	\$186.52	48
364T / 365T (2/4/6 POLE)	PEW360TD	\$266.42	55
364T / 365T (8 POLE)	W360TD	\$266.42	55
404T / 405T (2 POLE)	PEW400TD-2	\$395.51	148
404T / 405T (4/6 POLE)	PEW400TD	\$395.51	148
404T / 405T (8 POLE)	W400TD	\$395.51	148
444T / 445T (2 POLE)	PEW444/5/7TD-2	\$418.76	155
444T / 445T (4/6 POLE)	PEW444/5TD	\$418.76	155
444T / 445T (8 POLE)	W444/5TD	\$418.76	155
447T (2 POLE)	PEW447TD-2	\$418.76	160
447T (4/6 POLE)	PEW447TD	\$418.76	160
447T (8 POLE)	W447TD	\$418.76	160
449T (2 POLE)	W449TD-2	\$612.64	160
449T (4/6/8 POLE)	W449TD	\$612.64	160
505Z / 505UZ	W500TD	\$612.64	160
586/7 / 586/7UZ	W580TD	\$1,046.93	240

MOTOR ACCESSORIES / PARTS



MOTOR ACCESSORIES / PARTS

WORLDWIDE GENERAL PURPOSE MOTORS



Frame Size	Model Number	Description	List Price
BEARING CAP KITS - DRIVE-END			
PEWWE 143T / 145T	—	—	—
PEWWE 182T / 184T	—	—	—
PEWWE 213T / 215T	—	—	—
PEWWE 254T / 256T (2/4/6 POLE)	PEBCAPKIT250DE	DE BEARING CAP KIT FOR FRAMES PEWWE254T / 256T - 2/4/6 POLE	\$38.29
WWE 254T / 256T (8 POLE)	BCAPKIT250DE	DE BEARING CAP KIT FOR FRAMES WWE254T / 256T - 8 POLE	\$38.29
PEWWE 284T / 286T (2/4/6 POLE)	PEBCAPKIT280DE	DE BEARING CAP KIT FOR FRAMES PEWWE284T / 286T - 2/4/6 POLE	\$63.60
WWE 284T / 286T (8 POLE)	BCAPKIT280DE	DE BEARING CAP KIT FOR FRAMES WWE284T / 286T - 8 POLE	\$63.60
PEWWE 324T / 326T (2/4/6 POLE)	PEBCAPKIT320DE	DE BEARING CAP KIT FOR FRAMES PEWWE324T / 326T - 2/4/6 POLE	\$70.11
WWE 324T / 326T (8 POLE)	BCAPKIT320DE	DE BEARING CAP KIT FOR FRAMES WWE324T / 326T - 8 POLE	\$70.11
PEWWE 364T / 365T (2/4/6 POLE)	PEBCAPKIT360DE	DE BEARING CAP KIT FOR FRAMES PEWWE364T / 365T - 2/4/6 POLE	\$79.43
WWE 364T / 365T (8 POLE)	BCAPKIT360DE	DE BEARING CAP KIT FOR FRAMES WWE364T / 365T - 8 POLE	\$79.43
PEWWE 404T / 405T (2 POLE)	PEBCAPKIT400-2DE	DE BEARING CAP KIT FOR FRAMES PEWWE404T / 405T - 2 POLE	\$118.34
PEWWE 404T / 405T (4/6 POLE)	PEBCAPKIT400DE	DE BEARING CAP KIT FOR FRAMES PEWWE404T / 405T - 4/6 POLE	\$118.34
WWE 404T / 405T (8 POLE)	BCAPKIT400DE	DE BEARING CAP KIT FOR FRAMES WWE404T / 405T - 8 POLE	\$118.34
PEWWE 444T / 445T (2 POLE)	PEBCAPKIT440-2DE	DE BEARING CAP KIT FOR FRAMES PEWWE444T / 445T / 447T - 2 POLE	\$162.97
PEWWE 444T / 445T (4/6 POLE)	PEBCAPKIT444/5DE	DE BEARING CAP KIT FOR FRAMES PEWWE444T / 445T - 4/6 POLE	\$162.97
WWE 444T / 445T (8 POLE)	BCAPKIT440DE	DE BEARING CAP KIT FOR FRAMES WWE444T / 445T - 8 POLE	\$162.97
PEWWE 447T (2 POLE)	PEBCAPKIT440-2DE	DE BEARING CAP KIT FOR FRAMES PEWWE444T / 445T / 447T - 2 POLE	\$162.97
PEWWE 447T (4/6 POLE)	PEBCAPKIT447DE	DE BEARING CAP KIT FOR FRAME PEWWE447T - 4/6 POLE	\$168.91
WWE 447T (8 POLE)	BCAPKIT447DE	DE BEARING CAP KIT FOR FRAME WWE447T - 8 POLE	\$168.91
PEWWE 449T (6 POLE)	PEBCAPKIT449DE	DE BEARING CAP KIT FOR FRAME PEWWE449T - 6 POLE	\$168.91
WWE 449T (2 POLE)	BCAPKIT449-2DE	DE BEARING CAP KIT FOR FRAME WWE449T - 2 POLE	\$168.91
WWE 449T (4/6/8 POLE)	BCAPKIT449DE	DE BEARING CAP KIT FOR FRAME WWE449T - 4/6/8 POLE	\$168.91
WWE 505Z / 505UZ	BCAPKIT500DE	DE BEARING CAP KIT FOR FRAMES WWE505Z / 505UZ	\$168.91
WWE 586/7 / 586/7UZ	BCAPKIT580DE	DE BEARING CAP KIT FOR FRAMES WWE586/7 / 586/7UZ	\$168.91
BEARING CAP KITS - OPPOSITE DRIVE-END			
PEWWE 143T / 145T	—	—	—
PEWWE 182T / 184T	PEBCAPINT180	ODE BEARING RETAINER FOR FRAMES PEWWE182T / 184T	\$34.11
PEWWE 213T / 215T (2/4/6 POLE)	PEBCAPINT210	ODE BEARING RETAINER FOR FRAMES PEWWE213T / 215T - 2/4/6 POLE	\$34.11
WWE 213T / 215T (8 POLE)	BCAPINT210	ODE BEARING RETAINER FOR FRAMES WWE213T / 215T - 8 POLE	\$34.11
PEWWE 254T / 256T (2/4/6 POLE)	PEBCAPKIT250ODE	ODE BEARING CAP KIT FOR FRAMES PEWWE254T / 256T - 2/4/6 POLE	\$34.11
WWE 254T / 256T (8 POLE)	BCAPKIT250ODE	ODE BEARING CAP KIT FOR FRAMES WWE254T / 256T - 8 POLE	\$34.11
PEWWE 284T / 286T (2/4/6 POLE)	PEBCAPKIT280ODE	ODE BEARING CAP KIT FOR FRAMES PEWWE284T / 286T - 2/4/6 POLE	\$53.26
WWE 284T / 286T (8 POLE)	BCAPKIT280ODE	ODE BEARING CAP KIT FOR FRAMES WWE284T / 286T - 8 POLE	\$53.26
PEWWE 324T / 326T (2/4/6 POLE)	PEBCAPKIT320ODE	ODE BEARING CAP KIT FOR FRAMES PEWWE324T / 326T - 2/4/6 POLE	\$70.11
WWE 324T / 326T (8 POLE)	BCAPKIT320ODE	ODE BEARING CAP KIT FOR FRAMES WWE324T / 326T - 8 POLE	\$70.11
PEWWE 364T / 365T (2/4/6 POLE)	PEBCAPKIT360ODE	ODE BEARING CAP KIT FOR FRAMES PEWWE364T / 365T - 2/4/6 POLE	\$79.43
WWE 364T / 365T (8 POLE)	BCAPKIT360ODE	ODE BEARING CAP KIT FOR FRAMES WWE364T / 365T - 8 POLE	\$79.43
PEWWE 404T / 405T (2 POLE)	PEBCAPKIT400-2ODE	ODE BEARING CAP KIT FOR FRAMES PEWWE404T / 405T - 2 POLE	\$118.34
PEWWE 404T / 405T (4/6 POLE)	PEBCAPKIT400ODE	ODE BEARING CAP KIT FOR FRAMES PEWWE404T / 405T - 4/6 POLE	\$118.34
WWE 404T / 405T (8 POLE)	BCAPKIT400ODE	ODE BEARING CAP KIT FOR FRAMES WWE404T / 405T - 8 POLE	\$118.34
PEWWE 444T / 445T (2 POLE)	PEBCAPKIT440-2ODE	ODE BEARING CAP KIT FOR FRAMES PEWWE444T / 445T / 447T - 2 POLE	\$154.46
PEWWE 444T / 445T (4/6 POLE)	PEBCAPKIT440ODE	ODE BEARING CAP KIT FOR FRAMES PEWWE444T / 445T / 447T - 4/6 POLE	\$154.46
WWE 444T / 445T (8 POLE)	BCAPKIT440ODE	ODE BEARING CAP KIT FOR FRAMES WWE444T / 445T - 8 POLE	\$154.46
PEWWE 447T (2 POLE)	PEBCAPKIT440-2ODE	ODE BEARING CAP KIT FOR FRAMES PEWWE444T / 445T / 447T - 2 POLE	\$154.46
PEWWE 447T (4/6 POLE)	PEBCAPKIT440ODE	ODE BEARING CAP KIT FOR FRAMES PEWWE444T / 445T / 447T - 4/6 POLE	\$154.46
WWE 447T (8 POLE)	BCAPKIT447ODE	ODE BEARING CAP KIT FOR FRAME WWE447T - 8 POLE	\$154.46
PEWWE 449T (6 POLE)	PEBCAPKIT449ODE	ODE BEARING CAP KIT FOR FRAME PEWWE449T - 6 POLE	\$154.46
WWE 449T (2 POLE)	BCAPKIT449-2ODE	ODE BEARING CAP KIT FOR FRAME WWE449T - 2 POLE	\$154.46
WWE 449T (4/6/8 POLE)	BCAPKIT449ODE	ODE BEARING CAP KIT FOR FRAME WWE449T - 4/6/8 POLE	\$154.46
WWE 505Z / 505UZ	BCAPKIT500ODE	ODE BEARING CAP KIT FOR FRAMES WWE505Z / 505UZ	\$154.46
WWE 586/7 / 586/7UZ	BCAPKIT580ODE	ODE BEARING CAP KIT FOR FRAMES WWE586/7 / 586/7UZ	\$154.46

Continued On Next Page



MOTOR ACCESSORIES / PARTS

WORLDWIDE GENERAL PURPOSE MOTORS



Frame Size	Model Number	Description	List Price
ENDBELLS - DRIVE-END			
PEWWE 143T / 145T	PEEBELDE140	DE ENDBELL FOR FRAMES PEWWE143T / 145T	\$54.35
PEWWE 182T / 184T	PEEBELDE180	DE ENDBELL FOR FRAMES PEWWE182T / 184T	\$68.00
PEWWE 213T / 215T (2/4/6 POLE)	PEEBELDE210	DE ENDBELL FOR FRAMES PEWWE213T / 215T - 2/4/6 POLE	\$95.18
WWE 213T / 215T (8 POLE)	EBELDE210	DE ENDBELL FOR FRAMES WWE213T / 215T - 8 POLE	\$95.18
PEWWWWE 254T / 256T (2/4/6 POLE)	PEEBELDE250	DE ENDBELL FOR FRAMES PEWWE254T / 256T - 2/4/6 POLE	\$163.18
WWE 254T / 256T (8 POLE)	EBELDE250	DE ENDBELL FOR FRAMES WWE254T / 256T - 8 POLE	\$163.18
PEWWE 284T / 286T (2/4/6 POLE)	PEEBELDE280	DE ENDBELL FOR FRAMES PEWWE284T / 286T - 2/4/6 POLE	\$204.00
WWE 284T / 286T (8 POLE)	EBELDE280	DE ENDBELL FOR FRAMES WWE284T / 286T - 8 POLE	\$204.00
PEWWE 324T / 326T (2/4/6 POLE)	PEEBELDE320	DE ENDBELL FOR FRAMES PEWWE324T / 326T - 2/4/6 POLE	\$285.65
WWE 324T / 326T (8 POLE)	EBELDE320	DE ENDBELL FOR FRAMES WWE324T / 326T - 8 POLE	\$285.65
PEWWE 364T / 365T (2/4/6 POLE)	PEEBELDE360	DE ENDBELL FOR FRAMES PEWWE364T / 365T - 2/4/6 POLE	\$408.00
WWE 364T / 365T (8 POLE)	EBELDE360	DE ENDBELL FOR FRAMES WWE364T / 365T - 8 POLE	\$408.00
PEWWE 404T / 405T (2 POLE)	PEEBELDE400-2	DE ENDBELL FOR FRAMES PEWWE404T / 405T - 2 POLE	\$544.00
PEWWE 404T / 405T (4/6 POLE)	PEEBELDE400	DE ENDBELL FOR FRAMES PEWWE404T / 405T - 4/6 POLE	\$544.00
WWE 404T / 405T (8 POLE)	EBELDE400	DE ENDBELL FOR FRAMES WWE404T / 405T - 8 POLE	\$544.00
PEWWE 444T / 445T (2 POLE)	PEEBELDE440-2	DE ENDBELL FOR FRAMES PEWWE444T / 445T / 447T - 2 POLE	\$612.00
PEWWE 444T / 445T (4/6 POLE)	PEEBELDE444/5	DE ENDBELL FOR FRAMES PEWWE444T / 445T - 4/6 POLE	\$612.00
WWE 444T / 445T (8 POLE)	EBELDE440 / EBELDE444/5	DE ENDBELL FOR FRAMES WWE444T / 445T - 8 POLE	\$612.00
PEWWE 447T (2 POLE)	PEEBELDE440-2	DE ENDBELL FOR FRAMES PEWWE444T / 445T / 447T - 2 POLE	\$612.00
PEWWE 447T (4/6 POLE)	PEEBELDE447	DE ENDBELL FOR FRAME PEWWE447T - 4/6 POLE	\$612.00
WWE 447T (8 POLE)	EBELDE447	DE ENDBELL FOR FRAME WWE447T - 8 POLE	\$612.00
PEWWE 449T (6 POLE)	PEEBELDE449	DE ENDBELL FOR FRAME PEWWE449T - 6 POLE	\$612.00
WWE 449T (2 POLE)	EBELDE449-2	DE ENDBELL FOR FRAME WWE449T - 2 POLE	\$612.00
WWE 449T (4/6/8 POLE)	EBELDE449	DE ENDBELL FOR FRAME WWE449T - 4/6/8 POLE	\$612.00
WWE 505Z / 505UZ	EBELDE500	DE ENDBELL FOR FRAMES WWE505Z / 505UZ	\$816.00
WWE 586/7 / 586/7UZ	EBELDE580	DE ENDBELL FOR FRAMES WWE586/7 / 586/7UZ	\$1,224.00
ENDBELLS - OPPOSITE DRIVE-END			
PEWWE 143T / 145T	PEEBELLODE140	ODE ENDBELL FOR FRAMES PEWWE143T / 145T	\$54.35
PEWWE 182T / 184T	PEEBELLODE180	ODE ENDBELL FOR FRAMES PEWWE182T / 184T	\$68.00
PEWWE 213T / 215T (2/4/6 POLE)	PEEBELLODE210	ODE ENDBELL FOR FRAMES PEWWE213T / 215T - 2/4/6 POLE	\$95.18
WWE 213T / 215T (8 POLE)	EBELLODE210	ODE ENDBELL FOR FRAMES WWE213T / 215T - 8 POLE	\$95.18
PEWWWWE 254T / 256T (2/4/6 POLE)	PEEBELLODE250	ODE ENDBELL FOR FRAMES PEWWE254T / 256T - 2/4/6 POLE	\$163.18
WWE 254T / 256T (8 POLE)	EBELLODE250	ODE ENDBELL FOR FRAMES WWE254T / 256T - 8 POLE	\$163.18
PEWWE 284T / 286T (2/4/6 POLE)	PEEBELLODE280	ODE ENDBELL FOR FRAMES PEWWE284T / 286T - 2/4/6 POLE	\$204.00
WWE 284T / 286T (8 POLE)	EBELLODE280	ODE ENDBELL FOR FRAMES WWE284T / 286T - 8 POLE	\$204.00
PEWWE 324T / 326T (2/4/6 POLE)	PEEBELLODE320	ODE ENDBELL FOR FRAMES PEWWE324T / 326T - 2/4/6 POLE	\$285.65
WWE 324T / 326T (8 POLE)	EBELLODE320	ODE ENDBELL FOR FRAMES WWE324T / 326T - 8 POLE	\$285.65
PEWWE 364T / 365T (2/4/6 POLE)	PEEBELLODE360	ODE ENDBELL FOR FRAMES PEWWE364T / 365T - 2/4/6 POLE	\$408.00
WWE 364T / 365T (8 POLE)	EBELLODE360	ODE ENDBELL FOR FRAMES WWE364T / 365T - 8 POLE	\$408.00
PEWWE 404T / 405T (2/4/6 POLE)	PEEBELLODE400	ODE ENDBELL FOR FRAMES PEWWE404T / 405T - 2/4/6 POLE	\$544.00
WWE 404T / 405T (8 POLE)	EBELLODE400	ODE ENDBELL FOR FRAMES WWE404T / 405T - 8 POLE	\$544.00
PEWWE 444T / 445T (2 POLE)	PEEBELLODE440-2	ODE ENDBELL FOR FRAMES PEWWE444T / 445T / 447T - 2 POLE	\$612.00
PEWWE 444T / 445T (4/6 POLE)	PEEBELLODE440	ODE ENDBELL FOR FRAMES PEWWE444T / 445T / 447T - 4/6 POLE	\$612.00
WWE 444T / 445T (8 POLE)	EBELLODE440	ODE ENDBELL FOR FRAMES WWE444T / 445T / 447T - 8 POLE	\$612.00
PEWWE 447T (2 POLE)	PEEBELLODE440-2	ODE ENDBELL FOR FRAMES PEWWE444T / 445T / 447T - 2 POLE	\$612.00
PEWWE 447T (4/6 POLE)	PEEBELLODE440	ODE ENDBELL FOR FRAMES PEWWE444T / 445T / 447T - 4/6 POLE	\$612.00
WWE 447T (8 POLE)	EBELLODE440	ODE ENDBELL FOR FRAMES WWE444T / 445T / 447T - 8 POLE	\$612.00
PEWWE 449T (6 POLE)	PEEBELLODE449	ODE ENDBELL FOR FRAME PEWWE449T - 6 POLE	\$612.00
WWE 449T (2 POLE)	EBELLODE449-2	ODE ENDBELL FOR FRAME WWE449T - 2 POLE	\$612.00
WWE 449T (4/6/8 POLE)	EBELLODE449	ODE ENDBELL FOR FRAME WWE449T - 4/6/8 POLE	\$612.00
WWE 505Z / 505UZ	EBELLODE500	ODE ENDBELL FOR FRAMES WWE505Z / 505UZ	\$816.00
WWE 586/7 / 586/7UZ	EBELLODE580	ODE ENDBELL FOR FRAMES WWE586/7 / 586/7UZ	\$1,224.00

MOTOR ACCESSORIES / PARTS

Continued On Next Page



MOTOR ACCESSORIES / PARTS

WORLDWIDE GENERAL PURPOSE MOTORS



Frame Size	Model Number	Description	List Price
EYEBOLTS			
143T / 145T	—	—	—
182T / 184T	EYE180	EYEBOLT FOR FRAMES 182T / 184T	\$13.65
213T / 215T	EYE210	EYEBOLT FOR FRAMES 213T / 215T	\$13.65
254T / 256T	EYE250/280	EYEBOLT FOR FRAMES 254T / 256T / 284T / 286T	\$16.35
284T / 286T	EYE250/280	EYEBOLT FOR FRAMES 254T / 256T / 284T / 286T	\$16.35
324T / 326T	EYE320/360	EYEBOLT FOR FRAMES 324T / 326T / 364T / 365T	\$24.47
364T / 365T	EYE320/360	EYEBOLT FOR FRAMES 324T / 326T / 364T / 365T	\$24.47
404T / 405T	EYE400	EYEBOLT FOR FRAMES 404T / 405T	\$40.82
444T / 445T / 447T	EYE440	EYEBOLT FOR FRAMES 444T / 445T / 447T	\$68.00
449T	EYE449/500	EYEBOLT FOR FRAME 449T / 505Z / 505UZ	\$68.00
505Z / 505UZ	EYE449/500	EYEBOLT FOR FRAME 449T / 505Z / 505UZ	\$68.00
586/7 / 586/7UZ	EYE580	EYEBOLT FOR FRAMES 586/7 / 586/7UZ	\$68.00
FANS			
PEWWE 143T / 145T	PEFAN140	FAN FOR FRAMES PEWWE143T / 145T	\$27.18
PEWWE 182T / 184T	PEFAN180	FAN FOR FRAMES PEWWE182T / 184T	\$34.00
PEWWE 213T / 215T (2/4/6 POLE)	PEFAN210	FAN FOR FRAMES PEWWE213T / 215T - 2/4/6 POLE	\$40.82
WWE 213T / 215T (8 POLE)	FAN210	FAN FOR FRAMES WWE213T / 215T - 8 POLE	\$40.82
PEWWE 254T / 256T (2/4/6 POLE)	PEFAN250	FAN FOR FRAMES PEWWE254T / 256T - 2/4/6 POLE	\$68.00
WWE 254T / 256T (8 POLE)	FAN250	FAN FOR FRAMES WWE254T / 256T - 8 POLE	\$68.00
PEWWE 284T / 286T (2POLE)	PEFAN280-2	FAN FOR FRAMES PEWWE284T / 286T - 2POLE	\$95.18
PEWWE 284T / 286T (4/6 POLE)	PEFAN280	FAN FOR FRAMES PEWWE284T / 286T - 4/6 POLE	\$95.18
WWE 284T / 286T (8 POLE)	FAN280	FAN FOR FRAMES WWE284T / 286T - 8 POLE	\$95.18
PEWWE 324T / 326T (2 POLE)	PEFAN320-2	FAN FOR FRAMES PEWWE324T / 326T - 2 POLE	\$122.35
PEWWE 324T / 326T (4/6 POLE)	PEFAN320	FAN FOR FRAMES PEWWE324T / 326T - 4/6 POLE	\$122.35
WWE 324T / 326T (8 POLE)	FAN320	FAN FOR FRAMES WWE324T / 326T - 8 POLE	\$122.35
PEWWE 364T / 365T (2 POLE)	PEFAN360-2	FAN FOR FRAMES PEWWE364T / 365T - 2 POLE	\$204.00
PEWWE 364T / 365T (4/6 POLE)	PEFAN360	FAN FOR FRAMES PEWWE364T / 365T - 4/6 POLE	\$204.00
WWE 364T / 365T (8 POLE)	FAN360	FAN FOR FRAMES WWE364T / 365T - 8 POLE	\$204.00
PEWWE 404T / 405T (2 POLE)	PEFAN400-2	FAN FOR FRAMES PEWWE404T / 405T - 2 POLE	\$244.82
PEWWE 404T / 405T (4/6 POLE)	PEFAN400	FAN FOR FRAMES PEWWE404T / 405T - 4/6 POLE	\$244.82
WWE 404T / 405T (8 POLE)	FAN400	FAN FOR FRAMES WWE404T / 405T - 8 POLE	\$244.82
PEWWE 444T / 445T (2 POLE)	PEFAN440-2	FAN FOR FRAMES PEWWE444T / 445T / 447T - 2 POLE	\$272.00
PEWWE 444T / 445T (4/6 POLE)	PEFAN440	FAN FOR FRAMES PEWWE444T / 445T / 447T - 4/6 POLE	\$272.00
WWE 444T / 445T (8 POLE)	FAN440	FAN FOR FRAMES WWE444T / 445T / 447T - 8 POLE	\$272.00
PEWWE 447T (2 POLE)	PEFAN440-2	FAN FOR FRAMES PEWWE444T / 445T / 447T - 2 POLE	\$272.00
PEWWE 447T (4/6 POLE)	PEFAN440	FAN FOR FRAMES PEWWE444T / 445T / 447T - 4/6 POLE	\$272.00
WWE 447T (8 POLE)	FAN440	FAN FOR FRAMES WWE444T / 445T / 447T - 8 POLE	\$272.00
PEWWE 449T (6 POLE)	PEFAN449	FAN FOR FRAME PEWWE449T - 6 POLE	\$340.00
WWE 449T (2 POLE)	FAN449TS-2N	FAN FOR FRAME WWE449T - 2 POLE	\$340.00
WWE 449T (4 POLE)	FAN449-4N	FAN FOR FRAME WWE449T - 4 POLE	\$340.00
WWE 449T (6 POLE)	FAN449-6N	FAN FOR FRAME WWE449T - 6 POLE	\$340.00
WWE 449T (8 POLE)	FAN449	FAN FOR FRAME WWE449T - 8 POLE	\$340.00
WWE 505Z / 505UZ (4 POLE)	FAN500-4N	FAN FOR FRAMES WWE505Z / 505UZ - 4 POLE	\$340.00
WWE 505Z / 505UZ (6 POLE)	FAN500	FAN FOR FRAMES WWE505Z / 505UZ - 6 POLE	\$340.00
WWE 586/7 / 586/7UZ (250-400HP-4P)	FAN580-4N	FAN FOR FRAMES WWE586/7 / 586/7UZ - 250-400HP - 4 POLE	\$544.00
WWE 586/7 / 586/7UZ (450-500HP-4P)	FAN580-4XN	FAN FOR FRAMES WWE586/7 / 586/7UZ - 450-500HP - 4 POLE	\$544.00
WWE 586/7 / 586/7UZ (6/8 POLE)	FAN580	FAN FOR FRAMES WWE586/7 / 586/7UZ - 6/8 POLE	\$544.00

MOTOR ACCESSORIES / PARTS

Continued On Next Page



MOTOR ACCESSORIES / PARTS

WORLDWIDE GENERAL PURPOSE MOTORS



Frame Size	Model Number	Description	List Price
FAN COVERS - STEEL			
PEWWE 143T / 145T	PEFCOVER140	FAN COVER FOR FRAMES PEWWE143T / 145T	\$22.86
PEWWE 182T / 184T	PEFCOVER180	FAN COVER FOR FRAMES PEWWE182T / 184T	\$30.80
PEWWE 213T / 215T (2/4/6 POLE)	PEFCOVER210	FAN COVER FOR FRAMES PEWWE213T / 215T - 2/4/6 POLE	\$45.83
WWE 213T / 215T (8 POLE)	FCOVER210	FAN COVER FOR FRAMES WWE213T / 215T - 8 POLE	\$45.83
PEWWW 254T / 256T (2/4/6 POLE)	PEFCOVER250	FAN COVER FOR FRAMES PEWWE254T / 256T - 2/4/6 POLE	\$72.86
WWE 254T / 256T (8 POLE)	FCOVER250	FAN COVER FOR FRAMES WWE254T / 256T - 8 POLE	\$72.86
PEWWE 284T / 286T (2/4/6 POLE)	PEFCOVER280	FAN COVER FOR FRAMES PEWWE284T / 286T - 2/4/6 POLE	\$107.37
WWE 284T / 286T (8 POLE)	FCOVER280	FAN COVER FOR FRAMES WWE284T / 286T - 8 POLE	\$107.37
PEWWE 324T / 326T (2/4/6 POLE)	PEFCOVER320	FAN COVER FOR FRAMES PEWWE324T / 326T - 2/4/6 POLE	\$132.23
WWE 324T / 326T (8 POLE)	FCOVER320	FAN COVER FOR FRAMES WWE324T / 326T - 8 POLE	\$132.23
PEWWE 364T / 365T (2/4/6 POLE)	PEFCOVER360	FAN COVER FOR FRAMES PEWWE364T / 365T - 2/4/6 POLE	\$158.17
WWE 364T / 365T (8 POLE)	FCOVER360	FAN COVER FOR FRAMES WWE364T / 365T - 8 POLE	\$158.17
PEWWE 404T / 405T (2 POLE)	PEFCOVER400-2	FAN COVER FOR FRAMES PEWWE404T / 405T - 2 POLE	\$324.69
PEWWE 404T / 405T (4/6 POLE)	PEFCOVER400	FAN COVER FOR FRAMES PEWWE404T / 405T - 4/6 POLE	\$324.69
WWE 404T / 405T (8 POLE)	FCOVER400	FAN COVER FOR FRAMES WWE404T / 405T - 8 POLE	\$324.69
PEWWE 444T / 445T (2 POLE)	PEFCOVER440-2	FAN COVER FOR FRAMES PEWWE444T / 445T / 447T- 2 POLE	\$411.37
PEWWE 444T / 445T (4/6 POLE)	PEFCOVER440	FAN COVER FOR FRAMES PEWWE444T / 445T / 447T - 4/6 POLE	\$411.37
WWE 444T / 445T (8 POLE)	FCOVER440	FAN COVER FOR FRAMES WWE444T / 445T / 447T - 8 POLE	\$411.37
PEWWE 447T (2 POLE)	PEFCOVER440-2	FAN COVER FOR FRAMES PEWWE444T / 445T / 447T- 2 POLE	\$411.37
PEWWE 447T (4/6 POLE)	PEFCOVER440	FAN COVER FOR FRAMES PEWWE444T / 445T / 447T - 4/6 POLE	\$411.37
WWE 447T (8 POLE)	FCOVER440	FAN COVER FOR FRAMES WWE444T / 445T / 447T- 8 POLE	\$411.37
PEWWE 449T (6 POLE)	PEFCOVER449	FAN COVER FOR FRAME PEWWE449T - 6 POLE	\$411.37
WWE 449T (2 POLE)	FCOVER449-2N	FAN COVER FOR FRAME WWE449T - 2 POLE	\$411.37
WWE 449T (4 POLE)	FCOVER449-4N	FAN COVER FOR FRAME WWE449T - 4 POLE	\$411.37
WWE 449T (6 POLE)	FCOVER449-6N	FAN COVER FOR FRAME WWE449T - 6 POLE	\$411.37
WWE 449T (8 POLE)	FCOVER449	FAN COVER FOR FRAME WWE449T - 8 POLE	\$411.37
WWE 505Z / 505UZ (4 POLE)	FCOVER500-4N	FAN COVER FOR FRAMES WWE505Z / 505UZ - 4 POLE	\$411.37
WWE 505Z / 505UZ (6 POLE)	FCOVER500	FAN COVER FOR FRAMES WWE505Z / 505UZ - 6 POLE	\$411.37
WWE 586/7 / 586/7UZ (4 POLE)	FCOVER580-4N	FAN COVER FOR FRAMES WWE586/7 / 586/7UZ - 4 POLE	\$411.37
WWE 586/7 / 586/7UZ (6/8 POLE)	FCOVER580N	FAN COVER FOR FRAMES WWE586/7 / 586/7UZ - 6/8 POLE	\$411.37
JUNCTION BOXES - INCLUDES BOX & COVER			
PEWWE 143T / 145T	PEJBOX140T	JUNCTION BOX FOR FRAMES PEWWE143T / 145T	\$36.17
PEWWE 182T / 184T	PEJBOX180T	JUNCTION BOX FOR FRAMES PEWWE182T / 184T	\$53.26
PEWWE 213T / 215T (2/4/6 POLE)	PEJBOX210T	JUNCTION BOX FOR FRAMES PEWWE213T / 215T - 2/4/6 POLE	\$53.26
WWE 213T / 215T (8 POLE)	JBOX210T	JUNCTION BOX FOR FRAMES WWE213T / 215T - 8 POLE	\$53.26
PEWWE 254T / 256T (2/4/6 POLE)	PEJBOX250T	JUNCTION BOX FOR FRAMES PEWWE254T / 256T - 2/4/6 POLE	\$94.63
WWE 254T / 256T (8 POLE)	JBOX250T	JUNCTION BOX FOR FRAMES WWE254T / 256T - 8 POLE	\$94.63
PEWWE 284T / 286T (2/4/6 POLE)	PEJBOX280T	JUNCTION BOX FOR FRAMES PEWWE284T / 286T - 2/4/6 POLE	\$94.63
WWE 284T / 286T (8 POLE)	JBOX280T	JUNCTION BOX FOR FRAMES WWE284T / 286T - 8 POLE	\$94.63
PEWWE 324T / 326T (2/4/6 POLE)	PEJBOX320T	JUNCTION BOX FOR FRAMES PEWWE324T / 326T - 2/4/6 POLE	\$115.66
WWE 324T / 326T (8 POLE)	JBOX320T	JUNCTION BOX FOR FRAMES WWE324T / 326T - 8 POLE	\$115.66
PEWWE 364T / 365T (2/4/6 POLE)	PEJBOX360T	JUNCTION BOX FOR FRAMES PEWWE364T / 365T - 2/4/6 POLE	\$231.31
WWE 364T / 365T (8 POLE)	JBOX360T	JUNCTION BOX FOR FRAMES WWE364T / 365T - 8 POLE	\$231.31
PEWWE 404T / 405T (2/4/6 POLE)	PEJBOX400T	JUNCTION BOX FOR FRAMES PEWWE404T / 405T - 2/4/6 POLE	\$294.40
WWE 404T / 405T (8 POLE)	JBOX400T	JUNCTION BOX FOR FRAMES WWE404T / 405T - 8 POLE	\$294.40
PEWWE 444T / 445T / 447T (2/4/6 POLE)	JBOX440T / JBOX440T-1	JUNCTION BOX FOR FRAMES PEWWE444T / 445T / 447T - 2/4/6 POLE	\$389.71
WWE 444T / 445T / 447T (8 POLE)	JBOX440T / JBOX440T-1	JUNCTION BOX FOR FRAMES WWE444T / 445T / 447T - 8 POLE	\$389.71
PEWWE 449T (6 POLE)	JBOX449T	JUNCTION BOX FOR FRAME PEWWE449T - 6 POLE	\$389.71
WWE449T (2/4/6/8 POLE)	JBOX449T	JUNCTION BOX FOR FRAME WWE449T - 2/4/6/8 POLE	\$389.71
WWE505Z / 505UZ	JBOX500T	JUNCTION BOX FOR FRAMES WWE505Z / 505UZ	\$389.71
WWE586/7 / 586/7UZ	JBOX580T / JBOX580T-1	JUNCTION BOX FOR FRAMES WWE586/7 / 586/7UZ	\$389.71

MOTOR ACCESSORIES / PARTS



WORLDWIDE ACCESSORIES / PARTS EXPLOSION PROOF MOTORS



Frame Size	Model Number	Description	List Price
FANS			
XPEWWE 143T / 145T (2 POLE)	XPFAN140-2P/180-2P	EXPLOSION PROOF FAN FOR FRAMES XPEWWE143T / 145T - 2 POLE	\$68.57
XPEWWE 143T / 145T (4/6 POLE)	XPFAN140/180	EXPLOSION PROOF FAN FOR FRAMES XPEWWE143T / 145T - 4/6 POLE	\$68.57
XPEWWE 182T / 184T (2 POLE)	XPFAN140-2P/180-2P	EXPLOSION PROOF FAN FOR FRAMES XPEWWE182T / 184T - 2 POLE	\$68.57
XPEWWE 182T / 184T (4/6 POLE)	XPFAN140/180	EXPLOSION PROOF FAN FOR FRAMES XPEWWE182T / 184T - 4/6 POLE	\$68.57
XPEWWE 213T / 215T (2 POLE)	XPFAN210-2P	EXPLOSION PROOF FAN FOR FRAMES XPEWWE213T / 215T - 2 POLE	\$74.29
XPEWWE 213T / 215T (4/6 POLE)	XPFAN210/250-2P	EXPLOSION PROOF FAN FOR FRAMES XPEWWE213T / 215T - 4/6 POLE	\$85.71
XPEWWE 254T / 256T (2 POLE)	XPFAN210/250-2P	EXPLOSION PROOF FAN FOR FRAMES XPEWWE254T / 256T - 2 POLE	\$85.71
XPEWWE 254T / 256T (4/6 POLE)	XPFAN250/280-2P	EXPLOSION PROOF FAN FOR FRAMES XPEWWE254T / 256T - 4/6 POLE	\$97.14
XPEWWE 284T / 286T (2 POLE)	XPFAN250/280-2P	EXPLOSION PROOF FAN FOR FRAMES XPEWWE284T / 286T - 2 POLE	\$97.14
XPEWWE 284T / 286T (4/6 POLE)	XPFAN280/320-2P	EXPLOSION PROOF FAN FOR FRAMES XPEWWE284T / 286T - 4/6 POLE	\$102.86
XPEWWE 324T / 326T (2 POLE)	XPFAN280/320-2P	EXPLOSION PROOF FAN FOR FRAMES XPEWWE324T / 326T - 2 POLE	\$102.86
XPEWWE 324T / 326T (4/6 POLE)	XPFAN320	EXPLOSION PROOF FAN FOR FRAMES XPEWWE324T / 326T - 4/6 POLE	\$137.14
XPEWWE 364T / 365T (2 POLE)	XPFAN360-2P/400-2P	EXPLOSION PROOF FAN FOR FRAMES XPEWWE364T / 365T - 2 POLE	\$137.14
XPEWWE 364T / 365T (4/6 POLE)	XPFAN360	EXPLOSION PROOF FAN FOR FRAMES XPEWWE364T / 365T - 4/6 POLE	\$154.29
XPEWWE 404T / 405T (2 POLE)	XPFAN360-2P/400-2P	EXPLOSION PROOF FAN FOR FRAMES XPEWWE404T / 405T - 2 POLE	\$137.14
XPEWWE 404T / 405T (4/6 POLE)	XPFAN400	EXPLOSION PROOF FAN FOR FRAMES XPEWWE404T / 405T - 4/6 POLE	\$160.00
XPEWWE 444/5T (2 POLE)	XPFAN444/5-2P	EXPLOSION PROOF FAN FOR FRAME XPEWWE444/5T - 2 POLE	\$160.00
XPEWWE 444/5T (4/6 POLE)	XPFAN444/5-4/6P	EXPLOSION PROOF FAN FOR FRAME XPEWWE444/5T - 4/6 POLE	\$171.43
XPEWWE 447/9T (2 POLE)	XPFAN447/9-2P	EXPLOSION PROOF FAN FOR FRAME XPEWWE447/9T - 2 POLE	\$171.43
XPEWWE 447/9T (4 POLE)	XPFAN447/9-4P	EXPLOSION PROOF FAN FOR FRAME XPEWWE447/9T - 4 POLE	\$182.86
XPEWWE 447/9T (6 POLE)	XPFAN447/9-6P	EXPLOSION PROOF FAN FOR FRAME XPEWWE447/9T - 6 POLE	\$194.29
FAN COVERS - STEEL			
XPEWWE 143T / 145T	XPFCOVER140	EXPLOSION PROOF FAN COVER FOR FRAMES XPEWWE143T / 145T	\$22.86
XPEWWE 182T / 184T	XPFCOVER180	EXPLOSION PROOF FAN COVER FOR FRAMES XPEWWE182T / 184T	\$22.86
XPEWWE 213T / 215T	XPFCOVER210	EXPLOSION PROOF FAN COVER FOR FRAMES XPEWWE213T / 215T	\$51.43
XPEWWE 254T / 256T	XPFCOVER250	EXPLOSION PROOF FAN COVER FOR FRAMES XPEWWE254T / 256T	\$154.29
XPEWWE 284T / 286T	XPFCOVER280	EXPLOSION PROOF FAN COVER FOR FRAMES XPEWWE284T / 286T	\$165.71
XPEWWE 324T / 326T (2 POLE)	XPFCOVER320-2P	EXPLOSION PROOF FAN COVER FOR FRAMES XPEWWE324T / 326T - 2 POLE	\$205.71
XPEWWE 324T / 326T (4/6 POLE)	XPFCOVER320	EXPLOSION PROOF FAN COVER FOR FRAMES XPEWWE324T / 326T - 4/6 POLE	\$205.71
XPEWWE 364T / 365T (2 POLE)	XPFCOVER360-2P	EXPLOSION PROOF FAN COVER FOR FRAMES XPEWWE364T / 365T - 2 POLE	\$234.29
XPEWWE 364T / 365T (4/6 POLE)	XPFCOVER360	EXPLOSION PROOF FAN COVER FOR FRAMES XPEWWE364T / 365T - 4/6 POLE	\$234.29
XPEWWE 404T / 405T (2 POLE)	XPFCOVER400-2P	EXPLOSION PROOF FAN COVER FOR FRAMES XPEWWE404T / 405T - 2 POLE	\$268.57
XPEWWE 404T / 405T (4/6 POLE)	XPFCOVER400	EXPLOSION PROOF FAN COVER FOR FRAMES XPEWWE404T / 405T - 4/6 POLE	\$268.57
XPEWWE 444/5T	XPFCOVER444/5	EXPLOSION PROOF FAN COVER FOR FRAME XPEWWE444/5T	\$325.71
XPEWWE 445/7/9T	XPFCOVER447/9	EXPLOSION PROOF FAN COVER FOR FRAME XPEWWE445/7/9T	\$325.71
XPEWWE 447/9T (2/4 POLE)	XPFCOVER447/9	EXPLOSION PROOF FAN COVER FOR FRAME XPEWWE447/9T - 2/4 POLE	\$325.71
XPEWWE 447/9T (6 POLE)	XPFCOVER447/9-6P	EXPLOSION PROOF FAN COVER FOR FRAME XPEWWE447/9T - 6 POLE	\$325.71
JUNCTION BOXES - INCLUDES BOX & COVER			
XPEWWE 143T / 145T	XPJBOX140	EXPLOSION PROOF JUNCTION BOX FOR FRAMES XPEWWE143T / 145T	\$171.43
XPEWWE 182T / 184T	XPJBOX180	EXPLOSION PROOF JUNCTION BOX FOR FRAMES XPEWWE182T / 184T	\$171.43
XPEWWE 213T / 215T	XPJBOX210	EXPLOSION PROOF JUNCTION BOX FOR FRAMES XPEWWE213T / 215T	\$217.14
XPEWWE 254T / 256T	XPJBOX250	EXPLOSION PROOF JUNCTION BOX FOR FRAMES XPEWWE254T / 256T	\$274.29
XPEWWE 284T / 286T	XPJBOX280	EXPLOSION PROOF JUNCTION BOX FOR FRAMES XPEWWE284T / 286T	\$274.29
XPEWWE 324T / 326T	XPJBOX320	EXPLOSION PROOF JUNCTION BOX FOR FRAMES XPEWWE324T / 326T	\$377.14
XPEWWE 364T / 365T	XPJBOX360	EXPLOSION PROOF JUNCTION BOX FOR FRAMES XPEWWE364T / 365T	\$445.71
XPEWWE 404T / 405T	XPJBOX400	EXPLOSION PROOF JUNCTION BOX FOR FRAMES XPEWWE404T / 405T	\$480.00
XPEWWE 444/5T	XPJBOX440	EXPLOSION PROOF JUNCTION BOX FOR FRAME XPEWWE444/5T	\$617.14
XPEWWE 445/7/9T	XPJBOX440	EXPLOSION PROOF JUNCTION BOX FOR FRAME XPEWWE445/7/9T	\$617.14
XPEWWE 447/9T	XPJBOX440	EXPLOSION PROOF JUNCTION BOX FOR FRAME XPEWWE447/9T	\$617.14

MOTOR ACCESSORIES / PARTS



MOTOR ACCESSORIES / PARTS

WORLDWIDE OIL WELL PUMP MOTORS



Frame Size	Model Number	Description	List Price
FANS			
WWELUC213T / 215T	LUCFAN210	FAN FOR FRAMES WWELUC213T / 215T	\$40.82
WO213T / 215T	WOFAN210	FAN FOR FRAMES WO213T / 215T	\$40.82
WWELUC254T / 256T	LUCFAN250	FAN FOR FRAMES WWELUC254T / 256T	\$68.00
WO254T / 256T	WOFAN250	FAN FOR FRAMES WO254T / 256T	\$68.00
WWELUC284T / 286T	LUCFAN280	FAN FOR FRAMES WWELUC284T / 286T	\$95.18
WO284T / 286T	WOFAN280	FAN FOR FRAMES WO284T / 286T	\$95.18
WWELUC324T / 326T	LUCFAN320	FAN FOR FRAMES WWELUC324T / 326T	\$122.35
WO324T / 326T	WOFAN320	FAN FOR FRAMES WO324T / 326T	\$122.35
WWELUC364T / 365T	LUCFAN360	FAN FOR FRAMES WWELUC364T / 365T	\$204.00
WO364T / 365T	WOFAN360	FAN FOR FRAMES WO364T / 365T	\$204.00
WWELUC404T / 405T	LUCFAN400/440	FAN FOR FRAMES WWELUC404T / 405T / 444T / 445T	\$244.82
WO404T / 405T	WOFAN400	FAN FOR FRAMES WO404T / 405T	\$244.82
WWELUC444T / 445T	LUCFAN400/440	FAN FOR FRAMES WWELUC404T / 405T / 444T / 445T	\$244.82
WO444T / 445T	WOFAN444/5	FAN FOR FRAMES WO444T / 445T	\$272.00
FAN COVERS			
WWELUC213T / 215T	LUCFCOVER210	FAN COVER FOR FRAMES WWELUC213T / 215T	\$40.82
WO213T / 215T	WOFCOVER210	FAN COVER FOR FRAMES WO213T / 215T	\$40.82
WWELUC254T / 256T	LUCFCOVER250	FAN COVER FOR FRAMES WWELUC254T / 256T	\$68.00
WO254T / 256T	WOFCOVER250	FAN COVER FOR FRAMES WO254T / 256T	\$68.00
WWELUC284T / 286T	LUCFCOVER280	FAN COVER FOR FRAMES WWELUC284T / 286T	\$102.00
WO284T / 286T	WOFCOVER280	FAN COVER FOR FRAMES WO284T / 286T	\$102.00
WWELUC324T / 326T	LUCFCOVER320	FAN COVER FOR FRAMES WWELUC324T / 326T	\$122.35
WO324T / 326T	WOFCOVER320	FAN COVER FOR FRAMES WO324T / 326T	\$122.35
WWELUC364T / 365T	LUCFCOVER360	FAN COVER FOR FRAMES WWELUC364T / 365T	\$190.35
WO364T / 365T	WOFCOVER360	FAN COVER FOR FRAMES WO364T / 365T	\$190.35
WWELUC404T / 405T	LUCFCOVER400	FAN COVER FOR FRAMES WWELUC404T / 405T	\$231.18
WO404T / 405T	WOFCOVER400	FAN COVER FOR FRAMES WO404T / 405T	\$231.18
WWELUC444T / 445T	LUCFCOVER440	FAN COVER FOR FRAMES WWELUC444T / 445T	\$258.35
WO444T / 445T	WOFCOVER440	FAN COVER FOR FRAMES WO444T / 445T	\$258.35
JUNCTION BOXES - INCLUDES BOX & COVER			
WWELUC213T / 215T	LUCJBOX210	JUNCTION BOX FOR FRAMES WWELUC213T / 215T	\$40.82
WWELUC254T / 256T	LUCJBOX250/280	JUNCTION BOX FOR FRAMES WWELUC254T / 256T / 284T / 286T	\$85.00
WWELUC284T / 286T	LUCJBOX250/280	JUNCTION BOX FOR FRAMES WWELUC254T / 256T / 284T / 286T	\$85.00
WWELUC324T / 326T	LUCJBOX320	JUNCTION BOX FOR FRAMES WWELUC324T / 326T	\$122.35
WWELUC364T / 365T	LUCJBOX360	JUNCTION BOX FOR FRAMES WWELUC364T / 365T	\$190.35
WWELUC404T / 405T	LUCJBOX400/440	JUNCTION BOX FOR FRAMES WWELUC404T / 405T / 444T / 445T	\$244.77
WWELUC444T / 445T	LUCJBOX400/440	JUNCTION BOX FOR FRAMES WWELUC404T / 405T / 444T / 445T	\$244.77

MOTOR ACCESSORIES / PARTS



MOTOR ACCESSORIES / PARTS

HYUNDAI CROWN TRITON SERIES™

PREMIUM EFFICIENCY MOTOR

Motor C-Flange and D-Flange Kits



C-Flange Kits

Frame Size	Model Number	List Price	Approx. Wt. (lbs.)
143T / 145T	H140TC	\$45.00	7
182T / 184T	H180TC	\$64.00	14
213T / 215T	H210TC	\$90.00	14
254T / 256T	H250TC	\$155.00	36
284T / 286T	H280TC	\$195.00	38
324T / 326T	H320TC	\$265.00	48
364T / 365T (2 POLE)	H3602PTC	\$380.00	55
364T / 365T (4/6 POLE)	H360TC	\$380.00	55
404T / 405T (2 POLE)	H4002PTC	\$580.00	148
404T / 405T (4/6 POLE)	H400TC	\$580.00	148
444T / 445T (2 POLE)	H4402PTC	\$580.00	155
444T / 445T (4/6 POLE)	H445TC	\$580.00	155
447T (2 POLE)	H4402PTC	\$580.00	160
447T (4/6 POLE)	H447TC	\$580.00	160
449T (2 POLE)	H4402PTC	\$580.00	155
449T (4/6 POLE)	H449TC	\$615.00	160

D-Flange Kits

Frame Size	Model Number	List Price	Approx. Wt. (lbs.)
143T / 145T	H140TD	\$140.00	7
182T / 184T	H180TD	\$183.00	14
213T / 215T	H210TD	\$256.00	14
254T / 256T	H250TD	\$300.00	36
284T / 286T	H280TD	\$356.00	38
324T / 326T	H320TD	\$505.00	48
364T / 365T (2 POLE)	H3602PTD	\$655.00	55
364T / 365T (4/6 POLE)	H360TD	\$655.00	55
404T / 405T (2 POLE)	H4002PTD	\$810.00	148
404T / 405T (4/6 POLE)	H400TD	\$810.00	148
444T / 445T (2 POLE)	H4402PTD	\$1,010.00	155
444T / 445T (4/6 POLE)	H445TD	\$1,010.00	155
447T (2 POLE)	H4402PTD	\$1,010.00	160
447T (4/6 POLE)	H447TD	\$1,010.00	160
449T (2 POLE)	H4402PTD	\$1,010.00	155
449T (4/6 POLE)	H449TD	\$1,060.00	160

MOTOR ACCESSORIES / PARTS



MOTOR ACCESSORIES / PARTS

HYUNDAI CROWN TRITON SERIES™

PREMIUM EFFICIENCY MOTORS



Frame Size	Model Number	Description	List Price
BEARING CAP KITS - DRIVE-END			
HHI 143T / 145T	—	—	—
HHI 182T / 184T	—	—	—
HHI 213T / 215T	—	—	—
HHI 254T / 256T	—	—	—
HHI 284T / 286T	—	—	—
HHI 324T / 326T	—	—	—
HHI 364T / 365T (2 POLE)	HBCDE2P360	DE BEARING CAP KIT FOR FRAMES HHI364T / 365T - 2 POLE	\$125.00
HHI 364T / 365T (4/6 POLE)	—	—	—
HHI 404T / 405T (2 POLE)	HBCDE2P400	DE BEARING CAP KIT FOR FRAMES HHI404T / 405T - 2 POLE	\$135.00
HHI 404T / 405T (4/6 POLE)	HBCDE400	DE BEARING CAP KIT FOR FRAMES HHI404T / 405T - 4/6 POLE	\$135.00
HHI 444T / 445T / 447T / 449T (2 POLE)	HBCDE2P440	DE BEARING CAP KIT FOR FRAMES HHI444T / 445T / 447T / 449T - 2 POLE	\$140.00
HHI 444T / 445T / 447T / 449T (4/6 POLE)	HBCDE440	DE BEARING CAP KIT FOR FRAMES HHI444T / 445T / 447T / 449T - 4/6 POLE	\$145.00
BEARING CAP KITS - OPPOSITE DRIVE-END			
HHI 143T / 145T	—	—	—
HHI 182T / 184T	—	—	—
HHI 213T / 215T	—	—	—
HHI 254T / 256T	—	—	—
HHI 284T / 286T	—	—	—
HHI 324T / 326T	—	—	—
HHI 364T / 365T	HBCNDE360	ODE BEARING CAP KIT FOR FRAMES HHI364T / 365T	\$125.00
HHI 404T / 405T	HBCNDE400	ODE BEARING CAP KIT FOR FRAMES HHI404T / 405T	\$135.00
HHI 444T / 445T / 447T / 449T (2 POLE)	HBCNDE2P440	ODE BEARING CAP KIT FOR FRAMES HHI444T / 445T / 447T / 449T - 2 POLE	\$140.00
HHI 444T / 445T / 447T / 449T (4/6 POLE)	HBCNDE440	ODE BEARING CAP KIT FOR FRAMES HHI444T / 445T / 447T / 449T - 4/6 POLE	\$145.00
DRIP COVER KITS			
HHI 143T / 145T	DC140	DRIP COVER KIT FOR FRAMES HHI143T / 145T	\$55.00
HHI 182T / 184T	DC180	DRIP COVER KIT FOR FRAMES HHI182T / 184T	\$75.00
HHI 213T / 215T	DC210	DRIP COVER KIT FOR FRAMES HHI213T / 215T	\$80.00
HHI 254T / 256T	DC250	DRIP COVER KIT FOR FRAMES HHI254T / 256T	\$105.00
HHI 284T / 286T	DC280	DRIP COVER KIT FOR FRAMES HHI284T / 286T	\$150.00
HHI 324T / 326T	DC320	DRIP COVER KIT FOR FRAMES HHI324T / 326T	\$180.00
HHI 364T / 365T	DC360	DRIP COVER KIT FOR FRAMES HHI364T / 365T	\$210.00
HHI 404T / 405T	DC400	DRIP COVER KIT FOR FRAMES HHI404T / 405T	\$250.00
HHI 444T / 445T / 447T / 449T (2 POLE)	DC440	DRIP COVER KIT FOR FRAMES HHI444T / 445T / 447T / 449T	\$275.00
ENDBELLS - DRIVE-END			
HHI 143T / 145T	HESDE140	DE ENDBELL FOR FRAMES HHI143T / 145T	\$105.00
HHI 182T / 184T	HESDE180	DE ENDBELL FOR FRAMES HHI182T / 184T	\$135.00
HHI 213T / 215T	HESDE210	DE ENDBELL FOR FRAMES HHI213T / 215T	\$180.00
HHI 254T / 256T	HESDE250	DE ENDBELL FOR FRAMES HHI254T / 256T	\$330.00
HHI 284T / 286T	HESDE280	DE ENDBELL FOR FRAMES HHI284T / 286T	\$435.00
HHI 324T / 326T	HESDE320	DE ENDBELL FOR FRAMES HHI324T / 326T	\$575.00
HHI 364T / 365T (2 POLE)	HESDE2P360	DE ENDBELL FOR FRAMES HHI364T / 365T - 2 POLE	\$795.00
HHI 364T / 365T (4/6 POLE)	HESDE360	DE ENDBELL FOR FRAMES HHI364T / 365T - 4/6 POLE	\$875.00
HHI 404T / 405T (2 POLE)	HESDE2P400	DE ENDBELL FOR FRAMES HHI404T / 405T - 2 POLE	\$1,125.00
HHI 404T / 405T (4/6 POLE)	HESDE400	DE ENDBELL FOR FRAMES HHI404T / 405T - 4/6 POLE	\$1,050.00
HHI 444T / 445T / 447T / 449T (2 POLE)	HESDE2P440	DE ENDBELL FOR FRAMES HHI444T / 445T / 447T / 449T - 2 POLE	\$1,215.00
HHI 444T / 445T / 447T / 449T (4/6 POLE)	HESDE440	DE ENDBELL FOR FRAMES HHI444T / 445T / 447T / 449T - 4/6 POLE	\$1,315.00

MOTOR ACCESSORIES / PARTS

Continued On Next Page



MOTOR ACCESSORIES / PARTS

HYUNDAI CROWN TRITON SERIES™

PREMIUM EFFICIENCY MOTORS



Frame Size	Model Number	Description	List Price
ENDBELLS - OPPOSITE DRIVE-END			
HHI 143T / 145T	HESNDE140	ODE ENDBELL FOR FRAMES HHI143T / 145T	\$105.00
HHI 182T / 184T	HESNDE180	ODE ENDBELL FOR FRAMES HHI182T / 184T	\$135.00
HHI 213T / 215T	HESNDE210	ODE ENDBELL FOR FRAMES HHI213T / 215T	\$180.00
HHI 254T / 256T	HESNDE250	ODE ENDBELL FOR FRAMES HHI254T / 256T	\$330.00
HHI 284T / 286T	HESNDE280	ODE ENDBELL FOR FRAMES HHI284T / 286T	\$435.00
HHI 324T / 326T	HESNDE320	ODE ENDBELL FOR FRAMES HHI324T / 326T	\$575.00
HHI 364T / 365T	HESNDE360	ODE ENDBELL FOR FRAMES HHI364T / 365T	\$875.00
HHI 404T / 405T	HESNDE400	ODE ENDBELL FOR FRAMES HHI404T / 405T	\$1,050.00
HHI 444T / 445T / 447T / 449T (2 POLE)	HESNDE2P440	ODE ENDBELL FOR FRAMES HHI444T / 445T / 447T / 449T - 2 POLE	\$1,215.00
HHI 444T / 445T / 447T / 449T (4/6 POLE)	HESNDE440	ODE ENDBELL FOR FRAMES HHI444T / 445T / 447T / 449T - 4/6 POLE	\$1,175.00
EYEBOLTS			
HHI 143T / 145T	—	—	—
HHI 182T / 184T	NEB180	EYEBOLT FOR FRAMES HHI182T / 184T	\$25.00
HHI 213T / 215T	NEB210	EYEBOLT FOR FRAMES HHI213T / 215T	\$25.00
HHI 254T / 256T	NEB250	EYEBOLT FOR FRAMES HHI254T / 256T	\$40.00
HHI 284T / 286T	NEB280	EYEBOLT FOR FRAMES HHI284T / 286T	\$40.00
HHI 324T / 326T	NEB320	EYEBOLT FOR FRAMES HHI324T / 326T	\$45.00
HHI 364T / 365T	NEB360	EYEBOLT FOR FRAMES HHI364T / 365T	\$50.00
HHI 404T / 405T	NEB400	EYEBOLT FOR FRAMES HHI404T / 405T	\$60.00
HHI 444T / 445T / 447T / 449T	NEB440	EYEBOLT FOR FRAMES HHI444T / 445T / 447T / 449T	\$85.00
FANS			
HHI 143T / 145T (2 POLE)	HF1402P	FAN FOR FRAMES HHI143T / 145T - 2 POLE	\$35.00
HHI 143T / 145T (4/6 POLE)	HF140	FAN FOR FRAMES HHI143T / 145T - 4/6 POLE	\$35.00
HHI 182T / 184T (2 POLE)	HF1802P	FAN FOR FRAMES HHI182T / 184T - 2 POLE	\$45.00
HHI 182T / 184T (4/6 POLE)	HF1804P6P	FAN FOR FRAMES HHI182T / 184T - 4/6 POLE	\$45.00
HHI 213T / 215T (2/4 POLE)	HF2102P4P	FAN FOR FRAMES HHI213T / 215T - 2/4 POLE	\$50.00
HHI 213T / 215T (6 POLE)	HF2106P	FAN FOR FRAMES HHI213T / 215T - 6 POLE	\$50.00
HHI 254T / 256T (2 POLE)	HF2502P	FAN FOR FRAMES HHI254T / 256T - 2 POLE	\$110.00
HHI 254T / 256T (4/6 POLE)	HF250	FAN FOR FRAMES HHI254T / 256T - 4/6 POLE	\$100.00
HHI 284T / 286T (2 POLE)	HF2802P	FAN FOR FRAMES HHI284T / 286T - 2 POLE	\$122.00
HHI 284T / 286T (4/6 POLE)	HF280	FAN FOR FRAMES HHI284T / 286T - 4/6 POLE	\$115.00
HHI 324T / 326T (2 POLE)	HF3202P	FAN FOR FRAMES HHI324T / 326T - 2 POLE	\$150.00
HHI 324T / 326T (4/6 POLE)	HF320	FAN FOR FRAMES HHI324T / 326T - 4/6 POLE	\$140.00
HHI 364T / 365T (2 POLE)	HF3602P	FAN FOR FRAMES HHI364T / 365T - 2 POLE	\$195.00
HHI 364T / 365T (4 POLE)	HF360	FAN FOR FRAMES HHI364T / 365T - 4 POLE	\$280.00
HHI 364T / 365T (6 POLE)	HF3606P	FAN FOR FRAMES HHI364T / 365T - 6 POLE	\$280.00
HHI 404T / 405T (2 POLE)	HF4002P	FAN FOR FRAMES HHI404T / 405T - 2 POLE	\$230.00
HHI 404T / 405T (4 POLE)	HF400	FAN FOR FRAMES HHI404T / 405T - 4 POLE	\$280.00
HHI 404T / 405T (6 POLE)	HF4006P	FAN FOR FRAMES HHI404T / 405T - 6 POLE	\$280.00
HHI 444T / 445T / 447T / 449T (2 POLE)	HF4402P	FAN FOR FRAMES HHI444T / 445T / 447T / 449T - 2 POLE	\$280.00
HHI 444T / 445T / 447T / 449T (4 POLE)	HF440	FAN FOR FRAMES HHI444T / 445T / 447T / 449T - 4 POLE	\$280.00
HHI 444T (6 POLE)	HF4446P	FAN FOR FRAME HHI444T - 6 POLE	\$280.00
HHI 445T (6 POLE)	HF4456P	FAN FOR FRAME HHI444T - 6 POLE	\$280.00
HHI 447T (6 POLE)	HF4476P	FAN FOR FRAME HHI447T - 6 POLE	\$280.00
HHI 449T (6 POLE)	HF4496P	FAN FOR FRAME HHI449T - 6 POLE	\$280.00

Continued On Next Page



MOTOR ACCESSORIES / PARTS

HYUNDAI CROWN TRITON SERIES™

PREMIUM EFFICIENCY MOTORS



Frame Size	Model Number	Description	List Price
FAN COVERS - STEEL			
HHI 143T / 145T	HSFC140	FAN COVER (STEEL) FOR FRAMES HHI143T / 145T	\$51.00
HHI 182T / 184T	HSFC180	FAN COVER (STEEL) FOR FRAMES HHI182T / 184T	\$73.00
HHI 213T / 215T	HSFC210	FAN COVER (STEEL) FOR FRAMES HHI213T / 215T	\$78.00
HHI 254T / 256T	HSFC250	FAN COVER (STEEL) FOR FRAMES HHI254T / 256T	\$134.00
HHI 284T / 286T	HSFC280	FAN COVER (STEEL) FOR FRAMES HHI284T / 286T	\$185.00
HHI 324T / 326T	HSFC320	FAN COVER (STEEL) FOR FRAMES HHI324T / 326T	\$225.00
HHI 364T / 365T	HSFC360	FAN COVER (STEEL) FOR FRAMES HHI364T / 365T	\$365.00
HHI 404T / 405T	HSFC400	FAN COVER (STEEL) FOR FRAMES HHI404T / 405T	\$425.00
HHI 444T / 445T / 447T / 449T	HSFC440	FAN COVER (STEEL) FOR FRAMES HHI444T / 445T / 447T / 449T	\$500.00
FAN COVERS - CAST IRON			
HHI 143T / 145T	HCIFC140	FAN COVER (CAST IRON) FOR FRAMES HHI143T / 145T	\$95.00
HHI 182T / 184T	HCIFC180	FAN COVER (CAST IRON) FOR FRAMES HHI182T / 184T	\$105.00
HHI 213T / 215T	HCIFC210	FAN COVER (CAST IRON) FOR FRAMES HHI213T / 215T	\$140.00
HHI 254T / 256T	HCIFC250	FAN COVER (CAST IRON) FOR FRAMES HHI254T / 256T	\$225.00
HHI 284T / 286T	HCIFC280	FAN COVER (CAST IRON) FOR FRAMES HHI284T / 286T	\$275.00
HHI 324T / 326T	HCIFC320	FAN COVER (CAST IRON) FOR FRAMES HHI324T / 326T	\$375.00
HHI 364T / 365T	HCIFC360	FAN COVER (CAST IRON) FOR FRAMES HHI364T / 365T	\$790.00
HHI 404T / 405T	HCIFC400	FAN COVER (CAST IRON) FOR FRAMES HHI404T / 405T	\$885.00
HHI 444T / 445T / 447T / 449T	HCIFC440	FAN COVER (CAST IRON) FOR FRAMES HHI444T / 445T / 447T / 449T	\$1,005.00
JUNCTION BOXES - INCLUDES BOX & COVER			
HHI 143T / 145T	HJBOX140	JUNCTION BOX FOR FRAMES HHI143T / 145T	\$75.00
HHI 182T / 184T	HJBOX180	JUNCTION BOX FOR FRAMES HHI182T / 184T	\$82.00
HHI 213T / 215T	HJBOX210	JUNCTION BOX FOR FRAMES HHI213T / 215T	\$85.00
HHI 254T / 256T	HJBOX250	JUNCTION BOX FOR FRAMES HHI254T / 256T	\$195.00
HHI 284T / 286T	HJBOX280	JUNCTION BOX FOR FRAMES HHI284T / 286T	\$200.00
HHI 324T / 326T	HJBOX320	JUNCTION BOX FOR FRAMES HHI324T / 326T	\$485.00
HHI 364T / 365T	HJBOX360	JUNCTION BOX FOR FRAMES HHI364T / 365T	\$550.00
HHI 404T / 405T	HJBOX400	JUNCTION BOX FOR FRAMES HHI404T / 405T	\$885.00
HHI 444T / 445T / 447T / 449T	HJBOX440	JUNCTION BOX FOR FRAMES HHI444T / 445T / 447T / 449T	\$900.00

MOTOR ACCESSORIES / PARTS



MOTOR ACCESSORIES / PARTS

HYUNDAI CROWN TRITON SERIES™

IEEE-841



Frame Size	Model Number	Description	List Price
BEARING CAP KITS - DRIVE-END			
IEEE 143T / 145T	—	—	—
IEEE 182T / 184T	—	—	—
IEEE 213T / 215T	—	—	—
IEEE 254T / 256T	—	—	—
IEEE 284T / 286T	—	—	—
IEEE 324T / 326T	—	—	—
IEEE 364T / 365T	IHBCDE360	DE BEARING CAP KIT FOR FRAMES IEEE364T / 365T	\$192.00
IEEE 404T / 405T (2 POLE)	IHBCDE2P400	DE BEARING CAP KIT FOR FRAMES IEEE404T / 405T - 2 POLE	\$192.00
IEEE 404T / 405T (4/6 POLE)	IHBCDE400	DE BEARING CAP KIT FOR FRAMES IEEE404T / 405T - 4/6 POLE	\$210.00
IEEE 444T / 445T / 447T / 449T (2 POLE)	IHBCDE2P440	DE BEARING CAP KIT FOR FRAMES IEEE444T / 445T / 447T / 449T - 2 POLE	\$210.00
IEEE 444T / 445T / 447T / 449T (4/6 POLE)	IHBCDE440	DE BEARING CAP KIT FOR FRAMES IEEE444T / 445T / 447T / 449T - 4/6 POLE	\$258.00
BEARING CAP KITS - OPPOSITE DRIVE-END			
IEEE 143T / 145T	—	—	—
IEEE 182T / 184T	—	—	—
IEEE 213T / 215T	—	—	—
IEEE 254T / 256T	—	—	—
IEEE 284T / 286T	—	—	—
IEEE 324T / 326T	—	—	—
IEEE 364T / 365T (2 POLE)	IHBCNDE2P360	ODE BEARING CAP KIT FOR FRAMES IEEE364T / 365T - 2 POLE	\$192.00
IEEE 364T / 365T (4/6 POLE)	IHBCNDE360	ODE BEARING CAP KIT FOR FRAMES IEEE364T / 365T - 4/6 POLE	\$192.00
IEEE 404T / 405T	IHBCNDE400	ODE BEARING CAP KIT FOR FRAMES IEEE404T / 405T	\$192.00
IEEE 444T / 445T / 447T / 449T (2 POLE)	IHBCNDE2P440	ODE BEARING CAP KIT FOR FRAMES IEEE444T / 445T / 447T / 449T - 2 POLE	\$210.00
IEEE 444T / 445T / 447T / 449T (4/6 POLE)	IHBCNDE440	ODE BEARING CAP KIT FOR FRAMES IEEE444T / 445T / 447T / 449T - 4/6 POLE	\$258.00
DRIP COVER KITS			
IEEE 143T / 145T	IDC140	DRIP COVER KIT FOR FRAMES IEEE143T / 145T	\$73.00
IEEE 182T / 184T	IDC180	DRIP COVER KIT FOR FRAMES IEEE182T / 184T	\$94.00
IEEE 213T / 215T	IDC210	DRIP COVER KIT FOR FRAMES IEEE213T / 215T	\$103.00
IEEE 254T / 256T	IDC250	DRIP COVER KIT FOR FRAMES IEEE254T / 256T	\$150.00
IEEE 284T / 286T	IDC280	DRIP COVER KIT FOR FRAMES IEEE284T / 286T	\$188.00
IEEE 324T / 326T	IDC320	DRIP COVER KIT FOR FRAMES IEEE324T / 326T	\$210.00
IEEE 364T / 365T	IDC360	DRIP COVER KIT FOR FRAMES IEEE364T / 365T	\$253.00
IEEE 404T / 405T	IDC400	DRIP COVER KIT FOR FRAMES IEEE404T / 405T	\$300.00
IEEE 444T / 445T / 447T / 449T	IDC440	DRIP COVER KIT FOR FRAMES IEEE444T / 445T / 447T / 449T	\$334.00
ENDBELLS - DRIVE-END			
IEEE 143T / 145T	IHESDE140	DE ENDBELL FOR FRAMES IEEE143T / 145T	\$120.00
IEEE 182T / 184T	IHESDE180	DE ENDBELL FOR FRAMES IEEE182T / 184T	\$150.00
IEEE 213T / 215T	IHESDE210	DE ENDBELL FOR FRAMES IEEE213T / 215T	\$204.00
IEEE 254T / 256T	IHESDE250	DE ENDBELL FOR FRAMES IEEE254T / 256T	\$432.00
IEEE 284T / 286T	IHESDE280	DE ENDBELL FOR FRAMES IEEE284T / 286T	\$569.00
IEEE 324T / 326T	IHESDE320	DE ENDBELL FOR FRAMES IEEE324T / 326T	\$857.00
IEEE 364T / 365T (2 POLE)	IHESDE2P360	DE ENDBELL FOR FRAMES IEEE364T / 365T - 2 POLE	\$971.00
IEEE 364T / 365T (4/6 POLE)	IHESDE360	DE ENDBELL FOR FRAMES IEEE364T / 365T - 4/6 POLE	\$1,055.00
IEEE 404T / 405T (2 POLE)	IHESDE2P400	DE ENDBELL FOR FRAMES IEEE404T / 405T - 2 POLE	\$1,283.00
IEEE 404T / 405T (4/6 POLE)	IHESDE400	DE ENDBELL FOR FRAMES IEEE404T / 405T - 4/6 POLE	\$1,331.00
IEEE 444T / 445T / 447T / 449T (2 POLE)	IHESDE2P440	DE ENDBELL FOR FRAMES IEEE444T / 445T / 447T / 449T - 2 POLE	\$1,690.00
IEEE 444T / 445T / 447T / 449T (4/6 POLE)	IHESDE440	DE ENDBELL FOR FRAMES IEEE444T / 445T / 447T / 449T - 4/6 POLE	\$1,786.00

Continued On Next Page



MOTOR ACCESSORIES / PARTS

HYUNDAI CROWN TRITON SERIES™

IEEE-841



Frame Size	Model Number	Description	List Price
ENDBELLS - OPPOSITE DRIVE-END			
IEEE 143T / 145T	IHESNDE140	ODE ENDBELL FOR FRAMES IEEE143T / 145T	\$120.00
IEEE 182T / 184T	IHESNDE180	ODE ENDBELL FOR FRAMES IEEE182T / 184T	\$150.00
IEEE 213T / 215T	IHESNDE210	ODE ENDBELL FOR FRAMES IEEE213T / 215T	\$204.00
IEEE 254T / 256T	IHESNDE250	ODE ENDBELL FOR FRAMES IEEE254T / 256T	\$444.00
IEEE 284T / 286T	IHESNDE280	ODE ENDBELL FOR FRAMES IEEE284T / 286T	\$581.00
IEEE 324T / 326T	IHESNDE320	ODE ENDBELL FOR FRAMES IEEE324T / 326T	\$797.00
IEEE 364T / 365T	IHESNDE360	ODE ENDBELL FOR FRAMES IEEE364T / 365T	\$1,031.00
IEEE 404T / 405T	IHESNDE400	ODE ENDBELL FOR FRAMES IEEE404T / 405T	\$1,259.00
IEEE 444T / 445T / 447T / 449T (2 POLE)	IHESNDE2P440	ODE ENDBELL FOR FRAMES IEEE444T / 445T / 447T / 449T - 2 POLE	\$1,606.00
IEEE 444T / 445T / 447T / 449T (4/6 POLE)	IHESNDE440	ODE ENDBELL FOR FRAMES IEEE444T / 445T / 447T / 449T - 4/6 POLE	\$1,606.00
EYEBOLTS			
IEEE 143T / 145T	—	—	—
IEEE 182T / 184T	NEB180	EYEBOLT FOR FRAMES IEEE182T / 184T	\$25.00
IEEE 213T / 215T	NEB210	EYEBOLT FOR FRAMES IEEE213T / 215T	\$25.00
IEEE 254T / 256T	NEB250	EYEBOLT FOR FRAMES IEEE254T / 256T	\$40.00
IEEE 284T / 286T	NEB280	EYEBOLT FOR FRAMES IEEE284T / 286T	\$40.00
IEEE 324T / 326T	NEB320	EYEBOLT FOR FRAMES IEEE324T / 326T	\$45.00
IEEE 364T / 365T	NEB360	EYEBOLT FOR FRAMES IEEE364T / 365T	\$50.00
IEEE 404T / 405T	NEB400	EYEBOLT FOR FRAMES IEEE404T / 405T	\$60.00
IEEE 444T / 445T / 447T / 449T	NEB440	EYEBOLT FOR FRAMES IEEE444T / 445T / 447T / 449T	\$85.00
FANS			
IEEE 143T / 145T (2 POLE)	IHF1402P	FAN FOR FRAMES IEEE143T / 145T - 2 POLE	\$36.00
IEEE 1 HP / 1.5 HP (4 POLE)	IHF140-1-1.5-4P	FAN FOR FRAMES IEEE 1 HP / 1.5 HP - 4 POLE	\$36.00
IEEE 1 HP / 1.5 HP (6 POLE) / 2 HP (4 POLE)	IHF140-2-4P-2-6P	FAN FOR FRAMES IEEE 1 HP / 1.5 HP (6 POLE) / 2 HP (4 POLE)	\$36.00
IEEE 182T / 184T (2 POLE)	IHF1802P	FAN FOR FRAMES IEEE182T / 184T - 2 POLE	\$45.00
IEEE 182T / 184T (4/6 POLE)	IHF1804P6P	FAN FOR FRAMES IEEE182T / 184T - 4/6 POLE	\$45.00
IEEE 213T / 215T (2/4 POLE)	IHF2102P4P	FAN FOR FRAMES IEEE213T / 215T - 2/4 POLE	\$51.00
IEEE 213T / 215T (6 POLE)	IHF2106P	FAN FOR FRAMES IEEE213T / 215T - 6 POLE	\$51.00
IEEE 254T / 256T (2 POLE)	IHF2502P-2544P	FAN FOR FRAMES IEEE254T / 256T - 2 POLE	\$108.00
IEEE 254T (4 POLE)	IHF2502P-2544P	FAN FOR FRAMES IEEE254T - 4 POLE	\$108.00
IEEE 254T (6 POLE)	IHF2506P-2564P	FAN FOR FRAMES IEEE254T - 6 POLE	\$96.00
IEEE 254T / 256T (6 POLE)	IHF2506P-2564P	FAN FOR FRAMES IEEE254T / 256T - 6 POLE	\$96.00
IEEE 284T / 286T (2 POLE)	IHF2802P	FAN FOR FRAMES IEEE284T / 286T - 2 POLE	\$120.00
IEEE 284T / 286T (4/6 POLE)	IHF280	FAN FOR FRAMES IEEE284T / 286T - 4/6 POLE	\$114.00
IEEE 324T / 326T (2 POLE)	IHF3202P	FAN FOR FRAMES IEEE324T / 326T - 2 POLE	\$150.00
IEEE 324T / 326T (4/6 POLE)	IHF320	FAN FOR FRAMES IEEE324T / 326T - 4/6 POLE	\$138.00
IEEE 364T / 365T (2 POLE)	IHF3602P	FAN FOR FRAMES IEEE364T / 365T - 2 POLE	\$192.00
IEEE 364T / 365T (4 POLE)	IHF360	FAN FOR FRAMES IEEE364T / 365T - 4 POLE	\$276.00
IEEE 364T / 365T (6 POLE)	IHF3606P	FAN FOR FRAMES IEEE364T / 365T - 6 POLE	\$276.00
IEEE 404T / 405T (2 POLE)	IHF4002P	FAN FOR FRAMES IEEE404T / 405T - 2 POLE	\$192.00
IEEE 404T / 405T (4 POLE)	IHF400	FAN FOR FRAMES IEEE404T / 405T - 4 POLE	\$276.00
IEEE 404T / 405T (6 POLE)	IHF4006P	FAN FOR FRAMES IEEE404T / 405T - 6 POLE	\$276.00
IEEE 444T / 445T / 447T / 449T (2 POLE)	IHF4402P	FAN FOR FRAMES IEEE444T / 445T / 447T / 449T - 2 POLE	\$551.00
IEEE 444T / 445T / 447T / 449T (2 POLE)	IHF4402P-CCWODE	FAN FOR FRAMES IEEE444T / 445T / 447T / 449T - 2 POLE - CCW ODE	\$551.00
IEEE 444T (4 POLE)	IHF444	FAN FOR FRAME IEEE444T - 4 POLE	\$276.00
IEEE 444T (6 POLE)	IHF4446P	FAN FOR FRAME IEEE444T - 6 POLE	\$282.00
IEEE 445T (4 POLE)	IHF445	FAN FOR FRAME IEEE444T - 4 POLE	\$276.00
IEEE 445T (6 POLE)	IHF4456P	FAN FOR FRAME IEEE444T - 6 POLE	\$282.00
IEEE 447T (4 POLE)	IHF447	FAN FOR FRAME IEEE447T - 4 POLE	\$276.00
IEEE 447T (6 POLE)	IHF4476P	FAN FOR FRAME IEEE447T - 6 POLE	\$282.00
IEEE 449T (4 POLE)	IHF449	FAN FOR FRAME IEEE449T - 4 POLE	\$276.00
IEEE 449T (6 POLE)	IHF4496P	FAN FOR FRAME IEEE449T - 6 POLE	\$330.00

MOTOR ACCESSORIES / PARTS

Continued On Next Page



MOTOR ACCESSORIES / PARTS

HYUNDAI CROWN TRITON SERIES™

IEEE-841



Frame Size	Model Number	Description	List Price
FAN COVERS - CAST IRON			
IEEE 143T / 145T	IHCIFC140	FAN COVER (CAST IRON) FOR FRAMES IEEE143T / 145T	\$95.00
IEEE 182T / 184T	IHCIFC180	FAN COVER (CAST IRON) FOR FRAMES IEEE182T / 184T	\$105.00
IEEE 213T / 215T	IHCIFC210	FAN COVER (CAST IRON) FOR FRAMES IEEE213T / 215T	\$140.00
IEEE 254T / 256T	IHCIFC250	FAN COVER (CAST IRON) FOR FRAMES IEEE254T / 256T	\$225.00
IEEE 284T / 286T	IHCIFC280	FAN COVER (CAST IRON) FOR FRAMES IEEE284T / 286T	\$275.00
IEEE 324T / 326T	IHCIFC320	FAN COVER (CAST IRON) FOR FRAMES IEEE324T / 326T	\$375.00
IEEE 364T / 365T	IHCIFC360	FAN COVER (CAST IRON) FOR FRAMES IEEE364T / 365T	\$790.00
IEEE 404T / 405T	IHCIFC400	FAN COVER (CAST IRON) FOR FRAMES IEEE404T / 405T	\$885.00
IEEE 444T / 445T / 447T / 449T	IHCIFC440	FAN COVER (CAST IRON) FOR FRAMES IEEE444T / 445T / 447T / 449T	\$1,005.00
JUNCTION BOXES - INCLUDES BOX & COVER			
IEEE 143T / 145T	IHJBOX140	JUNCTION BOX FOR FRAMES IEEE143T / 145T	\$75.00
IEEE 182T / 184T	IHJBOX180	JUNCTION BOX FOR FRAMES IEEE182T / 184T	\$82.00
IEEE 213T / 215T	IHJBOX210	JUNCTION BOX FOR FRAMES IEEE213T / 215T	\$85.00
IEEE 254T / 256T	IHJBOX250	JUNCTION BOX FOR FRAMES IEEE254T / 256T	\$195.00
IEEE 284T / 286T	IHJBOX280	JUNCTION BOX FOR FRAMES IEEE284T / 286T	\$200.00
IEEE 324T / 326T	IHJBOX320	JUNCTION BOX FOR FRAMES IEEE324T / 326T	\$485.00
IEEE 364T / 365T	IHJBOX360	JUNCTION BOX FOR FRAMES IEEE364T / 365T	\$550.00
IEEE 404T / 405T	IHJBOX400	JUNCTION BOX FOR FRAMES IEEE404T / 405T	\$885.00
IEEE 444T / 445T / 447T / 449T	IHJBOX440	JUNCTION BOX FOR FRAMES IEEE444T / 445T / 447T / 449T	\$900.00
C-FLANGE KITS			
IEEE 324T / 326T	IH320TC	C-FLANGE KIT FOR FRAMES IEEE324T / 326T	\$75.00
IEEE 364T / 365T	IH360TC	C-FLANGE KIT FOR FRAMES IEEE364T / 365T	\$82.00
IEEE 404T / 405T	IH400TC	C-FLANGE KIT FOR FRAMES IEEE404T / 405T	\$85.00
IEEE 444T / 445T	IH440TC	C-FLANGE KIT FOR FRAMES IEEE444T / 445T	\$195.00

MOTOR ACCESSORIES / PARTS



WORLDWIDE ELECTRIC CORPORATION "INSTA-MOD" MODIFICATION PROGRAM

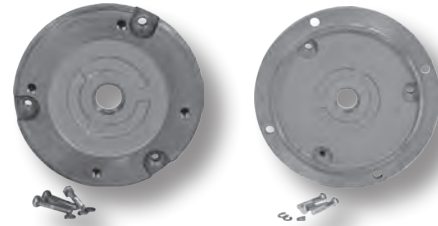


The "INSTA-MOD" Modification Program is the quickest way to get custom-built motors!

Call WorldWide Electric to request an "INSTA-MOD" quote today!

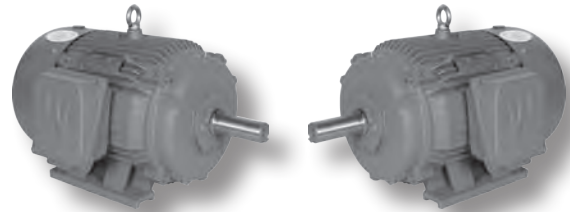
C-Flange / D-Flange Adaptation

Installation of C-Flange or D-Flange.



F1 / F2 Mount Conversion

Convert from F1 mount to F2 mount or convert from F2 mount to F1 mount.



Turn Down T to TS Short Shaft

Convert from "T" to "TS" shaft dimensions.

Space Heaters (120 or 240 Volt)

Resistance heaters are provided and installed in the motor to prevent condensation of moisture on the motor windings.

Winding Thermistors

Thermistors are provided and placed in the stator windings and as critical temperature is reached, the resistance of the thermistors changes radically, causing operation of the control relay.

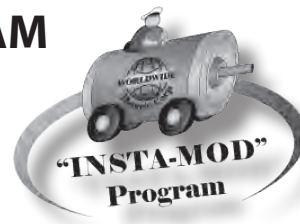
Bearing / Winding RTDs

Resistance Thermal Detectors are inserted into the bearing journal or windings to measure temperature change and detect possible overheating.



Modifications for explosion proof motors are available. Please call for pricing.

WORLDWIDE ELECTRIC CORPORATION "INSTA-MOD" MODIFICATION PROGRAM



The "INSTA-MOD" Modification Program is the quickest way to get custom-built motors!

Call WorldWide Electric to request an "INSTA-MOD" quote today!

Bearing Change

Change roller bearing to ball bearing or ball bearing to roller bearing.



Insulated ODE Bearing

Opposite drive-end bearing is insulated to prevent circulating current damage to the bearing.



Current Diverter Ring

Provided and installed to protect your motor bearings and coupled equipment from damaging electrical currents.



IP65 Conversion

Lip seals are provided and installed on both drive-end and opposite drive-end.

IEEE / Washdown - White Epoxy Paint

Please see pages 48-49 and page 51 for more information.

Fungus Protection / Tropicalization

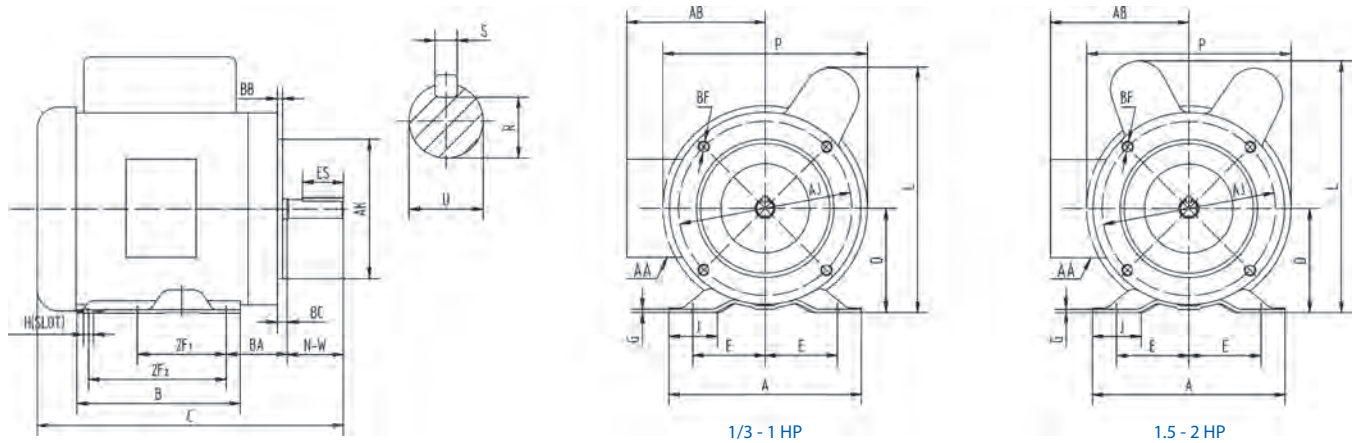
Protection of windings, electrical and mechanical parts of motor from tropical environments.

Modifications for explosion proof motors are available. Please call for pricing.

WORLDWIDE FRACTIONAL HP MOTORS

General Purpose Motors

TEFC Enclosure ▪ C-Face ▪ Removable Base
Single-Phase ▪ 115/208-230 Volt



ALL DIMENSIONS IN INCHES

Model	E	2F1	2F2	H	BA	A	B	C	D	G	J	P	L	AB	BC	S	ES	R	AK	AJ	BF	BB	N-W	U	AA
NT13-18-56CB	2.44	3	5	0.34	2.75	6.54	6.54	11.9	3.5	0.1	1.65	8.2	7.3	5.2	-0.19	0.188	1.41	0.517	4.5	5.875	3/8-16	0.16	1.88	0.625	3-0.88 / 2-1.109
NT12-36-56CB	2.44	3	5	0.34	2.75	6.54	6.54	11.9	3.5	0.1	1.65	8.2	7.3	5.2	-0.19	0.188	1.41	0.517	4.5	5.875	3/8-16	0.16	1.88	0.625	3-0.88 / 2-1.109
NT12-18-56CB	2.44	3	5	0.34	2.75	6.54	6.54	11.9	3.5	0.1	1.65	8.2	7.3	5.2	-0.19	0.188	1.41	0.517	4.5	5.875	3/8-16	0.16	1.88	0.625	3-0.88 / 2-1.109
NT34-36-56CB	2.44	3	5	0.34	2.75	6.54	6.54	11.9	3.5	0.1	1.65	8.2	7.3	5.2	-0.19	0.188	1.41	0.517	4.5	5.875	3/8-16	0.16	1.88	0.625	3-0.88 / 2-1.109
NT34-18-56CB	2.44	3	5	0.34	2.75	6.54	6.54	12.4	3.5	0.1	1.65	8.2	7.3	5.2	-0.19	0.188	1.41	0.517	4.5	5.875	3/8-16	0.16	1.88	0.625	3-0.88 / 2-1.109
NT1-36-56CB	2.44	3	5	0.34	2.75	6.54	6.54	12.4	3.5	0.1	1.65	8.2	7.3	5.2	-0.19	0.188	1.41	0.517	4.5	5.875	3/8-16	0.16	1.88	0.625	3-0.88 / 2-1.109
NT1-18-56CB	2.44	3	5	0.34	2.75	6.54	6.54	12.9	3.5	0.1	1.65	8.2	7.3	5.2	-0.19	0.188	1.41	0.517	4.5	5.875	3/8-16	0.16	1.88	0.625	3-0.88 / 2-1.109
NT1.5-36-56CB	2.44	3	5	0.34	2.75	6.54	6.54	12.4	3.5	0.1	1.65	8.7	8.2	5.2	-0.19	0.188	1.41	0.517	4.5	5.875	3/8-16	0.16	1.88	0.625	3-0.88 / 2-1.109
NT1.5-18-56CB	2.44	3	5	0.34	2.75	6.54	6.54	12.9	3.5	0.1	1.65	8.7	8.2	5.2	-0.19	0.188	1.41	0.517	4.5	5.875	3/8-16	0.16	1.88	0.625	3-0.88 / 2-1.109
NT2-36-56CB	2.44	3	5	0.34	2.75	6.54	6.54	12.9	3.5	0.1	1.65	8.7	8.2	5.2	-0.19	0.188	1.41	0.517	4.5	5.875	3/8-16	0.16	1.88	0.625	3-0.88 / 2-1.109
NT2-18-56CB	2.44	3	5	0.34	2.75	6.54	6.54	13.9	3.5	0.1	1.65	8.7	8.2	5.2	-0.19	0.188	1.41	0.517	4.5	5.875	3/8-16	0.16	1.88	0.625	3-0.88 / 2-1.109

MOTOR
DIMENSIONS

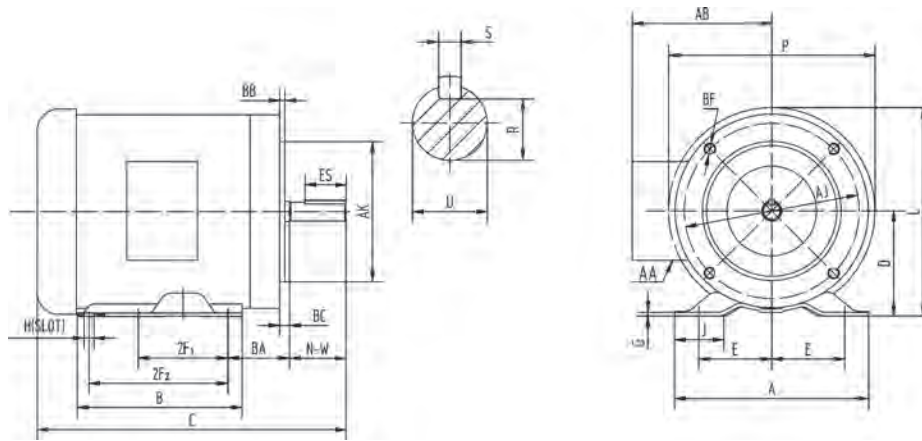
Dimensions shown in this catalog are for general use only.
For an exact drawing on a specific rating, please contact our sales office.



WORLDWIDE FRACTIONAL HP MOTORS

General Purpose Motors

TEFC Enclosure ▪ C-Face ▪ Removable Base
Three-Phase ▪ 208-230/460



ALL DIMENSIONS IN INCHES

Model	E	2F1	2F2	H	BA	A	B	C	D	G	J	P	L	AB	BC	S	ES	R	AK	AJ	BF	BB	N-W	U	AA
NAT13-36-56CB	2.44	3	5	0.34	2.75	6.54	6.54	11.9	3.5	0.1	1.65	8.2	7.3	5.2	-0.19	0.188	1.41	0.517	4.5	5.875	3/8-16	0.16	1.88	0.625	3-0.88 / 2-1.109
NAT13-18-56CB	2.44	3	5	0.34	2.75	6.54	6.54	11.9	3.5	0.1	1.65	8.2	7.3	5.2	-0.19	0.188	1.41	0.517	4.5	5.875	3/8-16	0.16	1.88	0.625	3-0.88 / 2-1.109
NAT12-36-56CB	2.44	3	5	0.34	2.75	6.54	6.54	11.9	3.5	0.1	1.65	8.2	7.3	5.2	-0.19	0.188	1.41	0.517	4.5	5.875	3/8-16	0.16	1.88	0.625	3-0.88 / 2-1.109
NAT12-18-56CB	2.44	3	5	0.34	2.75	6.54	6.54	11.9	3.5	0.1	1.65	8.2	7.3	5.2	-0.19	0.188	1.41	0.517	4.5	5.875	3/8-16	0.16	1.88	0.625	3-0.88 / 2-1.109
NAT34-36-56CB	2.44	3	5	0.34	2.75	6.54	6.54	11.9	3.5	0.1	1.65	8.2	7.3	5.2	-0.19	0.188	1.41	0.517	4.5	5.875	3/8-16	0.16	1.88	0.625	3-0.88 / 2-1.109
NAT34-18-56CB	2.44	3	5	0.34	2.75	6.54	6.54	12.4	3.5	0.1	1.65	8.2	7.3	5.2	-0.19	0.188	1.41	0.517	4.5	5.875	3/8-16	0.16	1.88	0.625	3-0.88 / 2-1.109
NAT1-36-56CB	2.44	3	5	0.34	2.75	6.54	6.54	12.4	3.5	0.1	1.65	8.2	7.3	5.2	-0.19	0.188	1.41	0.517	4.5	5.875	3/8-16	0.16	1.88	0.625	3-0.88 / 2-1.109
NAT1-18-56CB	2.44	3	5	0.34	2.75	6.54	6.54	12.9	3.5	0.1	1.65	8.2	7.3	5.2	-0.19	0.188	1.41	0.517	4.5	5.875	3/8-16	0.16	1.88	0.625	3-0.88 / 2-1.109
NAT1.5-36-56CB	2.44	3	5	0.34	2.75	6.54	6.54	12.4	3.5	0.1	1.65	8.7	8.2	5.2	-0.19	0.188	1.41	0.517	4.5	5.875	3/8-16	0.16	1.88	0.625	3-0.88 / 2-1.109
NAT1.5-18-56CB	2.44	3	5	0.34	2.75	6.54	6.54	12.9	3.5	0.1	1.65	8.7	8.2	5.2	-0.19	0.188	1.41	0.517	4.5	5.875	3/8-16	0.16	1.88	0.625	3-0.88 / 2-1.109
NAT2-36-56CB	2.44	3	5	0.34	2.75	6.54	6.54	12.9	3.5	0.1	1.65	8.7	8.2	5.2	-0.19	0.188	1.41	0.517	4.5	5.875	3/8-16	0.16	1.88	0.625	3-0.88 / 2-1.109
NAT2-18-56CB	2.44	3	5	0.34	2.75	6.54	6.54	13.9	3.5	0.1	1.65	8.7	8.2	5.2	-0.19	0.188	1.41	0.517	4.5	5.875	3/8-16	0.16	1.88	0.625	3-0.88 / 2-1.109
NAT3-36-56CB	2.44	3	5	0.34	2.75	6.54	6.54	12.4	3.5	0.1	1.65	7.4	7.3	5.2	-0.19	0.188	1.41	0.517	4.5	5.875	3/8-16	0.16	1.88	0.625	3-0.88 / 2-1.109

Dimensions shown in this catalog are for general use only.
For an exact drawing on a specific rating, please contact our sales office.

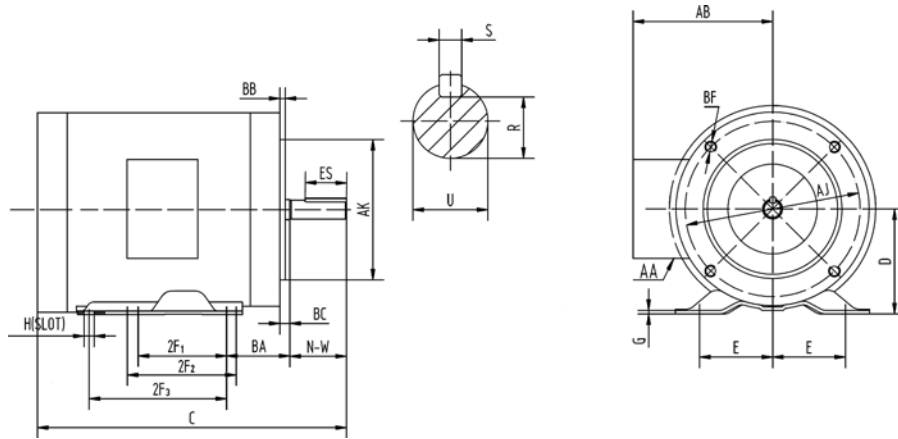


MOTOR DIMENSIONS

WORLDWIDE FRACTIONAL HP MOTORS

Stainless Steel / Washdown Duty Motors

TENV Enclosure ▪ C-Face ▪ Rigid Base and Round Body
Three-Phase ▪ 208-230/460 Volt



ALL DIMENSIONS IN INCHES

Model	E	2F1	2F2	2F3	H	BA	C	D	G	AB	S	ES	R	N-W	U	AA	BC	AK	AJ	BF	BB
WSSNV13-18-56CB	2.44	3	4	—	0.34	2.75	9.57	3.5	0.12	5.39	0.188	1.41	0.517	1.88	0.625	0.86	0.19	4.5	5.875	3/8 - 16	0.16
WSSNV12-18-56CB	2.44	3	4	—	0.34	2.75	9.57	3.5	0.12	5.39	0.188	1.41	0.517	1.88	0.625	0.86	0.19	4.5	5.875	3/8 - 16	0.16
WSSNV34-18-56CB	2.44	3	4	—	0.34	2.75	10.55	3.5	0.12	5.39	0.188	1.41	0.517	1.88	0.625	0.86	0.19	4.5	5.875	3/8 - 16	0.16
WSSNV1-18-56CB	2.44	3	4	5	0.34	2.75	10.55	3.5	0.12	5.39	0.188	1.41	0.517	1.88	0.625	0.86	0.19	4.5	5.875	3/8 - 16	0.16
WSSNV13-18-56CRD	—	—	—	—	—	—	9.57	—	—	5.39	0.188	1.41	0.517	1.88	0.625	0.86	0.19	4.5	5.875	3/8 - 16	0.16
WSSNV12-18-56CRD	—	—	—	—	—	—	9.57	—	—	5.39	0.188	1.41	0.517	1.88	0.625	0.86	0.19	4.5	5.875	3/8 - 16	0.16
WSSNV34-18-56CRD	—	—	—	—	—	—	10.55	—	—	5.39	0.188	1.41	0.517	1.88	0.625	0.86	0.19	4.5	5.875	3/8 - 16	0.16
WSSNV1-18-56CRD	—	—	—	—	—	—	10.55	—	—	5.39	0.188	1.41	0.517	1.88	0.625	0.86	0.19	4.5	5.875	3/8 - 16	0.16

MOTOR DIMENSIONS

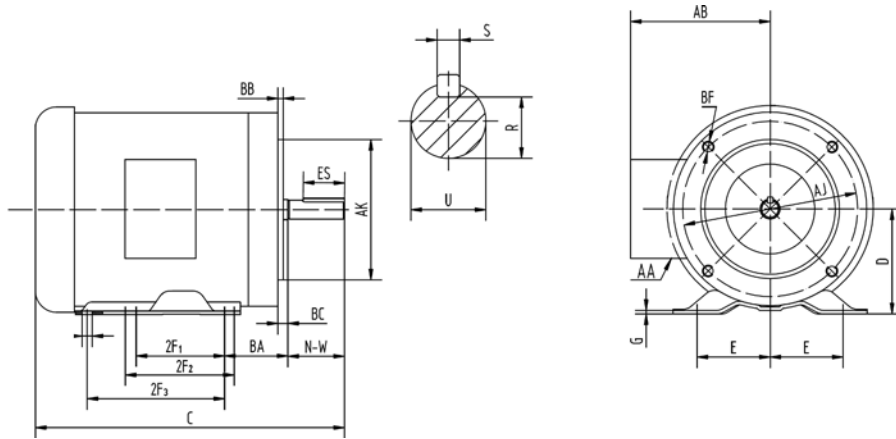
Dimensions shown in this catalog are for general use only.
For an exact drawing on a specific rating, please contact our sales office.



WORLDWIDE FRACTIONAL HP MOTORS

Stainless Steel / Washdown Duty Motors

TEFC Enclosure ▪ C-Face ▪ Rigid Base and Round Body
Three-Phase ▪ 208-230/460 Volt



ALL DIMENSIONS IN INCHES

Model	E	2F1	2F2	2F3	H	BA	C	D	G	AB	S	ES	R	N-W	U	AA	BC	AK	AJ	BF	BB
WSS13-18-56CB	2.44	3	4	—	0.34	2.75	11.77	3.5	0.12	5.39	0.188	1.41	0.517	1.88	0.625	0.86	0.19	4.5	5.875	3/8 - 16	0.16
WSS12-36-56CB	2.44	3	4	—	0.34	2.75	11.77	3.5	0.12	5.39	0.188	1.41	0.517	1.88	0.625	0.86	0.19	4.5	5.875	3/8 - 16	0.16
WSS12-18-56CB	2.44	3	4	—	0.34	2.75	11.77	3.5	0.12	5.39	0.188	1.41	0.517	1.88	0.625	0.86	0.19	4.5	5.875	3/8 - 16	0.16
WSS34-36-56CB	2.44	3	4	—	0.34	2.75	12.76	3.5	0.12	5.39	0.188	1.41	0.517	1.88	0.625	0.86	0.19	4.5	5.875	3/8 - 16	0.16
WSS34-18-56CB	2.44	3	4	—	0.34	2.75	12.76	3.5	0.12	5.39	0.188	1.41	0.517	1.88	0.625	0.86	0.19	4.5	5.875	3/8 - 16	0.16
WSS1-36-56CB	2.44	3	4	5	0.34	2.75	12.76	3.5	0.12	5.39	0.188	1.41	0.517	1.88	0.625	0.86	0.19	4.5	5.875	3/8 - 16	0.16
WSS1-18-56CB	2.44	3	4	5	0.34	2.75	12.76	3.5	0.12	5.39	0.188	1.41	0.517	1.88	0.625	0.86	0.19	4.5	5.875	3/8 - 16	0.16
WSS1.5-36-56CB	2.44	3	4	5	0.34	2.75	12.76	3.5	0.12	5.39	0.188	1.41	0.517	1.88	0.625	0.86	0.19	4.5	5.875	3/8 - 16	0.16
WSS1.5-18-56CB	2.44	3	4	5	0.34	2.75	12.76	3.5	0.12	5.39	0.188	1.41	0.517	1.88	0.625	0.86	0.19	4.5	5.875	3/8 - 16	0.16
WSS2-36-56CB	2.44	3	4	5	0.34	2.75	13.50	3.5	0.12	5.39	0.188	1.41	0.517	1.88	0.625	0.86	0.19	4.5	5.875	3/8 - 16	0.16
WSS2-18-56CB	2.44	3	4	5	0.34	2.75	13.50	3.5	0.12	5.39	0.188	1.41	0.517	1.88	0.625	0.86	0.19	4.5	5.875	3/8 - 16	0.16
WSS13-18-56CRD	—	—	—	—	—	—	11.77	—	—	5.39	0.188	1.41	0.517	1.88	0.625	0.86	0.19	4.5	5.875	3/8 - 16	0.16
WSS12-18-56CRD	—	—	—	—	—	—	11.77	—	—	5.39	0.188	1.41	0.517	1.88	0.625	0.86	0.19	4.5	5.875	3/8 - 16	0.16
WSS34-18-56CRD	—	—	—	—	—	—	12.76	—	—	5.39	0.188	1.41	0.517	1.88	0.625	0.86	0.19	4.5	5.875	3/8 - 16	0.16
WSS1-18-56CRD	—	—	—	—	—	—	12.76	—	—	5.39	0.188	1.41	0.517	1.88	0.625	0.86	0.19	4.5	5.875	3/8 - 16	0.16
WSS1.5-18-56CRD	—	—	—	—	—	—	12.76	—	—	5.39	0.188	1.41	0.517	1.88	0.625	0.86	0.19	4.5	5.875	3/8 - 16	0.16
WSS2-18-56CRD	—	—	—	—	—	—	13.50	—	—	5.39	0.188	1.41	0.517	1.88	0.625	0.86	0.19	4.5	5.875	3/8 - 16	0.16

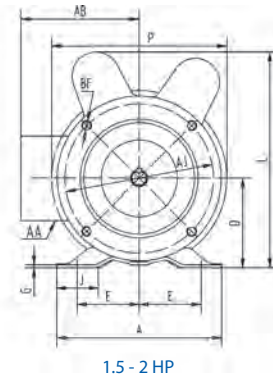
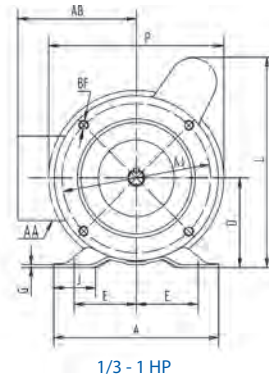
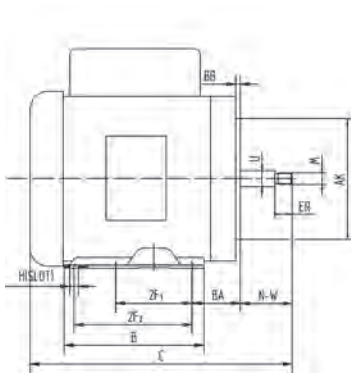
Dimensions shown in this catalog are for general use only.
For an exact drawing on a specific rating, please contact our sales office.



WORLDWIDE FRACTIONAL HP MOTORS

Jet Pump Motors

TEFC Enclosure ▪ C-Face ▪ Removable Base
Single-Phase ▪ 115/208-230 Volt



ALL DIMENSIONS IN INCHES

Model	E	2F1	2F2	H	BA	A	B	C	D	G	J	P	L	AB	N-W	U	ER	M	AA	AK	AJ	BF	BB
TJ13-36-56JB	2.44	3	5	0.34	2.75	6.5	6.5	12.6	3.5	0.12	1.73	6.9	8.07	5.35	2.4	0.625	0.68	7/16 - 20	0.50	4.5	5.875	3/8 - 16	0.16
TJ12-36-56JB	2.44	3	5	0.34	2.75	6.5	6.5	12.6	3.5	0.12	1.73	6.9	8.07	5.35	2.4	0.625	0.68	7/16 - 20	0.50	4.5	5.875	3/8 - 16	0.16
TJ34-36-56JB	2.44	3	5	0.34	2.75	6.5	6.5	12.6	3.5	0.12	1.73	6.9	8.07	5.35	2.4	0.625	0.68	7/16 - 20	0.50	4.5	5.875	3/8 - 16	0.16
TJ1-36-56JB	2.44	3	5	0.34	2.75	6.5	6.5	12.6	3.5	0.12	1.73	6.9	8.07	5.35	2.4	0.625	0.68	7/16 - 20	0.50	4.5	5.875	3/8 - 16	0.16
TJ1.5-36-56JB	2.44	3	5	0.34	2.75	6.5	6.5	13.5	3.5	0.12	1.73	6.9	8.50	5.35	2.4	0.625	0.68	7/16 - 20	0.50	4.5	5.875	3/8 - 16	0.16
TJ2-36-56JB	2.44	3	5	0.34	2.75	6.5	6.5	13.5	3.5	0.12	1.73	6.9	8.50	5.35	2.4	0.625	0.68	7/16 - 20	0.50	4.5	5.875	3/8 - 16	0.16

MOTOR
DIMENSIONS

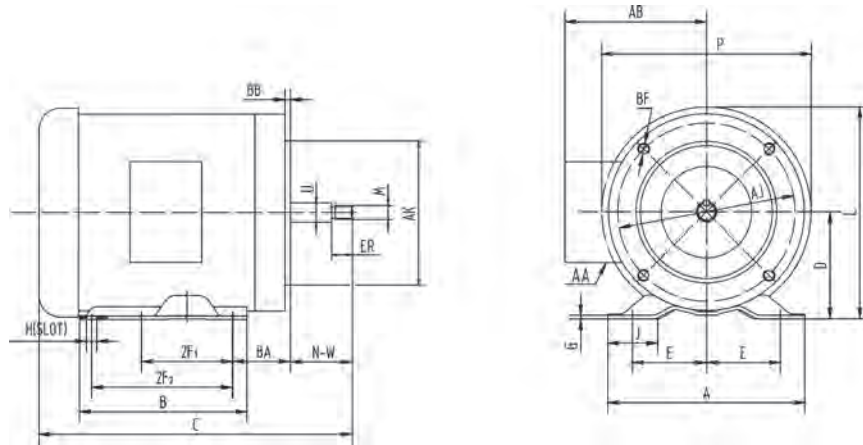
Dimensions shown in this catalog are for general use only.
For an exact drawing on a specific rating, please contact our sales office.



WORLDWIDE FRACTIONAL HP MOTORS

Jet Pump Motors

TEFC Enclosure ▪ C-Face ▪ Removable Base
Three-Phase ▪ 208-230/460 Volt



ALL DIMENSIONS IN INCHES

Model	E	2F1	2F2	H	BA	A	B	C	D	G	J	P	L	AB	N-W	U	ER	M	AA	AK	AJ	BF	BB
ATJ13-36-56JB	2.44	3	5	0.34	2.75	6.5	6.5	12.7	3.5	0.12	1.73	6.9	7	5.35	2.4	0.625	0.68	7/16 - 20	0.50	4.5	5.875	3/8 - 16	0.16
ATJ12-36-56JB	2.44	3	5	0.34	2.75	6.5	6.5	12.7	3.5	0.12	1.73	6.9	7	5.35	2.4	0.625	0.68	7/16 - 20	0.50	4.5	5.875	3/8 - 16	0.16
ATJ34-36-56JB	2.44	3	5	0.34	2.75	6.5	6.5	12.7	3.5	0.12	1.73	6.9	7	5.35	2.4	0.625	0.68	7/16 - 20	0.50	4.5	5.875	3/8 - 16	0.16
ATJ1-36-56JB	2.44	3	5	0.34	2.75	6.5	6.5	12.7	3.5	0.12	1.73	6.9	7	5.35	2.4	0.625	0.68	7/16 - 20	0.50	4.5	5.875	3/8 - 16	0.16
ATJ1.5-36-56JB	2.44	3	5	0.34	2.75	6.5	6.5	12.7	3.5	0.12	1.73	6.9	7	5.35	2.4	0.625	0.68	7/16 - 20	0.50	4.5	5.875	3/8 - 16	0.16
ATJ2-36-56JB	2.44	3	5	0.34	2.75	6.5	6.5	12.9	3.5	0.12	1.73	6.9	7	5.35	2.4	0.625	0.68	7/16 - 20	0.50	4.5	5.875	3/8 - 16	0.16

MOTOR DIMENSIONS

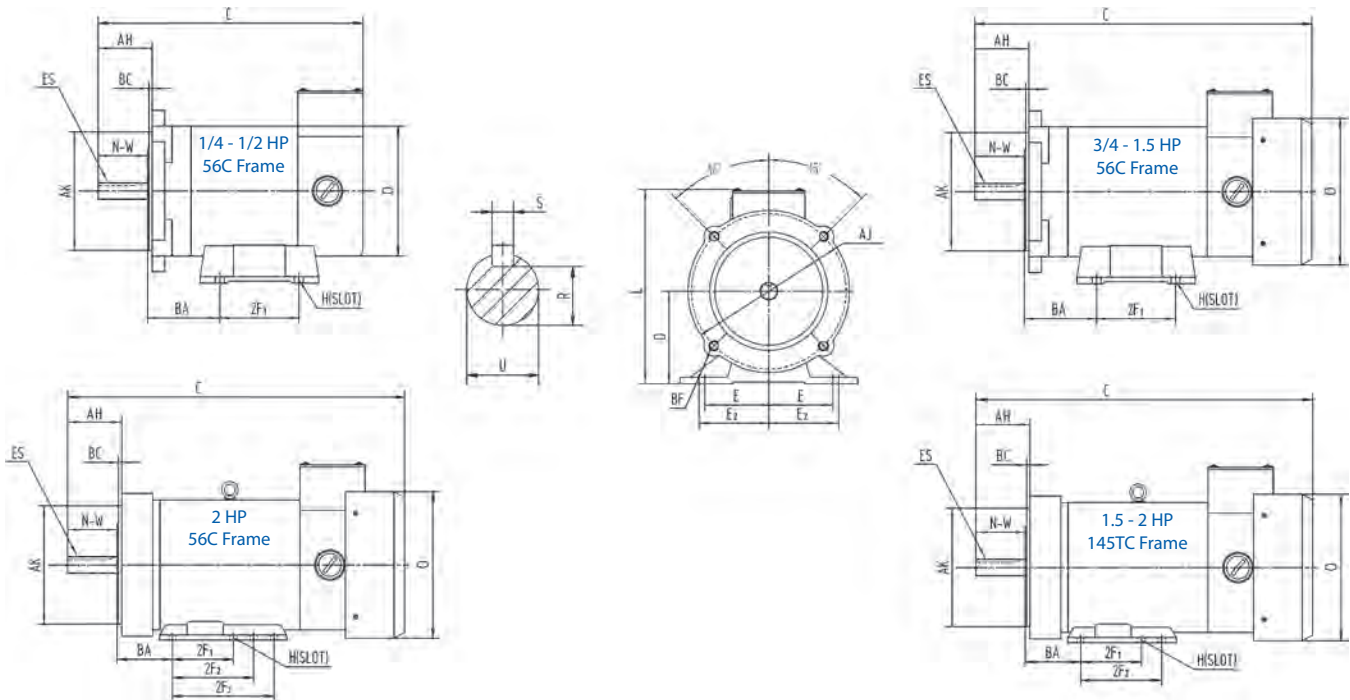
Dimensions shown in this catalog are for general use only.
For an exact drawing on a specific rating, please contact our sales office.



WORLDWIDE FRACTIONAL HP MOTORS

Permanent Magnet DC Motors

TENV / TEFC Enclosure ■ C-Face ■ Removable Base
90, 180, 12 and 24 Volt



ALL DIMENSIONS IN INCHES

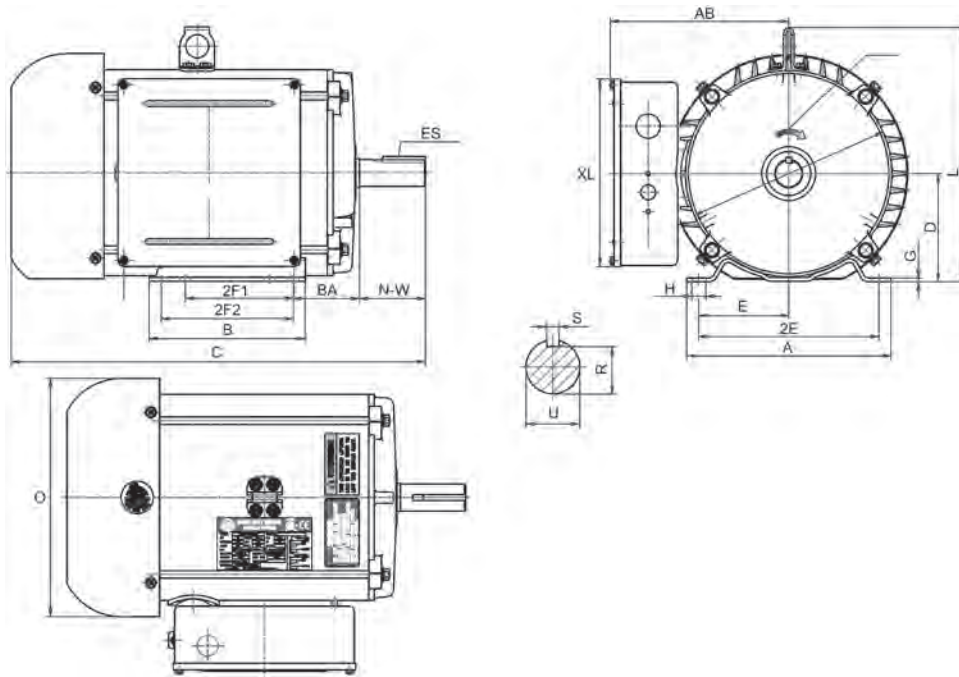
Model	E	E2	2F1	2F2	2F3	H	BA	C	D	L	O	S	ES	R	N-W	U	BC	AH	AK	AJ	BF
WPMDC14-18-90V-56CB	2.44	—	3	—	—	0.34	2.75	10.06	3.5	7.63	4.94	0.188	1.41	0.517	1.88	0.625	0.12	2.06	4.5	5.875	3/8 - 16
WPMDC13-18-90V-56CB	2.44	—	3	—	—	0.34	2.75	10.06	3.5	7.63	4.94	0.188	1.41	0.517	1.88	0.625	0.12	2.06	4.5	5.875	3/8 - 16
WPMDC13-18-180V-56CB	2.44	—	3	—	—	0.34	2.75	10.06	3.5	7.63	4.94	0.188	1.41	0.517	1.88	0.625	0.12	2.06	4.5	5.875	3/8 - 16
WPMDC12-18-90V-56CB	2.44	—	3	—	—	0.34	2.75	10.94	3.5	7.63	4.94	0.188	1.41	0.517	1.88	0.625	0.12	2.06	4.5	5.875	3/8 - 16
WPMDC12-18-180V-56CB	2.44	—	3	—	—	0.34	2.75	10.94	3.5	7.63	4.94	0.188	1.41	0.517	1.88	0.625	0.12	2.06	4.5	5.875	3/8 - 16
WPMDC34-18-90V-56CB	2.44	—	3	—	—	0.34	2.75	13.51	3.5	7.63	5.57	0.188	1.41	0.517	1.88	0.625	0.12	2.06	4.5	5.875	3/8 - 16
WPMDC34-18-180V-56CB	2.44	—	3	—	—	0.34	2.75	13.51	3.5	7.63	5.57	0.188	1.41	0.517	1.88	0.625	0.12	2.06	4.5	5.875	3/8 - 16
WPMDC1-18-90V-56CB	2.44	—	3	—	—	0.34	2.75	14.3	3.5	7.63	5.57	0.188	1.41	0.517	1.88	0.625	0.12	2.06	4.5	5.875	3/8 - 16
WPMDC1-18-180V-56CB	2.44	—	3	—	—	0.34	2.75	14.3	3.5	7.63	5.57	0.188	1.41	0.517	1.88	0.625	0.12	2.06	4.5	5.875	3/8 - 16
WPMDC1.5-18-90V-56CB	2.44	—	3	—	—	0.34	2.75	16.45	3.5	7.63	5.57	0.188	1.41	0.517	1.88	0.625	0.12	2.06	4.5	5.875	3/8 - 16
WPMDC1.5-18-180V-56CB	2.44	—	3	—	—	0.34	2.75	16.45	3.5	7.63	5.57	0.188	1.41	0.517	1.88	0.625	0.12	2.06	4.5	5.875	3/8 - 16
WPMDC1.5-18-180V-145TCB	2.75	—	4	5	—	0.34	2.75	15.87	3.5	7.85	6.87	0.188	1.41	0.771	2.25	0.875	0.12	2.12	4.5	5.875	3/8 - 16
WPMDC2-18-180V-56CB	2.44	2.75	3	4	5	0.34	2.75	16.81	3.5	7.63	6.87	0.188	1.41	0.517	1.88	0.625	0.12	2.06	4.5	5.875	3/8 - 16
WPMDC2-18-180V-145TCB	2.75	—	4	5	—	0.34	2.75	16.87	3.5	7.85	6.87	0.188	1.41	0.771	2.25	0.875	0.12	2.12	4.5	5.875	3/8 - 16
WPMDC13-18-12V-56CB	2.44	—	3	—	—	0.34	2.75	10.06	3.5	7.63	4.94	0.188	1.41	0.517	1.88	0.625	0.12	2.06	4.5	5.875	3/8 - 16
WPMDC13-18-24V-56CB	2.44	—	3	—	—	0.34	2.75	10.06	3.5	7.63	4.94	0.188	1.41	0.517	1.88	0.625	0.12	2.06	4.5	5.875	3/8 - 16
WPMDC12-18-12V-56CB	2.44	—	3	—	—	0.34	2.75	10.94	3.5	7.63	4.94	0.188	1.41	0.517	1.88	0.625	0.12	2.06	4.5	5.875	3/8 - 16
WPMDC12-18-24V-56CB	2.44	—	3	—	—	0.34	2.75	10.94	3.5	7.63	4.94	0.188	1.41	0.517	1.88	0.625	0.12	2.06	4.5	5.875	3/8 - 16
WPMDC34-18-12V-56CB	2.44	—	3	—	—	0.34	2.75	13.51	3.5	7.63	5.57	0.188	1.41	0.517	1.88	0.625	0.12	2.06	4.5	5.875	3/8 - 16
WPMDC34-18-24V-56CB	2.44	—	3	—	—	0.34	2.75	13.51	3.5	7.63	5.57	0.188	1.41	0.517	1.88	0.625	0.12	2.06	4.5	5.875	3/8 - 16
WPMDC1-36-24V-56CB	2.44	—	3	—	—	0.34	2.75	14.30	3.5	7.63	5.57	0.188	1.41	0.517	1.88	0.625	0.12	2.06	4.5	5.875	3/8 - 16
WPMDC1-18-12V-56CB	2.44	—	3	—	—	0.34	2.75	14.30	3.5	7.63	5.57	0.188	1.41	0.517	1.88	0.625	0.12	2.06	4.5	5.875	3/8 - 16
WPMDC1-18-24V-56CB	2.44	—	3	—	—	0.34	2.75	14.30	3.5	7.63	5.57	0.188	1.41	0.517	1.88	0.625	0.12	2.06	4.5	5.875	3/8 - 16
WPMDC1.5-18-24V-56CB	2.44	—	3	—	—	0.34	2.75	16.45	3.5	7.63	5.57	0.188	1.41	0.517	1.88	0.625	0.12	2.06	4.5	5.875	3/8 - 16

Dimensions shown in this catalog are for general use only.
For an exact drawing on a specific rating, please contact our sales office.



WORLDWIDE FARM DUTY MOTORS HIGH EFFICIENCY

TEFC Enclosure ▪ Rigid Base
Single-Phase ▪ 208-230 Volt



ALL DIMENSIONS IN INCHES

Frame	E	2F1	2F2	H	BA	A	B	C	D	G	L	O	AB	S	ES	R	N-W	U	XL
FARM2-18-182T	3.75	4.5	5.5	0.59	2.75	8.5	6	16.65	4.5	0.16	10.6	9.92	7.36	0.25	1.77	0.98	2.75	1.125	7.83
FARM3-18-184T	3.75	4.5	5.5	0.59	2.75	8.5	6	17.24	4.5	0.16	10.6	9.92	7.36	0.25	1.77	0.98	2.75	1.125	7.83
FARM5-18-184T	3.75	4.5	5.5	0.59	2.75	8.5	6	18.82	4.5	0.16	10.6	9.92	7.36	0.25	1.77	0.98	2.75	1.125	7.83

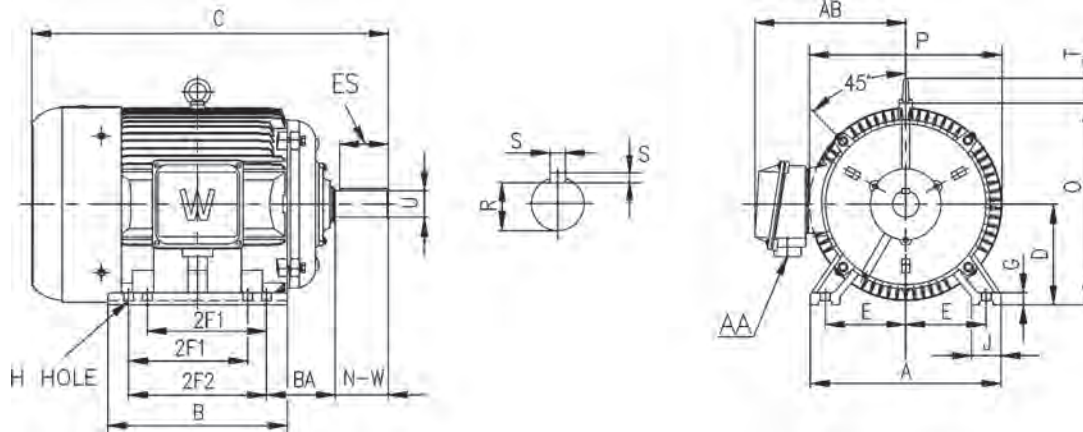
Dimensions shown in this catalog are for general use only.
For an exact drawing on a specific rating, please contact our sales office.



WORLDWIDE GENERAL PURPOSE MOTORS PREMIUM EFFICIENCY / HIGH EFFICIENCY

TEFC Enclosure ▪ Rigid Base

Three-Phase ▪ 208-230/460, 460 and 575 Volt



ALL DIMENSIONS IN INCHES

Frame	E	2F1	2F2	H	BA	A	B	C	D	G	J	P	O	T	AB	S	ES	R	N-W	U	AA
PEWWE-143T	2.75	4	5	0.34	2.25	7	6	13.46	3.5	0.472	1.42	7.09	7.48	---	6.3	0.188	1.42	0.771	2.25	0.875	¾
PEWWE-145T	2.75	4	5	0.34	2.25	7	6	14.77	3.5	0.472	1.42	7.09	7.48	---	6.3	0.188	1.42	0.771	2.25	0.875	¾
PEWWE-182T-2P-6P	3.75	4.5	5.5	0.43	2.75	9	7.1	15.9	4.5	0.59	1.97	9.06	8.97	---	7.48	0.25	1.78	0.986	2.75	1.125	1
PEWWE-182T-4P	3.75	4.5	5.5	0.43	2.75	9	7.1	17.91	4.5	0.59	1.97	9.06	8.97	---	7.48	0.25	1.78	0.986	2.75	1.125	1
PEWWE-184T-2P-6P	3.75	4.5	5.5	0.43	2.75	9	7.1	15.9	4.5	0.59	1.97	9.06	8.97	---	7.48	0.25	1.78	0.986	2.75	1.125	1
PEWWE-184T-4P	3.75	4.5	5.5	0.43	2.75	9	7.1	17.91	4.5	0.59	1.97	9.06	8.97	---	7.48	0.25	1.78	0.986	2.75	1.125	1
PEWWE-213T	4.25	5.5	7	0.43	3.5	10.4	8.8	20.19	5.25	0.709	2.36	10.4	10.53	1.73	8.66	0.312	2.41	1.201	3.38	1.375	1
PEWWE-215T	4.25	5.5	7	0.43	3.5	10.5	10.3	21.69	5.25	0.709	2.36	10.4	10.53	1.73	8.66	0.312	2.41	1.201	3.38	1.375	1
PEWWE-254T	5	8.25	10	0.53	4.25	12.5	12.5	25.06	6.25	0.787	2.76	12.6	12.89	2.05	11.2	0.375	2.91	1.416	4	1.625	1.5
PEWWE-256T	5	8.25	10	0.53	4.25	12.4	14.3	27.83	6.25	0.787	2.76	12.6	12.89	2.05	11.2	0.375	2.91	1.416	4	1.625	1.5
PEWWE-284T	5.5	9.5	---	0.53	4.75	14	12.5	28	7	0.866	2.76	14.17	14.28	2.05	12	0.5	3.28	1.591	4.62	1.875	1.5
PEWWE-284TS	5.5	9.5	---	0.53	4.75	14	12.5	26.63	7	0.866	2.76	14.17	14.28	2.05	12	0.375	1.91	1.416	3.25	1.625	1.5
PEWWE-286T	5.5	9.5	11	0.53	4.75	14	14	29.57	7	0.866	2.76	14.17	14.28	2.05	12	0.5	3.28	1.591	4.62	1.875	1.5
PEWWE-286TS	5.5	9.5	11	0.53	4.75	14	14	28.2	7	0.866	2.76	14.17	14.28	2.05	12	0.375	1.91	1.416	3.25	1.625	1.5
PEWWE-324T	6.25	10.5	12	0.66	5.25	16	15.5	30.63	8	0.984	2.76	15.75	15.91	2.44	13.4	0.5	3.91	1.845	5.25	2.125	2
PEWWE-324TS	6.25	10.5	12	0.66	5.25	16	15.5	29.1	8	0.984	2.76	15.75	15.91	2.44	13.4	0.5	2.03	1.591	3.75	1.875	2
PEWWE-326T	6.25	10.5	12	0.66	5.25	16	16.5	32.2	8	0.984	2.76	15.75	15.91	2.44	13.4	0.5	3.91	1.845	5.25	2.125	2
PEWWE-326TS	6.25	10.5	12	0.66	5.25	16	16.5	30.67	8	0.984	2.76	15.75	15.91	2.44	13.4	0.5	2.03	1.591	3.75	1.875	2
PEWWE-364T	7	11.25	---	0.66	5.88	18	16.78	35.04	9	1.102	2.95	17.7	18.13	2.835	15.7	0.625	4.28	2.021	5.88	2.375	3
PEWWE-364TS	7	11.25	---	0.66	5.88	18	16.78	32.92	9	1.102	2.95	17.7	18.13	2.835	15.7	0.5	2.03	1.591	3.75	1.875	3
PEWWE-365T	7	11.25	12.25	0.66	5.88	18	18.35	36.62	9	1.102	2.95	17.7	18.13	2.835	15.7	0.625	4.28	2.021	5.88	2.375	3
PEWWE-365TS	7	11.25	12.25	0.66	5.88	18	18.35	34.5	9	1.102	2.95	17.7	18.13	2.835	15.7	0.5	2.03	1.591	3.75	1.875	3
PEWWE-404T	8	12.25	---	0.81	6.62	20	16.2	36.81	10	1.18	3.15	21.42	21.02	2.83	18.31	0.75	5.65	2.45	7.25	2.875	3
PEWWE-405T	8	12.25	13.75	0.81	6.62	20	17.8	38.35	10	1.18	3.15	21.42	21.02	2.83	18.31	0.75	5.65	2.45	7.25	2.875	3
PEWWE-405TS	8	12.25	13.75	0.81	6.62	20	17.8	35.35	10	1.18	3.15	21.42	21.02	2.83	18.31	0.5	2.78	1.845	4.25	2.125	3
PEWWE-444T	9	14.5	---	0.81	7.5	22	18.5	42.52	11	1.38	3.35	23.43	22.97	3.46	19.41	0.875	6.91	2.88	8.5	3.375	2 x 3
PEWWE-444TS	9	14.5	---	0.81	7.5	22	18.5	38.94	11	1.38	3.35	23.43	22.97	3.46	19.41	0.625	3.03	2.021	4.75	2.375	2 x 3
PEWWE-445T	9	14.5	16.5	0.81	7.5	22	20.5	44.5	11	1.38	3.35	23.43	22.97	3.46	19.41	0.875	6.91	2.88	8.5	3.375	2 x 3
PEWWE-445TS	9	14.5	16.5	0.81	7.5	22	20.5	40.71	11	1.38	3.35	23.43	22.97	3.46	19.41	0.625	3.03	2.021	4.75	2.375	2 x 3
PEWWE-4457T	9	16.5	20	0.81	7.5	22	24	48.03	11	1.38	3.35	23.43	22.97	3.46	19.41	0.875	6.91	2.88	8.5	3.375	2 x 3
PEWWE-4457TS	9	16.5	20	0.81	7.5	22	24	44.25	11	1.38	3.35	23.43	22.97	3.46	19.41	0.625	3.03	2.021	4.75	2.375	2 x 3
PEWWE-449T	9	25	---	0.81	7.5	22	31	55.51	11	1.575	3.35	24	23	4.25	19.07	0.875	7.01	2.88	8.5	3.375	2 x 3
PEWWE-449TS	9	25	---	0.81	7.5	22	31	51.8	11	1.575	3.35	24	23	4.25	19.07	0.625	3.15	2.021	4.72	2.375	2 x 3

MOTOR DIMENSIONS

Dimensions shown in this catalog are for general use only.
For an exact drawing on a specific rating, please contact our sales office.

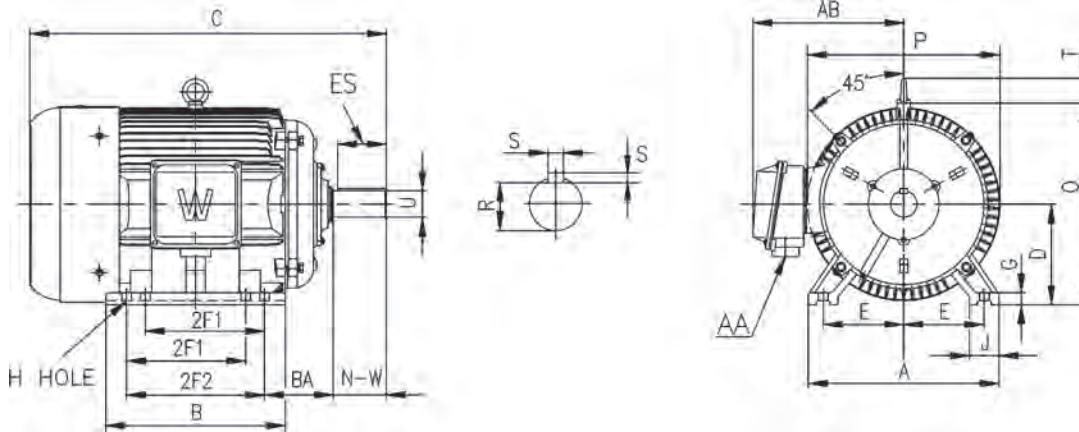
Continued On Next Page



WORLDWIDE GENERAL PURPOSE MOTORS PREMIUM EFFICIENCY / HIGH EFFICIENCY

TEFC Enclosure ▪ Rigid Base

Three-Phase ▪ 208-230/460, 460 and 575 Volt



ALL DIMENSIONS IN INCHES

Frame	E	2F1	2F2	H	BA	A	B	C	D	G	J	P	O	T	AB	S	ES	R	N-W	U	AA
WWE-215T	4.25	5.5	7	0.41	3.5	10.5	9	20.49	5.25	0.709	2.36	10.4	10.53	1.73	8.63	0.312	2.41	1.201	3.38	1.375	1
WWE-254T	5	8.25	---	0.53	4.25	12.5	10.8	23.29	6.25	0.787	2.76	12.6	12.89	2.05	11.2	0.375	2.91	1.416	4	1.625	1.5
WWE-256T	5	8.25	10	0.53	4.25	12.5	12.5	25.06	6.25	0.787	2.76	12.6	12.89	2.05	11.2	0.375	2.91	1.416	4	1.625	1.5
WWE-284T	5.5	9.5	---	0.53	4.75	14	12.5	26.64	7	0.866	2.76	14.17	14.28	2.05	12	0.5	3.28	1.591	4.62	1.875	1.5
WWE-286T	5.5	9.5	11	0.53	4.75	14	14	28.18	7	0.866	2.76	14.17	14.28	2.05	12	0.5	3.28	1.591	4.62	1.875	1.5
WWE-324T	6.25	10.5	---	0.66	5.25	16	14	29.95	8	0.984	2.76	15.75	15.91	2.44	13.4	0.5	3.91	1.845	5.25	2.125	2
WWE-326T	6.25	10.5	12	0.66	5.25	16	15.5	31.24	8	0.984	2.76	15.75	15.91	2.44	13.4	0.5	3.91	1.845	5.25	2.125	2
WWE-364T	7	11.25	---	0.66	5.88	18	15.2	32.68	9	1.102	2.95	17.7	18.13	2.44	15.7	0.625	4.28	2.021	5.88	2.375	3
WWE-365T	7	11.25	12.25	0.66	5.88	18	16.2	34.11	9	1.102	2.95	17.7	18.13	2.44	15.7	0.625	4.28	2.021	5.88	2.375	3
WWE-404T	8	12.25	---	0.81	6.62	20	16.2	36.81	10	1.18	3.15	21.42	21.02	2.83	18.31	0.75	5.65	2.45	7.25	2.875	3
WWE-405T	8	12.25	13.75	0.81	6.62	20	17.8	38.35	10	1.18	3.15	21.42	21.02	2.83	18.31	0.75	5.65	2.45	7.25	2.875	3
WWE-444T	9	14.5	---	0.81	7.5	22	18.5	42.52	11	1.38	3.35	23.43	22.97	3.46	19.41	0.875	6.91	2.88	8.5	3.375	2 x 3
WWE-445T	9	14.5	16.5	0.81	7.5	22	20.5	44.5	11	1.38	3.35	23.43	22.97	3.46	19.41	0.875	6.91	2.88	8.5	3.375	2 x 3
WWE445/7T	9	16.5	20	0.81	7.5	22	24	48.03	11	1.38	3.35	23.43	22.97	3.46	19.41	0.875	6.91	2.88	8.5	3.375	2 x 3
WWE-449T	9	25	---	0.81	7.5	22	31	55.51	11	1.575	3.35	24	23	4.25	19.07	0.875	7.01	2.88	8.5	3.375	2 x 3
WWE-449TS	9	25	---	0.81	7.5	22	31	51.8	11	1.575	3.35	24	23	4.25	19.07	0.625	3.15	2.021	4.72	2.375	2 x 3
WWE-505Z	10	16	18	0.938	8.5	24.72	26	53	12.5	1.87	4.72	25	25.3	4.25	20.9	0.875	9	3.134	10.625	3.625	2 x 3
WWE-505UZ	10	16	18	0.938	8.5	24.72	26	54	12.5	1.87	4.72	25	25.3	4.25	20.9	1	10	3.309	11.625	3.875	2 x 3
WWE-586/7	11.5	22	25	1.125	10	28	33.85	65.6	14.5	2.05	5	28.15	28.87	4.99	23.9	1	10	3.309	11.625	3.875	2 x 3
WWE-586/7UZ	11.5	22	25	1.125	10	28	33.85	65.6	14.5	2.05	5	28.15	28.87	4.99	23.9	1	10	3.817	11.625	4.375	2 x 3

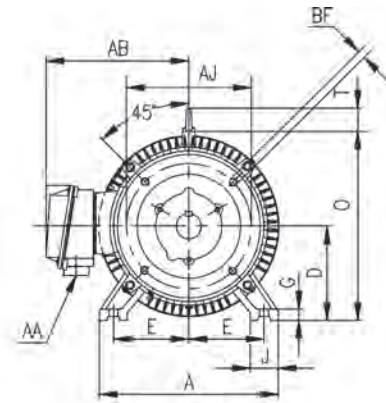
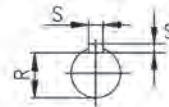
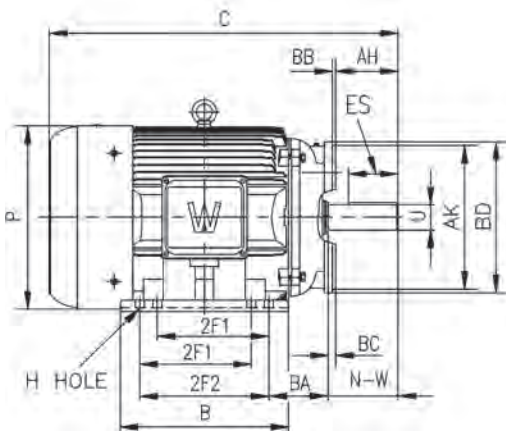
Dimensions shown in this catalog are for general use only.
For an exact drawing on a specific rating, please contact our sales office.



MOTOR DIMENSIONS

WORLDWIDE GENERAL PURPOSE MOTORS PREMIUM EFFICIENCY / HIGH EFFICIENCY

TEFC Enclosure ▪ C-Face ▪ Rigid Base
Three-Phase ▪ 208-230/460 and 460 Volt



ALL DIMENSIONS IN INCHES

Frame	E	2F1	2F2	H	BA	A	B	C	D	G	J	P	O	T	AB	S	ES	R	N-W	U	AA	BC	AH	AK	AJ	BF	BB	BD
PEWWE-143TC	2.75	4	5	0.34	2.25	7	6	13.46	3.5	0.472	1.42	7.09	7.48	---	6.3	0.188	1.42	0.771	2.25	0.875	3/4	0.12	2.12	4.5	5.875	3/8-16	0.16	6.5
PEWWE-145TC	2.75	4	5	0.34	2.25	7	6	14.77	3.5	0.472	1.42	7.09	7.48	---	6.3	0.188	1.42	0.771	2.25	0.875	3/4	0.12	2.12	4.5	5.875	3/8-16	0.16	6.5
PEWWE-182TC-2P-6P	3.75	4.5	5.5	0.43	2.75	9	7.1	15.9	4.5	0.59	1.97	9.06	8.97	---	7.48	0.25	1.78	0.986	2.75	1.125	1	0.12	2.62	8.5	7.25	1/2-13	0.25	9
PEWWE-182TC-4P	3.75	4.5	5.5	0.43	2.75	9	7.1	17.91	4.5	0.59	1.97	9.06	8.97	---	7.48	0.25	1.78	0.986	2.75	1.125	1	0.12	2.62	8.5	7.25	1/2-13	0.25	9
PEWWE-184TC-2P-6P	3.75	4.5	5.5	0.43	2.75	9	7.1	15.9	4.5	0.59	1.97	9.06	8.97	---	7.48	0.25	1.78	0.986	2.75	1.125	1	0.12	2.62	8.5	7.25	1/2-13	0.25	9
PEWWE-184TC-4P	3.75	4.5	5.5	0.43	2.75	9	7.1	17.91	4.5	0.59	1.97	9.06	8.97	---	7.48	0.25	1.78	0.986	2.75	1.125	1	0.12	2.62	8.5	7.25	1/2-13	0.25	9
PEWWE-213TC	4.25	5.5	7	0.43	3.5	10.4	8.8	20.19	5.25	0.709	2.36	10.4	10.53	1.73	8.66	0.312	2.41	1.201	3.38	1.375	1	0.25	3.12	8.5	7.25	1/2-13	0.25	9
PEWWE-215TC	4.25	5.5	7	0.43	3.5	10.5	10.3	21.69	5.25	0.709	2.36	10.4	10.53	1.73	8.66	0.312	2.41	1.201	3.38	1.375	1	0.25	3.12	8.5	7.25	1/2-13	0.25	9
PEWWE-254TC	5	8.25	10	0.53	4.25	12.5	12.5	25.06	6.25	0.787	2.76	12.6	12.89	2.05	11.2	0.375	2.91	1.416	4	1.625	1.5	0.25	3.75	8.5	7.25	1/2-13	0.25	10
PEWWE-256TC	5	8.25	10	0.53	4.25	12.4	14.3	27.83	6.25	0.787	2.76	12.6	12.89	2.05	11.2	0.375	2.91	1.416	4	1.625	1.5	0.25	3.75	8.5	7.25	1/2-13	0.25	10
PEWWE-284TC	5.5	9.5	---	0.53	4.75	14	12.5	28	7	0.866	2.76	14.17	14.28	2.05	12	0.5	3.28	1.591	4.62	1.875	1.5	0.25	4.38	10.5	9	1/2-13	0.25	11.25
PEWWE-284TSC	5.5	9.5	---	0.53	4.75	14	12.5	26.63	7	0.866	2.76	14.17	14.28	2.05	12	0.375	1.91	1.416	3.25	1.625	1.5	0.25	3	10.5	9	1/2-13	0.25	11.25
PEWWE-286TC	5.5	9.5	11	0.53	4.75	14	14	29.57	7	0.866	2.76	14.17	14.28	2.05	12	0.5	3.28	1.591	4.62	1.875	1.5	0.25	4.38	10.5	9	1/2-13	0.25	11.25
PEWWE-286TSC	5.5	9.5	11	0.53	4.75	14	14	28.2	7	0.866	2.76	14.17	14.28	2.05	12	0.375	1.91	1.416	3.25	1.625	1.5	0.25	3	10.5	9	1/2-13	0.25	11.25
PEWWE-324TC	6.25	10.5	12	0.66	5.25	16	15.5	30.63	8	0.984	2.76	15.75	15.91	2.44	13.4	0.5	3.91	1.845	5.25	2.125	2	0.25	5	12.5	11	3/8-11	0.25	14
PEWWE-324TSC	6.25	10.5	12	0.66	5.25	16	15.5	29.1	8	0.984	2.76	15.75	15.91	2.44	13.4	0.5	2.03	1.591	3.75	1.875	2	0.25	3.5	12.5	11	3/8-11	0.25	14
PEWWE-326TC	6.25	10.5	12	0.66	5.25	16	16.5	32.2	8	0.984	2.76	15.75	15.91	2.44	13.4	0.5	3.91	1.845	5.25	2.125	2	0.25	5	12.5	11	3/8-11	0.25	14
PEWWE-326TSC	6.25	10.5	12	0.66	5.25	16	16.5	30.67	8	0.984	2.76	15.75	15.91	2.44	13.4	0.5	2.03	1.591	3.75	1.875	2	0.25	3.5	12.5	11	3/8-11	0.25	14
PEWWE-364TC	7	11.25	---	0.66	5.88	18	16.78	35.04	9	1.102	2.95	17.7	18.13	2.835	15.7	0.625	4.28	2.021	5.88	2.375	3	0.25	5.62	12.5	11	3/8-11	0.25	14
PEWWE-364TSC	7	11.25	---	0.66	5.88	18	16.78	32.92	9	1.102	2.95	17.7	18.13	2.835	15.7	0.5	2.03	1.591	3.75	1.875	3	0.25	3.5	12.5	11	3/8-11	0.25	14
PEWWE-365TC	7	11.25	12.25	0.66	5.88	18	18.35	36.62	9	1.102	2.95	17.7	18.13	2.835	15.7	0.625	4.28	2.021	5.88	2.375	3	0.25	5.62	12.5	11	3/8-11	0.25	14
PEWWE-365TSC	7	11.25	12.25	0.66	5.88	18	18.35	34.5	9	1.102	2.95	17.7	18.13	2.835	15.7	0.5	2.03	1.591	3.75	1.875	3	0.25	3.5	12.5	11	3/8-11	0.25	14
PEWWE-404TC	8	12.25	---	0.81	6.62	20	16.2	36.81	10	1.18	3.15	21.42	21.02	2.83	18.31	0.75	5.65	2.45	7.25	2.875	3	0.25	7	12.5	11	3/8-11	0.25	15.5
PEWWE-405TC	8	12.25	13.75	0.81	6.62	20	17.8	38.35	10	1.18	3.15	21.42	21.02	2.83	18.31	0.75	5.65	2.45	7.25	2.875	3	0.25	7	12.5	11	3/8-11	0.25	15.5
PEWWE-405TSC	8	12.25	13.75	0.81	6.62	20	17.8	35.35	10	1.18	3.15	21.42	21.02	2.83	18.31	0.5	2.78	1.845	4.25	2.125	3	0.25	4	12.5	11	3/8-11	0.25	15.5
PEWWE-444TC	9	14.5	---	0.81	7.5	22	18.5	42.52	11	1.38	3.35	23.43	22.97	3.46	19.41	0.875	6.91	2.88	8.5	3.375	2x3	0.25	8.25	16	14	3/8-11	0.25	18
PEWWE-444TSC	9	14.5	---	0.81	7.5	22	18.5	38.94	11	1.38	3.35	23.43	22.97	3.46	19.41	0.625	3.03	2.021	4.75	2.375	2x3	0.25	4.5	16	14	3/8-11	0.25	18
PEWWE-445TC	9	14.5	16.5	0.81	7.5	22	20.5	44.5	11	1.38	3.35	23.43	22.97	3.46	19.41	0.875	6.91	2.88	8.5	3.375	2x3	0.25	8.25	16	14	3/8-11	0.25	18
PEWWE-445TSC	9	14.5	16.5	0.81	7.5	22	20.5	40.71	11	1.38	3.35	23.43	22.97	3.46	19.41	0.625	3.03	2.021	4.75	2.375	2x3	0.25	4.5	16	14	3/8-11	0.25	18
PEWWE-445/7TC	9	16.5	20	0.81	7.5	22	24	48.03	11	1.38	3.35	23.43	22.97	3.46	19.41	0.875	6.91	2.88	8.5	3.375	2x3	0.25	8.25	16	14	3/8-11	0.25	18
PEWWE-445/7TSC	9	16.5	20	0.81	7.5	22	24	44.25	11	1.38	3.35	23.43	22.97	3.46	19.41	0.625	3.03	2.021	4.75	2.375	2x3	0.25	4.5	16	14	3/8-11	0.25	18
PEWWE-449TC	9	25	---	0.81	7.5	22	31	55.51	11	1.575	3.35	24	23	4.25	19.07	0.875	7.01	2.88	8.5	3.375	2x3	0.25	8.25	16	14	3/8-11	0.25	18
PEWWE-449TSC	9	25	---	0.81	7.5	22	31	51.8	11	1.575	3.35	24	23	4.25	19.07	0.625	3.15	2.021	4.72	2.375	2x3	0.25	4.5	16	14	3/8-11	0.25	18

MOTOR DIMENSIONS

Dimensions shown in this catalog are for general use only.
For an exact drawing on a specific rating, please contact our sales office.

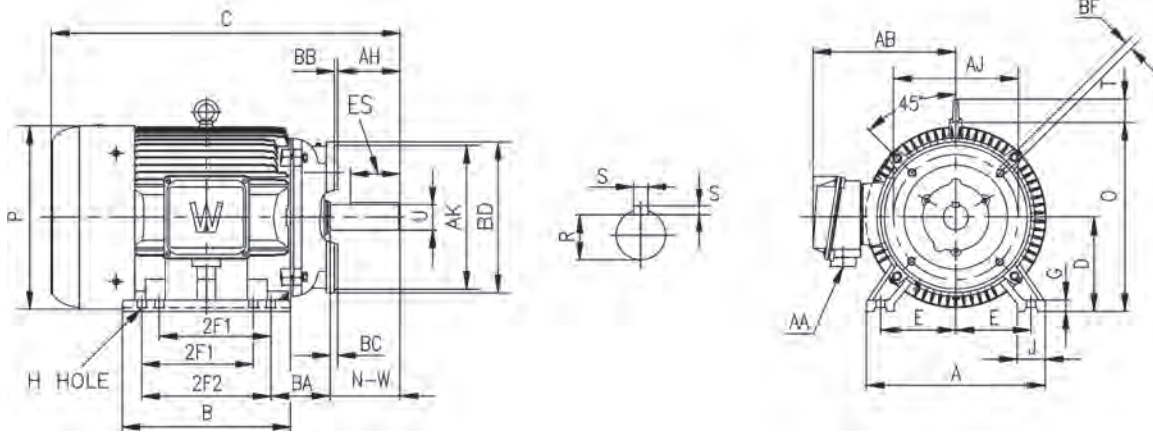
Continued On Next Page



WORLDWIDE GENERAL PURPOSE MOTORS PREMIUM EFFICIENCY / HIGH EFFICIENCY

TEFC Enclosure ▪ C-Face ▪ Rigid Base

Three-Phase ▪ 208-230/460 and 460 Volt



ALL DIMENSIONS IN INCHES

Frame	E	2F1	2F2	H	BA	A	B	C	D	G	J	P	O	T	AB	S	ES	R	N-W	U	AA	BC	AH	AK	AJ	BF	BB	BD
WWE-215TC	4.25	5.5	7	0.41	3.5	10.5	9	20.49	5.25	0.709	2.36	10.4	10.53	1.73	8.63	0.312	2.41	1.201	3.38	1.375	1	0.25	3.12	8.5	7.25	1/2-13	0.25	9
WWE-254TC	5	8.25	---	0.53	4.25	12.5	10.8	23.29	6.25	0.787	2.76	12.6	12.89	2.05	11.2	0.375	2.91	1.416	4	1.625	1.5	0.25	3.75	8.5	7.25	1/2-13	0.25	10
WWE-256TC	5	8.25	10	0.53	4.25	12.5	12.5	25.06	6.25	0.787	2.76	12.6	12.89	2.05	11.2	0.375	2.91	1.416	4	1.625	1.5	0.25	3.75	8.5	7.25	1/2-13	0.25	10
WWE-284TC	5.5	9.5	---	0.53	4.75	14	12.5	26.64	7	0.866	2.76	14.17	14.28	2.05	12	0.5	3.28	1.591	4.62	1.875	1.5	0.25	4.38	10.5	9	1/2-13	0.25	11.25
WWE-286TC	5.5	9.5	11	0.53	4.75	14	14	28.18	7	0.866	2.76	14.17	14.28	2.05	12	0.5	3.28	1.591	4.62	1.875	1.5	0.25	4.38	10.5	9	1/2-13	0.25	11.25
WWE-324TC	6.25	10.5	---	0.66	5.25	16	14	29.95	8	0.984	2.76	15.75	15.91	2.44	13.4	0.5	3.91	1.845	5.25	2.125	2	0.25	5	12.5	11	5/8-11	0.25	14
WWE-326TC	6.25	10.5	12	0.66	5.25	16	15.5	31.24	8	0.984	2.76	15.75	15.91	2.44	13.4	0.5	3.91	1.845	5.25	2.125	2	0.25	5	12.5	11	5/8-11	0.25	14
WWE-364TC	7	11.25	---	0.66	5.88	18	15.2	32.68	9	1.102	2.95	17.7	18.13	2.44	15.7	0.625	4.28	2.021	5.88	2.375	3	0.25	5.62	12.5	11	5/8-11	0.25	14
WWE-365TC	7	11.25	12.25	0.66	5.88	18	16.2	34.11	9	1.102	2.95	17.7	18.13	2.44	15.7	0.625	4.28	2.021	5.88	2.375	3	0.25	5.62	12.5	11	5/8-11	0.25	14
WWE-404TC	8	12.25	---	0.81	6.62	20	16.2	36.81	10	1.18	3.15	21.42	21.02	2.83	18.31	0.75	5.65	2.45	7.25	2.875	3	0.25	7	12.5	11	5/8-11	0.25	15.5
WWE-405TC	8	12.25	13.75	0.81	6.62	20	17.8	38.35	10	1.18	3.15	21.42	21.02	2.83	18.31	0.75	5.65	2.45	7.25	2.875	3	0.25	7	12.5	11	5/8-11	0.25	15.5
WWE-444TC	9	14.5	---	0.81	7.5	22	18.5	42.52	11	1.38	3.35	23.43	22.97	3.46	19.41	0.875	6.91	2.88	8.5	3.375	2x3	0.25	8.25	16	14	5/8-11	0.25	18
WWE-445TC	9	14.5	16.5	0.81	7.5	22	20.5	44.5	11	1.38	3.35	23.43	22.97	3.46	19.41	0.875	6.91	2.88	8.5	3.375	2x3	0.25	8.25	16	14	5/8-11	0.25	18
WWE-445/7TC	9	16.5	20	0.81	7.5	22	24	48.03	11	1.38	3.35	23.43	22.97	3.46	19.41	0.875	6.91	2.88	8.5	3.375	2x3	0.25	8.25	16	14	5/8-11	0.25	18
WWE-449TC	9	25	---	0.81	7.5	22	31	55.51	11	1.575	3.35	24	23	4.25	19.07	0.875	7.01	2.88	8.5	3.375	2x3	0.25	8.25	16	14	5/8-11	0.25	18
WWE-449TSC	9	25	---	0.81	7.5	22	31	51.8	11	1.575	3.35	24	23	4.25	19.07	0.625	3.15	2.021	4.72	2.375	2x3	0.25	4.5	16	14	5/8-11	0.25	18

MOTOR DIMENSIONS

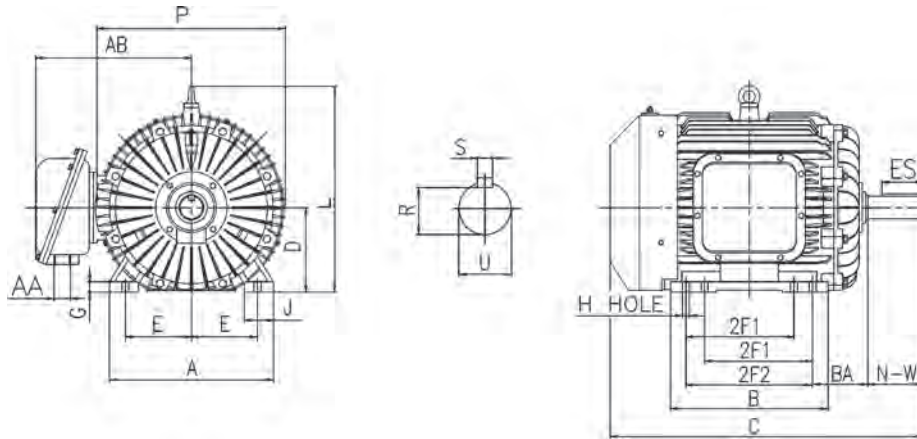
Dimensions shown in this catalog are for general use only.
For an exact drawing on a specific rating, please contact our sales office.



WORLDWIDE EXPLOSION PROOF MOTORS PREMIUM EFFICIENCY / HIGH EFFICIENCY

TEXP Enclosure ▪ Rigid Base

Three-Phase ▪ 208-230/460, 460 and 575 Volt



ALL DIMENSIONS IN INCHES

Frame	E	2F1	2F2	H	BA	A	B	C	D	G	J	P	L	AB	S	ES	R	N-W	U	AA
XPEWWE-143T	2.75	4	5	0.34	2.25	7	6.89	13.78	3.5	0.47	1.42	7.56	9.25	8.07	0.188	1.46	0.771	2.25	0.875	0.75
XPEWWE-145T	2.75	4	5	0.34	2.25	7	6.89	13.78	3.5	0.47	1.42	7.56	9.25	8.07	0.188	1.46	0.771	2.25	0.875	0.75
XPEWWE-182T	3.75	4.5	5.5	0.41	2.75	8.85	7.87	17.13	4.5	0.67	1.69	9.84	11.4	9.06	0.250	1.77	0.986	2.75	1.125	0.75
XPEWWE-184T	3.75	4.5	5.5	0.41	2.75	8.85	7.87	17.13	4.5	0.67	1.69	9.84	11.4	9.06	0.250	1.77	0.986	2.75	1.125	0.75
XPEWWE-213T	4.25	5.5	7	0.41	3.5	10.5	9.3	19.88	5.25	0.83	2.36	12.2	13	11.4	0.312	2.44	1.201	3.38	1.375	1.00
XPEWWE-215T	4.25	5.5	7	0.41	3.5	10.5	9.3	19.88	5.25	0.83	2.36	12.2	13	11.4	0.312	2.44	1.201	3.38	1.375	1.00
XPEWWE-254T	5	8.25	10	0.53	4.25	12.36	12.4	25	6.25	0.87	2.76	14	15.55	13.58	0.375	2.91	1.416	4.00	1.625	1.25
XPEWWE-256T	5	8.25	10	0.53	4.25	12.36	12.4	25	6.25	0.87	2.76	14	15.55	13.58	0.375	2.91	1.416	4.00	1.625	1.25
XPEWWE-284T	5.5	9.5	11	0.53	4.75	13.74	13.74	28.5	7	0.87	2.76	16.3	17.52	14.37	0.500	3.30	1.591	4.62	1.875	1.50
XPEWWE-284TS	5.5	9.5	11	0.53	4.75	13.74	13.74	27.2	7	0.87	2.76	16.3	17.52	14.37	0.375	1.93	1.416	3.25	1.625	1.50
XPEWWE-286T	5.5	9.5	11	0.53	4.75	13.74	13.74	28.5	7	0.87	2.76	16.3	17.52	14.37	0.500	3.30	1.591	4.62	1.875	1.50
XPEWWE-286TS	5.5	9.5	11	0.53	4.75	13.74	13.74	27.2	7	0.87	2.76	16.3	17.52	14.37	0.375	1.93	1.416	3.25	1.625	1.50
XPEWWE-324T	6.25	10.5	12	0.66	5.25	15.55	14.92	31.9	8	0.98	2.76	18.03	19.9	15.4	0.500	3.93	1.845	5.25	2.125	2.00
XPEWWE-324TS	6.25	10.5	12	0.66	5.25	15.55	14.92	30.3	8	0.98	2.76	18.03	19.9	15.4	0.500	2.05	1.591	3.75	1.875	2.00
XPEWWE-326T	6.25	10.5	12	0.66	5.25	15.55	14.92	31.9	8	0.98	2.76	18.03	19.9	15.4	0.500	3.93	1.845	5.25	2.125	2.00
XPEWWE-326TS	6.25	10.5	12	0.66	5.25	15.55	14.92	30.3	8	0.98	2.76	18.03	19.9	15.4	0.500	2.05	1.591	3.75	1.875	2.00
XPEWWE-364T	7	11.25	12.25	0.66	5.88	17.1	15.47	34.84	9	0.98	2.95	19.7	22	17.1	0.625	4.29	2.021	5.88	2.375	3.00
XPEWWE-364TS	7	11.25	12.25	0.66	5.88	17.1	15.47	32.68	9	0.98	2.95	19.7	22	17.1	0.500	2.05	1.591	3.75	1.875	3.00
XPEWWE-365T	7	11.25	12.25	0.66	5.88	17.1	15.47	34.84	9	0.98	2.95	19.7	22	17.1	0.625	4.29	2.021	5.88	2.375	3.00
XPEWWE-365TS	7	11.25	12.25	0.66	5.88	17.1	15.47	32.68	9	0.98	2.95	19.7	22	17.1	0.500	2.05	1.591	3.75	1.875	3.00
XPEWWE-404T	8	12.25	13.75	0.81	6.62	19	17.05	38.6	10	1.18	3.15	21.81	25	18.7	0.750	5.71	2.450	7.25	2.875	3.00
XPEWWE-405T	8	12.25	13.75	0.81	6.62	19	17.05	38.6	10	1.18	3.15	21.81	25	18.7	0.750	5.71	2.450	7.25	2.875	3.00
XPEWWE-405TS	8	12.25	13.75	0.81	6.62	19	17.05	35.6	10	1.18	3.15	21.81	25	18.7	0.500	2.83	1.845	4.25	2.125	3.00
XPEWWE-444/5T	9	14.5	16.5	0.81	7.5	21.3	22	47	11	1.38	3.74	24	28	21.3	0.875	6.93	2.880	8.50	3.375	3.00
XPEWWE-444/5TS	9	14.5	16.5	0.81	7.5	21.3	22	43.3	11	1.38	3.74	24	28	21.3	0.625	3.03	2.021	4.75	2.375	3.00
XPEWWE-445/7/9T	9	20	25	0.81	7.5	21.3	—	55.5	11	1.38	3.74	24	28	21.3	0.875	6.93	2.880	8.50	3.375	3.00
XPEWWE-447/9T-4P	9	20	25	0.81	7.5	21.3	—	55.5	11	1.38	3.74	24	28	21.3	0.875	6.93	2.880	8.50	3.375	3.00
XPEWWE-447/9T-6P	9	20	25	0.81	7.5	21.3	—	55.7	11	1.38	3.74	24	28	21.3	0.875	6.93	2.880	8.50	3.375	3.00
XPEWWE-447/9TS	9	20	25	0.81	7.5	21.3	—	51.8	11	1.38	3.74	24	28	21.3	0.625	3.03	2.021	4.75	2.375	3.00

MOTOR
DIMENSIONS

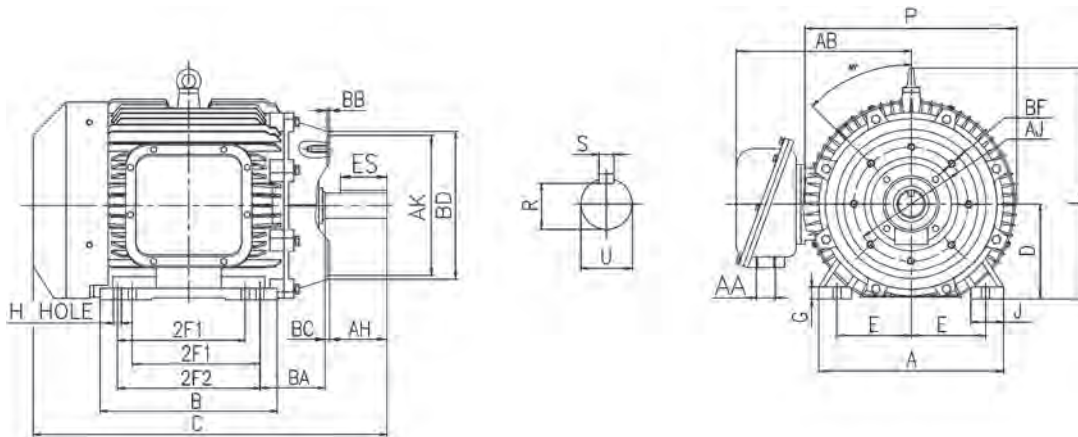
Dimensions shown in this catalog are for general use only.
For an exact drawing on a specific rating, please contact our sales office.



WORLDWIDE EXPLOSION PROOF MOTORS PREMIUM EFFICIENCY / HIGH EFFICIENCY

TEXP Enclosure ▪ C-Face ▪ Rigid Base

Three-Phase ▪ 208-230/460 and 460 Volt



ALL DIMENSIONS IN INCHES

Frame	E	2F1	2F2	H	BA	A	B	C	D	G	J	P	L	AB	S	ES	R	U	AA	BC	AH	AK	AJ	BF	BB	BD
XPEWWE-145TC	2.75	4	5	0.34	2.25	7	6.89	13.78	3.5	0.47	1.42	7.56	9.25	8.07	0.188	1.46	0.771	0.875	0.75	0.12	2.12	4.5	5.9	3/8-16	0.16	6.5
XPEWWE-182TC	3.75	4.5	5.5	0.41	2.75	8.85	7.87	17.13	4.5	0.67	1.69	9.84	11.4	9.06	0.25	1.77	0.986	1.125	0.75	0.12	2.62	8.5	7.25	1/2-13	0.25	8.74
XPEWWE-184TC	3.75	4.5	5.5	0.41	2.75	8.85	7.87	17.13	4.5	0.67	1.69	9.84	11.4	9.06	0.25	1.77	0.986	1.125	0.75	0.12	2.62	8.5	7.25	1/2-13	0.25	8.74
XPEWWE-213TC	4.25	5.5	7	0.41	3.5	10.5	9.3	19.88	5.25	0.83	2.36	12.2	13	11.4	0.312	2.44	1.201	1.375	1	0.25	3.12	8.5	7.25	1/2-13	0.25	8.819
XPEWWE-215TC	4.25	5.5	7	0.41	3.5	10.5	9.3	19.88	5.25	0.83	2.36	12.2	13	11.4	0.312	2.44	1.201	1.375	1	0.25	3.12	8.5	7.25	1/2-13	0.25	8.819
XPEWWE-254TC	5	8.25	10	0.53	4.25	12.36	12.4	25	6.25	0.87	2.76	14	15.55	13.58	0.375	2.91	1.416	1.625	1.25	0.25	3.75	8.5	7.25	1/2-13	0.25	9.84
XPEWWE-256TC	5	8.25	10	0.53	4.25	12.36	12.4	25	6.25	0.87	2.76	14	15.55	13.58	0.375	2.91	1.416	1.625	1.25	0.25	3.75	8.5	7.25	1/2-13	0.25	9.84
XPEWWE-284TC	5.5	9.5	11	0.53	4.75	13.74	13.74	28.5	7	0.87	2.76	16.3	17.52	14.37	0.5	3.3	1.591	1.875	1.5	0.25	4.38	10.5	9	1/2-13	0.25	11
XPEWWE-286TC	5.5	9.5	11	0.53	4.75	13.74	13.74	28.5	7	0.87	2.76	16.3	17.52	14.37	0.5	3.3	1.591	1.875	1.5	0.25	4.38	10.5	9	1/2-13	0.25	11
XPEWWE-324TC	6.25	10.5	12	0.66	5.25	15.55	14.92	31.9	8	0.98	2.76	18.03	19.9	15.4	0.5	3.93	1.845	2.125	2	0.25	5	12.5	11	3/8-11	0.25	13.6
XPEWWE-326TC	6.25	10.5	12	0.66	5.25	15.55	14.92	31.9	8	0.98	2.76	18.03	19.9	15.4	0.5	3.93	1.845	2.125	2	0.25	5	12.5	11	3/8-11	0.25	13.6
XPEWWE-364TC	7	11.25	12.25	0.66	5.88	17.1	15.47	34.84	9	0.98	2.95	19.7	22	17.1	0.625	4.29	2.021	2.375	3	0.25	5.62	12.5	11	3/8-11	0.25	13.6
XPEWWE-365TC	7	11.25	12.25	0.66	5.88	17.1	15.47	34.84	9	0.98	2.95	19.7	22	17.1	0.625	4.29	2.021	2.375	3	0.25	5.62	12.5	11	3/8-11	0.25	13.6
XPEWWE-405TC	8	12.25	13.75	0.81	6.62	19	17.05	38.6	10	1.18	3.15	21.81	25	18.7	0.75	5.71	2.45	2.875	3	0.25	7	12.5	11	3/8-11	0.25	15.35
XPEWWE-444/5TC	9	14.5	16.5	0.81	7.5	21.3	22	47	11	1.38	3.74	24	28	21.3	0.875	6.93	2.88	3.375	3	0.25	8.25	16	14	3/8-11	0.25	18
XPEWWE-445/7/9TC	9	20	25	0.81	7.5	21.3	—	55.5	11	1.38	3.74	24	28	21.3	0.875	6.93	2.88	3.375	3	0.25	8.25	16	14	3/8-11	0.25	18

Dimensions shown in this catalog are for general use only.
For an exact drawing on a specific rating, please contact our sales office.

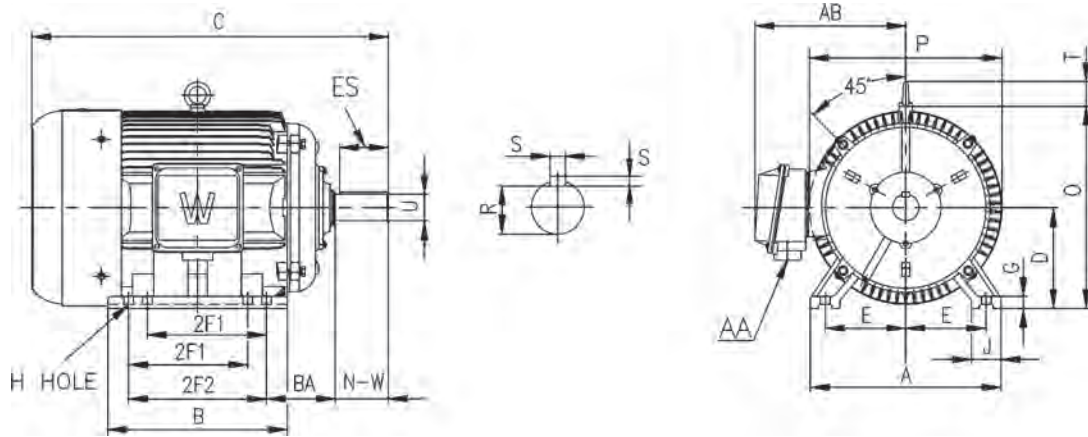


MOTOR DIMENSIONS

WORLDWIDE AGGREGATE MOTORS ADVANCED DESIGN ROCK CRUSHER

TEFC Enclosure ▪ Rigid Base

Three-Phase ▪ 208-230/460 and 460 Volt



ALL DIMENSIONS IN INCHES

Frame	E	2F1	2F2	H	BA	A	B	C	D	G	J	P	O	T	AB	S	ES	R	N-W	U	AA
PEWWE-405T	8	12.25	13.75	0.81	6.62	20	17.8	38.35	10	1.18	3.15	21.42	21.02	2.83	18.31	0.75	5.65	2.45	7.25	2.875	3
PEWWE-444T	9	14.5	---	0.81	7.5	22	18.5	42.52	11	1.38	3.35	23.43	22.97	3.46	19.41	0.875	6.91	2.88	8.5	3.375	2 x 3
PEWWE-445T	9	14.5	16.5	0.81	7.5	22	20.5	44.5	11	1.38	3.35	23.43	22.97	3.46	19.41	0.875	6.91	2.88	8.5	3.375	2 x 3
PEWWE-445/7T	9	16.5	20	0.81	7.5	22	24	48.03	11	1.38	3.35	23.43	22.97	3.46	19.41	0.875	6.91	2.88	8.5	3.375	2 x 3
PEWWE-449T	9	25	---	0.81	7.5	22	31	55.51	11	1.575	3.35	24	23	4.25	19.07	0.875	7.01	2.88	8.5	3.375	2 x 3
WWE-449T	9	25	---	0.81	7.5	22	31	55.51	11	1.575	3.35	24	23	4.25	19.07	0.875	7.01	2.88	8.5	3.375	2 x 3
WWE-449TS	9	25	---	0.81	7.5	22	31	51.8	11	1.575	3.35	24	23	4.25	19.07	0.625	3.15	2.021	4.72	2.375	2 x 3
WWE-505Z	10	16	18	0.938	8.5	24.72	26	53	12.5	1.87	4.72	25	25.3	4.25	20.9	0.875	9	3.134	10.625	3.625	2 x 3
WWE-505UZ	10	16	18	0.938	8.5	24.72	26	54	12.5	1.87	4.72	25	25.3	4.25	20.9	1	10	3.309	11.625	3.875	2 x 3
WWE-586/7	11.5	22	25	1.125	10	28	33.85	65.6	14.5	2.05	5	28.15	28.87	4.99	23.9	1	10	3.309	11.625	3.875	2 x 3
WWE-586/7UZ	11.5	22	25	1.125	10	28	33.85	65.6	14.5	2.05	5	28.15	28.87	4.99	23.9	1	10	3.817	11.625	4.375	2 x 3

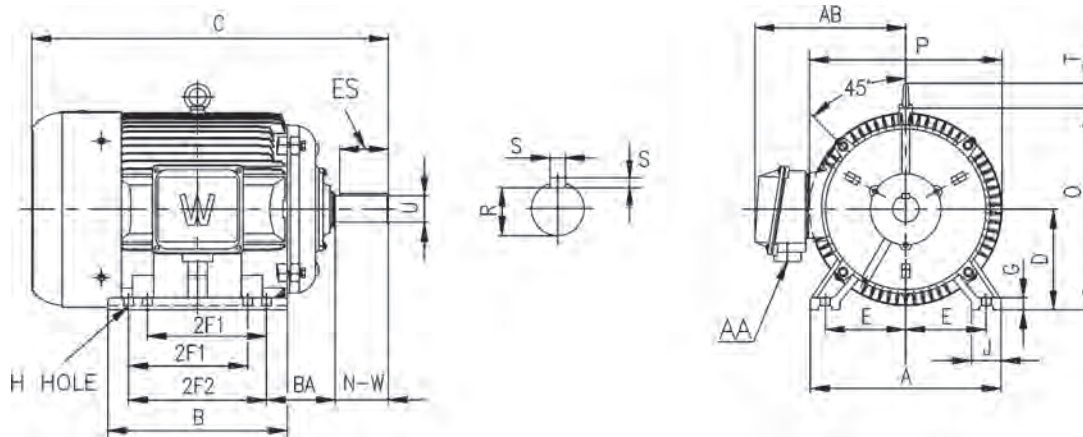
MOTOR
DIMENSIONS

Dimensions shown in this catalog are for general use only.
For an exact drawing on a specific rating, please contact our sales office.



WORLDWIDE AGGREGATE MOTORS SHAKER SCREEN MOTORS ▪ DESIGN D ▪ HIGH SLIP

TEFC Enclosure ▪ Rigid Base
Three-Phase ▪ 208-230/460 Volt



ALL DIMENSIONS IN INCHES

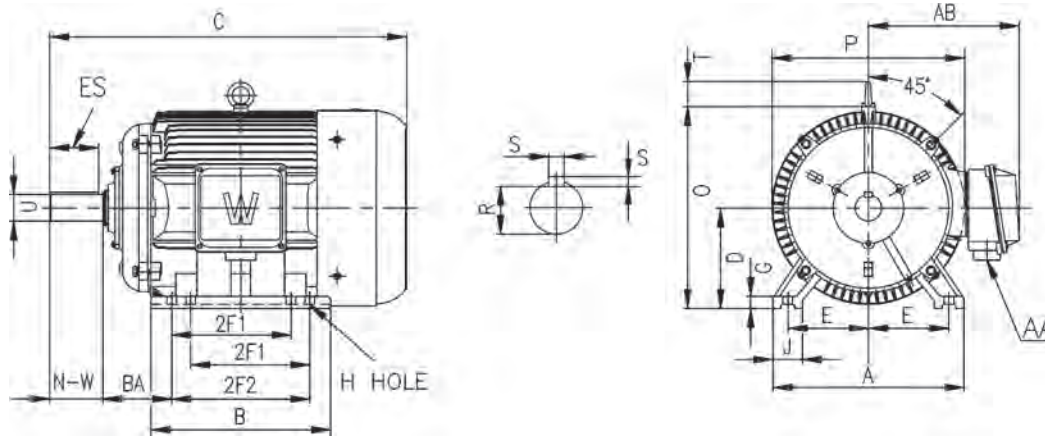
Frame	E	2F1	2F2	H	BA	A	B	C	D	G	J	P	O	T	AB	S	ES	R	N-W	U	AA
WWELUC-326T	6.25	10.5	12	0.66	5.25	15.275	13.9	31.02	8	0.984	2.76	15.74	16.27	2.46	12.795	0.5	3.91	1.845	5.25	2.125	2
WWELUC-365T	7	11.25	12.25	0.66	5.88	16.929	15.354	33.82	9	0.984	2.76	18.5	18.648	2.46	14.173	0.625	4.28	2.021	5.88	2.375	3
WWELUC-404T	8	12.25	13.75	0.81	6.62	19.055	17.716	38.66	10	1.338	3.15	19.527	20.2	2.46	17.716	0.75	5.65	2.45	7.25	2.875	3
SS-326T	6.25	10.5	12	0.66	5.25	16	15.5	31.24	8	0.984	2.76	15.75	15.91	2.44	13.40	0.5	3.91	1.845	5.25	2.125	2
SS-365T	7	11.25	12.25	0.66	5.88	18	16.2	34.11	9	1.102	2.95	17.7	18.13	2.44	15.7	0.625	4.28	2.021	5.88	2.375	3
SS-404T	8	—	12.25	0.81	6.62	20	16.2	36.81	10	1.18	3.15	21.42	21.02	2.83	18.31	0.75	5.65	2.45	7.25	2.875	3

Dimensions shown in this catalog are for general use only.
For an exact drawing on a specific rating, please contact our sales office.



WORLDWIDE OIL WELL PUMP MOTORS HIGH EFFICIENCY • NEMA DESIGN D

TEFC Enclosure • Rigid Base
Three-Phase • 230/460/796 Volt



ALL DIMENSIONS IN INCHES

Frame	E	2F1	2F2	H	BA	A	B	C	D	G	J	P	O	T	AB	S	ES	R	N-W	U	AA
WWELUC-213T	4.25	---	5.5	0.41	3.5	10.827	7.874	18.582	5.25	0.708	2.362	10.394	10.664	1.75	8.267	0.312	2.41	1.201	3.38	1.375	1
WWELUC-215T	4.25	5.5	7	0.41	3.5	10.827	9.37	20.08	5.25	0.708	2.362	10.394	10.664	1.75	8.267	0.312	2.41	1.201	3.38	1.375	1
WWELUC-254T	5	8.25	10	0.53	4.25	12.48	12.2	25.43	6.25	0.787	2.76	12.992	13.32	2.063	10.78	0.375	2.91	1.416	4	1.625	1.5
WWELUC-256T	5	8.25	10	0.53	4.25	12.48	12.2	25.43	6.25	0.787	2.76	12.992	13.32	2.063	10.78	0.375	2.91	1.416	4	1.625	1.5
WWELUC-284T	5.5	9.5	11	0.53	4.75	13.8	13.11	28.346	7	0.866	2.76	14.49	14.84	2.063	11.61	0.5	3.28	1.591	4.62	1.875	1.5
WWELUC-286T	5.5	9.5	11	0.53	4.75	13.8	13.11	28.346	7	0.866	2.76	14.49	14.84	2.063	11.61	0.5	3.28	1.591	4.62	1.875	1.5
WWELUC-324T	6.25	10.5	12	0.66	5.25	15.275	13.9	31.02	8	0.984	2.76	15.74	16.27	2.46	12.795	0.5	3.91	1.845	5.25	2.125	2
WWELUC-326T	6.25	10.5	12	0.66	5.25	15.275	13.9	31.02	8	0.984	2.76	15.74	16.27	2.46	12.795	0.5	3.91	1.845	5.25	2.125	2
WWELUC-365T	7	11.25	12.25	0.66	5.88	16.929	15.354	33.82	9	0.984	2.76	18.5	18.648	2.46	14.173	0.625	4.28	2.021	5.88	2.375	3
WWELUC-404T	8	12.25	13.75	0.81	6.62	19.055	17.716	38.66	10	1.338	3.15	19.527	20.2	2.46	17.716	0.75	5.65	2.45	7.25	2.875	3
WWELUC-405T	8	12.25	13.75	0.81	6.62	19.055	17.716	38.66	10	1.338	3.15	19.527	20.2	2.46	17.716	0.75	5.65	2.45	7.25	2.875	3
WWELUC-444T	9	14.5	16.5	0.81	7.5	21.338	20.393	44.094	11	1.378	3.346	21.97	22.3	2.85	18.82	0.875	6.91	2.88	8.5	3.375	3
WWELUC-445T	9	14.5	16.5	0.81	7.5	21.338	20.393	44.094	11	1.378	3.346	21.97	22.3	2.85	18.82	0.875	6.91	2.88	8.5	3.375	3
WO-213T	4.25	---	5.5	0.41	3.5	10.5	7.5	18.89	5.25	0.709	2.36	10.4	10.53	1.73	8.63	0.312	2.41	1.201	3.38	1.375	1
WO-215T	4.25	5.5	7	0.41	3.5	10.5	9	20.49	5.25	0.709	2.36	10.4	10.53	1.73	8.63	0.312	2.41	1.201	3.38	1.375	1
WO-254T	5	---	8.25	0.53	4.25	12.5	10.8	23.29	6.25	0.787	2.76	12.6	12.89	2.05	11.2	0.375	2.91	1.416	4	1.625	1.5
WO-256T	5	8.25	10	0.53	4.25	12.5	12.5	25.06	6.25	0.787	2.76	12.6	12.89	2.05	11.2	0.375	2.91	1.416	4	1.625	1.5
WO-284T	5.5	---	9.5	0.53	4.75	14	12.5	26.64	7	0.866	2.76	14.17	14.28	2.05	12	0.5	3.28	1.591	4.62	1.875	1.5
WO-286T	5.5	9.5	11	0.53	4.75	14	14	28.18	7	0.866	2.76	14.17	14.28	2.05	12	0.5	3.28	1.591	4.62	1.875	1.5
WO-324T	6.25	---	10.5	0.66	5.25	16	14	29.95	8	0.984	2.76	15.75	15.91	2.44	13.4	0.5	3.91	1.845	5.25	2.125	2
WO-326T	6.25	10.5	12	0.66	5.25	16	15.5	31.24	8	0.984	2.76	15.75	15.91	2.44	13.4	0.5	3.91	1.845	5.25	2.125	2
WO-365T	7	11.25	12.25	0.66	5.88	18	16.2	34.11	9	1.102	2.95	17.7	18.13	2.44	15.7	0.625	4.28	2.021	5.88	2.375	3
WO-404T	8	---	12.25	0.81	6.62	20	16.2	36.81	10	1.18	3.15	21.42	21.02	2.83	18.31	0.75	5.65	2.45	7.25	2.875	3
WO-405T	8	12.25	13.75	0.81	6.62	20	17.8	38.35	10	1.18	3.15	21.42	21.02	2.83	18.31	0.75	5.65	2.45	7.25	2.875	3
WO-444T	9	---	14.5	0.81	7.5	22	18.5	42.52	11	1.38	3.35	23.43	22.97	3.46	19.41	0.875	6.91	2.88	8.5	3.375	2x3
WO-445T	9	14.5	16.5	0.81	7.5	22	20.5	44.5	11	1.38	3.35	23.43	22.97	3.46	19.41	0.875	6.91	2.88	8.5	3.375	2x3
IROW-365T	7	11.25	12.25	0.66	5.88	16.929	15.354	33.82	9	0.984	2.76	18.5	18.648	2.46	14.173	0.625	4.28	2.021	5.88	2.375	3
IROW-404T	8	12.25	13.75	0.81	6.62	19.055	17.716	38.66	10	1.338	3.15	19.527	20.2	2.46	17.716	0.75	5.65	2.45	7.25	2.875	3
IROW-405T	8	12.25	13.75	0.81	6.62	19.055	17.716	38.66	10	1.338	3.15	19.527	20.2	2.46	17.716	0.75	5.65	2.45	7.25	2.875	3
IROW-444T	9	14.5	16.5	0.81	7.5	21.338	20.393	44.094	11	1.378	3.346	21.97	22.3	2.85	18.82	0.875	6.91	2.88	8.5	3.375	3
IROW-445T	9	14.5	16.5	0.81	7.5	21.338	20.393	44.094	11	1.378	3.346	21.97	22.3	2.85	18.82	0.875	6.91	2.88	8.5	3.375	3

MOTOR DIMENSIONS

Dimensions shown in this catalog are for general use only.
For an exact drawing on a specific rating, please contact our sales office.

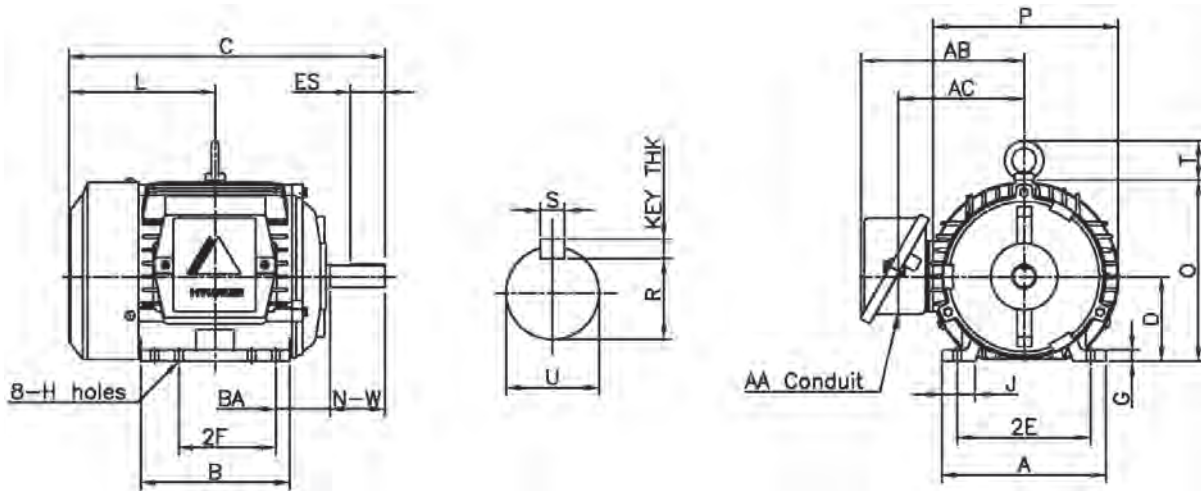


HYUNDAI CROWN TRITON™ SERIES MOTORS

PREMIUM EFFICIENCY

TEFC Enclosure ▪ Rigid Base

Three-Phase ▪ 208-230/460, 460 and 575 Volt



ALL DIMENSIONS IN INCHES

Frame	E	2F	H	BA	A	B	C	D	G	J	P	O	T	L	S	ES	R	N-W	U	AA	AB	AC
HHI-143T	2.75	4	0.34	2.25	6.78	6.15	13.05	3.5	0.47	1.36	7.64	7.46	1.63	6.05	0.188	1.41	0.771	2.25	0.875	0.75	6.73	5.21
HHI-145T	2.75	5	0.34	2.25	6.78	6.15	13.05	3.5	0.47	1.36	7.64	7.46	1.63	6.05	0.188	1.41	0.771	2.25	0.875	0.75	6.73	5.21
HHI-182T	3.75	4.5	0.41	2.75	8.66	5.52	15.52	4.5	0.62	1.74	9.64	9.32	1.63	7.78	0.25	1.78	0.986	2.75	1.125	0.75	7.47	6.23
HHI-184T	3.75	5.5	0.41	2.75	8.66	6.54	16.55	4.5	0.62	1.74	9.64	9.32	1.63	8.29	0.25	1.78	0.986	2.75	1.125	0.75	7.47	6.23
HHI-213T	4.25	5.5	0.41	3.5	9.85	6.77	18.86	5.25	0.6	1.52	11.26	11.02	1.63	9.22	0.321	2.41	1.201	3.38	1.375	1	8.23	7.34
HHI-215T	4.25	7	0.41	3.5	9.84	8.66	20.36	5.25	0.6	1.52	11.26	11.02	1.63	9.97	0.312	2.41	1.201	3.38	1.375	1	8.23	7.34
HHI-254T	5	8.25	0.53	4.25	11.3	9.56	23.13	6.25	0.72	1.93	12.76	12.75	2.01	10.75	0.375	2.91	1.416	4	1.625	1.25	11.88	9.08
HHI-256T	5	10	0.53	4.25	11.3	11.3	24.86	6.25	0.72	1.93	12.76	12.75	2.01	11.61	0.375	2.91	1.416	4	1.625	1.25	11.88	9.08
HHI-284T	5.5	9.5	0.53	4.75	12.6	11.18	26.21	7	0.78	2.2	14.19	14.28	2.01	12.09	0.5	3.28	1.591	4.62	1.875	1.5	12.43	9.64
HHI-284TS	5.5	9.5	0.53	4.75	12.6	11.18	24.84	7	0.78	2.2	14.19	14.28	2.01	12.09	0.375	1.91	1.416	3.25	1.625	1.5	12.43	9.64
HHI-286T	5.5	11	0.53	4.75	12.6	12.68	27.71	7	0.78	2.2	14.19	14.28	2.01	12.84	0.5	3.28	1.591	4.62	1.875	1.5	12.43	9.64
HHI-286TS	5.5	11	0.53	4.75	12.6	12.68	26.34	7	0.78	2.2	14.19	14.28	2.01	12.84	0.375	1.91	1.416	3.25	1.625	1.5	12.43	9.64
HHI-324T	6.25	10.5	0.66	5.25	14.33	13.78	31.07	8	1.11	2.36	15.84	16.19	2.41	14.57	0.5	3.91	1.845	5.25	2.125	2	15.2	11.21
HHI-324TS	6.25	10.5	0.66	5.25	14.33	13.78	29.57	8	1.11	2.36	15.84	16.19	2.41	14.57	0.5	2.03	1.591	9.75	1.875	2	15.2	11.21
HHI-326T(L)	6.25	12	0.66	5.25	14.33	15.74	33.03	8	1.11	2.36	15.84	16.19	2.41	15.55	0.5	3.91	1.845	5.25	2.125	2	15.2	11.21
HHI-326T	6.25	12	0.66	5.25	14.33	13.78	31.07	8	1.11	2.36	15.84	16.19	2.41	14.57	0.5	3.91	1.845	5.25	2.125	2	15.2	11.21
HHI-326TS	6.25	12	0.66	5.25	14.33	13.78	29.57	8	1.11	2.36	15.84	16.19	2.41	14.57	0.5	2.03	1.591	3.75	1.875	2	15.2	11.21
HHI-364T	7	11.25	0.66	5.88	16.14	14.92	34.01	9	0.98	2.72	18.23	18.5	2.8	16.13	0.625	4.28	2.021	5.88	2.375	3	17.13	13.82
HHI-364TS	7	11.25	0.66	5.88	16.14	14.92	31.88	9	0.98	2.72	18.23	18.5	2.8	16.13	0.5	2.03	1.591	3.75	1.875	2.5	13.82	13.18
HHI-365T	7	12.25	0.66	5.88	16.14	14.92	34.01	9	0.98	2.72	18.23	18.5	2.8	16.13	0.625	4.28	2.021	5.88	2.375	3	17.13	13.82
HHI-365TS	7	12.25	0.66	5.88	16.14	14.92	31.88	9	0.98	2.72	18.23	18.5	2.8	16.13	0.5	2.03	1.591	3.75	1.875	2.5	17.13	13.8
HHI-404T	8	12.25	0.81	6.62	18.43	16.46	39.42	10	1.18	3.03	20.16	20.79	3.55	18.68	0.75	5.65	2.45	7.25	2.875	3	20.28	14.85
HHI-405T	8	13.75	0.81	6.62	18.43	16.46	39.42	10	1.18	3.03	20.16	20.79	3.55	18.68	0.75	5.65	2.45	7.25	2.875	3	20.28	14.85
HHI-405TS	8	13.75	0.81	6.62	18.43	16.46	36.42	10	1.18	3.03	20.79	20.79	3.55	18.68	0.5	2.8	1.845	4.25	2.125	3	20.28	14.85
HHI-444T	9	14.5	0.81	7.5	20.51	19.21	45.21	11	1.42	3.07	22.4	23.19	4.33	20.96	0.875	6.93	2.88	8.5	3.375	3	21.26	18.03
HHI-444TS	9	14.5	0.81	7.5	20.51	19.21	41.46	11	1.42	3.07	22.4	23.19	4.33	20.96	0.625	3.03	2.021	4.75	2.375	3	21.26	18.03
HHI-445TS	9	16.5	0.81	7.5	20.51	19.21	45.21	11	1.42	3.07	22.4	23.19	4.33	20.96	0.875	6.93	2.88	8.5	3.375	3	21.26	18.03
HHI-445TS	9	16.5	0.81	7.5	20.51	19.21	41.46	11	1.42	3.07	22.4	23.19	4.33	20.96	0.625	3.03	2.021	4.75	2.375	3	21.26	18.03
HHI-447T	9	20	0.81	7.5	20.51	22.72	48.71	11	1.42	3.07	22.4	23.19	4.33	22.71	0.875	6.93	2.88	8.5	3.375	3	21.26	18.03
HHI-447TS	9	20	0.81	7.5	20.51	22.72	44.96	11	1.42	3.09	22.4	23.19	4.33	22.71	0.625	3.03	2.021	4.75	2.375	3	21.26	18.03
HHI-449T	9	25	0.81	7.5	20.51	27.72	53.83	11	1.42	3.07	22.4	23.19	4.33	25.33	0.875	6.93	2.88	8.5	3.375	3	21.26	18.03
HHI-449TS	9	25	0.81	7.5	20.51	27.72	50.08	11	1.42	3.09	22.4	23.19	4.33	25.33	0.625	3.03	2.021	4.75	2.375	3	21.26	18.03

Dimensions shown in this catalog are for general use only.
For an exact drawing on a specific rating, please contact our sales office.

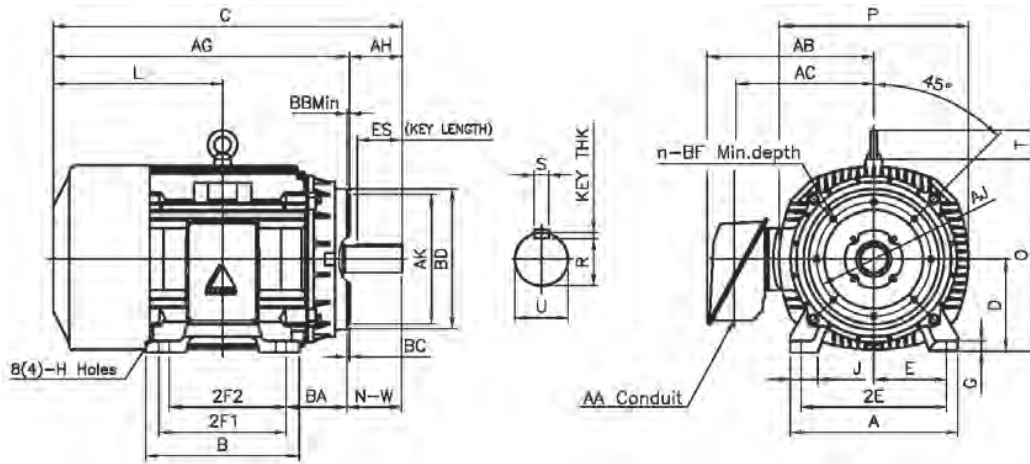


HYUNDAI CROWN TRITON™ SERIES MOTORS

PREMIUM EFFICIENCY



TEFC Enclosure ▪ C-Face ▪ Rigid Base
Three-Phase ▪ 208-230/460 and 460 Volt



ALL DIMENSIONS IN INCHES

Frame	E	2F1	2F2	H	BA	A	B	C	D	G	J	P	O	T	L	S	ES	R	U	AA	AB	AC	AJ	AK	BD	BB	BC	AH	BF	n
HHI-143TC	2.75	4	5	0.34	2.75	6.78	6.15	13.05	3.5	0.45	1.36	7.64	7.46	1.63	6.05	0.188	1.41	0.771	0.875	0.75	6.73	5.21	5.875	4.5	6.5	0.16	0.12	2.12	3/16	4
HHI-145TC	2.75	5	4	0.34	2.75	6.78	6.15	13.05	3.5	0.47	1.36	7.64	7.46	1.63	6.05	0.188	1.41	0.771	0.875	0.75	6.73	5.21	5.875	4.5	6.5	0.16	0.12	2.12	3/16	4
HHI-182TC	3.75	4.5	—	0.41	2.75	8.66	6.54	15.52	4.5	0.62	1.74	9.64	9.32	1.63	7.78	0.25	1.78	0.986	1.125	0.75	7.47	6.23	7.25	8.5	8.7	0.25	0.12	2.62	1/2	4
HHI-184TC	3.75	5.5	—	0.41	2.75	8.66	6.54	16.55	4.5	0.62	1.74	9.64	9.32	1.63	8.29	0.25	1.78	0.986	1.125	0.75	7.47	6.23	7.25	8.5	8.7	0.25	0.12	2.62	1/2	4
HHI-213TC	4.25	5.5	—	0.41	3.5	9.85	6.77	18.86	5.25	0.60	1.52	11.26	11.02	1.63	9.22	0.312	2.41	1.201	1.375	1	8.23	7.34	7.25	8.5	9	0.25	0.25	3.12	1/2	4
HHI-215TC	4.25	7	—	0.41	3.5	9.84	8.66	20.36	5.25	0.60	1.52	11.26	11.02	1.63	9.97	0.312	2.41	1.201	1.375	1	8.23	7.34	7.25	8.5	9	0.25	0.25	3.12	1/2	4
HHI-254TC	5	8.25	—	0.53	4.25	11.3	9.56	23.13	6.25	0.72	1.93	12.76	12.75	2.01	10.75	0.375	2.91	1.416	1.625	1.25	11.88	9.08	7.25	8.5	9.68	0.25	0.25	3.75	1/2	4
HHI-256TC	5	10	—	0.53	4.25	11.3	11.3	24.86	6.25	0.72	1.93	12.76	12.75	2.01	11.61	0.375	2.91	1.416	1.625	1.25	11.88	9.08	7.25	8.5	9.68	0.25	0.25	3.75	1/2	4
HHI-284TC	5.5	9.5	—	0.53	4.75	12.6	11.18	26.21	7	0.78	2.2	14.19	14.28	2.01	12.09	0.5	3.28	1.591	1.875	1.5	12.43	9.64	9	10.5	10.9	0.25	0.25	4.38	1/2	4
HHI-284TSC	5.5	9.5	—	0.53	4.75	12.6	11.18	24.84	7	0.78	2.2	14.19	14.28	2.01	12.09	0.375	1.91	1.416	1.625	1.5	12.43	9.64	9	10.5	10.9	0.25	0.25	3	1/2	4
HHI-286TC	5.5	11	—	0.53	4.75	12.6	12.68	27.71	7	0.78	2.2	14.19	14.28	2.01	12.84	0.5	3.28	1.591	1.875	1.5	12.43	9.64	9	10.5	10.9	0.25	0.25	4.38	1/2	4
HHI-286TSC	5.5	11	—	0.53	4.75	12.6	12.68	26.34	7	0.78	2.2	14.19	14.28	2.01	12.84	0.375	1.91	1.416	1.625	1.5	12.43	9.64	9	10.5	10.9	0.25	0.25	3	1/2	4
HHI-324TC	6.25	10.5	12	0.66	5.25	14.33	13.78	31.07	8	1.11	2.36	15.84	16.19	2.41	14.57	0.5	3.91	1.845	2.125	2	15.20	11.21	11	12.5	13.27	0.25	0.25	5	3/8	4
HHI-326TC	6.25	12	10.5	0.66	5.25	14.33	13.78	31.07	8	1.11	2.36	15.84	16.19	2.41	14.57	0.5	3.91	1.845	2.125	2	15.20	11.21	11	12.5	13.27	0.25	0.25	5	3/8	4
HHI-364TC	7	11.25	12.25	0.66	5.88	16.14	14.92	34.01	9	0.98	2.72	17.75	18.5	2.8	16.13	0.625	4.28	2.021	2.375	3	17.13	13.82	11	12.5	13.38	0.25	0.25	5.62	3/8	8
HHI-365TC	7	12.25	11.25	0.66	5.88	16.14	14.92	34.01	9	0.98	2.72	17.75	18.5	2.8	16.13	0.625	4.28	2.021	2.375	3	17.13	13.82	11	12.5	13.38	0.25	0.25	5.62	3/8	8
HHI-365TSC	7	12.25	11.25	0.66	5.88	16.14	14.92	31.88	9	0.98	2.72	17.75	18.5	2.8	16.13	0.5	2.03	1.591	1.875	3	17.13	13.82	11	12.5	13.78	0.25	0.25	3.5	3/8	8
HHI-404TC	8	12.25	13.75	0.81	6.62	18.43	16.46	39.42	10	1.18	3.03	19.69	20.79	3.55	18.68	0.75	5.65	2.45	2.875	3	20.28	14.85	11	12.5	13.78	0.25	0.25	7	3/8	8
HHI-405TC	8	13.75	12.25	0.81	6.62	18.43	16.46	39.42	10	1.18	3.03	19.69	20.79	3.55	18.68	0.75	5.65	2.45	2.875	3	20.28	14.85	11	12.5	13.78	0.25	0.25	7	3/8	8
HHI-405TSC	8	13.75	12.25	0.81	6.62	18.43	16.46	36.42	10	1.18	3.03	19.69	20.79	3.55	18.68	0.5	2.78	1.845	2.125	3	20.28	14.85	11	12.5	13.78	0.25	0.25	4	3/8	8
HHI-444TC	9	14.5	16.5	0.81	7.5	20.51	19.21	45.21	11	1.42	3.07	22.44	23.19	4.33	20.96	0.875	6.91	2.88	3.375	3	21.26	18.03	14	16	16.93	0.25	0.25	8.25	3/8	8
HHI-444TSC	9	14.5	16.5	0.81	7.5	20.51	19.21	41.46	11	1.42	3.07	22.44	23.19	4.33	20.96	0.625	3.03	2.021	2.375	3	21.26	18.03	14	16	16.93	0.25	0.25	4.5	3/8	8
HHI-445TC	9	16.5	14.5	0.81	7.5	20.51	19.21	45.21	11	1.42	3.07	22.44	23.19	4.33	20.96	0.875	6.91	2.88	3.375	3	21.26	18.03	14	16	16.93	0.25	0.25	8.25	3/8	8
HHI-445TSC	9	16.5	14.5	0.81	7.5	20.51	19.21	41.46	11	1.42	3.07	22.44	23.19	4.33	20.96	0.625	3.03	2.021	2.375	3	21.26	18.03	14	16	16.93	0.25	0.25	4.5	3/8	8
HHI-447TC	9	20	—	0.81	7.5	20.51	22.72	48.71	11	1.42	3.07	22.44	23.19	4.33	22.71	0.875	6.91	2.88	3.375	3	21.26	18.03	14	16	16.93	0.25	0.25	8.25	3/8	8
HHI-447TSC	9	20	—	0.81	7.5	20.51	22.72	44.96	11	1.42	3.07	22.44	23.19	4.33	22.71	0.625	3.03	2.021	2.375	3	21.26	18.03	14	16	16.93	0.25	0.25	4.5	3/8	8
HHI-449TC	9	25	20	0.81	7.5	20.51	27.72	53.83	11	1.42	3.07	22.44	23.19	4.33	25.33	0.875	6.91	2.88	3.375	3	21.26	18.03	14	16	16.93	0.25	0.25	8.25	3/8	8

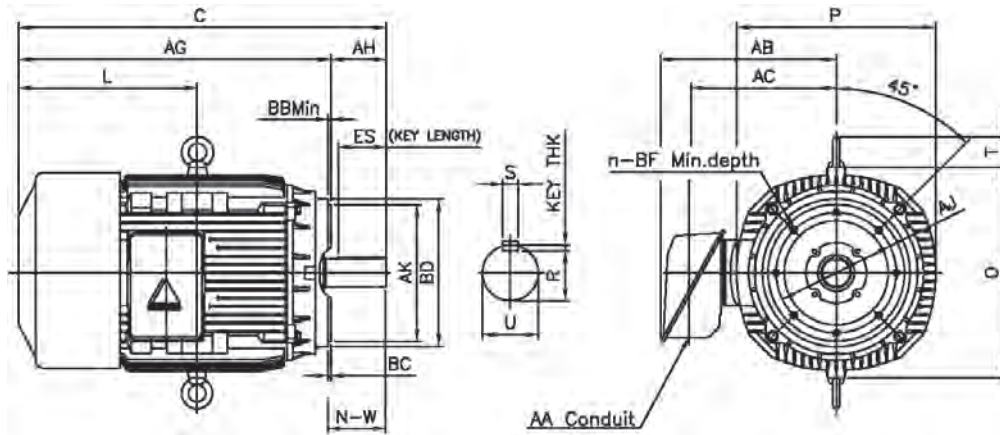
Dimensions shown in this catalog are for general use only.
For an exact drawing on a specific rating, please contact our sales office.



HYUNDAI CROWN TRITON™ SERIES MOTORS

PREMIUM EFFICIENCY

TEFC Enclosure ▪ C-Face ▪ Round Body
Three-Phase ▪ 208-230/460 Volt



ALL DIMENSIONS IN INCHES

Frame	C	P	L	T	S	ES	R	N-W	U	AA	AB	AC	AJ	AK	BD	BB	BC	AH	BF	n
HHI-143TCRD	13.05	7.64	6.05	1.63	0.188	1.41	0.771	2.25	0.875	0.75	6.73	5.21	5.875	4.50	6.50	0.16	0.12	2.12	3/8-16	4
HHI-145TCRD	13.05	7.64	6.05	1.63	0.188	1.41	0.771	2.25	0.875	0.75	6.73	5.21	5.875	4.50	6.50	0.16	0.12	2.12	3/8-16	4
HHI-182TCRD	15.52	9.64	7.78	1.63	0.250	1.78	0.986	2.75	1.125	0.75	7.47	6.23	7.250	8.50	8.70	0.25	0.12	2.62	1/2-13	4
HHI-184TCRD	16.55	9.64	8.29	1.63	0.250	1.78	0.986	2.75	1.125	0.75	7.47	6.23	7.250	8.50	8.70	0.25	0.12	2.62	1/2-13	4
HHI-213TCRD	18.86	11.26	9.22	1.63	0.312	2.41	1.201	3.38	1.375	1.00	8.23	7.34	7.250	8.50	9.00	0.25	0.25	3.12	1/2-13	4
HHI-215TCRD	20.36	11.26	9.97	1.63	0.312	2.41	1.201	3.38	1.375	1.00	8.23	7.34	7.250	8.50	9.00	0.25	0.25	3.12	1/2-13	4
HHI-254TCRD	23.13	12.76	10.75	2.01	0.375	2.91	1.416	4.00	1.625	1.25	11.88	9.08	7.250	8.50	9.68	0.25	0.25	3.75	1/2-13	4
HHI-256TCRD	24.86	12.76	11.61	2.01	0.375	2.91	1.416	4.00	1.625	1.25	11.88	9.08	7.250	8.50	9.68	0.25	0.25	3.75	1/2-13	4
HHI-284TCRD	26.21	14.19	12.09	2.01	0.500	3.28	1.591	4.62	1.875	1.50	12.43	9.64	9.000	10.50	10.90	0.25	0.25	4.38	1/2-13	4
HHI-286TCRD	27.71	14.19	12.84	2.01	0.500	3.28	1.591	4.62	1.875	1.50	12.43	9.64	9.000	10.50	10.90	0.25	0.25	4.38	1/2-13	4
HHI-324TCRD	31.07	15.84	14.57	2.41	0.500	3.91	1.845	5.25	2.125	2.00	15.20	11.21	11.000	12.50	13.27	0.25	0.25	5.00	3/8-11	4

Dimensions shown in this catalog are for general use only.
For an exact drawing on a specific rating, please contact our sales office.

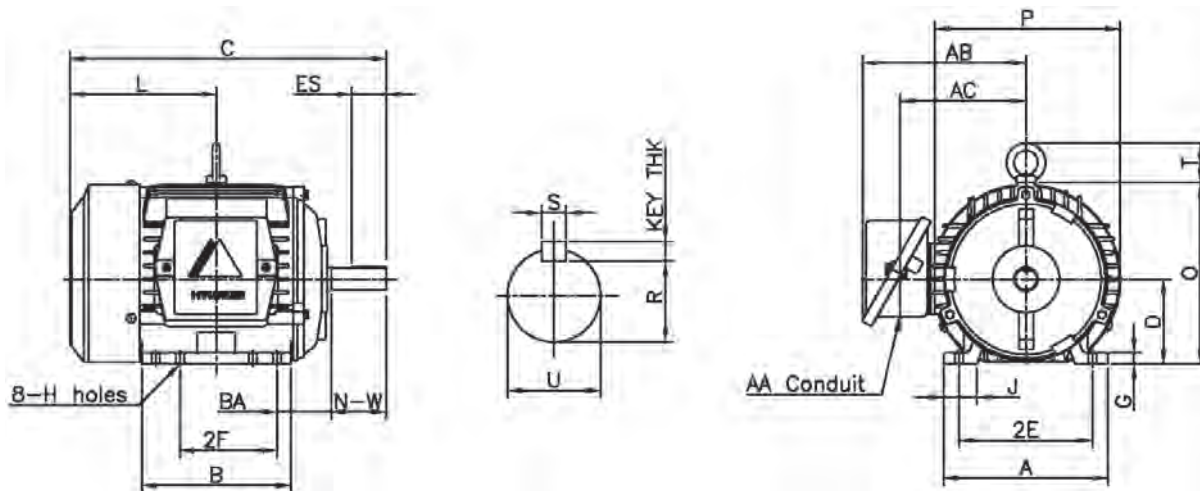


HYUNDAI CROWN TRITON™ SERIES MOTORS

IEEE-841

TEFC Enclosure ▪ Rigid Base

Three-Phase ▪ 460 Volt



ALL DIMENSIONS IN INCHES

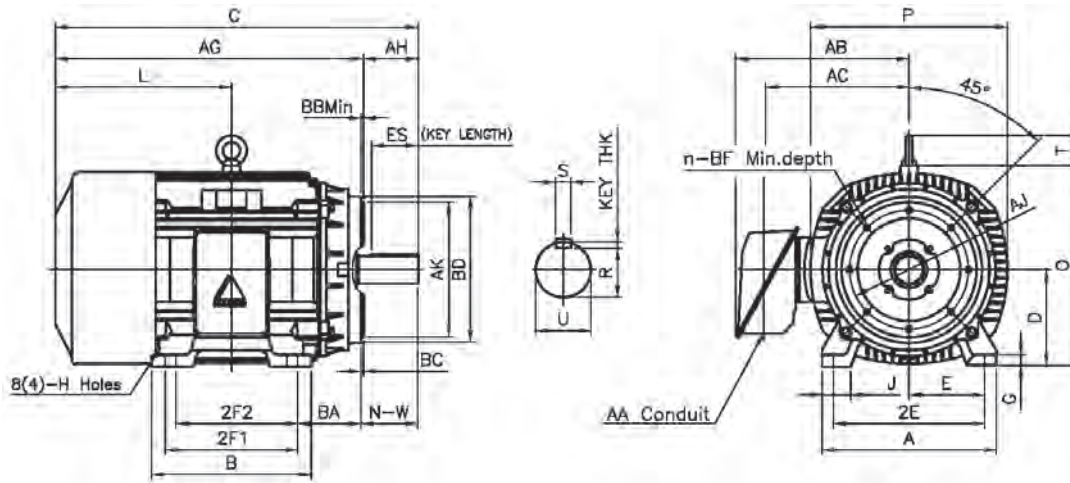
Frame	E	2F	H	BA	A	B	C	D	G	J	P	O	T	L	S	ES	R	N-W	U	AA	AB	AC
IEEE-143T	2.75	4	0.34	2.25	6.78	6.15	13.05	3.5	0.47	1.36	7.64	7.46	1.63	6.05	0.188	1.41	0.771	2.25	0.875	0.75	7.02	5.34
IEEE-145T	2.75	5	0.34	2.25	6.78	6.15	13.05	3.5	0.47	1.36	7.64	7.46	1.63	6.05	0.188	1.41	0.771	2.25	0.875	0.75	7.02	5.34
IEEE-182T	3.75	4.5	0.41	2.75	8.66	5.52	15.09	4.5	0.62	1.74	9.64	9.32	1.63	7.64	0.25	1.78	0.986	2.75	1.125	0.75	9.06	7.14
IEEE-184T	3.75	5.5	0.41	2.75	8.66	6.54	16.12	4.5	0.62	1.74	9.64	9.32	1.63	7.85	0.25	1.78	0.986	2.75	1.125	0.75	9.06	7.14
IEEE-213T	4.25	5.5	0.41	3.5	9.85	6.77	18.86	5.25	0.6	1.52	11.26	11.02	1.63	9.22	0.312	2.41	1.201	3.38	1.375	1	9.82	7.90
IEEE-215T	4.25	7	0.41	3.5	9.84	8.66	20.36	5.25	0.6	1.52	11.26	11.02	1.63	9.97	0.312	2.41	1.201	3.38	1.375	1	9.82	7.90
IEEE-254T	5	8.25	0.53	4.25	11.3	9.56	24.93	6.25	0.72	1.93	12.76	12.75	2.01	11.68	0.375	2.91	1.416	4	1.625	1.25	11.88	9.08
IEEE-256T	5	10	0.53	4.25	11.3	11.30	24.93	6.25	0.72	1.93	12.76	12.75	2.01	11.68	0.375	2.91	1.416	4	1.625	1.25	11.88	9.08
IEEE-284T	5.5	9.5	0.53	4.75	12.6	11.18	24.93	7	0.78	2.2	14.19	14.28	2.01	11.68	0.5	3.28	1.591	4.62	1.875	1.5	12.43	9.64
IEEE-284TS	5.5	9.5	0.53	4.75	12.6	11.18	26.28	7	0.78	2.2	14.19	14.28	2.01	12.16	0.375	1.91	1.416	3.25	1.625	1.5	12.43	9.64
IEEE-286T	5.5	11	0.53	4.75	12.6	12.68	26.28	7	0.78	2.2	14.19	14.28	2.01	12.16	0.5	3.28	1.591	4.62	1.875	1.5	12.43	9.64
IEEE-286TS	5.5	11	0.53	4.75	12.6	12.68	26.28	7	0.78	2.2	14.19	14.28	2.01	12.16	0.375	1.91	1.416	3.25	1.625	1.5	12.43	9.64
IEEE-324T	6.25	10.5	0.66	5.25	14.33	13.78	32.9	8	1.11	2.36	15.84	16.19	2.41	14.9	0.5	3.91	1.845	5.25	2.125	2	15.2	11.21
IEEE-324TS	6.25	10.5	0.66	5.25	14.33	13.78	31.4	8	1.11	2.36	15.84	16.19	2.41	14.9	0.5	2.03	1.591	3.75	1.875	2	15.2	11.21
IEEE-326T	6.25	12	0.66	5.25	14.33	13.78	32.9	8	1.11	2.36	15.84	16.19	2.41	14.9	0.5	3.91	1.845	5.25	2.125	2	15.2	11.21
IEEE-326TS	6.25	12	0.66	5.25	14.33	13.78	31.4	8	1.11	2.36	15.84	16.19	2.41	14.9	0.5	2.03	1.591	3.75	1.875	2	15.2	11.21
IEEE-364T	7	11.25	0.66	5.88	16.14	14.92	35.2	9	0.98	2.72	18.23	18.50	2.8	17.32	0.625	4.28	2.021	5.88	2.375	3	17.13	13.82
IEEE-364TS	7	11.25	0.66	5.88	16.14	14.92	33.06	9	0.98	2.72	18.23	18.50	2.8	17.32	0.5	2.03	1.591	3.75	1.875	3	17.13	13.18
IEEE-365T	7	12.25	0.66	5.88	16.14	14.92	35.2	9	0.98	2.72	18.23	18.50	2.8	17.32	0.625	4.28	2.021	5.88	2.375	3	17.13	13.82
IEEE-365TS	7	12.25	0.66	5.88	16.14	14.92	33.06	9	0.98	2.72	18.23	18.50	2.8	17.32	0.5	2.03	1.591	3.75	1.875	3	17.13	13.18
IEEE-404T	8	12.25	0.81	6.62	18.43	16.46	41.01	10	1.18	3.03	20.16	20.79	3.55	20.57	0.75	5.65	2.45	7.25	2.875	3	20.28	14.85
IEEE-405T	8	13.75	0.81	6.62	18.43	16.46	41.01	10	1.18	3.03	20.16	20.79	3.55	20.57	0.75	5.65	2.45	7.25	2.875	3	20.28	14.85
IEEE-405TS	8	13.75	0.81	6.62	18.43	16.46	38	10	1.18	3.03	20.16	20.79	3.55	20.57	0.5	2.78	1.845	4.25	2.125	3	20.28	14.85
IEEE-444T	9	14.5	0.81	7.5	20.51	19.21	46.45	11	1.42	3.07	22.4	23.19	4.33	22.22	0.875	6.91	2.88	8.5	3.375	3	21.26	18.03
IEEE-444TS	9	14.5	0.81	7.5	20.51	19.21	47.15	11	1.42	3.07	22.4	23.19	4.33	26.67	0.625	3.03	2.021	4.75	2.375	3	21.26	18.03
IEEE-445T	9	16.5	0.81	7.5	20.51	19.21	46.78	11	1.42	3.07	22.4	23.19	4.33	22.55	0.875	6.91	2.88	8.5	3.375	3	21.26	18.03
IEEE-445TS	9	16.5	0.81	7.5	20.51	19.21	47.15	11	1.42	3.07	22.4	23.19	4.33	26.67	0.625	3.03	2.021	4.75	2.375	3	21.26	18.03
IEEE-447T	9	20	0.81	7.5	20.51	22.72	50.29	11	1.42	3.07	22.4	23.19	4.33	24.3	0.875	6.91	2.88	8.5	3.375	3	23.78	20.7
IEEE-447TS	9	20	0.81	7.5	20.51	22.72	50.65	11	1.42	3.07	22.4	23.19	4.33	28.43	0.625	3.03	2.021	4.75	2.375	3	23.78	20.7
IEEE-449T	9	25	0.81	7.5	20.51	27.72	53.83	11	1.42	3.07	22.4	23.19	4.33	26.92	0.875	6.91	2.88	8.5	3.375	3	23.78	20.7
IEEE-449TS	9	25	0.81	7.5	20.51	27.72	55.77	11	1.42	3.07	22.4	23.19	4.33	30.98	0.625	3.03	2.021	4.75	2.375	3	23.78	20.7

Dimensions shown in this catalog are for general use only.
For an exact drawing on a specific rating, please contact our sales office.

HYUNDAI CROWN TRITON™ SERIES MOTORS

IEEE-841

TEFC Enclosure ▪ C-Face ▪ Rigid Base
Three-Phase ▪ 460 Volt



ALL DIMENSIONS IN INCHES

Frame	E	2F1	2F2	H	BA	A	B	C	D	G	J	P	O	T	L	S	ES	R	U	AA	AB	AC	AJ	AK	BD	BB	BC	AH	BF	n
IEEE-143TC	2.75	4	5	0.34	2.75	6.78	6.15	13.05	3.5	0.47	1.36	7.64	7.46	1.63	6.05	0.188	1.41	0.771	0.875	0.75	7.02	5.34	5.875	4.5	6.5	0.16	0.12	2.12	3/16	4
IEEE-145TC	2.75	5	4	0.34	2.75	6.78	6.15	13.05	3.5	0.47	1.36	7.64	7.46	1.63	6.05	0.188	1.41	0.771	0.875	0.75	7.02	5.34	5.875	4.5	6.5	0.16	0.12	2.12	3/16	4
IEEE-182TC	3.75	4.5	—	0.41	3.50	8.66	5.52	15.09	4.5	0.62	1.74	9.64	9.32	1.63	7.64	0.25	1.78	0.986	1.125	0.75	9.06	7.14	7.25	8.5	8.7	0.25	0.12	2.62	1/2-13	4
IEEE-184TC	3.75	5.5	—	0.41	3.50	8.66	6.54	16.12	4.5	0.62	1.74	9.64	9.32	1.63	7.85	0.25	1.78	0.986	1.125	0.75	9.06	7.14	7.25	8.5	8.7	0.25	0.12	2.62	1/2-13	4
IEEE-213TC	4.25	5.5	—	0.41	4.25	9.85	6.77	18.86	5.25	0.6	1.52	11.26	11.02	1.63	9.22	0.312	2.41	1.201	1.375	1	9.82	7.9	7.25	8.5	9	0.25	0.25	3.12	1/2-13	4
IEEE-215TC	4.25	7	—	0.41	4.25	9.84	8.66	20.36	5.25	0.6	1.52	11.26	11.02	1.63	9.97	0.312	2.41	1.201	1.375	1	9.82	7.9	7.25	8.5	9	0.25	0.25	3.12	1/2-13	4
IEEE-254TC	5	8.25	—	0.53	4.75	11.3	9.56	24.93	6.25	0.72	1.93	12.76	12.75	2.01	11.68	0.375	2.91	1.416	1.625	1.25	11.88	9.08	7.25	8.5	9.68	0.25	0.25	3.75	1/2-13	4
IEEE-256TC	5	10	—	0.53	4.75	11.3	11.30	24.93	6.25	0.72	1.93	12.76	12.75	2.01	11.68	0.375	2.91	1.416	1.625	1.25	11.88	9.08	7.25	8.5	9.68	0.25	0.25	3.75	1/2-13	4
IEEE-284TC	5.5	9.5	—	0.53	4.75	12.6	11.18	24.93	7	0.78	2.2	14.19	14.28	2.01	11.68	0.5	3.28	1.591	1.875	1.5	12.43	9.64	9	10.5	10.9	0.25	0.25	4.38	1/2-13	4
IEEE-284TSC	5.5	9.5	—	0.53	4.75	12.6	11.18	26.28	7	0.78	2.2	14.19	14.28	2.01	12.16	0.375	1.91	1.416	1.625	1.5	12.43	9.64	9	10.5	10.9	0.25	0.25	3	1/2-13	4
IEEE-286TC	5.5	11	—	0.53	4.75	12.6	12.68	26.28	7	0.78	2.2	14.19	14.28	2.01	12.16	0.5	3.28	1.591	1.875	1.5	12.43	9.64	9	10.5	10.9	0.25	0.25	4.38	1/2-13	4
IEEE-286TSC	5.5	11	—	0.53	4.75	12.6	12.68	26.28	7	0.78	2.2	14.19	14.28	2.01	12.16	0.375	1.91	1.416	1.625	1.5	12.43	9.64	9	10.5	10.9	0.25	0.25	3	1/2-13	4
IEEE-324TC	6.25	10.5	12	0.66	5.25	14.33	13.78	32.9	8	1.11	2.36	15.84	16.19	2.41	14.9	0.5	3.91	1.845	2.125	2	15.2	11.21	11	12.5	13.27	0.25	0.25	5	3/8-11	4
IEEE-324TSC	6.25	10.5	12	0.66	5.25	14.33	13.78	32.9	8	1.11	2.36	15.84	16.19	2.41	14.9	0.5	2.03	1.591	1.875	2	15.2	11.21	11	12.5	13.27	0.25	0.25	3.5	3/8-11	4
IEEE-326TC	6.25	12	10.5	0.66	5.25	14.33	13.78	32.9	8	1.11	2.36	15.84	16.19	2.41	14.9	0.5	3.91	1.845	2.125	2	15.2	11.21	11	12.5	13.27	0.25	0.25	5	3/8-11	4
IEEE-326TSC	6.25	12	10.5	0.66	5.25	14.33	13.78	32.9	8	1.11	2.36	15.84	16.19	2.41	14.9	0.5	2.03	1.591	1.875	2	15.2	11.21	11	12.5	13.27	0.25	0.25	3.5	3/8-11	4
IEEE-364TC	7	11.25	12.25	0.66	5.88	16.14	14.92	35.2	9	0.98	2.72	18.23	18.5	2.8	17.32	0.625	4.28	2.021	2.375	3	17.13	13.82	11	12.5	13.38	0.25	0.25	5.62	3/8-11	8
IEEE-365TC	7	12.25	11.25	0.66	5.88	16.14	14.92	35.2	9	0.98	2.72	18.23	18.5	2.8	17.32	0.625	4.28	2.021	2.375	3	17.13	13.82	11	12.5	13.38	0.25	0.25	5.62	3/8-11	8
IEEE-405TC	8	13.75	12.25	0.81	5.88	18.43	16.46	41.01	10	1.18	3.03	20.16	20.79	3.55	20.57	0.75	5.65	2.45	2.875	3	20.28	14.85	11	12.5	13.78	0.25	0.25	7	3/8-11	8

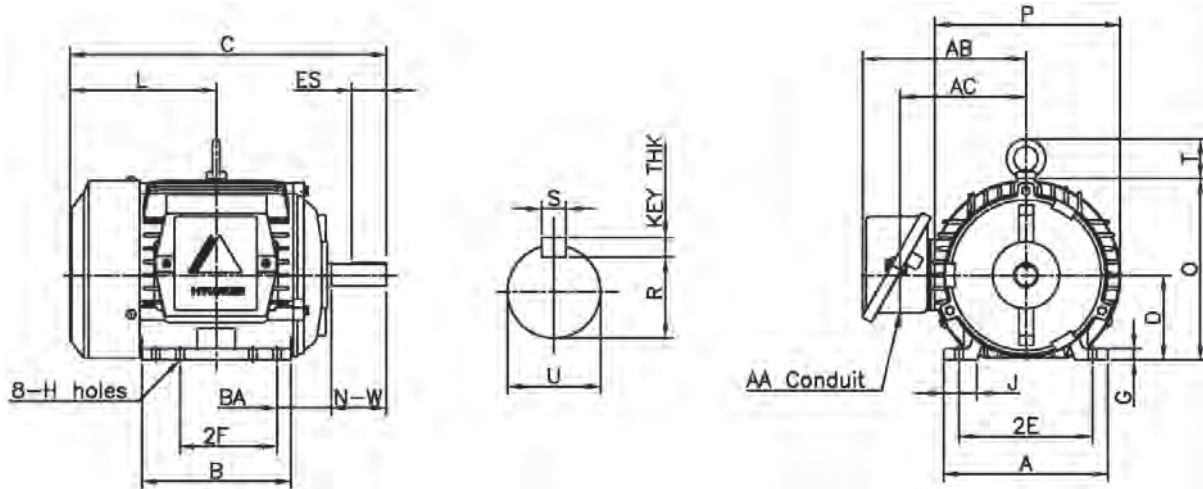
Dimensions shown in this catalog are for general use only.
For an exact drawing on a specific rating, please contact our sales office.



MOTOR DIMENSIONS

HYUNDAI CROWN TRITON™ SERIES MOTORS EXPLOSION PROOF

TEXP Enclosure ▪ Rigid Base
Three-Phase ▪ 208-230/460 Volt



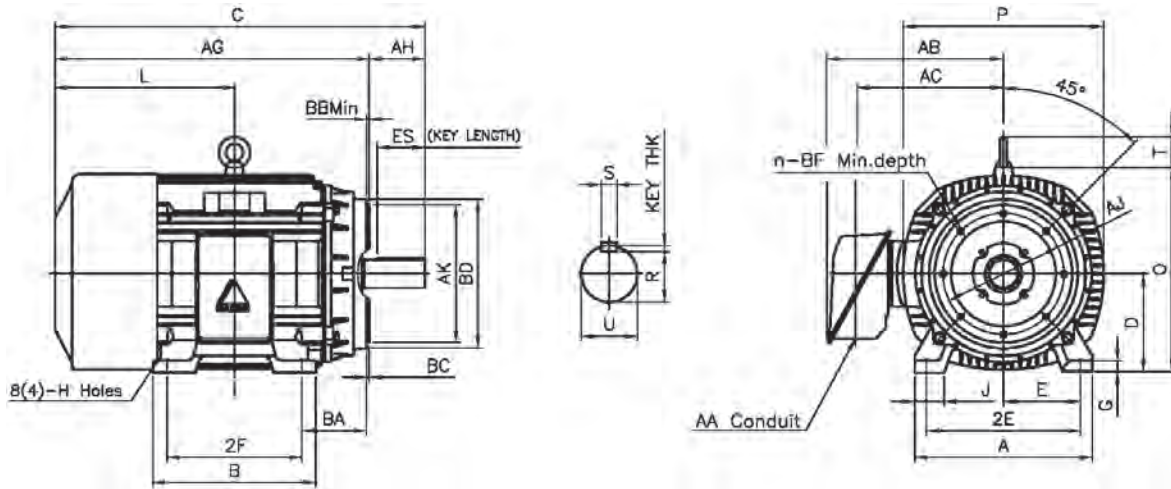
ALL DIMENSIONS IN INCHES

Frame	E	2F	H	BA	A	B	C	D	G	J	P	O	T	L	S	ES	R	N-W	U	AA	AB	AC
XHHI-143T	2.75	4	0.34	2.25	6.78	6.15	13.05	3.5	0.47	1.36	7.64	7.46	1.63	6.05	0.188	1.41	0.771	2.25	0.875	0.75	8.39	5.59
XHHI-145T	2.75	5	0.34	2.25	6.78	6.15	13.05	3.5	0.47	1.36	7.64	7.46	1.63	6.05	0.188	1.41	0.771	2.25	0.875	0.75	8.39	5.59
XHHI-182T	3.75	4.5	0.41	2.75	8.66	5.52	15.52	4.5	0.62	1.74	9.64	9.32	1.63	7.78	0.25	1.78	0.986	2.75	1.125	0.75	9.38	6.58
XHHI-184T	3.75	5.5	0.41	2.75	8.66	6.54	16.55	4.5	0.62	1.74	9.64	9.32	1.63	8.29	0.25	1.78	0.986	2.75	1.125	0.75	9.38	6.58
XHHI-213T	4.25	5.5	0.41	3.5	9.85	6.77	18.86	5.25	0.6	1.52	11.26	11.02	1.63	9.22	0.312	2.41	1.201	3.38	1.375	1	10.15	7.35
XHHI-215T	4.25	7	0.41	3.5	9.84	8.66	20.36	5.25	0.6	1.52	11.26	11.02	1.63	9.97	0.312	2.41	1.201	3.38	1.375	1	10.15	7.35
XHHI-254T	5	8.25	0.53	4.25	11.3	9.56	23.13	6.25	0.72	1.93	12.76	12.75	2.01	10.75	0.375	2.91	1.416	4	1.625	1.25	12.01	9.51
XHHI-256T	5	10	0.53	4.25	11.3	11.3	24.86	6.25	0.72	1.93	12.76	12.75	2.01	11.61	0.375	2.91	1.416	4	1.625	1.25	12.01	9.51
XHHI-284T	5.5	9.5	0.53	4.75	12.6	11.18	26.21	7	0.78	2.2	14.19	14.28	2.01	12.09	0.5	3.28	1.591	4.62	1.875	1.5	12.6	10.1
XHHI-284TS	5.5	9.5	0.53	4.75	12.6	11.18	24.84	7	0.78	2.2	14.19	14.28	2.01	12.09	0.375	1.91	1.416	3.25	1.625	1.5	12.6	10.1
XHHI-286T	5.5	11	0.53	4.75	12.6	12.68	27.71	7	0.78	2.2	14.19	14.28	2.01	12.84	0.5	3.28	1.591	4.62	1.875	1.5	12.6	10.1
XHHI-286TS	5.5	11	0.53	4.75	12.6	12.68	26.34	7	0.78	2.2	14.19	14.28	2.01	12.84	0.375	1.91	1.416	3.25	1.625	1.5	12.6	10.1
XHHI-324T	6.25	10.5	0.66	5.25	14.33	15.74	33.03	8	1.11	2.36	15.84	16.19	2.41	15.55	0.5	3.91	1.845	5.25	2.125	2	15.27	11.02
XHHI-324TS	6.25	10.5	0.66	5.25	14.33	15.74	31.53	8	1.11	2.36	15.84	16.19	2.41	15.55	0.5	2.03	1.591	3.75	1.875	2	15.27	11.02
XHHI-326T	6.25	12	0.66	5.25	14.33	15.74	33.03	8	1.11	2.36	15.84	16.19	2.41	15.55	0.5	3.91	1.845	5.25	2.125	2	15.27	11.02
XHHI-326TS	6.25	12	0.66	5.25	14.33	15.74	31.53	8	1.11	2.36	15.84	16.19	2.41	15.55	0.5	2.03	1.591	3.75	1.875	2	15.27	11.02
XHHI-364T	7	11.25	0.66	5.88	15.98	14.41	34.38	9	0.98	2.44	18.03	18.7	2.8	16.51	0.625	4.28	2.021	5.88	2.375	3	18.89	14.37
XHHI-364TS	7	11.25	0.66	5.88	15.98	14.41	34.01	9	0.98	2.44	18.03	18.7	2.8	16.51	0.5	2.03	1.591	3.75	1.875	3	18.89	14.37
XHHI-365T	7	12.25	0.66	5.88	15.98	14.41	34.38	9	0.98	2.44	18.03	18.7	2.8	16.51	0.625	4.28	2.021	5.88	2.375	3	18.89	14.37
XHHI-365TS	7	12.25	0.66	5.88	15.98	14.41	34.01	9	0.98	2.44	18.03	18.7	2.8	16.51	0.5	2.03	1.591	3.75	1.875	3	18.89	14.37
XHHI-404T	8	12.25	0.81	6.62	18.11	15.98	39.33	10	1.18	2.59	20	20.94	3.55	18.6	0.75	5.65	2.45	7.25	2.875	3	22.83	17.32
XHHI-405T	8	13.75	0.81	6.62	18.11	15.98	39.33	10	1.18	2.59	20	20.94	3.55	18.6	0.75	5.65	2.45	7.25	2.875	3	22.83	17.32
XHHI-405TS	8	13.75	0.81	6.62	18.11	15.98	36.33	10	1.18	2.59	20	20.94	3.55	18.6	0.5	2.78	1.845	4.25	2.125	3	22.83	17.32
XHHI-444T	9	14.5	0.81	7.5	20	18.81	45.15	11	1.53	2.56	21.97	23.38	4.33	20.92	0.875	6.91	2.88	8.5	3.375	3	24.01	18.3
XHHI-444TS	9	14.5	0.81	7.5	20	18.81	41.4	11	1.53	2.56	21.97	23.38	4.33	20.92	0.625	3.03	2.021	4.75	2.375	3	24.01	18.3
XHHI-445T	9	16.5	0.81	7.5	20	18.81	45.15	11	1.53	2.56	21.97	23.38	4.33	20.92	0.875	6.91	2.88	8.5	3.375	3	24.01	18.3
XHHI-445TS	9	16.5	0.81	7.5	20	18.81	41.4	11	1.53	2.56	21.97	23.38	4.33	20.92	0.625	3.03	2.021	4.75	2.375	3	24.01	18.3
XHHI-447T	9	20	0.81	7.5	20	27.28	54.32	11	1.53	2.56	21.97	23.38	4.33	20.92	0.875	6.91	2.88	8.5	3.375	3	24.01	18.3
XHHI-447TS	9	20	0.81	7.5	20	27.28	50.57	11	1.53	2.56	21.97	23.38	4.33	20.92	0.625	3.03	2.021	4.75	2.375	3	24.01	18.3
XHHI-449T	9	25	0.81	7.5	20	27.28	54.32	11	1.53	2.56	21.97	23.38	4.33	20.92	0.875	6.91	2.88	8.5	3.375	3	24.01	18.3
XHHI-449TS	9	25	0.81	7.5	20	27.28	50.57	11	1.53	2.56	21.97	23.38	4.33	20.92	0.625	3.03	2.021	4.75	2.375	3	24.01	18.3

Dimensions shown in this catalog are for general use only.
For an exact drawing on a specific rating, please contact our sales office.

HYUNDAI CROWN TRITON™ SERIES MOTORS EXPLOSION PROOF

TEXP Enclosure ▪ C-Face ▪ Rigid Base
Three-Phase ▪ 208-230/460 Volt



ALL DIMENSIONS IN INCHES

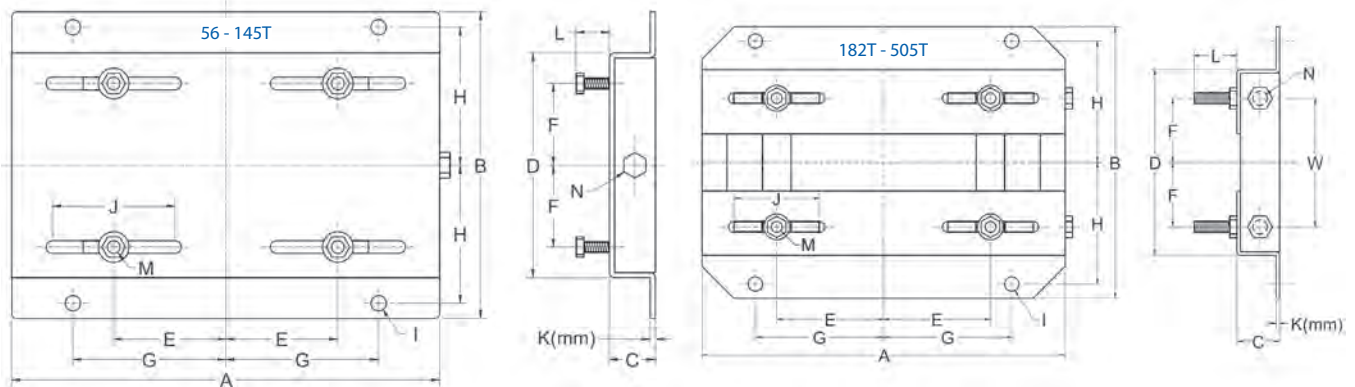
Frame	E	2F	H	BA	A	B	C	D	G	J	P	O	T	L	S	ES	R	U	AA	AB	AC	AJ	AK	BD	BB	BC	AH	BF	n
XHHI-145TC	2.75	5	0.34	2.75	6.78	6.15	13.05	3.5	0.47	1.36	7.64	7.46	1.63	6.05	0.188	1.41	0.771	0.875	0.75	8.39	5.59	5.875	4.5	6.57	0.16	0.12	2.12	3/8-16	4
XHHI-182TC	3.75	4.5	0.41	2.75	8.66	5.52	15.52	4.5	0.62	1.74	9.64	9.32	1.63	7.78	0.25	1.78	0.986	1.125	0.75	9.38	6.58	7.25	8.5	8.7	0.25	0.12	2.62	1/2-13	4
XHHI-184TC	3.75	5.5	0.41	2.75	8.66	6.54	16.55	4.5	0.62	1.74	9.64	9.32	1.63	8.29	0.25	1.78	0.986	1.125	0.75	9.38	6.58	7.25	8.5	8.7	0.25	0.12	2.62	1/2-13	4
XHHI-213TC	4.25	5.5	0.41	3.5	9.85	6.77	18.86	5.25	0.6	1.52	11.26	11.02	1.63	9.22	0.312	2.41	1.201	1.375	1	10.15	7.35	7.25	8.5	9	0.25	0.25	3.12	1/2-13	4
XHHI-215TC	4.25	7.5	0.41	3.5	9.84	8.66	20.36	5.25	0.6	1.52	11.26	11.02	1.63	9.97	0.312	2.41	1.201	1.375	1	10.15	7.35	7.25	8.5	9	0.25	0.25	3.12	1/2-13	4
XHHI-254TC	5	8.25	0.53	4.25	11.3	9.56	23.13	6.25	0.72	1.93	12.76	12.75	2.01	10.75	0.375	2.91	1.416	1.625	1.25	12.01	9.51	7.25	8.5	9.68	0.25	0.25	3.75	1/2-13	4
XHHI-256TC	5	10	0.53	4.25	11.3	11.3	24.86	6.25	0.72	1.93	12.76	12.75	2.01	11.61	0.375	2.91	1.416	1.625	1.25	12.01	9.51	7.25	8.5	9.68	0.25	0.25	3.75	1/2-13	4
XHHI-284TC	5.5	9.5	0.53	4.75	12.6	11.18	26.21	7	0.78	2.2	14.19	14.28	2.01	12.09	0.5	3.28	1.519	1.875	1.5	12.6	10.1	9	10.5	10.9	0.25	0.25	4.38	1/2-13	4
XHHI-286TC	5.5	11	0.53	4.75	12.6	12.68	27.71	7	0.78	2.2	14.19	4.28	2.01	12.84	0.5	3.28	1.591	1.875	1.5	12.6	10.1	9	10.5	10.9	0.25	0.25	4.38	1/2-13	4
XHHI-324TC	6.25	10.5	0.66	5.25	14.33	15.74	33.03	8	1.11	2.35	15.84	16.19	2.41	15.55	0.5	3.91	1.845	2.125	2	15.27	11.02	11	12.5	13.27	0.25	0.25	5	3/8-11	4
XHHI-326TC	6.25	12	0.66	5.25	14.33	15.74	33.03	8	1.11	2.36	15.84	16.19	2.41	15.55	0.5	3.91	1.845	2.125	2	15.27	11.02	11	12.5	13.27	0.25	0.25	5	3/8-11	4
XHHI-364TC	7	11.25	0.66	5.88	15.98	14.41	34.38	9	0.98	2.44	18.03	18.7	2.8	16.51	0.625	4.28	2.021	2.375	3	18.89	14.37	11	12.5	13.38	0.25	0.25	5.62	3/8-11	8
XHHI-365TC	7	12.25	0.66	5.88	15.98	14.41	34.38	9	0.98	2.44	18.03	18.7	2.8	16.51	0.625	4.28	2.021	2.375	3	18.89	14.37	11	12.5	13.38	0.25	0.25	5.62	3/8-11	8
XHHI-365TSC	7	12.25	0.66	5.88	15.98	14.41	34.01	9	0.98	2.44	18.03	18.7	2.8	16.51	0.5	2.03	1.591	1.875	3	18.89	14.37	11	12.5	13.78	0.25	0.25	3.5	3/8-11	8
XHHI-405TC	8	13.75	0.81	6.62	18.11	15.98	39.33	10	1.18	2.59	20	20.94	3.55	18.6	0.75	5.65	2.45	2.875	3	22.83	17.32	11	12.5	13.78	0.25	0.25	7	3/8-11	8
XHHI-405TSC	8	13.75	0.81	6.62	18.11	15.98	36.33	10	1.18	2.59	20	20.94	3.55	18.6	0.5	2.78	1.845	2.125	3	22.83	17.32	11	12.5	13.78	0.25	0.25	4	3/8-11	8

Dimensions shown in this catalog are for general use only.
For an exact drawing on a specific rating, please contact our sales office.



WORLDWIDE ACCESSORIES / PARTS

MOTOR SLIDE BASES



ALL DIMENSIONS IN INCHES

Frame	A	B	C	D	E	F	G	H	I	J	K (mm)	L	M	N	W
56	10 5/8	6 1/2	1 1/8	4 1/2	2 7/16	1 1/2	3 13/16	2 7/8	3/8	3	2	7/8	5/16 x 1	3/8 x 4	—
143T	10 1/2	7 1/2	1 1/8	5 1/2	2 3/4	2	3 3/4	3 3/8	3/8	3	3	1 3/16	5/16 x 1	3/8 x 4	—
145T	10 1/2	8 1/2	1 1/8	6 1/2	2 3/4	2 1/2	3 3/4	3 7/8	3/8	3	3	1 3/16	5/16 x 1	3/8 x 4	—
182T	12 3/4	9 1/2	1 1/2	6 1/2	3 3/4	2 1/4	4 1/2	4 1/4	1/2	3	3 1/2	1 1/2	3/8 x 1 3/4	1/2 x 6	4 1/2
184T	12 3/4	10 1/2	1 1/2	7 1/2	3 3/4	2 3/4	4 1/2	4 3/4	1/2	3	3 1/2	1 1/2	3/8 x 1 3/4	1/2 x 6	5 1/2
213T	15	11	1 3/4	7 1/2	4 1/4	2 3/4	5 1/4	4 3/4	1/2	3 1/2	3 3/4	1 1/2	3/8 x 1 3/4	1/2 x 6	5 1/2
215T	15	12 1/2	1 3/4	9	4 1/4	3 1/2	5 1/4	5 1/2	1/2	3 1/2	3 3/4	1 1/2	3/8 x 1 3/4	1/2 x 6	7
254T	17 3/4	15 1/8	2	10 3/4	5	4 1/8	6 1/4	6 5/8	5/8	4	4 3/8	1 7/16	1/2 x 1 3/4	5/8 x 6	5 5/16
256T	17 3/4	16 7/8	2	12 1/2	5	5	6 1/4	7 1/2	5/8	4	4 3/8	1 7/16	1/2 x 1 3/4	5/8 x 6	7
284T	19 3/4	16 7/8	2	12 1/2	5 1/2	4 3/4	7	7 1/2	5/8	4 1/2	4 3/8	1 11/16	1/2 x 2	5/8 x 6	7
286T	19 3/4	18 3/8	2	14	5 1/2	5 1/2	7	8 1/4	5/8	4 1/2	4 3/8	1 11/16	1/2 x 2	5/8 x 6	8
324T	22 3/4	19 1/4	2 1/2	14	6 1/4	5 1/4	8	8 1/2	3/4	5 1/4	4 3/8	2 3/16	5/8 x 2 1/2	3/4 x 9	7
326T	22 3/4	20 3/4	2 1/2	15 1/2	6 1/4	6	8	9 1/4	3/4	5 1/4	4 3/8	2 3/16	5/8 x 2 1/2	3/4 x 9	8 1/2
364T	25 1/2	20 1/2	2 1/2	15 1/2	7	5 5/8	9	9 1/8	3/4	6	5 5/8	2 1/16	5/8 x 2 1/2	3/4 x 9	7 3/4
365T	25 1/2	21 1/2	2 1/2	16 1/2	7	6 1/8	9	9 5/8	3/4	6	5 5/8	2 1/16	5/8 x 2 1/2	3/4 x 9	8 3/4
404T	28 3/4	22 3/8	3	16 1/2	8	6 1/8	10	9 7/8	7/8	7	5 5/8	2 1/2	3/4 x 3	3/4 x 11	8 3/4
405T	28 3/4	23 7/8	3	18	8	6 7/8	10	10 5/8	7/8	7	5 5/8	2 1/2	3/4 x 3	3/4 x 11	10 1/4
444T	31 1/4	24 5/8	3	19 1/4	9	7 1/4	11	11	7/8	7 1/2	5 5/8	2 1/2	3/4 x 3	3/4 x 11	11
445T	31 1/4	26 5/8	3	21 1/4	9	8 1/4	11	12	7/8	7 1/2	5 5/8	2 1/2	3/4 x 3	3/4 x 11	13
447T	31 1/4	30 3/8	3	24 3/4	9	10	11	13 3/4	7/8	7 1/2	8	3	3/4 x 3 1/2	3/4 x 11	16 1/2
449T	31 1/4	35 1/8	3	29 3/4	9	12 1/2	11	16 1/4	7/8	7 1/2	8	3	3/4 x 3 1/2	3/4 x 11	21 1/2
505T	35	30	3 1/2	22 3/4	10	9	12 1/2	13 1/2	1	8	8	3	7/8 x 3 1/2	7/8 x 12	14 1/2

MOTOR DIMENSIONS

Dimensions shown in this catalog are for general use only.
For an exact drawing on a specific rating, please contact our sales office.



WORLDWIDE MOTOR CONTROLS

Variable Frequency Drives

HYUNDAI N700E Series High Performance Drives



Product Overview

The HYUNDAI N700E Series High Performance Drives offer powerful control solutions with exceptional speed control and torque response which provides superior vector performance.

The N700E's compact size and sensorless vector control technology provides perfectly optimized performance for industrial and commercial applications.

Certificates of international standards (UL/cUL, CE) for the N700E series make it perfect for global applications. Compatible with the most common loads such as: fans, blowers, compressors, pumps, mixers, agitators, feeders, centrifuges, cranes, hoists, presses, sa14, extruders, and textile spinning machines.

Product Specifications

- Sensorless Vector Control
- 0.01 - 400hz
- 150% overload for one minute, CT applications
120% overload for one minute, VT applications
- 3000 second accel/decel
- DC braking
- Auto-tuning
- BDR brake function
- AVR function
- Sixteen level multi-speed
- Adjustable carrier frequencies
- PID control
- Frequency jump
- Analog gain bias
- Jog run
- Electronic thermal overload
- Auto-torque boost, trip history monitor and software lock
- 50°C ambient
- Speed search function
- Intelligent input function
- RS485 - Modbus communications

230 Volt, Single Phase

HP	Rated Output Current	Model Number	List Price	Dimensions (Inches) H x W x D	Approx. Wt. (lbs.)
0.5	3	N700E-004SF	\$627.00	5.04 x 2.67 x 5.04	2.6
1	5	N700E-007SF	\$652.00	5.04 x 2.67 x 5.04	2.6
2	7	N700E-015SF	\$757.00	5.04 x 4.25 x 5.6	3.3
3	11	N700E-022SF	\$820.00	5.04 x 4.25 x 5.6	3.3

230 Volt, Three Phase

Constant Torque 150% Overload		Variable Torque 120% Overload		Model Number	List Price	Dimensions (Inches) H x W x D	Approx. Wt. (lbs.)
HP	Rated Output Current	HP	Rated Output Current				
0.5	3	—	—	N700E-004LF	\$610.00	5.04 x 2.67 x 5.04	2.6
1	5	—	—	N700E-007LF	\$633.00	5.04 x 2.67 x 5.04	2.6
2	7	—	—	N700E-015LF	\$745.00	5.04 x 2.67 x 5.04	2.6
3	11	—	—	N700E-022LF	\$807.00	5.04 x 4.25 x 5.6	3.3
5	17	—	—	N700E-037LF	\$1,037.00	5.04 x 5.42 x 5.78	4.4
7.5	24	10	30	N700E-055LF	\$1,850.00	10.82 x 8.26 x 6.61	9.3
10	32	15	44	N700E-075LF	\$2,185.00	10.82 x 8.26 x 6.61	9.3
15	45	20	50	N700E-110LF	\$2,800.00	10.82 x 8.26 x 6.61	9.3
20	64	25	73	N700E-150LF	\$3,235.00	15.4 x 9.85 x 7.4	16
25	76	30	85	N700E-185LF	\$3,595.00	15.4 x 9.85 x 7.4	16

Note: Always check the motor full load amps prior to selecting the inverter

Continued On Next Page



WORLDWIDE MOTOR CONTROLS

Variable Frequency Drives

HYUNDAI N700E Series High Performance Drives



Product Overview

The HYUNDAI N700E Series High Performance Drives offer powerful control solutions with exceptional speed control and torque response which provides superior vector performance.

The N700E's compact size and sensorless vector control technology provides perfectly optimized performance for industrial and commercial applications.

Certificates of international standards (UL/cUL, CE) for the N700E series make it perfect for global applications. Compatible with the most common loads such as: fans, blowers, compressors, pumps, mixers, agitators, feeders, centrifuges, cranes, hoists, presses, sa14, extruders, and textile spinning machines.

Product Specifications

- Sensorless Vector Control
- 0.01 - 400hz
- 150% overload for one minute, CT applications
120% overload for one minute, VT applications
- 3000 second accel/decel
- DC braking
- Auto-tuning
- BDR brake function
- AVR function
- Sixteen level multi-speed
- Adjustable carrier frequencies
- PID control
- Frequency jump
- Analog gain bias
- Jog run
- Electronic thermal overload
- Auto-torque boost, trip history monitor and software lock
- 50°C ambient
- Speed search function
- Intelligent input function
- RS485 - Modbus communications

460 Volt, Three Phase

Constant Torque 150% Overload		Variable Torque 120% Overload		Model Number	List Price	Dimensions (Inches) H x W x D	Approx. Wt. (lbs.)
HP	Rated Output Current	HP	Rated Output Current				
0.5	1.8	—	—	N700E-004HF	\$775.00	5.04 x 4.25 x 5.6	2.6
1	3.4	—	—	N700E-007HF	\$813.00	5.04 x 4.25 x 5.6	2.6
2	4.8	—	—	N700E-015HF	\$938.00	5.04 x 4.25 x 5.6	3.3
3	7.2	—	—	N700E-022HF	\$1,173.00	5.04 x 4.25 x 5.6	3.3
5	9.2	—	—	N700E-037HF	\$1,316.00	5.04 x 5.42 x 5.78	4.4
7.5	12	10	15	N700E-055HF	\$1,832.00	10.82 x 8.26 x 6.61	9.3
10	16	15	22	N700E-075HF	\$2,241.00	10.82 x 8.26 x 6.61	9.3
15	23	20	29	N700E-110HF	\$2,800.00	10.82 x 8.26 x 6.61	9.3
20	32	25	37	N700E-150HF	\$3,235.00	15.4 x 9.85 x 7.4	16
25	38	30	43	N700E-185HF	\$3,595.00	15.4 x 9.85 x 7.4	16
30	45	40	57	N700E-220HF	\$4,296.00	15.4 x 9.85 x 7.4	17
40	58	50	70	N700E-300HF	\$6,178.00	20.86 x 12.28 x 10.63	48
50	75	60	85	N700E-370HF	\$7,277.00	20.86 x 12.28 x 10.63	48
60	90	75	105	N700E-450HF	\$8,804.00	21.57 x 13.46 x 11.02	60
75	110	100	135	N700E-550HF	\$9,965.00	21.57 x 13.46 x 11.02	66
100	149	125	160	N700E-750HF	\$13,045.00	27.48 x 15.6 x 11.02	110
125	176	150	195	N700E-900HF	\$16,435.00	27.48 x 15.6 x 11.02	110
150	217	200	230	N700E-1100HF	\$18,000.00	29.13 x 18.89 x 11.81	132
200	260	250	285	N700E-1320HF	\$20,750.00	29.13 x 18.89 x 11.81	132
250	300	300	370	N700E-1600HF	\$35,700.00	36.22 x 19.92 x 15.35	242
300	415	350	450	N700E-2200HF	\$36,650.00	36.22 x 19.92 x 15.35	242
400	525	450	600	N700E-2800HF	\$48,400.00	40.15 x 31.73 x 15.55	375
450	656	500	680	N700E-3500HF	\$54,500.00	40.15 x 31.73 x 15.55	375

Note: Always check the motor full load amps prior to selecting the inverter

www.worldwideelectric.net



WORLDWIDE MOTOR CONTROLS

Variable Frequency Drives

HYUNDAI N700E Series High Performance Drives

Specifications



Specification			Description
Control Method			Sensorless vector PWM method
Output Frequency Range			0.01~400 Hz
Frequency Accuracy			Digital: Max frequency $\pm 0.01\%$; Analogue: Max frequency $\pm 0.1\%$
Frequency Resolution			Digital setting: 0.01 Hz (<100 Hz), 0.1Hz (>100 Hz) Analogue: Max frequency / 500 (when DC 5V input), Max frequency / 1,000 (DC 0~10V, 4~20mA)
V/f Characteristic			Base frequency: 0~400 Hz free set Torque pattern selection available (constant torque / reduced torque)
Overload Capacity			150%, 1 minute (heavy duty), 120%, 1 minute (normal duty)
Acceleration/Deceleration Time			0.1~3,000 sec (linear / curve selection available) 2 nd Acceleration / Deceleration setting available
DC Braking			Performs between min frequency and established braking frequency Level and time setting available
Input	Frequency Setting	Standard Operator	Set by volume up / down key 1 W, 1~2 k Ω variable resistor
		External Signal	DC 0~10 V (input impedance 10 k Ω), 4~20 mA (input impedance 250 Ω)
	Forward Reverse Start / Stop	Standard Operator	Run key / Stop key (change forward / reverse by function command)
		External Signal	Forward run / stop, reverse run / stop set by terminal assignment (1a, 1b selection available)
Intelligent Input Terminal		FW (Forward), RV (Reverse), CF1~4 (Multi-speed), RS (Reset), AT (Analog input current / voltage Transfer), USP (Unattended Start Protection), EXT (External Trip), FRS (Free Run Stop), JG (Jogging Command), SFT (Software Lock Command), 2CH (2 nd Acceleration / Deceleration), SET (2 nd Motor Constants Setting)	
Output	Intelligent Output Terminal		RUN (Run Signal), FA1 (Frequency Arrival Signal [at the set frequency]), FA2 [Frequency Arrival Signal [at or above the set frequency]], OL (Overload Advanced Notice Signal), OD (Output Deviation of PID Signal), AL (Alarm Signal)
	Frequency Monitor		Analog meter (DC0~10V full scale, Max 1 mA) Analog output frequency signal and analog output current signal Analog output voltage signal selection available
	Alarm Output Contact		OFF when inverter alarm (b contact output) / Auto switch ON and OFF / Intelligent output terminal use available
Main Functions			Auto-tuning, AVR Function, V/F Setting, Curve Accel. / Decel. Selection, Frequency Upper / Lower Limit, 6 Level Multi-speed, Start Frequency Set, Carrier Frequency Setting (0.5~15 kHz), PID Control, Frequency Jump, Analog Gain Bias Control, Jogging Run, Electronic Thermal Level Control, Retry, Auto Torque Boost, Trip History Monitor, Software Lock, S-shape Accel. / Decel, Frequency Conversion Display, USP, 2 nd Control
Protective Functions			Over-current Protection, Overload (electronic thermal), Over-voltage, Communication Error, Under-voltage, Output Short, USP Error, EEPROM Error, External trip, Ground Fault, Temperature Trip
Environmental Conditions	Ambient Temperature		-10~50°C (over 40°C: set carrier frequency below 2.0 kHz)
	Storage Temperature		-20~60°C (while transporting: short time)
	Ambient Humidity		Below 90% RH (non-condensing)
	Vibration		5.9 m/s ² (0.6 G), 10~55 Hz (JIS C0911 test methodology)
	Location		Less than 1,000 m above sea level, Indoor (no corrosive gas, no flammable gas, no oil-drop, no-dust)
Options			Remote operator, Remote operator cable, Regenerative braking resistor

VARIABLE FREQUENCY DRIVES



WORLDWIDE MOTOR CONTROLS

Variable Frequency Drives

HYUNDAI N700E Series High Performance Drives

Accessories



Model Number	Description	List Price
Remote Keypads (N700E-0045F/LF/HF Through N700E-0375F/LF/HF)		
N700E-ROPA	Remote Keypad Kit (Includes Keypad Holder and RS485 Adapter)	\$165.00
NOP1-1A	Cable, 1.5 Meter	\$40.00
NOP1-3A	Cable, 3 Meter	\$63.00
Remote Keypads (N700E-055LF/HF Through N700E-3500HF)		
ROP7	Remote Keypad Kit	\$185.00
NOP1-1A	Cable, 1.5 Meter	\$40.00
NOP1-3A	Cable, 3 Meter	\$63.00
RS485 Serial Connection Adapter		
COMM485	For Inverter Models N700E-0045F/LF/HF Through N700E-0375F/LF/HF	\$74.00
RS485GENDER	For Inverter Models N700E-055LF/HF Through N700E-220HF	\$20.00
—	For Inverter Models Above 220HF (Adapter Not Required)	—
Metallic Conduit Connection Box - NEMA 1 Enclosure (Attaches To The Bottom Of The Chassis To Allow Connection Of Metallic Conduit)		
CBOX-5.5-11	For Inverter Models N700E-055LF/HF / N700E-075HF / N700E-110HF	\$115.00
CBOX-15-22	For Inverter Models N700E-150HF / N700E-185HF / N700E-220HF	\$130.00
CBOX-30-37	For Inverter Models N700E-300HF / N700E-370HF	\$235.00
CBOX-45-55	For Inverter Models N700E-450HF / N700E-550HF	\$315.00
CBOX-75-90	For Inverter Models N700E-750HF / N700E-900HF	\$350.00
CBOX-110-132	For Inverter Models N700E-1100HF / N700E-1320HF	\$575.00
Dynamic Braking Module (N700E-0045F/LF/HF Through N700E-220HF Includes A Built-In Brake Circuit)		
BRD-VZ3-370H	For Inverter Models N700E-300HF / N700E-370HF	\$1,575.00
BRD-VZ3-550H	For Inverter Models N700E-450HF / N700E-550HF / N700E-900HF ⁽¹⁾	\$1,775.00
BRD-VZ3-750H	For Inverter Model N700E-750HF / N700E-1100HF ⁽¹⁾ / N700E-1320HF ⁽¹⁾	\$2,040.00
FBU100-160-4	For Inverter Model N700E-1600HF / N700E-2800HF ⁽¹⁾	\$7,675.00
FBU100-220-4	For Inverter Model N700E-2200HF / N700E-3500HF ⁽¹⁾	\$10,265.00

Note: N700E-0045F/LF/HF through N700E-220HF includes a built in brake circuit only resistors are required

⁽¹⁾ Indicates the need for two units of this catalog number, price shown is list for one unit only

www.worldwideelectric.net



Continued On Next Page

Stock Products Catalog | 111

WORLDWIDE MOTOR CONTROLS

Variable Frequency Drives

HYUNDAI N700E Series High Performance Drives

Accessories



Dynamic Braking Resistors - Light Duty Cycle				
VFD Model Number	Model Number	List Price	Ohms	Watts
230 Volt, Single Phase				
N700E-004SF N700E-007SF N700E-015SF N700E-022SF	RB-00P3-50	\$52.00	50	0.3
230 Volt, Three Phase				
N700E-004LF N700E-007LF N700E-015LF N700E-022LF	RB-00P3-50	\$52.00	50	0.3
N700E-037LF	RB-00P6-35	\$125.00	35	0.6
N700E-055LF	RB-01P0-LD-17	\$160.00	17	1
460 Volt, Three Phase				
N700E-004HF N700E-007HF N700E-015HF	RB-00P3-180	\$75.00	180	0.3
N700E-022HF	RB-00P3-100	\$75.00	100	0.3
N700E-037HF	RB-00P6-100	\$161.00	100	0.6
N700E-055HF	RB-01P2-LD-70	\$145.00	70	1.2
N700E-075HF	RB-01P2-LD-50	\$145.00	50	1.2
N700E-110HF	RB-02P0-LD-50	\$253.00	50	2
N700E-150HF	RB-02P5-LD-30	\$575.00	30	2.5
N700E-185HF	RB-03P0-LD-20	\$650.00	20	3
N700E-220HF	RB-04P0-LD-20	\$850.00	20	4
N700E-300HF	RB-05P0-LD-12 (1)	\$1,225.00	12	5
N700E-370HF	RB-06P0-LD-12 (1)	\$1,300.00	12	6
N700E-450HF	RB-07P0-LD-8 (2)	\$1,942.00	8	7
N700E-550HF	RB-08P5-LD-8 (2)	\$1,942.00	8	8.5
N700E-750HF	RB-11P2-LD-6 (3)	\$2,225.00	6	11.2
N700E-900HF	RB-11P2-LD-6 (4)	\$3,875.00	8	8.5
N700E-1100HF	RB-11P2-LD-6 (5)	\$2,225.00	6	11.2
N700E-1320HF	RB-11P2-LD-6 (5)	\$2,225.00	6	11.2
N700E-1600HF	RB-22P5-3 (6)	\$4,635.00	3	22.5
N700E-2200HF	RB-22P5-3 (7)	\$4,635.00	3	22.5
N700E-2800HF	RB-22P5-3 (8)	\$4,635.00	3	22.5
N700E-3500HF	RB-33P7-2 (9)	\$11,095.00	2	33.7

Dynamic Braking Resistors - Heavy Duty Cycle				
VFD Model Number	Model Number	List Price	Ohms	Watts
230 Volt, Single Phase				
N700E-004SF N700E-007SF N700E-015SF N700E-022SF	RB-00P3-50	\$52.00	50	0.3
230 Volt, Three Phase				
N700E-004LF N700E-007LF N700E-015LF	RB-00P3-50	\$52.00	50	0.3
N700E-022LF	RB-00P6-35	\$132.00	35	0.6
N700E-037LF	RB-01P2-35	\$161.00	35	1.2
N700E-055LF	RB-01P0-HD-17	\$144.00	17	1.2
460 Volt, Three Phase				
N700E-004HF N700E-007HF N700E-015HF	RB-00P3-180	\$75.00	180	0.3
N700E-022HF	RB-006-100	\$161.00	100	0.6
N700E-037HF	RB-006-100	\$161.00	100	0.6
N700E-055HF	RB-01P8-HD-70	\$253.00	70	1.8
N700E-075HF	RB-02P4-HD-50	\$575.00	50	2.4
N700E-110HF	RB-03P3-HD-50	\$575.00	50	3.3
N700E-150HF	RB-04P5-HD-30	\$1,015.00	30	4.5
N700E-185HF	RB-05P6-HD-20	\$1,225.00	20	5.6
N700E-220HF	RB-06P6-HD-20	\$1,297.00	20	6.6
N700E-300HF	RB-09P0-HD-12 (1)	\$1,942.00	12	9
N700E-370HF	RB-11P2-HD-12 (1)	\$2,236.00	12	11.2
N700E-450HF	RB-13P5-HD-8 (2)	\$2,507.00	8	13.5
N700E-550HF	RB-16P5-HD-6 (2)	\$3,045.00	8	16.5
N700E-750HF	RB-22P5-HD-6 (3)	\$3,725.00	6	22.2
N700E-900HF	RB-22P5-HD-6 (4)	\$3,045.00	6	16.5
N700E-1100HF	RB-22P5-HD-6 (5)	\$3,725.00	6	22.5
N700E-1320HF	RB-22P5-HD-6 (5)	\$3,725.00	6	22.5
N700E-1600HF	RB-45P0-3 (6)	\$7,550.00	3	45
N700E-2200HF	RB-45P0-3 (7)	\$7,550.00	3	45
N700E-2800HF	RB-45P0-3 (8)	\$7,550.00	3	45
N700E-3500HF	RB-67P5-2 (9)	\$21,875.00	2	67.5

- (1) Requires (1) Resistor and (1) BRD-VZ3-370H
- (2) Requires (1) Resistor and (1) BRD-VZ3-550H
- (3) Requires (1) Resistor and (1) BRD-VZ3-750H
- (4) Requires (2) Resistors and (2) BRD-VZ3-550H
- (5) Requires (2) Resistors and (2) BRD-VZ3-750H
- (6) Requires (2) Resistors and (1) FBU100-160-4
- (7) Requires (2) Resistors and (1) FBU100-220-4
- (8) Requires (4) Resistors and (2) FBU100-160-4
- (9) Requires (2) Resistors and (2) FBU100-220-4

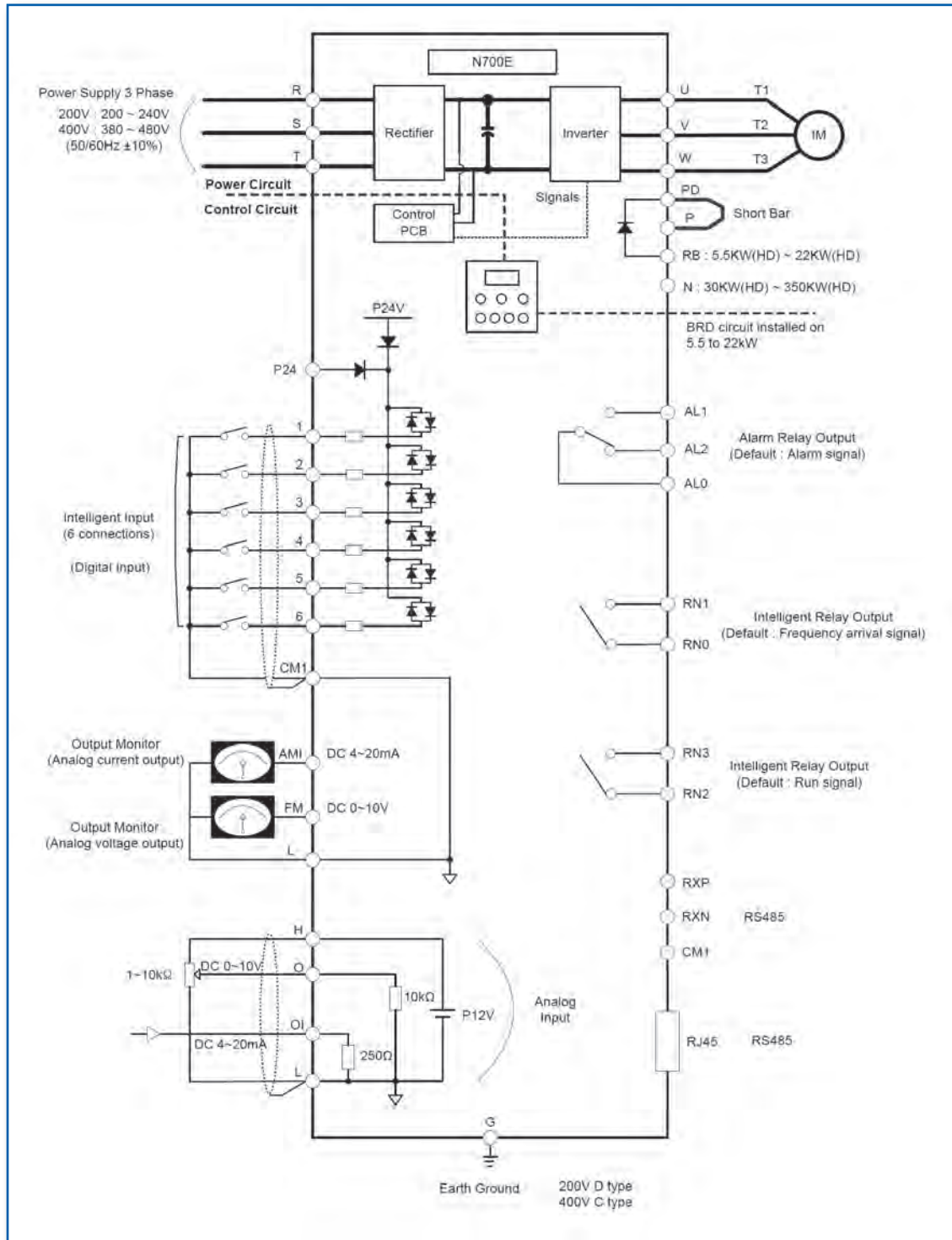


WORLDWIDE MOTOR CONTROLS

Variable Frequency Drives

HYUNDAI N700E Series High Performance Drives

Terminal Connections Diagram



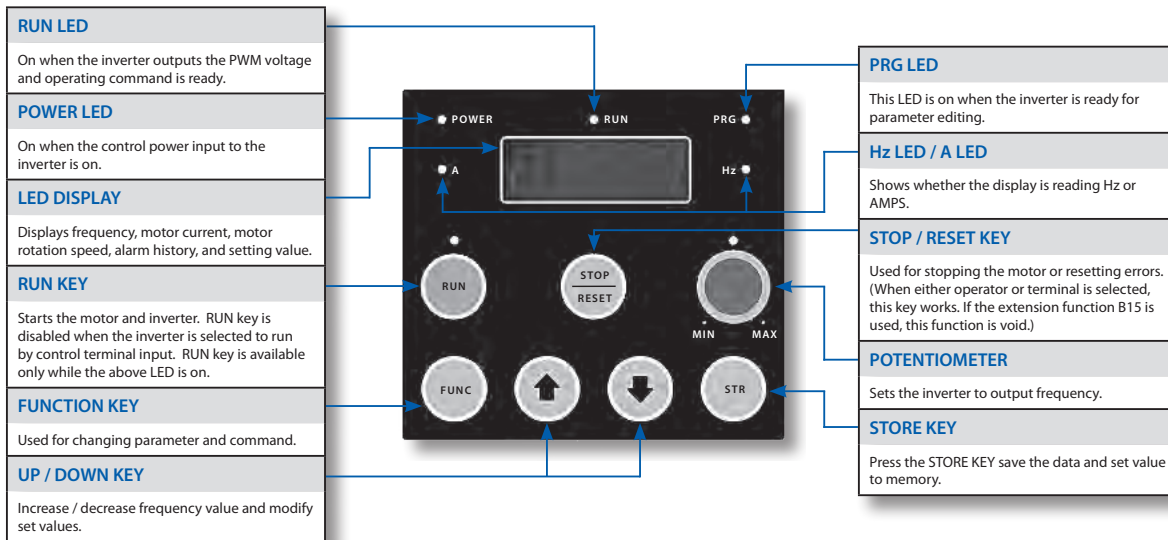
VARIABLE FREQUENCY DRIVES



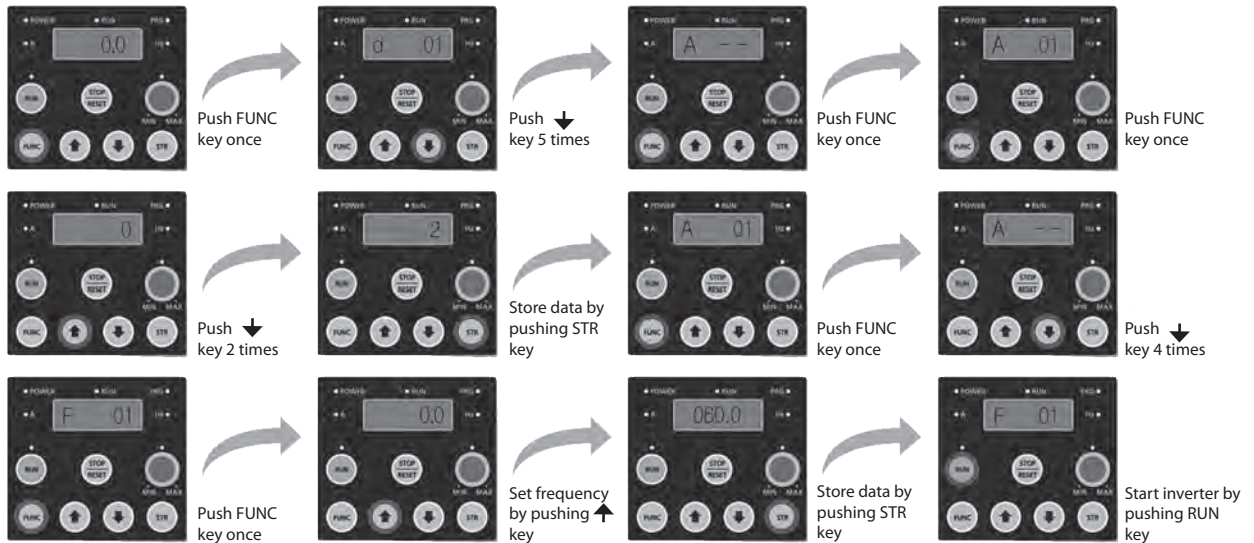
WORLDWIDE MOTOR CONTROLS

Variable Frequency Drives

HYUNDAI N700E Series High Performance Drives Keypad Function



Standard Operator Setting



Display Running Frequency



VARIABLE FREQUENCY DRIVES

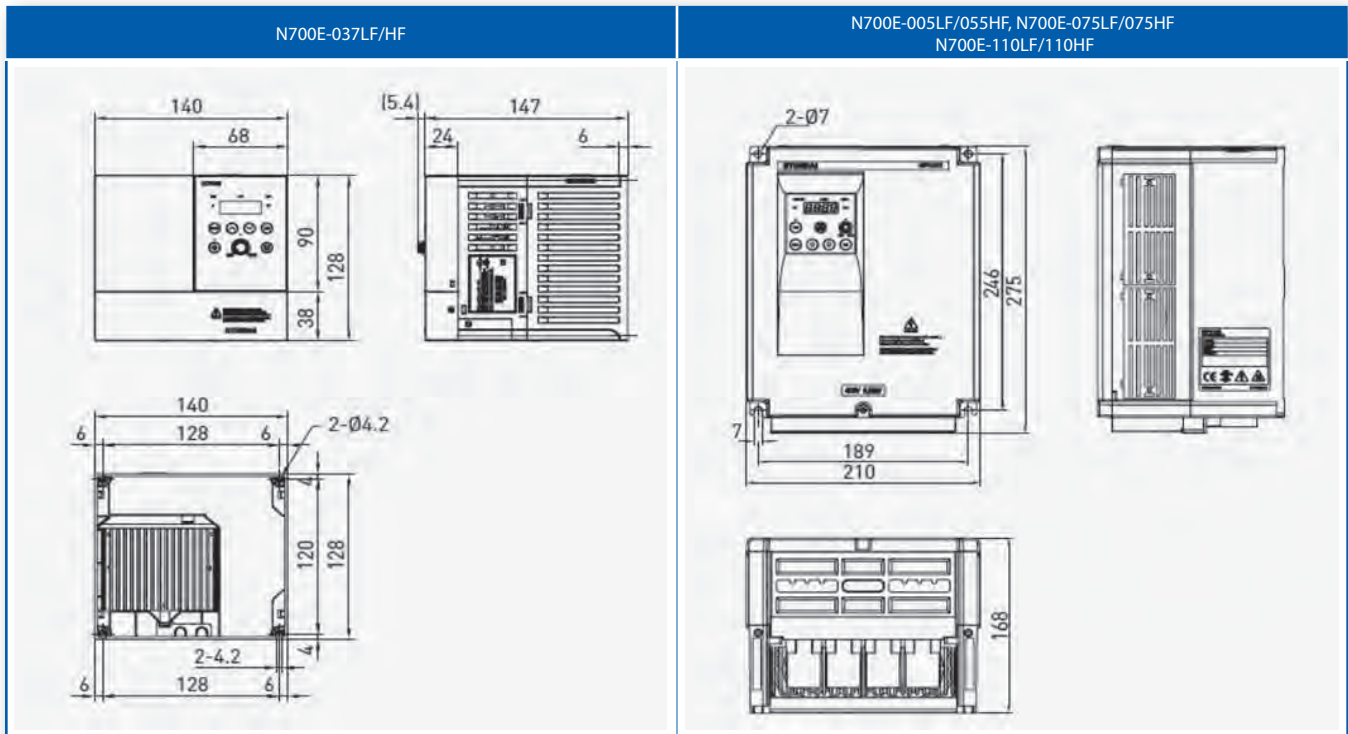
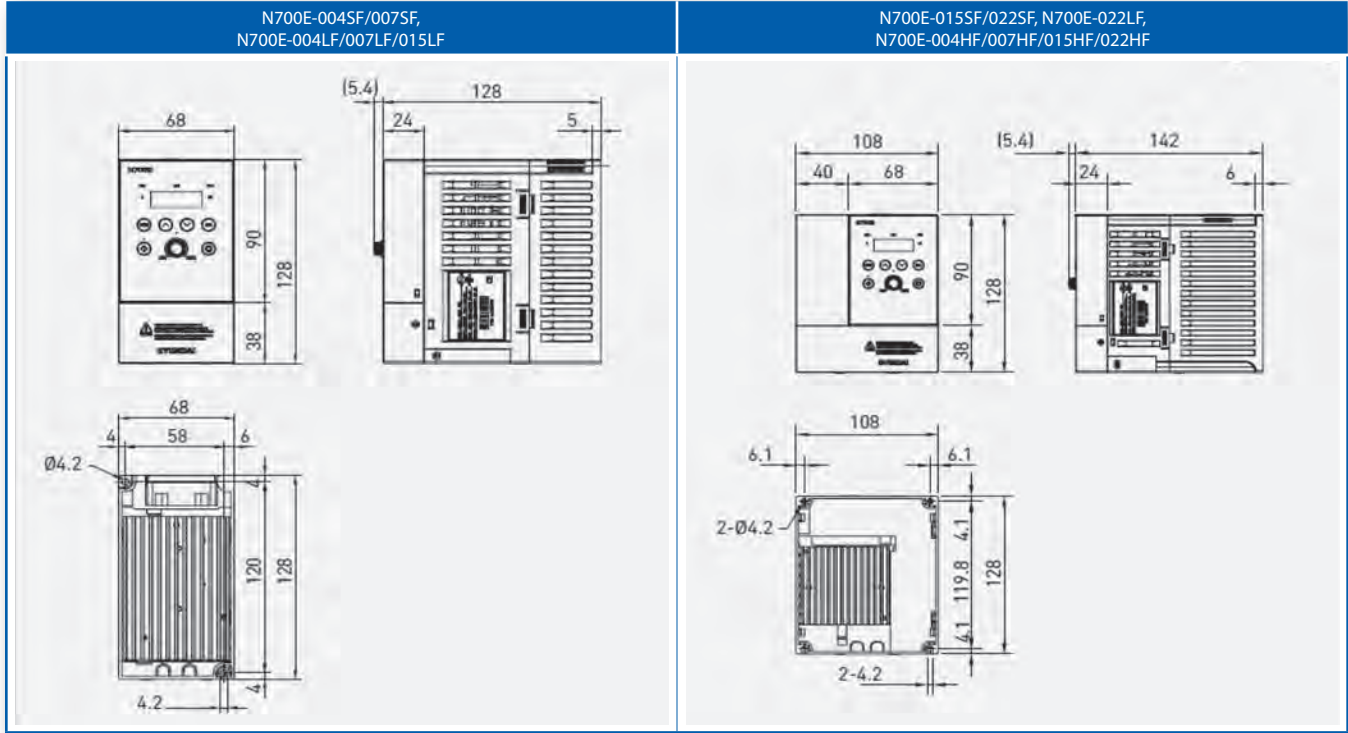


WORLDWIDE MOTOR CONTROLS

Variable Frequency Drives

HYUNDAI N700E Series High Performance Drives

Drive Outline Drawings

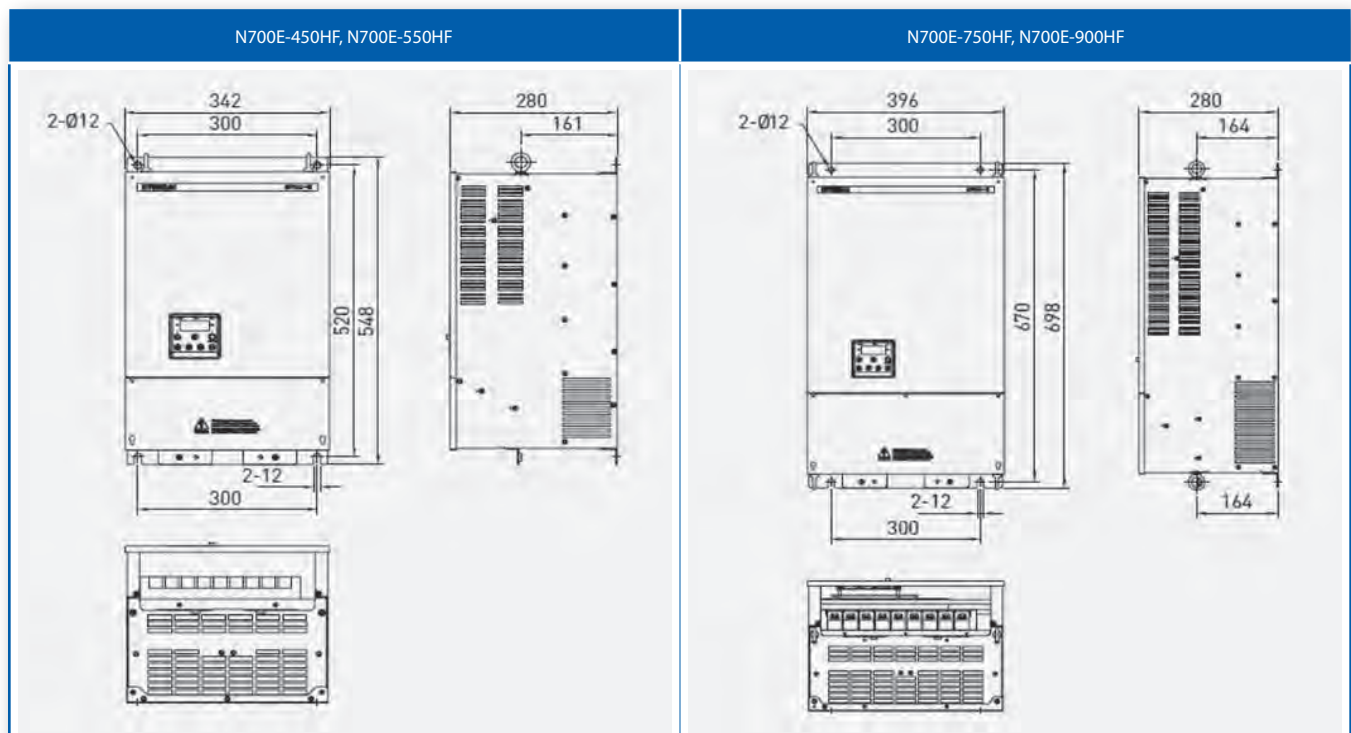
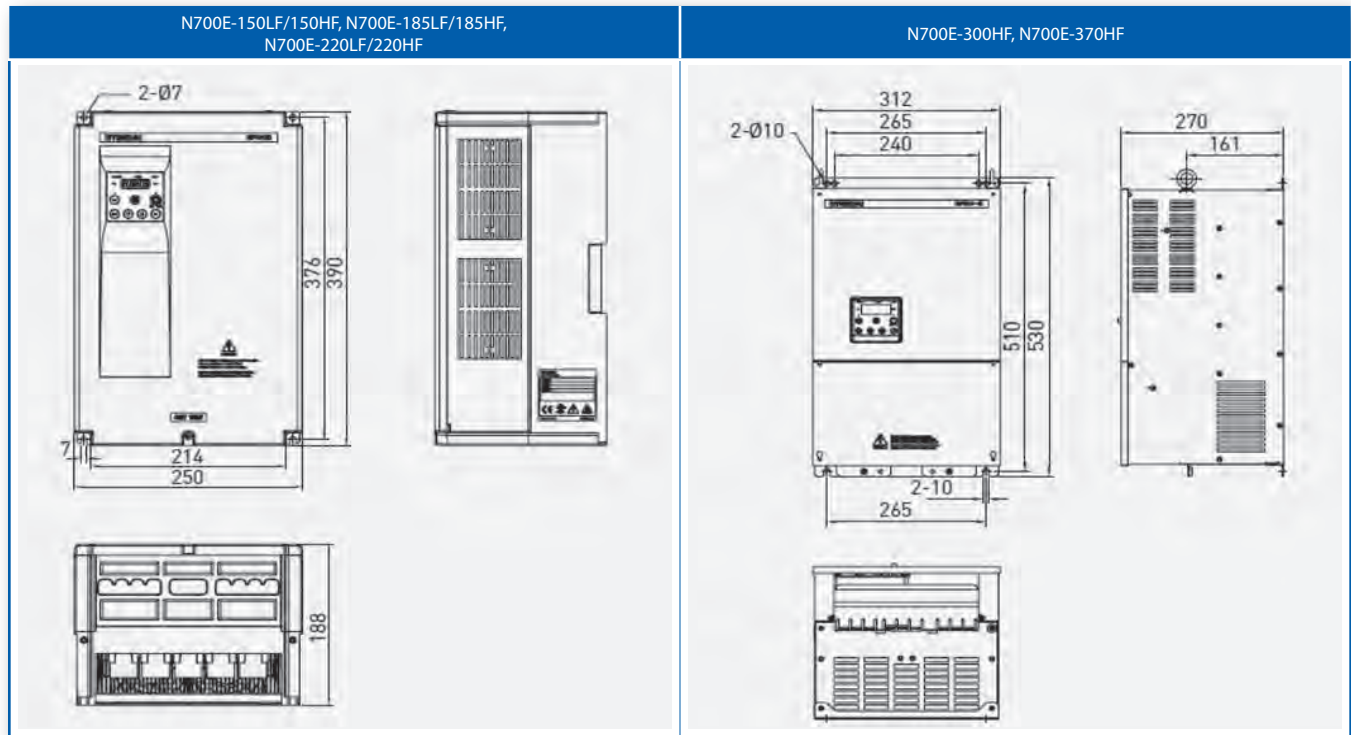


VARIABLE
FREQUENCY DRIVES

WORLDWIDE MOTOR CONTROLS

Variable Frequency Drives

HYUNDAI N700E Series High Performance Drives Drive Outline Drawings



VARIABLE
FREQUENCY DRIVES

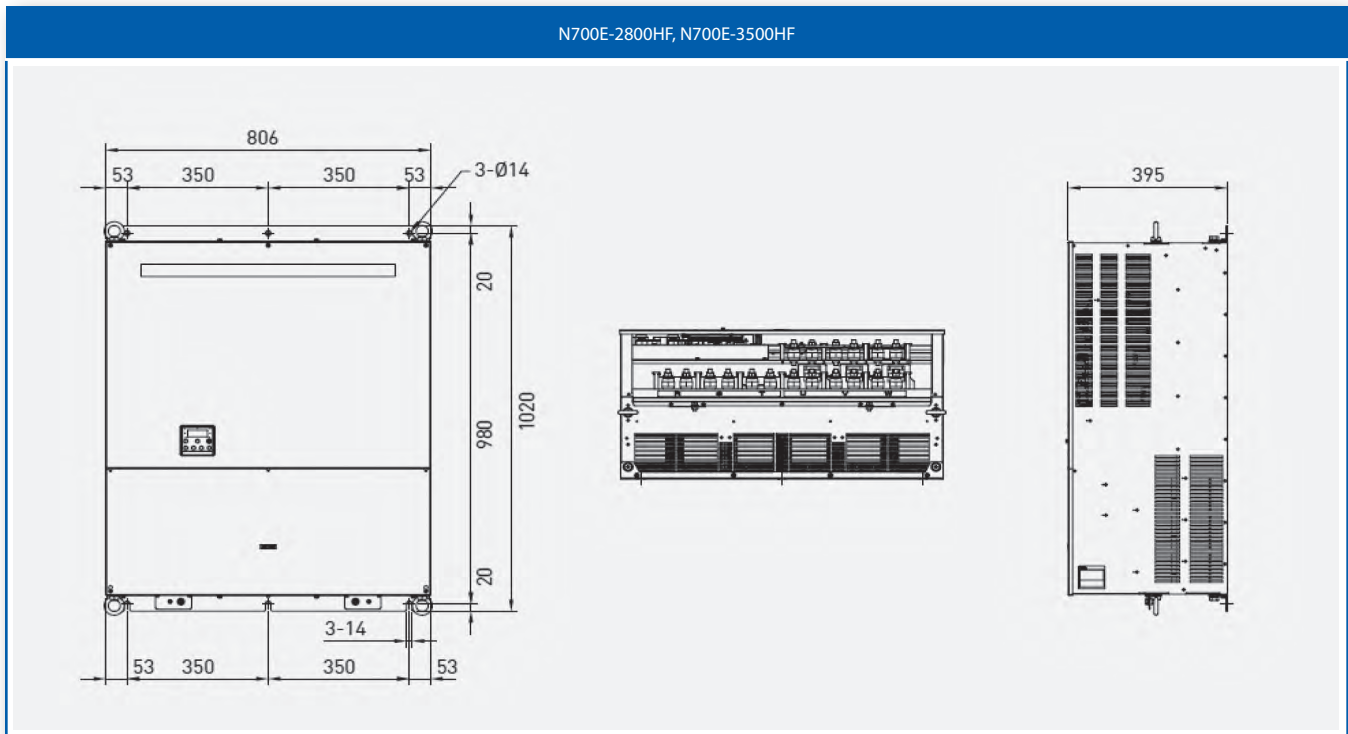
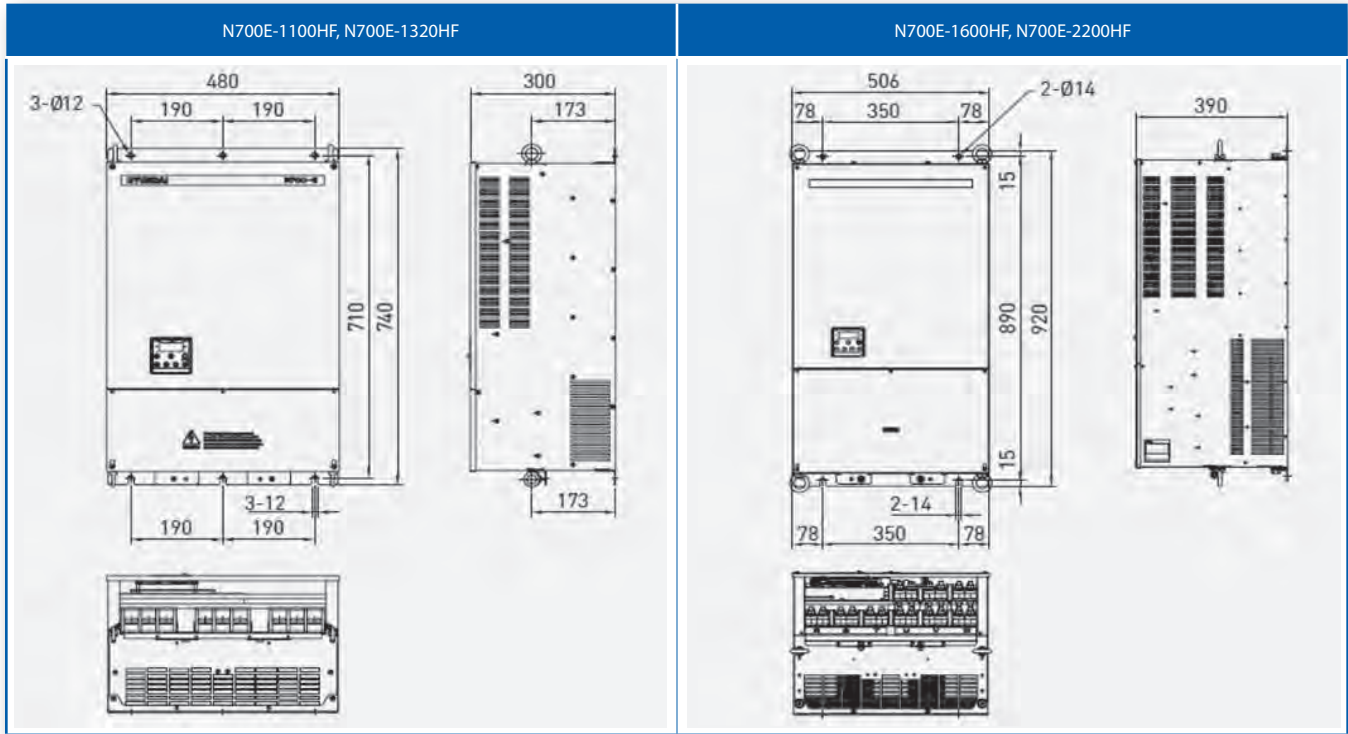


WORLDWIDE MOTOR CONTROLS

Variable Frequency Drives

HYUNDAI N700E Series High Performance Drives

Drive Outline Drawings



VARIABLE
FREQUENCY DRIVES

WORLDWIDE MOTOR CONTROLS

Variable Frequency Drives

HYUNDAI Heavy Duty Drive Package



Product Overview

- 5-500 HP
- CT and VT ratings
- Three-phase or single-phase input
- NEMA 3R enclosure; hooded, ventilated, filtered
- Bottom and top ventilation
- Concealed hinges
- Padlockable door
- Heavy duty mounting ears
- Heavy duty lifting strap
- Main CB with padlockable disconnect
- 3% line reactor
- Full panel surge protection
- Panel heater fan
- Door mounted keypad
- Start / stop pushbuttons
- Run / fault / e-stop pilot lights
- Speed control potentiometer
- HOA selector
- Mushroom emergency stop

Voltage	Constant Torque		Variable Torque		Model Number	List Price
	HP	Current	HP	Current		
480	5	9.2	---	---	WWEHDA-DRV3R-005-4	\$12,300.00
480	7.5	12	10	15	WWEHDA-DRV3R-007-4	\$12,955.00
480	10	16	15	22	WWEHDA-DRV3R-010-4	\$13,455.00
480	15	23	20	29	WWEHDA-DRV3R-015-4	\$14,250.00
480	20	32	25	37	WWEHDA-DRV3R-020-4	\$15,500.00
480	25	38	30	43	WWEHDA-DRV3R-025-4	\$16,350.00
480	30	45	40	57	WWEHDA-DRV3R-030-4	\$17,550.00
480	40	58	50	70	WWEHDA-DRV3R-040-4	\$20,850.00
480	50	75	60	85	WWEHDA-DRV3R-050-4	\$23,550.00
480	60	90	75	105	WWEHDA-DRV3R-060-4	\$25,550.00
480	75	110	100	135	WWEHDA-DRV3R-075-4	\$27,675.00
480	100	149	125	160	WWEHDA-DRV3R-100-4	\$33,250.00
480	125	176	150	195	WWEHDA-DRV3R-125-4	\$37,350.00
480	150	217	200	230	WWEHDA-DRV3R-150-4	\$40,225.00
480	200	260	250	285	WWEHDA-DRV3R-200-4	\$46,750.00
480	250	300	300	370	WWEHDA-DRV3R-250-4	\$64,750.00
480	300	415	350	450	WWEHDA-DRV3R-300-4	\$69,995.00
480	400	525	450	600	WWEHDA-DRV3R-400-4	\$105,850.00
480	500	656	550	680	WWEHDA-DRV3R-500-4	\$122,500.00

VARIABLE FREQUENCY DRIVES



WORLDWIDE MOTOR CONTROLS

Variable Frequency Drives

HYUNDAI Irrigation Pump Drive Package



Product Overview

- 2-500 HP
- Three-phase or single-phase input
- NEMA 3R enclosure; hooded, ventilated, filtered
- Heavy duty mounting ears
- Bottom to top ventilation
- Heavy duty lifting strap
- Concealed hinges
- Padlockable door
- Main CB with padlockable disconnect
- Full panel surge protection
- On-Off-Auto selector
- Panel heater fan
- 3% line reactor
- PID loop control capable with analog input
- Speed control potentiometer
- 24/7 timer for automatic control

Voltage	Constant Torque		Variable Torque		Model Number	List Price
	HP	Current	HP	Current		
480	2	4.8	---	---	WWEPIA-DRV3R-002-4	\$10,250.00
480	3	7.2	---	---	WWEPIA-DRV3R-003-4	\$10,500.00
480	5	9.2	---	---	WWEPIA-DRV3R-005-4	\$10,750.00
480	7.5	12	10	15	WWEPIA-DRV3R-007-4	\$11,300.00
480	10	16	15	22	WWEPIA-DRV3R-010-4	\$11,750.00
480	15	23	20	29	WWEPIA-DRV3R-015-4	\$12,600.00
480	20	32	25	37	WWEPIA-DRV3R-020-4	\$13,950.00
480	25	38	30	43	WWEPIA-DRV3R-025-4	\$14,650.00
480	30	45	40	57	WWEPIA-DRV3R-030-4	\$15,750.00
480	40	58	50	70	WWEPIA-DRV3R-040-4	\$18,775.00
480	50	75	60	85	WWEPIA-DRV3R-050-4	\$20,975.00
480	60	90	75	105	WWEPIA-DRV3R-060-4	\$23,250.00
480	75	110	100	135	WWEPIA-DRV3R-075-4	\$25,750.00
480	100	149	125	160	WWEPIA-DRV3R-100-4	\$29,995.00
480	125	176	150	195	WWEPIA-DRV3R-125-4	\$34,150.00
480	150	217	200	230	WWEPIA-DRV3R-150-4	\$38,550.00
480	200	260	250	285	WWEPIA-DRV3R-200-4	\$43,750.00
480	250	300	300	370	WWEPIA-DRV3R-250-4	\$61,250.00
480	300	415	350	450	WWEPIA-DRV3R-300-4	\$66,950.00
480	400	525	450	600	WWEPIA-DRV3R-400-4	\$99,500.00
480	500	656	550	680	WWEPIA-DRV3R-500-4	\$118,500.00

VARIABLE
FREQUENCY DRIVES



WORLDWIDE MOTOR CONTROLS

Variable Frequency Drives

HYUNDAI Positive Displacement Pump Drive Package



Product Overview

- 20-500 HP
- NEMA 3R enclosure
- Heavy duty rated 150% for 60 seconds
- 3% line reactor
- Surge protection
- HOA selector
- PID loop
- Operator access door
- Murphy switch inputs
- Speed control potentiometer
- Start / stop / reset buttons
- External fault lights:
 - Vibration trip
 - Low crankcase oil level
 - High pressure oil level
 - Low pressure oil level
 - Additional external faults

Voltage	Constant Torque		Variable Torque		Model Number	List Price
	HP	Current	HP	Current		
480	20	32	25	37	WWEPPA-DRV3R-020-4	\$21,168.00
480	25	38	30	43	WWEPPA-DRV3R-025-4	\$21,595.00
480	30	45	40	57	WWEPPA-DRV3R-030-4	\$21,971.00
480	40	58	50	70	WWEPPA-DRV3R-040-4	\$24,838.00
480	50	75	60	85	WWEPPA-DRV3R-050-4	\$26,378.00
480	60	90	75	105	WWEPPA-DRV3R-060-4	\$28,924.00
480	75	110	100	135	WWEPPA-DRV3R-075-4	\$31,928.00
480	100	149	125	160	WWEPPA-DRV3R-100-4	\$35,839.00
480	125	176	150	195	WWEPPA-DRV3R-125-4	\$39,007.00
480	150	217	200	230	WWEPPA-DRV3R-150-4	\$41,870.00
480	200	260	250	285	WWEPPA-DRV3R-200-4	\$51,357.00
480	250	300	300	370	WWEPPA-DRV3R-250-4	\$67,542.00
480	300	415	350	450	WWEPPA-DRV3R-300-4	\$70,335.00
480	400	525	450	600	WWEPPA-DRV3R-400-4	\$110,595.00
480	500	656	550	680	WWEPPA-DRV3R-500-4	\$125,595.00

VARIABLE FREQUENCY DRIVES



WORLDWIDE MOTOR CONTROLS

Variable Frequency Drives

HYUNDAI Pump Jack Drive Package



Product Overview

- 2-500 HP
- Three-phase or single-phase input
- NEMA 3R enclosure; hooded, ventilated, filtered
- Heavy duty mounting ears
- Bottom to top ventilation
- Heavy duty lifting strap
- Concealed hinges
- Padlockable door
- Main CB with padlockable disconnect
- Full panel surge protection
- On-Off-Auto selector
- Panel heater fan
- 3% line reactor
- PID loop
- Speed control potentiometer
- Pump jack application firmware
- 24/7 timer for automatic control
- Dual speed control limit switch input

Voltage	Constant Torque		Variable Torque		Model Number	List Price
	HP	Current	HP	Current		
480	2	4.8	---	---	WWEPJA-DRV3R-002-4	\$10,250.00
480	3	7.2	---	---	WWEPJA-DRV3R-003-4	\$10,500.00
480	5	9.2	---	---	WWEPJA-DRV3R-005-4	\$10,750.00
480	7.5	12	10	15	WWEPJA-DRV3R-007-4	\$11,300.00
480	10	16	15	22	WWEPJA-DRV3R-010-4	\$11,750.00
480	15	23	20	29	WWEPJA-DRV3R-015-4	\$12,600.00
480	20	32	25	37	WWEPJA-DRV3R-020-4	\$13,950.00
480	25	38	30	43	WWEPJA-DRV3R-025-4	\$14,650.00
480	30	45	40	57	WWEPJA-DRV3R-030-4	\$15,750.00
480	40	58	50	70	WWEPJA-DRV3R-040-4	\$18,775.00
480	50	75	60	85	WWEPJA-DRV3R-050-4	\$20,975.00
480	60	90	75	105	WWEPJA-DRV3R-060-4	\$23,250.00
480	75	110	100	135	WWEPJA-DRV3R-075-4	\$25,750.00
480	100	149	125	160	WWEPJA-DRV3R-100-4	\$29,995.00
480	125	176	150	195	WWEPJA-DRV3R-125-4	\$34,150.00
480	150	217	200	230	WWEPJA-DRV3R-150-4	\$38,550.00
480	200	260	250	285	WWEPJA-DRV3R-200-4	\$43,750.00
480	250	300	300	370	WWEPJA-DRV3R-250-4	\$61,250.00
480	300	415	350	450	WWEPJA-DRV3R-300-4	\$66,950.00
480	400	525	450	600	WWEPJA-DRV3R-400-4	\$99,500.00
480	500	656	550	680	WWEPJA-DRV3R-500-4	\$118,500.00

VARIABLE
FREQUENCY DRIVES



WORLDWIDE MOTOR CONTROLS

Variable Frequency Drives

Multifunction Keypad Specially Designed
For HYUNDAI Enclosed Drives



This product is READY TO RUN. You can access any parameters on any drive. PID setting drive copy lets you save all drive parameters in the keypad so you can easily load them back on the drive. You can also see your transducers in PSI units.

Model Number: HE-XE102-86

List Price: \$1,474.00

Operation Settings

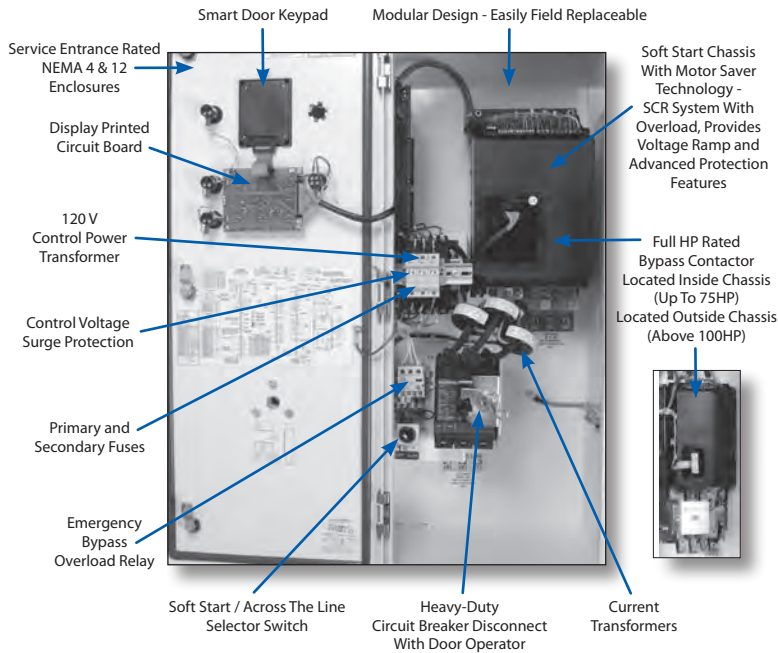
- Multiline multifunctional backlit LCD display
- Extended I/O availability:
 - 12 digital DC inputs
 - 4 analog inputs
 - 6 relay outputs
- Keypad operation:
 - Start / Stop
 - Hand / Auto
 - Forward / Reverse (soft key)
 - 4 function keys for custom operation
- User friendly interface:
 - Plain English programming
 - Parameter menu for intuitive navigation
 - Numeric keypad for direct data input
 - Text based parameter settings
- Detailed trip information:
 - Identifies source of error
 - Detailed current, frequency and DC link voltage at time of trip
 - Time stamped trip history for three most recent trips
- PID scaling and set point limits:
 - Set transducer range in PSI
 - Set limit on PID set point
- User set memory:
 - Save drive settings to the keypad for download at later time
- I/O monitoring:
 - View input and output terminal status, as well as analog voltage and current input, from a single screen
- PID loop
- Speed control potentiometer
- Pump jack application firmware
- 24/7 timer for automatic control
- Dual speed control limit switch input



WORLDWIDE MOTOR CONTROLS

Soft Starters

WWEHD Heavy Duty Reduced Voltage Soft Starters With Full Rated Wired Emergency Bypass



Product Overview

- Three wire in, three wire out installation
- Service Entrance Rated
- Integral bypass contactors are standard on all sizes
- Over current capacity : 500% for 60 seconds
- Real-time thermal modeling and dynamic thermal register continuously calculates motor operating temperature even when your motor is not running
- Phase loss protection based on current and voltage
- Separate across the line overload protection
- Load loss trip (under current) with trip delay
- Pre-start checks for shorted load prior to each start
- Two programmable overload trip curves allow for the thermal capacity required to start the load while providing more closely matched overload protection during the run time
- PTC thermistor input for use on motors with embedded PTC temperature sensors
- Current imbalance trip and biasing of the thermal register
- Electronic shear pin trip (overcurrent) with trip delay
- Equipment ground fault trip and monitoring
- Load loss trip (under current) with trip delay

Product Specifications

NEMA 4 / 12 Enclosure					
HP		Model Number	List Price	Max FLA	Dimensions (Inches) H x W x D
230 V	460 V				
15	25	WWEBCDSSRV12-25	\$7,788.00	48	37 x 15 x 12
15	30	WWEBCDSSRV12-30	\$7,971.00	62	37 x 15 x 12
20	40	WWEBCDSSRV12-40	\$8,000.00	78	37 x 15 x 12
25	50	WWEBCDSSRV12-50	\$8,250.00	96	37 x 15 x 12
30	60	WWEBCDSSRV12-60	\$11,021.00	112	37 x 15 x 12
40	75	WWEBCDSSRV12-75	\$11,163.00	112	37 x 15 x 12
50	100	WWEBCDSSRV12-100	\$13,400.00	160	48 x 33 x 16
60	125	WWEBCDSSRV12-125	\$14,046.00	210	48 x 33 x 16
75	150	WWEBCDSSRV12-150	\$16,665.00	210	48 x 33 x 16
100	200	WWEBCDSSRV12-200	\$18,954.00	361	48 x 33 x 16
125	250	WWEBCDSSRV12-250	\$20,913.00	450	48 x 33 x 16
150	300	WWEBCDSSRV12-300	\$22,363.00	450	48 x 33 x 16
200	400	WWEBCDSSRV12-400	\$29,421.00	550	48 x 33 x 16
250	500	WWEBCDSSRV12-500	\$39,913.00	600	48 x 33 x 16
300	600	WWEBCDSSRV12-600	\$40,829.00	900	92 x 36 x 30

Power Components

- 6 SCRs in inverse parallel pairs for full phase angle soft start control
- 1600V PIV rating on all units
- RC snubber for dv/dt protection of each SCR pair

Line Voltage Range

- 200 to 480 VAC, 3 phase ± 10%-15%, 50/60 Hz

Current Ratings

- 18 to 1000A depending on unit selection
- Range of each unit is 50-100% of maximum

Start/Stop Control Choices

- 2-wire START/STOP using dry contacts
- Normally open interlock input (dry contact) for remote devices

Ramp Control Choices (4 built-in)

- Voltage Ramp
- Voltage Ramp with Current Limit
- CLT[®] Closed Loop Torque ramp (current ramp)
- Current Step (current limit only)

Ramping

- Ramp times adjustable 1-120 seconds
- Current limit adjustable 200-600% of FLA

Kick Start

- 10-100% starting torque for 0.1-2 seconds



WORLDWIDE MOTOR CONTROLS

Soft Starters

*WWE Heavy Duty Non-Combination
Reduced Voltage Soft Starters*



Product Overview

- With motor-saver technology
- Same NEMA 4/12 enclosure as combination unit
- Service Entrance Rated
- Auto-synchronization
- Heavy duty full voltage rated integral bypass
- 120 Volt controls power transformer
- Programmable electronic overload
- Two pre-punched holes for optional controls
- White powder coated finish

NEMA 4/12 Enclosure - No Circuit Breaker					
HP		Model Number	List Price	Max FLA	Dimensions (Inches) H x W x D
230 V	460 V				
10	25	WWE02534N1	\$4,280.00	40	24 x 16 x 8
20	40	WWE04034N1	\$5,533.00	55	24 x 16 x 8
25	50	WWE05034N1	\$5,692.00	68	24 x 16 x 8
40	75	WWE07534N1	\$7,388.00	80	36 x 24 x 8
50	100	WWE10034N1	\$8,304.00	125	48 x 24 x 12
60	125	WWE12534N1	\$9,750.00	156	48 x 24 x 12
75	150	WWE15034N1	\$10,128.00	220	48 x 24 x 12
100	200	WWE20034N1	\$11,460.00	248	48 x 24 x 12
125	250	WWE25034N1	\$11,932.00	400	60 x 24 x 12
150	300	WWE30034N1	\$12,403.00	425	60 x 24 x 12
200	400	WWE40034N1	\$16,608.00	480	60 x 24 x 12

SOFT STARTERS



WORLDWIDE MOTOR CONTROLS

Soft Starters

WWEPPB Heavy Duty Deep Well Soft Starters With Full Rated Wired Emergency Bypass



Product Overview

- Three wire in, three wire out installation
- NEMA 4/12 enclosure
- Service Entrance Rated
- Superior motor protection via "Retentive Thermal Modelling"
- 230/460 Volt - 3-phase - 50/60hz
- Advanced motor protection
- Auto-synchronization
- Circuit breaker with door mounted lockable operator handle
- Integral full rated bypass contactor
- "Smart Door" accepts input from Murphy Switches
- Across the line selector switch mounted inside the enclosure
- 120 Volt control power transformer
- Current rated 500% for 60 seconds
- Door mounted keypad & pilot devices
- Pump ramp down feature
- External/fault indicators with lights:
 - Green run light
 - Amber low crankcase oil level
 - Amber low pressure oil level
 - Amber vibration trip
 - Amber high pressure
 - Spare

NEMA 4/12 Enclosure					
HP		Model Number	List Price	Max FLA	Dimensions (Inches) H x W x D
230 V	460 V				
10	20	WWEPPBSSRV12-20	\$8,252.00	28	37 x 15 x 12
---	25	WWEPPBSSRV12-25	\$8,723.00	39	37 x 15 x 12
15	30	WWEPPBSSRV12-30	\$8,845.00	48	37 x 15 x 12
20	40	WWEPPBSSRV12-40	\$8,971.00	62	37 x 15 x 12
25	50	WWEPPBSSRV12-50	\$9,361.00	78	37 x 15 x 12
30	60	WWEPPBSSRV12-60	\$10,332.00	92	37 x 15 x 12
40	75	WWEPPBSSRV12-75	\$12,745.00	112	37 x 15 x 12
50	100	WWEPPBSSRV12-100	\$14,588.00	130	48 x 33 x 16
60	125	WWEPPBSSRV12-125	\$15,472.00	160	48 x 33 x 16
75	150	WWEPPBSSRV12-150	\$17,231.00	210	48 x 33 x 16
100	200	WWEPPBSSRV12-200	\$18,761.00	275	48 x 33 x 16
150	300	WWEPPBSSRV12-300	\$22,560.00	400	48 x 33 x 16
200	400	WWEPPBSSRV12-400	\$29,422.00	550	92 x 36 x 30

SOFT STARTERS



WORLDWIDE MOTOR CONTROLS

Soft Starters

wwEPIC General Purpose Solid State Soft Starters



Simple Operation

*The Most Cost Effective
Combination
Soft Starter
In The Industry!*

Product Overview

- Simple operation / easy to use
- NEMA 3R enclosure
- Advanced motor protection
- Circuit breaker and door operator disconnect (fused disconnect on 20 and 25 HP)
- Overload rated 500% for 60 seconds
- Service entrance rating available
- Loss of load detection
- Three wire in, three wire out installation
- Soft stop feature eliminates water hammer
- HAND/OFF/AUTO selector switch
- Full three leg power starter for smoother starting
- Integral run rated bypass contactor
- Run pilot light
- Emergency stop pushbutton
- Illuminated fault/reset pushbutton
- Remote keypad kit available

An integral bypass contactor is standard on all sizes and provides maximum use of panel space while maintaining a reputation for being able to soft start almost any load. The wwEPIC soft starter is a fully integrated, compact, world-class designed soft starter that offers uncompromised power and control capabilities.

NEMA 3R Enclosure					
HP		Model Number	List Price	Max FLA	Dimensions (Inches) H x W x D
230 V	460 V				
10	20	wwEPICSSRV12-20	\$6,805.56	28	37 x 15 x 12
—	25	wwEPICSSRV12-25	\$6,944.44	39	37 x 15 x 12
15	30	wwEPICSSRV12-30	\$7,138.89	48	37 x 15 x 12
20	40	wwEPICSSRV12-40	\$7,444.44	62	37 x 15 x 12
25	50	wwEPICSSRV12-50	\$7,583.33	78	37 x 15 x 12
30	60	wwEPICSSRV12-60	\$9,138.89	92	37 x 15 x 12
—	75	wwEPICSSRV12-75	\$9,527.78	112	37 x 15 x 12
50	100	wwEPICSSRV12-100	\$10,861.11	150	37 x 15 x 12
60	125	wwEPICSSRV12-125	\$11,466.67	160	37 x 15 x 12
75	150	wwEPICSSRV12-150	\$12,000.00	210	48 x 33 x 16
100	200	wwEPICSSRV12-200	\$14,027.78	275	48 x 33 x 16
125	250	wwEPICSSRV12-250	\$15,027.78	361	48 x 33 x 16
150	300	wwEPICSSRV12-300	\$18,694.44	361	48 x 33 x 16
200	400	wwEPICSSRV12-400	\$26,361.11	550	48 x 33 x 16
250	500	wwEPICSSRV12-500	\$36,472.22	600	48 x 33 x 16
300	600	wwEPICSSRV12-600	\$37,583.33	862	92 x 36 x 30

SOFT STARTERS



WORLDWIDE MOTOR CONTROLS

Soft Starters

Soft Start Starters For High-Feature Applications



3RW4427-1BC44

3RW4436-6BC44

3RW4447-6BC44

Product Overview

- Soft starting and smooth ramp-down
- Stepless starting
- Reduction of current peaks
- Reduced load on the power supply network
- Reduction of the mechanical load in the operating mechanism
- Avoidance of mains voltage fluctuations during starting
- Considerable space savings and reduced wiring compared with conventional starters
- Maintenance-free switching
- Performance range:
 - Up to 900HP (at 460 Volt) in inline circuit
 - Up to 1600HP (at 460 Volt) in inside-delta circuit
- For heavy duty applications please contact our sales office

Rated Operational Current	HP			Model Number	List Price
	200 Volt	230 Volt	460 Volt		
Inline Circuits (2) Rated Operational Voltage 200-460 Volt					
26	7.5	7.5	15	3RW4422-□BC□4	PLEASE CALL FOR PRICING
32	10	10	20	3RW4423-□BC□4	
42	10	15	25	3RW4424-□BC□4	
51	15	15	30	3RW4425-□BC□4	
68	20	20	50	3RW4426-□BC□4	
82	25	25	60	3RW4427-□BC□4	
Supplement number for connection types - With spring-type terminals - With screw terminals				3 1	PLEASE CALL FOR PRICING
Supplement number for the rated controls supply voltage - 115 Volt AC - 230 Volt AC				3 4	
100	30	30	75	3RW4434-□BC□4	PLEASE CALL FOR PRICING
117	30	40	75	3RW4435-□BC□4	
145	40	50	100	3RW4436-□BC□4	
180	50	60	125	3RW4443-□BC□4	
215	60	75	150	3RW4444-□BC□4	
280	75	100	200	3RW4445-□BC□4	
315	100	125	250	3RW4446-□BC□4	
385	125	150	300	3RW4447-□BC□4	
494	150	200	400	3RW4453-□BC□4	
551	150	200	450	3RW4454-□BC□4	
615	200	250	500	3RW4455-□BC□4	
693	200	250	550	3RW4456-□BC□4	
780	250	300	600	3RW4457-□BC□4	
850	300	250	700	3RW4458-□BC□4	
970	350	400	800	3RW4465-□BC□4	
1076	350	400	900	3RW4466-□BC□4	
Supplement number for connection types - With spring-type terminals - With screw terminals				2 6	PLEASE CALL FOR PRICING
Supplement number for the rated controls supply voltage (1) - 115 Volt AC - 230 Volt AC				3 4	

In addition to soft starting and soft ramp-down, the solid state 3RW44 soft starters provide numerous function for higher-level requirements. The new torque control and adjustable current limiting enable the high-feature soft starters to be used in nearly every application. They guarantee the reliable avoidance of sudden torque applications and current peaks during motor starting and stopping. This creates savings potential when calculating the size of the switchgear and when servicing the machinery installed.

The bypass contacts already integrated in the soft starter bypass the thyristors after a motor ramp-up is detected. This results in a further reduction in the heat loss occurring during operation of the soft starter.

Combinations of various starting operating and ramp-down possibilities ensure an optimum adaptation to the application specific requirements.



3RW4458-6BC44

3RW4466-6BC44

(1) Control by way of the internal 24 volt DC supply and direct control by means of PLC possible
 (2) For inside delta selection contact sales office



WORLDWIDE MOTOR CONTROLS

Soft Starters

Medium Voltage Soft Starters ▪ MVC Plus Series
Complete Soft Starter ▪ Class E-2 Controller



Product Overview

- Advanced motor protection relay and ramp features, programmable via the keypad or a laptop computer
- Fiber optically isolated low voltage compartment with up to 110 kV BIL rating for safety and reliability
- Built-in 120 V control power transformer*; voltage and current metering
- Load-break / fault-make rated disconnect switch with door safety interlocking*
- Visible grounding bar for safe operation
- Coordinated motor fuses with blown fuse indicators
- Line isolation vacuum contactor*
- Fully rated bypass contactor for increased thermal capacity and optional across-the-line starting
- Heavy duty SCR stack assemblies with ring transformer isolation for reliable SCR gate firing
- RTD option accepts up to 12 RTD inputs
- Zero sequence ground fault protection option
- Top entry, bottom exit with room for stress cones
- Removable entry plates for easy connections
- NEMA 12 gasketed enclosure (NEMA 3R optional)

* "Soft Start Only" model available for retrofit application.
Does not include disconnect switch, line isolation contactor or CPT.
Customer supplied line start panel required.

Non-Stock Product (6-8 Week Lead Time)

Nominal Voltage	Max. Amps	Nominal HP	Nominal kW	Model Number	List Price	Dimensions (Inches) H x W x D
2300	100	350	261	MVC4-23100-E-SWG	\$86,253.00	92.5 x 36 x 30
	200	700	522	MVC4-23200-E-SWG	\$91,182.00	92.5 x 36 x 30
	400	1400	1044	MVC4-23400-E-SWG	\$94,879.00	92.5 x 36 x 30
	630	2200	1300	MVC4-23600-E-SWG	\$160,185.00	92.5 x 72 x 30
	800	2800	1600	MVC4-23800-E-SWG	Consult WWE	92.5 x 72 x 30
4160	100	600	448	MVC4-41100-E-SWG	\$99,345.00	92.5 x 36 x 30
	200	1250	933	MVC4-41200-E-SWG	\$109,973.00	92.5 x 36 x 30
	400	2500	1865	MVC4-41400-E-SWG	\$121,525.00	92.5 x 36 x 30
	630	4000	2984	MVC4-41600-E-SWG	\$237,967.00	95 x 84 x 44
	800	5000	3730	MVC4-41800-E-SWG	Consult WWE	95 x 84 x 44
	1000	6350	4737	MVC4-411000-E-SWG	Consult WWE	95 x 84 x 80

Stock Product (Includes GF, RTD Monitor, Space Heater and Line Fuses *)

Nominal Voltage	Max. Amps	Nominal HP	Nominal kW	Model Number	List Price	Dimensions (Inches) H x W x D
2300 / 4160	400	1400 / 2500	1044 / 1865	MVC3-41400-ESWG-D	\$130,818.00	92.5 x 36 x 30

NOTES:

- Motor current and service factor must be supplied on order for fuse and CT selection
- Max. HP / kW estimate assumes motor power factory equals .8 or better, motor efficiency is .95 or better and service factor is equal to 1.15
- Planned cable entry / exit must be verified at time of order
- Consult WWE is UL347 labeling is required

* Exact fuse size must be selected based on motor FLA and voltage



WORLDWIDE MOTOR CONTROLS

Across-Line Motor Starters

Definite Purpose Motor Starters



Field Modification Kits			
Description	Box Size	Model Number	List Price
Start/Stop Pushbutton Kit (Double Headed Style)	A	WWS-SS-A	\$76.50
Start/Stop Pushbutton Kit (Double Headed Style)	B	WWS-SS-B	\$85.00
Start/Stop Pushbutton Kit (Double Headed Style)	C	WWS-SS-C	\$85.00
H-O-A Switch Kit (3 Position)	A	WWS-HOA-A	\$90.00
H-O-A Switch Kit (3 Position)	B	WWS-HOA-B	\$90.00
H-O-A Switch Kit (3 Position)	C	WWS-HOA-C	\$90.00
Reset Pushbutton Kit	A	WWS-RS-A	\$40.00
Reset Pushbutton Kit	B, C	WWS-RS-BC	\$40.00

HP Rating	Main Voltage	Overload Current Setting	Motor FLA	Auxiliary Contacts	NEMA Size	Dimensions (Inches) H x W x D	Box Size	With Main Voltage Coil *		With 120 Volt Coil *	
								Model Number	List Price	Model Number	List Price
Three-Phase - 230 Volt											
1	230	4-6	4.2	1NO+1NC	00	10 x 6 x 4.63	A	WWS1-230	\$187.65	WWS1-230-120C	\$187.65
1.5	230	5-8	6	1NO+1NC	00	10 x 6 x 4.63	A	WWS 1.5-230	\$187.65	WWS1.5-230-120C	\$187.65
2	230	6-9	6.8	1NO+1NC	00	10 x 6 x 4.63	A	WWS 2-230	\$187.65	WWS2-230-120C	\$187.65
3	230	7-10	9.6	1NO+1NC	00	10 x 6 x 4.63	A	WWS 3-230	\$195.00	WWS3-230-120C	\$195.00
5	230	12-18	15.2	1NO+1NC	00	10 x 6 x 4.63	A	WWS 5-230	\$195.00	WWS5-230-120C	\$195.00
7 ½	230	18-25	22	1NO+1NC	0	10 x 6 x 4.63	A	WWS 7.5-230	\$230.05	WWS7.5-230-120C	\$230.05
10	230	22-32	28	1NO+1NC	1	10 x 6 x 4.63	A	WWS 10-230	\$245.00	WWS10-230-120C	\$245.00
15	230	34-50	42	2NO+2NC	2	13.25 x 7.38 x 6.13	B	WWS 15-230	\$370.00	WWS15-230-120C	\$370.00
20	230	45-65	54	2NO+2NC	2	13.25 x 7.38 x 6.13	B	WWS 20-230	\$390.00	WWS20-230-120C	\$390.00
25	230	54-75	68	2NO+2NC	2	20.25 x 8.75 x 7.31	C	WWS 25-230	\$730.26	WWS25-230-120C	\$730.26
30	230	70-95	80	2NO+2NC	2	20.25 x 8.75 x 7.31	C	WWS 30-230	\$755.32	WWS30-230-120C	\$755.32
40	230	95-130	104	2NO+2NC	3	20.25 x 8.75 x 7.31	C	WWS40-230	\$1,051.40	WWS40-230-120C	\$1,051.40
50	230	110-150	130	2NO+2NC	4	20.25 x 8.75 x 7.31	C	WWS50-230	\$2,263.95	WWS50-230-120C	\$2,263.95
Three-Phase - 480 Volt											
1	480	1.6-2.5	2.1	1NO+1NC	00	10 x 6 x 4.63	A	WWS1-480	\$187.65	WWS1-480-120C	\$187.65
2	480	2.5-4	3.4	1NO+1NC	00	10 x 6 x 4.63	A	WWS2-480	\$187.65	WWS2-480-120C	\$187.65
3	480	4-6	4.8	1NO+1NC	00	10 x 6 x 4.63	A	WWS3-480	\$187.65	WWS3-480-120C	\$187.65
5	480	6-9	7.6	1NO+1NC	00	10 x 6 x 4.63	A	WWS5-480	\$195.00	WWS5-480-120C	\$195.00
7 ½	480	9-13	11	1NO+1NC	00	10 x 6 x 4.63	A	WWS7.5-480	\$195.00	WWS7.5-480-120C	\$195.00
10	480	12-18	14	1NO+1NC	0	10 x 6 x 4.63	A	WWS10-480	\$230.05	WWS10-480-120C	\$230.05
15	480	18-25	21	1NO+1NC	1	10 x 6 x 4.63	A	WWS15-480	\$230.05	WWS15-480-120C	\$230.05
20	480	22-32	27	2NO+2NC	1	10 x 6 x 4.63	A	WWS20-480	\$312.60	WWS20-480-120C	\$312.60
25	480	28-40	34	2NO+2NC	1	10 x 6 x 4.63	A	WWS25-480	\$338.80	WWS25-480-120C	\$338.80
30	480	34-50	40	2NO+2NC	2	13.25 x 7.38 x 6.13	B	WWS30-480	\$390.00	WWS30-480-120C	\$390.00
40	480	45-65	52	2NO+2NC	2	13.25 x 7.38 x 6.13	B	WWS40-480	\$699.86	WWS40-480-120C	\$699.86
50	480	54-75	65	2NO+2NC	2	20.25 x 8.75 x 7.31	C	WWS50-480	\$730.26	WWS50-480-120C	\$730.26
60	480	63-85	77	2NO+2NC	3	20.25 x 8.75 x 7.31	C	WWS60-480	\$858.27	WWS60-480-120C	\$858.27
75	480	80-100	96	2NO+2NC	3	20.25 x 8.75 x 7.31	C	WWS75-480	\$1,327.34	WWS75-480-120C	\$1,327.34
100	480	110-150	124	2NO+2NC	4	20.25 x 8.75 x 7.31	C	WWS100-480	\$2,263.95	WWS100-480-120C	\$2,263.95
Single-Phase - 230 Volt											
½	230	4-6	4.9	1NO+1NC	00	10 x 6 x 4.63	A	WWS0.5-2301P	\$180.00	WWS0.5-2301P-120C	\$180.00
¾	230	5-8	6.9	1NO+1NC	00	10 x 6 x 4.63	A	WWS0.75-2301P	\$180.00	WWS0.75-2301P-120C	\$180.00
1	230	6-9	8	1NO+1NC	00	10 x 6 x 4.63	A	WWS1-2301P	\$180.00	WWS1-2301P-120C	\$180.00
1.5	230	9-13	10	1NO+1NC	00	10 x 6 x 4.63	A	WWS1.5-2301P	\$180.00	WWS1.5-2301P-120C	\$180.00
2	230	9-13	12	1NO+1NC	00	10 x 6 x 4.63	A	WWS2-2301P	\$185.00	WWS2-2301P-120C	\$185.00
3	230	12-18	17	1NO+1NC	00	10 x 6 x 4.63	A	WWS3-2301P	\$210.00	WWS3-2301P-120C	\$210.00
5	230	22-32	28	2NO+2NC	00	10 x 6 x 4.63	A	WWS5-2301P	\$255.00	WWS5-2301P-120C	\$255.00
7 ½	230	34-50	40	2NO+2NC	0	10 x 6 x 4.63	B	WWS7.5-2301P	\$340.00	WWS7.5-2301P-120C	\$340.00
10	230	45-65	50	2NO+2NC	1	13.25 x 7.38 x 6.13	B	WWS10-2301P	\$340.00	WWS10-2301P-120C	\$340.00

* 24 Volt coil available for all ratings

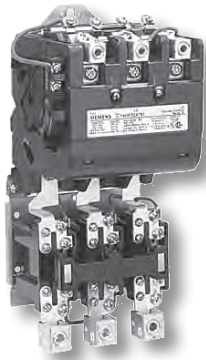


WORLDWIDE MOTOR CONTROLS

Across-Line Motor Starters

Heavy Duty Motor Starters

With Ambient Compensated Bimetal Overload



14HP32A*81

Product Overview

- Ambient compensated bimetal overload protection
- Rugged industrial design
- Half sizes for cost & space savings
- Dual voltage, dual frequency coils
- Large silver cadmium contacts
- Wide range of accessories
- Easy coil access
- Overload test feature
- Gravity dropout

Applications

Heavy Duty Motor Starters are designed for across the line starting of single phase and polyphase motors. These controls are available in NEMA size 00 through 4.

All starters are supplied with a normally open holding interlock that in conjunction with an appropriate pilot device will provide low voltage protection or release.

HP				NEMA Size	Contactor Amp Rating	Enclosure					
200 V	230 V	460 V	575 V			Open		NEMA 1		NEMA 12 NEMA 3/3R	
						Model Number	List Price	Model Number	List Price	Model Number	List Price
Open Type & Standard Width Enclosure - Three-Phase - 3-Pole											
1 ½	1 ½	2	2	00	9	14BP32A*81	\$483.02	14BP32B*81	\$478.88	Use size 0	---
3	3	5	5	0	18	14CP32A*81	\$587.64	14CP32B*81	\$593.54	14CP320*81	\$792.86
7 ½	7 ½	10	10	1	27	14DP32A*81	\$698.04	14DP32B*81	\$681.02	14DP320*81	\$876.03
10	10	15	15	1 ¾	40	14EP32A*81	\$938.81	14EP32B*81	\$916.13	14EP320*81	\$1,111.14
10	15	25	25	2	45	14FP32A*81	\$1,235.52	14FP32B*81	\$1,334.81	14FP320*81	\$1,587.15
15	20	30	30	2 ½	60	14GP32A*81	\$1,552.29	14GP32B*81	\$1,763.49	14GP320*81	\$2,153.46
25	30	50	50	3	90	14HP32A*81	\$1,977.98	14HP32B*81	\$2,223.71	14HP320*81	\$2,653.83
30	40	75	75	3 ½	115	14IP32A*81	\$3,723.75	14IP32B*81	\$4,324.11	14IP320*81	\$5,726.30
40	50	100	100	4	135	14JG32A*81	\$4,390.26	14JG32B*81	\$5,023.79	14JG320*81	\$6,437.42

HP		NEMA Size	Contactor Amp Rating	Enclosure					
115 V	208/230 V			Open		NEMA 1		NEMA 12 NEMA 3/3R	
				Model Number	List Price	Model Number	List Price	Model Number	List Price
Open Type & Standard Width Enclosure - Single Phase - 2-Pole									
½	1	00	9	14BP12A*81	\$407.07	14BP12B*81	\$420.07	Use size 0	---
1	2	0	18	14CP12A*81	\$527.48	14CP12B*81	\$536.21	14CP120*81	\$735.48
2	3	1	27	14DP12A*81	\$612.04	14DP12B*81	\$620.82	14DP120*81	\$817.22
3	5	1P	35	14EP12A*81	\$808.40	14EP12B*81	\$792.86	14EP120*81	\$990.69
3	7 ½	2	45	14FP12A*81	\$1,122.29	14FP12B*81	\$1,151.29	14FP120*81	\$1,588.58
5	10	2 ½	60	14GP12A*81	\$1,461.98	14GP12B*81	\$1,660.27	14GP120*81	\$2,064.55

Continued On Next Page

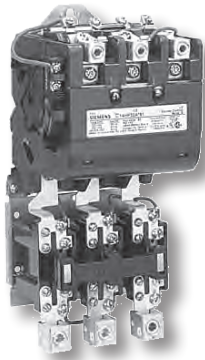


WORLDWIDE MOTOR CONTROLS

Across-Line Motor Starters

Heavy Duty Motor Starters

With Ambient Compensated Bimetal Overload



14HP32A*81

Coil Table *	
60 Hz Voltage	Letter
24 Separate Control	J
120 Separate Control	F
110-120/220-240	A
200-208	D
220-240	G
277	L
220-240/440-480	C
440-480	H
550-600	E

Field Modification Kits / Auxiliary Contact Kits				
Class	Size	Type	Model Number	List Price
14, 17, 18, 22, 25, 26, 30, 32, 36, 37, 40, 43, 83, 84, 87, 88	00-4	1 NO	49AB10	\$126.26
		1 NC	49AB01	\$126.26
		1 NC Early Break	49AB01EB	\$233.64
		1 NC Late Break	49AB01LB	\$233.64
		1 NC Extra Late Break	49AB01XLB	\$237.01
		1 NO Extra Late Make	49AB10XLM	\$237.01
		1 NO & 1 NC	49AB11	\$252.53
		2 NO	49AB20	\$252.53
		2 NO & 2 NC	49AB22	\$501.40
		3 NO & 1 NC	49AB31	\$501.40
4 NO	49AB40	\$501.40		

HP				NEMA Size	Contactor Amp Rating	Enclosure					
200 V	230 V	460 V	575 V			NEMA 4/4X Stainless Steel		NEMA 4X Fiberglass		NEMA 7 & 9 NEMA 3 & 4	
						Model Number	List Price	Model Number	List Price	Model Number	List Price
Open Type & Standard Width Enclosure - Three-Phase - 3-Pole											
1 ½	1 ½	2	2	00	9	Use size 0	---	Use size 0	---	Use size 0	---
3	3	5	5	0	18	14CP32W*81	\$1,172.78	14CP32F*81	\$1,287.48	14CP32H*81	\$2,692.91
7 ½	7 ½	10	10	1	27	14DP32W*81	\$1,268.86	14DP32F*81	\$1,395.01	14DP32H*81	\$2,776.54
10	10	15	15	1 ¾	40	14EP32W*81	\$1,503.98	14EP32F*81	\$1,653.09	14EP32H*81	\$3,023.15
10	15	25	25	2	45	14FP32W*81	\$2,358.47	14FP32F*81	\$2,593.63	14FP32H*81	\$3,836.69
15	20	30	30	2 ½	60	14GP32W*81	\$3,185.74	14GP32F*81	\$3,498.28	14GP32H*81	\$4,799.06
25	30	50	50	3	90	14HP32W*81	\$3,904.04	14HP32F*81	\$4,295.44	14HP32H*81	\$6,913.70
30	40	75	75	3 ½	115	14IP32W*81	\$7,161.46	14IP32F*81	\$7,935.70	14IP32H*81	\$8,628.66
40	50	100	100	4	135	14JG32W*81	\$7,889.80	14JG32F*81	\$8,674.05	14JG32H*81	\$9,293.39

HP		NEMA Size	Contactor Amp Rating	Enclosure					
115 V	208/230 V			NEMA 4/4X Stainless Steel		NEMA 4X Fiberglass		NEMA 7 & 9 NEMA 3 & 4	
				Model Number	List Price	Model Number	List Price	Model Number	List Price
Open Type & Standard Width Enclosure - Single Phase - 2-Pole									
½	1	00	9	Use size 0	---	Use size 0	---	Use size 0	---
1	2	0	18	14CP12W*81	\$1,116.88	14CP12F*81	\$1,224.41	14CP12H*81	\$2,631.97
2	3	1	27	14DP12W*81	\$1,211.49	14DP12F*81	\$1,331.94	14DP12H*81	\$2,717.01
3	5	1P	35	14EP12W*81	\$1,382.09	14EP12F*81	\$1,518.33	14EP12H*81	\$2,899.84
3	7 ½	2	45	14FP12W*81	\$2,255.25	14FP12F*81	\$2,607.94	14FP12H*81	\$3,755.94
5	10	2 ½	60	14GP12W*81	\$3,072.47	14GP12F*81	\$3,409.41	14GP12H*81	\$4,706.93

WORLDWIDE MOTOR CONTROLS

Across-Line Motor Starters

Heavy Duty Motor Starter

With ESP200 Solid State Overload



14CUD32A*

Product Overview

- True phase loss protection - trips within 3 seconds
- Phase unbalanced prevents motor running inefficiently
- Ground fault trip when selected
- Selectable trip class: 5, 10, 20 or 30
- Reset trip can be selected auto/manual reset
- Overload is self powered. No need for external power source.
- Dual voltage, dual frequency coils
- Easy to select and use DIP Switch Selectable
- Rugged industrial design
- Half sizes for cost and space savings
- Wide range of accessories
- Easy coil access
- Overload test feature
- Straight through wiring
- Gravity dropout
- Large silver cadmium contacts
- UL Listed and CSA Certified

HP				NEMA Size	Overload Amp Range	Enclosure					
200 V	230 V	460 V	575 V			Open		NEMA 1		NEMA 12 NEMA 3/3R	
						Model Number	List Price	Model Number	List Price	Model Number	List Price
1/8	1/8	1/8	1/2	00	0.25-1	14BUA32A*	\$542.83	14BUA32B*	\$556.27	Use Size 0	---
1/2	3/4	1 1/2	2	00	0.75-3.4	14BUB32A*	\$542.83	14BUB32B*	\$556.27	Use Size 0	---
1 1/2	1 1/2	2	—	00	3-12	14BUC32A*	\$558.97	14BUC32B*	\$556.27	Use Size 0	---
1/8	1/8	1/8	1/2	0	0.25-1	14CUA32A*	\$632.01	14CUA32B*	\$666.67	14CUA320*	\$867.41
1/2	3/4	1 1/2	2	0	0.75-3.4	14CUB32A*	\$632.01	14CUB32B*	\$666.67	14CUB320*	\$867.41
2	2	5	5	0	3-12	14CUC32A*	\$628.94	14CUC32B*	\$666.67	14CUC320*	\$867.41
3	3	—	—	0	5.5-22	14CUD32A*	\$628.94	14CUD32B*	\$666.67	14CUD320*	\$867.41
1/8	1/8	1/8	1/2	1	0.25-1	14DUA32A*	\$714.34	14DUA32B*	\$752.71	14DUA320*	\$950.54
1/2	3/4	1 1/2	2	1	0.75-3.4	14DUB32A*	\$714.34	14DUB32B*	\$752.71	14DUB320*	\$950.54
2	2	5	5	1	3-12	14DUC32A*	\$714.34	14DUC32B*	\$752.71	14DUC320*	\$950.54
3	3	10	10	1	5.5-22	14DUD32A*	\$714.34	14DUD32B*	\$752.71	14DUD320*	\$950.54
7 1/2	7 1/2	—	—	1	10-40	14DUE32A*	\$714.34	14DUE32B*	\$752.71	14DUE320*	\$950.54
10	10	15	15	1 3/4	10-40	14EUE32A*	\$969.49	14EUE32B*	\$997.87	14EUE320*	\$1,197.18
10	15	25	25	2	13-52	14FUF32A*	\$1,239.26	14FUF32B*	\$1,412.24	14FUF320*	\$1,770.67
15	20	30	30	2 1/2	25-100	14GUG32A*	\$1,614.42	14GUG32B*	\$1,855.23	14GUG320*	\$2,249.51
25	30	50	50	3	25-100	14HUG32A*	\$1,977.03	14HUG32B*	\$2,299.70	14HUG320*	\$2,728.39
30	40	75	75	3 1/2	50-200	14IUH32A*	\$3,723.75	14IUH32B*	\$4,438.81	14IUH320*	\$5,855.36
40	50	100	100	4	50-200	14JUH32A*	\$4,210.42	14JUH32B*	\$5,098.34	14JUH320*	\$6,509.10
75	100	200	200	5	55-250	14LPU32A*	\$10,241.91	14LPU32B*	\$12,716.19	14LPU320*	\$16,576.16
150	200	400	400	6	160-630	14MPX32A*	\$25,230.97	14MPX32B*	\$35,680.31	14MPX320*	\$40,418.11
—	300	600	600	7	400-1220	14NUN32A*	\$37,049.13	14NUN32B*	---	14NUN320*	---
—	450	900	900	8	400-1220	14PUN32A*	\$50,363.89	14PUN32B*	---	14PUN320*	---

Continued On Next Page



WORLDWIDE MOTOR CONTROLS

Across-Line Motor Starters

Heavy Duty Motor Starters

With ESP200 Solid State Overload



14CUD32A*

Coil Table *	
60 Hz Voltage	Letter
24 Separate Control	J
120 Separate Control	F
110-120/220-240	A
200-208	D
220-240	G
277	L
220-240/440-480	C
440-480	H
550-600	E

Field Modification Kits / Auxiliary Contact Kits				
Class	Size	Type	Model Number	List Price
14, 17, 18, 22, 25, 26, 30, 32, 36, 37, 40, 43, 83, 84, 87, 88	00-4	1 NO	49AB10	\$126.26
		1 NC	49AB01	\$126.26
		1 NC Early Break	49AB01EB	\$233.64
		1 NC Late Break	49AB01LB	\$233.64
		1 NC Extra Late Break	49AB01XLB	\$237.01
		1 NO Extra Late Make	49AB10XLM	\$237.01
		1 NO & 1 NC	49AB11	\$252.53
		2 NO	49AB20	\$252.53
		2 NO & 2 NC	49AB22	\$501.40
		3 NO & 1 NC	49AB31	\$501.40
4 NO	49AB40	\$501.40		

HP				NEMA Size	Overload Amp Range	Enclosure					
						NEMA 4/4X Stainless Steel		NEMA 4X Fiberglass		NEMA 7 & 9 NEMA 3 & 4	
200 V	230 V	460 V	575 V			Model Number	List Price	Model Number	List Price	Model Number	List Price
1/8	1/8	1/4	1/2	00	0.25-1	Use Size 0	---	Use Size 0	---	Use Size 0	---
1/4	3/8	1 1/2	2	00	0.75-3.4	Use Size 0	---	Use Size 0	---	Use Size 0	---
1 1/2	1 1/2	2	---	00	3-12	Use Size 0	---	Use Size 0	---	Use Size 0	---
1/8	1/8	1/4	1/2	0	0.25-1	14CUA32W*	\$1,248.77	14CUA32F*	\$1,372.09	14CUA32H*	\$2,789.29
1/4	3/8	1 1/2	2	0	0.75-3.4	14CUB32W*	\$1,248.77	14CUB32F*	\$1,372.09	14CUB32H*	\$2,789.29
2	2	5	5	0	3-12	14CUC32W*	\$1,248.77	14CUC32F*	\$1,372.09	14CUC32H*	\$2,789.29
3	3	---	---	0	5.5-22	14CUD32W*	\$1,248.77	14CUD32F*	\$1,372.09	14CUD32H*	\$2,789.29
1/8	1/8	1/4	1/2	1	0.25-1	14DUA32W*	\$1,344.82	14DUA32F*	\$1,479.62	14DUA32H*	\$2,874.33
1/4	3/8	1 1/2	2	1	0.75-3.4	14DUB32W*	\$1,344.82	14DUB32F*	\$1,479.62	14DUB32H*	\$2,874.33
2	2	5	5	1	3-12	14DUC32W*	\$1,344.82	14DUC32F*	\$1,479.62	14DUC32H*	\$2,874.33
3	3	10	10	1	5.5-22	14DUD32W*	\$1,344.82	14DUD32F*	\$1,479.62	14DUD32H*	\$2,874.33
7 1/2	7 1/2	---	---	1	10-40	14DUE32W*	\$1,344.82	14DUE32F*	\$1,479.62	14DUE32H*	\$2,874.33
10	10	15	15	1 3/4	10-40	14EUE32W*	\$1,588.58	14EUE32F*	\$1,749.14	14EUE32H*	\$3,125.20
10	15	25	25	2	13-52	14FUF32W*	\$2,596.50	14FUF32F*	\$2,855.97	14FUF32H*	\$3,948.66
15	20	30	30	2 1/2	25-100	14GUG32W*	\$3,287.52	14GUG32F*	\$3,615.85	14GUG32H*	\$4,916.69
25	30	50	50	3	25-100	14HUG32W*	\$3,980.03	14HUG32F*	\$4,374.30	14HUG32H*	\$7,055.43
30	40	75	75	3 1/2	50-200	14IUH32W*	\$7,301.96	14IUH32F*	\$8,033.18	14IUH32H*	\$8,787.40
40	50	100	100	4	50-200	14JUH32W*	\$7,961.49	14JUH32F*	\$8,757.22	14JUH32H*	\$9,457.80
75	100	200	200	5	55-250	14LPU32E*	\$17,570.21	---	---	14LPU32H*	\$21,907.56
150	200	400	400	6	160-630	14MPX32E*	\$44,377.47	---	---	---	---
---	300	600	600	7	400-1220	14NUN32E*	---	---	---	---	---
---	450	900	900	8	400-1220	14PUN32E*	---	---	---	---	---



WORLDWIDE MOTOR CONTROLS

Across-Line Motor Starters

NEMA Heavy Duty Explosion Proof Starters
With Start/Stop Pushbuttons Installed



Product Overview

- NEMA 7 & 9 / 3 & 4 enclosure
- Heavy duty NEMA starters
- Start/stop button
- Bold pilot legend
- Solid state ESP200 overload relay
- Through door overload reset button
- 230/460 Dual voltage, 50/60 hertz dual frequency coils
- True phase loss protection - trips within three seconds
- Phase unbalanced prevents motor running inefficiently
- Provide improved starter performance
- Ground fault trip when selected
- Selectable trip class - 5, 10, 20 or 30
- Reset trip can be selected auto / manual reset
- Overload is self powered, no need for external power source
- Easy to select and use, dip switch selectable
- Rugged industrial design

HP				NEMA Size	Amp Range	NEMA 7 & 9 / NEMA 3 & 4 Explosion Proof	
200 Volts	230 Volts	460 Volts	575 Volts			Model Number	List Price
1/6	1/6	1/2	1/2	0	0.25-1	14CUA32HCA1	\$2,839.29
1/2	3/4	1 1/2	2	0	0.75-3.4	14CUB32HCA1	\$2,839.29
2	2	5	5	0	3-12	14CUC32HCA1	\$2,839.29
3	3	—	—	0	5.5-22	14CUD32HCA1	\$2,839.29
1/6	1/6	1/2	1/2	1	0.25-1	14DUA32HCA1	\$2,924.33
1/2	3/4	1 1/2	2	1	0.75-3.4	14DUB32HCA1	\$2,924.33
2	2	5	5	1	3-12	14DUC32HCA1	\$2,924.33
3	3	10	10	1	5.5-22	14DUD32HCA1	\$2,924.33
7 1/2	7 1/2	—	—	1	10-40	14DUE32HCA1	\$2,924.33
10	10	15	15	1 3/4	10-40	14EUE32HCA1	\$3,175.20
10	15	25	25	2	13-52	14FUF32HCA1	\$3,998.66
15	20	30	30	2 1/2	25-100	14GUG32HCA1	\$4,966.69
25	30	50	50	3	25-100	14HUG32HCA1	\$7,105.43
30	40	75	75	3 1/2	50-200	14IUH32HCA1	\$8,837.40
40	50	100	100	4	50-200	14JUH32HCA1	\$9,507.80



WORLDWIDE MOTOR CONTROLS

Across-Line Motor Starters

Irrigation Pump Panels



Product Overview

- Heavy duty NEMA starters
- Fully gasketed NEMA 3R rainproof enclosures
- 100 KA interrupting capacity with class R fuses
- Solid state or ambient compensated bi-metal overload relays
- Copper grounding lug for three #6 wires
- Heavy duty disconnect handle
- Bold pilot legend
- Generous accessory space
- CSA certified file #LR6535
- UL listed for outdoor use and service equipment file #E14900

HP				Solid State Overload					Ambient Compensated Overload			
200 Volts	230 Volts	460 Volts	575 Volts	NEMA Size	Amp Range	Breaker Size	Model Number	List Price	Breaker Size	Model Number	List Price	
Fusible Disconnect												
—	—	7.5	10	1	5.5-22	30	IPP1-460-ESP2 **	\$1,284.35	30	IPP1-460	\$1,128.22	
7.5	7.5	—	—	1	10-40	30	IPP1-230-ESP2 **	\$1,265.05	30	IPP1-230	\$1,112.20	
—	—	15	15	1.75	10-40	30	IPP1.75-460-ESP2 **	\$1,509.03	30	IPP1.75-460	\$1,332.45	
10	10	—	—	1.75	10-40	60	IPP1.75-230-ESP2 **	\$1,509.03	60	IPP1.75-230	\$1,332.45	
—	—	25	25	2	13-52	60	IPP2-460-ESP2 **	\$1,732.09	60	IPP2-460	\$1,536.09	
10	15	—	—	2	13-52	60	IPP2-230-ESP2 **	\$1,702.68	60	IPP2-230	\$1,508.61	
—	—	30	30	2.5	13-52	60	IPP2.5-460-ESP2 **	\$2,171.49	60	IPP2.5-460	\$2,132.43	
15	20	—	—	2.5	25-100	60	IPP2.5-230-ESP2 **	\$2,171.49	100	IPP2.5-230	\$2,177.13	
—	—	50	50	3	25-100	100	IPP3-460-ESP2 **	\$2,453.14	100	IPP3-460	\$2,414.85	
20	25	—	—	3	25-100	100	IPP3-230-ESP2 **	\$2,402.08	100	IPP3-230	\$2,363.02	
—	—	75	75	3.5	50-200	200	IPP3.5-460-ESP2 **	\$4,170.95	200	IPP3.5-460	\$4,132.66	
30	40	—	—	3.5	50-200	200	IPP3.5-230-ESP2 **	\$4,137.18	200	IPP3.5-230	\$4,099.62	
—	—	100	100	4	50-200	200	IPP4-460-ESP2 **	\$4,514.24	200	IPP4-460	\$4,475.91	
40	50	—	—	4	50-200	200	IPP4-230-ESP2 **	\$4,478.93	200	IPP4-230	\$4,441.37	
—	—	200	200	5	55-250	400	IPP5-460-ESP2	\$9,811.14	—	—	—	
75	100	—	—	5	55-250	400	IPP5-230-ESP2	\$9,811.14	—	—	—	
Circuit Breaker												
7.5	7.5	10	—	1	10-40	30	IPPCB1-230/460-ESP2	\$1,616.33	—	—	—	
—	—	15	15	1.75	10-40	30	IPPCB1.75-460-ESP2	\$1,809.17	—	—	—	
10	15	25	25	2	13-52	50	IPPCB2-230/460-ESP2	\$2,004.52	—	—	—	
15	20	30	30	2.5	25-100	100	IPPCB2.5-230/460-ESP2	\$2,299.95	—	—	—	
25	30	50	50	3	25-100	100	IPPCB3-230/460-ESP2	\$2,486.95	—	—	—	
30	40	75	75	3.5	50-200	125	IPPCB3.5-230/460-ESP2	\$4,923.58	—	—	—	
40	50	100	100	4	50-200	150	IPPCB4-230/460-ESP2	\$5,266.87	—	—	—	

** Dual voltage 230/460 coil
Size 1-4 will be provided with 230/460 volt coil as a standard



WORLDWIDE MOTOR CONTROLS

Across-Line Motor Starters

Heavy Duty Combination Starters

MCP Type With Solid State Overload ▪ Class 18



Product Overview

- Solid state ESP200 overload relay
- Wide range of enclosure types available
- Flexibility with field modifications
- 100 KA short circuit current rating when protected with class R fuses to 600V
- Industrial type disconnect handle
- Visible blade disconnect
- Easy to install

Coil Table *	
60 Hz Voltage	Letter
24 Separate Control	J
120 Separate Control	F
110-120/220-240	A
200-208	D
220-240	G
277	L
220-240/440-480	C
440-480	H
550-600	E

Field Modification Kits / Auxiliary Contact Kits				
Class	Size	Type	Model Number	List Price
14, 17, 18, 22, 25, 26, 30, 32, 36, 37, 40, 43, 83, 84, 87, 88	00-4	1 NO	49AB10	\$126.26
		1 NC	49AB01	\$126.26
		1 NC Early Break	49AB01EB	\$233.64
		1 NC Late Break	49AB01LB	\$233.64
		1 NC Extra Late Break	49AB01XLB	\$237.01
		1 NO Extra Late Make	49AB10XLM	\$237.01
		1 NO & 1 NC	49AB11	\$252.53
		2 NO	49AB20	\$252.53
		2 NO & 2 NC	49AB22	\$501.40
		3 NO & 1 NC	49AB31	\$501.40
4 NO	49AB40	\$501.40		

HP				NEMA Size	Breaker Size	Amp Range	Frame Size	Enclosure			
200 Volts	230 Volts	460 Volts	575 Volts					NEMA 1		NEMA 12 NEMA 3/3R	
								Model Number	List Price	Model Number	List Price
½	½	1	1	0	3	0.75-3.4	A	18CUB92B*	\$1,785.83	18CUB92N*	\$2,110.63
2	2	5	5	0	10	3-12	A1	18CUC92B*	\$1,785.83	18CUC92N*	\$2,110.63
3	3	—	—	0	25	5.5-22	A1	18CUD92B*	\$1,785.83	18CUD92N*	\$2,110.63
½	½	1	1	1	3	0.75-3.4	A	18DUB92B*	\$1,853.15	18DUB92N*	\$2,179.13
2	2	5	5	1	10	3-12	A1	18DUC92B*	\$1,853.15	18DUC92N*	\$2,179.13
3	3	7 ½	10	1	25	5.5-22	A1	18DUD92B*	\$1,853.15	18DUD92N*	\$2,179.13
7 ½	7 ½	10	—	1	30	10-40	A1	18DUE92B*	\$1,853.15	18DUE92N*	\$2,179.13
—	—	15	15	1.75	40	10-40	A1	18EUE92B*	\$2,055.12	18EUE92N*	\$2,382.28
10	15	25	25	2	50	13-52	B	18FUF92B*	\$2,600.79	18FUF92N*	\$3,061.42
15	20	30	30	2.5	100	25-100	B	18GUG92B*	\$3,451.18	18GUG92N*	\$4,051.18
25	30	50	50	3	100	25-100	B	18HUG92B*	\$3,751.18	18HUG92N*	\$4,345.28
30	40	75	75	3.5	125	50-200	B	18IUH92B*	\$7,615.75	18IUH92N*	\$9,269.29
40	50	100	100	4	150	50-200	B	18JUH92B*	\$8,157.87	18JUH92N*	\$9,811.42
50	75	150	200	5	250	55-250	—	18LPT92B*	\$18,838.58	18LPT92N*	\$21,818.50
75	100	200	—	5	400	55-250	—	18LPU92B*	\$18,838.58	18LPU92N*	\$21,818.50
100	125	250	300	6	400	160-630	—	18MPW92B*	\$39,898.82	18MPW92N*	\$41,486.22
150	200	400	400	6	600	160-630	—	18MPX92B*	\$40,828.35	18MPX92N*	\$44,490.94
—	250	500	500	7	800	400-1220	A1+CT	18NUV92B*	\$55,120.87	18NUV92N*	\$59,796.85
—	300	600	600	7	1000	400-1200	A1+CT	18NUY92B*	\$54,038.98	18NUY92N*	\$59,796.85
—	400	800	800	8	1200	400-1220	A1+CT	18PUW92B*	—	18PUW92N*	—
—	450	900	900	8	1600	400-1220	A1+CT	18PUZ92B*	—	18PUZ92N*	—

Continued On Next Page



WORLDWIDE MOTOR CONTROLS

Across-Line Motor Starters

Heavy Duty Combination Starters

MCP Type With Solid State Overload ▪ Class 18



Product Overview

- Solid state ESP200 overload relay
- Wide range of enclosure types available
- Flexibility with field modifications
- 100 KA short circuit current rating when protected with class R fuses to 600V
- Industrial type disconnect handle
- Visible blade disconnect
- Easy to install

Coil Table *	
60 Hz Voltage	Letter
24 Separate Control	J
120 Separate Control	F
110-120/220-240	A
200-208	D
220-240	G
277	L
220-240/440-480	C
440-480	H
550-600	E

Field Modification Kits / Auxiliary Contact Kits				
Class	Size	Type	Model Number	List Price
14, 17, 18, 22, 25, 26, 30, 32, 36, 37, 40, 43, 83, 84, 87, 88	00-4	1 NO	49AB10	\$126.26
		1 NC	49AB01	\$126.26
		1 NC Early Break	49AB01EB	\$233.64
		1 NC Late Break	49AB01LB	\$233.64
		1 NC Extra Late Break	49AB01XLB	\$237.01
		1 NO Extra Late Make	49AB10XLM	\$237.01
		1 NO & 1 NC	49AB11	\$252.53
		2 NO	49AB20	\$252.53
		2 NO & 2 NC	49AB22	\$501.40
		3 NO & 1 NC	49AB31	\$501.40
4 NO	49AB40	\$501.40		

HP				NEMA Size	Breaker Size	Amp Range	Frame Size	Enclosure					
200 V	230 V	460 V	575 V					NEMA 4/4X Stainless Steel		NEMA 4X Fiberglass		NEMA 7 & 9 NEMA 3 & 4	
								Model Number	List Price	Model Number	List Price	Model Number	List Price
½	½	1	1	0	3	0.75-3.4	A	18CUB92W*	\$3,087.40	18CUB92F*	\$3,398.03	18CUB92H*	\$3,790.16
2	2	5	5	0	10	3-12	A1	18CUC92W*	\$3,087.40	18CUC92F*	\$3,398.03	18CUC92H*	\$3,790.16
3	3	—	—	0	25	5.5-22	A1	18CUD92W*	\$3,087.40	18CUD92F*	\$3,398.03	18CUD92H*	\$3,790.16
½	½	1	1	1	3	0.75-3.4	A	18DUB92W*	\$3,153.54	18DUB92F*	\$3,471.26	18DUB92H*	\$3,879.92
2	2	5	5	1	10	3-12	A1	18DUC92W*	\$3,153.54	18DUC92F*	\$3,471.26	18DUC92H*	\$3,879.92
3	3	7 ½	10	1	25	5.5-22	A1	18DUD92W*	\$3,153.54	18DUD92F*	\$3,471.26	18DUD92H*	\$3,879.92
7 ½	7 ½	10	—	1	30	10-40	A1	18DUE92W*	\$3,153.54	18DUE92F*	\$3,471.26	18DUE92H*	\$3,879.92
—	—	15	15	—	40	10-40	A1	18EUE92W*	\$3,360.24	18EUE92F*	\$3,693.31	18EUE92H*	\$4,972.44
10	15	25	25	2	50	13-52	B	18FUF92W*	\$4,605.12	18FUF92F*	\$5,068.11	18FUF92H*	\$5,160.24
15	20	30	30	—	100	25-100	B	18GUG92W*	\$6,951.97	18GUG92F*	\$7,644.09	18GUG92H*	\$6,889.37
25	30	50	50	3	100	25-100	B	18HUG92W*	\$7,249.61	18HUG92F*	\$7,973.62	18HUG92H*	\$8,483.86
30	40	75	75	—	125	50-200	B	18IUH92W*	\$12,089.76	18IUH92F*	\$13,298.03	18IUH92H*	\$10,935.83
40	50	100	100	4	150	50-200	B	18JUH92W*	\$12,631.89	18JUH92F*	\$13,894.49	18JUH92H*	\$13,185.83
50	75	150	200	5	250	55-250	—	18LPT92E*	\$30,253.94	—	—	18LPT92H*	\$28,582.68
75	100	200	—	5	400	55-250	—	18LPU92E*	\$31,183.46	—	—	18LPU92H*	\$28,582.68
100	125	250	300	6	400	160-630	—	18MPW92E*	—	—	—	—	—
150	200	400	400	6	600	160-630	—	18MPX93E*	—	—	—	—	—
—	250	500	500	7	800	400-1220	A1+CT	—	—	—	—	—	—
—	300	600	600	7	1000	400-1200	A1+CT	—	—	—	—	—	—
—	400	800	800	8	1200	400-1220	A1+CT	—	—	—	—	—	—
—	450	900	900	8	1600	400-1220	A1+CT	—	—	—	—	—	—

WORLDWIDE MOTOR CONTROLS

Across-Line Motor Starters

Heavy Duty Duplex Controllers

Combination Circuit Breaker ▪ Class 84



Product Overview

- Heavy Duty NEMA starters
- Solid State ESP200 overload relay
- Available fusible or MCPT
- Heavy duty disconnect handle
- Flexibility with field modifications
- Alternator transfer on de-energization
- Heavy Duty NEMA starters

Duplex Heavy Duty Controllers are designed to perform duplexing and alternation.

The duplexing function provides capacity for system peaking or above normal demand without having the full motor capacity spinning at all times. It also provides standby capacity for use when one of the motors or pumps is disabled.

The alternation function reverses the lead and lag mode for the two motors in a duplex system. Upon alternation, the first motor becomes the lag motor and the second motor assumes the lead function. The alternation function equalizes wear on the two machines and extends the life of seals and bearings.

Field Modification Kits / Auxiliary Contact Kits				
Class	Size	Type	Model Number	List Price
14,17, 18,22, 25,26, 30,32, 36,37, 40,43, 83,84, 87,88	00-4	1 NO	49AB10	\$126.26
		1 NC	49AB01	\$126.26
		1 NC Early Break	49AB01EB	\$233.64
		1 NC Late Break	49AB01LB	\$233.64
		1 NC Extra Late Break	49AB01XLB	\$237.01
		1 NO Extra Late Make	49AB10XLM	\$237.01
		1 NO & 1 NC	49AB11	\$252.53
		2 NO	49AB20	\$252.53
		2 NO & 2 NC	49AB22	\$501.40
		3 NO & 1 NC	49AB31	\$501.40
		4 NO	49AB40	\$501.40

2 Motor Circuit Protectors (with Solid-State Overload)											
HP				NEMA Size	Breaker Size	Amp Range	Frame Size	Enclosure			
200 Volts	230 Volts	460 Volts	575 Volts					NEMA 1		NEMA 12 NEMA 3/3R	
								Model Number	List Price	Model Number	List Price
1/6	1/6	1/3	1/2	0	3	0.25-1	A	84CUA92BDF	\$3,679.13	84CUA920DF	\$4,396.06
1/2	3/4	1 1/2	2	0	3	0.75-3.4	A	84CUB92BDF	\$3,679.13	84CUB920DF	\$4,396.06
2	2	5	5	0	10	3-12	A1	84CUC92BDF	\$3,679.13	84CUC920DF	\$4,396.06
3	3	—	—	0	25	5.5-22	A1	84CUD92BDF	\$3,679.13	84CUD920DF	\$4,396.06
1/6	1/6	1/3	1/2	1	3	0.25-1	A	84DUA92BDF	\$3,827.95	84DUA920DF	\$4,546.06
1/2	3/4	1 1/2	2	1	3	0.75-3.4	A	84DUB92BDF	\$3,827.95	84DUB920DF	\$4,546.06
2	2	5	5	1	10	3-12	A1	84DUC92BDF	\$3,827.95	84DUC920DF	\$4,546.06
3	3	10	10	1	25	5.5-22	A1	84DUD92BDF	\$3,827.95	84DUD920DF	\$4,546.06
7 1/2	7 1/2	—	—	1	30	10-40	A1	84DUE92BDF	\$3,827.95	84DUE920DF	\$4,546.06
—	—	15	15	—	40	10-40	A1	84EUE92BDF	\$4,248.43	84EUE920DF	\$4,954.72
10	15	25	25	2	50	13-52	B	84FUF92BDF	\$5,494.49	84FUF920DF	\$6,433.46
15	20	30	30	—	100	25-100	B	84GUG92BDF	\$7,909.84	84GUG920DF	\$9,190.16
20	25	50	50	3	100	25-100	B	84HUG92BDF	\$8,506.30	84HUG920DF	\$9,777.17
30	40	75	75	—	125	50-200	B	84IUH92BDF	\$14,434.25	84IUH920DF	---
40	50	100	100	4	150	50-200	B	84JUH92BDF	\$15,517.32	84JUH920DF	---

Continued On Next Page



WORLDWIDE MOTOR CONTROLS

Across-Line Motor Starters

Heavy Duty Duplex Controllers

Combination Circuit Breaker ▪ Class 84



Product Overview

- Heavy Duty NEMA starters
- Solid State ESP200 overload relay
- Available fusible or MCPT
- Heavy duty disconnect handle
- Flexibility with field modifications
- Alternator transfer on de-energization
- Heavy Duty NEMA starters

Duplex Heavy Duty Controllers are designed to perform duplexing and alternation.

The duplexing function provides capacity for system peaking or above normal demand without having the full motor capacity spinning at all times. It also provides standby capacity for use when one of the motors or pumps is disabled.

The alternation function reverses the lead and lag mode for the two motors in a duplex system. Upon alternation, the first motors becomes the lag motor and the second motor assumes the lead function. The alternation function equalizes wear on the two machines and extends the life of seals and bearings.

Field Modification Kits / Auxiliary Contact Kits				
Class	Size	Type	Model Number	List Price
14,17, 18,22, 25,26, 30,32, 36,37, 40,43, 83,84, 87,88	00-4	1 NO	49AB10	\$126.26
		1 NC	49AB01	\$126.26
		1 NC Early Break	49AB01EB	\$233.64
		1 NC Late Break	49AB01LB	\$233.64
		1 NC Extra Late Break	49AB01XLB	\$237.01
		1 NO Extra Late Make	49AB10XLM	\$237.01
		1 NO & 1 NC	49AB11	\$252.53
		2 NO	49AB20	\$252.53
		2 NO & 2 NC	49AB22	\$501.40
		3 NO & 1 NC	49AB31	\$501.40
		4 NO	49AB40	\$501.40

2 Motor Circuit Protectors (with Solid-State Overload)											
HP				NEMA Size	Breaker Size	Amp Range	Frame Size	Enclosure			
200 Volts	230 Volts	460 Volts	575 Volts					NEMA 4/4X Stainless Steel		NEMA 4 Painted	
								Model Number	List Price	Model Number	List Price
1/6	1/6	1/3	1/2	0	3	0.25-1	A	84CUA92WDF	\$8,914.96	84CUA92EDF	\$6,539.76
1/2	3/4	1 1/2	2	0	3	0.75-3.4	A	84CUB92WDF	\$8,914.96	84CUB92EDF	\$6,539.76
2	2	5	5	0	10	3-12	A1	84CUC92WDF	\$8,914.96	84CUC92EDF	\$6,539.76
3	3	—	—	0	25	5.5-22	A1	84CUD92WDF	\$8,914.96	84CUD92EDF	\$6,539.76
1/6	1/6	1/3	1/2	1	3	0.25-1	A	84DUA92WDF	\$9,060.24	84DUA92EDF	\$6,688.58
1/2	3/4	1 1/2	2	1	3	0.75-3.4	A	84DUB92WDF	\$9,060.24	84DUB92EDF	\$6,688.58
2	2	5	5	1	10	3-12	A1	84DUC92WDF	\$9,060.24	84DUC92EDF	\$6,688.58
3	3	10	10	1	25	5.5-22	A1	84DUD92WDF	\$9,060.24	84DUD92EDF	\$6,688.58
7 1/2	7 1/2	—	—	1	30	10-40	A1	84DUE92WDF	\$9,060.24	84DUE92EDF	\$6,688.58
—	—	15	15	—	40	10-40	A1	84EUE92WDF	\$9,468.90	84EUE92EDF	---
10	15	25	25	2	50	13-52	B	84FUF92WDF	\$12,290.55	84FUF92EDF	---
15	20	30	30	—	100	25-100	B	84GUG92WDF	\$17,987.01	84GUG92EDF	---
20	25	50	50	3	100	25-100	B	84HUG92WDF	\$19,150.39	84HUG92EDF	---
30	40	75	75	—	125	50-200	B	84IUH92WDF	\$27,220.87	84IUH92EDF	---
40	50	100	100	4	150	50-200	B	84JUH92WDF	---	84JUH92EDF	---

WORLDWIDE MOTOR CONTROLS

Across-Line Motor Starters

ESP200 Solid State Electronic Overload Relays



Product Overview

- Selectable Trip Classes: 5, 10, 20 and 30
- Manual, automatic, and remote reset
- Phase loss protection - trips in less than 3 seconds
- Phase unbalance protection - trips based on trip class selected (minimize temperature rise of the motor on a asymmetrical three-phase system)
- Thermal memory (prevents restarting the motor when it is hot)
- Ground fault protection - trips 60% of motor current
- Ambient insensitive (prevents nuisance tripping)
- FLA dial with wide adjustment range - 4:1 ratio
- One NO and one NC contacts standard
- Self-powered - no separate source required
- Self protected in short circuit condition
- No heaters required (saves cost and eliminates time for installation)
- Test button - tests electronics
- Conformally coated circuit board
- Repeat trip accuracy <1%
- Visible trip indicator
- DIN Rail Mounted
- Touch-safe terminals
- Removable terminals

Full Load Amp Range	Frame Size	New Model Number	Old Model Number	List Price
Three-Phase				
0.25-1	A	3UB81134AB2	48ATA3S00	\$271.97
0.75-3.4	A	3UB81134BB2	48ATB3S00	\$276.12
3-12	A1	3UB81234CW2	48ATC3S00	\$276.12
5.5-22	A1	3UB81234DW2	48ATD3S00	\$276.12
10-40	A1	3UB81234EW2	48ATE3S00	\$276.12
13-52	B	3UB81334FW2	48BTF3S00	\$392.08
25-100	B	3UB81334GW2	48BTG3S00	\$456.97
50-200	B	3UB81334HW2	48BTH3S00	\$619.88
100-300	A1 (1)	3UB81234JW2	48ATJ3S00	\$323.06
133-400	A1 (2)	3UB81234KW2	48ATK3S00	\$323.06
200-600	A1 (3)	3UB81234LW2	48ATL3S00	\$323.06
250-750	A1 (4)	3UB81234MW2	48ATM3S00	\$323.06
400-1220	A1 (5)	3UB81234NW2	48ATN3S00	\$323.06
Single-Phase				
0.25-1	A	3UB88134AB2	48ATA1S00	\$256.79
0.75-3.4	A	3UB88134BB2	48ATB1S00	\$256.79
3-12	A1	3UB88234CW2	48ATC1S00	\$260.93
5.5-22	A1	3UB88234DW2	48ATD1S00	\$260.93

The field selectable Trip Class 5, 10, 20 or 30 can easily be set by 2 DIP switches. This eliminates the guess factor of application requirements and provides reduced inventory for multiple applications.

ESP200 has a 4:1 current adjustment range with a fine adjustment dial labelled in full load amps. The heater-less overload minimizes the heat trapped in the enclosures, reduces cost for ventilation or cooling. Easily accessible reset button provides visible and audible indications to ensure the tripped overload is ready to restart.

ESP200 can be directly coupled to the contactors or remotely mounted. In addition to the NEMA contactor applications, it also can be used with other types of controllers for applications requiring DP or IEC contactors.

Overload Model Number	Rating	Current Transformer Model Number	List Price
3UB81234JW2	300:5	97CT004	\$839.45
3UB81234KW2	400:5	97CT006	\$839.45
3UB81234LW2	600:5	97CT008	\$367.21
3UB81234MW2	750:5	97CT009	\$367.21
3UB81234NW2	1200:5	97CT012	\$367.21

- (1) Requires use of 300:5 current transformers - 3 of 97CT004
- (2) Requires use of 400:5 current transformers - 3 of 97CT006
- (3) Requires use of 600:5 current transformers - 3 of 97CT008
- (4) Requires use of 750:5 current transformers - 3 of 97CT009
- (5) Requires use of 1200:5 current transformers - 3 of 97CT012



WORLDWIDE MOTOR CONTROLS

Across-Line Motor Starters

Overload Relay Heater Tables

Irrigation Pump Panels & Heavy Duty Starters



Bi-Metal Standard Trip						
Full Load Amps					Model Number	List Price
Size 00, 0, 1	Size 1 3/4	Size 2, 2 1/2	Size 3, 3 1/2	Size 4		
Trip Class 20 - For Class 83, 84 and 87						
0.38-0.40	—	—	—	—	E6	\$23.63
0.41-0.43	—	—	—	—	E7	\$23.63
0.44-0.48	—	—	—	—	E8	\$23.63
0.49-0.53	—	—	—	—	E9	\$23.63
0.54-0.57	—	—	—	—	E11	\$23.63
0.58-0.62	—	—	—	—	E12	\$23.63
0.63-0.66	—	—	—	—	E13	\$23.63
0.67-0.72	—	—	—	—	E14	\$23.63
0.73-0.80	—	—	—	—	E16	\$23.63
0.81-0.85	—	—	—	—	E17	\$23.63
0.86-0.92	—	—	—	—	E18	\$23.63
0.93-0.99	—	—	—	—	E19	\$23.63
1.00-1.08	—	—	—	—	E23	\$23.63
1.09-1.23	—	—	—	—	E24	\$23.63
1.24-1.37	—	—	—	—	E26	\$23.63
1.38-1.54	—	—	—	—	E27	\$23.63
1.55-1.69	—	—	—	—	E28	\$23.63
1.70-1.80	—	—	—	—	E29	\$23.63
1.81-1.94	—	—	—	—	E31	\$23.63
1.95-2.07	—	—	—	—	E32	\$23.63
2.08-2.26	—	—	—	—	E33	\$23.63
2.27-2.54	2.27-2.54	—	—	—	E34	\$23.63
2.55-2.69	2.55-2.69	—	—	—	E36	\$23.63
2.70-2.88	2.70-2.88	—	—	—	E37	\$23.63
2.89-3.14	2.89-3.14	—	—	—	E38	\$23.63
3.15-3.40	3.15-3.41	—	—	—	E39	\$23.63
3.41-3.81	3.41-3.81	—	—	—	E41	\$23.63
3.82-4.26	3.82-4.25	—	—	—	E42	\$23.63
4.27-4.62	4.26-4.62	—	—	—	E44	\$23.63
4.63-5.09	4.63-5.09	—	—	—	E46	\$23.63
5.10-5.61	5.10-5.61	—	—	—	E47	\$23.63
5.62-5.91	5.62-5.91	—	—	—	E48	\$23.63
5.92-6.15	5.92-6.15	—	—	—	E49	\$23.63
6.16-6.70	6.16-6.70	—	—	—	E50	\$23.63
6.71-7.54	6.71-7.54	—	—	—	E51	\$23.63
7.55-8.29	7.55-8.29	—	—	—	E52	\$23.63
8.30-8.99	8.30-8.99	—	—	—	E53	\$23.63
9.00-9.85	9.00-9.85	—	—	—	E54	\$23.63
9.86-10.4	9.86-10.4	—	—	—	E55	\$23.63
10.5-12.0	10.5-12.0	10.5-12.0	—	—	E56	\$23.63
12.1-13.6	12.1-13.6	12.1-13.6	—	—	E57	\$23.63
13.7-15.6	13.7-15.6	13.7-15.6	—	—	E60	\$23.63
15.7-17.0	15.7-17.0	15.7-17.1	—	—	E61	\$23.63
17.1-18.4	17.1-19.4	17.2-19.4	—	—	E62	\$23.63
18.5-19.4	19.5-20.9	19.5-20.9	—	—	E65	\$23.63

Product Overview

Heaters provide a maximum trip rating of 125% of minimum motor amperes for 40°C motors (service factor 1.15). For other motors (service factor 1.0), select the next lower listed heater catalog number within the designated table which provides a maximum trip rating of approximately 115%.

Overload relays do not provide against short circuits. To ensure proper coordination with short circuit protective device, select heaters from the information packaged with the controls device.

Bi-Metal Standard Trip						
Full Load Amps					Model Number	List Price
Size 00, 0, 1	Size 1 3/4	Size 2, 2 1/2	Size 3, 3 1/2	Size 4		
Trip Class 20 - For Class 83, 84 and 87						
19.5-21.3	21.0-2.2	21.0-22.2	—	—	E66	\$23.63
21.4-24.4	22.3-25.3	22.3-25.3	—	—	E67	\$23.63
24.5-25.9	25.4-26.9	25.4-26.9	30.0-33.5	—	E69	\$23.63
26.0-27.0	27.0-30.2	27.0-30.2	33.6-36.4	—	E70	\$23.63
—	—	—	36.5-39.6	—	E71	\$23.63
—	30.3-33.3	30.3-33.3	—	—	E72	\$23.63
—	33.4-36.0	33.4-35.3	39.7-43.6	—	E73	\$23.63
—	—	—	43.7-46.5	—	E73A	\$23.63
—	—	35.4-41.5	46.6-51.6	—	E74	\$23.63
—	—	41.6-45.0	51.7-54.4	—	E76	\$23.63
—	—	45.1-52.3	54.5-58.0	—	E77	\$23.63
—	—	52.4-55.7	58.1-63.0	—	E78	\$23.63
—	—	55.8-60.0	63.1-67.7	—	E79	\$23.63
—	—	—	67.8-72.4	—	E80	\$23.63
—	—	—	—	—	E88	\$23.63
—	—	—	—	—	E89	\$23.63
—	—	—	—	—	E91	\$23.63
—	—	—	—	—	E92	\$23.63
—	—	—	—	—	E93	\$23.63
—	—	—	72.5-80.0	72.5-80.0	E94	\$23.63
—	—	—	80.1-88.1	77.8-85.9	E96	\$23.63
—	—	—	88.2-91.5	86.0-91.9	E97	\$23.63
—	—	—	91.6-96.8	92.0-96.7	E98	\$23.63
—	—	—	96.9-99.0	96.8-105	E99	\$23.63
—	—	—	99.1-108.0	—	E101	\$23.63
—	—	—	—	—	E102	\$23.63
—	—	—	—	106-115	E103	\$23.63
—	—	—	—	116-130	E104	\$23.63

Continued On Next Page



WORLDWIDE MOTOR CONTROLS

Across-Line Motor Starters

Overload Relay Heater Tables

Irrigation Pump Panels & Heavy Duty Starters



Bi-Metal Quick Trip						
Full Load Amps					Model Number	List Price
Size 00, 0, 1	Size 1 3/4	Size 2, 2 1/2	Size 3, 3 1/2	Size 4		
Trip Class 10 - For Class 83, 84 and 87						
1.52-1.65	1.52-1.65	—	—	—	K21	\$23.63
1.66-1.79	1.66-1.79	—	—	—	K22	\$23.63
1.80-1.94	1.80-4.94	—	—	—	K23	\$23.63
1.95-2.15	1.95-2.15	—	—	—	K24	\$23.63
2.16-2.37	2.16-2.37	—	—	—	K26	\$23.63
2.38-2.56	2.38-2.56	—	—	—	K27	\$23.63
2.57-2.87	2.57-2.87	—	—	—	K28	\$23.63
2.88-3.13	2.88-3.13	—	—	—	K29	\$23.63
3.14-3.37	3.14-3.37	—	—	—	K31	\$23.63
3.38-3.72	3.38-3.72	—	—	—	K32	\$23.63
3.73-4.00	3.73-4.00	—	—	—	K33	\$23.63
4.01-4.35	4.01-4.35	—	—	—	K34	\$23.63
4.36-4.99	4.36-4.99	—	—	—	K36	\$23.63
5.00-5.38	5.00-5.38	—	—	—	K37	\$23.63
5.39-5.79	5.39-5.79	—	—	—	K39	\$23.63
5.80-6.43	5.80-6.43	—	—	—	K41	\$23.63
6.44-6.83	6.44-6.83	—	—	—	K42	\$23.63
6.84-7.83	6.84-7.83	—	—	—	K43	\$23.63
7.84-8.23	7.84-8.23	—	—	—	K49	\$23.63
8.24-9.59	8.24-9.59	—	—	—	K50	\$23.63
9.60-9.90	9.60-9.90	—	—	—	K52	\$23.63
10.0-10.7	10.0-10.7	—	—	—	K53	\$23.63
10.8-11.6	10.8-11.6	12.1-12.7	—	—	K54	\$23.63
11.7-12.3	11.7-12.3	12.8-13.5	—	—	K55	\$23.63
12.4-13.4	12.4-13.4	13.6-14.6	—	—	K56	\$23.63
13.5-14.2	13.5-14.2	14.7-15.9	—	—	K57	\$23.63
14.3-15.1	14.3-15.1	16.0-16.9	—	—	K58	\$23.63
15.2-17.5	15.2-17.5	17.0-18.2	—	—	K60	\$23.63
17.6-18.7	17.6-18.7	18.3-19.5	—	—	K61	\$23.63
18.8-20.0	18.8-20.0	19.6-20.9	—	—	K62	\$23.63
20.1-21.5	20.1-20.5	21.0-23.1	—	—	K63	\$23.63
21.6-23.9	21.6-23.9	23.2-25.4	—	—	K64	\$23.63
24.0-25.8	24.0-25.8	25.5-27.9	—	—	K67	\$23.63
—	25.9-29.5	—	—	—	K68	\$23.63
—	—	28.0-30.5	—	—	K69	\$23.63

Product Overview

Heaters provide a maximum trip rating of 125% of minimum motor amperes for 40°C motors (service factor 1.15). For other motors (service factor 1.0), select the next lower listed heater catalog number within the designated table which provides a maximum trip rating of approximately 115%.

Overload relays do not provide against short circuits. To ensure proper coordination with short circuit protective device, select heaters from the information packaged with the controls device.

Bi-Metal Quick Trip						
Full Load Amps					Model Number	List Price
Size 00, 0, 1	Size 1 3/4	Size 2, 2 1/2	Size 3, 3 1/2	Size 4		
Trip Class 10 - For Class 83, 84 and 87						
—	29.6-32.7	30.6-33.5	36.8-40.0	—	K70	\$23.63
—	32.8-36.0	33.6-37.2	40.1-42.4	—	K72	\$23.63
—	—	37.3-40.7	42.5-46.3	—	K73	\$23.63
—	—	40.8-43.0	46.4-49.6	—	K74	\$23.63
—	—	43.1-47.9	49.7-52.3	49.7-52.3	K75	\$23.63
—	—	48.0-52.7	52.4-57.5	52.4-57.5	K76	\$23.63
—	—	52.8-58.3	57.6-63.9	57.6-63.0	K77	\$23.63
—	—	58.4-60.0	64.0-67.9	63.1-68.1	K78	\$23.63
—	—	—	68.0-74.3	68.2-74.3	K83	\$23.63
—	—	—	74.4-77.9	74.4-79.9	K85	\$23.63
—	—	—	78.0-83.1	80.0-87.4	K86	\$23.63
—	—	—	83.2-91.4	87.5-90.0	K87	\$23.63
—	—	—	91.5-99.9	90.1-100.0	K88	\$23.63
—	—	—	100.0-108.0	100.1-108.0	K89	\$23.63
—	—	—	—	108.1-119.0	K90	\$23.63
—	—	—	—	119.1-130.0	K92	\$23.63
—	—	—	—	—	K94	\$23.63
—	—	—	—	—	K96	\$23.63



WORLDWIDE MOTOR CONTROLS

Across-Line Motor Starters

Replacement Coils

Irrigation Panels & Heavy Duty Starters



	Size	Volts		Model Number	List Price	
		60 Hz	50 Hz			
	00 - 2.5	24	24	75D73070J	\$212.25	
		120	110	75D73070F		
		110-120 / 220-240	110 / 190-200	75D73070A		
		208	—	75D73070D		
		220-240	190-220	75D73070G		
		277	240	75D73070L		
		220-240 / 440-480	190-220 / 380-440	75D73070C		
	3, 3.5	440-480	380-440	75D73070H	\$392.19	
		575-600	550	75D73070E		
		24	24	75D73251J		
		120	110	75D73251F		
		110-120 / 220-240	110 / 190-200	75D73251A		
		208	—	75D73251D		
		220-240	190-220	75D73251G		
277	240	75D73251L				
220-240 / 440-480	190-220 / 380-440	75D73251C	\$545.78			
440-480	380-440	75D73251H				
575-600	550	75D73251E				
	4	24		24	75D70131J	\$496.08
		120		110	75D70131F	
		110-120 / 220-240	110 / 190-200	75D70131A		
		208	—	75D70131D		
		220-240	190-220	75D70131G		
	277	240	75D70131L			
	220-240 / 440-480	190-220 / 380-440	75D70131C	\$640.40		
	440-480	380-440	75D70131H			
	575-600	550	75D70131E			
		5	23-26		23-26	
110-127			110-127		3RT1965-5AF31	
200-220			200-220	3RT1965-5AM31		
220-240			220-240	3RT1965-5AP31		
240-277			240-277	3RT1965-5AU31		
380-420			380-420	3RT1965-5AV31		
440-480			440-480	3RT1965-5AR31		
575-600		575-600	3RT1965-5AT31	\$640.40		
6		23-26	23-26		3RT1975-5AB31	
		110-127	110-127		3RT1975-5AF31	
	200-220	200-220	3RT1975-5AM31			
220-240	200-240	3RT1975-5AP31	\$640.40			
240-277	240-277	3RT1975-5AU31				
380-420	380-420	3RT1975-5AV31				
440-480	440-480	3RT1975-5AR31				
575-600	575-600	3RT1975-5AT31				

WORLDWIDE MOTOR CONTROLS

Contactors and Overload Relays

Definite Purpose AC Contactors



Product Overview

- Cushioned, isolated coil
- Reinforced thermalset polyester housing
- Large terminals for easy wiring
- Power termination options (screw terminals or lug terminals with quick connects)

Applications

- Air conditioning and heating
- Ventilating and refrigeration
- Food and beverage industries
- Pump and compressor
- Hoists and cranes
- Pool and spa
- Conveyors
- Welding

FL Amps	Poles	Coil Voltage	Model Number	List Price
20	2	24	WH20-2-24	\$24.01
	2	110-120	WH20-2-115	\$24.01
	2	208-240	WH20-2-200/230	\$24.01
25	2	24	WH25-2-24	\$25.90
	2	110-120	WH25-2-115	\$25.90
	2	208-240	WH25-2-200/230	\$25.90
30	2	24	WH30-2-24	\$27.37
	2	110-120	WH30-2-115	\$27.37
	2	208-240	WH30-2-200/230	\$27.37
	3	24	WH30-24	\$49.54
	3	110-120	WH30-115	\$49.54
	3	208-240	WH30-200/230	\$49.54
	3	480	WH30-480	\$49.54
	4	110-120	WH30-4-115	\$98.72
	40	2	24	WH40-2-24
2		110-120	WH40-2-115	\$33.14
2		208-240	WH40-2-200/230	\$33.14
3		24	WH40-24	\$56.43
3		110-120	WH40-115	\$56.43
3		208-240	WH40-200/230	\$56.43
3		480	WH40-480	\$56.43
4		110-120	WH40-4-115	\$107.57
4		208-240	WH40-4-230	\$107.57
50	3	24	WH50-24	\$118.77
	3	110-120	WH50-115	\$118.77
	3	208-240	WH50-200/230	\$118.77
	3	480	WH50-480	\$118.77

FL Amps	Poles	Coil Voltage	Model Number	List Price
60	3	24	WH60-24	\$142.72
	3	110-120	WH60-115	\$142.72
	3	208-240	WH60-200/230	\$142.72
	3	480	WH60-480	\$142.72
75	3	24	WH75-24	\$279.97
	3	110-120	WH75-115	\$279.97
	3	208-240	WH75-200/230	\$279.97
90	3	480	WH75-480	\$279.97
	3	24	WH90-24	\$379.12
	3	110-120	WH90-115	\$379.12
120	3	208-240	WH90-200/230	\$379.12
	3	480	WH90-480	\$379.12
	3	110-120	WH120-115	\$739.68

Field Modification Kits / Side Mount Auxiliary Interlocks				
FL Amps	Type	Terminals	Model Number	List Price
30-40	1 NO	Quick	WHACQ-NO-30/40	\$24.50
30-40	1 NC	Quick	WHACQ-NC-30/40	\$24.50
30-40	1 NO & 1 NC	Quick	WHACQ-NONC-30/40	\$34.12
30-40	1 NO	Screw	WHACS-NO-30/40	\$24.50
30-40	1 NC	Screw	WHACS-NC-30/40	\$24.50
30-40	1 NO & 1 NC	Screw	WHACS-NONC-30/40	\$34.12
30-40	1 SPDT	Quick	WHACQ-SPDT-30/40	\$24.50
30-40	2 SPDT	Quick	WHACQ-2SPDT-30/40	\$34.12
50-60	1 SPDT	Quick	WHACQ-SPDT-50/60	\$24.50
75-90	1 SPDT	Quick	WHACQ-SPDT-75/90	\$24.50



WORLDWIDE MOTOR CONTROLS

Contactors and Overload Relays

IEC Contactors



Product Overview

- Four point AC coil can be wired on top, bottom or diagonally
- Direct mount 3RU11 overload relays to create starters
- Snap-on auxiliary contacts, surge suppressors and timers
- 3RT01 contactors are available with cage clamps on the main terminal connections as well as the auxiliary terminal connections
- 3RT02, 3RT03 and 3RT04 contactors are available with cage clamps on the auxiliary terminals only
- Front and side mount auxiliary contacts available on 3RT102, 3RT103 and 3RT104 versions
- 3RT1029A and 12A version have extended electrical life compared to 3RT101 versions
- Accessories for the 3RT10 contactors are also available with cage clamp terminals

Coil Table **		
60 Hz Voltage	50 Hz Voltage	Letter
24	24	C2*
120	110	K6
208	208	M2
240	220	P6
277	—	U6
480	—	V6
600	—	T6

*For 3RT101 use B0

Enclosed Amp Ratings		Single-Phase HP Ratings		Three-Phase HP Ratings				Auxiliary Contacts		Screw Terminals		Cage Clamp Terminals	
AC3	UL	115 Volt	230 Volt	200 Volt	230 Volt	460 Volt	575 Volt	NO	NC	Model Number	List Price	Model Number	List Price
3RT101													
7	20	¼	¾	1.5	2	3	5	1	—	3RT1015-1A**1	\$121.99	3RT1015-2A**1	\$133.75
								—	1	3RT1015-1A**2	\$121.99	3RT1015-2A**2	\$133.75
9	20	½	1	2	3	5	7.5	1	—	3RT1016-1A**1	\$157.27	3RT1016-2A**1	\$167.56
								—	1	3RT1016-1A**2	\$157.27	3RT1016-2A**2	\$167.56
12	20	½	2	3	3	7.5	10	1	—	3RT1017-1A**1	\$192.55	3RT1017-2A**1	\$202.83
								—	1	3RT1017-1A**2	\$192.55	3RT1017-2A**2	\$202.83
3RT102													
9	35	½	1	2	3	5	7.5	—	—	3RT1023-1A**0	\$178.35	3RT1023-3A**0	\$184.29
12	35	½	2	3	3	7.5	10	—	—	3RT1024-1A**0	\$230.36	3RT1024-3A**0	\$234.82
17	35	1	3	5	5	10	15	—	—	3RT1025-1A**0	\$264.55	3RT1025-3A**0	\$228.88
25	35	2	3	7.5	7.5	15	20	—	—	3RT1026-1A**0	\$297.24	3RT1026-3A**0	\$301.70
3RT103													
28	35	2	5	7.5	10	20	25	—	—	3RT1033-1A**0	\$324.25	3RT1033-3A**0	\$330.12
32	45	2	5	10	10	25	30	—	—	3RT1034-1A**0	\$356.53	3RT1034-3A**0	\$360.93
40	55	3	7.5	10	15	30	40	—	—	3RT1035-1A**0	\$399.08	3RT1035-3A**0	\$404.94
50	50	3	10	15	15	40	50	—	—	3RT1036-1A**0	\$428.42	3RT1036-3A**0	\$435.76
3RT104													
65	90	5	15	20	25	50	60	—	—	3RT1044-1A**0	\$584.80	3RT1044-3A**0	\$590.48
80	105	7.5	15	25	30	60	75	—	—	3RT1045-1A**0	\$664.29	3RT1045-3A**0	\$667.13
95	105	10	—	30	30	75	100	—	—	3RT1046-1A**0	\$908.43	3RT1046-3A**0	\$912.69

Replace the ** in the contactor model number with a coil code from the table above.



WORLDWIDE MOTOR CONTROLS

Contactors and Overload Relays

IEC Contactors

SIRIUS 3RT10 ▪ 3-Pole ▪ AC / DC Coil



Product Overview

- Easy access plug-in AC/DC coil system
- Integrated varistor surge suppressor
- Direct mount 3RB10 solid state overload relay to create starter
- Snap-on auxiliary contacts, surge suppressors and timers
- Front and side mounted auxiliary contacts from sizes 3RT102 through 3RT107

Coil Table **	
AC (40 Hz to 60 Hz) and DC	Letter
23 to 26	B3
42 to 48	D3
110 to 127	F3
200 to 220	M3
220 to 240	P3
240 to 277	U3
380 to 420	V3
440 to 480	R3
500 to 550	S3
575 to 600	T3

Enclosed Amp Ratings		Three-Phase HP Ratings				Auxiliary Contacts		Model Number	List Price
AC3	AC-1	200 Volt	230 Volt	460 Volt	575 Volt	NO	NC		
3RT105									
115	160	40	50	100	125	2	2	3RT1054-6A**6	\$982.48
150	185	50	60	125	150	2	2	3RT1055-6A**6	\$1,413.92
185	215	60	75	150	200	2	2	3RT1056-6A**6	\$1,882.38
3RT106									
225	275	75	75	150	200	2	2	3RT1064-6A**6	\$2,061.78
265	330	75	100	200	250	2	2	3RT1065-6A**6	\$2,363.65
300	330	100	125	250	300	2	2	3RT1066-6A**6	\$3,205.16
3RT107									
400	430	125	150	300	400	2	2	3RT1075-6A**6	\$3,636.60
500	610	150	200	400	500	2	2	3RT1076-6A**6	\$5,194.33

Replace the ** in the contactor model number with a coil code from the table above.

IEC Overload Relays

SIRIUS 3RB10 Solid State



Product Overview

- 1 NO and 1 NC auxiliary contacts
- Manual / automatic reset
- Trip indicator
- STOP button
- Test function
- Sealable cover

The 3RB20 solid-state overload relays are suitable for customers from all industries who want to provide optimum inverse-time delayed protection of their electrical loads under normal and heavy starting conditions, minimize project completion times, inventories and power consumption, and optimize plant availability and maintenance management.

For Contactor Type	Setting Range Amp	Manual/Automatic Reset			
		Class 10		Class 20	
		Model Number	List Price	Model Number	List Price
3RB205 - For Direct Mounting To 3RT105 Contactors					
3RT1054 3RT1055 3RT1056	50-200	3RB2056-1FW2 (1)	\$606.56	3RB2056-2FW2 (1)	\$609.59
	50-200	3RB2056-1FC2 (2)	\$636.03	3RB2056-2FC2 (2)	\$631.63
3RB206 - For Direct Mounting To 3RT106 & 3RT107 Contactors					
3RT106	55-250	3RB2066-1GC2 (2)	\$722.70	3RB2066-2GC2 (2)	\$759.42
3RT107	160-630	3RB2066-1MC2 (2)	\$1,035.57	3RB2066-2MC2 (2)	\$1,070.83

(1) Overload contains pass through windows

(2) Overload has busbar connections



WORLDWIDE MOTOR CONTROLS

Contactors and Overload Relays

IEC Overload Relays



Product Overview

- Provides optimum inverse-time delayed protection of loads against excessive temperature rises due to overload
- Provides optimum inverse-time delayed protection of loads against excessive temperature rises due to phase unbalance
- Minimizes heating of induction motors during phase failure
- Enables the protection of single-phase loads
- Manual or automatic resetting of the relay
- Allo14 the remote resetting of the relay
- Easy checking of the function and wiring

For Contactor Type	Setting Range Amp	Screw Terminal Model Number	List Price
3RU111 - For Direct Mounting To 3RT101 Contactors			
3RT1015 3RT1016 3RT1017	0.11 - 0.16	3RU1116-0AB0	\$127.79
	0.14 - 0.2	3RU1116-0BB0	
	0.18 - 0.25	3RU1116-0CB0	
	0.22 - 0.32	3RU1116-0DB0	
	0.28 - 0.4	3RU1116-0EB0	
	0.35 - 0.5	3RU1116-0FB0	
	0.45 - 0.63	3RU1116-0GB0	
	0.55 - 0.8	3RU1116-0HB0	
	0.7 - 1.0	3RU1116-0JB0	
	0.9 - 1.25	3RU1116-0KB0	
	1.1 - 1.6	3RU1116-1AB0	
	1.4 - 2	3RU1116-1BB0	
	1.8 - 2.5	3RU1116-1CB0	
	2.2 - 3.2	3RU1116-1DB0	
	2.8 - 4	3RU1116-1EB0	
	3.5 - 5	3RU1116-1FB0	
4.5 - 6.3	3RU1116-1GB0		
5.5 - 8	3RU1116-1HB0		
7 - 10	3RU1116-1JB0		
9 - 12	3RU1116-1KB0		
3RU112 - For Direct Mounting To 3RT102 Contactors			
3RT1023 3RT1024 3RT1025 3RT1026	1.8 - 2.5	3RU1126-1CB0	\$132.20
	2.2 - 3.2	3RU1126-1DB0	
	2.8 - 4	3RU1126-1EB0	
	3.5 - 5	3RU1126-1FB0	
	4.5 - 6.3	3RU1126-1GB0	
	5.5 - 8	3RU1126-1HB0	
	7 - 10	3RU1126-1JB0	
	9 - 12.5	3RU1126-1KB0	
	11 - 16	3RU1126-4AB0	
	14 - 20	3RU1126-4BB0	
17 - 22	3RU1126-4CB0		
20 - 25	3RU1126-4DB0		

For Contactor Type	Setting Range Amp	Screw Terminal Model Number	List Price
3RU113 - For Direct Mounting To 3RT103 Contactors			
3RT1033 3RT1034 3RT1035 3RT1036	5.5 - 8	3RU1136-1HB0	\$149.83
	7 - 10	3RU1136-1JB0	\$149.83
	9 - 12.5	3RU1136-1KB0	\$149.83
	11 - 16	3RU1136-4AB0	\$149.83
	14 - 20	3RU1136-4BB0	\$149.83
	18 - 25	3RU1136-4DB0	\$149.83
	22 - 32	3RU1136-4EB0	\$186.55
	28 - 40	3RU1136-4FB0	\$186.55
	36 - 45	3RU1136-4GB0	\$205.65
	40 - 50	3RU1136-4HB0	\$205.65
3RU114 - For Direct Mounting To 3RT104 Contactors			
3RT1044 3RT1045 3RT1046	18 - 25	3RU1146-4DB0	\$213.98
	22 - 32	3RU1146-4EB0	\$213.98
	28 - 40	3RU1146-4FB0	\$213.98
	36 - 50	3RU1146-4HB0	\$232.77
	45 - 63	3RU1146-4JB0	\$232.77
	57 - 75	3RU1146-4KB0	\$258.80
	70 - 90	3RU1146-4LB0	\$290.61
	80 - 100	3RU1146-4MB0	\$371.57

WORLDWIDE MOTOR CONTROLS

Contactors and Overload Relays

IEC Contactors

Auxiliary Contact Blocks



3RH1921-1FA**



3RH1921-1LA20



3RH1921-1KA20

Product Overview

- The 3RH19 auxiliary contact blocks are available in:
 - 1, 2, 3, 4-pole front mount versions and 2-pole Side Mount versions
- The 3RH19 front mount auxiliary contacts are rated NEMA A600/Q600
- The 3RH1921 contact blocks will mount to all 3RT102, 3RT103, 3RT104, 3RT105, 3RT106 and 3RT107 contactors.
- Front mount auxiliary contacts come in three main versions:
 - For standard through wiring (HA, FA, FC, CA)
 - Cable entry from below (BA, MA) and
 - Cable entry from above
- The 3RH19 Side Mount auxiliary contacts are rated NEMA A300/Q300
- The 3RH1921-1EA** units are the standard side mount contact blocks. They can mount to either the left or right hand side of the contactor.
- The 3RH1921-1KA** contact blocks are designed to mount to the 3RH1921-1EA** blocks on a 3RT104 contactor

Contactor Size	Max. Number of Auxiliary Contacts Total	Max. Number of Normally Open Contacts	Max Number of Normally Closed Contacts	Mounting Position
3RT101	5	5 (1)	3 (2)	FRONT
3RT102	4	4	4	FRONT and SIDE
3RT103	4	4	4	FRONT and SIDE
3RT104	8	8	4	FRONT and SIDE
3RT105	8	4	4	FRONT and SIDE
3RT106	8	4	4	FRONT and SIDE
3RT107	8	4	4	FRONT and SIDE
3RT126 / 3RT127	4	2	2	SIDE

(1) With 1-NO contact built-in to contactor

(2) With 1-NC contact built-in to contactor



WORLDWIDE MOTOR CONTROLS

Contactors and Overload Relays

IEC Contactors

SIRIUS 3R Auxiliary Contact Blocks



Auxiliary Contacts				Screw Terminals		Cage Clamp Terminals	
NO	Early Make NC	Late Break NO	NC	Model Number	List Price	Model Number	List Price
For 3RT1*2, 3RT1*3, 3RT1*4, 3RT1*5, 3RT1*6 and 3RT1*7 Contactors - Front Mount Version - NEMA A600/Q600 Rated							
4-Pole Auxiliary Contact Blocks - Terminals Are Marked With Positions 1 Through 4							
4	—	—	—	3RH1921-1FA40	\$80.91	3RH1921-2FA40	\$90.84
3	1	—	—	3RH1921-1FA31	\$80.91	3RH1921-2FA31	\$90.84
2	2	—	—	3RH1921-1FA22	\$80.91	3RH1921-2FA22	\$90.84
—	4	—	—	3RH1921-1FA04	\$80.91	3RH1921-2FA04	\$90.84
—	—	2	2	3RH1921-1FC22	\$110.71	3RH1921-2FC22	\$119.23
4-Pole Auxiliary Contact Blocks - Acc To EN50 012							
3	1	—	—	3RH1921-1HA31	\$82.33	3RH1921-2HA31	\$90.84
2	2	—	—	3RH1921-1HA22	\$82.33	3RH1921-2HA22	\$90.84
1	3	—	—	3RH1921-1HA13	\$82.33	3RH1921-2HA13	\$90.84
1-Pole Auxiliary Contact Blocks							
1	—	—	—	3RH1921-1CA10	\$21.29	3RH1921-2CA10	\$22.71
—	1	—	—	3RH1921-1CA01	\$21.29	3RH1921-2CA01	\$22.71
—	—	1	—	3RH1921-1CD10	\$41.16	—	—
—	—	—	1	3RH1921-1CD01	\$41.16	—	—
2-Pole - Cable Entry From Above							
1	1	—	—	3RH1921-1LA11	\$41.16	—	—
2	—	—	—	3RH1921-1LA20	\$41.16	—	—
—	2	—	—	3RH1921-1LA02	\$41.16	—	—
2-Pole - Cable Entry From Below							
1	1	—	—	3RH1921-1MA11	\$41.16	—	—
2	—	—	—	3RH1921-1MA20	\$41.16	—	—
—	2	—	—	3RH1921-1MA02	\$41.16	—	—
4-Pole (1 NO, 1 NC Low Level Circuit - 1 NO, 1 NC Standard Auxiliary)							
2	2	—	—	3RH1921-1FE22	\$158.98	3RH1921-2FE22	\$158.98
For 3RT1*2, 3RT*3 and 3RT106, 3RT107, 3RT126 and 3RT127 Contactors - First Side Mount - NEMA A300/Q300 Rated							
2-Pole Auxiliary Contact Blocks - Mountable On Either Left or Right - Acc. to EN50 005							
2	—	—	—	3RH1921-1EA20	\$41.16	3RH1921-2EA20	\$46.84
1	1	—	—	3RH1921-1EA11	\$41.16	—	—
—	2	—	—	3RH1921-1EA02	\$41.16	3RH1921-2EA02	\$46.84
2-Pole Auxiliary Contact Blocks - Mountable On Either Left or Right - Acc. To EN50 012							
1	1	—	—	3RH1921-1DA11	\$41.16	3RH1921-2DA11	\$45.42
For 3RT1*4 Through 3RT107 Contactors - Second Side Mount - NEMA A300/Q300 Rated							
2-Pole Auxiliary Contact Blocks - Mountable Onto a First Position Auxiliary On Either Left or Right (only on 3RT104 types) - Acc to EN5 005							
2	—	—	—	3RH1921-1KA20	\$41.16	3RH1921-2KA20	\$45.42
1	1	—	—	3RH1921-1KA11	\$41.16	—	—
—	2	—	—	3RH1921-1KA02	\$41.16	3RH1921-2KA02	\$45.42
2-Pole Auxiliary Contact Blocks - Mountable Onto a First Position Auxiliary On Either Left or Right (only on 3RT104 through 3RT107 types) - Acc to EN5 012 (1)							
1	1	—	—	3RH1921-1JA11	\$41.16	3RH1921-2JA11	\$45.42

(1) Can only be used if no 4-pole auxiliary contact blocks are snapped onto the front



WORLDWIDE MOTOR CONTROLS

Contactors and Overload Relays

Manual Motor Starters / Protectors

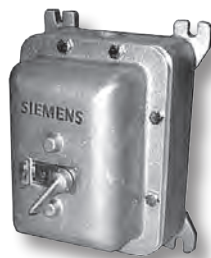
Class 11 - 3RV ■ Three-Phase



Open Type



NEMA 1



NEMA 7 & 9
NEMA 3 & 4

Product Overview

- ON/OFF rotary handle with lockout and visible trip indication
- Adjustment dial for setting to motor FLA (standards only)
- Low voltage protection (LVP) option
- Short circuit trip at 13 times the maximum setting of the FLA dial or rated current
- Ambient compensated up to 140 °F
- Phase loss sensitivity
- Test trip function
- LVP option meets OSHA requirements
- UL Listed
- CSA Certified

Low Voltage Protection Coil Table	
60 Hz Voltage	Letter
120	F*
208	D*
240	G*
460	H*

* Add corresponding letter to end of base class 11 model number for low voltage protection coil

FLA Adj. Range (1)	HP						Enclosure	
	Single Phase		Three-Phase				Open	
	115 Volts	230 Volts	200 Volts	230 Volts	460 Volts	575 Volts	Model Number	List Price
Manual Starters - Class 11 - 3RV, 3 Phase								
0.11-016	—	—	—	—	—	—	3RV1021-0AA10	\$334.86
0.14-0.2	—	—	—	—	—	—	3RV1021-0BA10	\$334.86
0.18-0.25	—	—	—	—	—	—	3RV1021-0CA10	\$334.86
0.22-0.32	—	—	—	—	—	—	3RV1021-0DA10	\$334.86
0.28-0.4	—	—	—	—	—	—	3RV1021-0EA10	\$334.86
0.35-.05	—	—	—	—	—	—	3RV1021-0FA10	\$369.35
0.45-0.63	—	—	—	—	—	—	3RV1021-0GA10	\$369.35
0.55-0.8	—	—	—	—	—	½	3RV1021-0HA10	\$369.35
0.7-1	—	—	—	—	½	½	3RV1021-0JA10	\$369.35
0.9-1.25	—	—	—	—	¾	¾	3RV1021-0KA10	\$369.35
1.1-1.6	—	⅓	—	—	¾	1	3RV1021-1AA10	\$369.35
1.4-2	—	⅜	—	—	1	1.5	3RV1021-1BA10	\$369.35
1.8-2.5	—	½	½	½	1.5	1.5	3RV1021-1CA10	\$369.35
2.2-3.2	⅓	¾	¾	¾	1.5	2	3RV1021-1DA10	\$369.35
2.8-4	⅜	1	1	1	2	3	3RV1021-1EA10	\$369.35
3.5-5	½	1½	1	1	3	3	3RV1021-1FA10	\$369.35
4.5-6.3	¾	2	1.5	1.5	5	5	3RV1021-1GA10	\$369.35
5.5-8	1	3	2	2	5	5	3RV1021-1HA10	\$369.35
7-10	1½	4.5	3	3	7.5	10	3RV1021-1JA10	\$369.35
9-12.5	2	6	3	3	7.5	10	3RV1021-1KA10	\$440.78
11-16	3	9	5	5	10	15 (2)	3RV1021-4AA10	\$440.78
14-20	4.5	13.5	5	7.5	15	20 (2)	3RV1021-4BA10	\$440.78
17-22	6	18	7.5	7.5	15	20 (2)	3RV1021-4CA10	\$440.78
20-25	7.5	22.5	7.5 (2)	7.5 (2)	15	20 (2)	3RV1021-4DA10	\$440.78
Manual Switches - Class 11 - 3RV, 3 Phase								
1	—	—	—	—	½	½ (2)	3RV1321-0JC10	\$357.05
5	⅓ (2)	1 (2)	1 (2)	1 (2)	3 (2)	3 (2)	3RV1321-1FC10	\$357.05
10	½ (2)	1.5 (2)	3 (2)	3 (2)	7.5 (2)	10 (2)	3RV1321-1JC10	\$357.05
20	1.5 (2)	3 (2)	5 (2)	7.5 (2)	15 (2)	20 (2)	3RV1321-4BC10	\$428.43
25	2 (2)	5 (2)	7.5 (2)	7.5 (2)	15 (2)	20 (2)	3RV1321-4DC10	\$428.43

Please call for technical data and model numbers for enclosures: NEMA 1, NEMA 7 & 9, NEMA 3 & 4

(1) Instantaneous magnetic trip will occur at 13 times the maximum FLA dial setting or rated switch current.

(2) These ratings apply for manual motor controllers only.

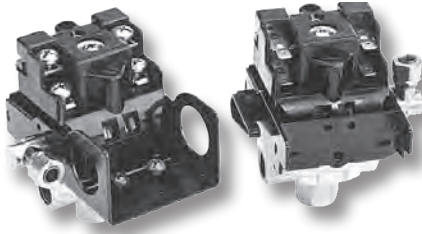
These ratings do not apply as UL Listed manual combination starters.

WORLDWIDE MOTOR CONTROLS

Pressure Switches

HUBBELL Pressure Switches

Formerly Manufactured by FURNAS



Model Number	Cut-In (PSI)	Cut-Out (PSI)	List Price
Pressure Switches - Air			
69MB6	80	100	\$54.27
69JF6	80	100	\$41.21
69MB6L	80	100	\$60.30
69MB6LY	80	100	\$69.35
69JF6LY	80	100	\$50.25
69MB6LY2C	80	100	\$80.40
69MB6Y	80	100	\$63.32
69MB6YZ30-50	30	50	\$63.32
69JF6Y	80	100	\$48.24
69JF6YB	80	100	\$49.25
69MB7	95	125	\$53.27
69JF7	95	125	\$41.21
69MB7L	95	125	\$60.30
69JF7L	95	125	\$42.21
69MB7LY	95	125	\$69.35
69JF7LY	95	125	\$50.25
69MB7LY2A	95	125	\$69.35
69JF7LY2A	95	125	\$52.26
69MB7LY2C	95	125	\$80.40
69JF7LY2C	95	125	\$56.28
69MB7Y	95	125	\$63.32
69JF7Y	95	125	\$48.24
69MB7Y2C	95	125	\$72.36
69JF7Y2C	95	125	\$56.28
69MB8	115	150	\$53.27
69JF8	115	150	\$41.21
69MB8L	115	150	\$60.30
69MB8LY	115	150	\$69.35
69JF8LY	115	150	\$50.25
69MB8LY2C	115	150	\$80.40
69JF8LY2C	115	150	\$56.28
69MB8Y	115	150	\$63.32
69JF8Y	115	150	\$48.24
69MB8YZ140-175	140	175	\$63.32
69MB8Z140-175	140	175	\$53.27
69JF9	140	175	\$41.21
69JF92C	140	175	\$44.22
69JF9LY	140	175	\$50.25
69JF9LY2C	140	175	\$56.28
69JF9Y	140	175	\$48.24

Model Number	Cut-In (PSI)	Cut-Out (PSI)	List Price
Pressure Switches - Air			
69MC6	80	100	\$71.36
69JG6	80	100	\$54.27
69MC6L	80	100	\$88.44
69MC6LY	80	100	\$88.44
69JG6LY	80	100	\$63.32
69MC6Y	80	100	\$86.43
69JG6Y	80	100	\$61.31
69MC7	95	125	\$71.36
69JG7	95	125	\$54.27
69MC7L	95	125	\$78.39
69MC7LY	95	125	\$88.44
69JG7LY	95	125	\$63.32
69MC7LY2C	95	125	\$97.49
69JG7LY2C	95	125	\$71.36
69MC7Y	95	125	\$86.43
69JG7Y	95	125	\$61.31
69MC8	115	150	\$71.36
69JG8	115	150	\$54.27
69MC8L	115	150	\$78.39
69MC8LY	115	150	\$88.44
69JG8LY	115	150	\$63.32
69MC8LY2C	115	150	\$97.49
69JG8LY2C	115	150	\$71.36
69MC8Y	115	150	\$86.43
69JG8Y	115	150	\$61.31
69JG9	140	175	\$54.27
69JG9LY	140	175	\$63.32
69JG9LY2C	140	175	\$71.36
69JG9Y	140	175	\$61.31
69JG9Y2C	140	175	\$68.34
69HA1	115	150	\$201.00
69HA12S	115	150	\$201.00
69HA1G	115	150	\$201.00
69HA1Z140-175	140	175	\$201.00
69HAU1	115	150	\$213.06
69HAU12AZ140-175	140	175	\$213.06
69HAU1Z140-175	140	175	\$213.06
69HAU2	100	125	\$213.06
69HA3	30	40	\$201.00
69HAU3	30	40	\$213.06
69HB1	115	150	\$213.06
69HBU1	115	150	\$225.12
69HB2	100	125	\$213.06
69HBU2	100	125	\$225.12
69HBU3	30	40	\$225.12
Spare Unloader Valves			
69DCA	—	—	\$20.10
69DJA	—	—	\$20.10

Model Number	Cut-In (PSI)	Cut-Out (PSI)	List Price
Pressure Switches - Water			
69ES1	30	50	\$58.29
69ES1Z20-40	20	40	\$58.29
69ES1Z40-60	40	60	\$58.29
69ES2	30	50	\$68.34
69ES2B	30	50	\$70.35
69WA4	30	50	\$58.29
69WA4B	30	50	\$59.30
69WA4G	30	50	\$59.30
69WA4GZ20-40	20	40	\$59.30
69WA4GZ40-60	40	60	\$59.30
69WA4L	30	50	\$60.30
69WA4LZ20-40	20	40	\$60.30
69WA4Z20-40	20	40	\$58.29
69WA4Z40-60	40	60	\$58.29
69WB2	3	7	\$51.26
69WB3	5	10	\$61.31
69WB5	30	50	\$60.30
69WC7	12	150	\$60.30
69WEC	20	40	\$62.31
69WECZ30-50	30	50	\$62.31
69WFC	20	40	\$80.40
69WH6	80	150	\$66.33
69WR2	7	3	\$70.35
69WR3	10	5	\$70.35
69WR5	50	30	\$61.31
69WR7	125	95	\$58.29

69J/69M Series

- 1/4" Female NPT with pulsation orifice
- 69J Rotatable unloader
- 69M Stationary unloader

Suffix	Description
L	AUTO-OFF disconnect lever
Y	Unloader valve
2A	1/4" Male NPT
2C	Four-port manifold (4 x 1/4" female)

69H Series

- 3/8" Female NPT with pulsation orifice

Suffix	Description
U	Unloader valve
2A	1/4" Male NPT
2S	1/4" Female NPT

69ES Series

- 1/4" Female NPT pipe fitting

Suffix	Description
B	Pulsation orifice

69W Series

- 1/4" Female NPT pipe fitting

Suffix	Description
B	Pulsation orifice
L	AUTO-OFF disconnect lever

PRESSURE SWITCHES
ALTERNATOR RELAYS
DRUM CONTROLLERS



WORLDWIDE MOTOR CONTROLS

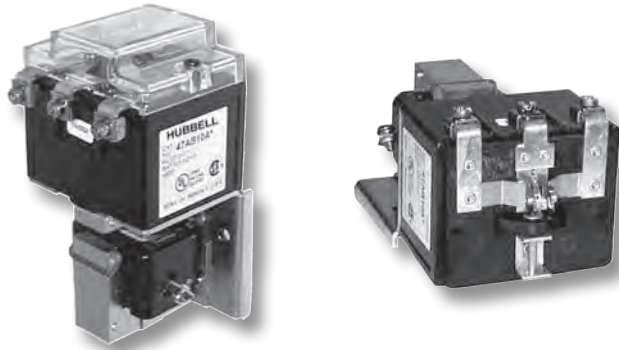
Alternator Relays

HUBBELL Alternator Relays

Formerly Manufactured By FURNAS



PRESSURE SWITCHES
ALTERNATOR RELAYS
DRUM CONTROLLERS



Product Overview

- Single pole double throw heavy duty 10 amp silver cadmium oxide contacts enclosed in a transparent dust cover
- The circuit is never closed or opened while current is being conducted (this provides increased control life)
- No load transfer
- Front wired
- Industrial/rugged design

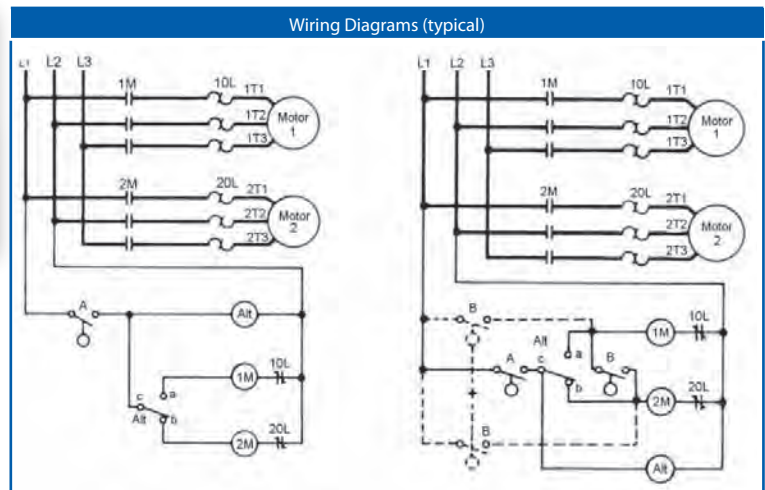
Electrical Ratings

- NEMA AC ratings 50/60 Hz
- NEMA A600 10 continuous amps

Electrical Ratings		
Volts	Make	Break
120	60	6
240	30	3
480	15	1.5

Volts 60 Hz	Open Type		NEMA 1 General Purpose	
	Model Number	List Price	Model Number	List Price
24	47AB10AJ	\$815.31	47AB10BJ	\$1,148.62
120	47AB10AF	\$815.31	47AB10BF	\$1,148.62
200	47AB10AD	\$815.31	47AB10BD	\$1,148.62
240	47AB10AG	\$815.31	47AB10BG	\$1,148.62
480	47AB10AH	\$815.31	47AB10BH	\$1,148.62

Coil Table					
Watts	Volts 60 Hz	Inrush Open Magnet		Normal Sealed Magnet	
		Amps	VA	Amps	VA
4	24	4.0	—	0.629	—
	120	0.8	—	0.126	—
	240	0.4	96	0.063	15.1
	480	0.2	—	0.031	—



See dotted wiring:
For added safety, replace the single pole float switch (B)
With a 2 pole auxiliary (B) float switch
Switch (A) is set to close before switch (B)



WORLDWIDE MOTOR CONTROLS

Drum Controllers

HUBBELL Drum Controllers

Formerly Manufactured By FURNAS



Product Overview

- Start, stop and change the speed and/or rotating direction of reversible AC and DC motors.
- Variety of handle styles are available as field modifications.
- Magnetic chuck switches are also available
- Variety of enclosures NEMA 1, NEMA 3R and NEMA 4
- Easy terminal access
- Heavy duty contacts

Note: To prevent unintentional operation, OSHA regulations and local installation codes may require guarding of handles. Consult these requirements prior to selecting a drum switch or handle.

PRESSURE SWITCHES
ALTERNATOR RELAYS
DRUM CONTROLLERS

Type / Purpose	Max. HP					DC 120-240 Volts	Enclosure			
	Single-Phase AC			Three-Phase AC			NEMA 1		NEMA 3R	
	120 Volts	240 Volts	480 Volts	240 Volts	480-600 Volts		Model Number	List Price	Model Number	List Price
Reversing / Maintaining	1.5	2	—	2	2	¼	58R44 (2)	\$693.57	WR44 (1)	\$1,076.12
Reversing / Maintaining	1.5	2	3	3	3	1	J2 (2)	\$990.82	—	—
Reversing / Maintaining	2	3	—	5	7.5	2	J5 (2)	\$1,274.93	WJ5 (2)	\$1,783.47

(1) The WR44 is maintained only

(2) Switch is shipped maintained - customer adjustable to momentary



WORLDWIDE MOTOR CONTROLS

Safety Switches

VBI Safety Switches

General Duty ▪ 240 Volt



Product Overview

- Highly visible easy-to-grip handle
- Visible blade construction
- Door opens greater than 180°
- Quick-make, quick-break mechanism
- 200% optional neutrals (200-600 Amps)
- Positive two and three point mounting
- Padlock style cover latch and handle
- Generous wiring gutter
- Front removable lugs which can easily be converted to copper body or compression type lugs
- Lugs suitable for copper or aluminium at 60°C or 75°C
- Replacement parts

VBI safety switches are built to last. Everything about the VBI safety switch has been designed for the engineering and installer. We have rolled the enclosure's metal edges and corners to minimize cuts, nicks, and scrapes to the installer's hands and conductors. We have added generous wiring gutters to meet or exceed UL and NEC wire bending space requirements.

The enclosure is more rigid and resilient and all parts are replaceable for easier service. Our quick-make quick-break switching action coupled with our double break visible blade design ensures reliable operation in both general duty and heavy duty applications.

SAFETY SWITCHES
TRANSFER SWITCHES

Amp Rating	NEMA 1 Indoor		NEMA 3R Outdoor		Horsepower Rating 240V AC			
	Model Number	List Price	Model Number	List Price	Single Phase, 2-Wire		Three Phase, 3-Wire	
					Std.	Max.	Std.	Max.
240 Volt Fusible - 2-Pole, 2-Fuse, Solid Neutral								
30	GF221N	\$69.20	GF221NR	\$109.74	1.5	3	3	7.5
60	GF222N	\$117.32	GF222NR	\$181.06	3	10	7.5	15
100	GF223N	\$236.35	GF223NR	\$265.88	7.5	15	15	30
200	GF224N	\$489.98	GF224NR	\$695.08	15	—	25	60
400	GF225N	\$1,497.77	GF225NR	\$2,026.16	15	—	50	125
600	GF226N	\$2,952.09	GR226NR	\$3,740.87	15	—	75	200
240 Volt Fusible - 3-Pole, 3 Fuse, Solid Neutral								
30	GF321N	\$109.74	GF321NR	\$164.60	1.5	3	3	7.5
60	GF322N	\$181.06	GF322NR	\$244.76	3	10	7.5	15
100	GF323N	\$314.84	GF323NR	\$453.69	7.5	15	15	30
200	GF324N	\$695.08	GF324NR	\$822.94	15	—	25	60
400	GF325N	\$1,774.65	GF325NR	\$2,135.48	15	—	50	125
600	GF326N	\$3,306.17	GF326NR	\$4,429.61	15	—	75	200
240 Volt Non Fusible - 3-Pole, 3-Wire, No Neutral - Also Used For 2-Pole Applications								
30	GNF321	\$90.32	GNF321R	\$155.31	—	3	7.5	—
60	GNF322	\$113.11	GNF322R	\$240.55	—	10	15	—
100	GNF323	\$265.88	GNF323R	\$453.69	—	15	30	—
200	GNF324	\$479.02	GNF324R	\$812.82	—	15	60	—
400	GNF325	\$1,228.97	—	—	—	15	125	—
600	GNF326	\$2,348.58	—	—	—	15	200	—



WORLDWIDE MOTOR CONTROLS

Safety Switches

VBI Safety Switches

Heavy Duty ▪ 240 Volt / 480 Volt / 600 Volt



Product Overview

- Highly visible easy-to-grip handle
- Visible blade construction
- Door opens greater than 180°
- All copper current carrying parts on heavy duty switches (except wire grips)
- Quick-make, quick-break mechanism
- 200% optional neutrals (200-600 Amps)
- Positive two and three point mounting
- Padlock style cover latch and handle
- Generous wiring gutter
- Front removable lugs which can easily be converted to copper body or compression type lugs
- Lugs suitable for copper or aluminium at 60°C or 75°C
- Generous wiring gutter
- Replacement parts

SAFETY SWITCHES
TRANSFER SWITCHES

Heavy Duty - 240 Volt								
Amp Rating	NEMA 1 Indoor		NEMA 3R Outdoor		Horsepower Rating 240V AC			
	Model Number	List Price	Model Number	List Price	Single Phase, 2-Wire		Three Phase, 3-Wire	
					Std.	Max.	Std.	Max.
240 Volt Fusible - 2-Pole, 2-Fuse, Solid Neutral								
30	HF221N	\$138.44	HF221NR	\$262.51	1.5	3	3	7.5
60	HF222N	\$276.42	HF222NR	\$492.52	3	10	7.5	15
100	HF223N	\$421.61	HF223NR	\$633.05	7.5	15	15	30
200	HF224N	\$749.11	HF224NR	\$916.22	15	—	25	60
400	HF225N	\$1,840.89	HF225NR	\$2,457.07	15	—	50	125
600	HF226N	\$3,376.66	HF226NR	\$4,500.10	15	—	75	200
800	HF227N	\$5,990.29	HF227NR	\$7,150.48	—	—	100	250
1200	HF228N	\$7,375.83	HF228NR	\$9,943.05	—	—	100	250
240 Volt Fusible - 3-Pole, 3-Fuse, Solid Neutral								
30	HF321N	\$174.31	HF321NR	\$334.25	1.5	3	3	7.5
60	HF322N	\$295.00	HF322NR	\$527.98	3	10	7.5	15
100	HF323N	\$488.73	HF323NR	\$755.45	7.5	15	15	30
200	HF324N	\$846.60	HF324NR	\$1,026.79	15	—	25	60
400	HF325N	\$2,254.05	HF325NR	\$2,514.48	15	—	50	125
600	HF326N	\$3,827.40	HF326NR	\$5,059.28	15	—	75	200
800	HF327N	\$7,323.50	HF327NR	\$9,362.75	—	—	100	250
1200	HF328N	\$9,131.07	HF328NR	\$11,366.95	—	—	100	250

Heavy Duty - 600 Volt										
Amp Rating	NEMA 1 Indoor		NEMA 3R Outdoor		NEMA 12 Industrial		Horsepower Rating			
	Model Number	List Price	Model Number	List Price	Model Number	List Price	480VAC Single Phase, 2-Wire		600VAC Three Phase, 3-Wire	
							Std.	Max.	Std.	Max.
600 Volt Fusible - 3-Pole, 3-Fuse, No Neutral - Also Used For 2-Pole Applications										
30	HF361	\$300.50	HF361R	\$520.77	HF361J	\$543.56	5	15	7.5	20
60	HF362	\$357.87	HF362R	\$610.26	HF362J	\$621.21	15	30	15	50
100	HF363	\$701.41	HF363R	\$963.50	HF363J	\$980.79	25	60	30	75
200	HF364	\$986.29	HF364R	\$1,317.17	HF364J	\$1,361.04	50	125	60	150
400	HF365	\$2,639.38	HF365R	\$3,180.85	HF365J	\$3,256.38	100	250	125	350
600	HF366	\$4,581.55	HF366R	\$6,304.71	HF366J	\$6,365.08	150	400	200	500
800	HF367	\$7,988.63	HF367R	\$9,685.16	HF367J	\$9,460.65	200	500	250	500
1200	HF368	\$10,088.66	HF368R	\$11,916.89	HF368J	\$12,132.11	200	500	250	500
600 Volt Non-Fusible - 3-Pole, 3-Wire										
30	HNF361	\$161.65	HNF361R	\$287.42	HNF361J	\$364.62	—	20	—	30
60	HNF362	\$287.42	HNF362R	\$505.19	HNF362J	\$513.60	—	50	—	60
100	HNF363	\$466.36	HNF363R	\$720.83	HNF363J	\$735.16	—	75	—	100
200	HNF364	\$708.58	HNF364R	\$871.06	HNF364J	\$919.18	—	125	—	150
400	HNF365	\$1,653.09	HNF365R	\$2,212.72	HNF365J	\$2,253.63	—	250	—	350
600	HNF366	\$2,946.22	HNF366R	\$4,389.53	HNF366J	\$4,423.74	—	400	—	500
800	HNF367	\$5,808.40	HNF367R	\$7,656.46	HNF367J	\$7,720.20	—	500	—	500
1200	HNF368	\$7,889.43	HNF368R	\$10,003.83	HNF368J	\$10,141.40	—	500	—	500



WORLDWIDE MOTOR CONTROLS

Transfer Switches

Double Throw Transfer Switches



Product Overview

- All 2 and 3 pole double throw switches are suitable for use as service equipment
- When protected with class H fuses, switches are rated for use on systems up to 10,000 A
- When protected with class R or class T fuses, switches are rated for use on systems up to 100,000 A
- Switches can be used to connect a single source of power to either of two loads
- A cover interlock is provided on all ampere ratings
- The operating handle may be padlocked in the OFF position

SAFETY SWITCHES
TRANSFER SWITCHES

Wire Ranges (Line, Load and Neutral). Per NEC Requirements.	
Switch Ampere Rating	Wire Range (Cu / Al) New VBII Design Line, Load and Neutral
30 - 200 A - 2, 3 & 4 Pole Switches	
30	1 - #14-6
60	1 - #14-2
100	1 - #14-1/0 AWG
100	1 - #14-1/0 AWG
200	1 - #6-250 kcmil
400 - 1200 A - 2 & 3 Pole Switches	
400	1 - 1/0 AWG - 750 kcmil or 2 - 1/0 AWG - 250 kcmil
600	2 - 1/0 AWG - 500 kcmil
800	2 - 1/0 AWG - 750 kcmil or 3 - 1/0 AWG - 500 kcmil
1200	3 - 1/0 AWG - 600 kcmil or 4 - 1/0 AWG - 500 kcmil
400 - 800 A - 4 Pole Switches	
400	1 - 1/0 AWG - 300 kcmil or 2 - 1/0 AWG - 750 kcmil
600	2 - 250 - 500 kcmil
800	3 - 250 - 500 kcmil

Ampere Rating	Fuse Type			
	H	R	T	J
30 & 60 A, 240 V	Std.	YES (Kit)	NO	NO
30 & 60 A, 600 V	Std.	YES (Kit)	NO	YES 3
100 & 200 A	Std.	YES (Kit)	YES (Kit)	YES 3

Ampere Rating	Single Phase AC 240 V	Three Phase AC			250 V DC
		240 V	480 V	600 V	
Fused					
30	3	7.5	15	20	5
60	10	15	30	50	10
100	15	30	60	75	20
200	15	60	125	150	40
400	—	125	125	125	50
600	—	125	—	—	50
Non Fused					
30	5	10	20	30	5
60	10	20	50	60	10
100	15	40	75	100	20
200	15	60	125	150	40
400 - 800	—	125	250	350	50

Voltage	Number Of Poles	Amperes	NEMA 3R - Outdoor Less Neutral		NEMA 3R - Outdoor With Neutral	
			Model Number	List Price	Model Number	List Price
General Duty Non-Fusible						
240 Volt AC	2	100	DTGNF223R	\$1,281.26	DTGNF223NR	\$1,503.77
		200	DTGNF224R	\$2,060.41	DTGNF224NR	\$2,452.61
240 Volt AC	3	100	DTGNF323R	\$1,869.10	DTGNF323NR	\$2,104.57
		200	DTGNF324R	\$2,335.71	DTGNF324NR	\$2,708.87



WORLDWIDE MOTOR CONTROLS

Transfer Switches

Double Throw Transfer Switches



Voltage	Number Of Poles	Amperes	NEMA 1 Indoor*		NEMA 3R Outdoor*	
			Model Number	List Price	Model Number	List Price
Heavy Duty Fusible (30-200 A) With Class H Fuse Spacings (1)						
240 Volt AC or 250 Volt AC	2	200	DTF224 ▲	\$4,502.65	DTF224R	\$6,271.30
240 Volt AC or 250 Volt AC	3	30	DTF321	\$1,380.83	DTF321R ▲	\$2,025.79
		60	DTF322	\$2,478.57	DTF322R ▲	\$3,326.13
		100	DTF323 ▲	\$4,152.90	DTF323R	\$4,476.65
		200	DTF324	\$5,827.19	DTF324R	\$7,646.09
		400	DTF325	\$13,903.55	FR325DTK (2) ▲	\$16,036.70
600 Volt AC or 250 Volt AC	3	600	DTF326 ▲	\$15,035.04	FR326DTK (2) ▲	\$17,752.57
		30	DTF361	\$2,521.85	—	—
		60	DTF362 ▲	\$2,646.50	—	—
600 Volt AC or 250 Volt AC	3	100	DTF363	\$4,652.42	DTF363R	\$6,022.00
		200	DTF364	\$6,840.10	DTF364R	\$8,897.93
		400	DTF365	\$14,227.35	FR355DTK (2) ▲	\$16,312.88
		400	DTF365	\$14,227.35	FR355DTK (2) ▲	\$16,312.88
Heavy-Duty Non-Fusible (1)						
240 Volt AC or 250 Volt AC	2	30	DTNF221	\$846.69	—	—
		60	DTNF222	\$1,267.42	—	—
		100	DTNF223	\$1,735.78	—	—
		200	DTNF224	\$2,175.56	DTNF224R	\$2,849.10
		400	DTNF225	\$6,234.97	DTNF225R	\$9,595.72
240 Volt AC or 250 Volt AC	3	30	DTNF321	\$1,000.79	—	—
		60	DTNF322	\$1,485.56	—	—
		100	DTNF323	\$2,142.65	DTNF323R	\$2,584.18
		200	DTNF324	\$3,122.65	DTNF324R	\$3,959.84
		400	DTNF325	\$8,751.61	—	—
		600	DTNF326	\$11,715.87	—	—
600 Volt AC or 250 Volt AC	3	800	DTNF327 ▲	\$18,121.36	—	—
		30	DTNF361	\$1,104.65	DTNF361R	\$1,712.41
		60	DTNF362	\$1,445.78	DTNF362R	\$2,273.38
		100	DTNF363	\$2,401.53	DTNF363R	\$3,971.96
		200	DTNF364	\$3,344.29	DTNF364R	\$5,611.63
		400	DTNF365	\$8,943.80	DTNF365R	\$14,627.30
		600	DTNF366	\$13,094.07	DTNF366R	\$18,469.40
		800	DTNF367	\$20,144.57	DTNF367R	\$21,354.83
600 Volt AC or 250 Volt AC	4 (3)	1200	DTNF368 ▲	\$27,568.14 ▲	DTNF368R	\$29,618.17
		30	—	—	NFR451DTK ▲	\$4,571.89
		60	—	—	NFR452DTK ▲	\$4,869.68
		100	—	—	NFR453DTK ▲	\$7,226.22
		200	NF454DTK	\$5,782.19	NFR454DTK ▲	\$9,751.53
		400	NF455DTK	\$14,896.51	NFR455DTK ▲	\$20,177.44
		600	NF456DTK ▲	\$19,583.55	NFR456DTK ▲	\$24,819.48
800	NF457DTK ▲	\$49,641.54	NFR457DTK ▲	\$60,849.23		

SAFETY SWITCHES
TRANSFER SWITCHES

Use HS type hubs for 30-200A switches - 400 A and larger switches do not have hub provisions

(1) All Heavy Duty Double Throw Switches with catalog number starting with "DT" are rated 200,000 AIC max when protected by Class R, J or T fuses. Fuse ampere rating must not exceed switch ampere rating.

(2) Model number F355SSDTK will accept class T fuses only

(3) 4 Pole switches are not approved for service entrance

* NEMA 12/3R and 4X Also Available

▲ Built to order - please allow 3-4 weeks for delivery



WORLDWIDE MOTOR CONTROLS

Transfer Switches

Double Throw Transfer Switches

Accessories ▪ Replacement Parts



SAFETY SWITCHES
TRANSFER SWITCHES

Description	Model Number	List Price	
Accessories - 2 & 3 Pole Switches Only (1)			
Neutral Kits	30 A HD, 60 A HD	HN612	\$197.89
	60 A HD, 100 A HD	HN623	\$381.54
	200 A	HN64	\$381.54
	400 & 600 A	HN656	\$892.89
	800 & 1200 A	HN678	\$1,714.54
Equipment Ground Kit	30 - 200 A 2 - #14-4 AW	HG61234	\$49.70
	400 & 600 A 4 - #14-2/0	HG656	\$250.93
	800 - 1200 A 8 - #6-350 Kcmil	HG678	\$487.61
Auxiliary Contacts (HD Only) (2 Required Per Switch) (4)	30 - 200 A With 1 NO & 1 NC contacts	HA161234	\$487.61
	30 - 200 A With 2 NO & 2 NC contacts	HA261234	\$544.60
	400 - 1200 A With 1 NO & 1 NC contacts	HA165678	\$1,201.60
	400 - 1200 A With 2 NO & 2 NC contacts	HA265678	\$1,258.59
Class R Fuse Clip Kits (2 Required Per Switch)	30 A, 240 V Kit	HR21	\$170.98
	30 A, 600 V Kit/60 A, 240 V Kit	HR612	\$170.98
	60 A, 600 V Kit	HR62	\$170.98
	100 A Kit	HR63	\$110.03
	200 A Kit	HR64	\$110.03
Class T Fuse Adapter Kits (2 Required Per Pole)	100 A, 240 V Kit	HT23	\$157.52
	100 A, 600 V Kit	HT63	\$246.18
	200 A, 240 V Kit	HT24	\$209.77
	200 A, 600 V Kit	HT64	\$293.67
Type 3R Hubs (30 - 200 A)	For 3/4" Conduit	HS075	\$126.23
	For 1" Conduit	ECHS100	\$98.11
	For 1 1/4" Conduit	ECHS125	\$98.11
	For 1 1/2" Conduit	ECHS150	\$98.11
	For 2" Conduit	ECHS200	\$167.02
	For 2 1/2" Conduit	ECHS250	\$261.97
Accessories - 4 Pole Switches Only (2)			
Auxiliary Switch (2 Required Per Switch)	30 - 800 A 1 - NO, 1 - NC (4)	DS200EK1	\$415.53
		2 - NO, 2 - NC (4)	DS200EK2
Ground Lug Kit (3)	30 - 60 - 100 A	DS100GK	\$13.50
	200 A	DS200GK	\$225.97
	400 - 600 - 800 A	DS468GK	\$326.38
Hubs	30 - 60 - 100 A Use Type HR Hubs	—	—
	200 - 400 A Use Type SSH 4, 4X Hubs	—	—
	600 - 800 A Use Type SSH 4, 4X Hubs	—	—
Neutrals (For Fusible Stainless and 400 Type 12 & 4X Only)	30 - 60 - 100 A	DT100NK	\$218.18
	200 A	DT200NK	\$436.32
	400 A Fusible	DS800NK	\$542.81
Replacement Parts - 2 & 3 Pole Switches Only (1)			
Type 1, 3R & 12 Replacement Handle	30 - 200 A	HHD61234	\$211.35

(1) Not for fusible stainless or 400 A NEMA 12 or 4X switches

(2) Also for fusible stainless & 400 A NEMA 12 or 4X switches

(3) The following ground lugs are provided as standard in:
200 A and larger switches 200 - one #14-4 Cu/Al
400-800 A - three #6-250MCM Cu/Al

(4) One auxiliary required for normal and one required for emergency switch line base



WORLDWIDE MOTOR CONTROLS

Pilot Devices

Class 52 ▪ Watertight / Oiltight ▪ 30 MM Heavy Duty



Pilot Light



Pushbutton



Selector Operator



Selector Push Operator

Pushbutton Operators

- Neoprene actuator seals ring to prevent oil and dust from penetrating the contact blocks
- Neoprene gasket to seal operator mounting hole and a chrome plated lock nut

Mushroom Head Pushbutton Operators

- The Mushroom head base construction is identical to the pushbutton base
- The actuator is molded of high impact material for either a 1 5/8 Inch or 2 1/2 inch diameter molded head

Contact Blocks

- Contact blocks have double break bifurcated silver contacts, with gold flashing as standard, which improve contact fidelity
- Heavy duty rated, NEMA A600
- Suitable for applications down to 5V/1MA solid state outputs
- Molded bodies and pushers resist arcing and tracking
- Stainless steel springs resist Corrosion and Provide strong contact pressure
- Captive mounting screw 14 speed panel assembly

LED Type Pilot Lights:

- LEDs (Light Emitting Diodes) can be used in pilot lights instead of incandescent bulbs because of their long life (up to 10 years)
- Resistance to vibration and ambient sensitivity

Push Pull Operators:

- Push pull operators combine two or three functions in one unit
- The maintained operator has two position: PULL to start and PUSH to stop
- The momentary operator with three positions provides spring return from both pull and push positions
- Also available with a pilot light

Lever Color Inserts Are Available In 8 Colors.

Transformer Type Pilot Lights:

- Available with a 120, 240, 480 or 600 volt primary (50/60 Hertz) and a separate secondary winding which supplies reduced voltage to a miniature bayonet base 6 volt lamp
- Suitable for applications where vibration is present and long bulb life is desirable

Full Voltage Type Pilot Lights:

- Available for 6, 12, 24, 120 and 240 volt AC and DC applications
- The 240 volt pilot light is supplied with a 120 volt lamp and a voltage dropping resistor

Selector Operators:

- Positive action indexing
- Available with either a short or long lever
- The molded black lever is designed to accept a color insert
- A white insert is provided as standard
- Each operator is equipped with a cam to actuate plungers of contact blocks assembled behind the operator
- Two, three and four position operators are available with seven different cams

Electrical Ratings

- NEMA AC Ratings 50/60 Hz
- NEMA A600 10 Continuous Amps

Volts	Make	Break
120	60	6
240	30	3
480	15	1.5
600	12	1.2
VA	7200	720

**WorldWide Electric Carries a Complete Line of Pilot Devices.
Please Call For More Information.**

WORLDWIDE MOTOR CONTROLS

Pilot Devices

Pushbutton Complete Units (Operator and Contact Block) Class 52 ▪ Watertight / Oiltight ▪ 30 MM Heavy Duty



Product Overview

- Heavy duty rated NEMA A600 contacts
- Bifurcate movable contacts
- Octagonal mounting nuts
- Boots not required for NEMA 4
- Heavy duty plastic buttons resist oils and corrosion
- Meets type 1, 3, 4, 12, 13 and automotive standards (oil and dust tight)
- Building block construction of contact blocks make possible many circuitry combinations
- Durable one piece castings
- Silver contacts carry heavy duty ratings
- Touch-safe terminals
- Neoprene gasket seals mounting hole
- UL listed file #E22655
- CSA certified file #LR6535

Legend Plates	Label	Model Number	List Price
	START	52NL03	\$4.67
	STOP	52NL04	\$4.67
	E-STOP (Red)	52NL16R	\$4.67
	ON	52NL11	\$4.67
	OFF	52NL12	\$4.67
	RUN	52NL23	\$4.67

Operator Enclosures Heavy Duty NEMA 12	Number Of Holes	Model Number	List Price
	1	P30EMS01	\$163.37
	2	P30EMS02	\$181.16
	3	P30EMS03	\$210.85
	4	P30EMS04	\$256.93

	Actuator Color	Operator With 1-NO Contact Block			Operator With 1-NC Contact Block			Operator With 1 NO + 1 NC Contact Block			Operator Only	
		Contact Blocks	Model Number	List Price	Contact Blocks	Model Number	List Price	Contact Blocks	Model Number	List Price	Model Number	List Price
Pushbutton With Flush Cap												
	Red	1 NO	52PA8A2K	\$66.84	1 NC	52PA8A2J	\$66.84	1 NO + 1 NC	52PA8A2A	\$93.55	52PA8A2	\$44.56
	Green	1 NO	52PA8A3K	\$66.84	1 NC	52PA8A3J	\$66.84	1 NO + 1 NC	52PA8A3A	\$93.55	52PA8A3	\$44.56
	Yellow	1 NO	52PA8A4K	\$66.84	1 NC	52PA8A4J	\$66.84	1 NO + 1 NC	52PA8A4A	\$93.55	52PA8A4	\$44.56
Pushbutton With Extended Cap												
	Red	1 NO	52PA8B2K	\$66.84	1 NC	52PA8B2J	\$66.84	1 NO + 1 NC	52PA8B2A	\$93.55	52PA8B2	\$44.56
	Green	1 NO	52PA8B3K	\$66.84	1 NC	52PA8B3J	\$66.84	1 NO + 1 NC	52PA8B3A	\$93.55	52PA8B3	\$44.56
	Yellow	1 NO	52PA8B4K	\$66.84	1 NC	52PA8B4J	\$66.84	1 NO + 1 NC	52PA8B4A	\$93.55	52PA8B4	\$44.56
Pushbutton - 1-5/8" Mushroom Head - Momentary												
	Red	1 NO	52PB9D2K	\$123.24	1 NC	52PB9D2J	\$123.24	1 NO + 1 NC	52PB9D2A	\$142.55	52PB9D2	\$92.10
	Green	1 NO	52PB9D3K	\$123.24	1 NC	52PB9D3J	\$123.24	1 NO + 1 NC	52PB9D3A	\$142.55	52PB9D3	\$92.10
	Yellow	1 NO	52PB9D4K	\$123.24	1 NC	52PB9D4J	\$123.24	1 NO + 1 NC	52PB9D4A	\$142.55	52PB9D4	\$92.10

	Actuator Color	Operator With 1 NO + 1 NC Contact Block			Operator Only	
		Contact Blocks	Model Number	List Price	Model Number	List Price
2-Position Push-Pull - 1-3/4" Mushroom Head - Maintained						
	Red	1 NO + 1 NC	52PP2W2A	\$167.80	52PP2W2	\$135.14
	Green	1 NO + 1 NC	52PP2W3A	\$167.80	52PP2W3	\$135.14
	Yellow	1 NO + 1 NC	52PP2W4A	\$167.80	52PP2W4	\$135.14
2-Position Push-Pull - 2-1/2" Mushroom Head - Maintained						
	Red	1 NO + 1 NC	52PP2V2A	\$173.75	52PP2V2	\$136.60
	Green	1 NO + 1 NC	52PP2V3A	\$173.75	52PP2V3	\$136.60
	Yellow	1 NO + 1 NC	52PP2V4A	\$173.75	52PP2V4	\$136.60
2-Position Twist-Release - 1-3/4" Mushroom Head - Maintained						
	Red	1 NO + 1 NC	52PR8W2A	\$184.14	52PR8W2	\$136.60
	Green	1 NO + 1 NC	52PR8W3A	\$184.14	52PR8W3	\$136.60
	Yellow	1 NO + 1 NC	52PR8W4A	\$184.14	52PR8W4	\$136.60

Enclosure	Model Number	List Price
2 Operator Control Station - Momentary Black Flush Pushbutton - Label "START" - 1NO + 1NC - Momentary Red Raised Pushbutton - Label "STOP" - 1NO + 1NC		
NEMA 12	52C201A	\$371.25
NEMA 4X Stainless Steel	52C201S	\$516.77
Pilot Light - 3 Position Maintained Selector Switch - Red Indicator Light - Label "RUN" (120V Transformer Type) - Maintained Selector Switch - Label "HAND-OFF-AUTO"		
NEMA 12	52C224A	\$487.08
NEMA 4X Stainless Steel	52C224S	\$613.30

Contact Blocks	Model Number	List Price
Individual Contact Blocks - Fits All Switches		
1 NO	52BAK	\$25.26
1 NC	52BAJ	\$25.26

WORLDWIDE MOTOR CONTROLS

Pilot Devices

Selector Switches and Complete Operators

Class 52 ▪ Watertight / Oiltight ▪ 30 MM Heavy Duty



Product Overview

- Heavy duty rated NEMA A600 contacts
- Bifurcate movable contacts
- Octagonal mounting nuts
- Boots not required for NEMA 4
- Heavy duty plastic buttons resist oils and corrosion
- Meets type 1, 3, 4, 12, 13 and automotive standards (oil and dust tight)
- Building block construction of contact blocks make possible many circuitry combinations
- Chrome plating covers exposed metal parts
- Durable one piece castings
- Silver contacts carry heavy duty ratings
- Touch-safe terminals
- Neoprene gasket seals mounting hole
- Positive indexing selectors
- UL listed file #E22655
- CSA certified file #LR6535

Description	Contact Blocks	Cam (1)	Maintained Operation		Spring Return From Right Operation		Spring Return From Right & Left Operation	
			Model Number	List Price	Model Number	List Price	Model Number	List Price
Selector Switches With 2 Switching Positions								
Short Lever, Non-Illuminated	1 NO	A	52SA2AABK1	\$84.63	52SA2ACBK1	\$118.81		
Short Lever, Non-Illuminated	1 NC	A	52SA2AABJ1	\$84.63	52SA2ACBJ1	\$118.81		
Short Lever, Non-Illuminated	1 NO + 1 NC	A	52SA2AABA1	\$108.43	52SA2ACBA1	\$144.07		
Long Lever, Non-Illuminated	1 NO	A	52SB2AABK1	\$84.63	52SB2ACBK1	\$118.81		
Long Lever, Non-Illuminated	1 NC	A	52SB2AABJ1	\$84.63	52SB2ACBJ1	\$118.81		
Long Lever, Non-Illuminated	1 NO + 1 NC	A	52SB2AABA1	\$108.43	52SB2ACBA1	\$144.07		
Selector Switches With 3 Switching Positions								
Short Lever, Non-Illuminated	1 NO + 1 NC	C	52SA2CABA1	\$108.43	52SA2CCBA1	\$144.07	52SA2CDBA1	\$144.07
Short Lever, Non-Illuminated	2 NC + 1 NO	G	52SA2GABJ2K1	\$133.62	52SA2GCBJ2K	\$166.35	52SA2GDBJ2K1	\$166.35
Short Lever, Non-Illuminated	2 NO + 2 NC	C	52SA2CABA2	\$158.88	52SA2CCBA2	\$190.08	52SA2CDBA2	\$190.08
Long Lever, Non-Illuminated	1 NO + 1 NC	C	52SB2CABA1	\$108.43	52SB2CCBA1	\$144.07	52SB2CDBA1	\$144.07
Long Lever, Non-Illuminated	2 NC + 1 NO	G	52SB2GABJ2K1	\$133.62	52SB2GCBJ2K1	\$166.35	52SB2GDBJ2K1	\$166.35
Long Lever, Non-Illuminated	2 NO + 2 NC	C	52SB2CABA2	\$158.88	52SB2CCBA2	\$190.08	52SB2CDBA2	\$190.08

Potentiometer Operator 2 Watts 500V AC/DC (Type 12/3 Only)				Wobble Stick 2.5" Operator For Use With 52BAJ (NC) Contact Block			
	Ohms	Model Number	List Price		Color	Model Number	List Price
	1K	52MA3B08	\$323.71		Red	52ABW2	\$95.01
	5K	52MA3B12	\$323.71		Green	52ABW3	\$95.01
	10K	52MA3B14	\$323.71		Grey	52ABW6	\$95.01

2 Button Maintained Operator				Maintained Toggle Operator		
	Description	Model Number	List Price		Model Number	List Price
	Black (Flush) / Red (Flush)	52MA2A1A2	\$138.12		52ABT	\$93.55
	Black (Flush) / Red (Extended)	52MA2A1B2	\$138.12			
	Green (Flush) / Red (Flush)	52MA2A3A2	\$138.12			
	Green (Flush) / Red (Extended)	52MA2A3B2	\$138.12			
Less Caps	52MA2	\$130.65				

WorldWide Electric Carries a Complete Line of Pilot Devices. Please Call For More Information.

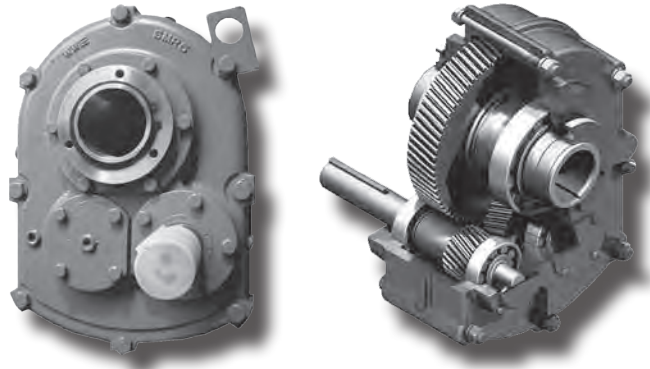


PILOT DEVICES

WORLDWIDE GEAR REDUCERS

Shaft Mount Reducers

The "Original" Shaft Mount Reducer Product Overview



Product Overview

- 15:1 and 25:1 ratios
- Box sizes 2 - 9
- Tapered bushing type (bushing not included)
- Premium quality ball and tapered bearings - double lip seals
- Shafts and gears manufactured from high grade steel, case hardened and precision ground to AGMA standards
- Industrial grade all-cast iron housings protect gearing for life
- Extended gear centers and tooth contact
- Metal reinforced double lip, spring loaded oil seals
- Dimensional drop-in for all major makes
- Torque arm included
- 2 year warranty

Box Size	Ratio	Output Bore (Max.)	Approx. Wt. (lbs.)	Model Number	List Price
2	15:1	1 15/16"	58	SMR2-15/1	\$911.03
	25:1			SMR2-25/1	
3	15:1	2 3/16"	98	SMR3-15/1	\$1,618.21
	25:1			SMR3-25/1	
4	15:1	2 7/16"	139	SMR4-15/1	\$2,188.72
	25:1			SMR4-25/1	
5	15:1	2 15/16"	207	SMR5-15/1	\$3,287.05
	25:1			SMR5-25/1	
6	15:1	3 7/16"	285	SMR6-15/1	\$4,295.00
	25:1			SMR6-25/1	
7	15:1	3 15/16"	462	SMR7-15/1	\$6,854.00
	25:1			SMR7-25/1	
8	15:1	4 7/16"	633	SMR8-15/1	\$11,654.00
	25:1			SMR8-25/1	
9	15:1	4 15/16"	760	SMR9-15/1	\$15,286.00
	25:1			SMR9-25/1	

Output Shaft Overhung Load Ratings

Box Size	Shaft Size	Overhung Load (lbs.) At Various RPMs										
		10	20	30	50	80	100	120	140	160	180	200
2	1 7/16	2000	1510	1270	1010	840	820	720	720	710	710	700
	1 15/16	1750	1320	1110	890	730	710	630	630	620	620	610
3	1 15/16	5400	4250	3680	3050	2620	2440	2310	2210	2110	2040	1980
	2 3/16	5240	4120	3570	2960	2540	2370	2240	2140	2050	1980	1920
4	2 3/16	6520	5180	4510	3800	3230	3000	2830	2710	2600	2510	2430
	2 7/16	6360	5060	4410	3710	3160	2930	2770	2640	2530	2450	2370
5	2 7/16	7460	5860	5080	4280	3690	3450	3270	3110	2980	2880	2790
	2 15/16	7060	5540	4800	4040	3490	3260	3090	2940	2820	2720	2640
6	2 15/16	9100	7100	6100	5000	4100	4050	3700	3550	3400	3300	3200
	3 7/16	8200	6400	5500	4500	3700	3650	3400	3300	3250	3200	3150
7	3 7/16	11400	9500	7300	5950	4750	5050	4500	4300	4250	4200	4150



WORLDWIDE GEAR REDUCERS

Shaft Mount Reducers

The "Original" Shaft Mount Reducer
Mechanical Ratings



Reducer Model Number	Service Class I			Service Class II			Service Class III		
	Power (HP)	Output (RPM)	Output * Torque	Power (HP)	Output (RPM)	Output * Torque	Power (HP)	Output (RPM)	Output * Torque
SMR2-15/1	2	18-32	6700-3769	1.5	19-34	4761-2660	1.5	27-51	3350-1774
	3	27-51	6700-3547	2	25-47	4824-2566	2	37-71	3260-1699
	5	71-85	4247-3547	3	39-75	4639-2412	3	58-113	3119-1601
	7.5	75-140	6030-3230	5	70-136	4307-2217	5	104-140	2899-2154
SMR2-25/1	10	104-140	5798-4307	7.5	111-140	4074-3230	—	—	—
	0.5	4-6	7538-5025	0.33	4-6	5025-3350	0.25	4-6	3769-2513
	0.75	6-10	7538-4523	0.5	6-9	5025-3350	0.33	5-9	4020-2233
	1	8-15	7538-4020	0.75	9-16	5025-2827	0.5	8-15	3769-2010
	1.5	13-23	6958-3933	1	12-22	5025-2741	0.75	13-23	3479-1966
	2	18-32	6700-3769	1.5	19-34	4761-2660	1	18-32	3350-1884
	3	27-51	6700-3547	2	25-47	4824-2566	1.5	27-51	3350-1774
SMR3-15/1	5	47-70	6415-4307	3	39-75	4639-2412	2	37-71	3260-1699
	7.5	75-85	6030-5321	5	70-85	4307-3547	3	58-85	3119-2128
	5	27-46	11167-6555	2	15-24	8040-5025	2	22-36	5482-3350
	7.5	41-74	11031-6112	3	23-38	7865-4761	3	33-57	5482-3174
	10	57-103	10579-5855	5	38-69	7934-4370	5	57-103	5290-2927
SMR3-25/1	15	94-140	9623-6461	7.5	60-110	7538-4111	7.5	94-140	4811-3230
	—	—	—	10	85-140	7094-4307	—	—	—
	0.75	4-5	11307-9045	0.5	4-5	7538-6030	0.5	6-7	5025-4307
	1	6-7	10050-8615	0.75	6-8	7538-5653	0.75	8-12	5653-3769
	1.5	8-12	11307-7538	1	8-11	7538-5482	1	11-17	5482-3547
	2	11-17	10964-7094	1.5	12-18	7538-5025	1.5	16-26	5653-3479
	3	16-26	11307-6958	2	15-24	8040-5025	2	22-36	5482-3350
	5	27-46	11167-6555	3	23-38	7865-4761	3	33-57	5482-3174
SMR4-15/1	7.5	41-74	11031-6112	5	38-69	7934-4370	5	57-85	5290-3547
	10	57-85	10579-7094	7.5	60-85	7538-5321	—	—	—
	5	18-26	16750-11596	3	15-22	12060-8223	3	21-32	8615-5653
	7.5	27-40	16750-11307	5	25-37	12060-8149	5	37-56	8149-5384
	10	37-56	16298-10768	7.5	39-59	11596-7665	7.5	57-93	7934-4863
	15	57-93	15869-9726	10	53-84	11378-7179	10	79-141	7633-4277
SMR4-25/1	20	79-140	15266-8615	15	83-140	10898-6461	—	—	—
	25	102-140	14780-10768	—	—	—	—	—	—
	1	4-5	15075-12060	0.75	4-5	11307-9045	0.5	4-5	7538-6030
	1.5	5-7	18091-12922	1	5-7	12060-8515	0.75	5-7	9045-6461
	2	7-10	17229-12060	1.5	7-11	12922-8223	1	7-10	8615-6030
	3	11-15	16446-12060	2	10-14	12060-8615	1.5	11-15	8223-6030
	5	18-26	16750-11596	3	15-22	12060-8223	2	14-21	8615-5743
	7.5	27-40	16750-11307	5	25-37	12060-8149	3	21-32	8615-5653
	10	37-56	16298-10768	7.5	39-59	11596-7665	5	37-56	8149-5384
	15	57-85	15869-10641	10	53-84	11378-7179	7.5	57-85	7934-5321
20	79-85	15266-14189	—	—	—	—	—	—	

SHAFT MOUNT REDUCERS

* All output torque ratings are listed in inch pounds.

Continued On Next Page



WORLDWIDE GEAR REDUCERS

Shaft Mount Reducers

The "Original" Shaft Mount Reducer
Mechanical Ratings



Reducer Model Number	Service Class I			Service Class II			Service Class III		
	Power (HP)	Output (RPM)	Output * Torque	Power (HP)	Output (RPM)	Output * Torque	Power (HP)	Output (RPM)	Output * Torque
SMR5-15/1	10	21-36	28715-16750	7.5	22-38	20557-11902	5	21-36	14358-8375
	15	33-56	27410-16152	10	30-52	20101-11596	7.5	33-56	13705-8076
	20	46-78	26218-15462	15	48-82	118844-11031	10	46-78	13109-7731
	25	60-101	25126-14926	20	69-117	17479-10308	15	76-125	11902-7236
	30	76-125	23803-14472	25	95-125	15869-12060	20	115-125	10487-9648
	40	115-125	20975-19297	—	—	—	—	—	—
SMR5-25/1	1.5	4	22613	1.5	5-6	18091-15075	0.75	4	11307
	2	4-6	30151-20101	2	6-9	20101-13400	1	4-6	15075-10050
	3	6-10	30151-18091	3	9-14	20101-12922	1.5	6-10	15075-9045
	5	10-17	30151-17736	5	15-24	20101-12563	2	8-13	15075-9277
	7.5	16-26	28266-17395	7.5	22-38	20557-11902	3	13-20	13916-9045
	10	21-36	28715-16750	10	30-52	20101-11596	5	21-36	14358-8375
	15	33-56	27410-16152	15	48-82	118844-11031	7.5	33-56	13705-8076
	20	46-78	26218-15462	20	69-80	17479-15075	10	46-78	13109-7731
SMR6-15/1	15	20-32	45226-28266	10	19-29	31738-20794	7.5	20-32	22613-14133
	20	27-45	44668-26801	15	28-47	32304-19245	10	27-45	22334-13400
	25	34-59	44339-25552	20	39-68	30924-17736	15	42-75	21536-12060
	30	42-75	43073-24121	25	50-94	30151-16038	20	58-114	20794-10579
	40	58-114	41587-21158	30	61-125	29657-14472	25	75-125	20101-12060
	50	75-125	40201-24121	40	89-120	27102-20101	30	99-125	18276-14472
SMR6-25/1	3	4-5	45226-36181	2	4-5	30151-24121	1.5	4-5	22613-18091
	5	7-9	43073-33501	3	6-8	30151-22613	2	5-7	24121-17229
	7.5	10-15	45226-30151	5	9-14	33501-21536	3	8-12	22613-15075
	10	13-20	46386-30151	7.5	14-21	32304-21536	5	13-20	23193-15075
	15	20-32	45226-28266	10	19-29	31738-20794	7.5	20-32	22613-14133
	20	27-45	44668-26801	15	28-47	32304-19245	10	27-45	22334-13400
	25	34-59	44339-25552	20	39-68	30924-17736	15	42-75	21536-12060
	30	42-75	43073-24121	25	50-80	30151-18844	20	58-70	20794-17229
SMR7-15/1	40	58-81	41587-29779	30	61-76	29657-23803	—	—	—
	20	19-26	63480-46392	20	27-38	44664-31740	10	19-26	31740-23196
	25	24-33	62820-45684	25	34-49	44340-30768	15	29-41	31188-22056
	30	29-41	62388-44124	30	42-60	43068-30156	20	39-57	30924-21156
	40	39-57	61848-42312	40	57-88	42312-27408	25	50-74	30156-20376
	50	50-74	60300-40740	—	—	—	30	61-98	29652-18456
SMR7-25/1	—	—	—	—	—	—	40	85-89	28380-27108
	5	5-6	60300-50256	3	4-5	45228-36180	3	6-7	30156-25848
	7.5	7-9	64608-50256	5	7-8	43068-37692	5	9-12	33504-25128
	10	9-12	67008-50256	7.5	10-13	45228-34788	7.5	14-19	32304-23808
	15	14-19	64608-47604	10	13-18	46392-33504	10	19-26	31740-23196
	20	19-26	63480-46392	15	20-27	45228-33504	15	29-41	31188-22056
	25	24-33	62820-45684	20	27-38	44664-31740	20	39-57	30924-21156
	30	29-41	62388-44124	25	34-49	44340-30768	25	50-74	30156-20376
	40	39-57	61848-42312	30	42-60	43068-30156	30	61-70	29652-25848
	50	50-74	60300-40740	40	57-75	42312-32160	—	—	—

* All output torque ratings are listed in inch pounds.

Continued On Next Page



WORLDWIDE GEAR REDUCERS

Shaft Mount Reducers

The "Original" Shaft Mount Reducer
Mechanical Ratings



Reducer Model Number	Service Class I			Service Class II			Service Class III		
	Power (HP)	Output (RPM)	Output * Torque	Power (HP)	Output (RPM)	Output * Torque	Power (HP)	Output (RPM)	Output * Torque
SMR8-15/1	30	20-28	90456-64608	25	23-33	65544-45684	15	20-28	45228-32304
	40	26-38	92772-63480	30	28-41	64608-44124	20	26-38	46392-31740
	50	33-49	91368-61536	40	37-56	65196-43068	25	33-49	45684-30768
	60	40-60	90456-60300	50	47-72	64152-41880	30	40-60	45228-30156
	75	51-70	88680-64608	60	57-89	63480-40656	40	54-84	44664-28716
	—	—	—	75	74-75	61116-60300	50	70-110	43068-27408
	—	—	—	—	—	—	60	86-115	42072-31464
SMR8-25/1	7.5	4-6	113064-75384	5	4-6	75384-50256	3	4-5	45228-36180
	10	6-8	100500-75384	7.5	6-9	75384-50256	5	6-8	50256-37692
	15	9-13	100500-69576	10	8-12	75384-50256	7.5	9-13	50256-34788
	20	13-18	92772-67008	15	13-19	69576-47604	10	13-18	46392-33504
	25	16-23	94224-65544	20	18-26	67008-46392	15	20-28	45228-32304
	30	20-28	90456-64608	25	23-33	65544-45684	20	26-38	46392-31740
	40	26-38	92772-63480	30	28-41	64608-44124	25	33-49	45684-30768
	50	33-49	91368-61536	40	37-56	65196-43068	30	40-60	45228-30156
	60	40-60	90456-60300	50	47-72	64152-41880	40	54-70	44664-34464
	75	51-70	88680-64608	60	57-75	63480-48240	50	70-75	43068-40200
SMR9-15/1	40	19-25	126948-96480	30	20-27	90456-67008	20	19-25	63480-48240
	50	23-32	131088-94224	40	26-36	92772-67008	25	23-32	65544-47112
	60	28-39	129216-92772	50	33-46	91368-65544	30	28-39	64608-46392
	75	35-50	129216-90456	60	40-56	90456-64608	40	38-53	63480-45516
	—	—	—	75	50-73	90456-61956	50	47-69	64152-43692
	—	—	—	—	—	—	60	57-85	63480-42564
SMR9-25/1	10	5	120600	7.5	5	90456	5	5	60300
	15	7-8	129216-113064	10	6-7	100500-86148	7.5	7-8	64608-56532
	20	9-12	134004-100500	15	10-12	90456-75384	10	9-12	67008-50256
	25	11-15	137052-100500	20	13-17	92772-70944	15	14-19	64608-47604
	30	14-19	129216-95220	25	16-22	94224-68520	20	19-25	63480-48240
	40	19-25	126948-96480	30	20-27	90456-67008	25	23-32	65544-47112
	50	23-32	131088-94224	40	26-36	92772-67008	30	28-39	64608-46392
	60	28-39	129216-92772	50	33-46	91368-65544	40	38-53	63480-45516
	75	35-50	129216-90456	60	40-56	90456-64608	50	47-69	64152-43692
	—	—	—	75	50-73	90456-61956	60	57-75	63480-48240

SHAFT MOUNT REDUCERS

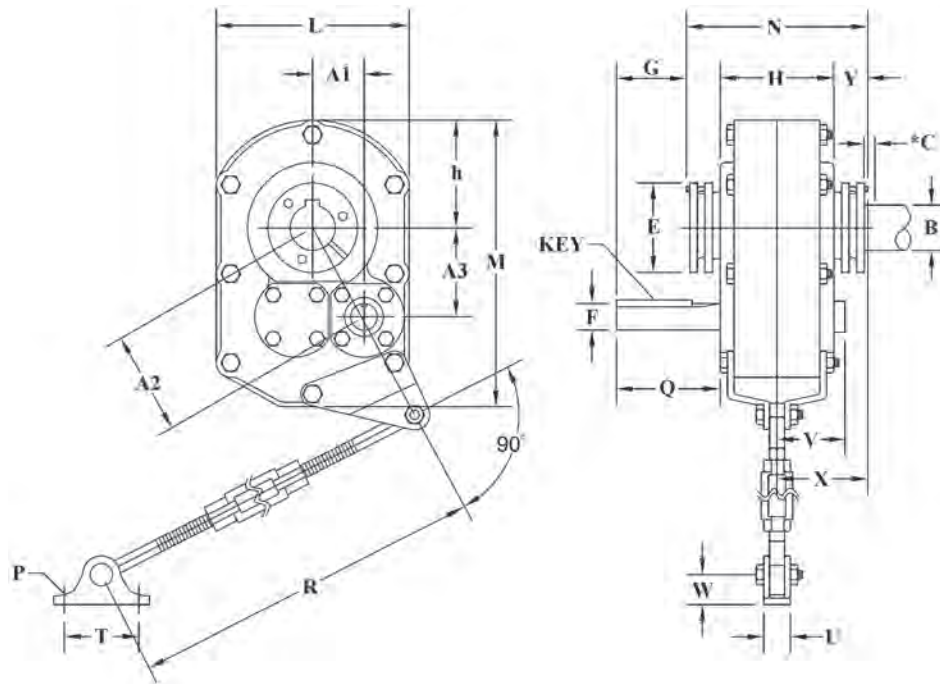
* All output torque ratings are listed in inch pounds.



WORLDWIDE GEAR REDUCERS

Shaft Mount Reducers

The "Original" Shaft Mount Reducer
Dimensions



ALL DIMENSIONS IN INCHES

Box Size	L M	N	F Key	B Max.	C	E G	W U	X V	Q Y	H	A1 A2	A3 h	R Min. R Max.	P T
2	8.38	7.32	1.13	1 1/16	1.25	4.06	1.06	3.68	3.59	4.56	2.14	3.75	26.94	0.44
	11.41		0.25 x 0.13 x 2.50			2.22	1.25	2.89	1.4		4.32	4.09	32.94	3
3	9.25	9.22	1.25	2 3/16	1.5	4.38	1.06	4.52	4.34	5.63	2.33	4.17	26.94	0.44
	12.88		0.25 x 0.13 x 2.88			2.34	1.25	3.3	1.59		4.78	4.84	32.94	3
4	10.38	9.98	1.44	2 7/16	1.75	4.81	1.75	4.79	5.57	6.13	2.76	4.79	29.19	0.55
	15.13		0.38 x 0.19 x 4.06			3.44	1.44	3.41	1.72		5.53	5.5	35.19	4
5	13.13	10.52	1.94	2 15/16	1.81	5.63	1.75	5.05	5.74	6.31	3.04	5.67	29.19	0.5
	18.31		0.50 x 0.25 x 4.50			3.44	1.44	4.45	1.91		6.43	6.56	35.19	4
6	15.13	11.53	2.19	3 7/16	1.81	6.13	2	5.73	6.08	6.88	4.09	6.71	29.19	0.63
	21.31		0.50 x 0.25 x 4.50			3.73	2.75	4.57	2.3		7.88	7.56	35.19	4.75
7	18.75	12.85	2.44	3 15/16	2.06	7.25	2	6.38	6.35	7.75	5.11	8.3	29.44	0.63
	25.94		0.63 x 0.31 x 4.75			3.75	2.75	4.69	2.5		9.74	9.38	35.44	4.75
8	20.25	14.03	2.44	4 7/16	2.06	7.75	3.13	7.04	7.11	8.37	6.03	9.5	30	0.75
	28.25		0.63 x 0.31 x 5.38			4.31	4	5.85	2.86		11.25	10.13	36	7
9	22.63	14.12	2.44	4 15/16	2.44	8.75	3.13	7.04	9.65	8.12	6.59	10.81	30	0.75
	31.69		0.63 x 0.31 x 7.75			6.63	4	5.66	2.98		12.66	11.31	36	7

Dimensions shown in this catalog are for general use only.
For an exact drawing on a specific rating, please contact our sales office.



SHAFT MOUNT REDUCERS

WORLDWIDE GEAR REDUCERS

Shaft Mount Reducers

The "Ultimate" Shaft Mount Reducer Product Overview



ALL-IN-1
"Ultimate"
Shaft Mount
Reducer System
Components
Can Be Found
On Page 175



Product Overview

- 9:1, 15:1, 25:1 ratios
- Box sizes 2 - 9
- Tapered bushing type (bushing not included)
- Premium quality ball and tapered bearings - double lip seals
- Shafts and gears manufactured from high grade steel, case hardened and precision ground to AGMA standards
- Industrial grade all-cast iron housings protect gearing for life
- Extended gear centers and tooth contact
- Metal reinforced double lip, spring loaded oil seals
- Dimensional drop-in for all major makes
- Torque arm included
- Made in Taiwan (highest level of manufacturing expertise)
- 3 year warranty

Box Size	Ratio	Output Bore (Max.)	Approx. Wt. (lbs.)	Model Number	List Price
2	9:1	1 15/16"	68	WSMR2-9/1	\$1,274.42
	15:1			WSMR2-15/1	
	25:1			WSMR2-25/1	
3	9:1	2 3/16"	106	WSMR3-9/1	\$1,903.78
	15:1			WSMR3-15/1	
	25:1			WSMR3-25/1	
4	9:1	2 7/16"	156	WSMR4-9/1	\$2,574.96
	15:1			WSMR4-15/1	
	25:1			WSMR4-25/1	
5	9:1	2 15/16"	204	WSMR5-9/1	\$3,867.12
	15:1			WSMR5-15/1	
	25:1			WSMR5-25/1	
6	9:1	3 7/16"	314	WSMR6-9/1	\$5,052.94
	15:1			WSMR6-15/1	
	25:1			WSMR6-25/1	
7	15:1	3 15/16"	487	WSMR7-15/1	\$9,384.77
	25:1			WSMR7-25/1	
8	15:1	4 7/16"	655	WSMR8-15/1	\$12,055.49
	25:1			WSMR8-25/1	
9	15:1	4 15/16"	783	WSMR9-15/1	\$17,075.59
	25:1			WSMR9-25/1	

SHAFT MOUNT REDUCERS

Output Shaft Overhung Load Ratings

Box Size	Shaft Size	Overhung Load (lbs.) At Various RPMs										
		10	20	30	50	80	100	120	140	160	180	200
2	1 7/16	2000	1510	1270	1010	840	820	720	720	710	710	700
	1 15/16	1750	1320	1110	890	730	710	630	630	620	620	610
3	1 15/16	5400	4250	3680	3050	2620	2440	2310	2210	2110	2040	1980
	2 3/16	5240	4120	3570	2960	2540	2370	2240	2140	2050	1980	1920
4	2 3/16	6520	5180	4510	3800	3230	3000	2830	2710	2600	2510	2430
	2 7/16	6360	5060	4410	3710	3160	2930	2770	2640	2530	2450	2370
5	2 7/16	7460	5860	5080	4280	3690	3450	3270	3110	2980	2880	2790
	2 15/16	7060	5540	4800	4040	3490	3260	3090	2940	2820	2720	2640
6	2 15/16	9100	7100	6100	5000	4100	4050	3700	3550	3400	3300	3200
	3 7/16	8200	6400	5500	4500	3700	3650	3400	3300	3250	3200	3150
7	3 7/16	11400	9500	7300	5950	4750	5050	4500	4300	4250	4200	4150



WORLDWIDE GEAR REDUCERS

Shaft Mount Reducers

The "Ultimate" Shaft Mount Reducer
Mechanical Ratings



Reducer Model Number	Service Class I			Service Class II			Service Class III		
	Power (HP)	Output (RPM)	Output * Torque	Power (HP)	Output (RPM)	Output * Torque	Power (HP)	Output (RPM)	Output * Torque
WSMR2-9/1	7.5	78-105	5434-4037	5	78-110	3658-2594	3	58-110	2952-1556
	10	110-200	5188-2853	7.5	115-200	3722-2140	5	105-200	2717-1427
WSMR2-15/1	2	16-24	7065-4710	1.5	18-24	4710-3532	1.5	26-34	3261-2493
	3	26-45	6521-3768	2	24-34	4710-3324	2	38-58	2975-1949
	5	46-74	6143-3819	3	38-70	4462-2422	3	58-100	2923-1695
	7.5	78-105	5434-4037	5	70-105	4037-2691	5	105-140	2691-2018
	10	105-140	5382-4037	7.5	110-140	3853-3028	—	—	—
WSMR2-25/1	0.5	4-6	7065-4710	0.33	4-5	4663-3730	0.25	4-5	3532-2826
	0.75	6-8	7065-5298	0.5	6-8	4710-3532	0.33	6-8	3108-2331
	1	8-10	7065-5652	0.75	8-12	5298-3532	0.5	8-12	3532-2355
	1.5	12-16	7065-5298	1	12-16	4710-3532	0.75	12-16	3532-2649
	2	16-24	7065-4710	1.5	18-24	4710-3532	1	16-24	3532-2355
	3	26-45	6521-3768	2	24-34	4710-3324	1.5	26-34	3261-2493
	5	46-74	6143-3819	3	38-70	4462-2422	2	38-58	2975-1949
	7.5	78-85	5434-4987	5	70-85	4037-3324	3	58-85	2923-1995
WSMR3-9/1	10	78-105	7246-5382	7.5	85-110	5035-3722	5	74-105	3856-2817
	15	110-140	7707-6055	10	110-150	5188-3804	7.5	110-140	3891-3057
	20	150-200	7609-5707	15	160-200	5350-4280	10	150-200	3804-2853
WSMR3-15/1	3	28-30	6055-5652	2	16-24	7065-4710	2	24-38	4710-2975
	5	32-50	8831-5652	3	26-46	6521-3686	3	40-70	4239-2422
	7.5	52-74	8151-5728	5	50-74	5652-3819	5	74-105	3819-2691
	10	78-105	7246-5382	7.5	78-105	5434-4037	7.5	110-140	3853-3028
	15	110-140	7707-6055	10	100-140	5652-4037	—	—	—
WSMR3-25/1	0.75	4-5	10597-8477	0.5	4-5	7065-5652	0.5	6-7	4710-4037
	1	6-7	9419-8074	0.75	6-7	7065-6055	0.75	8-10	5298-4239
	1.5	8-10	10597-8477	1	8-10	7065-5652	1	10-16	5652-3532
	2	12-16	9419-7065	1.5	12-16	7065-5298	1.5	18-24	4710-3532
	3	18-30	9419-5652	2	16-24	7065-4710	2	24-38	4710-2975
	5	32-50	8831-5652	3	26-46	6521-3686	3	40-70	4239-2422
	7.5	52-74	8151-5728	5	50-74	5652-3819	5	74-85	3819-3324
	10	78-85	7246-6649	7.5	78-85	5434-4987	—	—	—
WSMR4-9/1	15	58-80	14616-10597	15	90-115	9511-7443	7.5	58-78	7379-5487
	20	80-110	14219-10276	20	120-140	9511-8152	10	80-115	7133-4962
	25	100-140	14129-10092	25	150-200	9511-7133	15	120-200	7133-4280
	30	120-200	14267-8560	—	—	—	—	—	—
WSMR4-15/1	5	18-24	15699-11774	3	14-22	12111-7707	3	20-34	8477-4987
	7.5	26-34	16303-12467	5	24-34	11774-8311	5	38-54	7436-5233
	10	38-54	14873-10466	7.5	38-54	11154-7849	7.5	58-80	7308-5298
	15	58-80	14616-10597	10	54-80	10466-7065	10	80-140	765-4037
	20	80-110	14219-10276	15	85-115	9973-7372	—	—	—
	25	100-140	14129-10092	20	110-140	10276-8074	—	—	—
WSMR4-25/1	1	4-5	14129-11303	0.75	4-5	10597-8477	0.5	4-5	7065-5652
	1.5	5-7	16955-12111	1	5-6	11303-9419	0.75	5-6	8477-7065
	2	6-8	18839-14129	1.5	6-8	14129-10597	1	6-8	9419-7065
	3	10-14	16955-12111	2	10-12	11303-9419	1.5	10-12	8477-7065
	5	16-24	17551-11774	3	14-22	12111-7707	2	14-18	8074-6280
	7.5	26-34	16303-12467	5	24-34	11774-8311	3	20-34	8477-4987
	10	38-54	14873-10466	7.5	38-54	11154-7849	5	38-54	7436-5233
	15	58-80	14616-10597	10	54-85	10466-6649	7.5	58-85	7308-4987
	20	80-85	14129-13298	—	—	—	—	—	—

* All output torque ratings are listed in inch pounds

Continued On Next Page



WORLDWIDE GEAR REDUCERS

Shaft Mount Reducers

The "Ultimate" Shaft Mount Reducer
Mechanical Ratings



Reducer Model Number	Service Class I			Service Class II			Service Class III		
	Power (HP)	Output (RPM)	Output * Torque	Power (HP)	Output (RPM)	Output * Torque	Power (HP)	Output (RPM)	Output * Torque
WSMR5-9/1	25	70-95	20184-14873	20	85-115	13427-9925	15	85-115	10071-7443
	30	85-115	19947-14743	25	105-125	13587-11413	20	115-200	7443-4280
	40	110-200	20752-11413	30	125-200	13696-8560	—	—	—
WSMR5-15/1	7.5	22-24	19267-17661	7.5	24-34	17661-12467	5	24-34	11774-8311
	10	24-34	23548-16622	10	38-54	14873-10466	7.5	38-52	11154-8151
	15	38-54	22309-15699	15	58-80	14616-10597	10	54-80	10466-7065
	20	54-78	20932-14491	20	78-110	11491-10276	15	85-110	9973-7707
	25	70-95	20184-14873	25	100-125	14129-11303	20	110-125	10276-9043
	30	85-115	19947-14743	—	—	—	—	—	—
WSMR5-25/1	2	4-5	28258-22606	1.5	4-5	21194-16955	1	4-5	14129-11303
	3	6-8	28258-21194	2	5-6	22606-18839	1.5	6-7	14129-12111
	5	10-14	28258-20184	3	8-14	21194-12111	2	8-12	14129-9419
	7.5	16-24	26492-17661	5	16-24	17661-11774	3	14-22	12111-7707
	10	24-34	23548-16622	7.5	24-34	17661-12467	5	24-34	11774-8311
	15	38-54	22309-15699	10	38-54	14873-10466	7.5	38-52	11154-8151
	20	54-78	20932-14491	15	58-80	14616-10597	10	54-78	10466-7246
	25	70-80	20184-17661	20	78-80	14491-14129	—	—	—
WSMR6-9/1	40	62-85	36817-26855	25	58-80	24598-17833	20	62-78	18409-14632
	50	78-200	36581-14267	30	70-90	24457-19022	25	78-95	18291-15018
	—	—	—	40	95-120	24028-19022	30	95-200	18021-8560
	—	—	—	50	120-200	23778-14267	—	—	—
WSMR6-15/1	15	20-26	42387-32605	10	18-26	31398-21737	7.5	20-24	21194-17661
	20	26-38	43474-29745	15	28-40	30276-21194	10	26-40	21737-14129
	25	34-50	41556-28258	20	40-58	28258-19488	15	45-58	18839-14616
	30	45-62	37677-27346	25	52-78	27171-18114	20	62-74	18231-15275
	40	62-85	36462-26596	30	66-90	25689-18839	25	78-95	18114-14873
	50	78-105	36228-26912	40	90-120	25118-18839	30	95-125	17847-13564
	60	95-125	35694-27128	—	—	—	—	—	—
WSMR6-25/1	3	4-5	42387-33910	2	4-5	28258-22606	1.5	4-5	21194-16955
	5	6-8	47097-35323	3	6-8	28258-21194	2	6-7	18839-16147
	7.5	10-12	42387-35323	5	10-12	28258-23548	3	8-12	21194-14129
	10	14-18	40369-31398	7.5	14-18	30276-23548	5	14-18	20184-15699
	15	20-26	42387-32605	10	18-26	31398-21737	7.5	20-24	21194-17661
	20	26-38	43474-29745	15	28-40	30276-21194	10	26-40	21737-14129
	25	34-50	41556-28258	20	40-58	28258-19488	15	45-58	18839-14616
	30	45-62	37677-27346	25	52-78	27171-18114	20	62-70	18231-16147
	40	62-80	36462-28258	30	66-78	25689-21737	—	—	—

SHAFT MOUNT REDUCERS

* All output torque ratings are listed in inch pounds.

Continued On Next Page



WORLDWIDE GEAR REDUCERS

Shaft Mount Reducers

The "Ultimate" Shaft Mount Reducer
Mechanical Ratings



Reducer Model Number	Service Class I			Service Class II			Service Class III		
	Power (HP)	Output (RPM)	Output * Torque	Power (HP)	Output (RPM)	Output * Torque	Power (HP)	Output (RPM)	Output * Torque
WSMR7-15/1	20	18-22	62796-51378	20	26-34	43474-33245	10	16-24	35323-23548
	25	22-30	64223-47097	25	32-46	44153-30715	15	26-34	32605-24934
	30	26-38	65211-44618	30	40-58	42387-29232	20	38-46	29745-24572
	40	38-54	59491-41864	40	58-80	38977-28258	25	50-62	28258-22789
	50	50-74	56516-38187	—	—	—	30	62-80	27346-21194
	—	—	—	—	—	—	40	85-90	26596-25118
WSMR7-25/1	5	4-5	70645-56516	3	4-5	42387-33910	3	5-7	33910-24221
	7.5	6-7	70645-60553	5	6-7	47097-40369	5	8-10	35323-28258
	10	8-10	70645-56516	7.5	8-10	52984-42387	7.5	12-14	35323-30276
	15	12-16	70645-52984	10	12-16	47097-35323	10	16-24	35323-23548
	20	16-22	70645-51378	15	18-26	47097-32605	15	26-34	32605-24934
	25	22-30	64223-47097	20	24-34	47097-33245	20	38-46	29745-24572
	30	26-38	65211-44618	25	32-46	44153-30715	25	50-62	28258-22789
	40	38-54	56491-41864	30	40-58	42387-29232	30	62-70	27346-24221
WSMR8-15/1	40	20-30	113032-75355	25	20-26	70645-54342	15	18-20	47097-42387
	50	28-40	100922-70645	30	22-32	77067-52984	20	20-26	56516-43474
	60	34-46	99734-73717	40	32-46	70645-49144	25	28-34	50461-41556
	75	45-70	94193-60553	50	40-58	70645-48721	30	34-46	49867-36858
	—	—	—	60	50-74	67819-45824	40	50-58	45213-38977
	—	—	—	75	66-74	64223-57280	50	62-78	45577-36228
	—	—	—	—	—	—	60	78-115	43474-29487
WSMR8-25/1	7.5	4-5	105968-84774	5	4-5	70645-56516	3	4-5	42387-33910
	10	6-7	94193-80737	7.5	6-7	70645-60553	5	5-7	56516-40369
	15	8-9	105968-94193	10	8-9	70645-62796	7.5	7-9	60553-47097
	20	10-12	113032-94193	15	10-14	84774-60553	10	10-14	56516-40369
	25	12-16	117742-99306	20	14-20	80737-56516	15	16-20	52984-42387
	30	16-20	105968-84774	25	18-26	78495-54342	20	20-26	56516-43474
	40	20-30	113032-75355	30	22-32	77067-52984	25	28-34	50461-41556
	50	28-40	100922-70645	40	32-46	70645-49144	30	34-46	49867-36858
	60	34-46	99734-73717	50	40-58	70645-48721	40	50-58	45213-38977
	75	45-70	94193-60553	60	50-74	67819-45824	50	62-74	45577-38187
WSMR9-15/1	50	18-26	15689-108685	30	20-22	84774-77067	25	18-22	78495-64223
	60	22-32	154135-105968	40	22-30	102757-75355	30	22-30	77067-56516
	75	30-50	141290-84774	50	28-40	100922-70645	40	32-40	70645-56516
	—	—	—	60	34-50	99734-67819	50	45-52	62796-54342
	—	—	—	75	45-74	94193-57280	60	52-80	65211-42387
WSMR9-25/1	15	5-6	169548-141290	7.5	4-5	105968-84774	5	4-5	70645-56516
	20	6-8	188387-141290	10	4-6	141290-94193	7.5	5-6	84774-70645
	25	8-10	176613-141290	15	8-9	105968-94193	10	6-8	94193-70645
	30	10-14	169548-121106	20	10-12	113032-94193	15	10-12	84774-70645
	40	14-20	161475-113032	25	12-16	117742-88306	20	14-16	80737-70645
	50	18-26	156989-108685	30	16-22	105968-77067	25	18-22	78495-64223
	60	22-32	154135-105968	40	22-30	102757-75355	30	22-30	77067-56516
	75	30-50	141290-84774	50	28-40	100922-70645	40	32-40	70645-56516
	—	—	—	60	34-50	99734-67819	50	45-52	62796-54342
	—	—	—	75	45-74	94193-57280	60	52-74	65211-45824

* All output torque ratings are listed in inch pounds.

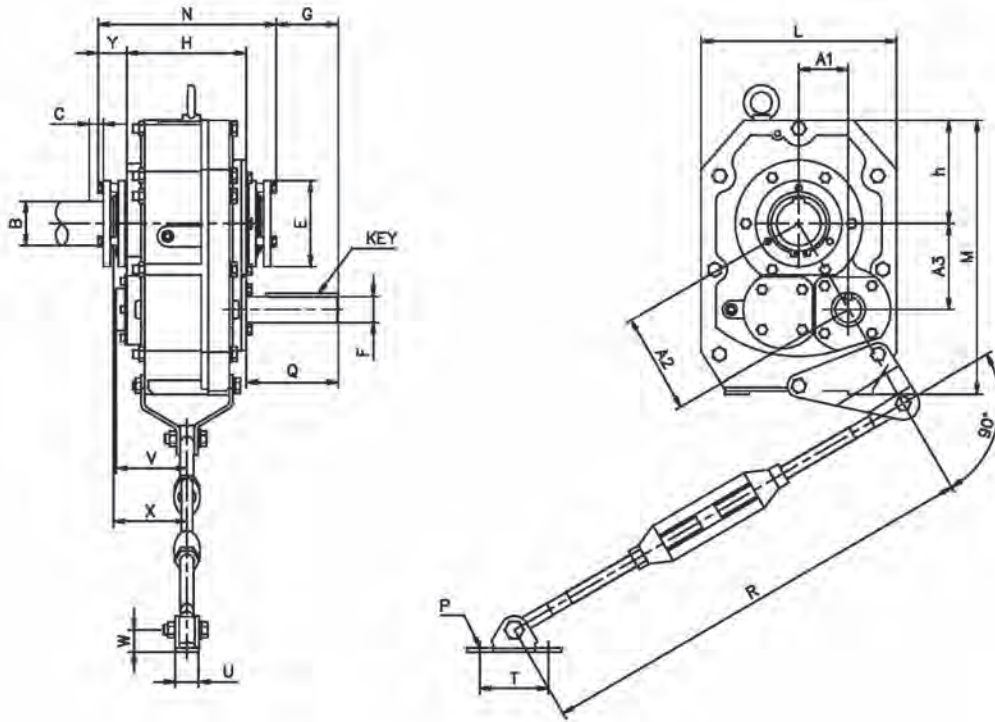


SHAFT MOUNT REDUCERS

WORLDWIDE GEAR REDUCERS

Shaft Mount Reducers

The "Ultimate" Shaft Mount Reducer
Dimensions



ALL DIMENSIONS IN INCHES

Box Size	L M	N	F Key	B Max.	C	E G	W U	X V	Q Y	H	A1 A2	A3 h	R Min. R Max.	P T
2	8.38	7.32	1.13 0.25 x 0.13 x 2.50	1 1/16	1.25	4.06	1.06	3.68	3.59	4.56	2.14	3.75	26.94	0.44
	11.41					2.22	1.25	2.89	1.4		4.32	4.09	32.94	3
3	9.25	9.22	1.25 0.25 x 0.13 x 2.88	2 3/16	1.5	4.38	1.06	4.52	4.34	5.63	2.33	4.17	26.94	0.44
	12.88					2.34	1.25	3.3	1.59		4.78	4.84	32.94	3
4	10.38	9.98	1.44 0.38 x 0.19 x 4.06	2 7/16	1.75	4.81	1.75	4.79	5.57	6.13	2.76	4.79	29.19	0.55
	15.13					3.44	1.44	3.41	1.72		5.53	5.5	35.19	4
5	13.13	10.52	1.94 0.50 x 0.25 x 4.50	2 1/16	1.81	5.63	1.75	5.05	5.74	6.31	3.04	5.67	29.19	0.5
	18.31					3.44	1.44	4.45	1.91		6.43	6.56	35.19	4
6	15.13	11.53	2.19 0.50 x 0.25 x 4.50	3 7/16	1.81	6.13	2	5.73	6.08	6.88	4.09	6.71	29.19	0.63
	21.31					3.73	2.75	4.57	2.3		7.88	7.56	35.19	4.75
7	18.75	12.85	2.44 0.63 x 0.31 x 4.75	3 1/16	2.06	7.25	2	6.38	6.35	7.75	5.11	8.3	29.44	0.63
	25.94					3.75	2.75	4.69	2.5		9.74	9.38	35.44	4.75
8	20.25	14.03	2.44 0.63 x 0.31 x 5.38	4 7/16	2.06	7.75	3.13	7.04	7.11	8.37	6.03	9.5	30	0.75
	28.25					4.31	4	5.85	2.86		11.25	10.13	36	7
9	22.63	14.12	2.44 0.63 x 0.31 x 7.75	4 1/16	2.44	8.75	3.13	7.04	9.65	8.12	6.59	10.81	30	0.75
	31.69					6.63	4	5.66	2.98		12.66	11.31	36	7

Dimensions shown in this catalog are for general use only.
For an exact drawing on a specific rating, please contact our sales office.



WORLDWIDE GEAR REDUCERS

Shaft Mount Reducers

Competitive Interchange

Ratios 9:1, 15:1 and 25:1



9:1 Ratio

WorldWide Electric	Dodge	Hub City	Browning	Cleveland Gear
WSMR2-9/1	TXT2-9:1	PT2 115 S 09	115SMTP09	---
WSMR3-9/1	TXT3-9:1	PT3 203 S 09	203SMTP09	---
WSMR4-9/1	TXT4-9:1	PT4 207 S 09	207SMTP09	---
WSMR5-9/1	TXT5-9:1	PT5 215 S 09	215SMTP09	---
WSMR6-9/1	TXT6-9:1	PT6 307 S 09	307SMTP09	---

15:1 Ratio

WorldWide Electric	Dodge	Hub City	Browning	Cleveland Gear
WSMR2-15/1	TXT2-15:1	PT2 115 S 15	115SMTP15	CGSM2 15
SMR2-15/1				
WSMR3-15/1	TXT3-15:1	PT3 203 S 15	203SMTP15	CGSM3 15
SMR3-15/1				
WSMR4-15/1	TXT4-15:1	PT4 207 S 15	207SMTP15	CGSM4 15
SMR4-15/1				
WSMR5-15/1	TXT5-15:1	PT5 215 S 15	215SMTP15	CGSM5 15
SMR5-15/1				
WSMR6-15/1	TXT6-15:1	PT6 307 S 15	307SMTP15	CGSM6 15
SMR6-15/1				
WSMR7-15/1	TXT7-15:1	PT7 315 S 15	315SMTP15	---
SMR7-15/1				
WSMR8-15/1	TXT8-15:1	PT8 407 S 15	407SMTP15	---
SMR8-15/1				
WSMR9-15/1	TXT9-15:1	---	415SMTP15	---
SMR9-15/1				

25:1 Ratio

WorldWide Electric	Dodge	Hub City	Browning	Cleveland Gear
WSMR2-25/1	TXT2-25:1	PT2 115 S 25	115SMTP25	CGSM2 25
SMR2-25/1				
WSMR3-25/1	TXT3-25:1	PT3 203 S 25	203SMTP25	CGSM3 25
SMR3-25/1				
WSMR4-25/1	TXT4-25:1	PT4 207 S 25	207SMTP25	CGSM4 25
SMR4-25/1				
WSMR5-25/1	TXT5-25:1	PT5 215 S 25	215SMTP25	CGSM5 25
SMR5-25/1				
WSMR6-25/1	TXT6-25:1	PT6 307 S 25	307SMTP25	CGSM6 25
SMR6-25/1				
WSMR7-25/1	TXT7-25:1	PT7 315 S 25	315SMTP25	---
SMR7-25/1				
WSMR8-25/1	TXT8-25:1	PT8 407 S 25	407SMTP25	---
SMR8-25/1				
WSMR9-25/1	TXT9-25:1	---	415SMTP25	---
SMR9-25/1				

SHAFT MOUNT REDUCERS



WORLDWIDE GEAR REDUCERS

Shaft Mount Reducers

Accessories



Backstop Assemblies

- Easy mount for WorldWide shaft mount reducers
- Smooth forward operation of conveyor with no backslip



Box Size	Model Number	List Price
2	SMR2BSK	\$214.03
3	SMR3BSK	\$273.89
4	SMR4BSK	\$273.89
5	SMR5BSK	\$325.28
6	SMR6/7BSK	\$616.32
7	SMR6/7BSK	\$616.32
8	SMR8/9BSK	\$1,350.00
9	SMR8/9BSK	\$1,350.00

Motor Mounts

- Heavy gauge steel construction for NEMA frame motors
- Adjustable top plate for belt tensioning



Box Size	NEMA Frame	Model Number	List Price
2	56-215T	MM2	\$387.78
3	56-215T	MM3A	\$398.89
4	143T-286T	MM4	\$621.46
5	143T-286T	MM5A	\$621.46
6	143T-326T	MM6A	\$864.58
7	143T-365T	MM7	\$927.34
8	213T-365T	MM8	\$1,112.81

Belt Guards

- Hinge design for easy access to belts and sheaves
- Slotted metal panel construction
- Assembles to reducer and motor mount holes
- Easy mount for WorldWide shaft mount reducers

Box Size	Model Number	List Price
2	BG2	\$387.50
3	BG3	\$440.42
4	BG4	\$505.17
5	BG5	\$557.08
6	BG6	\$634.71
7	BG7	\$746.72
8	BG8	\$878.49



SHAFT MOUNT
REDUCERS

WORLDWIDE GEAR REDUCERS

Shaft Mount Reducers

Accessories



Tapered Bushing Kits

- Sized for WorldWide shaft mount reducers
- Interchangeable with other manufacturers
- Fast and simple installation
- Tapered support on both sides of the reducer
- Include fastening bolts and a full length shaft key



Box Size	Bushing Size (in.)	Model Number	Alternate Model Number	List Price
2	1 1/4	2TBK-1.14	2WTBK-1.14	\$134.03
	1 5/16	2TBK-1.516	2WTBK-1.516	
	1 3/8	2TBK-1.38	2WTBK-1.38	
	1 7/16	2TBK-1.716	2WTBK-1.716	
	1 1/2	2TBK-1.12	2WTBK-1.12	
	1 5/8	2TBK-1.58	2WTBK-1.58	
	1 11/16	2TBK-1.1116	2WTBK-1.1116	
	1 3/4	2TBK-1.34	2WTBK-1.34	
	1 15/16	2TBK-1.1516	2WTBK-1.1516	
3	1 11/16	3TBK-1.1116	3WTBK-1.1116	\$164.93
	1 3/4	3TBK-1.34	3WTBK-1.34	
	1 7/8	3TBK-1.78	3WTBK-1.78	
	1 15/16	3TBK-1.1516	3WTBK-1.1516	
	2	3TBK-2	3WTBK-2	
	2 3/16	3TBK-2.316	3WTBK-2.316	
4	1 15/16	4TBK-1.1516	4WTBK-1.1516	\$227.36
	2	4TBK-2	4WTBK-2	
	2 1/8	4TBK-2.18	4WTBK-2.18	
	2 3/16	4TBK-2.316	4WTBK-2.316	
	2 1/4	4TBK-2.14	4WTBK-2.14	
	2 7/16	4TBK-2.716	4WTBK-2.716	
5	2 3/16	5TBK-2.316	5WTBK-2.316	\$313.19
	2 1/4	5TBK-2.14	5WTBK-2.14	
	2 7/16	5TBK-2.716	5WTBK-2.716	
	2 1/2	5TBK-2.12	5WTBK-2.12	
	2 11/16	5TBK-2.1116	5WTBK-2.1116	
	2 15/16	5TBK-2.1516	5WTBK-2.1516	
6	2 1/2	6TBK-2.12	6WTBK-2.12	\$407.43
	2 11/16	6TBK-2.1116	6WTBK-2.1116	
	2 7/8	6TBK-2.78	6WTBK-2.78	
	2 15/16	6TBK-2.1516	6WTBK-2.1516	
	3	6TBK-3	6WTBK-3	
	3 7/16	6TBK-3.716	6WTBK-3.716	
7	2 7/8	7TBK-2.716	7WTBK-2.716	\$547.83
	2 11/16	7TBK-2.1116	7WTBK-2.1116	
	2 15/16	7TBK-2.1516	7WTBK-2.1516	
	3	7TBK-3	7WTBK-3	
	3 3/16	7TBK-3.316	7WTBK-3.316	
	3 7/16	7TBK-3.716	7WTBK-3.716	
8	3 15/16	8TBK-3.1516	8WTBK-3.1516	\$664.25
	4 3/16	8TBK-4.316	8WTBK-4.316	
	4 7/16	8TBK-4.716	8WTBK-4.716	
	3 7/8	8TBK-3.716	8WTBK-3.716	
	3 15/16	8TBK-3.1516	8WTBK-3.1516	
	4 1/16	8TBK-4.116	8WTBK-4.116	
9	4 7/16	9TBK-4.716	9WTBK-4.716	\$780.66
	4 15/16	9TBK-4.1516	9WTBK-4.1516	
	4 3/4	9TBK-4.716	9WTBK-4.716	
	4 11/16	9TBK-4.1116	9WTBK-4.1116	

Torque Arms

- Included with EVERY shaft mount reducer
- Heavy gauge steel construction
- Machine precision ground interlocking parts for easy and accurate tensing and tightening



Box Size	Model Number	Alternate Model Number	List Price
2	SMR2-TA	WSMR2-TA	\$62.67
3	SMR3-TA	WSMR3-TA	\$62.67
4	SMR4-TA	WSMR4-TA	\$112.00
5	SMR5-TA	WSMR5-TA	\$112.00
6	SMR6-TA	WSMR6-TA	\$167.42
7	SMR7-TA	WSMR7-TA	\$327.83
8	SMR8-TA	WSMR8-TA	\$414.50
9	SMR9-TA	---	\$414.50

Rebuild Kits For The "Original" SMR

Kits Include (Sold As Kit Only):

- High speed input shaft
- First gear reduction
- Input bearings
- Input seal
- Output seals



Box Size	Ratio	Model Number	List Price
3	15:1	SMR315RBKIT	\$425.55
3	25:1	SMR325RBKIT	\$425.55
4	15:1	SMR415RBKIT	\$524.17
4	25:1	SMR425RBKIT	\$524.17
5	15:1	SMR515RBKIT	\$698.33
5	25:1	SMR525RBKIT	\$698.33
6	15:1	SMR615RBKIT	\$940.83
6	25:1	SMR625RBKIT	\$940.83
7	15:1	SMR715RBKIT	\$1,374.17
7	25:1	SMR725RBKIT	\$1,374.17
8	15:1	SMR815RBKIT	\$1,710.00
8	25:1	SMR825RBKIT	\$1,710.00
9	15:1	SMR915RBKIT	\$2,177.50
9	25:1	SMR925RBKIT	\$2,177.50

SHAFT MOUNT REDUCERS



WORLDWIDE GEAR REDUCERS

Shaft Mount Reducers

ALL-IN-1 "Ultimate" Shaft Mount Reducer System Components
Everything You Need For The Screw Conveyor Application



ALL-IN-1
"Ultimate"
Shaft Mount
Reducer
Can Be Found
On Page 167



Product Overview

- 15:1 and 25:1 ratios
- Box sizes 2 - 6
- Heavy duty FCD45 cast iron housing for corrosion resistance
- CEMA adapter flange bolt-on design allows for easy mounting
- Drive shaft machined from high strength alloy steel
- Hardened gears for long-life, AGMA rated class 11
- Double lip seal and braided felt seal installed
- Flat bottom with four (4) tapped holes for additional mounting flexibility
- Components for use only with The "Ultimate" Shaft Mount Reducer found on Page 6

Screw Conveyor Flanges

- Conforms to CEMA standards
- Bolt-on design allows for easy mounting
- Heavy duty FCD45 cast iron construction
- Double lip seal and braided felt seal installed



Box Size	Model Number	List Price
2	2SCF	\$249.58
3	3SCF	\$285.25
4	4SCF	\$329.29
5	5SCF	\$383.04
6	6SCF	\$490.75

Screw Conveyor Shafts

- Machined from high tensile strength alloy steel
- Conforms to CEMA standards
- Three-hole design for easy installation onto screw



Box Size	Model Number	List Price
2	2SCDS-1.12	\$265.04
	2SCDS-2	\$265.04
	2SCDS-2.716	\$334.50
	2SCDS-3	\$334.50
3	3SCDS-1.12	\$344.08
	3SCDS-2	\$344.08
	3SCDS-2.716	\$344.08
	3SCDS-3	\$393.88
4	4SCDS-1.12	\$401.37
	4SCDS-2	\$401.37
	4SCDS-2.716	\$401.37
	4SCDS-3	\$440.50
	4SCDS-3.716	\$467.50
5	5SCDS-2	\$499.79
	5SCDS-2.716	\$499.79
	5SCDS-3	\$499.79
	5SCDS-3.716	\$505.41
6	6SCDS-2.716	\$670.50
	6SCDS-3	\$670.50
	6SCDS-3.716	\$750.96

SHAFT MOUNT
REDUCERS

WORLDWIDE GEAR REDUCERS

Worm Gear Reducers

Heavy Duty Cast Iron Worm Gear Reducers Product Overview



Flange Input - Shaft Output
Left Hand Output



Flange Input - Shaft Output
Right Hand Output



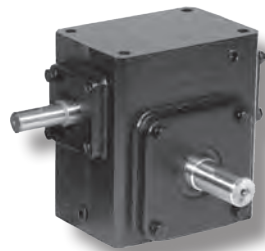
Flange Input - Shaft Output
Double End Output



Flange Input
Hollow Bore Output



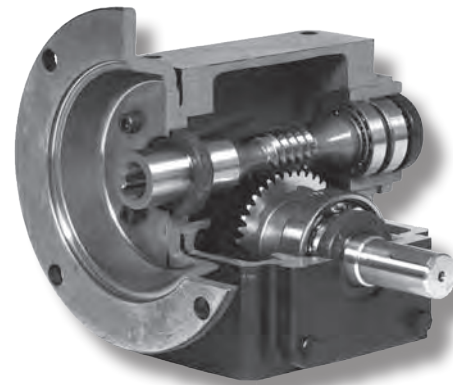
Shaft Input - Shaft Output
Left Hand Output



Shaft Input - Shaft Output
Right Hand Output

Product Overview

- 5:1 - 60:1 ratios
- Box sizes 1.33 - 3.25
- One piece # Fc20 all cast iron housing
- Embedded double-lip oil seals
- Double bearings used on both shaft ends
- Anti-rust primer applied inside and outside gearbox
- S45C carbon steel shafts
- Albc3 aluminum - bronze gear
- Interior oil channel guide directly and constantly lube bearings
- Tapered roller bearing on output and input shafts
- All angle - radiused mounting holes
- Air dry special black paint
- Shaft sleeve protects all shafts
- Compact design - compact space capability
- Units filled with Mobil #5HC634 synthetic oil
- Universally interchangeable
- 1 year warranty



How To Order

WHEN ORDERING A WORM GEAR REDUCER PLEASE USE THE FOLLOWING NOMENCLATURE

Style	Box Size	Ratio	Output	Motor Frame *
S - Shaft Input	133	5:1	L - Left Hand	56C
F - Flange Input	154	10:1	R - Right Hand	145TC
	175	15:1	DE - Double End	182/4TC
	206	20:1	H - Hollow Bore	
	237	30:1		
	262	40:1		
	325	50:1		
		60:1		*Leave Blank for Shaft Input
HdR_____	_____	____/____	_____	_____

WORLDWIDE GEAR REDUCERS

Worm Gear Reducers

Heavy Duty Cast Iron Worm Gear Reducers Mechanical Ratings



Input Speed		1750 RPM									
Box Size	Ratio	Mechanical (1.0 SF)			Thermal (1.25 SF)			Efficiency (%)	O.H.L. (lbs.)	Output Shaft Thrust Load (lbs.)	Backlash (ft.) (Angular Minutes)
		Input HP	Output Torque (lbs. in.)	Output HP	Input HP	Output Torque (lbs. in.)	Output HP				
133	5:1	1.21	209	1.05	1.15	221	1.11	91	300	300	27
	10:1	0.77	247	0.66	0.75	240	0.64	86			
	15:1	0.63	283	0.5	0.53	238	0.42	80			
	20:1	0.5	276	0.39	0.48	266	0.38	78			
	30:1	0.47	336	0.31	0.31	221	0.20	66			
	40:1	0.38	356	0.25	0.30	282	0.19	65			
	60:1	0.29	312	0.17	0.26	282	0.16	59			
154	5:1	2.06	341	1.88	2.04	345	1.90	92	450	400	23
	10:1	1.29	327	0.9	1.03	411	1.13	88			
	15:1	1.11	363	0.67	0.78	518	0.95	86			
	20:1	0.86	384	0.53	0.65	509	0.70	81			
	30:1	0.62	388	0.36	0.48	504	0.46	74			
	40:1	0.51	397	0.27	0.4	503	0.35	68			
	60:1	0.47	407	0.22	0.34	565	0.31	66			
175	5:1	2.83	499	2.62	2.28	402	2.11	93	650	550	20
	10:1	1.57	515	1.38	1.36	445	1.19	88			
	15:1	1.24	554	1.06	1.13	506	0.96	85			
	20:1	1.26	737	1.04	0.98	572	0.81	83			
	30:1	0.89	666	0.61	0.54	405	0.37	69			
	40:1	0.79	714	0.49	0.45	404	0.28	62			
	60:1	0.5	538	0.3	0.41	446	0.25	59			
206	5:1	3.62	925	3.33	2.57	657	2.36	92	700	750	17
	10:1	2.77	935	2.5	2.10	708	1.89	90			
	15:1	2.09	1002	1.78	1.40	673	1.20	85			
	20:1	1.57	914	1.29	1.17	681	0.96	82			
	30:1	1.65	1310	1.21	0.76	606	0.56	73			
	40:1	1.09	1120	0.77	0.71	726	0.50	71			
	60:1	0.74	830	0.46	0.54	606	0.33	62			
237	5:1	4.32	766	4.02	3.56	630	3.31	93	900	900	17
	10:1	3.47	1158	3.09	2.24	746	1.99	89			
	15:1	2.64	1249	2.22	1.55	732	1.30	84			
	20:1	2.06	1195	1.69	1.36	791	1.12	82			
	30:1	1.82	1507	1.39	1.02	847	0.78	76			
	40:1	1.45	1483	1.02	0.83	845	0.58	71			
	60:1	1.32	1527	0.84	0.67	779	0.43	64			
262	5:1	5.24	924	4.86	4.32	761	4.00	93	1000	1000	17
	10:1	4.17	1445	3.74	3.06	1061	2.75	90			
	15:1	3.22	1577	2.81	2.47	1212	2.16	87			
	20:1	2.67	1563	2.21	1.84	1078	1.53	83			
	30:1	2.22	1827	1.68	1.30	1072	0.99	76			
	40:1	1.85	1919	1.32	1.11	1153	0.80	72			
	60:1	1.37	1658	0.92	0.95	1152	0.64	67			
325	5:1	9.72	1724	9.06	6.93	1228	6.46	93	1200	1200	15
	10:1	7.19	2419	6.46	4.63	1558	4.16	90			
	15:1	5.45	2611	4.65	3.19	1527	2.72	85			
	20:1	4.74	2875	4.07	3.31	2011	2.85	86			
	30:1	3.66	3045	2.8	2.00	1661	1.53	77			
	40:1	3.35	3692	2.55	1.96	2156	1.49	76			
	60:1	2.49	3413	1.88	1.92	2637	1.46	76			
	60:1	2.03	3127	1.44	1.61	2476	1.14	71			

WORM GEAR REDUCERS
HEAVY DUTY CAST IRON



WORLDWIDE GEAR REDUCERS

Worm Gear Reducers

Heavy Duty Cast Iron Worm Gear Reducers Flange Input - Shaft Output



Ratio C	Output RPM @ 1800 RPM Input	WCD Center (in.)	NEMA Motor Frame	Approx. Wt. (lbs.)	Model Number Left Hand Output	Model Number Right Hand Output	Model Number Double End Output	List Price
5:1	350	1.33	56C	17	HdRF133-5/1-L-56C	HdRF133-5/1-R-56C	HdRF133-5/1-DE-56C	\$224.00
		1.54	56C	22	---	HdRF154-5/1-R-56C	---	\$246.00
		1.75	56C	27	HdRF175-5/1-L-56C	HdRF175-5/1-R-56C	HdRF175-5/1-DE-56C	\$271.00
		2.06	56C	32	HdRF206-5/1-L-56C	HdRF206-5/1-R-56C	HdRF206-5/1-DE-56C	\$344.00
		2.37	56C	38	HdRF237-5/1-L-56C	HdRF237-5/1-R-56C	HdRF237-5/1-DE-56C	\$414.00
		2.62	182/4TC	53	HdRF262-5/1-L-182/4TC	HdRF262-5/1-R-182/4TC	HdRF262-5/1-DE-182/4TC	\$446.00
10:1	175	3.25	182/4TC	90	HdRF325-5/1-L-182/4TC	HdRF325-5/1-R-182/4TC	HdRF325-5/1-DE-182/4TC	\$630.00
		1.33	56C	17	HdRF133-10/1-L-56C	HdRF133-10/1-R-56C	HdRF133-10/1-DE-56C	\$224.00
		1.54	56C	22	HdRF154-10/1-L-56C	HdRF154-10/1-R-56C	---	\$246.00
		1.75	56C	27	HdRF175-10/1-L-56C	HdRF175-10/1-R-56C	HdRF175-10/1-DE-56C	\$271.00
		2.06	56C	32	HdRF206-10/1-L-56C	HdRF206-10/1-R-56C	HdRF206-10/1-DE-56C	\$344.00
		2.37	56C	38	HdRF237-10/1-L-56C	HdRF237-10/1-R-56C	HdRF237-10/1-DE-56C	\$414.00
15:1	120	2.62	145TC	53	---	HdRF237-10/1-R-145TC	---	\$446.00
		2.62	182/4TC	53	HdRF262-10/1-L-182/4TC	HdRF262-10/1-R-182/4TC	HdRF262-10/1-DE-182/4TC	\$446.00
		3.25	182/4TC	90	HdRF325-10/1-L-182/4TC	HdRF325-10/1-R-182/4TC	HdRF325-10/1-DE-182/4TC	\$630.00
		1.33	56C	17	HdRF133-15/1-L-56C	HdRF133-15/1-R-56C	HdRF133-15/1-DE-56C	\$224.00
		1.54	56C	22	HdRF154-15/1-L-56C	HdRF154-15/1-R-56C	---	\$246.00
		1.75	56C	27	HdRF175-15/1-L-56C	HdRF175-15/1-R-56C	HdRF175-15/1-DE-56C	\$271.00
20:1	88	2.06	56C	32	HdRF206-15/1-L-56C	HdRF206-15/1-R-56C	HdRF206-15/1-DE-56C	\$344.00
		2.37	56C	38	HdRF237-15/1-L-56C	HdRF237-15/1-R-56C	HdRF237-15/1-DE-56C	\$414.00
		2.62	56C	53	HdRF262-15/1-L-56C	HdRF262-15/1-R-56C	HdRF262-15/1-DE-56C	\$446.00
		2.62	145TC	53	HdRF262-15/1-L-145TC	HdRF262-15/1-R-145TC	HdRF262-15/1-DE-145TC	\$446.00
		3.25	182/4TC	90	HdRF325-15/1-L-182/4TC	HdRF325-15/1-R-182/4TC	HdRF325-15/1-DE-182/4TC	\$630.00
		30:1	58	1.33	56C	17	HdRF133-20/1-L-56C	HdRF133-20/1-R-56C
1.54	56C			22	HdRF154-20/1-L-56C	HdRF154-20/1-R-56C	---	\$246.00
1.75	56C			27	HdRF175-20/1-L-56C	HdRF175-20/1-R-56C	HdRF175-20/1-DE-56C	\$271.00
2.06	56C			32	HdRF206-20/1-L-56C	HdRF206-20/1-R-56C	HdRF206-20/1-DE-56C	\$344.00
2.37	56C			38	HdRF237-20/1-L-56C	HdRF237-20/1-R-56C	HdRF237-20/1-DE-56C	\$414.00
2.62	56C			53	HdRF262-20/1-L-56C	HdRF262-20/1-R-56C	HdRF262-20/1-DE-56C	\$446.00
40:1	44	2.62	145TC	53	HdRF262-20/1-L-145TC	HdRF262-20/1-R-145TC	HdRF262-20/1-DE-145TC	\$446.00
		3.25	56C	87	HdRF325-20/1-L-56C	HdRF325-20/1-R-56C	HdRF325-20/1-DE-56C	\$630.00
		3.25	145TC	87	HdRF325-20/1-L-145TC	HdRF325-20/1-R-145TC	HdRF325-20/1-DE-145TC	\$630.00
		3.25	182/4TC	90	HdRF325-20/1-L-182/4TC	HdRF325-20/1-R-182/4TC	HdRF325-20/1-DE-182/4TC	\$630.00
		1.33	56C	17	HdRF133-30/1-L-56C	HdRF133-30/1-R-56C	HdRF133-30/1-DE-56C	\$224.00
		1.54	56C	22	HdRF154-30/1-L-56C	HdRF154-30/1-R-56C	---	\$246.00
50:1	35	1.75	56C	27	HdRF175-30/1-L-56C	HdRF175-30/1-R-56C	HdRF175-30/1-DE-56C	\$271.00
		2.06	56C	32	HdRF206-30/1-L-56C	HdRF206-30/1-R-56C	HdRF206-30/1-DE-56C	\$344.00
		2.37	56C	38	HdRF237-30/1-L-56C	HdRF237-30/1-R-56C	HdRF237-30/1-DE-56C	\$414.00
		2.62	56C	50	HdRF262-30/1-L-56C	HdRF262-30/1-R-56C	HdRF262-30/1-DE-56C	\$446.00
		2.62	145TC	50	HdRF262-30/1-L-145TC	HdRF262-30/1-R-145TC	HdRF262-30/1-DE-145TC	\$446.00
		3.25	56C	87	HdRF325-30/1-L-56C	HdRF325-30/1-R-56C	HdRF325-30/1-DE-56C	\$630.00
60:1	29	3.25	145TC	87	HdRF325-30/1-L-145TC	HdRF325-30/1-R-145TC	HdRF325-30/1-DE-145TC	\$630.00
		3.25	182/4TC	90	HdRF325-30/1-L-182/4TC	HdRF325-30/1-R-182/4TC	---	\$630.00
		1.33	56C	17	HdRF133-40/1-L-56C	HdRF133-40/1-R-56C	HdRF133-40/1-DE-56C	\$224.00
		1.54	56C	22	HdRF154-40/1-L-56C	HdRF154-40/1-R-56C	---	\$246.00
		1.75	56C	27	HdRF175-40/1-L-56C	HdRF175-40/1-R-56C	HdRF175-40/1-DE-56C	\$271.00
		2.06	56C	32	HdRF206-40/1-L-56C	HdRF206-40/1-R-56C	HdRF206-40/1-DE-56C	\$344.00
50:1	35	2.37	56C	38	HdRF237-40/1-L-56C	HdRF237-40/1-R-56C	HdRF237-40/1-DE-56C	\$414.00
		2.62	56C	50	HdRF262-40/1-L-56C	HdRF262-40/1-R-56C	HdRF262-40/1-DE-56C	\$446.00
		2.62	145TC	50	HdRF262-40/1-L-145TC	---	---	\$446.00
		3.25	56C	87	HdRF325-40/1-L-56C	HdRF325-40/1-R-56C	HdRF325-40/1-DE-56C	\$630.00
		3.25	145TC	87	HdRF325-40/1-L-145TC	HdRF325-40/1-R-145TC	HdRF325-40/1-DE-145TC	\$630.00
		1.33	56C	17	HdRF133-50/1-L-56C	HdRF133-50/1-R-56C	HdRF133-50/1-DE-56C	\$224.00
50:1	35	1.54	56C	22	HdRF154-50/1-L-56C	HdRF154-50/1-R-56C	---	\$246.00
		1.76	56C	27	HdRF175-50/1-L-56C	HdRF175-50/1-R-56C	HdRF175-50/1-DE-56C	\$271.00
		2.06	56C	32	HdRF206-50/1-L-56C	HdRF206-50/1-R-56C	HdRF206-50/1-DE-56C	\$344.00
		2.37	56C	38	HdRF237-50/1-L-56C	HdRF237-50/1-R-56C	HdRF237-50/1-DE-56C	\$414.00
		2.62	56C	50	HdRF262-50/1-L-56C	HdRF262-50/1-R-56C	HdRF262-50/1-DE-56C	\$446.00
		3.25	56C	87	HdRF325-50/1-L-56C	HdRF325-50/1-R-56C	HdRF325-50/1-DE-56C	\$630.00
60:1	29	3.25	145TC	87	HdRF325-50/1-L-145TC	HdRF325-50/1-R-145TC	HdRF325-50/1-DE-145TC	\$630.00
		1.33	56C	17	HdRF133-60/1-L-56C	HdRF133-60/1-R-56C	HdRF133-60/1-DE-56C	\$224.00
		1.54	56C	22	HdRF154-60/1-L-56C	HdRF154-60/1-R-56C	---	\$246.00
		1.75	56C	27	HdRF175-60/1-L-56C	HdRF175-60/1-R-56C	HdRF175-60/1-DE-56C	\$271.00
		2.06	56C	32	HdRF206-60/1-L-56C	HdRF206-60/1-R-56C	HdRF206-60/1-DE-56C	\$344.00
		2.37	56C	38	HdRF237-60/1-L-56C	HdRF237-60/1-R-56C	HdRF237-60/1-DE-56C	\$414.00
60:1	29	2.62	56C	50	HdRF262-60/1-L-56C	HdRF262-60/1-R-56C	HdRF262-60/1-DE-56C	\$446.00
		3.25	56C	87	HdRF325-60/1-L-56C	HdRF325-60/1-R-56C	HdRF325-60/1-DE-56C	\$630.00
		3.25	145TC	87	HdRF325-60/1-L-145TC	HdRF325-60/1-R-145TC	HdRF325-60/1-DE-145TC	\$630.00

WORM GEAR REDUCERS
HEAVY DUTY CAST IRON



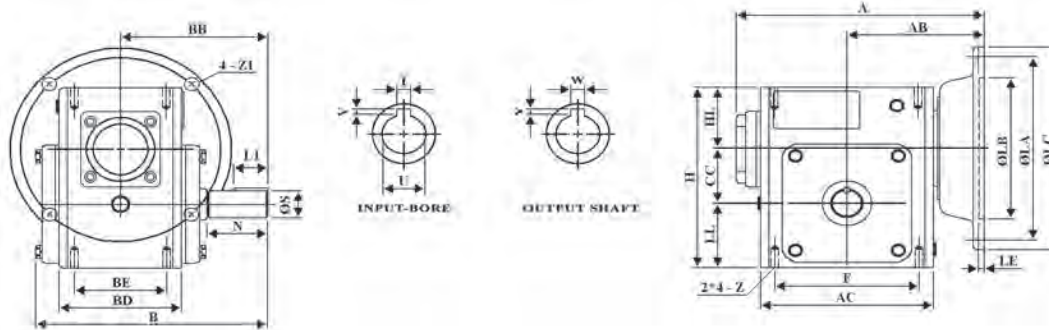
WORLDWIDE GEAR REDUCERS

Worm Gear Reducers

Heavy Duty Cast Iron Worm Gear Reducers

Flange Input - Shaft Output - Left / Right Hand Output

Dimensions



ALL DIMENSIONS IN INCHES

Box Size	NEMA Frame	A	AB	AC	B	BB	BD	BE	CC	F	H	HL	LL	N
133	56C	5.99	3.386	3.78	6.067	4	2.835	2	1.333	3.25	4.656	1.605	1.718	2
154	56C	7.15	3.976	4.961	6.122	4.311	3.622	2.75	1.54	4.188	5.378	1.929	1.909	1.772
175	56C	7.29	4.035	5.059	6.831	4.311	3.563	2.75	1.75	4.188	5.75	1.938	2.062	1.781
206	56C	7.95	4.37	5.748	7.249	4.69	3.819	2.88	2.062	5	6.375	2.032	2.281	2.09
237	56C	8.71	4.705	6.378	7.948	5.087	4.055	2.88	2.375	5	6.937	2.062	2.5	2.37
262	56C	9.41	5.059	7.165	8.872	5.63	4.685	3.375	2.625	6.375	8	2.437	2.938	2.626
	145TC	9.41	5.059	7.165	8.872	5.63	4.685	3.375	2.625	6.375	8	2.437	2.938	2.626
	182/4TC	10.57	6.24	7.165	8.872	5.63	4.685	3.375	2.625	6.375	8	2.437	2.938	2.626
325	56C	11.42	6.063	9.016	11.014	7.059	5.748	4	3.25	7.5	9.375	2.625	3.5	3.25
	145TC	11.42	6.063	9.016	11.014	7.059	5.748	4	3.25	7.5	9.375	2.625	3.5	3.25
	182/4TC	12.59	7.244	9.016	11.014	7.059	5.748	4	3.25	7.5	9.375	2.625	3.5	3.25

ALL DIMENSIONS IN INCHES

Box Size	NEMA Frame	Z (UNC)	INPUT BORE		OUTPUT SHAFT			FLANGE					Oil (oz.)
			U	T x V	L1	S	W x Y	LA	LB	LC	LE	Z1	
133	56C	5/16 - 18	0.625	3/16 x 3/32	1	0.625	3/16 x 3/32	5.875	4.5	6.496	0.157	0.433	5.82
154	56C	5/16 - 18	0.625	3/16 x 3/32	1	0.75	3/16 x 3/32	5.875	4.5	6.496	0.157	0.433	11.64
175	56C	5/16 - 18	0.625	3/16 x 3/32	1	0.875	3/16 x 3/32	5.875	4.5	6.496	0.157	0.433	11.64
206	56C	3/8 - 16	0.625	3/16 x 3/32	1.25	1	1/4 x 1/8	5.875	4.5	6.496	0.157	0.433	19.41
237	56C	3/8 - 16	0.625	3/16 x 3/32	1.25	1.125	1/4 x 1/8	5.875	4.5	6.496	0.157	0.433	24.07
262	56C	3/8 - 16	0.625	3/16 x 3/32	2	1.125	1/4 x 1/8	5.875	4.5	6.496	0.157	0.433	34.55
	145TC	3/8 - 16	0.875	3/16 x 3/32	2	1.125	1/4 x 1/8	5.875	4.5	6.496	0.157	0.433	34.55
	182/4TC	3/8 - 16	1.125	1/4 x 1/8	2	1.125	1/4 x 1/8	7.25	8.5	9	0.197	0.551	34.55
325	56C	7/16 - 14	0.625	3/16 x 3/32	2.438	1.375	3/16 x 5/32	5.875	4.5	6.496	0.157	0.433	73.75
	145TC	7/16 - 14	0.875	3/16 x 3/32	2.438	1.375	3/16 x 5/32	5.875	4.5	6.496	0.157	0.433	73.75
	182/4TC	7/16 - 14	1.125	1/4 x 1/8	2.438	1.375	3/16 x 5/32	7.25	8.5	9	0.197	0.551	73.75

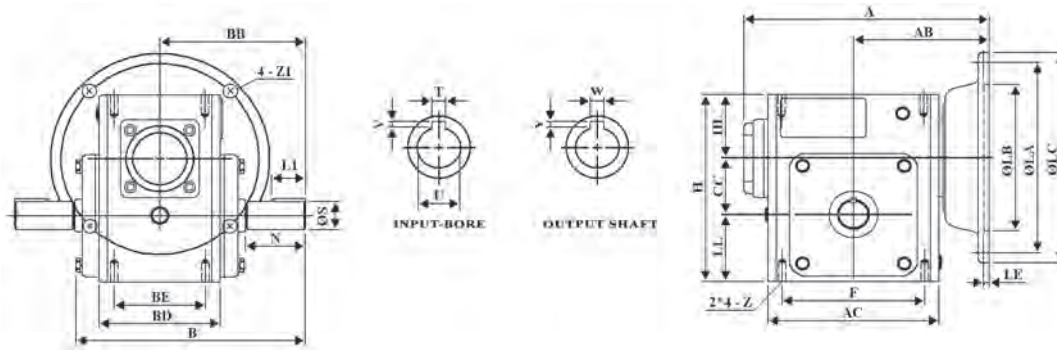
Dimensions shown in this catalog are for general use only.
For an exact drawing on a specific rating, please contact our sales office.

WORLDWIDE GEAR REDUCERS

Worm Gear Reducers

Heavy Duty Cast Iron Worm Gear Reducers

Flange Input - Shaft Output - Double End Output Dimensions



ALL DIMENSIONS IN INCHES

Box Size	NEMA Frame	A	AB	AC	B	BB	BD	BE	CC	F	H	HL	LL	N
133	56C	5.99	3.386	3.78	6.067	4	2.835	2	1.333	3.25	4.656	1.605	1.718	2
175	56C	7.29	4.035	5.059	6.831	4.311	3.563	2.75	1.75	4.188	5.75	1.938	2.062	1.781
206	56C	7.95	4.37	5.748	7.249	4.69	3.819	2.88	2.062	5	6.375	2.032	2.281	2.09
237	56C	8.71	4.705	6.378	7.948	5.087	4.055	2.88	2.375	5	6.937	2.062	2.5	2.37
262	56C	9.41	5.059	7.165	8.872	5.63	4.685	3.375	2.625	6.375	8	2.437	2.938	2.626
	145TC	9.41	5.059	7.165	8.872	5.63	4.685	3.375	2.625	6.375	8	2.437	2.938	2.626
	182/4TC	10.57	6.24	7.165	8.872	5.63	4.685	3.375	2.625	6.375	8	2.437	2.938	2.626
325	56C	11.42	6.063	9.016	11.014	7.059	5.748	4	3.25	7.5	9.375	2.625	3.5	3.25
	145TC	11.42	6.063	9.016	11.014	7.059	5.748	4	3.25	7.5	9.375	2.625	3.5	3.25
	182/4TC	12.59	7.244	9.016	11.014	7.059	5.748	4	3.25	7.5	9.375	2.625	3.5	3.25

ALL DIMENSIONS IN INCHES

Box Size	NEMA Frame	Z (UNC)	INPUT BORE		OUTPUT SHAFT			FLANGE					Oil (oz.)
			U	T x V	L1	S	W x Y	LA	LB	LC	LE	Z1	
133	56C	5/16 - 18	0.625	3/16 x 3/32	1	0.625	3/16 x 3/32	5.875	4.5	6.496	0.157	0.433	5.82
175	56C	5/16 - 18	0.625	3/16 x 3/32	1	0.875	3/16 x 3/32	5.875	4.5	6.496	0.157	0.433	11.64
206	56C	3/8 - 16	0.625	3/16 x 3/32	1.25	1	1/4 x 1/8	5.875	4.5	6.496	0.157	0.433	19.41
237	56C	3/8 - 16	0.625	3/16 x 3/32	1.25	1.125	1/4 x 1/8	5.875	4.5	6.496	0.157	0.433	24.07
262	56C	3/8 - 16	0.625	3/16 x 3/32	2	1.125	1/4 x 1/8	5.875	4.5	6.496	0.157	0.433	34.55
	145TC	3/8 - 16	0.875	3/16 x 3/32	2	1.125	1/4 x 1/8	5.875	4.5	6.496	0.157	0.433	34.55
	182/4TC	3/8 - 16	1.125	1/4 x 1/8	2	1.125	1/4 x 1/8	7.25	8.5	9	0.197	0.551	34.55
325	56C	7/16 - 14	0.625	3/16 x 3/32	2.438	1.375	5/16 x 5/32	5.875	4.5	6.496	0.157	0.433	73.75
	145TC	7/16 - 14	0.875	3/16 x 3/32	2.438	1.375	5/16 x 5/32	5.875	4.5	6.496	0.157	0.433	73.75
	182/4TC	7/16 - 14	1.125	1/4 x 1/8	2.438	1.375	5/16 x 5/32	7.25	8.5	9	0.197	0.551	73.75

Dimensions shown in this catalog are for general use only.
For an exact drawing on a specific rating, please contact our sales office.



WORM GEAR REDUCERS
HEAVY DUTY CAST IRON

WORLDWIDE GEAR REDUCERS

Worm Gear Reducers

Heavy Duty Cast Iron Worm Gear Reducers
Flange Input - Hollow Bore Output



Ratio C	Output RPM @ 1800 RPM Input	WCD Center (in.)	NEMA Motor Frame	Approx. Wt. (lbs.)	Model Number	List Price
5:1	350	1.33	56C	17	HdRF133-5/1-H-56C	\$302.00
		1.75	56C	27	HdRF175-5/1-H-56C	\$358.00
		2.06	56C	32	HdRF206-5/1-H-56C	\$429.00
		2.37	56C	38	HdRF237-5/1-H-56C	\$490.00
		2.62	182/4TC	53	HdRF262-5/1-H-182/4TC	\$603.00
		3.25	182/4TC	90	HdRF325-5/1-H-182/4TC	\$838.00
10:1	175	1.33	56C	17	HdRF133-10/1-H-56C	\$302.00
		1.75	56C	27	HdRF175-10/1-H-56C	\$358.00
		2.06	56C	32	HdRF206-10/1-H-56C	\$429.00
		2.37	56C	38	HdRF237-10/1-H-56C	\$490.00
		2.62	182/4TC	53	HdRF262-10/1-H-182/4TC	\$603.00
		3.25	182/4TC	90	HdRF325-10/1-H-182/4TC	\$838.00
15:1	120	1.33	56C	17	HdRF133-15/1-H-56C	\$302.00
		1.75	56C	27	HdRF175-15/1-H-56C	\$358.00
		2.06	56C	32	HdRF206-15/1-H-56C	\$429.00
		2.37	56C	38	HdRF237-15/1-H-56C	\$490.00
		2.62	56C	53	HdRF262-15/1-H-56C	\$603.00
		2.62	145TC	53	HdRF262-15/1-H-145TC	\$603.00
		3.25	182/4TC	90	HdRF325-15/1-H-182/4TC	\$838.00
20:1	88	1.33	56C	17	HdRF133-20/1-H-56C	\$302.00
		1.75	56C	27	HdRF175-20/1-H-56C	\$358.00
		2.06	56C	32	HdRF206-20/1-H-56C	\$429.00
		2.37	56C	38	HdRF237-20/1-H-56C	\$490.00
		2.62	56C	53	HdRF262-20/1-H-56C	\$603.00
		2.62	145TC	53	HdRF262-20/1-H-145TC	\$603.00
		3.25	182/4TC	90	HdRF325-20/1-H-182/4TC	\$838.00
30:1	58	1.33	56C	17	HdRF133-30/1-H-56C	\$302.00
		1.75	56C	27	HdRF175-30/1-H-56C	\$358.00
		2.06	56C	32	HdRF206-30/1-H-56C	\$429.00
		2.37	56C	38	HdRF237-30/1-H-56C	\$490.00
		2.62	56C	50	HdRF262-30/1-H-56C	\$603.00
		2.62	145TC	50	HdRF262-30/1-H-145TC	\$603.00
		3.25	56C	87	HdRF325-30/1-H-56C	\$838.00
		3.25	145TC	87	HdRF325-30/1-H-145TC	\$838.00
40:1	44	1.33	56C	17	HdRF133-40/1-H-56C	\$302.00
		1.75	56C	27	HdRF175-40/1-H-56C	\$358.00
		2.06	56C	32	HdRF206-40/1-H-56C	\$429.00
		2.37	56C	38	HdRF237-40/1-H-56C	\$490.00
		2.62	56C	50	HdRF262-40/1-H-56C	\$603.00
		3.25	56C	87	HdRF325-40/1-H-56C	\$838.00
		3.25	145TC	87	HdRF325-40/1-H-145TC	\$838.00
50:1	35	1.33	56C	17	HdRF133-50/1-H-56C	\$302.00
		1.76	56C	27	HdRF175-50/1-H-56C	\$358.00
		2.06	56C	32	HdRF206-50/1-H-56C	\$429.00
		2.37	56C	38	HdRF237-50/1-H-56C	\$490.00
		2.62	56C	50	HdRF262-50/1-H-56C	\$603.00
		3.25	56C	87	HdRF325-50/1-H-56C	\$838.00
		3.25	145TC	87	HdRF325-50/1-H-145TC	\$838.00
60:1	29	1.33	56C	17	HdRF133-60/1-H-56C	\$302.00
		1.75	56C	27	HdRF175-60/1-H-56C	\$358.00
		2.06	56C	32	HdRF206-60/1-H-56C	\$429.00
		2.37	56C	38	HdRF237-60/1-H-56C	\$490.00
		2.62	56C	50	HdRF262-60/1-H-56C	\$603.00
		3.25	56C	87	HdRF325-60/1-H-56C	\$838.00
		3.25	145TC	87	HdRF325-60/1-H-145TC	\$838.00
		3.25	182/4TC	90	HdRF325-60/1-H-182/4TC	\$838.00

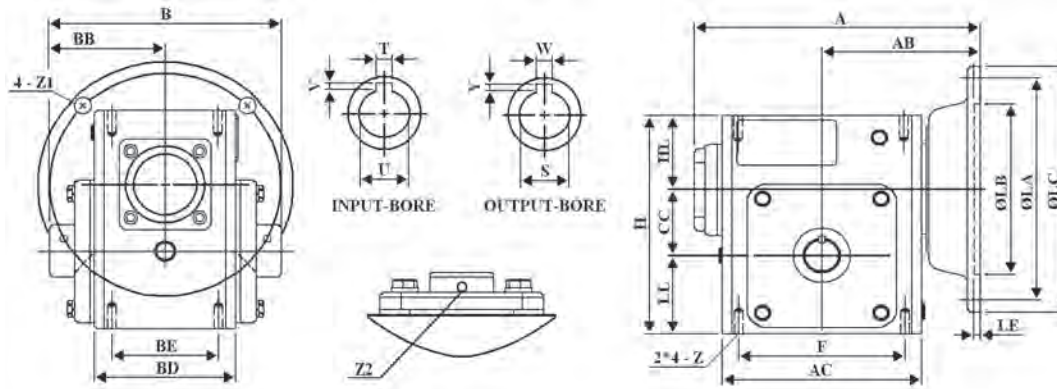
WORM GEAR REDUCERS
HEAVY DUTY CAST IRON



WORLDWIDE GEAR REDUCERS

Worm Gear Reducers

Heavy Duty Cast Iron Worm Gear Reducers
Flange Input - Hollow Bore Output
Dimensions



ALL DIMENSIONS IN INCHES

Box Size	NEMA Frame	A	AB	AC	B	BB	BD	BE	CC	F	H	HL	LL	Z2
133	56C	5.98	3.386	3.78	4.44	2.218	2.835	2	1.333	3.25	4.656	1.605	1.718	#10 - 32 UNF x 1/4
175	56C	7.28	4.035	5.059	6.18	3.091	3.563	2.75	1.75	4.19	5.75	1.938	2.062	#10 - 32 UNF x 1/4
206	56C	7.95	4.37	5.748	6.44	3.219	3.819	2.88	2.062	5	6.375	2.032	2.281	1/4 - 28 UNF x 3/8
237	56C	8.68	4.705	6.378	6.44	3.22	4.055	2.88	2.375	5	6.937	2.062	2.5	1/4 - 28 UNF x 3/8
262	56C	9.41	5.059	7.165	7	3.5	4.68	3.375	2.625	6.38	8	2.437	2.938	1/4 - 28 UNF x 3/8
	145TC	9.41	5.059	7.165	7	3.5	4.68	3.375	2.625	6.38	8	2.437	2.938	1/4 - 28 UNF x 3/8
	182/4TC	10.59	6.24	7.165	7	3.5	4.68	3.375	2.625	6.38	8	2.437	2.938	1/4 - 28 UNF x 3/8
325	56C	11.42	6.063	9.016	8.76	4.38	5.748	4	3.25	7.5	9.375	2.625	3.5	3/16 - 24 UNF x 3/8
	145TC	11.42	6.063	9.016	8.76	4.38	5.748	4	3.25	7.5	9.375	2.625	3.5	3/16 - 24 UNF x 3/8
	182/4TC	12.6	7.244	9.016	8.76	4.38	5.748	4	3.25	7.5	9.375	2.625	3.5	3/16 - 24 UNF x 3/8

ALL DIMENSIONS IN INCHES

Box Size	NEMA Frame	Z (UNC)	INPUT BORE		OUTPUT BORE		FLANGE					Oil (oz.)
			U	T x V	S	W x Y	LA	LB	LC	LE	Z1	
133	56C	3/16 - 18	0.625	3/16 x 3/32	0.625	3/16 x 3/32	5.875	4.5	6.5	0.157	0.433	5.82
175	56C	3/16 - 18	0.625	3/16 x 3/32	1	1/4 x 7/64	5.875	4.5	6.5	0.157	0.433	11.64
206	56C	3/8 - 16	0.625	3/16 x 3/32	1.125	1/4 x 1/8	5.875	4.5	6.5	0.157	0.433	19.41
237	56C	3/8 - 16	0.625	3/16 x 3/32	1.25	1/4 x 7/64	5.875	4.5	6.5	0.157	0.433	24.07
262	56C	3/8 - 16	0.625	3/16 x 3/32	1.437	3/8 x 5/32	5.875	4.5	6.5	0.157	0.433	34.55
	145TC	3/8 - 16	0.875	3/16 x 3/32	1.437	3/8 x 5/32	5.875	4.5	6.5	0.157	0.433	34.55
	182/4TC	3/8 - 16	1.125	1/4 x 1/8	1.437	3/8 x 5/32	7.25	8.5	9	0.2	0.551	34.55
325	56C	7/16 - 14	0.625	3/16 x 3/32	1.937	1/2 x 3/16	5.875	4.5	6.5	0.157	0.433	73.75
	145TC	7/16 - 14	0.875	3/16 x 3/32	1.937	1/2 x 3/16	5.875	4.5	6.5	0.157	0.433	73.75
	1842/TC	7/16 - 14	1.125	1/4 x 1/8	1.937	1/2 x 3/16	7.25	8.5	9	0.2	0.551	73.75

Dimensions shown in this catalog are for general use only.
For an exact drawing on a specific rating, please contact our sales office.



WORM GEAR REDUCERS
HEAVY DUTY CAST IRON

WORLDWIDE GEAR REDUCERS

Worm Gear Reducers

Heavy Duty Cast Iron Worm Gear Reducers Shaft Input - Shaft Output



Ratio C	Output RPM @ 1800 RPM Input	WCD Center (in.)	NEMA Motor Frame	Approx. Wt. (lbs.)	Model Number Left Hand Output	Model Number Right Hand Output	List Price
5:1	350	1.33	56	17	HdRS133-5/1-L	HdRS133-5/1-R	\$193.00
		1.75	56	27	HdRS175-5/1-L	HdRS175-5/1-R	\$233.00
		2.06	56	32	HdRS206-5/1-L	HdRS206-5/1-R	\$279.00
		2.37	56	38	HdRS237-5/1-L	HdRS237-5/1-R	\$320.00
		2.62	182/4T	53	HdRS262-5/1-L	HdRS262-5/1-R	\$393.00
		3.25	182/4T	90	HdRS325-5/1-L	HdRS325-5/1-R	\$554.00
10:1	175	1.33	56	17	HdRS133-10/1-L	HdRS133-10/1-R	\$193.00
		1.75	56	27	HdRS175-10/1-L	HdRS175-10/1-R	\$233.00
		2.06	56	32	HdRS206-10/1-L	HdRS206-10/1-R	\$279.00
		2.37	56	38	HdRS237-10/1-L	HdRS237-10/1-R	\$320.00
		2.62	182/4T	53	HdRS262-10/1-L	HdRS262-10/1-R	\$393.00
		3.25	182/4T	90	HdRS325-10/1-L	HdRS325-10/1-R	\$554.00
15:1	120	1.33	56	17	HdRS133-15/1-L	HdRS133-15/1-R	\$193.00
		1.75	56	27	HdRS175-15/1-L	HdRS175-15/1-R	\$233.00
		2.06	56	32	HdRS206-15/1-L	HdRS206-15/1-R	\$279.00
		2.37	56	38	HdRS237-15/1-L	HdRS237-15/1-R	\$320.00
		2.62	56 / 145T	53	HdRS262-15/1-L	HdRS262-15/1-R	\$393.00
		3.25	182/4T	90	HdRS325-15/1-L	HdRS325-15/1-R	\$554.00
20:1	88	1.33	56	17	HdRS133-20/1-L	HdRS133-20/1-R	\$193.00
		1.75	56	27	HdRS175-20/1-L	HdRS175-20/1-R	\$233.00
		2.06	56	32	HdRS206-20/1-L	HdRS206-20/1-R	\$279.00
		2.37	56	38	HdRS237-20/1-L	HdRS237-20/1-R	\$320.00
		2.62	56 / 145T	53	HdRS262-20/1-L	HdRS262-20/1-R	\$393.00
		3.25	182/4T	90	HdRS325-20/1-L	HdRS325-20/1-R	\$554.00
30:1	58	1.33	56	17	HdRS133-30/1-L	HdRS133-30/1-R	\$193.00
		1.75	56	27	HdRS175-30/1-L	HdRS175-30/1-R	\$233.00
		2.06	56	32	HdRS206-30/1-L	HdRS206-30/1-R	\$279.00
		2.37	56	38	HdRS237-30/1-L	HdRS237-30/1-R	\$320.00
		2.62	56 / 145T	50	HdRS262-30/1-L	HdRS262-30/1-R	\$393.00
		3.25	56 / 145T	87	HdRS325-30/1-L	HdRS325-30/1-R	\$554.00
40:1	44	1.33	56	17	HdRS133-40/1-L	HdRS133-40/1-R	\$193.00
		1.75	56	27	HdRS175-40/1-L	HdRS175-40/1-R	\$233.00
		2.06	56	32	HdRS206-40/1-L	HdRS206-40/1-R	\$279.00
		2.37	56	38	HdRS237-40/1-L	HdRS237-40/1-R	\$320.00
		2.62	56	50	HdRS262-40/1-L	HdRS262-40/1-R	\$393.00
		3.25	56 / 145T	87	HdRS325-40/1-L	HdRS325-40/1-R	\$554.00
50:1	35	1.33	56	17	HdRS133-50/1-L	HdRS133-50/1-R	\$193.00
		1.76	56	27	HdRS175-50/1-L	HdRS175-50/1-R	\$233.00
		2.06	56	32	HdRS206-50/1-L	HdRS206-50/1-R	\$279.00
		2.37	56	38	HdRS237-50/1-L	HdRS237-50/1-R	\$320.00
		2.62	56	50	HdRS262-50/1-L	HdRS262-50/1-R	\$393.00
		3.25	56 / 145T	87	HdRS325-50/1-L	HdRS325-50/1-R	\$554.00
60:1	29	1.33	56	17	HdRS133-60/1-L	HdRS133-60/1-R	\$193.00
		1.75	56	27	HdRS175-60/1-L	HdRS175-60/1-R	\$233.00
		2.06	56	32	HdRS206-60/1-L	HdRS206-60/1-R	\$279.00
		2.37	56	38	HdRS237-60/1-L	HdRS237-60/1-R	\$320.00
		2.62	56	50	HdRS262-60/1-L	HdRS262-60/1-R	\$393.00
		3.25	56 / 145T / 182/4T	87	HdRS325-60/1-L	HdRS325-60/1-R	\$554.00

WORM GEAR REDUCERS
HEAVY DUTY CAST IRON



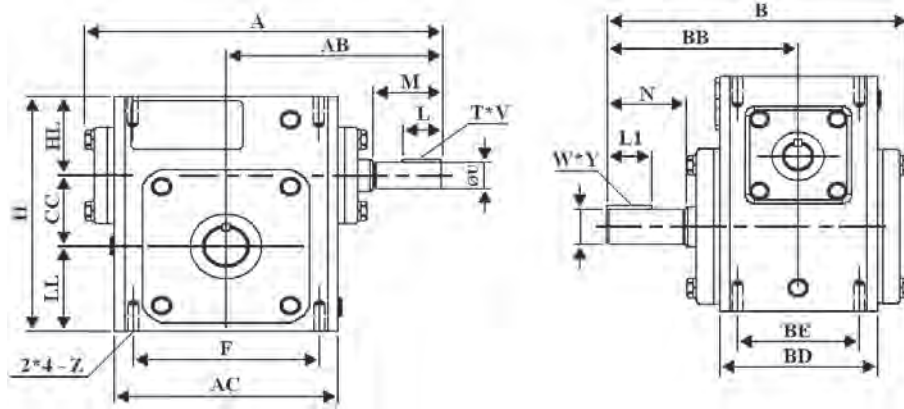
WORLDWIDE GEAR REDUCERS

Worm Gear Reducers

Heavy Duty Cast Iron Worm Gear Reducers

Shaft Input - Shaft Output

Dimensions



ALL DIMENSIONS IN INCHES

Box Size	NEMA Frame	A	AB	AC	B	BB	BD	BE	CC	F	H	HL	LL
133	56	6.45	3.907	3.78	6.067	4	2.835	2	1.333	3.25	4.656	1.605	1.718
175	56	8.06	4.872	5.059	6.831	4.311	3.563	2.75	1.75	4.188	5.75	1.938	2.062
206	56	8.65	5.128	5.748	7.249	4.69	3.819	2.88	2.062	5	6.375	2.032	2.281
	145T	8.65	5.128	5.748	7.249	4.69	3.819	2.88	2.062	5	6.375	2.032	2.281
237	56	9.69	5.75	6.378	7.948	5.087	4.055	2.88	2.375	5	6.937	2.062	2.5
	145T	9.69	5.75	6.378	7.948	5.087	4.055	2.88	2.375	5	6.937	2.062	2.5
	182/4T	9.69	5.75	6.378	7.948	5.087	4.055	2.88	2.375	5	6.937	2.062	2.5
262	56	10.61	6.309	7.165	8.872	5.63	4.685	3.375	2.625	6.375	8	2.437	2.938
	145T	10.61	6.309	7.165	8.872	5.63	4.685	3.375	2.625	6.375	8	2.437	2.938
	182/4T	10.61	6.309	7.165	8.872	5.63	4.685	3.375	2.625	6.375	8	2.437	2.938
325	145T	12.74	7.441	9.016	11.01	7.059	5.748	4	3.25	7.5	9.375	2.625	3.5
	182/4T	12.74	7.441	9.016	11.01	7.059	5.748	4	3.25	7.5	9.375	2.625	3.5

ALL DIMENSIONS IN INCHES

Box Size	NEMA Frame	M	N	Z (UNC)	INPUT SHAFT			OUTPUT SHAFT			Oil (oz.)
					L	U	T x V	L1	S	W x Y	
133	56	1.309	2	5/16 - 18	0.625	0.5	1/8 x 1/16	1	0.625	3/16 x 3/32	5.82
175	56	1.555	1.781	5/16 - 18	0.875	0.625	3/16 x 3/32	1	0.875	3/16 x 3/32	11.64
206	56	1.555	2.09	3/8 - 16	0.875	0.625	3/16 x 3/32	1.25	1	1/4 x 1/8	19.41
	145T	1.555	2.09	3/8 - 16	0.875	0.625	3/16 x 3/32	1.25	1	1/4 x 1/8	19.41
237	56	2	2.37	3/8 - 16	1	0.75	3/16 x 3/32	1.25	1.125	1/4 x 1/8	24.07
	145T	2	2.37	3/8 - 16	1	0.75	3/16 x 3/32	1.25	1.125	1/4 x 1/8	24.07
	182/4T	2	2.37	3/8 - 16	1	0.75	3/16 x 3/32	1.25	1.125	1/4 x 1/8	24.07
262	56	2	2.626	3/8 - 16	1	0.75	3/16 x 3/32	2	1.125	1/4 x 1/8	34.55
	145T	2	2.626	3/8 - 16	1	0.75	3/16 x 3/32	2	1.125	1/4 x 1/8	34.55
	182/4T	2	2.626	3/8 - 16	1	0.75	3/16 x 3/32	2	1.125	1/4 x 1/8	34.55
325	145T	2.343	3.25	7/16 - 14	1	0.875	3/16 x 3/32	2.438	1.375	3/16 x 3/32	73.75
	182/4T	2.343	3.25	7/16 - 14	1	0.875	3/16 x 3/32	2.438	1.375	3/16 x 3/32	73.75

Dimensions shown in this catalog are for general use only.
For an exact drawing on a specific rating, please contact our sales office.



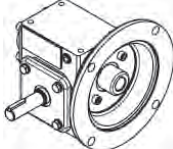
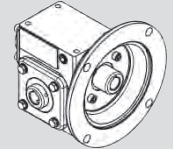
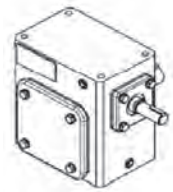
WORM GEAR REDUCERS
HEAVY DUTY CAST IRON

WORLDWIDE GEAR REDUCERS

Worm Gear Reducers

Heavy Duty Cast Iron Worm Gear Reducers Competitive Interchange



Center Distance		1.33	1.75	2.06	2.37	2.62	3.25
C-FACE INPUT SHAFT OUTPUT 	WorldWide Electric	HdRF133-L/R	HdRF175-L/R	HdRF206-L/R	HdRF237-L/R	HdRF262-L/R	HdRF325-L/R
	Alling Lander	13UF	17UF	20UF	23UF	26UF	32UF
	Baldor	F913	F918	F921	F924	F926	F932
	Boston	F713	F718	F721	F724	F726	F732
	Browning - Raider	Q133	Q175	Q206	Q237	Q262	Q325
	Dodge - Tigear	Q133	Q175	Q200	—	Q262	—
	Electra *	MSC13	MSC17	MSC21	—	MSC26	—
	Falk - Omnibox	1133WBM	1175WBM	1206WBM	1238WBM	1262WBM	1325WBM
	Grove (New)	BMQ213	BMQ218	BMQ220	BMQ224	BMQ226	BMQ232
	Grove (Old)	BMQ1133	BMQ1175	BMQ1206	BMQ1238	BMQ1262	BMQ1325
	Hub City *	134	184	214	—	264	324
	Leeson	BMQ613	BMQ618	BMQ621	BMQ624	BMQ626	BMQ632
	Morse Cobra *	13Q	18Q	21Q	—	26Q	—
	Morse Raider	713F	718F	721F	724F	726F	732F
	Ohio Gear	BMQ2133	BMQ2175	BMQ2206	BMQ2238	BMQ2262	BMQ2325
Winsmith *	913MDN	917MDN	920MDN	924MDN	926MDN	—	
C-FACE INPUT HOLLOW BORE OUTPUT 	WorldWide Electric	HdRF133-H	HdRF175-H	HdRF206-H	HdRF237-H	HdRF262-H	HdRF325-H
	Alling Lander	13YF	17YF	20YF	23YF	26YF	32YF
	Baldor	HF913	HF918	HF921	HF924	HF926	HF932
	Boston	HF713	HF718	HF721	HF724	HF726	HF732
	Browning - Raider	QH133	QH175	QH206	QH237	QH262	QH325
	Electra *	—	MHSC17	MHSC21	—	MHSC26	—
	Falk - Omnibox	1133WBQM	1175WBQM	1206WBQM	1238WBQM	1262WBQM	1325WBQM
	Grove (New)	HMQ213	HMQ218	HMQ220	HMQ224	HMQ226	HMQ232
	Grove (Old)	HMQ1133	HMQ1175	HMQ1206	HMQ1238	HMQ1262	HMQ1325
	Hub City *	—	185	215	—	265	325
	Leeson	HMQ613	HMQ618	HMQ621	HMQ624	HMQ626	HMQ632
	Morse Cobra *	13QH	18QH	21QH	—	26QH	—
	Morse Raider	713SF	718SF	721SF	724SF	726SF	732SF
	Ohio Gear	SM2133MQ	SM2175MQ	SM2206MQ	SM2238MQ	SM2262MQ	SM2325MQ
	Winsmith *	—	917MDSN	920MDSN	924MDSN	926MDSN	—
SHAFT INPUT SHAFT OUTPUT 	WorldWide Electric	HdRS133	HdRS175	HdRS206	HdRS237	HdRS262	HdRS325
	Alling Lander	13U	17U	20U	23U	26U	32U
	Baldor	S913	S918	S921	S924	S926	S932
	Boston	713	718	721	724	726	732
	Browning - Raider	U133	U175	U206	U237	U262	U325
	Dodge - Tigear	S133	S175	S200	—	S262	—
	Electra *	M13	M17	M21	—	M26	—
	Falk - Omnibox	1133WB	1175WB	1206WB	1238WB	1262WB	1325WB
	Grove (New)	B213	B218	B220	B224	B226	B232
	Grove (Old)	B1133	B1175	B1206	B1238	B1262	B1325
	Hub City *	131	181	211	—	261	321
	Leeson	B613	B618	B621	B624	B626	B632
	Morse Cobra *	13U	18U	21U	—	26U	—
	Morse Raider	713B	718B	721B	724B	726B	732B
	Ohio Gear	B2133	B2175	B2206	B2238	B2262	B2325
Winsmith *	913DN	917DN	920DN	924DN	926DN	—	

WORM GEAR REDUCERS
HEAVY DUTY CAST IRON

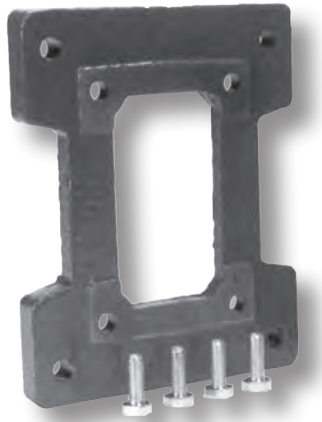
* WorldWide worm gearboxes are not dimensionally interchangeable with these manufacturers.
** WorldWide hollow bore worm gearboxes have only one output diameter bore available per center distance.



WORLDWIDE GEAR REDUCERS

Worm Gear Reducers

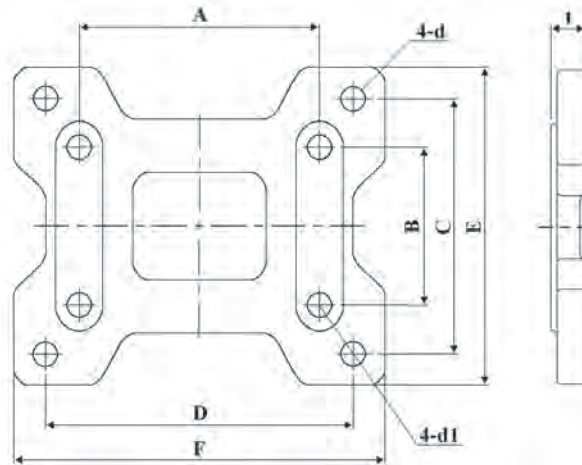
Heavy Duty Cast Iron Worm Gear Reducers Accessories



Mounting Bases

- Box sizes 1.33 - 3.25
- Includes mounting bolts

Box Size	Model Number	List Price
133	HdRBASE133	\$27.59
154	HdRBASE154	\$31.03
175	HdRBASE175	\$34.49
206	HdRBASE206	\$41.38
237	HdRBASE237	\$48.28
262	HdRBASE262	\$55.18
325	HdRBASE325	\$62.07



ALL DIMENSIONS IN INCHES

Box Size	A	B	C	D	E	F	t	d	d1
133	3.25	2.00	3.31	4.38	4.19	5.38	0.53	1 ¹ / ₂	3 ¹ / ₈
154	4.19	2.75	4.31	5.25	5.44	6.44	0.59	1 ¹ / ₂	3 ¹ / ₈
175	4.19	2.75	4.50	5.75	5.69	7.00	0.69	1 ³ / ₂	3 ¹ / ₈
206	5.00	2.88	4.69	6.38	5.94	7.75	0.72	1 ⁹ / ₂	7 ¹ / ₁₆
237	5.00	2.88	4.88	7.06	6.22	8.50	0.75	1 ⁹ / ₂	7 ¹ / ₁₆
262	6.38	3.38	5.25	8.00	6.66	9.63	0.75	1 ⁷ / ₂	7 ¹ / ₁₆
325	7.50	4.00	6.13	9.50	7.66	11.19	0.88	1 ⁷ / ₂	1 ¹ / ₂

Dimensions shown in this catalog are for general use only.
For an exact drawing on a specific rating, please contact our sales office.

WORM GEAR REDUCERS
HEAVY DUTY CAST IRON

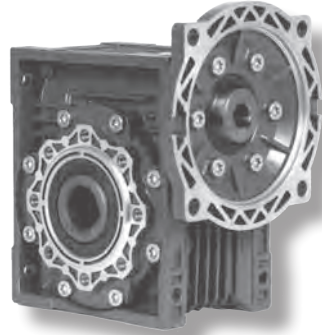


WORLDWIDE GEAR REDUCERS

Worm Gear Reducers

Aluminum Worm Gear Reducers

Product Overview



Product Overview

- 7.5:1 - 100:1 ratios
- Box sizes 30 - 90
- Aluminum alloy housing for light weight design
- Hardened worm shaft for increased durability
- Two bearings on input and output shafts
- NEMA motor input flanges
- All units filled with synthetic oil
- No vent plug or breather needed - maintenance free reducer
- Double lip oil seals prevent leakage
- Multiple mounting holes for all angle mounts
- Epoxy paint applied to inside and outside of reducer to protect against rust
- Hollow output bores with plug-in output shafts
- 1 year warranty

Ratio C	Output RPM @ 1800 RPM Input	WCD Center (mm)	HP	NEMA Motor Frame	Approx. Wt. (lbs.)	Model Number	Alternate Model Number	List Price
7.5:1	233	30	0.69	56C	3	ALM30-7.5/1-56C	HALM30-7.5/1-56C	\$152.00
		40	1.5	56C	5	ALM40-7.5/1-56C	HALM40-7.5/1-56C	\$186.78
		50	2.64	56C	8	ALM50-7.5/1-56C	HALM50-7.5/1-56C	\$257.81
		63	4.76	56C	13	ALM63-7.5/1-56C	HALM63-7.5/1-56C	\$333.81
		63	4.76	145TC	13	ALM63-7.5/1-145TC	HALM63-7.5/1-145TC	\$333.81
		75	6.8	56C	19	ALM75-7.5/1-56C	HALM75-7.5/1-56C	\$482.97
		75	6.8	145TC	19	ALM75-7.5/1-145TC	HALM75-7.5/1-145TC	\$482.97
		75	6.8	182/4TC	19	ALM75-7.5/1-182/4TC	HALM75-7.5/1-182/4TC	\$482.97
		90	10.56	56C	28	ALM90-7.5/1-56C	HALM90-7.5/1-56C	\$552.56
		90	10.56	145TC	28	ALM90-7.5/1-145TC	HALM90-7.5/1-145TC	\$552.56
10:1	175	30	0.54	56C	3	ALM30-10/1-56C	HALM30-10/1-56C	\$152.00
		40	1.15	56C	5	ALM40-10/1-56C	HALM40-10/1-56C	\$186.78
		50	2.06	56C	8	ALM50-10/1-56C	HALM50-10/1-56C	\$257.81
		63	3.67	56C	13	ALM63-10/1-56C	HALM63-10/1-56C	\$333.81
		63	3.67	145TC	13	ALM63-10/1-145TC	HALM63-10/1-145TC	\$333.81
		75	5.44	56C	19	ALM75-10/1-56C	HALM75-10/1-56C	\$482.97
		75	5.44	145TC	19	ALM75-10/1-145TC	HALM75-10/1-145TC	\$482.97
		75	5.44	182/4TC	19	ALM75-10/1-182/4TC	HALM75-10/1-182/4TC	\$482.97
		90	8.56	56C	28	ALM90-10/1-56C	HALM90-10/1-56C	\$552.56
		90	8.56	145TC	28	ALM90-10/1-145TC	HALM90-10/1-145TC	\$552.56
15:1	117	30	0.38	56C	3	ALM30-15/1-56C	HALM30-15/1-56C	\$152.00
		40	0.8	56C	5	ALM40-15/1-56C	HALM40-15/1-56C	\$186.78
		50	1.47	56C	8	ALM50-15/1-56C	HALM50-15/1-56C	\$257.81
		63	2.76	56C	13	ALM63-15/1-56C	HALM63-15/1-56C	\$333.81
		63	2.76	145TC	13	ALM63-15/1-145TC	HALM63-15/1-145TC	\$333.81
		75	3.86	56C	19	ALM75-15/1-56C	HALM75-15/1-56C	\$482.97
		75	3.86	145TC	19	ALM75-15/1-145TC	HALM75-15/1-145TC	\$482.97
		75	3.86	182/4TC	19	ALM75-15/1-182/4TC	HALM75-15/1-182/4TC	\$482.97
		90	6.86	56C	28	ALM90-15/1-56C	HALM90-15/1-56C	\$552.56
		90	6.86	145TC	28	ALM90-15/1-145TC	HALM90-15/1-145TC	\$552.56
20:1	88	30	0.3	56C	3	ALM30-20/1-56C	HALM30-20/1-56C	\$152.00
		40	0.61	56C	5	ALM40-20/1-56C	HALM40-20/1-56C	\$186.78
		50	1.13	56C	8	ALM50-20/1-56C	HALM50-20/1-56C	\$257.81
		63	2.04	56C	13	ALM63-20/1-56C	HALM63-20/1-56C	\$333.81
		63	2.04	145TC	13	ALM63-20/1-145TC	HALM63-20/1-145TC	\$333.81
		75	3.14	56C	19	ALM75-20/1-56C	HALM75-20/1-56C	\$482.97
		75	3.14	145TC	19	ALM75-20/1-145TC	HALM75-20/1-145TC	\$482.97
		90	5.18	56C	28	ALM90-20/1-56C	HALM90-20/1-56C	\$552.56
		90	5.18	145TC	28	ALM90-20/1-145TC	HALM90-20/1-145TC	\$552.56
		90	5.18	182/4TC	28	ALM90-20/1-182/4TC	HALM90-20/1-182/4TC	\$552.56

WORM GEAR REDUCERS
ALUMINUM

Continued On Next Page



WORLDWIDE GEAR REDUCERS

Worm Gear Reducers

Aluminum Worm Gear Reducers

Product Overview



Ratio C	Output RPM @ 1800 RPM Input	WCD Center (mm)	HP	NEMA Motor Frame	Approx. Wt. (lbs.)	Model Number	Alternate Model Number	List Price		
25:1	70	30	0.3	56C	3	ALM30-25/1-56C	HALM30-25/1-56C	\$152.00		
		40	0.5	56C	5	ALM40-25/1-56C	HALM40-25/1-56C	\$186.78		
		50	0.91	56C	8	ALM50-25/1-56C	HALM50-25/1-56C	\$257.81		
		63	1.64	56C	13	ALM63-25/1-56C	HALM63-25/1-56C	\$333.81		
		75	2.45	56C	19	ALM75-25/1-56C	HALM75-25/1-56C	\$482.97		
		75	2.45	145TC	19	ALM75-25/1-145TC	HALM75-25/1-145TC	\$482.97		
		90	4.09	56C	28	ALM90-25/1-56C	HALM90-25/1-56C	\$552.56		
		90	4.09	145TC	28	ALM90-25/1-145TC	HALM90-25/1-145TC	\$552.56		
		90	4.09	182/4TC	28	ALM90-25/1-182/4TC	HALM90-25/1-182/4TC	\$552.56		
30:1	58	30	0.25	56C	3	ALM30-30/1-56C	HALM30-30/1-56C	\$152.00		
		40	0.53	56C	5	ALM40-30/1-56C	HALM40-30/1-56C	\$186.78		
		50	0.95	56C	8	ALM50-30/1-56C	HALM50-30/1-56C	\$257.81		
		63	1.76	56C	13	ALM63-30/1-56C	HALM63-30/1-56C	\$333.81		
		75	2.48	56C	19	ALM75-30/1-56C	HALM75-30/1-56C	\$482.97		
		90	4.32	56C	28	ALM90-30/1-56C	HALM90-30/1-56C	\$552.56		
		90	4.32	145TC	28	ALM90-30/1-145TC	HALM90-30/1-145TC	\$552.56		
		90	4.32	182/4TC	28	ALM90-30/1-182/4TC	HALM90-30/1-182/4TC	\$552.56		
		40:1	44	30	0.19	56C	3	ALM30-40/1-56C	HALM30-40/1-56C	\$152.00
40	0.39			56C	5	ALM40-40/1-56C	HALM40-40/1-56C	\$186.78		
50	0.7			56C	8	ALM50-40/1-56C	HALM50-40/1-56C	\$257.81		
63	1.26			56C	13	ALM63-40/1-56C	HALM63-40/1-56C	\$333.81		
75	1.88			56C	19	ALM75-40/1-56C	HALM75-40/1-56C	\$482.97		
90	2.95			56C	28	ALM90-40/1-56C	HALM90-40/1-56C	\$552.56		
90	2.95			145TC	28	ALM90-40/1-145TC	HALM90-40/1-145TC	\$552.56		
50:1	35			30	0.14	56C	3	ALM30-50/1-56C	HALM30-50/1-56C	\$152.00
				40	0.31	56C	5	ALM40-50/1-56C	HALM40-50/1-56C	\$186.78
		50	0.57	56C	8	ALM50-50/1-56C	HALM50-50/1-56C	\$257.81		
		63	1.01	56C	13	ALM63-50/1-56C	HALM63-50/1-56C	\$333.81		
		75	1.5	56C	19	ALM75-50/1-56C	HALM75-50/1-56C	\$482.97		
		90	2.33	56C	28	ALM90-50/1-56C	HALM90-50/1-56C	\$552.56		
		90	2.33	145TC	28	ALM90-50/1-145TC	HALM90-50/1-145TC	\$552.56		
		60:1	29	30	0.12	56C	3	ALM30-60/1-56C	HALM30-60/1-56C	\$152.00
				40	0.25	56C	5	ALM40-60/1-56C	HALM40-60/1-56C	\$186.78
50	0.46			56C	8	ALM50-60/1-56C	HALM50-60/1-56C	\$257.81		
63	0.86			56C	13	ALM63-60/1-56C	HALM63-60/1-56C	\$333.81		
75	1.26			56C	19	ALM75-60/1-56C	HALM75-60/1-56C	\$482.97		
90	1.9			56C	28	ALM90-60/1-56C	HALM90-60/1-56C	\$552.56		
80:1	22			30	0.09	56C	3	ALM30-80/1-56C	HALM30-80/1-56C	\$152.00
				40	0.19	56C	5	ALM40-80/1-56C	HALM40-80/1-56C	\$186.78
				50	0.38	56C	8	ALM50-80/1-56C	HALM50-80/1-56C	\$257.81
		63	0.67	56C	13	ALM63-80/1-56C	HALM63-80/1-56C	\$333.81		
		75	0.97	56C	19	ALM75-80/1-56C	HALM75-80/1-56C	\$482.97		
		90	1.39	56C	28	ALM90-80/1-56C	HALM90-80/1-56C	\$552.56		
		100:1	17.5	30	0.06	56C	3	ALM30-100/1-56C	HALM30-100/1-56C	\$152.00
				40	0.15	56C	5	ALM40-100/1-56C	HALM40-100/1-56C	\$186.78
				50	0.28	56C	8	ALM50-100/1-56C	HALM50-100/1-56C	\$257.81
63	0.57			56C	13	ALM63-100/1-56C	HALM63-100/1-56C	\$333.81		
75	0.80			56C	19	ALM75-100/1-56C	HALM75-100/1-56C	\$482.97		
90	1.12			56C	28	ALM90-100/1-56C	HALM90-100/1-56C	\$552.56		

WORM GEAR REDUCERS
ALUMINUM



WORLDWIDE GEAR REDUCERS

Worm Gear Reducers

Aluminum Worm Gear Reducers

Mechanical Ratings



Input Speed		1750 RPM				
Box Size	Ratio	Mechanical (1.0 SF)			Efficiency (%)	O.H.L. (lbs.)
		Input HP	Output Torque (lbs. in.)	Output Speed		
30	7.5:1	0.69	150	233	82	129
	10:1	0.54	150	175	80	142
	15:1	0.38	150	117	73	163
	20:1	0.30	150	88	72	179
	25:1	0.30	186	70	68	193
	30:1	0.25	177	58	62	205
	40:1	0.19	150	44	55	225
	50:1	0.14	142	35	52	243
	60:1	0.12	142	29	46	259
	80:1	0.09	106	22	40	284
100:1	0.06	88	17.5	45	310	
40	7.5:1	1.50	354	233	85	253
	10:1	1.15	354	175	83	279
	15:1	0.80	354	117	79	319
	20:1	0.61	345	88	78	350
	25:1	0.50	327	70	75	378
	30:1	0.53	389	58	68	403
	40:1	0.39	363	44	65	441
	50:1	0.31	336	35	62	476
	60:1	0.25	319	29	56	507
	80:1	0.19	283	22	50	556
100:1	0.15	257	18	47	595	
50	7.5:1	2.64	619	233	86	369
	10:1	2.06	628	175	84	406
	15:1	1.47	655	117	80	464
	20:1	1.13	646	88	78	510
	25:1	0.91	611	70	75	551
	30:1	0.95	734	58	70	586
	40:1	0.70	664	44	65	643
	50:1	0.57	646	35	60	694
	60:1	0.46	602	29	57	739
	80:1	0.38	566	22	50	810
100:1	0.28	487	18	46	866	
63	7.5:1	4.76	1133	233	87	463
	10:1	3.67	1141	175	86	510
	15:1	2.76	1239	117	82	583
	20:1	2.04	1186	88	80	641
	25:1	1.64	1141	70	76	692
	30:1	1.76	1416	58	73	736
	40:1	1.26	1274	44	70	807
	50:1	1.01	1186	35	63	871
	60:1	0.86	1141	29	59	928
	80:1	0.67	1071	22	53	1017
100:1	0.57	1035	18	48	1088	
75	7.5:1	6.80	1628	233	88	549
	10:1	5.44	1717	175	86	604
	15:1	3.886	1770	117	84	691
	20:1	3.14	1849	88	79	759
	25:1	2.45	1770	70	76	820
	30:1	2.48	2026	58	72	873
	40:1	1.88	1947	44	68	957
	50:1	1.50	1849	35	66	1033
	60:1	1.26	1770	29	62	1099
	80:1	0.97	1672	22	58	1205
100:1	0.80	1593	18	52	1289	
90	7.5:1	10.56	2557	233	86	631
	10:1	8.56	2734	175	85	694
	15:1	6.86	3177	117	82	794
	20:1	5.18	3132	88	81	873
	25:1	4.09	3000	70	81	942
	30:1	4.32	3619	58	75	1003
	40:1	2.95	3177	44	72	1100
	50:1	2.33	3000	35	71	1187
	60:1	1.90	2823	29	65	1264
	80:1	1.39	2522	22	61	1386
100:1	1.12	2380	18	57	1482	

WORM GEAR REDUCERS
ALUMINUM

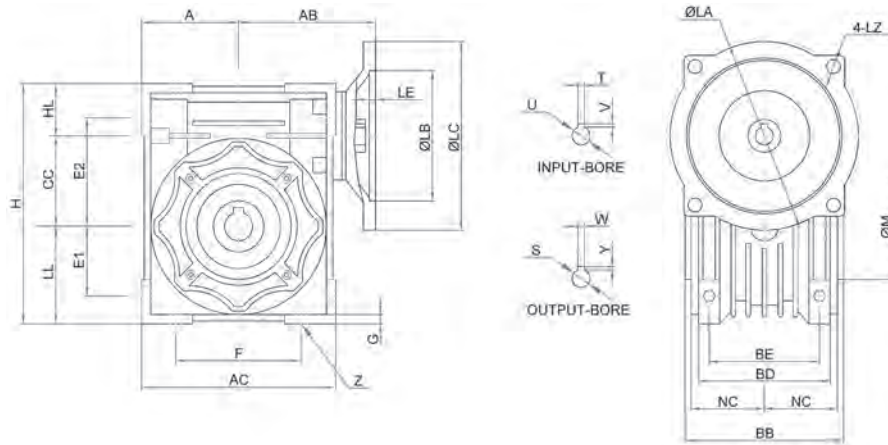


WORLDWIDE GEAR REDUCERS

Worm Gear Reducers

Aluminum Worm Gear Reducers

Dimensions



ALL DIMENSIONS IN MILLIMETERS

Box Size	NEMA Frame	A	AB	AC	BB	BD	BE	CC	E1	E2	F	G	H	HL	LL	M
30	56C	40	70	80	63	56	44	30	27	44	54	5.5	97	27	40	55
40	56C	50	87.8	100	78	71	60	40	35	55	70	6.5	121.5	31.5	50	60
50	56C	60	87	120	92	85	70	50	40	64	80	7	144	34	60	70
63	56C	72	95	144	112	103	85	63	50	80	100	8	174	39	72	80
	145TC	72	95	144	112	103	85	63	50	80	100	8	174	39	72	80
75	56C	86	112.5	172	120	112	90	75	60	93	120	10	205	44	86	95
	145TC	86	112.5	172	120	112	90	75	60	93	120	10	205	44	86	95
	182/4TC	86	112.5	172	120	112	90	75	60	93	120	10	205	44	86	95
90	56C	103	129.5	208	140	130	100	90	70	102	140	11	238	45	103	110
	145TC	103	129.5	208	140	130	100	90	70	102	140	11	238	45	103	110
	182/4TC	103	129.5	208	140	130	100	90	70	102	140	11	238	45	103	110

Box Size	NEMA Frame	NC	Z	INPUT BORE (Inches)		OUTPUT BORE (Inches)		FLANGE (Inches)				
				U	T x V	S	W x Y	LA	LB	LC	LE	LZ
30	56C	29	6.5	0.625	3/16 x 3/32	0.625	3/16 x 3/32	5.875	4.5	5.787	0.177	0.413
40	56C	36.5	6.5	0.625	3/16 x 3/32	0.75	3/16 x 3/32	5.875	4.5	5.787	0.157	0.413
50	56C	43.5	8.5	0.625	3/16 x 3/32	1	1/4 x 7/64	5.875	4.5	5.787	0.157	0.413
63	56C	53	8.5	0.625	3/16 x 3/32	1.125	1/4 x 1/8	5.875	4.5	5.787	0.177	0.413
	145TC	53	8.5	0.875	3/16 x 3/32	1.125	1/4 x 1/8	5.875	4.5	5.787	0.177	0.413
75	56C	57	11	0.625	3/16 x 3/32	1.25	1/4 x 1/8	5.875	4.5	5.787	0.157	0.413
	145TC	57	11	0.875	3/16 x 3/32	1.25	1/4 x 1/8	5.875	4.5	5.787	0.157	0.413
	182/4TC	57	11	1.125	1/4 x 1/8	1.25	1/4 x 1/8	7.25	8.5	9	0.217	0.413
90	56C	67	13	0.625	3/16 x 3/32	1.375	3/16 x 9/64	5.875	4.5	5.787	0.157	0.413
	145TC	67	13	0.875	3/16 x 3/32	1.375	3/16 x 9/64	5.875	4.5	5.787	0.157	0.413
	182/4TC	67	13	1.125	1/4 x 1/8	1.375	3/16 x 9/64	7.25	8.5	9	0.217	0.413

Dimensions shown in this catalog are for general use only.
For an exact drawing on a specific rating, please contact our sales office.



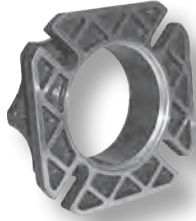
WORLDWIDE GEAR REDUCERS

Worm Gear Reducers

Aluminum Worm Gear Reducers Accessories



Output Flanges



Box Size	Model Number	Alternate Model Number	List Price
30	ALM30-OPF	---	\$12.43
40	ALM40-OPF	HALM40-OPF	\$14.20
50	ALM50-OPF	HALM50-OPF	\$15.98
63	ALM63-OPF	---	\$20.42
75	ALM75-OPF	HALM75-OPF	\$32.85
90	ALM90-OPF	HALM90-OPF	\$40.16

Output Covers



Box Size	Model Number	Alternate Model Number	List Price
30	ALM30-OPC	---	\$7.50
40	ALM40-OPC	HALM40-OPC	\$7.50
50	ALM50-OPC	---	\$12.50
63	ALM63-OPC	HALM63-OPC	\$12.50
75	ALM75-OPC	HALM75-OPC	\$12.50
90	ALM90-OPC	HALM90-OPC	\$12.50

Torque Arms



Box Size	Model Number	Alternate Model Number	List Price
30	ALM30-TA	---	\$16.88
40	ALM40-TA	HALM40-TA	\$18.64
50	ALM50-TA	HALM50-TA	\$20.42
63	ALM63-TA	HALM63-TA	\$33.74
75	ALM75-TA	HALM75-TA	\$55.04
90	ALM90-TA	HALM90-TA	\$62.50

Single Output Shafts



Box Size	Model Number	Alternate Model Number	List Price
30	ALM30-S	HALM30-S	\$16.87
40	ALM40-S	HALM40-S	\$19.53
50	ALM50-S	HALM50-S	\$23.08
63	ALM63-S	---	\$31.07
75	ALM75-S	HALM75-S	\$39.95
90	ALM90-S	HALM90-S	\$51.56

Double Output Shafts



Box Size	Model Number	Alternate Model Number	List Price
30	ALM30-DS	HALM30-DS	\$22.19
40	ALM40-DS	HALM40-DS	\$26.63
50	ALM50-DS	HALM50-DS	\$31.07
63	ALM63-DS	HALM63-DS	\$41.73
75	ALM75-DS	HALM75-DS	\$51.49
90	ALM90-DS	HALM90-DS	\$71.44

WORM GEAR REDUCERS
ALUMINUM

WORLDWIDE GEAR REDUCERS

Inline Helical Gear Reducers

Product Overview / Mechanical Ratings



Product Overview

- 5:1 - 120:1 ratios (other ratios available as custom orders)
- Box sizes 37 - 147
- Horsepower range from 1/4 HP to 75 HP
- Built to German Institute for Standardization (DIN) for high efficiency, high strength and low noise
- All cast iron housings for unquestioned strength and reliability
- Gears are precision processed for better rotation and quieter operation
- Gearbox flanges are designed to accept NEMA C-face electric motors
- No coupling necessary
- Drop-in for most major European-produced inline reducer brands
- 2 year warranty

Box Size	Normal Ratio	Actual Ratio	Output RPM @ 1800 RPM Input	Input HP	Output Torque (lbs. in.)	O.H.L. (lbs.)	Motor Frame	Stages	Approx. Weight (lbs.)	Model Number	List Price
37	5:1	4.88	359	1.00	166	223	56C	2	31	WINL37-5/1-56C	\$600.00
	5:1	4.88	359	2.00	332	223	145TC	2	31	WINL37-5/1-145TC	\$600.00
	10:1	10.02	175	2.00	682	279	145TC	2	31	WINL37-10/1-145TC	\$600.00
	15:1	15.75	111	2.00	1075	333	145TC	2	31	WINL37-15/1-145TC	\$600.00
	20:1	19.95	88	1.00	678	371	56C	2	31	WINL37-20/1-56C	\$600.00
	20:1	19.95	88	2.00	1356	371	145TC	2	31	WINL37-20/1-145TC	\$600.00
	30:1	31.02	56	1.00	1033	414	56C	3	31	WINL37-30/1-56C	\$600.00
	30:1	31.02	56	2.00	2131	414	145TC	3	31	WINL37-30/1-145TC	\$600.00
	40:1	40.08	44	1.00	1315	450	56C	3	31	WINL37-40/1-56C	\$600.00
	50:1	52.24	34	1.00	1702	506	56C	3	31	WINL37-50/1-56C	\$600.00
60:1	60.84	29	0.82	1995	567	56C	3	31	WINL37-60/1-56C	\$600.00	
47	5:1	4.85	361	2.00	331	277	145TC	2	50	WINL47-5/1-145TC	\$690.00
	5:1	4.85	361	3.00	496	277	182TC	2	50	WINL47-5/1-182/4TC	\$690.00
	5:1	4.85	361	5.00	826	277	184TC	2	50	WINL47-5/1-182/4TC	\$690.00
	10:1	11.27	155	3.00	1155	384	182TC	2	50	WINL47-10/1-182/4TC	\$690.00
	15:1	15.18	115	3.00	1556	429	182TC	2	50	WINL47-15/1-182/4TC	\$690.00
	20:1	20.49	85	2.00	1256	486	145TC	2	50	WINL47-20/1-145TC	\$690.00
	20:1	18.37	95	3.00	1884	465	182TC	2	50	WINL47-20/1-182/4TC	\$690.00
	30:1	31.83	55	2.00	2104	519	145TC	3	50	WINL47-30/1-145TC	\$690.00
	30:1	31.83	55	3.00	3254	519	182TC	3	50	WINL47-30/1-182/4TC	\$690.00
	40:1	41.51	42	1.00	1378	636	56C	3	50	WINL47-40/1-56C	\$690.00
50:1	52.84	33	1.00	1754	695	56C	3	50	WINL47-50/1-56C	\$690.00	
60:1	63.37	28	1.00	2067	744	56C	3	50	WINL47-60/1-56C	\$690.00	
67	5:1	5.23	335	2.00	2710	347	145TC	2	73	WINL67-5/1-145TC	\$980.00
	5:1	5.23	335	3.00	2710	520	182TC	2	73	WINL67-5/1-182/4TC	\$980.00
	5:1	5.23	335	5.00	2710	893	184TC	2	73	WINL67-5/1-182/4TC	\$980.00
	10:1	9.90	177	3.00	981	441	182TC	2	73	WINL67-10/1-182/4TC	\$980.00
	10:1	9.90	177	5.00	1685	441	184TC	2	73	WINL67-10/1-182/4TC	\$980.00
	20:1	22.90	76	3.00	2284	569	182TC	3	73	WINL67-20/1-182/4TC	\$980.00
	30:1	32.02	55	2.00	2104	652	145TC	3	73	WINL67-30/1-145TC	\$980.00
	40:1	41.22	42	2.00	2756	726	145TC	3	73	WINL67-40/1-145TC	\$980.00
	50:1	52.21	34	2.00	3404	767	145TC	3	73	WINL67-50/1-145TC	\$980.00
	60:1	63.07	28	1.00	2067	839	56C	3	73	WINL67-60/1-56C	\$980.00
	80:1	78.59	22	1.00	2630	895	56C	3	73	WINL67-80/1-56C	\$980.00
	100:1	98.69	18	1.00	3215	994	56C	3	73	WINL67-100/1-56C	\$980.00
120:1	125.28	14	1.00	4133	1106	56C	3	73	WINL67-120/1-56C	\$980.00	

Continued On Next Page



WORLDWIDE GEAR REDUCERS

Inline Helical Gear Reducers

Product Overview / Mechanical Ratings



Box Size	Normal Ratio	Actual Ratio	Output RPM @ 1800 RPM Input	Input HP	Output Torque (lbs. in.)	O.H.L. (lbs.)	Motor Frame	Stages	Approx. Weight (lbs.)	Model Number	List Price
77	5:1	4.78	366	5.00	4040	389	184TC	2	83	WINL77-5/1-182/4TC	\$1,150.00
	5:1	4.78	366	7.50	4040	389	213TC	2	83	WINL77-5/1-213/5TC	\$1,150.00
	10:1	10.91	160	7.50	2796	389	213TC	2	83	WINL77-10/1-213/5TC	\$1,150.00
	20:1	23.31	75	3.00	2386	652	182TC	2	83	WINL77-20/1-182/4TC	\$1,150.00
	30:1	31.97	55	3.00	3156	733	182TC	3	83	WINL77-30/1-182/4TC	\$1,150.00
	40:1	39.31	45	3.00	3858	787	182TC	3	83	WINL77-40/1-182/4TC	\$1,150.00
	50:1	53.24	33	2.00	3507	908	145TC	3	83	WINL77-50/1-145TC	\$1,150.00
	60:1	57.73	30	2.00	3858	937	145TC	3	83	WINL77-60/1-145TC	\$1,150.00
	80:1	84.60	21	2.00	5511	1117	145TC	3	83	WINL77-80/1-145TC	\$1,150.00
	100:1	109.54	17	2.00	6091	1250	145TC	3	83	WINL77-100/1-145TC	\$1,150.00
	120:1	124.34	14	1.00	4133	1320	56C	3	83	WINL77-120/1-56C	\$1,150.00
	87	5:1	4.73	370	7.50	1209	870	213TC	2	160	WINL87-5/1-213/5TC
5:1		4.73	370	10.00	1612	870	215TC	2	160	WINL87-5/1-213/5TC	\$1,825.00
5:1		4.73	370	15.00	2419	870	254TC	2	160	WINL87-5/1-254/6TC	\$1,825.00
5:1		4.73	370	20.00	3225	870	256TC	2	160	WINL87-5/1-254/6TC	\$1,825.00
10:1		10.66	164	7.50	2728	1122	213TC	2	160	WINL87-10/1-213/5TC	\$1,825.00
10:1		10.66	164	10.00	3638	1122	215TC	2	160	WINL87-10/1-213/5TC	\$1,825.00
20:1		20.06	87	3.00	1995	1410	182TC	3	160	WINL87-20/1-182/4TC	\$1,825.00
20:1		20.06	87	5.00	3326	1410	184TC	3	160	WINL87-20/1-182/4TC	\$1,825.00
20:1		20.06	87	7.50	4989	1410	213TC	3	160	WINL87-20/1-213/5TC	\$1,825.00
30:1		31.73	55	3.00	3156	1641	182TC	3	160	WINL87-30/1-182/4TC	\$1,825.00
30:1		31.73	55	5.00	5261	1641	184TC	3	160	WINL87-30/1-182/4TC	\$1,825.00
40:1		38.20	46	3.00	3774	1720	182TC	3	160	WINL87-40/1-182/4TC	\$1,825.00
40:1		38.20	46	5.00	6290	1720	184TC	3	160	WINL87-40/1-182/4TC	\$1,825.00
50:1		49.16	46	2.00	3215	1870	145TC	3	160	WINL87-50/1-145TC	\$1,825.00
50:1		49.16	46	3.00	4822	1870	182TC	3	160	WINL87-50/1-145TC	\$1,825.00
50:1		49.16	36	5.00	8037	1870	184TC	3	160	WINL87-50/1-182/4TC	\$1,825.00
60:1		61.54	28	2.00	4133	2048	145TC	3	160	WINL87-60/1-145TC	\$1,825.00
60:1		61.54	28	3.00	6200	2048	182TC	3	160	WINL87-60/1-182/4TC	\$1,825.00
80:1	87.27	20	2.00	5787	2264	145TC	3	160	WINL87-80/1-145TC	\$1,825.00	
80:1	87.27	20	3.00	8680	2264	182TC	3	160	WINL87-80/1-182/4TC	\$1,825.00	
110:1	112.52	16	2.00	7233	2464	145TC	3	160	WINL87-110/1-145TC	\$1,825.00	
97	120:1	122.17	14	2.00	8267	2534	145TC	3	160	WINL87-120/1-145TC	\$1,825.00
	5:1	5.42	323	15.00	2770	1191	254TC	2	244	WINL97-5/1-254/6TC	\$3,025.00
	5:1	5.42	323	20.00	3694	1191	256TC	2	244	WINL97-5/1-254/6TC	\$3,025.00
	5:1	5.42	323	25.00	4617	1191	284TC	2	244	WINL97-5/1-284/6TC	\$3,025.00
	5:1	5.42	323	30.00	5541	1191	286TC	2	244	WINL97-5/1-284/6TC	\$3,025.00
	10:1	10.00	175	25.00	8522	1459	284TC	2	244	WINL97-10/1-284/6TC	\$3,025.00
	10:1	10.00	175	30.00	10227	1459	286TC	2	244	WINL97-10/1-284/6TC	\$3,025.00
	20:1	21.23	82	15.00	10913	1875	254TC	2	244	WINL97-20/1-254/6TC	\$3,025.00
	20:1	21.23	82	20.00	14551	1875	256TC	2	244	WINL97-20/1-254/6TC	\$3,025.00
	30:1	28.98	60	7.50	7233	2084	213TC	3	244	WINL97-30/1-213/5TC	\$3,025.00
	30:1	28.98	60	10.00	9645	2084	215TC	3	244	WINL97-30/1-213/5TC	\$3,025.00
	30:1	28.98	60	15.00	14467	2084	254TC	3	244	WINL97-30/1-254/6TC	\$3,025.00
	40:1	44.57	39	7.50	11128	2405	213TC	3	244	WINL97-40/1-213/5TC	\$3,025.00
	40:1	44.57	39	10.00	14838	2405	215TC	3	244	WINL97-40/1-213/5TC	\$3,025.00
	50:1	51.10	34	7.50	12765	2686	213TC	3	244	WINL97-50/1-213/5TC	\$3,025.00
	50:1	51.10	34	10.00	17020	2686	215TC	3	244	WINL97-50/1-213/5TC	\$3,025.00
	60:1	59.52	29	7.50	14966	2851	213TC	3	244	WINL97-60/1-213/5TC	\$3,025.00
	60:1	59.52	29	10.00	19954	2851	215TC	3	244	WINL97-60/1-213/5TC	\$3,025.00
	80:1	82.59	21	3.00	8267	3231	182TC	3	244	WINL97-80/1-182/4TC	\$3,025.00
	80:1	82.59	21	5.00	13778	3231	184TC	3	244	WINL97-80/1-182/4TC	\$3,025.00
	80:1	82.59	21	7.50	20667	3231	213TC	3	244	WINL97-80/1-213/5TC	\$3,025.00
	100:1	97.76	18	3.00	9645	3444	182TC	3	244	WINL97-100/1-182/4TC	\$3,025.00
	100:1	97.76	18	5.00	16074	3444	184TC	3	244	WINL97-100/1-182/4TC	\$3,025.00
	120:1	127.61	14	3.00	12400	3855	182TC	3	244	WINL97-120/1-182/4TC	\$3,025.00
120:1	127.61	14	5.00	20667	3855	184TC	3	244	WINL97-120/1-182/4TC	\$3,025.00	

Continued On Next Page



WORLDWIDE GEAR REDUCERS

Inline Helical Gear Reducers

Product Overview / Mechanical Ratings



Box Size	Normal Ratio	Actual Ratio	Output RPM @ 1800 RPM Input	Input HP	Output Torque (lbs. in.)	O.H.L. (lbs.)	Motor Frame	Stages	Approx. Weight (lbs.)	Model Number	List Price
107	10:1	10.44	168	40.00	14240	2581	324TC	2	411	WINL107-10/1-324/6TC	\$4,675.00
	10:1	10.44	168	50.00	17800	2581	326TC	2	411	WINL107-10/1-324/6TC	\$4,675.00
	20:1	21.79	86	25.00	16726	3054	284TC	3	411	WINL107-20/1-284/6TC	\$4,675.00
	20:1	21.79	86	30.00	20072	3054	286TC	3	411	WINL107-20/1-284/6TC	\$4,675.00
	20:1	21.79	86	40.00	26762	3054	324TC	3	411	WINL107-20/1-324/6TC	\$4,675.00
	30:1	29.23	60	25.00	24164	3502	284TC	3	411	WINL107-30/1-284/6TC	\$4,675.00
	30:1	29.23	60	30.00	28997	3502	286TC	3	411	WINL107-30/1-284/6TC	\$4,675.00
	40:1	39.52	44	15.00	19600	3951	254TC	3	411	WINL107-40/1-254/6TC	\$4,675.00
	40:1	39.52	44	20.00	26134	3951	256TC	3	411	WINL107-40/1-254/6TC	\$4,675.00
	50:1	53.00	33	7.50	13145	4422	213TC	3	411	WINL107-50/1-213/5TC	\$4,675.00
	50:1	53.00	33	10.00	17526	4422	215TC	3	411	WINL107-50/1-213/5TC	\$4,675.00
	50:1	53.00	33	15.00	26289	4422	254TC	3	411	WINL107-50/1-254/6TC	\$4,675.00
	50:1	53.00	33	20.00	35053	4422	256TC	3	411	WINL107-50/1-254/6TC	\$4,675.00
	60:1	62.90	28	7.50	15599	4794	213TC	3	411	WINL107-60/1-213/5TC	\$4,675.00
	60:1	62.90	28	10.00	20799	4794	215TC	3	411	WINL107-60/1-213/5TC	\$4,675.00
	60:1	62.90	28	15.00	31198	4794	254TC	3	411	WINL107-60/1-254/6TC	\$4,675.00
	80:1	79.95	22	7.50	19827	5309	213TC	3	411	WINL107-80/1-213/5TC	\$4,675.00
	80:1	79.95	22	10.00	26436	5309	215TC	3	411	WINL107-80/1-213/5TC	\$4,675.00
120:1	115.50	15	7.50	26909	5938	213TC	3	411	WINL107-120/1-213/5TC	\$4,675.00	
120:1	115.50	15	10.00	38192	5938	215TC	3	411	WINL107-120/1-213/5TC	\$4,675.00	
137	10:1	10.12	173	60.00	20699	3266	364TC	2	619	WINL137-10/1-364/5TC	\$7,820.00
	10:1	10.12	173	75.00	25874	3266	365TC	2	619	WINL137-10/1-364/5TC	\$7,820.00
	20:1	20.68	85	60.00	41026	3491	364TC	3	619	WINL137-20/1-364/5TC	\$7,820.00
	20:1	20.68	85	75.00	51282	3491	365TC	3	619	WINL137-20/1-364/5TC	\$7,820.00
	30:1	32.81	53	40.00	43401	4467	324TC	3	619	WINL137-30/1-324/6TC	\$7,820.00
	30:1	32.81	53	50.00	54251	4467	326TC	3	619	WINL137-30/1-324/6TC	\$7,820.00
	40:1	43.25	40	25.00	35756	5017	284TC	3	619	WINL137-40/1-284/6TC	\$7,820.00
	40:1	43.25	40	30.00	42908	5017	286TC	3	619	WINL137-40/1-284/6TC	\$7,820.00
	40:1	43.25	40	40.00	57210	5017	324TC	3	619	WINL137-40/1-324/6TC	\$7,820.00
	50:1	50.13	35	15.00	24734	5545	254TC	3	619	WINL137-50/1-254/6TC	\$7,820.00
	50:1	50.13	35	20.00	33156	5545	256TC	3	619	WINL137-50/1-254/6TC	\$7,820.00
	50:1	50.13	35	25.00	41445	5545	284TC	3	619	WINL137-50/1-284/6TC	\$7,820.00
	50:1	50.13	35	30.00	49734	5545	286TC	3	619	WINL137-50/1-284/6TC	\$7,820.00
	60:1	59.14	30	15.00	29178	6331	254TC	3	619	WINL137-60/1-254/6TC	\$7,820.00
	60:1	59.14	30	20.00	39113	6331	256TC	3	619	WINL137-60/1-254/6TC	\$7,820.00
	80:1	79.05	22	15.00	39002	6802	254TC	3	619	WINL137-80/1-254/6TC	\$7,820.00
	80:1	79.05	22	20.00	52281	6802	256TC	3	619	WINL137-80/1-254/6TC	\$7,820.00
	120:1	117.25	15	15.00	57847	7835	254TC	3	619	WINL137-120/1-254/6TC	\$7,820.00
147	10:1	10.24	141.64	100.00	42120	3929	405TC	2	915	WINL147-10/1-405TC	\$13,750.00
	20:1	19.99	72.53	60.00	47868	5163	364TC	3	915	WINL147-20/1-364/5TC	\$13,750.00
	20:1	19.99	72.53	75.00	59836	5163	365TC	3	915	WINL147-20/1-364/5TC	\$13,750.00
	30:1	30.23	47.97	40.00	48251	6286	324TC	3	915	WINL147-30/1-324/6TC	\$13,750.00
	30:1	30.23	47.97	50.00	60314	6286	326TC	3	915	WINL147-30/1-324/6TC	\$13,750.00
	30:1	30.23	47.97	60.00	72377	6286	364TC	3	915	WINL147-30/1-364/5TC	\$13,750.00
	30:1	30.23	47.97	75.00	93269	6286	365TC	3	915	WINL147-30/1-364/5TC	\$13,750.00
	40:1	41.70	34.78	25.00	41600	7296	284TC	3	915	WINL147-40/1-284/6TC	\$13,750.00
	40:1	41.70	34.78	30.00	49920	7296	286TC	3	915	WINL147-40/1-284/6TC	\$13,750.00
	40:1	41.70	34.78	40.00	66560	7296	324TC	3	915	WINL147-40/1-324/6TC	\$13,750.00
	40:1	41.70	34.78	50.00	83200	7296	326TC	3	915	WINL147-40/1-324/6TC	\$13,750.00
	50:1	50.49	28.72	15.00	31160	7969	254TC	3	915	WINL147-50/1-254/6TC	\$13,750.00
	50:1	50.49	28.72	20.00	40301	7969	256TC	3	915	WINL147-50/1-254/6TC	\$13,750.00
	50:1	50.49	28.72	25.00	50376	7969	284TC	3	915	WINL147-50/1-284/6TC	\$13,750.00
	50:1	50.49	28.72	30.00	60451	7969	286TC	3	915	WINL147-50/1-284/6TC	\$13,750.00
	60:1	60.38	24.01	15.00	37266	8531	254TC	3	915	WINL147-60/1-254/6TC	\$13,750.00
	60:1	60.38	24.01	20.00	48197	8531	256TC	3	915	WINL147-60/1-254/6TC	\$13,750.00
	60:1	60.38	24.01	40.00	96394	8531	324TC	3	915	WINL147-60/1-324/6TC	\$13,750.00
80:1	83.30	17.41	15.00	51406	9765	254TC	3	915	WINL147-80/1-254/6TC	\$13,750.00	
80:1	83.30	17.41	20.00	66485	9765	256TC	3	915	WINL147-80/1-254/6TC	\$13,750.00	
80:1	83.30	17.41	25.00	83106	9765	284TC	3	915	WINL147-80/1-284/6TC	\$13,750.00	
80:1	83.30	17.41	30.00	99727	9765	286TC	3	915	WINL147-80/1-284/6TC	\$13,750.00	
120:1	117.29	12.36	15.00	72383	11224	254TC	3	915	WINL147-120/1-254/6TC	\$13,750.00	
120:1	117.29	12.36	20.00	93616	11224	256TC	3	915	WINL147-120/1-254/6TC	\$13,750.00	

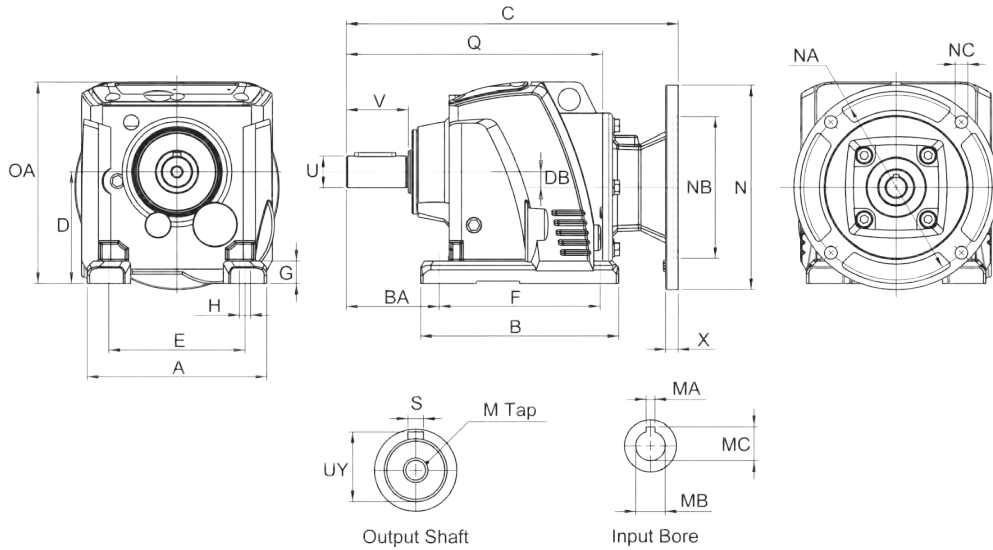
INLINE HELICAL GEAR REDUCERS



WORLDWIDE GEAR REDUCERS

Inline Helical Gear Reducers

Dimensions



ALL DIMENSIONS IN INCHES

Box Size	NEMA Frame	A	B	BA	C	D	DB	E	F	G	H	M (UNC)	MA
37	56C	5.71	6.3	2.95	10.55	3.54	0.49	4.33	5.12	0.71	0.35	3/8-16	0.19
	145TC	5.71	6.3	2.95	10.94	3.54	0.49	4.33	5.12	0.71	0.35	3/8-16	0.19
47	56C	6.69	7.68	3.54	11.63	4.53	0.55	5.31	6.5	0.94	0.55	1/2-13	0.19
	145TC	6.69	7.68	3.54	12.03	4.53	0.55	5.31	6.5	0.94	0.55	1/2-13	0.19
	182/4TC	6.69	7.68	3.54	12.76	4.53	0.55	5.31	6.5	0.94	0.55	1/2-13	0.25
67	56C	8.27	9.25	3.94	13.13	5.12	0.67	5.91	7.68	1.26	0.55	1/2-13	0.19
	145TC	8.27	9.25	3.94	13.52	5.12	0.67	5.91	7.68	1.26	0.55	1/2-13	0.19
	182/4TC	8.27	9.25	3.94	14.25	5.12	0.67	5.91	7.68	1.26	0.55	1/2-13	0.25
77	56C	9.06	9.65	4.53	14.23	5.51	0.61	6.69	8.07	1.18	0.71	5/8-11	0.19
	145TC	9.06	9.65	4.53	14.23	5.51	0.61	6.69	8.07	1.18	0.71	5/8-11	0.19
	182/4TC	9.06	9.65	4.53	14.96	5.51	0.61	6.69	8.07	1.18	0.71	5/8-11	0.25
	213/5TC	9.06	9.65	4.53	17.22	5.51	0.61	6.69	8.07	1.18	0.71	5/8-11	0.31
87	145TC	11.42	12.2	5.51	17.2	7.09	0.71	8.46	10.24	1.77	0.71	3/4-10	0.19
	182/4TC	11.42	12.2	5.51	17.33	7.09	0.71	8.46	10.24	1.77	0.71	3/4-10	0.25
	213/5TC	11.42	12.2	5.51	19.59	7.09	0.71	8.46	10.24	1.77	0.71	3/4-10	0.31
97	182/4TC	13.39	14.37	6.3	19.84	8.86	0.81	9.84	12.2	2.17	0.87	3/4-11	0.25
	213/5TC	13.39	14.37	6.3	21.95	8.86	0.81	9.84	12.2	2.17	0.87	3/4-11	0.31
	254/6TC	13.39	14.37	6.3	22.93	8.86	0.81	9.84	12.2	2.17	0.87	3/4-11	0.38
	284/6TC	13.39	14.37	6.3	23.29	8.86	0.81	9.84	12.2	2.17	0.87	3/4-11	0.5
107	213/5TC	15.75	15.94	7.28	23.74	9.84	0.91	11.42	17.32	2.56	1.02	3/4-10	0.31
	254/6TC	15.75	15.94	7.28	24.72	9.84	0.91	11.42	17.32	2.56	1.02	3/4-10	0.38
	284/6TC	15.75	15.94	7.28	25.08	9.84	0.91	11.42	17.32	2.56	1.02	3/4-10	0.5
	324/6TC	15.75	15.94	7.28	26.3	9.84	0.91	11.42	17.32	2.56	1.02	3/4-10	0.5
137	254/6TC	17.72	17.72	8.66	28.07	12.4	1.38	13.39	19.29	2.76	1.3	1-8	0.38
	284/6TC	17.72	17.72	8.66	28.39	12.4	1.38	13.39	19.29	2.76	1.3	1-8	0.5
	324/6TC	17.72	17.72	8.66	29.61	12.4	1.38	13.39	19.29	2.76	1.3	1-8	0.5
	364/5TC	17.72	17.72	8.66	30.67	12.4	1.38	13.39	19.29	2.76	1.3	1-8	0.63
147	254/6TC	20.87	23.23	10.24	31.89	13.98	2.05	14.96	19.69	3.15	1.54	1-8	0.38
	284/6TC	20.87	23.23	10.24	32.2	13.98	2.05	14.96	19.69	3.15	1.54	1-8	0.5
	324/6TC	20.87	23.23	10.24	33.58	13.98	2.05	14.96	19.69	3.15	1.54	1-8	0.5
	365/5TC	20.87	23.23	10.24	34.65	13.98	2.05	14.96	19.69	3.15	1.54	1-8	0.63
	405TC	20.87	23.23	10.24	36.61	13.98	2.05	14.96	19.69	3.15	1.54	1-8	0.75

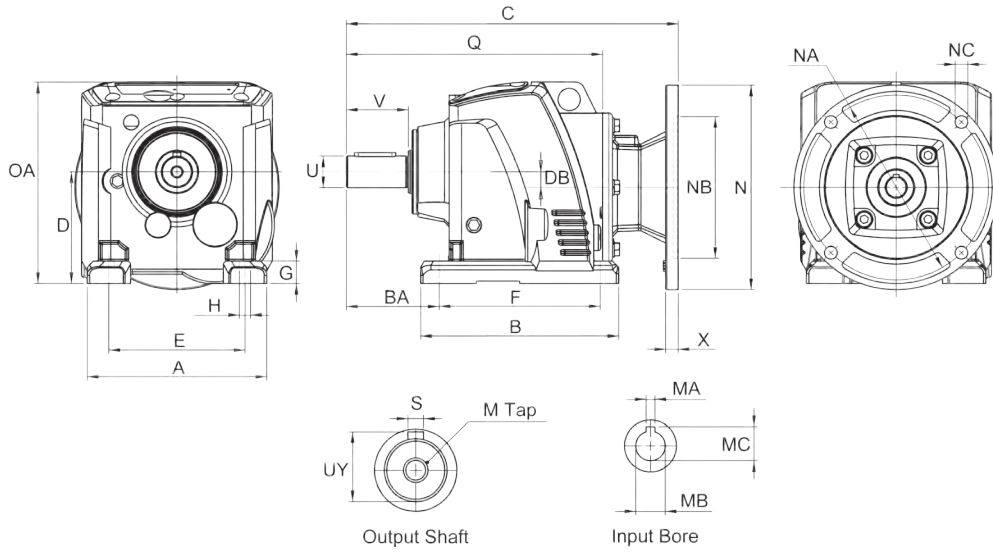
Dimensions shown in this catalog are for general use only.
For an exact drawing on a specific rating, please contact our sales office.

Continued On Next Page

WORLDWIDE GEAR REDUCERS

Inline Helical Gear Reducers

Dimensions



ALL DIMENSIONS IN INCHES

Box Size	NEMA Frame	MB	MC	N	NA	NB	NC	OA	Q	S	U	UY	V	X
37	56C	0.63	0.72	6.5	5.88	4.5	4 x 0.41	6.4	8.15	0.25	1.0	1.11	1.97	0.39
	145TC	0.88	0.97	6.5	5.88	4.5	4 x 0.41	6.4	8.15	0.25	1.0	1.11	1.97	0.47
47	56C	0.63	0.72	6.5	5.88	4.5	4 x 0.41	8.25	9.41	0.25	1.25	1.36	2.36	0.39
	145TC	0.88	0.97	6.5	5.88	4.5	4 x 0.41	8.25	9.41	0.25	1.25	1.36	2.36	0.47
	182/4TC	1.13	1.25	9	7.25	8.5	4 x 0.55	8.25	9.41	0.25	1.25	1.36	2.36	0.67
67	56C	0.63	0.72	6.5	5.88	4.5	4 x 0.41	8.89	10.98	0.31	1.38	1.51	2.76	0.39
	145TC	0.88	0.97	6.5	5.88	4.5	4 x 0.41	8.89	10.98	0.31	1.38	1.51	2.76	0.47
	182/4TC	1.13	1.25	9	7.25	8.5	4 x 0.55	8.89	10.98	0.31	1.38	1.51	2.76	0.67
77	56C	0.63	0.72	6.5	5.88	4.5	4 x 0.41	10.04	11.91	0.38	1.63	1.79	3.15	0.39
	145TC	0.88	0.97	6.5	5.88	4.5	4 x 0.41	10.04	11.91	0.38	1.63	1.79	3.15	0.47
	182/4TC	1.13	1.25	9	7.25	8.5	4 x 0.55	10.04	11.91	0.38	1.63	1.79	3.15	0.67
	213/5TC	1.38	1.53	9	7.25	8.5	4 x 0.55	10.04	11.91	0.38	1.63	1.79	3.15	0.67
87	145TC	0.88	0.97	6.5	5.88	4.5	4 x 0.41	12.99	14.65	0.5	2.13	2.34	3.94	0.47
	182/4TC	1.13	0.68	9	7.25	8.5	4 x 0.55	12.99	14.65	0.5	2.13	2.34	3.94	0.67
	213/5TC	1.38	0.88	9	7.25	8.5	4 x 0.55	12.99	14.65	0.5	2.13	2.34	3.94	0.67
97	182/4TC	1.13	0.68	9	7.25	8.5	4 x 0.55	15.16	17.32	0.63	2.38	2.65	4.72	0.67
	213/5TC	1.38	0.88	9	7.25	8.5	4 x 0.55	15.16	17.32	0.63	2.38	2.65	4.72	0.67
	254/6TC	1.63	1.81	10	7.25	8.5	4 x 0.55	15.16	17.32	0.63	2.38	2.65	4.72	0.79
107	284/6TC	1.88	1.10	11.26	9	10.5	4 x 0.59	15.16	17.32	0.63	2.38	2.65	4.72	0.79
	213/5TC	1.38	1.52	9	7.25	8.5	4 x 0.55	15.92	19.49	0.75	2.88	3.2	5.51	0.67
	254/6TC	1.63	1.81	10	7.25	8.5	4 x 0.55	15.92	19.49	0.75	2.88	3.2	5.51	0.79
	284/6TC	1.88	2.13	11.26	9	10.5	4 x 0.59	15.92	19.49	0.75	2.88	3.2	5.51	0.79
137	324/6TC	2.13	2.38	14.02	11	12.5	4 x 0.65	15.92	19.49	0.75	2.88	3.2	5.51	0.79
	254/6TC	1.63	1.81	10	7.25	8.5	4 x 0.55	19.29	23.23	0.88	3.63	4.01	6.69	0.79
	284/6TC	1.88	2.13	11.26	9	10.5	4 x 0.59	19.29	23.23	0.88	3.63	4.01	6.69	0.79
	324/6TC	2.13	2.38	14.02	11	12.5	4 x 0.65	19.29	23.23	0.88	3.63	4.01	6.69	0.79
147	364/5TC	2.38	2.65	14.02	11	12.5	4 x 0.65	19.29	23.23	0.88	3.63	4.01	6.69	0.87
	254/6TC	1.63	1.81	10	7.25	8.5	4 x 0.55	24.96	27.36	1	4.38	4.82	8.27	0.79
	284/6TC	1.88	2.13	11.26	9	10.5	4 x 0.59	24.96	27.36	1	4.38	4.82	8.27	0.79
	324/6TC	2.13	2.38	14.02	11	12.5	4 x 0.65	24.96	27.36	1	4.38	4.82	8.27	0.79
	365/5TC	2.38	2.65	14.02	11	12.5	4 x 0.65	24.96	27.36	1	4.38	4.82	8.27	0.87
405TC	2.88	3.21	13.88	11	12.5	4 x 0.73	24.96	27.36	1	4.38	4.82	8.27	0.87	

Dimensions shown in this catalog are for general use only.
For an exact drawing on a specific rating, please contact our sales office.





Warranty Length

The warranty length for WorldWide Electric Motors is as follows:

WORLDWIDE FRACTIONAL HP MOTORS

General Purpose Motors	Two (2) years from date of sale (invoice)
Stainless Steel / Washdown Duty Motors	Three (3) year from date of sale (invoice)
Jet Pump Motors	Two (2) years from date of sale (invoice)
Permanent Magnet DC Motors	One (1) year from date of sale (invoice)

WORLDWIDE FARM DUTY MOTORS

Two (2) years from date of sale (invoice)

WORLDWIDE GENERAL PURPOSE MOTORS

Three (3) years from date of sale (invoice)

WORLDWIDE EXPLOSION PROOF MOTORS

Two (2) years from date of sale (invoice)

WORLDWIDE AGGREGATE MOTORS

Three (3) years from date of sale (invoice)

WORLDWIDE OIL WELL PUMP MOTORS

Two (2) years from date of sale (invoice)

HYUNDAI PREMIUM EFFICIENCY MOTORS

Five (5) years from date of sale (invoice)

HYUNDAI IEEE-841 MOTORS

Five (5) years from date of sale (invoice)

HYUNDAI EXPLOSION PROOF MOTORS

Five (5) years from date of sale (invoice)

HYUNDAI SEVERE DUTY LARGE FRAME MOTORS

Three (3) years from date of sale (invoice)

HYUNDAI MEDIUM & HIGH VOLTAGE MOTORS

One (1) year from date of sale (invoice)

WORLDWIDE MOTOR SLIDE BASES

Three (3) years from date of sale (invoice)



WORLDWIDE ELECTRIC CORPORATION

Warranty Policy - Motors



Procedure

ALL WORLDWIDE ELECTRIC MOTORS WITH THE EXCEPTION OF EXPLOSION PROOF MOTORS:

1. Motors up to and including 40 HP are covered by our no-fault policy. If the motor has failed within the warranty period, the customer must complete the NAMEPLATE WARRANTY CREDIT REQUEST FORM, attach the nameplate to the completed form and mail to WorldWide Electric for credit (photo of nameplate required for stainless steel / washdown duty motors). WorldWide Electric shall not be liable for any labor or operating costs connected with the replacement of the motor. The purchaser shall be responsible for any transportation charges connected with the replacement of the motor.
2. Motors 50 HP and above must be inspected by an authorized EASA service center or other approved motor shop for determination of cause of failure. Authorized EASA service centers are available inside and outside of the United States. Visit the EASA website at www.easa.com to find the nearest authorized service center. These shops may also be able to assist with non-warranty service.
3. The service center must provide a written estimate for inspection and a purchase order must be issued by WorldWide Electric prior to the motor inspection.
4. If the failure is determined to be from a defect in material or workmanship when operated under normal conditions and in accordance with nameplate characteristic limits, WorldWide Electric shall either repair or replace the motor. WorldWide Electric shall not be liable for any labor or operating costs connected with the repair / replacement of the motor.
5. Should WorldWide Electric choose to repair the motor, the service center must provide a written estimate for repair and a purchase order must be issued by WorldWide Electric prior to the repair being performed.
6. Should WorldWide Electric choose to replace the motor, the purchaser shall be responsible for any transportation charges connected with the replacement of the motor.

EXPLOSION PROOF MOTORS:

1. Motors must be inspected by a UL certified / authorized EASA service center for determination of cause of failure. Authorized EASA service centers are available inside and outside of the United States. Visit the EASA website at www.easa.com to find the nearest authorized service center. These shops may also be able to assist with non-warranty service.
2. The service center must provide a written estimate for inspection and a purchase order must be issued by WorldWide Electric prior to the motor inspection.
3. If the failure is determined to be from a defect in material or workmanship when operated under normal conditions and in accordance with nameplate characteristic limits, WorldWide Electric shall either repair or replace the motor. WorldWide Electric shall not be liable for any labor or operating costs connected with the repair / replacement of the motor.
4. Should WorldWide Electric choose to repair the motor, the service center must provide a written estimate for repair and a purchase order must be issued by WorldWide Electric prior to the repair being performed.
5. Should WorldWide Electric choose to replace the motor, the purchaser shall be responsible for any transportation charges connected with the replacement of the motor.



Warranty Length

The warranty length for WorldWide Electric Motor Controls is as follows:

WORLDWIDE ELECTRIC PRODUCTS

WWE HD - Soft Start Starters Two (2) years from documented date of service

SIEMENS PRODUCTS

Soft Start Starters One (1) year from date of sale (invoice)
NEMA and IEC Controls One (1) year from date of sale (invoice)

HYUNDAI PRODUCTS

HYUNDAI Variable Frequency Drives Two (2) years from date of sale (invoice)

HUBBELL PRODUCTS

HUBBELL Pressure Switches One (1) year from date of sale (invoice) with ARC Code
HUBBELL Alternator Relays One (1) year from date of sale (invoice)
HUBBELL Drum Controllers One (1) year from date of sale (invoice)

All qualified returns will be subject to a 20% restocking fee.
All special order / special build products are non-cancelable and non-returnable.



WORLDWIDE ELECTRIC CORPORATION

Warranty Policy - Gear Reducers



Limited Warranty

WorldWide Electric Corporation (The Company) warrants its products to be free from defects in materials or workmanship to the original purchaser for a period of:

<i>"ORIGINAL" SHAFT MOUNT REDUCERS</i>	Two (2) years from date of sale (invoice)
<i>"ULTIMATE" SHAFT MOUNT REDUCERS</i>	Three (3) years from date of sale (invoice)
<i>WORM GEAR REDUCERS</i>	One (1) year from date of sale (invoice)
<i>INLINE HELICAL GEAR REDUCERS</i>	Two (2) year from date of sale (invoice)

For this warranty to be effective, this product must be installed, used and maintained by the original purchaser in accordance with good industry standards. The warranty does not cover normal wear, tear and erosion from use, misuse, abuse or corrosion.

In the event of failure, it shall be the responsibility of the original purchaser to notify The Company either in writing or by telephone to make arrangements for the correction of the problem. The purchaser shall be responsible for transportation charges connected with the return, exchange or repair of parts. Returns found defective upon inspection by our warranty department or authorized warranty service agent will be replaced free of charge.

The Company shall not be liable for any labor cost connected with the replacement of the equipment, the replacement of the parts or adjustments to the equipment by the purchaser or their contractor without The Company's prior written approval.

The Company, as the exclusive remedy under this warranty, shall at it's option repair or replace defective items or, if agreed upon, refund the purchase price less reasonable allowance for depreciation in exchange for the product.

THE COMPANY MAKES NO OTHER WARRANTIES AND ALL IMPLIED OR EXPRESSED WARRANTIES AND REPRESENTATIONS, EXCEPT THAT OF TITLE, ARE DISCLAIMED. ALL IMPLIED WARRANTIES INCLUDING MERCHANTABILITY AND FITNESS FOR A PARTICULAR PURPOSE OR USE BUT NOT LIMITED TO JUST THOSE THAT ARE DISCLAIMED. LIABILITY FOR CONSEQUENTIAL, INCIDENTAL OR SPECIAL DAMAGES AND LOSSES UNDER ANY AND ALL WARRANTIES WHETHER IN CONTACT, TORT OR OTHERWISE, ARE EXCLUDED TO THE EXTENT EXCLUSION IS PERMITTED BY LAW.



Freight Terms

Freight terms are as follows on all orders shipped from any of our warehouses. All products can be assorted from all three divisions; motors, controls and gearing.

\$5,000 +	Truck - Prepaid and Allowed
\$1,000 - \$4,999	Truck - 10% of Invoice - Prepaid and Add
\$0 - \$999	Truck - \$100 Minimum - Prepaid and Add

UPS will be utilized for shipments under 100 lbs. and billed on a prepaid and add basis (excluding cast iron motors and gear reducer products).

Special Freight Prepaid Programs

56-FRAME MOTORS	25 + Pieces Assorted - Prepaid and Allowed
SLIDE BASES	25 + Pieces Assorted - Prepaid and Allowed
"LOOSE" CONTROLS	\$2,000 + Assorted - Prepaid and Allowed
WORM GEAR REDUCERS	25 + Pieces Assorted - Prepaid and Allowed

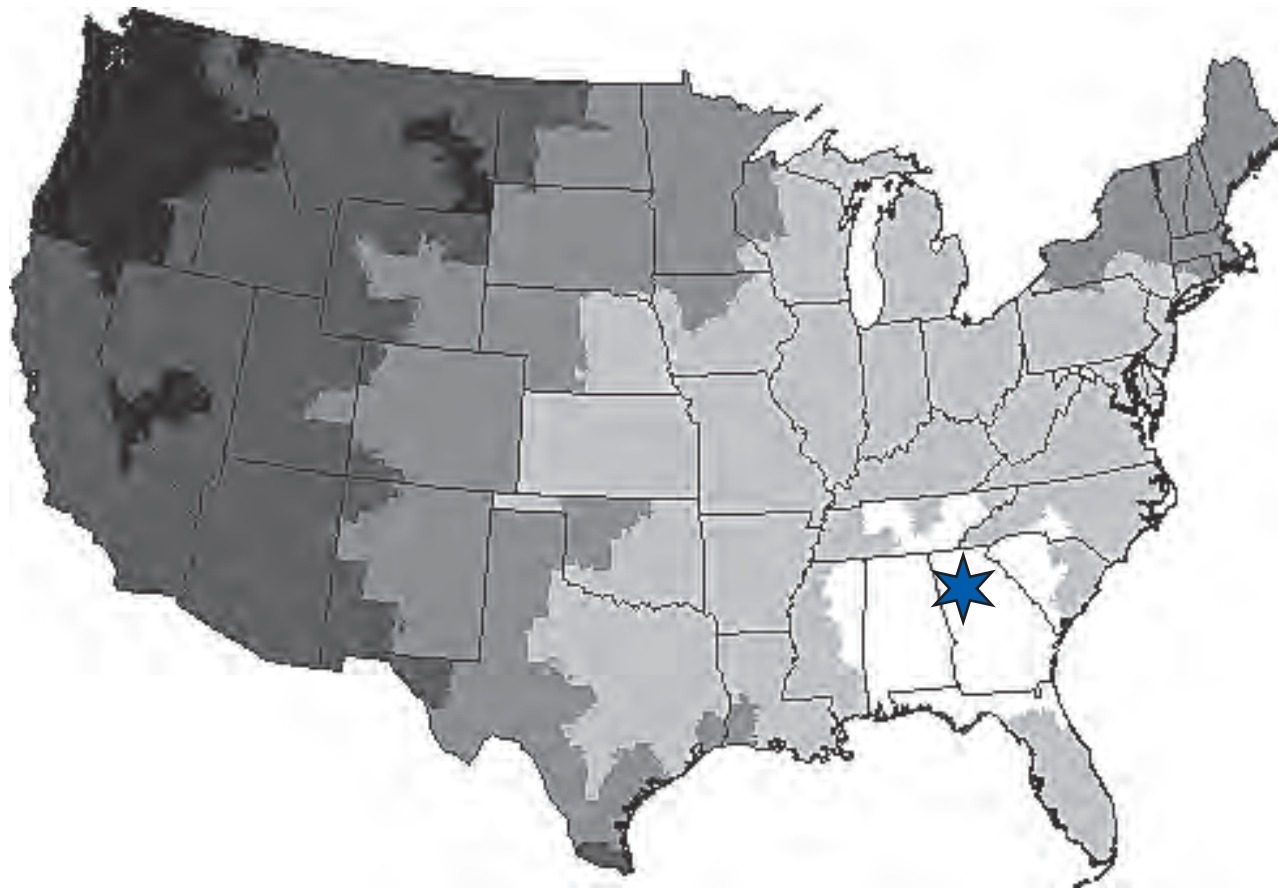
Orders may be picked up from any of our warehouses as a will call. We would prefer a one-hour advance notification for orders to be picked up. However, allowances will be made for special rush and urgent situations.


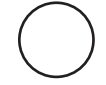
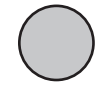
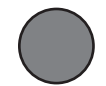


WORLDWIDE ELECTRIC CORPORATION WAREHOUSE DELIVERY MAPS

Atlanta, GA



WAREHOUSE
DELIVERY MAPS

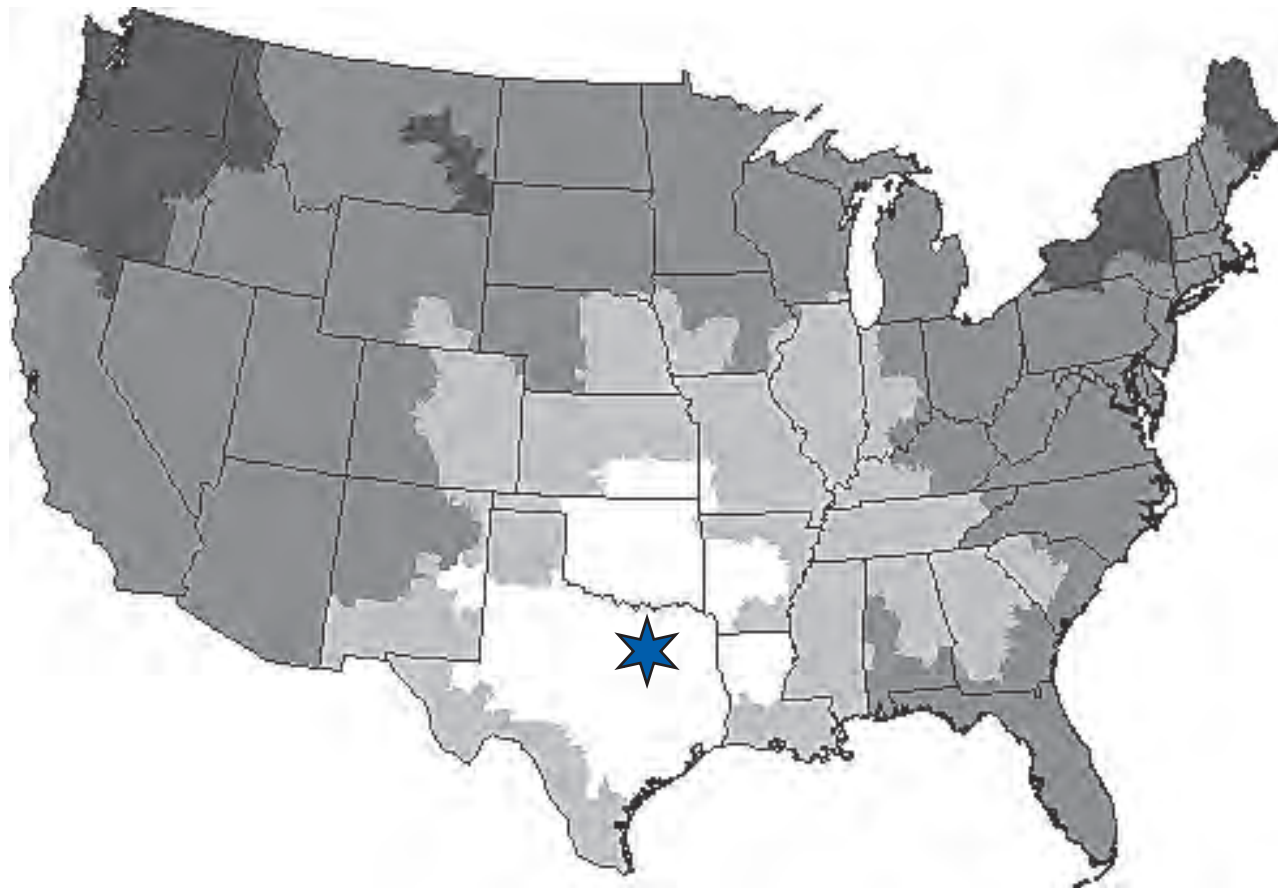


-  Origin
-  Next Day
-  2 Days
-  3 Days
-  4 Days
-  5+ Days









WORLDWIDE ELECTRIC CORPORATION WAREHOUSE DELIVERY MAPS

Dallas, TX



WAREHOUSE
DELIVERY MAPS

-  Origin
-  Next Day
-  2 Days
-  3 Days
-  4 Days
-  5+ Days

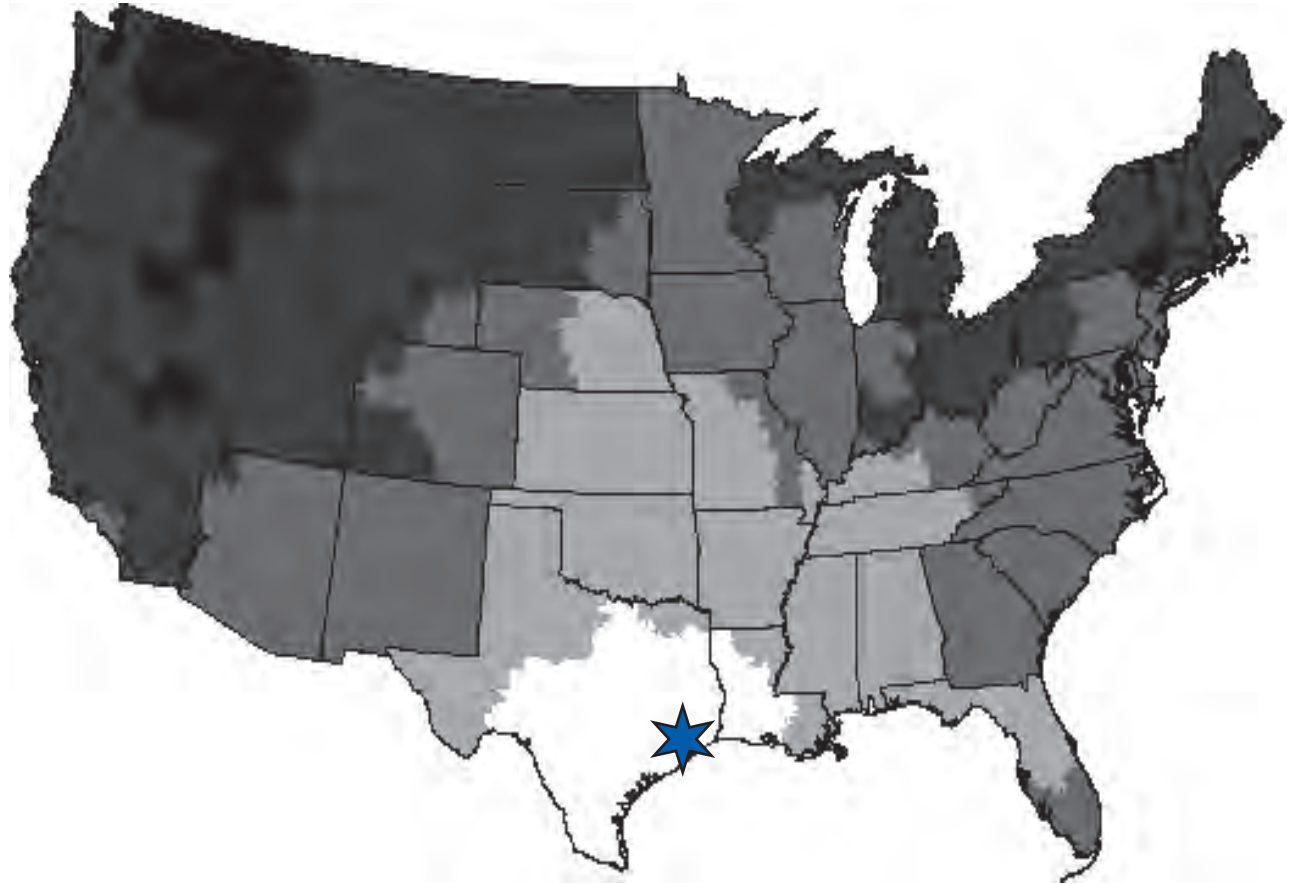


WORLDWIDE ELECTRIC CORPORATION WAREHOUSE DELIVERY MAPS

Houston, TX



WAREHOUSE
DELIVERY MAPS



Origin



Next Day



2 Days



3 Days



4 Days

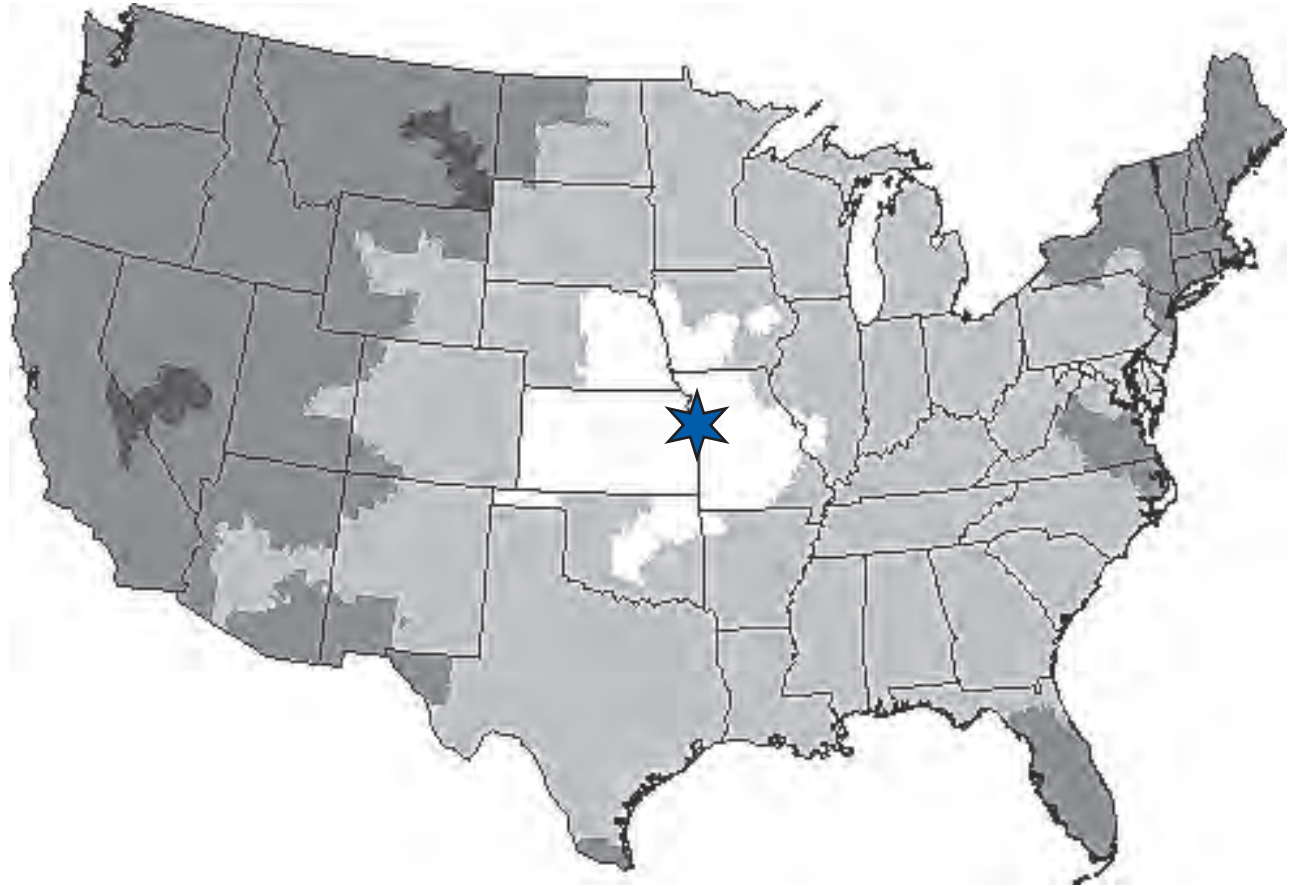


5+ Days









WORLDWIDE ELECTRIC CORPORATION WAREHOUSE DELIVERY MAPS

Kansas City (Lenexa), KS



WAREHOUSE
DELIVERY MAPS

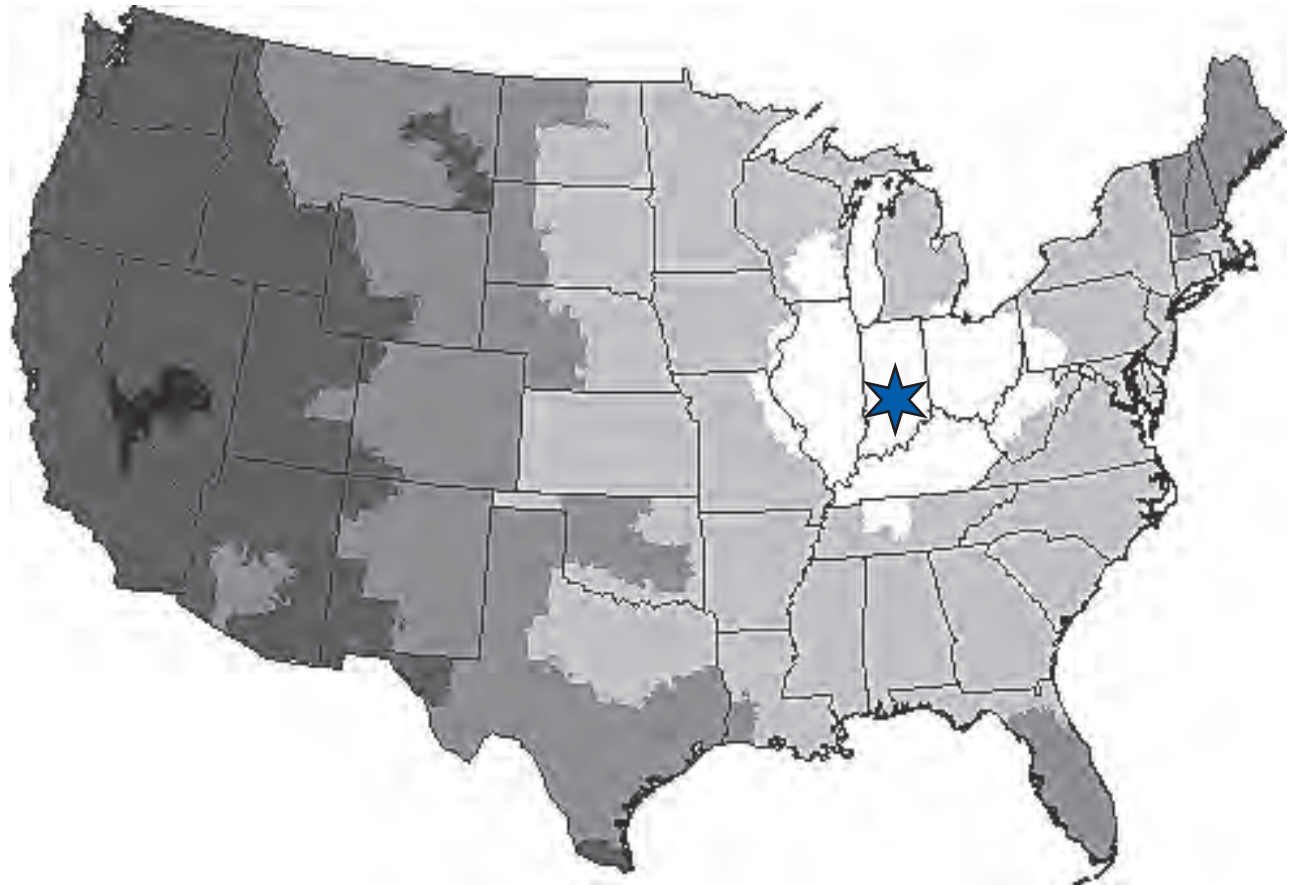
-  Origin
-  Next Day
-  2 Days
-  3 Days
-  4 Days
-  5+ Days









WORLDWIDE ELECTRIC CORPORATION WAREHOUSE DELIVERY MAPS *Indianapolis (Plainfield), IN*



WAREHOUSE
DELIVERY MAPS

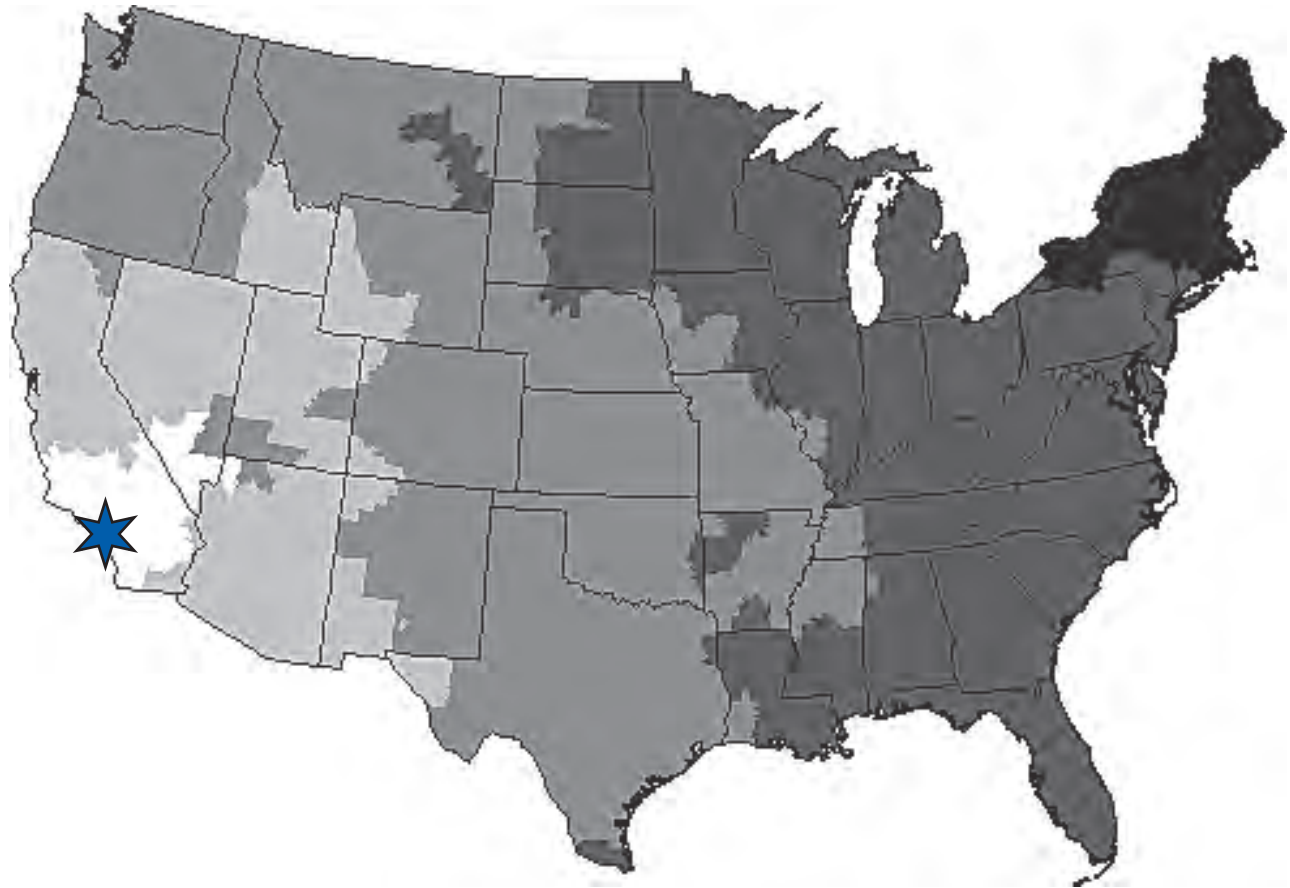


-  Origin
-  Next Day
-  2 Days
-  3 Days
-  4 Days
-  5+ Days









WORLDWIDE ELECTRIC CORPORATION WAREHOUSE DELIVERY MAPS

Los Angeles (Ontario), CA



WAREHOUSE
DELIVERY MAPS

-  Origin
-  Next Day
-  2 Days
-  3 Days
-  4 Days
-  5+ Days

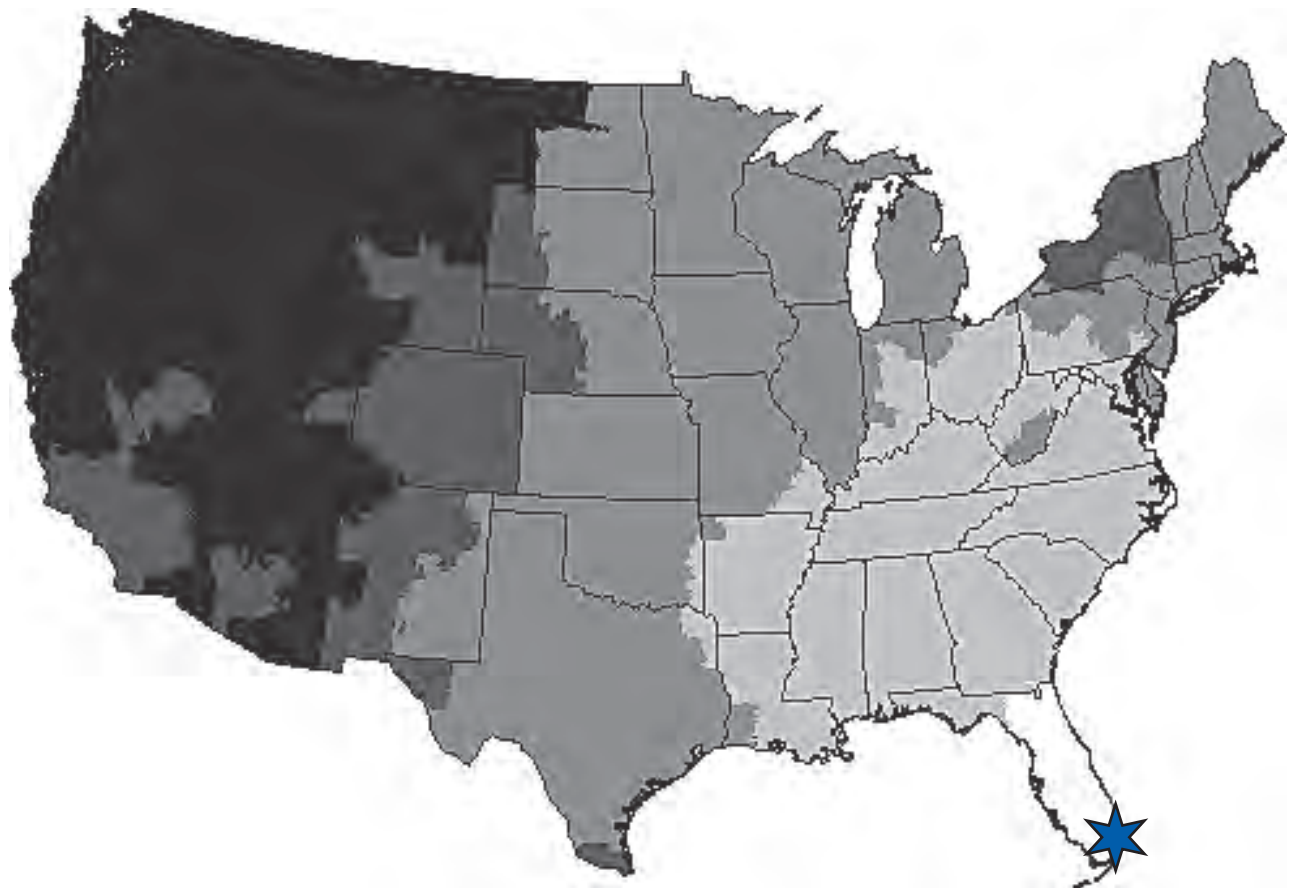


WORLDWIDE ELECTRIC CORPORATION WAREHOUSE DELIVERY MAPS

Miami, FL



WAREHOUSE
DELIVERY MAPS



Origin



Next Day



2 Days



3 Days



4 Days



5+ Days



WORLDWIDE ELECTRIC CORPORATION

Model Number Index



Model Number	Page	Model Number	Page	Model Number	Page
14BP12A*81	130	14DP12W*81	131	14EUE32A*	132
14BP12B*81	130	14DP320*81	130	14EUE32B*	132
14BP32A*81	130	14DP32A*81	130	14EUE32F*	133
14BP32B*81	130	14DP32B*81	130	14EUE32H*	133
14BUA32A*	132	14DP32F*81	131	14EUE32HCA1	134
14BUA32B*	132	14DP32H*81	131	14EUE32W*	133
14BUB32A*	132	14DP32W*81	131	14FP120*81	130
14BUB32B*	132	14DUA320*	132	14FP12A*81	130
14BUC32A*	132	14DUA32A*	132	14FP12B*81	130
14BUC32B*	132	14DUA32B*	132	14FP12F*81	131
14CP120*81	130	14DUA32F*	133	14FP12H*81	131
14CP12A*81	130	14DUA32H*	133	14FP12W*81	131
14CP12B*81	130	14DUA32HCA1	134	14FP320*81	130
14CP12F*81	131	14DUA32W*	133	14FP32A*81	130
14CP12H*81	131	14DUB320*	132	14FP32B*81	130
14CP12W*81	131	14DUB32A*	132	14FP32F*81	131
14CP320*81	130	14DUB32B*	132	14FP32H*81	131
14CP32A*81	130	14DUB32F*	133	14FP32W*81	131
14CP32B*81	130	14DUB32H*	133	14FUF320*	132
14CP32F*81	131	14DUB32HCA1	134	14FUF32A*	132
14CP32H*81	131	14DUB32W*	133	14FUF32B*	132
14CP32W*81	131	14DUC320*	132	14FUF32F*	133
14CUA320*	132	14DUC32A*	132	14FUF32H*	133
14CUA32A*	132	14DUC32B*	132	14FUF32HCA1	134
14CUA32B*	132	14DUC32F*	133	14FUF32W*	133
14CUA32F*	133	14DUC32H*	133	14GP120*81	130
14CUA32H*	133	14DUC32HCA1	134	14GP12A*81	130
14CUA32HCA1	134	14DUC32W*	133	14GP12B*81	130
14CUA32W*	133	14DUD320*	132	14GP12F*81	131
14CUB320*	132	14DUD32A*	132	14GP12H*81	131
14CUB32A*	132	14DUD32B*	132	14GP12W*81	131
14CUB32B*	132	14DUD32F*	133	14GP320*81	130
14CUB32F*	133	14DUD32H*	133	14GP32A*81	130
14CUB32H*	133	14DUD32HCA1	134	14GP32B*81	130
14CUB32HCA1	134	14DUD32W*	133	14GP32F*81	131
14CUB32W*	133	14DUE320*	132	14GP32H*81	131
14CUC320*	132	14DUE32A*	132	14GP32W*81	131
14CUC32A*	132	14DUE32B*	132	14GUG320*	132
14CUC32B*	132	14DUE32F*	133	14GUG32A*	132
14CUC32F*	133	14DUE32H*	133	14GUG32B*	132
14CUC32H*	133	14DUE32HCA1	134	14GUG32F*	133
14CUC32HCA1	134	14DUE32W*	133	14GUG32H*	133
14CUC32W*	133	14EP120*81	130	14GUG32HCA1	134
14CUD320*	132	14EP12A*81	130	14GUG32W*	133
14CUD32A*	132	14EP12B*81	130	14HP320*81	130
14CUD32B*	132	14EP12F*81	131	14HP32A*81	130
14CUD32F*	133	14EP12H*81	131	14HP32B*81	130
14CUD32H*	133	14EP12W*81	131	14HP32F*81	131
14CUD32HCA1	134	14EP320*81	130	14HP32H*81	131
14CUD32W*	133	14EP32A*81	130	14HP32W*81	131
14DP120*81	130	14EP32B*81	130	14HUG320*	132
14DP12A*81	130	14EP32F*81	131	14HUG32A*	132
14DP12B*81	130	14EP32H*81	131	14HUG32B*	132
14DP12F*81	131	14EP32W*81	131	14HUG32F*	133
14DP12H*81	131	14EUE320*	132	14HUG32H*	133

WORLDWIDE ELECTRIC CORPORATION

Model Number Index



Model Number	Page	Model Number	Page	Model Number	Page
14HUG32HCA1	134	18CUD92B*	136	18LPT92B*	136
14HUG32W*	133	18CUD92F*	137	18LPT92H*	137
14IP320*81	130	18CUD92H*	137	18LPT92N*	136
14IP32A*81	130	18CUD92N*	136	18LPT92W*	137
14IP32B*81	130	18CUD92W*	137	18LPU92B*	136
14IP32F*81	131	18DUB92B*	136	18LPU92E*	137
14IP32H*81	131	18DUB92F*	137	18LPU92H*	137
14IP32W*81	131	18DUB92H*	137	18LPU92N*	136
14IUH320*	132	18DUB92N*	136	18MPW92B*	136
14IUH32A*	132	18DUB92W*	137	18MPW92E*	137
14IUH32B*	132	18DUC92B*	136	18MPW92N*	136
14IUH32F*	133	18DUC92F*	137	18MPX92B*	136
14IUH32H*	133	18DUC92H*	137	18MPX92N*	136
14IUH32HCA1	134	18DUC92N*	136	18MPX93E*	137
14IUH32W*	133	18DUC92W*	137	18NUV92B*	136
14JG320*81	130	18DUD92B*	136	18NUV92N*	136
14JG32A*81	130	18DUD92F*	137	18NUY92B*	136
14JG32B*81	130	18DUD92H*	137	18NUY92N*	136
14JG32F*81	131	18DUD92N*	136	18PUW92B*	136
14JG32H*81	131	18DUD92W*	137	18PUW92N*	136
14JG32W*81	131	18DUE92B*	136	18PUZ92B*	136
14JUH320*	132	18DUE92F*	137	18PUZ92N*	136
14JUH32A*	132	18DUE92H*	137	25CDS-1.12	175
14JUH32B*	132	18DUE92N*	136	25CDS-2	175
14JUH32F*	133	18DUE92W*	137	25CDS-2.716	175
14JUH32H*	133	18EUE92B*	136	25CDS-3	175
14JUH32HCA1	134	18EUE92F*	137	25SCF	175
14JUH32W*	133	18EUE92H*	137	2TBK-1.1116	174
14LPU320*	132	18EUE92N*	136	2TBK-1.12	174
14LPU32A*	132	18EUE92W*	137	2TBK-1.14	174
14LPU32B*	132	18FUF92B*	136	2TBK-1.1516	174
14LPU32E*	133	18FUF92F*	137	2TBK-1.34	174
14LPU32H*	133	18FUF92H*	137	2TBK-1.38	174
14MPX320*	132	18FUF92N*	136	2TBK-1.516	174
14MPX32A*	132	18FUF92W*	137	2TBK-1.58	174
14MPX32B*	132	18GUG92B*	136	2TBK-1.716	174
14MPX32E*	133	18GUG92F*	137	2WTBK-1.1116	174
14NUN320*	132	18GUG92H*	137	2WTBK-1.12	174
14NUN32A*	132	18GUG92N*	136	2WTBK-1.14	174
14NUN32B*	132	18GUG92W*	137	2WTBK-1.1516	174
14NUN32E*	133	18HUG92B*	136	2WTBK-1.34	174
14PUN320*	132	18HUG92F*	137	2WTBK-1.38	174
14PUN32A*	132	18HUG92H*	137	2WTBK-1.516	174
14PUN32B*	132	18HUG92N*	136	2WTBK-1.58	174
14PUN32E*	133	18HUG92W*	137	2WTBK-1.716	174
18CUB92B*	136	18IUH92B*	136	3RB2056-1FC2	146
18CUB92F*	137	18IUH92F*	137	3RB2056-1FW2	146
18CUB92H*	137	18IUH92H*	137	3RB2056-2FC2	146
18CUB92N*	136	18IUH92N*	136	3RB2056-2FW2	146
18CUB92W*	137	18IUH92W*	137	3RB2066-1GC2	146
18CUC92B*	136	18JUH92B*	136	3RB2066-1MC2	146
18CUC92F*	137	18JUH92F*	137	3RB2066-2GC2	146
18CUC92H*	137	18JUH92H*	137	3RB2066-2MC2	146
18CUC92N*	136	18JUH92N*	136	3RH1921-1CA01	149
18CUC92W*	137	18JUH92W*	137	3RH1921-1CA10	149

MODEL NUMBER
INDEX



WORLDWIDE ELECTRIC CORPORATION

Model Number Index



Model Number	Page	Model Number	Page	Model Number	Page
3RH1921-1CD01	149	3RT1023-3A**0	145	3RU1116-1AB0	147
3RH1921-1CD10	149	3RT1024-1A**0	145	3RU1116-1BB0	147
3RH1921-1DA11	149	3RT1024-3A**0	145	3RU1116-1CB0	147
3RH1921-1EA02	149	3RT1025-1A**0	145	3RU1116-1DB0	147
3RH1921-1EA11	149	3RT1025-3A**0	145	3RU1116-1EB0	147
3RH1921-1EA20	149	3RT1026-1A**0	145	3RU1116-1FB0	147
3RH1921-1FA04	149	3RT1026-3A**0	145	3RU1116-1GB0	147
3RH1921-1FA22	149	3RT1033-1A**0	145	3RU1116-1HB0	147
3RH1921-1FA31	149	3RT1033-3A**0	145	3RU1116-1JB0	147
3RH1921-1FA40	149	3RT1034-1A**0	145	3RU1116-1KB0	147
3RH1921-1FC22	149	3RT1034-3A**0	145	3RU1126-1CB0	147
3RH1921-1FE22	149	3RT1035-1A**0	145	3RU1126-1DB0	147
3RH1921-1HA13	149	3RT1035-3A**0	145	3RU1126-1EB0	147
3RH1921-1HA22	149	3RT1036-1A**0	145	3RU1126-1FB0	147
3RH1921-1HA31	149	3RT1036-3A**0	145	3RU1126-1GB0	147
3RH1921-1JA11	149	3RT1044-1A**0	145	3RU1126-1HB0	147
3RH1921-1KA02	149	3RT1044-3A**0	145	3RU1126-1JB0	147
3RH1921-1KA11	149	3RT1045-1A**0	145	3RU1126-1KB0	147
3RH1921-1KA20	149	3RT1045-3A**0	145	3RU1126-4AB0	147
3RH1921-1LA02	149	3RT1046-1A**0	145	3RU1126-4BB0	147
3RH1921-1LA11	149	3RT1046-3A**0	145	3RU1126-4CB0	147
3RH1921-1LA20	149	3RT1054-6A**6	146	3RU1126-4DB0	147
3RH1921-1MA02	149	3RT1055-6A**6	146	3RU1136-1HB0	147
3RH1921-1MA11	149	3RT1056-6A**6	146	3RU1136-1JB0	147
3RH1921-1MA20	149	3RT1064-6A**6	146	3RU1136-1KB0	147
3RH1921-2CA01	149	3RT1065-6A**6	146	3RU1136-4AB0	147
3RH1921-2CA10	149	3RT1066-6A**6	146	3RU1136-4BB0	147
3RH1921-2DA11	149	3RT1075-6A**6	146	3RU1136-4DB0	147
3RH1921-2EA02	149	3RT1076-6A**6	146	3RU1136-4EB0	147
3RH1921-2EA20	149	3RT1965-5AB31	143	3RU1136-4FBO	147
3RH1921-2FA04	149	3RT1965-5AF31	143	3RU1136-4GB0	147
3RH1921-2FA22	149	3RT1965-5AM31	143	3RU1136-4HB0	147
3RH1921-2FA31	149	3RT1965-5AP31	143	3RU1146-4DB0	147
3RH1921-2FA40	149	3RT1965-5AR31	143	3RU1146-4EB0	147
3RH1921-2FC22	149	3RT1965-5AT31	143	3RU1146-4FB0	147
3RH1921-2FE22	149	3RT1965-5AU31	143	3RU1146-4HB0	147
3RH1921-2HA13	149	3RT1965-5AV31	143	3RU1146-4JB0	147
3RH1921-2HA22	149	3RT1975-5AB31	143	3RU1146-4KB0	147
3RH1921-2HA31	149	3RT1975-5AF31	143	3RU1146-4LB0	147
3RH1921-2JA11	149	3RT1975-5AM31	143	3RU1146-4MB0	147
3RH1921-2KA02	149	3RT1975-5AP31	143	3RV1021-0AA10	150
3RH1921-2KA20	149	3RT1975-5AR31	143	3RV1021-0BA10	150
3RT1015-1A**1	145	3RT1975-5AT31	143	3RV1021-0CA10	150
3RT1015-1A**2	145	3RT1975-5AU31	143	3RV1021-0DA10	150
3RT1015-2A**1	145	3RT1975-5AV31	143	3RV1021-0EA10	150
3RT1015-2A**2	145	3RU1116-0AB0	147	3RV1021-0FA10	150
3RT1016-1A**1	145	3RU1116-0BB0	147	3RV1021-0GA10	150
3RT1016-1A**2	145	3RU1116-0CB0	147	3RV1021-0HA10	150
3RT1016-2A**1	145	3RU1116-0DB0	147	3RV1021-0JA10	150
3RT1016-2A**2	145	3RU1116-0EB0	147	3RV1021-0KA10	150
3RT1017-1A**1	145	3RU1116-0FB0	147	3RV1021-1AA10	150
3RT1017-1A**2	145	3RU1116-0GB0	147	3RV1021-1BA10	150
3RT1017-2A**1	145	3RU1116-0HB0	147	3RV1021-1CA10	150
3RT1017-2A**2	145	3RU1116-0JB0	147	3RV1021-1DA10	150
3RT1023-1A**0	145	3RU1116-0KB0	147	3RV1021-1EA10	150

WORLDWIDE ELECTRIC CORPORATION

Model Number Index



Model Number	Page	Model Number	Page	Model Number	Page
3RV1021-1FA10	150	3UB81234MW2	140	52ABW2	161
3RV1021-1GA10	150	3UB81234NW2	140	52ABW3	161
3RV1021-1HA10	150	3UB81334FW2	140	52ABW6	161
3RV1021-1JA10	150	3UB81334GW2	140	52BAJ	160
3RV1021-1KA10	150	3UB81334HW2	140	52BAK	160
3RV1021-4AA10	150	3UB88134AB2	140	52C201A	160
3RV1021-4BA10	150	3UB88134BB2	140	52C201S	160
3RV1021-4CA10	150	3UB88234CW2	140	52C224A	160
3RV1021-4DA10	150	3UB88234DW2	140	52C224S	160
3RV1321-0JC10	150	3WTBK-1.1116	174	52MA2	161
3RV1321-1FC10	150	3WTBK-1.1516	174	52MA2A1A2	161
3RV1321-1JC10	150	3WTBK-1.34	174	52MA2A1B2	161
3RV1321-4BC10	150	3WTBK-1.78	174	52MA2A3A2	161
3RV1321-4DC10	150	3WTBK-2	174	52MA2A3B2	161
3RW4422- BC 4	127	3WTBK-2.316	174	52MA3B08	161
3RW4423- BC 4	127	47AB10AD	152	52MA3B12	161
3RW4424- BC 4	127	47AB10AF	152	52MA3B14	161
3RW4425- BC 4	127	47AB10AG	152	52NL03	160
3RW4426- BC 4	127	47AB10AH	152	52NL04	160
3RW4427- BC 4	127	47AB10AJ	152	52NL11	160
3RW4434- BC 4	127	47AB10BD	152	52NL12	160
3RW4435- BC 4	127	47AB10BF	152	52NL16R	160
3RW4436- BC 4	127	47AB10BG	152	52NL23	160
3RW4443- BC 4	127	47AB10BH	152	52PA8A2	160
3RW4444- BC 4	127	47AB10BJ	152	52PA8A2A	160
3RW4445- BC 4	127	49AB01	131	52PA8A2J	160
3RW4446- BC 4	127	49AB01EB	131	52PA8A2K	160
3RW4447- BC 4	127	49AB01LB	131	52PA8A3	160
3RW4453- BC 4	127	49AB01XLB	131	52PA8A3A	160
3RW4454- BC 4	127	49AB10	131	52PA8A3J	160
3RW4455- BC 4	127	49AB10XLM	131	52PA8A3K	160
3RW4456- BC 4	127	49AB11	131	52PA8A4	160
3RW4457- BC 4	127	49AB20	131	52PA8A4A	160
3RW4458- BC 4	127	49AB22	131	52PA8A4J	160
3RW4465- BC 4	127	49AB31	131	52PA8A4K	160
3RW4466- BC 4	127	49AB40	131	52PA8B2	160
3SCDS-1.12	175	4SCDS-1.12	175	52PA8B2A	160
3SCDS-2	175	4SCDS-2	175	52PA8B2J	160
3SCDS-2.716	175	4SCDS-2.716	175	52PA8B2K	160
3SCDS-3	175	4SCDS-3	175	52PA8B3	160
3SCF	175	4SCDS-3.716	175	52PA8B3A	160
3TBK-1.1116	174	4SCF	175	52PA8B3J	160
3TBK-1.1516	174	4TBK-1.1516	174	52PA8B3K	160
3TBK-1.34	174	4TBK-2	174	52PA8B4	160
3TBK-1.78	174	4TBK-2.14	174	52PA8B4A	160
3TBK-2	174	4TBK-2.18	174	52PA8B4J	160
3TBK-2.316	174	4TBK-2.316	174	52PA8B4K	160
3UB81134AB2	140	4TBK-2.716	174	52PB9D2	160
3UB81134BB2	140	4WTBK-1.1516	174	52PB9D2A	160
3UB81234CW2	140	4WTBK-2	174	52PB9D2J	160
3UB81234DW2	140	4WTBK-2.14	174	52PB9D2K	160
3UB81234EW2	140	4WTBK-2.18	174	52PB9D3	160
3UB81234JW2	140	4WTBK-2.316	174	52PB9D3A	160
3UB81234KW2	140	4WTBK-2.716	174	52PB9D3J	160
3UB81234LW2	140	52ABT	161	52PB9D3K	160

MODEL NUMBER
INDEX



WORLDWIDE ELECTRIC CORPORATION

Model Number Index



Model Number	Page	Model Number	Page	Model Number	Page
52PB9D4	160	5SCDS-3	175	69JF9LY2C	151
52PB9D4A	160	5SCDS-3.716	175	69JF9Y	151
52PB9D4J	160	5SCF	175	69JG6	151
52PB9D4K	160	5TBK-2.1116	174	69JG6LY	151
52PP2V2	160	5TBK-2.12	174	69JG6Y	151
52PP2V2A	160	5TBK-2.14	174	69JG7	151
52PP2V3	160	5TBK-2.1516	174	69JG7LY	151
52PP2V3A	160	5TBK-2.316	174	69JG7LY2C	151
52PP2V4	160	5TBK-2.716	174	69JG7Y	151
52PP2V4A	160	5WTBK-2.1116	174	69JG8	151
52PP2W2	160	5WTBK-2.12	174	69JG8LY	151
52PP2W2A	160	5WTBK-2.14	174	69JG8LY2C	151
52PP2W3	160	5WTBK-2.1516	174	69JG8Y	151
52PP2W3A	160	5WTBK-2.316	174	69JG9	151
52PP2W4	160	5WTBK-2.716	174	69JG9LY	151
52PP2W4A	160	69DCA	151	69JG9LY2C	151
52PR8W2	160	69DJA	151	69JG9Y	151
52PR8W2A	160	69ES1	151	69JG9Y2C	151
52PR8W3	160	69ES1Z20-40	151	69MB6	151
52PR8W3A	160	69ES1Z40-60	151	69MB6L	151
52PR8W4	160	69ES2	151	69MB6LY	151
52PR8W4A	160	69ES2B	151	69MB6LY2C	151
52SA2AABA1	161	69HA1	151	69MB6Y	151
52SA2AABJ1	161	69HA12S	151	69MB6YZ30-50	151
52SA2AABK1	161	69HA1G	151	69MB7	151
52SA2ACBA1	161	69HA1Z140-175	151	69MB7L	151
52SA2ACBJ1	161	69HA3	151	69MB7LY	151
52SA2ACBK1	161	69HAU1	151	69MB7LY2A	151
52SA2CABA1	161	69HAU12AZ140-175	151	69MB7LY2C	151
52SA2CABA2	161	69HAU1Z140-175	151	69MB7Y	151
52SA2CCBA1	161	69HAU2	151	69MB7Y2C	151
52SA2CCBA2	161	69HAU3	151	69MB8	151
52SA2CDBA1	161	69HB1	151	69MB8L	151
52SA2CDBA2	161	69HB2	151	69MB8LY	151
52SA2GABJ2K1	161	69HBU1	151	69MB8LY2C	151
52SA2GCBJ2K	161	69HBU2	151	69MB8Y	151
52SA2GDBJ2K1	161	69HBU3	151	69MB8YZ140-175	151
52SB2AABA1	161	69JF6	151	69MB8Z140-175	151
52SB2AABJ1	161	69JF6LY	151	69MC6	151
52SB2AABK1	161	69JF6Y	151	69MC6L	151
52SB2ACBA1	161	69JF6YB	151	69MC6LY	151
52SB2ACBJ1	161	69JF7	151	69MC6Y	151
52SB2ACBK1	161	69JF7L	151	69MC7	151
52SB2CABA1	161	69JF7LY	151	69MC7L	151
52SB2CABA2	161	69JF7LY2A	151	69MC7LY	151
52SB2CCBA1	161	69JF7LY2C	151	69MC7LY2C	151
52SB2CCBA2	161	69JF7Y	151	69MC7Y	151
52SB2CDBA1	161	69JF7Y2C	151	69MC8	151
52SB2CDBA2	161	69JF8	151	69MC8L	151
52SB2GABJ2K1	161	69JF8LY	151	69MC8LY	151
52SB2GCBJ2K1	161	69JF8LY2C	151	69MC8LY2C	151
52SB2GDBJ2K1	161	69JF8Y	151	69MC8Y	151
58R44	153	69JF9	151	69WA4	151
5SCDS-2	175	69JF92C	151	69WA4B	151
5SCDS-2.716	175	69JF9LY	151	69WA4G	151

MODEL NUMBER
INDEX



WORLDWIDE ELECTRIC CORPORATION

Model Number Index



Model Number	Page	Model Number	Page	Model Number	Page
69WA4GZ20-40	151	75D73251E	143	84DUE92WDF	139
69WA4GZ40-60	151	75D73251F	143	84EUE920DF	138
69WA4L	151	75D73251G	143	84EUE92BDF	138
69WA4LZ20-40	151	75D73251H	143	84EUE92EDF	139
69WA4Z20-40	151	75D73251J	143	84EUE92WDF	139
69WA4Z40-60	151	75D73251L	143	84FUF920DF	138
69WB2	151	7TBK-2.1116	174	84FUF92BDF	138
69WB3	151	7TBK-2.1516	174	84FUF92EDF	139
69WB5	151	7TBK-2.716	174	84FUF92WDF	139
69WC7	151	7TBK-3	174	84GUG920DF	138
69WEC	151	7TBK-3.1516	174	84GUG92BDF	138
69WECZ30-50	151	7TBK-3.316	174	84GUG92EDF	139
69WFC	151	7TBK-3.716	174	84GUG92WDF	139
69WH6	151	7WTBK-2.1116	174	84HUG920DF	138
69WR2	151	7WTBK-2.1516	174	84HUG92BDF	138
69WR3	151	7WTBK-2.716	174	84HUG92EDF	139
69WR5	151	7WTBK-3	174	84HUG92WDF	139
69WR7	151	7WTBK-3.1516	174	84IUH920DF	138
6SCDS-2.716	175	7WTBK-3.316	174	84IUH92BDF	138
6SCDS-3	175	7WTBK-3.716	174	84IUH92EDF	139
6SCDS-3.716	175	84CUA920DF	138	84IUH92WDF	139
6SCF	175	84CUA92BDF	138	84JUH920DF	138
6TBK-2.1116	174	84CUA92EDF	139	84JUH92BDF	138
6TBK-2.12	174	84CUA92WDF	139	84JUH92EDF	139
6TBK-2.1516	174	84CUB920DF	138	84JUH92WDF	139
6TBK-2.78	174	84CUB92BDF	138	8TBK-2.1516	174
6TBK-3	174	84CUB92EDF	139	8TBK-3.1516	174
6TBK-3.716	174	84CUB92WDF	139	8TBK-3.716	174
6WTBK-2.1116	174	84CUC920DF	138	8TBK-4.316	174
6WTBK-2.12	174	84CUC92BDF	138	8TBK-4.716	174
6WTBK-2.1516	174	84CUC92EDF	139	8WTBK-2.1516	174
6WTBK-2.78	174	84CUC92WDF	139	8WTBK-3.1516	174
6WTBK-3	174	84CUD920DF	138	8WTBK-3.716	174
6WTBK-3.716	174	84CUD92EDF	139	8WTBK-4.316	174
75D70131A	143	84CUD92WDF	139	8WTBK-4.716	174
75D70131C	143	84CUD9BDF	138	97CT004	140
75D70131D	143	84DUA920DF	138	97CT006	140
75D70131E	143	84DUA92BDF	138	97CT008	140
75D70131F	143	84DUA92EDF	139	97CT009	140
75D70131G	143	84DUA92WDF	139	97CT012	140
75D70131H	143	84DUB920DF	138	9TBK-3.1516	174
75D70131J	143	84DUB92BDF	138	9TBK-3.716	174
75D70131L	143	84DUB92EDF	139	9TBK-4.1516	174
75D73070A	143	84DUB92WDF	139	9TBK-4.716	174
75D73070C	143	84DUC920DF	138	9WTBK-3.1516	174
75D73070D	143	84DUC92BDF	138	9WTBK-3.716	174
75D73070E	143	84DUC92EDF	139	9WTBK-4.1516	174
75D73070F	143	84DUC92WDF	139	9WTBK-4.716	174
75D73070G	143	84DUD920DF	138	ALM30-10/1-56C	187
75D73070H	143	84DUD92BDF	138	ALM30-100/1-56C	188
75D73070J	143	84DUD92EDF	139	ALM30-15/1-56C	187
75D73070L	143	84DUD92WDF	139	ALM30-20/1-56C	187
75D73251A	143	84DUE920DF	138	ALM30-25/1-56C	188
75D73251C	143	84DUE92BDF	138	ALM30-30/1-56C	188
75D73251D	143	84DUE92EDF	139	ALM30-40/1-56C	188

MODEL NUMBER INDEX



WORLDWIDE ELECTRIC CORPORATION

Model Number Index



Model Number	Page	Model Number	Page	Model Number	Page
ALM30-50/1-56C	188	ALM63-80/1-56C	188	ALM90-DS	191
ALM30-60/1-56C	188	ALM63-DS	191	ALM90-OPC	191
ALM30-7.5/1-56C	187	ALM63-OPC	191	ALM90-OPF	191
ALM30-80/1-56C	188	ALM63-OPF	191	ALM90-S	191
ALM30-DS	191	ALM63-S	191	ALM90-TA	191
ALM30-OPC	191	ALM63-TA	191	ATJ1.5-36-56JB	15
ALM30-OPF	191	ALM75-10/1-145TC	187	ATJ12-36-56JB	15
ALM30-S	191	ALM75-10/1-182/4TC	187	ATJ13-36-56JB	15
ALM30-TA	191	ALM75-10/1-56C	187	ATJ1-36-56JB	15
ALM40-10/1-56C	187	ALM75-100/1-56C	188	ATJ2-36-56JB	15
ALM40-100/1-56C	188	ALM75-15/1-145TC	187	ATJ34-36-56JB	15
ALM40-15/1-56C	187	ALM75-15/1-182/4TC	187	BCAPINT210	68
ALM40-20/1-56C	187	ALM75-15/1-56C	187	BCAPKIT250DE	68
ALM40-25/1-56C	188	ALM75-20/1-145TC	187	BCAPKIT250ODE	68
ALM40-30/1-56C	188	ALM75-20/1-56C	187	BCAPKIT280DE	68
ALM40-40/1-56C	188	ALM75-25/1-145TC	188	BCAPKIT280ODE	68
ALM40-50/1-56C	188	ALM75-25/1-56C	188	BCAPKIT320DE	68
ALM40-60/1-56C	188	ALM75-30/1-56C	188	BCAPKIT320ODE	68
ALM40-7.5/1-56C	187	ALM75-40/1-56C	188	BCAPKIT360DE	68
ALM40-80/1-56C	188	ALM75-50/1-56C	188	BCAPKIT360ODE	68
ALM40-DS	191	ALM75-60/1-56C	188	BCAPKIT400DE	68
ALM40-OPC	191	ALM75-7.5/1-145TC	187	BCAPKIT400ODE	68
ALM40-OPF	191	ALM75-7.5/1-182/4TC	187	BCAPKIT440DE	68
ALM40-S	191	ALM75-7.5/1-56C	187	BCAPKIT440ODE	68
ALM40-TA	191	ALM75-80/1-56C	188	BCAPKIT447DE	68
ALM50-10/1-56C	187	ALM75-DS	191	BCAPKIT447ODE	68
ALM50-100/1-56C	188	ALM75-OPC	191	BCAPKIT449-2DE	68
ALM50-15/1-56C	187	ALM75-OPF	191	BCAPKIT449-2ODE	68
ALM50-20/1-56C	187	ALM75-S	191	BCAPKIT449DE	68
ALM50-25/1-56C	188	ALM75-TA	191	BCAPKIT449ODE	68
ALM50-30/1-56C	188	ALM90-10/1-145TC	187	BCAPKIT500DE	68
ALM50-40/1-56C	188	ALM90-10/1-182/4TC	187	BCAPKIT500ODE	68
ALM50-50/1-56C	188	ALM90-10/1-56C	187	BCAPKIT580DE	68
ALM50-60/1-56C	188	ALM90-100/1-56C	188	BCAPKIT580ODE	68
ALM50-7.5/1-56C	187	ALM90-15/1-145TC	187	BG2	173
ALM50-80/1-56C	188	ALM90-15/1-182/4TC	187	BG3	173
ALM50-DS	191	ALM90-15/1-56C	187	BG4	173
ALM50-OPC	191	ALM90-20/1-145TC	187	BG5	173
ALM50-OPF	191	ALM90-20/1-182/4TC	187	BG6	173
ALM50-S	191	ALM90-20/1-56C	187	BG7	173
ALM50-TA	191	ALM90-25/1-145TC	188	BG8	173
ALM63-10/1-145TC	187	ALM90-25/1-182/4TC	188	BRD-VZ3-370H	111
ALM63-10/1-56C	187	ALM90-25/1-56C	188	BRD-VZ3-550H	111
ALM63-100/1-56C	188	ALM90-30/1-145TC	188	BRD-VZ3-550H	111
ALM63-15/1-145TC	187	ALM90-30/1-182/4TC	188	BRD-VZ3-750H	111
ALM63-15/1-56C	187	ALM90-30/1-56C	188	BRD-VZ3-750H	111
ALM63-20/1-145TC	187	ALM90-40/1-145TC	188	CBOX-110-132	111
ALM63-20/1-56C	187	ALM90-40/1-56C	188	CBOX-15-22	111
ALM63-25/1-56C	188	ALM90-50/1-145TC	188	CBOX-30-37	111
ALM63-30/1-56C	188	ALM90-50/1-56C	188	CBOX-45-55	111
ALM63-40/1-56C	188	ALM90-60/1-56C	188	CBOX-5.5-11	111
ALM63-50/1-56C	188	ALM90-7.5/1-145TC	187	CBOX-75-90	111
ALM63-60/1-56C	188	ALM90-7.5/1-182/4TC	187	CCOVER56	63
ALM63-7.5/1-145TC	187	ALM90-7.5/1-56C	187	COMM485	111
ALM63-7.5/1-56C	187	ALM90-80/1-56C	188	CSWITCHFARM2	66

MODEL NUMBER
INDEX



WORLDWIDE ELECTRIC CORPORATION

Model Number Index



Model Number	Page	Model Number	Page	Model Number	Page
CSWITCHFARM3	66	DTF364	157	E17	141
CSWITCHFARM5	66	DTF364R	157	E18	141
CSWITCHTJ	63	DTF365	157	E19	141
DC140	75	DTGNF223NR	157	E23	141
DC180	75	DTGNF223R	157	E24	141
DC210	75	DTGNF224NR	157	E26	141
DC250	75	DTGNF224R	157	E27	141
DC280	75	DTGNF323NR	157	E28	141
DC320	75	DTGNF323R	157	E29	141
DC360	75	DTGNF324NR	157	E3	141
DC400	75	DTGNF324R	157	E31	141
DC440	75	DTNF221	157	E32	141
DCBASE 2	65	DTNF222	157	E33	141
DCBASE 2-56C	65	DTNF223	157	E34	141
DCBASE1	65	DTNF224	157	E36	141
DCBCAP1	65	DTNF224R	157	E37	141
DCBCAP2	65	DTNF225	157	E38	141
DCBRBRS1	65	DTNF225R	157	E39	141
DCBRBRS2	65	DTNF321	157	E4	141
DCBRBRS3	65	DTNF322	157	E41	141
DCBRBRS4	65	DTNF323	157	E42	141
DCDEEB1	65	DTNF323R	157	E44	141
DCDEEB2	65	DTNF324	157	E46	141
DCFAN1	65	DTNF324R	157	E47	141
DCFAN2	65	DTNF325	157	E48	141
DCFCOVER1	65	DTNF326	157	E49	141
DCFCOVER2	65	DTNF327	157	E5	141
DCJBOX	65	DTNF361	157	E50	141
DCODEEB1	65	DTNF361R	157	E51	141
DCODEEB2	65	DTNF362	157	E52	141
DOP7	111	DTNF362R	157	E53	141
DS100GK	158	DTNF363	157	E54	141
DS200EK1	158	DTNF363R	157	E55	141
DS200EK2	158	DTNF364	157	E56	141
DS200GK	158	DTNF364R	157	E57	141
DS468GK	158	DTNF365	157	E59	141
DS800NK	158	DTNF365R	157	E6	141
DT100NK	158	DTNF366	157	E60	141
DT200NK	158	DTNF366R	157	E61	141
DTF224	157	DTNF367	157	E62	141
DTF224R	157	DTNF367R	157	E65	141
DTF321	157	DTNF368	157	E66	141
DTF321R	157	DTNF368R	157	E67	141
DTF322	157	E101	141	E69	141
DTF322R	157	E102	141	E7	141
DTF323	157	E103	141	E70	141
DTF323R	157	E104	141	E71	141
DTF324	157	E106	141	E72	141
DTF324R	157	E107	141	E73	141
DTF325	157	E108	141	E73A	141
DTF326	157	E11	141	E74	141
DTF361	157	E12	141	E76	141
DTF362	157	E13	141	E77	141
DTF363	157	E14	141	E78	141
DTF363R	157	E16	141	E79	141

MODEL NUMBER
INDEX



WORLDWIDE ELECTRIC CORPORATION

Model Number Index



Model Number	Page	Model Number	Page	Model Number	Page
E8	141	FAN210	70	GF225N	154
E80	141	FAN250	70	GF225NR	154
E81	141	FAN280	70	GF226N	154
E88	141	FAN320	70	GF321N	154
E89	141	FAN360	70	GF321NR	154
E9	141	FAN400	70	GF322N	154
E91	141	FAN440	70	GF322NR	154
E92	141	FAN449	70	GF323N	154
E93	141	FAN449-4N	70	GF323NR	154
E94	141	FAN449-6N	70	GF324N	154
E96	141	FAN449TS-2N	70	GF324NR	154
E97	141	FAN500	70	GF325N	154
E98	141	FAN500-4N	70	GF325NR	154
E99	141	FAN56TEFC	63	GF326N	154
EBELLDE210	69	FAN580	70	GF326NR	154
EBELLDE250	69	FAN580-4N	70	GNF321	154
EBELLDE280	69	FAN580-4XN	70	GNF321R	154
EBELLDE320	69	FARM10-18-215T	17	GNF322	154
EBELLDE360	69	FARM2-18-182T	17	GNF322R	154
EBELLDE400	69	FARM3-18-184T	17	GNF323	154
EBELLDE440	69	FARM5-18-184T	17	GNF323R	154
EBELLDE444/5	69	FARM7.5-18-215TZ	17	GNF324	154
EBELLDE447	69	FBU100-160-4	111	GNF324R	154
EBELLDE449	69	FBU100-220-4	111	GNF325	154
EBELLDE449-2	69	FCOVER210	71	GNF326	154
EBELLDE500	69	FCOVER250	71	GR226NR	154
EBELLDE580	69	FCOVER280	71	H140TC	74
EBELLODE210	69	FCOVER320	71	H140TD	74
EBELLODE250	69	FCOVER360	71	H180TC	74
EBELLODE280	69	FCOVER400	71	H180TD	74
EBELLODE320	69	FCOVER440	71	H210TC	74
EBELLODE360	69	FCOVER440	71	H210TD	74
EBELLODE400	69	FCOVER449	71	H250TC	74
EBELLODE440	69	FCOVER449-2N	71	H250TD	74
EBELLODE440	69	FCOVER449-4N	71	H280TC	74
EBELLODE449	69	FCOVER449-6N	71	H280TD	74
EBELLODE449-2	69	FCOVER500	71	H320TC	74
EBELLODE500	69	FCOVER500-4N	71	H320TD	74
EBELLODE580	69	FCOVER56TE	63	H3602PTC	74
ECHS100	158	FCOVER580-4N	71	H3602PTD	74
ECHS125	158	FCOVER580N	71	H360TC	74
ECHS150	158	FCOVERFARM180	66	H360TD	74
ECHS200	158	FEBELL56CTE-B	63	H4002PTC	74
ECHS250	158	FEBELLFARM180	66	H4002PTD	74
EYE180	70	FR325DTK	157	H400TC	74
EYE210	70	FR326DTK	157	H400TD	74
EYE250/280	70	FR355DTK	157	H4402PTC	74
EYE320/360	70	GF221N	154	H4402PTC	74
EYE400	70	GF221NR	154	H4402PTD	74
EYE440	70	GF222N	154	H4402PTD	74
EYE449/500	70	GF222NR	154	H4402PTD	74
EYE580	70	GF223N	154	H4402PTD	74
FAN182TEFC	66	GF223NR	154	H445TC	74
FAN184aTEFC	66	GF224N	154	H445TD	74
FAN184TEFC	66	GF224NR	154	H447TC	74

MODEL NUMBER INDEX



WORLDWIDE ELECTRIC CORPORATION

Model Number Index



Model Number	Page	Model Number	Page	Model Number	Page
H447TD	74	HALM63-15/1-56C	187	HALM90-40/1-56C	188
H449TC	74	HALM63-20/1-145TC	187	HALM90-50/1-145TC	188
H449TD	74	HALM63-20/1-56C	187	HALM90-50/1-56C	188
HA161234	158	HALM63-25/1-56C	188	HALM90-60/1-56C	188
HA165678	158	HALM63-30/1-56C	188	HALM90-7.5/1-145TC	187
HA261234	158	HALM63-40/1-56C	188	HALM90-7.5/1-182/4TC	187
HA265678	158	HALM63-50/1-56C	188	HALM90-7.5/1-56C	187
HALM30-10/1-56C	187	HALM63-60/1-56C	188	HALM90-80/1-56C	188
HALM30-100/1-56C	188	HALM63-7.5/1-145TC	187	HALM90-DS	191
HALM30-15/1-56C	187	HALM63-7.5/1-56C	187	HALM90-OPC	191
HALM30-20/1-56C	187	HALM63-80/1-56C	188	HALM90-OPF	191
HALM30-25/1-56C	188	HALM63-DS	191	HALM90-S	191
HALM30-30/1-56C	188	HALM63-OPC	191	HALM90-TA	191
HALM30-40/1-56C	188	HALM63-TA	191	HBCDE2P360	75
HALM30-50/1-56C	188	HALM75-10/1-145TC	187	HBCDE2P400	75
HALM30-60/1-56C	188	HALM75-10/1-182/4TC	187	HBCDE2P440	75
HALM30-7.5/1-56C	187	HALM75-10/1-56C	187	HBCDE400	75
HALM30-80/1-56C	188	HALM75-100/1-56C	188	HBCDE440	75
HALM30-DS	191	HALM75-15/1-145TC	187	HBCNDE2P440	75
HALM30-S	191	HALM75-15/1-182/4TC	187	HBCNDE360	75
HALM40-10/1-56C	187	HALM75-15/1-56C	187	HBCNDE400	75
HALM40-100/1-56C	188	HALM75-20/1-145TC	187	HBCNDE440	75
HALM40-15/1-56C	187	HALM75-20/1-56C	187	HCIFC140	77
HALM40-20/1-56C	187	HALM75-25/1-145TC	188	HCIFC180	77
HALM40-25/1-56C	188	HALM75-25/1-56C	188	HCIFC210	77
HALM40-30/1-56C	188	HALM75-30/1-56C	188	HCIFC250	77
HALM40-40/1-56C	188	HALM75-40/1-56C	188	HCIFC280	77
HALM40-50/1-56C	188	HALM75-50/1-56C	188	HCIFC320	77
HALM40-60/1-56C	188	HALM75-60/1-56C	188	HCIFC360	77
HALM40-7.5/1-56C	187	HALM75-7.5/1-145TC	187	HCIFC400	77
HALM40-80/1-56C	188	HALM75-7.5/1-182/4TC	187	HCIFC440	77
HALM40-DS	191	HALM75-7.5/1-56C	187	HdRBASE133	186
HALM40-OPC	191	HALM75-80/1-56C	188	HdRBASE154	186
HALM40-OPF	191	HALM75-DS	191	HdRBASE175	186
HALM40-S	191	HALM75-OPC	191	HdRBASE206	186
HALM40-TA	191	HALM75-OPF	191	HdRBASE237	186
HALM50-10/1-56C	187	HALM75-S	191	HdRBASE262	186
HALM50-100/1-56C	188	HALM75-TA	191	HdRBASE325	186
HALM50-15/1-56C	187	HALM90-10/1-145TC	187	HdRF133-10/1-DE-56C	178
HALM50-20/1-56C	187	HALM90-10/1-182/4TC	187	HdRF133-10/1-H-56C	181
HALM50-25/1-56C	188	HALM90-10/1-56C	187	HdRF133-10/1-L-56C	178
HALM50-30/1-56C	188	HALM90-100/1-56C	188	HdRF133-10/1-R-56C	178
HALM50-40/1-56C	188	HALM90-15/1-145TC	187	HdRF133-15/1-DE-56C	178
HALM50-50/1-56C	188	HALM90-15/1-182/4TC	187	HdRF133-15/1-H-56C	181
HALM50-60/1-56C	188	HALM90-15/1-56C	187	HdRF133-15/1-L-56C	178
HALM50-7.5/1-56C	187	HALM90-20/1-145TC	187	HdRF133-15/1-R-56C	178
HALM50-80/1-56C	188	HALM90-20/1-182/4TC	187	HdRF133-20/1-DE-56C	178
HALM50-DS	191	HALM90-20/1-56C	187	HdRF133-20/1-H-56C	181
HALM50-OPF	191	HALM90-25/1-145TC	188	HdRF133-20/1-L-56C	178
HALM50-S	191	HALM90-25/1-182/4TC	188	HdRF133-20/1-R-56C	178
HALM50-TA	191	HALM90-25/1-56C	188	HdRF133-30/1-DE-56C	178
HALM63-10/1-145TC	187	HALM90-30/1-145TC	188	HdRF133-30/1-H-56C	181
HALM63-10/1-56C	187	HALM90-30/1-182/4TC	188	HdRF133-30/1-L-56C	178
HALM63-100/1-56C	188	HALM90-30/1-56C	188	HdRF133-30/1-R-56C	178
HALM63-15/1-145TC	187	HALM90-40/1-145TC	188	HdRF133-40/1-DE-56C	178

MODEL NUMBER INDEX



WORLDWIDE ELECTRIC CORPORATION

Model Number Index



Model Number	Page	Model Number	Page	Model Number	Page
HdRF133-40/1-H-56C	181	HdRF175-50/1-H-56C	181	HdRF237-30/1-R-56C	178
HdRF133-40/1-L-56C	178	HdRF175-50/1-L-56C	178	HdRF237-40/1-DE-56C	178
HdRF133-40/1-R-56C	178	HdRF175-50/1-R-56C	178	HdRF237-40/1-H-56C	181
HdRF133-5/1-DE-56C	178	HdRF175-60/1-DE-56C	178	HdRF237-40/1-L-56C	178
HdRF133-5/1-H-56C	181	HdRF175-60/1-H-56C	181	HdRF237-40/1-R-56C	178
HdRF133-5/1-L-56C	178	HdRF175-60/1-L-56C	178	HdRF237-5/1-DE-56C	178
HdRF133-5/1-R-56C	178	HdRF175-60/1-R-56C	178	HdRF237-5/1-H-56C	181
HdRF133-50/1-DE-56C	178	HdRF206-10/1-DE-56C	178	HdRF237-5/1-L-56C	178
HdRF133-50/1-H-56C	181	HdRF206-10/1-H-56C	181	HdRF237-5/1-R-56C	178
HdRF133-50/1-L-56C	178	HdRF206-10/1-L-56C	178	HdRF237-50/1-DE-56C	178
HdRF133-50/1-R-56C	178	HdRF206-10/1-R-56C	178	HdRF237-50/1-H-56C	181
HdRF133-60/1-DE-56C	178	HdRF206-10/1-DE-56C	178	HdRF237-50/1-L-56C	178
HdRF133-60/1-H-56C	181	HdRF206-15/1-H-56C	181	HdRF237-50/1-R-56C	178
HdRF133-60/1-L-56C	178	HdRF206-15/1-L-56C	178	HdRF237-60/1-DE-56C	178
HdRF133-60/1-R-56C	178	HdRF206-15/1-R-56C	178	HdRF237-60/1-H-56C	181
HdRF154-10/1-L-56C	178	HdRF206-20/1-DE-56C	178	HdRF237-60/1-L-56C	178
HdRF154-10/1-R-56C	178	HdRF206-20/1-H-56C	181	HdRF237-60/1-R-56C	178
HdRF154-15/1-L-56C	178	HdRF206-20/1-L-56C	178	HdRF262-10/1-DE-182/4TC	178
HdRF154-15/1-R-56C	178	HdRF206-20/1-R-56C	178	HdRF262-10/1-H-182/4TC	181
HdRF154-20/1-L-56C	178	HdRF206-30/1-DE-56C	178	HdRF262-10/1-L-182/4TC	178
HdRF154-20/1-R-56C	178	HdRF206-30/1-H-56C	181	HdRF262-10/1-R-182/4TC	178
HdRF154-30/1-L-56C	178	HdRF206-30/1-L-56C	178	HdRF262-15/1-DE-145TC	178
HdRF154-30/1-R-56C	178	HdRF206-30/1-R-56C	178	HdRF262-15/1-DE-56C	178
HdRF154-40/1-L-56C	178	HdRF206-40/1-DE-56C	178	HdRF262-15/1-H-145TC	181
HdRF154-40/1-R-56C	178	HdRF206-40/1-H-56C	181	HdRF262-15/1-H-56C	181
HdRF154-5/1-R-56C	178	HdRF206-40/1-L-56C	178	HdRF262-15/1-L-145TC	178
HdRF154-50/1-L-56C	178	HdRF206-40/1-R-56C	178	HdRF262-15/1-L-56C	178
HdRF154-50/1-R-56C	178	HdRF206-5/1-DE-56C	178	HdRF262-15/1-R-145TC	178
HdRF154-60/1-L-56C	178	HdRF206-5/1-H-56C	181	HdRF262-15/1-R-56C	178
HdRF154-60/1-R-56C	178	HdRF206-5/1-L-56C	178	HdRF262-20/1-DE-145TC	178
HdRF175-10/1-DE-56C	178	HdRF206-5/1-R-56C	178	HdRF262-20/1-DE-56C	178
HdRF175-10/1-H-56C	181	HdRF206-50/1-DE-56C	178	HdRF262-20/1-H-145TC	181
HdRF175-10/1-L-56C	178	HdRF206-50/1-H-56C	181	HdRF262-20/1-H-56C	181
HdRF175-10/1-R-56C	178	HdRF206-50/1-L-56C	178	HdRF262-20/1-L-145TC	178
HdRF175-15/1-DE-56C	178	HdRF206-50/1-R-56C	178	HdRF262-20/1-L-56C	178
HdRF175-15/1-H-56C	181	HdRF206-60/1-DE-56C	178	HdRF262-20/1-R-145TC	178
HdRF175-15/1-L-56C	178	HdRF206-60/1-H-56C	181	HdRF262-20/1-R-56C	178
HdRF175-15/1-R-56C	178	HdRF206-60/1-L-56C	178	HdRF262-30/1-DE-145TC	178
HdRF175-20/1-DE-56C	178	HdRF206-60/1-R-56C	178	HdRF262-30/1-DE-56C	178
HdRF175-20/1-H-56C	181	HdRF237-10/1-DE-56C	178	HdRF262-30/1-H-145TC	181
HdRF175-20/1-L-56C	178	HdRF237-10/1-H-56C	181	HdRF262-30/1-H-56C	181
HdRF175-20/1-R-56C	178	HdRF237-10/1-L-56C	178	HdRF262-30/1-L-145TC	178
HdRF175-30/1-DE-56C	178	HdRF237-10/1-R-145TC	178	HdRF262-30/1-L-56C	178
HdRF175-30/1-H-56C	181	HdRF237-10/1-R-56C	178	HdRF262-30/1-R-145TC	178
HdRF175-30/1-L-56C	178	HdRF237-15/1-DE-56C	178	HdRF262-30/1-R-56C	178
HdRF175-30/1-R-56C	178	HdRF237-15/1-H-56C	181	HdRF262-40/1-DE-56C	178
HdRF175-40/1-DE-56C	178	HdRF237-15/1-L-56C	178	HdRF262-40/1-H-56C	181
HdRF175-40/1-H-56C	181	HdRF237-15/1-R-56C	178	HdRF262-40/1-L-145TC	178
HdRF175-40/1-L-56C	178	HdRF237-20/1-DE-56C	178	HdRF262-40/1-L-56C	178
HdRF175-40/1-R-56C	178	HdRF237-20/1-H-56C	181	HdRF262-40/1-R-56C	178
HdRF175-5/1-DE-56C	178	HdRF237-20/1-L-56C	178	HdRF262-5/1-DE-182/4TC	178
HdRF175-5/1-H-56C	181	HdRF237-20/1-R-56C	178	HdRF262-5/1-H-182/4TC	181
HdRF175-5/1-L-56C	178	HdRF237-30/1-DE-56C	178	HdRF262-5/1-L-182/4TC	178
HdRF175-5/1-R-56C	178	HdRF237-30/1-H-56C	181	HdRF262-5/1-R-182/4TC	178
HdRF175-50/1-DE-56C	178	HdRF237-30/1-L-56C	178	HdRF262-50/1-DE-56C	178

MODEL NUMBER
INDEX



WORLDWIDE ELECTRIC CORPORATION

Model Number Index



Model Number	Page	Model Number	Page	Model Number	Page
HdRF262-50/1-H-56C	181	HdRF325-60/1-L-56C	178	HdRS237-20/1-L	183
HdRF262-50/1-L-56C	178	HdRF325-60/1-R-145TC	178	HdRS237-20/1-R	183
HdRF262-50/1-R-56C	178	HdRF325-60/1-R-56C	178	HdRS237-30/1-L	183
HdRF262-60/1-DE-56C	178	HdRS133-10/1-L	183	HdRS237-30/1-R	183
HdRF262-60/1-H-56C	181	HdRS133-10/1-R	183	HdRS237-40/1-L	183
HdRF262-60/1-L-56C	178	HdRS133-15/1-L	183	HdRS237-40/1-R	183
HdRF262-60/1-R-56C	178	HdRS133-15/1-R	183	HdRS237-5/1-L	183
HdRF325-10/1-DE-182/4TC	178	HdRS133-20/1-L	183	HdRS237-5/1-R	183
HdRF325-10/1-H-182/4TC	181	HdRS133-20/1-R	183	HdRS237-50/1-L	183
HdRF325-10/1-L-182/4TC	178	HdRS133-30/1-L	183	HdRS237-50/1-R	183
HdRF325-10/1-R-182/4TC	178	HdRS133-30/1-R	183	HdRS237-60/1-L	183
HdRF325-15/1-DE-182/4TC	178	HdRS133-40/1-L	183	HdRS237-60/1-R	183
HdRF325-15/1-H-182/4TC	181	HdRS133-40/1-R	183	HdRS262-10/1-L	183
HdRF325-15/1-L-182/4TC	178	HdRS133-5/1-L	183	HdRS262-10/1-R	183
HdRF325-15/1-R-182/4TC	178	HdRS133-5/1-R	183	HdRS262-15/1-L	183
HdRF325-20/1-DE-182/4TC	178	HdRS133-50/1-L	183	HdRS262-15/1-R	183
HdRF325-20/1-H-182/4TC	181	HdRS133-50/1-R	183	HdRS262-20/1-L	183
HdRF325-20/1-L-182/4TC	178	HdRS133-60/1-L	183	HdRS262-20/1-R	183
HdRF325-20/1-R-182/4TC	178	HdRS133-60/1-R	183	HdRS262-30/1-L	183
HdRF325-30/1-DE-145TC	178	HdRS175-10/1-L	183	HdRS262-30/1-R	183
HdRF325-30/1-DE-56C	178	HdRS175-10/1-R	183	HdRS262-40/1-L	183
HdRF325-30/1-H-145TC	181	HdRS175-15/1-L	183	HdRS262-40/1-R	183
HdRF325-30/1-H-56C	181	HdRS175-15/1-R	183	HdRS262-5/1-L	183
HdRF325-30/1-L-145TC	178	HdRS175-20/1-L	183	HdRS262-5/1-R	183
HdRF325-30/1-L-182/4TC	178	HdRS175-20/1-R	183	HdRS262-50/1-L	183
HdRF325-30/1-L-56C	178	HdRS175-30/1-L	183	HdRS262-50/1-R	183
HdRF325-30/1-R-145TC	178	HdRS175-30/1-R	183	HdRS262-60/1-L	183
HdRF325-30/1-R-182/4TC	178	HdRS175-40/1-L	183	HdRS262-60/1-R	183
HdRF325-30/1-R-56C	178	HdRS175-40/1-R	183	HdRS325-10/1-L	183
HdRF325-40/1-145TC	181	HdRS175-5/1-L	183	HdRS325-10/1-R	183
HdRF325-40/1-DE-145TC	178	HdRS175-5/1-R	183	HdRS325-15/1-L	183
HdRF325-40/1-DE-56C	178	HdRS175-50/1-L	183	HdRS325-15/1-R	183
HdRF325-40/1-H-56C	181	HdRS175-50/1-R	183	HdRS325-20/1-L	183
HdRF325-40/1-L-145TC	178	HdRS175-60/1-L	183	HdRS325-20/1-R	183
HdRF325-40/1-L-56C	178	HdRS175-60/1-R	183	HdRS325-30/1-L	183
HdRF325-40/1-R-145TC	178	HdRS206-10/1-L	183	HdRS325-30/1-R	183
HdRF325-40/1-R-56C	178	HdRS206-10/1-R	183	HdRS325-40/1-L	183
HdRF325-5/1-DE-182/4TC	178	HdRS206-15/1-L	183	HdRS325-40/1-R	183
HdRF325-5/1-H-182/4TC	181	HdRS206-15/1-R	183	HdRS325-5/1-L	183
HdRF325-5/1-L-182/4TC	178	HdRS206-20/1-L	183	HdRS325-5/1-R	183
HdRF325-5/1-R-182/4TC	178	HdRS206-20/1-R	183	HdRS325-50/1-L	183
HdRF325-50/1-DE-145TC	178	HdRS206-20/1-L	183	HdRS325-50/1-R	183
HdRF325-50/1-DE-56C	178	HdRS206-30/1-L	183	HdRS325-60/1-L	183
HdRF325-50/1-H-145TC	181	HdRS206-30/1-R	183	HdRS325-60/1-R	183
HdRF325-50/1-H-56C	181	HdRS206-40/1-L	183	HESDE140	75
HdRF325-50/1-L-145TC	178	HdRS206-40/1-R	183	HESDE180	75
HdRF325-50/1-L-56C	178	HdRS206-5/1-L	183	HESDE180	75
HdRF325-50/1-R-145TC	178	HdRS206-5/1-R	183	HESDE210	75
HdRF325-50/1-R-56C	178	HdRS206-50/1-L	183	HESDE250	75
HdRF325-60/1-DE-145TC	178	HdRS206-50/1-R	183	HESDE280	75
HdRF325-60/1-DE-56C	178	HdRS206-60/1-L	183	HESDE280	75
HdRF325-60/1-H-145TC	181	HdRS206-60/1-R	183	HESDE2P360	75
HdRF325-60/1-H-182/4TC	181	HdRS237-10/1-L	183	HESDE2P400	75
HdRF325-60/1-H-56C	181	HdRS237-10/1-R	183	HESDE2P440	75
HdRF325-60/1-L-145TC	178	HdRS237-15/1-L	183	HESDE320	75
		HdRS237-15/1-R	183	HESDE360	75
		HdRS237-15/1-L	183	HESDE400	75

MODEL NUMBER INDEX



WORLDWIDE ELECTRIC CORPORATION

Model Number Index



Model Number	Page	Model Number	Page	Model Number	Page
HESDE440	75	HF328NR	155	HHI100-18-405T-F2	40
HESNDE140	76	HF360	76	HHI100-18-405TSBB	39
HESNDE180	76	HF3602P	76	HHI100-18-405TSC	43
HESNDE210	76	HF3606P	76	HHI100-18-405TSC-F2	44
HESNDE250	76	HF361	155	HHI100-18-575-405T	41
HESNDE280	76	HF361J	155	HHI100-36-405TS	38
HESNDE2P440	76	HF361R	155	HHI10-12-256T	37
HESNDE320	76	HF362	155	HHI10-12-256TC	42
HESNDE360	76	HF362J	155	HHI10-18-215T	37
HESNDE400	76	HF362R	155	HHI10-18-215TC	42
HESNDE440	76	HF363	155	HHI10-18-215TCRD	45
HE-XE102-86	122	HF363J	155	HHI10-18-575-215T	41
HF140	76	HF363R	155	HHI10-36-215T	37
HF1402P	76	HF364	155	HHI10-36-215TC	42
HF1802P	76	HF364J	155	HHI1-12-145T	37
HF1804P6P	76	HF364R	155	HHI1-12-145TC	42
HF2102P4P	76	HF365	155	HHI1-18-143T	37
HF2106P	76	HF365J	155	HHI1-18-143TC	42
HF221N	155	HF365R	155	HHI1-18-143TCRD	45
HF221NR	155	HF366	155	HHI1-18-575-143T	41
HF222N	155	HF366J	155	HHI125-12-445T	38
HF222NR	155	HF366R	155	HHI125-12-445TC	43
HF223N	155	HF367	155	HHI125-18-444T	38
HF223NR	155	HF367J	155	HHI125-18-444TBB	38
HF224N	155	HF367R	155	HHI125-18-444TC	43
HF224NR	155	HF368	155	HHI125-18-444TC-F2	44
HF225N	155	HF368J	155	HHI125-18-444T-F2	40
HF225NR	155	HF368R	155	HHI125-18-444TSBB	39
HF226N	155	HF400	76	HHI125-18-444TSC	43
HF226NR	155	HF4002P	76	HHI125-18-575-444T	41
HF227N	155	HF4006P	76	HHI125-36-444TS	38
HF227NR	155	HF440	76	HHI150-12-447T	38
HF228N	155	HF4402P	76	HHI150-12-447TC	43
HF228NR	155	HF4446P	76	HHI150-12-447T-F2	40
HF250	76	HF4456P	76	HHI150-12-447TSBB	39
HF2502P	76	HF4476P	76	HHI150-18-445T	38
HF280	76	HF4496P	76	HHI150-18-445TBB	38
HF2802P	76	HG61234	158	HHI150-18-445TC	43
HF320	76	HG656	158	HHI150-18-445TC-F2	44
HF3202P	76	HG678	158	HHI150-18-445T-F2	40
HF321N	155	HHD61234	158	HHI150-18-445TSBB	39
HF321NR	155	HHI1.5-12-182T	37	HHI150-18-445TSC	43
HF322N	155	HHI1.5-18-145T	37	HHI150-18-445TSC-F2	44
HF322NR	155	HHI1.5-18-145TC	42	HHI150-18-575-445T	41
HF323N	155	HHI1.5-18-145TCRD	45	HHI150-18-575-445TBB	41
HF323NR	155	HHI1.5-18-575-145T	41	HHI150-36-445TS	38
HF324N	155	HHI1.5-36-143T	37	HHI15-12-284T	37
HF324NR	155	HHI1.5-36-143TC	42	HHI15-12-284TC	42
HF325N	155	HHI100-12-444T	38	HHI15-18-254T	37
HF325NR	155	HHI100-12-444TC	43	HHI15-18-254TC	42
HF326N	155	HHI100-12-575-444T	41	HHI15-18-254TCRD	45
HF326NR	155	HHI100-18-405T	38	HHI15-18-575-254T	41
HF327N	155	HHI100-18-405TBB	38	HHI15-36-254T	37
HF327NR	155	HHI100-18-405TC	43	HHI15-36-254TC	42
HF328N	155	HHI100-18-405TC-F2	44	HHI15-36-575-254T	41

MODEL NUMBER
INDEX



WORLDWIDE ELECTRIC CORPORATION

Model Number Index



Model Number	Page	Model Number	Page	Model Number	Page
HHI200-12-449T	38	HHI30-18-575-286T	41	HHI7.5-12-254T	37
HHI200-12-449TC	43	HHI30-36-286T	38	HHI7.5-12-254TC	42
HHI200-12-449T-F2	40	HHI30-36-286TS	38	HHI7.5-12-575-254T	41
HHI200-12-449TSBB	39	HHI30-36-286TSC	43	HHI7.5-18-213T	37
HHI200-18-447T	38	HHI30-36-575-286TS	41	HHI7.5-18-213TC	42
HHI200-18-447TBB	38	HHI3-12-213T	37	HHI7.5-18-213TCRD	45
HHI200-18-447TC	43	HHI3-18-182T	37	HHI7.5-18-575-213T	41
HHI200-18-447TC-F2	44	HHI3-18-182TC	42	HHI7.5-36-213T	37
HHI200-18-447T-F2	40	HHI3-18-182TCRD	45	HHI7.5-36-213TC	42
HHI200-18-447TSBB	39	HHI3-18-575-182T	41	HHI7.5-36-575-213T	41
HHI200-18-447TSC	43	HHI3-36-182T	37	HHI7.5-12-405T	38
HHI200-18-575-447T	41	HHI3-36-182TC	42	HHI7.5-12-405TC	43
HHI200-36-447TS	38	HHI40-12-364T	38	HHI7.5-12-405T-F2	40
HHI20-12-286T	37	HHI40-12-364TC	43	HHI7.5-18-365T	38
HHI20-12-286TC	42	HHI40-18-324T	38	HHI7.5-18-365TC	43
HHI20-18-256T	37	HHI40-18-324TC	43	HHI7.5-18-365T-F2	40
HHI20-18-256TC	42	HHI40-18-324TC-F2	44	HHI7.5-18-365TS	39
HHI20-18-256TC-F2	44	HHI40-18-324TCRD	45	HHI7.5-18-365TSC	43
HHI20-18-256TCRD	45	HHI40-18-324T-F2	40	HHI7.5-18-575-365T	41
HHI20-18-575-256T	41	HHI40-18-324TS	39	HHI7.5-36-365T	38
HHI20-36-256T	37	HHI40-18-575-324T	41	HHI7.5-36-365TS	38
HHI20-36-256TC	42	HHI40-36-324T	38	HJBOX140	77
HHI20-36-575-256T	41	HHI40-36-324TS	38	HJBOX180	77
HHI2-12-184T	37	HHI50-12-365T	38	HJBOX210	77
HHI2-18-145T	37	HHI50-12-365TC	43	HJBOX250	77
HHI2-18-145TC	42	HHI50-18-326T	38	HJBOX280	77
HHI2-18-145TCRD	45	HHI50-18-326TC	43	HJBOX320	77
HHI2-18-575-145T	41	HHI50-18-326TC-F2	44	HJBOX360	77
HHI2-36-145T	37	HHI50-18-326T-F2	40	HJBOX400	77
HHI2-36-145TC	42	HHI50-18-326TS	39	HJBOX440	77
HHI250-18-449T	38	HHI50-18-575-326T	41	HN612	158
HHI250-18-449TBB	38	HHI50-36-326T	38	HN623	158
HHI250-36-449TS	38	HHI50-36-326TS	38	HN64	158
HHI25-12-324T	38	HHI50-36-575-326TS	41	HN656	158
HHI25-12-324TC	42	HHI5-12-215T	37	HN678	158
HHI25-18-284T	38	HHI5-12-215TC	42	HNF361	155
HHI25-18-284TC	42	HHI5-12-575-215T	41	HNF361J	155
HHI25-18-284TC-F2	44	HHI5-18-184T	37	HNF361R	155
HHI25-18-284TCRD	45	HHI5-18-184TC	42	HNF362	155
HHI25-18-284T-F2	40	HHI5-18-184TCRD	45	HNF362J	155
HHI25-18-284TS	39	HHI5-18-575-184T	41	HNF362R	155
HHI25-18-284TSC	42	HHI5-36-184T	37	HNF363	155
HHI25-18-575-284T	41	HHI5-36-184TC	42	HNF363J	155
HHI25-36-284T	38	HHI5-36-575-184T	41	HNF363R	155
HHI25-36-284TS	38	HHI60-12-404T	38	HNF364	155
HHI25-36-284TSC	42	HHI60-12-404TC	43	HNF364J	155
HHI25-36-575-284TS	41	HHI60-18-364T	38	HNF364R	155
HHI30-12-326T	38	HHI60-18-364TC	43	HNF365	155
HHI30-12-326TC	43	HHI60-18-364TC-F2	44	HNF365J	155
HHI30-18-286T	38	HHI60-18-364T-F2	40	HNF365R	155
HHI30-18-286TC	43	HHI60-18-364TS	39	HNF366	155
HHI30-18-286TC-F2	44	HHI60-18-575-364T	41	HNF366J	155
HHI30-18-286TCRD	45	HHI60-36-364T	38	HNF366R	155
HHI30-18-286T-F2	40	HHI60-36-364TS	38	HNF367	155
HHI30-18-286TS	39	HHI60-36-575-364TS	41	HNF367J	155

MODEL NUMBER INDEX



WORLDWIDE ELECTRIC CORPORATION

Model Number Index



Model Number	Page	Model Number	Page	Model Number	Page
HNF367R	155	HT400-36-5009	57	HT800-12-6810	58
HNF368	155	HT400-9-5811RB	57	HT800-18-6809	58
HNF368J	155	HT400F-12-5009	57	HT800-36-6809	58
HNF368R	155	HT400F-12-5009RB	57	HT800F-12-6809	58
HR21	158	HT400F-18-5007	57	HT800F-18-5812	58
HR612	158	HT400F-18-5007RB	57	HT800F-36-6809	58
HR62	158	HT400F-36-5007	57	HT900-18-6810	58
HR63	158	HT400F-9-5811RB	57	HT900F-12-6810	58
HR64	158	HT450-12-5011	57	HT900F-18-6809	58
HS075	158	HT450-12-5011RB	57	HT900F-36-6809	58
HSD250-12-L449T	55	HT450-18-5009	57	IDC140	78
HSD300-12-L449T	55	HT450-18-5009RB	57	IDC180	78
HSD300-18-L449T	55	HT450-36-5011	57	IDC210	78
HSD300-18-L449TBB	55	HT450-9-5812RB	57	IDC250	78
HSD300-36-L449TS	55	HT450F-12-5010	57	IDC280	78
HSD350-12-5008	55	HT450F-12-5010RB	57	IDC320	78
HSD350-18-L449T	55	HT450F-18-5008	57	IDC360	78
HSD350-18-L449TBB	55	HT450F-18-5008RB	57	IDC400	78
HSD350-36-L449TS	55	HT450F-36-5009	57	IDC440	78
HSD400-12-5010	55	HT450F-9-5811RB	57	IEEE1.5-12-182T	46
HSD400-18-L449T	55	HT500-12-5811	58	IEEE1.5-12-182T-EPOXY	48
HSD400-18-L449TBB	55	HT500-12-5811RB	58	IEEE1.5-18-145T	46
HSD400-36-L449TS	55	HT500-18-5011	58	IEEE1.5-18-145TC	50
HSD450-12-5011	55	HT500-18-5011RB	58	IEEE1.5-18-145TC-EPOXY	51
HSD450-18-5009	55	HT500-36-5811	58	IEEE1.5-18-145T-EPOXY	48
HSD450-18-5009BB	55	HT500-9-6809RB	58	IEEE1.5-36-143T	46
HSD450-36-5009S	55	HT500F-12-5011	58	IEEE1.5-36-143TC	50
HSD500-18-5010	55	HT500F-12-5011RB	58	IEEE1.5-36-143TC-EPOXY	51
HSD500-18-5010BB	55	HT500F-18-5009	58	IEEE1.5-36-143T-EPOXY	48
HSD500-36-5010S	55	HT500F-18-5009RB	58	IEEE100-12-444T	47
HSD600-18-5011	55	HT500F-36-5011	58	IEEE100-12-444T-EPOXY	49
HSFC140	77	HT500F-9-5812RB	58	IEEE100-18-405T	47
HSFC180	77	HT600-12-5812	58	IEEE100-18-405TBB	47
HSFC210	77	HT600-12-5812RB	58	IEEE100-18-405TBB-EPOXY	49
HSFC250	77	HT600-18-5811	58	IEEE100-18-405TC	50
HSFC280	77	HT600-18-5811RB	58	IEEE100-18-405TC-EPOXY	51
HSFC320	77	HT600-36-5812	58	IEEE100-18-405T-EPOXY	49
HSFC360	77	HT600-9-6810RB	58	IEEE100-36-405TS	47
HSFC400	77	HT600F-12-5811	58	IEEE100-36-405TS-EPOXY	49
HSFC440	77	HT600F-12-5811RB	58	IEEE10-12-256T	46
HT1000-18-6810	58	HT600F-18-5011	58	IEEE10-12-256T-EPOXY	48
HT1000F-18-6810	58	HT600F-18-5011RB	58	IEEE10-18-215T	46
HT1200F-18-6810	58	HT600F-36-5811	58	IEEE10-18-215TC	50
HT23	158	HT600F-9-6809RB	58	IEEE10-18-215TC-EPOXY	51
HT24	158	HT63	158	IEEE10-18-215T-EPOXY	48
HT350-12-5009	57	HT64	158	IEEE10-36-215T	46
HT350-12-5009RB	57	HT700-12-6809	58	IEEE10-36-215TC	50
HT350-18-5007	57	HT700-18-5812	58	IEEE10-36-215TC-EPOXY	51
HT350-18-5007RB	57	HT700-36-6809	58	IEEE10-36-215T-EPOXY	48
HT350-36-5007	57	HT700F-12-5812	58	IEEE1-12-145T	46
HT350-9-5811RB	57	HT700F-12-5812RB	58	IEEE1-12-145T-EPOXY	48
HT400-12-5010	57	HT700F-18-5811	58	IEEE1-18-143T	46
HT400-12-5010RB	57	HT700F-18-5811RB	58	IEEE1-18-143TC	50
HT400-18-5008	57	HT700F-36-5812	58	IEEE1-18-143TC-EPOXY	51
HT400-18-5008RB	57	HT700F-9-6810RB	58	IEEE1-18-143T-EPOXY	48

MODEL NUMBER
INDEX



WORLDWIDE ELECTRIC CORPORATION

Model Number Index



Model Number	Page	Model Number	Page	Model Number	Page
IEEE125-12-445T	47	IEEE250-18-449T-EPOXY	49	IEEE5-18-184T	46
IEEE125-12-445T-EPOXY	49	IEEE250-36-449TS	47	IEEE5-18-184TC	50
IEEE125-18-444T	47	IEEE250-36-449TS-EPOXY	49	IEEE5-18-184TC-EPOXY	51
IEEE125-18-444TBB	47	IEEE25-12-324T	47	IEEE5-18-184T-EPOXY	48
IEEE125-18-444TBB-EPOXY	49	IEEE25-12-324T-EPOXY	49	IEEE5-36-184T	46
IEEE125-18-444T-EPOXY	49	IEEE25-18-284T	47	IEEE5-36-184TC	50
IEEE125-36-444TS	47	IEEE25-18-284TC	50	IEEE5-36-184TC-EPOXY	51
IEEE125-36-444TS-EPOXY	49	IEEE25-18-284TC-EPOXY	51	IEEE5-36-184T-EPOXY	48
IEEE150-12-447T	47	IEEE25-18-284T-EPOXY	49	IEEE60-12-404T	47
IEEE150-12-447T-EPOXY	49	IEEE25-36-284TS	47	IEEE60-12-404T-EPOXY	49
IEEE150-18-445T	47	IEEE25-36-284TSC	50	IEEE60-18-364T	47
IEEE150-18-445TBB	47	IEEE25-36-284TSC-EPOXY	51	IEEE60-18-364TC	50
IEEE150-18-445TBB-EPOXY	49	IEEE25-36-284TS-EPOXY	49	IEEE60-18-364TC-EPOXY	51
IEEE150-18-445T-EPOXY	49	IEEE30-12-326T	47	IEEE60-18-364T-EPOXY	49
IEEE150-36-445TS	47	IEEE30-12-326T-EPOXY	49	IEEE60-36-364TS	47
IEEE150-36-445TS-EPOXY	49	IEEE30-18-286T	47	IEEE60-36-364TS-EPOXY	49
IEEE15-12-284T	46	IEEE30-18-286TC	50	IEEE7.5-12-254T	46
IEEE15-12-284T-EPOXY	48	IEEE30-18-286TC-EPOXY	51	IEEE7.5-12-254T-EPOXY	48
IEEE15-18-254T	46	IEEE30-18-286T-EPOXY	49	IEEE7.5-18-213T	46
IEEE15-18-254TC	50	IEEE30-36-286TS	47	IEEE7.5-18-213TC	50
IEEE15-18-254TC-EPOXY	51	IEEE30-36-286TSC	50	IEEE7.5-18-213TC-EPOXY	51
IEEE15-18-254T-EPOXY	48	IEEE30-36-286TSC-EPOXY	51	IEEE7.5-18-213T-EPOXY	48
IEEE15-36-254T	46	IEEE30-36-286TS-EPOXY	49	IEEE7.5-36-213T	46
IEEE15-36-254TC	50	IEEE3-12-213T	46	IEEE7.5-36-213TC	50
IEEE15-36-254TC-EPOXY	51	IEEE3-12-213T-EPOXY	48	IEEE7.5-36-213TC-EPOXY	51
IEEE15-36-254T-EPOXY	48	IEEE3-18-182T	46	IEEE7.5-36-213T-EPOXY	48
IEEE200-12-449T	47	IEEE3-18-182TC	50	IEEE75-12-405T	47
IEEE200-12-449T-EPOXY	49	IEEE3-18-182TC-EPOXY	51	IEEE75-12-405T-EPOXY	49
IEEE200-18-447T	47	IEEE3-18-182T-EPOXY	48	IEEE75-18-365T	47
IEEE200-18-447TBB	47	IEEE3-36-182T	46	IEEE75-18-365TC	50
IEEE200-18-447TBB-EPOXY	49	IEEE3-36-182TC	50	IEEE75-18-365TC-EPOXY	51
IEEE200-18-447T-EPOXY	49	IEEE3-36-182TC-EPOXY	51	IEEE75-18-365T-EPOXY	49
IEEE200-36-447TS	47	IEEE3-36-182T-EPOXY	48	IEEE75-36-365TS	47
IEEE200-36-447TS-EPOXY	49	IEEE40-12-364T	47	IEEE75-36-365TS-EPOXY	49
IEEE20-12-286T	46	IEEE40-12-364T-EPOXY	49	IH320TC	80
IEEE20-12-286T-EPOXY	49	IEEE40-18-324T	47	IH360TC	80
IEEE20-18-256T	46	IEEE40-18-324TC	50	IH400TC	80
IEEE20-18-256TC	50	IEEE40-18-324TC-EPOXY	51	IH440TC	80
IEEE20-18-256TC-EPOXY	51	IEEE40-18-324T-EPOXY	49	IHBCDE2P400	78
IEEE20-18-256T-EPOXY	49	IEEE40-36-324TS	47	IHBCDE2P440	78
IEEE20-36-256T	46	IEEE40-36-324TSC	50	IHBCDE360	78
IEEE20-36-256TC	50	IEEE40-36-324TSC-EPOXY	51	IHBCDE400	78
IEEE20-36-256TC-EPOXY	51	IEEE40-36-324TS-EPOXY	49	IHBCDE440	78
IEEE20-36-256T-EPOXY	49	IEEE50-12-365T	47	IHBCNDE2P360	78
IEEE2-12-184T	46	IEEE50-12-365T-EPOXY	49	IHBCNDE2P440	78
IEEE2-12-184T-EPOXY	48	IEEE50-18-326T	47	IHBCNDE360	78
IEEE2-18-145T	46	IEEE50-18-326TC	50	IHBCNDE400	78
IEEE2-18-145TC	50	IEEE50-18-326TC-EPOXY	51	IHBCNDE440	78
IEEE2-18-145TC-EPOXY	51	IEEE50-18-326T-EPOXY	49	IHCIFC140	80
IEEE2-18-145T-EPOXY	48	IEEE50-36-326TS	47	IHCIFC180	80
IEEE2-36-145T	46	IEEE50-36-326TSC	50	IHCIFC210	80
IEEE2-36-145TC	50	IEEE50-36-326TSC-EPOXY	51	IHCIFC250	80
IEEE2-36-145TC-EPOXY	51	IEEE50-36-326TS-EPOXY	49	IHCIFC280	80
IEEE2-36-145T-EPOXY	48	IEEE5-12-215T	46	IHCIFC320	80
IEEE250-18-449T	47	IEEE5-12-215T-EPOXY	48	IHCIFC360	80

MODEL NUMBER INDEX



WORLDWIDE ELECTRIC CORPORATION

Model Number Index



Model Number	Page	Model Number	Page	Model Number	Page
IHCIFC400	80	IHJBOX210	80	JBOX360T	71
IHCIFC440	80	IHJBOX250	80	JBOX400T	71
IHESDE140	78	IHJBOX280	80	JBOX440T	71
IHESDE180	78	IHJBOX320	80	JBOX440T-1	71
IHESDE210	78	IHJBOX360	80	JBOX449T	71
IHESDE250	78	IHJBOX400	80	JBOX500T	71
IHESDE280	78	IHJBOX440	80	JBOX580T	71
IHESDE2P360	78	IPP1.75-230	135	JBOX580T-1	71
IHESDE2P400	78	IPP1.75-230-ESP2	135	JBXFARM180	66
IHESDE2P440	78	IPP1.75-460	135	K21	142
IHESDE320	78	IPP1.75-460-ESP2	135	K22	142
IHESDE360	78	IPP1-230	135	K23	142
IHESDE400	78	IPP1-230-ESP2	135	K24	142
IHESDE440	78	IPP1-460	135	K26	142
IHESNDE140	79	IPP1-460-ESP2	135	K27	142
IHESNDE180	79	IPP2.5-230	135	K28	142
IHESNDE210	79	IPP2.5-230-ESP2	135	K29	142
IHESNDE250	79	IPP2.5-460	135	K31	142
IHESNDE280	79	IPP2.5-460-ESP2	135	K32	142
IHESNDE2P440	79	IPP2-230	135	K33	142
IHESNDE320	79	IPP2-230-ESP2	135	K34	142
IHESNDE360	79	IPP2-460	135	K36	142
IHESNDE400	79	IPP2-460-ESP2	135	K37	142
IHESNDE440	79	IPP3.5-230	135	K39	142
IHF140-1-1.5-4P	79	IPP3.5-230-ESP2	135	K41	142
IHF140-2-4P-2-6P	79	IPP3.5-460	135	K42	142
IHF1402P	79	IPP3.5-460-ESP2	135	K43	142
IHF1802P	79	IPP3-230	135	K49	142
IHF1804P6P	79	IPP3-230-ESP2	135	K50	142
IHF2102P4P	79	IPP3-460	135	K52	142
IHF2106P	79	IPP3-460-ESP2	135	K53	142
IHF2502P-2544P	79	IPP4-230	135	K54	142
IHF2506P-2564P	79	IPP4-230-ESP2	135	K55	142
IHF280	79	IPP4-460	135	K56	142
IHF2802P	79	IPP4-460-ESP2	135	K57	142
IHF320	79	IPP5-230-ESP2	135	K58	142
IHF3202P	79	IPP5-460-ESP2	135	K60	142
IHF360	79	IPPCB1.75-460-ESP2	135	K61	142
IHF3602P	79	IPPCB1-230/460-ESP2	135	K62	142
IHF3606P	79	IPPCB2.5-230/460-ESP2	135	K63	142
IHF400	79	IPPCB2-230/460-ESP2	135	K64	142
IHF4002P	79	IPPCB3.5-230/460-ESP2	135	K67	142
IHF4006P	79	IPPCB3-230/460-ESP2	135	K68	142
IHF4402P	79	IPPCB4-230/460-ESP2	135	K69	142
IHF4402P-CCWODE	79	IROW100-12-445T	36	K70	142
IHF444	79	IROW40-12-365T	36	K72	142
IHF4446P	79	IROW50-12-404T	36	K73	142
IHF445	79	IROW60-12-405T	36	K74	142
IHF4456P	79	IROW75-12-444T	36	K75	142
IHF447	79	J2	153	K76	142
IHF4476P	79	J5	153	K77	142
IHF449	79	JBOX210T	71	K78	142
IHF4496P	79	JBOX250T	71	K79	142
IHJBOX140	80	JBOX280T	71	K80	142
IHJBOX180	80	JBOX320T	71	K83	142

MODEL NUMBER
INDEX



WORLDWIDE ELECTRIC CORPORATION

Model Number Index



Model Number	Page	Model Number	Page	Model Number	Page
K85	142	N700E-015HF	109	NEB210	79
K86	142	N700E-015LF	108	NEB250	76
K87	142	N700E-015SF	108	NEB250	79
K88	142	N700E-022HF	109	NEB280	76
K89	142	N700E-022LF	108	NEB280	79
K90	142	N700E-022SF	108	NEB320	76
K92	142	N700E-037HF	109	NEB320	79
K93	142	N700E-037LF	108	NEB360	76
K94	142	N700E-055HF	109	NEB360	79
K96	142	N700E-055LF	108	NEB400	76
K97	142	N700E-075HF	109	NEB400	79
LUCFAN210	73	N700E-075LF	108	NEB440	76
LUCFAN250	73	N700E-1100HF	109	NEB440	79
LUCFAN280	73	N700E-110HF	109	NF454DTK	157
LUCFAN320	73	N700E-110LF	108	NF455DTK	157
LUCFAN360	73	N700E-1320HF	109	NF456DTK	157
LUCFAN400/440	73	N700E-150HF	109	NF457DTK	157
LUCFAN400/440	73	N700E-150LF	108	NFAN56	61
LUCFCOVER210	73	N700E-1600HF	109	NFCOVER56	61
LUCFCOVER250	73	N700E-185HF	109	NFR451DTK	157
LUCFCOVER280	73	N700E-185LF	108	NFR452DTK	157
LUCFCOVER320	73	N700E-2200HF	109	NFR453DTK	157
LUCFCOVER360	73	N700E-220HF	109	NFR454DTK	157
LUCFCOVER400	73	N700E-2800HF	109	NFR455DTK	157
LUCFCOVER440	73	N700E-300HF	109	NFR456DTK	157
LUCJBOX210	73	N700E-3500HF	109	NFR457DTK	157
LUCJBOX250/280	73	N700E-370HF	109	NJBOX56	61
LUCJBOX320	73	N700E-450HF	109	NODEEBELL56	61
LUCJBOX360	73	N700E-550HF	109	NOP1-1A	111
LUCJBOX400/440	73	N700E-750HF	109	NOP1-1A	111
MM2	173	N700E-900HF	109	NOP1-3A	111
MM3A	173	N700E-ROPA	111	NOP1-3A	111
MM4	173	NAT1.5-18-56CB	11	NRC56 (40uf/250V)	61
MM5A	173	NAT1.5-36-56CB	11	NRCCOVER56	61
MM6A	173	NAT1-18-56CB	11	NSC56-1 (300uf/165V)	61
MM7	173	NAT12-18-56CB	11	NSC56-2 (400uf/165V)	61
MM8	173	NAT12-36-56CB	11	NSC56-3 (500uf/165V)	61
MVC3-41400-ESWG-D	128	NAT13-18-56CB	11	NSC56-4 (800uf/165V)	61
MVC4-23100-E-SWG	128	NAT13-36-56CB	11	NSSCOVER56	61
MVC4-23200-E-SWG	128	NAT1-36-56CB	11	NSSWITCH56	61
MVC4-23400-E-SWG	128	NAT2-18-56CB	11	NT1.5-18-56CB	10
MVC4-23600-E-SWG	128	NAT2-36-56CB	11	NT1.5-36-56CB	10
MVC4-23800-E-SWG	128	NAT3-36-56CB	11	NT1-18-56CB	10
MVC4-411000-E-SWG	128	NAT34-18-56CB	11	NT12-18-56CB	10
MVC4-41100-E-SWG	128	NAT34-36-56CB	11	NT12-36-56CB	10
MVC4-41200-E-SWG	128	NBASE56-2	61	NT13-18-56CB	10
MVC4-41400-E-SWG	128	NCSWITCH56-1	61	NT1-36-56CB	10
MVC4-41600-E-SWG	128	NCSWITCH56-2	61	NT2-18-56CB	10
MVC4-41800-E-SWG	128	NDEEBELL56-1	61	NT2-36-56CB	10
N700E-004HF	109	NDEEBELL56-2	61	NT34-18-56CB	10
N700E-004LF	108	NDEEBELL56-3	61	NT34-36-56CB	10
N700E-004SF	108	NDEEBELL56-4	61	P30EMS01	160
N700E-007HF	109	NEB180	76	P30EMS02	160
N700E-007LF	108	NEB180	79	P30EMS03	160
N700E-007SF	108	NEB210	76	P30EMS04	160

MODEL NUMBER INDEX



WORLDWIDE ELECTRIC CORPORATION

Model Number Index



Model Number	Page	Model Number	Page	Model Number	Page
PEBCAPINT180	68	PEFAN360-2	70	PEWWE1.5-12-575-182T	24
PEBCAPINT210	68	PEFAN400	70	PEWWE1.5-18-145T	18
PEBCAPKIT250DE	68	PEFAN400-2	70	PEWWE1.5-18-145TC	26
PEBCAPKIT250ODE	68	PEFAN440	70	PEWWE1.5-18-575-145T	24
PEBCAPKIT280DE	68	PEFAN440-2	70	PEWWE1.5-36-143T	18
PEBCAPKIT280ODE	68	PEFAN449	70	PEWWE1.5-36-143TC	26
PEBCAPKIT320DE	68	PEFCOVER140	71	PEWWE1.5-36-575-143T	24
PEBCAPKIT320ODE	68	PEFCOVER180	71	PEWWE100-12-444T	19
PEBCAPKIT360DE	68	PEFCOVER210	71	PEWWE100-12-444T	33
PEBCAPKIT360ODE	68	PEFCOVER250	71	PEWWE100-12-444TC	27
PEBCAPKIT400-2DE	68	PEFCOVER280	71	PEWWE100-12-444T-F2	22
PEBCAPKIT400-2ODE	68	PEFCOVER320	71	PEWWE100-12-444TSBB	21
PEBCAPKIT400DE	68	PEFCOVER360	71	PEWWE100-12-575-444T	25
PEBCAPKIT400ODE	68	PEFCOVER400	71	PEWWE100-18-405T	19
PEBCAPKIT440-2DE	68	PEFCOVER400-2	71	PEWWE100-18-405T	33
PEBCAPKIT440-2ODE	68	PEFCOVER440	71	PEWWE100-18-405TBB	19
PEBCAPKIT440ODE	68	PEFCOVER440	71	PEWWE100-18-405TC	27
PEBCAPKIT444/5DE	68	PEFCOVER440-2	71	PEWWE100-18-405TC-F2	28
PEBCAPKIT447DE	68	PEFCOVER440-2	71	PEWWE100-18-405T-F2	22
PEBCAPKIT449DE	68	PEFCOVER449	71	PEWWE100-18-405TSBB	21
PEBCAPKIT449ODE	68	PEJBOX140T	71	PEWWE100-18-405TSC	27
PEEBELDE140	69	PEJBOX180T	71	PEWWE100-18-405TSC	28
PEEBELDE180	69	PEJBOX210T	71	PEWWE100-18-460-PWS-405T	23
PEEBELDE210	69	PEJBOX250T	71	PEWWE100-18-460-PWS-405TBB	23
PEEBELDE250	69	PEJBOX280T	71	PEWWE100-18-575-405T	25
PEEBELDE280	69	PEJBOX320T	71	PEWWE100-36-405TS	19
PEEBELDE320	69	PEJBOX360T	71	PEWWE100-36-405TSC	27
PEEBELDE360	69	PEJBOX400T	71	PEWWE100-36-575-405TS	25
PEEBELDE400	69	PEW140TC	67	PEWWE10-12-256T	18
PEEBELDE400-2	69	PEW140TD	67	PEWWE10-12-256TC	26
PEEBELDE440-2	69	PEW180TC	67	PEWWE10-12-575-256T	24
PEEBELDE440-2	69	PEW180TD	67	PEWWE10-18-215T	18
PEEBELDE444/5	69	PEW210TC	67	PEWWE10-18-215TC	26
PEEBELDE447	69	PEW210TD	67	PEWWE10-18-575-215T	24
PEEBELDE449	69	PEW250TC	67	PEWWE10-36-215T	18
PEEBELLODE140	69	PEW250TD	67	PEWWE10-36-215TC	26
PEEBELLODE180	69	PEW280TC	67	PEWWE10-36-575-215T	24
PEEBELLODE210	69	PEW280TD	67	PEWWE1-12-145T	18
PEEBELLODE250	69	PEW320TC	67	PEWWE1-12-145TC	26
PEEBELLODE280	69	PEW320TD	67	PEWWE1-12-575-145T	24
PEEBELLODE320	69	PEW360TC	67	PEWWE1-18-143T	18
PEEBELLODE360	69	PEW360TD	67	PEWWE1-18-143TC	26
PEEBELLODE400	69	PEW400TC	67	PEWWE1-18-575-143T	24
PEEBELLODE440	69	PEW400TC-2	67	PEWWE125-12-445T	19
PEEBELLODE440-2	69	PEW400TD	67	PEWWE125-12-445T	33
PEEBELLODE449	69	PEW400TD-2	67	PEWWE125-12-445TC	27
PEFAN140	70	PEW444/5/7TC-2	67	PEWWE125-12-445T-F2	22
PEFAN180	70	PEW444/5/7TD-2	67	PEWWE125-12-445TSBB	21
PEFAN210	70	PEW444/5TC	67	PEWWE125-12-575-445T	25
PEFAN250	70	PEW444/5TD	67	PEWWE125-18-444T	19
PEFAN280	70	PEW447TC	67	PEWWE125-18-444T	33
PEFAN280-2	70	PEW447TC-2	67	PEWWE125-18-444TBB	19
PEFAN320	70	PEW447TD	67	PEWWE125-18-444TC	27
PEFAN320-2	70	PEW447TD-2	67	PEWWE125-18-444TC-F2	28
PEFAN360	70	PEWWE1.5-12-182T	18	PEWWE125-18-444T-F2	22

WORLDWIDE ELECTRIC CORPORATION

Model Number Index



Model Number	Page	Model Number	Page	Model Number	Page
PEWWE125-18-444TSBB	21	PEWWE200-18-575-445/7T	25	PEWWE3-36-182TC	26
PEWWE125-18-444TSC	27	PEWWE200-36-445/7TS	20	PEWWE3-36-575-182T	24
PEWWE125-18-444TSC-F2	28	PEWWE200-36-575-445/7TS	25	PEWWE40-12-364T	19
PEWWE125-18-460-PWS-444T	23	PEWWE20-12-286T	19	PEWWE40-12-364TC	27
PEWWE125-18-460-PWS-444TBB	23	PEWWE20-12-286TC	26	PEWWE40-12-575-364T	25
PEWWE125-18-575-444T	25	PEWWE20-12-575-286T	24	PEWWE40-18-324T	19
PEWWE125-36-444TS	19	PEWWE20-18-256T	19	PEWWE40-18-324TC	27
PEWWE125-36-444TSC	27	PEWWE20-18-256TC	26	PEWWE40-18-324TC-F2	28
PEWWE125-36-575-444TS	25	PEWWE20-18-256TC-F2	28	PEWWE40-18-324TC-F2	22
PEWWE150-12-445/7T	19	PEWWE20-18-575-256T	24	PEWWE40-18-324TS	21
PEWWE150-12-445/7T	33	PEWWE20-36-256T	19	PEWWE40-18-575-324T	25
PEWWE150-12-445/7TC	27	PEWWE20-36-256TC	26	PEWWE40-36-324T	19
PEWWE150-12-445/7T-F2	22	PEWWE20-36-575-256T	24	PEWWE40-36-324TS	19
PEWWE150-12-445/7TSBB	21	PEWWE2-12-184T	18	PEWWE40-36-575-324TS	25
PEWWE150-12-575-445/7T	25	PEWWE2-12-575-184T	24	PEWWE50-12-365T	19
PEWWE150-18-445T	19	PEWWE2-18-145T	18	PEWWE50-12-365TC	27
PEWWE150-18-445T	33	PEWWE2-18-145TC	26	PEWWE50-12-575-365T	25
PEWWE150-18-445TBB	19	PEWWE2-18-575-145T	24	PEWWE50-18-326T	19
PEWWE150-18-445TC	27	PEWWE2-36-145T	18	PEWWE50-18-326TC	27
PEWWE150-18-445TC-F2	28	PEWWE2-36-145TC	26	PEWWE50-18-326TC-F2	28
PEWWE150-18-445TC-F2	22	PEWWE2-36-575-145T	24	PEWWE50-18-326TC-F2	22
PEWWE150-18-445TSBB	21	PEWWE25-12-324T	19	PEWWE50-18-326TS	21
PEWWE150-18-445TSC	27	PEWWE25-12-324TC	26	PEWWE50-18-575-326T	25
PEWWE150-18-445TSC-F2	28	PEWWE25-12-575-324T	24	PEWWE50-36-326T	19
PEWWE150-18-460-PWS-444/5T	23	PEWWE25-18-284T	19	PEWWE50-36-326TS	19
PEWWE150-18-460-PWS-444/5TBB	23	PEWWE25-18-284TC	26	PEWWE50-36-575-326TS	25
PEWWE150-18-575-445T	25	PEWWE25-18-284TC-F2	28	PEWWE5-12-215T	18
PEWWE150-36-445TS	19	PEWWE25-18-284TC-F2	22	PEWWE5-12-215TC	26
PEWWE150-36-445TSC	27	PEWWE25-18-284TS	21	PEWWE5-12-575-215T	24
PEWWE150-36-575-445TS	25	PEWWE25-18-284TSC	26	PEWWE5-18-184T	18
PEWWE15-12-284T	18	PEWWE25-18-575-284T	24	PEWWE5-18-184TC	26
PEWWE15-12-284TC	26	PEWWE25-36-284T	19	PEWWE5-18-575-184T	24
PEWWE15-12-575-284T	24	PEWWE25-36-284TS	19	PEWWE5-36-184T	18
PEWWE15-18-254T	18	PEWWE25-36-284TSC	26	PEWWE5-36-184TC	26
PEWWE15-18-254TC	26	PEWWE25-36-575-284TS	24	PEWWE5-36-575-184T	24
PEWWE15-18-575-254T	24	PEWWE30-12-326T	19	PEWWE60-12-404T	19
PEWWE15-36-254T	18	PEWWE30-12-326TC	27	PEWWE60-12-404TC	27
PEWWE15-36-254TC	26	PEWWE30-12-575-326T	25	PEWWE60-12-575-404T	25
PEWWE15-36-575-254T	24	PEWWE30-18-286T	19	PEWWE60-18-364T	19
PEWWE200-12-449T	20	PEWWE30-18-286TC	27	PEWWE60-18-364TC	27
PEWWE200-12-449T	33	PEWWE30-18-286TC-F2	28	PEWWE60-18-364TC-F2	28
PEWWE200-12-449TC	27	PEWWE30-18-286TC-F2	22	PEWWE60-18-364TC-F2	22
PEWWE200-12-449TC-F2	22	PEWWE30-18-286TS	21	PEWWE60-18-364TS	21
PEWWE200-12-449TSBB	21	PEWWE30-18-575-286T	25	PEWWE60-18-575-364T	25
PEWWE200-12-575-449T	25	PEWWE30-36-286T	19	PEWWE60-36-364T	19
PEWWE200-18-445/7T	20	PEWWE30-36-286TS	19	PEWWE60-36-364TS	19
PEWWE200-18-445/7T	33	PEWWE30-36-286TSC	27	PEWWE60-36-575-364TS	25
PEWWE200-18-445/7TBB	20	PEWWE30-36-575-286TS	25	PEWWE7.5-12-254T	18
PEWWE200-18-445/7TC	27	PEWWE3-12-213T	18	PEWWE7.5-12-254TC	26
PEWWE200-18-445/7TC-F2	28	PEWWE3-12-213TC	26	PEWWE7.5-12-575-254T	24
PEWWE200-18-445/7T-F2	22	PEWWE3-12-575-213T	24	PEWWE7.5-18-213T	18
PEWWE200-18-445/7TSBB	21	PEWWE3-18-182T	18	PEWWE7.5-18-213TC	26
PEWWE200-18-445/7TSC	27	PEWWE3-18-182TC	26	PEWWE7.5-18-575-213T	24
PEWWE200-18-460-PWS-445/7T	23	PEWWE3-18-575-182T	24	PEWWE7.5-36-213T	18
PEWWE200-18-460-PWS-445/7TBB	23	PEWWE3-36-182T	18	PEWWE7.5-36-213TC	26

MODEL NUMBER
INDEX



WORLDWIDE ELECTRIC CORPORATION

Model Number Index



Model Number	Page	Model Number	Page	Model Number	Page
PEWWE7.5-36-575-213T	24	RB-05P0-LD-12	112	SMR315RBKIT	174
PEWWE75-12-405T	19	RB-05P6-HD-20	112	SMR3-25/1	162
PEWWE75-12-405TC	27	RB-06P0-LD-12	112	SMR325RBKIT	174
PEWWE75-12-405T-F2	22	RB-06P0-LD-12	112	SMR3BSK	173
PEWWE75-12-575-405T	25	RB-06P6-HD-20	112	SMR3-TA	174
PEWWE75-18-365T	19	RB-07P0-LD-8	112	SMR4-15/1	162
PEWWE75-18-365TC	27	RB-07P0-LD-8	112	SMR415RBKIT	174
PEWWE75-18-365TC-F2	28	RB-08P5-LD-8	112	SMR4-25/1	162
PEWWE75-18-365T-F2	22	RB-08P5-LD-8	112	SMR425RBKIT	174
PEWWE75-18-365TS	21	RB-08P5-LD-8	112	SMR4BSK	173
PEWWE75-18-365TSC	27	RB-08P5-LD-8	112	SMR4-TA	174
PEWWE75-18-575-365T	25	RB-09P0-HD-12	112	SMR5-15/1	162
PEWWE75-36-365T	19	RB-11P2-HD-12	112	SMR515RBKIT	174
PEWWE75-36-365TS	19	RB-11P2-LD-6	112	SMR5-25/1	162
PEWWE75-36-365TSC	27	RB-11P2-LD-6	112	SMR525RBKIT	174
PEWWE75-36-575-365TS	25	RB-11P2-LD-6	112	SMR5BSK	173
PROFARM2	66	RB-11P2-LD-6	112	SMR5-TA	174
PROFARM3	66	RB-13P5-HD-8	112	SMR6/7BSK	173
PROFARM5	66	RB-16P5-HD-6	112	SMR6/7BSK	173
PROTJ1	63	RB-16P5-HD-6	112	SMR6-15/1	162
PROTJ1.5	63	RB-22P5-3	112	SMR615RBKIT	174
PROTJ12	63	RB-22P5-3	112	SMR6-25/1	162
PROTJ13	63	RB-22P5-3	112	SMR625RBKIT	174
PROTJ2	63	RB-22P5-3 (1)	112	SMR6-TA	174
PROTJ34	63	RB-22P5-HD-6	112	SMR7-15/1	162
RB-006-100	112	RB-22P5-HD-6	112	SMR715RBKIT	174
RB-006-100	112	RB-33P7-2	112	SMR7-25/1	162
RB-00P3-100	112	RB-33P7-2 (1)	112	SMR725RBKIT	174
RB-00P3-100	112	RB-45P0-3	112	SMR7-TA	174
RB-00P3-180	112	RB-45P0-3	112	SMR8/9BSK	173
RB-00P3-180	112	RB-67P5-2	112	SMR8/9BSK	173
RB-00P3-180	112	RBASE56C	63	SMR8-15/1	162
RB-00P3-50	112	RCFARM2	66	SMR815RBKIT	174
RB-00P3-50	112	RCFARM3	66	SMR8-25/1	162
RB-00P6-100	112	RCFARM5	66	SMR825RBKIT	174
RB-00P6-100	112	RCTJ1.5	63	SMR8-TA	174
RB-00P6-35	112	RCTJ2	63	SMR9-15/1	162
RB-01P0-LD-17	112	REBELL56TE	63	SMR915RBKIT	174
RB-01P2-LD-50	112	REBELLFARM180	66	SMR9-25/1	162
RB-01P2-LD-50	112	REBELLFARM180-2	66	SMR925RBKIT	174
RB-01P2-LD-70	112	RS485GENDER	111	SMR9-TA	174
RB-01P2-LD-70	112	SCFARM2	66	SS30-12-326T	34
RB-01P8-HD-70	112	SCFARM3	66	SS40-12-365T	34
RB-02P0-LD-50	112	SCFARM5	66	SS50-12-404T	34
RB-02P0-LD-50	112	SCTJ1	63	SSCC	62
RB-02P4-HD-50	112	SCTJ1.5	63	SSFAN	62
RB-02P5-LD-30	112	SCTJ12	63	SSFCOVER	62
RB-02P5-LD-30	112	SCTJ13	63	SSJBOX	62
RB-03P0-LD-20	112	SCTJ2	63	SSKEY	62
RB-03P0-LD-20	112	SCTJ34	63	SSOILSEAL	62
RB-03P3-HD-50	112	SMR2-15/1	162	SSSLINGER	62
RB-04P0-LD-20	112	SMR2-25/1	162	TBOX56	63
RB-04P0-LD-20	112	SMR2BSK	173	TJ1.5-36-56JB	14
RB-04P5-HD-30	112	SMR2-TA	174	TJ12-36-56JB	14
RB-05P0-LD-12	112	SMR3-15/1	162	TJ13-36-56JB	14

MODEL NUMBER
INDEX



WORLDWIDE ELECTRIC CORPORATION

Model Number Index



Model Number	Page	Model Number	Page	Model Number	Page
TJ1-36-56JB	14	WH25-2-115	144	WINL107-40/1-254/6TC	194
TJ2-36-56JB	14	WH25-2-200/230	144	WINL107-40/1-254/6TC	194
TJ34-36-56JB	14	WH25-2-24	144	WINL107-50/1-213/5TC	194
W143T	60	WH30-115	144	WINL107-50/1-213/5TC	194
W145T	60	WH30-200/230	144	WINL107-50/1-254/6TC	194
W182T	60	WH30-2-115	144	WINL107-50/1-254/6TC	194
W184T	60	WH30-2-200/230	144	WINL107-60/1-213/5TC	194
W210TC	67	WH30-2-24	144	WINL107-60/1-213/5TC	194
W210TD	67	WH30-24	144	WINL107-60/1-254/6TC	194
W213T	60	WH30-4-115	144	WINL107-80/1-213/5TC	194
W215T	60	WH30-480	144	WINL107-80/1-213/5TC	194
W250TC	67	WH40-115	144	WINL137-10/1-364/5TC	194
W250TD	67	WH40-200/230	144	WINL137-10/1-364/5TC	194
W254T	60	WH40-2-115	144	WINL137-120/1-254/6TC	194
W256T	60	WH40-2-200/230	144	WINL137-20/1-364/5TC	194
W280TC	67	WH40-2-24	144	WINL137-20/1-364/5TC	194
W280TD	67	WH40-24	144	WINL137-30/1-324/6TC	194
W284T	60	WH40-4-115	144	WINL137-30/1-324/6TC	194
W286T	60	WH40-4-230	144	WINL137-40/1-284/6TC	194
W320TC	67	WH40-480	144	WINL137-40/1-284/6TC	194
W320TD	67	WH50-115	144	WINL137-40/1-324/6TC	194
W324T	60	WH50-200/230	144	WINL137-50/1-254/6TC	194
W326T	60	WH50-24	144	WINL137-50/1-254/6TC	194
W360TC	67	WH50-480	144	WINL137-50/1-284/6TC	194
W360TD	67	WH60-115	144	WINL137-50/1-284/6TC	194
W364T	60	WH60-200/230	144	WINL137-60/1-254/6TC	194
W365T	60	WH60-24	144	WINL137-60/1-254/6TC	194
W400TC	67	WH60-480	144	WINL137-80/1-254/6TC	194
W400TD	67	WH75-115	144	WINL137-80/1-254/6TC	194
W404T	60	WH75-200/230	144	WINL147-10/1-405TC	194
W405T	60	WH75-24	144	WINL147-120/1-254/6TC	194
W444/5TC	67	WH75-480	144	WINL147-120/1-254/6TC	194
W444/5TD	67	WH90-115	144	WINL147-20/1-364/5TC	194
W444T	60	WH90-200/230	144	WINL147-20/1-364/5TC	194
W445T	60	WH90-24	144	WINL147-30/1-324/6TC	194
W447T	60	WH90-480	144	WINL147-30/1-324/6TC	194
W447TC	67	WHACQ-2SPDT-30/40	144	WINL147-30/1-364/5TC	194
W447TD	67	WHACQ-NC-30/40	144	WINL147-30/1-364/5TC	194
W449T	60	WHACQ-NO-30/40	144	WINL147-40/1-284/6TC	194
W449TC	67	WHACQ-NONC-30/40	144	WINL147-40/1-284/6TC	194
W449TC-2	67	WHACQ-SPDT-30/40	144	WINL147-40/1-324/6TC	194
W449TD	67	WHACQ-SPDT-50/60	144	WINL147-40/1-324/6TC	194
W449TD-2	67	WHACQ-SPDT-75/90	144	WINL147-50/1-254/6TC	194
W500TC	67	WHACS-NC-30/40	144	WINL147-50/1-254/6TC	194
W500TD	67	WHACS-NO-30/40	144	WINL147-50/1-284/6TC	194
W505T	60	WHACS-NONC-30/40	144	WINL147-50/1-284/6TC	194
W56	60	WINL107-10/1-324/6TC	194	WINL147-60/1-254/6TC	194
W580TC	67	WINL107-10/1-324/6TC	194	WINL147-60/1-254/6TC	194
W580TD	67	WINL107-120/1-213/5TC	194	WINL147-60/1-324/6TC	194
WDCCONT	64	WINL107-120/1-213/5TC	194	WINL147-80/1-254/6TC	194
WDCCONTREV	64	WINL107-20/1-284/6TC	194	WINL147-80/1-254/6TC	194
WH120-115	144	WINL107-20/1-284/6TC	194	WINL147-80/1-284/6TC	194
WH20-2-115	144	WINL107-20/1-324/6TC	194	WINL147-80/1-284/6TC	194
WH20-2-200/230	144	WINL107-30/1-284/6TC	194	WINL37-10/1-145TC	192
WH20-2-24	144	WINL107-30/1-284/6TC	194	WINL37-15/1-145TC	192

MODEL NUMBER INDEX



WORLDWIDE ELECTRIC CORPORATION

Model Number Index



Model Number	Page	Model Number	Page	Model Number	Page
WINL37-20/1-145TC	192	WINL87-40/1-182/4TC	193	WOFAN400	73
WINL37-20/1-56C	192	WINL87-5/1-213/5TC	193	WOFAN444/5	73
WINL37-30/1-145TC	192	WINL87-5/1-213/5TC	193	WOFCOVER210	73
WINL37-30/1-56C	192	WINL87-5/1-254/6TC	193	WOFCOVER250	73
WINL37-40/1-56C	192	WINL87-5/1-254/6TC	193	WOFCOVER280	73
WINL37-5/1-145TC	192	WINL87-50/1-145TC	193	WOFCOVER320	73
WINL37-5/1-56C	192	WINL87-50/1-145TC	193	WOFCOVER360	73
WINL37-50/1-56C	192	WINL87-50/1-182/4TC	193	WOFCOVER400	73
WINL37-60/1-56C	192	WINL87-60/1-145TC	193	WOFCOVER440	73
WINL47-10/1-182/4TC	192	WINL87-60/1-182/4TC	193	WPMDC1.5-18-180V-145TCB	16
WINL47-15/1-182/4TC	192	WINL87-80/1-145TC	193	WPMDC1.5-18-180V-56CB	16
WINL47-20/1-145TC	192	WINL87-80/1-182/4TC	193	WPMDC1.5-18-24V-56CB	16
WINL47-20/1-182/4TC	192	WINL97-10/1-284/6TC	193	WPMDC1.5-18-90V-56CB	16
WINL47-30/1-145TC	192	WINL97-10/1-284/6TC	193	WPMDC1-18-12V-56CB	16
WINL47-30/1-182/4TC	192	WINL97-100/1-182/4TC	193	WPMDC1-18-180V-56CB	16
WINL47-40/1-56C	192	WINL97-100/1-182/4TC	193	WPMDC1-18-24V-56CB	16
WINL47-5/1-145TC	192	WINL97-120/1-182/4TC	193	WPMDC1-18-90V-56CB	16
WINL47-5/1-182/4TC	192	WINL97-120/1-182/4TC	193	WPMDC12-18-12V-56CB	16
WINL47-5/1-182/4TC	192	WINL97-20/1-254/6TC	193	WPMDC12-18-180V-56CB	16
WINL47-50/1-56C	192	WINL97-20/1-254/6TC	193	WPMDC12-18-24V-56CB	16
WINL47-60/1-56C	192	WINL97-30/1-213/5TC	193	WPMDC12-18-90V-56CB	16
WINL67-10/1-182/4TC	192	WINL97-30/1-213/5TC	193	WPMDC13-18-12V-56CB	16
WINL67-10/1-182/4TC	192	WINL97-30/1-254/6TC	193	WPMDC13-18-180V-56CB	16
WINL67-100/1-56C	192	WINL97-40/1-213/5TC	193	WPMDC13-18-24V-56CB	16
WINL67-120/1-56C	192	WINL97-40/1-213/5TC	193	WPMDC13-18-90V-56CB	16
WINL67-20/1-182/4TC	192	WINL97-5/1-254/6TC	193	WPMDC1-36-12V-56CB	16
WINL67-30/1-145TC	192	WINL97-5/1-254/6TC	193	WPMDC14-18-90V-56CB	16
WINL67-40/1-145TC	192	WINL97-5/1-284/6TC	193	WPMDC2-18-180V-145TCB	16
WINL67-5/1-145TC	192	WINL97-5/1-284/6TC	193	WPMDC2-18-180V-56CB	16
WINL67-5/1-182/4TC	192	WINL97-50/1-213/5TC	193	WPMDC34-18-12V-56CB	16
WINL67-5/1-182/4TC	192	WINL97-50/1-213/5TC	193	WPMDC34-18-180V-56CB	16
WINL67-50/1-145TC	192	WINL97-60/1-213/5TC	193	WPMDC34-18-24V-56CB	16
WINL67-60/1-56C	192	WINL97-60/1-213/5TC	193	WPMDC34-18-90V-56CB	16
WINL67-80/1-56C	192	WINL97-80/1-182/4TC	193	WR44	153
WINL77-10/1-213/5TC	193	WINL97-80/1-182/4TC	193	WSMR2-15/1	167
WINL77-100/1-145TC	193	WINL97-80/1-213/5TC	193	WSMR2-25/1	167
WINL77-120/1-56C	193	WJ5	153	WSMR2-TA	174
WINL77-20/1-182/4TC	193	WO100-12-445T	35	WSMR3-15/1	167
WINL77-30/1-182/4TC	193	WO10-12-256T	35	WSMR3-25/1	167
WINL77-40/1-182/4TC	193	WO15-12-284T	35	WSMR3-TA	174
WINL77-5/1-182/4TC	193	WO20-12-286T	35	WSMR4-15/1	167
WINL77-5/1-213/5TC	193	WO25-12-324T	35	WSMR4-25/1	167
WINL77-50/1-145TC	193	WO30-12-326T	35	WSMR4-TA	174
WINL77-60/1-145TC	193	WO3-12-213T	35	WSMR5-15/1	167
WINL77-80/1-145TC	193	WO40-12-365T	35	WSMR5-25/1	167
WINL87-10/1-213/5TC	193	WO50-12-404T	35	WSMR5-TA	174
WINL87-10/1-213/5TC	193	WO5-12-215T	35	WSMR6-15/1	167
WINL87-110/1-145TC	193	WO60-12-405T	35	WSMR6-25/1	167
WINL87-120/1-145TC	193	WO7.5-12-254T	35	WSMR6-TA	174
WINL87-20/1-182/4TC	193	WO75-12-444T	35	WSMR7-15/1	167
WINL87-20/1-182/4TC	193	WOFAN210	73	WSMR7-25/1	167
WINL87-20/1-213/5TC	193	WOFAN250	73	WSMR7-TA	174
WINL87-30/1-182/4TC	193	WOFAN280	73	WSMR8-15/1	167
WINL87-30/1-182/4TC	193	WOFAN320	73	WSMR8-25/1	167
WINL87-40/1-182/4TC	193	WOFAN360	73	WSMR8-TA	174

MODEL NUMBER
INDEX



WORLDWIDE ELECTRIC CORPORATION

Model Number Index



Model Number	Page	Model Number	Page	Model Number	Page
WSMR9-15/1	167	WWE250-18-449T	20	WWE350-18-586/7UZ	20
WSMR9-25/1	167	WWE250-18-449T	33	WWE350-18-586/7UZ	33
WSS1.5-18-56CB	13	WWE250-18-449TBB	20	WWE3-9-215T	18
WSS1.5-18-56CRD	13	WWE250-18-449TC	27	WWE400-12-586/7	20
WSS1.5-36-56CB	13	WWE250-18-449T-F2	22	WWE400-12-586/7	33
WSS1-18-56CB	13	WWE250-18-449TSBB	21	WWE400-12-586/7BB	20
WSS1-18-56CRD	13	WWE250-18-449TSC	27	WWE400-12-586/7-F2	22
WSS12-18-56CB	13	WWE250-18-460-PWS-449T	23	WWE400-12-586/7UZ	20
WSS12-18-56CRD	13	WWE250-18-505UZ	20	WWE400-12-586/7UZ	33
WSS12-36-56CB	13	WWE250-18-505UZ	33	WWE400-18-575-586/7	25
WSS13-18-56CB	13	WWE250-18-505Z	20	WWE400-18-586/7	20
WSS13-18-56CRD	13	WWE250-18-505Z	33	WWE400-18-586/7	33
WSS1-36-56CB	13	WWE250-18-575-449T	25	WWE400-18-586/7BB	20
WSS2-18-56CB	13	WWE25034N1	124	WWE400-18-586/7-F2	22
WSS2-18-56CRD	13	WWE250-36-449TS	20	WWE400-18-586/7UZ	20
WSS2-36-56CB	13	WWE250-9-586/7	20	WWE400-18-586/7UZ	33
WSS34-18-56CB	13	WWE25-9-326T	19	WWE40034N1	124
WSS34-18-56CRD	13	WWE300-12-449T	20	WWE40-9-365T	19
WSS34-36-56CB	13	WWE300-12-449T	33	WWE450-12-586/7	20
WSSNV1-18-56CB	12	WWE300-12-449TBB	20	WWE450-12-586/7	33
WSSNV1-18-56CRD	12	WWE300-12-449T-F2	22	WWE450-18-586/7	20
WSSNV12-18-56CB	12	WWE300-12-449TSBB	21	WWE450-18-586/7	33
WSSNV12-18-56CRD	12	WWE300-12-575-449T	25	WWE500-12-575-586/7	25
WSSNV13-18-56CB	12	WWE300-12-586/7	20	WWE500-12-586/7	20
WSSNV13-18-56CRD	12	WWE300-12-586/7	33	WWE500-12-586/7	33
WSSNV34-18-56CB	12	WWE300-12-586/7UZ	20	WWE500-12-586/7-F2	22
WSSNV34-18-56CRD	12	WWE300-12-586/7UZ	33	WWE500-12-586/7UZ	20
WWE02534N1	124	WWE300-18-449T	20	WWE500-12-586/7UZ	33
WWE04034N1	124	WWE300-18-449T	33	WWE500-18-586/7	20
WWE05034N1	124	WWE300-18-449TBB	20	WWE500-18-586/7	33
WWE07534N1	124	WWE300-18-449TC	27	WWE500-18-586/7BB	20
WWE10034N1	124	WWE300-18-449T-F2	22	WWE500-18-586/7-F2	22
WWE100-9-445T	19	WWE300-18-449TSBB	21	WWE500-18-586/7UZ	20
WWE10-9-284T	18	WWE300-18-460-PWS-449T	23	WWE500-18-586/7UZ	33
WWE12534N1	124	WWE300-18-575-586/7	25	WWE50-9-404T	19
WWE125-9-445/7T	19	WWE300-18-586/7	20	WWE5-9-254T	18
WWE15034N1	124	WWE300-18-586/7	33	WWE600-18-586/7	20
WWE150-9-449T	19	WWE300-18-586/7BB	20	WWE600-18-586/7	33
WWE150-9-575-449T	25	WWE300-18-586/7UZ	20	WWE60-9-405T	19
WWE15-9-286T	18	WWE300-18-586/7UZ	33	WWE7.5-9-256T	18
WWE20034N1	124	WWE30034N1	124	WWE75-9-444T	19
WWE200-9-449T	20	WWE300-9-575-586/7	25	WWEBCDSSRV12-100	123
WWE20-9-324T	19	WWE300-9-586/7	20	WWEBCDSSRV12-125	123
WWE250-12-449T	20	WWE300-9-586/7UZ	20	WWEBCDSSRV12-150	123
WWE250-12-449T	33	WWE30-9-364T	19	WWEBCDSSRV12-200	123
WWE250-12-449TBB	20	WWE350-12-586/7	20	WWEBCDSSRV12-25	123
WWE250-12-449TC	27	WWE350-12-586/7	33	WWEBCDSSRV12-250	123
WWE250-12-449T-F2	22	WWE350-12-586/7BB	20	WWEBCDSSRV12-30	123
WWE250-12-449TSBB	21	WWE350-12-586/7-F2	22	WWEBCDSSRV12-300	123
WWE250-12-575-449T	25	WWE350-12-586/7UZ	20	WWEBCDSSRV12-40	123
WWE250-12-575-586/7	25	WWE350-12-586/7UZ	33	WWEBCDSSRV12-400	123
WWE250-12-586/7	20	WWE350-18-586/7	20	WWEBCDSSRV12-50	123
WWE250-12-586/7	33	WWE350-18-586/7	33	WWEBCDSSRV12-500	123
WWE250-12-586/7UZ	20	WWE350-18-586/7BB	20	WWEBCDSSRV12-60	123
WWE250-12-586/7UZ	33	WWE350-18-586/7-F2	22	WWEBCDSSRV12-600	123

MODEL NUMBER INDEX



WORLDWIDE ELECTRIC CORPORATION

Model Number Index



Model Number	Page	Model Number	Page	Model Number	Page
WWEBCDSSRV12-75	123	WWEPIA-DRV3R-400-4	119	WWEPPBSSRV12-125	125
WWEHDA-DRV3R-005-4	118	WWEPIA-DRV3R-500-4	119	WWEPPBSSRV12-150	125
WWEHDA-DRV3R-007-4	118	wwEPICSSRV12-100	126	WWEPPBSSRV12-20	125
WWEHDA-DRV3R-010-4	118	wwEPICSSRV12-125	126	WWEPPBSSRV12-200	125
WWEHDA-DRV3R-015-4	118	wwEPICSSRV12-150	126	WWEPPBSSRV12-25	125
WWEHDA-DRV3R-020-4	118	wwEPICSSRV12-20	126	WWEPPBSSRV12-30	125
WWEHDA-DRV3R-025-4	118	wwEPICSSRV12-200	126	WWEPPBSSRV12-300	125
WWEHDA-DRV3R-030-4	118	wwEPICSSRV12-25	126	WWEPPBSSRV12-40	125
WWEHDA-DRV3R-040-4	118	wwEPICSSRV12-250	126	WWEPPBSSRV12-400	125
WWEHDA-DRV3R-050-4	118	wwEPICSSRV12-30	126	WWEPPBSSRV12-50	125
WWEHDA-DRV3R-060-4	118	wwEPICSSRV12-300	126	WWEPPBSSRV12-60	125
WWEHDA-DRV3R-075-4	118	wwEPICSSRV12-40	126	WWEPPBSSRV12-75	125
WWEHDA-DRV3R-100-4	118	wwEPICSSRV12-400	126	WWS 1.5-230	129
WWEHDA-DRV3R-125-4	118	wwEPICSSRV12-50	126	WWS 10-230	129
WWEHDA-DRV3R-150-4	118	wwEPICSSRV12-500	126	WWS 15-230	129
WWEHDA-DRV3R-200-4	118	wwEPICSSRV12-60	126	WWS 20-230	129
WWEHDA-DRV3R-250-4	118	wwEPICSSRV12-600	126	WWS 2-230	129
WWEHDA-DRV3R-300-4	118	wwEPICSSRV12-75	126	WWS 25-230	129
WWEHDA-DRV3R-400-4	118	WWEPIA-DRV3R-002-4	121	WWS 30-230	129
WWEHDA-DRV3R-500-4	118	WWEPIA-DRV3R-003-4	121	WWS 3-230	129
WWELUC100-12-445T	35	WWEPIA-DRV3R-005-4	121	WWS 5-230	129
WWELUC10-12-256T	35	WWEPIA-DRV3R-007-4	121	WWS 7.5-230	129
WWELUC15-12-284T	35	WWEPIA-DRV3R-010-4	121	WWS0.5-2301P	129
WWELUC20-12-286T	35	WWEPIA-DRV3R-015-4	121	WWS0.5-2301P-120C	129
WWELUC25-12-324T	35	WWEPIA-DRV3R-020-4	121	WWS0.75-2301P	129
WWELUC30-12-326T	35	WWEPIA-DRV3R-025-4	121	WWS0.75-2301P-120C	129
WWELUC30-12-326T-F1	34	WWEPIA-DRV3R-030-4	121	WWS1.5-230-120C	129
WWELUC3-12-213T	35	WWEPIA-DRV3R-040-4	121	WWS1.5-2301P	129
WWELUC40-12-365T	35	WWEPIA-DRV3R-050-4	121	WWS1.5-2301P-120C	129
WWELUC40-12-365T-F1	34	WWEPIA-DRV3R-060-4	121	WWS100-480	129
WWELUC50-12-404T	35	WWEPIA-DRV3R-075-4	121	WWS100-480-120C	129
WWELUC50-12-404T-F1	34	WWEPIA-DRV3R-100-4	121	WWS10-230-120C	129
WWELUC5-12-215T	35	WWEPIA-DRV3R-125-4	121	WWS10-2301P	129
WWELUC60-12-405T	35	WWEPIA-DRV3R-150-4	121	WWS10-2301P-120C	129
WWELUC7.5-12-254T	35	WWEPIA-DRV3R-200-4	121	WWS10-480	129
WWELUC75-12-444T	35	WWEPIA-DRV3R-250-4	121	WWS10-480-120C	129
WWEPIA-DRV3R-002-4	119	WWEPIA-DRV3R-300-4	121	WWS1-230	129
WWEPIA-DRV3R-003-4	119	WWEPIA-DRV3R-400-4	121	WWS1-230-120C	129
WWEPIA-DRV3R-005-4	119	WWEPIA-DRV3R-500-4	121	WWS1-2301P	129
WWEPIA-DRV3R-007-4	119	WWEPPA-DRV3R-020-4	120	WWS1-2301P-120C	129
WWEPIA-DRV3R-010-4	119	WWEPPA-DRV3R-025-4	120	WWS1-480	129
WWEPIA-DRV3R-015-4	119	WWEPPA-DRV3R-030-4	120	WWS1-480-120C	129
WWEPIA-DRV3R-020-4	119	WWEPPA-DRV3R-040-4	120	WWS15-230-120C	129
WWEPIA-DRV3R-025-4	119	WWEPPA-DRV3R-050-4	120	WWS15-480	129
WWEPIA-DRV3R-030-4	119	WWEPPA-DRV3R-060-4	120	WWS15-480-120C	129
WWEPIA-DRV3R-040-4	119	WWEPPA-DRV3R-075-4	120	WWS20-230-120C	129
WWEPIA-DRV3R-050-4	119	WWEPPA-DRV3R-100-4	120	WWS20-480	129
WWEPIA-DRV3R-060-4	119	WWEPPA-DRV3R-125-4	120	WWS20-480-120C	129
WWEPIA-DRV3R-075-4	119	WWEPPA-DRV3R-150-4	120	WWS2-230-120C	129
WWEPIA-DRV3R-100-4	119	WWEPPA-DRV3R-200-4	120	WWS2-2301P	129
WWEPIA-DRV3R-125-4	119	WWEPPA-DRV3R-250-4	120	WWS2-2301P-120C	129
WWEPIA-DRV3R-150-4	119	WWEPPA-DRV3R-300-4	120	WWS2-480	129
WWEPIA-DRV3R-200-4	119	WWEPPA-DRV3R-400-4	120	WWS2-480-120C	129
WWEPIA-DRV3R-250-4	119	WWEPPA-DRV3R-500-4	120	WWS25-230-120C	129
WWEPIA-DRV3R-300-4	119	WWEPPBSSRV12-100	125	WWS25-480	129

MODEL NUMBER
INDEX



WORLDWIDE ELECTRIC CORPORATION

Model Number Index



Model Number	Page	Model Number	Page	Model Number	Page
WWS25-480-120C	129	XHHI125-36-444TS	53	XHHI75-18-365TC	54
WWS30-230-120C	129	XHHI150-12-447TBB	53	XHHI75-36-365TS	53
WWS30-480	129	XHHI150-18-445TBB	53	XHHI75-36-365TSC	54
WWS30-480-120C	129	XHHI150-36-445TS	53	XPEWWE1.5-12-182T	29
WWS3-230-120C	129	XHHI15-12-284T	52	XPEWWE1.5-18-145T	29
WWS3-2301P	129	XHHI15-18-254T	52	XPEWWE100-12-444/5TBB	30
WWS3-2301P-120C	129	XHHI15-18-254TC	54	XPEWWE100-18-405TBB	30
WWS3-480	129	XHHI15-36-254T	52	XPEWWE100-18-405TC	32
WWS3-480-120C	129	XHHI200-12-449TBB	53	XPEWWE100-18-575-405TBB	31
WWS40-230	129	XHHI200-18-447TBB	53	XPEWWE100-36-405TS	30
WWS40-230-120C	129	XHHI200-36-447TS	53	XPEWWE10-12-256T	29
WWS40-480	129	XHHI20-12-286T	52	XPEWWE10-18-215T	29
WWS40-480-120C	129	XHHI20-18-256T	52	XPEWWE10-18-215TC	32
WWS50-230	129	XHHI20-18-256TC	54	XPEWWE10-18-575-215T	31
WWS50-230-120C	129	XHHI20-36-256T	52	XPEWWE10-36-215T	29
WWS50-480	129	XHHI2-12-184T	52	XPEWWE1-18-143T	29
WWS50-480-120C	129	XHHI2-18-145T	52	XPEWWE125-12-444/5TBB	30
WWS5-230-120C	129	XHHI2-18-145TC	54	XPEWWE125-18-444/5TBB	30
WWS5-2301P	129	XHHI2-36-145T	52	XPEWWE125-18-444/5TC	32
WWS5-2301P-120C	129	XHHI250-18-449TBB	53	XPEWWE125-36-444/5TS	30
WWS5-480	129	XHHI250-36-449TS	53	XPEWWE150-12-447/9TBB	30
WWS5-480-120C	129	XHHI25-12-324T	53	XPEWWE150-18-444/5TBB	30
WWS60-480	129	XHHI25-18-284T	53	XPEWWE150-18-444/5TC	32
WWS60-480-120C	129	XHHI25-18-284TC	54	XPEWWE150-36-444/5TS	30
WWS7.5-230-120C	129	XHHI25-36-284TS	53	XPEWWE15-12-284T	29
WWS7.5-2301P	129	XHHI30-12-326T	53	XPEWWE15-18-254T	29
WWS7.5-2301P-120C	129	XHHI30-18-286T	53	XPEWWE15-18-254TC	32
WWS7.5-480	129	XHHI30-18-286TC	54	XPEWWE15-18-575-254T	31
WWS7.5-480-120C	129	XHHI30-36-286TS	53	XPEWWE15-36-254T	29
WWS75-480	129	XHHI3-12-213T	52	XPEWWE200-12-447/9TBB	30
WWS75-480-120C	129	XHHI3-18-182T	52	XPEWWE200-18-445/7/9TBB	30
WWS-HOA-A	129	XHHI3-18-182TC	54	XPEWWE200-18-445/7/9TC	32
WWS-HOA-B	129	XHHI3-36-182T	52	XPEWWE200-36-444/5TS	30
WWS-HOA-C	129	XHHI40-12-364T	53	XPEWWE20-12-286T	29
WWS-RS-A	129	XHHI40-18-324T	53	XPEWWE20-18-256T	29
WWS-RS-BC	129	XHHI40-18-324TC	54	XPEWWE20-18-256TC	32
WWS-SS-A	129	XHHI40-36-324TS	53	XPEWWE20-18-575-256T	31
WWS-SS-B	129	XHHI50-12-365T	53	XPEWWE20-36-256T	29
WWS-SS-C	129	XHHI50-18-326T	53	XPEWWE2-12-184T	29
XHHI1.5-12-182T	52	XHHI50-18-326TC	54	XPEWWE2-18-145T	29
XHHI1.5-18-145T	52	XHHI50-36-326TS	53	XPEWWE2-18-145TC	32
XHHI1.5-36-143T	52	XHHI5-12-215T	52	XPEWWE2-18-575-145T	31
XHHI100-12-444TBB	53	XHHI5-18-184T	52	XPEWWE2-36-145T	29
XHHI100-18-405TBB	53	XHHI5-18-184TC	54	XPEWWE25-12-324T	29
XHHI100-18-405TC	54	XHHI5-36-184T	52	XPEWWE25-18-284T	29
XHHI100-36-405TS	53	XHHI60-12-404T	53	XPEWWE25-18-284TC	32
XHHI100-36-405TSC	54	XHHI60-18-364T	53	XPEWWE25-18-575-284T	31
XHHI10-12-256T	52	XHHI60-18-364TC	54	XPEWWE25-36-284TS	29
XHHI10-18-215T	52	XHHI60-36-364TS	53	XPEWWE30-12-326T	30
XHHI10-18-215TC	54	XHHI7.5-12-254T	52	XPEWWE30-18-286T	30
XHHI10-36-215T	52	XHHI7.5-18-213T	52	XPEWWE30-18-286TC	32
XHHI1-12-145T	52	XHHI7.5-18-213TC	54	XPEWWE30-18-575-286T	31
XHHI1-18-143T	52	XHHI7.5-36-213T	52	XPEWWE30-36-286TS	30
XHHI125-12-445TBB	53	XHHI75-12-405T	53	XPEWWE3-12-213T	29
XHHI125-18-444TBB	53	XHHI75-18-365T	53	XPEWWE3-18-182T	29

MODEL NUMBER
INDEX



WORLDWIDE ELECTRIC CORPORATION

Model Number Index



Model Number	Page	Model Number	Page	Model Number	Page
XPEWWE3-18-182TC	32	XPEWWE7.5-18-575-213T	31	XPFCOVER250	72
XPEWWE3-18-575-182T	31	XPEWWE7.5-36-213T	29	XPFCOVER280	72
XPEWWE3-36-182T	29	XPEWWE75-12-405T	30	XPFCOVER320	72
XPEWWE40-12-364T	30	XPEWWE75-18-365T	30	XPFCOVER320-2P	72
XPEWWE40-18-324T	30	XPEWWE75-18-365TC	32	XPFCOVER360	72
XPEWWE40-18-324TC	32	XPEWWE75-18-575-365T	31	XPFCOVER360-2P	72
XPEWWE40-18-575-324T	31	XPEWWE75-36-365TS	30	XPFCOVER400	72
XPEWWE40-36-324TS	30	XPFAN140/180	72	XPFCOVER400-2P	72
XPEWWE50-12-365T	30	XPFAN140-2P/180-2P	72	XPFCOVER444/5	72
XPEWWE50-18-326T	30	XPFAN210/250-2P	72	XPFCOVER447/9	72
XPEWWE50-18-326TC	32	XPFAN210-2P	72	XPFCOVER447/9-6P	72
XPEWWE50-18-575-326T	31	XPFAN250/280-2P	72	XPJBOX140	72
XPEWWE50-36-326TS	30	XPFAN280/320-2P	72	XPJBOX180	72
XPEWWE5-12-215T	29	XPFAN320	72	XPJBOX210	72
XPEWWE5-18-184T	29	XPFAN360	72	XPJBOX250	72
XPEWWE5-18-184TC	32	XPFAN360-2P/400-2P	72	XPJBOX280	72
XPEWWE5-18-575-184T	31	XPFAN400	72	XPJBOX320	72
XPEWWE5-36-184T	29	XPFAN444/5-2P	72	XPJBOX360	72
XPEWWE60-12-404T	30	XPFAN444/5-4/6P	72	XPJBOX400	72
XPEWWE60-18-364T	30	XPFAN447/9-2P	72	XPJBOX440	72
XPEWWE60-18-364TC	32	XPFAN447/9-4P	72	XWWE250-18-447/9TBB	30
XPEWWE60-18-575-364T	31	XPFAN447/9-6P	72	XWWE250-18-447/9TC	32
XPEWWE60-36-364TS	30	XPFCOVER140	72	XWWE250-36-447/9TS	30
XPEWWE7.5-12-254T	29	XPFCOVER180	72	XWWE300-18-447/9TBB	30
XPEWWE7.5-18-213T	29	XPFCOVER210	72	XWWE300-18-447/9TC	32
XPEWWE7.5-18-213TC	32				

MODEL NUMBER
INDEX



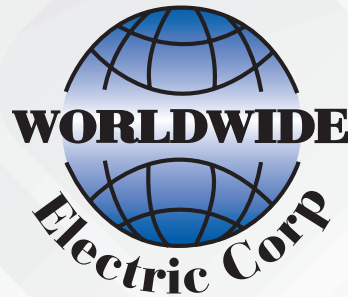


WORLDWIDE ELECTRIC CORPORATION

Warehouse Locations and Sales Offices

▲ Warehouse Locations

Atlanta, GA
Dallas, TX
Houston, TX
Indianapolis, IN
Kansas City, KS
Los Angeles, CA
Miami, FL



● Sales Offices

Atlanta, GA
Chicago, IL
Denver, CO
Detroit, MI
Ft. Smith, AR
Miami, FL
Mobile, AL
Nashville, TN
Rochester, NY *
Salt Lake City, UT
St. Louis, MO

Available For Pick-Up Or Delivery
24 Hours A Day - 7 Days A Week

* Headquarters



WorldWide Electric Corporation

P.O. Box 307, Pittsford, NY 14534 USA

Phone: 800-808-2131 ♦ Fax: 800-711-1616

www.worldwideelectric.net



WorldWide Electric Corporation
P.O. Box 307, Pittsford, NY 14534 USA
Phone: 800-808-2131 ♦ Fax: 800-711-1616
www.worldwideelectric.net

PRSR STD
U.S. POSTAGE
PAID
Rochester, NY
Permit No. 695

Source Code:

030114-SPC

