

CCH UX Series LED Exit Signs

UL Listed
Available with Cl. I, Div. 2,
Groups A, B, C, D rating

NEMA 4X, IP66

2L

Eaton's Crouse-Hinds CCH UX Series LED Exit Sign combines the strength and durability of die cast aluminum with architecturally-pleasing aesthetics. The CCH UX Series is illuminated by LEDs, providing the customer with a long-life, low maintenance, dependable exit sign for use in conditions where reliability is crucial.

Designed for the most severe environments, the CCH UX Series will provide maximum performance against rain, moisture, cold, corrosion, and dust in applications such as manufacturing plants, refineries, petrochemical and chemical plants, waste and sewage treatment facilities, food processing, and other industrial facilities.

Applications:

- In locations deemed hazardous due to the presence of flammable vapors or gases
- In areas where the presence of gases or vapors may become present during an abnormal, unusual, or accidental conditions
- Outdoor and wet applications
- Where required by the National Electrical Code®, Life Safety Code®, or other applicable codes

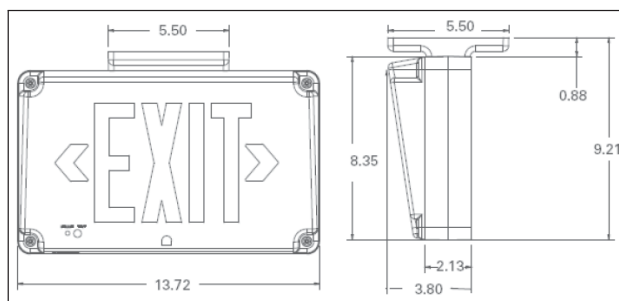
Features and Benefits:

- Wet location, outdoor rated for use in the most demanding environments
- Optional hazardous location rating available
- Dual voltage 120V/277V reduces wiring errors
- Heavy-duty nickel cadmium battery for long life
- 24-hour charge and recharge recovery time increases safety
- Heavy-duty injection molded polycarbonate lens protects against impact and corrosion
- Brown-out protection protects battery and reduces labor
- Heavy-duty aluminum die cast housing protects against impact and chemical resistance
- LEDs provide long life, even illumination, and energy savings
- Wide operating temperature range (-45°C to 45°C)
- Self-diagnostic testing reduces costs by eliminating scheduled equipment verification tests
- Heavy duty nickel cadmium battery for long life meets 90 minute requirements for battery operated emergency system

Certifications and Compliances:

- NEMA 4X, UL50
- UL924 wet location
- IP65, IP66
- Available with NEC hazardous location rating - UL844 Class I, Division 2, Groups A, B, C, D

Dimensions In Inches:



Mounting: wall mount, ceiling mount, end mount
Conduit Entry: top, bottom, or either side of the unit



Benefits of LED Technology:

- Provides safe and reliable exit marking both indoors and outdoors during power failure or interruption of power to normal lighting system
- Long life (>50K hours) for years of maintenance-free operation
- Energy-efficient for lower cost of operation
- Low temperature operation with no loss of illumination
- Rugged and durable light source for the harshest of environments

Temperature Performance Data:

CCH UX Series Exit Sign:

- -45°C (-49°F) to 45°C (113°F)

CCH UX-HAZ Hazardous Location Exit Sign:

- T6 rating at 45°C (113°F)

Electrical Ratings:

- | | | | |
|---------------------|--|-------------------|--|
| • Power Supply | 120V/277V dual voltage | • LED Exits - Red | Input Power
120V = 2.7W
277V = 3.2W |
| • LED Exits - Green | Input Power
120V = 2.3W
277V = 3.0W | • LED Exits - Red | Input Power
120V = 2.7W
277V = 3.2W |
| • LED Exits - Green | Input Current:
(Max.)
120V = .08A
277V = .03A | • LED Exits - Red | Input Current:
(Max.)
120V = .07A
277V = .04A |

Ordering Information:

Catalog Number	Housing Finish	Letter Color
CCH UX70RSDHAZ	Silver Housing	Red LED
CCH UX60RHAZ	Silver Housing	Red LED
CCH UX70GSDHAZ	Silver Housing	Green LED
CCH UX60GHAZ	Silver Housing	Green LED
CCH UX70RSD	Silver Housing	Red LED
CCH UX70RWHSD	White Housing	Red LED
CCH UX70RBKSD	Black Housing	Red LED
CCH UX60R	Silver Housing	Red LED
CCH UX60RWH	White Housing	Red LED
CCH UX60RBK	Black Housing	Red LED
CCH UX70GSD	Silver Housing	Green LED
CCH UX70GWHSD	White Housing	Green LED
CCH UX70GBKSD	Black Housing	Green LED
CCH UX60G	Silver Housing	Green LED
CCH UX60GWH	White Housing	Green LED
CCH UX60GBK	Black Housing	Green LED

Crouse-Hinds
by **E.T.N**