

Standard Sizes CR Compact, Mid-Size and Full-Size Air Conditioners

Basic—Type 12, 3R

Catalog Number	BTU/Voltage/Hz
CR230216G002	1600 BTU/Hr. 115V-50/60 Hz
CR230226G002	1600 BTU/Hr. 230V-50/60 Hz
CR290216G002	2200 BTU/Hr. 115V-50/60 Hz
CR290226G002	2700 BTU/Hr. 230V-50/60 Hz
CR290416G002	4000 BTU/Hr. 115V-50/60 Hz
CR290426G002	4000 BTU/Hr. 230V-50/60 Hz
CR430616002	6000 BTU/Hr. 115V-60 Hz
CR430626002	6000 BTU/Hr. 230V-60 Hz
CR430816002	8500 BTU/Hr. 115V-60 Hz
CR430826002	8500 BTU/Hr. 230V-60 Hz

Outdoor/SST/Corrosion/4X—Type 4X

Catalog Number	BTU/Voltage/Hz
CR230216G015	1600 BTU/Hr. 115V-50/60 Hz
CR230226G014	1600 BTU/Hr. 230V-50/60 Hz
CR290216G036	2200 BTU/Hr. 115V-50/60 Hz
CR290226G037	2700 BTU/Hr. 230V-50/60 Hz
CR290416G068	4000 BTU/Hr. 115V-50/60 Hz
CR290426G054	4000 BTU/Hr. 230V-50/60 Hz
CR430616031	6000 BTU/Hr. 115V-60 Hz
CR430626034	6000 BTU/Hr. 230V-60 Hz
CR430816036	8500 BTU/Hr. 115V-60 Hz
CR430826038	8500 BTU/Hr. 230V-60 Hz

Level 2 Controller—Type 12, 3R

Catalog Number	BTU/Voltage/Hz
CR230216G016	1600 BTU/Hr. 115V-50/60 Hz
CR290216G030	200 BTU/Hr. 115V-50/60 Hz
CR290226G030	2700 BTU/Hr. 230V-50/60 Hz
CR290416G047	4000 BTU/Hr. 115V-50/60 Hz
CR290426G027	4000 BTU/Hr. 230V-50/60 Hz
CR430616016	6000 BTU/Hr. 115V-60 Hz
CR430626018	6000 BTU/Hr. 230V-60 Hz
CR430816021	8500 BTU/Hr. 115V-60 Hz
CR430826026	8500 BTU/Hr. 230V-60 Hz

NOTE: Some packages are not listed. Verify package before ordering.

CR23 23.00 x 10.00 x 8.75 (584 x 254 x 222) Replacement Filter No. 23200400

Catalog Number	Voltage	Hz	Phase	BTU/Hr. @ 131°F/131°F ^a	Amps @ 131°F/131°F	BTU/Hr. @ 95°F/95°F ^a	Amps @ 95°F/95°F	Max Amb. Temp °F/°C	Shipping Weight ^b Lbs./Kgs
CR230216GXXX	115	50/60	1	1400/1600	4.1/4.5	1500/1700	3.8/3.6	131/55	57/26
CR230226GXXX	230	50/60	1	1400/1600	2.2/2.2	1500/1700	2.1/1.8	131/55	57/26

CR29 29.50 x 15.75 x 8.63 (749 x 400 x 219) Replacement Filter No. 10100032

Catalog Number	Voltage	Hz	Phase	BTU/Hr. @ 131°F/131°F ^a	Amps @ 131°F/131°F	BTU/Hr. @ 95°F/95°F ^a	Amps @ 95°F/95°F	Max Amb. Temp °F/°C	Shipping Weight ^b Lbs./Kgs
CR290216GXXX	115	50/60	1	2000/2200	7.4/7.4	1700/2000	7.0/6.0	131/55	98/44
CR290226GXXX	230	50/60	1	2500/2700	4.6/3.9	1900/2300	4.4/3.3	131/55	98/44
CR290416GXXX	115	50/60	1	3500/4000	13.5/13.5	2400/2800	10.7/9.6	131/55	118/54
CR290426GXXX	230	50/60	1	3500/4000	6.7/6.6	2400/2800	5.9/5.3	131/55	118/54

CR43 43.31 x 15.75 x 10.25 (1100 x 400 x 260) Replacement Filter No. 10100044

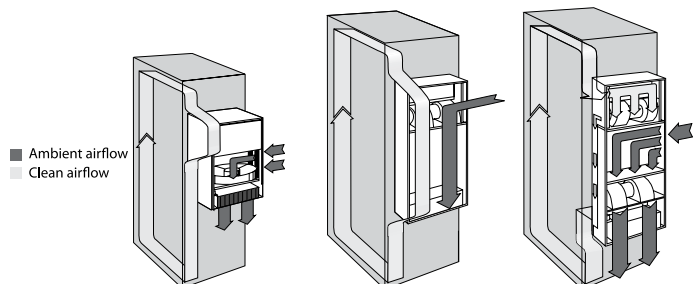
Catalog Number	Voltage	Hz	Phase	BTU/Hr. @ 131°F/131°F	Amps @ 131°F/131°F	BTU/Hr. @ 95°F/95°F	Amps @ 95°F/95°F	Max Amb. Temp °F/°C	Shipping Weight ^b Lbs./Kgs
CR430616XXX	115	60	1	6000	13.7	5100	11.0	131/55	133/60
CR430626XXX	230	60	1	6000	6.9	5100	5.5	131/55	133/60
CR430816XXX	115	60	1	8500	16.0	7500	12.9	131/55	140/64
CR430826XXX	230	60	1	8500	8.2	7500	6.3	131/55	140/64

^aBecause air conditioners provide less cooling at lower operating temperatures, two cooling capacity ranges are provided.

^bFor Stainless Steel UL Type 4X models, add approximately 10 lbs. to shipping weight.

Closed Loop Cooling

Within the air conditioner, the recirculated clean air is kept separate from the ambient airflow system. This protects the electronic controls and prevents shutdowns caused by heat, humidity, dust and other contaminants.





Features

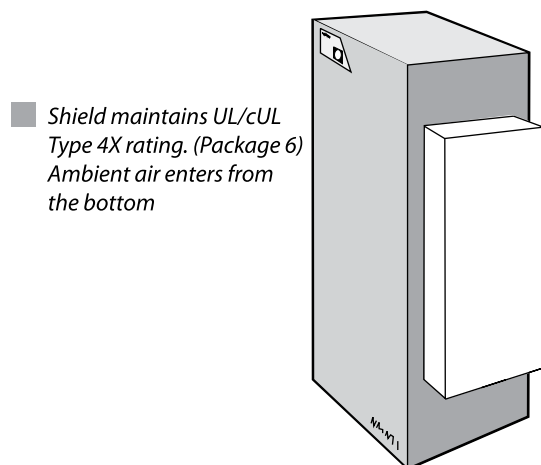
- Thermostat control and EMI/RFI noise suppressor included
- Front cover hinges open for quick access to all components
- Filter can be inverted to double operating time between cleanings and/or replacements (models CR23 and CR29 only)
- Filterless operation possible in many applications
- Mounting flanges facilitate installation on door, side, or front of enclosure
- For a typical application, unique condensate management system evaporates moisture from enclosure
- High-performance fans and blowers are ideal for densely-packed enclosures
- Mounting hardware, gaskets and instruction manual furnished

Finish

Available in brushed stainless steel or RAL 7035 light gray polyester powder coating.

Industry Standards

UL/cUL Listed, UL File Number SA6453
CE



Shield maintains UL/cUL Type 4X rating. (Package 6)
Ambient air enters from the bottom

Air Conditioner Packages

The CR family of air conditioners is available in three different configurations.

Basic

Maintains UL/cUL Type 12 or Type 3R rating when properly installed on a UL/cUL Type 12 rated enclosure.

- Standard air conditioner with painted mild steel exterior

Level 2 Controller

Maintains UL/cUL Type 12 or Type 3R rating when properly installed on a UL/cUL Type 12 rated enclosure.

- Standard air conditioner with painted mild steel exterior
- Includes microprocessor-based programmable temperature management, digital display and remote alarm capability

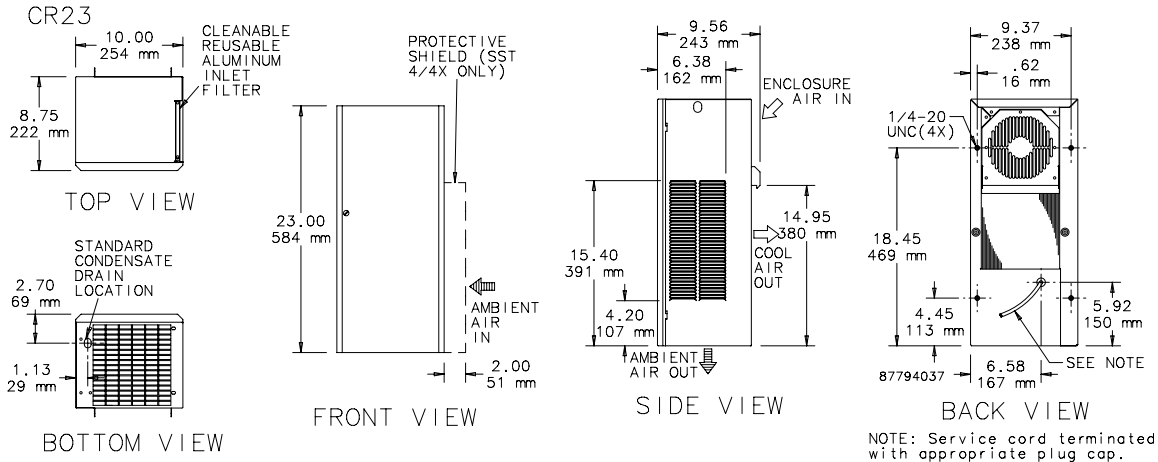
Outdoor/SST/Corrosion/4X

Maintains UL/cUL Type 4X, 4 or 12 rating when properly installed on a UL/cUL Type 4X, 4 or 12 rated enclosure.

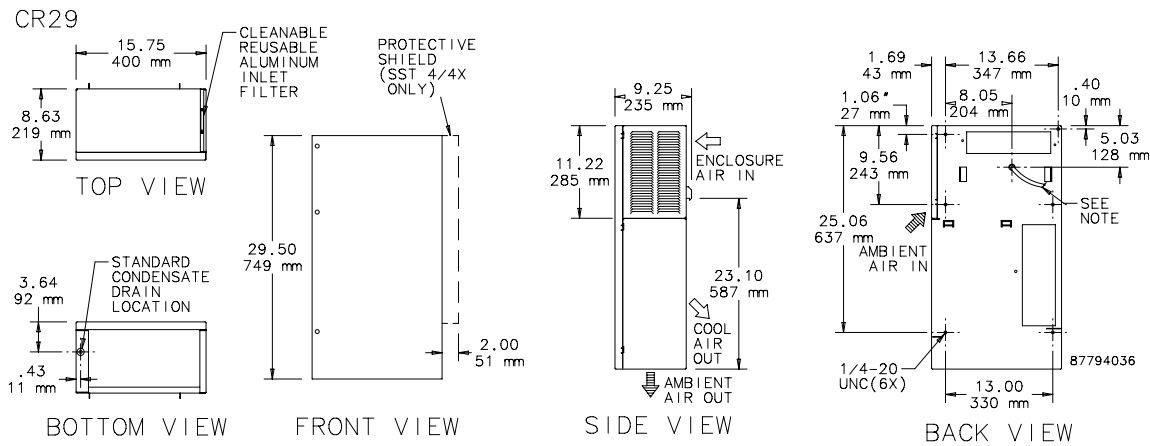
- For use where air conditioner must operate in ambient temperatures below 50 F (10 C)
- Lowest operating temp = 40 F (4.4 C)
- Constructed of 304 stainless steel for increased protection in corrosive and outdoor applications
- For protection from corrosive environments, thermostat is tin-plated and a special coating is applied to coils and copper lines exposed to the ambient air
- Protective shield, shown below, protects unit in outdoor and hose-down applications and provides 4X rating. Shield protrudes about 2 in. (51 mm) from the air conditioner.

Notes: Hoffman top-mounted units are directly interchangeable with comparable GENESIS™ and Slimboy models.

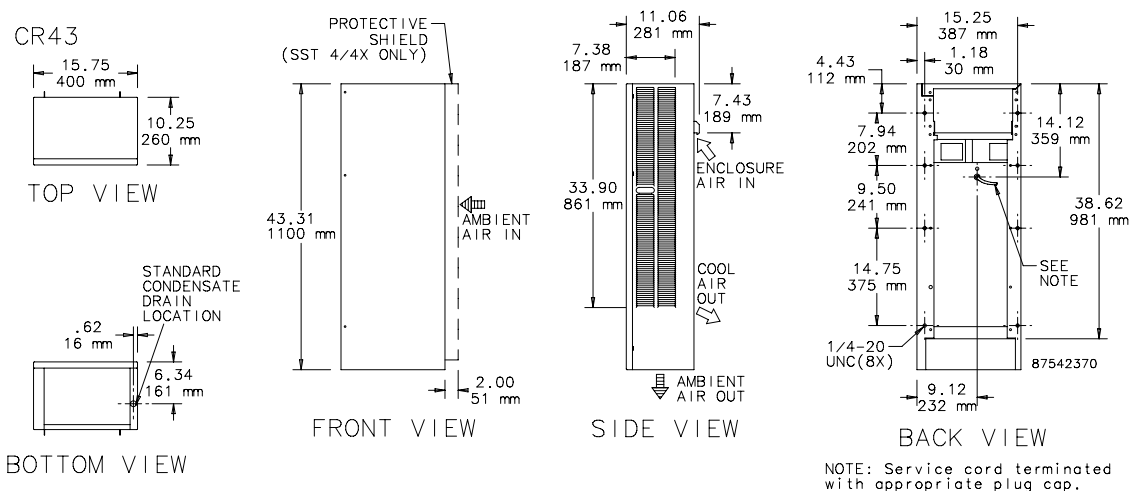
CR23



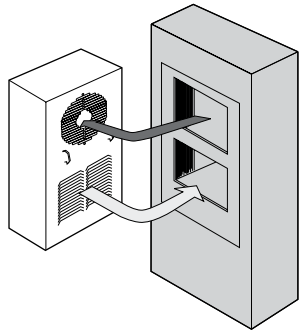
CR29



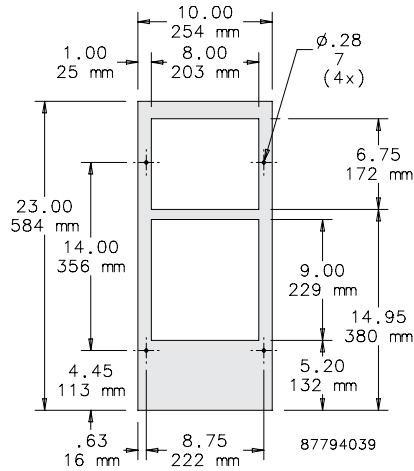
CR43



CR23



R23 Side-Mount to Enclosure

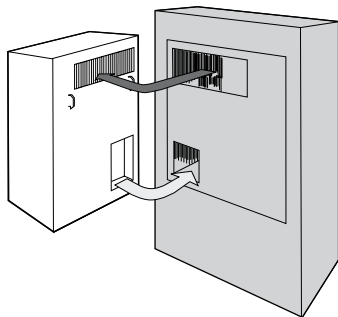


CR23 Mounting Cutout Dimensions

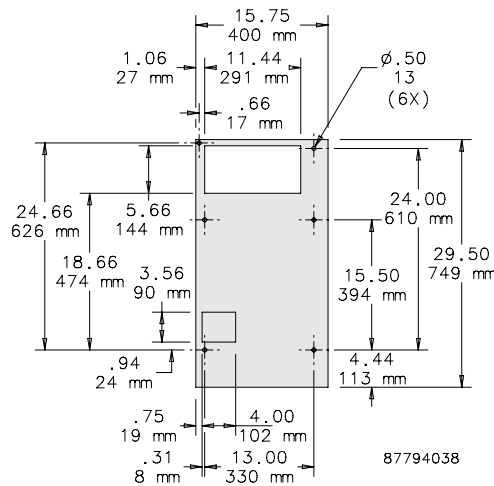
NOTE:

1. Shaded area represents air conditioner.
2. Cutout dimensions for standard products only.

CR29



CR29 Side-Mount to Enclosure

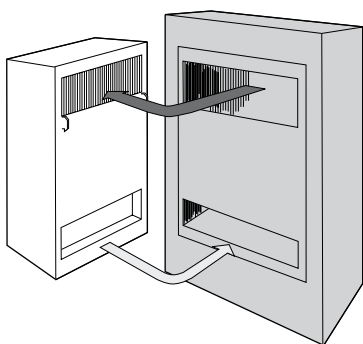


CR29 Mounting Cutout Dimensions

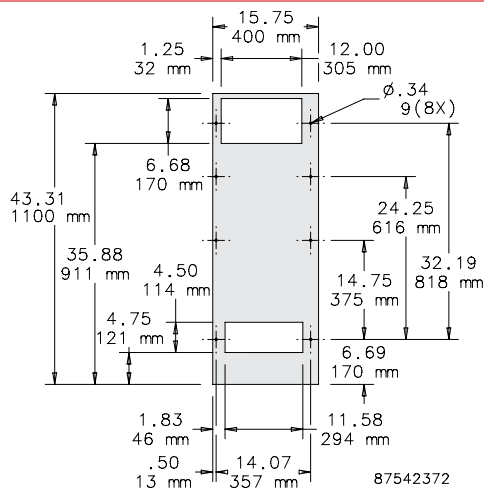
NOTE:

1. Shaded area represents air conditioner.
2. Cutout dimensions for standard products only.

CR43



CR43 Side-Mount to Enclosure



CR43 Mounting Cutout Dimensions

NOTE:

1. Shaded area represents air conditioner.
2. Cutout dimensions for standard products only.