

nsi

INDUSTRIES



TORK® POLARIS™ EASY-TWIST™
EASY-WRAP™ MINITERMS EASY-SPLICE™ EASY-TAP™ TORKALERT™



About Us

Since 1975, **NSi's** strength is in the unique products that we bring to the market, combined with our exceptional ability to provide quality **TORK®** brand products manufactured in the company's Mount Vernon facility. **TORK®** is **NSi Industries** largest brand, covering the categories of Electromechanical and Digital Time Switches, Signaling and Alert Devices, Pool and Spa Controls, Residential Timers, Photocontrols and Occupancy Sensors.

For over 90 years, **TORK** brand recognition and *reputation for quality* and design make it the most specified brand in the industry. The **TORK** brand has a rich history beginning in the 1920s when the company introduced the first electromechanical time switch to the marketplace. Currently, **TORK's** time switches maintain energy efficiency through lighting control in such high profile places as the Empire State Building, Washington DC Parks and Recreation, The Triborough Bridge, The Met Life Building and many more institutions across the country. As the *most specified brand of time switches* in the industry, **TORK** enjoys the hearty respect of engineers and project planners across all channels of distribution.

TABLE OF CONTENTS

PICTORIAL INDEX 1

CONNECTORS

Aluminum Dual Rated Single & Double Lugs	13
Aluminum Dual Rated Panelboard Lugs	15
Aluminum Dual Rated Stacked Lugs	19
Aluminum Dual Rated Splicer & Reducers	21
Aluminum Dual Rated Turn Prevent Lugs	23
Aluminum Dual Rated Lay-In & Dual Range Lugs	25
Aluminum Dual Rated Tap Connector & Covers	27
Aluminum Dual Rated Heavy Duty Transformer Lugs	29
Aluminum Dual Rated Transformer Lugs	31
Aluminum Dual Rated Transformer Connectors	33
Secondary Transformer Connectors	35
Transformer Stud Connectors	37
Copper Single Lugs – Cu Extruded & Tubular	39
Copper Single/Double Solderless Lugs	41
Copper & Bronze Terminal Lugs	43
Aluminum Dual Rated Parallel Groove Clamps	45
Wedge & Hot-Line Clamps & Service Entrance Connector	47
Aluminum One Hole Standard Barrel	49
Aluminum Two Hole Standard Barrel	51
Dual Rated Aluminum Splice	53
Bi-Metallic Pin Terminals	55
Dual Rated Pin Terminals	57
Dual Rated Wide Range Tap Connectors & Covers	59
Dual Rated Meter Socket Lugs	63
Dual Rated Insulated Service Entrance Sleeves	65
Long Barrel One Hole Copper Lugs	67
Long Barrel Copper Lugs Two Hole	71
Long Barrel Stacking Copper Lugs	77
Stacking Adapters For Compression Terminals	78
Short Barrel Copper Lugs One Hole With Peep Hole	79
Short Barrel Copper Lugs Two Hole With Peep Hole	83
Copper Splice Short Barrel	85

Copper Splice Long Barrel	87
For Flexible Copper Cable - One Hole Short Barrel	89
For Flexible Copper Cable - One Hole Long Barrel	91
For Flexible Copper Cable - Two Hole Long Barrel	93
For Flexible Copper Cable - Two Hole Short Barrel Peep Hole ..	95
For Flexible Cable - Copper Short Barrel	97
For Telecommunications - Two Hole Short Barrel	99
For Flexible Copper Cable - Two Hole Short Barrel No Peep ..	101
C-Taps	102
Copper Press-Ons	104
Copper Split Bolts 2 Wire	105
Copper Split Bolts 3 Wire	106
Copper Tin Plated Split Bolts	107
Aluminum Dual Rated Split Bolts	108
Service Post Connectors One-Wire Type	109
Service Post Connectors Two-Wire Type	110
Two-Bolt Bronze For Copper To Copper	111
Two-Bolt Bronze For Aluminum, Copper & Steel	112
Easy-Tap™ IPCS Series - Insulation Piercing Connectors	113
Connector Bloks™ Single Primary Multiple Secondary	
Connector Block Covers	115
Connector Bloks™ Multiple Primary Multiple Secondary	
Connector Block Covers	117
Connector Bloks™ Splice Reducer Primary Secondary	
Connector Block Covers	119
Terminal Bloks™ Double Row 9/16" Centers 600V	121
Terminal Bloks™ Hardware Options	122
Terminal Bloks™ Splicer & Reducers 75 Amps 600V	123
Terminal Bloks™ Two Pole 250 Volts	124
Rail Mounted Modular Terminal Block Hardware Options	125
Insulated Terminal Blocks	127
Multiple Connectors Used In Neutral Assemblies And Grounding	
Applications	129

Copper Neutral Connectors	131	Polaris™ Heavy Duty Either Side Wire Entry	191
Combination Connectors	132	Polaris™ Multi-Conductor Blocks With Mounting Holes, One Side Wire Entry	193
Neutral 225 Amps 600VAC Connectors	133	Polaris™ Multi-Conductor Blocks With Mounting Holes, Either Side Wire Entry	195
Combination Connectors	135	Submersible Pedestal Connectors	199
Non-Metallic Splice & Tap	137	Heavy Duty Unisulated Blocks, Either Side Wire Entry	201
Transformer Lug Kits – Mechanical Set-Screw Types	139	Uninsulated Multi Cable Connectors	203
Tool and Die Charts for Copper & Aluminum Connectors	141	Polaris™ Custom Designed Connector Blocks	207
TOOLS & HARDWARE		Polaris™ Installation Instructions	209
Hydraulic Compression Tool	153	SPlicing	
Crimping Dies	154	Easy-Splice Wrap-Around Gel Splice Kits	213
Hydraulic Die & Battery-Operated Die Type Crimping Tools	155	Easy-Splice Wrap-Around UF Splice Kit	214
U-Type Compression Dies	156	Easy-Splice In-Line Gel Splice Kit With Connector	215
Mechanical Crimpers & Tools, Ratchet Drive Crimpers	157	Easy-Splice Gel Tap Splice Kit With Connector	216
Manual & Ratchet-Drive Cable Cutters	158	Easy-Splice Gel Stub Splice Kit With Connector	217
Steel Fishtapes & Conduit Benders	159	Easy-Splice H-Tap Splice Covers With Connector	218
Precision Wire Strippers & Insulated Miniterm Tool	160	Easy-Splice Push-On Gel Stub Splice Kits	219
Electrician's Hand Tools	161	Easy-Splice Direct Burial Roll-On Splice Sleeve	220
Electrical Multitesters – Analog & Digital	162	Easy-Splice Direct Burial Splice Kit With Rubber Cover	221
Circuit & Receptacle Testers	163	Easy-Splice Self Sealing UF Splice Kit & Hot Melt Sealant Sleeves	222
Torque Wrenches, Screwdriver & Accessories	165	Easy-Splice Direct Burial/Submersible Splice Kits With Heat Shrink	223
Silicon Bronze Bolts, Nuts, Washers, Lockwashers	166	Easy-Splice Heat Shrinkable End Caps	224
Stainless Steel Bolts, Nuts, Washers, Lockwashers	167	Easy-Splice Heavy Wall Heat Shrink For Direct Burial and Submersible	225
Oxide Inhibitor & Duct Sealing Compound	168	Easy-Splice Thin-Wall Heat Shrink Kits	227
POLARIS™		Easy-Splice Heavy Wall Heat Shrink	228
Polaris Grey™ For Fine Stranded Wire	171	Easy-Splice Thin-Wall Tubing	229
Polaris Grey™ Replacement Sleeves	171	GROUNDING	
Polaris Blue™ For Direct Burial & Submersible	173	Heavy Duty Direct Burial With Lay-In Lugs	235
Polaris™ In-Line & Two-Wire	177	Copper & Tin Plated Copper Lay-In Lugs	236
Polaris™ Splicer/Reducers	179		
Polaris™ Multi-Conductor One Side Wire Entry	181		
Polaris™ Multi-Conductor Either Side Wire Entry	185		
Polaris™ Multi-Cable Blocks Either Side Wire Entry	187		
Polaris™ Multi-Cable Stacked Either Side Wire Entry	189		

TABLE OF CONTENTS

Heavy Duty Direct Burial Ground Clamps and Direct Burial For Rebar	237	Male & Female Plugs Wire Tap and Pin Terminal, Male/Female Adapter	285
Heavy Duty Direct Burial With Adapters	238	High Temperature Spade, Ring, Piggyback & Disconnect	287
Bronze Ground Clamps & Heavy Duty Water Pipe Clamps	240	Male Disconnects: Fully Insulated and Male/Female Adapter	289
Aluminum & Bronze Ground Clamps	241	Female Disconnects: Piggyback, Sleeved Barrel & Fully Insulated	291
Heavy Duty & With 360° Adapters For Rigid Conduit	242	Female Flag & Fully Insulated Flag, Two-Way Receptacle	293
Rigid Conduit With Flexible Wire Strap	244	Female Disconnects	295
Economy & 360° Swing Type Hubs	245	Rocker Switches	297
Zinc Die Cast & Standard Duty Silicon Bronze Ground Clamps	246	Rotary Switches & Miscellaneous	299
Heavy Duty Silicon Bronze & Range Taking Rod Clamp	247	Pushbutton Switches	301
Intersystem Bonding Connectors	248	Toggle Switches: Maintained Contact Single Pole	304
Isolated Ground Bars	249	Toggle Switches: Maintained Contact Single & Double Pole	305
Heavy Duty For Parallel, 90° Copper Cable	250	Toggle Switches	307
Heavy Duty For Parallel, Two & Three Conductor	251	Round Indicator Lights	308
Transformer Ground Clamps	253	Round & Snap-In Rectangular Indicator Lights	309
Two-Way Baskets	254	Indicator Lights and Emergency Stop Buttons	310
Flexible Braid Jumper Straps & Ground Strap	255	WIRE MANAGEMENT	
Grounding Pigtails (Solid and Stranded) & Grounding Clips	256	Easy-Wrap™ Premium Electrical Tape	313
EASY-TWIST™		Easy-Wrap™ General Purpose & All-Weather Corrosion Tape	314
Easy-Twist™ Standard Twist-On Wire Connectors	259	Easy-Wrap™ Rubber Splicing Tape, Harness Wrap & Duct Tape	315
Easy-Twist™ Winged Twist-On Wire Connectors	261	Easy-Wrap™ Friction, Electrical Filler and Silicone Rubber Tape	316
Easy-Twist™ Wire Connector Combination Pails	263	Easy-Wrap™ High Voltage, Glass Cloth and Rubber Mastic Tape	317
Push-In Wire Connectors	265	Slyder™ Wire Lubricant	318
Crimp Sleeve & Nylon Wire Connectors	267	Standard (Natural) Cable Ties	319
MINITERMS & SWITCHES		UV & Weather Resistant (Black) Cable Ties	321
Butt Splices	271	Air Handling and Push Mount Cable Ties	323
Spade Terminals: Locking	273	Tefzel, Marker Cable Ties	324
Spade Terminals Flange & Block	275	HVAC Standard and Weather Resistant Ties	325
Spade Terminals	277		
Ring Terminals Vinyl	279		
Ring Terminals Uninsulated	281		
Ring Terminals Nylon	283		

Releasable Cable Ties	326
Stainless Steel Ties	326
Standard Cable Ties: Color	327
Standard Cable Ties: Fluorescent	329
Cable Ties Canister Packs	331
Natural & Weather Resistant Mountable Ties	333
Velcro Ties	334
Cable Ties With Stainless Steel Barb	335
Cable Tie Installation Tools	337
Cable Tie Adhesive Mounts	338
Push Mounts	339
Polyethylene Nail Clips	340
Nail-On Plastic Staples For Romex	341
Masonry Push Mounts	342
Adjustable Cable Clamps	342
Standard & Heavy Duty Nylon Cable Clamps	343
Standard Slot Panel Channel	345
Narrow Finger, High Density Panel Channel	347
Solid Wall Panel Channel and Floor Duct	349
Cable Marker Plates	350
Wire Marker Dispensers	350
Roll Label Dispenser and Polyester Industrial Tapes	351
Pocket Pal Marker Books	352
Easy Release Wire Marker Cards	353
Voltage Markers	354
Self-Adhesive Labels	355
Spiral Wrap	355
Detectable Underground Line & Barricade Tapes	356
FIRESTOP™	
FireStop™ Intumescent Caulk	359
FireStop814™ Residential & Commercial Caulk	359
FireBlock136™ Residential Fire Block	359
FireStop™ Pillows & Putty Pads	359
FireStop™ Ratings & UL Systems	361

LIGHTING

Mini Wallpacks	371
Compact Wallpacks	372
Medium Wallpacks	373
Large & Large Deep Wallpacks	374
"The Rocky" Vandal Resistant Wallpacks	375
Fluorescent & Compact Floodlight	377
Low Profile Floodlight	378
Medium & Large Floodlight	379
1000 Watt Floodlight	380
Incandescent Floodlight	380
Quartz Floodlight With Lamp	381
High Pressure Sodium Ballast Kits With Lamp	382
Metal Halide Ballast Kits With Lamp	383
High Pressure Sodium Ballast Kits Only	384
Metal Halide Ballast Kits Only	385
Twin Head Emergency Light	386
Fixed Optics Emergency Light	386
LED & Combo LED Incandescent Exit Light	387
Wet Location Emergency Light	388
Heavy Duty Emergency Light	389
Emergency Fluorescent Ballast	389
Entry Cylinder	390
5X8 Vandal Resistant Entry Light	390
Small & Large Vandal Resistant Light	391
Incandescent Loading Dock Lights	392
Short-Term Lighting System	393
Accessories	393
Box & Wall Vaportite	393
Fluorescent Undercabinet Lights	394
Heavy Duty Ground Stake	394
TORK® ENERGY CODE REFERENCE GUIDE & RESPONSIBLE ENERGY STATEMENT	
Exterior and Interior Lighting Zones	397

TABLE OF CONTENTS

TORK® PHOTOCONTROLS

Quick Reference Guide & Features	401
2100 Series Spec Grade Die Cast Zinc Photocontrol	403
2110 Series Spec Grade Die Cast Aluminum Photocontrol	404
2000 Series Fixed Conduit Mount Photocontrol	405
2001 Series 180° Swivel Conduit Mount Photocontrol	406
2020 Series 180° Swivel Conduit Mount Photocontrol	407
3000 Series Flush Mount Photocontrol	408
5000M Series Utility Grade Delayed Response w/MOV	409
5400A Series 6000 Watt Contactors w/Turn-Lock Control	410
2005A Series Instant Response Turn-Lock Control	411
2005B Series Instant Response Turn-Lock Control	412
5200 Series Utility Grade Electronic Photocontrol	413
5200-UL Series Electronic Photo Control Listed for LED	414
5737 Series Photo-Timers	415
Photocontrol Turn-Lock Accessories	416

TORK® ELECTROMECHANICAL TIME SWITCHES

Quick Reference Guide & Features	419
TU40 Series Universal Multi-Voltage 24-Hr Time Switch	421
1100 Series 24 Hr Time Switch	423
7000 Series 24 Hr Time Switch with Skip-a-Day	425
7000Z Series SunSet 24 Hr Time Switch with Skip-a-Day	427
8000 Series Duty Cycle 24 Hr Time Switch	429
8000 Series Repeating Variable Cycle 24 Hr Time Switch	431
WH2B 24 Hr Water Heater Timer	432
1800 Series Momentary Contact Time Switch	433
W Series 7 Day Time Switch	435
T900 Series 2 & 3 Circuit Lighting Control Centers	437
TW Series 7 Day Time Switch with Reserve Power	439
TZ Series SunSet Time Switch with Reserve Power	441

TORK® DIGITAL TIME SWITCHES

Quick Reference Guide	445
DT Series Automatic Voltage Detection 7 Day Time Switch	447

DT Series Water Heater Timer	447
EH20C Water Heater Timer with Summer Load Shed	449
SA300 Series Zip-Set™ Time Switch	451
E, E-PB Series 1 or 2 Channel 24 Hr Time Switch	453
EW Series 1 or 2 Channel 7 Day Time Switch	455
EWZ Series SunSet 1 or 2 Channel 7 Day Time Switch	457
DG100 Series 1 or 2 Channel 365/7 Day Time Switch	459
DW Series 1 or 2 Channel 365/7 Day Advance Time Switch	461
DTS Series 1, 2, 4 Channel 365/7 Day Advance Time Switch	463
DZS Series 1, 2, 4 Channel 365/7 Day SunSet Time Switch	465
DZM Series 365/7 Day SunSet Lighting Control Switch	467
LC200 Series 2-Zone Lighting Control Switch	469
DGU Series 7 Day Lighting Control Time Switch	471
DGLC Series 7 Day Lighting Control Time Switch	471
ELC Series 4, 8, 12 Zone Lighting Control Switch	473
DLC400BP 4 Zone Lighting Control Switch	475
LD Series Lighting Delay Time Switch	477
DGS Series Signaling Duty Cycle 24 Hr or 7 Day Time Switch	479
EJWT & E500T Series Delay, Interval, and Percentage Time Cycle Time Switches	481
PCT Series Panel Mount Cycle Time Switch	483
ACT30MA Series Adjustable Cycle Time Switch	484
DIN Series 1 or 2 Channel 7 Day Time Switch	485
SMC Series Momentary Contact Switches	487
5401 Series 40 Amp Contactors	488
HPS Starter	489

TORK® OCCUPANCY SENSORS

SENSOR TECHNOLOGY & PLACEMENT GUIDE	493
WOS, WOS-M, WOS-M2R, WOS-M2T Series	494
COS-L, COS-L2T, COS-LU, COS-M Series	498
HOS-M Series High Bay PIR Ceiling Mount Occupancy Sensors	502
CPS-L Series Ceiling Mount Photo Sensor	503
TRP-24 Series Intelligent Power Pack	504

TORK® IN-WALL TIME SWITCHES

Quick Reference Guide	507
SS700Z and SS721Z SunSet In-Wall Timer	509
SS720A	511
SS720Z Series	512
SA170 Series Zip-Set™ In-Wall Timer	513
701A & 711A Series 24 Hr In-Wall Time Switches	514
SS400 Series Digital Auto-Off In-Wall Timers	515
SS Series Auto-Off In-Wall Timer	517
D Series Electronic Auto-Off In-Wall Timer	518
A & C Series Springwound Auto-Off In-Wall Timers	519

TORK® PLUG-IN TIMERS

400 Series Indoor Mechanical Plug-In Timers	523
SA100 Series Indoor Mechanical Plug-In Timers	524
400 & SA100 Series Indoor Digital Plug-In Timers	525
SA200 & SA500 Series Wireless Remote Controls	526
600 & SA200 Series Outdoor Plug-In Mechanical Timers	527
600 & SA200 Series Outdoor Plug-In Digital Timers	528
SA200 Series Outdoor Plug-In Stake Timers	529
SA200 Series Outdoor Zip-Set™ Digital Timers	530

TORKALERT™ SIGNALING DEVICES

Mechanical & Strobe Horns	533
Muti-Tone Electronic Horns	534
Heavy Duty Bells	534
Light Duty and General Purpose Bells & Buzzer, Chimes & Chime Kits	535
Waterproof Motor Driven Siren & Manual Fire Alarm	536
Telephone Relay	537
Wall Clocks	538
Electric Door Openers	539
Push-Buttons	540
Warning Lights (Industrial)	541
Warning Lights (Vehicular)	542

Power Supply Units and Transformers	543
TorkAlert™ Accessories & Replacement Parts	544
TorkAlert™ Dimension Drawings	545

TORK® POOL & SPA CONTROLS

PP Panels Series with Time Switches	549
P1100 Series Electromechanical	551
PEW1100 Series Digital Controls	552
1100 Series Swimming Pool Time Switches	553
Pool & Spa Junction Boxes	554
DPC201 Series Digital 2-Speed Pump Timer	555

ENCLOSURES

Electromechanical Mechanisms	557
ENCLOSURE DIMENSIONS	558
ALPHANUMERIC INDEX	559

T SERIES



PAGE 13

L SERIES



PAGE 15

L4, LL4, LL2 SERIES



PAGE 17

T2 SERIES



PAGE 19

SR SERIES



PAGE 21

TP, BTP SERIES



PAGE 23

GLA, BS SERIES



PAGE 25

GP, GC SERIES



PAGE 27

LL SERIES



PAGE 29

T, L SERIES



PAGE 31

STL SERIES



PAGE 33

SFTZ SERIES



PAGE 35

TS SERIES



PAGE 37

TC SERIES



PAGE 39

DE SERIES



PAGE 41

TL SERIES



PAGE 43

PAA, PAE SERIES



PAGE 45

W, HLC, EC SERIES



PAGE 47

AL SERIES



PAGE 49

AL-N SERIES



PAGE 51

ASC-T SERIES



PAGE 53

PT SERIES



PAGE 55

PTS, PTO SERIES



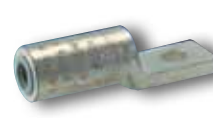
PAGE 57

WRD, C SERIES



PAGE 59

CAL SERIES



PAGE 63

ISE SERIES



PAGE 65

L SERIES



PAGE 67

LN SERIES



PAGE 71

SL-N SERIES



PAGE 77

SA SERIES



PAGE 78

GL SERIES



PAGE 79

GL-N SERIES



PAGE 83

SC SERIES



PAGE 85

C SERIES



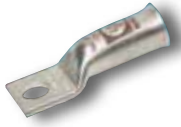
PAGE 87

GL-B SERIES



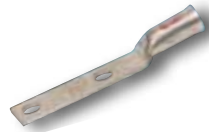
PAGE 89

L-B SERIES



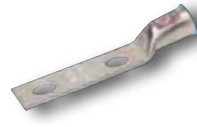
PAGE 91

L-NB SERIES



PAGE 93

GL-NB SERIES



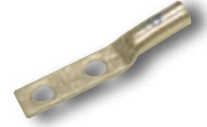
PAGE 95

SC-B SERIES



PAGE 97

GLN SERIES



PAGE 99

GLN-X SERIES



PAGE 101

CT SERIES



PAGE 102

CTH SERIES



PAGE 103

CSP, CDP SERIES



PAGE 104

N SERIES-2 WIRE



PAGE 105

N SERIES- 3 WIRE



PAGE 106

N-SP SERIES



PAGE 107

APS SERIES



PAGE 108

SPM SERIES-1



PAGE 109

SPM SERIES-2



PAGE 110

TC SERIES



PAGE 111

TCP SERIES



PAGE 112

IPCS SERIES



PAGE 113

AS, AM, AL SERIES



PAGE 115

AS, AM, AL SERIES COVERS



PAGE 117

TB SERIES



PAGE 121

FQC SERIES



PAGE 122

TBS SERIES



PAGE 123

TBO SERIES



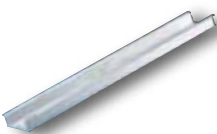
PAGE 124

DRT, FTB, DRE DRJ SERIES



PAGE 125

DR SERIES



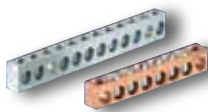
PAGE 125

ITB SERIES



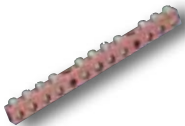
PAGE 127

MULTIPLE CONNECTORS



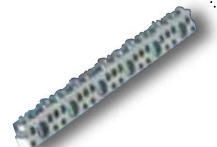
PAGE 129

CN SERIES



PAGE 131

CB SERIES



PAGE 132

NEUTRAL CONNECTORS



PAGE 133

COMBINATION CONNECTORS



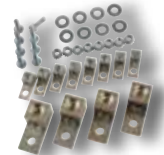
PAGE 135

NMS, NMT SERIES



PAGE 137

LK SERIES



PAGE 139

N12ID & N1240



PAGE 153

KA & KC SERIES



PAGE 154

NSI-12, P-750



PAGE 155

**MANUAL
COMPRESSION**



PAGE 157

**MANUAL/RATCHET
CABLE CUTTERS**



PAGE 158

**FTS, CB, CBS
CBH SERIES**



PAGE 159

TL, NH SERIES



PAGE 160

TL SERIES



PAGE 161

TES SERIES



PAGE 162

TW SERIES



PAGE 165

**HB, HN, SLW
FW SERIES**



PAGE 166

**SS, SSHN, SSBW
SSSLW, SSSFW SERIES**



PAGE 167

OX, DS SERIES



PAGE 168

**ITG, ITOG, IPLG
SITG SERIES**



PAGE 171

ISW SERIES



PAGE 173

ITW, IPLW SERIES



PAGE 175

IT, ITO, ITH SERIES



PAGE 177

ISR SERIES



PAGE 179

IPL SERIES



PAGE 181

IPLD SERIES



PAGE 185

IPLDS SERIES



PAGE 189

IPLDH SERIES



PAGE 191

IPLM SERIES



PAGE 193

IPLMD SERIES



PAGE 195

ISPB, ISPC SERIES



PAGE 199

PLH SERIES



PAGE 201

PL SERIES



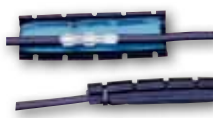
PAGE 203

**CUSTOM SERIES
INSTALLATION**



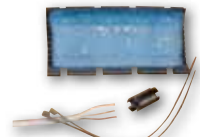
PAGE 207

WAGS SERIES



PAGE 213

ESUF SERIES



PAGE 214

ESGS SERIES



PAGE 215

ESGTS SERIES



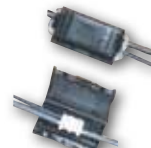
PAGE 216

ESSLK SERIES



PAGE 217

ESGHS SERIES



PAGE 218

GSS SERIES



PAGE 219

ROS SERIES



PAGE 220

RSK SERIES



PAGE 221

SKSS, HMSS SERIES



PAGE 222

SK SERIES



PAGE 223

HSC SERIES



PAGE 224

HWHS SERIES



PAGE 225

THK SERIES



PAGE 227

HHK SERIES



PAGE 228

TWHS SERIES



PAGE 229

GLC SERIES



PAGE 235

G-S-DB, G-S-BS SERIES



PAGE 237

G & G-DB SERIES



PAGE 238

G-S-DBR, G-BS SERIES



PAGE 239

G-S & G SERIES



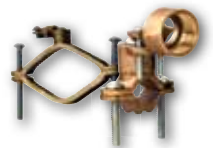
PAGE 240

GCA & G SERIES



PAGE 241

G SERIES



PAGE 242

EG SERIES



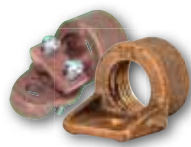
PAGE 243

(G-79)-(G-90) SERIES



PAGE 244

GH, GHM SERIES



PAGE 245

GZ, GRC SERIES



PAGE 246

GRC SERIES



PAGE 247

GBIAL, GBIAZ SERIES



PAGE 248

GBA, GBC SERIES



PAGE 249

UC SERIES



PAGE 250

CT SERIES



PAGE 102

CTH SERIES



PAGE 103

TGE SERIES



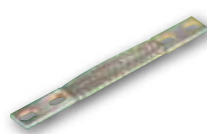
PAGE 253

HTGE SERIES



PAGE 254

FS, SA SERIES



PAGE 255

PG, GGC, GSH GSC SERIES



PAGE 256

WC SERIES



PAGE 259

WWC SERIES



PAGE 261

ET-CP SERIES



PAGE 263

PIWC SERIES



PAGE 265

SB, TOP, C SERIES



PAGE 267

B SERIES



PAGE 271

S SERIES



PAGE 273

R SERIES



PAGE 279

**PM, PF, PTC
PT SERIES**



PAGE 285

HT SERIES



PAGE 287

M, IM, FTC SERIES



PAGE 289

**P, IFS, IF SERIES
FULLY INSULATED**



PAGE 291

IFL, SF, DFR SERIES



PAGE 293

P, IFS, IF SERIES



PAGE 295

ROCKER SWITCHES



PAGE 297

ROTARY SWITCHES



PAGE 299

**PUSHBUTTON
SWITCHES**



PAGE 301

TOGGLE SWITCHES



PAGE 304

**ROUND
INDICATOR LIGHTS**



PAGE 308

**SNAP-IN
RECTANGULAR LIGHTS**



PAGE 309

**EMERGENCY
STOP BUTTONS**



PAGE 310

EWP SERIES



PAGE 313

EWG, EWPP SERIES



PAGE 314

**EWRT, EWWH
EWDI SERIES**



PAGE 315

**EWFT, EWEF
EWSR SERIES**



PAGE 316

**EWHR, EWGC
EWMU SERIES**



PAGE 317

SLYDER



PAGE 318

CABLE TIES



PAGE 319

UV CABLE TIES



PAGE 321

-P, -PM SERIES



PAGE 323

TFZ, -ID SERIES



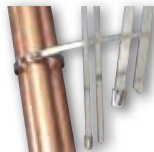
PAGE 324

HVAC DUCT STRAPS



PAGE 325

-R, SS SERIES



PAGE 326

COLORLED TIES



PAGE 327

FLUORESCENT TIES



PAGE 329

CTP SERIES



PAGE 331

-MH SERIES



PAGE 333

V SERIES



PAGE 334

-SB SERIES



PAGE 335

TRT, SSCT SERIES



PAGE 337

FTH SERIES



PAGE 338

SM SERIES



PAGE 339

PNC SERIES



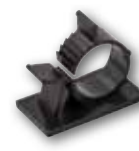
PAGE 340

MPM SERIES



PAGE 342

ADJCC SERIES



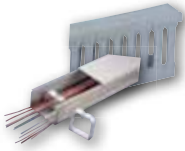
PAGE 342

NC, NCH SERIES



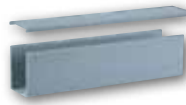
PAGE 343

PC-LS, N SERIES



PAGE 345

PC, FD SERIES



PAGE 349

MP, WLD SERIES



PAGE 350

RLD, IT-BW SERIES



PAGE 351

WMB SERIES



PAGE 352

WMC SERIES



PAGE 353

VM SERIES



PAGE 354

VL, DSS, SR SERIES



PAGE 355

ULT, ULTD BT SERIES



PAGE 356

FS SERIES



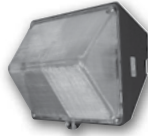
PAGE 359

WP SERIES



PAGE 371

WPC SERIES



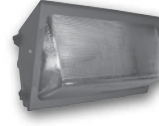
PAGE 372

WPM SERIES



PAGE 373

WPL & WPLD SERIES



PAGE 374

WP "ROCKY" SERIES



PAGE 375

FLF, FLC SERIES



PAGE 377

FLLP SERIES



PAGE 378

FLM, FL SERIES



PAGE 379

FLH, PHN SERIES



PAGE 380

QF SERIES



PAGE 381

BKS SERIES



PAGE 382

BKM SERIES



PAGE 383

EMTW, EMFW SERIES



PAGE 386

EXL, EEL, EMWL EMTW SERIES



PAGE 387

EMHD, FBP SERIES



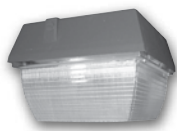
PAGE 389

EL, VR SERIES



PAGE 390

VRS SERIES



PAGE 391

TA-DOK SERIES



PAGE 392

SLUL, SC, RS VTB, VTW SERIES



PAGE 393

UCF SERIES



PAGE 394

2100 SERIES



PAGE 403

2110 SERIES



PAGE 404

2000 SERIES



PAGE 405

2001 SERIES



PAGE 406

2020 SERIES



PAGE 407

3000 SERIES



PAGE 408

5000M SERIES



PAGE 409

5400 SERIES



PAGE 410

2005A SERIES



PAGE 411

2005B SERIES



PAGE 412

5200 SERIES



PAGE 413

5200-UL SERIES



PAGE 414

5737 SERIES



PAGE 415

PHOTOCONTROL ACCESSORIES



PAGE 416

TU40 SERIES



PAGE 421

1100 SERIES



PAGE 423

7000 SERIES



PAGE 425

7000Z SERIES



PAGE 427

8000 SERIES



PAGE 429

8000 SERIES



PAGE 431

WH2B



PAGE 432

1800 SERIES



PAGE 433

W SERIES



PAGE 435

T900 SERIES



PAGE 437

TW SERIES



PAGE 439

TZ SERIES



PAGE 441

DT SERIES



PAGE 447

EH20C SERIES



PAGE 449

SA300 SERIES



PAGE 451

E&E-PB SERIES



PAGE 453

EW SERIES



PAGE 455

EWZ SERIES



PAGE 457

DG100 SERIES



PAGE 459

DW SERIES



PAGE 461

DTS SERIES



PAGE 463

DZS SERIES



PAGE 465

DZM SERIES



PAGE 467

LC200 SERIES



PAGE 469

DGU/DGLC SERIES



PAGE 471

ELC SERIES



PAGE 473

DLC400BP SERIES



PAGE 475

LD SERIES



PAGE 477

DGS SERIES



PAGE 479

EJWT&E500T SERIES



PAGE 481

PCT15M



PAGE 483

ACT30MA SERIES



PAGE 484

DIN SERIES



PAGE 485

SMC SERIES



PAGE 487

5401 SERIES



PAGE 488

HPS STARTER



PAGE 489

WOS SERIES



PAGE 494

WOS-M SERIES



PAGE 495

WOS-M2R SERIES



PAGE 496

WOS-M2T SERIES



PAGE 497

COS-L2T SERIES



PAGE 498

COS-L SERIES



PAGE 499

COS-LU SERIES



PAGE 500

COS-M SERIES



PAGE 501

HOS-M SERIES



PAGE 502

CPS-L SERIES



PAGE 503

TRP-24I SERIES



PAGE 504

SS700 SERIES



PAGE 509

SS720A SERIES



PAGE 511

SS720Z



PAGE 512

SA170 SERIES



PAGE 513

701A&711A SERIES



PAGE 514

SS403 & SS423



PAGE 515

SS SERIES



PAGE 517

D SERIES



PAGE 518

A SERIES



PAGE 519

C SERIES



PAGE 520

400 SERIES MECHANICAL



PAGE 523

SA100 SERIES MECHANICAL



PAGE 524

SA100&400 SERIES DIGITAL



PAGE 525

SA200&500 SERIES WIRELESS CONTROLS



PAGE 526

600&SA200 SERIES MECHANICAL



PAGE 527

600&SA200 SERIES DIGITAL



PAGE 528

SA200 SERIES



PAGE 529

SA200 SERIES DIGITAL



PAGE 530

MECHANICAL STROBE HORNS



PAGE 533

MULTI-TONE ELECTRONIC HORNS



PAGE 534

MECHANICAL HORNS



PAGE 533

HEAVY DUTY BELLS 4", 6", 10" BELLS



PAGE 534

GENERAL PURPOSE BELLS AND BUZZERS



PAGE 535

WEATHERPROOF MOTOR DRIVEN SIREN



PAGE 536

CHIMES & CHIME KITS



PAGE 535

MANUAL FIRE ALARM



PAGE 536

TELEPHONE RELAY



PAGE 537

WALL CLOCKS QUARTZ & ELECTRIC



PAGE 538

ELECTRIC DOOR OPENERS



PAGE 539

PUSH-BUTTONS



PAGE 540

WARNING LIGHTS INDUSTRIAL UNITS



PAGE 541

WARNING LIGHTS VEHICULAR UNITS



PAGE 542

POWER SUPPLY UNITS - 24VDC



PAGE 543

TRANSFORMERS



PAGE 543

ACCESSORIES REPLACEMENT PARTS



PAGE 544

PP PANEL SERIES



PAGE 549

P1100 SERIES MECHANICAL



PAGE 551

P1100 SERIES DIGITAL



PAGE 552

1100 SERIES



PAGE 553

POOL & SPA JUNCTION BOXES



PAGE 554

DPC201 SERIES



PAGE 555

NOTES





CONNECTORS

MECHANICAL CONNECTORS

Aluminum Dual Rated Single & Double Lugs T SERIES



FEATURES

- Versatile and reusable set screw connectors made of 6061T-6 aluminum alloy.
- Electro-tin plated for low contact resistance.
- For use with copper or aluminum conductors.

RATINGS



TEMPERATURE RATING:
90 °C.

VOLTAGE:
600V (2000V max. per UL486B).
UL 486A/B Listed.

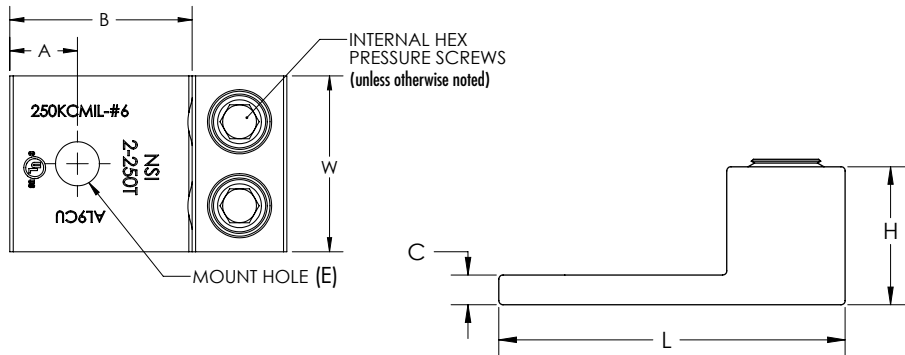


All dimensional data is listed in inches.

CAT. NO.	FIG. NO.	WIRE RANGE
6T	1	6-14 AWG
4T	1	4-14 AWG
2T	1	2-14 AWG
0T	2	1/0-14 AWG
2-0T	3	1/0-14 AWG
2/0T	2	2/0-14 AWG
2-2/0T	3	(2) 2/0-14 AWG
3/0T	2	3/0-6 AWG
250T	2	250 MCM-6 AWG
2-250T	3	(2) 250 MCM-6 AWG
300T	2	300 MCM - 6 AWG
350T	2	350 MCM-6 AWG
2-350T	3	(2) 350 MCM-6 AWG
500T	2	500 MCM - 4 AWG
600T	2	600 MCM-2 AWG
2-600T	3	(2) 600 MCM-2 AWG
800T	2	800-300 MCM
2-800T	3	(2) 800-300 MCM
1000T	2	1000-350 MCM
2-1000T	3	(2) 1000-350 MCM



MTG. BOLT SIZE	TORQUE VALUE (IN./LBS.)	WRENCH SIZE	MTG. HOLE DIA.(E)	LENGTH (L)	WIDTH (W)	HEIGHT (H)	TANG LENGTH (A)	TANG LENGTH (B)	TANG THICKNESS (C)	STD. CTN. QTY.
1/4	45	Slotted	0.265	1.060	0.500	0.500	0.250	0.690	0.100	100
1/4	45	Slotted	0.265	1.060	0.375	0.500	0.250	0.690	0.094	100
1/4	50	Slotted	0.265	1.160	0.500	0.550	0.310	0.690	0.100	100
1/4	120	3/16	0.265	1.470	0.630	0.790	0.440	0.850	0.190	50
1/4	120	3/16	0.265	1.470	1.130	0.790	0.440	0.850	0.190	50
1/4	120	3/16	0.265	1.470	0.630	0.790	0.440	0.850	0.190	50
1/4	120	3/16	0.265	1.470	1.250	0.790	0.440	0.850	0.190	50
1/4	250	3/16	0.265	1.875	0.700	0.890	0.500	0.850	0.145	50
5/16	330	5/16	0.328	2.000	0.880	1.020	0.470	1.130	0.220	24
5/16	330	5/16	0.328	2.560	1.630	1.020	0.630	1.690	0.220	10
5/16	330	5/16	0.328	2.000	0.880	1.130	0.500	1.000	0.250	24
3/8	400	5/16	0.406	2.250	0.990	1.130	0.500	1.250	0.250	20
3/8	400	5/16	0.406	2.880	1.920	1.130	0.630	1.880	0.250	8
3/8	550	3/8	0.406	2.750	1.200	1.410	0.630	1.630	0.310	6
3/8	550	3/8	0.406	3.180	1.380	1.510	0.630	1.930	0.380	6
1/2	550	3/8	0.531	3.180	2.410	1.510	0.630	1.930	0.380	4
1/2	550	1/2	0.531	3.250	1.440	1.690	0.630	1.880	0.440	6
1/2	550	1/2	0.531	3.250	2.750	1.690	0.880	1.880	0.440	2
1/2	600	9/16	0.531	3.250	1.690	1.880	0.750	1.750	0.440	6
1/2	600	9/16	0.531	3.250	3.190	1.880	0.880	1.750	0.440	2



MECHANICAL CONNECTORS

Aluminum Dual Rated Panelboard Lugs

L SERIES



FEATURES

- Panelboard style for multi-conductor with NEMA mounting hole spacing for turn prevent and secureness.
- Made of 6061T-6 aluminum alloy.
- Electro-tin plated for low contact resistance.
- For use with copper or aluminum conductors.

RATINGS



TEMPERATURE RATING:

90 °C.

VOLTAGE:

600V (2000V max. per UL486B).
UL 486A/B Listed.

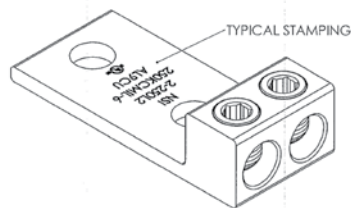
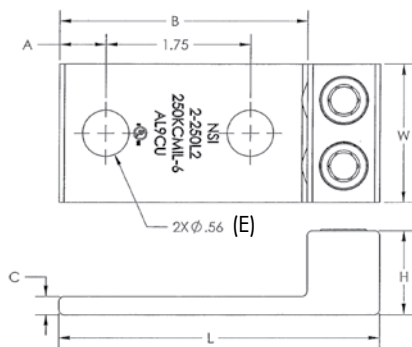


All dimensional data is listed in inches.
All hole spacing is NEMA Std of 1.750"

CAT. NO.	FIG. NO.	WIRE RANGE
250L2	1	250 MCM-6 AWG
2-250L2	2	(2) 250 MCM-6 AWG
3-250L2/L4	3	(3) 250 MCM-6 AWG
350L2	1	350 MCM-6 AWG
2-350L2	2	(2) 350 MCM-6 AWG
3-350L2/L4	3	(3) 350 MCM-6 AWG
600L2	1	600 MCM-2 AWG
2-600L2	2	(2) 600 MCM-2 AWG
3-600L2/L4	3	(3) 600 MCM-2 AWG
800L2	1	800-350 MCM
2-800L2	2	(2) 800-350 MCM
3-800L2/L4	3	(3) 800-350 MCM
1000L2	1	1000-500 MCM
2-1000L2	2	(2) 1000-500 MCM
3-1000L2/L4	3	(3) 1000-500 MCM



MTG. BOLT SIZE	TORQUE VALUE (IN./LBS.)	WRENCH SIZE	MTG. HOLE DIA. (E)	LENGTH (L)	WIDTH (W)	HEIGHT (H)	TANG LENGTH (A)	TANG LENGTH (B)	TANG THICKNESS (C)	STD. CTN. QTY.
1/2	330	5/16	0.560	4.310	0.880	1.380	0.560	3.090	0.310	15
1/2	330	5/16	0.560	3.880	1.690	1.020	0.560	3.010	0.220	6
1/2	330	5/16	0.560	3.880	2.500	1.020	0.560	3.010	0.220	3
1/2	400	5/16	0.560	4.310	0.990	1.380	0.630	3.090	0.310	8
1/2	400	5/16	0.560	4.250	1.920	1.130	0.630	3.250	0.250	4
1/2	400	5/16	0.560	4.250	2.920	1.130	0.630	3.250	0.250	2
1/2	550	3/8	0.560	4.650	1.380	1.510	0.630	3.400	0.380	4
1/2	550	3/8	0.560	4.650	2.406	1.510	0.630	3.400	0.380	3
1/2	550	3/8	0.560	4.650	3.930	1.510	0.630	3.400	0.380	2
1/2	550	1/2	0.560	4.750	1.440	1.690	0.630	3.380	0.440	4
1/2	550	1/2	0.560	4.750	2.750	1.690	0.630	3.380	0.440	2
1/2	550	1/2	0.560	4.750	4.060	1.690	0.630	3.380	0.440	2
1/2	600	9/16	0.560	4.940	1.690	1.880	0.630	3.440	0.440	4
1/2	600	1/2	0.560	4.940	3.190	1.880	0.630	3.440	0.440	2
1/2	600	9/16	0.560	4.940	4.690	1.880	0.630	3.440	0.440	2



MECHANICAL CONNECTORS

Aluminum Dual Rated Panelboard Lugs

L4, LL4, LL2 SERIES



FEATURES

- Large size set screw connectors with multiple mounting hole for a secure, turn-prevent connection.
- Made of 6061T-6 aluminum alloy.
- Tin plated for low contact resistance.
- For use with copper or aluminum conductors.

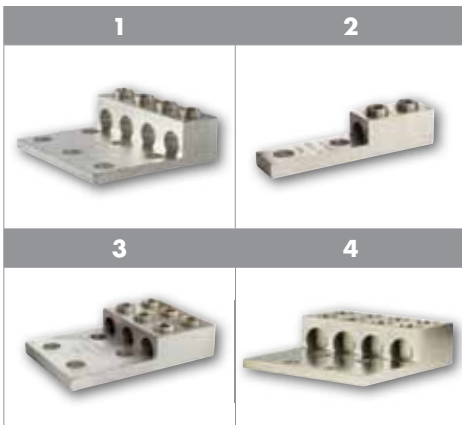
RATINGS



LISTED
WIRE CONNECTOR
E155027

TEMPERATURE RATING:
90 °C.

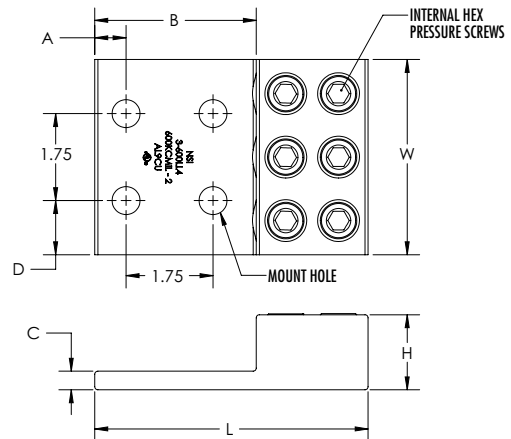
VOLTAGE:
600V (2000V max. per UL486B).
UL 486A/B Listed.



All dimensional data is listed in inches.
All hole spacing is NEMA Std of 1.750"

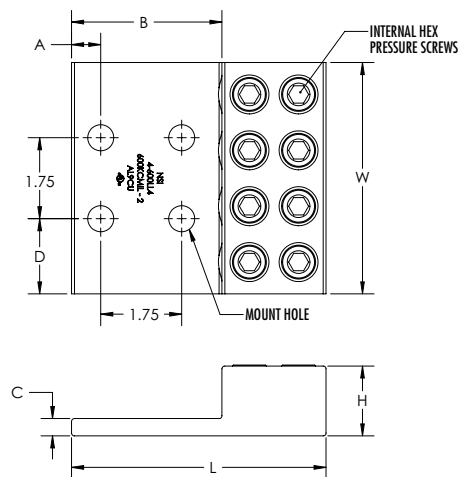
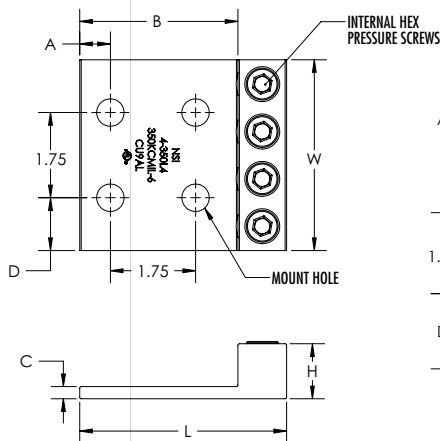
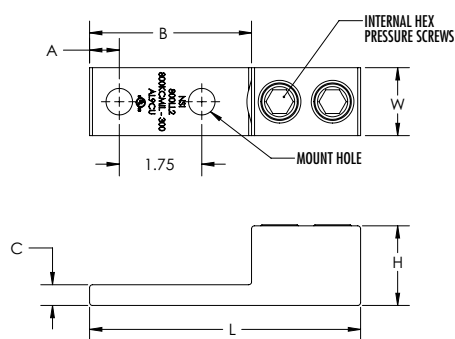
CAT. NO.	FIG. NO.	WIRE RANGE
4-250L4	1	250 MCM-6 AWG
4-350L4	1	350 MCM-6 AWG
4-600L4	1	600 MCM-2 AWG
600LL2	2	600 MCM-2 AWG
3-600LL4	3	600 MCM-2 AWG
4-600LL4	4	600 MCM-2 AWG
4-800L4	1	800-350 MCM
800LL2	2	800-350 MCM
3-800LL4	3	800-350 MCM
4-800LL4	4	800-350 MCM
4-1000L4	1	1000-500 MCM
1000LL2	2	1000-500 MCM
3-1000LL4	3	1000-500 MCM
4-1000LL4	4	1000-500 MCM
1500LL2*	2	1500-1000 MCM

*1500LL2 is not CSA or UL approved.





MTG. BOLT SIZE	TORQUE VALUE (IN./LBS.)	WRENCH SIZE	MTG. HOLE DIA. (E)	LENGTH (L)	WIDTH (W)	HEIGHT (H)	END OF CONN. TO CTR. HOLE (A)	TANG LENGTH (B)	TANG THICKNESS (C)	STD. CTN. QTY.
1/2	330	5/16	0.560	3.880	3.300	1.020	0.560	3.010	0.220	3
1/2	400	5/16	0.560	4.250	3.920	1.130	0.630	3.250	0.250	2
1/2	550	3/8	0.560	4.650	5.000	1.510	0.630	3.400	0.380	2
1/2	550	3/8	0.560	5.500	1.380	1.510	0.630	3.250	0.380	4
1/2	550	3/8	0.560	5.500	3.930	1.510	0.630	3.250	0.380	2
1/2	550	3/8	0.560	5.500	5.000	1.510	0.630	3.250	0.380	2
1/2	550	1/2	0.560	4.750	5.380	1.690	0.630	3.380	0.440	2
1/2	550	1/2	0.560	5.750	1.440	1.690	0.630	3.440	0.440	4
1/2	550	1/2	0.560	5.750	4.060	1.690	0.630	3.380	0.440	2
1/2	550	1/2	0.560	5.750	5.380	1.690	0.630	3.440	0.440	2
1/2	600	9/16	0.560	4.940	6.190	1.880	0.630	3.440	0.440	2
1/2	600	9/16	0.560	6.190	1.690	1.880	0.630	3.630	0.440	4
1/2	600	9/16	0.560	6.190	4.690	1.880	0.630	3.440	0.440	2
1/2	600	9/16	0.560	6.180	6.190	1.880	0.630	3.630	0.440	2
1/2	-	9/16	0.560	6.625	2.000	1.975	0.650	3.175	0.750	4



MECHANICAL CONNECTORS

Aluminum Dual Rated Stacked Lugs

T2 SERIES



FEATURES

- Large size set screw connectors with wire holes stacked on top of each other to minimize the width of the connector.
- Made of 6061T-6 aluminum alloy.
- Tin plated for low contact resistance.
- For use with copper or aluminum conductors.

All dimensional data is listed in inches.
All hole spacing is NEMA Std of 1.750"

CAT. NO.	FIG. NO.	WIRE RANGE
300T-2	1	(2) 300 MCM-6 AWG
350T-2	2	(2) 350 MCM-6 AWG
600T-2	2	(2) 600 MCM-2 AWG
600T-3	3	(3) 600 MCM-2 AWG
600T-4	4	(4) 600 MCM-2 AWG
800T-2	2	(2) 800-300 MCM
800T-3	3	(3) 800-300 MCM
800T-4	4	(4) 800-300 MCM

RATINGS



LISTED
WIRE CONNECTOR
E155027

TEMPERATURE RATING:

90 °C.

VOLTAGE:

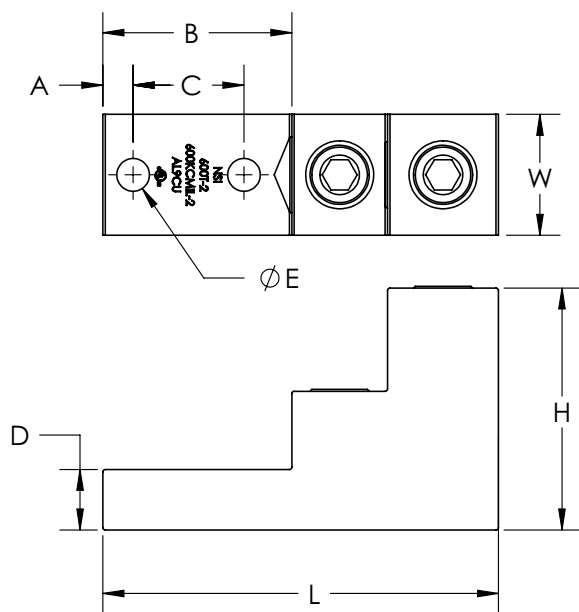
600V (2000V max. per UL486B).

UL 486A/B Listed.





MTG. BOLT SIZE	TORQUE VALUE (IN./LBS.)	WRENCH SIZE	MTG. HOLE DIA. (E)	LENGTH (L)	WIDTH (W)	HEIGHT (H)	END OF CONN. TO CTR. HOLE (A)	TANG LENGTH (B)	TANG THICKNESS (C)	STD. CTN. QTY.
5/16"	330	5/16	0.330	3.000	1.000	2.000	0.470	1.000	0.310	10
5/16"	400	5/16	.33 X .43	3.560	1.060	2.000	0.470	1.560	0.250	10
3/8	550	3/8	0.410	4.910	1.500	3.000	0.380	2.340	0.750	2
3/8	550	3/8	0.410	4.910	2.500	3.000	0.380	2.340	0.750	2
3/8	550	3/8	0.410	4.910	2.500	3.000	0.380	2.340	0.750	2
3/8	550	3/8	0.410	4.910	1.500	3.000	0.380	2.340	0.750	2
3/8	550	1/2	0.410	4.910	2.630	3.000	0.380	2.340	0.750	2
3/8	550	1/2	0.410	4.910	2.630	3.000	0.380	2.340	0.750	2



MECHANICAL CONNECTORS

Aluminum Dual Rated Splicer/Reducers

SR SERIES



FEATURES

- For splicing two copper or aluminum wires of equal or different sizes.
- Made of 6061T-6 aluminum alloy.
- Electro-tin plated for low contact resistance.

All dimensional data is listed in inches.

CAT. NO.	FIG. NO.	WIRE RANGE
2SR	1	2-14 AWG
1/OSR	1	1/0-14 AWG
4/OSR	1	4/0-6 AWG
250SR	2	250 MCM-6 AWG
350SR	2	350 MCM-6 AWG
500SR	2	500 MCM-3/0 AWG
750SR	2	750-250 MCM

RATINGS



LISTED
WIRE CONNECTOR

TEMPERATURE RATING:

90 °C.

VOLTAGE:

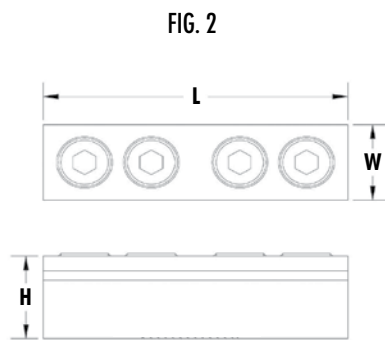
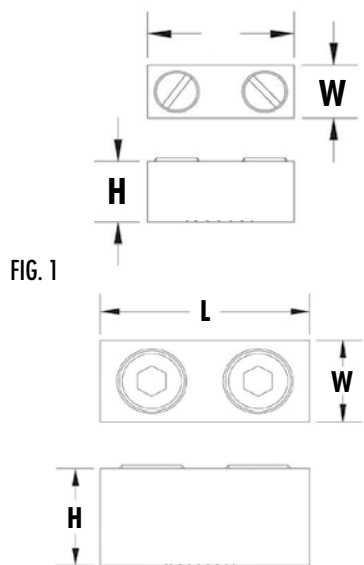
600V (2000V max. per UL486B).

UL 486A/B Listed.





TORQUE VALUE (IN./LBS.)	WRENCH SIZE	LENGTH (L)	WIDTH (W)	HEIGHT (H)	STD. CTN. QTY.
50	Slotted	1.594	0.443	0.550	50
120	Slotted	1.500	0.530	0.630	25
250	5/16	2.310	0.812	1.000	24
330	5/16	2.310	0.812	1.000	10
400	3/8	4.190	1.130	1.190	8
550	3/8	5.000	1.380	1.500	3
550	3/8	6.250	1.630	1.750	3



MECHANICAL CONNECTORS
Aluminum Dual Rated
Turn Prevent Lugs
TP, BTP SERIES



FEATURES

DUAL RATED LUGS

- Made of 6061T-6 aluminum alloy.
- Electro-tin plated for low contact resistance.
- For use with copper or aluminum conductors.

ALUMINUM BOX LUGS WITH TURN-PREVENT

- Made of 6061T-6 aluminum alloy.
- Electro-tin plated for low contact resistance.
- For use with copper or aluminum conductors.
- Design includes threaded mounting hole.

RATINGS

TEMPERATURE RATING:

Single/Double TP Lugs: 90 °C.
 Box TP Lugs: 75 °C.

VOLTAGE:

600V (2000V max. per UL486B).
 UL 486A/B Listed.

All dimensional data is listed in inches.

CAT. NO.	FIG. NO.	WIRE RANGE
2/OTP	1	2/0-14 AWG
300TP	1	300 MCM-6 AWG
350TP	1	350 MCM-6 AWG
2-350TP	2	(2) 350 MCM-6 AWG
600TP	1	600 MCM-2 AWG
2-600TP	2	(2) 600 MCM-2 AWG

CAT. NO.	FIG. NO.	WIRE RANGE
BTP 0	3	0-10 AWG
BTP 300	4	300 MCM-6 AWG
S300	5	300 MCM-6 AWG
BTP 350	6	350 MCM-6 AWG

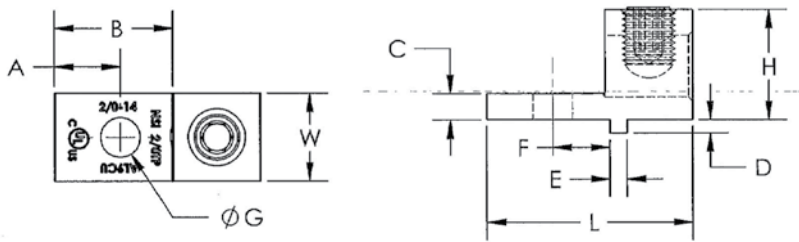




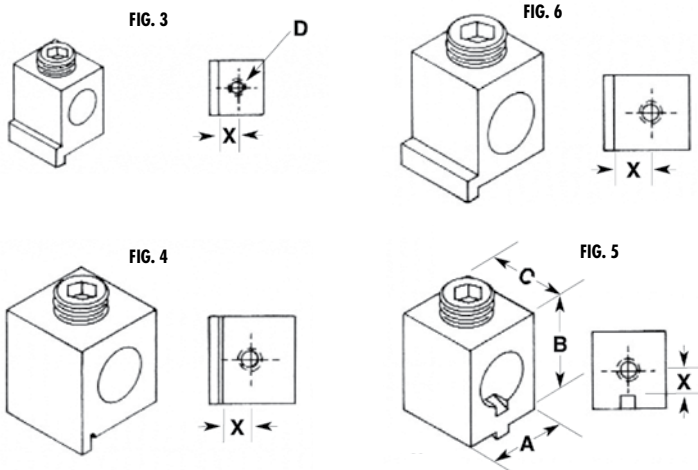
LENGTH (L)	WIDTH (W)	HEIGHT (H)	TANG LENGTH (A)	TANG LENGTH (B)	TANG THICKNESS (C)	TURN PVT. LENGTH (D)	TURN PVT. THICKNESS (E)	MTG. HOLE TO TURN PVT. (F)	HOLE DIA.	TORQUE VALUE (IN./LBS.)	WRENCH SIZE	MTG. BOLT SIZE	STD. CTN. QTY.
1.470	0.880	1.130	0.470	0.840	0.190	0.090	0.130	0.410	0.280	120	3/16	1/4	50
2.000	0.990	1.130	0.380	1.000	0.250	0.090	0.190	0.490	0.440	330	5/16	7/16	24
2.250	0.990	1.130	0.500	1.250	0.250	0.090	0.190	0.630	0.340	400	5/16	5/16	20
2.250	1.920	1.130	0.500	1.125	0.250	0.090	0.187	0.630	0.406	400	5/8	3/8	8
3.180	1.380	1.510	0.880	1.930	0.380	0.090	0.190	0.630	0.530	550	3/8	1/2	6
3.180	2.410	1.510	0.880	1.930	0.380	0.130	0.190	0.630	0.530	550	3/8	1/2	4

TORQUE VALUE (IN./LBS.)	HEX/WRENCH SIZE	MTG. BOLT SIZE	WIDTH (A)	HEIGHT (B)	LENGTH (C)	MTG. HOLE DIA. (D)	TURN PVT. TO MTG. HOLE (X)	STD. CTN. QTY.
120	0.312	#10	0.660	0.830	0.620	#10	0.230	25
325	0.375	1/4	0.970	1.160	0.980	0.250	0.385	40
325	0.375	1/4	0.880	1.090	0.880	0.250	0.312	25
375	0.375	1/4	0.880	1.100	0.880	0.250	0.440	48

LUG WITH TURN PREVENT



BOX LUGS



MECHANICAL CONNECTORS

Aluminum Dual Rated Lay-In & Dual Range Lugs

GLA, BS SERIES



FEATURES

DUAL RATED LAY-IN LUGS

- Lay-in connectors offer the ultimate in flexibility.
- Excellent for grounding and continuous loop applications.
- Made of 6061T-6 aluminum alloy.
- Electro-tin plated for low contact resistance.
- For use with copper or aluminum conductors.

DUAL RANGE LUGS

- Set screw connectors that will accept either one or two wires.
- Made of 6061T-6 aluminum alloy.
- Electro-tin plated for low contact resistance.
- For use with copper or aluminum conductors.

All dimensional data is listed in inches.

CAT. NO.	FIG. NO.	WIRE RANGE
GLA-4	1	4-14 AWG
GLA-0	1	1/0-8 AWG
GLA-000	1	3/0-6 AWG
GLA-250	2	250 MCM-6 AWG
BS400T2	3	(2) 250 MCM-1/0 AWG
	3	(4) 250 MCM-1/0 AWG
BS400T	4	(1) 600 MCM-4 AWG
	4	(2) 250 MCM-1/0 AWG

RATINGS

TEMPERATURE RATING:

Dual Rated Lay-In: 90 °C.
Dual Rated Dual Range: 90 °C.

VOLTAGE:

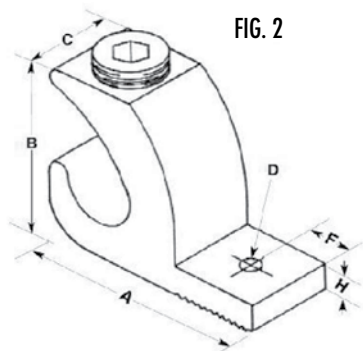
600V (2000V max. per UL486B).
UL 486A/B Listed.

1	2	3	4
 <p>UL[®] US LISTED WIRE CONNECTOR</p>	 <p>SF[®] 701642 UL[®]</p>	 <p>SF[®] 701642 UL[®] LISTED WIRE CONNECTOR</p>	 <p>SF[®] 701642 UL[®] LISTED WIRE CONNECTOR</p>

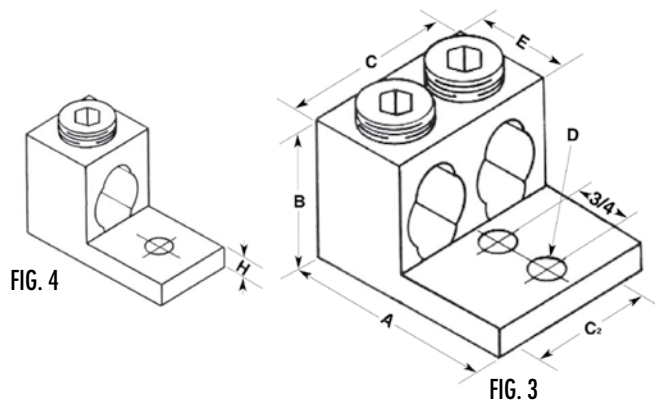


TORQUE VALUE (IN./LBS.)	HEX/WRENCH SIZE	MTG. BOLT SIZE	LENGTH (A)	HEIGHT (B)	WIDTH (C)	MTG. HOLE DIA. (D)	TANG LENGTH (F)	TANG THICKNESS (H)	STD. CTN. QTY.
45	Slotted	0.187	1.070	0.750	0.380	0.218	0.190	0.150	100
120	Slotted	0.250	1.500	1.100	0.600	0.272	0.300	0.220	40
250	0.250	0.375	2.000	1.500	0.800	0.330	0.400	0.300	20
330	0.250	0.375	2.200	1.700	0.800	0.330	0.400	0.300	20
500	0.375	0.250	3.812	2.000	2.468	0.281	.325	0.375	4
500	0.375	0.250	3.812	2.000	2.468	0.281	.325	0.375	4
500	0.375	0.562	2.810	1.810	1.380	0.625	.725	0.312	6
500	0.375	0.562	2.810	1.810	1.380	0.625	.725	0.312	6

LAY-IN CONNECTORS



DUAL RANGE LUGS



MECHANICAL CONNECTORS
Aluminum Dual Rated
Tap Connector & Covers
PARALLEL/"T" FORMAT
GP, GC SERIES



FEATURES

- Excellent for tapping of main conductor due to lay-in feature.
- Perpendicular tap allows for parallel or "T" tap configuration.
- Flexible cover allows for either parallel or "T" tap wire entry.
- Secure snap cover eliminates need for taping.
- Electro-tin plated for low contact resistance.

RATINGS



TEMPERATURE RATING:
 90 °C.

VOLTAGE:
 600V max.



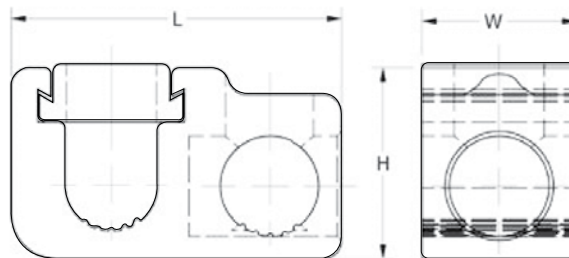
All dimensional data is listed in inches.

CAT. NO.	FIG. NO.	STYLE
GP-2	1	Parallel "T" Tap
GP-0	1	Parallel "T" Tap
GP-250-0	1	Parallel "T" Tap
GP-250	1	Parallel "T" Tap
GP-350	1	Parallel "T" Tap
GP-500	1	Parallel "T" Tap
GP-750	1	Parallel "T" Tap
GC-2	2	Insulated Covers
GC-0	2	Insulated Covers
GC-250	2	Insulated Covers
GC-350	2	Insulated Covers
GC-500	2	Insulated Covers
GC-750	2	Insulated Covers
GP-2WC	2	Parallel "T" Tap with Cover
GP-0WC	2	Parallel "T" Tap with Cover
GP-250-0WC	2	Parallel "T" Tap with Cover
GP-250WC	2	Parallel "T" Tap with Cover
GP-350WC	2	Parallel "T" Tap with Cover
GP-500WC	2	Parallel "T" Tap with Cover
GP-750WC	2	Parallel "T" Tap with Cover



COLOR CODE	MAIN (RUN) WIRE RANGE	TAP WIRE RANGE	TORQUE VALUE (IN./LBS.)	HEX/WRENCH SIZE	LENGTH (L) (IN.)	WIDTH (W) (IN.)	HEIGHT (H) (IN.)	STD. CTN. QTY.
-	2-12 STR	4-14 STR	50	Slotted	1.390	0.630	0.880	25
-	1/0-2 AWG	1/0-14 AWG	120	0.187	1.750	0.750	1.000	12
-	250 MCM-1/0 AWG	1/0-14 AWG	120 275	0.187, 0.312	2.030	1.060	1.310	12
-	250 MCM-1/0 AWG	250 MCM-6 AWG	275	0.312	2.280	1.060	1.310	12
-	350 MCM-4/0 AWG	350 MCM-6 AWG	275	0.312	2.560	1.250	1.440	6
-	500-350 MCM	500-2 MCM	375	0.375	3.130	1.380	1.750	6
-	750-500 MCM	500-2 MCM	375	0.375	3.380	1.500	2.000	3
Yellow	-	-	-	2.250	1.370	1.110	1.110	12
Gray	-	-	-	2.610	2.170	1.260	1.260	6
Red	-	-	-	3.440	3.180	1.630	1.630	3
Yellow	-	-	-	3.760	3.290	1.760	1.760	3
Blue	-	-	-	4.890	3.340	2.120	2.120	3
Orange	-	-	-	4.550	3.450	2.340	2.340	3
Yellow	2-12 STR	4-14 STR	50	Slotted	2.250	1.370	1.110	12
Gray	1/0-2 AWG	1/0-14 AWG	120	0.187	2.610	2.170	1.260	10
Red	250 MCM-1/0 AWG	1/0-14 AWG	120 275	0.187, 0.312	3.440	3.180	1.630	5
Red	250 MCM-1/0 AWG	250 MCM-6 AWG	275	0.312	3.440	3.180	1.630	5
Yellow	350 MCM-4/0 AWG	350 MCM-6 AWG	275	0.312	3.760	3.290	1.760	6
Blue	500-350 MCM	500-2 MCM	375	0.375	4.890	3.340	2.120	2
Orange	750-500 MCM	500-2 MCM	375	0.375	4.550	3.450	2.340	2

PARALLEL OR "T" TAP CONNECTORS



MECHANICAL CONNECTORS

Aluminum Dual Rated Heavy Duty Transformer Lugs

LL SERIES



FEATURES

- Versatile and reusable set screw connectors made from high strength 6061-T6 aluminum alloy for superior electrical and mechanical performance.
- Two set screws per wire hole ensure an exceptional connection.
- Electro-tin plated for low contact resistance.
- For use with copper or aluminum conductors.
- Mounting hole spacing is NEMA 1-3/4" spacing is available with the following options: clear plating, anodized set screws or disc pad screws - contact NSi Customer Service for ordering details.

RATINGS

Meets or exceeds ANSI C119.4 Class A.

TEMPERATURE RATING:

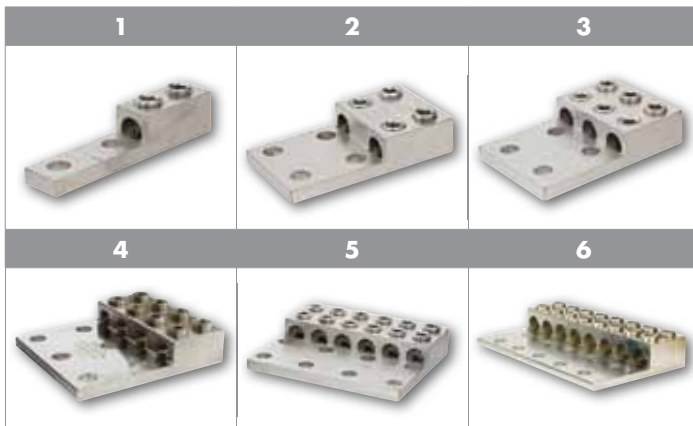
90 °C.

VOLTAGE:

600V max.

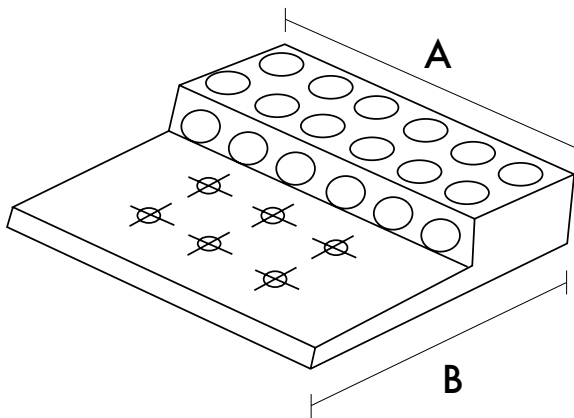
All dimensional data is listed in inches.

CAT. NO.	FIG. NO.	WIRE RANGE
350LL2	1	350 MCM-6 AWG
2-350LL4	2	350 MCM-6 AWG
3-350LL4	3	350 MCM-6 AWG
4-350LL6	4	350 MCM-6 AWG
6-350LL8	5	350 MCM-6 AWG
8-350LL8	6	350 MCM-6 AWG
8-350LL10	6	350 MCM-6 AWG
2-600LL4	2	600 MCM-2 AWG
4-600LL6	4	600 MCM-2 AWG
6-600LL6	6	600 MCM-2 AWG
2-800LL4	2	800-300 MCM
4-800LL8	4	800-300 MCM
2-1000LL4	2	800-300 MCM
4-1000LL8	4	1000-500 MCM
8-1000LL12	6	1000-500 MCM





NO. OF CONDUCTORS	NO. OF MTG. HOLES	MTG. HOLE DIA.	MTG. HOLE SPACING	WRENCH SIZE	BOLT SIZE	LENGTH (B) (IN.)	WIDTH (A) (IN.)	HEIGHT (H) (IN.)	STD. CTN. QTY.
1	2	0.563	1.750	3/8	1/2	5.310	1.130	1.380	1
2	4	0.563	1.750	3/8	1/2	5.310	2.000	1.380	1
3	4	0.563	1.750	3/8	1/2	5.310	2.940	1.380	1
4	6	0.563	1.750	3/8	1/2	5.310	3.870	1.380	1
6	8	0.563	1.750	3/8	1/2	5.310	5.750	1.380	1
8	8	0.563	1.750	3/8	1/2	5.310	7.620	1.380	1
8	10	0.563	1.750	3/8	1/2	5.310	7.620	1.380	1
2	4	0.563	1.750	3/8	1/2	5.875	2.410	1.562	1
4	6	0.563	1.750	3/8	1/2	5.875	4.780	1.562	1
6	6	0.563	1.750	3/8	1/2	8.750	5.750	1.750	1
2	4	0.563	1.750	1/2	1/2	6.188	2.737	1.875	1
4	8	0.563	1.750	1/2	1/2	6.188	5.487	1.875	1
2	4	0.563	1.750	1/2	1/2	6.188	2.982	1.875	1
4	8	0.563	1.750	1/2	1/2	6.188	5.982	1.875	1
8	12	0.563	1.750	1/2	1/2	6.188	11.982	1.875	1



MECHANICAL CONNECTORS

Aluminum Dual Rated Transformer Lugs

T, L SERIES



FEATURES

- Versatile and reusable set screw connectors made from high strength 6061-T6 aluminum alloy for superior electrical and mechanical performance.
- Two set screws per wire hole ensure an exceptional connection.
- Electro-tin plated for low contact resistance. For use with copper or aluminum conductors.
- Mounting hole spacing is NEMA 1-3/4".
- Also available with the following options: clear plating, anodized set screws or disc pad screws - contact NSi Customer Service for ordering details.

RATINGS

Meets or exceeds ANSI C119.4 Class A.

TEMPERATURE RATING:

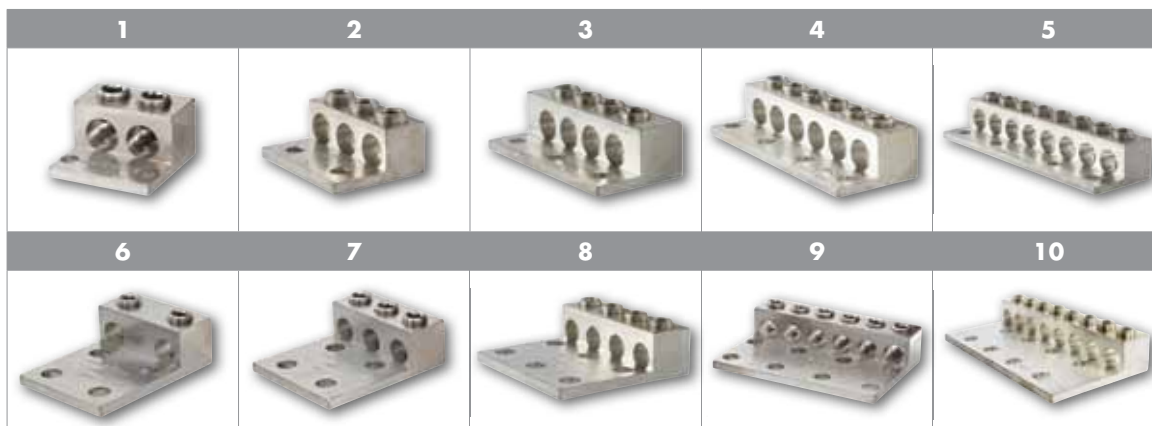
90 °C.

VOLTAGE:

600V max.

All dimensional data is listed in inches.

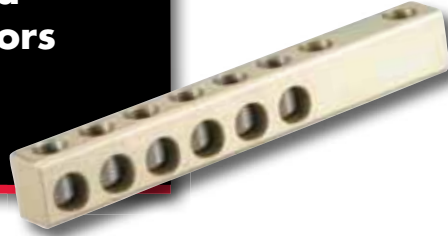
CAT. NO.	FIG. NO.	WIRE RANGE
2-350T2	1	350 MCM-6 AWG
3-350T2	2	350 MCM-6 AWG
4-350T3	3	350 MCM-6 AWG
6-350T4	4	350 MCM-6 AWG
8-350T4	5	350 MCM-6 AWG
2-350L4	6	350 MCM-6 AWG
3-350L4	7	350 MCM-6 AWG
4-350L6	8	350 MCM-6 AWG
6-350L8	9	350 MCM-6 AWG
8-350L8	10	350 MCM-6 AWG
2-600L4	6	600 MCM-2 AWG
4-600L6	8	600 MCM-2 AWG
6-600L8	9	600 MCM-2 AWG





NO. OF CONDUCTORS	NO. OF MTG. HOLES	MTG. HOLE DIA.	MTG. HOLE SPACING	WRENCH SIZE	MTG. BOLT SIZE	LENGTH (L) (IN.)	WIDTH (W) (IN.)	HEIGHT (H) (IN.)	STD. PKG. QTY.
2	2	0.375	1.750	3/8"	5/16"	2.250	1.940	1.250	1
3	2	0.375	1.750	3/8"	5/16"	2.250	2.840	1.250	1
4	3	0.375	1.750	3/8"	5/16"	2.250	3.750	1.250	1
6	4	0.375	1.750	3/8"	5/16"	2.250	4.660	1.250	1
8	4	0.375	1.750	3/8"	5/16"	2.250	5.560	1.250	1
2	4	0.563	1.750	3/8"	1/2"	4.310	2.000	1.380	1
3	4	0.563	1.750	3/8"	1/2"	4.310	2.940	1.380	1
4	6	0.563	1.750	3/8"	1/2"	4.310	3.870	1.380	1
6	8	0.563	1.750	3/8"	1/2"	4.310	5.750	1.380	1
8	8	0.563	1.750	3/8"	1/2"	4.310	7.620	1.380	1
2	4	0.563	1.750	3/8"	1/2"	4.500	2.410	1.630	1
4	6	0.563	1.750	3/8"	1/2"	4.500	4.780	1.630	1
6	8	0.563	1.750	3/8"	1/2"	4.500	7.160	1.630	1

MECHANICAL CONNECTORS
Aluminum Dual Rated
Transformer Connectors
2 HOLE NEMA PAD MOUNT
STL SERIES



FEATURES

- Made from 6061T-6 aluminum alloy.
- Electro-tin plated for low contact resistance.
- Two NEMA ½" holes for easy attachment.

RATINGS



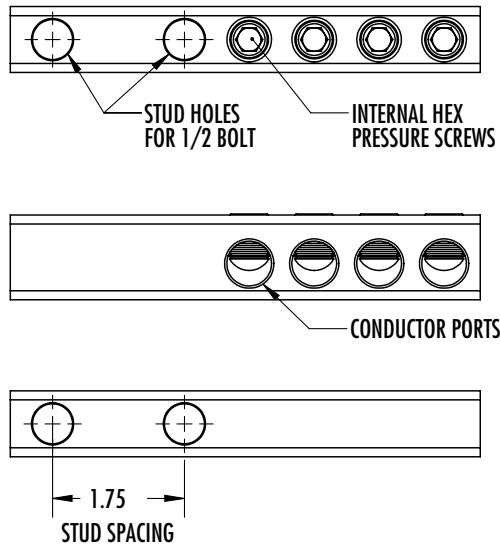
VOLTAGE:
 600V max.

All dimensional data is listed in inches.

CAT. NO.	WIRE RANGE
STL250-4	250 MCM-6 AWG
STL250-6	250 MCM-6 AWG
STL250-8	250 MCM-6 AWG
STL350-4	350 MCM-6 AWG
STL350-6	350 MCM-6 AWG
STL350-8	350 MCM-6 AWG
STL500-4	500 MCM-4 AWG
STL500-6	500 MCM-4 AWG
STL500-8	500 MCM-4 AWG
STL750-4	750-250 MCM
STL750-6	750-250 MCM
STL750-8	750-250 MCM



NO. OF CONDUCTORS	MTG. HOLE DIA.	MTG. HOLE SPACING	TORQUE VALUE (IN./LBS.)	MTG. BOLT SIZE	WRENCH SIZE	LENGTH (L)	WIDTH (W)	HEIGHT (H)	STD. CTN. QTY.
4	0.560	1.750	330	1/2	5/16	6.240	0.875	1.125	6
6	0.560	1.750	330	1/2	5/16	7.960	0.875	1.125	6
8	0.560	1.750	330	1/2	5/16	9.680	0.875	1.125	6
4	0.560	1.750	400	1/2	5/16	6.960	1.000	1.440	6
6	0.560	1.750	400	1/2	5/16	9.060	1.000	1.440	6
8	0.560	1.750	400	1/2	5/16	11.160	1.000	1.440	6
4	0.560	1.750	550	1/2	5/16	7.500	1.130	1.630	6
6	0.560	1.750	550	1/2	5/16	9.740	1.130	1.630	6
8	0.560	1.750	550	1/2	5/16	12.030	1.130	1.630	6
4	0.560	1.750	550	1/2	3/8	8.570	1.440	2.000	3
6	0.560	1.750	550	1/2	3/8	11.420	1.440	2.000	3
8	0.560	1.750	550	1/2	3/8	14.280	1.440	2.000	3



MECHANICAL CONNECTORS

Aluminum Dual Rated Secondary Transformer Connectors

SFTZ SERIES



FEATURES

- Versatile and reusable set screw connectors made from high strength 6061-T6 aluminum alloy for superior electrical and mechanical performance.
- Electro-tin plated for low contact resistance.
- For use on slip-fit or threaded transformers.
- For use with copper and aluminum conductors.
- Available with street light tap.

RATINGS

Meets or exceeds ANSI C119.4 Class A.

TEMPERATURE RATING:

90 °C.

VOLTAGE:

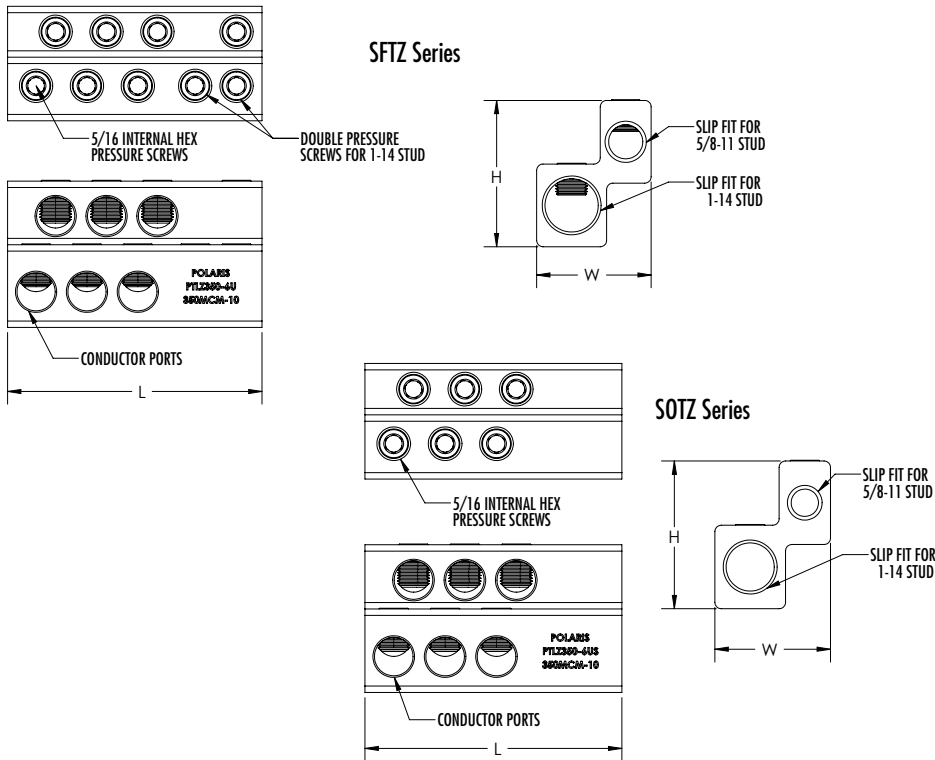
600V max.

All dimensional data is listed in inches.

CAT. NO.	WIRE RANGE
SFTZ350-6	350 MCM-6 AWG
SFTZ350-8	350 MCM-6 AWG
SFTZ500-6	500 MCM-6 AWG
SOTZ350-6	350 MCM-6 AWG
SOTZ350-8	350 MCM-6 AWG
SOTZ500-6	500 MCM-6 AWG
SOTZ500-8	500 MCM-6 AWG



TYPE	NO. OF CONDUCTORS	STUD SIZE	TORQUE VALUE (IN./LBS.)	WRENCH SIZE	LENGTH (L) (IN.)	WIDTH (W) (IN.)	HEIGHT (H) (IN.)	STD. CTN. QTY.
Slip Fit	6	5/8-11, 1-14	400	5/16	5.000	2.250	2.880	1
Slip Fit	8	5/8-11, 1-14	400	5/16	6.000	2.250	2.880	1
Slip Fit	6	5/8-11, 1-14	450	5/16	5.550	2.250	2.880	1
Screw On	6	5/8-11, 1-14	400	5/16	5.000	2.250	2.880	1
Screw On	8	5/8-11, 1-14	400	5/16	6.000	2.250	2.880	1
Screw On	6	5/8-11, 1-14	450	5/16	5.550	2.250	2.880	1
Screw On	8	5/8-11, 1-14	450	5/16	6.680	2.250	2.880	1



MECHANICAL CONNECTORS

Aluminum Dual Rated Transformer Stud Connectors

TS Series



FEATURES

- Versatile and reusable set screw connectors made from high strength 6061-T6 aluminum alloy for superior electrical and mechanical performance.
- Clear plated for low contact resistance; stud is tin plated copper which provides low contact resistance for connection to transformer.
- For use with copper and aluminum conductors.
- Also available with the following options: tin plating, anodized set screws or disc pad screws.
- Contact NSi Customer Service for details.

RATINGS

Meets or exceeds ANSI C119.4 Class A.

TEMPERATURE RATING:

90 °C.

VOLTAGE:

600V max.

All dimensional data is listed in inches.

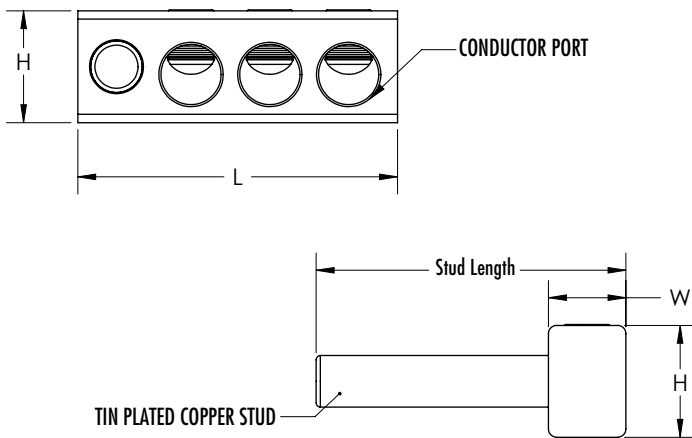
CAT. NO.	WIRE RANGE
TS1/0-2	1/0-4 AWG
TS1/0-4	1/0-4 AWG
TS250-2	250 MCM-6 AWG
TS250-3	250 MCM-6 AWG
TS250-4	250 MCM-6 AWG
TS250-8	250 MCM-6 AWG
TS350-2	350 MCM-6 AWG
TS350-2-12	350 MCM-6 AWG
TS350-3	350 MCM-6 AWG
TS350-4	350 MCM-6 AWG
TS350-6	350 MCM-6 AEG
TS350-8	350 MCM-6 AWG
TS500-2	500 MCM-4 AWG
TS500-3	500 MCM-4 AWG
TS500-4	500 MCM-4 AWG
TS750-2	750-250 MCM
TS750-4	750-250 MCM

TS350-8



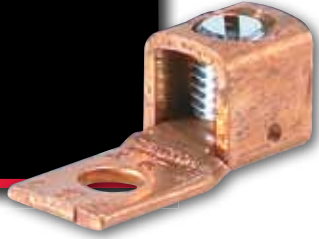


NO. OF CONDUCTORS	COPPER STUD DIA.	STUD LENGTH	TORQUE VALUE (IN./LBS.)	WRENCH SIZE	LENGTH (L)	WIDTH (W)	HEIGHT (H)	STD. CTN. QTY.
2	0.375	3.00	180	5/16	2.030	0.630	0.880	1
4	0.375	3.00	180	5/16	2.680	0.880	0.880	1
2	0.500	4.00	360	5/16	2.590	0.880	1.130	1
3	0.500	4.00	360	5/16	3.460	0.880	1.130	1
4	0.500	4.00	360	5/16	4.320	0.880	1.130	1
8	0.500	4.00	360	5/16	7.770	0.880	1.130	1
2	0.625	4.00	400	5/16	2.950	0.880	1.250	1
2	0.500	4.00	400	5/16	2.950	0.880	1.250	1
3	0.625	4.00	400	5/16	3.950	0.880	1.250	1
4	0.625	4.00	400	5/16	4.950	0.880	1.250	1
6	0.625	4.00	400	5/16	6.950	0.880	1.250	1
8	0.625	4.00	400	5/16	8.950	0.880	1.250	1
2	0.750	4.50	450	5/16	4.650	1.130	1.630	1
3	0.750	4.50	450	5/16	5.790	1.130	1.630	1
4	0.750	4.50	450	5/16	6.940	1.130	1.630	1
2	0.750	5.50	550	5/16	4.040	1.250	1.750	1
4	0.750	5.50	550	5/16	6.720	1.250	1.750	1



MECHANICAL CONNECTORS

Copper Single Lugs – Cu Extruded & Tubular TC SERIES



FEATURES

COPPER SINGLE LUGS - CU - EXTRUDED STYLES

- Solid one-piece copper connector made from extruded copper for superior mechanical strength and excellent electrical performance.
- Steel screw.
- For use with copper wire only.

COPPER SINGLE LUGS - CU - TUBULAR STYLES

- Copper connector made from tubular copper.
- Steel screw.
- For use with copper wire only.

All dimensional data is listed in inches.

CAT. NO.	FIG. NO.	WIRE RANGE
6TC	1	6-14 AWG
4TC	1	4-14 AWG
2TC	1	2-14 AWG
0TC	1	1/0-14 AWG
4/0TC	1	4/0-2 AWG
6TC-1	2	6-14 AWG
4TC-1	2	4-14 AWG

RATINGS



LISTED
WIRE CONNECTOR
E155274



701642

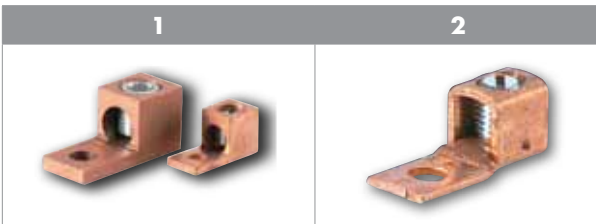
TEMPERATURE RATING:

90 °C.

VOLTAGE:

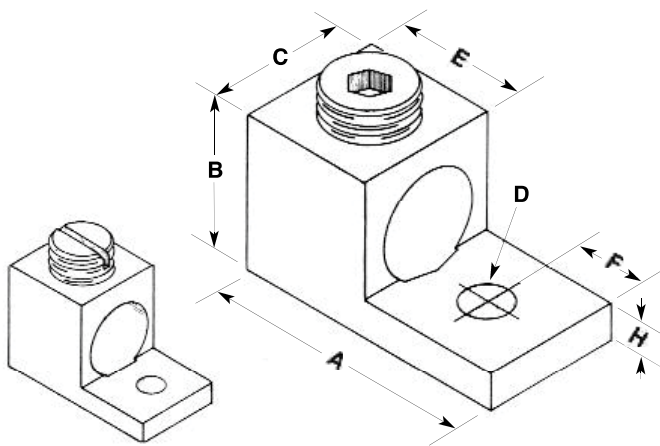
600V (2000V max. per UL486B).

UL 486A/B Listed Wire Connectors.





TORQUE VALUE	WRENCH SIZE	MTG. BOLT SIZE	LENGTH (A)	HEIGHT (B)	WIDTH (C)	MTG. HOLE DIA. (D)	DEPTH (E)	TANG LENGTH (F)	TANG THICKNESS (H)	STD. CTN. QTY.
25	Slotted	3/16	1.020	0.400	0.375	0.193	0.370	0.187	0.115	100
25	Slotted	1/4	1.075	0.440	0.450	0.265	0.328	0.275	0.100	100
30	Slotted	1/4	1.125	0.484	0.458	0.265	0.475	0.325	0.125	100
40	Slotted	1/4	1.277	0.680	0.548	0.265	0.600	0.337	0.125	50
200	5/16"	3/8	1.950	0.950	0.812	0.390	0.875	0.406	0.218	25
25	Slotted	3/16	0.995	0.778	0.345	0.203	0.375	0.226	0.610	100
45	Slotted	1/4	1.255	1.255	0.453	0.258	0.500	0.500	0.750	100



MECHANICAL CONNECTORS

Copper Single/Double Solderless Lugs

DE SERIES



FEATURES

- Made of 99.98% pure electrolytic copper.
- Steel-plated screws to prevent rusting.
- 25 to 70 ampere size have slotted head screws.
- Larger sizes have hex head screws.

RATINGS

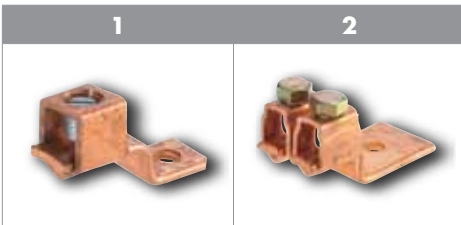


TEMPERATURE RATING:

90 °C.

VOLTAGE:

600V max.
UL 486 Listed.

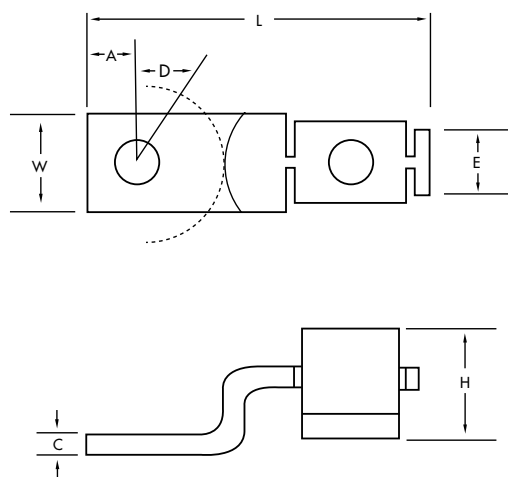


All dimensional data is listed in inches.

CAT. NO.	FIG. NO.	WIRE RANGE
DE703	1	10-14 AWG
DE704	1	6-14 AWG
DE705	1	2-8 AWG
DE711	1	4-14 AWG
DE706	1	1/0-6 AWG
DE713	1	3/0-4 AWG
DE707	1	4/0-2 AWG
D899	2	4/0-2 AWG
DE710	1	350 MCM-1/0 AWG
DE708	1	500 MCM-4/0 AWG
DE709	1	1000-600 MCM



MTG. BOLT SIZE	AMP RATING	TORQUE VALUE (IN./ (LBS.))	WRENCH SIZE	LENGTH (L)	WIDTH (W)	HEIGHT (H)	TANG LENGTH (A)	TANG THICKNESS (C)	MTG. HOLE DIA. (D)	STD. CTN. QTY.
1/4	25	60	Slotted	1.025	0.315	0.465	0.195	0.069	0.160	100
3/16	35	90	Slotted	1.190	0.380	0.500	0.230	0.070	0.250	100
5/16	70	125	Slotted	1.550	0.500	0.650	0.250	0.090	0.340	100
1/4	70	90	Slotted	1.310	0.500	0.560	0.250	0.080	0.280	50
1/4	125	150	Slotted	1.970	0.630	0.880	0.500	0.130	0.280	25
3/8	175	200	3/8	2.190	0.750	1.030	0.440	0.130	0.500	18
1/2	225	200	7/32	2.380	1.000	1.170	0.470	0.130	0.560	15
5/8	450	200	5/8	3.200	1.502	1.720	0.915	0.190	0.405	6
3/4	300	250	3/4	3.025	0.998	2.310	0.450	0.186	0.403	10
15/16	400	300	15/16	4.320	1.497	2.200	0.840	0.190	0.403	2
3/8	650	400	3/8	4.360	1.998	2.870	1.080	0.254	0.530	2



MECHANICAL CONNECTORS

Copper And Bronze Terminal Lugs

TL SERIES



FEATURES

- Made from high conductivity copper alloy.
- Range Taking.
- Re-usable.
- Fig.2-8 (below) made from high strength cast bronze.

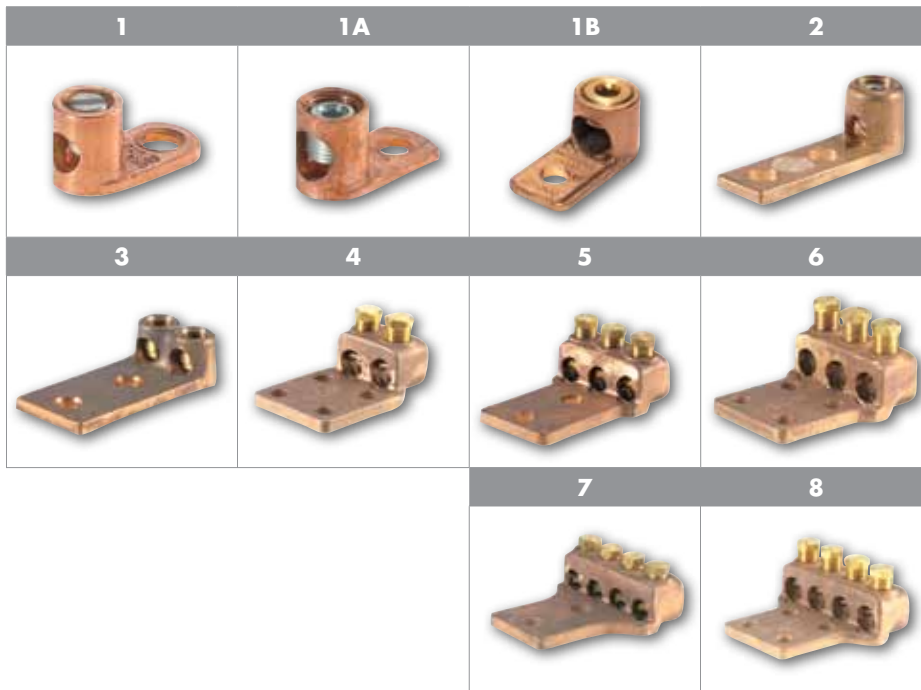
RATINGS



VOLTAGE:
600V (2000V max. per UL486B).
UL486 Listed Wire Connector.

All dimensional data is listed in inches.

CAT. NO.	FIG. NO.	MTG. BOLT SIZE
TL8	1	3/16
TL4	1	1/4
TL1/0	1A	5/16
TL1/0-L2	2	5/16
TL250	1A	3/8
TL250-L2	2	3/8
TL250-2L2	3	1/2
TL250-3L2	5	1/2
TL250-4L2	7	1/2
TL500	1B	1/2
TL500-L2	2	1/2
TL500-2L2	3	1/2
TL500-2L4	4	1/2
TL500-3L2	5	1/2
TL500-3L4	6	1/2
TL500-4L2	7	1/2
TL500-4L4	8	1/2
TL1000	1B	1/2
TL1000-L2	2	1/2
TL1000-2L4	4	1/2
TL1000-3L4	6	1/2





WIRE RANGE	MTG. HOLE DIA.	TORQUE VALUE (IN./LBS.)	WRENCH SIZE	LENGTH (L)	WIDTH (W)	HEIGHT (H)	TANG LENGTH (A)	TANG LENGTH (B)	TANG THICKNESS (C)	STD. CTN. QTY.
8 STR-14 SOL	0.200	60	Slotted	0.815	0.390	0.400	0.150	0.467	0.080	100
4 STR - 14 SOL	0.278	90	Slotted	1.125	0.537	0.553	0.248	0.617	0.096	100
1/0 STR - 4 SOL	0.315	150	1/4	1.584	0.723	0.792	0.370	0.866	0.090	50
1/0 STR - 4 SOL	0.360	150	1/4	2.670	0.775	0.895	0.388	1.908	0.183	40
250 MCM - 1/0 STR	0.380	250	1/4	1.950	0.927	1.049	0.416	1.088	0.119	25
250 MCM - 1/0 STR	0.403	250	1/4	2.996	1.103	1.025	0.424	1.890	0.246	15
300 MCM - 4/0 STR	0.560	250	1/4	4.473	1.994	1.102	0.713	3.375	0.283	10
300 MCM - 4/0 STR	0.560	250	5/8	4.472	3.058	1.838	0.600	3.255	0.362	4
300 MCM - 4/0 STR	0.560	250	5/8	4.440	4.089	1.783	0.650	3.175	0.394	3
500 MCM - 4/0 STR	0.525	300	3/8	2.986	1.375	1.456	0.750	1.640	0.303	10
500 - 300 MCM	0.562	300	3/4	4.500	1.375	2.154	0.625	3.000	0.344	6
500 - 300 MCM	0.562	300	3/4	4.500	2.500	2.055	0.625	3.000	0.375	6
500 - 300 MCM	0.562	300	3/4	4.500	3.000	2.055	0.625	3.000	0.375	4
500 - 300 MCM	0.562	300	3/4	4.500	2.500	2.150	0.625	3.000	0.375	3
500 - 300 MCM	0.562	300	3/4	4.500	3.625	2.150	0.625	3.000	0.375	3
500 - 300 MCM	0.562	300	3/4	4.500	4.187	2.150	0.625	3.000	0.375	2
500 - 300 MCM	0.562	300	3/4	4.500	4.187	2.150	0.625	3.000	0.375	2
1000 - 500 MCM	0.557	400	3/8	3.992	1.985	1.945	0.742	2.245	0.356	4
1000 - 750 MCM	0.562	400	7/8	4.875	1.875	2.887	0.625	3.000	0.500	4
1000 - 750 MCM	0.570	400	7/8	5.045	3.630	2.900	0.620	3.270	0.517	2
1000 - 750 MCM	0.570	400	7/8	6.045	3.630	2.900	0.620	3.270	0.517	2

MECHANICAL CONNECTORS
Aluminum Dual Rated
Parallel Groove Clamps
PAA, PAE SERIES



FEATURES

- High strength aluminum extruded alloy fittings assembled with steel or anodized high strength aluminum flat washers for heavy duty service entrance or for use as heavy duty distribution armor rod clamps.
- The serrated grooves provide increased contact. Supplied pre-filled with oxide inhibitor.
- For galvanized steel hardware, add the suffix -SH to each part number.

RATINGS

TEMPERATURE RATING:
 90 °C.

VOLTAGE:
 600V max.



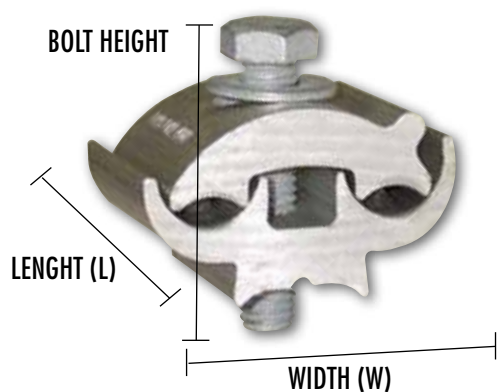
All dimensional data is listed in inches.

CAT. NO.	FIG. NO.
PAA4	1
PAA5	1
PAA6	1
PAA10	1
PAA12	1
PAA29	1
PAA339	1
PAA49	1
PAA129	1
PAE2121-9	2
PAE4141-9	2



MAIN		TAP		HEX/WRENCH SIZE	BOLT HEIGHT	WIDTH (W)	LENGTH (L)	STD. CTN. QTY.
ACSR	AL/CU	ACSR	AL/CU					
1/0-6	1/0 STR-6 SOL	1/0-6	1/0 STR-6 SOL	3/8	1.187	1.500	2.219	25
1/0-8	1/0 STR-8 SOL	1/0-8	1/0 STR-8 SOL	3/8	1.496	1.496	1.240	25
1/0-8	2/0 STR-8 SOL	1/0-8	2/0 STR-8 SOL	3/8	1.496	1.496	1.240	25
336.4-1/0	400-1/0 SOL	1/0-8	1/0 STR-8 SOL	3/8	2.000	1.750	2.469	12
4/0-2	4/0 STR-2 SOL	4/0-2	4/0 STR-2 SOL	1/2	2.000	2.000	2.250	12
2-6	2 STR-6 SOL	2-6	2 STR-6 SOL	5/16	1.094	1.375	1.813	25
1/0-6	1/0 STR-6 SOL	1/0-6	1/0 STR-6 SOL	3/8	1.250	1.500	1.563	25
1/0-6	1/0 STR-6 SOL	1/0-6	1/0 STR-6 SOL	3/8	2.219	1.500	1.187	25
4/0-2	4/0 STR-2 SOL	4/0-2	4/0 STR-20L	1/2	2.250	2.000	2.000	12
2/0-6	2/0 STR-6 SOL	2/0-6	2/0 STR-6 SOL	3/8	2.000	1.625	1.375	25
4/0-4	4/0 STR-2 SOL	4/0-4	4/0 STR-2 SOL	3/8	2.000	2.000	1.375	12

TYPICAL



MECHANICAL CONNECTORS

Wedge & Hot-Line Clamps, Service Entrance Connector W, HLC, EC SERIES

FEATURES

ALUMINUM SERVICE WEDGE CLAMPS

- For dead-ending self-supporting drop wire.
- Saves conductor - drop wire may be cut to exact length.
- Can be attached to bare neutral in any point in the span.
- Adjustment in drop wire sag are easily made.
- Grips ACSR, AAAC or aluminum conductor.

COPPER HOT LINE CLAMPS

- Clamping stem is manufactured from high-strength silicon bronze.
- Saddle is made of high-strength copper alloy, ensuring continued clamping force on the main conductor.
- Threads of clamping stem are protected to prevent damage due to arcing.
- Double coil stainless steel washer maintains continuous pressure on the main conductor.
- Retainer pin captivates the saddle for easy installation.

SERVICE ENTRANCE CONNECTOR

- Body and screw are of high strength, corrosion resistant copper alloy, 600V.

RATINGS



SERVICE ENTRANCE CONNECTOR:

Body and screw are of high-strength, corrosion-resistant copper alloy.

TEMPERATURE RATING:

90 °C.

VOLTAGE:

600V (2000V max. per UL486B).
UL486A/B Listed Wire Connector.

CAT.
NO.

W62-1

W62-1FC

W20-1

W20-1FC

W40-1

W40-1FC



CAT.
NO.

HLC-2/0

HLC-400



CAT.
NO.

EC12

EC6

EC4

EC2





All dimensional data is listed in inches.

ACSR	WIRE RANGE ALUMINUM	AAAC	LENGTH (L)	WIDTH (W)	STD. CTN. QTY.
2-6	1 str-6 sol	2-6	12.000	2.375	12
2-6	1 str-6 sol	2-6	17.500	FLEX	12
1/0-4	2/0 str-2 sol	1/0-4	12.500	2.375	8
1/0-4	2/0 str-2 sol	1/0-4	18.500	FLEX	8
4/0-2/0	4/0 str-2/0 sol	4/0-2/0	12.750	2.375	6
4/0-2/0	4/0 str-2/0 sol	4/0-2/0	18.500	FLEX	6

MAIN		TAP		LENGTH (L)	WIDTH (W)	HEIGHT (H)	STD. CTN. QTY.
CONDUCTOR RANGE	WIRE DIAMETER	CONDUCTOR RANGE	WIRE DIAMETER				
8 sol - 2/0 str	.128/.414	8 sol - 2/0 str	.128/.414	4.119	2.550	2.120	1
6 sol - 400MCM	.162/.745	8 sol - 4/0 str	.128/.547	4.716	2.900	1.348	1

WIRE RANGE	TORQUE VALUE (IN./LBS.)	HEX/WRENCH SIZE	STD. CTN. QTY.
12 str	35	1/4	100
6 str	45	5/16	100
4 str	45	3/8	100
2 str	50	7/8	100

COMPRESSION CONNECTORS

Aluminum Dual Rated

One Hole Standard Barrel

AL SERIES



FEATURES

- Produced from high conductivity aluminum tubing.
- Electro-tin plated for corrosion resistance.
- Color coded and marked with die index information. Pre-filled with oxide inhibitor and capped with color coded cap.
- Listed for 35KV maximum when properly installed.
- Consult factory for additional hole sizes.

RATINGS



UL486A/B Listed.

UL Listed to 35kV when properly installed to cable manufacturers specifications

TEMPERATURE RATING:

90 °C.

CRIMP TOOL:

N1240,N121D.

VOLTAGE:

600V (2000V Max. per UL486).

All dimensional data is listed in inches.

CAT. NO.	WIRE RANGE	EXPANDED WIRE RANGE*
AL8-14	8 AWG	8 AWG
AL6-14	6 AWG	6-8 AWG
AL4-14	4 AWG	4-6 AWG
AL4-38	4 AWG	4-6 AWG
AL2-14	2 AWG	2-6 AWG
AL2-38	2 AWG	2-6 AWG
AL1-14	1 AWG	1-6 AWG
AL1/0-38	1/0 AWG	1/0-6 AWG
AL1/0-48	1/0 AWG	1/0-6 AWG
AL2/0-38	2/0 AWG	2/0-4 AWG
AL2/0-48	2/0 AWG	2/0-4 AWG
AL3/0-38	3/0 AWG	3/0-2 AWG
AL3/0-48	3/0 AWG	3/0-2 AWG
AL4/0-38	4/0 AWG	4/0-1 AWG
AL4/0-48	4/0 AWG	4/0-1 AWG
AL250-48	250 MCM	250 MCM-1/0 AWG
AL300-48	300 MCM	300 MCM-2/0 AWG
AL350-48	350 MCM	350MCM-3/0 AWG
AL400-48	400 MCM	400MCM-4/0 AWG
AL500-48	500 MCM	500-250 MCM
AL500-58	500 MCM	500-250 MCM
AL600-48	600 MCM	600-250 MCM
AL600-58	600 MCM	600-250 MCM
AL750-48	750 MCM	750-500 MCM
AL750-58	750 MCM	750-500 MCM
AL1000-58	1000 MCM	—

*EXPANDED WIRE RANGE when installed with NSI N121D dieless compression tool. UL Listed with other tools:

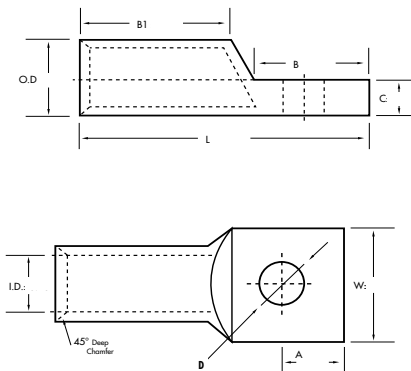
FOR TOOL & DIE CRIMPING INFORMATION, PLEASE SEE TABLE ON PAGE 145



Scan QR to view Tool & Die Charts



COLOR CODE	BOLT SIZE	BARREL O.D.	BARREL I.D.	LENGTH (L)	WIDTH (W)	TANG LENGTH (A)	TANG LENGTH (B)	BARREL LENGTH (B1)	TANG THICKNESS (C)	MTG. HOLE DIA. (D)	STD. CTN. QTY.
Blue	1/4	0.302	0.182	1.549	0.410	0.231	0.645	0.550	0.114	0.260	24
Gray	1/4	0.339	0.201	2.008	0.567	0.378	0.878	0.858	0.098	0.248	24
Green	1/4	0.441	0.252	2.307	0.567	0.378	0.878	1.098	0.189	0.248	24
Green	3/8	0.441	0.252	2.390	0.650	0.378	0.878	1.098	0.150	0.409	24
Pink	1/4	0.532	0.311	2.500	0.709	0.378	0.878	1.201	0.217	0.248	24
Pink	3/8	0.532	0.311	2.500	0.709	0.378	0.878	1.201	0.217	0.409	24
Gold	1/4	0.532	0.350	2.500	0.728	0.378	0.878	1.201	0.177	0.248	24
Tan	3/8	0.630	0.390	2.807	0.847	0.500	0.929	1.201	0.240	0.409	24
Tan	1/2	0.630	0.390	2.807	0.847	0.020	0.929	1.201	0.240	0.508	24
Olive	3/8	0.689	0.441	2.807	0.937	0.500	1.118	1.299	0.240	0.409	12
Olive	1/2	0.689	0.441	2.807	0.937	0.500	1.118	1.299	0.240	0.508	12
Ruby	3/8	0.760	0.480	3.000	1.028	0.500	1.118	1.402	0.280	0.409	12
Ruby	1/2	0.760	0.480	3.000	1.028	0.500	1.118	1.402	0.280	0.508	12
White	3/8	0.839	0.551	3.429	1.150	0.559	1.307	1.402	0.287	0.409	12
White	1/2	0.839	0.551	3.429	1.150	0.559	1.307	1.402	0.287	0.508	12
Red	1/2	0.921	0.591	3.500	1.260	0.630	1.307	1.500	0.319	0.508	12
Blue	1/2	1.012	0.650	4.000	1.370	0.630	1.500	1.598	0.347	0.508	6
Brown	1/2	1.118	0.721	4.248	1.520	0.689	1.500	1.902	0.390	0.508	6
Green	1/2	1.189	0.760	4.677	1.606	0.689	1.500	2.299	0.417	0.508	6
Pink	1/2	1.319	0.839	4.748	1.787	0.748	1.500	2.500	0.469	0.508	6
Pink	5/8	1.319	0.839	4.748	1.787	0.748	1.500	2.500	0.469	0.669	6
Black	1/2	1.441	0.921	5.118	1.957	0.748	1.870	2.598	0.508	0.508	3
Black	5/8	1.441	0.921	5.118	1.957	0.748	1.870	2.598	0.508	0.669	3
Yellow	1/2	1.598	1.032	6.118	2.189	0.937	2.000	3.201	0.547	0.508	3
Yellow	5/8	1.598	1.032	6.118	2.189	0.937	2.000	3.201	0.547	0.669	3
Brown	5/8	1.833	1.173	6.719	2.500	1.000	2.500	2.562	0.688	0.669	1



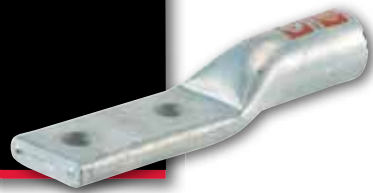
COMPRESSION CONNECTORS

ALuminum Dual Rated

Two Hole

Standard Barrel

AL-N SERIES



FEATURES

- Produced from high conductivity aluminum tubing.
- Electro-tin plated for corrosion resistance.
- Color coded and marked with die index information.
- Pre-filled with oxide inhibitor and capped with color coded cap.
- Listed for 35KV maximum when properly installed.
- Consult factory for additional hole sizes.

RATINGS



UL486A/B Listed.

UL Listed to 35kV when properly installed to cable manufacturers specifications.

TEMPERATURE RATING:

90 °C.

CRIMP TOOL:

N1240, N121D.

VOLTAGE:

600V (2000V Max. per UL486).

All dimensional data is listed in inches.

CAT. NO.	WIRE RANGE	EXPANDED WIRE RANGE*
AL1/ON	1/0 AWG	1/0-6 AWG
AL2/ON	2/0 AWG	2/0-4 AWG
AL3/ON	3/0 AWG	3/0-2 AWG
AL4/ON	4/0 AWG	4/0-1 AWG
AL250N	250 MCM	250 MCM-1/0 AWG
AL300N	300 MCM	300 MCM-2/0 AWG
AL350N	350 MCM	350MCM-3/0 AWG
AL400N	400 MCM	400MCM-4/0 AWG
AL500N	500 MCM	500-250 MCM
AL600N	600 MCM	600-250 MCM
AL750N	750 MCM	750-500 MCM
AL1000N	1000 MCM	—

***EXPANDED WIRE RANGE** when installed with NSI N121D dieless compression tool. UL Listed with other tools:

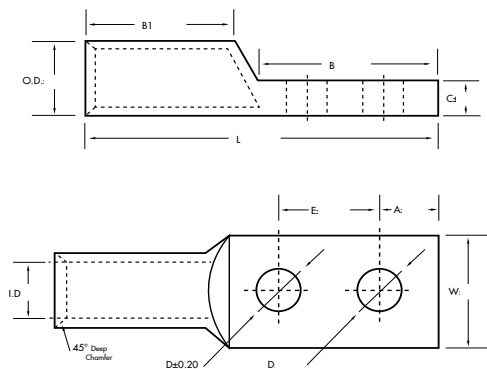
FOR TOOL & DIE CRIMPING INFORMATION, PLEASE SEE TABLE ON PAGE 145



Scan QR to view Tool & Die Charts



COLOR CODE	BOLT SIZE	O.D.	I.D.	LENGTH (L)	WIDTH (W)	TANG LENGTH (A)	TANG LENGTH (B)	BARREL LENGTH (B1)	TANG THICKNESS (C)	MTG. HOLE DIA. (D)	MTG. HOLE SPACING (E)	STD. CTN. QTY.
Tan	1/2	0.390	0.630	4.748	0.847	0.630	3.118	1.201	0.240	0.508	1.750	12
Olive	1/2	0.440	0.690	4.799	0.937	0.630	3.118	1.299	0.240	0.508	1.750	12
Ruby	1/2	0.480	0.760	5.000	1.028	0.630	3.118	1.402	0.280	0.508	1.750	12
White	1/2	0.550	0.840	5.248	1.150	0.630	3.118	1.402	0.287	0.508	1.750	12
Red	1/2	0.590	0.920	5.307	1.260	0.630	3.118	1.500	0.319	0.508	1.750	12
Blue	1/2	0.650	1.010	5.500	1.370	0.630	3.118	1.598	0.347	0.508	1.750	6
Brown	1/2	0.720	1.120	5.870	1.520	0.630	3.118	1.902	0.390	0.508	1.750	6
Green	1/2	0.760	1.190	6.429	1.606	0.630	3.118	2.299	0.417	0.508	1.750	6
Pink	1/2	0.840	1.320	6.500	1.787	0.630	3.118	2.500	0.469	0.508	1.750	6
Black	1/2	0.920	1.440	6.748	1.957	0.630	3.118	2.598	0.508	0.508	1.750	3
Yellow	1/2	1.030	1.600	7.370	2.189	0.630	3.118	3.201	0.547	0.508	1.750	3
Brown	1/2	1.170	1.831	7.437	2.500	0.750	3.219	2.562	0.687	0.508	1.750	1



COMPRESSION CONNECTORS

Dual Rated Aluminum Splice

ASC-T SERIES



FEATURES

- Produced from high conductivity aluminum tubing.
- Center stop assures proper cable installation.
- Electro-tin plated for corrosion resistance.
- Color coded and marked with die index information.
- Pre-filled with oxide inhibitor and capped with color coded cap.
- Listed for 35KV maximum when properly installed.
- Consult factory for additional hole sizes.

RATINGS



UL486A/B Listed.

UL Listed to 35kV when properly installed to cable manufacturers specifications.

TEMPERATURE RATING:
90 °C.

CRIMP TOOL:
N1240, N121D.

VOLTAGE:
600V (2000V Max. per UL486).

All dimensional data is listed in inches.

CAT. NO.	WIRE RANGE
ASC8T	8 AWG
ASC6T	6 AWG
ASC4T	4 AWG
ASC2T	2 AWG
ASC1T	1 AWG
ASC1/0T	1/0 AWG
ASC2/0T	2/0 AWG
ASC3/0T	3/0 AWG
ASC4/0T	4/0 AWG
ASC250T	250 MCM
ASC300T	300 MCM
ASC350T	350 MCM
ASC400T	400 MCM
ASC500T	500 MCM
ASC600T	600 MCM
ASC750T	750 MCM
ASC1000T	1000 MCM

***EXPANDED WIRE RANGE** when installed with NSI N121D dieless compression tool. UL Listed with other tools:

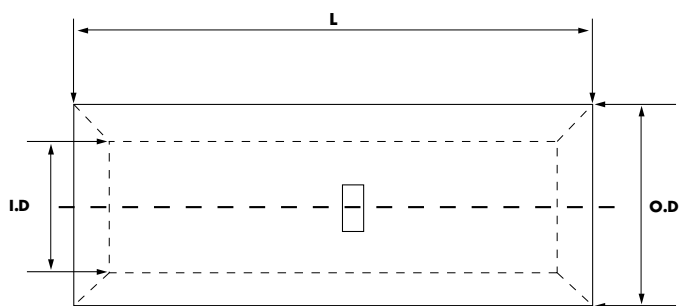
FOR TOOL & DIE CRIMPING INFORMATION, PLEASE SEE TABLE ON PAGE 145



Scan QR to view Tool & Die Charts



EXPANDED WIRE RANGE*	COLOR CODE	O.D.	I.D.	LENGTH (L)	STD. CTN. QTY.
8 AWG	Blue	0.297	0.146	1.750	100
6-8 AWG	Gray	0.339	0.197	1.630	24
4-6 AWG	Green	0.437	0.248	2.000	24
2-6 AWG	Pink	0.528	0.307	2.378	24
1-6 AWG	Gold	0.528	0.347	2.378	24
1/0-6 AWG	Tan	0.630	0.390	2.500	24
2/0-4 AWG	Olive	0.689	0.440	2.630	12
3/0-2 AWG	Ruby	0.760	0.480	2.878	12
4/0-1 AWG	White	0.839	0.550	3.130	12
250 MCM-1/0 AWG	Red	0.920	0.590	3.248	12
300 MCM-2/0 AWG	Blue	1.010	0.650	3.248	6
350MCM-3/0 AWG	Brown	1.120	0.720	3.878	6
400MCM-4/0 AWG	Green	1.190	0.760	4.878	6
500-250 MCM	Pink	1.320	0.840	5.000	6
600-250 MCM	Black	1.440	0.920	5.130	6
750-500 MCM	Yellow	1.600	1.030	5.378	3
—	Brown	1.844	1.153	5.250	3



COMPRESSION CONNECTORS

Bi-Metallic Pin Terminals

PT SERIES



FEATURES

- Designed to facilitate termination of aluminum conductors.
- Pin: Starred copper, tin plated.
- Supplied with PVC insulating cover.
- Connector bores are coated with oxide inhibitor.

RATINGS



UL 486B Listed.

TEMPERATURE RATING:

90 °C.

RATING:

600V.

CRIMP TOOL:

N1240.

All dimensional data is listed in inches.

CAT. NO.	WIRE RANGE
PT6	6 AWG
PT4	4 AWG
PT2	2 AWG
PT1	1 AWG
PT1/0	1/0 AWG
PT2/0	2/0 AWG
PT3/0	3/0 AWG
PT4/0	4/0 AWG
PT250	250 MCM
PT300	300 MCM
PT350	350 MCM
PT400	400 MCM
PT500	500 MCM
PT600	600 MCM
PT750	750 MCM

***EXPANDED WIRE RANGE** when installed with NSI N121D dieless compression tool.
UL Listed with other tools:

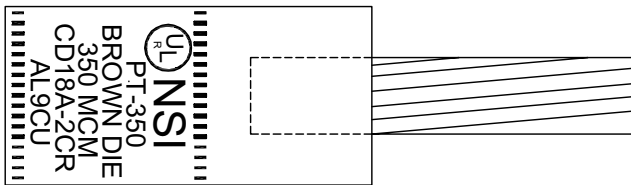
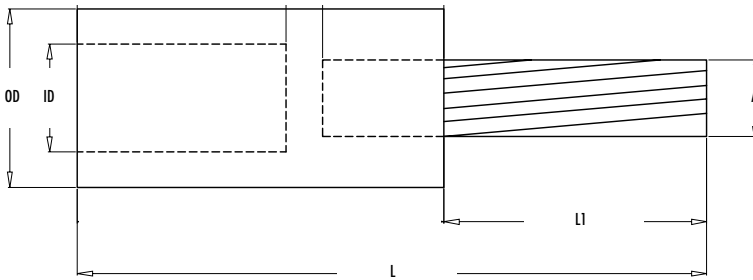
**FOR TOOL & DIE CRIMPING INFORMATION,
PLEASE SEE TABLE ON PAGE 145**



Scan QR to view
Tool & Die Charts



COLOR CODE	PIN SIZE	O.D.	I.D.	PIN DIA. (A)	LENGTH (L)	PIN LENGTH (L1)	BODY LENGTH (L2)	STD. CTN. QTY.
	# 8	0.639	0.186	0.144	2.125	0.875	1.250	25
Tan	# 6	0.630	0.236	0.188	2.450	0.913	1.540	25
Tan	# 4	0.641	0.311	0.228	2.440	0.913	1.527	25
Tan	# 3	0.630	0.350	0.279	2.539	1.003	1.530	10
Tan	# 2	0.900	0.366	0.287	3.405	1.259	2.140	10
White	# 1	0.900	0.429	0.322	3.342	1.251	2.090	10
White	1/0	0.900	0.484	0.362	3.598	1.456	2.140	10
White	2/0	0.900	0.547	0.405	3.523	1.464	2.050	10
Brown	3/0	1.160	0.653	0.440	3.858	1.551	2.300	10
Brown	4/0	1.160	0.653	0.523	4.086	1.696	2.389	10
Brown	4/0	1.157	0.700	0.496	4.082	1.704	2.377	10
Pink	250	1.330	0.759	0.582	4.362	1.984	2.377	10
Pink	350	1.330	0.759	0.681	4.192	1.842	2.350	10
Yellow	350	1.503	0.921	0.688	4.960	1.897	3.051	3
Yellow	500	1.500	1.015	0.787	5.007	2.003	3.015	3



COMPRESSION CONNECTORS

Dual Rated Pin Terminals

PTS, PTO SERIES



FEATURES

SOLID PIN TERMINALS - PTS SERIES

- All-aluminum pin terminal designed for termination of both aluminum and copper conductors. The pin is solid aluminum. The connector is tin plated to provide low contact resistance and oxidation protection. Connector is pre-filled with Oxide Inhibitor and capped with color coded cap indicating color of die to use. A cover is provided for quick installation.

SOLID PIN TERMINALS - PTO SERIES

- All-aluminum pin terminal designed for termination of both aluminum and copper conductors. In addition to above the PTO Series provides an offset termination pin. Pin is offset for use in tight applications while providing ease of installation in side by side applications. The solid pin is made of aluminum and is tin-plated and pre-filled with oxide inhibitor. Great for paralleling cable. A cover is provided for quick insulation.

RATINGS



UL486A/B Listed.

TEMPERATURE RATING:

90 °C.

RATING:

600V.

CRIMP TOOL:

N1240.



Scan QR to view
Tool & Die Charts

All dimensional data is listed in inches.

CAT. NO.	WIRE RANGE	FIG NO.
PTS6	6 STR	1
PTS4	4 STR	1
PTS2	2 STR	1
PTS1	1 STR	1
PTS1/0	1/0 STR	1
PTS2/0	2/0 STR	1
PTS3/0	3/0 STR	1
PTS4/0	4/0 STR	1
PTS250	250 MCM	1
PTS300	300 MCM	1
PTS350	350 MCM	1
PTS400	400 MCM	1
PTS500	500 MCM	1
PTS600	600 MCM	1
PTS750	750 MCM	1
PTO-2/0	2/0 AWG	2
PTO-3/0	3/0 AWG	2
PTO-4/0	4/0 AWG	2
PTO-250	250 MCM	2
PTO-300	300 MCM	2
PTO-350	350 MCM	2
PTO-400	400 MCM	2
PTO-500	500 MCM	2
PTO-600	600 MCM	2
PTO-750	750 MCM	2

***EXPANDED WIRE RANGE** when installed with NSI N121D dieless compression tool. UL Listed with other tools:

FOR TOOL & DIE CRIMPING INFORMATION, PLEASE SEE TABLE ON PAGE 145



COLOR CODE	PIN SIZE	O.D.	I.D.	PIN DIA. (A)	LENGH (L)	PIN LENGH (L1)	BODY LENGH (L2)	STD. CTN. QTY.
Tan	4	0.598	0.220	0.240	1.850	0.681	1.169	25
Tan	4	0.598	0.236	0.240	1.850	0.681	1.169	25
Tan	4	0.598	0.299	0.240	1.840	0.680	1.160	25
Tan	3	0.598	0.318	0.250	1.990	0.830	1.160	10
Tan	2	0.598	0.370	0.290	1.990	0.830	1.160	10
White	1	0.850	0.429	0.330	2.200	0.830	1.370	10
White	1/0	0.850	0.476	0.370	2.590	1.220	1.370	10
White	2/0	0.850	0.535	0.420	2.590	1.220	1.370	10
Brown	3/0	1.090	0.594	0.460	2.620	1.220	1.400	10
Brown	4/0	1.090	0.653	0.530	2.730	1.330	1.400	10
Brown	250	1.090	0.716	0.570	2.730	1.330	1.400	10
Pink	300	1.310	0.763	0.620	3.070	1.590	1.480	10
Pink	350	1.310	0.826	0.680	3.070	1.590	1.480	10
Yellow	400	1.460	0.921	0.720	3.670	1.640	2.030	3
Yellow	500	1.460	1.027	0.810	3.780	1.750	2.030	3
White	1	0.850	0.440	0.330	2.690	1.120	1.570	10
White	1/0	0.850	0.500	0.370	2.800	1.250	1.550	10
White	2/0	0.850	0.547	0.420	2.780	1.270	1.510	10
Brown	3/0	1.090	0.594	0.460	2.780	1.270	1.510	10
Brown	4/0	1.090	0.657	0.530	3.080	1.460	1.620	10
Brown	250	1.090	0.704	0.570	3.080	1.460	1.620	10
Pink	300	1.310	0.763	0.620	3.380	1.680	1.700	10
Pink	350	1.310	0.842	0.680	3.380	1.680	1.700	10
Yellow	400	1.460	0.821	0.720	3.990	1.720	2.270	3
Yellow	500	1.460	1.031	0.810	4.180	1.720	2.460	3

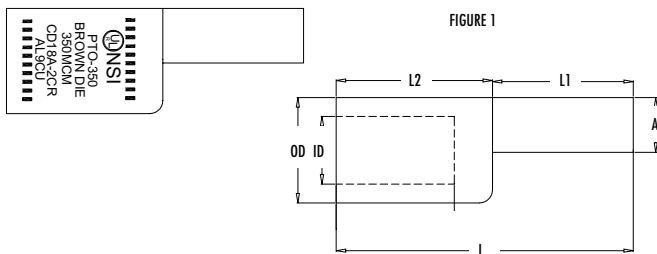


FIGURE 1

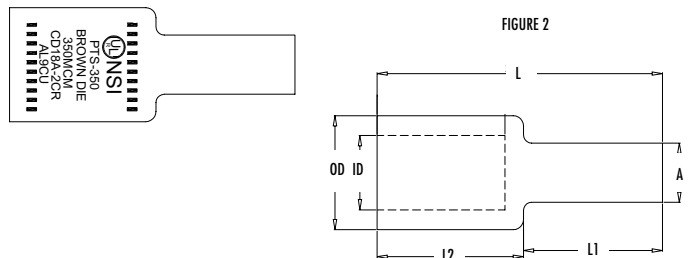


FIGURE 2

COMPRESSION CONNECTORS Dual Rated Wide Range Tap Connectors and Covers WRD SERIES



DUAL RATED WIDE RANGE TAP CONNECTORS

- For combinations of aluminum and aluminum-copper conductors.
- Standard compression tools and dies install in all sizes.
- Formable ribs provide broader contact area.
- Fold-in tabs provide positive tab interlock as tool closes.
- Made from high strength aluminum alloy.
- All connectors reversible.

RATINGS

RATING:
600V.

FOR TOOL & DIE CRIMPING INFORMATION,
PLEASE SEE TABLE ON PAGE 00

DUAL RATED INSULATING COVERS

- Hinged polyurethane cover for easy installation of WRD series tap connectors.
- Eliminates taping.
- Drain ports prevent accumulation of moisture.
- Ultraviolet stabilized.



Scan QR to view
Tool & Die Charts

CAT. NO.	CAPACITY	STD. CTN. QTY.
C2	All 5/8" OD. Sleeve 2" long or less	12
C5	All "O" die taps 1 3/4" long or less	12
C7	All "D" die taps 2 1/2" long or less	6
C9	All "N" die taps up to 2" long	4



CAT. NO.	STANDARD CONDUCTOR RANGE						COMPACT CONDUCTOR				STD. CTN. QTY.
	A GROOVE			B GROOVE			A GROOVE		B GROOVE		
	ACSR	STR	SOL	ACSR	STR	SOL	ACSR	STR	ACSR	STR	
WRD159	-	1	-	-	1	-	1	1	1	1	25
	2	2	2	2	2	2	2	2	2	2	25
	3	3	3	3	3	3	3	3	3	3	25
	4	4	4	4	4	4	4	4	4	4	25
	6	6	6	6	6	6	6	6	6	6	25
WRD189	-	-	3/0	-	-	1/0	-	-	-	-	25
	-	2/0	2/0	-	1	1	2/0	2/0	1	1	25
	1/0	1/0	1/0	2	2	1/0	1/0	2	2	-	25
	1	1	1	3	3	3	1	1	3	3	25
	2	2	-	4	4	4	2	2	4	4	25
	3	-	-	6	6	6	-	-	6	6	25
WRD279	-	-	4/0	-	3/0	3/0	-	-	-	-	25
	-	3/0	3/0	2/0	2/0	2/0	3/0	3/0	3/0	3/0	25
	2/0	2/0	2/0	1/0	1/0	-	2/0	2/0	2/0	2/0	25
	1/0	4/0	-	1	-	-	1/0	1/0	1/0	1/0	25
	1	-	-	-	-	-	-	-	-	-	25
WRD289	-	-	-	-	-	1/0	-	-	-	-	25
	-	-	-	-	1	1	-	-	1	1	25
	-	-	4/0	2	2	2	3/0	3/0	2	2	25
	-	3/0	3/0	3	3	3	2/0	-	3	3	25
	2/0	2/0	-	4	4	4	-	-	4	4	25
WRD379	1/0	-	-	6	6	6	-	-	6	6	25
	-	-	-	-	-	1/0	-	-	-	-	25
	-	-	-	-	1	1	-	-	1	1	25
	-	-	-	2	2	2	266-18/1	266	2	2	25
	4/0	4/0	-	3	3	3	250	250	3	3	25
	3/0	-	-	4	4	4	4/0	4/0	4	4	25
WRD399	-	-	-	6	6	6	-	-	6	6	25
	-	-	-	-	-	3/0	266-18/1	266	-	-	25
	-	-	-	2/0	2/0	2/0	-	250	-	3/0	25
	4/0	4/0	-	1/0	1/0	-	4/0	4/0	2/0	2/0	25
	3/0	3/0	-	1	-	-	3/0	-	1/0	1/0	25
WRD419	-	-	-	-	-	-	266-18/1	266-18/1	266-18/1	266	25
	4/0	4/0	-	4/0	4/0	-	-	250	-	250	25
	3/0	3/0	-	3/0	3/0	-	4/0	4/0	4/0	4/0	25

COMPRESSION CONNECTORS Dual Rated Wide Range Tap Connectors WRD SERIES CONTINUED



FEATURES

- For combinations of aluminum and aluminum-copper conductors.
- Standard compression tools and dies install in all sizes.
- Formable ribs provide broader contact area.
- Fold-in tabs provide positive tab interlock as tool closes.
- Made from high strength aluminum alloy.
- All connectors reversible.

RATINGS

RATING:
600V.



Scan QR to view
Tool & Die Charts

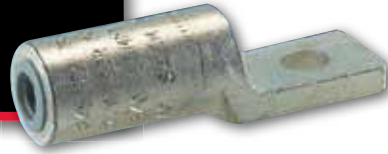


CAT. NO.	STANDARD CONDUCTOR RANGE						COMPACT CONDUCTOR				STD. CTN. QTY.
	A GROOVE			B GROOVE			A GROOVE		B GROOVE		
	ACSR	STR	SOL	ACSR	STR	SOL	ACSR	STR	ACSR	STR	
WRD9	-	-	1	-	8	8	-	-	-	-	50
	3	2	2	-	10	10	-	-	-	-	50
	4	3	3	-	12	12	-	-	-	-	50
	6	4	4	-	14	14	-	-	-	-	50
	6	-	-	-	-	-	-	-	-	-	50
WRD139	-	2/0	-	-	-	-	-	-	-	-	25
	1/0	1/0	-	-	-	-	-	-	-	-	25
	1	1	1	-	-	6	-	-	-	-	25
	2	2	2	-	-	-	-	-	-	-	25
	3	3	-	-	10	10	-	-	-	-	25
	4	-	-	-	-	-	-	-	-	-	25
WRD149	-	-	2	-	-	2	-	2	-	2	25
	-	3	3	-	3	3	-	3	3	3	25
	4	4	4	4	4	4	4	4	4	4	25
	6	6	6	6	6	6	6	6	6	6	25
WRD179	1/0	1/0	-	-	-	2	-	2/0	-	2	25
	1	1	1	-	3	3	1/0	1/0	-	3	25
	2	2	-	4	4	4	1	1	4	4	25
	3	-	-	6	6	6	2	2	6	6	25
	1/0	1/0	-	-	1	1	-	2/0	1	1	25
WRD199	1	1	1	2	2	2	1/0	1/0	2	2	25
	2	2	-	3	3	-	1	1	3	-	25
	3	-	-	4	4	-	2	2	4	-	25
WRD219	1/0	1/0	-	1/0	1/0	-	-	2/0	-	2/0	25
	1	1	-	1	1	-	1/0	1/0	1/0	1/0	25
	-	-	-	2	-	-	-	-	1	-	25
WRD259	-	2/0	-	-	2/0	-	2/0	2/0	2/0	2/0	25
	1/0	1/0	-	1/0	1/0	-	1/0	1/0	1/0	1/0	25
	1	-	-	1	-	-	-	-	-	-	25
WRD299	-	3/0	-	-	-	2	3/0	3/0	-	2	25
	2/0	2/0	-	-	3	3	2/0	-	-	3	25
	1/0	-	-	4	4	4	-	-	4	4	25
	-	-	-	6	6	6	-	-	6	6	25
	-	-	-	-	1/0	-	-	-	-	-	25
WRD359	4/0	4/0	-	1	1	1	266	266	1/0	1/0	25
	3/0	3/0	-	2	2	-	-	250	1	1	25
	-	-	-	3	3	-	4/0	4/0	2	2	25
	-	-	-	4	-	-	3/0	-	-	-	25
WRD369	4/0	4/0	-	1/0	1/0	1/0	266	266	1/0	1/0	25
	3/0	3/0	-	1	1	1	-	250	1	1	25
	2/0	-	-	2	2	2	4/0	4/0	2	2	25
	-	-	-	3	3	-	3/0	3/0	3	-	25
	-	-	-	4	4	-	-	-	4	-	25
WRD389	-	-	-	-	-	-	266	266	-	-	25
	4/0	4/0	-	-	3/0	-	-	250	3/0	3/0	25
	3/0	3/0	-	2/0	2/0	-	4/0	4/0	2/0	-	25
	-	-	-	1/0	-	-	3/0	-	-	-	25

COMPRESSION CONNECTORS

Dual Rated Meter Socket Lugs

CAL SERIES



FEATURES

- Made of dead-soft EC grade aluminum.
- 840 common dies – one die installs on all sizes.
- For aluminum or copper conductors.
- Pre-filled with oxide inhibitor.
- Installing dies (color red): .840, 18, 324, TX, 76, 11A, 249.

RATINGS

600V

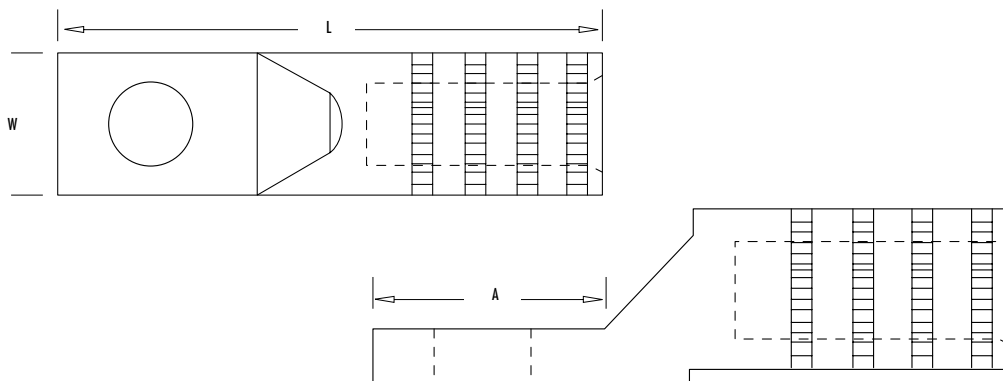
All dimensional data is listed in inches.

CAT. NO.
CAL4
CAL2
CAL1-48
CAL10
CAL10-48
CAL20
CAL20-48
CAL30-48
CAL 40
CAL40-48



STRANDED	CONDUCTOR		BOLT SIZE	LENGTH (L)	WIDTH (W)	TANG LENGTH (A)	STD. CTN. QTY.
	SOLID	COMPACT					
4	3	4	3/8	3.250	0.3125	1.3125	12
2	1	2	3/8	3.250	0.3125	1.3125	12
1	1/0	1	1/2	3.250	0.3125	1.3125	12
1/0	2/0	1/0	3/8	3.250	0.3125	1.3125	12
1/0	2/0	1/0	1/2	3.250	0.3125	1.3125	12
2/0	3/0	2/0	3/8	3.250	0.3125	1.3125	12
2/0	3/0	2/0	1/2	3.250	0.3125	1.3125	12
3/0	4/0	3/0	1/2	3.250	0.3125	1.3125	12
4/0	-	4/0	3/8	3.250	0.3125	1.3125	12
4/0	-	4/0	1/2	3.250	0.3125	1.3125	12

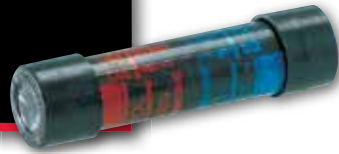
Max ampacity is based on NEC 310.15, insulation type, and conductor material. Please consult your current NEC manual.



COMPRESSION CONNECTORS

Dual Rated Insulated Service Entrance Sleeves

ISE SERIES



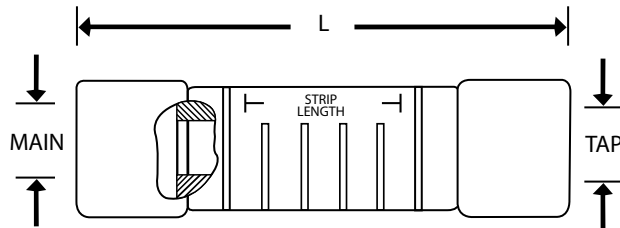
FEATURES

- Pre-insulated service entrance compression sleeves for fast and easy installation with standard tools and dies.
- For combinations of aluminum-aluminum and aluminum-copper conductors.
- Solid center barrier.

RATINGS

Meets or exceeds ANSI C119.4.

RATING:
600V



All dimensional data is listed in inches.

CAT. NO.	DIE SIZE	TOOL
ISE61	5/8	OD581
ISE62	5/8	OD581
ISE63	5/8	OD581
ISE64	5/8	OD581
ISE65	5/8	OD581
ISE66	5/8	OD581
ISE67	5/8	OD581
ISE68	5/8	OD581
ISE71	5/8	OD581
ISE72	5/8	OD581
ISE73	5/8	OD581
ISE76	5/8	OD581
ISE77	5/8	OD581
ISE78	5/8	OD581
ISE135	0.840	OD581+BY377C
ISE136	0.840	OD581+BY377C
ISE144	0.840	OD581+BY377C
ISE145	0.840	OD581+BY377C
ISE146	0.840	OD581+BY377C
ISE147	0.840	OD581+BY377C
ISE154	0.840	OD581+BY377C
ISE155	0.840	OD581+BY377C
ISE156	0.840	OD581+BY377C
ISE158	0.840	OD581+BY377C
ISE164	0.840	OD581+BY377C
ISE165	0.840	OD581+BY377C
ISE167	0.840	OD581+BY377C
ISE168	0.840	OD581+BY377C
ISE169	0.840	OD581+BY377C

*compact



CONDUCTOR RANGE MAIN			CONDUCTOR RANGE TAP			LENGTH (L)	STD. CTN. QTY.
ACSR	AWG	COLOR CODE	ACSR	AWG	COLOR CODE		
-	8 STR-6 SOL	Green	-	8 STR-6 SOL	Green	2.780	50
6	6 STR-4 SOL	Blue	-	10 STR-8 SOL	Brown	2.780	50
6	6 STR-4 SOL	Blue	-	8 STR-6 SOL	Green	2.780	50
6	6 STR-4 SOL	Blue	6	6 STR-4 SOL	Blue	2.780	50
4	3-4 STR-2 SOL	Orange	-	10 STR-8 SOL	Brown	2.780	50
4	3-4 STR-2 SOL	Orange	-	8 STR-6 SOL	Green	2.780	50
4	3-4 STR-2 SOL	Orange	6	6 STR-4 SOL	Blue	2.780	50
4	3-4 STR-2 SOL	Orange	4	3-4 STR-2 SOL	Orange	2.780	50
2	1-2 STR	Red	6	6 STR-4 SOL	Blue	2.780	50
2	1-2 STR	Red	4	3-4 STR-2 SOL	Orange	2.780	50
2	1-2 STR	Red	2	1-2 STR	Red	2.780	50
1/0	1/0	Yellow	4	3-4 STR-2 SOL	Orange	2.780	50
1/0	1/0	Yellow	2	1-2 STR	Red	2.780	50
1/0	1/0	Yellow	-	1/0 STR	Yellow	2.780	50
1/0	1/0, 2/0 STR*	Yellow	2	1-2 STR	Red	5.500	12
1/0	1/0, 2/0 STR*	Yellow	1/0	1/0 STR, 2/0 COM	Yellow	5.500	12
2/0	2/0, 3/0 STR*	Gray	4	3-4 STR-2 SOL	Orange	5.500	12
2/0	2/0, 3/0 STR*	Gray	2	1-2 STR	Red	5.500	12
2/0	2/0, 3/0 STR*	Gray	1/0	1/0 STR, 2/0 COM	Yellow	5.500	12
2/0	2/0, 3/0 STR*	Gray	2/0	2/0 STR, 3/0 COM	Gray	5.500	12
3/0	3/0, 4/0 STR*	Black	4	3-4 STR, 2 SOL	Orange	5.500	12
3/0	3/0, 4/0 STR*	Black	2	1-2 STR	Red	5.500	12
3/0	3/0, 4/0 STR*	Black	1/0	1/0 STR, 2/0 COM	Yellow	5.500	12
3/0	3/0, 4/0 STR*	Black	3/0	3/0 STR, 4/0 COM	Black	5.500	12
4/0	4/0 STR	Pink	4	3-4 STR-2 SOL	Orange	5.500	12
4/0	4/0 STR	Pink	2	1-2 STR	Red	5.500	12
4/0	4/0 STR	Pink	2/0	2/0 STR, 3/0 COM	Gray	5.500	12
4/0	4/0 STR	Pink	3/0	3/0 STR, 4/0 COM	Black	5.500	12
4/0	4/0 STR	Pink	4/0	4/0 STR	Pink	5.500	12

Max ampacity is based on NEC 310.15, insulation type, and conductor material. Please consult your current NEC manual.

COMPRESSION CONNECTORS

Long Barrel One Hole

Copper Lugs

L SERIES



FEATURES

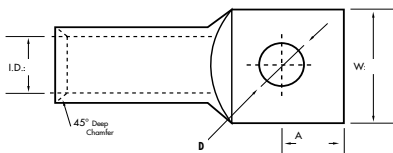
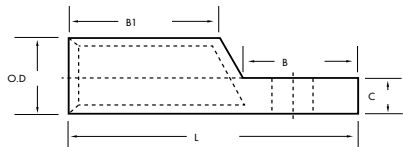
- Produced from high conductivity copper tubing.
- Tin-plated to provide corrosion low contact resistance.
- Marked with die index and color coded.
- Listed for 35KV max when properly installed and to cable manufacturer instructions.
- For applications greater than 2000V, consult the cable manufacturer for voltage stress relief instructions.

NOTE: Part Numbers ending in "P" have a "peep" or sight inspection hole.

RATINGS



TEMPERATURE RATING:
90 °C.



All dimensional data is listed in inches.

CAT. NO.	WIRE RANGE	EXPANDED WIRE RANGE**
L810	8 AWG	8 - 10 AWG
L810P	8 AWG	8 - 10 AWG
L814	8 AWG	8 - 10 AWG
L814P	8 AWG	8 - 10 AWG
L838	8 AWG	8 - 10 AWG
L838P	8 AWG	8 - 10 AWG
L610	6 AWG	6 - 8 AWG
L614	6 AWG	6 - 8 AWG
L614P	6 AWG	6 - 8 AWG
L638	6 AWG	6 - 8 AWG
L638P	6 AWG	6 - 8 AWG
L656	6 AWG	6 - 8 AWG
L656P	6 AWG	6 - 8 AWG
L410	4 AWG	4 - 6 AWG
L414	4 AWG	4 - 6 AWG
L414P	4 AWG	4 - 6 AWG
L438	4 AWG	4 - 6 AWG
L438P	4 AWG	4 - 6 AWG
L456	4 AWG	4 - 6 AWG
L456P	4 AWG	4 - 6 AWG
L314	3 AWG	3 - 6 AWG
L356	3 AWG	3 - 6 AWG
L338	3 AWG	3 - 6 AWG
L214	2 AWG	2 - 6 AWG
L214P	2 AWG	2 - 6 AWG
L256	2 AWG	2 - 6 AWG
L256P	2 AWG	2 - 6 AWG
L238	2 AWG	2 - 6 AWG
L238P	2 AWG	2 - 6 AWG
L156	1 AWG	1 - 6 AWG
L138	1 AWG	1 - 6 AWG
L1014	1/0 AWG	1/0 - 6 AWG
L1014P	1/0 AWG	1/0 - 6 AWG
L1038	1/0 AWG	1/0 - 6 AWG

* CLASS B OR C BUILDING WIRE CU CABLE

Max ampacity is based on NEC 310.15, insulation type, and conductor material. Please consult your current NEC manual.

***EXPANDED WIRE RANGE** when installed with NSI N121D dieless compression tool. UL Listed with other tools:

FOR TOOL & DIE CRIMPING INFORMATION, PLEASE SEE TABLE ON PAGE 145



Scan QR to view
Tool & Die Charts



BOLT SIZE	I.D.	O.D.	LENGTH (L)	WIDTH (W)	A	B	B1	C	D	COLOR	STD. CTN. QTY.
#10	0.205	0.295	1.520	0.420	0.280	0.590	0.810	0.080	0.210	Red	100
#10	0.205	0.295	1.520	0.420	0.280	0.590	0.810	0.080	0.210	Red	100
1/4"	0.205	0.295	1.520	0.420	0.280	0.590	0.810	0.080	0.252	Red	100
1/4"	0.205	0.295	1.520	0.420	0.280	0.590	0.810	0.080	0.252	Red	100
3/8"	0.205	0.295	1.520	0.420	0.280	0.590	0.810	0.080	0.413	Red	100
3/8"	0.205	0.295	1.520	0.420	0.280	0.590	0.810	0.080	0.413	Red	100
#10	0.205	0.295	1.770	0.420	0.300	0.640	0.980	0.083	0.210	Blue	100
1/4"	0.205	0.295	1.772	0.421	0.295	0.669	0.984	0.083	0.252	Blue	100
1/4"	0.205	0.295	1.772	0.421	0.295	0.669	0.984	0.083	0.252	Blue	100
3/8"	0.205	0.295	1.913	0.591	0.370	0.811	0.984	0.083	0.413	Blue	100
3/8"	0.205	0.295	1.913	0.591	0.370	0.811	0.984	0.083	0.413	Blue	100
5/16"	0.205	0.295	1.910	0.590	0.370	0.810	0.980	0.083	0.330	Blue	100
5/16"	0.205	0.295	1.910	0.590	0.370	0.810	0.980	0.083	0.330	Blue	100
#10	0.252	0.343	1.770	0.488	0.315	0.669	0.980	0.087	0.210	Gray	100
1/4"	0.252	0.343	1.772	0.488	0.315	0.669	0.984	0.087	0.252	Gray	100
1/4"	0.252	0.343	1.772	0.488	0.315	0.669	0.984	0.087	0.252	Gray	100
3/8"	0.252	0.343	1.913	0.591	0.370	0.811	0.984	0.087	0.413	Gray	100
3/8"	0.252	0.343	1.913	0.591	0.370	0.811	0.984	0.087	0.413	Gray	100
5/16"	0.252	0.343	1.772	0.488	0.315	0.669	0.984	0.087	0.331	Gray	100
5/16"	0.252	0.343	1.772	0.488	0.315	0.669	0.984	0.087	0.331	Gray	100
1/4"	0.270	0.377	2.344	0.531	0.323	0.828	1.169	0.097	0.277	White	100
5/16"	0.270	0.377	2.157	0.538	0.346	0.767	1.120	0.091	0.336	White	50
3/8"	0.270	0.377	2.351	0.550	0.418	0.823	1.188	0.083	0.397	White	50
1/4"	0.315	0.421	2.071	0.602	0.206	0.811	1.102	0.102	0.252	Brown	50
1/4"	0.315	0.421	2.071	0.602	0.206	0.811	1.102	0.102	0.252	Brown	50
5/16"	0.315	0.421	2.071	0.602	0.370	0.811	1.102	0.102	0.331	Brown	50
5/16"	0.315	0.421	2.071	0.602	0.370	0.811	1.102	0.102	0.331	Brown	50
3/8"	0.315	0.421	2.071	0.602	0.370	0.811	1.102	0.102	0.413	Brown	50
3/8"	0.315	0.421	2.071	0.602	0.370	0.811	1.102	0.102	0.413	Brown	50
5/16"	0.358	0.469	2.110	0.673	0.370	0.811	1.102	0.106	0.331	Green	50
3/8"	0.358	0.469	2.209	0.673	0.370	0.811	1.102	0.106	0.413	Green	50
1/4"	0.390	0.520	2.210	0.744	0.370	0.811	1.201	0.126	0.210	Pink	50
1/4"	0.390	0.520	2.210	0.744	0.370	0.811	1.201	0.126	0.210	Pink	50
3/8"	0.390	0.520	2.209	0.744	0.370	0.811	1.201	0.126	0.413	Pink	50

TOOL OPTIONS		
CAT. NO.	DESCRIPTION	PAGE NO.
NSI-12	Hydraulic Die-Type Crimping Tool	00
RDC 1/0	Ratchet-Drive Crimpers	00
M-250	Manual Compression Tool	00
M-500	Manual Compression Tool	00
N1240	Compression Tool	00
N121D	Dieless Hydraulic Crimping Tool	00

COMPRESSION CONNECTORS

Long Barrel One Hole

Copper Lugs

L SERIES CONTINUED



FEATURES

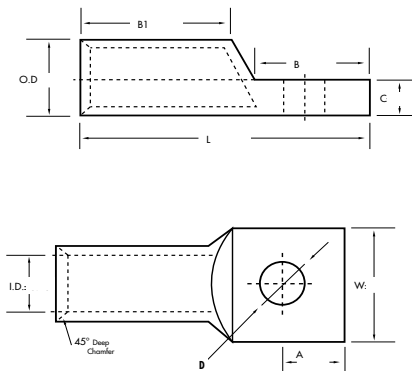
- Produced from high conductivity copper tubing.
- Tin-plated to provide corrosion low contact resistance.
- Marked with die index and color coded.
- Listed for 35KV max when properly installed and to cable manufacturer instructions
- For applications greater than 2000V, consult the cable manufacturer for voltage stress relief instructions.

NOTE: Part Numbers ending in "P" have a "peep" or sight inspection hole.

RATINGS



TEMPERATURE RATING:
90 °C.



All dimensional data is listed in inches.

CAT. NO.	WIRE RANGE	EXPANDED WIRE RANGE*
L1038P	1/0 AWG	1/0 - 6 AWG
L1056	1/0 AWG	1/0 - 6 AWG
L1056P	1/0 AWG	1/0 - 6 AWG
L1048	1/0 AWG	1/0 - 6 AWG
L2014	2/0 AWG	2/0 - 4 AWG
L2014P	2/0 AWG	2/0 - 4 AWG
L2038	2/0 AWG	2/0 - 4 AWG
L2038P	2/0 AWG	2/0 - 4 AWG
L2048	2/0 AWG	2/0 - 4 AWG
L2048P	2/0 AWG	2/0 - 4 AWG
L3014	3/0 AWG	3/0 - 2 AWG
L3014P	3/0 AWG	3/0 - 2 AWG
L3038	3/0 AWG	3/0 - 2 AWG
L3038P	3/0 AWG	3/0 - 2 AWG
L3048	3/0 AWG	3/0 - 2 AWG
L3048P	3/0 AWG	3/0 - 2 AWG
L4014	4/0 AWG	4/0 - 1 AWG
L4014P	4/0 AWG	4/0 - 1 AWG
L4038	4/0 AWG	4/0 - 1 AWG
L4038P	4/0 AWG	4/0 - 1 AWG
L4048	4/0 AWG	4/0 - 1 AWG
L4048P	4/0 AWG	4/0 - 1 AWG
L25048	250 MCM	250 MCM - 1/0 AWG
L30048	300 MCM	300 MCM - 2/0 AWG
L35048	350 MCM	350 MCM - 3/0 AWG
L40048	400 MCM	400 MCM - 4/0 AWG
L50048	500 MCM	500 - 250 MCM
L50058	500 MCM	500 - 250 MCM
L60058	600 MCM	600 - 250 MCM
L75048	750 MCM	750 - 500 MCM
L75058	750 MCM	750 - 500 MCM
L10058	1000 MCM	-

*EXPANDED WIRE RANGE when installed with NSI N121D dieless compression tool.
UL Listed with other tools:

FOR TOOL & DIE CRIMPING INFORMATION,
PLEASE SEE TABLE ON PAGE 145



Scan QR to view
Tool & Die Charts



BOLT SIZE (IN.)	I.D.	O.D.	LENGTH (L)	WIDTH (W)	A	B	B1	C	D	COLOR	STD. CTN. QTY.
3/8"	0.390	0.520	2.209	0.744	0.370	0.811	1.201	0.126	0.413	Pink	50
5/16"	0.390	0.520	2.210	0.744	0.370	0.811	1.201	0.126	0.330	Pink	50
5/16"	0.390	0.520	2.210	0.744	0.370	0.811	1.201	0.126	0.330	Pink	50
1/2"	0.390	0.520	2.500	0.744	0.472	1.063	1.201	0.126	0.512	Pink	50
1/4"	0.441	0.563	2.677	0.815	0.472	1.063	1.378	0.118	0.252	Black	25
1/4"	0.441	0.563	2.677	0.815	0.472	1.063	1.378	0.118	0.252	Black	25
3/8"	0.441	0.563	2.677	0.815	0.472	1.063	1.378	0.118	0.413	Black	25
3/8"	0.441	0.563	2.677	0.815	0.472	1.063	1.378	0.118	0.413	Black	25
1/2"	0.441	0.563	2.677	0.815	0.472	1.063	1.378	0.118	0.512	Black	25
1/2"	0.441	0.563	2.677	0.815	0.472	1.063	1.378	0.118	0.512	Black	25
1/4"	0.492	0.622	2.795	0.902	0.472	1.063	1.378	0.126	0.252	Orange	25
1/4"	0.492	0.622	2.795	0.902	0.472	1.063	1.378	0.126	0.252	Orange	25
3/8"	0.492	0.622	2.795	0.902	0.472	1.063	1.378	0.126	0.413	Orange	25
3/8"	0.492	0.622	2.795	0.902	0.472	1.063	1.378	0.126	0.413	Orange	25
1/2"	0.492	0.622	2.795	0.902	0.472	1.063	1.378	0.126	0.512	Orange	25
1/2"	0.492	0.622	2.795	0.902	0.472	1.063	1.378	0.126	0.512	Orange	25
1/4"	0.547	0.689	2.795	1.000	0.520	1.063	1.417	0.134	0.252	Purple	25
1/4"	0.547	0.689	2.795	1.000	0.520	1.063	1.417	0.134	0.252	Purple	25
3/8"	0.547	0.689	2.795	1.000	0.520	1.063	1.417	0.134	0.413	Purple	25
3/8"	0.547	0.689	2.795	1.000	0.520	1.063	1.417	0.134	0.413	Purple	25
1/2"	0.547	0.689	2.795	1.000	0.520	1.063	1.417	0.134	0.512	Purple	25
1/2"	0.547	0.689	2.795	1.000	0.520	1.063	1.417	0.134	0.512	Purple	25
1/2"	0.594	0.752	3.031	1.091	0.520	1.063	1.614	0.150	0.512	Yellow	25
1/2"	0.657	0.815	3.386	1.189	0.520	1.063	1.969	0.150	0.512	White	12
1/2"	0.701	0.874	3.465	1.276	0.520	1.063	1.969	0.165	0.512	Red	12
1/2"	0.764	0.949	3.858	1.386	0.512	1.378	1.969	0.177	0.512	Blue	6
1/2"	0.835	1.063	4.134	1.539	0.512	1.378	2.244	0.217	0.512	Brown	6
5/8"	0.835	1.063	4.134	1.539	0.512	1.378	2.244	0.217	0.669	Brown	6
5/8"	0.925	1.189	4.252	1.717	0.689	1.457	2.244	0.252	0.669	Green	6
1/2"	1.031	1.311	5.157	1.902	0.689	1.850	2.638	0.268	0.512	Black	3
5/8"	1.031	1.311	5.157	1.902	0.689	1.850	2.638	0.268	0.669	Black	3
5/8"	1.184	1.494	5.613	2.148	0.866	1.776	2.603	0.328	0.663	White	3

COMPRESSION CONNECTORS

Long Barrel Copper Lugs

Two Hole

LN SERIES



FEATURES

- Produced from high conductivity copper tubing.
- Allows easy inspection of the termination to assure complete cable insertion.
- Tin-plated to provide corrosion and low contact resistance.
- Marked with die index and color coded.
- Listed for 35KV maximum when properly installed.
- For applications greater than 2000V, installed to cable manufacturer for voltage stress relief instructions.
- Additional mounting hole spacing options available on request.

NOTE: Part Numbers ending in "P" have a "peep" or sight inspection hole.

RATINGS



TEMPERATURE RATING:
90 °C.

RATING:
600V.
cULus 486A/B Listed.
UL467 Listed on sizes 6 AWG - 3/0 AWG.

All dimensional data is listed in inches.

CAT. NO.	WIRE RANGE	EXPANDED WIRE RANGE*
L8N-14	8 AWG	8 - 10 AWG
L8N-14P	8 AWG	8 - 10 AWG
L8N-141	8 AWG	8 - 10 AWG
L8N-141P	8 AWG	8 - 10 AWG
L8N-142	8 AWG	8 - 10 AWG
L8N-142P	8 AWG	8 - 10 AWG
L8N-38	8 AWG	8 - 10 AWG
L8N-38P	8 AWG	8 - 10 AWG
L8N-383	8 AWG	8 - 10 AWG
L8N-383P	8 AWG	8 - 10 AWG
L8N-563	8 AWG	8 - 10 AWG
L8N-563P	8 AWG	8 - 10 AWG
L6N-12	6 AWG	6 - 8 AWG
L6N-14	6 AWG	6 - 8 AWG
L6N-14P	6 AWG	6 - 8 AWG
L6N-141	6 AWG	6 - 8 AWG
L6N-141P	6 AWG	6 - 8 AWG
L6N-142	6 AWG	6 - 8 AWG
L6N-142P	6 AWG	6 - 8 AWG
L6N-38	6 AWG	6 - 8 AWG
L6N-38P	6 AWG	6 - 8 AWG
L6N-382	6 AWG	6 - 8 AWG
L6N-382P	6 AWG	6 - 8 AWG
L6N	6 AWG	6 - 8 AWG
L6N-P	6 AWG	6 - 8 AWG
L4N-14	4 AWG	4 - 6 AWG
L4N-14P	4 AWG	4 - 6 AWG
L4N-141P	4 AWG	4 - 6 AWG
L4N-142P	4 AWG	4 - 6 AWG
L4N-38	4 AWG	4 - 6 AWG
L4N-38P	4 AWG	4 - 6 AWG
L4N-382	4 AWG	4 - 6 AWG
L4N-382P	4 AWG	4 - 6 AWG
L4N	4 AWG	4 - 6 AWG

Max ampacity is based on NEC 310.15, insulation type, and conductor material. Please consult your current NEC manual.

*EXPANDED WIRE RANGE when installed with NSI N12ID dieless compression tool. UL Listed with other tools:

FOR TOOL & DIE CRIMPING INFORMATION, PLEASE SEE TABLE ON PAGE 145



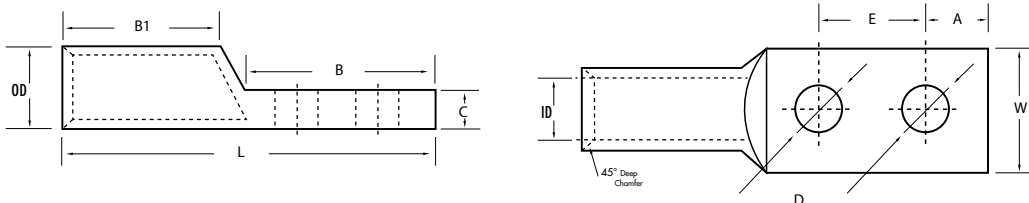
Scan QR to view Tool & Die Charts



COLOR	BOLT SIZE	I.D.	O.D.	LENGTH (L)	WIDTH (W) (IN.)	END OF CONN TO CTR. (A)	TANG LENGTH (B)	BARREL LENGTH (B1)	TANG THICKNESS (C)	MTG. HOLE DIA. (D)	MTG. HOLE SPACING (E)	MAX AMP RATING	STD. CTN. QTY.
Red	1/4"	0.205	0.295	2.240	0.420	0.280	1.140	0.980	0.080	0.261	1.000		100
Red	1/4"	0.205	0.295	2.240	0.420	0.280	1.140	0.980	0.080	0.261	1.000		100
Red	1/4"	0.205	0.295	2.240	0.420	0.280	1.140	0.980	0.080	0.261	0.625		100
Red	1/4"	0.205	0.295	2.240	0.420	0.280	1.140	0.980	0.080	0.261	0.625		100
Red	1/4"	0.205	0.295	2.240	0.420	0.280	1.140	0.980	0.080	0.261	0.750		100
Red	1/4"	0.205	0.295	2.240	0.420	0.280	1.140	0.980	0.080	0.261	0.750		100
Red	3/8"	0.205	0.295	2.240	0.420	0.280	1.140	0.980	0.080	0.410	1.000		100
Red	3/8"	0.205	0.295	2.240	0.420	0.280	1.140	0.980	0.080	0.410	1.000		100
Red	3/8"	0.205	0.295	2.240	0.420	0.280	1.140	0.980	0.080	0.410	1.750		100
Red	3/8"	0.205	0.295	2.240	0.420	0.280	1.140	0.980	0.080	0.410	1.750		100
Blue	5/16"	0.205	0.295	2.240	0.420	0.280	1.140	0.980	0.080	0.312	1.750		100
Blue	5/16"	0.205	0.295	2.240	0.420	0.280	1.140	0.980	0.080	0.312	1.750		100
Blue	1/4"	0.200	0.300	2.240	0.420	0.280	1.140	0.980	0.080	0.261	0.500		100
Blue	1/4"	0.200	0.300	2.360	0.420	0.280	1.260	0.980	0.080	0.261	0.625		100
Blue	1/4"	0.200	0.300	2.360	0.420	0.280	1.260	0.980	0.080	0.261	0.625		100
Blue	1/4"	0.200	0.300	2.480	0.420	1.260	1.380	0.980	0.080	0.261	0.625		100
Blue	1/4"	0.200	0.300	2.480	0.420	1.260	1.380	0.980	0.080	0.261	0.625		100
Blue	1/4"	0.200	0.300	2.480	0.420	0.280	1.380	0.980	0.080	0.261	0.750		100
Blue	1/4"	0.200	0.300	2.480	0.420	0.280	1.380	0.980	0.080	0.261	0.750		100
Blue	3/8"	0.200	0.300	2.910	0.420	0.380	1.810	0.980	0.080	0.410	1.000		100
Blue	3/8"	0.200	0.300	2.910	0.420	0.380	1.810	0.980	0.080	0.410	1.000		100
Blue	3/8"	0.200	0.300	4.090	0.870	0.620	2.990	0.980	0.120	0.410	0.750		100
Blue	3/8"	0.200	0.300	4.090	0.870	0.620	2.990	0.980	0.120	0.410	0.750		100
Blue	1/2"	0.200	0.300	4.090	0.870	0.620	2.990	0.980	0.120	0.510	1.750		100
Blue	1/2"	0.200	0.300	4.090	0.870	0.620	2.990	0.980	0.120	0.510	1.750		100
Gray	1/4"	0.250	0.340	2.360	0.490	0.280	1.260	0.980	0.090	0.261	0.625		100
Gray	1/4"	0.250	0.340	2.360	0.490	0.280	1.260	0.980	0.090	0.261	0.625		100
Gray	1/4"	0.250	0.340	2.950	0.420	0.380	1.810	0.980	0.090	0.261	0.625		100
Gray	1/4"	0.250	0.340	2.950	0.420	0.380	1.810	0.980	0.090	0.261	0.625		100
Gray	3/8"	0.250	0.340	2.950	0.420	0.380	1.810	0.980	0.090	0.410	1.000		100
Gray	3/8"	0.250	0.340	2.950	0.420	0.380	1.810	0.980	0.090	0.410	1.000		100
Gray	3/8"	0.250	0.340	4.090	0.870	0.620	2.990	0.980	0.120	0.410	0.750		100
Gray	3/8"	0.250	0.340	4.090	0.870	0.620	2.990	0.980	0.120	0.410	0.750		100
Gray	1/2"	0.250	0.340	4.090	0.870	0.620	2.990	0.980	0.120	0.510	1.750		100

Max ampacity is based on NEC 310.15, insulation type, and conductor material. Please consult your current NEC manual.

* CLASS B OR C BUILDING WIRE CU CABLE



COMPRESSION CONNECTORS

Long Barrel Copper Lugs

Two Hole

LN SERIES CONTINUED



FEATURES

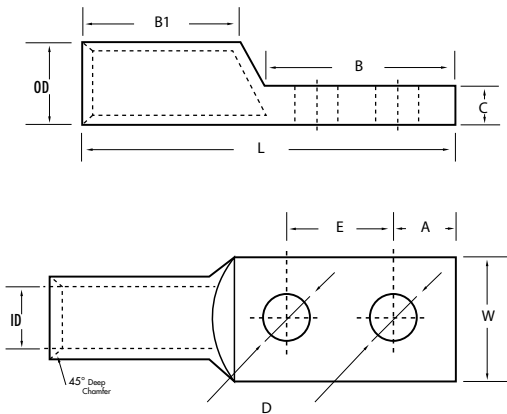
- Produced from high conductivity copper tubing.
- Allows easy inspection of the termination to assure complete cable insertion.
- Tin-plated to provide corrosion and low contact resistance.
- Marked with die index and color coded.
- Listed for 35KV maximum when properly installed.
- For applications greater than 2000V, installed to cable manufacturer for voltage stress relief instructions.
- Additional mounting hole spacing options available on request.

NOTE: Part Numbers ending in "P" have a "peep" or sight inspection hole.

RATINGS



TEMPERATURE RATING:
90 °C.



All dimensional data is listed in inches.

CAT. NO.	WIRE RANGE	EXPANDED WIRE RANGE*
L4N-P	4 AWG	4 - 6 AWG
L2N-14	2 AWG	2 - 6 AWG
L2N-14P	2 AWG	2 - 6 AWG
L2N-141	2 AWG	2 - 6 AWG
L2N-141P	2 AWG	2 - 6 AWG
L2N-142	2 AWG	2 - 6 AWG
L2N-38	2 AWG	2 - 6 AWG
L2N-38P	2 AWG	2 - 6 AWG
L2N-382	2 AWG	2 - 6 AWG
L2N-382P	2 AWG	2 - 6 AWG
L2N-383	2 AWG	2 - 6 AWG
L2N-383P	2 AWG	2 - 6 AWG
L2N-56	2 AWG	2 - 6 AWG
L2N	2 AWG	2 - 6 AWG
L2N-P	2 AWG	2 - 6 AWG
L1N-141	1 AWG	1 - 6 AWG
L1N-38	1 AWG	1 - 6 AWG
L1N-56	1 AWG	1 - 6 AWG
L1N	1 AWG	1 - 6 AWG
L10N-14	1/0 AWG	1/0 - 6 AWG
L10N-14P	1/0 AWG	1/0 - 6 AWG
L10N-38	1/0 AWG	1/0 - 6 AWG
L10N-38P	1/0 AWG	1/0 - 6 AWG
L10N-382	1/0 AWG	1/0 - 6 AWG
L10N-382P	1/0 AWG	1/0 - 6 AWG
L10N-383	1/0 AWG	1/0 - 6 AWG
L10N-383P	1/0 AWG	1/0 - 6 AWG
L10N	1/0 AWG	1/0 - 6 AWG
L10N-P	1/0 AWG	1/0 - 6 AWG
L20N-14	2/0 AWG	2/0 - 4 AWG
L20N-141	2/0 AWG	2/0 - 4 AWG
L20N-141P	2/0 AWG	2/0 - 4 AWG
L20N-142	2/0 AWG	2/0 - 4 AWG
L20N-14P	2/0 AWG	2/0 - 4 AWG

* CLASS B OR C BUILDING WIRE CU CABLE

*EXPANDED WIRE RANGE when installed with NSI NT21D dieless compression tool.
UL Listed with other tools:

FOR TOOL & DIE CRIMPING INFORMATION,
PLEASE SEE TABLE ON PAGE 145



Scan QR to view
Tool & Die Charts



COLOR	BOLT SIZE	I.D.	O.D.	LENGTH (L)	WIDTH (W) (IN.)	END OF CONN TO CTR. (A) (IN.)	TANG LENGTH (B) (IN.)	BARREL LENGTH (B1) (IN.)	TANG THICKNESS (C) (IN.)	MTG. HOLE DIA. (D) (IN.)	MTG. HOLE SPACING (E) (IN.)	MAX AMP RATING	STD. CTN. QTY.
Gray	1/2"	0.250	0.340	4.090	0.870	0.620	2.990	0.980	0.120	0.510	1.750		100
Brown	1/4"	0.310	0.420	2.520	0.600	0.280	1.260	1.100	0.100	0.252	1.000		50
Brown	1/4"	0.310	0.420	2.520	0.600	0.280	1.260	1.100	0.100	0.252	1.000		50
Brown	1/4"	0.310	0.420	2.520	0.600	0.280	1.260	1.100	0.100	0.250	0.625		50
Brown	1/4"	0.310	0.420	2.520	0.600	0.280	1.260	1.100	0.100	0.250	0.625		50
Brown	1/4"	0.310	0.420	2.640	0.600	0.280	1.380	1.100	0.100	0.250	0.750		50
Brown	3/8"	0.310	0.420	3.070	0.600	0.380	1.810	1.100	0.100	0.410	1.000		50
Brown	3/8"	0.310	0.420	3.070	0.600	0.380	1.810	1.100	0.100	0.410	1.000		50
Brown	3/8"	0.310	0.420	4.250	0.810	0.620	2.990	1.100	0.100	0.410	0.750		50
Brown	3/8"	0.310	0.420	4.250	0.810	0.620	2.990	1.100	0.100	0.410	0.750		50
Brown	3/8"	0.310	0.420	4.250	0.810	0.620	2.990	1.100	0.100	0.410	1.750		50
Brown	3/8"	0.310	0.420	4.250	0.810	0.620	2.990	1.100	0.100	0.410	1.750		50
Brown	5/16"	0.310	0.420	2.870	0.600	0.320	1.610	1.100	0.100	0.330	0.750		50
Brown	1/2"	0.310	0.420	4.250	0.810	0.620	2.990	1.100	0.100	0.510	1.750		50
Brown	1/2"	0.310	0.420	4.250	0.810	0.620	2.990	1.100	0.100	0.510	1.750		50
Green	1/4"	0.360	0.470	2.560	0.670	0.280	1.260	1.100	0.110	0.250	0.630		50
Green	3/8"	0.360	0.470	3.070	0.670	0.380	1.810	1.100	0.110	0.410	1.000		50
Green	5/16"	0.360	0.470	2.930	0.670	0.320	1.610	1.100	0.110	0.330	0.870		50
Green	1/2"	0.360	0.470	4.290	0.750	0.620	2.990	1.100	0.100	0.510	1.750		50
Pink	1/4"	0.390	0.520	3.210	0.740	0.380	1.810	1.200	0.130	0.252	1.000		50
Pink	1/4"	0.390	0.520	3.210	0.740	0.380	1.810	1.200	0.130	0.252	1.000		50
Pink	3/8"	0.390	0.520	3.210	0.740	0.380	1.810	1.200	0.130	0.410	1.000		50
Pink	3/8"	0.390	0.520	3.210	0.740	0.380	1.810	1.200	0.130	0.410	1.000		50
Pink	3/8"	0.390	0.520	4.630	0.740	0.620	2.990	1.200	0.120	0.410	0.750		50
Pink	3/8"	0.390	0.520	4.630	0.740	0.620	2.990	1.200	0.120	0.410	0.750		50
Pink	3/8"	0.390	0.520	4.630	0.740	0.620	2.990	1.200	0.120	0.410	1.750		50
Pink	3/8"	0.390	0.520	4.630	0.740	0.620	2.990	1.200	0.120	0.410	1.750		50
Pink	1/2"	0.390	0.520	4.630	0.740	0.620	2.990	1.200	0.120	0.510	1.750		50
Pink	1/2"	0.390	0.520	4.630	0.740	0.620	2.990	1.200	0.120	0.510	1.750		50
Black	1/4"	0.440	0.560	2.990	0.810	0.280	1.380	1.380	0.120	0.252	0.625		25
Black	1/4"	0.440	0.560	2.990	0.810	0.280	1.380	1.380	0.120	0.252	0.625		25
Black	1/4"	0.440	0.560	2.990	0.810	0.280	1.380	1.380	0.120	0.252	0.750		25
Black	1/4"	0.440	0.560	2.990	0.810	0.280	1.380	1.380	0.120	0.250	0.750		25
Black	1/4"	0.440	0.560	2.990	0.810	0.280	1.380	1.380	0.120	0.252	0.625		25

Max ampacity is based on NEC 310.15, insulation type, and conductor material. Please consult your current NEC manual.

COMPRESSION CONNECTORS

Long Barrel Copper Lugs

Two Hole

LN SERIES CONTINUED



FEATURES

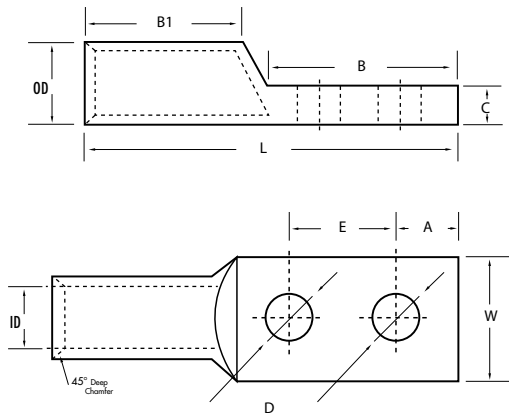
- Produced from high conductivity copper tubing.
- Allows easy inspection of the termination to assure complete cable insertion.
- Tin-plated to provide corrosion and low contact resistance.
- Marked with die index and color coded.
- Listed for 35KV maximum when properly installed.
- For applications greater than 2000V, installed to cable manufacturer for voltage stress relief instructions.
- Additional mounting hole spacing options available on request.

NOTE: Part Numbers ending in "P" have a "peep" or sight inspection hole.

RATINGS



TEMPERATURE RATING:
90 °C.



All dimensional data is listed in inches.

CAT. NO.	WIRE RANGE	EXPANDED WIRE RANGE *
L20N-38	2/0 AWG	2/0 - 4 AWG
L20N-38P	2/0 AWG	2/0 - 4 AWG
L20N-383	2/0 AWG	2/0 - 4 AWG
L20N-383P	2/0 AWG	2/0 - 4 AWG
L20N	2/0 AWG	2/0 - 4 AWG
L20N-P	2/0 AWG	2/0 - 4 AWG
L30N-141	3/0 AWG	3/0 - 2 AWG
L30N-141P	3/0 AWG	3/0 - 2 AWG
L30N-38	3/0 AWG	3/0 - 2 AWG
L30N-38P	3/0 AWG	3/0 - 2 AWG
L30N-56	3/0 AWG	3/0 - 2 AWG
L30N-56P	3/0 AWG	3/0 - 2 AWG
L30N	3/0 AWG	3/0 - 2 AWG
L30N-P	3/0 AWG	3/0 - 2 AWG
L40N-141	4/0 AWG	4/0 - 1 AWG
L40N-141P	4/0 AWG	4/0 - 1 AWG
L40N-142	4/0 AWG	4/0 - 1 AWG
L40N-142P	4/0 AWG	4/0 - 1 AWG
L40N-38	4/0 AWG	4/0 - 1 AWG
L40N-38P	4/0 AWG	4/0 - 1 AWG
L40N-383	4/0 AWG	4/0 - 1 AWG
L40N-383P	4/0 AWG	4/0 - 1 AWG
L40N	4/0 AWG	4/0 - 1 AWG
L250N	250 MCM	250 MCM - 1/0 AWG
L250N-38	250 MCM	250 MCM - 1/0 AWG
L300N	300 MCM	300 MCM - 2/0 AWG
L350N	350 MCM	350 MCM - 3/0 AWG
L350N-38	350 MCM	350 MCM - 3/0 AWG
L400N	400 MCM	400 MCM - 4/0 AWG
L500N	500 MCM	500 - 250 MCM
L500N-38	500 MCM	500 - 250 MCM
L600N	600 MCM	600 - 250 MCM
L600N-38	600 MCM	600 - 250 MCM
L750N	750 MCM	750 - 500 MCM
L750N-38	750 MCM	750 - 500 MCM
L1000N	1000 MCM	

* CLASS B OR C BUILDING WIRE CU CABLE

FOR TOOL & DIE CRIMPING INFORMATION,
PLEASE SEE TABLE ON PAGE 141



Scan QR to view
Tool & Die Charts



COLOR	BOLT SIZE	I.D.	O.D.	LENGTH (L)	WIDTH (W)	END OF CONN TO CTR. (A)	TANG LENGTH (B)	BARREL LENGTH (B1)	TANG THICKNESS (C)	MTG. HOLE DIA. (D)	MTG. HOLE SPACING (E)	MAX AMP RATING	STD. CTN. QTY.
Black	3/8"	0.440	0.560	3.430	0.810	0.380	1.810	1.380	0.120	0.410	1.000		25
Black	3/8"	0.440	0.560	3.430	0.810	0.380	1.810	1.380	0.120	0.410	1.000		25
Black	3/8"	0.440	0.560	3.430	0.810	0.380	1.810	1.380	0.120	0.410	1.750		25
Black	3/8"	0.440	0.560	3.430	0.810	0.380	1.810	1.380	0.120	0.410	1.750		25
Black	1/2"	0.440	0.560	4.610	0.810	0.620	2.990	1.380	0.120	0.510	1.750		25
Black	1/2"	0.440	0.560	4.610	0.810	0.620	2.990	1.380	0.120	0.510	1.750		25
Orange	1/4"	0.490	0.620	3.500	0.900	0.380	1.810	1.380	0.130	0.252	0.625		25
Orange	1/4"	0.490	0.620	3.500	0.900	0.380	1.810	1.380	0.130	0.252	0.625		25
Orange	3/8"	0.490	0.620	3.500	0.900	0.380	1.810	1.380	0.130	0.410	1.000		25
Orange	3/8"	0.490	0.620	3.500	0.900	0.380	1.810	1.380	0.130	0.410	1.000		25
Orange	5/16"	0.490	0.620	4.650	0.900	0.620	2.990	1.380	0.130	0.312	1.000		25
Orange	5/16"	0.490	0.620	4.650	0.900	0.620	2.990	1.380	0.130	0.312	1.000		25
Orange	1/2"	0.490	0.620	4.650	0.900	0.620	2.990	1.380	0.130	0.510	1.750		25
Orange	1/2"	0.490	0.620	4.650	0.900	0.620	2.990	1.380	0.130	0.510	1.750		25
Purple	1/4"	0.550	0.690	3.540	1.000	0.380	1.810	1.420	0.130	0.252	0.625		25
Purple	1/4"	0.550	0.690	3.540	1.000	0.380	1.810	1.420	0.130	0.252	0.625		25
Purple	1/4"	0.550	0.690	3.540	1.000	0.380	1.810	1.420	0.130	0.252	0.750		25
Purple	1/4"	0.550	0.690	3.540	1.000	0.380	1.810	1.420	0.130	0.252	0.750		25
Purple	3/8"	0.550	0.690	3.540	1.000	0.380	1.810	1.420	0.130	0.410	1.000		25
Purple	3/8"	0.550	0.690	3.540	1.000	0.380	1.810	1.420	0.130	0.410	1.000		25
Purple	3/8"	0.550	0.690	3.540	1.000	0.380	1.810	1.420	0.130	0.410	1.750		25
Purple	3/8"	0.550	0.690	3.540	1.000	0.380	1.810	1.420	0.130	0.410	1.750		25
Purple	1/2"	0.550	0.690	4.720	1.000	0.620	2.990	1.420	0.130	0.510	1.750		25
Yellow	1/2"	0.590	0.750	4.960	1.090	0.620	2.990	1.610	0.150	0.510	1.750		25
Yellow	3/8"	0.590	0.750	3.780	1.090	0.380	1.810	1.610	0.150	0.410	1.000		25
White	1/2"	0.660	0.810	5.310	1.190	0.620	2.990	1.970	0.150	0.510	1.750		12
Red	1/2"	0.700	0.870	5.390	1.280	0.620	2.990	1.970	0.170	0.510	1.750		12
Red	3/8"	0.700	0.870	4.210	1.280	0.380	1.810	1.970	0.170	0.410	1.000		12
Blue	1/2"	0.760	0.950	5.470	1.390	0.620	2.990	1.970	0.180	0.510	1.750		6
Brown	1/2"	0.840	1.060	5.750	1.540	0.620	2.990	2.240	0.220	0.510	1.750		6
Brown	3/8"	0.840	1.060	4.570	1.540	0.380	1.810	2.240	0.220	0.410	1.000		6
Green	1/2"	0.930	1.190	5.790	1.720	0.620	2.990	2.240	0.250	0.510	1.750		6
Green	3/8"	0.930	1.190	4.610	1.720	0.380	1.810	2.240	0.250	0.410	1.000		6
Black	1/2"	1.040	1.310	6.300	1.900	0.620	2.990	2.640	0.270	0.510	1.750		3
Black	3/8"	1.040	1.310	5.120	1.900	0.380	1.810	2.640	0.270	0.410	1.000		3
White	1/2"	1.150	1.500	7.125	2.160	0.630	3.060	3.160	0.340	0.510	1.750		3

Max ampacity is based on NEC 310.15, insulation type, and conductor material. Please consult your current NEC manual.

COMPRESSION CONNECTORS

Long Barrel Stacking

Copper Lugs

SL-N SERIES



FEATURES

- Designed for use with the L-N Series.
- Produced from high conductivity copper tubing for heavy duty applications.
- Tin-Plated to provide corrosion resistance.
- Marked with die index and color coded.
- Additional Hole Spacing Options available on request.
- For use with LN Series.

RATINGS

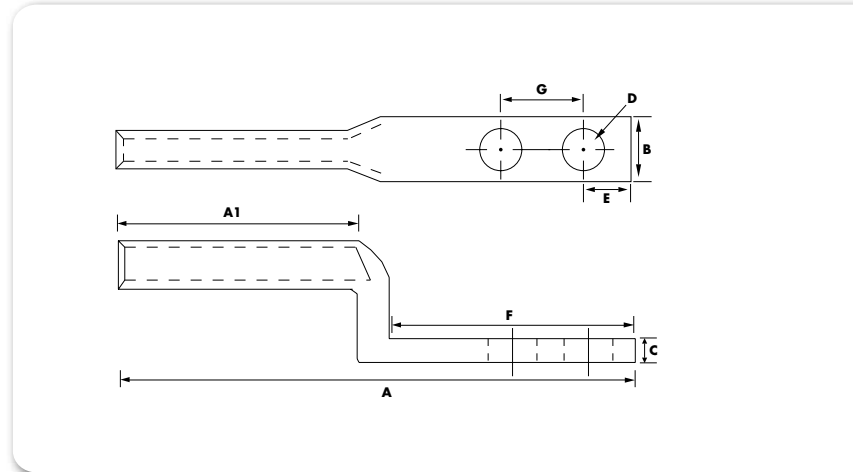


TEMPERATURE RATING:

90 °C.

RATING:

600V.



All dimensional data is listed in inches.

CAT. NO.	WIRE RANGE	EXPANDED WIRE RANGE*	COLOR CODE	BOLT SIZE	LENGTH (A)	WIDTH (B)	END CONN. TO CTR. (E)	TANG LENGTH (F)	BARREL LENGTH (A1)	MTG. HOLE SPACING (G)	STD. CTN. QTY.
SL40N	4/0 AWG	4/0 - 1 AWG	Purple	0.500	5.188	1.500	0.625	3.000	1.625	1.750	25
SL250N	250 MCM	250 MCM - 1/0 AWG	Yellow	0.500	5.438	1.125	0.625	3.000	1.688	1.750	25
SL300N	300 MCM	300-2/0 AWG	White	0.500	5.580	1.083	0.625	3.000	1.715	1.750	25
SL350N	350 MCM	350 MCM - 3/0 AWG	Red	0.500	5.750	1.938	0.625	3.000	1.875	1.750	25
SL500N	500 MCM	500 - 250 MCM	Brown	0.500	6.063	1.563	0.625	3.125	2.250	1.750	6
SL600N	600 MCM	600 - 250 MCM	Green	0.500	6.750	1.688	0.625	3.125	2.625	1.750	6
SL750N	750 MCM	750 - 500 MCM	Black	0.500	6.800	1.758	0.660	2.980	2.957	1.750	3

* CLASS B OR C BUILDING WIRE CU CABLE

Max ampacity is based on NEC 310.15, insulation type, and conductor material. Please consult your current NEC manual.

*EXPANDED WIRE RANGE when installed with NSI N121D dieless compression tool. UL Listed with other tools:

FOR TOOL & DIE CRIMPING INFORMATION, PLEASE SEE TABLE ON PAGE 145



Scan QR to view Tool & Die Charts

COMPRESSION CONNECTORS

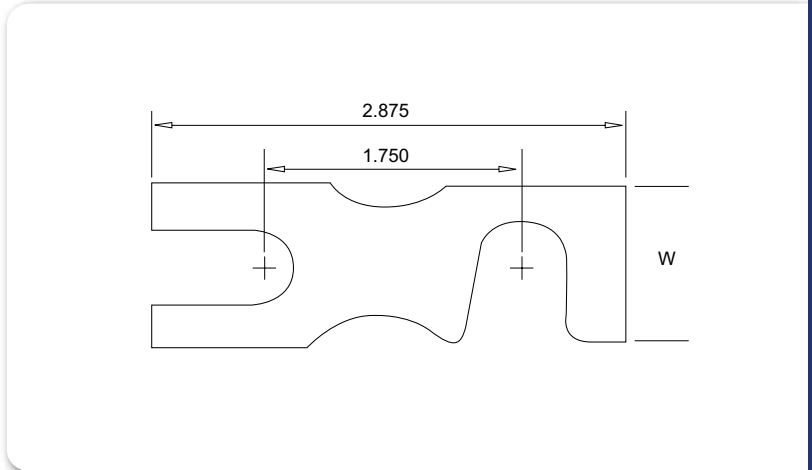
Stacking Adapters for Compression Terminals

SA SERIES



FEATURES

- Tin-plated pure aluminum for good conductivity and corrosion resistance.
- Allows for stacking of standard two hole compression lugs and keeps inventories to a minimum.
- To stack 4-hole NECA drilled terminals, use two adapters assembled in parallel.



RATINGS

RATING:
600V.

CAT. NO.	HEIGHT	CONNECTOR SIZE RANGE	STD. CTN. QTY.
SA10-400	.875	1/0-400 MCM	10
SA500-1000	1.125	500-1000 MCM	6

COMPRESSION CONNECTORS

Short Barrel Copper Lugs

One Hole With Peep Hole

GL SERIES



FEATURES

- Produced from high conductivity copper tubing.
- Allows easy inspection of the termination to assure complete cable insertion.
- Tin-plated to provide corrosion and low contact resistance.
- Marked with die index and color coded.
- Listed for 35KV maximum when properly installed.
- For applications greater than 2000V, installed to cable manufacturer for voltage stress relief instructions.

RATINGS



TEMPERATURE RATING/VOLTAGE:

AL9CU. Rated 600V, 90 °C.

All dimensional data is listed in inches.

CAT. NO.	WIRE RANGE	EXPANDED WIRE RANGE*
GL810	8 AWG	8 AWG
GL814	8 AWG	8 AWG
GL856	8 AWG	8 AWG
GL614	6 AWG	6 - 8 AWG
GL656	6 AWG	6 - 8 AWG
GL638	6 AWG	6 - 8 AWG
GL414	4 AWG	4 - 6 AWG
GL456	4 AWG	4 - 6 AWG
GL438	4 AWG	4 - 6 AWG
GL338	3 AWG	3 - 6 AWG
GL214	2 AWG	2 - 6 AWG
GL256	2 AWG	2 - 6 AWG
GL238	2 AWG	2 - 6 AWG
GL114	1 AWG	1 - 6 AWG
GL156	1 AWG	1 - 6 AWG
GL138	1 AWG	1 - 6 AWG
GL1056	1/0 AWG	1/0 - 6 AWG
GL1038	1/0 AWG	1/0 - 6 AWG
GL1048	1/0 AWG	1/0 - 6 AWG
GL2056	2/0 AWG	2/0 - 4 AWG

*EXPANDED WIRE RANGE when installed with NSI N121D dieless compression tool. UL Listed with other tools:

FOR TOOL & DIE CRIMPING INFORMATION, PLEASE SEE TABLE ON PAGE 145



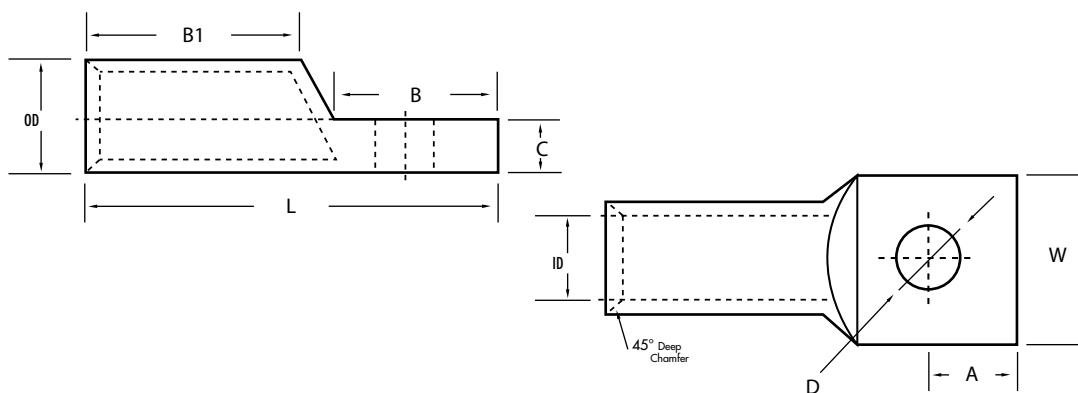
Scan QR to view
Tool & Die Charts



CONNECTORS

COLOR CODE	BOLT SIZE	I.D.	O.D.	LENGTH (L)	WIDTH (W)	END OF CONN TO CTR. (A)	TANG LENGTH (B)	BARREL LENGTH (B1)	TANG THICKNESS (C)	MTG. HOLE DIA. (D)	MAX AMP RATING	STD. CTN. QTY.
Red	# 10	0.173	0.272	1.201	0.421	0.276	0.591	0.441	0.079	0.209		100
Red	1/4	0.173	0.272	1.201	0.421	0.276	0.591	0.441	0.079	0.252		100
Red	5/16	0.173	0.272	1.201	0.421	0.276	0.591	0.441	0.079	0.330		100
Blue	1/4	0.205	0.295	1.496	0.421	0.295	0.669	0.709	0.083	0.252		100
Blue	5/16	0.205	0.295	1.496	0.488	0.295	0.669	0.709	0.067	0.331		100
Blue	3/8	0.205	0.295	1.496	0.488	0.295	0.669	0.709	0.067	0.410		100
Gray	1/4	0.252	0.343	1.496	0.488	0.315	0.669	0.709	0.079	0.252		100
Gray	5/16	0.252	0.343	1.496	0.488	0.315	0.669	0.709	0.079	0.331		100
Gray	3/8	0.252	0.343	1.496	0.559	0.315	0.669	0.709	0.079	0.413		100
White	3/8	0.277	0.372	1.984	0.594	0.375	0.875	0.885	0.086	0.399		50
Brown	1/4	0.315	0.421	1.795	0.602	0.370	0.811	0.827	0.102	0.252		50
Brown	5/16	0.315	0.421	1.795	0.602	0.370	0.811	0.827	0.102	0.331		50
Brown	3/8	0.315	0.421	1.795	0.602	0.370	0.811	0.827	0.102	0.413		50
Green	1/4	0.358	0.469	1.835	0.673	0.370	0.811	0.827	0.106	0.252		50
Green	5/16	0.358	0.469	1.835	0.673	0.370	0.811	0.827	0.106	0.331		50
Green	3/8	0.358	0.469	1.835	0.673	0.394	0.811	0.827	0.106	0.413		50
Pink	5/16	0.390	0.520	1.835	0.744	0.370	0.811	0.827	0.126	0.331		50
Pink	3/8	0.390	0.520	1.835	0.744	0.370	0.811	0.827	0.126	0.413		50
Pink	1/2	0.390	0.520	1.835	0.744	0.370	0.811	0.827	0.126	0.512		50
Black	5/16	0.441	0.563	2.244	0.815	0.472	1.063	0.945	0.118	0.331		25

Max ampacity is based on NEC 310.15, insulation type, and conductor material. Please consult your current NEC manual.



COMPRESSION CONNECTORS
Short Barrel Copper Lugs
One Hole With Peep Hole
GL SERIES CONTINUED



FEATURES

- Produced from high conductivity copper tubing.
- Allows easy inspection of the termination to assure complete cable insertion.
- Tin-plated to provide corrosion and low contact resistance.
- Marked with die index and color coded.
- Listed for 35KV maximum when properly installed.
- For applications greater than 2000V, installed to cable manufacturer for voltage stress relief instructions.

RATINGS



TEMPERATURE RATING/VOLTAGE:

AL9CU. Rated 600V, 90 °C.

All dimensional data is listed in inches.

CAT. NO.	WIRE RANGE	EXPANDED WIRE RANGE*
GL2038	2/0 AWG	2/0 - 4 AWG
GL2048	2/0 AWG	2/0 - 4 AWG
GL3038	3/0 AWG	3/0 - 2 AWG
GL3048	3/0 AWG	3/0 - 2 AWG
GL4038	4/0 AWG	4/0 - 1 AWG
GL4048	4/0 AWG	4/0 - 1 AWG
GL25038	250 MCM	250 MCM - 1/0 AWG
GL25048	250 MCM	250 MCM - 1/0 AWG
GL30048	300 MCM	300 MCM - 2/0 AWG
GL35038	350 MCM	350 MCM - 3/0 AWG
GL35048	350 MCM	350 MCM - 3/0 AWG
GL40048	400 MCM	400 MCM - 4/0 AWG
GL50048	500 MCM	500 - 250 MCM
GL50058	500 MCM	500 - 250 MCM
GL60048	600 MCM	600 - 250 MCM
GL60058	600 MCM	600 - 250 MCM
GL75048	750 MCM	750 - 500 MCM
GL75058	750 MCM	750 - 500 MCM
GL10058	1000 MCM	

*EXPANDED WIRE RANGE when installed with NSI N121D dieless compression tool. UL Listed with other tools:

FOR TOOL & DIE CRIMPING INFORMATION, PLEASE SEE TABLE ON PAGE 145

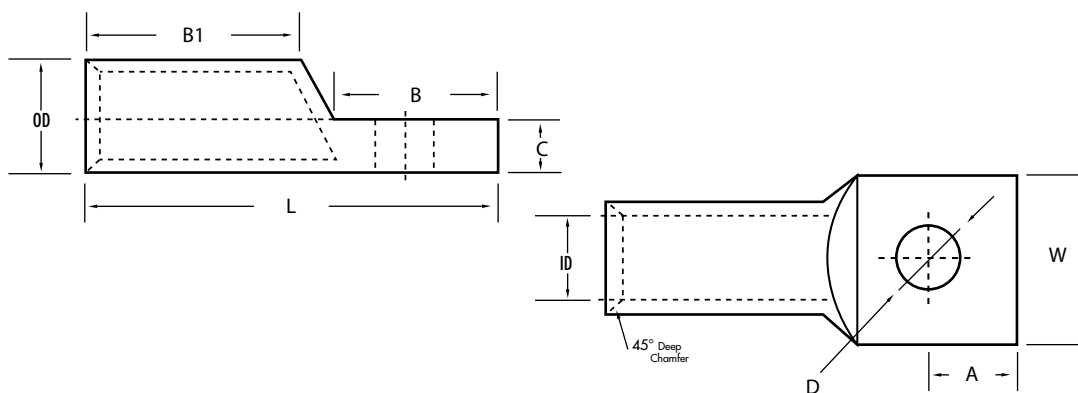


Scan QR to view Tool & Die Charts



COLOR CODE	BOLT SIZE	I.D.	O.D.	LENGTH (L)	WIDTH (W)	END OF CONN TO CTR. (A)	TANG LENGTH (B)	BARREL LENGTH (B1)	TANG THICKNESS (C)	MTG. HOLE DIA. (D)	MAX AMP RATING	STD. CTN. QTY.
Black	3/8	0.441	0.563	2.244	0.815	0.472	1.063	0.945	0.118	0.413		25
Black	1/2	0.441	0.563	2.244	0.815	0.472	1.063	0.945	0.118	0.512		25
Orange	3/8	0.492	0.622	2.362	0.902	0.472	1.063	0.984	0.126	0.413		25
Orange	1/2	0.492	0.622	2.362	0.902	0.472	1.063	0.984	0.126	0.512		25
Purple	3/8	0.547	0.689	2.362	1.000	0.472	1.063	0.984	0.134	0.413		25
Purple	1/2	0.547	0.689	2.362	1.000	0.472	1.063	0.984	0.134	0.512		25
Yellow	3/8	0.594	0.752	2.480	1.091	0.472	1.063	1.063	0.150	0.413		25
Yellow	1/2	0.594	0.752	2.480	1.091	0.472	1.063	1.063	0.150	0.512		25
White	1/2	0.657	0.815	2.480	1.189	0.520	1.063	1.063	0.150	0.512		12
Red	3/8	0.692	0.875	1.625	1.281	0.395	0.875	1.112	0.173	0.391		12
Red	1/2	0.701	0.874	2.606	1.276	0.520	1.063	1.102	0.165	0.512		12
Blue	1/2	0.764	0.949	3.079	1.386	0.520	1.378	1.181	0.177	0.512		6
Brown	1/2	0.835	1.063	3.276	1.539	0.520	1.378	1.378	0.217	0.512		6
Brown	5/8	0.835	1.063	3.276	1.539	0.520	1.378	1.378	0.217	0.669		6
Green	1/2	0.925	1.189	3.504	1.717	0.520	1.457	1.496	0.252	0.512		6
Green	5/8	0.925	1.189	3.504	1.717	0.689	1.457	1.496	0.252	0.669		6
Black	1/2	1.022	1.295	3.866	1.760	0.685	1.550	1.743	0.277	0.541		3
Black	5/8	1.031	1.311	4.370	1.902	0.689	1.850	1.850	0.268	0.669		3
White	5/8	1.158	1.491	4.085	2.151	0.730	1.675	1.789	0.327	0.669		3

Max ampacity is based on NEC 310.15, insulation type, and conductor material. Please consult your current NEC manual.



COMPRESSION CONNECTORS

Short Barrel Copper Lugs

Two Hole With Peep

GL-N SERIES



FEATURES

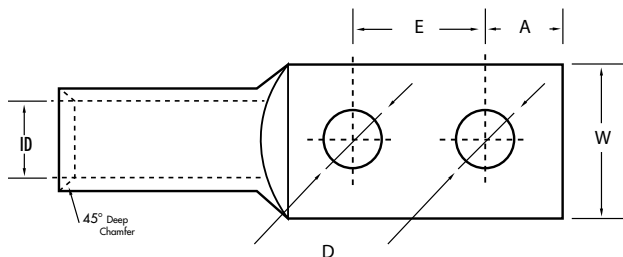
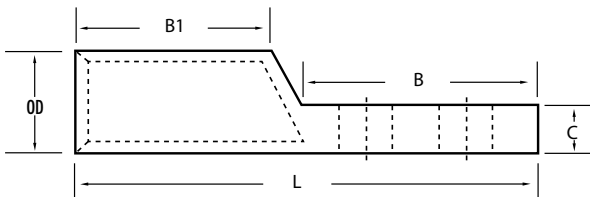
- Produced from high conductivity copper tubing.
- Allows easy inspection of the termination to assure complete cable insertion.
- Tin-plated to provide corrosion and low contact resistance.
- Marked with die index and color coded.
- Listed for 35KV maximum when properly installed.
- For applications greater than 2000V, installed to cable manufacturer for voltage stress relief instructions.

Note: Part numbers ending in "X" have no peep hole.

RATINGS



TEMPERATURE RATING/VOLTAGE:
AL9CU. Rated 600V, 90 °C.



All dimensional data is listed in inches.

CAT. NO.	WIRE RANGE	EXPANDED WIRE RANGE*
GL6N-141	6 AWG	6 - 8 AWG
GL6N-141X	6 AWG	6 - 8 AWG
GL6N-143	6 AWG	6 - 8 AWG
GL6N-38	6 AWG	6 - 8 AWG
GL4N-141	4 AWG	4 - 6 AWG
GL4N-38	4 AWG	4 - 6 AWG
GL2N-141	2 AWG	2 - 6 AWG
GL2N-141X	2 AWG	2 - 6 AWG
GL2N-142	2 AWG	2 - 6 AWG
GL2N-143	2 AWG	2 - 6 AWG
GL2N-38	2 AWG	2 - 6 AWG
GL2N-38X	2 AWG	2 - 6 AWG
GL1N-38	1 AWG	1 - 6 AWG
GL10N-38	1/0 AWG	1/0 - 6 AWG
GL10N-38X	1/0 AWG	1/0 - 6 AWG
GL20N	2/0 AWG	2/0 - 4 AWG
GL20N-38	2/0 AWG	2/0 - 4 AWG
GL30N	3/0 AWG	3/0 - 2 AWG
GL30N-38	3/0 AWG	3/0 - 2 AWG
GL40N	4/0 AWG	4/0 - 1 AWG
GL40N-38	4/0 AWG	4/0 - 1 AWG
GL250N	250 MCM	250 MCM - 1/0 AWG
GL250N-38	250 MCM	250 MCM - 1/0 AWG
GL350N	350 MCM	350 MCM - 3/0 AWG
GL350N-38	350 MCM	350 MCM - 3/0 AWG
GL400N	400 MCM	400 MCM - 4/0 AWG
GL500N	500 MCM	500 - 250 MCM
GL500N-38	500 MCM	500 - 250 MCM
GL600N	600 MCM	600 - 250 MCM
GL750N	750 MCM	750 - 500 MCM
GL1000N	1000 MCM	

*EXPANDED WIRE RANGE when installed with NSI NT 21D dieless compression tool. UL Listed with other tools:

FOR TOOL & DIE CRIMPING INFORMATION, PLEASE SEE TABLE ON PAGE 145



Scan QR to view Tool & Die Charts





COLOR CODE	BOLT SIZE	I.D.	O.D.	LENGTH (L)	WIDTH (W)	END OF CONN TO CTR. (A)	TANG LENGTH (B)	BARREL LENGTH (B1)	TANG THICKNESS (C)	MTG. HOLE DIA. (D)	MTG. HOLE SPACING (E)	MAX AMP RATING	STD. CTN. QTY.
Blue	1/4	0.205	0.295	2.087	0.421	0.280	1.260	0.709	0.083	0.252	0.625		100
Blue	1/4	0.205	0.295	2.087	0.421	0.280	1.260	0.709	0.083	0.252	0.625		100
Blue	1/4	0.205	0.295	2.638	0.421	0.280	1.811	0.709	0.083	0.252	1.000		100
Blue	3/8	0.205	0.295	2.638	0.488	0.382	1.811	0.709	0.087	0.413	1.000		100
Gray	1/4	0.252	0.343	2.087	0.488	0.280	1.260	0.709	0.087	0.252	0.625		100
Gray	3/8	0.252	0.343	2.677	0.488	0.382	1.811	0.748	0.087	0.413	1.000		100
Brown	1/4	0.315	0.421	2.283	0.602	0.280	1.260	0.827	0.102	0.252	0.625		50
Brown	1/4	0.315	0.421	2.283	0.602	0.280	1.260	0.827	0.102	0.252	0.625		50
Brown	1/4	0.315	0.421	2.362	0.602	0.280	1.378	0.827	0.102	0.252	0.750		50
Brown	1/4	0.315	0.421	2.795	0.602	0.280	1.811	0.827	0.102	0.252	1.000		50
Brown	3/8	0.315	0.421	2.835	0.602	0.280	1.811	0.827	0.102	0.413	1.000		50
Brown	3/8	0.315	0.421	2.835	0.602	0.280	1.811	0.827	0.102	0.413	1.000		50
Green	3/8	0.350	0.463	3.024	0.672	0.345	1.842	0.955	0.106	0.404	1.000		50
Pink	3/8	0.390	0.520	2.835	0.744	0.382	1.811	0.827	0.126	0.413	1.000		50
Pink	3/8	0.390	0.520	2.835	0.744	0.382	1.811	0.827	0.126	0.413	1.000		50
Black	1/2	0.441	0.563	4.173	0.815	0.618	2.992	0.945	0.118	0.512	1.750		25
Black	3/8	0.441	0.563	2.992	0.815	0.382	1.811	0.945	0.118	0.413	1.000		25
Orange	1/2	0.492	0.622	4.291	0.902	0.618	2.992	0.984	0.126	0.512	1.750		25
Orange	3/8	0.492	0.622	3.110	0.902	0.382	1.811	0.984	0.126	0.413	1.000		25
Purple	1/2	0.547	0.689	4.291	1.000	0.618	2.992	0.984	0.134	0.512	1.750		25
Purple	3/8	0.547	0.689	3.110	1.000	0.382	1.811	0.984	0.134	0.413	1.000		25
Yellow	1/2	0.594	0.752	4.409	1.091	0.618	2.992	1.063	0.150	0.512	1.750		25
Yellow	3/8	0.594	0.752	3.228	1.091	0.382	1.811	1.063	0.150	0.413	1.000		25
Red	1/2	0.701	0.874	4.528	1.276	0.618	2.992	1.102	0.165	0.512	1.750		12
Red	3/8	0.701	0.874	3.346	1.276	0.382	1.811	1.102	0.165	0.413	1.000		12
Blue	1/2	0.764	0.949	4.685	1.386	0.618	2.992	1.181	0.177	0.512	1.750		6
Brown	1/2	0.839	1.063	4.882	1.539	0.618	2.992	1.378	0.217	0.512	1.750		6
Brown	3/8	0.839	1.063	3.701	1.539	0.382	1.811	1.378	0.217	0.413	1.000		6
Green	1/2	0.925	1.189	5.039	1.717	0.618	2.992	1.496	0.252	0.512	1.750		6
Black	1/2	1.043	1.311	5.512	1.902	0.618	2.992	1.850	0.268	0.512	1.750		3
White	1/2	1.173	1.492	5.870	2.158	0.620	3.436	1.910	0.331	0.544	1.750		1

Max ampacity is based on NEC 310.15, insulation type, and conductor material. Please consult your current NEC manual.

COMPRESSION CONNECTORS

Copper Splice

Short Barrel

SC SERIES



FEATURES

- Produced from high conductivity copper tubing.
- Serrations indicate proper crimp locations.
- Tin-plated to provide corrosion resistance.
- Marked with die index and color code.
- Suitable for use at voltages up to 35KV provided connector is properly taped.
- 5KV is the maximum voltage in all bare splices.
- For applications greater than 2000V, consult the cable manufacturer for voltage stress relief instructions.

RATINGS



TEMPERATURE RATING/VOLTAGE:

AL9CU. Rated 600V, 90 °C.

All dimensional data is listed in inches.

CAT. NO.	WIRE RANGE	EXPANDED WIRE RANGE*
SC-8	8 AWG	8 AWG
SC-6	6 AWG	6 - 8 AWG
SC-4	4 AWG	4 - 6 AWG
SC-3	3 AWG	3 - 6 AWG
SC-2	2 AWG	2 - 6 AWG
SC-1	1 AWG	1 - 6 AWG
SC-1/0	1/0 AWG	1/0 - 6 AWG
SC-2/0	2/0 AWG	2/0 - 4 AWG
SC-3/0	3/0 AWG	3/0 - 2 AWG
SC-4/0	4/0 AWG	4/0 - 1 AWG
SC-250	250 MCM	250 MCM - 1/0 AWG
SC-300	300 MCM	300 MCM - 2/0 AWG
SC-350	350 MCM	350 MCM - 3/0 AWG
SC-400	400 MCM	400 MCM - 4/0 AWG
SC-500	500 MCM	500 - 250 MCM
SC-600	600 MCM	600 - 250 MCM
SC-750	750 MCM	750-500 MCM

***EXPANDED WIRE RANGE** when installed with NSI N121D dieless compression tool. UL Listed with other tools:

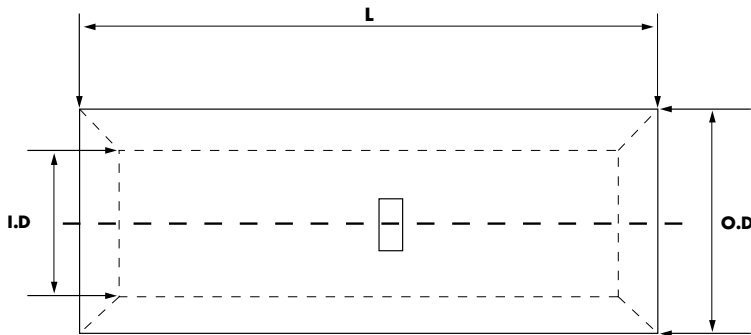
FOR TOOL & DIE CRIMPING INFORMATION, PLEASE SEE TABLE ON PAGE 145



Scan QR to view
Tool & Die Charts



COLOR CODE	I.D.	O.D.	LENGTH (L)	STD. CTN. QTY.
Red	0.173	0.272	0.902	100
Blue	0.205	0.295	1.000	100
Gray	0.252	0.343	1.000	100
White	0.282	0.378	1.883	50
Brown	0.315	0.421	1.252	50
Green	0.358	0.469	1.799	50
Pink	0.390	0.520	1.598	50
Black	0.441	0.563	1.752	25
Orange	0.492	0.622	1.752	25
Purple	0.547	0.689	1.902	25
Yellow	0.594	0.752	2.000	25
White	0.657	0.815	2.098	12
Red	0.701	0.874	2.098	12
Blue	0.764	0.949	2.299	6
Brown	0.835	1.063	2.500	6
Green	1.189	1.189	2.500	6
Black	1.031	1.311	3.201	3

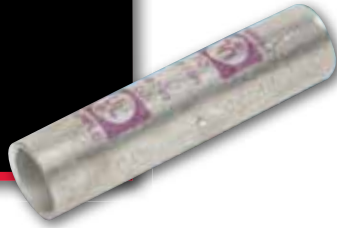


COMPRESSION CONNECTORS

Copper Splice

Long Barrel

C SERIES



FEATURES

- Produced from high conductivity copper tubing.
- Serrations indicate proper crimp locations.
- Tin-plated to provide corrosion resistance.
- Marked with die index and color code.
- Suitable for use at voltages up to 35KV provided connector is properly taped.
- 5KV is the maximum voltage in all bare splices.
- For applications greater than 2000V, consult the cable manufacturer for voltage stress relief instructions.

RATINGS



TEMPERATURE RATING:

90 °C.

All dimensional data is listed in inches.

CAT. NO.	WIRE RANGE	EXPANDED WIRE RANGE*
C-8	8 AWG	8 AWG
C-6	6 AWG	6 - 8 AWG
C-4	4 AWG	4 - 6 AWG
C-3	3 AWG	3 - 6 AWG
C-2	2 AWG	2 - 6 AWG
C-1	1 AWG	1 - 6 AWG
C-1/0	1/0 AWG	1/0 - 6 AWG
C-2/0	2/0 AWG	2/0 - 4 AWG
C-3/0	3/0 AWG	3/0 - 2 AWG
C-4/0	4/0 AWG	4/0 - 1 AWG
C-250	250 MCM	250 MCM - 1/0 AWG
C-300	300 MCM	300 MCM - 2/0 AWG
C-350	350 MCM	350 MCM - 3/0 AWG
C-400	400 MCM	400 MCM - 4/0 AWG
C-500	500 MCM	500 - 250 MCM
C-600	600 MCM	600 - 250 MCM
C-750	750 MCM	750-500 MCM

*EXPANDED WIRE RANGE when installed with NSI N121D dieless compression tool. UL Listed with other tools:

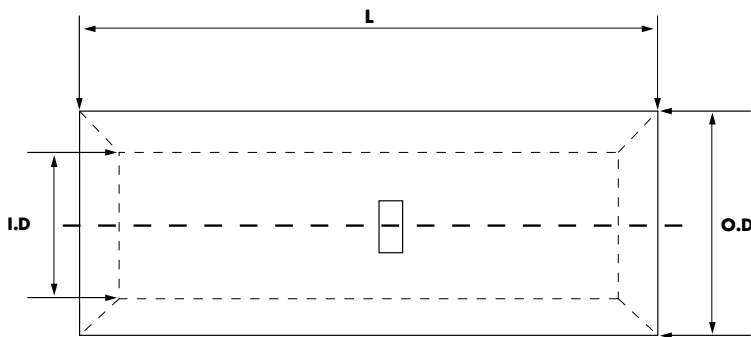
FOR TOOL & DIE CRIMPING INFORMATION, PLEASE SEE TABLE ON PAGE 145



Scan QR to view
Tool & Die Charts



COLOR CODE INDEX	I.D.	O.D.	LENGTH (L) (IN.)	STD. CTN. QTY.
Red	0.173	0.272	1.752	100
Blue	0.205	0.295	1.752	100
Gray	0.252	0.343	1.752	100
White	0.282	0.378	2.381	50
Brown	0.315	0.421	1.902	50
Green	0.358	0.469	2.201	50
Pink	0.390	0.520	2.201	50
Black	0.441	0.563	2.252	25
Orange	0.492	0.622	2.252	25
Purple	0.547	0.689	2.752	25
Yellow	0.594	0.752	3.252	25
White	0.657	0.815	3.504	12
Red	0.701	0.874	3.752	12
Blue	0.764	0.949	3.752	6
Brown	0.835	1.063	4.252	6
Green	1.189	1.189	4.500	6
Black	1.031	1.311	4.752	3



COMPRESSION CONNECTORS For Flexible Copper Cable – One Hole Short Barrel (Peep Hole) GL-B SERIES



FEATURES

- Connector end has a gentle, continuous flare to ensure ease of cable insertion of flexible and extra-flexible cables such as locomotive, welding, mining cable and more.
- The flared end also reduces pressure on the cable strands after installation and protects them from chafing and breakage as a result of cable movement.
- Tin-plated for corrosion resistance.

RATINGS



TEMPERATURE RATING:

90 °C.
600V.
for copper cables only.

All dimensional data is listed in inches.

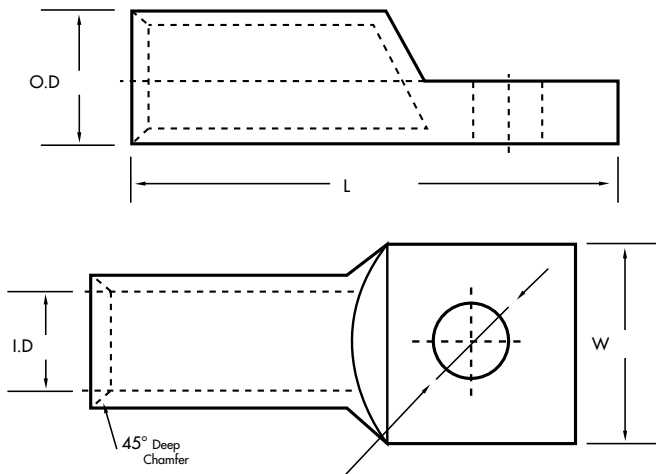
CAT. NO.	WIRE RANGE	EXPANDED WIRE RANGE*
GL256B	2 AWG	2 - 6 AWG
GL156B	1 AWG	1 - 6 AWG
GL1056B	1/0 AWG	1/0 - 6 AWG
GL2038B	2/0 AWG	2/0 - 4 AWG
GL3038B	3/0 AWG	3/0 - 2 AWG
GL3048B	3/0 AWG	3/0 - 2 AWG
GL4048B	4/0 AWG	4/0 - 1 AWG
GL25038B	250 MCM	250 MCM - 1/0 AWG
GL25048B	250 MCM	250 MCM - 1/0 AWG
GL30048B	300 MCM	300 MCM - 2/0 AWG
GL35058B	350 MCM	350 MCM - 3/0 AWG
GL50058B	400 MCM	400 MCM - 4/0 AWG
GL60058B	500 MCM	500 - 250 MCM
GL70058B	600 MCM	600 - 250 MCM
GL75058B	750 MCM	750-500 MCM
GL10058B	1000 MCM	1000-500 MCM

***EXPANDED WIRE RANGE** when installed with NSI N121D dieless compression tool.
UL Listed with other tools:

**FOR TOOL & DIE CRIMPING INFORMATION,
PLEASE SEE TABLE ON PAGE 145**



COLOR CODE	COMM	CABLE SIZE		DIESEL LOCOMOTIVE	BOLT SIZE	I.D.	O.D.	LENGTH (L)	WIDTH (W)
		ASTM CLASS H	WELDING CLASS M						
Brown	2	4	4	(125)	5/16	0.315	0.421	1.800	0.600
Green	1	2	2	(150)	5/16	0.358	0.469	1.830	0.670
Pink	1/0	1	1	(225)	5/16	0.390	0.520	1.830	0.740
Black	2/0	1/0	1/0	1/0 (275)	3/8	0.441	0.563	2.240	0.810
Orange	3/0	2/0	-	2/0 (325)	3/8	0.492	0.622	2.360	0.900
Orange	3/0	2/0	-	2/0 (325)	1/2	0.492	0.622	2.360	0.900
Purple	4/0	3/0	2/0	3/0 (450)	1/2	0.547	0.689	2.360	1.000
Yellow	250	-	3/0	4/0 (550)	3/8	0.594	0.752	2.480	1.090
Yellow	250	-	3/0	4/0 (550)	1/2	0.594	0.752	2.480	1.090
White	300	4/0	4/0	262.6	1/2	0.657	0.815	2.490	1.190
Red	350	250	250	313.1	5/8	0.692	0.875	2.910	1.280
Brown	500	350	300	373.3	5/8	0.835	1.063	3.280	1.540
Green	600	400	350	444.4	5/8	0.925	1.189	3.500	1.720
Pink	700	500	400	535.3	5/8	1.031	1.311		
Black	750	600	500	-	5/8	1.031	1.311	4.370	1.950
White	1000	800	700	777.7	5/8	1.158	1.491	4.769	2.170



COMPRESSION CONNECTORS For Flexible Copper Cable – One Hole Long Barrel L-B SERIES



FEATURES

- Connector end has a gentle, continuous flare to ensure ease of cable insertion of flexible and extra-flexible cables such as locomotive, welding, mining cable and more.
- The flared end also reduces pressure on the cable strands after installation and protects them from chafing and breakage as a result of cable movement.
- Tin-plated for corrosion resistance.

RATINGS



TEMPERATURE RATING:
90 °C.
600V.
for copper cables only.

All dimensional data is listed in inches.

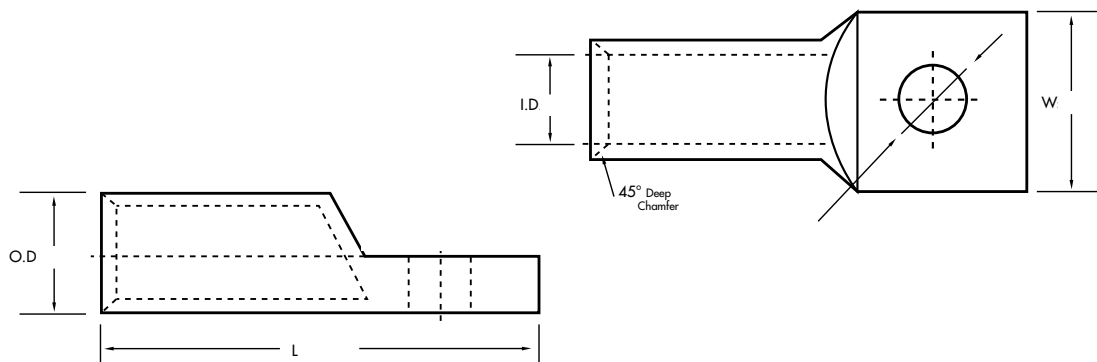
CAT. NO.	WIRE RANGE	EXPANDED WIRE RANGE*
L638B	6 AWG	6-8 AWG
L438B	4 AWG	4 - 6 AWG
L256B	2 AWG	2 - 6 AWG
L238B	2 AWG	2 - 6 AWG
L156B	1 AWG	1 - 6 AWG
L1056B	1/0 AWG	1/0 - 6 AWG
L2038B	2/0 AWG	2/0 - 4 AWG
L3038B	3/0 AWG	3/0 - 2 AWG
L3048B	3/0 AWG	3/0 - 2 AWG
L4048B	4/0 AWG	4/0 - 1 AWG
L25038B	250 MCM	250 MCM - 1/0 AWG
L25048B	250 MCM	250 MCM - 1/0 AWG
L30048B	300 MCM	300 MCM - 2/0 AWG
L35058B	350 MCM	350 MCM - 3/0 AWG
L50058B	500 MCM	500 - 250 MCM
L60058B	600 MCM	600 - 250 MCM
L70048B	700 MCM	700-500 MCM
L70058B	700 MCM	700-500 MCM
L75058B	750 MCM	750-500 MCM

***EXPANDED WIRE RANGE** when installed with NSI N121D dieless compression tool. UL Listed with other tools:

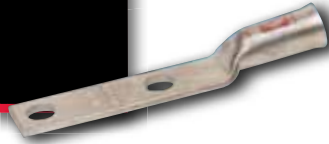
FOR TOOL & DIE CRIMPING INFORMATION, PLEASE SEE TABLE ON PAGE 145



COLOR CODE	COMM	CABLE SIZE			LENGTH (L)	BOLT SIZE	WIDTH (W)	I.D.	O.D.
		ASTM CLASS H	WELDING CLASS M	DIESEL LOCOMOTIVE					
Blue	6	8	8	(61)	1.910	3/8	0.590	0.205	0.295
Grey	4	6	6	(105)	1.910	3/8	0.590	0.252	0.343
Brown	2	4	4	(125)	2.070	5/16	0.600	0.315	0.421
Brown	2	4	4	(125)	2.070	3/8	0.600	0.315	0.421
Green	1	2	2	(150)	2.110	5/16	0.670	0.358	0.469
Pink	1/0	1	1	(225)	2.210	5/16	0.740	0.390	0.520
Black	2/0	1/0	1/0	1/0 (275)	2.680	3/8	0.810	0.441	0.563
Orange	3/0	2/0	-	2/0 (325)	2.800	3/8	0.900	0.492	0.622
Orange	3/0	2/0	-	2/0 (325)	2.800	1/2	1.000	0.492	0.622
Purple	4/0	3/0	2/0	3/0 (450)	2.800	1/2	1.000	0.547	0.689
Yellow	250	-	3/0	4/0 (550)	3.030	3/8	1.090	0.594	0.752
Yellow	250	-	3/0	4/0 (550)	3.030	1/2	1.090	0.594	1.752
White	300	4/0	4/0	262.6	3.390	1/2	1.190	0.651	1.815
Red	350	250	250	313.1	3.460	5/8	1.280	0.701	0.874
Brown	500	350	300	373.3	4.130	5/8	1.540	0.835	1.063
Green	600	400	350	444.4	4.256	5/8	1.720	0.925	1.189
-	700	500	400	535.3	4.922	1/2	1.690	0.975	1.241
-	700	500	400	535.3	5.094	5/8	1.702	0.962	1.241
Black	750	600	500	-	5.160	5/8	1.900	1.031	1.311



COMPRESSION CONNECTORS For Flexible Copper Cable – Two Hole Long Barrel L-NB SERIES



FEATURES

- Connector end has a gentle, continuous flare to ensure ease of cable insertion of flexible and extra-flexible cables such as locomotive, welding, mining cable and more.
- The flared end also reduces pressure on the cable strands after installation and protects them from chafing and breakage as a result of cable movement.
- Tin-plated for corrosion resistance.
- NEMA spaced mounting holes (1 $\frac{3}{4}$ "). (E Dimension)

RATINGS



TEMPERATURE RATING:

90 °C.
Rated 600V for copper cables only.

All dimensional data is listed in inches.

CAT. NO.	WIRE RANGE	EXPANDED WIRE RANGE*
L30NB	3/0	3/0 - 2 AWG
L40NB	4/0	4/0 - 1
L250NB	250	250 - 1/0
L300NB	300	300 - 2/0
L350NB-38†	350	350 - 3/0
L350NB	350	350 - 3/0
L500NB	500	500 - 250
L600NB	600	600 - 250
L700NB	700	700 - 500
L750NB	750	750 - 500
L100NB	1000	1000 - 750

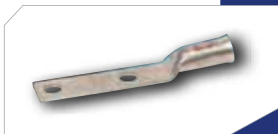
† Mounting hole spacing is 1"

***EXPANDED WIRE RANGE** when installed with NSI N121D dieless compression tool. UL Listed with other tools:

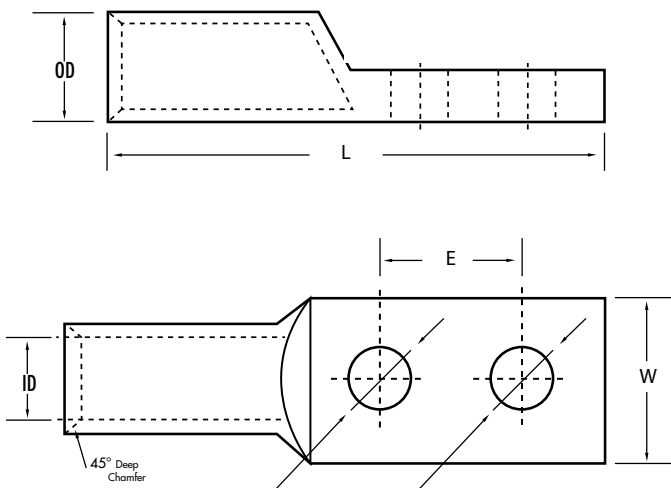
FOR TOOL & DIE CRIMPING INFORMATION, PLEASE SEE TABLE ON PAGE 145



Scan QR to view
Tool & Die Charts



COLOR CODE	LENGTH (L)	BOLT SIZE	WIDTH (W)	I.D.	O.D.	COMM	CABLE SIZE		DIESEL LOCOMOTIVE	STD. CTN. QTY.
							ASTM CLASS H	CLASS M WELDING		
Orange	4.650	1/2	0.900	0.490	0.620	3/0	2/0	–	2/0 (325)	12
Purple	4.720	1/2	1.000	0.550	0.690	4/0	3/0	2/0	3/0 (450)	12
Yellow	4.960	1/2	1.090	0.590	0.750	250	–	3/0	4/0 (550)	12
White	5.310	1/2	1.190	0.660	0.810	300	4/0	4/0	262.6	6
Red	4.210	3/8	1.280	0.700	0.870	350	250	250	313.1	6
Red	5.390	1/2	1.280	0.700	0.870	350	250	250	313.1	6
Brown	5.750	1/2	1.540	0.840	1.060	500	350	300	373.3	3
Green	5.790	1/2	1.720	0.930	1.190	600	400	350	444.4	3
–	6.250	1/2	1.844	0.980	1.230	700	500	400	535.3	3
Black	6.300	1/2	1.900	1.030	1.310	750	600	500	–	3
White	7.125	1/2	2.160	1.150	1.500	1000	800	700	777.7	3



COMPRESSION CONNECTORS For Flexible Copper Cable – Two Hole Short Barrel (Peep Hole) GL-NB SERIES



FEATURES

- Connector end has a gentle, continuous flare to ensure ease of cable insertion of flexible and extra-flexible cables such as locomotive, welding, mining cable and more.
- The flared end also reduces pressure on the cable strands after installation and protects them from chafing and breakage as a result of cable movement.
- Tin-plated for corrosion resistance.
- NEMA spaced mounting holes (1 3/4"). (E Dimension)

RATINGS



TEMPERATURE RATING:

90 °C.

Rated 600V for copper cables only.

All dimensional data is listed in inches.

CAT. NO.	WIRE RANGE	EXPANDED WIRE RANGE*
GL30NB	3/0	3/0 - 2
GL250NB	250	250 - 1/0
GL300NB	300	300 - 2/0
GL350NB	350	350 - 3/0
GL500NB	500	500 - 250
GL600NB	600	600 - 250
GL700NBX†	700	700 - 500
GL750NB	750	750 - 500
GL100NB	1000	-

† Supplied without peephole

***EXPANDED WIRE RANGE** when installed with NSI N121D dieless compression tool. UL Listed with other tools:

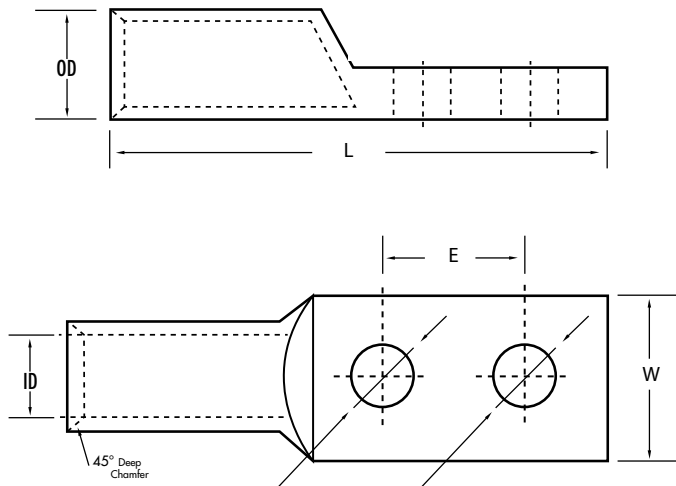
FOR TOOL & DIE CRIMPING INFORMATION, PLEASE SEE TABLE ON PAGE 145



Scan QR to view
Tool & Die Charts



COLOR CODE	BOLT SIZE	I.D.	O.D.	COMM	CABLE SIZE		DIESEL LOCOMOTIVE	STD. CTN. QTY.	LENGTH (L)	WIDTH (W)
					ASTM CLASS H	CLASS M WELDING				
Orange	1/2	0.492	0.622	3/0	2/0	–	2/0 (325)	12	4.291	0.902
Yellow	1/2	0.590	0.752	250	–	3/0	4/0 (550)	12	4.409	1.090
White	1/2	0.660	0.810	300	4/0	4/0	262.6	6	4.528	1.276
Red	1/2	0.700	0.870	350	250	250	313.1	6	4.528	1.276
Brown	1/2	0.840	1.060	500	350	300	373.3	3	4.882	1.540
Green	1/2	0.925	1.190	600	400	350	444.4	3	5.039	1.717
–	1/2	0.983	1.230	700	500	400	535.3	3	5.512	1.844
Black	1/2	1.040	1.310	750	600	500	–	3	5.512	1.900
White	1/2	1.173	1.492	1000	800	700	777.7	3	5.870	2.158



COMPRESSION CONNECTORS For Flexible Cable – Copper Short Barrel SC-B SERIES



FEATURES

- Splice has flared openings at both ends to ensure ease of cable insertion of flexible and extra-flexible cables such as locomotive, welding, mining cable and more.
- Positive center stop.
- Tin-plated for corrosion resistance.

RATINGS



TEMPERATURE RATING:

90 °C.

Rated 600V for copper cables only.

All dimensional data is listed in inches.

CAT. NO.	WIRE RANGE	EXPANDED WIRE RANGE*
SC-1/OB	1/0 AWG	1/0 - 6 AWG
SC-2/OB	2/0 AWG	2/0 - 4 AWG
SC-3/OB	3/0 AWG	3/0 - 2 AWG
SC-4/OB	4/0 AWG	4/0 - 1 AWG
SC-250B	250 MCM	250 MCM - 1/0 AWG
SC-300B	300 MCM	300 MCM - 2/0 AWG
SC-350B	350 MCM	350 MCM - 3/0 AWG

***EXPANDED WIRE RANGE** when installed with NSI N1 2ID dieless compression tool. UL Listed with other tools:

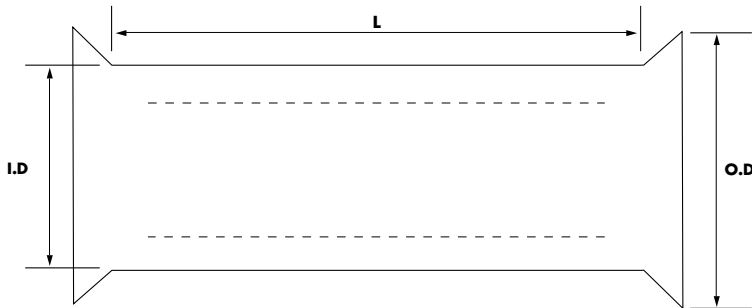
FOR TOOL & DIE CRIMPING INFORMATION, PLEASE SEE TABLE ON PAGE 145



Scan QR to view
Tool & Die Charts



COLOR CODE	LENGTH (L)	I.D.	O.D.	COMM	CABLE SIZE		DIESEL LOCOMOTIVE	STD. CTN. QTY.
					ASTM CLASS H	CLASS M WELDING		
Pink	1.598	0.520	0.520	1/0	1	1	(225)	25
Black	1.752	0.560	0.563	2/0	1/0	1/0	1/0 (275)	25
Orange	1.752	0.620	0.622	3/0	2/0	–	2/0 (325)	25
Purple	1.902	0.690	0.689	4/0	3/0	2/0	3/0 (450)	25
Yellow	2.000	0.750	0.752	250	–	3/0	4/0 (550)	25
White	2.098	0.810	0.815	300	4/0	4/0	262.6	12
Red	2.098	0.870	0.874	350	250	250	313.1	12



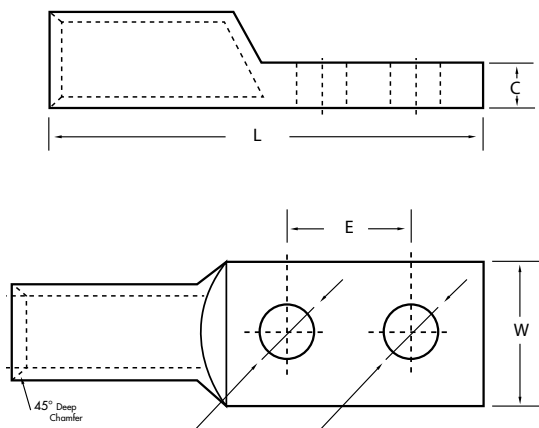
COMPRESSION CONNECTORS For Telecommunications – Two Hole Short Barrel (Peep Hole) GLN SERIES



FEATURES

- These connectors are the same as the GL-N Series – Short Barrel Copper Compression Lugs (with Peep Hole) except that the mounting hole sizes and spacings are common to the telecommunications industry.
- Produced from high conductivity copper tubing, they are tin-plated to provide corrosion resistance. Also, they are marked with die index and color coded. Listed for 35 KV maximum when properly installed.
- For bolt hole sizes not listed, please contact NSI.

RATINGS



CAT. NO.	WIRE SIZE	EXPANDED WIRE RANGE*
GL6N-141	6 AWG	6 - 8 AWG
GL6N-143	6 AWG	6 - 8 AWG
GL6N-38	6 AWG	6 - 8 AWG
GL4N-141	4 AWG	4 - 6 AWG
GL4N-143	4 AWG	4 - 6 AWG
GL4N-38	4 AWG	4 - 6 AWG
GL2N-141	2 AWG	2 - 6 AWG
GL2N-142	2 AWG	2 - 6 AWG
GL2N-143	2 AWG	2 - 6 AWG
GL2N-38	2 AWG	2 - 6 AWG
GL10N-38	1/0 AWG	1/0 - 6 AWG
GL20N-38	2/0 AWG	2/0 - 4 AWG
GL20N	2/0 AWG	2/0 - 4 AWG
GL30N-38	3/0 AWG	3/0 - 2 AWG
GL30N	3/0 AWG	3/0 - 2 AWG
GL40N-38	4/0 AWG	4/0 - 1 AWG
GL40N	4/0 AWG	4/0 - 1 AWG
GL250N-38	250 AWG	250 MCM - 1/0 AWG
GL250N	250 AWG	250 MCM - 1/0 AWG
GL350N-38	350 AWG	350 MCM - 3/0 AWG
GL350N	350 AWG	350 MCM - 3/0 AWG
GL500N-38	500 AWG	500 - 250 MCM
GL500N	500 AWG	500 - 250 MCM

*EXPANDED WIRE RANGE when installed with NSI N121D dieless compression tool. UL Listed with other tools:

FOR TOOL & DIE CRIMPING INFORMATION, PLEASE SEE TABLE ON PAGE 145



Scan QR to view
Tool & Die Charts



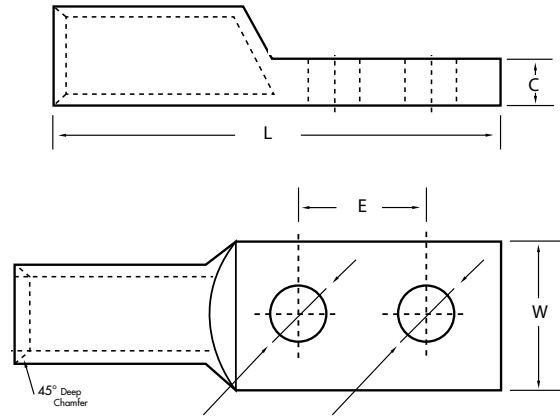
COLOR CODE	BOLT SIZE	HOLE SPACING (E)	LENGTH (L)	WIDTH (W)	TANG THICKNESS (C)	STD. CTN. QTY.
Blue	1/4	0.625	2.560	0.450	0.080	100
Blue	1/4	1.000	2.660	0.450	0.080	100
Blue	3/8	1.000	2.830	0.580	0.080	100
Gray	1/4	0.625	2.340	0.500	0.090	100
Gray	1/4	1.000	2.710	0.500	0.090	100
Gray	3/8	1.000	2.930	0.580	0.090	100
Brown	1/4	0.625	2.460	0.610	0.110	50
Brown	1/4	0.750	2.580	0.610	0.110	50
Brown	1/4	1.000	2.830	0.610	0.110	50
Brown	3/8	1.000	3.050	0.610	0.110	50
Pink	3/8	1.000	3.140	0.750	0.120	50
Black	3/8	1.000	3.240	0.830	0.120	25
Black	1/2	1.750	4.170	0.830	0.120	25
Orange	3/8	1.000	3.360	0.910	0.130	25
Orange	1/2	1.750	4.280	0.910	0.130	25
Purple	3/8	1.000	3.410	1.020	0.140	25
Purple	1/2	1.750	4.280	1.020	0.140	25
Yellow	3/8	1.000	3.530	1.110	0.160	25
Yellow	1/2	1.750	4.410	1.110	0.160	25
Red	3/8	1.000	3.700	1.290	.180	12
Red	1/2	1.750	4.530	1.290	0.180	12
Brown	3/8	1.000	4.080	1.520	0.230	6
Brown	1/2	1.750	4.880	1.520	0.230	6

COMPRESSION CONNECTORS
For Flexible Copper Cable -
Two Hole Short Barrel
(No Peep Hole)
GLN-X SERIES



FEATURES

- These connectors are the same as the GL-N Series – Short Barrel Copper Compression Lugs (with Peep Hole) except that they are provided without the peephole.
- Produced from high conductivity copper tubing, they are tin-plated to provide corrosion resistance.
- They are marked with die index and color coded.
- Listed for 35 KV maximum when properly installed.
- For bolt hole sizes not listed, please contact NSi.



RATINGS



CAT. NO.	WIRE SIZE	BOLT SIZE	HOLE SPACING (E)	COLOR CODE	LENGTH (L)	WIDTH (W)	TANG THICKNESS (C)	STD. CTN. QTY.
GL6N-141X	6	1/4	0.625	Blue	2.560	0.450	0.080	100
GL2N-141X	2	1/4	0.625	Brown	2.460	0.610	0.110	50
GL2N-38X	2	3/8	1.000	Brown	3.050	0.610	0.110	50
GL10N-38X	1/0	3/8	1.000	Pink	3.140	0.750	0.120	50

FOR TOOL & DIE CRIMPING INFORMATION, PLEASE SEE TABLE ON PAGE 141



Scan QR to view
Tool & Die Charts

COMPRESSION CONNECTORS

C-Taps

CT SERIES



FEATURES

- These taps ensure positive, all-around compression with low resistance and high pull-out values.
- Made of high conductivity copper, they satisfy the requirements of NEC250-81 and 250-91 for connecting to the grounding electrode system.
- Rated for 600V applications.

RATINGS



CAT. NO.	WIRE SIZE		COLOR CODE	STD. CTN. QTY.
	MAIN	BRANCH		
CT-101	14	16	Red	100
	12	14		
CT-102	10	10	Blue	100
	8	12		
CT-103	6	10-12	Gray	100
	8	8-10		
CT-104	4 or 5	8-10-12	Brown	100
	6	6-8		
CT-105	3	6-8-10-12	Green	100
	4 or 5	6-5		
CT-106	3	5	Pink	100
	4	4		
CT-107	1	—	Black	50
	2	4-5		
	3	3-4		
CT-108	1/0	4	Orange	50
	1	3-4		
	2	2-3		
CT-109	2/0	3-4	Purple	50
	1/0	2-3		
	-	1-2		
CT-110	3/0	2-3-4	Yellow	25
	2/0	1-2		
	1/0	1/0-1		

FOR TOOL & DIE CRIMPING INFORMATION, PLEASE SEE TABLE ON PAGE 143



Scan QR to view Tool & Die Charts

COMPRESSION CONNECTORS

C-Taps CTH SERIES



FEATURES

- These taps ensure positive, all-around compression with low resistance and high pull-out values.
- Made of high conductivity copper, they satisfy the requirements of NEC250-81 and 250-91 for connecting to the grounding electrode system.
- Rated for 600V applications.



COPPER "C" TAPS



- Range-taking compression connectors made from high conductivity copper alloy.
- Ideal for making tap or parallel copper connections from 8 SOL to 4/0 STR conductors.
- Provides consistent reliability with heavy wall construction that prevents relaxation of the joint after installation. Installation time is reduced because of its "C" shape.



CAT. NO.	WIRE SIZE		COLOR CODE	STD. CTN. QTY.
	MAIN	BRANCH		
CTH-111	1	1	Blue	25
	1/0	1/0-2		
	2/0	2/0-4		
	3/0	1/0-6		
	4/0	1-8		
CTH-112	2/0	2/0-1	Brown	25
	3/0	3/0-3		
	4/0	4/0-4		
	250	1/0-8		
CTH-113	2/0	2/0-1	Pink	12
	3/0	3/0-2		
	4/0	4/0-4		
	250	3/0-6		
	300	2/0-8		
CTH-114	4/0	4/0-2/0	Black	6
	250	250-1		
	300	4/0-4		
	350	3/0-6		
	250	250		
300	300-3/0			
350	350-1/0			
400	300-2			
450	250-4			
CTH-115	500	250-6	White	3
	350	350-4/0		
	400	400-2/0		
	450	450-1		
	500	500-2		
CTH-116	750-500	4/0-6	-	3
	750	750-4/0		

CAT. NO.	CONDUCTOR RANGE		STRIP LENGTH	STD. CTN. QTY.
	RUN	TAP		
CTH-46	6 SOL - 4 STR	6 SOL - 6 STR	3/4	25
CTH-44	6 SOL - 4 STR	4 SOL - 4 STR	3/4	25
CTH-24	2 SOL - 2 STR	8 SOL - 4 STR	7/8	10
CTH-22	2 SOL - 2 STR	2 SOL - 2 STR	7/8	25
CTH-2020	1/0 STR - 2/0 STR	1/0 STR - 2/0 STR	11/16	3
CTH-4020	3/0 STR - 4/0 STR	1/0 STR - 2/0 STR	13/16	3
CTH-4040	3/0 STR - 4/0 STR	3/0 STR - 4/0 STR	13/16	3

All dimensional data is listed in inches.

FOR TOOL & DIE CRIMPING INFORMATION,
PLEASE SEE TABLE ON PAGE 143



Scan QR to view
Tool & Die Charts

COMPRESSION CONNECTORS Copper Press-Ons CSP, CDP SERIES



FEATURES

- Made of high conductivity copper-metal barrier separates conductor thereby eliminating strand cutting.
- Generous chamfer protects cable.
- For compressing, use one crimp with hydraulic tools.
- Three crimps with mechanical tools.



RATINGS



CAT. NO.	SIDE A	WIRE DIA. RANGE (IN)	SIDE B	WIRE DIA. RANGE (IN)	DIE SETS FOR HYDRAULIC TOOLS			STD. PKG. QTY.
					WH-1, W-2	Y-35*	PRESS. SET	
SINGLE TAB PRESS-ON								
CSP-301	6 SOL, 6 STR, 4 SOL	0.162/0.204	8 SOL, 8 STR, 6 SOL, 6 STR, 4 SOL	0.128/0.204	B-K-T	U-BG or U 243	4	1
DOUBLE TAB PRESS-ON								
CDP-399-8	6 SOL, 6 STR, 4 SOL	0.162/0.204	8 SOL, 6 STR, 4 SOL	0.128/0.204	B or B-K-T	U-BG or U 243	4	1
CDP-304-8	2 STR, 1 STR, 1/0 STR	0.292/0.375	6 SOL, 4 SOL, 4 STR, 2 SOL, 2 STR, 1 STR, 1/0 STR	0.162/0.258	0	0	4	1
CDP-303-8	2 STR, 1 STR, 1/0 STR	0.292/0.375	6 SOL, 4 SOL, 4 STR, 2 SOL, 2 STR, 1 STR, 1/0 STR	0.292/0.375	0	0	4	1
CDP-308-8	2/0 STR, 4/0 STR	0.419/0.528	2 STR, 1 STR, 1/0 STR, 2/0 STR, 4/0 STR	0.292/0.375	D	D3	4	1
CDP-307-8	2/0 STR, 4/0 STR	0.419/0.528	2 STR, 1 STR, 1/0 STR, 2/0 STR, 4/0 STR	0.419/0.528	D	D3	4	1

SPLIT BOLT CONNECTORS
Copper Split Bolts
2 Wire
N SERIES



FEATURES

- High-strength solderless service connector made of high-copper alloy for copper and copperweld wires.
- Type for two maximum wire sizes.

RATINGS



CAT. NO.	COPPER CONDUCTOR			MAXIMUM CONDUCTOR COPPERWELD		WIRE DIA. RANGE IN.	REC. TORQUE (IN. LB.)	STD. CTN. QTY.
	RANGE OF EQUAL MAIN & TAP		MIN. TAP WITH ONE MAX. MAIN	STR	TYPE A			
	MIN.	MAX.						
N-10	16 STR	10 STR	16 STR	–	–	0.057 – 0.116	80	100
N-8	16 STR	8 STR	16 STR	–	–	0.057 – 0.145	80	100
N-6	10 SOL	6 SOL	16 SOL	–	–	0.102 – 0.162	165	100
N-4	8 SOL	4 SOL	16 SOL	3 NO.12	8A	0.128 – 0.204	165	75
N-3	6 SOL	2 SOL	16 SOL	3 NO. 9	5A	0.162 – 0.258	275	50
N-2	6 SOL	2 STR	14 STR	3 NO. 7	3A	0.162 – 0.292	275	40
N-1/0	4 SOL	1/0 STR	14 SOL	3 NO. 6	2A	0.204 – 0.375	385	20
N-2/0	2 SOL	2/0 STR	14 STR	3 NO. 5	–	0.258 – 0.418	385	15
N-3/0	2 SOL	3/0 STR	12 SOL	7 NO. 7	–	0.258 – 0.470	500	10
N-250	1/0 SOL	250 MCM	10 SOL	7 NO. 5	–	0.325 – 0.575	650	6
N-350	4/0 STR	350 MCM	8 SOL	19 NO. 7	–	0.528 – 0.682	650	4
N-500	250 MCM	500 MCM	8 SOL	19 NO. 6	–	0.575 – 0.815	825	3
N-750	350 MCM	750 MCM	8 SOL	19 NO. 5	–	0.682 – 0.999	1000	2
N-1000	500 MCM	1000 MCM	8 SOL	–	–	0.815 – 1.153	1100	2

SPLIT BOLT CONNECTORS
Copper Split Bolts
3 Wire
N SERIES



FEATURES

- High-strength solderless service connector made of high-copper alloy for copper and copperweld wires.
- Type for three maximum wire sizes.

RATINGS



CAT. NO.	MAXIMUM WIRE SIZE	MIN. TAP WITH MAX. RUN	STD. CTN. QTY.
N-8L	8 str	14 str	100
N-6L	6 str	12 str	100
N-4L	4 str	12 str	75
N-3L	3 str	10 str	40
N-2L	2 str	10 str	30

SPLIT BOLT CONNECTORS
Copper Tin Plated
Split Bolts
N-SP SERIES



FEATURES

- Aluminum to copper.
- Aluminum to aluminum.
- Steel to aluminum.
- Copper to copper.
- Steel to copper.
- Electro-finned body.
- UL listed for copper and copperweld wires only.
- Includes nut, spacer and pressure pad.

RATINGS



CAT. NO.	CONDUCTOR		ACSR		WIRE DIA. RANGE IN.	REC. TORQUE (IN. LB.)	STD. CTN. QTY.	
	RANGE OF EQUAL MAIN & TAP MIN.	MAX.	MIN. TAP WITH ONE MAX. MAIN	RANGE OF MAIN OR TAP MIN. MAX.				
N-6SP	14 STR	8 STR	14 STR	—	8	0.073 - 0.146	165	100
N-4SP	10 STR	6 STR	10 SOL	—	6	0.116 - 0.184	165	75
N-3SP	8 SOL	3 STR	8 SOL	6	4	0.128 - 0.258	275	50
N-2SP	8 SOL	2 STR	8 SOL	6	2	0.128 - 0.316	275	40
N-1/OSP	6 SOL	1/0 STR	10 SOL	6	1	0.162 - 0.375	385	20
N-2/OSP	6 STR	2/0 STR	10 SOL	6	1/0	0.184 - 0.419	385	15
N-3/OSP	4 STR	3/0 STR	6 SOL	6	2/0	0.198 - 0.470	500	10
N-250SP	4 STR	250 MCM	4 STR	4	4/0	0.232 - 0.575	650	6
N-350SP	3/0 STR	350 MCM	1 SOL	2/0	350	—	650	4
N-500SP	3/0 STR	500 MCM	1/0 STR	2/0	477 18/1	—	825	3
N-750SP	250 MCM	750 MCM	2/0 STR	4/0	666.6	—	1000	2
N-1000SP	250 MCM	1000 MCM	4/0 STR	300	900	—	1100	2

SPLIT BOLT CONNECTORS
Aluminum Dual Rated
Split Bolts
APS SERIES



FEATURES

- Made from tin-plated aluminum.
- UL-486B listed for aluminum and copper conductor combinations.

RATINGS



CAT. NO.	RANGE OF EQUAL MAIN AND TAP (COPPER AND ALUMINUM)	WIRE DIAMETER RANGE (INCHES)	RECOMMENDED TORQUE (IN. LB.)	STD. CTN. QTY.
APS06	10 sol. – 6 str	0.101 – 0.184	165	100
APS04	10 sol. – 4 str	0.101 – 0.232	165	75
APS02	8 str. – 2 str	0.146 – 0.292	275	40
APS11	8 sol. – 1/0 str	0.162 – 0.375	385	20
APS21	2 sol. – 2/0 str	0.257 – 0.418	390	15
APS41	6 str. – 4/0 str	0.368 – 0.575	650	6
APS350*	2/0 str. – 350 MCM	0.414 – 0.681	650	3
APS500	3/0 str. – 500 MCM	0.464 – 0.814	825	2

* Not CSA Approved

CONNECTORS

Service Post Connectors One-Wire Type

SPM SERIES



FEATURES

- Made from high copper content hard-drawn rod; used for connecting one or two conductors.
- Lay-in feature makes them excellent for continuous loop grounding and bonding.
- Used to ground to bar or plate.
- Suitable for direct burial in earth or concrete.

RATINGS

CAT. NO.	CONDUCTOR RANGE	STUD SIZE	HEX NUT	STD. CTN. QTY.
SPM-1L	12 sol - 8 str	0.250 X 20-1	0.375 X 24	25
SPM-2L	8 sol - 7 str	0.250 x 20-1	0.437 x 20	25
SPM-3L	10 sol - 4 str	0.312 x 18-1	0.500 x 20	25
SPM-4L	6 sol - 3 str	0.375 x 16 – 1.125	0.562 x 18	12
SPM-5L	4 str - 2 str	0.375 x 16 – 1.125	0.625 x 18	12
SPM-6L	6 sol - 1/0 str	0.500 x 13 – 1.250	0.750 x 16	12
SPM-7L	1 sol - 2/0 str	0.500 x 13 – 1.250	0.875 x 14	6
SPM-9L	3/0 sol - 4/0 str	0.625 x 11 – 1.500	1.125 X 11	3

CONNECTORS
Service Post Connectors
Two-Wire Type
SPM SERIES



FEATURES

- Made from high copper content hard-drawn rod; used for connecting one or two conductors.
- Lay-in feature makes them excellent for continuous loop grounding and bonding.
- Used to ground to bar or plate.
- Suitable for direct burial in earth or concrete.

RATINGS



CAT. NO.	CONDUCTOR RANGE	STUD SIZE	HEX NUT	STD. CTN. QTY.
SPM-21L	12 sol - 8 str	0.250 x 20 – 1	0.375 x 24	25
SPM-22L	10 sol - 7 str	0.250 x 20 – 1	0.437 x 20	25
SPM-23L	8 sol - 5 str	0.312 x 18 – 1	0.500 x 20	25
SPM-24L	6 sol - 3 str	0.375 x 16 – 1.125	0.562 x 18	12
SPM-25L	10 sol - 2 str	0.375 x 16 – 1.125	0.625 x 18	12
SPM-26L	4 sol - 1/0 str	0.500 x 13 – 1.250	0.750 x 16	12
SPM-27L	2 sol - 2 str	0.500 x 13 – 1.250	0.875 x 14	6
SPM-29L	1 sol - 4/0 str	0.625 x 11 – 1.500	1.125 X 11	3

TAP CONNECTORS
Two-Bolt Bronze
For Copper To Copper
TC SERIES



FEATURES

- Made from high strength Bronze Castings-assurance against stress corrosion and season cracking.
- Designed for heavy-duty service connections.
- The cap swivels to permit quick and easy installation of conductors.
- Retaining rubber washer eliminates loose parts. Silicon Bronze Hardware.
- Flat back permits use as bus tap when used with longer bolts.

RATINGS

CAT. NO.	MAIN WIRE RANGE		TAP WIRE RANGE		STD. CTN. QTY.
	MAX.	MIN.	MAX.	MIN.	
TC 1/0	1/0 str	2 sol	1/0 str	6 sol	10
TC 2/0	2/0 str	1 sol	2/0 str	6 sol	10
TC 4/0	4/0 str	2/0 str	4/0 str	6 sol	6
TC 350	350 MCM	4/0 str	350 MCM	4 sol	5
TC 500	500 MCM	350 MCM	500 MCM	4 sol	5
TC 800	800 MCM	600 MCM	800 MCM	2 sol	3
TC 1000	1000 MCM	750 MCM	1000 MCM	2 sol	2

TAP CONNECTORS
Two-Bolt Bronze
For Aluminum, Copper
and Steel
TCP SERIES



FEATURES

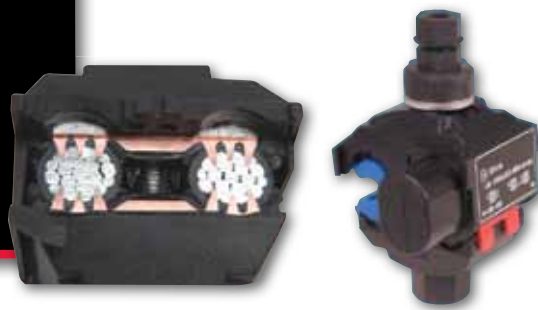
- All parts are tin plated.
- Made from High Strength Bronze castings with high conductivity spacer bar.
- Designed for heavy-duty service connections.
- The cap swivels to permit quick and easy installation of conductors.
- Retaining rubber washer eliminates loose parts. Silicon Bronze Hardware.
- Flat back permits use as bus tap when used with longer bolts.

CAT. NO.	MAIN WIRE RANGE		TAP WIRE RANGE		STD. CTN. QTY.
	MAX.	MIN.	MAX.	MIN.	
TCP 1/0	1/0 str	2 sol	1/0 str	6 sol	10
TCP 2/0	2/0 str	1 sol	2/0 str	6 sol	10
TCP 4/0	4/0 str	2/0 str	4/0 str	6 sol	6
TCP 350	350 MCM	4/0 str	350 MCM	4 sol	5
TCP 500	500 MCM	350 MCM	500 MCM	4 sol	5
TCP 800	800 MCM	600 MCM	800 MCM	2 sol	3
TCP 1000	1000 MCM	750 MCM	1000 MCM	2 sol	2

EASY-TAP™

IPCS Series – Insulation Piercing Connectors

IPCS SERIES



FEATURES

- Safe to use.
- No need to strip wire and totally insulated.
- No tape or cover needed.
- No contact at any point with a live part.
- Can be installed on energized conductors.
- Versatile and reliable.
- No spacer required between connections.
- Exclusive “turbo spacer” keeps tap side open while main conductor is being tightened.
- No need for a third hand to install.
- Watertight and corrosion-free.
- Connection sealed by a rubber grommet.
- No migration of water.
- No contamination between main and tap.

Connectors handle a large wire range of #14 AWG to 750MCM.

Double shear-head bolts ensure perfect connection every time Hot spots eliminated.

Can be used as a splice or a tap.

Easy to install and no special tools required.

For copper-to-copper, copper-to-aluminum and aluminum-to-aluminum applications.

Suitable for solid and/or stranded wires.

4 sizes are approved for use with bare wire (from 4/0 to #10) - these connectors come with a blue insert which re-creates the insulation and avoids any damage to the conductor.

RATINGS



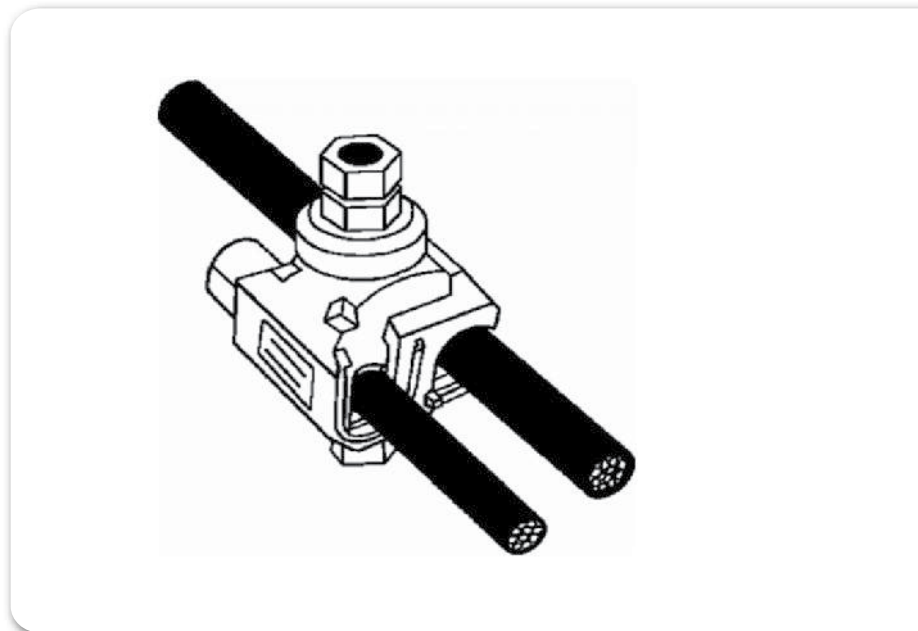
UL486B listed.
Meets ANSI C119.4 requirements.

TEMPERATURE RATING:

90 °C.

VOLTAGE:

600V.





CAT. NO.	CONDUCTOR RANGE		CURRENT RATING		DIMENSIONS (IN)			NO. OF BOLTS	STD. PACK QTY.	STD. CTN. QTY.
	MAIN AWG	TAP AWG	CU AMP	AL AMP	HEIGHT	WIDTH	LENGTH			
IPCS2001*	2/0 – 4	10 – 14	55	40	3.000	1.800	2.200	1	1	6
IPCS7501*	750 – 3/0	10 – 14	55	40	3.700	2.400	2.600	1	1	6
IPCS1002	1/0 – 8	2 – 10	190	150	3.100	1.800	2.200	1	1	6
IPCS1010	1/0 – 8	1/0 – 8	190	150	3.100	1.800	2.200	1	1	6
IPCS4002*	4/0 – 3	2 – 10	190	150	3.100	1.800	2.200	1	1	6
IPCS4020	4/0 – 2	2/0 – 6	300	235	3.300	2.200	2.600	1	1	4
IPCS4040	4/0 – 2	4/0 – 4	405	315	3.300	2.400	3.500	1	1	4
IPCS2540**	250 – 1	4/0 – 4	405	315	3.500	2.200	2.600	1	1	4
IPCS3535**	350 – 1/0	350 – 1/0	570	445	4.500	3.000	3.900	2	1	2
IPCS5040**	500 – 2/0	4/0 – 4	405	315	4.500	3.000	3.900	2	1	2
IPCS5035**	500 – 4/0	350 – 1/0	570	445	4.500	3.000	3.900	2	1	2
IPCS7550**	750 – 250	500 – 250	700	545	4.700	3.300	4.300	2	1	2

*Cannot be used with bare wire or as a splice

**Cannot be used with bare wire

All sizes can be installed on energized main conductor, however, the tap must not be under load.

Not recommended for use with extra-flexible cables.

Not approved for submersible applications.

CONNECTOR BLOKS™
Single Primary
Multiple Secondary
Connector Blocks
 AS, AM, AL SERIES



SINGLE PRIMARY, MULTIPLE SECONDARY

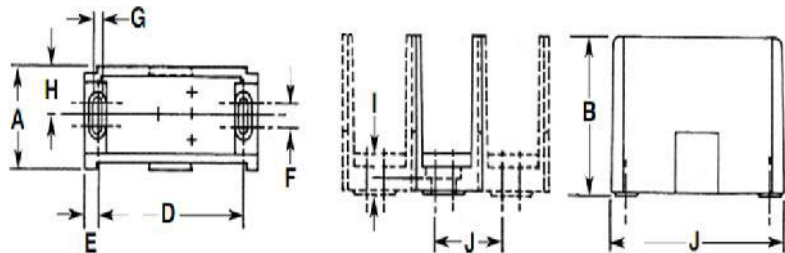


- Each block can stand alone or combine with other blocks to form a multi-block set.
- Add as many holes as you need, in any configuration you want!
- There are no end pieces or connector pieces to fool around with.
- The connector body is made from high-strength, high-conductivity aluminum alloy and is mounted in a high-strength glass-filled polyester base.
- Default SCCR Rating 10,000 Amps.

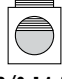
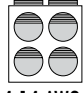


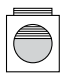
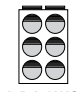


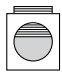
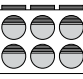


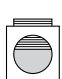
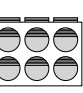

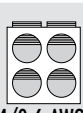
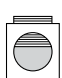
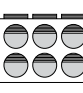
CONNECTOR BLOK COVERS



- See-through clear acrylic covers permit visual inspection.
- Snaps easily into place.
- Just three sizes fit all styles and configurations of Connector-Bloks*.





CONFIGURATION		CAT. NO.	AMPS PER POLE	LENGTH	HEIGHT	WIDTH	STD. PKG. QTY.	STD. CTN. QTY.
LINE SIDE	LOAD SIDE							
 2/0-14 AWG	 4-14 AWG	AS-K1-H4	175	2.900	2.340	1.040	1	3
 2/0-14 AWG	 4-14 AWG	AS-K1-H6	175	2.900	2.340	1.040	1	3
 350MCM-6 AWG	 4-14 AWG	AM-P1-H6	310	4.000	2.620	1.710	1	3
 350MCM-6 AWG	 4-14 AWG	AM-P1-H12	310	4.000	2.620	1.710	1	3
 350MCM-6 AWG	 2/0-14 AWG	AL-P1-K6	310	5.500	3.250	2.900	1	3
 500MCM-4 AWG	 4-14 AWG	AM-R1-H12	380	4.000	2.620	1.710	1	3
 500MCM-4 AWG	 2/0-14 AWG	AL-R1-K6	380	5.500	3.250	2.900	1	3
 500MCM-4 AWG	 4/0-6 AWG	AL-R1-M4	380	5.500	3.250	2.900	1	3
 1000-250 MCM	 2/0-14 AWG	AL-V1-K6	545	5.500	3.250	2.900	1	1

CAT. NO.	FOR USE WITH CONNECTOR BLOCKS SERIES WITH PREFIX	STD. CN. QTY.
CS	AS*	12
CM	AM	9
CL	AL	6

*Not suitable for use with Catalog No. AS-K2-H6. AS-K2-K2 and AS-K1-H6.

CONNECTOR BLOKS™
Multiple Primary
Multiple Secondary
Connector Blocks
 AS, AM, AL SERIES



SINGLE PRIMARY, MULTIPLE SECONDARY

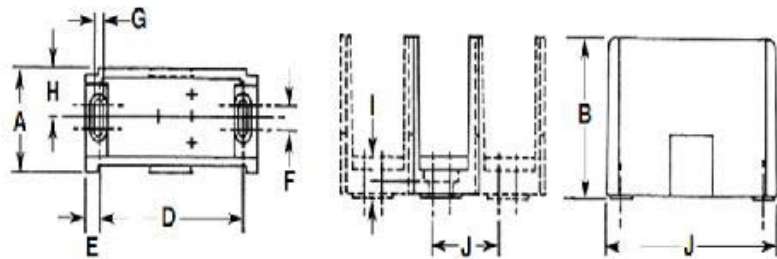


- Compact.
- Versatile.
- 90 °C.
- 600V.
- Durable.
- High-impact bases.
- One-piece connectors.
- No assembly on job site.
- Default SCCR Rating 10,000 Amps.

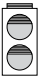
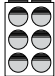
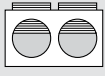
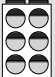
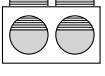



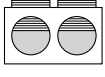
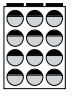
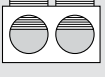

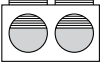
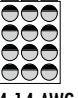



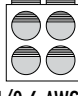
CONNECTOR BLOK COVERS



- See-through clear acrylic covers permit visual inspection.
- Snaps easily into place.
- Just three sizes fit all styles and configurations of Connector-Bloks*.





CONFIGURATION		CAT. NO.	AMPS PER POLE	LENGTH	HEIGHT	WIDTH	STD. PKG. QTY.	STD. CTN. QTY.
LINE SIDE	LOAD SIDE							
 2/0-14 AWG	 4-14 AWG	AS-K2-H6	350	2.900	2.340	1.040	1	3
 2/0-14 AWG	 4-14 AWG	AM-K2-H6	350	4.000	2.620	1.710	1	3
 2/0-14 AWG	 4-14 AWG	AM-K2-H12	350	4.000	2.620	1.710	1	3
 2/0-14 AWG	 2-14 AWG	AM-K2-I6	350	4.000	2.620	1.710	1	3
 350MCM-6 AWG	 4-14 AWG	AL-P2-H12	620	5.500	3.250	2.900	1	3
 350MCM-6 AWG	 2/0-14 AWG	AL-P2-K6	620	5.500	3.250	2.900	1	3
 500MCM-4 AWG	 4-14 AWG	AL-R2-H12	760	5.500	3.250	2.900	1	3
 500MCM-4 AWG	 2/0-14 AWG	AL-R2-K6	760	5.500	3.250	2.900	1	3
 500MCM-4 AWG	 4/0-6 AWG	AL-R2-M4	760	5.500	3.250	2.900	1	3

CAT. NO.	FOR USE WITH CONNECTOR BLOCKS SERIES WITH PREFIX	STD. CTN. QTY.
CS	AS*	12
CM	AM	9
CL	AL	6

*Not suitable for use with Catalog No. AS-K2-H6. AS-K2-K2 and AS-K1-H6.

CONNECTOR BLOKS™
Splice Reducer
Primary Secondary
Connector Blocks
 AS, AM, AL SERIES



SINGLE PRIMARY, MULTIPLE SECONDARY

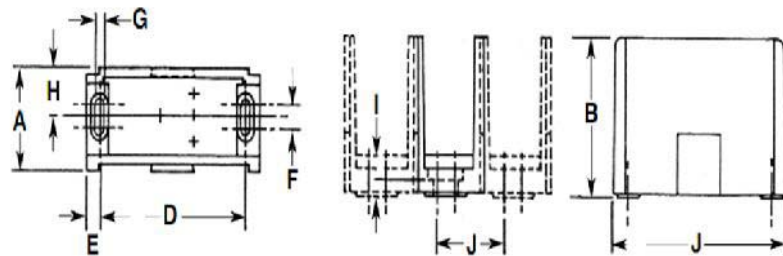


- Compact.
- Versatile.
- 90 °C.
- 600V.
- Durable.
- High-impact bases.
- One-piece connectors.
- No assembly on job site.
- Default SCCR Rating 10,000 Amps.

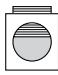
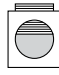



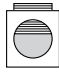
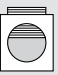

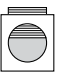



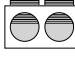
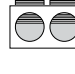
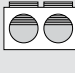
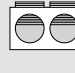
CONNECTOR BLOK COVERS



- See-through clear acrylic covers permit visual inspection.
- Snaps easily into place.
- Just three sizes fit all styles and configurations of Connector-Bloks*.





CONFIGURATION		CAT. NO.	AMPS PER POLE	LENGTH	HEIGHT	WIDTH	STD. PKG. QTY.	STD. CTN. QTY.
LINE SIDE	LOAD SIDE							
 2-14 AWG	 2-14 AWG	AS-I1-I1	115	2.900	2.340	1.040	1	3
 2/0-14 AWG	 2/0-14 AWG	AS-K1-K1	175	2.900	2.340	1.040	1	3
 250MCM-6 AWG	 250MCM-6 AWG	AM-N1-N1	310	4.000	2.620	1.710	1	3
 350MCM-6 AWG	 350MCM-6 AWG	AM-P1-P1	350	4.000	2.620	1.710	1	3
 500MCM-4 AWG	 500MCM-4 AWG	AM-R1-R1	380	4.000	2.620	1.710	1	3
 2/0-14 AWG	 2/0-14 AWG	AS-K2-K2	350	2.900	2.340	1.040	1	3
 350MCM-6 AWG	 350MCM-6 AWG	AL-P2-P2	620	5.500	3.250	2.900	1	3
 500MCM-4 AWG	 500MCM-4 AWG	AL-R2-R2	760	5.500	3.250	2.900	1	3

CAT. NO.	FOR USE WITH CONNECTOR BLOCKS SERIES WITH PREFIX	STD. CTN. QTY.
CS	AS*	12
CM	AM	9
CL	AL	6

*Not suitable for use with Catalog No. AS-K2-H6. AS-K2-K2 and AS-K1-H6.

TERMINAL BLOKS™
Double Row
9/16" Centers, 600V
TB SERIES



FEATURES

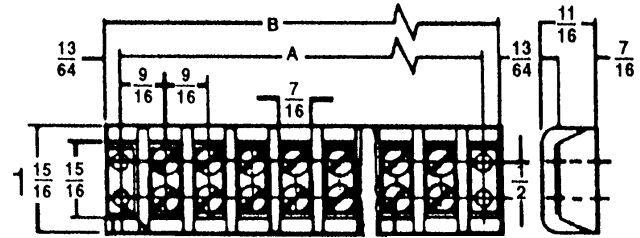
- Heavy duty construction with corrosion-resistant terminal plates ensures dependable, easy-access multiple termination block.
- Made from strong, glass-filled polyester.
- Screws are #8 stud size.
- Other sizes and styles available.
- Contact NSi for price and availability.

TEMPERATURE RATING:

208 °C.

VOLTAGE:

30AMP.
 600V Max.



RATINGS

CAT. NO.	NUMBER OF CIRCUITS	DIMENSIONS		STD. CTN. QTY.
		A	B	
TB3096-2	2	1.688	2.109	10
TB3096-4	4	2.812	3.250	10
TB3096-6	6	3.938	4.375	6
TB3096-8	8	5.062	5.500	4
TB3096-10	10	6.203	6.625	4
TB3096-12	12	7.328	7.750	3
TB3096-14	14	8.453	8.875	3

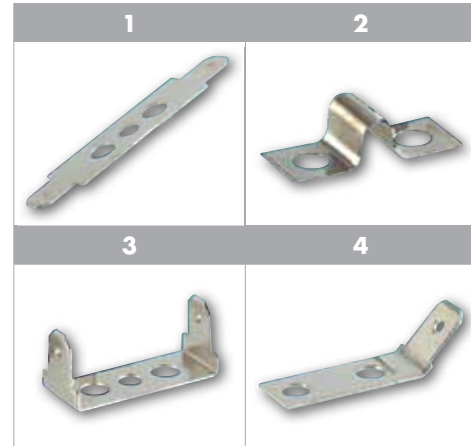
CONNECTORS

TERMINAL BLOKS™
Hardware Options
FQC SERIES



FEATURES

- Nickel plated.
- 0.250 x 0.30 tab size.
- 22-14AWG wire size.



RATINGS

VOLTAGE:
 30AMP.
 600V Max.

CAT. NO.	FIGURE NO.	DESCRIPTION	STD. CTN. QTY.
FQC-00	1	quick disconnect – 0° flat	10
FQC-45	4	quick disconnect – 45° bend	10
FQC-90	3	quick disconnect – 90° bend	10
J-30	2	30 AMP jumper	10

TERMINAL BLOKS™
Splicer/Reducers
75 Amps 600V
TBS SERIES



FEATURES

- Terminal Bloks™ Power Terminal Blocks are made from high-conductivity bodies and will accept either copper or aluminum conductors on the line side.
- The bases are manufactured from high-strength phenolic compound.
- Contact NSI for price and availability.
- 2-14 AWG.

RATINGS



TEMPERATURE RATING:
 150 °C.

CAT. NO.	NO. OF POLES	WIRE RANGE	LENGTH	HEIGHT	WIDTH	CTN. QTY.
TBS2-2	2	2-14 AWG CU or AL	1.750	1.250	1.500	6
TBS2-3	3	2-14 AWG CU or AL	2.380	1.250	1.500	6

TERMINAL BLOKS™
Two Pole,
250 Volts
TB SERIES



FEATURES

- Terminal Bloks™ Power Terminal Blocks are made from high-conductivity bodies and will accept either copper or aluminum conductors on the line side.
- The bases are manufactured from high-strength phenolic compound.
- Contact NSi for price and availability.
- 2-14 AWG.

RATINGS



TEMPERATURE RATING:
 150 °C.

CAT. NO.	LINE * CONNECTION	LOAD * CONNECTION	LENGTH	HEIGHT	WIDTH	STD. CTN. QTY.
TB4-4T2	4-14 AWG	0.250 x 0.032	2.050	0.970	1.630	10
	50 AMPS	4 quick-connect tabs				
	CU OR AL					
TB2-4T2	2-14 AWG	0.250 x 0.032	2.050	1.090	1.630	10
	75 AMPS	4 quick-connect tabs				
	CU OR AL					
TB0-4T2	1/0-14 AWG	0.250 x 0.032	2.050	1.150	1.630	10
	120 AMPS	4 quick-connect tabs				
	CU OR AL					

*Connections per pole.

TERMINAL BLOKS™
Rail Mounted Modular
Terminal Block-
Hardware Options
DRT, FTB, DRE, DRJ SERIES



RAIL MOUNTED MODULAR



- NSi Din Rail Mounted Terminal Blocks are a cost-effective and intelligent solution to connecting and terminating a wide variety of sizes and styles of wiring in a neat and professional manner.
- Individual blocks can easily be inserted or removed without disturbing adjacent blocks.
- Insertion is made simply by snapping the block in place by hand.
- Only a screwdriver is needed for removal.
- The mounting rail is simply fastened by screws to the mounting surface.
- No special brackets or hardware are needed.
- The design of all component pieces is such that they may be mixed in an assembly.
- The blocks form their own barriers.
- Blocks include integral mounting feet with screw slot for direct panel mounting, if desired.

TERMINAL BLOCKS-HARDWARE OPTIONS



- Made from 35 mm unplated 6061-T6 Aluminum alloy providing for a strong, lightweight rail for mounting sockets, terminal blocks or other electro-mechanical devices.
- Comes supplied with oval holes 1.1 cm, approximately x 0.4 cm apart.
- Standard 10 mm height allows for ease of installation vs. traditional 7.5 mm height.

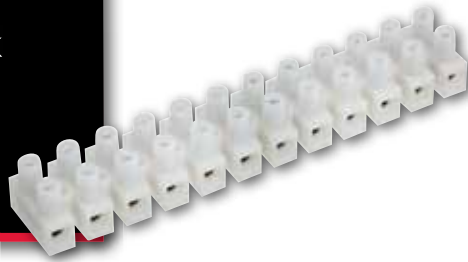


CAT. NO.	HEIGHT	LENGTH	STD. CTN. QTY
DR3910	10 mm	39.3"	10



CATALOG NO.	FIG. NO.	DESCRIPTION	STD. CTN. QTY.
25 AMP TERMINAL BLOCK			
DRTB25F	1	Will accept #22 to two #12 wires per terminal and include captive wire clamps for use with stranded or solid wire or ring terminals. Flat top marking with either pen or stick-on labels. Rated 25 Amps, 600 Volts.	50
50 AMP TERMINAL BLOCK			
DRTB50	2	The DRTB50 block uses a box type connector to accept up to a #8 str. Requires only 3/8" per point, allowing 32 points per foot. Provides 3/8" square marking area. Rated 50 Amps, 600 Volts, 94V-0 Rated housing.	25
SINGLE POLE DISCONNECT			
DRDTB-1	3	The DRD Series of Disconnect Blocks may be used in a single-pole function or linked together with other disconnects to form multiple pole assemblies. Rated 15 Amps per pole. Accepts #22 to two #12 wires per terminal.	10
2 POLE DISCONNECT			
DRDTB-2	4	Two single-pole disconnects with an interlocked handle so that operation on any pole operates all poles. This unique assembly makes it possible to interlock the isolation of different control panel functions without using expensive relays or cam switches.	6
3 POLE DISCONNECT			
DRDTB-3	5	Three single-pole disconnects with an interlocked handle. Also available up to 6 poles. Contact NSi for price and delivery.	3
DRFTB FUSE BLOCK			
DRFTB	6	The DRFTB Fuse Block accepts 13/32" dia. by 1 1/2" long cartridge fuses through 25 Amps, 600 Volts. The fusible block requires 3/4" rail taking exactly two standard terminal blocks.	10
FUSE PULLER			
FTBFP	7	The FTBFB is supplied red as standard.	25
END BARRIER			
DREB	8	Each assembly of blocks requires only an end barrier on each end of the assembly. It acts as both the end barrier for the block and retains the blocks on the rail.	50
JUMPER			
DRJS2	9	Jumper strap from one point to another on 25 Amp terminal block.	100

TERMINAL BLOKS™
Insulated Terminal Block
ITB SERIES



FEATURES

- Nylon 66 housing ensures 'touchproof' safety.
- Recessed screws and tubular contacts provide additional safety and help prevent short circuits.
- Integrated stainless steel spring wire protectors prevent twisting and breaking of stranded wires during installation.
- Tubular contacts connect stripped solid or stranded un-terminated wire directly to each contact.
- Modular design allows for connector to be cut into smaller sections or stacked end-to-end.
- Brass metal alloy, nickel plated terminal insert.
- Zinc plated, yellow chromed screws.

RATINGS



Rated UL 94V-2.

TEMPERATURE RATING:

110 °C.

VOLTAGE:

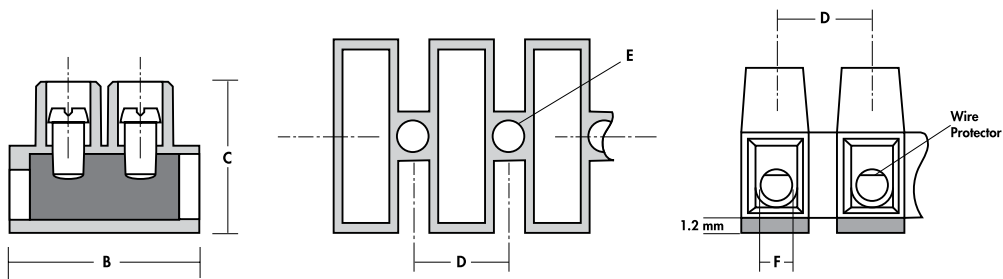
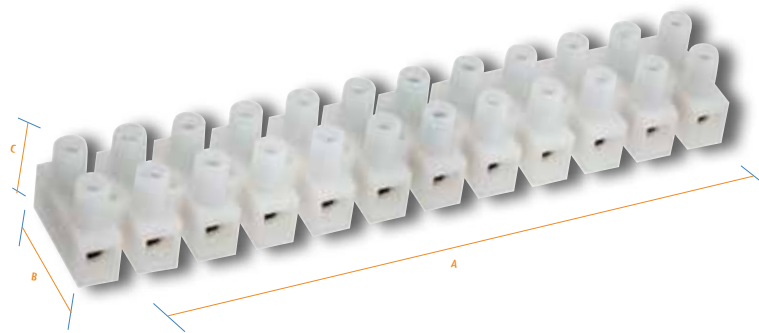
300V.

CAT. NO.	NO. OF CIRCUITS	RATINGS
ITB20-12	12	RU
		CSA
ITB30-12	12	RU
		CSA
ITB35-12	12	CRU
ITB50-12	12	CRU



AMPS	WIRE RANGE	DIMENSIONS						STD. CTN. QTY.
		A	B	C	D	E	F	
20	22-12	3.787	0.669	0.570	0.315	0.114	0.110	50
10	20-18							
30	22-10	4.626	0.795	0.670	0.394	0.142	0.134	50
20	18-14							
35	22-10	5.540	0.937	0.748	0.472	0.154	0.154	40
50	20-8	6.220	1.008	0.992	0.531	0.173	0.189	25

DIMENSIONS



MULTIPLE CONNECTORS Used In Neutral Assemblies And Grounding Applications



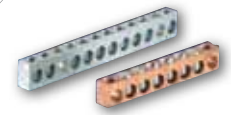
FEATURES

- Multiple connectors are made from either copper or aluminum bar and can be used in a variety of neutral and grounding applications.
- The aluminum connectors are tin plated for low contact resistance and are suitable for use with copper or aluminum conductors.
- Aluminum connectors are dual rated for use with aluminum and copper cables.
- The copper connectors are suitable for use with copper wire only.
- The 4-14 AWG multiple connectors can be custom made in any number of wire holes up to 190 holes.
- Contact NSi for price and delivery information.

RATINGS



CAT. NO.	MATERIAL
4-14 (32)	Aluminum
4-14 (53)	Aluminum
4-14 (63)	Aluminum
4-14 (74)	Aluminum
4-14 (614)	Aluminum
4-14 (717)	Aluminum
4-14 (726)	Aluminum
4-14 (847)	Aluminum
4-14 (937)	Aluminum
4-14 (11111)	Aluminum
4-14 (12112)	Aluminum
4-14 (14114)	Aluminum
4-14 (17117)	Aluminum
4-14 (22122)	Aluminum
4-14 (190)*	Aluminum
2-14 (12311)**	Aluminum
2/0-14 (32)**	Aluminum
2/0-14 (524)**	Aluminum
2/0-14 (818)**	Aluminum
4C-14 (616)	Copper
4C-14 (717)	Copper
4C-14 (818)	Copper
4C-14 (14114)	Copper
4C-14 (15313)	Copper
4C-14 (15611)	Copper
4C-190*	Copper
2C-14 (515)	Copper
2C-14 (827)	Copper

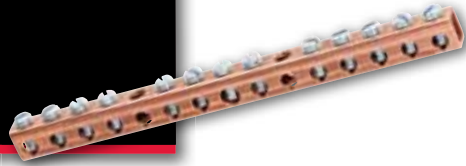


WIRE RANGE	NO. OF CIRCUITS	TOTAL NO. OF HOLES	LENGTH	HEIGHT	WIDTH	HOLE SPACING	MTNG. HOLE POSITION	STD. CTN. QTY.
4-14	2	3	0.950	0.440	0.310	0.312	2	100
4-14	4	5	1.570	0.440	0.310	0.312	3	100
4-14	5	6	1.880	0.440	0.310	0.312	3	100
4-14	6	7	2.250	0.440	0.310	0.312	4	100
4-14	4	6	1.880	0.440	0.310	0.312	1 & 4	100
4-14	5	7	2.250	0.440	0.310	0.312	1 & 7	100
4-14	5	7	2.250	0.440	0.310	0.312	2 & 6	100
4-14	6	8	2.560	0.440	0.310	0.312	4 & 7	100
4-14	7	9	2.870	0.440	0.310	0.312	3 & 7	100
4-14	9	11	3.500	0.440	0.310	0.312	1 & 11	50
4-14	10	12	3.810	0.440	0.310	0.312	1 & 12	50
4-14	12	14	4.430	0.440	0.310	0.312	1 & 14	50
4-14	15	17	5.370	0.440	0.310	0.312	1 & 17	50
4-14	20	22	6.930	0.440	0.310	0.312	1 & 22	50
4-14	190	190	60.000	0.440	0.310	0.312	—	10
2-14	10	12	4.120	0.500	0.380	0.340	3 & 11	50
2/0-14	2	3	1.750	0.750	0.560	0.601	2	25
2/0-14	3	5	2.950	0.750	0.560	0.601	2 & 4	25
2/0-14	6	8	4.750	0.750	0.560	0.601	1 & 8	25
4-14	4	6	1.940	0.440	0.310	0.312	1 & 6	100
4-14	5	7	2.250	0.440	0.310	0.312	1 & 7	100
4-14	6	8	2.56	0.440	0.310	0.312	1 & 8	100
4-14	12	14	4.430	0.440	0.310	0.312	1 & 14	50
4-14	13	15	4.740	0.440	0.310	0.312	3 & 13	50
4-14	13	15	4.740	0.440	0.310	0.312	6 & 11	50
4-14	190	190	60.000	0.440	0.310	0.312	—	10
2-14	3	5	2.000	0.500	0.380	0.397	1 & 5	50
2-14	6	8	3.250	0.500	0.380	0.397	2 & 7	50

*Supplied with screws unassembled.

**Not UL Rated.

MULTIPLE CONNECTORS
Copper Neutral
Connectors
CN SERIES



FEATURES

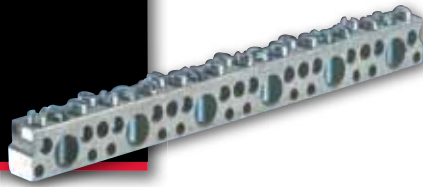
- NSi copper neutral connectors are manufactured from high strength pure electrolytic copper tube to ensure both maximum strength and conductivity.
- Plain copper finish.
- Suitable for use with copper conductors only.

RATINGS



CAT. NO.	LINE NO.	LINE RANGE	NO. OF CIRCUITS	CIRCUIT RANGE	MTG. HOLES	LENGTH	HEIGHT	WIDTH	STD. CTN. QTY.
CN70-10-1	1	4-14	8	6-14	2 x .20	4.370	0.750	0.340	100
CN70-14-1	1	4-14	12	6-14	2 x .20	5.940	0.750	0.340	100

MULTIPLE CONNECTORS
Combination
Connectors
CB SERIES



FEATURES

- Multiple combination connectors are made from aluminum and are tin-plated for low contact resistance.
- Suitable for use with both copper and aluminum conductors.
- Each connector contains a combination of 1/0-14 AWG and 6-14 AWG wire holes.
- Very economical and compact due to innovative design and hole spacing.
- Dual rated for use with aluminum and copper cables.

RATINGS



CAT. NO.	NUMBER OF CIRCUITS		LENGTH	STD. CTN. QTY.
	1/0-14 AWG	6-14 AWG		
CB-11	3	8	3.500	25
CB-19	5	14	5.810	25
CB-23	6	17	7.000	25
CB-120	30	90	36.000	10

NEUTRAL CONNECTORS

Neutral 225A

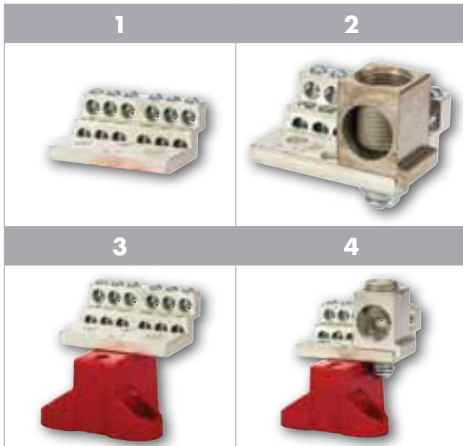
600 VAC



FEATURES

- These stacked neutral assemblies offer the ultimate in compact design and performance.
- Wire holes are stacked to minimize width. One-piece construction provides superior mechanical performance.
- Made from high-strength 6061T-6 aluminum alloy.
- Options include a 350 MCM main lug and a high-strength, glass-filled polyester mounting base for isolated – mounting.
- Available in 12 to 42 wire holes (4-14 AWG).

RATINGS



CATALOG NO.	FIGURE NO.
1012	1
1012M	2
1012B	3
1012MB	4
1018	1
1018M	2
1018B	3
1018MB	4
1024	1
1024M	2
1024B	3
1024MB	4
1030	1
1030M	2
1030B	3
1030MB	4
1036	1
1036M	2
1036B	3
1036MB	4
1042	1
1042M	2
1042B	3
1042MB	4



NO. OF 4-14 AWG CIRCUITS	MAIN LUG SIZE	MOUNTING BASE	LENGTH	HEIGHT	WIDTH	STD. CTN. QTY.
12	none	no	2.068	0.875	1.500	1
12	350-6	no	2.193	1.375	1.500	1
12	none	yes	2.068	2.250	2.250	1
12	350-6	yes	2.193	2.750	2.250	1
18	none	no	3.132	0.875	1.500	1
18	350-6	no	3.257	1.375	1.500	1
18	none	yes	3.132	2.250	2.250	1
18	350-6	yes	3.257	2.750	2.250	1
24	none	no	4.196	0.875	1.500	1
24	350-6	no	4.321	1.375	1.500	1
24	none	yes	4.196	2.250	2.250	1
24	350-6	yes	4.321	2.750	2.250	1
30	none	no	5.260	0.875	1.500	1
30	350-6	no	5.385	1.375	1.500	1
30	none	yes	5.260	2.250	2.250	1
30	350-6	yes	5.385	2.750	2.250	1
36	none	no	6.324	0.875	1.500	1
36	350-6	no	6.449	1.375	1.500	1
36	none	yes	6.324	2.250	2.250	1
36	350-6	yes	6.449	2.750	2.250	1
42	none	no	7.388	0.875	1.500	1
42	350-6	no	7.513	1.375	1.500	1
42	none	yes	7.388	2.250	2.250	1
42	350-6	yes	7.513	2.750	2.250	1

MULTIPLE CONNECTORS

Combination Connectors



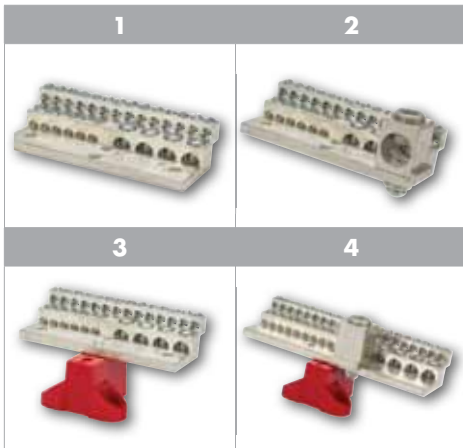
FEATURES

- Multiple combination connectors are made from aluminum and are tin-plated for low contact resistance.
- Suitable for use with both copper and aluminum conductors.
- Each connector contains a combination of 1/0-14 AWG and 6-14 AWG wire holes.
- Very economical and compact due to innovative design and hole spacing.
- Dual rated for use with aluminum and copper cables.

RATINGS



CAT. NO.	FIG.
2024	1
2024M	2
2024MB	4
2030	1
2030M	2
2030B	3
2030MB	4
2036	1
2036M	2
2036MB	4
2042M	2
2042MB	4





NO. OF 4-14 AWG CIRCUITS	NO. OF 1/0-14 AWG CIRCUITS	MAIN LUG SIZE	MOUNTING BASE	LENGTH	HEIGHT	WIDTH	STD. CTN. QTY.
20	4	None	No	4.332	1.025	1.687	1
20	4	350-6	No	4.457	1.525	1.687	1
20	4	350-6	Yes	4.457	2.900	2.437	1
26	4	None	No	5.244	1.025	1.687	1
26	4	350-6	No	5.369	1.525	1.687	1
26	4	None	Yes	5.244	2.400	2.437	1
26	4	350-6	Yes	5.369	2.900	2.437	1
32	4	None	No	6.156	1.025	1.687	1
32	4	350-6	No	6.281	1.525	1.687	1
32	4	350-6	Yes	6.281	2.900	2.437	1
38	4	350-6	No	7.193	1.525	1.687	1
38	4	350-6	Yes	7.193	2.900	2.437	1

SPLICES AND TAPS

Non-Metallic Splice & Tap

NMS, NMT SERIES



FEATURES

The NSi NM Splice & Tap method provides a fast and reliable way to connect 12 and 14 AWG circuits using non-metallic (NM) cable. It eliminates the need for junction boxes, covers, fittings, connectors – and is approved for use in a variety of applications including: residential branch circuits, manufactured housing and pre-fabricated building structures. When adding new circuits in residential applications, NM connectors eliminate both the need to cut into the existing wiring and the extra junction boxes and associated hardware required for the tap connection.

In factory installations within pre-fabricated structures, the NM connectors eliminate costly time-consuming on-site wiring. As individual modules are joined, splices and taps are simply snapped together easily by assembly crews with no special training or tools.

Termination is easy. Split the cable, remove the sheathing and cut the splice conductors to length (if necessary). With the tap, individual conductors do not need to be stripped, only exposed. Clear cover installation is done with slip-joint pliers. The installation displacement contacts eliminate the need to strip individual conductors. Simply plug the connectors together and the installation is complete.

RATINGS



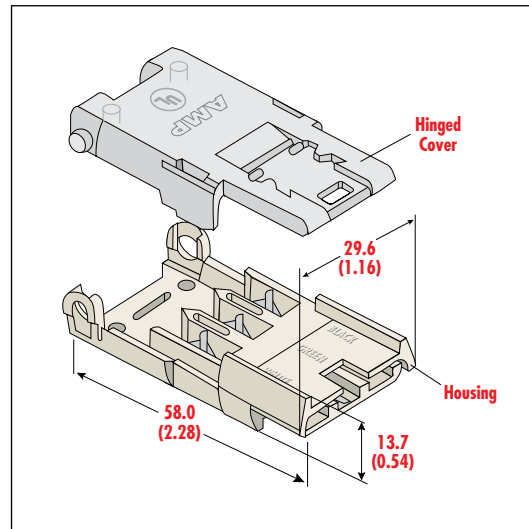
CATALOG NO.

NMS-2

NMS-3

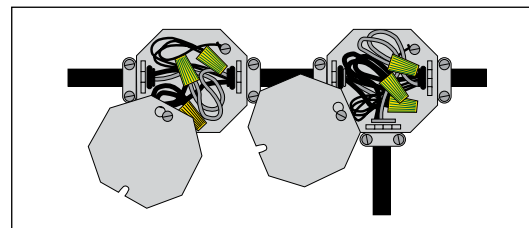
NMT-2

FIG. 1
NMS -2 (SPLICE)



For splicing 12 or 14 awg solid conductor, 2-conductor cable with ground. Hinged cover makes termination fast and easy. The NMS-2 kit includes everything required to make a two conductor splice.

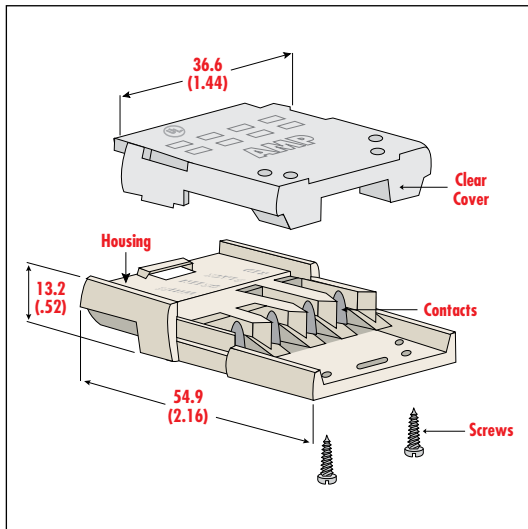
CONVENTIONAL TAPPING METHOD





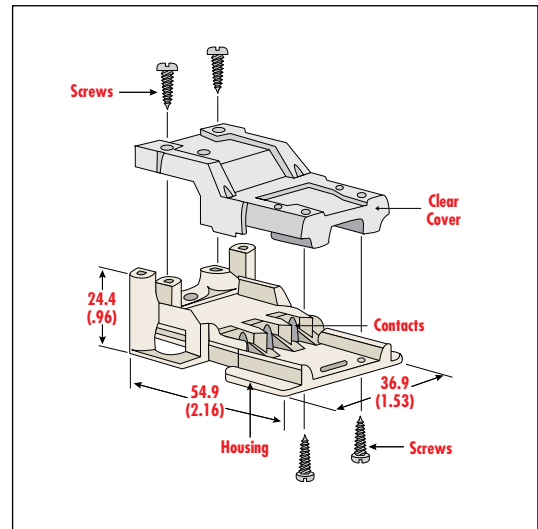
WIRE RANGE	KIT DESCRIPTION	STD. CTN. QTY.
12 – 14 AWG	SPLICE FOR 2-CONDUCTOR CABLE WITH GROUND	25
12 – 14 AWG	SPLICE FOR 3-CONDUCTOR CABLE WITH GROUND	25
12 – 14 AWG	SPLICE AND TAP KIT FOR 2-CONDUCTOR CABLE	12

**FIG. 2
NMS - 3 (SPLICE)**



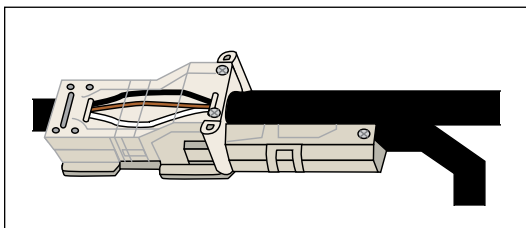
For splicing 12 or 14 awg solid conductor, 3-conductor cable with ground. The NMS-3 kit includes everything required to make a three conductor splice.

**FIG. 3
NMT - 2 (TAP)**



For tapping into 12 or 14 awg solid conductor 2-conductor cable with ground. The NMT-2 kit includes everything required to complete a two conductor tap.

NSI NM SPLICE & TAP METHOD



CONNECTOR ACCESSORIES
Transformer Lug Kits
Mechanical Set-Screw
Types
LK SERIES



FEATURES

- Terminal lugs are dual rated for use with both copper and aluminum cables.

RATINGS



CAT. NO.	TRANSFORMER KVA SIZE
LK-1	15-37-1/2 1Ø
	15-45-3Ø
LK-2	50-75 1Ø
	75-112-1/2 3Ø
LK-3	100-167 1Ø
	150-300 3Ø
LK-4	500 3Ø
LK-5	15-25 1Ø
	15-37 1/2 3Ø
	37 1/2-50 1Ø
LK-6	45-75 3Ø
LK-7	225 3Ø
	225 3Ø
LK-8	225 3Ø
LK-9	300 3Ø
LK-10	400-500 3Ø



TERMINAL LUGS INCLUDED			HARDWARE INCLUDED		STD. CTN. QTY.
QTY.	LUG TYPE	WIRE RANGE	QTY.	BOLT SIZE	
8	2T	2-14	8	1/4-20X3/4	1
4	250T	250 MCM-6	8	1/4-20X3/4	1
12	250T	250 MCM-6	8	1/4-20 x 3/4	1
12	250T	250 MCM-6	8	1/4-20 x 1 3/4	1
3	250T	250 MCM-6	3	1/4-20 x 3/4	1
22	600T	600 MCM-2	16	3/8-16 x 2	1
29	600T	600 MCM-2	18	3/8-16 x 2	1
7	0T	1/0-14	7	1/4-20 x 1 1/2	1
7	0T	1/0-14	7	1/4-20 x 1 1/2	1
7	250T	250 MCM-6	7	5/16-16 x 1 1/2	1
6	350T	350 MCM-6	7	5/16-16 x 1 1/2	1
3	0T	1/0-14	3	1/4-20 x 1	1
6	2-350T	350 MCM-6	6	1/2-13 x 2	1
6	350T	350 MCM-6	13	3/8-16 x 1 1/2	1
3	500T	500 MCM-4	7	3/8-16 x 2	1
4	2-600T	600 MCM-2	7	3/8-16 x 2	1
3	2-350T	350 MCM-6	7	1/2-13 x 2	1
12	500T	500 MCM-4	4	1/2-13 x 2 1/2	1
16	800T	800-300 MCM	11	1/2-13 x 2 1/2	1
3	2-600T	600 MCM-2	11	1/2-13 x 2 1/2	1

COMPRESSION CONNECTORS

Tool and Die Charts

For Connector Series: L, LN, LNB, GL, GLN, GLNB, SLN, C, SC, SCB

COPPER CONNECTORS

COPPER COMPRESSION CONNECTOR TOOL AND DIE CHART								
CONNECTOR SERIES: L, LN, LNB, GL, GLN, GLNB, SLN, C, SC, SCB								
COPPER CLASS / C CONDUCTOR SIZE	COPPER CLASS GHKIM FLEX CONDUCTOR SIZE W/ LB, LNB, GLB, GLNB AND SCB SERIES ONLY	COPPER CLASS DLO CONDUCTORS IZE W/ LB, LNB, GLB, GLNB AND SCB SERIES ONLY	MIN. # OF CRIMPS REQUIRED	COPPER COLOR CODE	NSI DIE	NSI/GREENLEE DIE	ILSCO DIE	BURNDY DIE
8 AWG	-	-	1	RED	-	KC12-8	ILD-1, ILD-21	U8CRT
6 AWG	-	-	1	BLUE	CD2	KC12-6	ILD-2, ILD-24	U5CRT
4 AWG	-	-	1	GREY	CD3	KC12-4	ILD-3, ILD-29	U4CRT
3 AWG	#4 FLEX	-	1	WHITE	-	KC12-3	ILD-29	U3CRT
2 AWG	-	-	1	BROWN	CD4	KC12-2	ILD-4, ILD-33	U2CRT
1 AWG	#2 FLEX	-	1	GREEN	CD5	KC12-1	ILD-4, ILD-37	U1CRT-1
1/0 AWG	#1 FLEX	-	2	PINK	CD6	KC12-1/0	ILD-5, ILD-42	U25RT
2/0 AWG	1/0 FLEX	-	2	BLACK	CD7	KC12-2/0	ILD-6, ILD-45	U26RT
3/0 AWG	2/0 FLEX	-	2	ORANGE	CD10	KC12-3/0	ILD-9, ILD-50	U27RT
4/0 AWG	3/0 FLEX	-	2	PURPLE	CD12	KC12-4/0	ILD-10, ILD-54	U28RT
250 MCM	4/0 FLEX	-	2	YELLOW	CD14	KC12-250	ILD-11, ILD-62	U29RT
300 MCM	250 FLEX	-	2	WHITE	CD15	KC12-300	ILD-12, ILD-66	U30RT
350 MCM	250 FLEX	262.2	2	RED	CD16A	KC12-350	ILD-13, ILD-71	U31RT
400 MCM	300 FLEX	313.1	2	BLUE	CD17	KC12-400	ILD-14, ILD-76	U32RT
500 MCM	350 FLEX	373.7	2	BROWN	CD18	KC12-500	ILD-15, ILD-87	U34RT
600 MCM	400 FLEX	444.4	2	GREEN	CD19	KC12-600	ILD-16, ILD-94	U36RT
700 MCM	500 FLEX	535.3	2	PINK	CD20	KC12-700	ILD-16A, ILD-99	U38RT
750 MCM	600 FLEX	646.6	2	BLACK	CD21	KC12-750	ILD-17, ILD-106	U39RT
1000 MCM	750 FLEX	777.7	2	YELLOW	CD23	-	ILD-18*, ILD-125	P44RT
-	-	-	-	LISTED TOOLS	N1240 NSI-12 P-750	HK1240	ILC-12 ILC-12H ILC-15	Y-35

* REQUIRES 15 TON TOOL

Dieless NSi N121D

T&B DIE	HUSKIE DIE	COPPER CLASS B /C EXPANDED WIRE RANGE WHEN INSTALLED WITH NSI N121D	MIN. # OF CRIMPS REQUIRED
15520	-	8 AWG	1
15522	HT41AT	6-8 AWG	1
15527-CK	HT41AU	4-6 AWG	1
-	HT41AV	3-6 AWG	1
15528	HT41AW	2-6 AWG	1
15513-CK	HT41AX	1-6 AWG	1
15508	HT41AY	1/0-6 AWG	2
15526	HT41AZ	2/0-4 AWG	2
15530	HT41BA	3/0-2 AWG	2
15511	HT41BC	4/0-1 AWG	2
15510-CK	HT41BE	250 MCM-1/0 AWG	2
15534	HT41BF	300 MCM-2/0 AWG	2
15514-CK	HT41BJ	350 MCM-3/0 AWG	2
15512	HT41BK	400 MCM-4/0 AWG	2
15506	HT41BL	500 MCM-250 MCM	2
15536-CK	HT41BM	600 MCM-250 MCM	2
15505	HT41BM	700 MCM-350 MCM	2
15515-CK	HT41BP	750 MCM-500 MCM	2
15603*	HT61BU*	-	2
TBM-15 TBM-14M	EP510C	N121D M-250 M-500 RDC-1/0	N121D M-250 M-500 RDC-1/0

COMPRESSION CONNECTORS

Tool and Die Charts

For Connector Series: CT, CTH

COPPER CONNECTORS

COPPER COMPRESSION CONNECTOR TOOL AND DIE CHART						
CONNECTOR SERIES: CT, CTH						
COPPER CLASS B/C CONDUCTOR SIZE	MAIN / RUN WIRE RANGE	TAP / BRANCH WIRE RANGE	MIN. # OF CRIMPS REQUIRED	COPPER COLOR CODE	NSI DIE	NSI TOOL
CT-101	12 SOL-12 STR	14 SOL-12 STR	1	RED	BARE 8	M-250
CT-102	10 STR 8 STR	10 STR 12 STR	1	LIGHT BLUE	BARE 4	RDC-1/0
CT-103	6 STR 8 STR	10-12 STR 8-10 STR	1	GREY	BARE 4	RDC-1/0
CT-104	4 STR 6 STR	8-12 STR 6-8 STR	1	BROWN	BARE 2	RDC-1/0
CT-105	4 STR 4-5 STR	6-12 STR 6-5 STR	1	GREEN	INS 2	RDC-1/0
CT-106	4 STR 4 STR	4 STR 4 STR	1	PINK	INS 2	RDC-1/0
CT-107	1 STR 2 STR 4 STR	4 STR 4 STR 4 STR	1	BLACK	BG	OD-59
CT-108	1/0 STR 1 STR 2 STR	4 STR 4 STR 2 STR	1	ORANGE	KC12-2/0	N1240
CT-109	2/0 STR 1/0 STR 1/0 STR	4 STR 2 STR 1-2 STR	2	PURPLE	KC12-4/0	N1240
CT-110	3/0 STR 2/0 STR 1/0 STR	4 STR 4 STR 4 STR	2	YELLOW	KC12-250	N1240
CTH-111	1 STR 1/0 STR 2/0 STR 3/0-4/0 STR 4/0 STR	1 STR 1/0-2 STR 2/0-4 STR 1/0-6 STR 1.8 STR	2	BLUE	KC12-250	N1240
CTH-112	2/0 STR 3/0 STR 4/0 STR 250 STR	2/0-1 STR 3/0-2 STR 4/0-4 STR 1/0-8 STR	2	BROWN	KC12-400	N1240
CTH-113	2/0 STR 3/0 STR 4/0 STR 250 STR 300 STR	2/0-1 STR 3/0-2 STR 4/0-4 STR 3/0-6 STR 2/0-8 STR	2	PINK	KC12-400	N1240
CTH-114	4/0 STR 250 STR 300 STR 350 STR	4/0-2/0 STR 250-1 STR 4/0-4 STR 3/0-6 STR	2	BLACK	KC12-500	N1240
CTH-115	250 STR 300 STR 350 STR 400 STR 450 STR 500 STR	250 STR 300-3/0 STR 350-1/0 STR 300-2 STR 250-4 STR 250-6 STR	2	YELLOW	KC12-750	N1240
CTH-116	350 STR 400 STR 450 STR 500 STR	350-4/0 STR 400-2/0 STR 450-1 STR 500-2 STR	2	WHITE	KC12-750	N1240

TOOL AND DIE CHARTS

COPPER COMPRESSION CONNECTOR TOOL AND DIE CHART						
CONNECTOR SERIES: CT, CTH						
COPPER CLASS B/C CONDUCTOR SIZE	MAIN / RUN WIRE RANGE	TAP / BRANCH WIRE RANGE	MIN. # OF CRIMPS REQUIRED	COPPER COLOR CODE	NSI DIE	NSI TOOL
CTH-117	750-500 STR 750 STR	4/0-6 STR 750-4/0 STR	4	-	T&B 15603	T&B TBM-15
CTH-46	4 STR	6 STR	1	-	KC12-1/0	N1240
CTH-44	6 STR 4 STR	4 STR 4 STR	1	-	KC12-1/0	N1240
CTH-24	2 SOL 2 STR	8 SOL 4 STR	1	-	C	OD581
CTH-22	2 SOL 2 STR	2 SOL 2 STR	1	-	C	OD581
CTH-2020	1/0 STR 2/0 STR	1/0 STR 2/0 STR	1	-	0	OD581
CTH-4020	3/0 STR 4/0 STR	1/0 STR 2/0 STR	1	-	D3	OD581
CTH-4040	3/0 STR 4/0 STR	3/0 STR 4/0 STR	1	-	D3	OD581

COMPRESSION CONNECTORS
Tool and Die Charts
For Connector Series: AL, ALN, ASCT
ALUMINUM CONNECTORS

ALUMINUM COMPRESSION CONNECTOR TOOL AND DIE CHART

CONNECTOR SERIES: AL, ALN, ASCT

ALUMINUM CLASS B / C CONDUCTOR SIZE	MIN. # OF CRIMPS REQUIRED	ALUMINUM COLOR CODE	NSI DIE	NSI/GREENLEE DIE	ILSCO DIE	BURNDY DIE	T&B DIE	HUSKIE DIE
8 AWG	1	BLUE	CD2	KA12-8	ILD-2	U8CABT	15522	HT41GL
6 AWG	1	GREY	CD3	KA12-6	ILD-3	U6CABT	15527-CK	HT41GE
4 AWG	1	GREEN	CD5A	KA12-4	ILD-4	U4CABT	15313-CK	HT41GM
2 AWG	1	PINK	CD6A	KA12-2	ILD-7	U2CABT	15508	HT41GF
1 AWG	1	YELLOW	-	KA12-1	ILD-7	U1CABT	15526	-
1/0 AWG	2	TAN	CD9	KA12-1/0	ILD-8	U25ART	15530	HT41EX
2/0 AWG	2	OLIVE	CD11	KA12-2/0	ILD-10	U26ART	15511	HT41EY
3/0 AWG	2	RUBY	CD13	KA12-3/0	ILD-10	U27ART	15532-CK	HT41GW
4/0 AWG	2	WHITE	CD15A	KA12-4/0	ILD-12	U28ART	15534	HT41EZ
250 MCM	2	RED	CD16A	KA12-250	ILD-13	U29ART	15514-CK	HT41FW
300 MCM	2	BLUE	CD17A	KA12-300	ILD-14	U30ART	15512	HT41GZ
350 MCM	2	BROWN	CD18A	KA12-350	ILD-14	U31ART	15506	HT41FA
400 MCM	2	GREEN	CD19A	KA12-400	ILD-16	U32ART	15536-CK	HT41HH
500 MCM	2	PINK	CD20	KA12-500	ILD-16A	U34ART	15505	HT41FB
600 MCM	2	BLACK	CD21A	KA12-600	ILD-17	U36ART	-	HT41HG
750 MCM	2	RED	CD22	KA12-750	ILD-18	U39ART-2	15504	HT41LJ
1000 MCM	2	BROWN	-	-	ILD-P302*	P44ART*	15602	-
-	-	LISTED TOOLS	N1240 NSI-12 P-750	HK1240	ILC-12 ILC-12H ILC-15	Y-35	TBM-15 TBM-14M	EP510C

* REQUIRES 15 TON TOOL

Dieless NSi N12ID

	COPPER CLASS B /C EXPANDED WIRE RANGE WHEN INSTALLED WITH NSI N12ID	MIN. # OF CRIMPS REQUIRED
	8 AWG	1
	6-8 AWG	1
	4-6 AWG	1
	2-6 AWG	1
	1-6 AWG	1
	1/0-6 AWG	2
	2/0-4 AWG	2
	3/0-2 AWG	2
	4/0-1 AWG	2
	250 MCM-1/0 AWG	2
	300 MCM-2/0 AWG	2
	350 MCM-3/0 AWG	2
	400 MCM-4/0 AWG	2
	500 MCM-250 MCM	2
	600 MCM-250 MCM	2
	750 MCM-500 MCM	2
	-	2
	N12ID M-250 M-500 RDC-1/0	N12ID M-250 M-500 RDC-1/0

COMPRESSION CONNECTORS
Tool and Die Charts
For Connector Series: PT, PTO, PTS
ALUMINUM CONNECTORS

ALUMINUM COMPRESSION CONNECTOR TOOL AND DIE CHART

CONNECTOR SERIES: PT, PTO, PTS

ALUMINUM CONDUCTOR ONLY PT SERIES	ALUMINUM CONDUCTOR ONLY PT SERIES	ALUMINUM OR COPPER CONDUCTOR PTS & PTO SERIES	ALUMINUM OR COPPER CLASS B/C CONDUCTOR SIZE PTS & PTO SERIES	PIN SIZE	MIN. # OF CRIMPS REQUIRED	COPPER COLOR CODE	NSI DIE	NSI/GREENLEE DIE
-	-	PTS6	6 AWG	4 AWG	1	TAN	CD9	KA12-1/0
PT6	6 AWG	-	-	8 AWG	1	-	BG 52	-
-	-	PTS4	4 AWG	4 AWG	1	TAN	CD9	KA12-1/0
PT4	4 AWG	-	-	6 AWG	1	-	BG 52	-
-	-	PTS2	2 AWG	4 AWG	1	TAN	CD9	KA12-1/0
PT2	2 AWG	-	-	4 AWG	1	-	BG 52	-
-	-	PTS1	1 AWG	3 AWG	1	TAN	CD9	KA12-1/0
PT1	1 AWG	-	-	3 AWG	1	-	BG 52	-
-	-	PTS1/0	1/0 AWG	2 AWG	2	TAN	CD9	KA12-1/0
PT1/0	1/0 AWG	-	-	2 AWG	2	RED	CD16A	KC12-350
-	-	PTS2/0 PTO2/0	2/0 AWG	1 AWG	2	WHITE	CD15A	KA12-4/0
PT2/0	2/0 AWG	-	-	1 AWG	2	RED	CD16A	KC12-350
-	-	PTS3/0 PTO3/0	3/0 AWG	1/0 AWG	2	WHITE	CD15A	KA12-4/0
PT3/0	3/0 AWG	-	-	1/0 AWG	2	RED	CD16A	KC12-350
-	-	PTS4/0 PTO4/0	4/0 AWG	2/0 AWG	2	WHITE	CD15A	KA12-4/0
PT4/0	4/0 AWG	-	-	2/0 AWG	2	RED	CD16A	KC12-350
-	-	PTS250 PTO250	250 MCM	3/0 AWG	2	BROWN	CD18A	KA12-350
PT250	250 MCM	-	-	3/0 AWG	2	BROWN	CD18A	KA12-350
-	-	PTS300 PTO300	300 MCM	4/0 AWG	2	BROWN	CD18A	KA12-350
PT300	300 MCM	-	-	4/0 AWG	2	BROWN	CD18A	KA12-350
-	-	PTS350 PTO350	350 MCM	250 MCM	2	BROWN	CD18A	KA12-350
PT350	350 MCM	-	-	4/0 AWG	2	BROWN	CD18A	KA12-350
-	-	PTS400 PTO400	400 MCM	300 MCM	2	PINK	CD20	KA12-500
PT400	400 MCM	-	-	250 MCM	2	PINK	CD20	KA12-500
-	-	PTS500 PTO500	500 MCM	350 MCM	2	PINK	CD20	KA12-500
PT500	500 MCM	-	-	350 MCM	2	PINK	CD20	KA12-500
-	-	PTS600 PTO600	600 MCM	400 MCM	2	YELLOW	CD23	-
PT600	600 MCM	-	-	350 MCM	2	YELLOW	CD23	-
-	-	PTS750 PTO750	750 MCM	500 MCM	2	YELLOW	CD23	-
PT750	750 MCM	-	-	500 MCM	2	YELLOW	CD23	-
-	-	-	-	-	-	LISTED TOOLS	N1240 NSI-12 P-750	HK1240

* REQUIRES 15 TON TOOL

ILSCO DIE	BURNDY DIE	T&B DIE	HUSKIE DIE
ILD-8	U25ART	15530	HT41EX
-	-	-	-
ILD-8	U25ART	15530	HT41EX
-	-	-	-
ILD-8	U25ART	15530	HT41EX
-	-	-	-
ILD-8	U25ART	15530	HT41EX
-	-	-	-
ILD-8	U25ART	15530	HT41EX
ILD-13, ILD-71	U31RT	15514-CK	HT41BJ
ILD-12	U28ART	15534	HT41EZ
ILD-13, ILD-71	U31RT	15514-CK	HT41BJ
ILD-12	U28ART	15534	HT41EZ
ILD-13, ILD-71	U31RT	15514-CK	HT41BJ
ILD-12	U28ART	15534	HT41EZ
ILD-13, ILD-71	U31RT	15514-CK	HT41BJ
ILD-14	U31ART	15506	HT41FA
ILD-14	U31ART	15506	HT41FA
ILD-14	U31ART	15506	HT41FA
ILD-14	U31ART	15506	HT41FA
ILD-14	U31ART	15506	HT41FA
ILD-14	U31ART	15506	HT41FA
ILD-16A	U34ART	15505	HT41FB
ILD-16A	U34ART	15505	HT41FB
ILD-16A	U34ART	15505	HT41FB
ILD-16A	U34ART	15505	HT41FB
ILD-18*, ILD-125	P44RT	15603*	HT61BU*
ILD-18*, ILD-125	P44RT	15603*	HT61BU*
ILD-18*, ILD-125	P44RT	15603*	HT61BU*
ILD-18*, ILD-125	P44RT	15603*	HT61BU*
ILC-12 ILC-12H ILC-15	Y-35	TBM-15 TBM-14M	EP510C

COMPRESSION CONNECTORS
Aluminum Connectors
Connector Series: WRD (H-Taps)
TOOL AND DIE CHARTS

ALUMINUM COMPRESSION CONNECTOR TOOL AND DIE CHART			
CONNECTOR SERIES: WRD (H-Taps)			
PART NUMBER	DIE	# OF INDENTS W/ MECHANICAL TOOL	# OF INDENTS W/ HYDRAULIC TOOL
WRD9	5/8 BG	3	-
WRD 139	0	4	2
WRD 149	0	5	2
WRD 159	0	4	2
WRD 179	0	5	2
WRD 189	0	5	2
WRD 199	0	5	2
WRD 219	D	5	2
WRD 259	D	5	2
WRD 279	D	5	2
WRD 289	D	5	2
WRD 299	D	4	2
WRD 359	D	4	2
WRD 369	D	5	2
WRD 379	D	5	2
WRD 389	D	6	2
WRD 399	D	7	3
WRD 419	D	7	3





TOOLS & HARDWARE

TOOLS

Hydraulic Compression Tools



DIELESS HYDRAULIC CRIMPING TOOL



- Dieless indent style crimping head does not require interchangeable crimping dies.
- Flip-open Crimping head rotates 350 degrees to get into tight locations.
- Two-speed pump provides rapid crimping cycle time.
- Lightweight and strong fiberglass handles.
- Comes with a molded carrying case.
- Copper - 4 AWG - 1000 kcmil (MCM).
- Aluminum - 6 AWG - 1000 kcmil (MCM).
- UL and cUL Listed*.

CAT. NO.	DESCRIPTION	LENGTH (IN)	WEIGHT (LBS)	STD. CTN. QTY.
N121D	Dieless Hydraulic Crimping Tool	26	15	1

12 TON HYDRAULIC CRIMPING TOOL



- N1240 with 1.65 in (42 mm) opening.
- Accepts KC12, KA12 and KD12 crimping dies as well as industry "U" style dies.
- New head design results in lower weight and improved durability - tested to 50,000 crimp cycles.
- Two-speed pump to reduce cycle time.
- Ram automatically retracts when crimp cycle is complete.
- Crimping heads rotate 350 degrees.
- Smaller and lighter than most competitive tools. Includes carrying case.
- N1240 - 8 AWG to 750 kcmil copper and aluminum color-coded lugs and splices.
- UL and cUL Listed*.



CAT. NO.	DESCRIPTION	CRIMPING FORCE (IN)	LENGTH (IN)	WEIGHT (LBS)	STD. CTN. QTY.
N1240	12 Ton hydraulic Crimping Tool, 1.65 in. opening.	24,000	21-1/2	12.2	1

CROSS REFERENCE GUIDE

NSI	GREENLEE	BURNDY	THOMAS & BETTS	ILSCO	HUSKIE	PANDUIT	BLACKBURN	PENN-UNION
N1240	KC12, KD12, U-Style	U	15500 Series	ILD	HT41	CD-920	B, H	T

*UL and cUL classified with Anderson®, Blackburn®, Burndy®, ILSCO®, Panduit®, Thomas & Betts®, Penn-Union®, Tyco® color coded connectors. The products listed above are registered trademarks of Anderson®, Blackburn®, Burndy®, ILSCO®, Panduit®, Thomas & Betts®, Penn-Union® and Tyco®.

TOOLS

Crimping Dies

KA & KC SERIES



CAT. NO.	DESCRIPTION	ALUMINUM COLOR CODE	CAT. NO.	DESCRIPTION	COPPER COLOR CODE	STD. CTN. QTY.
KA12-8*	8 AWG, Aluminum	BLUE	KC12-8*	8 AWG, Copper	RED	1
KA12-6*	6 AWG, Aluminum	GREY	KC12-6*	6 AWG, Copper	BLUE	1
KA12-4*	4 AWG, Aluminum	GREEN	KC12-4*	4 AWG, Copper	GREY	1
KA12-2*	2 AWG, Aluminum	PINK	KC12-2*	2 AWG, Copper	BROWN	1
KA12-1*	1 AWG, Aluminum	GOLD	KC12-1*	1 AWG, Copper	GREEN	1
KA12-1/0*	1/0 AWG, Aluminum	TAN	KC12-1/0*	1/0 AWG, Copper	PINK	1
KA12-2/0*	2/0 AWG, Aluminum	OLIVE	KC12-2/0*	2/0 AWG, Copper	BLACK	1
KA12-3/0*	3/0 AWG, Aluminum	RUBY	KC12-3/0*	3/0 AWG, Copper	ORANGE	1
KA12-4/0*	4/0 AWG, Aluminum	WHITE	KC12-4/0*	4/0 AWG, Copper	PURPLE	1
KA12-250*	250 MCM, Aluminum	RED	KC12-250*	250 MCM, Copper	YELLOW	1
KA12-300*	300 MCM, Aluminum	BLUE	KC12-300*	300 MCM, Copper	WHITE	1
KA12-350*	350 MCM, Aluminum	BROWN	KC12-350*	350 MCM, Copper	RED	1
KA12-400*	400 MCM, Aluminum	GREEN	KC12-400*	400 MCM, Copper	BLUE	1
KA12-500*	500 MCM, Aluminum	PINK	KC12-500*	500 MCM, Copper	BROWN	1
KA12-600*	600 MCM, Aluminum	BLACK	KC12-600*	600 MCM, Copper	GREEN	1
KA12-750*	750 MCM, Aluminum	YELLOW	KC12-750*	750 MCM, Copper	BLACK	1

CRIMPING DIE CARRYING CASE



CAT. NO.	DESCRIPTION	STD. CTN. QTY.
D1082	Crimping Die Carrying Case, 15 Pairs	1

*UL and cUL classified with Anderson®, Blackburn®, Burndy®, ILSCO®, Panduit®, Thomas & Betts®, Penn-Union®, Tyco® color coded connectors. The products listed above are registered trademarks of Anderson®, Blackburn®, Burndy®, ILSCO®, Panduit®, Thomas & Betts®, Penn-Union® and Tyco®.

TOOLS

Hydraulic Die & Battery-Operated Die Type Crimping



HYDRAULIC DIES

- **12-Ton Compression Tool for U-Type Dies.**
- Delivers 12 tons of hydraulic force.
- 1/2" jaw opening for large conductors and taps.
- Automatic two-speed pump action for rapid ram advancement.
- Fast ram release with twist of handle.
- 180° head rotation.
- Accepts all standard U-type dies.

CAT. NO.	WIRE RANGE AL-CU		LENGTH (IN)
	MAX.	MIN.	
NSI-12	750 MCM	8 STR	23

POWER 750

- 14.6 tons, 1.65" jaw opening for U-type dies.
- Powerful 14.4 Volt battery crimper.
- High power Ni-Cad battery.
- Head rotates through 180°.
- Reinforced molded nylon body.
- Pressure release button.
- Switch protected against accidental operation.
- Battery condition display.
- Balanced tool and sculptured body for greater control.
- Ergonomically designed center grip handle.
- 10,000 PSI rated operating pressure.
- Includes steel carrying case, shoulder strap, spare battery and battery charger.
- Accepts all standard U-type dies.



CAT. NO.	WIRE RANGE AL-CU		LENGTH (IN)
	MAX.	MIN.	
P-750	750 MCM	8 STR	16.5

TOOLS U-Type Compression Dies



CAT. NO.	DIE INDEX NO.	NSI TOOL DIE INDEX	T&B TOOL DIE INDEX	ILSCO TOOL DIE INDEX	HUSKIE TOOL DIE INDEX	BURNDY TOOL DIE INDEX	ALUMINUM COLOR CODE	COPPER LUGS AND SPLICES	WIRE SIZE ALUM. LUGS AND SPLICES	BI-METALLIC PIN TERMINALS
CD2	7/374	AT	24	ILD-2	AT	7	BLUE	6	8	–
CD3	8/346	AU	29	ILD-3	AU	8	GREY	4	6	–
CD4	10	AW	33	ILD-4	AW	10	BROWN	2	–	–
CD5A	375	GM	3	ILD-4	GM	375	GREEN	1	4	–
CD6A	348	GF	42H	ILD-5	GF	348	PINK	1/0	2	–
CD7	13	AZ	45	ILD-6	AZ	13	BLACK	2/0	–	–
CD9	296	EX	50	ILD-8	EX	296	TAN	–	1/0	–
CD10	14	BA	50	ILD-9	BA	14	ORANGE	3/0	–	6, 4, 2, 1
CD11	297	EY	54H	–	EY	297	OLIVE	–	2/0	–
CD12	15	BC	54H	ILD-10	BC	15	PURPLE	4/0	–	–
CD13	467	GW	60	–	GW	467	RUBY	–	3/0	–
CD14	16	BE	62	ILD-11	BE	16	YELLOW	250 MCM	–	–
CD15	17	BF	66	ILD-12	BF	17	WHITE	300 MCM	–	–
CD15A	298	EZ	66	ILD-12	EZ	298	WHITE	300 MCM	4/0	–
CD16	18	BJ	71H	ILD-13	BJ	18	RED	350 MCM	–	–
CD16A	324	FW	71H	ILD-13	FW	324	RED	350 MCM	250 MCM	1/0, 2/0, 3/0, 4/0
CD17	19	BK	76	ILD-14	BK	19	BLUE	400 MCM	–	–
CD17A	470	BK	76	ILD-14	BK	470	BLUE	400 MCM	300 MCM	–
CD18	20	BL	87H	ILD-15	BL	20	BROWN	500 MCM	–	–
CD18A	299	FA	87H	–	FA	299	BROWN	500 MCM	350 MCM	250, 300, 350, MCM
CD19	22	HH	94H	ILD-16	HH	472	GREEN	600 MCM	–	–
CD19A	472	BM	94H	ILD-16	BM	22	GREEN	600 MCM	400 MCM	–
CD20	300	FB	99H	ILD-16A	FB	300	PINK	–	500 MCM	400, 500 MCM
CD21	24	BP	106H	ILD-17	BP	24	BLACK	750 MCM	–	–
CD21A	743	BP	106H	ILD-17	BP	473	BLACK	750 MCM	600 MCM	–
CD23	936	LJ	115H	–	LJ	936	YELLOW	–	750 MCM	600, 750 MCM

TOOLS

Mechanical Crimpers & Tools, Ratchet Drive Crimpers



FEATURES

1. MECHANICAL SINGLE-INDENT LUG CRIMPERS

- Manually operated single-indent compressor tool
- Wire Range: CU-250 MCM to 8 AWG and AL-4/0 AWG to 8 AWG.
- Requires no dies.

2. MECHANICAL SINGLE-INDENT LUG CRIMPERS

- Extendable handle design provides increased leverage and allows you to crimp connectors up to 500 MCM.
- Requires no dies.

3. MECHANICAL TOOL

- With 5/8" nose die
- For copper and aluminum.

4. MECHANICAL TOOL

- With 5/8" nose die.
- For copper and aluminum.

5. RACHET-DRIVE CRIMPERS

- For non-insulated terminals from 6 to 1/0 AWG and insulated terminals from 22 to 8 AWG.
- Rugged, compact and lightweight.
- Requires minimum effort due to ratchet action, ensuring an excellent crimp every time.



CAT. NO.	FIG. NO.	DESCRIPTION
M-250	1	Mechanical Crimper Up To 250 MCM
M-500	2	Mechanical Crimper Up To 500 MCM
OD581	3	Mechanical Crimper For WR Series/H-tap Connectors With Fibreglass Handles & 5/8" Nose Die. Output: 4.5 Tons.
OD59	4	Mechanical Crimper For Wr Series/H-Tap Connectors Fiberglass Handles And 'O' And 'D' Nose Dies. Output: 4.5 Tons.
RDC 1/0	5	Ratchet Drive Crimper – 6-1/0 AWG Uninsulated, 22-8 AWG Insulated

INSERT DIES FOR OD581 AND OD59

CAT. NO.	DESCRIPTION
OJB	'O' die for OD581
DBL	'D' die for OD581
BY31	5/8-1 (index 165) for OD581
BY37C	840 red for OD581
U-BG	U-BG die for OD59

TOOLS

Manual & Ratchet-Drive Cable Cutters

FOR COPPERS AND ALUMINUM CABLES



MANUAL CABLE CUTTERS

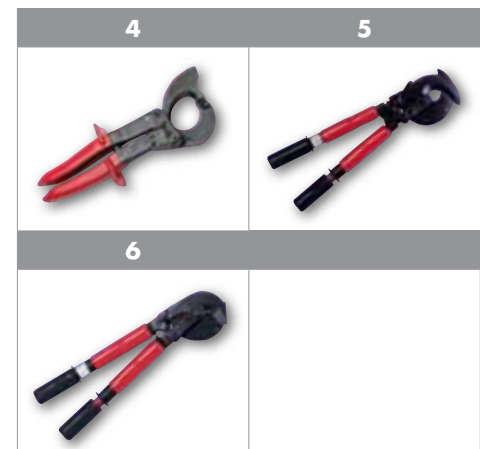
- Rugged, lightweight manual cable cutters available in three sizes to handle all sizes of cable.
- Replacement blades are available for CCM-500 and CCM-1000.



CAT. NO.	FIG. NO.	CABLE CAPACITY	FOR USE WITH	MAX. INSUL. DIA.	LENGTH (IN)
CCM-350	1	350 MCM	Copper & Aluminum	1.25	16
CCM-500	2	500 MCM	Copper & Aluminum	1.25	21
CCM-1000	3	1000 MCM	Copper & Aluminum	1.90	32
CCM-500RB	Replacement Blades For CCM-500				

RATCHET-DRIVE CABLE CUTTERS

- Fine quality tools crafted for cutting ease, minimum cable distortion and long life.
- Rugged, compact and lightweight.
- High quality steel blades offer excellent cutting-edge performance.
- Handles are made from fiberglass.
- Replacement blades and handles available.



CAT. NO.	FIG. NO.	CABLE CAPACITY	FOR USE WITH	MAX. INSUL. DIA.	LENGTH (IN)
CCR-600	4	350 MCM	Copper & Aluminum	1.20	10
CCR-750	5	500 MCM	Copper & Aluminum	1.40	20
CCR-1000	6	1000 MCM	Copper & Aluminum	2.38	20
CCR-750 RB	Replacement Blades For CCR-750				

TOOLS

Steel Fishtapes & Conduit Benders

FTS , CB, CBS, CBH SERIES



STEEL FISHTAPES

- Extremely flexible and durable flat spring steel.
- Stiffer construction is excellent for long runs.
- Looped end for attaching wires.
- Heavy-duty housing withstands rough conditions.
- High visibility yellow makes fish tape easy to locate.
- Viewing holes to show remaining tape.
- Handle slides through base to reel tape easily.
- 500 Lbs. maximum tape strength.

CAT. NO.	DESCRIPTION	LENGTH (FT)	END TYPE
FTS50	1/8" Steel Fishtape c/w handle	50	Formed hook
FTS120	1/8" Steel Fishtape c/w handle	120	Formed hook
FTS200	1/8" Steel Fishtape c/w handle	200	Formed hook

CONDUIT BENDERS

- All NSi conduit benders have cast in-angle indicators with raised bending points of reference to aid the installer.
- The bodies are aluminum die cast which are lightweight yet strong enough for everyday use.
- Handles are tough steel construction and have a black powder coat finish that is textured for better gripping; flared handle corrects overbends.
- Aluminum Die Cast Bender with Steel Handle.
- Handles are made of steel.



All dimensional data is listed in inches.

CAT. NO.	FIG. NO.	DESCRIPTION	TYPE	HANDLE SIZE	HANDLE LENGTH	STD. CTN. QTY.
CB100	1	For 1" EMT or 3/4" Rigid, 8 Degree Inside Radius	Aluminum Die Cast	—	—	12
CB75	2	For 3/4" EMT or 1/2" Rigid, 6 Degree Inside Radius	Aluminum Die Cast	—	—	12
CB50	3	For 1/2" EMT, 5 Degree Inside Radius	Aluminum Die Cast	—	—	12
CB50WH	4	For 1/2" EMT, 5 Degree Inside Radius	Aluminum Die Cast With Handles	3/4 x 38	—	12
CB75WH	4	For 3/4" EMT or 1/2" Rigid, 6 Degree Inside Radius	Aluminum Die Cast With Handles	3/4 x 38	—	12
CB100WH	4	For 1" EMT or 3/4" Rigid, 8 Degree Inside Radius	Aluminum Die Cast With Handles	1" x 44	—	12
CBH75	5	3/4" Diameter, for use with CB50 and CB75	Handles only	3/4	38	12
CBH100	5	1" Diameter, for use with CB100	Handles only	1	44	12

TOOLS

Precision Wire Strippers & Insulated Miniterm Tool

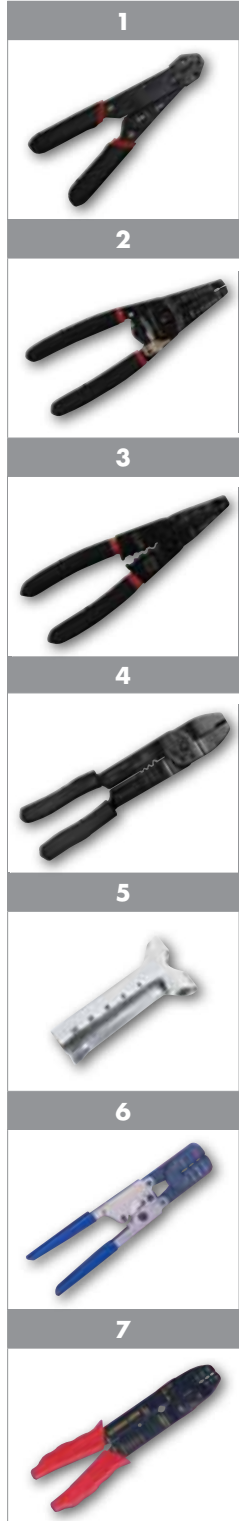
TL, NH SERIES



FEATURES

- Finest heat treated spring steel construction with precision-ground cutting edges.
- Double-Insulated cushioned handles.
- Strip solid or stranded copper or aluminum wires.

CAT. NO.	FIG. NO.	DESCRIPTION	STD. CTN. QTY.
ADJUSTABLE 10-24 AWG 5" WIRE STRIPPER			
TL-ADJ5	1	Adjustment wheel sets wire stripper for 8 wire gauge sizes from 10 to 24 AWG. Wire cutter (CU/AL). Wire looper. Heat treated spring steel. Cushioned double insulated handle	1
10-20 AWG 6" WIRE STRIPPER			
TL-WS6	2	Six precision-cut wire stripping holes: 10, 12, 14, 16, 18, 20 AWG. Pliers nose. Wire cutter (CU/AL). Wire looper. Spring and lock. Heat treated spring steel. Cushioned double insulated handle.	1
10-20 AWG 8 1/2" 6-FUNCTION ELECTRICIAN'S TOOL			
TL-6-1	3	Six precision-cut wire stripping holes: 10, 12, 14, 16, 18, 20 AWG. Pliers nose. Wire cutter (CU/AL). Wire looper. Insulated and non-insulated crimping stations. Bolt cutter and re-threader. Spring and lock. Heat-treated spring steel. Cushioned double insulated handle	1
10-22 AWG 9 1/2" 5-FUNCTION ELECTRICIAN'S TOOL			
TL-5-1	4	Seven wire stripping holes: 10, 12, 14, 16, 18, 20, 22 AWG. Wire cutter nose (CU/AL). Insulated and non-insulated crimping stations. Bolt cutter and re-threader. Heat-treated hardened steel. Cushioned double insulated handle.	1
CABLE JACKET RIPPER 4"			
TL-RCR	5	Slits NM jackets on Romex™ cables to allow stripping of internal wires. Wire gauge holes.	1
INSULATED MINITERM TOOL			
NH-1	6	A ratchet-action crimping tool for quality crimping of insulated terminals and connectors, including rings, spades, male plugs, female receptacles and disconnects in 22/18, 16/14 and 12/10 AWG wire sizes.	1
UNINSULATED MINITERM TOOL			
NH-2	7	An economical combination tool for cutting, stripping and crimping non-insulated terminals in 22/18, 16/14 and 12/10 AWG wire sizes.	1



TOOLS

Electrician's Hand Tools

TL SERIES



FEATURES

- The essential hand tools for electrical work.
- Heat-treated forged steel construction with precision ground edges for cutting copper and aluminum.
- Double-insulated cushioned handles.

CAT. NO.	FIG. NO.	DESCRIPTION	STD. CTN. QTY.
DIAGONAL CUTTING PLIERS 6 1/2"			
TL-DC	1	Designed and shaped for wire cutting in tight places. Wire cutter nose (CU/AL). Heat-treated drop-forged steel. Cushioned insulated handles.	1
CABLE CUTTER 8"			
TL-CCIH	2	Designed for high-leverage cutting of cable to 2/0 (CU/AL). Heat-treated drop-forged steel. Cushioned insulated handles.	1
LONG REACH CUTTER/CRIMPER 8"			
TL-CRP	3	Long reach design for wire cutting and crimping in tight places. Wire cutter nose (CU/AL). Heat-treated drop-forged steel. Cushioned insulated handles.	1
LONG NOSE PLIERS/STRIPPER/CRIMPER 6 1/2"			
TL-LNP	4	For long reach twisting and positioning wires in tight places. Wire cutter (CU/AL). Non-insulated crimping stations. Heat-treated drop-forged steel. Cushioned insulated handles.	1
LINEMAN'S PLIERS 7 1/2"			
TL-LP	5	Designed for high leverage pulling and twisting wires and cables. Threaded wire-gripping nose. Wire cutter (CU/AL). Heat-treated drop-forged steel. Cushioned insulated handle.	1
ELECTRICIAN'S 1000V SCREWDRIVERS			
TL-ISS	6	Fully insulated (1000 Volt) screwdriver set. Comfort grip handles and fully insulated shafts for full shock protection (1) #2 Phillips head (1) 3/16" slotted tip. Hang holes. Heat treated drop forged steel.	1



TOOLS
Electrical Multitesters -
Analog & Digital
TES SERIES



FEATURES



- Precision hand-held analog and digital meter for measuring voltage, amperage, continuity, resistance, battery and decibel strength.

CAT. NO.	FIG. NO.	DESCRIPTION	STD. CTN. QTY.
ANALOG MULTITESTER 5-FUNCTION 12 RANGE			
TES-MT12	1	Measures AC/DC voltage to 300 Volts. DC amperage to 250 mA. Decibels from -20 to 56dB. 1.5 and 9V Batteries Continuity. Fuse protection. Insulated test leads. Requires (2) AAA batteries.	1
ANALOG MULTITESTER 7-FUNCTION 19 RANGE			
TES-MT19	2	Tests AC/DC voltage to check 10 Meg. Decibels from -8 to +62dB 1.5 and 9V batteries. Continuity with audible buzzer Fuse protection. Insulated test leads. Requires (2) AA batteries.	1
ANALOG BATTERY TESTER			
TES-MTBTL	3	Tests AA; AAA; C; D; C; button cells; Ni-Cad; 3V lithium; 22.5V photo and lantern cells; 6V lantern; 12V, 15V photo cells. Insulated test leads. Exclusive button cell test compartment.	1
DIGITAL MULTITESTER 6-FUNCTION 20 RANGE			
TES-DT18	4	DC current to 200 mA. 1.5 and 9V batteries. Continuity (audible buzzer) Fuse protection. Insulated test leads. Requires 9V battery.	1



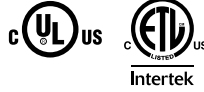
TESTERS

Circuit/Receptacle Testers

TES SERIES



FEATURES



- Hand-held probe testers for measuring household voltage presence and level, low voltage presence, continuity and polarity.
- AC/DC home, commercial, automotive and marine voltages.

CAT. NO.	FIG. NO.	DESCRIPTION	STD. CTN. QTY.
80-250 VAC TWIN PROBE VOLTAGE TESTER			
TES-111	1	Neon light indicates presence of AC voltage from 80-250 VAC. Double insulated housing and test leads. Pocket clip.	1
120 OR 240 VAC VOLTAGE TESTER			
TES-2	2	Dual neon light indicates presence of AC voltage of either 120 or 240 VAC. Double insulated housing and test leads. Pocket clip.	1
5-50 VAC/DC VOLTAGE TESTER			
TES-LVT	3	Neon light indicates presence of low voltage from 5 to 50 VAC or DC. Double insulated housing and fully insulated test leads with alligator clips. Pocket clip.	1
CONTINUITY/VOLTAGE SCREWDRIVER TESTER			
TES-CT	4	Neon light indicates presence of AC voltage from 12-300 VAC. Neon light also indicates circuit continuity. Double insulated housing. Handy screwdriver / voltage probe. Pocket clip. (2) LR-44 batteries included	1
120-480 VAC/DC HEAVY-DUTY VOLTAGE TESTER			
TES-SOL	5	Solenoid spring activated gauge measures voltage levels from 120 to 480 VAC. Double insulated housing and heavy gauge 48" test leads with housing storage. Lighted polarity indication.	1



TESTERS

Circuit/Receptacle Testers

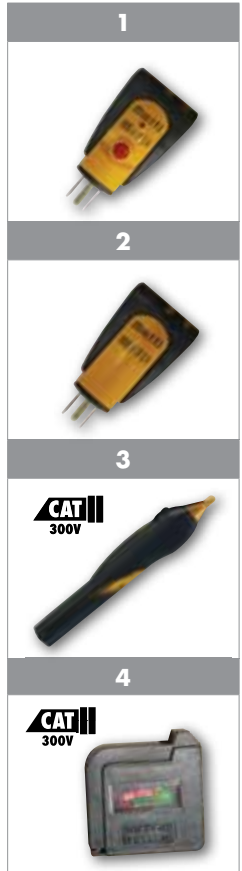
TES SERIES CONT'D



FEATURES

- Hand-held probe testers for measuring household voltage presence without contacting conductors, analyzing circuit wiring and GFCI integrity and quick battery testing.

CAT. NO.	FIG. NO.	DESCRIPTION	STD. CTN. QTY.
GFCI ELECTRICAL JUNCTION BOX WIRING ANALYZER			
TES-131	1	Plug in tester shows presence of correct wiring of electrical junction boxes. Also shows presence of up to 6 junction box wiring errors. Includes push-button GFCI integrity test. Neon bulb indication.	1
ELECTRICAL JUNCTION BOX WIRING ANALYZER			
TES-122	2	Plug in tester shows presence of correct wiring of electrical junction boxes. Also shows presence of up to 6 junction box wiring errors. Neon bulb indication.	1
90-200 VAC NON-CONTACT VOLTAGE TESTER			
TES-NC	3	Detects household voltages from 90 to 200 VAC without touching conductors. (2) AAA batteries are included. AAA battery test feature included. Double insulated. Pocket clip.	1
POCKET BATTERY TESTER			
TES-BT	4	Checks strength of AA, AAA, C, D, N, 9V and 1.5V Button Cell Batteries. Flip up contact arm fits battery poles.	1



TOOLS

Torque Wrenches, Screwdriver & Accessories

TW SERIES



FEATURES

TORQUE WRENCHES

- Dual scale, calibrated dual direction.
- Positive lock with spring loaded pull down lock ring.
- Fast, accurate and easy to set.
- Easy-to-read laser marked scales.
- Most feature quick release buttons which provide good socket retention as well as easy socket removal.
- Accuracy: 3% CW, 4% CCW of indicated value, CW, from 20% to 100% of full scale.
- Individually serialized with matching certificate of calibration traceable to N.I.S.T.

TORQUE SCREWDRIVERS

- Positive locking pull down adjustment knob.
- Trilobular comfort grip.
- Universal 1/4 in hex bit holder with strong rare earth magnet.
- Cam-over torque limiting clutch and slip resistant finish.
- Easy-to-read window scale and light weight.
- Automatic lock in CCW direction for disassembly.
- Accuracy: 6% of indicated value, CW from 20% to 100% of full scale. Individually serialized with matching certificate of calibration traceable to N.I.S.T.
- Meets or exceeds ASME B107.14-2004

CAT. NO.	FIG. NO.	DESCRIPTION	STD. CTN. QTY.
TW20-2150	1	Torque Wrench. Click Type. 20-150 In Lbs. 3/8" Drive Dual Scale.	1
TW100-250	2	Torque Wrench. Click Type. 100-750 In Lbs. 3/8" Drive Dual Scale.	1
TW5-40	3	Torque Screwdriver. Micro Adjustable. 5-40 In Lbs. 1/4" Drive Single Scale.	1
TWHB 3818	4	Hex Bit 3/8" Socket. 1/8" Hex.	1
TWHB 38316	5	Hex Bit 3/8" Socket. 3/16" Hex.	1
TWHB 3814	6	Hex Bit 3/8" Socket. 1/4" Hex.	1
TWHB 38516	7	Hex Bit 3/8" Socket. 5/16" Hex.	1
TWHB 3838	8	Hex Bit 3/8" Socket. 3/8" Hex.	1
TWHB 1212	9	Hex Bit 1/2" Socket. 1/2" Hex.	1
TWHB 3812	10	Drive Adaptor. 3/8" Female To 1/2" Male (Needed For Sa16a, Sa18a And Sa20a)	1
TWBS 14	11	13 Piece 1/4" Drive Insert Bit Set.	1
TWSB	12	Holder For 1/4" Hex Screwdriver Bit. 3/8" Drive.	1





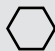
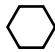
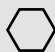
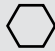
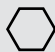
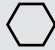
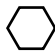
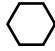
HARDWARE
**Silicon Bronze Bolts,
 Hex Nuts, Flat Washers
 & Split Lockwashers**
 HB, HN, SLW, FW SERIES



FEATURES

- Corrosion resistance and physical strength combine to provide reliability.

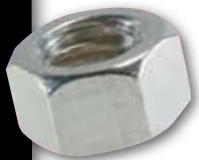


CAT. NO.	FIG. NO.	BOLT SIZE	HEX/WRENCH SIZE	SCREW SHAPE	LENGTH (IN)	STD. CTN. QTY.
HB403	1	1/4"	1/4"		3/4"	25
HB404	1	1/4"	1/4"		1"	25
HB405	1	1/4"	1/4"		1 1/4"	25
HB406	1	1/4"	1/4"		1 1/2"	25
HB505	1	5/16"	5/16"		1 1/4"	25
HB507	1	5/16"	5/16"		2"	25
HB604	1	3/8"	3/8"		1"	25
HB605	1	3/8"	3/8"		1 1/4"	25
HB606	1	3/8"	3/8"		1 1/2"	25
HB607	1	3/8"	3/8"		2"	25
HB804	1	1/2"	1/2"		1"	25
HB805	1	1/2"	1/2"		1 1/4"	25
HB806	1	1/2"	1/2"		1 1/2"	25
HB807	1	1/2"	1/2"		2"	25
HB808	1	1/2"	1/2"		2 1/4"	25
HB809	1	1/2"	1/2"		2 1/2"	25
HB811	1	1/2"	1/2"		3"	25
HB812	1	1/2"	1/2"		3 1/2"	25
HN-4	2	1/4"	1/4"		-	25
HN-5	2	5/16"	5/16"		-	25
HN-6	2	3/8"	3/8"		-	25
HN-8	2	1/2"	1/2"		-	25
SLW-4	3	1/4"	-	-	-	25
SLW-5	3	5/16"	-	-	-	25
SLW-6	3	3/8"	-	-	-	25
SLW-8	3	1"	-	-	-	25
FW-4	4	1/4"	-	-	-	25
FW-5	4	5/16"	-	-	-	25
FW-6	4	3/8"	-	-	-	25
FW-8	4	1"	-	-	-	25

HARDWARE

Stainless Steel Bolts, Hex Nuts, Flat Washers & Split Lockwashers

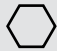


SS, SSHN, SSBW, SSSLW, SSFW, SSBW SERIES



FEATURES

- Corrosion resistance and physical strength combine to provide reliability.



CAT. NO.	FIG. NO.	BOLT SIZE	HEX/WRENCH SIZE	SCREW SHAPE	LENGTH (IN)	STD. CTN. QTY.
SS66	1	3/8"	3/8"		2 1/4"	25
SS34	1	1/2"	1/2"		1 3/4"	25
SS37	1	1/2"	1/2"		2 1/2"	25
SSHN-6	2	3/8"	3/8"		–	25
SSHN-8	2	1/2"	1/2"		–	25
SSBW-6	3	3/8"	–	–	–	25
SSSLW-8	3	1"	–	–	–	25
SSFW-6	4	3/8"	–	–	–	25
SSFW-8	4	1"	–	–	–	25
SSBW-8	5	1"	–	–	–	25

INHIBITORS

Oxide Inhibitor & Duct Sealing Compound

OX, DS SERIES



OXIDE INHIBITOR

- Universal Oxide Inhibitor for aluminum and/or copper terminations.
- Remains stable over a wide temperature range.
- Supplied in clear, easy-squeeze bottles or tubes.



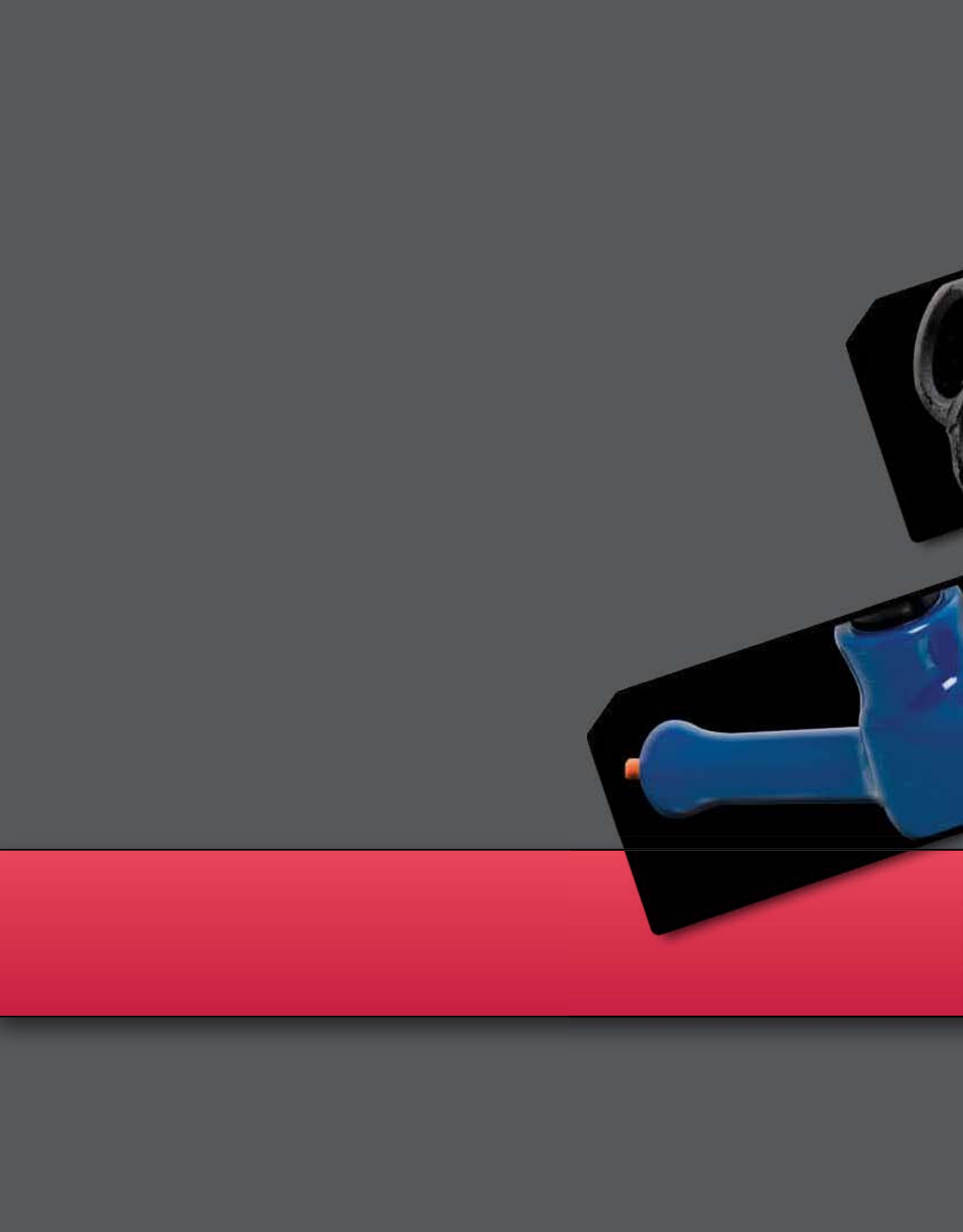
CAT. NO.	FIG. NO.	DESCRIPTION	SIZE (OZ)	STD. CTN. QTY.
OX-8	1	Oxide Inhibitor. Squeeze Bottle.	8 oz.	12
OX-4	2	Oxide Inhibitor. Squeeze Bottle.	4 oz.	12
OX-1	3	Oxide Inhibitor. Squeeze Tube.	3/4 oz.	100

DUCT SEALING COMPOUND

- Intended for sealing around electrical service entries, junction boxes and other devices where weather-proofing is critical.
- Will stay soft and pliable for several years and has an excellent shelf life.
- Will not damage wire covers, glass, wood, painted surfaces, plastics or other materials it may contact.
- It is chemically inert, inhibiting no chemical activity and is nontoxic.
- Contains no asbestos or mineral fibers and no mineral oil which can shorten the effective life of the product.
- Remains pliable through a wide range of temperatures and will adhere to most clean dry surfaces.



CAT. NO.	FIG. NO.	DESCRIPTION	STD. CTN. QTY.
DS184	1	Duct Seal – 1 Lb. Pkg.	50
DS185	2	Duct Seal – 5 Lbs. Pkg.	10





POLARIS™

POLARIS GREY™ INSULATED CONNECTORS
For Fine Stranded Wire
& Replacement Sleeves
ITG, ITOG, IPLG, SITG SERIES



FEATURES

- Safe: Insulated with high dielectric strength plastisol for tough mechanical protection.
- Factory applied insulation provides consistent quality and protection.
- Abrasion and chemical resistant.
- Fast: Eliminates the need for cover and taping – supplied with removable access plugs over the hex screws to protect against contamination.
- Easy: Three sizes cover 14 to 3/0 AWG.
- Reusable: ideal for cabletrays, troughs, wire-ways, raceways, ducts and motor junction boxes.
- For Copper Wire Only

RATINGS



UL Listed 486A Wire Connector.

TEMPERATURE RATING/VOLTAGE:

ALCU9. Cold temperature rated to -45°C, rated 600V, 90°C.

WIRE TYPE:

Can be used with virtually any kind of copper conductor, but is specifically designed for use with fine-stranded, flexible and extra-flexible copper conductors. This includes DLO cable and motor lead wire - excellent for use in motor connect/disconnect applications.

ASSEMBLY INSTRUCTIONS:

See page 209 for detailed information for assembly, mounting and installation.

All dimensional data is listed in inches.

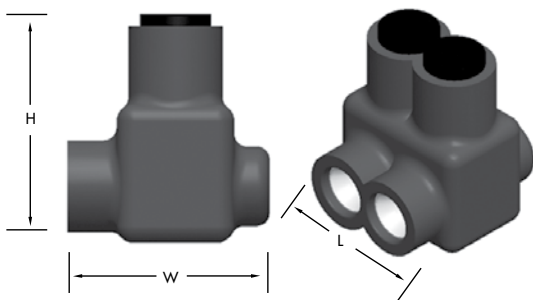
CAT. NO.	NO. OF PORTS
ITG-6	2
ITOG-6	2
IPLG6-3	3
IPLG6-4	4
IPLG6-6	6
ITG-1	2
ITOG-1	2
IPLG1-3	3
IPLG1-4	4
IPLG1-6	6
ITG-3/0	2
ITOG-3/0	2
IPLG3/0-3	3
IPLG3/0-4	4
IPLG3/0-6	6

For display bags with a mounting hole for hanging, add the suffix “-B” to the part number when ordering.

POLARIS GREY™ REPLACEMENT SLEEVES	
CAT. NO.	STD. CTN. QTY.
SITG-6	10
SITG-1	10
SITG-3/0	10



WIRE RANGE (BY CLASSIFICATION)		LENGTH (L)	WIDTH (W)	HEIGHT (H)	TORQUE VALUE (IN./LBS.)	HEX SIZE	STD. CTN. QTY.
CLASS B, C, D	CLASS K, M, I						
6-14 AWG	6-14 AWG	1.130	1.240	1.370	45	1/8	12
6-14 AWG	6-14 AWG	1.130	1.270	1.370	45	1/8	12
6-14 AWG	6-14 AWG	1.550	1.240	1.370	45	1/8	12
6-14 AWG	6-14 AWG	1.980	1.240	1.370	45	1/8	6
6-14 AWG	6-14 AWG	2.820	1.240	1.370	45	1/8	6
1-10 AWG	2-10 AWG	1.600	1.550	1.750	150	3/16	6
1-10 AWG	2-10 AWG	1.600	1.630	1.750	150	3/16	6
1-10 AWG	2-10 AWG	1.550	1.240	1.370	150	3/16	6
1-10 AWG	2-10 AWG	1.980	1.240	1.370	150	3/16	6
1-10 AWG	2-10 AWG	2.820	1.240	1.370	150	3/16	6
3/0-4 AWG	2/0-2 AWG	1.850	1.600	1.810	250	3/16	6
3/0-4 AWG	2/0-2 AWG	1.850	1.630	1.810	250	3/16	6
3/0-4 AWG	2/0-2 AWG	2.250	1.600	1.750	250	3/16	6
3/0-4 AWG	2/0-2 AWG	2.900	1.600	1.750	250	3/16	6
3/0-4 AWG	2/0-2 AWG	4.200	1.600	1.750	250	3/16	4



Protect those fine-stranded wires with Polaris Grey™.

Here's our secret: Polaris Grey™ comes with an integral sleeve which protects the fine strands and helps the conductor maintain its shape during the tightening process. The sleeve eliminates breakage of the strands and reduces stress on the conductor and therefore the potential for hot-spots. Replacement sleeves can be purchased separately.

Specially designed for connecting and terminating fine-stranded, flexible copper conductors. Polaris Grey™ combines the reliability and safety of a compression connection with the ease, affordability and flexibility of a mechanical connection.

Motor replacement is now really easy. Simply strip the cable, insert it into Polaris Grey™, tighten the hex head screw, replace the cap.

POLARIS BLUE™ INSULATED CONNECTORS For Direct Burial & Submersible ISW SERIES



FEATURES

- For connecting two wires in-line.
- For direct burial and submersible applications (UL486D).
- Insulated with specially formulated high-strength dielectric plastisol and molded for precise fit for a direct burial connection.
- Requires no taping, compounds, heat shrink or cutting-to-size in the field.
- Supplied with removable access plugs over the hex screws.
- Abrasion and chemical resistant. UV rated. Will not support combustion.
- Dual-Rated suitable for use with aluminum and/or copper conductors.
- Reusable.

RATINGS



UL Listed 486D Wire Connector.

TEMPERATURE RATING/VOLTAGE:

AL9CU. Cold temperature rated to -45° C, rated 600V, 90° C.

WIRE TYPE:

Suitable for use with aluminum and/or copper conductors. Approved for use with all conductors with insulation suitable for wet and/or damp locations. Not recommended for use with extra flexible cable (see Polaris Grey™ Series page 171).

INSTALLATION INSTRUCTIONS:

See page 209 for detailed installation information.



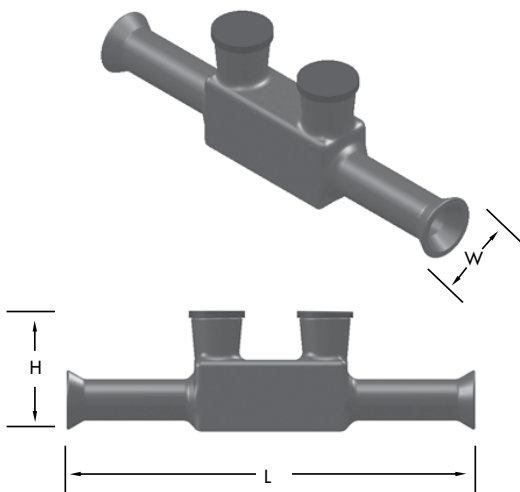
All dimensional data is listed in inches.

CAT. NO.	WIRE RANGE URD/USE THHN/XHHW*
ISW-4	4-6 AWG
ISW-1	1-2 AWG
ISW-3/0	3/0-1/0 AWG
ISW-250	250-4/0 AWG



INSULATION		LENGTH (L)	WIDTH (W)	HEIGHT (H)	TORQUE VALUE (IN./LBS.)	HEX SIZE	STRIP LENGTH	STD. CTN. QTY.
MIN. DIA.	MAX. DIA.							
0.244	0.412	6.375	0.813	1.500	45	Slotted	13/16	1
0.352	0.582	6.830	0.880	1.680	150	3/16	27/32	1
0.462	0.720	7.625	1.625	2.625	250	1/4	7/8	1
0.618	0.895	7.563	1.188	2.125	360	5/16	1-1/8	1

* Not suitable for direct burial with THHN/XHHW wire. For use in enclosures only. A properly installed connector will have no more than one conductor per port.



Polaris™ Blue custom connectors

Let us help you custom engineer and fabricate a UL Listed direct burial and submersible insulated connector for your next project. Choose any combination and quantity of our standard Polaris Blue and we'll build a connector to meet your exact requirements. Wire entry can even be from either side of the connector, based on your specific project needs. UL486D for direct burial or below ground use and submersible applications.

POLARIS BLUE™ INSULATED CONNECTORS

Direct Burial & Submersible

ITW, IPLW SERIES



FEATURES

- For connecting multiple wires and are UL Listed (UL486D) for direct burial and submersible applications.
- Insulated with specially formulated high-strength dielectric plastisol and molded for precise fit for a direct burial connection.
- Requires no taping, compounds, heat shrink or cutting-to-size in the field.
- Supplied with removable access plugs over the hex screws and pre-filled oxide inhibitor.
- Abrasion and chemical resistant. UV resistant.
- Will not support combustion.
- Dual-Rated suitable for use with aluminum and/or copper conductors.

RATINGS



UL Listed 486D Wire Connector.

TEMPERATURE RATING/VOLTAGE:

AL9CU. Cold temperature rated to -45°C, rated 600V, 90°C.

WIRE TYPE:

Suitable for use with aluminum and/or copper conductors. Approved for use with all conductors with insulation suitable for wet and/or damp locations. Not recommended for use with extra flexible cable (see Polaris Grey™ Series page 171).

INSTALLATION INSTRUCTIONS:

See page 209 for detailed installation information.

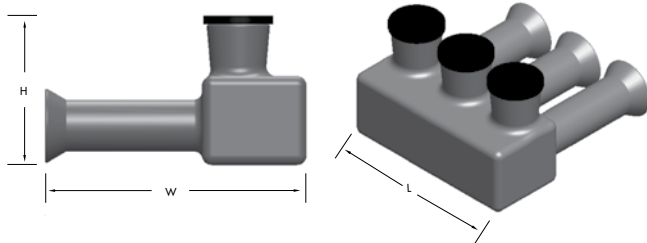


All dimensional data is listed in inches.

CAT. NO.	NO. OF PORTS	WIRE RANGE URD/USE THHN/ XHHW*
ITW-4	2	4-6 AWG
IPLW4-3	3	4-6 AWG
IPLW4-4	4	4-6 AWG
IPLW4-5	5	4-6 AWG
IPLW4-6	6	4-6 AWG
ITW-1	2	1-2 AWG
IPLW1-3	3	1-2 AWG
IPLW1-4	4	1-2 AWG
IPLW1-5	5	1-2 AWG
IPLW1-6	6	1-2 AWG
ITW-3/0	2	3/0-1/0 AWG
IPLW3/0-3	3	3/0-1/0 AWG
IPLW3/0-4	4	3/0-1/0 AWG
IPLW3/0-5	5	3/0-1/0 AWG
IPLW3/0-6	6	3/0-1/0 AWG
ITW-250	2	250-4/0 AWG
IPLW250-3	3	250-4/0 AWG
IPLW250-4	4	250-4/0 AWG
IPLW250-5	5	250-4/0 AWG
IPLW250-6	6	250-4/0 AWG



INSULATION		HEX SIZE	LENGTH (L)	WIDTH (W)	HEIGHT (H)	TORQUE VALUE (IN./LBS.)	STRIP LENGTH	STD. CTN. QTY.
MIN. DIA.	MAX. DIA.							
0.244	0.412	Slotted	1.680	3.260	1.460	45	3/16	1
0.244	0.412	Slotted	2.640	3.260	1.460	45	3/16	1
0.244	0.412	Slotted	3.610	3.260	1.460	45	3/16	1
0.244	0.412	Slotted	4.570	3.260	1.460	45	3/16	1
0.244	0.412	Slotted	5.540	3.260	1.460	45	3/16	1
0.352	0.582	3/16	1.880	3.550	1.820	150	27/32	1
0.352	0.582	3/16	2.800	3.550	1.820	150	27/32	1
0.352	0.582	3/16	3.730	3.550	1.820	150	27/32	1
0.352	0.582	3/16	4.650	3.550	1.820	150	27/32	1
0.352	0.582	3/16	5.580	3.550	1.820	150	27/32	1
0.462	0.720	1/4	2.270	3.710	1.990	250	7/8	1
0.462	0.720	1/4	3.470	3.710	1.990	250	7/8	1
0.462	0.720	1/4	4.670	3.710	1.990	250	7/8	1
0.462	0.720	1/4	5.870	3.710	1.990	250	7/8	1
0.462	0.720	1/4	7.070	3.710	1.990	250	7/8	1
0.618	0.895	5/16	2.510	3.940	2.290	360	1-1/8	1
0.618	0.895	5/16	3.810	3.940	2.290	360	1-1/8	1
0.618	0.895	5/16	5.110	3.940	2.290	360	1-1/8	1
0.618	0.895	5/16	6.410	3.940	2.290	360	1-1/8	1
0.618	0.895	5/16	7.710	3.940	2.290	360	1-1/8	1



Polaris™ Blue custom connectors

Let us help you custom engineer and fabricate a UL Listed direct burial and submersible insulated connector for your next project. Choose any combination and quantity of our standard Polaris Blue and we'll build a connector to meet your exact requirements. Wire entry can even be from either side of the connector, based on your specific project needs. UL486D for direct burial or below ground use and submersible applications.

POLARIS™ INSULATED CONNECTORS

Dual Rated Two-Wire

IT, ITO, ITH SERIES

FEATURES

- Insul-Tap connectors, suitable for connecting two wires.
- For sizes 3/0 AWG and smaller, available in two styles – with wires being connected from the same side of the connector (Figure 1) or opposite sides of the connector (Figure 2).
- For sizes 250 MCM and larger, provided with open wire entry ports on both sides of the connector (Figure 3), which allows for access from either side. This style is supplied with removable access plugs to close the entry port not being utilized.
- Abrasion and chemical resistant. UV resistant.
- Will not support combustion.

RATINGS



UL Listed 486B Wire Connector.

TEMPERATURE RATING/VOLTAGE:

AL9CU. Cold temperature rated to -45°C, rated 600V, 90°C.

WIRE TYPE:

Dual rated for use with copper and/or aluminum cables. Not recommended for fine-stranded, flexible wire (see Polaris Grey™ Series page 171).



All dimensional data is listed in inches.

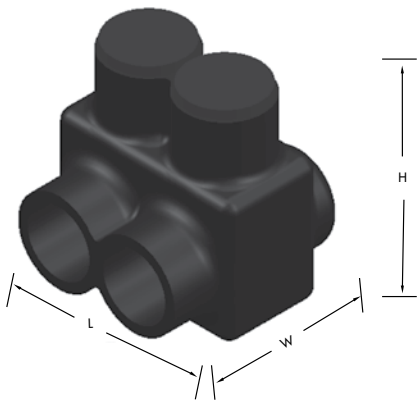
CAT. NO.	FIG. NO.
IT-4	1
ITO-4	2
IT-4A	1
IT-1/0	1
ITO-1/0	2
IT-3/0	1
ITO-3/0	2
IT-250	3
IT-350	3
IT-500	3
IT-600*	3
IT-750**	3
ITH-750	4

* IT-600 is AL7CU and 75C

** IT-750 is not UL listed.



WIRE RANGE	NO. OF PORTS	LENGTH (L)	WIDTH (W)	HEIGHT (H)	TORQUE VALUE (IN./LBS.)	HEX/WRENCH SIZE	STD. CTN. QTY.
4-14 AWG	2	1.120	1.180	1.380	35	Slotted	12
4-14 AWG	2	1.120	1.250	1.380	35	Slotted	12
4-14 AWG	2	1.120	1.180	1.380	35	Slotted	12
1/0-14 AWG	2	1.620	1.620	1.750	180	3/16	6
1/0-14 AWG	2	1.620	1.750	1.750	180	3/16	6
3/0-6 AWG	2	1.840	1.750	1.870	250	1/4	6
3/0-6 AWG	2	1.840	1.870	1.870	250	1/4	6
250 MCM-6 AWG	2	2.120	2.250	2.250	360	5/16	6
350 MCM-6 AWG	2	2.470	2.500	2.440	400	5/16	4
500 MCM-4 AWG	2	2.810	2.870	2.940	450	5/16	4
600 MCM-6 AWG	2	2.340	2.940	3.050	550	5/16	4
750-250 MCM	2	3.480	3.500	3.500	550	3/8	2
750-250 MCM	2	3.480	4.500	3.500	550	5/16	2



POLARIS™ INSULATED CONNECTORS

Dual Rated Splicer/Reducers

ISR SERIES

FEATURES

- Suitable for connecting two wires in-line.
- Insulated with high dielectric strength plastisol and molded for precise fit.
- Supplied with removable access plugs over the hex screw.
- Abrasion and chemical resistant. UV resistant.
- Will not support combustion.

RATINGS



UL Listed 486B Wire Connector.

TEMPERATURE RATING/VOLTAGE:

Cold temperature rated to -45°C, rated 600V, 90°C.

WIRE TYPE:

Dual rated for use with copper and/or aluminum cables. Not recommended for use with extra-flexible cables (see Polaris Grey™ Series page 171).



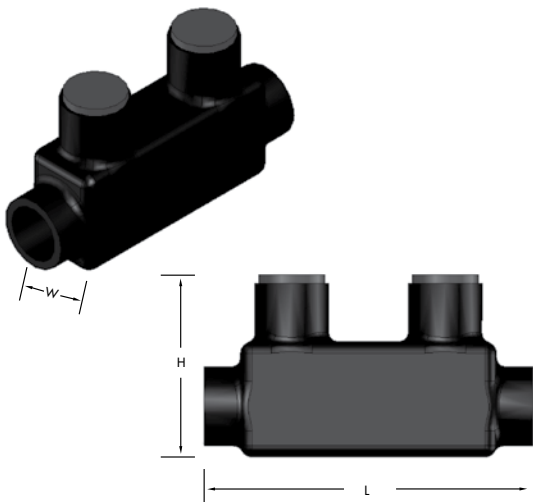
All dimensional data is listed in inches.

CAT. NO.	FIG. NO.
ISR-1/0	1
ISR-250	1
ISR-350	1
ISR-500	1
ISR-600*	1
ISRH-750	2

*600 Series are AL7CU and 75°C



WIRE RANGE	NO. OF PORTS	LENGTH (L)	WIDTH (W)	HEIGHT (H)	TORQUE VALUE (IN./LBS.)	HEX/WRENCH SIZE	STD. CTN. QTY.
1/0-14 AWG	2	3.250	0.900	1.480	180	3/16	4
250 MCM-6 AWG	2	4.000	1.190	1.900	360	5/16	4
350 MCM-6 AWG	2	4.470	1.320	2.200	400	5/16	2
500 MCM-4 AWG	2	4.620	1.620	3.000	450	5/16	2
600 MCM-6 AWG	2	5.830	1.570	3.050	550	5/16	2
750-250 MCM	2	7.250	1.750	3.250	550	5/16	2



POLARIS™ INSULATED CONNECTORS
Multi-Conductor Connector
One Side Wire Entry
IPL SERIES



FEATURES

- Wire entry ports on one side only.
- Eliminates the need for cover and taping.
- Insulated with high-dielectric strength plastisol.
- Molded for precise fit and supplied with removable access plugs over the hex screws.
- Abrasion and chemical resistant. UV resistant.
- Will not support combustion.

RATINGS



UL Listed 486B Wire Connector.

TEMPERATURE RATING/VOLTAGE:

AL9CU. Cold temperature rated to -45°C, rated 600V, 90°C.

WIRE TYPE:

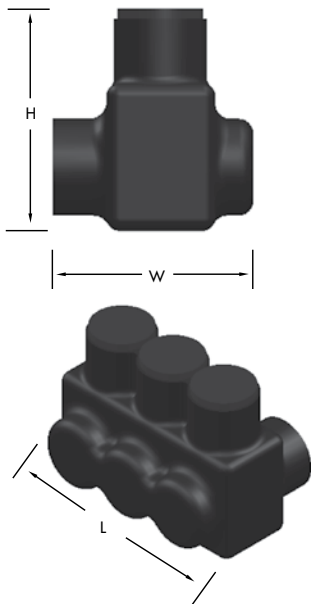
Dual rated for use with copper and/or aluminum cables. Not recommended for fine-stranded, flexible wire.

All dimensional data is listed in inches.

CAT. NO.	NO. OF PORTS
IPL4-3	3
IPL4-3A	3
IPL4-4	4
IPL4-4A	4
IPL4-5	5
IPL4-6	6
IPL4-8	8
IPL4-8A	8
IPL4-10	10
IPL4-12	12
IPL4-14	14
IPL1/0-3	3
IPL1/0-4	4
IPL1/0-5	5
IPL1/0-6	6
IPL1/0-8	8
IPL1/0-10	10
IPL1/0-12	12
IPL1/0-14	14
IPL3/0-3	3
IPL3/0-4	4
IPL3/0-5	5
IPL3/0-6	6
IPL3/0-8	8



WIRE RANGE	LENGTH (L)	WIDTH (W)	HEIGHT (H)	TORQUE VALUE (IN./LBS.)	HEX/WRENCH SIZE	STD. CTN. QTY.
4-14 AWG	1.550	1.188	1.375	45	Slotted	12
4-14 AWG	1.550	1.188	1.375	45	Allan	12
4-14 AWG	1.970	1.188	1.375	45	Slotted	6
4-14 AWG	1.970	1.188	1.375	45	Allan	6
4-14 AWG	2.390	1.188	1.375	45	Slotted	6
4-14 AWG	2.810	1.188	1.375	45	Slotted	6
4-14 AWG	3.660	1.188	1.375	45	Slotted	4
4-14 AWG	3.660	1.188	1.375	45	Slotted	4
4-14 AWG	4.500	1.188	1.375	45	Slotted	4
4-14 AWG	5.100	1.188	1.375	45	Slotted	2
4-14 AWG	6.180	1.188	1.375	180	3/16	12
1/0-14 AWG	2.240	1.500	1.688	180	3/16	6
1/0-14 AWG	2.890	1.500	1.688	180	3/16	6
1/0-14 AWG	3.540	1.500	1.688	180	3/16	6
1/0-14 AWG	4.190	1.500	1.688	180	3/16	4
1/0-14 AWG	5.490	1.500	1.688	180	3/16	4
1/0-14 AWG	6.820	1.500	1.688	180	3/16	3
1/0-14 AWG	8.120	1.500	1.688	180	3/16	2
1/0-14 AWG	9.420	1.500	1.688	250	5/16	6
3/0-6 AWG	2.630	1.600	1.800	250	5/16	6
3/0-6 AWG	3.410	1.600	1.800	250	5/16	4
3/0-6 AWG	4.190	1.600	1.800	250	5/16	4
3/0-6 AWG	4.970	1.600	1.800	250	5/16	3
3/0-6 AWG	6.530	1.600	1.800	250	5/16	3



POLARIS™ INSULATED CONNECTORS
Multi-Conductor Connector
One Side Wire Entry
IPL SERIES CONT'D



FEATURES

- Wire entry ports on one side only.
- Eliminates the need for cover and taping.
- Insulated with high-dielectric strength plastisol.
- Molded for precise fit and supplied with removable access plugs over the hex screws.
- Abrasion and chemical resistant. UV resistant.
- Will not support combustion.

RATINGS



UL Listed 486B Wire Connector.

TEMPERATURE RATING/VOLTAGE:

AL9CU. Cold temperature rated to -45°C, rated 600V, 90°C.

WIRE TYPE:

Dual rated for use with copper and/or aluminum cables. Not recommended for fine-stranded, flexible wire.

All dimensional data is listed in inches.

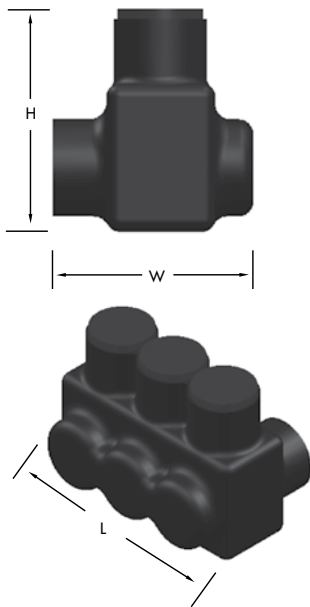
CAT. NO.	NO. OF PORTS
IPL250-3	3
IPL250-4	4
IPL250-5	5
IPL250-6	6
IPL250-8	8
IPL350-3	3
IPL350-4	4
IPL350-5	5
IPL350-6	6
IPL350-8	8
IPL500-3	3
IPL500-4	4
IPL500-5	5
IPL500-6	6
IPL500-7	7
IPL500-8	8
IPL600-3*	3
IPL600-4*	4
IPL600-6*	6
IPL750-3**	3
IPL750-4**	4
IPL750-5**	5
IPL750-6**	6

*AL7CU rated.

**Not UL listed.



WIRE RANGE	LENGTH (L)	WIDTH (W)	HEIGHT (H)	TORQUE VALUE (IN./LBS.)	HEX/WRENCH SIZE	STD. CTN. QTY.
250 MCM-6 AWG	2.930	2.030	2.180	360	5/16	6
250 MCM-6 AWG	3.800	2.030	2.180	360	5/16	4
250 MCM-6 AWG	4.660	2.030	2.180	360	5/16	4
250 MCM-6 AWG	5.220	2.030	2.180	360	5/16	3
250 MCM-6 AWG	7.240	2.030	2.180	400	5/16	4
350 MCM-6 AWG	3.470	2.130	2.460	400	5/16	3
350 MCM-6 AWG	4.540	2.130	2.460	400	5/16	3
350 MCM-6 AWG	5.570	2.130	2.460	400	5/16	2
350 MCM-6 AWG	6.620	2.130	2.460	400	5/16	2
350 MCM-6 AWG	8.720	2.130	2.460	450	5/16	3
500 MCM-4 AWG	3.960	2.500	2.940	450	5/16	3
500 MCM-4 AWG	5.110	2.500	2.940	450	5/16	2
500 MCM-4 AWG	6.250	2.500	2.940	450	5/16	2
500 MCM-4 AWG	7.400	2.500	2.940	450	5/16	2
500 MCM-4 AWG	8.590	2.500	2.940	450	5/16	2
500 MCM-4 AWG	9.690	2.500	2.940	550	5/16	3
600 MCM-6 AWG	4.470	2.710	3.020	550	5/16	2
600 MCM-6 AWG	5.770	2.710	3.020	550	5/16	2
600 MCM-6 AWG	8.370	2.710	3.020	550	3/8	3
750-250 MCM	4.950	3.090	3.490	550	3/8	2
750-250 MCM	6.380	3.090	3.490	550	3/8	1
750-250 MCM	7.800	3.090	3.490	550	3/8	1
750-250 MCM	9.230	3.090	3.490	550	3/8	1



POLARIS™ INSULATED CONNECTORS
Multi-Conductor Connector
Either Side Wire Entry
IPLD SERIES



FEATURES

- Wire entry ports on both sides of the connector allow for access from either side.
- Eliminates the need for cover and taping.
- Insulated with high-dielectric strength plastisol.
- Molded for precise fit and supplied with removable access plugs over the hex screws.
- Supplied with removable plugs to close the entry port not being utilized.
- Abrasion and chemical resistant. UV resistant.
- Will not support combustion.

RATINGS



UL Listed 486B Wire Connector.

TEMPERATURE RATING/VOLTAGE:

AL9CU. Cold temperature rated to -45°C, rated 600V, 90°C.

WIRE TYPE:

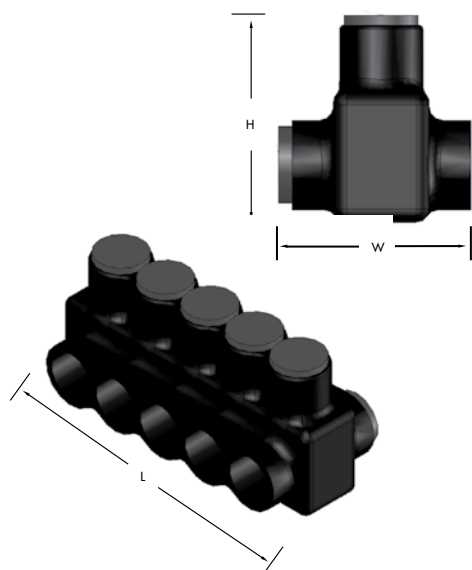
Dual rated for use with copper and/or aluminum cables. Not recommended for fine-stranded, flexible wire.

All dimensional data is listed in inches.

CAT. NO.	NO. OF PORTS
IPLD3/0-3	3
IPLD3/0-4	4
IPLD3/0-5	5
IPLD3/0-6	6
IPLD3/0-7	7
IPLD3/0-8	8
IPLD3/0-10	10
IPLD3/0-12	12
IPLD250-3	3
IPLD250-4	4
IPLD250-5	5
IPLD250-6	6
IPLD250-7	7
IPLD250-8	8
IPLD250-10	10
IPLD250-12	12
IPLD350-3	3
IPLD350-4	4
IPLD350-5	5
IPLD350-6	6
IPLD350-7	7
IPLD350-8	8
IPLD350-9	9
IPLD350-10	10
IPLD350-12	12



WIRE RANGE	LENGTH (L)	WIDTH (W)	HEIGHT (H)	TORQUE VALUE (IN./LBS.)	HEX/WRENCH SIZE	STD. CTN. QTY.
3/0-6 AWG	2.630	1.830	1.790	250	1/4	6
3/0-6 AWG	3.410	1.830	1.790	250	1/4	6
3/0-6 AWG	4.190	1.830	1.790	250	1/4	4
3/0-6 AWG	4.970	1.830	1.790	250	1/4	4
3/0-6 AWG	5.750	1.830	1.790	250	1/4	3
3/0-6 AWG	6.530	1.830	1.790	250	1/4	3
3/0-6 AWG	8.090	1.830	1.790	250	1/4	2
3/0-6 AWG	11.210	1.830	1.790	250	1/4	2
250 MCM-6 AWG	2.930	2.280	2.180	360	5/16	6
250 MCM-6 AWG	3.800	2.280	2.180	360	5/16	6
250 MCM-6 AWG	4.660	2.280	2.180	360	5/16	4
250 MCM-6 AWG	5.520	2.280	2.180	360	5/16	4
250 MCM-6 AWG	6.380	2.280	2.180	360	5/16	3
250 MCM-6 AWG	7.240	2.280	2.180	360	5/16	3
250 MCM-6 AWG	8.970	2.280	2.180	360	5/16	2
250 MCM-6 AWG	10.740	2.280	2.180	360	5/16	2
350 MCM-6 AWG	3.520	2.410	2.610	400	5/16	3
350 MCM-6 AWG	4.570	2.410	2.610	400	5/16	3
350 MCM-6 AWG	5.620	2.410	2.610	400	5/16	3
350 MCM-6 AWG	6.670	2.410	2.610	400	5/16	3
350 MCM-6 AWG	7.720	2.410	2.610	400	5/16	2
350 MCM-6 AWG	8.770	2.410	2.610	400	5/16	2
350 MCM-6 AWG	9.820	2.410	2.610	400	5/16	2
350 MCM-6 AWG	10.870	2.410	2.610	400	5/16	2
350 MCM-6 AWG	12.970	2.410	2.610	400	5/16	1



POLARIS™ INSULATED CONNECTORS
Multi-Cable Blocks
Either Side Wire Entry
IPLD SERIES



FEATURES

- Wire entry ports on both sides of the connector allow for access from either side.
- Eliminates the need for cover and taping.
- Insulated with high-dielectric strength plastisol.
- Molded for precise fit and supplied with removable access plugs over the hex screws.
- Supplied with removable plugs to close the entry port not being utilized.
- Abrasion and chemical resistant. UV resistant.
- Will not support combustion.

RATINGS



UL Listed 486B Wire Connector.

TEMPERATURE RATING/VOLTAGE:

AL9CU. Cold temperature rated to -45°C, rated 600V, 90°C.

WIRE TYPE:

Dual rated for use with copper and/or aluminum cables. Not recommended for fine-stranded, flexible wire.

All dimensional data is listed in inches.

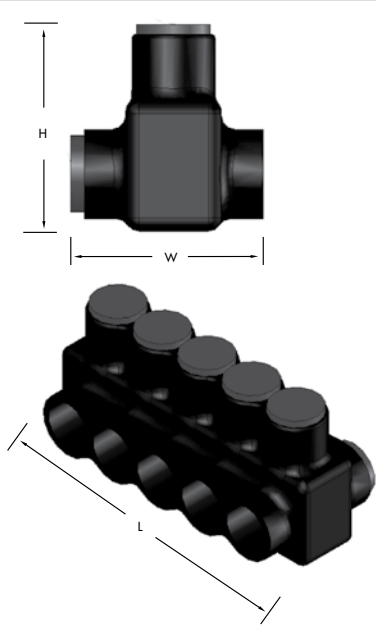
CAT. NO.	NO. OF PORTS
IPLD500-3	3
IPLD500-4	4
IPLD500-5	5
IPLD500-6	6
IPLD500-7	7
IPLD500-8	8
IPLD500-9	9
IPLD500-10	10
IPLD500-12	12
IPLD600-3 ^{††}	3
IPLD600-4 ^{††}	4
IPLD600-5 ^{††}	5
IPLD600-6 ^{††}	6
IPLD600-7 ^{††}	7
IPLD600-8 ^{††}	8
IPLD600-9 ^{††}	9
IPLD600-10 ^{††}	10
IPLD600-12 ^{††}	12
IPLD750-3*	3
IPLD750-4*	4
IPLD750-5*	5
IPLD750-6*	6
IPLD750-7*	7
IPLD750-8*	8
IPLD750-9*	9
IPLD750-10*	10
IPLD750-12*	12

^{††} AL7CU rated, 75°C.

*Not UL listed.



WIRE RANGE	LENGTH (L)	WIDTH (W)	HEIGHT (H)	TORQUE VALUE (IN./LBS.)	HEX/WRENCH SIZE	STD. CTN. QTY.
500 MCM-4 AWG	4.010	2.830	2.910	450	5/16	3
500 MCM-4 AWG	5.240	2.830	2.910	450	5/16	3
500 MCM-4 AWG	6.380	2.830	2.910	450	5/16	2
500 MCM-4 AWG	7.520	2.830	2.910	450	5/16	2
500 MCM-4 AWG	8.670	2.830	2.910	450	5/16	2
500 MCM-4 AWG	9.820	2.830	2.910	450	5/16	2
500 MCM-4 AWG	10.880	2.830	2.910	450	5/16	2
500 MCM-4 AWG	12.110	2.960	3.030	450	5/16	1
500 MCM-4 AWG	14.400	2.960	3.030	450	5/16	1
600 MCM-6 AWG	4.550	2.960	3.030	450	5/16	3
600 MCM-6 AWG	5.850	2.960	3.030	450	5/16	3
600 MCM-6 AWG	7.150	2.960	3.030	450	5/16	2
600 MCM-6 AWG	8.450	2.960	3.030	550	5/16	2
600 MCM-6 AWG	9.750	2.960	3.030	550	5/16	2
600 MCM-6 AWG	11.050	2.960	3.030	550	5/16	2
600 MCM-6 AWG	12.390	2.960	3.030	550	5/16	1
600 MCM-6 AWG	13.650	3.410	3.420	550	5/16	1
600 MCM-6 AWG	16.250	3.410	3.420	550	5/16	1
750-250 MCM	4.950	3.410	3.420	550	3/8	3
750-250 MCM	6.380	3.410	3.420	550	3/8	2
750-250 MCM	7.800	3.410	3.420	550	3/8	1
750-250 MCM	9.230	3.410	3.420	550	3/8	1
750-250 MCM	10.650	3.410	3.420	550	3/8	1
750-250 MCM	12.080	3.410	3.420	550	3/8	1
750-250 MCM	13.690	3.410	3.420	550	3/8	1
750-250 MCM	14.930	3.410	3.420	550	3/8	1
750-250 MCM	17.780	3.410	3.420	550	3/8	1



POLARIS™ INSULATED CONNECTORS
Multi-Cable Stacked
Either Side Wire Entry
IPLDS SERIES



FEATURES

- Exceptional for use with large wire sizes, especially in tight-fitting spaces, small wire ways and panels.
- The wire holes on the bottom row allow for entry from either side of the connector for even greater versatility.
- Wire entry holes are stacked on top of each other for the ultimate in compact design.
- Supplied with removable plugs to close the entry port not being utilized.
- Abrasion and chemical resistant. UV resistant.
- Will not support combustion.

RATINGS



UL Listed 486B Wire Connector.

TEMPERATURE RATING/VOLTAGE:

Cold temperature rated to -45°C, rated 600V, 90°C.

WIRE TYPE:

Dual rated for use with copper and/or aluminum cables. Not recommended for fine-stranded, flexible wire.

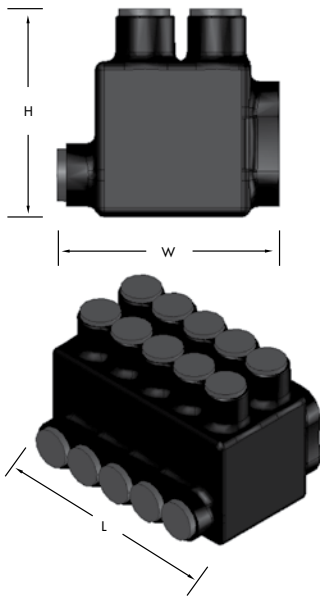
All dimensional data is listed in inches.

CAT. NO.	NO. OF PORTS
IPLDS350-4	4
IPLDS350-6	6
IPLDS350-8	8
IPLDS350-10	10
IPLDS350-12	12
IPLDS500-4	4
IPLDS500-6	6
IPLDS500-8	8
IPLDS500-10	10
IPLDS500-12	12
IPLDS750-6	6
IPLDS750-8	8
IPLDS750-10	10
IPLDS750-12	12

* 750 MCM not UL Listed.



WIRE RANGE	LENGTH (L)	WIDTH (W)	HEIGHT (H)	TORQUE VALUE (IN./LBS.)	HEX SIZE	STD. CTN. QTY.
350 MCM-6 AWG	2.550	3.910	3.520	400	5/16	1
350 MCM-6 AWG	3.600	3.910	3.520	400	5/16	1
350 MCM-6 AWG	4.650	3.910	3.520	400	5/16	1
350 MCM-6 AWG	5.700	3.910	3.520	400	5/16	1
350 MCM-6 AWG	6.750	3.910	3.520	400	5/16	1
500 MCM-4 AWG	2.940	4.710	4.280	450	5/16	1
500 MCM-4 AWG	4.080	4.710	4.280	450	5/16	1
500 MCM-4 AWG	5.230	4.710	4.280	450	5/16	1
500 MCM-4 AWG	6.380	4.710	4.280	450	5/16	1
500 MCM-4 AWG	7.520	4.710	4.280	450	5/16	1
750-250 MCM	4.950	4.970	4.920	550	3/8	1
750-250 MCM	6.380	4.970	4.920	550	3/8	1
750-250 MCM	7.800	4.970	4.920	550	3/8	1
750-250 MCM	9.230	4.970	4.920	550	3/8	1



POLARIS™ INSULATED CONNECTORS
Heavy Duty Connectors
Either Side Wire Entry
IPLDH SERIES



FEATURES

- Connector block is double the size of the standard IPLD Series connector with two pressure screws provided for each cable to ensure the best connection possible.
- Designed, built and tested to handle even the most demanding applications from 250 MCM to 750 MCM.
- Insulated with high-dielectric strength plastisol molded for a precise fit.
- Supplied with removable access plugs to allow for cable entry from either side of the connector.
- Eliminates the need for cover and taping.
- Abrasion and chemical resistant. UV resistant.
- Will not support combustion.

RATINGS



UL Listed 486B Wire Connector.

TEMPERATURE RATING/VOLTAGE:

AL9CU. Cold temperature rated to -45°C, rated 600V, 90°C.

WIRE TYPE:

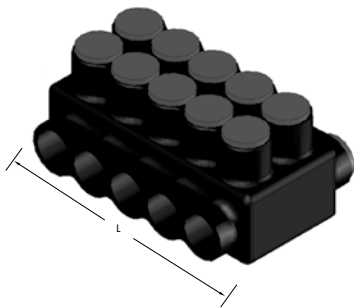
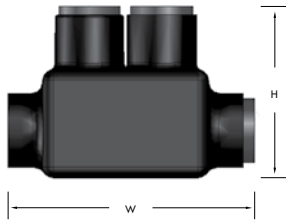
Dual rated for use with copper and/or aluminum cables. Not recommended for fine-stranded, flexible wire.

All dimensional data is listed in inches.

CAT. NO.	NO. OF PORTS
IPLDH750-3	3
IPLDH750-4	4
IPLDH750-5	5
IPLDH750-6	6
IPLDH750-8	8
IPLDH750-10	10



WIRE RANGE	LENGTH (L)	WIDTH (W)	HEIGHT (H)	TORQUE VALUE (IN./LBS.)	HEX/WRENCH SIZE	STD. CTN. QTY.
750 - 250 MCM	4.950	4.460	3.300	550	5/16	2
750 - 250 MCM	6.380	4.460	3.300	550	5/16	2
750 - 250 MCM	7.800	4.460	3.300	550	5/16	1
750 - 250 MCM	9.230	4.460	3.300	550	5/16	1
750 - 250 MCM	12.080	4.460	3.300	550	5/16	1
750 - 250 MCM	14.600	4.460	3.300	550	5/16	1



POLARIS™ INSULATED CONNECTORS
Multi-Connector Bloks
With Mounting Holes,
One Side Wire Entry
IPLM SERIES



FEATURES

- Wire entry ports on one side only.
- Mounting holes at each end of the connector allow for direct isolated mounting to the trough, panel or wireway.
- IPLM Series connectors are insulated with high-dielectric strength plastisol.
- Molded for precise fit and supplied with removable access plugs over the hex screws.
- Eliminates the need for cover and taping.
- Abrasion and chemical resistant. UV resistant.
- Will not support combustion.
- Mounting holes will accept a 1/4" bolt.

RATINGS



UL Listed 486B Wire Connector.

TEMPERATURE RATING/VOLTAGE:

Cold temperature rated to -45°C, rated 600V, 90°C.

WIRE TYPE:

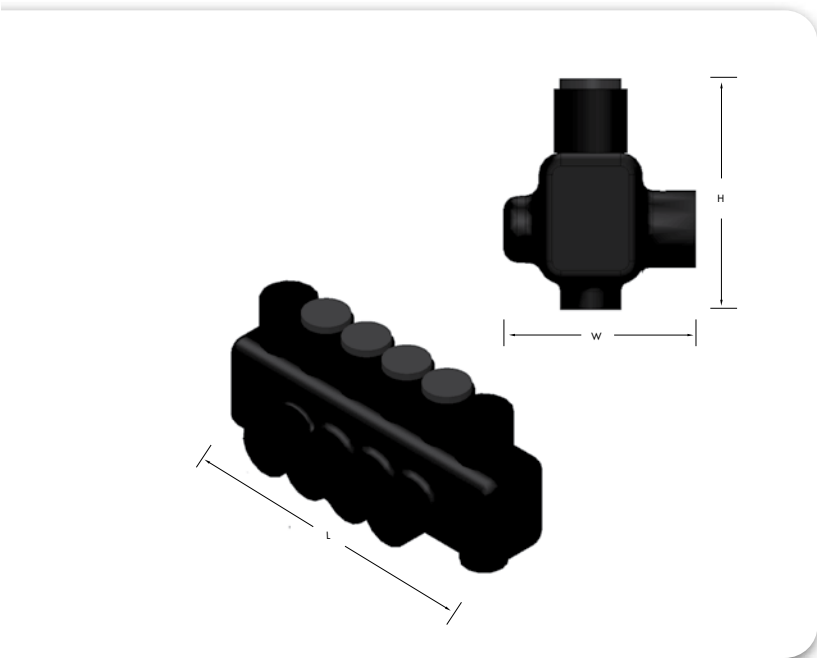
Dual rated for use with copper and/or aluminum cables.
 Not recommended for fine-stranded, flexible wire.

All dimensional data is listed in inches.

CAT. NO.	NO. OF PORTS
IPLM4-3	3
IPLM4-4	4
IPLM4-5	5
IPLM4-6	6
IPLM4-7	7
IPLM4-10	10
IPLM1/O-3	3
IPLM1/O-4	4
IPLM1/O-5	5
IPLM1/O-6	6
IPLM1/O-8	8
IPLM1/O-9	9
IPLM1/O-10	10



WIRE RANGE	LENGTH (L)	WIDTH (W)	HEIGHT (H)	TORQUE VALUE (IN./LBS.)	HEX SIZE	STD. CTN. QTY.
4-14 AWG	2.750	1.240	1.390	45	Slotted	6
4-14 AWG	3.180	1.240	1.390	45	Slotted	6
4-14 AWG	3.600	1.240	1.390	45	Slotted	4
4-14 AWG	4.020	1.240	1.390	45	Slotted	4
4-14 AWG	4.190	1.240	1.390	45	Slotted	4
4-14 AWG	5.710	1.240	1.390	45	Slotted	3
1/0-14 AWG	3.460	1.550	1.820	180	3/16	6
1/0-14 AWG	4.110	1.550	1.820	180	3/16	6
1/0-14 AWG	4.760	1.550	1.820	180	3/16	4
1/0-14 AWG	5.410	1.550	1.820	180	3/16	4
1/0-14 AWG	6.710	1.550	1.820	180	3/16	4
1/0-14 AWG	7.520	1.550	1.820	180	3/16	3
1/0-14 AWG	8.010	1.550	1.820	180	3/16	3



POLARIS™ INSULATED CONNECTORS
Multi-Conductor With
Mounting Holes,
Either Side Wire Entry
IPLMD SERIES



FEATURES

- Wire entry ports on both sides of the connector allow for access from either side.
- Supplied with removable access plugs to close the entry port not being used.
- The mounting holes at each end of the connector allow for direct isolated mounting to the trough, panel or wireway.
- Insulated with high-dielectric strength plastisol. Molded for precise fit and supplied with removable access plugs over the hex screws.
- Eliminates the need for cover and taping.
- Abrasion and chemical resistant. UV resistant.
- Will not support combustion.

RATINGS



UL Listed 486B Wire Connector.

TEMPERATURE RATING/VOLTAGE:

AL9CU. Cold temperature rated to -45°C, rated 600V, 90°C.

WIRE TYPE:

Dual rated for use with copper and/or aluminum cables. Not recommended for fine-stranded, flexible wire.

MOUNTING:

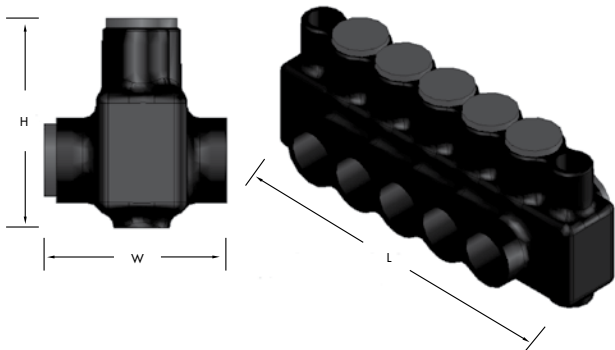
Mounting holes will accept a 1/4" bolt for 3/0 AWG and a 5/16" bolt for 250 MCM and 350 MCM.

All dimensional data is listed in inches.

CAT. NO.	NO. OF PORTS
IPLMD3/0-3	3
IPLMD3/0-4	4
IPLMD3/0-5	5
IPLMD3/0-6	6
IPLMD3/0-7	7
IPLMD3/0-8	8
IPLMD3/0-9	9
IPLMD3/0-10	10
IPLMD250-3	3
IPLMD250-4	4
IPLMD250-5	5
IPLMD250-6	6
IPLMD250-7	7
IPLMD250-8	8
IPLMD250-10	10
IPLMD250-12	12
IPLMD350-3	3
IPLMD350-4	4
IPLMD350-5	5
IPLMD350-6	6
IPLMD350-7	7
IPLMD350-8	8
IPLMD350-10	10
IPLMD350-12	12



WIRE RANGE	LENGTH (L)	WIDTH (W)	HEIGHT (H)	TORQUE VALUE (IN./LBS.)	HEX SIZE	STD. CTN. QTY.
3/0-6 AWG	3.870	1.830	1.910	250	1/4	3
3/0-6 AWG	4.650	1.830	1.910	250	1/4	3
3/0-6 AWG	5.430	1.830	1.910	250	1/4	2
3/0-6 AWG	6.210	1.830	1.910	250	1/4	2
3/0-6 AWG	6.990	1.830	1.910	250	1/4	2
3/0-6 AWG	7.770	1.830	1.910	250	1/4	2
3/0-6 AWG	8.600	1.830	1.910	250	1/4	2
3/0-6 AWG	9.330	1.830	1.910	250	1/4	2
250 MCM-6 AWG	4.420	2.280	2.370	360	5/16	2
250 MCM-6 AWG	5.280	2.280	2.370	360	5/16	2
250 MCM-6 AWG	6.140	2.280	2.370	360	5/16	2
250 MCM-6 AWG	7.010	2.280	2.370	360	5/16	2
250 MCM-6 AWG	7.820	2.280	2.370	360	5/16	2
250 MCM-6 AWG	8.730	2.280	2.370	360	5/16	2
250 MCM-6 AWG	10.400	2.280	2.370	360	5/16	2
250 MCM-6 AWG	12.130	2.280	2.370	360	5/16	1
350 MCM-6 AWG	5.120	2.410	2.770	400	5/16	2
350 MCM-6 AWG	6.170	2.410	2.770	400	5/16	2
350 MCM-6 AWG	7.220	2.410	2.770	400	5/16	2
350 MCM-6 AWG	8.270	2.410	2.770	400	5/16	2
350 MCM-6 AWG	9.320	2.410	2.770	400	5/16	2
350 MCM-6 AWG	10.370	2.410	2.770	400	5/16	2
350 MCM-6 AWG	12.470	2.410	2.770	400	5/16	2
350 MCM-6 AWG	14.570	2.410	2.770	400	5/16	1



POLARIS™ INSULATED CONNECTORS
Multi-Conductor With
Mounting Holes,
Either Side Wire Entry
IPLMD SERIES CONT'D



FEATURES

- Wire entry ports on both sides of the connector allow for access from either side.
- Supplied with removable access plugs to close the entry port not being used.
- The mounting holes at each end of the connector allow for direct isolated mounting to the trough, panel or wireway.
- Insulated with high-dielectric strength plastisol.
- Molded for precise fit and supplied with removable access plugs over the hex screws.
- Eliminates the need for cover and taping.
- Abrasion and chemical resistant. UV resistant.
- Will not support combustion.

RATINGS



UL Listed 486B Wire Connector.

TEMPERATURE RATING/VOLTAGE:

AL9CU. Cold temperature rated to -45°C, rated 600V, 90°C.

WIRE TYPE:

Dual rated for use with copper and/or aluminum cables. Not recommended for fine-stranded, flexible wire.

MOUNTING:

Mounting holes will accept a 1/4" bolt for 3/0 AWG and a 5/16" bolt for 250 MCM and 350 MCM.

All dimensional data is listed in inches.

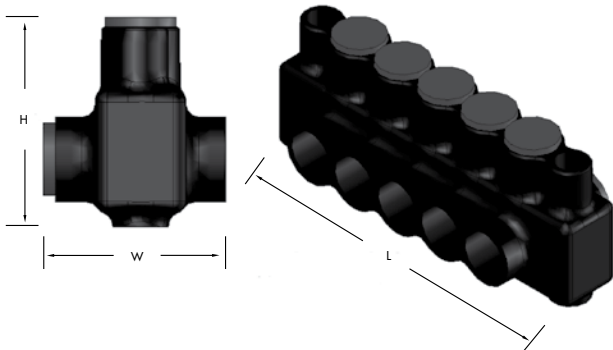
CAT. NO.	NO. OF PORTS
IPLMD500-3	3
IPLMD500-4	4
IPLMD500-5	5
IPLMD500-6	6
IPLMD500-7	7
IPLMD500-8	8
IPLMD500-9	9
IPLMD500-10	10
IPLMD500-12	3
IPLMD600-3	3
IPLMD600-4	4
IPLMD600-5**	4
IPLMD600-6**	5
IPLMD600-8**	8
IPLMD600-9**	9
IPLMD600-10**	10
IPLMD600-12**	12
IPLMD750-3*	3
IPLMD750-4*	4
IPLMD750-5*	5
IPLMD750-6*	6
IPLMD750-7*	7
IPLMD750-8*	8
IPLMD750-9*	9
IPLMD750-10*	10
IPLMD750-12*	12

*750 MCM not UL listed

**600 Series are ALC7U and 75°C



WIRE RANGE	LENGTH (L)	WIDTH (W)	HEIGHT (H)	TORQUE VALUE (IN./LBS.)	HEX SIZE	STD. CTN. QTY.
500 MCM-4 AWG	5.510	2.810	3.030	450	5/16	2
500 MCM-4 AWG	6.650	2.810	3.030	450	5/16	2
500 MCM-4 AWG	7.800	2.810	3.030	450	5/16	2
500 MCM-4 AWG	8.940	2.810	3.030	450	5/16	2
500 MCM-4 AWG	9.710	2.810	3.030	450	5/16	2
500 MCM-4 AWG	11.230	2.810	3.030	450	5/16	2
500 MCM-4 AWG	12.480	2.810	3.030	450	5/16	2
500 MCM-4 AWG	13.520	2.810	3.030	450	5/16	1
500 MCM-4 AWG	15.440	2.810	3.030	550	5/16	1
600 MCM-6 AWG	5.880	2.960	3.150	550	5/16	1
600 MCM-6 AWG	7.180	2.960	3.150	550	5/16	
600 MCM-6 AWG	8.480	2.960	3.150	550	5/16	1
600 MCM-6 AWG	9.780	2.960	3.150	550	5/16	1
600 MCM-6 AWG	10.700	2.960	3.150	550	5/16	1
600 MCM-6 AWG	13.610	2.960	3.150	550	5/16	1
600 MCM-6 AWG	14.980	2.960	3.150	550	5/16	1
600 MCM-6 AWG	17.200	2.960	3.150	550	5/16	1
750-250 MCM	6.320	3.410	3.540	550	5/16	1
750-250 MCM	7.750	3.410	3.540	550	5/16	1
750-250 MCM	9.180	3.410	3.540	550	5/16	1
750-250 MCM	10.600	3.410	3.540	550	5/16	1
750-250 MCM	11.650	3.410	3.540	550	5/16	1
750-250 MCM	13.450	3.410	3.540	550	5/16	1
750-250 MCM	15.050	3.410	3.540	550	5/16	1
750-250 MCM	16.300	3.410	3.540	550	5/16	1
750-250 MCM	18.780	3.410	3.540	550	5/16	1



POLARIS™

Submersible Pedestal Connectors

ISPB, ISPC SERIES



FEATURES

- Manufactured from high strength 6061-T6 aluminum alloy, providing premium electrical and mechanical performance.
- Radial tipped set screws reduce conductor strand damage, and the range taking design allows for many sizes and types of conductors – all in one connector.
- Encapsulated in rubber with a nominal thickness of 125 mils. and high dielectric strength.
- ISPC connectors (clear) allow for an easier installation.
- Abrasion and chemical resistant. UV resistant.
- Will not support combustion.

RATINGS

Meets or exceeds ANSI C119.4 Class A specifications

TEMPERATURE RATING/VOLTAGE:

AL9CU. Cold temperature rated to -45°C, rated 600V, 90°C.

WIRE TYPE:

For use with copper and/or aluminum cables.

INSTALLATION INSTRUCTIONS:

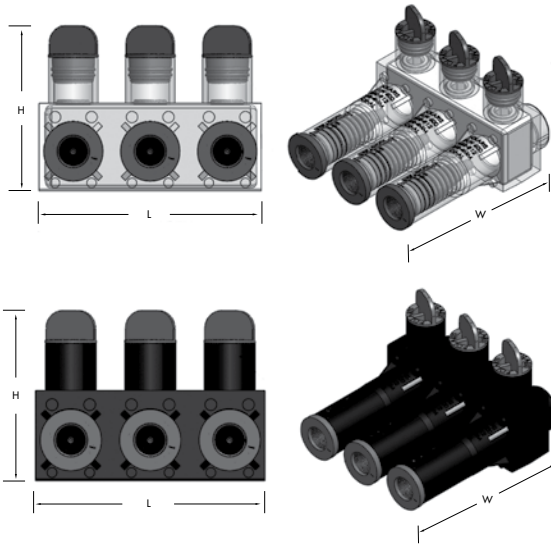
See page 209 for detailed installation information.

All dimensional data is listed in inches.

CAT. NO.	NO. OF PORTS
ISPB350-3	3
ISPB350-4	4
ISPB350-6	6
ISPC350-3	3
ISPC350-4	4
ISPC350-6	6
ISPB600-3	3
ISPB600-4	4
ISPB600-6	6



COLOR	WIRE RANGE	LENGHT (L)	WIDTH (W)	HEIGHT (H)	TORQUE VALUE (IN./LBS.)	HEX SIZE	STD. CTN. QTY.
Black	350 MCM-12 AWG	3.610	4.190	3.060	360	5/16	1
Black	350 MCM-12 AWG	4.800	4.190	3.060	360	5/16	1
Black	350 MCM-12 AWG	7.180	4.190	3.060	360	5/16	1
Clear	350 MCM-12 AWG	3.610	4.190	3.060	360	5/16	1
Clear	350 MCM-12 AWG	4.800	4.190	3.060	360	5/16	1
Clear	350 MCM-12 AWG	7.180	4.190	3.060	360	5/16	1
Black	600 MCM-12 AWG	4.870	5.460	3.130	550	5/16	1
Black	600 MCM-12 AWG	6.560	5.460	3.130	550	5/16	1
Black	600 MCM-12 AWG	9.940	5.460	3.130	550	5/16	1



POLARIS™

Heavy Duty Uninsulated Either Side Wire Entry PLH SERIES



FEATURES

- Connector block is double the size of the standard PL Series connector and there are also two pressure screws provided for each cable to ensure the best connection possible.
- Heavy duty PLH Series connectors are designed, to handle the most demanding applications from 250 MCM to 750 MCM.
- Plated for corrosion resistance.

RATINGS



UL Listed 486B Wire Connector.

TEMPERATURE RATING/VOLTAGE:

AL9CU. Rated 600V, 90°C.

WIRE TYPE:

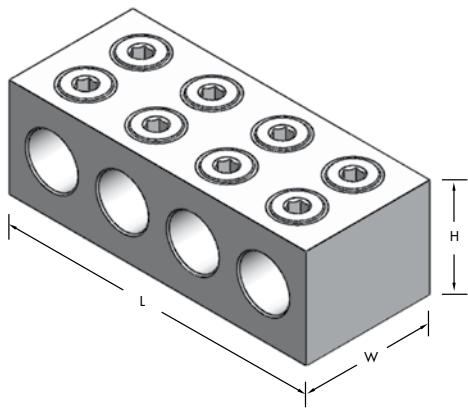
Dual rated for use with copper and/or aluminum cables. Not recommended for fine-stranded, flexible wire.

All dimensional data is listed in inches.

CAT. NO.	NO. OF PORTS
PLH750-6	6
PLH750-10	10



WIRE RANGE	LENGTH (L)	WIDTH (W)	HEIGHT (H)	TORQUE VALUE (IN./LBS.)	HEX SIZE	STD. CTN. QTY.
750-250 MCM	8.850	2.500	2.000	550	5/16	1
750-250 MCM	14.550	2.500	2.000	550	5/16	1



POLARIS™
Uninsulated Multi-Cable
Connectors
PL SERIES



FEATURES

- Connectors are made from 6061-T6 aluminum alloy and are plated for corrosion resistance.
- They are stocked in one hole increments, up to 14 holes and are suitable for use on wire from #4 AWG to 750 MCM.

RATINGS



UL Listed 486B Wire Connector.

TEMPERATURE RATING/VOLTAGE:
 AL9CU. Rated 600V, 90°C.

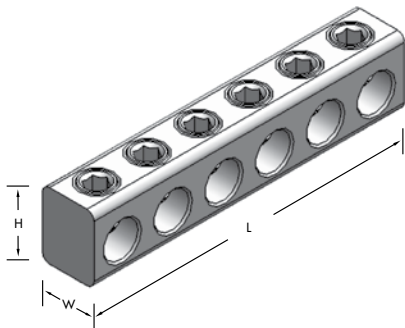
WIRE TYPE:
 Dual rated for use with copper and/or aluminum cables. Not recommended for fine-stranded, flexible wire.

All dimensional data is listed in inches.

CAT. NO.	NO. OF PORTS
PL4-2	2
PL4-3	3
PL4-4	4
PL4-5	5
PL4-6	6
PL4-8	8
PL4-10	10
PL4-14	14
PL1/O-2	2
PL1/O-3	3
PL1/O-4	4
PL1/O-5	5
PL1/O-6	6
PL1/O-7	7
PL1/O-8	8
PL1/O-10	10
PL1/O-14	14
PL3/O-3	3
PL3/O-4	4
PL3/O-5	5
PL3/O-6	6
PL3/O-7	7
PL3/O-8	8
PL3/O-9	9
PL3/O-10	10
PL3/O-12	12
PL3/O-14	14
PL250-2	2
PL250-3	3
PL250-4	4
PL250-5	5
PL250-6	6
PL250-7	7
PL250-8	8



WIRE RANGE	LENGTH (L)	WIDTH (W)	HEIGHT (H)	TORQUE VALUE (IN./LBS.)	HEX SIZE	STD. CTN. QTY.
4-14 AWG	0.880	0.500	0.630	45	Slotted	12
4-14 AWG	1.300	0.500	0.630	45	Slotted	12
4-14 AWG	1.730	0.500	0.630	45	Slotted	12
4-14 AWG	2.150	0.500	0.630	45	Slotted	6
4-14 AWG	2.570	0.500	0.630	45	Slotted	6
4-14 AWG	3.410	0.500	0.630	45	Slotted	6
4-14 AWG	4.260	0.500	0.630	45	Slotted	4
4-14 AWG	5.960	0.500	0.630	45	Slotted	2
1/0-14 AWG	1.350	0.630	0.880	180	3/16	12
1/0-14 AWG	2.000	0.630	0.880	180	3/16	12
1/0-14 AWG	2.650	0.630	0.880	180	3/16	12
1/0-14 AWG	3.300	0.630	0.880	180	3/16	6
1/0-14 AWG	3.950	0.630	0.880	180	3/16	6
1/0-14 AWG	4.610	0.630	0.880	180	3/16	6
1/0-14 AWG	5.250	0.630	0.880	180	3/16	6
1/0-14 AWG	6.550	0.630	0.880	180	3/16	4
1/0-14 AWG	9.150	0.630	0.880	180	3/16	2
3/0-6 AWG	2.380	0.690	0.940	250	1/4	6
3/0-6 AWG	3.160	0.690	0.940	250	1/4	6
3/0-6 AWG	3.940	0.690	0.940	250	1/4	6
3/0-6 AWG	4.720	0.690	0.940	250	1/4	6
3/0-6 AWG	5.490	0.690	0.940	250	1/4	6
3/0-6 AWG	6.280	0.690	0.940	250	1/4	6
3/0-6 AWG	7.050	0.690	0.940	250	1/4	4
3/0-6 AWG	7.840	0.690	0.940	250	1/4	4
3/0-6 AWG	9.400	0.690	0.940	250	1/4	3
3/0-6 AWG	10.960	0.690	0.940	250	1/4	2
250 MCM-6 AWG	1.820	0.880	1.130	360	5/16	6
250 MCM-6 AWG	2.680	0.880	1.130	360	5/16	6
250 MCM-6 AWG	3.550	0.880	1.130	360	5/16	6
250 MCM-6 AWG	4.410	0.880	1.130	360	5/16	6
250 MCM-6 AWG	5.270	0.880	1.130	360	5/16	6
250 MCM-6 AWG	6.140	0.880	1.130	360	5/16	6
250 MCM-6 AWG	6.990	0.880	1.130	360	5/16	6



POLARIS™
Uninsulated Multi-Cable
Connectors
PL SERIES CONT'D



FEATURES

- Connectors are made from 6061-T6 aluminum alloy and are plated for corrosion resistance.
- They are stocked in one hole increments, up to 14 holes and are suitable for use on wire from #4 AWG to 750 MCM.

RATINGS



UL Listed 486B Wire Connector.

TEMPERATURE RATING/VOLTAGE:

AL9CU. Rated 600V, 90°C.

WIRE TYPE:

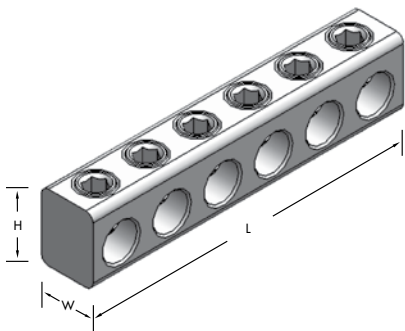
Dual rated for use with copper and/or aluminum cables. Not recommended for fine-stranded, flexible wire.

All dimensional data is listed in inches.

CAT. NO.	NO. OF PORTS
PL250-9	9
PL250-10	10
PL250-11	11
PL250-12	12
PL350-3	3
PL350-4	4
PL350-6	6
PL350-8	8
PL350-10	10
PL500-4	4
PL500-6	6
PL500-7	7
PL500-8	8
PL500-9	9
PL500-10	10
PL750-3	3
PL750-4	4
PL750-6	6
PL750-8	8



WIRE RANGE	LENGTH (L)	WIDTH (W)	HEIGHT (H)	TORQUE VALUE (IN./LBS.)	HEX SIZE	STD. CTN. QTY.
250 MCM-6 AWG	7.860	0.880	1.130	360 IN/LBS	5/16	4
250 MCM-6 AWG	8.720	0.880	1.130	360 IN/LBS	5/16	4
250 MCM-6 AWG	9.580	0.880	1.130	360 IN/LBS	5/16	3
250 MCM-6 AWG	10.450	0.880	1.130	360 IN/LBS	5/16	3
350 MCM-6 AWG	3.220	1.000	1.440	400 IN/LBS	5/16	6
350 MCM-6 AWG	4.270	1.000	1.440	400 IN/LBS	5/16	6
350 MCM-6 AWG	6.370	1.000	1.440	400 IN/LBS	5/16	6
350 MCM-6 AWG	8.470	1.000	1.440	400 IN/LBS	5/16	4
350 MCM-6 AWG	10.570	1.000	1.440	400 IN/LBS	5/16	2
500 MCM-4 AWG	4.860	1.130	1.630	450 IN/LBS	5/16	4
500 MCM-4 AWG	7.145	1.130	1.630	450 IN/LBS	5/16	3
500 MCM-4 AWG	8.280	1.130	1.630	450 IN/LBS	5/16	3
500 MCM-4 AWG	9.440	1.130	1.630	450 IN/LBS	5/16	3
500 MCM-4 AWG	10.570	1.130	1.630	450 IN/LBS	5/16	2
500 MCM-4 AWG	11.730	1.130	1.630	450 IN/LBS	5/16	2
750-250 MCM	4.570	1.440	2.000	550 IN/LBS	3/8	3
750-250 MCM	6.000	1.440	2.000	550 IN/LBS	3/8	3
750-250 MCM	8.850	1.440	2.000	550 IN/LBS	3/8	2
750-250 MCM	11.700	1.440	2.000	550 IN/LBS	3/8	1



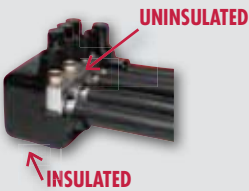
POLARIS™ Custom Designed Connector Blocks

Let us custom engineer and fabricate a UL Listed insulated block system for your next project. Each connector is made with exact hole size and number for the cable runs being used. You may choose to order a customized version of our IPL Series or add one or more of the options listed below.

The combinations we can create and produce are almost unlimited. Connector size can be up to 22" long also available without insulation. We custom design a computer program from your specifications; our engineering and production data and machine your unique connector.

BUILD THE CATALOG NUMBER

Create a custom catalog number, follow the checklist and build your catalog number as you go. Call our sales staff at 800-321-5847 with any questions.

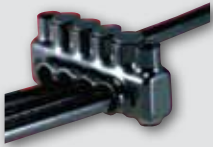


**Insulated/
Uninsulated**

Blocks are covered with a unique plastisol insulation but you are able to have uninsulated.

**INSULATED
BLOCK USE
"I"**

**UNINSULATED
BLOCK USE
"U"**



Mounting

Mounting holes are provided in each end of the connector block and are isolated from the block with insulated sleeves.

**YES
ADD
"M"**

**NO
LEAVE BLANK**

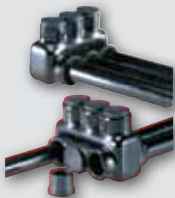
WIRE RANGE	LETTER DESIGNATION
4-14	A
1/0-14	B
3/0-6	C
250-6	D
350-6	E
500-4	F
600	J
750-250	G
1000-500	H

**Ports /
Wire Size**

Ports: How many ports will you need?
____(space for #1)
Wire Size: Choose the letter indicating your wire size from the chart to the left: ____

Single Wire Size:
A. 4 ports 500-4MCM = 4F
Add to the part number: 4F

Multiple:
A. 4 ports 500-4MCM = 4F
B. 6 ports 1/0-14 = 6B
C. 2 ports 2250MCM = 2D
Add to the part number: 4F6B2D



**Same/
Opposite Side**

Cable can enter either side of the connector block, based on your requirements. This eliminates having to bend the secondary cable around the connector.

**YES
ADD
"O"**

**NO
LEAVE BLANK**



Stacked

Wire entry holes on top of the other, allowing the block to be shorter, in length and is ideal for use in small wireways or panels.

**YES
ADD
"S"**

**NO
LEAVE BLANK**



HOW TO BUILD A CUSTOM POLARIS™ CONNECTOR

TORQUE CHART (IN./LBS.)

WIRE SIZE	CONNECTOR SIZE								
	1000	750	600	500	350	250	3/0	1/0	#4
800-1000	550								
750-600	550	550	550						
500	450	450	450	450					
400		425	425	425					
350		400	400	400	400				
250		360	360	360	360	360			
4/0			250	250	250	250			
3/0			250	250	250	250	250		
2/0			180	180	180	180	180		
1/0			180	180	180	180	180	180	
#3-#1			150	150	150	150	150	150	
#4-#6			110	110	110	110	110	110	45
#8								75	40
#10-#14								35	35

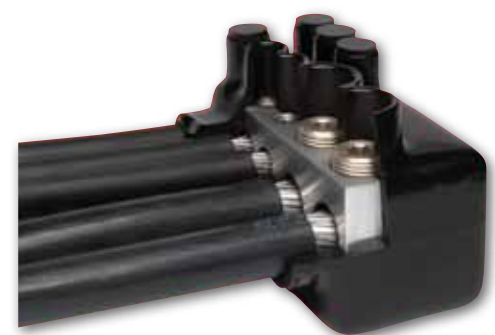
STRIP CHART FOR STANDARD CONNECTORS

CONNECTOR SIZE	STRIP LENGTH	BOLT DIA. FOR MOUNTING
750 H	3.250	5/16
ISRH 750	2.312	5/16
750 MCM	2.000	5/16
600 MCM	1.625	5/16
500 MCM	1.625	5/16
350 MCM	1.375	5/16
250 MCM	1.250	5/16
ISR 250	1.125	5/16
3/0 AWG	1.000	1/4
1/0 AWG	0.875	1/4
4 AWG	0.689	3/16

ACCESSORIES

CATALOG NO.	UPC CODE	DESCRIPTION	CONNECTION SIZE	STD. CNT. QTY.
SP-4	95201	Set screw covers	4 AWG	15
SP-1/0	95202	Set screw covers	1/0 AWG	15
SP-3/0	95203	Set screw covers	3/0 AWG	15
SP-250	95204	Set screw covers	250 MCM	12
SP-350	95205	Set screw covers	350 MCM	10
SP-500	95206	Set screw covers	500 MCM	8
SP-600	78940	Set screw covers	600 MCM	6
SP-750	95207	Set screw covers	750 MCM	6
CP-3/0	95210	Cable port plugs	3/0 AWG	15
CP-250	95211	Cable port plugs	250 MCM	10
CP-350	95212	Cable port plugs	350 MCM	8
CP-500	95213	Cable port plugs	500 MCM	6
CP-600	78943	Cable port plugs	600 MCM	4
CP-750	95214	Cable port plugs	750 MCM	4

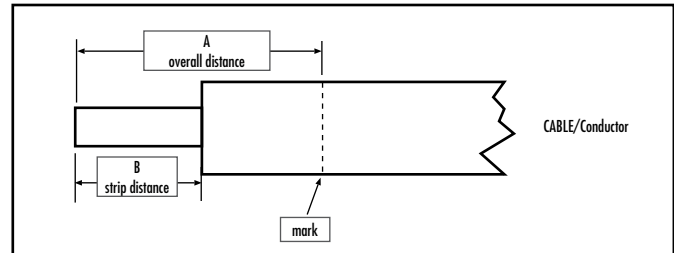
POLARIS™



POLARIS BLUE™ SUBMERSIBLE & DIRECT BURIAL CONNECTORS

1. Refer to the installation chart on the other side for; overall distances, strip lengths, and tightening torque values.
2. Conductor must have insulation acceptable for direct burial.
3. Wipe off any foreign material (dirt, water, oil, etc.) on insulation of conductor to be spliced.
4. Mark the conductor insulation with the proper overall distance for the connector model number being used.
5. Mark the conductor insulation with the proper strip length for the connector model number being used.
6. Remove the conductor insulation up to the marked strip length, be sure not to "score" or "nick" the conductor.
7. Using the oxide inhibitor provided, lubricate the conductor insulation by lightly coating the exposed conductor and insulation up to the marked overall distance.
*****NOTE: Step 7 is optional, but will make installation quick and easy.*****
8. Back off pressure screws enough to allow the stripped conductor to enter the connector block.
9. Insert the conductor into the connector, slide the connector over the conductor until the end of the connector insulation is within 1/8" of the overall mark on the conductor insulation.
10. Tighten the pressure screws to the proper torque value for the connector model number being used.
11. Insert the caps to cover the pressure screws. Press caps firmly into place.
12. Do not alter the connector to the connector insulation in any manner!
13. Use only the pre-installed oxide inhibitor.
14. Caps are not a sealing mechanism in the wire entry ports, all wire entry ports must have a properly sized conductor installed.

PART NO.	WIRE RANGE	(A) OVERALL DISTANCE (IN.)	(B) STRIP LENGTH (IN.)	TIGHTENING TORQUE (IN./LBS.)
ITW 250	250mcm- 4/0 AWG	3 9/16	1 1/8	360
IPLW 250-	250mcm- 4/0 AWG	3 9/16	1 1/8	360
ISW 250	250mcm- 4/0 AWG	3 9/16	1 1/8	360
ITW 3/0-	3/0 AWG-2/0 AWG-1/0 AWG	3 5/16	15/16	250
IPLW 3/0-	3/0 AWG-2/0 AWG-1/0 AWG	3 5/16	15/16	250
ISW 3/0	3/0 AWG-2/0 AWG-1/0 AWG	3 5/16	15/16	250
ITW 1	#1 AWG - #2 AWG	3 1/4	15/16	150
IPLW 1-	#1 AWG - #2 AWG	3 1/4	15/16	150
ISW 1	#1 AWG - #2 AWG	3 1/4	15/16	150
ITW 4	#4 AWG - #6 AWG	3	3/4	45
IPLW 4-	#4 AWG - #6 AWG	3	3/4	45
ISW 4	#4 AWG - #6 AWG	3 1/16	13/16	45

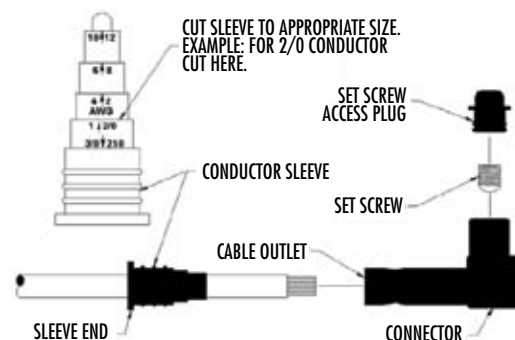


The UL Listing is for stranded wire only, AL-CU 600V maximum.
The connector and insulation are rated for 90° C.
The connectors are intended for Submersible/Direct Burial/Below Grade Applications

INSTALLATION INSTRUCTIONS ISPB & ISPC SUBMERSIBLE CONNECTORS

1. Remove cable insulation 1-1/8" from end of conductor (insulation strip length imprinted on conductor port).
2. Wire brush bare conductor.
3. Remove conductor sleeve from connector.
4. Select and cutoff the correct step end at tip of arrow on the sleeve. Make sure to cut sleeve straight across the end of step. Discard sleeve for 300 and 350 MCM.
5. Reinsert the conductor sleeve (rocket) if required.
6. Remove set screw access plug and loosen set screw to allow cable insertion.
7. Insert conductor into the cable outlet or rocket until conductor hits the back of the connector and tighten set screw to the recommended torque (table 1).
8. Replace set screw access plug.

CONDUCTOR RANGE	INCH-POUNDS
#12 - #6	135
#4 - 3/0	210
4/0 - 350	360





ASSEMBLY OF POLARIS GREY™ CONNECTORS

Wire insulation must be stripped in accordance with the Standard Connector Strip Length Chart below. The wire insulation on a properly installed connector must be inside the conductor port no less than 3/8 inch. Pressure screws MUST be secured at the torque value given on the Torque Charts corresponding to the connector, wire size and classification shown on the reverse side. The UL listing is for stranded wire only, CU 600 Volts maximum for building wiring and 1000 volts maximum for signs or luminaries. The connector and insulation temperature rating is 90°C.

STRIP LENGTH CHART	
CONNECTOR SIZE	STRIP LENGTH (IN)
3/0	1
#1	7/8
#6	11/16

TORQUE CHART FOR POLARIS GREY™ CONNECTORS IN INCH POUNDS

BUILDING WIRE CLASS B, C, D WIRE SIZE AWG												
CONNECTOR	3/0	2/0	1/0	#1	#2	#3	#4	#6	#8	#10	#12	#14
3/0	250	180	180	120	120	120	110					
#1				150	150	150	110	110	75	45		
#6								45	45	45	45	45

FLEXIBLE WIRE CLASS K, M, I WIRE SIZE AWG												
CONNECTOR	3/0	2/0	1/0	#1	#2	#3	#4	#6	#8	#10	#12	#14
3/0		180	180	120	120							
#1					150	150	110	110	75	45		
#6								45	45	45	45	45





SP LICING

EASY-SPLICE™

Wrap-Around Gel Splice Kits WAGS SERIES



FEATURES

- Wrap-around gel splice closure sleeves quickly insulate and seal buried electrical connections rated up to 1,000 volts.
- Engineered to handle direct burial and manhole applications, these splice enclosure sleeves are equally well suited for insulation and jacket repair.
- Simply wrap and snap the sleeve on any cable in the use range.
- The sealant gel in the sleeve seals on contact.
- The splice closure sleeve can be applied on all common compression connectors and low voltage cables, as well as in-line mechanical connectors.

RATINGS

APPLICATION:

Qualified to ANSI C119.1-1986 for underground splicing.

RATING:

Insulate and seal buried electrical connections rated up to 1,000 volts.

A minimum seal length is required on each side of the connector opening or jacket damage.

Use these guidelines for minimum seal distance:

WAGS-4/0 series: 1.50" each side

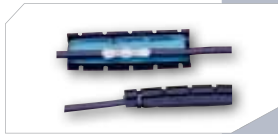
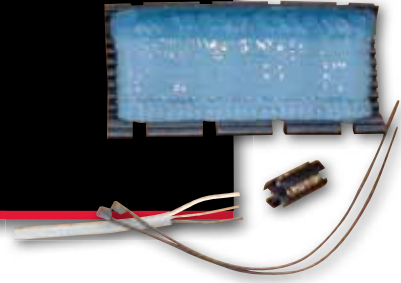
WAGS-500 series: 2.00" each side

WAGS-750 series: 3.00" each side

All dimensional data is listed in inches.

CAT. NO.	CONDUCTOR SIZE	GENERAL USE DIA. LENGTH	SLEEVE LENGTH	MAX. CONDUCTOR OPENING	STD. CTN. QTY.
WAGS-4/0-4	4/0-14 AWG	0.15-0.70 (4-18)	4.00 (100)	1.00 (25)	3
WAGS-4/0-6	4/0-14 AWG	0.15-0.70 (4-18)	6.00 (150)	3.00 (75)	3
WAGS-4/0-8	4/0-14 AWG	0.15-0.70 (4-18)	8.00 (200)	5.00 (125)	3
WAGS-4/0-10	4/0-14 AWG	0.15-0.70 (4-18)	10.00 (250)	7.00 (175)	3
WAGS-500-8	500 MCM-6 AWG	0.30-1.30 (10-33)	8.00 (200)	4.00 (100)	3
WAGS-500-10	500 MCM-6 AWG	0.30-1.30 (10-33)	10.00 (250)	6.00 (150)	3
WAGS-750-10	750-250 MCM	0.80-1.50 (20-38)	10.00 (250)	4.00 (100)	3

EASY-SPLICE™
Wrap-Around
UF Splice Kit
ESUF SERIES



FEATURES

- Wrap-around UF splice kit provides a quick and convenient method of splicing underground feeder (UF) cable.
- Convenient wrap-around design and fast installation. No heating or waiting for compounds to cure.
- The unique sealing gel entirely encapsulates the splice, completely sealing out moisture and other contaminants.
- Kit includes connector and closure.

RATINGS

RATING:
 The splice kit is rated for 600V applications.

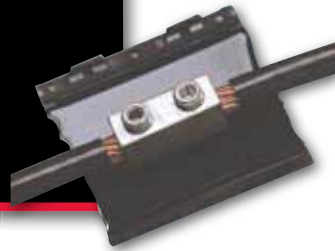
All dimensional data is listed in inches.

CAT. NO.	WIRE RANGE	LENGTH (L)	STD. CTN. QTY.
ESUF	14/2 To 8/3 With Ground	8.000	3

EASY-SPLICE™

In-Line Gel Splice Kit With Connector

ESGS SERIES



FEATURES

- In-line gel splice kit provides a sealed splice for underground, buried and overhead applications.
- Closure offers a fast and simple method for splicing, insulating and environmentally sealing low voltage cable splices.
- Simply install the connector on a copper or aluminum cable, place it in the closure, and snap closed.
- The splice kit is watertight for use in all locations. Sealing and corrosion protection provided by sealant gel.

RATINGS

TEMPERATURE RATING:

-40 °C to 90 °C (-40 °F to 194 °F), 1000V.

APPLICATION:

Qualified to ANSI C119.1-1986 for underground splicing. Insulate and seal buried electrical connections rated up to 1,000 volts.

All dimensional data is listed in inches.

CAT. NO.	WIRE RANGE	LENGTH (L)	WIDTH (W)	HEIGHT (H)	STD. CTN. QTY.
ESGS-4/0	#2 – 4/0 AWG	4.229	1.973	1.097	3

EASY-SPLICE™

Gel Tap Splice Kit With Connector

ESGTS SERIES



FEATURES

- Fast and simple method for connecting, insulating, and environmentally sealing low-voltage splices.
- Designed for underground and overhead environments and is useful for street lighting applications.
- The kit's dual-rated mechanical connector splices a wide range of cables, including copper and aluminum.
- Four port design allows maximum inventory flexibility.
- Sealant gel protects the connection from moisture ingress, corrosion and pollution.
- Hinged splice closure can be installed over the connector in seconds by simply snapping the cover shut.

RATINGS

TEMPERATURE RATING:

-40 °C to 90 °C.

APPLICATION:

Qualified to ANSI C119.1-1986 for underground splicing.

All dimensional data is listed in inches.

CAT. NO.	WIRE RANGE	LENGTH (L)	WIDTH (W)	HEIGHT (H)	STD. CTN. QTY.
ESGTS-2	#14 – #2 AWG	2.750	1.625	1.063	3
ESGTS-2/0	#14 – 2/0 AWG	4.250	2.000	1.188	3

EASY-SPLICE™

Gel Stub Splice Kit With Connector

ESSLK SERIES



FEATURES

- Perfect for street light connections.
- Accepts wires from #14 to 2/0 AWG (feeder cable). Use the single port that accepts #14 to #6 AWG to power the light.
- Specially formulated material provides excellent abrasion resistance, insulation value and UV resistance.
- The cap is clear to allow visual inspection of connector positioning during installation and connector performance during service life.
- Corrosion protection is provided by the sealant gel.

RATINGS



TEMPERATURE RATING:
-40 °C to 90 °C.

APPLICATION:
Gel stub splice kit insulates, seals and protects stub splice connections up to 1,000 volts.

INSTALLATION:
To install, simply push the cover down over the connection and snap the clamp closed.

Kit includes a UL listed connector for use with copper and/or aluminum conductors, a gel filled cap and a cap clamp.

All dimensional data is listed in inches.

CAT. NO	WIRE RANGE		LENGTH (L)	WIDTH (W)	HEIGHT (H)	TORQUE VALUE		STD. CTN. QTY.
	HOLE A	HOLE B				HOLE A	HOLE B	
ESSLK-2/O	14-2/0 AWG	6-14 AWG	2.760	1.660	1.185	120-180IN/ Lbs	120-150IN/ Lbs	3

TESTING	TEST CONDITIONS
Chemical Resistance	Astm D543, Sulfuric Acid, Sodium Hydroxide, Transformer And Motor Oil
Ozone Resistance	Astm D1149, 120 Hours @ 40°C, 50Pphm
Accelerated Aging	Astm D2671
Uv Resistance	Astm G154, Uvb, 4,000 Hours On/Off Cycle
Abrasion Resistance	2040 Gm Wt., 4,000 Cycles, 5% Max Thickness Loss

EASY-SPLICE™

H-Tap Gel Splice Covers With Connector

ESGHS SERIES



FEATURES

- Low-voltage H-frame closure insulates and seals low-voltage cable-taps and and splices made with H-frame compression connectors.
- The closure utilizes sealing gel material to seal and protect the connection from moisture ingress, corrosion and pollution.
- H tap gel splice covers do not include connector.

RATINGS

TEMPERATURE RATING:

-40 °C to 90 °C.

1000V, UV resistant.

Qualified to ANSI C119.1-1986 for underground splicing.

APPLICATION:

The low-voltage H-frame closure is ideal for both underground and overhead applications and is especially useful for street lighting applications.

INSTALLATION:

To install, simply place the connection on the closure and press the closure together.

All dimensional data is listed in inches.

CAT. NO.	WIRE RANGE		LENGTH (L)	WIDTH (W)	HEIGHT (H)	STD. CTN. QTY.
	MAIN	TAP				
ESGHS-BG	6-2 AWG	14-8 AWG	2.700	1.583	1.055	3
ESGHS-O	2-2/0 AWG	14-6 AWG	4.230	1.988	1.083	3
ESGHS-N	350 MCM	4/0 AWG	6.000	3.240	2.110	3

ESGHS-O APPROVED CONNECTORS

Blackburn WR139	Burndy YHO-1	Homac OB22	NSi WRD139	T&B 63110
Blackburn WR159	Burndy YHO-2	Homac OB44	NSi WRD159	UTILCO HT1
Blackburn WR179	Burndy YHO 100	Homac OB102	NSi WRD179	UTILCO HT2
Blackburn WR199	Burndy YHO 125	Homac OB103	NSi WRD199	
	Burndy YHO 150			

ESGHS-BG APPROVED CONNECTORS

Blackburn WR9	NSi WR9
Burndy YPC2A8U	T&B 63105
Homac UB214	

EASY-SPLICE™

Push-On Gel Stub Splice Kits

GSS SERIES



FEATURES

- Quickly and conveniently insulate, seal, and protect stub splice connections up to 1,000 volts.
- Specially formulated material provides excellent abrasion resistance, insulation value, and UV resistance.
- Each cap size is designed to fit a wide range of cable sizes, the expandable design keeps the cap as small as possible allowing it to expand only as much as needed to fit.
- The GSS-10 kit is designed for three phases in one cap.
- It includes one gel filled cap, one cap clamp, and one phase separator.
- The remaining kits include three of each – one per phase.

RATINGS



TEMPERATURE RATING:
105 °C.

APPLICATION:

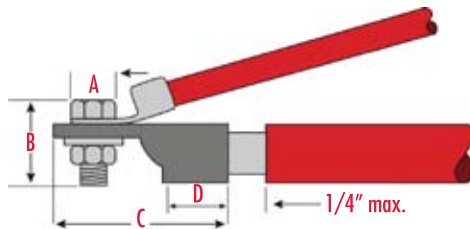
Insulate, seal, and protect stub splice connections up to 1,000 volts. The robust yet compact design is engineered to handle the harsh environment of motor and many other connection applications (including street lights).

INSTALLATION:

GSS connector kits provide the fastest installation. Simply slide the cover down over the connection and snap the clamp closed. Sealant gel is already in the cap.

All dimensional data is listed in inches.

CAT. NO.	WIRE RANGE	MAX. BOLT DIMENSION WIDTH (A)	MAX. BOLT DIMENSION LENGTH (B)	MAX. LUG DIMENSION TOTAL LENGTH (C)	MAX. LUG DIMENSION BARREL LENGTH (D)	STD. CTN. QTY.
GSS-10	16-10 AWG	0.375	0.500	1.000	0.500	5
GSS-2	8-2 AWG	0.625	1.000	2.000	1.000	5
GSS-4/0	2-4/0 AWG	0.850	1.300	3.000	1.500	5
GSS-500	250-500 MCM	1.100	1.850	5.000	2.000	5



EASY-SPLICE™

Direct Burial Roll-On Splice Sleeve

ROS SERIES



FEATURES

- Easy "roll-on" way to insulate and seal cable connections up to 1,000 volts.
- The gripping force of the EPDM elastomer combines with high performance sealant to form a water resistant, UV resistant insulating sleeve appropriate for direct burial application over in-line compression connectors.
- Ideal for use where gas or electric heating devices are not approved.
- RUS accepted for use as a secondary tap or splice cover.
- Each kit includes one Easy-Splice sleeve and sealant strips.

RATINGS



RATING:

Qualified to ANSI C119.1-1986. CSA certified to C22.2 No. 198.2. UL 486D listed, suitable for direct burial.

APPLICATION:

For use on standard poly or elastomeric-insulated cables. Insulates and seals in-line compression connectors or terminal lugs. Cable can be energized immediately.

All dimensional data is listed in inches.

CAT. NO.	WIRE RANGE	CABLE O.D.	SLEEVE LENGTH	MAX. CONNECTOR LENGTH	STD. CTN. QTY.
ROS-2/0	8-2/0 AWG	0.22-0.68	8.00	5.00	5
ROS-250	1/0 AWG-250 MCM	0.50-0.90	9.50	4.50	5
ROS-600	250-600 MCM	0.70-1.20	12.00	7.00	5



EASY-SPLICE™

Direct Burial Splice Kit With Rubber Cover

RSK SERIES



FEATURES

- Dual-rated for use with copper and aluminum cable, these kits consist of an in-line mechanical set screw connector pre-filled with oxide inhibitor, and an EPDM rubber insulating cover to ensure a watertight seal.

RATINGS



RATING:
600V.

APPLICATION:

street lights, motor connection, irrigation systems, HVAC, outdoor lighting, and over wire nuts for a secure seal.

All dimensional data is listed in inches.

CAT. NO.	WIRE RANGE	CONNECTOR LENGTH	STD. CTN. QTY.
RSK-2/0	#14 – 2/0 AWG	1.880	12
RSK-350	#6 AWG – 350 MCM	3.000	6
RSK-500	2/0 AWG – 500 MCM	3.190	6
RSK-750	250 MCM – 750 MCM	6.250	3

EASY-SPLICE™

Self Sealing UF Splice Kit and Hot Melt Sealant Sleeves

SKSS & HMSS Series



SELF SEALING UF SPLICE KIT

- Fully waterproof, submersible and re-enterable splice, through the use of uniquely designed interference fit covers.
- Kit comes complete with a connector, silicone and cover AWG UF cable.

All dimensional data is listed in inches.

NO. OF CONDUCTORS	CAT. NO.	WIRE RANGE	CONNECTOR LENGTH	STD. CTN. QTY.
2	SKSS-2	14/2-10/2	9.500	12
3	SKSS-3	14/3-10/3	9.500	12

HOT MELT SEALANT SLEEVES

- Used to provide a cable block in multi-conductor cables.



RATINGS

INSTALLATION:

Use a minimum of one sleeve for every two cable conductors. Install HWHS or CRS product over HMSS sealant sleeves to melt sealant sleeves and provide cable block.

All dimensional data is listed in inches.

CAT. NO.	LENGTH	INSIDE DIA.	NO. OF SLEEVES/CONDUCTOR	STD. CTN. QTY.
HMSS-4-40	1.75	0.160	#24 – #20 AWG: Use 1 Sleeve/ 2 Conductors	100
	1.75	0.160	#14 – #12 AWG: Use 1 Sleeve/ Conductor	100

Direct Burial/ Submersible Splice Kits With Heat Shrink

SK SERIES



FEATURES

1. COPPER BUTT SPLICE KITS

- Mechanical copper butt splice and a heavy wall heat shrink tubing to create a fully insulated splice for copper conductors only.

3. UF CABLE SPLICE KIT

- For simplified splicing of UF cable designed with heavy wall heat shrink with sealant. This kit will accommodate 14/3 through 8/3 with ground UF cable and create a direct burial splice. Contains one four-position connector.

2. DUAL RATED BUTT SPLICE KITS

Mechanical dual rated splice and matched heavy wall heat shrink tubing to create an insulated splice for copper and/or aluminum cables.

4. UF STRETCHER KIT

Eliminates the need for using two connectors and a short piece of cable when repairing damaged UF cable. Includes one 11.5" connector that will accommodate 14/3 without GRD minimum and 8/3 with GRD maximum. 600 Volt, 105°C. Utilizes heavy wall shrink with sealant for a quick and reliable repair.

RATINGS



TEMPERATURE RATING:

105 °C.
600V Max.



All dimensional data is listed in inches.

CAT. NO.	FIG. NO.	RANGE	STD. CTN. QTY.
SKCB-8	1	#14 to #8 AWG	24
SKCB-2	1	#8 to #2 AWG	24
SKAB-2	2	#8 to #2 AWG	24
SKAB-0	2	#6 to 1/0 AWG	24
SKAB-250	2	1/0 AWG to 250 MCM	12
SKDB	3	14/3 to 8/3	24
SKUF	4	14/3 Without Ground To 8/3 With Ground	12

EASY-SPLICE™
Heat Shrinkable
End Caps
HSC SERIES



FEATURES

- These caps replace greases, tapes, epoxy, encapsulation, or dips. In most sizes, installation may be accomplished in less than one minute.
- Heat-shrinkable end caps provide for efficient and positive cable end sealing.
- Made of thermally stabilized polyolefin, the interior of the HSC is coated with a meltable sealant to assure a watertight seal, complete insulation, abrasion and corrosion resistance.
- Seals may be affected over lead, steel, aluminum, copper and all standard plastic and elastomeric insulating materials and conduit.
- HSC end sealing caps can be used as a live seal for cables carrying up to 1,000V.
- They can also be used as end seals for storing and pulling de-energized cable.

RATINGS

HSC end sealing caps are qualified to ANSI C119.1-1986 and rated to ICEA electrical withstand test for 1,000 volts.

All dimensional data is listed in inches.

CAT. NO.	CONDUCTOR SIZE	GENERAL USE RANGE		STD. CTN. QTY.
		MAX.	MIN.	
HSC-70	6-3/0 AWG	0.700	0.300	10
HSC-125	4/0 AWG-750 MCM	1.250	0.650	10
HSC-195	750-1500 MCM	1.950	1.050	10
HSC-450	—	4.500	2.950	2

EASY-SPLICE™

Heavy Wall Heat Shrink For Direct Burial And Submersible HWHS SERIES



FEATURES

- Made of specially formulated polyolefin irradiated and thermally stabilized to give the material "elastic memory."
- When a proper amount of heat is directly applied to the shrink sleeve, it will permanently shrink to its original unexpanded diameter tightly cover and "mold" itself into irregular shapes
- The interior of the sleeve is coated with an adhesive that assures a watertight seal after shrinking
- For use on standard poly- or elastomeric-insulated/jacketed cables or lead-jacketed cables, which may include aluminum or steel armoring.
- RUS accepted for use as a secondary tap or splice cover. May be used for jacket repair on cables up to 35 kV
- Heavy wall heat shrink is also available without sealant. Medium wall heat shrink and flame retardant heavy wall heat shrink also available, with or without sealant (not UL Listed)

RATINGS



UL 486D Listed
CSA C22.2

TEMPERATURE RATING:
121-135 °C, 1000V.

APPLICATION:
Qualified to ANSI C119.1-1986 for underground splicing. Insulate and seal buried electrical connections rated up to 1,000 volts.

CONNECTORS UP TO 6 INCHES:
Recommended cut length = Connector length + 4 inches.

CONNECTORS OVER 6 INCHES:
Recommended cut length = Connector length + 5 inches.

All dimensional data is listed in inches.

CAT. NO.	SEALABLE WIRE RANGE
HWHS14-6-6	14-6 AWG
HWHS14-6-12	14-6 AWG
HWHS14-6-48	14-6 AWG
HWHS8-2-6	8-2 AWG
HWHS8-2-12	8-2 AWG
HWHS8-2-48	8-2 AWG
HWHS6-40-4	6-4/0 AWG
HWHS6-40-6	6-4/0 AWG
HWHS6-40-9	6-4/0 AWG
HWHS6-40-12	6-4/0 AWG
HWHS6-40-48	6-4/0 AWG
HWHS2-500-4	2 AWG - 500 MCM
HWHS2-500-6	2 AWG - 500 MCM
HWHS2-500-8	2 AWG - 500 MCM
HWHS2-500-9	2 AWG - 500 MCM
HWHS2-500-12	2 AWG - 500 MCM
HWHS2-500-48	2 AWG - 500 MCM
HWHS20-750-6	2/0 AWG - 750 MCM
HWHS20-750-9	2/0 AWG - 750 MCM
HWHS20-750-12	2/0 AWG - 750 MCM
HWHS20-750-48	2/0 AWG - 750 MCM
HWHS250-1000-6	250-1000 MCM
HWHS250-1000-9	250-1000 MCM
HWHS250-1000-12	250-1000 MCM
HWHS250-1000-48	250-1000 MCM
HWHS500-1500-9	500-1500 MCM
HWHS500-1500-12	500-1500 MCM
HWHS500-1500-48	500-1500 MCM
HWHS800-2000-12	800-2000 MCM
HWHS800-2000-48	800-2000 MCM
HWHS1500-2500-12	1500-2500 MCM
HWHS1500-2500-48	1500-2500 MCM



LENGTH	GENERAL USE RANGE		MAX. CONNECTOR O.D.	MIN. SEAL LENGTH PER SIDE	STD. CTN. QTY.
	RECOVERED	EXPANDED			
6	0.130	0.390	0.290	1.500	3
12	0.130	0.390	0.290	1.500	3
48	0.130	0.390	0.290	1.500	3
6	0.170	0.550	0.410	2.000	3
12	0.170	0.550	0.410	2.000	3
48	0.170	0.550	0.410	2.000	3
4	0.250	0.860	0.690	2.000	3
6	0.250	0.860	0.690	2.000	3
9	0.250	0.860	0.690	2.000	3
12	0.250	0.860	0.690	2.000	3
48	0.250	0.860	0.690	2.000	3
4	0.350	1.220	1.060	2.000	3
6	0.350	1.220	1.060	2.000	3
8	0.350	1.220	1.060	2.000	3
9	0.350	1.220	1.060	2.000	3
12	0.350	1.220	1.060	2.000	3
48	0.350	1.220	1.060	2.000	3
6	0.510	1.730	1.300	2.000	3
9	0.510	1.730	1.300	2.000	3
12	0.510	1.730	1.300	2.000	3
48	0.510	1.730	1.300	2.000	3
6	0.700	1.960	1.500	2.000	3
9	0.700	1.960	1.500	2.000	3
12	0.700	1.960	1.500	2.000	3
48	0.700	1.960	1.500	2.000	3
9	0.860	2.480	1.840	2.500	3
12	0.860	2.480	1.840	2.500	3
48	0.860	2.480	1.840	2.500	3
12	1.290	3.930	-	2.500	3
48	1.290	3.930	-	2.500	3
12	1.490	4.640	-	2.500	3
48	1.490	4.640	-	2.500	3

EASY-SPLICE™
Thin-Wall Heat
Shrink Kits
TWHS SERIES



FEATURES

- Kits have been carefully constructed to include the most common sizes and types in their category.
- Cases are made of extremely durable polypropylene and have heat sealed hinges.
- Kits provide the ultimate in organization and convenience.
- Clearly labeled on the inside lid for easy recognition.
- Convenient size for easy carrying and easy storing.

All dimensional data is listed in inches.

KIT CAT. NO.	KIT CONTENTS		LENGTH	STD. CTN. QTY.
	CAT. NO.	QTY.		
THK	TWHS-125-6	25	6	1
	TWHS-187-6	25		1
	TWHS-250-6	20		1
	TWHS-375-6	12		1
	TWHS-500-6	7		1
	TWHS-750-6	5		1

EASY-SPLICE™
Heavy Wall Heat
Shrink kits
HHK SERIES



FEATURES

- Kits have been carefully constructed to include the four most common sizes of heavy wall heat shrink 6" lengths.
- Sealant included.

RATINGS



All dimensional data is listed in inches.

KIT CAT. NO.	CAT. NO.	SEALABLE WIRE RANGE	LENGTH	GENERAL USE RANGE		MAX. CONNECTOR O.D.	MIN. SEAL LENGTH PER SIDE	STD. CTN. QTY.
				RECOVERED	EXPANDED			
HHK	HWHS 8-2-6	8-2 AWG	6	0.170	0.550	0.410	2.000	9
	HWHS 6-40-6	6-4/0 AWG	6	0.250	0.860	0.690	2.000	3
	HWHS 2-500-6	2 AWG - 500 MCM	6	0.350	1.220	1.060	2.000	3
	HWHS 20-750-6	2/0 AWG - 750 MCM	6	0.510	1.730	1.300	2.000	3

EASY-SPLICE™

Thin-Wall Tubing

TWHS SERIES



FEATURES

- Flexible flame-retardant, thin wall, general purpose heat-shrinkable polyolefin tubing has a 2:1 shrink ratio.
- Used for electrical insulation, wire harness bundling, wire jacket marking and color coding, it also splices and makes functional terminations.
- Standard packaging is either 6" lengths in blister boxes, or in economical 25' spools. Available in black.
- Black, white and colored thin wall tubing meet MIL-DTL-23053/5, Class 1.
- Clear meets MIL-DTL-23053/5, Class 2 and is not flame retardant.

RATINGS

UL Recognized to Standard 224.

TEMPERATURE RATING:

125 °C.

600V Max.

CAT.
NO.

TWHS-046-6

TWHS-046-48

TWHS-063-6

TWHS-063-48

TWHS-063-25B

TWHS-093-6

TWHS-093-48

TWHS-093-25B

TWHS-125-6

TWHS-125-48

TWHS-125-25B

TWHS-187-6

TWHS-187-48

TWHS-187-25B

TWHS-187

TWHS-250-6

TWHS-250-48

TWHS-250-25B

TWHS-250



EXPANDED I.D.	RECOVERED I.D.	NOMIINAL RECOVERED WALL THICKNESS	LENGTH (IN/FT)	STD. CTN. QTY.
0.046	0.230	0.016	6"	15
0.046	0.230	0.016	48"	1
0.063	0.031	0.017	6"	15
0.063	0.031	0.017	48"	1
0.063	0.031	0.017	25' Spool	1
0.093	0.046	0.020	6"	15
0.093	0.046	0.020	48"	1
0.093	0.046	0.020	25' Spool	1
0.125	0.062	0.020	6"	15
0.125	0.062	0.020	48"	1
0.125	0.062	0.020	25' Spool	1
0.187	0.093	0.020	6"	12
0.187	0.093	0.020	48"	1
0.187	0.093	0.020	25' Spool	1
0.187	0.093	0.020	1,000' Spool	1
0.250	0.125	0.025	6"	10
0.250	0.125	0.025	48"	1
0.250	0.125	0.025	25' Spool	1
0.250	0.125	0.025	500' Spool	1

EASY-SPLICE™

Thin-Wall Tubing

TWHS SERIES CONT'D



FEATURES

- Flexible flame-retardant, thin wall, general purpose heat-shrinkable polyolefin tubing has a 2:1 shrink ratio.
- Used for electrical insulation, wire harness bundling, wire jacket marking and color coding, it also splices and makes functional terminations.
- Standard packaging is either 6" lengths in blister boxes, or in economical 25' spools. Available in black.
- Black, white and colored thin wall tubing meet MIL-DTL-23053/5, Class 1.
- Clear meets MIL-DTL-23053/5, Class 2 and is not flame retardant.

RATINGS

UL Recognized to Standard 224.

TEMPERATURE RATING:

125 °C.

600V Max.

CAT.
NO.

TWHS-312-6

TWHS-312-48

TWHS-312

TWHS-375-6

TWHS-375-48

TWHS-375-25B

TWHS-375

TWHS-500-6

TWHS-500-48

TWHS-500-25B

TWHS-500

TWHS-750-6

TWHS-750-48

TWHS-750-25B

TWHS-750-25B

TWHS-750

TWHS-1000-6

TWHS-1000-48

TWHS-1000-25B

TWHS-1000

TWHS-1500-48

TWHS-1500-25B

TWHS-2000-48

TWHS-2000-25B



EXPANDED I.D.	RECOVERED I.D.	NOMIINAL RECOVERED WALL THICKNESS	LENGTH (IN/FT)	STD. CTN. QTY.
0.312	0.156	0.025	6"	10
0.312	0.156	0.025	48"	1
0.312	0.156	0.025	200' Spool	1
0.375	0.187	0.025	6"	9
0.375	0.187	0.025	48"	1
0.375	0.187	0.025	25' Spool	1
0.375	0.187	0.025	200' Spool	1
0.500	0.250	0.025	6"	8
0.500	0.250	0.025	48"	1
0.500	0.250	0.025	25' Spool	1
0.500	0.250	0.025	200' Spool	1
0.750	0.375	0.030	6'	6
0.750	0.375	0.030	48'	1
0.750	0.375	0.030	25' Spool	1
0.750	0.375	0.030	25' Spool	1
0.750	0.375	0.030	100' Spool	1
1.000	0.500	0.035	6"	4
1.000	0.500	0.035	48"	1
1.000	0.500	0.035	25' Spool	1
1.000	0.500	0.035	100' Spool	1
1.500	0.750	0.040	48"	1
1.500	0.750	0.040	25' Spool	1
2.000	1.000	0.045	48"	1
2.000	1.000	0.045	25' Spool	1





GROUNDING

GROUND CLAMPS
Heavy Duty Direct Burial
with Lay-in Lugs
GLC SERIES



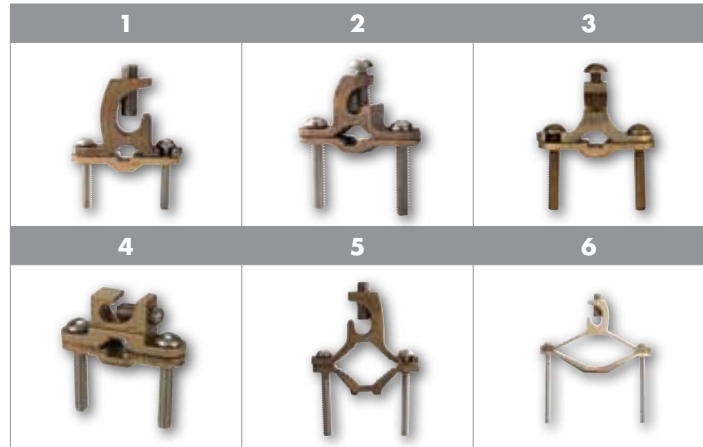
HEAVY DUTY DIRECT BURIAL W/LAY-IN



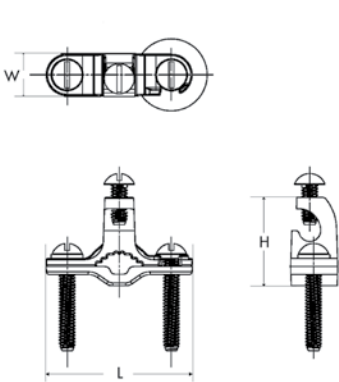
- The ultimate ground clamp for large ground wires. This incredible ground clamp can handle just about any size ground wire and just about any application.
- Lay-in feature provides for the ultimate in flexibility. Convenient and pre-assembled screws are 304 stainless steel.
- Available with silicon bronze screws by adding suffix of SB.

APPLICATION:

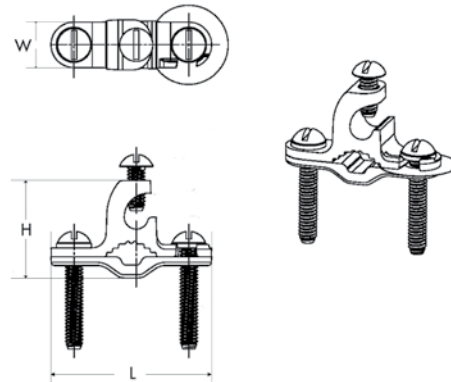
- UL Listed for direct burial in earth and concrete, it can be used with rebar, copper water pipe, copper tubing and ground rods up to 1 inch in diameter.
- cULus Listed 467 Grounding and Bonding.



GLC-12 RDB



GLC-12 DB



All dimensional data is listed in inches.

CAT. NO.	FIG. NO.	PIPE SIZE (IPS)	GROUND WIRE RANGE	REBAR SIZE	GROUND ROD SIZE	LENGTH (L)	WIDTH (W)	HEIGHT (H)	STD. CTN. QTY.
GLC-140DB	1	1/2-1	8 STR-4/0 STR	3/8-1	1/2-1	2.551	0.784	2.132	10
GLC-12 DB	2	1/2-1	#10-2 STR	3/8-1	1/2-1	2.281	0.714	1.382	25
GLC-12 RDB	3	1/2-1	#10-2 STR	3/8-1	1/2-1	2.283	0.670	1.385	25
GLC-12 HDB	4	1/2-1	#10-2 STR	3/8-1	1/2-1	2.362	0.708	1.200	25
GLC-240DB	5	1 1/4-2	#8-4/0 STR	-	-	3.319	0.693	3.190	6
GLC-440DB	6	2 1/2-4	#8-4/0 STR	-	-	5.688	0.823	3.743	3

GROUNDING

GROUND CLAMPS Copper & Tin Plated Copper Lay-in Lugs GLC SERIES



FEATURES

- Lay-in lugs are used for grounding or in continuous loop bonding and are available in several variations, depending on the application.
- **GLC-4**
Has a copper body with a steel screw and is used for general grounding applications with copper wire.
- **GLC-4 DB/GLC-4 DBP**
Have copper bodies with stainless steel screws and are UL Listed for direct burial in earth or concrete with copper wire.
- cULus Listed 467 Grounding and Bonding.



RATINGS



All dimensional data is listed in inches.

CAT. NO.	FIG. NO.	MATERIAL	WIRE RANGE	USE	LENGTH (L)	WIDTH (W)	HEIGHT (H)	STD. CTN. QTY.
GLC-4	1	copper with steel screws	4 -14 AWG	general use for CU wire only	1.312	0.396	0.908	100
GLC-4 DB	1	copper with stainless steel screws	4 -14 AWG	direct burial for CU wire only	1.312	0.396	0.908	100
GLC-4 DBP	2	tin-plated copper with stainless steel screws	4 -14 AWG	direct burial for CU wire only	1.312	0.396	0.908	100

GROUND CLAMPS

Heavy Duty Direct Burial Ground Clamps, Direct Burial for Rebar

G-S-DB, G-S-BS SERIES

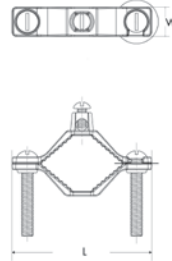


HEAVY DUTY DIRECT BURIAL

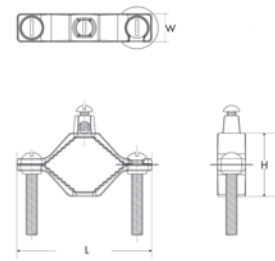
- UL Listed for direct burial in earth or concrete.
- Screws are 304 stainless steel.
- cULus Listed 467 Grounding and Bonding.



G-1-S-DB



G-2-S-DB



All dimensional data is listed in inches.

CAT. NO.	PIPE SIZE (IPS)	GROUND WIRE BOLT SIZE	GROUND CLAMP BOLT SIZE	GROUND WIRE RANGE	LENGTH (L)	WIDTH (W)	HEIGHT (H)	STD. CTN. QTY.
G-1-S-DB*	1/2-1	1/4"-20 x 1/2"	1/4"-20 x 1.50"	10 SOL – 2 STR	2.280	0.650	1.400	20
G-2-S-DB*	1 1/4-2	1/4"-20 x 1/2"	5/16"-18 x 2"	10 SOL – 2 STR	3.600	0.750	1.690	10

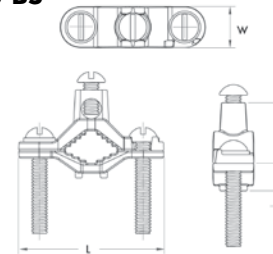
*Available with silicon bronze screws by adding suffix of -SB.

DIRECT BURIAL FOR REBAR

- Used to connect bare copper wire to copper water pipe, ground rods and rebar for bonding.
- Assembled with copper alloy screws and UL Listed for direct burial in earth and concrete.
- Can accommodate ground wires up to 2 AWG.
- cULus Listed 467 Grounding and Bonding.



G-2-S-BS



All dimensional data is listed in inches.

CAT. NO.	PIPE SIZE (IPS)	REBAR SIZE	GROUND WIRE RANGE	GROUND WIRE BOLT SIZE	GROUND CLAMP BOLT SIZE	LENGTH (L)	WIDTH (W)	HEIGHT (H)	STD. CTN. QTY.
G-2-S BS	1 1/4-2	3/8 - 1	10 SOL-2 STR	1/4-20 x 1/2"	5/16-18 x 2"	3.600	0.750	1.690	10
G-4-S BS	2 1/2-4	3/8 - 1	10 SOL-2 STR	1/4-20 x 1/2"	3/8-16 x 4"	6.350	0.970	3.750	6

GROUND CLAMPS
Heavy Duty Direct Burial
& with Adapters
G & G-DB SERIES



EXTRA HEAVY DUTY DIRECT BURIAL



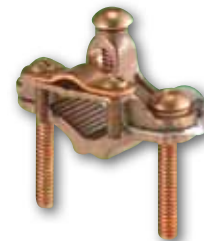
- This incredible ground clamp can handle just about any size ground wire and just about any application.
- UL Listed for direct burial in earth and concrete, it can be used with rebar, copper water pipe, copper tubing and ground rods up to 1 inch in diameter.
- Assembled with tough, 304 stainless steel screws.
- Will accommodate ground wires from 8 AWG to 4/0 AWG.
- cULus Listed 467 Grounding and Bonding.

All dimensional data is listed in inches.

CAT. NO.	PIPE SIZE (IPS)	GROUND WIRE RANGE	REBAR SIZE	GROUND ROD SIZE	LENGTH (L)	WIDTH (W)	HEIGHT (H)	STD. CTN. QTY.
G-140DB	1	8 STR-4/0 STR	3/8-1	1/2-1	2.362	0.669	1.761	10

*Available with silicon bronze screws by adding suffix of -SB.

DIRECT BURIAL WITH WIRE ADAPTERS

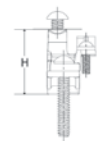
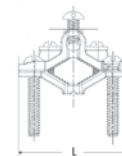


- For connecting wire to copper water pipe for grounding.
- Special pressure bar grips cable armor to lessen chances of grounding conductor being pulled out.
- Assembled with silicon bronze screws.
- UL Listed 467 Grounding and Bonding.

APPLICATION:

- UL Listed for direct burial in earth or concrete.

G-20-DB



All dimensional data is listed in inches.

CAT. NO.	PIPE SIZE (IPS)	GROUND WIRE RANGE	GROUND WIRE BOLT SIZE	GROUND CLAMP BOLT SIZE	LENGTH (L)	WIDTH (W)	HEIGHT (H)	STD. CTN. QTY.
G-20DB	1/2 - 1	4,6,8 STR	1/4 - 20 x 1/2	1/4 - 20 x 1 1/2	2.250	1.000	1.350	20

GROUND CLAMPS
Heavy Duty Direct Burial
& with Adapters
G-S-DBR & G-BS SERIES

HEAVY DUTY BRONZE GROUND CLAMP



- Bronze ground clamp for bonding bare copper wire to copper water pipe.
- Assembled 304 stainless steel screws.
- Available with silicon bronze screws by adding suffix -SB.
- cULus Listed 467 Grounding and Bonding.

All dimensional data is listed in inches.

CAT. NO.	GROUND WIRE RANGE	PIPE SIZE (IPS)	REBAR SIZE	GROUND ROD SIZE	LENGTH (L)	WIDTH (W)	HEIGHT (H)	STD. CTN. QTY.
G-1-SDBR	10 SOL - 2 STR	1/2-1	3/8 - 1	3/8-1	2.280	0.650	1.400	20

HD GROUND CLAMP WITH ADAPTER AND BRASS SCREWS



- Bronze clamps for copper water pipes with bronze adapters.
- Assembled with brass screws.

All dimensional data is listed in inches.

CAT. NO.	GROUND WIRE RANGE	PIPE SIZE	LENGTH (L)	WIDTH (W)	HEIGHT (H)	STD. CTN. QTY.
G-3-BS	8-4/0 STR	1/2-1	2.320	0.748	1.437	20

GROUND CLAMPS

Bronze Ground Clamps & Heavy Duty Water Pipe Clamps

G-S & G SERIES

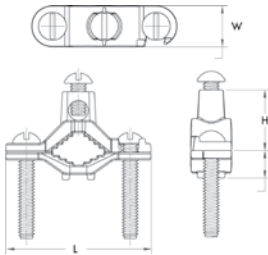


BRONZE GROUND CLAMPS

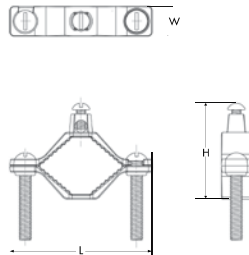


- Bronze ground clamp for bonding bare copper wire to water pipe or for use as a water meter shunt.
- Zinc plated steel screws.

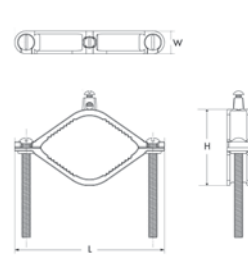
G-1-S



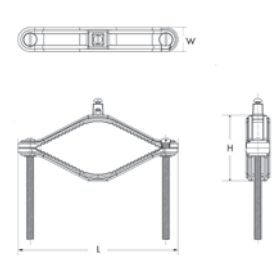
G-2-S



G-4-S



G-6-S



All dimensional data is listed in inches.

CAT. NO.	PIPE SIZE (IPS)	GROUND WIRE RANGE	LENGTH (L)	WIDTH (W)	HEIGHT (H)	STD. CTN. QTY.
G-1-S*	1/2-1	10 SOL-2 STR	2.280	0.650	1.400	20
G-2-S*	1 1/4-2	10 SOL-2 STR	3.600	0.750	1.690	10
G-4-S	2 1/2-4	10 SOL-2 STR	6.350	0.970	3.750	6
G-6-S	4 1/2-6	10 SOL-2 STR	8.300	1.250	4.000	3

*Also cULus listed.

HEAVY DUTY WATER PIPE CLAMPS



- Bronze water pipe clamps with serrated head.
- Cast bronze body with plated steel screws.
- Designed for use alone or with heavy duty bronze adapters.

All dimensional data is listed in inches.

CAT. NO.	PIPE SIZE (IPS)	GROUND WIRE RANGE	LENGTH (L)	WIDTH (W)	HEIGHT (H)	STD. CTN. QTY.
G-1	1/2-1	10 SOL-2 STR	2.200	0.748	1.437	25
G-2	1 1/4-2	10 SOL-2 STR	3.500	0.847	2.180	15
G-12	2 1/2-4	10 SOL-2 STR	6.250	0.943	3.674	6
G-13	4 1/2-6	10 SOL-2 STR	7.916	0.933	4.165	4

GROUND CLAMPS
Aluminum & Bronze
Ground Clamps
GCA & G SERIES

ALUMINUM GROUND CLAMPS



- Dual-rated ground clamp that grounds aluminum or copper to water pipe, galvanized pipe or steel conduit.
- Constructed from high-strength, extruded aluminum alloy and are plated to provide low-contact resistance.
- cULus Listed 467 Grounding and Bonding.
- Zinc plated steel screws.

All dimensional data is listed in inches.

CAT. NO.	PIPE SIZE (IPS)	GROUND WIRE RANGE	LENGTH (L)	WIDTH (W)	HEIGHT (H)	STD. CTN. QTY.
GCA-1	1/2-1	1/0-14 AWG	2.260	0.685	1.670	25
GCA-2	1 1/4-2	250 MCM-6 AWG	3.760	0.828	2.930	10
GCA-4	2 1/2-4	250 MCM-6 AWG	6.125	0.996	4.630	3

BRONZE GROUND CLAMP WITH WIRE ADAPTERS

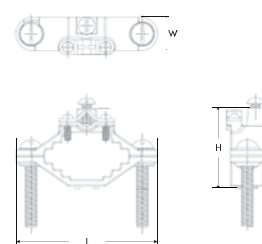


- For connecting unarmored wire to water pipe for grounding.
- Special pressure bar grips cable to lessen chances of grounding conductor being pulled out.
- Assembled with zinc-plated steel screws.

G-20



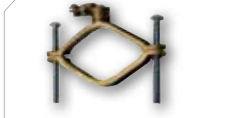
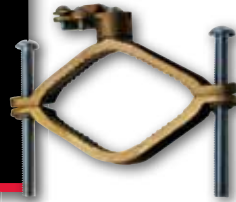
G-66



All dimensional data is listed in inches.

CAT. NO.	PIPE SIZE (IPS)	GROUND WIRE BOLT SIZE	GROUND CLAMP BOLT SIZE	GROUND WIRE RANGE	LENGTH (L)	WIDTH (W)	HEIGHT (H)	STD. CTN. QTY.
G-20	1/2-1	1/4 - 20 x 1/2	1/4 - 20 x 1 1/2	4,6,8 STR	2.250	1.000	1.350	20
G-66	1 1/4-2	1/4 - 20 x 1/2	5/16 - 18 x 2	4,6,8 STR	3.580	0.850	2.040	10

GROUND CLAMPS Heavy Duty & with 360° Adapters for Rigid Conduit G SERIES



HEAVY DUTY BRONZE

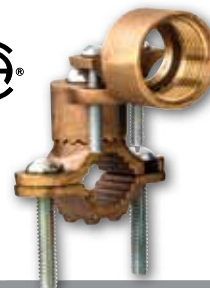


- Heavy duty bronze adapters have serrations that match the serrations on the ground clamp, assuring positive lock.
- All adapters fit all clamps for the ultimate in flexibility.
- Assembled with Zinc plated steel hardware.
- Used to connect grounding conductor to rigid conduit on water pipe.
- UL Listed 467 Grounding and Bonding.

All dimensional data is listed in inches.

CAT. NO.	PIPE SIZE (IPS)	GROUND WIRE RANGE	LENGTH (L)	WIDTH (W)	HEIGHT (H)	STD. CTN. QTY.
G-3	1/2-1	8-4/0 STR	2.320	0.748	1.437	20
G-4	1 1/4-2	8-4/0 STR	3.528	0.850	2.706	10
G-15	2 1/2-4	8-4/0 STR	6.125	0.964	3.962	6
G-16	4 1/2-6	8-4/0 STR	7.916	0.933	4.565	3

FOR RIGID CONDUIT



- Used to connect grounding conductor to rigid conduit on water pipe.

All dimensional data is listed in inches.

CAT. NO.	CONDUIT HUB SIZE	PIPE SIZE (IPS)	GROUND WIRE RANGE	LENGTH (L)	WIDTH (W)	HEIGHT (H)	STD. CTN. QTY.
G-5	1/2	1/2 - 1	10 SOL - 2/0 STR	2.200	0.748	2.437	15
G-6	1/2	1 1/4 - 2	10 SOL - 2/0 STR	3.667	0.791	3.195	10
G-18	1/2	2 1/2 - 4	10 SOL - 2/0 STR	6.125	0.961	4.812	6
G-19	1/2	4 1/2 - 6	10 SOL - 2/0 STR	8.125	1.263	4.740	3
G-7	3/4	1/2 - 1	10 SOL - 3/0 STR	2.200	0.748	1.437	15
G-8	3/4	1 1/4 - 2	10 SOL - 3/0 STR	3.616	0.791	3.298	8
G-21	3/4	2 1/2 - 4	10 SOL - 3/0 STR	6.125	0.961	4.943	6
G-22	3/4	4 1/2 - 6	10 SOL - 3/0 STR	8.227	1.244	5.050	3
G-9	1	1/2 - 1	10 SOL - 3/0 STR	2.315	0.747	3.159	12
G-10	1	1 1/4 - 2	10 SOL - 3/0 STR	3.616	0.816	3.561	8
G-24	1	2 1/2 - 4	10 SOL - 3/0 STR	6.125	0.940	5.191	6
G-25	1	4 1/2 - 6	10 SOL - 3/0 STR	8.225	1.260	5.245	3

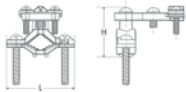
GROUND CLAMPS Heavy Duty with 360° Adapters for Rigid Conduit EG SERIES

WITH 360° ADAPTERS FOR RIGID CONDUIT

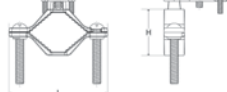
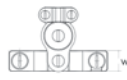


- Bronze water pipe clamps with bronze adapters.
- Excellent quality yet economical.
- All adapters are interchangeable.
- Assembled with zinc-plated steel screws.
- Hub swings 360° for easy alignment.
- Used to connect rigid conduit and ground conductor to water pipe.
- UL Listed 467 Grounding and Bonding.

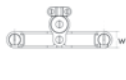
EG-3



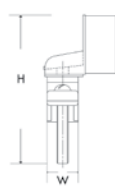
EG-4



EG-15



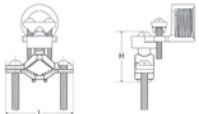
EG-5



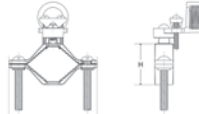
EG-6



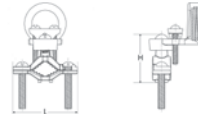
EG-7



EG-8



EG-9



EG-24



All dimensional data is listed in inches.

CAT. NO.	CONDUIT HUB SIZE	PIPE SIZE (IPS)	GROUND WIRE RANGE	LENGTH (L)	WIDTH (W)	HEIGHT (H)	STD. CTN. QTY.
EG-3	1/2	1/2 - 1	10 SOL - 2/0 STR	2.200	0.585	2.300	20
EG-4	1/2	1 1/4 - 2	10 SOL - 2/0 STR	3.588	0.737	3.117	10
EG-15	1/2	2 1/2 - 4	10 SOL - 2/0 STR	6.125	0.972	4.834	6
EG-5	1/2	1/2 - 1	10 SOL - 2/0 STR	2.208	0.597	2.210	15
EG-6	1/2	1 1/4 - 2	10 SOL - 2/0 STR	3.631	0.725	2.696	10
EG-7	3/4	1/2 - 1	10 SOL - 2/0 STR	2.298	0.663	2.470	15
EG-8	3/4	1 1/4 - 2	10 SOL - 2/0 STR	3.576	0.789	3.841	8
EG-9	1	1/2 - 1	10 SOL - 3/0 STR	2.280	0.650	1.900	12
EG-10	1	1 1/4 - 2	10 SOL - 3/0 STR	3.587	0.792	4.029	8
EG-24	1	2 1/2 - 4	10 SOL - 3/0 STR	6.125	0.962	5.158	6

GROUND CLAMPS
Rigid Conduit
w/Flexible Wire Strap
G SERIES



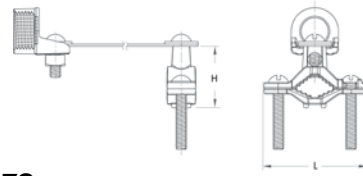
FEATURES

- For connecting the grounding conductor in rigid conduit to water pipe.
- Copper strap allows flexibility during grounding and helps protect the conduit system from the results of vibrations in the water system.
- Assembled with zinc-plated steel screws.

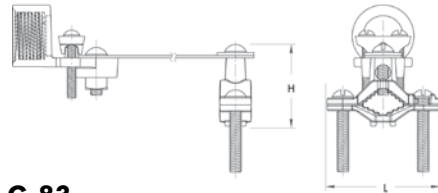
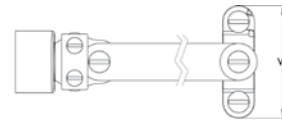
RATINGS



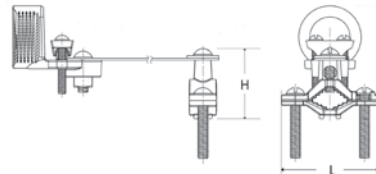
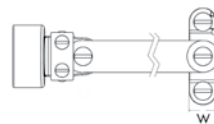
G-90



G-79



G-83



All dimensional data is listed in inches.

CAT. NO.	CONDUIT HUB SIZE	PIPE SIZE (IPS)	GROUND WIRE RANGE	STD. CTN. QTY.
G-90	1/2	1/2 - 1	10 SOL – 2/0 STR	15
G-79	3/4	1/2 - 1	10 SOL – 2/0 STR	12
G-83	1	1/2 - 1	10 SOL – 3/0 STR	12

GROUND CLAMPS
Economy and
360° Swing Type Hubs
GH, GHM SERIES

ECONOMY 360° HUB FOR GROUND CLAMPS

- Threaded hub cast of high-strength, highly conductive bronze.
- Used with ground clamp to ground conductor To water pipe.



All dimensional data is listed in inches.

CAT. NO.	CONDUIT HUB SIZE	GROUND WIRE RANGE	STD. CTN. QTY.
GH-50	1/2	10 SOL – 4 STR	50
GH-75	3/4	10 SOL – 2/0 STR	25
GH-100	1	10 SOL – 3/0 STR	15

360° SWING TYPE

- Threaded hub cast of high-strength, highly conductive bronze.
- Used with ground clamp with serrated hub to ground conductor to water pipe.
- Allows entry from any direction.
- Zinc plated steel screws.



All dimensional data is listed in inches.

CAT. NO.	CONDUIT HUB SIZE	GROUND WIRE RANGE	STD. CTN. QTY.
GHM-50	1/2	10 SOL – 2/0 STR	50
GHM-75	3/4	10 SOL – 2/0 STR	75
GHM-100	1	10 SOL – 3/0 STR	15

GROUND CLAMPS

Zinc Die Cast and Standard Duty Silicon Bronze Ground Clamp

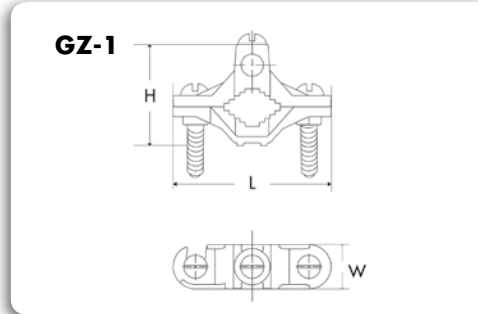
GZ, GRC SERIES



ZINC DIE-CAST GROUND CLAMPS



- Die cast from high-strength zinc alloy.
- Used to connect bare copper wire for grounding.
- Zinc plated steel screws.
- GZB-1 is brass plated.



All dimensional data is listed in inches.

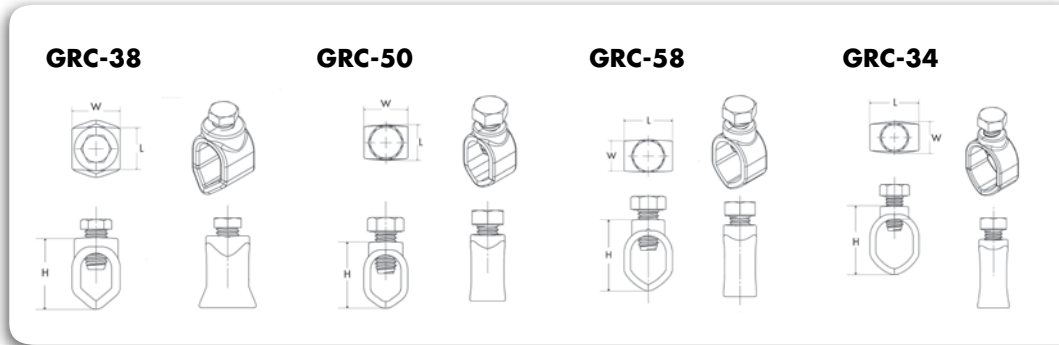
CAT. NO.	CONDUIT SIZE	GROUND WIRE RANGE	STD. CTN. QTY.
GZ-1	1/2 - 1	2 - 10	20
GZB-1*	1/2 - 1	2 - 10	20

*Not UL Listed.

STANDARD DUTY SILICON BRONZE



- Ground rod clamps are made from silicon bronze with 304 stainless steel screws for maximum strength.
- All standard duty and heavy duty ground clamps are UL Listed for direct burial in earth or concrete.
- cULus Listed 467 Grounding and Bonding.



All dimensional data is listed in inches.

CAT. NO.	GROUND ROD SIZE	REBAR SIZE	GROUND WIRE MAXIMUM	STD. CTN. QTY.
GRC 38(**)	3/8	-	10 SOL – 4 STR	50
GRC 50**	1/2	3/8	10 SOL – 2 STR	25
GRC 58**	5/8	1/2	10 SOL – 1/0 STR	25
GRC 34**	3/4	5/8	10 SOL – 1 STR	20

*Not UL Listed/ **Available with silicon bronze screws by adding suffix of -SB.

GROUND CLAMPS
Heavy Duty Silicon
Bronze & Range Taking
Rod Clamp
GRC SERIES

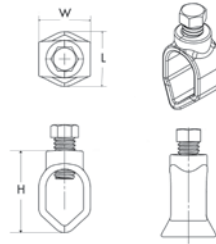


HEAVY DUTY SILICON BRONZE

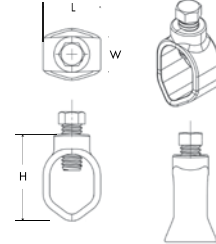


- Ground rod clamps are made from silicon bronze for maximum strength.
- A silicon bronze screw furnishes maximum clamping force.
- All standard duty and heavy duty ground clamps are UL Listed for direct burial in earth or concrete.

GRC-58H



GRC-34H



All dimensional data is listed in inches.

CAT. NO.	GROUND ROD SIZE	GROUND WIRE MAXIMUM	STD. CTN. QTY.
GRC-50H*	1/2	10 SOL – 2 STR	25
GRC-58H*	5/8	10 SOL – 1/0 STR	20
GRC-34H*	3/4	8 SOL – 1/0 STR	20
GRC-100H*	1	8 SOL – 4/0 STR	10

*Available with silicon bronze screws by adding suffix of -SB.

RANGE TAKING ROD CLAMP



- This heavy duty ground rod clamp replaces all existing ground rod clamps, eliminating the need to stock several different sizes and types.
- UL listed for direct burial in earth and concrete, heavy duty construction enables it to handle large ground wires up to 1/0 AWG – much larger than a standard ground rod clamp.
- Suitable for 3/8", 1/2", 5/8", 3/4" ground rods.

All dimensional data is listed in inches.

CAT. NO.	GROUND WIRE RANGE	GROUND ROD SIZE	REBAR SIZE	SCREW MATERIAL	STD. CTN. QTY.
GRC-3834*	10 SOL – 1/0 STR	3/8, 1/2, 5/8, 3/4	3/8, 1/2, 5/8	silicon bronze	25

*Available with silicon bronze screws by adding suffix of -SB.

GROUNDING CONNECTORS

Intersystem Bonding Connectors

GBIAL, GBIBZ SERIES



FEATURES

- Convenient lay-in feature for main grounding conductor, accommodates #2 to #6 AWG.
- Lay-In feature eliminates the need to cut or splice to main electrode.
- Lay-In feature eliminates disassembling ground to rod connection.
- UL Listed 467 Grounding.
- Optional UV Resistant paintable cover for more desirable appearance.
- For indoor and outdoor use.
- Compact size measures 1.4"H x 1.19"W x 3.93"L.

GBIAL:

- Supplied with stainless steel screws to prevent corrosion. Dual rated for copper or aluminum conductor.

GBIBZ

- Assembled with Zinc plated steel screws. Rated for copper conductor only.

APPLICATIONS

- Connector for intersystem bonding of power and communication (phone, cable, and satellite) grounding systems.
- Meets or exceeds requirements set forth in NEC2008 250.94 Bonding of other systems facilitates a fast and simple connection to ground conductor below the meter.



All dimensional data is listed in inches.

CAT. NO.	FIG. NO.	MATERIAL	DESCRIPTION	WIRE RANGE	NO. OF CIRCUITS	STD. CTN. QTY.
GBIAL 126-4414-WC	1	Aluminum	With cover	(1) 2-6, (4) 4-14	4	1
GBIAL 126-4414	1	Aluminum	Cover not included	(1) 2-6, (4) 4-14	4	1
GBIBZ 126-4414-WC	2	Bronze	With cover	(1) 2-6, (4) 4-14	4	1
GBIBZ 126-4414	2	Bronze	Cover not included	(1) 2-6, (4) 4-14	4	1

GROUNDING CONNECTORS

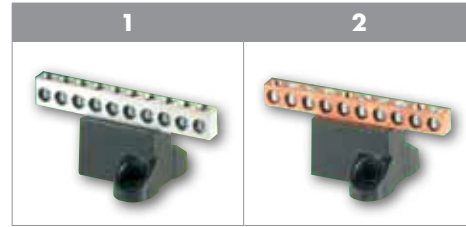
Isolated Ground Bars

GBA, GBC SERIES



FEATURES

- Made from either high-strength aluminum alloy 6061-T6 or high-conductivity copper as indicated below.
- The base is made from high-strength glass-filled polyester.
- Aluminum connectors are dual-rated for use with aluminum or copper cables.



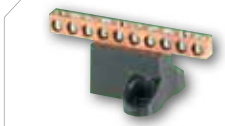
Aluminum and copper

Copper only

All dimensional data is listed in inches.

CAT. NO.	FIG. NO.	MATERIAL	WIRE RANGE	NO. OF CIRCUITS	LENGTH	HEIGHT	WIDTH	STD. CTN. QTY.
GBA2-7	1	Aluminum	AL/CU 2 - 14	7	2.88	2.31	1.88	3
GBC2-7	2	Copper	CU 2 - 14	7	2.88	2.31	1.75	3
GBA2-10	1	Aluminum	AL/CU 2 - 14	10	4.07	2.31	1.88	3
GBC2-10	2	Copper	CU 2 - 14	10	4.07	2.31	1.75	3
GBA2-14	1	Aluminum	AL/CU 2 - 14	14	5.56	2.31	1.88	2
GBC2-14	2	Copper	CU 2 - 14	14	5.56	2.31	1.75	2
GBA2-20	1	Aluminum	AL/CU 2 - 14	20	8.04	2.31	1.88	2
GBC2-20	2	Copper	CU 2 - 14	20	8.04	2.31	1.75	2
GBA20-7	1	Aluminum	AL/CU 2/0 - 14	7	4.61	2.31	2.13	3
GBA20-10	1	Aluminum	AL/CU 2/0 - 14	10	6.41	2.31	2.13	3
GBA20-14	1	Aluminum	CL/CU 2/0 - 14	14	8.81	2.31	2.13	2

GROUNDING CONNECTORS
Heavy Duty for Parallel,
90° Copper Cable
UC SERIES



FEATURES

- Made of high-copper-content alloy for grounding to 1/2" – 1" ground rods and ground pipes from 1/4" - 3 1/2" in parallel or 90° position.
- Suitable for direct burial in earth and concrete.
- Nuts and lockwashers are silicon bronze.
- For use with single wire

All dimensional data is listed in inches.

CAT. NO.	ROD SIZE	PIPE SIZE	CABLE RANGE	STD. CTN. QTY.
UC-101	1/2	1/4	2/0 - 4	12
UC-102*	1/2	1/4	250-2/0	12
UC-103	5/8 - 3/4	3/8	4 - 8	12
UC-104	5/8 - 3/4	3/8	2/0 - 4	12
UC-105	5/8 - 3/4	3/8	250 - 2/0	12
UC-108	7/8 - 1	1/2 - 3/4	2/0 - 4	12
UC-109	7/8 - 1	1/2 - 3/4	250 - 2/0	12
UC-110*	7/8 - 1	1/2 - 3/4	300-500	12
UC-114	–	1	2/0 - 4	6
UC-115	–	1	250 - 2/0	12
UC-120	–	1 1/4	2/0 - 4	12
UC-121	–	1 1/4	250 - 2/0	12
UC-126	–	1 1/2	2/0 - 4	12
UC-127	–	1 1/2	250 - 2/0	12
UC-132	–	2	2/0 - 4	12
UC-133	–	2	250 - 2/0	6
UC-137	–	2 1/2	2/0 - 4	6
UC-138	–	2 1/2	250 - 2/0	6
UC-142	–	3	2/0 - 4	6
UC-143	–	3	250 - 2/0	6
UC-147	–	3 1/2	2/0 - 4	3
UC-148*	–	3 1/2	250 - 2/0	3

*Not UL Listed

RATINGS



GROUNDING CONNECTORS

Heavy Duty for Parallel, Two & Three Conductor

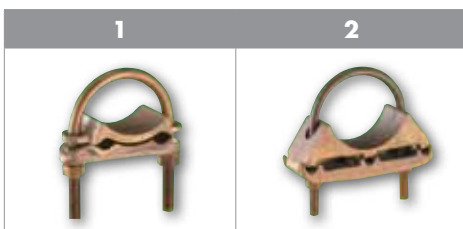
UC SERIES



FEATURES

- Made of high-copper-content alloy for grounding to 1/2" - 1" ground rods and ground pipes from 1/4" - 3 1/2" in parallel or 90° position.
- Suitable for direct burial in earth and concrete.
- Nuts and lockwashers are silicon bronze.
- 200 Series for use with two wire
- 300 Series for use with three wire

RATINGS



All dimensional data is listed in inches.

CAT. NO.	FIG. NO.	PIPE SIZE	CABLE RANGE	STD. CTN. QTY.
UC-214	1	1	2/0 - 4	6
UC-215	1	1	250 - 2/0	6
UC-220	1	1 1/4	2/0 - 4	6
UC-221	1	1 1/4	250 - 2/0	6
UC-226	1	1 1/2	2/0 - 4	6
UC-227	1	1 1/2	250 - 2/0	6
UC-232	1	2	2/0 - 4	6
UC-233	1	2	250 - 2/0	3
UC-237	1	2 1/2	2/0 - 4	3
UC-238	1	2 1/2	250 - 2/0	3
UC-242	1	3	2/0 - 4	3
UC-243	1	3	250 - 2/0	3
UC-315	2	1	250 - 2/0	6
UC-320	2	1 1/4	2/0 - 4	6
UC-326	2	1 1/2	2/0 - 4	6
UC-327	2	1 1/2	250 - 2/0	6
UC-332	2	2	2/0 - 4	6
UC-333	2	2	250 - 2/0	3
UC-338	2	2 1/2	250 - 2/0	3
UC-342	2	3	2/0 - 4	3
UC-343	2	3	250 - 2/0	3

GROUNDING CONNECTORS "C" Taps



CT SERIES

- These taps ensure positive, all-around compression with low resistance and high pull-out values.
- Made of high conductivity copper, they satisfy the requirements of NEC250-81 and 250-91 for connecting to the grounding electrode system.



CTH SERIES

- These taps ensure positive, all-around compression with low resistance and high pull-out values.
- Made of high conductivity copper, they satisfy the requirements of NEC250-81 and 250-91 for connecting to the grounding electrode system.



CTH SERIES

- Range-taking compression connectors made from high conductivity copper alloy.
- Ideal for making tap or parallel copper connections from 8 SOL to 4/0 STR conductors.
- Provides consistent reliability with heavy wall construction that prevents relaxation of the joint after installation. Installation time is reduced because of its "C" shape.



C-TAPS ORDER INFO

Find them in the
Connectors Section

PAGES 102-103



GROUNDING CONNECTORS

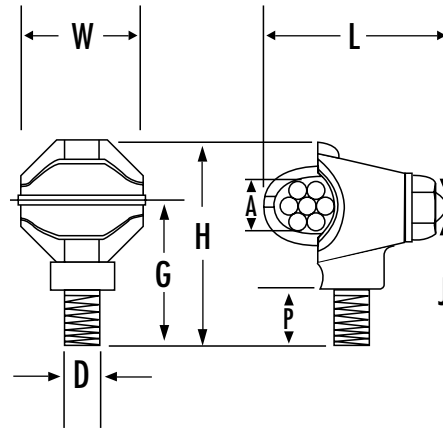
Transformer Ground Clamps

TGE SERIES



FEATURES

- Cast from high conductivity, high strength copper alloy with cast high strength bronze eyebolts.
- Stainless steel nuts and lockwashers are standard on all clamps.
- The TGE may be tightened by using a wrench on the body.



All dimensional data is listed in inches.

CAT. NO.	COPPER CONDUCTOR RANGE (A)	FINISH	WIRE DIA.	STUD SIZE (D)	LENGTH (L)	WIDTH (W)	HEIGHT (H)	STD. CTN. QTY.
TGE-1	10 SOL - 1 STR	Plain	.102/.332	1/2 - 13	1.450	0.932	1.701	50
TGE-2/O	8 SOL -2/O STR	Plain	.128/.419	1/2 - 13	1.782	1.225	2.208	15
TGE-250	6 SOL - 250MCM	Plain	.162/.575	1/2 - 13	2.760	1.863	2.569	10
TGE-1TN	10 SOL - 1 STR	Tin Plated	.102/.332	1/2 - 13	1.450	0.932	1.701	50
TGE-2/OTN	8 SOL -2/O STR	Tin Plated	.128/.419	1/2 - 13	1.782	1.225	2.208	15
TGE-250TN	6 SOL - 250MCM	Tin Plated	.162/.575	1/2 - 13	2.760	1.863	2.569	10

GROUNDING CONNECTORS

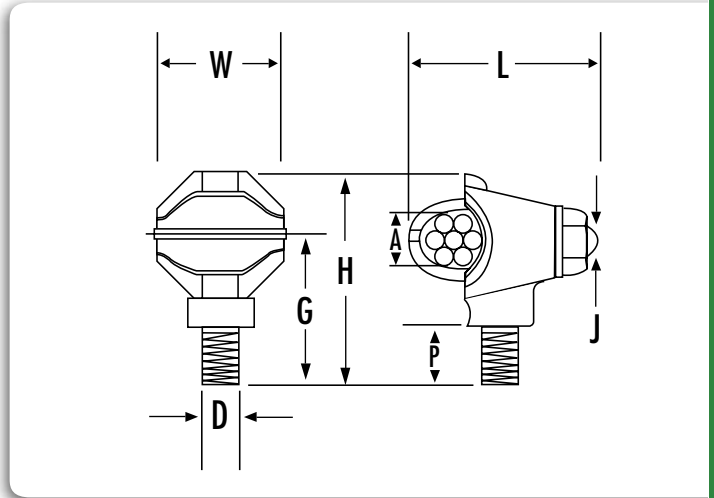
Two-Way Baskets

HTGE SERIES



FEATURES

- Cast from high conductivity, high strength copper alloy with cast high strength bronze eyebolts.
- Stainless steel nuts and lockwashers are standard on all clamps.
- The HTGE provides a hex or square shoulder for wrench tightening.
- The flat surface also acts as a seal to the tank.



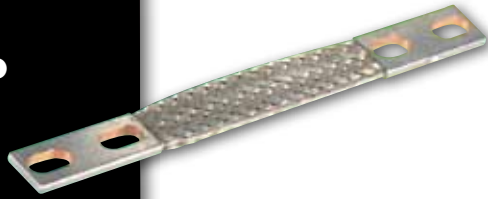
All dimensional data is listed in inches.

CAT. NO.	COPPER CONDUCTOR RANGE (A)	FINISH	WIRE DIA.	STUD SIZE (D)	APPROX DIMENSIONS											
					G		H		J (EYEBOLT)		L		P		W	
					IN	MM	IN	MM	IN	MM	IN	MM	IN	MM	IN	MM
HTGE-1	10 SOL - 1 STR	Plain	.102/.332	1/2 - 13	1 - 3/16	30	1 - 3/4	44	3/8 - 16	1 - 31/32	50	7/16	11	1 - 1/8	28	
HTGE-2/O	8 SOL - 2/O STR	Plain	.128/.419	1/2 - 13	1 - 5/16	33	1 - 15/16	49	3/8 - 16	2	51	7/16	11	1 - 1/4	32	
HTGE-250	6 SOL - 250MCM	Plain	.162/.575	1/2 - 13	1 - 3/16	30	2 - 1/8	54	1/2 - 13	2 - 5/8	67	15/32	12	1 - 7/8	48	
HTGE-2/OTN	8 SOL - 2/O STR	Tin Plated	.128/.419	1/2 - 13	1 - 5/16	33	1 - 15/16	49	3/8 - 16	2	51	7/16	11	1 - 1/4	32	
HTGE-250TN	6 SOL - 250MCM	Tin Plated	.162/.575	1/2 - 13	1 - 3/16	30	2 - 1/8	54	1/2 - 13	2 - 5/8	67	15/32	12	1 - 7/8	48	

GROUNDING CONNECTORS

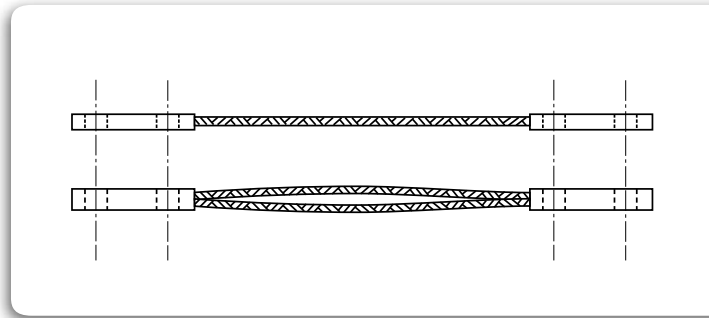
Flexible Braid Jumper Straps & Ground Strap

FS, SA SERIES



FLEXIBLE BRAID JUMPER STRAPS

- Recommended for motion due to expansion, contraction, vibration and operational movement of current carrying members.
- Manufactured from flat, extra-flexible tinned braid, they are available in a wide variety of sizes and amperages.
- The ferrules are made from pure electrolytic copper and are tin-plated.
- Standard mounting holes are 9/16" NEMA spaded holes.

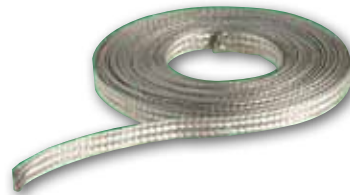


All dimensional data is listed in inches.

CAT NO.	LENGTH	AMPERE RATING		APPROX. CIRCULAR MILS	THICKNESS	WIDTH (2 HOLE PAD ONLY)	STD. CTN. QTY.
		INDOORS	OUTDOORS				
FS1-19-8N	12	190	225	77,000	1/4	11/16	1
FS1-19-8N-18	18	190	225	77,000	1/4	11/16	1
FS1-19-8N-24	24	190	225	77,000	1/4	11/16	1
FS1-33-8N	12	330	400	154,500	1/4	1 1/2	1
FS1-33-8N-18	18	330	400	154,500	1/4	1 1/2	1
FS1-33-8N-24	24	330	400	154,000	1/4	1 1/2	1
FS1-36-8N	12	360	430	231,500	1/4	13/16	1
FS2-60-8N	12	600	720	463,000	7/16	13/16	1

FLEXIBLE GROUND STRAP

- Woven of high conductivity, annealed, tinned copper wire, this braided ground strap provides maximum flexibility and ease of handling when installing ground or shield continuity.
- This braid is used for shield and lead-sheath grounding and is easily soldered to lead, copper and tinned metals.
- It is also used for continuing the fault-carrying capacity of the cable shield as a jumper braid.

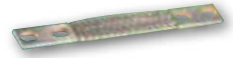


CAT. NO.	WIDTH (IN)	LENGTH (FT)	EQUIVALENT AWG SIZE	STD. CTN. QTY.
SA 382B	3/8	25	9 AWG	1
SA 382C	3/8	100	9 AWG	1
SA 582B	1/2	25	6 AWG	1
SA 582C	1/2	100	6 AWG	1

GROUNDING CONNECTORS

Grounding Pigtails (for solid & stranded wire) and Grounding Clips

PG, GGC, GSH, GSC SERIES



FEATURES

SOLID PIGTAILS WITH SCREWS

- Pigtails are insulated conductors supplied with an attached ground screw on one end and the insulation stripped back one inch on the other end.
- Meets NEC requirements.

STRANDED WITH RING & SPADE

- Supplied with a spade terminal on one end and a ring terminal with a captive green-dyed screw on the other end.
- 65 strand #12 AWG and 41 strand #14 AWG for maximum flexibility.



RATINGS



All dimensional data is listed in inches.

CAT. NO.	FIG. NO.	DESCRIPTION	STD. CTN. QTY.
PG14C	1	6.5 Inch 14 AWG Solid With Combo Screw - Green	50
PG12C	1	6.5 Inch 12 AWG Solid With Combo Screw - Green	50
PG12C-8	1	8 Inch 12 AWG Solid With Combo Screw - Green	50
PG14SC	2	8 Inch 14 AWG (41W) Stranded With Combo Slotted Screw	50
PG12SC	2	8 Inch 12 AWG (65W) Stranded With Combo Slotted Screw	50
GSH	3	Hex Head Green Grounding Screw	100
GSC	3	Combo Slotted Hex Screw	100
GGC-1000	4	Green Grounding Clips	100





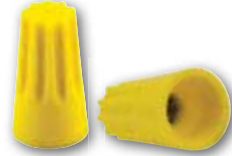
EASY-TWIST™

EASY-TWIST™ Standard Twist-On Wire Connectors WC SERIES

Example: (100) (10X100) =
100 in standard package,
1000 in standard carton.

FEATURES

- Flame retardant UL 94V-2 thermoplastic shell provides excellent electrical insulation.
- Fixed, precise square wire spring provides secure gripping of conductors.
- Deep skirt entry provides protection from flashover and shorts.
- Sure-grip ribs improve gripping comfort.
- Compact design ensures proper installation, especially in tight spaces.
- Threaded funnel entry guides the wires into the connector easily.
- Pre-twisting of wires is not necessary.
- Zinc-plated springs for low contact resistance.



COLOR / TYPE	WIRE RANGE	MAX VOLTAGE	WIRE RANGE	
			MIN.	MAX.
Grey	22-14 AWG	300V	2 #22 AWG	1 #14 w/ 1 #20 AWG
Blue	22-14 AWG	300V	2 #22 AWG	3 #16 AWG
Orange	22-14 AWG	600V	1 #18 w/ 1 #20 AWG	4 #16 w/ 1 #20 AWG
Yellow	22-10 AWG	600V	3 #20 AWG	1 #10 w/ 2 #14 w/ 1 #16 AWG
Red	22-8 AWG	600V	3 #18 AWG	3 #10 AWG
High Temp 1	22-18 AWG	300V	1 #18 Str w/ 1 #22 Str	2 #18 Str
High Temp 3	22-14 AWG	600V	1 #16 w/ 1 #22	1 #14 w/ 1 #16 w/ 1 #18

RATINGS



UL 486C Listed Wire Connector.

TEMPERATURE RATING:

105 °C (221 °F),
150 °C (302 °F) High Temp.

VOLTAGE:

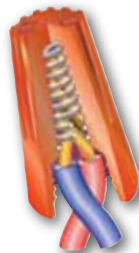
1,000V max. in fixtures and signs.

WIRE TYPE:

For Copper wire only.

INSTALLATION:

Socket installation tools are included in each bag of Easy-Twist™ Connectors (Cat.No. with "-B" suffix). Made to fit any pneumatic or electrical tool with a ¼" chuck or drive socket.



Scan QR code for mobile access to wire combinations.



CARTON

SMALL JAR

LARGE JAR

BAG

BULK

DRUM

WC-G-C
(100) (10x100)

WC-G-SJ
(300) (50x300)

–

WC-B-B
(1000) (26x1000)

WC-G
(25000)

–

WC-B-C
(100) (10x100)

WC-B-SJ
(300) (50x300)

–

WC-G-B
(1000) (18x1000)

WC-B
(10000)

–

WC-O-C
(100) (10x100)

WC-O-CJ
(100) (50x100)

WC-O-J
(700) (12x700)

WC-O-B
(500) (16x500)

WC-O
(10000)

WC-O-D
(50000)

WC-Y-C
(100) (10x100)

WC-Y-CJ
(100) (50x100)

WC-Y-J
(500) (12x500)

WC-Y-B
(500) (12x500)

WC-Y
(10000)

WC-Y-D
(35000)

WC-R-C
(100) (10x100)

WC-R-SJ
(100) (20x100)

WC-R-J
(350) (12x350)

WC-R-B
(500) (8x500)

WC-R
(5000)

WC-R-D
(25000)

–

–

–

WC-HB1-B
(1000) (26x1000)

WC-HB1
(10000)

–

–

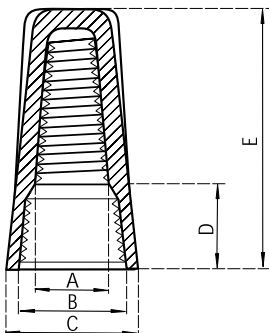
–

–

WC-HB3-B
(500) (16x500)

WC-HB3
(10000)

–



All Dimensional Data is listed in inches.

	COLOR	MAX. SPRING WIDTH (A)	MAX. SKIRT ENTRY (B)	MAX. WIDTH (C)	MAX. SKIRT DEPTH (D)	LENGTH/ HEIGHT (E)
■	Grey	0.150	0.256	0.339	0.217	0.598
■	Blue	0.161	0.280	0.390	0.217	0.697
■	Orange	0.197	0.382	0.500	0.268	0.866
■	Yellow	0.236	0.433	0.551	0.268	0.969
■	Red	0.339	0.516	0.642	0.406	1.043
■	High Temp 1	0.150	0.256	0.339	0.228	0.598
■	High Temp 3	0.197	0.382	0.500	0.307	0.866

EASY-TWIST™ Winged Twist-On Wire Connectors WWC SERIES

Example: (100) (10X100) =
100 in standard package,
1000 in standard carton.

FEATURES

- Deep surface ridges provide better grip.
- Ergonomic, swept-back wing design provides handling comfort and increased torque ability.
- Flame retardant UL 94V-2 thermoplastic shell provides excellent electrical insulation.
- Fixed, precise square wire spring provides secure gripping of conductors.
- Deep skirt entry provides protection from flashover and shorts.
- Compact design ensures proper installation, especially in tight spaces.
- Threaded funnel entry guides the wires into the connector easily.
- Pre-twisting of wires is not necessary.
- Zinc-plated springs for low contact resistance.



COLOR / TYPE	WIRE RANGE	MAX VOLTAGE	WIRE RANGE	
			MIN.	MAX.
Yellow	18 - 10 AWG	600V	2 #18 AWG	3 #12 AWG
Tan	22-8 AWG	600V	3 #22 AWG	4 #12 AWG
Red	18-8 AWG	600V	3 #16 AWG	5 #12 AWG
Grey	18 - 8 AWG	600V	3 #14 w/1 #18 AWG	3 #10 AWG
Blue	14 - 6 AWG	600V	2 #10 w/ 1 #12 AWG	1 #8 w/ 3 #10 AWG
Green GND	14-10 AWG	600V	2 #14	5 #12
Yellow N1	22 - 10 AWG	600V	4 #22 AWG	3 #12 AWG
Red N2	22 - 6 AWG	600V	3 #20 AWG	1 #8 w/ 3#12 AWG

RATINGS



UL 486C Listed Wire Connector.
WWC-GR is UL 467 Listed Grounding and Bonding.

TEMPERATURE RATING:
105 °C (221 °F).

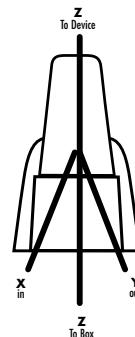
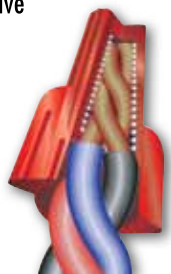
VOLTAGE:
600V max., 1,000V max. in fixtures and signs.

WIRE TYPE:
For Copper wire only.

INSTALLATION:
Socket installation tools are included in each bag of Easy-Twist™ Connectors (Cat.No. with "-B" suffix). Made to fit any pneumatic or electrical tool with a 1/4" chuck or drive



Scan QR code for mobile access to wire combinations.



WINGED GREEN GROUNDING CONNECTOR:

- X** System grounding wire
 - Y** System grounding wire
 - Z** "Through" wire between device and box ground
- Note:** If "through" wire is a jumper, be sure wire extends below skirt 6" min.



CARTON

SMALL
JARLARGE
JAR

BAG

BULK

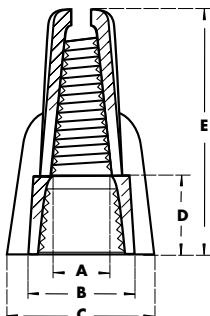
DRUM

WWC-Y-C
(100) (10X100)**WWC-Y-CJ**
(100) (50x100)**WWC-Y-J**
(550) (12x550)**WWC-Y-B**
(500) (13x500)**WWC-Y**
(5000)**WWC-Y-D**
(35000)**WWC-T-C**
(100) (10x100)**WWC-T-CJ**
(100) (50x100)**WWC-T-J**
(450) (12x450)**WWC-T-B**
(500) (12x500)**WWC-T**
(5000)**WWC-T-D**
(30000)**WWC-R-C**
(100) (10x100)**WWC-R-SJ**
(100) (20x100)**WWC-R-J**
(300) (12x300)**WWC-R-B**
(500) (7x500)**WWC-R**
(5000)**WWC-R-D**
(20000)**WWC-G-C**
(50) (10x50)**WWC-G-SJ**
(50) (32x50)

-

WWC-G-B
(250) (11x250)**WWC-G**
(5000)**WWC-G-D**
(20000)**WWC-B-C**
(50) (10x50)**WWC-B-SJ**
(50) (20x50)**WWC-B-J** (125)
(12x125)**WWC-B-B**
(100) (16x100)**WWC-B**
(2500)**WWC-B-D**
(9500)**WWC-GR-C**
(100) (10x100)**WWC-GR-SJ**
(100) (20x100)**WWC-GR-J**
(350) (12x350)**WWC-GR-B**
(500) (9x500)**WWC-GR**
(25000)**WWC-GR-D**
(25000)**WWC-N1-C**
(100) (10X100)**WWC-N1-CJ**
(100) (50x100)**WWC-N1-J**
(600) (12x600)**WWC-N1-B**
(500) (13x500)**WWC-N1**
(10000)**WWC-N1-D**
(45000)**WWC-N2-C**
(100) (10X100)**WWC-N2-SJ**
(100) (20x100)**WWC-N2-J**
(400) (12x400)**WWC-N2-B**
(500) (9x500)**WWC-N2**
(10000)**WWC-N2-D**
(25000)

Shown: WWC-GR



All Dimensional Data is listed in inches.

COLOR	MAX. SPRING WIDTH (A)	MAX. SKIRT ENTRY (B)	MAX. WIDTH (C)	MAX. SKIRT DEPTH (D)	LENGTH/ HEIGHT (E)
Yellow	0.252	0.386	0.717	0.354	1.016
Tan	0.283	0.457	0.720	0.362	1.142
Red	0.354	0.512	0.906	0.378	1.252
Grey	0.394	0.587	1.004	0.394	1.311
Blue	0.472	0.701	1.260	0.512	1.575
Green	0.327	0.476	0.795	0.370	1.134
N-type Yellow	0.287	0.429	0.492	0.417	0.992
N-Type Red	0.358	0.520	0.583	0.453	1.161

EASY-TWIST™
Wire Connector
Combination Pails
WC & WWC SERIES



FEATURES

- Compact, easy to carry pail, also convenient for use on maintenance cart.
- 4-pack pail includes the most common Easy-Twist™ connectors.



RATINGS



UL 486C Listed Wire Connector.

TEMPERATURE RATING:
 105 °C (221 °F).

VOLTAGE:
 1,000V max. in fixtures and signs.

WIRE TYPE:
 For copper wire only.



Scan QR code for mobile access to wire combinations.

CAT.
NO.

ET-CP-1

ET-CP-2

ET-CP-3

ET-CP-11

ET-CP-12

ET-CP-13

ET-CP-14

ET-CP-15



PAIL CONTENTS	COLOR	WIRE RANGE	QTY. PER PAIL	STD. CTN. QTY.
WWC-T	Tan	22-8 AWG	70	12
WWC-Y	Yellow	18-10 AWG	80	
WWC-R	Red	18-8 AWG	45	
WWC-B	Blue	14-6 AWG	20	
WC-O	Orange	22-14 AWG	100	12
WC-Y	Yellow	22-10 AWG	75	
WC-R	Red	22-10 AWG	50	
WWC-T	Tan	22-8 AWG	70	
WC-O	Orange	22-14 AWG	100	12
WWC-T	Tan	22-8 AWG	70	
WWC-Y	Yellow	18-10 AWG	80	
WWC-R	Red	18-8 AWG	45	
WWC-T	Tan	22-8 AWG	40	16
WWC-Y	Yellow	18-10 AWG	50	
WWC-R	Red	18-8 AWG	30	
WWC-B	Blue	14-6 AWG	10	
WC-O	Orange	22-14 AWG	65	16
WC-Y	Yellow	22-10 AWG	45	
WC-R	Red	22-10 AWG	30	
WWC-T	Tan	22-8 AWG	40	
WC-O	Orange	22-14 AWG	60	16
WWC-T	Tan	22-8 AWG	45	
WWC-Y	Yellow	18-10 AWG	50	
WWC-R	Red	18-8 AWG	30	
WC-O	Orange	22-14 AWG	65	16
WC-Y	Yellow	22-10 AWG	45	
WC-R	Red	22-10 AWG	30	
WC-B	Blue	22-14 AWG	100	
WC-G	Gray	22-14 AWG	120	16
WC-B	Blue	22-14 AWG	100	
WC-O	Orange	22-14 AWG	65	
WC-Y	Yellow	22-10 AWG	45	

EASY-TWIST™ Push-In Wire Connectors PIWC SERIES



FEATURES

- Fast, safe and reliable installation saves time and money.
- No twisting or taping of conductors required.
- Just strip the wire, insert the connector and you are done.
- One wire per opening ensures loose connections are eliminated.
- Made of strong, UL 94V-2 flame retardant polycarbonate.
- Integrated test port enables continuity testing.
- Color coded for easy identification.
- Compact design perfect for tight spaces.
- Copper, tin-plated; Stainless steel spring; Steel frame, zinc-plated.

RATINGS



UL 486C Listed Wire Connector.

TEMPERATURE RATING:
-40 °F to 221 °F (-30 °C to 105 °C).

VOLTAGE:
600V max., 1,000V max. in fixtures and signs.

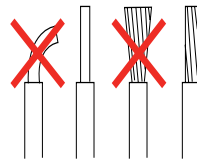
Example: (100) (10X100) =

100 in standard package,
1000 in standard carton.

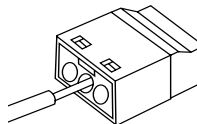


COLOR / TYPE	NO. OF PORTS	WIRE RANGE
Yellow	2	22-12 AWG
Orange	3	22-12 AWG
Clear	4	22-12 AWG
Blue	5	22-12 AWG
Purple	6	22-12 AWG
Grey	8	22-12 AWG

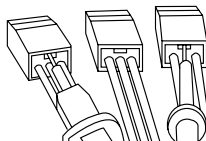
INSTALLATION



1. Turn off power. Strip wire approximately 0.45 inches (11mm).



2. Push the stripped conductor into the port of connector fully. No twisting or taping.



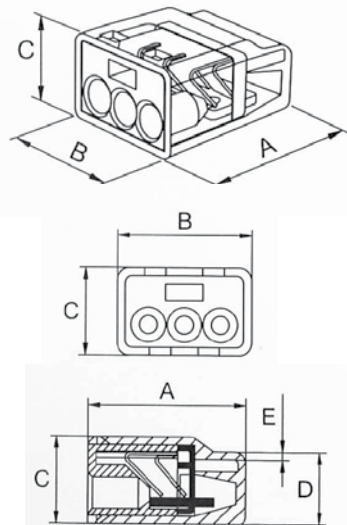
3. Use a voltage meter to test your connection via the port on connector.



Scan QR code for mobile access to wire combinations.



MAX VOLTAGE	WIRE RANGE		CARTON	BAG
	MIN.	MAX.		
600V	2 #22 AWG	2 #12 AWG	PIWC -2-C (100) (10x100)	PIWC-2-B (500) (14x500)
600V	2 #22 AWG	3 #12 AWG	PIWC -3-C (100) (10x100)	PIWC-3-B (500) (11x500)
600V	2 #22 AWG	4 #12 AWG	PIWC -4-C (75) (10x75)	PIWC-2-B (400) (11x400)
600V	2 #22 AWG	5 #12 AWG	PIWC -5-C (50) (10x50)	PIWC-5-B (300) (12x300)
600V	2 #22 AWG	6 #12 AWG	PIWC -6-C (50) (10x50)	PIWC-6-B (250) (12x250)
600V	2 #22 AWG	8 #12 AWG	PIWC -8-C (40) (10x40)	PIWC-8-B (200) (12x200)



All Dimensional Data is listed in inches.

COLOR	DEPTH (A)	WIDTH (B)	FRONT HEIGHT (C)	REAR HEIGHT (D)	CASE THICKNESS (E)	
	Yellow	0.748	0.463	0.411	0.343	0.035
	Orange	0.748	0.626	0.411	0.343	0.035
	Clear	0.748	0.789	0.411	0.343	0.035
	Blue	0.748	0.953	0.411	0.343	0.035
	Purple	0.748	1.116	0.411	0.343	0.035
	Black	0.748	1.443	0.411	0.343	0.035

EASY-TWIST™

Crimp Sleeve & Nylon Wire Connectors

SB, TOP & C-N SERIES

FEATURES

- Copper Crimp Sleeves: Designed for easy installation and provide an exceptional connection.
- Closed End Connectors: Made from nylon 6/6 (Polyimide 66).
- Steel Crimp Sleeves: Economical, brass-plated steel provides an excellent low resistance connection.
- UL 94V-2 self extinguishing, closed end style.

CERAMICS

- Made of high quality ceramics.
- Have excellent electrical and heat resistant properties.
- Maximum working temperature of 1,000 °F.
- For applications above 200 °F.
- Uses include appliances, high powered lighting fixtures, ceiling fans, heaters, plastic extrusion/injection molding barrels and similar high temperature applications.

RATINGS



LISTED
WIRE CONNECTOR



231168

Part # SB is UL Listed

Part # C-N and C-N-B are

UL and CSA Listed

TEMPERATURE RATING:

C-N Series 105 °C (221 °F)

TOP Series 93.3333 °C (200 °F)

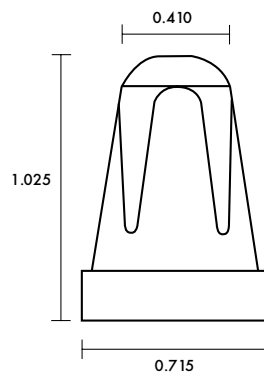
Example: (100) (10X100) =

100 in standard package,
1000 in standard carton.

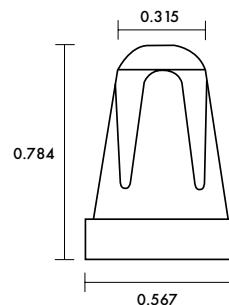


COLOR / TYPE	WIRE RANGE
Copper Crimp Sleeve	18-10 AWG
Copper Crimp Sleeve	18-8 AWG
Steel Crimp Sleeve	18-10 AWG
Steel Crimp Sleeve	18-8 AWG
Ceramic, White	22-14 AWG
Ceramic, White	22-10 AWG
Ceramic, White	18-8 AWG
Nylon, Clear	22-18 AWG
Nylon, Clear	22-14 AWG
Nylon, Clear	22-10 AWG
Nylon, Clear	16-10 AWG

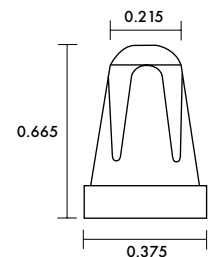
TOP-L



TOP-M



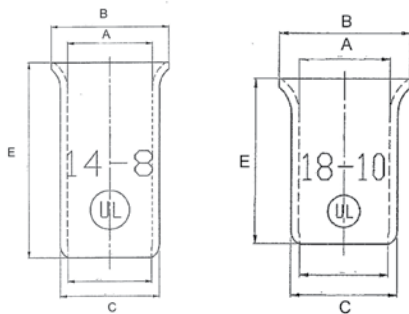
TOP-S



Scan QR code for mobile access to wire combinations.



MAX VOLTAGE	BLISTER PACK	CARTON	BAG
-	SB1810 (100) (10x100)	-	SB1810-B (1000) (10x1000)
-	SB1808 (50) (10x50)	-	SB1808-B (500) (10x500)
-	SB1810S (100) (10x100)	-	SB1810S-B (1000) (10x1000)
-	SB1808S (50) (10x50)	-	SB1808S-B (500) (10x500)
-	TOP-S-D (15) (15x25)	TOP-S-CD (100) (10x100)	-
-	TOP-M-D (15) (15x25)	TOP-M-CD (100) (10x100)	-
-	TOP-L-D (15) (15x25)	TOP-L-CD (100) (10x100)	-
300V	-	C22-N (100) (18x100)	C22-N-B (1000) (30x1000)
300V	-	C16-N (100) (12x100)	C16-N-B (1000) (20x1000)
300V	-	C12-N (50) (12x50)	C12-N-B (1000) (10x1000)
300V	-	C8-N (40) (12x40)	C8-N-B (500) (12x500)



All Dimensional Data is listed in inches.

CAT. NO.	I.D. (A)	MAX. SKIRT ENTRY (B)	MAX. WIDTH (C)	MAX. SKIRT DEPTH (D)	LENGTH/HEIGHT (E)
SB1810	0.204	0.295	0.240	n/a	0.374
SB1808	0.263	0.364	0.307	n/a	0.610
C22-N	0.102	0.244	0.307	0.236	0.709
C16-N	0.118	0.311	0.374	0.276	0.787
C12-N	0.173	0.413	0.492	0.378	1.004
C8-N*	0.209	0.488	0.563	0.472	1.091





MINITERMS & SWITCHES

MINITERMS
Butt Splices
B SERIES

FEATURES

VINYL:

Stripped wires are inserted from each end and "butt" in the center. A crimp at each end secures the connection.

Electro tin plated copper, vinyl (PVC) 300V, 75 °C.

UN-INSULATED:

Stripped wires are inserted from each end and "butt" in the center. A crimp at each end secures the connection.

Electro tin plated copper, 600V, 105 °C.

POLYOLEFIN HS:

Stripped wires are inserted from each end and "butt" in the center. A crimp at each end secures the connection.

Electro tin plated copper, Heat shrink, 600V, 105 °C, Shrink temp 150 °C.

NYLON:

Stripped wires are inserted from each end and "butt" in the center. A crimp at each end secures the connection.

Electro tin plated copper, Nylon, 600V, 105 °C.



INSULATION TYPE	WIRE RANGE	CERTIFICATION VARIANCE
Vinyl	22-18	
Vinyl	16-14	
Vinyl	12-10	
Vinyl	8	UL
Vinyl	6	UL
Un-insulated - Bare	22-18	
Un-insulated - Bare	16-14	
Un-insulated - Bare	12-10	
Un-insulated - Bare	8	UL
Polyolefin HS	22-18	
Polyolefin HS	16-14	
Polyolefin HS	12-10	
Nylon	22-18	
Nylon	16-14	
Nylon	12-10	



LENGTH (IN)	"S" PACKS		PRO PACKS		STD PACKS		BULK PACKS	
	CAT. NO.	QTY	CAT. NO.	QTY	CAT. NO.	QTY	CAT. NO.	QTY
1.024	B22-V-S	25	B22-V-P	70	B22-V	100	B22-V-BULK	1000
1.024	B16-V-S	20	B16-V-P	50	B16-V	100	B16-V-BULK	1000
1.024	B12-V-S	15	B12-V-P	30	B12-V	50	B12-V-BULK	500
1.398	–	–	B8-V-P	10	B8-V	50	B8-V-BULK	250
1.855	–	–	–	–	B6-V	50	B6-V-BULK	100
0.472	–	–	–	–	B22	100	B22-BULK	1000
0.591	–	–	–	–	B16	100	B16-BULK	1000
0.591	–	–	–	–	B12	50	B12-BULK	1000
0.827	–	–	–	–	B8	50	B8-BULK	1000
0.945	–	–	–	–	SB22	25	SB22-BULK	500
1.457	–	–	–	–	SB16	25	SB16-BULK	500
1.614	–	–	–	–	SB12	50	SB12-BULK	500
1.024	–	–	–	–	B22-N	100	B22-N-BULK	1000
1.024	–	–	–	–	B16-N	100	B16-N-BULK	1000
1.063	–	–	–	–	B12-N	50	B12-N-BULK	500

**Spade Terminals:
Locking
S SERIES**

FEATURES

VINYL:

Tongue snaps around the screw & terminal is locked into place until the mounting screw can be tightened down.

Electro tin plated copper, vinyl (PVC) 300V, 75 °C.

UN-INSULATED:

Tongue snaps around the screw & terminal is locked into place until the mounting screw can be tightened down.

Electro tin plated copper, 600V, 105 °C.

NYLON:

Tongue snaps around the screw & terminal is locked into place until the mounting screw can be tightened down.

Electro tin plated copper, easy-entry Nylon, 600V, 105 °C.



INSULATION TYPE	WIRE RANGE	STUD SIZE
Vinyl	22-18	#10
Vinyl	22-18	#6
Vinyl	22-18	#8
Vinyl	16-14	#10
Vinyl	16-14	#6
Vinyl	16-14	#8
Vinyl	12-10	#10
Vinyl	12-10	#6
Vinyl	12-10	#8
Un-insulated	22-18	#10
Un-insulated	22-18	#6
Un-insulated	22-18	#8
Un-insulated	16-14	#10
Un-insulated	16-14	#6
Un-insulated	16-14	#8
Un-insulated	12-10	#10
Un-insulated	12-10	#6
Un-insulated	12-10	#8
Nylon	22-18	#8
Nylon	16-14	#10
Nylon	16-14	#6
Nylon	16-14	#8
Nylon	12-10	#10
Nylon	12-10	#8



		PRO PACKS		STD PACKS		BULK PACKS	
LENGTH (IN)	WIDTH (IN)	CAT. NO.	QTY	CAT. NO.	QTY	CAT. NO.	QTY
0.827	0.315	-	-	S22-10V-L	100	S22-10V-L-BULK	1000
0.827	0.228	-	-	S22-6V-L	100	S22-6V-L-BULK	1000
0.827	0.315	-	-	S22-8V-L	100	S22-8V-L-BULK	1000
0.866	0.335	S16-10V-L-P	85	S16-10V-L	100	S16-10V-L-BULK	1000
0.827	0.228	-	-	S16-6V-L	100	S16-6V-L-BULK	1000
0.827	0.283	S16-8V-L-P	85	S16-8V-L	50	S16-8V-L-BULK	1000
0.992	0.374	-	-	S12-10V-L	50	S12-10V-L-BULK	500
0.992	0.335	-	-	S12-6V-L	50	S12-6V-L-BULK	500
0.992	0.335	-	-	S12-8V-L	50	S12-8V-L-BULK	500
0.694	0.340	-	-	S22-10-L	100	S22-10-L-BULK	1000
0.585	0.260	-	-	S22-6-L	100	S22-6-L-BULK	1000
0.646	0.261	-	-	S22-8-L	100	S22-8-L-BULK	1000
0.694	0.340	-	-	S16-10-L	100	S16-10-L-BULK	1000
0.585	0.260	-	-	S16-6-L	100	S16-6-L-BULK	1000
0.646	0.320	-	-	S16-8-L	100	S16-8-L-BULK	1000
0.773	0.340	-	-	S12-10-L	50	S12-10-L-BULK	1000
0.664	0.260	-	-	S12-6-L	50	S12-6-L-BULK	1000
0.646	0.261	-	-	S12-8-L	50	S12-8-L-BULK	1000
0.866	0.315	-	-	S22-8N-L	100	S22-8N-L-BULK	1000
0.906	0.335	-	-	S16-10N-L	100	S16-10N-L-BULK	1000
0.866	0.328	-	-	S16-6N-L	100	S16-6N-L-BULK	1000
0.866	0.283	-	-	S16-8N-L	100	S16-8N-L-BULK	1000
1.012	0.374	-	-	S12-10N-L	50	S12-10N-L-BULK	1000
1.012	0.335	-	-	S12-8N-L	50	S12-8N-L-BULK	1000

Spade Terminals Flange & Block S SERIES

FEATURES

FLANGE SPADES VINYL:

Turned up edges give this spade more safety and reliability. Flanges give a location and locking action that aid in installation.

Electro tin plated copper, vinyl (PVC) 300V, 75 °C.

UN-INSULATED:

Electro tin plated copper, 600V, 105 °C.

NYLON:

Turned up edges give this spade more safety and reliability. Flanges give a location and locking action that aid in installation.

Electro tin plated copper, easy-entry Nylon, 600V, 105 °C.

BLOCK SPADES VINYL:

Similar tongue style to a spade, block spades have longer, flatter sides designed for use in terminal blocks.

Electro tin plated copper with brazed seam, Vinyl (PVC), 300V, 75 °C.

UN-INSULATED:

Similar tongue style to a spade, block spades have longer, flatter sides designed for use in terminal blocks.

Electro tin plated copper with brazed seam, 600V, 105 °C.

NYLON:

Similar tongue style to a spade, block spades have longer, flatter sides designed for use in terminal blocks.

Electro tin plated copper with brazed seam, easy-entry Nylon, 600V, 105 °C.



INSULATION TYPE	WIRE RANGE	STUD SIZE	CERTIFICATION VARIANCE
FLANGE SPADES			
Vinyl	22-18	#6	
Vinyl	22-18	#8	
Vinyl	16-14	#10	
Vinyl	16-14	#6	
Vinyl	16-14	#8	
Vinyl	12-10	#10	
Vinyl	12-10	#8	
Un-insulated	16-14	#10	
Un-insulated	16-14	#6	
Nylon	22-18	#6	
Nylon	16-14	#10	
Nylon	16-14	#6	
Nylon	16-14	#8	
Nylon	12-10	#10	
BLOCK SPADES			
Vinyl	22-18	#10	
Vinyl	22-18	#6	
Vinyl	22-18	#8	
Vinyl	16-14	#10	
Vinyl	16-14	#6	
Vinyl	16-14	#8	
Un-insulated	22-18	#6	
Un-insulated	22-18	#8	
Un-insulated	16-14	#10	NON-UL
Un-insulated	16-14	#6	NON-UL
Un-insulated	16-14	#8	NON-UL
Nylon	22-18	#10	
Nylon	22-18	#6	
Nylon	16-14	#10	NON-UL
Nylon	16-14	#6	
Nylon	16-14	#8	



PRO PACKS				STD PACKS		BULK PACKS	
LENGTH (IN)	WIDTH (IN)	CAT. NO.	QTY	CAT. NO.	QTY	CAT. NO.	QTY
0.836	0.301	-	-	S22-6V-F	100	S22-6V-F-BULK	1000
0.836	0.301	-	-	S22-8V-F	100	S22-8V-F-BULK	1000
0.850	0.301	-	-	S16-10V-F	100	S16-10V-F-BULK	1000
0.850	0.301	-	-	S16-6V-F	100	S16-6V-F-BULK	1000
0.850	0.301	-	-	S16-8V-F	100	S16-8V-F-BULK	1000
1.075	0.320	-	-	S12-10V-F	50	S12-10V-F-BULK	1000
1.075	0.320	-	-	S12-8V-F	50	S12-8V-F-BULK	1000
0.635	0.300	-	-	S16-10-F	100	S16-10-F-BULK	1000
0.570	0.301	-	-	S16-6-F	100	S16-6-F-BULK	1000
0.885	0.294	-	-	S22-6N-F	100	S22-6N-F-BULK	1000
0.910	0.293	-	-	S16-10N-F	100	S16-10N-F-BULK	1000
0.910	0.293	-	-	S16-6N-F	100	S16-6N-F-BULK	1000
0.908	0.294	-	-	S16-8N-F	100	S16-8N-F-BULK	1000
0.770	0.385	-	-	S12-10N-F	50	S12-10N-F-BULK	1000
0.831	0.297	-	-	S22-10V-B	100	S22-10V-B-BULK	1000
0.560	0.301	-	-	S22-6V-B	100	S22-6V-B-BULK	1000
0.822	0.296	-	-	S22-8V-B	100	S22-8V-B-BULK	1000
				S16-10V-B	100		
0.828	0.251	-	-	S16-6V-B	100	S16-6V-B-BULK	1000
0.781	0.295	-	-	S16-8V-B	100	S16-8V-B-BULK	1000
0.560	0.255	-	-	S22-6-B	100	S22-6-B-BULK	1000
0.560	0.301	-	-	S22-8-B	100	S22-8-B-BULK	1000
0.560	0.301	-	-	S16-10-B	100	S16-10-B-BULK	1000
0.736	0.332	-	-	S16-6-B	100	S16-6-B-BULK	1000
0.736	0.329	-	-	S16-8-B	100	S16-8-B-BULK	1000
0.904	0.293	-	-	S22-10N-B	100	S22-10N-B-BULK	1000
0.904	0.297	-	-	S22-6N-B	100	S22-6N-B-BULK	1000
0.556	0.305	-	-	S16-10N-B	100	S16-10N-B-BULK	1000
0.940	0.245	-	-	S16-6N-B	100	S16-6N-B-BULK	1000
0.940	0.295	-	-	S16-8N-B	100	S16-8N-B-BULK	1000

FEATURES

VINYL:

Open tongue end for rapid insertion on the mounting screw. Typically used on free-standing studs.

Electro tin plated copper, vinyl (PVC) 300V, 75 °C.



UN-INSULATED:

Open tongue end for rapid insertion on the mounting screw. Typically used on free-standing studs.

Electro tin plated copper, 600V, 105 °C.



NYLON:

Open tongue end for rapid insertion on the mounting screw. Typically used on free-standing studs.

Electro tin plated copper, easy-entry Nylon, 600V, 105 °C.



INSULATION TYPE	WIRE RANGE	STUD SIZE	CERTIFICATION VARIANCE
Vinyl	22-18	1/4	
Vinyl	22-18	#10	
Vinyl	22-18	#4	UL
Vinyl	22-18	#6	
Vinyl	22-18	#8	
Vinyl	16-14	1/4	
Vinyl	16-14	#10	
Vinyl	16-14	#6	
Vinyl	16-14	#8	
Vinyl	12-10	1/4	
Vinyl	12-10	#10	
Vinyl	12-10	#6	
Vinyl	12-10	#8	
Un-insulated	22-18	#10	UL
Un-insulated	22-18	#4	UL
Un-insulated	22-18	#6	
Un-insulated	22-18	#8	UL
Un-insulated	16-14	#10	
Un-insulated	16-14	#6	
Un-insulated	16-14	#8	UL
Un-insulated	12-10	1/4	NON-UL
Un-insulated	12-10	#10	
Un-insulated	12-10	#6	UL
Un-insulated	12-10	#8	
Un-insulated	8	1/4	NON-UL
Un-insulated	8	#10	NON-UL
Nylon	22-18	#10	UL
Nylon	22-18	#4	UL
Nylon	22-18	#6	UL
Nylon	22-18	#8	UL
Nylon	16-14	1/4	NON-UL
Nylon	16-14	#10	
Nylon	16-14	#6	
Nylon	16-14	#8	
Nylon	12-10	1/4	
Nylon	12-10	#10	
Nylon	12-10	#6	
Nylon	12-10	#8	
Nylon	8	1/4	NON-UL
Nylon	8	#10	NON-UL

		"S" PACKS		PRO PACKS		STD PACKS		BULK PACKS	
L (IN)	W (IN)	CAT. NO.	QTY	CAT. NO.	QTY	CAT. NO.	QTY	CAT. NO.	QTY
1.070	0.472	–	–	–	–	S22-14V	100	S22-14V-BULK	1000
0.826	0.374	S22-10V-S	25	S22-10V-P	100	S22-10V	100	S22-10V-BULK	1000
0.817	0.251	–	–	–	–	S22-4V	100	S22-4V-BULK	1000
0.826	0.228	S22-6V-S	25	S22-6V-P	100	S22-6V	100	S22-6V-BULK	1000
0.826	0.283	S22-8V-S	25	S22-8V-P	100	S22-8V	100	S22-8V-BULK	1000
0.812	0.543	–	–	–	–	S16-14V	100	S16-14V-BULK	1000
0.966	0.362	S16-10V-S	20	S16-10V-P	85	S16-10V	100	S16-10V-BULK	1000
0.966	0.388	S16-6V-S	20	S16-6V-P	85	S16-6V	100	S16-6V-BULK	1000
1.103	0.388	S16-8V-S	20	S16-8V-P	85	S16-8V	100	S16-8V-BULK	1000
1.103	0.375	S12-14V-S	12	S12-14V-P	40	S12-14V	50	S12-14V-BULK	500
1.103	0.375	S12-10V-S	15	S12-10V-P	50	S12-10V	50	S12-10V-BULK	500
1.103	0.375	S12-6V-S	15	S12-6V-P	50	S12-6V	50	S12-6V-BULK	500
0.690	0.316	S12-8V-S	15	S12-8V-P	50	S12-8V	50	S12-8V-BULK	500
0.623	0.251	–	–	–	–	S22-10	100	S22-10-BULK	1000
0.629	0.228	–	–	–	–	S22-4	100	S22-4-BULK	1000
0.778	0.316	–	–	–	–	S22-6	100	S22-6-BULK	1000
0.770	0.388	–	–	–	–	S22-8	100	S22-8-BULK	1000
0.638	0.245	–	–	S16-10-P	100	S16-10	100	S16-10-BULK	1000
0.635	0.295	–	–	–	–	S16-6	100	S16-6-BULK	1000
1.000	0.492	–	–	S16-8-P	100	S16-8	100	S16-8-BULK	1000
0.812	0.375	–	–	–	–	S12-14	50	S12-14-BULK	1000
0.812	0.375	–	–	–	–	S12-10	50	S12-10-BULK	1000
0.812	0.375	–	–	–	–	S12-6	50	S12-6-BULK	1000
0.953	0.471	–	–	–	–	S12-8	50	S12-8-BULK	1000
0.956	0.471	–	–	–	–	S8-14	50	S8-14-BULK	100
1.033	0.322	–	–	–	–	S8-10	50	S8-10-BULK	100
0.727	0.187	–	–	–	–	S22-10N	100	S22-10N-BULK	1000
1.031	0.319	–	–	–	–	S22-4N	100	S22-4N-BULK	1000
0.898	0.286	–	–	–	–	S22-6N	100	S22-6N-BULK	1000
1.022	0.472	–	–	–	–	S22-8N	100	S22-8N-BULK	1000
0.898	0.338	–	–	–	–	S16-14N	100	S16-14N-BULK	1000
0.855	0.255	–	–	–	–	S16-10N	100	S16-10N-BULK	1000
0.855	0.286	–	–	–	–	S16-6N	100	S16-6N-BULK	1000
1.221	0.476	–	–	–	–	S16-8N	100	S16-8N-BULK	1000
1.024	0.375	–	–	–	–	S12-14N	50	S12-14N-BULK	500
1.000	0.336	–	–	–	–	S12-10N	50	S12-10N-BULK	500
1.000	0.375	–	–	–	–	S12-6N	50	S12-6N-BULK	500
1.256	0.474	–	–	–	–	S12-8N	50	S12-8N-BULK	500
1.256	0.474	–	–	–	–	S8-14N	50	S8-14N-BULK	500
1.256	0.474	–	–	–	–	S8-10N	50	S8-10N-BULK	500

MINITERMS
Ring Terminals
Vinyl
R SERIES

FEATURES

VINYL:

Basic tongue type ring terminal. Safe and reliable connections, because it cannot be disconnected unless the screw is completely removed.

Electro tin plated copper with brazed seam, vinyl (PVC) 300V, 75 °C.



INSULATION TYPE	WIRE RANGE	STUD SIZE	CERTIFICATION VARIANCE
Vinyl	22-18	1/4	
Vinyl	22-18	5/16	UL
Vinyl	22-18	3/8	UL
Vinyl	22-18	#10	
Vinyl	22-18	#6	
Vinyl	22-18	#8	
Vinyl	16-14	1/4	
Vinyl	16-14	5/16	
Vinyl	16-14	3/8	
Vinyl	16-14	1/2	NON-UL
Vinyl	16-14	#10	
Vinyl	16-14	#6	
Vinyl	16-14	#8	
Vinyl	12-10	1/4	
Vinyl	12-10	5/16	
Vinyl	12-10	3/8	
Vinyl	12-10	1/2	
Vinyl	12-10	#10	
Vinyl	12-10	#6	
Vinyl	12-10	#8	
Vinyl	8	1/4	UL
Vinyl	8	5/16	UL
Vinyl	8	3/8	UL
Vinyl	8	1/2	UL
Vinyl	8	#10	UL



		"S" PACKS		PRO PACKS		STD PACKS		BULK PACKS	
L (IN)	W (IN)	CAT. NO.	QTY	CAT. NO.	QTY	CAT. NO.	QTY	CAT. NO.	QTY
1.055	0.456	–	---	–	–	R22-14V	100	R22-14V-BULK	1000
1.085	0.464	–	---	–	–	R22-56V	100	R22-56V-BULK	1000
1.306	0.534	–	---	–	–	R22-38V	100	R22-38V-BULK	1000
0.826	0.314	R22-10V-S	25	R22-10V-P	100	R22-10V	100	R22-10V-BULK	1000
0.826	0.314	R22-6V-S	25	–	–	R22-6V	100	R22-6V-BULK	1000
0.826	0.314	R22-8V-S	25	–	–	R22-8V	100	R22-8V-BULK	1000
1.062	0.472	–	---	R16-14V-P	70	R16-14V	100	R16-14V-BULK	1000
1.062	0.472	–	---	–	–	R16-56V	100	R16-56V-BULK	1000
1.208	0.535	–	---	–	–	R16-38V	100	R16-38V-BULK	1000
1.348	0.745	–	---	–	–	R16-50V	100	R16-50V-BULK	1000
0.866	0.334	R16-10V-S	25	R16-10V-P	90	R16-10V	100	R16-10V-BULK	1000
0.767	0.259	R16-6V-S	25	R16-6V-P	90	R16-6V	100	R16-6V-BULK	1000
0.866	0.334	R16-8V-S	25	R16-8V-P	90	R16-8V	100	R16-8V-BULK	1000
1.141	0.472	R12-14V-S	20	R12-14V-P	50	R12-14V	50	R12-14V-BULK	500
1.326	0.59	–	---	–	–	R12-56V	50	R12-56V-BULK	500
1.326	0.59	R12-38V-S	10	–	–	R12-38V	50	R12-38V-BULK	500
1.499	0.755	–	---	–	–	R12-50V	50	R12-50V-BULK	500
1.003	0.374	R12-10V-S	10	R12-10V-P	50	R12-10V	50	R12-10V-BULK	500
1.003	0.374	–	---	–	–	R12-6V	50	R12-6V-BULK	500
1.003	0.374	R12-8V-S	15	R12-8V-P	50	R12-8V	50	R12-8V-BULK	500
1.27	0.374	–	---	–	–	R8-14V	50	R8-14V-BULK	250
1.31	0.328	–	---	–	–	R8-56V	50	R8-56V-BULK	250
1.43	0.583	–	---	–	–	R8-38V	50	R8-38V-BULK	250
1.73	0.81	–	---	–	–	R8-50V	50	R8-50V-BULK	250
1.27	0.374	–	---	–	–	R8-10V	50	R8-10V-BULK	250

MINITERMS
Ring Terminals
Uninsulated
R SERIES

FEATURES

UN-INSULATED:

Basic tongue type ring terminal. Safe and reliable connections, because it cannot be disconnected unless the screw is completely removed.

Electro tin plated copper with brazed seam, 600V, 105 °C.



INSULATION TYPE	WIRE RANGE	STUD SIZE	CERTIFICATION VARIANCE
Un-insulated	22-18	1/4	UL
Un-insulated	22-18	5/16	UL
Un-insulated	22-18	3/8	UL
Un-insulated	22-18	#10	
Un-insulated	22-18	#6	UL
Un-insulated	22-18	#8	
Un-insulated	16-14	1/4	
Un-insulated	16-14	5/16	UL
Un-insulated	16-14	3/8	
Un-insulated	16-14	1/2	NON-UL
Un-insulated	16-14	#10	
Un-insulated	16-14	#6	UL
Un-insulated	16-14	#8	
Un-insulated	#6	1/4	UL
Un-insulated	#6	5/16	UL
Un-insulated	#6	3/8	UL
Un-insulated	#6	1/2	UL
Un-insulated	#6	#10	UL
Un-insulated	#4	1/4	UL
Un-insulated	#4	5/16	UL
Un-insulated	#4	3/8	UL
Un-insulated	#4	1/2	UL
Un-insulated	#2	1/4	UL
Un-insulated	#2	5/16	UL
Un-insulated	#2	3/8	UL
Un-insulated	#2	1/2	UL
Un-insulated	12-10	1/4	
Un-insulated	12-10	5/16	
Un-insulated	12-10	3/8	
Un-insulated	12-10	1/2	NON-UL
Un-insulated	12-10	#10	
Un-insulated	12-10	#6	UL
Un-insulated	12-10	#8	UL
Un-insulated	8	1/4	UL
Un-insulated	8	5/16	UL
Un-insulated	8	3/8	UL
Un-insulated	8	#10	UL

		PRO PACKS		STD PACKS		BULK PACKS	
LENGTH (IN)	WIDTH (IN)	CAT. NO.	QTY	CAT. NO.	QTY	CAT. NO.	QTY
0.894	0.255	–	–	R22-14	100	R22-14-BULK	1000
0.893	0.323	–	–	R22-56	100	R22-56-BULK	1000
1.097	0.38	–	–	R22-38	100	R22-38-BULK	1000
0.629	0.314	–	–	R22-10	100	R22-10-BULK	1000
0.702	0.312	–	–	R22-6	100	R22-6-BULK	1000
0.629	0.314	–	–	R22-8	100	R22-8-BULK	1000
0.866	0.472	–	–	R16-14	100	R16-14-BULK	1000
0.892	0.472	–	–	R16-56	100	R16-56-BULK	1000
1.011	0.535	–	–	R16-38	100	R16-38-BULK	1000
1.123	0.748	–	---	R16-50	100	R16-50-BULK	1000
0.669	0.334	R16-10-P	125	R16-10	100	R16-10-BULK	1000
0.704	0.313	–	–	R16-6	100	R16-6-BULK	1000
0.669	0.334	R16-8-P	125	R16-8	100	R16-8-BULK	1000
1.253	0.634	–	–	R6-14	50	R6-14-BULK	500
1.243	0.635	–	–	R6-56	50	R6-56-BULK	500
1.239	0.635	–	–	R6-38	50	R6-38-BULK	500
1.434	0.827	–	–	R6-50	50	R6-50-BULK	500
1.18	0.485	–	–	R6-10	50	R6-10-BULK	500
1.245	0.469	–	–	R4-14	25	R4-14-BULK	500
1.25	0.476	–	–	R4-56	25	R4-56-BULK	500
1.34	0.665	–	–	R4-38	25	R4-38-BULK	500
1.327	0.665	–	–	R4-50	25	R4-50-BULK	500
1.563	0.636	–	–	R2-14	25	R2-14-BULK	500
1.673	0.868	–	–	R2-56	25	R2-56-BULK	500
1.563	0.635	–	–	R2-38	25	R2-38-BULK	500
1.677	0.868	–	–	R2-50	25	R2-50-BULK	500
0.885	0.472	–	–	R12-14	50	R12-14-BULK	1000
1.07	0.59	–	–	R12-56	50	R12-56-BULK	500
1.07	0.59	–	–	R12-38	50	R12-38-BULK	500
1.284	0.755	–	–	R12-50	50	R12-50-BULK	500
0.74	0.372	R12-10-P	80	R12-10	50	R12-10-BULK	1000
0.766	0.374	–	–	R12-6	50	R12-6-BULK	500
0.766	0.376	–	–	R12-8	50	R12-8-BULK	500
0.956	0.457	–	–	R8-14	50	R8-14-BULK	500
0.952	0.471	–	–	R8-56	50	R8-56-BULK	500
1.083	0.59	–	–	R8-38	50	R8-38-BULK	500
0.955	0.47	–	–	R8-10	50	R8-10-BULK	500

MINITERMS
Ring Terminals
Nylon
R SERIES

FEATURES

NYLON:

Basic tongue type ring terminal. Safe and reliable connections, because it cannot be disconnected unless the screw is completely removed.

Electro tin plated copper with brazed seam, easy-entry Nylon, 600V, 105 °C.



INSULATION TYPE	WIRE RANGE	STUD SIZE	CERTIFICATION VARIANCE
Nylon	22-18	1/4	UL
Nylon	22-18	5/16	UL
Nylon	22-18	3/8	UL
Nylon	22-18	#10	UL
Nylon	22-18	#4	UL
Nylon	22-18	#6	
Nylon	22-18	#8	UL
Nylon	16-14	1/4	UL
Nylon	16-14	5/16	UL
Nylon	16-14	3/8	UL
Nylon	16-14	1/2	NON-UL
Nylon	16-14	#10	
Nylon	16-14	#6	UL
Nylon	16-14	#8	
Nylon	#6	1/4	UL
Nylon	#6	5/16	UL
Nylon	#6	3/8	UL
Nylon	#6	1/2	NON-UL
Nylon	#4	1/4	UL
Nylon	#4	5/16	UL
Nylon	#4	3/8	UL
Nylon	#4	1/2	UL
Nylon	#2	1/4	UL
Nylon	#2	5/16	UL
Nylon	#2	3/8	UL
Nylon	#2	1/2	NON-UL
Nylon	12-10	1/4	
Nylon	12-10	5/16	UL
Nylon	12-10	3/8	UL
Nylon	12-10	1/2	NON-UL
Nylon	12-10	#10	
Nylon	12-10	#6	UL
Nylon	12-10	#8	UL
Nylon	8	1/4	UL
Nylon	8	5/16	UL
Nylon	8	3/8	UL
Nylon	8	#10	UL

		PRO PACKS		STD PACKS		BULK PACKS	
LENGTH (IN)	WIDTH (IN)	CAT. NO.	QTY	CAT. NO.	QTY	CAT. NO.	QTY
1.094	0.456	---	---	R22-14N	100	R22-14N-BULK	1000
1.094	0.456	---	---	R22-56N	100	R22-56N-BULK	1000
1.248	0.535	---	---	R22-38N	100	R22-38N-BULK	1000
0.866	0.314	---	---	R22-10N	100	R22-10N-BULK	1000
0.953	0.264	---	---	R22-4N	100	R22-4N-BULK	1000
0.866	0.314	---	---	R22-6N	100	R22-6N-BULK	1000
0.866	0.314	---	---	R22-8N	100	R22-8N-BULK	1000
1.102	0.472	---	---	R16-14N	100	R16-14N-BULK	1000
0.807	0.529	---	---	R16-56N	100	R16-56N-BULK	1000
1.248	0.535	---	---	R16-38N	100	R16-38N-BULK	1000
1.44	0.755	---	---	R16-50N	100	R16-50N-BULK	1000
0.905	0.334	---	---	R16-10N	100	R16-10N-BULK	1000
0.995	0.31	---	---	R16-6N	100	R16-6N-BULK	1000
0.905	0.334	---	---	R16-8N	100	R16-8N-BULK	1000
1.355	0.48	---	---	R6-14N	50	R6-14N-BULK	250
1.355	0.64	---	---	R6-56N	50	R6-56N-BULK	250
1.355	0.64	---	---	R6-38N	50	R6-38N-BULK	250
1.447	0.832	---	---	R6-50N	50	R6-50N-BULK	250
1.85	0.475	---	---	R4-14N	25	R4-14N-BULK	100
1.85	0.475	---	---	R4-56N	25	R4-56N-BULK	100
1.95	0.668	---	---	R4-38N	25	R4-38N-BULK	100
1.95	0.668	---	---	R4-50N	25	R4-50N-BULK	100
1.821	0.645	---	---	R2-14N	25	R2-14N-BULK	100
1.821	0.645	---	---	R2-56N	25	R2-56N-BULK	100
1.821	0.645	---	---	R2-38N	25	R2-38N-BULK	100
2.202	0.863	---	---	R2-50N	25	R2-50N-BULK	100
1.161	0.472	---	---	R12-14N	50	R12-14N-BULK	500
1.346	0.59	---	---	R12-56N	50	R12-56N-BULK	500
1.346	0.59	---	---	R12-38N	50	R12-38N-BULK	500
1.519	0.755	---	---	R12-50N	50	R12-50N-BULK	500
1.023	0.374	---	---	R12-10N	50	R12-10N-BULK	500
1.023	0.374	---	---	R12-6N	50	R12-6N-BULK	500
1.023	0.374	---	---	R12-8N	50	R12-8N-BULK	500
1.39	0.468	---	---	R8-14N	50	R8-14N-BULK	250
1.39	0.468	---	---	R8-56N	50	R8-56N-BULK	250
1.51	0.588	---	---	R8-38N	50	R8-38N-BULK	250
1.39	0.468	---	---	R8-10N	50	R8-10N-BULK	500

MINITERMS

**Male & Female Plugs
Plier Tap and Pin Terminal,
Male/Female Adapter**
PM, PF, PTC, PT SERIES

FEATURES

**UN-INSULATED/
NYLON:**

Electro tin plated copper, vinyl (PVC) 600V, 75 °C.

**UN-INSULATED/
NYLON:**

Turned up edges give this spade more safety and reliability. Flanges give a location and locking action that aid in installation.

Electro tin plated copper, easy-entry Nylon, 600V, 105 °C.

VINYL:

Similar tongue style to a spade, block spades have longer, flatter sides designed for use in terminal blocks.

Electro tin plated copper with brazed seam, Vinyl (PVC), 600V, 75 °C

VINYL:

Similar tongue style to a spade, block spades have longer, flatter sides designed for use in terminal blocks.

Electro tin plated copper with brazed seam, 600V, 105 °C.

UN-INSULATED:

Similar tongue style to a spade, block spades have longer, flatter sides designed for use in terminal blocks.

Electro tin plated copper with brazed seam, easy-entry Nylon, 600V, 105 °C.



STYLE	INSULATION TYPE	WIRE RANGE	STUD SIZE	CERTIFICATION VARIANCE
Plugs Male	Un-insulated	22-18	0.157	NON-UL
Plugs Male	Un-insulated	16-14	0.157	NON-UL
Plugs Male	Nylon	22-18	0.157	UL
Plugs Male	Nylon	16-14	0.157	UL
Plugs Female	Un-insulated	22-18	0.157	NON-UL
Plugs Female	Un-insulated	16-14	0.157	NON-UL
Plugs Female	Nylon	22-18	0.157	UL
Plugs Female	Nylon	22-18	0.157	NON-UL
Plugs Female	Nylon	16-14	0.157	UL
Plugs Female	Nylon	16-14	0.157	NON-UL
Plugs Female	Nylon	16-14	0.197	NON-UL
Plier Tap Connector	Vinyl	22-18	n/a	
Plier Tap Connector	Vinyl	16-14	n/a	
Plier Tap Connector	Vinyl	12-10	n/a	
Pin Terminal	Vinyl	22-18	n/a	
Pin Terminal	Vinyl	16-14	n/a	
Pin Terminal	Vinyl	12-10	n/a	
Male Female Adapter	Un-insulated	n/a	0.250	
Male Female Adapter	Un-insulated	n/a	0.250	

MINITERMS



		"S" PACKS		PRO PACKS		STD PACKS		BULK PACKS	
L (IN)	W (IN)	CAT. NO.	QTY	CAT. NO.	QTY	CAT. NO.	QTY	CAT. NO.	QTY
0.630	0.145	—	---	---	---	PM22-157	100	PM22-157-BULK	1000
0.630	0.136	—	---	---	---	PM16-157	100	PM16-157-BULK	1000
0.890	0.145	—	---	---	---	PM22-157N	100	PM22-157N-BULK	1000
0.890	0.145	—	---	---	---	PM16-157N	100	PM16-157N-BULK	1000
0.680	0.194	—	---	---	---	PF22-157	100	PF22-157-BULK	1000
0.680	0.185	—	---	---	---	PF16-157	100	PF16-157-BULK	1000
1.000	0.128	—	---	---	---	PF22-157N	100	PF22-157N-BULK	1000
1.234	0.309	—	---	---	---	PFS22-157N	100	PFS22-157N-BULK	1000
1.000	0.150	—	---	---	---	PF16-157N	100	PF16-157N-BULK	1000
1.233	0.339	—	---	---	---	PFS16-157N	100	PFS16-157N-BULK	1000
1.233	0.339	—	---	---	---	PFS16-197N	100	PFS16-197N-BULK	1000
0.790	0.550	—	---	---	---	PTC22-18	100	PTC22-18-BULK	500
0.790	0.550	—	---	---	---	PTC16-14	100	PTC16-14-BULK	500
0.800	0.740	—	---	---	---	PTC12-10	50	PTC12-10-BULK	250
0.930	0.078	—	---	---	---	PT-22V	100	PT-22V-BULK	1000
0.930	0.078	—	---	---	---	PT-16V	100	PT-16V-BULK	1000
1.120	0.107	—	---	---	---	PT-12V	50	PT-12V-BULK	500
0.825	0.564	—	—	---	---	250-3-Z	100	250-3-Z-BULK	1000
0.825	0.564	DMT250-3-S	15	DMT250-3-P	60	DMT250-3	100	DMT250-3-BULK	1000

MINITERMS

**High Temperature
Spade, Ring, Piggyback
& Disconnect**

HT SERIES

FEATURES

UN-INSULATED:

Electro tin plated copper, vinyl (PVC) 600V, 75 °C.

UN-INSULATED:

Electro tin plated copper, 600V, 105 °C.

UN-INSULATED:

Turned up edges give this spade more safety and reliability.

UN-INSULATED:

Similar tongue style to a spade, block spades have longer, flatter side

UN-INSULATED:

Similar tongue style to a spade, block spades have longer, flatter sides designed for use in terminal blocks.

UN-INSULATED:

Similar tongue style to a spade, block spades have longer, flatter sides designed for use in terminal blocks.

Electro tin plated copper with brazed seam, easy-entry Nylon, 600V, 105 °C.



STYLE	INSULATION TYPE	WIRE RANGE	STUD SIZE	CERTIFICATION VARIANCE
Spade	Un-insulated	12-10	#10	
Ring	Un-insulated	22-18	#10	UL
Ring	Un-insulated	22-18	#6	NON-UL
Ring	Un-insulated	22-18	#8	UL
Ring	Un-insulated	16-14	#10	UL
Ring	Un-insulated	16-14	#6	UL
Ring	Un-insulated	16-14	#8	UL
Ring	Un-insulated	12-10	1/4	NON-UL
Ring	Un-insulated	12-10	#10	UL
Ring	Un-insulated	12-10	#8	NON-UL
Piggyback	Un-insulated	16-14	0.250	
Disconnect Male	Un-insulated	12-10	0.250	
Disconnect Female Flag	Un-insulated	16-14	0.250	
Disconnect Female Flag	Un-insulated	12-10	0.250	
Disconnect Female	Un-insulated	16-14	0.250	
Disconnect Female	Un-insulated	12-10	0.250	
Disconnect Female	Un-insulated	8	0.250	

MINITERMS



		"S" PACKS		PRO PACKS		STD PACKS		BULK PACKS	
L (IN)	W (IN)	CAT. NO.	QTY	CAT. NO.	QTY	CAT. NO.	QTY	CAT. NO.	QTY
0.499	0.384	HTS12-10-S	15	–	–	–	–	HTS12-10-BULK	1000
0.443	0.325	–	–	–	–	HTR22-10	100	HTR22-10-BULK	1000
0.443	0.270	–	–	–	–	HTR22-6	100	HTR22-6-BULK	1000
0.411	0.270	–	–	–	–	HTR22-8	100	HTR22-8-BULK	1000
0.450	0.384	–	–	HTR16-10-P	100	HTR16-10	100	HTR16-10-BULK	1000
0.470	0.345	–	–	–	–	HTR16-6	100	HTR16-6-BULK	1000
0.444	0.390	–	–	–	–	HTR16-8	100	HTR16-8-BULK	1000
0.616	0.482	–	–	–	–	HTR12-14	50	HTR12-14-BULK	1000
0.530	0.384	–	–	HTR12-10-P	60	HTR12-10	50	HTR12-10-BULK	1000
0.530	0.384	–	–	–	–	HTR12-8	50	HTR12-8-BULK	1000
0.625	0.291	–	–	–	–	HTP16-250-3	–	HTP16-250-3-BULK	1000
0.685	0.250	–	–	–	–	HTM12-250-3	50	HTM12-250-3-BULK	1000
0.506	0.312	–	–	HTSF16-250-3-P	60	HTSF16-250-3	60	HTSF16-250-3-BULK	1000
0.587	0.294	–	–	HTSF12-250-3-P	50	HTSF12-250-3	50	HTSF12-250-3-BULK	1000
0.500	0.250	HTF16-250-3-S	15	HTF16-250-3-P	60	HTF16-250-3	50	HTF16-250-3-BULK	1000
0.690	0.304	HTF12-250-3-S	15	–	–	–	–	HTF12-250-3-BULK	500
0.715	0.304	–	–	HTF8-250-3-P	–	HTF8-250-3	25	HTF8-250-3-BULK	1000

MINITERMS

**Male Disconnects:
Fully Insulated & Male/
Female Adapter**

M, IM, FCT SERIES

FEATURES

VINYL:

Electro tin plated, vinyl (PVC)
300V, 75 °C.

UN-INSULATED:

Electro tin plated copper,
600V, 105 °C.

NYLON:

Turned up edges give this
spade more safety and
reliability.
300V, 105 °C.

**UN-INSULATED-
BARE:**

Turned up edges give this
spade more safety and
reliability.
600V, 105 °C.



STYLE	INSULATION TYPE	WIRE RANGE	STUD SIZE	CERTIFICATION VARIANCE
Male Fully Insulated Barrel	Vinyl	22-18	0.250	
Male Fully Insulated Barrel	Vinyl	16-14	0.187	
Male Fully Insulated Barrel	Vinyl	16-14	0.250	
Male Fully Insulated Barrel	Vinyl	12-10	0.250	
Un-Insulated Male Barrel	Un-insulated	16-14	0.187	NON-UL
Un-Insulated Male Barrel	Un-insulated	16-14	0.250	NON-UL
Un-Insulated Male Barrel	Un-insulated	12-10	0.250	NON-UL
Male Fully Insulated	Nylon	22-18	0.250	
Male Fully Insulated	Nylon	22-18	0.250	UL
Male Fully Insulated	Nylon	16-14	0.187	
Male Fully Insulated	Nylon	16-14	0.250	
Male Fully Insulated	Nylon	16-14	0.250	
Male Fully Insulated	Nylon	12-10	0.250	
Male Fully Insulated	Nylon	12-10	0.250	UL
Male/Female Adapter	Un-insulated	12-10	0.250	

MINITERMS



		"S" PACKS		PRO PACKS		STD PACKS		BULK PACKS	
L (IN)	W (IN)	CAT. NO.	QTY	CAT. NO.	QTY	CAT. NO.	QTY	CAT. NO.	QTY
0.834	0.249	M22-250-3V-S	30	–	–	M22-250-3V	100	M22-250-3V-BULK	1000
0.755	0.188	–	–	–	–	M16-187-2V	100	M16-187-2V-BULK	1000
0.834	0.249	M16-250-3V-S	30	M16-250-3V-P	100	M16-250-3V	100	M16-250-3V-BULK	1000
0.933	0.249	M12-250-3V-S	25	M12-250-3V-P	50	M12-250-3V	50	M12-250-3V-BULK	500
0.630	0.240	–	–	–	–	M16-187-2	100	M16-187-2-BULK	1000
0.630	0.240	–	–	–	–	M16-250-3	100	M16-250-3-BULK	1000
0.765	0.250	–	–	–	–	M12-250-3	50	M12-250-3-BULK	1000
0.925	0.249	–	–	–	–	IM22-250-3N	100	IM22-250-3N-BULK	1000
0.904	0.249	–	–	–	–	M22-250-3N	100	M22-250-3N-BULK	1000
0.795	0.188	–	–	–	–	M16-187-2N	100	M16-187-2N-BULK	1000
0.925	0.249	IM16-250-3N-S	20	IM16-250-3N-P	30	IM16-250-3N	50	IM16-250-3N-BULK	1000
0.874	0.249	–	–	–	–	M16-250-3N	100	M16-250-3N-BULK	1000
1.062	0.249	–	–	–	–	IM12-250-3N	50	IM12-250-3N-BULK	500
1.061	0.249	–	–	–	–	M12-250-3N	50	M12-250-3N-BULK	500
0.529	0.549	FCT12-250-3-S	10	–	–	FCT12-250-3	50	FCT12-250-3-BULK	1000

MINITERMS

**Female Disconnects:
Piggyback, Sleeved Barrel
& Fully Insulated**
P, IFS, IF SERIES

FEATURES

**VINYL/
UN-INSULATED/
NYLON:**

Electro tin plated copper,
600V, 105 °C.

NYLON:

Electro tin plated copper,
600V, 105 °C.

NYLON:

Turned up edges give this
spade more safety and
reliability.
600V, 105 °C.



STYLE	INSULATION TYPE	WIRE RANGE	STUD SIZE	CERTIFICATION VARIANCE
Female Piggyback	Vinyl	22-18	0.250	
Female Piggyback	Vinyl	16-14	0.250	
Female Piggyback	Vinyl	12-10	0.250	UL
Female Piggyback	Un-insulated	16-14	0.250	
Female Piggyback	Nylon	22-18	0.250	
Female Piggyback	Nylon	16-14	0.250	
Female Fully Insulated Sleeved Barrel	Nylon	22-18	0.110	
Female Fully Insulated Sleeved Barrel	Nylon	22-18	0.110	
Female Fully Insulated Sleeved Barrel	Nylon	22-18	0.250	
Female Fully Insulated Sleeved Barrel	Nylon	16-14	0.250	
Female Fully Insulated Sleeved Barrel	Nylon	12-10	0.250	
Female Fully Insulated	Nylon	22-18	0.110	UL
Female Fully Insulated	Nylon	22-18	0.110	UL
Female Fully Insulated	Nylon	22-18	0.187	UL
Female Fully Insulated	Nylon	22-18	0.187	UL
Female Fully Insulated	Nylon	22-18	0.250	
Female Fully Insulated	Nylon	16-14	0.187	
Female Fully Insulated	Nylon	16-14	0.187	UL
Female Fully Insulated	Nylon	16-14	0.250	
Female Fully Insulated	Nylon	16-14	0.250	NON-UL
Female Fully Insulated	Nylon	12-10	0.250	



		"S" PACKS		PRO PACKS		STD PACKS		BULK PACKS	
L (IN)	W (IN)	CAT. NO.	QTY	CAT. NO.	QTY	CAT. NO.	QTY	CAT. NO.	QTY
0.826	0.259	-	-	-	-	P22-250-3V	100	P22-250-3V-BULK	1000
0.826	0.259	P16-250-3V-S	15	P16-250-3V-P	40	P16-250-3V	100	P16-250-3V-BULK	1000
1.010	0.250	-	-	-	-	P12-250-3V	50	P12-250-3V-BULK	500
0.677	0.295	-	---	-	---	P16-250-3	100	P16-250-3-BULK	1000
0.866	0.259	-	-	-	---	P22-250-3N	100	P22-250-3N-BULK	1000
0.866	0.259	-	-	-	-	P16-250-3N	100	P16-250-3N-BULK	1000
0.800	0.230	-	-	-	-	IFS22-110-2N	100	IFS22-110-2N-BULK	1000
0.800	0.230	-	-	-	-	IFS22-110-3N	100	IFS22-110-3N-BULK	1000
0.890	0.380	-	-	-	-	IFS22-250-3N	100	IFS22-250-3N-BULK	1000
0.890	0.380	-	-	-	-	IFS16-250-3N	100	IFS16-250-3N-BULK	1000
1.040	0.380	-	-	-	-	IFS12-250-3N	50	IFS12-250-3N-BULK	500
0.800	0.230	-	-	-	-	IF22-110-2N	100	IF22-110-2N-BULK	1000
0.800	0.230	-	-	-	-	IF22-110-3N	100	IF22-110-3N-BULK	1000
0.780	0.320	-	-	-	-	IF22-187-2N	100	IF22-187-2N-BULK	1000
0.780	0.320	-	-	-	-	IF22-187-3N	100	IF22-187-3N-BULK	1000
0.866	0.259	-	-	-	-	IF22-250-3N	100	IF22-250-3N-BULK	1000
0.780	0.320	-	-	-	-	IF16-187-2N	100	IF16-187-2N-BULK	1000
0.780	0.320	-	-	-	-	IF16-187-3N	100	IF16-187-3N-BULK	1000
0.866	0.259	IF16-250-3N-S	12	IF16-250-3N-P	50	IF16-250-3N	100	IF16-250-3N-BULK	1000
0.955	0.395	IF16-250-3N-IG-S	10	-	-	IF16-250-3N-IG	100	IF16-250-3N-IG-BULK	1000
0.964	0.259	IF12-250-3N-S	12	IF12-250-3N-P	30	IF12-250-3N	50	IF12-250-3N-BULK	500

MINITERMS

Female Flag & Fully Insulated Flag, Two-Way Receptacle

IFL, SF, DFR SERIES

FEATURES

NYLON:

Electro tin plated copper, 600V, 105 °C.

UN-INSULATED:

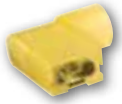
Electro tin plated copper, 600V, 105 °C.

NYLON:

Turned up edges give this spade more safety and reliability. 600V, 105 °C.



STYLE	INSULATION TYPE	WIRE RANGE	STUD SIZE	CERTIFICATION VARIANCE
Female Flag Fully Insulated	Nylon	22-18	0.250	
Female Flag Fully Insulated	Nylon	16-14	0.250	
Female Flag Fully Insulated	Nylon	12-10	0.250	
Female Flag	Un-insulated	22-18	0.250	UL
Female Flag	Un-insulated	16-14	0.187	UL
Female Flag	Un-insulated	16-14	0.250	
Female Flag	Un-insulated	12-10	0.250	
Female Flag	Un-insulated	12-10	0.250	NON-UL
2 Way Receptacle	Nylon	n/a	0.157	



		"S" PACKS		PRO PACKS		STD PACKS		BULK PACKS	
L (IN)	W (IN)	CAT. NO.	QTY	CAT. NO.	QTY	CAT. NO.	QTY	CAT. NO.	QTY
0.630	0.236	–	–	–	–	IFL22-250-3N	100	IFL22-250-3N-BULK	1000
0.630	0.390	–	–	–	–	IFL16-250-3N	100	IFL16-250-3N-BULK	1000
0.667	0.311	IFL12-250-3N-S	12	IFL12-250-3N-P	30	IFL12-250-3N	50	IFL12-250-3N-BULK	500
0.539	0.312	–	–	–	–	SF22-250-3	100	SF22-250-3-BULK	1000
0.539	0.312	–	–	SF16-187-2-P	–	SF16-187-2	100	SF16-187-2-BULK	1000
0.539	0.312	SF16-250-3-S	20	–	–	SF16-250-3	100	SF16-250-3-BULK	1000
0.582	0.259	SF12-250-3-S	15	–	–	SF12-250-3	50	SF12-250-3-BULK	1000
0.570	0.320	–	–	–	–	SF12-250-3-SP	50	SF12-250-3-SP-BULK	1000
–	–	–	–	–	–	DFR-157N	100	DFR-157N-BULK	1000

MINITERMS
Female Disconnects
F SERIES

FEATURES

VINYL:

Electro tin plated copper,
 600V, 105 °C.



**UN-INSULATED-
 BARE:**

Electro tin plated copper,
 600V, 105 °C.



NYLON:

Turned up edges give this
 spade more safety and
 reliability.
 600V, 105 °C.



STYLE	INSULATION TYPE	WIRE RANGE	STUD SIZE	CERTIFICATION VARIANCE
Female	Vinyl	22-18	0.110	
Female	Vinyl	22-18	0.110	UL
Female	Vinyl	22-18	0.187	
Female	Vinyl	22-18	0.187	UL
Female	Vinyl	22-18	0.250	
Female	Vinyl	16-14	0.110	UL
Female	Vinyl	16-14	0.110	UL
Female	Vinyl	16-14	0.187	
Female	Vinyl	16-14	0.187	
Female	Vinyl	16-14	0.250	
Female	Vinyl	12-10	0.250	
Female	Un-insulated	22-18	0.110	UL
Female	Un-insulated	22-18	0.110	UL
Female	Un-insulated	22-18	0.187	UL
Female	Un-insulated	22-18	0.187	UL
Female	Un-insulated	22-18	0.250	
Female	Un-insulated	16-14	0.110	UL
Female	Un-insulated	16-14	0.110	
Female	Un-insulated	16-14	0.187	UL
Female	Un-insulated	16-14	0.187	UL
Female	Un-insulated	16-14	0.250	
Female	Un-insulated	12-10	0.250	
Female	Un-insulated	8	0.250	NON-UL
Female	Nylon	22-18	0.110	NON-UL
Female	Nylon	22-18	0.110	UL
Female	Nylon	22-18	0.187	UL
Female	Nylon	22-18	0.187	UL
Female	Nylon	22-18	0.250	
Female	Nylon	16-14	0.110	UL
Female	Nylon	16-14	0.110	UL
Female	Nylon	16-14	0.187	UL
Female	Nylon	16-14	0.187	
Female	Nylon	16-14	0.250	
Female	Nylon	12-10	0.250	

"S" PACKS

PRO PACKS

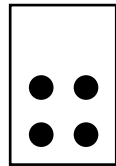
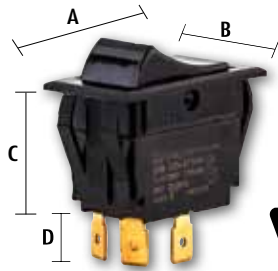
STD PACKS

BULK PACKS

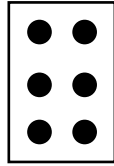
L (IN)	W (IN)	CAT. NO.	QTY	CAT. NO.	QTY	CAT. NO.	QTY	CAT. NO.	QTY
0.728	0.125	-	-	-	-	F22-110-2V	100	F22-110-2V-BULK	1000
0.789	0.170	-	-	-	-	F22-110-3V	100	F22-110-3V-BULK	1000
0.748	0.196	-	-	-	-	F22-187-2V	100	F22-187-2V-BULK	1000
0.789	0.250	-	-	-	-	F22-187-3V	100	F22-187-3V-BULK	1000
0.826	0.259	F22-250-3V-S	25	F22-250-3V-P	80	F22-250-3V	100	F22-250-3V-BULK	1000
0.789	0.170	-	-	-	-	F16-110-2V	100	F16-110-2V-BULK	1000
0.789	0.170	-	-	-	-	F16-110-3V	100	F16-110-3V-BULK	1000
0.748	0.196	F16-187-2V-S	25	-	-	F16-187-2V	100	F16-187-2V-BULK	1000
0.748	0.196	-	-	-	-	F16-187-3V	100	F16-187-3V-BULK	1000
0.826	0.259	F16-250-3V-S	25	F16-250-3V-P	70	F16-250-3V	100	F16-250-3V-BULK	1000
0.925	0.259	F12-250-3V-S	-	F12-250-3V-P	50	F12-250-3V	50	F12-250-3V-BULK	500
0.550	0.150	-	-	-	-	F22-110-2	100	F22-110-2-BULK	1000
0.554	0.150	-	-	-	-	F22-110-3	100	F22-110-3-BULK	1000
0.565	0.233	-	-	-	-	F22-187-2	100	F22-187-2-BULK	1000
0.565	0.233	-	-	-	-	F22-187-3	100	F22-187-3-BULK	1000
0.629	0.259	-	-	F22-250-3-P	100	F22-250-3	100	F22-250-3-BULK	1000
0.557	0.149	-	-	-	-	F16-110-2	100	F16-110-2-BULK	1000
0.531	0.125	-	-	-	-	F16-110-3	100	F16-110-3-BULK	1000
0.556	0.233	-	-	-	-	F16-187-2	100	F16-187-2-BULK	1000
0.559	0.233	-	-	-	-	F16-187-3	100	F16-187-3-BULK	1000
0.629	0.259	-	-	F16-250-3-P	125	F16-250-3	100	F16-250-3-BULK	1000
0.669	0.259	-	-	-	-	F12-250-3	50	F12-250-3-BULK	500
0.665	0.320	-	-	-	-	F8-250-3	50	F8-250-3-BULK	1000
0.789	0.163	-	-	-	-	F22-110-2N	100	F22-110-2N-BULK	1000
0.789	0.210	-	-	-	-	F22-110-3N	100	F22-110-3N-BULK	1000
0.789	0.125	-	-	-	-	F22-187-2N	100	F22-187-2N-BULK	1000
0.789	0.125	-	-	-	-	F22-187-3N	100	F22-187-3N-BULK	1000
0.866	0.259	-	-	-	-	F22-250-3N	100	F22-250-3N-BULK	1000
0.789	0.163	-	-	-	-	F16-110-2N	100	F16-110-2N-BULK	1000
0.789	0.163	-	-	-	-	F16-110-3N	100	F16-110-3N-BULK	1000
0.789	0.238	-	-	-	-	F16-187-2N	100	F16-187-2N-BULK	1000
0.787	0.196	-	-	-	-	F16-187-3N	100	F16-187-3N-BULK	1000
0.866	0.259	-	-	-	-	F16-250-3N	100	F16-250-3N-BULK	1000
0.944	0.259	-	-	-	-	F12-250-3N	50	F12-250-3N-BULK	500

SWITCHES

Rocker Switches



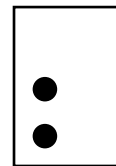
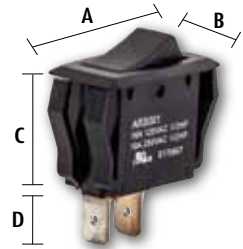
D.P.S.T



D.P.D.T

CAT. NO.	CIRCUIT FUNC.	POLES & THROWS	RATINGS			VOLTAGE	LAMP COLOR	ACTR. CONTACT	CONN. TYPE	STD. CTN. QTY.
			AMPS 125VAC	AMPS 250VAC	HP 125-250VAC					
77010RQ	ON-OFF	DPST	20	10	1 1/2 @125,2 @ 250	Non-Lighted	Black	Maintained	0.250 Quikconnect	5
77040RQ	ON-ON	DPDT	20	10	1 1/2 @125,2 @ 250	Non-Lighted	Black	Maintained	0.250 Quikconnect	5
77060RQ	ON-OFF-ON	DPDT	20	10	1 1/2 @125,2 @ 250	Non-Lighted	Black	Maintained	0.250 Quikconnect	5
77130RQ	ON-OFF-ON	DPDT	15	10	3/4	Non-Lighted	Black	Momentary	0.250 Quikconnect	5

Dimensions (IN) A: 1.348 B: 0.750 C: 0.762 D: 0.422



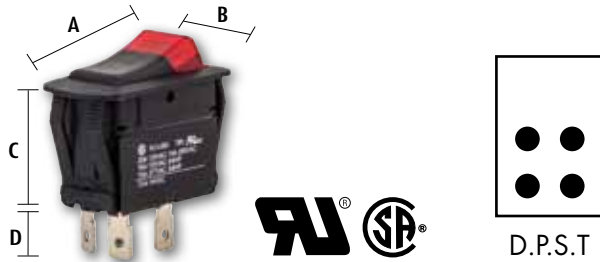
S.P.S.T

CAT. NO.	CIRCUIT FUNC.	POLES & THROWS	RATINGS			VOLTAGE	LAMP COLOR	ACTR. CONTACT	CONN. TYPE	STD. CTN. QTY.
			AMPS 125VAC	AMPS 250VAC	HP 125-250VAC					
77140RQ	ON-OFF	SPST	15	10	-	Non-Lighted	Black	Maintained	0.250 Quikconnect	5

Dimensions (IN) A: 1.250 B: 0.625 C: 0.828 D: 0.406



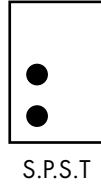
CAT. NO.	CIRCUIT FUNC.	POLES & THROWS	RATINGS			VOLTAGE	LAMP COLOR	ACTR. CONTACT	CONN. TYPE	STD. CTN. QTY.
			AMPS 125VAC	AMPS 250VAC	HP 125-250VAC					
77150RQ	ON-OFF	SPST	15	7.5	–	–	Red	Maintained	0.250 Quikconnect	5
Dimensions (IN)	A: 1.348	B: 0.750	C: 0.762	D: 0.422						



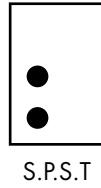
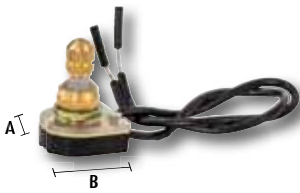
CAT. NO.	CIRCUIT FUNC.	POLES & THROWS	RATINGS			VOLTAGE	LAMP COLOR	ACTR. CONTACT	CONN. TYPE	CTN. QTY.	
			AMPS 125VAC	AMPS 250VAC	H.P 125-250VAC						
77030RQ	ON-OFF	DPST	15	10	3/4 @ 250	125V Incand.	Red	–	Maintained	0.250 Quikconnect	5
77020RQ	ON-OFF	DPST	15	10	3/4 @ 250	125V Neon	Amber	–	Maintained	0.250 Quikconnect	5
Dimensions (IN)	A: 0.426	B: 1.088	C: 0.709	D: 0.345							

SWITCHES

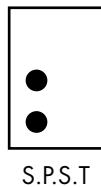
Rotary Switches & Miscellaneous



CAT. NO.	CIRCUIT FUNC.	POLES & THROWS	RATINGS			VOLTAGE	LAMP COLOR	ACTR. CONTACT	CONN. TYPE	STD. CTN. QTY.
			AMPS 125VAC	AMPS 250VAC	HP 125-250VAC					
77300RW	ON-OFF	SPST	3	1	Non-Lighted	Rotary Canopy	—	Maintained	Wire Leads	5
Dimensions (IN) A: 0.718 B: 0.600 C: 0.265										



CAT. NO.	CIRCUIT FUNC.	POLES & THROWS	RATINGS			VOLTAGE	LAMP COLOR	ACTR. CONTACT	CONN. TYPE	STD. CTN. QTY.
			AMPS 125VAC	AMPS 250VAC	HP 125-250VAC					
77340RW	ON-OFF	SPST	6	3	Non-Lighted	Rotary Canopy	—	Maintained	Wire Leads	5
77320RW	OFF-ON-ON-ON	SPST	3	1	Non-Lighted	Rotary Canopy	—	Maintained	Wire Leads	5
Dimensions (IN) A: 1.000 B: 0.844										



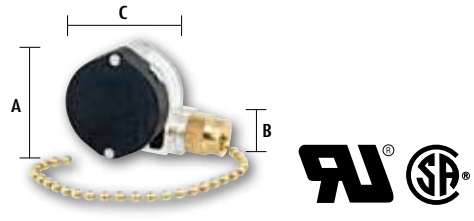
CAT. NO.	CIRCUIT FUNC.	POLES & THROWS	RATINGS			VOLTAGE	LAMP COLOR	ACTR. CONTACT	CONN. TYPE	STD. CTN. QTY.
			AMPS 125VAC	AMPS 250VAC	HP 125-250VAC					
79100MS	ON-OFF	SPST	6	3	—	—	—	Feed Through Switch	Screws	5
Dimensions (IN) A: 0.844 B: 0.594 C: 1.375										



CAT. NO.	CIRCUIT FUNC.	POLES & THROWS	RATINGS			VOLTAGE	LAMP COLOR	ACTR. CONTACT	CONN. TYPE	STD. CTN. QTY.
			AMPS 125VAC	AMPS 250VAC	HP 125-250VAC					
79200MS	N.C. & N.O.	SPDT	5	—	—	—	—	Magnetic Feed Switch	Screws	5
Dimensions (IN)		A: 2.500	B: 0.531							



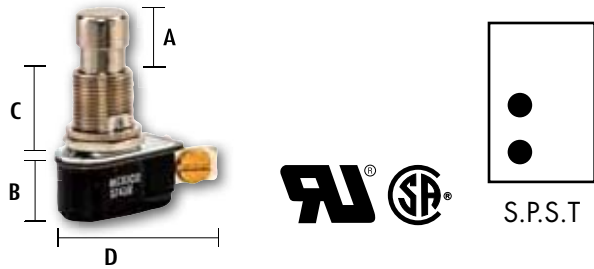
CAT. NO.	CIRCUIT FUNC.	POLES & THROWS	RATINGS			ACTUATOR STYLE	ACTUATOR MATERIAL	CONTACT	CONN. TYPE	STD. CTN. QTY.
			AMPS 125VAC	AMPS 250VAC	HP 125-250VAC					
75101CW	ON-OFF	SPST	6	3	—	Chain W/Cord	Brass	—	Wire Leads	5
75102CW	ON-OFF	SPST	6	3	—	Chain W/Cord	Nickel	—	Wire Leads	5
Dimensions (IN)		A: 1.250	B: 0.781	C: 0.594						



CAT. NO.	CIRCUIT FUNC.	POLES & THROWS	RATINGS			ACTUATOR STYLE	ACTUATOR MATERIAL	CONTACT	CONN. TYPE	STD. CTN. QTY.
			AMPS 125VAC	AMPS 250VAC	HP 125-250VAC					
75110CW	Way/2 Circuit	SP3T	6	3	—	Chain W/Cord	Brass	—	Wire Leads	5
75111CQ	OFF-ON-ON-ON	SP3T	6	3	—	Chain W/Cord	Brass	—	Push In	5
Dimensions (IN)		A: 1.250	B: 1.125	C: 0.742						

SWITCHES

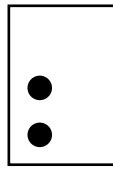
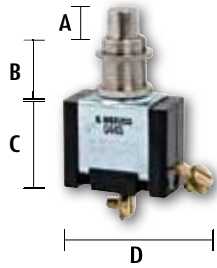
Pushbutton Switches



CAT. NO.	CIRCUIT FUNC.	POLES & THROWS	RATINGS			ACTUATOR STYLE	ACTUATOR MATERIAL	CONTACT	CONN. TYPE	STD. CTN. QTY.
			AMPS 125VAC	AMPS 250VAC	HP 125-250VAC					
76050PS	PUSH-ON, PUSH-OFF	SPST	6*	3*	—	Pushbutton	Brass/Nickel	Maintained	Screws	5
76040PW	PUSH ON, PUSH OFF	SPST	6	3	1/3 @125	Pushbutton	Brass/Nickel	Maintained	Wire Leads	5
Dimensions (IN)	A: 0.437	B: 0.562	C: 0.542	D: 1.183						



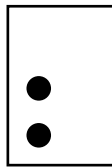
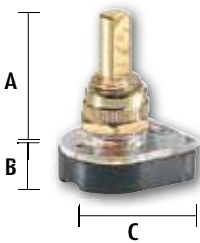
CAT. NO.	CIRCUIT FUNC.	POLES & THROWS	RATINGS			ACTUATOR STYLE	ACTUATOR MATERIAL	CONTACT	CONN. TYPE	STD. CTN. QTY.
			AMPS 125VAC	AMPS 250VAC	HP 125-250VAC					
76010PW	PUSH ON, PUSH OFF	SPST	10	5	1/4 @125	Pushbutton	Nylon	Maintained	Wire Leads	5
Dimensions (IN)	A: 1.003	B: 0.612	C: 0.550	D: 0.993						



S.P.S.T

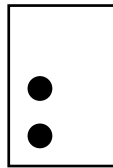
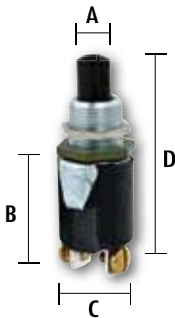


CAT. NO.	CIRCUIT FUNC.	POLES & THROWS	RATINGS			ACTUATOR STYLE	ACTUATOR MATERIAL	CONTACT	CONN. TYPE	STD. CTN. QTY.
			AMPS 125VAC	AMPS 250VAC	HP 125-250VAC					
76060PS	PUSH ON, PUSH OFF	SPST	15	10	–	Pushbutton	Brass/Nickel	Maintained	Screws	5
Dimensions (IN) A: 0.283 B: 0.562 C: 0.982 D: 1.125										



S.P.S.T

CAT. NO.	CIRCUIT FUNC.	POLES & THROWS	RATINGS			ACTUATOR STYLE	ACTUATOR MATERIAL	CONTACT	CONN. TYPE	STD. CTN. QTY.
			AMPS 125VAC	AMPS 250VAC	HP 125-250VAC					
76055PS	ON-OFF	SPST	6	3	–	Pushbutton	Brass	Maintained	Wire Leads	1
76056PS	ON-OFF	SPST	6	3	–	Pushbutton	Nickel	Maintained	Wire Leads	1
76090PW	ON-OFF	SPST	6	3	–	Push Canopy	Brass	Maintained	Wire Leads	5
76100PW	ON-OFF	SPST	6	3	–	Push Canopy	Bickel	Maintained	Wire Leads	5
Dimensions (IN) A: 0.968 B: 0.313 C: 0.858										

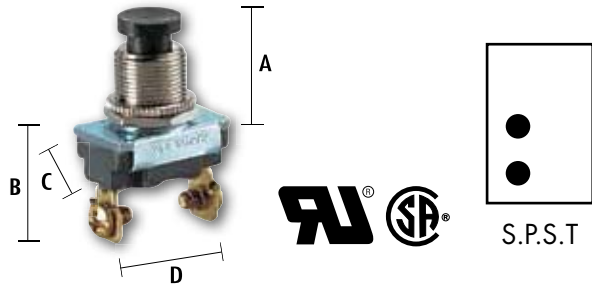


S.P.S.T

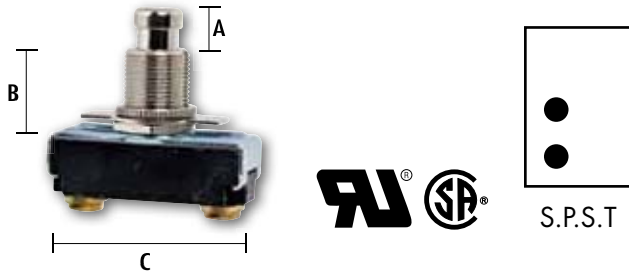
CAT. NO.	CIRCUIT FUNC.	POLES & THROWS	RATINGS			ACTUATOR STYLE	ACTUATOR MATERIAL	CONTACT	CONN. TYPE	STD. CTN. QTY.
			AMPS 125VAC	AMPS 250VAC	HP 125-250VAC					
76020PS	OFF-ON	SPST N.O.	3/4	1/4	–	Pushbutton	Nylon	Momentary	Screws	5
76030PS	ON-OFF	SPST N.C.	3/4	1/4	–	Pushbutton	Nylon	Momentary	Screws	5
Dimensions (IN) A: 0.460 B: 1.070 C: 0.650 D: 1.950										

SWITCHES

Pushbutton Switches



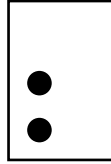
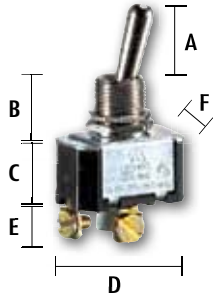
CAT. NO.	CIRCUIT FUNC.	POLES & THROWS	RATINGS			ACTUATOR STYLE	ACTUATOR MATERIAL	CONTACT	CONN. TYPE	STD. CTN. QTY.
			AMPS 125VAC	AMPS 250VAC	HP 125-250VAC					
76065PS	OFF-ON	SPST N.O.	3	–	–	Pushbutton	Plastic	Momentary	Screws	5
Dimensions (IN)		A: .689	B: 1.406	C: .563	D: .875					



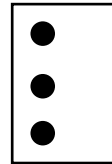
CAT. NO.	CIRCUIT FUNC.	POLES & THROWS	RATINGS			ACTUATOR STYLE	ACTUATOR MATERIAL	CONTACT	CONN. TYPE	STD. CTN. QTY.
			AMPS 125VAC	AMPS 250VAC	HP 125-250VAC					
76070PS	OFF-ON	SPST N.O.	15	10	–	Pushbutton	Brass/Nickel	Momentary	Screws	5
76080PS	ON-OFF	SPST N.C.	15	10	–	Pushbutton	Brass/Nickel	Momentary	Screws	5
Dimensions (IN)		A: .576	B: .562	C: 1.382						

SWITCHES

Toggle Switches: Maintained Contact Single Pole

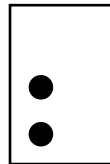
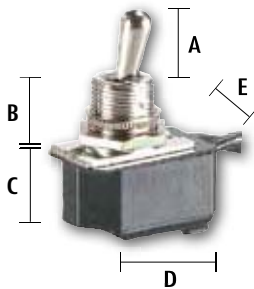


S.P.S.T



S.P.D.T

CAT. NO.	CIRCUIT FUNCTIONS	POLES & THROWS	RATINGS			ACTUATOR STYLE	ACTUATOR MATERIAL	CONN. TYPE	STD. CTN. QTY.
			AMPS 125VAC	AMPS 250VAC	H.P 125-250VAC				
78110TS	OFF-ON	SPST	6	3	—	Bat	Brass/Nickel	Screws	5
78120TQ	OFF-ON	SPST	20	10	3/4	Bat	Brass/Nickel	0.250 Quikconnect	5
78210TS	OFF-ON	SPST	20	10	3/4	Bat	Brass/Nickel	Screws	5
78200TS	ON-ON	SPDT	20	10	3/4	Bat	Brass/Nickel	Screws	5
78160TS	ON-OFF-ON	SPDT	20	10	3/4	Bat	Brass/Nickel	Screws	5
78070TQ	ON-OFF-ON	SPDT	20	10	3/4	Bat	Brass/Nickel	0.250 Quikconnect	5
Dimensions (IN)	A: .687	B: .465	C: .670	D: .348	E: 1.134	F: .634	THREAD: 15/32-32UNS-2A	KEYWAY: .072 X .038 DP	



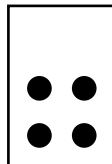
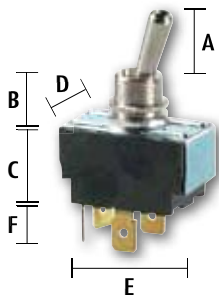
S.P.S.T

CAT. NO.	CIRCUIT FUNCTIONS	POLES & THROWS	RATINGS			ACTUATOR STYLE	ACTUATOR MATERIAL	CONN. TYPE	STD. CTN. QTY.
			AMPS 125VAC	AMPS 250VAC	H.P 125-250VAC				
78150TW	ON-OFF	SPST	10*	4*	—	Bat	Brass/Nickel	Wire Leads	5
Dimensions (IN)	A: .500	B: .469	C: .685	D: 1.093	E: 1.856	THREAD: 15/32-32	STANDARD 6" WIRE LEADS		

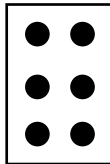
*Amperage and voltage are also valid for D.C. Rating

SWITCHES

Toggle Switches: Maintained Contact Single & Double Pole



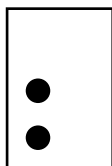
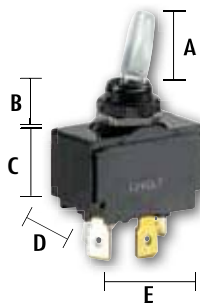
D.P.S.T



D.P.D.T

CAT. NO.	CIRCUIT FUNCTIONS	POLES & THROWS	RATINGS			ACTUATOR STYLE	ACTUATOR MATERIAL	CONN. TYPE	STD. CTN. QTY.
			AMPS 125VAC	AMPS 250VAC	H.P 125-250VAC				
78220TS	ON-OFF	DPST	20	10	3/4	Bat	Brass/Nickel	Screws	5
78130TQ	ON-OFF	DPST	20	10	3/4	Bat	Brass/Nickel	0.250 Quikconnect	5
78090TQ	ON-ON	DPDT	15	10	—	Bat	Brass/Nickel	0.250 Quikconnect	5
78270TS	ON-ON	DPDT	20	10	1½@125.2@250	Bat	Brass/Nickel	Screws	5
78230TS	ON-OFF-ON	DPDT	10	20	1 1/2	Bat	Brass/Nickel	Screws	5
78240TS	OFF-ON	DPST	15	10	3/4	Bat	Brass/Nickel	Screws	5
78250TS	ON-OFF-ON	DPDT	15	10	3/4	Bat	Brass/Nickel	Screws	5
78260TS	ON-OFF-ON	DPDT	15	10	3/4	Bat	Brass/Nickel	Screws	5

Dimensions (IN) A: 0.687 B: 0.465 C: 0.778 D: 0.750 E: 1.308 F: 0.422 THREAD: 15/32-32UNS-2A KEYWAY: 0.072 X 0.038

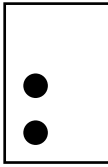
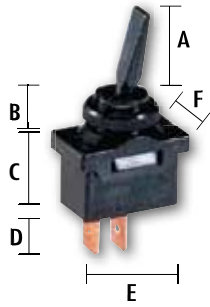


S.P.S.T

CAT. NO.	CIRCUIT FUNCTIONS	POLES & THROWS	RATINGS			ACTUATOR STYLE	ACTUATOR MATERIAL	CONN. TYPE	STD. CTN. QTY.
			AMPS 125VAC	AMPS 250VAC	H.P 125-250VAC				
78065TS	ON-OFF	SPST	6	3	—	Bat	Nickel	Screws	5
78040TQ	ON-OFF	SPST	15*	10*	3/4	Flat	Poly. (Red)**	0.250 Quikconnect	5

*Amperage and voltage are also valid for D.C. Rating /**Lighted toggle /Poly. = Polycarbonate

Dimensions (IN) A: 0.715 B: 0.379 C: 0.865 D: 0.750 E: 0.422 THREAD: 15/32-32UNS-2A KEYWAY: 0.072 X 0.038 DP

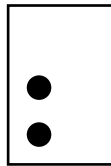
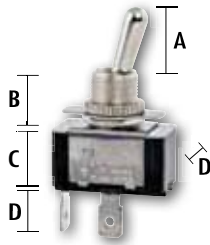


S.P.S.T



CAT. NO.	CIRCUIT FUNCTIONS	POLES & THROWS	RATINGS			ACTUATOR STYLE	ACTUATOR MATERIAL	CONN. TYPE	STD. CTN. QTY.
			AMPS 125VAC	AMPS 250VAC	H.P 125-250VAC				
78280TS	ON-OFF	SPST	16*	8*	1	Bat	Brass/Nickel	Screws	5
78015TS	ON-OFF	SPST	20	10	—	Flat	Nylon	Screws	5

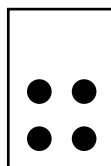
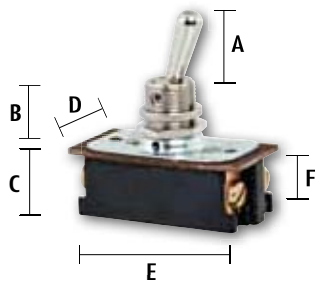
Dimensions (IN) A: 0.687 B: 0.280 C: 0.687 D: 0.375 E: 1.000 F: 0.588 KEYWAY: 0.072 X 0.038



S.P.S.T

CAT. NO.	CIRCUIT FUNCTIONS	POLES & THROWS	RATINGS			ACTUATOR STYLE	ACTUATOR MATERIAL	CONN. TYPE	STD. CTN. QTY.
			AMPS 125VAC	AMPS 250VAC	H.P 125-250VAC				
78050TQ	ON-OFF	SPST	20	10	3/4	Bat	Brass/Nickel	0.250 Quikconnect	5
78130TS	ON-OFF	SPST	6	3	—	Ball	Brass/Nickel	Screws	5
78150TS	ON-OFF	SPST	20	10	3/4	Spade	Brass/Nickel	Screws	5

Dimensions (IN) A: 0.687 B: 0.465 C: 0.585 D: 0.522 E: 0.312 THREAD: 15/32-32UNS-2A KEYWAY: 0.072 X 0.038



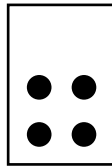
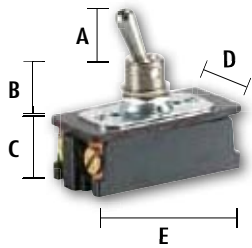
D.P.S.T

CAT. NO.	CIRCUIT FUNCTIONS	POLES & THROWS	RATINGS			ACTUATOR STYLE	ACTUATOR MATERIAL	CONN. TYPE	STD. CTN. QTY.
			AMPS 125VAC	AMPS 250VAC	H.P 125-250VAC				
78290TS	ON-OFF	DPST	16*	8*	1	Bat	Brass/Nickel	Screws	5

Dimensions (IN) A: 0.687 B: 0.465 C: 0.765 D: 0.836 E: 1.750 F: 1.764 THREAD: 15/32-32UNS-2A KEYWAY: 0.072 X 0.038

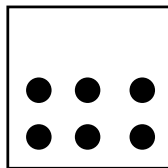
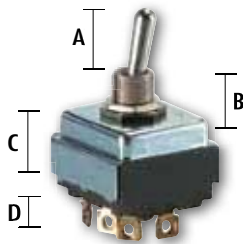
SWITCHES

Toggle Switches

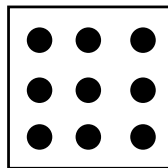


D.P.S.T

CAT. NO.	CIRCUIT FUNCTIONS	POLES & THROWS	RATINGS			ACTUATOR STYLE	ACTUATOR MATERIAL	CONN. TYPE	STD. CTN. QTY.
			AMPS 125VAC	AMPS 250VAC	H.P 125-250VAC				
78300TS	ON-OFF	DPST	20*	10*	1 1/2	Bat	Brass/Nickel	Screws	5
Dimensions (IN)	A: 0.687	B: 0.465	C: 0.895	D: 1.000	E: 2.093				



3 P.S.T



3 P.D.T

CAT. NO.	CIRCUIT FUNCTIONS	POLES & THROWS	RATINGS			ACTUATOR STYLE	ACTUATOR MATERIAL	CONN. TYPE	STD. CTN. QTY.
			AMPS 125VAC	AMPS 250VAC	H.P 125-250VAC				
78310TS	ON-OFF	3PST	15	10	3/4 @ 250	Bat	Brass/Nickel	Screws	5
78315TS	ON-OFF-ON	3PDT	15	10	3/4 @ 250	Bat	Brass/Nickel	Screws	5
Dimensions (IN)	A: 0.688	B: 0.469	C: 0.965	D: 0.300	THREAD: 15/32				



CAT. NO.	CIRCUIT FUNCTIONS	STD. CTN. QTY.
79300MS	Toggle Switch Boots	2
79300MSR	Toggle Switch Boots	2
Dimensions (IN)	A: 0.950	B: 0.812

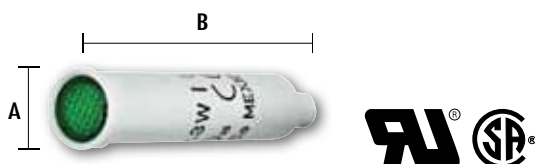
SWITCHES

Round Indicator Lights WITH NON-REPLACEABLE LAMPS



FEATURES

- High quality indicator lights made of nylon with polycarbonate lens material and neon lamps.
- 125-volt rated.
- Connection with 6 inch wire leads.
- Available in many other styles and finishes.
- Also available with incandescent lamps.
- Contact NSi for price and delivery.



CAT. NO.	PANEL CUTOUT	PANEL THICKNESS	LENS STYLE	LENS COLOR	LENS TYPE	BEZEL COLOR	TYPE OF FIT	MTNG. HOLE DIA.	STD. CTN. QTY.
79710LW	0.312	0.030 Min.	Flush	Green	Diamond	White	Press	0.312	5
79720LW	0.312	0.030 Min.	Flush	Red	Diamond	White	Press	0.312	5
Dimensions (IN)	A: 0.130	B: 1.430	MOUNTING HOLE: 0.312		PANEL THICKNESS: 0.030 MIN.				



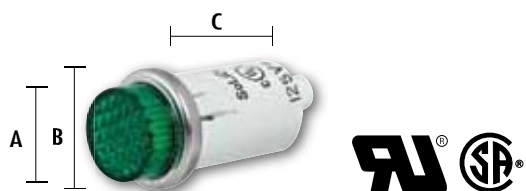
CAT. NO.	PANEL CUTOUT	PANEL THICKNESS	LENS STYLE	LENS COLOR	LENS TYPE	BEZEL COLOR	TYPE OF FIT	MTNG. HOLE DIA.	STD. CTN. QTY.
79740LW	0.500	0.030 - .093	0.09 Cyl	Green	Diamond	Stainless	Press	0.500	5
79750LW	0.500	0.030 - .093	0.09 Cyl	Red	Diamond	Chrome	Press	0.500	5
79755LW	0.500	0.030 - .093	0.09 Cyl	Amber	Diamond	Stainless	Press	0.500	5
Dimensions (IN)	A: 0.210	B: 0.100	C: 0.910	MOUNTING HOLE: 0.312		PANEL THICKNESS: 0.030 MIN.			

SWITCHES

Round & Snap-In Rectangular Indicator Lights

FEATURES

- High quality indicator lights made of nylon with polycarbonate lens material and neon lamps.
- 125-volt rated.
- Connection with 6 inch wire leads (Round Indicator lights).
- Available in many other styles and finishes.
- Also available with incandescent lamps.



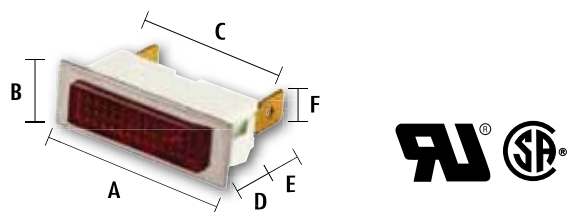
CAT. NO.	PANEL CUTOUT	PANEL THICKNESS	LENS STYLE	LENS COLOR	LENS TYPE	BEZEL COLOR	TYPE OF FIT	MTNG. HOLE DIA.	STD. CTN. QTY.
79770LW	0.500	0.030 - 0.093	0.25 Cyl	Green	Diamond	Stainless	Press	0.500	5
79780LW	0.500	0.030 - 0.093	0.25 Cyl	Red	Diamond	Stainless	Press	0.500	5
79785LW	0.500	0.030 - 0.093	0.25 Cyl	Amber	Diamond	Stainless	Press	0.500	5

Dimensions (IN) A: 0.210 B: 0.100 C: 0.910 MOUNTING HOLE: 0.500 PANEL THICKNESS: 0.030 - 0.093



CAT. NO.	PANEL CUTOUT	PANEL THICKNESS	LENS STYLE	LENS COLOR	LENS TYPE	BEZEL COLOR	TYPE OF FIT	MTNG. HOLE DIA.	STD. CTN. QTY.
79800LW	0.500	0.040 - 0.110	Semi-Dome	Red	Rings	None	Snap In	0.500	5

Dimensions (IN) A: 1.130 MOUNTING HOLE: 0.500 PANEL THICKNESS: 0.040 - 0.110

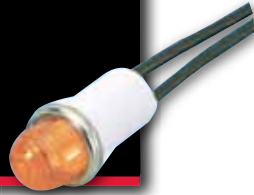


CAT. NO.	PANEL CUTOUT	PANEL THICKNESS	LENS COLOR	LENS TYPE	BEZEL COVER	CONN. TYPE	LAMP COLOR
79505LQ	0.375 x 1.28	0.03 - .10	Red	Diamond	Stainless	0.250 Quikconnect	5

Dimensions (IN) A: 1.080 B: 0.290 C: 1.380 D: 0.460 E: 0.500 F: 0.370 G: 0.120

SWITCHES

Indicator LightS & Emergency Stop Buttons



FEATURES

- Terminals are tin-plated brass.
- Wire leads are 22 AWG, 4.4-4.8" long, 1/2" stripped.
- Mounting will snap-fit into 0.500-0.505" diameter hole in 0.020-0.100" thick panels.
- Dome style.



CAT. NO.	COLOR	LENS MATERIAL	VOLTAGE	BULB TYPE	BAG QTY.	STD. CTN. QTY.
79900LW	Red	Polycarbonate	28V	Incandescent	1	12
79901LW	Green	Polycarbonate	28V	Incandescent	1	12
79902LW	Amber	Polycarbonate	28V	Incandescent	1	12
79910LW	Red	Nylon	105-125VAC	Neon	1	12
79911LW	Green	Polycarbonate	105-125VAC	Neon	1	12
79912LW	Amber	Nylon	105-125VAC	Neon	1	12
79920LW	Red	Polycarbonate	208-250 VAC	Neon	1	12
79921LW	Green	Polycarbonate	208-250 VAC	Neon	1	12
79922LW	Amber	Polycarbonate	208-250 VAC	Neon	1	12

EMERGENCY STOP BUTTON



CAT. NO.	NAED NO.	LENS COLOR	STD. CTN. QTY.
ESB2-INC-R	32132	Red	6
ESB2-INOINC-R	32136	Red	6



CABLE TIES
STANDARD TYPE

CABLE TIE



WIRE MANAGEMENT



EASY-WRAP™ PREMIUM 070



- 7 mil., all-weather, premium grade, pressure sensitive vinyl electrical tape.
- Cold and sunlight resistant.
- Flame retardant.
- Suitable for use in all kinds of electrical and mechanical applications.
- Provides exceptional flexibility and performance over a wide range of temperatures.
- Available in standard black and nine assorted colors for easy identification or color coding.

TEMPERATURE RATING:

Suitable for use at no more than 600V and not more than 80 °C (176 °F).
 CSA temperature range: -18 °C to 105 °C (-0.4 °F to 221 °F).



CAT. NO.	COLOR	LENGTH (FT.)	WIDTH (IN.)	THICKNESS (IN.)	STD. CTN. QTY.
EWP 7066	Black	66	0.75	0.007	10
EWP 7066-1	Brown	66	0.75	0.007	10
EWP 7066-2	Red	66	0.75	0.007	10
EWP 7066-3	Orange	66	0.75	0.007	10
EWP 7066-4	Yellow	66	0.75	0.007	10
EWP 7066-5	Green	66	0.75	0.007	10
EWP 7066-6	Blue	66	0.75	0.007	10
EWP 7066-7	Purple	66	0.75	0.007	10
EWP 7066-8	Grey	66	0.75	0.007	10
EWP 7066-9	White	66	0.75	0.007	10

EASY-WRAP™ PREMIUM 085



- 8.5 mil., all-weather, premium grade, pressure sensitive vinyl electrical tape.
- Cold and sunlight resistant.
- Flame retardant.
- Suitable for use in all kinds of electrical and mechanical applications.
- Provides exceptional flexibility and performance over a wide range of temperatures.
- Available in standard black only.

TEMPERATURE RATING:

Suitable for use at no more than 600V and not more than 80 °C (176 °F).
 CSA temperature range: -18 °C to 105 °C (-0.4 °F to 221 °F).
 Meets MIL-I-24391C, HH-I-595C and ASTM D-3005.



CAT. NO.	COLOR	LENGTH (FT.)	WIDTH (IN.)	THICKNESS (IN.)	STD. CTN. QTY.
EWP 8566	Black	66	0.75	0.0085	10

EASY-WRAP™

General Purpose & All-Weather Corrosion Tape

EWG, EWPP SERIES



WIRE MANAGEMENT

EASY-WRAP™ GENERAL PURPOSE



- 7 mil., economy-grade, sunlight resistant, pressure sensitive vinyl electrical tape.
- Suitable for use in all kinds of electrical and mechanical applications such as cable insulation, wire bundling, and reinforcing.
- Extremely flexible with good adhesion and conformability.
- Available in standard black and nine assorted colors for easy identification or color coding.

TEMPERATURE RATING:

Suitable for use at no more than 600V and not more than 80 °C (176 °F).

CSA temperature range: -7 °C to 80 °C (19.4 °F to 176 °F).



CAT. NO.	COLOR	LENGTH (FT.)	WIDTH (IN.)	THICKNESS (IN.)	STD. CTN. QTY.
EWG 7060	Black	60	0.75	0.007	10
EWG 7060-1	Brown	60	0.75	0.007	10
EWG 7060-2	Red	60	0.75	0.007	10
EWG 7060-3	Orange	60	0.75	0.007	10
EWG 7060-4	Yellow	60	0.75	0.007	10
EWG 7060-5	Green	60	0.75	0.007	10
EWG 7060-6	Blue	60	0.75	0.007	10
EWG 7060-7	Purple	60	0.75	0.007	10
EWG 7060-8	Grey	60	0.75	0.007	10
EWG 7060-9	White	60	0.75	0.007	10

ALL-WEATHER CORROSION (PIPE WRAP)

- Heavy duty PVC tape, manufactured with a high quality adhesive and are designed to protect pipe surfaces from corrosion, abrasion and electrolytic action.
- Indoors or outdoors, above or below ground to protect pipes, conduits, joints and fittings.
- Pliable and easy to apply.
- Outstanding protection against water, sunlight, acids, alkalis, corrosive salts and sewage.
- Excellent UV resistant.

TEMPERATURE RATING:

Temperature rated to 80 °C (176 °F).



CAT. NO.	COLOR	LENGTH (FT.)	WIDTH (IN.)	THICKNESS (IN.)	STD. CTN. QTY.
EWPP 102100P	Black	100	2	0.01	1
EWPP 102100	Black	100	2	0.01	1
EWPP 104100	Black	100	2	0.01	1
EWPP 202100	Black	100	2	0.02	1
EWPP 202100P	Black	100	2	0.02	1

*Suffix "P" denotes printed tapes.

EASY-WRAP™

Rubber Splicing, Harness Wrap, & Duct Tape

EWRT, EWWH, EWDT SERIES



EASY-WRAP™ RUBBER SPLICING

- High quality unvulcanized rubber that will bond quickly to itself to form a solid mass of watertight protection.
- Self-fusing with liner.
- Can be used as primary insulation for electrical wires and cable splices up to 600 volts.
- Conforms to irregular shapes and is flexible to withstand expansion and contraction.
- Highly resistant to salt water, steam, oils, detergents and other chemicals.

TEMPERATURE RATING:

Dielectric strength 490 Volts per mil.

Meets HH-I-553C Grade B and ASTM D-119; UL 510 listing #2C58.

CAT. NO.	COLOR	LENGTH (FT.)	WIDTH (IN.)	THICKNESS (IN.)	STD. CTN. QTY.
EWRT 3022-.75	Black	22	0.750	0.030	1
EWRT 3022-1.5	Black	22	1.500	0.030	1
EWRT 3022-2	Black	22	2.000	0.030	1

EASY-WRAP™ WIRE HARNESS WRAP

- A 5 mil PVC film, coated with a rubber adhesive for high elongation and exceptional adherence.
- Excellent conformability to the wiring harness. Matte finish.



CAT. NO.	COLOR	LENGTH (FT.)	WIDTH (IN.)	THICKNESS (IN.)	STD. CTN. QTY.
EWWH 5060	Black	60	0.750	0.005	1

DUCT TAPE

- Superior cloth duct tapes, designed to meet all industry demands and applications.
- Uniform MD/CD tear properties.



CAT. NO.	COLOR	TENSILE (IN/LBS.)	LENGTH (YD.)	WIDTH (IN.)	THICKNESS (mm.)	STD. CTN. QTY.
EWDT-8	Silver	18	55	2.000	18	1

EASY-WRAP™

Friction, Electrical Filler & Silicone Rubber Tape

EWFT, EWEF, EWSR SERIES



WIRE MANAGEMENT

FRICITION TAPE

- Cloth construction offers good mechanical protection against abrasion and penetration of cable, splices and wire.
- Coated on both sides with a rubber adhesive for good adhesion to all types of surfaces.



CAT. NO.	COLOR	LENGTH (FT.)	WIDTH (IN.)	THICKNESS (IN.)	STD. CTN. QTY.
EWFT 157560	Black	60	0.750	0.015	1

EASY-WRAP™ ELECTRICAL FILLER TAPE

- Butyl based insulation is 1/8" thick for build-up.
- Easy to mold around irregular shapes.
- Self-amalgamates into solid flexible mass.
- Will not corrode copper or aluminum and highly resistant to moisture.
- Rated for applications up to 5 KV.



CAT. NO.	COLOR	LENGTH (FT.)	WIDTH (IN.)	THICKNESS (IN.)	STD. CTN. QTY.
EWEF 12155	Black	5	1.500	0.125	1

SILICONE RUBBER TAPE - 69 KV

- Self-bonding silicone rubber tape adheres to itself when wrapped under tension and fuses to form a homogeneous mass within 24 hours at room temperature or four hours at 176.6 °C (350 °F).
- No adhesive required; tape leaves no residue.
- Excellent dielectric properties.
- Waterproof and chemical resistant.
- Triangular configuration.

APPLICATIONS:

For use on applications up to 69 KV.
Meets MIL-A-A-59163.

TEMPERATURE RATING:

-53.8 °C to 204.4 (-65 °F to 400 °F).



CAT. NO.	LENGTH (FT.)	WIDTH (IN.)	THICKNESS (IN.)	STD. CTN. QTY.
EWSR 121030	30	1.000	0.120	1

EASY-WRAP™

High Voltage, Glass Cloth & Rubber Mastic Tape

EWHR, EWGC, EWMT SERIES



HIGH VOLTAGE RUBBER TAPE - 69 KV WITH WHITE LINER

- Self bonding, highly conformable 30 mil EPR rubber, with liner.
- Use as primary electrical insulation for a pplications through 69 KV.
- Flame Retardant, IEEE Standard 17-1974 ANSI.

TEMPERATURE RATING:

Rated for 90 °C (194 °F) continuous operating temperature. Intermittent to 130 °C (266 °F). Will not crack at -40 °C (-40 °F).

CAT. NO.	LENGTH (FT.)	WIDTH (IN.)	THICKNESS (IN.)	STD. CTN. QTY.
EWHR 307530-L	30	0.750	0.030	1
EWHR 3010030-L	30	1.000	0.030	1
EWHR 3015030-L	30	1.500	0.030	1
EWHR 3020030-L	30	2.000	0.030	1

GLASS CLOTH RUBBER ADHESIVE

- Provides heat stabilized insulation for applications where resistance to high temperature and high mechanical strength are required, such as motor leads, hot spots, switches and controls.

TEMPERATURE RATING:

Insulation Class: 130 °C (266 °F).
Dielectric strength: 3,300 Volts.
MIL-I-15126F (type GFT).



CAT. NO.	LENGTH (FT.)	WIDTH (IN.)	THICKNESS (IN.)	STD. CTN. QTY.
EWGC75066	66	0.500	0.007	1
EWGC77566	66	0.750	0.007	1

LINED RUBBER MASTIC TAPE

- A self-fusing conformable electrical insulating and sealing tape.
- EPR rubber with a strong stable mastic adhesive for busbar and splice connections.

TEMPERATURE RATING:

130 °C (266 °F).



CAT. NO.	LENGTH (FT.)	WIDTH (IN.)	THICKNESS (IN.)	STD. CTN. QTY.
EWMT 1252524	2	2.500	0.125	1

WIRE MANAGEMENT

SLYDER™ LUBRICANT Slider™ Wire Lubricant



FEATURES

- Superior gel lubricant that reduces surface tension on cable to the lowest level.
- Excellent adherence to cable ensures maximum performance and easier pulls.
- Maintains its lubricity even after drying and has excellent re-wetting characteristics.
- Non-toxic and non-flame propagating and can be used as part of a fire retardant installation. Does not contain any aromatic or petroleum derivative.

CAT. NO.	DESCRIPTION	STD. CTN. QTY.
SWL-1Q	1 Quart	12
SWL-1G	1 Gallon	4
SWL-5G	5 Gallons	1

CABLE TIES Standard (Natural) Cable Ties



FEATURES

- Designed for quick and easy use.
- Strong and flexible, they can be wrapped around a bundle quickly and the tail easily inserted into a self-locking head.
- The smaller standard size ties have bent tails to facilitate insertion by user.
- Made of high-strength Nylon 66 that resists abrasion and chemicals such as common oils, greases, solvents, dilute acids and alkalines.
- Fungus-resistant, self-extinguishing and have excellent dielectric properties.

RATINGS



TEMPERATURE RATING:

Designed for continuous use from -40 °C to 85 °C (-40 °F to 185 °F) and will withstand temperatures up to 149 °C (300.2 °F). 94V-2 flammability rating.

MAX. WIRE/ CABLE SIZE (L)	CAT. NO.
4"	418
	418X
5"	518
	518X
	540
6"	540X
	650
	650X
7"	750
	750X
	818
8"	818X
	840
	840X
	850
	850X
	8120
11"	8120X
	1140
	1140X
	1150
	1150X
14"	11120
	11120X
	1450
15"	1450X
	14120
18"	15250
	1850
22"	18175
	18250
24"	22250
28"	24175
30"	28250
36"	30175
48"	36175
60"	48175
	60175



MAX BUNDLE DIAMETER	TENSILE STRENGTH	LENGTH (IN.)	WIDTH (IN.)	STD. PKG. QTY.	STD. CTN. QTY.
0.800	18 Lbs..	4.000	0.095	100	5,000
0.800	18 Lbs...	4.000	0.095	1000	5,000
1.430	18 Lbs..	6.000	0.095	100	5,000
1.375	18 Lbs..	5.500	0.100	1000	5,000
1.300	40 Lbs..	5.500	0.140	100	3,000
1.300	40 Lbs..	5.000	0.140	1000	3,000
1.320	50 Lbs..	6.250	0.181	100	3,000
1.320	50 Lbs..	6.300	0.181	1000	3,000
1.810	50 Lbs..	7.500	0.189	100	3,000
1.810	50 Lbs..	7.500	0.189	1000	3,000
2.060	18 Lbs..	8.000	0.095	100	3,000
2.060	18 Lbs..	8.000	0.095	1000	3,000
2.060	40 Lbs..	8.000	0.140	100	3,000
2.060	40 Lbs..	8.000	0.140	1000	3,000
1.940	50 Lbs..	8.000	0.189	100	3,000
1.940	50 Lbs..	8.000	0.189	1000	3,000
2.000	120 Lbs..	8.000	0.300	100	2,000
2.000	120 Lbs..	8.000	0.300	1000	2,000
3.300	40 Lbs..	11.500	0.140	100	2,000
3.300	40 Lbs..	11.500	0.140	1000	2,000
2.940	50 Lbs..	11.100	0.189	100	2,000
2.940	50 Lbs..	11.100	0.189	1000	2,000
3.000	120 Lbs..	11.500	0.300	100	2,000
3.000	120 Lbs..	11.500	0.300	1000	2,000
4.070	50 Lbs..	14.100	0.189	100	3,000
4.070	50 Lbs..	14.100	0.189	1000	3,000
4.070	120 Lbs..	14.250	0.300	100	2,000
4.375	250 Lbs..	15.000	0.500	50	500
5.070	50 Lbs..	18.000	0.189	100	2,000
5.250	175 Lbs..	17.750	0.315	50	500
5.500	250 Lbs..	18.870	0.500	50	500
6.875	250 Lbs.	22.87	0.500	50	500
7.140	175 Lbs..	24.000	0.345	50	500
8.875	250 Lbs.	28.75	0.500	50	500
9.250	175 Lbs..	30.000	0.354	50	500
11.000	175 Lbs..	36.000	0.350	50	500
15.000	175 Lbs..	48.000	0.354	50	500
18.250	175 Lbs..	59.000	0.354	50	500

CABLE TIES UV & Weather Resistant (Black) Cable Ties



FEATURES

- Made from weather resistant Nylon 66 for applications exposed to outside elements.
- UV resistant.
- Black only.

RATINGS



TEMPERATURE RATING:

Designed for continuous use from -40 °C to 85 °C (-40 °F to 185 °F) and will withstand temperatures up to 149 °C (300.2 °F).
94V-2 flammability rating.

MAX. WIRE/ CABLE SIZE (L)	CAT. NO.
	4180
4"	4180X
	4500
	4500X
5"	5180
	5180X
	5400
	5400X
6"	6500
	6500X
7"	7500
	7500X
	8180
	8180X
	8400
8"	8400X
	8500
	8500X
	81200
	81200X
11"	11400
	11500
	11500X
	111200
	14500
14"	14500X
	141200
15"	152500
	18500
18"	181750
	182500
22"	222500
24"	241750
28"	282500
30"	301750
34'	342500
36"	361750
40"	402500
48"	481750
60"	601750



MAX BUNDLE DIAMETER	TENSILE STRENGTH	LENGTH (IN.)	WIDTH (IN.)	STD. PKG. QTY.	STD. CTN. QTY.
0.800	18 Lbs	4.000	0.095	100	5,000
0.800	18 Lbs	4.000	0.095	1000	5,000
1.430	50 Lbs	6.000	0.095	100	5,000
1.375	50 Lbs	5.500	0.100	1000	5,000
1.300	18 Lbs	5.500	0.140	100	3,000
1.300	18 Lbs	5.000	0.140	1000	3,000
1.320	40 Lbs	6.250	0.181	100	3,000
1.320	40 Lbs	6.300	0.181	1000	3,000
1.810	40 Lbs	7.500	0.189	100	3,000
1.810	50 Lbs	7.500	0.189	1000	3,000
2.060	50 Lbs	8.000	0.095	100	3,000
2.060	50 Lbs	8.000	0.095	1000	3,000
2.060	18 Lbs	8.000	0.140	100	3,000
2.060	18 Lbs	8.000	0.140	1000	3,000
1.940	40 Lbs	8.000	0.189	100	3,000
1.940	40 Lbs	8.000	0.189	1000	3,000
2.000	50 Lbs	8.000	0.300	100	2,000
2.000	50 Lbs	8.000	0.300	1000	2,000
3.300	120 Lbs	11.500	0.140	100	2,000
3.300	120 Lbs	11.500	0.140	1000	2,000
2.940	40 Lbs	11.100	0.189	100	2,000
2.940	50 Lbs	11.100	0.189	1000	2,000
3.000	50 Lbs	11.500	0.300	100	2,000
3.000	120 Lbs	11.500	0.300	1000	2,000
4.070	50 Lbs	14.100	0.189	100	3,000
4.070	50 Lbs	14.100	0.189	1000	3,000
4.070	120 Lbs	14.250	0.300	100	2,000
4.375	250 Lbs	15.000	0.500	50	500
5.070	50 Lbs	18.000	0.189	100	2,000
5.250	175 Lbs	17.750	0.315	50	500
5.500	250 Lbs	18.870	0.500	50	500
6.875	250 Lbs.	22.87	0.500	50	500
7.140	175 Lbs	24.000	0.345	50	500
8.875	250 Lbs.	28.75	0.500	50	500
9.250	175 Lbs	30.000	0.354	50	500
10.5	250 Lbs.	34.68	0.500	50	500
11.000	175 Lbs	36.000	0.350	50	500
12.5	250 Lbs.	40.5	0.500	50	500
15.000	175 Lbs	48.000	0.354	50	500
18.250	175 Lbs	59.000	0.354	50	500

CABLE TIES

Air Handling and Push Mount Cable Ties

-P, -PM SERIES



AIR HANDLING CABLE TIES



- Air handling ties are approved for indoor use in air handling spaces other than plenums and ducts per NFPA-1993.
- Meets UL 1565 test standards. MIL spec. 3367-1, -7, -2. NEC Sec. 300-22 (C) & (D), Rules 12-010 (3), (4), and (5) and 12-020 of the Canadian Electrical code, Part 1.
- Made of high strength nylon, these ties are self-extinguishing and resist abrasions and chemicals such as oil, greases, solvents, dilute acids and alkalis.
- Burgundy in color for easy identification.

TEMPERATURE RATING:

Maximum operating temperature 85 °C (185 °F).

MAX. WIRE/CABLE SIZE	CAT. NO.	MAX. BUNDLE DIA.	MIN. TENSILE STRENGTH	LENGTH (IN.)	WIDTH (IN.)	STD. PKG. QTY.	STD. CTN. QTY.
7"	750-P	1.750	50 Lbs.	7.500	0.180	100	5,000
11"	1150-P	3.000	50 Lbs.	11.100	0.180	100	5,000
14"	1450-P	4.000	50 Lbs.	14.200	0.180	100	5,000

PUSH MOUNT CABLE TIES



- Secure a cable tie to a back panel quickly and easily, eliminating the possibility of adhesive mount failure.
- Drill the mounting hole and insert.
- Made of high-strength Nylon 66 that resists abrasion and chemicals such as common oils, greases, solvents, dilute acids and alkalines.
- Fungus-resistant, self-extinguishing and excellent dielectric properties.

TEMPERATURE RATING:

-40 °C to 85 °C (-40 °F to 185 °F) and will withstand temperatures up to 149 °C (300.2 °F).
94V-2 flammability rating.

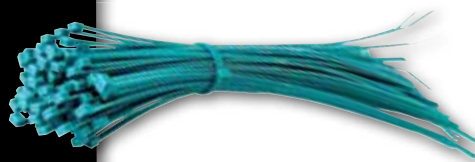


MAX. WIRE/CABLE SIZE	CAT. NO.	MAX. BUNDLE DIA.	MIN. TENSILE STRENGTH	MTG. HOLE SIZE REQ. (IN.)	LENGTH (IN.)	WIDTH (IN.)	STD. PKG. QTY.	STD. CTN. QTY.
6"	640-PM	1.59	40 Lbs.	3/16	6.125	0.139	100	1,000

CABLE TIES

Tefzel, Marker Cable Ties

TFZ, -ID SERIES



TEFZEL CABLE TIES



- Suitable for extreme environments.
- Rated for air handling spaces and chemical, weather and radiation resistant.
- Ideal for high temperature applications, up to 150 °C (302 °F) continuous operating temperature.
- UL 94V-0 approved.
- Aqua blue in color.

TEMPERATURE RATING:

18.3 °C to 150 °C (65 °F to 302 °F).
Melting point 271.1 °C (520 °F).

TRUE PLENUM RATING

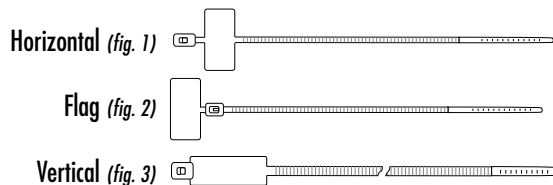
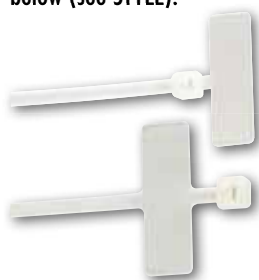
Air handling ties approved for indoor use in air handling spaces and plenums and ducts per NFPA-1993.

MAX. WIRE/CABLE SIZE	CAT. NO.	MAX. BUNDLE DIA.	MIN. TENSILE STRENGTH	LENGTH (IN.)	WIDTH (IN.)	STD. PKG. QTY.	STD. CTN. QTY.
8"	TFZ850	1.750	50 Lbs.	7.500	0.190	100	1,000
11"	TFZ1150	3.000	50 Lbs.	11.500	0.190	100	1,000

MARKER TIES



- Manufactured from natural colored Nylon 66, with an identification area provided as detailed below (see STYLE).



MAX. WIRE/CABLE SIZE	CAT. NO.	STYLE	MAX. BUNDLE DIA.	TENSILE STRENGTH	LENGTH (IN.)	WIDTH (IN.)	STD. PKG. QTY.	STD. CTN. QTY.
4"	418-ID	Vertical	0.75	18 Lbs.	4.000	0.100	100	1,000
	418F-ID	Flag	0.75	18 Lbs.	4.000	0.100	100	1,000
	418H-ID	Horizontal	0.75	18 Lbs.	4.000	0.100	100	1,000
7"	750-ID	Vertical	2	50 Lbs.	7.800	0.183	100	1,000
8"	818H-ID	Horizontal	2	18 Lbs.	8.000	0.100	100	1,000

CABLE TIES
**HVAC Standard &
 Weather Resistant Ties**



HVAC UL181B FOR FLEXIBLE DUCT



- Designed for quick and easy use.
- Strong and flexible, they can be wrapped around a bundle quickly and the tail easily inserted into a self-locking head.
- The smaller standard size ties have bent tails to facilitate insertion by user.
- Made of high-strength Nylon 66 that resists abrasion and chemicals such as common oils, greases, solvents, dilute acids and alkalines.
- Fungus-resistant, self-extinguishing and have excellent dielectric properties.

CAT. NO.	LENGTH	WIDTH	COLOR	MAX. BUNDLE DIA.	MIN. TENSILE STRENGTH	STD. PKG. QTY.	STD. CTN. QTY.
36175	36	0.354	Natural	10.625	175 Lbs.	50	500
361750	36	0.354	Black	10.625	175 Lbs.	50	500
48175	48	0.354	Natural	15.000	175 Lbs.	50	500
481750	48	0.354	Black	15.000	175 Lbs.	50	500

CABLE TIES Releasable & Stainless Steel Ties -R, SS SERIES



RELEASABLE



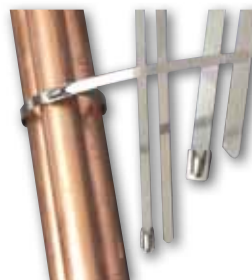
- Releasable ties are manufactured from either natural Nylon 66 or Weather Resistant Nylon 66, these ties can be easily released and re-used.

TEMPERATURE RATING:

-40 °C to 85 °C (-40 °F to 185 °F).

MAX. WIRE/CABLE SIZE	CAT. NO.	MAX. BUNDLE DIA.	MIN. TENSILE STRENGTH	LENGTH (IN.)	WIDTH (IN.)	STD. PKG. QTY.	STD. CTN. QTY.
8"	850-R	2.000	50 Lbs.	8.00	0.210	100	1,000

STAINLESS STEEL CABLE TIES



- Made of Grade 304 stainless steel and are ideally suited for hazardous environments.
- Roller-ball design that is self locking, fast and easy to install.
- Smooth edges will not damage wires.
- Installation by hand or with a tool.
- Available with a non-toxic, halogen-free polyester coating in a wide choice of colors.
- Available in Grade 316, for applications that require extremely high corrosion resistance. To order 316SS material, add suffix "-316" to part number.

TEMPERATURE RATING:

-80 °C to 538 °C (-62.2 °F to 281.1 °F).

TRUE PLENUM RATING

Air handling ties approved for indoor use in air handling spaces and plenums and ducts per NFPA-1993.

MAX. WIRE/CABLE SIZE	CAT. NO.	MAX. BUNDLE DIA.	MIN. TENSILE STRENGTH	LENGTH (IN.)	WIDTH (IN.)	STD. PKG. QTY.	STD. CTN. QTY.
8"	SS8100	1.970	100 Lbs.	8.000	0.181	100	500
14"	SS14100	3.940	100 Lbs.	14.000	0.181	100	500
	SS14250	3.940	250 Lbs.	14.000	0.311	100	500
20"	SS20100	5.900	100 Lbs.	20.5	0.181	100	500
	SS20250	5.900	250 Lbs.	20.5	0.311	100	500
26"	SS26250	7.870	250 Lbs.	26.5	0.311	100	500

CABLE TIES

Standard Cable Ties: Color



FEATURES

- Designed for quick and easy use.
- Strong and flexible, they can be wrapped around a bundle quickly and the tail easily inserted into a self-locking head.
- The smaller standard size ties have bent tails to facilitate insertion by user.
- Made of high-strength Nylon 66 that resists abrasion and chemicals such as common oils, greases, solvents, dilute acids and alkalines.
- Fungus-resistant, self-extinguishing and have excellent dielectric properties.

RATINGS



ORANGE (-3)	GREEN (-5)	RED (-2)
YELLOW (-4)	BLUE (-6)	BROWN (-1)
PURPLE (-7)	GRAY (-8)	

MAX. WIRE/ CABLE SIZE (L)	CAT. NO.
4"	418-4
	530-1
	530-2
5"	530-3
	530-4
	530-5
	530-6
	530-8
7"	750-2
	750-3
	750-4
	750-5
	750-6
	750-7
	750-8
	840-1
8"	840-2
	840-3
	840-4
	840-5
	840-6
	840-7
	840-8
	11"
14"	1450-2
	1450-3
	1450-4
	1450-5

WIRE MANAGEMENT



COLOR	MAX BUNDLE DIAMETER	TENSILE STRENGTH	LENGTH (IN.)	WIDTH (IN.)	STD. PKG. QTY.	STD. CTN. QTY.
Yellow	0.800	18 Lbs.	4.000	0.095	100	5,000
Brown	1.300	30 Lbs.	5.600	0.140	100	5,000
Red	1.300	30 Lbs.	5.000	0.140	100	5,000
Orange	1.300	30 Lbs.	5.000	0.140	100	5,000
Yellow	1.250	30 Lbs.	5.600	0.130	100	5,000
Green	1.300	30 Lbs.	5.000	0.140	100	5,000
Blue	1.300	30 Lbs.	5.000	0.140	100	5,000
Gray	1.300	30 Lbs.	5.600	0.140	100	5,000
Red	1.810	50 Lbs.	8.000	0.189	100	3,000
Orange	1.810	50 Lbs.	7.500	0.189	100	3,000
Yellow	1.810	50 Lbs.	8.000	0.189	100	3,000
Green	1.810	50 Lbs.	8.000	0.189	100	3,000
Blue	1.810	50 Lbs.	8.000	0.189	100	3,000
Purple	1.810	50 Lbs.	8.000	0.189	100	3,000
Gray	1.810	50 Lbs.	8.000	0.189	100	3,000
Brown	2.060	40 Lbs.	8.500	0.140	100	3,000
Red	2.060	40 Lbs.	8.000	0.140	100	3,000
Orange	2.060	40 Lbs.	8.000	0.140	100	3,000
Yellow	2.060	40 Lbs.	8.500	0.140	100	3,000
Green	2.060	40 Lbs.	8.500	0.140	100	3,000
Blue	2.060	40 Lbs.	8.000	0.140	100	3,000
Purple	2.060	40 Lbs.	8.500	0.140	100	3,000
Gray	2.060	40 Lbs.	8.500	0.140	100	3,000
Red	3.000	50 Lbs.	11.100	0.187	100	2,000
Red	4.000	50 Lbs.	14.100	0.187	100	2,000
Orange	4.000	50 Lbs.	14.100	0.187	100	2,000
Yellow	4.070	50 Lbs.	14.000	0.189	100	2,000
Green	4.000	50 Lbs.	14.100	0.187	100	2,000

CABLE TIES

Standard Cable Ties: Fluorescent



FEATURES

- Designed for quick and easy use.
- Strong and flexible, they can be wrapped around a bundle quickly and the tail easily inserted into a self-locking head.
- The smaller standard size ties have bent tails to facilitate insertion by user.
- Made of high-strength Nylon 66 that resists abrasion and chemicals such as common oils, greases, solvents, dilute acids and alkalines.
- Fungus-resistant, self-extinguishing and have excellent dielectric properties.

RATINGS



MAX. WIRE/ CABLE SIZE	CAT. NO.
7"	750-16
	750-18
8"	840-11
	840-16
	840-17
	840-18
	840-20
11"	1150-11
	1150-16
	1150-17
	1150-18
	1150-20

ORANGE (-16)	GREEN (-18)	PINK (-11)
YELLOW (17)	BLUE (-20)	

WIRE MANAGEMENT



COLOR (FLOURESCENT)	MAX BUNDLE DIAMETER	TENSILE STRENGHT	LENGTH (IN.)	WIDTH (IN.)	STD. PKG. QTY.	STD. CTN. QTY.
Orange	1.750	50 Lbs.	7.500	0.187	100	3,000
Green	1.810	50 Lbs.	7.500	0.189	100	3,000
Pink	2.000	40 Lbs.	8.500	0.130	100	3,000
Orange	2.000	40 Lbs.	8.500	0.130	100	3,000
Yellow	2.060	40 Lbs.	8.000	0.140	100	3,000
Green	2.000	40 Lbs.	8.500	0.130	100	3,000
Blue	2.000	40 Lbs.	8.500	0.130	100	3,000
Pink	3.000	50 Lbs.	11.100	0.187	100	2,000
Orange	3.000	50 Lbs.	11.100	0.187	100	2,000
Yellow	3.000	50 Lbs.	11.100	0.187	100	2,000
Green	3.000	50 Lbs.	11.100	0.187	100	2,000
Blue	3.000	50 Lbs.	11.100	0.187	100	2,000

CABLE TIES
Cable Tie Canister Packs
CTP SERIES



FEATURES

- Four sizes of canister packs include popular assortments of standard and colored cable ties.
- Provided in an air-tight canister to prevent drying, extending life.

RATINGS



CAT. NO.	CONTENTS	QTY.	
CTP-300	418	100	
	418-2	25	
	418-4	25	
	418-5	25	
	418-6	25	
	840	50	
	840-2	25	
	840-6	25	
	CTP-650	418	200
		418-2	25
418-4		25	
418-5		25	
418-6		25	
840		300	
1150		50	
CTP-650N	418	300	
	840	300	
	1150	50	
CTP-650B	4180	300	
	8400	300	
	11500	50	



COLOR	BUNDLE DIAL	MAX BUNDLE DIAMETER	TENSILE STRENGTH	LENGTH (IN.)	WIDTH (IN.)	STD. PKG. QTY.	STD. CTN. QTY.
Natural	7/8	0.875	18 Lbs.	4.000	0.100	1	12
Red	7/8	0.875	18 Lbs.	4.000	0.100	1	12
Yellow	7/8	0.875	18 Lbs.	4.000	0.100	1	12
Green	7/8	0.875	18 Lbs.	4.000	0.100	1	12
Blue	7/8	0.875	18 Lbs.	4.000	0.100	1	12
Natural	2 1/8	2.125	40 Lbs.	8.000	0.140	1	12
Red	2 1/8	2.125	40 Lbs.	8.000	0.140	1	12
Blue	2 1/8	2.125	40 Lbs.	8.000	0.140	1	12
Natural	7/8	0.875	18 Lbs.	4.000	0.100	1	12
Red	7/8	0.875	18 Lbs.	4.000	0.100	1	12
Yellow	7/8	0.875	18 Lbs.	4.000	0.100	1	12
Green	7/8	0.875	18 Lbs.	4.000	0.100	1	12
Blue	7/8	0.875	18 Lbs.	4.000	0.100	1	12
Natural	2 1/8	2.125	40 Lbs.	8.000	0.140	1	12
Natural	3 1/8	3.125	50 Lbs.	11.000	0.187	1	12
Natural	7/8	0.875	18 Lbs.	4.000	0.100	1	12
Natural	2 1/8	2.125	40 Lbs.	8.000	0.140	1	12
Natural	3 1/8	3.125	50 Lbs.	11.000	0.187	1	12
UV Black	7/8	0.875	18 Lbs.	4.000	0.100	1	12
UV Black	2 1/8	2.125	40 Lbs.	8.000	0.140	1	12
UV Black	3 1/8	3.125	50 Lbs.	11.000	0.187	1	12

CABLE TIES
Natural & Weather
Resistant Mountable Ties
-MH SERIES



FEATURES

- Standard mountable cable ties are manufactured from natural Nylon 66 and come complete with a mounting hole.
- Black weather mountable cable ties are also screw mounted, are manufactured from Weather Resistant Nylon 66 and suitable for outdoor use.

RATINGS



TEMPERATURE RATING:

Designed for continuous use from
 -40 °C to 85 °C (-40 °F to 185 °F)
 94V-2 flammability rating.

MAX. WIRE/ CABLE SIZE	CAT. NO.	COLOR	MAX BUNDLE DIAMETER	TENSILE STRENGTH	LENGTH (IN.)	WIDTH (IN.)	STD. PKG. QTY.	STD. CTN. QTY.
5"	530MH	Natural	1.500	30 Lbs.	6.000	0.145	100	1,000
7"	750MH	Natural	2.250	50 Lbs.	8.000	0.165	100	1,000
11"	1150MH	Natural	3.250	50 Lbs.	11.750	0.188	100	1,000
14"	1450MH	Natural	4.000	50 Lbs.	14.500	0.188	100	500
	14120MH	Natural	4.750	120 Lbs.	15.500	0.310	100	500
5"	5300MH	UV Black	1.500	30 Lbs.	6.000	0.145	100	1,000
7"	7500MH	UV Black	2.000	50 Lbs.	8.000	0.165	100	1,000
11"	11500MH	UV Black	3.250	50 Lbs.	11.750	0.188	100	1,000
14"	14500MH	UV Black	4.000	50 Lbs.	14.500	0.188	100	500
	141200MH	UV Black	4.750	120 Lbs.	15.500	0.310	100	500

CABLE TIES
Velcro Ties
V SERIES



FEATURES

- Unique back-to-back fastening system: a self-gripping, double-sided strap that is easy to use and cost effective.
- Molded high performance polyethylene hook fastener laminated on to a non-woven polyester loop.
- Low peel strength allows for easy entry or removal by the user yet the average shear strength is 3.0 PSI, which increases substantially with each circular rotation. Will not over-cinch delicate cable and fiber optics.
- For use with cord and cable management, wire harnesses, inventory control, fibre optics, packaging, in-plant maintenance, etc.
- Allow for a minimum 2" overlap when installing.
- Available in five colors.

RATINGS



MAX. WIRE/CABLE SIZE	CAT. NO.	COLOR	MAX. BUNDLE DIAMETER	LENGTH (IN.)	WIDTH (IN.)	STD. PKG. QTY.	STD. CTN. QTY.
8"	V850	Black	1.750	8"	0.500	25	1
	V850-2	Red	1.750	8"	0.500	25	1
	V850-3	Orange	1.750	8"	0.500	25	1
	V850-4	Yellow	1.750	8"	0.500	25	1
	V850-6	Blue	1.750	8"	0.500	25	1
	12"	V1250	Black	3.000	12"	0.500	20
V1250-2		Red	3.000	12"	0.500	20	1
V1250-4		Yellow	3.000	12"	0.500	20	1
V1250-6		Blue	3.000	12"	0.500	20	1
80"	V875	Black	Perforated Every 8"	80"	0.75	10	1
10'	V1275	Black	Perforated Every 12"	10'	0.75	10	1
15'	V180	Black	-	15'	0.75	10	1
75'	V900	Black	-	75'	0.75	3	1
600'	V7200	Black	-	600'	0.75	1	1

*Note: Rolls of Velcro tape can be cut to desired length.

CABLE TIES

Cable Ties with Stainless Steel Barb

-SB SERIES



FEATURES

- Natural and UV resistant black, nylon cable ties have stainless steel barb; barb is at 45° pitch with 60° cutting angle, setting strap to desired position to suit all diameters in range.
- Flexible and resistant at low temperatures and humidity-free environments.
- Cold and fastening resistances are higher than normal cable tie tolerances.

RATINGS



MAX. WIRE/ CABLE SIZE	CAT. NO.
4"	418-SB
5"	540-SB
7"	750-SB
8"	818-SB
	840-SB
11"	1140-SB
	1150-SB
14"	1450-SB
14"	14120-SB
4"	4180-SB
5"	5400-SB
7"	7500-SB
8"	8180-SB
	8400-SB
11"	11400-SB
	11500-SB
14"	14500-SB
	141200-SB



COLOR	MAX. BUNDLE DIA.	MIN. TENSILE STRENGTH	LENGTH (IN.)	WIDTH (IN.)	STD. PKG. QTY.
Natural	0.944	18 Lbs.	4.000	0.100	100
Natural	1.417	40 Lbs.	5.500	0.137	100
Natural	2.007	50 Lbs.	7.322	0.177	100
Natural	2.165	18 Lbs.	7.874	0.100	100
Natural	2.165	40 Lbs.	7.874	0.137	100
Natural	3.149	40 Lbs.	11.023	0.137	100
Natural	3.149	50 Lbs.	11.023	0.177	100
Natural	3.976	50 Lbs.	14.173	0.177	100
Natural	3.976	120 Lbs.	14.173	0.295	50
UV Black	0.944	18 Lbs.	4.000	0.100	100
UV Black	1.417	40 Lbs.	5.500	0.137	100
UV Black	2.007	50 Lbs.	7.322	0.177	100
UV Black	2.165	18 Lbs.	7.874	0.100	100
UV Black	2.165	40 Lbs.	7.874	0.137	100
UV Black	3.149	40 Lbs.	11.023	0.137	100
UV Black	3.149	50 Lbs.	11.023	0.177	100
UV Black	3.976	50 Lbs.	14.173	0.177	100
UV Black	3.976	120 Lbs.	14.173	0.295	50

CABLE TIES

Cable Tie Installation Tools

TRT, SSCT SERIES

FEATURES

TRT

- Ergonomic, durable cable tie tools suitable for tensile strengths from 18lb through 250lb extra heavy lashing ties.

SSCT

- Stainless Steel manual tools are ergonomic, durable cable tie tools suitable for 100lb and 250lb tensile strength stainless steel ties.
- SSCT-5 has preset tension adjustment control, allowing for uniform tension setting and automatic cutting on each bundle.



CAT. NO.	FIG. NO.	TOOL DUTY	APPLICATION	MIN. TENSILE STRENGTH	STD. CTN. QTY.
TRT-100	1	Light weight, plastic	Miniature, intermediate and standard duty cable ties	18-50 Lbs.	1
TRT-200	2	Sturdy, metal	Miniature, intermediate, and standard duty cable ties	18-50 Lbs.	1
TRT-300	3	Heavy Duty, all-metal	Miniature up to Heavy Duty cable ties	18-175 Lbs.	1
TRT-400	4	Extra Heavy Duty, all-metal	Miniature up to extra Heavy Duty cable ties	18-250 Lbs.	1
TRT-500	5	Deluxe cable tie tool	Miniature up to Standard Duty cable ties	18-50 Lbs.	1
SSCT-3	6	Stainless Steel cable tie tool	100lb and 250lb Stainless Steel cable ties	100-250 Lbs.	1
SSCT-5	7	Stainless Steel cable tie tool	100lb and 250lb Stainless Steel cable ties	100-250 Lbs.	1

CABLE TIE MOUNTS

Cable Tie Adhesive Mounts

FTH SERIES

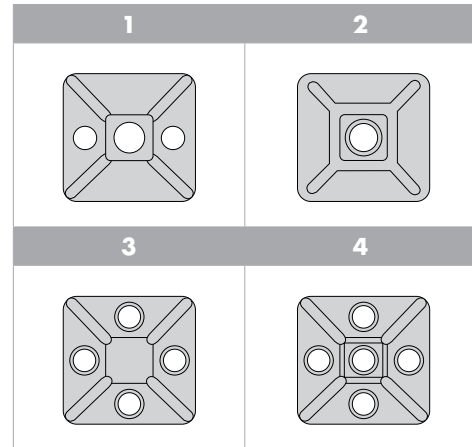
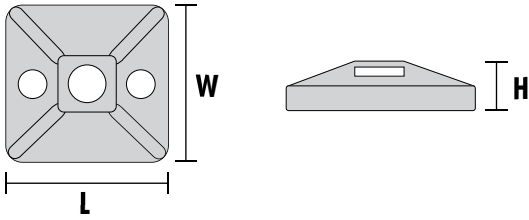


FEATURES

- Mounts are used to route and fasten cable-tied bundles to flat surfaces.
- Cable ties may be inserted from any of four directions, eliminating orientation time.
- The top of the mount has a cradle design which allows the bundle to fit snugly and a mounting hole for additional support, where required.

TEMPERATURE RATING:

-80 °C to 538 °C (-112 °F to 1000.4 °F).



CAT. NO.	FIG. NO.	COLOR	SLOT WIDTH	LENGTH (IN.)	WIDTH (IN.)	HEIGHT
FTH5A	1	Natural	0.140	0.750	0.750	0.140
FTH5A-B	1	Black	0.140	0.750	0.750	0.140
FTH7A	2	Natural	0.203	1.000	1.000	0.160
FTH7A-B	2	Black	0.203	1.000	1.000	0.160
FTH15A	3	Natural	0.394	1.500	1.500	0.300
FTH15A-B	3	Black	0.394	1.500	1.500	0.300
FTH20A	4	Natural	0.500	2.000	2.000	0.500
FTH20A-B	4	Black	0.500	2.000	2.000	0.500

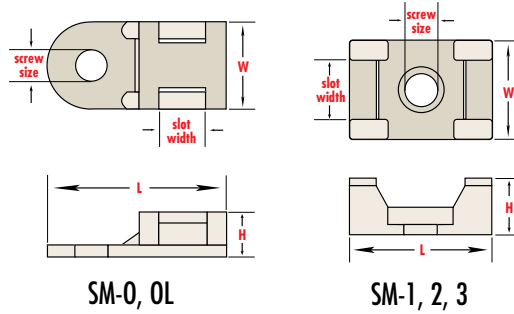
CABLE TIE MOUNTS

Push Mounts

SM SERIES

FEATURES

- Manufactured using UL approved Nylon 66, 94V-2.
- Saddle design provides maximum stability to wire bundles.



RATINGS

TEMPERATURE RATING:
-80 °C to 538 °C (-112 °F to 1000.4 °F).

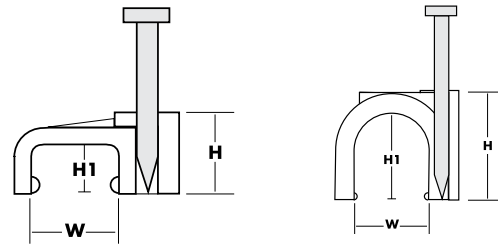
CAT. NO.	FIG. NO.	COLOR	SCREW SIZE	SLOT WIDTH	LENGTH (IN.)	WIDTH (IN.)	HEIGHT (IN.)	STD. PKG. QTY.	STD. CTN. QTY.
SM-0	1	Natural	0.133	0.200	0.750	0.370	0.200	100	1,000
SM-OL	1	Natural	0.204	0.200	0.750	0.370	0.200	100	1,000
SM-1	2	Natural	0.120	0.280	0.590	0.390	0.280	100	1,000
SM-2	2	Natural	0.130	0.160	0.500	0.280	0.230	100	1,000
SM-3	2	Natural	0.236	0.350	0.900	0.630	0.350	100	1,000
SM-1-B	2	Black	0.120	0.280	0.590	0.390	0.280	100	1,000
SM-2-B	2	Black	0.130	0.160	0.500	0.280	0.230	100	1,000
SM-3-B	2	Black	0.236	0.350	0.900	0.630	0.350	100	1,000

CABLE TIE MOUNTS
Polyethylene Nail Clips
PNC SERIES



FEATURES

- Made from impact resistant, non-corrosive polyethylene.
- Supplied with corrosion resistant, hardened steel nails already inserted for ease-of-use.
- The smooth polyethylene surface prevents damage to the insulation.



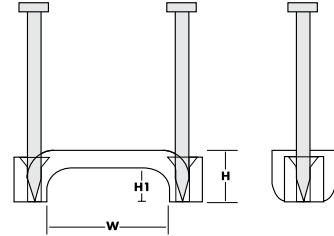
CAT. NO.	FIGURE NO.	COLOR	WIDTH	HEIGHT (IN.)	HEIGHT 1 (IN.)	STD. PKG. QTY.	STD. CTN. QTY.
PNC-217W	1	White	0.217	0.216	0.122	100	1,000
PNC-335W	1	White	0.335	0.315	0.205	100	1,000
PNC-157G	2	Grey	0.157	0.260	0.165	100	1,000
PNC-197G	2	Grey	0.197	0.299	0.206	100	1,000
PNC-236G	2	Grey	0.236	0.354	0.260	100	1,000
PNC-315G	2	Grey	0.315	0.453	0.339	100	1,000
PNC-391G	2	Grey	0.391	0.528	0.413	100	1,000

CABLE TIES
Nail-On Plastic Staples
for Romex
PNC SERIES



PLASTIC STAPLES FOR ROMEX

- PNC-492W is suitable for use with 14/2, 14/3 or 12/2.
- PNC-736W is suitable for use with 12/3, 10/2 or 10/3.



CAT. NO.	FIG. NO.	COLOR	WIDTH	HEIGHT (IN.)	HEIGHT 1 (IN.)	STD. PKG. QTY.	STD. CTN. QTY.
PNC-492W	3	White	0.492	0.315	0.209	500	5,000
PNC-736W	3	White	0.736	0.315	0.209	500	5,000

CABLE TIE MOUNTS

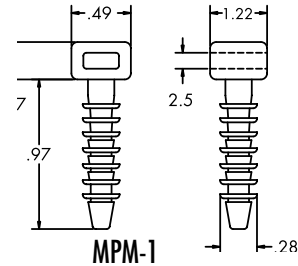
Masonry Push Mounts & Adjustable Cable Clamps

MPM, ADJCC SERIES



MASONRY PUSH MOUNTS

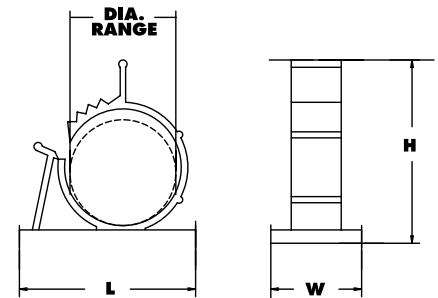
- Manufactured using UL approved Nylon 66, 94V-2. Installs in masonry surfaces.
- Simply pre-drill a mounting hole, hammer the push mount in, then feed a cable tie through the head.



CAT. NO.	CABLE TIE WIDTH ACCEPTABLE	THREAD LENGTH	OVERALL WIDTH	THREAD WIDTH	HEAD SIZE L X W	STD. PKG.	STD. CTN. QTY.
MPM-1	0.39	0.97	1.22	0.28	0.49 x 0.47	100	500

ADJUSTABLE CABLE CLAMPS

- Clamps are adjustable to accommodate various sizes of cables.
- Easy to install and open for unlimited usage.
- Manufactured using UL approved Nylon 66, 94V-2 and have an adhesive tape backing.



CAT. NO.	DIA. RANGE	LENGTH (IN.)	WIDTH (IN.)	HEIGHT (IN.)	STD. PKG. QTY.	STD. CTN. QTY.
ADJCC-1	0.31 to 0.40	1.000	0.750	0.870	100	1,000
ADJCC-3	0.50 to 0.60	1.500	0.750	1.250	100	1,000
ADJCC-5	0.87 to 1.00	1.650	1.000	1.750	100	1,000

CABLE TIE CLAMPS
Standard & Heavy Duty
Nylon Cable Clamps
NC, NCH SERIES



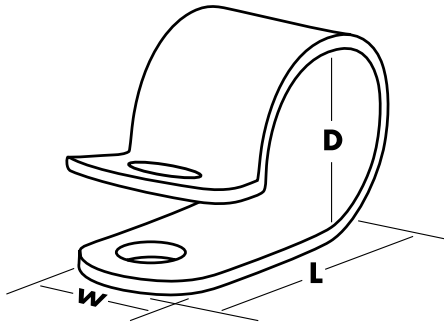
FEATURES

STANDARD DUTY

- Standard duty clamps are similar to heavy duty nylon cable clamps, except narrower in width.
- Made from Nylon 66. 94 V-2 rated.
- Complete with 0.180" mounting hole.

HEAVY DUTY

- Made from Nylon 66. 94V-2 rated.
- Designed with wide arc to hold cables, tubes, etc.
- Fully radiused interior edges to protect cable insulation.
- Non-conductive, non-corrosive, resistant to fuels, lubricants and most chemicals.
- 0.180" mounting hole.



CAT. NO.
NC-125
NC-125-0
NC-187
NC-187-0
NC-250
NC-250-0
NC-312
NC-312-0
NC-375
NC-375-0
NC-500
NC-500-0
NCH-250
NCH-250-0
NCH-312
NCH-312-0
NCH-375
NCH-375-0
NCH-437
NCH-500
NCH-500-0
NCH-562
NCH-625
NCH-750
NCH-1000



DIAMETER	COLOR	LENGHT (IN.)	WIDTH (IN.)	STD. PKG. QTY.	STD. CTN. QTY.
STANDARD DUTY					
0.125	Natural	0.780	0.378	100	1,200
	Black	0.780	0.378	100	1,200
0.187	Natural	0.780	0.378	100	1,200
	Black	0.780	0.378	100	1,200
0.250	Natural	0.790	0.394	100	1,200
	Black	0.790	0.394	100	1,200
0.312	Natural	0.860	0.394	100	1,200
	Black	0.860	0.394	100	1,200
0.375	Natural	0.940	0.375	100	1,200
	Black	0.940	0.375	100	1,200
0.500	Natural	1.220	0.375	100	1,200
	Black	1.220	0.375	100	1,200
HEAVY DUTY					
0.250	Natural	0.790	0.500	100	1,200
	Black	0.790	0.500	100	1,200
0.312	Natural	0.860	0.500	100	1,200
	Black	0.860	0.500	100	1,200
0.375	Natural	0.940	0.472	100	1,200
	Black	0.940	0.472	100	1,200
0.437	Natural	1.080	0.500	100	1,200
0.500	Natural	1.220	0.472	100	1,200
	Black	1.220	0.472	100	1,200
0.562	Natural	1.280	0.500	100	1,200
0.625	Natural	1.350	0.472	100	1,200
0.750	Natural	1.380	0.472	100	1,200
1.000	Natural	1.690	0.472	100	1,200

PANEL CHANNEL
Standard Slot
Panel Channel
PC--LS SERIES



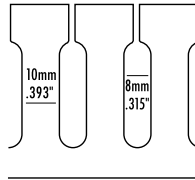
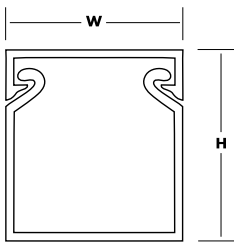
FEATURES

- Made from high-impact, self-extinguishing, warp-proof PVC for routing wires.
- Restricted slot opening is designed to retain wires and allow for breakout when required. Individual wires are easily traced and removed when necessary.
- Scored sidewalls allow for easy break-off of panel channel sections.
- All sizes are supplied with mounting holes and non-slip, snap-on and off covers.
- Optional adhesive backing is available.
- Maximum service temperature: 85 °C (185 °F), Tested to UL File up to 50 °C (122 °F). 94V-0 Rated.
- For other sizes, please contact NSi.

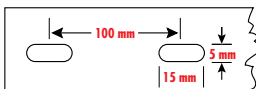
RATINGS



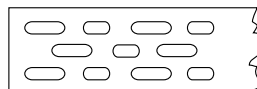
Finger width = 10 mm, slot width = 8 mm.



Mounting holes:
For widths up to 2.5"



For widths over 2.5"

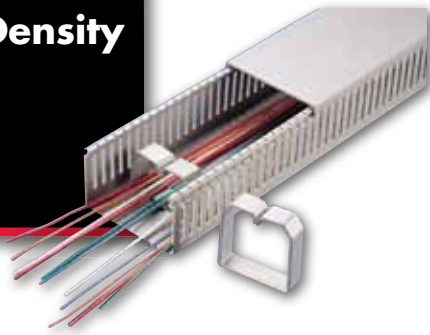


CAT. NO.
PC1010-LS
PC1010-LS-W
PC1015-LS
PC1015-LS-W
PC1020-LS
PC1020-LS-W
PC1030-LS
PC1030-LS-W
PC1040-LS
PC1040-LS-W
PC1515-LS
PC1515-LS-W
PC1520-LS
PC1520-LS-W
PC1530-LS
PC1530-LS-W
PC1540-LS-W
PC2010-LS
PC2010-LS-W
PC2020-LS
PC2020-LS-W
PC2030-LS
PC2030-LS-W
PC2040-LS
PC2040-LS-W
PC3020-LS
PC3020-LS-W
PC3030-LS
PC3030-LS-W
PC3040-LS
PC3040-LS-W
PC4020-LS
PC4030-LS
PC4030-LS-W
PC4040-LS
PC4040-LS-W
PC6040-LS
PC6040-LS-W



NOMINAL SIZE	COLOR	LENTH (FT.)	STD. PKG. QTY.	STD. CTN. QTY.
1 x 1	Grey	6'	6'	72'
1 x 1	White	6'	6'	72'
1 x 1 1/2	Grey	6'	6'	72'
1 x 1 1/2	White	6'	6'	72'
1 x 2	Grey	6'	6'	72'
1 x 2	White	6'	6'	72'
1 x 3	Grey	6'	6'	72'
1 x 3	White	6'	6'	72'
1 x 4	Grey	6'	6'	72'
1 x 4	White	6'	6'	72'
1 1/2 x 1 1/2	Grey	6'	6'	72'
1 1/2 x 1 1/2	White	6'	6'	72'
1 1/2 x 2	Grey	6'	6'	72'
1 1/2 x 2	White	6'	6'	72'
1 1/2 x 3	Grey	6'	6'	72'
1 1/2 x 3	White	6'	6'	72'
1 1/2 x 4	White	6'	6'	72'
2 x 1	Grey	6'	6'	72'
2 x 1	White	6'	6'	72'
2 x 2	Grey	6'	6'	72'
2 x 2	White	6'	6'	72'
2 x 3	Grey	6'	6'	72'
2 x 3	White	6'	6'	72'
2 x 4	Grey	6'	6'	72'
2 x 4	White	6'	6'	72'
3 x 2	Grey	6'	6'	72'
3 x 2	White	6'	6'	72'
3 x 3	Grey	6'	6'	72'
3 x 3	White	6'	6'	72'
3 x 4	Grey	6'	6'	72'
3 x 4	White	6'	6'	72'
4 x 2	Grey	6'	6'	72'
4 x 3	Grey	6'	6'	72'
4 x 3	White	6'	6'	72'
4 x 4	Grey	6'	6'	72'
4 x 4	White	6'	6'	72'
6 x 4	Grey	6'	6'	72'
6 x 4	White	6'	6'	72'

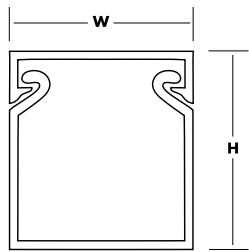
PANEL CHANNEL
Narrow Finger, High Density
Panel Channel
PC--LSN SERIES



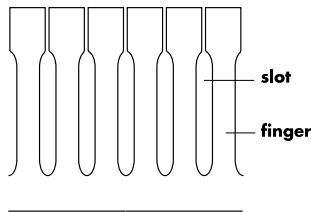
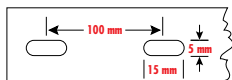
FEATURES

- Narrower finger width is 6mm
- Slot width is 4mm.
- Made from high-impact, self-extinguishing, warp-proof PVC.
- Optional adhesive backing is available.
- Maximum service temperature: 85 °C (185 °F).
- Tested to UL File up to 50 °C (122 °F). 94V-0 rated.
- 5mm slot width is available in both white and grey for 1020, 2020, 2030, 2040

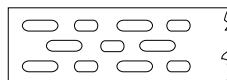
RATINGS



Mounting holes:
For widths up to 2.5"

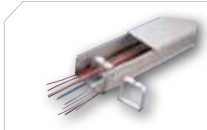


For widths over 2.5"



CAT.
NO.

- PC.75.75-LSN
- PC1010-LSN
- PC1010-LSN-W
- PC1015-LSN
- PC1015-LSN-W
- PC10175-LSN
- PC10175-LSN-W
- PC1020-LSN
- PC1020-LSN-W
- PC10250-LSN
- PC1030-LSN
- PC1030-LSN-W
- PC1515-LSN
- PC1515-LSN-W
- PC1520-LSN
- PC1520-LSN-W
- PC1530-LSN
- PC1530-LSN-W
- PC1540-LSN
- PC1540-LSN-W
- PC175175-LSN
- PC2015-LSN-W
- PC2020-LSN
- PC2020-LSN-W
- PC2030-LSN
- PC2030-LSN-W
- PC2040-LSN
- PC2040-LSN-W
- PC3020-LSN
- PC3020-LSN-W
- PC3030-LSN
- PC3030-LSN-W
- PC3040-LSN
- PC3040-LSN-W
- PC4020-LSN-W
- PC4030-LSN
- PC4030-LSN-W
- PC4040-LSN
- PC4040-LSN-W

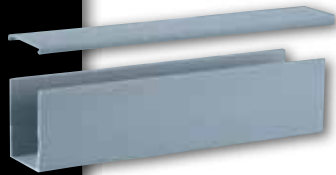


NOMINAL SIZE	COLOR	LENTH (FT.)	STD. PKG. QTY.	STD. CTN. QTY.
3/4 x 3/4	Grey	6'	6'	72'
1 x 1	Grey	6'	6'	72'
1 x 1	White	6'	6'	72'
1 x 1 1/2	Grey	6'	6'	72'
1 x 1 1/2	White	6'	6'	72'
1 x 1 3/4	Grey	6'	6'	72'
1 x 1 3/4	White	6'	6'	72'
1 x 2	Grey	6'	6'	72'
1 x 2	White	6'	6'	72'
1 x 2 1/2	Grey	6'	6'	72'
1 x 3	Grey	6'	6'	72'
1 x 3	White	6'	6'	72'
1 1/2 x 1 1/2	Grey	6'	6'	72'
1 1/2 x 1 1/2	White	6'	6'	72'
1 1/2 x 2	Grey	6'	6'	72'
1 1/2 x 2	White	6'	6'	72'
1 1/2 x 3	Grey	6'	6'	72'
1 1/2 x 3	White	6'	6'	72'
1 1/2 x 4	Grey	6'	6'	72'
1 1/2 x 4	White	6'	6'	72'
1 3/4 x 1 3/4	Grey	6'	6'	72'
2 x 1 1/2	White	6'	6'	72'
2 x 2	Grey	6'	6'	72'
2 x 2	White	6'	6'	72'
2 x 3	Grey	6'	6'	72'
2 x 3	White	6'	6'	72'
2 x 4	Grey	6'	6'	72'
2 x 4	White	6'	6'	72'
3 x 2	Grey	6'	6'	72'
3 x 2	White	6'	6'	72'
3 x 3	Grey	6'	6'	72'
3 x 3	White	6'	6'	72'
3 x 4	Grey	6'	6'	72'
3 x 4	White	6'	6'	72'
4 x 2	White	6'	6'	72'
4 x 3	Grey	6'	6'	72'
4 x 3	White	6'	6'	72'
4 x 4	Grey	6'	6'	72'
4 x 4	White	6'	6'	72'

PANEL CHANNEL

Solid Wall Panel Channel, Floor Duct

PC, FD SERIES



SOLID WALL PANEL CHANNEL



- Made from high-impact, self-extinguishing, warp-proof PVC for routing wires where wire extraction is not necessary.
- Supplied complete with mounting holes and non-slip, snap-on and off covers.
- Optional adhesive backing is available.
- Maximum service temperature: 85 °C (185 °F).
- Tested to UL File up to 50 °C (122 °F). 94V-0 Rated.
- For other sizes, please contact NSI.

CAT. NO.	COLOR	NOMINAL SIZE (IN)	LENGTH (FT.)	STD. PKG. QTY.	STD. CTN. QTY.
PC2020	Grey	2 x 2	6'	6'	72'
PC2030	Grey	2 x 3	6'	6'	72'
PC3030	Grey	3 x 3	6'	6'	72'
PC4030	Grey	4 x 3	6'	6'	72'
PC4040	Grey	4 x 4	6'	6'	72'

FLOOR DUCT

- 2.5" and 4" wide floor duct for use as safe temporary enclosure of electrical cords, data communications cables and other objects that present a trip hazard.
- Manufactured using soft PVC.

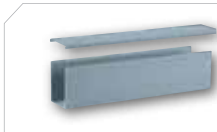


CAT. NO.	NOMINAL SIZE (IN.)	COLOR	LENGTH (FT.)	WIDTH (IN)		HEIGHT (IN)		STD. PKG. QTY.	STD. CTN. QTY.
				ID	OD	ID	OD		
FD250W	2.5"	Off White	6'	0.750	2.600	0.430	0.600	6'	18'
FD250B		Brown	6'	0.750	2.600	0.430	0.600	6'	18'
FD250K		Black	6'	0.750	2.600	0.430	0.600	6'	18'
FD400W	4"	Off White	6'	1.160	4.000	0.610	0.910	6'	18'
FD400B		Brown	6'	1.160	4.000	0.610	0.910	6'	18'
FD400K		Black	6'	1.160	4.000	0.610	0.910	6'	18'

WIRE MARKING / ID

Cable Marker Plates & Wire Marker Dispensers

MP, WLD SERIES



CABLE MARKER PLATES

- Mark-Pro™ cable marker plates provide reliable method of identification of larger cables and bundles.
- They can be installed using standard nylon tie wraps.
- A fine tip permanent marker is recommended.
- Manufactured using natural colored nylon.

CAT. NO.	LENGTH (IN.)	WIDTH (IN.)	STD. PKG. QTY.	STD. CTN. QTY.
MP-2	1.58	0.790	100	1000
MP-3	2.36	1.000	100	1000

WIRE MARKER DISPENSERS

- Permanent markers are recommended for writing on these vinyl self laminating labels, backed with an acrylic adhesive.

TEMPERATURE RATING:

-40 °C to 121.1 °C (-40 °F to 250 °F).
UL 969.



CAT. NO.	WHITE-ON AREA	LENGTH (IN.)	WIDTH (IN.)	STD. CTN. QTY.
WLD-1	0.75 x 0.31	0.75	1.250	1
WLD-2	0.75 x 0.50	0.75	1.880	1
WLD-3	0.75 x 0.75	0.75	3.000	1

WIRE MARKING / ID

Roll Label Dispenser & Industrial Tapes

RLD, IT-BW SERIES



ROLL LABEL DISPENSER



- Reusable, refillable, compact and convenient, roll label dispensers provide 760 1 1/4" markers per dispenser.
- Made of tough tyvek material with an excellent acrylic adhesive and a silicone release liner.

TEMPERATURE RATING:

-40 °C to 121.1 °C (-40 °F to 250 °F).
UL 969.

CAT. NO.	LABEL LEGEND	STD. PKG. QTY.	STD. CTN. QTY.
RLD-1	0 - 9	1	1
RLD-4	0-9	1	1

POLYESTER INDUSTRIAL TAPES

- A high performance label stock.
- 2 mil pressure sensitive polyester and thermal transfer resin ribbon in a cartridge.
- Up to seven year exterior life.
- Chemical, water, UV and abrasion resistant.

TEMPERATURE RATING:

-40 °C to 121.1 °C (-40 °F to 250 °F).



CAT. NO.	SIZE	DESCRIPTION	LENGHT (FT.)	WIDTH (IN.)	STD. PKG. QTY.	STD. CTN. QTY.
IT3/4-BW	3/4"	Black on White	26'	0.750	1	1
IT1-BW	1"	Black on White	26'	1.000	1	1

WIRE MARKING / ID Pocket Pal Marker Books WMB SERIES



FEATURES

- Convenient NSi wire marker books made with vinyl impregnated cloth.
- A strong adhesive ensures the marking will last.
- Printed with black legends on a white background.
- Each book contains 450 wire markers.

RATINGS

TEMPERATURE RATING:
-40 °C to 121.1 °C (-40 °F to 250 °F).

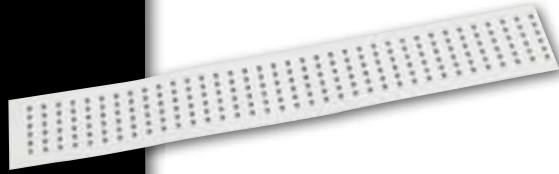
CAT. NO.	LEGEND	MARKERS PER BOOK	STD. CTN. QTY.
WMB-1	0-9	45	12
WMB-2	A-Z, 0-15 +,-,/	10	12
WMB-3	0-45	10	12
WMB-4	1,2,3	150 Each	12
WMB-5	A,B,C	150 Each	12
WMB-6	T1,T2,T3	150 Each	12
WMB-7	L1,L2,L3	150 Each	12
WMB-8	1-15	6 Each	12
	16-90	4 Each	
	A-Z,+,-,/0	2 Each	
WMB-9	1,2,3	45 Each	12
	A,B,C	45 Each	
	L1,L2,L3	30 Each	
	T1,T2,T3	30 Each	
WMB-10	10 Nema Colors	45 Each	12
WMB-11	1-30	15 Each	12
WMB-12	A-Z	15 Each	12
	Blank	45 Each	
	+	8 Each	
	-	7 Each	
WMB-13	+,-,AC,DC	45 Each	12
	POS,NEG,GND	33 Each	
	NEUT	27 Each	
	Spare,Blank	21 Each	
WMB-14	0-9	45 Each	12
	L1,L2,L3	15 Each	
	T1,T2,T3	15 Each	
WMB-15	46-90	10 Each	12
WMB-20	1 X 6 Blank (1 x 1 Write on Area)	30 Each	12
WMB-21	1 x 3 Blank (1x0.75 Write on Area)	60 Each	12

WIRE MARKING / ID

Easy Release

Wire Marker Cards

WMC SERIES



FEATURES

- NSi wire marker cards are made from vinyl impregnated cloth with pressure sensitive adhesive.
- Each marker is 1 1/2" long and is mounted on easy release dispenser cards for quick, easy identification.
- Standard Carton Quantity of 25.

CATALOG NO	SYMBOL	CATALOG NO	SYMBOL
WMC-0	0	WMC-35	35
WMC-1	1	WMC-36	36
WMC-2	2	WMC-37	37
WMC-3	3	WMC-38	38
WMC-4	4	WMC-39	39
WMC-5	5	WMC-40	40
WMC-6	6	WMC-41	41
WMC-7	7	WMC-42	42
WMC-8	8	WMC-43	43
WMC-9	9	WMC-44	44
WMC-10	10	WMC-45	45
WMC-11	11	WMC-46	46
WMC-12	12	WMC-73	73
WMC-13	13	WMC-81	81
WMC-14	14	WMC-34-66	34-66
WMC-15	15	WMC-67-99	67-99
WMC-16	16	WMC-100-124	100-124
WMC-17	17	WMC--	--
WMC-18	18	WMC-A	A
WMC-19	19	WMC-B	B
WMC-20	20	WMC-C	C
WMC-21	21	WMC-D	D
WMC-22	22	WMC-E	E
WMC-23	23	WMC-F	F
WMC-24	24	WMC-G	G
WMC-25	25	WMC-H	H
WMC-26	26	WMC-I	I
WMC-27	27	WMC-N	N
WMC-28	28	WMC-S	S
WMC-29	29	WMC-W	W
WMC-30	30	WMC-X	X
WMC-31	21	WMC-Y	Y
WMC-32	32	WMC-Z	Z
WMC-33	33	WMC-A-Z	A-Z
WMC-34	34	WMC-1-25A	Asst. Pack

WIRE MARKING / ID Voltage Markers VM SERIES

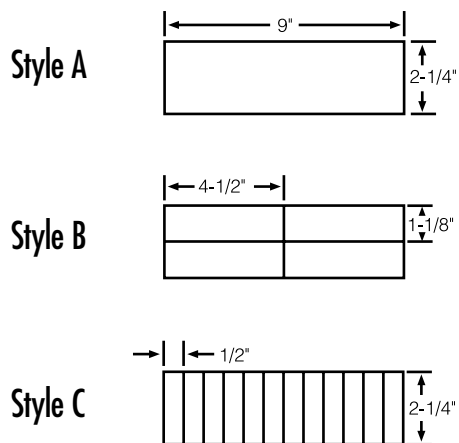
480 VOLTS



FEATURES

- Pressure-sensitive vinyl markers for marking power lines, conduit bus, fuse boxes, switches and other electrical equipment, stocked in three convenient sizes.
- Standard Carton Quantity of 25.
- Black lettering on orange background.

STYLES



CAT. NO.	SYMBOL	CAT. NO.	SYMBOL
VM-A-3	120 Volts	VM-B-32	Three Phase
VM-A-4	208 Volts	VM-B-35	120V to 208V
VM-A-5	220 Volts	VM-B-36	120V to 240V
VM-A-7	240 Volts	VM-B-37	277V to 480V
VM-A-9	277 Volts	VM-B-48	Danger High Voltage
VM-A-11	440 Volts	VM-B-49	24 Volts
VM-A-12	460 Volts	VM-C-1	110 Volts
VM-A-13	480 Volts	VM-C-3	120 Volts
VM-A-15	600 Volts	VM-C-4	208 Volts
VM-A-18	2400 Volts	VM-C-5	220 Volts
VM-A-19	4160 Volts	VM-C-7	240 Volts
VM-A-20	4800 Volts	VM-C-9	277 Volts
VM-A-25	12470 Volts	VM-C-11	440 Volts
VM-A-27	13200 Volts	VM-C-12	460 Volts
VM-A-28	13800 Volts	VM-C-13	480 Volts
VM-A-30	Single Phase	VM-C-15	600 Volts
VM-A-32	Three Phase	VM-C-19	4160 Volts
VM-A-35	120V to 208V	VM-C-20	4800 Volts
VM-A-36	120V to 240V	VM-C-25	12470 Volts
VM-A-37	277V to 480V	VM-C-30	Single Phase
VM-A-48	Danger High Voltage	VM-C-32	Three Phase
VM-A-49	24 Volts	VM-C-35	120V to 208V
VM-B-1	110 Volts	VM-C-36	120V to 240V
VM-B-3	120 Volts	VM-C-37	277V to 480V
VM-B-4	208 Volts	VM-C-48	Danger High Voltage
VM-B-5	220 Volts	VM-C-49	24 Volts
VM-B-7	240 Volts		
VM-B-9	277 Volts		
VM-B-13	480 Volts		
VM-B-15	600 Volts		
VM-B-23	7200 Volts		
VM-B-27	13200 Volts		
VM-B-28	13800 Volts		
VM-B-30	Single Phase		

LOCKOUT / TAGOUT Self-Adhesive Labels and Spiral Wrap VL, DSS, SR SERIES



FEATURES

- Self-adhesive labels are sub-surface printed polyester labels.
- Rigid signs are available in either polycarbonate or polyester material.

CAUTION

In Accordance with OSHA Standard 1910.147, All Equipment, Machines and Processes Shall Be Locked Out Prior to Servicing. Lockout Procedures are Posted in the Main Operating Area and/or by the Main Energy Source of Each Machine. If You Have any Questions About the Lockout Procedures, Please See Your Supervisor or the Safety Director. This Standard Will Be Strictly Enforced.

CAT. NO.	LEGEND	SIZE (IN.)	STD. CTN. QTY.
VL-4	Remove All Doubt. Lock it Out.	2 1/4 x 4 1/2	25
VL-7	Warning Potential Arc-Flash Hazards Exist While Working on this Energized Equipment	2 1/4 x 4 1/2	25
DSS-5	High Voltage	10 x 14	25
DSS-6	High Voltage Keep Out	10 x 14	25

SPIRAL WRAP

- Permits flexible routing of cable harnesses while forming a neat, protective bundle. Twists on easily and allows lead-outs at any point.

POLYETHYLENE

- For general indoor use with good resistance to ordinary solvents and abrasion.

UV POLYETHYLENE

- Ultraviolet resistance for general outdoor use with good resistance to ordinary solvents and abrasion.

NYLON

- For use in wider temperature ranges with high resistance to abrasion and good solvent resistance.



CAT. NO.	COLOR	MATERIAL	O.D.	I.D.	BUNDLE RANGE	LENGTH (FT.)	STD. CTN. QTY.
SRPE-250	Natural	Polyethylene	0.236	0.157	0.157 - 1.97	100	1
SRPE-375	Natural	Polyethylene	0.393	0.295	0.295 - 2.36	100	1
SRPE-500	Natural	Polyethylene	0.472	0.354	0.354 - 2.56	100	1
SRPE-2500	Black	UV Polyethylene	0.236	0.157	0.157 - 1.97	100	1
SRPE-3750	Black	UV Polyethylene	0.393	0.295	0.295 - 2.36	100	1
SRPE-5000	Black	UV Polyethylene	0.472	0.354	0.354 - 2.56	100	1
SRNY-375	Natural	Nylon	0.375	0.312	0.312 - 3.00	100	1

LOCKOUT / TAGOUT

Detectable Underground Line and Barricade Tapes

ULT, ULTD, BT SERIES



FEATURES

DETECTABLE UNDERGROUND LINE TAPE

- Consists of a minimum 5 mil overall thickness with no less than a 35 gauge solid aluminum foil core, which allows for easy detection. Specially formulated to resist degradation by elements normally encountered in soil. All printing is encased to avoid ink rub-off with environmentally safe ink. Custom legends are available, contact NSi for details.

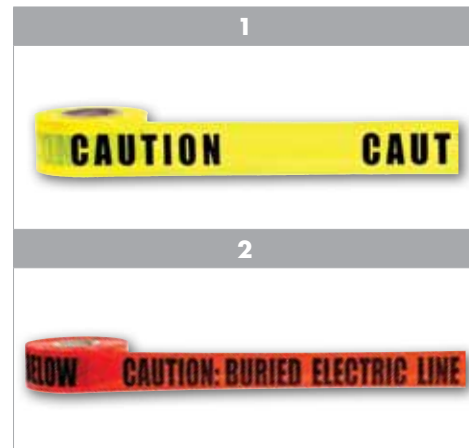
BARRICADE TAPE

- Made of long lasting, non-adhesive polyethylene for exceptional quality, durability and performance. Used above ground to mark off hazards. Supplied in 1,000 ft. rolls.

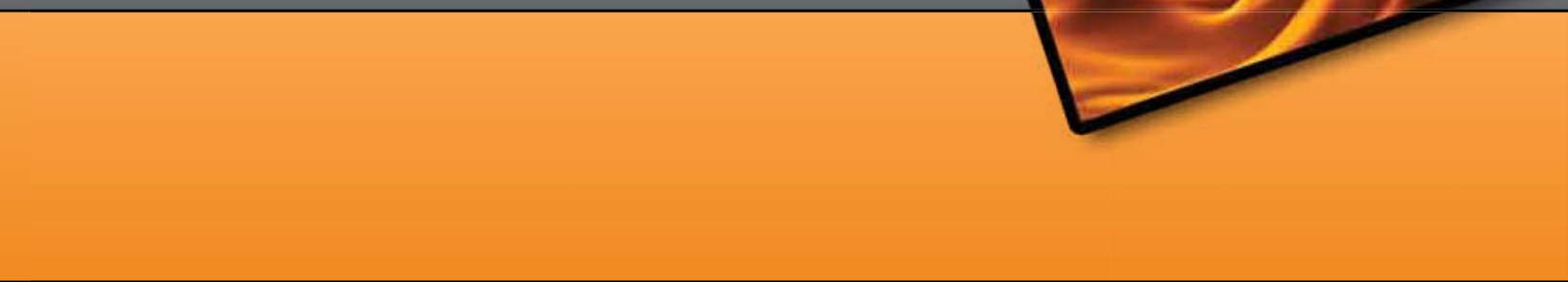
UNDERGROUND LINE TAPE

- Underground tapes are impervious to alkalines, acids and other soil components for the protection, location and identification of underground utility installations. Consists of a 4 mil overall thickness, inert 100 percent virgin low-density polyethylene plastic film formulated for underground use and environmentally safe ink. Custom legends are available. Contact NSi for details.

CAT. NO.	COLOR	LEGEND	LENGTH (FT.)	WIDTH (IN.)	STD. CTN. QTY.
ULTD-327	Red	Caution Buried Electric Line Below	1000	3	8
ULTD-342	Orange	Caution Buried Fiber Optic Line Below	1000	3	8
ULTD-343	Yellow	Caution Buried Communication Line Below	1000	3	8
ULTD-626	Yellow	Caution Buried Electric Line Below	1000	6	4
ULTD-627	Red	Caution Buried Electric Line Below	1000	6	4
ULTD-636	Orange	Caution Buried Telephone Line Below	1000	6	4
ULTD-643	Yellow	Caution Buried Communication Line Below	1000	6	4



CAT. NO.	FIG. NO.	COLOR	LEGEND	USE	LENGTH (FT.)	WIDTH (IN.)	STD. CTN. QTY.
BT-305	1	Yellow	Caution	Above ground	1000	3	8
BT-308	1	Yellow	Caution Do Not Enter	Above ground	1000	3	8
ULT-326	2	Yellow	CautionBuried Electric Line Below	Underground	1000	3	8
ULT-327	2	Red	CautionBuried Electric Line Below	Underground	1000	3	8
ULT-626	2	Yellow	CautionBuried Electric Line Below	Underground	1000	6	4
ULT-627	2	Red	CautionBuried Electric Line Below	Underground	1000	6	4





FIRESTOP™

FIRESTOP™

Residential & Commercial Caulk, Pillows & Putty Pads

FS SERIES

FEATURES

- Insert FireStop™ in front of intumescent caulk.
- Change to FireBlock814™ Residential and Commercial.
- FireBlock136™ Residential.
- Change to FireStop™ Pillows.
- Change to Fire Rated Putty pads.

RATINGS



CAT. NO.	FIG. NO.	DESCRIPTION	WEIGHT (OZ)	LENGTH (IN)	WIDTH (IN)	HEIGHT (IN)	STD. CTN. QTY.
FSIC-10	1	FireStop™ Intumescent Caulk	10	–	–	–	12
FS-814	2	FireStop814™ Residential and Commercial	10	–	–	–	12
FS-136	3	FireBlok136™ Residential Fire Block	10	–	–	–	12
FSP	4	Firestop Pillows	–	8.000	4.000	2.000	25
FSPP-1	5	Fire Rated Putty Pad	–	6.000	7.000	–	20
FSPP-2	5	Fire Rated Putty Stick Pad	–	7.000	7.000	–	20

FireStop™ INTUMESCENT CAULK

FireStop™ Intumescent Caulk is water-based, single component elastomeric sealant intended for use as a firestop system component. It forms an economical yet durable, flexible and watertight bond with most construction materials. It is applied independently for “caulk and walk” systems or over mineral wool or backer rod to seal the openings where building services such as pipes and cables penetrate fire rated assemblies. Will not crack or crumble as the physical properties remain stable over time. It tools easily and cleans up with water. May be applied by caulking gun or trowel. ASTM–E 814 and UL 1479.



FireStop814™ CAULK

FireStop814™ Fire stopping caulk is a single component, non-combustible, non-intumescent material for residential and commercial applications. Colored red for easy inspection, FireStop814 creates an effective barrier against flames, smoke, and toxic gasses and has superior adhesion and gunnability. FireStop814 is for use in annular spaces around wires and pipes, in one- and two-hour fire rated assemblies. It restores the integrity of firestops in residential and commercial construction. Meets UL 1479/ ASTM-E814 standards.

FireBlok136™ CAULK

FireBlok136™ Fire-blocking caulk is a single component, non-combustible material for residential applications. Colored red for easy inspection, FireBlok136 creates an effective barrier against flames, smoke, and toxic gasses and has superior adhesion and gunnability. FireBlok136 is for use in annular spaces around wires, pipes, ducts, vents and other penetrating items at ceiling and floor openings; and room to room in wood and steel frame constructions. It restores the integrity of fireblocks in one and two family construction. Exceeds ASTM-E136 standards for fireblocking residential requirements prescribed by all major-model building codes, and also meets or exceeds requirements of UBC, BOCA, SBC, IRC, NYS and MA codes. Meets UL 1479/ ASTM-E136 standards.

FIRE RATED PUTTY PADS

NSi Fire Rated Putty is a moldable non-curing, one-component fire rated material for through penetration fire stop systems. In the event of a fire, Putty will expand when exposed to fire, forming an insulating char, which prevents the spread of flames, smoke, gas and water through penetration openings. Installation is easy as there are no additives, there is no mixing and no curing time is required. The putty is applied by hand and adheres to all common building surfaces. Putty can be installed in confined or occupied spaces since there are no volatile solvents or asbestos fillers.

NSi Putty systems are rated up to 3 hours in accordance with ASTM E 814, UL 1479 and ULC/CAN4-S115-M standards. NSi Fire Rated Putty is available in sticks or pads. Moldable Putty Pads are available in two sizes, 6" x 7" x 1/8" or 7" x 7" x 1/8", and are classified as a wall opening protective material. Use them to protect metal electrical cabinets, outlet boxes and mechanical cabinets. STC Rating 49.

FireStop8136™ PILLOWS

FireStop™ Pillows are a single step firestop system component. Intended for wall and/or floor openings through fire separations where temporary or permanent firestops are required. They are ideal where cable retrofitting is frequent and anticipated. Quick and clean single product installation. Self-supporting – no wire lath or mesh is required. They are to be packed tightly into the voids between penetrating items and the perimeter of the opening. During a fire, the intumescent component within each pillow dramatically expands to seal the opening from fire, thereby maintaining the integrity of the fire separation. FireStop Pillows consist of an intumescent layer sandwiched between non-combustible insulation, all enclosed in a hermetically sealed polyethylene shell. No sealant or putty is required. Easy to install, easy to remove – a quick and clean single product installation. ASTM E 814 and UL 1479.

FIRESTOP™ Ratings & UL Systems

CONDUIT AND EMT

MAX. PEN. DIA.	RATING (HR.)	MAX. OPENING	FLOOR OR WALL SYSTEM	NSI FIRESTOP REQUIRED PRODUCT(S)	APPLICATION THICKNESS	SYSTEM NO.	PAGE NO.
6 in. conduit & EMT or smaller	2	0 in to 7/8 in. annulus	Floor - concrete (2 1/2 in. min.), Wall - concrete, concrete block or precast units	NSi FireStop Intumescent Caulk	Min. 1/4 in. thick within annulus flush with top of floor or both surfaces of wall	C-AJ-1511	212
6 in. conduit & EMT or smaller	2	0 in. to 1/2 in. annulus	Wall – gypsum board	NSi FireStop Intumescent Caulk	Min. 1/4 in. thick within annulus flush with both surfaces of wall	W-L-1349	212
6 in. conduit & EMT or smaller	1	1/4 in. to 1/2 in. annulus	Wall – gypsum board	NSi FireStop Intumescent Caulk	Min. 5/8 in. thick within annulus flush with both surfaces of wall	W-L-1351	213
3 in. conduit & EMT or smaller	2	0 in. to 1 3/4 in. annulus	Wall – gypsum board	NSi FireStop Intumescent Caulk	Min. 1/4 in. thick within annulus flush with both surfaces of wall	W-L-1348	214
4 in. conduit & EMT or smaller	1	0 in. to 1/2 in. annulus	Floor – lumber Ceiling – gypsum board	NSi FireStop Intumescent Caulk	Min. 3/4 in. thick within annulus on top of floor Min. 5/8 in. thick within annulus on bottom surface of ceiling	F-C-1128	214

CABLE LARGER OPENINGS

TYPE OF PENETRATION	RATING (HR.)	MAX. OPENING	FLOOR OR WALL SYSTEM	NSI FIRESTOP REQUIRED PRODUCT(S)	APPLICATION THICKNESS	SYSTEM NO.	PAGE NO.
Coaxial, fiber optic & 24 AWG	3	288 sq. in.	Floor – concrete, Wall - concrete or concrete block	NSi FireStop Pillows	Installed with 8 in. dimension projecting through floor or wall & centered within opening	C-AJ-4073	215
Coaxial, fiber optic, 24 AWG & data cable	3	288 sq. in.	Floor – concrete, Wall – concrete or concrete block	NSi FireStop Pillows	Installed with 8 in. dimension projecting through floor or wall & centered within opening	C-AJ-4074	216
Cables	1	0 in. to. 1/4 in annulus	Floor – lumber Ceiling – gypsum board	NSi FireStop Intumescent Caulk	Min. 1 1/4 in. thick within annulus on top of floor Min. 1/2 in. thick within annulus on bottom surface of ceiling	F-C-3084	216

NON-METALLIC CONDUIT

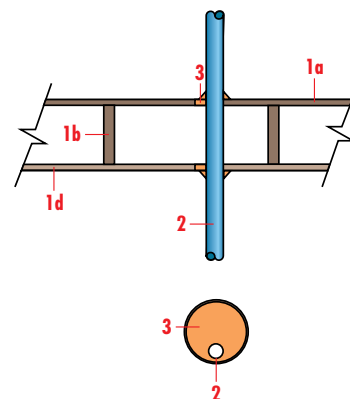
MAX. PEN. DIA.	RATING (HR.)	MAX. OPENING	FLOOR OR WALL SYSTEM	NSI FIRESTOP REQUIRED PRODUCT(S)	APPLICATION THICKNESS	SYSTEM NO.	PAGE NO.
2, PVC, CPVC, ABS & Rigid conduit or smaller	1	1/4 in.	Floor – lumber Ceiling - gypsum board	NSi FireStop Intumescent Caulk	Min. 3/4 in. thick within annulus on top of floor. Min. 5/8 in. thick within annulus on bottom surface of ceiling	F-C-2297	215



F Rating – 1 hr., T Ratings – 3/4 hr. and 1 hr. (See Item 2)

1. Floor-Ceiling Assembly – The fire-rated wood joist floor-ceiling assembly shall be constructed of the materials and in the manner specified in Design No. L512, L513 or L514 in the UL Fire Resistance Directory and shall include the following construction features:

- a) Flooring System – Lumber or minimum 1/2 in. plywood subfloor with lumber or minimum 3/4 in. plywood finish floor or Floor-Topping Mixture as specified in the individual floor-ceiling design. Maximum diameter of floor opening is 5/8 in.
- b) Wood Joists – Nom. 2 x 10 in. lumber joists, spaced 16 in. oc. with nom. 1 x 3 in. lumber bridging and with ends firestopped
- c) Furring Channels (not shown) – Resilient galv. steel furring installed perpendicular to wood joist between wallboard and wood joist and spaced maximum 24 in. oc.
- d) Wallboard, Gypsum – Nom. 4 ft. wide x 5/8 in. thick as specified in the individual floor-ceiling design. Wallboard attached to wood joists or furring channels as specified in the individual floor-ceiling design. Maximum diameter of ceiling opening is 5/8 in.



2. Cables – One cable to be installed either eccentrically or concentrically in opening with annular space between the cable and periphery of opening of min. 0 in. (point contact) to maximum 14 in. Cable to be rigidly supported on both sides of floor-ceiling assembly. The following types of cables may be used:

- a) Maximum 3/C (with ground) No. 12 AWG (or smaller) with polyvinyl chloride (PVC) insulation and jacket
- b) Maximum 3/C (with ground) No. 14 AWG (or smaller) with PVC jacketed aluminium or steel clad, Type RW90
- c) Type RG6U coaxial cable with fluorinated ethylene propylene insulation and jacket
- d) Maximum 2/C (with ground) No. 14 AWG (or smaller), type NM90, with nylon jacket
- e) Maximum 8/C No. 24 AWG (or smaller), type CMR MPR, with polyvinyl chloride (PVC) insulation and jacket.

The T Rating of the firestop system is dependent upon the type of cable used, as tabulated below:

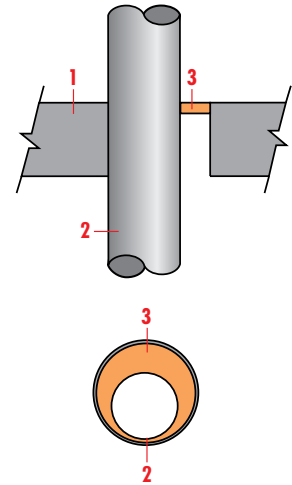
CABLE TYPE	T-RATING (HR.)
a, b, c and e	1
d	3/4

3. Fill, void or cavity material – NSi FireStop Intumescent Caulk. On top of assembly, a minimum 1/4 in. thickness of fill material applied within the annulus on top surface of floor. On bottom assembly, a minimum 1/2 in. thickness of fill material applied within annulus on bottom surface of ceiling. Additional fill material to be installed such that a minimum 1/2 in. thick crown is formed around the through penetrant on both sides of floor-ceiling assembly.

UL SYSTEM NO. C-AJ-1511

F Rating – 2 hr., T Rating – 0 hr.

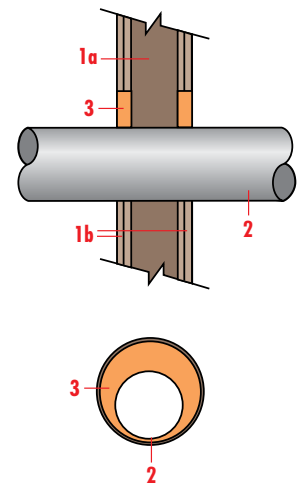
- 1. Floor or wall assembly** – Minimum 2½ in. thick reinforced lightweight or normal weight (100-150 pcf) concrete floor. Floor may also be constructed of any minimum 6 in. thick UL Classified hollow-core precast concrete units. Wall may also be constructed of any UL Classified concrete blocks. Maximum diameter of opening is 24 7/8 in. Maximum diameter of opening in floors constructed of hollow-core is 7 in. See Concrete Blocks (CAZT) or Precast Concrete Units (CFTV) category in the Fire Resistance Directory for names of manufacturers.
- 2. Through Penetrant** – One metallic pipe, conduit or tubing to be installed within the firestop system. Pipe, conduit or tubing to be rigidly supported on both sides of floor or wall assembly. The annular space between the pipe or conduit and the periphery of opening shall be a minimum of 0 in. (point contact) to a maximum of 7/8 in. The following types and sizes of metallic pipes, conduits or tubing may be used:
 - a) Steel pipe – Nom. 24 in. diameter (or smaller) Schedule 10 (or heavier) steel pipe
 - b) Iron pipe – Nom. 24 in. diameter (or smaller) cast or ductile iron pipe
 - c) Conduit – Nom. 6 in. diameter (or smaller) steel electrical metallic tubing or steel conduit
 - d) Copper pipe or tubing – Nom. 6 in. diameter (or smaller) Type L (or heavier) copper tubing.
- 3. Fill, void or cavity material** – NSi FireStop Intumescent Caulk. Minimum ½ in. thickness of caulk applied within the annulus, flush with top surface of floor or with both surfaces of wall. In floors constructed of hollow-core precast concrete units, fill material installed symmetrically on both sides of floor. Additional material installed to form a minimum ¼ in. crown bead at the point contact location between the pipe and periphery of the opening. For vertical installations, sealant to be applied symmetrically on both sides of wall.



UL SYSTEM NO. W-L-1349

F Rating – 2 hr., T Rating – 0 hr.

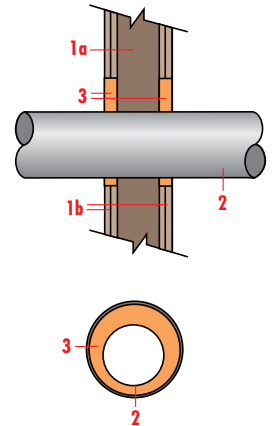
- 1. Wall Assembly** – The fire-rated gypsum wallboard/stud wall assembly shall be constructed of the materials and in the manner described in the individual U300 or U400 Series Wall or Partition Design in the UL Fire Resistance Directory and shall include the following construction features:
 - a) Studs – Wall framing may consist of either wood studs or steel channel studs. Wood studs to consist of nom. 2 x 4 in. lumber spaced 16 in. oc. Steel studs to be minimum 3 3/8 in. wide and spaced maximum 24 in. oc. When steel studs are used and the diameter of openings exceeds the width of stud cavity, the opening shall be framed on all sides using lengths of steel stud installed between vertical studs and screw-attached to the studs at each end. The framed opening in the wall shall be 4 to 6 in. wider and 4 to 6 in. higher than the diameter of the penetrating item such that, when the penetrating item is installed in the opening, a 2 to 3 in. clearance is present between the penetrating item and the framing on all four sides.
 - b) Wallboard, Gypsum – 5/8 in. thick, 4 ft. wide with square or tapered edges. The gypsum wall board type, thickness, number of layers, fastener type and sheet orientation shall be as specified in the individual U300 or U400 Series Design in the UL Fire Resistance Directory. Maximum diameter of opening is 6 5/8 in.
- 2. Through Penetrant** – One metallic pipe, conduit or tubing to be installed either concentrically or eccentrically within the firestop system. The annular space between pipes, conduits or tubing and the periphery of opening shall be a minimum of 0 in. (point contact) to a maximum of 1/2 in. Pipe, tubing or conduit to be rigidly supported on both sides of wall assembly. The following types and sizes of metallic pipes, tubing or conduits may be used:
 - a) Steel pipe – Nom. 24 in. diameter (or smaller) Schedule 5 (or heavier) steel pipe
 - b) Iron pipe – Nom. 24 in. diameter (or smaller) cast or ductile iron pipe
 - c) Conduit – Nom. 6 in. diameter (or smaller) steel electrical metallic tubing or steel conduit
 - d) Copper Tubing – Nom. 6 in. diameter (or smaller) Type L (or heavier) copper tubing
 - e) Copper Pipe – Nom. 6 in. diameter (or smaller) Regular (or heavier) copper pipe.
- 3. Fill, void or cavity material** – Sealant – NSi FireStop Intumescent Caulk. Minimum 1/4 in. thickness of fill material applied within the annulus, flush with both surfaces of wall. At the point contact location between through penetrant and gypsum wall board, a minimum 1/2 in. diameter bead of fill material shall be applied at the gypsum wallboard/through penetrant interface on both surfaces of wall.



UL SYSTEM NO. W-L-1351

F Rating – 1 hr., T Rating – 0 hr.

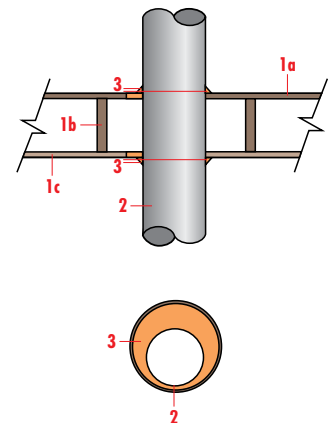
- Wall Assembly** – The 1 hr. fire-rated gypsum wallboard/stud wall assembly shall be constructed of the materials and in the manner described in the individual U300 or U400 Series Wall or Partition Design in the UL Fire Resistance Directory and shall include the following construction features:
 - Studs** – Wall framing may consist of either wood studs or steel channel studs. Wood studs to consist of nom. 2 x 4 in. lumber spaced 16 in. oc. Steel studs to be minimum 3 3/8 in. wide and spaced maximum 24 in. oc. When steel studs are used and the diameter of openings exceeds the width of stud cavity, the opening shall be framed on all sides using lengths of steel stud installed between vertical studs and screw-attached to the studs at each end. The framed opening in the wall shall be 4 to 6 in. wider and 4 to 6 in. higher than the diameter of the penetrating item such that, when the penetrating item is installed in the opening, a 2 to 3 in. clearance is present between the penetrating item and the framing on all four sides
 - Wallboard, Gypsum** – 5/8 in. thick, 4 ft. wide with square or tapered edges. The gypsum wall board type, thickness, number of layers, fastener type and sheet orientation shall be as specified in the individual U300 or U400 Series Design in the UL Fire Resistance Directory. Maximum diameter of opening is 24 3/4 in. for steel stud walls. Maximum diameter opening is 14 1/2 in. for wood stud walls.
- Through Penetrant** – One metallic pipe, conduit or tubing to be installed either concentrically or eccentrically within the firestop system. The annular space between pipes, conduits or tubing and the periphery of opening shall be a minimum of 1/4 in. to a maximum of 1/2 in. Pipe, tubing or conduit to be rigidly supported on both sides of wall assembly. The following types and sizes of metallic pipes, tubing or conduits may be used:
 - Steel pipe – Nom. 24 in. diameter (or smaller) Schedule 5 (or heavier) steel pipe
 - Iron pipe – Nom. 24 in. diameter (or smaller) cast or ductile iron pipe
 - Conduit – Nom. 6 in. diameter (or smaller) steel electrical metallic tubing or steel conduit
 - Copper Tubing – Nom. 6 in. diameter (or smaller) Type L (or heavier) copper tubing
 - Copper Pipe – Nom. 6 in. diameter (or smaller) Regular (or heavier) copper pipe.
- Fill, void or cavity material** – Sealant – NSi FireStop Intumescent Caulk. Minimum 3/8 in. thickness of fill material applied within the annulus, flush with both surfaces of wall.



UL SYSTEM NO. W-L-1128

F Rating – 1 hr., T Rating – 0 hr.

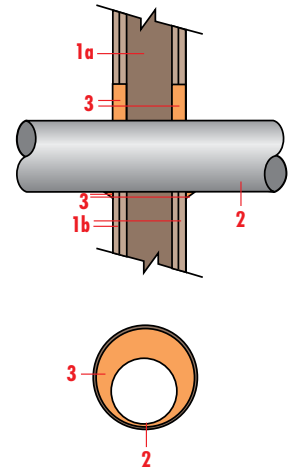
- Floor-Ceiling Assembly** – The 1 hr. fire-rated solid or trussed lumber joist floor-ceiling assembly shall be constructed of the materials and in the manner specified in the individual L500 Series Floor-Ceiling Designs in the UL Fire Resistance Directory and shall include the following construction features:
 - Flooring System** – Lumber or plywood subfloor with finish floor of lumber, plywood or Floor-Topping Mixture as specified in the individual floor-ceiling design. Maximum diameter of floor opening is 5 in.
 - Wood Joists** – Nom. 10 in. deep (or deeper) lumber, steel or combination lumber and steel joists, trusses or Structural Wood Members with bridging as required and with ends firestopped
 - Wallboard, Gypsum** – Nom. 4 ft. wide x 5/8 in. thick as specified in the individual floor-ceiling design. Wallboard nailed to wood joists.
- Through Penetrant** – One metallic pipe, conduit or tubing to be installed either concentrically or eccentrically within the firestop system. The annular space between pipe, conduit or tubing and the periphery of opening shall be a minimum of 0 in. (point contact) to a maximum of 1/2 in. Pipe, tubing or conduit to be rigidly supported on both sides of wall assembly. The following types and sizes of metallic pipes, tubing or conduits may be used:
 - Steel pipe – Nom. 4 in. diameter (or smaller) Schedule 10 (or heavier) steel pipe
 - Iron pipe – Nom. 4 in. diameter (or smaller) cast or ductile iron pipe
 - Conduit – Nom. 4 in. diameter (or smaller) steel electrical metallic tubing or steel conduit
 - Copper Tubing – Nom. 4 in. diameter (or smaller) Type L (or heavier) copper tubing
 - Copper Pipe – Nom. 4 in. diameter (or smaller) Regular (or heavier) copper pipe.
- Fill, void or cavity material** – NSi FireStop Intumescent Caulk. Minimum 3/4 in. thickness of fill material applied within the annulus on top surface of floor. Minimum 3/8 in. thickness of fill material applied within annulus on bottom surface of ceiling. Additional fill material to be installed such that a minimum 1/2 in. thick crown is formed around the through penetrant on top surface of floor-ceiling assembly.



UL SYSTEM NO. W-L-1348

F Rating – 2 hr., T Rating – 0 hr.

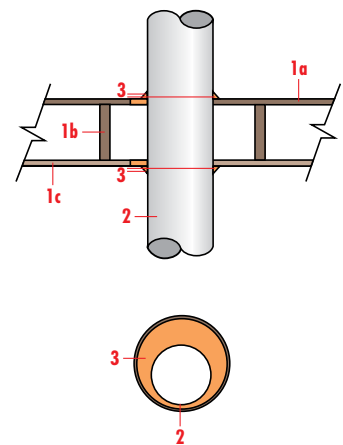
- 1. Wall Assembly** – The 2 hr. fire-rated gypsum wallboard/stud wall assembly shall be constructed of the materials and in the manner described in the individual U300 or U400 Series Wall or Partition Design in the UL Fire Resistance Directory and shall include the following construction features:
 - Studs – Wall framing may consist of either wood studs or steel channel studs. Wood studs to consist of nom. 2 x 4 in. lumber spaced 16 in. oc. with nom. 2 x 4 in. lumber end plates and cross braces. Steel studs to be minimum 3 5/8 in. wide and spaced maximum 24 in. oc. When steel studs are used and the diameter of openings exceeds the width of stud cavity, the opening shall be framed on all sides using lengths of steel stud installed between vertical studs and screw-attached to the studs at each end. The framed opening in the wall shall be 4 to 6 in. wider and 4 to 6 in. higher than the diameter of the penetrating item, such that when the penetrating item is installed in the opening, a 2 to 3 in. clearance is present between the penetrating item and the framing on all four sides
 - Wallboard, Gypsum – 5/8 in. thick, 4 ft. wide with square or tapered edges. The gypsum wall board type, thickness, number of layers, fastener type and sheet orientation shall be as specified in the individual U300 or U400 Series Design in the UL Fire Resistance Directory. Maximum diameter of opening is 5 in.
- 2. Through Penetrant** – One metallic pipe, conduit or tubing to be installed either concentrically or eccentrically within the firestop system. The annular space between pipes, conduits or tubing and the periphery of opening shall be a minimum of 0 in. (point contact) to a maximum of 1 3/4 in. Pipe, tubing or conduit to be rigidly supported on both sides of wall assembly. The following types and sizes of metallic pipes, tubing or conduits may be used:
 - Steel pipe – Nom. 3 in. diameter (or smaller) Schedule 5 (or heavier) steel pipe
 - Conduit – Nom. 3 in. diameter (or smaller) steel electrical metallic tubing or galv. steel conduit
 - Copper Tubing – Nom. 3 in. diameter (or smaller) Type L (or heavier) copper tubing
 - Copper Pipe – Nom. 3 in. diameter (or smaller) Regular (or heavier) copper pipe.
- 3. Fill, void or cavity material** – Sealant – NSi FireStop Intumescent Caulk. Minimum 1/4 in. thickness of fill material applied within the annulus, flush with both surfaces of wall. At the point contact location between through penetrant and gypsum wall board, a minimum 3/8 in. diameter bead of fill material shall be applied at the gypsum wallboard/through penetrant interface on both surfaces of wall.



UL SYSTEM NO. F-C-2297

F Rating – 1 hr., T Rating – 0 hr.

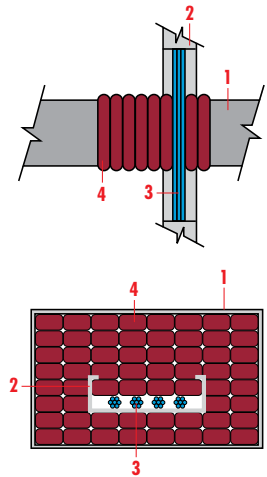
- 1. Floor-Ceiling Assembly** – The fire-rated wood joist floor-ceiling assembly shall be constructed of the materials and in the manner specified in the individual L505, L511, or L536 Designs in the UL Fire Resistance Directory and shall include the following construction features:
 - Flooring System – Lumber or plywood subfloor with finish floor of lumber, plywood or Floor-Topping Mixture as specified in the individual floor-ceiling design. Maximum diameter of opening is 2.875 in.
 - Wood Joists – Nom. 2 x 10 in. lumber joists spaced 16 in. oc. with nom. 1 x 3 in. lumber bridging and with ends firestopped
 - Wallboard, Gypsum – Nom. 4 ft. wide x 5/8 in. thick as specified in the individual floor-ceiling design. Maximum diameter of ceiling opening is 2.875 in.
- 2. Through Penetrant** – One nonmetallic pipe or conduit to be installed approximately midway between wood joists and centered within the firestop system. Diameter of openings hole-sawed through flooring system and one layer through gypsum wallboard ceiling to be nom. 1/2 in. larger than the outside diameter of through penetrant. Pipe or conduit to be rigidly supported on both sides of floor-ceiling assembly. The following types and sizes of nonmetallic pipes or conduits may be used:
 - Polyvinyl Chloride (PVC) Pipe – Nom. 2 in. diameter (or smaller) Schedule 40 cellular or solid core PVC pipe for use in closed (process or supply) or vented (drain, waste, or vent) piping systems
 - Acrylonitrile Butadiene Styrene (ABS) Pipe – Nom. 2 in. diameter (or smaller) Schedule 40 cellular or solid core ABS pipe for use in closed (process or supply) or vented (drain, waste, or vent) piping systems
 - Chlorinated Polyvinyl Chloride (CPVC) Pipe – Nom. 2 in. diameter (or smaller) SDR 17 CPVC pipe for use in closed (process or supply) or vented (drain, waste, or vent) piping systems
 - Rigid Nonmetallic Conduit – Nom. 2 in. diameter (or smaller) Schedule 40 PVC conduit installed in accordance with Article 347 of the National Electrical Code (NFPA No. 70).
- 3. Fill, void or cavity material** – NSi FireStop Intumescent Caulk. Minimum 3/4 in. thickness of fill material applied within the annulus on top surface of floor. Minimum 5/8 in. thickness of fill material applied within annulus on bottom surface of ceiling or top plate of chase wall assembly. Additional fill material to be installed such that a minimum 1/8 in. thick crown is formed around the through penetrant on top surface of floor-ceiling assembly.



UL SYSTEM NO. C-A-4073

F Rating – 3 hr., T Rating – 1 1/2 hr.

- Floor or wall assembly** – Minimum 5 in. thick reinforced normal weight concrete. Wall may also be constructed of any UL Classified concrete blocks. Maximum area of opening is 288 sq. in. with a maximum dimension of 24 in. See Concrete Blocks (CAZT) category in the Fire Resistance Directory for names of manufacturers.
- Cable Tray** – Maximum 12 in. wide by maximum 3 5/8 in. deep (maximum 3 in. deep loading depth) trough type cable tray with channel-shaped side rails formed of No. 18 MSG (0.048 in.) thick galvanized steel and with 4 in. wide by No. 18 MSG (0.048 in.) thick ventilated type rungs spaced 10 in. oc. Maximum one cable tray to be installed either concentrically or eccentrically within the firestop system. The annular space between the cable tray and the periphery of opening shall be a minimum of 1/2 in. to a maximum of 7 in. Cable tray to be rigidly supported on both sides of floor or wall assembly.
- Cables** – Maximum four individual cable bundles, each containing a maximum seven cables, to be installed within cable tray. Maximum diameter of individual cable bundles shall be 2 in. Cable bundles to be spaced a minimum 1/2 in. to a maximum 3 in. oc. Any combination of the following types and sizes of cables may be used:
 - Maximum 3 pair No. 24 AWG (or smaller) copper conductor cables with polyvinyl chloride (PVC) insulation and jacket
 - Maximum 2 fiber 62.5/125 μ m fiber optic cable with PVC insulation and jacket
 - Maximum RG/U (or smaller) coaxial copper conductor cable with fluorinated ethylene insulation and jacket materials.
- Fill, Void or Cavity Materials** – NSi FireStop Pillows. Maximum 8 in. long x 4 in. wide x 2 in. deep thick pillow-like material. Pillows shall be tightly packed into opening to fill the annular space between cables and periphery of opening and between cable tray and periphery of opening. Pillows installed with 8 in. dimension projecting through floor or wall and centered within the opening.

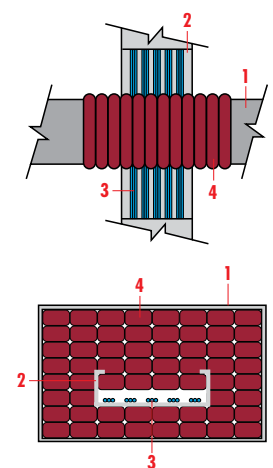


UL SYSTEM NO. C-AJ-4074

(For Horizontal or Vertical Separations)

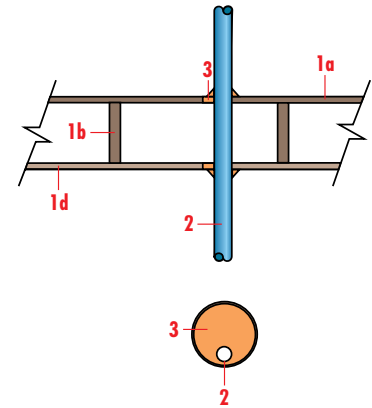
F Rating – 3 hr., T Rating – 0 hr.

- Floor or wall assembly** – Minimum 4 1/2 in. thick reinforced lightweight (100 pcf) concrete. Maximum size of opening is 288 sq. in. with maximum dimension of 24 in. Wall may also be constructed of any UL Classified concrete blocks. See Concrete Blocks (CAZT) category in the Fire Resistance Directory for names of manufacturers.
- Cable Tray** – Maximum 12 in. wide by maximum 3 5/8 in. deep (maximum 3 in. deep loading depth) trough type cable tray with channel-shaped side rails formed of No. 18 MSG (0.048 in.) thick galvanized steel and with 4 in. wide by No. 18 MSG (0.048 in.) thick ventilated type rungs spaced 10 in. oc. Maximum one cable tray to be installed either concentrically or eccentrically within the firestop system. The annular space between the cable tray and the periphery of opening shall be a minimum of 1/2 in. to a maximum of 7 in. Cable tray to be rigidly supported on both sides of floor or wall assembly.
- Cables** – Aggregate cross-sectional area of cables in cable tray to be 25% of the cross-sectional area of the cable tray based on a maximum 3 in. cable loading within the cable tray. Any combination of the following types and sizes of cables may be used:
 - Maximum 287 lengths of cables, each with 3 pair No. 24 AWG Type D telephone cables with PVC insulation and jacket
 - Maximum 24 lengths of double stranded fiber optic cables, 1/8 in. diameter with PVC insulation and jacket
 - Maximum 12 lengths of coaxial cable, 1/4 in. diameter, 22 AWG solid copper conductor with polyethylene insulation and PVC jacket
 - Maximum 12 lengths of data cable, Alcatel 380100, E107890, 24 AWG CMR, with PVC jacket.
- Fill, Void or Cavity Materials** – NSi FireStop Pillows. Maximum 8 in. long x 4 in. wide x 2 in. deep thick pillow-like material. Pillows shall be tightly packed into opening to fill the annular space between cables and periphery of opening and between cable tray and periphery of opening. Pillows installed with 8 in. dimension projecting through floor or wall and centered within the opening.



F Rating – 1 hr., T Ratings – 3/4 hr. and 1 hr. (See Item 2)

- 1. Floor-Ceiling Assembly** – The fire-rated wood joist floor-ceiling assembly shall be constructed of the materials and in the manner specified in Design No. L512, L513 or L514 in the UL Fire Resistance Directory and shall include the following construction features:
- a) Flooring System – Lumber or minimum 1/2 in. plywood subfloor with lumber or minimum 3/4 in. plywood finish floor or Floor-Topping Mixture as specified in the individual floor-ceiling design. Maximum diameter of floor opening is 5/8 in.
 - b) Wood Joists – Nom. 2 x 10 in. lumber joists, spaced 16 in. oc. with nom. 1 x 3 in. lumber bridging and with ends firestopped
 - c) Furring Channels (not shown) – Resilient galv. steel furring installed perpendicular to wood joist between wallboard and wood joist and spaced maximum 24 in. oc.
 - d) Wallboard, Gypsum – Nom. 4 ft. wide x 5/8 in. thick as specified in the individual floor-ceiling design. Wallboard attached to wood joists or furring channels as specified in the individual floor-ceiling design. Maximum diameter of ceiling opening is 5/8 in.



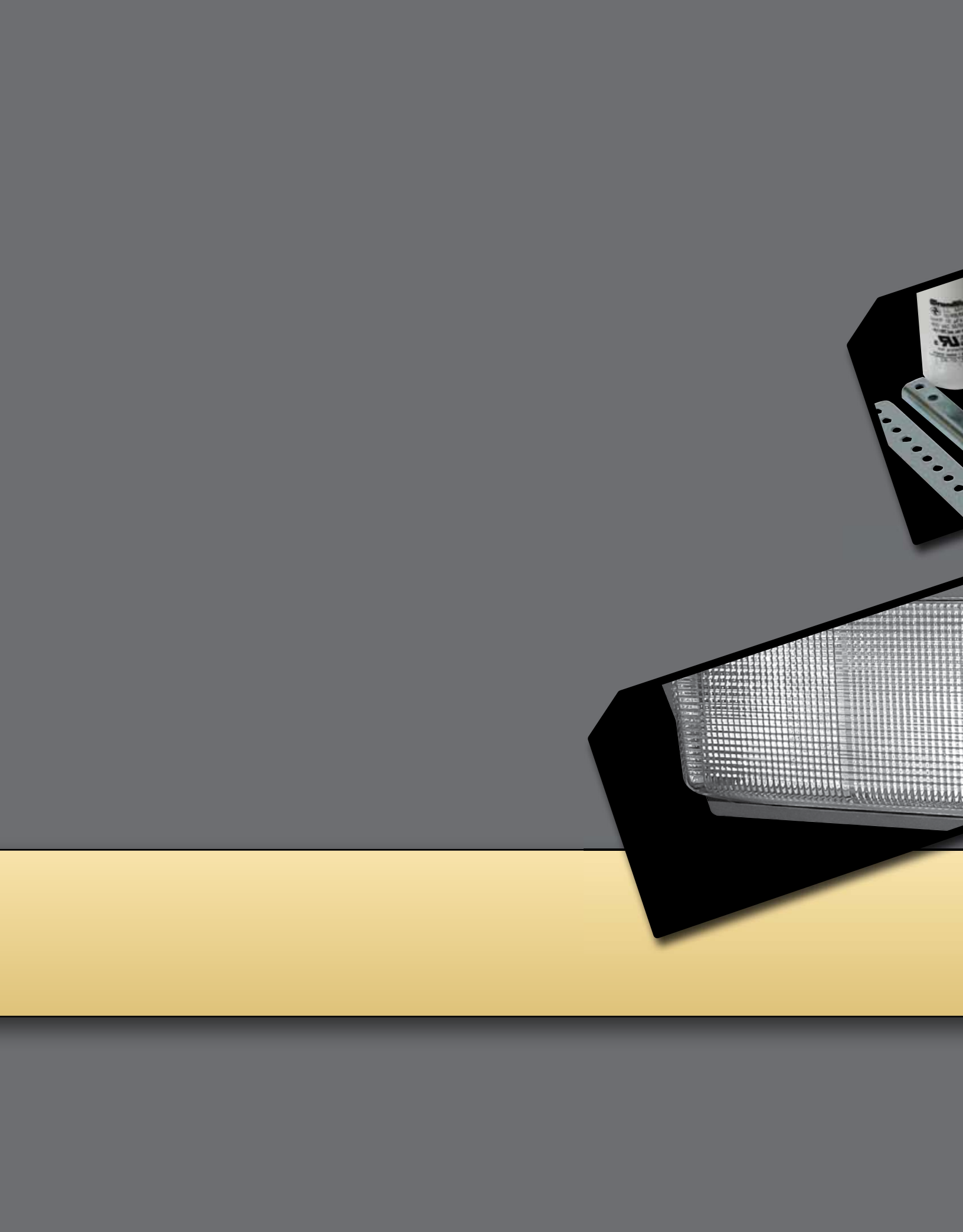
- 2. Cables** – One cable to be installed either eccentrically or concentrically in opening with annular space between the cable and periphery of opening of min. 0 in. (point contact) to maximum 14 in. Cable to be rigidly supported on both sides of floor-ceiling assembly. The following types of cables may be used:
- a) Maximum 3/C (with ground) No. 12 AWG (or smaller) with polyvinyl chloride (PVC) insulation and jacket
 - b) Maximum 3/C (with ground) No. 14 AWG (or smaller) with PVC jacketed aluminium or steel clad, Type RW90
 - c) Type RG6U coaxial cable with fluorinated ethylene propylene insulation and jacket
 - d) Maximum 2/C (with ground) No. 14 AWG (or smaller), type NM90, with nylon jacket
 - e) Maximum 8/C No. 24 AWG (or smaller), type CMR MPR, with polyvinyl chloride (PVC) insulation and jacket.

The T Rating of the firestop system is dependent upon the type of cable used, as tabulate below:

CABLE TYPE	T-RATING (HR.)
a, b, c and e	1
d	3/4

- 3. Fill, void or cavity material** – NSi FireStop Intumescent Caulk. On top of assembly, a minimum 1 1/4 in. thickness of fill material applied within the annulus on top surface of floor. On bottom assembly, a minimum 1/2 in. thickness of fill material applied within annulus on bottom surface of ceiling. Additional fill material to be installed such that a minimum 1/2 in. thick crown is formed around the through penetrant on both sides of floor-ceiling assembly.







LIGHTING

LIGHTING
Mini Wallpacks
WP SERIES



FEATURES

- For small area fixtures: Doorways, loading docks, commercial, institutional, industrial areas.
- Mini wallpacks are available with a one-piece polycarbonate housing and lens (1) or with a die-cast housing and borosilicate glass lens (2).
- Excellent for security and perimeter lighting and commercial and industrial applications.
- Polycarbonate version available with built-in photocontrol.
- Die cast version can be field installed with photocontrol.
- UL Listed for wet location use.
- Lamp included.



RATINGS



*energy saving
FLUORESCENT!

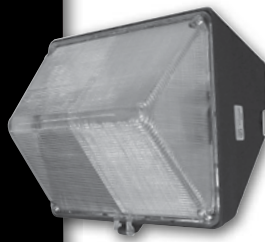
All dimensional data is listed in inches.

CAT. NO.	FIG. NO.	DESCRIPTION	VOLTAGE	HEIGHT	WIDTH	DEPTH	BALLAST	LAMP	BASE
WP42FL*	1	42 Watt Fluorescent	120/277VAC	11	6.9	5.2	Electronic	PLC	–
WP26FLPC*	1	26 Watt Fluorescent with Photocontrol	120/277VAC	11	6.9	5.2	Electronic	PLC	–
WP70S	1	70 Watt Sodium	120VAC	11	6.9	5.2	R-NPF	ED17	Medium
WP70SPC	1	70 Watt Sodium With Photocontrol	120VAC	11	6.9	5.2	R-NPF	ED17	Medium
WPGC100MHQ	2	Die Cast 100 Watt Metal Halide	120/208/240/277VAC	12	7.3	5.3	QUAD HX-NPF	ED17	Medium

HID/OUTDOOR

LIGHTING

Compact Wallpacks WPC SERIES



HID/OUTDOOR

COMPACT WALLPACK



- For small area fixtures: Doorways, loading docks, commercial, institutional, industrial areas.
- Compact wallpacks have a die cast housing with powder-coat finish and prismatic polycarbonate lens with gasket.
- Porcelain medium base socket assembly.
- One piece semi-specular asymmetric anodized aluminum reflector.
- UL Listed for wet location use.
- Lamp included.

All dimensional data is listed in inches.

CAT. NO.	DESCRIPTION	VOLTAGE	BALLAST	HEIGHT	WIDTH	DEPTH	LAMP	BASE
WPC70MHQ	70 Watt Metal Halide Polycarbonate Lens	120/208/240/277VAC	QUAD HX-NPF	9.5	8.5	7	ED17	Medium
WPC100S	100 Watt Sodium Polycarbonate Lens	120VAC	R-NPF	9.5	8.5	7	ED17	Medium

COMPACT WALLPACK - DIE CAST



- For small area fixtures: Doorways, loading docks, commercial, institutional, industrial areas.
- Compact wallpacks have a die cast housing with powdercoat finish and prismatic borosilicate glass lens with gasket.
- Porcelain medium base socket assembly.
- One piece semi-specular asymmetric anodized aluminum reflector.
- UL Listed for wet location use.
- Excellent for security and perimeter lighting and commercial and industrial applications.
- Lamp included.

All dimensional data is listed in inches.

CAT. NO.	DESCRIPTION	VOLTAGE	BALLAST	HEIGHT	WIDTH	DEPTH	LAMP	BASE
WPC100MHQ	Compact Wallpack 100 Watt Metal Halide Glass Lens	120/208/240/277VAC	QUAD HX-HPF	9.5	8.5	7.5	ED17	Medium

LIGHTING
Medium Wallpacks
WPM SERIES



FEATURES

- For warehouse, perimeter lighting, security, and retail.
- Die cast housing and lens frame with powdercoat finish and a porcelain medium base socket assembly.
- Front frame is hinged with one piece stippled aluminum reflector.
- Heat and shock resistant borosilicate glass lens, silicone gasketing.
- Listed for wet location use.
- Excellent for security and perimeter lighting and commercial and industrial applications.
- Lamp included.

RATINGS



All dimensional data is listed in inches.

CAT. NO.	DESCRIPTION	VOLTAGE	BALLAST	HEIGHT	WIDTH	DEPTH	LAMP	BASE
WPM100MHQ	100 Watt Metal Halide	120/208/240/277VAC	QUAD HX-HPF	9	14.25	7.1	ED17	Medium
WPM150SQ	150 Watt Sodium	120/208/240/277VAC	QUAD HX-HPF	9	14.25	7.1	ED17	Medium
WPM150S	150 Watt Sodium	120VAC	R-NPF	9	14.25	7.1	ED17	Medium
WPM150MHQP*	150 Watt Metal Halide Pulse Start	120/208/240/277VAC	QUAD PULSE	9	14.25	7.1	ED17	Medium

LIGHTING
Large & Large Deep
Wallpacks
WPL & WPLD SERIES



HID/OUTDOOR

WALLPACK – LARGE



- For warehouse, perimeter, security and retail lighting. Large wallpacks have a die cast housing with powdercoat finish and a porcelain mogul base socket assembly.
- One piece stippled aluminum reflector.
- Heat and shock resistant borosilicate glass lens, silicone gasketing.
- Listed for wet location use.
- Excellent for security and perimeter lighting, tunnels and commercial and industrial applications.
- Lamp included.

All dimensional data is listed in inches.

CAT. NO.	DESCRIPTION	VOLTAGE	BALLAST	HEIGHT	WIDTH	DEPTH	LAMP	BASE
WPL250SQ	250 Watt Sodium	120/208/240/277VAC	QUAD CWA	9	18.2	9.4	ED18	Mogul
WPL250MHQP*	250 Watt Metal Halide Pulse Start	120/208/240/277VAC	QUAD PULSE	9	18.2	9.4	ED28	Mogul

WALLPACK - LARGE DEEP



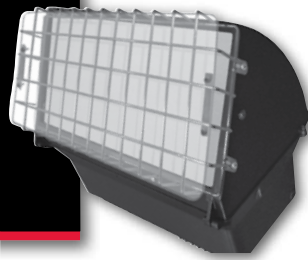
- For warehouse, perimeter, security and retail lighting.
- Large Deep wallpacks have a die cast housing with powdercoat finish and a porcelain 4KV mogul socket assembly.
- Specular aluminum reflector. Heat and shock resistant borosilicate glass lens, silicone gasketing.
- Listed for wet location use.
- Excellent for security and perimeter lighting, tunnels and commercial and industrial applications.
- Large Deep wallpacks have an extra deep housing for better cooling and longer lasting Lamp included.



All dimensional data is listed in inches.

CAT. NO.	DESCRIPTION	VOLTAGE	BALLAST	HEIGHT	WIDTH	DEPTH	LAMP	BASE
WPLD400SQ	400 Watt Sodium	120/208/240/277VAC	QUAD CWA	9	18.2	12.8	ED18	Mogul
WPLD250SQ	250 Watt Sodium	120/208/240/277VAC	QUAD CWA	9	18.2	12.8	ED18	Mogul
WPLD320MHQP*	320 Watt Metal Halide Pulse Start	120/208/240/277VAC	QUAD PULSE	9	18.2	12.8	ED37	Mogul
WPLD250MHQP*	250 Watt Metal Halide Pulse Start	120/208/240/277VAC	QUAD PULSE	9	18.2	12.8	ED28	Mogul

LIGHTING
**Vandal Resistant
 Wallpacks**
 WP "THE ROCKY" SERIES



"THE ROCKY" LARGE WALLPACK



- For warehouse, parking lots, schools, correctional facilities, and high potential abuse areas.
- Includes wire guard and polycarbonate shield for total protection.
- Aluminum die cast housing, tempered glass lens, corrosion resistant hardware and silicone gasketing.
- Listed for wet location use.
- Lamp included.

**energy saving*
FLUORESCENT!

All dimensional data is listed in inches.

CAT. NO.	DESCRIPTION	VOLTAGE	BALLAST	HEIGHT	WIDTH	DEPTH	LAMP	BASE
WPLRKY320MHQP*	Large Vandal Resistant Wallpack 320 Watt Metal Halide with Pulse Start	Quad	CWA	9.84	17	14.4	ED28	MOG

"THE ROCKY" COMPACT WALLPACK



- For warehouse, parking lots, schools, correctional facilities and high potential abuse areas.
- Includes wire guard and polycarbonate shield for total protection.
- Aluminum die cast housing, tempered glass lens, corrosion resistant hardware and silicone gasketing.
- Listed for wet location use.
- Lamp included.

**energy saving*
FLUORESCENT!



All dimensional data is listed in inches.

CAT. NO.	DESCRIPTION	VOLTAGE	BALLAST	HEIGHT	WIDTH	DEPTH	LAMP	BASE
WPCRKY100MHQ	Compact Vandal Resistant Wallpack 100 Watt Metal Halide	Quad	HX-HPF	8.86	8.74	7.48	ED17	Medium
WPCRKY70S	Compact Vandal Resistant Wallpack 70 Watt Sodium	120VAC	R-NPF	8.86	8.74	7.48	ED17	Medium
WPCRKY42FL*	Compact Vandal Resistant Wallpack 42 Watt Fluorescent	120/277VAC	Electronic	8.86	8.74	7.48	CFL42W 3U	GX24q

LIGHTING
Medium Vandal
Resistant Wallpacks
WP "THE ROCKY" SERIES



HID/OUTDOOR

FEATURES

- For warehouse, parking lots, schools, correctional facilities and high potential abuse areas.
- Includes wire guard and polycarbonate shield for total protection.
- Aluminum die cast housing, tempered glass lens, corrosion resistant hardware and silicone gasketing.
- Listed for wet location use.
- Lamp included.

RATINGS



* *energy saving*
FLUORESCENT!

All dimensional data is listed in inches.

CAT. NO.	DESCRIPTION	VOLTAGE	BALLAST	HEIGHT	WIDTH	DEPTH	LAMP	BASE
WPMRKY84FL*	84 Watt Fluorescent	120/277VAC	Electronic	9.06	14.17	8.46	2 x CFL42W 3U	GX24q
WPMRKY84FL-BBU*	84 Watt Fluorescent with 90 min. Battery Backup	120/277VAC	Electronic	9.06	14.17	8.46	2 x CFL42W 3U	GX24q
WPMRKY150SQ	150 Watt High Pressure Sodium	Quad	HX-HPF	9.06	14.17	8.46	ED23.5	MOG
WPMRKY150MHQP**	150 Watt Metal Halide w/ Pulse Start	Quad	CWA	9.06	14.17	8.46	ED28	MOG

LIGHTING

Fluorescent & Compact Floodlight

FLF & FLC SERIES



FLUORESCENT FLOOD



- For landscape, facade, security, pathway and sign lighting. NSI's non-metallic Fluorescent Floodlight features twin 13 Watt fluorescent lamps, fully silicone gasketed lens and frame.
- Mounts with fully adjustable 1/2" NPT threaded knuckle.
- Listed for wet locations.
- Lamp included.

**energy saving*
FLUORESCENT!

All dimensional data is listed in inches.

CAT. NO.	DESCRIPTION	VOLTAGE	BALLAST	HEIGHT	WIDTH	DEPTH	LAMP
FLF26NM*	Fluorescent Flood 26 Watt Non-metallic	120VAC	ELECTRONIC	4.75	9.25	4.6	PLC

COMPACT FLOOD



- Compact designs are ideal for security, sign, accent and perimeter, landscape, general floodlighting and facade lighting.
- Our Compact Floodlight has a die cast housing and lens frame with powdercoat finish and a one piece high impact tempered lens, 1/2" NPT knuckle assembly.
- The reflector is stippled for glare reduction and controlled beam distribution.
- Hinged lens assembly has silicone gasket to seal out dust and moisture.
- Listed for wet location use.
- Lamp included.

**energy saving*
FLUORESCENT!



All dimensional data is listed in inches.

CAT. NO.	DESCRIPTION	VOLTAGE	BALLAST	HEIGHT	WIDTH	DEPTH	LAMP	BASE
FLC70MHQ	Compact Flood 70 Watt Metal Halide	120/208/240/277VAC	QUAD HX-HPF	7.5	9	7	ED17	Medium
FLC70SQ	Compact Flood 70 Watt Sodium	120/208/240/277VAC	QUAD HX-HPF	7.5	9	7	ED17	Medium
FLC150SQ	Compact Flood 150 Watt Sodium	120/208/240/277VAC	QUAD HX-HPF	7.5	9	7	ED17	Medium
FLC42FL*	Compact Flood 42 Watt Fluorescent	120VAC	ELECTRONIC	7.5	9	7	PLC	Medium

LIGHTING

Low Profile Floodlight

FLLP SERIES



HID/OUTDOOR

FEATURES

- For large area perimeter and security lighting: Industrial, storage yards, parking areas, auto dealerships, landscape and recreational areas.
- Our Low-Profile floodlight has a die cast housing with powdercoat finish and comes with three piece anodized aluminum reflector, supplying wide beam distribution.
- High impact tempered lens.
- Listed for wet location use.
- Can be mounted for landscape/facade lighting; Pole tenon mount available.
- Lamp included.

SHOWN MOUNTED ON FLPTM



RATINGS



All dimensional data is listed in inches.

CAT. NO.	DESCRIPTION	VOLTAGE	BALLAST	HEIGHT	WIDTH	DEPTH	LAMP	BASE
FLLP150MHQP*	150 Watt Metal Halide Pulse Start	120/208/240/277VAC	QUAD PULSE	10.25	16.25	10.75	ED28	Mogul
FLLP250MHQP*	250 Watt Metal Halide Pulse Start	120/208/240/277VAC	QUAD PULSE	10.25	16.25	10.75	ED28	Mogul
FLLP320MHQP*	320 Watt Metal Halide Pulse Start	120/208/240/277VAC	QUAD PULSE	10.25	16.25	10.75	ED37	Mogul
FLPTM	Pole Tenon Mount for FLLP Series							

LIGHTING
Medium And Large
Floodlight
FLM & FL SERIES



MEDIUM FLOOD



- For compact designs: security, accent and perimeter lighting. Ideal for landscape, general floodlighting, signs and facade lighting.
- Die cast housing and hinged top frame with textured bronze finish.
- The aluminum hydroformed reflector is rotatable and is adjustable for horizontal or vertical lamp positions.
- Fixture has adjustable 1/2" NPT threaded knuckle with angle indicators to assist in correct aiming.
- Lamp included.

All dimensional data is listed in inches.

CAT. NO.	DESCRIPTION	VOLTAGE	BALLAST	HEIGHT	WIDTH	DEPTH	LAMP	BASE
FLM70MHQ	70 Watt Metal Halide	120/208/240/277VAC	QUAD CWA	10.25	9	7.25	ED17	Medium

LARGE FLOOD



- For large area perimeter and security lighting: Industrial, storage yards, parking areas, auto dealerships, landscape and recreational areas.
- 16" 400, 320 and 250 Watt Floodlights.
- Heavy duty die cast aluminum housing and durable bronze powdercoat finish.
- Extra heavy duty slipfitter included (bracket mount is available).
- Fixture has silicone gasketing, stainless steel hardware and a tempered glass lens.
- Front lens assembly is fully hinged for easy relamping and maintenance.
- Lamp included.



FLBR



All dimensional data is listed in inches.

CAT. NO.	DESCRIPTION	VOLTAGE	BALLAST	HEIGHT	WIDTH	DEPTH	LAMP	BASE
FL400SQ	400 Watt Sodium	120/208/240/277VAC	QUAD CWA	17	16.5	7.2	ED18	Mogul
FL320MHQP*	320 Watt Metal Halide Pulse Start	120/208/240/277VAC	QUAD PULSE	17	16.5	7.2	ED28	Mogul
FL250MHQP*	250 Watt Metal Halide Pulse Start	120/208/240/277VAC	QUAD PULSE	17	16.5	7.2	ED28	Mogul
FLBR	Bracket Mount for FL Series 250, 320 and 400 Watt Floods							

LIGHTING

1000 Watt And Incandescent Floodlight

FLH & PHN SERIES



HID/OUTDOOR

1000 WATT FLOOD



- For large area perimeter and security lighting: Industrial, storage yards, parking areas, auto dealerships, landscape and recreational areas.
- 23" 1000 Watt Floodlights have heavy duty die cast aluminum housing and durable bronze powdercoat finish.
- Extra heavy duty slipfitter included (bracket mount is available).
- Fixture has silicone gasketing, stainless steel hardware and a tempered glass lens.
- Front lens assembly is fully hinged for easy relamping and maintenance.
- Lamp included.

FLHBR



All dimensional data is listed in inches.

CAT. NO.	DESCRIPTION	VOLTAGE	BALLAST	HEIGHT	WIDTH	DEPTH	LAMP	BASE
FLH1000MHQ	1000 Watt Flood Metal Halide	120/208/240/277VAC	QUAD CWA	29	23.75	10.25	ED37	Mogul
FLH1000SQ	1000 Watt Flood Sodium	120/208/240/277VAC	QUAD CWA	29	23.75	10.25	ED25	Mogul

FLHBR

Bracket Mount For 1000 Watt Flood - FLH Series

INCANDESCENT FLOOD



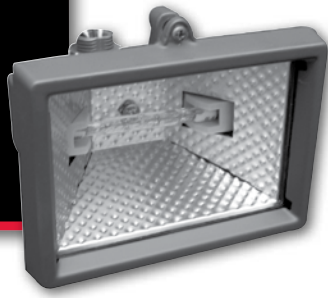
- Incandescent: General purpose floodlighting
- Quartz: Accent, security, landscape, facades, signs and general purpose floodlighting.
- The Non-metallic Par Holder features an oversized backplate designed specially to cover gaps where cutouts for boxes are too big.
- The extra deep backplate also fits over a flush-mounted pancake box to provide a good fit and appearance.
- Both par holders swivel side to side and up and down and can be securely locked.



All dimensional data is listed in inches.

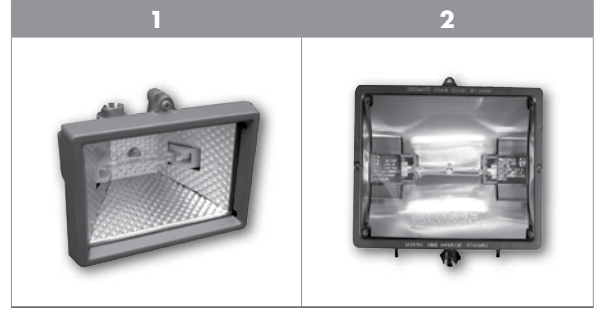
CAT. NO.	DESCRIPTION	DIAMETER (BACKPLATE)	LAMP TYPE
PHNM300	300 Watt Nonmetallic Twin Par Holder	5.25	PAR 38

LIGHTING
Quartz Floodlight
with Lamp
QF SERIES



FEATURES

- For accent, security, landscape, facades, signs and general purpose floodlighting.
- Solid one piece die cast aluminum construction, high impact resistant tempered glass lens, aluminum reflector and corrosion resistant hardware.
- Silicone rubber gasketing is included to prevent leakage from outside.
- UL and CUL listed for wet location use.
- 150 Watt is perfect for lighting small outdoor areas; the others are excellent for general purpose floodlighting.
- Mounts with ½" NPT knuckle.
- Lamps included.



RATINGS



All dimensional data is listed in inches.

CAT. NO.	FIG. NO.	DESCRIPTION	VOLTAGE	HEIGHT	WIDTH	EXTENSION
QF150B	1	150 Watt Quartz Flood Bronze With Lamp	120VAC	3.5	3.3	3.9
QF300-500B	2	Quartz Flood Bronze With 300/500 Watt Lamps	120VAC	5.75	5.75	4.6

LIGHTING
High Pressure Sodium
Ballast Kits with Lamp
BKS SERIES



FEATURES

- Kit includes: Cap, ignitor, brackets with Medium or Mogul lamp.

RATINGS

CAT. NO.	DESCRIPTION	VOLTAGE	LAMP
BKS70RL-MED	70 Watt HPS Reactor	120VAC	Medium
BKS50QL-MED	50 Watt HPS Quad	120/208 /240/277V	Medium
BKS70QL-MED	70 Watt HPS Quad	120/208/240/277V	Medium
BKS100QL-MED	100 Watt HPS Quad	120/208/240/277V	Medium
BKS150QL-MED	150 Watt HPS Quad	120/208/240/277V	Medium
BKS250QL-M	250 Watt HPS Quad	120/208/240/277V	Mogul
BKS400QL-M	400 Watt HPS Quad	120/208/240/277V	Mogul
BKS1000QL-M	1000 Watt HPS Quad	120/208/240/277V	Mogul
BKS1000480L-M	1000 Watt HPS	480VAC	Mogul

LIGHTING

Metal Halide Ballast Kits with Lamp

BKM SERIES



FEATURES

- Kit includes: Cap, ignitor, brackets with Medium or Mogul lamp.

RATINGS



CAT. NO.	DESCRIPTION	VOLTAGE	LAMP
BKM50QL-MED	50 Watt Metal Halide Quad	120/208/240/277V	Medium
BKM70QL-MED	70 Watt Metal Halide Quad	120/208/240/277V	Medium
BKM100QL-MED	100 Watt Metal Halide Quad	120/208/240/277V	Medium
BKM175QL-MED	175 Watt Metal Halide Quad	120/208/240/277V	Medium
BKM175QL-M	175 Watt Metal Halide Quad	120/208/240/277V	Medium
BKM250QL-M	250 Watt Metal Halide Quad	120/208/240/277V	Medium
BKM400QL-M	400 Watt Metal Halide Quad	120/208/240/277V	Mogul
BKM400480L-M	400 Watt Metal Halide	480VAC	Mogul
BKM1000QL-M	1000 Watt Metal Halide	120/208/240/277V	Mogul
BKM1000480L-M	1000 Watt Metal Halide	480VAC	Mogul
BKM320QPL-M*	320 Watt Metal Halide Pulse Quad	120/208/240/277V	Mogul

LIGHTING
High Pressure Sodium
Ballast Kits Only
BKS SERIES



FEATURES

- Kit includes: Cap, ignitor, and brackets.

RATINGS

CAT. NO.	DESCRIPTION	VOLTAGE
BKS70R	70 Watt HPS Reactor – Cap, Ignitor & Brackets	120V
BKS100R	100 Watt HPS Reactor – Cap, Ignitor & Brackets	120V
BKS50Q	50 Watt HPS Quad – Cap, Ignitor & Brackets	120/208/240/277V
BKS70Q	70 Watt HPS Quad – Cap, Ignitor & Brackets	120/208/240/277V
BKS100Q	100 Watt HPS Quad – Cap, Ignitor & Brackets	120/208/240/277V
BKS150Q	150 Watt HPS Quad – Cap, Ignitor & Brackets	120/208/240/277V
BKS250Q	250 Watt HPS Quad – Cap, Ignitor & Brackets	120/208/240/277V
BKS400Q	400 Watt HPS Quad – Cap, Ignitor & Brackets	120/208/240/277V
BKS1000Q	1000 Watt HPS Quad – Cap, Ignitor & Brackets	120/208/240/277V

LIGHTING
Metal Halide Ballast
Kits Only
BKM SERIES



FEATURES

- Kit includes: Cap, ignitor, and brackets.

RATINGS



CAT. NO.	DESCRIPTION	VOLTAGE
BKM50Q	50 Watt Metal Halide Quad – Cap, Ignitor & Brackets	120/208/240/277V
BKM70Q	70 Watt Metal Halide Quad – Cap, Ignitor & Brackets	120/208/240/277V
BKM100120	100 Watt Metal Halide – Cap, Ignitor & Brackets	120V
BKM100Q	100 Watt Metal Halide Quad – Cap, Ignitor & Brackets	120/208/240/277V
BKM175Q	175 Watt Metal Halide Quad – Cap & Brackets	120/208/240/277V
BKM250Q	250 Watt Metal Halide Quad – Cap & Brackets	120/208/240/277V
BKM400Q	400 Watt Metal Halide Quad – Cap & Brackets	120/208/240/277V
BKM400480	400 Watt Metal Halide – Cap & Brackets	480V
BKM1000Q	1000 Watt Metal Halide Quad – Cap & Brackets	120/208/240/277V
BKM1000480	1000 Watt Metal Halide – Cap & Brackets	480V
BKM150QP*	150 Watt Metal Halide Pulse Quad – Cap, Ignitor & Brackets	120/208/240/277V
BKM250QP*	250 Watt Metal Halide Pulse Quad – Cap, Ignitor & Brackets	120/208/240/277V
BKM320QP*	320 Watt Metal Halide Pulse Quad – Cap, Ignitor & Brackets	120/208/240/277V

LIGHTING

Twin Head & Fixed Optics Emergency Light

EMTW & EMFW SERIES



EMERGENCY/EXIT

TWIN HEAD EMERGENCY LIGHT



- For commercial, industrial, institutional and retail lighting.
- Unit gives a low profile appearance with automatic LVD (low voltage disconnect) and universal transformer for 120 or 277VAC.
- Universal mounting plate with quick connect for labor saving installation.
- Injection-molded V-0 flame retardant high-impact thermoplastic housing and a 6 volt sealed lead acid maintenance free battery with 90 minute operation.
- Environmentally-coated solid state charger.
- Listed for damp location use.

CAT. NO.	UPC CODE	BATTERY	HOUSING	LAMP
EMTW-LED	05281	6 Volt	White	2 x 5.4 Watt

FIXED OPTICS EMERGENCY LIGHT



- For commercial, industrial, institutional and retail lighting.
- Fully automatic operation with automatic LVD (low voltage disconnect) and universal transformer for 120 or 277VAC.
- Injection-molded V-0 flame retardant high-impact thermoplastic housing and a 6 volt premium grade, sealed lead acid, maintenance free battery with 90 minute operation.
- Compact, low profile design in pleasing neutral finish with environmentally-coated solid state charger.
- Listed for damp location use.



CAT. NO.	BATTERY	HOUSING	LAMP
EMFW	6 Volt	White	2 x 5.4 Watt

LIGHTING

LED Exit & Combo LED Incandescent Exit Light

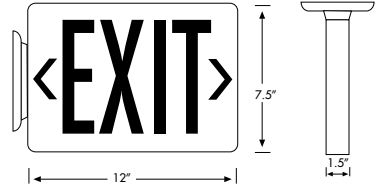
EXL & EEL SERIES



LED EXIT LIGHT



- For commercial, industrial, institutional and retail lighting.
- Fully automatic operation at 120 or 277VAC with 25+ years LED lamp life.
- LED exit lights have a universal mounting canopy for side or top installation.
- Injection-molded V-0 flame retardant high-impact thermoplastic housing with a low profile design and excellent energy savings.

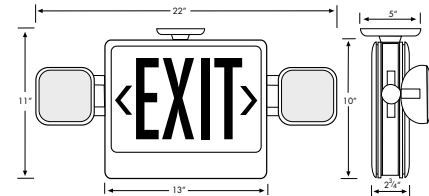


CAT. NO.	NO. OF FACES	TYPE	LETTERING	HOUSING
EXLRW	2	AC	Red	White
EXLBURW-SL	2	90 Min. Slimline Battery Backup	Red	White
EXLBUGW	2	90 Min. Battery Backup	Green	White

COMBO LED/INCANDESCENT EXIT LIGHT



- For commercial, industrial, institutional and retail lighting. Excellent energy savings and the LED lamp life of 25+ years.
- Automatic LVD (low voltage disconnect) and universal transformer for 120 or 277VAC.
- Injection-molded V-0 flame retardant high-impact thermoplastic housing and a 6 volt pure lead maintenance free battery with 90 minute operation.
- Two fully adjustable glare free lighting heads in a compact, modern design.
- Self-diagnostic and remote capable options are available for this fixture, call for special quote.
- Universal mounting canopy for ceiling installation.



CAT. NO.	NO. OF FACES	LETTERING	HOUSING	REMOTE
EEL2RW-LED	2	Red	White	No
EEL2RW-LED	2	Red	White	Yes
EEL2GW	2	Green	White	No

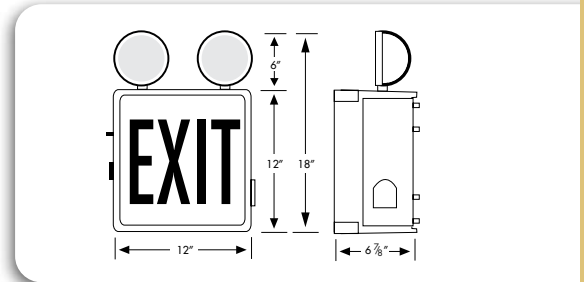
LIGHTING
Wet Location
Emergency Light
EMWL & EMTW SERIES



WET LOCATION LED EXIT LIGHT, 2-HEAD UNIT



- For commercial, industrial, institutional and retail lighting.
- ABS, corrosion resistant UV stabilized enclosures meet NFPA, NEC, OSHA, NEC and local and state codes, making these energy-saving wet location LED exit lights great for corrosive or damaging environments.
- Universal 120/277VAC operation with removable directional indicators and an 25+ year light source life expectancy.

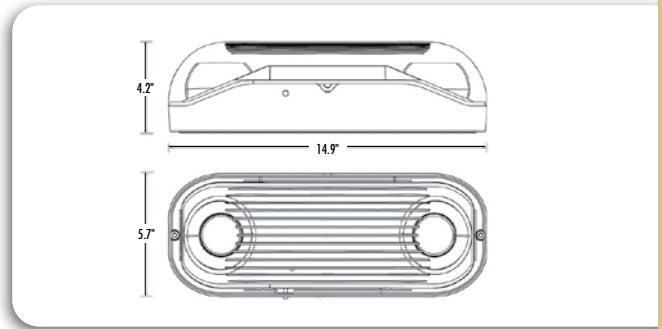


CAT. NO.	TYPE	LETTERING	HOUSING	BATTERY
EMWL26RW	2-Head Emergency Light	Red	White	6V

WET LOCATION LED EXIT LIGHT



- For commercial, industrial, institutional and retail lighting.
- Dual 120/277VAC operation.
- Sealed lead acid, rechargeable, maintenance-free battery and high-impact housing.
- Push-to-test switch and automatic, low-voltage disconnect (LVD).
- Completely self-contained and UL listed for wet locations.



All dimensional data is listed in inches.

CAT. NO.	DESCRIPTION	BATTERY TYPE	BATTERY	HEIGHT	WIDTH	DEPTH	LAMP
EMTWMR16WL	Wet Location Twin Head Mr16 Emergency Light-Gray	Sealed Lead Acid 90 Minute Operation	6V	5.7	14.9	4.2	2 x 7 Watt MR-16 Halogen

LIGHTING

Heavy Duty Emergency Light & Emergency Fluorescent Ballast

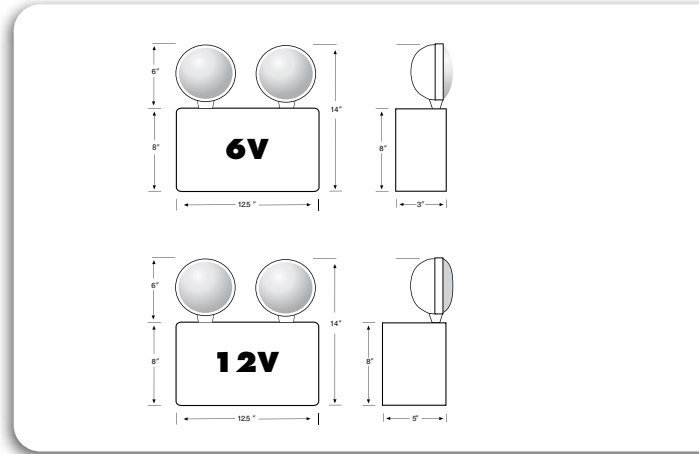
EMHD & FBP SERIES



HEAVY DUTY EMERGENCY LIGHT

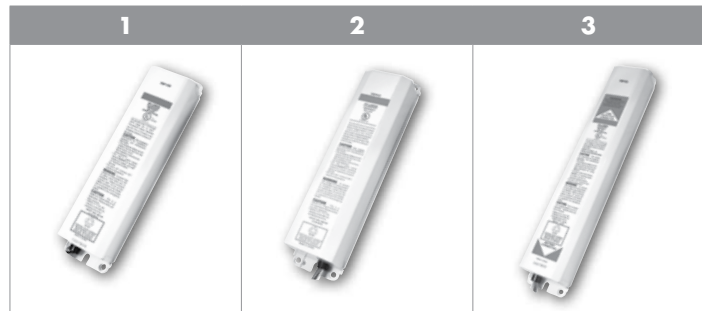


- For commercial, industrial, institutional and retail lighting.
- Automatic LVD (low voltage disconnect) and universal transformer for 120 or 277 VAC.
- This heavy duty light comes standard with two fully adjustable glare-free lighting heads and side and top conduit KOs.
- 6 volt premium grade, sealed lead acid, maintenance free batteries included with 10 year life expectancy.
- Remote capability and easy installation.
- 6 volt units offer 7.2 watt lamps standard and 12 volt units offer 9 watt lamps standard.
- UL listed for damp location use.



CAT. NO.	WATTAGE CAPACITY	BATTERY	VOLTAGE	LAMP
EMHD506	50 Watt	6 Volts	120/277VAC	13

EMERGENCY FLUORESCENT BALLAST



CAT. NO.	FIG.	LUMENS	DIMENSIONS			LINEAR LAMPS			COMPACT FLUORESCENT LAMPS		
			H	L	W	2'-4' Rapid, Instant, or Energy Savings, T8-T12, HO, VHO	2'-8' Rapid, Instant, or Energy Savings, Circline T8-T12, HO, VHO	8W-28W - T5*	54W - T5HO	17W-40W 4-pin compact	40W-55W 4-pin compact
FBP100	1	500	1.5"	9.4"	2.4"	1		1		1	
FBP60	2	700	1.5"	9.4"	2.4"	1 or 2	1	1		1 or 2	1
FBP50	3	1400	1.5"	13.3"	2.4"	1 or 2	1	1 or 2	1 or 2	1 or 2	1

*The ballast may not fit in a typical T5 fixture and needs to be remotely mounted. All ballast are standard with dual 120/277V input. Damp location listed (0 °C to 50 °C).

LIGHTING
Entry Cylinder &
5x8 Vandal Resistant
EL & VRM SERIES



VANDAL/CANOPY

ENTRY CYLINDERS



- For loading docks, security lighting and entrance doorway lighting.
- EL Series Entry Cylinder in sodium or fluorescent.
- Features impact and corrosion resistant polycarbonate housing and polycarbonate lens.
- The lens is engineered to diffuse the light to properly light entryways without glare.
- Lens locks in place with an allen set screw to resist tampering.
- 26W 4100K fluorescent lamp.
- Listed for wet locations.
- Lamp included.

**energy saving*
FLUORESCENT!

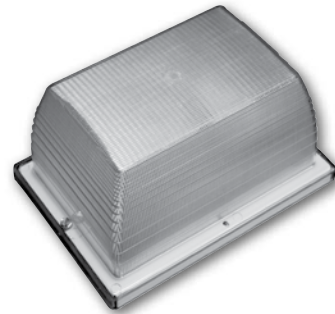
All dimensional data is listed in inches.

CAT. NO.	DESCRIPTION	VOLTAGE	BALLAST	HEIGHT	WIDTH	DEPTH	LAMP
EL26FL*	Entry Cylinder 26 Watt Fluorescent	120 VAC	Electronic	9	5	7	PLC

VANDAL RESISTANT 5X8 ENTRY LIGHT



- For residential multi-family, commercial, institutional entry and small area fixtures.
- Available in fluorescent with clear polycarbonate lens. Includes steel pan, gasket and hardware, socket and bracket.
- Can be ceiling/canopy or wall mounted.
- Listed for wet locations.
- Lamp Included



**energy saving*
FLUORESCENT!

All dimensional data is listed in inches.

CAT. NO.	DESCRIPTION	VOLTAGE	BALLAST	HEIGHT	WIDTH	DEPTH	LAMP
VRM13FL*	Mini VR 5x8 13 Watt Fluorescent (Clear Lens)	120VAC	Electronic	5.5	7.75	4.25	PLC

LIGHTING

Small & Large Vandal Resistant Light
VRS SERIES



SMALL VANDAL RESISTANT



- For large area perimeter and security lighting: Industrial, storage yards, parking areas, auto dealerships, landscape and recreational areas.
- Heavy duty die cast aluminum housing and hinged top frame, 1/2" coin plugs for conduit & photocell, textured architectural bronze powder finish over a chromate conversion coating.
- Aluminum smooth reflector with tempered flat clear glass lens.
- 2-piece swivel bracket, adjustable slipfitter for mounting.
- Listed for wet locations.
- Lamp included.

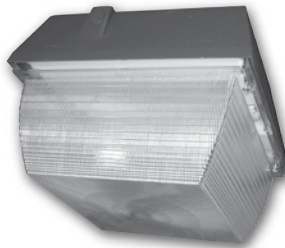
All dimensional data is listed in inches.

CAT. NO.	DESCRIPTION	VOLTS	BALLAST	HEIGHT	WIDTH	DEPTH	LAMP	BASE
VRS70MHQ	Small Vandal Resistant 8x8 Square 70 Watt Metal Halide	120/208/240/277VAC	QUAD HX-HPF	16.63	16.13	7	ED17	Medium

LARGE VANDAL RESISTANT



- For canopy, parking garages and loading dock lighting.
- Die cast housing, chromate conversion coating and textured bronze finish and corrosion resistant stainless steel hardware.
- Polycarbonate lens, silicone gasketing and medium socket with white reflector.
- 1/2" coin plugs are provided for surface wiring.
- Listed for wet locations.
- Lamp included.



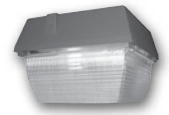
All dimensional data is listed in inches.

CAT. NO.	DESCRIPTION	VOLTS	BALLAST	HEIGHT	WIDTH	DEPTH	LAMP	BASE
VRS100MHQ	Large Vandal Resistant 12x12 Square 100 Watt Metal Halide	120/208/240/277VAC	QUAD HX-HPF	12.4	12.3	8.6	ED17	Medium

LIGHTING

Incandescent Loading Dock Lights

TA-DOK SERIES



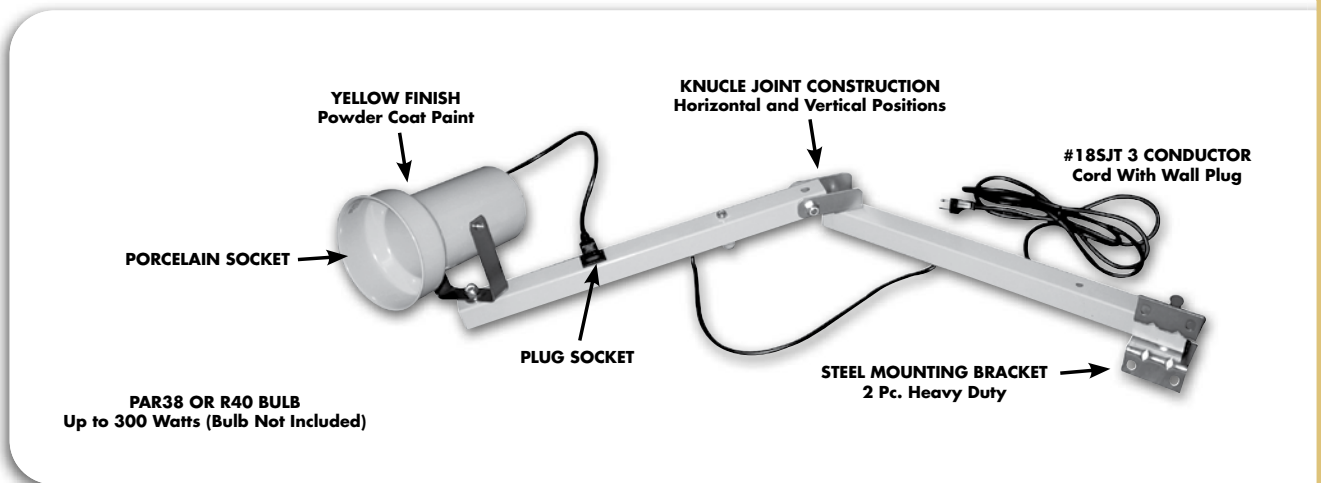
FEATURES

- Adjustable pivot friction which maintains intended positions.
- 1 1/2" square, 14 gauge steel arm resists damage from impact.
- 36", 3 conductor #18SJT cord with wall plug is included.
- Lamp not included.

RATINGS



CAT. NO	DESCRIPTION	COLOR
TA-DOK 40VA	115VAC Extends 40 Inches	Yellow
TA-DOK 60VA	115VAC Extends 60 Inches	Yellow



LIGHTING

Short-term Lighting Systems, Accessories & Box & Wall Vaportite
SLUL, SC, RS, VTB, VTW SERIES



SHORT-TERM LIGHTING SYSTEMS



*UL Listed.



CAT. NO	FIG. NO.	DESCRIPTION	STD. CTN. QTY.
SLUL100*	1	100 Ft. With Molded Sockets In 10 Ft. Intervals. 150 Watts. Osha And Nec Compliant. High Visibility Yellow.	1
SC200	2	Standard Cage	24
RS200	3	Rotatable Socket 200 Watt	24

BOX AND WALL VAPORTITE



- For well or pit lighting, indicators on docks, industrial and commercial lighting.
- Heavy duty die cast aluminum housing.
- One piece locking die cast aluminum guard with grey polyester powder coat finish.
- Screw in tempered glass globe.
- Listed for wet location use.
- 1/2" NPT knockouts.
- Lamp not included.

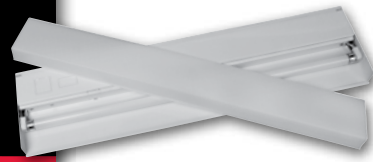


All dimensional data is listed in inches.

CAT. NO.	FIG. NO.	DESCRIPTION	HEIGHT	WIDTH	LAMP
VTB15012	1	Box 150 Watt 1/2" Vaportite	9	4.125	Incandescent
VTW15012	2	Wall 150 Watt 1/2" Vaportite	10	7.13	Incandescent
CG150	3	Clear Glass Globe for 150 Series Vaportite Fixtures	-	-	-

WORKLIGHT

LIGHTING
**Fluorescent Undercabinet
 & Heavy Duty Ground
 Stake**
UCF SERIES



FLUORESCENT UNDERCABINET



- For fluorescent undercabinet lighting is constructed of heavy duty steel with white powdercoat finish.
- UV inhibited acrylic diffuser with linear prism which snaps in for easy maintenance.
- T-5 4100K lamp included.
- Fluorescent is great for energy savings.
- Ultra thin, 1" thick.
- K.O.s on top, side and back.
- Includes rocker switch.
- Lamp Included.

All dimensional data is listed in inches.

CAT. NO.	DESCRIPTION	VOLTS	LENGTH	WIDTH	DEPTH
UCF128WT5	8 Watt T-5 Electronic Ballast, with Lamp	110-125	12	5	1
UCF2113WT5	13 Watt T-5 Electronic Ballast, with Lamp	110-125	21	5	1
UCF2416WT5	16 Watt T-5 Electronic Ballast, with Lamp	110-125	24	5	1
UCF3321WT5	21 Watt T-5 Electronic Ballast, with Lamp	110-125	33	5	1
UCF4226WT5	26 Watt T-5 Electronic Ballast, with Lamp	110-125	42	5	1

HEAVY DUTY GROUND STAKE

- Adjustable stabilizer and built in wiring compartment.
- Durable molded plastic with die cast fitting for 1/2" NPT threads.
- Two 1/2" coin plugs for enclosed wiring.
- Two 1/2" coin plugs outside for surface and through-wiring.



All dimensional data is listed in inches.

CAT. NO.	DESCRIPTION	HEIGHT	WIDTH	DEPTH
GST	Non-metallic Heavy Duty Ground Stake	19	9	3.5

ALPHANUMERIC INDEX

ITEM	PAGE	ITEM	PAGE	ITEM	PAGE
0T – 1000T	13	2002	406	5231	413
0TC – 6TC-1	39	2005A	411	5237	413
1012 – 1042	133	2005B	412	5237-UL	414
1101	423, 553	2006	406	5401A	488
1101-7	423	2007A	411	5403A	410
1101BM-IAP	423, 553	2007B	412	5404A	410
1101B-P	423	2008B	412	5404-3A	410
1101D	553	2018	406	5441A	488
1101FM-M	553	2021	407	5500	416
1101FM-N	553	2022	407	5500-OC	416
1101-NC	423	2024 – 2042	135	5737TM	415
1101-O	423	2101	403	5737TZ	415
1102B	423	2104	403	601A	527
1103	423	2107	403	602A	527
1103B-P	423	2115	404	611D	528
1103M	423	2116	404	621D	528
1103-NC	423	2117	404	631D	528
1103-O	423	2223	416	640-PM	323
1104	423, 553	2224	416	652A	527
1104BM-IAP	423, 553	2421	416	652B	527
1104BM-MB	423	300T-2 – 800T-4	19	654A	528
1104B-O	423, 553	350LL2 – 8-1000LL12	29	701A	514
1104B-P	423, 553	36175 – 481750	325	701AA	520
1104D	553	3000	408	705-16 – 1150-20	314
1104DF	553	3002	408	711A	514
1104FM-M	553	3006	408	750P – 1450P	323
1104FM-N	553	3010	408	7100	425–426
1104-NC	423	4-250L4 – 4-1000L4	17	7102	425–426
1847A	433–434	401A	523	7120	425–426
1847AL	433–434	402A	523	7120L	425–426
1847AW	433–434	403A	523	7120Z	425–427
1847AWL	433–434	405A	523	7120ZL	425–427
1847AZ	433–434	418 – 60175	319–320	7122	425–426
1847AZL	433–434	418-4 – 1450-5	327–328	7122ZL	425–427
1848A	433–434	418-ID – 818H-ID	324	7200L	425–426
2/0–14	129	418-SB – 14120-SB	335	7200-O	425–426
2/0TP – 2-600TP	23	418X – 14500X	319–320	7200	425–426
2-14 – 4-14	129	455D	525	7200Z	427–428
2-210T≠2-1000T	13	457Z	525	7200ZL	427–428
2-350L4 – 8-350L8	31	4180 – 601750	321	7202	425–426
2-350T2 – 8-350T4	31	530MH – 141200MH	333	7202L	425–426
2C-14, 4C-14	129	5001M	409	7202-O	425–426
2SR – 750SR	21	5004M	409	7202Z	427–428
200-3-2	285	5007M	409	7202ZL	427–428
250L2 – 600L2	15	5008M	409	7220	425–426
2000	405	5021M	409	7220L	425–426
2000-2	405	5024M	409	7222	425–426
2001	406	5026M	409	7222L	425–426

ITEM	PAGE	ITEM	PAGE	ITEM	PAGE
7300	425-426	A506H	519	CAL	63
7300L	425-426	A506HHW	519	CB-11 - CB-120	132
7300Z	427-428	A506HW	519	CB	159
7300ZL	427-428	A512H	519	CBH	159
7302	425-426	A512HH	519	CCM	158
7302L	425-426	A512HHW	519	CCR	158
7302Z	427-428	A512HW	519	CD	156
7302ZL	427-428	A515M	519	CDP	104
73866	416	A515MA	519	CG	393
75(000)CW, CQ	300	A515MH	519	CN	131
76(000)PS	301-303	A515MHW	519	COS-ADP	498-501, 503
76(000)PW	301-302	A515MW	519	COS-L	499
77(000)RQ	297-298	A530M	519	COS-L2T	498
77(000)RW	299	A530MA	519	COS-LU	500
78(000)TQ	304-306	A530MH	519	COS-M	501
78(000)TS	304-307	A530MHW	519	CPS-L	503
78(000)TW	304	A530MW	519	CSP	104
79(000)LW	308-310	A560M	519	CT	102
79(000)LQ	309	A560MH	519	CTH	103
79(000)MS	299-300, 307	A560MHW	519	CTP	331
79(000)MSR	307	A560MW	519	D1060LA	518
850-R	326	ACT30MA	484	D1060M	518
8001	429	ADJCC	342	D1060MW	518
8001-LC/WB	429	AL	49	D1082	154
8001-N	429	AL (C.Blok), AM, AS	115-120	D212H	518
8001-NC	429	AL-N	51	D212HA	518
8001-O	429	APS	108	D212HW	518
8001U	429	ASC	53	DBL	157
8001U-N	429	B	271	DE	41
8001U-O	429	BKM	383, 385	DFR	293
8004	429	BKS	382, 384	DG100A	459-460
8007	429	BS400T, T2	25	DG100A-Y	459-460
8007L	429	BT	356	DG180A	479-480
8007-O	429	BTP	23	DG200A	459-460
8007U	429	BY	157	DG280A	479-480
8007U-O	429	C	267	DG280A-24	479-480
8007V	429	C-8 - C-750	87	DGLC100A-NC	471-472
8007VL	429	C2 - C9	59	DGLC200A-NC	471-472
8008	429	C412H	520	DGM100A	459-460
8008L	429	C460M	520	DGM100A-Y	459-460
8061	431	C502H	520	DGS100A	479-480
8121	431	C506H	520	DGS100A-12	479-480
8301	431	C512H	520	DGS100A-24	479-480
8601	431	C512HH	520	DGU100A-Y	471-472
90058-1	489	C515M	520	DGUM100A	471-472
A502H	519	C530M	520	DGUM100A-Y	471-472
A502HHW	519	C560M	520	DIN100B	485-486
A502HW	519	C560MH	520	DIN200B	485-486

ALPHANUMERIC INDEX

ITEM	PAGE	ITEM	PAGE	ITEM	PAGE
DLC400BP	475-476	ESB2	310	FLLP	378
DMT	285	ESGHS	218	FLM	379
DPC201	555-556	ESGS	215	FLPTM	378
DRD, DRE, DRF, DRJ, DRT	126	ESGTS	216	FQC	122
DS	168	ESSLK	217	FS	255
DSS	355	ESUF	214	FS-136	359
DTS100B	463-464	ET-CP	263-264	FS-814	359
DTS200B	463-464	EW101B	455-456	FSIC	359
DTS400B	463-464	EW101B-Y	455-456	FSP	359
DTU40	447-448	EW103B	455-456	FSPP	359
DTWH40	447-448	EW103B-C	455-456	FTBFP	125
DW200B	461-462	EW103B-Y	455-456	FTH	338
DW200B-0	461-462	EW120B	455-456	FTS	159
DWZ100B	461-462	EW120B-C	455-456	FW	166
DZM200BP	467-468	EW120B-Y	455-456	G-(1)-S-BS	237
DZM200BP-0	467-468	EW201B	455-456	G-(1)-S-DB	237
DZS100BP	465-466	EW201B-Y	455-456	G-(1)-S-DBR	239
DZS100BP-0	465-466	EWDT	315	G-1 - G-66	240-242
DZS200BP	465-466	EWEF	316	G-140DB	238
DZS200BP-12	465-466	EWFT	316	G-1-S - G-6-S	240
DZS200BP-24	465-466	EWG	314	G-20DB	238
DZS200BP-0	465-466	EWGC	317	G-3-BS	239
DZS400BP	465-466	EWHR	317	G-79 - G-90	244
DZS400BP-0	465-466	EWMT	317	GBA	249
E101B	453-454	EWP	313	GBC	249
E101PB	453-454	EWPP	314	GBIAL, GBIBZ	248
E103B	453-454	EWRT	315	GC	27
E120B	453-454	EWSR	316	GCA	241
E201B	453-454	EWWH	315	GGC	256
E500T	481-482	EWZ101	457-458	GH	245
E501T	481-482	EWZ101-MB	457-458	GHM	245
E502T	481-482	EWZ103	457-458	GL	79-82
EC	47	EWZ103-MB	457-458	GLA	25
EEL	387	EWZ120	457-458	GL-B	89
EG	243	EWZ120-MB	457-458	GLC	235-236
EH20C	449	EWZ201	457-458	GLN	99
EJWT	481-482	EWZ201-MB	457-458	GL-N	83
EL	390	EXL	387	GL-NB	95
ELC712	473-474	F	295	GLN-X	101
ELC74	473-474	FBP	389	GP	27
ELC78	473-474	FCT	289	GRC	246-247
EMFW	386, 392	FD	349	GSC, GSH	256
EMHD	389	FL	379	GSS	219
EMFW	386	FLBR	379	GST	394
EMTW	386, 388	FLHBR	380	GZ	246
EMWL	388	FLC	377	GZB	246
EPC-A	471	FLF	377	HB	166
EPC-LC	473	FLH	380	HHK	228

ITEM	PAGE	ITEM	PAGE	ITEM	PAGE
HLC	47	LCS115M	473, 504	PPF3	551
HMSS	222	LDS	477-478	PFPEW1102-M	552
HN	166	LDS-A	477-478	PFPEW1103-M	552
HOS-M	502	LDSH	477-478	PFPT	551
HPS30	489	LDSH-A	477-478	PFS	288
HSC	224	LK	139	PG	256
HTF	287	LN, LN-P	71-76	PHMN	380
HTGE	254	L-NB	93	PIWC	265
HTM	288	LT	35	PL	203-206
HTP	288	M	289	PLH	201
HTR	287	M-250, M-500	157	PM	285
HTS, HTSF	287	MP	350	PNC	340-341
HWHS	225	MPM	342	Polaris Custom	207
IF	291-292	N	105-106	Polaris Installation	209
IFL	293	N121D, N1240	153	PP-100R	549-550
IFS	291-292	NC	343	PP-125R	549-550
IM	289	NCH	343	PP-125R-P4	549-550
IPCS	113-114	NH-1, NH-2	160	PP-125R-P4-100X	549-550
IPL	181-184	NMS, NMT	137	PP-125R-P4-300X	549-550
IPLD	185-188	NSi-12	155	PT	55
IPLDH	191	N-SP	107	PT-12V - PT-22V	285
IPLDS	189	OD	157	PTC	285
IPLG	171	OJB	157	PTO	57
IPLM	193	OX	168	PTS	57
IPLMD	195-198	P	291	QF	381
IPLW	175	P-750	153	R	279-284
ISE	65	P1101-2M	551	RDC 1/0	157
ISPB	199	P1101FM-M	551	RLD	351
ISPC	199	P1101-M	551	ROS	220
ISR	179	P1104FM-M	551	RS200	393
ISW	173	P1104-M	551	RSK	221
IT	177	P47	553	S	273-278
ITB	127	PAA	45	S300	23
IT-BW	351	PAE	45	SA 382 - SA 582	255
ITG	171	PC-LC, PC-LSW	345-349	SA011	524
ITH	177	PCT15M	483	SA100	524
ITO	177	PEW101-M	552	SA10-400, SA500-1000	78
ITOG	171	PEW104-M	552	SA105	524
ITW	175	PF	285	SA110	524
J	122	PF1101FM-M	551	SA130	525
JBP57510	554	PF1101-M	551	SA134	525
JBP75175	554	PF1104FM-M	551	SA170	513
KA	154	PF1104-M	551	SA204	528
KC	154	PFEW101-M	551	SA205	527
L, L-P	67-70	PFEW104-M	552	SA210	530
L-B	91	PFP1102-M	551	SA215	529
LC200	469-470	PFP1103-M	551	SA220	530
LC200M	469-470	PFP2	551	SA230	526

ALPHANUMERIC INDEX

ITEM	PAGE	ITEM	PAGE	ITEM	PAGE
SA300	451–452	T920L-E	437–438	TA53AF1	542
SA306	451–452	T920L-O	437–438	TA53AG1	542
SA400	451–452	T930L	437–438	TA54AE1	542
SA500	526	T930L-E	437–438	TA54RE1	542
SB	267–268, 271	T930L-O	437–438	TA5508H-G1	533
SC	393	TA09	539	TA590	543
SC	85	TA1245Y-50	543	TA591	543
SC-B	97	TA1245Y-75	543	TA592	543
SF	293	TA131DAN5	542	TA598	543
SFTZ	35	TA131DAU1	542	TA599	543
SITG	171	TA131DRN5	542	TA60	539
SKAB, SKCB, SKDB	223	TA131DRU1	542	TA600	540
SKSS	222	TA152	539	TA601	540
SKUF	223	TA154	539	TA602	540
SL-N	77	TA1786B	540	TA603	540
SLUL	393	TA1786CB	540	TA603L	540
SLW	166	TA1880 B	538	TA606	543
SM	339	TA1880 G	538	TA61	539
SMC3D	487	TA1882 B	538	TA62	539
SOTZ	35	TA1882 G	538	TA620	540
SPM	109–110	TA1886 B	538	TA620B	540
SR	360	TA1886 G	538	TA620L	540
SRNY	355	TA1887 B	538	TA620LB	540
SRPE	355	TA1887 BK	538	TA631	540
SS13B	517	TA1887 G	538	TA631L	540
SS13F	517	TA215LB	540	TA635	540
SS20	517	TA236	539	TA640	543
SS20F	517	TA270A	536	TA656B	540
SS34 – SS66	167	TA315-1N5	536	TA666BK	540
SS403	515–516	TA340-10G5	534	TA67W	539
SS410	515–516	TA340-4G5	534	TA725	535
SS423	515–516	TA340-4N5	534	TA740	535
SS700Z	509–510	TA340-6G5	534	TA744	535
SS700ZA	509–510	TA340-6N5	535	TA874-N5	533
SS720A	511	TA434-10N5	534	TA874-N5R	533
SS720AA	511	TA434-4N5	534	TA875-1G1	534
SS720Z	512	TA434-6N5	534	TA875-G1	533
SS721Z	509–510	TA44	539	TA876-N5	533
SS721ZA	509–510	TA45	539	TA879	542
SS8100 – SS26250	326	TA46	539	TA880-N5	533
SSBW	167	TA47AN5	541	TA93-2AN5	541
SSCT	337	TA47AR5	541	TA93-2BN5	541
SSFW	167	TA47RN5	541	TA93-2CN5	541
SSHN	167	TA502	539	TA93-2RN5	541
SSSLW	167	TA502SW	544	TA94AN5	541
STL	33	TA52AN5	541	TA94BN5	541
SWL	318	TA52BN5	541	TA94RN5	541
T920L	437–438	TA52RN5	541	TA-ADA	544

ITEM	PAGE	ITEM	PAGE	ITEM	PAGE
TA-ADR	544	TW-220L-E	439-440	WH2B	432
TA-B-8332	537	TW-222L	439-440	WLD	350
TA-BBSF	544	TW-300L	439-440	WMB	352
TAC212WL	535	TW-302L	439-440	WMC	353
TAC212WS	535	TWBS	165	WOS-M	495
TA-D5B	544	TWHB	165	WOS-M2R	496
TA-D6A	544	TWHS	229-232	WOS-MN	495
TA-D7A	544	TWSB	165	WOS-MN2R	496
TA-D7C	544	TZ-220L	441-442	WOS-MN2T	497
TA-D7R	544	TZ-220L-0	441-442	WOS-SN	494
TA-D8R	544	TZ-222L	441-442	WP	371
TA-DOK	392	TZ-300L	441-442	WPC	372
TA-L10	544	TZ-300L-0	441-442	WPGC	371
TA-L10-1	544	TZ-302L	441-442	WPL	374
TA-L6-2	544	U-BG	157	WPLD	374
TA-L8	544	UC	250-251	WPCRKY	375
TA-MTS	534	UCF	394	WPLRKY	375
TA-SFPF	544	ULT, ULTD	356	WPMRKY	376
TA-SFPFR	544	USB-MMP	467	WPM	373
TA-WBBF	544	V	465, 467, 475	WRD	59-62
TB	121	V850-V7200	334	WWC, WWC-GR, WWC-N1, WWC-N2	261-262
TBO - TB4	124	VL	355		
TBS	123	VM	354		
TC	111	VRM	390		
TCP	112	VRS	391		
TES	162-164	VTB	393		
TFZ	324	VTW	393		
TGE	253	W	47		
THK	227	W100	435-436		
TL	43	W120	435-436		
TL-5-1, TL-6-1	160	W200	435-436		
TL-ADJ5	160	W202	435-436		
TL-CCIH	161	W220	435-436		
TL-CRP	161	W220L	435-436		
TL-DC	161	W222	435-436		
TL-ISS	161	W222L	435-436		
TL-LP, TL-LNP	161	W300	435-436		
TL-RCR	160	W300L	435-436		
TL-WS6	160	W300-0	435-436		
Tool and Die Charts	141-149	W302	435-436		
TOP	267	W302L	435-436		
TRP-24I	498-500, 504	W400B	435-436		
TRP-24B	503-504	W400BL	435-436		
TRT	337	W402B	435-436		
TS	37	WAGS	213		
TU40	421	WAHS	225, 231		
TU40-Y	421	WC	259-260		
TW-220L	439-440	WC-HB1, HB3	259-260		