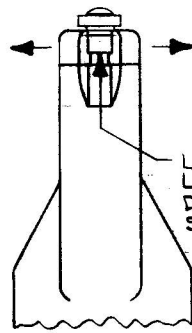
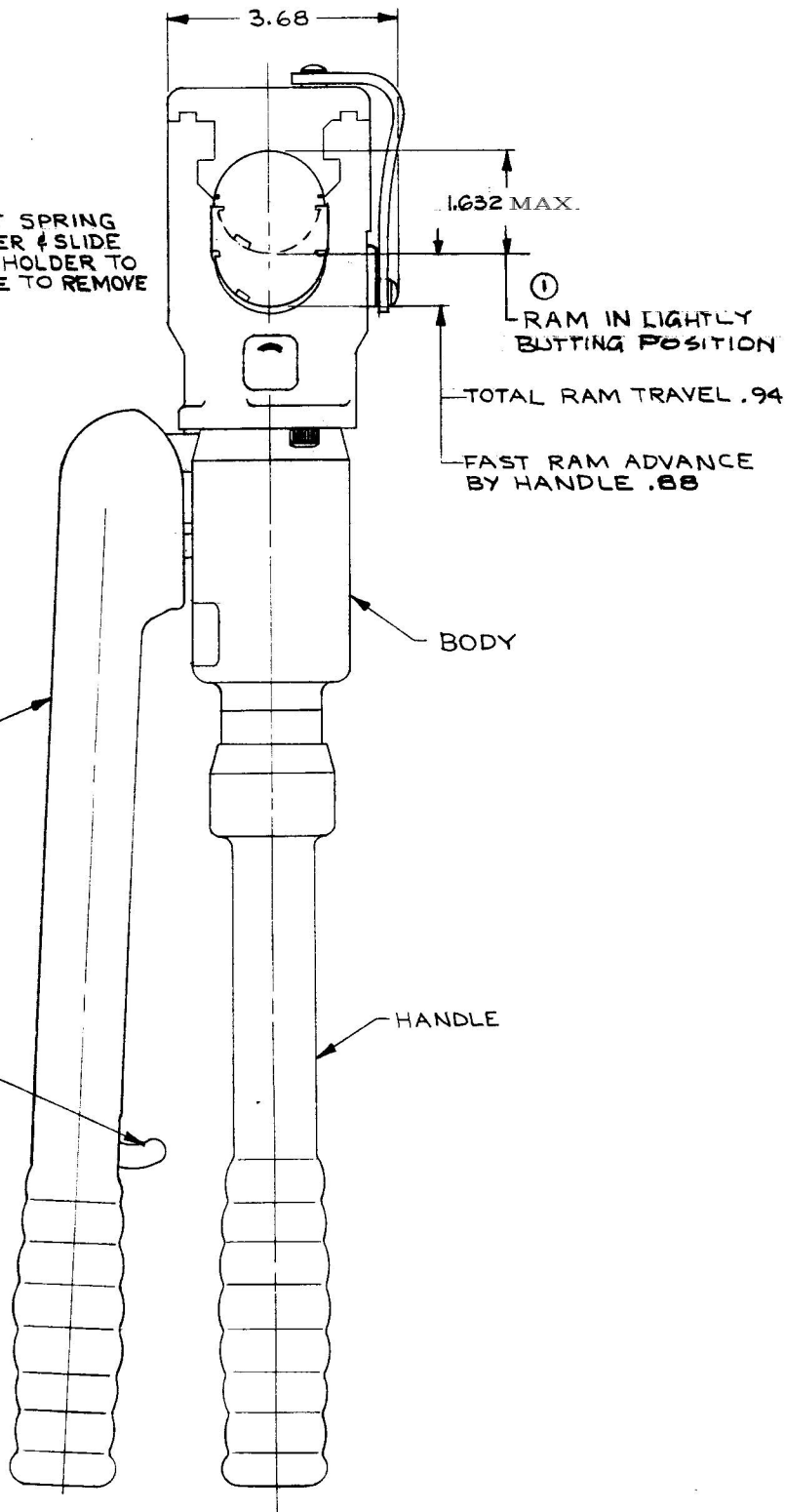


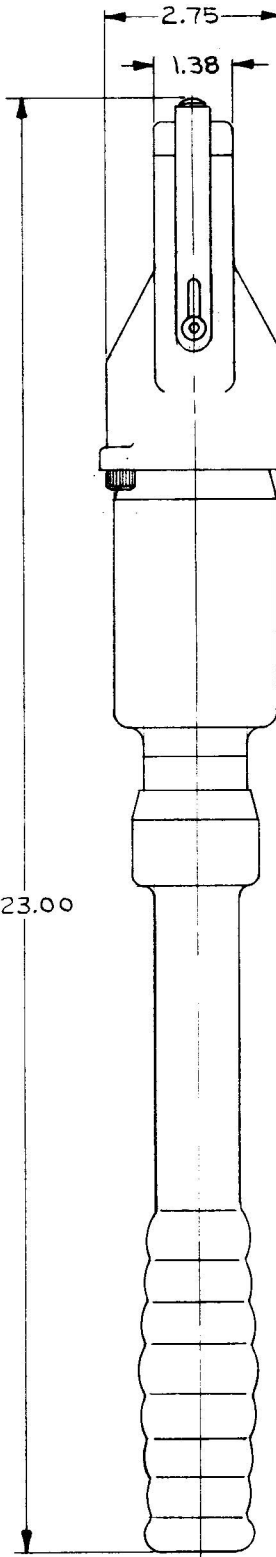
SD72361



LIFT SPRING LEVER & SLIDE DIE HOLDER TO SIDE TO REMOVE

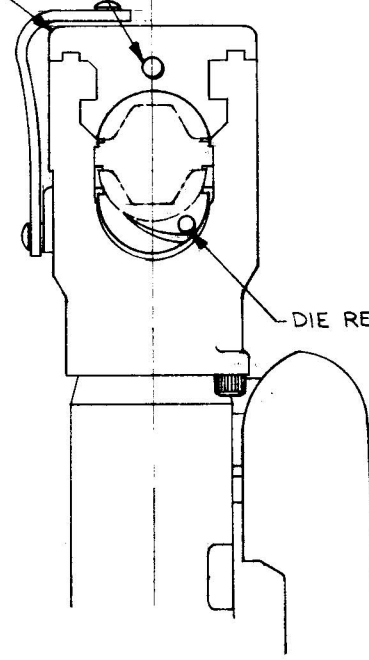


23.00



DIE HOLDER ASSY

DIE RELEASE BUTTON



REV.	DATE	REVISION DESCRIPTION	BY	CHK'D.
1	4-11-79	SHOW ZAH IN BUTTING POSITION (E.E. 422) / 1.632/1.617 WAS 1.632/1.624 ECR 525	S.Z.	S.Z.
2	5/7/80	600 MCM ADDED DC 103 81	M	M
3	7-10-80	REV. REF. PRINT 5220052	SZ	S.Z.
4	7-28-80	CHGD. 1.632/1.617 TO 1.632 MAX. REF. PCN 212	JM	H.C.
5	3-11-91		D.D.	D.D.

ACCOMODATES			
CONNECTOR	CABLE	TENSION	LOOP
HYSPLICE	COPPER	*8 (7 STR.) THRU 400 MCM (37 STR)	
	ALUMINUM	*6 SOLID ALUM. THRU 556.5 MCM (19 & 37 STR)	2/0 (7 STR.) THRU 556.5 MCM (19 & 37 STR)
	ACSR STEEL	*4 (6-1 STR) THRU 477 MCM (18-1, 26-7 & 30-7 STR)	---
	ACSE ALUMINUM	*4 (6-1 STR) THRU 477 MCM (18-1, 26-7 & 30-7 STR)	
CRIMPITS	ACSR ALUMINUM	MAX.	MIN.
	COPPER	4/0 ACSE	#6 SOLID
HYDENT YA-A, YS-A	ALUMINUM	4/0 STE	#8 SOLID
	ALUMINUM	750 MCM	*8 STR.
YA, YS, YA-L, YS-L, AY-P, YRB	COPPER	600 MCM	*6 STR.
H-CRIMPIT YFO, YFD, YFN,	ALUMINUM	500 MCM	*6 STR.
	COPPER		

REFERENCE: FE 72112 ASS'Y.

NOTES:

BODY & HANDLES COVERED WITH 3/16 INCH THICK INSULATING GRADE NEOPRENE.

MAX FORCE OF HYPRESS - 12 TONS

HEAD ROTATION - 90°

WEIGHT - APPROX 12 LBS.

FSCM N° 09922

HYPRESS	
CAT. NO. Y 39	SCALE HALF SIZE
DRAWN S.ZAMBO 3-20-75	CHECKED S.ZAMBO 3-20-75
	DES. APPROV. KRAUS 3/24/75
PROD. APPROV.	
DRAWING NO. SD72361	
REV. 5	

BURNDY

SD72361 5

DO 41086

SD72361