

**Enclosure
Thermostat:**

3110000



Assembly Instructions

Assembly Instructions:

This component must be installed by fully trained personnel only, in accordance with wiring diagram. Relevant safety regulations must be observed. These enclosure thermostats are used to control the temperature inside a closed enclosure set up in normal working areas. This unit is RFI-screened in accordance with VDE 0875 and/or EN 55 014. It is working according to procedure 1C.

Technical Details:

Construction:

Bimetallic controller as a temperature sensitive element with thermal feedback.

Approvals :

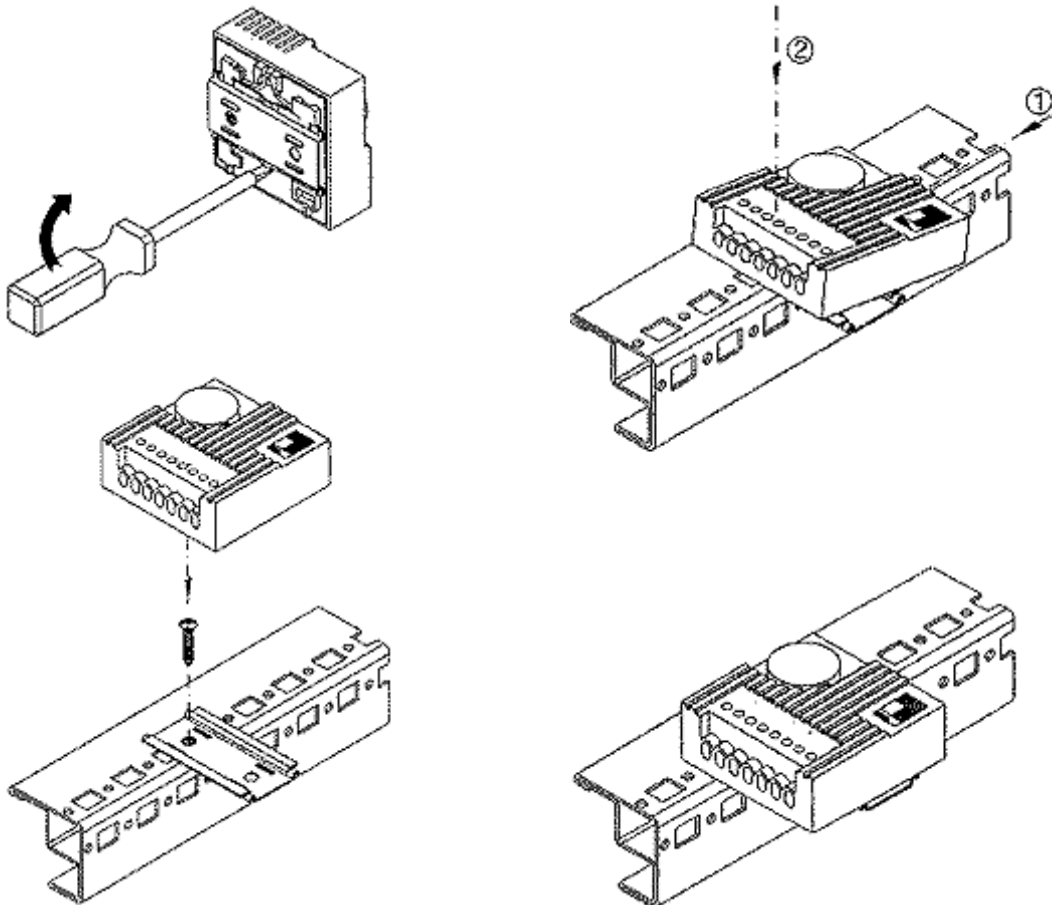
UL and cUL listed

Dimensions:

71mm x 71mm x 33.5mm

Mounting:

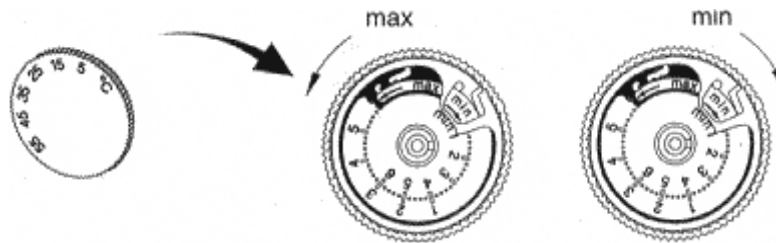
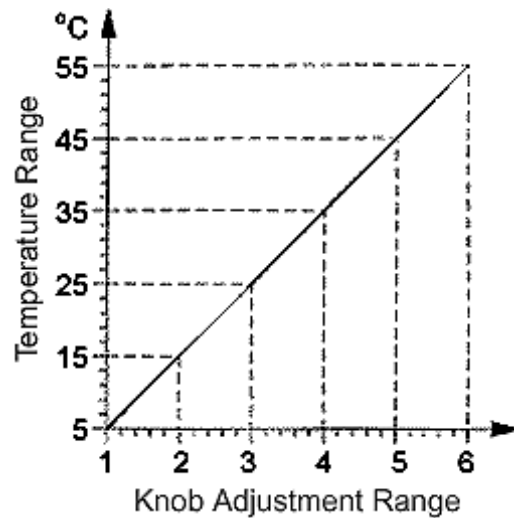
Clip-on fastening on 35 mm support rail to EN 50 022:



Notes:

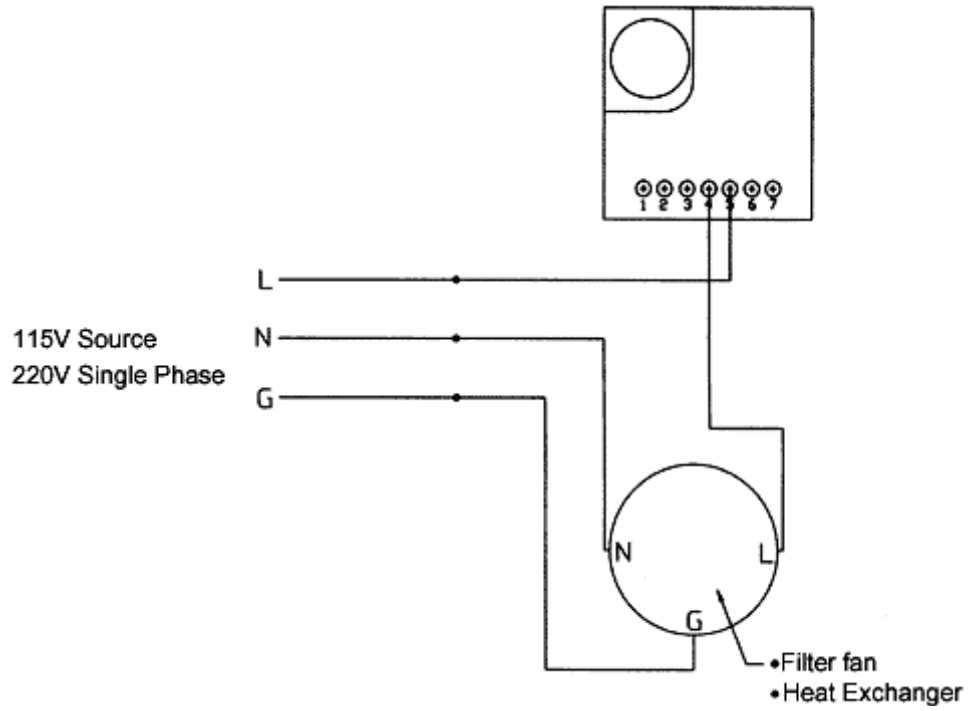
Mounting should preferably be executed in the horizontal position. Whenever possible, the thermostat should be placed in the upper part of the enclosure with maximum separation from the enclosure heaters and sources of heat losses. In order to ensure a switching overlap, it is necessary to connect the installed thermal feedback. Range restriction can be made in accordance with illustration on next page.

Temperature Restriction:

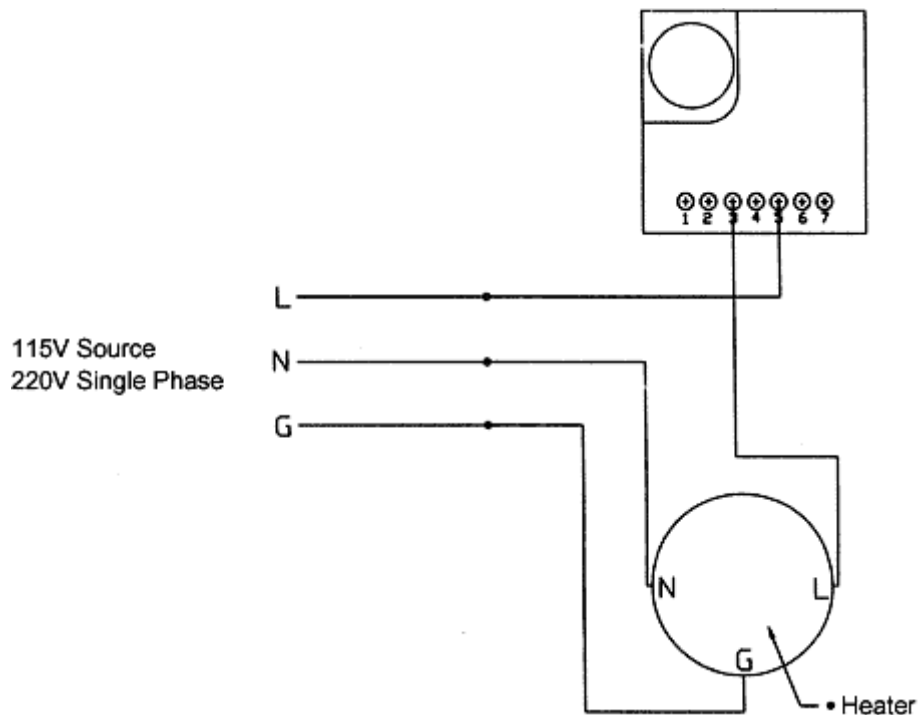


American Wiring Diagram-

3110 Thermostat, wiring a filter fan or air to air heat exchanger:

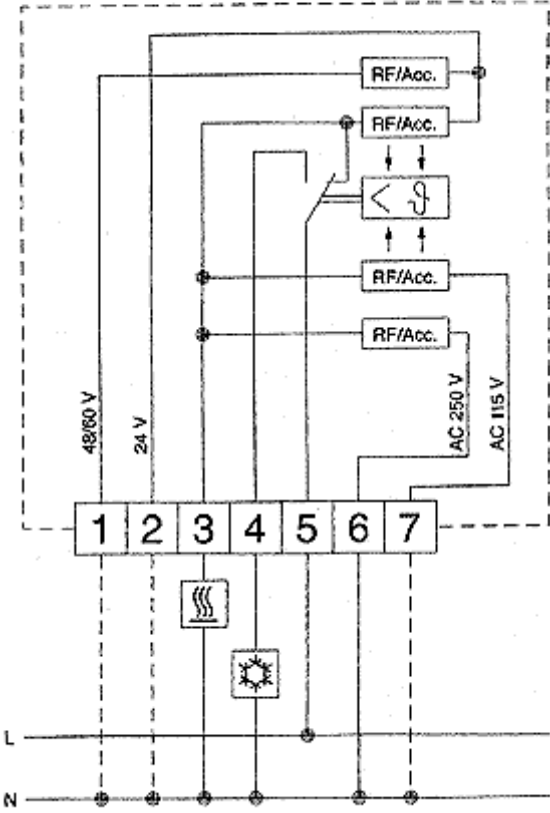


3110 Thermostat, wiring a panel heater:



European Wiring Diagram:

48V 60V N	24V N	☺	☼	(L1*) L	(L2*) 250V N	115V N
1	2	3	4	5	6	7



* USA/Canada

Contacts:
Single-pole changer as a
quick-break switch.
Permissible contact data:

For heating ☺ : 5-3 ~ 10(4*)A, - 30W

For cooling ☼ : 5-4 ~ 5(4*)A, - 30W

Guarantee

This unit is guaranteed for 1 year, subject to correct usage from the date of delivery. Within that period, the returned unit will be repaired in the factory or replaced free of charge.

Rittal Corporation - One Rittal Place - Springfield - Ohio - 45504

Toll Free : 1-800-637-4425 - Email : rittal@rittal-corp.com - Internet : www.rittal-corp.com - Tech. Sup. : 1-800-637-4425

Switch to perfection

