



2016 LED LIGHTING CATALOG

1ST EDITION

CREE 

CONTENTS

The Cree Advantage

Proven, Revolutionary Technology	2	Colorfast DeltaGuard® Finish	13
Better Light	4	A Total Systems Approach	14
Cree WaveMax™ Technology	7	Benefits at Every Turn	16
Cree SmartCast® Technology	8	Cree Quick Ship Program	17
Cree TrueWhite® Technology	11	Industry-Leading Limited Warrant	17
NanoOptic® Technology	12	Essentia® by Cree: Brand Overview	18

Indoor LED Products

Indoor Product Overview	20
Indoor Applications	22

LED NEW CONSTRUCTION DOWNLIGHTS 24

KR Series	26
ESA Series Recessed	28
ESA Series Cylinder	30
E Essentia® by Cree - Downlights	32

LED RETROFIT DOWNLIGHTS 34

DR Series	36
LR Series	38
CR Series	40

LED TROFFERS 42

LR Series	44
ZR Series	46
CR Series	48
E Essentia® by Cree - Flat Panel	50

LED UPGRADE SOLUTIONS 52

UR Series	54
-----------	----

LED SUSPENDED AMBIENT 56

LN Series	58
CS Series	60

LED SURFACE AMBIENT 62

LS Series	64
WS Series	66

LED HIGH-BAY/LOW-BAY 68

CXB Series	70
Cree Edge™ Series High Output	72
304 Series™	74
Cree Edge™ Series	76

LED LAMPS & ACCENTS 78

LBR Series	80
LRP-10L Series	82
MR16 Series	84
A19 Series	86
A21 Series	88
A21 3-Way Series	90
BR Series	92
PAR30 Series	94
PAR38 Series	96

TRACK LIGHTING 98

E LED Track Heads	100
E Lamp Holders & Track Systems	102
E Track & Accessories	104

INTELLIGENT LIGHTING SOLUTIONS 106

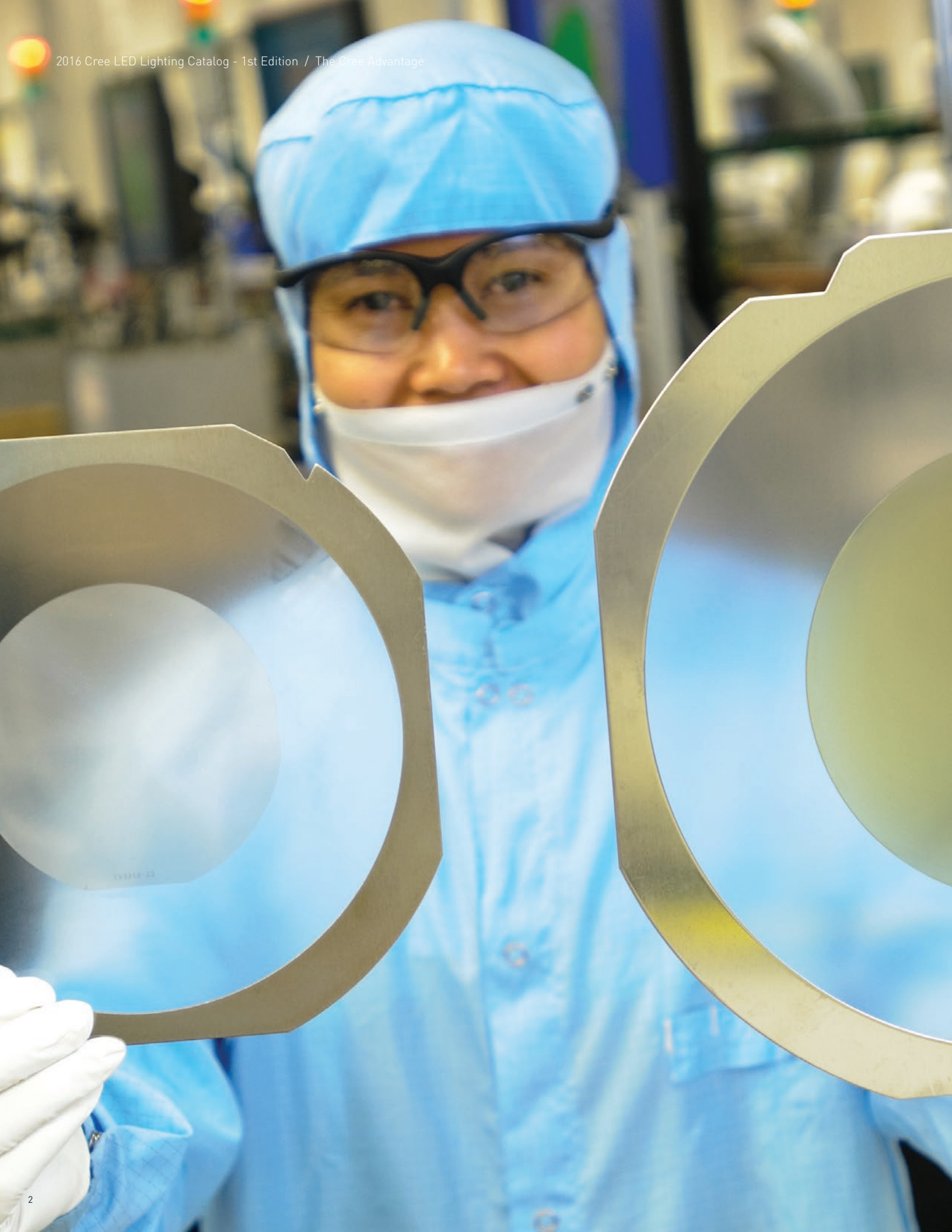
Cree SmartCast® Technology - Wireless	108
Cree SmartCast® Technology - PoE	110
Lutron EcoSystem® Enabled	112



The all-new RSW Series LED street light luminaire

Outdoor LED Products

Outdoor Product Overview	114		
Outdoor Applications	116		
LED AREA	118		
OSQ Series	120		
XSP Series	122		
XSP Series High Output	124		
Cree Edge™ Series Pole	126		
Cree Edge™ Series High Output	128		
Cree Edge™ Series Pathway	130		
LED STREET & ROADWAY	132		
RSW Series	134		
RUL Series	136		
XSP Series	138		
XSP Series High Output	140		
LEDway® Series	142		
LEDway® Series High Output	144		
Cree Edge™ Series	146		
LED DECORATIVE STREET & ROADWAY	148		
DPT Series	150		
Post-Top LED Upgrade Kit	152		
		LED CANOPY & SOFFIT	154
		CPY Series	156
		228 Series™	158
		304 Series™	160
		Cree Edge™ Series	162
		LED PARKING STRUCTURE	164
		IG Series	166
		304 Series™	168
		VG Series	170
		LED FLOOD	172
		OSQ Series	174
		Cree Edge™ Series	176
		304 Series™	178
		OL Series™	180
		LED WALL MOUNT	182
		XSP Series	184
		Cree Edge™ Series	186



The Cree Advantage

PROVEN, REVOLUTIONARY TECHNOLOGY

As the leading fully-integrated innovator of LED chips, components and complete lighting systems, Cree is continuously advancing our state-of-the-art LED lighting products to provide energy-efficient lighting that will look and operate as expected for years to come.

TRUE INNOVATION, SUPERIOR VALUE

Innovation — it's what drives everything we do. Cree's leadership begins with innovative materials that provide high-efficiency performance for each lamp and luminaire found within our product portfolio. With over a quarter century of experience, Cree has a deep understanding of the science behind LED lighting and provides a complete collection of indoor and outdoor LED lighting solutions to match your application.

With a large installation base of our flagship LED troffers and our industry-leading LED roadway lighting fixtures installed around the globe, Cree has a solid reputation for delivering top-performing LED lighting.

Cree remains at the forefront today, dedicated to developing new LED solutions that improve both our customers' spaces and their bottom lines. As our product lines grow, we not only build on our history of innovation, we also extend our record of delivering superior value with beautiful, energy-efficient lighting.



The Cree Advantage

BETTER LIGHT CHANGES EVERYTHING

LED lighting – with its high quality, long life and low energy consumption – has improved our world and ended the century-old era of traditional light. But for Cree, this is just the beginning. Our foundation is built on the belief that LED technology will go beyond creating good light sources to deliver vastly improved and entirely new light experiences. At Cree, we call this ‘better light’ and we believe it’s our right.

BETTER LIGHT CAN CHANGE OUR WORLD

Better Light That Improves Our Environment

Better light makes everything look better, but it can also foster attentiveness. So kids can learn more at school. And better light can improve productivity, so we’d all get a little more done at work – all using less energy. Better light even makes us safer on the drive home. And more comfortable once we get there.



Better Light That is Intelligent by Design

But better light isn’t just better. It’s smarter too. Cree’s intelligent lighting solution automatically adapts to us and our environment for a more personalized experience. It knows when we’re there, and when we’re not. Everywhere we go, better light is a step ahead, making us more productive at work. Adjusting to sunlight to save money. Linking up, so fixtures work as a team with endless smart building applications to amplify productivity and savings. And that connected system? It’s live in minutes, not weeks.



LEARN MORE

Visit betterlight.cree.com to learn how Better Light is changing our world.

Better Light That is Open to Innovation

Cree embraces cooperation to get beyond the imagined possibilities of what light can do. Better light is true innovation. Capabilities and technology that fundamentally elevate the lighting experience.

Better light changes everything, and with Cree, everything’s about to change.



LIGHT A BETTER WAY





The Cree Advantage

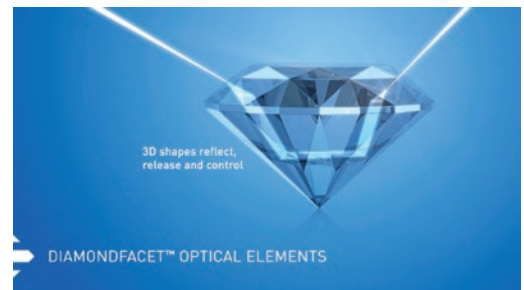
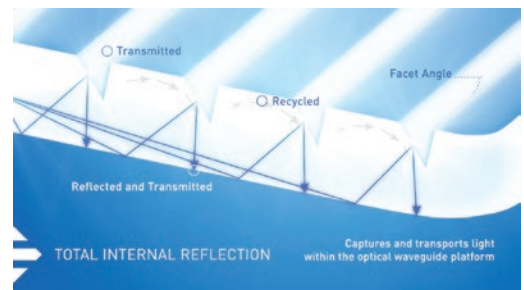
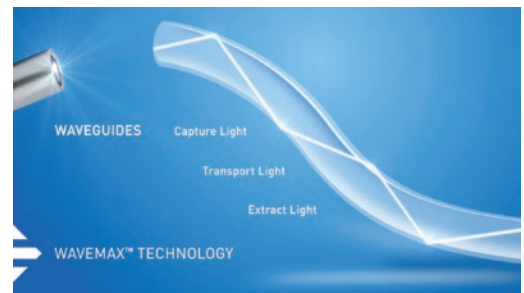
CREE WAVEMAX™ TECHNOLOGY

Cree WaveMax™ Technology is a breakthrough in the execution of waveguide technology that challenges industry-standard assumptions of how light is delivered. Featuring up to 90% optical efficiency and precise optical control, Cree WaveMax™ Technology enables customers to obtain unmatched visual comfort and improved color quality without sacrificing performance. This transformative technology redefines the limits of fixture design to optimize performance and provides more aesthetic options at an unmatched customer value.

Harnessing the Benefits of Total Internal Reflection

In developing WaveMax™ Technology, Cree engineers leveraged a property known as Total Internal Reflection that captures light within the internal geometry of the optical waveguide platform. To release and control the light, Cree engineers devised yet another innovation: DiamondFacet™ optical elements – unique microscopic features located within the optical waveguide platform that extract and deliver light with exceptional control, uniformity and efficiency.

Featuring Cree DiamondFacet™ optical elements to achieve up to 90 percent optical efficiency and precise optical control, Cree WaveMax Technology can deliver unmatched visual comfort, uniform illumination and improved color quality while enabling unprecedented design capabilities and energy-saving potential for modern LED luminaires. As a result, high-CRI (color rendering index) lighting and warmer color temperatures can be achieved without sacrificing efficacy while enhancing the ability to achieve USGBC LEED® certification.



WATCH THE VIDEO

Visit www.cree.com/wavemax to watch the video.

The Cree Advantage

CREE SMARTCAST® TECHNOLOGY

What if you could easily transform your existing facilities into energy-efficient spaces with automated intelligence to optimize light levels. With Cree SmartCast® Technology, we've totally redefined intelligent lighting by making it so intuitive and simple, it just works — for you and for everyone who experiences it.

Within each SmartCast® enabled luminaire, integrated sensors, cutting-edge electronics and software all work together using the language of light and intelligent algorithms to automatically learn and interact with each other and with your space. The result is a seamless application of scalable intelligent light strategies that can save you up to 70% in energy costs while delivering more comfortable, personalized lighting experiences.

And if you're ready to connect to the Internet of Things (IoT), SmartCast® Technology offers an open, scalable platform that works seamlessly with smart building applications to amplify savings and further optimize environments, delivering even more value. The best part: All of this is employed with OneButton™ Setup, enabling an entire building to be commissioned and connected at one time.

So Easy, the Building of the Future Can Be the One You're Already In.

Environmental Awareness and Control

Embedded sensors continually detect and share data on room occupancy and ambient light to fine-tune your environment and energy-saving strategies in real time.

Simple Set-Up and Commissioning

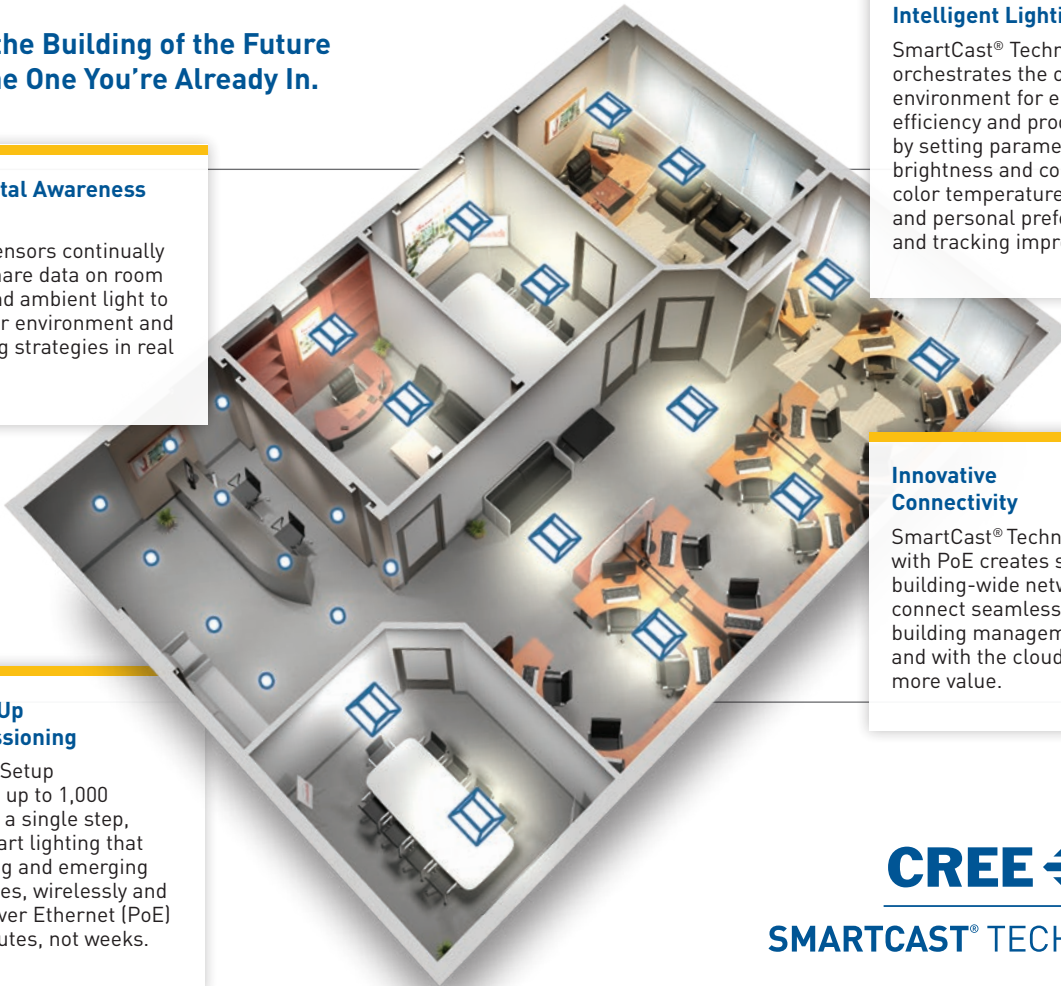
OneButton™ Setup commissions up to 1,000 luminaires in a single step, providing smart lighting that meets existing and emerging buildings codes, wirelessly and over Power over Ethernet (PoE) — live in minutes, not weeks.

A Platform for Intelligent Lighting

SmartCast® Technology orchestrates the optimal environment for energy efficiency and productivity by setting parameters for brightness and color, adjusting color temperatures to tasks and personal preferences, and tracking improvements.

Innovative Connectivity

SmartCast® Technology with PoE creates secure building-wide networks that connect seamlessly with other building management systems and with the cloud, for even more value.



SMARTCAST® TECHNOLOGY



VISIT THE MICROSITE
Go to lighting.cree.com/SmartCast to watch the video and learn more about Cree intelligent light solutions.

Comparison:
Fluorescent Lighting vs. Cree
TrueWhite® Technology LED Lighting



Before: Fluorescent Lighting

Like Halogen, But Better

The Spectral Power Distribution (SPD) curves shown here provide a great way to compare the color characteristics of Cree TrueWhite® Technology with traditional technologies. At each point across the visible color spectrum, the height of the SPD curve correlates with how accurately that color is rendered by the light source. The fuller, more continuous curve of Cree TrueWhite® Technology enables our LED luminaires to precisely render a much larger color set than CFLs. The similarities in the Cree TrueWhite® Technology and incandescent SPD curves also give our luminaires their signature halogen-like light, while still using a fraction of the energy of even CFLs.



After: Cree TrueWhite® Technology LED Lighting

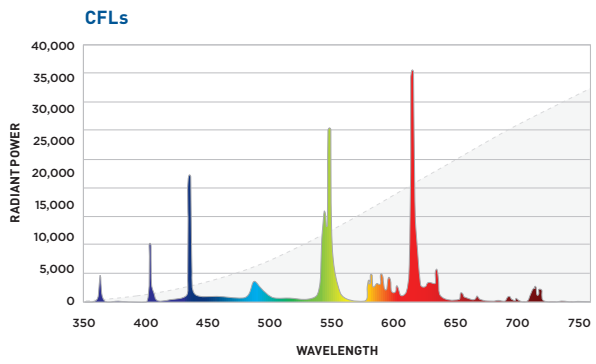
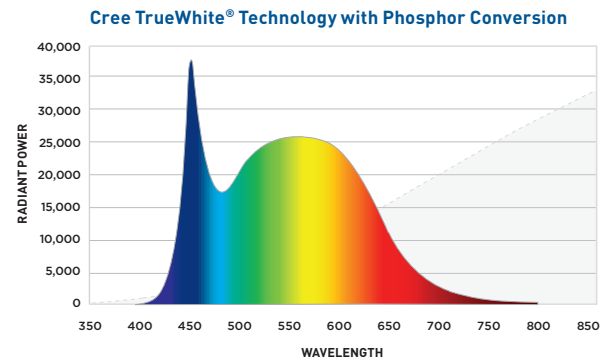
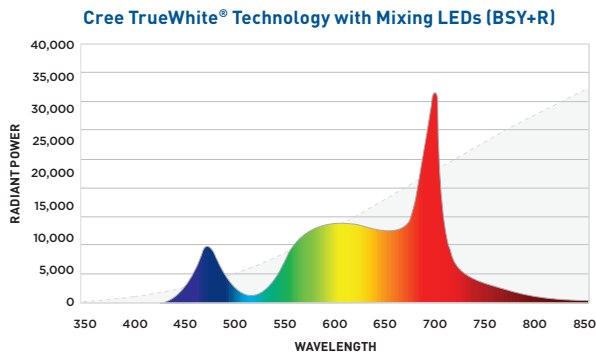
The Cree Advantage

CREE TRUEWHITE® TECHNOLOGY

Color is a critical element in every interior; it establishes the personality and tone of a space. It not only shapes our moods, it can influence our buying decisions and enhance our ability to learn and interact with others.

In these ways, the color rendering property of light plays a powerful role in creating spaces that appeal, inspire and inform. Fixtures powered by Cree TrueWhite® Technology use an exclusive combination of 90+ CRI, high R9 values, beautiful light characteristics and lifelong color consistency to render the true colors of everything from fresh fruit to school books, delivering value far beyond financial savings.

And unlike with other white LED technologies, the luminaire efficacy of Cree TrueWhite® products does not diminish at lower color temperatures or with higher CRI. This means our luminaires can provide warm white light with high color rendering, all with maximum luminaire efficacy – a true no-compromise solution.



The Cree Advantage

NANOOPTIC® TECHNOLOGY

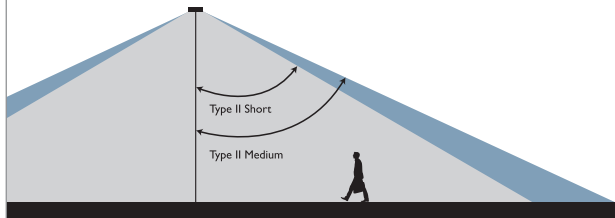
Over 20 Optic Choices for the Flexibility You Need

Traditional technologies offer limited choices when it comes to optical selections. Cree has changed this with our patented and highly-efficient NanoOptic® refractor technology. Our wide range of NanoOptic options provides new possibilities for highly-optimized target illumination performance and the flexibility needed for application-specific requirements. Our NanoOptic refractor system provides superior light control with:

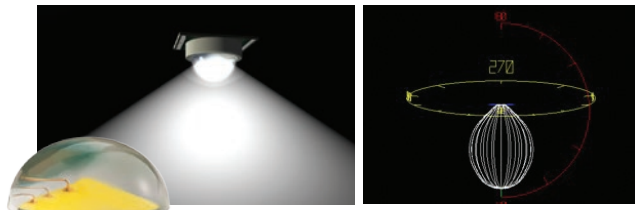
- More lumens delivered in the target area
- Improved uniformity ratios
- Controlled high angle brightness
- Multiple optical distribution patterns to choose from

NanoOptic® Technology Explained

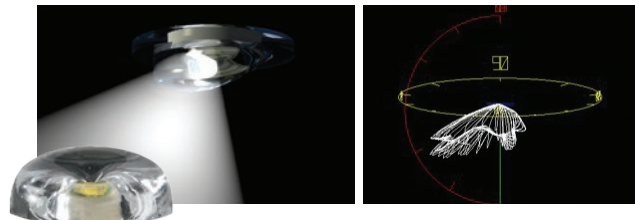
The illustration below represents the LED optical fine-tuning range that Cree outdoor luminaires can provide. The gray area shows Type II short optic coverage. The short optic can be utilized to comply with more stringent light spill and high angle brightness specifications or codes by incorporating a lower main beam. The wider blue area indicates the Type II Medium optic coverage. This optic incorporates a slightly higher main beam to allow for wider and more economical pole spacing.



Bare LED Package

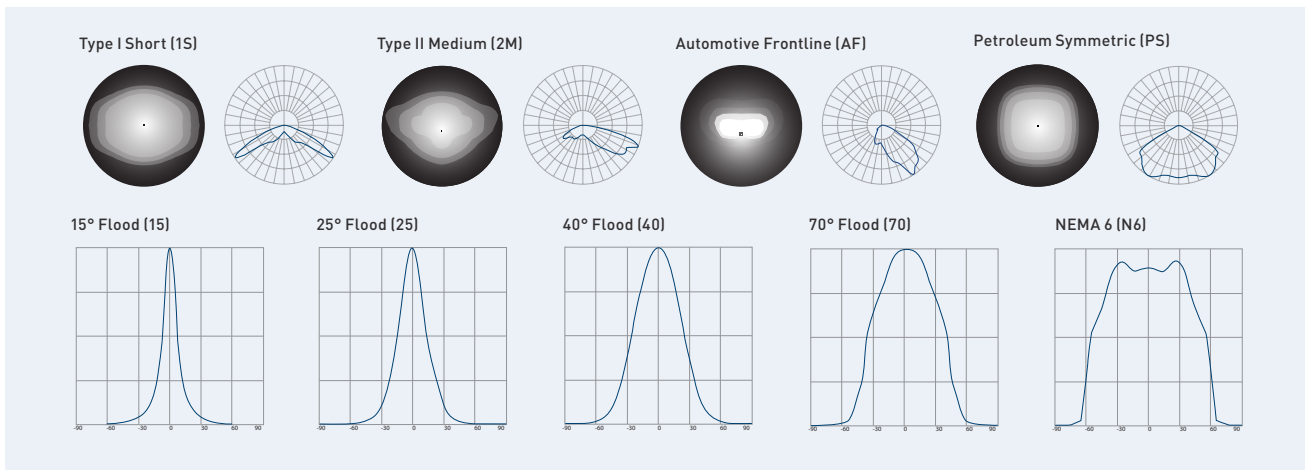


Cree® NanoOptic Refractor Control



NanoOptic Distribution Examples

Visit cree.com/lighting to see all available NanoOptic choices.



The Cree Advantage

COLORFAST DELTAGUARD® FINISH

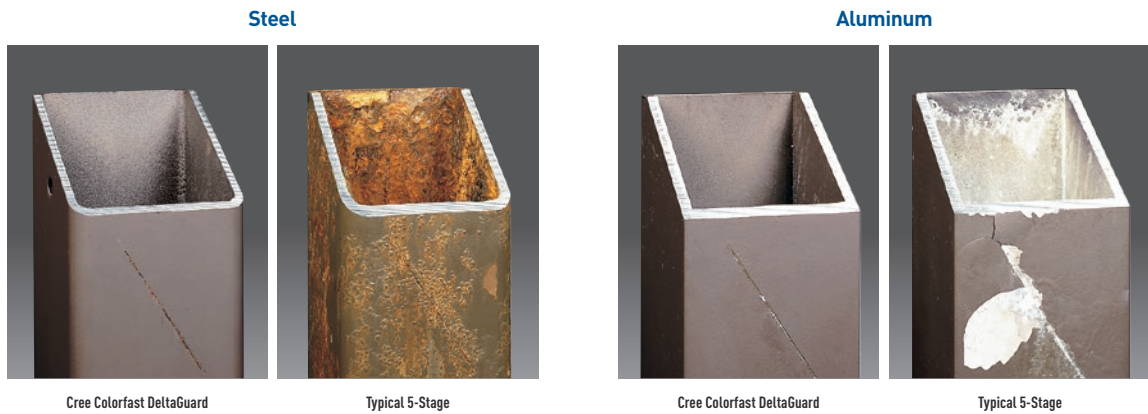
Premium Protection with Proven Results

Colorfast DeltaGuard® Finish is the finest industrial-grade finish available, is exclusive to Cree exterior products and poles, and carries an industry-leading 10-year limited warranty. Each product follows an immersion process that includes six cleaning stages, eight pre-treatment stages and an epoxy e-coat before the topcoat is applied. A baked-on ultra-durable powder topcoat is the last step to a truly outstanding finish that provides:

- Ultraviolet light resistance
- Hard surfacing
- Superior adhesion
- Corrosion resistance
- Fade protection
- Multiple finish options
- Endurance tested to withstand 5,000 hours of elevated ambient salt fog conditions (ASTM Standard B117)

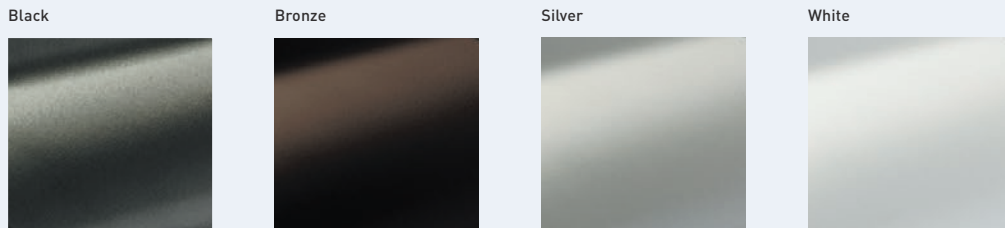
Proven Results - Salt Fog Test Results

The same 3mm thickness of powder topcoat was applied to each of these four pole section samples, which were then scored and exposed to a salt fog test for 2,500 hours. The results are clear – our Colorfast DeltaGuard finish stood up to the test, proving our ability to protect your investment even in the most grueling conditions.



Color Finish Options

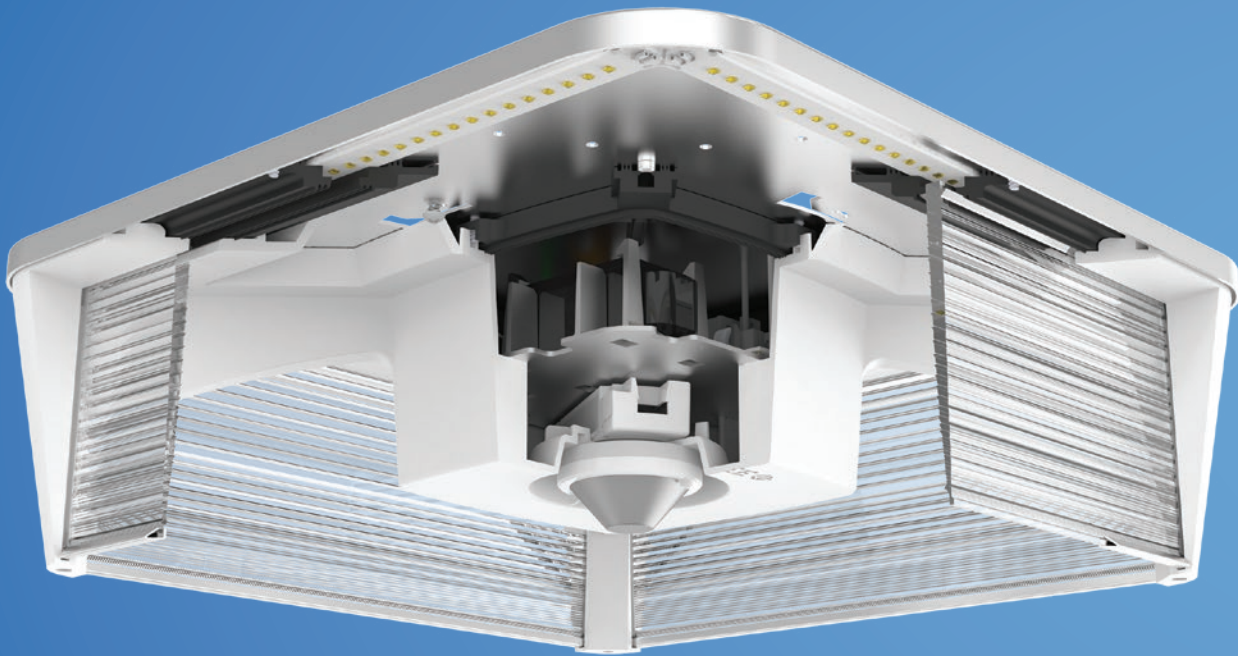
Colorfast DeltaGuard is available in four colorfast finishes providing design freedom on top of premium protection.



The Cree Way

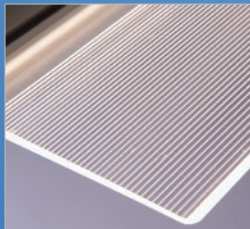
A TOTAL SYSTEMS APPROACH

Our total systems approach is a comprehensive engineering philosophy that combines the most advanced LED sources, driver technologies, optics and form into each product. The result is highly-reliable luminaire solutions for both indoor and outdoor that reduce energy consumption, extend lifetimes and maximize illumination performance and quality.



Advanced LED Technology

Inside every Cree® luminaire are top-quality Cree® LEDs, made from the finest materials and grown by experts in our very own labs. With over one billion hours of reliable LED operation logged, our proven track record explains why we offer the industry's broadest warranty.



Specialized Optics

From our patented NanoOptic® refractor system to our WaveMax™ optical design, Cree luminaires feature individually optimized optics designed for both visual appeal and precise control, maximizing photometric performance, aesthetics and color mixing all at once.

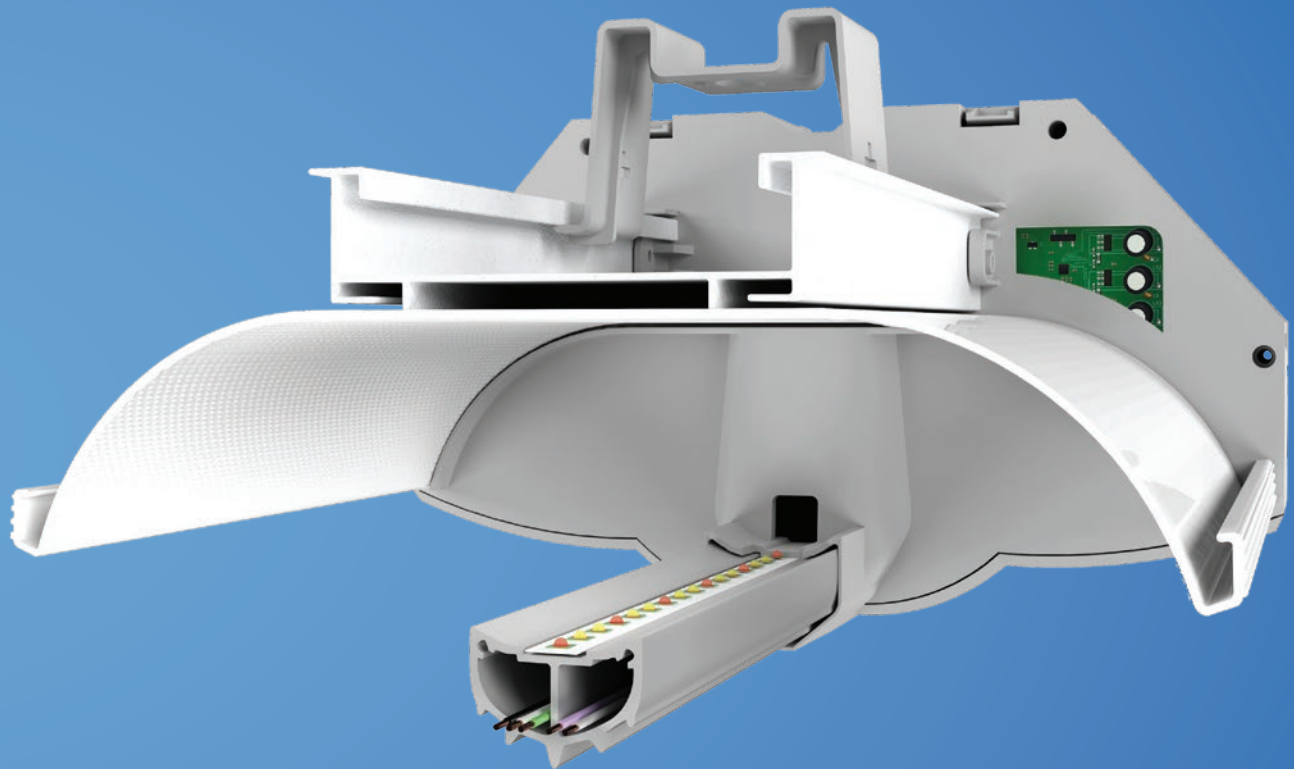


Modular Design

We do not take a one-size-fits-all approach. Rather, Cree strives to create application-specific solutions, such as our modular outdoor light engines, which can be fine-tuned to meet any illumination requirement while consuming the least amount of energy possible.

Progressive Product Development

As technology leaders, we are continuously advancing our state-of-the-art LED lighting systems to gain the highest efficiency and quality light from our luminaires. Dynamic R&D focuses on maximizing efficiency in every part of the luminaire, while Cree world-class engineering, highly experienced manufacturing teams and overall operational excellence combine to produce our distinctive top-performing LED lighting products.



Thermal Management

Excellent thermal management contributes to optimal illumination, reliability and longevity. From advanced heat sink technology to our vented outdoor housings, Cree® luminaires are designed to maximize cooling, making their unmatched performance and longevity possible.



Reliable & Optimized Drivers

The drivers utilized in Cree luminaires are extremely reliable and are specifically designed to our high-efficiency standards. A variety of drive current options provide flexibility, while our integrated sensors and controls can offer total system solutions.



Style & Performance

Cree luminaires incorporate all the critical design elements needed to deliver exceptional performance and easy installation, all without compromising style. Our modern yet low-profile designs and high quality finishes offer beautiful aesthetics to any application, indoors and out.

The Cree Advantage

BENEFITS AT EVERY TURN

Cree is the originator of today's LED lighting technology and is 100 percent committed to the continued advancement of solid state lighting. From growing our patented Silicon Carbide (SiC) materials, to developing the components, to manufacturing complete lighting systems, our entire portfolio benefits from Cree's unrelenting pursuit of developing the most advanced LED lighting available.



Proven Quality & Performance

A leading innovator of LED chips, components and lighting, Cree has over a quarter century of experience in LED lighting development. As a leading vertically-integrated LED lighting company, Cree is revolutionizing the lighting industry with the development of sustainable lighting technology that provides superior lighting performance.



Ultra-Efficient Lighting

Lighting accounts for approximately 20 percent of electricity use in both residential and commercial applications. Cree offers a complete line of indoor and outdoor LED lighting solutions that significantly reduce electricity consumption and operating costs for commercial and residential applications.



Lifetime Energy Savings

One of the main advantages of LED lighting is reduced power consumption. Cree® LED lamps and luminaires use just a fraction of the energy required to operate traditional lighting; as energy demands rise, the cost savings and carbon reduction from upgrading to LED lighting will continue to reduce operational costs.



Reduced Maintenance Costs

Maintenance cost savings is one of the major benefits realized when making the switch to LED lighting. Designed for extended life, Cree® LED lamps and luminaires will last much longer than conventional lighting, which equates to fewer replacements over time and less money spent on maintaining your lighting system.



Easy Installation & Upgrading

The products found in this catalog have all been designed with ease of installation in mind. From the standard Edison bases found on the lamps to the traditional mounting options available for our troffers and outdoor products, Cree® LED lamps and luminaires can work as a direct replacement or as a perfect fit for new lighting install opportunities.



Long-Term Financial Benefits

Cree offers some of the most energy-efficient and long-lasting LED lighting in the industry. This translates to financial savings through reduced operational costs and less money spent on maintenance due to extended product life. Depending on the application, the payback period for LED lighting typically ranges from one to three years.

Cree Quick Ship Program

AVAILABLE AND READY TO SHIP

The Cree Quick Ship Program is designed to help you receive your orders for our LED lighting products fast! When you need the highest quality LED lighting products, count on Cree Quick Ship to deliver items quickly.

Cree Quick Ship products are our most popular indoor and outdoor products ready to ship to you. No more waiting for these items to be built-to-order, as we target having them in-stock and ready to ship.

- Serve quick turn jobs and orders with products that are available to ship.
- Accelerate LED adoption by matching/beating incumbent technology availability.
- Increase your sales and create happy customers with fast shipping.

For more information on the Quick Ship program, including guidelines and rules, please visit:

lighting.cree.com/resources/quickship-program



Industry-Leading Limited Warranty

Cree offers a standard 10-year limited warranty that covers the broadest product range in the industry. This covers nearly all Cree globally available commercial-grade indoor and outdoor fixtures. We also offer an industry-leading standard 10-year limited warranty covering our Colorfast DeltaGuard® Finish on all outdoor fixtures and poles. To learn more about the products covered under our standard warranty, please visit:

lighting.cree.com/warranty

The Cree Advantage

FUNCTIONAL, SIMPLE, AFFORDABLE.

Since we believe that better light is a human right, it's only fair that we expand your choices for exceptional quality and lighting performance that meets the needs of your application while staying in line with project expectations. We've redefined what's considered to be the industry standard with the introduction of Essentia® by Cree — a new line of essential commercial lighting solutions. Now every selection is a smart investment. Very smart, because Essentia® by Cree delivers great performance with the assurance that it's backed by Cree. Now you can choose with confidence.

Empowered Choice

You don't have to sacrifice performance and function for affordability. Essentia® by Cree expands your choices for that essential mix—giving you more power to choose wisely and a greater ability to customize and control your ROI. Now every selection is a smart investment.



Enhanced Experiences

You don't have to settle for anything less than a better lighting experience, and you deserve options that you feel good about. Essentia® by Cree accepts the challenge and delivers LED solutions that improve visual comfort, color quality and efficiency.



Quality Confidence

Essentia® by Cree gives you the assurance of a highly reliable "Just Right" choice backed by a leader you trust. After all, no one understands the fundamentals of LED lighting like the company that invented LED. Now you can choose with confidence.



ESSENTIA[®]
by **CREE** 

Stay up to date with all things Essentia® by Cree — including product information by visiting: lighting.cree.com/Essentia-by-Cree



Round

Wall Wash

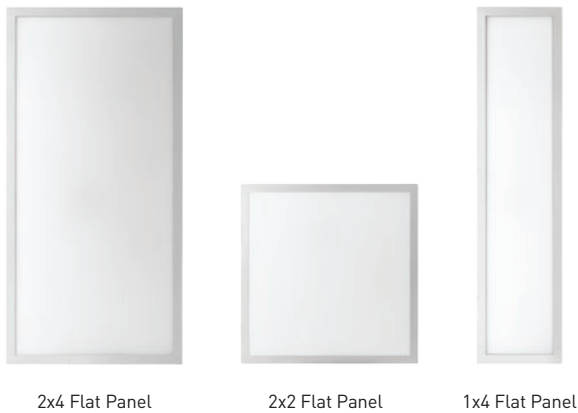
Adjustable

Downlights

Better Downlighting. Hands Down.

Essentia® by Cree downlights are engineered to provide outstanding performance at just the right return on investment. The comprehensive portfolio includes 4", 6" and 8" round downlights, adjustable downlights and wall wash downlights. Available in a variety of lumen packages and color temperatures, each downlight is rated 50,000 hours and features a premium reflector finish with a range of color trim options.

Applications: Corporate Office, Education, and Retail/Petroleum
Learn more on page 32



2x4 Flat Panel

2x2 Flat Panel

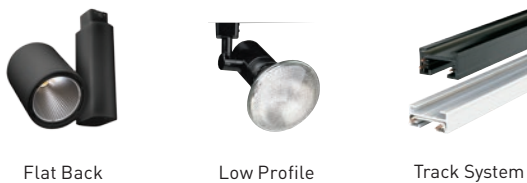
1x4 Flat Panel

Flat Panel

Flat-Out Better: Ultra-Thin, Edge-Lit Design

The Essentia® by Cree Flat Panel product family provides lighting customers with LED flat panel solutions for use in recessed and suspended commercial applications. The fully luminous flat panel design transforms any space into a modern, visually comfortable environment with soft, balanced light. The remarkably thin 2.8" depth of the Essentia® by Cree Flat Panel easily accommodates narrow plenums, or can be suspended for a more stylish look. Available in 2'x4', 2'x2' and 1'x4' configurations and delivers up to 5000 lumens of highly efficacious 100 LPW with superior 90 CRI color quality. The enhanced optics enable the Flat Panel to meet low glare requirements, delivering an improved customer experience by reducing lighting fatigue.

Applications: Corporate Office, Education, Healthcare, and Retail/Petroleum
Learn more on page 50



Flat Back

Low Profile

Track System

Track

On Track For Better Light Experiences

The Essentia® by Cree Track portfolio delivers better lighting experiences with a complete line of products backed by Cree — putting an end to concerns over quality and reliability in commercial track lighting. Build a complete track lighting solution with our one- or two-circuit track, LED integrated heads, lampholders and/or accessories for maximum design flexibility. Precision-engineered optics result in beautiful beam spreads while smooth light eliminates fringing, hot spots and discoloration. Easily upgrade legacy track heads with Essentia® by Cree lampholders and compatible Cree LED bulbs or LED integrated solutions for optimum results.

Applications: Corporate Office, Restaurants, Hospitality, and Retail/Petroleum
Learn more on pages 100-105

INDOOR LED PRODUCTS

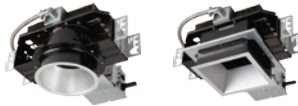
Cree is committed to delivering the best solutions on the market, inspired by the needs of our customers and perfected by the knowledge and expertise of our engineers. We recognize the importance of beautiful energy-efficient lighting and aspire to improve every business with uncompromising performance and payback.

LED NEW CONSTRUCTION DOWNLIGHTS

KR Series
KR8™ / KR6™ / KR4™ p.26



ESA Series
Recessed Round / Recessed Square p.28



ESA Series
Surface Cylinder p.30



LED NEW CONSTRUCTION DOWNLIGHTS

Essentia® by Cree Downlights E
Round / Wall Wash / Adjustable p.32



LED RETROFIT DOWNLIGHTS

DR Series
DR6™ / DR4™ p.36



LR Series
LR6™ / LE6™ p.38



CR Series
CR6™ / CR4™ p.40



LED TROFFERS

LR Series
LR22™ p.44



ZR Series
ZR24™ / ZR14™ / ZR24™ p.46



CR Series Troffers IoT
CR24™ / CR14™ / CR22™ p.48



Essentia® by Cree Flat Panel E
FP24 / FP14 / FP22 p.50



LED UPGRADE SOLUTIONS

UR Series Upgrade Kit
UR2-48™ / UR2-24™ p.54



LED SUSPENDED AMBIENT

LN Series
LN4™ p.58



CS Series Linear
CS18™ / CS14™ p.60



LED SURFACE AMBIENT

LS Series
LS4 / LS8 p.64



WS Series
WS4™ p.66



LED HIGH-BAY/LOW-BAY

CXB Series
CXB p.70



Cree Edge™ Series High Output
Cree Edge™ HO High Bay p.72



304 Series™
304 Series™ Interior p.74



Cree Edge™ Series
Cree Edge™ Interior Round p.76



LED LAMPS & ACCENTS

LBR Series
LBR-30™ p.80



LRP-10L Series
LRP38-10L-12D / LRP38-10L-25D p.82



MR16 Series
MR16 p.84



A19 Series
A19 p.86



A21 Series
A21 p.88



A21 3-Way Series
A21 p.90



BR Series
BR30 p.92



LED LAMPS & ACCENTS TRACK LIGHTING

PAR38 Series
PAR38 p.94



PAR38 Series
PAR38 p.96



Essentia® by Cree ^E
LED Track Heads p.100



Essentia® by Cree ^E
Lamp Holders p.102



Essentia® by Cree ^E
Track & Accessories p.104



INTELLIGENT LIGHTING SOLUTIONS

Cree SmartCast® Technology p.108-111

Lutron EcoSystem® Enabled p.112



= Internet of Things

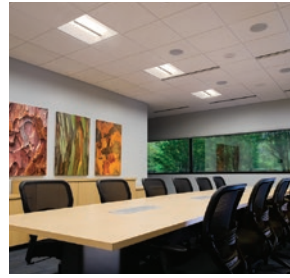
INDOOR APPLICATIONS

As consumer expectations evolve, so should the environment and experiences we offer. Cree helps businesses overcome the challenges of an ever more demanding marketplace with a broad set of world-class LED fixtures that offer uncompromising performance, style and affordability.



Architectural

Cree® interior architectural lighting is both crisp and warm. With 90+ CRI and superior color rendering, your space appears vibrant, comfortable, clean and inviting.



Corporate Campus

For corporations planning newly-constructed or renovated campuses, Cree is the lighting product of choice for up to 80 percent energy cost savings and contributions toward LEED credits from the U.S. Green Building Council.



Healthcare

With healthcare ranking as the second largest energy consumer in the U.S., energy cost-saving technology like Cree's efficient LED luminaires is essential to achieve Department of Energy initiatives.



High-Bay/Low-Bay

Cree® interior high-bay lighting is the ideal source for energy-efficient illumination in large spaces and provides improved, lasting performance in cold storage facilities.



Museum & Amusement

Enhance the illumination of your exhibits and all of your guest spaces with soft accents or dramatic highlights. Significantly reduce the need for lighting maintenance and associated labor costs.



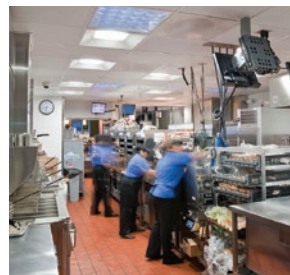
Convenience Store

Petroleum stations are attracting customers with improved Cree lighting that creates a safe environment with dramatically better visibility and the added benefit of tremendous energy cost savings.



Residential

Create a comfortable, inviting experience in your home with beautiful LED lighting — better quality light and better for the environment. With normal home usage, LED lighting typically lasts more than 20 years and uses significantly less power than traditional lighting.



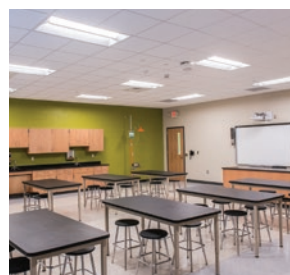
Restaurant & Hospitality

Cree® luminaires are the ideal solution for multiple-location franchise installations because they offer the versatility of optical selections and upgradable modular LED lightbars to meet different lighting ordinances.



Retail & Grocery

From a safe and inviting parking area to an appealing sales floor to a well-lit warehouse, Cree offers a complete line of LED luminaires that will enhance the atmosphere throughout your entire store.



School & University

The U.S. Green Building Council sees school construction and renovation as a sector that has potential for tremendous energy cost savings by implementing environmental solutions. Schools and universities looking for sustainable lighting alternatives are selecting Cree.

LED NEW CONSTRUCTION DOWNLIGHTS

Cree® LED new construction downlights allow designers to meet interior lighting performance specifications while achieving beautiful color consistency. With Cree's wide range of LED lighting options, commercial and high-end spaces can achieve bright beautiful light and significant energy cost savings — a true no-compromise solution.



KR Series

p.26



- Minimum 90 CRI
- CCT: 2700K, 3000K, 3500K, 4000K or 5000K
- Up to 8000 lumens
- Utilizes Cree TrueWhite® Technology
- Utilizes Cree WaveMax™ Technology
- 5% Triac Dimming, 10% 0/1-10V Dimming, 1% 0/1-10V Dimming (KR8)
- 4", 6" and 8" sizes
- Cree SmartCast® Technology, Triac and 0-10V available

ESA Series Recessed

p.28



- Minimum 80 CRI
- CCT: 2700K, 3000K, 3500K or 4000K
- NanoOptic® Technology for precise optical control
- 0-10V dimming
- Available as downlight, adjustable and lensed wall wash

ESA Series Surface Cylinder

p.30

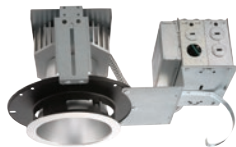


- Minimum 80 CRI
- CCT: 2700K, 3000K, 3500K or 4000K
- NanoOptic® Technology for precise optical control
- 0-10V dimming
- Multiple light distributions available

ESSENTIA®
by CREE ⇄

Essentia® by Cree Downlights

p.32



- Minimum 90 CRI
- CCT: 2700K, 3000K, 3500K or 4000K
- Up to 6790 delivered lumens
- 1% 0/1-10V Dimming
- Available in downlights, wall washers and adjustable accents
- 4", 6" and 8" round apertures
- Multiple light distributions available

KR Series Downlights



EXCEPTIONAL LIGHT QUALITY, CONSISTENT PERFORMANCE AND UNBEATABLE VERSATILITY.

The KR Series utilizes Cree TrueWhite® Technology to deliver beautiful, high-quality light with superior efficacy. With round and square trim options, multiple lumen packages, a variety of color temperatures, out-of-the-box dimming options including 0/10V, Triac and Cree SmartCast® Technology, the KR Series 4-inch and 6-inch downlights are ideal for any new construction downlight application.

In addition to Cree TrueWhite® Technology, the KR Series 8-inch downlight features Cree WaveMax™ Technology with a dual-optic lens design that optimizes how light flows through the waveguide and is dispersed — offering very efficient light control. Delivering up to 8000 lumens and offering a variety of color temperatures, the KR8™ downlight is ideal for new construction applications with high ceilings.

BENEFITS

- Up to 30 percent more efficient than CFL
- Cost-effective from day one
- Reduced maintenance cycles
- High color quality

FEATURES

- 4", 6" and 8" apertures
- Efficacy up to 77 LPW
- Utilizes Cree TrueWhite® Technology
- Utilizes Cree WaveMax™ Technology
- Standard 10-year limited warranty
- 50,000-hour rated life
- 10% Cree SmartCast® Technology, 5% Triac, 10% 0/1-10V dimming options, or 1% 0/1-10V dimming for KR8™ downlight
- Emergency battery backup

APPLICATIONS

- Airports, interior architectural, corporate campus, municipal, museum & amusement, restaurant & hospitality, retail & grocery

KR4™ Round



KR6™ Round



KR8™ Round



KR4™ Square



KR6™ Square



KR Series Downlights

KR Series 4" & 6" Downlights

Example: KR4-9L-27K-120V + KR4T-SSGC-FF

SERIES	SIZE	REFLECTOR	LUMEN OUTPUT	CCT	VOLTAGE	CONTROLS	EMERGENCY
KR	4 - 4" Housing 6 - 6" Housing	Blank Round S Square	9L - up to 683 Delivered Lumens	27K - 2700K	Blank - 120 Volts 277V - 277 Volts	120V Triac Dimming 10V 0/1-10V Dimming	EB7
			13L - up to 1060 Delivered Lumens	30K - 3000K			
			20L - up to 1664 Delivered Lumens	35K - 3500K			
			30L - up to 2545 Delivered Lumens	40K - 4000K			
			40L - up to 3337 Delivered Lumens	50K - 5000K			
			60L - up to 5265 Delivered Lumens				

REFLECTOR	REFLECTOR FINISH	FLANGE FINISH	OPTIONS
KR4T KR6T	SSGC - Soft Satin Glow Clear	FF - Matching WF - White Paint	WW - Wall Wash**

Ordering information is for reference only. Some product configurations are not available. Please consult spec sheets for specific product availability and for further details.
**WW available in KR6 only.

KR Series 8" Downlight

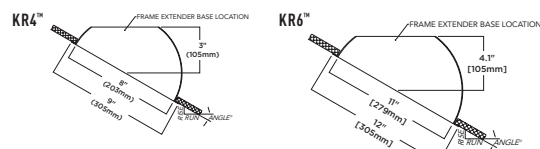

Example: KR8-60L-10V-FR + KR8-00L-15D-30K-SSGC-FF

SERIES	INITIAL DELIVERED LUMENS	OPTIC	CCT	REFLECTOR FINISH	FLANGE FINISH
KR8	00L - 8" Housing	15D - 15° Beam Angle	30K - 3000K	SSGC - Soft Satin Glow, Clear	FF - Matching WF - White Paint
		25D - 25° Beam Angle	35K - 3500K		
		40D - 40° Beam Angle	40K - 4000K		

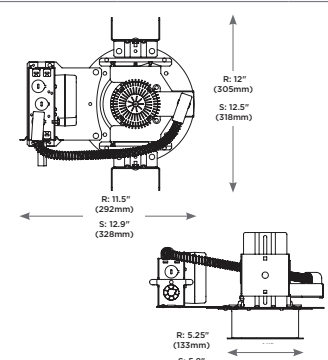
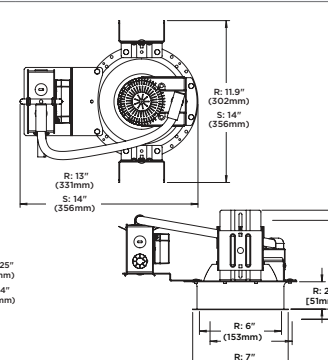
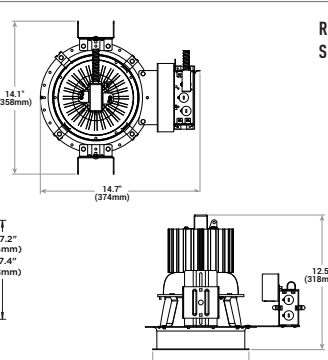
SERIES	SIZE	REFLECTOR	LUMEN OUTPUT	VOLTAGE	CONTROLS	FRAME
KR	8 - 8" Housing	Blank Round	60L - up to 6000 Delivered Lumens 80L - up to 8000 Delivered Lumens	Blank - Universal 120-277V	10V 0/1-10V Dimming	FR

*Initial delivered lumens at 25°C (77°F). Actual production yield may vary between -10 and +10% of initial delivered lumens NOTE: Price adder may apply depending on configuration

Accessory Information

FIELD INSTALLED	SLOPED CEILING ADAPTOR	REFLECTOR OPTIONS
<p>C-Channel Hanger Bars RBH30C - Pair of 30" (762mm) rigid 3/4" x 1/2" (19mm x 13mm) C-Channel bars RBH24C-1 - Pair of 24" (610mm) x 1-1/2" (38mm) x 1/2" (13mm) standard C-Channel bars</p> <p>T-Bar Clips RARC7 - Set of four - For use with RBH24C-1 hanger bars</p>	<p>Replace "XX" with an angle, in 5-degree increments between 5 and 35 (example "05" or "35").</p> 	 <p>SSGC Soft Satin Glow Clear</p>

Dimensions

KR4" DOWNLIGHT	KR6" DOWNLIGHT	KR8" DOWNLIGHT
		
<p>R: Round S: Square</p>		
<p>*EB7 model not shown, reference spec sheet for details.</p>		

You May Also Be Interested In:



KR SERIES DOWNLIGHTS
Commercial-Upgrade Downlight Solutions



LS SERIES
Commercial-Grade Linear Solutions



CR SERIES TROFFERS
High-Efficiency, Affordable Troffers

ESA Series Recessed Downlights



A COMPLETE RANGE OF PRODUCTS TO FILL THE DESIGN REQUIREMENTS OF TODAY'S COMMERCIAL SPACES AND HIGH-CEILING APPLICATIONS.

A wide product offering of ESA recessed downlight, adjustable and wall-wash luminaires fills architectural design requirements. Impressive lumen packages beyond 5,000 initial lumens delivered allow designers to meet strict interior lighting performance specifications with a complete LED solution. Achieve beautiful color consistency in any space when you choose the ESA Series luminaires.

BENEFITS

- Greatly reduced maintenance cycles
- Reduce energy consumption by up to 50 percent
- Precise optical control
- Tight color consistency

FEATURES

- Unbeatable LED lumen package
- Replaceable light source
- Upgradable optics
- Multiple color temperatures
- Narrow, medium and wide distribution patterns
- Standard 0 to 10 volt dimming control
- 4-, 6- and 8-inch square and round apertures
- 45° cut-off
- 50,000-hour rated life

APPLICATIONS

- Interior architectural, healthcare, municipal, restaurant & hospitality, retail & grocery, school & university, government



ESA Series Round



ESA Series Square

ESA Series Recessed Downlights

Ordering Information

Example: ESA-ADR-8-28-D-LWW-SSGC-FF-120-525-35K

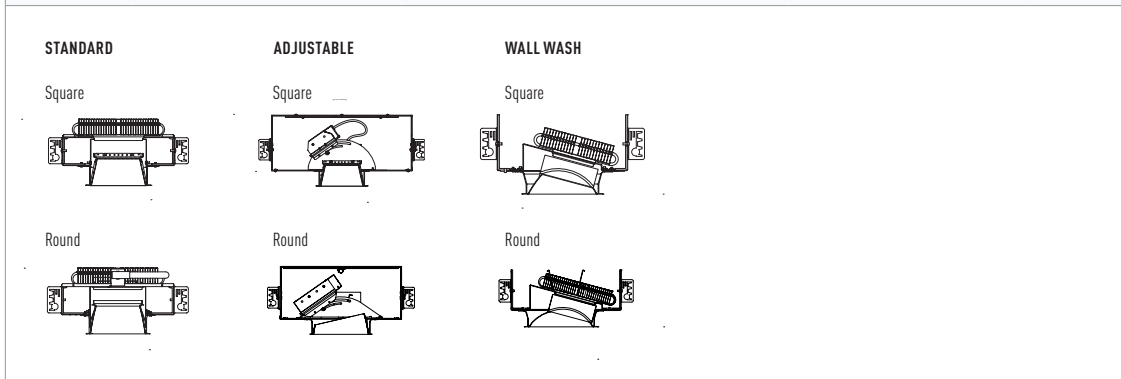
FAMILY	PRODUCT	APERTURE	LED COUNT	LED SERIES	OPTIC	REFLECTOR FINISH	FLANGE FINISH	VOLTAGE	DRIVE CURRENT	OPTIONS
ESA	ADS ADR	4	14	D	NDADJ	SSGC	FF	120	525	27K
		6	28		NSADJ	SSGGR	WF	277		30K
		8	42		NPADJ	SSGBR	XF	35K		
			56		LWW	SSGCG	43K			
			WD		SSGPE	DH				
			MD		SSGWH	FS				
			ND		SSGB	MC				
			W		ES					
			SCA							
			WL							
LM										
TR										

*Ordering information is for reference only. Some product configurations are not available. Please consult spec sheets for specific product availability and for further details.

Reflector Options



OPTIONS

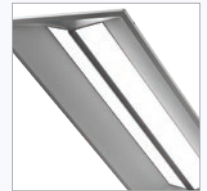


*For example purposes only.

You May Also Be Interested In:



ESA SERIES SURFACE CYLINDER
Architectural Downlighting Solutions



CR SERIES TROFFERS
High-Efficiency, Affordable Troffers



OL SERIES™ LINEAR
Commercial Linear Solutions

ESA Series Surface Cylinder



ESA Surface Cylinder



STYLISH SURFACE CYLINDER LUMINAIRE THAT PROVIDES COLOR POINT STABILITY AND DESIGN INTEGRITY THROUGHOUT THE LIFE OF THE APPLICATION.

Interior architectural design options now include a stylish surface cylinder luminaire with the high performance and light blending flexibility that only an LED solution can provide.

The stylish cylinder luminaires feature 45-degree visual cut-off to the source. A state-of-the-art flow-through design includes an integrated heat sink for superior thermal management to optimize lumen maintenance and reliability of the luminaire.

BENEFITS

- Greatly reduced maintenance cycles
- Reduce energy consumption by up to 50 percent
- Precise optical control
- Tight color consistency

FEATURES

- Surface, pendant, cable or wall-mount options
- Variety of LED counts: 28, 42 and 56
- Wide selection of optic distributions: wide, medium, narrow and narrow spot
- Standard color temperatures: 2700K, 3000K, 3500K, 4000K
- Multiple housing colors: black, bronze, Carmaro silver, white
- Optional Lutron Hi-Lume® dimming, fusing and lens media

APPLICATIONS

- Interior architectural, healthcare, municipal, restaurant & hospitality, retail & grocery, school & university, government

ESA Series Surface Cylinder

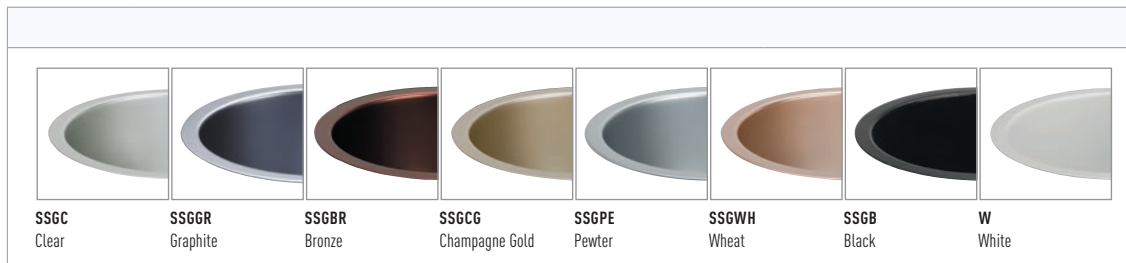
Ordering Information

Example: ESA-C10-ND-S-28-D-U-BK-SSGC-525-27K

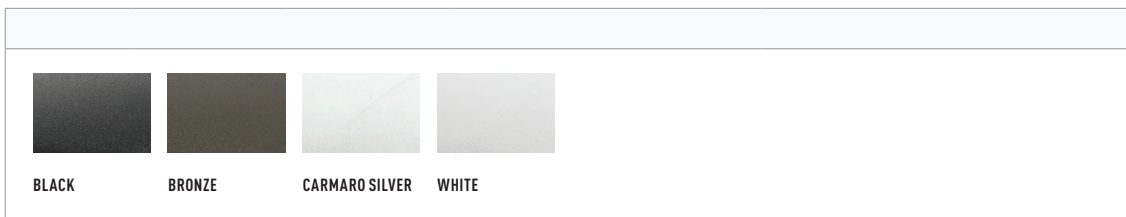
FAMILY	PRODUCT	OPTIC	MOUNTING	LED COUNT	SERIES	VOLTAGE	COLOR	REFLECTOR FINISH	DRIVE CURRENT	OPTIONS				
ESA	C10 10" Cylinder	ND	S	28	D	U	BK	SSGC	525	27K				
		Narrow	Surface	42							120V to 277V	Black	Clear	2700K
		NS	P	56							Bronze	SSGGR	30K	
		Narrow	Pendant								CS	SSGBR	3000K	
		Spot	SW								Carmaro	SSGCG	40K	
		MD	Wall Bracket								Silver	SSGGE	4000K	
		Medium	HP								Champagne Gold	SSGWH	DH	
		WD	Hangstraight Pendant								Pewter	SSGWB	Hi-Lume	
		Wide	AC1								Wheat	SSGB	Dimming (28 and 42 LEDs only)	
			AC2								Black	W	FS	
			AC3								White		Fusing	
											15' Aircraft Cable			LM
						Lens Media								

*Ordering information is for reference only. Some product configurations are not available. Please consult spec sheets for specific product availability and for further details.

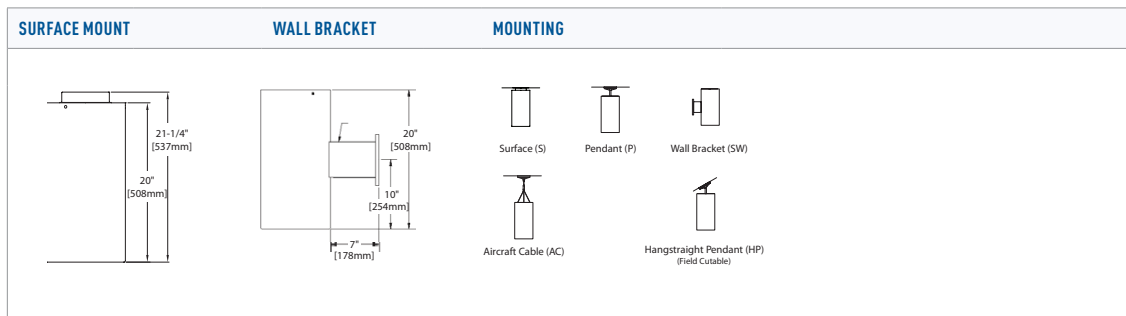
Reflector Options



Finish Colors



Mounting Options



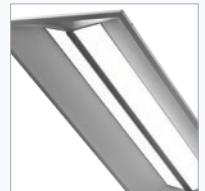
You May Also Be Interested In:



ESA SERIES DOWNLIGHTS
Architectural Downlighting Solutions



CS SERIES LINEAR
Commercial Linear Solutions



CR SERIES TROFFERS
High-Efficiency, Affordable Troffers

Essentia® by Cree Downlights



BETTER DOWNLIGHTING. HANDS DOWN.

Essentia® by Cree downlights are engineered to provide outstanding value and performance. The comprehensive portfolio includes 4", 6" and 8" round downlights, adjustable downlights and wall wash downlights. Available in a variety of lumen packages and color temperatures, each downlight is rated for a 50,000 hour L70 life and features a premium semi-specular reflector finish with a range of color trim options.

BENEFITS

- Designed to complement other Cree products
- Downlights and adjustables are available in narrow, medium, and wide optics for further application versatility
- 50,000 hour rated L70 life

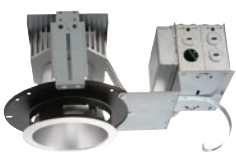
FEATURES

- 4", 6" and 8" round, wall wash and adjustable downlights
- Input Power: 11-84 watts
- CCT: 2700K, 3000K, 3500K, and 4000K
- CRI: 90
- Controls: 0/1-10V dimming down to 1% and Triac dimming down to 10%
- Beam Angles: Narrow, Medium and Wide

APPLICATIONS

- Commercial office, retail, education

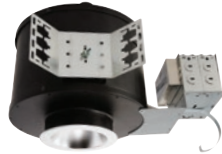
Round



Wall Wash



Adjustable



Essentia® by Cree Downlights

Housing (Trim must be ordered separately)

Housing: S-DL6-11L-27K + Trim: S-DL6T-N-SSC

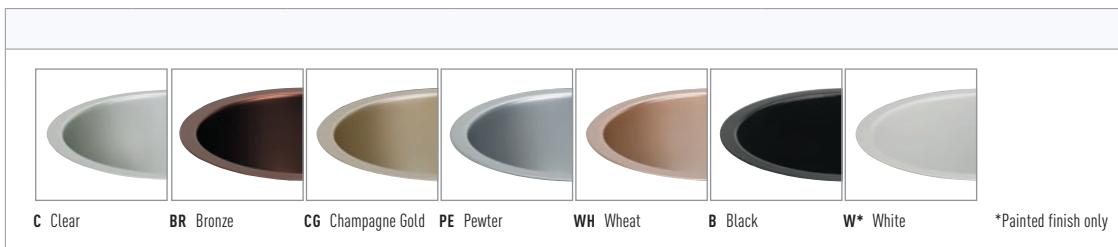
PRODUCT	SIZE	INITIAL DELIVERED LUMENS*	CCT	VOLTAGE	CONTROLS
S-DL Essentia® by Cree Downlight	4	11L Up to 1,030 Delivered Lumens	27K - 2700K	Blank Universal 120-277 Volt	Blank 0/1-10V and Triac Dimming
	4"	15L Up to 1,210 Delivered Lumens	30K - 3000K		
	6	24L Up to 1,920 Delivered Lumens	35K - 3500K		
	6"	34L Up to 2,880 Delivered Lumens	40K - 4000K		
	8	42L Up to 3,560 Delivered Lumens			
	8"	50L Up to 4,180 Delivered Lumens			
		63L Up to 5,120 Delivered Lumens			
		75L Up to 6,300 Delivered Lumens			
	84L Up to 6,790 Delivered Lumens				

Trim (Housing must be ordered separately)

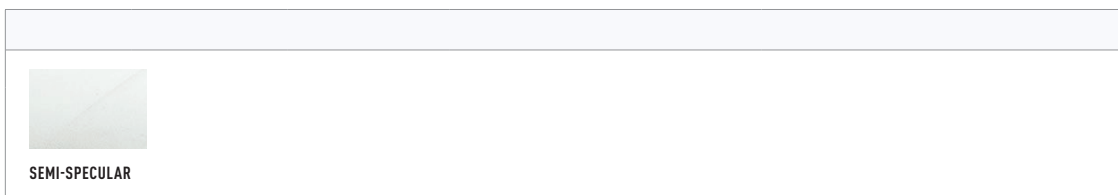
PRODUCT	TYPE	BEAM	FINISH	REFLECTOR COLOR	FLANGE COLOR
S-DL4T	Blank Round	N Narrow	SS Semi-Specular	C Clear	Blank Matching Flange
S-DL6T	A Adjustable	M Medium	P Painted (For White Color)	CG Champagne Gold	WF*** White Flange
S-DL8T	WW Wall Wash	W Wide		W** White	
				B Black	
				BR Bronze	
				PE Pewter	
				WH Wheat	

*Ordering information is for reference only. Some product configurations are not available. Please consult spec sheets for specific product availability and for further details.

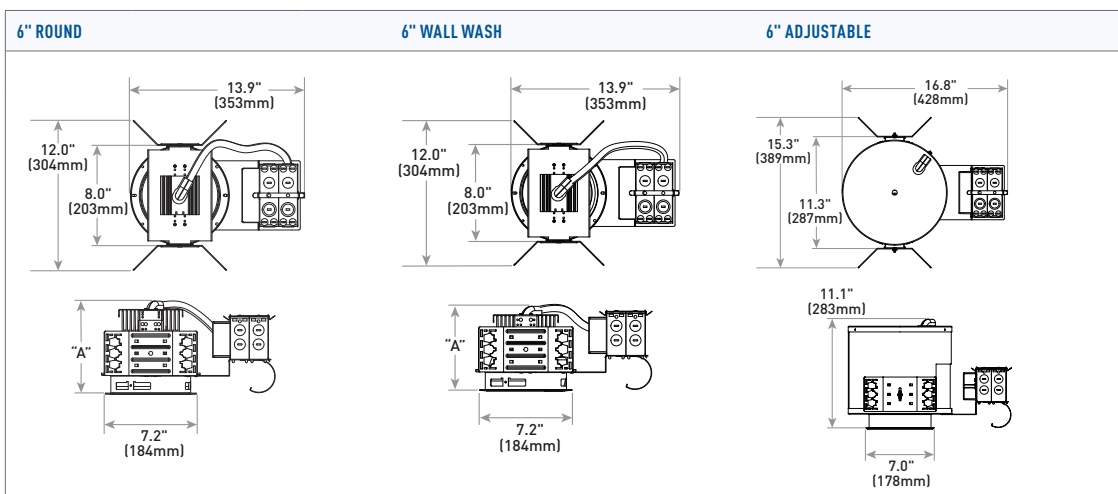
Reflector Options



Finish Colors



Dimensions



You May Also Be Interested In:



ESA SERIES DOWNLIGHTS
Architectural Downlighting Solutions



CS SERIES LINEAR
Commercial Linear Solutions



CR SERIES TROFFERS
High-Efficiency, Affordable Troffers

LED RETROFIT DOWNLIGHTS

Cree® downlights blend beauty and performance with the same superior light quality as traditional fixtures but at a fraction of the energy used. With a wide variety of configurations, Cree downlights are ideal for all recessed lighting applications — from new construction to retrofit and commercial to residential settings.





DR Series (DR4™ / DR6™)

p. 36

- Minimum 90 CRI
- CCT: 2700K or 5000K
- 575 or 625 lumens
- Utilizes Cree TrueWhite® Technology
- 4" and 6" sizes
- Dimmable to 5%



LR Series

p. 38

- Minimum 90 CRI
- CCT: 2700K, 3500K or 4000K
- 650, 1050 or 1800 lumens
- Utilizes Cree TrueWhite® Technology
- Deep recess options
- Dimmable to 5%



CR Series (CR4™ / CR6™)

p. 40

- Minimum 90 CRI
 - CCT: 2700K, 3000K, 3500K or 4000K
 - 575, 625 or 800 lumens
 - Utilizes Cree TrueWhite® Technology
 - 4" and 6" sizes
 - Dimmable to 5%
-

DR Series Downlights - DR4™ / DR6™



A REMARKABLE COMBINATION OF PRICE AND PERFORMANCE.

Built with Cree TrueWhite® Technology, the DR4™ and DR6™ retrofit downlights consume up to 81% less energy than traditional incandescent and halogen sources while achieving better color quality with a CRI of 90+. Dimmable to 5% with widely available traditional dimmers and ENERGY STAR® qualified, this product is ideal for use in both residential and light-commercial new construction and retrofit applications.

BENEFITS

- Instant on to full brightness and dimmable to 5%
- Exceptional light quality
- Easy installation
- Greater than 80% instant energy savings when replacing traditional incandescent sources.

FEATURES

- 575 or 625 lumens
- CCT: 2700K or 5000K
- Utilizes Cree TrueWhite® Technology
- Designed to last 35,000 hours
- 5 year limited warranty

APPLICATIONS

- New construction or upgrade for residential and commercial lighting

DR6™



DR4™



DR Series Downlights - DR4™ / DR6™

Ordering Information

Example: LR6C-DR-1000-277V

ORDERING NUMBER	UNIT UPC (MOQ* = 4 UNITS)	MASTER CARTON UPC	DOWNLIGHTS PER MASTER CARTON*	PALLET QTY	CRI	LUMENS	RATED LIFE (HRS)
DRDL4-05727009-12DE26-1C100	810048029969	10810048029966	4	120	90+	575	35,000

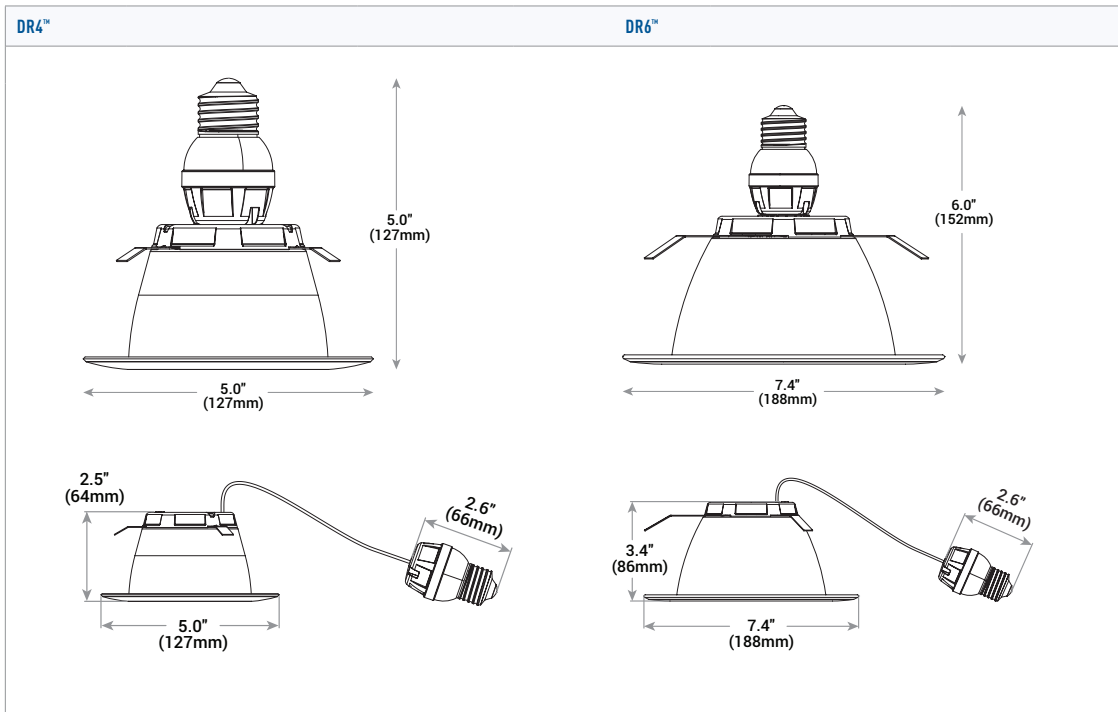
*Ordering information is for reference only.

Ordering Information

Example: DRDL6-06227009-12DE26-1C100

ORDERING NUMBER	UNIT UPC (MOQ* = 4 UNITS)	MASTER CARTON UPC	DOWNLIGHTS PER MASTER CARTON*	PALLET QTY	CRI	LUMENS	RATED LIFE (HRS)
DRDL6-06227009-12DE26-1C100	810048029952	10810048029959	4	50	90+	625	35,000

Dimensions



Accessory Information

HOUSING - EDISON BASE

New Construction
RC4
RC6

Retrofit
RC4
RR6

CFL Pan Conversion Kit
C6

You May Also Be Interested In:



CR SERIES DOWNLIGHTS
Commercial-Grade Downlight
Upgrade Solutions



LR SERIES DOWNLIGHTS
Commercial-Grade Downlight
Upgrade Solutions



CR SERIES TROFFERS
High-Efficiency, Affordable Troffers

LR Series Downlights



LR6™



UPGRADE YOUR SPACE WITH INDUSTRY-LEADING EFFICACY AND EXCEPTIONAL LIGHT QUALITY, BUILT UPON A PROVEN LED LIGHTING PLATFORM.

The LR6™ downlight delivers up to 1800 lumens of exceptional 90+ CRI light while achieving efficacy of 100 lumens per watt. This breakthrough performance is achieved by combining the high efficacy and high-quality light of Cree TrueWhite® Technology, allowing incandescent light to be replaced using 89% less energy. Available in a warm or neutral color temperature with a variety of snap-in reflector options, the LR6™ fixture is designed to easily retrofit into new or existing 6" housings, for commercial or residential use.

BENEFITS

- Up to 89 percent more efficient than incandescent
- Reduced maintenance cycles
- High color quality
- Fits in existing 6" housings

FEATURES

- Efficacy up to 100 LPW
- Utilizes Cree TrueWhite® Technology
- Standard 10-year limited warranty
- 50,000-hour rated life
- Standard 5% dimming
- Dimmable with 120V and 277V input power

APPLICATIONS

- Airports, municipal, school & university, corporate campus, restaurant & hospitality, retail & grocery, government

LR Series Downlights

Ordering Information

Example: LR6-7L-27K-GU24-E26

SERIES	INITIAL DELIVERED LUMENS*	CCT	VOLTAGE	BASE TYPE
LR6 6"	7L - 7.5W, 650 lumens - 87 LPW 10L - 10.5W, 1,050 lumens - 100 LPW 18L - 22W, 1,800 lumens - 82 LPW	27K - 2700K 35K - 3500K 40K - 4000K	Blank 120 Volts 277V 277 Volts	Blank - 277V Connector - Must be used with Cree six-inch 277V housings (see Housings table above) GU24 - GU24 base - Available only with LR6-10L and LR6-18L GU24-E26 - GU24 base w/Edison adaptor - Available only with the LR6-7L

* Actual lumens vary based on color temperature ** LR6 must be ordered in Master Carton quantities of 5

Accessory Information

TRIMS

Trim Kits are available in six standard color options.

LT6A-DRDiffuse anodized reflector
w/white flange**LT6AW-DR**Wheat diffuse anodized reflector
w/white flange**LT6AP-DR**Pewter diffuse anodized reflector
w/white flange**LT6AB-DR**

Black anodized reflector w/white flange

LT6WH-DR

Smooth white painted reflector/flange

LT6BB-DR

Flat black reflector/flange

6" HOUSINGS

The LR6™ downlights fit into a variety of housings from Cree and other manufacturers.

**H6 SERIES**Specification-Grade
Housing**RC6 SERIES**Commercial-Grade
Housing**RR6 SERIES**

Retrofit Housing

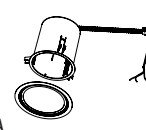
6" MOUNTING KITS

The LR6™ downlights fit into a variety of mounting kits for ceiling, pendant or wall mounting.

**SC6**
Ceiling Mounts**SC6-WM**
Wall Mounts**SC6-CM**
Cord Mounts

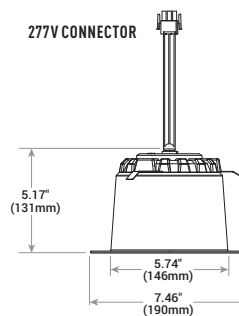
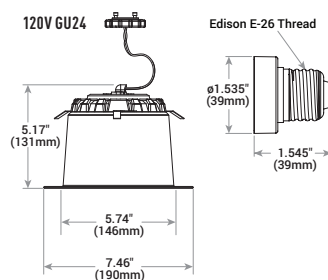
6" COMMERCIAL RETROFIT KITS

A field-installable kit to transform the existing commercial-grade downlights into housings ready to accept the LR6™ downlights.

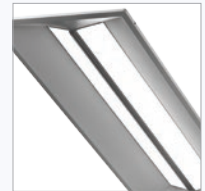
**C6**Commercial 120V, Edison Base, "Pan"
Adaptor Kit**C6-LSA**Commercial 120V or 277V,
Hard-Wire, "Pan" Adaptor Kit

Dimensions

LR6™ DOWNLIGHTS



You May Also Be Interested In:

**CR SERIES DOWNLIGHTS**
Commercial-Grade Downlight
Upgrade Solutions**CS SERIES LINEAR**
Commercial Linear Solutions**CR SERIES TROFFERS**
High-Efficiency, Affordable Troffers

CR Series Downlights - CR4™ / CR6™



HIGHER EFFICACY AND LONGER LIFE THAN COMPACT FLUORESCENT LAMPS, WITH THE BEAUTIFUL LIGHT QUALITY THAT YOU EXPECT FROM AN INCANDESCENT.

The CR Series LED downlight delivers up to 800 lumens of exceptional 90+ CRI light while achieving up to 67 lumens per watt. This breakthrough performance is achieved by combining the high efficacy and high-quality light of Cree TrueWhite® Technology. The CR Series downlights are available in a variety of color temperatures and have several trim options. They easily install into most standard four- and six-inch recessed IC or non-IC housings, making the CR Series perfect for use in residential and light commercial, new construction or retrofit applications.

BENEFITS

- Up to 85 percent more efficient than incandescent
- Reduced maintenance cycles
- High color quality
- Fits in existing 6" or 4" housings
- Commercial and residential ENERGY STAR® qualified

FEATURES

- Efficacy up to 67 LPW
- Utilizes Cree TrueWhite® Technology
- Standard 5-year limited warranty
- 50,000-hour rated life
- Standard 5% dimming

APPLICATIONS

- Healthcare, municipal, residential, restaurant & hospitality, auto dealership

CR6™



CR4™



CR Series Downlights - CR4™ / CR6™

Ordering Information

Example: CR6-800L-27K-120V-E26

SERIES	SIZE	LUMENS	CCT	VOLTAGE/BASE	BASE TYPE	OPTIONS
CR	4 = 4 inch 6 = 6 inch	575L = 575 Lumens 625L = 625 Lumens 800L = 800 Lumens	27K - 2700K 30K - 3000K 35K - 3500K 40K - 4000K	120V - 120 Volts	E26 - Edison Base GU24 - GU24 Base (Title 24 Compliant)	D - Specular Reflector

*Ordering information is for reference only. Some product configurations are not available. Please consult spec sheets for specific product availability and for further details.

Accessory Information

SNAP-IN TRIMS

Snap-in Trim Kits are available in four standard color options.



CT6A
Silver
Diffuse Finish
Reflector



CT6AW
Wheat
Diffuse Finish
Reflector



CT6AB
Black
Diffuse Finish
Reflector



CT6BB
Flat Black
Reflector
and Trim

6" HOUSINGS

The CR6™ downlights fit into a variety of housings from Cree and other manufacturers.



H6 SERIES
Specification-Grade
Housing



RC6 SERIES
Commercial-Grade
Housing



RR6 SERIES
Retrofit Housing

6" MOUNTING KITS

The CR6™ downlights fit into a variety of mounting kits for ceiling, pendant or wall mounting.



SC6
Ceiling Mounts



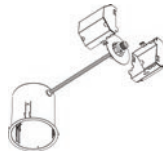
SC6-WM
Wall Mounts



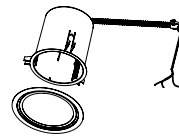
SC6-CM
Cord Mounts

6" COMMERCIAL RETROFIT KITS

A field-installable kit to transform the existing commercial-grade downlights into housings ready to accept the CR6™ downlights.



C6
Commercial 120V, Edison Base, "Pan"
Adaptor Kit



C6-LSA
Commercial 120V or 277V,
Hard-Wire, "Pan" Adaptor Kit

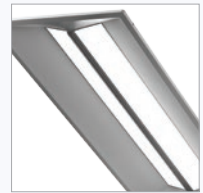
You May Also Be Interested In:



DR SERIES DOWNLIGHTS
Commercial-Grade Downlight
Upgrade Solutions



LR SERIES DOWNLIGHTS
Commercial-Grade Downlight
Upgrade Solutions



CR SERIES TROFFERS
High-Efficiency, Affordable Troffers

Dimensions

CR6™	CR6-GU24	CR4™

LED TROFFERS

Cree® architectural and commercial specification-grade troffers demonstrate technical ingenuity at its finest, delivering a superior mix of performance and payback, proving that energy-efficient, high-quality lighting doesn't have to come at a premium. And with unmatched longevity and color consistency, all backed by an industry-best luminaire limited warranty, they deliver a true no-compromise solution.





LR Series Troffers

p.44

- 90 CRI
- CCT: 3500K and 4000K
- 3400 lumens
- Utilizes Cree TrueWhite® Technology
- 0-10V dimming to 5%



ZR Series Troffers

p.46

- High efficacy of 90 - 130 LPW
- 90 CRI
- CCT: 3500K, 4000K or 5000K*
- 3200 to 5000 lumen options
- Utilizes Cree TrueWhite® Technology or available in 80+ CRI
- 0-10V dimming to 5% standard, SmartCast® Technology optional



CR Series Troffers

p.48

- Minimum 80-90 CRI
- CCT: 3000K, 3500K, 4000K, 5000K or adjustable CCT with Cree SmartCast® Technology
- 2000 to 5000 lumen options
- Utilizes Cree TrueWhite® Technology or 80+ CRI
- Step level to 50%, 0-10V dimming to 5%, Lutron EcoSystem® Enabled to 5% or Cree SmartCast® Technology dimming to 5%

ESSENTIA®
by CREE ⇄



Essentia® by Cree Flat Panel

p.50

- 90 CRI
- CCT: 3500K, 4000K or 5000K
- 3400, 4000 and 5000 lumen options
- 100 LPW
- 0-10V dimming to 10%

*Only available on 50L types

LR Series Troffers



LR22™



A TROFFER DESIGN SO QUIET YOUR CEILINGS WILL WHISPER ABOUT IT FOR DECADES.

The architecturally designed recessed flat panel of the LR22™ LED troffer blends seamlessly into any ceiling and offers soft, smooth, fully-luminous light, creating a quiet ceiling that keeps spaces bright and vibrant. The innovatively thin 3.6" depth easily accommodates narrow plenums and is ideal for both retrofit and new construction. The LR22 LED troffer delivers 3400 lumens of exceptional 90 CRI light while achieving an efficacious 100 lumens per watt. This breakthrough performance is achieved by combining the high efficacy and high-quality light of Cree TrueWhite® Technology. Delivering 0-10V continuous dimming on every luminaire allows for further energy savings when utilized for even faster payback.

BENEFITS

- Beautifully soft, balanced light without the glare
- Up to 40% energy cost savings
- Payback in less than 2.5 years
- Eliminates up to 6 maintenance cycles
- DLC qualified

FEATURES

- Utilizes Cree TrueWhite® Technology
- Ultra-thin 3.6" form factor
- 100 LPW
- 10-year limited warranty
- Continuous dimming to 5% with 0-10V controls
- Designed to last for 75,000 hours L70 @ 25°C
- Recessed mounting

APPLICATIONS

- Airport, corporate campus, healthcare, municipal, restaurant, retail & grocery, school & university, government

LR Series Troffers

Ordering Information

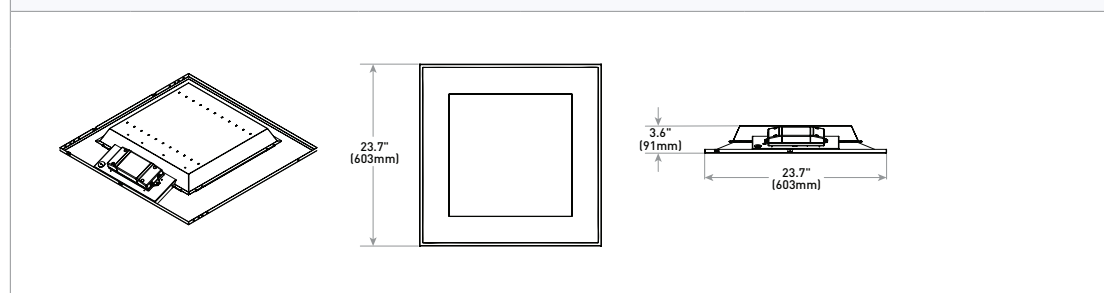
Example: LR22-34L-40K-10V

PRODUCT	LUMEN OUTPUT	CCT	EFFICACY	CONTROL	OPTIONS
LR22 2'x2' Lay-in	34L 34W 3400 lumens - 100 LPW	35K 3500K 40K 4000K	Blank 120-277 Volt	10V 0-10V Dimming to 5%	EB14 Emergency Backup - 1,400 lumens - Available on U.S. versions only - Provides 90 minutes of emergency operation

*Ordering information is for reference only. Some product configurations are not available. Please consult spec sheets for specific product availability and for further details.

Dimensions

LR22™ TROFFER



You May Also Be Interested In:



CR SERIES TROFFERS
High-Efficiency, Affordable Troffers



CS SERIES LINEAR
Commercial Linear Solutions



KR SERIES DOWNLIGHTS
Effective, Efficient LED Retrofit Downlights

ZR Series Troffers



ZR24™



ZR14™



ZR22™



EXCEPTIONAL ENERGY PERFORMANCE AT AN UNEXPECTED PRICE.

The Cree ZR Series LED troffer delivers a broad portfolio of class-leading efficiency and better light performance in an inspired, ultra-slim, sleek package – all at a remarkably affordable price. The ZR Series puts an end to energy sapping, poor quality troffer illumination with up to 130 lumens per watt, gloss or matte finish, dimming to 5%, and twice the warranty of the nearest competitors.

BENEFITS

- Up to 130 LPW for maximum energy savings – up to 60% less than similar fluorescent solutions
- Available in gloss or matte finish for an array of versatile design and aesthetic options
- Remarkably priced for a typical payback of less than two years
- Twice the warranty of the nearest competition
- Choose between 80+ and 90 CRI to enhance the look of any space
- Ultra-thin 3.9 height and lightweight design
- Cree SmartCast® Technology or continuous 0-10V

FEATURES

- CRI: ZR FD Series – 80+ CRI, ZR Series – 90 CRI
- Efficacy: 90 - 130 LPW
- Delivered Light Output: 3,200, 4000 or 5,000* lumens
- CCT: 3500K, 4000K
- Input Power: 25 to 45 watts
- Input Voltage: 120-277 or 347 VAC**
(**Only available on ZR Series 90 CRI product)
- 0-10V dimming to 5% or available with Cree SmartCast® Technology
- Available with Cree TrueWhite® Technology
- Mounting: Recessed

*50L in 80+ CRI only

APPLICATIONS

- Use in new construction or retrofit applications
- Environments where specification grade requirements meet limited budgets
- Ideal for healthcare, education, office and pharmaceutical applications

ZR Series Troffers

Ordering Information

Example: ZR22-32L-35K-10V

PRODUCT	LUMEN OUTPUT	COLOR TEMP.	VOLTAGE	CONTROL	OPTIONS
ZR14 1x4 Lay-in	40L 44W 4000 Lumens - 90 CRI, 90 LPW	35K 3500K 40K 4000K	Blank 120-277 Volt 34 347 Volt	10V 0-10V dimming to 5% CMA Integral motion and ambient sensors and wireless communication	EB14** Emergency Backup - 1,400 lumen - Available on US versions only FD*** - Must order when 50L is selected - 80 CRI
ZR22 2x2 Lay-in	32L 35W 3200 Lumens - 90 CRI, 90 LPW	35K 3500K 40K 4000K			
ZR24 2x4 Lay-in	40L 44W 4000 Lumens - 90 CRI, 90 LPW 50L** 45W 5000 Lumens - 80+ CRI, 111 LPW	35K 3500K 40K 4000K 50K 5000K			

Ordering information is for reference only. Some product configurations are not available. Please consult spec sheets for specific product availability and for further details.

**SmartCast not available in 50L

***Only in 50L Types

Ordering Information for FD Series

Example: ZR22M-32L-35K-10V-FD

PRODUCT	LUMEN OUTPUT	COLOR TEMP.	VOLTAGE	CONTROL	CRI	OPTIONS
ZR14M 1x4 Lay-in	32L 25W 3250 Lumens - 80+ CRI, 130 LPW 40L 30W 4000 Lumens - 80+ CRI, 130 LPW	35K 3500K 40K 4000K	Blank 120-277 Volt	10V 0-10V dimming to 5%	FD 80+ CRI	EB14** Emergency Backup - 1,400 lumens - Available on US versions only - Provides 90 minutes of emergency operation
ZR22M 2x2 Lay-in						
ZR24M 2x4 Lay-in						

Ordering information is for reference only. Some product configurations are not available. Please consult spec sheets for specific product availability and for further details.

Dimensions

ZR14™	ZR22™	ZR24™	SMK-ZR24	SMK-ZR14	SMK-ZR22
			L 48.0" (1219mm) x W 24.2" (615mm) x H 5.5" (140mm)	L 48.0" (1219mm) x W 12.2" (310mm) x H 5.5" (140mm)	L 24.0" (610mm) x W 24.2" (615mm) x H 5.5" (140mm)
Weight: Max. 15 lbs. (6.8kg)					

Accessory Information

DRYWALL GRID ADAPTOR	SURFACE MOUNT KIT	6' FLEXIBLE POWER WHIP	SMARTCAST® TECHNOLOGY ACCESSORIES
DGA14-WHT DGA22-WHT DGA24-WHT	SMK ZR24 - ZR24™ LED Troffer Compatible SMK ZR14 - ZR14™ LED Troffer Compatible SMK ZR22 - ZR22™ LED Troffer Compatible	PW-18/4-06-9T-SS	Cree SmartCast® Technology Configuration Tool* CCT-CWC-1 - One required per project when CMA control is selected Cree SmartCast® Technology Face Plates** CFP-1-WH - Matching Cree face plate, 1-gang, white CFP-2-WH - Matching Cree face plate, 2-gang, white CFP-3-WH - Matching Cree face plate, 3-gang, white Cree SmartCast® Technology Wireless Dimmer** CWD-CWC-WH Cree SmartCast® Technology Wireless Switch** CWS-CWC-WH
			*Refer to the Configuration Tool spec sheet for more details ** Refer to the Wireless Dimmer SmartCast Control spec sheet for more details

You May Also Be Interested In:



CR SERIES DOWNLIGHTS
Commercial-Grade Downlight Upgrade Solutions



LR SERIES
Commercial-Grade Linear Solutions



LR SERIES DOWNLIGHTS
Effective, Efficient LED Retrofit Downlights

CR Series Troffers



CR24™



CR14™



CR22™



SUPERIOR LIGHT, BETTER BY DESIGN.

Engineered to deliver unrivaled performance and efficiency, the CR Series LED architectural troffer delivers up to 5000 lumens of 90+ CRI light while achieving up to 130 lumens per watt. Ideal for LED architectural lighting applications, these troffers are available in a variety of color temperatures. And with SmartCast® Technology, Cree's intelligent light solution, the CR Series provides a combination of extreme energy productivity and a more personalized light experience that's so intuitive and simple, it just works.

BENEFITS

- Soft, beautiful light with remarkable color consistency
- Seamless form and function for sleek architectural look
- With SmartCast® Technology, provides a code-compliant solution delivering exceptional energy efficiency
- Cree SmartCast® Technology offers field-adjustable color temperatures for better control over spaces and simpler specification, ordering and installation
- SmartCast with PoE offers advanced energy management functionality, richer BMS integration and connection to the IoT

FEATURES

- Available with Cree SmartCast® Technology
- CRI: 90 (Cree TrueWhite® Technology), 80+ CRI
- Efficacy: Up to 130 LPW
- Delivered Light Output: 2000 to 5000 lumens
- CCT: 3000K, 3500K, 4000K, 5000K
- Input Power: 22 - 50 watts
- Input Voltage: 120-277 VAC or 347 VAC
- Cree SmartCast® Technology, step level dimming to 50%, 0-10V dimming or Lutron EcoSystem® Enabled to 5%

APPLICATIONS

- Airport, corporate campus, healthcare, municipal, restaurant & hospitality, retail & grocery, school & university, government

CR Series Troffers

Ordering Information

Example: CR22-20L-30K-S-EB14

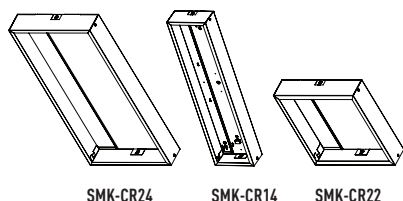
PRODUCT	LUMEN OUTPUT	COLOR TEMP.	VOLTAGE	CONTROL	OPTIONS
CR24 2x4 Lay-in	20L 22W 2000 Lumens - 90 LPW	30K 3000K	Blank 120-277V (Standard)	S Step dimming to 50%	HD HD CRI 80+ (44W 4000 lumens - 90 LPW) - Available only with 40L
CR14 1x4 Lay-in	22L 22W 2200 Lumens - 100 LPW - Only available in 35K or 40K	35K 3500K	34 347V (Optional)	10V 0-10V dimming to 5%	EB14 Emergency Backup - 1400 lumens - Not for use with SMK Kits - Use EB14 SMK
CR22 2x2 Lay-in	31L 34W 3100 Lumens - 90 LPW	40K 4000K	347V (Optional)	LES Lutron EcoSystem® Enabled to 5%	EB14SMK Emergency Backup with surface mount kit - 1400 lumens - Includes surface mount kit accessory (SMK-CR14)
	32L 32W 3200 Lumens - 100 LPW	50K 5000K	Integrated option available on 32L only. Other types require addition of a 347 accessory kit (see table above)	CMA Cree SmartCast® Technology - Integral motion and ambient sensors and wireless communication	SmartCast® EB10W Emergency Battery Backup - 40L-ACK: 1,000 lumens - 40LHE-30K: 1,300 lumens - 40LHE-35K: 1,250 lumens - 40LHE-40K: 1,200 lumens - 40LHE-50K: 1,150 lumens
	40L 40W 4000 Lumens - 100 LPW				
	40L HE 30.5W 4000 Lumens - 130 LPW (30K) 32W 4000 Lumens - 125 LPW (35K) 33W 4000 Lumens - 120 LPW (40K) 34.5W 4000 Lumens - 115 LPW (50K)				
	50L 50W 5000 Lumens - 100 LPW				

*Ordering information is for reference only. Some product configurations are not available. Please consult spec sheets for specific product availability and for further details.

Accessory Information

SURFACE MOUNT KITS

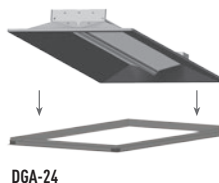
For installing CR Series troffers onto hard ceiling, where above-ceiling installation isn't possible. SMK kits come in a standard white color.



NOTE: Included in EB14SMK option.

DRYWALL GRID ADAPTORS

For installing CR Series troffers into drywall applications. DGA Kits come in a standard white color.



347V CONVERSION KIT

The 347V Conversion Kit allows a CR Series troffer or CR Series light engine to be converted to work with 347V installations.

CR-347V
(347 Volt)
CR-347V-SD
(Step Dimming to 50%)

EXPANDED SIZE JUNCTION BOX

EJBCR 5PK

Expanded size junction box for through wiring (5 pack)

ADJUSTABLE CABLE

AC5 72 PD8 JB
AC5 18/4 72 PD8 JB

CHICAGO PLENUM FIELD KITS

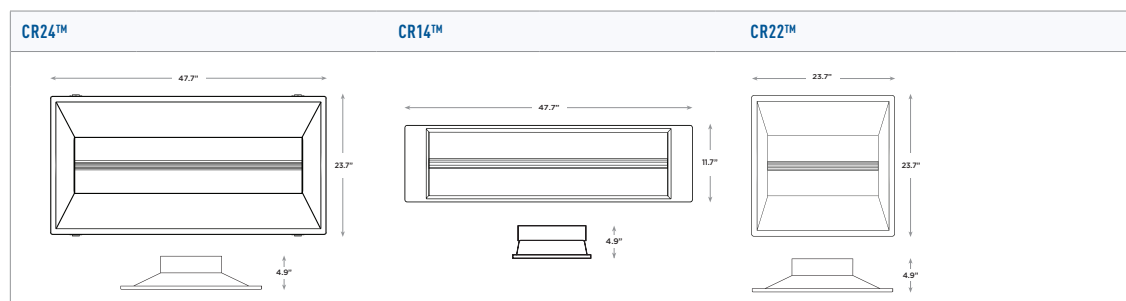
A field-installable kit to transform the CR Series troffers to be compliant with Chicago Plenum requirements.

Chicago Plenum Field Kit
CPLCR
Chicago Plenum Field Kit-Emergency
CPLCR EM

OTHER ACCESSORIES

Power Whip
PW 18/4 06 9T/SS CR
Adjustable Cable
AC5 72 PD8 JB
AC5 18/4 72 PD8 JB

Dimensions



You May Also Be Interested In:



LS SERIES
Commercial-Grade Linear Solutions

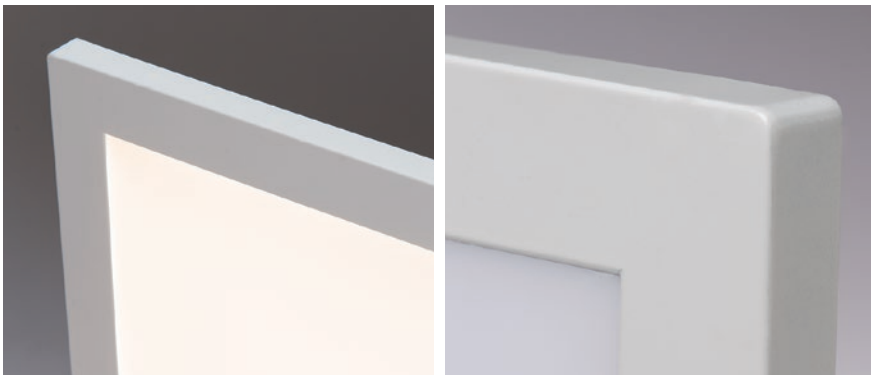


CS SERIES LINEAR
Commercial Linear Solutions



KR SERIES DOWNLIGHTS
Effective, Efficient LED Retrofit Downlights

Essentia® by Cree Flat Panel



2x4 Flat Panel



2x2 Flat Panel



1x4 Flat Panel



FLAT-OUT BETTER DESIGN FOR FLAT-OUT BETTER LIGHT.

The Essentia® by Cree Flat Panel product family provides lighting customers with quality LED flat panel solutions for use in recessed and suspended commercial applications – all backed by the power of Cree. The fully-luminous, ultra-thin flat panel with an optically-efficient, edge-lit design transforms any space with soft, low-glare illumination while providing exceptional application flexibility and performance value.

BENEFITS

- Ultra-thin, edge-lit design — less than 2.8" maximum height
- Installs into any plenum for simpler retrofit or new installation
- Fully luminous panel for even, dimmable light with low glare
- Optical waveguide provides quiet, efficient light without color shifts or dark spots along panel edges
- Stylish finish and narrow panel border for a contemporary look

FEATURES

- CRI: 90
- Efficacy: 100 LPW
- Delivered Light Output: 3400 to 5000 lumens
- CCT: 3500K, 4000K or 5000K
- 0-10V dimming to 10%
- Input Voltage: 120-277 VAC

APPLICATIONS

- Airport, corporate campus, healthcare, municipal, restaurant, retail & grocery, school & university, government, automotive

Essentia® by Cree Flat Panel

Ordering Information

Example: FP24-40L-35K-10V

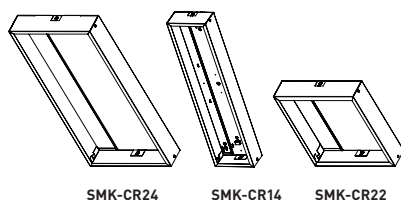
PRODUCT	LUMEN OUTPUT	COLOR TEMP.	VOLTAGE	CONTROL	OPTIONS
FP24 Essentia® by Cree 2' x 4' Flat Panel	34L 34W 3400 Lumens - 100 LPW 40L 40W 4000 Lumens - 100 LPW	35K 3500K 40K 4000K 50K 5000K	Blank 120-277V (Standard)	10V 0-10V dimming to 5%	EB14 Emergency Backup - 1400 Lumens
FP14 Essentia® by Cree 1' x 4' Flat Panel	50L 50W 5000 Lumens - 100 LPW				
FP22 Essentia® by Cree 2' x 2' Flat Panel					

*Ordering information is for reference only. Some product configurations are not available. Please consult spec sheets for specific product availability and for further details.

Accessory Information

SURFACE MOUNT KITS

For installing troffers onto hard ceiling, where above-ceiling installation isn't possible. SMK kits come in a standard white color.



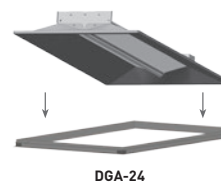
NOTE: Included in EB14SMK option.

SUSPENSION KIT

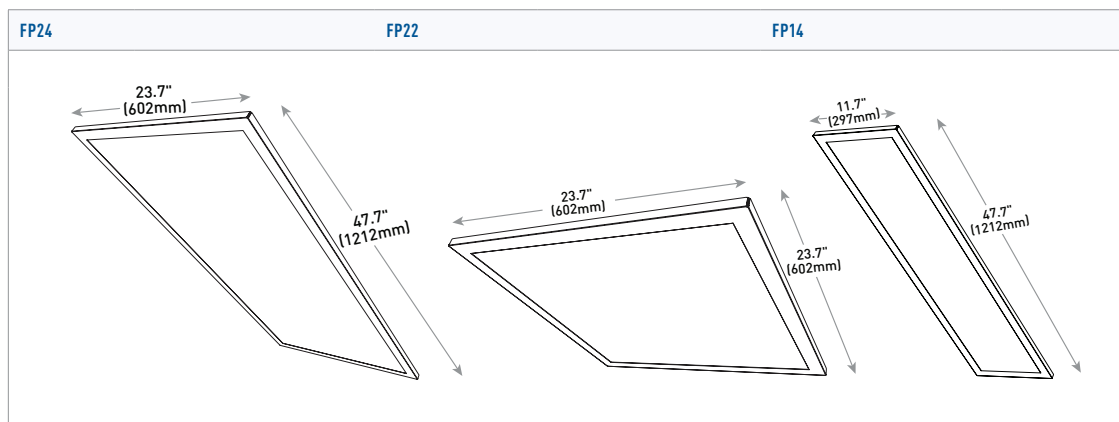
FPAC-45-1
Suspension Kit with canopy kit and cables

DRYWALL GRID ADAPTORS

For installing troffers into drywall applications. DGA Kits come in a standard white color.



Dimensions



You May Also Be Interested In:



CR SERIES TROFFERS
High-Efficiency, Affordable Troffers



CS SERIES LINEAR
Commercial Linear Solutions



KR SERIES DOWNLIGHTS
Effective, Efficient LED Retrofit Downlights

LED UPGRADE SOLUTIONS

Cree® LED upgrade solutions give customers the ability to maintain the existing aesthetic of a fluorescent fixture, but take advantage of the greater energy efficiency and long lifespan of LED lights. The unique design features found in Cree® products facilitate a rapid and safe retrofit, allowing for an immediate payback.



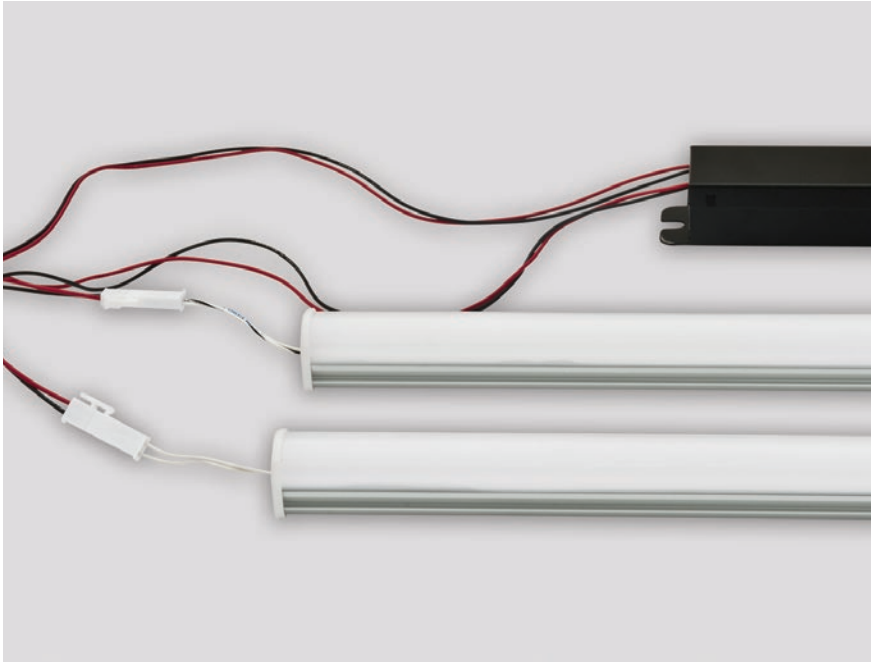


UR Series LED Upgrade Kit

p.54

- 80 CRI
- CCT: 3500K or 4000K
- 3600 lumens for 2' lightbar kit
- 4500 lumens for 4' lightbar kit
- Step level to 50% or 0-10V dimming to 5%
- Available in 2 or 3 lamp options
- Up to 102 LPW

UR Series LED Retrofit Kit



UR2-48™



UR2-24™



A BREAKTHROUGH IN DESIGN FOR IMPRESSIVELY FAST RETROFITTING.

The UR Series LED Upgrade Kit delivers from 3600 to 4500 lumens of 80 CRI light while achieving up to 102 lumens per watt. The kit is available in 2' or 4' lengths equipped with an LED driver, 2 or 3 lightbars and specially designed mounting hardware to expedite installation. The UR Series works with nearly all industry-standard 2' and 4' fixtures in various optical configurations: prismatic, parabolic, volumetric, surface wrap, etc. The energy-efficient UR Series delivers 50,000 hours of lighting for worry-free maintenance.

BENEFITS

- Non-disruptive, easy-installation
- Broad range of applications
- Significant energy savings
- Years of near-maintenance free service
- UL 1598C (retrofit) certified

FEATURES

- 80 CRI
- Efficacy up to 102 LPW at source level
- Step level to 50% or 0-10V dimming to 5%
- 7 year limited warranty
- 50,000-hour rated life
- Emergency backup options

APPLICATIONS

- Airport, corporate campus, healthcare, municipal, restaurant & hospitality, retail & grocery, school & university, government

UR Series LED Retrofit Kit

Ordering Information - Lightbar (Driver must be ordered separately)

Example: UR-24-35K-FD-LB-2

SERIES	LENGTH	COLOR TEMP.	OPTIONS	LIGHTBAR	NUMBER OF LIGHTBARS	
UR	24"	35K 3500K 40K 4000K	FD 80 CRI	LB Lightbar	2	2 Lightbar Kit
	3				3 Lightbar Kit	
	6				6 Lightbar Bulk Pack	

Ordering Information - Driver (Lightbar must be ordered separately)

Example: UR2-24-36L-10V-FD-DR

PRODUCT	LENGTH	LUMEN OUTPUT	VOLTAGE	CONTROL	OPTIONS	DRIVER
UR2 2 Lightbar	24"	36L 36W, 3600 lumens - 100 LPW	Blank 120-277 Volt (Standard)	S Step dimming to 50%	FD	DR Driver
UR3 3 Lightbar	48"	45L 44W, 4500 lumens - 102 LPW	34 347 Volt (Optional) - Available with 10V control option only	10V 0-10V dimming to 5%		

Fully assembled kit is composed of two components that must be ordered separately. Example: Lightbar: UR 24 35K FD LB 2 + Driver: UR2 24 36L 10V FD DR
Ordering information is for reference only. Some product configurations are not available. Please consult spec sheets for specific product availability and for further details.

Included in Kit

UR2-24" / UR3-24"

- (2 or 3) 2' Lightbars
- (1) LED Driver
- (4) or (6) Mounting Clips
- (8) or (12) Self-Tapping Screws
- (1) Installation Instructions
- (1) UL1598C Certification Label

UR2-48" / UR3-48"

- (2 or 3) 4' Lightbars
- (1) LED Driver
- (6) or (9) Mounting Clips
- (8) or (12) Self-Tapping Screws
- (1) Installation Instructions
- (1) UL1598C Certification Label

You May Also Be Interested In:



CR SERIES DOWNLIGHTS
Commercial-Grade Downlight
Upgrade Solutions



CS SERIES LINEAR
Commercial Linear Solutions



DR SERIES DOWNLIGHTS
Commercial-Grade Downlight
Upgrade Solutions

LED SUSPENDED AMBIENT

Cree's suspended ambient indirect/direct luminaires give architects an adaptable and supremely high-functioning light system with a super-modern, low-profile look at an appealing price point.





LN Series

p.58

- Utilizes Cree WaveMax™ Technology
- Utilizes Cree TrueWhite® Technology
- 115 LPW
- 90+ CRI
- CCT: 3500K or 4000K
- 3400 lumens (60% uplight, 40% downlight)
- 0-10V continuous dimming to 5% (standard) or optional Cree SmartCast® Technology



CS Series

p.60

- Utilizes Cree TrueWhite® Technology
- Minimum 90 CRI
- CCT: 3500K or 4000K
- Lumen packages available from 2200 to 8000 lumens
- Available with Cree SmartCast® Technology to 10% or 0-10V dimming to 5%

LN Series Suspended Ambient



LN4™



SIMPLY BEAUTIFUL LIGHT.

With its stunning swept-wing design and breakthrough WaveMax™ Technology, the Cree LN Series pendant luminaire creates beautifully quiet light with game-changing affordability. The LN Series features an architectural, sleek design with an indirect/direct lighting system that delivers superior ceiling uniformity and creates a comfortable visual environment. The LN4™ suspended ambient luminaire delivers up to 115 lumens per watt of Cree TrueWhite® Technology 90+ CRI illumination and is available with up to 3700 lumens in both 3500K and 4000K color temperatures. The LN Series offers standard 0-10V dimming as well as the option for Cree SmartCast® Technology, Cree's intelligent light solution, that provides a combination of extreme energy productivity and a more personalized light experience that's so intuitive and simple, it just works.

BENEFITS

- Sleek and elegant architectural design
- More uniform ceiling and task illumination
- Up to 90% optical efficiency and precise optical control
- Exceptionally low ceiling contrast ratio and excellent spacing of 16+ feet between fixtures
- Unique modular light engine and optional SmartCast® Technology controls simplify design and installation
- Up to 136 feet of continuous rows with one power feed
- 0-10V or optional SmartCast® Technology dimming control for increased energy savings

FEATURES

- Utilizes Cree TrueWhite® Technology and WaveMax™ Technology
- Efficacy: Up to 115 LPW
- Delivered Light Output: Up to 3700 lumens (60% uplight, 40% downlight)
- CRI: 90
- CCT: 3500K or 4000K
- 0-10V continuous dimming to 5% (standard) or optional Cree SmartCast® Technology

APPLICATIONS

- Grocery, industrial, education, office, retail

LN Series Suspended Ambient

Ordering Information

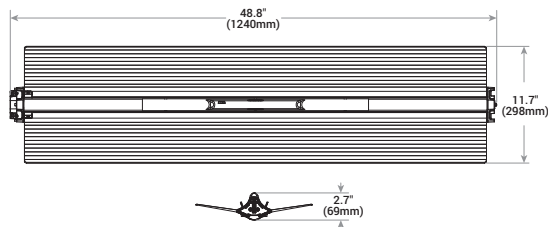
Example: LN4-34L-35K-10V

PRODUCT	LUMEN OUTPUT	COLOR TEMP.	VOLTAGE	CONTROL
LN4™	34L 30W 3400 Lumens - 115 LPW	35K 3500K 40K 4000K	Blank 120-277V	10V 0-10V dimming to 5% CMA Cree SmartCast® Technology - Controls ready with integral motion and ambient sensors

*Ordering information is for reference only. Some product configurations are not available. Please consult spec sheets for specific product availability and for further details.

Dimensions

LN4™



Accessory Information

FIELD-INSTALLED

Mounting Hardware

LN-EC

- Set of End Caps, one with power feed, one without (one needed per power feed)

LN-CK-5-AC

- Canopy Kit with Aircraft Cable and Power Feed

LN-CK-0-AC

- Canopy Kit with Aircraft Cable, no Power Feed

Emergency Options

Inverter

ELI-125W (powers up to 4 luminaires)

- Emergency 125W inverter (Ceiling Installation)

Generator

EL-SR-120

- Emergency Relay, 120V

EL-SR-277

- Emergency Relay, 277V

Luminaires w/Cree SmartCast® Technology

Cree SmartCast® Technology Configuration Tool

CCT-CWC-1

- One required per project when CMA control is selected

Cree SmartCast® Technology Face Plates

CFP-1-WH

- Matching Cree face plate, 1-gang, white

CFP-2-WH

- Matching Cree face plate, 2-gang, white

CFP-3-WH

- Matching Cree face plate, 3-gang, white

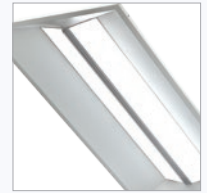
Cree SmartCast® Technology Wireless Dimmer

CWD-CWC-WH

Cree SmartCast® Technology Wireless Switch

CWS-CWC-WH

You May Also Be Interested In:



CR SERIES TROFFERS

High-Efficiency, Affordable Troffers



LR SERIES DOWNLIGHTS

Commercial-Upgrade Downlight Solutions



IG SERIES

LED Parking Garage Luminaire

CS Series Linear



CS18™



CS14™



HIGHER CRI, BETTER ENERGY SAVINGS, LONGER LIFE AND BROADER COLOR RENDERING.

The CS Series High/Low-Bay fixture brings an extraordinary combination of performance, aesthetics, optimal light distribution and affordability to grocery, retail showrooms and light industrial applications. With higher CRI, better energy savings, longer life and broader color rendering than traditional fluorescent lamps, the CS Series' breakthrough design runs cooler, providing significant boosts to lifetime efficacy and color consistency. The CS Series is available with innovative SmartCast® Technology, Cree's intelligent light solution, providing a combination of extreme energy productivity and a more personalized light experience that's so intuitive and simple, it just works.

BENEFITS

- Lightweight intuitive design minimizes installation time
- Virtually eliminates costly high-ceiling maintenance
- Beautiful light quality and stylish design bring architectural appeal to any space
- Integral through-wiring, tool-less electrical access and quick connection features for quick installation
- 90+ CRI renders colors beautifully and consistently
- With SmartCast® Technology, provides a code-compliant solution delivering exceptional energy efficiency and better light

FEATURES

- Available with Cree SmartCast® Technology
- Utilizes Cree TrueWhite® Technology
- CRI: 90
- Delivered Light Output: 2200 to 8000 lumens
- Efficacy up to 115 LPW
- CCT: 3500K 4000K
- Input Power: 47 to 75 watts
- Input Voltage: 120-277 VAC
- Dimming: 0-10V dimming to 5%

APPLICATIONS

- Retail, education, office, warehouse, light industrial, low-bay lighting

CS Series Linear

Ordering Information

Example: CS18-80L HE-35K-10V

PRODUCT	LUMEN OUTPUT	COLOR TEMP.	VOLTAGE	CONTROL
CS14 1x4 Linear	22L	2200 Lumens - 100 LPW	Blank 120-277V	10V CMA** 0-10V Dimming Controls ready with integral motion and ambient sensors. Compatible with CM-CWC-1 (Cree SmartCast® Technology wireless control module [factory installed])
	38L	3800 Lumens - 100 LPW		
	40LHE	4000 Lumens - 115 LPW		
CS18 1x8 Linear	44L	4400 Lumens - 100 LPW	Blank 120-277V	10V CMA** 0-10V Dimming Controls ready with integral motion and ambient sensors. Compatible with CM-CWC-1 (Cree SmartCast® Technology wireless control module [factory installed])
	75L	7500 Lumens - 100 LPW		
	80LHE	8000 Lumens - 115 LPW		

*Ordering information is for reference only. Some product configurations are not available. Please consult spec sheets for specific product availability and for further details.

**CMA not available with 22L or 44L lumen packages

Accessory Information

FIELD-INSTALLED

TMM

Metal Tong Hanger (Pair)
- Recommended for surface mount

AC5-48-Q14B-TB
Adjustable Cable Support Kits

AC2-48-Q14B-TB
Adjustable Cable Support Kits

AC-144-Q14B-LP
Adjustable Loop Cable Kits

AC5-18/5-48-Q14B-JB
Adjustable Power Feeds with Cable Support Canopy Kits

AC5-12/3-48-Q14B-JB
Adjustable Power Feeds with Cable Support Canopy Kits

PC5-18/5-24-JB
Adjustable Power Feed Canopy Cable Kits

PC5-12/3-24-JB
Adjustable Power Feed Canopy Cable Kits

Dimensions

CS18™ LINEAR LUMINAIRE

CS14™ LINEAR LUMINAIRE



You May Also Be Interested In:



ZR SERIES TROFFERS
High-Efficiency, Affordable Troffers



LS SERIES
Commercial-Grade Linear Solutions



CXB SERIES
LED High-Bay Luminaire

LED SURFACE AMBIENT

Cree® surface ambient luminaires deliver significantly improved illumination performance compared to outdated fluorescent fixtures and are designed for easy installation, saving time and money.



**LS Series**

p.64

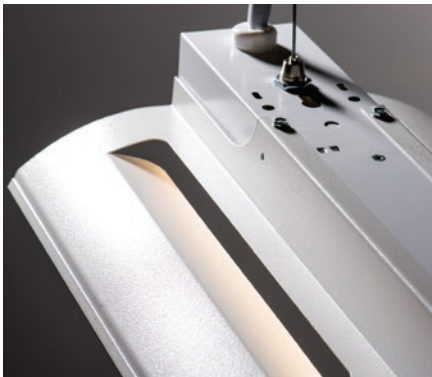
- 90+ CRI
- CCT: 3500K, 4000K and 5000K
- 4' and 8' sizes
- 2500-5000 lumens and 8000-10,000 lumens
- Cree TrueWhite® Technology

**WS Series**

p.66

- Minimum 80 CRI
- CCT: 3500K, 4000K, 5000K or 5700K
- 4700, 5000, 5900 or 6300 lumens
- 0-10V dimming: 10% - 47L and 50L; 15% - 59L and 63L

LS Series Surface Ambient



GRACEFUL DESIGN. STRIKING VERSATILITY.

With the LS Series linear luminaire featuring high-efficiency, exceptional color quality and application flexibility, Cree delivers breakthrough light quality and innovative design for linear lighting applications. Designed in a slim architectural form factor with flexible mounting options, the LS Series LED surface ambient luminaire offers up to 10,000 lumens of 92 CRI color quality, color temperatures of 3500K, 4000K and 5000K, and 0-10V dimming, making it ideal for new construction and upgrade applications. Optional reflectors add a streamlined appearance, enhancing the LS Series design.

BENEFITS

- Delivered lumens up to 5,000 for 4 foot and up to 10,000 for 8 foot
- Exceptional light quality
- Precise optical control
- Compact, elegant design
- Fully luminous with no pixelation
- Versatile mounting options
- Reflector options allow for multiple design aesthetics
- Continuous row lighting

FEATURES

- 90+ CRI
- Cree TrueWhite® Technology
- Efficacy: up to 109 LPW
- Delivered light output: up to 10,000 lumens
- CCT: 3500K, 4000K, 5000K
- Input power: 44, 88 watts
- Input voltage: 120 277 VAC; 60 Hz
- Mounting: surface suspended, pendant, cove
- 0-10V dimming to 5%

APPLICATIONS

- Grocery, industrial, education, office, retail

LS4

LS4
Solid ReflectorLS4
Reflector with Apertures

LS Series Surface Ambient

Ordering Information

Example: LS4-40L-35K-10V

PRODUCT	LUMEN OUTPUT	COLOR TEMP.	VOLTAGE	CONTROL	OPTIONS	
LS4	25L	23W, 2500 Lumens - 109 LPW	35K 3500K	Blank 120-277 Volt 34 347 Volts -Available with 40L only	10V* 0-10V dimming to 5%	EB14 Emergency Backup - Minimum 90 minutes - 1400 lumens - 120-277V only - Available in US only
	40L	44W, 4000 Lumens - 90 LPW (120-277)	40K 4000K			
	50L	47W, 4000 Lumens - 85 LPW (347V) 50W, 5000 Lumens - 100 LPW	50K 5000K			
LS8	80L	88W, 8000 Lumens - 91 LPW (120-277V)	35K 3500K	Blank 120-277 Volt 34 347 Volts -Available with 40L only	10V* 0-10V dimming to 5%	EB14 Emergency Backup - Minimum 90 minutes - 1400 lumens - 120-277V only - Available in US only
		90W, 8000 Lumens - 89 LPW (347V)	40K 4000K			
	100L	100W, 10000 Lumens - 100 LPW	50K 5000K			

* Ordering information is for reference only. Some product configurations are not available. Please consult spec sheets for specific product availability and for further details. Reference www.cree.com/Lighting/Products/Indoor/Surface-Ambient/LS-Series for recommended wiring dimming controls and wiring diagrams.

Accessory Information

FIELD-INSTALLED

Reflectors

- Refer to reflector spec sheet

Solid

LS4-AR

LS8-SR

- Pair of reflectors

Apertured

LS4-AR

LS8-AR

- Pair of reflectors

Joint Aligner

LS-RJ

- Top housing aligner for

continuous rows

LS-RFLJ

- Reflector aligner for

continuous row

Adjustable Cable Support Kits for T-Bar Applications

AC5-48-Q14B-TB

- Includes 5.0" (127mm) Canopy, 48.0" (1219mm) Adjustable Cable, Q14B Gripper and T-Bar Clip

Continuous Row Through Wiring Kit

LS4TWK

- Includes (3) #12AWG 54.0" (1372mm) Wires for Line (black), Neutral (white), Ground (green), (2) #18AWG 54.0" (1372mm) Wires for 0-10V dimming (purple, gray) and (10) Wire Nuts

LS8TWK

- Includes (3) #12AWG 102.0" (2591mm) Wires for Line (black), Neutral (white), Ground (green), (2) #18AWG 102.0" (2591mm) Wires for 0-10V dimming (purple, gray) and (10) Wire Nuts

Adjustable Cable Support Kits w/ Power Feeds*

AC5-12/3-48-Q14B-JB

- Non-dimming applications

- Includes 5.0" (127mm) Cable Canopy, 48" (1219mm) #12/3 SJT Cord, Q14B Gripper and J-Box Strap

AC5-18/5-48-Q14B-JB

- Dimming applications

- Includes 5.0" (127mm) Cable Canopy, 48.0" (1219mm) #18/5 SJT Cord, Q14B Gripper and J-Box Strap

AC5-18/2-48-Q14B-JB

- For use with AC5-12/3-48-Q14B-JB for selective luminaire dimming control in row mounted luminaires

- Includes 5.0" (127mm) Cable Canopy, 48.0" (1219mm) #18/2 SVT Cord, Q14B Gripper and J-Box Strap

* Refer to installation spec sheet for power feed and cable support details

You May Also Be Interested In:



ZR SERIES TROFFERS
High-Efficiency, Affordable Troffers

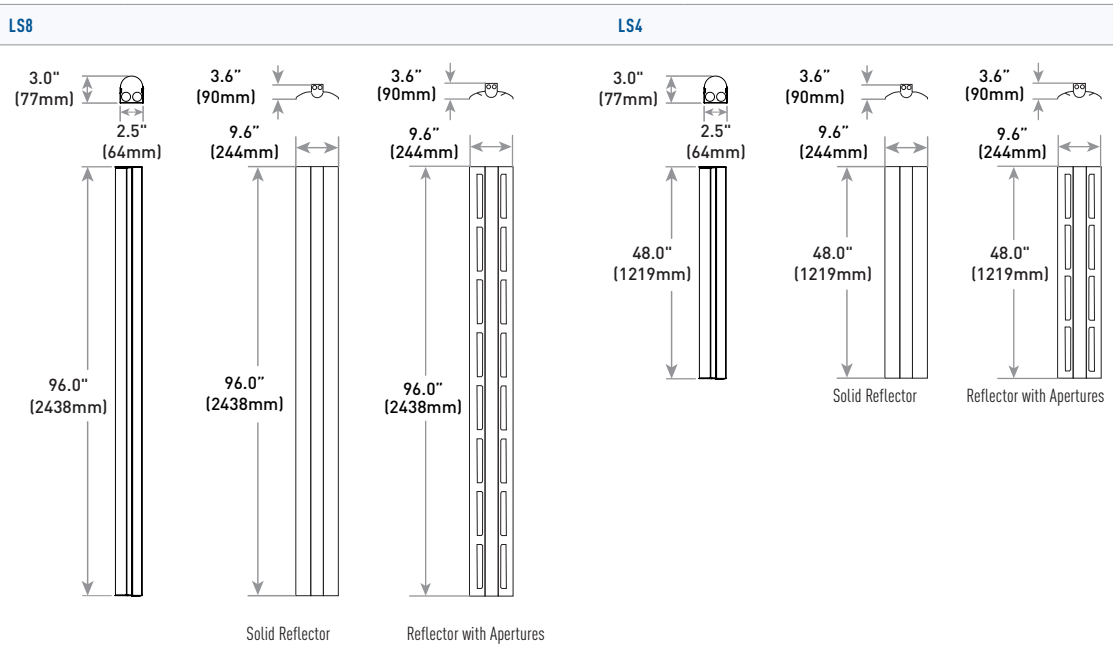


LR SERIES TROFFERS
LED Architectural Troffers



CXB SERIES
LED High-Bay Luminaire

Dimensions



WS Series



WS4™



IDEAL FOR ENVIRONMENTALLY-DEMANDING LOCATIONS.

Constructed of one-piece molded, rugged and durable fiberglass reinforced polyester and UV stabilized impact-resistant diffused acrylic shielding, Cree WS Series meets the IP65 mechanical requirements to enable wet location installations providing protection from external elements. WS Series is ideal for low to medium mounting heights and is suitable for operating temperatures ranging from -25°C to 35°C, allowing for cold or hot weather climate installations — both new construction and upgrade applications.

BENEFITS

- Reliable lighting source for demanding applications
- Excellent illumination with no hot spots
- Simple, secure and durable design provides dust protection and water resistance
- Ideal for wet locations and areas with dust, dirt or humidity
- Ideal for low to medium mounting heights

FEATURES

- IP65 rated
- Minimum 80 CRI
- Efficacy: up to 98 LPW
- Delivered Light Output: 4700, 5000, 5900 and 6300 lumens
- CCT: 3500K 4000K, 5000K, 5700K
- Input Voltage: 120-277 VAC
- Dimming: 0-10V dimming: 10% - 47L and 50L; 15% - 59L and 63L

APPLICATIONS

- Airport, Auto Dealership, Education, Government, Healthcare, Industrial & Warehouse, Municipal, Petroleum & Convenience Stores, Recreation & Public Venues, Restaurants & Hospitality, Retail & Grocery

WS Series

Ordering Information

Example: WS4-59L-35K-10V-FD

PRODUCT	LUMEN OUTPUT	COLOR TEMP.	VOLTAGE	DIMMING	COLOR/CRI	OPTIONS
WS4	47L	50W, 4700 lumens - 94 LPW	Blank 120/277 VAC	10V 0-10V dimming to 5% (standard)	FD CRI 80 (standard)	SSL Stainless Steel Latches
	50L	51W, 5000 lumens - 98 LPW				
	59L	63W, 5900 lumens - 94 LPW				
	63L	64W, 6300 lumens - 98 LPW				
		35K	3500K Available with 47L and 59L Initial Delivered Lumens only			
		40K	4000K Available with 47L and 59L Initial Delivered Lumens only			
		50K	5000K Available with 50L and 63L Initial Delivered Lumens only			
		57K	5700K Available with 50L and 63L Initial Delivered Lumens only			

*Ordering information is for reference only. Some product configurations are not available. Please consult spec sheets for specific product availability and for further details.

Accessory Information

FIELD-INSTALLED

Tamper Proof Kit

WS4TPK

Includes 4 tamper proof screws and bit

Tamper Proof Kit for Stainless Steel Latches

WSSSL4TPK

Includes 4 tamper proof screws and bit

Mounting Bracket Kit

WS4MBK

Includes 2 stainless steel surface mount brackets

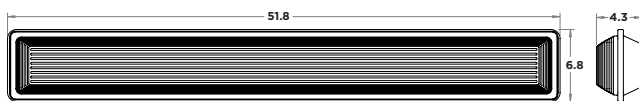
Cable Suspension Kit

WS4CSK

Includes 2 stainless steel brackets and 2-5' (1.5m) aircraft cables

Dimensions

WS4™



You May Also Be Interested In:



IG SERIES

LED Parking Garage Luminaire



CXB SERIES

LED High-Bay Luminaire



LS SERIES

LED Surface Ambient Solutions

LED HIGH-BAY/LOW-BAY

Cree® interior high-bay and low-bay lighting is the ideal source for energy-efficient, low-maintenance illumination in large spaces. Cree high-bay and low-bay luminaires bring new levels of performance, technical innovation and contemporary design to commercial and industrial spaces.



CXB Series

p.70



- 18,000 and 24,000 median lumens
- Up to 113 LPW
- CCT: 4000K, 5000K
- 80 CRI
- Low-profile, lightweight design
- Flexible mounting choices
- 0-10V dimming standard
- Multi-Level option

Cree Edge™ Series High Output

p.72



- 70 CRI (4000K & 5700K); 90 CRI (5000K)
- CCT: 5700K standard, 5000K, 4000K
- Lumen packages available up to 75,000 lumens
- Utilizes Cree TrueWhite® Technology on 5000K luminaires
- 0-10V dimming to 5%

304 Series™

p.74



- Minimum 70 CRI
- CCT: 4000K or 5700K
- UL wet listed
- Multi-Level options
- IC rated and non-IC rated available
- Modular, low-profile design

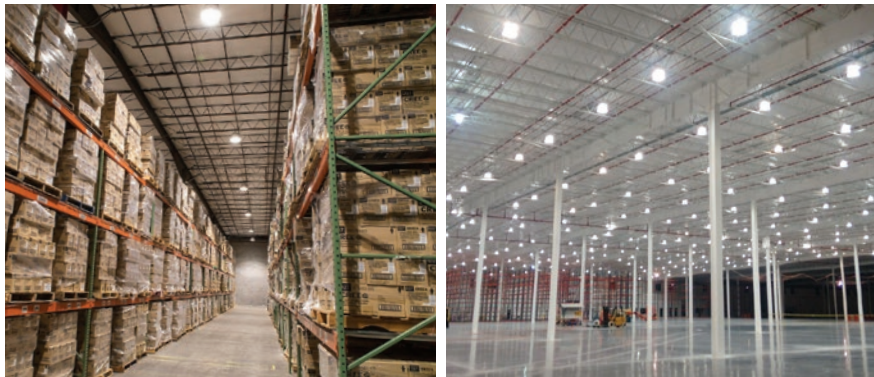
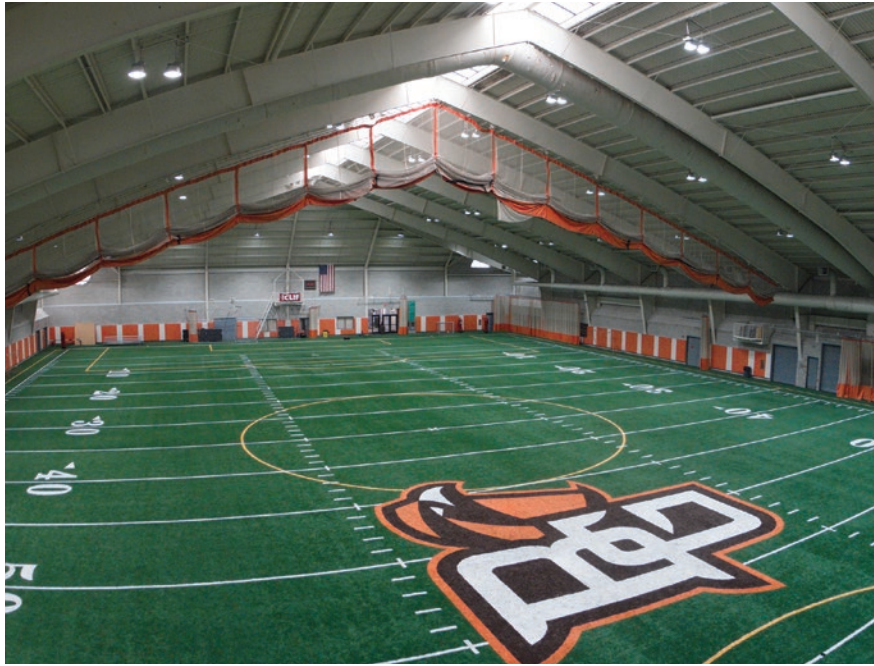
Cree Edge™ Series

p.76



- Minimum 70 CRI
- CCT: 4000K or 5700K
- Multi-Level options
- UL damp listed
- Two-Level options
- Modular, low-profile design

Cree CXB Series High-Bay



CXB Series High-Bay Luminaire with Conical Bottom Lens



DELIVERING THE HIGHEST LUMENS PER DOLLAR AMONG COMPETING LED HIGH-BAY FIXTURES.

The CXB Series LED Low-Bay/High-Bay luminaire delivers 18,000 median and 24,000 median lumens with illumination performance to allow one-for-one replacement of 250W and 400W HID luminaires and multi-lamp fluorescent low-bay and high-bay fixtures. With exceptional rated lifetimes, zero restrike time and a compact lightweight construction, the CXB Series is a direct replacement for incumbent HID and fluorescent light sources that provides additional benefits of energy savings and significantly reduced relamp maintenance costs.

BENEFITS

- Compact, lightweight design weighs 50% less than traditional metal halide high-bay luminaires
- Up to 50% lower energy bills and reduced maintenance costs compared to 250W and 400W HID low/high-bay fixtures
- One-for-one replacement of 250W MH, 400W MH & multi-lamp fluorescent high-bay fixtures
- Variety of lumen packages, mounting choices, reflectors and lenses
- Highest lumens per dollar against competing LED luminaires today

FEATURES

- 18,000 and 24,000 lumens
- 80 CRI
- Up to 113 LPW
- CCT: 4000K, 5000K
- DLC qualified
- Multi-level option
- Suitable for damp environments
- Mounting options of direct j-box/pendant and hook, cord and plug
- Weighs 50% less than traditional metal halide high-bay luminaires
- 120-277 VAC or 347-480 VAC input voltage

APPLICATIONS

- Interior high-bay & low-bay, auto dealership, education, municipal, retail & grocery, industrial & warehouse

Cree CXB Series High-Bay

Ordering Information

Example: **Reflector:** CXBA16N + **Light Engine:** CXB-A-HC-H-40K-8-UL-10V-L715P

REFLECTOR

CXBA16N (Single Pack)

- 16" (406mm) Aluminum
- WG-A accessory recommended for use in gymnasium applications

CXBP16 (Single Pack)

- 16" (406mm) Clear Acrylic
- Acrylic reflector is not impact resistant nor intended for use unprotected in a gymnasium

CXBW16 (Single Pack)

- 16" (406mm) White Acrylic
- Acrylic reflector is not impact resistant nor intended for use unprotected in a gymnasium

PRODUCT	VERSION	MOUNTING	LUMEN OUTPUT	COLOR TEMP	CRI	VOLTAGE	CONTROLS
CXB	A	UV Universal Mount: hook and cord with 6ft whip, adaptor plate for J-box and pendant	M 160W, 18,000 Median Lumens - 113 LPW	40K 4000K	8 80 CRI	UL 120-277V	10V 0-10V Dimming
			H 240W, 24,000 Median Lumens - 100 LPW	50K 5000K		UH 347-480V	

*Ordering information is for reference only. Some product configurations are not available. Please consult spec sheets for specific product availability and for further details.

Accessory Information

LIGHT ENGINE

Galvanized Safety

Cables

SC-5 - 5.0' (1.5m) Cable

SC-10 - 10.0' (3.0m) Cable

REFLECTOR

Wire Guards

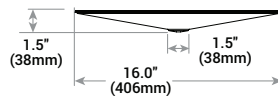
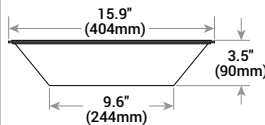
WG-A - 16" (406mm) Wire Guard for Aluminum Reflector

WG-AP - 16" (406mm) Wire Guard for Acrylic Reflector

Lenses

DL16 - 16" (406mm) Acrylic Clear Prismatic Drop Lens for Acrylic Reflector

CL16 - 16" (406mm) Acrylic Clear Conical Bottom Lens for Acrylic Reflector



FIELD-INSTALLED NEMA® PLUG

AP-515P

15 amp 120V Straight Blade Plug

AP-L515P
15 amp 120V Twist Lock PlugAP-L615P
15 amp 240V Twist Lock Plug

AP-L715P

15 amp 277V Twist Lock Plug

AP-L2420P
20 amp 347V Twist Lock PlugAP-L820P
20 amp 480V Twist Lock Plug

You May Also Be Interested In:



LS SERIES

Commercial-Grade Linear Solutions



WS SERIES LINEAR

LED Surface Ambient Solutions

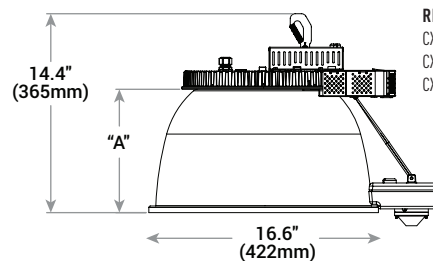
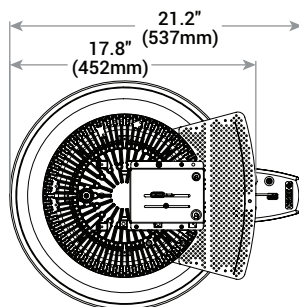


304 SERIES™ PARKING STRUCTURE

Parking Structure Lighting Solutions

Dimensions

CXB SERIES HIGH-BAY



REFLECTOR

CXBA16N (Aluminum)
CXBP16 (Clear Acrylic)
CXBW16 (White Acrylic)

"A" HEIGHT

9.0" (229mm)
8.5" (216mm)
8.5" (216mm)

Cree Edge™ Series High Output



Cree Edge™ High Output



LOW COST, HIGH OUTPUT ILLUMINATION.

The Cree Edge™ High Output High-Bay luminaire is designed to deliver high lumen packages with precise optical control. The upgrade-friendly unit features a slim, low-profile design. Luminaire mount options include direct surface mount, hook and cord mounting or pendant mount. Also available with Cree TrueWhite® Technology, the Cree Edge™ High Output High-Bay helps to beautifully render true colors and deliver value beyond energy savings.

BENEFITS

- Significant energy savings potential
- Ideal for high-bay applications
- Flexible LED configurations
- Multiple mounting options
- Ruggedly constructed to safely operate in the most demanding installations

FEATURES

- 70 CRI (4000K & 5700K); 90 CRI (5000K)
- CCT: 5700K (+/- 500K) Standard, 5000K (+/- 300K), 4000K (+/- 300K)
- Utilizes Cree TrueWhite® Technology on 5000K luminaires
- Patented NanoOptic® Product Technology
- Limited Warranty: 10 years on luminaire / 10 years on Colorfast DeltaGuard® finish

APPLICATIONS

- Industrial & warehouse

Cree Edge™ Series High Output

Ordering Information

Example: HBY-EHO-HH-DM-12-E-UL-SV-700

PRODUCT	OPTIC	MOUNTING	LED COUNT (x10)	SERIES	VOLTAGE	COLOR OPTIONS	DRIVE CURRENT	FACTORY INSTALLED OPTIONS
HBY-EHO	N6 NEMA 6 HH Hangar High-Bay 40 40° Flood 70° 70° Flood	DM Direct Surface	12 24	E	UL Universal 120-277V UH+ Universal 347-480V	BK Black BZ Bronze SV Silver WH White	700 700mA 1000 1000mA	40K 4000K Color Temperature - Minimum 70 CRI - Color temperature per luminaire 50K 5000K Color Temperature - Minimum 90 CRI - Utilizes Cree TrueWhite® Technology - Color temperature per luminaire DIM 0-10V Dimming - Control by others - Refer to Dimming spec sheet for details - Can't exceed specified drive current F Fuse - Refer to ML spec sheet for availability with ML options - When code dictates fusing, use time delay fuse ML Multi-Level - Refer to ML spec sheet for details

*Ordering information is for reference only. Some product configurations are not available. Please consult spec sheets for specific product availability and for further details.

Mounting Options

HOOK AND CORD (HC)	PENDANT (PD)	DIRECT (DM)																											
<table border="1"> <thead> <tr> <th>LED Count (x10)</th> <th>DIM "A"</th> <th>Weight</th> </tr> </thead> <tbody> <tr> <td>12</td> <td>16.4" (418mm)</td> <td>45 lbs. (20kg)</td> </tr> <tr> <td>24</td> <td>30.0" (762mm)</td> <td>80 lbs. (36kg)</td> </tr> </tbody> </table>	LED Count (x10)	DIM "A"	Weight	12	16.4" (418mm)	45 lbs. (20kg)	24	30.0" (762mm)	80 lbs. (36kg)	<table border="1"> <thead> <tr> <th>LED Count (x10)</th> <th>DIM "A"</th> <th>Weight</th> </tr> </thead> <tbody> <tr> <td>12</td> <td>16.4" (418mm)</td> <td>45 lbs. (20kg)</td> </tr> <tr> <td>24</td> <td>30.0" (762mm)</td> <td>80 lbs. (36kg)</td> </tr> </tbody> </table>	LED Count (x10)	DIM "A"	Weight	12	16.4" (418mm)	45 lbs. (20kg)	24	30.0" (762mm)	80 lbs. (36kg)	<table border="1"> <thead> <tr> <th>LED Count (x10)</th> <th>DIM "A"</th> <th>Weight</th> </tr> </thead> <tbody> <tr> <td>12</td> <td>16.4" (418mm)</td> <td>45 lbs. (20kg)</td> </tr> <tr> <td>24</td> <td>30.0" (762mm)</td> <td>80 lbs. (36kg)</td> </tr> </tbody> </table>	LED Count (x10)	DIM "A"	Weight	12	16.4" (418mm)	45 lbs. (20kg)	24	30.0" (762mm)	80 lbs. (36kg)
LED Count (x10)	DIM "A"	Weight																											
12	16.4" (418mm)	45 lbs. (20kg)																											
24	30.0" (762mm)	80 lbs. (36kg)																											
LED Count (x10)	DIM "A"	Weight																											
12	16.4" (418mm)	45 lbs. (20kg)																											
24	30.0" (762mm)	80 lbs. (36kg)																											
LED Count (x10)	DIM "A"	Weight																											
12	16.4" (418mm)	45 lbs. (20kg)																											
24	30.0" (762mm)	80 lbs. (36kg)																											

Accessory Information

FIELD-INSTALLED		
EHO-HC Hook & Cord Mount Kit	EHO-PD1 Pendant 1-1/4" NPSM Mount Kit	EHO-PD2 Pendant 1-1/2" NPSM Mount Kit

You May Also Be Interested In:


LS SERIES
Commercial-Grade Linear Solutions

CS SERIES LINEAR
Commercial-Grade Linear Solutions

304 SERIES™
PARKING STRUCTURE
Parking Structure Lighting Solutions

304 Series™ Interior



304 Series™ Interior



ARE YOUR CANOPY LIGHTS SAVING YOU MONEY?

304 Series™ recessed canopy luminaires are available in both IC and non-IC versions and add significant value to such applications. Available in multiple optics, LED counts and power conditions, the 304 Series™ offers design flexibility to precisely meet varying illumination requirements with the potential to reduce energy and maintenance costs in the process. Non-recessed versions are also available for pendant-mount applications such as convenience stores and warehouses.

BENEFITS

- Available in multiple optics, LED counts and power options
- High-quality white light
- Greatly reduced maintenance cycles
- Controlled light distribution
- Significant energy savings potential
- UL wet listed

FEATURES

- CRI: Minimum 70
- CCT: 4000K (+/-300K), 5700K (+/-500K)
- Multi-Level options
- IC rated and Non-IC rated available
- Adjustable mounting brackets
- Modular, low-profile design

APPLICATIONS

- Interior high-bay & low-bay, school & university

304 Series™ Interior

Ordering Information

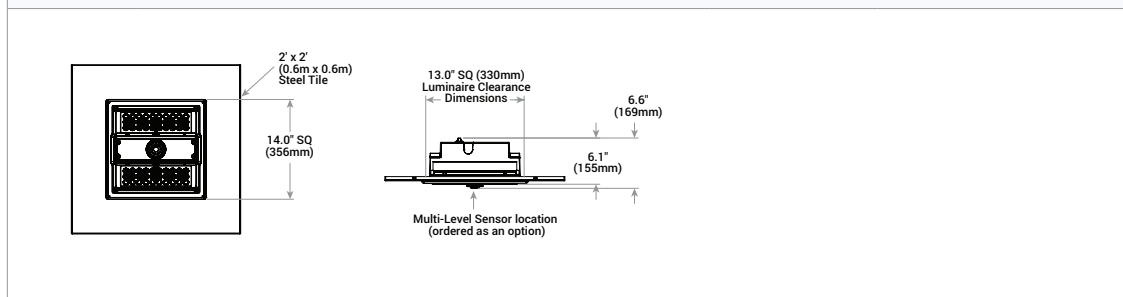
Example: INT-304-PS-RM-04-D-UL-SV-700-40K

PRODUCT	FAMILY	OPTIC	MOUNTING	LED COUNT	SERIES	VOLTAGE	COLOR	DRIVE CURRENT	FACTORY INSTALLED OPTIONS
INT	304	5M Type V Medium 5S Type V Short PS Petroleum Symmetric SL Sparkle Petroleum 40 40° Flood	RM Recessed	04 06 Available on non-IC rated product only	E	UL Universal 120-277V - Available on IC rated product only UH Universal 347-480V - Available on IC rated product only 12 120V - Available on Non-IC rated product only 27 277V - Available on Non-IC rated product only	BK Black BZ Bronze SV Silver WH White	350 350mA 525 525mA - Available on Non-IC rated product only 700 700mA - Available on Non-IC rated product only - Available with 40 LEDs	40K 44000K Color Temperature - Minimum 70 CRI - Color temperature per luminaire DIM 0-10V Dimming - Control by others - Refer to Dimming spec sheet for details - Can't exceed specified drive current F Fuse - When code dictates fusing, use time delay fuse - Refer to ML spec sheet for availability with ML options - Available with UL voltage only IC IC Type IC Rated ML ML Multi-Level - Refer to ML spec sheet for details PML Programmable Multi-Level - Refer to PML spec sheet for details - Intended for downlight applications at 0° tilt

*Ordering information is for reference only. Some product configurations are not available. Please consult spec sheets for specific product availability and for further details.

Dimensions

304 SERIES™ INTERIOR



You May Also Be Interested In:



LS SERIES
Commercial-Grade Linear Solutions



CS SERIES LINEAR
Commercial-Grade Linear Solutions



304 SERIES™ PARKING STRUCTURE
Parking Structure Lighting Solutions

Cree Edge™ Series Interior Round



Cree Edge™ Interior Round



BRING ENERGY AND MAINTENANCE SAVINGS TO YOUR INTERIOR SPACE.

Cree Edge™ interior round luminaires are ideal for illuminating retail and commercial applications. The pendant-mount and hook and cord-mount luminaires provide direct uniform illumination that enhances interior aisles and displays and delivers a safe, appealing atmosphere.

With a low-profile, modular design, this stylish luminaire provides improved illumination performance while reducing energy consumption.

BENEFITS

- Significant energy savings potential
- Greatly reduced maintenance cycles
- High-quality, white light
- Controlled light distribution

FEATURES

- Minimum 70 CRI
- CCT: 4000K (+/-300K), 5700K (+/-500K)
- UL damp listed
- Adjustable mounting bracket
- Modular, low-profile design

APPLICATIONS

- Interior high-bay & low-bay, petroleum & convenience store, airport, restaurant & hospitality, retail & grocery

Cree Edge™ Series Interior Round

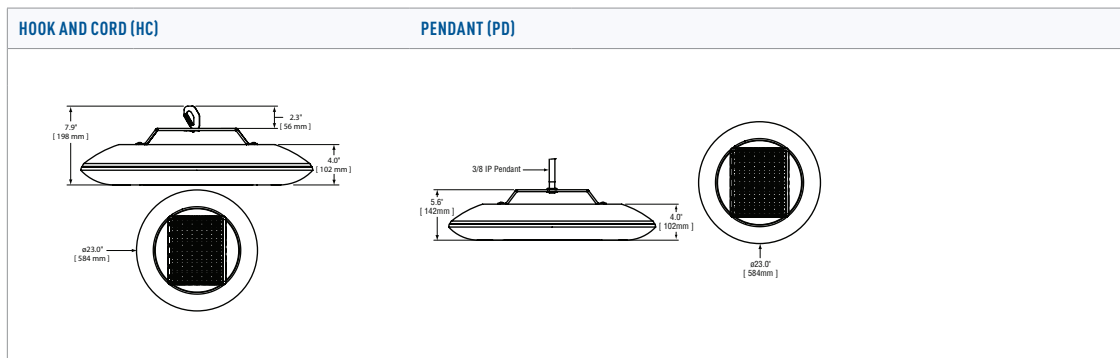
Ordering Information

Example: INT-EDR-PS-HC-04-D-UL-SV-700-40K

PRODUCT	FAMILY	OPTIC	MOUNTING	LED COUNT	SERIES	VOLTAGE	COLOR	DRIVE CURRENT	FACTORY INSTALLED OPTIONS
INT	EDR	PS Petroleum Symmetric 40 40° Flood	HC Hook and Cord Mount PD Pendant Mount	04 06 08 10 12	E	UL Universal 120-277V UH Universal 347-480V	SV Silver BZ Bronze BK Black WH White	350 350mA 525 525mA 700 700mA - Available with 40-60 LEDs	40K 4000K Color Temperature - Minimum 70 CRI - Color temperature per luminaire DIM 0-10V Dimming - Control by others - Refer to Dimming spec sheet for details - Can't exceed specified drive current HL Hi/Low (Dual Circuit Input) - Refer to HL spec sheet for details - Sensor not included

*Ordering information is for reference only. Some product configurations are not available. Please consult spec sheets for specific product availability and for further details.

Mounting Options



You May Also Be Interested In:

**CREE EDGE™ AREA ROUND**

Outdoor Architectural-Grade Area Lighting

**CS SERIES LINEAR**

Commercial-Grade Linear Solutions

**CREE EDGE™ CANOPY**

Outdoor Canopy and Soffit Solutions

LED LAMPS

Cree® LED lamps deliver an unrivaled combination of superior color quality, energy efficiency and longevity. Cree® lamps powered by Cree TrueWhite® Technology offer 90+ CRI and exceptional efficacy, providing high-quality lighting that is both crisp and warm – creating an inviting atmosphere to impress guests and drawing out the naturally vibrant colors of food and merchandise to enhance their appeal, all while delivering operational savings directly to the bottom line.





LBR Series

p.80

- 60 watt BR30 equivalent
- 12 watts
- 94 CRI at 2700K
- Utilizes Cree TrueWhite® Technology
- 25° or 50° beam angles
- Dimmable to 20% with ELV dimmers



A21 3-Way Lamp

p.90

- 30/60/100 watt equivalent
- 320/820/1620 lumens
- 3/8/18 watts
- 80 CRI
- 2700K
- For use in three-way fixtures (non-dimmable)



LRP Series

p.82

- 75 watt PAR38 equivalent
- 13.5 watts
- 92 CRI at 2700K or 3000K
- Utilizes Cree TrueWhite® Technology
- 12° or 25° beam angles
- Dimmable to 20% with ELV dimmers



BR Series

p.92

- 65 watt equivalent
- 9 watts (BR30); 9.5 watts (BR40)
- 80 CRI at 2700K and 5000K
- Dimmable with most standard dimmers



MR16 Series

p.84

- 50W MR16 equivalent
- 8.7 watts
- >90 CRI at 3000K
- 15°, 25° or 40° beam angles
- Dimmable to 5% with select dimmers and transformers



PAR30 Series

p.94

- 75 watt equivalent
- 850 lumens
- 10.5 watts
- >90 CRI at 3000K
- Multiple beam spread angles: 25° spot, 40° flood
- Dimmable with most standard dimmers



A19 Series

p.86

- 40 & 60 watt equivalent (4Flow™) or 75 watt equivalent (A19)
- 460 to 1100 lumens
- 6, 10, or 13.5 watts
- >80 CRI (4Flow™)
- 2700K or 5000K
- Dimmable with most standard dimmers
- A21 Series



PAR38 Series

p.96

- 90 watt equivalent
- 1500 lumens
- 16.5 watts at 3000K
- 18 watts at 2700K
- 80 CRI
- 27° and 47° beam angles
- Dimmable with most standard dimmers



A21 Series

p.88

- 100 watt & 3-WAY equivalent
- 18 watts
- 80 CRI at 2700K or 5000K
- Dimmable with most standard dimmers

LBR Series Lamps



LBR-30™



BEST-IN-CLASS PERFORMANCE AND BEAUTY FOR A TRUE NO-COMPROMISE RETAIL AND ACCENT LIGHTING SOLUTION.

The LBR-30™ LED BR30 lamp delivers 600 lumens of exceptional 94 CRI light while achieving 50 lumens per watt. This breakthrough performance is achieved by combining the high efficacy and high-quality light of Cree TrueWhite® Technology. The LBR-30™ lamp is available in a warm color temperature of 2700K, is offered in 25-degree and 50-degree beam angles, and is available in both Edison and GU24 bases. The LBR-30™ BR30 LED lamp delivers higher CRI, better energy savings, longer life and broader color rendering than traditional 65-watt BR30 halogen lamps.

BENEFITS

- ENERGY STAR® qualified
- 50,000-hour lifetime design in open fixtures
- 35,000-hour lifetime design in non-IC recessed downlights
- California Title 24 compliant (GU24 base)

FEATURES

- Utilizes Cree TrueWhite® Technology
- Active color management
- 1940 CBCP (25°); 785 CBCP (50°)
- Dimmable to 20% with ELV dimmers
- Suitable for damp locations
- Standard 3-year limited warranty

APPLICATIONS

- Accent, track and downlighting ideal for retail, grocery, restaurant, museum and commercial applications

LBR Series Lamps

Ordering Information

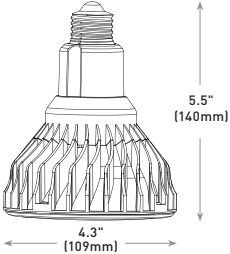
Example: LBR30A92-50D-GU24

PRODUCT	BEAM ANGLE	BASE TYPE
LBR30A92	25D 25° Flood 50D 50° Wide Flood	Blank Edison Base GU24 GU24 Base

*Ordering information is for reference only. Some product configurations are not available. Please consult spec sheets for specific product availability and for further details.

Dimensions

Accessory Information

LBR-30™	
	Trackheads Lampholder, Edison Socket TL

You May Also Be Interested In:



LR SERIES DOWNLIGHTS
Commercial-Upgrade Downlight Solutions



CR SERIES DOWNLIGHTS
Commercial-Grade Downlight Upgrade Solutions



MR16 SERIES LAMPS
Efficient Halogen Replacement

LRP Series Lamps



HIGHER EFFICACY AND LONGER LIFE THAN CERAMIC METAL HALIDE WITH THE BEAUTIFUL LIGHT QUALITY THAT YOU WOULD EXPECT FROM HALOGEN.

The LRP38-10L high output LED PAR38 lamp delivers 950 (2700K) and 1000 (3000K) lumens of exceptional 92 CRI light while achieving 70 lumens per watt. This breakthrough performance is achieved by combining the high efficacy and high-quality light of Cree TrueWhite® Technology. The LRP38-10L is available in warm color temperatures of 2700K and 3000K, is offered in 12-degree and 25-degree beam angles, and is available in both Edison and GU24 bases. The LRP38-10L LED PAR38 lamp delivers higher CRI, better energy savings, longer life and broader color rendering than traditional 90-watt PAR38 halogen lamps.

BENEFITS

- ENERGY STAR® qualified
- 50,000-hour lifetime design in open fixtures
- 35,000-hour lifetime design in non-IC recessed downlights
- California Title 24 compliant (GU24 base)

FEATURES

- Utilizes Cree TrueWhite® Technology
- 13,220 CBCP (12°); 4000 CBCP (25°)
- Dimmable to 20% with ELV dimmers
- Suitable for damp locations
- Standard 3-year limited warranty

APPLICATIONS

- Accent, track and downlighting ideal for retail, grocery, restaurant, museum and commercial applications

LRP38-10L-12D



LRP38-10L-25D



LRP Series Lamps

Ordering Information

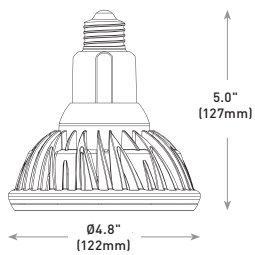
Example: LRP38-10L-27K-25D

PRODUCT	LUMEN OUTPUT	COLOR TEMP.	BEAM ANGLE	BASE TYPE
LRP38	10L 1000 Lumens	27K 2700K 30K 3000K	12D 12° Spot 25D 25° Flood	Blank Edison Base GU24 GU24 Base

*Ordering information is for reference only. Some product configurations are not available. Please consult spec sheets for specific product availability and for further details.

Dimensions

LRP38-10L



You May Also Be Interested In:



MR16 SERIES LAMPS
Efficient Halogen Replacement

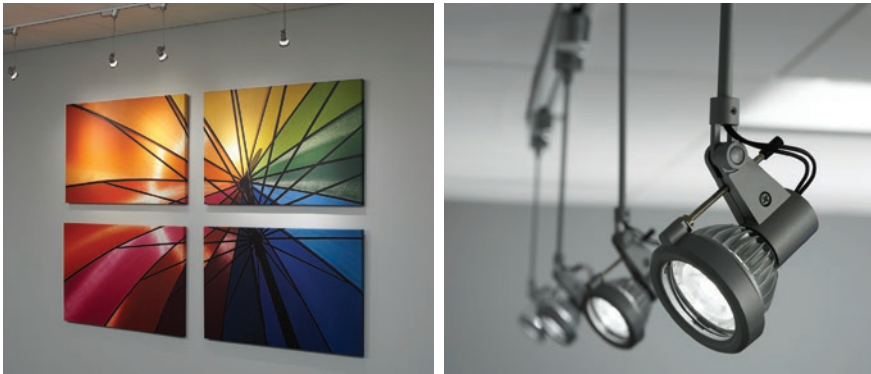


PAR38 SERIES LAMPS
PAR38 LED Lamp



LR SERIES DOWNLIGHTS
Commercial-Upgrade Downlight Solutions

MR16 Series Lamps



MR16



FINALLY, A TRUE LED 50W MR16 REPLACEMENT LAMP.

The Cree® MR16 Series TrueWhite® LED Lamp is a true 50W halogen MR16 equivalent that delivers up to 584 lumens of superior 90 CRI with R9 >50 color quality while achieving up to 67 lumens per watt. This MR16 boasts a slim design to allow universal form and fit into most global MR16 fixtures and is available in a variety of beam angles with a color temperature of 3000K. The Cree MR16 Series TrueWhite® LED Lamp's impressive combination of greater than 80% energy savings, significant maintenance savings and pending ENERGY STAR® qualification* makes it a perfect solution for track and accent lighting.

BENEFITS

- Smaller, "perfect" fit design for increased track head compatibility
- Up to 80% energy cost savings
- Payback in less than one year
- ENERGY STAR® qualified excluding the 540 lumens (15°) version
- Compatible with Essentia® by Cree Track

FEATURES

- Utilizes Cree TrueWhite® Technology
- Beam Angles: 15°, 25° and 40°
- >90 CRI
- Input Power: 8.7 watts (50W eq)
- 5% dimming
- Delivered Light Output: 540 lumens (15D), 580 lumens (25D), 584 lumens (40D)

APPLICATIONS

- Accent, track and downlighting ideal for retail, grocery, restaurant, museum and commercial applications

MR16 Series Lamps

Ordering Information

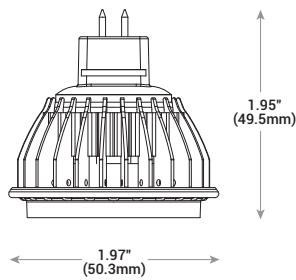
Example: MR16-50W-30K-25D

PRODUCT	WATT EQUIVALENT	COLOR TEMP.	BEAM ANGLE	BASE TYPE
MR16	50W	30K 3000K	15D 15° Spot 25D 25° Flood 40D 40° Wide Flood	Blank GU5.3 Base

*Ordering information is for reference only. Some product configurations are not available. Please consult spec sheets for specific product availability and for further details.

Dimensions

MR16



You May Also Be Interested In:



PAR38 SERIES LAMPS
PAR38 LED Lamp



LR SERIES DOWNLIGHTS
Commercial-Upgrade Downlight Solutions



GIMBAL RING TRACK
Line Voltage Track Fixture

A19 Series Lamps



A19

A19P
4Flow™

BRILLIANTLY DESIGNED, ENERGY-EFFICIENT, LONG-LASTING LED BULBS.

The Cree LED A19 bulb delivers up to 1100 lumens of warm 2700K light or cool 5000K light, while consuming up to 85% less energy than the incandescent bulbs they replace. These lamps feature a consistent and balanced omni-directional light, turn on instantly, and are compatible with most standard incandescent dimmers.

BENEFITS

- A19P is Designed to last up to 30,000 hours
- ENERGY STAR® qualified
- Consumes up to 85% less energy
- Instant on and mercury free

FEATURES

- Dimmable with most standard dimmers
- Suitable for damp locations
- CCT: 2700K, 5000K
- Shatter resistant coating or robust shatter-proof plastic for safety

A19P

- 83 CRI
- 40 watt equivalent (6W, 460 lumens)
- 60 watt equivalent (10W, 815 lumens)
- 100% Satisfaction Guarantee: 5 Years

A19

- 80 CRI
- 75 watt equivalent (13.5W, 1100 lumens)
- 3-year limited warranty

APPLICATIONS

- Hospitality, restaurant, healthcare and residential applications

A19 Series Lamps

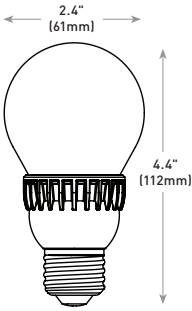
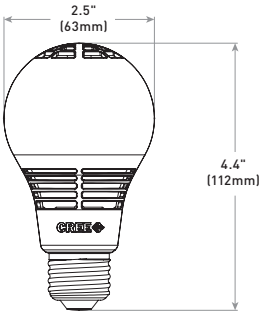
Ordering Information

Example: A19P-60W-27K-B1

PRODUCT	WATT EQUIVALENT	COLOR TEMP.	VOLTAGE	BASE TYPE	OPTIONS	PACKAGING OPTIONS
A19P	40W 40 Watt (460 lumens) 60W 60 Watt (815 lumens)	27K 2700K 50K* 5000K	Blank 120V	Blank E26 (Screw Base)	Blank 80 CRI	B1 (8) Blister Pack Bulbs in Master Carton (MC = 8) T24 Commercially packed bulbs in tray (Quantity 24) WST Wingstack - 60W Equivalent, 2700K only (Quantity 48)
A19	75W 75 Watt (1100 lumens)					B1 (6) Blister Pack bulbs in master carton (MC=6)

*Ordering information is for reference only. Some product configurations are not available. Please consult spec sheets for specific product availability and for further details.

Dimensions

A19	A19P
 <p>2.4" (61mm)</p> <p>4.4" (112mm)</p>	 <p>2.5" (63mm)</p> <p>4.4" (112mm)</p>

You May Also Be Interested In:



BR30 SERIES LAMPS
LED Flood Lamp



LR SERIES DOWNLIGHTS
Commercial-Upgrade Downlight Solutions



LBR SERIES LAMPS
LED BR30 Lamp

A21 Series Lamps



A21



A 100-WATT EQUIVALENT BULB THAT SIMPLY GLOWS WHILE SIPPING ENERGY.

The Cree® LED A21 bulbs deliver up to 1600 lumens of warm 2700K light or cool 5000K light, while consuming at least 82% less energy than the incandescent bulbs they replace. These lamps feature a consistent and balanced omnidirectional light source within a real glass bulb, turn on instantly, and are compatible with most standard incandescent dimmers. Powered by Cree® LED Filament Tower™ Technology, the Cree® LED A21 bulbs are designed to last 25,000 hours.

BENEFITS

- Innovative design provides omnidirectional light
- Consumes up to 82% less energy than an incandescent
- Long-lasting, ambient instant-on illumination
- Suitable for damp locations

FEATURES

- 80 CRI
- 18 watts (100 watt equivalent)
- 1600 lumens
- CCT: 2700K, 5000K
- Dimmable with most standard dimmers

APPLICATIONS

- Hospitality, restaurant, healthcare, government and residential applications

A21 Series Lamps

Ordering Information

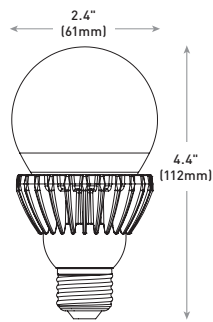
Example: A21-100W-27K-B1

PRODUCT	WATT EQUIVALENT	COLOR TEMP.	VOLTAGE	BASE TYPE	OPTIONS	PACKAGING OPTIONS
A21	100W 100W (1600 Lumens)	27K 2700K 50K* 5000K	Blank 120V	Blank E26 (Screw Base)	Blank 80 CRI	B1 (1) Single Blister Pack (MC = 5)

*Ordering information is for reference only. Some product configurations are not available. Please consult spec sheets for specific product availability and for further details.

Dimensions

A21



You May Also Be Interested In:



BR30 SERIES LAMPS
LED Flood Lamp



LR SERIES DOWNLIGHTS
Commercial-Upgrade Downlight Solutions



LBR SERIES LAMPS
LED BR30 Lamp

A21 3-Way Lamps



THREE BEAUTIFUL LIGHTING OPTIONS FOR THE PRICE OF ONE.

The Cree® 3-Way LED bulb delivers three distinct levels of beautiful, warm 2700K incandescent-like light. The Cree 3-Way LED bulb looks and lights like a traditional 3-Way incandescent bulb, but uses up to 90% less energy and is designed to last 25 times longer. Delivering 320, 820, and 1620 lumens (30W/60W/100W replacement), each step of light output is distinct and visible to the naked eye. Plus, unlike traditional incandescent 3-Ways, you can use the Cree 3-Way LED bulb in any orientation.

BENEFITS

- Innovative design provides omnidirectional light
- Consumes up to 90% less energy than an incandescent
- Long-lasting, ambient instant-on illumination
- Suitable for damp locations
- Designed to last 25,000 hours

FEATURES

- 80 CRI
- 3/8/18 watts (30/60/100W eq)
- CCT: 2700K
- For use in three-way light fixtures (non-dimmable)

APPLICATIONS

- Hospitality, restaurant, healthcare and residential applications

A21 3-Way



A21 3-Way Lamps

Ordering Information

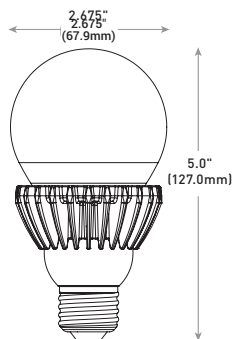
Example: A21-100W-3WY-27K-B1

PRODUCT	WATT EQUIVALENT	3-WAY	COLOR TEMP.	VOLTAGE	BASE TYPE	OPTIONS ⁶	PACKAGING OPTIONS
A21	100W 100W (1620 Lumens)	3WY 3-Way bulb (30/60/100W)	27K 2700K	Blank 120V	Blank E26 (Screw Base)	Blank 80 CRI	B1 (1) Single Blister Pack (MC = 5)

*Ordering information is for reference only. Some product configurations are not available. Please consult spec sheets for specific product availability and for further details.

Dimensions

A21 3-WAY



You May Also Be Interested In:



BR30 SERIES LAMPS
LED Flood Lamp



LR SERIES DOWNLIGHTS
Commercial-Upgrade Downlight Solutions



LBR SERIES LAMPS
LED BR30 Lamp

BR Series Lamps



REMARKABLE LIGHT QUALITY THAT OUTPERFORMS AND OUTLASTS INCANDESCENT.

The BR30 and BR40 LED flood lamps deliver up to 760 lumens of warm 2700K or cool 5000K light while consuming at least 85% less energy than the incandescent floods they replace. These lamps blend seamlessly into the ceiling and provide smooth, highly diffused light, and are perfectly designed for recessed cans or track lighting. The BR30 and BR40 flood lamps are ENERGY STAR® qualified, dimmable, and designed to last 25,000 hours.

BENEFITS

- Softly diffused warm light
- ENERGY STAR® qualified to last 25,000 hours
- Consumes up to 85% less energy
- Instant on and mercury free

FEATURES

- 80 CRI
- 65 watt equivalent up to 9 watts (BR30); 9.5 watts (BR40), 760 lumens
- Dimmable with most standard dimmers
- Shatter resistant coating for safety
- 5-year limited warranty
- Suitable for damp locations
- CCT: 2700K, 5000K

APPLICATIONS

- Commercial offices, hotels, restaurant, healthcare and residential applications

BR30



BR40



BR Series Lamps

Ordering Information

Example: BR30-65W-27K-B1

PRODUCT	WATT EQUIVALENT	COLOR TEMP.	VOLTAGE	BASE TYPE	OPTIONS	PACKAGING OPTIONS
BR30	65W 65 Watt (650 lumens)	27K 2700K	Blank 120V	Blank E26 (Screw Base)	Blank 80 CRI	B1 (1) Blister Pack bulbs in master carton (MC = 4)
BR40	65W 65 Watt (760 lumens)	50K 5000K				B1 (1) Blister Pack bulbs in master carton (MC = 3)

*Ordering information is for reference only. Some product configurations are not available. Please consult spec sheets for specific product availability and for further details.

Dimensions

BR30	BR40

You May Also Be Interested In:



A19 SERIES LAMPS
LED Omni-Directional Lamp



ESSENTIA® BY CREE LED TRACK HEAD
Energy Efficiency & Better Lighting Quality



LBR SERIES LAMPS
LED BR30 Lamp

PAR30 Series



PAR30



CREE® PAR30 LONG & SHORT NECK LED SPOT AND FLOOD LIGHTS FOR BRIGHT, FOCUSED LIGHT.

With a choice of fully dimmable 25° spot or 40° flood lights to personalize your lighting experience, the Cree PAR30 LED bulb is an ideal choice in areas where focused or dramatic pools of light are desired—such as in a recessed can over a kitchen prep area or a track lighting fixture highlighting artwork on a wall. In addition, this LED bulb delivers a beautiful, bright white light with a high color fidelity that makes colors look the way they were intended.

BENEFITS

- Cree TrueWhite® Technology with high CRI and R9 values makes these lamps ideal for highlighting merchandise
- Designed to last at least 25,000 hours
- ENERGY STAR® certified
- Long-lasting, directional instant-on illumination
- Dimmable
- Compatible with Essentia® by Cree Track

FEATURES

- >90 CRI
- 75W equivalent
- 10.5W
- Lamp Delivered Light Output: 850 lumens
- CCT: 3000K
- Multiple beam angles: 25°, 40°
- Center Beam Candlepower (CBCP)

APPLICATIONS

- Commercial offices, hotels, restaurant, healthcare and residential applications

PAR30 Series

Ordering Information

Example: PAR30L-75W-30K-25D-B1

PRODUCT	WATT EQUIVALENT	CCT	BEAM SPREAD	VOLTAGE	BASE TYPE	CRI	PACKAGING OPTIONS
PAR30 Long Neck	75 75 Watt (850 lumens)	30K 3000K	25D 25° Spot - Available only with PAR30L 40D 40° Flood	Blank 120 Volt	Blank E26 (screw base)	Blank >90 CRI	B1 (1) Single Blister Pack (MC = 4)

*Ordering information is for reference only. Some product configurations are not available. Please consult spec sheets for specific product availability and for further details.

Dimensions



You May Also Be Interested In:



ESSENTIA® BY CREE LAMP HOLDERS
Round Back Cylinder



ESSENTIA® BY CREE LAMP HOLDERS
Rear-Loading Gimbal Ring



BR30 SERIES LAMPS
LED Flood Lamp

PAR38 Series



PAR38



A LAMP THAT HIGHLIGHTS AND ENHANCES WITH EASE.

The Cree® LED PAR38 lamps deliver 1500 lumens of warm 2700K and bright 3000K light and are available in multiple beam options that are ideal for highlighting merchandise and enhancing the atmosphere of any space. These lamps offer an impressive combination of greater than 80% energy savings, significant maintenance savings and eligibility for ENERGY STAR® rebates.

BENEFITS

- Multiple beam angles ideal for highlighting merchandise
- Consumes up to 80% less energy
- ENERGY STAR® qualified (3000K)
- Long-lasting, directional instant-on illumination
- Dimmable
- Compatible with Essentia® by Cree Track

FEATURES

- >80 CRI
- 90W equivalent
- 18W (2700K) or 16.5W (3000K)
- Lamp Delivered Light Output: 1500 lumens
- CCT: 2700K, 3000K
- Multiple beam angles: 27°, 47°

APPLICATIONS

- Commercial offices, hotels, restaurant, healthcare and residential applications

PAR38 Series

Ordering Information

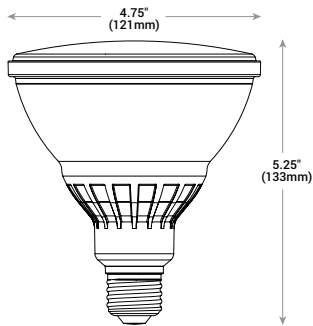
Example: PAR38-90W-30K-27D-B1

PRODUCT	WATT EQUIVALENT	CCT	BEAM SPREAD	VOLTAGE	BASE TYPE	OPTIONS	PACKAGING OPTIONS
PAR38	90 90 Watt (1500 lumens)	27K 2700K 30K 5000K	27D 27D Medium Flood 47D 47D Wide Flood	Blank 120V	Blank E26 (Screw Base)	Blank 80 CRI	B1 (1) Single Blister Pack (MC = 3)

*Ordering information is for reference only. Some product configurations are not available. Please consult spec sheets for specific product availability and for further details.

Dimensions

PAR38



You May Also Be Interested In:



ESA SERIES DOWNLIGHTS
Architectural Downlighting Solutions



CR SERIES TROFFERS
High-Efficiency, Affordable Troffers



ESSENTIA® LAMP HOLDERS
Front-Loading Gimbal Ring

TRACK LIGHTING

The Essentia® by Cree Track Lighting portfolio delivers a complete line of products backed by Cree. Well-designed and well-made to deliver exceptional track lighting, the portfolio offers more options, flexibility, energy efficiency and better lighting quality.



ESSENTIA[®]
by CREE ⇄



Essentia[®] by Cree LED Track Heads

p.100

- >80 CRI
- Up to 2500 lumens
- CCT: 2700K (select products), 3000K, 3500K and 4000K
- Input Power: 8W-36W
- Designed to last 30,000 to 35,000 hours

ESSENTIA[®]
by CREE ⇄



Essentia[®] by Cree Lamp Holders

p.102

- Superior construction
- Maintenance-free operation
- Pairs perfectly with Cree lamps

ESSENTIA[®]
by CREE ⇄



Essentia[®] by Cree Track and Accessories

p.104

- Ideal for general purpose track lighting
- Fixtures can be surface or pendant mounted
- Easy to cut to exact size
- 1-year limited warranty

Essentia® by Cree LED Track Heads



ON TRACK FOR EXCEPTIONAL RESULTS.

Put an end to concerns over quality and reliability in commercial track lighting. The Essentia® by Cree Track Lighting portfolio delivers a better lighting experience in a complete line of products backed by Cree. Essentia® by Cree track lighting will change your expectations of industry standards.

BENEFITS

- All heads are compatible with one- and two-circuit track systems
- Exceptional quality of light
- Easy installation
- Precision optics virtually eliminate fringing, hot spots and discoloration
- Field interchangeable reflectors (LED Flat Track Head 20°, 30°, 40°; LED Beveled Cylinder Track Head 20°, 40°) for beam control flexibility.

FEATURES

- >80 CRI
- Up to 2500 lumens
- CCT: 2700K (select products), 3000K, 3500K and 4000K
- Input Power: 8W, 36W
- Designed to last 30,000 to 35,000 hours
- Field interchangeable optics offer beam control flexibility

APPLICATIONS

- Corporate & office, petroleum & convenience store, recreation & public venues, restaurant & hospitality, retail & grocery

Flat Back



Beveled Cylinder



Mini Flat Back



Essentia® by Cree LED Track Heads

Ordering Information

Example: S-CT-BVLCYL-10L-27K-BK

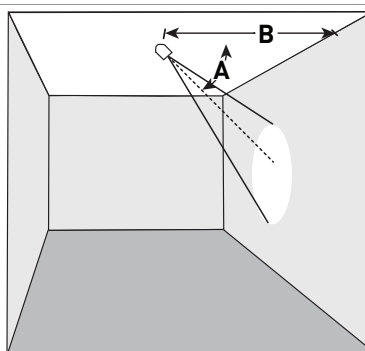
PRODUCT	DESCRIPTION	INITIAL DELIVERED LUMENS	CCT	HOUSING COLOR	
S-CT Essentia® by Cree Track	BVLCYL Beveled Cylinder	10L 980 Lumens	27K 2700K (not available with Flat Back) 30K 3000K 35K 3500K 40K 4000K	BK Black WH White	
PRODUCT	DESCRIPTION	INITIAL DELIVERED LUMENS	CCT	HOUSING COLOR	
S-CT Essentia® by Cree Track	FB Flat Back	25L 2500 Lumens	27K 2700K (not available with Flat Back) 30K 3000K 35K 3500K 40K 4000K	BK Black WH White	
PRODUCT	DESCRIPTION	INITIAL DELIVERED LUMENS	BEAM ANGLE	CCT	HOUSING COLOR
S-CT Essentia® by Cree Track	MFB Mini Flat Back	5L 500 Lumens	36D 36°	27K 2700K 30K 3000K 35K 3500K 40K 4000K	BK Black WH White

*Ordering information is for reference only.

Dimensions

BEVELED CYLINDER	FLAT BACK	MINI FLAT BACK
6.5"H x 3.6"W x 5"D	7.3"H x 6"W x 4.5"D	5.125"H x 1.875"W x 3.44"L

Application Reference



A = Preferred 60° aiming angle
B = Typical track head setback of 1.5'(0.5m) - 3.0' (0.9m) from wall

You May Also Be Interested In:



ESSENTIA® BY CREE DOWNLIGHT
Full Range of Downlight Solutions



ESSENTIA® BY CREE FLAT PANEL
Ultra-Thin Design, Impressive Performance

Essentia® by Cree Lamp Holders



ON TRACK FOR EXCEPTIONAL RESULTS.

Essentia® by Cree Track Lighting offers a full selection of track, heads, gimbal rings and accessories to make building a complete track lighting solution easy. Available in one- and two-circuit track systems, with an assortment of heads, the portfolio delivers flexibility for design layouts. Essentia® by Cree Track Lighting is available in black and white finishes.

BENEFITS

- Superior construction
- Compatible with 1- or 2- circuit track
- Easy Installation
- Eliminates power loss between fixture head & track bar

FEATURES

- Maintenance-free operation
- Pairs great with Cree LED Lamps
- Line or Low voltage solutions
- Black or white polyester powder-coated finish

APPLICATIONS

- Corporate & office, petroleum & convenience store, recreation & public venues, restaurant & hospitality, retail & grocery

Low Profile Lamp Holder



Flat Back Cylinder



Round Back Cylinder



Notch Back (MR16 Low Voltage)



PAR38 Front-Loading Gimbal Ring



Rear-Loading Gimbal Ring



Essentia® by Cree Lamp Holders

Ordering Information

Example: S-CT-BVLCYL-10L-27K-BK

PRODUCT	DESCRIPTION	LAMP TYPE	VOLTAGE		HOUSING COLOR
S-CT Essentia® by Cree Track	LPLH Low Profile Lamp Holder	P20/P30/P38 PAR20, PAR30, PAR38 lamps	120V 120 Volt		BK Black WH White
PRODUCT	DESCRIPTION	MAX. WATTAGE	LAMP TYPE	HOUSING COLOR	
S-CT Essentia® by Cree Track	FB Flat Back Cylinder	50W 50 Watts 75W 75 Watts	R20/P20 R20 & PAR20 lamps B30/P30L BR30 & PAR30L lamps	BK Black WH White	
	RB Round Back	50W 50 Watts 75W 75 Watts	R20/P20 R20 & PAR20 lamps B30/PAR30L BR30 & PAR30L lamps		
PRODUCT	DESCRIPTION	MAX. WATTAGE	LAMP TYPE	VOLTAGE	HOUSING COLOR
S-CT Essentia® by Cree Track	FLGR Front-Loading Gimbal Ring	150W 150 Watts	P38 PAR38 lamps	120V 120 Volt	BK Black WH White
	RLGR Front-Loading Gimbal Ring	50W 50 Watts 75W 75 Watts 150W 150 Watts	R20 PAR20 lamps P30 PAR30 lamps P38 PAR38 lamps		
PRODUCT	DESCRIPTION	MAX. WATTAGE	LAMP TYPE	TRANSFORMER	HOUSING COLOR
S-CT Essentia® by Cree Track	NB Notch Back	75W 75 Watts	MR16 MR16 lamps	EET Electronic External Low-Voltage Transformer	BK Black WH White

*Ordering information is for reference only.

You May Also Be Interested In:



PAR38 SERIES LAMPS
Efficient Halogen Replacement

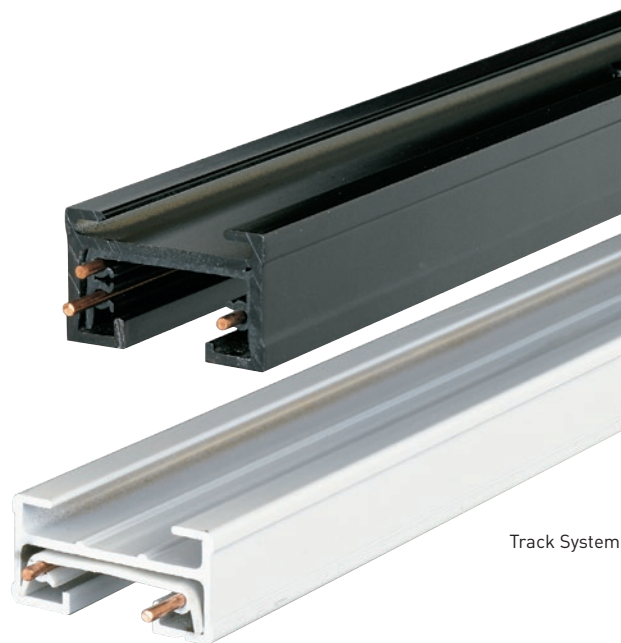


ESSENTIA® BY CREE FLAT PANEL
Ultra-Thin Design, Impressive Performance



PAR30 SERIES LAMPS
LED Flood Lamp

Essentia® by Cree Track & Accessories



ON TRACK FOR EXCEPTIONAL RESULTS.

The Essentia® by Cree Track rails are ideal for general purpose track lighting in indoor commercial, retail, and industrial applications. Compatibility with prevalent one- and two-circuit track systems expands use options and energy-efficient LEDs enable greater track lighting capacity.

BENEFITS

- Two circuit track offers double the load capacity which allows for more fixtures per section and the ability to operate each circuit separately, giving you a total of three different schemes.
- Compatibility with prevalent one- and two-circuit track systems expands use options
- Energy-efficient LEDs enable greater track lighting capacity.

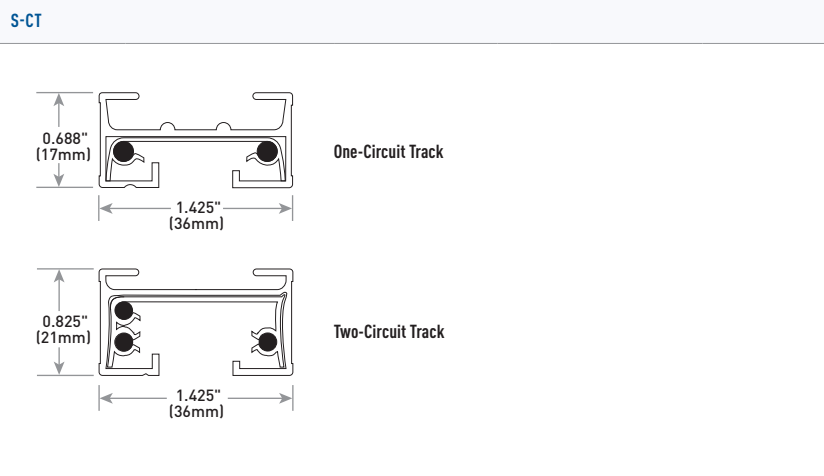
FEATURES

- Available in one- and two-circuit
- Available in 4', 6', and 8' track configurations
- Easy to field cut for exact sizing when needed
- Each track section includes two end caps and mounting hardware
- Features an extruded aluminum body, Lexan fittings, a Noryl insert and No. 12 AWG solid copper conductors

APPLICATIONS

- Corporate & office, petroleum & convenience store, recreation & public venues, restaurant & hospitality, retail & grocery

Dimensions



Ordering Information

Example: S-CT-T4-1C-WH

PRODUCT	TRACK LENGTH	INITIAL DELIVERED LUMENS	HOUSING COLOR
S-CT Essentia® by Cree Track	T4 4 Feet of 47-11/16" T6 6 Feet of 71-11/16" T8 8 Feet of 95-11/16"	1C 1-Circuit 2C 2-Circuit	BK Black WH White

*Ordering information is for reference only.

Essentia® by Cree Track & Accessories

Accessory Information

FIELD-INSTALLED



Outlet Box Cover

S-CT-OUTLET-BOX-CVR-BK
S-CT-OUTLET-BOX-CVR-WH

For use with either single- or two-circuit adjustable, "T" or "X" connectors when feeding at outlet box. White or Black



Monopoint Mounting

S-CT-MTG-MONOPT-BK
S-CT-MTG-MONOPT-WH

Mounts directly to any outlet box. Not for use with low voltage fixtures with external power supplies. Black or White finish



Pendant Adaptor

S-CT-ADPT-PENDANT-BK
S-CT-ADPT-PENDANT-WH

To support chain-hung fixtures up to 10 pounds. 3/8" wiring hole. 5A max, 600 watts. Not UL Listed.



T-BAR Attachments Clips (Drop Tile)

S-CT-TBAR-11N-DRP-TILE-4PK
S-CT-TBAR-9/16-DRP-TILE-4PK

Fastens track to 9/16" or 1" inverted tee with drop tiles. One required for each 2' of track. 4 per package.



T-BAR Attachments Clips (Flush Tile)

S-CT-TBAR-11N-FLSH-TILE-4PK
S-CT-TBAR-9/16-FLSH-TILE-4PK

Fastens track to 9/16" or 1" inverted tee with flush tiles. One required for each 2' of track. 4 per package.



Cord & Plug Feed

S-CT-FEED-CRD-PLG-1C-BK
S-CT-FEED-CRD-PLG-1C-WH

For use with one-circuit track. Feed comes with 15-foot cord and 3-prong straight blade plug. 6-amp capacity. Not UL listed. White or Black

Accessory Information

FEEDS & CONNECTORS



Mini Straight Connector

S-CT-CNCTR-M-STRGHT-1C-BK
S-CT-CNCTR-M-STRGHT-1C-WH
S-CT-CNCTR-M-STRGHT-2C-BK
S-CT-CNCTR-M-STRGHT-2C-WH

Connects two track sections end-to-end. White or Black



Adjustable Connector/Feed

S-CT-CNCTR/FEED-ADJ-1C-BK
S-CT-CNCTR/FEED-ADJ-1C-WH
S-CT-CNCTR/FEED-ADJ-2C-BK
S-CT-CNCTR/FEED-ADJ-2C-WH

Adjusts to connect two track sections either at a 90-degree angle or a straight run. 1/2" knockout provided for through ceiling conduit. White or Black



Cord & Plug Feed

S-CT-FEED-CRD-PLG-1C-BK
S-CT-FEED-CRD-PLG-1C-WH

For use with one-circuit track. Feed comes with 15-foot cord and 3-prong straight blade plug. 6-amp capacity. Not UL listed. White or Black



Conduit Feed

S-CT-FEED-CONDUIT-1C-BK
S-CT-FEED-CONDUIT-1C-WH
S-CT-FEED-CONDUIT-2C-BK
S-CT-FEED-CONDUIT-2C-WH
S-CT-FEED-CONDUIT-1C-REV-BK
S-CT-FEED-CONDUIT-1C-REV-WH
S-CT-FEED-CONDUIT-2C-REV-BK
S-CT-FEED-CONDUIT-2C-REV-WH

Accepts 1/2" conduit (male threaded) fitter for surface wiring. White or Black. REVERSE POLARITY available.



"T" Connector/Feed

S-CT-CNCTR/FEED-T-1C-BK
S-CT-CNCTR/FEED-T-1C-WH
S-CT-CNCTR/FEED-T-2C-BK
S-CT-CNCTR/FEED-T-2C-WH
S-CT-CNCTR/FEED-T-1C-REV-BK
S-CT-CNCTR/FEED-T-1C-REV-WH
S-CT-CNCTR/FEED-T-2C-REV-BK
S-CT-CNCTR/FEED-T-2C-REV-WH

Joins three track sections. White or Black. REVERSE POLARITY available.



Outlet Box Feed

S-CT-FEED-OUTLET-BOX-1C-BK
S-CT-FEED-OUTLET-BOX-1C-WH
S-CT-FEED-OUTLET-BOX-2C-BK
S-CT-FEED-OUTLET-BOX-2C-WH
S-CT-FEED-OUTLET-BOX-1C-REV-BK
S-CT-FEED-OUTLET-BOX-1C-REV-WH
S-CT-FEED-OUTLET-BOX-2C-REV-BK
S-CT-FEED-OUTLET-BOX-2C-REV-WH

End feeds comes with outlet box cover and mounting strap. White or Black. REVERSE POLARITY available.



End Feed

S-CT-FEED-END-1C-BK
S-CT-FEED-END-1C-WH
S-CT-FEED-END-2C-BK
S-CT-FEED-END-2C-WH
S-CT-FEED-END-1C-REV-BK
S-CT-FEED-END-1C-REV-WH
S-CT-FEED-END-2C-REV-BK
S-CT-FEED-END-2C-REV-WH

Allows feed from above with Romex, Greenfield or conduit. White or Black. REVERSE POLARITY available.



"X" Connector/Feed

S-CT-CNCTR/FEED-X-1C-BK
S-CT-CNCTR/FEED-X-1C-WH
S-CT-CNCTR/FEED-X-2C-BK
S-CT-CNCTR/FEED-X-2C-WH

Joins four track sections. White or Black



Floating Feed

S-CT-FEED-FLOATING-1C-BK
S-CT-FEED-FLOATING-1C-WH
S-CT-FEED-FLOATING-2C-BK
S-CT-FEED-FLOATING-2C-WH

Mounts to outlet box to provide power feed at any point on track. Includes mounting hardware. White or Black



T-BAR End Feed

S-CT-FEED-TBAR-END-1C-BK
S-CT-FEED-TBAR-END-1C-WH
S-CT-FEED-TBAR-END-2C-BK
S-CT-FEED-TBAR-END-2C-WH

T-Bar mounted track. Joins two track sections for either 90-degree angle or straight run. Three 1/2" knockouts. White or Black



T-BAR Adjustable Connector/Feed

S-CT-CNCTR-TBAR-ADJ-1C-BK
S-CT-CNCTR-TBAR-ADJ-1C-WH
S-CT-CNCTR-TBAR-ADJ-2C-BK
S-CT-CNCTR-TBAR-ADJ-2C-WH

T-Bar mounted track. Joins two track sections for either 90-degree angle or straight run. Three 1/2" knockouts. White or Black

You May Also Be Interested In:



ESSENTIA® BY CREE TRACK HEADS
Exceptional Light Quality



ESSENTIA® BY CREE LAMP HOLDERS
Easy Installation



PAR30 SERIES LAMPS
LED Flood Lamp

INTELLIGENT LIGHT SOLUTIONS

At Cree, innovation doesn't stop at our world-class LED luminaires because we aim to deliver so much more. Cree's intelligent light solutions provide a combination of extreme energy productivity and code compliance that's so intuitive and simple, it just works.





WORKS LIKE MAGIC. IN A SCIENTIFIC SORT OF WAY.

Cree SmartCast® Technology is the most intuitive and easiest to install intelligent light solution on the market. SmartCast Technology delivers up to 70% energy savings at up to half the cost of other solutions. Luminaires combine best-in-class light with onboard sensors and intelligence to deliver extreme energy productivity, code compliance and a better light experience without any extra design, installation or setup work.

Cree SmartCast® Technology

p.108-111

- Intelligent by design
- Intuitive implementation
- Scalable for BMS and IoT integration
- Up to 70 percent reduction in energy consumption over traditional fluorescent luminaires
- Half the cost of traditional lighting controls
- Compliant with emerging code requirements throughout US & Canada
- 5-year warranty



LED CONTROLS

At Cree, we aim to deliver enhanced performance and savings from your entire lighting system. That's exactly what our embedded digital control options offer – intelligent, fully-integrated solutions.

Lutron EcoSystem® Enabled

p.112

- Compatible with CR Series troffers and KR Series downlights
- Enables continuous dimming
- Robust set of control capabilities

Cree SmartCast® Technology - Wireless



BETTER LIGHT DELIVERED INTELLIGENTLY AND SIMPLY.

With Cree SmartCast® Technology, we've totally redefined intelligent lighting by making it so intuitive and simple, it just works. It does what intelligent light should: it saves you money while helping make your whole enterprise more productive. Cree luminaires and dimmers enabled with SmartCast® Technology deliver essential lighting control without the complex design, installation and setup of today's lighting control systems. Integrated ambient and occupancy sensing and wireless communication are incorporated to deliver exceptional lighting performance, achieve additional energy savings over non-controlled solutions and extend product life. An added bonus: the CR Series troffers with Cree SmartCast® Technology offer field-adjustable color temperatures that simplify projects by allowing one troffer to be used in any space regardless of color temperature preference.

BENEFITS

- Intuitive and effortless installation and setup easily commissions and connects up to 250 lights with the touch of a button
- Better light that adapts to the user
- Deep energy savings – combined with strategies like daylight harvesting, occupancy sensing and optional task tuning cut lighting bills by up to 70%
- Up to half the installed cost of traditional lighting control systems
- Greatly simplified daylight harvesting, motion sensing, adaptive lighting and dimming without third-party-devices or additional wires
- Eliminates the painstaking and error-prone process of manually commissioning each light

FEATURES

- Fully-integrated solution with user-driven design and engineering
- Innovative OneButton™ Setup automatically creates a lighting network and intelligently groups lights together
- Secure, wireless communication
- Integral ambient light and motion sensors
- Daylight harvesting and motion sensing
- Compatible with CR Series troffers, ZR Series troffers, CS Series linear luminaires, KR Series downlights and LN Series suspended ambient luminaires
- Enables continuous dimming
- Field-adjustable color temperatures with CR Series troffers

CREE 

SMARTCAST® TECHNOLOGY

lighting.cree.com/SmartCast

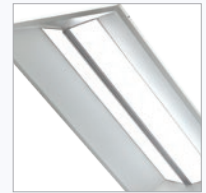
Cree SmartCast® Technology - Wireless

CR Series Troffers with SmartCast® Technology

Example: CR22-32L-ACK-CMA

PRODUCT	LUMEN OUTPUT	COLOR TEMP.	VOLTAGE	CONTROL	OPTIONS
CR24 2'x4' Lay-in	32L 32W 3200 Lumens - 100 LPW 35W 3200 Lumens - 90 LPW	30K 3000K 35K 3500K	Blank 120-277V	CMA Cree SmartCast® Technology - Integral motion and ambient sensors and wireless communication	EB10W Emergency Battery Backup - 32L-ACK: 1,000 lumens - 40L-ACK: 1,000 lumens - 40LHE-30K: 1,300 lumens - 40LHE-35K: 1,250 lumens - 40LHE-40K: 1,200 lumens - 40LHE-50K: 1,150 lumens
CR14 1'x4' Lay-in	40L 40W 4000 Lumens - 100 LPW	40K 4000K 50K 5000K			
CR22 2'x2' Lay-in	40L HE 30.5W 4000 Lumens - 131 LPW (30K) 32W 4000 Lumens - 125 LPW (35K) 33W 4000 Lumens - 121 LPW (40K) 34.5W 4000 Lumens - 116 LPW (50K)	ACK Adjustable CCT: 3000K-5000K - Available only with 40L - Factory set at 4000K - Adjustable in 500K increments			

You May Also Be Interested In:



CR SERIES TROFFERS
High-Efficiency, Affordable Troffers

ZR Series Troffers with SmartCast® Technology

Example: ZR22-32L-35K-CMA

PRODUCT	LUMEN OUTPUT	COLOR TEMP.	VOLTAGE	CONTROL	OPTIONS
ZR22 2'x2' Lay-in	32L 35W, 3200 Lumens - 90 LPW 40L 44W, 4000 Lumens - 90 LPW	35K 3500K 40K 4000K	Blank 120-277 Volts	CMA Cree SmartCast® Technology - Integral motion and ambient sensors and wireless communication	EB14 Emergency Backup - 1,400 lumens - Available on US versions only
ZR14 1'x4' Lay-in					
ZR24 2'x4' Lay-in					



ZR SERIES TROFFERS
High-Efficiency, Affordable Troffers

LN Series Suspended Ambient with SmartCast® Technology

Example: LN4-34L-35K

PRODUCT	LUMEN OUTPUT	COLOR TEMP.	VOLTAGE	CONTROL
LN4™	34L 30W 3400 Lumens - 115 LPW	35K 3500K 40K 4000K	Blank 120-277V	CMA Cree SmartCast® Technology - Controls ready with integral motion and ambient sensors



CS SERIES LINEAR
Commercial Linear Solutions

KR Series Architectural Downlights with SmartCast® Technology

Example: KR4-20L-35K-120V-10R-EB7

PRODUCT	REFLECTOR	LUMEN OUTPUT	OPTIC	COLOR TEMP.	VOLTAGE	CONTROL	OPTIONS
KR6 6"	Blank Round	9L up to 700 Delivered Lumens	Blank 70° Beam Angle	27K 2700K - 9L thru 40L Only	120V 120 Volts 277V 277 Volts	10R Cree SmartCast® Technology - Includes control module and motion and ambient sensors	EB7 Emergency Backup - Minimum 90 minutes - 120V, 277V only - Minimum operating temperature: 0°C (32°F)
KR4 4"		13L up to 1100 Delivered Lumens		30K 3000K			
		20L up to 1700 Delivered Lumens		35K 3500K			
		30L up to 2550 Delivered Lumens 40L 44W, up to 3350 Delivered Lumens		40K 4000K 50K 5000K - Available on 40L only			



KR SERIES DOWNLIGHTS
Effective, Efficient LED Retrofit Downlights

CS Series Linear Luminaires with SmartCast® Technology

Example: CS18-80LHE-35K-CMA

PRODUCT	LUMEN OUTPUT	COLOR TEMP.	VOLTAGE	CONTROL
CS18 1'x8' Linear	38L 3800 Lumens - 100 LPW 40LHE 4000 Lumens - up to 115 LPW	35K 3500K 40K 4000K	Blank 120-277V	CMA Cree SmartCast® Technology - Integral motion and ambient sensors and wireless communication
CS14 1'x4' Linear	75L 7500 Lumens - 100 LPW 80LHE 8000 Lumens - 115 LPW			

*Ordering information is for reference only. Some product configurations are not available. Please consult spec sheets for specific product availability and for further details.

APPLICATIONS

- Ideal for corporate campus, hospitality, education, commercial and government applications

Cree SmartCast® Power Over Ethernet (PoE) Technology



BETTER LIGHTING AND BIGGER SAVINGS.

SmartCast® Power over Ethernet (PoE) technology provides beautiful, comfortable and adaptive illumination with greatly simplified lighting controls. You'll cut energy costs up to 70 percent while saving money, improving aesthetics, lowering TCO and making your entire enterprise more productive. Cree SmartCast® PoE technology seamlessly integrates hardware, software and the user experience into an intuitively simple and powerful lighting intelligence platform that saves time, money and up to 70% on energy.

BENEFITS

- So simple, it just works - easily commission up to 1,000 lights with the push of a button
- Effortless installation and management of Internet-enabled fixtures into a configurable network
- Code-compliant solution for advanced energy savings delivering up to 70 percent energy reduction
- Control lighting settings from a central location
- Real-time data for real-time productivity via easy-to-use dashboards for instant control and analytics
- Learns and adapts to people and spaces, tailoring experiences for more comfort and productivity
- Standards-based API that's fully enabled to securely connect with building management systems, enterprise-wide networks and the Internet
- Scales up for advanced energy management, richer BMS integration and connection to the IoT
- Greater efficiency, control and interaction to create cost savings and better light experiences
- Increases property values, lowers TCO and improves aesthetics, comfort and productivity

FEATURES

- Intuitive, automatic setup with the push of a single button
- Integrated lighting controls with motion sensing, daylight harvesting, task tuning and real-time visibility into energy usage
- Robust, secure communication supporting distributed intelligence
- Digital framework for connecting to other systems — HVAC, security and more — for vastly greater efficiency, control and user interaction
- Cree SmartCast® Manager – PC application with easy-to-use dashboards for simple setup, instant control and analytics to maximize the energy savings
- Cree SmartCast® API – secure, open standards-based interface for building software applications that integrate SmartCast® luminaires with third-party applications, extending features and value to end users
- Easily scales your intelligent lighting strategy from essential control to whatever IoT brings next



SMARTCAST® TECHNOLOGY

lighting.cree.com/SmartCast

Cree SmartCast® Power Over Ethernet (PoE) Technology

CR Series Troffers with SmartCast® Technology

Example: CR24-40L-ACK-PoE

PRODUCT	LUMEN OUTPUT	CCT	PLATFORM
CR24 2'x4' Lay-in CR14 1'x4' Lay-in CR22 2'x2' Lay-in	32L Configurable from 160 to 3,200 lumens 40L Configurable from 200 to 4,000 lumens	ACK Adjustable CCT: 3000K-5000K - Default = 4000K - Adjustable in 500K increments	PoE Power Over Ethernet - SmartCast PoE

Dimmer for SmartCast® PoE

Example: CWD-PoE-WH

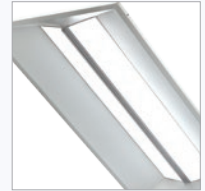
PRODUCT (CREE WALL DIMMER)	CONTROL	COLOR
CWD	PoE SmartCast® PoE Technology	WH White

*Ordering information is for reference only. Some product configurations are not available. Please consult spec sheets for specific product availability and for further details.

APPLICATIONS

- Currently compatible with CR Series troffers and KR Series downlights
- Ideal for corporate campus, hospitality, education, commercial and government applications

You May Also Be Interested In:



CR SERIES TROFFERS
High-Efficiency, Affordable Troffers



ZR SERIES TROFFERS
High-Efficiency, Affordable Troffers



CS SERIES LINEAR
Commercial Linear Solutions



KR SERIES DOWNLIGHTS
Effective, Efficient LED
Retrofit Downlights

Lutron EcoSystem® Enabled



SUPERIOR QUALITY AND PERFORMANCE ADVANTAGES, PLUS SCALABLE SAVINGS SOLUTIONS.

Lutron EcoSystem® Enabled Cree® LED luminaires are designed with an intelligent, pre-tested microprocessor directly integrated into the Cree® LED driver. This design eliminates the need for additional interfaces, enabling the fixture and controls to communicate directly with each other for instant and seamless interoperability.

BENEFITS

- Guaranteed compatibility
- Simplified installation and commissioning
- Increased savings by 70 percent compared to baseline*
- Increased lifetime by 50 percent compared to baseline*
- Improved end-user experience

FEATURES

Control capabilities include:

- Continuous dimming to 5 percent
- High-end trim
- Personal control
- Occupancy sensing
- Light level scheduling
- Daylight harvesting
- Demand response

APPLICATIONS

- Currently compatible with CR Series troffers and light engines and KR Series downlights
- Ideal for healthcare, hospitality, education, commercial and government applications

*Consult www.Lutron.com for details.

Lutron EcoSystem® Enabled

Ordering Information for Lutron EcoSystem® Enabled CR Series Troffers

Example: CR22-20L-30K-S-EB14

PRODUCT	LUMEN OUTPUT	COLOR TEMP.	VOLTAGE	CONTROL	OPTIONS
CR24 2'x4' Lay-in	20L 22W 2000 Lumens - 90 LPW	30K 3000K	Blank 120-277V	S Step dimming to 50%	HD CRI 80+ (44W 4000 lumens - 90 LPW) - Available only with 40L
CR14 1'x4' Lay-in	22L 22W 2200 Lumens - 100 LPW (35K, 40K)	35K 3500K	347 Volt Integrated option available on 40L only. Other types require addition of a 347 accessory kit	10V 0-10V dimming to 5%	
CR22 2'x2' Lay-in	31L 34W 3100 Lumens - 90 LPW	40K 4000K		LES Lutron EcoSystem® Enabled to 5%	EB144,5 EB144,5 Emergency Backup - 1400 lumens - Not for use with SMK Kits. Use EB14 SMK
	32L 32W 3200 Lumens - 100 LPW	50K 5000K			EB14SMK4,5 EB14SMK4,5 Emergency Backup with surface mount kit - 1400 lumens - Includes surface mount kit accessory
	40L 40W 4000 Lumens - 100 LPW				
	40L HE 30.5W 4000 Lumens - 130 LPW (30K) 32W 4000 Lumens - 125 LPW (35K) 33W 4000 Lumens - 120 LPW (40K) 34.5W 4000 Lumens - 115 LPW (50K)				
	50L 50W 5000 Lumens - 100 LPW				

*Ordering information is for reference only. Some product configurations are not available. Please consult spec sheets for specific product availability and for further details.

You May Also Be Interested In:



ZR SERIES TROFFERS
High-Efficiency, Affordable Troffers



CS SERIES LINEAR
Commercial Linear Solutions



LS SERIES
Commercial-Grade Linear Solutions

OUTDOOR LED PRODUCTS

Cree luminaires provide improved illumination performance, consume less energy and require less maintenance than traditional lighting solutions. In fact, many BetaLED® Technology advancements have shaped what is standard in the LED lighting industry today.

LED AREA

OSQ Series
Area p.120



XSP Series
Area p.122



XSP Series High Output
Area p.124



Cree Edge™ Series
Area Square / Area Round p.126



Cree Edge™ Series High Output
Area p.128



Cree Edge™ Series
Pathway p.130



LED STREET & ROADWAY

RSW Series
Small p.134



RUL Series
Rural Utility p.136



XSP Series
XSP1™ / XSP2™ / XSPR™ p.138



XSP Series High Output
XSP1™ / XSP2™ / XSPR™ p.140



LED STREET & ROADWAY

LEDway® Series
HT Mount p.142



LEDway® Series High Output
Single / Double p.144



Cree Edge™ Series
Transportation Mount p.146



DPT Series
Post-Top Luminaire p.150



LED Upgrade Kit
Traditional Post-Top Upgrade Kit p.152



LED CANOPY & SOFFIT

CPY Series
Direct Mount p.156



228 Series™
Recessed & Remodel Mounts p.158



304 Series™
Recessed Mount p.160



Cree Edge™ Series
Surface Mount p.162



LED PARKING STRUCTURE

IG Series

Parking Structure p.166



304 Series™

Parking Structure p.168



VG Series

Parking Structure p.170



LED FLOOD

OSQ Series

Flood p.174



Cree Edge™ Series

High Output Flood / Flood Square p.176



304 Series™

Flood p.178



OL Series™

Linear Flood p.180



LED WALL MOUNT

XSP Series

Wall Pack p.184



Cree Edge™ Series

Wall Pack p.186



OUTDOOR APPLICATIONS

Cree® outdoor luminaires offer significant energy and maintenance savings compared to traditional light sources and provide a budget-sensitive alternative to help stretch your outdoor lighting budget.





Airports

Cree® luminaires lower energy consumption and costs, reduce maintenance expenses and provide a tremendous improvement in lighting performance at airports throughout the world.



Auto Dealerships

Showcase your dealership and attract more customers with beautiful LED lighting.



Corporate & Office

For corporations planning newly-constructed or renovated campuses, Cree is the lighting product of choice for up to 80 percent energy savings and contributions toward LEED credits from the U.S. Green Building Council.



Education

The U.S. Green Building Council sees school construction and renovation as a sector that has potential for tremendous energy savings by implementing environmental solutions. Schools and universities looking for sustainable lighting alternatives are selecting Cree.



Government & Municipal

Cree products can help you meet your high-performance building goals through energy reduction and maintenance elimination.



Healthcare

With healthcare ranking as the second largest energy consumer in the U.S., the industry is turning toward energy-saving sources like Cree efficient luminaires to meet Department of Energy initiatives.



Pedestrian & Recreation

Illuminated walkways are energy-efficient, architecturally pleasing and create a safe environment.



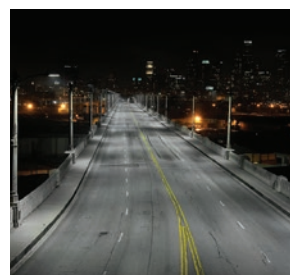
Petroleum & C-Store

Petroleum stations are attracting customers with improved Cree lighting that creates an inviting environment with dramatically better visibility and the added benefit of tremendous energy savings.



Retail & Hospitality

Cree luminaires are the ideal solution for multiple location franchise installations because they offer the versatility of optical selections and upgradable modular LED light bars to meet different lighting ordinances.

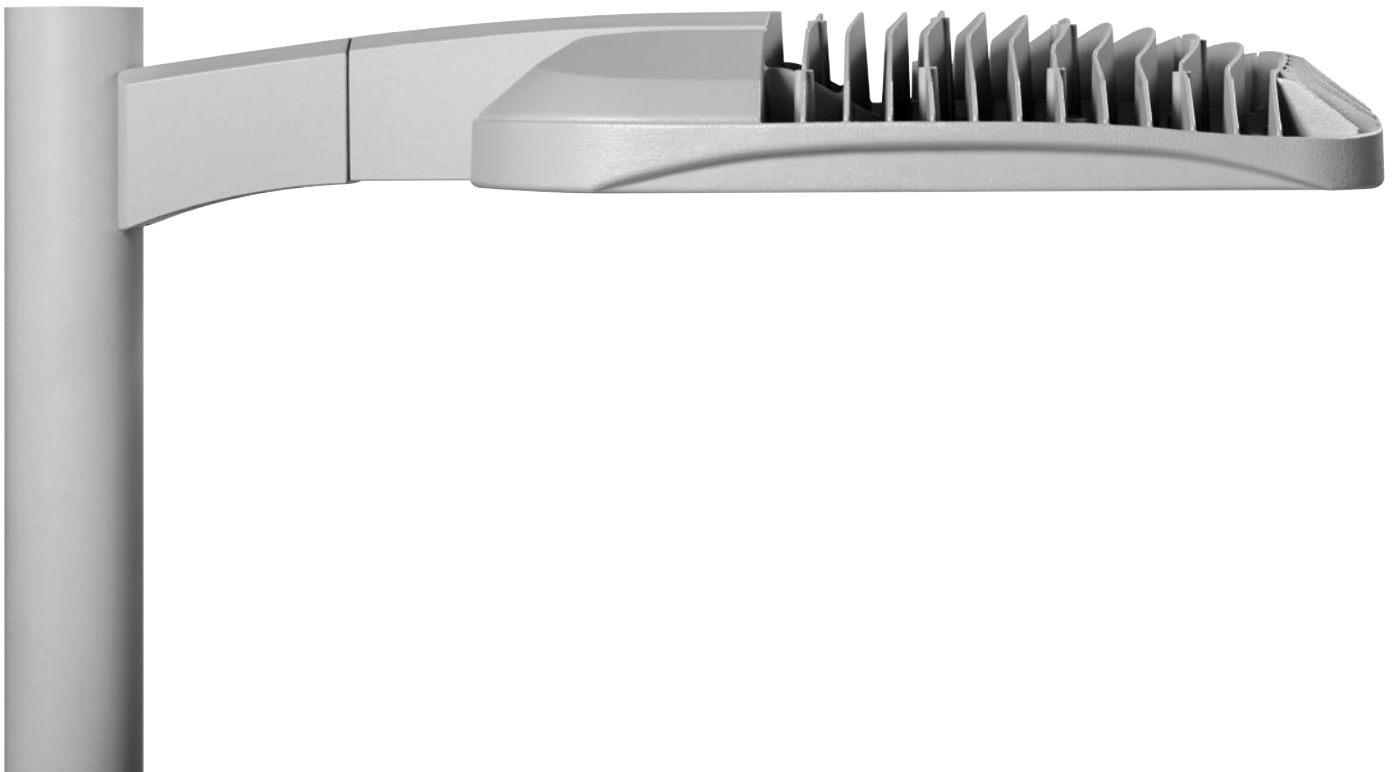


Street & Roadway

Offering an unmatched range of lumen and optical packages for streets and roadways, Cree has the versatility needed to provide exceptional value on most streets.

LED AREA

A space can be transformed with the right outdoor area lighting. Cree's modular design and multiple choices of power condition offer the ability to fine-tune a solution that provides precisely the right amount of light in precisely the right location, all with unmatched value and energy efficiency.



OSQ Series

p.120



- CRI: 70 CRI (4000K & 5700K; 3000K asymmetric optics); 80 CRI (3000K symmetric optics)
- CCT: 3000K (+/- 300K), 4000K (+/- 300K), 5700K (+/- 500K)
- Lumen Range: 7,644 - 28,285
- cULus Listed
- Utilizes NanoOptic® Technology
- Adjustable or Direct Mount

XSP Series

p.122



- Minimum 70 CRI
- CCT: 3000K (+/-300), 4000K (+/-300K), 5700K (+/-500K)
- NanoOptic® Precision Delivery Grid™ optic
- Single or double modules
- cULus Listed suitable for wet locations
- Designed with 0-10V dimming capabilities

XSP Series High Output

p.124



- Minimum 70 CRI
- CCT: 4000K (+/-300K), 5700K (+/-500K)
- NanoOptic® Precision Delivery Grid™ optic
- UL wet listed
- Increased lumen output

Cree Edge™ Series

p.126



- Minimum 70 CRI
- CCT: 4000K (+/-300K), 5700K (+/-500K)
- UL wet listed
- Two-level options
- Modular, low-profile design

Cree Edge™ High Output

p.128



- Minimum 70 CRI (4000K & 5700K); 90 CRI (5000K)
- CCT: 4000K (+/- 300K), 5000K (+/- 300K), 5700K (+/- 500K)
- Utilizes Cree TrueWhite® Technology on 5000K Luminaires
- UL wet listed
- Slim, low profile design

Cree Edge™ Series Pathway

p.130



- Minimum 70 CRI
- CCT: 4000K (+/-300K), 5700K (+/-500K)
- UL wet listed
- Two-level options
- Multiple heights available

OSQ Series Area



ADVANCING LIGHT THROUGHOUT YOUR SITE.

The OSQ Series blends extreme optical control, advanced thermal management and light quality to bring you the latest advancements in LED technology. And we didn't stop there — we added a clean, modern housing and versatile mounting options all with an attractive price point. Whether you have a new construction or upgrade application, the OSQ Series is perfect for parking lots, internal roadways and general site lighting.

BENEFITS

- Suitable upgrade for HID applications up to 1000 Watts
- Versatile mounting configurations offer simple installation
- Slim, low-profile design minimizes wind load requirements
- Improved energy and maintenance savings
- Standard 10-year limited warranty

FEATURES

- Minimum 70 CRI (4000K & 5700K; 3000K asymmetric optics); 80 CRI (3000K symmetric optics)
- CCT: 3000K (+/- 300K), 4000K (+/- 300K), 5700K (+/- 500K)
- Utilizes NanoOptic® Technology
- cULus Listed

APPLICATIONS

- Airport, Auto Dealership, Corporate & Office, Education, Government, Healthcare, Municipal, Pedestrian, Petroleum & Convenience Stores, Recreation & Public Venues, Restaurants & Hospitality, Retail & Grocery

OSQ™ Area with DA Mount



OSQ™ Area with AA Mount



OSQ Series Area

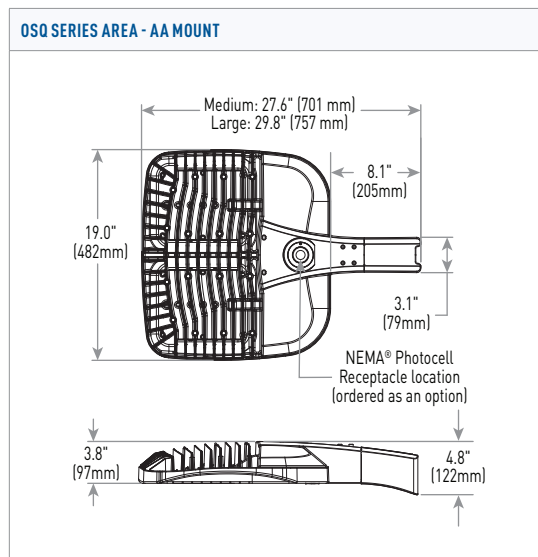
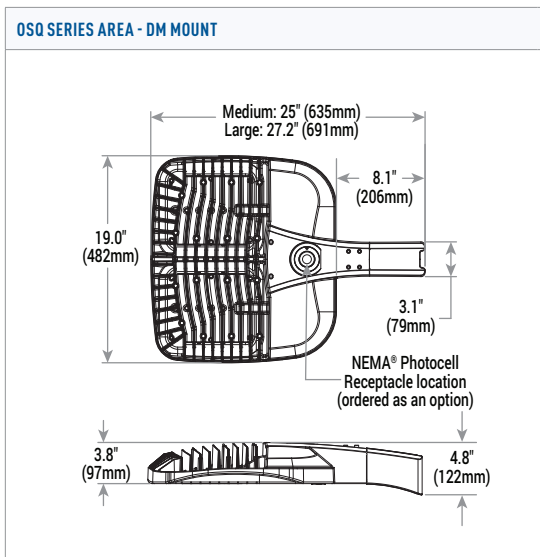
Ordering Information

Example: **Mount:** OSQ-AA-SV + **Luminaire:** OSQ-A-NM-2ME-A-40K-UL-SV

MOUNT			COLOR OPTIONS					
OSQ-AA Adjustable Arm	OSQ-DA Direct	BK Black	SV Silver	BZ Bronze	WH White			
PRODUCT	VERSION	MOUNTING	OPTIC	INPUT POWER DESIGNATOR	CCT	VOLTAGE	COLOR OPTIONS	OPTIONS
OSQ	A	NM No Mount	ASYMMETRIC: 2ME Type II Medium 3ME Type III Medium 4ME Type IV Medium	A 112W (Medium) J 168W (Medium) S 223W (Large) U 215W (Large)	30K 3000K 40K 4000K 57K 5700K	UL Universal 120-277V UH Universal 347-480V	BK Black BZ Bronze SV Silver WH White	DIM 0-10V Dimming F Fuse ML Multi-Level PML Programmable Multi-Level, 20'-40" Mounting PML2 Multi-Level, 10'-30" Mounting Height Q9 Field Adjustable Output R NEMA® Photocell Receptacle RL Rotate Left RR Rotate Right
			SYMMETRIC: 5ME Type V Medium 5SH Type V Short	B 86W (Medium) K 130W (Medium) T 171W (Large) U 215W (Large)				

*Ordering information is for reference only. Some product configurations are not available. Please consult spec sheets for specific product availability and for further details.
 * Available with Backlight Shield when ordered with field-installed accessory

Dimensions



Accessory Information

BACKLIGHT SHIELD

OSQ-BLSMF – Front facing optics
 OSQ-BLSMR – Rotated optics

HAND-HELD REMOTE

XA-SENSREM for PML Option

You May Also Be Interested In:



TRADITIONAL POST-TOP UPGRADE KIT
 Easily Convert Decorative Street Lights to LED



XSP SERIES WALL PACK
 Affordable Site Lighting Solutions



OSQ SERIES FLOOD
 Flood Lighting Solutions

XSP Series Area



XSP1™ Area



XSP2™ Area



MAKING THE SWITCH TO LED LIGHTING IS AN EASY DECISION.

Designed to replace up to 400W metal halide pole-mounted area lights, the Cree XSP Series Area light provides an excellent alternative to traditional HID lighting with superior optical control to put the light exactly where it needs to go. The XSP Area leverages Cree's innovative technology, developed for the industry-leading XSP Series street lights, offering customers a premier area lighting solution covered by a 10-year limited warranty.

BENEFITS

- Improved illumination performance
- Significant energy and maintenance savings
- Eliminate the relamping cycle
- Field Adjustable Output option for increased flexibility
- 10-year limited warranty

FEATURES

- Minimum 70 CRI (4000K & 5700K); 80 CRI (3000K)
- CCT: 3000K (+/-300K), 4000K (+/-300K), 5700K (+/-500K)
- NanoOptic® Precision Delivery Grid™ optic
- Exclusive Colorfast DeltaGuard® Finish

APPLICATIONS

- Airport, auto dealership, corporate & office, education, government, healthcare, industrial & warehouse, municipal, parking, pedestrian, petroleum & convenience stores, recreation & public venues, restaurants & hospitality, retail & grocery






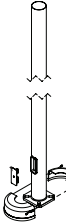

XSP Series Area

Ordering Information

Example: BXSP-B-HT-2ME-A-40K-UL-SV

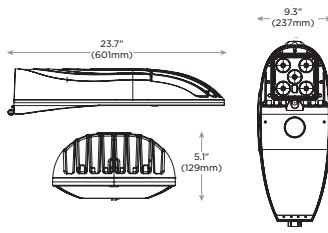
PRODUCT	VERSION	MOUNTING	OPTIC	INPUT POWER DESIGNATOR	CCT	VOLTAGE	COLOR OPTIONS	OPTIONS
BXSP	B C	HT Horizontal Tenon	2ME* Type II Medium 2LG* Type II Long 3ME* Type III Medium 4ME* Type IV Medium 5ME Type V Medium 5SH Type V Short	A 53W (XSP1, B) B 101W (XSP2, B) E 101W (XSP1, C) F 139W (XSP2, C)	30K 3000K 40K 4000K 57K 5700K	UL Universal 120-277V UH Universal 347-480V	BK Black BZ Bronze SV Silver	ML Multi-Level N Utility Label and NEMA® Photocell Receptacle O9 Field Adjustable Output R NEMA® Photocell Receptacle

Poles & Tenon Options

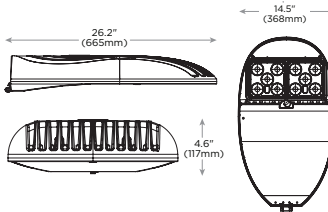
POLE SPECIFICATION	HORIZONTAL TENON OPTIONS
 <p>PS Crown-Weld® Square Straight Steel Poles</p>	<p>* Specify mounting configuration</p>  <p>PD-H4 Square Internal Mount Mounts to 4" (102mm) square aluminum or steel poles</p>  <p>PT-H Round External Mount Mounts to 2-3/8 - 3" (60 - 76mm) round aluminum or steel poles</p>  <p>WM-2L Wall Mount</p>  <p>XA-TMDA8 Direct Arm Pole Adaptor Bracket Mounts to 3 - 6" (76 - 152mm) round or square aluminum or steel poles</p>
 <p>PS5R Round Steel Poles</p>	
 <p>PSRV Round Tapered Steel Poles</p>	

Dimensions

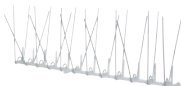
XSP1™ (SINGLE-MODULE)



XSP2™ (DOUBLE-MODULE)



Accessory Information

BIRD SPIKE OPTIONS*	BACKLIGHT CONTROL SHIELD OPTIONS	FOUR POINT MOUNTING KIT
 <p>XA-SP1BRDSPK (single-module) XA-SP2BRDSPK (double-module)</p>	<p>Provides 1/2 Mounting Height Cutoff XA-SP1BLS (for use with single-module) XA-SP2BLS (for use with double-module)</p>	<p>XA-XSP4PTMNT Includes large bracket for mounting to 2" (51mm) IP, 2.375" (60mm) O.D. tenon, small bracket for mounting to 1.25" (32mm) IP, 1.66" (42mm) O.D. tenon and mounting bolts</p>

You May Also Be Interested In:



OSQ SERIES AREA
Low-Profile Area Lighting Solutions



XSP SERIES WALL PACK
Affordable Site Lighting Solutions



DPT SERIES POST-TOP LUMINAIRE
Easily Convert Decorative Street Lights to LED

XSP Series Area High Output



GET MORE FOR LESS.

The XSP High Output Series delivers up to 18,523 lumens with incredible efficacy – up to 116LPW. In addition to substantial energy and maintenance savings, the XSP High Output Series achieves better optical control with the NanoOptic® Precision Delivery Grid™ optic over incumbent area lighting solutions from 70W up to 250W. Expanding Cree's innovative technology used in the XSP Series, the XSP High Output Series provides the illumination performance you need and trust.

BENEFITS

- Improved illumination performance
- Significant energy and maintenance savings
- Eliminate the relamping cycle
- Smart-city ready for increased flexibility
- 10-year limited warranty

FEATURES

- Minimum 70 CRI
- CCT: 4000K (+/-300K), 5700K (+/-500K)
- NanoOptic® Precision Delivery Grid™ optic
- Exclusive Colorfast DeltaGuard® Finish
- Traditional cobra head appearance
- UL wet listed

APPLICATIONS

- Government & municipal, roadway

XSP1™ Area



XSP2™ Area



XSP Series Area High Output

Ordering Information



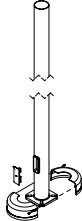




Example: BXSP1-HO-HT-2ME-100W-40K-UL-SV

PRODUCT	MOUNTING	OPTIC	INPUT POWER	CCT	VOLTAGE	COLOR OPTIONS	OPTIONS
BXSP1-HO	HT Horizontal Tenon	2ME* Type II Medium 2LG* Type II Long 3ME* Type III Medium 4ME* Type IV Medium	100W 100W (XSP1-HO) 165W 165W (XSP2-HO)	40K 4000K 57K 5700K	UL Universal 120-277V	BK Black BZ Bronze SV Silver	N Utility Label and NEMA Photocell Receptacle O9 Field Adjustable Output R NEMA Photocell Receptacle
BXSPR-HO	HT Horizontal Tenon	2ME* Type II Medium 2LG* Type II Long 3ME* Type III Medium 5SH Type V Short (60W only)	60W 60W 80W 80W	40K 4000K 57K 5700K	UL Universal 120-277V	SV Silver	N Utility Label and NEMA Photocell Receptacle

*Ordering information is for reference only. Some product configurations are not available. Please consult spec sheets for specific product availability and for further details.

**Available with Backlight Shield when ordered with field-installed accessory

Mounting Options

POLE SPECIFICATION	TENONS & BRACKETS
Consult factory for more information.	
	 PD-H4 Square Internal Mount Horizontal Tenons (Steel) - Mounts to 4" (102mm) square aluminum or steel poles
	 PT-H Round External Mount Horizontal Tenons (Aluminum) - Mounts to 2.375"-3" (60-76mm) O.D. round aluminum or steel poles or tenons
	 WM-2L Extended Horizontal Wall Mount Bracket - Mounts to wall, roof or side of wood pole
	 XA-TMDA8 Direct Arm Pole Adaptor Bracket - Mounts to 3 - 6" (76 - 152mm) round or square aluminum or steel poles * Specify mounting configuration.

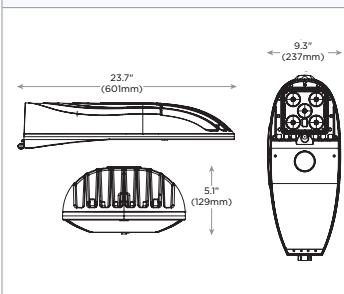
Accessory Information

BIRD SPIKE OPTIONS	BACKLIGHT CONTROL SHIELD OPTIONS
XA-SP1BRDSPK** (single-module)	Provides 1/2 Mounting Height Cutoff
XA-SP2BRDSPK** (double-module)	XA-SP1BLS (for use with single-module)
	XA-SP2BLS (for use with double-module)
	XA-SPR3BLS (for use with XSPR, 60W)
	XA-SPRBLS (for use with XSPR, 80W)

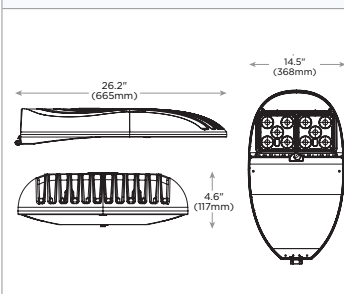
**does not apply to XSPR.

Dimensions

XSP1™ (SINGLE-MODULE)



XSP2™ (DOUBLE-MODULE)



You May Also Be Interested In:



DPT SERIES POST-TOP LUMINAIRE
Easily Convert Decorative Street Lights to LED



LEDWAY® SERIES STREET LIGHTS
Versatile Street Light Solutions



XSP SERIES AREA
Area Lighting Solutions

Cree Edge™ Series Pole-Mounted



THE PRODUCT THAT HELPED START A REVOLUTION.

Successfully launched in 2007, Cree Edge™ Area luminaires helped set the standard for performance and value. Available in a variety of LED counts, multiple power conditions and optical distributions, Cree Edge™ Area luminaires offer a scalable solution that provides exacting illumination performance. And with several upgrade-friendly mounts to choose from, product advances and the expansion of the line that now includes a truly high output solution, Cree Edge™ Area luminaires offer more value and versatility today than ever before.

BENEFITS

- Improved illumination performance
- Significant energy and maintenance savings
- Eliminate the relamping cycle
- Standard 10-year limited warranty

FEATURES

- Minimum 70 CRI (4000K, 5700K)
- CCT: 4000K (+/-300K), 5700K (+/-500K)
- UL wet listed
- Meets Buy American requirements within ARRA
- Optional backlight cutoff shield
- Modular, low-profile design

APPLICATIONS

- Airport, auto dealership, corporate & office, education, government & municipal, healthcare, industrial & warehouse, pedestrian & recreation, petroleum & convenience store, restaurant & hospitality, retail & grocery

Cree Edge™ LTG Area



Cree Edge™ Area Round



Cree Edge™ Series Pole-Mounted

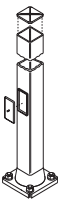
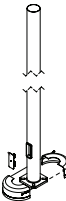








Ordering Information

Example: ARE-EDR-2M-AA-06-E-UL-SV-525-DIM

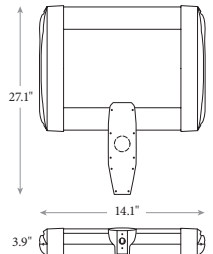
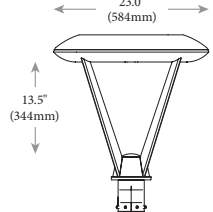
PRODUCT	FAMILY	OPTIC	MOUNTING	# OF LEDS (X10)	LED SERIES	VOLTAGE	COLOR OPTIONS	DRIVE CURRENT	FACTORY INSTALLED OPTIONS				
ARE	EDG EDR	2M	4M	AA	02	E	UL Universal 120-277V	350	40K	PML2			
		Type II Medium	Type IV Medium	Adjustable Arm	04						Black	4000K CCT	Programmable
		2MB	4MB	DA	06						BZ	DIM	Multi-Level,
		Type II Medium w/ BLS	Type IV Medium w/ BLS	Direct Arm	08						Bronze	0-10V Dimming	10'-30'
		2MP	4MP	DL	10						SV	F	Mounting Height
		Type II Medium w/partial BLS	Type IV Medium w/partial BLS	Direct Long Arm	12						Sliver	Fuse	
		3M	5M	R3	14						WH	HL	NEMA® Photocell
		Type III Medium	Type V Medium	Spider, Center Tenon, 2-3/8" to 3" OD	16						White	High/Low (Dual Circuit Input)	Receptacle
		3MB	5S	R4								ML	
		Type III Medium w/ BLS	Type V Short	Spider, Center Direct, 4"								Multi-Level	
		3MP		R5								P	
		Type III Medium w/partial BLS		Spider, Center Direct, 5"								Photocell	
				Round								PML	
				SA								Programmable	
				Side Arm								Multi-Level, 20'-40' Mounting Height	

* Ordering information is for reference only. Some product configurations are not available. Please consult spec sheets for specific product availability and for further details.


Poles & Tenon Options

POLE SPECIFICATION				TENONS & BRACKETS			
Consult factory for more information.							
							
PS Crown-Weld® Square Straight Steel Poles	PS5R Round Steel Poles	PSCV Curved Round Tapered Steel Poles	PSRV Round Tapered Steel Poles	PB-*A Square Internal Mount Vertical Tenons (Steel)	PB-*R Round External Mount Vertical Tenons (Steel)	PD-*A4 Square Internal Mount Horizontal Tenons (Aluminum)	PT-* Round External Mount Horizontal Tenons (Aluminum)
							
							WM-* Wall Mount Brackets
							
							PW-*A3 Mid-Pole Brackets

Dimensions

CREE EDGE™ AREA SQUARE	CREE EDGE™ AREA ROUND
<p>DA MOUNT</p> 	<p>R3 MOUNT</p> 

Accessory Information

BIRD-SPIKES	
BACKLIGHT SHIELD	
XA-20BLS-4 Four-pack	
HAND-HELD REMOTE	
XA-SENSREM For use with PML Option	

You May Also Be Interested In:



VG SERIES PARKING STRUCTURE
Scalable, Versatile Parking Structure Solutions

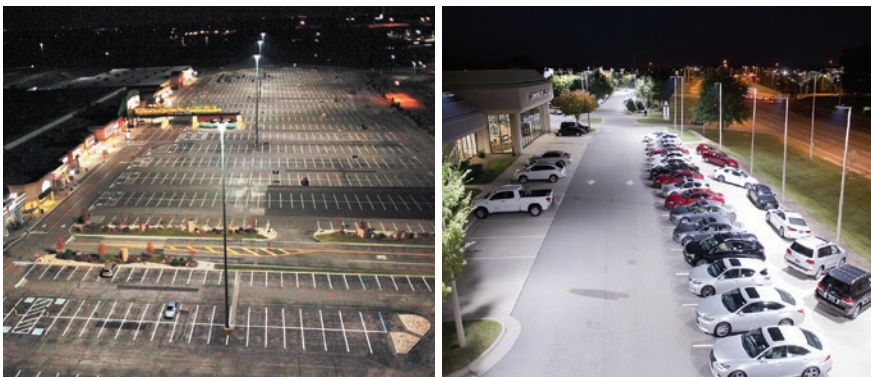


CREE EDGE™ SERIES WALL MOUNT
Wall Mount Lighting Solutions



CREE EDGE™ SERIES FLOOD
Flood Lighting Solutions

Cree Edge™ High Output



Cree Edge™ High Output Area



IT'S A BRAND NEW NIGHT IN HIGH OUTPUT LIGHTING

With no viable alternatives, projects that required high output and high mounting height solutions were left using technologies of the past. Today, the Cree Edge™ High Output luminaire is not only able to replace up to 1000W HID, it's significantly better. Powered by Cree TrueWhite® Technology, the Cree Edge™ High Output area and flood luminaire delivers uncompromising color for outdoor spaces. With 90+CRI, true-to-life color never looked so good.

BENEFITS

- Improved illumination performance
- Significant energy and maintenance savings
- Eliminate the relamping cycle
- Standard 10-year limited warranty

FEATURES

- Minimum 70 CRI (4000K & 5700K); 90 CRI (5000K)
- CCT: 5700K (+/- 500K standard), 5000K (+/- 300K), 4000K (+/- 300K)
- Utilizes Cree TrueWhite® Technology on 5000K luminaires
- Low-profile, modular design
- Rugged aluminum housing
- UL wet listed
- Exclusive Colorfast DeltaGuard® finish

APPLICATIONS

- Airport, auto dealership, corporate & office, education, government & municipal, healthcare, industrial & warehouse, pedestrian & recreation, petroleum & convenience store, restaurant & hospitality, retail & grocery, roadway

Cree Edge™ High Output


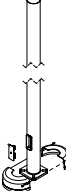







Ordering Information

Example: ARE-EHO-3M-HV-12-E-UL-SV-700

PRODUCT	FAMILY	OPTIC	MOUNTING	# OF LEDs (X10)	LED SERIES	VOLTAGE	COLOR OPTIONS	DRIVE CURRENT	FACTORY INSTALLED OPTIONS
ARE	EHO	2M Type II Medium	HV Horizontal/Vertical Tenon	12	E	UL Universal 120-277V	BK Black	700	40K
		2MB Type II Medium w/BLS		24				1000	50K
		3M Type III Medium						1000mA	5000K CCT
		3MB Type III Medium w/BLS							DIM 0-10V Dimming
		4M Type IV Medium							F Fuse
		4MB Type IV Medium w/BLS							ML Multi-Level
		5M Type V Medium							R NEMA® Photocell Receptacle
		5S Type V Short							
		AF Automotive Frontline							

* Ordering information is for reference only. Some product configurations are not available. Please consult spec sheets for specific product availability and for further details.

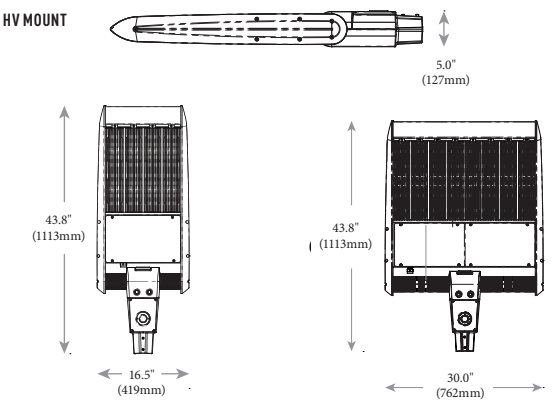
Poles & Tenon Options

POLE SPECIFICATION				TENONS & BRACKETS		
Consult factory for more information.						
						
PS Crown-Weld® Square Straight Steel Poles	PS5R Round Steel Poles	PSCV Curved Round Tapered Steel Poles	PSRV Round Tapered Steel Poles	PB-*A Square Internal Mount Vertical Tenons (Steel)	PB-*R Round External Mount Vertical Tenons (Steel)	WM-* Wall Mount Brackets
						
						
						EHO-UNV* Direct Mount Brackets

Dimensions

CREE EDGE™ HIGH OUTPUT AREA

HV MOUNT



5.0" (127mm)

43.8" (1113mm)


16.5" (419mm)

30.0" (762mm)

Accessory Information

BIRD-SPIKES

XA-BRDSPKXAK12 (120 LEDs)
XA-BRDSPKXAK24 (240 LEDs)



BACKLIGHT SHIELD

XA-30BLS-4 Four-pack (120 LEDs) XA-30BLS-8 Eight-pack (240 LEDs)

You May Also Be Interested In:



IG SERIES PARKING STRUCTURE
Parking Structure Solutions



XSP SERIES WALL PACK
Affordable Site Lighting Solutions



OSQ SERIES FLOOD
Flood Lighting Solutions

Cree Edge™ Series Pathway



Cree Edge™ Pathway



A PATHWAY TO STYLE AND PERFORMANCE.

Cree Edge™ Pathway luminaires combine style and performance to provide unmatched value in pathway and pedestrian lighting. Available in 13", 18", 36", 42" and 8' lengths, Cree Edge™ Pathway luminaires provide shadow-free illumination in both symmetric and asymmetric distribution patterns. In addition, its lens-free design means no yellowing lens or other lens-related issues that can be typical of more traditional designs. Cree Edge™ Pathway luminaires are simply designed to provide more than a decade of near maintenance-free service.

BENEFITS

- Improved illumination performance
- Significant energy and maintenance savings
- Eliminate the relamping cycle
- Standard 10-year limited warranty

FEATURES

- Minimum 70 CRI
- CCT: 4000K (+/-300K), 5700K (+/-500K)
- UL wet listed
- Two-level options
- Multiple height options:
 - 13" and 18" landscape fixture
 - 36" and 42" pathway fixture
 - 8' pedestrian fixture

APPLICATIONS

- Airport, auto dealership, corporate & office, education, government & municipal, healthcare, industrial & warehouse, pedestrian & recreation, petroleum & convenience store, restaurant & hospitality, retail & grocery

Cree Edge™ Series Pathway

Ordering Information

Example: PWY-EDG-3M-P3-02-E-UL-BK-525-F

PRODUCT	FAMILY	OPTIC	MOUNTING	LED COUNT (X09)	LED SERIES	VOLTAGE	COLOR OPTIONS	DRIVE CURRENT	FACTORY INSTALLED OPTIONS								
PWY	EDG	2M	P0	02	E	UL	SV	350	40K								
		Type 2	13" (330mm)							Universal	Sliver	350mA	4000K CCT				
		Medium	Landscape							120-277V	BZ	525	F				
		3M	P1							Universal	Bronze	525mA	Fuse				
		Type 3	18" (457mm)							347-480V	BK	TL	HL				
		Medium	Landscape							Black	High/Low (175/350/525, Dual Circuit Input)						
		5M	P3							120V	WH		TL				
		Type 5	36" (914mm)							277V	White		Two-Level (175/525 w/ Integrated Sensor Control)				
		Medium	Pathway							TL2	WB		Two-Level (0/350 w/ Integrated Sensor Control)				
		5S	P4										Two-Level (0/525 w/ Integrated Sensor Control)				
Type 5	42" (1067mm)	TL3	WB	Two-Level (0/525 w/ Integrated Sensor Control)													
Medium	Pathway			Welded Base Plate													
P8	P8			WB	WB	Welded Base Plate											
Short	96" (2438mm)					WB	WB	Welded Base Plate									
	Pedestrian							WB	WB			WB	WB	WB	WB	WB	WB

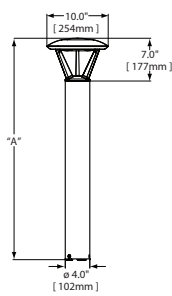
* Ordering information is for reference only. Some product configurations are not available. Please consult spec sheets for specific product availability and for further details.

Accessory Information

UPGRADE KIT - USED FOR REPLACEMENT OF EXISTING BOLLARDS
XA-XBP8RSV
Silver
XA-XBP8RBK
Black
XA-XBP8RWH
White
XA-XBP8RBZ
Bronze

Dimensions

CREE EDGE™ PATHWAY	
Landscape (P0)	13" (330mm)
Landscape (P1)	18" (457mm)
Pathway (P3)	36" (914mm)
Pathway (P4)	42" (1067mm)
Pedestrian (P8)	96" (2438mm)



You May Also Be Interested In:

**VG SERIES PARKING STRUCTURE**

Scalable, Versatile Parking Structure Solutions

**CREE EDGE™ SERIES WALL MOUNT**

Wall Mount Lighting Solutions

**CREE EDGE™ SERIES FLOOD**

Flood Lighting Solutions

LED STREET & ROADWAY

Street lighting is an important and significant investment for most municipalities. Unfortunately, high energy and maintenance costs associated with operating HID systems offer no relief to already tight budgets. Cree® LED street light products provide budget-friendly solutions that significantly reduce energy and maintenance costs without sacrificing illumination performance. You get proven energy and maintenance savings from the proven lighting leader, Cree.





RSW Series

p.134

- Utilizes Cree WaveMax™ Technology
- Efficacy: Up to 115 LPW
- CRI: 80 CRI
- CCT: 3000K (+/- 175K); 4000K (+/- 300K)
- UL wet listed



LEDway® Series High Output

p.144

- Minimum 80 CRI (3000K); 70 CRI (4000K & 5700K)
- CCT: 3000K (+/-300K), 4000K (+/-300K), 5700K (+/-500K)
- Utilizes NanoOptic® Technology
- UL wet listed
- All aluminum housing



RUL Series

p.136

- Minimum 70 CRI
- CCT: 4000K (+/- 300K)
- UL wet listed
- Improved illumination performance
- Significant energy and maintenance savings
- Easy Installation



Cree Edge™ Series

p.146

- Minimum 70 CRI (4000K & 5700K); 90 CRI (5000K)
- CCT: 4000K (+/- 300K), 5000K (+/- 300K), 5700K (+/- 500K)
- UL wet listed
- Mounting options: direct, catenary or pendant



XSP Series

p.138

- Minimum 70 CRI
- CCT: 3000K (+/-300K), 4000K (+/-300K), 5700K (+/-500K)
- NanoOptic® Precision Delivery Grid™ optic
- UL wet listed



XSP Series High Output

p.140

- Minimum 70 CRI
- CCT: 4000K (+/-300K), 5700K (+/-500K)
- NanoOptic® Precision Delivery Grid™ optic
- UL wet listed
- Increased lumen output



LEDway® Series

p.142

- Minimum 70 CRI
- CCT: 4000K (+/-300K), 5700K (+/-500K)
- Exclusive Colorfast DeltaGuard® Finish
- UL wet listed
- All aluminum housing

RSW Series



RSW Series



WARM COLOR WITH COOL SAVINGS.

The Cree® RSW Series, utilizing WaveMax™ Technology, will transform the way cities and municipalities light their residential streets, interchanges, and expressways. With the first viable LED streetlight at warm CCT, the RSW Series delivers up to 115 LPW, enhanced visual comfort with reduced glare and high color contrast leading to improved overall illumination using less energy. The RSW Series provides warm, inviting dark sky friendly lighting that makes good economic sense.

BENEFITS

- Warmer CCT without sacrificing efficacy
- Improves visual comfort (less glare)
- Significant energy and maintenance savings
- Eliminate the relamping cycle
- Field Adjustable Output option for increased flexibility
- Ease of installation
- 10-year limited warranty

FEATURES

- CCT: 3000K (+/- 175K); 4000K (+/- 300K)
- CRI: 80 CRI
- WaveMax™ Technology
- UL wet listed
- Traditional cobra head appearance
- Lightweight luminaire - 6.5 lbs. (2.9kg)

APPLICATIONS

- Government, Municipal & Roadway

RSW Series

Ordering Information

Example: RSW-HT-2ME-30W-30K-UL-UF-N

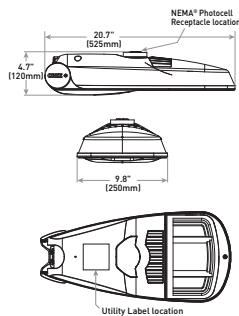
PRODUCT	MOUNTING	OPTIC	INPUT POWER	CCT	VOLTAGE	COLOR OPTIONS	UTILITY LABEL/RECEPTACLE	OPTIONS
RSW	HT Horizontal Tenon	2ME* Type II Medium 2LG* Type II Long 3ME* Type III Medium	30W 30W 50W 50W	30K 3000K 40K 4000K	UL Universal 120-277V	GY Grey	N Utility Label and NEMA® Photocell Receptacle - External WattaGE label per ANSI C136.15 - 7-pin receptacle per ANSI C136.41 - Factory connected 0-10V dim leads - Photocell and shorting cap by others	Q Field Adjustable Output

*Ordering information is for reference only. Some product configurations are not available. Please consult spec sheets for specific product availability and for further details.

Dimensions

RSW SERIES

SMALL

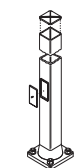


For information on higher WattaGE versions of the RSW, please contact your Cree representative.

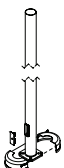
Mounting Options

POLE SPECIFICATION

Consult factory for more information.



PS
Crown-Weld® Square
Straight Steel Poles



PSSR
Round Steel Poles



PSRV
Round Tapered
Steel Poles

TENONS & BRACKETS



PD-*H4
Square Internal Mount Horizontal Tenons (Steel) - Mounts to 4" (102mm) square aluminum or steel poles



PT-*H
Round External Mount Horizontal Tenons (Aluminum) - Mounts to 2.375"-3" (60-76mm) O.D. round aluminum or steel poles or tenons; Mounts to square pole with PB-1A* tenon



WM-2L
Extended Horizontal Wall Mount Bracket - Mounts to wall, roof or side of wood pole



XA-TMDA8
Direct Arm Pole Adaptor Bracket - Mounts to 3 - 6" (76 - 152mm) round or square aluminum or steel poles

* Specify mounting configuration.

Accessory Information

BIRD GUARD	BACKLIGHT CONTROL SHIELD
RSW-BRDGRDS	RSW-BLSS - Provides 1 mounting height cutoff

You May Also Be Interested In:



OSQ SERIES™ FLOOD
Flood Lighting Solutions



XSPW™ LED WALL MOUNT
Sleek, Modular Area Lighting Solutions



XSP SERIES STREET LIGHT
High-Efficiency Street Light Solutions

RUL Series Rural Utility Luminaire



RUL Series



SUPERIOR UTILITY LED LIGHTING FOR LESS

The LED Rural Utility Luminaire provides innovation through LED technology that maximizes both the total cost of ownership and return on investment for end users requiring a 70-100W HPS or 100-175W Mercury Vapor replacement solution. By providing industry-leading efficacy of 110 lumens per watt and an industry-leading 10-year limited warranty, Cree is changing the assumptions associated with purchasing and maintaining utility and residential security lighting. While its lightweight design, tool-less entry, and easy installation make the RUL™ LED Rural Utility Luminaire an ideal solution for any contractor.

BENEFITS

- Improved illumination performance
- Significant energy and maintenance savings
- Easy Installation
- Standard 10-year limited warranty

FEATURES

- Minimum 70 CRI
- CCT: 4000K (+/- 300K)
- UL wet listed
- Meets CALTrans 611 Vibration Testing
- Certified to ANSI C136.31-2001, 3G Bridge and Overpass Vibration
- 10K surge suppression protection tested in accordance with IEEE/ANSI C62.41.2

APPLICATIONS

- Industrial & Warehouse, Municipal, Government, Retail & Grocery, Roadway

RUL Series Rural Utility Luminaire

Ordering Information

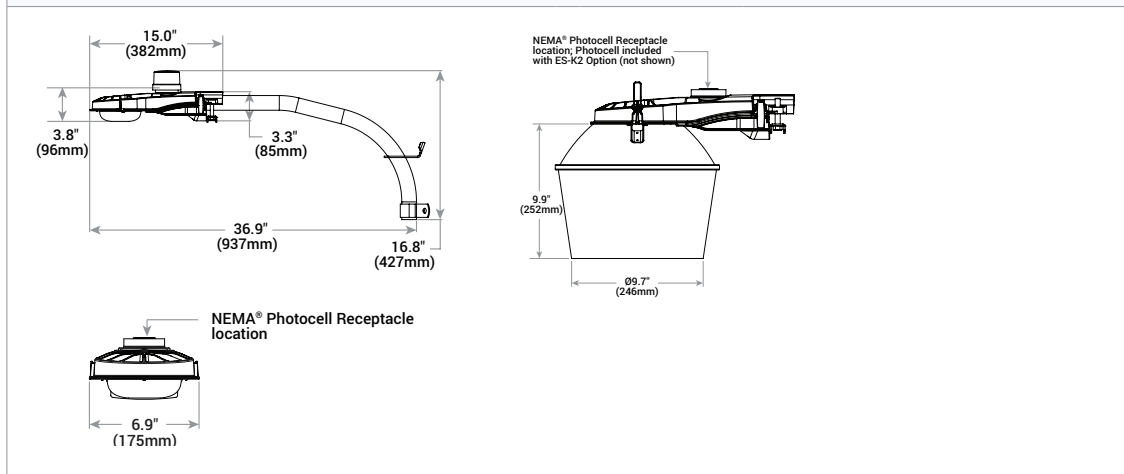
Example: RUL-HT-2ME-C-40K-12-UF-N

PRODUCT	MOUNTING	OPTIC	INPUT POWER DESIGNATOR	CCT	VOLTAGE	COLOR OPTIONS	UTILITY LABEL/RECEPTACLE	OPTIONS
RUL	HT Horizontal Tenon	2ME Type II Medium 5ME Type V Medium	C 50W	40K 4000K	12 120V	UF Grey Unfinished	N Utility Label and NEMA® Photocell Receptacle - Photocell by others - 3-pin receptacle per ANSI C136.10 - Label per ANSI C136.15	ES 10kV surge suppression protection ES-K1 Utility Kit Includes: 10kV surge suppression protection, long-life photocell, 24" arm mount and 5' cord (pre-installed) ES-K2 Utility Kit Includes: 10kV surge suppression protection, long-life photocell, 24" arm mount, NEMA® style reflector/refractor and 5' cord (pre-installed)

*Ordering information is for reference only. Some product configurations are not available. Please consult spec sheets for specific product availability and for further details.

Dimensions

RUL SERIES RURAL UTILITY LUMINAIRE



You May Also Be Interested In:



OSQ SERIES™ FLOOD
Flood Lighting Solutions



XSPW™ LED WALL MOUNT
Sleek, Modular Area Lighting Solutions



XSP SERIES STREET LIGHT
High-Efficiency Street Light Solutions

Mounting Options

TENON S & BRACKETS

* Consult factory for more information.



PD-A
Square Internal Mount Horizontal Tenons (Aluminum)
- Mounts to 4" (102mm) square aluminum or steel poles



PT-*
Round External Mount Horizontal Tenons (Aluminum)
- Mounts to 2.375"-3" (60-76mm) O.D. round aluminum or steel poles or tenons



RUL-ARM24
Pole Mounting Kit
- 24.0" (610mm) curved raw aluminum arm
- Includes zinc-plated steel hardware
- Mounts to wood poles

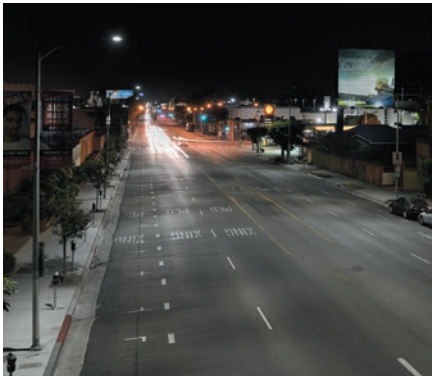


WM-2 (Horizontal)
Wall Mount Bracket
- Mounts to wall, roof or side of wood pole



XA-TMDA8
Direct Arm Pole Adaptor Bracket
- Mounts to 3-6" (76-152mm) round or square aluminum or steel poles

XSP Series Street Lights



THE SHAPE YOU KNOW WITH THE PERFORMANCE YOU NEED.

Designed to resemble traditional cobra heads but with the performance only a Cree® LED solution can provide, the XSP Series is the result of a from-the-ground-up design that provides amazing illumination performance and value at the street level. Beyond substantial energy and maintenance savings, Cree achieves better optical control with our NanoOptic® Precision Delivery Grid™ optic than other street lighting solutions. The Cree XSP Series street light is an affordable LED solution that doesn't sacrifice performance.

BENEFITS

- Significant energy and maintenance savings
- Eliminate the relamping cycle
- Field Adjustable Output option for increased flexibility
- 10-year limited warranty

FEATURES

- Minimum 70 CRI
- CCT: 3000K (+/-300K), 4000K (+/-300K), 5700K (+/-500K)
- NanoOptic® Precision Delivery Grid™ optic
- Exclusive Colorfast DeltaGuard® Finish
- Traditional cobra head appearance
- UL wet listed

APPLICATIONS

- Government & municipal, roadway

XSP1™ (single-module)



XSP2™ (double-module)



XSPR™



XSP Series Street Lights

Ordering Information

Example: BXSP-B-HT-2ME-A-40K-UL-SV

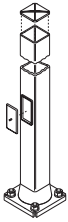

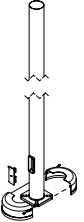




PRODUCT	VERSION	MOUNTING	OPTIC	INPUT POWER DESIGNATOR	CCT	VOLTAGE	COLOR OPTIONS	OPTIONS
BXSP BXSPR	B C	HT Horizontal Tenon	2ME** Type II Medium 2LC** Type II Long 3ME** Type III Medium 4ME** Type IV Medium 5ME Type V Medium 5SH Type V Short	A 53W (XSP1, B) 54W (XSPR) B 101W (XSP2, B) E 101W (XSP1, C) F 139W (XSP2, C)	30K 3000K 40K 4000K 57K 5700K	UL Universal 120-277V UH Universal 347-480V	BK Black BZ Bronze SV Silver	ML Multi-Level N Utility Label and NEMA® Photocell Receptacle O9 Field Adjustable Output R NEMA® Photocell Receptacle

PRODUCT	VERSION	MOUNTING	OPTIC	MODULE (CCT)	INPUT POWER	VOLTAGE	COLOR OPTIONS	OPTIONS
BXSPR	A	O Horizontal Tenon	1** Type II Long 2** Type II Medium 3** Type III Medium	F 4000K M 5700K	C 42W G 25W	U Universal 120-277V	S Silver	N Utility Label and NEMA® Photocell Receptacle

*Ordering information is for reference only. Some product configurations are not available. Please consult spec sheets for specific product availability and for further details.

**Available with Backlight Shield when ordered with field-installed accessory

Mounting Options

POLE SPECIFICATION	TENONS & BRACKETS
Consult factory for more information.	
 <p>PS Crown-Weld® Square Straight Steel Poles</p>	 <p>PD-H4 Square Internal Mount Horizontal Tenons (Steel) - Mounts to 4" (102mm) square aluminum or steel poles</p>
 <p>PSSR Round Steel Poles</p>	 <p>PT-H Round External Mount Horizontal Tenons (Aluminum) - Mounts to 2.375"-3" (60-76mm) O.D. round aluminum or steel poles or tenons</p>
 <p>PSRV Round Tapered Steel Poles</p>	 <p>WM-2L Extended Horizontal Wall Mount Bracket - Mounts to wall, roof or side of wood pole</p>
	 <p>XA-TMDA8 Direct Arm Pole Adaptor Bracket - Mounts to 3 - 6" (76 - 152mm) round or square aluminum or steel poles</p> <p>* Specify mounting configuration.</p>

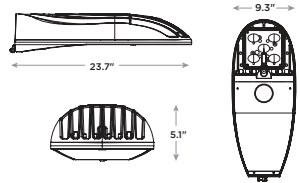
Accessory Information

BIRD SPIKE OPTIONS	BACKLIGHT CONTROL SHIELD OPTIONS	FOUR POINT MOUNTING KIT
<p>XA-SP1BRDSPK** (single-module)</p> <p>XA-SP2BRDSPK** (double-module)</p>	<p>Provides 1/2 Mounting Height Cutoff</p> <p>XA-SP1BLS (for use with single-module)</p> <p>XA-SP2BLS (for use with double-module)</p>	<p>XA-XSP4PTMNT**</p> <p>Includes large bracket for mounting to 2" (51mm) IP, 2.375" (60mm) O.D. tenon, small bracket for mounting to 1.25" (32mm) IP, 1.66" (42mm) O.D. tenon and mounting bolts</p>

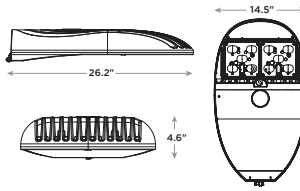
**does not apply to XSPR.

Dimensions

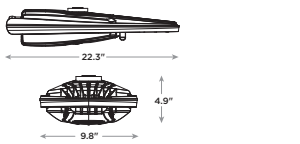
XSP1™ (SINGLE-MODULE)



XSP2™ (DOUBLE-MODULE)



XSPR™



You May Also Be Interested In:



DPT SERIES POST-TOP LUMINAIRE
Easily Convert Decorative Street Lights to LED

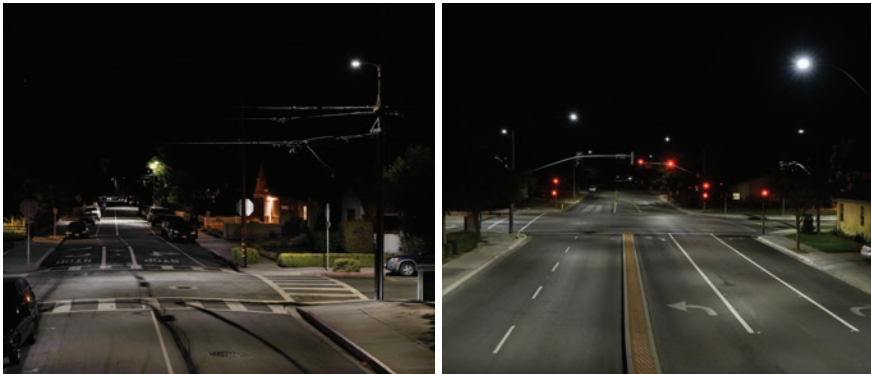


LEDWAY® SERIES STREET LIGHTS
Versatile Street Light Solutions



XSP SERIES AREA
Area Lighting Solutions

XSP Series High Output Street Lights



XSP1™ High Output (single-module)



XSP2™ High Output (double-module)



XSPR™ High Output



THE SHAPE YOU KNOW WITH THE PERFORMANCE YOU NEED.

We've increased the lumen output for the successful XSP Series. The XSP High Output Series shares the same cobrahead style housing as the XSP Series, but delivers up to 18,523 lumens with incredible efficiency and illumination performance you need. In addition to substantial energy and maintenance savings, the XSP High Output Series achieves better optical control with the NanoOptic® Precision Delivery Grid™ optic over incumbent street lighting solutions from 70W up to 250W.

BENEFITS

- Improved illumination performance
- Significant energy and maintenance savings
- Eliminate the relamping cycle
- Smart-city ready for increased flexibility
- 10-year limited warranty

FEATURES

- Minimum 70 CRI
- CCT: 4000K (+/-300K), 5700K (+/-500K)
- NanoOptic® Precision Delivery Grid™ optic
- Exclusive Colorfast DeltaGuard® Finish
- Traditional cobra head appearance
- UL wet listed

APPLICATIONS

- Government & municipal, roadway

XSP Series High Output Street Lights

Ordering Information

Example: BXSP1-HO-HT-2ME-100W-40K-UL-SV

PRODUCT	MOUNTING	OPTIC	INPUT POWER	CCT	VOLTAGE	COLOR OPTIONS	OPTIONS
BXSP1-HO	HT Horizontal Tenon	2ME* Type II Medium	100W 100W (XSP1-HO)	40K 4000K	UL Universal 120-277V	BK Black BZ Bronze SV Silver	N Utility Label and NEMA Photocell Receptacle
		2LG* Type II Long	165W 165W (XSP2-HO)	57K 5700K			Q9 Field Adjustable Output
BXSPR-HO	HT Horizontal Tenon	2ME* Type II Medium	60W 60W	40K 4000K	UL Universal 120-277V	SV Silver	N Utility Label and NEMA Photocell Receptacle
		2LG* Type II Long	80W 80W	57K 5700K			
		3ME* Type III Medium					
		5SH Type V Short (60W only)					

*Ordering information is for reference only. Some product configurations are not available. Please consult spec sheets for specific product availability and for further details.
 **Available with Backlight Shield when ordered with field-installed accessory

You May Also Be Interested In:



DPT SERIES POST-TOP LUMINAIRE
Easily Convert Decorative Street Lights to LED



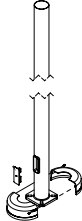






LEDWAY® SERIES STREET LIGHTS
Versatile Street Light Solutions

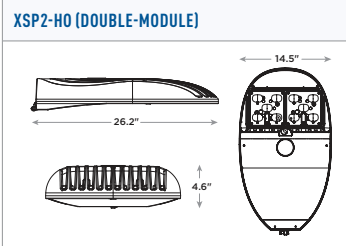
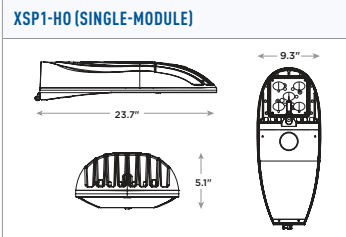


XSP SERIES AREA
Area Lighting Solutions

Mounting Options

POLE SPECIFICATION	TENONS & BRACKETS
Consult factory for more information.	
 <p>PS Crown-Weld® Square Straight Steel Poles</p>	 <p>PD-^H4 Square Internal Mount Horizontal Tenons (Steel) - Mounts to 4" (102mm) square aluminum or steel poles</p>
 <p>PS5R Round Steel Poles</p>	 <p>PT-^H Round External Mount Horizontal Tenons (Aluminum) - Mounts to 2.375"-3" (60-76mm) O.D. round aluminum or steel poles or tenons</p>
 <p>PSRV Round Tapered Steel Poles</p>	 <p>WM-2L Extended Horizontal Wall Mount Bracket - Mounts to wall, roof or side of wood pole</p>
	 <p>XA-TMDA8 Direct Arm Pole Adaptor Bracket - Mounts to 3 - 6" (76 - 152mm) round or square aluminum or steel poles * Specify mounting configuration.</p>

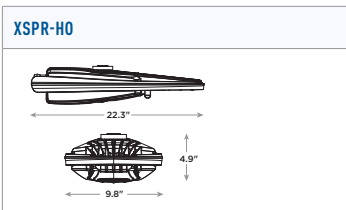
Dimensions



Accessory Information

BIRD SPIKE OPTIONS	BACKLIGHT CONTROL SHIELD OPTIONS
<p>XA-SP1BRDSPK** (single-module)</p> <p>XA-SP2BRDSPK** (double-module)</p>	<p>Provides 1/2 Mounting Height Cutoff</p> <p>XA-SP1BLS (for use with single-module)</p> <p>XA-SP2BLS (for use with double-module)</p> <p>XA-SPR3BLS (for use with XSPR, 60W)</p> <p>XA-SPRBLS (for use with XSPR, 80W)</p>

**does not apply to XSPR.



LEDway® Series Street Lights



LEDway - HT Mount



PROVEN PERFORMANCE, PROVEN VALUE.

Launched in 2008, LEDway® LED street lights are arguably the most successful street light in the world. Our LEDway street light has built a reputation based on performance and value. Available in 10-LED increments (20 to 120 LEDs), flexible drive currents and multiple optical distributions, the LEDway street light can be "right-sized" to provide exacting illumination performance that minimizes first cost while maximizing energy savings. While others can make performance promises, the LEDway street light has already delivered proven performance.

BENEFITS

- Improved illumination performance
- Significant energy and maintenance savings
- Eliminate the relamping cycle
- Standard 10-year limited warranty

FEATURES

- Minimum 70 CRI
- CCT: 4000K (+/-300K), 5700K (+/-500K)
- Patented NanoOptic® Technology
- Exclusive Colorfast DeltaGuard® Finish
- UL wet listed
- Meets CALTrans 611 Vibration Testing
- Certified to ANSI C136.31-2001, 3G Bridge and Overpass Vibration Standards
- 10K surge suppression protection tested in accordance with IEEE/ANSI C62.41.2
- Field adjustable power conditions
- Remote monitoring compatibility
- Scalable design

APPLICATIONS

- Airports, auto dealerships, corporate & office, education, government & municipal, healthcare, pedestrian & recreation, petroleum & convenience store, restaurant & hospitality, retail & grocery, roadway

LEDway® Series Street Lights

Ordering Information

Example: STR-LWY-4M-HT-06-E-UL-SV-700-IP

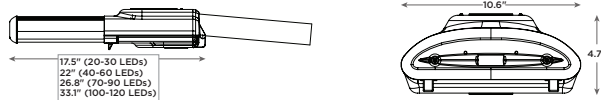
PRODUCT	OPTIC	MOUNTING	#OF LEDS (X10)	LED SERIES	VOLTAGE	COLOR OPTIONS	DRIVE CURRENT	FACTORY INSTALLED OPTIONS			
STR-LWY	2M Type I Medium	HT Horizontal Tenon	02	E	UL Universal 120-277V	BK Black	525 525mA	DIM 0-10V Dimming			
	2S Type II Short		03						BZ Bronze	700 700mA	R NEMA® Photocell Receptacle
	3M Type III Medium		04						UH Universal 347-480V	SV Silver	40K 4000K CCT
	4M Type IV Medium		05							UTL Utility	
	5M Type V Medium		06								
			07								
			08								
			09								
			10								
			11								
			12								

*Ordering information is for reference only. Some product configurations are not available. Please consult spec sheets for specific product availability and for further details.

Dimensions

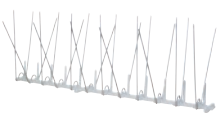
LEDWAY® LED STREET LIGHT

HT MOUNT



Accessory Information

BIRD SPIKE OPTIONS



XA-BRDSPKHSG
(for use with LEDway® housings)
XA-BRDSPK30
(for use with 20 to 30 LED light engines)
XA-BRDSPK60
(for use with 40 to 60 LED light engines)

XA-BRDSPK90
(for use with 70 to 90 LED light engines)
XA-BRDSPK120
(for use with 100 to 120 LED light engines)

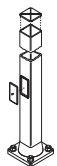
EXTERNAL BACKLIGHT SHIELD OPTIONS

XA-XSLBLS30
(for use with 20 to 30 LED luminaires)
XA-XSLBLS60
(for use with 40 to 60 LED luminaires)
XA-XSLBLS90
(for use with 70 to 90 LED luminaires)
XA-XSLBLS120
(for use with 100 to 120 LED luminaires)

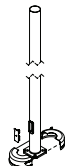
Mounting Options

POLE SPECIFICATION

Consult factory for more information.



PS
Crown-Weld® Square
Straight Steel Poles



PSSR
Round Steel Poles



PSRV
Round Tapered
Steel Poles

TENONS & BRACKETS



PD-*H4
Square Internal Mount Horizontal Tenons (Steel) - Mounts to 4" (102mm) square aluminum or steel poles



PT-*H
Round External Mount Horizontal Tenons (Aluminum) - Mounts to 2.375"-3" (60-76mm) O.D. round aluminum or steel poles or tenons; Mounts to square pole with PB-1A* tenon



WM-2L
Extended Horizontal Wall Mount Bracket - Mounts to wall, roof or side of wood pole



XA-TMDA8
Direct Arm Pole Adaptor Bracket - Mounts to 3 - 6" (76 - 152mm) round or square aluminum or steel poles

* Specify mounting configuration.

You May Also Be Interested In:



IG SERIES PARKING STRUCTURE
Parking Structure Solutions



DPT SERIES POST-TOP LUMINAIRE
Easily Convert Decorative Street Lights to LED



CREE EDGE™ TSP TRANSPORTATION MOUNT
Bridge, Overpass & Tunnel Lighting Solutions

LEDway® Series High Output Street Lights



High Output - Single



High Output - Double



MEETING DEMANDING ROADWAY APPLICATION REQUIREMENTS.

The LEDway® Series High Output street light with its unrivaled lumen output for roadway lighting expands the application range replacing up to 400W HPS. With industry-leading optimized optical control and adjustable output for versatility, the LEDway Series High Output street light significantly improves the economic value for the application.

BENEFITS

- Improved illumination performance
- Significant energy and maintenance savings
- Eliminate the relamping cycle
- Standard 10-year limited warranty

FEATURES

- Minimum 70 CRI
- CCT: 4000K (+/-300K), 5700K (+/-500K)
- Patented NanoOptic® Technology
- Exclusive Colorfast DeltaGuard® Finish
- UL wet listed
- Vibration standards
- 10K surge suppression protection tested in accordance with IEEE/ANSI C62.41.2
- Optional field adjustable power conditions
- Remote monitoring compatibility
- Scalable design

APPLICATIONS

- Airports, auto dealerships, corporate & office, education, government & municipal, healthcare, pedestrian & recreation, petroleum & convenience store, restaurant & hospitality, retail & grocery, roadway

LEDway® Series High Output Street Lights

Ordering Information

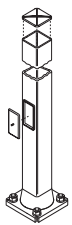
Example: STR-LWY-2ME-HT-1-F-UL-SV-A-40K

PRODUCT	OPTIC	MOUNTING	MODULE	SERIES	VOLTAGE	COLOR OPTIONS	INPUT POWER DESIGNATOR	CCT	FACTORY INSTALLED OPTIONS
STR LWY	2ME Type II Medium 2LG Type II Long 3ME Type III Medium 4ME Type IV Medium	HT Horizontal Tenon	1 Single Module 2 Double Module	F	UL Universal 120-277V UH Universal 347-480V	BK Black BZ Bronze SV Silver WH White	A Single Module 136W BZ Double Module 274W	30K 3000K 40K 4000K 57K 5700K	DIM 0-10V Dimming F Fuse N No Quick Disconnect Harness or Leveling Bubble PD Power Door Q Field Adjustable Output R NEMA® Photocell Receptacle SC Door Safety Tether UTL Utility

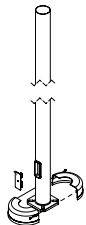
*Ordering information is for reference only. Some product configurations are not available. Please consult spec sheets for specific product availability and for further details.

Mounting Options

POLE SPECIFICATION



PS
Crown-Weld® Square Straight Steel Poles



PSR
Round Steel Poles



PSRV
Round Tapered Steel Poles

TENONS & BRACKETS



PD-*H4
Square Internal Mount Horizontal Tenons (Steel) - Mounts to 4" (102mm) square aluminum or steel poles



PT-*H
Round External Mount Horizontal Tenons (Aluminum) - Mounts to 2.375"-3" (60-76mm) O.D. round aluminum or steel poles or tenons; Mounts to square pole with PB-1A* tenon



WM-2L
Extended Horizontal Wall Mount Bracket - Mounts to wall, roof or side of wood pole

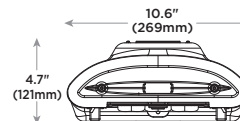
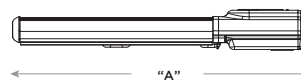


XA-TMDA8
Direct Arm Pole Adaptor Bracket - Mounts to 3 - 6" (76 - 152mm) round or square aluminum or steel poles

* Specify mounting configuration.

Dimensions

LEDWAY SERIES HIGH OUTPUT STREET LIGHT



MODULES	DIMENSION	MEASUREMENTS
Single	"A"	23.5" (597mm)
Double	"A"	34.9" (886mm)

You May Also Be Interested In:



OSQ SERIES AREA
Low-Profile Area Lighting Solutions



XSP SERIES WALL PACK
Affordable Site Lighting Solutions

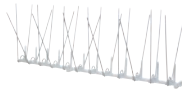


CREE EDGE™ TSP
TRANSPORTATION MOUNT
Bridge, Overpass & Tunnel Lighting Solutions

Accessory Information

BIRD SPIKE OPTIONS

XA-BRDSPKHSG
Bird Spikes for Housing



Cree Edge™ Series Transportation Luminaire



Cree Edge™ Transportation Mount

Cree Edge™ High Output Transportation Mount



BRIDGES, OVERPASSES AND TUNNELS — NO PROBLEM.

The Cree Edge™ TSP Transportation Mount is designed for high vibration areas such as bridges, overpasses, roadways and tunnels and helps reduce costs associated with maintaining high-traveled areas. Visibility and safety for vehicular and pedestrian traffic can be dramatically increased with overall improvements in illumination performance.

BENEFITS

- Increased visibility and safety for pedestrians and vehicles
- Lower maintenance costs

FEATURES

- Mounting options: direct, catenary or pendant
- UL and cUL listed
- Through-wiring for easy installation
- 10kV surge suppression protection tested in accordance with IEEE/ANSI C62.41.2

APPLICATIONS

- Government & municipal, roadway

Cree Edge™ Series Transportation Luminaire

Ordering Information

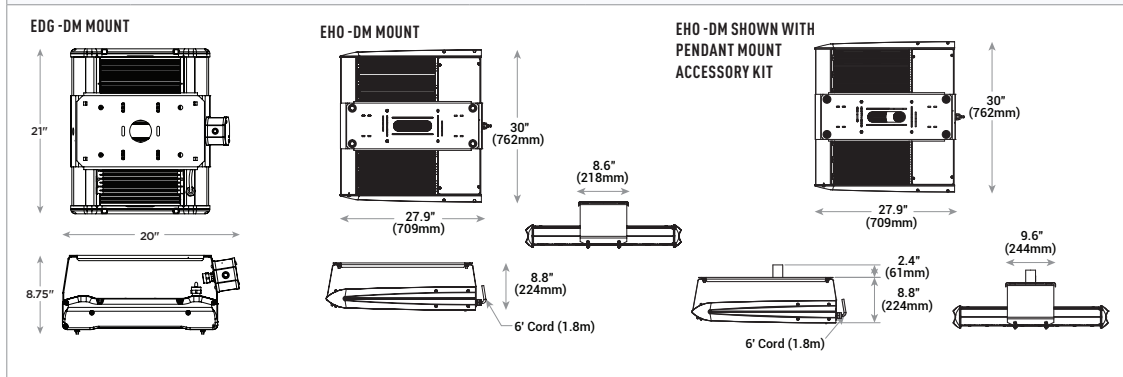
Example: TSP-EDG-2M-DM-06-E-UL-SV-525-DIM

PRODUCT	OPTIC	MOUNTING	# OF LEDs (X10)	VERSION	VOLTAGE	COLOR OPTIONS	DRIVE CURRENT	FACTORY INSTALLED OPTIONS	
TSP EDG	1S Type I Short	PS Petroleum Symmetric	DM Direct Mount	04	E	UL Universal	SV Sliver	350 350mA	40K 4000K CCT
	2M Type II Medium	15 15-degree Flood	PD1 1-1/4 NPSM Mounting	08		120-277V	BZ Bronze	525 525mA	DIM 0-10V Dimming
	2S Type II Short	25 25-degree Flood	System	10		Universal	BK Black	700 700mA	F Fuse
	3M Type III Medium	40 40-degree Flood	PD2 1-1/2 NPSM Mounting	12		347-480V	WH White		HL High/Low (175/350/525 Dual Circuit Input)
	4M Type IV Medium		System	14		250VDC			
	5M Type V Medium		CM Catenary Mount	16					
	5S Type V Short			24					
PRODUCT	OPTIC	MOUNTING	# OF LEDs (X10)	VERSION	VOLTAGE	COLOR OPTIONS	DRIVE CURRENT	FACTORY INSTALLED OPTIONS	
TSP EHO	1S Type I Short	5S Type V Short	DM Direct Surface	12	E	UL Universal	SV Sliver	700 700mA	40K 4000K CCT
	2S Type II Short	N6 NEMA® 6		24		120-277V	BZ Bronze	1000 1000mA	50K 5000K CCT
	3M Type III Medium					347-480V	BK Black		DIM 0-10V Dimming
							WH White		F Fuse ML Multi-Level

*Ordering information is for reference only. Some product configurations are not available. Please consult spec sheets for specific product availability and for further details.

Dimensions

CREE EDGE™ TRANSPORTATION MOUNT



Accessory Information

ACCESSORIES FOR HIGH OUTPUT

- EHO-HC**
Hook & Cord Mount Kit
- EHO-PD1**
Pendant 1-1/4" NPSM Mount Kit
- EHO-PD2**
Pendant 1-1/2" NPSM Mount Kit

You May Also Be Interested In:



VG SERIES PARKING STRUCTURE
Scalable, Versatile Parking Structure Solutions



CREE EDGE™ SERIES WALL MOUNT
Wall Mount Lighting Solutions



CREE EDGE™ SERIES FLOOD
Flood Lighting Solutions

LED DECORATIVE STREET & ROADWAY

With the Cree® LED lighting solutions, there is no need to change the historical ambiance of the streetscape. You can simply transform existing inefficient metal halide, high pressure sodium and mercury vapor post-top luminaires into energy-efficient, low-maintenance LED luminaires. The result is improved optical control and target efficacy that combines a classic day-form style with a beautiful nightscape appearance.



**DPT Series LED Post-Top Luminaire**

p.150

- Minimum 70 CRI
- CCT: 3000K (+/- 300K); 4000K (+/- 300K)
- Made with Cree® LED Technology
- Utilizes a standalone UL 1598 compliant light engine
- Suitable for damp locations
- 6kV surge suppression protection tested in accordance with IEEE/ANSI C62.41.2

**LED Upgrade Kit**

p.152

- Minimum 70 CRI
 - CCT: 2700K (+/-300K), 4000K (+/-300K)
 - 0-10V dimming option
 - Field Adjustable Output for increased flexibility
 - Reuses most of existing luminaire for little waste
-

DPT Series Post-Top Luminaire



DPT Series Post-Top Luminaire



MAINTAIN YOUR DAY FORM. MODERNIZE THE POST-TOP WITH EASE.

Don't get fooled into purchasing new luminaires or losing compliance with other decorative post-top lighting solutions. With the DPT Series, you can have all the great benefits of performance, energy savings and reduced maintenance of a LED luminaire, because it's designed to be a "luminaire within a luminaire." Designed to replace up to 70W Metal Halide or High Pressure Sodium and up to 175W Mercury Vapor lamps, the DPT luminaire utilizes a standalone UL 1598 compliant light engine and a universal mounting base that can be mounted in new or existing installations with both medium and mogul base sockets. Preserve the historic look of the streetscape, maintain safety and eliminate compliance hurdles with the DPT Series.

BENEFITS

- Improved illumination performance
- Significant energy and maintenance savings
- Eliminate compliance hurdles
- Reduce waste by using the existing luminaire
- Standard 10-year limited warranty

FEATURES

- Minimum 70 CRI
- CCT: 3000K (+/- 300K); 4000K (+/- 300K)
- Made with Cree® LED Technology
- Utilizes a standalone UL 1598 compliant light engine
- Suitable for damp locations
- 6kV surge suppression protection tested in accordance with IEEE/ANSI C62.41.2

APPLICATIONS

- Government, education, municipal, roadway

DPT Series Post-Top Luminaire

Ordering Information

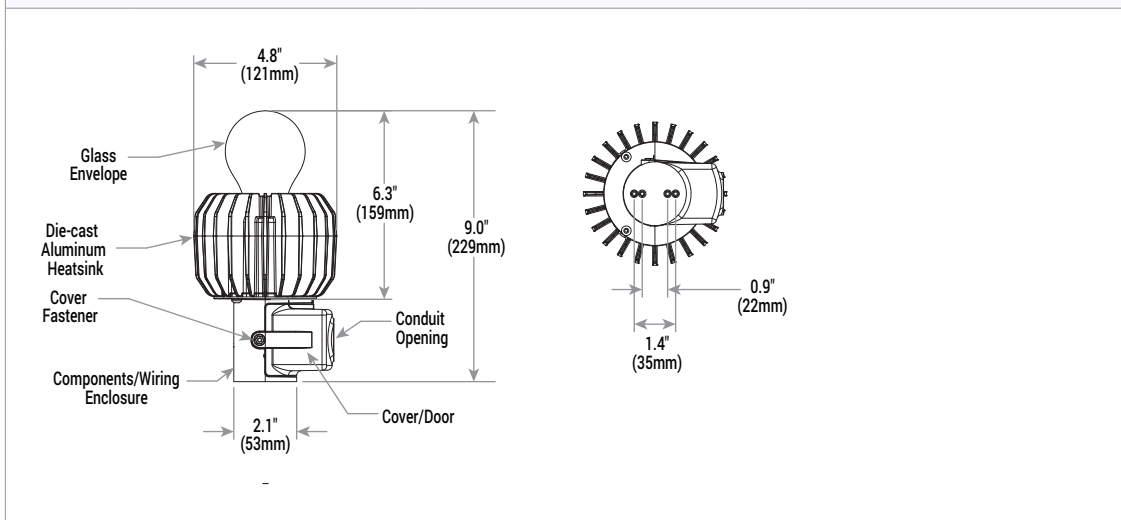
Example: DPT-A-SB-FR-A-30K-UL-UF

PRODUCT	VERSION	MOUNTING	LENS	INPUT POWER DESIGNATOR	CCT	VOLTAGE	COLOR
DPT	A	SB Surface Base	FR Frosted Glass Lens	A 34W	30K 3000K 40K 4000K	UL Universal 120-277V	UF Unfinished

*Ordering information is for reference only. Some product configurations are not available. Please consult spec sheets for specific product availability and for further details.

Dimensions

LED DECORATIVE POST TOP LUMINAIRE



Accessory Information

EXTERNAL BACKLIGHT SHIELD OPTIONS

Backlight Control Shield

DPT-BLS

- No hardware required
- May not be used in combination with the uplight shield

Uplight Shield for Base-Down Applications

DPT-ULSBD

- Provides 65% cutoff
- Required for DLC qualification
- May not be used in combination with the backlight control shield

You May Also Be Interested In:



OSQ SERIES AREA
Low-Profile Area Lighting Solutions



XSP SERIES WALL PACK
Affordable Site Lighting Solutions



304 SERIES™ PARKING STRUCTURE
Low-Profile Parking Structure Lighting Solutions

Traditional Post-Top Upgrade Kit



YESTERDAY'S PRODUCTS, TODAY'S TECHNOLOGY.

The Cree® Traditional Post-Top Upgrade Kit allows owners to seamlessly transform their existing inefficient post-top luminaires with poor optical control into energy-efficient, low-maintenance LED luminaires. The result is improved optical control and target efficacy that combines a classic day-form style with a beautiful nightscape appearance. The easy-to-install upgrade kit uses most of the existing fixture, resulting in little waste while maintaining a consistent look — a seamless transition from yesterday to today.

BENEFITS

- Improved illumination performance
- Significant energy and maintenance savings
- Eliminate the relamping cycle
- Reduce waste by using the existing luminaire
- Standard 10-year limited warranty

FEATURES

- Minimum 70 CRI
- CCT: 2700K (+/-300K), 4000K (+/-300K)
- Patented NanoOptic® Technology
- UL wet listed
- 10K surge suppression protection tested in accordance with IEEE/ANSI C62.41.2

APPLICATIONS

- Government & municipal, roadway

BXRAAA
Kit for Holophane®
Granville Acorn



BXRAAB
Kit for Holophane®
Washington PostLite® Acorn



BXRAAD
Kit for King Luminaire
Washington Acorn



BXRAAE
Kit for Holophane®
Esplanade® Teardrop



BXRAAF
Kit for Lumec® New
Westminster Globe



BXRAAH
Kit for Holophane® Granville
Utility Acorn w/ Hinged Door



BXRAAK
Kit for Holophane® Granville
Utility Acorn w/ Removable Door



Traditional Post-Top Upgrade Kit

Ordering Information

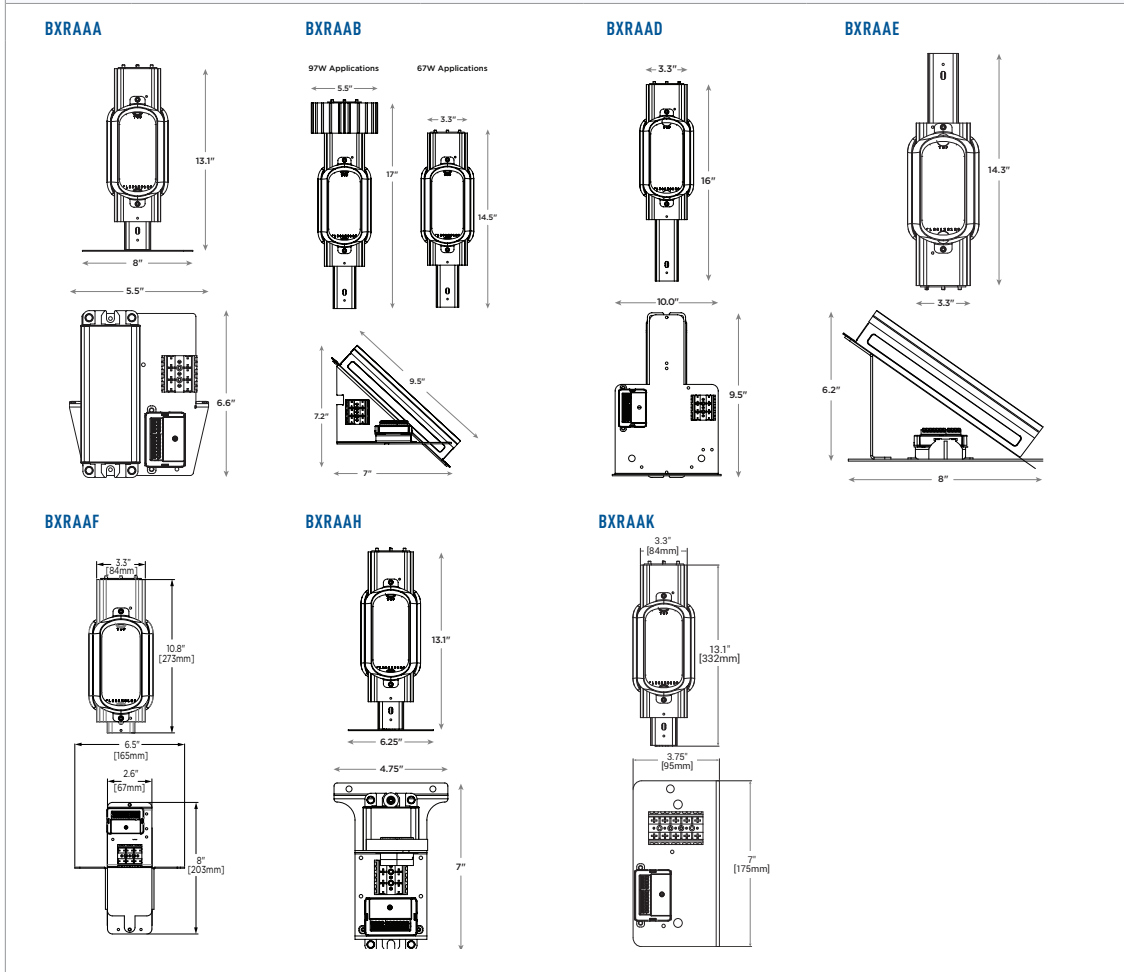
Example: BXRA-A-H-5-3-U-D-7-Y

PRODUCT	VERSION	STYLE	OPTIC	# OF SIDES	VOLTAGE	INPUT POWER	COLOR TEMPERATURE	OPTIONS
BXRA	A	A	5 Symmetric Module	3	U Universal 120-277V V Universal 347-480V	D 65W-68W X 97W	1 2700K CCT 7 4000K CCT	Y 0-10V Dimming
		B						
		D						
		E						
		F						
		H						
		K						

*Ordering information is for reference only. Some product configurations are not available. Please consult spec sheets for specific product availability and for further details.

Dimensions

TRADITIONAL POST-TOP UPGRADE KITS



You May Also Be Interested In:



CREE EDGE™ SERIES WALL MOUNT
Wall Mount Lighting Solutions



CREE EDGE™ SERIES AREA
Steek, Modular Area Lighting Solutions



CREE EDGE™ SERIES FLOOD
Flood Lighting Solutions

LED CANOPY & SOFFIT

Commercial and retail canopy lighting plays a vital role in the appearance and perception of a business. Traditional lighting products can leave businesses looking unsafe and uninviting due to reduced light levels and random lamp outages over time. Cree® LED products can offer a better approach resulting in significant energy and maintenance savings while improving illumination performance and appearance of a business during nighttime hours.



CPY Series

p.156



- Minimum 70 CRI
- CCT: 4000K (+/-300K), 5700K (+/-500K)
- Direct and pendant mounts
- Flat or drop lenses available
- Upgrade kit options
- Slim, low-profile design

228 Series™

p.158



- Minimum 70 CRI
- CCT: 4000K (+/-300K), 5700K (+/-500K)
- UL wet listed
- Multi-Level options
- Upgrade kit options
- Modular, low-profile design

304 Series™

p.160



- Minimum 70 CRI
- CCT: 4000K (+/-300K), 5700K (+/-500K)
- UL wet listed
- Driver centrally located
- Convenient electrical inspection access from below
- Modular, low-profile design

Cree Edge™ Series

p.162



- Minimum 70 CRI
- CCT: 4000K (+/-300K), 5700K (+/-500K)
- UL wet listed
- Two-Level options
- Modular, low-profile design

CPY Series Canopy & Soffit



"BEST IN CLASS" PERFORMANCE STANDARD.

The CPY250™ fixture delivers up to 20,784 lumens under the canopy while consuming less power than traditional sources. Available in both flat and 1" prismatic drop lens, the CPY250™ fixture provides two illumination aesthetics to meet both the visual, as well as the vertical and horizontal illumination performance needs of a typical canopy/soffit application.

BENEFITS

- Superior illumination performance
- Quick and easy installation
- Low total cost of ownership
- Standard 10-year limited warranty

FEATURES

- Minimum 70 CRI
- CCT: 4000K (+/-300K), 5700K (+/-500K)
- UL listed
- Flat or drop lens option
- 0-10V dimming option (120W, 140W & 145W)
- Direct surface mount or pendant mount
- Slim, low-profile design
- Exclusive Colorfast DeltaGuard® Finish
- Class I, Division II Hazardous Location for select models

APPLICATIONS

- Airport, auto dealership, corporate & office, education, government & municipal, healthcare, petroleum & convenience store, restaurant & hospitality, retail & grocery

CPY Series - Flat Lens



CPY Series - Drop Lens



CPY Series Canopy & Soffit

Ordering Information

Example: CPY250-A-DM-D-A-UL-WH-DIM

PRODUCT	VERSION	MOUNTING	OPTIC	INPUT POWER DESIGNATOR	VOLTAGE	COLOR OPTIONS	FACTORY INSTALLED OPTIONS
CPY250	A	DM Direct PD Pendant	D 0.91" (23mm) B Drop Lens F Flat Lens	A 82W B 120W C 43W D 140W E 145W	UL Universal 120-277V UH Universal 347-480V	BK Black BZ Bronze SV Silver WH Whit	DIM 0-10V Dimming ML Multi-Level PML Programmable Multi-Level 40K 4000K

* Ordering information is for reference only. Some product configurations are not available. Please consult spec sheets for specific product availability and for further details.

Accessory Information

DIRECT MOUNT - CANOPY UPGRADE KITS

Used when replacing HID luminaires in existing open canopies.

- XA-BXCCMW - for use with Jet-Phillips canopy luminaires
- XA-BXCCNW - for use with ElSCO Franciscan canopy luminaires
- XA-BXCCPW - for use with LSI Dakota or Masters canopy luminaires
- XA-BXCCQW - for use with Whiteway Riviera or Rig-A-Lite canopy luminaires
- XA-BXCCRW - for use with ElSCO Merrit canopy luminaires
- XA-BXCCSW - for use with LSI Richmond or Whiteway Civic canopy luminaires



DIRECT MOUNT - JUNCTION BOX / STEM KIT

XA-BXCCJBOX - 6.0" (152mm) H x 3/4" (19mm) NPT Stem



DIRECT MOUNT - BEAUTY PLATE

Metal plate used when replacing surface-mounted HID luminaires.
Painted Colorfast DeltaGuard® white.

- XA-BXCCBPW - Square 26"
- XA-BXCCBPB12W - Beauty Plate w/ 12" (305mm) Backer
- XA-BXCCBPB16W - Beauty Plate w/ 16" (406mm) Backer



PENDANT MOUNT KITS

Pendant height from ceiling surface to bottom of fixture; mounting accessories or surface boxes will add to overall height

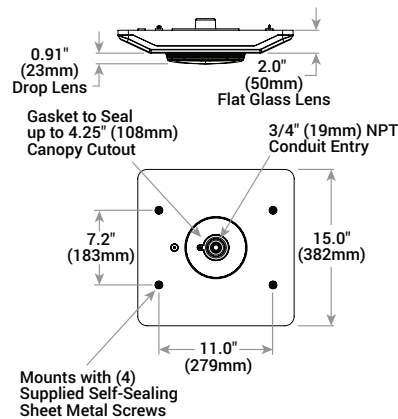
- XA-PS22KIT* - 22" (559mm)
- XA-PS12KIT* - 12" (305mm)
- XA-PS18KIT* - 18" (457mm)

HAND-HELD REMOTE

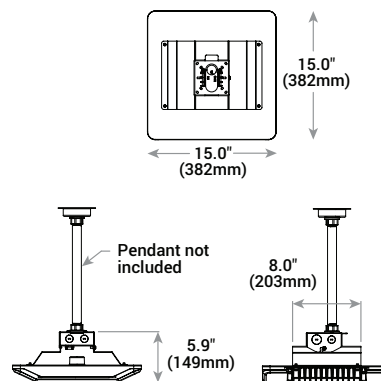
XA-SENSREM - For successful implementation of the programmable multi-level option, a minimum of one hand-held remote is required

Dimensions

DIRECT MOUNT



PENDANT MOUNT



You May Also Be Interested In:



OSQ SERIES AREA
Low-Profile Area Lighting Solutions



XSP SERIES WALL PACK
Affordable Site Lighting Solutions



LEDWAY® SERIES
STREET LIGHTS
Versatile Street Light Solutions

228 Series™ Recessed Canopy and Soffit



INNOVATIVE MODULAR DESIGN AND EASY INSTALLATION.

228 Series™ luminaires dramatically improve site appearance while substantially reducing energy and maintenance costs. The 228 Series™ luminaires are designed for multi-purpose use in exterior canopies such as petroleum stations, drive-thru banks and restaurants, and indoor retail or industrial spaces. The flexible 30- to 90-LED configurations allow for increased visibility and safety below canopies and around building perimeters. The 90-LED luminaires are ideal for areas requiring high illuminance levels.

BENEFITS

- Improved illumination performance
- Significant energy and maintenance savings
- Eliminate the relamping cycle
- Standard 10-year limited warranty
- Designed for easy installation
- Suitable for use in single or double skin canopies with 12" or 16" panels
- Serviceable from below the canopy deck

FEATURES

- Minimum 70 CRI
- CCT: 4000K (+/-300K), 5700K (+/-500K)
- UL wet listed
- Field adjustable drive current
- Modular, low-profile design

APPLICATIONS

- Airport, auto dealership, corporate & office, education, government & municipal, healthcare, petroleum & convenience store, restaurant & hospitality, retail & grocery

228 Series™ Recessed Canopy



228 Series™ Recessed Soffit



228 Series™ Recessed Canopy and Soffit

Ordering Information

Example: CAN-228-PS-RM-06-E-UL-WH-700-ML

FAMILY	PRODUCT	OPTIC	MOUNTING	# OF LEADS (X10)	LED SERIES	VOLTAGE	COLOR OPTIONS	DRIVE CURRENT	FACTORY INSTALLED OPTIONS			
CAN SFT	228	5M Type V Medium	RM Recessed	RT4 Upgrade for ElSCO	03	E	UL Universal 120-277V	BK Black	350 350mA	40K 4000K CCT		
			RR Recessed Remodel	RT5 ElSCO Merritt Series	06							
			PS Petroleum	RT1 Upgrade for ElSCO Franciscan Series	09							
			SL Symmetric	RT5 Upgrade for Jet-Philips Series								
			Sparkle	RT6 Upgrade for LSI Dakota or Masters Series								
			Petroleum	RT3 Upgrade for Whiteway Riviera 2 or Rig-A-Lite Series								
				UH Universal 347-480V							700 700mA	DIM 0-10V Dimming
				12 120V							900 900mA	IC IC Rated
				27 277V							PML Multi-Level Programmable Multi-Level	

* Ordering information is for reference only. Some product configurations are not available. Please consult spec sheets for specific product availability and for further details.

Accessory Information

UPGRADE PLATE KIT (CAN-228 MODELS ONLY)

Used when replacing recessed HID luminaires in existing open canopies.

For use with canopies that are greater than 2-1/2" in height:

XA-CT30F021W - for use with 30-LED canopy lights

XA-CT60F021W - for use with 60-LED canopy lights

XA-CT90F021W - for use with 90-LED canopy lights

For use with shallow canopies that are less than 2-1/2" in height:

XA-CT30F021WS - for use with 30-LED canopy lights

XA-CT60F021WS - for use with 60-LED canopy lights

XA-CT90F021WS - for use with 90-LED canopy lights

UPGRADE PLATE KIT - PLASTIC (CAN-228 MODELS ONLY)

Kits without backer plates—for use with canopies that have maximum of 7" diameter cut hole:

XA-CT30B047W - for use with 30-LED canopy lights

XA-CT60B047W - for use with 60-LED canopy lights

XA-CT90B047W - for use with 90-LED canopy lights

Kits without backer plates—for use with 12" or 16" canopies that have maximum of 10" x 10" diameter cut hole:

XA-CT30C241W - for use with 30-LED canopy lights

XA-CT60C241W - for use with 60-LED canopy lights

XA-CT90C241W - for use with 90-LED canopy lights

Kits without backer plates—for use with 16" canopies that have maximum of 12" diameter or 12" x 12" cut hole:

XA-CT30C642W - for use with 30-LED canopy lights

XA-CT60C642W - for use with 60-LED canopy lights

XA-CT90C642W - for use with 90-LED canopy lights

UPGRADE PLATE KIT - METAL (CAN-228 MODELS ONLY)

Metal plate used when replacing surface-mounted HID luminaires. Painted DeltaGuard® white. Must be field cut to match luminaire opening.

XA-CTP26X24WT - Spans two 12" deck panels

XA-CTP26X32WT - Spans two 16" deck panels

Accessory Information

HAND-HELD REMOTE

XA-SENSREM

-For successful implementation of programmable multi-level option, a minimum of one hand-held remote is required

MOUNTING C CHANNELS (SFT-228 MODELS ONLY)

XA-MC14 Mounting C Channel - 14" (356mm) Long

XA-MC22 Mounting C Channel - 22" (559mm) Long

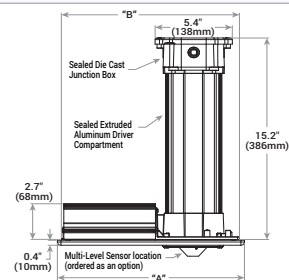
XA-MC30 Mounting C Channel - 30" (762mm) Long

MOUNTING BRACKETS (SFT-228 MODELS ONLY)

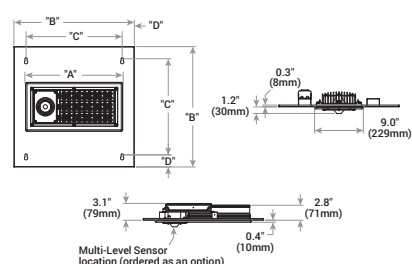
XA-MB4 - Kit contains 4

Dimensions

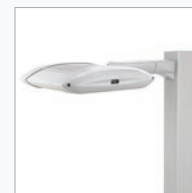
228 SERIES™ RECESSED CANOPY



228 SERIES™ RECESSED SOFFIT



You May Also Be Interested In:



CREE EDGE™ SERIES AREA
Steek, Modular Area Lighting Solutions



XSP SERIES WALL PACK
Affordable Site Lighting Solutions



LEDWAY® SERIES
STREET LIGHTS
Versatile Street Light Solutions

304 Series™ Recessed Canopy and Soffit



AN INVESTMENT IN SAVINGS THAT LOOKS GREAT FOR YEARS.

The 304 Series™ canopy luminaire can dramatically improve illumination performance while saving significant energy consumption. In addition, since it is designed to operate nearly maintenance-free for more than a decade, routine service calls and disruptions required of traditional technologies can be a thing of the past. Available in 40- or 60-LED configurations, multiple optical distributions, drive currents and mounting options, the CAN-304 is an affordable solution that's not short on performance.

BENEFITS

- Improved illumination performance
- Significant energy and maintenance savings
- Eliminate the relamping cycle
- Standard 10-year limited warranty

FEATURES

- Minimum 70 CRI
- CCT: 4000K (+/-300K), 5700K (+/-500K)
- UL wet listed
- International Dark Sky Association approved
- Centrally-located driver provides ease of installation and through-wiring (daisy chaining luminaires)
- Convenient electrical inspection access from below the luminaire

APPLICATIONS

- Airport, auto dealership, corporate & office, education, government & municipal, healthcare, industrial & warehouse, petroleum & convenience store, restaurant & hospitality, retail & grocery

304 Series™ Recessed Canopy



304 Series™ Recessed Soffit



304 Series™ Recessed Canopy and Soffit

Example: CAN-304-5M-RD-04-E-UL-WH-700-ML

PRODUCT	OPTIC	MOUNTING	# OF LEDES (X10)	LED SERIES	VOLTAGE	COLOR OPTIONS	DRIVE CURRENT	FACTORY INSTALLED OPTIONS
CAN 304 SFT 304	5M Type V Medium	RM Recessed	04	E	UL Universal 120-277V	WH White	350 350mA	40K 4000K CCT
	5S Type V Short	RS Recessed Single Skin	06		UH Universal 347-480V	SV Silver	525 525mA	DIM 0-10V Dimming
	PS Petroleum Symmetric	RD Recessed Double Skin			12 120V	BZ Bronze	700 700mA	F Fuse
	SL Sparkle Petroleum	RT1 Upgrade for ElSCO Franciscan Series			27 277V	BK Black		ML Multi-Level
		RT2 Upgrade for LSI Dakota or Masters Series						PML Programmable Multi-Level
		RT3 Upgrade for Whiteway Riviera 2 or Rig-A-Lite Series					IC IC Rated	
		RT4 Upgrade for ElSCO Merritt Series						
		RT5 Upgrade for Jet-Philips Series						

* Ordering information is for reference only. Some product configurations are not available. Please consult spec sheets for specific product availability and for further details.

Accessory Information

HANGER BAR - MOUNTING BRACKETS

XA-MB4
- Kit contains 4

HANGER BAR - MOUNTING C-CHANNEL

XA-MC14
- Pair of 14" (356mm) rigid 3/4" x 1/2" (19mm x 13mm) galvanized C-Channel bars

XA-MC22
- Pair of 22" (559mm) rigid 3/4" x 1/2" (19mm x 13mm) galvanized C-Channel bars

XA-MC30
- Pair of 30" (762mm) rigid 3/4" x 1/2" (19mm x 13mm) galvanized C-Channel bars

HAND-HELD REMOTE

XA-SENSREM
- For successful implementation of programmable multi-level option, a minimum of one hand-held remote is required

You May Also Be Interested In:



304 SERIES™ FLOOD
Low-Profile Flood Lighting Solutions

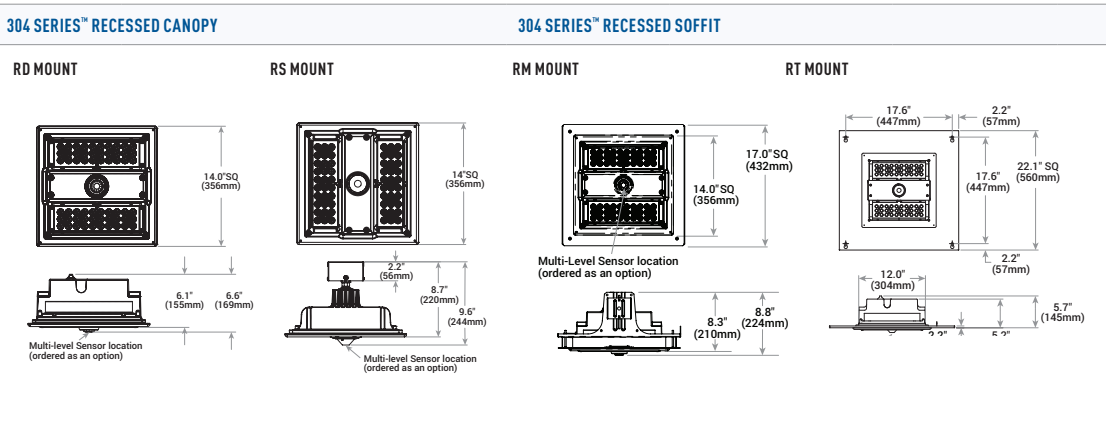


304 SERIES™ PARKING STRUCTURE
Low-Profile Parking Structure Lighting Solutions



304 SERIES™ INTERIOR
High-Performance Interior Lighting Solutions

Dimensions



Cree Edge™ Series Surface Mount Canopy



Cree Edge™ Surface Mount Canopy



THE PRODUCT THAT HELPED START A REVOLUTION.

Successfully launched in 2007, Cree Edge™ canopy products helped set the standard for performance and value. Available in a variety of LED counts, multiple drive currents and optical distributions, Cree Edge™ canopy luminaires offer a scalable solution that provides exacting illumination performance. Cree Edge™ canopy luminaires have continued to advance over the years and offer more value today than ever before.

BENEFITS

- Improved illumination performance
- Significant energy and maintenance savings
- Eliminate the relamping cycle
- Standard 10-year limited warranty

FEATURES

- Minimum 70 CRI
- CCT: 4000K (+/-300K), 5700K (+/-500K)
- UL wet listed
- Compliance IES BUG ratings available
- Photometric testing to IESNA-79-08 standards
- Two-Level options
- Modular, low-profile design

APPLICATIONS

- Airport, auto dealership, corporate & office, education, government & municipal, healthcare, industrial & warehouse, petroleum & convenience store, restaurant & hospitality, retail & grocery

Cree Edge™ Series Surface Mount Canopy


Ordering Information

Example: CAN-EDG-3M-DM-06-E-UL-SV-525-ML

FAMILY	PRODUCT	OPTIC	MOUNTING	# OF LEDS (X10)	LED SERIES	VOLTAGE	COLOR OPTIONS	DRIVE CURRENT	FACTORY INSTALLED OPTIONS
CAN	EDG	1S	15	DM	04	E	UL	350	40K
		Type I Short	15° Flood	Direct	06		Universal	350mA	40K CCT
		3M	25	PD	08		120-277V	525	DIM
		Type III Medium	25° Flood	Pendant	10		UH	525mA	0-10V Dimming
		5M	40	UP	12		Universal	700	F
		Type V Medium	40° Flood	Uplight	14		347-480V	700mA	Fuse
		5S	70		16		34		HL
		Type V Short	70° Flood		20		340V		High/Low
		PS			24				(175/350/525, Dual Circuit Input)
		Petroleum							ML
		Symmetric							Multi-Level
		SL							P
		Sparkle							Photocell
Petroleum							PML		
								Programmable Multi-Level	

* Ordering information is for reference only. Some product configurations are not available. Please consult spec sheets for specific product availability and for further details.

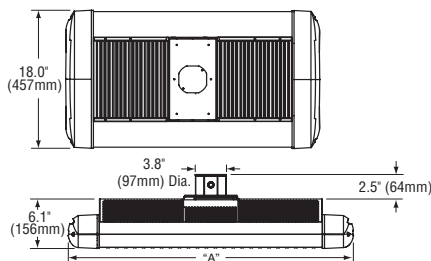
Accessory Information

BIRD SPIKE OPTION (DM AND PD MOUNTS ONLY)	ADAPTOR PLATE KIT (DM MODELS ONLY)	LEVELER (PD MODELS ONLY)	PENDANT KIT OPTIONS (PD MODELS ONLY)	PENDANT FITTING (PD MODELS ONLY)	HAND-HELD REMOTE
 <p>XA-BRDSPK</p>	<p>XA-CLSB16 - For use when mounting fixture to solid surfaces</p>	<p>XA-PNDTLVL - For 0-13° sloped ceilings</p>	<p>XA-CL12KIT - 12" (305mm)* XA-CL18KIT - 18" (457mm)* XA-CL22KIT - 22" (559mm)* * Pendant height to bottom of fixture; mounting accessories or surface boxes will add to overall height.</p>	<p>XA-PSFTG XA-CLHOOK - 3/4" hook adaptor</p>	<p>XA-SENSREM -For successful implementation of the programmable multi-level option, a minimum of one hand-held remote is required</p>

Dimensions

CREE EDGE™ SURFACE MOUNT CANOPY

DM MOUNT



LED Count (x10)	DIM. "A"
04	16.1" (408mm)
06	18.1" (459mm)
08	16.1" (408mm)
10	18.1" (459mm)
12	20.1" (510mm)
14	22.1" (560mm)
16	24.1" (611mm)
20	28.1" (713mm)
24	32.1" (814mm)

You May Also Be Interested In:



VG SERIES PARKING STRUCTURE

Scalable, Versatile Parking Structure Solutions



CREE EDGE™ SERIES WALL MOUNT

Wall Mount Lighting Solutions



CREE EDGE™ SERIES FLOOD

Flood Lighting Solutions

LED PARKING STRUCTURE

There are few better opportunities for LED lighting than parking structures. Typical parking structures operate 24 hours a day, seven days a week. That's a lot of wasted energy and maintenance costs when using traditional light sources. Cree® LED solutions in this space can provide significant energy and maintenance savings, as well as improved illumination performance and reliability.

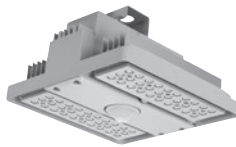




IG Series

p.166

- Minimum 80 CRI
- CCT: 4000K (+/- 300K), 5700K (+/- 500K)
- Utilizes WaveMax™ Technology
- Acrylic Lenses with DiamondFacet™ optical elements
- Technology driven design
- 6% Uplight
- UL wet listed
- IP66 rated



304 Series

p.168

- Minimum 70 CRI
- CCT: 4000K, 5700K
- UL wet listed
- IP66 rated
- Multi-Level options, integrated occupancy sensor
- Modular, low-profile design



VG Series

p.170

- Minimum 70 CRI
- CCT: 4000K, 5700K
- UL wet listed
- IP66 rated
- Multi-Level options, integrated occupancy sensor
- Compact low-profile design

IG Series Parking Structure



IG Series



LOW-GLARE ILLUMINATION WITH HIGH-ENERGY EFFICIENCY

Lighting the parking garage presents particular challenges, and the IG Series with WaveMax™ Technology is built for the job. WaveMax™ Technology provides unmatched low-glare comfort and decreased LED source luminance to cast rich illumination that maximizes detail and defeats shadows. The IG Series delivers unprecedented low-glare illumination, exceptional energy efficiency and fast payback, redefining how you think about parking garage lighting.

BENEFITS

- Low-glare illumination
- Low energy consumption
- Easy installation
- Standard 10-year limited warranty on luminaire

FEATURES

- Minimum 80 CRI
- CCT: 4000K (+/- 300K), 5700K (+/- 500K)
- Initial Delivered Lumens: 3,910 or 7,500 lumens
- Efficacy: Up to 118 LPW
- Utilizes WaveMax™ Technology
- Acrylic Lenses with DiamondFacet™ optical elements
- Low profile, lightweight design
- 6% Uplight
- IP66 rated

APPLICATIONS

- Airport, education, government, healthcare and retail

IG Series Parking Structure

Ordering Information

Example: **Mount:** IG-JBWH + **Luminaire:** IG-A-NM-5S-A-40K-UL-WH

Fully assembled luminaire is composed of two components that must be ordered separately

MOUNT (Luminaire must be ordered separately)

IG-JB Junction Box	WH White
IG-PD Pendant	

LUMINAIRE (LUMINAIRE MUST BE ORDERED SEPARATELY)

PRODUCT	MOUNTING	OPTIC	INPUT POWER DESIGNATOR	CCT	VOLTAGE	COLOR	OPTIONS
IG	NM No Mount	5S Type V Short	A 33W, 3,910 lumens - 118 LPW	40K 4000K	UL 120-277V	WH White	PML Programmable Multi-Level - Refer to PML spec sheet for details
			J 66W, 7,500 lumens -114 LPW	57K 5700K	34 347V		

* Ordering information is for reference only. Some product configurations are not available. Please consult spec sheets for specific product availability and for further details.

Accessory Information

FIELD-INSTALLED

Hand-Held Remote

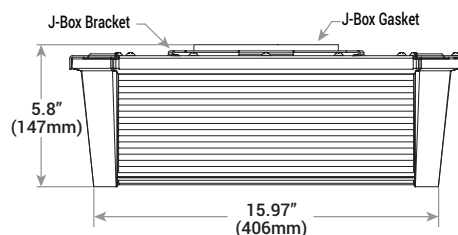
XA-SENSREM

- For successful implementation of the programmable multi-level option, a minimum of one hand-held remote is required

Dimensions

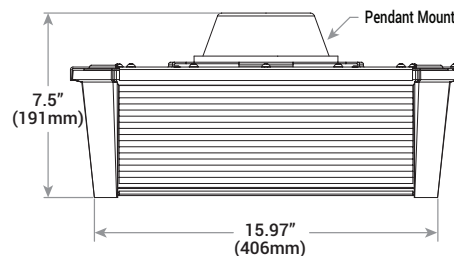
IG SERIES PARKING STRUCTURE

BOX MOUNT



Weight: 10 lbs. (4.5kg)

PENDANT MOUNT



Weight: 10 lbs. (4.5kg)

You May Also Be Interested In:



OSQ SERIES AREA

Sleek, Modular Area Lighting Solutions



CPY SERIES CANOPY

Outdoor Canopy Solutions



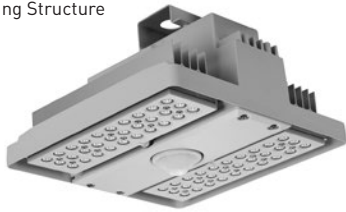
CREE EDGE™ SERIES FLOOD

Flood Lighting Solutions

304 Series™ Parking Structure



304 Series™ Parking Structure



AN OPERATING BUDGET'S NEW BEST FRIEND.

Although LED solutions are well-suited for many applications today, few have the potential to match the opportunity parking structures offer in terms of energy and maintenance savings. Our 304 Series™ luminaire is uniquely qualified to meet the needs in this space, providing improved illumination performance while significantly reducing energy and maintenance costs. Available in 40- or 60-LED configurations, three power conditions and multiple optical distributions, the 304 Series Parking Structure luminaire is an affordable solution that's not short on performance. Add our optional integrated occupancy sensor and make a great energy savings story even better.

BENEFITS

- Improved illumination performance
- Significant energy and maintenance savings
- Eliminate the relamping cycle
- Standard 10-year limited warranty

FEATURES

- Minimum 70 CRI
- CCT: 4000K (+/- 300K), 5700K (+/- 500K)
- Exclusive Colorfast DeltaGuard® Finish
- UL wet listed
- Multi-Level options
- Integrated occupancy sensor
- Low-profile design

APPLICATIONS

- Airport, corporate & office, education, healthcare and retail

304 Series™ Parking Structure

Ordering Information

Example: PKG-304-5M-HC-04-E-UL-SV-525-ML

PRODUCT	OPTIC	MOUNTING	# OF LEDS (X10)	LED SERIES	VOLTAGE	COLOR OPTIONS	DRIVE CURRENT	OPTIONS
PKG-304	5M Type V Medium 5S Type V Short PS Petroleum Symmetric SL Sparkle Petroleum 40 40-degree	DM Direct Mount HC Hook and Cord PD Pendant Mount	04 06	E	UL Universal 120-277V UH Universal 347-480V	SV Silver BZ Bronze BK Black WH White	350 350mA 525 525mA 700 700mA (Standard)	40K 4000K CCT DIM 0-10V Dimming F Fuse J Alternate Junction Box ML Multi-Level (75/525) PML Programmable Multi-Level

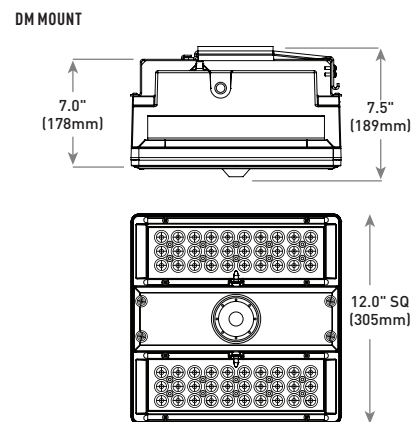
* Ordering information is for reference only. Some product configurations are not available. Please consult spec sheets for specific product availability and for further details.

Accessory Information

FIELD-INSTALLED		
Pendant Mount Kits Pendant height from ceiling surface to bottom of the luminaire; mounting accessories or surface boxes will add to overall height XA-PS12KIT – 12" (305mm) XA-PS18KIT – 18" (457mm) XA-PS22KIT – 22" (559mm) Pendant Mount Fitting XA-PSFTG** – Pendant Fitting Pendant Mount Leveler XA-PNDTLVL – Leveler for 0-13° Sloped Ceilings Bird Guard XA-XCPBRDGRD – For Pendant or Hook & Cord Mount Only **Must specify color	Hook & Cord Mount Locking Type Plug XA-L515P – 120V XA-L615P – 208/240V XA-L715P – 277V XA-L3720P – 347V Hook & Cord Mount Locking Type Receptacle XA-L515R – 120V XA-L615R – 208/240V XA-L715R – 277V XA-L720R – 347V Hook & Cord Mount Steady Lock SL-C – Steady Lock for Eyebolt	Hand-Held Remote XA-SENSREM For successful implementation of the programmable multi-level option, a minimum of one hand-held remote is required

Dimensions

304 SERIES™ PARKING STRUCTURE



You May Also Be Interested In:



CREE EDGE™ SERIES CANOPY
Low-Profile, Easy-Mount Canopy Lighting Solutions



CPY SERIES CANOPY
Outdoor Canopy Solutions



CREE EDGE™ SERIES FLOOD
Flood Lighting Solutions

VG Series Vehicle Garage



VG Series



REIMAGINE PARKING STRUCTURES WITH UNIFORM LED LIGHTING.

The VG Series parking structure luminaire delivers optimal, low-glare illumination by intelligently eliminating direct view of the LEDs with a revolutionary optical system. The state-of-the-art optical system combines the use of indirect view LEDs, an internal reflector and a precision designed lens to distribute illumination at key angles with low glare, exceptional uniformity and desirable uplight. Whether it's an existing parking structure or new construction, the VG Series with its high-performance optical system, architectural aesthetic design and low initial cost delivers where it matters.

BENEFITS

- Indirect view optical system
- Low glare and exceptional uniform lighting
- Easy and quick installation
- Standard 10-year limited warranty

FEATURES

- Minimum 70 CRI
- CCT: 4000K (+/- 300K), 5700K (+/- 500K)
- UL wet listed, IP66 rated
- Multi-Level options, integrated occupancy sensor
- Modular, low-profile design

APPLICATIONS

- Airport, corporate & office, education, healthcare, and retail

VG Series Vehicle Garage

Ordering Information

Example: VG-A-DM-5M-A-40K-UL-SV

PRODUCT	VERSION	MOUNTING	OPTIC	INPUT POWER DESIGNATOR	CCT	VOLTAGE	COLOR OPTIONS	OPTIONS
VG	A	DM Surface Direct JB J-Box PD Pendant	5M Type V Medium 5W Type V Wide	A 50W	40K 4000K 57K 5700K	UL Universal 120-277V	BK Black BZ Bronze SV Silver WH White	ML Multi-Level PML Programmable Multi-Level

* Ordering information is for reference only. Some product configurations are not available. Please consult spec sheets for specific product availability and for further details.

Accessory Information

PERIMETER SHROUD

VG-PSSV



BIRD SHROUD

VG-BS

Must specify finish color. Not available with JB Mount



HAND-HELD REMOTE

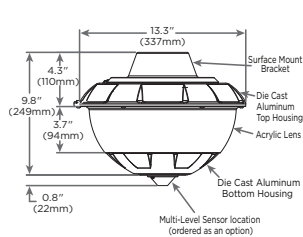
XA-SENSREM

For successful implementation of the programmable multi-level option, a minimum of one hand-held remote is required

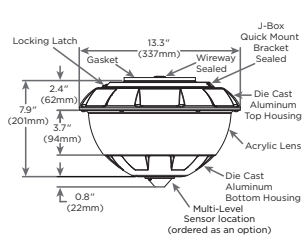
Dimensions

VG SERIES PARKING STRUCTURE

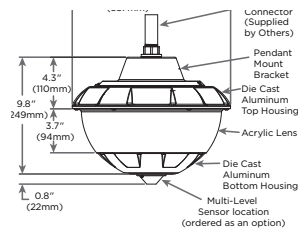
DM MOUNT



JB MOUNT



PD MOUNT



You May Also Be Interested In:



OSO SERIES AREA
Steek, Modular Area Lighting Solutions



CPY SERIES CANOPY
Outdoor Canopy Solutions



CREE EDGE™ SERIES FLOOD
Flood Lighting Solutions

LED FLOOD

The term flood lighting seems to imply limited optical control. Not from a Cree® lighting solution. Cree LED Flood products provide exacting control to meet a wide range of applications. From general illumination for parking lots to tight beams of light that precisely accent architecture and flags, Cree has the optical choices and control needed to effectively illuminate most any application.





OSQ Series

p.174

- Minimum 70 CRI (4000K, 5700K), 80 CRI (3000K)
- CCT: 3000K (+/- 300K), 4000K (+/- 300K), 5700K (+/- 500K)
- Utilizes NanoOptic® Technology
- Lumen Range: 7,644 - 25,000
- cULus Listed



Cree Edge™ Series

p.176

- Minimum 70 CRI
- CCT: 4000K (+/-300K), 5700K (+/-500K)
- UL wet listed
- Modular, low-profile design



304 Series™

p.178

- Minimum 70 CRI
- CCT: 4000K (+/-300K), 5700K (+/-500K)
- UL wet listed
- Low-profile design



OL Series™

p.180

- Minimum 70 CRI
- CCT: 3500K (+/-100K), 4000K (+/-100K), 5700K (+/-500K)
- UL wet listed
- Step and continuous dimming options
- 360° adjustability in 5° increments
- Available in 2-, 4- and 8-foot lengths

OSQ Series Flood



OSQ™ Flood



OSQ™ Flood Utility



FAÇADES THAT INVITE AND IMPRESS.

Improve the overall look of your facades and signage with the OSQ™ LED luminaire. The slim, low profile design adds architectural appeal to any general flood lighting application with crisp uniform white light. With remarkable color quality and smooth white light, buildings and signage will stand out in the crowd.

BENEFITS

- Suitable upgrade for HID applications up to 750 Watts
- Simple installation and angle adjustment
- Slim, low-profile design
- Improved energy and maintenance savings
- Standard 10-year limited warranty

FEATURES

- Minimum 70 CRI (4000K & 5700K); 80 CRI (3000K)
- CCT: 4000K (+/- 300K), 5700K (+/- 500K)
- Exclusive Colorfast DeltaGuard® Finish
- Utilizes NanoOptic® Technology
- cULus Listed

APPLICATIONS

- Airport, Auto Dealership, Corporate & Office, Education, Government, Healthcare, Industrial & Warehouse, Municipal, Pedestrian, Petroleum & Convenience Stores, Recreation & Public Venues, Restaurants & Hospitality, Retail & Grocery, Roadway

OSQ Series Flood

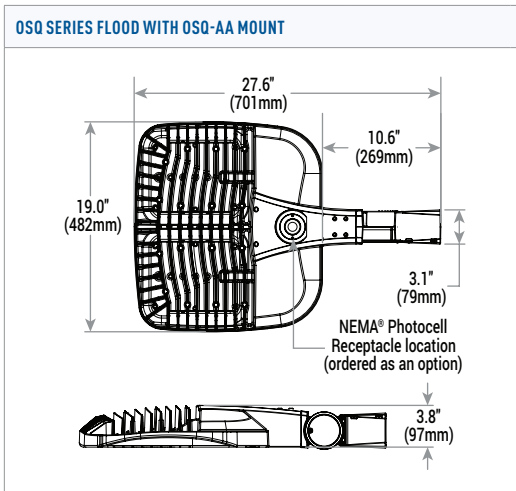
Ordering Information

Example: **Mount:** OSQ-AA-SV + **Luminaire:** OSQ-A-NM-WSN-A-40K-UL-SV

MOUNT		COLOR OPTIONS							
OSQ-AA Adjustable Arm		BK Black		SV Silver		BZ Bronze		WH White	
PRODUCT	VERSION	MOUNTING	OPTIC	INPUT POWER DESIGNATOR	CCT	VOLTAGE	COLOR OPTIONS	OPTIONS	
OSQ	A	NM No Mount	ASYMMETRIC: 2ME Type II Medium 3ME Type III Medium 4ME Type IV Medium SYMMETRIC: 5ME Type V Medium 5SH Type V Short WSN Wide Sign 15D 15" Flood 25D 25" Flood 40D 40" Flood 60D 60" Flood	A 112W J 168W S 223W U 215W B 86W K 130W T 171W U 215W	30K 3000K 40K 4000K 57K 5700K	UL Universal 120-277V UH Universal 347-480V	BK Black BZ Bronze SV Silver WH White	DIM 0-10V Dimming - Control by others - Refer to Dimming spec sheet for details - Can't exceed Wattage of specified input power designator F Fuse When code dictates fusing, use time delay fuse ML Multi-Level - Refer to ML spec sheet for details - High: 100%, Low: 30% - Intended for downlight applications at 0° tilt PML Programmable Multi-Level, 20-40' Mounting Height - Refer to PML spec sheet for details - Intended for downlight applications at 0° tilt PML2 Programmable Multi-Level, 10-30' Mounting Height - Refer to PML spec sheet for details - Intended for downlight applications at 0° tilt Q9 Field Adjustable Output - Refer to Field Adjustable Output spec sheet for details R NEMA® Photocell Receptacle - Intended for downlight applications with maximum 45° tilt - 3-pin receptacle per ANSI C136.10 - Photocell and shorting cap by others RL Rotate Left - LED and optic are rotated to the left RR Rotate Right - LED and optic are rotated to the right	

*Ordering information is for reference only. Some product configurations are not available. Please consult spec sheets for specific product availability and for further details.

Dimensions



Accessory Information

BACKLIGHT SHIELD

OSQ-BLSMF – Front facing optics
OSQ-BLSMR – Rotated optics

HAND-HELD REMOTE

XA-SENSREM for PML Option

You May Also Be Interested In:



IG SERIES PARKING STRUCTURE
Parking Structure Solutions



XSP SERIES WALL PACK
Affordable Site Lighting Solutions



OSQ SERIES AREA
Low-Profile Area Lighting Solutions

Cree Edge™ Series Flood



A FLOOD LIGHTING SOLUTION WITH PRECISE OPTICAL CONTROL.

Cree Edge™ Flood products offer precise optical control that is not typically synonymous with flood lighting solutions. Available in multiple optical distributions as well as LED counts and power conditions, Cree Edge™ Flood luminaires offer exacting illumination performance that also maximizes energy savings.

BENEFITS

- Improved illumination performance
- Significant energy and maintenance savings
- Eliminate the relamping cycle
- Standard 10-year limited warranty

FEATURES

- Minimum 70 CRI
- CCT: 4000K (+/-300K), 5700K (+/-500K)
- Exclusive Colorfast DeltaGuard® Finish
- UL wet listed
- Two-Level options
- Modular, low-profile design

APPLICATIONS

- Airport, auto dealership, corporate & office, education, government & municipal, healthcare, industrial & warehouse, pedestrian & recreation, petroleum & convenience store, restaurant & hospitality, retail & grocery

Cree Edge™ High Output Flood



Cree Edge™ Flood Square



Cree Edge™ Series Flood


Ordering Information

Example: FLD-EDG-15-AA-12-E-UL-SV-525-40K

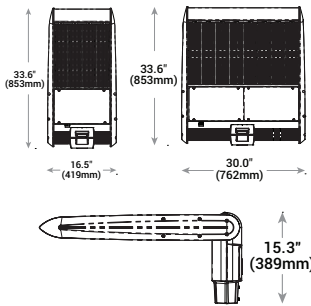
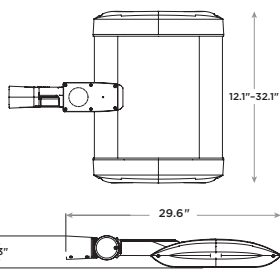
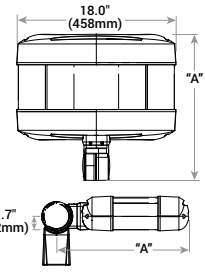
PRODUCT	OPTIC	MOUNTING	# OF LEDS (x10)	LED SERIES	VOLTAGE	COLOR OPTIONS	DRIVE CURRENT	FACTORY INSTALLED OPTIONS
FLD-EHO FLD-EDG	N6 NEMA® 6 SN Sign 15 15° 25 25° 40 40° 70 70°	AA Adjustable Arm SA Side Arm Mount HV Horizontal/Vertical Tenon	02 04 06 08 10 12 14 16 24	E	UL Universal 120-277V UH Universal 347-480V	BK Black BZ Bronze SV Silver WH White	350 350mA 525 525mA 700 700mA 1000 1000mA	40K 4000K CCT 50K 5000K CCT DIM 0-10V Dimming F Fuse HL High/Low (175/350/525 Dual Circuit Input) P Photocell R NEMA® Photocell Receptacle ML Multi-Level (75/525)

* Ordering information is for reference only. Some product configurations are not available. Please consult spec sheets for specific product availability and for further details.

Accessory Information

BIRD SPIKE OPTIONS	BACKLIGHT CONTROL SHIELDS
 <p>XA-BRDSPK (EDG model only)</p> <p>XA-BRDSPKXAK12 (EHO models only for 120 LED luminaires)</p> <p>XA-BRDSPKXAK24 (EHO models only for 240 LED luminaires)</p>	<p>XA-20BLS-4 (EDG models only)</p> <p>XA-30BLS-4 (EHO models only for 120 luminaires)</p> <p>XA-30BLS-8 (EHO models only for 240 luminaires)</p>

Dimensions

CREE EDGE™ HIGH OUTPUT FLOOD	CREE EDGE™ FLOOD SQUARE	SA MOUNT LINE																																							
<p>HV MOUNT</p>  <p>HV Mount (shown in vertical position)</p>	<p>AA MOUNT</p> 	<p>SA MOUNT</p> 																																							
<table border="1"> <thead> <tr> <th>LED Count (x10)</th> <th>Dim. "A"</th> <th>Weight</th> </tr> </thead> <tbody> <tr><td>02</td><td>12.1" (306mm)</td><td>21 lbs. (10kg)</td></tr> <tr><td>04</td><td>12.1" (306mm)</td><td>24 lbs. (11kg)</td></tr> <tr><td>06</td><td>14.1" (357mm)</td><td>27 lbs. (12kg)</td></tr> <tr><td>08</td><td>16.1" (408mm)</td><td>28 lbs. (13kg)</td></tr> <tr><td>10</td><td>18.1" (459mm)</td><td>32 lbs. (15kg)</td></tr> <tr><td>12</td><td>20.1" (510mm)</td><td>34 lbs. (15kg)</td></tr> <tr><td>14</td><td>22.1" (560mm)</td><td>37 lbs. (17kg)</td></tr> <tr><td>16</td><td>24.1" (611mm)</td><td>41 lbs. (19kg)</td></tr> </tbody> </table>	LED Count (x10)	Dim. "A"	Weight	02	12.1" (306mm)	21 lbs. (10kg)	04	12.1" (306mm)	24 lbs. (11kg)	06	14.1" (357mm)	27 lbs. (12kg)	08	16.1" (408mm)	28 lbs. (13kg)	10	18.1" (459mm)	32 lbs. (15kg)	12	20.1" (510mm)	34 lbs. (15kg)	14	22.1" (560mm)	37 lbs. (17kg)	16	24.1" (611mm)	41 lbs. (19kg)		<table border="1"> <thead> <tr> <th>LED Count (x10)</th> <th>Dim. "A"</th> <th>Weight</th> </tr> </thead> <tbody> <tr><td>02</td><td>16.0" (406mm)</td><td>25 lbs. (11kg)</td></tr> <tr><td>04</td><td>18.0" (457mm)</td><td>26 lbs. (12kg)</td></tr> <tr><td>06</td><td>20.0" (508mm)</td><td>28 lbs. (13kg)</td></tr> </tbody> </table>	LED Count (x10)	Dim. "A"	Weight	02	16.0" (406mm)	25 lbs. (11kg)	04	18.0" (457mm)	26 lbs. (12kg)	06	20.0" (508mm)	28 lbs. (13kg)
LED Count (x10)	Dim. "A"	Weight																																							
02	12.1" (306mm)	21 lbs. (10kg)																																							
04	12.1" (306mm)	24 lbs. (11kg)																																							
06	14.1" (357mm)	27 lbs. (12kg)																																							
08	16.1" (408mm)	28 lbs. (13kg)																																							
10	18.1" (459mm)	32 lbs. (15kg)																																							
12	20.1" (510mm)	34 lbs. (15kg)																																							
14	22.1" (560mm)	37 lbs. (17kg)																																							
16	24.1" (611mm)	41 lbs. (19kg)																																							
LED Count (x10)	Dim. "A"	Weight																																							
02	16.0" (406mm)	25 lbs. (11kg)																																							
04	18.0" (457mm)	26 lbs. (12kg)																																							
06	20.0" (508mm)	28 lbs. (13kg)																																							

You May Also Be Interested In:



VG SERIES PARKING STRUCTURE
Scalable, Versatile Parking Structure Solutions



CREE EDGE™ SERIES WALL MOUNT
Wall Mount Lighting Solutions



CREE EDGE™ AREA
Sleek, Modular Area Lighting Solutions

304 Series™ Flood



304 Series™ Flood



A VERSATILE LED FLOOD SOLUTION THAT'S ALSO AFFORDABLE.

The Cree 304 Series™ Flood luminaire provides precise optical control with nearly a dozen cataloged distributions to select from to effectively illuminate a wide range of projects. Combined with a yoke mount, our 304 Series Flood luminaire is both versatile and an affordable LED solution that doesn't sacrifice performance.

BENEFITS

- Improved illumination performance
- Significant energy and maintenance savings
- Eliminate the relamping cycle
- Standard 10-year limited warranty

FEATURES

- Minimum 70 CRI
- CCT: 4000K (+/-300K), 5700K (+/-500K)
- Exclusive Colorfast DeltaGuard® Finish
- UL wet listed
- Low-profile design

APPLICATIONS

- Airport, auto dealership, corporate & office, education, government & municipal, healthcare, industrial & warehouse, pedestrian & recreation, petroleum & convenience store, restaurant & hospitality, retail & grocery, roadway

304 Series™ Flood

Ordering Information

Example: FLD-304-2M-YM-04-E-UL-SV-350

PRODUCT	OPTIC	MOUNTING	# OF LEDS (X10)	LED SERIES	VOLTAGE	COLOR OPTIONS	DRIVE CURRENT	FACTORY INSTALLED OPTIONS	
FLD-304	2M	YM Yoke Mount	04 06	E	UL Universal 120-277V UH Universal 347-480V	BK Black BZ Bronze SV Silver WH White	350 350mA 525 525mA 700 700mA	40K 4000K CCT DIM 0-10V Dimming F Fuse ML Multi-Level PML Programmable Multi-Level	
	Type II Medium								15°
	3M								Flood
	Type III								25
	Medium								25°
	5M								Flood
	Type V Medium								40
	5S								40°
	Type V Short								Flood
	N6								70
	NEMA® 6								70°
	SL								Flood
	Sparkle								
	Petroleum								
SN									
Sign									

* Ordering information is for reference only. Some product configurations are not available. Please consult spec sheets for specific product availability and for further details.

Accessory Information

FIELD-INSTALLED

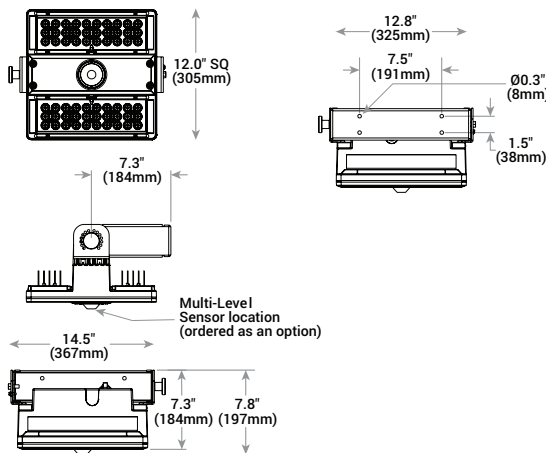
Hand-Held Remote

XA-SENSREM

- For successful implementation of the programmable multi-level option, a minimum of one hand-held remote is required

Dimensions

304 SERIES™ FLOOD



LED Count (x10)	WEIGHT
04	23 lbs (10.4kg)
06	23 lbs (10.4kg)

You May Also Be Interested In:



304 SERIES™ CANOPY
Canopy Lighting Solutions



304 SERIES™ PARKING STRUCTURE
Low-Profile Parking Structure Lighting Solutions



304 SERIES™ INTERIOR
High-Performance Interior Lighting Solutions

OL Series™ Linear Flood



OL Series™ Linear Flood



AN OUTSIDE-THE-BOX APPROACH TO FLOOD LIGHTING.

Who says floodlights can't be elegant? Our OL Series™ takes the floodlight away from the old "shoe box" design and into an aesthetically pleasing form that doesn't sacrifice performance. Available in 2-, 4- and 8-foot lengths, the OL Series is durably built for outdoor applications, but with an architectural appeal not found in many solutions today. With multiple optical distributions, LED counts and power conditions, the OL Series is versatile enough for both accent lighting or general illumination needs.

BENEFITS

- Improved illumination performance
- Significant energy and maintenance savings
- Eliminate the relamping cycle
- Standard 10-year limited warranty

FEATURES

- Minimum 70 CRI
- CCT: 3500K (+/- 100K), 4000K (+/- 100K), 5700K (+/- 500K)
- Exclusive Colorfast DeltaGuard® Finish
- UL wet listed
- Modular, low-profile design
- Rotatable luminaire for proper aiming and uniform illumination

APPLICATIONS

- Airport, auto dealership, corporate & office, education, government & municipal, healthcare, industrial & warehouse, pedestrian & recreation, petroleum & convenience store, restaurant & hospitality, retail & grocery

OL Series™ Linear Flood

Ordering Information

Example: FLD-OL-25-D4-07-E-UL-WH-700-40K

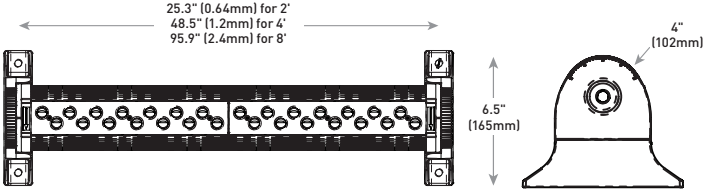
PRODUCT	OPTIC	MOUNTING	LED COUNT PER FOOT	LED SERIES	VOLTAGE	COLOR OPTIONS	DRIVE CURRENT	FACTORY INSTALLED OPTIONS			
FLD-OL	2M Type II Medium	D2 Direct Rotatable - 2' (.6m)	07 14	E	UL Universal 120-277V	BK Black	350 350mA	35K 3500K CCT			
	15 15° Flood	D4 Direct Rotatable - 4' (1.2m)							BZ Bronze	525 525mA	40K 4000K CCT
	25 25° Flood	D8 Direct Rotatable - 8' (2.4m)							SV Silver	700 700mA	DIM 0-10V Dimming
	40 40° Flood								WH White	(Standard)	
	N6 NEMA® 6										
	SN Sign										

* Ordering information is for reference only. Some product configurations are not available. Please consult spec sheets for specific product availability and for further details.

Field Installed Accessories

9" (229MM) EXTENSION ARM	12" (305MM) EXTENSION ARM	18" (457MM) EXTENSION ARM
Spaces luminaire center 9" (229mm) away from the mounting surface XA-XFR9SV XA-XFR9WH XA-XFR9BK XA-XFR9BZ	Spaces luminaire center 12" (305mm) away from the mounting surface XA-XFR12SV XA-XFR12WH XA-XFR12BK XA-XFR12BZ	Spaces luminaire center 18" (457mm) away from the mounting surface XA-XFR18SV XA-XFR18WH XA-XFR18BK XA-XFR18BZ

Dimensions

OL SERIES™ FLOOD
 <p>25.3" (0.64mm) for 2' 48.5" (1.2mm) for 4' 95.9" (2.4mm) for 8'</p> <p>6.5" (165mm)</p> <p>4" (102mm)</p>

You May Also Be Interested In:



CREE EDGE™ SERIES FLOOD
Flood Lighting Solutions



304 SERIES™ FLOOD
Low-Profile Flood Lighting Solutions



304 SERIES™ INTERIOR
High-Performance Interior Lighting Solutions

LED WALL MOUNT

Nothing speaks to security like reliability. Cree® LED products were created utilizing a from-the-ground-up design philosophy that incorporates exceptional thermal management with high-quality components and an unmatched paint finish, making Cree LED solutions highly reliable. The result is an LED system capable of providing more than a decade of near maintenance-free service.



XSP Series

p.184



- Minimum 70 CRI
- CCT: 4000K (+/-300K), 5700K (+/-500K)
- Up to 100 lumens per watt
- Two light outputs
- XSP family aesthetics

Cree Edge™ Series

p.186



- Minimum 70 CRI
- CCT: 4000K (+/-300K), 5700K (+/-500K)
- UL wet listed
- Multi-Level options
- Modular, low-profile design

XSP Series Wall Pack



XSPW™



SITE SAFETY WITH LOW COST OF OWNERSHIP.

The XSPW™ LED Wall Pack leverages Cree's innovative technology, developed for the industry-leading XSP Series street lights, offering customers a premier site lighting solution that incorporates exceptional thermal management with high-quality components and an unmatched paint finish, making Cree® LED solutions highly reliable. The result is an LED system capable of providing more than a decade of near maintenance-free service.

BENEFITS

- Upgrade existing wall packs with ease
- High-quality, even illumination that is virtually maintenance free
- Up to 65% energy savings compared to Metal Halide
- Eliminate the relamping cycle
- Combine with the XSP Area for a complete site lighting solution

FEATURES

- Minimum 70 CRI
- CCT: 4000K (+/- 300K), 5700K (+/- 500K)
- NanoOptic® Precision Delivery Grid™ optic
- Exclusive Colorfast DeltaGuard® Finish
- Photocell, Dimming and Multi-Level options available
- Suitable for wet locations

APPLICATIONS

- Airport, auto dealership, corporate & office, education, government, healthcare, industrial & warehouse, municipal, parking, petroleum & convenience stores, recreation & public venues, restaurants & hospitality, retail & grocery

XSP Series Wall Pack

Ordering Information

Example: XSPW-A-0-3-F-C-U-S

PRODUCT	VERSION	MOUNTING	OPTIC	MODULES	INPUT POWER DESIGNATOR	VOLTAGE	COLOR OPTIONS	FACTORY INSTALLED OPTIONS
XSPW	A	0 Wall Mount	2 Type II Medium 3 Type III Medium	F Module 4000K M Module 5700K	C 42W G 25W	U Universal 120-277V 1 120V 2 208-277V	Z Bronze T Black S Silver W White	Y 0-10V Dimming P Photocell K Multi-Level

* Ordering information is for reference only. Some product configurations are not available. Please consult spec sheets for specific product availability and for further details.

Accessories

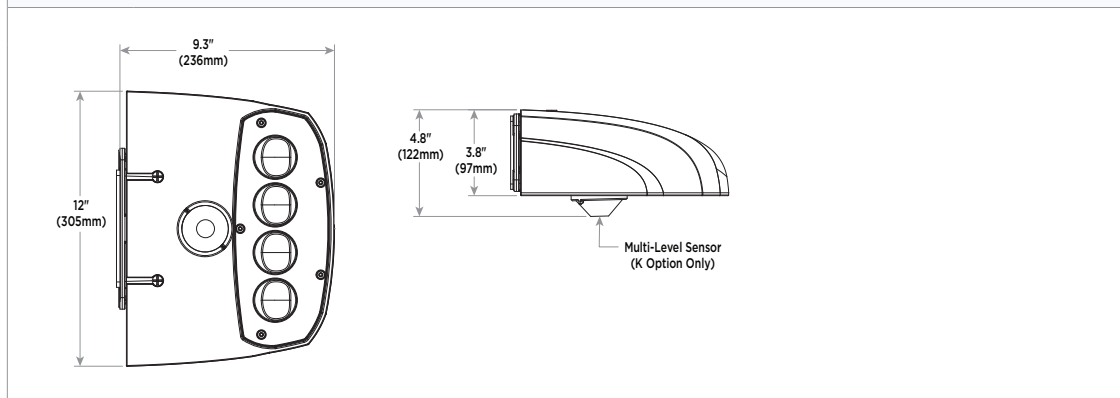
FIELD -INSTALLED

Beauty Plate

WM-PLT12** - 12" (305mm) Square
WM-PMT14** - 14" (356mm) Square
- Covers holes left by incumbent wall packs

Dimensions

XSPW" WALL PACK



You May Also Be Interested In:



OSQ SERIES FLOOD
Flood Lighting Solutions



XSP SERIES AREA
Aesthetic Area Lighting Solutions



IG SERIES PARKING STRUCTURE
Parking Structure Solutions

Cree Edge™ Series Security



Cree Edge™ Security



BEING SAFE DOESN'T MEAN YOU HAVE TO SACRIFICE STYLE.

Successfully launched in 2007, Cree Edge™ security luminaires helped set the standard for performance and value. Available in 20-LED increments (20 to 120 LEDs), multiple power conditions and optical distributions, Cree Edge™ security luminaires offer a scalable solution that provides precise illumination performance. Cree Edge™ Security luminaires have continued to advance over the years and offer more value today than ever before.

BENEFITS

- Improved illumination performance
- Significant energy and maintenance savings
- Eliminate the relamping cycle
- Standard 10-year limited warranty

FEATURES

- Minimum 70 CRI
- CCT: 4000K (+/-300K), 5700K (+/-500K)
- Exclusive Colorfast DeltaGuard® Finish
- Utilizes BetaLED® Technology
- UL wet listed
- International Dark Sky Association approved
- Multi-Level options
- Modular, low-profile design

APPLICATIONS

- Airport, auto dealership, corporate & office, education, government & municipal, healthcare, industrial & warehouse, pedestrian & recreation, petroleum & convenience store, restaurant & hospitality, retail & grocery

Cree Edge™ Series Security

Ordering Information

Example: SEC-EDG-2M-WM-06-E-UL-SV-525-DIM

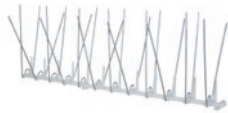
PRODUCT	OPTIC		MOUNTING	# OF LEDS (X10)	LED SERIES	VOLTAGE	COLOR OPTIONS	DRIVE CURRENT	FACTORY INSTALLED OPTIONS					
SEC-EDG	2M	3M	WM Wall Mount	02	E	UL Universal 120-277V	BK Black	350 350mA	40K 4000K CCT					
	Type II Medium	Type III Medium		04						525 525mA	DIM 0-10V Dimming			
	2MB	3MB		06						SV Silver	700 700mA	F Fuse		
	Type II Medium w/Backlight	Type III Medium w/Backlight		08										
	Shield	Shield		10										
	2S	4M		12									WH White	P Photocell
	Type II Short	Type IV Medium		PML Programmable Multi-Level										
	2SB	4MB												
	Type II Short w/Backlight	Type IV Medium w/Backlight												
	Shield	Shield												

* Ordering information is for reference only. Some product configurations are not available. Please consult spec sheets for specific product availability and for further details.

Accessory Information

BIRD SPIKE OPTION

XA-BRDSPK



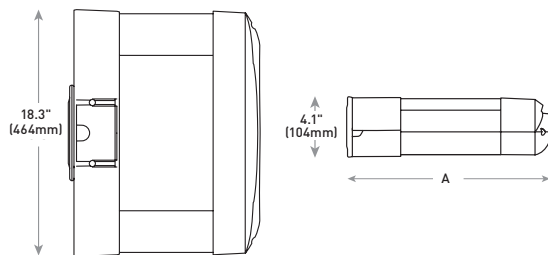
HAND-HELD REMOTE

XA-SENSREM for PML Option

Dimensions

CREE EDGE™ SECURITY

WM MOUNT



LED Count (x10)	DIM. "A"	WEIGHT
02	9.9" (251mm)	20 lbs (9.1kg)
04	11.9" (303mm)	22 lbs (10.0kg)
06	13.9" (353mm)	25 lbs (11.3kg)
08	15.9" (404mm)	27 lbs (12.2kg)
10	17.9" (455mm)	31 lbs (14.1kg)
12	19.9" (505mm)	32 lbs (14.5kg)

You May Also Be Interested In:



VG SERIES PARKING STRUCTURE

Scalable, Versatile Parking Structure Solutions



CREE EDGE™ AREA

Sleek, Modular Area Lighting Solutions



CREE EDGE™ SERIES PATHWAY

Pathway Lighting Solutions



FAST COMPANY 2015 MOST INNOVATIVE COMPANIES

It's Official: We're #1 in Energy Innovation.

Each year, Fast Company recognizes companies and products that transform how we consume energy, and for 2015, Cree was #1 in the Energy Innovation sector and #19 in Overall Innovation.

CREE, INC. HEADQUARTERS

4600 Silicon Drive
Durham, NC, USA 27703
Main: (919) 313-5300
US Toll Free: (800) 533-2583
Fax: (919) 313-5558

CREE CUSTOMER SERVICE

9201 Washington Avenue
Racine, WI, USA 53406
Main: (800) 236-6800
Fax: (262) 504-5415
info@cree.com

Customer Service Hours

7am-5pm CST

CREE CANADA

6889 Rexwood Rd., Unit 3
Mississauga, ON, L4V 1R2 Canada
Main: (800) 473-1234
Fax: (800) 890-7507
CreeLightingCanada@cree.com

Customer Service Hours

7am-5pm CST

CREE ASIA PACIFIC SALES

6/F, Green 18
18 Science Park East Avenue
Hong Kong Science Park
Shatin, Hong Kong
Main: +852 2424 8228
CreeLightingAsia@cree.com

CREE AUSTRALIA SALES

PO Box 470
Moorebank NSW 2170
Sydney, Australia
Main: +61 401 496363
CreeLightingAustralia@cree.com

CREE EUROPE, MIDDLE EAST & AFRICA SALES

Via San Mirocle 7
20138 Milano, Italy
Main: +39 346 8260676
CreeLightingEurope@cree.com

Visit lighting.cree.com or contact a Cree lighting representative to learn more.

© 2016 Cree, Inc. All rights reserved. For informational purposes only. Not a warranty or specification. See www.cree.com/lighting for warranty and specifications. Cree®, TrueWhite®, Cree TrueWhite®, the Cree TrueWhite Technology logo, SmartCast®, Colorfast DeltaGuard®, NanoOptic®, Essentia®, LEDway® and Crown-Weld® are registered trademarks and CR4™, CR6™, LR6™, CR14™, CR22™, CR24™, CS14™, CS18™, DiamondFacet™, KR4™, KR6™, KR8™, OneButton™, OSQ™, Precision Delivery Grid™, RSW™, RUL™, UR2-24™, UR2-48™, UR3-24™, WS4™, Cree Edge™, XSP1™, XSP2™, XSPR™, XSPW™, WaveMax™, ZR14™, ZR22™, ZR24™, the Cree logo, OL Series™, CPY250™, 228 Series™, and 304 Series™ are trademarks of Cree, Inc. Lutron®, EcoSystem®, Hi-Lume® and the Lutron Ecosystem Enabled logo are registered trademarks of Lutron Electronics Co., Inc. Lumec® is a registered trademark of Lumec Inc. Holophane, Esplanade and Washington PostLite are registered trademarks of ABL IP Holding LLC. The UL logo is a registered trademark of UL LLC. The Energy Star logo is a registered trademark of the U.S. EPA. CAT/CREE-0513 Rev. Date: 07/07/2016

