

# Meter mounting & distribution equipment



Eaton and Cooper united.  
Energizing a world  
that demands more.

Discover today's Eaton.

### Powering business worldwide

As a global diversified power management company, we help customers worldwide manage the power needed for buildings, aircraft, trucks, cars, machinery and businesses.

Eaton's innovative technologies help customers manage electrical, hydraulic and mechanical power more reliably, efficiently, safely and sustainably.

**EATON**

*Powering Business Worldwide*

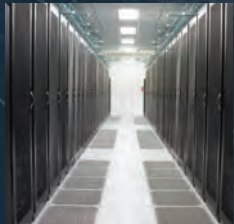


## We deliver:

- **Electrical solutions** that use less energy, improve power reliability and make the places we live and work safer and more comfortable
- **Hydraulic and electrical solutions** that enable machines to deliver more productivity without wasting power
- **Aerospace solutions** that make aircraft lighter, safer and less costly to operate, and help airports operate more efficiently
- **Vehicle drivetrain and powertrain solutions** that deliver more power to cars, trucks and buses, while reducing fuel consumption and emissions

We provide integrated solutions that help make energy, in all its forms, more practical and accessible.

With 2012 sales of \$16.3 billion, Eaton has approximately 103,000 employees around the world and sells products in more than 175 countries.



## Eaton's electrical business

**Eaton is a global leader with expertise in:**

- Power distribution and circuit protection
- Backup power protection
- Solutions for harsh and hazardous environments
- Lighting and security
- Structural solutions and wiring devices
- Control and automation
- Engineering services

Eaton is positioned through its global solutions to answer today's most critical electrical power management challenges. With 100 years of electrical experience behind us, we're energized by the challenge of powering up a world that demands twice as much energy as today. We're anticipating needs, engineering products, and creating solutions to energize our markets today and in the future.

We are dedicated to ensuring that reliable, efficient and safe power is available when it's needed most.

[Eaton.com](http://Eaton.com)

# Introduction

---

## Company History

In 1993, Eaton's B-Line Business acquired Circle AW. Our legacy includes a strong history of innovation, including the introduction of the first UL Listed meter socket in 1955, the first Class 320 Listed meter socket in 1981, and the first overhead to underground meter adapter in 2010.

Today, we are one of the largest manufacturers of quality meter mounting equipment in the United States, and continue to drive innovation through new product engineering and services.

Within this catalog, you will find the following products to support residential and commercial metering applications.

- Single Meter Sockets
- Meter Mains and Breakers
- CT Rated Meter Sockets, Test Switches, and Cabinets
- Group / Gang Meter Sockets
- Commercial Meter Sockets

For more information on meter mounting products, applications, or utility approvals, please refer to our website: [www.cooperbline.com/metering](http://www.cooperbline.com/metering).














## NOTICE

*Eaton's B-Line Business reserves the right to change the specifications, materials, equipment, prices or the availability of products at any time without prior notice. While every effort has been made to assure the accuracy of information contained in this catalog at the time of publication, we are not responsible for inaccuracies resulting from undetected errors or omissions.*



**Eaton's B-Line Business**  
509 West Monroe Street  
Highland, Illinois 62249-0326  
Phone: 800-851-7415  
Fax: 800-257-4312  
[www.cooperbline.com/metering](http://www.cooperbline.com/metering)

# Table of Contents

<b>Introduction</b> .....	1	
<b>Table of Contents</b> .....	2	
<b>Single Meter Sockets - Without Bypass</b>		
Overhead/Underground		
125 & 200 Amp .....	5 - 6	
Underground 125 & 200 Amp .....	7 - 8	
<b>Meter Mains - Without Bypass</b>		
100 & 200 Amp .....	11 - 13	
Breaker Data & Wiring Diagrams .....	14 - 16	
<b>Single Meter Sockets - With MCC Bypass</b>		
100 & 200 Amp .....	19 - 20	
<b>Single Meter Sockets - With Safety Socket Bypass</b>		
Single Meter Socket		
100 & 200 Amp .....	23 - 24	
Single Meter Socket		
100 Amp - 10K AIC .....	25 - 26	
Meter Mains 100 & 200 Amp -		
22K-65K AIC .....	27 - 28	
Meter Mains 100 Amp -		
Fusible Pullout .....	29 - 30	
Meter Mains Load Center		
100 Amp .....	31 - 32	
Meter Mains Load Center		
200 Amp - 10K AIC .....	33 - 34	
Meter Mains Load Center		
200 Amp - 22K-65K AIC .....	35 - 36	
Meter Mains Load Center		
200 Amp - Fusible Pullout .....	37 - 38	
Meter Mains Load Center		
200 Amp .....	39 - 40	
Test Block Bypass - Metering		
Breaker Data & Wiring Diagrams .....	41 - 45	
Test Block Bypass - Safety Socket		
Bypass Instructions .....	46	
<b>Bussed Gutters &amp; Termination Cabinets</b>		
Universal Bussed Gutters,		
400 - 2000 Amp .....	49 - 50	
Bussed Gutters for TB/MTB		
Units, 400 - 800 Amp .....	51 - 52	
Termination Enclosures,		
100 -1200 Amp .....	53 - 54	
<b>Class 320 Metering</b>		
Single Meter Sockets, Without Bypass -		
400 Amp Max .....	57 - 58	
Meter Mains, With Optional		
MCC Bypass - 400 Amp Max .....	59 - 60	
Meter Main Load Centers, With Optional		
MCC Bypass - 400 Amp Max .....	61 - 62	
Class 320 Meter Breaker Data &		
Wiring Diagrams .....	63 - 65	
<b>CT Metering</b>		
Single Meter Sockets, Without Bypass -		
CT Rated .....	67 - 78	
Single Meter Sockets, CT Rated With		
Test Switch Bypass Provisions .....	69 - 70	
Meter Socket / Enclosures Combination		
Cabinets - CT Rated .....	71 - 72	
CT Enclosures With Lift Off Covers .....	73 - 74	
CT Enclosures With Hinged,		
Lift Off Doors .....	75 - 76	
CT Mounting Bases & Test		
Configuration Sheet .....	77 - 78	
CT Utility Enclosures .....	79 - 80	
<b>Multiple Metering</b>		
Group Meter Sockets, Gangable - 100 Amp		
Horizontal, Indoor Use Only .....	83 - 84	
Group Meter Sockets, Without Bypass -		
100 Amp Vertical .....	85 - 86	
Group Meter Main, Without Bypass -		
100 Amp Vertical .....	87 - 88	
Group Meter Sockets, Without Bypass -		
100 Amp Horizontal .....	89 - 90	
Group Meter Sockets, With MCC Bypass -		
100 Amp Horizontal .....	91 - 92	
Group Meter Sockets, Without Bypass -		
200 Amp Vertical .....	93 - 94	
Group Meter Sockets, With MCC Bypass -		
200 Amp Horizontal .....	95 - 96	
Group Meter Main, With MCC Bypass -		
100 Amp Horizontal .....	97 - 98	
Group Meter Main, Without Bypass -		
200 Amp Vertical .....	99 - 100	
<b>Mobile Home Metering</b>		
Mobile Home Pedestal,		
100 / 200 Amp .....	103 - 104	
Mobile Home Panel, 200 Amp .....	105 - 106	
<b>Commercial Meter Pedestals</b>		
Features & Applications .....	109	
Mounting Base Details .....	110	
Pad Mounted .....	111	
Post / Wall Mounted .....	112	
Pad Mounted, Unmetered .....	113	
Pad Mounted, Dual Distribution .....	114	
Specials .....	115 - 116	
<b>Accessories</b>		
Covers, Sealing Rings, AW & H-Base Hubs .....	119	
Flush Trim Kits & Overhead Conversion Kits .....	120	
Lug-Stud & Lug-Lug Terminal Pad Assemblies,		
Terminal Landing Pads, 5th Jaw Terminal Kits,		
Insulator .....	111	
Breaker Stab Assembly, Jumper Link,		
MTB Cover Kit, Test Blocks for TB Sockets,		
Class "T" Replacement Fuses .....	122	
Sealing Device Packages & Oil-Tight Hole Seals .....	123	
Ground Lug Kits, Triplex Ground Connectors,		
Touch-Up Paint .....	124	
<b>Metering Data</b> .....	126 - 131	
<b>Index</b> .....	132 - 135	



# Single Meter Sockets - Without Bypass



Single Meter Sockets, Overhead / Underground, 125 & 200 Amp .....	5 - 6
Single Meter Sockets, Underground, 125 & 200 Amp .....	7 - 8

# Single Meter Sockets - Without Bypass

## 125 & 200 Amp

Single Meter Sockets  
Without Bypass



011 (closed)



U204 (open)

### Application

- Single meter position
- Receive ANSI C12.10 watthour meters
- Surface or flush mount (see chart)

### Construction

- Ring type
- NEMA Type 3R
- ANSI 61 gray E-coat finish
- Aluminum snap ring included



### Standards

- UL 414 Listed
- ANSI C12.7

### Accessories

- 5th Jaw Kit - 50365
- 200A Triplex Ground - ETB200
- AW Hub

Part/UPC Number	Catalog Number	Amp Rating	Jaws	Service Type	Access	Connections		
						Line	Load	Neutral
78205142000	011	125	4	1Ø/3W	OH/UG	#14 - 2/0	#14 - 2/0	#14 - 2/0
78205142040	011 F	125	4	1Ø/3W	OH/UG	#14 - 2/0	#14 - 2/0	#14 - 2/0
78205142045	011 MS73	125	4	1Ø/3W	OH/UG	#14 - 2/0	#14 - 2/0	#14 - 2/0
78205142050	011 SF	125	4	1Ø/3W	OH/UG	#14 - 2/0	#14 - 2/0	#14 - 2/0
78205144030	927	100	7	3Ø/4W	OH/UG	#14 - 1/0	#14 - 1/0	#14 - 2/0
78205156000	204	200	4	1Ø/3W	OH	#6 - 250MCM	#6 - 250MCM	#6 - 350MCM
78205156020	204 F	200	4	1Ø/3W	OH	#6 - 250MCM	#6 - 250MCM	#6 - 350MCM
78205156030	204 F MS73	200	4	1Ø/3W	OH	#6 - 250MCM	#6 - 250MCM	#6 - 350MCM
78205156040	204 MS68	200	4	1Ø/3W	OH	#6 - 250MCM	#6 - 250MCM	#6 - 350MCM
78205156035	204 MS68A	200	4	1Ø/3W	OH	#6 - 250MCM	#6 - 250MCM	#6 - 350MCM
78205108490	204 MS73	200	4	1Ø/3W	OH	#6 - 250MCM	#6 - 250MCM	#6 - 350MCM
78205156005	U204	200	4	1Ø/3W	UG	#6 - 250MCM	#6 - 250MCM	#6 - 350MCM
78205156045	U204 F	200	4	1Ø/3W	UG	#6 - 250MCM	#6 - 250MCM	#6 - 350MCM
78205156060	U204 F MS73	200	4	1Ø/3W	UG	#6 - 250MCM	#6 - 250MCM	#6 - 350MCM
78205156070	U204 MS73	200	4	1Ø/3W	UG	#6 - 250MCM	#6 - 250MCM	#6 - 350MCM
78205156140	U207	200	7	3Ø/4W	OH/UG	#6 - 250MCM	#6 - 250MCM	#6 - 250MCM
78205156170	U207 F	200	7	3Ø/4W	UG	#6 - 250MCM	#6 - 250MCM	#6 - 250MCM
78205156180	U207 MS73	200	7	3Ø/4W	OH/UG	#6 - 250MCM	#6 - 250MCM	#6 - 250MCM

Part/UPC Number	Catalog Number	Overall Dimensions			Top Provision	Knockout Layout
		Height	Width	Depth		
78205142000	011	12"	8"	4 <sup>5</sup> / <sub>8</sub> "	AW Hub	Fig. 1
78205142040	011 F	12"	8"	4 <sup>5</sup> / <sub>8</sub> "	2" max KO	Fig. 1
78205142045	011 MS73	12"	8"	4 <sup>5</sup> / <sub>8</sub> "	AW Hub	Fig. 1
78205142050	011 SF	12"	8"	4 <sup>5</sup> / <sub>8</sub> "	2" max KO	Fig. 1
78205144030	927	17"	8"	4 <sup>5</sup> / <sub>8</sub> "	AW Hub	Fig. 1
78205156000	204	15"	8"	4 <sup>5</sup> / <sub>8</sub> "	AW Hub	Fig. 2
78205156020	204 F	15"	8"	6"	2" max KO	Fig. 2
78205156030	204 F MS73	15"	8"	6"	2" max KO	Fig. 2
78205156040	204 MS68	15"	8"	4 <sup>5</sup> / <sub>8</sub> "	AW / 2" Hub	Fig. 2
78205156035	204 MS68A	15"	8"	4 <sup>5</sup> / <sub>8</sub> "	AW / 2" Hub	Fig. 2
78205108490	204 MS73	15"	8"	4 <sup>5</sup> / <sub>8</sub> "	None	Fig. 2
78205156005	U204	15"	12"	4 <sup>5</sup> / <sub>8</sub> "	None	Fig. 3
78205156045	U204 F	15"	12"	6"	(2) 2" max KO	Fig. 3
78205156060	U204 F MS73	15"	12"	6"	None	Fig. 3
78205156070	U204 MS73	15"	12"	4 <sup>5</sup> / <sub>8</sub> "	None	Fig. 3
78205156140	U207	18"	12"	5"	AW Hub	Fig. 4
78205156170	U207 F	18"	12"	5"	2 <sup>1</sup> / <sub>2</sub> " max KO	Fig. 4
78205156180	U207 MS73	18"	12"	5"	AW Hub	Fig. 4

AIC Note:  
For short circuit current ratings see page 131.



# Single Meter Sockets - Without Bypass

125 & 200 Amp

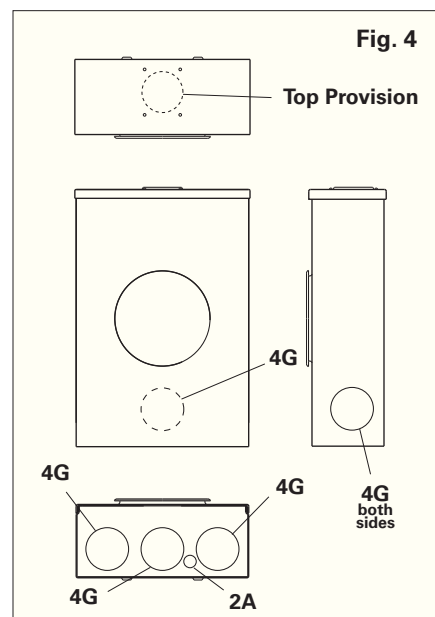
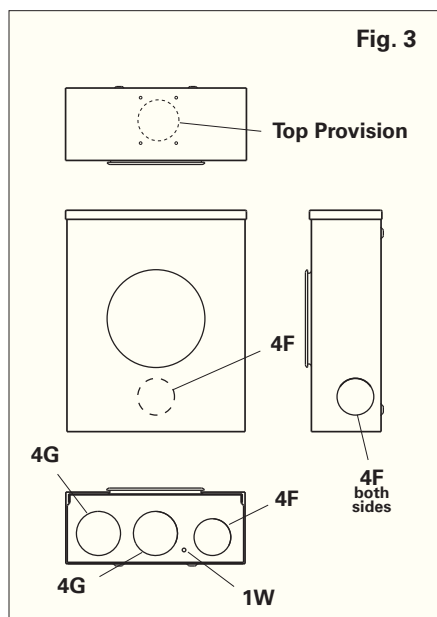
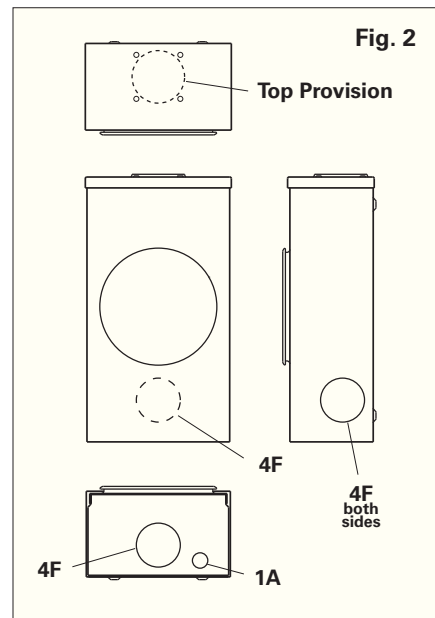
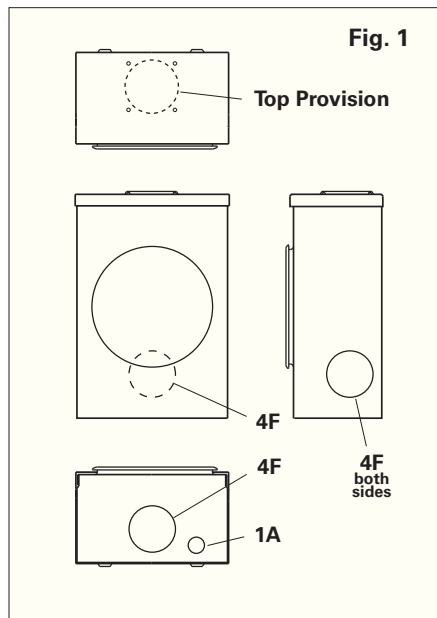
Single Meter Sockets  
Without Bypass

Style #	Suffixes
011	F - Flush Mount
(U) 204	MS68 - 2" Conduit Hub
(U) 207	MS68A - MS73 + MS68
927	MS73 - AL Screw Type Ring
	SF - Semi Flush Mount
	SS - Stainless Steel

### Knockouts - Conduit Sizes

1W = 1/4"
1A = 1/2"
2A = 1/2" - 1/4"
4F = 2" - 1 1/2" - 1 1/4" - 1"
4G = 2 1/2" - 2" - 1 1/2" - 1 1/4"
Top Provision = See Chart

### Knockout Layouts



Data subject to change without notice. Consult local utility for area acceptance. All dimensions are in inches.

# Single Meter Sockets - Without Bypass

## 125 & 200 Amp



UG204 (closed)



UG204 (open)

### Application

- Dedicated straight wire line section
- Receive ANSI C12.10 watthour meters
- Surface or flush mount (see chart)

### Construction

- Ring type
- NEMA Type 3R
- ANSI 61 gray E-coat finish
- Aluminum snap ring included



### Standards

- UL 414 Listed
- ANSI C12.7
- EUSERC 301A

### Accessories

- 5th Jaw Kit - 50365
- AW Hub

Part/UPC Number	Catalog Number	Amp Rating	Jaws	Service Type	Access	Connections		
						Line	Load	Neutral
78205142030	<b>U011 *</b>	125	4	1Ø/3W	UG	#14 - 2/0	#14 - 2/0	#14 - 2/0
78205156200	<b>UG204</b>	200	4	1Ø/3W	UG	#6 - 350 MCM	#6 - 250 MCM	#6 - 250 MCM
78205156205	<b>UG204 F</b>	200	4	1Ø/3W	UG	#6 - 350 MCM	#6 - 250 MCM	#6 - 250 MCM
78205126000	<b>UG204 F SS</b>	200	4	1Ø/3W	UG	#6 - 350 MCM	#6 - 250 MCM	#6 - 250 MCM
78205126005	<b>UG204 SS</b>	200	4	1Ø/3W	UG	#6 - 350 MCM	#6 - 250 MCM	#6 - 250 MCM

Part/UPC Number	Catalog Number	Overall Dimensions			Top Provision	Knockout Layout
		Height	Width	Depth		
78205142030	<b>U011 *</b>	12"	12"	4 <sup>5</sup> / <sub>8</sub> "	None	Fig. 1
78205156200	<b>UG204</b>	17"	14"	4 <sup>5</sup> / <sub>8</sub> "	None	Fig. 2
78205156205	<b>UG204 F</b>	17"	14"	6"	2" max KO	Fig. 3
78205126000	<b>UG204 F SS</b>	17"	14"	6"	2" max KO	Fig. 3
78205126005	<b>UG204 SS</b>	17"	14"	4 <sup>5</sup> / <sub>8</sub> "	None	Fig. 2

AIC Note:  
For short circuit current ratings see page 131.

\* NOT compliant with EUSERC 301A

# Single Meter Sockets - Without Bypass

125 & 200 Amp

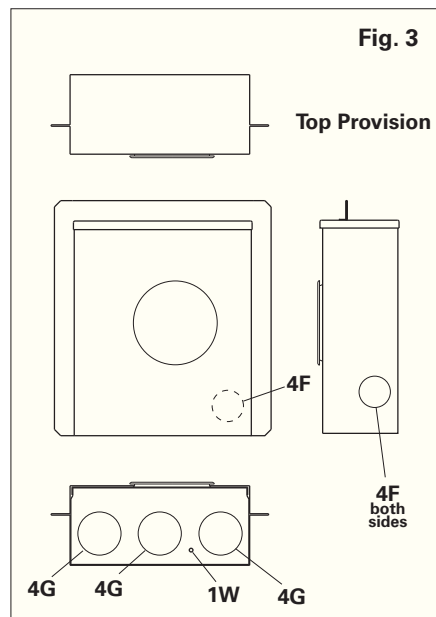
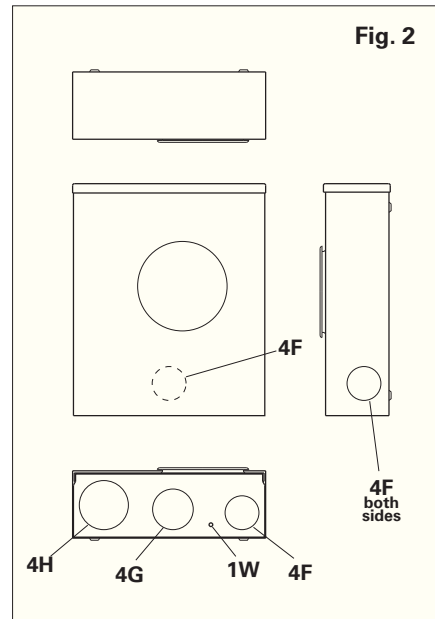
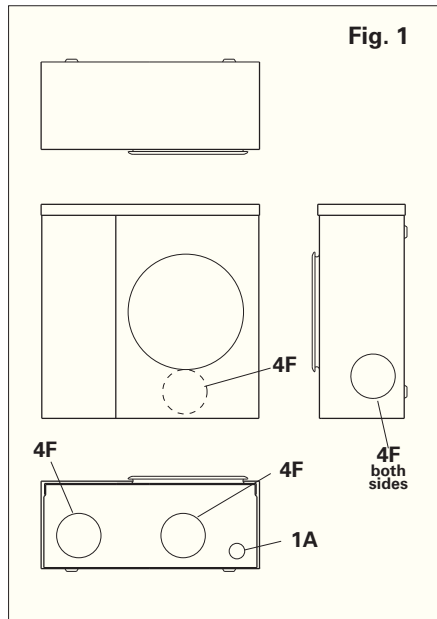
Single Meter Sockets  
Without Bypass

Style #	Suffixes
U011	F - Flush Mount
UG204	SS - Stainless Steel

### Knockouts - Conduit Sizes

1A = 1/2"  
 4F = 2" - 1 1/2" - 1 1/4" - 1"  
 4G = 2 1/2" - 2" - 1 1/2" - 1 1/4"  
 4H = 3" - 2 1/2" - 2" - 1 1/2"  
 1W = 1/4"  
 Top Provision = See Chart

### Knockout Layouts



Data subject to change without notice. Consult local utility for area acceptance. All dimensions are in inches.



# Meter Mains - Without Bypass



Meter Mains  
Without Bypass

Meter Mains, Without Bypass, 100 & 200 Amp .....	11 - 13
Breaker Data .....	14
Wiring Diagrams .....	15 - 16

# Meter Mains - Without Bypass

## 100 & 200 Amp



1M1R (closed)



U2M2R (open)

### Application

- Single meter position
- Receive ANSI C12.10 watt-hour meters
- Surface or flush mount (see chart)

### Construction

- Ring type
- NEMA Type 3R
- ANSI 61 gray E-coat finish
- Aluminum snap ring included



### Standards

- UL 414 Listed
- ANSI C12.7
- EUSERC 301

### Accessories

- AW Hub

Meter Mains  
Without Bypass

Part/UPC Number	Catalog Number	Amp Rating	Jaws	Service Type	Access	Main Breaker		Provisions	
						Voltage	AIC		
78205143000	1M1R	100	4	1Ø/3W	OH	120/240	10K	(1) 100A, 2P	--
78205143020	1M1R7	100	7	3Ø/4W	OH	120/240 & 120/208	10K	(1) 100A, 3P	--
78205143025	1M1RP	100	4	1Ø/3W	OH	120/240	10K	(1) 100A, 2P	(1) 2P
78205158000	2M11R	200	4	1Ø/3W	OH	120/240	10K	(2) 100A, 2P	--
78205157020	2M211R	200	4	1Ø/3W	OH	120/240	10K	(1) 200A, 2P & (2) 100A, 2P	--
78205157010	2M25R	200	4	1Ø/3W	OH	120/240	10K	(1) 200A, 2P & (1) 50A, 2P	--
78205157000	2M2R	200	4	1Ø/3W	OH	120/240	10K	(1) 200A, 2P	--
78205157065	2M2R7	200	7	3Ø/4W	OH	120/240 & 120/208	10K	(1) 200A, 3P	--
78205157005	2M2RP	200	4	1Ø/3W	OH	120/240	10K	(1) 200A, 2P	(1) 2P
78205143060	U1M1R *	100	4	1Ø/3W	UG	120/240	10K	(1) 100A, 2P	--
78205143080	U1M1R7 *	100	7	3Ø/4W	UG	120/240 & 120/208	10K	(1) 100A, 3P	--
78205143090	U1M1RP *	100	4	1Ø/3W	UG	120/240	10K	(1) 100A, 2P	(1) 2P
78205158060	U2M11R *	200	4	1Ø/3W	UG	120/240	10K	(2) 100A, 2P	--
78205157040	U2M211R *	200	4	1Ø/3W	UG	120/240	10K	(1) 200A, 2P & (2) 100A, 2P	--
78205157037	U2M25R *	200	4	1Ø/3W	UG	120/240	10K	(1) 200A, 2P & (1) 50A, 2P	--
78205157030	U2M2R *	200	4	1Ø/3W	UG	120/240	10K	(1) 200A, 2P	--
78205157085	U2M2R7 *	200	7	3Ø/4W	UG	120/240 & 120/208	10K	(1) 200A, 3P	-
78205157035	U2M2RP *	200	4	1Ø/3W	UG	120/240	10K	(1) 200A, 2P	(1) 2P

Part/UPC Number	Catalog Number	Connections			Overall Dimensions			Top Provision	Knockout Layout
		Line	Load	Neutral	Height	Width	Depth		
78205143000	1M1R	#14 - 2/0	MCB	#14 - 2/0	24"	8"	4 <sup>5</sup> / <sub>8</sub> "	AW Hub	Fig. 1
78205143020	1M1R7	#14 - 1/0	MCB	#14 - 2/0	24"	8"	4 <sup>5</sup> / <sub>8</sub> "	AW Hub	Fig. 2
78205143025	1M1RP	#14 - 2/0	MCB	#14 - 2/0	24"	8"	4 <sup>5</sup> / <sub>8</sub> "	AW Hub	Fig. 1
78205158000	2M11R	#6 - 250 MCM	MCB	#6 - 250 MCM	32"	8"	4 <sup>5</sup> / <sub>8</sub> "	AW Hub	Fig. 3
78205157020	2M211R	#6 - 250 MCM	MCB	#6 - 250 MCM	36"	8"	4 <sup>5</sup> / <sub>8</sub> "	AW Hub	Fig. 3
78205157010	2M25R	#6 - 250 MCM	MCB	#6 - 250 MCM	32"	8"	4 <sup>5</sup> / <sub>8</sub> "	AW Hub	Fig. 1
78205157000	2M2R	#6 - 250 MCM	MCB	#6 - 250 MCM	32"	8"	4 <sup>5</sup> / <sub>8</sub> "	AW Hub	Fig. 2
78205157065	2M2R7	#6 - 250 MCM	MCB	#6 - 250 MCM	36"	10"	5"	AW Hub	Fig. 4
78205157005	2M2RP	#6 - 250 MCM	MCB	#6 - 250 MCM	32"	8"	4 <sup>5</sup> / <sub>8</sub> "	AW Hub	Fig. 2
78205143060	U1M1R *	#14 - 2/0	MCB	#14 - 2/0	24"	14"	4 <sup>5</sup> / <sub>8</sub> "	None	Fig. 5
78205143080	U1M1R7 *	#14 - 1/0	MCB	#14 - 2/0	24"	14"	4 <sup>5</sup> / <sub>8</sub> "	None	Fig. 6
78205143090	U1M1RP *	#14 - 2/0	MCB	#14 - 2/0	24"	14"	4 <sup>5</sup> / <sub>8</sub> "	None	Fig. 5
78205158060	U2M11R *	#6 - 250 MCM	MCB	#6 - 250 MCM	25"	14"	6"	None	Fig. 7
78205157040	U2M211R *	#6 - 250 MCM	MCB	#6 - 250 MCM	27"	14"	6"	None	Fig. 7
78205157037	U2M25R *	#6 - 250 MCM	MCB	#6 - 250 MCM	25"	14"	6"	None	Fig. 8
78205157030	U2M2R *	#6 - 250 MCM	MCB	#6 - 250 MCM	25"	14"	6"	None	Fig. 8
78205157085	U2M2R7 *	#6 - 250 MCM	MCB	#6 - 250 MCM	30"	17"	5"	None	Fig. 9
78205157035	U2M2RP *	#6 - 250 MCM	MCB	#6 - 250 MCM	25"	14"	6"	None	Fig. 8

\* Only UG versions are EUSERC 301 compliant.

MCB - Main Circuit Breaker

Data subject to change without notice. Consult local utility for area acceptance. All dimensions are in inches.

# Meter Mains - Without Bypass

100 & 200 Amp

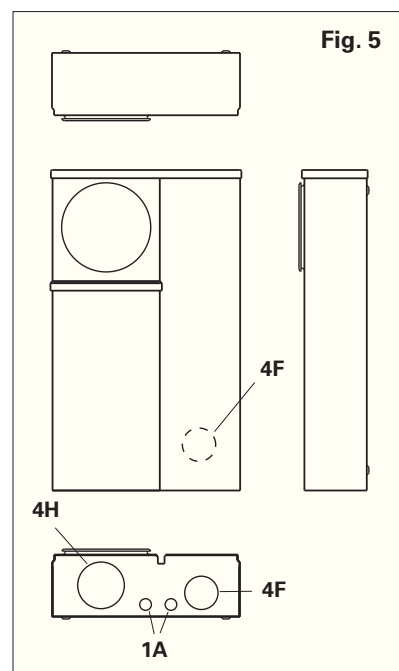
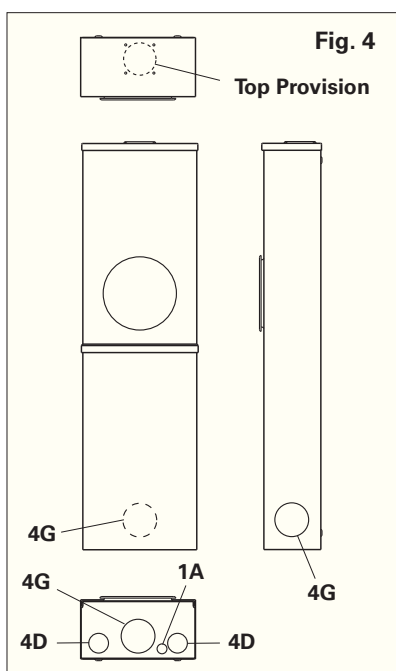
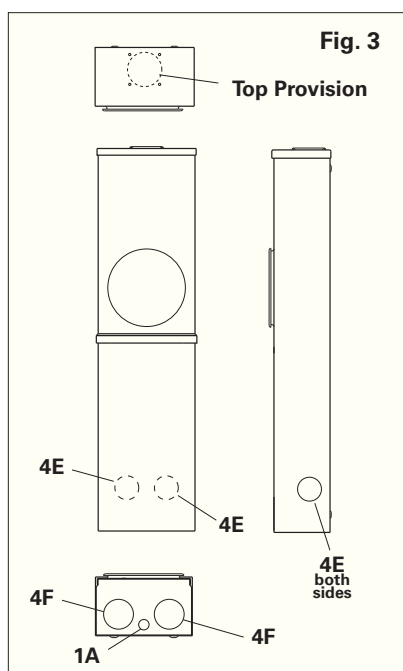
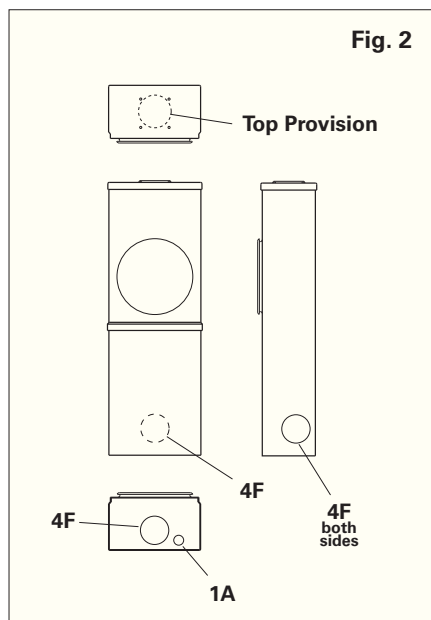
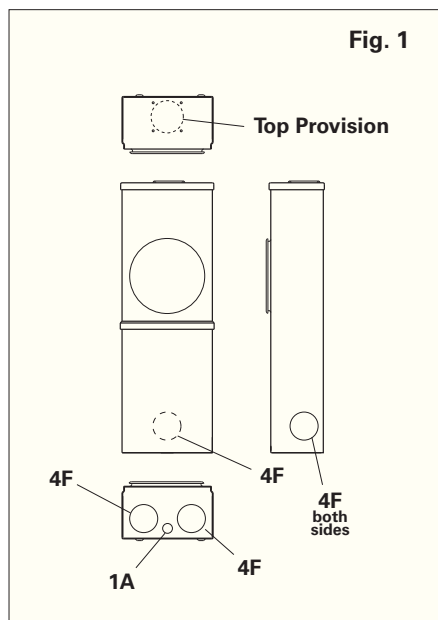
Style #	Suffixes
(U) 1M1R	F - Flush Mount
1M11R	MS20 - Ring Protector
1M211R	MS43 - No Breaker Included
(U) 2M2R	SS - Stainless Steel

## Knockouts - Conduit Sizes

1A = 1/2"
4D = 1 1/4" - 1" - 3/4" - 1/2"
4E = 1 1/2" - 1 1/4" - 1" - 3/4"
4F = 2" - 1 1/2" - 1 1/4" - 1"
4G = 2 1/2" - 2" - 1 1/2" - 1 1/4"
4H = 3" - 2 1/2" - 2" - 1 1/2"
Top Provision = See Chart

Meter Mains  
Without Bypass

## Knockout Layouts



Data subject to change without notice. Consult local utility for area acceptance. All dimensions are in inches.

# Meter Mains - Without Bypass

100 & 200 Amp

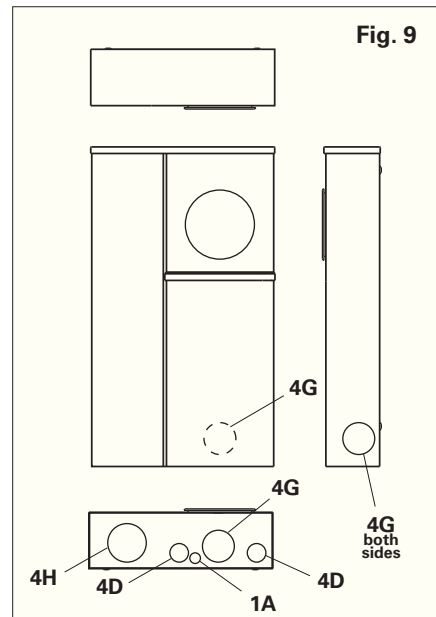
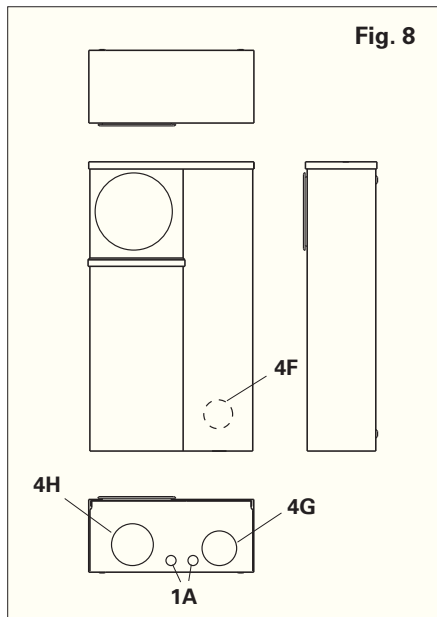
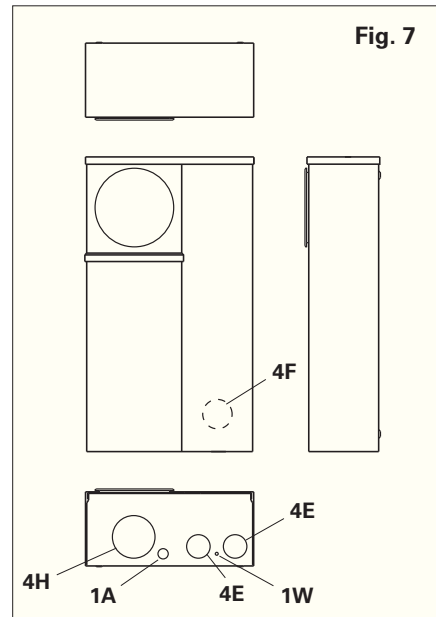
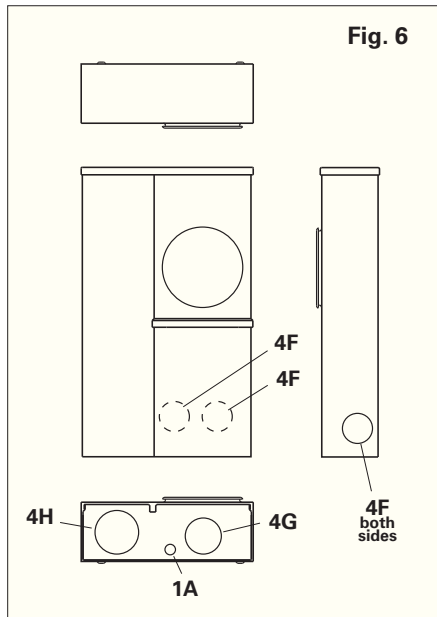
Meter Mains  
Without Bypass

Style #	Suffixes
(U) 1M1R	F - Flush Mount
1M11R	MS20 - Ring Protector
1M211R	MS43 - No Breaker Included
(U) 2M2R	SS - Stainless Steel

## Knockouts - Conduit Sizes

1A = 1/2"  
 4D = 1 1/4" - 1" - 3/4" - 1/2"  
 4E = 1 1/2" - 1 1/4" - 1" - 3/4"  
 4F = 2" - 1 1/2" - 1 1/4" - 1"  
 4G = 2 1/2" - 2" - 1 1/2" - 1 1/4"  
 4H = 3" - 2 1/2" - 2" - 1 1/2"  
 1W = 1/4"  
 Top Provision = See Chart

## Knockout Layouts





# Meter Mains - Without Bypass

## Breaker Data

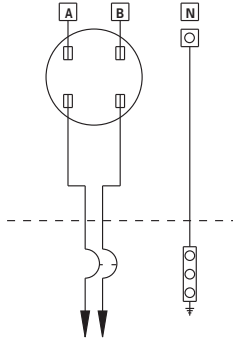
<b>Breaker Data</b>					
<b>Catalog Number</b>	<b>B-Line Breaker #</b>	<b>ITE Breaker #</b>	<b>Ampacity</b>	<b># of Poles</b>	<b>AIC</b>
<b>U1M1R</b>	25458P	Q2100	100A	2P	10K
<b>U1M1RP</b>	25458P	Q2100	100A	2P	10K
<b>U1M1R7</b>	25460P	Q3100	100A	3P	10K
<b>U2M2R</b>	25508K	QJ22B200	200A	2P	10K
<b>U2M25R</b>	25508K	QJ22B200	200A	2P	10K
<b>U2M11R</b>	25458P	Q2100	100A	2P	10K
<b>U2M2R7</b>	25510K	QJ23B200	200A	3P	10K
<b>U2M2RP</b>	25508K	QJ22B200	200A	2P	10K
<b>U2M211R</b>	25508K	QJ22B200	200A	2P	10K

Meter Mains  
Without Bypass

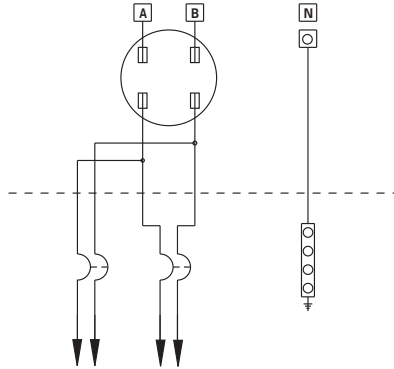
Data subject to change without notice. Consult local utility for area acceptance. All dimensions are in inches.

# Meter Mains - Wiring Drawings

Meter Mains  
Without Bypass

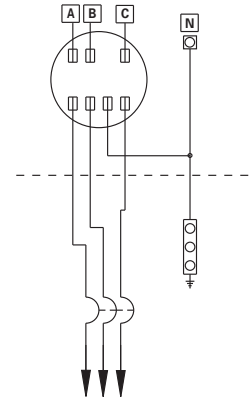


- Catalog #**
- 1M1RMS43LB
  - 1M1RF
  - 1M1R
  - 2M2R/150
  - 2M2RF
  - 2M2R

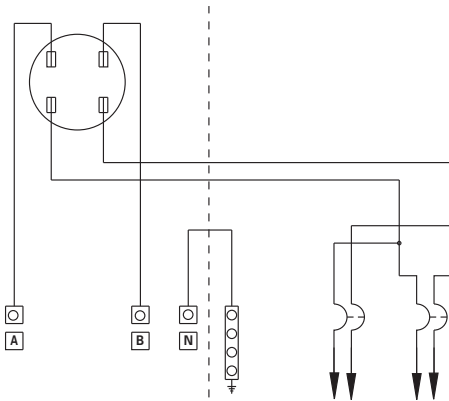


*The sum of disconnects ampere rating cannot exceed 125% of the continuous ampere rating of the socket.*

- Catalog #**
- 1M1RP
  - 1M1RFP
  - 2M25RP
  - 2M25R
  - 2M2RPF
  - 2M2RP
  - 2M11RF
  - 2M11R

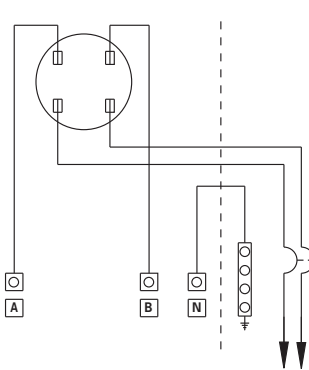


- Catalog #**
- 1M1R7MS43LB
  - 1M1R7F
  - 1M1R7
  - 2M2R7F
  - 2M2R7

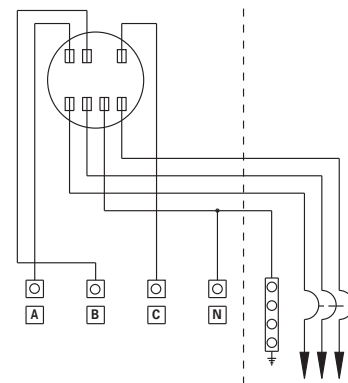


*The sum of disconnects ampere rating cannot exceed 125% of the continuous ampere rating of the socket.*

- Catalog #**
- U1M1RPF
  - U1M1RP
  - U2M25RF
  - U2M25R
  - U2M2RPF
  - U2M2RP
  - U2M11RF
  - U2M11R

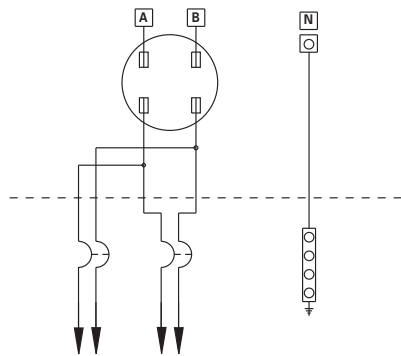


- Catalog #**
- U1M1RMS43LB
  - U1M1RF
  - U1M1R
  - U2M2RF
  - U2M2R



- Catalog #**
- U1M1R7MS43LB
  - U1M1R7F
  - U1M1R7
  - U2M2R7F
  - U2M2R7

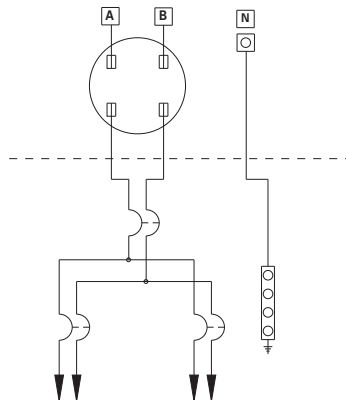
# Meter Mains - Wiring Drawings



*The sum of disconnects ampere rating cannot exceed 125% of the continuous ampere rating of the socket.*

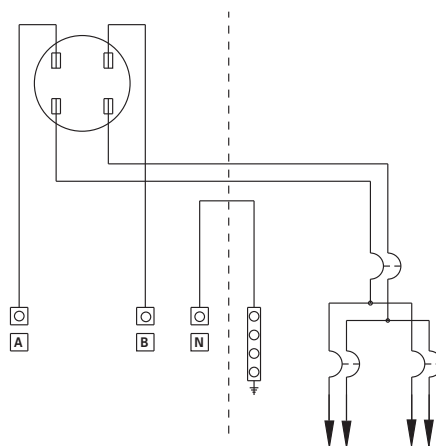
**Catalog #**

**2M11RF  
2M11R**



**Catalog #**

**2M211RF  
2M211R**



**Catalog #**

**U2M211RF  
U2M211R**

**Meter Mains  
Without Bypass**



# Single Meter Sockets - With MCC Bypass



Single Meter Sockets  
With MCC Bypass

Single Meter Sockets, With MCC Bypass, 100 & 200 Amp ..... 19 - 20

# Single Meter Sockets - With MCC Bypass

## 100 & 200 Amp



U121314 (closed)



U121314 (open)

### Application

- Manual circuit closing (link type) bypass under separate cover
- Receive ANSI C12.10 watt-hour meters
- Surface or flush mount (see chart)

### Construction

- Ring type
- NEMA Type 3R
- ANSI 61 gray E-coat finish
- Aluminum snap ring included



### Standards

- UL 414 Listed
- ANSI C12.7

### Accessories

- AW Hubs

Single Meter Sockets  
With MCC Bypass

Part/UPC Number	Catalog Number	Amp Rating	Jaws	Service Type	Access	Bypass	Line	Connections Load	Neutral
78205147060	U121314	100	4	1Ø/3W	OH/UG	MCC	#14 - 2/0	#14 - 2/0	#14 - 2/0
78205147062	U121314 F	100	4	1Ø/3W	OH/UG	MCC	#14 - 2/0	#14 - 2/0	#14 - 2/0
78205147070	U121315	100	5	3Ø/3W	OH/UG	MCC	#14 - 2/0	#14 - 2/0	#14 - 2/0
78205147072	U121315 F	100	5	3Ø/3W	OH/UG	MCC	#14 - 2/0	#14 - 2/0	#14 - 2/0
78205147080	U121317	100	7	3Ø/4W	OH/UG	MCC	#14 - 1/0	#14 - 2/0	#14 - 2/0
78205147082	U121317 F	100	7	3Ø/4W	OH/UG	MCC	#14 - 1/0	#14 - 2/0	#14 - 2/0
78205160000	U264	200	4	1Ø/3W	OH/UG	MCC	#6 - 250MCM	#6 - 250MCM	#6 - 250MCM
78205160060	U264 F	200	4	1Ø/3W	OH/UG	MCC	#6 - 250MCM	#6 - 250MCM	#6 - 250MCM
78205160020	U267	200	7	3Ø/4W	OH/UG	MCC	#6 - 250MCM	#6 - 250MCM	#6 - 250MCM
78205160080	U267 F	200	7	3Ø/4W	OH/UG	MCC	#6 - 250MCM	#6 - 250MCM	#6 - 250MCM

Part/UPC Number	Catalog Number	Overall Dimensions			Top Provision	Knockout Layout
		Height	Width	Depth		
78205147060	U121314	17"	9 <sup>2</sup> / <sub>3</sub> "	4 <sup>5</sup> / <sub>8</sub> "	AW Hub	Fig. 1
78205147062	U121314 F	17"	9 <sup>2</sup> / <sub>3</sub> "	4 <sup>5</sup> / <sub>8</sub> "	2" max KO	Fig. 1
78205147070	U121315	17"	9 <sup>2</sup> / <sub>3</sub> "	4 <sup>5</sup> / <sub>8</sub> "	AW Hub	Fig. 1
78205147072	U121315 F	17"	9 <sup>2</sup> / <sub>3</sub> "	4 <sup>5</sup> / <sub>8</sub> "	2" max KO	Fig. 1
78205147080	U121317	20"	9 <sup>2</sup> / <sub>3</sub> "	4 <sup>5</sup> / <sub>8</sub> "	AW Hub	Fig. 1
78205147082	U121317 F	20"	9 <sup>2</sup> / <sub>3</sub> "	4 <sup>5</sup> / <sub>8</sub> "	2" max KO	Fig. 1
78205160000	U264	23"	12"	4 <sup>5</sup> / <sub>8</sub> "	AW Hub	Fig. 2
78205160060	U264 F	23"	12"	4 <sup>5</sup> / <sub>8</sub> "	(2) 2" max KO	Fig. 2
78205160020	U267	23"	12"	4 <sup>5</sup> / <sub>8</sub> "	AW Hub	Fig. 3
78205160080	U267 F	23"	12"	4 <sup>5</sup> / <sub>8</sub> "	2 1/2" max KO	Fig. 3

AIC Note:  
For short circuit current ratings see page 131.

# Single Meter Sockets - With MCC Bypass

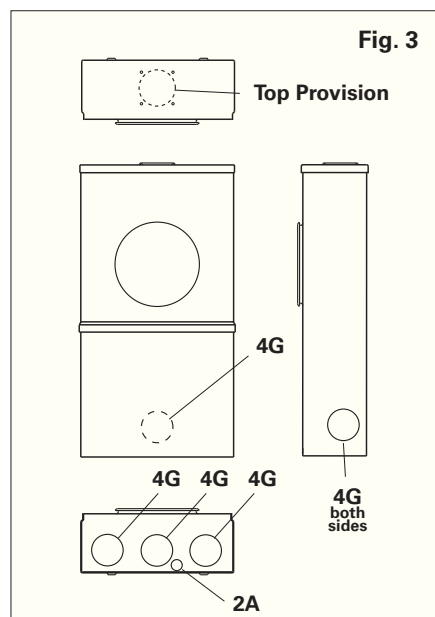
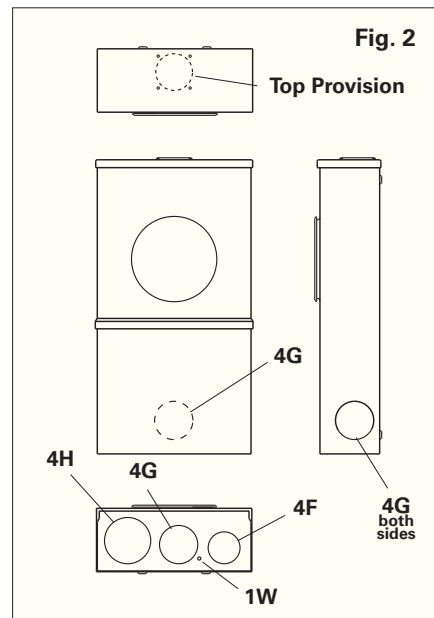
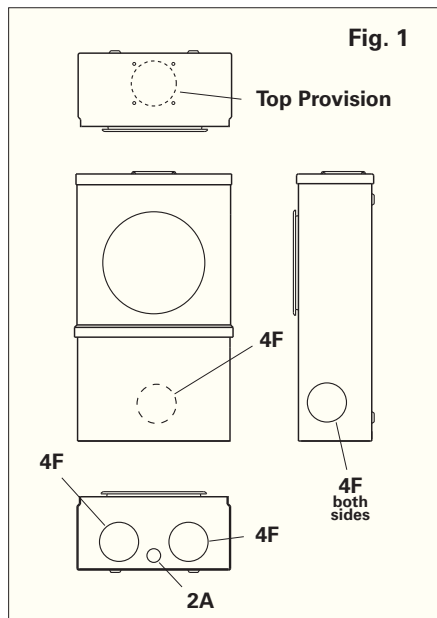
100 & 200 Amp

Style #	Suffixes
(U) 121314	F - Flush Mount
(U) 121315	MS20 - Ring Protector
(U) 121317	MS73 - All Screw Type Ring
(U) 264	SS - Stainless Steel
(U) 267	

## Knockouts - Conduit Sizes

2A = 1/2" - 1/4"  
 4F = 2" - 1 1/2" - 1 1/4" - 1"  
 4G = 2 1/2" - 2" - 1 1/2" - 1 1/4"  
 4H = 3" - 2 1/2" - 2" - 1 1/2"  
 1W = 1/4"  
 Top Provision = See Chart

## Knockout Layouts



Single Meter Sockets  
With MCC Bypass

Data subject to change without notice. Consult local utility for area acceptance. All dimensions are in inches.





# Single Meter Sockets - With Safety Socket Bypass



Single Meter Sockets  
With Safety Socket Bypass

Single Meter Sockets, With Safety Socket Bypass, 100 & 200 Amp .....	23 - 24
Single Meter Sockets, With Safety Socket Bypass, 100 Amp - 10K AIC .....	25 - 26
Meter Mains, With Safety Socket Bypass, 100 & 200 Amp - 22K-65K AIC .....	27 - 28
Meter Mains, With Safety Socket Bypass, 100 Amp - Fusible Pullout .....	29 - 30
Meter Mains Load Center With Safety Socket Bypass, 100 Amp .....	31 - 32
Meter Mains Load Center With Safety Socket Bypass, 200 Amp - 10K AIC .....	33 - 34
Meter Mains Load Center With Safety Socket Bypass, 200 Amp - 22K-65K AIC .....	35 - 36
Meter Mains Load Center With Safety Socket Bypass, 200 Amp - Fused Pullout .....	37 - 38
Meter Mains Load Center With Safety Socket Bypass, 200 Amp .....	39 - 40
Test Block Bypass - Metering Breaker Data .....	41
Wiring Diagrams .....	42 - 45
Test Block Bypass - Safety Socket Bypass Instructions .....	46

# Single Meter Sockets - With Safety Socket Bypass

## 100 & 200 Amp



117TB (closed)



117TB (open)

### Application

- Safety socket bypass (test block bypass) under separate cover
- Receive ANSI C12.10 watt-hour meters
- Surface mount

### Construction

- Ring type
- NEMA Type 3R
- ANSI 61 gray E-coat finish
- Aluminum snap ring included



### Standards

- UL 414 Listed
- ANSI C12.7
- EUSERC 304 & 305

### Accessories

- 5th Jaw Kit - 50371
- Bussed Gutters - see page 51
- AW Hubs

Single Meter Sockets  
With Safety Socket Bypass

Part/UPC Number	Catalog Number	Amp Rating	Jaws	Service Type	Access	Bypass	Connections		
							Line	Load	Neutral
78205147005	<b>114 TB *</b>	100	4	1Ø/3W	OH/JG	TB	#14 - 2/0	14 - 2/0	#14 - 1/0
78205147025	<b>115 TB *</b>	100	5	3Ø/3W	OH/JG	TB	#14 - 2/0	14 - 2/0	#14 - 1/0
78205147030	<b>117 TB *</b>	100	7	3Ø/4W	OH/JG	TB	#14 - 2/0	14 - 2/0	#14 - 1/0
78205159005	<b>124 TB **</b>	200	4	1Ø/3W	OH/JG	TB	#6 - 250 MCM	#6 - 250 MCM	1/0 - 250 MCM
78205159025	<b>125 TB **</b>	200	5	3Ø/3W	OH/JG	TB	#6 - 250 MCM	#6 - 250 MCM	1/0 - 250 MCM
78205159035	<b>127 TB **</b>	200	7	3Ø/4W	OH/JG	TB	#6 - 250 MCM	#6 - 250 MCM	1/0 - 250 MCM

Part/UPC Number	Catalog Number	Overall Dimensions			Top Provision	Knockout Layout
		Height	Width	Depth		
78205147005	<b>114 TB *</b>	24"	12"	4 <sup>5</sup> / <sub>8</sub> "	AW Hub	Fig. 1
78205147025	<b>115 TB *</b>	24"	12"	4 <sup>5</sup> / <sub>8</sub> "	AW Hub	Fig. 1
78205147030	<b>117 TB *</b>	24"	12"	4 <sup>5</sup> / <sub>8</sub> "	AW Hub	Fig. 1
78205159005	<b>124 TB **</b>	30"	14"	6"	AW Hub	Fig. 2
78205159025	<b>125 TB **</b>	30"	14"	6"	AW Hub	Fig. 2
78205159035	<b>127 TB **</b>	30"	14"	6"	AW Hub	Fig. 2

\* 100 Amp units compliant with EUSERC 304

\*\* 200 Amp units compliant with EUSERC 305

# Single Meter Sockets - With Safety Socket Bypass

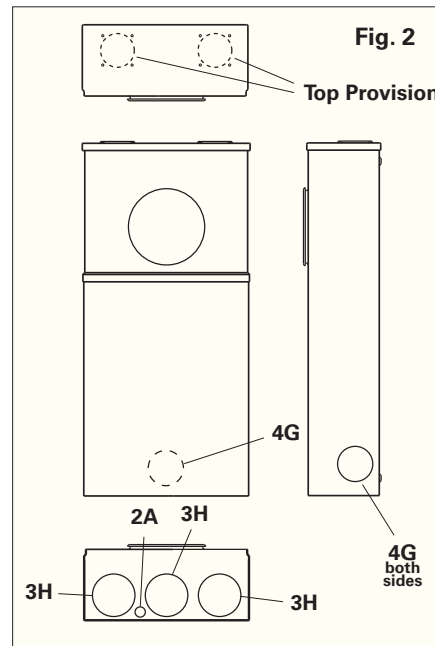
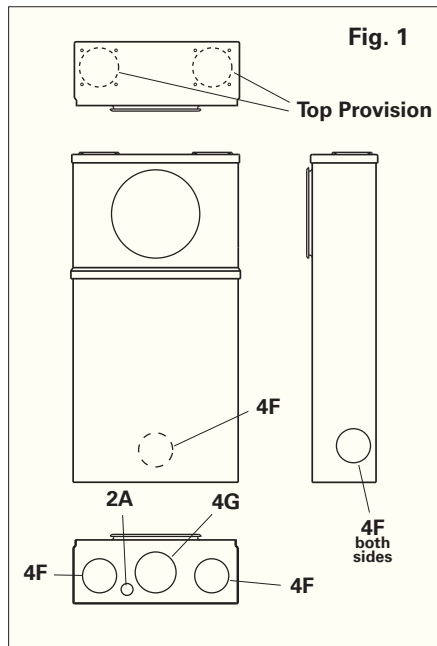
100 & 200 Amp

Style #	Suffixes
114 TB	F - Flush Mount
115 TB	MS20 - Ring Protector
117 TB	MS28 - Barriers on both sides of test block
124 TB	SS - Stainless Steel
125 TB	
127 TB	

## Knockouts - Conduit Sizes

2A = 1/2" - 1/4"  
 4F = 2" - 1 1/2" - 1 1/4" - 1"  
 4G = 2 1/2" - 2" - 1 1/2" - 1 1/4"  
 3H = 3" - 2 1/2" - 2"  
 Top Provision = See Chart

## Knockout Layouts



Single Meter Sockets  
 With Safety Socket Bypass

Data subject to change without notice. Consult local utility for area acceptance. All dimensions are in inches.

# Meter Mains - With Safety Socket Bypass

100 Amp - 10K AIC



214 MTB (closed)



U214 MTB (open)

## Application

- Combination meter/main with safety socket (test block) bypass
- Factory installed breaker
- Receive ANSI C12.10 watt-hour meters
- Surface mount

## Construction

- Ring type
- NEMA Type 3R
- ANSI 61 gray E-coat finish
- Aluminum snap ring included



## Standards

- UL 67 Listed
- ANSI C12.7
- EUSERC 305A

## Accessories

- 5th Jaw Kit - 50371
- Bussed Gutters - see page 51
- AW Hubs

Single Meter Sockets  
With Safety Socket Bypass

Part/UPC Number	Catalog Number	Amp Rating	Jaws	Service Type	Access	Main Breaker		Bypass
						Voltage	AIC	
78205145022	214 MTB	100	4	1Ø/3W	OH	120/240	10K	(1) 100A, 2P TB
78205145032	214 MTB MS15	100	4	1Ø/3W	OH	240/480	10K	(1) 100A, 2P TB
78205145052	215 MTB	100	5	3Ø/3W	OH	240*	10K	(1) 100A, 3P TB
78205145060	215 MTB MS15	100	5	3Ø/3W	OH	480*	10K	(1) 100A, 3P TB
78205145072	217 MTB	100	7	3Ø/4W	OH	120/240 & 120/208	10K	(1) 100A, 3P TB
78205145078	217 MTB MS15	100	7	3Ø/4W	OH	277/480	10K	(1) 100A, 3P TB
78205145012	U214 MTB	100	4	1Ø/3W	OH/UG	120/240	10K	(1) 100A, 2P TB
78205145112	U214 MTB MS15	100	4	1Ø/3W	OH/UG	240/480	10K	(1) 100A, 2P TB
78205145142	U215 MTB	100	5	3Ø/3W	OH/UG	240*	10K	(1) 100A, 3P TB
78205145150	U215 MTB MS15	100	5	3Ø/3W	OH/UG	480*	10K	(1) 100A, 3P TB
78205145152	U217 MTB	100	7	3Ø/4W	OH/UG	120/240 & 120/208	10K	(1) 100A, 3P TB
78205145158	U217 MTB MS15	100	7	3Ø/4W	OH/UG	277/480	10K	(1) 100A, 2P TB

\* For a 208/120V, 1Ø/3W system, order a 4-jaw unit and a 5th jaw kit

Part/UPC Number	Catalog Number	Connections			Overall Dimensions			Top Provision	Knockout Layout
		Line	Load	Neutral	Height	Width	Depth		
78205145022	214 MTB	#14 - 2/0	MCB	#14 - 1/0	38"	12"	4 <sup>5</sup> / <sub>8</sub> "	AW Hub	Fig. 1
78205145032	214 MTB MS15	#14 - 2/0	MCB	#14 - 1/0	38"	12"	4 <sup>5</sup> / <sub>8</sub> "	AW Hub	Fig. 1
78205145052	215 MTB	#14 - 2/0	MCB	#14 - 1/0	38"	12"	4 <sup>5</sup> / <sub>8</sub> "	AW Hub	Fig. 1
78205145060	215 MTB MS15	#14 - 2/0	MCB	#14 - 1/0	38"	12"	4 <sup>5</sup> / <sub>8</sub> "	AW Hub	Fig. 1
78205145072	217 MTB	#14 - 2/0	MCB	#14 - 1/0	38"	12"	4 <sup>5</sup> / <sub>8</sub> "	AW Hub	Fig. 1
78205145078	217 MTB MS15	#14 - 2/0	MCB	#14 - 1/0	38"	12"	4 <sup>5</sup> / <sub>8</sub> "	AW Hub	Fig. 1
78205145012	U214 MTB	#14 - 2/0	MCB	#14 - 1/0	24"	18"	4 <sup>5</sup> / <sub>8</sub> "	AW Hub	Fig. 2
78205145112	U214 MTB MS15	#14 - 2/0	MCB	#14 - 1/0	24"	18"	4 <sup>5</sup> / <sub>8</sub> "	AW Hub	Fig. 2
78205145142	U215 MTB	#14 - 2/0	MCB	#14 - 1/0	24"	18"	4 <sup>5</sup> / <sub>8</sub> "	AW Hub	Fig. 2
78205145150	U215 MTB MS15	#14 - 2/0	MCB	#14 - 1/0	24"	18"	4 <sup>5</sup> / <sub>8</sub> "	AW Hub	Fig. 2
78205145152	U217 MTB	#14 - 2/0	MCB	#14 - 1/0	24"	18"	4 <sup>5</sup> / <sub>8</sub> "	AW Hub	Fig. 2
78205145158	U217 MTB MS15	#14 - 2/0	MCB	#14 - 1/0	24"	18"	4 <sup>5</sup> / <sub>8</sub> "	AW Hub	Fig. 2

MCB - Main Circuit Breaker

# Meter Mains - With Safety Socket Bypass

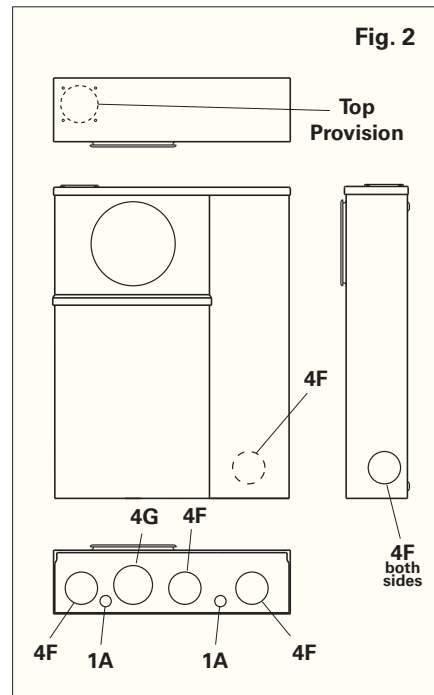
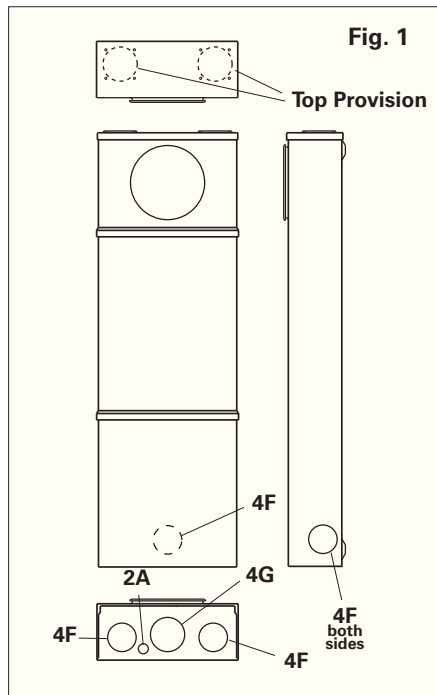
100 Amp - 10K AIC

Style #	Suffixes
(U) 214 MTB	<b>MS15</b> - 480V Breaker
(U) 215 MTB	<b>MS43</b> - No Breaker Included
(U) 217 MTB	<b>SS</b> - Stainless Steel

## Knockouts - Conduit Sizes

1A = 1/2"  
 2A = 1/2" - 1/4"  
 4F = 2" - 1 1/2" - 1 1/4" - 1"  
 4G = 2 1/2" - 2" - 1 1/2" - 1 1/4"  
 Top Provision = See Chart

## Knockout Layouts



Single Meter Sockets  
 With Safety Socket Bypass

Data subject to change without notice. Consult local utility for area acceptance. All dimensions are in inches.

# Meter Mains - With Safety Socket Bypass

100 & 200 Amp - 22K - 65K AIC



214 MTBH (open)



U214 MTBH (open)

## Application

- Combination meter/main with safety socket (test block) bypass
- Factory installed breaker
- Receive ANSI C12.10 watt-hour meters
- Surface mount

## Construction

- Ring type
- NEMA Type 3R
- ANSI 61 gray E-coat finish
- Aluminum snap ring included



## Standards

- UL 67 Listed
- ANSI C12.7
- EUSERC 305A

## Accessories

- 5th Jaw Kit - 50371
- Bussed Gutters - see page 51
- AW Hubs

Single Meter Sockets  
With Safety Socket Bypass

Part/UPC Number	Catalog Number	Amp Rating	Jaws	Service Type	Access	Voltage	Main Breaker AIC	Main	Bypass
78205145030	<b>214 MTBH</b>	100	4	1Ø/3W	OH	120/240	65K	(1) 100A, 2P	TB
78205159300	<b>214 MTBH MS15</b>	100	4	1Ø/3W	OH	240/480	42K	(1) 100A, 2P	TB
78205145028	<b>214 MTBH MS45</b>	100	4	1Ø/3W	OH	120/240	22K	(1) 100A, 2P	TB
78205145058	<b>215 MTBH</b>	100	5	3Ø/3W	OH	240*	65K	(1) 100A, 3P	TB
78205159302	<b>215 MTBH MS15</b>	100	5	3Ø/3W	OH	480*	42K	(1) 100A, 3P	TB
78205145056	<b>215 MTBH MS45</b>	100	5	3Ø/3W	OH	240*	22K	(1) 100A, 3P	TB
78205145076	<b>217 MTBH</b>	100	7	3Ø/4W	OH	120/240 & 120/208	65K	(1) 100A, 3P	TB
78205159304	<b>217 MTBH MS15</b>	100	7	3Ø/4W	OH	480/277	42K	(1) 100A, 3P	TB
78205145074	<b>217 MTBH MS45</b>	100	7	3Ø/4W	OH	120/240 & 120/208	22K	(1) 100A, 3P	TB
78205145110	<b>U214 MTBH</b>	100	4	1Ø/3W	OH/UG	120/240	65K	(1) 100A, 2P	TB
78205159200	<b>U214 MTBH MS15</b>	100	4	1Ø/3W	OH/UG	240/480	42K	(1) 100A, 2P	TB
78205145108	<b>U214 MTBH MS45</b>	100	4	1Ø/3W	OH/UG	120/240	22K	(1) 100A, 2P	TB
78205145148	<b>U215 MTBH</b>	100	5	3Ø/3W	OH/UG	240*	65K	(1) 100A, 3P	TB
78205159202	<b>U215 MTBH MS15</b>	100	5	3Ø/3W	OH/UG	480*	42K	(1) 100A, 3P	TB
78205145146	<b>U215 MTBH MS45</b>	100	5	3Ø/3W	OH/UG	240*	22K	(1) 100A, 3P	TB
78205145156	<b>U217 MTBH</b>	100	7	3Ø/4W	OH/UG	120/240 & 120/208	65K	(1) 100A, 3P	TB
78205159204	<b>U217 MTBH MS15</b>	100	7	3Ø/4W	OH/UG	480/277	42K	(1) 100A, 3P	TB
78205145154	<b>U217 MTBH MS45</b>	100	7	3Ø/4W	OH/UG	120/240 & 120/208	22K	(1) 100A, 3P	TB

\* For a 208/120V, 1Ø/3W system, order a 4-jaw unit and a 5th jaw kit

Part/UPC Number	Catalog Number	Line	Connections Load	Neutral	Height	Overall Dimensions Width	Depth	Top Provision	Knockout Layout
78205145030	<b>214 MTBH</b>	#14 - 2/0	MCB	#14 - 1/0	38"	12"	4 <sup>5</sup> / <sub>8</sub> "	AW Hub	Fig. 1
78205159300	<b>214 MTBH MS15</b>	#14 - 2/0	MCB	#14 - 1/0	38"	12"	4 <sup>5</sup> / <sub>8</sub> "	AW Hub	Fig. 1
78205145028	<b>214 MTBH MS45</b>	#14 - 2/0	MCB	#14 - 1/0	38"	12"	4 <sup>5</sup> / <sub>8</sub> "	AW Hub	Fig. 1
78205145058	<b>215 MTBH</b>	#14 - 2/0	MCB	#14 - 1/0	38"	12"	4 <sup>5</sup> / <sub>8</sub> "	AW Hub	Fig. 1
78205159302	<b>215 MTBH MS15</b>	#14 - 2/0	MCB	#14 - 1/0	38"	12"	4 <sup>5</sup> / <sub>8</sub> "	AW Hub	Fig. 1
78205145056	<b>215 MTBH MS45</b>	#14 - 2/0	MCB	#14 - 1/0	38"	12"	4 <sup>5</sup> / <sub>8</sub> "	AW Hub	Fig. 1
78205145076	<b>217 MTBH</b>	#14 - 2/0	MCB	#14 - 1/0	38"	12"	4 <sup>5</sup> / <sub>8</sub> "	AW Hub	Fig. 1
78205159304	<b>217 MTBH MS15</b>	#14 - 2/0	MCB	#14 - 1/0	38"	12"	4 <sup>5</sup> / <sub>8</sub> "	AW Hub	Fig. 1
78205145074	<b>217 MTBH MS45</b>	#14 - 2/0	MCB	#14 - 1/0	38"	12"	4 <sup>5</sup> / <sub>8</sub> "	AW Hub	Fig. 1
78205145110	<b>U214 MTBH</b>	#14 - 2/0	MCB	#14 - 1/0	24"	18"	4 <sup>5</sup> / <sub>8</sub> "	AW Hub	Fig. 2
78205159200	<b>U214 MTBH MS15</b>	#14 - 2/0	MCB	#14 - 1/0	24"	18"	4 <sup>5</sup> / <sub>8</sub> "	AW Hub	Fig. 2
78205145108	<b>U214 MTBH MS45</b>	#14 - 2/0	MCB	#14 - 1/0	24"	18"	4 <sup>5</sup> / <sub>8</sub> "	AW Hub	Fig. 2
78205145148	<b>U215 MTBH</b>	#14 - 2/0	MCB	#14 - 1/0	24"	18"	4 <sup>5</sup> / <sub>8</sub> "	AW Hub	Fig. 2
78205159202	<b>U215 MTBH MS15</b>	#14 - 2/0	MCB	#14 - 1/0	24"	18"	4 <sup>5</sup> / <sub>8</sub> "	AW Hub	Fig. 2
78205145146	<b>U215 MTBH MS45</b>	#14 - 2/0	MCB	#14 - 1/0	24"	18"	4 <sup>5</sup> / <sub>8</sub> "	AW Hub	Fig. 2
78205145156	<b>U217 MTBH</b>	#14 - 2/0	MCB	#14 - 1/0	24"	18"	4 <sup>5</sup> / <sub>8</sub> "	AW Hub	Fig. 2
78205159204	<b>U217 MTBH MS15</b>	#14 - 2/0	MCB	#14 - 1/0	24"	18"	4 <sup>5</sup> / <sub>8</sub> "	AW Hub	Fig. 2
78205145154	<b>U217 MTBH MS45</b>	#14 - 2/0	MCB	#14 - 1/0	24"	18"	4 <sup>5</sup> / <sub>8</sub> "	AW Hub	Fig. 2

MCB - Main Circuit Breaker

Data subject to change without notice. Consult local utility for area acceptance. All dimensions are in inches.

# Meter Mains - With Safety Socket Bypass

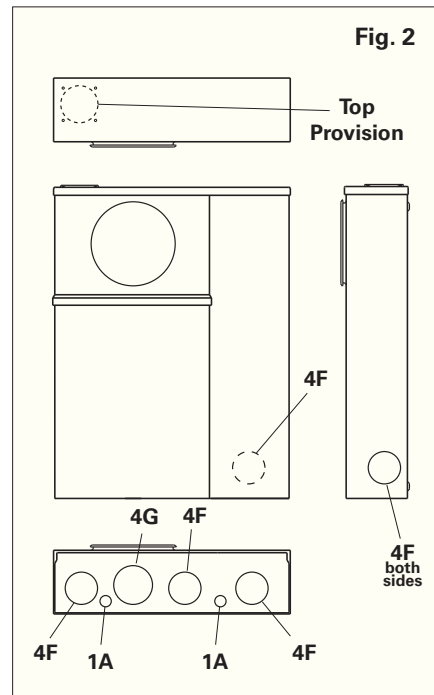
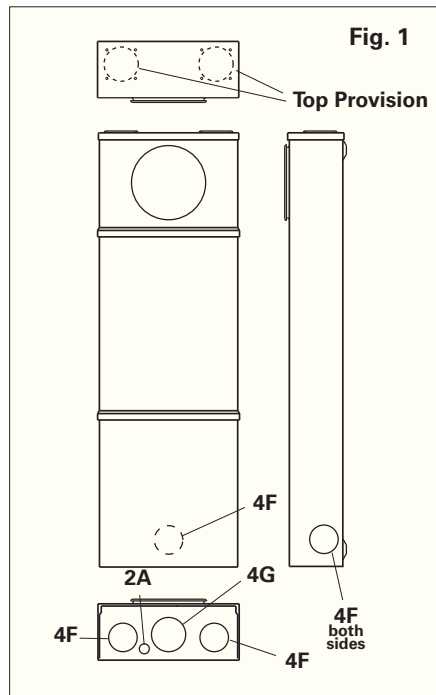
100 & 200 Amp - 22K - 65K AIC

Style #	Suffixes
(U) 214 MTBH	<b>MS15</b> - 480V Breaker
(U) 215 MTBH	<b>MS43</b> - No Breaker Included
(U) 217 MTBH	<b>MS45</b> - 22K AIC Rated Breaker
	<b>SS</b> - Stainless Steel

## Knockouts - Conduit Sizes

1A = 1/2"  
 2A = 1/2" - 1/4"  
 4F = 2" - 1 1/2" - 1 1/4" - 1"  
 4G = 2 1/2" - 2" - 1 1/2" - 1 1/4"  
 Top Provision = See Chart

## Knockout Layouts



Single Meter Sockets  
 With Safety Socket Bypass

Data subject to change without notice. Consult local utility for area acceptance. All dimensions are in inches.

# Meter Mains - With Safety Socket Bypass

## 100 Amp - Fusible Pullout



U214 MTBP (open)

214 MTBP (open)

### Application

- Combination meter/main with safety socket (test block) bypass
- Factory installed fused pullout ("T" fuses included)
- Receive ANSI C12.10 watthour meters
- Surface mount

### Construction

- Ring type
- NEMA Type 3R
- ANSI 61 gray E-coat finish
- Aluminum snap ring included



### Standards

- UL 67 Listed
- ANSI C12.7
- EUSERC 305A

### Accessories

- 5th Jaw Kit - 50371
- Bussed Gutters - see page 51
- AW Hubs

Single Meter Sockets  
With Safety Socket Bypass

Part/UPC Number	Catalog Number	Amp Rating	Jaws	Service Type	Access	Main Breaker		Main	Bypass
						Voltage	AIC		
78205148000	<b>214 MTBP</b>	100	4	1Ø/3W	OH	120/240	200K	(1) 100A, 2P	TB
78205152000	<b>214 MTBP MS15</b>	100	4	1Ø/3W	OH	240/480	200K	(1) 100A, 2P	TB
78205148020	<b>215 MTBP</b>	100	5	3Ø/3W	OH	240*	200K	(1) 100A, 3P	TB
78205152010	<b>215 MTBP MS15</b>	100	5	3Ø/3W	OH	480*	200K	(1) 100A, 3P	TB
78205148030	<b>217 MTBP</b>	100	7	3Ø/4W	OH	120/240 & 120/208	200K	(1) 100A, 3P	TB
78205152020	<b>217 MTBP MS15</b>	100	7	3Ø/4W	OH	480/277	200K	(1) 100A, 3P	TB
78205148080	<b>U214 MTBP</b>	100	4	1Ø/2W	OH/UG	120/240	200K	(1) 100A, 2P	TB
78205152060	<b>U214 MTBP MS15</b>	100	4	1Ø/2W	OH/UG	240/480	200K	(1) 100A, 2P	TB
78205148100	<b>U215 MTBP</b>	100	5	3Ø/3W	OH/UG	240*	200K	(1) 100A, 3P	TB
78205152070	<b>U215 MTBP MS15</b>	100	5	3Ø/3W	OH/UG	480*	200K	(1) 100A, 3P	TB
78205148110	<b>U217 MTBP</b>	100	7	3Ø/4W	OH/UG	120/240 & 120/208	200K	(1) 100A, 3P	TB
78205152100	<b>U217 MTBP MS15</b>	100	7	3Ø/4W	OH/UG	480/277	200K	(1) 100A, 3P	TB

\* For a 208/120V, 1Ø/3W system, order a 4-jaw unit and a 5th jaw kit

Part/UPC Number	Catalog Number	Connections			Overall Dimensions			Top Provision	Knockout Layout
		Line	Load	Neutral	Height	Width	Depth		
78205148000	<b>214 MTBP</b>	#14 - 2/0	Main Fuse	#14 - 1/0	38"	12"	4 <sup>5</sup> / <sub>8</sub> "	AW Hub	Fig. 1
78205152000	<b>214 MTBP MS15</b>	#14 - 2/0	Main Fuse	#14 - 1/0	38"	12"	4 <sup>5</sup> / <sub>8</sub> "	AW Hub	Fig. 1
78205148020	<b>215 MTBP</b>	#14 - 2/0	Main Fuse	#14 - 1/0	38"	12"	4 <sup>5</sup> / <sub>8</sub> "	AW Hub	Fig. 1
78205152010	<b>215 MTBP MS15</b>	#14 - 2/0	Main Fuse	#14 - 1/0	38"	12"	4 <sup>5</sup> / <sub>8</sub> "	AW Hub	Fig. 1
78205148030	<b>217 MTBP</b>	#14 - 2/0	Main Fuse	#14 - 1/0	38"	12"	4 <sup>5</sup> / <sub>8</sub> "	AW Hub	Fig. 1
78205152020	<b>217 MTBP MS15</b>	#14 - 2/0	Main Fuse	#14 - 1/0	38"	12"	4 <sup>5</sup> / <sub>8</sub> "	AW Hub	Fig. 1
78205148080	<b>U214 MTBP</b>	#14 - 2/0	Main Fuse	#14 - 1/0	24"	18"	4 <sup>5</sup> / <sub>8</sub> "	AW Hub	Fig. 2
78205152060	<b>U214 MTBP MS15</b>	#14 - 2/0	Main Fuse	#14 - 1/0	24"	18"	4 <sup>5</sup> / <sub>8</sub> "	AW Hub	Fig. 2
78205148100	<b>U215 MTBP</b>	#14 - 2/0	Main Fuse	#14 - 1/0	24"	18"	4 <sup>5</sup> / <sub>8</sub> "	AW Hub	Fig. 2
78205152070	<b>U215 MTBP MS15</b>	#14 - 2/0	Main Fuse	#14 - 1/0	24"	18"	4 <sup>5</sup> / <sub>8</sub> "	AW Hub	Fig. 2
78205148110	<b>U217 MTBP</b>	#14 - 2/0	Main Fuse	#14 - 1/0	24"	18"	4 <sup>5</sup> / <sub>8</sub> "	AW Hub	Fig. 2
78205152100	<b>U217 MTBP MS15</b>	#14 - 2/0	Main Fuse	#14 - 1/0	24"	18"	4 <sup>5</sup> / <sub>8</sub> "	AW Hub	Fig. 2



# Meter Mains - With Safety Socket Bypass

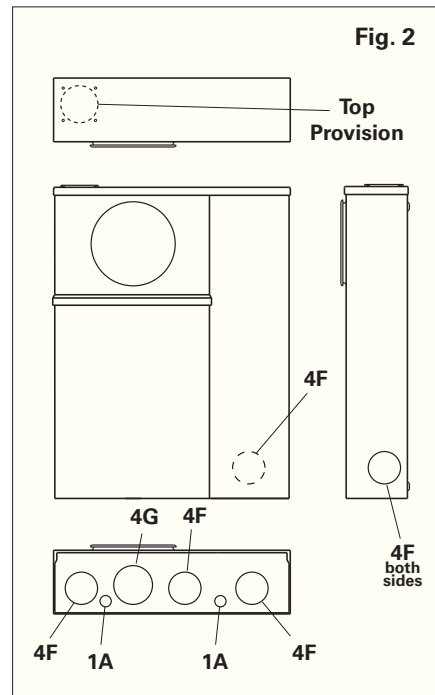
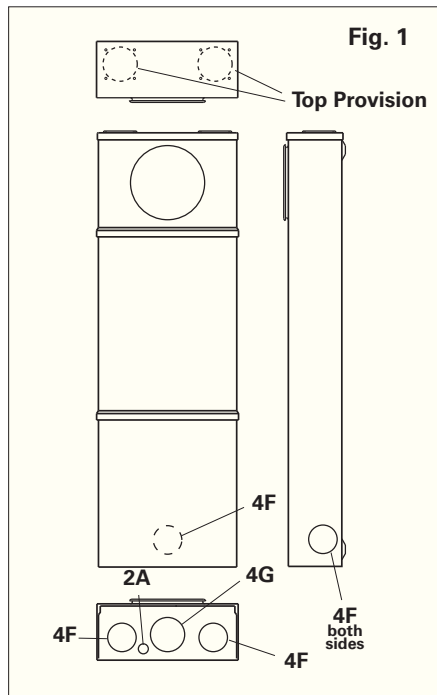
100 Amp - Fusible Pullout

Style #	Suffixes
(U) 214 MTBP	<b>P</b> - Pullout Fuse
(U) 215 MTBP	<b>MS15</b> - 480V Breaker
(U) 217 MTBP	<b>MS43</b> - No Breaker Included
	<b>SS</b> - Stainless Steel

## Knockouts - Conduit Sizes

1A = 1/2"  
 2A = 1/2" - 1/4"  
 4F = 2" - 1 1/2" - 1 1/4" - 1"  
 4G = 2 1/2" - 2" - 1 1/2" - 1 1/4"  
 Top Provision = See Chart

## Knockout Layouts



Single Meter Sockets  
 With Safety Socket Bypass

Data subject to change without notice. Consult local utility for area acceptance. All dimensions are in inches.

# Meter Main Load Center - With Safety Socket Bypass

100 Amp



U214 MTBL (closed)



U214 MTBL (open)

## Application

- Combination meter/main/loadcenter with safety socket (test block) bypass
- Factory installed breakers / fused pullout ("T" fuses included)
- Receive ANSI C12.10 watt-hour meters
- Surface mount



## Construction

- Ring type
- NEMA Type 3R
- ANSI 61 gray E-coat finish
- Aluminum snap ring included

## Standards

- UL 67 Listed
- ANSI C12.7

## Accessories

- 5th Jaw Kit - 50371
- Bussed Gutters - see page 51
- AW Hubs

Single Meter Sockets  
With Safety Socket Bypass

Part/UPC Number	Catalog Number	Amp Rating	Jaws	Service Type	Access	Main Breaker				
						Voltage	AIC	Main	Loadcenter	Bypass
78205170126	<b>U214 MTBL</b>	100	4	1Ø/3W	OH/UG	120/240	10K	(1) 100A, 2P	12/24	TB
78205170128	<b>U214 MTBPL</b>	100	4	1Ø/3W	OH/UG	120/240	100K	(1) 100A, 2P	12/24	TB
78205170130	<b>U215 MTBL</b>	100	5	3Ø/4W	OH/UG	240*	10K	(1) 100A, 3P	18/36	TB
78205170132	<b>U215 MTBPL</b>	100	5	3Ø/4W	OH/UG	240*	100K	(1) 100A, 3P	18/36	TB
78205170134	<b>U217 MTBL</b>	100	7	3Ø/4W	OH/UG	120/240 & 120/208	10K	(1) 100A, 3P	18/36	TB
78205170136	<b>U217 MTBPL</b>	100	7	3Ø/4W	OH/UG	120/208	100K	(1) 100A, 3P	18/36	TB

\* For a 208/120V, 1Ø/3W system, order a 4-jaw unit and a 5th jaw kit

Part/UPC Number	Catalog Number	Connections			Overall Dimensions			Top Provision	Knockout Layout
		Line	Load	Neutral	Height	Width	Depth		
78205170126	<b>U214 MTBL</b>	#14 - 2/0	MCB	#14 - 1/0	24"	20"	4 <sup>5</sup> / <sub>8</sub> "	AW Hub	Fig. 1
78205170128	<b>U214 MTBPL</b>	#14 - 2/0	Main Fuse	#14 - 1/0	24"	25"	4 <sup>5</sup> / <sub>8</sub> "	AW Hub	Fig. 2
78205170130	<b>U215 MTBL</b>	#14 - 2/0	MCB	#14 - 1/0	24"	25"	4 <sup>5</sup> / <sub>8</sub> "	AW Hub	Fig. 2
78205170132	<b>U215 MTBPL</b>	#14 - 2/0	Main Fuse	#14 - 1/0	28"	25"	4 <sup>5</sup> / <sub>8</sub> "	AW Hub	Fig. 2
78205170134	<b>U217 MTBL</b>	#14 - 2/0	MCB	#14 - 1/0	24"	25"	4 <sup>5</sup> / <sub>8</sub> "	AW Hub	Fig. 2
78205170136	<b>U217 MTBPL</b>	#14 - 2/0	Main Fuse	#14 - 1/0	28"	25"	4 <sup>5</sup> / <sub>8</sub> "	AW Hub	Fig. 2

MCB - Main Circuit Breaker

# Meter Main Load Center - With Safety Socket Bypass

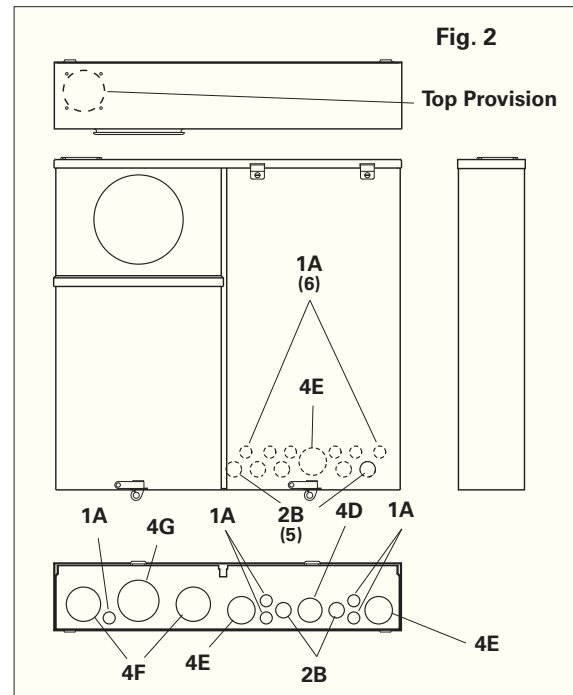
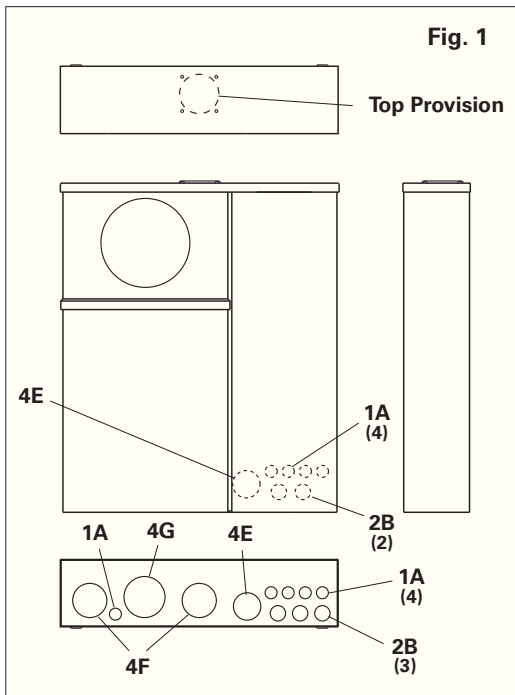
100 Amp

Style #	Suffixes
(U) 214 MTBL	<b>P</b> - Pullout Fuse
(U) 214 MTBPL	<b>MS43</b> - No Breaker Included
(U) 215 MTBL	<b>SS</b> - Stainless Steel
(U) 215 MTBPL	
(U) 217 MTBL	
(U) 217 MTBPL	

## Knockouts - Conduit Sizes

1A = 1/2"
2B = 3/4" - 1/2"
4D = 1 1/4" - 1" - 3/4" - 1/2"
4E = 1 1/2" - 1 1/4" - 1" - 3/4"
4F = 2" - 1 1/2" - 1 1/4" - 1"
4G = 2 1/2" - 2" - 1 1/2" - 1 1/4"
Top Provision = See Chart

## Knockout Layouts



Single Meter Sockets  
With Safety Socket Bypass

Data subject to change without notice. Consult local utility for area acceptance. All dimensions are in inches.

# Meter Main Load Center - With Safety Socket Bypass

200 Amp - 10K AIC



224 MTB (open)



U224 MTB (open)

## Application

- Combination meter/main with safety socket (test block) bypass
- Factory installed breaker
- Receive ANSI C12.10 watt-hour meters
- Surface mount

## Construction

- Ring type
- NEMA Type 3R
- ANSI 61 gray E-coat finish
- Aluminum snap ring included



## Standards

- UL 67 Listed
- ANSI C12.7
- EUSERC 305A

## Accessories

- 5th Jaw Kit - 50371
- Bussed Gutters - see page 51
- AW Hubs

Single Meter Sockets  
With Safety Socket Bypass

Part/UPC Number	Catalog Number	Amp Rating	Jaws	Service Type	Access	Main Breaker			
						Voltage	AIC	Main	Bypass
78205159065	<b>224 MTB</b>	200	4	1Ø/3W	OH	120/240	10K	(1) 200A, 2P	TB
78205159085	<b>225 MTB</b>	200	5	3Ø/3W	OH	240*	10K	(1) 200A, 3P	TB
78205159095	<b>227 MTB</b>	200	7	3Ø/4W	OH	120/240 & 120/208	10K	(1) 200A, 3P	TB
78205170141	<b>U224 M11TB</b>	200	4	1Ø/3W	OH/UG	120/240	10K	(2) 100A, 2P	TB
78205159125	<b>U224 MTB</b>	200	4	1Ø/3W	OH/UG	120/240	10K	(1) 200A, 2P	TB
78205159145	<b>U225 MTB</b>	200	5	3Ø/3W	OH/UG	240*	10K	(1) 200A, 3P	TB
78205159155	<b>U227 MTB</b>	200	7	3Ø/4W	OH/UG	120/240 & 120/208	10K	(1) 200A, 3P	TB

\* For a 208/120V, 1Ø/3W system, order a 4-jaw unit and a 5th jaw kit

Part/UPC Number	Catalog Number	Connections			Overall Dimensions			Top Provision	Knockout Layout
		Line	Load	Neutral	Height	Width	Depth		
78205159065	<b>224 MTB</b>	#6 - 250 MCM	MCB	#6 - 250 MCM	48"	14"	6"	AW Hub	Fig. 1
78205159085	<b>225 MTB</b>	#6 - 250 MCM	MCB	#6 - 250 MCM	48"	14"	6"	AW Hub	Fig. 1
78205159095	<b>227 MTB</b>	#6 - 250 MCM	MCB	#6 - 250 MCM	48"	14"	6"	AW Hub	Fig. 1
78205170141	<b>U224 M11TB</b>	#6 - 250 MCM	MCB	#6 - 250 MCM	30"	22"	6"	AW Hub	Fig. 3
78205159125	<b>U224 MTB</b>	#6 - 250 MCM	MCB	#6 - 250 MCM	30"	22"	6"	AW Hub	Fig. 2
78205159145	<b>U225 MTB</b>	#6 - 250 MCM	MCB	#6 - 250 MCM	30"	22"	6"	AW Hub	Fig. 2
78205159155	<b>U227 MTB</b>	#6 - 250 MCM	MCB	#6 - 250 MCM	30"	22"	6"	AW Hub	Fig. 2

MCB - Main Circuit Breaker

# Meter Main Load Center - With Safety Socket Bypass

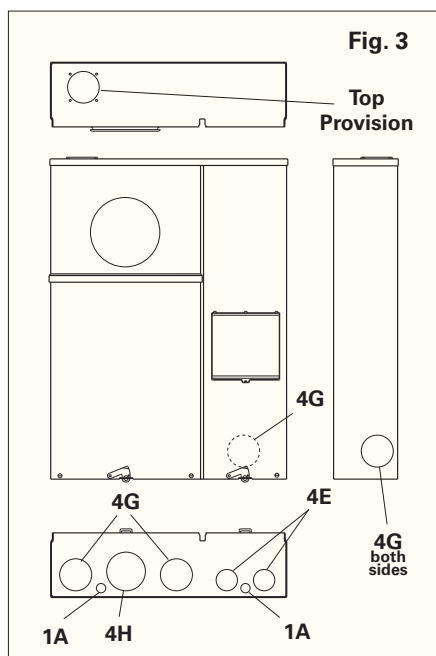
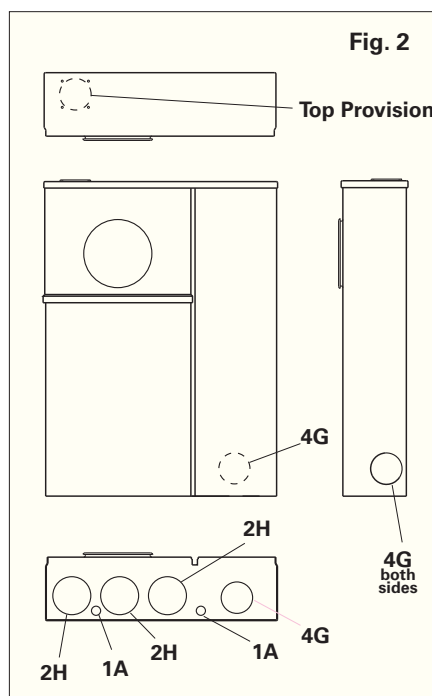
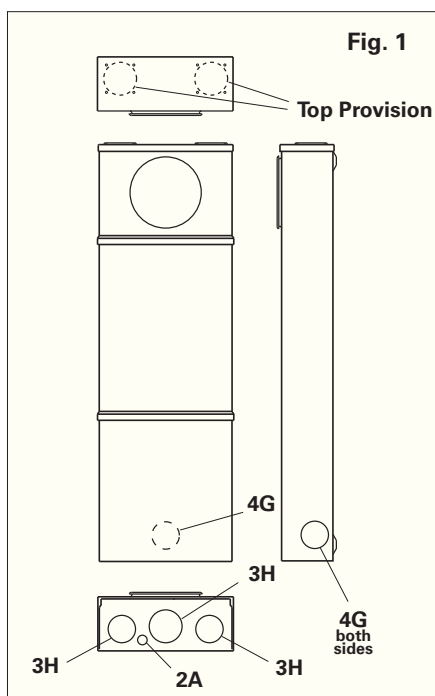
200 Amp - 10K AIC

Style #	Suffixes
(U) 224 MTB	<b>MS43</b> - No Breaker Included
(U) 224 M11TB	<b>SS</b> - Stainless Steel
(U) 225 MTB	
(U) 227 MTB	

## Knockouts - Conduit Sizes

1A = 1/2"
2A = 1/2" - 1/4"
4E = 1 1/2" - 1 1/4" - 1" - 3/4"
4G = 2 1/2" - 2" - 1 1/2" - 1 1/4"
2H = 3" - 2 1/2"
3H = 3" - 2 1/2" - 2"
4H = 3" - 2 1/2" - 2" - 1 1/2"
Top Provision = See Chart

## Knockout Layouts



Single Meter Sockets  
With Safety Socket Bypass

Data subject to change without notice. Consult local utility for area acceptance. All dimensions are in inches.

# Meter Main - With Safety Socket Bypass

## 200 Amp - 22K-65K AIC



U224 MTBH (open)

224 MTBH (open)

### Application

- Combination meter/main with safety socket (test block) bypass
- Factory installed breaker
- Receive ANSI C12.10 watt-hour meters
- Surface mount

### Construction

- Ring type
- NEMA Type 3R
- ANSI 61 gray E-coat finish
- Aluminum snap ring included



### Standards

- UL 67 Listed
- ANSI C12.7
- EUSERC 305A

### Accessories

- 5th Jaw Kit - 50371
- Bussed Gutters - see page 51
- AW Hubs

Single Meter Sockets  
With Safety Socket Bypass

Part/UPC Number	Catalog Number	Amp Rating	Jaws	Service Type	Access	Voltage	Main Breaker AIC	Main	Bypass
78205159081	<b>224 MTBH</b>	200	4	1Ø/3W	OH	120/240	42K	(1) 200A, 2P	TB
78205159306	<b>224 MTBH MS15</b>	200	4	1Ø/3W	OH	240/480	22K	(1) 200A, 2P	TB
78205159079	<b>224 MTBH MS45</b>	200	4	1Ø/3W	OH	120/240	22K	(1) 200A, 2P	TB
78205159091	<b>225 MTBH</b>	200	5	3Ø/3W	OH	240*	42K	(1) 200A, 3P	TB
78205159308	<b>225 MTBH MS15</b>	200	5	3Ø/3W	OH	480*	22K	(1) 200A, 3P	TB
78205159089	<b>225 MTBH MS45</b>	200	5	3Ø/3W	OH	240*	22K	(1) 200A, 3P	TB
78205159159	<b>227 MTBH</b>	200	7	3Ø/4W	OH	120/240 & 120/208	42K	(1) 200A, 3P	TB
78205159310	<b>227 MTBH MS15</b>	200	7	3Ø/4W	OH	480/277	22K	(1) 200A, 3P	TB
78205159097	<b>227 MTBH MS45</b>	200	7	3Ø/4W	OH	120/240 & 120/208	22K	(1) 200A, 3P	TB
78205159141	<b>U224 MTBH</b>	200	4	1Ø/3W	OH/UG	120/240	42K	(1) 200A, 2P	TB
78205159206	<b>U224 MTBH MS15</b>	200	4	1Ø/3W	OH/UG	240/480	22K	(1) 200A, 2P	TB
78205159139	<b>U224 MTBH MS45</b>	200	4	1Ø/3W	OH/UG	120/240	22K	(1) 200A, 2P	TB
78205159151	<b>U225 MTBH</b>	200	5	3Ø/3W	OH/UG	240*	42K	(1) 200A, 3P	TB
78205159208	<b>U225 MTBH MS15</b>	200	5	3Ø/3W	OH/UG	480*	22K	(1) 200A, 3P	TB
78205159149	<b>U225 MTBH MS45</b>	200	5	3Ø/3W	OH/UG	240*	22K	(1) 200A, 3P	TB
78205159159	<b>U227 MTBH</b>	200	7	3Ø/4W	OH/UG	120/240 & 120/208	42K	(1) 200A, 3P	TB
78205159210	<b>U227 MTBH MS15</b>	200	7	3Ø/4W	OH/UG	480/277	22K	(1) 200A, 3P	TB
78205159157	<b>U227 MTBH MS45</b>	200	7	3Ø/4W	OH/UG	120/240 & 120/208	22K	(1) 200A, 3P	TB

\* For a 208/120V, 1Ø/3W system, order a 4-jaw unit and a 5th jaw kit

Part/UPC Number	Catalog Number	Line	Connections Load	Neutral	Height	Overall Dimensions Width	Depth	Top Provision	Knockout Layout
78205159081	<b>224 MTBH</b>	#6 - 250 MCM	MCB	#6 - 250 MCM	48"	14"	6"	AW Hub	Fig. 1
78205159306	<b>224 MTBH MS15</b>	#6 - 250 MCM	MCB	#6 - 250 MCM	48"	14"	6"	AW Hub	Fig. 1
78205159079	<b>224 MTBH MS45</b>	#6 - 250 MCM	MCB	#6 - 250 MCM	48"	14"	6"	AW Hub	Fig. 1
78205159091	<b>225 MTBH</b>	#6 - 250 MCM	MCB	#6 - 250 MCM	48"	14"	6"	AW Hub	Fig. 1
78205159308	<b>225 MTBH MS15</b>	#6 - 250 MCM	MCB	#6 - 250 MCM	48"	14"	6"	AW Hub	Fig. 1
78205159089	<b>225 MTBH MS45</b>	#6 - 250 MCM	MCB	#6 - 250 MCM	48"	14"	6"	AW Hub	Fig. 1
78205159159	<b>227 MTBH</b>	#6 - 250 MCM	MCB	#6 - 250 MCM	48"	14"	6"	AW Hub	Fig. 1
78205159310	<b>227 MTBH MS15</b>	#6 - 250 MCM	MCB	#6 - 250 MCM	48"	14"	6"	AW Hub	Fig. 1
78205159097	<b>227 MTBH MS45</b>	#6 - 250 MCM	MCB	#6 - 250 MCM	48"	14"	6"	AW Hub	Fig. 1
78205159141	<b>U224 MTBH</b>	#6 - 250 MCM	MCB	#6 - 250 MCM	30"	22"	6"	AW Hub	Fig. 2
78205159206	<b>U224 MTBH MS15</b>	#6 - 250 MCM	MCB	#6 - 250 MCM	30"	22"	6"	AW Hub	Fig. 2
78205159139	<b>U224 MTBH MS45</b>	#6 - 250 MCM	MCB	#6 - 250 MCM	30"	22"	6"	AW Hub	Fig. 2
78205159151	<b>U225 MTBH</b>	#6 - 250 MCM	MCB	#6 - 250 MCM	30"	22"	6"	AW Hub	Fig. 2
78205159208	<b>U225 MTBH MS15</b>	#6 - 250 MCM	MCB	#6 - 250 MCM	30"	22"	6"	AW Hub	Fig. 2
78205159149	<b>U225 MTBH MS45</b>	#6 - 250 MCM	MCB	#6 - 250 MCM	30"	22"	6"	AW Hub	Fig. 2
78205159159	<b>U227 MTBH</b>	#6 - 250 MCM	MCB	#6 - 250 MCM	30"	22"	6"	AW Hub	Fig. 2
78205159210	<b>U227 MTBH MS15</b>	#6 - 250 MCM	MCB	#6 - 250 MCM	30"	22"	6"	AW Hub	Fig. 2
78205159157	<b>U227 MTBH MS45</b>	#6 - 250 MCM	MCB	#6 - 250 MCM	30"	22"	6"	AW Hub	Fig. 2

MCB - Main Circuit Breaker

Data subject to change without notice. Consult local utility for area acceptance. All dimensions are in inches.

# Meter Main - With Safety Socket Bypass

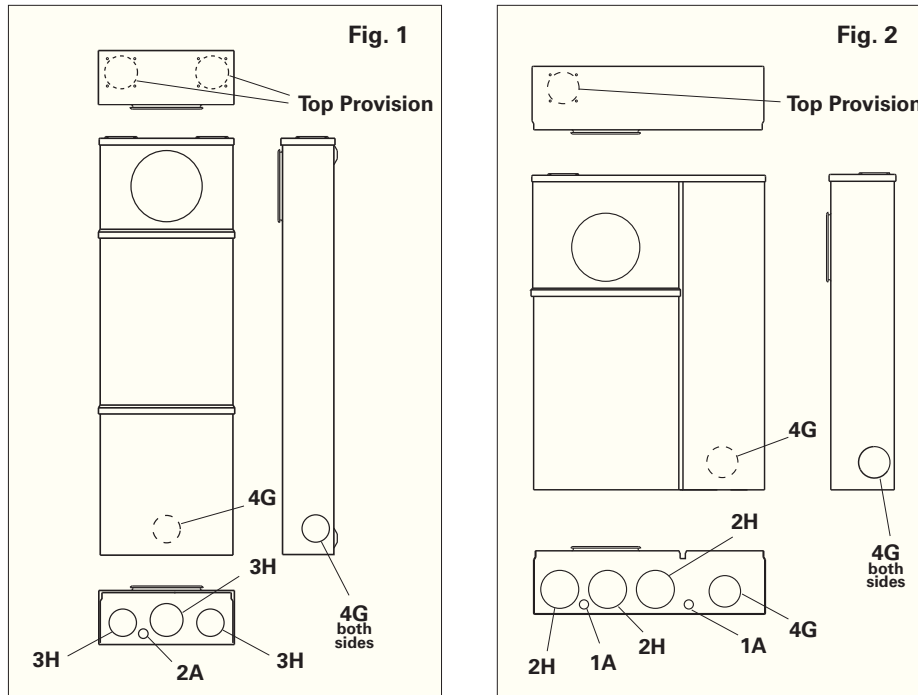
200 Amp - 22K-65K AIC

Style #	Suffixes
(U) 224 MTBH	<b>MS15</b> - 480V Breaker
(U) 225 MTBH	<b>MS43</b> - No Breaker Included
(U) 227 MTBH	<b>MS45</b> - 22K AIC Rated Breaker
	<b>SS</b> - Stainless Steel

## Knockouts - Conduit Sizes

1A = 1/2"  
 2A = 1/2" - 1/4"  
 4G = 2 1/2" - 2" - 1 1/2" - 1 1/4"  
 2H = 3" - 2 1/2"  
 3H = 3" - 2 1/2" - 2"  
 Top Provision = See Chart

## Knockout Layouts



Single Meter Sockets  
 With Safety Socket Bypass

Data subject to change without notice. Consult local utility for area acceptance. All dimensions are in inches.

# Meter Main - With Safety Socket Bypass

## 200 Amp - Fusible Pullout



224 MTBP (open)



U224 MTBP (open)

### Application

- Combination meter/main with safety socket (test block) bypass
- Factory installed breaker
- Receive ANSI C12.10 watt-hour meters
- Surface mount

### Construction

- Ring type
- NEMA Type 3R
- ANSI 61 gray E-coat finish
- Aluminum snap ring included



### Standards

- UL 67 Listed
- ANSI C12.7
- EUSERC 305A

### Accessories

- 5th Jaw Kit - 50371
- Bussed Gutters - see page 51
- AW Hubs

Single Meter Sockets  
With Safety Socket Bypass

Part/UPC Number	Catalog Number	Amp Rating	Jaws	Service Type	Access	Main Breaker			
						Voltage	AIC	Main	Bypass
78205161000	224 MTBP	200	4	1Ø/3W	OH	120/240	200K	(1) 200A, 2P	TB
78205163000	224 MTBP MS15	200	4	1Ø/3W	OH	240/480	200K	(1) 200A, 2P	TB
78205161080	225 MTBP	200	5	3Ø/3W	OH	240*	200K	(1) 200A, 3P	TB
78205107971	225 MTBP MS15	200	5	3Ø/3W	OH	480*	200K	(1) 200A, 3P	TB
78205161100	227 MTBP	200	7	3Ø/4W	OH	120/240 & 120/208	200K	(1) 200A, 3P	TB
78205163020	227 MTBP MS15	200	7	3Ø/4W	OH	480/277	200K	(1) 200A, 3P	TB
78205162000	U224 MTBP	200	4	1Ø/3W	OH/UG	120/240	200K	(1) 200A, 2P	TB
78205163040	U224 MTBP MS15	200	4	1Ø/3W	OH/UG	240/480	200K	(1) 200A, 2P	TB
78205162080	U225 MTBP	200	5	3Ø/3W	OH/UG	240*	200K	(1) 200A, 3P	TB
78205163050	U225 MTBP MS15	200	5	3Ø/3W	OH/UG	480*	200K	(1) 200A, 3P	TB
78205162100	U227 MTBP	200	7	3Ø/4W	OH/UG	120/240 & 120/208	200K	(1) 200A, 3P	TB
78205163060	U227 MTBP MS15	200	7	3Ø/4W	OH/UG	480/277	200K	(1) 200A, 3P	TB

\* For a 208/120V, 1Ø/3W system, order a 4-jaw unit and a 5th jaw kit

Part/UPC Number	Catalog Number	Line	Connections Load	Neutral	Height	Overall Dimensions		Top Provision	Knockout Layout
						Width	Depth		
78205161000	224 MTBP	#6 - 250 MCM	MCB	#6 - 250 MCM	48"	14"	6"	AW Hub	Fig. 1
78205163000	224 MTBP MS15	#6 - 250 MCM	MCB	#6 - 250 MCM	48"	14"	6"	AW Hub	Fig. 1
78205161080	225 MTBP	#6 - 250 MCM	MCB	#6 - 250 MCM	48"	14"	6"	AW Hub	Fig. 1
78205107971	225 MTBP MS15	#6 - 250 MCM	MCB	#6 - 250 MCM	48"	14"	6"	AW Hub	Fig. 1
78205161100	227 MTBP	#6 - 250 MCM	MCB	#6 - 250 MCM	48"	14"	6"	AW Hub	Fig. 1
78205163020	227 MTBP MS15	#6 - 250 MCM	MCB	#6 - 250 MCM	48"	14"	6"	AW Hub	Fig. 1
78205162000	U224 MTBP	#6 - 250 MCM	Main Fuse	#6 - 250 MCM	30"	22"	6"	AW Hub	Fig. 2
78205163040	U224 MTBP MS15	#6 - 250 MCM	Main Fuse	#6 - 250 MCM	30"	22"	6"	AW Hub	Fig. 2
78205162080	U225 MTBP	#6 - 250 MCM	Main Fuse	#6 - 250 MCM	30"	22"	6"	AW Hub	Fig. 2
78205163050	U225 MTBP MS15	#6 - 250 MCM	Main Fuse	#6 - 250 MCM	30"	22"	6"	AW Hub	Fig. 2
78205162100	U227 MTBP	#6 - 250 MCM	Main Fuse	#6 - 250 MCM	30"	22"	6"	AW Hub	Fig. 2
78205163060	U227 MTBP MS15	#6 - 250 MCM	Main Fuse	#6 - 250 MCM	30"	22"	6"	AW Hub	Fig. 2

MCB - Main Circuit Breaker



# Meter Main - With Safety Socket Bypass

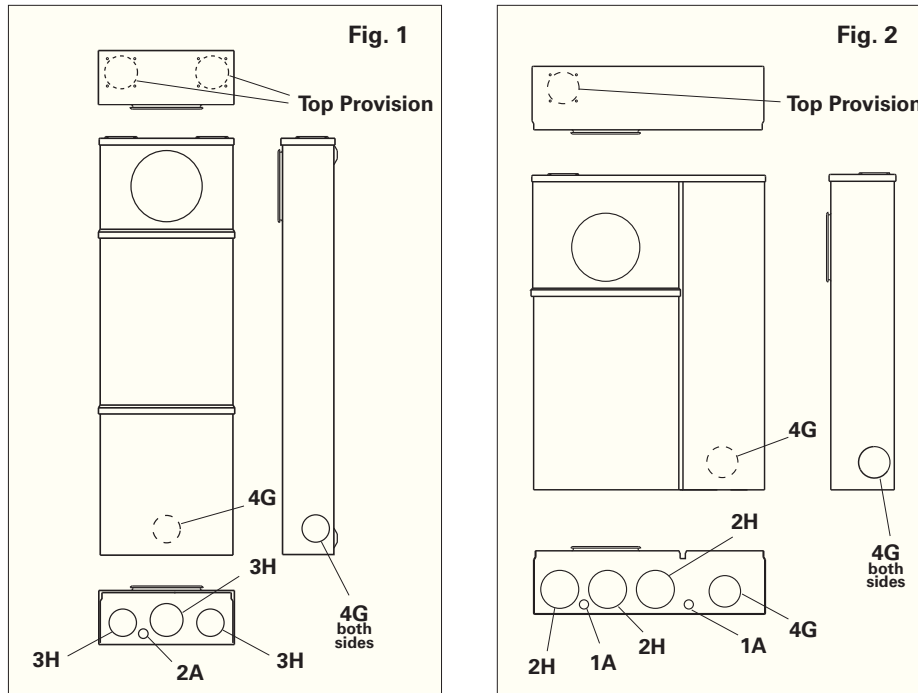
200 Amp - Fusible Pullout

Style #	Suffixes
(U) 224 MTBP	<b>P</b> - Pullout Fuse
(U) 225 MTBP	<b>MS15</b> - 480V Breaker
(U) 227 MTBP	<b>MS43</b> - No Breaker Included
	<b>SS</b> - Stainless Steel

## Knockouts - Conduit Sizes

1A = 1/2"  
 2A = 1/2" - 1/4"  
 4G = 2 1/2" - 2" - 1 1/2" - 1 1/4"  
 2H = 3" - 2 1/2"  
 3H = 3" - 2 1/2" - 2"  
 Top Provision = See Chart

## Knockout Layouts



Single Meter Sockets  
 With Safety Socket Bypass

Data subject to change without notice. Consult local utility for area acceptance. All dimensions are in inches.

# Meter Main Loadcenter - With Safety Socket Bypass

## 200 Amp



U224 MTBL (closed)



U224 MTBL (open)

### Application

- Combination meter/main/loadcenter with safety socket (test block) bypass
- Factory installed breakers / fusible pullout ("T" fuses included)
- Receive ANSI C12.10 watthour meters
- Surface mount



### Construction

- Ring type
- NEMA Type 3R
- ANSI 61 gray E-coat finish
- Aluminum snap ring included

### Standards

- UL 67 Listed
- ANSI C12.7
- EUSERC 305A

Single Meter Sockets  
With Safety Socket Bypass

Part/UPC Number	Catalog Number	Amp Rating	Jaws	Service Type	Access	Main Breaker				
						Voltage	AIC	Main	Loadcenter	Bypass
78205170138	U224 MTBL	200	4	1Ø/3W	OH/UG	120/240	10K	(1) 200A, 2P	20/40	TB
78205170140	U224 MTBPL	200	4	1Ø/3W	OH/UG	120/240	100K	(1) 200A, 2P	20/40	TB
78205170142	U225 MTBL	200	5	3Ø/3W	OH/UG	240*	10K	(1) 200A, 3P	24/42	TB
78205170144	U225 MTBPL	200	5	3Ø/3W	OH/UG	240*	100K	(1) 200A, 3P	24/42	TB
78205170146	U227 MTBL	200	7	3Ø/4W	OH/UG	120/240 & 120/208	10K	(1) 200A, 3P	24/42	TB
78205170148	U227 MTBPL	200	7	3Ø/4W	OH/UG	120/240 & 120/208	100K	(1) 200A, 3P	24/42	TB

\* For a 208/120V, 1Ø/3W system, order a 4-jaw unit and a 5th jaw kit

Part/UPC Number	Catalog Number	Connections			Overall Dimensions			Top Provision	Knockout Layout
		Line	Load	Neutral	Height	Width	Depth		
78205170138	U224 MTBL	#6 - 250 MCM	MCB	#6 - 250 MCM	30"	27"	6"	AW Hub	Fig. 1
78205170140	U224 MTBPL	#6 - 250 MCM	Main Fuse	#6 - 250 MCM	30"	27"	6"	AW Hub	Fig. 1
78205170142	U225 MTBL	#6 - 250 MCM	MCB	#6 - 250 MCM	32"	27"	6"	AW Hub	Fig. 1
78205170144	U225 MTBPL	#6 - 250 MCM	Main Fuse	#6 - 250 MCM	32"	27"	6"	AW Hub	Fig. 1
78205170146	U227 MTBL	#6 - 250 MCM	MCB	#6 - 250 MCM	32"	27"	6"	AW Hub	Fig. 1
78205170148	U227 MTBPL	#6 - 250 MCM	Main Fuse	#6 - 250 MCM	32"	27"	6"	AW Hub	Fig. 1

MCB - Main Circuit Breaker

# Meter Main Loadcenter - With Safety Socket Bypass

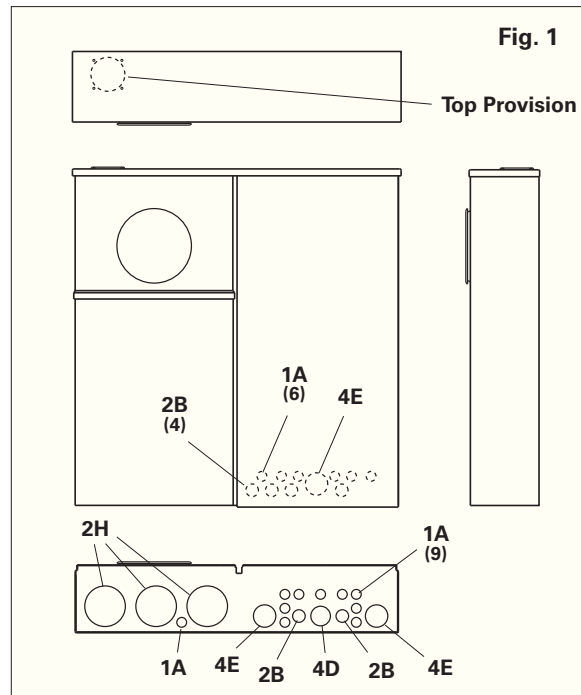
200 Amp

Style #	Suffixes
(U) 224 MTBL	<b>P</b> - Pullout Fuse
(U) 224 MTBPL	<b>MS43</b> - No Breaker Included
(U) 225 MTBL	<b>SS</b> - Stainless Steel
(U) 225 MTBPL	
(U) 227 MTBL	
(U) 227 MTBPL	

## Knockouts - Conduit Sizes

1A = 1/2"
2B = 3/4" - 1/2"
4D = 1 1/4" - 1" - 3/4" - 1/2"
4E = 1 1/2" - 1 1/4" - 1" - 3/4"
2H = 3" - 2 1/2"
Top Provision = See Chart

## Knockout Layouts



Single Meter Sockets  
With Safety Socket Bypass

Data subject to change without notice. Consult local utility for area acceptance. All dimensions are in inches.

# Test Block Bypass - Metering Breaker Data

## Main Breaker Data

Catalog Number	B-Line Breaker #	ITE Breaker #	Ampacity	Voltage	# of Poles	AIC
U214MTB	25458P	Q2100	100A	240	2P	10K
U215MTB	25460P	Q3100	100A	240	3P	10K
U217MTB	25460P	Q3100	100A	240	3P	10K
U214MTBHMS45	25464P	Q2100H	100A	240	2P	22K
U215MTBHMS45	25466P	Q3100H	100A	240	3P	22K
U217MTBHMS45	25466P	Q3100H	100A	240	3P	22K
U214MTBH	25470P	Q2100HH	100A	240	2P	42K
U215MTBH	25472P	Q3100HH	100A	240	3P	42K
U217MTBH	25472P	Q3100HH	100A	240	3P	42K
U214MTBMS15	25534N	ED42B100	100A	480	2P	10K
U215MTBMS15	25536N	ED43B100	100A	480	3P	10K
U217MTBMS15	25536N	ED43B100	100A	480	3P	10K
U214MTBHMS15	25544N	HED42B100	100A	480	2P	42K
U215MTBHMS15	25546N	HED43B100	100A	480	3P	42K
U217MTBHMS15	25546N	HED43B100	100A	480	3P	42K
U214MTBL	25458P	Q2100	100A	240	2P	10K
U215MTBL	25460P	Q3100	100A	240	3P	10K
U217MTBL	25460P	Q3100	100A	240	3P	10K
U224MTB	25508K	QJ22B200	200A	240	2P	10K
U225MTB	25510K	QJ23B200	200A	240	3P	10K
U227MTB	25510K	QJ23B200	200A	240	3P	10K
U224MTBHMS45	25512K	QJH22B200H	200A	240	2P	22K
U225MTBHMS45	25514K	QJH23B200H	200A	240	3P	22K
U227MTBHMS45	25514K	QJH23B200H	200A	240	3P	22K
U224MTBH	25516K	QJ22B200H	200A	240	2P	42K
U225MTBH	25518K	QJ23B200H	200A	240	3P	42K
U227MTBH	25518K	QJ23B200H	200A	240	3P	42K
U224MTBHMS15	25552J	FXD62B200	200A	480	2P	22K
U225MTBHMS15	25554J	FXD63B200	200A	480	3P	22K
U227MTBHMS15	25554J	FXD63B200	200A	480	3P	22K

## Main Pullout Data

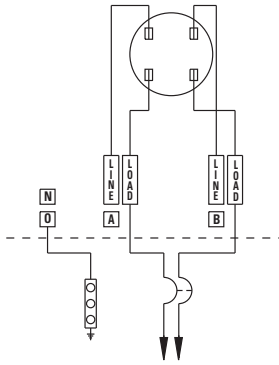
Catalog Number	B-Line Breaker #	Boltswitch Pullout #	Ampacity	Voltage	# of Poles	AIC
U214MTBP	20404A	PT323-2P	100A	240	2P	200K
U215MTBP	20404B	PT323	100A	240	3P	200K
U217MTBP	20404B	PT323	100A	240	3P	200K
U214MTBPMS15	20404E	PT363-2P	100A	480	2P	200K
U215MTBPMS15	20404F	PT363	100A	480	3P	200K
U217MTBPMS15	20404F	PT363	100A	480	3P	200K
U224MTBP	20404C	PT324-2P	200A	240	2P	200K
U225MTBP	20404D	PT324	200A	240	3P	200K
U227MTBP	20404D	PT324	200A	240	3P	200K
U224MTBPMS15	20404G	PT364-2P	200A	480	2P	200K
U225MTBPMS15	20404H	PT364	200A	480	3P	200K
U227MTBPMS15	20404H	PT364	200A	480	3P	200K

## Main Pullout Data

Catalog Number	B-Line Breaker #	ITE Pullout #	Ampacity	Voltage	# of Poles	AIC
U214MTBPL	25050A	TFP223	100A	240	2P	100K
U215MTBPL	25051A	TFP323	100A	240	3P	100K
U217MTBPL	25051A	TFP323	100A	240	3P	100K
U224MTBPL	25052A	TFP224	200A	240	2P	100K
U225MTBPL	25053A	TFP324	200A	240	3P	100K
U227MTBPL	25053A	TFP324	200A	240	3P	100K

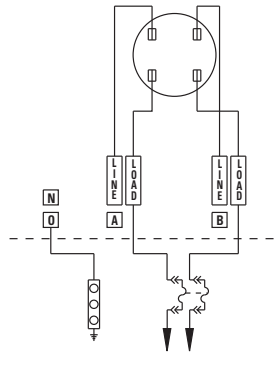
Data subject to change without notice. Consult local utility for area acceptance. All dimensions are in inches.

# Test Block Bypass - Wiring Diagrams



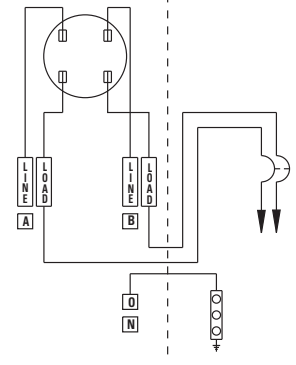
**Catalog #**

- 214MTB
- 214MTBHMS45
- 214MTBH
- 214MTBMS15
- 214MTBHMS15
- 224MTB
- 224MTBHMS45
- 224MTBH
- 224MTBMS15



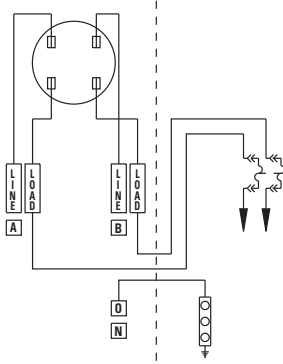
**Catalog #**

- 214MTBP
- 214MTBPMS15
- 224MTBP
- 224MTBPMS15



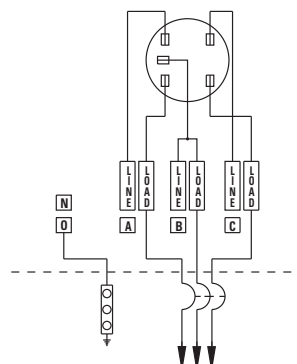
**Catalog #**

- U214MTB
- U214MTBMS15
- U214MTBHMS15
- U214MTBH
- U214MTBHMS45
- U224MTB
- U224MTBH
- U224MTBHMS45



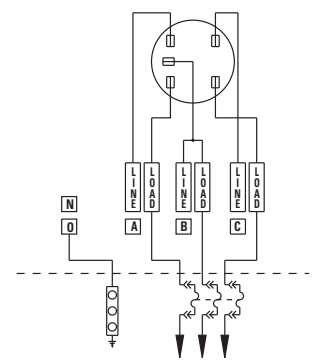
**Catalog #**

- U214MTBP
- U214MTBPMS15
- U224MTBP
- U224MTBPMS15



**Catalog #**

- 215MTB
- 215MTBMS15
- 215MTBHMS15
- 215MTBH
- 215MTBHMS45
- 225MTB
- 225MTBH
- 225MTBHMS45



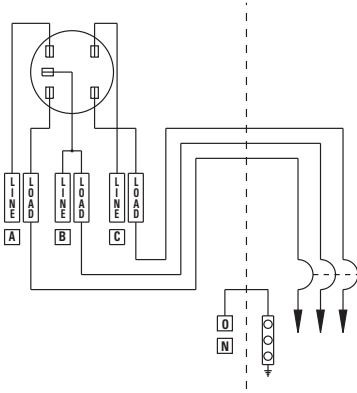
**Catalog #**

- 215MTBP
- 215MTBPMS15
- 225MTBP
- 225MTBPMS15

Single Meter Sockets  
With Safety Socket Bypass

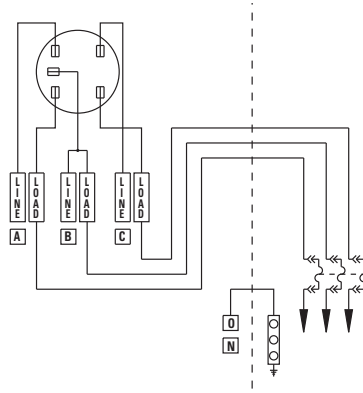
Data subject to change without notice. Consult local utility for area acceptance. All dimensions are in inches.

# Test Block Bypass - Wiring Diagrams



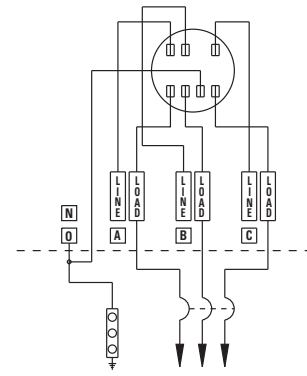
Catalog #

U215MTB  
 U215MTBMS15  
 U215MTBHMS15  
 U215MTBH  
 U215MTBHMS45  
 U225MTB  
 U225MTBH  
 U225MTBHMS45  
 U225MTBHMS15



Catalog #

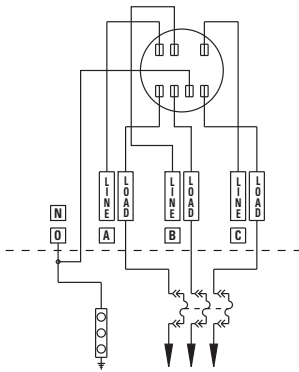
U215MTBP  
 U214MTBPMS15  
 U225MTBP  
 U225MTBPMS15



Catalog #

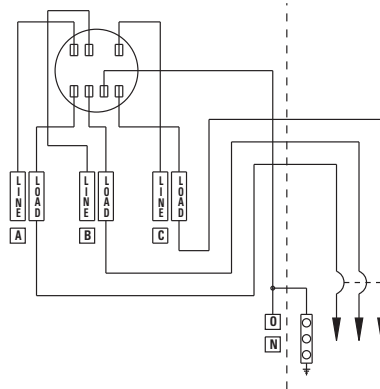
U217MTB  
 U217MTBMS15  
 U217MTBHMS15  
 U217MTBH  
 U217MTBHMS45  
 U227MTB  
 U227MTBH  
 U227MTBHMS45  
 U227MTBHMS15

Single Meter Sockets  
 With Safety Socket Bypass



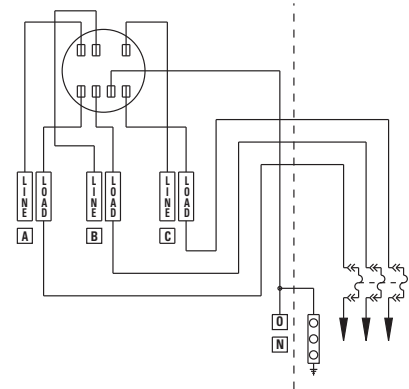
Catalog #

217MTBP  
 217MTBPMS15  
 227MTBP  
 227MTBPMS15



Catalog #

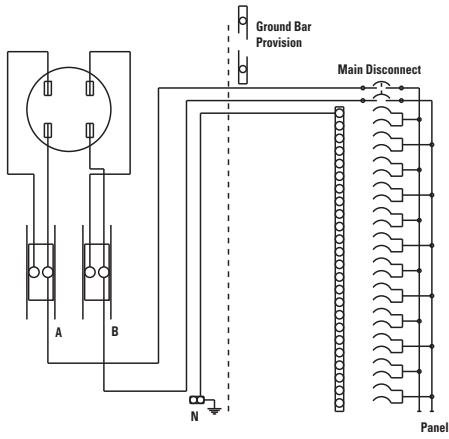
U217MTB  
 U217MTBMS15  
 U217MTBHMS15  
 U217MTBH  
 U217MTBHMS45  
 U227MTB  
 U227MTBMS15  
 U227MTBH  
 U227MTBHMS45



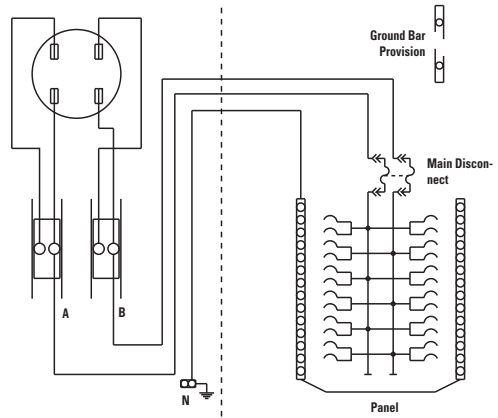
Catalog #

U217MTBP  
 U217MTBPMS15  
 U227MTBP  
 U227MTBPMS15

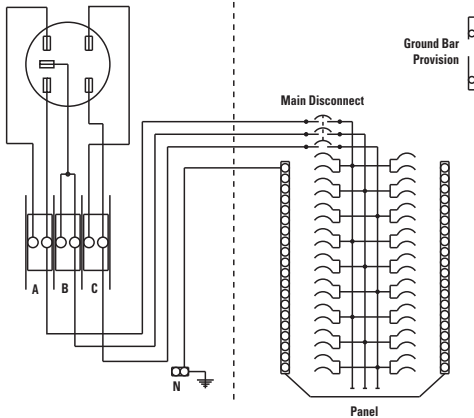
# Test Block Bypass - Wiring Diagrams



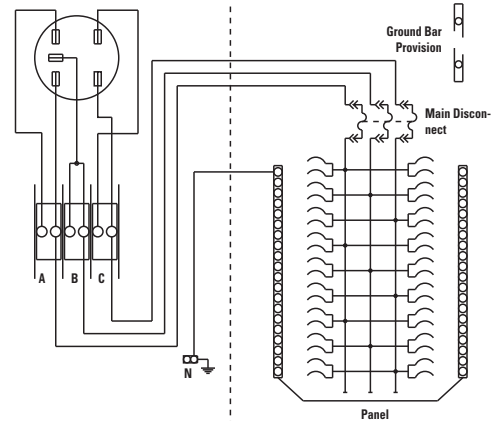
**Catalog #**  
**U214MTBL**



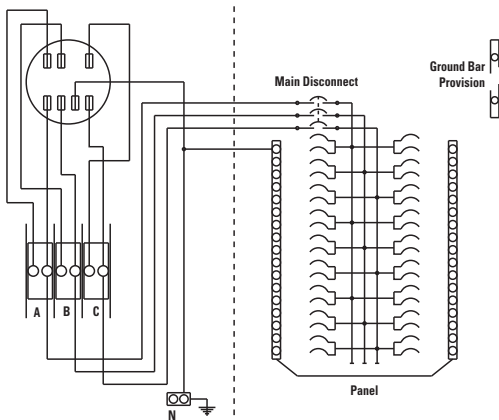
**Catalog #**  
**U214MTBPL**



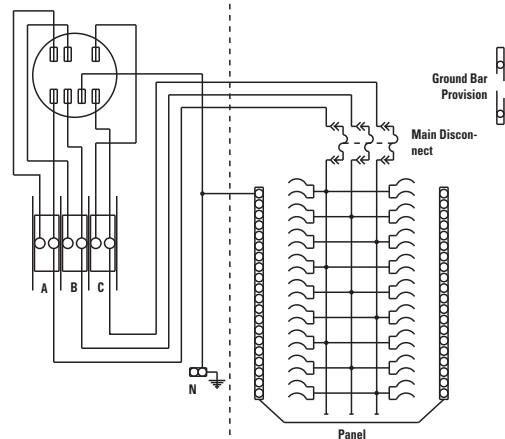
**Catalog #**  
**U215MTBL**



**Catalog #**  
**U215MTBPL**



**Catalog #**  
**U217MTBL**

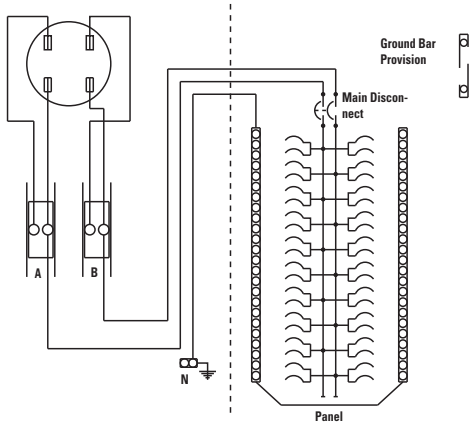


**Catalog #**  
**U217MTBPL**

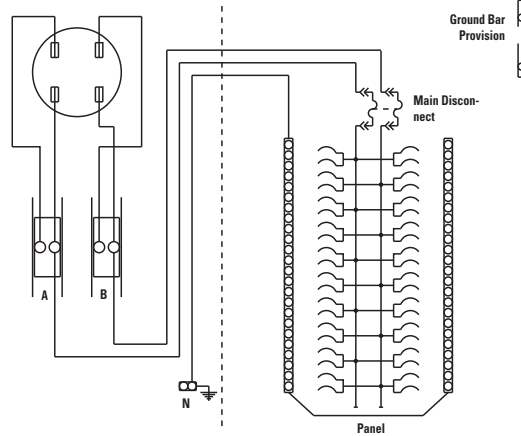
Single Meter Sockets  
With Safety Socket Bypass

Data subject to change without notice. Consult local utility for area acceptance. All dimensions are in inches.

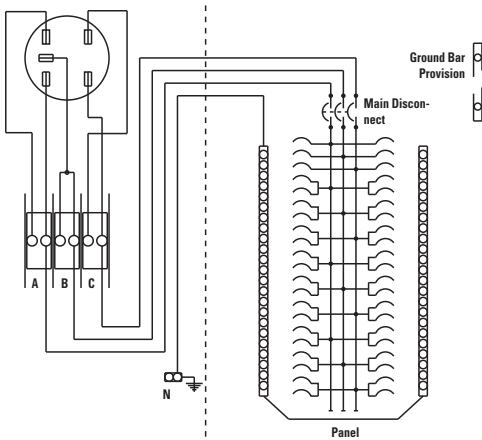
# Test Block Bypass - Wiring Diagrams



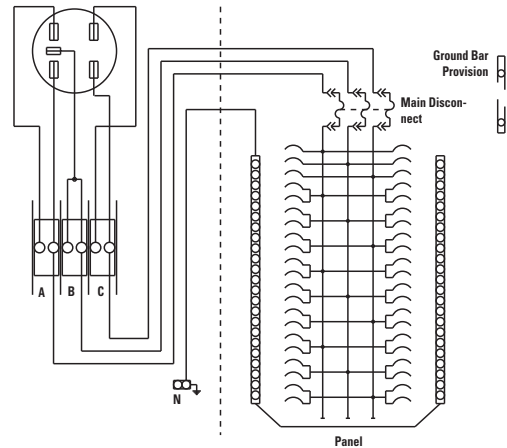
**Catalog #**  
**U224MTBL**



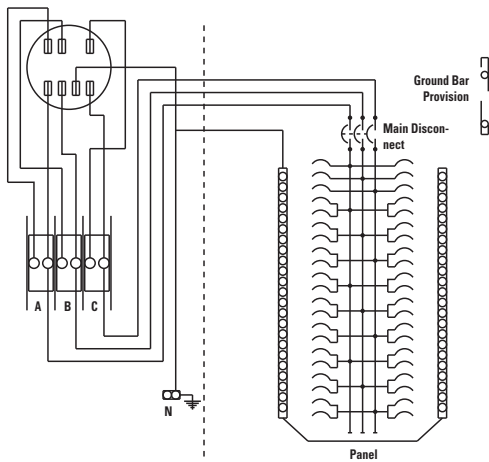
**Catalog #**  
**U224MTBPL**



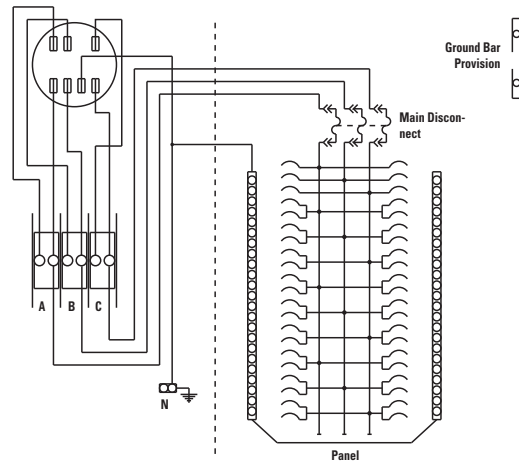
**Catalog #**  
**U225MTBL**



**Catalog #**  
**U225MTBPL**



**Catalog #**  
**U227MTBL**



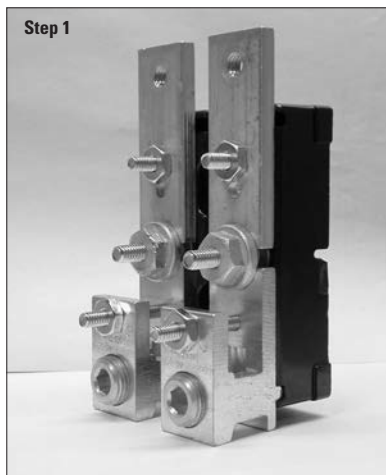
**Catalog #**  
**U227MTBPL**

Single Meter Sockets  
With Safety Socket Bypass

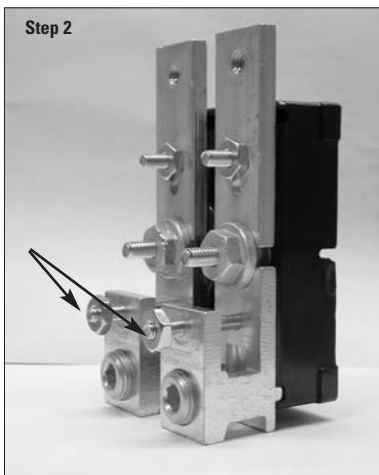


# Test Block Bypass - Safety Socket Bypass Instructions

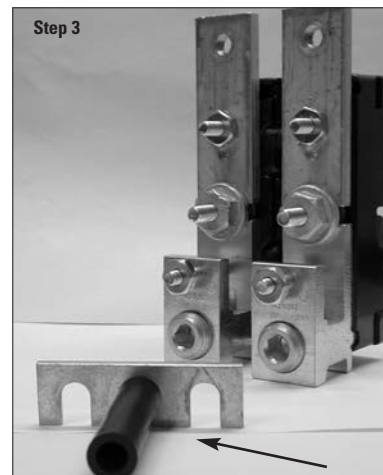
THIS PROCEDURE SHOULD BE PERFORMED ONLY BY QUALIFIED UTILITY PERSONNEL



Test Block in normal operation. All screw terminals are in the closed position and tightened to the required torque specification.



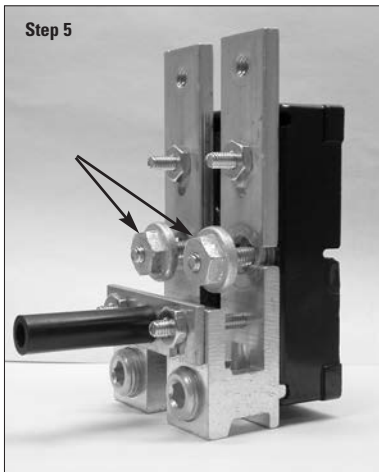
Loosen Terminal Bypass Nuts.



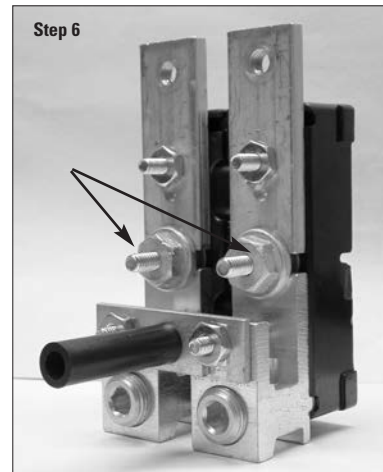
Picture shows the "Bypass Link" used to bypass the meter. (Normally supplied by utility)



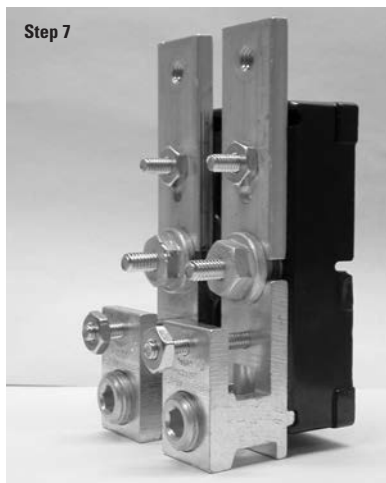
Install Bypass Link as shown and tighten the Terminal Bypass Nuts to required torque specifications.



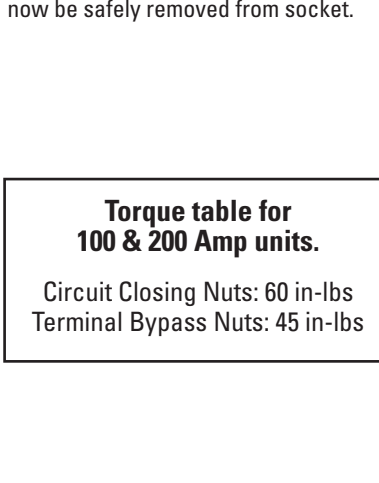
With Bypass Link securely in place, loosen Circuit Closing Nuts. All current and voltage potential has now been isolated from the socket. Meter may now be safely removed from socket.



After meter has been replaced, securely tighten the Circuit Closing Nut to required torque specification.



Loosen Terminal Bypass Nuts and remove Bypass Link. Meter is now energized.



Tighten Terminal Bypass Nuts.

**Torque table for  
100 & 200 Amp units.**  
Circuit Closing Nuts: 60 in-lbs  
Terminal Bypass Nuts: 45 in-lbs

Single Meter Sockets  
With Safety Socket Bypass

Data subject to change without notice. Consult local utility for area acceptance.



# Bussed Gutters & Termination Cabinets



Universal Bussed Gutters, 400 -2000 Amp .....	49 - 50
Bussed Gutters for TB/MTB Units, 400 -800 Amp .....	51 - 52
Termination Enclosures, 100 -1200 Amp .....	53 - 54

Bussed Gutters &  
Termination Cabinets

# Universal Bussed Gutters

## 400 - 2000 Amp



R1060HEE (closed)



R1060HEE (open)



### Application

- With KOs for ganging TB/MTB units under a common feed
- Surface mount

### Construction

- NEMA Type 3R
- ANSI 61 gray E-coat finish
- Aluminum bussing

### Standards

- UL 1773 Listed

Bussed Gutters & Termination Cabinets

Part/UPC Number	Catalog Number	Buss Amps	Service Type	AIC	Line	Connections Load	Neutral	Overall Height	Overall Width	Overall Depth	Knockout Layout
78205118055	<b>R1024 HC</b>	400	1Ø/3W	10K	#4 - 600 MCM	See Note *	#4 - 600 MCM	22"	24"	6"	Fig. 1
78205118065	<b>R1036 HC</b>	400	1Ø/3W	10K	#4 - 600 MCM	See Note *	#4 - 600 MCM	22"	36"	6"	Fig. 1
78205118075	<b>R1048 HC</b>	400	1Ø/3W	10K	#4 - 600 MCM	See Note *	#4 - 600 MCM	22"	48"	6"	Fig. 1
78205118085	<b>R1060 HC</b>	400	1Ø/3W	10K	#4 - 600 MCM	See Note *	#4 - 600 MCM	22"	60"	6"	Fig. 1
78205118095	<b>R1072 HC</b>	400	1Ø/3W	10K	#4 - 600 MCM	See Note *	#4 - 600 MCM	22"	72"	6"	Fig. 1
78205118115	<b>R1036 HD</b>	600	1Ø/3W	10K	(2) #4 - 600 MCM	See Note *	(2) #4 - 600 MCM	22"	36"	6"	Fig. 1
78205118125	<b>R1048 HD</b>	600	1Ø/3W	10K	(2) #4 - 600 MCM	See Note *	(2) #4 - 600 MCM	22"	48"	6"	Fig. 1
78205118135	<b>R1060 HD</b>	600	1Ø/3W	10K	(2) #4 - 600 MCM	See Note *	(2) #4 - 600 MCM	22"	60"	6"	Fig. 1
78205118145	<b>R1072 HD</b>	600	1Ø/3W	10K	(2) #4 - 600 MCM	See Note *	(2) #4 - 600 MCM	22"	72"	6"	Fig. 1
78205118325	<b>R1048 HE</b>	800	1Ø/3W	10K	(3) #4 - 600 MCM	See Note *	(3) #4 - 600 MCM	22"	48"	6"	Fig. 1
78205118335	<b>R1060 HE</b>	800	1Ø/3W	10K	(3) #4 - 600 MCM	See Note *	(3) #4 - 600 MCM	22"	60"	6"	Fig. 1
78205118345	<b>R1072 HE</b>	800	1Ø/3W	10K	(3) #4 - 600 MCM	See Note *	(3) #4 - 600 MCM	22"	72"	6"	Fig. 1
78205118215	<b>R1024 HCC</b>	400	3Ø/4W	10K	#4 - 600 MCM	See Note *	#4 - 600 MCM	22"	24"	6"	Fig. 1
78205118225	<b>R1036 HCC</b>	400	3Ø/4W	10K	#4 - 600 MCM	See Note *	#4 - 600 MCM	22"	36"	6"	Fig. 1
78205118235	<b>R1048 HCC</b>	400	3Ø/4W	10K	#4 - 600 MCM	See Note *	#4 - 600 MCM	22"	48"	6"	Fig. 1
78205118245	<b>R1060 HCC</b>	400	3Ø/4W	10K	#4 - 600 MCM	See Note *	#4 - 600 MCM	22"	60"	6"	Fig. 1
78205118255	<b>R1072 HCC</b>	400	3Ø/4W	10K	#4 - 600 MCM	See Note *	#4 - 600 MCM	22"	72"	6"	Fig. 1
78205108075	<b>R1096 HCC</b>	400	3Ø/4W	10K	#4 - 600 MCM	See Note *	#4 - 600 MCM	22"	96"	6"	Fig. 1
78205118275	<b>R1036 HDD</b>	600	3Ø/4W	10K	(2) #4 - 600 MCM	See Note *	(2) #4 - 600 MCM	28 1/2"	36"	6"	Fig. 1
78205118285	<b>R1048 HDD</b>	600	3Ø/4W	10K	(2) #4 - 600 MCM	See Note *	(2) #4 - 600 MCM	28 1/2"	48"	6"	Fig. 1
78205118295	<b>R1060 HDD</b>	600	3Ø/4W	10K	(2) #4 - 600 MCM	See Note *	(2) #4 - 600 MCM	28 1/2"	60"	6"	Fig. 1
78205118305	<b>R1072 HDD</b>	600	3Ø/4W	10K	(2) #4 - 600 MCM	See Note *	(2) #4 - 600 MCM	28 1/2"	72"	6"	Fig. 1
78205131978	<b>R1096 HDD</b>	600	3Ø/4W	10K	(2) #4 - 600 MCM	See Note *	(2) #4 - 600 MCM	28 1/2"	96"	6"	Fig. 1
78205118150	<b>R10120 HDD</b>	600	3Ø/4W	10K	(2) #4 - 600 MCM	See Note *	(2) #4 - 600 MCM	28 1/2"	120"	6"	Fig. 1
78205118375	<b>R1048 HEE</b>	800	3Ø/4W	10K	(3) #4 - 600 MCM	See Note *	(3) #4 - 600 MCM	28 1/2"	48"	6"	Fig. 1
78205118385	<b>R1060 HEE</b>	800	3Ø/4W	10K	(3) #4 - 600 MCM	See Note *	(3) #4 - 600 MCM	28 1/2"	60"	6"	Fig. 1
78205118395	<b>R1072 HEE</b>	800	3Ø/4W	10K	(3) #4 - 600 MCM	See Note *	(3) #4 - 600 MCM	28 1/2"	72"	6"	Fig. 1
78205118401	<b>R1096 HEE</b>	800	3Ø/4W	10K	(3) #4 - 600 MCM	See Note *	(3) #4 - 600 MCM	28 1/2"	96"	6"	Fig. 1
78205118160	<b>R10120 HEE</b>	800	3Ø/4W	10K	(3) #4 - 600 MCM	See Note *	(3) #4 - 600 MCM	28 1/2"	120"	6"	Fig. 1
78205131970	<b>R1060 HFF</b>	1200	3Ø/4W	10K	(4) #4 - 600 MCM	See Note *	(4) #4 - 600 MCM	36"	60"	6"	Fig. 1
78205131972	<b>R1072 HFF</b>	1200	3Ø/4W	10K	(4) #4 - 600 MCM	See Note *	(4) #4 - 600 MCM	36"	72"	6"	Fig. 1
78205118200	<b>R1096 HFF</b>	1200	3Ø/4W	10K	(4) #4 - 600 MCM	See Note *	(4) #4 - 600 MCM	36"	96"	6"	Fig. 1
78205118170	<b>R10120 HFF</b>	1200	3Ø/4W	10K	(4) #4 - 600 MCM	See Note *	(4) #4 - 600 MCM	36"	120"	6"	Fig. 1
78205131974	<b>R1072 HGG</b>	1600	3Ø/4W	10K	(6) #4 - 600 MCM	See Note *	(6) #4 - 600 MCM	36"	72"	8"	Fig. 1
78205118205	<b>R1096 HGG</b>	1600	3Ø/4W	10K	(6) #4 - 600 MCM	See Note *	(6) #4 - 600 MCM	36"	96"	8"	Fig. 1
78205118190	<b>R10120 HGG</b>	1600	3Ø/4W	10K	(6) #4 - 600 MCM	See Note *	(6) #4 - 600 MCM	36"	120"	8"	Fig. 1
78205131976	<b>R1072 HHH</b>	2000	3Ø/4W	10K	(6) #4 - 600 MCM	See Note *	(6) #4 - 600 MCM	36"	72"	8"	Fig. 1
78205118210	<b>R1096 HHH</b>	2000	3Ø/4W	10K	(6) #4 - 600 MCM	See Note *	(6) #4 - 600 MCM	36"	96"	8"	Fig. 1
78205118195	<b>R10120 HHH</b>	2000	3Ø/4W	10K	(6) #4 - 600 MCM	See Note *	(6) #4 - 600 MCM	36"	120"	8"	Fig. 1

Note: \* 5/16" mounting holes for load lugs - single location per phase per foot of width.

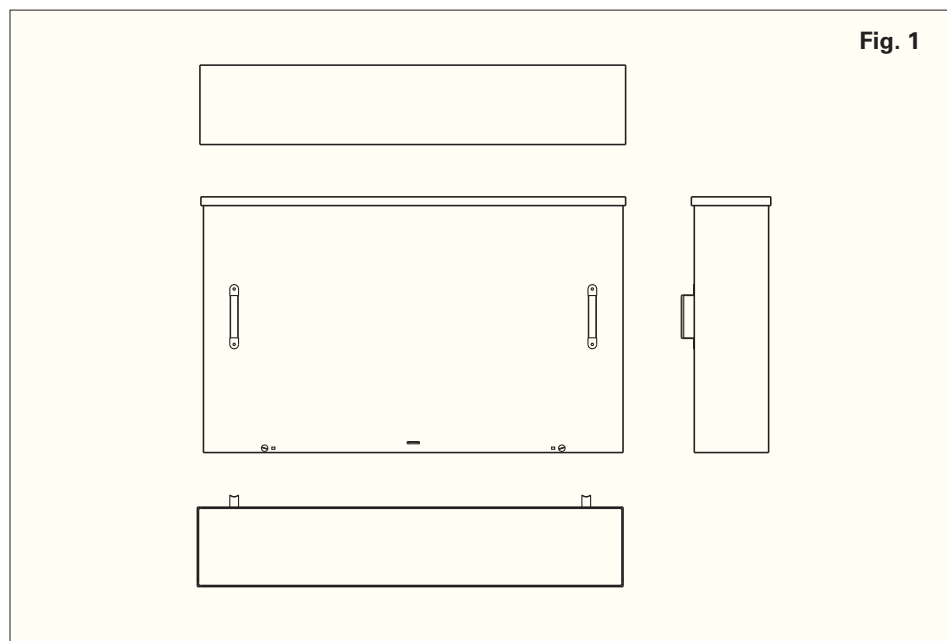
Note: Every 600 MCM lug barrel will accept (2) 1/0 - 250 MCM cables

# Universal Bussed Gutters

400 - 2000 Amp

Style #	Suffixes
R1024	<b>SS</b> - Stainless Steel
R1036	<b>/CU</b> - Copper Buss
R1048	
R1060	
R1072	
R1096	
R10120	

## Layouts



All cabinets 60" and wider have two (2) doors.  
Cabinets 48" wide and 28<sup>1</sup>/<sub>2</sub>" tall also have two (2) doors.

Bussed Gutters &  
Termination Cabinets

# Bussed Gutters - For TB/MTB Units

## 400 - 800 Amp



R1123HCC (closed)



R1123HCC (open)



### Application

- Used as a distribution point for multiple load applications under a common feed
- Surface mount

### Construction

- NEMA Type 3R
- ANSI 61 gray E-coat finish
- Aluminum bussing

### Standards

- UL 1773 Listed

Bussed Gutters & Termination Cabinets

Part/UPC Number	Catalog Number	Buss Amps	Service Type	Positions	Connections			Overall Dimensions			Knockout Layout
					Line	Load	Neutral	Height	Width	Depth	
78205157083	R1122 HC	400	1Ø/3W	2	#4 - 600 MCM	#6 - 600 MCM	#4 - 600 MCM	13"	28 <sup>3</sup> / <sub>8</sub> "	6"	Fig. 1
78205157087	R1123 HC	400	1Ø/3W	3	#4 - 600 MCM	#6 - 600 MCM	#4 - 600 MCM	13"	42 <sup>3</sup> / <sub>4</sub> "	6"	Fig. 2
78205157089	R1123 HD	600	1Ø/3W	3	(2) #4 - 600 MCM	#6 - 600 MCM	(2) #4 - 600 MCM	22"	42 <sup>3</sup> / <sub>4</sub> "	6"	Fig. 2
78205157091	R1124 HD	600	1Ø/3W	4	(2) #4 - 600 MCM	#6 - 600 MCM	(2) #4 - 600 MCM	22"	57"	6"	Fig. 3
78205157107	R1125 HD	600	1Ø/3W	5	(2) #4 - 600 MCM	#6 - 600 MCM	(2) #4 - 600 MCM	22"	71 <sup>1</sup> / <sub>4</sub> "	6"	Fig. 4
78205157111	R1126 HD	600	1Ø/3W	6	(2) #4 - 600 MCM	#6 - 600 MCM	(2) #4 - 600 MCM	22"	85 <sup>5</sup> / <sub>8</sub> "	6"	Fig. 5
78205157093	R1124 HE	800	1Ø/3W	4	(3) #4 - 600 MCM	#6 - 600 MCM	(3) #4 - 600 MCM	22"	57"	6"	Fig. 3
78205157109	R1125 HE	800	1Ø/3W	5	(3) #4 - 600 MCM	#6 - 600 MCM	(3) #4 - 600 MCM	22"	71 <sup>1</sup> / <sub>4</sub> "	6"	Fig. 4
78205157113	R1126 HE	800	1Ø/3W	6	(3) #4 - 600 MCM	#6 - 600 MCM	(3) #4 - 600 MCM	22"	85 <sup>5</sup> / <sub>8</sub> "	6"	Fig. 5
78205157097	R1122 HCC	400	3Ø/4W	2	#4 - 600 MCM	#6 - 600 MCM	#4 - 600 MCM	22"	28 <sup>3</sup> / <sub>8</sub> "	6"	Fig. 1
78205157099	R1123 HCC	400	3Ø/4W	3	#4 - 600 MCM	#6 - 600 MCM	#4 - 600 MCM	22"	42 <sup>3</sup> / <sub>4</sub> "	6"	Fig. 2
78205157101	R1123 HDD	600	3Ø/4W	3	(2) #4 - 600 MCM	#6 - 600 MCM	(2) #4 - 600 MCM	22"	42 <sup>3</sup> / <sub>4</sub> "	6"	Fig. 2
78205157103	R1124 HDD	600	3Ø/4W	4	(2) #4 - 600 MCM	#6 - 600 MCM	(2) #4 - 600 MCM	22"	57"	6"	Fig. 3
78205157115	R1125 HDD	600	3Ø/4W	5	(2) #4 - 600 MCM	#6 - 600 MCM	(2) #4 - 600 MCM	22"	71 <sup>1</sup> / <sub>4</sub> "	6"	Fig. 4
78205157119	R1126 HDD	600	3Ø/4W	6	(2) #4 - 600 MCM	#6 - 600 MCM	(2) #4 - 600 MCM	22"	85 <sup>5</sup> / <sub>8</sub> "	6"	Fig. 5
78205157103	R1124 HEE	800	3Ø/4W	4	(3) #4 - 600 MCM	#6 - 600 MCM	(3) #4 - 600 MCM	28 <sup>1</sup> / <sub>2</sub> "	57"	6"	Fig. 3
78205157117	R1125 HEE	800	3Ø/4W	5	(3) #4 - 600 MCM	#6 - 600 MCM	(3) #4 - 600 MCM	28 <sup>1</sup> / <sub>2</sub> "	71 <sup>1</sup> / <sub>4</sub> "	6"	Fig. 4
78205157121	R1126 HEE	800	3Ø/4W	6	(3) #4 - 600 MCM	#6 - 600 MCM	(3) #4 - 600 MCM	28 <sup>1</sup> / <sub>2</sub> "	85 <sup>5</sup> / <sub>8</sub> "	6"	Fig. 5

#### Notes:

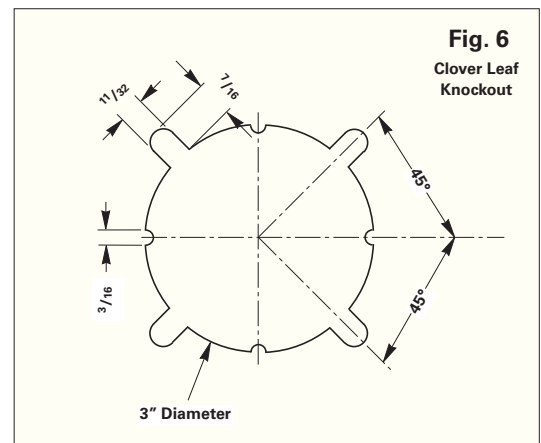
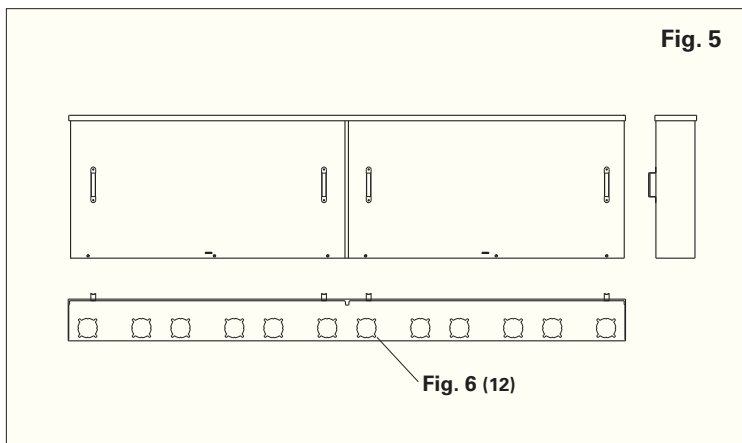
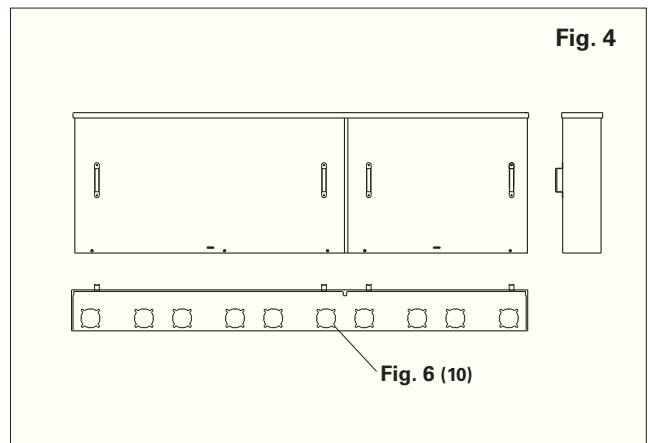
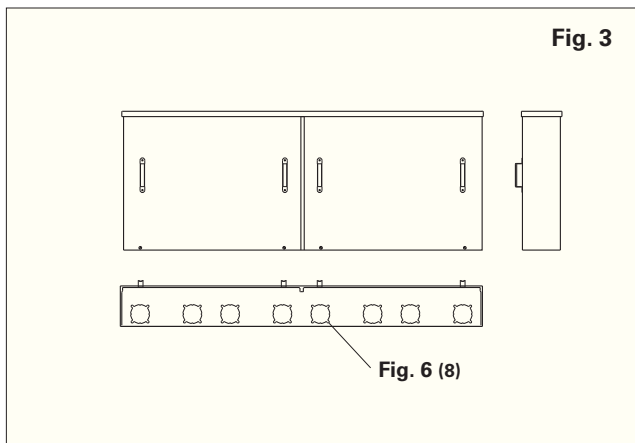
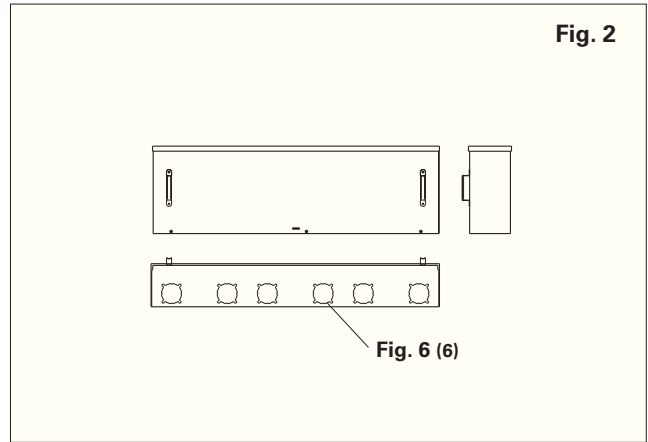
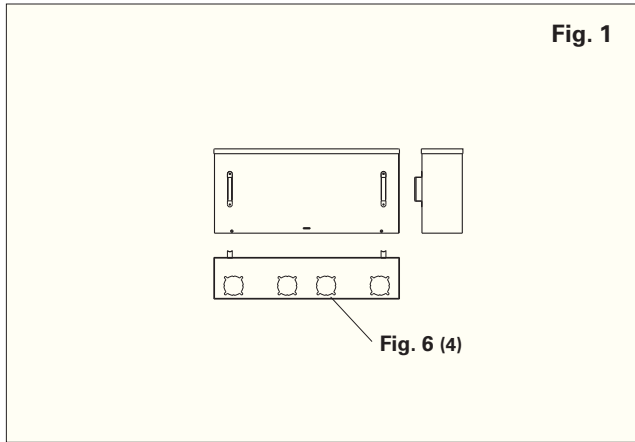
- All TB/MTB bussed gutters are rated at 10K AIC.
- All units have (1) #6 -250 MCM ground lug secured to the neutral.
- Every 600 MCM lug barrel will accept (2) 1/0 - 250 MCM cables.

# Bussed Gutters - For TB/MTB Units

400 - 800 Amps

Style #	Suffixes
R1122	<b>SS</b> - Stainless Steel
R1123	<b>/CU</b> - Copper Buss
R1124	
R1125	
R1126	

## Knockout Layouts



Bussed Gutters & Termination Cabinets

Data subject to change without notice. Consult local utility for area acceptance. All dimensions are in inches.

# Termination Enclosures

## 100 - 1200 Amp



R9000EE (closed)



R9000EE (open)

### Application

- For termination of utility supply cables
- Used as a termination point before bussed gutters in underground applications
- Surface mount

### Construction

- NEMA Type 3R
- ANSI 61 gray E-coat finish
- Aluminum bussing
- Removable door with sealing provision and lifting handles



### Standards

- UL 1773 Listed
- EUSERC 343
- EUSERC 343A

Bussed Gutters & Termination Cabinets

Part/UPC Number	Catalog Number	Amp Rating	Service Type	Access	AIC	Phase & Neutral Connections		Overall Dimensions			Knockout Layout
						Line	Load	Height	Width	Depth	
78205153196	<b>R9007 A</b>	100	1Ø or 3Ø/3W	UG	10K	#14 - 2/0	#14 - 2/0	8"	12"	4"	Fig. 1
78205158183	<b>R9000 B</b>	200	1Ø or 3Ø/3W	UG	10K	#6 - 250 MCM	#6 - 250 MCM	26"	12"	6"	Fig. 1
78205153189	<b>R9000 BB</b>	200	3Ø/4W	UG	10K	#6 - 250 MCM	#6 - 250 MCM	26"	16"	6"	Fig. 1
78205153184	<b>R9000 C</b>	400	1Ø or 3Ø/3W	UG	42K	2 Studs / Ø	#6 - 600 MCM	44"	12"	7"	Fig. 1
78205153190	<b>R9000 CC</b>	400	3Ø/4W	UG	42K	2 Studs / Ø	#6 - 600 MCM	44"	18"	7"	Fig. 1
78205153186	<b>R9000 E</b>	800	1Ø or 3Ø/3W	UG	65K	4 Studs / Ø	(3) #4 - 600 MCM	52"	18"	11"	Fig. 1
78205153192	<b>R9000 EE</b>	800	3Ø/3W	UG	65K	4 Studs / Ø	(3) #4 - 600 MCM	52"	26"	11"	Fig. 1
78205153188	<b>R9000 F</b>	1200	1Ø or 3Ø/3W	UG	65K	6 Studs / Ø	(4) #4 - 600 MCM	52"	24"	11"	Fig. 1
78205153194	<b>R9000 FF</b>	1200	3Ø/4W	UG	65K	6 Studs / Ø	(4) #4 - 600 MCM	52"	36"	11"	Fig. 1
78205107197	<b>R9000 CL</b>	400	1Ø or 3Ø/3W	OH/UG	42K	#4 - 600 MCM	#4 - 600 MCM	44"	12"	7"	Fig. 1
78205107200	<b>R9000 CCL</b>	400	3Ø/4W	OH/UG	42K	#4 - 600 MCM	#4 - 600 MCM	44"	18"	7"	Fig. 1
78205107198	<b>R9000 EL</b>	800	1Ø or 3Ø/3W	OH/UG	65K	(3) #4 - 600 MCM	(3) #4 - 600 MCM	52"	18"	11"	Fig. 1
78205107201	<b>R9000 EEL</b>	800	3Ø/3W	OH/UG	65K	(3) #4 - 600 MCM	(3) #4 - 600 MCM	52"	26"	11"	Fig. 1
78205107199	<b>R9000 FL</b>	1200	1Ø or 3Ø/3W	OH/UG	65K	(4) #4 - 600 MCM	(3) #4 - 600 MCM	52"	24"	11"	Fig. 1
78205107202	<b>R9000 FFL</b>	1200	3Ø/4W	OH/UG	65K	(4) #4 - 600 MCM	(3) #4 - 600 MCM	52"	36"	11"	Fig. 1

#### Notes:

UG units comply with EUSERC 343A.

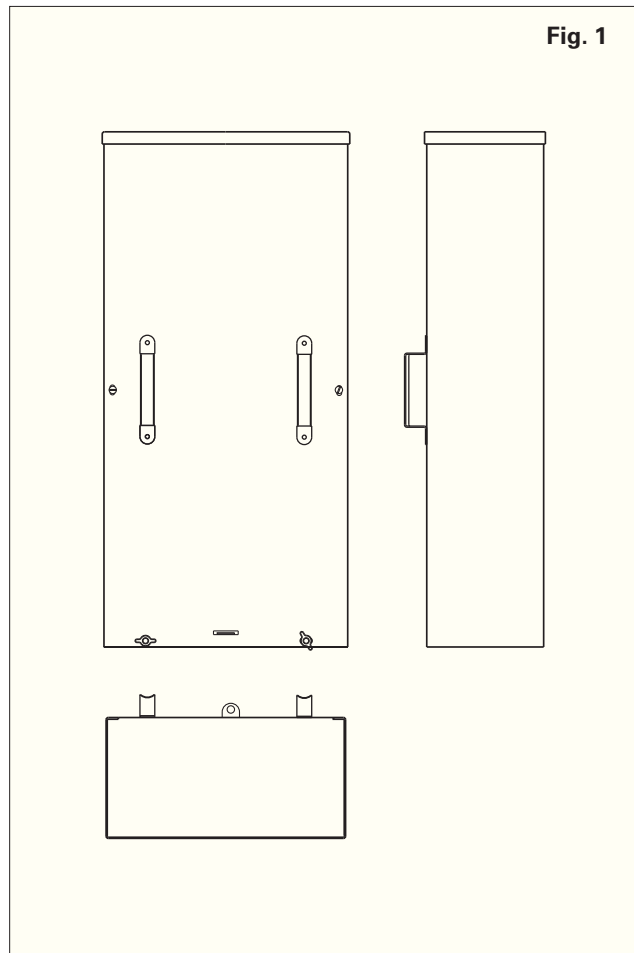
OH/UG units comply with EUSERC 343.

Every 600 MCM lug barrel will accept (2) 1/0 - 250 MCM cables.



Style #	Suffixes
R9000	SS - Stainless Steel

## Layouts



52" tall cabinets have two (2) overlapping doors as shown on the R9000EE photo (page 53)

Bussed Gutters & Termination Cabinets





Single Meter Sockets, Without Bypass - 400 Amp Max .....	57 - 58
Meter Mains, With Optional MCC Bypass - 400 Amp Max .....	59 - 60
Meter Main Load Centers, With Optional MCC Bypass - 400 Amp Max .....	61 - 62
Class 320 - Meter Breaker Data .....	63
Class 320 - Wiring Diagrams .....	64 - 65

# Single Meter Sockets - Without Bypass

400 Amp Max



324N (open)



324C (open)



## Application

- Manual circuit closing bypass (link bypass) under separate cover
- Receive ANSI C12.10 watt-hour meters
- Surface mount

## Construction

- NEMA Type 3R
- ANSI 61 gray E-coat finish
- Aluminum snap ring included

## Standards

- UL 414 Listed
- ANSI C12.7
- EUSERC 302

## Accessories

- Flush Trim Kit - FK1432 or FK2432
- H Hubs

Part/UPC Number	Catalog Number	Max Amp Rating	Jaws	Service Type	Access	Bypass
78205162220	<b>324C *</b>	400	4	1Ø/3W	UG	MCC
78205162210	<b>324N</b>	400	4	1Ø/3W	UG	MCC

Part/UPC Number	Catalog Number	Connections			Overall Dimensions			Top Provision	Knockout Layout
		Line	Load	Neutral	Height	Width	Depth		
78205162220	<b>324C *</b>	Studs	#4 - 600 MCM	Studs	32"	24"	6"	None	Fig. 1
78205162210	<b>324N</b>	#4 - 600 MCM	#4 - 600 MCM	#4 - 600 MCM	32"	14"	6"	H Hub	Fig. 2

\* Complies with EUSERC 302

# Single Meter Sockets - Without Bypass

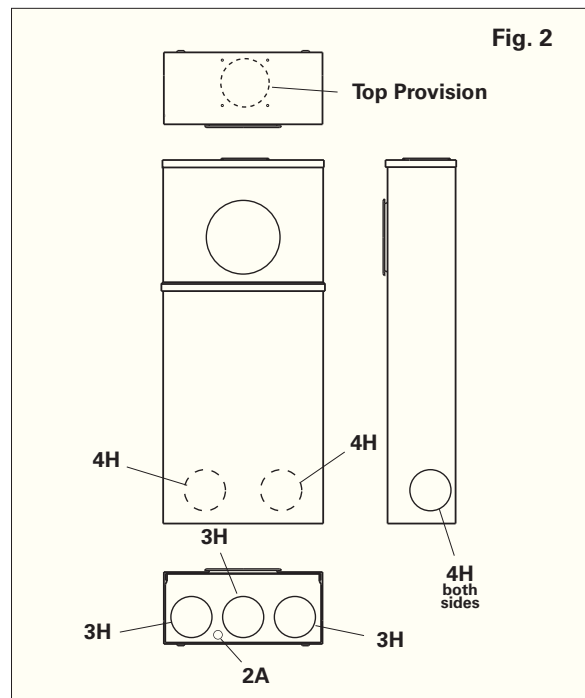
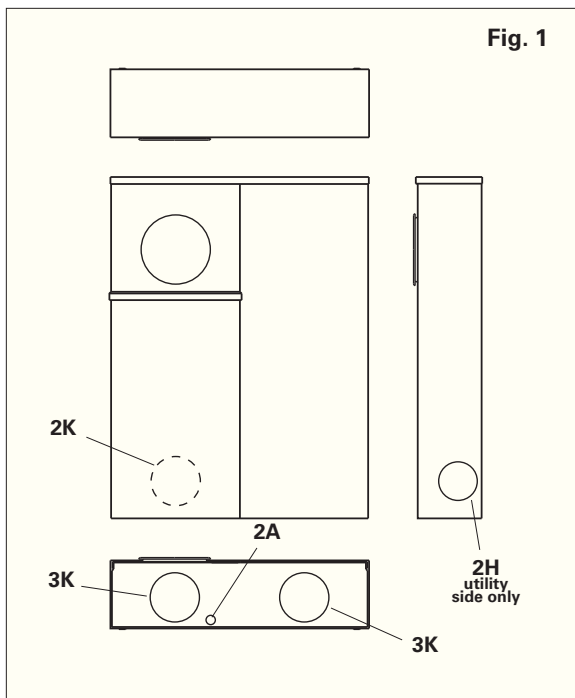
400 Amp Max

Style #	Suffixes
324C	SS - Stainless Steel
324N	

## Knockouts - Conduit Sizes

2A = 1/2" - 1/4"  
 3H = 3" - 2 1/2" - 2"  
 4H = 3" - 2 1/2" - 2" - 1 1/2"  
 2K = 4" - 3 1/2"  
 3K = 4" - 3 1/2" - 3"  
 Top Provision = See Chart

## Knockout Layouts



Data subject to change without notice. Consult local utility for area acceptance. All dimensions are in inches.

# Meter Mains - With Optional MCC Bypass

## 400 Amp Max



U404MCC (closed)



U404MCC (open)

### Application

- Combination meter/main with optional manual circuit closing (link type) bypass
- Factory installed breaker
- Receive ANSI C12.10 watt-hour meters
- Surface mount

### Construction

- NEMA Type 3R
- ANSI 61 gray E-coat finish
- Aluminum snap ring included
- Removable door with sealing provision and lifting handles

### Standards

- UL 67 Listed
- ANSI C12.7
- EUSERC 302

### Accessories

- Flush Trim Kit - FK2438
- Overhead Adapter - CK8326



Part/UPC Number	Catalog Number	Max Amp Rating	Jaws	Service Type	Access	Voltage	Main Breaker AIC	Main	Bypass
78205181515	U4042MC	400	4	1Ø/3W	UG	120/240	10K	(2) 200A, 2P	--
78205181517	U4042MCC	400	4	1Ø/3W	UG	120/240	10K	(2) 200A, 2P	MCC
78205181525	U404MC	400	4	1Ø/3W	UG	120/240	22K	(1) 400A, 2P	--
78205181530	U404MCC	400	4	1Ø/3W	UG	120/240	22K	(1) 400A, 2P	MCC

Part/UPC Number	Catalog Number	Connections			Overall Dimensions			Top Provision	Knockout Layout
		Line	Load	Neutral	Height	Width	Depth		
78205181515	U4042MC	Studs	MCB	#6 - 250 MCM	38"	30"	6"	None	Fig. 1
78205181517	U4042MCC	Studs	MCB	#6 - 250 MCM	38"	30"	6"	None	Fig. 1
78205181525	U404MC	Studs	MCB	#6 - 600 MCM	38"	24"	6"	None	Fig. 2
78205181530	U404MCC	Studs	MCB	#6 - 600 MCM	38"	24"	6"	None	Fig. 2

Class 320 Metering

# Meter Mains - With Optional MCC Bypass

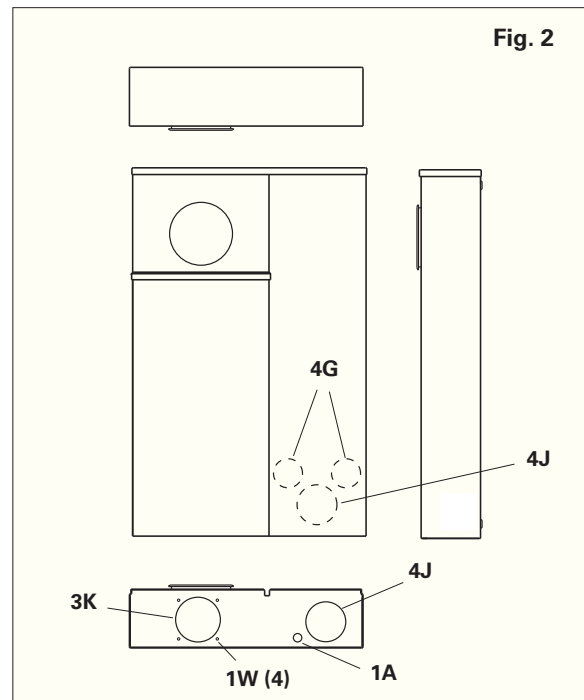
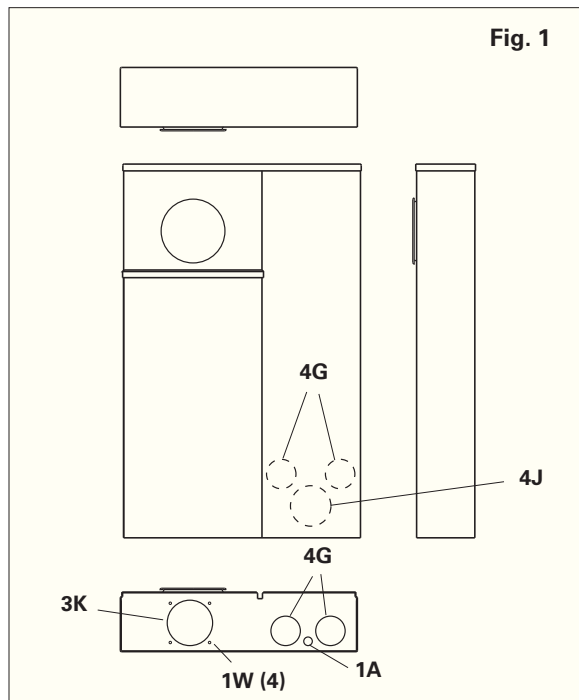
400 Amp Max

Style #	Suffixes
U404	<b>MC</b> - No bypass
U4042	<b>MCC</b> - MCC bypass
	<b>SS</b> - Stainless Steel

## Knockouts - Conduit Sizes

1A = 1/2"  
 4G = 2 1/2" - 2" - 1 1/2" - 1 1/4"  
 4J = 3 1/2" - 3" - 2 1/2" - 2"  
 3K = 4" - 3 1/2" - 3"  
 1W = 1/4"  
 Top Provision = See Chart

## Knockout Layouts



Class 320 Metering

Data subject to change without notice. Consult local utility for area acceptance. All dimensions are in inches.

# Meter Main Loadcenters - With Optional MCC Bypass

## 400 Amp Max



U4041123MC (closed)



U4041123MC (open)



### Application

- Combination meter/main/loadcenter with optional manual circuit closing (link type) bypass
- Factory installed breaker
- Receive ANSI C12.10 watthour meters
- Surface mount

### Construction

- NEMA Type 3R
- ANSI 61 gray E-coat finish
- Aluminum snap ring included
- Removable door with sealing provision and lifting handles

### Standards

- UL 67 Listed
- ANSI C12.7
- EUSERC 302

Part/UPC Number	Catalog Number	Max Amp Rating	Jaws	Service Type	Access	Main Breaker		Provisions	Loadcenter	Bypass	
						Voltage	AIC				
78205157072	U40411230MC	400	4	1Ø/3W	UG	120/240	22K	(1) 200A, 2P	(2) 100A	20/40	--
78205157074	U40411230MCC	400	4	1Ø/3W	UG	120/240	22K	(1) 200A, 2P	(2) 100A	20/40	MCC
78205119923	U4042208MC	400	4	1Ø/3W	UG	120/240	22K	(1) 200A, 2P	(1) 200A	8	--
78205120682	U4042208MCC	400	4	1Ø/3W	UG	120/240	22K	(1) 200A, 2P	(1) 200A	8	MCC
78205177210	U4042230MC	400	4	1Ø/3W	UG	120/240	22K	(1) 200A, 2P	(1) 200A	30/40	--
78205177220	U4042230MCC	400	4	1Ø/3W	UG	120/240	22K	(1) 200A, 2P	(1) 200A	30/40	MCC
78205177230	U404430MC	400	4	1Ø/3W	UG	120/240	22K	(1) 400A, 2P	--	30	--
78205177240	U404430MCC	400	4	1Ø/3W	UG	120/240	22K	(1) 400A, 2P	--	30	MCC

Part/UPC Number	Catalog Number	Connections		Height	Overall Dimensions		Top Provision	Knockout Layout
		Line	Load		Neutral	Width		
78205157072	U40411230MC	Studs	MCB	#6 - 250 MCM	38"	30"	6"	None Fig. 1
78205157074	U40411230MCC	Studs	MCB	#6 - 250 MCM	38"	30"	6"	None Fig. 1
78205119923	U4042208MC	Studs	MCB	#6 - 250 MCM	38"	30"	6"	None Fig. 2
78205120682	U4042208MCC	Studs	MCB	#6 - 250 MCM	38"	30"	6"	None Fig. 2
78205177210	U4042230MC	Studs	MCB	#6 - 250 MCM	38"	30"	6"	None Fig. 1
78205177220	U4042230MCC	Studs	MCB	#6 - 250 MCM	38"	30"	6"	None Fig. 1
78205177230	U404430MC	Studs	MCB	#6 - 250 MCM	47"	34"	6"	None Fig. 3
78205177240	U404430MCC	Studs	MCB	#6 - 250 MCM	47"	34"	6"	None Fig. 3

Class 320 Metering



# Meter Main Loadcenters - With Optional MCC Bypass

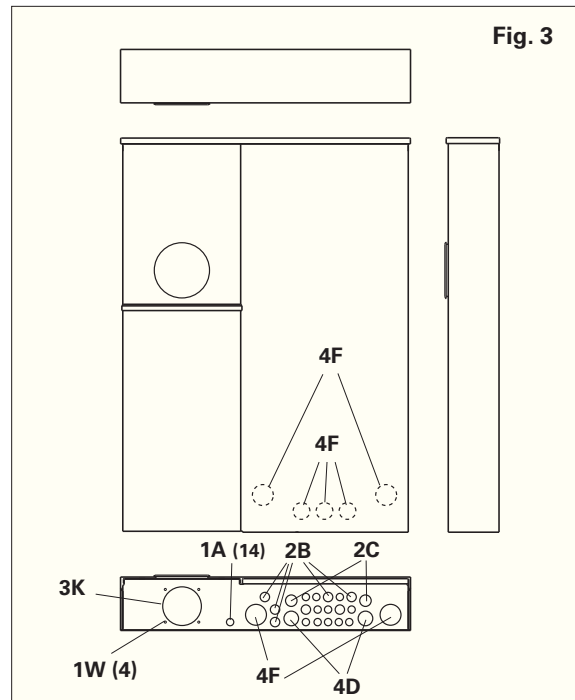
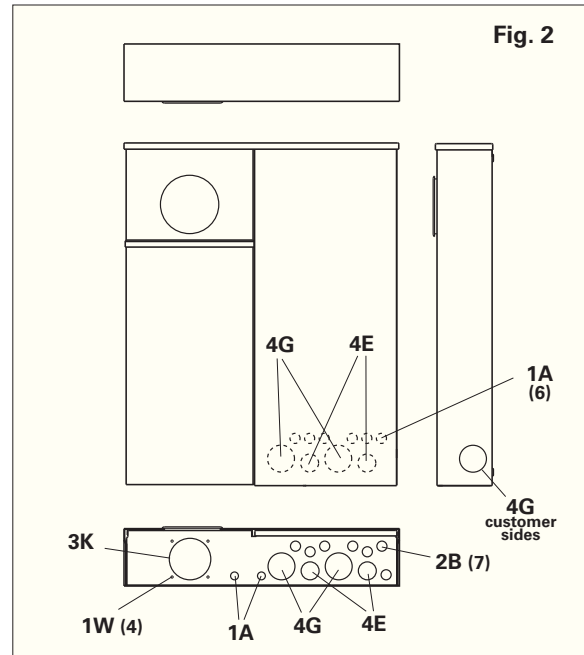
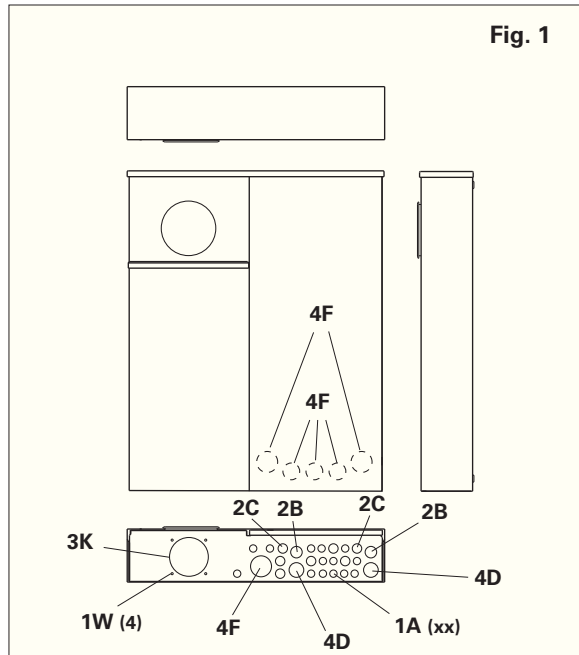
400 Amp Max

Style #	Suffixes
U404430	<b>MC</b> - No bypass
U4042208	<b>MCC</b> - MCC bypass
U4042230	<b>SS</b> - Stainless Steel
U40411230	

## Knockouts - Conduit Sizes

- 1A = 1/2"
- 2B = 3/4" - 1/2"
- 2C = 1" - 3/4"
- 4D = 1 1/4" - 1" - 3/4" - 1/2"
- 4E = 1 1/2" - 1 1/4" - 1" - 3/4"
- 4F = 2" - 1 1/2" - 1 1/4" - 1"
- 4G = 2 1/2" - 2" - 1 1/2" - 1 1/4"
- 3K = 4" - 3 1/2" - 3"
- 1W = 1/4"

## Knockout Layouts



Data subject to change without notice. Consult local utility for area acceptance. All dimensions are in inches.

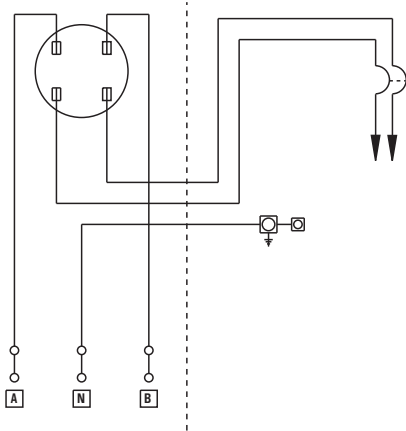
# Class 320 - Meter Breaker Data

## Main Breaker Data

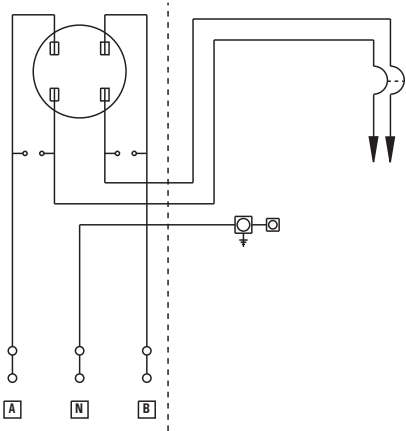
Catalog Number	B-Line Breaker #	ITE Breaker #	Ampacity	# of Poles	AIC
U404MC/MCC	25564F	JXD22B400	400A	2P	22K
U4042MC/MCC	25582A	QN2200	200A	2P	10K
U40411230MC/MCC	25585A	MBK200A	200A	2P	22K
U4042230MC/MCC	25585A	MBK200A	200A	2P	22K
U404430MC/MCC	25564F	JXD22B400	400A	2P	22K
U4042208MC	--	MBK200A	200A	2P	22K
U4042208MCC	--	MBK200A	200A	2P	22K

## Breaker Provision Data

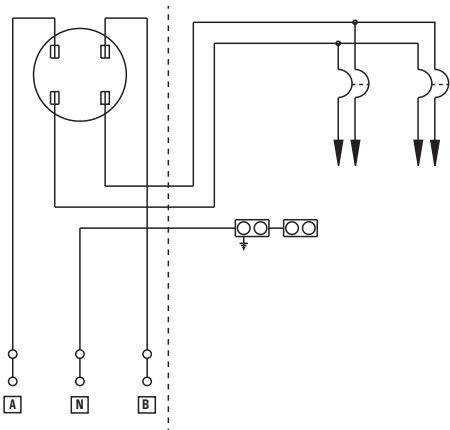
Catalog Number	B-Line Breaker #	ITE Breaker #	Ampacity	# of Poles	AIC
U40411230MC/MCC	25458P	Q2100	100A	2P	10K
U4042230MC/MCC	25464P	Q2100H	200A	2P	22K
	25582A	QN2200	200A	2P	10K
U4042208MC/MCC	25583A	QN2200H	200A	2P	22K
	25582A	QN2200	200A	2P	10K



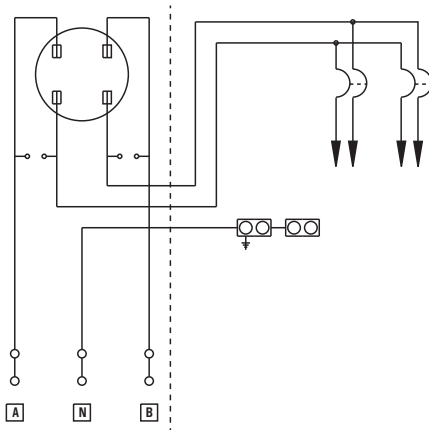
**Catalog #**  
**U404MC**



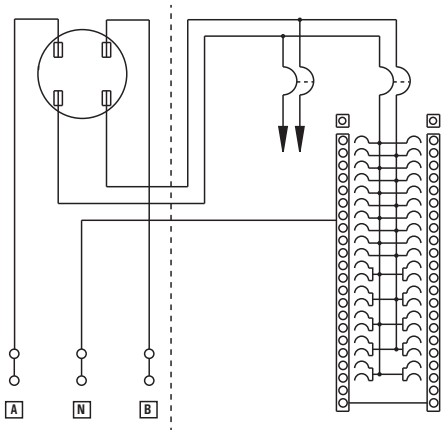
**Catalog #**  
**U404MCC**



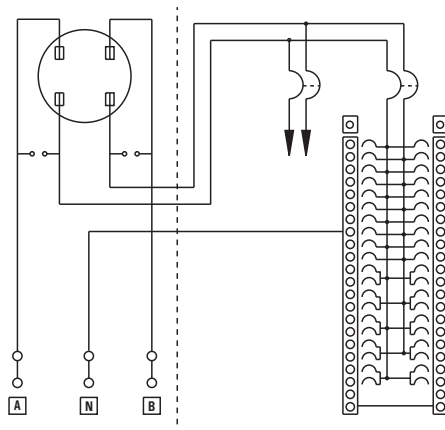
**Catalog #**  
**U4042MC**



**Catalog #**  
**U4042MCC**



**Catalog #**  
**U404223MC**

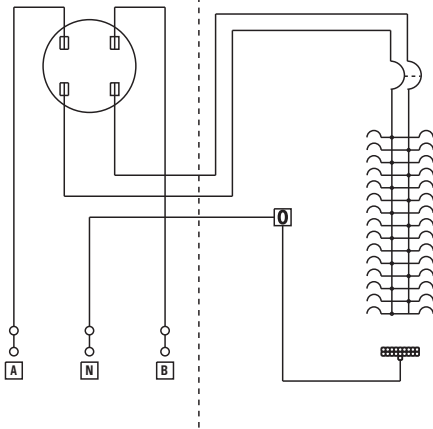


**Catalog #**  
**U404223MCC**

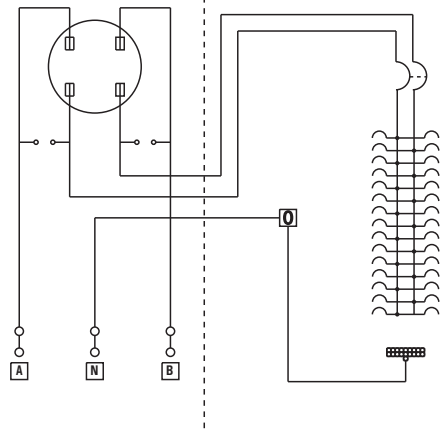
Class 320 Metering

Data subject to change without notice. Consult local utility for area acceptance. All dimensions are in inches.

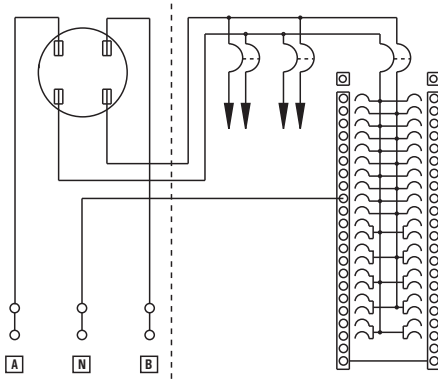
# Class 320 - Wiring Diagrams



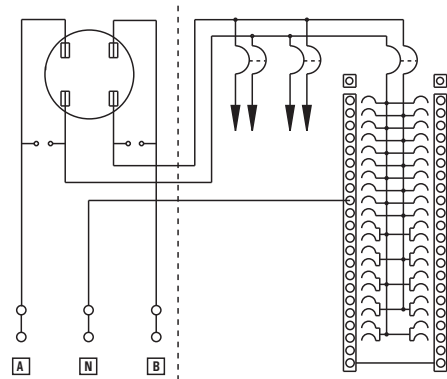
**Catalog #**  
**U404430MC**



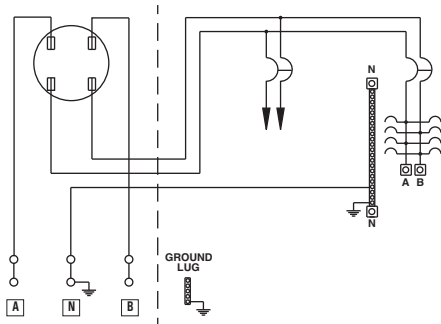
**Catalog #**  
**U404430MCC**



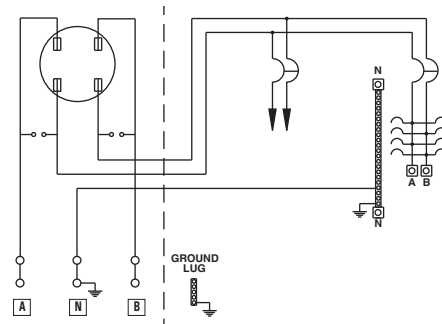
**Catalog #**  
**U40411230MC**



**Catalog #**  
**U40411230MCC**



**Catalog #**  
**U4042208MC**



**Catalog #**  
**U4042208MCC**

Class 320 Metering



Single Meter Sockets, Without Bypass - CT Rated .....	67 - 68
Single Meter Sockets, CT Rated With Test Switch Bypass Provision .....	69 - 70
Meter Socket / Enclosure Combination Cabinets - CT Rated .....	71 - 72
CT Enclosures With Lift Off Covers .....	73 - 74
CT Enclosures With Hinged, Lift Off Doors .....	75 - 76
CT Mounting Bases .....	77
CT Mounting Bases - Test Configuration Sheet .....	78
CT Utility Enclosures .....	79 - 80

# Single Meter Sockets - Without Bypass

## CT Rated



051HS-13 (closed)



051HS-13 (open)

### Application

- Receive ANSI C12.10 watthour meters
- Overhead and underground feed (see chart)
- Surface mount

### Construction

- Ring type
- NEMA Type 3R
- ANSI 61 gray E-coat finish
- Aluminum snap ring included



### Standards

- UL 414 Listed
- ANSI C12.7

### Accessories

- AW Hub
- Screw Type Ring - 25016D

Part/UPC Number	Catalog Number	Amp Rating	Jaws	Service Type	Access	Connections		
						Line	Load	Neutral
78205168494	924	20	4	1Ø	OH/UG	#14 - #10	#14 - #10	#14 - #10
78205144010	925	20	5	1Ø	OH/UG	#14 - #10	#14 - #10	#14 - #10
78205144020	926	20	6	1Ø	OH/UG	#14 - #10	#14 - #10	#14 - #10
78205144040	928	20	8	1Ø or 3Ø	OH/UG	#14 - #10	#14 - #10	#14 - #10
78205144045	051HS-13	20	13	3Ø	OH/UG	#14 - #10	#14 - #10	#14 - #10
78205144050	051HS-15	20	15	3Ø	OH/UG	#14 - #10	#14 - #10	#14 - #10
78205102085	924 MS77	20	4	1Ø	OH/UG	#14 - #10	#14 - #10	#14 - #10

Part/UPC Number	Catalog Number	Overall Dimensions			Top Provision	Knockout Layout
		Height	Width	Depth		
78205168494	924	12"	8"	4 <sup>5</sup> / <sub>8</sub> "	AW Hub	Fig. 1
78205144010	925	12"	8"	4 <sup>5</sup> / <sub>8</sub> "	AW Hub	Fig. 1
78205144020	926	12"	8"	4 <sup>5</sup> / <sub>8</sub> "	AW Hub	Fig. 1
78205144040	928	12"	8"	4 <sup>5</sup> / <sub>8</sub> "	AW Hub	Fig. 1
78205144045	051HS-13	12"	8"	4 <sup>5</sup> / <sub>8</sub> "	AW Hub	Fig. 1
78205144050	051HS-15	12"	8"	4 <sup>5</sup> / <sub>8</sub> "	AW Hub	Fig. 1
78205102085	924 MS77	12"	8"	4 <sup>5</sup> / <sub>8</sub> "	AW Hub	Fig. 1

# Single Meter Sockets - Without Bypass

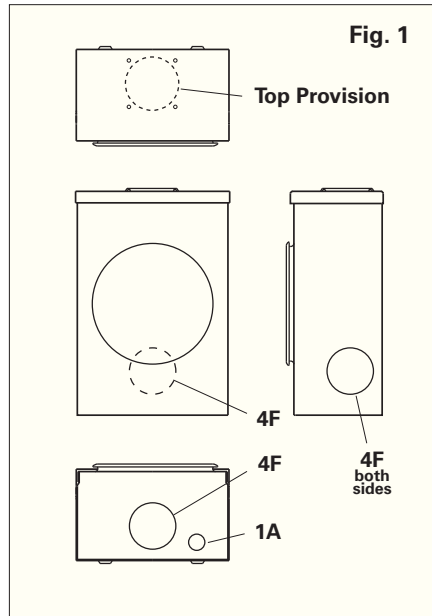
CT Rated

Style #	Suffixes
924	<b>MS77</b> - 1" Conduit Hub
925	<b>SS</b> - Stainless Steel
926	
928	
051HS	

## Knockouts - Conduit Sizes

1A = 1/2"  
4F = 2" - 1 1/2" - 1 1/4" - 1"  
Top Provision ≠ See Chart

## Knockout Layouts



Data subject to change without notice. Consult local utility for area acceptance. All dimensions are in inches.

# Single Meter Sockets

## CT Rated With Test Switch Bypass Provision



121413 (closed)



121413 (open)

### Application

- Test switch section under separate cover
- Test switch perch included
- Receive ANSI C12.10 watt-hour meters
- Overhead and underground feed (see chart)
- Surface mount

### Construction

- Ring type
- NEMA Type 3R
- ANSI 61 gray E-coat finish
- Aluminum snap ring included



### Standards

- UL 414 Listed
- ANSI C12.7
- EUSERC 339

### Accessories

- AW Hub
- Screw Type Ring - 25016D

Part/UPC Number	Catalog Number	Amp Rating	Jaws	Service Type	Access	Connections		
						Line	Load	Neutral
78205146000	12144	20	4	1Ø	OH/UG	#14 - #10	#14 - #10	#14 - #10
78205146010	12145	20	5	1Ø	OH/UG	#14 - #10	#14 - #10	#14 - #10
78205146020	12146	20	6	1Ø	OH/UG	#14 - #10	#14 - #10	#14 - #10
78205144640	12148	20	8	1Ø or 3Ø	OH/UG	#14 - #10	#14 - #10	#14 - #10
78205144650	121413	20	13	3Ø	OH/UG	#14 - #10	#14 - #10	#14 - #10
78205144065	121415	20	15	3Ø	OH/UG	#14 - #10	#14 - #10	#14 - #10
78205146070	1214208 *	20	8	1Ø or 3Ø	OH/UG	#14 - #10	#14 - #10	#14 - #10
78205146060	1214213 *	20	13	3Ø	OH/UG	#14 - #10	#14 - #10	#14 - #10
78205180265	1214215 *	20	13	3Ø	OH/UG	#14 - #10	#14 - #10	#14 - #10

Part/UPC Number	Catalog Number	Overall Dimensions			Top Provision	Knockout Layout
		Height	Width	Depth		
78205146000	12144	20"	12"	4 <sup>5</sup> / <sub>8</sub> "	AW Hub	Fig. 1
78205146010	12145	20"	12"	4 <sup>5</sup> / <sub>8</sub> "	AW Hub	Fig. 1
78205146020	12146	20"	12"	4 <sup>5</sup> / <sub>8</sub> "	AW Hub	Fig. 1
78205144640	12148	20"	12"	4 <sup>5</sup> / <sub>8</sub> "	AW Hub	Fig. 1
78205144650	121413	20"	12"	4 <sup>5</sup> / <sub>8</sub> "	AW Hub	Fig. 1
78205144065	121415	20"	12"	4 <sup>5</sup> / <sub>8</sub> "	AW Hub	Fig. 1
78205146070	1214208 *	20"	24 <sup>3</sup> / <sub>8</sub> "	4 <sup>5</sup> / <sub>8</sub> "	AW Hub	Fig. 2
78205146060	1214213 *	20"	24 <sup>3</sup> / <sub>8</sub> "	4 <sup>5</sup> / <sub>8</sub> "	AW Hub	Fig. 2
78205180265	1214215 *	20"	24 <sup>3</sup> / <sub>8</sub> "	4 <sup>5</sup> / <sub>8</sub> "	AW Hub	Fig. 2

\* Not EUSERC 339 compliant.



# Single Meter Sockets

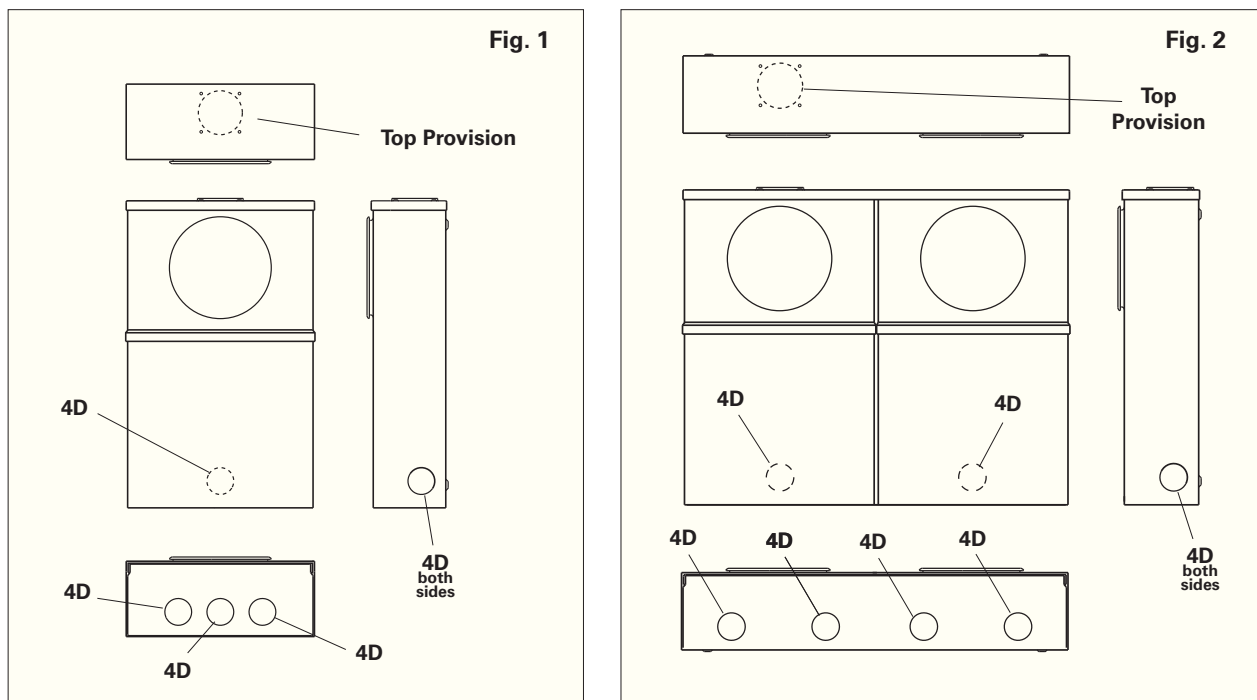
## CT Rated With Test Switch Bypass Provision

Style #	Suffixes
12144	F - Flush Mount
12145	MS20 - Ring Protector
12146	SS - Stainless Steel
12148	
121413	
121415	
1214208	
1214213	
1214215	

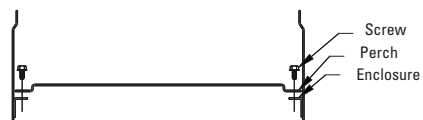
### Knockouts - Conduit Sizes

4D = 1 1/4" - 1" - 3/4" - 1/2"  
Top Provision = See Chart

### Knockout Layouts



### Test Switch Perch Instructions



Drawing 1



Drawing 1



Drawing 1

To offset test switch perch so that additional space is available for the use of a test switch cover, see instructions below.

1. Remove (4) screws that hold the perch to the enclosure (see Drawing 1)
2. Flip perch over as shown (see Drawing 2)
3. Now use the screws you removed in step one and screw the perch to the enclosure, torque screws to 35 in/lbs. (see Drawing 3)

Data subject to change without notice. Consult local utility for area acceptance. All dimensions are in inches.

# Meter Socket / Enclosure Combination Cabinets

## CT Rated



U122013 (closed)



U122013 (open)

### Application

- Removable test switch perch included
- Includes provisions to install model 6019/6067 CT mounts
- Receive ANSI C12.10 watt-hour meters
- Overhead and/or underground feed (see chart)
- Surface mount

### Construction

- Ring type
- NEMA Type 3R
- ANSI 61 gray E-coat finish
- Aluminum snap ring included



### Standards

- UL 414 Listed
- ANSI C12.7
- EUSERC 313
- EUSERC 314

Part/UPC Number	Catalog Number	Amp Rating	Jaws	Service Type	Access	Connections		
						Line	Load	Neutral
78205150030	121814	20	4	1Ø	OH/UG	#14 - #10	#14 - #10	#14 - #10
78205150040	121815	20	5	1Ø	OH/UG	#14 - #10	#14 - #10	#14 - #10
78205150020	121816	20	6	1Ø	OH/UG	#14 - #10	#14 - #10	#14 - #10
78205150050	121818	20	8	1Ø	OH/UG	#14 - #10	#14 - #10	#14 - #10
78205150080	122013	20	13	3Ø	OH/UG	#14 - #10	#14 - #10	#14 - #10
78205122735	122015	20	15	3Ø	OH/UG	#14 - #10	#14 - #10	#14 - #10
78205150090	122018	20	8	1Ø or 3Ø	OH/UG	#14 - #10	#14 - #10	#14 - #10
78205149000	U121814 *	20	4	1Ø	UG	#14 - #10	#14 - #10	#14 - #10
78205149010	U121815 *	20	5	1Ø	UG	#14 - #10	#14 - #10	#14 - #10
78205149020	U121816 *	20	6	1Ø	UG	#14 - #10	#14 - #10	#14 - #10
78205149030	U121818 *	20	8	1Ø or 3Ø	UG	#14 - #10	#14 - #10	#14 - #10
78205149040	U122013 *	20	13	3Ø	UG	#14 - #10	#14 - #10	#14 - #10
78205149045	U122015 *	20	15	3Ø	UG	#14 - #10	#14 - #10	#14 - #10
78205149050	U122018 *	20	8	1Ø or 3Ø	UG	#14 - #10	#14 - #10	#14 - #10

Part/UPC Number	Catalog Number	Overall Dimensions			L Dimension	Top Provision	Knockout Layout
		Height	Width	Depth			
78205150030	121814	42"	24"	11"	15 <sup>11</sup> / <sub>16</sub> "	H Hub	Fig. 1
78205150040	121815	42"	24"	11"	15 <sup>11</sup> / <sub>16</sub> "	H Hub	Fig. 1
78205150020	121816	42"	24"	11"	15 <sup>11</sup> / <sub>16</sub> "	H Hub	Fig. 1
78205150050	121818	42"	24"	11"	15 <sup>11</sup> / <sub>16</sub> "	H Hub	Fig. 1
78205150080	122013	42"	36"	11"	15 <sup>11</sup> / <sub>16</sub> "	H Hub	Fig. 2
78205122735	122015	42"	36"	11"	15 <sup>11</sup> / <sub>16</sub> "	H Hub	Fig. 2
78205150090	122018	42"	36"	11"	15 <sup>11</sup> / <sub>16</sub> "	H Hub	Fig. 2
78205149000	U121814 *	52"	24"	11"	25 <sup>11</sup> / <sub>16</sub> "	None	Fig. 1
78205149010	U121815 *	52"	24"	11"	25 <sup>11</sup> / <sub>16</sub> "	None	Fig. 1
78205149020	U121816 *	52"	24"	11"	25 <sup>11</sup> / <sub>16</sub> "	None	Fig. 1
78205149030	U121818 *	52"	24"	11"	25 <sup>11</sup> / <sub>16</sub> "	None	Fig. 1
78205149040	U122013 *	52"	36"	11"	25 <sup>11</sup> / <sub>16</sub> "	None	Fig. 2
78205149045	U122015 *	52"	36"	11"	25 <sup>11</sup> / <sub>16</sub> "	None	Fig. 2
78205149050	U122018 *	52"	36"	11"	25 <sup>11</sup> / <sub>16</sub> "	None	Fig. 2

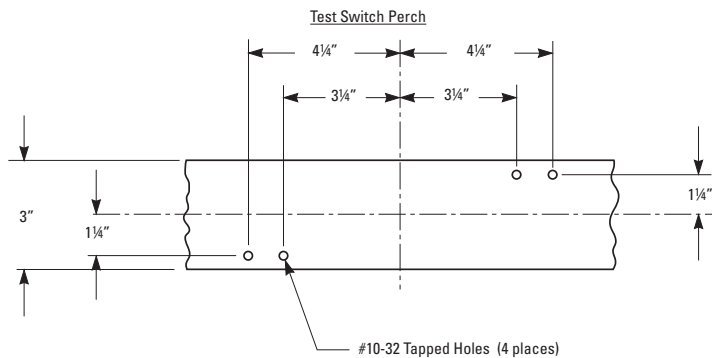
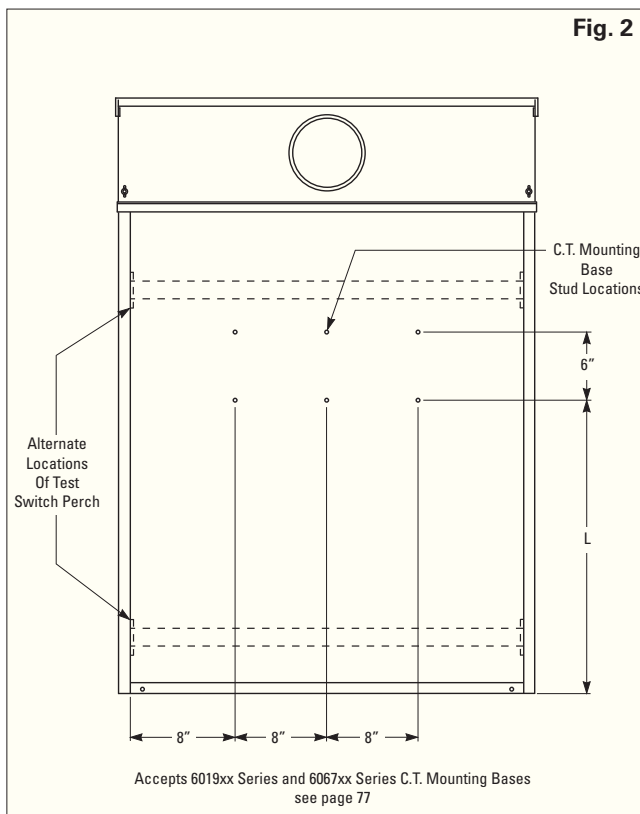
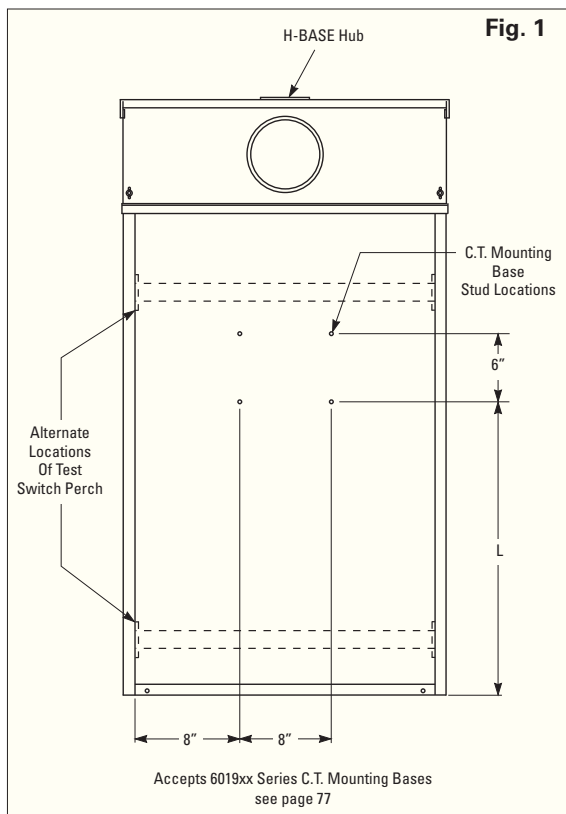
\* Items beginning with "U" comply with EUSERC 314, all other items comply with EUSERC 313.

Data subject to change without notice. Consult local utility for area acceptance. All dimensions are in inches.

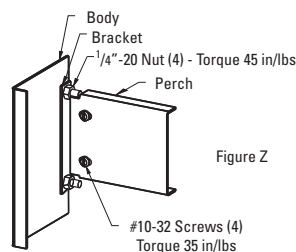
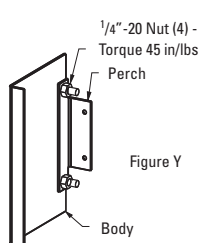
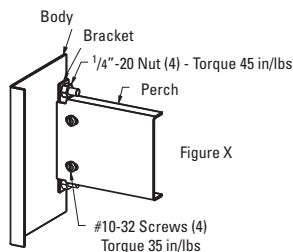
# Meter Socket / Enclosure Combination Cabinets

Style #	Suffixes
(U) 121814	SS - Stainless Steel
(U) 121815	
(U) 121816	
(U) 121818	
(U) 122013	
(U) 122015	
(U) 122018	

CT Rated



### Test Switch Perch Instructions



This enclosure is assembled with the test switch installed at a factory offset distance from the cover (see Figure 1). If a greater offset is desired, follow these instructions:

1. Loosen and remove the screws holding the perch to the bracket, remove the perch. Loosen and remove the nuts on the bracket studs. (See Figure X)
2. Remove and rotate the brackets 180 degrees and relocate back onto bracket studs. (See Figure Y) Then fasten the nuts back on the bracket studs and torque them to 45 in/lbs.
3. Place the perch on the brackets and fasten with the screws, and torque screws to 35 in/lbs. (See Figure Z)

Data subject to change without notice. Consult local utility for area acceptance. All dimensions are in inches.

# CT Enclosures With Lift Off Covers



18249 RTCT (closed)



18249 RTCT (open)



## Application

- Designed to house ANSI C12.11 current transformers
- Includes provision to install model 6019/6067 CT mounts
- Surface mount

## Construction

- Enclosure has mounting holes on back of body
- Covers include padlock provision, utility sealing provisions, wing nuts, and lifting handles
- Enclosures over 36" wide and 42" tall have two overlapping covers
- NEMA Type 3R
- ANSI 61 gray E-coat finish

## Standards

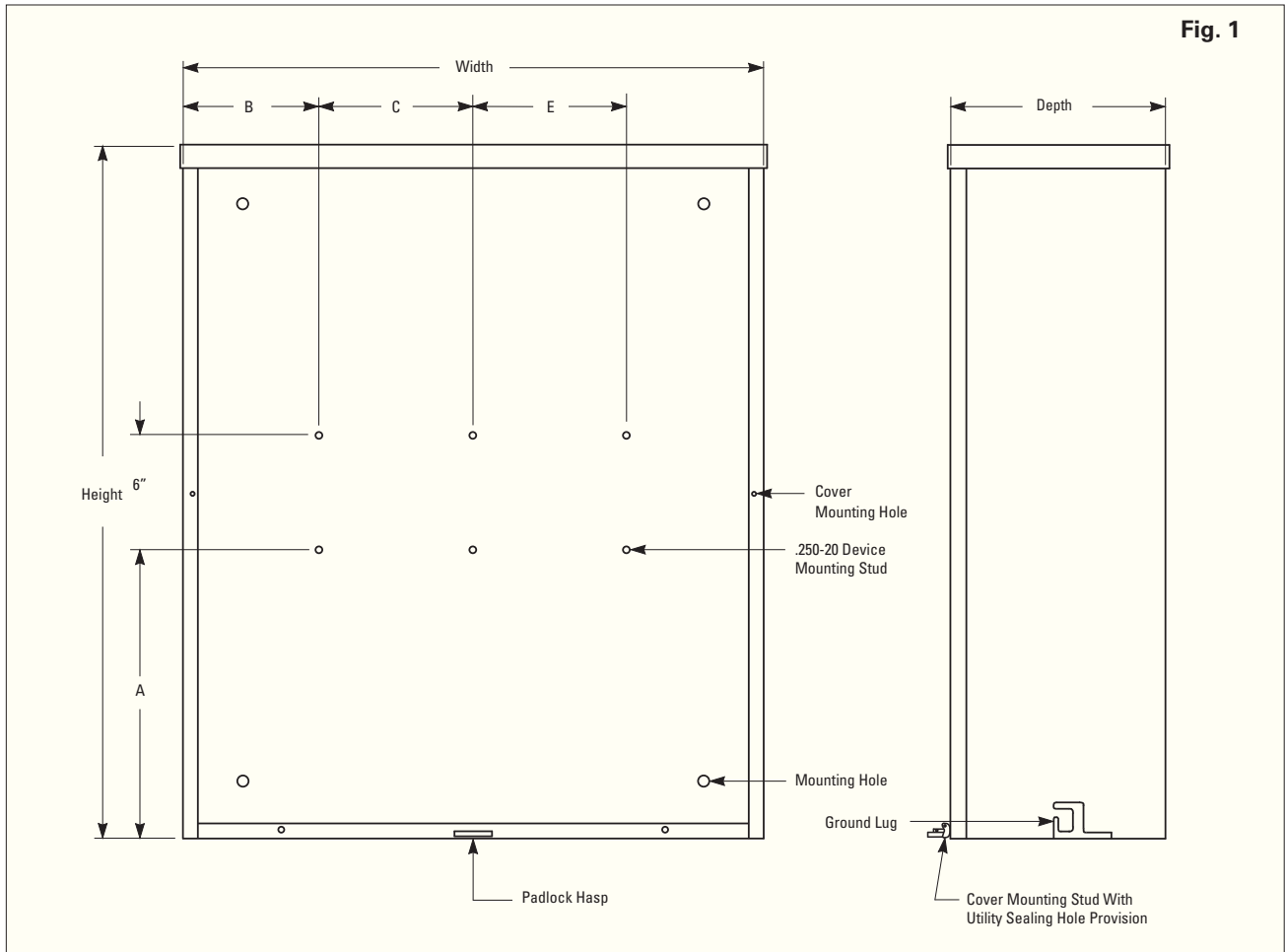
- UL 414 Listed
- EUSERC 316

Part/UPC Number	Catalog Number	Service Type	Use With Mounting Base	Overall Dimensions			Knockout Layout
				Height	Width	Depth	
78205137005	<b>18249 RTCT</b>	1Ø	6019	24"	18"	9"	Fig. 1
78205137020	<b>242411 RTCT</b>	1Ø	6019	24"	24"	11"	Fig. 1
78205137030	<b>243011 RTCT</b>	1Ø	6019	30"	24"	11"	Fig. 1
78205137025	<b>24329 RTCT</b>	1Ø	6019	32"	24"	9"	Fig. 1
78205137070	<b>243611 RTCT</b>	1Ø	6019	36"	24"	11"	Fig. 1
78205144811	<b>244811 RTCT</b>	1Ø	6019	48"	24"	11"	Fig. 1
78205137070	<b>303011 RTCT</b>	1Ø or 3Ø	6019 or 6067	30"	30"	11"	Fig. 1
78205137080	<b>303611 RTCT</b>	1Ø or 3Ø	6019 or 6067	36"	30"	11"	Fig. 1
78205130113	<b>303614 RTCT</b>	1Ø or 3Ø	6019 or 6067	36"	30"	14"	Fig. 1
78205137090	<b>363611 RTCT</b>	1Ø or 3Ø	6019 or 6067	36"	36"	11"	Fig. 1
78205137100	<b>364211 RTCT</b>	1Ø or 3Ø	6019 or 6067	42"	36"	11"	Fig. 1
78205137110	<b>364811 RTCT</b>	1Ø or 3Ø	6019 or 6067	48"	36"	11"	Fig. 1
78205137200	<b>364814 RTCT</b>	1Ø or 3Ø	6019 or 6067	48"	36"	14"	Fig. 1
78205124211	<b>424211 RTCT</b>	1Ø or 3Ø	6019 or 6067	42"	42"	11"	Fig. 1
78205140872	<b>484811 RTCT</b>	1Ø or 3Ø	6019 or 6067	48"	48"	11"	Fig. 1

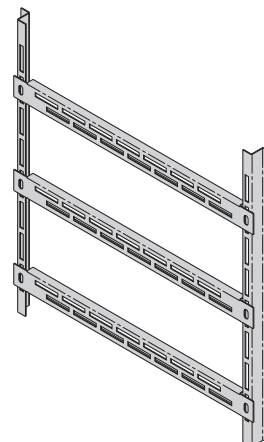
Part/UPC Number	Catalog Number	A	B	C	E
78205137005	<b>18249 RTCT</b>	--	--	--	--
78205137020	<b>242411 RTCT</b>	9"	8"	8"	--
78205137030	<b>243011 RTCT</b>	12"	8"	8"	--
78205137025	<b>24329 RTCT</b>	--	--	--	--
78205137070	<b>243611 RTCT</b>	15"	8"	8"	--
78205144811	<b>244811 RTCT</b>	21"	8"	8"	--
78205137070	<b>303011 RTCT</b>	12"	7"	8"	8"
78205137080	<b>303611 RTCT</b>	15"	7"	8"	8"
78205130113	<b>303614 RTCT</b>	15"	7"	8"	8"
78205137090	<b>363611 RTCT</b>	15"	10"	8"	8"
78205137100	<b>364211 RTCT</b>	18"	10"	8"	8"
78205137110	<b>364811 RTCT</b>	21"	10"	8"	8"
78205137200	<b>364814 RTCT</b>	21"	10"	8"	8"
78205124211	<b>424211 RTCT</b>	18"	13"	8"	8"
78205140872	<b>484811 RTCT</b>	--	--	--	--

# CT Enclosures With Lift Off Covers

Style #	Suffixes
xxxxxx RTCT	<b>MS40</b> - Mounting studs for 415 H - Universal CT Rack <b>SS</b> - Stainless Steel



**415 H**  
Universal CT Rack



CT Metering

Data subject to change without notice. Consult local utility for area acceptance. All dimensions are in inches.

# CT Enclosures With Hinged, Lift Off Doors



363611 HRTCT (closed)



363611 HRTCT (open)



## Application

- Designed to house ANSI C12.11 current transformers
- Includes provision to install model 6019/6067 CT mounts
- Surface mount

## Construction

- Enclosure has mounting holes on back of body
- Covers include utility sealing provisions, wing nuts, and lifting handles
- DD parts include master/slave style overlapping doors
- NEMA Type 3R
- Wash and phosphate undercoat
- ANSI 61 gray E-coat finish

## Standards

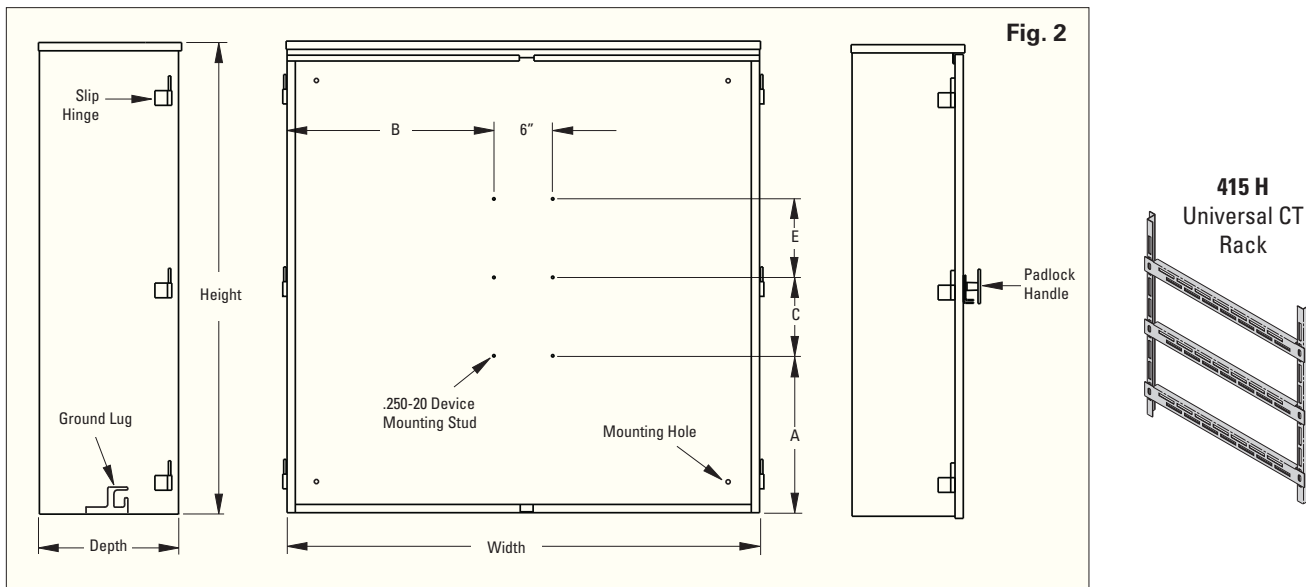
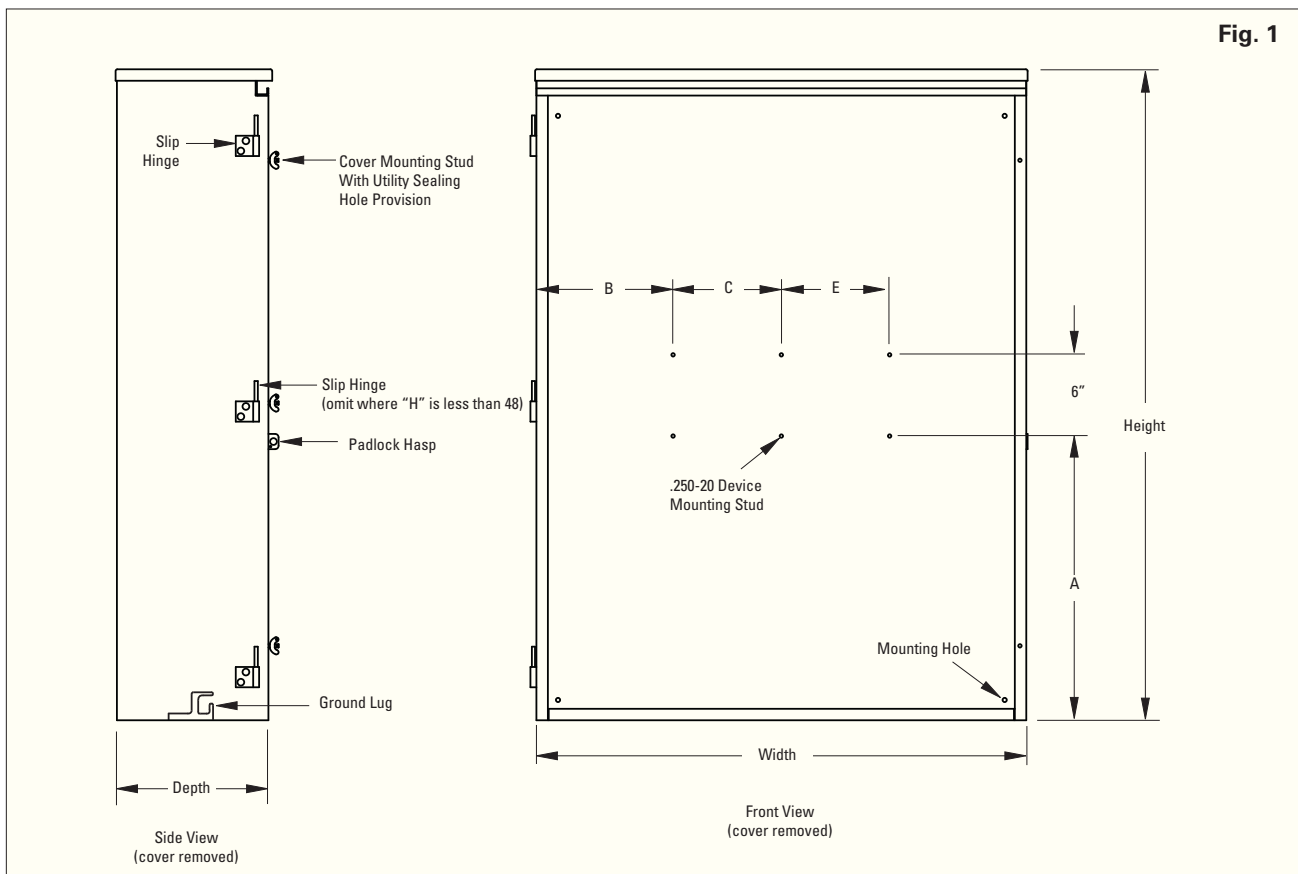
- UL 414 Listed
- EUSERC 316

Part/UPC Number	Catalog Number	Service Type	Use With Mounting Base	Height	Overall Dimensions Width	Depth	Knockout Layout
78205180295	<b>203611 HRTCT</b>	1Ø	6019	36"	20"	11"	Fig. 1
78205180435	<b>243011 HRTCT</b>	1Ø	6019	30"	24"	11"	Fig. 1
78205180436	<b>244811 HRTCT</b>	1Ø or 3Ø	6019 or 6067	48"	24"	11"	Fig. 1
78205180445	<b>303611 HRTCT</b>	1Ø or 3Ø	6019 or 6067	36"	30"	11"	Fig. 1
78205180446	<b>304811 HRTCT</b>	1Ø or 3Ø	6019 or 6067	48"	30"	11"	Fig. 1
78205180455	<b>363611 HRTCT</b>	1Ø or 3Ø	6019 or 6067	36"	36"	11"	Fig. 1
78205180456	<b>364811 HRTCT</b>	1Ø or 3Ø	6019 or 6067	48"	36"	11"	Fig. 1
78205105532	<b>484814 DDHRTCT</b>	1Ø or 3Ø	6019 or 6067	48"	48"	11"	Fig. 2

Part/UPC Number	Catalog Number	A	B	C	E
78205180295	<b>203611 HRTCT</b>	--	--	--	--
78205180435	<b>243011 HRTCT</b>	12"	8"	8"	--
78205180436	<b>244811 HRTCT</b>	21"	8"	8"	--
78205180445	<b>303611 HRTCT</b>	15"	7"	8"	8"
78205180446	<b>304811 HRTCT</b>	21"	7"	8"	8"
78205180455	<b>363611 HRTCT</b>	15"	10"	8"	8"
78205180456	<b>364811 HRTCT</b>	21"	10"	8"	8"
78205105532	<b>484814 DDHRTCT</b>	16"	21"	8"	8"

# CT Enclosures With Hinged, Lift Off Doors

Style #	Suffixes
xxxxxx HRTCT	<b>MS40</b> - Mounting studs for
xxxxxx DDHRTCT	415 H - Universal CT Rack
	<b>SS</b> - Stainless Steel



Data subject to change without notice. Consult local utility for area acceptance. All dimensions are in inches.

# CT Mounting Bases



6019 HE



6019 HELS



6019 HEL



## Application

- For use with CT rated enclosures
- For use with ANSI C12.11 bar type current transformers

## Construction

- Bar mounts are 1/2" studs on 1 3/4" centers (line & load)

## Standards

- UL 414 Listed
- ANSI C12.7
- EUSERC 328A (6019 stud/stud)
- EUSERC 328B (6019 lug/lug)
- EUSERC 329A (6067 stud/stud)
- EUSERC 329B (6067 lug/lug)

Part/UPC Number	Catalog Number	Amp Rating	# of C.T. Provisions	Service Type	Access	AIC	Phase / Neutral Conductors	
							Line	Load
78205137750	<b>6019 A</b>	400	2	1Ø or 3Ø/3W	OH/UG	10K	Studs	Studs
78205137755	<b>6019 E</b>	800	2	1Ø or 3Ø/3W	OH/UG	10K	Studs	Studs
78205140822	<b>6019 HA</b>	400	2	1Ø or 3Ø/3W	OH/UG	50K	Studs	Studs
78205108761	<b>6019 HAL</b>	400	2	1Ø or 3Ø/3W	OH/UG	50K	(3) #4 - 600 MCM*	(3) #4 - 600 MCM*
78205111459	<b>6019 HALS</b>	400	2	1Ø or 3Ø/3W	OH/UG	50K	Studs	(3) #4 - 600 MCM*
78205140826	<b>6019 HE</b>	800	2	1Ø or 3Ø/3W	OH/UG	50K	Studs	Studs
78205108608	<b>6019 HEL</b>	800	2	1Ø or 3Ø/3W	OH/UG	50K	(3) #4 - 600 MCM	(3) #4 - 600 MCM
78205111461	<b>6019 HELS</b>	800	2	1Ø or 3Ø/3W	OH/UG	50K	Studs	(3) #4 - 600 MCM
78205137760	<b>6067 A</b>	400	3	3Ø/4W	OH/UG	10K	Studs	Studs
78205137765	<b>6067 EE</b>	800	3	3Ø/4W	OH/UG	10K	Studs	Studs
78205140776	<b>6067 HA</b>	400	3	3Ø/4W	OH/UG	50K	Studs	Studs
78205108698	<b>6067 HAL</b>	400	3	3Ø/4W	OH/UG	50K	(3) #4 - 600 MCM*	(3) #4 - 600 MCM*
78205111452	<b>6067 HALS</b>	400	3	3Ø/4W	OH/UG	50K	Studs	(3) #4 - 600 MCM*
78205140780	<b>6067 HEE</b>	800	3	3Ø/4W	OH/UG	50K	Studs	Studs
78205107177	<b>6067 HEEL</b>	800	3	3Ø/4W	OH/UG	50K	(3) #4 - 600 MCM	(3) #4 - 600 MCM
78205111464	<b>6067 HEELS</b>	800	3	3Ø/4W	OH/UG	50K	Studs	(3) #4 - 600 MCM

Note: \* Neutral Lug is one barrel only

Note: Every 600 MCM lug barrel will accept (2) 1/0-250 MCM cables



# CT Mounting Bases

## Test Switch Configuration Sheet

### Application

- Current transformer metering
- Customizable configurations

### Construction

- BMC mounting base
- Tin and nickel plating
- Color coded handles

### Standards

- UL Recognized component
- ANSI C12.9



Name \_\_\_\_\_

Company Name \_\_\_\_\_

Address \_\_\_\_\_

Phone \_\_\_\_\_

Email \_\_\_\_\_



### Poles

### Configuration

Switch (KS, SH, CN, TB, X)

Bussing (B, S)

Ganged Handles (Y, N)

Barrier (Y, N)

Handle Color (R, B)

45° Stops (Y, N)

1	2	3	4	5	6	7	8	9	10


### Special Features

- Cover  Yes  No
- Base Size  7 Pole  10 Pole
- No. of Poles  4  7  10  Other
- Plating  None  Tin  Nickel

### Keys

### Switches

KS	SH	CN	TB	X
Knife Switch	Knife Switch with shunt	Current Switch with Test Jack	Thru Bar	Unused Space

### Bussing

- B** Bypass
- S** Short

### Handle Color

- R** Red
- B** Black

- Other options and arrangements are available. Please contact the factory for a full product line.
- Test Switched are available mounted and wired. Contact factory for details.

For online form, see [www.cooperblinemetring.com](http://www.cooperblinemetring.com).

Send completed form to customer service at Eaton's B-Line Business. See address information on back cover.

Data subject to change without notice. Consult local utility for area acceptance. All dimensions are in inches.

# CT Utility Enclosures



## Application

- Used for split core CT applications

## Construction

- NEMA Type 3R
- ANSI 61 gray E-coat finish
- <sup>3</sup>/<sub>4</sub>" wood back panel installed

## Standards

- Not UL Listed

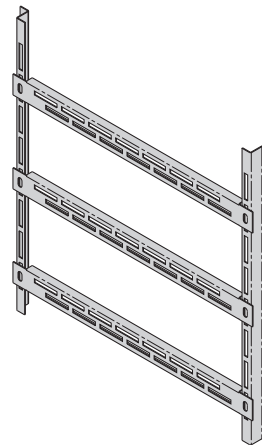
### Utility Enclosures

Part/UPC Number	Catalog Number	Overall Dimensions			Doors	Meter Viewing Window	Special	Layout
		Height	Width	Depth				
78205138000	<b>345 HC</b>	24"	18"	11"	Single, Hinged	--	For "A" Base Metering	Fig. 1
78205138020	<b>351 HC</b>	30"	24"	11"	Single, Hinged	--	For "A" Base Metering	Fig. 1
78205138030	<b>352 HC</b>	28"	28"	11"	Single, Hinged	1, Hinged	--	Fig. 2
78205138041	<b>353 DHC</b>	24"	30"	12"	Single, Lift Off	3, Hinged	--	Fig. 3
78205138090	<b>360 HC</b>	24"	14"	10"	Single, Lift Off	1, Hinged	w/ Pole Mount Brackets	Fig. 4
78205138050	<b>420 HC</b>	48"	34"	13"	Double, Hinged	--	3-Pt Latching Handle	Fig. 5a
78205138070	<b>421 HC</b>	48"	34"	13"	Double, Hinged	1, Hinged	3-Pt Latching Handle	Fig. 5b
78205138080	<b>422 HC</b>	48"	34"	13"	Double, Hinged	2, Hinged	3-Pt Latching Handle	Fig. 5c

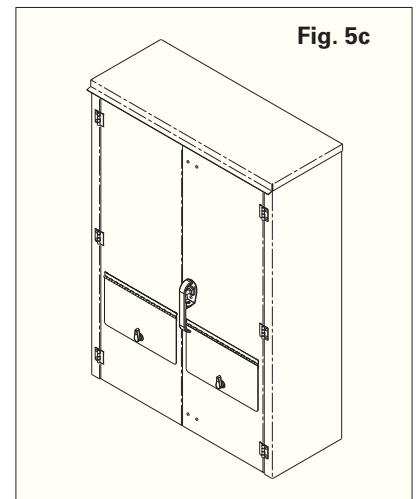
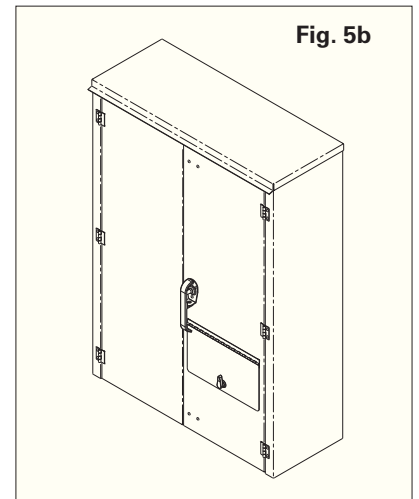
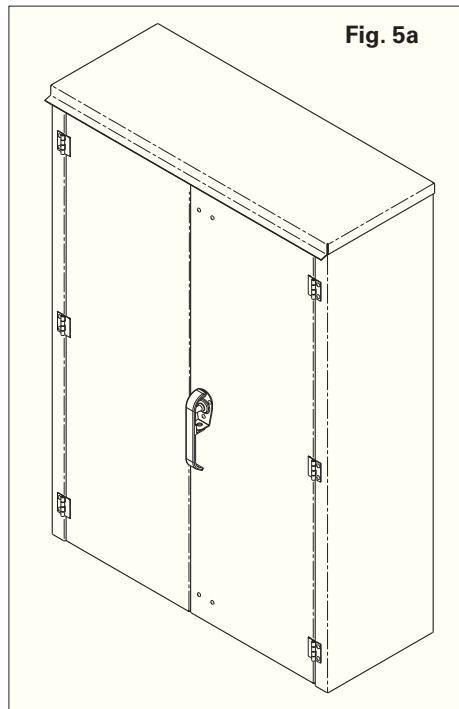
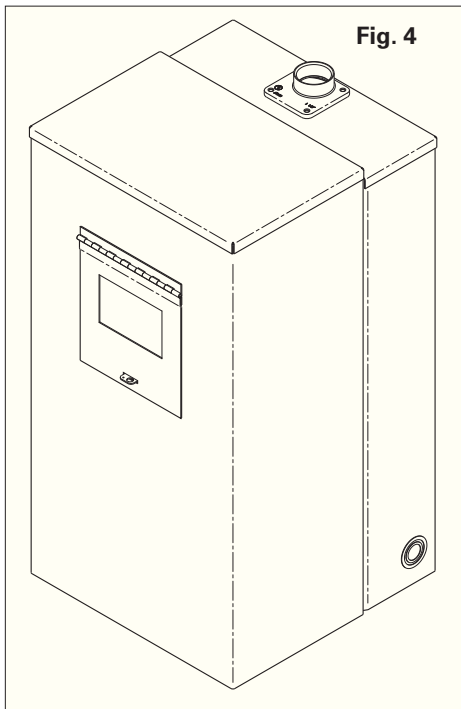
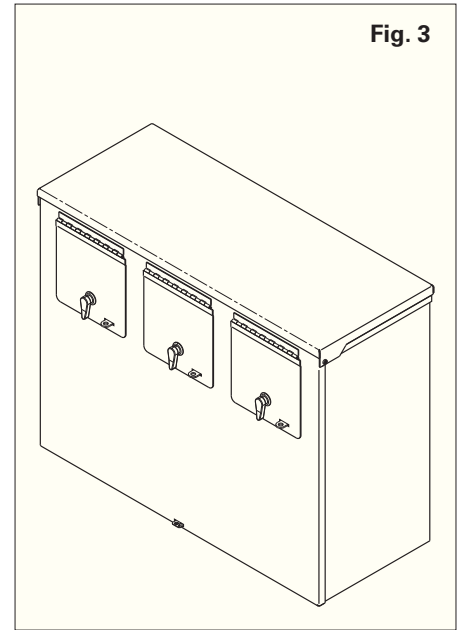
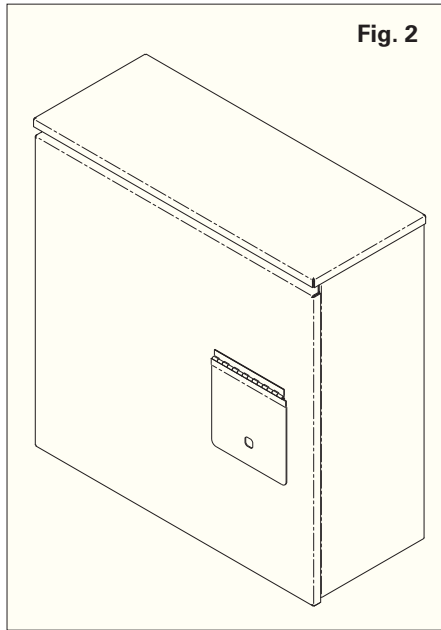
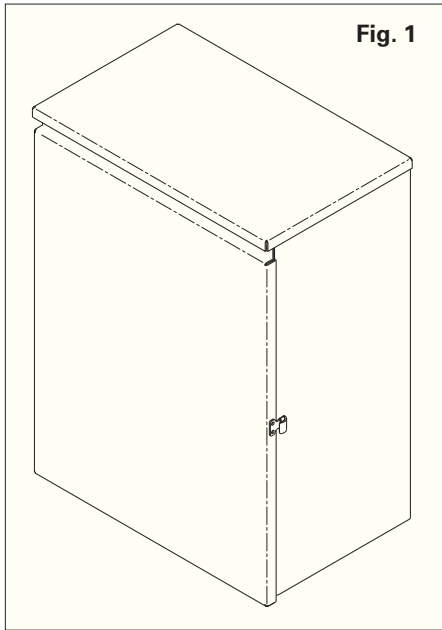
### Universal CT Equipment Mounting Racks

Part/UPC Number	Catalog Number	Overall Dimensions	
		Height	Width
78205138060	<b>415</b>	33"	36"
78205138065	<b>415 H</b>	26"	28"

415 H



## Layouts



Data subject to change without notice. Consult local utility for area acceptance. All dimensions are in inches.





Group Meter Sockets, Gangable - 100 Amp Horizontal, Indoor Use Only .....	83 - 84
Group Meter Sockets, Without Bypass - 100 Amp Vertical .....	85 - 86
Group Meter Main, Without Bypass - 100 Amp Vertical .....	87 - 88
Group Meter Sockets, Without Bypass - 100 Amp Horizontal .....	89 - 90
Group Meter Sockets, With MCC Bypass - 100 Amp Horizontal .....	91 - 92
Group Meter Sockets, Without Bypass - 200 Amp Vertical .....	93 - 94
Group Meter Sockets, With MCC Bypass - 200 Amp Horizontal .....	95 - 96
Group Meter Main, With MCC Bypass - 100 Amp Horizontal .....	97 - 98
Group Meter Main, Without Bypass - 200 Amp Vertical .....	99 - 100

# Group Meter Sockets - Gangable

## 100 Amp Horizontal - Indoor Use Only

Multiple Metering



**172 HSHDB (closed)**



**172 HSHDB (open)**

### Application

- For horizontal ganging of meter sockets - 6 position maximum 225A main buss
- Receive ANSI C12.10 watt-hour meters
- Surface mount

### Construction

- Ring type
- NEMA Type 1
- ANSI 61 gray E-coat finish
- Aluminum snap ring included



### Standards

- UL 414 Listed
- ANSI C12.7

### Accessories

- 5th Jaw Kit - 50365
- Screw Type Ring - 25016D

Part/UPC Number	Catalog Number	Number of Positions	Buss Amps	Amp Rating	Jaws	Service Type	Access
78205140010	<b>171 HS</b>	1	225	100	4	1Ø/3W	OH/UG
78205140170	<b>172 HSHDB</b>	2	225	100	4	1Ø/3W	OH/UG
78205140180	<b>173 HSHDB</b>	3	225	100	4	1Ø/3W	OH/UG
78205140190	<b>174 HSHDB</b>	4	225	100	4	1Ø/3W	OH/UG

Part/UPC Number	Catalog Number	Connections			Overall Dimensions			Knockout Layout
		Line	Load	Neutral	Height	Width	Depth	
78205140010	<b>171 HS</b>	#14 - 2/0	#14 - 2/0	#14 - 1/0	12"	12"	4 <sup>5</sup> / <sub>8</sub> "	Fig. 1
78205140170	<b>172 HSHDB</b>	#6 - 250 MCM	#14 - 2/0	#6 - 250 MCM	12"	24"	4 <sup>5</sup> / <sub>8</sub> "	Fig. 2
78205140180	<b>173 HSHDB</b>	#6 - 250 MCM	#14 - 2/0	#6 - 250 MCM	12"	36"	4 <sup>5</sup> / <sub>8</sub> "	Fig. 3
78205140190	<b>174 HSHDB</b>	#6 - 250 MCM	#14 - 2/0	#6 - 250 MCM	12"	48"	4 <sup>5</sup> / <sub>8</sub> "	Fig. 4

### Equipment Accessories

Part/UPC Number	Catalog Number	Description
78205140280	<b>171 E</b>	End Closure w/ KO's
78205140250	<b>171 EXT</b>	Extension Pull Box
78205140260	<b>LK171B</b>	Connecting Link Kit

AIC Note:  
For short circuit current ratings see page 131.

# Group Meter Sockets - Gangable

100 Amp - Indoor Use Only

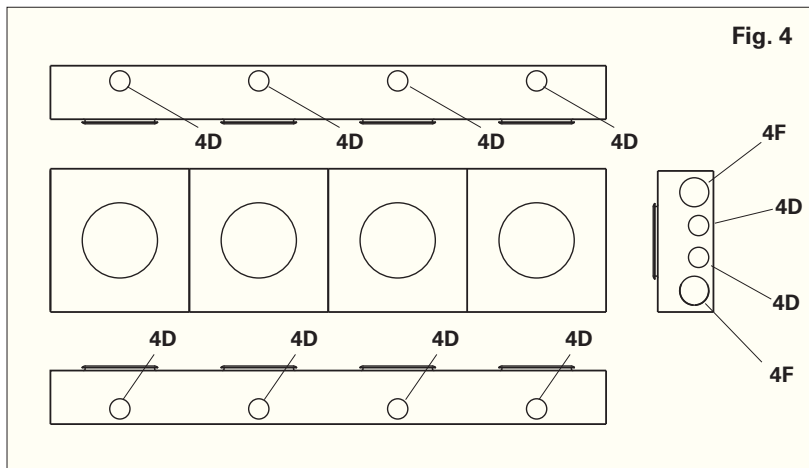
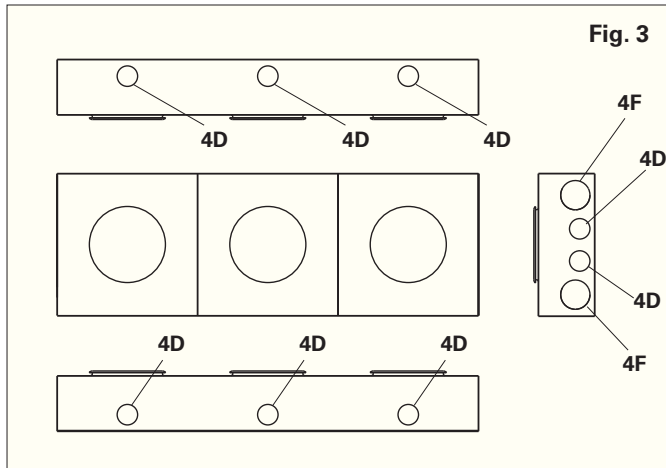
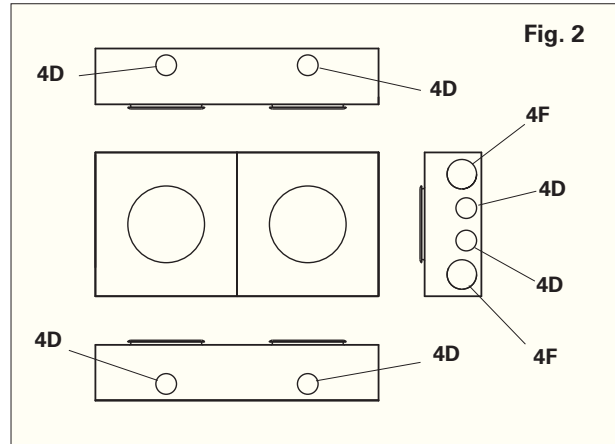
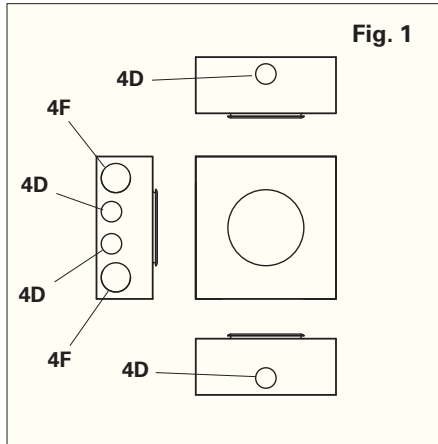
Style #	Suffixes
171 172 173 174	SS - Stainless Steel

### Knockouts - Conduit Sizes

4D = 1 1/4" - 1" - 3/4" - 1/2"  
4F = 2" - 1 1/2" - 1 1/4" - 1"

Multiple Metering

### Knockout Layouts



Data subject to change without notice. Consult local utility for area acceptance. All dimensions are in inches.

# Group Meter Sockets - Without Bypass

## 100 Amp Vertical

Multiple Metering



**014 (closed)**



**014 (open)**

### Application

- For vertical ganging of meter sockets - 6 position maximum 225A main buss
- Receive ANSI C12.10 watthour meters
- Overhead or underground feed (see chart)
- Surface mount

### Construction

- Ring type
- NEMA Type 3R
- ANSI 61 gray E-coat finish
- Aluminum snap ring included



### Standards

- UL 414 Listed
- ANSI C12.7

### Accessories

- 5th Jaw Kit - 50365
- AW Hubs & H Hubs

Part/UPC Number	Catalog Number	Number of Positions	Buss Amps	Amp Rating	Jaws	Service Type	Access
78205141370	<b>012</b>	2	225	100	4	1Ø/3W	OH/UG
78205141380	<b>013</b>	3	225	100	4	1Ø/3W	OH/UG
78205141395	<b>014</b>	4	225	100	4	1Ø/3W	OH/UG
78205141480	<b>014 H</b>	4	400	100	3	1Ø/3W	OH/UG
78205141475	<b>015</b>	5	225	100	4	1Ø/3W	OH/UG
78205141490	<b>015 H</b>	5	400	100	4	1Ø/3W	OH/UG
78205143149	<b>016</b>	6	225	100	4	1Ø/3W	OH/UG
78205141500	<b>016 H</b>	6	400	100	4	1Ø/3W	OH/UG

AIC Note:  
For short circuit current ratings see page 131.

Part/UPC Number	Catalog Number	Connections			Overall Dimensions			Top Provision	Knockout Layout
		Line	Load	Neutral	Height	Width	Depth		
78205141370	<b>012</b>	#6 - 250 MCM	#14 - 2/0	#6 - 250 MCM	21 <sup>1</sup> / <sub>2</sub> "	14"	4 <sup>5</sup> / <sub>8</sub> "	AW Hub	Fig. 1
78205141380	<b>013</b>	#6 - 250 MCM	#14 - 2/0	#6 - 250 MCM	30"	14"	4 <sup>5</sup> / <sub>8</sub> "	AW Hub	Fig. 2
78205141395	<b>014</b>	#6 - 250 MCM	#14 - 2/0	#6 - 250 MCM	21 <sup>1</sup> / <sub>2</sub> "	24 <sup>1</sup> / <sub>3</sub> "	4 <sup>5</sup> / <sub>8</sub> "	AW Hub	Fig. 3
78205141480	<b>014 H</b>	#6 - 600 MCM	#14 - 2/0	#6 - 600 MCM	21 <sup>1</sup> / <sub>2</sub> "	32 <sup>1</sup> / <sub>2</sub> "	4 <sup>5</sup> / <sub>8</sub> "	H Hub	Fig. 4
78205141475	<b>015</b>	#6 - 250 MCM	#14 - 2/0	#6 - 250 MCM	21 <sup>1</sup> / <sub>2</sub> "	32 <sup>1</sup> / <sub>2</sub> "	4 <sup>5</sup> / <sub>8</sub> "	AW Hub	Fig. 5
78205141490	<b>015 H</b>	#6 - 600 MCM	#14 - 2/0	#6 - 600 MCM	21 <sup>1</sup> / <sub>2</sub> "	32 <sup>1</sup> / <sub>2</sub> "	4 <sup>5</sup> / <sub>8</sub> "	H Hub	Fig. 6
78205143149	<b>016</b>	#6 - 250 MCM	#14 - 2/0	#6 - 250 MCM	30"	24 <sup>1</sup> / <sub>3</sub> "	4 <sup>5</sup> / <sub>8</sub> "	AW Hub	Fig. 5
78205141500	<b>016 H</b>	#6 - 600 MCM	#14 - 2/0	#6 - 600 MCM	30"	32 <sup>1</sup> / <sub>2</sub> "	6"	H Hub	Fig. 6



# Group Meter Sockets - Without Bypass

100 Amp Vertical

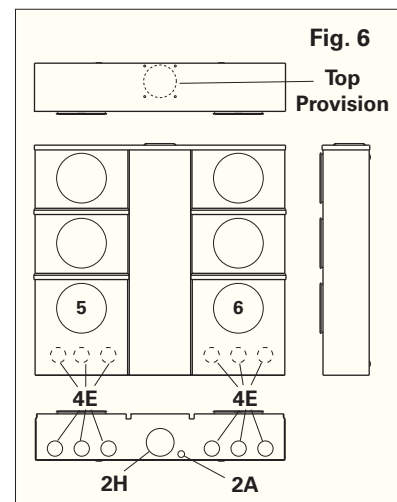
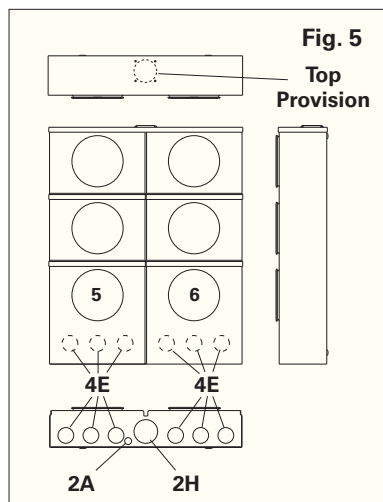
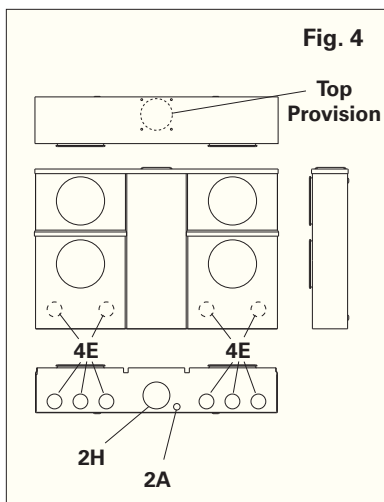
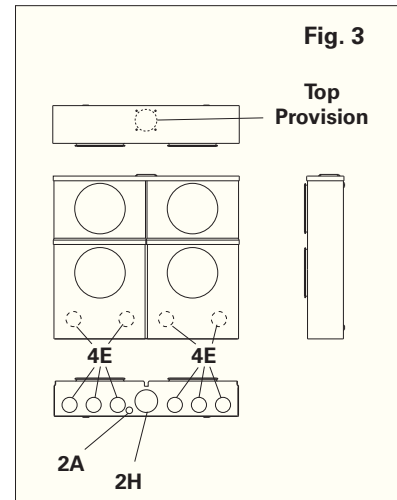
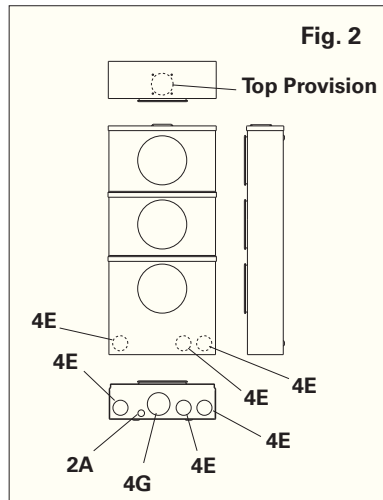
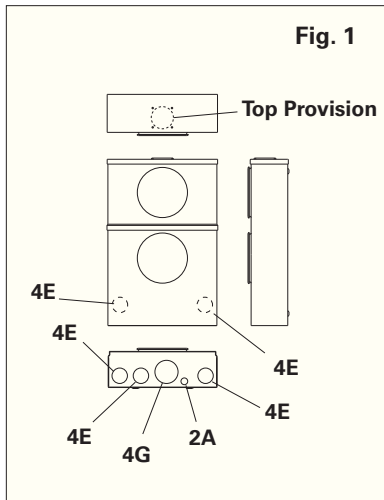
Style #	Suffixes
012	SS - Stainless Steel
013	
014	
015	
016	

## Knockouts - Conduit Sizes

2A = 1/2" - 1/4"  
 4E = 1 1/2" - 1 1/4" - 1" - 3/4"  
 4F = 2" - 1 1/2" - 1 1/4" - 1"  
 4G = 2 1/2" - 2" - 1 1/2" - 1 1/4"  
 2H = 3" - 2 1/2"  
 Top Provision = See Chart

Multiple Metering

## Knockout Layouts



Data subject to change without notice. Consult local utility for area acceptance. All dimensions are in inches.

# Group Meter Main - Without Bypass

## 100 Amp Vertical

Multiple Metering



2012 MS60 (closed)



2012 MS60 (open)

### Application

- For vertical multi-meter/mains installations - 6 position maximum 225A and 400A main buss
- Main breaker provisions - breakers not included
- Receive ANSI C12.10 watt-hour meters
- Overhead or underground feed (see chart)
- Surface or flush mount (see chart)

### Construction

- Ring type
- NEMA Type 3R
- ANSI 61 gray E-coat finish
- Aluminum snap ring included



### Standards

- UL 414 Listed
- ANSI C12.7
- EUSERC 342

### Accessories

- 5th Jaw Kit - 50365
- AW Hubs

Part/UPC Number	Catalog Number	Number of Positions	Buss Amps	Amp Rating	Jaws	Service Type	Access	AIC	Main Breaker Provision
78205164115	2014	4	400	100	4	1Ø/3W	UG	10K	(4) 2P
78205164135	2015	5	400	100	4	1Ø/3W	UG	10K	(5) 2P
78205164165	2016	6	400	100	4	1Ø/3W	UG	10K	(6) 2P
78205164245	2012 F	2	225	100	4	1Ø/3W	UG	10K	(2) 2P
78205164085	2012 MS60	2	225	100	4	1Ø/3W	OH/UG	10K	(2) 2P
78205164255	2013 F	3	225	100	4	1Ø/3W	UG	10K	(3) 2P
78205164095	2013 MS60	3	225	100	4	1Ø/3W	OH/UG	10K	(3) 2P
78205164265	2014 F	4	400	100	4	1Ø/3W	UG	10K	(4) 2P
78205164275	2015 F	5	400	100	4	1Ø/3W	UG	10K	(5) 2P
78205164285	2016 F	6	400	100	4	1Ø/3W	UG	10K	(6) 2P

Part/UPC Number	Catalog Number	Connections			Overall Dimensions			Top Provision	Knockout Layout
		Line	Buss Load	Neutral	Height	Width	Depth		
78205164115	2014	Studs	MCB	Studs	34"	32"	6"	None	Fig. 3
78205164135	2015	Studs	MCB	Studs	39 1/2"	32"	6"	None	Fig. 4
78205164165	2016	Studs	MCB	Studs	39 1/2"	32"	6"	None	Fig. 4
78205164245	2012 F	Studs	MCB	Studs	34"	22"	6"	None	Fig. 1
78205164085	2012 MS60	#6 - 250 MCM	MCB	#6 - 250 MCM	34"	22"	6"	AW Hub	Fig. 1
78205164255	2013 F	Studs	MCB	Studs	39 1/2"	22"	6"	None	Fig. 2
78205164095	2013 MS60	#6 - 250 MCM	MCB	#6 - 250 MCM	39 1/2"	22"	6"	AW Hub	Fig. 2
78205164265	2014 F	Studs	MCB	Studs	34"	32"	6"	None	Fig. 3
78205164275	2015 F	Studs	MCB	Studs	39 1/2"	32"	6"	None	Fig. 4
78205164285	2016 F	Studs	MCB	Studs	39 1/2"	32"	6"	None	Fig. 4

MCB - Main Circuit Breaker

# Group Meter Main - Without Bypass

100 Amp Vertical

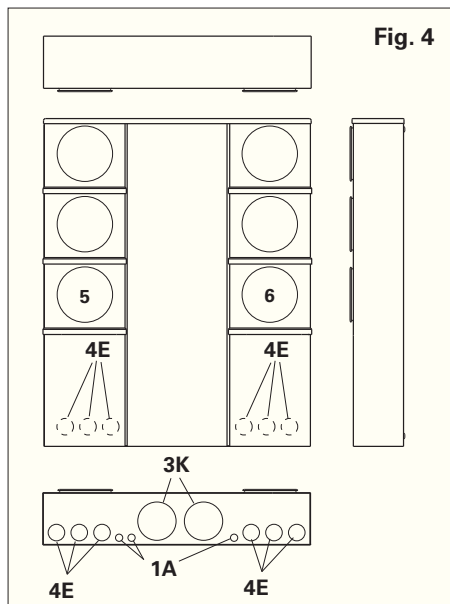
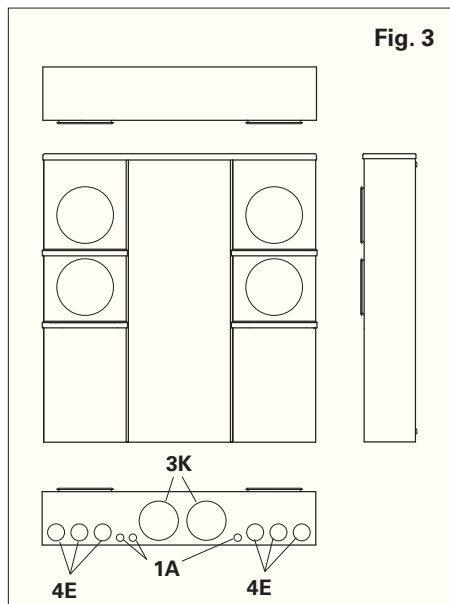
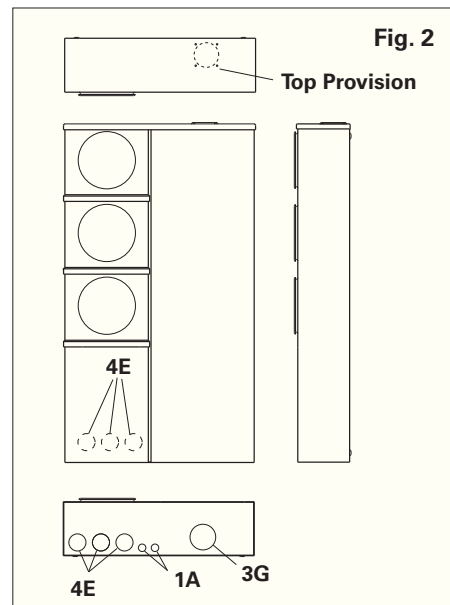
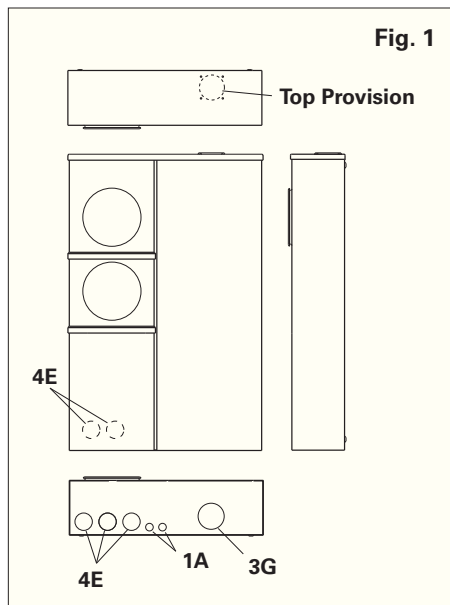
Style #	Suffixes
2012	F - Flush Mount
2013	MS60 - AW Hub for OH Access
2014	SS - Stainless Steel
2015	
2016	

### Knockouts - Conduit Sizes

1A = 1/2"  
 4E = 1 1/2" - 1 1/4" - 1" - 3/4"  
 3G = 2 1/2" - 2" - 1 1/2"  
 3K = 4" - 3 1/2" - 3"  
 Top Provision = See Chart

Multiple Metering

### Knockout Layouts



Data subject to change without notice. Consult local utility for area acceptance. All dimensions are in inches.

# Group Meter Sockets - Without Bypass

## 100 Amp Horizontal

Multiple Metering



**H012 (closed)**



**H012 (open)**

### Application

- For horizontal multi-meter installations - 4 position maximum 225A main buss
- Receive ANSI C12.10 watt-hour meters
- Overhead or underground feed (see chart)
- Surface mount

### Construction

- Ring type
- NEMA Type 3R
- ANSI 61 gray E-coat finish
- Aluminum snap ring included



### Standards

- UL 414 Listed
- ANSI C12.7

### Accessories

- 5th Jaw Kit - 50365
- AW Hubs

Part/UPC Number	Catalog Number	Number of Positions	Buss Amps	Amp Rating	Jaws	Service Type	Access
78205141112	<b>H012</b>	2	225	100	4	1Ø/3W	OH/UG
78205141113	<b>H013</b>	3	225	100	7	1Ø/3W	OH/UG
78205141114	<b>H014</b>	4	225	100	4	1Ø/3W	OH/UG

Part/UPC Number	Catalog Number	Connections			Overall Dimensions			Top Provision	Knockout Layout
		Line	Load	Neutral	Height	Width	Depth		
78205141112	<b>H012</b>	#6 - 250 MCM	#14 - 2/0	#6 - 250 MCM	12"	26 <sup>1</sup> / <sub>2</sub> "	4 <sup>5</sup> / <sub>8</sub> "	AW Hub	Fig. 1
78205141113	<b>H013</b>	#6 - 250 MCM	#14 - 2/0	#6 - 250 MCM	12"	34 <sup>3</sup> / <sub>4</sub> "	4 <sup>5</sup> / <sub>8</sub> "	AW Hub	Fig. 2
78205141114	<b>H014</b>	#6 - 250 MCM	#14 - 2/0	#6 - 250 MCM	12"	43"	4 <sup>5</sup> / <sub>8</sub> "	AW Hub	Fig. 3

AIC Note:  
For short circuit current ratings see page 131.

# Group Meter Sockets - Without Bypass

100 Amp Horizontal

Style #	Suffixes
---------	----------

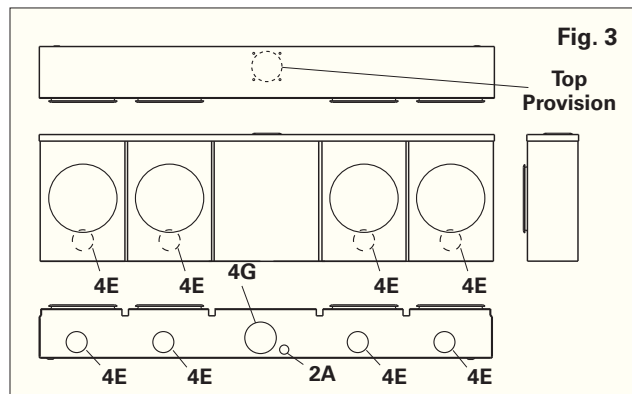
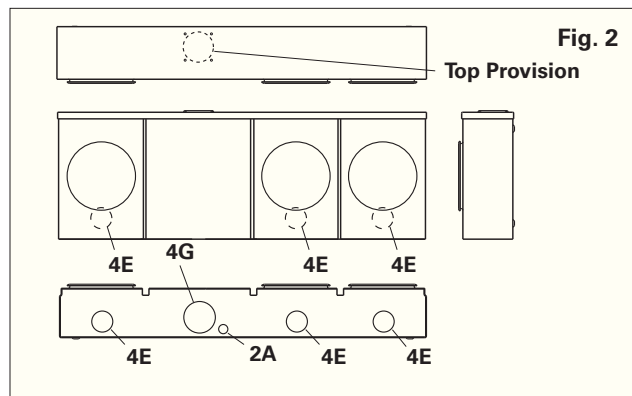
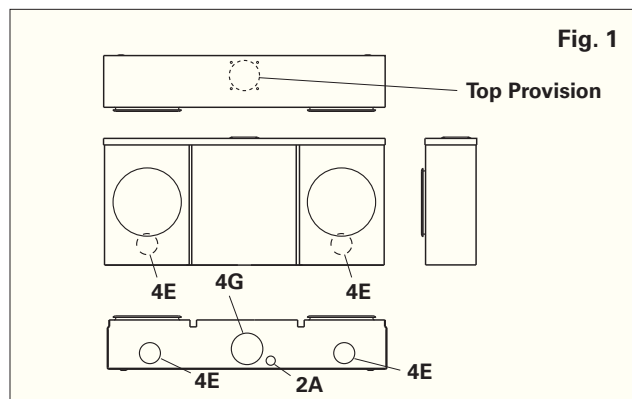
H012	SS - Stainless Steel
H013	
H014	

### Knockouts - Conduit Sizes

2A = 1/2" - 1/4"  
 4E = 1 1/2" - 1 1/4" - 1" - 3/4"  
 4G = 2 1/2" - 2" - 1 1/2" - 1 1/4"  
 Top Provision = See Chart

Multiple Metering

### Knockout Layouts



Data subject to change without notice. Consult local utility for area acceptance. All dimensions are in inches.

# Group Meter Sockets - With MCC Bypass

## 100 Amp Horizontal

Multiple Metering



142 MCC (closed)



### Application

- For horizontal multi-meter installations - 4 position maximum
- Manual circuit closing (link type) bypasses under separate sealable covers
- 225A main buss
- Receive ANSI C12.10 watt-hour meters
- Overhead or underground feed (see chart)
- Surface mount

### Construction

- Ring type
- NEMA Type 3R
- ANSI 61 gray E-coat finish
- Aluminum snap ring included

### Standards

- UL 414 Listed
- ANSI C12.7

### Accessories

- 5th Jaw Kit - 50365
- AW Hubs

Part/UPC Number	Catalog Number	Number of Positions	Buss Amps	Amp Rating	Jaws	Service Type	Access	Bypass
78205107766	<b>142 MCC</b>	2	225	100	4	1Ø/3W	OH/UG	MCC
78205107767	<b>143 MCC</b>	3	225	100	4	1Ø/3W	OH/UG	MCC
78205107768	<b>144 MCC</b>	4	225	100	4	1Ø/3W	OH/UG	MCC

Part/UPC Number	Catalog Number	Connections			Height	Overall Dimensions			Top Provision	Knockout Layout
		Line	Load	Neutral		Width	Depth			
78205107766	<b>142 MCC</b>	#6 - 250 MCM	#14 - 2/0	#6 - 250 MCM	17"	26 <sup>1</sup> / <sub>2</sub> "	4 <sup>5</sup> / <sub>8</sub> "	AW Hub	Fig. 1	
78205107767	<b>143 MCC</b>	#6 - 250 MCM	#14 - 2/0	#6 - 250 MCM	17"	34 <sup>3</sup> / <sub>4</sub> "	4 <sup>5</sup> / <sub>8</sub> "	AW Hub	Fig. 2	
78205107768	<b>144 MCC</b>	#6 - 250 MCM	#14 - 2/0	#6 - 250 MCM	17"	43"	4 <sup>5</sup> / <sub>8</sub> "	AW Hub	Fig. 3	

AIC Note:  
For short circuit current ratings see page 131.

# Group Meter Sockets - With MCC Bypass

100 Amp Horizontal

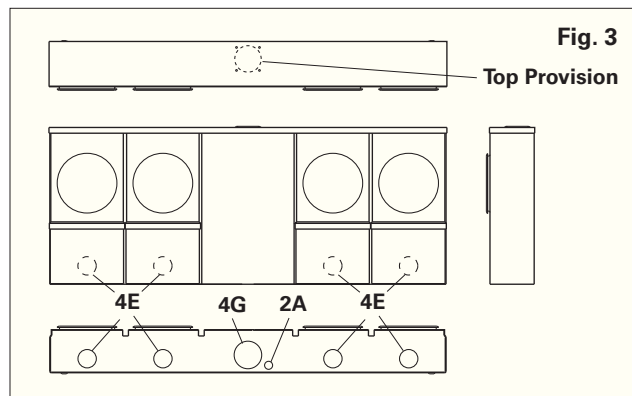
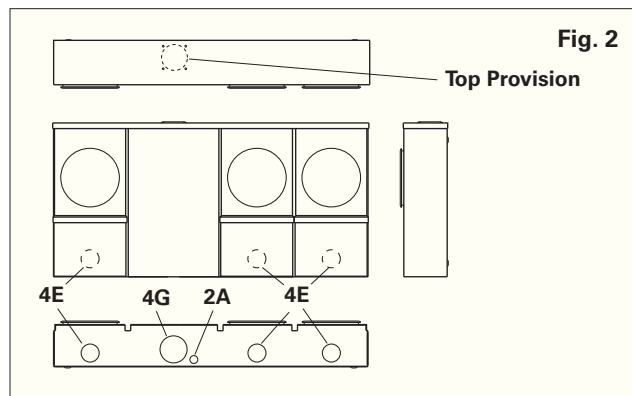
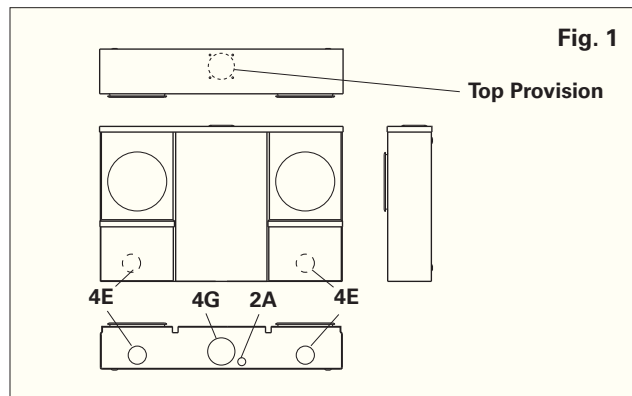
Style #	Suffixes
142 MCC	SS - Stainless Steel
143 MCC	
144 MCC	

### Knockouts - Conduit Sizes

2A = 1/2" - 1/4"  
 4E = 1 1/2" - 1 1/4" - 1" - 3/4"  
 4G = 2 1/2" - 2" - 1 1/2" - 1 1/4"  
 Top Provision = See Chart

Multiple Metering

### Knockout Layouts



Data subject to change without notice. Consult local utility for area acceptance. All dimensions are in inches.

# Group Meter Sockets - Without Bypass

## 200 Amp Vertical

Multiple Metering



202 H (closed)



202 H (open)

### Application

- For vertical multi-meter installations - 4 position maximum 400A main buss
- Receive ANSI C12.10 watt-hour meters
- Overhead or underground feed (see chart)
- Surface mount

### Construction

- Ring type
- NEMA Type 3R
- ANSI 61 gray E-coat finish
- Aluminum snap ring included



### Standards

- UL 414 Listed
- ANSI C12.7
- EUSERC 342

### Accessories

- 5th Jaw Kit - 50365
- H Hubs

Part/UPC Number	Catalog Number	Number of Positions	Buss Amps	Amp Rating	Jaws	Service Type	Access
78205155060	202 H	2	400	200	4	1Ø/3W	OH/UG
78205155070	203 H	3	400	200	4	1Ø/3W	OH/UG
78205155080	204 H	4	400	200	4	1Ø/3W	OH/UG

Part/UPC Number	Catalog Number	Connections			Overall Dimensions	Top Provision	Knockout Layout		
		Line	Load	Neutral				Height	Width
78205155060	202 H	#4 - 600 MCM	#6 - 250 MCM	#4 - 600 MCM	32"	14"	6"	H Hub	Fig. 1
78205155070	203 H	#4 - 600 MCM	#4 - 250 MCM	#6 - 600 MCM	32"	28 <sup>1</sup> / <sub>4</sub> "	6"	H Hub	Fig. 2
78205155080	204 H	#4 - 600 MCM	#4 - 250 MCM	#6 - 600 MCM	32"	28 <sup>1</sup> / <sub>4</sub> "	6"	H Hub	Fig. 3

AIC Note:  
For short circuit current ratings see page 131.



# Group Meter Sockets - Without Bypass

200 Amp Vertical

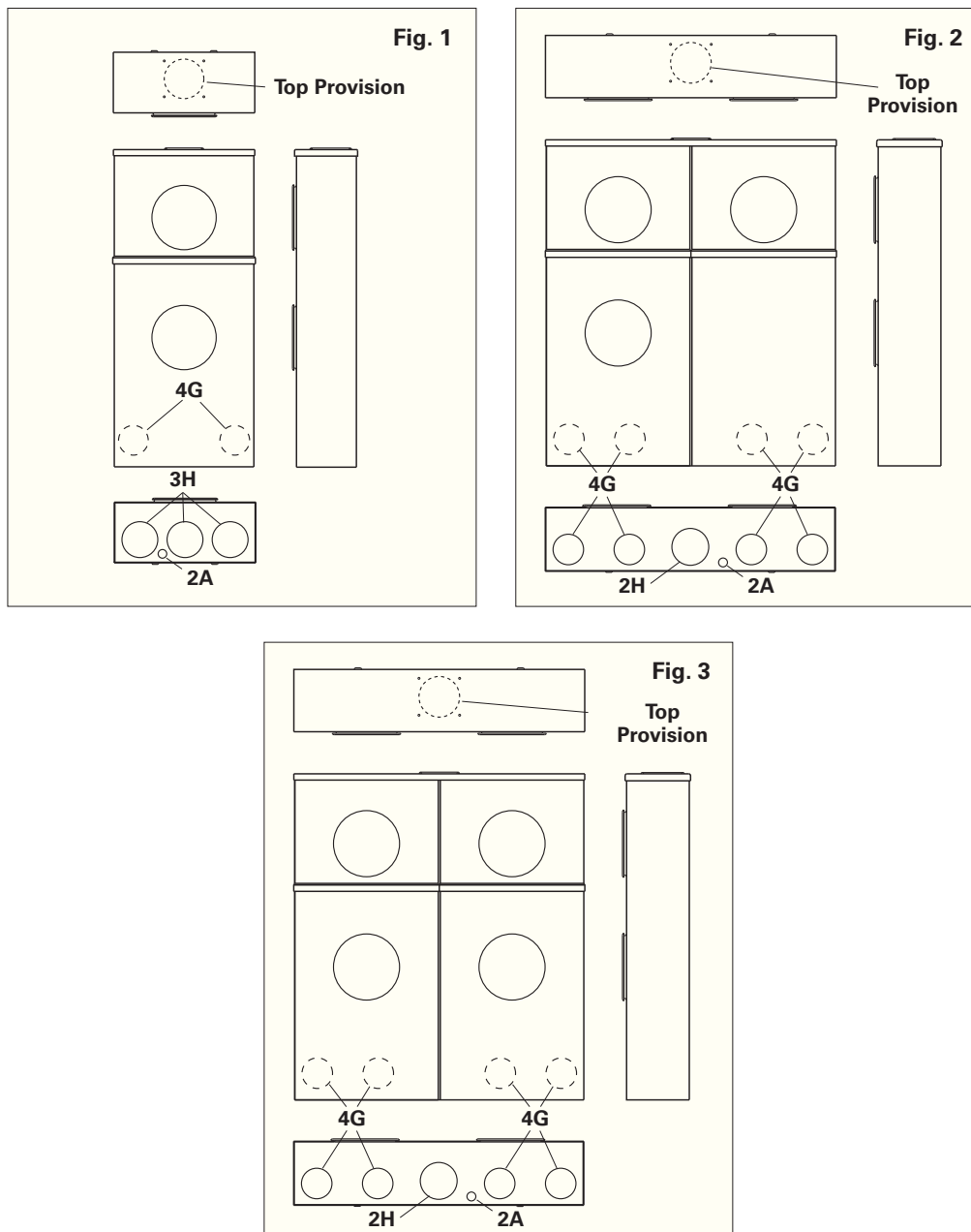
Style #	Suffixes
202	SS - Stainless Steel
202 H	
203 H	
204 H	

### Knockouts - Conduit Sizes

2A = 1/2" - 1/4"  
 4G = 2 1/2" - 2" - 1 1/2" - 1 1/4"  
 2H = 3" - 2 1/2"  
 Top Provision = See Chart

Multiple Metering

### Knockout Layouts



Data subject to change without notice. Consult local utility for area acceptance. All dimensions are in inches.

# Group Meter Sockets - With MCC Bypass

## 200 Amp Horizontal

Multiple Metering



242 MCC (closed)



242 MCC (open)



### Application

- For horizontal multi-meter installations - 6 position maximum
- Manual circuit closing (link type) bypasses under separate sealable covers
- 400A main buss
- Receive ANSI C12.10 watt-hour meters
- Overhead or underground feed (see chart)
- Surface mount

### Construction

- Ring type
- NEMA Type 3R
- ANSI 61 gray E-coat finish
- Aluminum snap ring included

### Standards

- UL 414 Listed
- ANSI C12.7

### Accessories

- 5th Jaw Kit - 50365
- H Hubs

Part/UPC Number	Catalog Number	Number of Positions	Buss Amps	Amp Rating	Jaws	Service Type	Access	Bypass
78205107296	<b>242 MCC</b>	2	400	200	4	1Ø/3W	OH/UG	MCC
78205107297	<b>243 MCC</b>	3	400	200	4	1Ø/3W	OH/UG	MCC
78205107298	<b>244 MCC</b>	4	400	200	4	1Ø/3W	OH/UG	MCC
78205107299	<b>245 MCC</b>	5	400	200	4	1Ø/3W	OH/UG	MCC
78205107300	<b>246 MCC</b>	6	400	200	4	1Ø/3W	OH/UG	MCC

Part/UPC Number	Catalog Number	Connections			Overall Dimensions			Top Provision	Knockout Layout
		Line	Load	Neutral	Height	Width	Depth		
78205107296	<b>242 MCC</b>	#4 - 600 MCM	#6 - 250 MCM	#4 - 600 MCM	23"	30"	4 <sup>5</sup> / <sub>8</sub> "	H Hub	Fig. 1
78205107297	<b>243 MCC</b>	#4 - 600 MCM	#6 - 250 MCM	#4 - 600 MCM	23"	40"	4 <sup>5</sup> / <sub>8</sub> "	H Hub	Fig. 2
78205107298	<b>244 MCC</b>	#4 - 600 MCM	#6 - 250 MCM	#4 - 600 MCM	23"	50"	4 <sup>5</sup> / <sub>8</sub> "	H Hub	Fig. 3
78205107299	<b>245 MCC</b>	#4 - 600 MCM	#6 - 250 MCM	#4 - 600 MCM	23"	60"	4 <sup>5</sup> / <sub>8</sub> "	H Hub	Fig. 4
78205107300	<b>246 MCC</b>	#4 - 600 MCM	#6 - 250 MCM	#4 - 600 MCM	23"	70"	4 <sup>5</sup> / <sub>8</sub> "	H Hub	Fig. 5

AIC Note:  
For short circuit current ratings see page 131.

# Group Meter Sockets - With MCC Bypass

200 Amp Horizontal

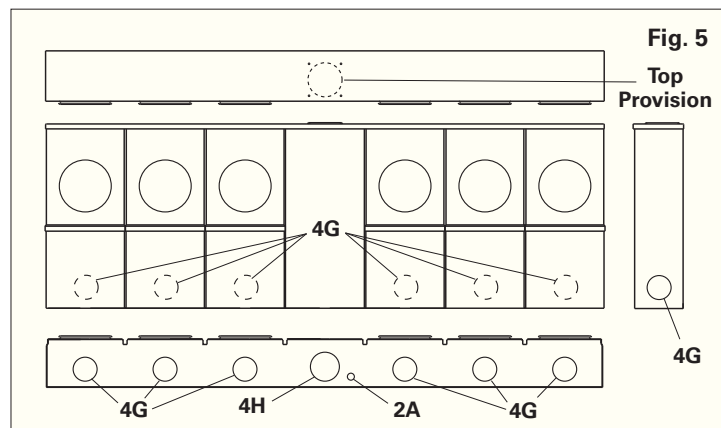
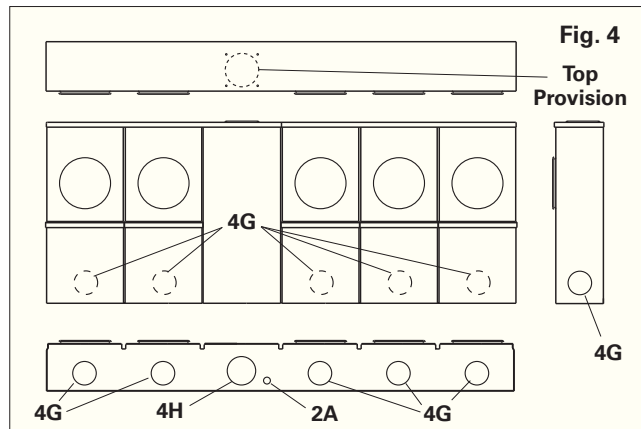
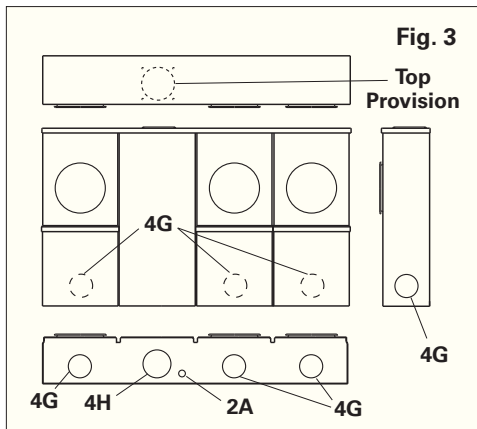
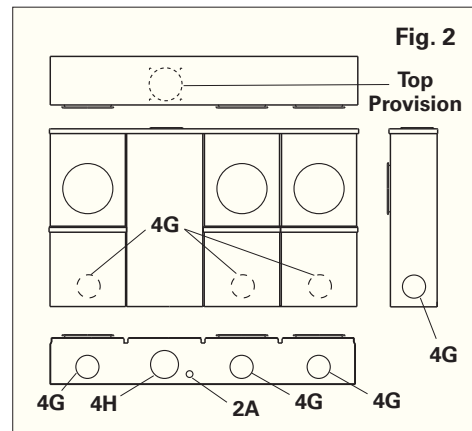
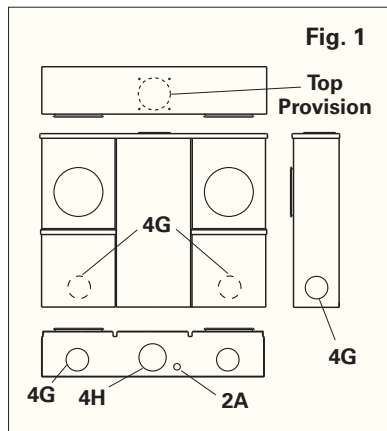
Style #	Suffixes
242 MCC	SS - Stainless Steel
243 MCC	
244 MCC	
245 MCC	
246 MCC	

### Knockouts - Conduit Sizes

2A = 1/2" - 1/4"  
 4G = 2 1/2" - 2" - 1 1/2" - 1 1/4"  
 4H = 3" - 2 1/2" - 2" - 1 1/2"  
 Top Provision = See Chart

Multiple Metering

### Knockout Layouts



Data subject to change without notice. Consult local utility for area acceptance. All dimensions are in inches.

# Group Meter Main - With MCC Bypass

## 100 Amp Horizontal

Multiple Metering



**152 MCCM  
(closed)**



**152 MCCM  
(open)**

### Application

- For horizontal multi-meter/mains installations - 4 position maximum
- Manual circuit closing (link type) bypasses under separate sealable covers
- 225A main buss
- Factory installed breakers
- Receive ANSI C12.10 watt-hour meters
- Overhead or underground feed (see chart)
- Surface mount

### Construction

- Ring type
- NEMA Type 3R
- ANSI 61 gray E-coat finish
- Aluminum snap ring included

### Standards

- UL 67 Listed
- ANSI C12.7



Part/UPC Number	Catalog Number	Number of Positions	Buss Amps	Amp Rating	Jaws	Service Type	Access	Main Breaker			
								Voltage	AIC	Main	Bypass
78205107770	<b>152 MCCM</b>	2	225	100	4	1Ø/3W	OH/UG	120/240	10K	(2) 100A, 2P	MCC
78205107771	<b>153 MCCM</b>	3	225	100	4	1Ø/3W	OH/UG	120/240	10K	(3) 100A, 2P	MCC
78205107774	<b>154 MCCM</b>	4	225	100	4	1Ø/3W	OH/UG	120/240	10K	(4) 100A, 2P	MCC

Part/UPC Number	Catalog Number	Connections			Overall Dimensions			Top Provision	Knockout Layout
		Line	Load	Neutral	Height	Width	Depth		
78205107770	<b>152 MCCM</b>	#6 - 250 MCM	MCB	#6 - 250 MCM	28 <sup>1</sup> / <sub>2</sub> "	26 <sup>1</sup> / <sub>2</sub> "	4 <sup>5</sup> / <sub>8</sub> "	AW Hub	Fig. 1
78205107771	<b>153 MCCM</b>	#6 - 250 MCM	MCB	#6 - 250 MCM	28 <sup>1</sup> / <sub>2</sub> "	34 <sup>3</sup> / <sub>4</sub> "	4 <sup>5</sup> / <sub>8</sub> "	AW Hub	Fig. 2
78205107774	<b>154 MCCM</b>	#6 - 250 MCM	MCB	#6 - 250 MCM	28 <sup>1</sup> / <sub>2</sub> "	43"	4 <sup>5</sup> / <sub>8</sub> "	AW Hub	Fig. 3

MCB - Main Circuit Breaker

# Group Meter Main - With MCC Bypass

100 Amp Horizontal

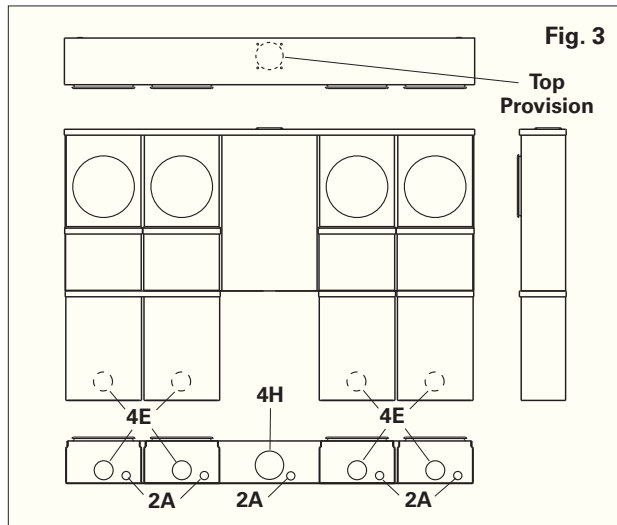
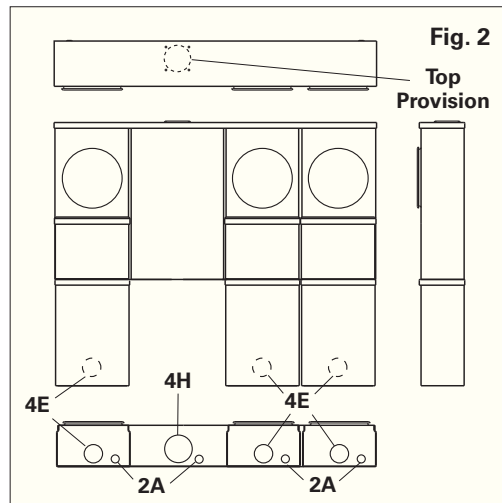
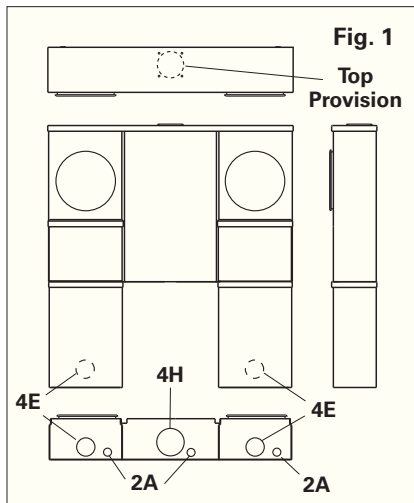
Style #	Suffixes
152 MCCM	SS - Stainless Steel
153 MCCM	
154 MCCM	

### Knockouts - Conduit Sizes

2A = 1/2" - 1/4"  
 4E = 1 1/2" - 1 1/4" - 1" - 3/4"  
 4H = 3" - 2 1/2" - 2" - 1 1/2"  
 Top Provision = See Chart

Multiple Metering

### Knockout Layouts



Data subject to change without notice. Consult local utility for area acceptance. All dimensions are in inches.

# Group Meter Main - Without Bypass

## 200 Amp Vertical

Multiple Metering



2222 (closed)



2222 (open)

### Application

- For vertical multi-meter/mains installations - 4 position maximum
- 400A main buss
- Factory installed breakers
- Receive ANSI C12.10 watt-hour meters
- Overhead or underground feed (see chart)
- Surface mount

### Construction

- Ring type
- NEMA Type 3R
- ANSI 61 gray E-coat finish
- Aluminum snap ring included

### Standards

- UL 67 Listed
- ANSI C12.7

### Accessories

- 5th Jaw Kit - 50365
- Screw Type Ring - 26016D



Part/UPC Number	Catalog Number	Number of Positions	Buss Amps	Amp Rating	Jaws	Service Type	Access	Main Breaker		
								Voltage	AIC	Main
78205161519	2222	2	400	200	4	1Ø/3W	OH/UG	120/240	10K	(2) 200A, 2P
79903854901	2223	3	400	200	4	1Ø/3W	OH/UG	120/240	10K	(3) 200A, 2P
79903854902	2224	4	600	200	4	1Ø/3W	OH/UG	120/240	10K	(4) 200A, 2P

Part/UPC Number	Catalog Number	Connections			Height	Overall Dimensions			Top Provision	Knockout Layout
		Line	Load	Neutral		Width	Depth			
78205161519	2222	Studs	MCB	#6 - 250 MCM	48"	26 <sup>5</sup> / <sub>8</sub> "	6"	None	Fig. 1	
79903854901	2223	Studs	MCB	#6 - 250 MCM	48"	40 <sup>3</sup> / <sub>4</sub> "	6"	None	Fig. 2	
79903854902	2224	Studs	MCB	#6 - 250 MCM	48"	40 <sup>3</sup> / <sub>4</sub> "	6"	None	Fig. 2	

MCB - Main Circuit Breaker

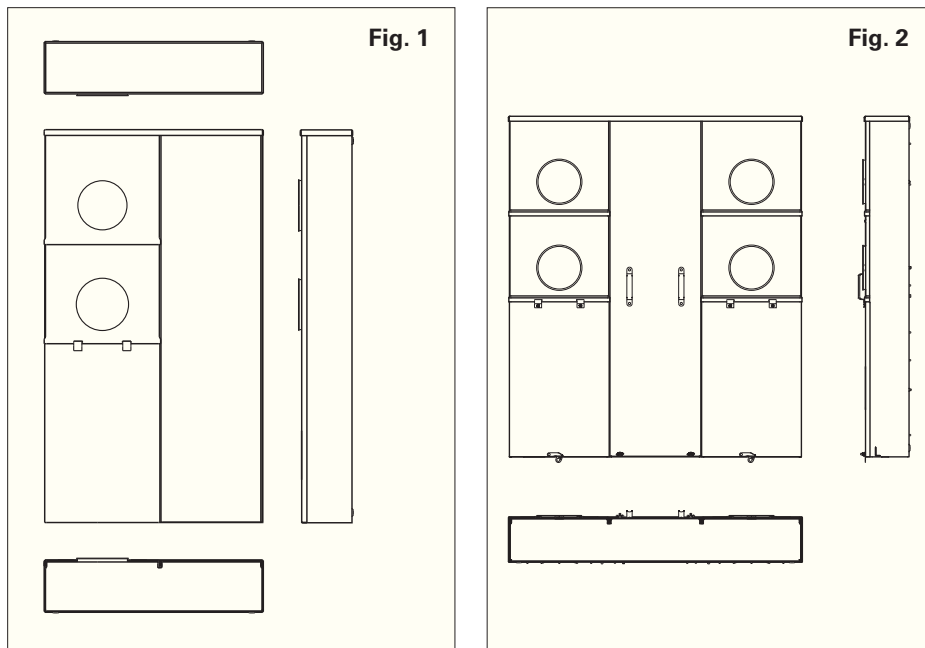
# Group Meter Main - Without Bypass

200 Amp Vertical

Style #	Suffixes
2222	SS - Stainless Steel
2223	
2224	

Multiple Metering

## Layouts



Data subject to change without notice. Consult local utility for area acceptance. All dimensions are in inches.







Mobile Home  
Metering

Mobile Home Pedestal, 100/200 Amp .....	103 - 104
Mobile Home Panel, 200 Amp .....	105 - 106

# Mobile Home Pedestal

## 100/200 Amp



**M2M200PPD (closed)**



**M2M200PPD (open)**

### Application

- Direct bury design for mobile home applications
- Isolated compartments for customer equipment, circuit breakers, and metering service
- Hinged disconnect cover with padlock provision
- Louvered line section for ventilation
- Separate load exit enclosure
- Provisions for additional breakers
- Receive ANSI C12.10 watt-hour meters
- Underground feed



### Construction

- Ring type
- NEMA Type 3R
- ANSI 61 gray E-coat finish
- Aluminum snap ring included

### Standards

- UL 67 Listed
- ANSI C12.7
- EUSERC 307

### Accessories

- Load exit enclosure - 3245 Kit (see Fig. 2)

Mobile Home Metering

Part/UPC Number	Catalog Number	Amp Rating	Jaws	Service Type	Access	Main Breaker			
						Voltage	AIC	Main	Provisions
78205137400	<b>M1M100PD</b>	125	4	1Ø/3W	UG	120/240	10K	(1) 100A, 2P	(1) 100A
78205105591	<b>M1M100PD MS66</b>	100	4	1Ø/3W	UG	120/240	10K	(1) 100A, 2P	(1) 100A
78205137425	<b>M1M125PD</b>	125	4	1Ø/3W	UG	120/240	10K	(1) 125A, 2P	(1) 100A
78205113005	<b>M1M125PD MS66</b>	125	4	1Ø/3W	UG	120/240	10K	(1) 125A, 2P	(1) 100A
78205117765	<b>M1M150PD MS67</b>	150	4	1Ø/3W	UG	120/240	10K	(1) 150A, 2P	(1) 100A
78205117766	<b>M1M175PD MS67</b>	175	4	1Ø/3W	UG	120/240	10K	(1) 175A, 2P	(1) 100A
78205137435	<b>M2M150PD</b>	150	4	1Ø/3W	UG	120/240	10K	(1) 150A, 2P	(1) 100A
78205137445	<b>M2M175PD</b>	175	4	1Ø/3W	UG	120/240	10K	(1) 175A, 2P	(1) 100A
78205137610	<b>M2M200PD</b>	200	4	1Ø/3W	UG	120/240	10K	(1) 200A, 2P	(1) 100A
78205137620	<b>M2M200PD MS67</b>	200	4	1Ø/3W	UG	120/240	10K	(1) 200A, 2P	(1) 100A
78205137630	<b>M2M200PPD</b>	200	4	1Ø/3W	UG	120/240	10K	(1) 200A, 2P	(2) 100A
78205137640	<b>M2M200PPD MS67</b>	200	4	1Ø/3W	UG	120/240	10K	(1) 200A, 2P	(2) 100A

Part/UPC Number	Catalog Number	Connections			Overall Dimensions			Top Provision	Knockout Layout
		Line	Load	Neutral	Height	Width	Depth		
78205137400	<b>M1M100PD</b>	#6 - 350 MCM	MCB	#6 - 350 MCM	78"	10"	4 <sup>5</sup> / <sub>8</sub> "	None	Fig. 1
78205105591	<b>M1M100PD MS66</b>	Studs	MCB	#6 - 350 MCM	78"	10"	4 <sup>5</sup> / <sub>8</sub> "	None	Fig. 1
78205137425	<b>M1M125PD</b>	#6 - 350 MCM	MCB	#6 - 350 MCM	78"	10"	4 <sup>5</sup> / <sub>8</sub> "	None	Fig. 1
78205113005	<b>M1M125PD MS66</b>	Studs	MCB	#6 - 350 MCM	78"	10"	4 <sup>5</sup> / <sub>8</sub> "	None	Fig. 1
78205117765	<b>M1M150PD MS67</b>	Studs	MCB	#6 - 350 MCM	78"	10"	4 <sup>5</sup> / <sub>8</sub> "	None	Fig. 1
78205117766	<b>M1M175PD MS67</b>	Studs	MCB	#6 - 350 MCM	78"	10"	4 <sup>5</sup> / <sub>8</sub> "	None	Fig. 1
78205137435	<b>M2M150PD</b>	#6 - 250 MCM	MCB	#6 - 350 MCM	78"	10"	4 <sup>5</sup> / <sub>8</sub> "	None	Fig. 1
78205137445	<b>M2M175PD</b>	#6 - 250 MCM	MCB	#6 - 350 MCM	78"	10"	4 <sup>5</sup> / <sub>8</sub> "	None	Fig. 1
78205137610	<b>M2M200PD</b>	#6 - 250 MCM	MCB	#6 - 350 MCM	78"	10"	4 <sup>5</sup> / <sub>8</sub> "	None	Fig. 1
78205137620	<b>M2M200PD MS67</b>	Studs	MCB	#6 - 350 MCM	78"	10"	4 <sup>5</sup> / <sub>8</sub> "	None	Fig. 1
78205137630	<b>M2M200PPD</b>	#6 - 250 MCM	MCB	#6 - 350 MCM	78"	10"	4 <sup>5</sup> / <sub>8</sub> "	None	Fig. 1
78205137640	<b>M2M200PPD MS67</b>	Studs	MCB	#6 - 350 MCM	78"	10"	4 <sup>5</sup> / <sub>8</sub> "	None	Fig. 1

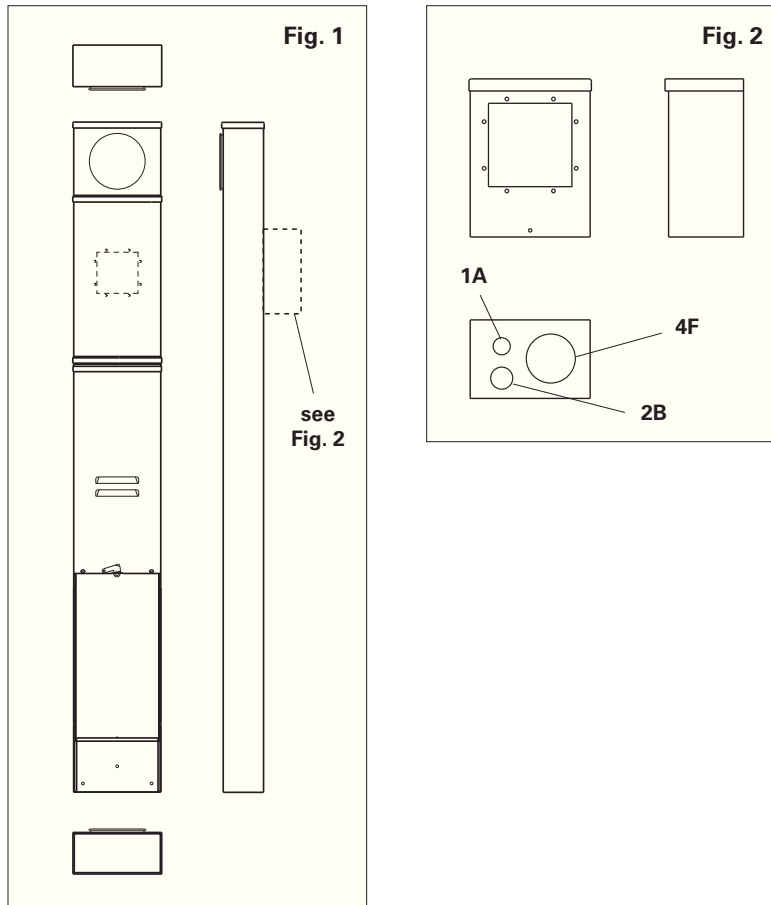
MCB - Main Circuit Breaker

Style #	Suffixes
M1M1xxPD	<b>SS</b> - Stainless Steel
M2M1xxPD	<b>MS66</b> - Studs replace line side connectors
M2M2xxPD	
M2M2xxPDD	<b>MS67</b> - Studs replace line side connectors

### Knockouts - Conduit Sizes

1A = 1/2"  
 2B = 3/4" - 1/2"  
 4F = 2" - 1 1/2" - 1 1/4" - 1"

### Knockout Layouts



# Mobile Home Panel

## 200 Amp



UM2M200P (closed)



UM2M200P (open)

### Application

- Designed for mobile home applications
- Provisions for additional breakers
- Receive ANSI C12.10 watt-hour meters
- Overhead or underground feed (see chart)
- Surface mount

### Construction

- Ring type
- NEMA Type 3R
- ANSI 61 gray E-coat finish
- Aluminum snap ring included

### Standards

- UL 67 Listed
- ANSI C12.7

### ACCESSORIES

- Flush Trim Kit - FK 1430
- AW Hubs



Mobile Home  
Metering

Part/UPC Number	Catalog Number	Amp Rating	Jaws	Service Type	Access	Main Breaker			
						Voltage	AIC	Main	Provisions
78205157310	UM2M200	200	4	1Ø/3W	OH/UG	120/240	10K	(1) 200A, 2P	--
78205157315	UM2M200P	200	4	1Ø/3W	OH/UG	120/240	10K	(1) 200A, 2P	(1) 2P
78205157320	UM2M200PP	200	4	1Ø/3W	OH/UG	120/240	10K	(1) 200A, 2P	(2) 2P

Part/UPC Number	Catalog Number	Connections			Overall Dimensions			Top Provision	Knockout Layout
		Line	Load	Neutral	Height	Width	Depth		
78205157310	UM2M200	#6 - 250 MCM	MCB	#6 - 250 MCM	30"	14"	4 <sup>5</sup> / <sub>8</sub> "	AW Hub	Fig. 1
78205157315	UM2M200P	#6 - 250 MCM	MCB	#6 - 250 MCM	30"	14"	4 <sup>5</sup> / <sub>8</sub> "	AW Hub	Fig. 1
78205157320	UM2M200PP	#6 - 250 MCM	MCB	#6 - 250 MCM	30"	14"	4 <sup>5</sup> / <sub>8</sub> "	AW Hub	Fig. 1

MCB - Main Circuit Breaker

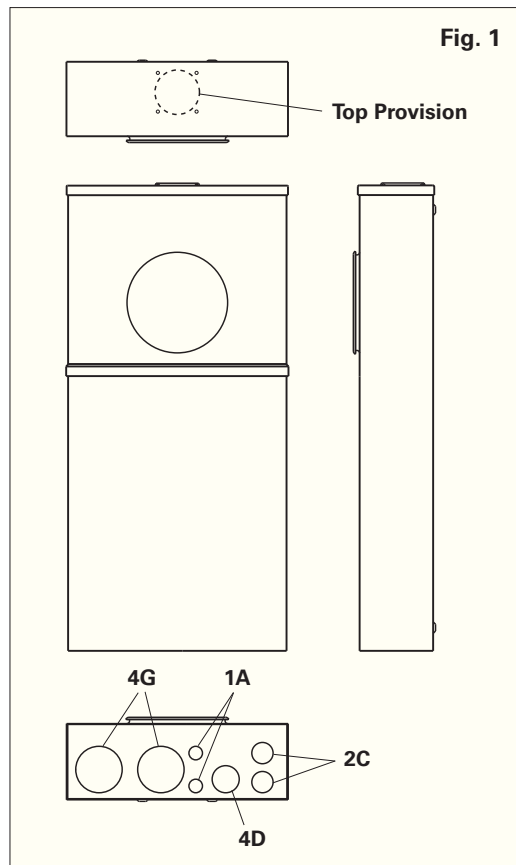
Style #	Suffixes
---------	----------

UM2M200	SS - Stainless Steel
UM2M200P	
UM2M200PP	

### Knockouts - Conduit Sizes

1A = 1/2"  
2C = 1" - 3/4"  
4D = 1 1/4" - 1" - 3/4" - 1/2"  
4G = 2 1/2" - 2" - 1 1/2" - 1 1/4"  
Top Provision = See Chart

### Knockout Layouts





# Commercial Meter Pedestals



Commercial  
Meter Pedestals

Commercial Metering Pedestals - Features & Applications .....	109
Commercial Metering Pedestals - Mounting Base Details .....	110
Commercial Metering Pedestals - Pad Mounted .....	111
Commercial Metering Pedestals - Post/Wall Mounted .....	112
Commercial Metering Pedestals - Pad Mounted, Unmetered .....	113
Commercial Metering Pedestals - Pad Mounted, Dual Distribution .....	114
Commercial Metering Pedestals - Specials .....	115 - 116

Data subject to change without notice. Consult local utility for area acceptance. All dimensions are in inches.

# Commercial Meter Pedestals - Features & Applications

## Post, Wall, or Pad Mounted Pedestals with Isolated Components for Utility Metering



Name \_\_\_\_\_

Company Name \_\_\_\_\_

Address \_\_\_\_\_

Phone \_\_\_\_\_

Email \_\_\_\_\_

### Typical Application

- Street & highway lighting
- Traffic signal controller metering
- Irrigation control systems
- Park & recreation facilities
- Golf course lighting
- Sign lighting

### Construction

- NEMA Type 3R
- UL Listed
- ANSI 12.7
- EUSERC #308 Compliant (CMP4xxx MC1)

**Service conductor terminations and customer's equipment can be factory customized to meet specific job requirements**

### Commercial Metering Pedestal - Customization Form

Enclosure Mounting Type _____	
Supply Voltage _____	Service _____
Supply Amperage _____	Short Circuit Rating _____
<b>Meter Bypass:</b> Safety Socket (Test Block) <input type="checkbox"/> Manual Circuit Closing <input type="checkbox"/> No Bypass <input type="checkbox"/>	
<b>Disconnect:</b> Main Circuit Breaker <input type="checkbox"/> Class "T" Fused Pullout <input type="checkbox"/>	
<b>Distribution:</b> Circuit Panelboard _____    None <input type="checkbox"/>	
<b>Finish:</b> Light Gray (ANSI 61) <input type="checkbox"/> Light Green <input type="checkbox"/> Federal Brown <input type="checkbox"/> Light Gray (ANSI 49) <input type="checkbox"/> White <input type="checkbox"/> Other _____	
<b>Controls:</b>	
<input type="checkbox"/> Switch: HOA (Hand-Off-Auto) _____    Test Switch _____	
<input type="checkbox"/> Photo-Electric Cell: In Window _____    Field Installed _____	
<input type="checkbox"/> Time Clock: 24 Hour _____    7 Day _____    Electronic _____    Mechanical _____	
<input type="checkbox"/> Lighting Contractor: Amps _____    Poles _____    Control Voltage _____	
<input type="checkbox"/> Thermostat: Electronic _____    Mechanical _____	
<input type="checkbox"/> Cabinet Heater: Watts _____	<input type="checkbox"/> Control Transformer: Amps _____
<input type="checkbox"/> Duplex Receptacles: _____	<input type="checkbox"/> Terminal Block _____

For online form, see [www.cooperblinemetring.com](http://www.cooperblinemetring.com).

Send completed form to customer service at Eaton's B-Line Business. See address information on back cover.



# Commercial Meter Pedestals - Mounting Base Details

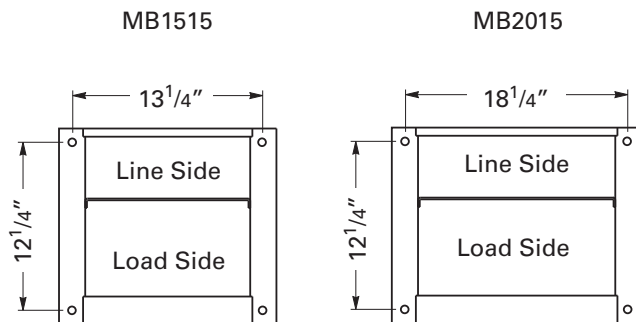
## Installation Instructions

### CMP-4000 Series

Meter pedestals are designed for pad-mount installation. Two methods can be used to install pedestals on a concrete pad.

- Use pre-fabricated mounting base assembly.
  - Cat. No. MB1515 -  
Suitable for 15" wide x 15" deep pedestals.
  - Cat. No. MB2015 -  
Suitable for 20" wide x 15" deep pedestals.

Install mounting base assembly flush with top surface of concrete pad, allowing mounting studs to reach above pad. Locate line and load conduits in the designated areas as shown on drawings below.



- Use anchor bolts ( $\frac{3}{8}$ " dia.) pre-cast in concrete pad. Mounting hole dimensions are shown above for 15 x 15 and 20 x 15 pedestals. Locate line and load conduits the same as in method 1.

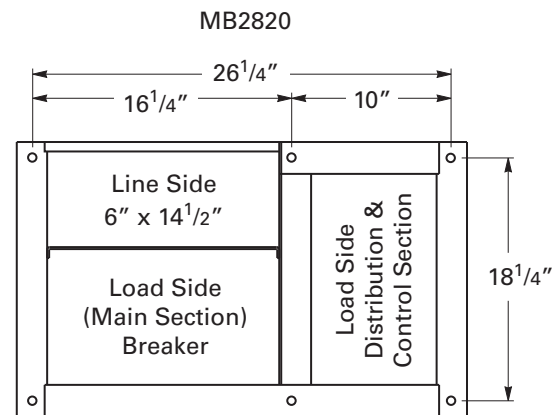
## Installation Instructions

### CMP-4900 Series

Meter pedestals are designed for pad-mount installation. Two methods can be used to install pedestals on a concrete pad.

- Use pre-fabricated mounting base assembly.
  - Cat. No. MB2820 -  
Suitable for 28" wide x 20" deep pedestals. (CMP-4900 Models)

Install mounting base assembly flush with top surface of concrete pad, allowing mounting studs to reach above pad. Locate line and load conduits in the designated areas as shown on drawing below.



- Use anchor bolts ( $\frac{3}{8}$ " dia.) pre-cast in concrete pad. Mounting hole dimensions are shown above. Locate line and load conduits the same as in method 1.

# Commercial Meter Pedestals - Pad Mounted



**CMP4111MC-1**



## Application

- Utility meter, main disconnect and distribution panel
- Receive ANSI C12.10 watt-hour meters

## Construction

- Ring type
- NEMA Type 3R
- ANSI 61 gray E-coat finish
- Separate sealable utility termination and meter compartments
- Padlockable disconnect and distribution section
- Underground feed

## Standards

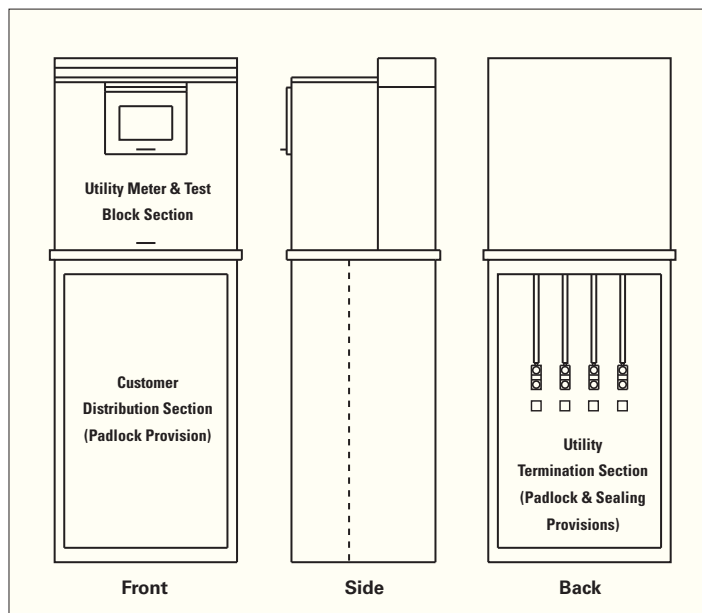
- UL Listed
- ANSI C12.7
- EUSERC #308

## Accessories

- 5th jaw kit - 50365 (single phase)
- Filler plate kit - 25139
- Class T fusible pullouts
- Controls, see page 109

Commercial  
Meter Pedestals

Catalog Number	Amp Rating	Jaws	Service Type	Bypass	Voltage	Distribution		Type	Mounting Pad	Dimensions		
						Main Breaker	Branches			Width	Depth	Height
<b>CMP4111MC-1</b>	100	4	1Ø,3W	TB	240	100A,2P	12	Plug-In	MB1515	15"	17 1/2"	54"
<b>CMP4111MCH-1</b>	100	4	1Ø,3W	TB	480	100A,2P	14	Bolt-On	MB2015	20"	17 1/2"	54"
<b>CMP4121MC-1</b>	200	4	1Ø,3W	TB	240	200A,2P	12	Plug-In	MB1515	15"	17 1/2"	54"
<b>CMP4121MCH-1</b>	200	4	1Ø,3W	TB	480	200A,2P	18	Bolt-On	MB2015	20"	17 1/2"	54"
<b>CMP4411MC-1</b>	100	7	3Ø,4W	TB	240	100A,3P	12	Plug-In	MB1515	15"	17 1/2"	54"
<b>CMP4411MCH-1</b>	100	7	3Ø,4W	TB	480	100A,3P	12	Bolt-On	MB2015	20"	17 1/2"	54"
<b>CMP4421MC-1</b>	200	7	3Ø,4W	TB	240	200A,3P	12	Plug-In	MB1515	15"	17 1/2"	54"
<b>CMP4421MCH-1</b>	200	7	3Ø,4W	TB	480	200A,3P	18	Bolt-On	MB2015	20"	17 1/2"	54"



# Commercial Meter Pedestals - Post/Wall Mounted



**CMP4111M**

## Application

- Utility meter, main disconnect and distribution panel
- Receive ANSI C12.10 watthour meters

## Construction

- Ring type
- NEMA Type 3R
- ANSI 61 gray E-coat finish
- Separate sealable utility termination and meter compartments
- Padlockable disconnect and distribution section
- Underground feed

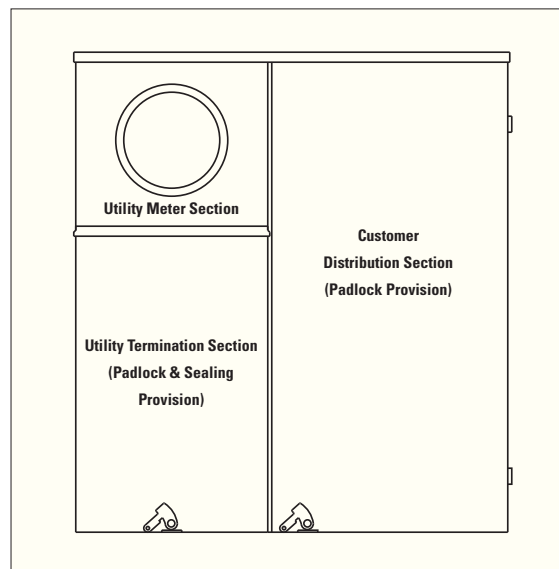
## Standards

- UL Listed
- ANSI C12.7

## Accessories

- 5th jaw kit - 50365 (single phase)
- Filler plate kit - 25139
- Class T fusible pullouts
- Controls, see page 109

Catalog Number	Amp Rating	Jaws	Service Type	Bypass	Voltage	Distribution		Type	Dimensions		
						Main Breaker	Branches		Width	Depth	Height
CMP4111M	100	4	1Ø,3W	--	240	100A,2P	12	Plug-In	32"	8"	32"
CMP4111MC	100	4	1Ø,3W	TB	240	100A,2P	12	Plug-In	32"	8"	32"
CMP4111MCH	100	4	1Ø,3W	TB	480	100A,2P	14	Bolt-On	32"	8"	38"
CMP4121M	200	4	1Ø,3W	--	240	200A,2P	12	Plug-In	32"	8"	38"
CMP4121MC	200	4	1Ø,3W	TB	240	200A,2P	12	Plug-In	32"	8"	38"
CMP4121MCH	200	4	1Ø,3W	TB	480	200A,2P	18	Bolt-On	32"	8"	38"
CMP4411M	100	7	3Ø,4W	--	240	100A,3P	12	Plug-In	32"	8"	32"
CMP4411MC	100	7	3Ø,4W	TB	240	100A,3P	12	Plug-In	32"	8"	32"
CMP4411MCH	100	7	3Ø,4W	TB	480	100A,3P	12	Bolt-On	32"	8"	32"
CMP4421M	200	7	3Ø,4W	--	240	200A,3P	12	Plug-In	32"	8"	32"
CMP4421MC	200	7	3Ø,4W	TB	240	200A,3P	12	Plug-In	32"	8"	32"
CMP4421MCH	200	7	3Ø,4W	--	480	200A,3P	18	Bolt-On	32"	8"	38"



Data subject to change without notice. Consult local utility for area acceptance. All dimensions are in inches.

# Commercial Meter Pedestals - Pad Mounted, Unmetered



CUP4111

## Application

- Utility meter, main disconnect and distribution panel

## Construction

- Ring type
- NEMA Type 3R
- ANSI 61 gray E-coat finish
- Separate sealable utility termination and meter compartments
- Padlockable disconnect and distribution section
- Underground feed

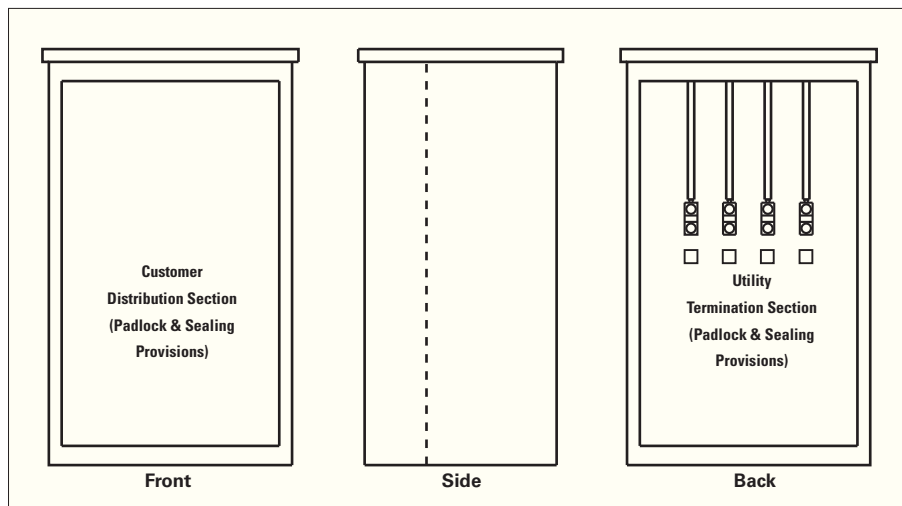
## Standards

- UL Listed
- ANSI C12.7

## Accessories

- 5th jaw kit - 50365 (single phase)
- Filler plate kit - 25139
- Class T fusible pullouts
- Controls, see page 109

Catalog Number	Amp Rating	Service Type	Bypass	Distribution			Mounting Pad	Dimensions			
				Voltage	Main Breaker	Branches		Type	Width	Depth	Height
CUP4111	100	1Ø,3W	TB	240	100A,2P	12	Plug-In	MB1515	15"	17 1/2"	32"
CUP4111H	100	1Ø,3W	TB	480	100A,2P	14	Bolt-On	MB2015	20"	17 1/2"	32"
CUP4121	200	1Ø,3W	TB	240	200A,2P	12	Plug-In	MB1515	15"	17 1/2"	32"
CUP4121H	200	1Ø,3W	TB	480	200A,2P	18	Bolt-On	MB2015	20"	17 1/2"	32"
CUP4411	100	3Ø,4W	TB	240	100A,3P	12	Plug-In	MB1515	15"	17 1/2"	32"
CUP4411H	100	3Ø,4W	TB	480	100A,3P	12	Bolt-On	MB2015	20"	17 1/2"	32"
CUP4421	200	3Ø,4W	TB	240	200A,3P	12	Plug-In	MB1515	15"	17 1/2"	32"
CUP4421H	200	3Ø,4W	TB	480	200A,3P	18	Bolt-On	MB2015	20"	17 1/2"	32"



# Commercial Meter Pedestals - Pad Mounted, Dual Distribution



## Application

- Utility meter, main disconnect and distribution panel
- Receive ANSI C12.10 watthour meters

## Construction

- Ring type
- NEMA Type 3R
- ANSI 61 gray E-coat finish
- Separate sealable utility termination and meter compartments
- Padlockable disconnect and distribution section
- Underground feed

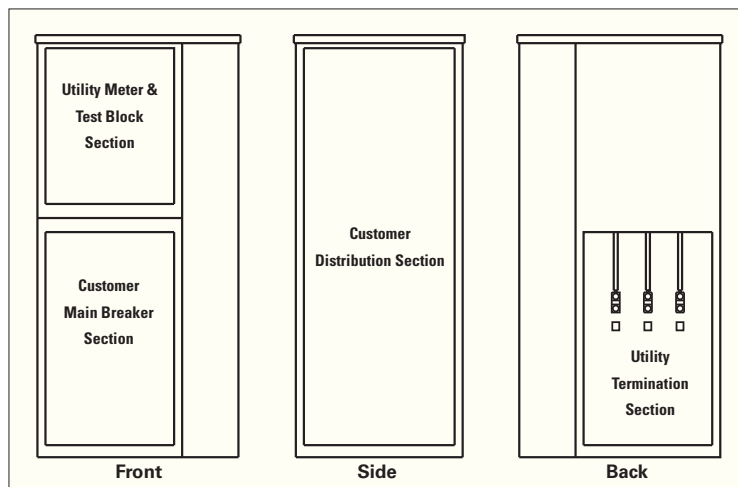
## Standards

- UL Listed
- ANSI C12.7

## Accessories

- 5th jaw kit - 50365 (single phase)
- Filler plate kit - 25139
- Class T fusible pullouts
- Controls, see page 109

Catalog Number	Amp Rating	Jaws	Service Type	Bypass	Distribution		Mounting Pad
					Voltage	Main Breaker Branch Circuits	
<b>CMP4911M</b>	100	4	1Ø, 3W	--	240	50A/2P (2)	
<b>CMP4911MC</b>	100	4	1Ø, 3W	TB	240	50A/2P (2)	
<b>CMP4911MCH</b>	100	4	1Ø, 3W	TB	480	50A/2P (2)	
<b>CMP4914M</b>	100	7	3Ø, 4W	--	240	50A/3P (2)	
<b>CMP4914MC</b>	100	7	3Ø, 4W	TB	240	50A/3P (2)	
<b>CMP4914MCH</b>	100	7	3Ø, 4W	TB	240	50A/3P (2)	Per
<b>CMP4921M</b>	200	4	1Ø, 3W	--	240	100A/2P (2)	Customer
<b>CMP4921MC</b>	200	4	1Ø, 3W	TB	240	100A/2P (2)	Specification
<b>CMP4921MCH</b>	200	4	1Ø, 3W	TB	480	100A/2P (2)	
<b>CMP4924M</b>	200	7	3Ø, 4W	--	240	100A/3P (2)	
<b>CMP4924MC</b>	200	7	3Ø, 4W	TB	240	100A/3P (2)	
<b>CMP4924MCH</b>	200	7	3Ø, 4W	TB	480	100A/3P (2)	
<b>CMP4941MN</b>	400	4	1Ø, 3W	MCC	240	400A/2P (2)	



Data subject to change without notice. Consult local utility for area acceptance. All dimensions are in inches.

# Commercial Meter Pedestals - Specials



**CMP4012MC-1**

## Application

- Utility meter, main disconnect and distribution panel
- Receive ANSI C12.10 watthour meters

## Construction

- Ring type
- NEMA Type 3R
- ANSI 61 gray E-coat finish
- Separate sealable utility termination and meter compartments
- Padlockable disconnect and distribution section
- Underground feed

## Standards

- UL Listed
- ANSI C12.7

## Accessories

- 5th jaw kit - 50365 (single phase)
- Filler plate kit - 25139
- Class T fused pullouts
- Controls, see page 109

Commercial  
Meter Pedestals

**Pad Mount, Dual Metered Side-by-Side - Fig. 1 (see page 116)**

Catalog Number	Amp Rating	Jaws	Service Type	Bypass	Distribution				Mounting Pad	Dimensions		
					Voltage	Main Breaker	Branches	Type		Width	Depth	Height
CM2P4111MC-1	200	7	1Ø,3W	TB	240	100A,2P	12	Plug-In	MB3215	32"	17 <sup>1</sup> / <sub>2</sub> "	54"
				TB	240	100A,2P	12	Plug-In				
CM2P4411MC-1	200	7	1Ø,3W	TB	480	100A,2P	14	Bolt-On	MB3215	32"	17 <sup>1</sup> / <sub>2</sub> "	54"
				TB	480	100A,2P	14	Bolt-On				
CM2P4121MC-1	400	4	1Ø,3W	MCC	240	200A,2P	--	--	MB3215	32"	17 <sup>1</sup> / <sub>2</sub> "	54"
				MCC	240	200A,2P	--	--				
CM2P4421MC-1	400	7	3Ø,4W	TB	240	200A,2P	12	Plug-In	MB3215	32"	17 <sup>1</sup> / <sub>2</sub> "	54"
				TB	240	200A,2P	12	Plug-In				

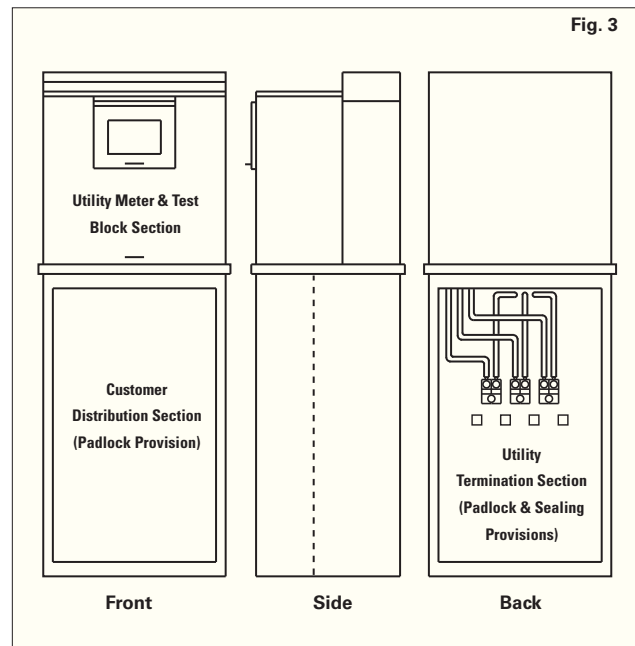
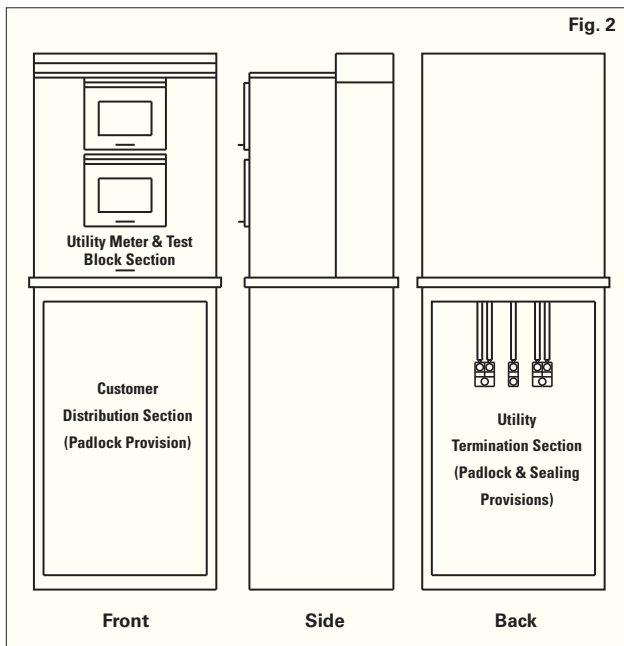
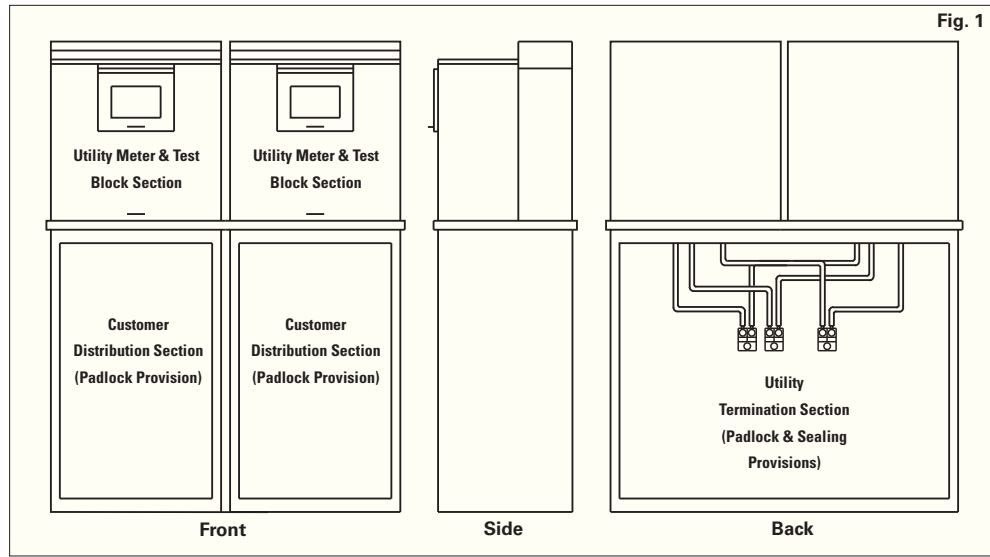
**Pad Mount, Dual Metered - Fig. 2 (see page 116)**

Catalog Number	Amp Rating	Jaws	Service Type	Bypass	Distribution				Mounting Pad	Dimensions		
					Voltage	Main Breaker	Branches	Type		Width	Depth	Height
CMP4012MC-1	100	4	1Ø,3W	--	240	60A,2P	4	Plug-In	MB1515	15"	17 <sup>1</sup> / <sub>2</sub> "	54"
				TB	240	60A,2P	4	Plug-In				
CMP4022MC-1	100	4	1Ø,3W	--	240	60A,2P	4	Plug-In	MB1515	15"	17 <sup>1</sup> / <sub>2</sub> "	54"
				TB	240	60A,2P	12	Plug-In				

**Pad Mount, Split Load Style - Fig. 3 (see page 116)**

Catalog Number	Amp Rating	Jaws	Service Type	Bypass	Distribution				Mounting Pad	Dimensions		
					Voltage	Main Breaker	Branches	Type		Width	Depth	Height
CMP4011SLC-1	100	4	1Ø,3W	TB	240	60A,2P	4	Plug-In	MB1515	15"	17 <sup>1</sup> / <sub>2</sub> "	54"
			Unmetered	1Ø,3W	Unmetered	240	60A,2P	4				

# Commercial Meter Pedestals - Specials



Commercial Meter Pedestals

Data subject to change without notice. Consult local utility for area acceptance. All dimensions are in inches.







Accessories

Covers & Sealing Rings .....	119
AW & H-Base Hubs .....	119
Flush Trim Kits & Overhead Conversion Kits .....	120
Lug-Stud & Lug-Lug Terminal Pad Assemblies .....	121
Terminal Landing Pads, 5th Jaw Terminal Kits, Insulator .....	121
Breaker Stab Assembly, Jumper Link, MTB Cover Kit .....	122
Test Blocks for TB Sockets .....	122
Class "T" Replacement Fuses for MTBP & MTBPL Units .....	122
Sealing Device Packages & Oil-Tight Hole Seals .....	123
Ground Lug Kits, Triplex Ground Connectors, Touch-Up Paint .....	124

Data subject to change without notice. Consult local utility for area acceptance. All dimensions are in inches.

## Covers & Sealing Rings



Catalog Number	Description
30420	Steel Cover For Socket Opening
25162	Clear Lexan Cover For Socket Opening
25016A	Aluminum Snap Type Sealing Ring
25016B	Stainless Steel Snap Type Sealing Ring
25016D	Anodized Aluminum Screw Type Sealing Ring



AW200



AW CAP

## AW Hubs

Interchangeable gasketless hubs for conduit sizes 1" through 2 1/2" per ANSI C12.7. All hubs are threaded and secured by bolting hub to top of meter enclosure with tapped holes in enclosure.

Catalog Number	Hub Description
AW CAP	Cap
AW100	1" Conduit Size
AW125	1 1/4" Conduit Size
AW150	1 1/2" Conduit Size
AW200	2" Conduit Size
AW250	2 1/2" Conduit Size



H7



H10

## H-Base Hubs

Interchangeable gasketless hubs for conduit sizes 2" through 4" per ANSI C12.7. All hubs are threaded and secured by bolting hub to top of meter enclosure with tapped holes in enclosure.

Catalog Number	Hub Description
H7	Adapter From Large H-Base Hub To AW Hub
H10	Closure Plate
H20	2" Conduit Size
H25	2 1/2" Conduit Size
H30	3" Conduit Size
H35	3 1/2" Conduit Size
H40	4" Conduit Size

## Flush Trim Kits

Flush trim kits are used to change a meter enclosure from a surface mount to a semi-flush. Kits include all necessary hardware and instructions for field installation.

Catalog Number	Fits Enclosures
FK1432	14 x 32
FK2432	24 x 32
FK2438	24 x 38
FK3038	30 x 38
FK3447	34 x 47
FK1421A	14 x 21 <sup>1</sup> / <sub>2</sub>
FK1430	14 x 30
FK2421A	24 x 21 <sup>1</sup> / <sub>2</sub>
FK2430A	24 x 30
FK3221A	32 x 21
FK3230	32 x 30
FK2832A	28 x 32 <sup>1</sup> / <sub>2</sub>

## Overhead Conversion Kit

Overhead conversion kits are used on the U404 series to convert meter enclosure from underground to overhead feed. Kit is constructed with knockouts, an H-base hub provision and sealable utility cover. The kit includes (3) mechanical lugs to convert line side stud termination to mechanical termination: stud spacing 1<sup>3</sup>/<sub>4</sub>" center to center.

Wire range per lug: (1) 4 AWG – 600 kcmil  
 or (2) 1 AWG – 250 kcmil  
 or (2) 2 AWG – 3/0 AWG

Catalog Number	Size (Height x Width x Depth)
CK8326	32" x 8" x 6"



# Accessories



R-9002EE  
shown



R-9002\_ Series

## Lug - Stud Terminal Pad Assemblies \*UL Listed

Each pad comes complete with insulator.

Catalog Number	Max Amperes	Phase & Neutral Conductor	
		Line	Load
R9002C	400 Amp	2 Studs / Ø	6 AWG - 600 kcmil
R9002CC	400 Amp	2 Studs / Ø	6 AWG - 600 kcmil
R9002E	800 Amp	4 Studs / Ø	(3) 4 AWG - 600 kcmil
R9002EE	800 Amp	4 Studs / Ø	(3) 4 AWG - 600 kcmil
R9002F	1200 Amp	6 Studs / Ø	(4) 4 AWG - 600 kcmil
R9002FF	1200 Amp	6 Studs / Ø	(4) 4 AWG - 600 kcmil



R-9002EEL  
shown



R-9002\_L Series

## Lug - Lug Terminal Pad Assemblies \*UL Listed

Each pad comes complete with insulator.

Catalog Number	Max Amperes	Phase & Neutral Conductor	
		Line	Load
R9002CL	400 Amp	(1) 4 AWG- 600 kcmil	(2) 1/0 - 250 kcmil
R9002CCL	400 Amp	(1) 4 AWG- 600 kcmil	(2) 1/0 - 250 kcmil
R9002EL	800 Amp	(3) 4 AWG- 600 kcmil	(6) 1/0 - 250 kcmil
R9002EEL	800 Amp	(3) 4 AWG- 600 kcmil	(6) 1/0 - 250 kcmil
R9002FL	1200 Amp	(4) 4 AWG- 600 kcmil	(8) 1/0 - 250 kcmil
R9002FLL	1200 Amp	(4) 4 AWG- 600 kcmil	(8) 1/0 - 250 kcmil

## Terminal Landing Pads \*Not UL Listed

Each pad comes complete with insulator.



9005E shown

9005\_ Series

Catalog Number	Max Amperes	Max Incoming/Outgoing Conductors
9005B	200 Amp	(1) 250 kcmil
9005BB	200 Amp	(1) 250 kcmil
9005C	400 Amp	(1) 600 kcmil or (2) 250 kcmil
9005D	600 Amp	(2) 600 kcmil or (4) 250 kcmil
9005E	800 Amp	(3) 600 kcmil or (6) 250 kcmil
9005F	1200 Amp	(4) 600 kcmil or (8) 250 kcmil

## 5th Jaw Terminal Kits



50371



50365

Catalog Number	Description
50371	100 Amp & 200 AMP, 1Ø, 3W Applications
50365	100 Amp & 200 AMP, 1Ø, 3W Applications



25104

## Miscellaneous

Catalog Number	Description
25104	Insulator - Red Poly-Glass 1 3/8" H x 1 3/8" D, 3/8" Thread



20212A



20213A

## Breaker Stab Assembly

Catalog Number	Description
20212A	2-Pole
20213A	3-Pole
SJ-100	100 & 200 Ampere Jumper Link
25439	Cover Kit For MTB Units



SJ-100

## Jumper Link

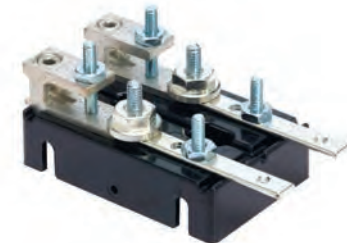
Catalog Number	Description
SJ-100	100 & 200 Ampere Jumper Link



25439

## Cover Kit

Catalog Number	Description
25439	Cover Kit For MTB Units



20252A

## Test Blocks For TB Sockets

Catalog Number	Description
20252A	100 Amp, 2-Pole Test Block
20250C	100 Amp, 2-Pole Test Block With Barriers
20252B	200 Amp, 2-Pole Test Block
20251C	200 Amp, 2-Pole Test Block With Barriers
20258A	100 Amp, 2-Pole With Lugs On Both Ends
20258B	200 Amp, 2-Pole With Lugs On Both Ends

## Class "T" Replacement Fuses For MTBP and MTBPL Units

Catalog Number	Description
25339A	100 Amp, 300 Volt
25339B	200 Amp, 300 Volt
25339C	100 Amp, 600 Volt
25339D	200 Amp, 600 Volt

Data subject to change without notice. Consult local utility for area acceptance. All dimensions are in inches.

# Accessories

## Sealing Device Packages



Sealing hardware devices are used as replacement pieces for various enclosures and wireway. All hardware is plated.

Catalog Number	Description	Quantity
<b>SEALS</b>	Wire Seal Screw	10
<b>SEALWN</b>	Wire Seal Wing Nut	10
<b>SEALC</b>	Wire Seal Clip	10



## Oil-Tight Hole Seals

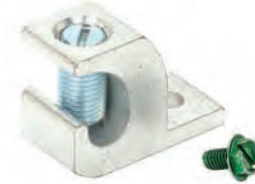
Protects knockout openings and extra pushbutton or conduit openings from dirt, oil, dust and water. Each hole seal has oil-resistant gasketing and plated stud and wing nut. Available in steel finished with ANSI 61 polyester powder or unpainted stainless steel.



Catalog Numbers		Application	Max. Hole Diameter	Hole Seal Diameter
Steel	Stainless			
<b>SPBG</b>	<b>SPBGSS</b>	Miniature Oil-Tight Pushbutton	0.88	1.22
<b>SPB</b>	<b>SPBSS</b>	Standard Oil-Tight Pushbutton	1.25	1.75
<b>S050</b>	<b>S050SS</b>	1/2" Conduit Holes	0.88	1.38
<b>S075</b>	<b>S075SS</b>	3/4" Conduit Holes	1.06	1.56
<b>S100</b>	<b>S100SS</b>	1" Conduit Holes	1.38	1.88
<b>S125</b>	<b>S125SS</b>	1 1/4" Conduit Holes	1.69	2.19
<b>S150</b>	<b>S150SS</b>	1 1/2" Conduit Holes	2.00	2.50
<b>S200</b>	<b>S200SS</b>	2" Conduit Holes	2.50	3.00
<b>S250</b>		2 1/2" Conduit Holes	3.00	3.50
<b>S300</b>		3" Conduit Holes	3.62	4.12
<b>S350</b>		3 1/2" Conduit Holes	4.12	4.62
<b>S400</b>		4" Conduit Holes	4.62	5.12

## Ground Lug Kits

Grounding Lug Kits are intended to provide a means for equipment grounding for most enclosures. Lug sizes 1/0 and above have a "J" shaped design to lay-in wire and cable. The lug top and fastener are colored green to meet NEC standards for grounding fastener devices.



10184B

Catalog Number	Wire Range	Fastener
10184 A	#6 - #14 AWG CU/AL	#10-32
10184 B	1/0 - #14 AWG CU/AL	#10-32
10184 C	250 kcmil - 1/0 CU/AL	1/4"-20



10184C



10184A

## Triplex Ground Connectors



Catalog Number	Description
ETB200	For 200A Lay-In Lugs

## Touch-Up Paint



84032

Touch-up paint can be used to repair the finish of panels and enclosures. Paint is available in ANSI 61, ANSI 49 and White Enamel in 12oz. spray cans.

Catalog Number	Paint Color
84032	ANSI 49 Gray
84033	White Enamel
84034	ANSI 61 Gray

Data subject to change without notice. Consult local utility for area acceptance. All dimensions are in inches.





## Energization of Electrical Equipment

Before energizing

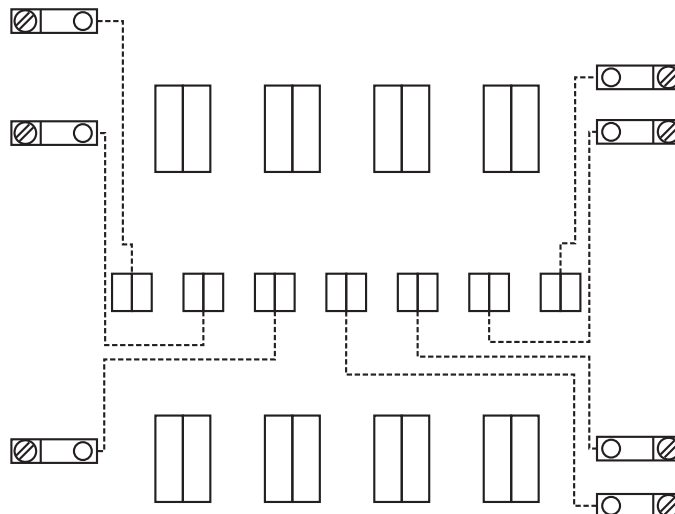
- 1) Give equipment a thorough visual examination to determine that:
  - A) Proper clearances have been maintained
  - B) All connections have been made
  - C) Equipment is clean and dry
- 2) Make a thorough physical examination to verify:
  - A) Tightness of all bolted connections – see table
  - B) Manually operate all circuit breakers, switches, relays, etc.
  - C) Check rigidity of all mountings, bus bars and components
- 3) All switches and circuit breakers should be in the off position
- 4) Mount covers and close doors

**Recommend Torque Requirements**

Screw Type	Screw Size	Torque	Tolerances
Slotted or Phillips	#10-32	30 in.-lbs.	5 in.-lbs.
	#12-24	38 in.-lbs.	5 in.-lbs.
	1/4"-20	45 in.-lbs.	5 in.-lbs.
	5/16"-18	60 in.-lbs.	5 in.-lbs.
Hex Head	1/4"-20	72 in.-lbs.	10 in.-lbs.
	5/16"-18	85 in.-lbs.	10 in.-lbs.
	3/8"-16	175 in.-lbs.	15 in.-lbs.
	7/16"-14	399 in.-lbs.	20 in.-lbs.
	1/2"-13	375 in.-lbs.	25 in.-lbs.

\*Use 80 in.-lbs. when threaded in aluminum bus connection.

**Internal Potential Wiring of 13, 14, & 15 Jaw Sockets**

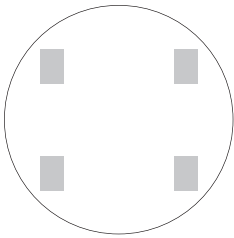


Front View

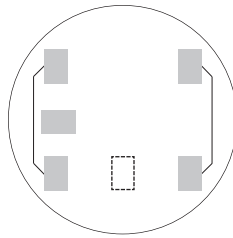
Data subject to change without notice. Consult local utility for area acceptance. All dimensions are in inches.

# Metering Data

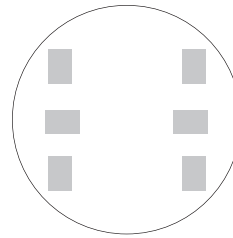
## Location of Socket Jaws



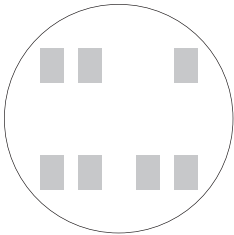
**4-Terminal**  
Form 1S & 2S



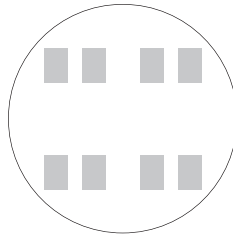
**5-Terminal**  
Form 3S



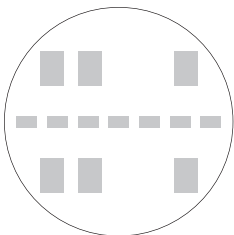
**6-Terminal**  
Form 4S



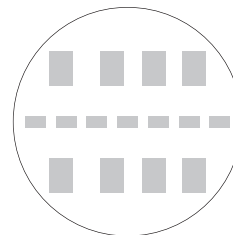
**7-Terminal**  
Form 14S, 15S,  
16S, 17S, 24S



**8-Terminal**  
Form 5S, 35S, 45S

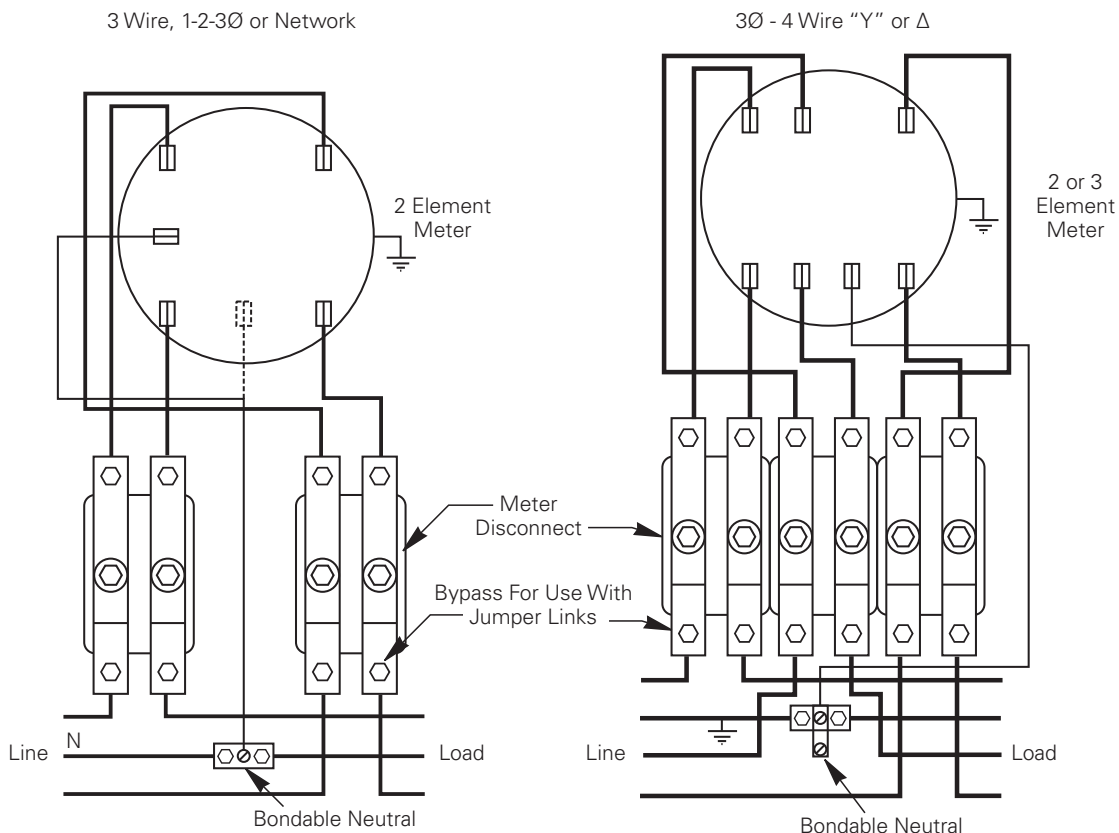


**13-Terminal**  
Form 6S, 8S, 9S,  
10S, 29S, 36S, 46S

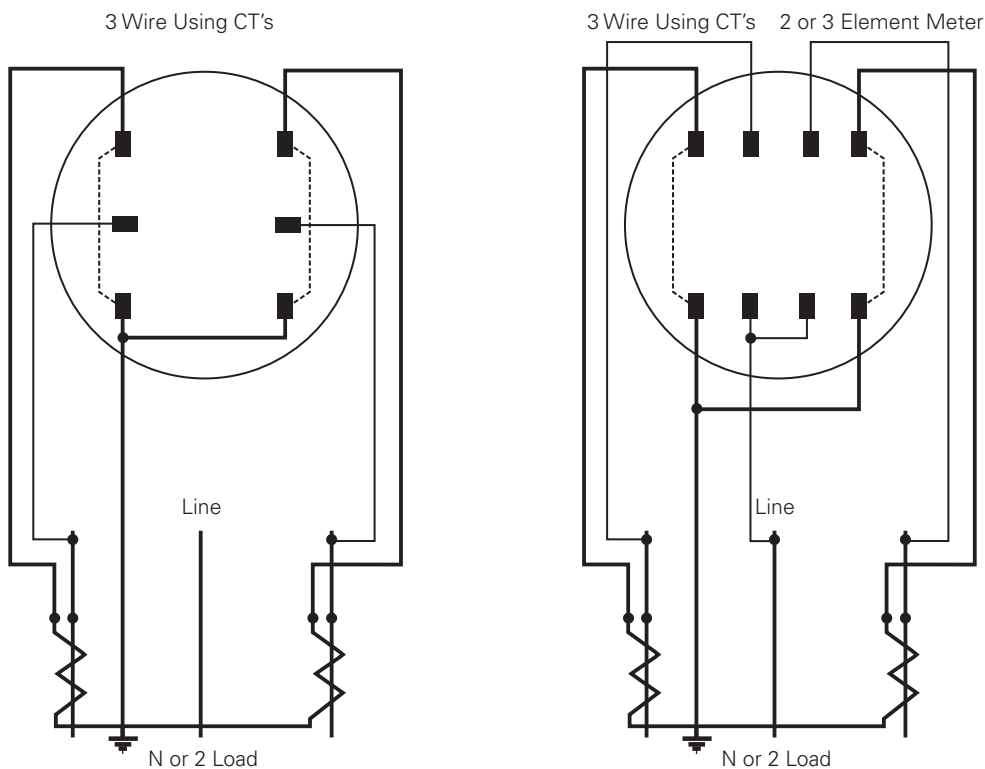


**15-Terminal**  
Form 11S, 39S, 76S

### With Safety Test By-Pass Blocks



### Current Transformer Installations



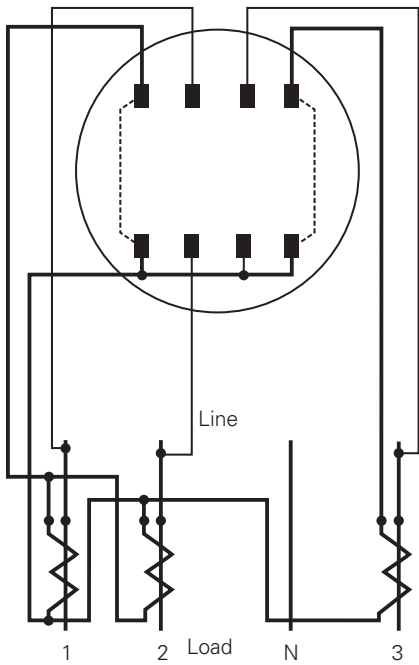
Data subject to change without notice. Consult local utility for area acceptance. All dimensions are in inches.

# Metering Data

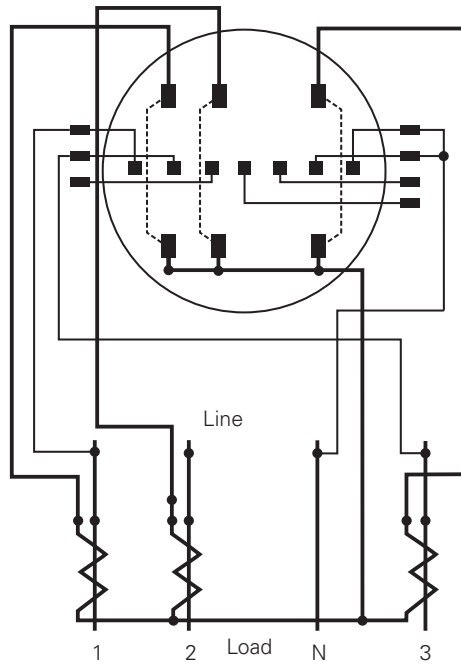
## Wiring Diagrams

### Current Transformer Installations

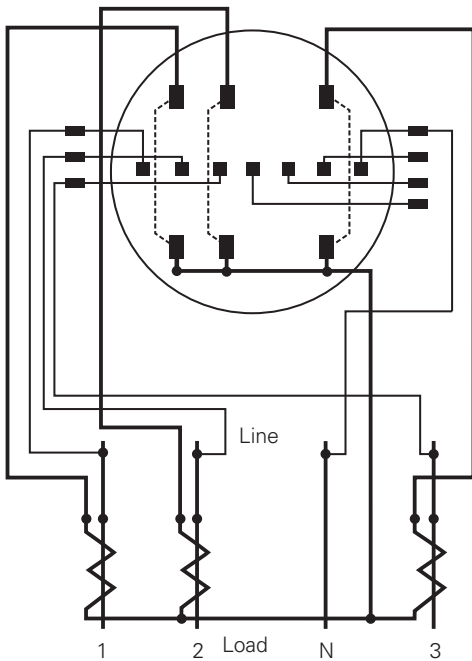
3Ø - 4Wire "Y" Using CT's  
2 or 3 Element Meter



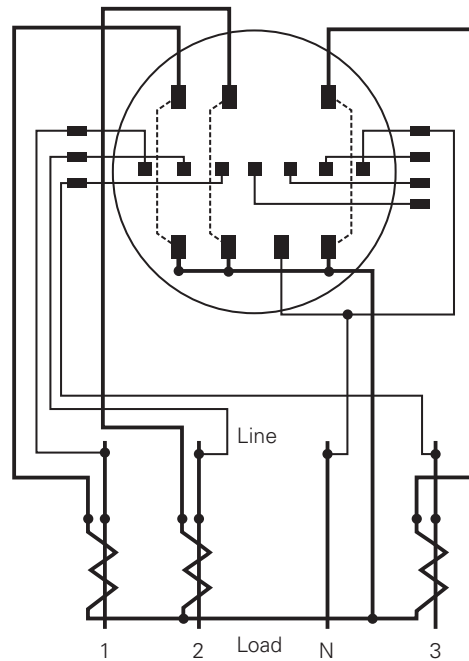
3Ø - 4Wire "Y" or Δ Using CT's  
2 or 3 Element Meter



3Ø - 4Wire Δ Using CT's  
2 Element Meter



3Ø - 4Wire Δ Using CT's  
3 Element Meter



## Energization of Electrical Equipment

### Bonding Jumper

Ampere Rating Not Exceeding	Size of Main Bonding Jumper (Minimum) <sup>a,b,c</sup>		Cross Section of Main Bonding Jumper in Square Inches (Minimum) <sup>a,b,c</sup>		Grounded Service Conductor (Minimum)	
	Copper	Aluminum	Copper	Aluminum	Copper	Aluminum
	90	8	6	0.013 <sup>d</sup>	0.021 <sup>d</sup>	8
100	6	4	0.021 <sup>d</sup>	0.033 <sup>d</sup>	6	4
125	6	4	0.021 <sup>d</sup>	0.033 <sup>d</sup>	6	4
150	6	4	0.021 <sup>e</sup>	0.033 <sup>e</sup>	6	4
200	4	2	0.033 <sup>e</sup>	0.052 <sup>e</sup>	4	4
300	2	1/0	0.052 <sup>f,g</sup>	0.083 <sup>f,g</sup>	4	1/0
400	1/0 <sup>h</sup>	3/0 <sup>h</sup>	0.083 <sup>g,h</sup>	0.132 <sup>g,h</sup>	1/0	3/0 <sup>h</sup>
500	0	3/0	0.083	0.132	1/0	3/0
600	2/0	4/0	0.105	0.166	2/0	4/0
800	2/0	4/0	0.105	0.166	2/0	4/0
1000	3/0	250 kcmil	0.132	0.196	3/0	250 kcmil
1200	250 kcmil	300 kcmil	0.196	0.196	250 kcmil	250 kcmil
1600	300 kcmil	400 kcmil	0.236	0.314	300 kcmil	400 kcmil
2000	400 kcmil	500 kcmil	0.314	0.393	400 kcmil	500 kcmil

<sup>a</sup> The cross section may be reduced to 12.5 percent of the total cross section of the largest main service conductor(s) of the same material (copper or aluminum) for any phase on equipment rated 1200 amperes and above.

<sup>b</sup> For equipment rated 1200 amperes or more and that has wiring terminals intended to connect service conductor wires sized larger than 600 kcmil copper or 750 kcmil aluminum, the cross section of the main bonding jumper shall be at least 12.5 percent of the the total cross section of the largest main service entrance conductor(s) of the same material (copper or aluminum) for any phase.

<sup>c</sup> SI Equivalents:

<sup>d</sup> A No. 8 (4.2 mm diameter) or larger brass or No. 10 (4.8mm diameter) or larger steel screw may be used.

<sup>e</sup> A No. 10 or larger brass or steel screw may be used.

<sup>f</sup> A No. 10 or larger brass screw may be used.

<sup>g</sup> A 1/4 inch (6.4mm) diameter or larger brass or steel screw may be used.

<sup>h</sup> When the ampere rating is 400 and the wire terminal connectors for the main service conductors are rated for two No. 3/0 AWG copper or two No. 250 kcmil aluminum conductor, but will not accept a 600 kcmil conductor, these values may be reduced to No. 2 AWG (0.052 square inch) copper or No. 0 AWG (0.083 square inch) aluminum.

Wire Size, AWG	Min. Cross Section (MM <sup>2</sup> )	Wire Size	Min. Cross Section (MM <sup>2</sup> )
8	8.4	4/0	107
6	13.3	250 kcmil	126
4	21.2	200 kcmil	152
2	33.6	400 kcmil	203
1/0	53.5	500 kcmil	253
2/0	67.4	600 kcmil	304
3/0	85.0	750 kcmil	380

Data subject to change without notice. Consult local utility for area acceptance. All dimensions are in inches.

# Metering Data

## Short Circuit Current Ratings

The meter sockets shown in this section have certain short circuit current ratings when used in conformance with the tables below:

When used in conjunction with fuse or breaker	This meter socket is rated for use on a circuit capable of delivering not more than	At Volts Max.
<b>Class 100 Meter Sockets</b>		
100Amp class J, T, RK1 or RK5 fuse	100,000 RMS Symmetrical Amperes	600
100Amp Siemens type "HQP" circuit breaker	65,000* RMS Symmetrical Amperes	240
100Amp Westinghouse type "QHPX" circuit breaker	42,000* RMS Symmetrical Amperes	240
100Amp listed circuit breaker	25,000* RMS Symmetrical Amperes	240
<b>Class 200 Meter Sockets</b>		
200Amp class J or T fuse	200,000 RMS Symmetrical Amperes	600
200Amp class RK-1 fuse	42,000 RMS Symmetrical Amperes	480
200Amp Siemens type "HFD6" circuit breaker	42,000* RMS Symmetrical Amperes	240
200Amp Siemens type "QJ2-H" circuit breaker	42,000* RMS Symmetrical Amperes	240
200Amp Siemens type "QJH2" circuit breaker	22,000* RMS Symmetrical Amperes	240
200Amp West. type "CAH" circuit breaker	22,000* RMS Symmetrical Amperes	240
125Amp listed circuit breaker (1Ø only)	22,000* RMS Symmetrical Amperes	240
200Amp listed circuit breaker	18,000* RMS Symmetrical Amperes	240
<b>Class 320 Meter Sockets</b>		
400Amp class J or T fuse	100,000* RMS Symmetrical Amperes	600
400Amp listed circuit breaker	18,000* RMS Symmetrical Amperes	240
125Amp listed circuit breaker	22,000* RMS Symmetrical Amperes	240
200Amp listed circuit breaker	18,000* RMS Symmetrical Amperes	240

\*Not in excess of the circuit breaker interrupting rating

Note: This table does not apply to meter-breaker units or to CT rated sockets

<u>Part Number</u>	<u>Page</u>	<u>Part Number</u>	<u>Page</u>	<u>Part Number</u>	<u>Page</u>
011	5	214 MTBH MS15	27	245 MCC	95
011 MS73	5	214 MTBH MS45	27	246 MCC	95
011 SF	5	214 MTBL	31	324C	57
011F	5	214 MTBP	29	324N	57
012	85	214 MTBP MS15	29	345 HC	79
013	85	214 MTBPL	31	351 HC	79
014	85	215 MTB	25	352 HC	79
014 H	85	215 MTB MS15	25	353 DHC	79
015	85	215 MTBH	27	360 HC	79
015 H	85	215 MTBH MS15	27	420 HC	79
016	85	215 MTBH MS45	27	421 HC	79
016 H	85	215 MTBL	31	422 HC	79
051HS-13	67	215 MTBP	29	924	67
051HS-15	67	215 MTBP MS15	29	924 MS77	67
1M1R	11	215 MTBPL	31	925	67
1M1R7	11	217 MTB	25	926	67
1M1RP	11	217 MTB MS15	25	927	5
2M2R	11	217 MTBH	27	928	67
2M2R7	11	217 MTBH MS15	27	2012 F	87
2M2RP	11	217 MTBH MS45	27	2012 MS60	87
2M11R	11	217 MTBL	31	2013 F	87
2M25R	11	217 MTBP	29	2013 MS60	87
2M211R	11	217 MTBP MS15	29	2014	87
114TB	23	217 MTBPL	31	2014 F	87
115TB	23	224 MTB	33	2015	87
117TB	23	224 MTBH	35	2015 F	87
124TB	23	224 MTBH MS15	35	2016	87
125TB	23	224 MTBH MS45	35	2016 F	87
127TB	23	224 MTBL	39	2222	99
142 MCC	91	224 MTBP	37	2223	99
143 MCC	91	224 MTBP MS15	37	2224	99
144 MCC	91	224 MTBPL	39	6019 A	77
152 MCCM	97	225 MTB	33	6019 E	77
153 MCCM	97	225 MTBH	35	6019 HA	77
154 MCCM	97	225 MTBH MS15	35	6019 HAL	77
171 HS	83	225 MTBH MS45	35	6019 HALS	77
172 HSHDB	83	225 MTBL	39	6019 HE	77
173 HSHDB	83	225 MTBP	37	6019 HEL	77
174 HSHDB	83	225 MTBP MS15	37	6019 HELS	77
202 H	93	225 MTBPL	39	6067 A	77
203 H	93	227 MTB	33	6067 E	77
204	5	227 MTBH	35	6067 HA	77
204 F	5	227 MTBH MS15	35	6067 HAL	77
204 F MS73	5	227 MTBH MS45	35	6067 HALS	77
204 H	93	227 MTBL	39	6067 HEE	77
204 MS68	5	227 MTBP	37	6067 HEEL	77
204 MS68A	5	227 MTBP MS15	37	6067 HEELS	77
204 MS73	5	227 MTBPL	39	10184 A	124
214 MTB	25	242 MCC	95	10184 B	124
214 MTB MS15	25	243 MCC	95	10184 C	124
214 MTBH	27	244 MCC	95	12144	69

# Index

Part Number	Page	Part Number	Page	Part Number	Page
12145	69	363611 RTCT	73	CMP4914MCH	114
12146	69	364211 RTCT	73	CMP4921M	114
12148	69	364811 HRTCT	75	CMP4921MC	114
18249 RTCT	73	364811 RTCT	73	CMP4921MCH	114
20212A	122	364814 RTCT	73	CMP4924M	114
20213A	122	424211 RTCT	73	CMP4924MC	114
20250C	122	484811 RTCT	73	CMP4924MCH	114
20251C	122	484814 DDHRTCT	75	CUP4111	113
20252A	122	1214208	69	CUP4111H	113
20252B	122	1214213	69	CUP4121	113
20258A	122	1214215	69	CUP4121H	113
20258B	122	AW CAP	119	CUP4411	113
24329 RTCT	73	AW100	119	CUP4411H	113
25016A	119	AW125	119	CUP4421	113
25016B	119	AW150	119	CUP4421H	113
25016D	119	AW175	119	ETB200	124
25104	121	AW200	119	FK1421A	120
25162	119	CK8326	120	FK1430	120
25339A	122	CM2P4111MC-1	115	FK1432	120
25339B	122	CM2P4121MC-1	115	FK2421A	120
25339C	122	CM2P4411MC-1	115	FK2430A	120
25339D	122	CM2P4421MC-1	115	FK2432	120
25439	122	CMP4011SLC-1	115	FK2438	120
30420	119	CMP4012MC-1	115	FK2832A	120
50365	121	CMP4022MC-1	115	FK3038	120
50371	121	CMP4111M	112	FK3221A	120
84032	124	CMP4111MC	112	FK3230	120
84033	124	CMP4111MC-1	111	FK3447	120
84034	124	CMP4111MCH	112	H012	89
121413	69	CMP4111MCH-1	111	H013	89
121415	69	CMP4121M	112	H014	89
121814	71	CMP4121MC	112	H7	119
121815	71	CMP4121MC-1	111	H10	119
121816	71	CMP4121MCH	112	H20	119
121818	71	CMP4121MCH-1	111	H25	119
122013	71	CMP4411M	112	H30	119
122015	71	CMP4411MC	112	H35	119
122018	71	CMP4411MC-1	111	H40	119
203611 HRTCT	75	CMP4411MCH	112	M1M100PD	103
242411 RTCT	73	CMP4411MCH-1	111	M1M100PD MS66	103
243011 HRTCT	75	CMP4421M	112	M1M125PD	103
243011 RTCT	73	CMP4421MC	112	M1M125PD MS66	103
243611 RTCT	73	CMP4421MC-1	111	M1M150PD MS67	103
244811 HRTCT	75	CMP4421MCH	112	M1M175PD MS67	103
244811 RTCT	73	CMP4421MCH-1	111	M2M150PD	103
303011 RTCT	73	CMP4911M	114	M2M175PD	103
303611 HRTCT	75	CMP4911MC	114	M2M200PD	103
303611 RTCT	73	CMP4911MCH	114	M2M200PD MS67	103
303614 RTCT	73	CMP4911MN	114	M2M200PPD	103
304811 HRTCT	75	CMP4914M	114	M2M200PPD MS67	103
363611 HRTCT	75	CMP4914MC	114	R1024 HC	49



Part Number	Page	Part Number	Page	Part Number	Page
R1024 HCC	49	R9000 C	53	S075SS	123
R1030 HC	49	R9000 CC	53	SEALC	123
R1030 HCC	49	R9000 CCL	53	SEALS	123
R1036 HD	49	R9000 CL	53	SEALWN	123
R1036 HDD	49	R9000 E	53	SJ-100	122
R1048 HC	49	R9000 EE	53	SPB	123
R1048 HCC	49	R9000 EEL	53	SPBG	123
R1048 HD	49	R9000 EL	53	SPBGSS	123
R1048 HDD	49	R9000 F	53	SPBSS	123
R1048 HE	49	R9000 FF	53	U011	7
R1048 HEE	49	R9000 FFL	53	U1M1R	11
R1060 HC	49	R9000 FL	53	U1M1RP	11
R1060 HCC	49	R9002C	121	U2M11R	11
R1060 HD	49	R9002CC	121	U2M211R	11
R1060 HDD	49	R9002CCL	121	U2M25R	11
R1060 HE	49	R9002CL	121	U2M2R	11
R1060 HEE	49	R9002E	121	U2M2R7	11
R1060 HFF	49	R9002EE	121	U2M2RP	11
R1072 HC	49	R9002EEL	121	U204	5
R1072 HCC	49	R9002EL	121	U204 F	5
R1072 HD	49	R9002F	121	U204 F	5
R1072 HDD	49	R9002FF	121	U204 F MS73	5
R1072 HE	49	R9002FFL	121	U204 MS73	5
R1072 HEE	49	R9002FL	121	U207	5
R1072 HFF	49	R9005B	121	U207 F	5
R1096 HCC	49	R9005BB	121	U207 F MS73	5
R1096 HDD	49	R9005C	121	U214 MTB	25
R1096 HEE	49	R9005D	121	U214 MTB MS15	25
R1096 HFF	49	R9005E	121	U214 MTBH	27
R1096 HGG	49	R9005F	121	U214 MTBH MS15	27
R1096 HHH	49	R9007 A	53	U214 MTBH MS45	27
R1122 HC	51	R10120 HDD	49	U214 MTBP	29
R1122 HCC	51	R10120 HEE	49	U214 MTBP MS15	29
R1123 HC	51	R10120 HFF	49	U215 MTB	25
R1123 HCC	51	R10120 HGG	49	U215 MTB MS15	25
R1123 HD	51	R10120 HHH	49	U215 MTBH	27
R1123 HDD	51	S0100	123	U215 MTBH MS15	27
R1124 HD	51	S0100SS	123	U215 MTBH MS45	27
R1124 HDD	51	S0125	123	U215 MTBP	29
R1124 HE	51	S0125SS	123	U215 MTBP MS15	29
R1124 HEE	51	S0150	123	U217 MTB	25
R1125 HD	51	S0150SS	123	U217 MTB MS15	25
R1125 HDD	51	S0200	123	U217 MTBH	27
R1125 HE	51	S0200SS	123	U217 MTBH MS15	27
R1125 HEE	51	S0250	123	U217 MTBH MS45	27
R1126 HD	51	S0300	123	U217 MTBP	29
R1126 HDD	51	S0350	123	U217 MTBP MS15	29
R1126 HE	51	S0400	123	U224 M11TB	33
R1126 HEE	51	S050	123	U224 MTB	33
R9000 B	53	S050SS	123	U224 MTBH	35
R9000 BB	53	S075	123	U224 MTBH MS15	35

# Index

<u>Part Number</u>	<u>Page</u>	<u>Part Number</u>	<u>Page</u>	<u>Part Number</u>	<u>Page</u>
U224 MTBH MS45 .....	35	UM2M200P .....	105		
U224 MTBP .....	37	UM2M200PP .....	105		
U224 MTBP MS15 .....	37				
U225 MTB .....	33				
U225 MTBH .....	35				
U225 MTBH MS15 .....	35				
U225 MTBH MS45 .....	35				
U225 MTBP .....	37				
U225 MTBP MS15 .....	37				
U227 MTB .....	33				
U227 MTBH .....	35				
U227 MTBH MS15 .....	35				
U227 MTBH MS45 .....	35				
U227 MTBP .....	37				
U227 MTBP MS15 .....	37				
U264 .....	19				
U264 F .....	19				
U267 .....	19				
U267 F .....	19				
U404MC .....	59				
U404MCC .....	59				
U4042MC .....	59				
U4042MCC .....	59				
U121314 .....	19				
U121314 F .....	19				
U121315 .....	19				
U121315 F .....	19				
U121317 .....	19				
U121317 F .....	19				
U121814 .....	71				
U121815 .....	71				
U121816 .....	71				
U121818 .....	71				
U122013 .....	71				
U122015 .....	71				
U122018 .....	71				
U404430MC .....	61				
U404430MC .....	61				
U4042208MC .....	61				
U4042208MC .....	61				
U4042230MC .....	61				
U4042230MC .....	61				
U40411230MC .....	61				
U40411230MCC .....	61				
UG204 .....	7				
UG204 F .....	7				
UG204 F MS73 .....	7				
UG204 F SS .....	7				
UG204 MS82 .....	7				
UG204 SS .....	7				
UM2M200 .....	105				

---

B-Line reserves the right to make changes to the specifications, materials, equipment, prices, or the availability of products at any time without prior notice. While every effort has been made to assure the accuracy of information contained in this catalog at the time of publication, we cannot accept responsibility for inaccuracies resulting from undetected errors or omissions.

U.S. Customer Service Center is staffed Monday through Friday from 7 a.m. to 5:00 p.m. Central Standard Time. For additional information, visit [www.cooperblineline.com/metering](http://www.cooperblineline.com/metering).

**Eaton's B-Line Business**  
**United States**  
509 West Monroe Street  
Highland, IL 62249  
United States  
Phone: (800) 851-7415  
[www.cooperblineline.com/contactus](http://www.cooperblineline.com/contactus)

**Eaton**  
1000 Eaton Boulevard  
Cleveland, OH 44122  
United States  
[Eaton.com](http://Eaton.com)

**B-Line Business**  
509 West Monroe Street  
Highland, IL 62249  
Phone: 800-851-7415  
Fax: 618-654-1917  
[www.bline.com](http://www.bline.com)

© 2014 Eaton  
All Rights Reserved  
Printed in USA  
Publication No. MTR-14  
February 2014 10M

Eaton is a registered trademark

All other trademarks are property  
of their respective owners.