

# Section Q Aluminum Service Poles



## Index

Product	Page
Ordering Information and Dimensions . . . . .	Q-2
Custom Pole Configurations . . . . .	Q-3
Division 16 Specifications . . . . .	Q-4



photo courtesy of  
constructionphotographs.com



### Aluminum Series Offering

Hubbell offers a line of attractive and durable Aluminum Service Poles which distribute power and telecommunications wiring from above the ceiling to workstations below. They are offered in lengths of 10' 2", 12' 2", and 15' 2" with a variety of electrical wiring devices. Poles with three service capability have a divider to separate power and low voltage wiring.

- Available in gray, ivory, black, white and office white painted and clear anodized aluminum
- Style Line® decorator duplex receptacles and two Style Line® knockouts for communications
- Includes ceiling trim mounting plate and scuff boot



### Three Service Aluminum Service Poles

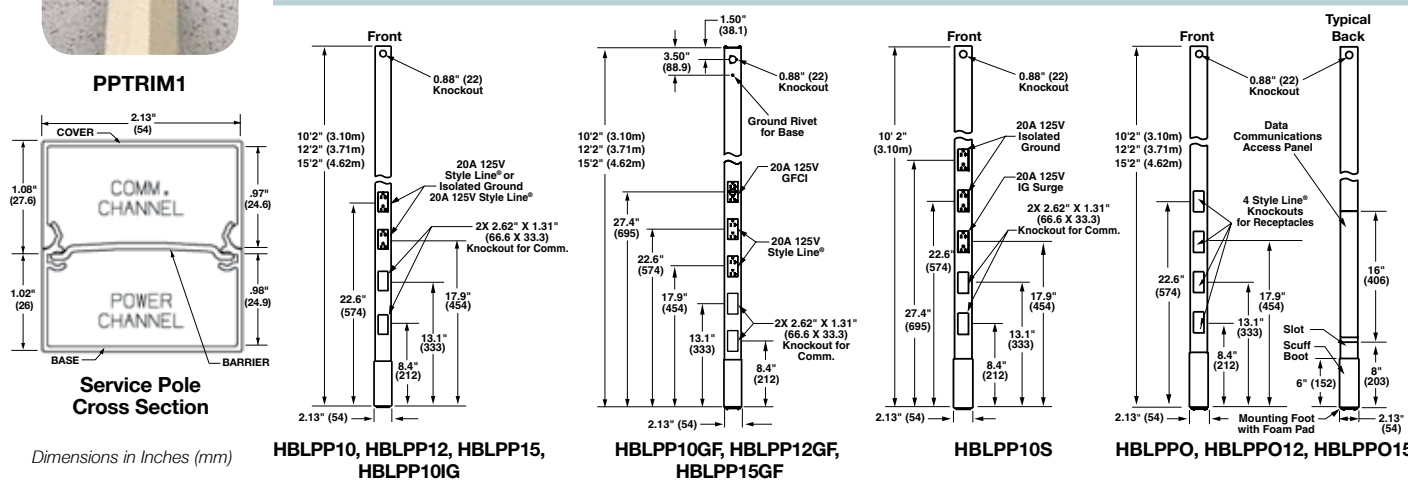
Description	Color	Height Feet (m)		
		10' 2" (3.10m)	12' 2" (3.71m)	15' 2" (4.62m)
(2) 20A 125V Style Line® duplex receptacles; one circuit	Black Gray Ivory Office White White Clear Anodized Aluminum	<b>HBLPP10BK</b> <b>HBLPP10A</b> <b>HBLPP10AI</b> <b>HBLPP10OW</b> <b>HBLPP10W</b> <b>HBLPP10AAL</b>	<b>HBLPP12BK</b> <b>HBLPP12A</b> <b>HBLPP12AI</b> <b>HBLPP12OW</b> <b>HBLPP12W</b> <b>HBLPP12AAL</b>	<b>HBLPP15BK</b> <b>HBLPP15A</b> <b>HBLPP15AI</b> <b>HBLPP15OW</b> <b>HBLPP15W</b> <b>HBLPP15AAL</b>
(1) Orange isolated ground 20A 125V Style Line® duplex receptacle; (1) 20A 125V Style Line® duplex receptacle; two circuits	Black Gray Ivory Office White White Clear Anodized Aluminum	<b>HBLPP10IGBK</b> <b>HBLPP10IGA</b> <b>HBLPP10IGAI</b> <b>HBLPP10IGOW</b> <b>HBLPP10IGW</b> <b>HBLPP10IGAL</b>	— — — — — —	— — — — — —
(2) Orange isolated ground 20A 125V Style Line® duplex receptacles; (1) isolated ground surge suppression 20A 125V duplex receptacle; one circuit	Black Gray Ivory Office White White Clear Anodized Aluminum	<b>HBLPP10SBK</b> <b>HBLPP10SA</b> <b>HBLPP10SAI</b> <b>HBLPP10SOW</b> <b>HBLPP10SW</b> <b>HBLPP10SAL</b>	— — — — — —	— — — — — —
(1) 20A 125V GFCI Self Test duplex receptacle with (2) ground fault protected 20A 125V Style Line® duplex receptacles; one circuit	Black Gray Ivory Office White White Clear Anodized Aluminum	<b>HBLPP10GFBK</b> <b>HBLPP10GF</b> <b>HBLPP10GFI</b> <b>HBLPP10GFI</b> <b>HBLPP10GFW</b> <b>HBLPP10GFW</b> <b>HBLPP10GFAL</b>	<b>HBLPP12GFBK</b> <b>HBLPP12GF</b> <b>HBLPP12GFI</b> <b>HBLPP12GFI</b> <b>HBLPP12GFW</b> <b>HBLPP12GFW</b> <b>HBLPP12GFAL</b>	<b>HBLPP15GFBK</b> <b>HBLPP15GF</b> <b>HBLPP15GFI</b> <b>HBLPP15GFI</b> <b>HBLPP15GFW</b> <b>HBLPP15GFW</b> <b>HBLPP15GFAL</b>
Blank pole; divider; (4) Style Line® device knockouts	Black Gray Ivory Office White White Clear Anodized Aluminum	<b>HBLPPOBK</b> <b>HBLPPOA</b> <b>HBLPPOAI</b> <b>HBLPPOOW</b> <b>HBLPPOW</b> <b>HBLPPOAAL</b>	<b>HBLPPO12BK</b> <b>HBLPPO12A</b> <b>HBLPPO12AI</b> <b>HBLPPO12OW</b> <b>HBLPPO12W</b> <b>HBLPPO12AAL</b>	<b>HBLPPO15BK</b> <b>HBLPPO15A</b> <b>HBLPPO15AI</b> <b>HBLPPO15OW</b> <b>HBLPPO15W</b> <b>HBLPPO15AAL</b>

### Accessories

Description	Catalog Number
Adjustable T-bar assembly for mounting poles in the middle of ceiling tile.	<b>ATB*</b>
Replacement service pole trim kit (office white).	<b>PPTRIM1*</b>

Note: \* Not UL listed.

### Dimensions





## Custom Poles

Using the chart below, you can create a custom service pole. For configurations that require additional customization, please consult Hubbell Technical Service at (475) 882-4800.

Position	<b>S</b>	<b>P</b>	<b>1</b>	<b>2</b>	<b>3</b>	<b>4</b>	<b>5</b>	<b>6</b>	<b>7</b>	<b>8</b>	<b>9</b>	<b>10</b>	<b>11</b>	<b>12</b>	<b>13</b>	<b>14</b>
Selections	<b>S</b>	<b>P</b>	<b>1</b>	<b>0</b>	<b>0</b>	<b>2</b>	<b>1</b>	<b>1</b>	<b>B</b>	<b>B</b>	<b>B</b>	<b>X</b>	<b>X</b>	<b>X</b>	<b>C</b>	<b>I</b>

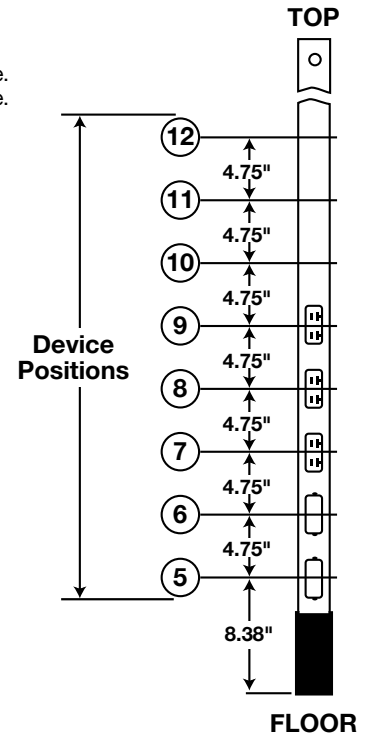
**Example: SP100211BBBXXCI**

10 Feet 02 Inches, (2) Rectangular Style Line® Knockouts for Data, (3) HBL2162 Duplex Receptacles, (2) Circuits (First 2 Receptacles on Circuit #1, Remaining Receptacles on Circuit #2), Ivory.

**Worksheet**

Position	<b>S</b>	<b>P</b>	<b>1</b>	<b>2</b>	<b>3</b>	<b>4</b>	<b>5</b>	<b>6</b>	<b>7</b>	<b>8</b>	<b>9</b>	<b>10</b>	<b>11</b>	<b>12</b>	<b>13</b>	<b>14</b>
Selections	<b>S</b>	<b>P</b>														

<b>Position 1 &amp; 2:</b> Height to the nearest foot.	08-22 Feet.
<b>Position 3 &amp; 4:</b> Height in inches up to 11".	00-11 Inches.
<p><b>Position 5, 6, 7, 8, 9, 10, 11, 12:</b> Starting at <b>Position 5</b> Select Datacom Knockouts/Device Frames followed by Power Receptacle/Power Knockout options. If the service pole is power only, select receptacle options starting at <b>Position 5</b>. Empty <b>Positions</b> should be filled with an "X" to designate an empty field.</p> <p><i>Note: If power receptacles are chosen, then power knockouts may not be chosen in the same service pole.</i></p>	<p><b>Data Selections</b></p> <ul style="list-style-type: none"> <li>1 - Rectangular Style Line® Knockout.</li> <li>2 - ½" NPT Knockout (0.875" diameter).</li> <li>3 - ¾" NPT Knockout (1.109" diameter).</li> <li>4 - 2-Port Style Line® Data Frame, 1-Gang, 2 Port Voice/Data Frame.</li> <li>5 - 3-Port Style Line® Data Frame, 1-Gang, 3 Port Voice/Data Frame.</li> </ul> <p><b>Power Selections</b></p> <ul style="list-style-type: none"> <li>6 - Rectangular Style Line® Knockout (for blank poles only).</li> <li>7 - ½" NPT Knockout (0.875" diameter, for blank poles only).</li> <li>8 - ¾" NPT Knockout (1.109" diameter, for blank poles only).</li> <li>A - 5362, 20A, 125V AC, Duplex.</li> <li>B - HBL2162, 20A, 125V AC, Style Line® Decorator Duplex.</li> <li>C - IG5362, 20A, 125V AC, I.G. Duplex.</li> <li>D - IG2162, 20A, 125V AC, I.G. Style Line® Decorator Duplex.</li> <li>G - HBL4700, 15A, 125V AC, Twist-Lock® Duplex.</li> <li>H - IG4700A, 15A, 125V AC, I.G. Twist-Lock® Duplex.</li> <li>I - IG2310, 20A, 125V AC, I.G. Twist-Lock® Single.</li> <li>J - IG5361, 20A, 125V AC, I.G. Single.</li> <li>K - HBL5361, 20A, 125V AC, Single.</li> <li>L - HBL2310, 20A, 125V AC, Twist-Lock® Single.</li> <li>M - HBL2610, 30A, 125V AC, Twist-Lock® Single.</li> <li>N - HBL2320, 20A, 250V AC, Twist-Lock® Single.</li> <li>O - HBL2620, 30A, 250V AC, Twist-Lock® Single.</li> <li>Q - IG4710, 15A, 125V AC, I.G. Twist-Lock® Single.</li> <li>R - HBL4710, 15A, 125V AC, Twist-Lock® Single.</li> <li>S - HBL5662, 15A, 250V AC, Duplex.</li> <li>T - IG5662, 15A, 250V AC, I.G. Duplex.</li> <li>U - HBL5661, 15A, 250V AC, Single.</li> <li>V - IG5661, 15A, 250V AC, I.G. Single.</li> <li>W - HBL5462, 20A, 250V AC, Duplex.</li> </ul>
<b>Position 13:</b> Power Circuits	<p>Z - No Circuits (Should only be selected when the service poles has ONLY Data and/or Power knockouts).</p> <ul style="list-style-type: none"> <li>A - All devices on a single circuit.</li> <li>B - 2 Circuits, First Receptacle on Circuit #1, Remaining Receptacles on Circuit #2.</li> <li>C - 2 Circuits, First 2 Receptacles on Circuit #1, Remaining Receptacles on Circuit #2.</li> <li>D - 2 Circuits, First 3 Receptacles on Circuit #1, Remaining Receptacles on Circuit #2.</li> <li>E - 2 Circuits, First 4 Receptacles on Circuit #1, Remaining Receptacles on Circuit #2.</li> <li>F - 2 Circuits, First 5 Receptacles on Circuit #1, Remaining Receptacles on Circuit #2.</li> <li>G - 2 Circuits, First 6 Receptacles on Circuit #1, Remaining Receptacles on Circuit #2.</li> <li>H - 2 Circuits, First 7 Receptacles on Circuit #1, Remaining Receptacles on Circuit #2.</li> </ul>
<b>Position 14:</b> Color	<ul style="list-style-type: none"> <li>I - Ivory.</li> <li>G - Gray.</li> <li>W - White.</li> <li>K - Black.</li> <li>A - Aluminum with clear anodized finish.</li> </ul>



Dimensions in Inches (mm)



## Part 2: Products

### 2.01 Manufacturer

A. The power poles specified herein for branch circuit wiring shall be Hubbell Service Poles as manufactured by Hubbell Inc., Wiring Device-Kellems® or approved equal. Other manufacturers may be considered equal if they meet the performance requirements of this specification and have received prior written approval.

### 2.02 Components/Accessories

A. The hardware for mounting Service Poles in the middle of a ceiling tile shall be Hubbell adjustable T-Bar type ATB with trim plate kit type PPTRIM1.

### 2.03 Materials

## A. Standard and Custom Aluminum Service Poles

### 1. Standard Style Line® Decorator Duplex

These Service Poles shall be extruded aluminum with a heavy gauge body (.050 ±.005 inches thick) to resist denting. These poles shall be two-channel to accommodate both power and low voltage services on the same side of the pole. Service poles shall be pre-wired with #12 AWG wire and equipped with specification grade Style Line® decorator receptacles (20A, 125V). These receptacles shall be Hubbell type HBL2162xx or an approved equal. The low voltage (back) channel of the service pole shall incorporate an access panel that provides a passageway to two Style Line® communication knockouts located on the front of the pole.

#### Finish

Service Poles will include a painted or clear anodized finish.

Custom poles are available in Black, Gray, Ivory, Office White, White, and Clear Anodized Aluminum.

#### Heights

Standard Service Poles shall be available in three sizes to accommodate various ceiling heights: 10 ft. 2 in. (3.10m), 12 ft. 2 in. (3.71m) and 15 ft. 2 in. (4.62m). Custom Poles shall be available in a range of sizes, a configurator pole is 8 through 22 ft.

Other custom poles can be as short as 6 in. through 22 ft.

10 ft. 2 in. (3.10m): Hubbell type HBLPP10BK, HBLPP10A, HBLPP10AI, HBLPP10OW, HBLPP10W, and HBLPP10AAL.

12 ft. 2 in. (3.71m): Hubbell type HBLPP12BK, HBLPP12A, HBLPP12AI, HBLPP12OW, HBLPP12W, and HBLPP12AAL.

15 ft. 2 in. (4.62m): Hubbell type HBLPP15BK, HBLPP15A, HBLPP15AI, HBLPP15OW, HBLPP15W, and HBLPP15AAL.

8-22 feet: Hubbell Custom Poles.

### 2. Isolated Ground

The following Service Poles contain one Hubbell isolated ground receptacle Hubbell #IG2162 and one #HBL2162xx, both 20A, 125V Style Line® decorator receptacles (wired on separate circuits). Custom poles with a variety of receptacles may also include isolated ground type devices. 10 ft. 2 in. (3.10m): Isolated Ground; Hubbell Type HBLPP10IGBK, HBLPP10IGA, HBLPP10IGAI, HBLPP10IGOW, HBLPP10IGW, and HBLPP10IGAL.

### 3. Surge Suppression/Isolated Ground

The following Service Poles contain one Hubbell #IG5362xxSA (20A, 125V Surge/IG Style Line® decorator duplex) and two #IG2162 (20A, 125V IG Style Line® decorator duplex) receptacles. All receptacles are wired on the same circuit, therefore providing surge protection at each outlet. Custom poles with a variety of receptacle options may also include surge suppression. 10 ft. 2 in. (3.10m): With Surge; Hubbell Type HBLPP10SBK, HBLPP10SA, HBLPP10SAI, HBLPP10SOW, HBLPP10SW, and HBLPP10SAL.

### 4. GFCI

The following Service Poles contain one Hubbell #GFST20 (20A, 125V GFCI Self Test Style Line® decorator duplex) and two #HBL2162 (20A, 125V Style Line® decorator duplex) receptacles. All receptacles are wired on the same circuit, the two HBL2162 are GFCI protected by being wired to the load side of the GFST20.

10 ft. 2 in. (3.10m): Hubbell type HBLPP10GFBK, HBLPP10GF, HBLPP10GFI, HBLPP10GFOW, HBLPP10GFW, and HBLPP10GFAL.

12 ft. 2 in. (3.71m): Hubbell type HBLPP12GFBK, HBLPP12GF, HBLPP12GFI, HBLPP12GFOW, HBLPP12GFW, and HBLPP12GFAL.

15 ft. 2 in. (4.62m): Hubbell type HBLPP15GFBK, HBLPP15GF, HBLPP15GFI, HBLPP15GFOW, HBLPP15GFW, and HBLPP15GFAL.

### 5. Blank

The following Service Poles are two-channel and do not include receptacles or wiring. All poles include a barrier which starts between the second and third knockout positions from the bottom of the pole. Custom poles with or without a barrier are available as well.

10 ft. 2 in. (3.10m): Hubbell type HBLPPOBK, HBLPPOA, HBLPPOAI, HBLPPOOW, HBLPPOW, and HBLPPOAAL.

12 ft. 2 in. (3.71m): Hubbell type HBLPPO12BK, HBLPPO12A, HBLPPO12AI, HBLPPO12OW, HBLPPO12W, and HBLPPO12AAL.

15 ft. 2 in. (4.62m): Hubbell type HBLPPO15BK, HBLPPO15A, HBLPPO15AI, HBLPPO15OW, HBLPPO15W, and HBLPPO15AAL.

## B. Voice/Data Interface

All Service Poles must allow for acceptance of Hubbell Style Line® communication outlets.