

3P

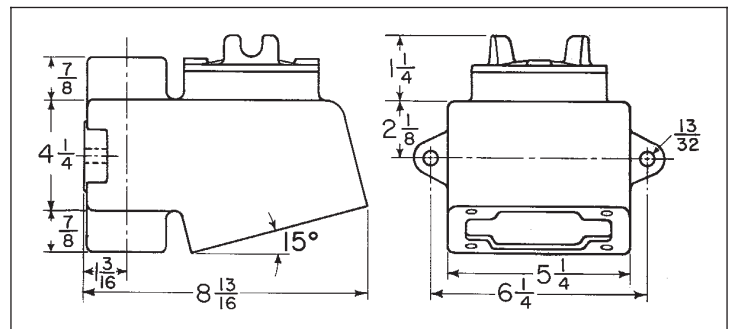
SRG Dead Front Interlocked Receptacles and Switches SP Plugs

30/60/100A
480VAC
50** -400 hertz
Weather Resistant**For Panel and Cabinet Mounting**

Rating	Description	Receptacle with Spring Door	Plug with Cable Grip and Neoprene Bushing		Receptacle with Threaded Cap	Plug with Fastening Ring Cable Grip and Neoprene Bushing		
		Cat. #	Cable Dia.	Cat. #	Cat. #	Cable Dia.	Cat. #	
30 amp.	2-wire, 3-pole	SRG332N	.500 to .875 .875 to 1.375	SP3363N SP3365N	SRG338N	.500 to .875 .875 to 1.375	SP3383N SP3385N	
	3-wire, 4-pole	SRG342D	.500 to .875 .875 to 1.375	SP3463D SP3465D	SRG348D	.500 to .875 .875 to 1.375	SP3483D SP3485D	
	4-wire, 5-pole	SRG352-NW	.500 to .875 .875 to 1.375	SP3563-NW SP3565-NW	SRG358-NW	.500 to .875 .875 to 1.375	SP3583-NW SP3585-NW	
	60 amp.	2-wire, 3-pole	SRG632N	.500 to .875 .875 to 1.375	SP6363N SP6365N	SRG638N	.500 to .875 .875 to 1.375	SP6383N SP6385N
60 amp.	3-wire, 4-pole	SRG642D	.500 to .875 .875 to 1.375	SP6463D SP6465D	SRG648D	.500 to .875 .875 to 1.375	SP6483D SP6485D	
	4-wire, 5-pole	SRG652-NW	.875 to 1.375 1.375 to 1.875	SP6563-NW SP6567-NW	SRG658-NW	.875 to 1.375 1.375 to 1.875	SP6583-NW SP6587-NW	
	100 amp.	2-wire, 3-pole	SRG1032N	.875 to 1.375 1.375 to 1.875	SP10365N SP10367N	SRG1038N	.875 to 1.375 1.375 to 1.875	SP10385N SP10387N
	3-wire, 4-pole	SRG1042D	.875 to 1.375 1.375 to 1.875	SP10465D SP10467D	SRG1048D	.875 to 1.375 1.375 to 1.875	SP10485D SP10487D	
100 amp.	4-wire, 5-pole	SRG1052-NW	.875 to 1.375 1.375 to 1.875	SP10565-NW SP10567-NW	SRG1058-NW	.875 to 1.375 1.375 to 1.875	SP10585-NW SP10587-NW	

** For use on systems less than 60 hertz the receptacles, plugs and connectors are for disconnect use only.

Dimensions



Back Box For 30 and 60 amp. SRG receptacles

Furnished with vertical through feed hubs, 1 1/4" size, and threaded cover at top for wiring access.

Cat. #
CESD42



Back box
For 30 and 60 Amp
SRG Receptacles.

SRG Dead Front Interlocked Receptacles and Switches SP Plugs

Weather Resistant

3P

For Panel and Cabinet Mounting

Application:

SRG dead front interlocked receptacles and switches and SP plugs are used:

- to supply power to portable electrical equipment such as motor-generator sets, compressors, heating and cooling units, conveyors, and similar equipment
- in areas where dust, dirt, moisture and corrosion are a problem
- mounted on sheet metal panels or cabinets and installed indoors or outdoors in non-hazardous areas of chemical plants, process industry facilities, manufacturing plants, and similar industrial locations

Features:

- The receptacle assembly contains a built-in rotary switch which is automatically operated when the plug is inserted and withdrawn. The switch, capable of making and breaking the circuit at full rated load, is operated by a helical blade in the center of the plug
- Plug and receptacle contacts cannot be made or broken under load. When the plug is inserted, the plug and receptacle contacts engage before the switch closes. When the plug is withdrawn, the switch opens before the plug and receptacle contacts disengage. This sequence of operation provides a dead front receptacle with the maximum of safety
- Operation is simple, safe and fast. In the event of difficulty with the portable device, it can be quickly and completely disconnected by a straight pull on the plug, since there are no separate interlock devices or operating handles to actuate
- There is a distinct physical polarization of plug and receptacle in every rating, thereby assuring positive engagement without mismatching
- Receptacles are furnished with flexible leads for splicing to the circuit wires
- Although intended primarily for mounting on sheet metal panels or cabinets, a back box for conduit connection is listed for the 30 and 60 ampere units

Grounding:

- Both receptacles and plugs are provided with an extra grounding pole. In plugs, provision is made for attachment of the grounding wire to the grounding pole. In addition, direct connection is also provided between plug and receptacle housings and the grounding pole.

Standard Materials:

- Receptacle housings and plug exteriors – copper-free aluminum
- Insulation – high impact glass filled phenolic
- Contacts – brass

Standard Finishes:

- Copper-free aluminum – natural
- Phenolic – natural (black)
- Brass – silver plated

Options:

- Special polarity – where two or more receptacles of the same ampere rating and number of poles are to be installed in the same area for use on different voltages, alternate polarizations can be furnished. Detailed information on request.

Electrical Rating Ranges:

- 30, 60 and 100 amperes, 480 vac



Dimensions

