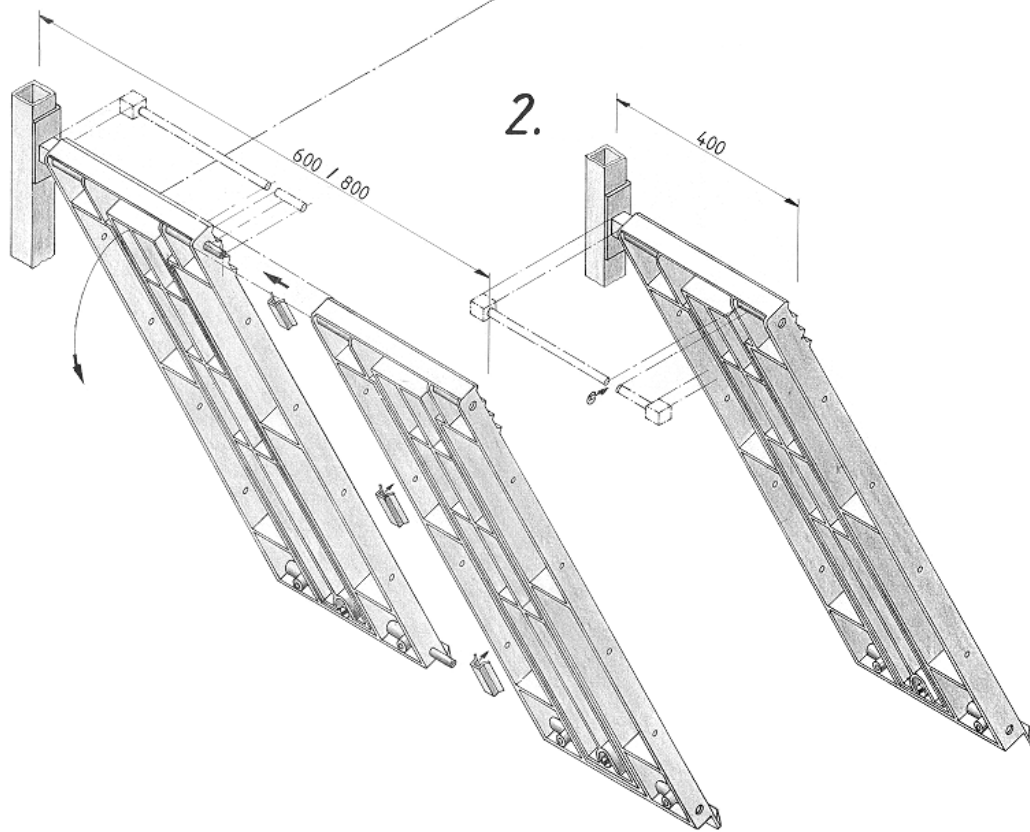
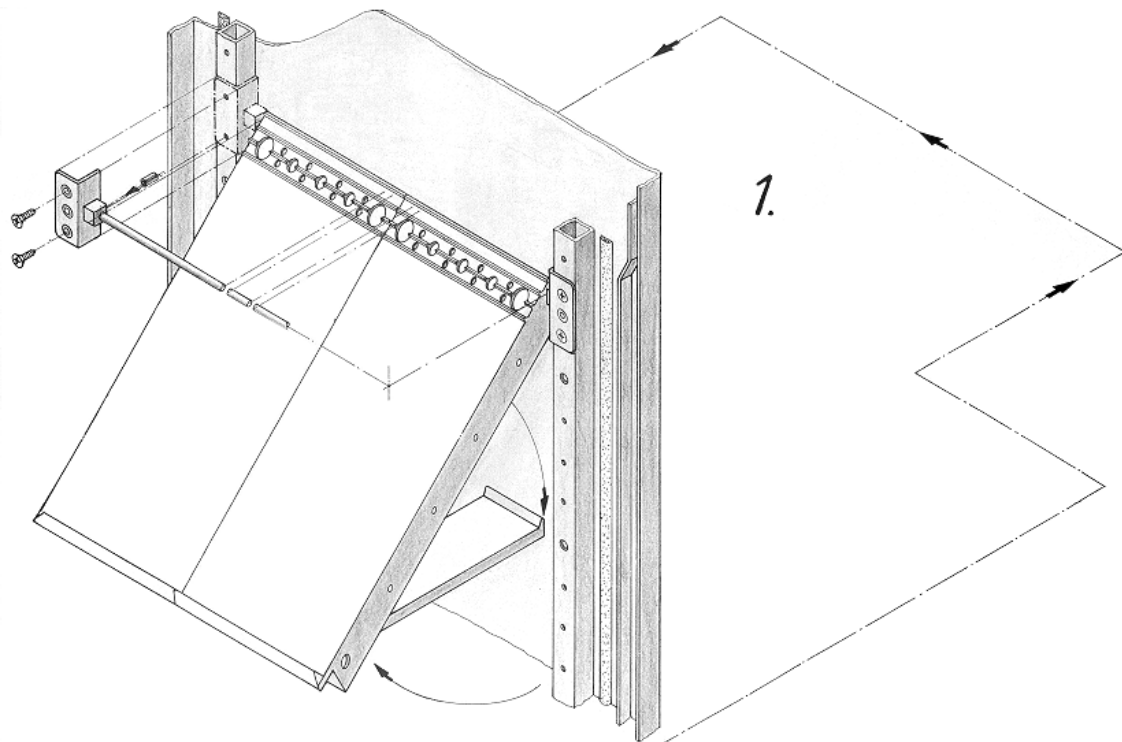


**Writing Board
for PS/ES Doors:**

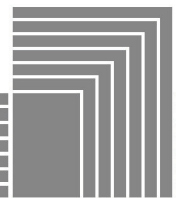
4120000



Assembly Instructions



Rittal Corporation - One Rittal Place - Springfield - Ohio - 45504
 Toll Free : 1-800-637-4425 - Email : rittal@rittal-corp.com - Internet : www.rittal-corp.com - Tech. Sup. : 1-800-637-4425



Switch to perfection **RITTAL**