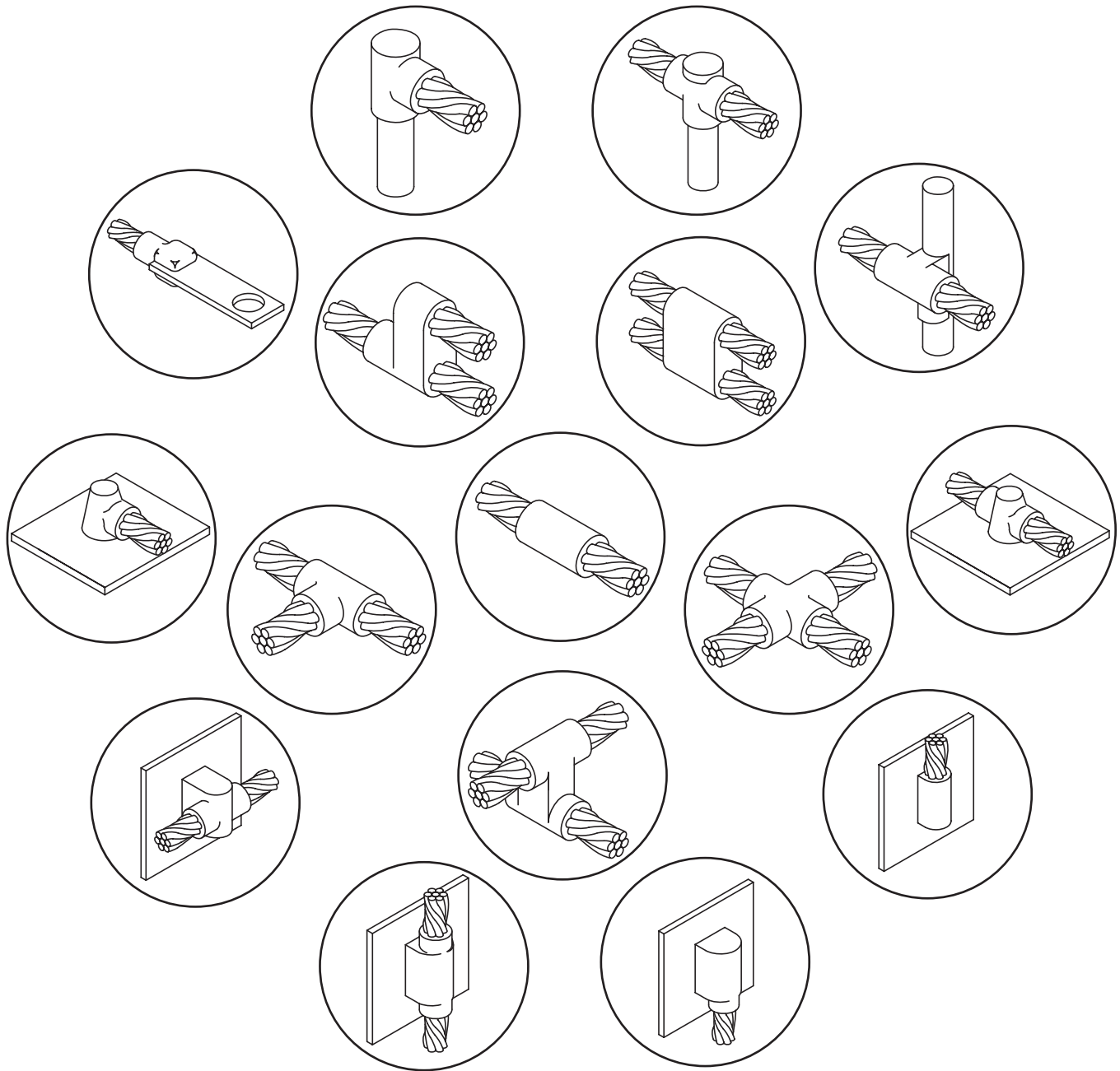


THE ULTIMATE CONNECTION | A DIVISION OF CONTINENTAL INDUSTRIES

CADWELD® TO THERMOWELD® CROSS REFERENCE

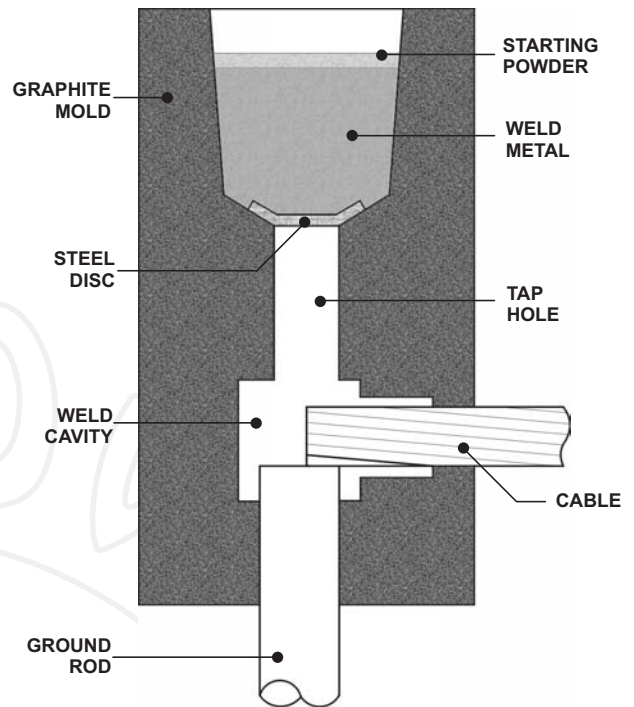


4102 SOUTH 74TH EAST AVENUE / P.O. BOX 994
TULSA, OKLAHOMA 74101
PHONE (918) 663-1440 FAX (918) 622-1275

thermOweld PROCESS

The THERMOWELD electrical connection process is a simple, efficient method of welding copper to copper or copper to steel. No outside source of power is required when using ThermOweld. ThermOweld connections use The high temperature of reaction of powdered copper oxide and aluminum. The reaction takes place in a semi-permanent graphite mold (THERMOMOLD) that last for fifty or more welds if properly cared for. The ThermOweld reaction takes place in a very few seconds, therefore the total amount of heat (calories or BTU'S) applied to the conductors or surfaces is considerably less than that employed in brazing or soldering. This is an important consideration when welding to insulated cable or thin wall pipe.

ThermOweld® is ideal for field use, since it is light and portable and requires no outside power source. It requires very little time or skill to obtain an efficient, maintenance free electrical connection when using ThermOweld®.



Cutaway Section of CR-1 Type Mold

THERMOWELD® CONNECTION

The ThermOweld connection is a molecular weld. The weld metal has the same melting point as copper. Because of these factors along with the increased cross section of the connection, ThermOweld connections:

1. Will not be affected by a high current surge. Tests have shown that the electrical conductor will men before the ThermOweld connection when subjected to high short circuit current. Consult I.E.E.E. Standard 837-1989.
2. Will not loosen or corrode at the point of weld. There are no contact surfaces or mechanical pressures involved. A ThermOweld® connection becomes an integral part of the conductor.
3. Have a current-carrying capacity equal to or greater than that of the conductors.

ThermOweld® equipment has been used to weld materials other than copper for electrical purposes.

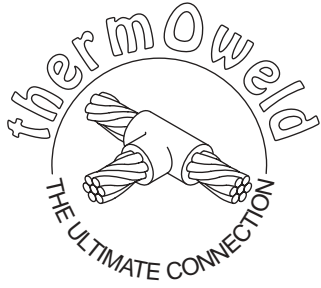
Materials welded have included:

Stainless Steel	Monel	Copper Clad Steel	Steel Rail	Brass
Copperweld® ¹	Plain Steel	Bronze	Chromax	Nichrome
Nichrome V	Everdur® ²	Galvanized Steel	Wrought Iron	Cast Iron
Kama	Cor-Ten® ³	Silcone Bronze	Columbium	Niobium

¹ Copperweld® is a registered trademark of Copperweld Steel Co.

² Evendur® is a registered trademark of Anaconda Copper Co.

³ Cor-Ten® is a registered trademark of United States Steel Corp.

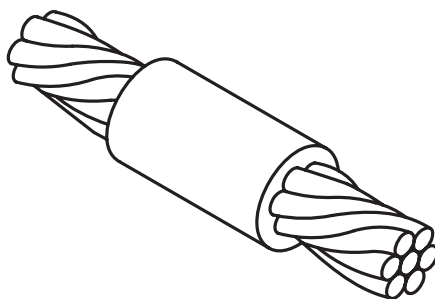


INDEX

CADWELD® TYPE	THERMOWELD® TYPE	PAGE#	CADWELD® TYPE	THERMOWELD TYPE	PAGE#
BA	BB-1	38	NC	CR-17	24-25
BQ	BB-3	40	ND	CR-24	26-27
BW	BS-1	41	PC	CC-6	8-9
CC	BS-4	42	PT	CC-7	10-13
CF	BS-5	42	RA	AC-1	52
CG	BS-2	41	RB	AC-2	52
CH	BS-3	40	RC	CRE-3	45-46
EP	BB-2	39	RD	CRE-4	47-48
GB	RR-1	15	RJ	CRE-6	49-50
GB	AR-1	52	RR	CRE-1	43-44
GB-GR	ACR-1	53	SS	CC-1	4
GB-GT	ACR-2	54	ST	CX-8	51
GR	CR-1	16-18	TA	CC-2	4-6
GT	CR-2	19-21	TP	CX-10	51
GY	CR-3	22-23	VB	CS-23	32
HA	CS-8	29	VF	CS-7	34
HB	CS-5	30	VG	CS-27	33
HC	CS-9	30	VN	CS-18	34
HS	CS-1	28	VS	CS-3	31
HT	CS-2	28	Vr	CS-6	33
HV	RS-1	35	VV	CS-4	32
HV	RS-3	52	XA	CC-4	7-8
HV-VE	CRS-1	52	XB	CC-1 1	14-15
HV-VF	CRS-2	52	GROUND PLATES		55
HX	RS-2	35	LUGS		56
LA	CB-1	36	ACCESSORIES		57-58
LJ	CB-4	37			

HEAVY DUTY MOLDS ARE ON THE SAME PAGE AS THE STANDARD DUTY MOLDS. THEY ARE FOUND IN THE RIGHT HAND COLUMNS. TO CROSS CADWELD® HEAVY DUTY MOLDS TO THERMOWELD®, ADD THE PREFIX HD- TO CADWELD® MOLD NUMBER AND USE THE SAME INDEX LISTING ABOVE (i.e. TO CROSS HD-TAC-2Q2Q GO TO PAGE 4).

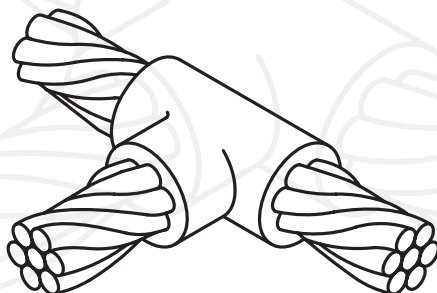
THERMOWELD®
TYPE
CC-1



CADWELD®
TYPE
SS

CABLE SIZE		STANDARD MOLDS				HEAVY DUTY MOLDS			
RUN	TAP	CADWELD® MOLD #	THERMO MOLD #	CART SIZE	P K	CADWELD® MOLD #	THERMO MOLD #	CART SIZE	P K
#4	#4	SST-1L	M-5623	25	18	HD-SSC-1L	M-5623-H	45	4
#4 Solid	#4 Solid	SST-1K	M-5623-S	25	18				
#3	#3	SST-1Q	M-5624	32	18	HD-SSC-1Q	M-5624-H	65	4
#2	#2	SST-1V	M-5625	32	18	HD-SSC-1V	M-5625-H	65	4
#2 Solid	#2 Solid	SST-1T	M-5625-S	32	18				
#1	#1	SST-1Y	M-5626	32	18	HD-SSC-1Y	M-5626-H	65	4
#1 Solid	#1 Solid	SST-1X	M-5626-S	32	18				
1/0	1/0	SSC-2C	M-205	45	4	HD-SSC-2C	M-205-H	90	4
1/0 Solid	1/0 Solid	SSC-2B	M-205-S	45	4				
2/0	2/0	SSC-2G	M-206	65	4	HD-SSC-2G	M-206-H	115	4
3/0	3/0	SSC-2L	M-207	90	4	HD-SSC-2L	M-207-H	150	4
4/0	4/0	SSC-2Q	M-208	90	4	HD-SSC-2Q	M-208-H	150	4
4/0 Solid	4/0 Solid	SSC-2P	M-208-S	90	4				
250 MCM	250 MCM	SSC-2V	M-209	115	4	HD-SSC-2V	M-209-H	200	4
300 MCM	300 MCM	SSC-3A	M-210	115	4	HD-SSC-3A	M-210-H	200	4
350 MCM	350 MCM	SSC-3D	M-211	150	4	HD-SSC-3D	M-211-H	250	4
500 MCM	500 MCM	SSC-3Q	M-213	200	4	HD-SSD-3Q	M-213-H	2-150	5
750 MCM	750 MCM	SSD-4L	M-214	2-150	5	HD-SSD-4L	M-214-H	500	5
1000 MCM	1000 MCM	SSD-4Y	M-215	2-200	5	HD-SSD-4Y	M-215-H	3-200	5

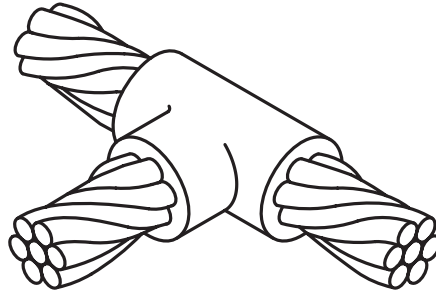
THERMOWELD®
TYPE
CC-2



CADWELD®
TYPE
TA

CABLE SIZE		STANDARD MOLDS				HEAVY DUTY MOLDS			
RUN	TAP	CADWELD® MOLD #	THERMO MOLD #	CART SIZE	P K	CADWELD® MOLD #	THERMO MOLD #	CART SIZE	P K
#4	#4	TAC-1L1L	M-221	32	4	HD-TAC-1L1L	M-221-H	65	4
#2 Solid	#2	TAC-1T1V	M-5856	45	4				
	#2 Solid	TAC-1T1T	M-223-S	45	4				
	#4	TAC-1T1L	M-5859	45	4				
#2	#2	TAC-1V1V	M-223	45	4	HD-TAC-1V1V	M-223-H	65	4
	#2 Solid	TAC-1V1T	M-5869	45	4				
	#4	TAC-1V1L	M-224	45	4	HD-TAC-1V1L	M-224-H	65	4
#1	#1	TAC-1Y1Y	M-225	45	4	HD-TAC-1Y1Y	M-225-H	65	4
	#2	TAC-1Y1V	M-226	45	4	HD-TAC-1Y1V	M-226-H	65	4
	#2 Solid	TAC-1Y1T	M-5879	45	4				

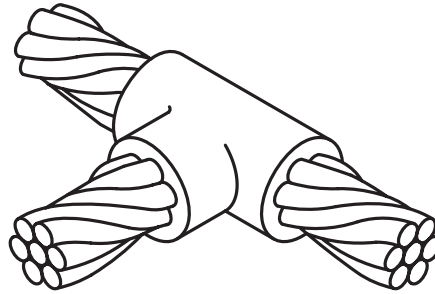
THERMOWELD®
TYPE
CC-2



CADWELD®
TYPE
TA

CABLE SIZE		STANDARD MOLDS				HEAVY DUTY MOLDS				
RUN	TAP	CADWELD® MOLD #	THERMO MOLD #	CART SIZE	P K	CADWELD® MOLD #	THERMO MOLD #	CART SIZE	P K	
#1	#4	TAC-1Y1L	M-227	45	4	HD-TAC-1Y1L	M-227-H	65	4	
1/0	1/0	TAC-2C2C	M-228	90	4	HD-TAC-2C2C	M-228-H	90	4	
	#1	TAC-2C1Y	M-229	45	4	HD-TAC-2C1Y	M-229-H	90	4	
	#2	TAC-2C1V	M-230	45	4	HD-TAC-2C1V	M-230-H	90	4	
	#2 Solid	TAC-2C1T	M-5311	45	4					
2/0	#4	TAC-2C1L	M-231	45	4	HD-TAC-2C1L	M-231-H	65	4	
	2/0	TAC-2G2G	M-232	90	4	HD-TAC-2G2G	M-232-H	115	4	
	1/0	TAC-2G2C	M-233	90	4	HD-TAC-2G2C	M-233-H	115	4	
	#1	TAC-2G1Y	M-234	45	4	HD-TAC-2G1Y	M-234-H	90	4	
	#2	TAC-2G1V	M-235	45	4	HD-TAC-2G1V	M-235-H	90	4	
	#2 Solid	TAC-2G1T	M-8093	45	4					
3/0	#4	TAC-2G1L	M-5475	45	4	HD-TAC-2G1L	M-5475-H	65	4	
	3/0	TAC-2L2L	M-236	115	4	HD-TAC-2L2L	M-236-H	200	4	
	2/0	TAC-2L2G	M-237	90	4	HD-TAC-2L2G	M-237-H	150	4	
	1/0	TAC-2L2C	M-238	90	4	HD-TAC-2L2C	M-238-H	150	4	
	#1	TAC-2L1Y	M-239	45	4	HD-TAC-2L1Y	M-239-H	90	4	
	#2	TAC-2L1V	M-240	45	4	HD-TAC-2L1V	M-240-H	90	4	
	#2 Solid	TAC-2L1T	M-5884	45	4					
	#4	TAC-2L1L	M-5574	45	4	HD-TAC-2L1L	M-5574-H	65	4	
4/0	4/0	TAC-2Q2Q	M-241	150	4	HD-TAC-2Q2Q	M-241-H	250	4	
	3/0	TAC-2Q2L	M-242	115	4	HD-TAC-2Q2L	M-242-H	200	4	
	2/0	TAC-2Q2G	M-243	90	4	HD-TAC-2Q2G	M-243-H	150	4	
	1/0	TAC-2Q2C	M-244	90	4	HD-TAC-2Q2C	M-244-H	150	4	
	#1	TAC-2Q1Y	M-245	90	4	HD-TAC-2Q1Y	M-245-H	150	4	
	#2	TAC-2Q1V	M-246	90	4	HD-TAC-2Q1V	M-246-H	150	4	
	#2 Solid	TAC-2Q1T	M-5348	90	4					
	#4	TAC-2Q1L	M-5021	90	4	HD-TAC-2Q1L	M-5021-H	150	4	
	250 MCM	250 MCM	TAC-2V2V	M-247	150	4	HD-TAC-2V2V	M-247-H	250	4
		4/0	TAC-2V2Q	M-248	150	4	HD-TAC-2V2Q	M-248-H	250	4
3/0		TAC-2V2L	M-249	150	4	HD-TAC-2V2L	M-249-H	250	4	
2/0		TAC-2V2G	M-250	90	4	HD-TAC-2V2G	M-250-H	150	4	
1/0		TAC-2V2C	M-251	90	4	HD-TAC-2V2C	M-251-H	150	4	
#1		TAC-2V1Y	M-252	90	4	HD-TAC-2V1Y	M-252-H	150	4	
#2		TAC-2V1V	M-253	90	4	HD-TAC-2V1V	M-253-H	150	4	
#2 Solid		TAC-2V1T	M-5889	90	4					
#4		TAC-2V1L	M-5425	90	4	HD-TAC-2V1L	M-5425-H	150	4	
300 MCM		300 MCM	TAC-3A3A	M-254	200	4	HD-TAD-3A3A	M-254-H	2-150	5
	250 MCM	TAC-3A2V	M-255	150	4	HD-TAC-3A2V	M-255-H	250	4	
	4/0	TAC-3A2Q	M-256	150	4	HD-TAC-3A2Q	M-256-H	250	4	
	3/0	TAC-3A2L	M-257	150	4	HD-TAC-3A2L	M-257-H	250	4	
	2/0	TAC-3A2G	M-258	90	4	HD-TAC-3A2G	M-258-H	150	4	
	1/0	TAC-3A2C	M-259	90	4	HD-TAC-3A2C	M-259-H	150	4	
	#1	TAC-3A1Y	M-260	90	4	HD-TAC-3A1Y	M-260-H	150	4	
	#2	TAC-3A1V	M-261	90	4	HD-TAC-3A1V	M-261-H	150	4	

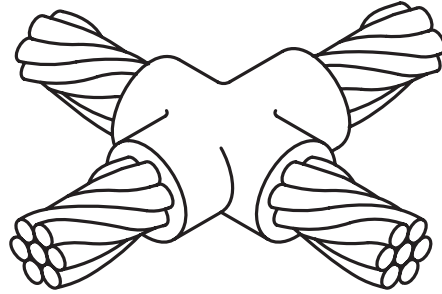
THERMOWELD®
TYPE
CC-2



CADWELD®
TYPE
TA

CABLE SIZE		STANDARD MOLDS				HEAVY DUTY MOLDS			
RUN	TAP	CADWELD® MOLD #	THERMO MOLD #	CART SIZE	P K	CADWELD® MOLD #	THERMO MOLD #	CART SIZE	P K
300 MCM	#2 Solid #4	TAC-3A1T TAC-3A1L	M-5903 M-6397	90 90	4 4				
350 MCM	350 MCM	TAC-3D3D	M-262	200	4	HD-TAC-3A1L	M-6397-H	150	4
	300 MCM	TAC-3D3A	M-263	200	4	HD-TAD-3D3D	M-262-H	2-150	5
	250 MCM	TAC-3D2V	M-264	200	4	HD-TAD-3D3A	M-263-H	2-150	5
	4/0	TAC-3D2Q	M-265	150	4	HD-TAD-3D2V	M-264-H	2-150	5
	3/0	TAC-3D2L	M-266	150	4	HD-TAC-3D2Q	M-265-H	250	4
	2/0	TAC-3D2G	M-267	90	4	HD-TAC-3D2L	M-266-H	250	4
	1/0	TAC-3D2C	M-268	90	4	HD-TAC-3D2G	M-267-H	150	4
	#1	TAC-3D1Y	M-269	90	4	HD-TAC-3D2C	M-268-H	150	4
	#2	TAC-3D1V	M-270	90	4	HD-TAC-3D1Y	M-269-H	150	4
	#4	TAC-3D1L	M-6398	90	4	HD-TAC-3D1V	M-270-H	150	4
500 MCM	500 MCM	TAC-3Q3Q	M-280	2-150	4	HD-TAC-3D1L	M-6398-H	150	4
	350 MCM	TAC-3Q3D	M-282	200	4	HD-TAD-3Q3Q	M-280-H	500	5
	300 MCM	TAC-3Q3A	M-283	200	4	HD-TAD-3Q3D	M-282-H	2-150	5
	250 MCM	TAC-3Q2V	M-284	200	4	HD-TAD-3Q3A	M-283-H	2-150	5
	4/0	TAC-3Q2Q	M-285	150	4	HD-TAD-3Q2V	M-284-H	2-150	5
	2/0	TAC-3Q2G	M-286	90	4	HD-TAC-3Q2Q	M-285-H	250	4
	1/0	TAC-3Q2C	M-287	90	4	HD-TAC-3Q2G	M-286-H	150	4
	#1	TAC-3Q1Y	M-288	90	4	HD-TAC-3Q2C	M-287-H	150	4
	#2	TAC-3Q1V	M-289	90	4	HD-TAC-3Q1Y	M-288-H	150	4
	#4	TAC-3Q1L	M-8113	90	4	HD-TAC-3Q1V	M-289-H	150	4
750 MCM	750 MCM	TAD-4L4L	M-290	500	5	HD-TAC-3Q1L	M-8113-H	150	4
	500 MCM	TAD-4L3Q	M-291	2-200	5	HD-TAD-4L4L	M-290-H	3-250	5
	350 MCM	TAC-4L3D	M-293	250	4	HD-TAD-4L3Q	M-291-H	3-200	5
	300 MCM	TAC-4L3A	M-294	200	4	HD-TAD-4L3D	M-293-H	2-200	5
	250 MCM	TAC-4L2V	M-295	200	4	HD-TAD-4L3A	M-294-H	2-150	5
	4/0	TAC-4L2Q	M-296	150	4	HD-TAD-4L2V	M-295-H	2-150	5
	2/0	TAC-4L2G	M-297	150	4	HD-TAC-4L2Q	M-296-H	250	4
	1/0	TAC-4L2C	M-298	150	4	HD-TAC-4L2G	M-297-H	250	4
1000 MCM	1000 MCM	TAD-4Y4Y	M-299	500	5	HD-TAC-4L2C	M-298-H	250	4
	750 MCM	TAD-4Y4L	M-300	500	5	HD-TAD-4Y4Y	M-299-H	3-250	5
	500 MCM	TAD-4Y3Q	M-301	2-200	5	HD-TAD-4Y4L	M-300-H	3-250	5
	350 MCM	TAC-4Y3D	M-303	250	4	HD-TAD-4Y3Q	M-301-H	3-200	5
	300 MCM	TAC-4Y3A	M-304	200	4	HD-TAD-4Y3D	M-303-H	2-200	5
	250 MCM	TAC-4Y2V	M-305	200	4	HD-TAD-4Y3A	M-304-H	2-150	5
	4/0	TAC-4Y2Q	M-306	150	4	HD-TAD-4Y2V	M-305-H	2-150	5
	2/0	TAC-4Y2G	M-307	150	4	HD-TAC-4Y2Q	M-306-H	250	4
	1/0	TAC-4Y2C	M-308	150	4	HD-TAC-4Y2G	M-307-H	250	4
							HD-TAC-4Y2C	M-308-H	250

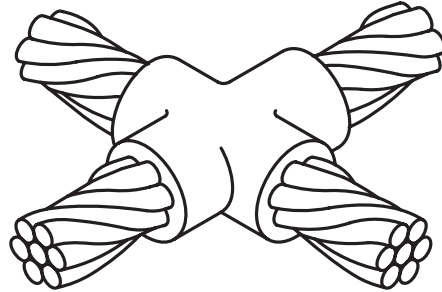
THERMOWELD®
TYPE
CC-4



CADWELD®
TYPE
XA

CABLE SIZE		STANDARD MOLDS				HEAVY DUTY MOLDS			
RUN	TAP	CADWELD® MOLD #	THERMO MOLD #	CART SIZE	P K	CADWELD® MOLD #	THERMO MOLD #	CART SIZE	P K
#4	#4	XAC-1L1L	M-423	45	4	HD-XAC-1L1L	M-423-H	65	4
#2	#2	XAC-1V1V	M-425	65	4	HD-XAC-1V1V	M-425-H	90	4
		XAC-1V1L	M-426	65	4	HD-XAC-1V1L	M-426-H	90	4
#2 Solid	#2 Solid	XAC-1T1T	M-425-S	65	4				
#1	#1	XAC-1Y1Y	M-427	65	4	HD-XAC-1Y1Y	M-427-H	115	4
		XAC-1Y1V	M-428	65	4	HD-XAC-1Y1V	M-428-H	115	4
		XAC-1Y1L	M-429	65	4	HD-XAC-1Y1L	M-429-H	115	4
1/0	1/0	XAC-2C2C	M-430	90	4	HD-XAC-2C2C	M-430-H	150	4
	#1	XAC-2C1Y	M-431	90	4	HD-XAC-2C1Y	M-431-H	150	4
		XAC-2C1V	M-432	90	4	HD-XAC-2C1V	M-432-H	150	4
		XAC-2C1L	M-433	90	4	HD-XAC-2C1L	M-433-H	150	4
2/0	2/0	XAC-2G2G	M-434	115	4	HD-XAC-2G2G	M-434-H	200	4
	1/0	XAC-2G2C	M-435	115	4	HD-XAC-2G2C	M-435-H	200	4
	#1	XAC-2G1Y	M-436	115	4	HD-XAC-2G1Y	M-436-H	200	4
		XAC-2G1V	M-437	115	4	HD-XAC-2G1V	M-437-H	150	4
3/0	3/0	XAC-2L 2L	M-438	150	4	HD-XAC-2L2L	M-438-H	250	4
	2/0	XAC-2L2G	M-439	150	4	HD-XAC-2L2G	M-439-H	250	4
	1/0	XAC-2L2C	M-440	115	4	HD-XAC-2L2C	M-440-H	200	4
	#1	XAC-2L1Y	M-441	115	4	HD-XAC-2L1Y	M-441-H	200	4
		XAC-2L1V	M-442	115	4	HD-XAC-2L1V	M-442-H	200	4
4/0	4/0	XAC-2Q2Q	M-443	200	4	HD-XAD-2Q2Q	M-443-H	2-150	5
	3/0	XAC-2Q2L	M-444	200	4	HD-XAD-2Q2L	M-444-H	2-150	5
	2/0	XAC-2Q2G	M-445	150	4	HD-XAC-2Q2G	M-445-H	250	4
	1/0	XAC-2Q2C	M-446	150	4	HD-XAC-2Q2C	M-446-H	250	4
	#1	XAC-2Q1Y	M-447	115	4	HD-XAC-2Q1Y	M-447-H	200	4
		XAC-2Q1V	M-448	115	4	HD-XAC-2Q1V	M-448-H	200	4
250 MCM	250 MCM	XAC-2V2V	M-449	200	4	HD-XAD-2V2V	M-449-H	2-150	5
	4/0	XAC-2V2Q	M-450	200	4	HD-XAD-2V2Q	M-450-H	2-150	5
	3/0	XAC-2V2L	M-451	200	4	HD-XAD-2V2L	M-451-H	2-150	5
	2/0	XAC-2V2G	M-452	150	4	HD-XAC-2V2G	M-452-H	250	4
	1/0	XAC-2V2C	M-453	150	4	HD-XAC-2V2C	M-453-H	250	4
	#1	XAC-2V1Y	M-454	115	4	HD-XAC-2V1Y	M-454-H	200	4
		XAC-2V1V	M-455	115	4	HD-XAC-2V1V	M-455-H	200	4
300 MCM	300 MCM	XAC-3A3A	M-456	250	4	HD-XAD-3A3A	M-456-H	2-200	5
	250 MCM	XAC-3A2V	M-457	250	4	HD-XAD-3A2V	M-457-H	2-200	5
	4/0	XAC-3A2Q	M-458	200	4	HD-XAD-3A2Q	M-458-H	2-150	5
	3/0	XAC-3A2L	M-459	200	4	HD-XAD-3A2L	M-459-H	2-150	5
	2/0	XAC-3A2G	M-460	150	4	HD-XAC-3A2G	M-460-H	250	4
	1/0	XAC-3A2C	M-461	150	4	HD-XAC-3A2C	M-461-H	250-	4
	#1	XAC-3A1Y	M-462	115	4	HD-XAC-3A1Y	M-462-H	200	4
		XAC-3A1V	M-463	115	4	HD-XAC-3A1V	M-463-H	200	4
350 MCM	350 MCM	XAC-3D3D	M-465	250	4	HD-XAD-3D3D	M-464-H	2-200	5
	300 MCM	XAC-3D3A	M-465	250	4	HD-XAD-3D3A	M-465-H	2-200	5
	250 MCM	XAC-3D2V	M-466	250	4	HD-XAD-3D2V	M-466-H	2-200	5

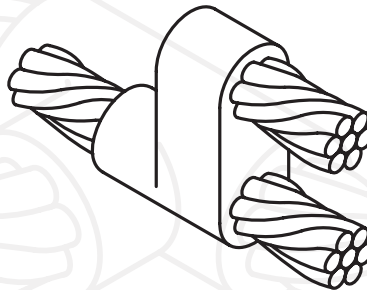
**THERMOWELD®
TYPE
CC-4**



**CADWELD®
TYPE
XA**

CABLE SIZE		STANDARD MOLDS				HEAVY DUTY MOLDS			
RUN	TAP	CADWELD® MOLD #	THERMO MOLD #	CART SIZE	P K	CADWELD® MOLD #	THERMO MOLD #	CART SIZE	P K
350 MCM	4/0	XAC-3D2Q	M-467	200	4	HD-XAD-3D2Q	M-467-H	2-150	5
	3/0	XAC-3D2L	M-468	200	4	HD-XAD-3D2L	M-468-H	2-150	5
	2/0	XAC-3D2G	M-469	200	4	HD-XAD-3D2G	M-469-H	2-150	5
	1/0	XAC-3D2C	M-470	200	4	HD-XAD-3D2C	M-470-H	2-150	5
	#1	XAC-3D1Y	M-471	150	4	HD-XAC-3D1Y	M-471-H	250	4
	#2	XAC-3D1V	M-472	150	4	HD-XAC-3D1V	M-472-H	250	4
500 MCM	500 MCM	XAD-3Q3Q	M-483	500	5	HD-XAD-3Q3Q	M-483-H	3-250	5
	350 MCM	XAD-3Q3D	M-485	2-200	5	HD-XAD-3Q3D	M-485-H	3-200	5
	300 MCM	XAD-3Q3A	M-486	2-200	5	HD-XAD-3Q3A	M-486-H	3-200	5
	250 MCM	XAD-3Q2V	M-487	2-150	5	HD-XAD-3Q2V	M-487-H	500	5
	4/0	XAD-3Q2Q	M-488	2-150	5	HD-XAD-3Q2Q	M-488-H	500	5
	3/0	XAD-3Q2L	M-489	2-150	5	HD-XAD-3Q2L	M-489-H	500	5
	2/0	XAC-3Q2G	M-490	250	4	HD-XAD-3Q2G	M-490-H	2-200	5
	1/0	XAC-3Q2C	M-491	250	4	HD-XAD-3Q2C	M-491-H	2-200	5
	#1					HD-XAD-3Q1Y	M-492-H	2-150	5
	#2					HD-XAD-3Q1V	M-493-H	2-150	5

**THERMOWELD®
TYPE
CC-6**



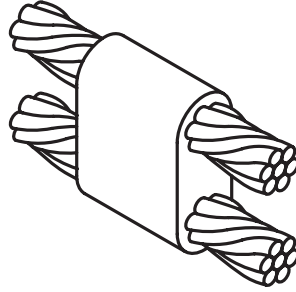
**CADWELD®
TYPE
PC**

CABLE SIZE		STANDARD MOLDS			
RUN	TAP	CADWELD® MOLD #	THERMO MOLD #	CART SIZE	P K
#6 Solid	#6 Solid	PCC-1G1G	M-1270	25	4
	#6	PCC-1H1H	M-1271	25	4
#4	#4	PCC-1L1L	M-1272	32	4
	#6	PCC-1L1H	M-1273	32	4
	#6	PCT-1L1H	M-5906	32	18
	#6 Solid	PCC-1L1G	M-1274	32	4
	#6 Solid	PCT-1L1G	M-5912	32	18
	#8	PCT-1L1E	M-5921	32	18
	#8 Solid	PCC-1L1D	M-1275	32	4
	#8 Solid	PCT-1L1D	M-5928	32	4
#2 Solid	#6	PCT-1T1H	M-5932	32	18
	#6 Solid	PCT-1T1G	M-5947-S	32	18
	#8	PCT-1T1E	M-5938	32	18
	#8 Solid	PCT-1T1D	M-5953-S	32	18

CADWELD® IS A REGISTERED TRADEMARK OF ERICO®, INC.

CABLE SIZE		STANDARD MOLDS			
RUN	TAP	CADWELD® MOLD #	THERMO MOLD #	CART SIZE	P K
#2	#2	PCC-1V1V	M-1276	65	4
	#4	PCC-1V1L	M-1277	45	4
	#6	PCC-1V1H	M-1278	32	4
	#6	PCT-1V1H	M-5947	32	18
	#6 Solid	PCC-1V1G	M-1279	32	4
	#6 Solid	PCT-1V1G	M-5950	32	18
	#8	PCT-1V1E	M-5953	32	18
	#8 Solid	PCC-1V1D	M-1280	32	4
	#8 Solid	PCT-1V1D	M-5967	32	18
#1	#2	PCC-1Y1V	M-1282	65	4
	#4	PCC-1Y1L	M-1283	45	4
	#6	PCC-1Y1H	M-1284	45	4
	#6 Solid	PCC-1Y1G	M-1285	45	4
	#8	PCC-1Y1E	M-5955	45	4
	#8 Solid	PCC-1Y1D	M-1286	45	4
1/0	#2	PCC-2C1V	M-1289	65	4
	#4	PCC-2C1L	M-1290	65	4
	#6	PCC-2C1H	M-1291	45	4
	#6 Solid	PCC-2C1G	M-1292	45	4
	#8	PCC-2C1E	M-5956	45	4
	#8 Solid	PCC-2C1D	M-1293	45	4
2/0	#2	PCC-2G1V	M-1297	90	4
	#4	PCC-2G1L	M-1298	65	4
	#6	PCC-2G1H	M-1299	65	4
	#6 Solid	PCC-2G1G	M-1300	65	4
	#8	PCC-2G1E	M-8262	65	4
	#8 Solid	PCC-2G1D	M-1301	65	4
3/0	#6	PCC-2L1H	M-5957	90	4
	#6 Solid	PCC-2L1G	M-5958	90	4
	#8	PCC-2L1E	M-5959	90	4
	#8 Solid	PCC-2L1D	M-5960	90	4
4/0	#1	PCC-2Q1Y	M-1305	115	4
	#2	PCC-2Q1V	M-1306	115	4
	#4	PCC-2Q1L	M-1307	90	4
	#6	PCC-2Q1H	M-1308	90	4
	#6 Solid	PCC-2Q1G	M-1309	90	4
	#8	PCC-2Q1E	M-5966	90	4
	#8 Solid	PCC-2Q1D	M-1310	90	4

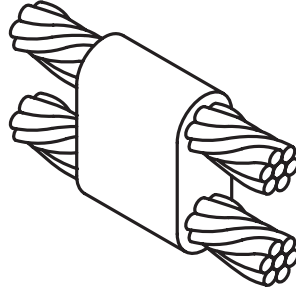
THERMOWELD®
TYPE
CC-7



CADWELD®
TYPE
PT

CABLE SIZE		STANDARD MOLDS				HEAVY DUTY MOLDS			
RUN	TAP	CADWELD® MOLD #	THERMO MOLD #	CART SIZE	P K	CADWELD® MOLD #	THERMO MOLD #	CART SIZE	P K
#4	#4	PTC-1L1L	M-1311	32	4	HD-PTC-1L1L	M-1311-H	65	4
	#6	PTC-1L1H	M-5627	32	4				
	#6 Solid	PTC-1L1G	M-8882	32	4				
	#8	PTC-1L1E	M-5629	32	4				
	#8 Solid	PTC-1L1D	M-5630	32	4				
#2 Solid	#2	PTC-1T1V	M-5973	65	4				
	#2 Solid	PTC-1T1T	M-1313-S	65	4				
	#4	PTC-1T1L	M-5987	65	4				
	#6	PTC-1T1H	M-5989	45	4				
	#6 Solid	PTC-1T1G	M-5631-S	45	4				
	#8	PTC-1T1E	M-5993	45	4				
#2	#8 Solid	PTC-1T1D	M-5634-S	45	4				
	#2	PTC-1V1V	M-1313	65	4	HD-PTC-1V1V	M-1313-H	115	4
	#4	PTC-1V1L	M-1314	65	4	HD-PTC-1V1L	M-1314-H	90	4
	#6	PTC-1V1H	M-5631	45	4				
	#6 Solid	PTC-1V1G	M-5632	45	4				
#1 Solid	#8	PTC-1V1E	M-5634	45	4				
	#8 Solid	PTC-1V1D	M-5635	45	4				
	#1	PTC-1X1Y	M-5998	65	4				
	#2	PTC-1X1V	M-6001	65	4				
	#2 Solid	PTC-1X1T	M-1316-S	65	4				
	#4	PTC-1X1L	M-6008	65	4				
	#6	PTC-1X1H	M-6010	65	4				
#1	#6 Solid	PTC-1X1G	M-5636-S	65	4				
	8	PTC-1X1E	M-6012	45	4				
	#8 Solid	PTC-1X1D	M-5638-S	45	4				
	#1	PTC-1Y1Y	M-1315	65	4	HD-PTC-1Y1Y	M-1315-H	115	4
	#1 Solid	PTC-1Y1X	M-6013	65	4				
	#2	PTC-1Y1V	M-1316	65	4	HD-PTC-1Y1V	M-1316-H	115	4
	#2 Solid	PTC-1Y1T	M-6017	65	4				
	#4	PTC-1Y1L	M-1317	65	4	HD-PTC-1Y1L	M-1317-H	115	4
	#6	PTC-1Y1H	M-5636	65	4				
1/0 Solid	#6 Solid	PTC-1Y1G	M-5637	65	4				
	#8	PTC-1Y1E	M-5638	45	4				
	#8 Solid	PTC-1Y1D	M-5639	45	4				
	1/0	PTC-2B2C	M-6227	90	4				
	1/0 Solid	PTC-2B2B	M-1318-S	90	4				
	#1	PTC-2B1Y	M-6019	65	4				
	#1 Solid	PTC-2B1X	M-1319-S	65	4				
	#2	PTC-2B1V	M-6023	65	4				
	#2 Solid	PTC-2B1T	M-1320-S	65	4				
#4	PTC-2B1L	M-6026	65	4					
#8	PTC-2B1H	M-6806	5	4					
	#6 Solid	PTC-2B1G	M-5462-S	65	4				

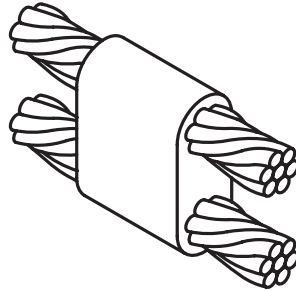
THERMOWELD®
TYPE
CC-7



CADWELD®
TYPE
PT

CABLE SIZE		STANDARD MOLDS				HEAVY DUTY MOLDS			
RUN	TAP	CADWELD® MOLD #	THERMO MOLD #	CART SIZE	P K	CADWELD® MOLD #	THERMO MOLD #	CART SIZE	P K
	#8	PTC-2B2E	M-6028	65	4				
	#8 Solid	PTC-2B1D	M-5644-S	65	4				
1/0	1/0	PTC-2C2C	M-1318	90	4	HD-PTC-2C2C	M-1318-H	150	4
	1/0 Solid	PTC-2C2B	M-6035	90	4				
	#1	PTC-2C1Y	M-1319	65	4	HD-PTC-2C1Y	M-1319-H	115	4
	#1 Solid	PTC-2C1X	M-6036	65	4				
	#2	PTC-2C1V	M-1320	65	4	HD-PTC-2C1V	M-1320-H	115	4
	#2 Solid	PTC-2C1T	M-6044	65	4				
	#4	PTC-2C1L	M-1321	65	4	HD-PTC-2C1L	M-1321-H	115	4
	#6	PTC-2C1H	M-5642	65	4				
	#6 Solid	PTC-2C1G	M-1208	65	4				
	#8	PTC-2C1E	M-5644	65	4				
#8 Solid	PTC-2C1D	M-5645	65	4					
2/0	2/0	PTC-2G2G	M-1322	115	4	HD-PTC-2G2G	M-1322-H	200	4
	1/0	PTC-2G2C	M-1323	115	4	HD-PTC-2G2C	M-1323-H	200	4
	1/0 Solid	PTC-2G2B	M-6047	115	41				
	#1	PTC-2G1Y	M-1324	90	4	HD-PTC-2G1Y	M-1324-H	150	4
	#1 Solid	PTC-2G1X	M-6052	90	4				
	#2	PTC-2G1V	M-1325	90	4	HD-PTC-2G1V	M-1325-H	150	4
	#4	PTC-2G1L	M-5659	90	4	HD-PTC-2G1L	M-5659-H	150	4
	#6	PTC-2G1H	M-5342	90	4				
	#6 Solid	PTC-2G1G	M-5652	90	4				
	#8	PTC-2G1E	M-5668	65	4				
#8 Solid	PTC-2G1D	M-5943	65	4					
3/0	3/0	PTC-2L2L	M-1326	150	4	HD-PTC-2L2L	M-1326-H	250	4
	2/0	PTC-2L2G	M-1327	150	4	HD-PTC-2L2G	M-1327-H	250	4
	1/0	PTC-2L2C	M-1328	115	4	HD-PTC-2L2C	M-1328-H	200	4
	1/0 Solid	PTC-2L2B	M-6062	115	4				
	#1	PTC-2L1Y	M-1329	115	4	HD-PTC-2L1Y	M-1329-H	200	4
	#1 Solid	PTC-2L1X	M-6064	115	4				
	#2	PTC-2L1V	M-1330	115	4	HD-PTC-2L1V	M-1330-H	200	4
	#2 Solid	PTC-2L1T	M-6065	115	4				
	#4	PTC-2L1L	M-6046	115	4	HD-PTC-2L1L	200	4	
	#6	PTC-2L1H	M-5676	90	4				
#6 Solid	PTC-2L1G	M-5679	90	4					
#8	PTC-2L1E	M-5680	90	4					
#8 Solid	PTC-2L1D	M-5682	90	4					
4/0 Solid	4/0	PTC-2P2Q	M-6071	200	4				
	4/0 Solid	PTC-2P2P	M-1331-S	200	4				
	3/0	PTC-2P2L	M-6081	200	4				
	2/0	PTC-2P2G	M-6082	150	4				
	1/0	PTC-2P2C	M-6085	150	4				
	1/0 Solid	PTC-2P2B	M-1334-S	150	4				
	#1	PTC-2P1Y	M-6089	150	4				

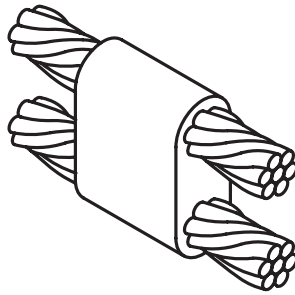
THERMOWELD®
TYPE
CC-7



CADWELD®
TYPE
PT

CABLE SIZE		STANDARD MOLDS				HEAVY DUTY MOLDS			
RUN	TAP	CADWELD® MOLD #	THERMO MOLD #	CART SIZE	P K	CADWELD® MOLD #	THERMO MOLD #	CART SIZE	P K
4/0 Solid	#1 Solid	PTC-2P1X	M-1335-S	150	4				
	#2	PTC-2P1V	M-6090	150	4				
	#2 Solid	PTC-2P1T	M-1336-S	150	4				
	#4	PTC-2P1L	M-6109	150	4				
	#6	PTC-2P1H	M-6111	90	4				
	#6 Solid	PTC-2P1G	M-5684-S	90	4				
	#8	PTC-2P1E	M-6112	90	4				
	#8 Solid	PTC-2P1D	M-5686-S	90	4				
4/0	4/0	PTC-2Q2Q	M-1331	200	4	HD-PTD-2Q2Q	M-1331-H	2-150	5
	4/0 Solid	PTC-2Q2P	M-6803	200	4				
	3/0	PTC-2Q2L	M-1332	200	4	HD-PTD-2Q2L	M-1332-H	2-150	5
	2/0	PTC-2Q2G	M-1333	150	4	HD-PTC-2Q2G	M-1333-H	250	4
	1/0	PTC-2Q2C	M-1334	150	4	HD-PTC-2Q2C	M-1334-H	250	4
	1/0 Solid	PTC-2Q2B	M-2551	150	4				
	#1	PTC-2Q1Y	M-1335	150	4	HD-PTC-2Q1Y	M-1335-H	250	4
	#1 Solid	PTC-2Q1X	M-6804	150	4				
	#2	PTC-2Q1V	M-1336	150	4	HD-PTC-2Q1V	M-1336-H	200	4
	#2 Solid	PTC-2Q1T	M-6805	150	4				
	#4	PTC-2Q1L	M-5340	150	4	HD-PTC-2Q1L	M-5340-H	200	4
	#6	PTC-2Q1H	M-5684	90	4				
	#6 Solid	PTC-2Q1G	M-6552	90	4				
	#8	PTC-2Q1E	M-5686	90	4				
#8 Solid	PTC-2Q1D	M-5688	90	4					
250 MCM	250 MCM					HD-PTD-2V2V	M-1337-H	2-200	5
	4/0					HD-PTD-2V2Q	M-1338-H	2-150	5
	3/0					HD-PTD-2V2L	M-1339-H	2-150	5
	2/0					HD-PTC-2V2G	M-1340-H	250	4
	1/0					HD-PTC-2V2C	M-1341-H	250	4
	#1					HD-PTC-2V1Y	M-1342-H	250	4
	#2					HD-PTC-2V1V	M-1343-H	250	4
300 MCM	300 MCM					HD-PTD-3A3A	M-1344-H	500	5
	250 MCM					HD-PTD-3A2V	M-1345-H	2-200	5
	4/0					HD-PTD-3A2Q	M-1346-H	2-150	5
	3/0					HD-PTD-3A2L	M-1347-H	2-150	5
	2/0					HD-PTC-3A2G	M-1348-H	250	4
	1/0					HD-PTC-3A2C	M-1349-H	250	4
	#1					HD-PTC-3A1Y	M-1350-H	250	4
	#2					HD-PTC-3A1V	M-1351-H	250	4
350 MCM	350 MCM					HD-PTD-3D3D	M-1352-H	500	5
	300 MCM					HD-PTD-3D3A	M-1353-H	500	5
	250 MCM					HD-PTD-3D2V	M-1354-H	2-200	5
	4/0					HD-PTD-3D2Q	M-1355-H	2-150	5
	3/0					HD-PTD-3D2L	M-1356-H	2-150	5
	2/0					HD-PTC-3D2G	M-1357-H	250	4

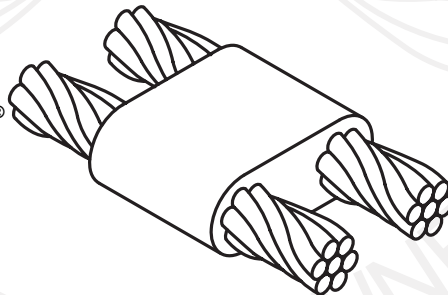
**THERMOWELD®
TYPE
CC-7**



**CADWELD®
TYPE
PT**

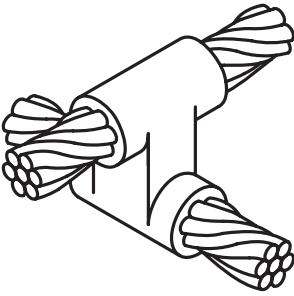
CABLE SIZE		STANDARD MOLDS				HEAVY DUTY MOLDS				
RUN	TAP	CADWELD® MOLD #	THERMO MOLD #	CART SIZE	P K	CADWELD® MOLD #	THERMO MOLD #	CART SIZE	P K	
350 MCM	1/0					HD-PTC-3D2C	M-1358-H	250	4	
	#1					HD-PTC-3D1Y	M-1359-H	250	4	
	#2					HD-PTC-3D1V	M-1360-H	250	4	
500 MCM	500 MCM					HD-PTF-3Q3Q	M-1371-H	3-200	6	
	350 MCM					HD-PTD-3Q3D	M-1373-H	500	5	
	300 MCM					HD-PTD-3Q3A	M-1374-H	500	5	
	250 MCM					HD-PTD-3Q2V	M-1375-H	2-200	5	
	4/0					HD-PTD-3Q2Q	M-1376-H	2-150	5	
	3/0					HD-PTD-3Q2L	M-1377-H	2-150	5	
	2/0					HD-PTC-3Q2G	M-1378-H	250	4	
	1/0					HD-PTC-3Q2C	M-1379-H	250	4	
	#1					HD-PTC-3Q1Y	M-1380-H	250	4	
	#2					HD-PTC-3Q1V	M-1381-H	250	4	
	750 MCM	750 MCM					HD-PTK-4L4L	M-1382-H	2-500	10
		500 MCM					HD-PTK-4L3Q	M-1383-H	3-250	10
350 MCM						HD-PTF-4L3D	M-1385-H	3-200	6	
300 MCM						HD-PTD-4L3A	M-1386-H	500	5	
250 MCM						HD-PTD-4L2V	M-1387-H	500	5	
4/0						HD-PTD-4L2Q	M-1388-H	2-200	5	
2/0						HD-PTD-4L2G	M-1389-H	2-200	5	
1/0						HD-PTD-4L2C	M-1390-H	2-200	5	
1000 MCM	1000 MCM					HD-PTK-4Y4Y	M-1391-H	3-500	10	
	750 MCM					HD-PTK-4Y4L	M-1392-H	5-250	10	
	500 MCM					HD-PTK-4Y3Q	M-1393-H	3-250	10	
	350 MCM					HD-PTD-4Y3D	M-1395-H	500	5	
	300 MCM					HD-PTD-4Y3A	M-1396-H	500	5	
	250 MCM					HD-PTD-4Y2V	M-1397-H	2-200	5	
	4/0					HD-PTD-4Y2Q	M-1398-H	2-200	5	
	2/0					HD-PTD-4Y2G	M-1399-H	2-200	5	
	1/0					HD-PTD-4Y2C	M-1400-H	2-200	5	

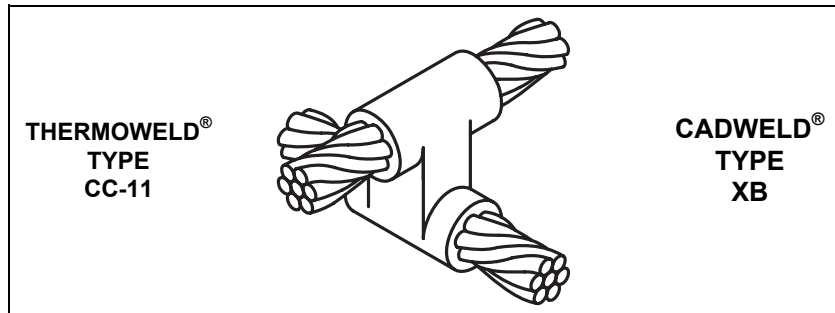
**THERMOWELD®
TYPE
CC-14**



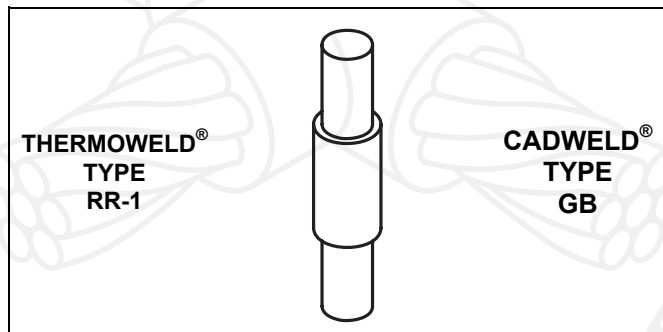
**CADWELD®
TYPE
PG**

CABLE SIZE		STANDARD MOLDS			
RUN	TAP	CADWELD® MOLD #	THERMO MOLD #	CART SIZE	P K
#8 Solid	#8 Solid	PGT-1D1D	M-5709-S	15	18
		PGT-1E1E	M-5709	15	18
#6 Solid	#6 Solid	PGT-1G1G	M-5618-S	25	18
		PGT-1H1H	M-5618	25	181

THERMOWELD® TYPE CC-11						CADWELD® TYPE XB	
CABLE SIZE		STANDARD MOLDS					
RUN	TAP	CADWELD® MOLD #	THERMO MOLD #	CART SIZE	P K		
#6	#6	XBP-1H1H	M-5432	45	20		
	#6 Solid	XBP-1G1G	M-5432-S	32	20		
#4	#4	XBC-1L1L	M-2687	65	4		
	#3	XBC-1Q1Q	M-2688	65	4		
#2	#2	XBC-1V1V	M-2689	90	4		
	#4	XBC-1V1L	M-2690	65	4		
#2 Solid	#2 Solid	XBC-1T1T	M-2689-S	90	4		
#1	#1	XBC-1Y1Y	M-2691	115	4		
	#2	XBC-1Y1V	M-2692	90	4		
	#4	XBC-1Y1L	M-2693	90	4		
1/0	1/0	XBM-2C2C	M-2694	150	15		
	#1	XBM-2C1Y	M-2695	150	15		
	#2	XBM-2C1V	M-2696	115	15		
	#4	XBM-2C1L	M-2697	115	15		
2/0	2/0	XBM-2G2G	M-2698	200	15		
	1/0	XBM-2G2C	M-2699	200	15		
	#1	XBM-2G1Y	M-2700	150	15		
	#2	XBM-2G1V	M-2701	150	15		
3/0	3/0	XBM-2L2L	M-2702	250	15		
	2/0	XBM-2L2G	M-2703	200	15		
	1/0	XBM-2L2C	M-2704	200	15		
	#1	XBM-2L1Y	M-2705	150	15		
	#2	XBM-2L1V	M-2706	150	15		
4/0	4/0	XBM-2Q2Q	M-2707	250	15		
	3/0	XBM-2Q2L	M-2708	250	15		
	2/0	XBM-2Q2G	M-2709	200	15		
	1/0	XBM-2Q2C	M-2710	200	15		
	#1	XBM-2Q1Y	M-2711	150	15		
	#2	XBM-2Q1V	M-2712	150	15		
250 MCM	250 MCM	XBM-2V2V	M-2713	2-150	15		
	4/0	XBM-2V2Q	M-2714	2-150	15		
	3/0	XBM-2V2L	M-2715	2-150	15		
	2/0	XBM-2V2G	M-2716	250	15		
	1/0	XBM-2V2C	M-2717	250	15		
	#1	XBM-2V1Y	M-2718	200	15		
	#2	XBM-2V1V	M-2719	150	15		
	300 MCM	300 MCM	XBV-3A3A	M-2720	2-200	16	
250 MCM		XBV-3A2V	M-2721	2-200	16		
4/0		XBM-3A2Q	M-2722	2-150	15		
3/0		XBM-3A2L	M-2723	2-150	15		
2/0		XBM-3A2G	M-2724	250	15		
1/0		XBM-3A2C	M-2725	1250	15		
#1		XBM-3A1Y	M-2726	1200	15		
#2		XBM-3A1V	M-2727	150	15		

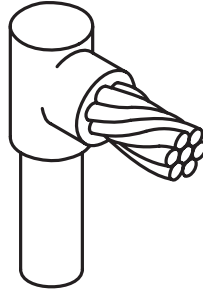


CABLE SIZE		STANDARD MOLDS			
RUN	TAP	CADWELD® MOLD #	THERMO MOLD #	CART SIZE	P K
350 MCM	350 MCM	XBV-3D3D	M-2728	500	16
	300 MCM	XBV-3D3A	M-2729	500	16
	250 MCM	XBV-3D2V	M-2730	500	16
	4/0	XBV-3D2Q	M-2731	2-200	16
	3/0	XBV-3D2L	M-2732	2-200	16
	2/0	XBM-3D2G	M-2733	2-150	15
	1/0	XBM-3D2C	M-2734	250	15
	#1	XBM-3DIY	M-2735	200	115
	#2	XBM-3DIV	M-2736	200	15
500 MCM	500 MCM	XBV-3Q3Q	M-2747	3-250	16
	350 MCM	XBV-3Q3D	M-2749	3-200	16
	300 MCM	XBV-3Q3A	M-2750	3-200	16
	250 MCM	XBV-3Q2V	M-2751	500	16
	4/0	XBV-3Q2Q	M-2752	500	16
	3/0	XBV-3Q2L	M-2753	500	16
	2/0	XBV-3Q2G	M-2754	2-200	16
	1/0	XBM-3Q2C	M-2755	2-150	15



GROUND ROD SIZE	HEAVY DUTY MOLDS			
	CADWELD® MOLD #	THERMO MOLD #	CART SIZE	P K
1/2"	HD-GBC-13	M-581-HT	250	4
1/2"	HD-GBC-14	M-581-HT	250	4
1/2"	HD-GBC-15	M-581-H	250	4
5/8"	HD-GBD-16	M-582-H	2-150	5
3/4"	HD-GBD-18	M-583-H	2-200	5
1"	HD-GBF-22	M-584-H	3-250	6
5/8"	HD-GBD-31	M-582-HN	2-150	5
3/4"	HD-GBD-33	M-583-HN	2-200	5
1"	HD-GBF-37	M-584-HN	1 3-250	6

THERMOWELD®
TYPE
CR-1

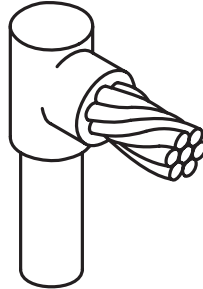


CADWELD®
TYPE
GR

CABLE SIZE		STANDARD MOLDS				HEAVY DUTY MOLDS			
GRD ROD SIZE	CABLE SIZE	CADWELD® MOLD #	THERMO MOLD #	CART SIZE	P K	CADWELD® MOLD #	THERMO MOLD #	CART SIZE	P K
1/2"	#6	GRT-14B1H	M-8402-T	25	18	HD-GRC-131L	M-8403-HT	90	4
	#6 Solid	GRT-14B1G	M-8402-ST	25	18				
	#4	GRT-14B1L	M-8403-T	25	18				
	#4 Solid	GRT-14B1K	M-8403-ST	25	18				
	#2	GRC-131V	M-495-T	65	4	HD-GRC-131V	M-495-HT	90	4
	#1	GRC-131Y	M-496-T	65	4	HD-GRC-131Y	M-496-HT	90	4
	1/0	GRC-132C	M-497-T	90	4	HD-GRC-132C	M-497-HT	115	4
	1/0 Solid	GRC-132B	M-497-ST	90	4	HD-GRC-132G	M-498-HT	115	4
	2/0	GRC-132G	M-498-T	90	4				
	3/0	GRC-132L	M-499-T	90	4				
	4/0	GRC-132Q	M-500-T	90	4				
	250 MCM	GRC-132V	M-501-T	90	4	HD-GRC-132V	M-501-HT	150	4
	300 MCM	GRC-133A	M-502-T	90	4	HD-GRC-133A	M-502-HT	150	4
	1/2"	#6	GRT-14C1H	M-8402-T	25	18	HD-GRC-141L	M-8403-HT	90
#6 Solid		GRT-14C1G	M-8402-ST	25	18				
#4		GRT-14C1L	M-8403-T	25	18				
#4 Solid		GRT-14C1K	M-8403-ST	25	18				
#2		GRC-141V	M-495-T	65	4	HD-GRC-141V	M-495-HT	90	4
#1		GRC-141Y	M-496-T	65	4	HD-GRC-141Y	M-496-HT	90	4
1/0		GRC-142C	M-497-T	90	4	HD-GRC-142C	M-497-HT	115	4
1/0 Solid		GRC-142B	M-497-ST	90	4	HD-GRC-142G	M-498-HT	115	4
2/0		GRC-142G	M-498-T	90	4				
3/0		GRC-142L	M-499-T	90	4				
4/0		GRC-142Q	M-500-T	90	4				
250 MCM		GRC-142V	M-501-T	90	4	HD-GRC-142V	M-501-HT	150	4
300 MCM		GRC-143A	M-502-T	90	4	HD-GRC-143A	M-502-HT	150	4
1/2"		#6	GRT-14A1H	M-8402	25	18	HD-GRC-151L	M-8403-H	90
	#6 Solid	GRT-14A1G	M-8402-S	25	18				
	#4	GRT-14A1L	M-8403	25	18				
	#4 Solid	GRT-14A1K	M-8403-S	25	18				
	#2	GRC-151V	M-495	65	4	HD-GRC-151V	M-495-H	90	4
	#1	GRC-151Y	M-496	65	4	HD-GRC-151Y	M-496-H	90	4
	1/0	GRC-152C	M-497	90	4	HD-GRC-152C	M-497-H	115	4
	1/0 Solid	GRC-152B	M-497-S	90	4	HD-GRC-152G	M-498-H	115	4
	2/0	GRC-152G	M-498	90	4				
	3/0	GRC-152L	M-499	90	4				
	4/0	GRC-152Q	M-500	90	4				
	250 MCM	GRC-152V	M-501	90	4	HD-GRC-152V	M-501-H	150	4
	300 MCM	GRC-153A	M-502	90	4	HD-GRC-153A	M-502-H	150	4
	5/8"	#6	GRT-161H	M-8414	32	18	HD-GRC-161L	M-8414-H	90
#6 Solid		GRT-161G	M-8414-S	32	18				
#4		GRT-161L	M-8415	32	18				
#4 Solid		GRT-161K	M-8415-S	32	18				
#2		GRC-161V	M-503	65	4	HD-GRC-161V	M-503-H	90	4

CADWELD® IS A REGISTERED TRADEMARK OF ERICO®, INC.

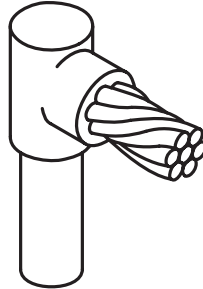
**THERMOWELD®
TYPE
CR-1**



**CADWELD®
TYPE
GR**

GROUND ROD & CABLE		STANDARD MOLDS				HEAVY DUTY MOLDS				
GRD ROD SIZE	CABLE SIZE	CADWELD® MOLD #	THERMO MOLD #	CART SIZE	P K	CADWELD® MOLD #	THERMO MOLD #	CART SIZE	P K	
5/8"	#1	GRC-161Y	M-504	65	4	HD-GRC-161Y	M-504-H	90	4	
	1/0 1/0 Solid	1/0	GRC-162C	M-505	90	4	HD-GRC-162C	M-505-H	115	4
		2/0	GRC-162B	M-505-S	90	4				
		3/0	GRC-162G	M-506	90	4	HD-GRC-162G	M-506-H	115	4
		4/0	GRC-162L	M-507	90	4	HD-GRC-162L	M-507-H	150	4
		4/0	GRC-162Q	M-508	90	4	HD-GRC-162Q	M-508-H	150	4
	250 MCM	GRC-162V	M-509	90	4	HD-GRC-162V	M-509-H	150	4	
	300 MCM	GRC-163A	M-510	115	4	HD-GRC-163A	M-510-H	200	4	
	350 MCM	GRC-163D	M-511	115	4	HD-GRC-163D	M-511-H	200	4	
	500 MCM	GRC-163Q	M-513	150	4	HD-GRC-163Q	M-513-H	250	4	
3/4"	#6	GRT-181H	M-8422	32	18					
	#6 Solid	GRT-181G	M-8422-S	32	18					
		GRT-181L	M-8426	45	18	HD-GRC-181L	M-8426-H	90	4	
	#4 Solid	GRT-181K	M-8426-S	45	18					
	#2	GRC-181V	M-5781	90	4	HD-GRC-181V	M-5781-H	115	4	
		GRC-181Y	M-514	90	4	HD-GRC-181Y	M-514-H	115	4	
	1/0 1/0 Solid	1/0	GRC-182C	M-515	90	4	HD-GRC-182C	M-515-H	150	4
		2/0	GRC-182B	M-515-S	90	4				
		3/0	GRC-182G	M-516	90	4	HD-GRC-182G	M-516-H	150	4
		4/0	GRC-182L	M-517	90	4	HD-GRC-182L	M-517-H	150	4
		4/0	GRC-182Q	M-518	90	4	HD-GRC-182Q	M-518-H	150	4
	250 MCM	GRC-182V	M-519	90	4	HD-GRC-182V	M-519-H	150	4	
	300 MCM	GRC-183A	M-520	115	4	HD-GRC-183A	M-520-H	200	4	
	350 MCM	GRC-183D	M-521	115	4	HD-GRC-183D	M-521-H	200	4	
	500 MCM	GRC-183Q	M-523	150	4	HD-GRC-183Q	M-523-H	250	4	
	750 MCM	GRC-184L	M-524	250	4	HD-GRD-184L	M-524-H	2-200	5	
1"	#4					HD-GRC-221L	M-6457-H	2004		
						HD-GRC-221V	M-6458-H	200	4	
						HD-GRC-221Y	M-6261-H	200	4	
	1/0 2/0 3/0 4/0									
						HD-GRC-222C	M-525-H	200		
						HD-GRC-222G	M-526-H	200	4	
						HD-GRC-222L	M-527-H	250	4	
	250 MCM 300 MCM 350 MCM 500 MCM 750 MCM 1000 MCM									
						HD-GRC-222Q	M-528-H	250	4	
						HD-GRC-222V	M-529-H	250	4	
					HD-GRD-223A	M-530-H	2-150	5		
					HD-GRD-223D	M-531-H	2-150	5		
				HD-GRD-223Q	M-533-H	2-150	5			
				HD-GRD-224L	M-534-H	2-200	5			
				HD-GRD-224Y	M-535-H	500	5			
5/8"	#6	GRT-311H	M-8414-N	32	18					
	#6 Solid	GRT-311G	M-8414-NS	32	18					
		GRT-311L	M-8415-N	32	18	HD-GRC-161L	M-8415-HN	90	4	
	#4 Solid	GRT-311K	M-8415-NS	32	18					
	#2	GRC-311V	M-503-N	65	4	HD-GRC-311V	M-503-HN	90	4	

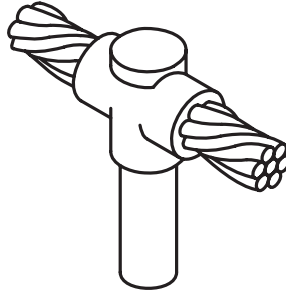
**THERMOWELD®
TYPE
CR-1**



**CADWELD®
TYPE
GR**

GROUND ROD & CABLE		STANDARD MOLDS				HEAVY DUTY MOLDS				
GRD ROD SIZE	CABLE SIZE	CADWELD® MOLD #	THERMO MOLD #	CART SIZE	P K	CADWELD® MOLD #	THERMO MOLD #	CART SIZE	P K	
5/8"	#1	GRC-311Y	M-504-N	65	4	HD-GRC-311Y	M-504-HN	90	4	
	1/0 1/0 Solid	1/0	GRC-312C	M-505-N	90	4	HD-GRC-312C	M-505-HN	115	4
		2/0	GRC-312B	M-505-NS	90	4	HD-GRC-312G	M-506-HN	115	4
		3/0	GRC-312L	M-506-N	90	4		M-507-HN	150	4
		4/0	GRC-312Q	M-508-N	90	4	HD-GRC-312Q	M-W8-HN	150	4
		250 MCM	GRC-312V	M-509-N	90	4	HD-GRC-312V	M-509-HN	150	4
	300 MCM	GRC-313A	M-510-N	115	4	HD-GRC-313A	M-510-HN	200	4	
	350 MCM	GRC-313D	M-511-N	115	4	HD-GRC-313D	M-511-HN	200	4	
	500 MCM	GRC-313Q	M-513-N	150	4	HD-GRC-313Q	M-513-HN	250	4	
	3/4"	#6	GRT-331H	M-8422-N	32	18	HD-GRC-331L	M-8426-N	90	4
#6 Solid		GRT-331G	M-8422-NS	32	18					
#4		GRT-331L	M-8426-N	45	18					
#4 Solid		GRT-331K	M-8426-NS	45	18	HD-GRC-331V	M-5781-HN	115	4	
#2		GRC-331V	M-5781-N	90	4					
#1		GRC-331Y	M-514-N	90	4	HD-GRC-331Y	M-514-HN	115	4	
1/0 1/0 Solid		1/0	GRC-332C	M-515-N	90	4	HD-GRC-332C	M-515-HN	150	4
		2/0	GRC-332B	M-515-NS	90	4	HD-GRC-332G	M-516-HN	150	4
		3/0	GRC-332G	M-516-N	90	4		M-517-HN	150	4
		4/0	GRC-332L	M-517-N	90	4	HD-GRC-332L	M-517-HN	150	4
		4/0	GRC-332Q	M-518-N	90	4	HD-GRC-332Q	M-518-HN	150	4
250 MCM		GRC-332V	M-519-N	90	4	HD-GRC-332V	M-519-HN	150	4	
300 MCM		GRC-333A	M-520-N	115	4	HD-GRC-333A	M-520-HN	200	4	
350 MCM		GRC-333D	M-521-N	115	4	HD-GRC-333D	M-521-HN	200	4	
500 MCM		GRC-333Q	M-523-N	150	4	HD-GRC-333Q	M-523-HN	250	4	
750 MCM	GRC-334L	M-524-N	250	4	HD-GRD-334L	M-524-HN	2-200	5		
1"	#4					HD-GRC-371L	M-6457-HN	200	4	
	#2					HD-GRC-371V	M-6458-HN	200	4	
	#1					HD-GRC-371Y	M-6261-HN	200	4	
	1/0 2/0 3/0 4/0	1/0					HD-GRC-372C	M-525-HN	200	4
		2/0					HD-GRC-372G	M-526-HN	200	4
		3/0					HD-GRC-372L	M-527-HN	250	4
		4/0					HD-GRC-372Q	M-528-HN	250	4
	250 MCM 300 MCM 350 MCM 500 MCM 750 MCM 1000 MCM	250 MCM					HD-GRC-372V	M-529-HN	250	4
		300 MCM					HD-GRD-373A	M-530-HN	2-150	5
		350 MCM					HD-GRD-373D	M-531-HN	2-150	5
500 MCM						HD-GRD-373Q	M-533-HN	2-150	5	
750 MCM						HD-GRD-374L	M-534-HN	2-200	5	
1000 MCM					HD-GRD-374Y	M-535-HN	500	5		

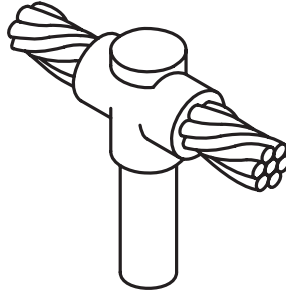
**THERMOWELD®
TYPE
CR-2**



**CADWELD®
TYPE
GT**

GROUND ROD & CABLE		STANDARD MOLDS				HEAVY DUTY MOLDS			
GRD ROD SIZE	CABLE SIZE	CADWELD® MOLD #	THERMO MOLD #	CART SIZE	P K	CADWELD® MOLD #	THERMO MOLD #	CART SIZE	P K
1/2"	#6	GTT-14B1H	M-8434-T	32	18	HD-GTC-131L	M-8435-HT		4
	#6 Solid	GTT-14B1G	M-8434-ST	32	18				
	#4	GTT-14B1L	M-8435-T	32	18				
	#4 Solid	GTT-14B1K	M-8435-ST	32	18				
	#2	GTC-131V	M-537-T	90	4	HD-GTC--131V	M-537-HT	150	4
	#1	GTC-131Y	M-538-T	90	4	HD-GTC-131Y	M-538-HT	150	4
	1/0	GTC-132C	M-539-T	90	4	HD-GTC-132C	M-539-HT	150	4
	1/0 Solid	GTC-132B	M-539-ST	90	4				
	2/0	GTC-132G	M-540-T	90	4	HD-GTC-132G	M-540-HT	150	4
	3/0	GTC-132L	M-541-T	115	4	HD-GTC-132L	M-541-HT	200	4
	4/0	GTC-132Q	M-542-T	115	4	HD-GTC-132Q	M-542-HT	200	4
	250 MCM	GTC-132V	M-543-T	150	4	HD-GTC-132V	M-543-HT	250	4
	300 MCM	GTC-133A	M-544-T	200	4	HD-GTD-133A	M-544-HT	2-150	5
	1/2"	#6	GTT-14C1H	M-8434-T	32	18	HD-GTC-141L	M-8435-HT	150
#6 Solid		GTT-14C1G	M-8434-ST	32	18				
#4		GTT-14C1L	M-8435-T	32	18				
#4 Solid		GTT-14C1K	M-8435-ST	32	18				
#2		GTC-141V	M-537-T	90	4	HD-GTC-141V	M-537-HT	150	4
#1		GTC-141Y	M-538-T	90	4	HD-GTC-141Y	M-538-HT	150	4
1/0		GTC-142C	M-539-T	90	4	HD-GTC-142C	M-539-HT	150	4
1/0 Solid		GTC-141B	M-539-ST	90	4				
2/0		GTC-142G	M-540-T	90	4	HD-GTC-142G	M-540-HT	150	4
3/0		GTC-142L	M-541-T	115	4	HD-GTC-142L	M-541-HT	200	4
4/0		GTC-142Q	M-542-T	115	4	HD-GTC-142Q	M-542-HT	200	4
250 MCM		GTC-142V	M-543-T	150	4	HD-GTC-142V	M-543-HT	250	4
300 MCM		GTC-143A	M-544-T	200	4	HD-GTD-143A	M-544-HT	2-150	5
1/2"		#6	GTT-14A1H	M-8434	32	18	HD-GTC-151L	M-8435-H	150
	#6 Solid	GTT-14A1G	M-8434-S	32	18				
	#4	GTT-14A1L	M-8435	32	18				
	#4 Solid	GTT-14A1K	M-8435-S	32	18				
	#2	GTC-151V	M-537	90	4	HD-GTC-151V	M-537-H	150	4
	#1	GTC-151Y	M-538	90	4	HD-GTC-151Y	M-538-H	150	4
	1/0	GTC-152C	M-539	90	4	HD-GTC-152C	M-539-H	150	4
	1/0 Solid	GTC-152B	M-539-S	90	4				
	2/0	GTC-152G	M-540	90	4	HD-GTC-152G	M-540-H	150	4
	3/0	GTC-152L	M-541	115	4	HD-GTC-152L	M-541-H	200	4
	4/0	GTC-152Q	M-542	115	4	HD-GTC-152Q	M-542-H	200	4
	250 MCM	GTC-152V	M-543	150	4	HD-GTC-152V	M-543-H	250	4
	300 MCM	GTC-153A	M-544	200	4	HD-GTD-153A	M-544-H	2-150	5
	5/8"	#6	GTT-161H	M-8441	32	18	HD-GTC-161L	M-8442-H	150
#6 Solid		GTT-161G	M-8441-S	32	18				
#4		GTT-161L	M-8442	32	18				
#4 Solid		GTT-161K	M-8442-S	32	18				
#2		GTC-161V	M-545	90	4	HD-GTC-161V	M-545-H	150	4

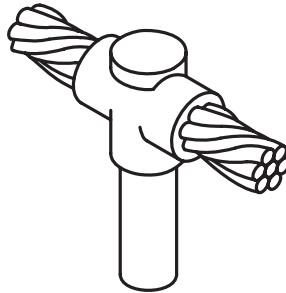
THERMOWELD®
TYPE
CR-2



CADWELD®
TYPE
GT

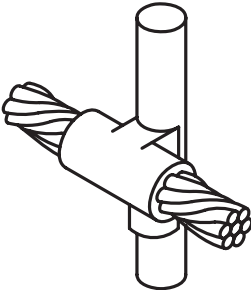
GROUND ROD & CABLE		STANDARD MOLDS				HEAVY DUTY MOLDS				
GRD ROD SIZE	CABLE SIZE	CADWELD® MOLD #	THERMO MOLD #	CART SIZE	P K	CADWELD® MOLD #	THERMO MOLD #	CART SIZE	P K	
5/8"	#1	GTC-161Y	M-546	90	4	HD-GTC-161Y	M-546-H	150	4	
	1/0 Solid	1/0	GTC-162C	M-547	90	4	HD-GTC-162C	M-5-47-H	150	4
		2/0	GTC-162B	M-547-S	90	4				
		3/0	GTC-162G	M-548	115	4	HD-GTC-162G	M-548-H	200	4
		4/0	GTC-162L	M-549	115	4	HD-GTC-162L	M-549-H	200	4
		4/0	GTC-162Q	M-550	115	4	HD-GTC-162Q	M-550-H	200	4
	250 MCM	GTC-162V	M-551	150	4	HD-GTC-162V	M-551-H	250	4	
	300 MCM	GTC-163A	M-552	200	4	HD-GTD-163A	M-552-H	2-150	5	
	350 MCM	GTC-163D	M-553	200	4	HD-GTD-163D	M-553-H	2-150	5	
	500 MCM	GTC-163Q	M-555	250	4	HD-GTD-163Q	M-555-H	2-200	5	
3/4"	#6	GTP-181H	M-8452	45	19					
	#6 Solid	GTP-181G	M-8452-S	45	19					
		GTP-181L	M-8454	65	19	HD-GTC-181L	M-8454-H	150	4	
	#4 Solid	GTP-181K	M-8454-S	65	19					
	#2	GTC-181V	M-556	90	4	HD-GTC-181V	M-556-H	150	4	
	#1	GTC-181Y	M-557	90	4	HD-GTC-181Y	M-557-H	150	4	
	1/0 Solid	1/0	GTC-182C	M-558	115	4	HD-GTC-182C	M-558-H	200	4
		2/0	GTC-182B	M-558-S	115	4				
		3/0	GTC-182G	M-559	115	4	HD-GTC-182G	M-559-H	200	4
		4/0	GTC-182L	M-560	115	4	HD-GTC-182L	M-560-H	200	4
		4/0	GTC-182Q	M-561	115	4	HD-GTC-182Q	M-561-H	200	4
	250 MCM	GTC-182V	M-562	150	4	HD-GTC-182V	M-562-H	250	4	
	300 MCM	GTC-183A	M-563	200	4	HD-GTD-183A	M-563-H	2-150	5	
	350 MCM	GTC-183D	M-564	200	4	HD-GTD-183D	M-564-H	2-150	5	
	500 MCM	GTC-183Q	M-566	250	4	HD-GTD-183Q	M-566-H	2-200	5	
750 MCM	GTD-184L	M-567	2-200	5	HD-GTD-184L	M-567-H	3-200	5		
1"	#4					HD-GTC-221L	M-5599-H	250	4	
	#2					HD-GTC-221V	M-9016-H	250	4	
	#1					HD-GTC-221Y	M-5600-H	250	4	
	1/0 Solid	1/0					HD-GTC-222C	M-569-H	250	4
		2/0					HD-GTC-222G	M-570-H	250	4
		3/0					HD-GTC-222L	M-571-H	250	4
		4/0					HD-GTC-222Q	M-572-H	250	4
	250 MCM					HD-GTD-222V	M-573-H	2-150	5	
	300 MCM					HD-GTD-223A	M-574-H	2-150	5	
	350 MCM					HD-GTD-223D	M-575-H	2-150	5	
500 MCM					HD-GTD-223Q	M-577-H	2-200	5		
750 MCM					HD-GTD-224L	M-578-H	3-200	5		
1000 MCM					HD-GTF-224Y	M-579-H	3-250	6		
5/8"	#6	GTT-311H	M-8441-N	32	18					
	#6 Solid	GTT-311G	M-8441-NS	32	18					
	#4	GTT-311L	M-8442-N	32	18	HD-GTC-311L	M-8442-HN	150	4	
	#4 Solid	GTT-311K	M-8442-NS	32	18					
	#2	GTC-311V	M-545-N	90	4	HD-GTC-311	M-545-HN.	150	4	

**THERMOWELD®
TYPE
CR-2**

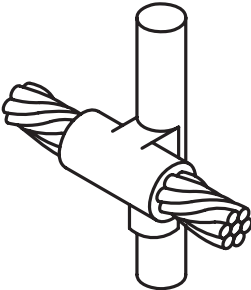


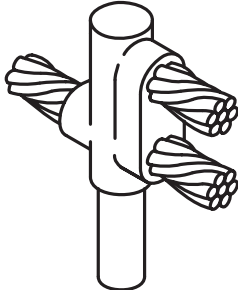
**CADWELD®
TYPE
GT**

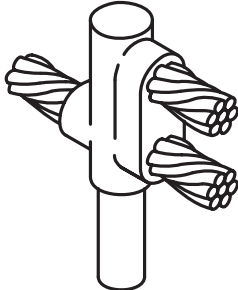
GROUND ROD & CABLE		STANDARD MOLDS				HEAVY DUTY MOLDS				
GRD ROD SIZE	CABLE SIZE	CADWELD® MOLD #	THERMO MOLD #	CART SIZE	P K	CADWELD® MOLD #	THERMO MOLD #	CART SIZE	P K	
5/8"	#1	GTC-311Y	M-546-N	90	4	HD-GTC-311Y	M-546-HN	150	4	
	1/0 1/0 Solid	1/0	GTC-312C	M-547-N	90	4	HD-GTC-312C	M-547-HN	150	4
		2/0	GTC-312B	M-547-NS	90	4				
		3/0	GTC-312G	M-548-N	115	4	HD-GTC-312G	M-548-HN	200	4
		4/0	GTC-312L	M-549-N	115	4	HD-GTC-312L	M-549-HN	200	4
		4/0	GTC-312Q	M-550-N	115	4	HD-GTC-312Q	M-550-HN	200	4
	250 MCM	GTC-312V	M-551 -N	150	4	HD-GTC-312V	M-551-HN	250	4	
	300 MCM	GTC-313A	M-552-N	200	4	HD-GTD-313A	M-552-HN	2-150	5	
	350 MCM	GTC-313D	M-553-N	200	4	HD-GTD-313D	M-553-HN	2-150	5	
	500 MCM	GTC-313Q	M-555-N	250	4	HD-GTD-313Q	M-555-HN	2-200	5	
3/4"	#6	GTP-331H	M-8452-N	32	19					
	#6 Solid	GTP-331G	M-M2-NS	32	19					
		GTP-331L	M-8454-N	32	19	HD-GTC-331L	M-8454-HN	150	4	
	#4	GTP-331L	M-8454-N	32	19					
	#4 Solid	GTP-331K	M-8454-NS	32	19					
	#2	GTC-331V	M-556-N	90	4	HD-GTC-331V	M-556-HN	150	4	
	#1	GTC-331Y	M-557-N	90	4	HD-GTC-331Y	M-557-HN	150	4	
	1/0	GTC-332C	M-558-N	115	4	HD-GTC-332C	M-558-HN	200	4	
	1/0 Solid	1/0	GTC-332B	M-558-NS	115	4				
		2/0	GTC-332G	M-559-N	115	4	HD-GTC-332G	M-559-HN	200	4
		3/0	GTC-332L	M-560-N	115	4	HD-GTC-332L	M-560-HN	200	4
	4/0	GTC-332Q	M-561-N	115	4	HD-GTC-332Q	M-561-HN	200	4	
	250 MCM	GTC-332V	M-562-N	150	4	HD-GTC-332V	M-562-HN	250	4	
	300 MCM	GTC-333A	M-563-N	200	4	HD-GTD-333A	M-563-HN	2-150	5	
	350 MCM	GTC-333D	M-564-N	200	4	HD-GTD-333D	M-564-HN	2-150	5	
500 MCM	GTC-333Q	M-566-N	250	4	HD-GTD-333Q	M-566-HN	2-200	5		
750 MCM	GTD-334L	M-567-N	2-200	51	HD-GTD-334L	M-567-HN	3-200	5		
1"	#4					HD-GTC-371L	M-5599-HN	250	4	
	#2					HD-GTC-371V	M-9016-HN	250	4	
	#1					HD-GTC-371Y	M-5600-HN	250	4	
	1/0	1/0					HD-GTC-372C	M-569-HN	250	4
		2/0					HD-GTC-372G	M-570-HN	250	4
		3/0					HD-GTC-372L	M-571-HN	250	4
		4/0					HD-GTC-372Q	M-572-HN	250	4
	250 MCM					HD-GTD-372V	M-573-HN	2-150	5	
	300 MCM					HD-GTD-373A	M-574-HN	2-150	5	
	350 MCM					HD-GTD-373D	M-575-HN	2-150	5	
	500 MCM					HD-GTD-373Q	M-577-HN	2-200	5	
	750 MCM					HD-GTD-374L	M-578-HN	3-200	5	
	1000 MCM					HD-GTF-374Y	M-579-HN	3-250	6	

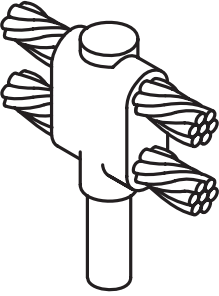
THERMOWELD® TYPE CR-3		CADWELD® TYPE GY			
					
GRD ROD SIZE	CABLE SIZE	CADWELD® MOLD #	THERMO MOLD #	CART SIZE	P K
1/2"	#4 Str or Sol	GYP-13001M	M-5715-GT	65	20
	#2 Str or Sol	GYP-13002M	M-5720-GT	65	20
	#1 Str or Sol	GYP-13003M	M-5721-GT	65	20
	1/0	GYE-132C	M-1581-T	115	7
	1/0 Solid	GYE-132B	M-1584-ST	115	7
	2/0	GYE-132G	M-1582-T	115	7
	3/0	GYE-132L	M-6267-T	150	7
	4/0	GYE-132Q	M-1583-T	150	7
	250 MCM	GYE-132V	M-1584-T	150	7
	300 MCM	GYE-133A	M-1585-T	200	7
1/2"	#4 Str or Sol	GYP-14001M	M-5715-GT	65	20
	#2 Str or Sol	GYP-14002M	M-5720-GT	65	20
	#1 Str or Sol	GYP-14003M	M-5721-GT	65	20
	1/0	GYE-142C	M-1581-T	115	7
	1/0 Solid	GYE-142B	M-1581-ST	115	7
	2/0	GYE-142G	M-1582-T	115	7
	3/0	GYE-1 42L	M-6267-T	150	7
	4/0	GYE-142Q	M-1583-T	150	7
	250 MCM	GYE-142V	M-1584-T	150	7
	300 MCM	GYE-143A	M-1585-T	200	7
1/2"	#4 Str or Sol	GYP-15001M	M-5715-G	65	20
	#2 Str or Sol	GYP-15002M	M-5720-G	65	20
	#1 Str or Sol	GYP-15003M	M-5721-G	65	20
	1/0	GYE-152C	M-1581	115	7
	1/0 Solid	GYE-152B	M-1581-S	115	7
	2/0	GYE-1 52G	M-1582	115	7
	3/0	GYE-1 52L	M-6267	150	7
	4/0	GYE-1 52Q	M-1583	150	7
	250 MCM	GYE-152V	M-1584	150	7
	300 MCM	GYE-153A	M-1585	200	7
5/8"	#4 Str or Sol	GYP-16005M	M-5729-G	65	20
	#2 Str or Sol	GYP-16006M	M-5730-G	65	20
	#1 Str or Sol	GYP-16007M	M-5839-G	65	20
	1/0	GYE-162C	M-1586	115	7
	1/0 Solid	GYE-162B	M-1586-S	115	7
	2/0	GYE-162G	M-1587	115	7
	3/0	GYE-162L	M-8305	150	7
	4/0	GYE-162Q	M-1588	150	7
	250 MCM	GYE-162V	M-1589	150	7
	300 MCM	GYE-163A	M-1590	200	7
350 MCM	GYE-163D	M-1591	250	7	
500 MCM	GYJ-163Q	M-1593	2-200		
3/4"	#4 Str or Sol	GYP-18010M	M-5845-G	65	20
	#2 Str or Sol	GYP-18009M	M-5847-G	65	20

CADWELD® IS A REGISTERED TRADEMARK OF ERICO®, INC.

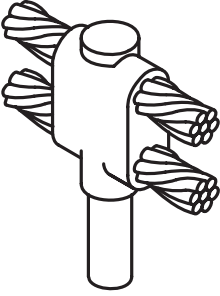
THERMOWELD® TYPE CR-3						CADWELD® TYPE GY	
GROUND ROD & CABLE		STANDARD MOLDS					
GRD ROD SIZE	CABLE SIZE	CADWELD® MOLD #	THERMO MOLD #	CART SIZE	P K		
3/4"	#1 Str or Sol	GYP-18007M	M-5848-G	65	20		
	1/0	GYE-182C	M-1594	115	7		
	1/0 Solid	GYE-182B	M-1594-S	115	7		
	2/0	GYE-182G	M-1595	115	7		
	3/0	GYE-182L	M-6608	150	7		
	4/0	GYE-182Q	M-1596	150	7-		
	250 MCM	GYE-182V	M-1597	200	7		
	300 MCM	GYE-183A					
	350 MCM	GYJ-183D	M-1598	250	7		
	500 MCM	GYJ-183Q	M-1599	2-150	8		
5/8"	#4 Str or Sol	GYP-31004M	M-5715-GN	65	20		
	#2 Str or Sol	GYP-31003M	M-5720-GN	65	20		
	#1 Str or Sol	GYP-31001M	M-5721-GN	65	20		
	1/0	GYE-312C	M-1586-N	115	7		
	1/0 Solid	GYE-312B	M-1586-NS	115	7		
	2/0	GYE-312G	M-1587-N	115	7		
	3/0	GYE-312L	M-8305-N	150	7		
	4/0	GYE-312Q	M-1588-N	150	7		
	250 MCM	GYE-312V	M-1589-N	150	7		
	300 MCM	GYE-313 ^a	M-1590-N	200	7		
	350 MCM	GYE-313D	M-1591-N	250	7		
	500 MCM	GYJ-313Q	M-1593-N	2-200	8		
	3/4"	#4 Str or Sol	GYP-33011M	M-5845-GN	65	20	
#2 Str or Sol		GYP-33010M	M-5847-GN	65	20		
# 1 Str or Sol		GYP-33008M	M-5848-GN	65	20		
1/0		GYE-332C	M-1594-N	115	7		
1/0 Solid		GYE-332B	M-1594-NS	115	7		
2/0		GYE-332G	M-1595-N	115	7		
3/0		GYE-332L	M-6608-N	150	7		
4/0		GYE-332Q	M-1596-N	150	7		
250 MCM		GYE-332V	M-1597-N	200	7		

THERMOWELD® TYPE CR-17				CADWELD® TYPE NC	
GROUND ROD & CABLE				STANDARD MOLDS	
GRD ROD SIZE	CABLE SIZE	CADWELD® MOLD #	THERMO MOLD #	CART SIZE	P K
1/2"	#4	NCR-131L	M-5416-T	90	4
	#2	NCR-131V	M-6165-T	90	4
	#1	NCR-131Y	M-5830-T	90	4
	1/0	NCR-132C	M-5940-T	115	4
	2/0	NCR-132G	M-5850-T	150	4
	3/0	NCR-132L	M-5833-T	200	4
	4/0	NCR-132Q	M-5380-T	200	4
1/2"	#4	NCR-141L	M-5416-T	90	4
	#2	NCR-141V	M-6165-T	90	4
	#1	NCR-141Y	M-5830-T	90	4
	1/0	NCR-142C	M-5940-T	115	4
	2/0	NCR-142G	M-5850-T	150	4
	3/0	NCR-142L	M-5833-T	200	4
	4/0	NCR-142Q	M-5380-T	200	4
1/2"	#4	NCR-151L	M-5416	90	4
	#2	NCR-151V	M-6165	90	4
	#1	NCR-151Y	M-5830	90	4
	1/0	NCR-152C	M-5940	115	4
	2/0	NCR-152G	M-5850	150	4
	3/0	NCR-152L	M-5833	200	4
	4/0	NCR-152Q	M-5380	200	4
5/8"	#4	NCR-161L	M-5972	90	4
	#2	NCR-161V	M-5935	115	4
	#1	NCR-161Y	M-5699	115	4
	1/0	NCR-162C	M-5746	150	4
	2/0	NCR-162G	M-5963	200	4
	3/0	NCR-162L	M-5734	250	4
	4/0	NCR-162Q	M-5732	250	4
	250 MCM	NCF-162V	M-5722	2-150	5
	3/4"	#4	NCR-181L	M-5698	90
#2	NCR-181V	M-5294	115	4	
#1	NCR-181Y	M-5390	115	4	
1/0	NCR-182C	M-6025	150	4	
2/0	NCR-182G	M-5738	200	4	
3/0	NCR-182L	M-6003	250	4	
4/0	NCR-182Q	M-2566	250	4	
250 MCM	NCF-182V	M-5904	2-150	5	
300 MCM	NCF-183A	M-5857	2-200	5	
350 MCM	NCF-183D	M-5777	2-200	5	
500 MCM	NCF-183Q	M-5961	3-200	5	
1"	#4	NCR-221L	M-5556	115	4
	#2	NCR-221V	M-5555	150	4
	#1	NCR-221Y	M-6048	150	4
	1/0	NCR-222C	M-5992	200	4

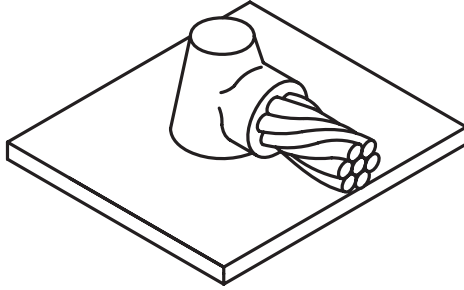
THERMOWELD® TYPE CR-17						CADWELD® TYPE NC	
GROUND ROD & CABLE		STANDARD MOLDS					
GRD ROD SIZE	CABLE SIZE	CADWELD® MOLD #	THERMO MOLD #	CART SIZE	P K		
1"	2/0	NCR-222G	M-5877	250	4		
	3/0	NCF-222L	M-5821	2-150	5		
	4/0	NCF-222Q	M-5820	2-150	5		
	250 MCM	NCF-222V	M-5807	2-200	5		
	300 MCM	NCF-223A	M-5803	500	5		
	350 MCM	NCF-223D	M-5581	500	5		
	500 MCM	NCF-223Q	M-5515	3-250	6		
5/8"	#4	NCR-311L	M-5972-N	90	4		
	#2	NCR-311V	M-5935-N	115	4		
	#1	NCR-311Y	M-5699-N	115	4		
	1/0	NCR-312C	M-5746-N	150	4		
	2/0	NCR-312G	M-5963-N	200	4		
	3/0	NCR-312L	M-5734-N	250	4		
	4/0	NCR-312Q	M-5732-N	250	4		
	250 MCM	NCF-312V	M-5722-N	2-150	5		
3/4"	#4	NCR-331L	M-5698-N	90	4		
	#2	NCR-331V	M-5294-N	115	4		
	#1	NCR-331Y	M-5390-N	115	4		
	1/0	NCR-332C	M-6025-N	150	4		
	2/0	NCR-332G	M-5738-N	200	4		
	3/0	NCR-332L	M-6003-N	250	4		
	4/0	NCR-332Q	M-2566-N	250	4		
	250 MCM	NCF-332V	M-5904-N	2-150	5		
	300 MCM	NCF-333A	M-5857-N	2-200	5		
	350 MCM	NCF-333D	M-5777-N	2-200	5		
	500 MCM	NCF-333Q	M-5961-N	3-200	5		
1"	#4	NCR-371L	M-5556-N	115	4		
	#2	NCR-371V	M-5555-N	150	4		
	#1	NCR-371Y	M-6048-N	150	4		
	1/0	NCR-372C	M-5992-N	200	4		
	2/0	NCR-372G	M-5877-N	250	4		
	3/0	NCF-372L	M-5821-N	2-150	5		
	4/0	NCF-372Q	M-5820-N	2-150	5		
	250 MCM	NCF-372V	M-5807-N	2-200	5		
	300 MCM	NCF-373A	M-5803-N	500	5		
	350 MCM	NCF-373D	M-5561-N	500	5		
	500 MCM	NCF-373Q	M-5515-N	3-250	6		

THERMOWELD® TYPE CR-24				CADWELD® TYPE ND	
GROUND ROD & CABLE				STANDARD MOLDS	
GRD ROD SIZE	CABLE SIZE	CADWELD® MOLD #	THERMO MOLD #	CART SIZE	P K
1/2"	#4	NDR-131L	M-5640-T	115	4
	#2	NDR-131V	M-5667-T	115	4
	#1	NDR-131Y	M-6002-T	115	4
	1/0	NDR-132C	M-5767-T	150	4
	2/0	NDR-132G	M-5604-T	200	4
	3/0	NDR-132L	M-5560-T	250	4
	4/0	NDR-132Q	M-6766-T	250	4
1/2"	#4	NDR-141L	M-5640-T	115	4
	#2	NDR-141V	M-5667-T	115	4
	#1	NDR-141Y	M-6002-T	115	4
	1/0	NDR-142C	M-5767-T	150	4
	2/0	NDR-142G	M-5604-T	200	4
	3/0	NDR-142L	M-5560-T	250	4
	4/0	NDR-142Q	M-6766-T	250	4
1/2"	#4	NDR-151L	M-5640	115	4
	#2	NDR-151V	M-5667	115	4
	#1	NDR-151Y	M-6002	115	4
	1/0	NDR-152C	M-5767	150	4
	2/0	NDR-152G	M-5604	200	4
	3/0	NDR-152L	M-5560	250	4
	4/0	NDR-152Q	M-6766	250	4
5/8"	#4	NDR-161L	M-6208	115	4
	#2	NDR-161V	M-5702	150	4
	#1	NDR-161Y	M-5517	150	4
	1/0	NDR-162C	M-5573	200	4
	2/0	NDR-162G	M-8451	250	4
	3/0	NDF-162L	M-2510	2-150	5
	4/0	NDF-162Q	M-5428	2-150	5
	250 MCM	NDF-162V	M-1212	2-200	5
	300 MCM	NDF-163A	M-2084	500	5
	350 MCM	NDF-163D	M-2558	500	5
500 MCM	NDF-163Q	M-2450	3-250	5	
3/4"	#4	NDR-181L	M-8011	115	4
	#2	NDR-181V	M-2320	150	4
	#1	NDR-181Y	M-2235	150	4
	1/0	NDR-182C	M-6051	200	4
	2/0	NDR-182G	M-8802	250	4
	3/0	NDF-182L	M-8726	2-150	5
	4/0	NDF-182Q	M-5677	2-150	5
	250 MCM	NDF-182V	M-8461	2-200	5
	300 MCM	NDF-183A	M-8428	500	5
	350 MCM	NDF-183D	M-8294	500	5
500 MCM	NDF-183Q	M-8214	3-250	5	
1"	#4	NDR-221L	M-2330	150	4

CADWELD® IS A REGISTERED TRADEMARK OF ERICO®, INC.

THERMOWELD® TYPE CR-24				CADWELD® TYPE ND	
GROUND ROD & CABLE				STANDARD MOLDS	
GRD ROD SIZE	CABLE SIZE	CADWELD® MOLD #	THERMO MOLD #	CART SIZE	P K
	#2	NDR-221V	M-5332	200	4
	#1	NDR-221Y	M-5333	200	4
	1/0	NDR-222C	M-5334	250	4
	2/0	NDF-222G	M-5335	2-150	5
	3/0	NDF-222L	M-5336	2-200	5
	4/0	NDF-222Q	M-5337	2-200	5
	250 MCM	NDF-222V	M-5338	500	5
	300 MCM	NDF-223A	M-5341	3-200	5
	350 MCM	NDF-223D	M-5351	3-200	5
	5/8	#4	NDR-311L	M-6208-N	115
#2		NDR-311V	M-5702-N	150	4
#1		NDR-311Y	M-5517-N	150	4
1/0		NDR-312C	M-5573-N	200	4
2/0		NDR-312G	M43451-N	250	4
3/0		NDF-312L	M-2510-N	2-150	5
4/0		NDF-312Q	M-5428-N	2-150	5
250 MCM		NDF-312V	M-1212-N	2-200	5
300 MCM		NDF-313A	M-2084-N	500	5
350 MCM		NDF-313D	M-2558-N	500	5
500 MCM	NDF-313Q	M-2450-N	3-250	5	
3/4"	#4	NDR-331 L	M-8011-N	115	4
	#2	NDR-331V	M-2320-N	150	4
	#1	NDR-331Y	M-2235-N	150	4
	1/0	NDR-332C	M-6051-N	200	4
	2/0	NDR-332G	M-8802-N	250	4
	3/0	NDF-332L	M-8726-N	2-150	5
	4/0	NDF-332Q	M-5677-N	2-150	5
	250 MCM	NDF-332V	M-8461-N	2-200	5
	300 MCM	NDF-333A	M-8428-N	500	5
	350 MCM	NDF-333D	M-8294-N	500	5
500 MCM	NDF-333Q	M-8214-N	3-250	5	
1"	#4	NDR-371L	M-5330-N	150	4
	#2	NDR-371V	M-5332-N	200	4
	#1	NDR-371Y	M-5333-N	200	4
	1/0	NDR-372C	M-5334-N	250	4
	2/0	NDF-372G	M-5335-N	2-150	5
	3/0	NDF-372L	M-5336-N	2-200	5
	4/0	NDF-372Q	M-5337-N	2-200	5
	250 MCM	NDF-372V	M-5338-N	500	5
	300 MCM	NDF-373A	M-5341-N	3-200	5
	350 MCM	NDF-373D	M-5351-N	3-200	5

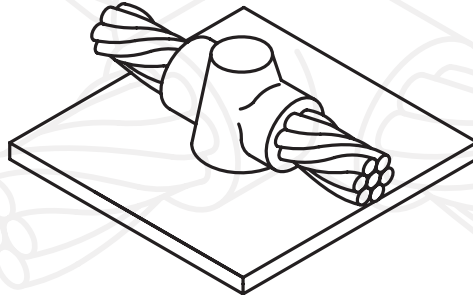
**THERMOWELD®
TYPE
CS-1**



**CADWELD®
TYPE
HS**

CABLE SIZE	STANDARD MOLDS				HEAVY DUTY MOLDS			
	CADWELD® MOLD #	THERMO MOLD #	CART SIZE	P K	CADWELD® MOLD #	THERMO MOLD #	CART SIZE	P K
1/0	HSC-2C	M-644	90	4	HD-HSC-2C	M-644-H	150	4
2/0	HSC-2G	M-645	90	4	HD-HSC-2G	M-645-H	150	4
3/0	HSC-2L	M-646	115	4	HD-HSC-2L	M-646-H	200	4
4/0	HSC-2Q	M-647	115	4	HD-HSC-2Q	M-647-H	200	4
250 MCM	HSC-2V	M-648	115	4	HD-HSC-2V	M-648-H	200	4
300 MCM	HSC-3A	M-649	150	4	HD-HSC-3A	M-649-H	250	4
350 MCM	HSC-3D	M-650	200	4	HD-HSD-3D	M-650-H	2-150	5
500 MCM	HSC-3Q	M-652	200	4	HD-HSD-3Q	M-652-H	2-150	5
750 MCM	HSD-4L	M-653	2-150	5	HD-HSD-4L	M-653-H	500	5
1000 MCM	HSD-4Y	M-654	2-200	5	HD-HSD-4Y	M-654-H	3-200	5

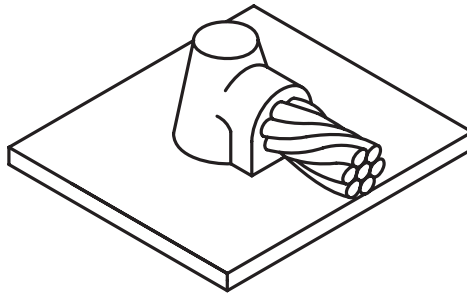
**THERMOWELD®
TYPE
CS-2**



**CADWELD®
TYPE
HT**

CABLE SIZE	STANDARD MOLDS				HEAVY DUTY MOLDS			
	CADWELD® MOLD #	THERMO MOLD #	CART SIZE	P K	CADWELD® MOLD #	THERMO MOLD #	CART SIZE	P K
1/0	HTC-2C	M-616	90	4	HD-HTC-2C	M-616-H	150	4
2/0	HTC-2G	M-617	115	4	HD-HTC-2G	M-617-H	200	4
3/0	HTC-2L	M-618	115	4	HD-HTC-2L	M-618-H	200	4
4/0	HTC-2Q	M-619	150	4	HD-HTC-2Q	M-619-H	250	4
250 MCM	HTC-2V	M-620	150	4	HD-HTC-2V	M-620-H	250	4
300 MCM	HTC-3A	M-621	200	4	HD-HTD-3A	M-621-H	2-150	5
350 MCM	HTC-3D	M-622	250	4	HD-HTD-3D	M-622-H	2-200	5
500 MCM	HTD-3Q	M-624	2-150	5	HD-HTD-3Q	M-624-H	500	5

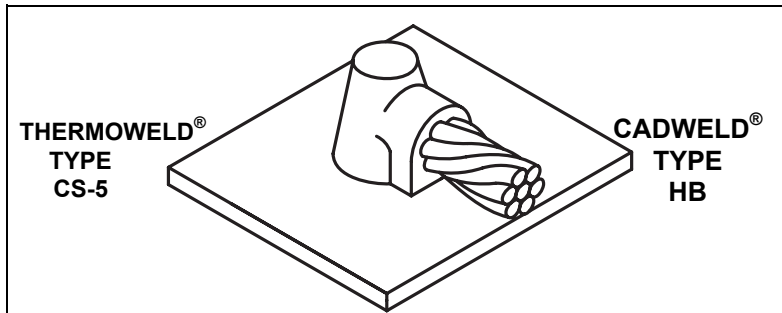
**THERMOWELD®
TYPE
CS-8**



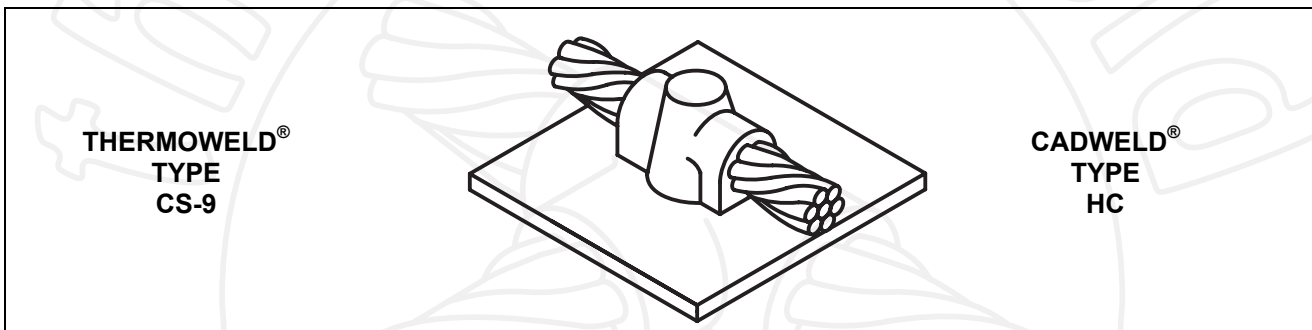
**CADWELD®
TYPE
HA**

CABLE SIZE		STANDARD MOLDS				HEAVY DUTY MOLDS			
RUN	TAP	CADWELD® MOLD #	THERMO MOLD #	CART SIZE	P K	CADWELD® MOLD #	THERMO MOLD #	CART SIZE	P K
#6	FLAT	HAA-1H	M-628	45	3				
#4	FLAT	HAA-1L	M-629	45	3	HD-HAC-1L	M-629-H	65	4
	1-1/4" to 2"	HAA-1L-162C	M-8014	45	3				
	3" to 4"	HAA-1L-350C	M-8015	45	3				
	6" to 8"	HAA-1L-7C	M-2516	45	3				
	10" to 12"	HAA-1L-11C	M-2517	45	3				
#2	FLAT	HAA-1V	M-630	45	3	HD-HAC-1V	M-630-H	90	4
	1-1/4" to 2"	HAA-1V-162C	M-6016	45	3				
	3" to 4"	HAA-1V-350C	M-2576	45	3				
	6" to 8"	HAA-1V-7C	M-2514	45	3				
	1 0" to 12"	HAA-1V-11C	M-2515	45	3				
#1	FLAT	HAA-1Y	M-631	65	3	HD-HAC-1Y	M-631-H	115	4
	2-1/2" to 4"	HAA-1Y-325C	M-6269	65	3				
	6" to 8"	HAA-1Y-7C	M-6270	65	3				
1/0	10" to 12"	HAA-1Y-11C	M-6271	65	3				
	3" to 4"	HAH-2C-350C	M-8504	90	14				
	6" to 10"	HAH-2C-8C	M-8505	90	14				
2/0	12" to 28"	HAH-2C-20C	M-6272	90	14				
	3" to 4"	HAH-2G-350C	M-2776	90	14				
	6" to 10"	HAH-2G-8C	M-6273	90	14				
3/0	12" to 28"	HAH-2G-20C	M-6274	90	14				
	3" to 4"	HAH-2L-350C	M-6275	115	14				
	6" to 10"	HAH-2L-8C	M-6276	115	14				
4/0	12" to 28"	HAH-2L-20C	M-6278	115	14				
	3" to 4"	HAH-2Q-350C	M-9236	115	14				
	6" to 10"	HAH-2Q-8C	M-9237	115	14				
	12" to 28"	IHAH-2Q-20C	M-9238	115	14				

**USE CS-1 TYPE
HEAVY DUTY
MOLDS FOR
1/0 AND
LARGER CABLE**

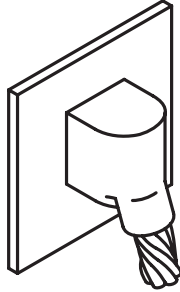


CABLE SIZE	STANDARD MOLDS			
	CADWELD® MOLD #	THERMO MOLD #	CART SIZE	P K
#8 STR OR SOL	HBA-1E	M-5280	25CI	3
#6 SOL	HBA-1G	M-1613	25CI	3
#6	HBA-1H	M-1614	25CI	3
#4 SOL	HBA-1K	M-1615	45CI	3
#4	HBA-1L	M-1616	45CI	3
#2 SOL	HBA-1T	M-1617	45CI	3
#2	HBA-1V	M-1618	45CI	3
#1	HBA-1Y	M-1620	65CI	3



CABLE SIZE	STANDARD MOLDS				HEAVY DUTY MOLDS			
	CADWELD® MOLD #	THERMO MOLD #	CART SIZE	P K	CADWELD® MOLD #	THERMO MOLD #	CART SIZE	P K
#6	HCA-1H	M-602	45	3				
#4	HCA-1L	M-603	45	3	HD-HCC-1L	M-603-H	90	4
#2	HCA-1V	M-604	45	3	HD-HCC-1V	M-604-H	90	4
#1	HCA-1Y	M-605	65	3	HD-HCC-1Y	M-605-H	115	4

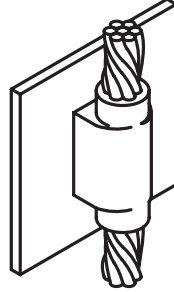
**THERMOWELD®
TYPE
CS-3**



**CADWELD®
TYPE
VS**

CABLE SIZE		STANDARD MOLDS				HEAVY DUTY MOLDS			
RUN	PIPE SIZE	CADWELD® MOLD #	THERMO MOLD #	CART SIZE	P K	CADWELD® MOLD #	THERMO MOLD #	CART SIZE	P K
#6	FLAT	VSC-1H	M-585	45	4				
#4	FLAT	VSC-1L	M-586	45	4	HD-VSC-1L	M-586-H	65	4
	1-1/2" to 4"	VSC-1L-V3C	M-2476	45	4				
	4" to 6"	VSC-1L-V5C	M-2477	45	4				
	6" to 10"	VSC-1L-V8C	M-2478	45	4				
	12" to 30"	VSC-1L-V21C	M-2479	45	4				
#2	FLAT	VSC-1V	M-588	45	4	HD-VSC-1V	M-588-H	90	4
	1-1/2" to 4"	VSC-1V-V3C	M-9233	45	4				
	4" to 6"	VSC-1V-V5C	M-2480	45	4				
	6" to 10"	VSC-1V-V8C	M-2583	45	4				
	12" to 30"	VSC-1V-V21C	M-2481	45	4				
#1	FLAT	VSC-1Y	M-589	65	4	HD-VSC-1Y	M-589-H	115	4
	2" to 4"	VSC-1Y-V3C	M-2482	65	4				
	4" to 6"	VSC-1Y-V5C	M-2483	65	4				
	6" to 10"	VSC-1Y-V8C	M-2484	65	4				
	12" to 30"	VSC-1Y-V21C	M-2485	65	4				
1/0	FLAT	VSC-2C	M-590	90	4	HD-VSC-2C	M-590-H	150	4
	2" to 4"	VSC-2C-V3C	M-2486	90	4				
	4" to 6"	VSC-2C-V5C	M-2487	90	4				
	6" to 10"	VSC-2C-V8C	M-2488	90	4				
	12" to 30"	VSC-2C-V21C	M-2489	90	4				
2/0	FLAT	VSC-2G	M-591	90	4	HD-VSC-2G	M-591-H	150	4
	2" to 4"	VSC-2G-V3C	M-8833	90	4				
	4" to 6"	VSC-2G-V5C	M-2490	90	4				
	6" to 10"	VSC-2G-V8C	M-2491	90	4				
	12" to 30"	VSC-2G-V21C	M-2492	90	4				
3/0	FLAT	VSC-2L	M-592	115	4	HD-VSC-2L	M-592-H	200	4
	2" to 4"	VSC-2L-V3C	M-2493	115	4				
	4" to 6"	VSC-2L-V5C	M-2494	115	4				
	6" to 10"	VSC-2L-V8C	M-2495	115	4				
	12" to 30"	VSC-2L-V21C	M-2496	115	4				
4/0	FLAT	VSC-2Q	M-593	115	4	HD-VSC-2Q	M-593-H	2004	
	2" to 4"	VSC-2Q-V3C	M-9021	115	4				
	4" to 6"	VSC-2Q-V5C	M-2497	115	4				
	6" to 10"	VSC-2Q-V8C	M-2498	115	4				
	12" to 30"	VSC-2Q-V21C	M-2499	115	4				
250 MCM	FLAT	VSC-2V	M-594	115	4	HD-VSC-2V	M-594-H	2004	
300 MCM	FLAT	VSC-3A	M-595	150	4	HD-VSC-3A	M-595-H	2504	
350 MCM	FLAT	VSC-3D	M-596	200	4	HD-VSC-3D	M-596-H	2504	
500 MCM	FLAT	VSC-3Q	M-598	200	4	HD-VSD-3Q	M-598-H	2-150	5
750 MCM	FLAT	VSD-4L	M-599	2-150	5	HD-VSD-4L	M-599-H	500	5
1000 MCM	FLAT	VSD-4Y	M-600	2-200	5	HD-VSD-4Y	M-600-H	3-200	5

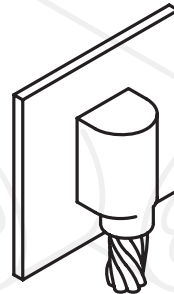
**THERMOWELD®
TYPE
CS-4**



**CADWELD®
TYPE
VV**

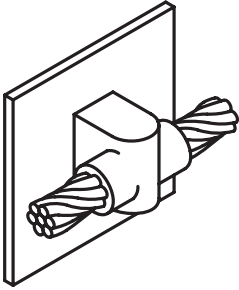
CABLE SIZE	STANDARD MOLDS				HEAVY DUTY MOLDS			
	CADWELD® MOLD #	THERMO MOLD #	CART SIZE	P K	CADWELD® MOLD #	THERMO MOLD #	CART SIZE	P K
#6	VVC-1H	M-1215	90	4				
#4	VVC-1L	M-1216	90	4	HD-VVR-1L	M-1216-H	200	17
#2	VVC-1V	M-1218	115	4	HD-VVR-1V	M-1218-H	250	17
#1	VVC-1Y	M-1219	115	4	HD-VVR-1Y	M-1219-H	250	17
1/0	VVR-2C	M-1220	200	17	HD-VVF-2C	M-1220-H	2-200	8
2/0	VVR-2G	M-1221	200	17	HD-VVF-2G	M-1221-H	2-200	6
3/0	VVR-2L	M-1222	250	17	HD-VVF-2L	M-1222-H	500	6
4/0	VVR-20	M-1223	250	17	HD-VVF-2Q	M-1223-H	500	6
250 MCM	VVR-2V	M-1224	250	17	HD-VVF-2V	M-1224-H	500	6
300 MCM	AVAILABLE IN HEAVY DUTY ONLY				HD-VVF-3A	M-1225-H	500	6
350 MCM	AVAILABLE IN HEAVY DUTY ONLY				HD-VVF-3D	M-1226-H	3-200	6
500 MCM	AVAILABLE IN HEAVY DUTY ONLY				HD-VVF-3Q	M-1228-H	3-250	6

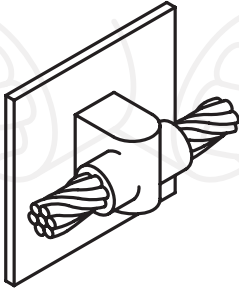
**THERMOWELD®
TYPE
CS-23**

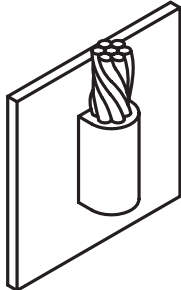


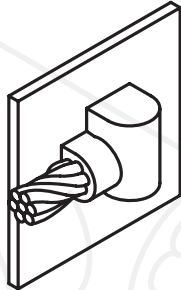
**CADWELD®
TYPE
VB**

CABLE SIZE	STANDARD MOLDS				HEAVY DUTY MOLDS			
	CADWELD® MOLD #	THERMO MOLD #	CART SIZE	P K	CADWELD® MOLD #	THERMO MOLD #	CART SIZE	P K
#4	VBC-1L	M-5359	65	4	HD-VBC-1L	M-5359-H	115	4
#2	VBC-1V	M-2781	65	4	HD-VBC-1V	M-2781-H	115	4
#1	VBC-1Y	M-5361	90	4	HD-VBC-1Y	M-5361-H	150	4
1/0	VBC-2C	M-2189	115	4	HD-VBC-2C	M-2189-H	200	4
2/0	VBC-2G	M-2540	115	4	HD-VBC-2G	M-2540-H	200	4
3/0	VBC-2L	M-5362	150	4	HD-VBC-2L	M-5362-H	250	4
4/0	VBC-2Q	M-8718	150	4	HD-VBC-2Q	M-8718-H	250	4
250 MCM	VBC-2V	M-8165	200	4	HD-VBR-2V	M-8165-H	2-150	17
300 MCM	VBC-3A	M-5363	200	4	HD-VBR-3A	M-5363-H	2-150	17
350 MCM	VBC-3D	M-9029	250	4	HD-VBD-3D	M-9029-H	2-200	5
500 MCM	VBR-3Q	M-8512	2-150	17	HD-VBF-3Q	M-8512-H	500	6

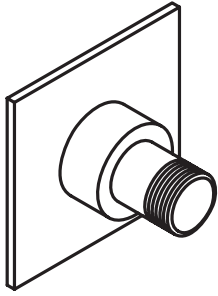
THERMOWELD® TYPE CS-6					CADWELD® TYPE VT
CABLE SIZE	STANDARD MOLDS				
	CADWELD® MOLD #	THERMO MOLD #	CART SIZE	P K	
#6	VRC-1H	M-1626	65	4	
#4	VRC-1L	M-1627	65	4	
#2	VRC-1V	M-1628	65	4	
#1	VRC-1Y	M-1629	90	4	
1/0	VRC-2C	M-1630	115	4	
2/0	VRC-2G	M-1631	115	4	
3/0	VRC-2L	M-1632	150	4	
4/0	VTC-2Q	M-1633	150	4	
250 MCM	VTC-2V	M-1634	150	4	

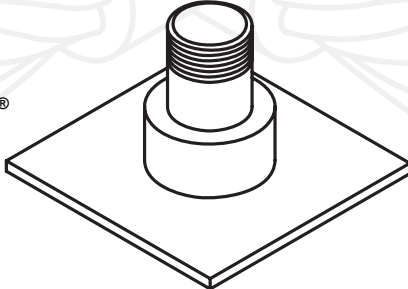
THERMOWELD® TYPE CS-27					CADWELD® TYPE VG
CABLE SIZE	STANDARD MOLDS				
	CADWELD® MOLD #	THERMO MOLD #	CART SIZE	P K	
#6	VGC-1H	M-5816	45	4	
#4	VGC-1L	M-5245	45	4	
#2	VGC-1V	M-5822	45	4	
#1	VGC-1Y	M-6279	65	4	
1/0	VGC-2C	M-1166	115	4	
2/0	VGC-2G	M-9242	115	4	
3/0	VGC-2L	M-6195	150	4	
4/0	VGC-2Q	M-2177	150	4	
250 MCM	VGC-2V	M-2520	150	4	

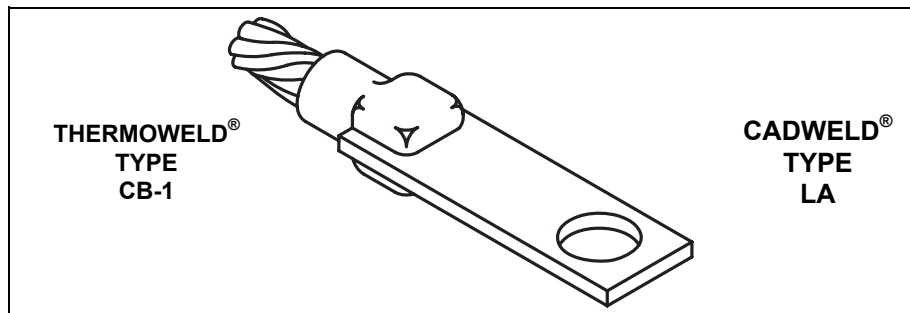
THERMOWELD® TYPE CS-27						CADWELD® TYPE VF		
CABLE SIZE	STANDARD MOLDS				HEAVY DUTY MOLDS			
	CADWELD® MOLD #	THERMO MOLD #	CART SIZE	P K	CADWELD® MOLD #	THERMO MOLD #	CART SIZE	P K
#4	VFC-1L	M-1636	65	4	HD-VFC-1L	M-1636-H	115	4
#2	VFC-1V	M-1638	65	4	HD-VFC-1V	M-1638-H	115	4
#1	VFC-1Y	M-1639	90	4	HD-VFC-1Y	M-1639-H	150	4
1/0	VFC-2C	M-1640	150	4	HD-VFR-2C	M-1640-H	200	17
2/0	VFC-2G	M-1641	150	4	HD-VFR-2G	M-1641-H	200	17
3/0	VFR-2L	M-1642	200	17	HD-VFR-2L	M-1642-H	250	17
4/0	VFR-2Q	M-1643	200	17	HD-VFR-2Q	M-1643-H	250	17
250 MCM	VFR-2V	M-1644	200	17	HD-VFF-2V	M-1644-H	2-150	6
300 MCM	VFR-3A	M-1645	250	17	HD-VFF-3A	M-1645-H	2-200	6
350 MCM	VFF-3D	M-1646	2-150	6	HD-VFF-3D	M-1648-H	500	6
500 MCM	VFF-3Q	M-1648	2-200	6	HD-VFF-3Q	M-1648-H	3-200	6

THERMOWELD® TYPE CS-18						CADWELD® TYPE VN	
CABLE SIZE	STANDARD MOLDS						
	CADWELD® MOLD #	THERMO MOLD #	CART SIZE	P K			
#6	VNC-1H	M-5910	45	4			
#4	VNC-1L	M-2761	45	4			
#4	VNC-1V	M-2569	45	4			
#1	VNC-1Y	M-6060	65	4			
1/0	VNC-2C	M-5419	90	4			
2/0	VNC-2G	M-2567	90	4			
3/0	VNC-2L	M-6072	115	4			
4/0	VNC-2Q	M-9253	115	4			
250 MCM	VNC-2V	M-2568	115	4			
300 MCM	VNC-3A	M-6051	150	4			
350 MCM	VNC-3D	M-6067	200	4			
500 MCM	VNC-3Q	M-8359	200	4			

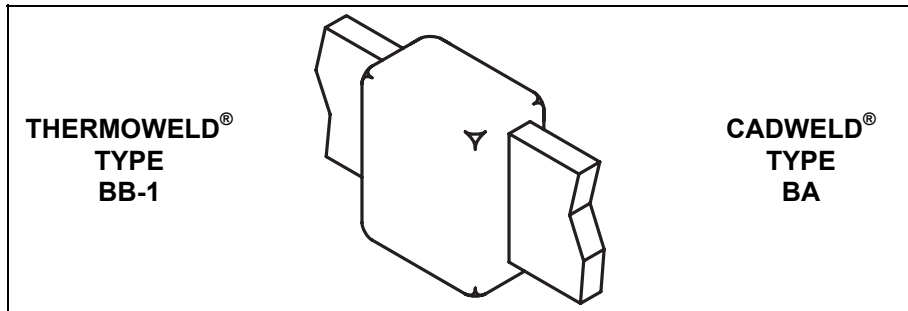
FOR RIGHT HAND MOLD, PLACE SUFFIX "-R" AFTER MOLD NUMBER (i.e. M-2567-R). FOR LEFT HAND MOLD, PLACE SUFFIX "-L" AFTER MOLD NUMBER (i.e. M-2567-L).

THERMOWELD® TYPE RS-1					CADWELD® TYPE HV
STUD SIZE	STANDARD MOLDS				
	CADWELD® MOLD #	THERMO MOLD #	CART SIZE	P K	
1/4"	HVC-10	M-1880	25	4	
5/16"	HVC-11	M-1881	25	4	
3/8"	HVC-12	M-1882	45	4	
1/2"	HVC-14	M-1883	65	4	
3/4"	HVC-18	M-1884	150	4	
1"	HVC-22	M-1885	250	4	
	COPPER STUDS				
1/2"	HVC-14CU	M-6088	115	4	
5/8"	HVC-31CU	M-6280	150	4	
3/4"	HVC-33CU	M-6223	250	4	
7/8"	HVD-35CU	M-6281	2-150	5	
1"	HVD-37CU	M-6282	2-200	5	

THERMOWELD® TYPE RS-2					CADWELD® TYPE HX
STUD SIZE	STANDARD MOLDS				
	CADWELD® MOLD #	THERMO MOLD #	CART SIZE	P K	
1/4"	HXC-10	M-1886	25	4	
5/16"	HXC-11	M-1887	25	4	
3/8"	HXC-12	M-1888	45	4	
1/2"	HXC-14	M-1889	65	4	
3/4"	HXC-18	M-1890	150	4	
1"	HXC-22	M-1891	250	4	



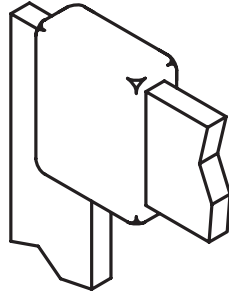
LUG SIZE	CABLE SIZE	STANDARD MOLDS			
		CADWELD® MOLD #	THERMO MOLD #	CART SIZE	P K
#4	1/8 X 1	LAC-1LCE	M-971	45	4
#2	1/8 X 1	LAC-LVCE	M-975	45	4
#1	1/8 X 1	LAC-LYCE	M-977	45	4
1/0	1/8 X 1	LAC-2CCE	M-978	45	4
	3/16 X 1	LAC-2CDE	M-6075	65	4
	1/4 X 1	LAC-2CEE	M-979	65	4
2/0	1/8 X 1	LAC-2GCE	M-980	65	4
	3/16 X 1	LAC-2GDE	M-6579	65	4
	1/4 X 1	LAC-2GEE	M-981	65	4
3/0	1/8 X 1	LAC-2LCE	M-6284	65	4
	3/16 X 1	LAC-2LDE	M-982	90	4
	1/4 X 1	LAC-2LEE	M-983	90	4
4/0	3/16 X 1	LAC-2QDE	M-984	90	4
	1/4 X 1	LAC-2QEE	M-985	90	4
	1/4 X 1-1/2	LAC-2QEG	M-987	90	4
	1/4 X 2	LAC-2QEH	M-5657	90	4
	1/4 X 3	LAC-2QEK	M-1915	90	4
250 MCM	3/16 X 1	LAC-2VDE	M-8277	90	4
	1/4 X 1	LAC-2VEE	M-988	90	4
	1/4 X 1-1/2	LAC-2VEG	M-990	90	4
	1/4 X 2	LAC-2VEH	M-8784	90	4
	1/4 X 3	LAC-2VEK	M-1916	90	4
300 MCM	1/4 X 1	LAC-3AEE	M-991	90	4
	1/4 X 1-1/2	LAC-3AEG	M-993	90	4
	1/4 X 2	LAC-3AEH	M-6288	90	4
	1/4 X 3	LAC-3AEK	M-1917	90	4
350 MCM	1/4 X 1	LAC-3DEE	M-994	115	4
	1/4 X 1-1/2	LAC-3DEG	M-996	115	4
	1/4 X 2	LAC-3DEH	M-6289	115	4
	1/4 X 3	LAC-3DEK	M-1918	115	4
500 MCM	1/4 X 1-1/2	LAC-3QEG	M-1001	200	4
	1/4 X 2	LAC-3QEH	M-1002	200	4
	1/4 X 3	LAC-3QEK	M-5437	200	4
	3/8 X 1-1/2	LAC-3QGG	M-1004	200	4
750 MCM	1/4 X 2	LAD-4LEH	M-1006	2-150	5
	1/4 X 3	LAD-4LEK	M-6290	2-150	5
	3/8 X 1-1/2	LAD-4LGG	M-1007	2-150	5
	3/8 X 2	LAD-4LGH	M-1008	2-150	5
	3/8 X 3	LAD-4LGK	M-6291	2-150	5
1000 MCM	1/4 X 3	LAD-4YEK	M-6292	2-200	5
	3/8 X 2	LAD-4YGH	M-1009	2-200	5
	3/8 X 3	LAD-4YGK	M-1922	2-200	5
	1/2 X 2	LAD-4YJH	M-1011	500	5
	1/2 X 3	LAD-4YJK	M-6295	500	5



BUS BAR SIZE		STANDARD MOLDS			
RUN	TAP	CADWELD® MOLD #	THERMO MOLD #	CART SIZE	P K
1/8 x 1	1/8 x 1	BAC-CE	M-1118	45	4
1/8 X 1-1/2	1/8 X 1-1/2	BAC-CG	M-2557	65	4
1/8 X 2	1/8 X 2	BAC-CH	M-1119	90	4
1/8 X 3	1/8 X 3	BAC-CK	M-6298	200	4
1/8 x 4	1/8 X 4	BAD-CM	M-5315	250	5
3/16 X 1	3/16 X 1	BAC-DE	M-1120	65	4
3/16 X 2	3/16 X 2	BAC-DH	M-1121	115	4
1/4 X 1	1/4 X 1	BAC-EE	M-1122	90	4
1/4 X 1-1/4	1/4 X 1-1/4	BAC-EF	M-1123	115	4
1/4 X 1-1/2	1/4 X 1-1/2	BAC-EG	M-1124	150	4
1/4 X 2	1/4 X 2	BAC-EH	M-1125	200	4
1/4 X 2-1/2	1/4 X 2-1/2	BAC-EJ	M-6346	250	4
1/4 X 3	1/4 X 3	BAD-EK	M-1126	2-200	5
1/4 X 4	1/4 X 4	BAD-EM	M-1127	500	5
3/8 X 1	3/8 X 1	BAC-GE	M-1130	150	4
3/8 X 1-1/2	3/8 X 1-1/2	BAC-GG	M-1131	250	4
3/8 X 2	3/8 X 2	BAD-GH	M-1132	2-150	5
3/8 X 3	3/8 X 3	BAD-GK	M-1133	500	5
3/8 X 4	3/8 X 4	BAD-GM	M-1134	3-200	5
1/2 X 1	1/2 X 1	BAC-JE	M-1135	200	4
1/2 X 2	1/2 X 2	BAD-JH	M-1136	2-200	5

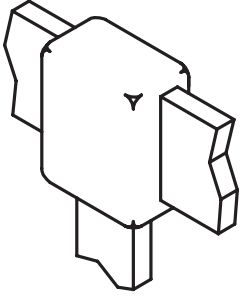


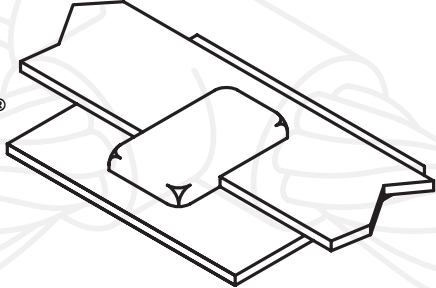
**THERMOWELD®
TYPE
BB-2**



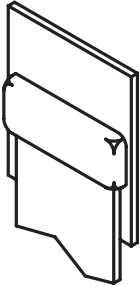
**CADWELD®
TYPE
EP**

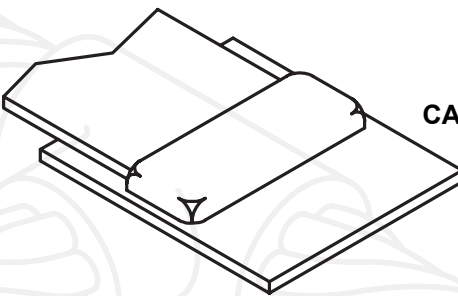
BUS BAR SIZE		STANDARD MOLDS			
RUN	TAP	CADWELD® MOLD #	THERMO MOLD #	CART SIZE	P K
1/8 X 1	1/8 x 1	EPC-CE	M-1230	45	4
1/8 X 1-1/2	1/8 X 1-1/2	EPC-CG	M-6347	65	4
1/8 X 2	1/8 X 2	EPC-CH	M-1231	90	4
1/8 X 3	1/8 X 3	EPC-CK	M-6348	200	4
1/8 X 4	1/8 X 4	EPD-CM	M-6351	250	5
3/16 X 1	3/16 X 1	EPC-DE	M-1232	65	4
3/16 X 2	3/16 X 2	EPC-DH	M-1233	115	4
1/4 X 1	1/4 X 1	EPC-EE	M-1234	90	4
1/4 X 1-1/4	1/4 X 1-1/4	EPC-EF	M-1235	115	4
1/4 X 1-1/2	1/4 X 1-1/2	EPC-EG	M-1236	150	4
1/4 X 2	1/4 X 2	EPC-EH	M-1237	200	4
1/4 X 2-1/2	1/4 X 2-1/2	EPC-EJ	M-6352	250	4
1/4 X 3	1/4 X 3	EPD-EK	M-1238	2-200	5
1/4 X 4	1/4 X 4	EPD-EM	M-1239	500	5
3/8 X 1	3/8 X 1	EPC-GE	M-1242	150	4
3/8 X 1-1/2	3/8 X 1-1/2	EPC-GG	M-1243	250	4
3/8 X 2	3/8 X 2	EPD-GH	M-1244	2-150	5
3/8 X 3	3/8 X 3	EPD-GK	M-1245	500	5
3/8 X 4	3/8 X 4	EPD-GM	M-1246	3-200	5
1/2 X 1	1/2 X 1	EPC-JE	M-1247	200	4
1/2 X 2	1/2 X 2	EPD-JH	M-1248	2-200	5

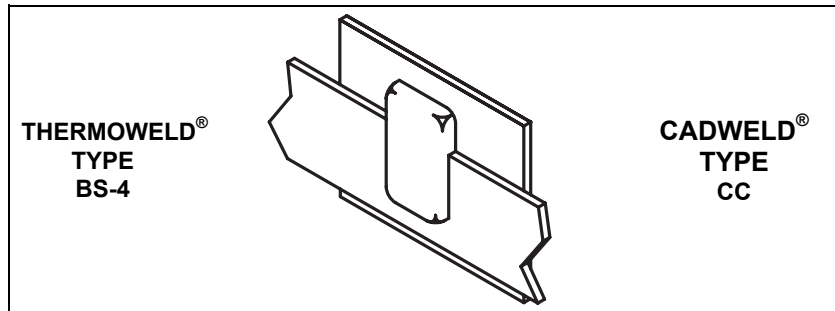
THERMOWELD® TYPE BB-3				CADWELD® TYPE BQ	
BUS BAR SIZE		STANDARD MOLDS			
RUN	TAP	CADWELD® MOLD #	THERMO MOLD #	CART SIZE	P K
1/8 X 1	1/8 X 1	BQC-CECE	M-1098	90	4
1/8 X 2 & WIDER	1/8 X 2	BQC-CHCH	M-1099	200	4
3/16 X 1	3/16 X 1	BQC-DEDE	M-1100	115	4
3/16 X 2 & WIDER	3/16 X 2	BOC-DHDH	M-1101	200	4
1/4 X 1	1/4 X 1	BQC-EEEE	M-1102	150	4
1/4 X 1-1/4	1/4 X 1-1/4	BQC-EFEF	M-1103	200	4
1/4 X 1-1/2	1/4 X 1-1/2	BQC-EGEG	M-1104	250	4
1/4 X 2 & WIDER	1/4 X 2	BQD-EHEH	M-1105	2-200	5
1/4 X 3 & WIDER	1/4 X 3	BQF-EKEK	M-1106	2-200	6
1/4 X 4 & WIDER	1/4 X 4	BQK-EMEM	M-1107	3-250	10
3/8 X 1	3/8 X 1	BQC-GEGE	M-1108	250	4
3/8 X 1-1/2	3/8 X 1-1/2	BQD-GGGG	M-1109	2-200	5
3/8 X 2 & WIDER	3/8 X 2	BOD-GHGH	M-1110	500	5
3/8 X 3 & WIDER	3/8 X 3	BQF-GK GK	M-1111	3-250	6
3/8 X 4 & WIDER	3/8 X 4	BQK-GMGM-	M-1112	2-500	10
1/2 X 1	1/2 X 1	BQD-JEJE	M-1113	2-150	5
1/2 X 2 & WIDER	1/2 X 2	BQD-JHJH	M-1114	3-250	5

THERMOWELD® TYPE BS-3				CADWELD® TYPE CH	
BUS BAR SIZE	STANDARD MOLDS				
	CADWELD® MOLD #	THERMO MOLD #	CART SIZE	P K	
1/8 x 1	CHC-CE	M-1088	115	4	
1/8 X 1-1/2 & WIDER	CHC-CG	M-1089	150	4	
3/16 X 1	CHC-DE	M-6353	150	4	
3/16 X 1-1/2 & WIDER	CHC-DG	M-7163	200	4	
1/4 X 1	CHC-EE	M-1090	150	4	
1/4 X 1-1/4	CHC-EF	M-1091	200	4	
1/4 X 1-1/2 & WIDER	CHC-EG	M-1092	250	4	
3/8 X 1	CHC-GE	M-1093	200	4	
3/8 X 1-1/2 & WIDER	CHD-GG	M-1094	250	4	
1/2 X 1	CHC-JE	M-1095	250	4	
1/2 X 1-1/2 & WIDER	CHD-JG	M-1096	2-200	5	

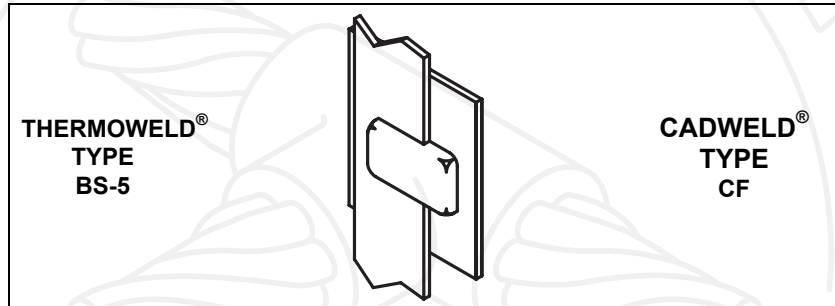
CADWELD® IS A REGISTERED TRADEMARK OF ERICO®, INC.

THERMOWELD® TYPE BS-1					CADWELD® TYPE BW
BUS BAR SIZE	STANDARD MOLDS				
	CADWELD® MOLD #	THERMO MOLD #	CART SIZE	P K	
1/8 x 1	BWC-CE	M-1043	115	4	
1/8 X 1-1/2	BWC-CG	M-6354	150	4	
1/8 X 2	BWC-CH	M-1044	200	4	
3/16 X 1	BWC-DE	M-6056	150	4	
3/16 X 1-1/2	BWC-DG	M-6355	200	4	
3/16 X 2	BWC-DH	M-6356	250	4	
1/4 X 1	BWC-EE	M-1045	150	4	
1/4 X 1-1/4	BWC-EF	M-1046	200	4	
1/4 X 1-1/2	BWC-EG	M-1047	250	4	
1/4 X 2	BWD-EH	M-1048	2-150	5	
3/8 X 1	BWC-GE	M-1049	200	4	
3/8 X 1-1/2	BWC-GG	M-6357	250	4	
3/8 X 2	BWD-GH	M-1050	2-200	5	
1/2 X 1	BWC-JE	M-1051	250	4	
1/2 X 1-1/2	BWD-JG	M-6358	2-200	5	
1/2 X 2	BWD-JH	M-1052	500	5	

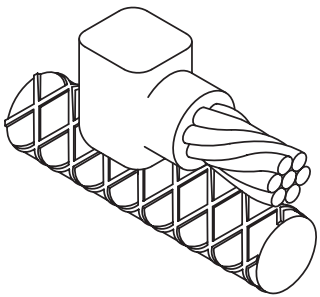
THERMOWELD® TYPE BS-2					CADWELD® TYPE CG
BUS BAR SIZE	STANDARD MOLDS				
	CADWELD® MOLD #	THERMO MOLD #	CART SIZE	P K	
1/8 x 1	CGC-CE	M-1072	115	4	
1/8 X 1-1/2	CGC-CG	M-1073	150	4	
1/8 X 2	CGC-CH	M-1074	200	4	
3/16 X 1	CGC-DE	M-1075	150	4	
3/16 X 1-1/2	CGC-DG	M-6359	200	4	
3/16 X 2	CGC-DH	M-1076	250	4	
1/4 X 1	CGC-EE	M-1077	150	4	
1/4 X 1-1/4	CGC-EF	M-1078	200	4	
1/4 X 1-1/2	CGC-EG	M-1079	250	4	
1/4 X 2	CGD-EH	M-1080	2-150	5	
3/8 X 1	CGC-GE	M-1081	200	4	
3/8 X 1-1/2	CGD-GG	M-1082	250	4	
3/8 X 2	CGD-GH	M-1083	2-200	5	
1/2 X 1	CGC-JE	M-1084	250	4	
1/2 X 1-1/2	CGD-JG	M-1085	2-200	5	
1/2 X 2	CGD-JH	M-1086	500	5	



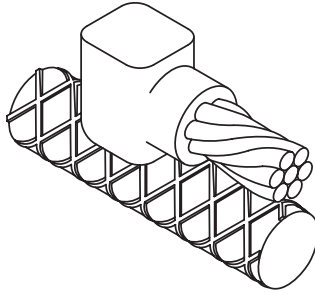
BUS BAR SIZE	STANDARD MOLDS			
	CADWELD® MOLD #	THERMO MOLD #	CART SIZE	P K
1/8 x 1	CCC-CE	M-1054	115	4
1/8 X 1-1/2	CCC-CG	M-6360	150	4
1/8 X 2 & WIDER	CCC-CH	M-1055	200	4
3/16 X 1	CCC-DE	M-6361	150	4
3/16 X 1-1/2	CCC-DG	M-6362	200	4
3/16 X 2 & WIDER	CCC-DH	M-6367	250	4
1/4 X 1	CCC-EE	M-1056	150	4
1/4 X 1-1/4	CCC-EF	M-5566	200	4
1/4 X 1-1/2	CCC-EG	M-6369	250	4
1/4 X 2 & WIDER	CCD-EH	M-1057	2-150	5
3/8 X 1	CCC-GE	M-1058	200	4
3/8 X 1-1/2	CCC-GG	M-6370	250	4
3/8 X 2 & WDER	CCD-GH	M-1059	2-200	5
1/2 X 1	CCC-JE	M-1060	250	4
1/2 X 1-1/2	CCD-JG	M-6372	2-200	5
1/2 X 2 & WIDER	CCD-JH	M-1061	500	5



BUS BAR SIZE	STANDARD MOLDS			
	CADWELD® MOLD #	THERMO MOLD #	CART SIZE	P K
1/8 x 1	CFC-CE	M-1063	115	4
1/8 X 1-1/2	CFC-CF	M-6373	150	4
1/8 X 2 & WIDER	CFC-CH	M-1064	200	4
3/16 X 1	CFC-DE	M-6374	150	4
3/16 X 1-1/2	CFC-DG	M-6375	200	4
3/16 X 2 & WIDER	CFC-DH	M-6376	250	4
1/4 X 1	CFC-EE	M-1065	150	4
1/4 X 1-1/4	CFC-EF	M-6377	200	4
1/4 X 1-1/2	CFC-EG	M-6379	250	4
1/4 X 2 & WIDER	CFD-EH	M-1066	2-150	5
3/8 X 1	CFC-GE	M-1067	200	4
3/8 X 1-1/2	CFC-GG	M-6382	250	4
3/8 X 2 & WDER	CFD-GH	M-1068	2-200	5
1/2 X 1	CFC-JE	M-1069	250	4
1/2 X 1-1/2	CFD-JG	M-6383	2-200	5
1/2 X 2 & WIDER	CFD-JH	M-1070	500	5

THERMOWELD® TYPE CRE-1						CADWELD® TYPE RR
REBAR & CABLE SIZE		STANDARD MOLDS				
REBAR	CABLE	CADWELD® MOLD #	THERMO MOLD #	CART SIZE	P K	
#3	#6	RRC-511H	M-7500	25	4	
	#4	RRC-511L	M-7501	32	4	
	#2	RRC-511V	M-7502	45	4	
	#1	RRC-511Y	M-7503	65	4	
	1/0	RRC-512C	M-7504	90	4	
	2/0	RRC-512G	M-7505	90	4	
	3/0	RRC-512L	M-7506	115	4	
	4/0	RRC-512Q	M-7507	115	4	
#4	#6	RRA-521H	M-7508	25	3	
	#4	RRA-521L	M-7509	32	3	
	#2	RRA-521V	M-7510	45	3	
	#1	RRA-521Y	M-7511	65	3	
	1/0	RRC-522C	M-7512	90	4	
	2/0	RRC-522G	M-7513	90	4	
	3/0	RRC-522L	M-7514	115	4	
	4/0	RRC-522Q	M-7515	115	4	
#5	#6	RRA-531H	M-7516	25	3	
	#4	RRA-531L	M-7517	32	3	
	#2	RRA-531V	M-7518	45	3	
	#1	RRA-531Y	M-7519	65	3	
	1/0	RRC-532C	M-7520	90	4	
	2/0	RRC-532G	M-7521	90	4	
	3/0	RRC-532L	M-7522	115	4	
	4/0	RRC-532Q	M-7523	115	4	
#6	#6	RRA-541H	M-7524	25	3	
	#4	RRA-541L	M-7525	32	3	
	#2	RRA-541V	M-7526	45	3	
	#1	RRA-541Y	M-7527	65	3	
	1/0	RRH-542C	M-7528	90	14	
	2/0	RRH-542G	M-7529	90	14	
	3/0	RRH-542L	M-7530	115	14	
	4/0	RRH-542Q	M-7531	115	14	
#7	#4	RRA-551L	M-7533	32	3	
	#2	RRA-551V	M-7534	45	3	
	#1	RRA-551Y	M-7535	65	3	
	1/0	RRH-552C	M-7536	90	14	
	2/0	RRH-552G	M-7537	90	14	
	3/0	RRH-552L	M-7538	115	14	
	4/0	RRH-552Q	M-7539	115	14	
#8	#2	RRA-561V	M-7542	45	3	
	#1	RRA-561Y	M-7543	65	3	
	1/0	RRH-562C	M-7544	90	14	
	2/0	RRH-562G	M-7545	90	14	
	3/0	RRH-562L	M-7546	115	14	

**THERMOWELD®
TYPE
CRE-1**

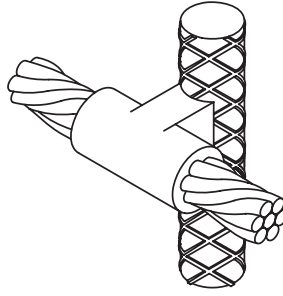


**CADWELD®
TYPE
RR**

REBAR & CABLE SIZE		STANDARD MOLDS			
REBAR	CABLE	CADWELD® MOLD #	THERMO MOLD #	CART SIZE	P K
#8	4/0	RRH-562Q	M-7547	115	14
#9	#2	RRA-571 V	M-7550	45	3
	#1	RRA-571Y	M-7551	65	3
	1/0	RRH-572C	M-7552	90	14
	2/0	RRH-572G	M-7553	90	14
	3/0	RRH-572L	M-7554	115	14
	4/0	RRH-572Q	M-7555	115	14
#10	#2	RRA-581V	M-7558	45	3
	#1	RRA-581Y	M-7559	65	3
	1/0	RRH-582C	M-7560	90	14
	2/0	RRH-582G	M-7561	90	14
	3/0	RRH-582L	M-7562	115	14
	4/0	RRH-582Q	M-7563	115	14
#11	#2	RRA-591V	M-7566	45	3
	#1	RRA-591Y	M-7567	65	3
	1/0	RRH-592C	M-7568	90	14
	2/0	RRH-592G	M-7569	90	14
	3/0	RRH-592L	M-7570	115	14
	4/0	RRH-592Q	M-7571	115	14
#14S	1/0	RRH-602C	M-7576	90	14
	2/0	RRH-602G	M-7577	90	14
	3/0	RRH-602L	M-7578	115	14
	4/0	RRH-602Q	M-7579	115	14
#18S	1/0	RRH-612C	M-7584	90	14
	2/0	RRH-612G	M-7585	90	14
	3/0	RRH-612L	M-7586	115	14
	4/0	RRH-612Q	M-7587	115	14

REBAR & CABLE SIZE		STANDARD MOLDS			
REBAR	CABLE	CADWELD® MOLD #	THERMO MOLD #	CART SIZE	P K
#3	#6	RCE-511H	M-7620	90	7
	#4	RCE-511L	M-7621	90	7
	#2	RCE-511V	M-7622	90	7
	#1	RCE-511Y	M-7623	115	7
	1/0	RCE-512C	M-7624	115	7
	2/0	RCE-512G	M-7625	115	7
	3/0	RCE-512L	M-7626	150	7
	4/0	RCE-512Q	M-7627	150	7
#4	#6	RCE-521H	M-7628	90	7
	#4	RCE-521L	M-7629	90	7
	#2	RCE-521V	M-7630	90	7
	#1	RCE-521Y	M-7631	115	7
	1/0	RCE-522C	M-7632	115	7
	2/0	RCE-522G	M-7633	115	7
	3/0	RCE-522L	M-7634	150	7
	4/0	RCE-522Q	M-7635	150	7
#5	#6	RC E-531H	M-7636	90	7
	#4	RCE-531L	M-7637	90	7
	#2	RCE-531V	M-7638	90	7
	#1	RCE-531Y	M-7639	115	7
	1/0	RCE-532C	M-7640	115	7
	2/0	RCE-532G	M-7641	115	7
	3/0	RCE-532L	M-7642	150	7
	4/0	RCE-532Q	M-7643	150	7
#6	#6	RCE-541H	M-7644	90	7
	#4	RCE-541L	M-7645	90	7
	#2	RCE-541V	M-7646	90	7
	#1	RCE-541Y	M-7647	115	7
	1/0	RCE-542C	M-7648	115	7
	2/0	RCE-542G	M-7649	115	7
	3/0	RCE-542L	M-7650	150	7
	4/0	RCE-542Q	M-7651	150	7
#7	#4	RCE-551L	M-7653	90	7
	#2	RCE-551V	M-7654	90	7
	#1	RCE-551Y	M-7655	115	7
	1/0	RCE-552C	M-7656	115	7
	2/0	RCE-552G	M-7657	115	7
	3/0	RCE-552L	M-7658	150	7
	4/0	RCE-552Q	M-7659	150	7
	#8	#2	RCE-561V	M-7662	90
#1		RCE-561Y	M-7663	115	7
1/0		RCE-562C	M-7664	115	7
2/0		RCE-562G	M-7665	115	7
3/0		RCE-562L	M-7666	150	7

**THERMOWELD®
TYPE
CRE-3**

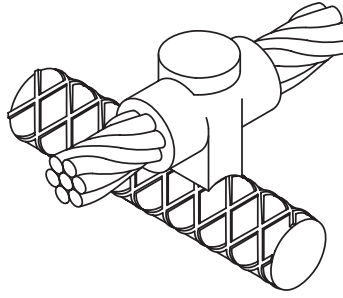


**CADWELD®
TYPE
RC**

REBAR & CABLE SIZE		STANDARD MOLDS			
REBAR	CABLE	CADWELD® MOLD #	THERMO MOLD #	CART SIZE	P K
#8	4/0	RCE-562Q	M-7667	150	7
#9	#2	RCE-571V	M-7670	90	7
	#1	RCE-571Y	M-7671	115	7
	1/0	RCE-572C	M-7672	115	7
	2/0	RCE-572G	M-7673	115	7
	3/0	RCE-572L	M-7674	150	7
	4/0	RCE-572Q	M-7675	150	7
#10	#2	RCE-581V	M-7678	90	7
	#1	RCE-581Y	M-7679	115	7
	1/0	RCE-582C	M-7680	115	7
	2/0	RCE-582G	M-7681	115	7
	3/0	RCE-582L	M-7682	150	7
	4/0	RCE-582Q	M-7683	150	7
#11	#2	RCE-591V	M-7686	90	7
	#1	RCE-591Y	M-7687	115	7
	1/0	RCE-592C	M-7688	115	7
	2/0	RCE-592G	M-7689	115	7
	3/0	RCE-592L	M-7690	150	7
	4/0	RCE-592Q	M-7691	150	7
#14S	1/0	RCE-602C	M-7696	115	7
	2/0	RCE-602G	M-7697	115	7
	3/0	RCE-602L	M-7698	150	7
	4/0	RCE-602Q	M-7699	150	7
#18S	1/0	RCE-612C	M-7704	115	7
	2/0	RCE-612G	M-7705	115	7
	3/0	RCE-612L	M-7706	150	7
	4/0	RCE-612Q	M-7707	150	7


REBAR & CABLE SIZE		STANDARD MOLDS			
REBAR	CABLE	CADWELD® MOLD #	THERMO MOLD #	CART SIZE	P K
#3	#6	RDC-511H	M-7708	65	4
	#4	RDC-511L	M-7709	65	4
	#2	RDC-511V	M-7710	90	4
	#1	RDC-511Y	M-7711	90	4
	1/0	RDM-512C	M-7712	115	15
	2/0	RDM-512G	M-7713	115	15
	3/0	RDM-512L	M-7714	150	15
	4/0	RDM-512Q	M-7715	150	15
#4	#6	RDC-521H	M-7716	65	4
	#4	RDC-521L	M-7717	65	4
	#2	RDC-521V	M-7718	90	4
	#1	RDM-521Y	M-7719	90	15
	1/0	RDM-522C	M-7720	115	15
	2/0	RDM-522G	M-7721	115	15
	3/0	RDM-522L	M-7722	150	15
	4/0	RDM-522Q	M-7723	150	15
#5	#6	RDC-531H	M-7724	65	4
	#4	RDC-531L	M-7725	65	4
	#2	RDC-531V	M-7726	90	4
	#1	RDM-531Y	M-7727	90	15
	1/0	RDM-532C	M-7728	115	15
	2/0	RDM-532G	M-7729	115	15
	3/0	RDM-532L	M-7730	150	15
	4/0	RDM-532Q	M-7731	150	15
#6	#6	RDH-541H	M-7732	65	14
	#4	RD H-541L	M-7733	65	14
	#2	RDH-541V	M-7734	90	14
	#1	RDH-541Y	M-7735	90	14
	1/0	RDH-542C	M-7736	115	14
	2/0	RDH-542G	M-7737	115	14
	3/0	RDH-542L	M-7738	150	14
	4/0	RDH-542Q	M-7739	150	14
#7	#4	RDH-551L	M-7741	65	14
	#2	RDH-551V	M-7742	90	14
	#1	RDH-551Y	M-7743	90	14
	1/0	RDH-552C	M-7744	115	14
	2/0	ROH-552G	M-7745	115	14
	3/0	RDH-552L	M-7746	150	14
	4/0	RDH-552Q	M-7747	150	14
#8	#2	RDH-561V	M-7750	90	14
	#1	RDH-561Y	M-7751	90	14
	1/0	RDH-562C	M-7752	115	14
	2/0	RDH-562G	M-7753	115	14
	3/0	RDH-562L	M-7754	150	14

**THERMOWELD®
TYPE
CRE-4**



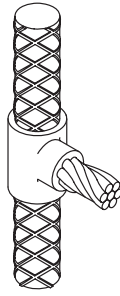
**CADWELD®
TYPE
RD**

REBAR & CABLE SIZE		STANDARD MOLDS			
REBAR	CABLE	CADWELD® MOLD #	THERMO MOLD #	CART SIZE	P K
#8	4/0	RDH-562Q	M-7755	150	14
#9	#2	RDH-571V	M-7758	90	14
	#1	RDH-571Y	M-7759	90	14
	1/0	RDH-572C	M-7760	115	14
	2/0	RDH-572G	M-7761	115	14
	3/0	RDH-572L	M-7762	150	14
	4/0	RDH-572Q	M-7763	150	14
#10	#2	RDH-581V	M-7766	90	14
	#1	RDH-581Y	M-7767	90	14
	1/0	RDH-582C	M-7768	115	14
	2/0	RDH-582G	M-7769	115	14
	3/0	RDH-582L	M-7770	150	14
	4/0	RDH-582Q	M-7771	150	14
#11	#2	RDH-591V	M-7774	90	14
	#1	RDH-591Y	M-7775	90	14
	1/0	RDH-592C	M-7776	115	14
	2/0	RDH-592G	M-7777	115	14
	3/0	RDH-592L	M-7778	150	14
	4/0	RDH-592Q	M-7779	150	14
#14S	1/0	RDH-602C	M-7784	115	14
	2/0	RDH-602G	M-7785	115	14
	3/0	RDH-602L	M-7786	150	14
	4/0	RDH-602Q	M-7787	150	14
#18S	1/0	RDH-612C	M-7792	115	14
	2/0	RDH-612G	M-7793	115	14
	3/0	RDH-612L	M-7794	150	14
	4/0	RDH-612Q	M-7795	150	14

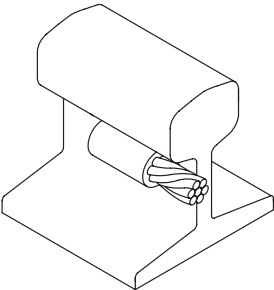
THERMOWELD® TYPE CRE-6						CADWELD® TYPE RJ
REBAR & CABLE SIZE		STANDARD MOLDS				
REBAR	CABLE	CADWELD® MOLD #	THERMO MOLD #	CART SIZE	P K	
#3	#6	RJC-511H	M-7884	45	4	
	#4	RJC-511L	M-7885	65	4	
	#2	RJC-511V	M-7886	65	4	
	#1	RJC-511Y	M-7887	90	4	
	1/0	RJC-512C	M-7888	115	4	
	2/0	RJC-512G	M-7889	115	4	
	3/0	RJC-512L	M-7890	150	4	
#4	#6	RJC-521H	M-7892	45	4	
	#4	RJC-521L	M-7893	65	4	
	#2	RJC-521V	M-7894	65	4	
	#1	RJC-521Y	M-7895	90	4	
	1/0	RJC-522C	M-7896	115	4	
	2/0	RJC-522G	M-7897	115	4	
	3/0	RJC-522L	M-7898	150	4	
#5	#6	RJC-531H	M-7900	45	4	
	#4	RJC-531L	M-7901	65	4	
	#2	RJC-531V	M-7902	65	4	
	#1	RJC-531Y	M-7903	90	4	
	1/0	RJC-532C	M-7904	115	4	
	2/0	RJC-532G	M-7905	115	4	
	3/0	RJC-532L	M-7906	150	4	
#6	#6	RJC-541H	M-7908	45	4	
	#4	RJC-541L	M-7909	65	4	
	#2	RJC-541V	M-7910	65	4	
	#1	RJC-541Y	M-7911	90	4	
	1/0	RJC-542C	M-7912	115	4	
	2/0	RJC-542G	M-7913	115	4	
	3/0	RJC-542L	M-7914	150	4	
#7	#4	RJE-551L	M-7917	65	7	
	#2	RJE-551V	M-7918	65	7	
	#1	RJE-551Y	M-7919	90	7	
	1/0	RJE-552C	M-7920	115	7	
	2/0	RJE-552G	M-7921	115	7	
	3/0	RJE-552L	M-7922	150	7	
	4/0	RJE-552Q	M-7923	150	7	
#8	#2	RJE-561V	M-7926	65	7	
	#1	RJE-561Y	M-7927	90	7	
	1/0	RJE-562C	M-7928	115	7	
	2/0	RJE-562G	M-7929	115	7	
	3/0	RJE-562L	M-7930	150	7	

REBAR & CABLE SIZE		STANDARD MOLDS			
REBAR	CABLE	CADWELD® MOLD #	THERMO MOLD #	CART SIZE	P K
#8	4/0	RJE-562Q	M-7931	150	7
#9	#2	RJE-571V	M-7934	65	7
	#1	RJE-571Y	M-7935	90	7
	1/0	RJE-572C	M-7936	115	7
	2/0	RJE-572G	M-7937	115	7
	3/0	RJE-572L	M-7938	150	7
	4/0	RJE-572Q	M-7939	150	7
#10	#2	RJE-581V	M-7942	65	7
	#1	RJE-581Y	M-7943	90	7
	1/0	RJE-582C	M-7944	115	7
	2/0	RJE-582G	M-7945	115	7
	3/0	RJE-582L	M-7946	150	7
	4/0	RJE-582Q	M-7947	150	7
#11	#2	RJE-591V	M-7950	65	7
	#1	RJE-591Y	M-7951	90	7
	1/0	RJE-592C	M-7952	115	7
	2/0	RJE-592G	M-7953	115	7
	3/0	RJE-592L	M-7954	150	7
	4/0	RJE-592Q	M-7955	150	7
#14	1/0	RJE-602C	M-7960	115	7
	2/0	RJE-602G	M-7961	115	7
	3/0	RJE-602L	M-7962	150	7
	4/0	RJE-602Q	M-7963	150	7
#18	1/0	RJE-612C	M-7968	115	7
	2/0	RJE-612G	M-7969	115	7
	3/0	RJE-612L	M-7970	150	7
	4/0	RJE-612Q	M-7971	150	7

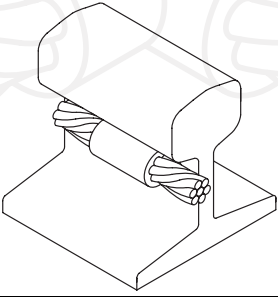
**THERMOWELD®
TYPE
CRE-6**

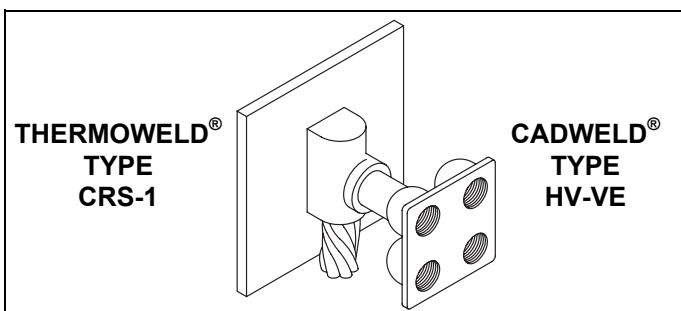


**CADWELD®
TYPE
RJ**

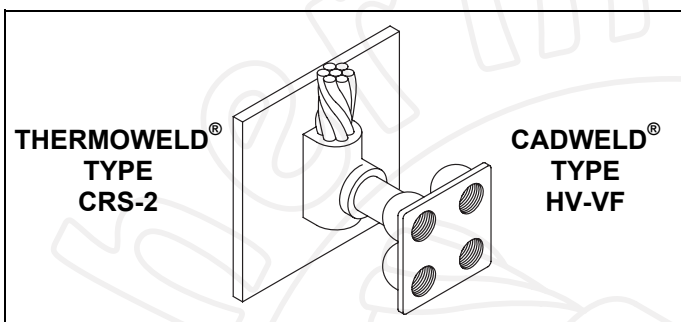
THERMOWELD® TYPE CX-8		CADWELD® TYPE ST		
CABLE SIZE	STANDARD MOLDS			
	CADWELD® MOLD #	THERMO MOLD #	CART SIZE	P K
#4	STR-1L-*	M-6384-*	65	17
#2	STR-1V-*	M-5502-*	65	17
#1	STR-1Y-*	M-6385-*	65	17
1/0	STR-2C-*	M-6386-*	90	17
2/0	STR-2G-*	M-5398-*	90	17
4/0	STR-2Q-*	M-1087-*	115	17

* - Add RH (Right Hand) or LH (Left Hand) to mold number. If none is specified, Right Hand mold will be furnished.

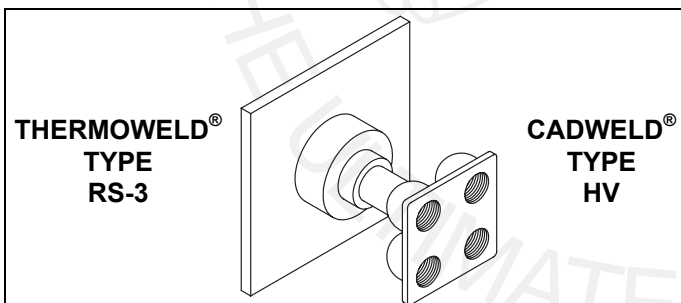
THERMOWELD® TYPE CX-10		CADWELD® TYPE TP		
CABLE SIZE	STANDARD MOLDS			
	CADWELD® MOLD #	THERMO MOLD #	CART SIZE	P K
#4	TPR-1L	M-6387	90	17
#2	TPR-1V	M-6389	90	17
#1	TPR-1Y	M-6390	90	17
1/0	TPR-2C	M-6391	115	17
2/0	TPR-2G	M-8392	115	17
4/0	TPR-2Q	M-6395	150	171



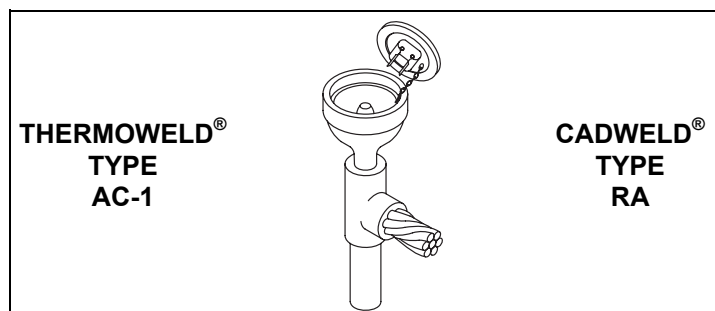
CABLE SIZE	STANDARD MOLDS			
	CADWELD [®] MOLD #	THERMO MOLD #	CART SIZE	P K
1/0	HVR-2Q-008	M-6093	200	17
2/0	HVR-2Q-013	M-6094	200	17
3/0	HVR-2Q-014	M-6095	250	17
4/0	HVR-2Q-009	M-6096	250	17
250 MCM	HVR-2Q-015	M-6097	250	17
300 MCM	HVR-2Q-016	M-6098	2-150	17
350 MCM	HVR-2Q-017	M-6099	2-150	17
500 MCM	HVF-2Q-006	M-6100	2-200	6



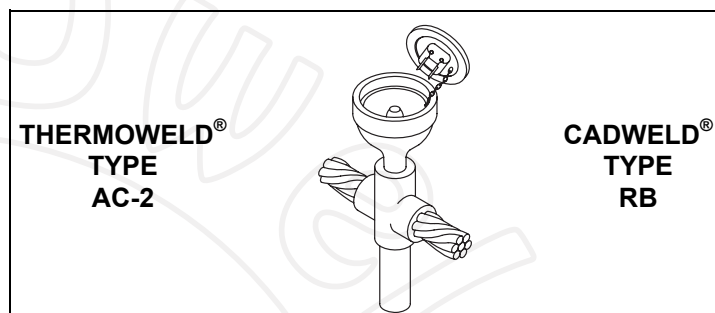
CABLE SIZE	STANDARD MOLDS			
	CADWELD [®] MOLD #	THERMO MOLD #	CART SIZE	P K
1/0	HVR-2Q-004	M-6101	200	17
2/0	HVR-2Q-003	M-6102	200	17
3/0	HVR-2Q-005	M-6103	250	17
4/0	HVR-2Q-002	M-6104	250	17
250 MCM	HVR-2Q-010	M-6105	250	17
300 MCM	HVR-2Q-011	M-6106	2-150	17
350 MCM	HVF-2Q-012	M-6107	2-200	6
500 MCM	HVF-2Q-007	M-6108	500	6



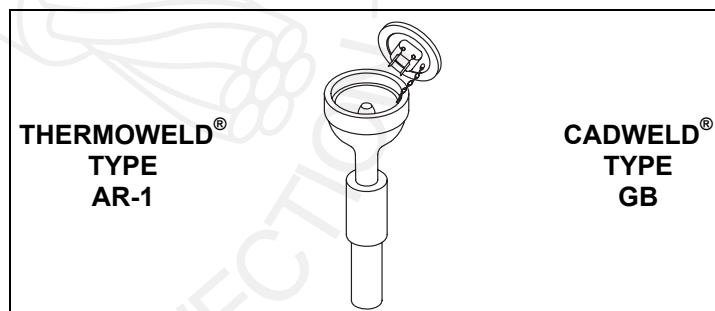
STANDARD MOLDS			
CADWELD [®] MOLD #	THERMO MOLD #	CART SIZE	P K
HVC-2Q-001	M-6091	150	4
HVR-3Q-002	M-6092	200	4



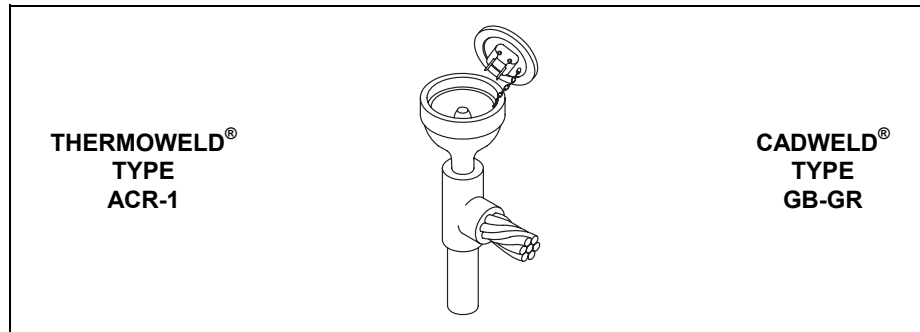
CABLE SIZE	STANDARD MOLDS			
	CADWELD [®] MOLD #	THERMO MOLD #	CART SIZE	P K
#2	RAC-1V	M-6330	115	7
#1	RAC-1Y	M-6332	115	14
1/0	RAC-2C	M-6333	150	4
2/0	RAC-2G	M-6335	150	4
3/0	RAC-2L	M-6336	150	4
4/0	RAC-2Q	M-6337	150	4



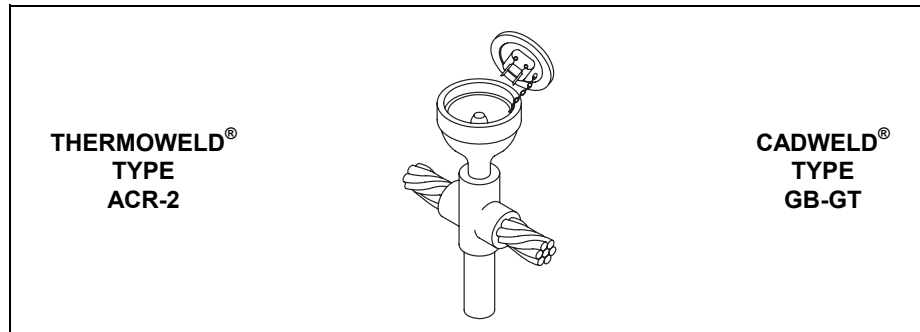
CABLE SIZE	STANDARD MOLDS			
	CADWELD [®] MOLD #	THERMO MOLD #	CART SIZE	P K
#2	RBC-1V	M-6338	115	4
#1	RBC-1Y	M-6339	115	4
1/0	RBC-2C	M-6341	150	4
2/0	RBC-2G	M-6342	150	4
3/0	RBC-2L	M-6343	200	4
4/0	RBC-2Q	M-6344	200	4



GROUND ROD SIZE	STANDARD MOLDS			
	CADWELD [®] MOLD #	THERMO MOLD #	CART SIZE	P K
5/8" COPPER	GBR-16R1	M-6301	2-150	17
3/4" COPPER	GBR-18R1	M-6300	2-150	17
1" COPPER	GBF-22R1	M-6303	2-200	6
5/8" STEEL	GBR-3LR1	M-6301-N	2-150	17
3/4" STEEL	GBR-33R1	M-6300-N	2-150	17
1" STEEL	GBF-37R1	M-6303-N	2-200	6



GROUND ROD & CABLE SIZE		STANDARD MOLDS			
GRD ROD	CABLE	CADWELD® MOLD #	THERMO MOLD #	CART SIZE	P K
5/8"	1/0	GBJ-GR162CR1	M-6305	2-200	8
	2/0	GBJ-GR162GR1	M-6306	2-200	8
	3/0	GBJ-GR162LR1	M-6307	2-200	8
	4/0	GBJ-GR162QR1	M-6309	2-200	8
3/4"	1/0	GBJ-GR182CR1	M-6310	2-200	8
	2/0	GBJ-GR182GR1	M-6311	2-200	8
	3/0	GBJ-GR182LR1	M-6312	2-200	8
	4/0	GBJ-GR182QR1	M-6313	2-200	8
1"	1/0	GBJ-GR222CR1	M-6314	500	8
	2/0	GBJ-GR222GR1	M-6315	500	8
	3/0	GBJ-GR222LR1	M-6316	500	8
	4/0	GBJ-GR222QR1	M-6317	500	8
5/8"	1/0	GBJ-GR312CR1	M-6305-N	2-200	8
	2/0	GBJ-GR312GR1	M-6306-N	2-200	8
	3/0	GBJ-GR312LR1	M-6307-N	2-200	8
	4/0	GBJ-GR312QR1	M-6309-N	2-200	8
3/4"	1/0	GBJ-GR332CR1	M-6310-N	2-200	8
	2/0	GBJ-GR332GR1	M-6311-N	2-200	8
	3/0	GBJ-GR332LR1	M-6312-N	2-200	8
	4/0	GBJ-GR332QR1	M-6313-N	2-200	8
1"	1/0	GBJ-GR372CR1	M-6314-N	500	8
	2/0	GBJ-GR372GR1	M-6315-N	500	8
	3/0	GBJ-GR372LR1	M-6316-N	500	8
	4/0	GBJ-GR372QR1	M-6317-N	500	8

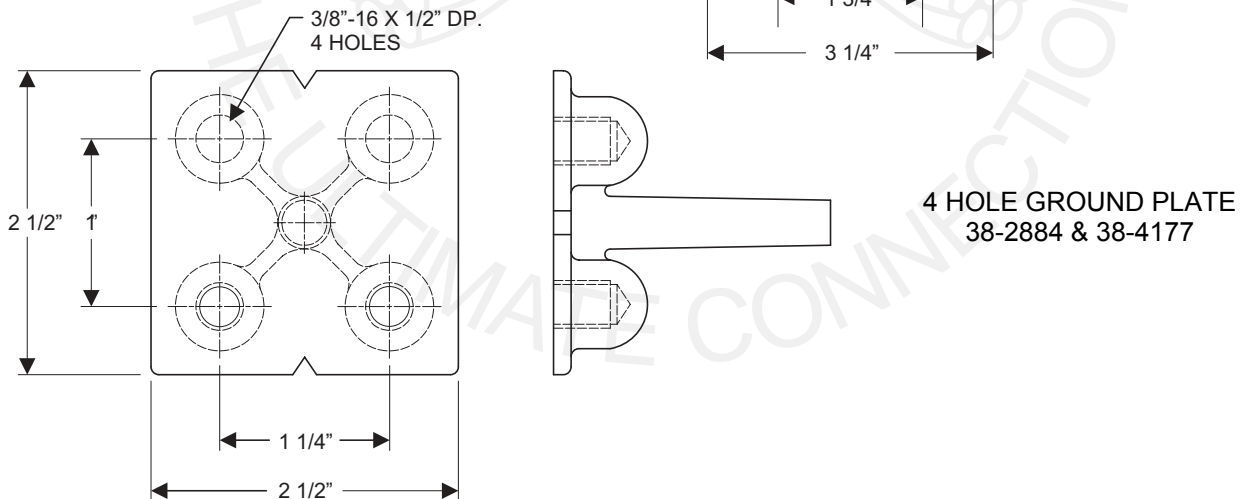
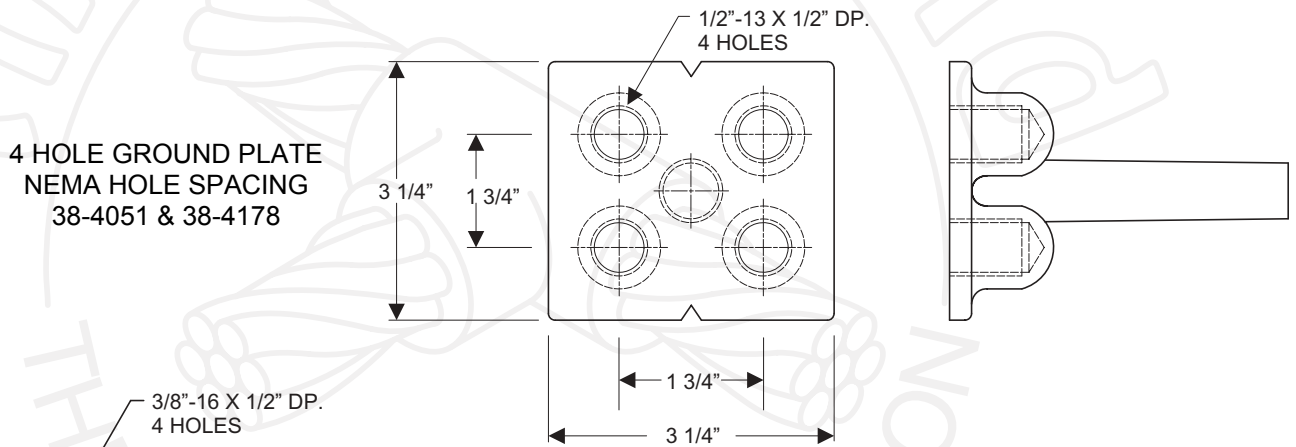
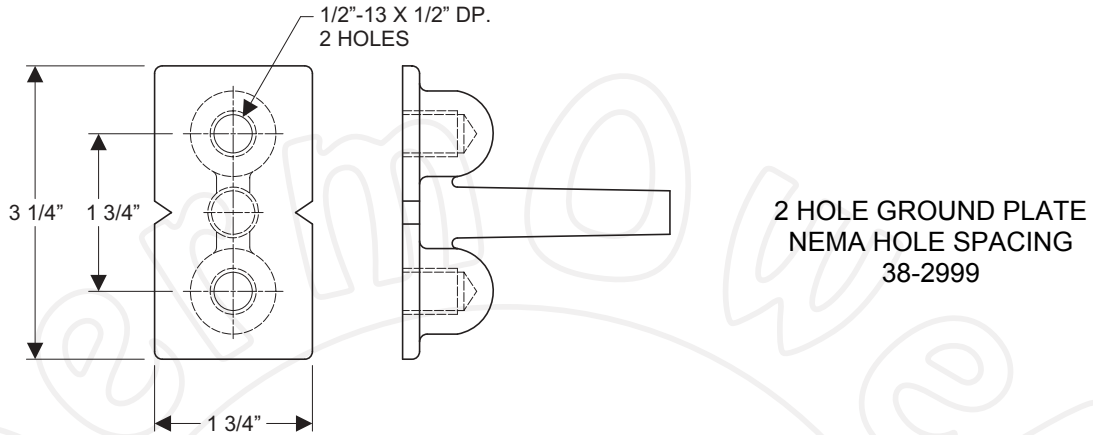


GROUND ROD & CABLE SIZE		STANDARD MOLDS			
GRD ROD	CABLE	CADWELD® MOLD #	THERMO MOLD #	CART SIZE	P K
5/8" COPPER	1/0	GBJ-GT162CR1	M-6318	2-200	8
	2/0	GBJ-GT162GR1	M-8319	2-200	8
	3/0	GBJ-GT162LR1	M-6320	2-200	8
	4/0	GBJ-GT162QR1	M-6321	2-200	8
3/4" COPPER	1/0	GBJ-GT182CR1	M-6322	2-200	8
	2/0	GBJ-GT182GR1	M-6323	2-200	8
	3/0	GBJ-GT182LR1	M-6324	2-200	8
	4/0	GBJ-GT182QR1	M-6325	2-200	8
1" COPPER	1/0	GBJ-GT222CR1	M-6326	500	8
	2/0	GBJ-GT222GR1	M-6327	500	8
	3/0	GBJ-GT222LR1	M-6328	500	8
	4/0	GBJ-GT222QR1	M-6329	500	8
5/8" STEEL	1/0	GBJ-GT312CR1	M-6318-N	2-200	8
	2/0	GBJ-GT312GR1	M-6319-N	2-200	8
	3/0	GBJ-GT312LR1	M-8320-N	2-200	8
	4/0	GBJ-GT312QR1	M-6321-N	2-200	8
3/4" STEEL	1/0	GBJ-GT332CR1	M-6322-N	2-200	8
	2/0	GBJ-GT332GR1	M-6323-N	2-200	8
	3/0	GBJ-GT332LR1	M-6324-N	2-200	8
	4/0	GBJ-GT332QR1	M-6325-N	2-200	8
1" STEEL	1/0	GBJ-GT372CR1	M-6326-N	500	8
	2/0	GBJ-GT372GR1	M-6327-N	500	8
	3/0	GBJ-GT372LR1	M-6328-N	500	8
	4/0	GBJ-GT372QR1	M-6329-N	500	8

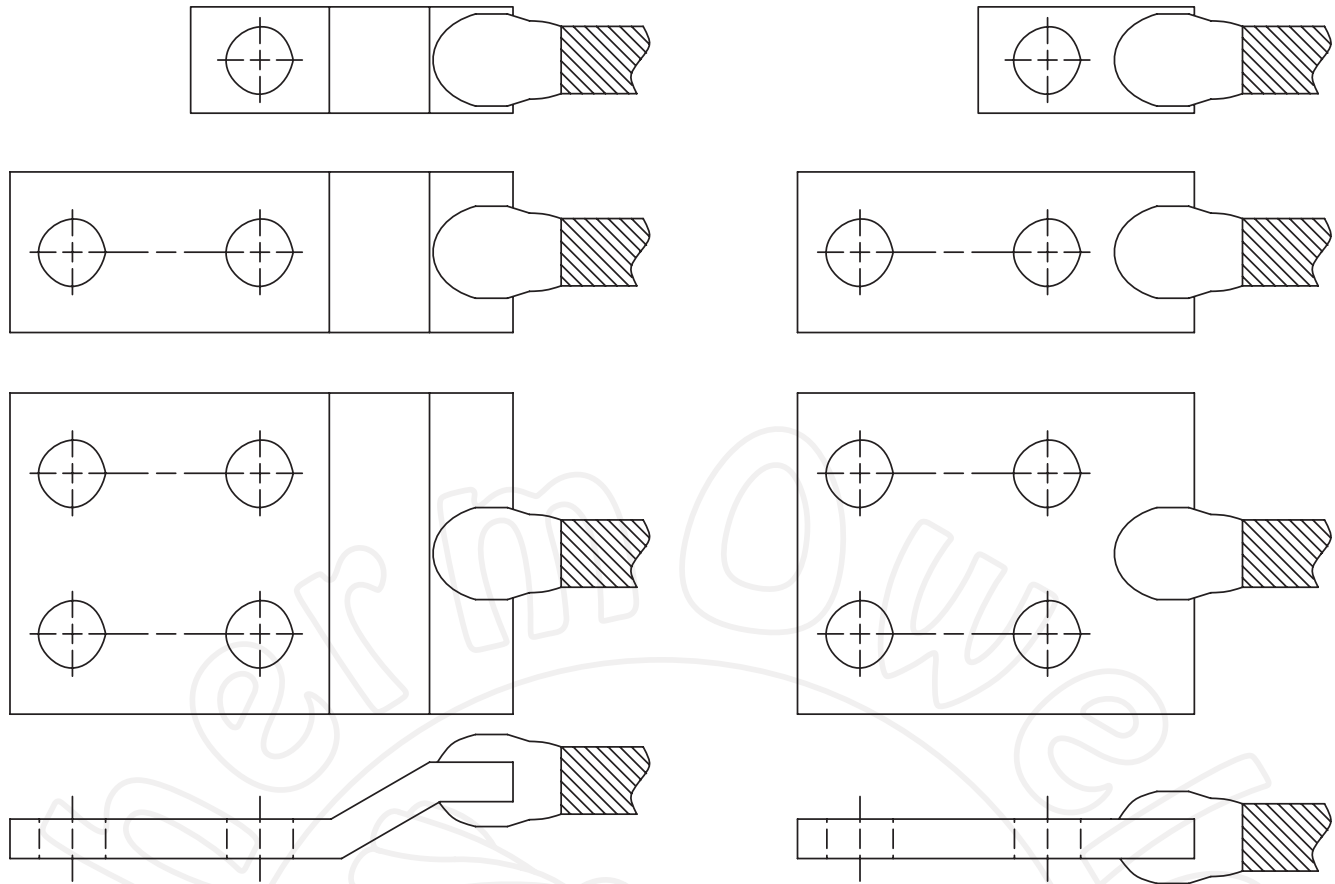


GROUND PLATES

CADWELD® NEW PART NO.	CADWELD® OLD PART NO.	THERMOWELD® PART NO.	STUD SIZE	COMMENTS
B-162-2Q	S-3688-2Q	38-2999-00	4/0	NEMA HOLE SPACING
B-161-2Q	S-330	38-2864-00	4/0	
B-164-2Q	S-3879-2Q	38-4051-00	4/0	NEMA HOLE SPACING
B-161-3Q	S-330-3Q	38-4177-00	500 KCL	
B-164-3Q	S-3879-3Q	38-4178-00	500 KCL	NEMA HOLE SPACING



CADWELD® IS A REGISTERED TRADEMARK OF ERICO®, INC.



OFFSET LUGS			LUG INFORMATION			STRAIGHT LUGS		
THERMOWELD® PART NO.	CADWELD® NEW PART NO.	CADWELD® OLD PART NO.	SIZE	# OF HOLES	BOLT SIZE	THERMOWELD® PART NO.	CADWELD ® NEW PART NO.	CADWELD® OLD PART NO.
38-4152-00	B-102-CE-OL	2N-OL-20	1/8 x 1	2	1/2"	38-4202-00	B-102-CE	2N-20
38-4153-00	B-101-DE-OL	1-OL-40	3/16 X 1	1	1/2"	38-4203-00	B-101-DE	1-40
38-4154-00	B-103-DE-OL	2-OL-40	3/16 X 1	2	1/2"	-----	-----	-----
38-4155-00	B-102-DE-OL	2N-OL-40	3/16 X 1	2	3/8"	38-4205-00	B-102-DE	2N-40
38-4156-00	B-101-EE-OL	1-OL-300	1/4 X 1	1	1/2"	38-4206-00	B-101-EE	1-300
38-4158-00	B-102-EE-OL	2N-OL-300	1/4 X 1	2	1/2"	38-4208-00	B-102-EE	2N-300
38-4162-00	B-101-EG-OL	1-OL400	1/4 X 1-1/2	1	5/8"	38-4212-00	B-101-EG	1-400
38-4164-00	B-102-EG-OL	2N-OL-400	1/4 X 1-1/2	2	1/2"	38-4214-00	B-102-EG	2N-400
38-4165-00	B-101-GG-OL	1-OL-500	3/8 X 1-1/2	1	5/8"	38-4215-00	B-101-GG	1-500-
38-4167-00	B-102-GG-OL	2N-OL-500	3/8 X 1-1/2	2	1/2"	38-4217-00	B-102-GG	2N-500
38-4168-00	B-101-GH-OL	1-OL-750	3/8 X 2	1	5/8"	38-4218-00	B-101-GH	1-750
38-4170-00	B-102-GH-OL	2N-OL-750	3/8 X 2	2	1/2"	38-4220-00	B-102-GH	2N-750
38-4171-00	B-104-EK-OL	4N-OL-750	1/4 X 3	4	1/2"	38-4221-00	B-104-EK	4N-750
38-4175-00	B-104-GK-OL	4N-OL-1250	3/8 X 3	4	1/2"	38-4225-00	B-104-GK	4N-1250
38-4176-00	B-104-JK-OL	4N-OL-2000	1/2 X 3	4	1/2"	38-4226-00	B-104-JK	2N-2000
38-3607-00	B-102-EH-OL	2N-OL-625	1/4 X 2	2	1/2"	38-3605-00	B-102-EH	2N-625

CADWELD® IS A REGISTERED TRADEMARK OF ERICO®, INC.

ACCESSORIES

B-112	38-0202-00	COPPER ADAPTER SLEEVE
B-1 17A	37-0320-01	3/4" DISKS FOR CARTRIDGE SIZES #15-#65 (20 PER PACKAGE)
B-117B	37-0320-02	1" DISKS FOR CARTRIDGE SIZES #90-#115 (10 PER PACKAGE)
B-117C	37-0320-03	1 1/2" DISKS FOR CARTRIDGE SIZES #150-#500 (10 PER PACKAGE)
B-120	38-0330-00	GROUND ROD CLAMP
B-133-1H	38-0200-00	COPPER ADAPTER SLEEVE
B-133-1K	38-0208-00	COPPER ADAPTER SLEEVE
B-133-1L	38-0201-00	COPPER ADAPTER SLEEVE
B-133-1V	38-0207-00	COPPER ADAPTER SLEEVE
B-133-1Y	38-0204-00	COPPER ADAPTER SLEEVE
B-133-2C	38-0203-00	COPPER ADAPTER SLEEVE
B-133-2G	38-0209-00	COPPER ADAPTER SLEEVE
B-133-2L	38-0205-00	COPPER ADAPTER SLEEVE
B-133-2Q	38-0240-00	COPPER ADAPTER SLEEVE
B-134	40-3657-00	MOLD SUPPORT CLAMP FOR USE WITH 40-0106-00 HANDLE CLAMPS
B-135	40-3657-00	MOLD SUPPORT CLAMP FOR USE WITH 40-0107-00 HANDLE CLAMPS
B-136A	40-0319-03	MOLD CLEANER FOR CARTRIDGE SIZES #65-#115
B-136B	40-0319-05	MOLD CLEANER FOR CARTRIDGE SIZES #150-#250
B-137-14	38-3662-01	GROUND ROD DRIVING SLEEVE (1/2" CU CLAD OR STL)
B-137-16	38-3662-02	GROUND ROD DRIVING SLEEVE (5/8" CU CLAD)
B-137-18	38-3662-03	GROUND ROD DRIVING SLEEVE (3/4" CU CLAD)
B-137-22	38-3662-04	GROUND ROD DRIVING SLEEVE (1" CU CLAD)
B-137-31	38-3662-05	GROUND ROD DRIVING SLEEVE (5/8" STL)
B-137-33	38-3662-06	GROUND ROD DRIVING SLEEVE (3/4" STL)
B-137-37	38-3662-07	GROUND ROD DRIVING SLEEVE (1" STL)
B-140-A	38-0329-00	COPPER SHIM STOCK
B-140-B	38-4060-00	COPPER WOOL PACKING
B-141-A	38-4060-00	COPPER WOOL PACKING
B-143-A	38-4061-00	CERAMIC FIBER PACKING
B-143-B	38-4061-00	CERAMIC FIBER PACKING
B-144-A	38-4062-00	CERAMIC FIBER PACKING
B-158	40-0106-27	EXTRA CHAIN FOR CHAIN CLAMPS 20" LONG
B-159V	40-0107-32	VERTICAL CHAIN CLAMP WITH 40-0107-00 HANDLE CLAMP
B-1 59H	40-0107-37	HORIZONTAL CHAIN CLAMP WITH 40-0107-00 HANDLE CLAMP
B-160V	40-0106-32	VERTICAL CHAIN CLAMP WITH 40-0106-00 HANDLE CLAMP
B-160H	40-0106-37	HORIZONTAL CHAIN CLAMP WITH 40-0106-00 HANDLE CLAMP
B-165	38-0119-00	AIRCRAFT GROUNDING RECEPTACLE
B-265	38-0330-00	CABLE CLAMP
B-320	40-4042-00	HORIZONTAL CHAIN CLAMP FOR PK-3 MOLDS
B-321-15	38-0904-03	EXTENSION WITH FLINT GUN (15")
B-321-30	38-0904-00	EXTENSION WITH FLINT GUN (36")
B-321-36	40-0904-00	EXTENSION WITH FLINT GUN (36")
B-396	40-4431-00	MAGNETIC HANDLE CLAMP WITH 40-010&W HANDLE CLAMP
B-399A	40-4565-00	HANDLE CLAMPS FOR PK-18 MOLDS
B-399B	40-4565-00	HANDLE CLAMPS FOR PK-19 & 20 MOLDS

L-1 59	40-0107-00	HANDLE CLAMPS FOR PK-5, 6, & 8 MOLDS
L-160	40-0106-00	HANDLE CLAMPS FOR PK-4,7 & 17 MOLDS
T-111	38-4391-01	SELF IGNITING TORCH HEAD
T-301	38-4459-00	21 " CABLE CUTTERS
T-303	SEE NOTE #1	32" CABLE CUTTERS
T-305	38-0308-00	SCREWDRIVER
T-313	38-0306-00	CARD CLOTH BRUSH
T-314	38-0135-00	CABLE CLEANING BRUSH
T-314A	38-0135-01	REPLACEMENT BRUSH FOR 38-0135-00
T-315	38-0302-00	TOOL KIT WITHOUT RASP
T-31 6	38-0303-00	TOOL BOX ONLY
T-317	38-4129-00	PACKING MATERIAL 1 lb PACKAGE
T-317A	38-4129-05	PACKING MATERIAL 51b PACKAGE
T-319	38-0331-00	GALVANIZING BAR
T-320	38-0309-00	FLINT IGNITER
T-320A	38-0309-01	REPLACEMENT FLINTS FOR 38-0309-00
T-321	38-0101-00	RASP
T-321A	38-0101-01	REPLACEMENT BLADE FOR 38-01 01 -00 RASP
T-359	38-4409-00	RATCHET STYLE CABLE CUTTERS
T-359J	38-4409-01	REPLACEMENT BLADES FOR 38-4409-00
T-361	SEE NOTE #1	TOOL BOX WITH TOOLS & TOOL TRAY
T-362	38-4709-00	16" CABLE CUTTERS
T-327A	38-4384-00	AEROSOL COLD GALVANIZING COMPOUND 16 oz CAN
T-378L	38-4855-00	HEAVY CANVAS GLOVES WITH LEATHER PALMS
T-393	38-4856-00	SAFETY GLASSES
T-394	38-3922-00	MOLD CLEANING BRUSH

NOTE #1. CONTACT FACTORY FOR MORE INFORMATION.

