



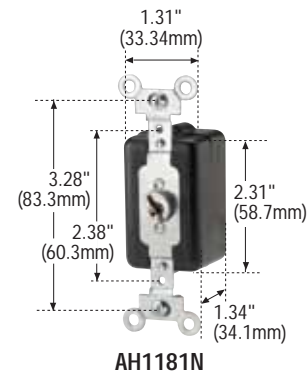
## AC Switches – Corbin Lock Type

### FEATURES

- Exclusive steel-housed Corbin locking device operates with a true key for added security and resistance to vandalism.
- Key removable in the “ON” and “OFF” position. Standard finish of lock dome is nickel.
- Two keys are supplied with each lock switch. AH14 key is standard.

### Back and Side Wire

Rating A	V/AC	Description	Lock Dome Finish	Catalog No.
15	120/277	Single Pole	Nickel	AH1181N
		Single Pole, key removable in “OFF” position only	Nickel	AH1181NOF
		Double Pole	Nickel	AH1182N
		Three-Way	Nickel	AH1183N
20	120/277	Single Pole	Nickel	AH1191N
		Single Pole, key removable in “OFF” position only	Nickel	AH1191NOF
		Double Pole	Nickel	AH1192N
		Three-Way	Nickel	AH1193N

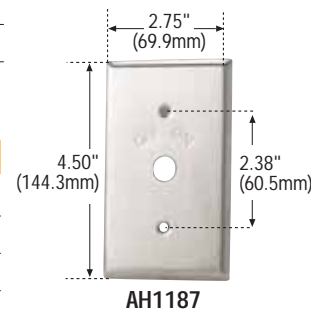


### Corbin Replacement Key – for Corbin Switches

Description	Catalog No.
Corbin Replacement Key	AH14

### Stainless Steel Wallplates

Description	Catalog No.
Stainless Steel Wallplate, With “ON-OFF” Indication.	AH1187
Stainless Steel Wallplate, Non-Indicating.	AH1188



### Horsepower Rated for Motor Loads per UL 20

	120V/AC	240V/AC	Max Amps
15A	1/2 HP	2 HP	12A
20A	1 HP	2 HP	16A

## E-4 Switches

**TESTING & CODE COMPLIANCE**  
 • UL 20 Listed  
 (file no. E135162).

**MATERIAL CHARACTERISTICS**  
 Urea / Phenolic  
 Temperature Rating:  
 -40°C to 100°C.