

Sensors and Systems

Edition 3.0

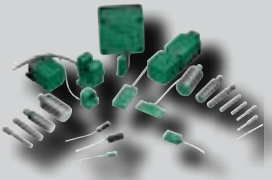

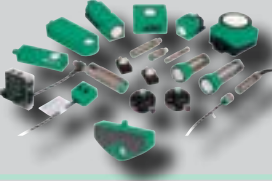
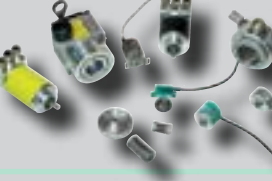
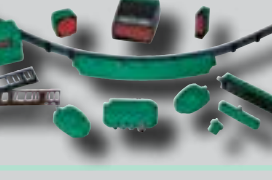
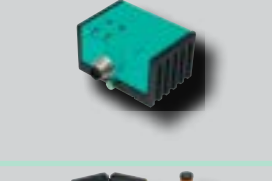

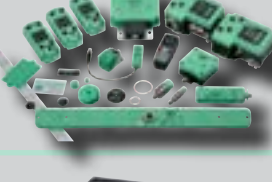




Your automation, our passion.

pf PEPPERL+FUCHS

Contents

Introduction	4
Over Half a Century of Experience	4
Application Solutions	4
Why Sensors?	5
Typical Applications	5
The Catalog	6
The Website	7
Sensor Connections/Sensor Outputs	8
Sensor Interfaces	11
Products	12
1 Proximity Switches	12
2 Photoelectric Sensors	324
3 Ultrasonic Sensors	588
4 Rotary Encoders	678
5 Positioning Systems	758
6 Inclination and Acceleration Sensors	816
7 AS-Interface	828
8 RFID Identification Systems	902
9 Logic Control Units	936
10 Accessories	970
Appendix	1086
Standards	1086
Chemical Resistance of Housing Materials	1087
Accreditation Offices for Electric Apparatus	1088
General Explosion Protection Requirements	1089
Degrees of Protection through Housing	1090
Glossary	1091
General notes relating to Pepperl+Fuchs product information	1097
Pepperl+Fuchs GmbH Worldwide	1098
Alphabetic Type List	

	Proximity sensors	<ol style="list-style-type: none"> 1. Inductive sensors 2. Capacitive sensors 3. Magnetic field sensors 	1
	Photoelectric sensors	<ol style="list-style-type: none"> 1. Photoelectric sensors/light scanners 2. Distance sensors 3. Contrast sensors/color sensors 4. Light grids 5. Optical data couplers 6. Accessories 	2
	Ultrasonic sensors	<ol style="list-style-type: none"> 1. Diffuse mode sensors 2. Thru-beam sensors 3. Sensors for separate evaluation 4. Double sheet sensors 5. Accessories 	3
	Rotary encoders	<ol style="list-style-type: none"> 1. Absolute rotary encoders 2. Incremental rotary encoders 3. Cable pulls 4. Accessories 5. Safe Speed Monitor 	4
	Positioning systems	<ol style="list-style-type: none"> 1. Inductive positioning systems 2. Laser distance measurement devices 3. Position encoding system WCS 4. Data Matrix positioning system PCV 5. Electronic cam-operated switch group PAX 	5
	Inclination and acceleration sensors	<ol style="list-style-type: none"> 1. Inclination sensors 2. Acceleration sensors 	6
	AS-Interface	<ol style="list-style-type: none"> 1. Masters/gateways 2. Power supplies, power extenders and repeaters 3. Safety at Work 4. Modules 5. Display/operation 6. Accessories 	7
	RFID identification systems	<ol style="list-style-type: none"> 1. Control interfaces 2. Heads and tags (read/write heads) 3. Handheld devices 4. Accessories 	8
	Logic control units	<ol style="list-style-type: none"> 1. Counters and displays 2. Process displays 3. Rotational speed and standstill monitors 4. Frequency voltage current converters 5. Sensor end stages/relays 	9
	Accessories	<ol style="list-style-type: none"> 1. Electric connection technology (connectors and splitters) 2. Sensor testers and tools 3. Mounting accessories 4. Wireless Inductive System WIS 	10

Over Half a Century of Experience

A pioneer in the development of proximity switches, Pepperl+Fuchs has been manufacturing sensors of the highest quality for over fifty years. With a large number of production facilities and a global network of sales representatives and application specialists, Pepperl+Fuchs is the world's largest manufacturer of electric proximity switches.

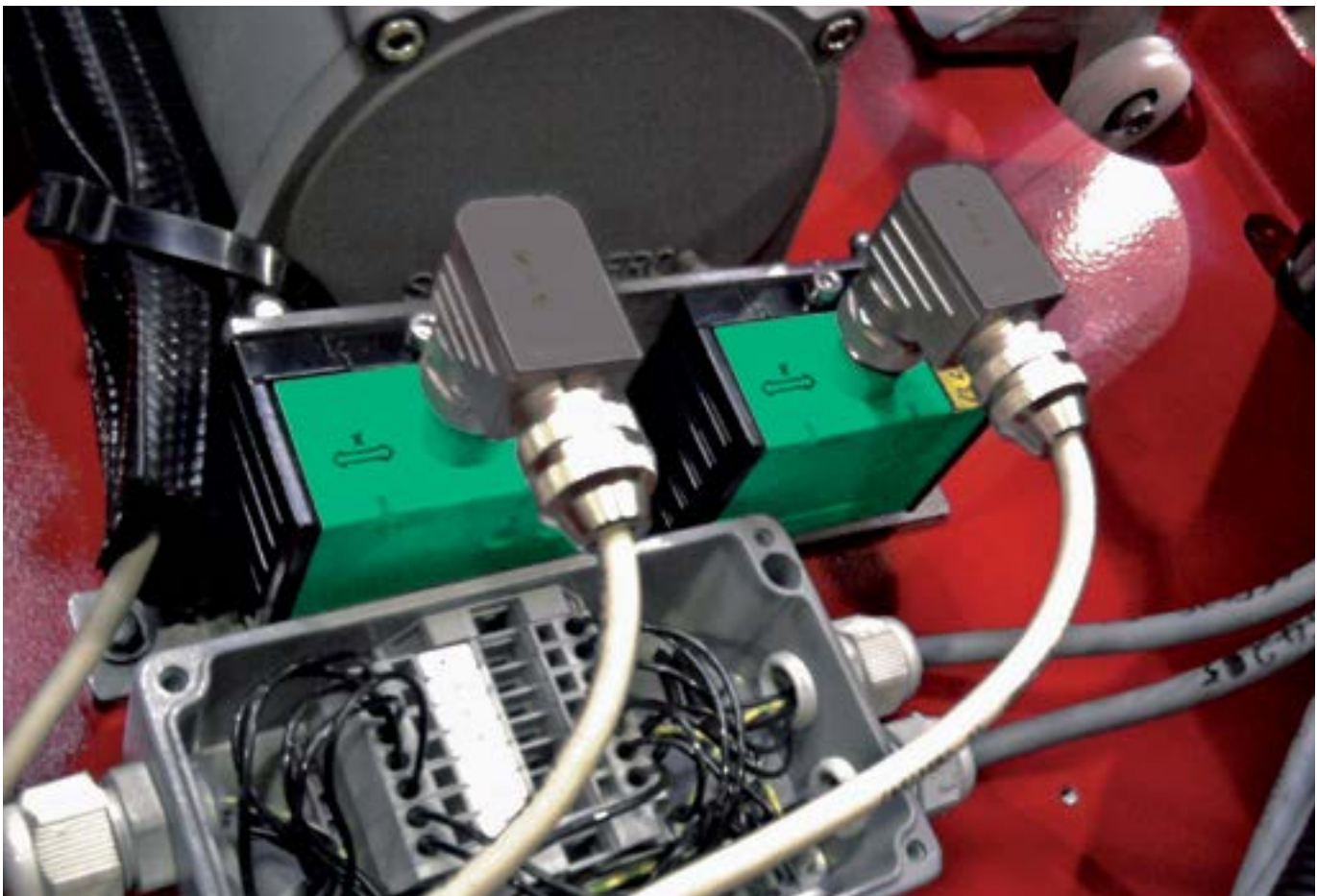
Pepperl+Fuchs endeavors to maintain its high standards of quality and service in compliance with ISO Standard 9001. Our objective of delivering total customer satisfaction means that you have access to excellent products and customer service. Our large team of sales representatives and application specialists are on hand to help you select the best solution for your application. Through the use of modern automated production methods, extensive testing, and intensive research and development, Pepperl+Fuchs stamps its mark of excellence on the development of industrial control solutions.



Sensors from Pepperl+Fuchs meet with uncompromising standards in terms of reliability, functionality, and state-of-the-art technology. We give the utmost priority to high switching accuracy, semiconductor reliability, and waterproofing in the production of our sensors. Each individual sensor undergoes inspections and comprehensive testing to ensure the consistent performance of our products in almost every sector of industry and in all environments.

Application Solutions

In today's highly technological and automated world, the complexity of control systems is continually increasing. Sensors from Pepperl+Fuchs keep pace with the ever-evolving technology and contribute towards increased productivity while reducing costs. Our product portfolio includes over a thousand sensors covering inductive, capacitive, and photoelectric sensors as well as ultrasonic sensors, sensors for special applications, and intrinsically safe proximity switches, offering the ideal solution for virtually every application. When it comes to speed, reliability, and switching accuracy, Pepperl+Fuchs sensors are the preferred choice.



Issue date: 02.04.2015

Why Sensors?

- *The typical electromechanical switch has an inadequate service life.*
- *Extremely fast production cycles require high switching frequencies.*
- *Semiconductor sensors are more suitable than mechanical contacts for applications with very weak load currents.*
- *The encapsulated housing design of proximity switches makes them impervious to the negative effects of fluids, vibrations, impacts, dust, dirt, and oil.*
- *The target to be detected is very light and fragile.*
- *The movement of the target is too precise for mechanical switches.*
- *The target must be detected through other objects (e.g., plastic or glass sheets).*

Typical Applications

- Robotics
- Conveyors
- Machine tools
- Counting applications
- Elevators
- Filling level control
- Positioning
- Mobile machinery
- Fairground rides
- Packaging machines
- Anti-lock systems
- Positioning of air and hydraulic cylinders
- Code readers
- Valve setting
- Can crushers
- Door openers and closers
- Printing machines
- Rotational speed detection
- Indexing
- Detection of missing parts
- Edge guide control
- Broken cable detection
- Bottle and can top detection
- Coin payment
- Broken tool detection



Issue date: 02.04.2015

The Catalog

This compact yet comprehensive catalog presents the entire product portfolio of our Factory Automation division. Throughout the catalog, the table of contents for each section is followed by comprehensive selection tables detailing the most important features of each device series with a direct reference to the product page.

Selection tables:

Cylindrical sensors	3 mm	4 mm	8.5 mm	9 mm
Series	3 mm	4 mm	8.5 mm	9 mm
Operating distance	3 mm	3 mm	3 mm	3 mm
Flush	3 mm	3 mm	3 mm	3 mm
Non-Flush	3 mm	3 mm	3 mm	3 mm
Connection	3 mm	3 mm	3 mm	3 mm
Cable	3 mm	3 mm	3 mm	3 mm
Wiring cabinet	3 mm	3 mm	3 mm	3 mm
Plug connector	3 mm	3 mm	3 mm	3 mm
Terminal compartment	3 mm	3 mm	3 mm	3 mm
Output	3 mm	3 mm	3 mm	3 mm
Two-wire DC	3 mm	3 mm	3 mm	3 mm
Three-wire DC	3 mm	3 mm	3 mm	3 mm

The selection tables summarize the technical data from the product pages to the key selection criteria, and serve as an important aid for factory planners and designers. Quickly choosing the right product has never been easier.

Product pages

The tables illustrating the technical data on the product pages always start by listing the "Common data" for all the products featured on a page.

Technical Data	
For detailed data and product description refer to the data sheets at www.pepperl-fuchs.com	
General Data	
Rated operating distance	3 mm
Installation	Flush mountable
Switching element function	DC Dual NC
Type of voltage	DC
Nominal voltage	12 V (R, approx. 1 kΩ)
Reverse polarity protection	✓
Current consumption	
Measuring plate not detected	< 3 mA
Measuring plate detected	< 1 mA
Switching frequency	0 ... 1500 Hz
Suitable for 2:1 technology	✓ Reverse polarity protection diode not required

This is followed by a product selection table summarizing the key features that distinguish the illustrated products, enabling you to narrow down your selection and choose a product. The table header contains the full product name for quick reference.

This enables:

- direct and secure ordering for buyers and
- instant access to complete technical documentation such as data sheets, operating instructions, suitable software tools, etc. for technical specialist staff.

Product selection table:

Model Number	HB1113-30GMA0-20	HC1113-30GMA0-20	MC1113-30GMA0-21	HB1113-30GMA0-20-V1	HC1113-30GMA0-20-V1	HB1113-30GMA0-20-V1	HC1113-30GMA0-20-V1
Switching element function	DC NO	DC NO	DC NO	DC NO	DC NO	DC NO	DC NO
Ambient temperature	-25 ... 70 °C (-13 ... 158 °F)	-25 ... 70 °C (-13 ... 158 °F)	-25 ... 70 °C (-13 ... 158 °F)	-25 ... 70 °C (-13 ... 158 °F)	-25 ... 70 °C (-13 ... 158 °F)	-25 ... 70 °C (-13 ... 158 °F)	-25 ... 70 °C (-13 ... 158 °F)
Housing material	Stainless steel 1.4305 / AISI 303	Stainless steel 1.4305 / AISI 303	Stainless steel 1.4305 / AISI 303	Stainless steel 1.4305 / AISI 303	Stainless steel 1.4305 / AISI 303	Stainless steel 1.4305 / AISI 303	Stainless steel 1.4305 / AISI 303
Connection type	Device connector M12 x 1, 4-pin	Device connector M12 x 1, 4-pin	Device connector M12 x 1, 4-pin	Device connector M12 x 1, 4-pin	Device connector M12 x 1, 4-pin	Device connector M12 x 1, 4-pin	Device connector M12 x 1, 4-pin
	cable PUR, 2 m	cable PUR, 2 m	cable PUR, 2 m	cable PUR, 2 m	cable PUR, 2 m	cable PUR, 2 m	cable PUR, 2 m
	cable PVC, 2 m	cable PVC, 2 m	cable PVC, 2 m	cable PVC, 2 m	cable PVC, 2 m	cable PVC, 2 m	cable PVC, 2 m

The technical data is supplemented by a list of approvals and certificates as well as an illustration of the most important device dimensions.

Just a recommendation - preferred types

The wide portfolio of Pepperl+Fuchs offers a huge selection of products that differ even within product families in many details from each other. So the choice of the right product often is not easy. To support you in choosing the right sensor solution, the model numbers of our preferred types are highlighted in this catalog.

Model Number	MC1113-30GMA0-20	MC1113-30GMA0-21	MC1113-30GMA0-20-V1	MC1113-30GMA0-20-V1
Installation type	compact design for installation in housing and large installation	compact design for installation in housing and large installation	compact design for installation in housing and large installation	compact design for installation in housing and large installation
Connection type	Device connector M12 x 1, 4-pin	Device connector M12 x 1, 4-pin	Device connector M12 x 1, 4-pin	Device connector M12 x 1, 4-pin
	cable PVC, 180 mm	cable PVC, 180 mm	cable PVC, 180 mm	cable PVC, 180 mm
	cable PVC, 5 m	cable PVC, 5 m	cable PVC, 5 m	cable PVC, 5 m

Your benefits with the choice of preferred types are:

- The suitability for a wide range of applications in all areas of automation technology
- High short-term availability
- The promise of long-term product availability

We understand the preferred types as a recommendation and assure you short-term and long-term your replacement needs for the reliable operation of your system.

Accessories

Suitable accessories enable huge potential savings in terms of installation and adjustment. During ongoing operation, they allow for a long service life and high plant availability. A list of accessories and their complete model numbers is included on the product pages.

Accessories	This and more accessories can be found in
BT32	See pages from 974 ... for cordsets
BT32XS	See page ...
	Activator for F25 series
	Activator for F25 series

The Website

For the most up-to-date and comprehensive product information visit our website www.pepperl-fuchs.com.



There are two ways in which you can narrow your search and find the product information you need:

- To search for information about a specific product, use the **search function**.
- To search for a product based on specific features, use the **product selector**.

The search function

Enter the product name (if known), part of the product name (e.g., from the catalog), or a part number (e.g., from the type label of a product you have already purchased) in the search field on our website. The search function is not case sensitive. You can also carry out a wildcard search using *.



Depending on the completeness of the product name or part number you entered, the search result displays a hit list with a short description of each product from which you can select the required product.

The product selector

Use the product selector to navigate to the required product group.



Here, you can choose a product from a list of products



or on the basis of product features.



Now select the required product feature. Each time you make a selection, the number of products that meet the criteria is displayed. The more features you define, the fewer suitable products will be displayed.

Finally, click on **Product Selector Tool Results: xxx product(s)** to access the product list and view the required product.

Product Selector Tool for: Retro-Reflective Sensors		
Product Selector Tool Results: 13 Product(s)		
Version	Housing material	Max. detection range
<input checked="" type="checkbox"/> Rectangular type	<input type="checkbox"/> Metal	<input type="checkbox"/> 0 - 3 m
<input type="checkbox"/> Threading M12	<input type="checkbox"/> Plastic	<input type="checkbox"/> 3 - 5 m
<input type="checkbox"/> Threading M18		<input checked="" type="checkbox"/> 5 - 10 m
<input type="checkbox"/> Miniature housing		<input type="checkbox"/> 10 - 18 m
		<input type="checkbox"/> 15 - 25 m
		<input type="checkbox"/> 25 - 45 m
Light type	Working voltage	Switching output
<input type="checkbox"/> Red light	<input type="checkbox"/> AC	<input checked="" type="checkbox"/> PNP
<input type="checkbox"/> Infrared light	<input type="checkbox"/> DC	<input type="checkbox"/> NPN
<input type="checkbox"/> Laser diode	<input type="checkbox"/> AC / DC	<input type="checkbox"/> PNP/NPN
		<input type="checkbox"/> Push-pull
		<input type="checkbox"/> Relay
		<input type="checkbox"/> NAMUR
		<input type="checkbox"/> AS-Interface
		<input type="checkbox"/> NAMURET

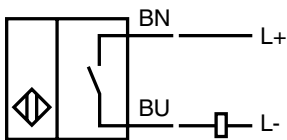
Sensor Connections/Sensor Outputs

Pepperl+Fuchs provides sensors that can be operated with AC and/or DC supply voltages. The following list provides an overview.

Two-wire DC sensors

These are operated in series with the load. Most are voltage polarity independent (function independent of connection polarity) and are predominantly short-circuit proof, while others offer reverse polarity protection (function only with correct polarity, otherwise the proximity switch remains at high impedance) and are short-circuit proof. While in a locked state, a low leakage current flows due to their functional properties. While in switched state, a minor voltage drop occurs at the switch.

Switching example:



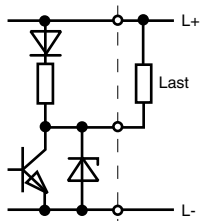
The model number for sensors of this type includes the reference -Z. Two-wire sensors are supplied as:

- *NO contact (Z/Z0, Z3, Z4),*
- *NC contact (Z1, Z5),*
- *Programmable wiring (Z2).*

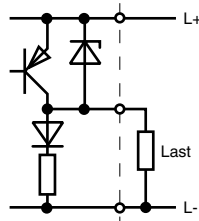
Three-wire DC sensors

These sensors have separate connections for the power supply and the load. They are overload protected, short-circuit proof, and reverse polarity protected. The leakage current is negligible.

This group is divided into switched high (PNP) sensors and switched low (NPN) sensors. Depending on the type of sensor, the load is connected between output and 0 V or between the output and +U_B.



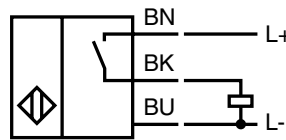
NPN



PNP

Due to the type of end stage transistor, switched low end stages are often referred to as NPN end stages, and switched high end stages are referred to as PNP end stages.

Switching example:



The model number for the vast majority of this type of sensor includes the reference -E.

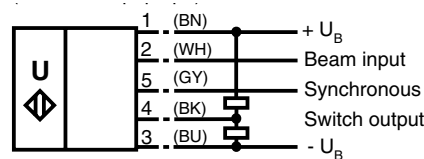
Sensors of this type are supplied as:

- *NPN NO contact (E or E0),*
- *NPN NC contact (E1),*
- *PNP NO contact (E2),*
- *PNP NC contact (E3),*
- *NPN NO/NC contact convertible (E4)*
- *PNP NO/NC contact convertible (E5).*
- *PNP NO contact, dual channel (E8)*

DC sensors, push-pull

These proximity switches are equivalent to the E-types, although the output is fitted with both a PNP and an NPN transistor. This enables the load to be switched between the output cable and +U_B or -U_B. A push-pull output combines the properties of a PNP and an NPN output.

Switching example:



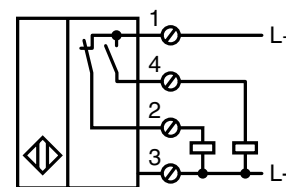
Sensors with push-pull output are included in:

- *Photoelectric sensors*
- *Ultrasonic sensors*
- *Incremental rotary encoders.*

Four-wire DC sensors

These proximity switches are equivalent to E-types, although they are fitted with an NC contact output and an NO contact output.

Switching example:



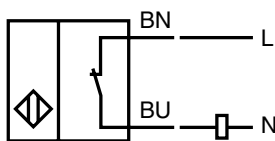
The model number for this type of sensor includes the reference -A. They are supplied as:

- *NPN NC/NO contacts (A or A0).*
- *PNP NC/NO contacts (A2)*

Two-wire AC sensors

These are operated in series with the load. While in locked state, a low leakage current flows due to their functional properties and a voltage drop occurs at the conducting switch.

Switching example:



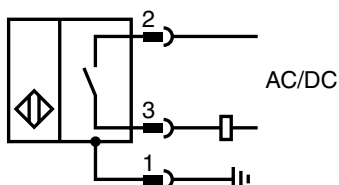
The model number for this type of sensor includes the reference -W. They are supplied as:

- *NC contact (WÖ),*
- *NO contact (WS),*
- *NC contact or NO contact (W) (programmable wiring).*

Two-wire universal current sensors

These are operated in series with the load. They can be connected to either direct current or alternating current supply voltages. They are overload protected and short-circuit proof. While in locked state, a low leakage current flows due to their functional properties and a voltage drop occurs at the conducting switch.

Switching example:

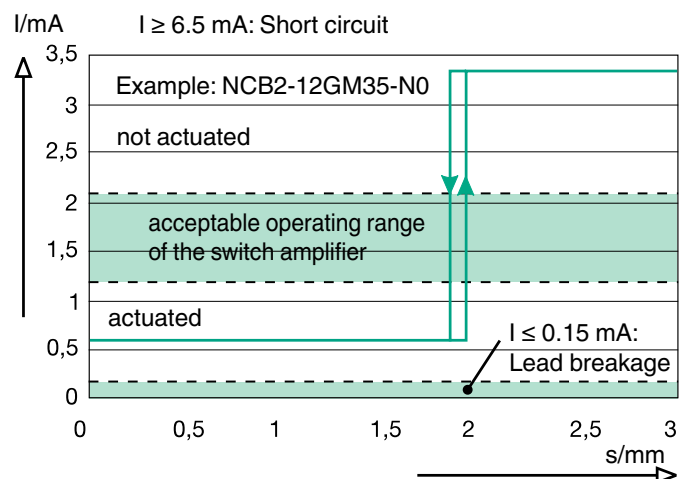
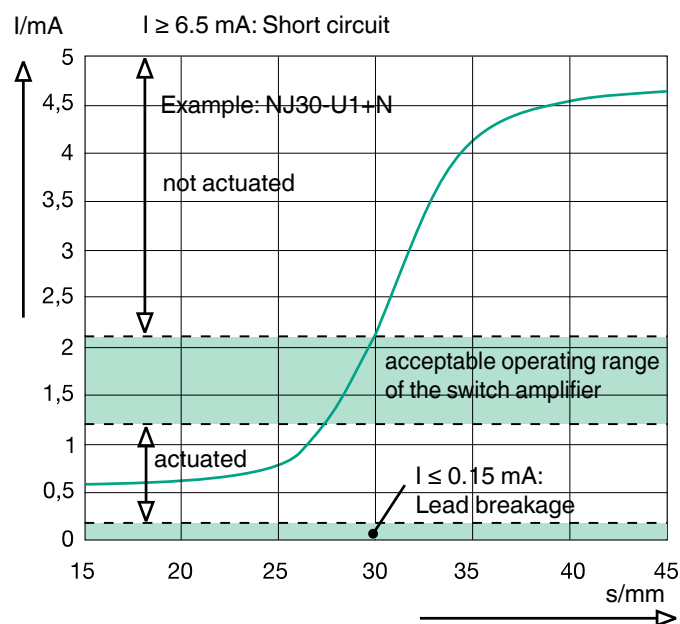


The model number for this type of sensor includes the reference -U. They are supplied as:

- *NC contact (UÖ),*
- *NO contact (US),*
- *NC contact or NO contact (U) (programmable wiring).*

Two-wire NAMUR sensors

NAMUR sensors (Normenarbeitsgemeinschaft für Mess- und Regelungstechnik der chemischen Industrie) manufactured in accordance with EN 60947-5-6 (VDE 0660 Part 212) are two-wire sensors that have a constant (type N) or non-constant (type N0) travel/current characteristic.



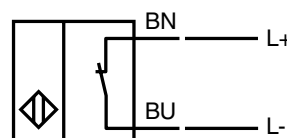
The model number for this type of sensor includes the reference -N or -N0.

They are supplied as:

- *NC contact (N/N0),*
- *NO contact (1N),*
- *Dual channel NC contact (N4).*

NAMUR sensors are connected to external switch amplifiers that convert the current variation into a binary output signal.

Switching example:



Pepperl+Fuchs GmbH offers a range of switch amplifiers for NAMUR sensors for use in hazardous and nonhazardous applications.

Two-wire NAMUR photoelectric safety sensors

These proximity switches are equivalent to NAMUR sensors, although they behave in a particular way: in the case of a system sensor/control unit/extension cable malfunction, the output of the control unit automatically goes to the safe "OFF" state.

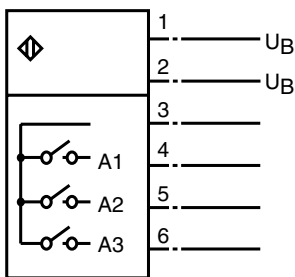
The model number for this type of sensor includes the reference -SN or S1N. They are supplied as:

- NC contact (SN)
- NO contact (S1N).

Sensors with relay contact output

Some sensors have relay contact outputs. The maximum switching power and the type of voltage can be found in the respective data sheets. The mechanical service life data relates to the number of switching cycles for the unloaded relay contact output. This value is achieved with a low electric contact load. Under nominal load for the contacts, it reduces to the value specified for the electrical life. The service life details are MTBF values.

Switching example:



Three-wire DC analog sensors

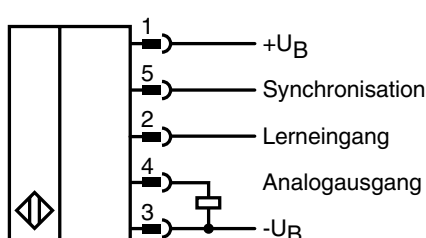
These sensors have separate connections for the power supply and the output. An analog signal that is proportional to the measured quantity can be tapped at the output. The most widely used analog signals are 4 mA ... 20 mA and 0 V ... 10 V.

Examples of the measured quantity include the object distance, an inclination angle, a filling level, a valve position, or an acceleration value.

Most analog sensors have a parameterization option that enables the output to be optimally adapted to the conditions in the application.

Analog sensors often also have switching outputs for signaling trip values (see Three-wire DC sensors).

Switching example:



The model number for this type of sensor includes the reference -I or -U. They are supplied as:

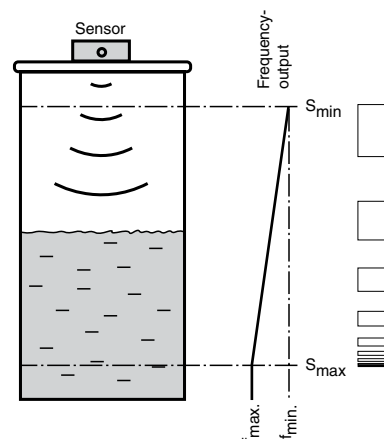
- Current output, e.g., 4 mA ... 20 mA (I)
- Voltage output, e.g., 0 V ... 10 V (U)
- Current/voltage output with independent load detection and function changeover (IU).

Three-wire DC sensors with frequency output

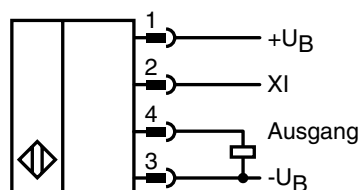
These kinds of sensors (primarily ultrasonic sensors) indicate the measured quantities within the detection area in the form of a rectangular signal with variable frequency. For example, when the fill level is S_{min} the frequency output supplies the lowest frequency value; when the fill level is S_{max} it supplies the highest frequency. The frequency characteristic runs in a straight line between the measurement range limits.

These sensors are also analog sensors with an output signal that can be processed directly by the digital input of a control unit.

Application example:



Switching example:



The model number for this type of sensor includes the reference -F.

Sensor Interfaces

Many sensors from Pepperl+Fuchs have a digital interface on its own or in addition to binary or analog outputs.

Sensors with RS232 interface

The RS232 interface enables communication with the interface during operation. However, this interface is primarily designed for parameterizing extensive sensor functions. Many of our ultrasonic sensors are fitted with this type of interface.

Sensors with USB interface

Generally, what applies to the RS232 interface also applies to the USB interface. It is essentially designed for parameterizing extensive sensor functions.

Sensors with a parallel interface

The process value is issued by the sensor via parallel data lines. A separate line is required for each bit of the data word.

Pepperl+Fuchs supplies ultrasonic sensors, optical data couplers, and rotary encoders with a parallel interface.

Sensors with SSI interface

The SSI interface (Synchronous Serial Interface) is a uni-directional interface for the rapid transfer of process data from the sensor to the control unit. The telegram length is always 25 bits.

Sensors with SSI interface are included in:

- Absolute rotary encoders
- Data Matrix positioning systems PCV
- Position encoding system WCS
- Laser distance measurement devices

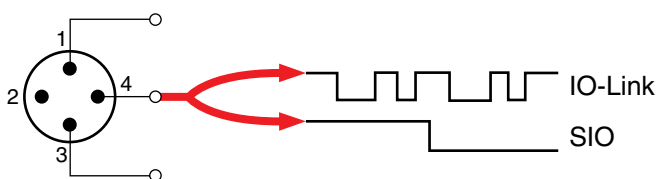
Sensors with IO-Link



IO-Link is a point-to-point communication system.

Sensors with IO-Link are fully downward compatible with binary sensors with a switching output. If no IO Link master is connected to the sensor, the sensor operates in SIO mode with a conventional switching output. An IO-Link sensor can therefore be integrated into existing systems without restriction.

If the sensor detects a connected IO-Link master when it is switched on, it operates in IO-Link communication mode.



All the features of this modern interface technology are available in communication mode:

- Parameterizing the sensor functions
- Reading out process data
- Transferring diagnostics data

■ When using IO-Link, you also benefit from:

- Reduction in the number of versions—one IO-Link sensor replaces a number of sensors with different end stages
- Reduction in machine downtime due to differentiated diagnostics
- Calling up of diagnostic information during operation as a means of preventative maintenance
- Reduction in project planning and installation costs thanks to a standardized interface
- Simple three-core cable to connect all sensors
- IO-Link master enables different sensor types—even simple binary sensors—to be connected.

Bus-compatible sensors

AS-Interface sensors

These sensors are connected directly to the AS-Interface bus. The communicative ability of these devices supports enhanced functionality.

AS-Interface sensors are included in the following product areas

- Inductive sensors
- Photoelectric sensors
- Rotary encoders.

Binary standard sensors can be connected to AS-Interface via AS-Interface modules.

Additional bus systems and networks

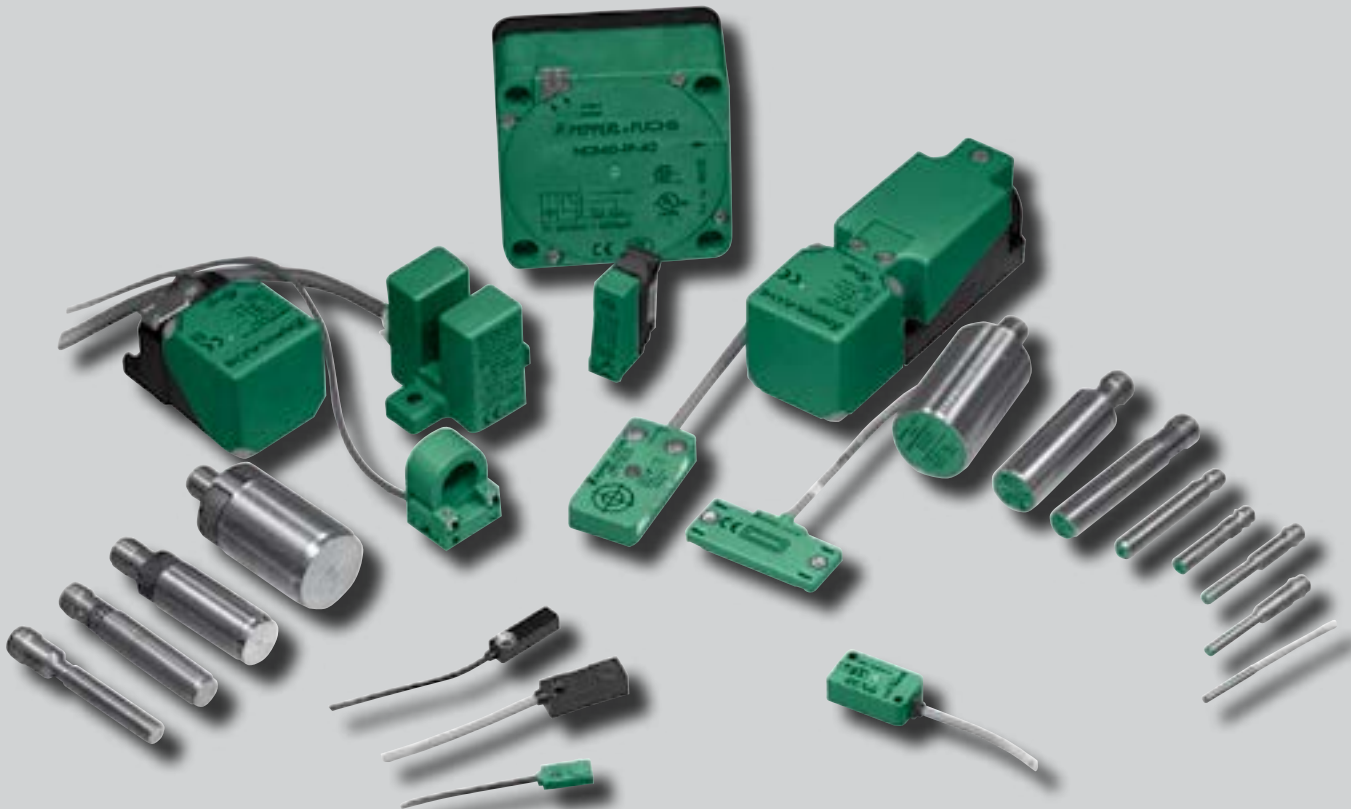
Sensor products with extensive features and high data transmission volumes in particular are fitted with bus and network-compatible communication interfaces. Pepperl+Fuchs offers sensor products for all standard field bus systems.



Contents

1 Proximity Switches

1.1	Inductive Sensors	12
1.2	Capacitive Sensors	288
1.3	Magnetic Field Sensors	314



1 Proximity Switches

1.1 Inductive Sensors

Overview of Inductive Sensors/Selection Tables

Cylindrical Sensors	14
Rectangular Sensors	18
Slot Sensors	24
Ring Sensors	25
Double Sensors for Valve Actuators/Position Feedback Sensors	26
Position Sensors for Clamping Systems	27
Rotational Speed Monitors	27

Choosing the Right Sensor in Five Steps	28
---	----





Special Sensor Features for Special Applications	32
--	----

Sensors for Position Feedback to Valve Actuators	33
--	----


Type Code, Inductive Standard Sensors	35
---	----

Data section

1.1.1 Cylindrical Sensors	36
1.1.2 Rectangular Sensors	171
1.1.3 Slot Sensors	251
1.1.4 Ring Sensors	263
1.1.5 Double Sensors for Valve Actuators	268
Double Sensors for Valve Actuators (Accessories)	282
1.1.6 Double Sensors for Clamping Systems	285
1.1.7 Rotational Speed Monitors	286

Cylindrical Sensors				
Series	3 mm	4 mm	4.5 mm	5 mm
	<ul style="list-style-type: none"> • Smallest housing design • Smooth housing • High switching frequency • Stainless steel 	<ul style="list-style-type: none"> • Smooth housing • High switching frequency • Stainless steel 	<ul style="list-style-type: none"> • Intrinsically safe • Smooth housing • Short housing design • Stainless steel 	<ul style="list-style-type: none"> • Threaded housing • Short housing design
Operating distance				
Flush	0.6 mm/1 mm	0.6 mm to 1.5 mm	0.8 mm	0.8 mm/1.5 mm
Non-flush				
Connection				
Cable	●	●	●	●
Male cordset	●	●		●
Plug connector		●		●
Terminal compartment				
Output				
Two-wire DC				
Three-wire DC	Page 36	Page 37, 38		Page 39
Four-wire DC				
Two-wire AC				
Three-wire AC				
Two-wire AC/DC				
Analog output				
NAMUR			Page 152	Page 152
NAMUR with safety function				
AS-Interface				
Special features				
Weld-immune				
Reduction factor 1				
Metal face				
With e1 certification				
Extended temperature range				
Pressure-resistant				
Hazardous applications approval (3G,3D)				

Cylindrical Sensors				
6.5 mm	8 mm	11 mm	12 mm	Series
<ul style="list-style-type: none"> Smooth housing PNP, NPN, and NAMUR types 	<ul style="list-style-type: none"> Threaded housing Plug and cable versions 	<ul style="list-style-type: none"> Intrinsically safe Smooth housing or with M14 metal thread 	<ul style="list-style-type: none"> Large selection of analog outputs, housing lengths, and materials 	
Operating distance				
1.5 mm to 3 mm	1.5 mm to 4 mm	2 mm	2 mm to 6 mm	Flush
3 mm/6 mm	2 mm to 6 mm	5 mm	4 mm to 10 mm	Non-flush
Connection				
●	●	●	●	Cable
				Male cordset
●	●		●	Plug connector
				Terminal compartment
Output				
	Page 46 ff		Page 59 ff	Two-wire DC
Page 40 ff	Page 48 ff		Page 61 ff	Three-wire DC
	Page 49 ff		Page 65 ff	Four-wire DC
			Page 76 ff	Two-wire AC
				Three-wire AC
			Page 78	Two-wire AC/DC
			Page 79	Analog output
Page 152	Page 153	Page 154	Page 155 ff	NAMUR
		Page 165	Page 166	NAMUR with safety function
			Page 170	AS-Interface
Special features				
	Page 124, 129 ff		Page 125, 129 ff	Weld-immune
Page 119	Page 120, 129		Page 121, 129	Reduction factor 1
	Page 130 ff		Page 130, 132	Metal face
			Page 135 ff	With e1 certification
	Page 50		Page 65, 67, 70	Extended temperature range
			Page 142	Pressure-resistant
	Page 145		Page 146 ff	Hazardous applications approval (3G,3D)

Cylindrical Sensors				
Series	14 mm	18 mm	22 mm	30 mm
	<ul style="list-style-type: none"> Pressure-resistant to 500 bar Stainless steel 	<ul style="list-style-type: none"> Vast selection Wide detection ranges Types for all applications 	<ul style="list-style-type: none"> Intrinsically safe Smooth housing or with PG21 metal thread 	<ul style="list-style-type: none"> Vast selection Very wide detection ranges Types for all applications



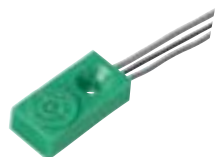

Operating distance					
Flush	3 mm	5 mm to 12 mm	6 mm	10 mm to 22 mm	
Non-flush		8 mm to 20 mm	10 mm	15 mm to 40 mm	

Connection					
Cable		●	●	●	
Male cordset					
Plug connector	●	●		●	
Terminal compartment					




Output					
Two-wire DC		Page 80 ff		Page 96 ff	
Three-wire DC	Page 143	Page 84 ff		Page 100 ff	
Four-wire DC		Page 85 ff		Page 101 ff	
Two-wire AC		Page 92 ff		Page 113 ff	
Three-wire AC					
Two-wire AC/DC		Page 94		Page 116 ff	
Analog output		Page 95		Page 118	
NAMUR		Page 157 ff	Page 160	Page 161 ff	
NAMUR with safety function		Page 167	Page 168	Page 169	
AS-Interface		Page 170		Page 170	





Special features					
Weld-immune		Page 126 ff, 129 ff		Page 128 ff	
Reduction factor 1		Page 122, 129		Page 123	
Metal face		Page 130, 133		Page 130, 134	
With e1 certification		Page 137 ff		Page 139	
Extended temperature range		Page 85, 88, 140		Page 108, 141	
Pressure-resistant	Page 143	Page 144, 159			
Hazardous applications approval (3G,3D)		Page 148 ff		Page 150 ff	

									Cylindrical Sensors		
30 mm			40 mm			50 mm			Series		
<ul style="list-style-type: none"> Plastic housing Terminal compartment 			<ul style="list-style-type: none"> Intrinsically safe Smooth housing Terminal compartment 			<ul style="list-style-type: none"> Intrinsically safe Cylindrical plastic installation housing 					
Operating distance											
10 mm									Flush		
15 mm			20			25 mm			Non-flush		
Connection											
						●			Cable		
									Male cordset		
									Plug connector		
●			●						Terminal compartment		
Output											
									Two-wire DC		
									Three-wire DC		
Page 103, 109									Four-wire DC		
Page 115									Two-wire AC		
									Three-wire AC		
									Two-wire AC/DC		
									Analog output		
Page 163			Page 163			Page 164			NAMUR		
									NAMUR with safety function		
									AS-Interface		
Special features											
									Weld-immune		
									Reduction factor 1		
									Metal face		
									With e1 certification		
									Extended temperature range		
									Pressure-resistant		
									Hazardous applications approval (3G,3D)		




				
Rectangular Sensors				
Series	F76	F29	F79	V3
	<ul style="list-style-type: none"> Plastic housing 25 x 8 x 5.5 mm 	<ul style="list-style-type: none"> Plastic housing 27 x 10 x 6 mm 	<ul style="list-style-type: none"> Plastic housing 16 x 8 x 4 mm 	<ul style="list-style-type: none"> NAMUR versions, can be used to SIL2
Operating distance				
Flush	2 mm	2 mm	1.5 mm	2 mm to 3 mm
Non-flush		4 mm		4 mm
Connection				
Cable	●	●	●	●
Male cordset			●	
Plug connector				●
Terminal compartment				
Output				
Two-wire DC				Page 174
Three-wire DC	Page 171	Page 172	Page 173	Page 175 ff
Four-wire DC		Page 172		
Two-wire AC				
Three-wire AC				
Two-wire AC/DC				
Analog output				
NAMUR				Page 242
NAMUR with safety function				
AS-Interface				
Special features				
Weld-immune		Page 219		
Reduction factor 1				
With e1 certification				
Extended temperature range				
Hazardous applications approval (3G,3D)				Page 237 ff




Rectangular Sensors

			
F141/F41/F41A	F1	F2	Series
<ul style="list-style-type: none"> Miniature metal housing 25 x 5 x 5 mm (F141) 40 x 8 x 8 mm (F41..) 	<ul style="list-style-type: none"> Plastic housing 26 x 12 x 40 mm Can be connected in series 	<ul style="list-style-type: none"> Sensors for stop screws 	
Operating distance			
0.8 mm to 3 mm	2 mm to 4 mm	1.5 mm	Flush
	8 mm		Non-flush
Connection			
●	●	●	Cable
			Male cordset
●	●	●	Plug connector
			Terminal compartment
Output			
			Two-wire DC
Page 177 ff	Page 180, 182	Page 185	Three-wire DC
	Page 181, 183		Four-wire DC
			Two-wire AC
			Three-wire AC
	Page 184		Two-wire AC/DC
			Analog output
			NAMUR
			NAMUR with safety function
			AS-Interface
			Weld-immune
			Reduction factor 1
			With e1 certification
			Extended temperature range
			Hazardous applications approval (3G,3D)

Rectangular Sensors				
Series	F7	F9	F10	F11
	<ul style="list-style-type: none"> Plastic housing 28 x 17 x 17 mm 	<ul style="list-style-type: none"> Plastic housing 38.5 x 16 x 16.5 mm 	<ul style="list-style-type: none"> Plastic housing 38.5 x 25 x 25 mm 	<ul style="list-style-type: none"> Plastic housing 52.5 x 30 x 30.5 mm
Operating distance				
Flush		5 mm	7 mm	
Non-flush	5 mm		7 mm to 10 mm	15 mm
Connection				
Cable	●	●	●	●
Male cordset				
Plug connector		●	●	●
Terminal compartment				
Output				
Two-wire DC				
Three-wire DC	Page 186	Page 187	Page 188 ff	Page 190
Four-wire DC				
DC, relay				
Two-wire AC				
Three-wire AC				
Two-wire AC/DC				
Analog output				
NAMUR				
NAMUR with safety function				
AS-Interface				
Special features				
Weld-immune				
Reduction factor 1				
With e1 certification				
Extended temperature range				
Hazardous applications approval (3G,3D)				

   					Rectangular Sensors
F104M	F33/F33M	F148	F35	Series	
<ul style="list-style-type: none"> Compact metal housing 32 x 20 x 8 mm 	<ul style="list-style-type: none"> Plastic or metal housing available 	<ul style="list-style-type: none"> Robust metal housing 	<ul style="list-style-type: none"> Sensor head can be used up to 250 °C Suitable for drag chains 		
Operating distance					
7 mm	5 mm to 8 mm	8mm to 15 mm	20 mm to 25 mm	Flush	
	10 mm			Non-flush	
Connection					
●	●	●		Cable	
●	●	●		Male cordset	
			●	Plug connector	
				Terminal compartment	
Output					
				Two-wire DC	
	Page 192 ff	Page 232		Three-wire DC	
Page 191	Page 192 ff		Page 236	Four-wire DC	
		Page 232		DC, relay	
				Two-wire AC	
				Three-wire AC	
				Two-wire AC/DC	
				Analog output	
				NAMUR	
				NAMUR with safety function	
				AS-Interface	
Special features					
				Weld-immune	
				Reduction factor 1	
	Page 231	Page 232		With e1 certification	
			Page 236	Extended temperature range	
				Hazardous applications approval (3G,3D)	

Rectangular Sensors				
Series	M1K	L2/L3 VariKont-L	U1/U4 VariKont	
	<ul style="list-style-type: none"> Terminal compartment Adjustable sensor head 	<ul style="list-style-type: none"> Quick-mount lock 4 LED indication 	<ul style="list-style-type: none"> Terminal compartment 4 LED indication Plastic or metal sensor base 	
Operating distance				
Flush		20 mm	20 mm	
Non-flush	15 mm	40 mm	40 mm	
Connection				
Cable				
Male cordset				
Plug connector		●	●	
Terminal compartment	●		●	
Output				
Two-wire DC	Page 194	Page 197	Page 201	
Three-wire DC	Page 195	Page 198 ff	Page 202 ff	
Four-wire DC	Page 195	Page 198 ff	Page 203 ff	
Two-wire AC	Page 196		Page 206	
Three-wire AC			Page 207	
Two-wire AC/DC		Page 200	Page 208	
Analog output				
NAMUR	Page 243	Page 244	Page 245	
NAMUR with safety function			Page 247	
AS-Interface		Page 249	Page 250	
Special features				
Weld-immune		Page 220 ff, 228	Page 202,225	
Reduction factor 1		Page 227 ff	Page 229	
With e1 certification		Page 233 ff	Page 235	
Extended temperature range		Page 198 ff	Page 203 ff	
Hazardous applications approval (3G,3D)		Page 239	Page 240	

			Rectangular Sensors
FP	FPS	F23	Series
<ul style="list-style-type: none"> Terminal compartment in sensor base Plastic or metal sensor base 	<ul style="list-style-type: none"> Terminal compartment in sensor base Plastic housing 77 x 60 x 41 mm 	<ul style="list-style-type: none"> 100 mm operating distance Plastic housing 117 x 117 x 60.5 mm 	
Operating distance			
50 mm	25 mm		Flush
50 mm	30 mm	100 mm	Non-flush
Connection			
			Cable
			Male cordset
●		●	Plug connector
●	●		Terminal compartment
Output			
Page 209			Two-wire DC
Page 210	Page 215	Page 217	Three-wire DC
Page 210 ff	Page 215		Four-wire DC
Page 212 ff			Two-wire AC
			Three-wire AC
	Page 216	Page 218	Two-wire AC/DC
Page 214			Analog output
Page 246			NAMUR
Page 248			NAMUR with safety function
			AS-Interface
Special features			
Page 226, 230			Weld-immune
Page 230			Reduction factor 1
			With e1 certification
			Extended temperature range
Page 241			Hazardous applications approval (3G,3D)

Slot Sensors



Slot width	2 mm	3.5 mm	5 mm	10 mm	15 mm	30 mm
	<ul style="list-style-type: none"> • LED • Can be used up to SIL2/SIL3 	<ul style="list-style-type: none"> • LED • Can be used up to SIL2/SIL3 	<ul style="list-style-type: none"> • Can be used up to SIL2 	<ul style="list-style-type: none"> • Can be used up to SIL2 	<ul style="list-style-type: none"> • Wide slot width 	<ul style="list-style-type: none"> • Very wide slot width

Connection

Cable	●	●	●	●	●	●
Male cordset						
Plug connector					●	●
Terminal compartment						

Output

Two-wire DC						
Three-wire DC		Page 251		Page 252	Page 253	
Four-wire DC		Page 251			Page 253	Page 254
Two-wire AC					Page 255	
Three-wire AC						
Two-wire AC/DC						
Analog output						
NAMUR	Page 256	Page 257	Page 258	Page 259	Page 259	Page 259
NAMUR with safety function	Page 260	Page 261				
AS-Interface						

Special features

Weld-immune						
Reduction factor 1						
With e1 certification						
Extended temperature range						
Hazardous applications approval (3G,3D)						

Ring Sensors



10 mm / 20 mm		10 mm	15 mm	21 mm / 43 mm	Ring width
<ul style="list-style-type: none"> • Special design for welding clamp monitoring • Easy configuration by Teach-In 		<ul style="list-style-type: none"> • Bistable function for rotation direction monitoring • NAMUR versions 	<ul style="list-style-type: none"> • Bistable function for rotation direction monitoring • NAMUR versions 	<ul style="list-style-type: none"> • Wide ring diameter 	
Connection					
		●	●	●	Cable
					Male cordset
●					Plug connector
					Terminal compartment
Output					
					Two-wire DC
Page 262				Page 263	Three-wire DC
					Four-wire DC
					Two-wire AC
					Three-wire AC
					Two-wire AC/DC
					Analog output
		Page 265 ff	Page 264 ff	Page 264	NAMUR
					NAMUR with safety function
					AS-Interface
Special features					
					Weld-immune
					Reduction factor 1
					With e1 certification
					Extended temperature range
					Hazardous applications approval (3G,3D)

Double sensors for valve actuators



Series	F25	F31/F31K	F31K2
	<ul style="list-style-type: none"> • Direct mounting on standard drives • NAMUR versions can be used up to SIL3 	<ul style="list-style-type: none"> • Direct mounting on standard drives • Valve connection 	<ul style="list-style-type: none"> • Direct mounting on standard drives • Valve connection • Best protection for use under harsh environmental conditions

Operating distance


Flush mountable	3 mm	3 mm	3 mm
Non-flush			


Connection

Cable	●	●	
Male cordset			
Plug connector	●	●	
Terminal compartment		●	●

Output

Two-wire DC	Page 267	Page 269, 272	
Three-wire DC	Page 268	Page 270, 273	Page 274
Four-wire DC			
Two-wire AC			
Three-wire AC			
Two-wire AC/DC		Page 271	
Analog output			
NAMUR	Page 277	Page 278 ff	
NAMUR with safety function	Page 280		
AS-Interface		Page 275 ff	

		Position sensors for clamping systems
F58		Series
<ul style="list-style-type: none"> • 2 independent oscillators • Very bright display LEDs • 90° adjustable connector 		
		Operating distance
2 mm		Non-flush
		Connection
●		Plug connector
		Output
Page 284		Three-wire DC 2 x PNP, NO contact
Page 284		Three-wire DC 2 x NPN, NO contact
		Special features
●		Weld-immune

		Rotational speed monitors
U1 VariKont		Series
<ul style="list-style-type: none"> • Adjustable rotational speed limits • Start-up override time approx. 30 s • Display LEDs for switching state and attenuation 		
		Operating distance
15 mm		Flush
		Non-flush
		Connection
●		Terminal compartment
		Output
Page 285		Three-wire DC PNP, NO contact
Page 286		Three-wire AC NO contact

Choosing the Right Sensor in Five Steps

First of all, decide which sensor principle is suitable. This depends on the material of the object to be detected.

If the object is metal, we recommend an inductive sensor.

If the object is plastic, paper or fluid (oil or water-based), granular or powder, we recommend a capacitive sensor.

If the object contains a magnet, a magnetic field sensor is suitable.

You can find more background information on the physical effect of the different types of proximity switches at the start of each relevant chapter.

Find the ideal sensor for your application in five steps:

- Step 1: Housing design
- Step 2: Operating distance
- Step 3: Mounting conditions
- Step 4: Electric data and connections
- Step 5: General specification and special features

Step 1: Housing design

Rectangular sensors



This housing design introduced by Pepperl+Fuchs GmbH under the brand names VariKont and VariKont M has the mounting hole arrangement (housing designs IC30 and IC40) defined in European standard EN 60947. This arrangement is the same as for mechanical position limit switches. The VariKont comprises a stable basic housing (PBT or metal) that is screwed to the mounting surface and contains the terminals. The PBT add-on part is sealed against the basic housing with a neoprene seal and contains the encoded connector. The add-on part contains the switch amplifier. The sensor head can be adjusted in five directions, i.e., the active area can be aligned forwards, to the right, to the left, upwards, or downwards.

The main difference between the VariKont and VariKont M types is their dimensions, and this product can also be supplied with V1 connectors in addition to terminals.

The VariKont L type does not have a terminal compartment, making it extremely compact so that it can be mounted using only a screwdriver. The active area can be adjusted in increments of 15° within two planes and is connected via cable or a V1 connector.

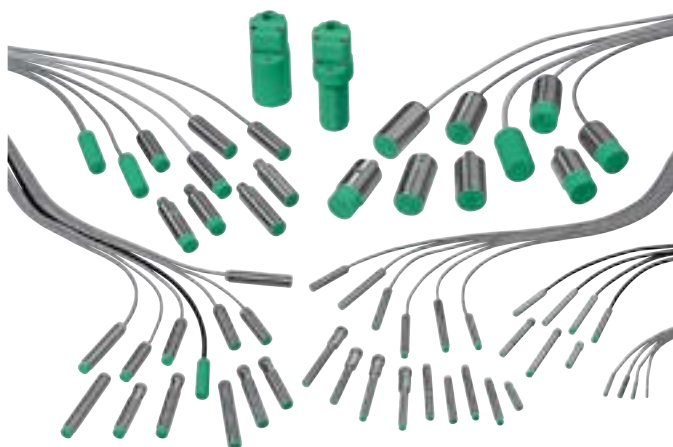
Type	Dimensions (front) mm	Settings (head)
VariKont	40 x 40 or 55 x 55	Adjustable by 90°
VariKont M	30 x 30	Adjustable by 90° and in increments of 15°
VariKont L	40 x 40	Adjustable by 90° and in increments of 15°

Area switches (FP)



These block-shaped sensors have a large front area (80 mm x 80 mm) and therefore a long operating distance. They are comprised of two parts. The lower part contains the terminal compartment and the top contains the male pin and the sensor element along with the electronics, which are vacuum encapsulated in casting resin. The top is always made from PBT and the bottom can be made from either PBT or cast metal. They conform with the mounting hole arrangement (housing design ID80) defined in European standard EN 60947.

Cylindrical sensors



Their active area is on the front face in the axial direction. They are available in diameters from 3 mm (no thread) or 4 mm (with thread) to 30 mm (with thread) or 40 mm smooth (with terminal housing).

Surface mount proximity switches



These small proximity switches are mounted to the required surface. Different versions are available with the active zone aligned upwards or forwards.

The housing is usually made of PBT.

Slot-shaped inductive proximity switches



These have a U-shaped housing made out of PBT. The electromagnetic AC field is generated between two coils that are positioned opposite each other in the sides of the U. The switching element function is triggered when the object (metallic switching target) appears in the area between the coils.

Ring-shaped inductive proximity switches



These proximity switches are designed as a ring. The electromagnetic AC field is concentrated inside the ring. The switching element function is triggered when a metallic object moves into the ring. The housing is made of PBT.

Inductive PMI positioning systems



Based on the very precise evaluation of multiple coil systems, inductive positioning systems F90, F110, and F112 are able to determine exact positions along linear travel ranges. The PMI360D inductive positioning system is optimized for continual angle determination on valve actuators and valves. Inductive positioning systems are included in Section 5 from page 758.

Step 2: Operating distance

The operating distance is the most important parameter for a proximity switch. It primarily depends on the sensor diameter (coil or capacitor). The dimensions and material composition of the actuator as well as the ambient temperature are also influencing factors. For magnetic proximity switches, the alignment and field strength of the magnets used must also be taken into account.

Definition of the operating distance

Standard EN 60947-5-2 defines the operating distance for all types of proximity switch other than slot and ring-shaped housing designs.

There are two options for actuating a proximity switch:

- Through an axial approach
- Through a radial approach

The following definitions apply first of all to axial actuation.

Rated operating distance s_n

The rated operating distance (according to EN 60947-2-5 "Rated Sensing Range") is a conventional size for defining the operating distance. It neither takes into account production tolerances nor changes through external influences such as voltage and temperature.

Standard measuring plate

The following operating distances are determined using a standard measuring plate. This plate is square with a thickness of 1 mm and is made of steel, e.g., type FE 360 (ST37) with a smooth surface.

Its side lengths are either

- 1 x inner circle diameter of the active area or
- $3 \times s_n$.

The greater value applies in each case. The standard measuring plate must be grounded for capacitive proximity switches.

Example 1:

M18 proximity switch
5 mm operating distance
 $3 \times \text{operating distance} = 15 \text{ mm} < \text{diameter}$

Therefore, the actuator dimensions must be $18 \times 18 \times 1 \text{ mm}$

Example 2:

M18 proximity switch
8 mm operating distance
 $3 \times \text{operating distance} = 24 \text{ mm}$

Therefore, the actuator dimensions must be $24 \times 24 \times 1 \text{ mm}$

This standard measuring plate is the optimal actuator for the operation.

A reduction in the dimensions or change in material composition reduces the operating distance.

Actual operating distance s_r

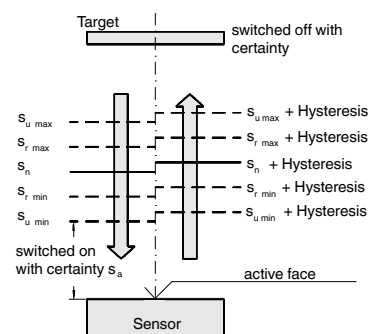
The operating distance of an individual proximity switch measured at ambient temperature of $23 \pm 5 \text{ }^\circ\text{C}$, at a voltage within the operating voltage range and the defined mounting conditions:

$$0.9 \cdot s_n \leq s_r \leq 1.1 \cdot s_n$$

Usable operating distance s_u

The operating distance of an individual proximity switch, measured at an ambient temperature range between $-25 \text{ }^\circ\text{C}$ and $+70 \text{ }^\circ\text{C}$, with a supply voltage between 85% and 110% of the rated operational voltage:

$$0.9 \cdot s_r \leq s_u \leq 1.1 \cdot s_r$$



Assured operating distance s_a

Distance from the active area where actuation of the proximity switch is assured under defined conditions:

$$0 < s_a \leq 0.81 \cdot s_n$$

Repeatability R

Change in the actual operating distance s_r , measured over a period of eight hours at a housing temperature of $23 \pm 5 \text{ }^\circ\text{C}$, any level of relative humidity and a supply voltage of $U_e \pm 5\%$ or any voltage within the rated operational voltage range $\pm 5\%$:

$$R \leq 0.1 \cdot s_r$$

Hysteresis H

Distance between the trip points when the measuring plate approaches and moves away from the proximity switch. It is specified relative to the actual operating distance s_r , measured at an ambient temperature of $23 \pm 5 \text{ }^\circ\text{C}$ and rated operational voltage:

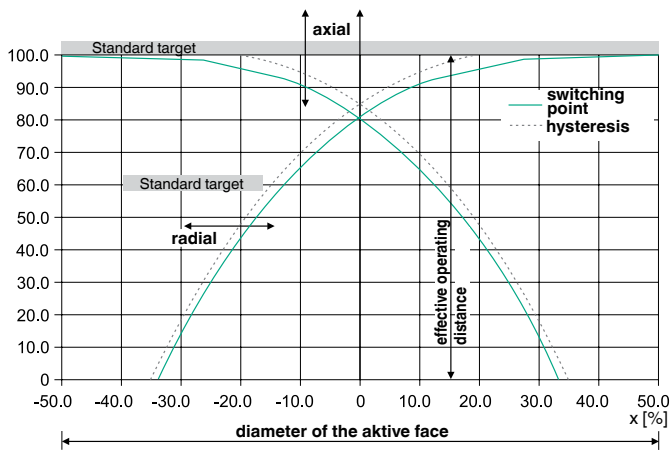
$$H \leq 0.2 \cdot s_r$$

Safely switched off

A proximity switch is switched off safely when the distance between the measuring plate and the active area is at least three times the rated operating distance s_n .

Sideways approach

Above, the focus is on an axial approach to the standard measuring plate. However, if you move the plate sideways into the active zone, you obtain another operating distance s depending on the axial offset. This correlation characterizes the response curve.



Different actuator sizes

Inductive sensors are used to check machine parts in many cases. These very rarely have the same size and shape as the standard measuring plate to which the sensor's technical data applies. The operating distance in particular depends on the size of the metal used to attenuate the sensor.

Generally the operating distance increases only marginally with a larger object surface, but reduces significantly for smaller objects.

If the object being checked is different in size to the standard measuring plate, it is recommended that you verify the operating distance of the selected sensor.

Different actuator materials

In addition to the actuator's dimensions, the material property of the actuator is also of considerable importance. This is characterized by the reduction factor. The reduction factor specifies by what factor the operating distance reduces as a result of different materials versus steel FE 360 (St37) for inductive proximity switches and against a grounded plate for capacitive proximity switches. The lower the reduction factor, the shorter the operating distance for the material in question. Since the reduction factor for inductive proximity switches depends upon the housing and shielding material, this factor varies from type to type. Please use the value in the respective data sheet.

In the case of inductive proximity switches, the conductivity/permeability ratio of the actuator is the parameter for the reduction factor. Some typical reduction factor values are provided below:

Material	Reduction factor
Construction steel	1
Aluminum foil	1
Stainless steel	0.85
Aluminum	0.4
Brass	0.4
Copper	0.3

Step 3: Mounting conditions

Inductive and capacitive sensors can be flush mounted or non-flush mounted.

Sensors that cannot be flush mounted

The largest possible operating distance (in reference to the diameter D of the active area) is reached by sensors that cannot be flush mounted.

In the case of an inductive sensor, coils are used to generate electromagnetic fields. To achieve a forwards or backwards field alignment, the coils are embedded in a pot core. Despite this measure, part of this field is emitted laterally and is affected by the surrounding metal. This lateral effect is also observed with capacitive sensors.

To prevent sensors with a wide detection range from being attenuated by the surrounding metal, clearance must be created around the sensor element.

The size of the clearance can also be determined from the technical data for the respective sensors.

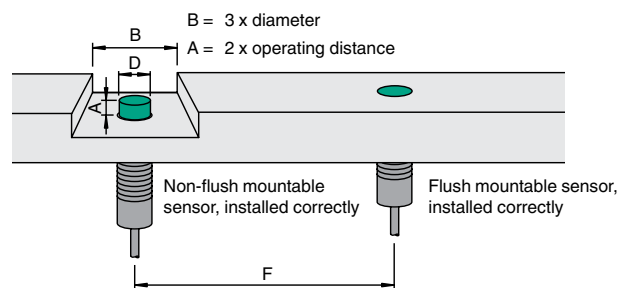
Sensors that can be flush mounted

Sensors that can be flush mounted do not require any clearance. ($A=0$). The advantage of these sensors over ones that cannot be flush mounted is that

they are better mechanically protected and are less sensitive to interference. However, one disadvantage is the shorter operating distance as the active area

of the sensor is already surrounded by metal. The sideways interference from the surrounding metal is reduced by a special internal shield,

but this happens at the detriment of the detection range. These sensors achieve only approx. 60% of the operating distance of non-flush designs.

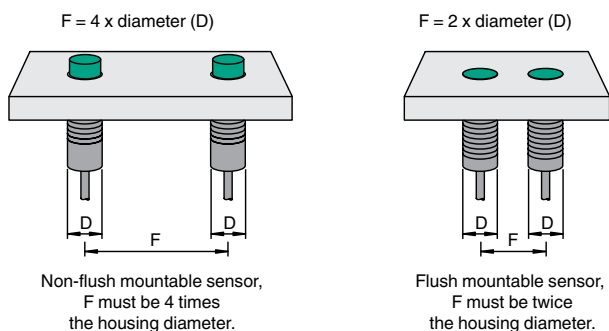


Further details on the mounting conditions are included in the technical data for the sensors.

Mutual interference

To be able to detect metal, inductive sensors use a sensor coil to generate an electromagnetic AC field. This AC field evaluates the smallest of changes in the immediate vicinity of the sensor element. A change can, for example, result from a metal plate approaching the sensor.

Even an external magnetic AC field, e.g., that of an adjacent sensor, can affect the switching characteristics. Therefore, a minimum distance must be maintained between two adjacent sensors. The minimum distance between two sensors can be determined as follows.



If the application does not allow a minimum distance to be maintained, sensors with offset oscillation frequencies are available upon request.

These sensors can then be mounted directly beside each other.

Step 4: Electric data and connections

In addition to the operating distance, other important criteria include sensor parameters such as the type and level of supply voltage. An overview of the output circuits for our sensors is included in this catalog from page 8.

In terms of supply voltage, our wide product range includes DC, AC, and AC/DC sensors.

For each of our sensor series, the available supply voltage types and output types are outlined briefly and clearly in the product selection tables starting from page 14.

Step 5: General specification

The **no-load current** I_0 specifies the individual power consumption of the proximity switch. It is measured without load.

The **operating current** I_L (rated operating current I_e according to EN 60947-5-2) specifies the maximum load current for continuous operation.

The **short-time current** I_K is the current that may occur for a short time when switching on, without damaging the proximity switch.

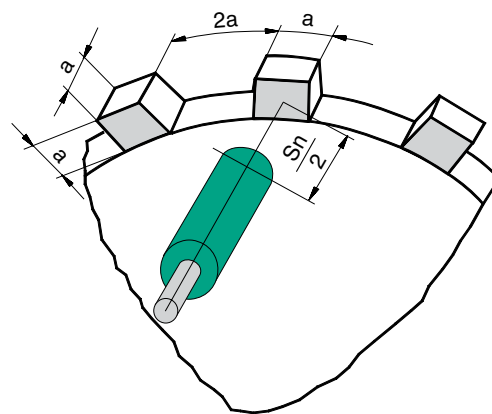
The **leakage current** I_R is the current that flows via the load when the proximity switch is locked.

The **operating voltage** U_B is specified with the maximum and minimum values for the supply voltage. The proximity switch can be operated safely in this area. The rated voltage is specified for NAMUR proximity sensors.

The **voltage drop** U_d is measured via the controlled proximity switch or output.

The **switching frequency** f is the maximum number of changes from attenuated to non-attenuated state in Hertz (Hz), see also the figure in accordance with EN 60947-5-2.

Measurement a is the greater value of either the diameter or the edge length and the three-fold rated operating distance (see „Standard measuring plate“ on page 29).



Actuator to determine the maximum switching frequency.

The **harmonic voltage**, also referred to as ripple or residual ripple, is the AC voltage (peak-to-peak) that is superimposed over the operating voltage and specified as a percentage of the arithmetic average value. Pepperl+Fuchs GmbH sensors feature max. 10% of the residual ripple and comply with standard DIN EN 60947-5-2.

Permissible interference voltage

Short-term voltage peaks on the supply lines can damage unprotected proximity switches. Transient protection on all sensors by Pepperl+Fuchs GmbH suppresses noise pulses in accordance with EN 60947-5-2.

The **time delay before availability** t_V is the time taken until a proximity switch is ready for operation once the operating voltage has been switched on.

Pepperl+Fuchs GmbH proximity switches feature max. 300 ms and comply with EN 60947-5-2.

Switch-on pulse suppression

All proximity switches are equipped with this feature, which suppresses a fault signal at the output when the operating voltage is switched on during time t_V .

Short circuit current limitation

In the case of short circuit current limitation, which is included in most proximity switches by Pepperl+Fuchs GmbH, if the current trip value is exceeded the output is periodically locked and re-released until the short-circuit is fixed.

The permissible ambient temperature is the temperature range within which the proximity switch operates properly. The following apply to the Pepperl+Fuchs GmbH standard series:

-25 °C ... +70 °C or 248 K ... 343 K.

Degree of protection

Depending on the requirements, proximity switches by Pepperl+Fuchs GmbH are IP65, IP67, or IP68 (EN 60529) protected (see page 1092).

Permissible shock and vibration load

The shock resistance test is carried out at 30 times ground acceleration and 11 ms duration. The vibration resistance test is conducted at a resonance frequency between 10 and 55 Hz and 1 mm amplitude (IEC 60068-2-6).

Permissible tightening torque [Nm]

	Stainless steel	Brass	PBT	PPS
M5 x 0.5	3.0	-	-	-
M8 x 1	10.0	3.0	-	-
M12 x 1	15.0	10.0	0.75	-
M18 x 1	30.0	30.0	1.5	5
M30 x 1.5	30.0	30.0	3.0	10

Special Sensor Features for Special Applications

Reduction factor 1

The perfect sensor is one that is equally suited to all types of applications and this is the case with reduction factor 1 sensors. They detect all types of metal with almost the same operating distance. Compared with common inductive sensors, they offer considerable benefits, in particular for applications where a sensor must detect different metals.



Benefits:

- Same operating distance for all metals
- Maximum operating distance from 2 mm to 75 mm
- Electric magnetic field immunity
- Mechanical welding immunity (optional)
- Complete portfolio of cylindrical and cubic housing designs

Weld-immune sensors

Proximity switches used in welding systems are characterized by their high immunity to strong magnetic fields and an increased mechanical robustness suitable for the rough ambient conditions.

They are fitted with a cross-linked PPS front face to provide protection against spattering weld sparks during welding, and their housing is made from PTFE-coated brass.



Sensors with a metal face

Metal Face sensors from Pepperl+Fuchs are made of stainless steel for applications that have particularly high requirements in terms of sensor robustness. For example, sensors that are used in machine tools are exposed to high forces, abrasion, and aggressive media.

To ensure a long service life, sensors with an active face made from stainless steel are used in these applications.



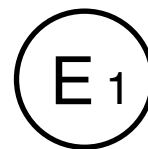
Sensors with e1 and E1 certification

Commercial vehicles represent an important application area for sensor technology. Special setups or add-on systems often result in "rolling machines." Sensors for diggers, cranes, agricultural machinery, refuse, or fire trucks are some of the many applications for industrial sensor technology. Specially adapted products may be required for use in ships or fork lift trucks.

Here, different and conflicting requirements must all be taken into consideration in the applied components. This includes the various application-specific boundary conditions that we are familiar with from many applications in traditional mechanical engineering. In addition to the basic sensor function, optimal mechanical integration into the overall system is also required, as well as application-specific sealing of the devices and resistance to temperature and environment influences. In some cases, special connectors usually found in vehicles may be integrated into the sensors.

Furthermore, the pertinent standards for the vehicles must be taken into consideration. This includes vehicle or ship-building requirements such as more stringent EMC requirements. Over recent years, Pepperl+Fuchs has worked on many customer-specific developments where it has demonstrated its ability to integrate both these requirements into sensors, both efficiently and cost effectively for high volumes. Many reputable companies within this sector choose our products.

Due to their robustness, inductive proximity switches in cylindrical housings are often used for this market. Pepperl+Fuchs also offer inductive sensors for analog position measurement as well as inclination sensors.



Pressure-resistant sensors

Pressure-resistant proximity switches are suitable for use in hydraulic actuators. They are suitable for operating pressures up to 500 bar and peak pressures up to 800 bar on the active area.

The pressure resistance is achieved by means of a ceramic front face that is an integral part of the stainless steel housing. A groove is also incorporated into the housing (O-ring).



Sensors for Position Feedback to Valve Actuators

Sensors for Box Installation

The term "box solution" refers to the integration of sensor technology in an accessory box that generates the mechanical coupling of the sensors on adjustment drives of different dimensions.

This solution was developed to prevent the sensors from being directly exposed to the environment and therefore allows the use of standard sensors.

Most reputable drive manufacturers offer standard boxes that are fitted with Pepperl+Fuchs sensors, either with or without optical display.

Features:

- *Versatile – as the box offers individual connection options*
- *Reliable – as the installation is integrated into the box such that it is resistant to manipulation and prevents dust build-up*
- *Safe – as the box complies with the accident prevention regulations*
- *Simple – as it is mounted using preadjusted sensors*
- *Compliant – as the connection identification of MSR devices complies with standard DIN 45140 T.1 and the mechanical mounting complies with VDI/VDE 3845*

Standard sensors

For box installation, Pepperl+Fuchs offers cylindrical standard sensors with short housing lengths up to 40 mm and slot sensors with a slot width of 3.5 mm, along with sensors from the V3 series. These are square-shaped sensors in standard dimensions for mechanical micro switches. Standard DC versions and NAMUR versions are available with an extended temperature range (up to -50 °C to +100 °C).



Position feedback sensors for box installation

The F25 sensor series by Pepperl+Fuchs offers an effective alternative for position feedback on valve actuators.

They combine two devices as "double sensors" in one housing, significantly reducing the mounting and maintenance effort.

Backed by decades of experience, Pepperl+Fuchs offers a wide range of sensors and actuators for the F25 Series that are suitable for both the box solution and for direct mounting on the adjustment drive.



Features:

- *Double sensor - as the sensor has two active zones*
- *Safe – as it is not possible to insert a finger between the actuator and the sensor, in compliance with the accident prevention regulations*
- *Variable – as it can be mounted directly to the drive or the valve, via a bracket or in a box*
- *Simple – as mounting requires no adjustments or additional settings*
- *Practical – as several sensors can be stacked for more than two trip points if necessary*



Slot-shaped



V3 series

Cylindrical



Sensors for "Open Mounting"

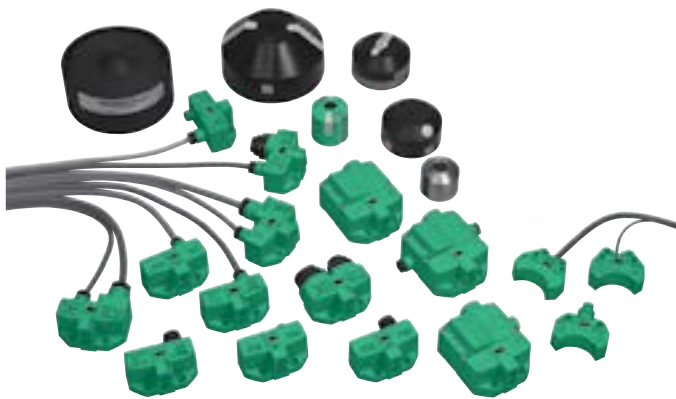
Are you looking for a stable and robust, open-construction position feedback solution that enables the sensor and actuator to be directly mounted?

The F31, F31K, and F31K2 Series by Pepperl+Fuchs are ideally suited for direct mounting to drives without the need for additional mounting materials. Using just two actuators, you can determine the position of all standard drives regardless of their size and make.

The F31K(2) Series has a terminal compartment with caged spring technology or screw terminals for the system and valve connection.

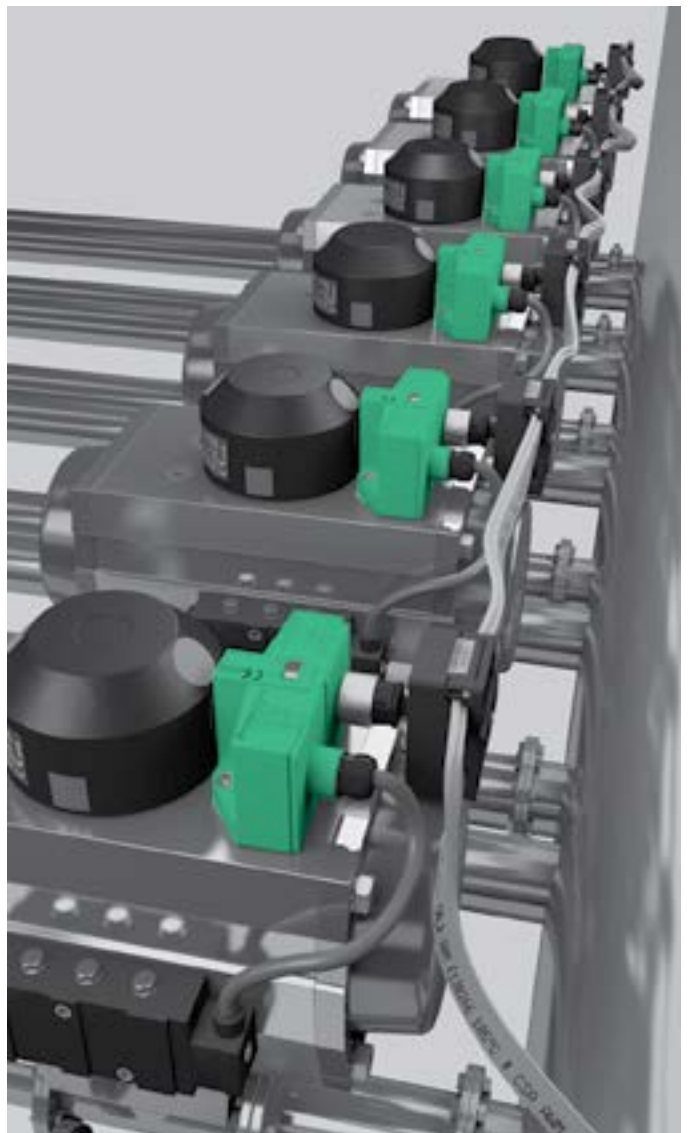
Versions without valve connections and versions with one or two valve connections are also available. The valve can be controlled directly via the sensor connection if necessary, reducing the mounting effort and cabling costs.

Pepperl+Fuchs also offers an attractive open solution –the F25 sensor series– for position feedback of manually operated ball valves and flaps.



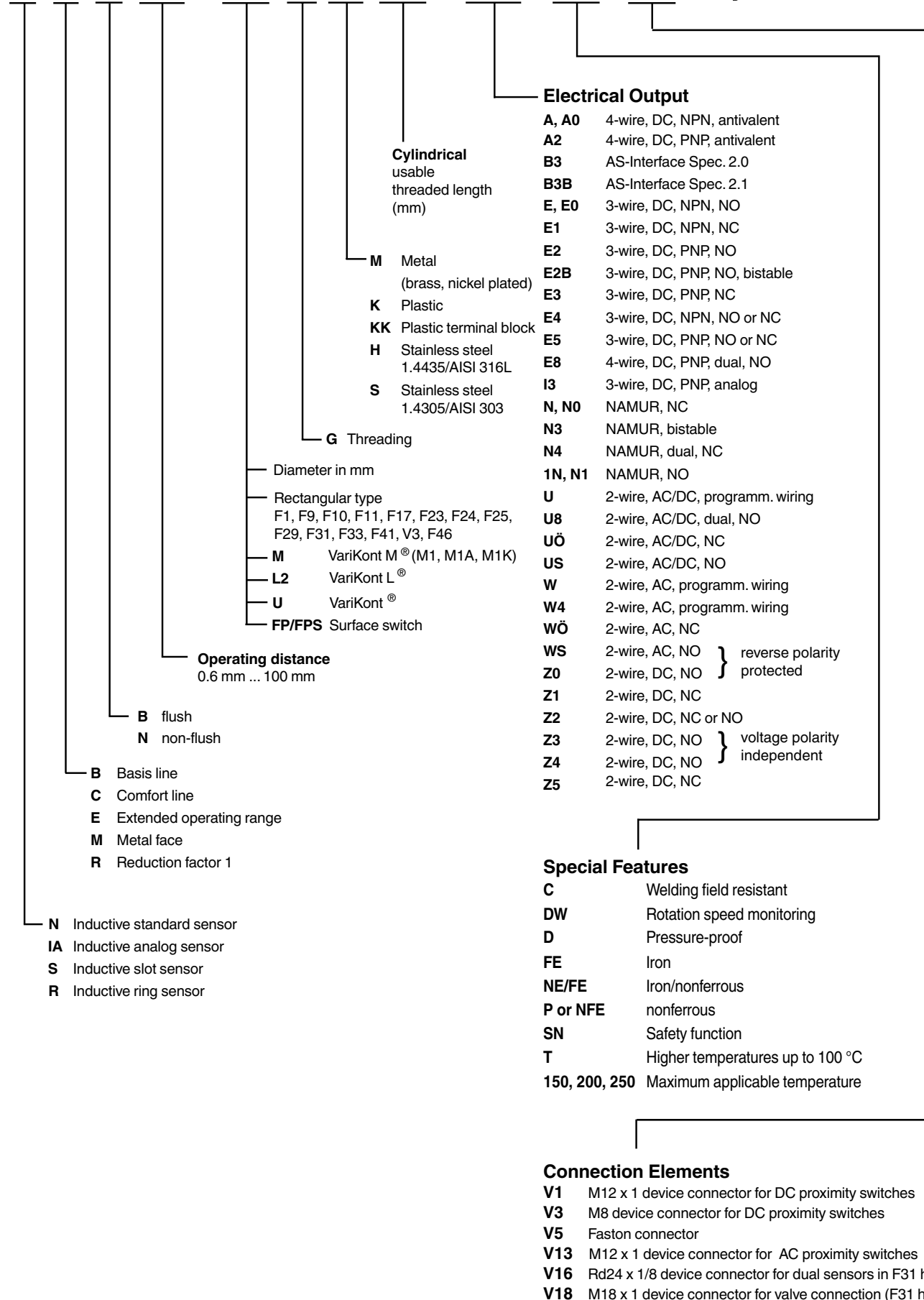
Features:

- *Safe* - as the dimensions of the sensor and the distances between sensors and actuators are selected to prevent risk of injury during operation (certified by TÜV)
- *Variable* - as the sensors are suitable for all standard drives regardless of size and make
- *Fixed* – as the adjustment is retained thanks to mounting holes in the sensor housing for easy sensor replacement
- *Universal* – as both left- and right-rotating drives can be read
- *Clear* – as the assignment of the actuator to the hole pattern for the drive is clear and the drive position is clearly visible
- *Versatile* – as you can choose between a cable connection, plug connection (V1, V16, or V18), and terminals
- *Transparent* – as the switching states, supply voltage, and valve control can be displayed clearly using LEDs



Type code, inductive standard sensors

N B B 10¹⁾ - 30 G M 50 - E2 - C - V1 } Food & Beverage
 -FA }
 -FB }



1) The switching interval followed by a P (eg. 20P) indicates a selective switching behavior of the sensor. The nominal distance refers to aluminum..

Technical Data

For detailed data and product description refer to the data sheets at www.pepperl-fuchs.com

General Data	
Type of voltage	DC
Operating voltage	10 ... 30 V
No-load supply current	≤ 10 mA
Installation	flush mountable
Reverse polarity protection	✓
Operating current	0 ... 100 mA
Short-circuit protection	pulsing
Indication of the switching state	LED, yellow
Ambient temperature	-25 ... 70 °C (-13 ... 158 °F)
Protection degree	IP67
Housing material	Stainless steel 1.4305 / AISI 303

Model Number

Model Number		NBB0,6-3M22-E0	NBB0,6-3M22-E1	NBB0,6-3M22-E2	NBB0,6-3M22-E3	NBB1-3M22-E0	NBB1-3M22-E2	NBB0,6-3M22-E0-0,3M-V3	NBB0,6-3M22-E2-0,3M-V3	NBB1-3M22-E0-0,3M-V3	NBB1-3M22-E2-0,3M-V3
Rated operating distance	green = preferred type	●	●	●	●	●	●	●	●	●	●
	0.6 mm	●	●	●	●	●	●	●	●	●	●
	1 mm										
Switching element function	NPN NC		●								
	NPN NO	●									
	PNP NC			●							
	PNP NO				●						
Switching frequency	0 ... 700 Hz					●	●				
	0 ... 1300 Hz		●	●	●						
Connection type	0 ... 1400 Hz	●	●	●	●			●	●		
	cable PUR , 2 m	●	●	●	●	●	●				
	cable PVC , 2 m					●	●				
	Cable connector M8 x 1 , 3-pin with PVC cable 300 mm							●	●	●	●



Approvals and Certificates

UL approval	cULus Listed, General Purpose	●	●	●	●	●	●	●	●	●	●
CSA approval	cCSAus Listed, General Purpose	●	●	●	●	●	●	●	●	●	●
CCC approval	Products with a maximum operating voltage of ≤36 V do not bear a CCC marking because they do not require approval.										

Dimensions

Length L [mm]		22
Diameter D [mm]		3
Thread length l_t [mm]		0
Cap length l_1 [mm]		0
Connector area l_c [mm]		0
LED position	Pos. A	Pos. A

Accessories

This and more accessories can be found in chapter 10

See pages from 972 ... for cordsets

See pages 1068 ... for mounting aids

BF 4

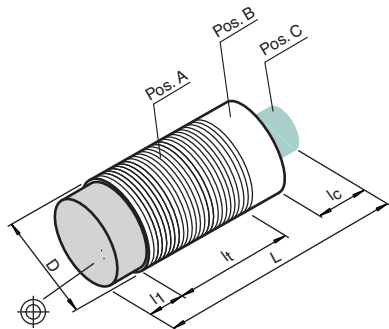
Mounting flange, 4 mm

1
.1.1



Properties

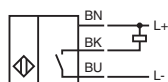
- Ø3 mm housing
- Up to 1 mm, flush mountable
- DC, 3-wire switching output
- Cable and pigtail versions



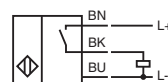
Electrical Connection



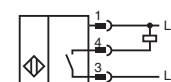
NBB0,6-3M22-E0
NBB1-3M22-E0



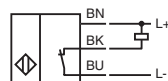
NBB0,6-3M22-E2
NBB1-3M22-E2



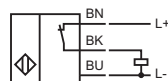
NBB0,6-3M22-E0-0,3M-V3
NBB1-3M22-E0-0,3M-V3



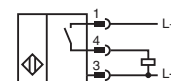
NBB0,6-3M22-E1



NBB0,6-3M22-E3



NBB0,6-3M22-E2-0,3M-V3
NBB1-3M22-E2-0,3M-V3



Wire colors in accordance with EN 60947-5-2

1	BN	(brown)
3	BU	(blue)
4	BK	(black)



Properties

- Ø4 mm housing
- 0.8 mm and 1.5 mm, flush mountable versions
- DC, 3-wire switching output
- Cable, pigtail and connector versions

Technical Data

For detailed data and product description refer to the data sheets at www.pepperl-fuchs.com

General Data

Rated operating distance	0.8 mm
Installation	flush
Type of voltage	DC
Operating voltage	10 ... 30 V
Reverse polarity protection	✓
Switching frequency	0 ... 3000 Hz
Short-circuit protection	pulsing
Indication of the switching state	LED, yellow
Ambient temperature	-25 ... 70 °C (-13 ... 158 °F)
Protection degree	IP67
Housing material	Stainless steel 1.4305 / AISI 303

Model Number

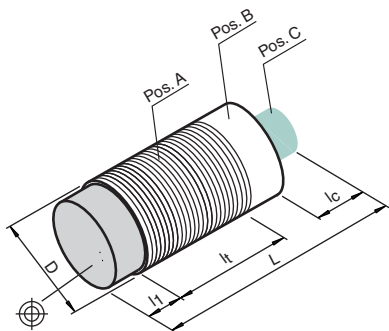
			NBB0,8-4M25-E0	NBB0,8-4M25-E1	NBB0,8-4M25-E2	NBB0,8-4M25-E3	NBB0,8-4M25-E0,3M-V3	NBB0,8-4M25-E2,0,3M-V3	NBB0,8-4M25-E0-V3	NBB0,8-4M25-E2-V3	NBB1,5-4M25-E0-V3
Switching element function	green = preferred type		●				●	●	●		●
	NPN	NO		●							
	NPN	NC			●						
	PNP	NO				●					
No-load supply current	≤ 10 mA										
	≤ 12 mA		●	●			●	●	●	●	●
Operating current	0 ... 100 mA		●	●			●	●	●	●	●
	0 ... 200 mA				●	●		●			
Connection type	Device connector M8 x 1 , 3-pin										
	cable PVC , 2 m		●	●	●	●					
	Cable connector M8 x 1 , 3-pin with PVC cable 300 mm						●	●			

Approvals and Certificates

UL approval	cULus Listed, General Purpose	●	●	●	●	●	●	●	●	●	●
CSA approval	cCSAus Listed, General Purpose	●	●	●	●	●	●	●	●	●	●
CCC approval	Products with a maximum operating voltage of ≤36 V do not bear a CCC marking because they do not require approval.										

Dimensions

Length L [mm]	25	25	40	45
Diameter D [mm]	4	4	4 / 8	
Thread length l _t [mm]	0			
Cap length l ₁ [mm]	0			
Connector area l _c [mm]	0	0	5	
LED position	Pos. A	Pos. A		Pos. B



Accessories

This and more accessories can be found in chapter 10

See pages from 972 ... for cordsets

See pages 1068 ... for mounting aids

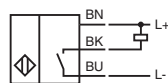
BF 4

Mounting flange, 4 mm

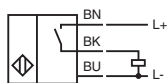
Electrical Connection



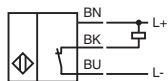
NBB0,8-4M25-E0



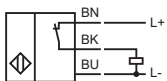
NBB0,8-4M25-E2



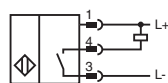
NBB0,8-4M25-E1



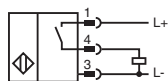
NBB0,8-4M25-E3



NBB0,8-4M25-E0,3M-V3
NBB0,8-4M25-E0-V3
NBB1,5-4M25-E0-V3



NBB0,8-4M25-E2,0,3M-V3
NBB0,8-4M25-E2-V3



Wire colors in accordance with EN 60947-5-2

- 1 BN (brown)
- 3 BU (blue)
- 4 BK (black)



Properties

- Ø4 mm housing
- Up to 1 mm, flush mountable
- DC, 3-wire switching output
- Cable and pigtail versions

Technical Data

For detailed data and product description refer to the data sheets at www.pepperl-fuchs.com

General Data

Installation	flush
Type of voltage	DC
Operating voltage	10 ... 30 V
No-load supply current	≤ 10 mA
Reverse polarity protection	✓
Operating current	0 ... 100 mA
Short-circuit protection	pulsing
Indication of the switching state	LED, yellow
Ambient temperature	-25 ... 70 °C (-13 ... 158 °F)
Protection degree	IP67
Housing material	Stainless steel 1.4305 / AISI 303

Model Number

Rated operating distance	0.6 mm 1 mm	green = preferred type	NBB0,6-4GM22-E0	NBB0,6-4GM22-E1	NBB0,6-4GM22-E2	NBB0,6-4GM22-E3	NBB1-4GM22-E0	NBB1-4GM22-E2	NBB0,6-4GM22-E2-0,3M-V3	NBB1-4GM22-E0-0,3M-V3	NBB1-4GM22-E2-0,3M-V3
Switching element function	NPN NC NPN NO PNP NC PNP NO		•	•	•	•	•	•	•	•	•
Switching frequency	0 ... 700 Hz 0 ... 1300 Hz 0 ... 1400 Hz		•	•	•	•	•	•	•	•	•
Connection type	0.6 mm 1 mm cable PUR , 2 m Cable connector M8 x 1 , 3-pin with PVC cable 300 mm		•	•	•	•	•	•	•	•	•

Approvals and Certificates

UL approval	cULus Listed, General Purpose	••••••••••
CSA approval	cCSAus Listed, General Purpose	••••••••••
CCC approval	Products with a maximum operating voltage of ≤36 V do not bear a CCC marking because they do not require approval.	

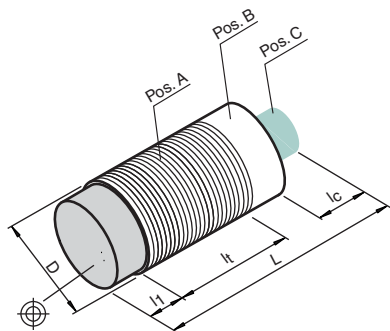
Dimensions

Length L [mm]	22
Diameter D [mm]	4
Thread length l_t [mm]	22
Cap length l_1 [mm]	0
Connector area l_c [mm]	0
LED position	Pos. A

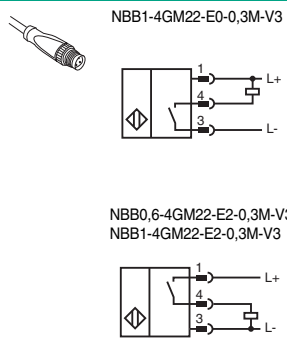
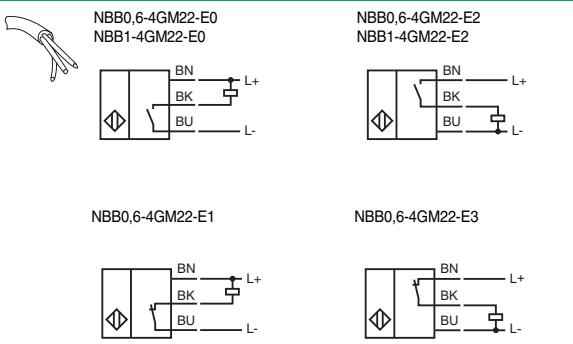
Accessories

This and more accessories can be found in chapter 10
See pages from 972 ... for cordsets See pages 1068 ... for mounting aids

BF 4 Mounting flange, 4 mm



Electrical Connection



Wire colors in accordance with EN 60947-5-2
1 BN (brown)
3 BU (blue)
4 BK (black)



Properties

- Ø5 mm housing
- Up to 1.5 mm, flush mountable
- DC, 3-wire switching output
- Cable, pigtail and connector versions

Technical Data

For detailed data and product description refer to the data sheets at www.pepperl-fuchs.com

General Data

Installation	flush
Type of voltage	DC
Operating voltage	10 ... 30 V
Reverse polarity protection	✓
Switching frequency	0 ... 3000 Hz
Short-circuit protection	pulsing
Indication of the switching state	LED, yellow
Ambient temperature	-25 ... 70 °C (-13 ... 158 °F)
Protection degree	IP67

Model Number

Rated operating distance	green = preferred type										
	0.8 mm	●	●	●	●	●	●	●	●	●	●
	1.5 mm										
Switching element function	NPN NC		●								
	NPN NO	●									
	PNP NC				●						
	PNP NO					●					
No-load supply current	≤ 10 mA										
	≤ 12 mA	●	●								
	≤ 15 mA										
Operating current	0 ... 100 mA	●	●								
	0 ... 200 mA										
	0.1 ... 100 mA										
Housing material	Stainless steel 1.4305 / AISI 303	●	●	●	●	●	●	●	●	●	●
Connection type	Device connector M8 x 1 , 3-pin cable PVC , 2 m	●	●	●	●						
	Cable connector M8 x 1 , 3-pin with PVC cable 300 mm					●	●				

Approvals and Certificates

UL approval	cULus Listed, General Purpose	●	●	●	●	●	●	●	●	●	●
CSA approval	cCSAus Listed, General Purpose	●	●	●	●	●	●	●	●	●	●
CCC approval	Products with a maximum operating voltage of ≤36 V do not bear a CCC marking because they do not require approval.										

Dimensions

Length L [mm]		25	35	32
Diameter D [mm]		5	5 / 8	5 / 8
Thread length l _t [mm]		25	21	20
Cap length l ₁ [mm]		0	0	0
Connector area l _c [mm]		0	10	6
LED position		Pos. A	Pos. B	Pos. A

Accessories

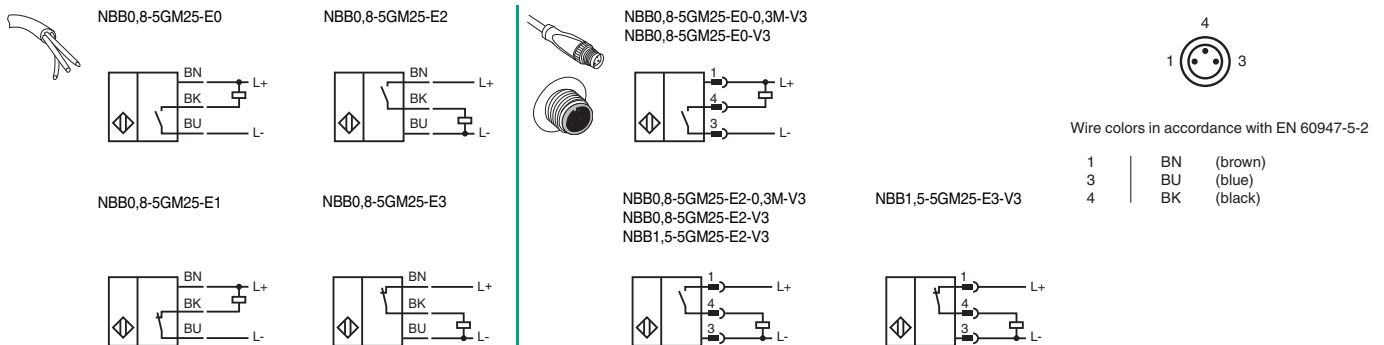
This and more accessories can be found in chapter 10

See pages from 972 ... for cordsets

See pages 1068 ... for mounting aids

- BF 5** Mounting flange, 5 mm
- V3-WM** Female connector, M8, 3-pin, field attachable
- V3-GM** Female connector, M8, 3-pin, field attachable
- V3-GM-2M-PUR** Cable socket, M8, 3-pin, PUR cable
- V3-WM-2M-PUR** Cable socket, M8, 3-pin, PUR cable

Electrical Connection



Date of issue 04/08/2015

Refer to "General Notes Relating to Pepperl+Fuchs Product Information".

Pepperl+Fuchs Group
www.pepperl-fuchs.com

USA: +1 330 486 0001
fa-info@us.pepperl-fuchs.com

Germany: +49 621 776 4411
fa-info@de.pepperl-fuchs.com

Singapore: +65 6779 9091
fa-info@sg.pepperl-fuchs.com

PEPPERL+FUCHS
SENSING YOUR NEEDS

1
.1.1

Proximity Sensors, Inductive Sensors, cylindrical



Properties

- Ø6.5 mm housing
- 1.5 mm, flush mountable
- DC, 3-wire switching output
- Cable and connector versions

Technical Data

For detailed data and product description refer to the data sheets at www.pepperl-fuchs.com

General Data

Rated operating distance	1.5 mm
Installation	flush
Type of voltage	DC
Operating voltage	10 ... 60 V
No-load supply current	≤ 15 mA
Reverse polarity protection	✓
Operating current	0 ... 100 mA
Short-circuit protection	pulsing
Ambient temperature	-25 ... 70 °C (-13 ... 158 °F)
Protection degree	IP67

Model Number

			NJ1,5-6,5-40-E0	NJ1,5-6,5-40-E2	NJ1,5-6,5-40-E0-V3	NJ1,5-6,5-40-E2-V3
Switching element function	NPN	NO	●		●	
	PNP	NO		●		●
Switching frequency	0 ... 2500 Hz		●		●	
	0 ... 500 Hz			●		●
Indication of the switching state	LED, yellow		●	●	●	●
Connection type	Device connector M8 x 1 , 3-pin				●	●
	cable PUR , 2 m		●	●		

Approvals and Certificates

UL approval	cULus Listed, General Purpose	●	●	●	●
CSA approval	cCSAus Listed, General Purpose	●	●	●	●
CCC approval	Certified by China Compulsory Certification (CCC)				

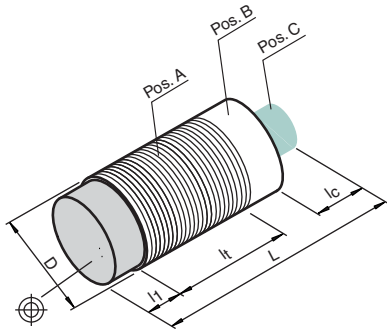
Dimensions

Length L [mm]		40	44
Diameter D [mm]		6.5	6.5 / 8
Thread length l _t [mm]			0
Cap length l ₁ [mm]			0
Connector area l _c [mm]		0	6
LED position	Pos.	C	A B

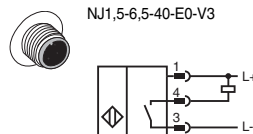
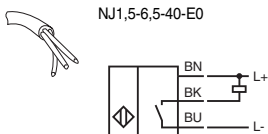
Accessories

This and more accessories can be found in chapter 10
See pages from 972 ... for cordsets See pages 1068 ... for mounting aids

- BF 6,5** Mounting flange, 6.5 mm
- V3-WM-2M-PUR** Cable socket, M8, 3-pin, PUR cable
- V3-GM** Female connector, M8, 3-pin, field attachable
- V3-GM-2M-PUR** Cable socket, M8, 3-pin, PUR cable
- V3-WM** Female connector, M8, 3-pin, field attachable

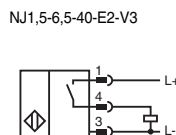
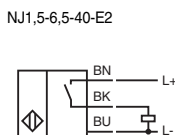


Electrical Connection



Wire colors in accordance with EN 60947-5-2

- 1 BN (brown)
- 3 BU (blue)
- 4 BK (black)





Properties

- Ø6.5 mm housing
- 1.5 mm, flush mountable
- DC, 3-wire switching output
- Cable and connector versions

Technical Data

For detailed data and product description refer to the data sheets at www.pepperl-fuchs.com

General Data

Rated operating distance	1.5 mm
Installation	flush
Type of voltage	DC
Operating voltage	10 ... 30 V
Reverse polarity protection	✓
Operating current	0 ... 200 mA
Short-circuit protection	✓
Indication of the switching state	LED, yellow
Ambient temperature	-25 ... 85 °C (-13 ... 185 °F)
Housing material	Stainless steel 1.4305 / AISI 303
Protection degree	IP67

Model Number

		NBB1,5-6,5S16-E2	NBB1,5-6,5S30-E0	NBB1,5-6,5S30-E2	NBB1,5-6,5S20-E2-V3	NBB1,5-6,5S20-E3-V3	NBB1,5-6,5S40-E0-V3	NBB1,5-6,5S40-E1-V3	NBB1,5-6,5S40-E2-V3	NBB1,5-6,5S40-E3-V3
Switching element function	NPN NO	●								
	NPN NC									
	PNP NO	●	●		●					
	PNP NC					●		●		●
No-load supply current	≤ 10 mA	●			●					
	≤ 11 mA					●				
	≤ 2 mA							●		
	≤ 7 mA								●	●
Switching frequency	0 ... 1500 Hz		●	●						
	0 ... 2000 Hz									
	0 ... 5000 Hz					●				
	0 ... 6000 Hz									●
Connection type	connector (M8 x 1), 3-pin	●	●	●	●	●	●	●	●	●
	cable PUR, 2 m	●	●	●						

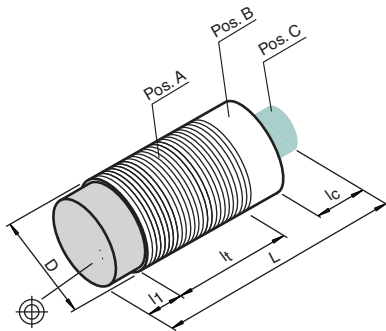


Approvals and Certificates

CCC approval Products with a maximum operating voltage of ≤36 V do not bear a CCC marking because they do not require approval.

Dimensions

Length L [mm]	16	35	35	20	20	40	40	40	40
Diameter D [mm]		6.5				6.5	8		
Thread length l _t [mm]					0				
Cap length l ₁ [mm]					0				
Connector area l _c [mm]		0		9		5			
LED position	Pos.:	C	C	C	B	B	B	B	A



Accessories

This and more accessories can be found in chapter 10

See pages from 972 ... for cordsets

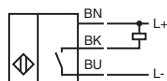
See pages 1068 ... for mounting aids

- BF 6,5** Mounting flange, 6.5 mm
- V3-GM** Female connector, M8, 3-pin, field attachable
- V3-WM** Female connector, M8, 3-pin, field attachable
- V3-GM-2M-PUR** Cable socket, M8, 3-pin, PUR cable
- V3-WM-2M-PUR** Cable socket, M8, 3-pin, PUR cable

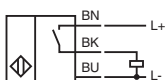
Electrical Connection



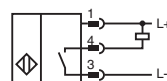
NBB1,5-6,5S30-E0



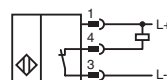
NBB1,5-6,5S16-E2
NBB1,5-6,5S30-E2



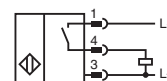
NBB1,5-6,5S40-E0-V3



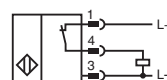
NBB1,5-6,5S40-E1-V3



NBB1,5-6,5S20-E2-V3
NBB1,5-6,5S40-E2-V3



NBB1,5-6,5S20-E3-V3
NBB1,5-6,5S40-E3-V3



Wire colors in accordance with EN 60947-5-2

- 1 BN (brown)
- 3 BU (blue)
- 4 BK (black)

Date of issue 04/08/2015

Refer to "General Notes Relating to Pepperl+Fuchs Product Information".

Pepperl+Fuchs Group
www.pepperl-fuchs.com

USA: +1 330 486 0001
fa-info@us.pepperl-fuchs.com

Germany: +49 621 776 4411
fa-info@de.pepperl-fuchs.com

Singapore: +65 6779 9091
fa-info@sg.pepperl-fuchs.com



Technical Data

For detailed data and product description refer to the data sheets at www.pepperl-fuchs.com

General Data

Rated operating distance	2 mm
Installation	flush
Type of voltage	DC
No-load supply current	≤ 15 mA
Reverse polarity protection	✓
Switching frequency	0 ... 3000 Hz
Operating current	0 ... 100 mA
Short-circuit protection	pulsing
Indication of the switching state	LED, yellow
Ambient temperature	-25 ... 70 °C (-13 ... 158 °F)
Housing material	brass, nickel-plated
Protection degree	IP67

Properties

- Ø6.5 mm housing
- 2 mm, flush mountable
- DC, 3-wire switching output
- Cable and connector versions

Model Number

Switching element function	green = preferred type					
	NPN NO	●		●		
	NPN NC				●	
	PNP NO		●			●
	PNP NC					●
	Operating voltage	10 ... 30 V	●	●		
Connection type	5 ... 30 V			●	●	
	Device connector M8 x 1 , 3-pin cable PVC , 2 m		●	●	●	●

Approvals and Certificates

UL approval	cULus Listed, General Purpose	●	●	●	●	●	●
CSA approval	cCSAus Listed, General Purpose	●	●	●	●	●	●
CCC approval	Products with a maximum operating voltage of ≤36 V do not bear a CCC marking because they do not require approval.						

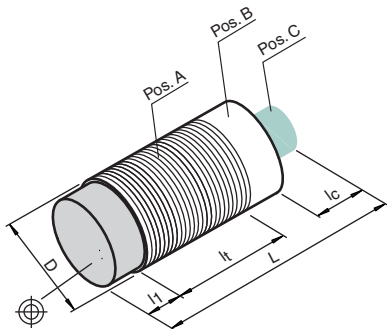
Dimensions

Length L [mm]		30	35
Diameter D [mm]		6,5	6,5 / 8
Thread length l _t [mm]			0
Cap length l ₁ [mm]			0
Connector area l _c [mm]		0	6
LED position	Pos.	Pos. C	Pos. B

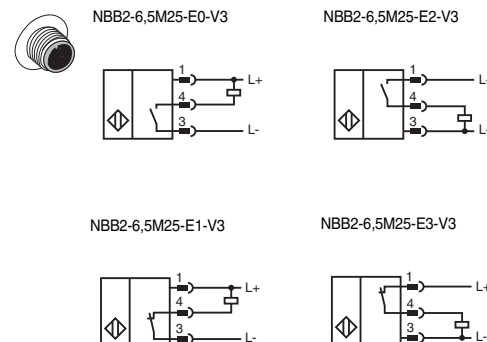
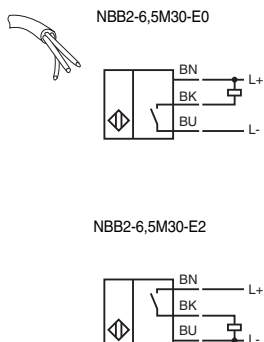
Accessories

This and more accessories can be found in chapter 10
See pages from 972 ... for cordsets See pages 1068 ... for mounting aids

- BF 6,5** Mounting flange, 6.5 mm
- V3-GM** Female connector, M8, 3-pin, field attachable
- V3-WM** Female connector, M8, 3-pin, field attachable
- V3-GM-2M-PUR** Cable socket, M8, 3-pin, PUR cable
- V3-WM-2M-PUR** Cable socket, M8, 3-pin, PUR cable



Electrical Connection



Wire colors in accordance with EN 60947-5-2

- 1 BN (brown)
- 3 BU (blue)
- 4 BK (black)



Technical Data

For detailed data and product description refer to the data sheets at www.pepperl-fuchs.com

General Data

Rated operating distance	3 mm
Installation	virtually flush
Type of voltage	DC
Operating voltage	10 ... 30 V DC
No-load supply current	≤ 15 mA
Reverse polarity protection	✓
Switching frequency	0 ... 1500 Hz
Operating current	0 ... 200 mA , above 50°C ≤ 150 mA
Short-circuit protection	pulsing
Indication of the switching state	LED, yellow
Ambient temperature	-25 ... 85 °C (-13 ... 185 °F)
Housing material	brass, nickel-plated
Protection degree	IP67

Properties

- Ø6.5 mm housing
- 3 mm, virtually flush mountable
- DC, 3-wire switching output
- Cable and connector versions

Model Number

Switching element function	NPN	NO	NEB3-6,5M45-E0	NEB3-6,5M45-E1	NEB3-6,5M45-E2	NEB3-6,5M45-E3	NEB3-6,5M45-E0-V1	NEB3-6,5M45-E1-V1	NEB3-6,5M45-E2-V1	NEB3-6,5M45-E3-V1	NEB3-6,5M50-E0-V3	NEB3-6,5M50-E1-V3	NEB3-6,5M50-E2-V3	NEB3-6,5M50-E3-V3
	NPN	NC	●	●	●	●	●	●	●	●	●	●	●	●
Connection type	PNP	NO												
	PNP	NC												
Connection type	Device connector M12 x 1 , 4-pin		●	●	●	●	●	●	●	●	●	●	●	●
	Device connector M8 x 1 , 3-pin cable PUR , 2 m		●	●	●	●	●	●	●	●	●	●	●	●

Approvals and Certificates

UL approval	cULus Listed, General Purpose	●
CCC approval	Products with a maximum operating voltage of ≤36 V do not bear a CCC marking because they do not require approval.	●

Dimensions

Length L [mm]	45	65	60
Diameter D [mm]	6.5	6.5 / 12	6.5 / 8
Thread length l _t [mm]		0	
Cap length l ₁ [mm]		0	
Connector area l _c [mm]	0	8	7
LED position		Pos. A	

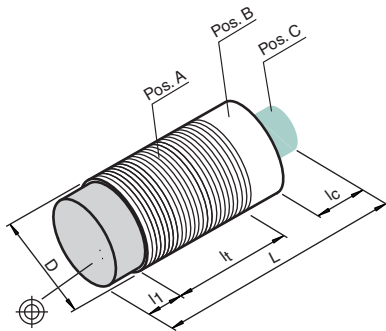
Accessories

This and more accessories can be found in chapter 10

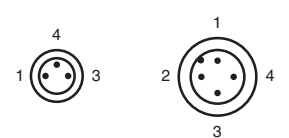
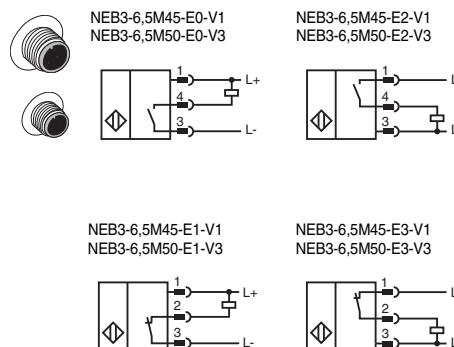
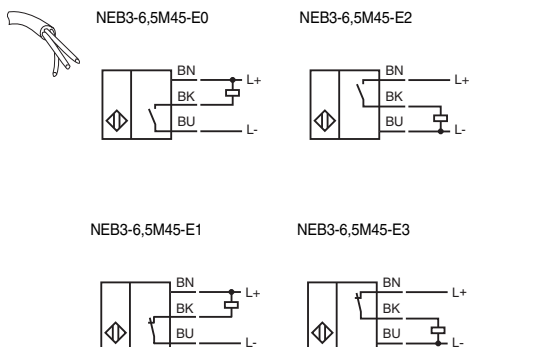
See pages from 972 ... for cordsets

See pages 1068 ... for mounting aids

- BF 6,5** Mounting flange, 6.5 mm
- V1-G-BK** 4-pin, M12 female field-attachable connector
- V3-GM** Female connector, M8, 3-pin, field attachable
- V3-WM** Female connector, M8, 3-pin, field attachable
- V1-W-BK** 4-pin, M12 female field-attachable connector
- V3-GM-2M-PUR** Cable socket, M8, 3-pin, PUR cable
- V1-G-2M-PUR** Cable socket, M12, 4-pin, PUR cable
- V3-WM-2M-PUR** Cable socket, M8, 3-pin, PUR cable
- V1-W-2M-PUR** Cable socket, M12, 4-pin, PUR cable



Electrical Connection



Wire colors in accordance with EN 60947-5-2

- 1 BN (brown)
- 2 WH (white)
- 3 BU (blue)
- 4 BK (black)

Date of issue 04/08/2015

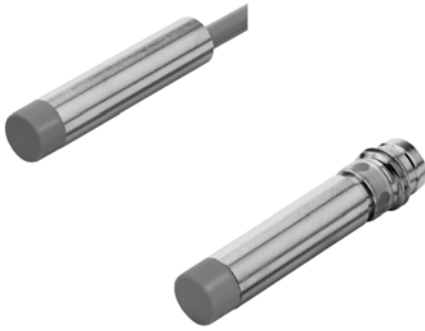
Refer to "General Notes Relating to Pepperl+Fuchs Product Information".

Pepperl+Fuchs Group
www.pepperl-fuchs.com

USA: +1 330 486 0001
fa-info@us.pepperl-fuchs.com

Germany: +49 621 776 4411
fa-info@de.pepperl-fuchs.com

Singapore: +65 6779 9091
fa-info@sg.pepperl-fuchs.com



Properties

- Ø6.5 mm housing
- 3 mm, non-flush mountable
- DC, 3-wire switching output
- Cable and connector versions

Technical Data

For detailed data and product description refer to the data sheets at www.pepperl-fuchs.com

General Data

Rated operating distance	3 mm
Installation	non-flush
Type of voltage	DC
No-load supply current	≤ 15 mA
Reverse polarity protection	✓
Switching frequency	0 ... 2000 Hz
Operating current	0 ... 100 mA
Short-circuit protection	pulsing
Indication of the switching state	LED, yellow
Ambient temperature	-25 ... 70 °C (-13 ... 158 °F)
Housing material	brass, nickel-plated
Protection degree	IP67

Model Number

		NBN3-6,5M30-E0	NBN3-6,5M30-E2	NBN3-6,5M25-E0-V3	NBN3-6,5M25-E1-V3	NBN3-6,5M25-E2-V3
Switching element function	green = preferred type					
	NPN NO	●		●		
	NPN NC				●	
Operating voltage	10 ... 30 V	●	●			●
	5 ... 30 V			●	●	
Connection type	Device connector M8 x 1, 3-pin			●	●	●
	cable PVC, 2 m	●	●			

Approvals and Certificates

UL approval	cULus Listed, General Purpose	●	●	●	●	●
CSA approval	cCSAus Listed, General Purpose	●		●	●	●
CCC approval	Products with a maximum operating voltage of ≤36 V do not bear a CCC marking because they do not require approval.					

Dimensions

Length L [mm]	30	29
Diameter D [mm]	6.5	6.5 / 8
Thread length l _t [mm]		0
Cap length l ₁ [mm]		4
Connector area l _c [mm]	0	6
LED position	Pos. C	Pos. B

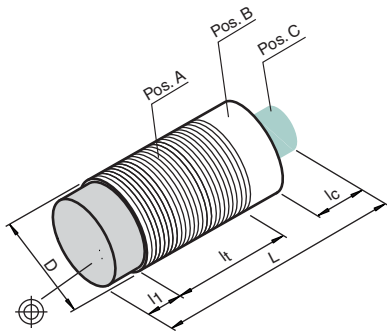
Accessories

This and more accessories can be found in chapter 10

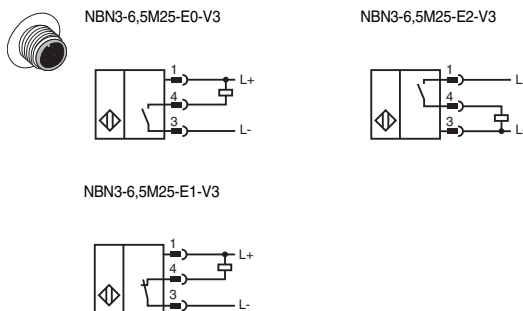
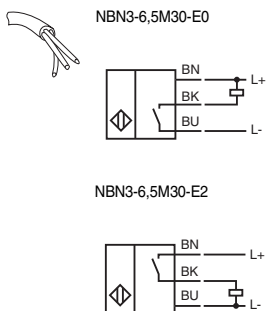
See pages from 972 ... for cordsets

See pages 1068 ... for mounting aids

- BF 6,5** Mounting flange, 6.5 mm
- V3-GM-2M-PUR** Cable socket, M8, 3-pin, PUR cable
- V3-WM** Female connector, M8, 3-pin, field attachable
- V3-GM** Female connector, M8, 3-pin, field attachable
- V3-WM-2M-PUR** Cable socket, M8, 3-pin, PUR cable



Electrical Connection



Wire colors in accordance with EN 60947-5-2

- 1 BN (brown)
- 3 BU (blue)
- 4 BK (black)



Properties

- Ø6.5 mm housing
- 6 mm, non-flush mountable
- DC, 3-wire switching output
- Cable and connector versions

Technical Data

For detailed data and product description refer to the data sheets at www.pepperl-fuchs.com

General Data

Rated operating distance	6 mm
Installation	non-flush
Type of voltage	DC
Operating voltage	10 ... 30 V DC
No-load supply current	≤ 15 mA
Reverse polarity protection	✓
Switching frequency	0 ... 750 Hz
Operating current	0 ... 200 mA , above 50°C ≤ 150 mA
Short-circuit protection	pulsing
Indication of the switching state	LED, yellow
Ambient temperature	-25 ... 85 °C (-13 ... 185 °F)
Housing material	brass, nickel-plated
Protection degree	IP67

Model Number

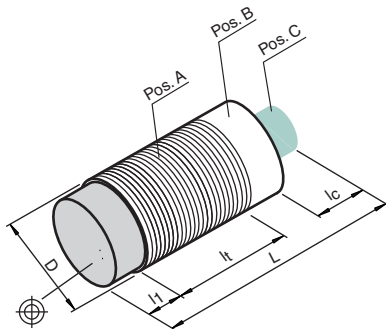
Switching element function	NPN	NO	●	●	●	●	●	●	●
	NPN	NC	●	●	●	●	●	●	●
Connection type	PNP	NO							
	PNP	NC							
Device connector M12 x 1 , 4-pin	Device connector M12 x 1 , 4-pin		●	●	●	●	●	●	●
	Device connector M8 x 1 , 3-pin								
cable PUR , 2 m	Device connector M12 x 1 , 4-pin		●	●	●	●	●	●	●
	Device connector M8 x 1 , 3-pin								

Approvals and Certificates

UL approval	cULus Listed, General Purpose	●
CCC approval	Products with a maximum operating voltage of ≤36 V do not bear a CCC marking because they do not require approval.	●

Dimensions

Length L [mm]	45	60	65
Diameter D [mm]	6.5	6.5 / 8	6.5 / 12
Thread length l _t [mm]		0	
Cap length l ₁ [mm]		4	
Connector area l _c [mm]	0	6	8
LED position		Pos. A	



Accessories

This and more accessories can be found in chapter 10
See pages from 972 ... for cordsets See pages 1068 ... for mounting aids

BF 6,5	Mounting flange, 6.5 mm
V3-GM	Female connector, M8, 3-pin, field attachable
V3-WM	Female connector, M8, 3-pin, field attachable
V3-GM-2M-PUR	Cable socket, M8, 3-pin, PUR cable
V3-WM-2M-PUR	Cable socket, M8, 3-pin, PUR cable
V1-G-BK	4-pin, M12 female field-attachable connector
V1-W-BK	4-pin, M12 female field-attachable connector
V1-G-2M-PUR	Cable socket, M12, 4-pin, PUR cable
V1-W-2M-PUR	Cable socket, M12, 4-pin, PUR cable

Electrical Connection

NEN6-6,5M45-E0

NEN6-6,5M45-E1

NEN6-6,5M45-E2

NEN6-6,5M45-E3

NEN6-6,5M45-E0-V1
NEN6-6,5M45-E0-V3

NEN6-6,5M45-E2-V1
NEN6-6,5M45-E2-V3

NEN6-6,5M45-E1-V1
NEN6-6,5M45-E1-V3

NEN6-6,5M45-E3-V1
NEN6-6,5M45-E3-V3

Wire colors in accordance with EN 60947-5-2

1	BN	(brown)
2	WH	(white)
3	BU	(blue)
4	BK	(black)

Date of issue 04/08/2015

Refer to "General Notes Relating to Pepperl+Fuchs Product Information".

Pepperl+Fuchs Group
www.pepperl-fuchs.com

USA: +1 330 486 0001
fa-info@us.pepperl-fuchs.com

Germany: +49 621 776 4411
fa-info@de.pepperl-fuchs.com

Singapore: +65 6779 9091
fa-info@sg.pepperl-fuchs.com

Technical Data

For detailed data and product description refer to the data sheets at www.pepperl-fuchs.com

General Data

Rated operating distance	1.5 mm
Installation	flush
Type of voltage	DC
Operating voltage	5 ... 60 V
Reverse polarity protection	tolerant
Switching frequency	0 ... 1200 Hz
Operating current	2 ... 100 mA
Short-circuit protection	pulsing
Indication of the switching state	LED, yellow
Ambient temperature	-25 ... 70 °C (-13 ... 158 °F)
Housing material	Stainless steel 1.4305 / AISI 303
Protection degree	IP67



Properties

- Ø8 mm housing
- 1.5 mm, flush mountable
- DC, 2-wire switching output
- Cable and connector versions

Further Products

In this series, we offer additionally:

NBB1-8GS50-Z0-T

Rated operating distance: 1 mm
 Installation: flush
 Switching element function: DC, NO
 Operating voltage: 15 ... 34 V
 Ambient temperature: -25 ... 100 °C (-13 ... 212 °F)
 Housing material: Stainless steel 1.4305 / AISI 303
 Connection type: cable PUR , 2 m

Model Number

			green = preferred type		
Switching element function	DC	NO			
	DC	NC			
Connection type	Device connector M8 x 1 , 3-pin cable PUR , 2 m				

Approvals and Certificates

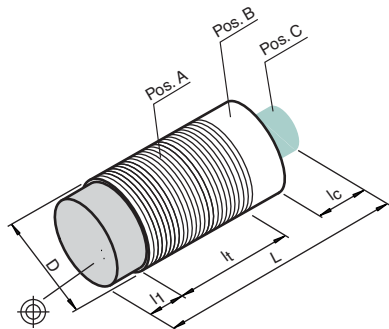
UL approval	cULus Listed, General Purpose				
CSA approval	cCSAus Listed, General Purpose				
CCC approval	Certified by China Compulsory Certification (CCC)				

Dimensions

Length L [mm]			
Diameter D [mm]	40	8	51
Thread length l _t [mm]	40		48
Cap length l ₁ [mm]		0	
Connector area l _c [mm]		0	6
LED position		Pos. C	

Accessories This and more accessories can be found in chapter 10

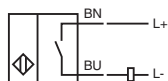
	See pages from 972 ... for cordsets	See pages 1068 ... for mounting aids
BF 8	Mounting flange, 8 mm	
EXG-08	Quick mounting bracket with dead stop	
V3-GM	Female connector, M8, 3-pin, field attachable	
V3-GM-2M-PUR	Cable socket, M8, 3-pin, PUR cable	
V3-WM-2M-PUR	Cable socket, M8, 3-pin, PUR cable	



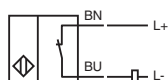
Electrical Connection



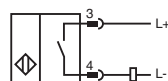
NBB1,5-8GM40-Z0
 NCB1,5-8GM40-Z0
 NBB1-8GS50-Z0-T



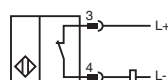
NCB1,5-8GM40-Z1



NCB1,5-8GM50-Z0-V3



NCB1,5-8GM50-Z1-V3



Wire colors in accordance with EN 60947-5-2

1	BN	(brown)
3	BU	(blue)
4	BK	(black)



Technical Data

For detailed data and product description refer to the data sheets at www.pepperl-fuchs.com

General Data

Rated operating distance	2 mm
Installation	non-flush
Type of voltage	DC
Operating voltage	5 ... 60 V
Reverse polarity protection	tolerant
Switching frequency	0 ... 1200 Hz
Operating current	2 ... 100 mA
Short-circuit protection	pulsing
Indication of the switching state	LED, yellow
Ambient temperature	-25 ... 70 °C (-13 ... 158 °F)
Housing material	Stainless steel 1.4305 / AISI 303
Protection degree	IP67

Properties

- Ø8 mm housing
- 2 mm, non-flush mountable
- DC, 2-wire switching output
- Cable and connector versions

Model Number

			NCN2-8GM40-Z0	NBN2-8GM40-Z1	NCN2-8GM40-Z1	NCN2-8GM50-Z0-V3	NCN2-8GM50-Z1-V3
Switching element function	DC NO		●			●	
	DC NC			●	●		●
Connection type	Device connector M8 x 1 , 3-pin					●	●
	cable PUR , 2 m		●		●		
	cable PVC , 2 m			●			

Approvals and Certificates

UL approval	cULus Listed, General Purpose	●	●	●	●	●	●
CSA approval	cCSAus Listed, General Purpose	●	●	●	●	●	●
CCC approval	Certified by China Compulsory Certification (CCC)	●	●	●	●	●	●

Dimensions

Length L [mm]			40	51
Diameter D [mm]				8
Thread length l _t [mm]			36	44
Cap length l ₁ [mm]				4
Connector area l _c [mm]			0	6
LED position				Pos. C

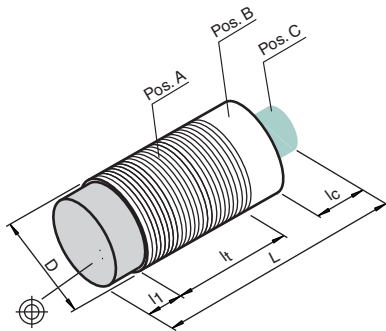
Accessories

This and more accessories can be found in chapter 10

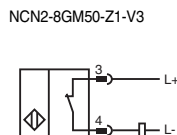
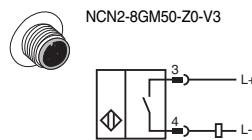
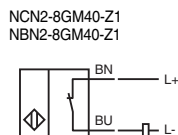
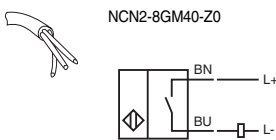
See pages from 972 ... for cordsets

See pages 1068 ... for mounting aids

V3-WM-2M-PUR	Cable socket, M8, 3-pin, PUR cable
BF 8	Mounting flange, 8 mm
EXG-08	Quick mounting bracket with dead stop
V3-GM-2M-PUR	Cable socket, M8, 3-pin, PUR cable
V3-GM	Female connector, M8, 3-pin, field attachable



Electrical Connection



Wire colors in accordance with EN 60947-5-2

1	BN	(brown)
3	BU	(blue)
4	BK	(black)

Date of issue 04/08/2015

1
.1.1



Proximity Sensors, Inductive Sensors, cylindrical



Properties

- Ø8 mm housing
- 1.5 mm, flush mountable
- DC, 3-wire switching output
- Cable and connector versions

Technical Data

For detailed data and product description refer to the data sheets at www.pepperl-fuchs.com

General Data

Rated operating distance	1.5 mm
Installation	flush
Type of voltage	DC
Operating voltage	10 ... 60 V
No-load supply current	≤ 15 mA
Reverse polarity protection	✓
Operating current	0 ... 100 mA
Short-circuit protection	pulsing
Indication of the switching state	LED, yellow
Ambient temperature	-25 ... 70 °C (-13 ... 158 °F)
Protection degree	IP67

Model Number

		NJ1,5-8GM40-E0	NJ1,5-8GM40-E2	NJ1,5-8GM40-E0-V1	NJ1,5-8GM40-E2-V1
Switching element function	NPN	●		●	
	NO				
Switching frequency	PNP		●		●
	NO				
Housing material	0 ... 2500 Hz	●		●	
	0 ... 500 Hz		●		●
Connection type	Stainless steel 1.4305 / AISI 303			●	●
	Device connector M12 x 1 , 4-pin			●	●
Cable PUR , 2 m		●	●		

Approvals and Certificates

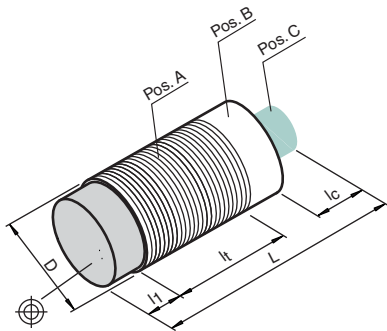
UL approval	cULus Listed, General Purpose	●	●	●	●
CSA approval	cCSAus Listed, General Purpose	●	●	●	●
CCC approval	Certified by China Compulsory Certification (CCC)	●	●	●	●

Dimensions

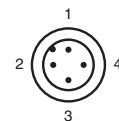
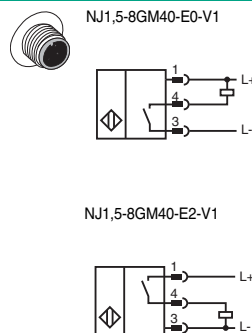
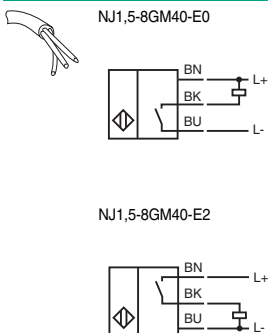
Length L [mm]	40		54	
Diameter D [mm]	8		8 / 12	
Thread length l _t [mm]	40	36	35	40
Cap length l ₁ [mm]	0	4	0	0
Connector area l _c [mm]	0		6	
LED position	Pos.:		A	C
			B	A

Accessories This and more accessories can be found in chapter 10

BF 8	Mounting flange, 8 mm	See pages 972 ... for cordsets	See pages 1068 ... for mounting aids
EXG-08	Quick mounting bracket with dead stop		
V1-G-BK	4-pin, M12 female field-attachable connector		
V1-W-BK	4-pin, M12 female field-attachable connector		
V1-G-2M-PUR	Cable socket, M12, 4-pin, PUR cable		
V1-W-2M-PUR	Cable socket, M12, 4-pin, PUR cable		



Electrical Connection



Wire colors in accordance with EN 60947-5-2

- 1 | BN (brown)
- 2 | WH (white)
- 3 | BU (blue)
- 4 | BK (black)



Properties

- Ø8 mm housing
- 1.5 mm, flush mountable
- DC, 3-wire and 4-wire switching output versions
- Cable and connector versions

Technical Data

For detailed data and product description refer to the data sheets at www.pepperl-fuchs.com

General Data

Rated operating distance	1.5 mm
Installation	flush
Type of voltage	DC
Operating voltage	10 ... 30 V DC
Reverse polarity protection	✓
Short-circuit protection	pulsing
Indication of the switching state	LED, yellow
Protection degree	IP67

Model Number

			NBB1,5-8GM16-E2	NBB1,5-8GM60-A0	NBB1,5-8GM60-A2	NBB1,5-8GM40-E0-V1	NBB1,5-8GM50-A0-V1	NBB1,5-8GM50-A2-V1
Switching element function	NPN	NO/NC		●			●	
	NPN	NO				●		
	PNP	NO/NC			●			●
	PNP	NO	●					●
No-load supply current	≤ 10 mA		●					
	≤ 15 mA					●		
	≤ 20 mA			●	●		●	●
Switching frequency	0 ... 1500 Hz			●	●	●	●	●
	0 ... 6000 Hz		●					
Operating current	0 ... 100 mA			●	●	●	●	●
	0 ... 200 mA		●					
Ambient temperature	-25 ... 70 °C (-13 ... 158 °F)		●	●	●	●	●	●
	-25 ... 85 °C (-13 ... 185 °F)		●					
Housing material	Stainless steel 1.4305 / AISI 303		●					
Connection type	brass, nickel-plated			●	●	●	●	●
	Device connector M12 x 1, 4-pin					●	●	●
	cable PUR, 2 m		●					
	cable PVC, 2 m			●	●			

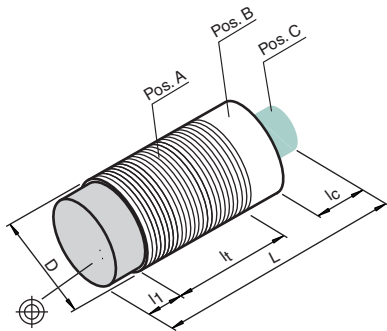


Approvals and Certificates

UL approval	cULus Listed, General Purpose	●	●	●	●	●
CSA approval	cCSAus Listed, General Purpose	●	●	●	●	●
CCC approval	Products with a maximum operating voltage of ≤36 V do not bear a CCC marking because they do not require approval.					

Dimensions

	16	60	60	65	64	64
Length L [mm]						
Diameter D [mm]		8			8 / 12	
Thread length l _t [mm]	16	60	60	40	50	50
Cap length l ₁ [mm]				0		
Connector area l _c [mm]		0			6	
LED position		Pos. C				Pos. A



Accessories

This and more accessories can be found in chapter 10

See pages from 972 ... for cordsets

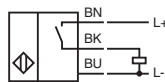
See pages 1068 ... for mounting aids

- BF 8** Mounting flange, 8 mm
- V1-G-BK** 4-pin, M12 female field-attachable connector
- EXG-08** Quick mounting bracket with dead stop
- V1-W-BK** 4-pin, M12 female field-attachable connector
- V1-G-2M-PUR** Cable socket, M12, 4-pin, PUR cable
- V1-W-2M-PUR** Cable socket, M12, 4-pin, PUR cable

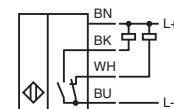
Electrical Connection



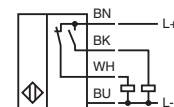
NBB1,5-8GM16-E2



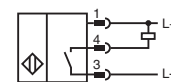
NBB1,5-8GM60-A0



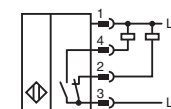
NBB1,5-8GM60-A2



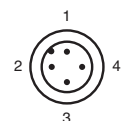
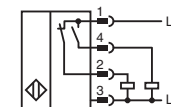
NBB1,5-8GM40-E0-V1
NBB1,5-8GM40-E0-V1



NBB1,5-8GM50-A0-V1



NBB1,5-8GM50-A2-V1



Wire colors in accordance with EN 60947-5-2

- 1 BN (brown)
- 2 WH (white)
- 3 BU (blue)
- 4 BK (black)

Date of issue 04/08/2015



Properties

- Ø8 mm housing
- 1.5 mm and 2 mm, flush mountable versions
- DC, 3-wire switching output
- Cable and connector versions

Technical Data

For detailed data and product description refer to the data sheets at www.pepperl-fuchs.com

General Data

Installation	flush
Type of voltage	DC
Operating voltage	10 ... 30 V DC
Reverse polarity protection	✓
Operating current	0 ... 200 mA
Short-circuit protection	✓
Indication of the switching state	LED, yellow
Housing material	Stainless steel 1.4305 / AISI 303
Protection degree	IP67

Model Number

		NBB1,5-8GS30-E2-T	NBB2-8GS30-E0	NBB2-8GS30-E1	NBB2-8GS30-E2	NBB2-8GS30-E3	NBB1,5-8GS40-E2-T-V3	NBB2-8GS40-E1-V3	NBB2-8GS40-E3-V3	NBB2-8GS30-E2-V1
Rated operating distance	1.5 mm	●					●			
	2 mm		●	●	●	●		●	●	●
Switching element function	NPN NO		●							
	NPN NC			●				●		
	PNP NO	●			●		●			●
	PNP NC					●			●	
No-load supply current	≤ 1 mA		●	●		●		●		
	≤ 5 mA									
	≤ 7 mA	●			●		●		●	●
Switching frequency	0 ... 1500 Hz	●					●			
	0 ... 2000 Hz									●
	0 ... 2500 Hz								●	
	0 ... 3500 Hz				●					
	0 ... 600 Hz		●	●		●		●		
Ambient temperature	-25 ... 100 °C (-13 ... 212 °F)	●		●	●	●	●		●	●
	-25 ... 85 °C (-13 ... 185 °F)		●	●	●	●		●	●	●
Connection type	connector (M8 x 1), 3-pin							●	●	
	Device connector M12 x 1, 4-pin									●
	Device connector M8 x 1, 3-pin cable PUR, 2 m	●	●	●	●	●				

Approvals and Certificates

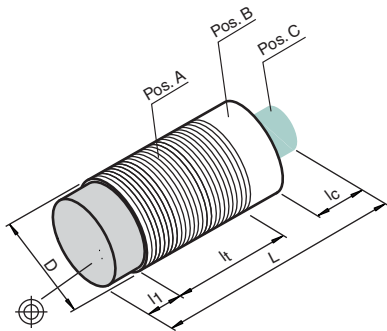
CCC approval Products with a maximum operating voltage of ≤36 V do not bear a CCC marking because they do not require approval.

Dimensions

	30	35	35	35	35	44	45	45	49
Length L [mm]									
Diameter D [mm]					8				8/12
Thread length l _t [mm]	30	35	35	35	35	44	42	42	30
Cap length l ₁ [mm]					0				
Connector area l _c [mm]	0	0	0	0	0	6	0	0	6
LED position						Pos. C		Pos. A	

Accessories This and more accessories can be found in chapter 10

	See pages from 972 ... for cordsets	See pages 1068 ... for mounting aids
BF 8		Mounting flange, 8 mm
V3-WM-2M-PUR		Cable socket, M8, 3-pin, PUR cable
V1-G-BK		4-pin, M12 female field-attachable connector
V3-GM-2M-PUR		Cable socket, M8, 3-pin, PUR cable
V3-GM		Female connector, M8, 3-pin, field attachable



Electrical Connection

NBB2-8GS30-E0

NBB1,5-8GS30-E2-T
NBB2-8GS30-E2

NBB2-8GS40-E1-V3

NBB1,5-8GS40-E2-T-V3
NBB2-8GS30-E2-V1

NBB2-8GS30-E1

NBB2-8GS30-E3

NBB2-8GS40-E3-V3

Wire colors in accordance with EN 60947-5-2

1		BN	(brown)
3		BU	(blue)
4		BK	(black)



Technical Data

For detailed data and product description refer to the data sheets at www.pepperl-fuchs.com

General Data

Rated operating distance	2 mm
Installation	flush
Type of voltage	DC
Operating voltage	10 ... 30 V
No-load supply current	≤ 15 mA
Reverse polarity protection	✓
Switching frequency	0 ... 1500 Hz
Operating current	0 ... 100 mA
Short-circuit protection	pulsing
Indication of the switching state	Multihole-LED, yellow
Ambient temperature	-25 ... 70 °C (-13 ... 158 °F)
Housing material	Stainless steel 1.4435 / AISI 316L
Protection degree	IP67
Connection type	M8 x 1 connector, 3-pin



Properties

- Ø8 mm housing
- 2 mm, flush mountable
- DC, 3-wire switching output
- Connector version

Model Number

Switching element function	green = preferred type					
	NPN NO	●	●	●	●	●
PNP NO		●	●	●	●	●

Approvals and Certificates

UL approval	cULus Listed, General Purpose	●	●	●	●	●
CSA approval	cCSAus Listed, General Purpose	●	●	●	●	●
CCC approval	Products with a maximum operating voltage of ≤36 V do not bear a CCC marking because they do not require approval.					

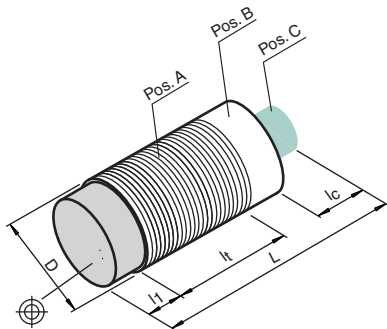
Dimensions

Length L [mm]	24	29	44
Diameter D [mm]		8	
Thread length l _t [mm]	20	25	40
Cap length l ₁ [mm]		0	
Connector area l _c [mm]		6	
LED position		Pos. B	

Accessories

This and more accessories can be found in chapter 10
 See pages from 972 ... for cordsets See pages 1068 ... for mounting aids

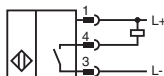
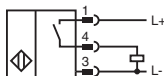
- BF 8 Befestigungsflansch, 8 mm
- V3-GMV4A-5M-PUR
- V3-WMV4A-5M-PUR



Electrical Connection

NBB2-8GH20-E2-V3
 NBB2-8GH25-E2-V3
 NBB2-8GH40-E2-V3

NBB2-8GH20-E0-V3
 NBB2-8GH25-E0-V3
 NBB2-8GH40-E0-V3



Wire colors in accordance with EN 60947-5-2

1	BN	(brown)
3	BU	(blue)
4	BK	(black)

Date of issue 04/08/2015

Technical Data

For detailed data and product description refer to the data sheets at www.pepperl-fuchs.com

General Data

Rated operating distance	2 mm
Installation	flush
Type of voltage	DC
No-load supply current	≤ 15 mA
Reverse polarity protection	✓
Operating current	0 ... 100 mA
Short-circuit protection	pulsing
Indication of the switching state	LED, yellow
Housing material	brass, nickel-plated
Protection degree	IP67

Model Number

		green = preferred type	NBB2-8GM30-E0	NBB2-8GM30-E2	NBB2-8GM40-E2	NBB2-8GM50-E0	NBB2-8GM25-E0-V3	NBB2-8GM25-E1-V3	NBB2-8GM25-E2-V3	NBB2-8GM25-E3-V3	NBB2-8GM40-E2-V3	NBB2-8GM40-E3-V3	NBB2-8GM30-E0-V1	NBB2-8GM30-A0-V1	NBB2-8GM30-A2-V1	NBB2-8GM40-E0-V1	NBB2-8GM40-E2-V1
Switching element function	NPN	NO/NC	•	•	•	•	•	•	•	•	•	•	•	•	•	•	•
	NPN	NO	•	•	•	•	•	•	•	•	•	•	•	•	•	•	•
	NPN	NC															
	PNP	NO/NC															
	PNP	NO	•	•	•	•	•	•	•	•	•	•	•	•	•	•	•
	PNP	NC															
Operating voltage	10 ... 30 V DC		•	•	•	•	•	•	•	•	•	•	•	•	•	•	•
	5 ... 30 V DC																
Switching frequency	0 ... 1000 Hz																
	0 ... 1500 Hz																
	0 ... 2000 Hz																
	0 ... 3000 Hz		•	•	•	•	•	•	•	•	•	•	•	•	•	•	•
Ambient temperature	-25 ... 70 °C (-13 ... 158 °F)		•	•	•	•	•	•	•	•	•	•	•	•	•	•	•
	-25 ... 80 °C (-13 ... 176 °F)																
Connection type	Device connector M12 x 1 , 4-pin																
	Device connector M8 x 1 , 3-pin																
	cable PVC , 2 m		•	•	•	•	•	•	•	•	•	•	•	•	•	•	•

Approvals and Certificates

UL approval	cULus Listed, General Purpose	••••••••••••••••••••••
CSA approval	cCSAus Listed, General Purpose	••••••••••••••••••••••
CCC approval	Products with a maximum operating voltage of ≤36 V do not bear a CCC marking because they do not require approval.	

Dimensions

Length L [mm]	30	40	50	29	50	49	59
Diameter D [mm]				8		8 / 12	
Thread length l _t [mm]	30	40	50	25	40	30	40
Cap length l ₁ [mm]				0			
Connector area l _c [mm]		0				6	
LED position		Pos. C				Pos. B	

Accessories

This and more accessories can be found in chapter 10

See pages from 972 ... for cordsets

See pages 1068 ... for mounting aids

- V1-G-BK** 4-pin, M12 female field-attachable connector
- BF 8** Mounting flange, 8 mm
- EXG-08** Quick mounting bracket with dead stop
- V3-GM-2M-PUR** Cable socket, M8, 3-pin, PUR cable
- V1-G-2M-PUR** Cable socket, M12, 4-pin, PUR cable
- V1-W-2M-PUR** Cable socket, M12, 4-pin, PUR cable

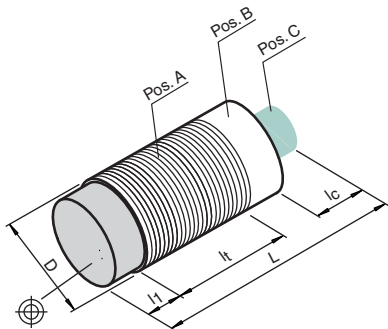
1
.1.1

Proximity Sensors, Inductive Sensors, cylindrical



Properties

- Ø8 mm housing
- 2 mm, flush mountable
- DC, 3-wire and 4-wire switching output versions
- Cable and connector versions



Electrical Connection

NBB2-8GM30-E0
NBB2-8GM50-E0

NBB2-8GM25-E0-V3
NBB2-8GM30-E0-V1
NBB2-8GM40-E0-V1

NBB2-8GM25-E2-V3
NBB2-8GM40-E2-V3
NBB2-8GM30-E2-V1
NBB2-8GM40-E2-V1

NBB2-8GM30-A0-V1

NBB2-8GM25-E1-V3

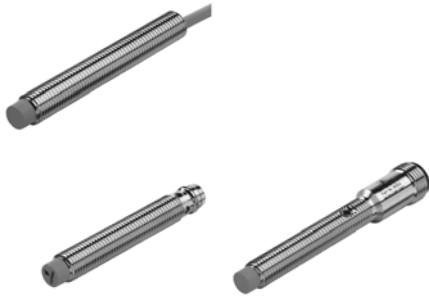
NBB2-8GM25-E3-V3
NBB2-8GM40-E3-V3

NBB2-8GM30-A2-V1

NBB2-8GM30-E2
NBB2-8GM40-E2
NBB2-8GM50-E2

Wire colors in accordance with EN 60947-5-2

1	BN	(brown)
2	WH	(white)
3	BU	(blue)
4	BK	(black)



Properties

- Ø8 mm housing
- 2 mm, non-flush mountable
- DC, 3-wire and 4-wire switching output versions
- Cable and connector versions

Technical Data

For detailed data and product description refer to the data sheets at www.pepperl-fuchs.com

General Data

Rated operating distance	2 mm
Installation	non-flush
Type of voltage	DC
Operating voltage	10 ... 30 V DC
Reverse polarity protection	✓
Operating current	0 ... 100 mA
Short-circuit protection	pulsing
Indication of the switching state	LED, yellow
Ambient temperature	-25 ... 70 °C (-13 ... 158 °F)
Housing material	brass, nickel-plated
Protection degree	IP67

Model Number

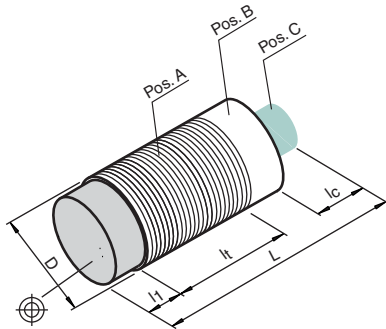
		NBN2-8GM50-E0	NBN2-8GM50-E2	NBN2-8GM60-A0	NBN2-8GM60-A2	NBN2-8GM40-E2-V3	NBN2-8GM40-E2-V1	NBN2-8GM50-A0-V1	NBN2-8GM50-A2-V1
Switching element function	NPN	NO/NC	•	•				•	•
	PNP	NO							
	PNP	NO/NC			•				•
	PNP	NO							
No-load supply current	≤ 15 mA	•	•			•	•		
	≤ 20 mA			•	•			•	•
Switching frequency	0 ... 1500 Hz	•	•	•	•			•	•
	0 ... 2000 Hz					•			
Connection type	Device connector M12 x 1, 4-pin							•	•
	Device connector M8 x 1, 3-pin cable PVC, 2 m	•	•	•	•				

Approvals and Certificates

UL approval	cULus Listed, General Purpose	•	•	•	•	•	•	•	•
CSA approval	cCSAus Listed, General Purpose	•	•	•	•	•	•	•	•
CCC approval	Products with a maximum operating voltage of ≤36 V do not bear a CCC marking because they do not require approval.								

Dimensions

Length L [mm]	50	60	50	65	64
Diameter D [mm]		8			8 / 12
Thread length l _t [mm]	45	60	35		50
Cap length l ₁ [mm]			4		
Connector area l _c [mm]		0		6	
LED position			Pos. C		Pos. A



Accessories This and more accessories can be found in chapter 10

V1-W-BK	4-pin, M12 female field-attachable connector	See pages 972 ... for cordsets	See pages 1068 ... for mounting aids
BF 8	Mounting flange, 8 mm		
V1-G-BK	4-pin, M12 female field-attachable connector		
V1-G-2M-PUR	Cable socket, M12, 4-pin, PUR cable		
V1-W-2M-PUR	Cable socket, M12, 4-pin, PUR cable		

Electrical Connection

NBN2-8GM50-E0

NBN2-8GM60-A0

NBN2-8GM40-E2-V1
NBN2-8GM40-E2-V3

NBN2-8GM50-A0-V1

NBN2-8GM50-E2

NBN2-8GM60-A2

NBN2-8GM50-A2-V1

Wire colors in accordance with EN 60947-5-2

1	BN	(brown)
2	WH	(white)
3	BU	(blue)
4	BK	(black)

Date of issue 04/08/2015

Refer to "General Notes Relating to Pepperl+Fuchs Product Information".

Pepperl+Fuchs Group
www.pepperl-fuchs.com

USA: +1 330 486 0001
fa-info@us.pepperl-fuchs.com

Germany: +49 621 776 4411
fa-info@de.pepperl-fuchs.com

Singapore: +65 6779 9091
fa-info@sg.pepperl-fuchs.com

1
.1.1

Proximity Sensors, Inductive Sensors, cylindrical



Technical Data

For detailed data and product description refer to the data sheets at www.pepperl-fuchs.com

General Data

Rated operating distance	3 mm
Installation	non-flush
Type of voltage	DC
No-load supply current	≤ 15 mA
Reverse polarity protection	✓
Operating current	0 ... 100 mA
Short-circuit protection	pulsing
Indication of the switching state	LED, yellow
Ambient temperature	-25 ... 70 °C (-13 ... 158 °F)
Housing material	brass, nickel-plated
Protection degree	IP67

Properties

- Ø8 mm housing
- 3 mm, non-flush mountable
- DC, 3-wire switching output
- Cable and connector versions

Model Number

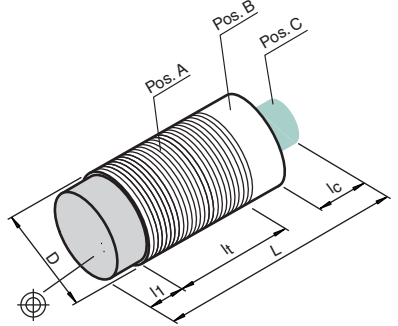
			green = preferred type										
Switching element function	NPN	NO											
	NPN	NC											
	PNP	NO											
	PNP	NC											
Operating voltage	10 ... 30 V												
	5 ... 30 V												
Switching frequency	0 ... 1500 Hz												
	0 ... 2000 Hz												
Connection type	Device connector M12 x 1, 4-pin												
	Device connector M8 x 1, 3-pin												
	cable PVC, 2 m												

Approvals and Certificates

UL approval	cULus Listed, General Purpose	●	●	●	●	●	●	●	●	●	●	●	●
CSA approval	cCSAus Listed, General Purpose	●	●	●	●	●	●	●	●	●	●	●	●
CCC approval	Products with a maximum operating voltage of ≤36 V do not bear a CCC marking because they do not require approval.												

Dimensions

Length L [mm]	30	30	50	29	29	29	29	55	49	49
Diameter D [mm]					8					8 / 12
Thread length l _t [mm]	30	30	45	21	21	21	21	40	26	26
Cap length l ₁ [mm]						4				
Connector area l _c [mm]									6	
LED position										



Accessories

This and more accessories can be found in chapter 10
 See pages from 972 ... for cordsets See pages 1068 ... for mounting aids

BF 8	Mounting flange, 8 mm
V1-G-BK	4-pin, M12 female field-attachable connector
V3-GM-2M-PUR	Cable socket, M8, 3-pin, PUR cable
V3-WM	Female connector, M8, 3-pin, field attachable
V3-GM	Female connector, M8, 3-pin, field attachable
V1-G-2M-PUR	Cable socket, M12, 4-pin, PUR cable
V1-W-2M-PUR	Cable socket, M12, 4-pin, PUR cable
V1-W-BK	4-pin, M12 female field-attachable connector

Electrical Connection

NBN3-8GM30-E0 NBN3-8GM50-E0	NBN3-8GM25-E0-V3	NBN3-8GM25-E2-V3 NBN3-8GM30-E2-V1 NBN3-8GM45-E2-V3	
NBN3-8GM30-E2	NBN3-8GM25-E1-V3	NBN3-8GM25-E3-V3	

Wire colors in accordance with EN 60947-5-2

1	BN	(brown)
2	WH	(white)
3	BU	(blue)
4	BK	(black)



Technical Data

For detailed data and product description refer to the data sheets at www.pepperl-fuchs.com

General Data

Rated operating distance	3 mm
Installation	virtually flush
Type of voltage	DC
Operating voltage	10 ... 30 V DC
No-load supply current	≤ 15 mA
Reverse polarity protection	✓
Operating current	0 ... 200 mA
Switching frequency	0 ... 1500 Hz
Short-circuit protection	pulsing
Indication of the switching state	LED, yellow
Ambient temperature	-25 ... 85 °C (-13 ... 185 °F)
Protection degree	IP67
Housing material	brass, nickel-plated

Properties

- Ø8 mm housing
- 3 mm virtually flush mountable
- DC, 3-wire switching output
- Cable and connector versions

Model Number

Switching element function	green = preferred type		NEB3-8GM45-E0	NEB3-8GM45-E1	NEB3-8GM45-E2	NEB3-8GM45-E3	NEB3-8GM45-E0-V3	NEB3-8GM45-E1-V3	NEB3-8GM45-E2-V3	NEB3-8GM45-E3-V3	NEB3-8GM45-E0-V1	NEB3-8GM45-E1-V1	NEB3-8GM45-E2-V1	NEB3-8GM45-E3-V1
	NPN NO			•				•				•		
NPN NC				•				•				•		
PNP NO					•				•				•	
PNP NC						•				•				•
Connection type	Device connector M12 x 1, 4-pin										•	•	•	•
	Device connector M8 x 1, 3-pin cable PUR, 2 m		•	•	•	•	•	•	•	•				

Approvals and Certificates

UL approval	cULus Listed, General Purpose	••••••••••••••••••
CCC approval	Products with a maximum operating voltage of ≤36 V do not bear a CCC marking because they do not require approval.	

Dimensions

Length L [mm]	45	60	66
Diameter D [mm]		8	8 / 12
Thread length l _t [mm]		45	44
Cap length l ₁ [mm]			0
Connector area l _c [mm]	0	6	10
LED position		Pos. A	

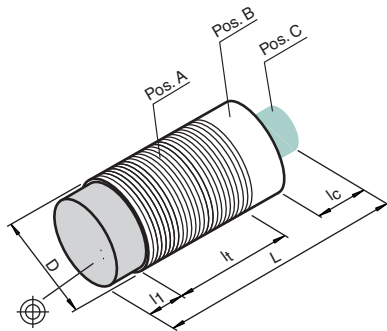
Accessories

This and more accessories can be found in chapter 10

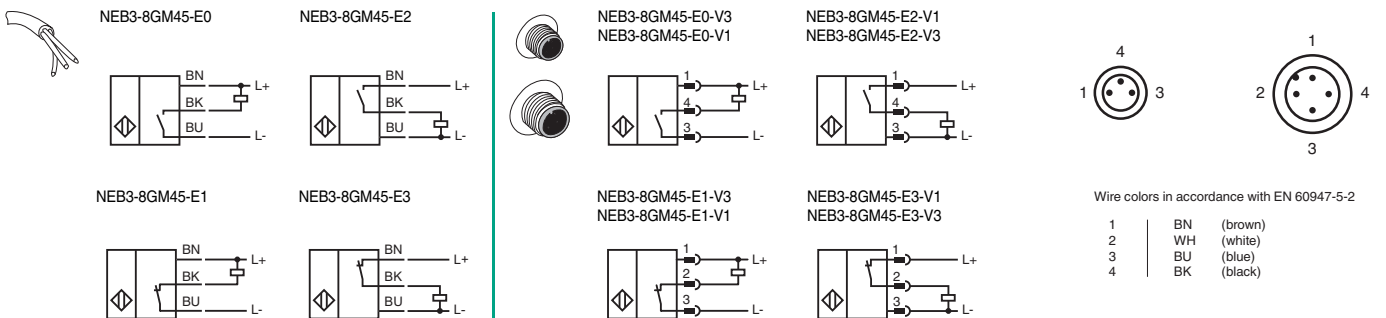
See pages from 972 ... for cordsets

See pages 1068 ... for mounting aids

BF 8	Mounting flange, 8 mm
V1-G-BK	4-pin, M12 female field-attachable connector
V3-GM	Female connector, M8, 3-pin, field attachable
V1-G-2M-PUR	Cable socket, M12, 4-pin, PUR cable
V3-GM-2M-PUR	Cable socket, M8, 3-pin, PUR cable
V1-W-2M-PUR	Cable socket, M12, 4-pin, PUR cable
V3-WM-2M-PUR	Cable socket, M8, 3-pin, PUR cable



Electrical Connection



1
.1.1



Properties

- Ø8 mm housing
- 4 mm, virtually flush mountable
- DC, 3-wire switching output
- Cable and connector versions

Technical Data

For detailed data and product description refer to the data sheets at www.pepperl-fuchs.com

General Data

Rated operating distance	4 mm
Installation	virtually flush
Switching element function	PNP NO
Type of voltage	DC
Operating voltage	10 ... 30 V DC
No-load supply current	≤ 10 mA
Reverse polarity protection	✓
Operating current	0 ... 200 mA
Switching frequency	0 ... 500 Hz
Short-circuit protection	pulsing
Indication of the switching state	LED, yellow
Ambient temperature	-25 ... 70 °C (-13 ... 158 °F)
Protection degree	IP67
Housing material	chromium plated brass

Model Number

	NEB4-8GM45-E2	NEB4-8GM50-E2-V3
Connection type	Device connector M8 x 1 , 3-pin cable PUR , 2 m	Device connector M8 x 1 , 3-pin cable PUR , 2 m

Approvals and Certificates

UL approval	cULus Listed, General Purpose	●	●
CSA approval	cCSAus Listed, General Purpose	●	●
CCC approval	Products with a maximum operating voltage of ≤36 V do not bear a CCC marking because they do not require approval.		

Dimensions

Length L [mm]	45	60
Diameter D [mm]	8	
Thread length l_t [mm]	45	
Cap length l_1 [mm]	0	
Connector area l_c [mm]	0	6
LED position	Pos. A	

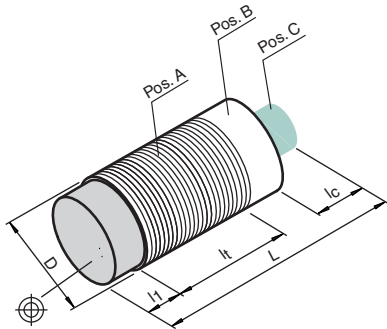
Accessories

This and more accessories can be found in chapter 10

See pages from 972 ... for cordsets

See pages 1068 ... for mounting aids

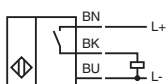
BF 8	Mounting flange, 8 mm
V3-GM	Female connector, M8, 3-pin, field attachable
V3-GM-2M-PUR	Cable socket, M8, 3-pin, PUR cable
V3-WM-2M-PUR	Cable socket, M8, 3-pin, PUR cable



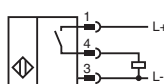
Electrical Connection



NEB4-8GM45-E2



NEB4-8GM50-E2-V3



Wire colors in accordance with EN 60947-5-2

1	BN	(brown)
2	WH	(white)
3	BU	(blue)
4	BK	(black)



Technical Data

For detailed data and product description refer to the data sheets at www.pepperl-fuchs.com

General Data

Rated operating distance	6 mm
Installation	non-flush
Type of voltage	DC
Operating voltage	10 ... 30 V DC
No-load supply current	≤ 15 mA
Reverse polarity protection	✓
Switching frequency	0 ... 750 Hz
Operating current	0 ... 200 mA , above 50°C ≤ 150 mA
Short-circuit protection	pulsing
Indication of the switching state	LED, yellow
Ambient temperature	-25 ... 85 °C (-13 ... 185 °F)
Housing material	brass, nickel-plated
Protection degree	IP67

Properties

- Ø8 mm housing
- 6 mm, non-flush mountable
- DC, 3-wire switching output
- Cable and connector versions

Model Number

Switching element function	NPN	NO	●	●	●	●	●	●	●
	NPN	NC	●	●	●	●	●	●	●
Connection type	PNP	NO	●	●	●	●	●	●	●
	PNP	NC	●	●	●	●	●	●	●

Approvals and Certificates

UL approval	cULus Listed, General Purpose	● ● ● ● ● ● ● ● ● ● ● ● ● ● ● ●
CCC approval	Products with a maximum operating voltage of ≤36 V do not bear a CCC marking because they do not require approval.	

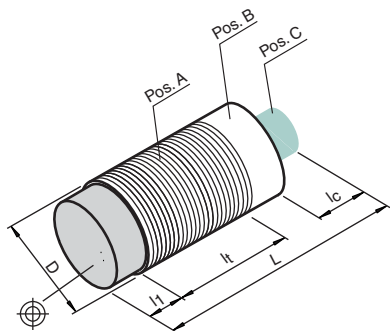
Dimensions

Length L [mm]	45	60
Diameter D [mm]	8	
Thread length l _t [mm]	44	40
Cap length l ₁ [mm]		4
Connector area l _c [mm]	0	6
LED position		Pos. A

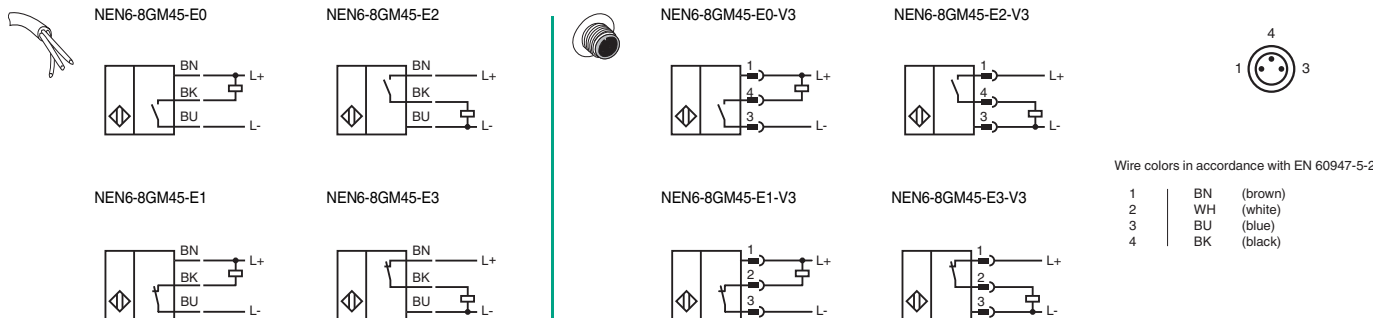
Accessories

This and more accessories can be found in chapter 10

See pages from 972 ... for cordsets	See pages 1068 ... for mounting aids
BF 8	Mounting flange, 8 mm
V1-G-BK	4-pin, M12 female field-attachable connector
V3-GM	Female connector, M8, 3-pin, field attachable
V1-W-BK	4-pin, M12 female field-attachable connector
V3-WM	Female connector, M8, 3-pin, field attachable
V1-G-2M-PUR	Cable socket, M12, 4-pin, PUR cable
V3-GM-2M-PUR	Cable socket, M8, 3-pin, PUR cable
V1-W-2M-PUR	Cable socket, M12, 4-pin, PUR cable
V3-WM-2M-PUR	Cable socket, M8, 3-pin, PUR cable



Electrical Connection



Date of issue 04/08/2015

1
.1.1



Proximity Sensors, Inductive Sensors, cylindrical

Properties

- Ø8 mm housing
- 6 mm, non-flush mountable
- DC, 3-wire switching output
- Connector version

Technical Data

For detailed data and product description refer to the data sheets at www.pepperl-fuchs.com

General Data

Rated operating distance	6 mm
Installation	non-flush
Type of voltage	DC
Operating voltage	10 ... 30 V DC
No-load supply current	≤ 15 mA
Reverse polarity protection	✓
Switching frequency	0 ... 750 Hz
Operating current	0 ... 200 mA, above 50°C ≤ 150 mA
Short-circuit protection	pulsing
Indication of the switching state	LED, yellow
Ambient temperature	-25 ... 85 °C (-13 ... 185 °F)
Housing material	brass, nickel-plated
Protection degree	IP67
Connection type	Device connector M12 x 1, 4-pin



Model Number

		green = preferred type				
Switching element function	NPN	NO	●			
	NPN	NC		●		
	PNP	NO			●	
	PNP	NC				●

Approvals and Certificates

UL approval	cULus Listed, General Purpose	●	●	●	●
CCC approval	Products with a maximum operating voltage of ≤36 V do not bear a CCC marking because they do not require approval.				

Dimensions

Length L [mm]	66
Diameter D [mm]	8 / 12
Thread length l _t [mm]	40
Cap length l ₁ [mm]	4
Connector area l _c [mm]	8
LED position	Pos. A

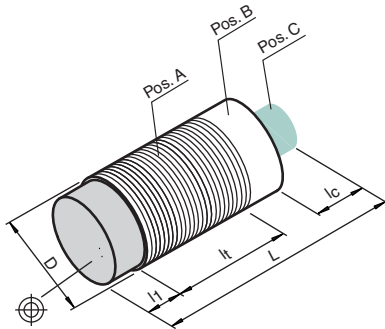
Accessories

This and more accessories can be found in chapter 10

See pages from 972 ... for cordsets

See pages 1068 ... for mounting aids

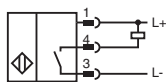
- BF 8** Mounting flange, 8 mm
- V1-G-BK** 4-pin, M12 female field-attachable connector
- V3-GM** Female connector, M8, 3-pin, field attachable
- V1-W-BK** 4-pin, M12 female field-attachable connector
- V3-WM** Female connector, M8, 3-pin, field attachable
- V1-G-2M-PUR** Cable socket, M12, 4-pin, PUR cable
- V3-GM-2M-PUR** Cable socket, M8, 3-pin, PUR cable
- V1-W-2M-PUR** Cable socket, M12, 4-pin, PUR cable
- V3-WM-2M-PUR** Cable socket, M8, 3-pin, PUR cable



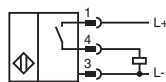
Electrical Connection



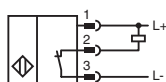
NEN6-8GM45-E0-V1



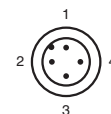
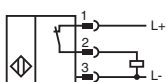
NEN6-8GM45-E2-V1



NEN6-8GM45-E1-V1

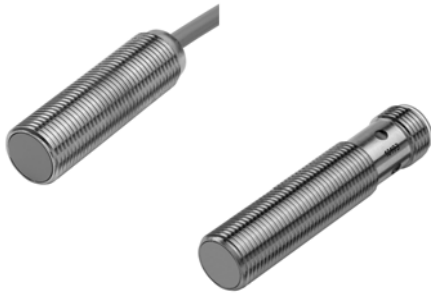


NEN6-8GM45-E3-V1



Wire colors in accordance with EN 60947-5-2

- 1 BN (brown)
- 2 WH (white)
- 3 BU (blue)
- 4 BK (black)



- ### Properties
- Ø12 mm housing
 - 2 mm and 4 mm, flush mountable versions
 - DC, 2-wire switching output
 - Cable and connector versions

Technical Data

For detailed data and product description refer to the data sheets at www.pepperl-fuchs.com

General Data

Installation	flush
Type of voltage	DC
Operating current	2 ... 100 mA
Short-circuit protection	pulsing
Indication of the switching state	LED, yellow
Protection degree	IP67

Model Number

green = preferred type

		NBB2-12GM40-Z0	NCB2-12GM40-Z0	NCB2-12GM40-Z1	NCB4-12GM35-Z4	NCB4-12GM35-Z5	NBB2-12GM40-Z0-V1	NCB2-12GM40-Z0-V1	NCB2-12GM40-Z1-V1	NCB4-12GM40-Z4-V1	NCB4-12GM40-Z5-V1
Rated operating distance	2 mm	●	●	●	●	●	●	●	●	●	●
	4 mm	●	●	●	●	●	●	●	●	●	●
Switching element function	DC NO	●	●	●	●	●	●	●	●	●	●
	DC NC	●	●	●	●	●	●	●	●	●	●
Operating voltage	3.5 ... 30 V	●	●	●	●	●	●	●	●	●	●
	5 ... 60 V	●	●	●	●	●	●	●	●	●	●
Reverse polarity protection	conducting	●	●	●	●	●	●	●	●	●	●
	tolerant	●	●	●	●	●	●	●	●	●	●
Switching frequency	0 ... 800 Hz	●	●	●	●	●	●	●	●	●	●
	0 ... 1000 Hz	●	●	●	●	●	●	●	●	●	●
Pre-fault indication	LED, red	●	●	●	●	●	●	●	●	●	●
Ambient temperature	-25 ... 70 °C (-13 ... 158 °F)	●	●	●	●	●	●	●	●	●	●
	-40 ... 70 °C (-40 ... 158 °F)	●	●	●	●	●	●	●	●	●	●
Housing material	Stainless steel 1.4305 / AISI 303	●	●	●	●	●	●	●	●	●	●
	brass, nickel-plated	●	●	●	●	●	●	●	●	●	●
Connection type	Device connector M12 x 1, 4-pin	●	●	●	●	●	●	●	●	●	●
	cable PUR , 2 m	●	●	●	●	●	●	●	●	●	●
	cable PVC , 2 m	●	●	●	●	●	●	●	●	●	●

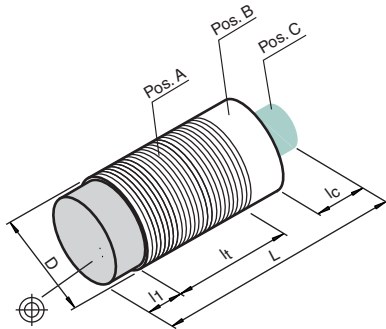
Approvals and Certificates

UL approval	cULus Listed, General Purpose	●	●	●	●	●	●	●	●	●	●
CSA approval	cCSAus Listed, General Purpose	●	●	●	●	●	●	●	●	●	●
CCC approval	Certified by China Compulsory Certification (CCC)	●	●	●	●	●	●	●	●	●	●

Products with a maximum operating voltage of ≤36 V do not bear a CCC marking because they do not require approval.

Dimensions

Length L [mm]	40	35	55
Diameter D [mm]		12	
Thread length l _t [mm]	37	32	39
Cap length l ₁ [mm]		0	
Connector area l _c [mm]		0	6
LED position			Pos. C

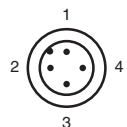
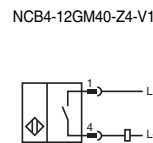
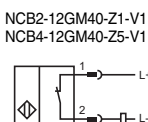
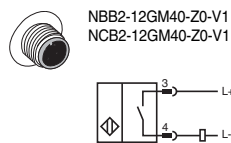
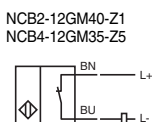
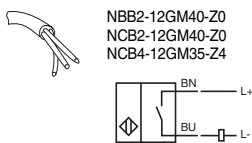


Accessories

This and more accessories can be found in chapter 10
See pages from 972 ... for cordsets See pages 1068 ... for mounting aids

- BF 12** Mounting flange, 12 mm
- EXG-12** Quick mounting bracket with dead stop
- V1-W-BK** 4-pin, M12 female field-attachable connector
- V1-G-BK** 4-pin, M12 female field-attachable connector
- V1-G-2M-PUR** Cable socket, M12, 4-pin, PUR cable
- V1-W-2M-PUR** Cable socket, M12, 4-pin, PUR cable

Electrical Connection



Wire colors in accordance with EN 60947-5-2

- 1 BN (brown)
- 2 WH (white)
- 3 BU (blue)
- 4 BK (black)



Properties

- Ø12 mm housing
- 4 mm and 8 mm, non-flush mountable versions
- DC, 2-wire switching output
- Cable and connector versions

Technical Data

For detailed data and product description refer to the data sheets at www.pepperl-fuchs.com

General Data

Installation	non-flush
Type of voltage	DC
Operating current	2 ... 100 mA
Short-circuit protection	pulsing
Indication of the switching state	LED, yellow
Protection degree	IP67

Model Number

	green = preferred type	NBN4-12GM40-Z0	NCN4-12GM40-Z0	NCN4-12GM40-Z1	NCN8-12GM35-Z4	NCN8-12GM35-Z5	NBN4-12GM40-Z0-V1	NCN4-12GM40-Z0-V1	NCN4-12GM40-Z1-V1	NCN8-12GM40-Z4-V1	NCN8-12GM40-Z5-V1
Rated operating distance	4 mm	●	●	●	●	●	●	●	●	●	●
	8 mm	●	●	●	●	●	●	●	●	●	●
Switching element function	DC NO	●	●	●	●	●	●	●	●	●	●
	DC NC			●		●			●		●
Operating voltage	3.5 ... 30 V			●	●	●			●		●
	5 ... 60 V	●	●	●	●	●	●	●	●	●	●
Reverse polarity protection	conducting			●	●	●			●		●
	tolerant	●	●	●	●	●	●	●	●	●	●
Switching frequency	0 ... 750 Hz			●	●	●			●		●
	0 ... 800 Hz			●	●	●			●		●
	0 ... 1000 Hz	●	●	●	●	●	●	●	●	●	●
Pre-fault indication	LED, red			●	●	●			●		●
Ambient temperature	-25 ... 70 °C (-13 ... 158 °F)	●	●	●	●	●	●	●	●	●	●
	-40 ... 70 °C (-40 ... 158 °F)			●	●	●			●		●
Housing material	Stainless steel 1.4305 / AISI 303		●	●	●	●		●	●	●	●
	brass, nickel-plated	●			●	●	●		●	●	●
Connection type	Device connector M12 x 1, 4-pin							●	●	●	●
	cable PUR, 2 m		●	●	●	●			●		●
	cable PVC, 2 m	●			●	●			●		●

Approvals and Certificates

UL approval	cULus Listed, General Purpose	●	●	●	●	●	●	●	●	●	●
CSA approval	cCSAus Listed, General Purpose	●	●	●	●	●	●	●	●	●	●
CCC approval	Certified by China Compulsory Certification (CCC)	●	●	●	●	●		●	●	●	●

Products with a maximum operating voltage of ≤36 V do not bear a CCC marking because they do not require approval.

Dimensions

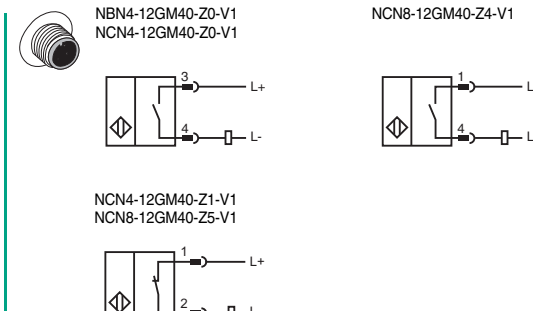
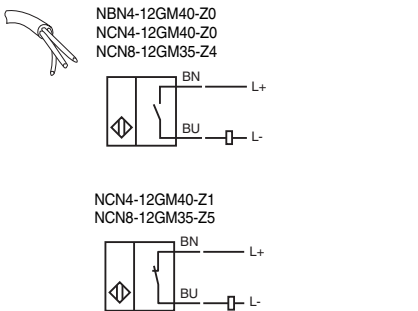
Length L [mm]	40	35	55
Diameter D [mm]	12		
Thread length l _t [mm]	32	27	34
Cap length l ₁ [mm]	5		
Connector area l _c [mm]	0		6
LED position	Pos. C		

Accessories

This and more accessories can be found in chapter 10
See pages from 972 ... for cordsets See pages 1068 ... for mounting aids

BF 12	Mounting flange, 12 mm
V1-G-BK	4-pin, M12 female field-attachable connector
V1-W-BK	4-pin, M12 female field-attachable connector
V1-G-2M-PUR	Cable socket, M12, 4-pin, PUR cable
V1-W-2M-PUR	Cable socket, M12, 4-pin, PUR cable

Electrical Connection



Wire colors in accordance with EN 60947-5-2

1	BN	(brown)
2	WH	(white)
3	BU	(blue)
4	BK	(black)



Technical Data

For detailed data and product description refer to the data sheets at www.pepperl-fuchs.com

General Data

Type of voltage	DC
Operating voltage	10 ... 30 V DC
No-load supply current	≤ 17 mA
Reverse polarity protection	✓
Operating current	0 ... 200 mA
Short-circuit protection	pulsing
Indication of the switching state	LED, yellow
Ambient temperature	-25 ... 70 °C (-13 ... 158 °F)
Housing material	PBT
Protection degree	IP68 / IP69K
Connection type	cabl PVC , 2 m



Properties

- Ø12 mm housing
- 2 mm, flush and 4 mm, non-flush mountable versions
- DC, 3-wire switching output
- Cable version

Model Number

		NBB2-12GK50-E0	NBB2-12GK50-E2	NBN4-12GK50-E0	NBN4-12GK50-E2
Rated operating distance	2 mm	●	●		
	4 mm			●	●
Installation	flush	●	●		
	non-flush			●	●
Switching element function	NPN NO	●		●	
	PNP NO		●		●
Switching frequency	0 ... 1200 Hz			●	●
	0 ... 1500 Hz	●	●		

Approvals and Certificates

		NBB2-12GK50-E0	NBB2-12GK50-E2	NBN4-12GK50-E0	NBN4-12GK50-E2
UL approval	cULus Listed, General Purpose	●	●	●	●
CSA approval	cCSAus Listed, General Purpose	●	●	●	●
CCC approval	Products with a maximum operating voltage of ≤36 V do not bear a CCC marking because they do not require approval.				

Dimensions

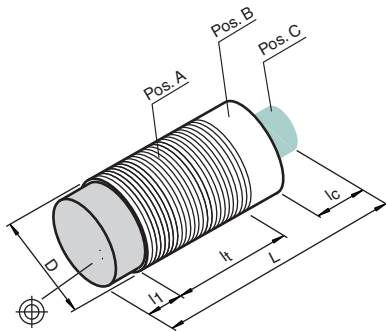
Length L [mm]	50
Diameter D [mm]	12
Thread length l _t [mm]	40
Cap length l ₁ [mm]	1
Connector area l _c [mm]	0
LED position	Pos. C

Accessories

This and more accessories can be found in chapter 10

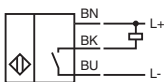
BF 12

Mounting flange, 12 mm

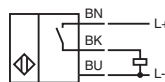


Electrical Connection

NBB2-12GK50-E0
NBN4-12GK50-E0



NBB2-12GK50-E2
NBN4-12GK50-E2



Technical Data

For detailed data and product description refer to the data sheets at www.pepperl-fuchs.com

General Data

Type of voltage	DC
Operating voltage	10 ... 60 V
No-load supply current	≤ 15 mA
Reverse polarity protection	✓
Operating current	0 ... 200 mA
Short-circuit protection	pulsing
Ambient temperature	-25 ... 70 °C (-13 ... 158 °F)
Housing material	PBT
Protection degree	IP68
Connection type	cablE PUR , 2 m



Properties

- Ø12 mm plastic housing
- 2 mm, flush and 4 mm, non-flush mountable versions
- DC, 3-wire switching output
- Cable version

Model Number

		NJ2-12GK40-E	NJ2-12GK40-E1	NJ2-12GK40-E2	NJ2-12GK40-E3	NJ4-12GK40-E	NJ4-12GK40-E1	NJ4-12GK40-E2	NJ4-12GK40-E3
Rated operating distance	2 mm	●	●	●	●				
	4 mm					●	●	●	●
Installation	flush	●	●	●	●				
	non-flush					●	●	●	●
Switching element function	NPN NO	●							
	NPN NC		●					●	
	PNP NO			●					●
	PNP NC				●				●
Switching frequency	0 ... 2000 Hz					●	●	●	●
	0 ... 3000 Hz	●	●	●	●				

Approvals and Certificates

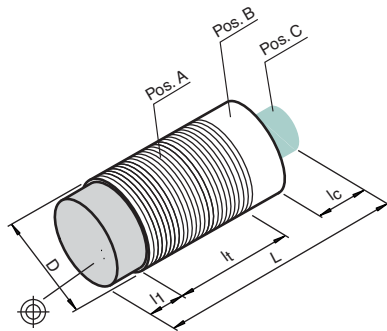
UL approval	cULus Listed, General Purpose	●	●	●	●	●	●	●	●
CSA approval	cCSAus Listed, General Purpose	●	●	●	●	●	●	●	●
CCC approval	Certified by China Compulsory Certification (CCC)	●	●	●	●	●	●	●	●

Dimensions

Length L [mm]		40	40
Diameter D [mm]			12
Thread length l _t [mm]		35	35
Cap length l ₁ [mm]			1
Connector area l _c [mm]			0

Accessories This and more accessories can be found in chapter 10
 See pages from 972 ... for cordsets See pages 1068 ... for mounting aids

BF 12 Mounting flange, 12 mm



Electrical Connection

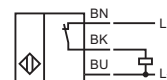
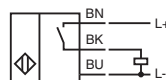
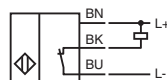
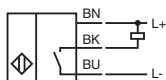


NJ2-12GK40-E
NJ4-12GK40-E

NJ2-12GK40-E1
NJ4-12GK40-E1

NJ2-12GK40-E2
NJ4-12GK40-E2

NJ2-12GK40-E3
NJ4-12GK40-E3





Technical Data

For detailed data and product description refer to the data sheets at www.pepperl-fuchs.com

General Data

Rated operating distance	2 mm
Installation	flush
Type of voltage	DC
Operating voltage	10 ... 60 V
Reverse polarity protection	✓
Switching frequency	0 ... 3000 Hz
Operating current	0 ... 200 mA
Short-circuit protection	pulsing
Indication of the switching state	LED, yellow
Ambient temperature	-25 ... 70 °C (-13 ... 158 °F)
Housing material	Stainless steel 1.4305 / AISI 303
Protection degree	IP67

Properties

- Ø12 mm housing
- 2 mm, flush mountable
- DC, 3-wire switching output
- Cable and connector versions

Model Number

			NJ2-12GM40-E	NJ2-12GM40-E2	NJ2-12GM40-E3	NJ2-12GM40-E-V1	NJ2-12GM40-E2-V1	NJ2-12GM40-E3-V1
Switching element function	NPN	NO	●			●		
	PNP	NO		●			●	
	PNP	NC			●			●
No-load supply current	≤ 11 mA		●	●		●	●	●
	≤ 15 mA				●			●
Connection type	Device connector M12 x 1 , 4-pin		●	●	●	●	●	●
	cable PUR , 2 m				●			●

Approvals and Certificates

		NJ2-12GM40-E	NJ2-12GM40-E2	NJ2-12GM40-E3	NJ2-12GM40-E-V1	NJ2-12GM40-E2-V1	NJ2-12GM40-E3-V1
UL approval	cULus Listed, General Purpose	●	●	●	●	●	●
CSA approval	cCSAus Listed, General Purpose	●	●	●	●	●	●
CCC approval	Certified by China Compulsory Certification (CCC)	●	●	●	●	●	●

Dimensions

	40	50
Length L [mm]		50
Diameter D [mm]		12
Thread length l _t [mm]	40	50
Cap length l ₁ [mm]		0
Connector area l _c [mm]		0
LED position	Pos. A	

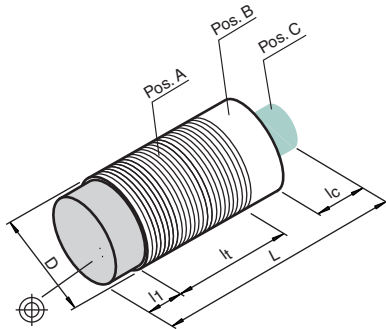
Accessories

This and more accessories can be found in chapter 10

See pages from 972 ... for cordsets

See pages 1068 ... for mounting aids

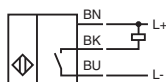
- BF 12** Mounting flange, 12 mm
- EXG-12** Quick mounting bracket with dead stop
- V1-G-BK** 4-pin, M12 female field-attachable connector
- V1-W-BK** 4-pin, M12 female field-attachable connector
- V1-G-2M-PUR** Cable socket, M12, 4-pin, PUR cable
- V1-W-2M-PUR** Cable socket, M12, 4-pin, PUR cable



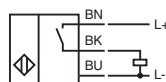
Electrical Connection



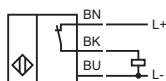
NJ2-12GM40-E



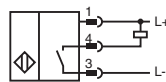
NJ2-12GM40-E2



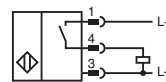
NJ2-12GM40-E3



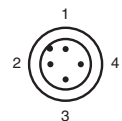
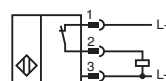
NJ2-12GM40-E-V1



NJ2-12GM40-E2-V1

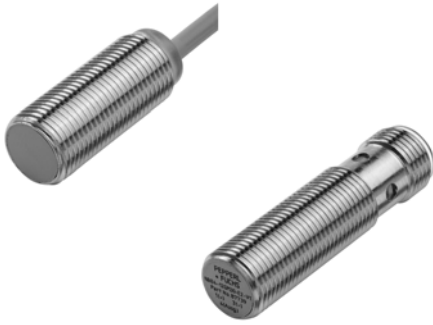


NJ2-12GM40-E3-V1



Wire colors in accordance with EN 60947-5-2

- 1 BN (brown)
- 2 WH (white)
- 3 BU (blue)
- 4 BK (black)



Properties

- Ø12 mm housing
- 2 mm, flush mountable
- DC, 3-wire switching output
- Cable and connector versions

Technical Data

For detailed data and product description refer to the data sheets at www.pepperl-fuchs.com

General Data

Rated operating distance	2 mm
Installation	flush
Type of voltage	DC
Operating voltage	10 ... 30 V
No-load supply current	≤ 15 mA
Reverse polarity protection	✓
Short-circuit protection	pulsing
Indication of the switching state	LED, yellow
Ambient temperature	-25 ... 70 °C (-13 ... 158 °F)
Housing material	brass, nickel-plated
Protection degree	IP67

Model Number

			NBB2-12GM30-E2	NBB2-12GM40-E0	NBB2-12GM40-E1	NBB2-12GM40-E2	NBB2-12GM40-E3	NBB2-12GM30-E2-V1	NBB2-12GM40-E0-V1	NBB2-12GM40-E2-V1
Switching element function	NPN	NO		●					●	
	NPN	NC			●					
	PNP	NO	●			●		●		●
	PNP	NC					●			
Switching frequency	0 ... 1000 Hz			●	●	●	●		●	●
	0 ... 800 Hz		●					●		
Operating current	0 ... 100 mA		●	●	●	●	●		●	●
	0 ... 200 mA		●					●	●	●
Connection type	Device connector M12 x 1 , 4-pin		●	●	●	●	●	●	●	●
	cable PVC , 2 m		●	●	●	●	●			

Approvals and Certificates

UL approval	cULus Listed, General Purpose	●	●	●	●	●	●	●	●	●
CSA approval	cCSAus Listed, General Purpose	●	●	●	●	●	●	●	●	●
CCC approval	Products with a maximum operating voltage of ≤36 V do not bear a CCC marking because they do not require approval.									

Dimensions

Length L [mm]	30	40	45	50
Diameter D [mm]		12		
Thread length l _t [mm]	27	37	30	50
Cap length l ₁ [mm]		0		
Connector area l _c [mm]		0		6
LED position		Pos. C		

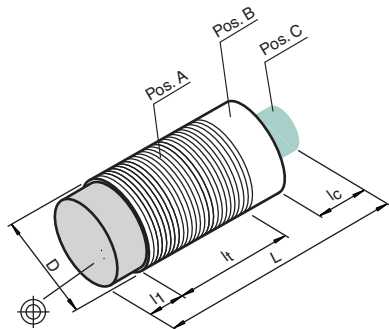
Accessories

This and more accessories can be found in chapter 10

See pages from 972 ... for cordsets

See pages 1068 ... for mounting aids

- BF 12** Mounting flange, 12 mm
- EXG-12** Quick mounting bracket with dead stop
- V1-G-BK** 4-pin, M12 female field-attachable connector
- V1-W-BK** 4-pin, M12 female field-attachable connector
- V1-G-2M-PUR** Cable socket, M12, 4-pin, PUR cable
- V1-W-2M-PUR** Cable socket, M12, 4-pin, PUR cable



Electrical Connection

NBB2-12GM40-E0

NBB2-12GM40-E1

NBB2-12GM30-E2
NBB2-12GM40-E2

NBB2-12GM40-E3

NBB2-12GM40-E0-V1

NBB2-12GM30-E2-V1
NBB2-12GM40-E2-V1

Wire colors in accordance with EN 60947-5-2

1	BN	(brown)
2	WH	(white)
3	BU	(blue)
4	BK	(black)



Technical Data

For detailed data and product description refer to the data sheets at www.pepperl-fuchs.com

General Data

Rated operating distance	2 mm
Installation	flush
Type of voltage	DC
Operating voltage	10 ... 30 V
Reverse polarity protection	✓
Operating current	0 ... 200 mA
Short-circuit protection	pulsing
Housing material	brass, nickel-plated
Protection degree	IP67

Model Number

			NBB2-12GM50-E0	NBB2-12GM50-E1	NBB2-12GM50-E2	NBB2-12GM60-A0	NBB2-12GM60-A2	NBB2-12GM50-E0-V1	NBB2-12GM50-E1-V1	NBB2-12GM50-E2-V1	NBB2-12GM60-E2-V1	NBB2-12GM60-A0-V1	NBB2-12GM60-A2-V1
Switching element function	NPN NO/NC		•			•		•				•	
	NPN NO			•					•				
	NPN NC			•					•				
	PNP NO/NC					•						•	
	PNP NO											•	
	No-load supply current	≤ 15 mA											
Switching frequency	0 ... 1000 Hz		•	•	•	•	•	•	•	•	•	•	•
	0 ... 1500 Hz		•	•	•	•	•	•	•	•	•	•	•
Indication of the switching state	LED, yellow		•	•	•	•	•	•	•	•	•	•	•
Ambient temperature	-25 ... 70 °C (-13 ... 158 °F)		•	•	•	•	•	•	•	•	•	•	•
	-40 ... 70 °C (-40 ... 158 °F)										•		
Connection type	Device connector M12 x 1, 4-pin		•	•	•	•	•	•	•	•	•	•	•
	cable PVC, 2 m												•

Approvals and Certificates

UL approval	cULus Listed, General Purpose	•	•	•	•	•	•	•	•	•	•	•	•
CSA approval	cCSAus Listed, General Purpose	•	•	•	•	•	•	•	•	•	•	•	•
CCC approval	Products with a maximum operating voltage of ≤36 V do not bear a CCC marking because they do not require approval.												

Dimensions

Length L [mm]	50	50	50	60	60	65	65	65	70	70	70	
Diameter D [mm]	12											
Thread length l _t [mm]	50	50	50	60	60	50	50	40	70	70		
Cap length l ₁ [mm]	0											
Connector area l _c [mm]	0			6			10			0		
LED position	Pos.: C			C			C			C		

Accessories

This and more accessories can be found in chapter 10

See pages from 972 ... for cordsets

See pages 1068 ... for mounting aids

- BF 12** Mounting flange, 12 mm
- EXG-12** Quick mounting bracket with dead stop
- V1-G-BK** 4-pin, M12 female field-attachable connector
- V1-W-BK** 4-pin, M12 female field-attachable connector
- V1-G-2M-PUR** Cable socket, M12, 4-pin, PUR cable
- V1-W-2M-PUR** Cable socket, M12, 4-pin, PUR cable

Properties

- Ø12 mm housing
- 2 mm, flush mountable
- DC, 3-wire and 4-wire switching output versions
- Cable and connector versions

Further Products

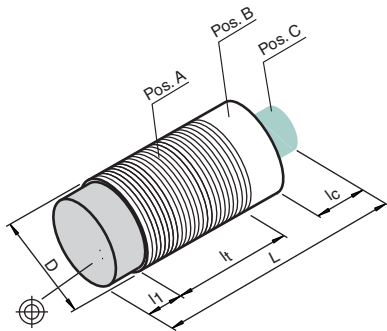
In this series, we offer additionally:

NBB2-12GM60-E2-T

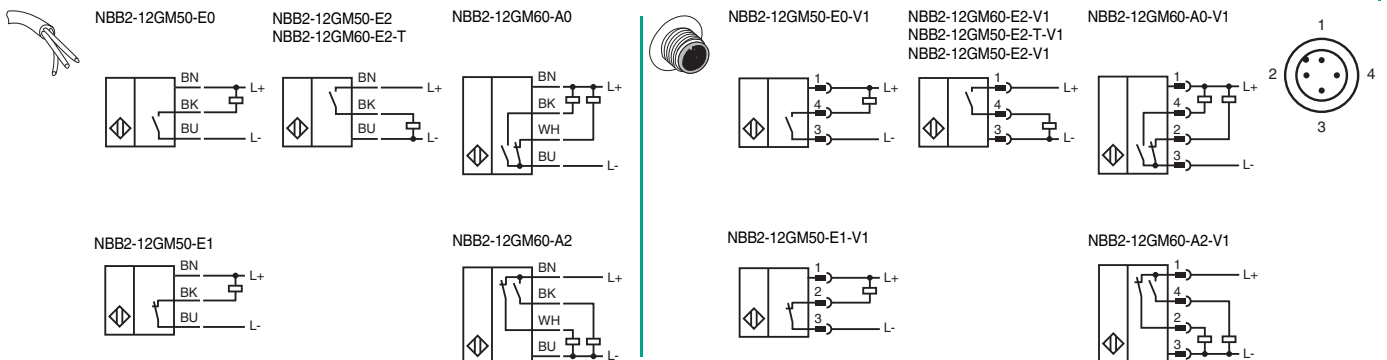
Technical data similar to NBB2-12GM50-E2 but:
 Operating voltage: 10 ... 65 V
 No-load supply current: ≤ 10 mA
 Operating current: 0 ... 300 mA
 Ambient temperature: -25 ... 100 °C (-13 ... 212 °F)

NBB2-12GM50-E2-T-V1

Technical data similar to NBB2-12GM50-E2-V1 but:
 Operating voltage: 10 ... 65 V
 No-load supply current: ≤ 10 mA
 Operating current: 0 ... 300 mA
 Ambient temperature: -25 ... 100 °C (-13 ... 212 °F)



Electrical Connection



Date of issue 04/08/2015

Refer to "General Notes Relating to Pepperl+Fuchs Product Information".

Pepperl+Fuchs Group
www.pepperl-fuchs.com

USA: +1 330 486 0001
 fa-info@us.pepperl-fuchs.com

Germany: +49 621 776 4411
 fa-info@de.pepperl-fuchs.com

Singapore: +65 6779 9091
 fa-info@sg.pepperl-fuchs.com

1
.1.1

Proximity Sensors, Inductive Sensors, cylindrical



Technical Data

For detailed data and product description refer to the data sheets at www.pepperl-fuchs.com

General Data

Rated operating distance	4 mm
Installation	non-flush
Type of voltage	DC
Operating voltage	10 ... 60 V
No-load supply current	≤ 15 mA
Reverse polarity protection	✓
Switching frequency	0 ... 2000 Hz
Operating current	0 ... 200 mA
Short-circuit protection	pulsing
Indication of the switching state	LED, yellow
Ambient temperature	-25 ... 70 °C (-13 ... 158 °F)
Housing material	Stainless steel 1.4305 / AISI 303
Protection degree	IP67

Properties

- Ø12 mm housing
- 4 mm, non-flush mountable
- DC, 3-wire switching output
- Cable and connector versions

Model Number

			NJ4-12GM40-E	NJ4-12GM40-E1	NJ4-12GM40-E2	NJ4-12GM40-E3	NJ4-12GM40-E-V1	NJ4-12GM40-E2-V1	NJ4-12GM40-E3-V1
Switching element function	NPN	NO	●				●		
	NPN	NC		●					
	PNP	NO			●			●	
	PNP	NC				●			●
Connection type	Device connector M12 x 1, 4-pin		●	●	●	●	●	●	●
	cable PUR, 2 m		●	●	●	●			

Approvals and Certificates

UL approval	cULus Listed, General Purpose	●	●	●	●	●	●	●	●
CSA approval	cCSAus Listed, General Purpose	●	●	●	●	●	●	●	●
CCC approval	Certified by China Compulsory Certification (CCC)	●	●	●	●	●	●	●	●

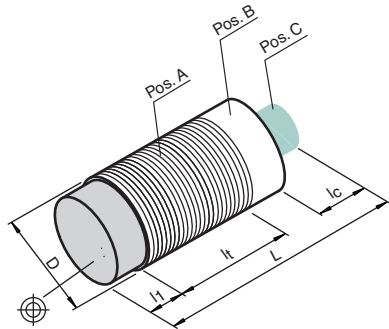
Dimensions

Length L [mm]		40	50
Diameter D [mm]			12
Thread length l _t [mm]		35	45
Cap length l ₁ [mm]			5
Connector area l _c [mm]			0
LED position			Pos. A

Accessories

This and more accessories can be found in chapter 10
See pages from 972 ... for cordsets See pages 1068 ... for mounting aids

- BF 12** Mounting flange, 12 mm
- V1-G-BK** 4-pin, M12 female field-attachable connector
- V1-W-BK** 4-pin, M12 female field-attachable connector
- V1-G-2M-PUR** Cable socket, M12, 4-pin, PUR cable
- V1-W-2M-PUR** Cable socket, M12, 4-pin, PUR cable



Electrical Connection

NJ4-12GM40-E

NJ4-12GM40-E1

NJ4-12GM40-E2

NJ4-12GM40-E3

NJ4-12GM40-E-V1

NJ4-12GM40-E2-V1

NJ4-12GM40-E3-V1

Wire colors in accordance with EN 60947-5-2

1	BN	(brown)
2	WH	(white)
3	BU	(blue)
4	BK	(black)



Technical Data

For detailed data and product description refer to the data sheets at www.pepperl-fuchs.com

General Data

Rated operating distance	4 mm
Installation	flush
Type of voltage	DC
Operating voltage	10 ... 30 V
Reverse polarity protection	✓
Short-circuit protection	pulsing
Indication of the switching state	LED, yellow
Housing material	brass, nickel-plated
Protection degree	IP67

Model Number

	green = preferred type	NBB4-12GM30-E2	NBB4-12GM30-E3	NBB4-12GM40-E0	NBB4-12GM40-E2	NBB4-12GM30-E2-V3	NBB4-12GM30-E2-V1	NBB4-12GM30-E3-V1
Switching element function	NPN NO PNP NO PNP NC	•	•	•	•	•	•	•
No-load supply current	≤ 15 mA ≤ 20 mA	•	•	•	•	•	•	•
Switching frequency	0 ... 1000 Hz 0 ... 800 Hz	•	•	•	•	•	•	•
Operating current	0 ... 150 mA 0 ... 200 mA	•	•	•	•	•	•	•
Ambient temperature	-25 ... 70 °C (-13 ... 158 °F) -40 ... 80 °C (-40 ... 176 °F) -40 ... 85 °C (-40 ... 185 °F)	•	•	•	•	•	•	•
Connection type	Device connector M12 x 1, 4-pin Device connector M8 x 1, 3-pin cable PVC, 2 m	•	•	•	•	•	•	•

Approvals and Certificates

UL approval	cULus Listed, General Purpose	•	•	•	•	•	•	•
CSA approval	cCSAus Listed, General Purpose	•	•	•	•	•	•	•
CCC approval	Products with a maximum operating voltage of ≤36 V do not bear a CCC marking because they do not require approval.							

Dimensions

Length L [mm]	30	40	44	45
Diameter D [mm]		12		
Thread length l _t [mm]	27	37	35	30
Cap length l ₁ [mm]		0		
Connector area l _c [mm]		0	9	6
LED position			Pos. C	

Accessories

This and more accessories can be found in chapter 10

See pages from 972 ... for cordsets See pages 1068 ... for mounting aids

BF 12	Mounting flange, 12 mm
EXG-12	Quick mounting bracket with dead stop
V3-GM-2M-PUR	Cable socket, M8, 3-pin, PUR cable
V1-G-2M-PUR H/S	Female cordset, M12, 4-pin, irradiated PUR cable
V1-G-BK	4-pin, M12 female field-attachable connector
V3-WM-2M-PUR	Cable socket, M8, 3-pin, PUR cable
V1-G-2M-PUR	Cable socket, M12, 4-pin, PUR cable
V1-W-2M-PUR	Cable socket, M12, 4-pin, PUR cable

Properties

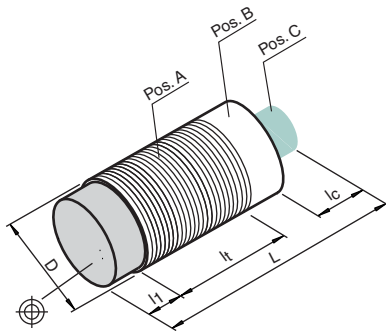
- Ø12 mm housing
- 4 mm, flush mountable
- DC, 3-wire switching output
- Cable and connector versions

Further Products

In this series, we offer additionally:

NBB4-12GM30-E2-T-V1

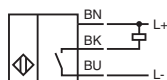
Technical data similar to NBB4-12GM30-E2-V1 but:
Operating current: 0 ... 100 mA
Ambient temperature: -25 ... 100 °C (-13 ... 212 °F)



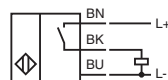
Electrical Connection



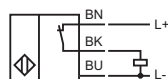
NBB4-12GM40-E0



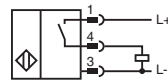
NBB4-12GM40-E2
NBB4-12GM30-E2



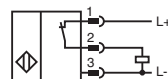
NBB4-12GM30-E3



NBB4-12GM30-E2-T-V1
NBB4-12GM30-E2-V1
NBB4-12GM30-E2-V3



NBB4-12GM30-E3-V1



Wire colors in accordance with EN 60947-5-2

- | | | |
|---|----|---------|
| 1 | BN | (brown) |
| 2 | WH | (white) |
| 3 | BU | (blue) |
| 4 | BK | (black) |



Properties

- Ø12 mm housing
- 4 mm, flush mountable
- DC, 3-wire switching output
- Cable and connector versions

Technical Data

For detailed data and product description refer to the data sheets at www.pepperl-fuchs.com

General Data

Rated operating distance	4 mm
Installation	flush
Type of voltage	DC
Operating voltage	10 ... 30 V
No-load supply current	≤ 15 mA
Reverse polarity protection	✓
Switching frequency	0 ... 800 Hz
Operating current	0 ... 200 mA
Short-circuit protection	pulsing
Indication of the switching state	LED, yellow
Protection degree	IP67

Model Number

			green = preferred type										
Switching element function	NPN	NO		NPN	NC		PNP	NO		PNP	NC		
Ambient temperature	-25 ... 70 °C (-13 ... 158 °F)												
Housing material	Stainless steel 1.4305 / AISI 303						brass, nickel-plated						
Connection type	Device connector M12 x 1, 4-pin						cable PVC, 2 m						

Approvals and Certificates

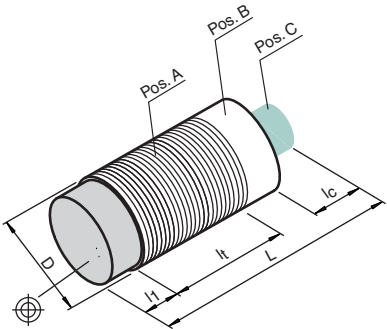
UL approval	cULus Listed, General Purpose	●	●	●	●	●	●	●	●	●	●	●	●
CSA approval	cCSAus Listed, General Purpose	●	●	●	●	●	●	●	●	●	●	●	●
CCC approval	Products with a maximum operating voltage of ≤36 V do not bear a CCC marking because they do not require approval.												

Dimensions

Length L [mm]	50	65
Diameter D [mm]		12
Thread length l _t [mm]	47	49
Cap length l ₁ [mm]		0
Connector area l _c [mm]	0	6
LED position		Pos. C

Accessories This and more accessories can be found in chapter 10

V1-G-BK	4-pin, M12 female field-attachable connector
BF 12	Mounting flange, 12 mm
V1-W-BK	4-pin, M12 female field-attachable connector
EXG-12	Quick mounting bracket with dead stop
V1-G-2M-PUR	Cable socket, M12, 4-pin, PUR cable
V1-W-2M-PUR	Cable socket, M12, 4-pin, PUR cable



Electrical Connection

	NBB4-12GM50-E0	NBB4-12GM50-E2		NBB4-12GM50-E0-V1	NCB4-12GM50-E2-V1 NBB4-12GM50-E2-V1	
	NBB4-12GM50-E1	NBB4-12GM50-E3		NBB4-12GM50-E1-V1	NBB4-12GM50-E3-V1	

Wire colors in accordance with EN 60947-5-2

1	BN	(brown)
2	WH	(white)
3	BU	(blue)
4	BK	(black)



Technical Data

For detailed data and product description refer to the data sheets at www.pepperl-fuchs.com

General Data

Rated operating distance	4 mm
Installation	flush
Type of voltage	DC
Operating voltage	10 ... 30 V
Reverse polarity protection	✓
Short-circuit protection	pulsing
Indication of the switching state	LED, yellow
Housing material	brass, nickel-plated
Protection degree	IP67

Properties

- Ø12 mm housing
- 4 mm, flush mountable
- DC, 3-wire and 4-wire switching output
- Cable and connector versions

Further Products

In this series, we offer additionally:

NBB4-12GM30-E2-V3

Technical data like NBB4-12GM30-E2-V1 but:
Connection type: Device connector M8 x 1, 3-pin

Model Number

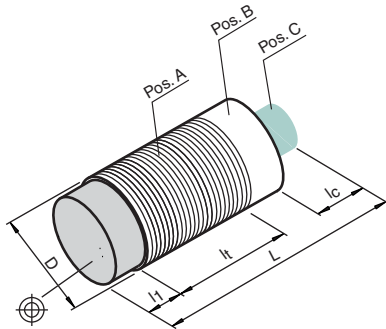
			NBB4-12GM30-E2	NBB4-12GM30-E3	NBB4-12GM50-E0	NBB4-12GM50-E1	NBB4-12GM50-E2	NBB4-12GM50-E3	NBB4-12GM50-A2	NBB4-12GM30-E2-V1	NBB4-12GM30-E3-V1	NBB4-12GM50-E0-V1	NBB4-12GM50-E1-V1	NBB4-12GM50-E2-V1	NBB4-12GM50-E3-V1	NBB4-12GM50-A2-V1
Switching element function	green = preferred type															
	NPN NO		●							●						
	NPN NC					●							●			
	PNP NO		●			●				●			●			
	PNP NC			●				●			●			●		
No-load supply current	≤ 15 mA		●	●	●	●	●	●	●	●	●	●	●	●	●	●
	≤ 20 mA															
Switching frequency	0 ... 800 Hz				●	●	●	●	●							
	0 ... 1000 Hz		●	●						●	●	●	●	●	●	●
	0 ... 1500 Hz								●							●
Operating current	0 ... 150 mA		●	●	●	●	●	●	●	●	●	●	●	●	●	●
	0 ... 200 mA															
Ambient temperature	-25 ... 70 °C (-13 ... 158 °F)		●	●	●	●	●	●	●	●	●	●	●	●	●	●
	-40 ... 70 °C (-40 ... 158 °F)															●
Connection type	Device connector M12 x 1, 4-pin		●	●	●	●	●	●	●	●	●	●	●	●	●	●
	cable PVC, 2 m															

Approvals and Certificates

UL approval	cULus Listed, General Purpose	●	●	●	●	●	●	●	●	●	●	●	●	●	●	●
CSA approval	cCSAus Listed, General Purpose	●	●	●	●	●	●	●	●	●	●	●	●	●	●	●
CCC approval	Products with a maximum operating voltage of ≤36 V do not bear a CCC marking because they do not require approval.															

Dimensions

Length L [mm]	30	50	45	65
Diameter D [mm]			12	
Thread length l _t [mm]	27	47	30	49
Cap length l ₁ [mm]			0	
Connector area l _c [mm]		0		6
LED position			Pos. C	



Accessories This and more accessories can be found in chapter 10

BF 12	Mounting flange, 12 mm	See pages 972 ... for cordsets	See pages 1068 ... for mounting aids
EXG-12	Quick mounting bracket with dead stop		
V1-G-BK	4-pin, M12 female field-attachable connector		
V1-W-BK	4-pin, M12 female field-attachable connector		
V1-G-2M-PUR	Cable socket, M12, 4-pin, PUR cable		
V1-W-2M-PUR	Cable socket, M12, 4-pin, PUR cable		

Electrical Connection

Wire colors in accordance with EN 60947-5-2

1	BN	(brown)
2	WH	(white)
3	BU	(blue)
4	BK	(black)

Date of issue 04/08/2015

Refer to "General Notes Relating to Pepperl+Fuchs Product Information".

Pepperl+Fuchs Group
www.pepperl-fuchs.com

USA: +1 330 486 0001
fa-info@us.pepperl-fuchs.com

Germany: +49 621 776 4411
fa-info@de.pepperl-fuchs.com

Singapore: +65 6779 9091
fa-info@sg.pepperl-fuchs.com



Properties

- Ø12 mm housing
- 4 mm, non-flush mountable
- DC, 4-wire switching outputs
- Cable and connector versions

Technical Data

For detailed data and product description refer to the data sheets at www.pepperl-fuchs.com

General Data

Rated operating distance	4 mm
Installation	non-flush
Type of voltage	DC
Operating voltage	10 ... 30 V
Reverse polarity protection	✓
Operating current	0 ... 200 mA
Short-circuit protection	pulsing
Indication of the switching state	LED, yellow
Ambient temperature	-25 ... 70 °C (-13 ... 158 °F)
Housing material	brass, nickel-plated
Protection degree	IP67

Model Number

		NBN4-12GM60-A0	NBN4-12GM60-A2	NBN4-12GM35-A0-V1	NBN4-12GM35-A2-V1	NBN4-12GM60-A0-V1	NBN4-12GM60-A2-V1
Switching element function	NPN	●		●		●	
	NO/NC				●		●
No-load supply current	PNP		●				●
	NO/NC				●		●
Switching frequency	≤ 15 mA	●	●	●	●	●	●
	≤ 20 mA	●	●	●	●	●	●
	0 ... 1000 Hz	●	●	●	●	●	●
Connection type	0 ... 1200 Hz					●	●
	0 ... 800 Hz			●	●	●	●
	Device connector M12 x 1 , 4-pin cable PVC , 2 m	●	●	●	●	●	●

Approvals and Certificates

UL approval	cULus Listed, General Purpose	●	●	●	●	●	●
CSA approval	cCSAus Listed, General Purpose	●	●	●	●	●	●
CCC approval	Products with a maximum operating voltage of ≤36 V do not bear a CCC marking because they do not require approval.						

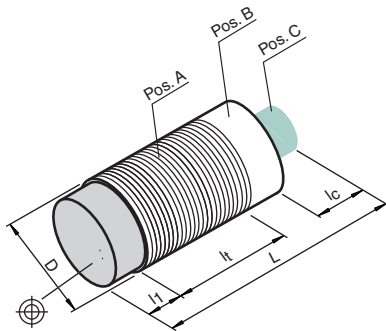
Dimensions

Length L [mm]	60	50	70
Diameter D [mm]		12	
Thread length l _t [mm]	55	30	65
Cap length l ₁ [mm]		5	
Connector area l _c [mm]	0	6	0
LED position	Pos. C		Pos. B

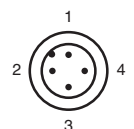
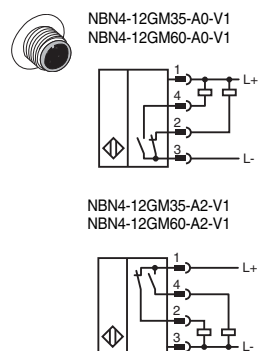
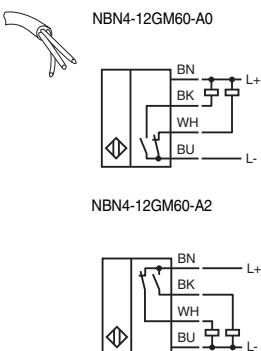
Accessories

This and more accessories can be found in chapter 10
 See pages from 972 ... for cordsets See pages 1068 ... for mounting aids

V1-G-BK	4-pin, M12 female field-attachable connector
BF 12	Mounting flange, 12 mm
V1-W-BK	4-pin, M12 female field-attachable connector
V1-G-2M-PUR	Cable socket, M12, 4-pin, PUR cable
V1-W-2M-PUR	Cable socket, M12, 4-pin, PUR cable



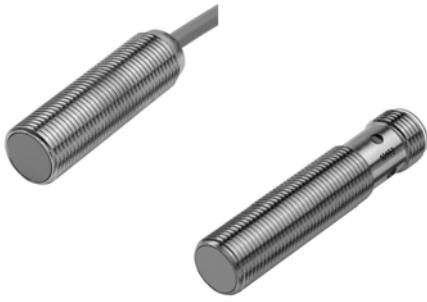
Electrical Connection



Wire colors in accordance with EN 60947-5-2

1	BN	(brown)
2	WH	(white)
3	BU	(blue)
4	BK	(black)

Date of issue 04/08/2015



Properties

- Ø12 mm housing
- 6 mm, virtually flush mountable
- DC, 3-wire switching output
- Cable and connector versions

Technical Data

For detailed data and product description refer to the data sheets at www.pepperl-fuchs.com

General Data

Rated operating distance	6 mm
Installation	virtually flush
Type of voltage	DC
Operating voltage	10 ... 30 V DC
No-load supply current	≤ 15 mA
Reverse polarity protection	✓
Switching frequency	0 ... 800 Hz
Operating current	0 ... 200 mA, above 70°C ≤ 150 mA
Short-circuit protection	pulsing
Indication of the switching state	LED, yellow
Ambient temperature	-25 ... 85 °C (-13 ... 185 °F)
Housing material	brass, nickel-plated
Protection degree	IP67

Model Number

		NEB6-12GM50-E0	NEB6-12GM50-E1	NEB6-12GM50-E2	NEB6-12GM50-E3	NEB6-12GM50-E0-V1	NEB6-12GM50-E1-V1	NEB6-12GM50-E2-V1	NEB6-12GM50-E3-V1
Switching element function	green = preferred type	●				●			
	NPN NO		●				●		
	NPN NC			●				●	
	PNP NO				●				●
Connection type	Device connector M12 x 1, 4-pin	●	●	●	●	●	●	●	●
	cable PUR, 2 m	●	●	●	●				

Approvals and Certificates

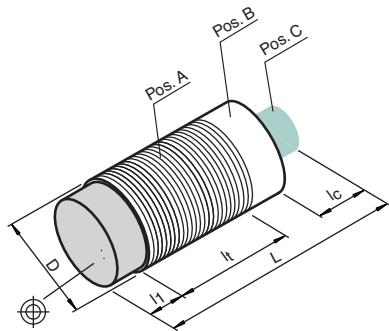
UL approval	cULus Listed, General Purpose	●	●	●	●	●	●	●	●
CCC approval	Products with a maximum operating voltage of ≤36 V do not bear a CCC marking because they do not require approval.								

Dimensions

Length L [mm]	50	60
Diameter D [mm]	12	
Thread length l _t [mm]	49	40
Cap length l ₁ [mm]	0	
Connector area l _c [mm]	0	6
LED position	Pos. A	

Accessories This and more accessories can be found in chapter 10

BF 12	Mounting flange, 12 mm	See pages 972 ... for cordsets	See pages 1068 ... for mounting aids
V1-G-BK	4-pin, M12 female field-attachable connector		
V1-W-BK	4-pin, M12 female field-attachable connector		
V1-G-2M-PUR	Cable socket, M12, 4-pin, PUR cable		
V1-W-2M-PUR	Cable socket, M12, 4-pin, PUR cable		



Electrical Connection

NEB6-12GM50-E0, NEB6-12GM50-E2, NEB6-12GM50-E0-V1, NEB6-12GM50-E2-V1, NEB6-12GM50-E1, NEB6-12GM50-E3, NEB6-12GM50-E1-V1, NEB6-12GM50-E3-V1

Wire colors in accordance with EN 60947-5-2

1	BN	(brown)
2	WH	(white)
3	BU	(blue)
4	BK	(black)



Technical Data

For detailed data and product description refer to the data sheets at www.pepperl-fuchs.com

General Data

Rated operating distance	7 mm
Installation	non-flush
Type of voltage	DC
Operating voltage	10 ... 30 V
No-load supply current	≤ 15 mA
Reverse polarity protection	✓
Switching frequency	0 ... 300 Hz
Operating current	0 ... 100 mA
Short-circuit protection	pulsing
Indication of the switching state	all direction LED, yellow
Ambient temperature	-25 ... 70 °C (-13 ... 158 °F)
Housing material	brass, nickel-plated
Protection degree	IP67

Properties

- Ø12 mm housing
- 7 mm, non-flush mountable
- DC, 3-wire switching output
- Cable and connector versions

Model Number

		NBN7-12GM35-E2	NBN7-12GM35-E2-V1	NBN7-12GM35-E3-V1
Switching element function	green = preferred type PNP NO PNP NC	●	●	●
Connection type	Device connector M12 x 1, 4-pin cable PVC, 2 m	●	●	●

Approvals and Certificates

UL approval	cULus Listed, General Purpose	●	●	●
CSA approval	cCSAus Listed, General Purpose	●	●	●
CCC approval	Products with a maximum operating voltage of ≤36 V do not bear a CCC marking because they do not require approval.			

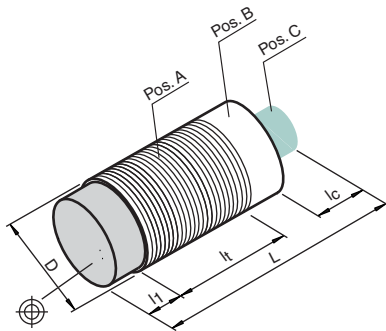
Dimensions

Length L [mm]	35	50
Diameter D [mm]		12
Thread length l _t [mm]	27	30
Cap length l ₁ [mm]		5
Connector area l _c [mm]	0	6
LED position	Pos. C	Pos. B

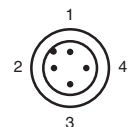
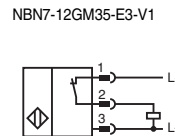
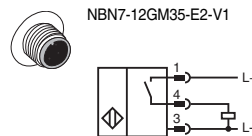
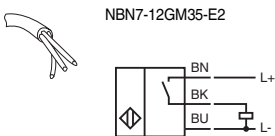
Accessories This and more accessories can be found in chapter 10

See pages from 972 ... for cordsets See pages 1068 ... for mounting aids

BF 12	Mounting flange, 12 mm
V1-W-BK	4-pin, M12 female field-attachable connector
V1-G-2M-PUR	Cable socket, M12, 4-pin, PUR cable
V1-W-2M-PUR	Cable socket, M12, 4-pin, PUR cable



Electrical Connection



Wire colors in accordance with EN 60947-5-2

1	BN	(brown)
2	WH	(white)
3	BU	(blue)
4	BK	(black)

Date of issue 04/08/2015

1
.1.1



Proximity Sensors, Inductive Sensors, cylindrical

Technical Data

For detailed data and product description refer to the data sheets at www.pepperl-fuchs.com

General Data

Rated operating distance	8 mm
Installation	non-flush
Type of voltage	DC
Operating voltage	10 ... 30 V
No-load supply current	≤ 16 mA
Reverse polarity protection	✓
Switching frequency	0 ... 1500 Hz
Operating current	0 ... 200 mA
Short-circuit protection	pulsing
Indication of the switching state	LED, yellow
Housing material	brass, nickel-plated
Protection degree	IP67

Properties

- Ø12 mm housing
- 8 mm, non-flush mountable
- DC, 3-wire and 4-wire switching output versions
- Cable and connector versions

Model Number

Switching element function	green = preferred type						
	NPN NO/NC						
	NPN NO	●	●				
	PNP NO/NC			●			●
	PNP NO		●		●		
	Ambient temperature	-25 ... 70 °C (-13 ... 158 °F)	●	●	●	●	●
	-40 ... 70 °C (-40 ... 158 °F)				●		
	Connection type	Device connector M12 x 1 , 4-pin cable PVC , 2 m	●	●	●	●	●

Approvals and Certificates

UL approval	cULus Listed, General Purpose	●	●	●	●	●	●
CSA approval	cCSAus Listed, General Purpose	●	●	●	●	●	●
CCC approval	Products with a maximum operating voltage of ≤36 V do not bear a CCC marking because they do not require approval.						

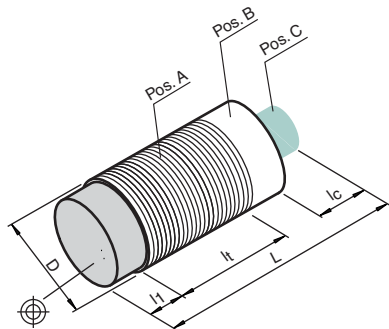
Dimensions

Length L [mm]	50	65
Diameter D [mm]	12	
Thread length l _t [mm]	39	41
Cap length l ₁ [mm]	8	
Connector area l _c [mm]	0	6
LED position	Pos. C	

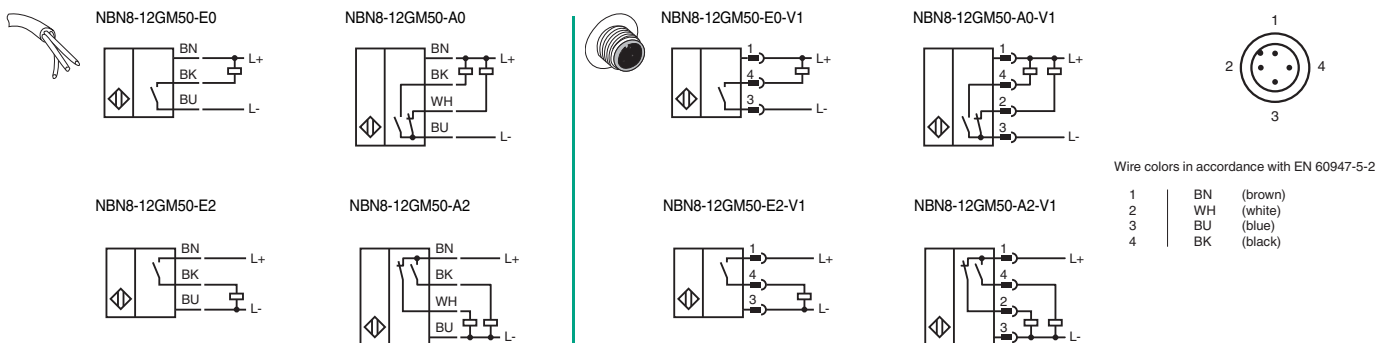
Accessories

This and more accessories can be found in chapter 10
See pages from 972 ... for cordsets See pages 1068 ... for mounting aids

- BF 12** Mounting flange, 12 mm
- V1-G-BK** 4-pin, M12 female field-attachable connector
- V1-W-BK** 4-pin, M12 female field-attachable connector
- V1-G-2M-PUR** Cable socket, M12, 4-pin, PUR cable
- V1-W-2M-PUR** Cable socket, M12, 4-pin, PUR cable



Electrical Connection





Technical Data

For detailed data and product description refer to the data sheets at www.pepperl-fuchs.com

General Data

Rated operating distance	10 mm
Installation	non-flush
Type of voltage	DC
Operating voltage	10 ... 30 V DC
No-load supply current	≤ 15 mA
Reverse polarity protection	✓
Switching frequency	0 ... 600 Hz
Operating current	0 ... 200 mA , above 70°C ≤ 150 mA
Short-circuit protection	pulsing
Indication of the switching state	LED, yellow
Ambient temperature	-25 ... 85 °C (-13 ... 185 °F)
Housing material	brass, nickel-plated
Protection degree	IP67

Properties

- Ø12 mm housing
- 10 mm, non-flush mountable
- DC, 3-wire switching output
- Cable and connector versions

Model Number

Switching element function	green = preferred type	NEN10-12GM50-E0	NEN10-12GM50-E1	NEN10-12GM50-E2	NEN10-12GM50-E3	NEN10-12GM50-E0-V1	NEN10-12GM50-E1-V1	NEN10-12GM50-E2-V1	NEN10-12GM50-E3-V1
	NPN NO	●				●			
	NPN NC		●				●		
	PNP NO			●				●	
Connection type	PNP NC				●				●
	Device connector M12 x 1 , 4-pin cable PUR , 2 m	●	●	●	●	●	●	●	●

Approvals and Certificates

UL approval	cULus Listed, General Purpose	●	●	●	●	●	●	●	●
CCC approval	Products with a maximum operating voltage of ≤36 V do not bear a CCC marking because they do not require approval.								

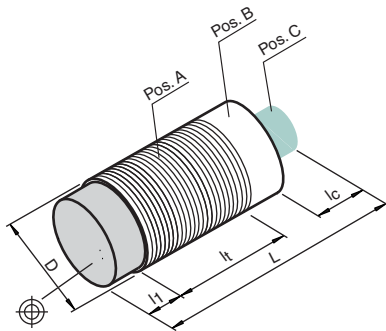
Dimensions

Length L [mm]	50	60
Diameter D [mm]		12
Thread length l _t [mm]	44	34
Cap length l ₁ [mm]		5,7
Connector area l _c [mm]	0	6
LED position		Pos. A

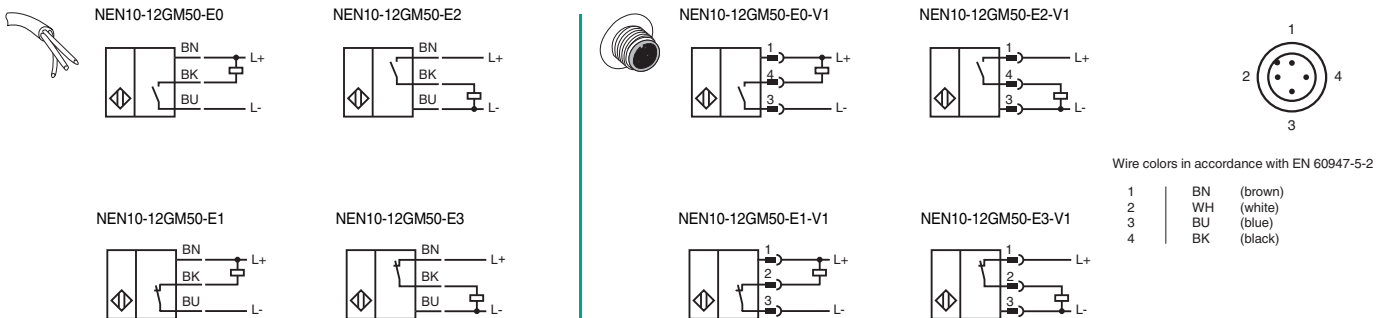
Accessories

This and more accessories can be found in chapter 10
See pages from 972 ... for cordsets See pages 1068 ... for mounting aids

BF 18	Mounting flange, 18 mm
EXG-12	Quick mounting bracket with dead stop
BF 12	Mounting flange, 12 mm
EXG-18	Quick mounting bracket with dead stop
V1-G-BK	4-pin, M12 female field-attachable connector
V1-W-BK	4-pin, M12 female field-attachable connector
V1-G-2M-PUR	Cable socket, M12, 4-pin, PUR cable
V1-W-2M-PUR	Cable socket, M12, 4-pin, PUR cable



Electrical Connection



Date of issue 04/08/2015

Refer to "General Notes Relating to Pepperl+Fuchs Product Information".

Pepperl+Fuchs Group
www.pepperl-fuchs.com

USA: +1 330 486 0001
fa-info@us.pepperl-fuchs.com

Germany: +49 621 776 4411
fa-info@de.pepperl-fuchs.com

Singapore: +65 6779 9091
fa-info@sg.pepperl-fuchs.com



Properties

- Ø12 mm housing
- 2 mm, flush and 4 mm, non-flush mountable versions
- AC, 2-wire switching output
- Cable version

Further Products

In this series, we offer additionally:
NBB2-12GM60-WS
 Technical data like NJ2-12GM50-WS but:
 Operating voltage: 20 ... 150 V AC
 Switching frequency: 0 ... 25 Hz
 Operating voltage indicator: LED, green
 Housing material: Brass, nickel plated
 Length L: 60 mm
 Thread length l_t : 60 mm

Technical Data

For detailed data and product description refer to the data sheets at www.pepperl-fuchs.com

General Data

Type of voltage	AC
Operating voltage	20 ... 253 V
Reverse polarity protection	tolerant
Switching frequency	0 ... 20 Hz
Operating current	5 ... 200 mA
Indication of the switching state	LED, yellow
Ambient temperature	-25 ... 70 °C (-13 ... 158 °F)
Housing material	Stainless steel 1.4305 / AISI 303
Protection degree	IP67
Connection type	cabl PVC , 2 m

Model Number

Rated operating distance	2 mm	4 mm		
Installation	flush			
	non-flush			
Switching element function	AC NO			
	AC NC			



Approvals and Certificates

UL approval	cULus Listed, General Purpose				
CSA approval	cCSAus Listed, General Purpose				
CCC approval	Certified by China Compulsory Certification (CCC)				

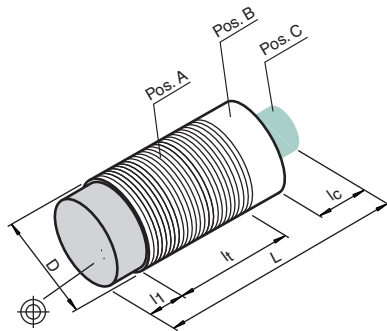
Dimensions

Length L [mm]			50	
Diameter D [mm]			12	
Thread length l_t [mm]	50			45
Cap length l_1 [mm]	0			5
Connector area l_c [mm]			0	
LED position				Pos. A

Accessories

This and more accessories can be found in chapter 10
 See pages from 972 ... for cordsets See pages 1068 ... for mounting aids

BF 12	Mounting flange, 12 mm
EXG-12	Quick mounting bracket with dead stop

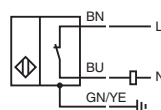
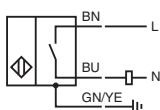


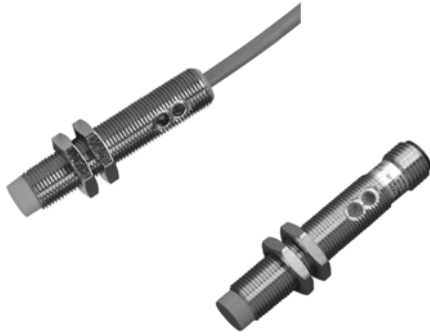
Electrical Connection



NJ4-12GM50-WS
 NJ2-12GM50-WS
 NBB2-12GM60-WS

NJ4-12GM50-WO
 NJ2-12GM50-WO





Technical Data

For detailed data and product description refer to the data sheets at www.pepperl-fuchs.com

General Data

Rated operating distance	4 mm
Installation	non-flush
Type of voltage	AC
Operating voltage	20 ... 150 V
Reverse polarity protection	tolerant
Switching frequency	0 ... 25 Hz
Operating current	5 ... 200 mA
Operating voltage display	LED, green
Indication of the switching state	LED, yellow
Ambient temperature	-25 ... 70 °C (-13 ... 158 °F)
Housing material	brass, nickel-plated
Protection degree	IP67

Properties

- Ø12 mm housing
- 4 mm, non-flush mountable
- AC, 2-wire switching output
- Cable and connector versions

Model Number

	NBN4-12GM60-WO	NBN4-12GM60-WS	NBN4-12GM60-WO-V12	NBN4-12GM60-WS-V11	NBN4-12GM60-WS-V12
Switching element function	AC NO	AC NC	AC NO	AC NC	AC NO
Connection type	Device connector 1/2"-20 UN , 3-pin	Device connector M12, 3-pin	Device connector 1/2"-20 UN , 3-pin	Device connector M12, 3-pin	Device connector 1/2"-20 UN , 3-pin
	cable PVC , 2 m				

Approvals and Certificates

UL approval	cULus Listed, General Purpose	●	●	●	●	●
CSA approval	cCSAus Listed, General Purpose	●	●	●	●	●
CCC approval	Certified by China Compulsory Certification (CCC)		●	●		●

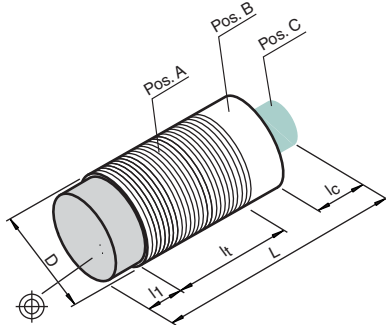
Dimensions

Length L [mm]	60	70		
Diameter D [mm]		12		
Thread length l _t [mm]	55	50	65	50
Cap length l ₁ [mm]		5		
Connector area l _c [mm]	0		12	
LED position			Pos. A	

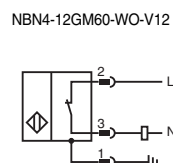
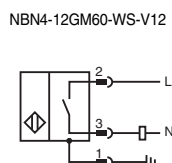
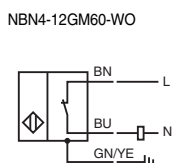
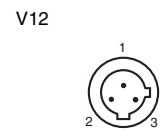
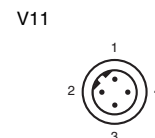
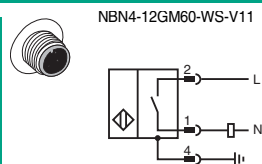
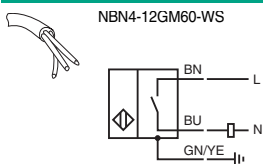
Accessories

This and more accessories can be found in chapter 10
 See pages from 972 ... for cordsets See pages 1068 ... for mounting aids

- BF 12** Mounting flange, 12 mm
- EXG-12** Quick mounting bracket with dead stop



Electrical Connection



- Wire colors
- 1 BU (blue)
 - 2 BN (brown)
 - 4 GN/YE (green/yellow)

- Wire colors
- 1 GN (green)
 - 2 RD/BK (red/black)
 - 3 RD/WH (red/white)

Date of issue 04/08/2015

Refer to "General Notes Relating to Pepperl+Fuchs Product Information".

Pepperl+Fuchs Group
www.pepperl-fuchs.com

USA: +1 330 486 0001
fa-info@us.pepperl-fuchs.com

Germany: +49 621 776 4411
fa-info@de.pepperl-fuchs.com

Singapore: +65 6779 9091
fa-info@sg.pepperl-fuchs.com



Properties

- Ø12 mm housing
- 4 mm, flush and 8 mm, non-flush mountable versions
- AC/DC, 2-wire switching output
- Cable and connector versions

Technical Data

For detailed data and product description refer to the data sheets at www.pepperl-fuchs.com

General Data

Switching element function	AC/DC	NO
Type of voltage	AC/DC	
Operating voltage	20 ... 250 V AC/20 ... 300 V DC	
Reverse polarity protection	tolerant	
Switching frequency	30 Hz	
Operating current	8 ... 200 mA AC/DC	
Short-circuit protection	✓	
Operating voltage display	LED, green	
Indication of the switching state	LED, yellow	
Ambient temperature	-25 ... 70 °C (-13 ... 158 °F)	
Housing material	brass, nickel-plated	
Protection degree	IP67	

Model Number

		NBB4-12GM75-US	NBN8-12GM75-US	NBB4-12GM65-US-V12	NBN8-12GM65-US-V12
Rated operating distance	4 mm	●		●	
	8 mm		●		●
Installation	flush	●		●	
	non-flush		●		●
Connection type	Device connector 1/2"-20 UN , 3-pin	●		●	●
	cable PUR , 2 m		●		●

Approvals and Certificates

UL approval	cULus Listed, General Purpose	●	●	●	●
CSA approval	cCSAus Listed, General Purpose	●	●	●	●
CCC approval	Certified by China Compulsory Certification (CCC)	●	●	●	●

Dimensions

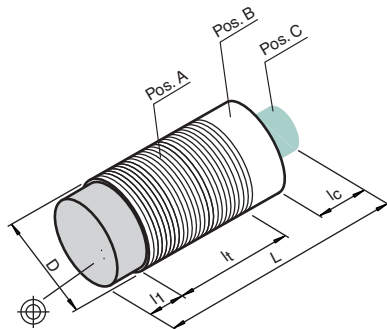
Length L [mm]	75		82	
Diameter D [mm]	12			
Thread length l _t [mm]	72	64	65	64
Cap length l ₁ [mm]	0	8	0	8
Connector area l _c [mm]	0		8	
LED position	Pos. B			

Accessories

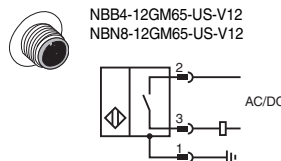
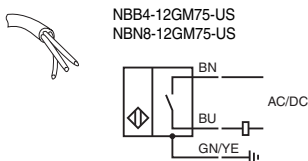
This and more accessories can be found in chapter 10
 See pages from 972 ... for cordsets See pages 1068 ... for mounting aids

EXG-12

Quick mounting bracket with dead stop



Electrical Connection



Wire colors

1	GN (green)
2	RD/BK (red/black)
3	RD/WH (red/white)



Technical Data

For detailed data and product description refer to the data sheets at www.pepperl-fuchs.com

General Data

Measurement range	0 ... 6 mm
Installation	virtually flush
Type of voltage	DC
No-load supply current	≤ 10 mA
Reverse polarity protection	✓
Limit frequency (3dB)	1000 Hz
Short-circuit protection	✓
Adjustment tolerance zero point	≤ ± 10 % of full-scale value
Ambient temperature	-25 ... 70 °C (-13 ... 158 °F)
Housing material	chromium plated brass
Protection degree	IP67
Connection type	Device connector M12 x 1, 4-pin



Properties

- Ø12 mm housing
- 6 mm, virtually flush mountable
- DC, 3-wire analog output
- Connector version

Your Benefit

- Inductive position measurement
- Distance proportional analog value
- Suitable for positioning tasks

Model Number

Switching element function	green = preferred type analog voltage output analog, current or voltage output	IA6-12GM35-U-V1	IA6-12GM50-IU-V1
Operating voltage	10 ... 30 V 15 ... 30 V, residual ripple 20 % U _B	●	●
Output type	0 ... 5 V 0 ... 10 V / 4 ... 20 mA	●	●
Load resistor	≥ 500 Ω voltage output: ≥ 500 Ω current output: ≤ 500 Ω	●	●

Approvals and Certificates

UL approval	cULus Listed, General Purpose	●	●
CSA approval	cCSAus Listed, General Purpose	●	●
CCC approval	Products with a maximum operating voltage of ≤36 V do not bear a CCC marking because they do not require approval.		

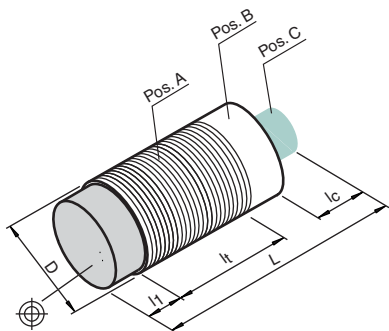
Dimensions

Length L [mm]	45	60
Diameter D [mm]	12	
Thread length l _t [mm]	29	44
Cap length l ₁ [mm]	0	
Connector area l _c [mm]	8	
LED position	45	60

Accessories

This and more accessories can be found in chapter 10
See pages from 972 ... for cordsets See pages 1068 ... for mounting aids

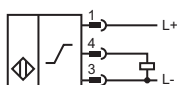
BF 12	Mounting flange, 12 mm
V1-W-BK	4-pin, M12 female field-attachable connector
V1-G-2M-PUR	Cable socket, M12, 4-pin, PUR cable
V1-W-2M-PUR	Cable socket, M12, 4-pin, PUR cable



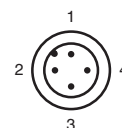
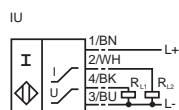
Electrical Connection



IA6-12GM35-U-V1



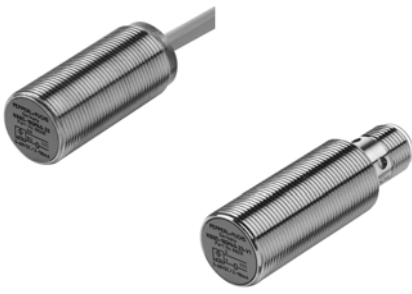
IA6-12GM50-IU-V1



Wire colors in accordance with EN 60947-5-2

1	BN	(brown)
2	WH	(white)
3	BU	(blue)
4	BK	(black)

Date of issue 04/08/2015



Properties

- Ø18 mm housing
- 5 mm, flush mountable
- DC, 2-wire switching output
- Cable and connector versions

Technical Data

For detailed data and product description refer to the data sheets at www.pepperl-fuchs.com

General Data

Rated operating distance	5 mm
Installation	flush
Type of voltage	DC
Operating voltage	5 ... 60 V
Reverse polarity protection	tolerant
Operating current	2 ... 100 mA
Short-circuit protection	pulsing
Indication of the switching state	LED, yellow
Protection degree	IP67

Model Number

	green = preferred type		NBB5-18GM40-Z0	NCB5-18GM40-Z0	NCB5-18GM40-Z1	NBB5-18GM40-Z0-V1	NCB5-18GM40-Z0-V1	NCB5-18GM40-Z1-V1	NCB5-18GM40-Z3-V1
Switching element function	DC	NO	●	●	●	●	●	●	●
	DC	NC			●			●	
Switching frequency	0 ... 350 Hz		●	●	●	●	●	●	●
	0 ... 500 Hz		●			●			
Ambient temperature	-25 ... 70 °C (-13 ... 158 °F)		●	●	●	●	●	●	●
	-40 ... 70 °C (-40 ... 158 °F)					●			
Housing material	Stainless steel 1.4305 / AISI 303		●	●	●	●	●	●	●
	brass, nickel-plated		●			●			
Connection type	Device connector M12 x 1, 4-pin					●	●	●	●
	cable PUR, 2 m			●	●				
	cable PVC, 2 m		●						

Approvals and Certificates

UL approval	cULus Listed, General Purpose	●	●	●	●	●	●	●	●
CSA approval	cCSAus Listed, General Purpose	●	●	●	●	●	●	●	●
CCC approval	Certified by China Compulsory Certification (CCC)	●	●	●	●	●	●	●	●

Dimensions

Length L [mm]	40	55
Diameter D [mm]	18	
Thread length l _t [mm]	37	40
Cap length l ₁ [mm]	0	
Connector area l _c [mm]	0	15
LED position	Pos. C	

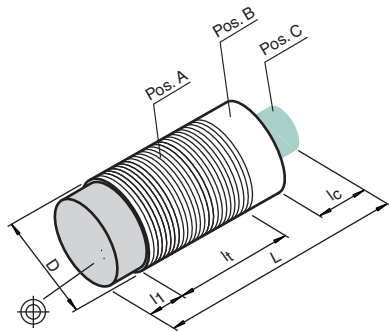
Accessories

This and more accessories can be found in chapter 10

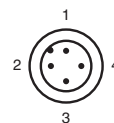
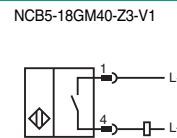
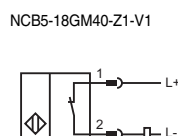
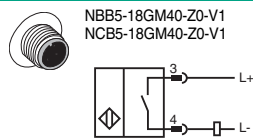
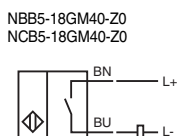
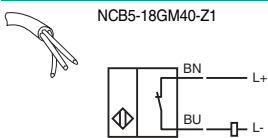
See pages from 972 ... for cordsets

See pages 1068 ... for mounting aids

- V1-G-BK** 4-pin, M12 female field-attachable connector
- V1-W-BK** 4-pin, M12 female field-attachable connector
- BF 18** Mounting flange, 18 mm
- EXG-18** Quick mounting bracket with dead stop
- V1-W-2M-PUR** Cable socket, M12, 4-pin, PUR cable
- V1-G-2M-PUR** Cable socket, M12, 4-pin, PUR cable

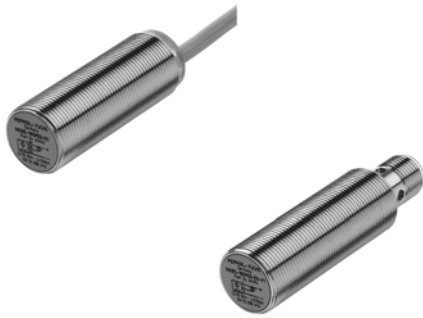


Electrical Connection



Wire colors in accordance with EN 60947-5-2

- 1 BN (brown)
- 2 WH (white)
- 3 BU (blue)
- 4 BK (black)



Properties

- Ø18 mm housing
- 8 mm, flush mountable
- DC, 2-wire switching output
- Cable and connector versions

Technical Data

For detailed data and product description refer to the data sheets at www.pepperl-fuchs.com

General Data

Rated operating distance	8 mm
Installation	flush
Type of voltage	DC
Operating voltage	3.5 ... 30 V
Reverse polarity protection	✓
Switching frequency	0 ... 1000 Hz
Operating current	2 ... 100 mA
Short-circuit protection	pulsing
Indication of the switching state	LED, yellow
Housing material	brass, nickel-plated
Protection degree	IP67

Model Number

			NCB8-18GM50-Z4	NCB8-18GM50-Z5	NCB8-18GM50-Z4-V1	NCB8-18GM50-Z5-V1
Switching element function	DC NO		●		●	
	DC NC			●		●
Pre-fault indication	LED, red		●	●	●	●
Ambient temperature	-25 ... 70 °C (-13 ... 158 °F)		●	●	●	●
	-40 ... 70 °C (-40 ... 158 °F)				●	●
Connection type	Device connector M12 x 1, 4-pin				●	●
	cable PVC, 2 m		●	●		

Approvals and Certificates

UL approval	cULus Listed, General Purpose	●	●	●	●
CSA approval	cCSAus Listed, General Purpose	●	●	●	●
CCC approval	Products with a maximum operating voltage of ≤36 V do not bear a CCC marking because they do not require approval.				

Dimensions

Length L [mm]		48	65
Diameter D [mm]			18
Thread length l _t [mm]		45	50
Cap length l ₁ [mm]			0
Connector area l _c [mm]		0	15
LED position			Pos. C

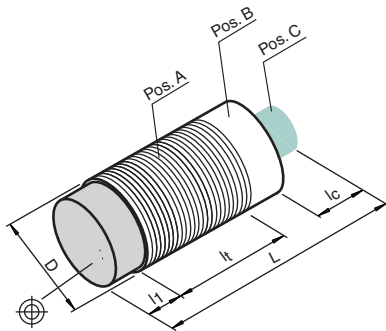
Accessories

This and more accessories can be found in chapter 10

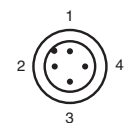
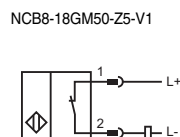
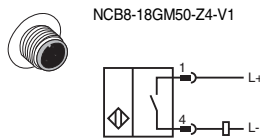
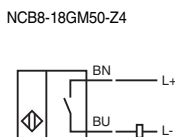
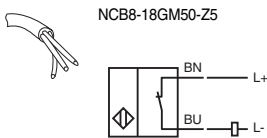
See pages from 972 ... for cordsets

See pages 1068 ... for mounting aids

- BF 18** Mounting flange, 18 mm
- V1-G-BK** 4-pin, M12 female field-attachable connector
- V1-W-BK** 4-pin, M12 female field-attachable connector
- EXG-18** Quick mounting bracket with dead stop
- V1-G-2M-PUR** Cable socket, M12, 4-pin, PUR cable
- V1-W-2M-PUR** Cable socket, M12, 4-pin, PUR cable



Electrical Connection



Wire colors in accordance with EN 60947-5-2

- 1 BN (brown)
- 2 WH (white)
- 3 BU (blue)
- 4 BK (black)

Date of issue 04/08/2015

Refer to "General Notes Relating to Pepperl+Fuchs Product Information".

Pepperl+Fuchs Group
www.pepperl-fuchs.com

USA: +1 330 486 0001
fa-info@us.pepperl-fuchs.com

Germany: +49 621 776 4411
fa-info@de.pepperl-fuchs.com

Singapore: +65 6779 9091
fa-info@sg.pepperl-fuchs.com



Properties

- Ø18 mm housing
- 8 mm, non-flush mountable
- DC, 2-wire switching output
- Cable and connector versions

Technical Data

For detailed data and product description refer to the data sheets at www.pepperl-fuchs.com

General Data

Rated operating distance	8 mm
Installation	non-flush
Type of voltage	DC
Operating voltage	5 ... 60 V
Reverse polarity protection	tolerant
Operating current	2 ... 100 mA
Short-circuit protection	pulsing
Indication of the switching state	LED, yellow
Ambient temperature	-25 ... 70 °C (-13 ... 158 °F)
Protection degree	IP67

Model Number

	green = preferred type	NBN8-18GM40-Z0	NCN8-18GM40-Z0	NCN8-18GM40-Z1	NBN8-18GM40-Z0-V1	NCN8-18GM40-Z0-V1	NCN8-18GM40-Z1-V1
Switching element function	DC NO DC NC	●	●	●	●	●	●
Switching frequency	0 ... 300 Hz 0 ... 450 Hz 0 ... 500 Hz	●	●	●	●	●	●
Housing material	Stainless steel 1.4305 / AISI 303 brass, nickel-plated	●	●	●	●	●	●
Connection type	Device connector M12 x 1, 4-pin cable PUR, 2 m cable PVC, 2 m	●	●	●	●	●	●

Approvals and Certificates

UL approval	cULus Listed, General Purpose	●	●	●	●	●	●
CSA approval	cCSAus Listed, General Purpose	●	●	●	●	●	●
CCC approval	Certified by China Compulsory Certification (CCC)	●	●	●	●	●	●

Dimensions

Length L [mm]	40	55
Diameter D [mm]	18	
Thread length l_t [mm]	37	30
Cap length l_1 [mm]	10	
Connector area l_c [mm]	0	15
LED position	Pos. C	

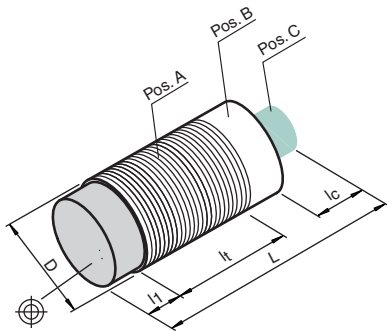
Accessories

This and more accessories can be found in chapter 10

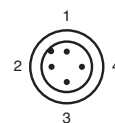
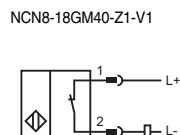
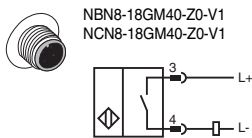
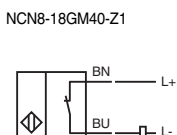
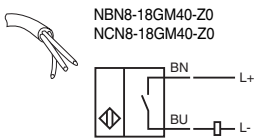
See pages from 972 ... for cordsets

See pages 1068 ... for mounting aids

- V1-G-BK** 4-pin, M12 female field-attachable connector
- BF 18-F** Mounting flange with dead stop, 18 mm
- BF 18** Mounting flange, 18 mm
- V1-W-BK** 4-pin, M12 female field-attachable connector
- V1-W-2M-PUR** Cable socket, M12, 4-pin, PUR cable
- EXG-18** Quick mounting bracket with dead stop
- V1-G-2M-PUR** Cable socket, M12, 4-pin, PUR cable



Electrical Connection



Wire colors in accordance with EN 60947-5-2

- 1 BN (brown)
- 2 WH (white)
- 3 BU (blue)
- 4 BK (black)



Technical Data

For detailed data and product description refer to the data sheets at www.pepperl-fuchs.com

General Data

Rated operating distance	12 mm
Installation	non-flush
Type of voltage	DC
Operating voltage	3.5 ... 30 V
Reverse polarity protection	reverse polarity-conductive
Switching frequency	0 ... 1000 Hz
Operating current	2 ... 100 mA
Short-circuit protection	pulsing
Indication of the switching state	LED, yellow
Ambient temperature	-25 ... 70 °C (-13 ... 158 °F)
Housing material	brass, nickel-plated
Protection degree	IP67

Properties

- Ø18 mm housing
- 12 mm, non-flush mountable
- DC, 2-wire switching output
- Cable and connector versions

Model Number

			NCN12-18GM50-Z4	NCN12-18GM50-Z5	NCN12-18GM50-Z4-V1	NCN12-18GM50-Z5-V1
Switching element function	DC NO		●		●	
	DC NC			●		●
Pre-fault indication	LED, red		●		●	
Connection type	Device connector M12 x 1, 4-pin				●	●
	cable PVC, 2 m		●	●		

Approvals and Certificates

UL approval	cULus Listed, General Purpose	●	●	●	●
CSA approval	cCSAus Listed, General Purpose	●	●	●	●
CCC approval	Products with a maximum operating voltage of ≤36 V do not bear a CCC marking because they do not require approval.				

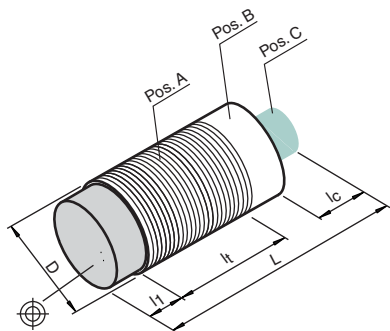
Dimensions

Length L [mm]		48	65
Diameter D [mm]			18
Thread length l _t [mm]		35	40
Cap length l ₁ [mm]			10
Connector area l _c [mm]		0	15
LED position			Pos. C

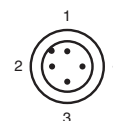
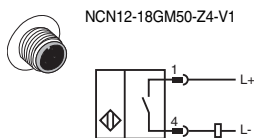
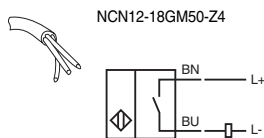
Accessories

This and more accessories can be found in chapter 10
See pages from 972 ... for cordsets See pages 1068 ... for mounting aids

- BF 18** Mounting flange, 18 mm
- V1-G-BK** 4-pin, M12 female field-attachable connector
- V1-W-BK** 4-pin, M12 female field-attachable connector
- V1-G-2M-PUR** Cable socket, M12, 4-pin, PUR cable
- V1-W-2M-PUR** Cable socket, M12, 4-pin, PUR cable

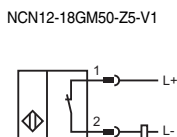
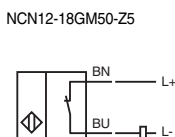


Electrical Connection



Wire colors in accordance with EN 60947-5-2

- 1 BN (brown)
- 2 WH (white)
- 3 BU (blue)
- 4 BK (black)



Date of issue 04/08/2015

1
.1.1

Proximity Sensors, Inductive Sensors, cylindrical



Properties

- Ø18 mm housing
- 5 mm, flush mountable
- DC, 3-wire switching output
- Cable and connector versions

Technical Data

For detailed data and product description refer to the data sheets at www.pepperl-fuchs.com

General Data

Rated operating distance	5 mm
Installation	flush
Type of voltage	DC
Operating voltage	10 ... 30 V
Reverse polarity protection	✓
Short-circuit protection	pulsing
Indication of the switching state	LED, yellow
Housing material	brass, nickel-plated
Protection degree	IP67

Model Number

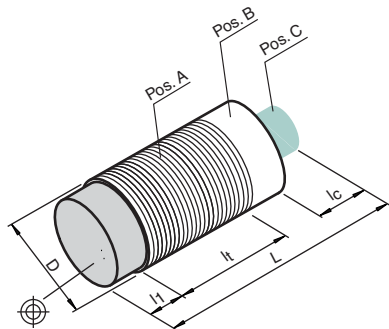
		NBB5-18GM20-E2	NBB5-18GM40-E1	NBB5-18GM40-E2	NBB5-18GM20-E2-V1	NBB5-18GM40-E0-V1	NBB5-18GM40-E2-V1	NBB5-18GM40-E3-V1
Switching element function	NPN NO		●		●			
	NPN NC							
	PNP NO	●		●	●		●	
	PNP NC							●
No-load supply current	≤ 15 mA		●		●	●	●	
	≤ 20 mA	●		●	●			●
Switching frequency	0 ... 800 Hz							●
	0 ... 1000 Hz	●	●	●	●	●	●	
Operating current	0 ... 100 mA	●	●	●	●	●	●	
	0 ... 200 mA							●
Ambient temperature	-25 ... 70 °C (-13 ... 158 °F)	●	●	●	●	●	●	●
	-40 ... 70 °C (-40 ... 158 °F)				●			
Connection type	Device connector M12 x 1 , 4-pin				●	●	●	●
	cable PVC , 2 m	●	●	●				

Approvals and Certificates

UL approval	cULus Listed, General Purpose	●	●	●	●	●	●	●
CSA approval	cCSAus Listed, General Purpose	●	●	●	●	●	●	●
CCC approval	Products with a maximum operating voltage of ≤36 V do not bear a CCC marking because they do not require approval.							

Dimensions

Length L [mm]	20	40	40	35	50	50	50
Diameter D [mm]				18			
Thread length l _t [mm]	17	37	37	20	39	39	39
Cap length l ₁ [mm]				0			
Connector area l _c [mm]		0		15		11	
LED position				Pos. C		Pos. A	



Accessories This and more accessories can be found in chapter 10

See pages from 972 ... for cordsets See pages 1068 ... for mounting aids

- V1-G-2M-PUR** Cable socket, M12, 4-pin, PUR cable
- BF 18** Mounting flange, 18 mm
- V1-W-BK** 4-pin, M12 female field-attachable connector
- V1-G-BK** 4-pin, M12 female field-attachable connector
- EXG-18** Quick mounting bracket with dead stop
- V1-W-2M-PUR** Cable socket, M12, 4-pin, PUR cable
- BF 18-F** Mounting flange with dead stop, 18 mm

Electrical Connection

NBB5-18GM40-E1

NBB5-18GM40-E0-V1

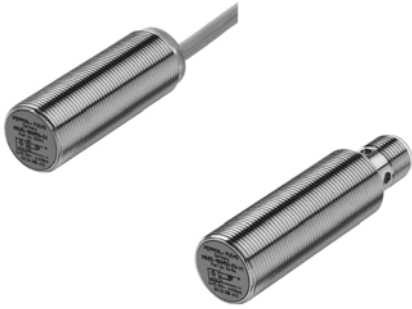
NBB5-18GM40-E2-V1
NBB5-18GM20-E2-V1

NBB5-18GM40-E2
NBB5-18GM20-E2

NBB5-18GM40-E3-V1

Wire colors in accordance with EN 60947-5-2

1	BN	(brown)
2	WH	(white)
3	BU	(blue)
4	BK	(black)



Technical Data

For detailed data and product description refer to the data sheets at www.pepperl-fuchs.com

General Data

Rated operating distance	5 mm
Installation	flush
Type of voltage	DC
Operating voltage	10 ... 30 V
No-load supply current	≤ 20 mA
Reverse polarity protection	✓
Switching frequency	0 ... 800 Hz
Operating current	0 ... 200 mA
Short-circuit protection	pulsing
Indication of the switching state	LED, yellow
Housing material	brass, nickel-plated
Protection degree	IP67

Properties

- Ø18 mm housing
- 5 mm, flush mountable
- DC, 3-wire and 4-wire switching output versions
- Cable and connector versions

Further Products

In this series, we offer additionally:

NBB5-18GM50-E2-T-V1

Technical data like NBB5-18GM50-E2-V1 but:
Ambient temperature: -25 ... 100 °C (-13 ... 212 °F)
Connection type: Device connector M12 x 1 , 3-pin

Model Number

	NBB5-18GM50-E0	NBB5-18GM50-E2	NBB5-18GM50-E3	NBB5-18GM60-A0	NBB5-18GM60-A2	NBB5-18GM50-E0-V1	NBB5-18GM50-E2-V1	NBB5-18GM50-E3-V1	NBB5-18GM60-A0-V1	NBB5-18GM60-A2-V1
Switching element function										
Ambient temperature										
Connection type										

Approvals and Certificates

Protection class	II									
UL approval	cULus Listed, General Purpose									
CSA approval	cCSAus Listed, General Purpose									
CCC approval	Products with a maximum operating voltage of ≤36 V do not bear a CCC marking because they do not require approval.									

Dimensions

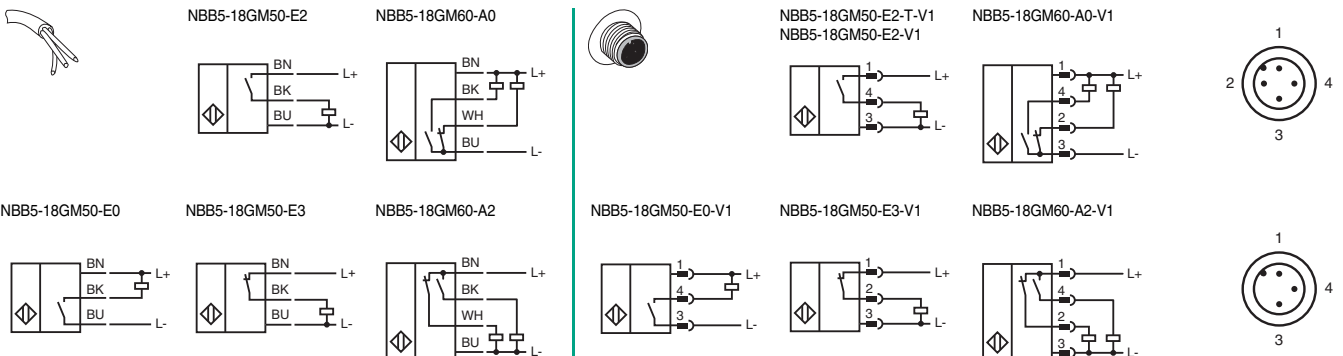
Length L [mm]	50	60	65	70
Diameter D [mm]		18		
Thread length l _t [mm]	47	60	50	60
Cap length l ₁ [mm]		0		
Connector area l _c [mm]	0		15	10
LED position			Pos. C	

Accessories

This and more accessories can be found in chapter 10
See pages from 972 ... for cordsets See pages 1068 ... for mounting aids

EXG-18	Quick mounting bracket with dead stop
V1-G-BK	4-pin, M12 female field-attachable connector
BF 18	Mounting flange, 18 mm
V1-W-BK	4-pin, M12 female field-attachable connector
V1-G-2M-PUR	Cable socket, M12, 4-pin, PUR cable
V1-W-2M-PUR	Cable socket, M12, 4-pin, PUR cable

Electrical Connection



Date of issue 04/08/2015



Properties

- Ø18 mm housing
- Up to 8 mm, flush and non-flush mountable versions
- DC, 3-wire and 4-wire switching output versions
- Cable and connector versions

Technical Data

For detailed data and product description refer to the data sheets at www.pepperl-fuchs.com

General Data

Type of voltage	DC
Operating voltage	10 ... 30 V
Reverse polarity protection	✓
Operating current	0 ... 200 mA
Short-circuit protection	pulsing
Indication of the switching state	LED, yellow
Ambient temperature	-25 ... 70 °C (-13 ... 158 °F)
Housing material	PBT
Protection degree	IP68 / IP69K
Connection type	cabl PVC , 2 m



Model Number

		NBB5-18GK50-E0	NBB5-18GK50-E2	NBN8-18GK50-A2
Rated operating distance	5 mm	●	●	
	8 mm			●
Installation	flush	●	●	
	non-flush			●
Switching element function	NPN NO	●		
	PNP NO/NC			●
	PNP NO		●	
No-load supply current	≤ 15 mA	●	●	
	≤ 25 mA			●
Switching frequency	0 ... 500 Hz			●
	0 ... 1000 Hz	●	●	

Approvals and Certificates

UL approval	cULus Listed, General Purpose	●	●	●
CSA approval	cCSAus Listed, General Purpose	●	●	●
CCC approval	Products with a maximum operating voltage of ≤36 V do not bear a CCC marking because they do not require approval.			

Dimensions

	NBB5-18GK50-E0	NBB5-18GK50-E2	NBN8-18GK50-A2
Length L [mm]	52	52	53
Diameter D [mm]		18	
Thread length l _t [mm]		49	
Cap length l ₁ [mm]		1	
Connector area l _c [mm]		0	
LED position		Pos. C	

Accessories

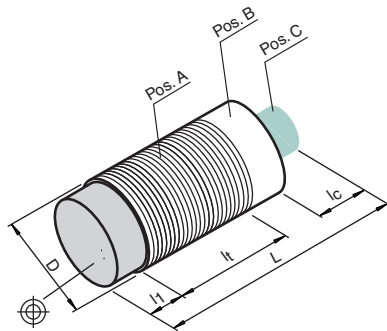
This and more accessories can be found in chapter 10

See pages from 972 ... for cordsets

See pages 1068 ... for mounting aids

BF 18

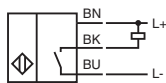
Mounting flange, 18 mm



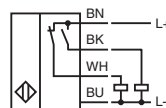
Electrical Connection



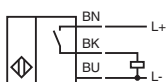
NBB5-18GK50-E0



NBN8-18GK50-A2



NBB5-18GK50-E2





Properties

- Ø18 mm housing
- 8 mm, flush mountable
- DC, 3-wire and 4-wire switching output versions
- Cable and connector versions

Technical Data

For detailed data and product description refer to the data sheets at www.pepperl-fuchs.com

General Data

Rated operating distance	8 mm
Installation	flush
Type of voltage	DC
Operating voltage	10 ... 30 V
Reverse polarity protection	✓
Switching frequency	0 ... 500 Hz
Short-circuit protection	pulsing
Indication of the switching state	LED, yellow
Housing material	brass, nickel-plated
Protection degree	IP67

Model Number

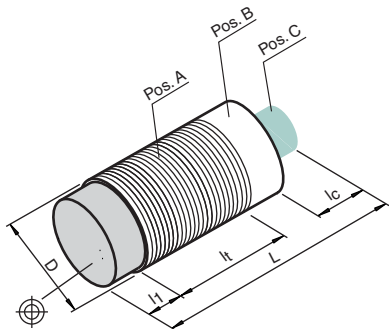
		NBB8-18GM30-E2	NBB8-18GM30-E3	NBB8-18GM50-E0	NBB8-18GM50-E2	NBB8-18GM60-A0	NBB8-18GM60-A2	NBB8-18GM30-E2-V1	NBB8-18GM30-E3-V1	NBB8-18GM50-E0-V1	NBB8-18GM50-E2-V1	NBB8-18GM60-A0-V1	NBB8-18GM60-A2-V1
Switching element function	green = preferred type				●						●		
	NPN NO/NC		●							●			
	NPN NO			●									
	PNP NO/NC					●							
	PNP NO	●						●					
	PNP NC								●				●
No-load supply current	≤ 15 mA	●	●					●	●	●	●		●
	≤ 25 mA				●	●							
Operating current	0 ... 100 mA	●	●					●	●	●	●		●
	0 ... 200 mA			●	●	●	●						
Ambient temperature	-25 ... 70 °C (-13 ... 158 °F)	●	●	●	●	●	●	●	●	●	●	●	●
	-40 ... 70 °C (-40 ... 158 °F)												
Connection type	Device connector M12 x 1, 4-pin cable PVC, 2 m	●	●	●	●	●	●						

Approvals and Certificates

UL approval	cULus Listed, General Purpose	●	●	●	●	●	●	●	●	●	●	●	●
CSA approval	cCSAus Listed, General Purpose	●	●	●	●	●	●	●	●	●	●	●	●
CCC approval	Products with a maximum operating voltage of ≤36 V do not bear a CCC marking because they do not require approval.												

Dimensions

Length L [mm]	30	50	60	45	65	70
Diameter D [mm]	18					
Thread length l_t [mm]	27	47	57	30	50	60
Cap length l_1 [mm]	0					
Connector area l_c [mm]	0		15		10	
LED position	Pos.			C	B	

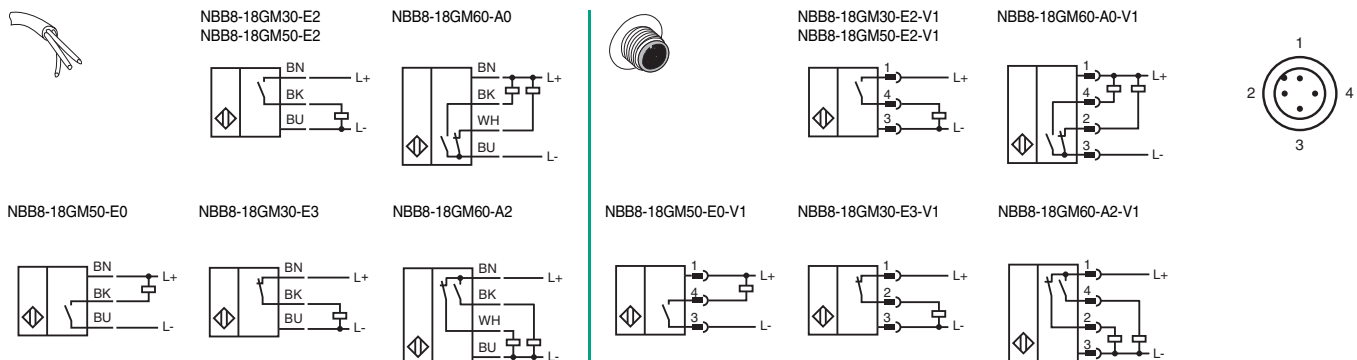


Accessories

This and more accessories can be found in chapter 10 See pages from 972 ... for cordsets See pages 1068 ... for mounting aids

- V1-G-BK 4-pin, M12 female field-attachable connector
- V1-W-BK 4-pin, M12 female field-attachable connector
- BF 18-F Mounting flange with dead stop, 18 mm
- BF 18 Mounting flange, 18 mm
- V1-G-2M-PUR Cable socket, M12, 4-pin, PUR cable
- EXG-18 Quick mounting bracket with dead stop
- V1-W-2M-PUR Cable socket, M12, 4-pin, PUR cable

Electrical Connection



Date of issue 04/08/2015



Properties

- Ø18 mm housing
- 8 mm, non-flush mountable
- DC, 3-wire switching output
- Cable and connector versions

Further Products

In this series, we offer additionally:

NBN8-18GM50-E2-T

Technical data like NBN8-18GM50-E2 but:
Ambient temperature: -25 ... 100 °C (-13 ... 212 °F)

NBN8-18GM50-E2-T-V1

Technical data like NBN8-18GM50-E2-V1 but:
Ambient temperature: -25 ... 100 °C (-13 ... 212 °F)

Technical Data

For detailed data and product description refer to the data sheets at www.pepperl-fuchs.com

General Data

Rated operating distance	8 mm
Installation	non-flush
Type of voltage	DC
Operating voltage	10 ... 30 V
Reverse polarity protection	✓
Switching frequency	0 ... 500 Hz
Operating current	0 ... 200 mA
Short-circuit protection	pulsing
Indication of the switching state	LED, yellow

Model Number

		NBN8-18GK50-E0	NBN8-18GK50-E2	NBN8-18GM50-E0	NBN8-18GM50-E2	NBN8-18GM50-E0-V1	NBN8-18GM50-E2-V1
Switching element function	NPN NO	●		●		●	
	PNP NO		●		●		●
No-load supply current	≤ 15 mA	●	●				
	≤ 18 mA			●	●	●	●
Ambient temperature	-25 ... 70 °C (-13 ... 158 °F)	●	●	●	●	●	●
	-40 ... 70 °C (-40 ... 158 °F)						●
Housing material	brass, nickel-plated			●	●	●	●
	PBT	●	●				
Protection degree	IP67			●	●	●	●
	IP68 / IP69K	●	●				
Connection type	Device connector M12 x 1, 4-pin					●	●
	cable PVC, 2 m	●	●	●	●		

Approvals and Certificates

UL approval	cULus Listed, General Purpose	●	●	●	●	●	●
CSA approval	cCSAus Listed, General Purpose	●	●	●	●	●	●
CCC approval	Products with a maximum operating voltage of ≤36 V do not bear a CCC marking because they do not require approval.						

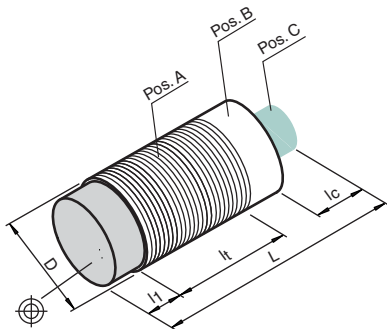
Dimensions

Length L [mm]	52	52	50	50	65	65
Diameter D [mm]	18					
Thread length l _t [mm]	49	49	37	37	40	40
Cap length l ₁ [mm]	1		10			
Connector area l _c [mm]	0					15
LED position	Pos. C					

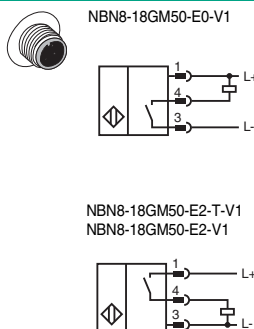
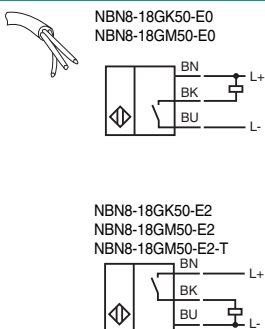
Accessories

This and more accessories can be found in chapter 10
See pages from 972 ... for cordsets See pages 1068 ... for mounting aids

- V1-W-BK** 4-pin, M12 female field-attachable connector
- BF 18** Mounting flange, 18 mm
- V1-G-2M-PUR** Cable socket, M12, 4-pin, PUR cable
- V1-G-BK** 4-pin, M12 female field-attachable connector
- V1-W-2M-PUR** Cable socket, M12, 4-pin, PUR cable



Electrical Connection



Wire colors in accordance with EN 60947-5-2

- 1 BN (brown)
- 2 WH (white)
- 3 BU (blue)
- 4 BK (black)



Technical Data

For detailed data and product description refer to the data sheets at www.pepperl-fuchs.com

General Data

Rated operating distance	12 mm
Installation	non-flush
Type of voltage	DC
Operating voltage	10 ... 30 V
Reverse polarity protection	✓
Short-circuit protection	pulsing
Indication of the switching state	LED, yellow
Ambient temperature	-25 ... 70 °C (-13 ... 158 °F)
Housing material	brass, nickel-plated
Protection degree	IP67

Properties

- Ø18 mm housing
- 12 mm, non-flush mountable
- DC, 3-wire and 4-wire switching output versions
- Cable and connector versions

Model Number

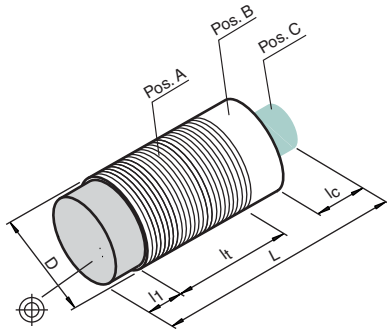
	green = preferred type	NBN12-18GM35-E2	NBN12-18GM50-E2	NBN12-18GM50-A0	NBN12-18GM50-A2	NBN12-18GM35-E2-V1	NBN12-18GM50-E2-V1	NBN12-18GM50-A0-V1	NBN12-18GM50-A2-V1
Switching element function	NPN NO/NC			●				●	
	PNP NO/NC				●				●
	PNP NO	●	●			●	●		●
No-load supply current	≤ 12 mA	●	●	●	●	●	●	●	●
	≤ 20 mA								
Switching frequency	0 ... 200 Hz		●				●		
	0 ... 300 Hz	●				●			
	0 ... 1000 Hz			●	●			●	●
Operating current	0 ... 100 mA	●				●			
	0 ... 200 mA		●	●	●		●	●	●
Connection type	Device connector M12 x 1, 4-pin					●	●	●	●
	cable PVC, 2 m	●	●	●					

Approvals and Certificates

UL approval	cULus Listed, General Purpose	●	●	●	●	●	●	●	●
CSA approval	cCSAus Listed, General Purpose	●	●	●	●	●	●	●	●
CCC approval	Products with a maximum operating voltage of ≤36 V do not bear a CCC marking because they do not require approval.								

Dimensions

Length L [mm]	35.5	50	65
Diameter D [mm]		18	
Thread length l _t [mm]	22.5	37	40
Cap length l ₁ [mm]		10	
Connector area l _c [mm]		0	15
LED position		Pos. C	



Accessories

This and more accessories can be found in chapter 10

See pages from 972 ... for cordsets

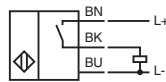
See pages 1068 ... for mounting aids

- BF 18** Mounting flange, 18 mm
- V1-W-BK** 4-pin, M12 female field-attachable connector
- BF 18-F** Mounting flange with dead stop, 18 mm
- V1-G-BK** 4-pin, M12 female field-attachable connector
- V1-G-2M-PUR** Cable socket, M12, 4-pin, PUR cable
- V1-W-2M-PUR** Cable socket, M12, 4-pin, PUR cable

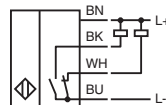
Electrical Connection



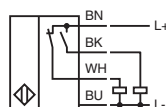
NBN12-18GM35-E2
NBN12-18GM50-E2



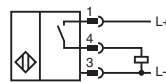
NBN12-18GM50-A0



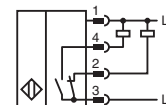
NBN12-18GM50-A2



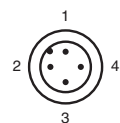
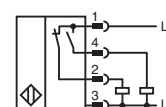
NBN12-18GM35-E2-V1
NBN12-18GM50-E2-V1



NBN12-18GM50-A0-V1



NBN12-18GM50-A2-V1



Wire colors in accordance with EN 60947-5-2

- 1 BN (brown)
- 2 WH (white)
- 3 BU (blue)
- 4 BK (black)

Date of issue 04/08/2015

Refer to "General Notes Relating to Pepperl+Fuchs Product Information".

Pepperl+Fuchs Group
www.pepperl-fuchs.com

USA: +1 330 486 0001
fa-info@us.pepperl-fuchs.com

Germany: +49 621 776 4411
fa-info@de.pepperl-fuchs.com

Singapore: +65 6779 9091
fa-info@sg.pepperl-fuchs.com



Technical Data

For detailed data and product description refer to the data sheets at www.pepperl-fuchs.com

General Data

Rated operating distance	12 mm
Installation	flush
Type of voltage	DC
Operating voltage	10 ... 30 V
No-load supply current	≤ 10 mA
Reverse polarity protection	✓
Switching frequency	0 ... 500 Hz
Operating current	0 ... 200 mA
Short-circuit protection	pulsing
Indication of the switching state	LED, yellow
Ambient temperature	-25 ... 70 °C (-13 ... 158 °F)
Housing material	brass, nickel-plated
Protection degree	IP67



Properties

- Ø18 mm housing
- 12 mm, flush mountable
- DC, 3-wire switching output
- Cable and connector versions

Model Number

		NEB12-18GM50-E2	NEB12-18GM50-E2-V1	NEB12-18GM50-E3-V1
Switching element function	green = preferred type	●	●	
	PNP NO			●
Connection type	PNP NC			
	Device connector M12 x 1, 4-pin cable PUR, 2 m	●	●	●

Approvals and Certificates

CCC approval Products with a maximum operating voltage of ≤36 V do not bear a CCC marking because they do not require approval.

Dimensions

Length L [mm]	53	69	
Diameter D [mm]		18	
Thread length l_t [mm]	53	53	53
Cap length l_1 [mm]		0	
Connector area l_c [mm]	0		14
LED position		Pos. C	

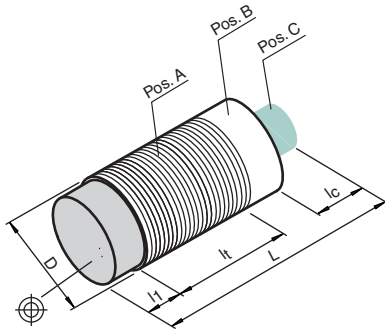
Accessories

This and more accessories can be found in chapter 10

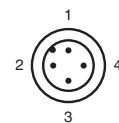
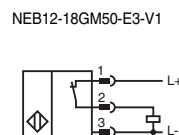
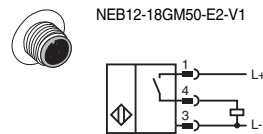
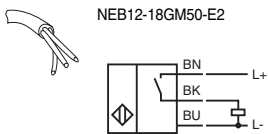
See pages from 972 ... for cordsets

See pages 1068 ... for mounting aids

BF 18	Mounting flange, 18 mm
V1-G-BK	4-pin, M12 female field-attachable connector
V1-W-BK	4-pin, M12 female field-attachable connector
V1-G-2M-PUR	Cable socket, M12, 4-pin, PUR cable
V1-W-2M-PUR	Cable socket, M12, 4-pin, PUR cable
EXG-18	Quick mounting bracket with dead stop



Electrical Connection



Wire colors in accordance with EN 60947-5-2

1	BN	(brown)
2	WH	(white)
3	BU	(blue)
4	BK	(black)



Technical Data

For detailed data and product description refer to the data sheets at www.pepperl-fuchs.com

General Data

Rated operating distance	20 mm
Installation	non-flush
Type of voltage	DC
Operating voltage	10 ... 30 V
No-load supply current	≤ 10 mA
Reverse polarity protection	✓
Switching frequency	0 ... 200 Hz
Operating current	0 ... 200 mA
Short-circuit protection	pulsing
Indication of the switching state	LED, yellow
Ambient temperature	-25 ... 70 °C (-13 ... 158 °F)
Housing material	brass, nickel-plated
Protection degree	IP67
Connection type	Device connector M12 x 1 , 4-pin



Properties

- Ø18 mm housing
- 20 mm, non-flush mountable
- DC, 3-wire switching output
- Connector version

Model Number

Switching element function	green = preferred type		
	PNP NO	●	
	PNP NC		●

Approvals and Certificates

CCC approval Products with a maximum operating voltage of ≤36 V do not bear a CCC marking because they do not require approval.

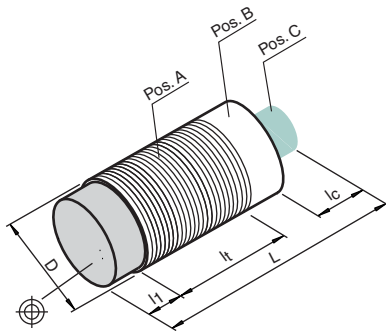
Dimensions

Length L [mm]	69
Diameter D [mm]	18
Thread length l _t [mm]	43
Cap length l ₁ [mm]	10
Connector area l _c [mm]	14
LED position	Pos. C

Accessories

This and more accessories can be found in chapter 10
 See pages from 972 ... for cordsets See pages 1068 ... for mounting aids

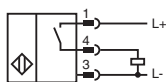
BF 18	Mounting flange, 18 mm
V1-G-BK	4-pin, M12 female field-attachable connector
V1-W-BK	4-pin, M12 female field-attachable connector
V1-G-2M-PUR	Cable socket, M12, 4-pin, PUR cable
V1-W-2M-PUR	Cable socket, M12, 4-pin, PUR cable
EXG-18	Quick mounting bracket with dead stop



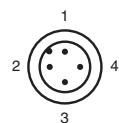
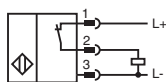
Electrical Connection



NEN20-18GM50-E2-V1



NEN20-18GM50-E3-V1



Wire colors in accordance with EN 60947-5-2

1	BN	(brown)
2	WH	(white)
3	BU	(blue)
4	BK	(black)

Date of issue 04/08/2015

Refer to "General Notes Relating to Pepperl+Fuchs Product Information".

Pepperl+Fuchs Group
www.pepperl-fuchs.com

USA: +1 330 486 0001
fa-info@us.pepperl-fuchs.com

Germany: +49 621 776 4411
fa-info@de.pepperl-fuchs.com

Singapore: +65 6779 9091
fa-info@sg.pepperl-fuchs.com



Technical Data

For detailed data and product description refer to the data sheets at www.pepperl-fuchs.com

General Data

Type of voltage	AC
Operating voltage	20 ... 253 V
Reverse polarity protection	tolerant
Switching frequency	0 ... 20 Hz
Operating current	5 ... 200 mA
Operating voltage display	LED, green
Indication of the switching state	LED, yellow
Ambient temperature	-25 ... 70 °C (-13 ... 158 °F)
Housing material	brass, nickel-plated
Protection degree	IP67
Connection type	cable PVC , 2 m

Properties

- Ø18 mm housing
- Up to 8 mm, flush and non-flush mountable versions
- AC, 2-wire switching output
- Cable version

Model Number

		NBB5-18GM60-WS	NBB5-18GM60-WO	NBN8-18GM60-WS	NBN8-18GM60-WO
Rated operating distance	green = preferred type 5 mm	●	●		
	8 mm			●	●
Installation	flush	●	●		
	non-flush			●	●
Switching element function	AC NO	●		●	
	AC NC		●		●

Approvals and Certificates

		NBB5-18GM60-WS	NBB5-18GM60-WO	NBN8-18GM60-WS	NBN8-18GM60-WO
UL approval	cULus Listed, General Purpose	●	●	●	●
CSA approval	cCSAus Listed, General Purpose	●	●	●	●
CCC approval	Certified by China Compulsory Certification (CCC)	●	●	●	●

Dimensions

		NBB5-18GM60-WS	NBB5-18GM60-WO	NBN8-18GM60-WS	NBN8-18GM60-WO
Length L [mm]			60		
Diameter D [mm]			18		
Thread length l_t [mm]		60			50
Cap length l_1 [mm]		0			10
Connector area l_c [mm]			0		
LED position					Pos. C

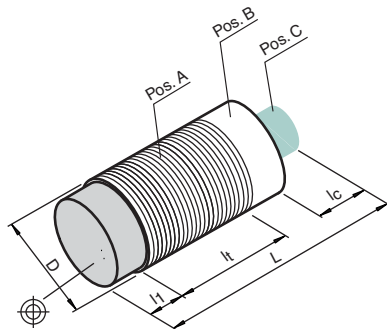
Accessories

This and more accessories can be found in chapter 10

See pages from 972 ... for cordsets

See pages 1068 ... for mounting aids

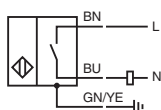
- BF 18** Mounting flange, 18 mm
- EXG-18** Quick mounting bracket with dead stop



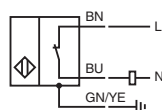
Electrical Connection



NBN8-18GM60-WS
NBB5-18GM60-WS



NBN8-18GM60-WO
NBB5-18GM60-WO





Technical Data

For detailed data and product description refer to the data sheets at www.pepperl-fuchs.com

General Data

Type of voltage	AC
Operating voltage	20 ... 253 V
No-load supply current	≤ 1.5 mA
Switching frequency	0 ... 25 Hz
Operating current	5 ... 200 mA
Ambient temperature	-25 ... 70 °C (-13 ... 158 °F)
Housing material	PBT
Protection degree	IP68
Connection type	cable PVC , 2 m



Properties

- Ø18 mm housing
- Up to 8 mm, flush and non-flush mountable versions
- AC, 2-wire switching output
- Cable version

Model Number

		NBB5-18GK-WS	NBB5-18GK-WO	NBN8-18GK-WS	NBN8-18GK-WO
Rated operating distance	5 mm 8 mm	●	●		●
Installation	flush	●	●		●
	non-flush			●	●
Switching element function	AC NO	●		●	
	AC NC		●		●

Approvals and Certificates

		NBB5-18GK-WS	NBB5-18GK-WO	NBN8-18GK-WS	NBN8-18GK-WO
UL approval	cULus Listed, General Purpose	●	●	●	●
CSA approval	cCSAus Listed, General Purpose	●	●	●	●
CCC approval	Certified by China Compulsory Certification (CCC)	●	●	●	●

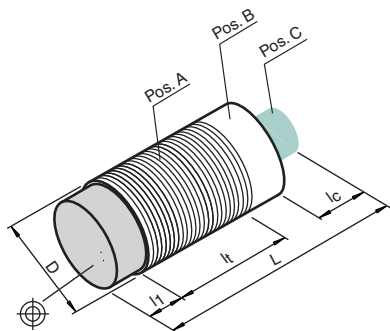
Dimensions

	NBB5-18GK-WS	NBB5-18GK-WO	NBN8-18GK-WS	NBN8-18GK-WO
Length L [mm]	79			80
Diameter D [mm]		18		
Thread length l_t [mm]	61			60
Cap length l_1 [mm]	0			0.5
Connector area l_c [mm]		0		
LED position		-		

Accessories

This and more accessories can be found in chapter 10
 See pages from 972 ... for cordsets See pages 1068 ... for mounting aids

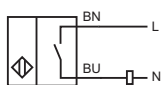
BF 18	Mounting flange, 18 mm
--------------	------------------------



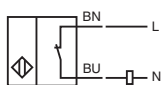
Electrical Connection



NBB5-18GK-WS
NBN8-18GK-WS



NBB5-18GK-WO
NBN8-18GK-WO



1
.1.1



Properties

- Ø18 mm housing
- Up to 15 mm, flush and non-flush mountable versions
- AC/DC, 2-wire switching output
- Cable and connector versions

Technical Data

For detailed data and product description refer to the data sheets at www.pepperl-fuchs.com

General Data

Operating voltage	20 ... 250 V AC/20 ... 300 V DC
Reverse polarity protection	tolerant
Switching frequency	30 Hz
Operating current	4 ... 300 mA AC/DC
Short-circuit protection	✓
Operating voltage display	LED, green
Indication of the switching state	LED, yellow
Ambient temperature	-25 ... 70 °C (-13 ... 158 °F)
Housing material	brass, nickel-plated
Protection degree	IP67

Model Number

green = preferred type

		NBB8-18GM60-US	NBB8-18GM60-UO	NBN15-18GM60-US	NBN15-18GM60-UO	NBB8-18GM60-US-V12	NBB8-18GM60-UO-V12	NBN15-18GM60-US-V12	NBN15-18GM60-UO-V12
Rated operating distance	15 mm			●	●			●	●
	8 mm	●	●			●	●		
Installation	flush	●	●			●	●		
	non-flush			●	●			●	●
Switching element function	AC/DC NO	●	●	●	●	●	●	●	●
	NC		●		●		●		●
Type of voltage	UC	●	●	●	●	●	●	●	●
Connection type	Device connector 1/2"-20 UN , 3-pin	●	●	●	●	●	●	●	●
	cable PUR , 2 m	●	●	●	●				

Approvals and Certificates

UL approval	cULus Listed, General Purpose	●	●	●	●	●	●	●	●
CSA approval	cCSAus Listed, General Purpose	●	●	●	●	●	●	●	●
CCC approval	Certified by China Compulsory Certification (CCC)	●	●	●	●	●	●	●	●

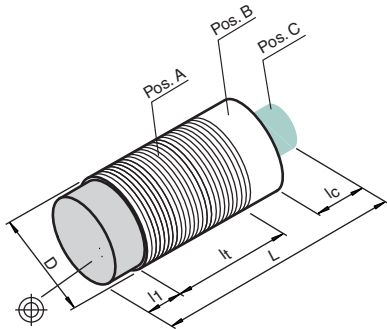
Dimensions

Length L [mm]	63		70	
Diameter D [mm]	18			
Thread length l _t [mm]	62	52	60	50
Cap length l ₁ [mm]	0		10	
Connector area l _c [mm]	0		10	
LED position	Pos. A			

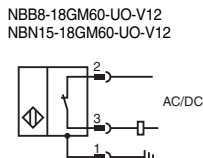
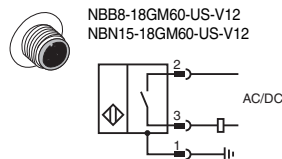
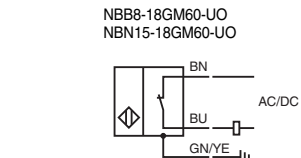
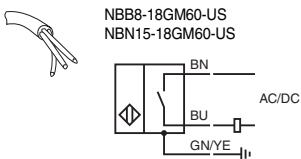
Accessories

This and more accessories can be found in chapter 10
See pages from 972 ... for cordsets See pages 1068 ... for mounting aids

- BF 18** Mounting flange, 18 mm
- EXG-18** Quick mounting bracket with dead stop



Electrical Connection



Wire colors
1 GN (green)
2 RD/BK (red/black)
3 RD/WH (red/white)



Technical Data

For detailed data and product description refer to the data sheets at www.pepperl-fuchs.com

General Data

Measurement range	1 ... 5 mm
Installation	flush
Switching element function	Analog current output
Type of voltage	DC
Operating voltage	10 ... 30 V
No-load supply current	≤ 12 mA
Linearity error	≤ ± 4 % of full-scale value
Load resistor	≤ 1000 Ω
Adjustment tolerance zero point	≤ ± 10 % of full-scale value
Ambient temperature	-25 ... 70 °C (-13 ... 158 °F)
Housing material	brass, nickel-plated
Protection degree	IP67

Properties

- Ø18 mm housing
- 1 ... 5 mm, flush mountable
- DC, 3-wire analog output
- Cable and connector versions

Model Number

		green = preferred type		
Output type	0 ... 20 mA			
	4 ... 20 mA	●	●	
Slope of output characteristic	4 mA / mm	●		●
	5 mA / mm		●	
Connection type	Device connector M12 x 1, 4-pin cable PVC, 2 m	●	●	●

Approvals and Certificates

UL approval	cULus Listed, General Purpose	●	●	●	●
CSA approval	cCSAus Listed, General Purpose	●	●	●	●
CCC approval	Products with a maximum operating voltage of ≤36 V do not bear a CCC marking because they do not require approval.				

Dimensions

Length L [mm]		60	70
Diameter D [mm]			18
Thread length l _t [mm]		57	60
Cap length l ₁ [mm]			0
Connector area l _c [mm]		0	10
LED position		Pos. C	Pos. B

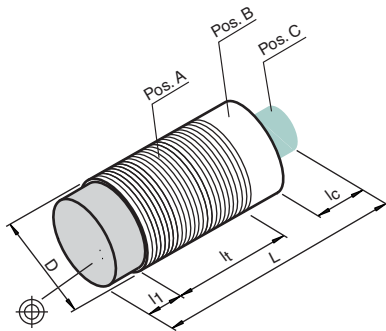
Accessories

This and more accessories can be found in chapter 10

See pages from 972 ... for cordsets

See pages 1068 ... for mounting aids

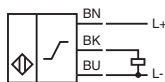
- BF 18** Mounting flange, 18 mm
- V1-G-BK** 4-pin, M12 female field-attachable connector
- V1-W-BK** 4-pin, M12 female field-attachable connector
- V1-G-2M-PUR** Cable socket, M12, 4-pin, PUR cable
- V1-W-2M-PUR** Cable socket, M12, 4-pin, PUR cable



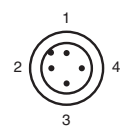
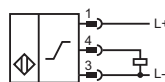
Electrical Connection



NBB5-18GM60-I
NBB5-18GM60-I3

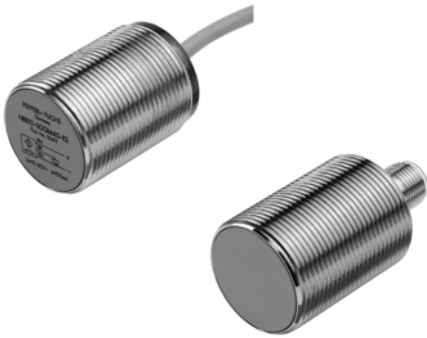


NBB5-18GM60-I3-V1
NBB5-18GM60-I-V1



Wire colors in accordance with EN 60947-5-2

- | | | | |
|---|--|----|---------|
| 1 | | BN | (brown) |
| 2 | | WH | (white) |
| 3 | | BU | (blue) |
| 4 | | BK | (black) |



Properties

- Ø30 mm housing
- 10 mm, flush mountable
- DC, 2-wire switching output
- Cable and connector versions

Technical Data

For detailed data and product description refer to the data sheets at www.pepperl-fuchs.com

General Data

Rated operating distance	10 mm
Installation	flush
Type of voltage	DC
Operating voltage	5 ... 60 V
Reverse polarity protection	tolerant
Switching frequency	0 ... 150 Hz
Operating current	2 ... 100 mA
Short-circuit protection	pulsing
Indication of the switching state	LED, yellow
Protection degree	IP67

Model Number

		green = preferred type					
Switching element function	DC NO	●	●		●	●	●
	DC NC			●			●
Ambient temperature	-25 ... 70 °C (-13 ... 158 °F)	●	●	●	●	●	●
	-40 ... 70 °C (-40 ... 158 °F)				●		
Housing material	Stainless steel 1.4305 / AISI 303		●	●	●	●	●
	brass, nickel-plated	●			●	●	
Connection type	Device connector M12 x 1, 4-pin				●	●	●
	cable PUR, 2 m		●	●			
	cable PVC, 2 m	●					

Approvals and Certificates

UL approval	cULus Listed, General Purpose	●	●	●	●	●	●	●
CSA approval	cCSAus Listed, General Purpose	●	●	●	●	●	●	●
CCC approval	Certified by China Compulsory Certification (CCC)	●	●	●	●	●	●	●

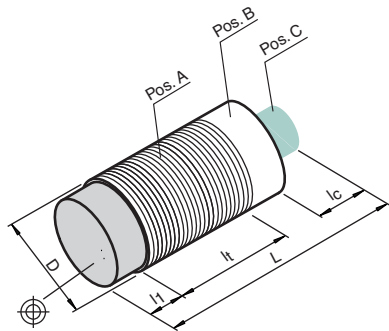
Dimensions

Length L [mm]	40	55
Diameter D [mm]		30
Thread length l _t [mm]	37	40
Cap length l ₁ [mm]		0
Connector area l _c [mm]	0	15
LED position		Pos. C

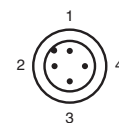
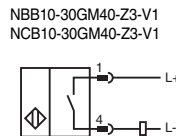
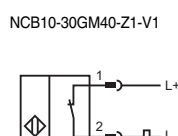
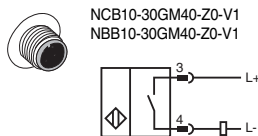
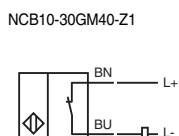
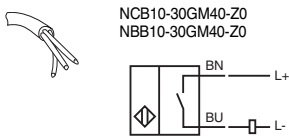
Accessories

This and more accessories can be found in chapter 10
See pages from 972 ... for cordsets See pages 1068 ... for mounting aids

- BF 30** Mounting flange, 30 mm
- V1-G-BK** 4-pin, M12 female field-attachable connector
- V1-W-BK** 4-pin, M12 female field-attachable connector
- V1-G-2M-PUR** Cable socket, M12, 4-pin, PUR cable
- EXG-30** Quick mounting bracket with dead stop
- V1-W-2M-PUR** Cable socket, M12, 4-pin, PUR cable

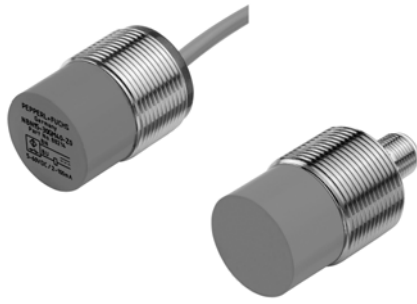


Electrical Connection



Wire colors in accordance with EN 60947-5-2

1	BN	(brown)
2	WH	(white)
3	BU	(blue)
4	BK	(black)



Properties

- Ø30 mm housing
- 15 mm, non-flush mountable
- DC, 2-wire switching output
- Cable and connector versions

Technical Data

For detailed data and product description refer to the data sheets at www.pepperl-fuchs.com

General Data

Rated operating distance	15 mm
Installation	non-flush
Type of voltage	DC
Operating voltage	5 ... 60 V
Reverse polarity protection	tolerant
Operating current	2 ... 100 mA
Short-circuit protection	pulsing
Indication of the switching state	LED, yellow
Protection degree	IP67

Model Number

		green = preferred type	NBN15-30GM40-Z0	NCN15-30GM40-Z0	NCN15-30GM40-Z1	NBN15-30GM40-Z0-V1	NCN15-30GM40-Z0-V1	NBN15-30GM40-Z3-V1	NCN15-30GM40-Z3-V1	NCN15-30GM40-Z1-V1
Switching element function	DC NO	DC NC	●	●	●	●	●	●	●	●
Switching frequency	0 ... 100 Hz	0 ... 150 Hz	●	●	●	●	●	●	●	●
Ambient temperature	-25 ... 70 °C (-13 ... 158 °F)	-40 ... 70 °C (-40 ... 158 °F)	●	●	●	●	●	●	●	●
Housing material	Stainless steel 1.4305 / AISI 303	brass, nickel-plated	●	●	●	●	●	●	●	●
Connection type	Device connector M12 x 1, 4-pin	cable PUR, 2 m	●	●	●	●	●	●	●	●
		cable PVC, 2 m	●							

Approvals and Certificates

UL approval	cULus Listed, General Purpose	●	●	●	●	●	●	●	●	●
CSA approval	cCSAus Listed, General Purpose	●	●	●	●	●	●	●	●	●
CCC approval	Certified by China Compulsory Certification (CCC)	●	●	●	●	●	●	●	●	●

Dimensions

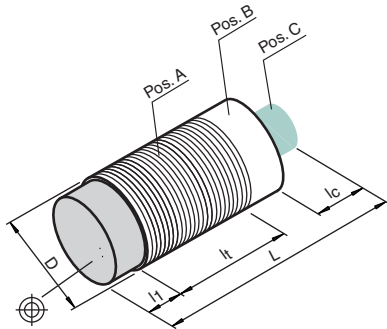
Length L [mm]		40	55
Diameter D [mm]			30
Thread length l _t [mm]		19	22
Cap length l ₁ [mm]			18
Connector area l _c [mm]		0	15
LED position			Pos. C

Accessories

This and more accessories can be found in chapter 10

See pages from 972 ... for cordsets See pages 1068 ... for mounting aids

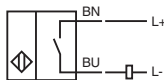
- BF 30** Mounting flange, 30 mm
- V1-G-BK** 4-pin, M12 female field-attachable connector
- V1-W-BK** 4-pin, M12 female field-attachable connector
- V1-G-2M-PUR** Cable socket, M12, 4-pin, PUR cable
- V1-W-2M-PUR** Cable socket, M12, 4-pin, PUR cable



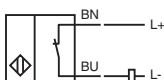
Electrical Connection



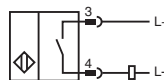
NBN15-30GM40-Z0
NCN15-30GM40-Z0



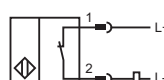
NCN15-30GM40-Z1



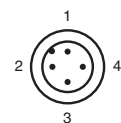
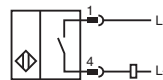
NBN15-30GM40-Z0-V1
NCN15-30GM40-Z0-V1



NCN15-30GM40-Z1-V1



NBN15-30GM40-Z3-V1
NCN15-30GM40-Z3-V1



Wire colors in accordance with EN 60947-5-2

- 1 BN (brown)
- 2 WH (white)
- 3 BU (blue)
- 4 BK (black)

Date of issue 04/08/2015

Refer to "General Notes Relating to Pepperl+Fuchs Product Information".

Pepperl+Fuchs Group
www.pepperl-fuchs.com

USA: +1 330 486 0001
fa-info@us.pepperl-fuchs.com

Germany: +49 621 776 4411
fa-info@de.pepperl-fuchs.com

Singapore: +65 6779 9091
fa-info@sg.pepperl-fuchs.com



Properties

- Ø30 mm housing
- 15 mm, flush mountable
- DC, 2-wire switching output
- Cable and connector versions

Technical Data

For detailed data and product description refer to the data sheets at www.pepperl-fuchs.com

General Data

Rated operating distance	15 mm
Installation	flush
Type of voltage	DC
Operating voltage	3.5 ... 30 V
Switching frequency	500 Hz
Operating current	2 ... 100 mA
Short-circuit protection	pulsing
Indication of the switching state	LED, yellow
Ambient temperature	-25 ... 70 °C (-13 ... 158 °F)
Housing material	brass, nickel-plated
Protection degree	IP67

Model Number

			NCB15-30GM50-Z4	NCB15-30GM50-Z5	NCB15-30GM50-Z4-V1	NCB15-30GM50-Z5-V1
Switching element function	DC NO		●		●	
	DC NC			●		●
Reverse polarity protection	✓		●		●	
	reverse polarity-conductive			●		●
Connection type	Device connector M12 x 1 , 4-pin				●	●
	cable PVC , 2 m		●	●		

Approvals and Certificates

UL approval	cULus Listed, General Purpose	●	●	●	●
CSA approval	cCSAus Listed, General Purpose	●	●	●	●
CCC approval	Products with a maximum operating voltage of ≤36 V do not bear a CCC marking because they do not require approval.				

Dimensions

Length L [mm]		50	65
Diameter D [mm]		30	
Thread length l _t [mm]		47	50
Cap length l ₁ [mm]			0
Connector area l _c [mm]		0	15
LED position		Pos. C	

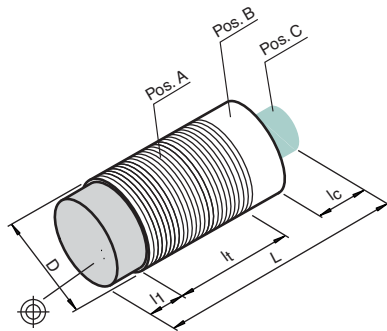
Accessories

This and more accessories can be found in chapter 10

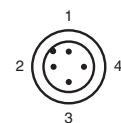
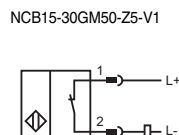
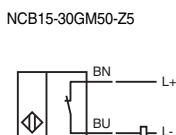
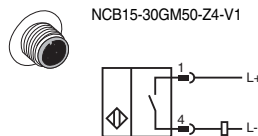
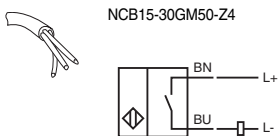
See pages from 972 ... for cordsets

See pages 1068 ... for mounting aids

- BF 30** Mounting flange, 30 mm
- EXG-30** Quick mounting bracket with dead stop
- V1-G-BK** 4-pin, M12 female field-attachable connector
- V1-W-BK** 4-pin, M12 female field-attachable connector
- V1-G-2M-PUR** Cable socket, M12, 4-pin, PUR cable
- V1-W-2M-PUR** Cable socket, M12, 4-pin, PUR cable



Electrical Connection



Wire colors in accordance with EN 60947-5-2

- 1 BN (brown)
- 2 WH (white)
- 3 BU (blue)
- 4 BK (black)



Properties

- Ø30 mm housing
- 25 mm, non-flush mountable
- DC, 2-wire switching output
- Cable and connector versions

Technical Data

For detailed data and product description refer to the data sheets at www.pepperl-fuchs.com

General Data

Rated operating distance	25 mm
Installation	non-flush
Type of voltage	DC
Operating voltage	3.5 ... 30 V
Switching frequency	500 Hz
Operating current	2 ... 100 mA
Short-circuit protection	pulsing
Indication of the switching state	LED, yellow
Ambient temperature	-25 ... 70 °C (-13 ... 158 °F)
Housing material	brass, nickel-plated
Protection degree	IP67

Model Number

			NCN25-30GM50-Z4	NCN25-30GM50-Z5	NCN25-30GM50-Z4-V1	NCN25-30GM50-Z5-V1	NCN25-30GM50-Z7-V1
Switching element function	DC NO		●		●		
	DC NC			●		●	●
Reverse polarity protection	reverse polarity-conductive tolerant		●	●	●	●	●
	Device connector M12 x 1, 4-pin cable PVC, 2 m		●	●			

Approvals and Certificates

UL approval	cULus Listed, General Purpose	●	●	●	●	●
CSA approval	cCSAus Listed, General Purpose	●	●	●	●	●
CCC approval	Products with a maximum operating voltage of ≤36 V do not bear a CCC marking because they do not require approval.					

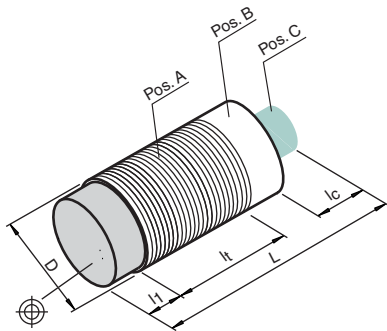
Dimensions

Length L [mm]		50	65
Diameter D [mm]			30
Thread length l _t [mm]			32
Cap length l ₁ [mm]			18
Connector area l _c [mm]		0	15
LED position			Pos. C

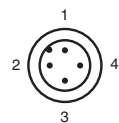
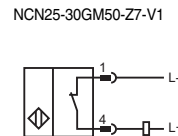
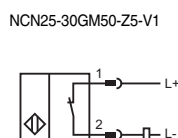
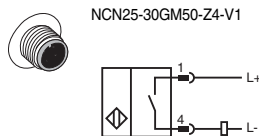
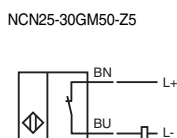
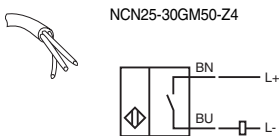
Accessories This and more accessories can be found in chapter 10

See pages from 972 ... for cordsets See pages 1068 ... for mounting aids

- BF 30** Mounting flange, 30 mm
- V1-G-BK** 4-pin, M12 female field-attachable connector
- V1-W-BK** 4-pin, M12 female field-attachable connector
- V1-W-2M-PUR** Cable socket, M12, 4-pin, PUR cable
- V1-G-2M-PUR** Cable socket, M12, 4-pin, PUR cable



Electrical Connection



Wire colors in accordance with EN 60947-5-2

- 1 BN (brown)
- 2 WH (white)
- 3 BU (blue)
- 4 BK (black)

Date of issue 04/08/2015

Refer to "General Notes Relating to Pepperl+Fuchs Product Information".

Pepperl+Fuchs Group
www.pepperl-fuchs.com

USA: +1 330 486 0001
fa-info@us.pepperl-fuchs.com

Germany: +49 621 776 4411
fa-info@de.pepperl-fuchs.com

Singapore: +65 6779 9091
fa-info@sg.pepperl-fuchs.com



Properties

- Ø30 mm housing
- 10 mm, flush mountable
- DC, 3-wire switching output
- Cable and connector versions

Technical Data

For detailed data and product description refer to the data sheets at www.pepperl-fuchs.com

General Data

Rated operating distance	10 mm
Installation	flush
Type of voltage	DC
Operating voltage	10 ... 30 V
No-load supply current	≤ 20 mA
Reverse polarity protection	✓
Switching frequency	0 ... 200 Hz
Operating current	0 ... 200 mA
Short-circuit protection	pulsing
Indication of the switching state	LED, yellow
Housing material	brass, nickel-plated
Protection degree	IP67

Model Number

			NBB10-30GM50-E0	NBB10-30GM50-E2	NBB10-30GM50-E0-V1	NBB10-30GM50-E2-V1	NBB10-30GM50-E3-V1
Switching element function	NPN	NO	●		●		
	PNP	NO		●		●	
	PNP	NC					●
Ambient temperature	-25 ... 70 °C (-13 ... 158 °F)		●	●	●		●
	-40 ... 70 °C (-40 ... 158 °F)					●	●
Connection type	Device connector M12 x 1 , 4-pin		●		●	●	●
	cable PVC , 2 m		●	●			

Approvals and Certificates

UL approval	cULus Listed, General Purpose	●	●	●	●	●
CSA approval	cCSAus Listed, General Purpose	●	●	●	●	●
CCC approval	Products with a maximum operating voltage of ≤36 V do not bear a CCC marking because they do not require approval.					

Dimensions

Length L [mm]		50	65
Diameter D [mm]			30
Thread length l_t [mm]			50
Cap length l_1 [mm]			0
Connector area l_c [mm]		0	15
LED position			Pos. C

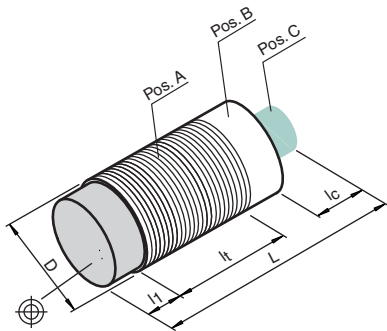
Accessories

This and more accessories can be found in chapter 10

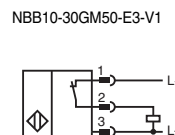
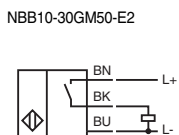
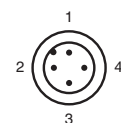
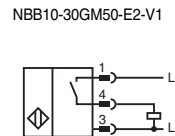
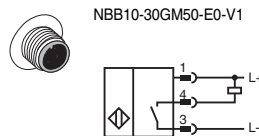
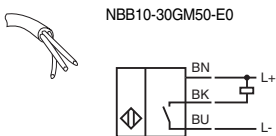
See pages from 972 ... for cordsets

See pages 1068 ... for mounting aids

- BF 30** Mounting flange, 30 mm
- EXG-30** Quick mounting bracket with dead stop
- V1-G-BK** 4-pin, M12 female field-attachable connector
- V1-W-BK** 4-pin, M12 female field-attachable connector
- V1-G-2M-PUR** Cable socket, M12, 4-pin, PUR cable
- V1-W-2M-PUR** Cable socket, M12, 4-pin, PUR cable



Electrical Connection



Wire colors in accordance with EN 60947-5-2

- 1 BN (brown)
- 2 WH (white)
- 3 BU (blue)
- 4 BK (black)



Properties

- Ø30 mm housing
- 10 mm, flush mountable
- DC, 4-wire switching output
- Cable and connector versions

Technical Data

For detailed data and product description refer to the data sheets at www.pepperl-fuchs.com

General Data

Rated operating distance	10 mm
Installation	flush
Type of voltage	DC
Operating voltage	10 ... 30 V
No-load supply current	≤ 20 mA
Reverse polarity protection	✓
Switching frequency	0 ... 200 Hz
Operating current	0 ... 200 mA
Short-circuit protection	pulsing
Indication of the switching state	LED, yellow
Housing material	brass, nickel-plated
Protection degree	IP67

Model Number

			NBB10-30GM60-A0	NBB10-30GM60-A2	NBB10-30GM60-A0-V1	NBB10-30GM60-A2-V1
Switching element function	NPN	NO/NC	●	●	●	●
	PNP	NO/NC				
Ambient temperature	-25 ... 70 °C (-13 ... 158 °F)		●	●	●	●
	-40 ... 70 °C (-40 ... 158 °F)					●
Connection type	Device connector M12 x 1 , 4-pin		●	●	●	●
	cable PVC , 2 m					●

Approvals and Certificates

UL approval	cULus Listed, General Purpose	●	●	●	●
CSA approval	cCSAus Listed, General Purpose	●	●	●	●
CCC approval	Products with a maximum operating voltage of ≤36 V do not bear a CCC marking because they do not require approval.				

Dimensions

Length L [mm]		60	70
Diameter D [mm]			30
Thread length l _t [mm]			60
Cap length l ₁ [mm]		0	10
Connector area l _c [mm]		0	10
LED position		Pos. C	Pos. A

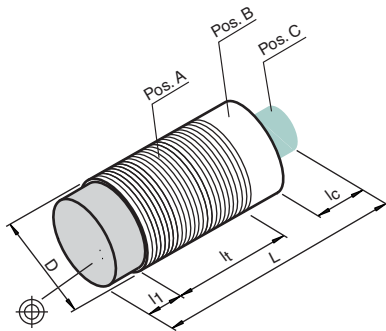
Accessories

This and more accessories can be found in chapter 10

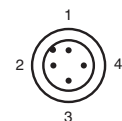
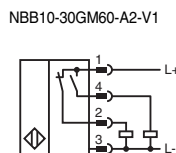
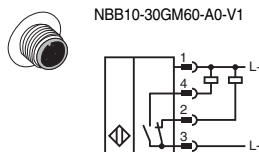
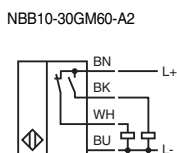
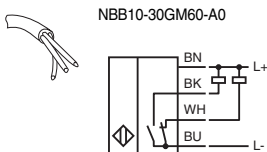
See pages from 972 ... for cordsets

See pages 1068 ... for mounting aids

BF 30	Mounting flange, 30 mm
EXG-30	Quick mounting bracket with dead stop
V1-G-BK	4-pin, M12 female field-attachable connector
V1-W-BK	4-pin, M12 female field-attachable connector
V1-G-2M-PUR	Cable socket, M12, 4-pin, PUR cable
V1-W-2M-PUR	Cable socket, M12, 4-pin, PUR cable



Electrical Connection



Wire colors in accordance with EN 60947-5-2

1	BN	(brown)
2	WH	(white)
3	BU	(blue)
4	BK	(black)

Date of issue 04/08/2015

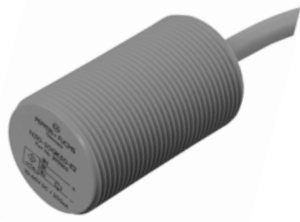
Refer to "General Notes Relating to Pepperl+Fuchs Product Information".

Pepperl+Fuchs Group
www.pepperl-fuchs.com

USA: +1 330 486 0001
fa-info@us.pepperl-fuchs.com

Germany: +49 621 776 4411
fa-info@de.pepperl-fuchs.com

Singapore: +65 6779 9091
fa-info@sg.pepperl-fuchs.com



Properties

- Ø30 mm housing
- 10 mm, flush mountable
- DC, 3-wire switching output
- Cable version

Technical Data

For detailed data and product description refer to the data sheets at www.pepperl-fuchs.com

General Data

Rated operating distance	10 mm
Installation	flush
Type of voltage	DC
Operating voltage	10 ... 30 V
No-load supply current	≤ 20 mA
Reverse polarity protection	✓
Switching frequency	0 ... 200 Hz
Operating current	0 ... 200 mA
Short-circuit protection	pulsing
Indication of the switching state	LED, yellow
Ambient temperature	-25 ... 70 °C (-13 ... 158 °F)
Housing material	PBT
Protection degree	IP68 / IP69K
Connection type	cabl PVC , 2 m



Model Number

Switching element function	NPN	NO	NBB10-30GK50-E0	NBB10-30GK50-E2
	PNP	NO	●	●

Approvals and Certificates

UL approval	cULus Listed, General Purpose	●	●
CSA approval	cCSAus Listed, General Purpose	●	●
CCC approval	Products with a maximum operating voltage of ≤36 V do not bear a CCC marking because they do not require approval.		

Dimensions

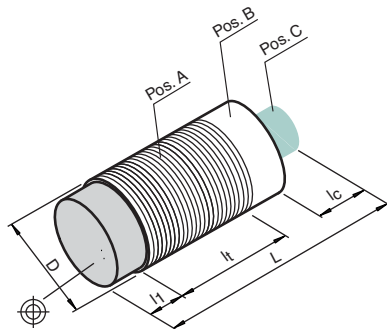
Length L [mm]	52
Diameter D [mm]	30
Thread length l _t [mm]	48
Cap length l ₁ [mm]	1
Connector area l _c [mm]	0
LED position	Pos. C

Accessories

This and more accessories can be found in chapter 10
See pages from 972 ... for cordsets See pages 1068 ... for mounting aids

BF 30

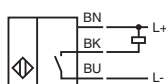
Mounting flange, 30 mm



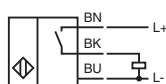
Electrical Connection



NBB10-30GK50-E0



NBB10-30GK50-E2





Technical Data

For detailed data and product description refer to the data sheets at www.pepperl-fuchs.com

General Data

Rated operating distance	10 mm
Installation	flush
Type of voltage	DC
Operating voltage	10 ... 30 V
No-load supply current	≤ 20 mA
Reverse polarity protection	✓
Switching frequency	0 ... 300 Hz
Operating current	0 ... 200 mA
Short-circuit protection	pulsing
Indication of the switching state	LED, yellow
Ambient temperature	-25 ... 70 °C (-13 ... 158 °F)
Housing material	PBT
Protection degree	IP67
Connection type	terminal compartment



Properties

- Ø30 mm housing
- 10 mm, flush mountable
- DC, 4-wire switching output
- Terminal compartment

Model Number

Switching element function	NPN	NO/NC	NJ10-30GKK-A	NJ10-30GKK-A2
	PNP	NO/NC	●	●

Approvals and Certificates

UL approval	cULus Listed, General Purpose	●	●
CSA approval	cCSAus Listed, General Purpose	●	●
CCC approval	Products with a maximum operating voltage of ≤36 V do not bear a CCC marking because they do not require approval.		

Dimensions

Length L [mm]	115
Diameter D [mm]	30
Thread length l _t [mm]	58
Cap length l ₁ [mm]	2
Connector area l _c [mm]	0

Accessories

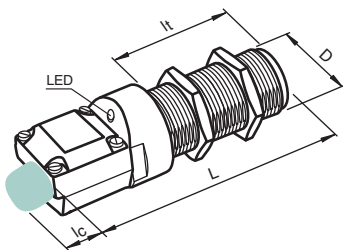
This and more accessories can be found in chapter 10

See pages from 972 ... for cordsets

See pages 1068 ... for mounting aids

BF 30

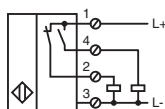
Mounting flange, 30 mm



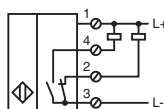
Electrical Connection



NJ10-30GKK-A2



NJ10-30GKK-A



Date of issue 04/08/2015



Properties

- Ø30 mm housing
- 15 mm, flush mountable
- DC, 3-wire switching output
- Cable and connector versions

Technical Data

For detailed data and product description refer to the data sheets at www.pepperl-fuchs.com

General Data

Rated operating distance	15 mm
Installation	flush
Type of voltage	DC
Operating voltage	10 ... 30 V
No-load supply current	≤ 15 mA
Reverse polarity protection	✓
Switching frequency	0 ... 200 Hz
Short-circuit protection	pulsing
Indication of the switching state	LED, yellow
Housing material	brass, nickel-plated
Protection degree	IP67

Model Number

Switching element function	green = preferred type						
	NPN NO	●	●	●	●	●	●
	PNP NO						
Operating current	0 ... 100 mA	●	●	●	●	●	●
	0 ... 200 mA						
Ambient temperature	-25 ... 70 °C (-13 ... 158 °F)	●	●	●	●	●	●
	-40 ... 70 °C (-40 ... 158 °F)						
Connection type	Device connector M12 x 1, 4-pin	●	●	●	●	●	●
	cable PVC, 2 m	●	●	●	●	●	●

Approvals and Certificates

UL approval	cULus Listed, General Purpose	●	●	●	●	●	●
CSA approval	cCSAus Listed, General Purpose	●	●	●	●	●	●
CCC approval	Products with a maximum operating voltage of ≤36 V do not bear a CCC marking because they do not require approval.						

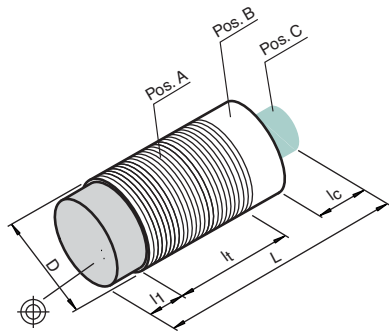
Dimensions

Length L [mm]	30	50	45	65
Diameter D [mm]			30	
Thread length l _t [mm]	27	47	30	50
Cap length l ₁ [mm]			0	
Connector area l _c [mm]		0		15
LED position			Pos. C	

Accessories

This and more accessories can be found in chapter 10
See pages from 972 ... for cordsets See pages 1068 ... for mounting aids

- BF 30** Mounting flange, 30 mm
- EXG-30** Quick mounting bracket with dead stop
- V1-G-BK** 4-pin, M12 female field-attachable connector
- BF 30-F** Mounting flange with dead stop, 30 mm
- V1-W-BK** 4-pin, M12 female field-attachable connector
- V1-G-2M-PUR** Cable socket, M12, 4-pin, PUR cable
- V1-W-2M-PUR** Cable socket, M12, 4-pin, PUR cable



Electrical Connection

NBB15-30GM50-E0

NBB15-30GM30-E2
NBB15-30GM50-E2

NBB15-30GM50-E0-V1

NBB15-30GM30-E2-V1
NBB15-30GM50-E2-V1

NBB15-30GM30-E3

NBB15-30GM30-E3-V1

Wire colors in accordance with EN 60947-5-2

1	BN	(brown)
2	WH	(white)
3	BU	(blue)
4	BK	(black)



Technical Data

For detailed data and product description refer to the data sheets at www.pepperl-fuchs.com

General Data

Rated operating distance	15 mm
Installation	flush
Type of voltage	DC
Operating voltage	10 ... 30 V
No-load supply current	≤ 25 mA
Reverse polarity protection	✓
Switching frequency	0 ... 200 Hz
Operating current	0 ... 200 mA
Short-circuit protection	pulsing
Indication of the switching state	LED, yellow
Housing material	brass, nickel-plated
Protection degree	IP67

Properties

- Ø30 mm housing
- 15 mm, flush mountable
- DC, 4-wire switching output
- Cable and connector versions

Model Number

			green = preferred type		
Switching element function	NPN	NO/NC	●	●	●
	PNP	NO/NC		●	●
Ambient temperature	-25 ... 70 °C (-13 ... 158 °F)		●	●	●
	-40 ... 70 °C (-40 ... 158 °F)				●
Connection type	Device connector M12 x 1, 4-pin		●	●	●
	cable PVC, 2 m				●

Approvals and Certificates

UL approval	cULus Listed, General Purpose	●	●	●	●
CSA approval	cCSAus Listed, General Purpose	●	●	●	●
CCC approval	Products with a maximum operating voltage of ≤36 V do not bear a CCC marking because they do not require approval.				

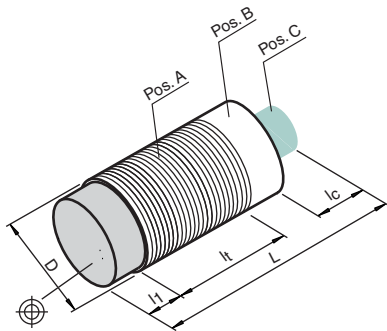
Dimensions

Length L [mm]	60	70
Diameter D [mm]		30
Thread length l _t [mm]	57	60
Cap length l ₁ [mm]		0
Connector area l _c [mm]	0	10
LED position	Pos. C	Pos. A

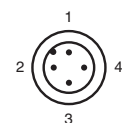
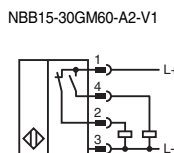
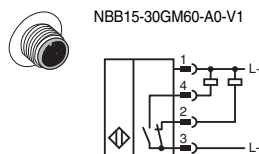
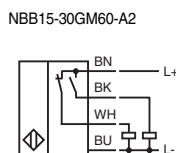
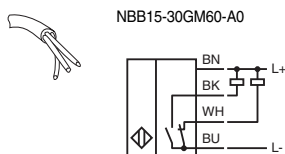
Accessories

This and more accessories can be found in chapter 10
See pages 972 ... for cordsets See pages 1068 ... for mounting aids

BF 30	Mounting flange, 30 mm
EXG-30	Quick mounting bracket with dead stop
V1-G-BK	4-pin, M12 female field-attachable connector
V1-W-BK	4-pin, M12 female field-attachable connector
V1-G-2M-PUR	Cable socket, M12, 4-pin, PUR cable
V1-W-2M-PUR	Cable socket, M12, 4-pin, PUR cable



Electrical Connection



Wire colors in accordance with EN 60947-5-2

- 1 | BN (brown)
- 2 | WH (white)
- 3 | BU (blue)
- 4 | BK (black)

Date of issue 04/08/2015

Refer to "General Notes Relating to Pepperl+Fuchs Product Information".

Pepperl+Fuchs Group
www.pepperl-fuchs.com

USA: +1 330 486 0001
fa-info@us.pepperl-fuchs.com

Germany: +49 621 776 4411
fa-info@de.pepperl-fuchs.com

Singapore: +65 6779 9091
fa-info@sg.pepperl-fuchs.com

1
.1.1



Properties

- Ø30 mm housing
- 15 mm, non-flush mountable
- DC, 3-wire switching output
- Cable and connector versions

Technical Data

For detailed data and product description refer to the data sheets at www.pepperl-fuchs.com

General Data

Rated operating distance	15 mm
Installation	non-flush
Type of voltage	DC
Operating voltage	10 ... 30 V
Reverse polarity protection	✓
Switching frequency	0 ... 200 Hz
Operating current	0 ... 200 mA
Short-circuit protection	pulsing
Indication of the switching state	LED, yellow
Housing material	brass, nickel-plated
Protection degree	IP67

Model Number

		NBN15-30GM50-E0	NBN15-30GM50-E2	NBN15-30GM50-E0-V1	NBN15-30GM50-E2-V1
Switching element function	NPN	●	●	●	●
	NO	●	●	●	●
No-load supply current	PNP	●	●	●	●
	NO	●	●	●	●
Ambient temperature	≤ 15 mA	●	●	●	●
	≤ 20 mA	●	●	●	●
Connection type	-25 ... 70 °C (-13 ... 158 °F)	●	●	●	●
	-40 ... 70 °C (-40 ... 158 °F)	●	●	●	●
Device connector M12 x 1, 4-pin	cable PVC, 2 m	●	●	●	●
		●	●	●	●

Approvals and Certificates

UL approval	cULus Listed, General Purpose	●	●	●	●
CSA approval	cCSAus Listed, General Purpose	●	●	●	●
CCC approval	Products with a maximum operating voltage of ≤36 V do not bear a CCC marking because they do not require approval.				

Dimensions

Length L [mm]	50	65
Diameter D [mm]		30
Thread length l_t [mm]		32
Cap length l_1 [mm]		18
Connector area l_c [mm]	0	15
LED position		Pos. C

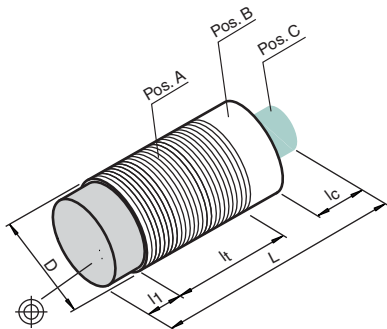
Accessories

This and more accessories can be found in chapter 10

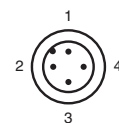
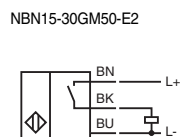
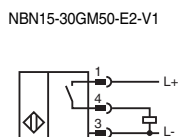
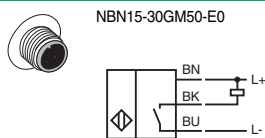
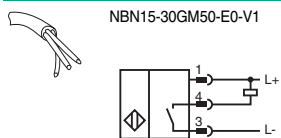
See pages from 972 ... for cordsets

See pages 1068 ... for mounting aids

- BF 30** Mounting flange, 30 mm
- V1-G-BK** 4-pin, M12 female field-attachable connector
- V1-W-BK** 4-pin, M12 female field-attachable connector
- V1-G-2M-PUR** Cable socket, M12, 4-pin, PUR cable
- V1-W-2M-PUR** Cable socket, M12, 4-pin, PUR cable



Electrical Connection



Wire colors in accordance with EN 60947-5-2

- 1 BN (brown)
- 2 WH (white)
- 3 BU (blue)
- 4 BK (black)



Technical Data

For detailed data and product description refer to the data sheets at www.pepperl-fuchs.com

General Data

Rated operating distance	15 mm
Installation	non-flush
Type of voltage	DC
Operating voltage	10 ... 30 V
No-load supply current	≤ 20 mA
Reverse polarity protection	✓
Switching frequency	0 ... 200 Hz
Operating current	0 ... 200 mA
Short-circuit protection	pulsing
Indication of the switching state	LED, yellow
Ambient temperature	-25 ... 70 °C (-13 ... 158 °F)
Housing material	brass, nickel-plated
Protection degree	IP67

Properties

- Ø30 mm housing
- 15 mm, non-flush mountable
- DC, 4-wire switching output
- Cable and connector versions

Model Number

		NBN15-30GM60-A0	NBN15-30GM60-A2	NBN15-30GM60-A0-V1	NBN15-30GM60-A2-V1
Switching element function	NPN NO/NC PNP NO/NC	●	●	●	●
Connection type	Device connector M12 x 1, 4-pin cable PVC, 2 m	●	●	●	●

Approvals and Certificates

UL approval	cULus Listed, General Purpose	●	●	●	●
CSA approval	cCSAus Listed, General Purpose	●	●	●	●
CCC approval	Products with a maximum operating voltage of ≤36 V do not bear a CCC marking because they do not require approval.				

Dimensions

Length L [mm]		60	70
Diameter D [mm]			30
Thread length l _t [mm]			42
Cap length l ₁ [mm]			18
Connector area l _c [mm]		0	10
LED position		Pos. C	Pos. A

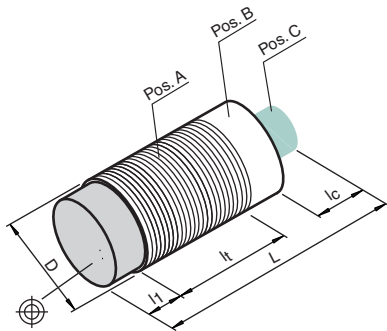
Accessories

This and more accessories can be found in chapter 10

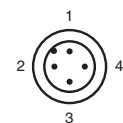
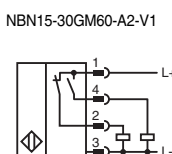
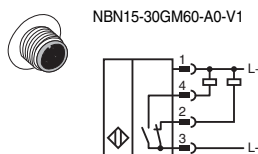
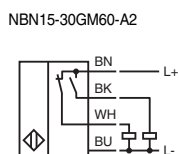
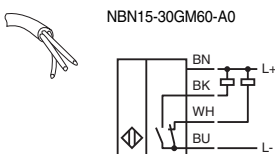
See pages from 972 ... for cordsets

See pages 1068 ... for mounting aids

- V1-G-BK** 4-pin, M12 female field-attachable connector
- BF 30** Mounting flange, 30 mm
- V1-W-BK** 4-pin, M12 female field-attachable connector
- V1-G-2M-PUR** Cable socket, M12, 4-pin, PUR cable
- V1-W-2M-PUR** Cable socket, M12, 4-pin, PUR cable



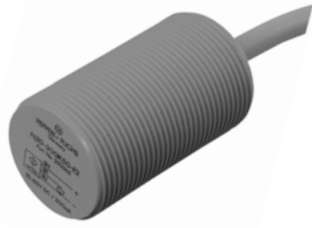
Electrical Connection



Wire colors in accordance with EN 60947-5-2

- 1 BN (brown)
- 2 WH (white)
- 3 BU (blue)
- 4 BK (black)

Date of issue 04/08/2015



Technical Data

For detailed data and product description refer to the data sheets at www.pepperl-fuchs.com

General Data

Rated operating distance	15 mm
Installation	non-flush
Type of voltage	DC
Operating voltage	10 ... 30 V
No-load supply current	≤ 15 mA
Reverse polarity protection	✓
Switching frequency	0 ... 200 Hz
Operating current	0 ... 200 mA
Short-circuit protection	pulsing
Indication of the switching state	LED, yellow
Ambient temperature	-25 ... 70 °C (-13 ... 158 °F)
Housing material	PBT
Protection degree	IP68 / IP69K
Connection type	cabl PVC , 2 m



Properties

- Ø30 mm housing
- 15 mm, non-flush mountable
- DC, 3-wire switching output
- Cable version

Further Products

In this series, we offer additionally:

NJ15-30GK-E2-T

Technical data comparable to NBN15-30GK50-E2 but:
Ambient temperature: -25 ... 100 °C (-13 ... 212 °F)

Model Number

Switching element function	NPN	NO	NBN15-30GK50-E0	NBN15-30GK50-E2
	PNP	NO	●	●

Approvals and Certificates

UL approval	cULus Listed, General Purpose	●	●
CSA approval	cCSAus Listed, General Purpose	●	●
CCC approval	Products with a maximum operating voltage of ≤36 V do not bear a CCC marking because they do not require approval.		

Dimensions

Length L [mm]	52
Diameter D [mm]	30
Thread length l _t [mm]	48
Cap length l ₁ [mm]	1
Connector area l _c [mm]	0
LED position	Pos. C

Accessories

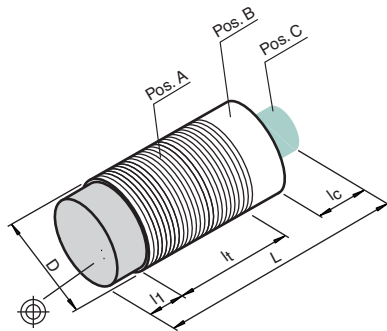
This and more accessories can be found in chapter 10

See pages from 972 ... for cordsets

See pages 1068 ... for mounting aids

BF 30

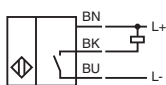
Mounting flange, 30 mm



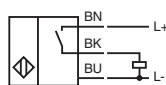
Electrical Connection



NBN15-30GK50-E0



NBN15-30GK50-E2
NJ15-30GK-E2-T





Technical Data

For detailed data and product description refer to the data sheets at www.pepperl-fuchs.com

General Data

Rated operating distance	15 mm
Installation	non-flush
Type of voltage	DC
Operating voltage	10 ... 30 V
No-load supply current	≤ 20 mA
Reverse polarity protection	✓
Switching frequency	0 ... 300 Hz
Operating current	0 ... 200 mA
Short-circuit protection	pulsing
Indication of the switching state	LED, yellow
Ambient temperature	-25 ... 70 °C (-13 ... 158 °F)
Housing material	PBT
Protection degree	IP67
Connection type	terminal compartment



Properties

- Ø30 mm housing
- 15 mm, non-flush mountable
- DC, 4-wire switching output
- Terminal compartment

Model Number

Switching element function	NPN	NO/NC	NJ15-30GKK-A	NJ15-30GKK-A2
	PNP	NO/NC	●	●

Approvals and Certificates

UL approval	cULus Listed, General Purpose	●	●
CSA approval	cCSAus Listed, General Purpose	●	●
CCC approval	Products with a maximum operating voltage of ≤36 V do not bear a CCC marking because they do not require approval.		

Dimensions

Length L [mm]	115
Diameter D [mm]	30
Thread length l _t [mm]	58
Cap length l ₁ [mm]	2
Connector area l _c [mm]	0

Accessories

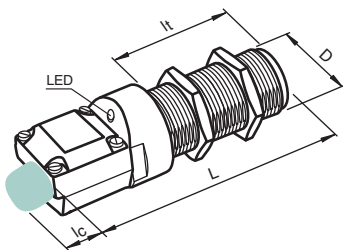
This and more accessories can be found in chapter 10

See pages from 972 ... for cordsets

See pages 1068 ... for mounting aids

BF 30

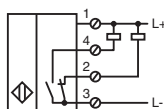
Mounting flange, 30 mm



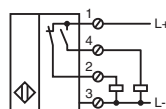
Electrical Connection



NJ15-30GKK-A



NJ15-30GKK-A2



Date of issue 04/08/2015



Technical Data

For detailed data and product description refer to the data sheets at www.pepperl-fuchs.com

General Data

Rated operating distance	22 mm
Installation	virtually flush
Type of voltage	DC
Operating voltage	10 ... 30 V
No-load supply current	≤ 10 mA
Reverse polarity protection	✓
Switching frequency	0 ... 150 Hz
Operating current	0 ... 200 mA
Short-circuit protection	pulsing
Indication of the switching state	LED, yellow
Ambient temperature	-25 ... 70 °C (-13 ... 158 °F)
Housing material	chromium plated brass
Protection degree	IP67

Properties

- Ø30 mm housing
- 22 mm, virtually flush mountable
- DC, 3-wire switching output
- Cable and connector versions

Model Number

			NEB22-30GM60-E0	NEB22-30GM60-E2	NEB22-30GM60-E0-V1	NEB22-30GM60-E2-V1	NEB22-30GM60-E3-V1
Switching element function	green = preferred type	NPN NO	●		●		
		PNP NO		●		●	
		PNP NC					●
Connection type		Device connector M12 x 1, 4-pin			●	●	●
		cable PVC, 2 m	●	●			

Approvals and Certificates

UL approval	cULus Listed, General Purpose	●
CSA approval	cCSAus Listed, General Purpose	●
CCC approval	Products with a maximum operating voltage of ≤36 V do not bear a CCC marking because they do not require approval.	

Dimensions

Length L [mm]	60		73.5		
Diameter D [mm]			30		
Thread length l _t [mm]	60	60	52	61.5	52
Cap length l ₁ [mm]	0				
Connector area l _c [mm]	0		13,5		12,5
LED position	C	C	C	A	C

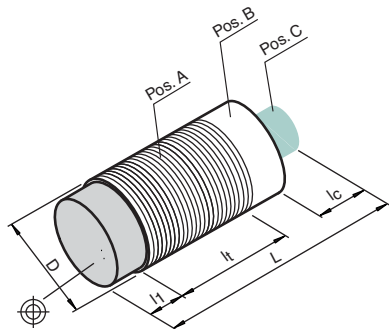
Accessories

This and more accessories can be found in chapter 10

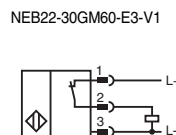
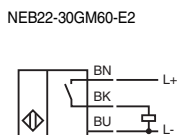
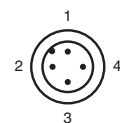
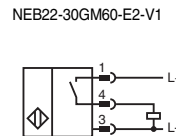
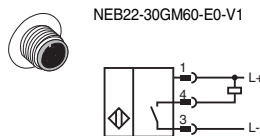
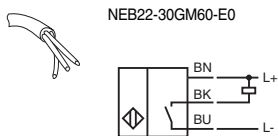
See pages from 972 ... for cordsets

See pages 1068 ... for mounting aids

BF 30	Mounting flange, 30 mm
V1-G-BK	4-pin, M12 female field-attachable connector
V1-W-BK	4-pin, M12 female field-attachable connector
V1-G-2M-PUR	Cable socket, M12, 4-pin, PUR cable
V1-W-2M-PUR	Cable socket, M12, 4-pin, PUR cable



Electrical Connection



Wire colors in accordance with EN 60947-5-2

1	BN	(brown)
2	WH	(white)
3	BU	(blue)
4	BK	(black)



Properties

- Ø30 mm housing
- 22 mm and 25 mm versions, non-flush mountable
- DC, 3-wire switching output
- Cable and connector versions

Technical Data

For detailed data and product description refer to the data sheets at www.pepperl-fuchs.com

General Data

Installation	non-flush
Type of voltage	DC
Operating voltage	10 ... 30 V
Reverse polarity protection	✓
Short-circuit protection	pulsing
Indication of the switching state	LED, yellow
Housing material	brass, nickel-plated
Protection degree	IP67

Model Number

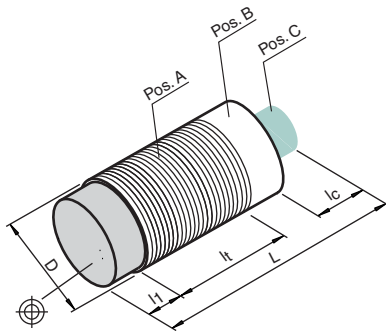
		NBN22-30GM35-E2	NBN25-30GM50-E0	NBN25-30GM50-E2	NBN22-30GM35-E2-V1	NBN25-30GM50-E0-V1	NBN25-30GM50-E2-V1
Rated operating distance	green = preferred type	●					
	22 mm		●	●			
Switching element function	NPN NO	●	●	●	●	●	●
	PNP NO	●	●	●	●	●	●
No-load supply current	≤ 10 mA	●	●	●	●	●	●
	≤ 12 mA						
Switching frequency	0 ... 200 Hz	●	●	●	●	●	●
	0 ... 80 Hz						
Operating current	0 ... 100 mA	●	●	●	●	●	●
	0 ... 200 mA						
Ambient temperature	-25 ... 70 °C (-13 ... 158 °F)	●	●	●	●	●	●
	-40 ... 70 °C (-40 ... 158 °F)						●
Connection type	Device connector M12 x 1, 4-pin	●	●	●	●	●	●
	cable PVC, 2 m						

Approvals and Certificates

UL approval	cULus Listed, General Purpose	●	●	●	●	●	●
CSA approval	cCSAus Listed, General Purpose	●	●	●	●	●	●
CCC approval	Products with a maximum operating voltage of ≤36 V do not bear a CCC marking because they do not require approval.						

Dimensions

Length L [mm]	35	50	50	50	65	65
Diameter D [mm]	30					
Thread length l _t [mm]	15	32	32	17	32	32
Cap length l ₁ [mm]	18					
Connector area l _c [mm]	0				15	
LED position	Pos. C					



Accessories

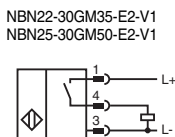
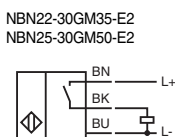
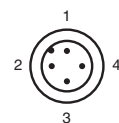
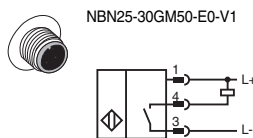
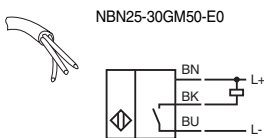
This and more accessories can be found in chapter 10

See pages from 972 ... for cordsets

See pages 1068 ... for mounting aids

- BF 30** Mounting flange, 30 mm
- V1-G-BK** 4-pin, M12 female field-attachable connector
- V1-W-BK** 4-pin, M12 female field-attachable connector
- V1-G-2M-PUR** Cable socket, M12, 4-pin, PUR cable
- V1-W-2M-PUR** Cable socket, M12, 4-pin, PUR cable

Electrical Connection



Wire colors in accordance with EN 60947-5-2

- 1 BN (brown)
- 2 WH (white)
- 3 BU (blue)
- 4 BK (black)

1
.1.1

Proximity Sensors, Inductive Sensors, cylindrical



Technical Data

For detailed data and product description refer to the data sheets at www.pepperl-fuchs.com

General Data

Rated operating distance	40 mm
Installation	non-flush
Type of voltage	DC
Operating voltage	10 ... 30 V
No-load supply current	≤ 10 mA
Reverse polarity protection	✓
Switching frequency	0 ... 100 Hz
Operating current	0 ... 200 mA
Short-circuit protection	pulsing
Indication of the switching state	LED, yellow
Ambient temperature	-25 ... 70 °C (-13 ... 158 °F)
Housing material	chromium plated brass
Protection degree	IP67

Properties

- Ø30 mm housing
- 40 mm, non-flush mountable
- DC, 3-wire switching output
- Cable and connector versions

Model Number

			NEN40-30GM60-E0	NEN40-30GM60-E2	NEN40-30GM60-E0-V1	NEN40-30GM60-E2-V1	NEN40-30GM60-E3-V1
Switching element function	green = preferred type	NPN	•		•		
		NO					
		PNP, NO		•			
		PNP, NO				•	
Connection type		PNP				•	
		NC					•
		Device connector M12 x 1 , 4-pin			•	•	•
	cable PVC , 2 m		•	•			

Approvals and Certificates

UL approval	cULus Listed, General Purpose	•
CSA approval	cCSAus Listed, General Purpose	•
CCC approval	Products with a maximum operating voltage of ≤36 V do not bear a CCC marking because they do not require approval.	

Dimensions

Length L [mm]	60		73.5		
Diameter D [mm]			30		
Thread length l _t [mm]	50	50	42	51.5	42
Cap length l ₁ [mm]			10		
Connector area l _c [mm]	0	0	13.5	12.5	13.5
LED position	C	C	C	A	C

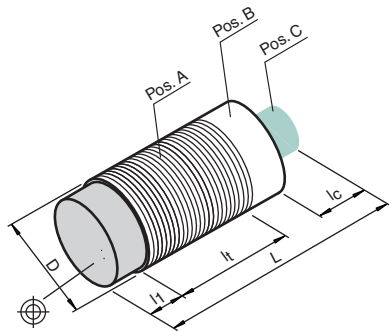
Accessories

This and more accessories can be found in chapter 10

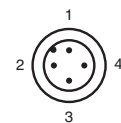
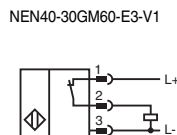
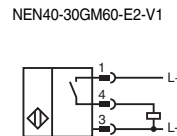
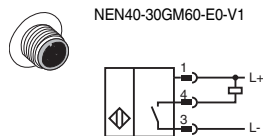
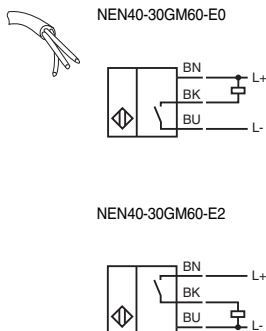
See pages from 972 ... for cordsets

See pages 1068 ... for mounting aids

- BF 30** Mounting flange, 30 mm
- V1-G-BK** 4-pin, M12 female field-attachable connector
- V1-W-BK** 4-pin, M12 female field-attachable connector
- V1-G-2M-PUR** Cable socket, M12, 4-pin, PUR cable
- V1-W-2M-PUR** Cable socket, M12, 4-pin, PUR cable



Electrical Connection



Wire colors in accordance with EN 60947-5-2

- 1 BN (brown)
- 2 WH (white)
- 3 BU (blue)
- 4 BK (black)



Technical Data

For detailed data and product description refer to the data sheets at www.pepperl-fuchs.com

General Data

Type of voltage	AC
Operating voltage	20 ... 253 V
Reverse polarity protection	tolerant
Switching frequency	0 ... 20 Hz
Operating current	5 ... 200 mA
Operating voltage display	LED, green
Indication of the switching state	LED, yellow
Ambient temperature	-25 ... 70 °C (-13 ... 158 °F)
Housing material	brass, nickel-plated
Protection degree	IP67

Model Number

		NBB10-30GM50-WS	NBB10-30GM50-WO	NBB15-30GM50-WS	NBB15-30GM50-WO	NBB15-30GM50-WS-V12	NBB15-30GM50-WO-V12	NBB15-30GM50-WS-V93	NBB15-30GM50-WO-V93
Rated operating distance	green = preferred type 10 mm 15 mm	●	●	●	●	●	●	●	●
Installation	flush virtually flush	●	●	●	●	●	●	●	●
Switching element function	AC NO AC NC	●	●	●	●	●	●	●	●
Connection type	Device connector 1/2"-20 UN , 3-pin Device connector 7/8"-16 UN , 3-pin cable PVC , 2 m	●	●	●	●	●	●	●	●

Approvals and Certificates

UL approval	cULus Listed, General Purpose	●	●	●	●	●	●	●	●
CSA approval	cCSAus Listed, General Purpose	●	●	●	●	●	●	●	●
CCC approval	Certified by China Compulsory Certification (CCC)	●	●	●	●	●	●	●	●

Dimensions

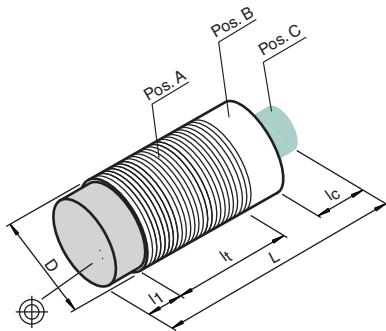
Length L [mm]	50	60	65
Diameter D [mm]		30	
Thread length l _t [mm]	47		50
Cap length l ₁ [mm]		0	
Connector area l _c [mm]	0	10	15
LED position		Pos. C	Pos. B

Accessories This and more accessories can be found in chapter 10

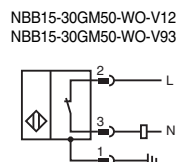
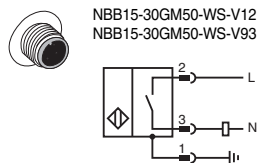
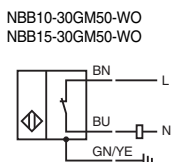
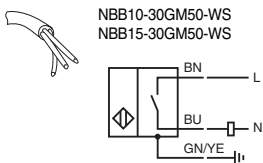
BF 30	Mounting flange, 30 mm	See pages from 972 ... for cordsets	See pages 1068 ... for mounting aids
EXG-30	Quick mounting bracket with dead stop		

Properties

- Ø30 mm housing
- 10 mm, flush mountable and 15 mm, virtually flush mountable
- AC, 2-wire switching output
- Cable and connector versions



Electrical Connection



V12



Wire colors

- 1 GN (green)
- 2 RD/BK (red/black)
- 3 RD/WH (red/white)

V93



Wire colors

- 1 GN (green)
- 2 BK (black)
- 3 WH (white)

Date of issue 04/08/2015

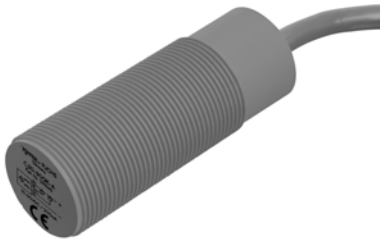
Refer to "General Notes Relating to Pepperl+Fuchs Product Information".

Pepperl+Fuchs Group
www.pepperl-fuchs.com

USA: +1 330 486 0001
fa-info@us.pepperl-fuchs.com

Germany: +49 621 776 4411
fa-info@de.pepperl-fuchs.com

Singapore: +65 6779 9091
fa-info@sg.pepperl-fuchs.com



Technical Data

For detailed data and product description refer to the data sheets at www.pepperl-fuchs.com

General Data

Rated operating distance	15 mm
Installation	virtually flush
Type of voltage	AC
Operating voltage	20 ... 250 V
Switching frequency	0 ... 25 Hz
Operating current	1.5 ... 200 mA
Ambient temperature	-25 ... 70 °C (-13 ... 158 °F)
Housing material	PBT
Protection degree	IP68
Connection type	cable PVC , 2 m



Properties

- Ø30 mm housing
- 15 mm, virtually flush mountable
- AC, 2-wire switching output
- Cable version

Model Number

			NBB15-30GK-WS	NBB15-30GK-WO
Switching element function	AC	NO	●	
	AC	NC		●

Approvals and Certificates

		NBB15-30GK-WS	NBB15-30GK-WO
UL approval	cULus Listed, General Purpose	●	●
CSA approval	cCSAus Listed, General Purpose	●	●
CCC approval	Certified by China Compulsory Certification (CCC)	●	●

Dimensions

Length L [mm]	80
Diameter D [mm]	30
Thread length l _t [mm]	60
Cap length l ₁ [mm]	0
Connector area l _c [mm]	0
LED position	-

Accessories

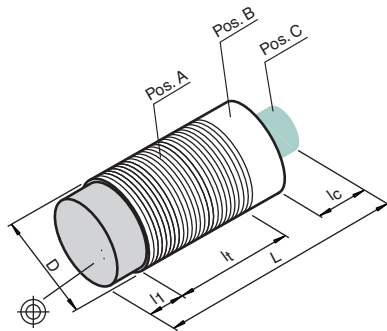
This and more accessories can be found in chapter 10

See pages from 972 ... for cordsets

See pages 1068 ... for mounting aids

BF 30

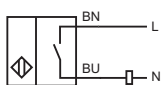
Mounting flange, 30 mm



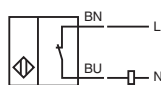
Electrical Connection



NBB15-30GK-WS



NBB15-30GK-WO





Technical Data

For detailed data and product description refer to the data sheets at www.pepperl-fuchs.com

General Data

Installation	flush
Type of voltage	AC
Operating voltage	20 ... 250 V
No-load supply current	≤ 1.7 mA
Switching frequency	0 ... 20 Hz
Operating current	1.5 ... 200 mA
Ambient temperature	-25 ... 70 °C (-13 ... 158 °F)
Housing material	PBT
Protection degree	IP67
Connection type	terminal compartment



Properties

- Ø30 mm housing
- 10 mm and 15 mm , flush mountable versions
- AC, 2-wire switching output
- Terminal compartment

Model Number

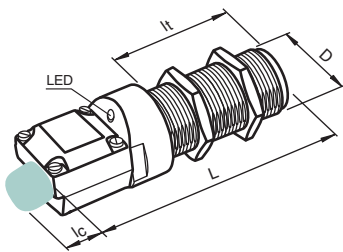
		NBB10-30GKK-WO	NBB10-30GKK-WS	NBB15-30GKK-WO	NBB15-30GKK-WS
Rated operating distance	10 mm	●	●		
	15 mm			●	●
Switching element function	AC NO		●		●
	AC NC	●		●	

Approvals and Certificates

		NBB10-30GKK-WO	NBB10-30GKK-WS	NBB15-30GKK-WO	NBB15-30GKK-WS
UL approval	cULus Listed, General Purpose	●	●	●	●
CSA approval	cCSAus Listed, General Purpose	●	●	●	●
CCC approval	Certified by China Compulsory Certification (CCC)	●	●	●	●

Dimensions

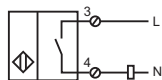
Length L [mm]	115
Diameter D [mm]	30
Thread length l _t [mm]	58
Cap length l ₁ [mm]	2
Connector area l _c [mm]	0



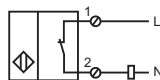
Electrical Connection



NBB15-30GKK-WS
NBB10-30GKK-WS



NBB15-30GKK-WO
NBB10-30GKK-WO



Date of issue 04/08/2015

Refer to "General Notes Relating to Pepperl+Fuchs Product Information".

Pepperl+Fuchs Group
www.pepperl-fuchs.com

USA: +1 330 486 0001
fa-info@us.pepperl-fuchs.com

Germany: +49 621 776 4411
fa-info@de.pepperl-fuchs.com

Singapore: +65 6779 9091
fa-info@sg.pepperl-fuchs.com



Properties

- Ø30 mm housing
- 15 mm, flush mountable
- AC/DC, 2-wire switching output
- Cable and connector versions

Technical Data

For detailed data and product description refer to the data sheets at www.pepperl-fuchs.com

General Data

Rated operating distance	15 mm
Installation	flush
Operating voltage	20 ... 250 V AC/20 ... 300 V DC
Reverse polarity protection	tolerant
Switching frequency	30 Hz
Operating current	4 ... 500 mA AC/DC
Short-circuit protection	✓
Operating voltage display	LED, green
Indication of the switching state	LED, yellow
Ambient temperature	-25 ... 70 °C (-13 ... 158 °F)
Housing material	brass, nickel-plated
Protection degree	IP67

Model Number

			NBB15-30GM50-US	NBB15-30GM50-UO	NBB15-30GM50-US-V12	NBB15-30GM50-UO-V12	NBB15-30GM50-US-V93	NBB15-30GM50-UO-V93
Switching element function	AC/DC	NO	●	●	●	●	●	●
		NC		●		●		●
Type of voltage	UC		●					
Connection type	Device connector 1/2"-20 UN , 3-pin				●			
	Device connector 7/8"-16 UN , 3-pin						●	●
	Device connector M12 x 1 , 3-pin					●		
	cable PUR , 2 m		●	●				

Approvals and Certificates

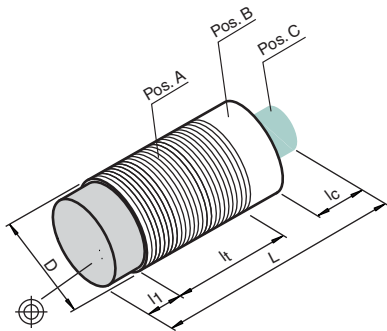
UL approval	cULus Listed, General Purpose	●	●	●	●	●	●	●
CSA approval	cCSAus Listed, General Purpose	●	●	●	●	●	●	●
CCC approval	Certified by China Compulsory Certification (CCC)	●	●	●	●	●	●	●

Dimensions

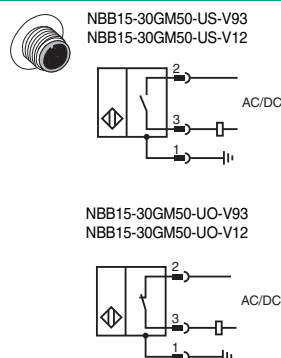
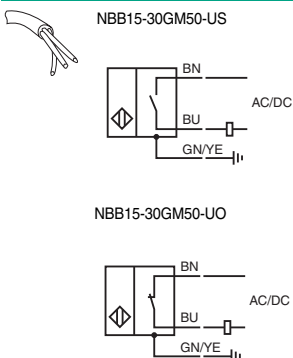
Length L [mm]		51	60	65
Diameter D [mm]			30	
Thread length l _t [mm]			50	
Cap length l ₁ [mm]			0	
Connector area l _c [mm]			10	15
LED position			Pos. B	

Accessories This and more accessories can be found in chapter 10

BF 30	Mounting flange, 30 mm	See pages 972 ... for cordsets	See pages 1068 ... for mounting aids
EXG-30	Quick mounting bracket with dead stop		



Electrical Connection



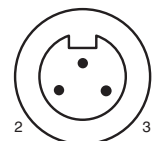
V12



Wire colors

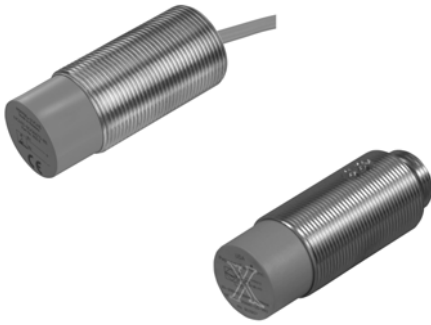
1	GN (green)
2	RD/BK (red/black)
3	RD/WH (red/white)

V93



Wire colors

1	GN (green)
2	BK (black)
3	WH (white)



Technical Data

For detailed data and product description refer to the data sheets at www.pepperl-fuchs.com

General Data

Rated operating distance	25 mm
Installation	non-flush
Operating voltage	20 ... 250 V AC/20 ... 300 V DC
Reverse polarity protection	tolerant
Switching frequency	30 Hz
Operating current	4 ... 500 mA AC/DC
Short-circuit protection	✓
Operating voltage display	LED, green
Indication of the switching state	LED, yellow
Ambient temperature	-25 ... 70 °C (-13 ... 158 °F)
Housing material	brass, nickel-plated
Protection degree	IP67

Properties

- Ø30 mm housing
- 25 mm, non-flush mountable
- AC/DC, 2-wire switching output
- Cable and connector versions

Model Number

Switching element function	AC/DC NO NC	green = preferred type	NBN25-30GM50-US	NBN25-30GM50-UO	NBN25-30GM50-US-V12	NBN25-30GM50-UO-V12	NBN25-30GM50-US-V93	NBN25-30GM50-UO-V93
Type of voltage	UC		●	●				
Connection type	Device connector 1/2"-20 UN, 3-pin				●			
	Device connector 7/8"-16 UN, 3-pin						●	●
	Device connector M12 x 1, 3-pin							●
	cable PUR, 2 m		●	●				

Approvals and Certificates

UL approval	cULus Listed, General Purpose	●	●	●	●	●	●	●
CSA approval	cCSAus Listed, General Purpose	●	●	●	●	●	●	●
CCC approval	Certified by China Compulsory Certification (CCC)	●	●	●	●	●	●	●

Dimensions

Length L [mm]	51	60	65
Diameter D [mm]		30	
Thread length l _t [mm]		32	
Cap length l ₁ [mm]		18	
Connector area l _c [mm]	0	10	15
LED position		Pos. B	

Accessories

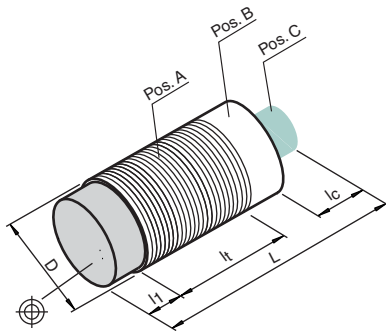
This and more accessories can be found in chapter 10

See pages from 972 ... for cordsets

See pages 1068 ... for mounting aids

BF 30

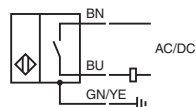
Mounting flange, 30 mm



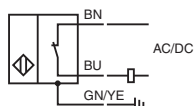
Electrical Connection



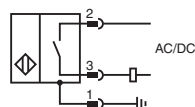
NBN25-30GM50-US



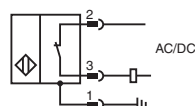
NBN25-30GM50-UO



NBN25-30GM50-US-V93
NBN25-30GM50-US-V12



NBN25-30GM50-UO-V93
NBN25-30GM50-UO-V12



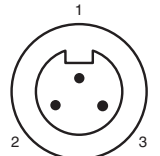
V12



Wire colors

- 1 GN (green)
- 2 RD/BK (red/black)
- 3 RD/WH (red/white)

V93



Wire colors

- 1 GN (green)
- 2 BK (black)
- 3 WH (white)

Date of issue 04/08/2015

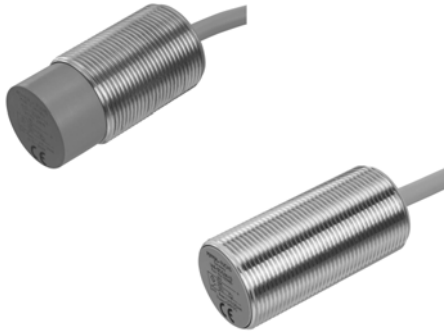
Refer to "General Notes Relating to Pepperl+Fuchs Product Information".

Pepperl+Fuchs Group
www.pepperl-fuchs.com

USA: +1 330 486 0001
fa-info@us.pepperl-fuchs.com

Germany: +49 621 776 4411
fa-info@de.pepperl-fuchs.com

Singapore: +65 6779 9091
fa-info@sg.pepperl-fuchs.com



Technical Data

For detailed data and product description refer to the data sheets at www.pepperl-fuchs.com

General Data

Switching element function	Analog current output
Type of voltage	DC
Operating voltage	15 ... 30 V
No-load supply current	≤ 10 mA
Output type	0 ... 20 mA
Linearity error	≤ ± 10 % of full-scale value
Load resistor	≤ 500 Ω
Adjustment tolerance zero point	≤ ± 10 % of full-scale value
Ambient temperature	-10 ... 70 °C (14 ... 158 °F)
Housing material	brass, nickel-plated
Protection degree	IP67
Connection type	cable PVC , 2 m



Properties

- Ø30 mm housing
- 3 ... 8 mm, flush mountable and 5 ... 15 mm non-flush mountable
- DC, 3-wire analog output
- Cable version

Model Number

Measurement range	3 ... 8 mm 5 ... 15 mm	IA8-30GM-I3	IA15-30GM-I3
Installation	flush non-flush	●	●

Approvals and Certificates

UL approval	cULus Listed, General Purpose	●	●
CSA approval	cCSAus Listed, General Purpose	●	●
CCC approval	Products with a maximum operating voltage of ≤36 V do not bear a CCC marking because they do not require approval.		

Dimensions

Length L [mm]	60	
Diameter D [mm]	30	
Thread length l _t [mm]	60	42
Cap length l ₁ [mm]	0	18
Connector area l _c [mm]	0	
LED position	-	

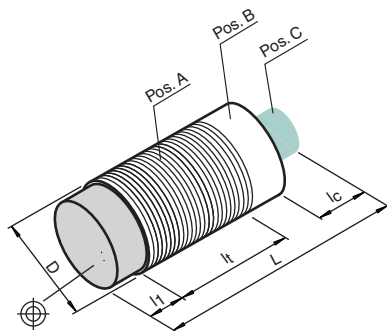
Accessories

This and more accessories can be found in chapter 10

See pages from 972 ... for cordsets

See pages 1068 ... for mounting aids

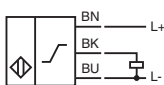
BF 30	Mounting flange, 30 mm
DA5-IU-C	Digital display unit



Electrical Connection



IA15-30GM-I3
IA8-30GM-I3





Technical Data

For detailed data and product description refer to the data sheets at www.pepperl-fuchs.com

General Data

Switching element function	PNP	NO
Type of voltage	DC	
Operating voltage	10 ... 30 V	
No-load supply current	≤ 15 mA	
Reverse polarity protection	✓	
Operating current	0 ... 100 mA	
Short-circuit protection	pulsing	
Indication of the switching state	Multihole-LED, yellow	
Ambient temperature	-25 ... 70 °C (-13 ... 158 °F)	
Housing material	Stainless steel 1.4305 / AISI 303	
Protection degree	IP67	
Connection type	Device connector M8 x 1 , 3-pin	



Properties

- Ø6.5 mm housing
- 2 mm, flush mountable and 6 mm, non-flush mountable
- DC, 3-wire switching output
- Connector version

Your Benefit

- Same sensing range for all metals

Model Number

		NRB2-6,5S50-E2-V3	NRN6-6,5S50-E2-V3
Rated operating distance	2 mm	●	
	6 mm		●
Installation	flush	●	
	non-flush		●
Switching frequency	0 ... 1000 Hz	●	
	0 ... 400 Hz		●

Approvals and Certificates

UL approval	cULus Listed, General Purpose	●	●
CSA approval	cCSAus Listed, General Purpose	●	●
CCC approval	Products with a maximum operating voltage of ≤36 V do not bear a CCC marking because they do not require approval.		

Dimensions

Length L [mm]	59	
Diameter D [mm]	6.5 / 8	
Thread length l _t [mm]	0	
Cap length l ₁ [mm]	0	5
Connector area l _c [mm]	6	
LED position	Pos. C	

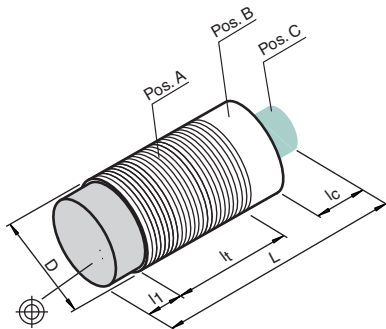
Accessories

This and more accessories can be found in chapter 10

See pages from 972 ... for cordsets

See pages 1068 ... for mounting aids

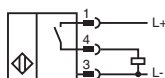
BF 6,5	Mounting flange, 6.5 mm
V3-WM	Female connector, M8, 3-pin, field attachable
V3-GM	Female connector, M8, 3-pin, field attachable
V3-WM-2M-PUR	Cable socket, M8, 3-pin, PUR cable
V3-GM-2M-PUR	Cable socket, M8, 3-pin, PUR cable



Electrical Connection



NRB2-6,5S50-E2-V3
NRN6-6,5S50-E2-V3



Wire colors in accordance with EN 60947-5-2

1	BN	(brown)
3	BU	(blue)
4	BK	(black)



Properties

- Ø8 mm housing
- 2 mm, flush mountable and 6 mm, non-flush mountable
- DC, 3-wire switching output
- Connector versions

Your Benefit

- Same sensing range for all metals

Technical Data

For detailed data and product description refer to the data sheets at www.pepperl-fuchs.com

General Data

Switching element function	PNP	NO
Type of voltage	DC	
Operating voltage	10 ... 30 V	
No-load supply current	≤ 15 mA	
Reverse polarity protection	✓	
Short-circuit protection	pulsing	
Indication of the switching state	Multihole-LED, yellow	
Ambient temperature	-25 ... 70 °C (-13 ... 158 °F)	
Housing material	Stainless steel 1.4305 / AISI 303	
Protection degree	IP67	

Model Number

		NRB2-8GS50-E2-V3	NRN6-8GS50-E2-V3	NRB2-8GS40-E2-V1	NRN6-8GS40-E2-V1
Rated operating distance	2 mm	●	●	●	●
	6 mm				●
Installation	flush	●	●	●	●
	non-flush		●		●
Operating current	0 ... 100 mA	●	●		●
	0 ... 200 mA			●	●
Switching frequency	0 ... 4000 Hz			●	
	0 ... 2500 Hz				●
	0 ... 1000 Hz	●			
	0 ... 400 Hz		●		●
Connection type	Device connector M12 x 1 , 4-pin			●	●
	Device connector M8 x 1 , 3-pin	●	●		

Approvals and Certificates

UL approval	cULus Listed, General Purpose	●	●	●	●
CSA approval	cCSAus Listed, General Purpose	●	●	●	●
CCC approval	Products with a maximum operating voltage of ≤36 V do not bear a CCC marking because they do not require approval.				

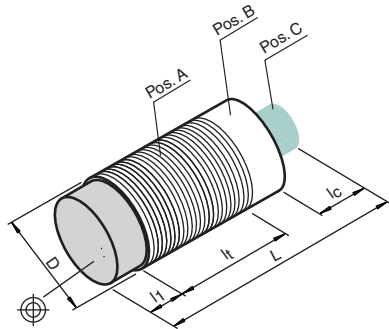
Dimensions

Length L [mm]	59		65	
Diameter D [mm]	8		8 / 12	
Thread length l _t [mm]	50	45	40	35
Cap length l ₁ [mm]	0	5	0	5
Connector area l _c [mm]	6			
LED position	Pos. C			

Accessories

This and more accessories can be found in chapter 10
See pages from 972 ... for cordsets See pages 1068 ... for mounting aids

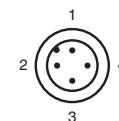
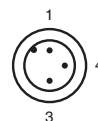
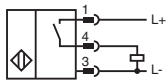
- BF 8** Mounting flange, 8 mm
- V1-G-BK** 4-pin, M12 female field-attachable connector
- V1-W-BK** 4-pin, M12 female field-attachable connector
- V3-WM** Female connector, M8, 3-pin, field attachable
- V1-G-2M-PUR** Cable socket, M12, 4-pin, PUR cable
- V3-GM** Female connector, M8, 3-pin, field attachable
- V1-W-2M-PUR** Cable socket, M12, 4-pin, PUR cable
- V3-WM-2M-PUR** Cable socket, M8, 3-pin, PUR cable
- V3-GM-2M-PUR** Cable socket, M8, 3-pin, PUR cable



Electrical Connection



NRB2-8GS40-E2-V1
NRB2-8GS50-E2-V3
NRN6-8GS40-E2-V1
NRN6-8GS50-E2-V3



Wire colors in accordance with EN 60947-5-2

- 1 | BN (brown)
- 3 | BU (blue)
- 4 | BK (black)

Wire colors in accordance with EN 60947-5-2

- 1 | BN (brown)
- 2 | WH (white)
- 3 | BU (blue)
- 4 | BK (black)



Technical Data

For detailed data and product description refer to the data sheets at www.pepperl-fuchs.com

General Data

Type of voltage	DC
Operating voltage	10 ... 30 V
Operating current	0 ... 200 mA
Reverse polarity protection	✓
Short-circuit protection	pulsing
Indication of the switching state	Multihole-LED, yellow
Housing material	Stainless steel 1.4305 / AISI 303
Protection degree	IP67
Connection type	Device connector M12 x 1 , 4-pin



Properties

- Ø12 mm housing
- 4 mm, flush and 10 mm, non-flush mountable versions
- DC, 3-wire and 4-wire switching output versions
- Connector version

Your Benefit

- Same sensing range for all metals

Model Number

		NRB4-12GS40-E2-V1	NRB4-12GS40-A2-V1	NRN10-12GS40-E2-V1	NRN10-12GS40-A2-V1
Rated operating distance	4 mm	●	●	●	●
	10 mm				
Installation	flush	●	●	●	●
	non-flush				
Switching element function	PNP NO/NC		●		●
	PNP NO	●		●	
No-load supply current	≤ 13 mA	●		●	
	≤ 15 mA		●		●
Switching frequency	0 ... 1000 Hz			●	●
	0 ... 2000 Hz	●	●		
Ambient temperature	-25 ... 70 °C (-13 ... 158 °F)	●	●		
	-25 ... 85 °C (-13 ... 185 °F)			●	●

Approvals and Certificates

UL approval	cULus Listed, General Purpose	●	●	●	●
CSA approval	cCSAus Listed, General Purpose	●	●	●	●
CCC approval	Products with a maximum operating voltage of ≤36 V do not bear a CCC marking because they do not require approval.				

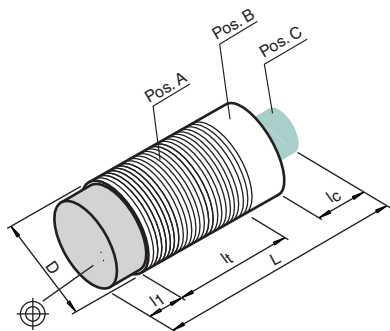
Dimensions

Length L [mm]		55
Diameter D [mm]		12
Thread length l _t [mm]	39	29
Cap length l ₁ [mm]	0	8
Connector area l _c [mm]		15
LED position		Pos. C

Accessories

This and more accessories can be found in chapter 10
See pages from 972 ... for cordsets See pages 1068 ... for mounting aids

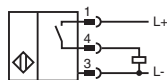
BF 12	Mounting flange, 12 mm
V1-G-BK	4-pin, M12 female field-attachable connector
V1-W-BK	4-pin, M12 female field-attachable connector
V1-G-2M-PUR	Cable socket, M12, 4-pin, PUR cable
V1-W-2M-PUR	Cable socket, M12, 4-pin, PUR cable



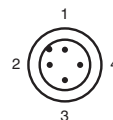
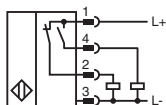
Electrical Connection



NRB4-12GS40-E2-V1
NRN10-12GS40-E2-V1

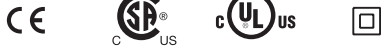


NRB4-12GS40-A2-V1
NRN10-12GS40-A2-V1



Wire colors in accordance with EN 60947-5-2

1	BN	(brown)
2	WH	(white)
3	BU	(blue)
4	BK	(black)



Technical Data

For detailed data and product description refer to the data sheets at www.pepperl-fuchs.com

General Data

Type of voltage	DC
Operating voltage	10 ... 30 V
Reverse polarity protection	✓
Short-circuit protection	pulsing
Indication of the switching state	Multihole-LED, yellow
Ambient temperature	-25 ... 70 °C (-13 ... 158 °F)
Housing material	Stainless steel 1.4305 / AISI 303
Protection degree	IP67
Connection type	Device connector M12 x 1 , 4-pin

Properties

- Ø18 mm housing
- 8 mm flush, 12 mm virtually flush, and 15 mm non-flush mountable versions
- DC, 3-wire switching output
- Connector version

Your Benefit

- Same sensing range for all metals

Model Number

		NRB8-18GS40-E2-V1	NRB8-18GS50-E2-V1	NRB12-18GS40-E2-V1	NRN15-18GS40-E2-V1	NRN15-18GS50-E2-V1	NRN15-18GS50-E3-V1
Rated operating distance	8 mm	●	●				
	12 mm			●			
	15 mm				●	●	●
Installation	flush	●	●				
	non-flush				●	●	●
	virtually flush			●			
Switching element function	PNP NO	●	●	●	●	●	●
	PNP NC						●
No-load supply current	≤ 15 mA	●	●		●	●	●
	≤ 28 mA			●			
Switching frequency	0 ... 500 Hz	●	●	●	●	●	●
	0 ... 600 Hz						
Operating current	0 ... 100 mA				●	●	●
	0 ... 200 mA	●	●	●			●

Approvals and Certificates

UL approval	cULus Listed, General Purpose	●	●	●	●	●	●
CSA approval	cCSAus Listed, General Purpose	●	●	●	●	●	●
CCC approval	Products with a maximum operating voltage of ≤36 V do not bear a CCC marking because they do not require approval.						

Dimensions

Length L [mm]	55	65	55	55	65	65
Diameter D [mm]	18					
Thread length l _t [mm]	40	50	40	30	40	40
Cap length l ₁ [mm]	0			10		
Connector area l _c [mm]	15					
LED position	Pos. C					

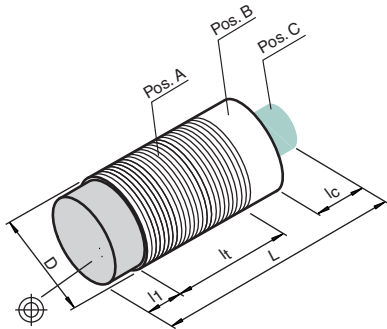
Accessories

This and more accessories can be found in chapter 10

See pages from 972 ... for cordsets

See pages 1068 ... for mounting aids

BF 18	Mounting flange, 18 mm
V1-G-BK	4-pin, M12 female field-attachable connector
V1-W-BK	4-pin, M12 female field-attachable connector
V1-G-2M-PUR	Cable socket, M12, 4-pin, PUR cable
V1-W-2M-PUR	Cable socket, M12, 4-pin, PUR cable

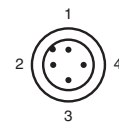
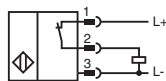
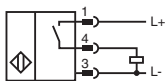


Electrical Connection



NRB12-18GS40-E2-V1
NRB8-18GS40-E2-V1
NRN15-18GS40-E2-V1
NRN15-18GS50-E2-V1
NRB8-18GS50-E2-V1

NRN15-18GS50-E3-V1



Wire colors in accordance with EN 60947-5-2

1	BN	(brown)
2	WH	(white)
3	BU	(blue)
4	BK	(black)



Technical Data

For detailed data and product description refer to the data sheets at www.pepperl-fuchs.com

General Data

Type of voltage	DC
Operating voltage	10 ... 30 V
No-load supply current	≤ 15 mA
Reverse polarity protection	✓
Operating current	0 ... 200 mA
Short-circuit protection	pulsing
Indication of the switching state	Multihole-LED, yellow
Ambient temperature	-25 ... 70 °C (-13 ... 158 °F)
Protection degree	IP67
Connection type	Device connector M12 x 1, 4-pin



Properties

- Ø30 mm housing
- 15 mm flush and 30 mm non-flush mountable versions
- DC, 3-wire switching output
- Connector version

Your Benefit

- Same sensing range for all metals

Model Number

		NRB15-30GS50-E2-V1	NRB15-30GS50-E3-V1	NRN30-30GS50-E2-V1	NRN30-30GS50-E3-V1
Rated operating distance	15 mm	●	●		
	30 mm			●	●
Installation	flush	●	●		
	non-flush			●	●
Switching element function	PNP NO	●		●	
	PNP NC		●		●
Switching frequency	0 ... 300 Hz			●	●
	0 ... 750 Hz	●	●		
Housing material	stainless steel 1.4301			●	
	Stainless steel 1.4305 / AISI 303	●	●		●

Approvals and Certificates

UL approval	cULus Listed, General Purpose	●	●	●	●
CSA approval	cCSAus Listed, General Purpose	●	●	●	●
CCC approval	Products with a maximum operating voltage of ≤36 V do not bear a CCC marking because they do not require approval.				

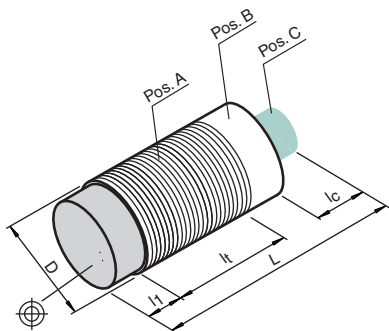
Dimensions

Length L [mm]		65	
Diameter D [mm]		30	
Thread length l _t [mm]		50	32
Cap length l ₁ [mm]		0	18
Connector area l _c [mm]		15	
LED position		Pos. C	

Accessories

This and more accessories can be found in chapter 10
See pages from 972 ... for cordsets See pages 1068 ... for mounting aids

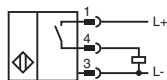
BF 30	Mounting flange, 30 mm
V1-G-BK	4-pin, M12 female field-attachable connector
V1-W-BK	4-pin, M12 female field-attachable connector
V1-W-2M-PUR	Cable socket, M12, 4-pin, PUR cable
V1-G-2M-PUR	Cable socket, M12, 4-pin, PUR cable



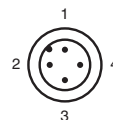
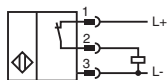
Electrical Connection



NRB15-30GS50-E2-V1
NRN30-30GS50-E2-V1



NRB15-30GS50-E3-V1
NRN30-30GS50-E3-V1



Wire colors in accordance with EN 60947-5-2

1	BN	(brown)
2	WH	(white)
3	BU	(blue)
4	BK	(black)

1
.1.1

Proximity Sensors, Inductive Sensors, cylindrical



Properties

- Ø8 mm housing
- 1.5 mm, flush and 3 mm non-flush mountable versions
- DC, 3-wire switching output
- Connector version

Your Benefit

- Specially optimized for welding applications

Technical Data

For detailed data and product description refer to the data sheets at www.pepperl-fuchs.com

General Data

Switching element function	PNP	NO
Operating voltage	10 ... 30 V DC	
Reverse polarity protection	✓	
Operating current	0 ... 100 mA	
Short-circuit protection	pulsing	
Indication of the switching state	LED, yellow	
Ambient temperature	-25 ... 70 °C (-13 ... 158 °F)	
Housing material	brass, PTFE coated	
Protection degree	IP67	

Model Number

		NBB1,5-8GM40-E2-C-V3	NBB1,5-8GM30-E2-C-V1	NBN3-8GM30-E2-C-V1
Rated operating distance	1.5 mm	●	●	
	3 mm			●
Installation	flush	●	●	
	non-flush			●
Switching frequency	0 ... 1800 Hz	●	●	
	0 ... 50 Hz			●
Connection type	Device connector M12 x 1, 4-pin		●	●
	Device connector M8 x 1, 3-pin	●		

Approvals and Certificates

UL approval	cULus Listed, General Purpose	●	●	●
CSA approval	cCSAus Listed, General Purpose	●	●	●
CCC approval	Products with a maximum operating voltage of ≤36 V do not bear a CCC marking because they do not require approval.			

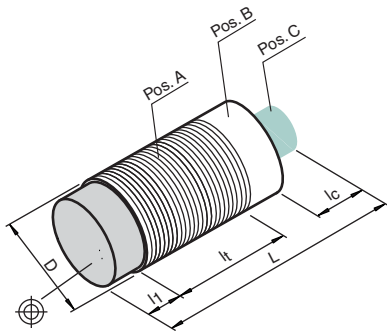
Dimensions

		50	60	60
Length L [mm]				
Diameter D [mm]		8	8/12	8/12
Thread length l _t [mm]		47	30	31
Cap length l ₁ [mm]		0	0	4
Connector area l _c [mm]		3	6	6
LED position	Pos.	A	B	B

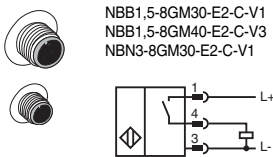
Accessories

This and more accessories can be found in chapter 10
See pages from 972 ... for cordsets See pages 1068 ... for mounting aids

- V3-WM** Female connector, M8, 3-pin, field attachable
- BF 8** Mounting flange, 8 mm
- V1-G-BK** 4-pin, M12 female field-attachable connector
- V3-GM-2M-PUR** Cable socket, M8, 3-pin, PUR cable
- V1-W-BK** 4-pin, M12 female field-attachable connector
- V3-WM-2M-PUR** Cable socket, M8, 3-pin, PUR cable
- V1-G-2M-PUR** Cable socket, M12, 4-pin, PUR cable
- V1-W-2M-PUR** Cable socket, M12, 4-pin, PUR cable
- V3-GM** Female connector, M8, 3-pin, field attachable
- EXG-08** Quick mounting bracket with dead stop



Electrical Connection



NBB1,5-8GM30-E2-C-V1
NBB1,5-8GM40-E2-C-V3
NBN3-8GM30-E2-C-V1

Wire colors in accordance with EN 60947-5-2

- 1 | BN (brown)
- 3 | BU (blue)
- 4 | BK (black)

Wire colors in accordance with EN 60947-5-2

- 1 | BN (brown)
- 2 | WH (white)
- 3 | BU (blue)
- 4 | BK (black)



Properties

- Ø12 mm housing
- 2 mm, flush and 4 mm non-flush mountable versions
- DC, 3-wire switching output
- Cable and connector versions

Your Benefit

- Specially optimized for welding applications

Technical Data

For detailed data and product description refer to the data sheets at www.pepperl-fuchs.com

General Data

Switching element function	PNP	NO
Operating voltage	10 ... 30 V DC	
Reverse polarity protection	✓	
Operating current	0 ... 200 mA	
Short-circuit protection	pulsing	
Indication of the switching state	LED, yellow	
Ambient temperature	-25 ... 70 °C (-13 ... 158 °F)	
Housing material	brass, PTFE coated	
Protection degree	IP67	

Model Number

		NBN4-12GM50-E2-C	NBB2-12GM50-E2-C-V1	NBB2-12GM50-E2-C3-V1	NBN4-12GM50-E2-C-V1
Rated operating distance	2 mm	●	●	●	●
	4 mm	●	●	●	●
Installation	flush	●	●	●	●
	non-flush	●	●	●	●
Switching frequency	0 ... 1200 Hz	●	●	●	●
	0 ... 1500 Hz	●	●	●	●
Connection type	Device connector M12 x 1, 4-pin cable PVC, 2 m	●	●	●	●

Approvals and Certificates

UL approval	cULus Listed, General Purpose	●	●	●	●
CSA approval	cCSAus Listed, General Purpose	●	●	●	●
CCC approval	Products with a maximum operating voltage of ≤36 V do not bear a CCC marking because they do not require approval.				

Dimensions

	50	65		
Length L [mm]				
Diameter D [mm]		12		
Thread length l _t [mm]	42	49	49	41
Cap length l ₁ [mm]	5	0	0	5
Connector area l _c [mm]	0	15	15	19
LED position		Pos. C		

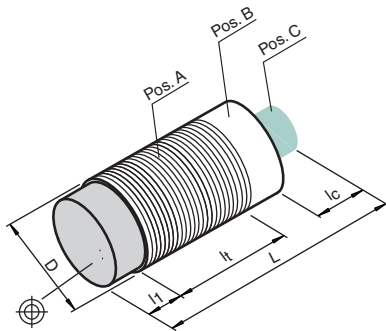
Accessories

This and more accessories can be found in chapter 10

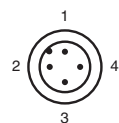
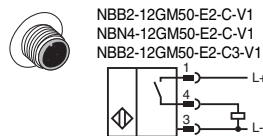
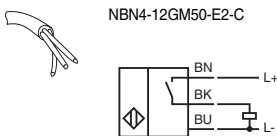
See pages from 972 ... for cordsets

See pages 1068 ... for mounting aids

V1-G-OR2M-POC	Female cordset, M12, 4-pin, TPE cable, welding-bead resistant
BF 12	Mounting flange, 12 mm
V1-G-BK	4-pin, M12 female field-attachable connector
V1-W-BK	4-pin, M12 female field-attachable connector
V1-G-2M-PUR	Cable socket, M12, 4-pin, PUR cable
V1-W-2M-PUR	Cable socket, M12, 4-pin, PUR cable
EXG-12	Quick mounting bracket with dead stop



Electrical Connection



Wire colors in accordance with EN 60947-5-2

1	BN	(brown)
2	WH	(white)
3	BU	(blue)
4	BK	(black)

Date of issue: 2015-04-08

Refer to "General Notes Relating to Pepperl+Fuchs Product Information".

Pepperl+Fuchs Group
www.pepperl-fuchs.com

USA: +1 330 486 0001
fa-info@us.pepperl-fuchs.com

Germany: +49 621 776 4411
fa-info@de.pepperl-fuchs.com

Singapore: +65 6779 9091
fa-info@sg.pepperl-fuchs.com

1
.1.1

Proximity Sensors, Inductive Sensors, cylindrical



Technical Data

For detailed data and product description refer to the data sheets at www.pepperl-fuchs.com

General Data

Operating voltage	10 ... 30 V DC
Reverse polarity protection	✓
Short-circuit protection	pulsing
Indication of the switching state	Multihole-LED, yellow
Ambient temperature	-25 ... 70 °C (-13 ... 158 °F)
Housing material	brass, PTFE coated
Protection degree	IP67
Connection type	Device connector M12 x 1, 4-pin



Properties

- Ø18 mm housing
- 5 mm, flush and 8 mm non-flush mountable versions
- DC, 3-wire switching output
- Connector version

Your Benefit

- Specially optimized for welding applications

Model Number

		NBB5-18GM50-E2-C-V1	NBB5-18GM50-E0-C-V1	NBB5-18GM50-E2-C3-V1	NBN8-18GM50-E2-C-V1
Rated operating distance	5 mm	●	●	●	
	8 mm				●
Installation	flush	●	●	●	
	non-flush				●
Switching element function	NPN NO		●		
	PNP NO	●		●	●
Switching frequency	0 ... 500 Hz	●	●	●	●
	0 ... 800 Hz				●
Operating current	0 ... 200 mA	●	●	●	●

Approvals and Certificates

UL approval	cULus Listed, General Purpose	●	●	●	●
CSA approval	cCSAus Listed, General Purpose	●	●	●	●
CCC approval	Products with a maximum operating voltage of ≤36 V do not bear a CCC marking because they do not require approval.				

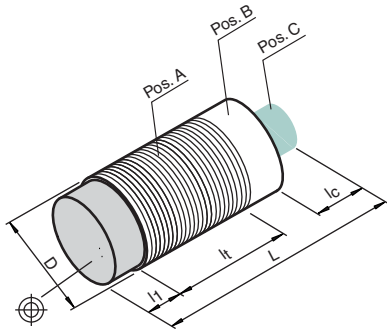
Dimensions

Length L [mm]	65	
Diameter D [mm]	18	
Thread length l_t [mm]	50	40
Cap length l_1 [mm]	0	10
Connector area l_c [mm]	15	
LED position	Pos. C	

Accessories

This and more accessories can be found in chapter 10
See pages from 972 ... for cordsets See pages 1068 ... for mounting aids

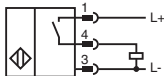
- V1-G-BK** 4-pin, M12 female field-attachable connector
- BF 18** Mounting flange, 18 mm
- V1-W-BK** 4-pin, M12 female field-attachable connector
- V1-G-OR2M-POC** Female cordset, M12, 4-pin, TPE cable, welding-bead resistant
- V1-G-2M-PUR** Cable socket, M12, 4-pin, PUR cable
- V1-W-2M-PUR** Cable socket, M12, 4-pin, PUR cable
- EXG-18** Quick mounting bracket with dead stop



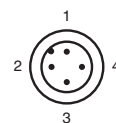
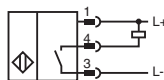
Electrical Connection



NBB5-18GM50-E2-C-V1
NBN8-18GM50-E2-C-V1
NBB5-18GM50-E2-C3-V1



NBB5-18GM50-E0-C-V1



Wire colors in accordance with EN 60947-5-2

- 1 BN (brown)
- 2 WH (white)
- 3 BU (blue)
- 4 BK (black)



Technical Data

For detailed data and product description refer to the data sheets at www.pepperl-fuchs.com

General Data

Installation	non-flush
Switching element function	PNP NO
Type of voltage	DC
Operating voltage	10 ... 30 V DC
Reverse polarity protection	✓
Operating current	0 ... 200 mA
Short-circuit protection	pulsing
Indication of the switching state	Multihole-LED, yellow
Ambient temperature	-25 ... 70 °C (-13 ... 158 °F)
Housing material	brass, PTFE coated
Protection degree	IP67
Connection type	Device connector M12 x 1 , 4-pin



Properties

- Ø18 mm housing
- Up to 15 mm, flush and non-flush mountable versions
- DC, 3-wire switching output
- Connector versions

Your Benefit

- Specially optimized for welding applications

Model Number

Reduction factor 1				
Rated operating distance	8 mm	●	●	●
	12 mm	●		
	15 mm		●	
Switching frequency	0 ... 500 Hz	●		●
	0 ... 600 Hz		●	●

Approvals and Certificates

UL approval	cULus Listed, General Purpose	●	●	●	●
CSA approval	cCSAus Listed, General Purpose	●	●	●	●
CCC approval	Products with a maximum operating voltage of ≤36 V do not bear a CCC marking because they do not require approval.				

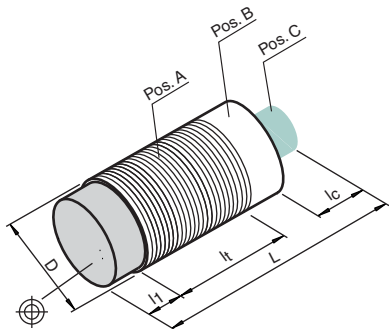
Dimensions

Length L [mm]	65
Diameter D [mm]	18
Thread length l _t [mm]	40
Cap length l ₁ [mm]	10
Connector area l _c [mm]	15
LED position	Pos. C

Accessories This and more accessories can be found in chapter 10

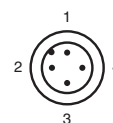
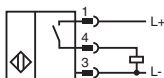
See pages from 972 ... for cordsets See pages 1068 ... for mounting aids

BF 18	Mounting flange, 18 mm
V1-G-BK	4-pin, M12 female field-attachable connector
V1-W-BK	4-pin, M12 female field-attachable connector
V1-G-2M-PUR	Cable socket, M12, 4-pin, PUR cable
V1-W-2M-PUR	Cable socket, M12, 4-pin, PUR cable



Electrical Connection

- NBN8-18GM50-E2-C-V1
- NRN12-18GM50-E2-C-V1
- NRN15-18GM50-E2-C-V1
- NRN8-18GM50-E2-C-V1



Wire colors in accordance with EN 60947-5-2

1	BN	(brown)
2	WH	(white)
3	BU	(blue)
4	BK	(black)

Date of issue 04/08/2015

1
.1.1

Proximity Sensors, Inductive Sensors, cylindrical



Properties

- Ø30 mm housing
- 10 mm, flush and 15 mm non-flush mountable versions
- DC, 3-wire switching output
- Connector version

Your Benefit

- Specially optimized for welding applications

Technical Data

For detailed data and product description refer to the data sheets at www.pepperl-fuchs.com

General Data

Operating voltage	10 ... 30 V DC
Reverse polarity protection	✓
Switching frequency	0 ... 10 Hz
Operating current	0 ... 200 mA
Short-circuit protection	pulsing
Indication of the switching state	Multihole-LED, yellow
Ambient temperature	-25 ... 70 °C (-13 ... 158 °F)
Housing material	brass, PTFE coated
Protection degree	IP67
Connection type	Device connector M12 x 1 , 4-pin



Model Number

Rated operating distance	10 mm	●	●	●	●
	15 mm				●
Installation	flush	●	●	●	
	non-flush				●
Switching element function	NPN	●			
	NO		●	●	●
	PNP				●
	NO				●

Approvals and Certificates

UL approval	cULus Listed, General Purpose	●	●	●	●
CSA approval	cCSAus Listed, General Purpose	●	●	●	●
CCC approval	Products with a maximum operating voltage of ≤36 V do not bear a CCC marking because they do not require approval.				

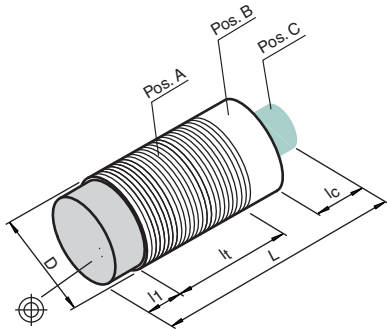
Dimensions

Length L [mm]	65			
Diameter D [mm]	30			
Thread length l _t [mm]	50		32	
Cap length l ₁ [mm]	0		18	
Connector area l _c [mm]	15			
LED position	Pos. C			

Accessories

This and more accessories can be found in chapter 10
See pages from 972 ... for cordsets See pages 1068 ... for mounting aids

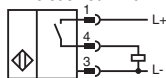
V1-G-2M-PUR	Cable socket, M12, 4-pin, PUR cable
V1-G-2M-PVC	Cable socket, M12, 4-pin, PVC cable
V1-W-2M-PUR	Cable socket, M12, 4-pin, PUR cable
V1-G-OR2M-POC	Female cordset, M12, 4-pin, TPE cable, welding-bead resistant
EXG-30	Quick mounting bracket with dead stop



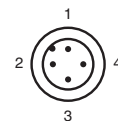
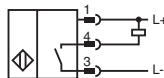
Electrical Connection



NBB10-30GM50-E2-C3-V1
NBB10-30GM50-E2-C-V1
NBN15-30GM50-E2-C-V1



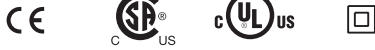
NBB10-30GM50-E0-C-V1



Wire colors in accordance with EN 60947-5-2

1	BN	(brown)
2	WH	(white)
3	BU	(blue)
4	BK	(black)

Date of issue: 2015-04-08



Technical Data

For detailed data and product description refer to the data sheets at www.pepperl-fuchs.com

General Data

Reduction factor 1	✓
Switching element function	PNP NO
Operating voltage	10 ... 30 V DC
Reverse polarity protection	✓
Operating current	0 ... 200 mA
Short-circuit protection	pulsing
Indication of the switching state	Multihole-LED, yellow
Housing material	brass, PTFE coated
Protection degree	IP67
Connection type	Device connector M12 x 1, 4-pin



Properties

- Ø8 - 30 mm housing versions
- Up to 30 mm, flush, non-flush and virtually flush mountable versions
- DC, 3-wire switching output
- Connector version

Your Benefit

- Same sensing range for all metals
- Specially optimized for welding applications

Model Number

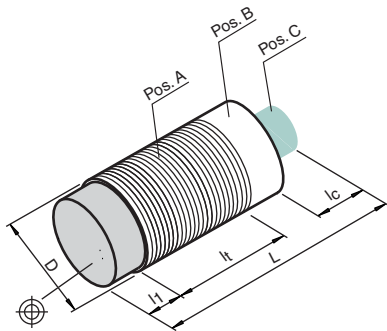
		NRB2-8GM40-E2-C-V1	NRN6-8GM40-E2-C-V1	NRB4-12GM40-E2-C-V1	NRN10-12GM40-E2-C-V1	NRB8-18GM40-E2-C-V1	NRB8-18GM50-E2-C-V1	NRB12-18GM40-E2-C-V1	NRN15-18GM50-E2-C-V1	NRB15-30GM50-E2-C-V1	NRN30-30GM50-E2-C-V1
Rated operating distance [mm]		2	6	4	10	8	8	12	15	15	30
Installation	flush	●		●		●	●			●	●
	non-flush		●		●				●		●
	virtually flush							●			
Switching frequency	0 ... 300 Hz										●
	0 ... 400 Hz										●
	0 ... 500 Hz								●		
	0 ... 600 Hz					●	●	●			
	0 ... 750 Hz									●	
	0 ... 1000 Hz					●					
	0 ... 2000 Hz				●						
	0 ... 2500 Hz		●								
Ambient temperature	0 ... 4000 Hz	●									
	-25 ... 70 °C (-13 ... 158 °F)	●	●	●	●	●	●	●	●	●	●
	-25 ... 85 °C (-13 ... 185 °F)				●						

Approvals and Certificates

UL approval	cULus Listed, General Purpose	●	●	●	●	●	●	●	●	●	●
CSA approval	cCSAus Listed, General Purpose	●	●	●	●	●	●	●	●	●	●
CCC approval	Products with a maximum operating voltage of ≤36 V do not bear a CCC marking because they do not require approval.										

Dimensions

Length L [mm]	65	65	55	55	55	65	55	65	65	65	
Diameter D [mm]	8/12	12	18	30							
Thread length l _t [mm]	40	35	39	31	40	50	40	40	50	32	
Cap length l ₁ [mm]	0	5	0	8	0	0	0	10	0	18	
Connector area l _c [mm]	6		15								
LED position	Pos. B		Pos. C								



Accessories

This and more accessories can be found in chapter 10

See pages from 972 ... for cordsets

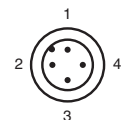
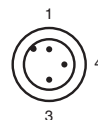
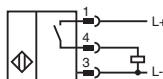
See pages 1068 ... for mounting aids

BF 8	Mounting flange, 8 mm
V1-G-BK	4-pin, M12 female field-attachable connector
BF 12	Mounting flange, 12 mm
BF 18	Mounting flange, 18 mm
BF 30	Mounting flange, 30 mm
V1-G-2M-PUR	Cable socket, M12, 4-pin, PUR cable
V1-W-2M-PUR	Cable socket, M12, 4-pin, PUR cable

Electrical Connection



- NRB2-8GM40-E2-C-V1
- NRN6-8GM40-E2-C-V1
- NRB4-12GM40-E2-C-V1
- NRN10-12GM40-E2-C-V1
- NRB12-18GM40-E2-C-V1
- NRB8-18GM40-E2-C-V1
- NRB8-18GM50-E2-C-V1
- NRN15-18GM50-E2-C-V1
- NRB15-30GM50-E2-C-V1
- NRN30-30GM50-E2-C-V1



Wire colors in accordance with EN 60947-5-2

1	BN	(brown)
3	BU	(blue)
4	BK	(black)

Wire colors in accordance with EN 60947-5-2

1	BN	(brown)
2	WH	(white)
3	BU	(blue)
4	BK	(black)



Technical Data

For detailed data and product description refer to the data sheets at www.pepperl-fuchs.com

General Data

metal face	✓
Installation	flush
Switching element function	PNP NO
Type of voltage	DC
Operating voltage	10 ... 30 V DC
Reverse polarity protection	✓
Switching frequency	0 ... 5 Hz
Short-circuit protection	pulsing
Housing material	Xylan coated - Stainless steel 1.4305 / AISI 303
Connection type	Device connector M12 x 1, 4-pin

Properties

- Ø8 - 30 mm housing versions
- Up to 15 mm, flush mountable versions
- DC, 3-wire switching output
- Connector versions

Your Benefit

- Increased resistance to environmental influences due to self-contained metal sleeve
- Specially optimized for welding applications

Model Number

		NMB3-8GM50-E2-C-V1	NMB5-12GM65-E2-C-V1	NMB10-18GM65-E2-C-V1	NMB15-30GM65-E2-C-V1
Rated operating distance	3 mm	●			
	5 mm		●		
	10 mm			●	
	15 mm				●
Operating current	0 ... 100 mA	●			
	0 ... 200 mA		●	●	●
Operating voltage display	LED, green		●	●	●
	LED, red	●			
Ambient temperature	Multihole-LED, yellow		●	●	●
	-25 ... 70 °C (-13 ... 158 °F)		●	●	●
Protection degree	-25 ... 75 °C (-13 ... 167 °F)	●			
	IP67	●			
	IP67 / IP68 / IP69K - cordset dependent according to cable Standard		●	●	●

Approvals and Certificates

UL approval	cULus Listed, General Purpose	●	●	●	●
CSA approval	cCSAus Listed, General Purpose	●	●	●	●
CCC approval	Products with a maximum operating voltage of ≤36 V do not bear a CCC marking because they do not require approval.				

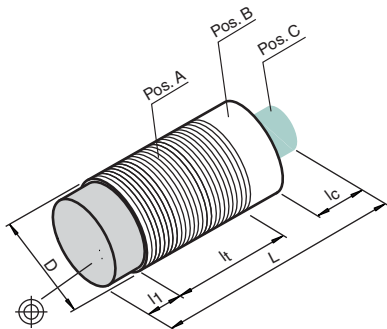
Dimensions

	50	65	65	65
Length L [mm]	50	65	65	65
Diameter D [mm]	8 / 12	12	18	30
Thread length l _t [mm]	25	42	39.5	37.5
Cap length l ₁ [mm]	0	2	2.5	2.5
Connector area l _c [mm]	6	19	15	15
LED position	Pos.:	A	C	C

Accessories

This and more accessories can be found in chapter 10
See pages from 972 ... for cordsets See pages 1068 ... for mounting aids

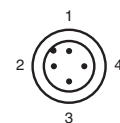
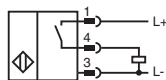
V1-G-OR2M-POC	Female cordset, M12, 4-pin, TPE cable, welding-bead resistant
AB-12	Mounting aid
AB-18	Mounting aid
EXG-08	Quick mounting bracket with dead stop



Electrical Connection



NMB3-8GM50-E2-C-V1
NMB5-12GM65-E2-C-V1
NMB10-18GM65-E2-C-V1
NMB15-30GM65-E2-C-V1



Wire colors in accordance with EN 60947-5-2

1	BN	(brown)
2	WH	(white)
3	BU	(blue)
4	BK	(black)



Technical Data

For detailed data and product description refer to the data sheets at www.pepperl-fuchs.com

General Data

Rated operating distance	3 mm
Installation	flush
Operating voltage	10 ... 30 V DC
No-load supply current	≤ 10 mA
Reverse polarity protection	✓
Switching frequency	0 ... 360 Hz
Operating current	0 ... 100 mA
Short-circuit protection	pulsing
Indication of the switching state	LED, red
Ambient temperature	-25 ... 75 °C (-13 ... 167 °F)
Housing material	Stainless steel 1.4305 / AISI 303
Sensing face	Stainless steel 1.4305 / AISI 303
Protection degree	IP67

Properties

- Ø8 mm metal face housing
- 3 mm, flush mountable
- DC, 3-wire switching output
- Cable and connector versions

Your Benefit

- Increased resistance to environmental influences due to self-contained metal sleeve

Model Number

			NMB3-8GM35-E0	NMB3-8GM35-E2	NMB3-8GM50-E0-V3	NMB3-8GM50-E2-V3	NMB3-8GM50-E0-V1	NMB3-8GM50-E2-V1
Switching element function	green = preferred type	NPN NO	●	●	●	●	●	●
		PNP NO		●		●		●
Connection type		Device connector M12 x 1, 4-pin			●	●	●	●
		Device connector M8 x 1, 3-pin					●	●
		cable PUR, 2 m	●	●				

Approvals and Certificates

UL approval	cULus Listed, General Purpose	●	●	●	●	●	●	●
CSA approval	cCSAus Listed, General Purpose	●	●	●	●	●	●	●
CCC approval	Products with a maximum operating voltage of ≤36 V do not bear a CCC marking because they do not require approval.							

Dimensions

Length L [mm]		35		50
Diameter D [mm]			8	8 / 12
Thread length l_t [mm]				25
Cap length l_1 [mm]				0
Connector area l_c [mm]		0		6
LED position		Pos. C		Pos. A

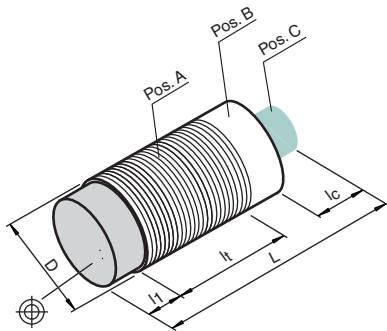
Accessories

This and more accessories can be found in chapter 10

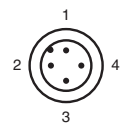
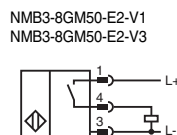
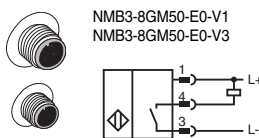
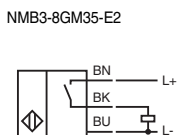
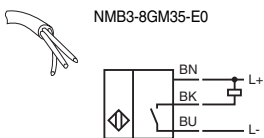
See pages from 972 ... for cordsets

See pages 1068 ... for mounting aids

- V1-G-2M-PUR** Cable socket, M12, 4-pin, PUR cable
- V3-GM-2M-PUR** Cable socket, M8, 3-pin, PUR cable
- V1-W-2M-PUR** Cable socket, M12, 4-pin, PUR cable
- V3-WM-2M-PUR** Cable socket, M8, 3-pin, PUR cable



Electrical Connection



Wire colors in accordance with EN 60947-5-2

Wire colors in accordance with EN 60947-5-2

- 1 BN (brown)
- 3 BU (blue)
- 4 BK (black)

- 1 BN (brown)
- 2 WH (white)
- 3 BU (blue)
- 4 BK (black)

Date of issue 04/08/2015

1
.1.1



Properties

- Ø12 mm metal face housing
- 5 mm, flush mountable
- DC, 3-wire switching output
- Cable and connector versions

Your Benefit

- Increased resistance to environmental influences due to self-contained metal sleeve

Technical Data

For detailed data and product description refer to the data sheets at www.pepperl-fuchs.com

General Data

Rated operating distance	5 mm
Installation	flush
Operating voltage	10 ... 30 V DC
No-load supply current	≤ 10 mA
Reverse polarity protection	✓
Switching frequency	0 ... 360 Hz
Operating current	≤ 200 mA
Short-circuit protection	pulsing
Operating voltage display	LED, green
Indication of the switching state	LED, yellow
Ambient temperature	-25 ... 70 °C (-13 ... 158 °F)
Housing material	Stainless steel 1.4305 / AISI 303
Sensing face	Stainless steel 1.4305 / AISI 303

Model Number

			NMB5-12GM55-E0	NMB5-12GM55-E2	NMB5-12GM65-E0-V1	NMB5-12GM65-E2-V1	NMB5-12GM65-E3-V1
Switching element function	green = preferred type	NPN NO	●	●	●	●	●
		NPN NO		●		●	
		PNP NC					●
Protection degree	IP67 / IP68 / IP69K - cordset dependent according to cable Standard IP69K		●	●	●	●	●
Connection type	Device connector M12 x 1, 4-pin cable PUR, 2 m		●	●	●	●	●

Approvals and Certificates

UL approval	cULus Listed, General Purpose	●	●	●	●	●
CSA approval	cCSAus Listed, General Purpose	●	●	●	●	●
CCC approval	Products with a maximum operating voltage of ≤36 V do not bear a CCC marking because they do not require approval.					

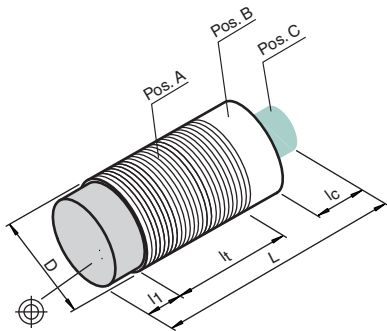
Dimensions

Length L [mm]	55	65
Diameter D [mm]		12
Thread length l _t [mm]	45	42
Cap length l ₁ [mm]		2
Connector area l _c [mm]	0	15
LED position		Pos. C

Accessories

This and more accessories can be found in chapter 10
See pages from 972 ... for cordsets See pages 1068 ... for mounting aids

- V1-G-2M-PUR** Cable socket, M12, 4-pin, PUR cable
- V1-W-2M-PUR** Cable socket, M12, 4-pin, PUR cable
- AB-12** Mounting aid



Electrical Connection

NMB5-12GM55-E0

NMB5-12GM55-E2

NMB5-12GM65-E0-V1

NMB5-12GM65-E2-V1

NMB5-12GM65-E3-V1

Wire colors in accordance with EN 60947-5-2

1	BN	(brown)
2	WH	(white)
3	BU	(blue)
4	BK	(black)

Date of issue: 04/08/2015



Technical Data

For detailed data and product description refer to the data sheets at www.pepperl-fuchs.com

General Data

Rated operating distance	10 mm
Installation	flush
Operating voltage	10 ... 30 V DC
No-load supply current	≤ 10 mA
Reverse polarity protection	✓
Switching frequency	0 ... 240 Hz
Operating current	≤ 200 mA
Short-circuit protection	pulsing
Operating voltage display	LED, green
Indication of the switching state	LED, yellow
Ambient temperature	-25 ... 70 °C (-13 ... 158 °F)
Housing material	Stainless steel 1.4305 / AISI 303
Sensing face	Stainless steel 1.4305 / AISI 303

Properties

- Ø18 mm metal face housing
- 10 mm, flush mountable
- DC, 3-wire switching output
- Cable and connector versions

Your Benefit

- Increased resistance to environmental influences due to self-contained metal sleeve

Model Number

			NMB10-18GM55-E0	NMB10-18GM55-E2	NMB10-18GM65-E0-V1	NMB10-18GM65-E2-V1	NMB10-18GM65-E3-V1
Switching element function	green = preferred type	NPN NO	●	●	●	●	●
		PNP NO		●		●	
		PNP NC					●
Protection degree	IP67 / IP68 / IP69K - cordset dependent according to cable Standard	IP69K	●	●	●	●	●
Connection type	Device connector M12 x 1, 4-pin	cable PUR, 2 m	●	●	●	●	●

Approvals and Certificates

UL approval	cULus Listed, General Purpose	●	●	●	●	●
CSA approval	cCSAus Listed, General Purpose	●	●	●	●	●
CCC approval	Products with a maximum operating voltage of ≤36 V do not bear a CCC marking because they do not require approval.					

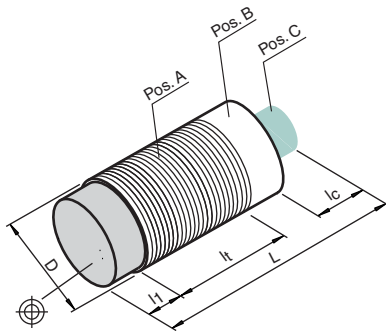
Dimensions

Length L [mm]	55	65
Diameter D [mm]		18
Thread length l _t [mm]	44	40
Cap length l ₁ [mm]		2.5
Connector area l _c [mm]	0	15
LED position		Pos. C

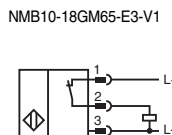
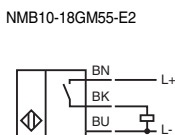
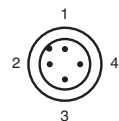
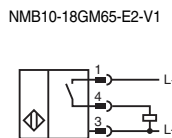
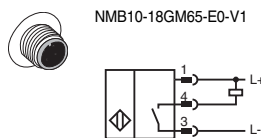
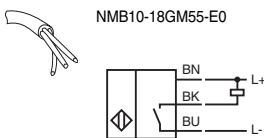
Accessories

This and more accessories can be found in chapter 10
 See pages from 972 ... for cordsets See pages 1068 ... for mounting aids

V1-G-2M-PUR	Cable socket, M12, 4-pin, PUR cable
V1-W-2M-PUR	Cable socket, M12, 4-pin, PUR cable
AB-18	Mounting aid



Electrical Connection



Wire colors in accordance with EN 60947-5-2

1	BN	(brown)
2	WH	(white)
3	BU	(blue)
4	BK	(black)

Date of issue 04/08/2015

Refer to "General Notes Relating to Pepperl+Fuchs Product Information".

Pepperl+Fuchs Group
www.pepperl-fuchs.com

USA: +1 330 486 0001
fa-info@us.pepperl-fuchs.com

Germany: +49 621 776 4411
fa-info@de.pepperl-fuchs.com

Singapore: +65 6779 9091
fa-info@sg.pepperl-fuchs.com

1
.1.1



Properties

- Ø30 mm metal face housing
- 15 mm, flush mountable
- DC, 3-wire switching output
- Cable and connector versions

Your Benefit

- Increased resistance to environmental influences due to self-contained metal sleeve

Technical Data

For detailed data and product description refer to the data sheets at www.pepperl-fuchs.com

General Data

Rated operating distance	15 mm
Installation	flush
Operating voltage	10 ... 30 V DC
No-load supply current	≤ 10 mA
Reverse polarity protection	✓
Switching frequency	0 ... 150 Hz
Operating current	≤ 200 mA
Short-circuit protection	pulsing
Operating voltage display	LED, green
Indication of the switching state	LED, yellow
Ambient temperature	-25 ... 70 °C (-13 ... 158 °F)
Housing material	Stainless steel 1.4305 / AISI 303
Sensing face	Stainless steel 1.4305 / AISI 303

Model Number

			NMB15-30GM55-E0	NMB15-30GM55-E2	NMB15-30GM65-E0-V1	NMB15-30GM65-E2-V1
Switching element function	green = preferred type NPN NO PNP NO	●	●	●	●	●
Protection degree	IP67 / IP68 / IP69K - cordset dependent according to cable Standard IP69K	●	●	●	●	●
Connection type	Device connector M12 x 1 , 4-pin cable PUR , 2 m	●	●	●	●	●

Approvals and Certificates

UL approval	cULus Listed, General Purpose	●	●	●	●
CSA approval	cCSAus Listed, General Purpose	●	●	●	●
CCC approval	Products with a maximum operating voltage of ≤36 V do not bear a CCC marking because they do not require approval.				

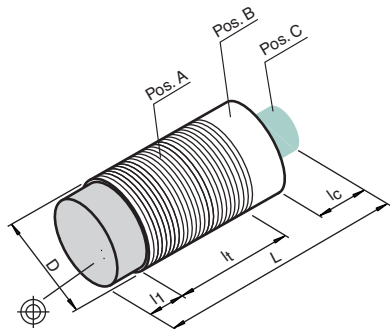
Dimensions

Length L [mm]	55	65
Diameter D [mm]		30
Thread length l _t [mm]	42	37
Cap length l ₁ [mm]		2.5
Connector area l _c [mm]	0	15
LED position		Pos. C

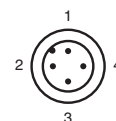
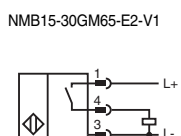
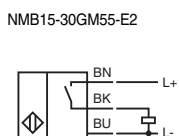
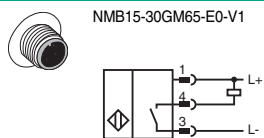
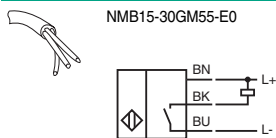
Accessories This and more accessories can be found in chapter 10

See pages from 972 ... for cordsets See pages 1068 ... for mounting aids

- V1-G-2M-PUR** Cable socket, M12, 4-pin, PUR cable
- AB-30** Mounting aid
- V1-W-2M-PUR** Cable socket, M12, 4-pin, PUR cable



Electrical Connection



Wire colors in accordance with EN 60947-5-2

- 1 BN (brown)
- 2 WH (white)
- 3 BU (blue)
- 4 BK (black)



Technical Data

For detailed data and product description refer to the data sheets at www.pepperl-fuchs.com

General Data

Rated operating distance	4 mm
Installation	flush
Type of voltage	DC
Operating voltage	10 ... 60 V
Operating current	0 ... 200 mA
Reverse polarity protection	✓
Short-circuit protection	pulsing
Indication of the switching state	LED, yellow
Ambient temperature	-40 ... 85 °C (-40 ... 185 °F)

Model Number

			green = preferred type	NBB4-12GM45-E0-M	NBB4-12GM45-E2-M	NCB4-12GM70-E0-M	NCB4-12GM70-E2-M	NBB4-12GM45-E0-V1-M	NBB4-12GM45-E2-V1-M
Switching element function	NPN NO	PNP NO		•	•	•	•	•	•
No-load supply current	≤ 10 mA	≤ 15 mA		•	•	•	•	•	•
Switching frequency	0 ... 1000 Hz	0 ... 800 Hz		•	•	•	•	•	•
Housing material	Stainless steel 1.4305 / AISI 303	brass, nickel-plated		•	•	•	•	•	•
Protection degree	IP68 / IP69K	IP69K		•	•	•	•	•	•
Connection type	Device connector M12 x 1 , 4-pin	cable PUR , 2 m		•	•	•	•	•	•

Properties

- Ø12 mm housing
- 4 mm, flush mountable
- DC, 3-wire switching output
- Cable and connector versions

Your Benefit

- e1 Type approval
- Increased immunity 100 V/m
- Conducted noise immunity acc. to ISO 7637-2: pulse 1...4

Further Products

In this series, we offer additionally:

NBN4-12GK50-E2-M

Technical data comparable to NCB4-12GM70-E2-M but:
 Installation: non-flush
 Operating voltage: 10 ... 65 VDC
 Operating current: 0 ... 300 mA
 Housing material: PPS
 Protection degree: IP68

NBB4-12GM45-E2-M-150MM-3DT04

Technical data like NBB4-12GM45-E2-V1-M but:
 Connection type: Cable connector Deutsch DT04 , 3-pin with PUR cable 150 mm

Approvals and Certificates

UL approval	cULus Listed, General Purpose	•	•	•	•	•	•
CSA approval	cCSAus Listed, General Purpose	•	•	•	•	•	•
e1 Type approval	2006/28/EG	•	•	•	•	•	•

Dimensions

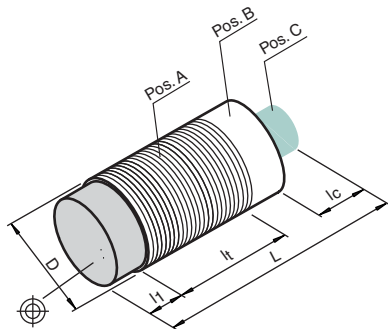
Length L [mm]	60	70	60
Diameter D [mm]		12	
Thread length l _t [mm]	45	55	44
Cap length l ₁ [mm]		0	
Connector area l _c [mm]		16	6
LED position		Pos. B	

Accessories This and more accessories can be found in chapter 10

See pages from 972 ... for cordsets

See pages 1068 ... for mounting aids

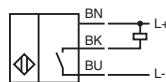
- BF 12** Mounting flange, 12 mm
- EXG-12** Quick mounting bracket with dead stop
- V1-W-BK** 4-pin, M12 female field-attachable connector
- V1-G-BK** 4-pin, M12 female field-attachable connector



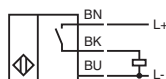
Electrical Connection



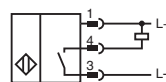
NBB4-12GM45-E0-M
 NCB4-12GM70-E0-M



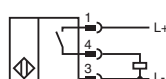
NBB4-12GM45-E2-M-150MM-3DT04
 NBB4-12GM45-E2-M
 NBN4-12GK50-E2-M
 NCB4-12GM70-E2-M



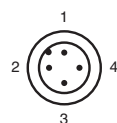
NBB4-12GM45-E0-V1-M



NBB4-12GM45-E2-V1-M



Wire colors
 A | BN
 B | BU
 C | BK



Wire colors in accordance with EN 60947-5-2

1	BN	(brown)
2	WH	(white)
3	BU	(blue)
4	BK	(black)

Date of issue 04/08/2015



Technical Data

For detailed data and product description refer to the data sheets at www.pepperl-fuchs.com

General Data

Rated operating distance	7 mm
Installation	non-flush
Type of voltage	DC
Operating voltage	10 ... 60 V
No-load supply current	≤ 15 mA
Reverse polarity protection	✓
Switching frequency	0 ... 400 Hz
Operating current	0 ... 200 mA
Short-circuit protection	pulsing
Indication of the switching state	LED, yellow
Ambient temperature	-40 ... 85 °C (-40 ... 185 °F)
Housing material	brass, nickel-plated
Protection degree	IP69K

Properties

- Ø12 mm housing
- 7 mm, non-flush mountable
- DC, 3-wire switching output
- Cable and connector versions

Your Benefit

- e1 Type approval
- Increased immunity 100 V/m
- Conducted noise immunity acc. to ISO 7637-2: pulse 1...4

Model Number

		NBN7-12GM45-E0-M	NBN7-12GM45-E2-M	NBN7-12GM50-E0-V1-M	NBN7-12GM50-E2-V1-M
Switching element function	NPN	●		●	
	NO				
Connection type	PNP		●		●
	NO				
Device connector M12 x 1, 4-pin cable PUR, 2 m		●	●	●	●

Approvals and Certificates

UL approval	cULus Listed, General Purpose	●	●	●	●
CSA approval	cCSAus Listed, General Purpose			●	●
	cCSAus Listed, General Purpose, Class 2 Power Source	●	●		
e1 Type approval	2006/28/EG	●	●	●	●

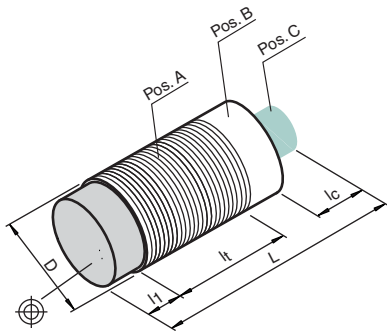
Dimensions

Length L [mm]	60	65
Diameter D [mm]	12	
Thread length l _t [mm]	37	41
Cap length l ₁ [mm]		8
Connector area l _c [mm]	16	6
LED position	Pos. B	

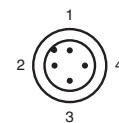
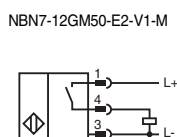
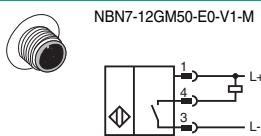
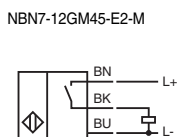
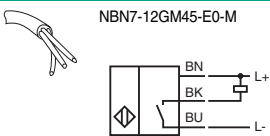
Accessories

This and more accessories can be found in chapter 10
See pages from 972 ... for cordsets See pages 1068 ... for mounting aids

- BF 12** Mounting flange, 12 mm
- EXG-12** Quick mounting bracket with dead stop
- V1-W-BK** 4-pin, M12 female field-attachable connector
- V1-G-2M-PUR** Cable socket, M12, 4-pin, PUR cable
- V1-W-2M-PUR** Cable socket, M12, 4-pin, PUR cable

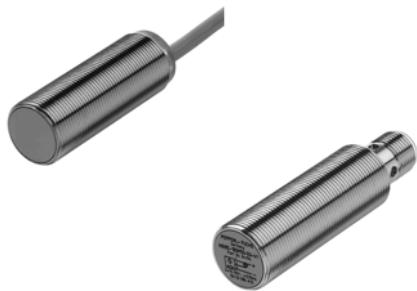


Electrical Connection



Wire colors in accordance with EN 60947-5-2

- 1 BN (brown)
- 2 WH (white)
- 3 BU (blue)
- 4 BK (black)



Technical Data

For detailed data and product description refer to the data sheets at www.pepperl-fuchs.com

General Data

Rated operating distance	8 mm
Installation	flush
Type of voltage	DC
Operating voltage	10 ... 60 V
No-load supply current	≤ 10 mA
Reverse polarity protection	✓
Switching frequency	0 ... 400 Hz
Operating current	0 ... 200 mA
Short-circuit protection	pulsing
Indication of the switching state	LED, yellow
Ambient temperature	-40 ... 85 °C (-40 ... 185 °F)
Housing material	brass, nickel-plated
Protection degree	IP68 / IP69K

Properties

- Ø18 mm housing
- 8 mm, flush mountable
- DC, 3-wire switching output
- Cable and connector versions

Your Benefit

- e1 Type approval
- Increased immunity 100 V/m
- Conducted noise immunity acc. to ISO 7637-2: pulse 1...5

Further Products

In this series, we offer additionally:

NBB5-18GK50-E2-M
NBN8-18GK50-E2-M

Technical data comparable to NBN8-18GK50-E2-M but:

Installation: NBB5... = 5 mm, flush
NBN8... = 8 mm, non-flush

Operating voltage: 10 ... 65 VDC

Operating current: 0 ... 300 mA

Housing material: PPS

Protection degree: IP68

NBB8-18GM50-E2-M-150MM-3DT04

Technical data like NBB8-18GM50-E2-V1-M but:
Connection type: Cable connector Deutsch DT04, 3-pin with PUR cable 150 mm

Model Number

green = preferred type

Switching element function	NPN	NO	●	●	●	●
	PNP	NO		●		●
Connection type	Device connector M12 x 1, 4-pin		●	●	●	●
	cable PUR, 2 m		●	●		

Approvals and Certificates

UL approval	cULus Listed, General Purpose	●	●	●	●
CSA approval	cCSAus Listed, General Purpose	●	●	●	●
e1 Type approval	2006/28/EG	●	●	●	●

Dimensions

Length L [mm]	50	65
Diameter D [mm]	18	
Thread length l _t [mm]	47	50
Cap length l ₁ [mm]	0	
Connector area l _c [mm]	0	15
LED position	Pos. C	

Accessories

This and more accessories can be found in chapter 10

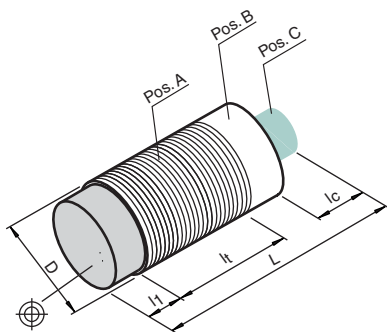
See pages from 972 ... for cordsets See pages 1068 ... for mounting aids

EXG-18

Quick mounting bracket with dead stop

BF 18

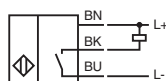
Mounting flange, 18 mm



Electrical Connection



NBB8-18GM50-E0-M

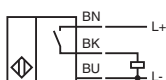


NBB5-18GK50-E2-M

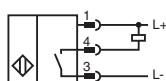
NBB8-18GM50-E2-M

NBB8-18GM50-E2-M-150MM-3DT04

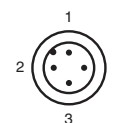
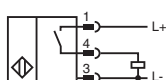
NBN8-18GK50-E2-M



NBB8-18GM50-E0-V1-M



NBB8-18GM50-E2-V1-M



Wire colors in accordance with EN 60947-5-2

- 1 | BN (brown)
- 2 | WH (white)
- 3 | BU (blue)
- 4 | BK (black)



Technical Data

For detailed data and product description refer to the data sheets at www.pepperl-fuchs.com

General Data

Rated operating distance	12 mm
Installation	non-flush
Type of voltage	DC
Operating voltage	10 ... 60 V
No-load supply current	≤ 10 mA
Reverse polarity protection	✓
Switching frequency	0 ... 200 Hz
Operating current	0 ... 200 mA
Short-circuit protection	pulsing
Ambient temperature	-40 ... 85 °C (-40 ... 185 °F)
Housing material	brass, nickel-plated
Protection degree	IP68 / IP69K

Properties

- Ø18 mm housing
- 12 mm, non-flush mountable
- DC, 3-wire switching output
- Cable and connector versions

Your Benefit

- e1 Type approval
- Increased immunity 100 V/m
- Conducted noise immunity acc. to ISO 7637-2: pulse 1...5

Model Number

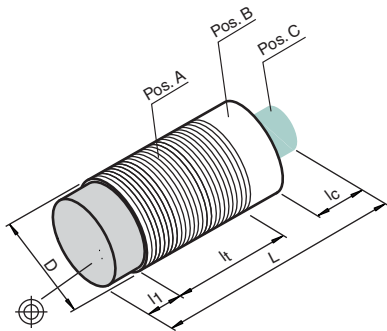
		green = preferred type	NBN12-18GM50-E0-M	NBN12-18GM50-E2-M	NBN12-18GM50-E0-V1-M	NBN12-18GM50-E2-V1-M
Switching element function	NPN NO	●	●	●	●	●
	PNP NO					●
Indication of the switching state	LED, yellow	●	●			
	Multihole-LED, yellow			●	●	
Connection type	Device connector M12 x 1, 4-pin cable PUR		●	●	●	●

Approvals and Certificates

e1 Type approval	2004/104/EC	●	●	●
	2006/28/EG	●		●

Dimensions

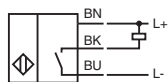
Length L [mm]	50	65
Diameter D [mm]	18	
Thread length l _t [mm]	37	40
Cap length l ₁ [mm]	10	
Connector area l _c [mm]	0	15
LED position	Pos. C	



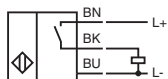
Electrical Connection



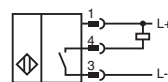
NBN12-18GM50-E0-M



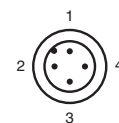
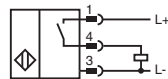
NBN12-18GM50-E2-M



NBN12-18GM50-E0-V1-M



NBN12-18GM50-E2-V1-M



Wire colors in accordance with EN 60947-5-2

- | | | |
|---|----|---------|
| 1 | BN | (brown) |
| 2 | WH | (white) |
| 3 | BU | (blue) |
| 4 | BK | (black) |



Technical Data

For detailed data and product description refer to the data sheets at www.pepperl-fuchs.com

General Data

Rated operating distance	15 mm
Installation	flush
Type of voltage	DC
Operating voltage	5 ... 60 V
No-load supply current	≤ 10 mA
Reverse polarity protection	✓
Switching frequency	0 ... 200 Hz
Operating current	0 ... 200 mA
Short-circuit protection	pulsing
Indication of the switching state	LED, yellow
Ambient temperature	-40 ... 85 °C (-40 ... 185 °F)
Housing material	brass, nickel-plated
Protection degree	IP68 / IP69K

Properties

- Ø30 mm housing
- 15 mm, flush mountable
- DC, 3-wire switching output
- Cable and connector versions

Your Benefit

- e1 Type approval
- Increased immunity 100 V/m
- Conducted noise immunity acc. to ISO 7637-2: pulse 1...5

Further Products

In this series, we offer additionally:

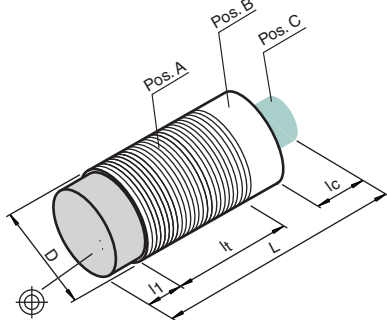
- NBB10-30GK50-E2-M**
- NBN15-30GK50-E2-M**

Technical data comparable to NBB15-30GM50-E2-M but:
 Installation: NBB10... = 10 mm, flush
 NBN15... = 15 mm, non-flush

Operating voltage: 10 ... 65 VDC
 Operating current: 0 ... 300 mA
 Housing material: PPS
 Protection degree: IP68

NBB15-30GM50-E2-M-150MM-3DT04

Technical data like NBB15-30GM50-E2-V1-M but:
 Connection type: Cable connector Deutsch DT04, 3-pin with PUR cable 150 mm



Model Number

green = preferred type

Switching element function	NPN	NO	●	●	●	●
	PNP	NO				
Connection type	Device connector M12 x 1, 4-pin		●	●	●	●
	cable PUR, 2 m		●	●	●	●

Approvals and Certificates

UL approval	cULus Listed, General Purpose	●	●	●	●
CSA approval	cCSAus Listed, General Purpose	●	●	●	●
e1 Type approval	2006/28/EG	●	●	●	●

Dimensions

Length L [mm]	50	65
Diameter D [mm]	30	
Thread length l _t [mm]	47	50
Cap length l ₁ [mm]	0	
Connector area l _c [mm]	0	15
LED position	Pos. C	

Accessories This and more accessories can be found in chapter 10

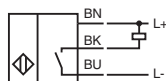
See pages from 972 ... for cordsets See pages 1068 ... for mounting aids

- BF 30** Mounting flange, 30 mm
- V1-G-BK** 4-pin, M12 female field-attachable connector
- EXG-30** Quick mounting bracket with dead stop
- V1-W-BK** 4-pin, M12 female field-attachable connector
- V1-G-2M-PUR** Cable socket, M12, 4-pin, PUR cable
- V1-W-2M-PUR** Cable socket, M12, 4-pin, PUR cable

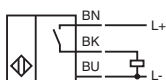
Electrical Connection



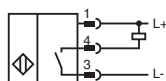
NBB15-30GM50-E0-M



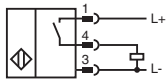
NBB15-30GM50-E2-M
 NBN15-30GK50-E2-M
 NBB15-30GM50-E2-M-150MM-3DT04
 NBB10-30GK50-E2-M



NBB15-30GM50-E0-V1-M



NBB15-30GM50-E2-V1-M



Wire colors

A	BN
B	BU
C	BK

Wire colors in accordance with EN 60947-5-2

1	BN	(brown)
2	WH	(white)
3	BU	(blue)
4	BK	(black)

Date of issue 04/08/2015



Proximity Sensors, Inductive Sensors, cylindrical

Properties

- Ø18 mm housing
- 5 mm, flush and 8 mm, non-flush mountable versions
- DC, 2-wire NAMUR
- Cable version

Your Benefit

- For use in high temperature applications
- Ex approval for use in hazardous area zone 0 and 1

Technical Data

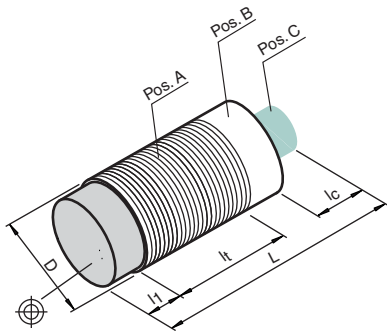
For detailed data and product description refer to the data sheets at www.pepperl-fuchs.com

General Data

Switching element function	NAMUR, NC
Type of voltage	DC
Nominal voltage	8.2 V (R _i approx. 1 kΩ)
Current consumption	
Measuring plate not detected	≥ 3 mA
Measuring plate detected	≤ 1 mA
Ambient temperature	-40 ... 150 °C (-40 ... 302 °F)
Housing material	PPS
Protection degree	IP65
Connection type	cable SIHF, 2 m



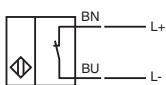
Model Number		NJ5-18GK-N-150	NJ8-18GK-N-150
Rated operating distance	5 mm 8 mm	●	●
Installation	flush non-flush	●	●
Switching frequency	0 ... 200 Hz 0 ... 500 Hz	●	●
Use in the Hazardous Area			
Use in the hazardous area	see instruction manuals	●	●
Category	1G; 2G	●	●
Approvals and Certificates			
UL approval	cULus Listed, General Purpose	●	●
CSA approval	cCSAus Listed, General Purpose	●	●
CCC approval	Products with a maximum operating voltage of ≤36 V do not bear a CCC marking because they do not require approval.		
Dimensions			
Length L [mm]			47
Diameter D [mm]			18
Thread length l _t [mm]			34.5
Cap length l ₁ [mm]			1
Connector area l _c [mm]			7
LED position			-



Electrical Connection



NJ5-18GK-N-150
NJ8-18GK-N-150





Properties

- Ø30 mm housing
- 4 mm, flush and 15 mm non-flush mountable
- DC, 2-wire NAMUR
- Cable version

Your Benefit

- For use in high temperature applications
- Ex approval for use in hazardous area zone 0 and 1

Technical Data

For detailed data and product description refer to the data sheets at www.pepperl-fuchs.com

General Data

Switching element function	NAMUR, NC
Type of voltage	DC
Nominal voltage	8.2 V (R _i approx. 1 kΩ)
Current consumption	
Measuring plate not detected	≥ 3 mA
Measuring plate detected	≤ 1 mA
Protection degree	IP65

Model Number

		NJ4-30GM-N-200	NJ15-30GK-N-150
Rated operating distance	15 mm		●
	4 mm	●	
Installation	flush	●	
	non-flush		●
Switching frequency	0 ... 100 Hz		●
	0 ... 1000 Hz	●	●
Suitable for 2:1 technology	✓	●	
Ambient temperature	-25 ... 150 °C (-13 ... 302 °F)		●
	0 ... 200 °C (32 ... 392 °F)	●	
Housing material	Stainless steel 1.4305 / AISI 303	●	
	PPS		●
Connection type	cable SIHF , 2 m		●
	cable SIHF , 5 m	●	●

Use in the Hazardous Area

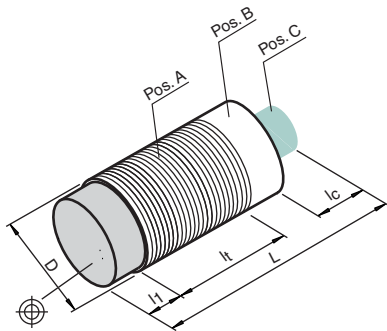
Use in the hazardous area	see instruction manuals	●	●
Category	1G; 2G	●	●

Approvals and Certificates

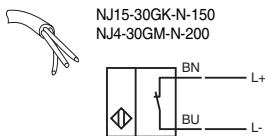
FM Control drawing	116-0165F	●	
UL approval	cULus Listed, General Purpose	●	●
CSA approval	cCSAus Listed, General Purpose	●	●
CCC approval	Products with a maximum operating voltage of ≤36 V do not bear a CCC marking because they do not require approval.		

Dimensions

	75	47
Length L [mm]		
Diameter D [mm]		30
Thread length l _t [mm]	50	40
Cap length l ₁ [mm]		0
Connector area l _c [mm]	15	7
LED position		I



Electrical Connection



Proximity Sensors, Inductive Sensors, cylindrical



Properties

- Ø12 mm housing
- 1.5 mm, flush mountable
- DC, 3-wire switching output
- Connector version

Your Benefit

- For high pressure applications

Technical Data

For detailed data and product description refer to the data sheets at www.pepperl-fuchs.com

General Data

Rated operating distance	1.5 mm
Installation	flush
Switching element function	PNP NO
Operating voltage	10 ... 30 V DC
No-load supply current	≤ 10 mA
Reverse polarity protection	✓
Operating current	0 ... 200 mA
Short-circuit protection	pulsing
Operating pressure	500 bar (725,2 psi)
Peak pressure	800 bar (1160,3 psi)
Ambient temperature	-25 ... 80 °C (-13 ... 176 °F)
Housing material	Stainless steel 1.4305 / AISI 303
Sensing face	Ceramic
Protection degree	IP68
Connection type	Device connector M12 x 1 , 4-pin



Model Number

	NCB1,5-12GM40-E2-D-V1	NCB1,5-12GM45-E2-D-V1	NCB1,5-12GM60-E2-D-V1	NCB1,5-12GM70-E2-D-V1	NCB1,5-12GM85-E2-D-V1
Switching frequency	0 ... 2000 Hz	0 ... 600 Hz			
	●	●	●	●	●

Approvals and Certificates

UL approval	cULus Listed, General Purpose	●	●	●	●	●
CSA approval	cCSAus Listed, General Purpose	●	●	●	●	●
CCC approval	Products with a maximum operating voltage of ≤36 V do not bear a CCC marking because they do not require approval.					

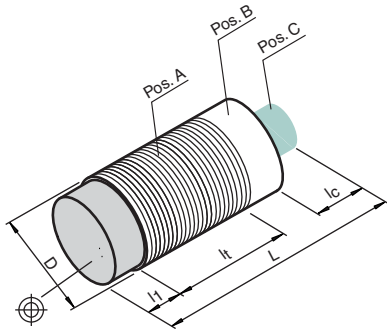
Dimensions

	56	69	93
Length L [mm]			
Diameter D [mm]		12	
Thread length l _t [mm]	30	33	38
Cap length l ₁ [mm]	18	15	13
Connector area l _c [mm]			8
LED position			-

Accessories

This and more accessories can be found in chapter 10
See pages from 972 ... for cordsets See pages 1068 ... for mounting aids

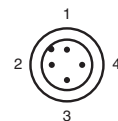
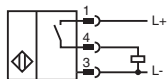
V1-G-BK	4-pin, M12 female field-attachable connector
V1-W-BK	4-pin, M12 female field-attachable connector
V1-G-2M-PUR	Cable socket, M12, 4-pin, PUR cable
V1-W-2M-PUR	Cable socket, M12, 4-pin, PUR cable



Electrical Connection

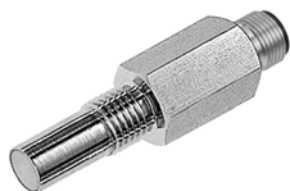


NCB1,5-12GM40-E2-D-V1
NCB1,5-12GM45-E2-D-V1
NCB1,5-12GM60-E2-D-V1
NCB1,5-12GM70-E2-D-V1
NCB1,5-12GM85-E2-D-V1



Wire colors in accordance with EN 60947-5-2

1	BN	(brown)
2	WH	(white)
3	BU	(blue)
4	BK	(black)



Properties

- Ø14 mm housing
- 3 mm, flush mountable
- DC, 3-wire switching output
- Connector version

Your Benefit

- For high pressure applications

Technical Data

For detailed data and product description refer to the data sheets at www.pepperl-fuchs.com

Model Number	NCB3-14GM65-E2-D-V1
Rated operating distance	3 mm
Installation	flush
Switching element function	PNP NO
Operating voltage	10 ... 30 V DC
No-load supply current	≤ 10 mA
Reverse polarity protection	✓
Switching frequency	0 ... 500 Hz
Operating current	≤ 200 mA
Short-circuit protection	pulsing
Operating pressure	500 bar (725,2 psi)
Peak pressure	800 bar (1160,3 psi)
Ambient temperature	-25 ... 80 °C (-13 ... 176 °F)
Housing material	Stainless steel 1.4305 / AISI 303
Sensing face	Ceramic
Protection degree	IP68
Connection type	Device connector M12 x 1 , 4-pin



Approvals and Certificates

UL approval	cULus Listed, General Purpose
CSA approval	cCSAus Listed, General Purpose
CCC approval	Products with a maximum operating voltage of ≤36 V do not bear a CCC marking because they do not require approval.

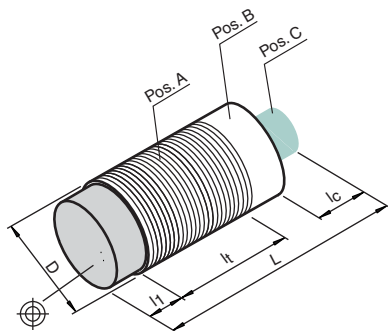
Dimensions

Length L [mm]	65
Diameter D [mm]	14
	19
Thread length l _t [mm]	9.1
Cap length l ₁ [mm]	18.6
Connector area l _c [mm]	0
LED position	-

Accessories

This and more accessories can be found in chapter 10
 See pages from 972 ... for cordsets See pages 1068 ... for mounting aids

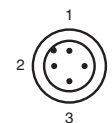
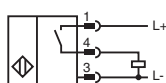
V1-G-BK	4-pin, M12 female field-attachable connector
V1-W-BK	4-pin, M12 female field-attachable connector
V1-G-2M-PUR	Cable socket, M12, 4-pin, PUR cable
V1-W-2M-PUR	Cable socket, M12, 4-pin, PUR cable



Electrical Connection



NCB3-14GM65-E2-D-V1



Wire colors in accordance with EN 60947-5-2

1	BN	(brown)
2	WH	(white)
3	BU	(blue)
4	BK	(black)

Date of issue 04/08/2015

1
.1.1



Properties

- Ø18 mm housing
- 1.5 mm, flush mountable
- DC, 3-wire switching output
- Cable and connector versions

Your Benefit

- For high pressure applications

Technical Data

For detailed data and product description refer to the data sheets at www.pepperl-fuchs.com

General Data

Rated operating distance	1.5 mm
Installation	flush
Operating voltage	10 ... 60 V DC
No-load supply current	≤ 10 mA
Reverse polarity protection	✓
Switching frequency	0 ... 1500 Hz
Operating current	0 ... 200 mA
Short-circuit protection	pulsing
Operating pressure	350 bar (507.6 psi)
Ambient temperature	-35 ... 80 °C (-31 ... 176 °F)
Housing material	Stainless steel 1.4305 / AISI 303
Sensing face	Epoxy (black)
Protection degree	IP67

Model Number

		NCB1,5-18GM60-E2-D	NCB1,5-18GM60-E3-D	NCB1,5-18GM60-E2-D-V1
Switching element function	PNP NO	●	●	●
	PNP NC			
Connection type	Device connector M12 x 1, 4-pin cable PVC, 2 m	●	●	●

Approvals and Certificates

		NCB1,5-18GM60-E2-D	NCB1,5-18GM60-E3-D	NCB1,5-18GM60-E2-D-V1
UL approval	cULus Listed, General Purpose	●	●	●
CSA approval	cCSAus Listed, General Purpose	●	●	●
CCC approval	Certified by China Compulsory Certification (CCC)	●	●	●

Dimensions

	NCB1,5-18GM60-E2-D	NCB1,5-18GM60-E3-D	NCB1,5-18GM60-E2-D-V1
Length L [mm]	57	57	69
Diameter D [mm]		18	
Thread length l _t [mm]	41	41	44
Cap length l ₁ [mm]		15	
Connector area l _c [mm]	0	0	10
LED position		-	

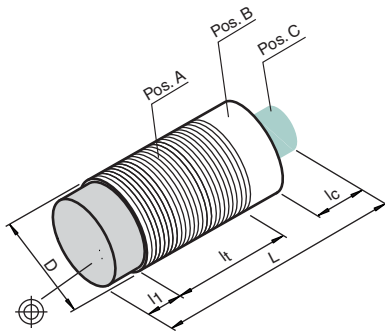
Accessories

This and more accessories can be found in chapter 10

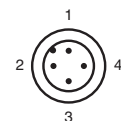
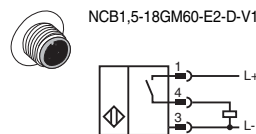
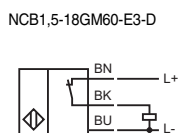
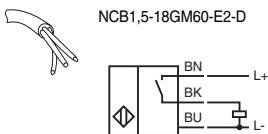
See pages from 972 ... for cordsets

See pages 1068 ... for mounting aids

- V1-G-BK** 4-pin, M12 female field-attachable connector
- V1-W-BK** 4-pin, M12 female field-attachable connector
- V1-G-2M-PUR** Cable socket, M12, 4-pin, PUR cable
- V1-W-2M-PUR** Cable socket, M12, 4-pin, PUR cable



Electrical Connection



Wire colors in accordance with EN 60947-5-2

- 1 BN (brown)
- 2 WH (white)
- 3 BU (blue)
- 4 BK (black)



Properties

- Ø8 mm housing
- 2 mm, flush mountable
- DC, 3-wire switching output
- Connector version

Your Benefit

- ATEX-approval for zone 2 and zone 22

Technical Data

For detailed data and product description refer to the data sheets at www.pepperl-fuchs.com

Model Number	NBB2-8GM40-E2-V1-3G-3D
Rated operating distance	2 mm
Installation	flush
Switching element function	PNP NO
Operating voltage	10 ... 30 V DC
No-load supply current	≤ 15 mA
Reverse polarity protection	✓
Switching frequency	0 ... 1500 Hz
Operating current	0 ... 100 mA
Short-circuit protection	pulsing
Indication of the switching state	Multihole-LED, yellow
Ambient temperature	-25 ... 70 °C (-13 ... 158 °F)
Housing material	brass, nickel-plated
Protection degree	IP67
Connection type	Device connector M12 x 1, 4-pin



Use in the Hazardous Area

Use in the hazardous area	see instruction manuals
Category	3G; 3D

Approvals and Certificates

UL approval	cULus Listed, General Purpose
CSA approval	cCSAus Listed, General Purpose
CCC approval	Products with a maximum operating voltage of ≤36 V do not bear a CCC marking because they do not require approval.

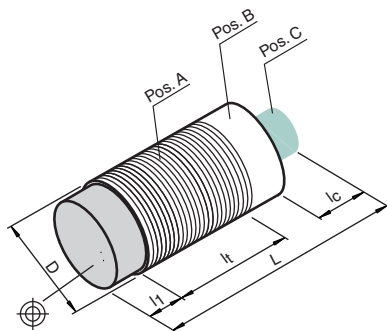
Dimensions

Length L [mm]	65
Diameter D [mm]	8 / 12
Thread length l _t [mm]	40
Cap length l ₁ [mm]	0
Connector area l _c [mm]	6
LED position	Pos. B

Accessories

This and more accessories can be found in chapter 10
 See pages from 972 ... for cordsets See pages 1068 ... for mounting aids

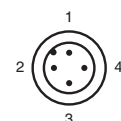
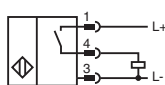
BF 8	Mounting flange, 8 mm
EXG-08	Quick mounting bracket with dead stop



Electrical Connection



NBB2-8GM40-E2-V1-3G-3D



Wire colors in accordance with EN 60947-5-2

1	BN	(brown)
2	WH	(white)
3	BU	(blue)
4	BK	(black)

Date of issue 04/08/2015

1
.1.1



Properties

- Ø12 mm housing
- 2 mm and 4 mm, flush and non-flush mountable versions
- DC, 2-wire switching output
- Cable and connector versions

Your Benefit

- ATEX-approval for zone 2 and zone 22

Technical Data

For detailed data and product description refer to the data sheets at www.pepperl-fuchs.com

General Data

Switching element function	DC	NO
Operating voltage	5 ... 60 V DC	
Reverse polarity protection	tolerant	
Operating current	2 ... 100 mA	
Short-circuit protection	pulsing	
Indication of the switching state	LED, yellow	
Ambient temperature	-25 ... 70 °C (-13 ... 158 °F)	
Protection degree	IP67	

Model Number

		NBB2-12GM40-Z0-3G-3D	NCN4-12GM40-Z0-3G-3D	NCB2-12GM40-Z0-V1-3G-3D
Rated operating distance	green = preferred type 2 mm 4 mm	●	●	●
Installation	flush non-flush	●	●	●
Switching frequency	0 ... 1000 Hz 0 ... 800 Hz	●	●	●
Housing material	Stainless steel 1.4305 / AISI 303 brass, nickel-plated	●	●	●
Connection type	Device connector M12 x 1, 4-pin cable PVC, 2 m	●	●	●

Use in the Hazardous Area

Use in the hazardous area	see instruction manuals	●	●	●
Category	3G; 3D	●	●	●

Approvals and Certificates

UL approval	cULus Listed, General Purpose	●	●	●
CSA approval	cCSAus Listed, General Purpose	●	●	●
CCC approval	Certified by China Compulsory Certification (CCC)	●	●	●

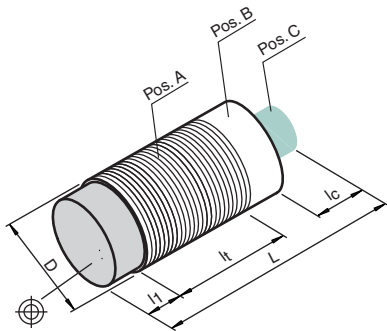
Dimensions

Length L [mm]		40	55
Diameter D [mm]		12	
Thread length l_t [mm]		37	39
Cap length l_1 [mm]		0	0
Connector area l_c [mm]		0	6
LED position	Pos.:	C	B

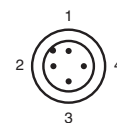
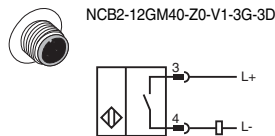
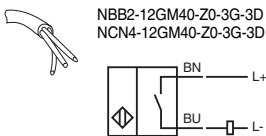
Accessories

This and more accessories can be found in chapter 10
See pages from 972 ... for cordsets See pages 1068 ... for mounting aids

BF 12	Mounting flange, 12 mm
EXG-12	Quick mounting bracket with dead stop
V1-W-BK	4-pin, M12 female field-attachable connector
V1-G-BK	4-pin, M12 female field-attachable connector



Electrical Connection



Wire colors in accordance with EN 60947-5-2

1	BN	(brown)
2	WH	(white)
3	BU	(blue)
4	BK	(black)



Technical Data

For detailed data and product description refer to the data sheets at www.pepperl-fuchs.com

General Data

Operating voltage	10 ... 30 V DC
Reverse polarity protection	✓
Short-circuit protection	pulsing
Indication of the switching state	LED, yellow
Ambient temperature	-25 ... 70 °C (-13 ... 158 °F)
Protection degree	IP67

Model Number

Properties

- Ø12 mm housing
- 2 mm and 4 mm, flush and non-flush mountable versions
- DC, 3-wire and 4-wire switching output
- Cable and connector versions

Your Benefit

- ATEX-approval for zone 2 and zone 22

		NCB2-12GM40-E2-3G-3D	NBB2-12GM60-A2-3G-3D	NBB4-12GM50-E2-3G-3D	NCN4-12GM40-E2-3G-3D	NBB4-12GM50-E2-V1-3G-3D	NCN4-12GM40-E2-V1-3G-3D
Rated operating distance	green = preferred type	●	●				
	2 mm	●	●				
Installation	4 mm			●	●	●	●
	flush	●	●	●	●	●	●
Switching element function	non-flush				●		●
	PNP NO/NC		●				
No-load supply current	PNP NO	●		●	●	●	●
	≤ 15 mA	●		●	●	●	●
Switching frequency	≤ 20 mA		●				
	0 ... 1000 Hz	●	●	●		●	●
Operating current	0 ... 1200 Hz				●		●
	0 ... 150 mA			●		●	●
Housing material	0 ... 200 mA	●	●		●	●	●
	Stainless steel 1.4305 / AISI 303	●			●	●	●
Connection type	brass, nickel-plated		●	●		●	●
	Device connector M12 x 1, 4-pin	●	●	●	●	●	●
	cable PVC, 2 m	●	●	●	●	●	●

Use in the Hazardous Area

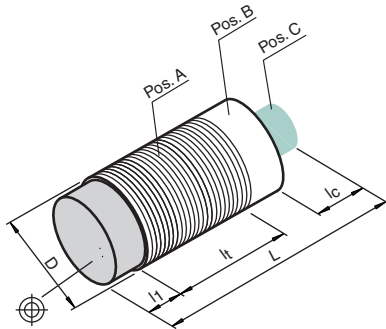
Use in the hazardous area	see instruction manuals	●	●	●	●	●	●
Category	3G; 3D	●	●	●	●	●	●

Approvals and Certificates

UL approval	cULus Listed, General Purpose	●	●	●	●	●	●
CSA approval	cCSAus Listed, General Purpose	●	●	●	●	●	●
CCC approval	Products with a maximum operating voltage of ≤36 V do not bear a CCC marking because they do not require approval.						

Dimensions

Length L [mm]	40	60	50	40	65	50	
Diameter D [mm]			12				
Thread length l _t [mm]	37	60	47	32	49	45	
Cap length l ₁ [mm]	0	0	0	5	0	5	
Connector area l _c [mm]			0			6	
LED position	Pos.:	C	C	C	C	B	B



Accessories

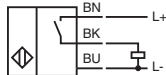
This and more accessories can be found in chapter 10
See pages from 972 ... for cordsets See pages 1068 ... for mounting aids

- BF 12** Mounting flange, 12 mm
- V1-G-BK** 4-pin, M12 female field-attachable connector
- V1-W-BK** 4-pin, M12 female field-attachable connector
- V1-G-2M-PUR** Cable socket, M12, 4-pin, PUR cable

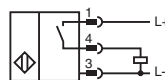
Electrical Connection



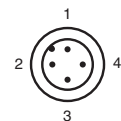
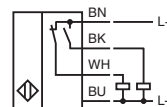
NBB4-12GM50-E2-3G-3D
NCB2-12GM40-E2-3G-3D
NCN4-12GM40-E2-3G-3D



NBB4-12GM50-E2-V1-3G-3D
NCN4-12GM40-E2-V1-3G-3D



NBB2-12GM60-A2-3G-3D



Wire colors in accordance with EN 60947-5-2

- 1 BN (brown)
- 2 WH (white)
- 3 BU (blue)
- 4 BK (black)

1
.1.1

Proximity Sensors, Inductive Sensors, cylindrical



Properties

- Ø18 mm housing
- 5 mm, flush and 8 mm, non-flush mountable versions
- DC, 2-wire switching output
- Cable and connector versions

Your Benefit

- ATEX-approval for zone 2 and zone 22

Technical Data

For detailed data and product description refer to the data sheets at www.pepperl-fuchs.com

General Data

Operating voltage	5 ... 60 V DC
Reverse polarity protection	tolerant
Operating current	2 ... 100 mA
Short-circuit protection	pulsing
Indication of the switching state	LED, yellow
Ambient temperature	-25 ... 70 °C (-13 ... 158 °F)
Protection degree	IP67

Model Number

		NBB5-18GM40-Z0-3G-3D	NCB5-18GM40-Z0-3G-3D	NCB5-18GM40-Z1-3G-3D	NCN8-18GM40-Z0-3G-3D	NCB5-18GM40-Z0-V1-3G-3D
Rated operating distance	5 mm 8 mm <i>green</i> = preferred type	●	●	●	●	●
Installation	flush non-flush	●	●	●	●	●
Switching element function	DC NO DC NC	●	●	●	●	●
Switching frequency	0 ... 300 Hz 0 ... 350 Hz 0 ... 500 Hz	●	●	●	●	●
Housing material	Stainless steel 1.4305 / AISI 303 brass, nickel-plated	●	●	●	●	●
Connection type	Device connector M12 x 1, 4-pin cable PVC, 2 m	●	●	●	●	●

Use in the Hazardous Area

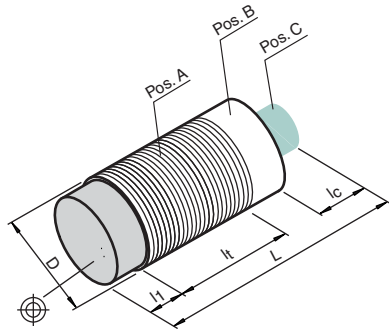
Use in the hazardous area	see instruction manuals	●	●	●	●	●
Category	3G; 3D	●	●	●	●	●

Approvals and Certificates

UL approval	cULus Listed, General Purpose	●	●	●	●	●
CSA approval	cCSAus Listed, General Purpose	●	●	●	●	●
CCC approval	Certified by China Compulsory Certification (CCC)	●	●	●	●	●

Dimensions

Length L [mm]	40	40	40	40	55
Diameter D [mm]			18		
Thread length l _t [mm]	37	37	37	27	40
Cap length l ₁ [mm]	0	0	0	10	0
Connector area l _c [mm]	0	0	0	0	15
LED position	Pos. C				

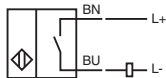


Accessories This and more accessories can be found in chapter 10

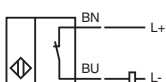
BF 18	Mounting flange, 18 mm
EXG-18	Quick mounting bracket with dead stop
V1-G-BK	4-pin, M12 female field-attachable connector
V1-W-BK	4-pin, M12 female field-attachable connector

Electrical Connection

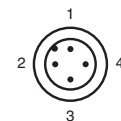
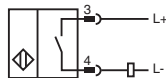
NCN8-18GM40-Z0-3G-3D
NBB5-18GM40-Z0-3G-3D
NCB5-18GM40-Z0-3G-3D



NCB5-18GM40-Z1-3G-3D



NCB5-18GM40-Z0-V1-3G-3D



Wire colors in accordance with EN 60947-5-2

- 1 | BN (brown)
- 2 | WH (white)
- 3 | BU (blue)
- 4 | BK (black)



Technical Data

For detailed data and product description refer to the data sheets at www.pepperl-fuchs.com

General Data

Reverse polarity protection	✓
Operating current	0 ... 200 mA
Short-circuit protection	pulsing
Indication of the switching state	LED, yellow
Ambient temperature	-25 ... 70 °C (-13 ... 158 °F)
Protection degree	IP67

Model Number

Rated operating distance	5 mm 8 mm	green = preferred type							
Installation	flush non-flush								
Switching element function	PNP NO/NC PNP NO								
Operating voltage	10 ... 30 V DC 10 ... 60 V DC								
No-load supply current	[mA] ≤	9	15	10	9	20	15	25	
Switching frequency	0 ... 1500 Hz 0 ... 400 Hz 0 ... 500 Hz 0 ... 800 Hz								
Housing material	Stainless steel 1.4305 / AISI 303 brass, nickel-plated								
Connection type	Device connector M12 x 1, 4-pin cable PVC, 2 m								

Use in the Hazardous Area

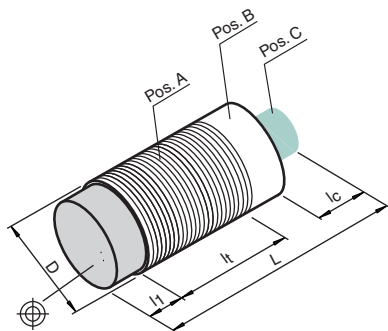
Use in the hazardous area	see instruction manuals								
Category	3G; 3D								

Approvals and Certificates

UL approval	cULus Listed, General Purpose								
CSA approval	cCSAus Listed, General Purpose								
CCC approval	Certified by China Compulsory Certification (CCC)								
	Products with a maximum operating voltage of ≤36 V do not bear a CCC marking because they do not require approval.								

Dimensions

Length L [mm]	50	50	50	65	70	65	70
Diameter D [mm]					18		
Thread length l _t [mm]	50	47	37	50	60	50	60
Cap length l ₁ [mm]	0	0	10	0	0	0	0
Connector area l _c [mm]	0	0	0	15	10	15	10
LED position	Pos.:						

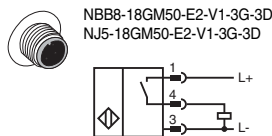
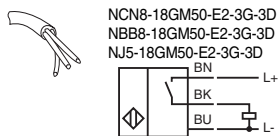


Accessories

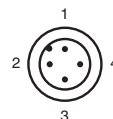
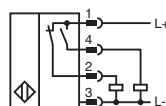
This and more accessories can be found in chapter 10
 See pages from 972 ... for cordsets See pages 1068 ... for mounting aids

BF 18	Mounting flange, 18 mm
V1-G-BK	4-pin, M12 female field-attachable connector

Electrical Connection



NBB5-18GM60-A2-V1-3G-3D
 NBB8-18GM60-A2-V1-3G-3D



Wire colors in accordance with EN 60947-5-2

1	BN	(brown)
2	WH	(white)
3	BU	(blue)
4	BK	(black)

1
.1.1

Proximity Sensors, Inductive Sensors, cylindrical



Properties

- Ø30 mm housing
- 10 mm and 15 mm, flush and non-flush mountable versions
- DC, 2-wire switching output
- Cable version

Your Benefit

- ATEX-approval for zone 2 and zone 22

Technical Data

For detailed data and product description refer to the data sheets at www.pepperl-fuchs.com

General Data

Operating voltage	5 ... 60 V DC
Reverse polarity protection	tolerant
Operating current	2 ... 100 mA
Short-circuit protection	pulsing
Indication of the switching state	all direction LED, yellow
Ambient temperature	-25 ... 70 °C (-13 ... 158 °F)
Housing material	Stainless steel 1.4305 / AISI 303
Protection degree	IP67
Connection type	cablc PVC , 2 m

Model Number

		NCB10-30GM40-Z0-3G-3D	NCN15-30GM40-Z0-3G-3D	NCB10-30GM40-Z0-V1-3G-3D
Rated operating distance	10 mm	●		●
	15 mm		●	
Installation	flush	●		●
	non-flush		●	
Switching element function	DC NO	●	●	
	DC NC			●
Switching frequency	0 ... 100 Hz		●	
	0 ... 150 Hz	●		●
Connection type	cablc PVC , 2 m			●
	Device connector M12 x 1 , 4-pin			●

Use in the Hazardous Area

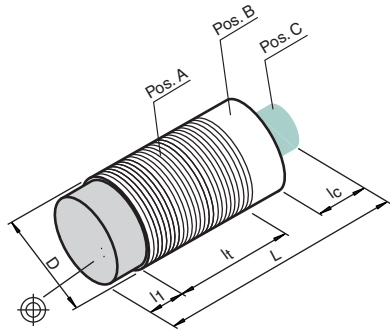
Use in the hazardous area	see instruction manuals	●	●	●
Category	3G; 3D	●	●	●

Approvals and Certificates

UL approval	cULus Listed, General Purpose	●	●	●
CSA approval	cCSAus Listed, General Purpose	●	●	●
CCC approval	Certified by China Compulsory Certification (CCC)		●	

Dimensions

		40	30	55
Length L [mm]				
Diameter D [mm]				
Thread length l _t [mm]		37	22	40
Cap length l ₁ [mm]		0	18	0
Connector area l _c [mm]			0	15
LED position			Pos. C	

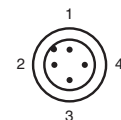
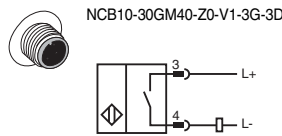
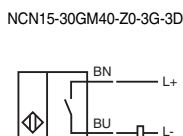
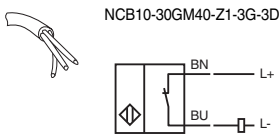


Accessories

This and more accessories can be found in chapter 10
See pages from 972 ... for cordsets See pages 1068 ... for mounting aids

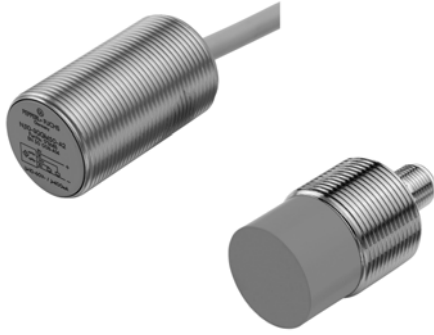
- BF 30** Mounting flange, 30 mm
- V1-W-BK** 4-pin, M12 female field-attachable connector
- V1-G-BK** 4-pin, M12 female field-attachable connector

Electrical Connection



Wire colors in accordance with EN 60947-5-2

- 1 BN (brown)
- 2 WH (white)
- 3 BU (blue)
- 4 BK (black)



Technical Data

For detailed data and product description refer to the data sheets at www.pepperl-fuchs.com

General Data

Reverse polarity protection	✓
Operating current	0 ... 200 mA
Short-circuit protection	pulsing
Indication of the switching state	LED, yellow
Ambient temperature	-25 ... 70 °C (-13 ... 158 °F)
Protection degree	IP67

Model Number

		NBB15-30GM50-E2-3G-3D	NJ10-30GM50-E2-3G-3D	NJ15-30GM50-E2-3G-3D	NJ10-30GM50-E2-V1-3G-3D	NJ15-30GM50-E2-V1-3G-3D
Rated operating distance	10 mm	●	●	●	●	●
	15 mm	●	●	●	●	●
Installation	flush	●	●	●	●	●
	non-flush	●	●	●	●	●
Switching element function	PNP NO	●	●	●	●	●
Operating voltage	10 ... 30 V DC	●	●	●	●	●
	10 ... 60 V DC	●	●	●	●	●
No-load supply current	≤ 15 mA	●	●	●	●	●
	≤ 9 mA	●	●	●	●	●
Switching frequency	0 ... 200 Hz	●	●	●	●	●
	0 ... 500 Hz	●	●	●	●	●
	0 ... 650 Hz	●	●	●	●	●
Housing material	Stainless steel 1.4305 / AISI 303	●	●	●	●	●
	brass, nickel-plated	●	●	●	●	●
Connection type	Device connector M12 x 1, 4-pin	●	●	●	●	●
	cable PVC, 2 m	●	●	●	●	●

Properties

- Ø30 mm housing
- 10 mm and 15 mm, flush and non-flush mountable versions
- DC, 3-wire switching output
- Cable and connector versions

Your Benefit

- ATEX-approval for zone 2 and zone 22

Use in the Hazardous Area

Use in the hazardous area	see instruction manuals	●	●	●	●	●
Category	3G; 3D	●	●	●	●	●

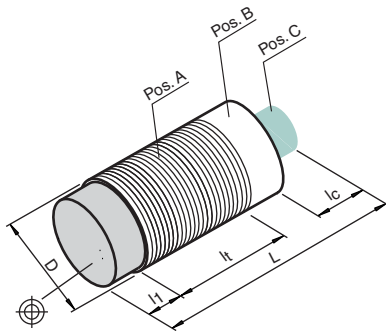
Approvals and Certificates

UL approval	cULus Listed, General Purpose	●	●	●	●	●
CSA approval	cCSAus Listed, General Purpose	●	●	●	●	●
CCC approval	Certified by China Compulsory Certification (CCC)	●	●	●	●	●

Products with a maximum operating voltage of ≤36 V do not bear a CCC marking because they do not require approval.

Dimensions

Length L [mm]	50	50			65	
Diameter D [mm]	30	30			30	
Thread length l _t [mm]	32	47	50	32	50	32
Cap length l ₁ [mm]	0	0	0	18	0	18
Connector area l _c [mm]	0	0			15	
LED position	Pos.:	C	A	A	C	C



Accessories

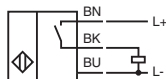
This and more accessories can be found in chapter 10

- V1-G-BK See pages from 972 ... for cordsets See pages 1068 ... for mounting aids
4-pin, M12 female field-attachable connector
- V1-W-BK
4-pin, M12 female field-attachable connector

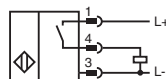
Electrical Connection



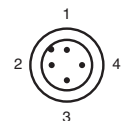
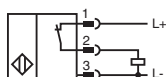
NBB15-30GM50-E2-3G-3D
NJ10-30GM50-E2-3G-3D
NJ15-30GM50-E2-3G-3D



NJ10-30GM50-E2-V1-3G-3D
NJ15-30GM50-E2-V1-3G-3D

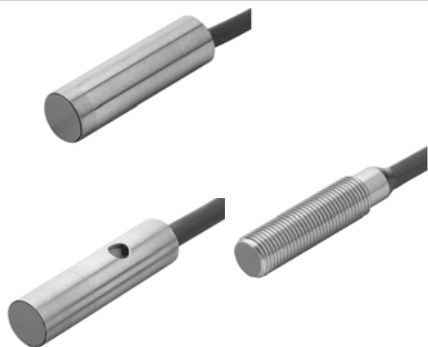


NBB15-30GM50-E3-V1-3G-3D



Wire colors in accordance with EN 60947-5-2

- 1 BN (brown)
- 2 WH (white)
- 3 BU (blue)
- 4 BK (black)



Properties

- Ø4.5 mm / Ø5 mm and Ø6.5 mm housing versions
- 0.8 mm and 1.5 mm flush mountable versions
- DC, NAMUR interface
- Cable and connector versions

Your Benefit

- ATEX approved sensor applicable up to zone 0 and zone 20
- Usable up to SIL2 acc. to IEC 61508

Technical Data

For detailed data and product description refer to the data sheets at www.pepperl-fuchs.com

General Data

Installation	flush
Switching element function	NAMUR, NC
Nominal voltage	8.2 V (R _i approx. 1 kΩ)
Current consumption	
Measuring plate not detected	≥ 3 mA
Measuring plate detected	≤ 1 mA
Suitable for 2:1 technology	✓, Reverse polarity protection diode not required
Ambient temperature	-25 ... 100 °C (-13 ... 212 °F)
Housing material	Stainless steel 1.4305 / AISI 303
Protection degree	IP67

Model Number

		green = preferred type				
Rated operating distance	0.8 mm	•	•			
	1.5 mm			•	•	•
Switching frequency	0 ... 2000 Hz			•	•	•
	0 ... 5000 Hz	•	•	•		
Indication of the switching state	LED, yellow				•	
	Multihole-LED, yellow					•
Connection type	Device connector M12 x 1, 4-pin cable PVC, 2 m	•	•	•	•	•

Use in the Hazardous Area

Use in the hazardous area	see instruction manuals	•	•	•	•	•
Category	1G; 2G; 1D		•	•		
	2G	•			•	•

Approvals and Certificates

Control drawing	116-0165F	•	•			
UL approval	cULus Listed, General Purpose	•	•	•	•	•
CSA approval	cCSAus Listed, General Purpose	•	•	•	•	•
CCC approval	Products with a maximum operating voltage of ≤36 V do not bear a CCC marking because they do not require approval.					

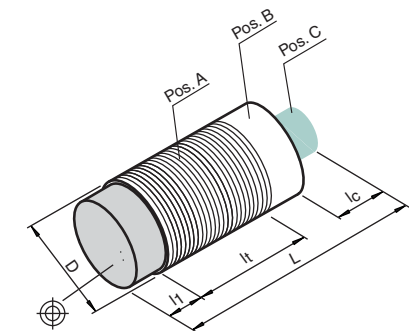
Dimensions

Length L [mm]		20	22	25	47
Diameter D [mm]		4.5	5	6.5	6.5/12
Thread length l _t [mm]		0	17	0	
Cap length l ₁ [mm]			0		
Connector area l _c [mm]			0		6
LED position	Pos.			A	B

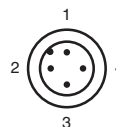
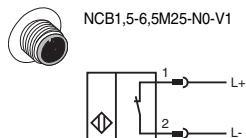
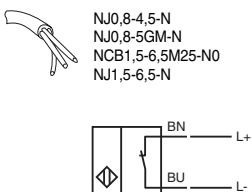
Accessories

This and more accessories can be found in chapter 10
See pages from 972 ... for cordsets See pages 1068 ... for mounting aids

V1-G-BK	4-pin, M12 female field-attachable connector
BF 4,5	Mounting flange, 4.5 mm
BF 5	Mounting flange, 5 mm
BF 6,5	Mounting flange, 6.5 mm
V1-W-BK	4-pin, M12 female field-attachable connector
V1-W-N-2M-PUR	Cable socket, M12, 2-pin, NAMUR, PUR cable
V1-G-N-2M-PUR	Cable socket, M12, 2-pin, NAMUR, PUR cable



Electrical Connection



Wire colors in accordance with EN 60947-5-6

1	BN	(brown)
2	BU	(blue)



Properties

- Ø8 mm housing
- 1.5 mm flush mountable
- DC, NAMUR interface
- Cable and connector versions

Your Benefit

- ATEX approved sensor applicable up to zone 0 and zone 20
- Usable up to SIL2 acc. to IEC 61508

Technical Data

For detailed data and product description refer to the data sheets at www.pepperl-fuchs.com

General Data

Rated operating distance	1.5 mm
Installation	flush
Switching element function	NAMUR, NC
Nominal voltage	8.2 V (R _i approx. 1 kΩ)
Current consumption	
Measuring plate not detected	≥ 3 mA
Measuring plate detected	≤ 1 mA
Suitable for 2:1 technology	✓, Reverse polarity protection diode not required
Ambient temperature	-25 ... 100 °C (-13 ... 212 °F)
Housing material	Stainless steel 1.4305 / AISI 303

Model Number

		green = preferred type		
Switching frequency	0 ... 2000 Hz	●	●	●
	0 ... 5000 Hz	●	●	●
Indication of the switching state	LED, yellow	●	●	●
Protection degree	IP66 / IP67	●	●	●
	IP67	●	●	●
Connection type	Device connector M12 x 1, 4-pin cable PVC, 2 m	●	●	●

Use in the hazardous area

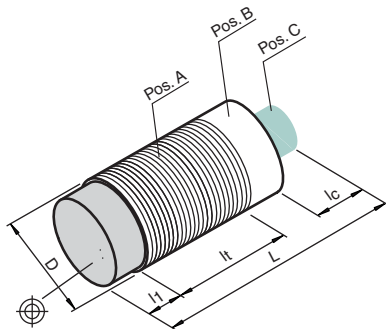
Use in the hazardous area	see instruction manuals	●	●	●	●
Category	1G; 2G	●			
	1G; 2G; 1D				●
	1G; 2G; 3G; 1D		●		
	2G			●	

Approvals and Certificates

Control drawing	116-0165F	●	●	●	●
UL approval	cULus Listed, General Purpose	●	●	●	●
CSA approval	cCSAus Listed, General Purpose	●	●	●	●
CCC approval	Products with a maximum operating voltage of ≤36 V do not bear a CCC marking because they do not require approval.				

Dimensions

Length L [mm]		22	25	42	45
Diameter D [mm]			8		8 / 12
Thread length l _t [mm]		22	25	20	25
Cap length l ₁ [mm]				0	
Connector area l _c [mm]			0		6
LED position	Pos.	-	C	-	B

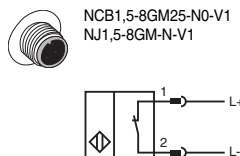
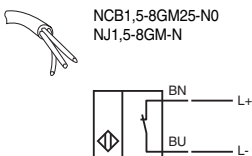


Accessories This and more accessories can be found in chapter 10

See pages from 972 ... for cordsets See pages 1068 ... for mounting aids

V1-G-BK	4-pin, M12 female field-attachable connector
BF 8	Mounting flange, 8 mm
V1-W-BK	4-pin, M12 female field-attachable connector
V1-G-N-2M-PUR	Cable socket, M12, 2-pin, NAMUR, PUR cable
V1-W-N-2M-PUR	Cable socket, M12, 2-pin, NAMUR, PUR cable

Electrical Connection

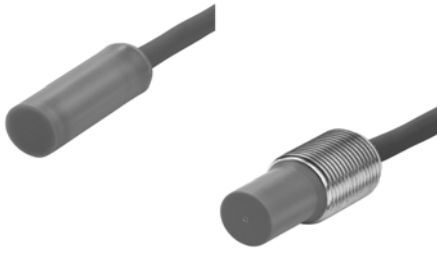


Wire colors in accordance with EN 60947-5-6

1	BN	(brown)
2	BU	(blue)

Date of issue 04/08/2015

1
.1.1



Proximity Sensors, Inductive Sensors, cylindrical



Properties

- Ø11 mm smooth and threaded housing versions
- 2 mm flush mountable and 5 mm non-flush mountable versions
- DC, NAMUR interface
- Cable version

Your Benefit

- ATEX approved sensor applicable up to zone 0 and zone 20
- Usable up to SIL2 acc. to IEC 61508

Technical Data

For detailed data and product description refer to the data sheets at www.pepperl-fuchs.com

General Data

Switching element function	NAMUR, NC
Nominal voltage	8.2 V (R _i approx. 1 kΩ)
Current consumption	
Measuring plate not detected	≥ 3 mA
Measuring plate detected	≤ 1 mA
Switching frequency	0 ... 3000 Hz
Ambient temperature	-25 ... 100 °C (-13 ... 212 °F)
Protection degree	IP68
Connection type	cable PVC , 2 m



Model Number

		NJ2-11-N	NJ2-11-N-G	NJ5-11-N	NJ5-11-N-G
Rated operating distance	2 mm	●	●		
	5 mm			●	●
Installation	flush	●	●		
	non-flush			●	●
Suitable for 2:1 technology	✓ , Reverse polarity protection diode not required			●	●
Housing material	Stainless steel 1.4305 / AISI 303		●		●
	PVDF	●		●	

Use in the Hazardous Area

		NJ2-11-N	NJ2-11-N-G	NJ5-11-N	NJ5-11-N-G
Use in the hazardous area	see instruction manuals	●	●	●	●
Category	1G; 2G; 3G; 1D; 3D	●	●		
	2G			●	
	2G; 3G; 1D; 3D				●

Approvals and Certificates

		NJ2-11-N	NJ2-11-N-G	NJ5-11-N	NJ5-11-N-G
Control drawing	116-0165F	●	●	●	
UL approval	cULus Listed, General Purpose	●	●	●	●
CSA approval	cCSAus Listed, General Purpose	●	●	●	●
CCC approval	Products with a maximum operating voltage of ≤36 V do not bear a CCC marking because they do not require approval.				

Dimensions

		30	30	31
Length L [mm]				
Diameter D [mm]		11	14	11
Thread length l _t [mm]		0	30	0
Cap length l ₁ [mm]			0	14
Connector area l _c [mm]			0	
LED position			-	

Accessories

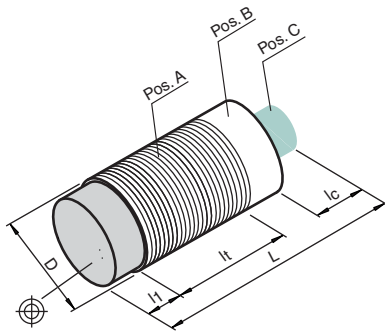
This and more accessories can be found in chapter 10

See pages from 972 ... for cordsets

See pages 1068 ... for mounting aids

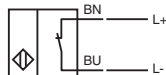
BF 11

Mounting flange, 11 mm



Electrical Connection

- NJ2-11-N
- NJ2-11-N-G
- NJ5-11-N
- NJ5-11-N-G



Date of issue: 04/08/2015



Technical Data

For detailed data and product description refer to the data sheets at www.pepperl-fuchs.com

General Data

Switching element function	NAMUR, NC
Nominal voltage	8.2 V (R _i approx. 1 kΩ)
Current consumption	
Measuring plate not detected	≥ 3 mA
Measuring plate detected	≤ 1 mA
Ambient temperature	-25 ... 100 °C (-13 ... 212 °F)
Housing material	PBT
Connection type	cable PVC, 2 m



Properties

- Ø12 mm housing
- 2 mm flush mountable and 4 mm non-flush mountable versions
- DC, NAMUR interface
- Cable version

Your Benefit

- ATEX approved sensor applicable up to zone 0 and zone 20
- Usable up to SIL2 acc. to IEC 61508

Model Number

		NUJ2-12GK-N	NJA4-12GK-N	NCB2-12GK35-N0	NCN4-12GK35-N0
Rated operating distance	2 mm	●		●	
	4 mm		●		●
Installation	flush	●		●	
	non-flush		●		●
Switching frequency	0 ... 1000 Hz		●	●	
	0 ... 1500 Hz				
	0 ... 2000 Hz	●			
	0 ... 800 Hz				●
Suitable for 2:1 technology	✓, Reverse polarity protection diode not required	●		●	
Indication of the switching state	all direction LED, yellow			●	●
Protection degree	IP66 / IP68	●	●		
	IP67			●	●

Use in the hazardous area

Use in the hazardous area	see instruction manuals	●	●	●	●
Category	2G; 1D	●	●	●	●

Approvals and Certificates

Control drawing	116-0165F	●	●	●	●
UL approval	cULus Listed, General Purpose	●	●	●	●
CSA approval	cCSAus Listed, General Purpose	●	●	●	●
CCC approval	Products with a maximum operating voltage of ≤36 V do not bear a CCC marking because they do not require approval.				

Dimensions

Length L [mm]		34	35
Diameter D [mm]			12
Thread length l _t [mm]		30.5	32
Cap length l ₁ [mm]			0
Connector area l _c [mm]			0
LED position		-	Pos. C

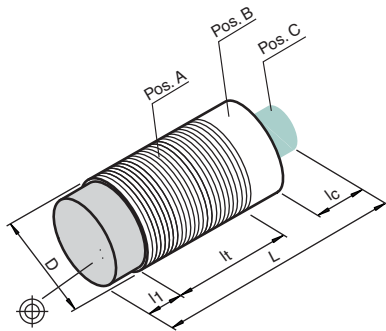
Accessories

This and more accessories can be found in chapter 10

See pages from 972 ... for cordsets

See pages 1068 ... for mounting aids

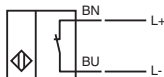
BF 12	Mounting flange, 12 mm
-------	------------------------



Electrical Connection



NCB2-12GK35-N0
NUJ2-12GK-N
NCN4-12GK35-N0
NJA4-12GK-N



Date of issue 04/08/2015

1
.1.1



Properties

- Ø12 mm housing
- 2 mm and 4mm, flush and non-flush mountable versions
- DC, NAMUR interface
- Cable and connector versions

Your Benefit

- ATEX approved sensor applicable up to zone 0 and zone 20
- Usable up to SIL2 acc. to IEC 61508

Technical Data

For detailed data and product description refer to the data sheets at www.pepperl-fuchs.com

General Data

Switching element function	NAMUR, NC
Nominal voltage	8.2 V (R _i approx. 1 kΩ)
Ambient temperature	-25 ... 100 °C (-13 ... 212 °F)
Housing material	Stainless steel 1.4305 / AISI 303

Model Number

		green = preferred type						
Rated operating distance	2 mm	●	●	●	●	●	●	●
	4 mm	●	●	●	●	●	●	●
Installation	flush	●	●	●	●	●	●	●
	non-flush	●	●	●	●	●	●	●
Current consumption								
Measuring plate not detected	≥ 2.2 mA							
	≥ 3 mA	●	●	●	●	●	●	●
Measuring plate detected	≤ 1 mA	●	●	●	●	●	●	●
Switching frequency	0 ... 1000 Hz		●					
	0 ... 1500 Hz		●					
	0 ... 2000 Hz	●						
	0 ... 800 Hz			●				
Suitable for 2:1 technology	✓, Reverse polarity protection diode not required	●	●	●	●	●	●	●
Indication of the switching state	LED, yellow		●	●	●	●	●	●
Protection degree	IP66 / IP67		●	●	●	●	●	●
	IP67	●	●	●	●	●	●	●
Connection type	Device connector M12 x 1, 4-pin cable PVC, 2 m	●	●	●	●	●	●	●

Use in the Hazardous Area

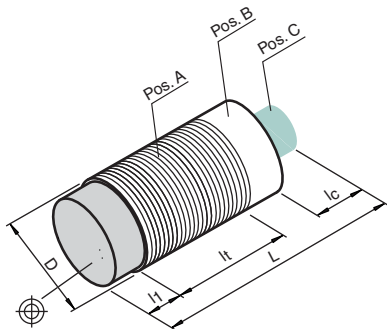
Use in the hazardous area	see instruction manuals	●	●	●	●	●	●	●
Category	1G; 2G					●	●	
	1G; 2G; 1D	●	●					●
	1G; 2G; 3G			●				
	1G; 2G; 3G; 1D; 3D		●	●				
	1G; 2G; 3G; 3D							●

Approvals and Certificates

Control drawing	116-0165F	●	●	●	●	●	●	●
UL approval	cULus Listed, General Purpose	●	●	●	●	●	●	●
CSA approval	cCSAus Listed, General Purpose	●	●	●	●	●	●	●
CCC approval	Products with a maximum operating voltage of ≤36 V do not bear a CCC marking because they do not require approval.							

Dimensions

Length L [mm]	35	33	35	40	35	50	50	50	55	50
Diameter D [mm]	12									
Thread length l _t [mm]	35	28	32	37	27	50	45	34	40	29
Cap length l ₁ [mm]	0	5	0	0	5	0	5	0	0	5
Connector area l _c [mm]	0									
	6									
LED position	-		Pos. C			-		Pos. B		



Accessories

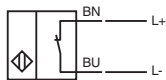
This and more accessories can be found in chapter 10
See pages from 972 ... for cordsets See pages 1068 ... for mounting aids

V1-G-N-2M-PUR

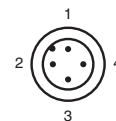
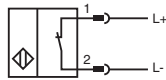
Cable socket, M12, 2-pin, NAMUR, PUR cable

Electrical Connection

- NCB2-12GM35-N0
- NJ2-12GM-N
- NCB4-12GM40-N0
- NCN4-12GM35-N0
- NJ4-12GM-N



- NCB2-12GM35-N0-V1
- NJ2-12GM-N-V1
- NCB4-12GM40-N0-V1
- NCN4-12GM35-N0-V1
- NJ4-12GM-N-V1



Wire colors in accordance with EN 60947-5-6

- 1 | BN (brown)
- 2 | BU (blue)



Technical Data

For detailed data and product description refer to the data sheets at www.pepperl-fuchs.com

General Data

Switching element function	NAMUR, NC
Nominal voltage	8.2 V (R _i approx. 1 kΩ)
Current consumption	
Measuring plate not detected	≥ 3 mA
Measuring plate detected	≤ 1 mA
Ambient temperature	-25 ... 100 °C (-13 ... 212 °F)
Connection type	cable PVC , 2 m



Properties

- Ø18 mm housing
- 5 mm flush mountable and 8 mm non-flush mountable versions
- DC, NAMUR interface
- Cable version

Your Benefit

- ATEX approved sensor applicable up to zone 0 and zone 20
- Usable up to SIL2 acc. to IEC 61508

Model Number

		NJ5-18GK-N	NJ8-18GK-N	NCB5-18GK40-NO	NCN8-18GK40-NO
Rated operating distance	5 mm	●		●	
	8 mm		●		●
Installation	flush	●		●	
	non-flush		●		●
Switching frequency	0 ... 200 Hz		●		
	0 ... 300 Hz				●
	0 ... 400 Hz			●	
	0 ... 500 Hz	●			
Indication of the switching state	all direction LED, yellow			●	●
Housing material	PBT			●	●
	PBT/PPS	●	●		
Protection degree	IP66 / IP68	●			
	IP67			●	●
	IP68		●		

Use in the Hazardous Area

Use in the hazardous area	see instruction manuals	●	●	●	●
Category	2G; 1D	●	●	●	●

Approvals and Certificates

Control drawing	116-0165F	●	●	●	●
UL approval	cULus Listed, General Purpose	●	●	●	●
CSA approval	cCSAus Listed, General Purpose	●	●	●	●
CCC approval	Products with a maximum operating voltage of ≤36 V do not bear a CCC marking because they do not require approval.				

Dimensions

Length L [mm]		39	40
Diameter D [mm]			18
Thread length l _t [mm]		34.5	37
Cap length l ₁ [mm]		1	0
Connector area l _c [mm]			0
LED position		-	Pos. C

Accessories

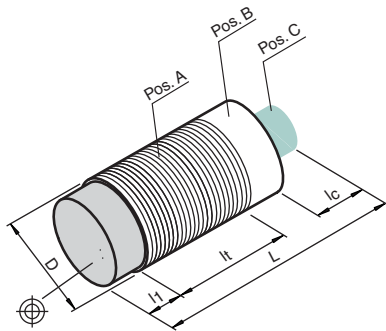
This and more accessories can be found in chapter 10

See pages from 972 ... for cordsets

See pages 1068 ... for mounting aids

BF 18

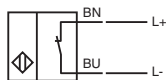
Mounting flange, 18 mm



Electrical Connection



NCB5-18GK40-NO
 NJ5-18GK-N
 NCN8-18GK40-NO
 NJ8-18GK-N



Date of issue 04/08/2015

Refer to "General Notes Relating to Pepperl+Fuchs Product Information".

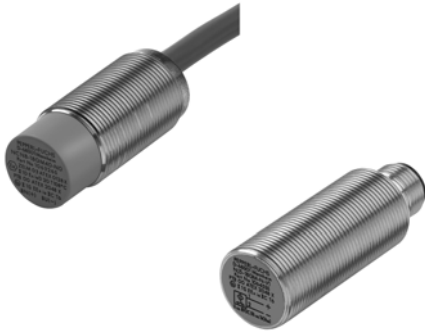
Pepperl+Fuchs Group
www.pepperl-fuchs.com

USA: +1 330 486 0001
fa-info@us.pepperl-fuchs.com

Germany: +49 621 776 4411
fa-info@de.pepperl-fuchs.com

Singapore: +65 6779 9091
fa-info@sg.pepperl-fuchs.com

1
.1.1



Properties

- Ø18 mm housing
- 5 mm to 8 mm flush and non-flush mountable versions
- DC, NAMUR interface
- Cable and connector versions

Your Benefit

- ATEX approved sensor applicable up to zone 0 and zone 20
- Usable up to SIL2 acc. to IEC 61508

Technical Data

For detailed data and product description refer to the data sheets at www.pepperl-fuchs.com

General Data

Switching element function	NAMUR, NC
Nominal voltage	8.2 V (R _i approx. 1 kΩ)
Ambient temperature	-25 ... 100 °C (-13 ... 212 °F)
Housing material	Stainless steel 1.4305 / AISI 303

Model Number

		green = preferred type							
Rated operating distance	5 mm	●	●	●	●	●	●	●	●
	8 mm		●	●	●	●	●	●	●
Installation	flush	●	●	●	●	●	●	●	●
	non-flush		●			●		●	
Current consumption									
Measuring plate detected	≤ 1 mA	●	●	●	●	●	●	●	●
Measuring plate not detected	≥ 2.2 mA				●				●
	≥ 3 mA	●	●	●	●	●	●	●	●
Switching frequency	0 ... 1000 Hz				●				
	0 ... 1500 Hz					●			●
	0 ... 200 Hz		●				●		
	0 ... 300 Hz						●		●
	0 ... 400 Hz			●				●	
	0 ... 500 Hz	●						●	
Suitable for 2:1 technology			✓			●			●
	✓, Reverse polarity protection diode not required								
Indication of the switching state	LED, yellow		●	●	●	●			●
Protection degree	IP66 / IP67		●	●	●	●			●
	IP67	●	●	●	●	●	●	●	●
Connection type	Device connector M12 x 1, 4-pin								
	cable PVC, 2 m	●	●	●	●	●	●	●	●

Use in the Hazardous Area

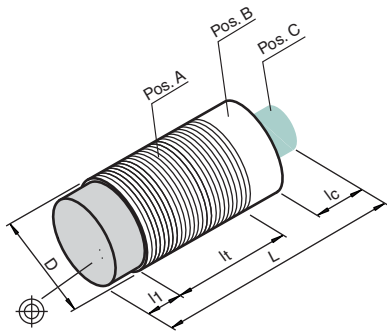
Use in the hazardous area	see instruction manuals	●	●	●	●	●	●	●	●
Category	1G; 2G						●	●	
	1G; 2G; 1D	●	●	●					●
	1G; 2G; 3G								●
	1G; 2G; 3G; 1D; 3D		●						
	1G; 2G; 3G; 3D				●				

Approvals and Certificates

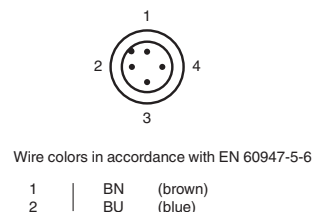
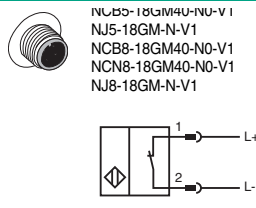
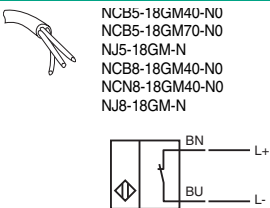
Control drawing	116-0165F	●	●	●	●	●	●	●	●
UL approval	cULus Listed, General Purpose	●	●	●	●	●	●	●	●
CSA approval	cCSAus Listed, General Purpose	●	●	●	●	●	●	●	●
CCC approval	Products with a maximum operating voltage of ≤36 V do not bear a CCC marking because they do not require approval.								

Dimensions

Length L [mm]		40	70	40	50	55			
Diameter D [mm]					18				
Thread length l _t [mm]		40	24	37	70	37	27	40	24
Cap length l ₁ [mm]		0	16	0	0	10	0	16	0
Connector area l _c [mm]				0				10	
LED position	Pos.	-		C				-	C



Electrical Connection





Properties

- Ø18 mm housing
- 1.5 mm flush mountable
- DC, NAMUR interface
- Cable and connector versions

Your Benefit

- ATEX approved sensor applicable up to zone 0 and zone 20
- Usable up to SIL2 acc. to IEC 61508
- Compression proof up to 350 bar, dynamically on active surface

Technical Data

For detailed data and product description refer to the data sheets at www.pepperl-fuchs.com

General Data

Rated operating distance	1.5 mm
Installation	flush
Switching element function	NAMUR, NC
Nominal voltage	8.2 V (R _i approx. 1 kΩ)
Current consumption	
Measuring plate not detected	≥ 3 mA
Measuring plate detected	≤ 1 mA
Switching frequency	0 ... 400 Hz
Ambient temperature	-25 ... 85 °C (-13 ... 185 °F)
Housing material	Stainless steel 1.4305 / AISI 303

Model Number

Protection degree	IP66 / IP68		
Connection type	Device connector M12 x 1, 4-pin cable PVC, 2 m		

	NJ1,5-18GM-N-D	NJ1,5-18GM-N-D-V1
	●	●
	●	●

Use in the Hazardous Area

Use in the hazardous area	see instruction manuals		
Category	2G; 1D		

Approvals and Certificates

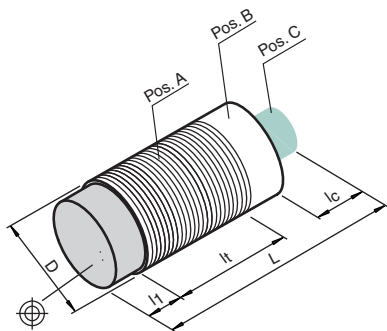
UL approval	cULus Listed, General Purpose		
CSA approval	cCSAus Listed, General Purpose		

Dimensions

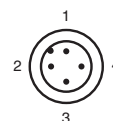
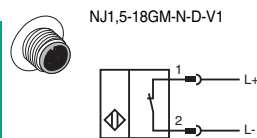
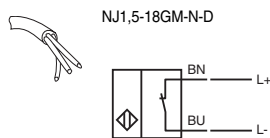
Length L [mm]	50	45
Diameter D [mm]		18
Thread length l _t [mm]		20
Cap length l ₁ [mm]		15
Connector area l _c [mm]	0	10
LED position		-

Accessories This and more accessories can be found in chapter 10
See pages from 972 ... for cordsets See pages 1068 ... for mounting aids

V1-G-BK	4-pin, M12 female field-attachable connector
V1-W-BK	4-pin, M12 female field-attachable connector
V1-W-N-2M-PUR	Cable socket, M12, 2-pin, NAMUR, PUR cable
V1-G-N-2M-PUR	Cable socket, M12, 2-pin, NAMUR, PUR cable



Electrical Connection

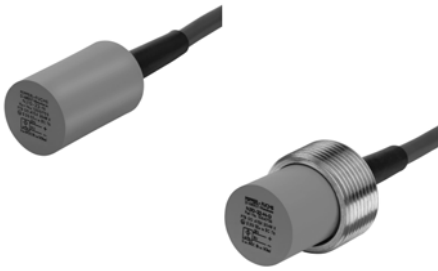


Wire colors in accordance with EN 60947-5-6

1	BN	(brown)
2	BU	(blue)

Date of issue 04/08/2015

1
.1.1



Properties

- Ø22 mm smooth and threaded housing versions
- 6 mm flush and 8 mm non-flush mountable versions
- DC, NAMUR interface
- Cable version

Your Benefit

- ATEX approved sensors applicable up to zone 1 and zone 20
- Usable up to SIL2 acc. to IEC 61508

Technical Data

For detailed data and product description refer to the data sheets at www.pepperl-fuchs.com

General Data

Switching element function	NAMUR, NC
Nominal voltage	8.2 V (R _i approx. 1 kΩ)
Current consumption	
Measuring plate not detected	≥ 3 mA
Measuring plate detected	≤ 1 mA
Switching frequency	0 ... 2000 Hz
Ambient temperature	-25 ... 100 °C (-13 ... 212 °F)
Protection degree	IP68
Connection type	cable PVC , 2 m



Model Number

		NJ6-22-N	NJ6-22-N-G	NJ10-22-N	NJ10-22-N-G
Rated operating distance	10 mm				
	6 mm	●	●		
Installation	flush	●	●		
	non-flush			●	●
Housing material	Stainless steel 1.4305 / AISI 303		●		●
	PBT	●		●	

Use in the Hazardous Area

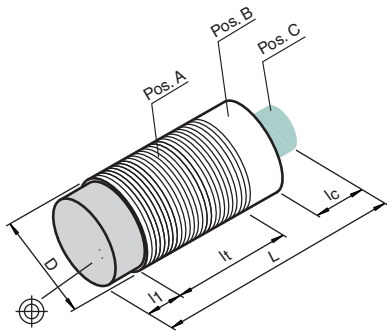
		NJ6-22-N	NJ6-22-N-G	NJ10-22-N	NJ10-22-N-G
Use in the hazardous area	see instruction manuals	●	●	●	●
Category	2G			●	
	2G; 1D				●
	2G; 3G	●			
	2G; 3G; 3D		●		

Approvals and Certificates

		NJ6-22-N	NJ6-22-N-G	NJ10-22-N	NJ10-22-N-G
Control drawing	116-0165F	●	●	●	●
UL approval	cULus Listed, General Purpose	●	●	●	●
CSA approval	cCSAus Listed, General Purpose	●	●	●	●
CCC approval	Products with a maximum operating voltage of ≤36 V do not bear a CCC marking because they do not require approval.				

Dimensions

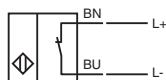
	35			
Length L [mm]	35			
Diameter D [mm]	22	28.3	22	28.3
Thread length l _t [mm]	0	35	0	15
Cap length l ₁ [mm]	0			
Connector area l _c [mm]	0			
LED position	-			



Electrical Connection



- NJ10-22-N
- NJ10-22-N-G
- NJ6-22-N
- NJ6-22-N-G



Date of issue: 04/08/2015



Properties

- Ø30 mm housing
- 10 mm flush and 15 mm non-flush mountable versions
- DC, NAMUR interface
- Cable version

Your Benefit

- ATEX approved sensors applicable up to zone 1 and zone 20
- Usable up to SIL2 acc. to IEC 61508

Technical Data

For detailed data and product description refer to the data sheets at www.pepperl-fuchs.com

General Data

Switching element function	NAMUR, NC
Nominal voltage	8.2 V (R _i approx. 1 kΩ)
Ambient temperature	-25 ... 100 °C (-13 ... 212 °F)
Housing material	PBT
Connection type	cable PVC , 2 m



Model Number	NJ10-30GK-N	NJ15-30GK-N	NCB10-30GK40-N0	NCN15-30GK40-N0
Rated operating distance	10 mm			
	15 mm			
Installation	flush			
	non-flush			
Current consumption				
Measuring plate detected	≤ 1 mA			
Measuring plate not detected	≥ 2.2 mA			
	≥ 3 mA			
Switching frequency	0 ... 100 Hz			
	0 ... 150 Hz			
	0 ... 200 Hz			
	0 ... 300 Hz			
Indication of the switching state	all direction LED, yellow			
Protection degree	IP66 / IP68			
	IP67			
	IP68			

Use in the Hazardous Area

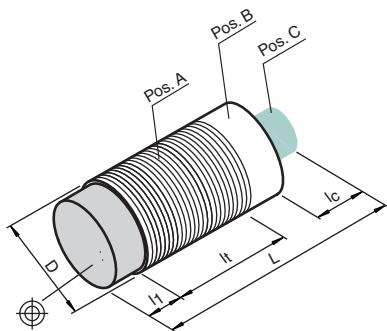
Use in the hazardous area	see instruction manuals				
Category	2G; 1D				
	2G; 3G; 1D; 3D				

Approvals and Certificates

Control drawing	116-0165F				
UL approval	cULus Listed, General Purpose				
CSA approval	cCSAus Listed, General Purpose				
CCC approval	Products with a maximum operating voltage of ≤36 V do not bear a CCC marking because they do not require approval.				

Dimensions

Length L [mm]	40		
Diameter D [mm]	30		
Thread length l _t [mm]	34.5	37	22
Cap length l ₁ [mm]	1	0	18
Connector area l _c [mm]	0		
LED position	-	Pos. C	-



Accessories

This and more accessories can be found in chapter 10

See pages from 972 ... for cordsets

See pages 1068 ... for mounting aids

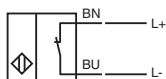
BF 30

Mounting flange, 30 mm

Electrical Connection



NCB10-30GK40-N0
 NJ10-30GK-N
 NCN15-30GK40-N0
 NJ15-30GK-N



Date of issue 04/08/2015

1
.1.1

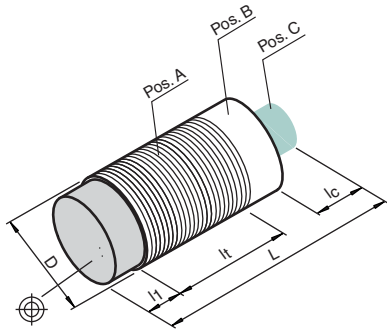


Properties

- Ø30 mm housing
- 10 mm flush and 15 mm non-flush and virtually flush mountable versions
- DC, NAMUR interface
- Cable and connector versions

Your Benefit

- ATEX approved sensor applicable up to zone 0 and zone 20
- Usable up to SIL2 acc. to IEC 61508



Technical Data

For detailed data and product description refer to the data sheets at www.pepperl-fuchs.com

General Data

Switching element function	NAMUR, NC
Nominal voltage	8.2 V (R _i approx. 1 kΩ)
Ambient temperature	-25 ... 100 °C (-13 ... 212 °F)
Housing material	Stainless steel 1.4305 / AISI 303

Model Number

	green = preferred type								
Rated operating distance	10 mm								
	15 mm								
Installation	flush								
	non-flush								
	virtually flush								
Current consumption	Measuring plate not detected	≥ 2.2 mA							
		≥ 3 mA							
	Measuring plate detected	≤ 1 mA							
Switching frequency	0 ... 100 Hz								
	0 ... 150 Hz								
	0 ... 200 Hz								
	0 ... 300 Hz								
	0 ... 450 Hz								
Indication of the switching state	LED, yellow								
Protection degree	IP65								
	IP67								
Connection type	Device connector M12 x 1, 4-pin								
	cable PVC, 2 m								

Use in the Hazardous Area

Use in the hazardous area	see instruction manuals								
Category	1G; 2G								
	1G; 2G; 1D								
	1G; 2G; 3G; 1D; 3D								
	1G; 2G; 3G; 3D								

Approvals and Certificates

Control drawing	116-0165F								
UL approval	cULus Listed, General Purpose								
CSA approval	cCSAus Listed, General Purpose								
CCC approval	Products with a maximum operating voltage of ≤36 V do not bear a CCC marking because they do not require approval.								

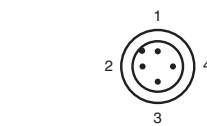
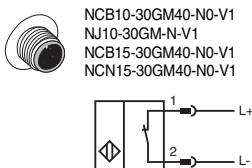
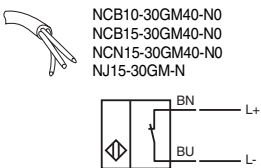
Dimensions

Length L [mm]	40	40	50	55
Diameter D [mm]	30	30		
Thread length l ₁ [mm]	22	37	22	40
Cap length l ₁ [mm]	0	0	18	0
Connector area l _c [mm]	0	0	10	15
LED position	-	Pos. C	-	Pos. C

Accessories This and more accessories can be found in chapter 10

V1-G-N-2M-PUR	Cable socket, M12, 2-pin, NAMUR, PUR cable
V1-W-N-2M-PUR	Cable socket, M12, 2-pin, NAMUR, PUR cable

Electrical Connection



Wire colors in accordance with EN 60947-5-6
 1 | BN (brown)
 2 | BU (blue)



Technical Data

For detailed data and product description refer to the data sheets at www.pepperl-fuchs.com

General Data

Switching element function	NAMUR, NC
Nominal voltage	8.2 V (R _i approx. 1 kΩ)
Current consumption	
Measuring plate not detected	≥ 3 mA
Measuring plate detected	≤ 1 mA
Ambient temperature	-25 ... 100 °C (-13 ... 212 °F)
Housing material	PBT
Protection degree	IP67
Connection type	terminal compartment



Properties

- Ø30 mm and Ø40 mm housing versions
- 10 mm to 20 mm flush and non-flush mountable versions
- DC, NAMUR interface
- Terminal compartment

Your Benefit

- ATEX approved sensor applicable up to zone 1
- Usable up to SIL2 acc. to IEC 61508

Model Number

		NJ10-30GKK-N	NJ15-30GKK-N	NJ20-40-N
Rated operating distance	10 mm	●		
	15 mm		●	
	20 mm			●
Installation	flush	●		
	non-flush		●	●
Switching frequency	0 ... 100 Hz		●	●
	0 ... 300 Hz	●		

Use in the Hazardous Area

Use in the hazardous area	see instruction manuals	●	●	●
Category	2G	●	●	●

Approvals and Certificates

Control drawing	116-0165F			●
UL approval	cULus Listed, General Purpose	●	●	●
CSA approval	cCSAus Listed, General Purpose	●	●	●
CCC approval	Products with a maximum operating voltage of ≤36 V do not bear a CCC marking because they do not require approval.			

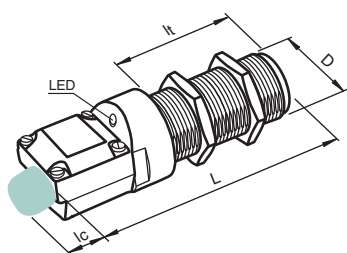
Dimensions

Length L [mm]		115	95
Diameter D [mm]		30	40
Thread length l _t [mm]		58	0 (50)
Cap length l ₁ [mm]		2	0
Connector area l _c [mm]			0
LED position			-

Accessories

This and more accessories can be found in chapter 10
 See pages from 972 ... for cordsets See pages 1068 ... for mounting aids

- BF 30** Mounting flange, 30 mm
- BF 40** Mounting flange, 40 mm

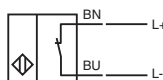
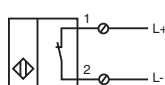


Electrical Connection



NJ10-30GKK-N
 NJ15-30GKK-N

NJ20-40-N



1
.1.1



Technical Data

For detailed data and product description refer to the data sheets at www.pepperl-fuchs.com

Model Number	NJ25-50-N
Rated operating distance	25 mm
Installation	non-flush
Switching element function	NAMUR, NC
Nominal voltage	8.2 V (R _i approx. 1 kΩ)
Measuring plate not detected	≥ 3 mA
Measuring plate detected	≤ 1 mA
Switching frequency	0 ... 250 Hz
Ambient temperature	-25 ... 100 °C (-13 ... 212 °F)
Housing material	PBT
Protection degree	IP67
Connection type	cablc PVC , 2 m



Use in the Hazardous Area

Use in the hazardous area	see instruction manuals
Category	2G
Control drawing	116-0165F

Approvals and Certificates

UL approval	cULus Listed, General Purpose
CSA approval	cCSAus Listed, General Purpose
CCC approval	Products with a maximum operating voltage of ≤36 V do not bear a CCC marking because they do not require approval.

Dimensions

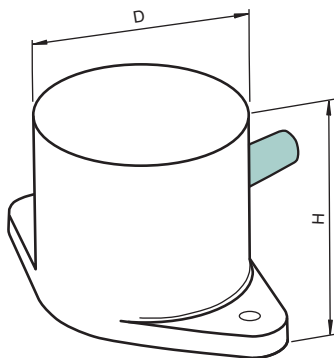
Height H [mm]	40
Diameter D [mm]	50
Thread length l _t [mm]	0
Connector area l _c [mm]	0

Properties

- Ø50 mm housing
- 25 mm non-flush mountable
- DC, NAMUR interface
- Cable version

Your Benefit

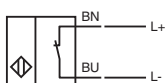
- ATEX approved sensor applicable up to zone 1
- Usable up to SIL2 acc. to IEC 61508



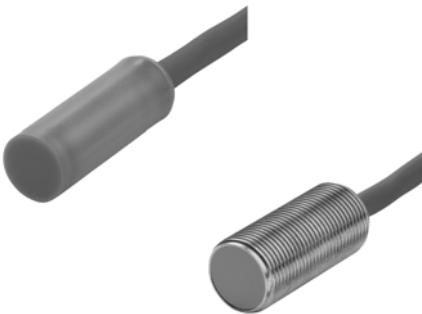
Electrical Connection



NJ25-50-N



Date of issue: 04/08/2015



Technical Data

For detailed data and product description refer to the data sheets at www.pepperl-fuchs.com

General Data

Rated operating distance	2 mm
Installation	flush
Switching element function	NAMUR, NC
Nominal voltage	8 V DC
Current consumption	
Measuring plate not detected	≥ 3 mA
Measuring plate detected	≤ 1 mA
Switching frequency	0 ... 3000 Hz
Suitable for 2:1 technology	✓, with reverse polarity protection diode
Ambient temperature	-40 ... 100 °C (-40 ... 212 °F)
Protection degree	IP68
Connection type	cable silicon, 2 m



Properties

- Ø11/14 mm housing
- 2 mm, flush mountable
- DC, NAMUR safety interface
- Cable version

Your Benefit

- Usable up to SIL 3 acc. to IEC 61508
- Usable in hazardous area
- High protection degree (IP68)

Model Number

		NJ2-11-SN	NJ2-11-SN-G
Housing material	Stainless steel 1.4305 / AISI 303		●
	PVDF	●	

Use in the Hazardous Area

Use in the hazardous area	see instruction manuals	●	●
Category	1G; 2G; 1D	●	●

Approvals and Certificates

FM control drawing	116-0165F	●	●
UL approval	cULus Listed, General Purpose	●	●
CSA approval	cCSAus Listed, General Purpose	●	●
CCC approval	Products with a maximum operating voltage of ≤36 V do not bear a CCC marking because they do not require approval.		

Dimensions

Length L [mm]	31	30
Diameter D [mm]	11	14
Thread length l _t [mm]	0	30
Cap length l ₁ [mm]		0
Connector area l _c [mm]		0
LED position		-

Accessories

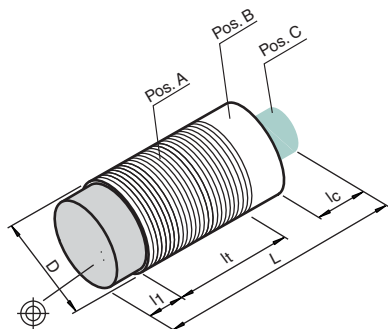
This and more accessories can be found in chapter 10

See pages from 972 ... for cordsets

See pages 1068 ... for mounting aids

BF 11

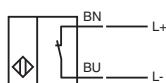
Mounting flange, 11 mm



Electrical Connection



NJ2-11-SN
NJ2-11-SN-G



1
.1.1



Proximity Sensors, Inductive Sensors, cylindrical



Properties

- Ø12 mm housing
- 2 mm, flush and 4 mm, non-flush mountable versions
- DC, NAMUR safety interface
- Cable version

Your Benefit

- Usable up to SIL 3 acc. to IEC 61508
- Usable in hazardous area
- High protection degree (IP68)

Technical Data

For detailed data and product description refer to the data sheets at www.pepperl-fuchs.com

General Data

Switching element function	NAMUR, NC
Nominal voltage	8 V DC
Current consumption	
Measuring plate not detected	≥ 3 mA
Measuring plate detected	≤ 1 mA
Housing material	PP
Protection degree	IP68
Connection type	cable silicon , 2 m



Model Number

	green = preferred type		
Rated operating distance	2 mm 4 mm		
Installation	flush non-flush		
Switching frequency	0 ... 1500 Hz 0 ... 2000 Hz		
Suitable for 2:1 technology	✓ , with reverse polarity protection diode		
Ambient temperature	-40 ... 100 °C (-40 ... 212 °F) -50 ... 100 °C (-58 ... 212 °F)		

NJ2-12GK-SN

NJ4-12GK-SN

Use in the Hazardous Area

Use in the hazardous area	see instruction manuals		
Category	1G; 2G; 1D 1G; 2G; 3G; 1D; 3D		

Approvals and Certificates

FM control drawing	116-0165F		
UL approval	cULus Listed, General Purpose		
CSA approval	cCSAus Listed, General Purpose		
CCC approval	Products with a maximum operating voltage of ≤36 V do not bear a CCC marking because they do not require approval.		

Dimensions

Length L [mm]	34
Diameter D [mm]	12
Thread length l _t [mm]	30
Cap length l ₁ [mm]	0
Connector area l _c [mm]	0
LED position	-

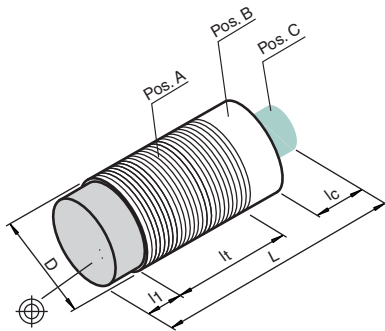
Accessories

This and more accessories can be found in chapter 10

See pages from 972 ... for cordsets

See pages 1068 ... for mounting aids

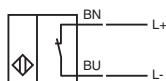
BF 12	Mounting flange, 12 mm
EXG-12	Quick mounting bracket with dead stop



Electrical Connection



NJ4-12GK-SN
NJ2-12GK-SN



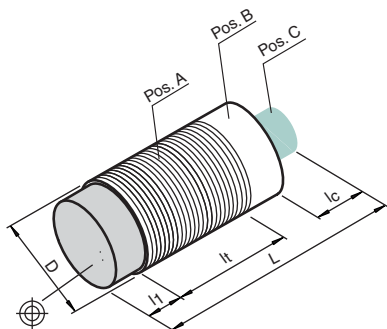


Properties

- Ø18 mm housing
- Up to 8 mm, flush and non-flush mountable versions
- DC, NAMUR safety interface
- Cable version

Your Benefit

- Usable up to SIL 3 acc. to IEC 61508
- Usable in hazardous area
- Versions with high protection degree (IP68)
- Versions usable in applications that require extended temperature range up to +130 °C (266 °F)



Technical Data

For detailed data and product description refer to the data sheets at www.pepperl-fuchs.com

General Data

Nominal voltage	8 V DC
Connection type	cable silicon , 2 m



Model Number

		NJ3-18GK-S1N	NJ3-18GK-S1N-130	NJ5-18GK-SN	NJ8-18GK-SN
Rated operating distance	green = preferred type	●	●		
	3 mm	●	●		
	5 mm			●	
Installation	8 mm				●
	flush	●	●	●	
Switching element function	non-flush				●
	NAMUR, NO	●	●		
Current consumption	NAMUR, NC			●	●
	Measuring plate not detected	≥ 3 mA		●	●
Measuring plate detected	≤ 1 mA	●	●		
	≥ 3 mA	●	●		
Switching frequency	≤ 1 mA			●	●
	0 ... 200 Hz	●	●		
Suitable for 2:1 technology	0 ... 500 Hz			●	
	✓ , Reverse polarity protection diode not required	●			
Ambient temperature	-25 ... 100 °C (-13 ... 212 °F)	●			
	-25 ... 130 °C (-13 ... 266 °F)		●		
	-40 ... 100 °C (-40 ... 212 °F)			●	●
Housing material	Hostalen PPN, black	●			●
	PP			●	
Protection degree	PPS , PTFE		●		
	IP65		●		
	IP68	●		●	●

Use in the Hazardous Area

Use in the hazardous area	see instruction manuals	●	●	●
Category	1G; 2G; 3G; 1D	●	●	●
	1G; 2G; 3G; 1D; 3D			●

Approvals and Certificates

FM control drawing	116-0165F	●	●	●
UL approval	cULus Listed, General Purpose	●	●	●
CSA approval	cCSAus Listed, General Purpose	●	●	●
CCC approval	Products with a maximum operating voltage of ≤36 V do not bear a CCC marking because they do not require approval.			

Dimensions

Length L [mm]	40.5	39
Diameter D [mm]		18
Thread length l ₁ [mm]		34.5
Cap length l ₁ [mm]		1
Connector area l _c [mm]		0
LED position		-

Accessories This and more accessories can be found in chapter 10

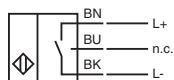
See pages from 972 ... for cordsets See pages 1068 ... for mounting aids

- BF 18** Mounting flange, 18 mm
- EXG-18** Quick mounting bracket with dead stop

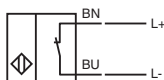
Electrical Connection



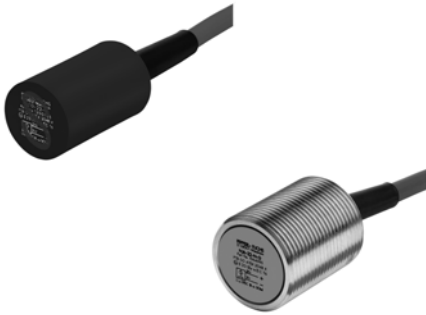
NJ3-18GK-S1N
NJ3-18GK-S1N-130



NJ5-18GK-SN
NJ8-18GK-SN



1
.1.1



Properties

- Ø22 mm / PG21 housing
- 6 mm, flush mountable
- DC, NAMUR safety interface
- Cable version

Your Benefit

- Usable up to SIL 3 acc. to IEC 61508
- Usable in hazardous area
- High protection degree (IP68)

Technical Data

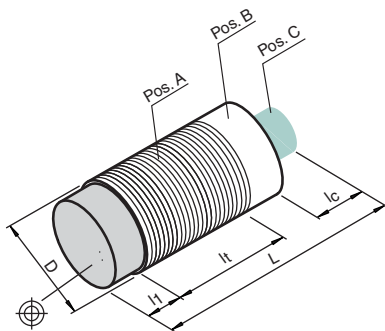
For detailed data and product description refer to the data sheets at www.pepperl-fuchs.com

General Data

Rated operating distance	6 mm
Installation	flush
Switching element function	NAMUR, NC
Nominal voltage	8 V DC
Current consumption	
Measuring plate not detected	≥ 3 mA
Measuring plate detected	≤ 1 mA
Switching frequency	0 ... 2000 Hz
Suitable for 2:1 technology	✓, with reverse polarity protection diode
Ambient temperature	-40 ... 100 °C (-40 ... 212 °F)
Protection degree	IP68
Connection type	cable silicon, 2 m



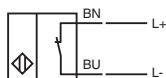
Model Number	NJ6-22-SN	NJ6-22-SN-G
Housing material	Stainless steel 1.4305 / AISI 303	●
	PBT	●
Use in the Hazardous Area		
Use in the hazardous area	see instruction manuals	●
Category	1G; 2G; 1D	●
Approvals and Certificates		
FM control drawing	116-0165F	●
UL approval	cULus Listed, General Purpose	●
CSA approval	cCSAus Listed, General Purpose	●
CCC approval	Products with a maximum operating voltage of ≤36 V do not bear a CCC marking because they do not require approval.	●
Dimensions		
Length L [mm]		35
Diameter D [mm]	22	PG21
Thread length l _t [mm]	0	35
Cap length l ₁ [mm]		0
Connector area l _c [mm]		0
LED position		-



Electrical Connection



NJ6-22-SN
NJ6-22-SN-G



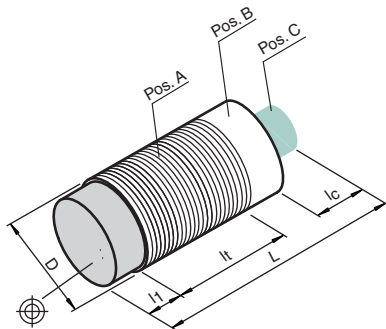


Properties

- Ø30 mm housing
- Up to 15 mm, flush and non-flush mountable versions
- DC, NAMUR safety interface
- Cable version

Your Benefit

- Usable up to SIL 3 acc. to IEC 61508
- Usable in hazardous area
- High protection degree (IP68)
- Versions usable in applications that require extended temperature range down to -50 °C (-58 °F)



Technical Data

For detailed data and product description refer to the data sheets at www.pepperl-fuchs.com

General Data

Nominal voltage	8 V DC
Housing material	PP
Protection degree	IP68
Connection type	cable silicon , 2 m



Model Number

	green = preferred type			
Rated operating distance	5 mm		●	
	10 mm			●
	15 mm			●
Installation	flush		●	●
	non-flush			●
Switching element function	NAMUR, NO		●	
	NAMUR, NC			●
Current consumption				
Measuring plate not detected	≥ 3 mA			●
	≤ 1 mA		●	
Measuring plate detected	≥ 3 mA		●	
	≤ 1 mA			●
Switching frequency	0 ... 100 Hz		●	
	0 ... 150 Hz			●
	0 ... 300 Hz			●
Suitable for 2:1 technology	✓, with reverse polarity protection diode		●	
Ambient temperature	-25 ... 100 °C (-13 ... 212 °F)		●	
	-40 ... 100 °C (-40 ... 212 °F)			●
	-50 ... 100 °C (-58 ... 212 °F)			●

Use in the Hazardous Area

Use in the hazardous area	see instruction manuals		●	●	●
Category	1G; 2G; 1D		●	●	
	1G; 2G; 3G; 1D; 3D				●

Approvals and Certificates

FM control drawing	116-0165F		●	●	●
UL approval	cULus Listed, General Purpose		●	●	●
CSA approval	cCSAus Listed, General Purpose		●	●	●
CCC approval	Products with a maximum operating voltage of ≤36 V do not bear a CCC marking because they do not require approval.				

Dimensions

Length L [mm]	40
Diameter D [mm]	30
Thread length l ₁ [mm]	34.5
Cap length l ₂ [mm]	1
Connector area l _c [mm]	0
LED position	-

Accessories

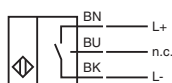
This and more accessories can be found in chapter 10
 See pages from 972 ... for cordsets See pages 1068 ... for mounting aids

BF 30	Mounting flange, 30 mm
--------------	------------------------

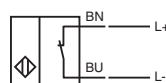
Electrical Connection



NJ5-30GK-S1N



NJ10-30GK-SN
NJ15-30GK-SN



1
.1.1

Proximity Sensors, Inductive Sensors, cylindrical



Technical Data

For detailed data and product description refer to the data sheets at www.pepperl-fuchs.com

General Data	
Installation	flush
Switching element function	NO/NC programmable
Output polarity	AS-Interface
Slave type	A/B slave
AS-Interface specification	V3.0
Operating voltage	26.5 ... 31.9 V via AS-i bus system
No-load supply current	≤ 25 mA
Reverse polarity protection	✓
Indication of the switching state	dual-LED, yellow
Fault indication	dual-LED, red
Ambient temperature	-25 ... 70 °C (-13 ... 158 °F)
Protection degree	IP67
Connection type	Device connector M12 x 1 , 4-pin



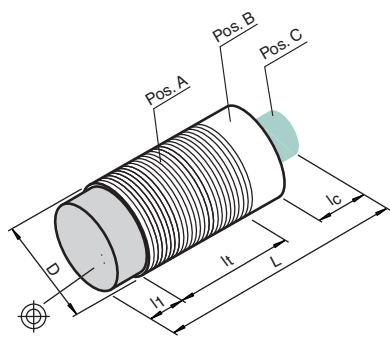
Properties

- Ø12 mm, Ø18 mm and Ø30 mm housing versions
- 4 mm, 5 mm, 8 mm and 15 mm flush mountable versions
- AS interface
- Connector version

Model Number		NCB4-12GM60-B3B-V1	NCB5-18GM60-B3B-V1	NBB8-18GM60-B3B-V1	NBB15-30GM60-B3B-V1
Rated operating distance	4 mm	●			
	5 mm		●		
	8 mm			●	
	15 mm				●
Switching frequency	0 ... 100 Hz		●		
	0 ... 200 Hz			●	●
	0 ... 500 Hz	●			●
Housing material	Stainless steel 1.4305 / AISI 303	●	●		
	brass, nickel-plated			●	●

Approvals and Certificates					
UL approval	cULus Listed, General Purpose	●	●	●	●
CSA approval	cCSAus Listed, General Purpose	●	●	●	●
CCC approval	Products with a maximum operating voltage of ≤36 V do not bear a CCC marking because they do not require approval.				

Dimensions					
Length L [mm]		75	70	75	
Diameter D [mm]		12	18		30
Thread length l _t [mm]		60	44		60
Cap length l ₁ [mm]				0	
Connector area l _c [mm]		15	10		15
LED position			Pos. B		Pos. C



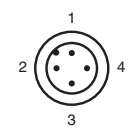
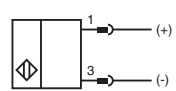
Accessories

This and more accessories can be found in chapter 10
See pages from 972 ... for cordsets See pages 1068 ... for mounting aids

BF 12, BF 18, BF 30	Mounting flange
EXG-12, EXG-18, EXG-30	Quick mounting bracket with dead stop
V1-G-BK0,3M-PUR-U-V1-G	Connection cable, M12 to M12, PUR cable, 4-pin
V1-G-BK	4-pin, M12 female field-attachable connector
V1-G-BK1M-PUR-U-V1-G	Connection cable, M12 to M12, PUR cable, 4-pin
V1-W-BK	4-pin, M12 female field-attachable connector

Electrical Connection

- NCB4-12GM60-B3B-V1
- NCB5-18GM60-B3B-V1
- NBB8-18GM60-B3B-V1
- NBB15-30GM60-B3B-V1





Technical Data

For detailed data and product description refer to the data sheets at www.pepperl-fuchs.com

General Data

Rated operating distance	2 mm
Installation	flush
Operating voltage	10 ... 30 V DC
No-load supply current	≤ 15 mA
Reverse polarity protection	✓
Switching frequency	0 ... 1500 Hz
Operating current	0 ... 100 mA
Short-circuit protection	pulsing
Indication of the switching state	LED yellow
Ambient temperature	-25 ... 70 °C (-13 ... 158 °F)
Housing material	PC
Protection degree	IP67
Connection type	cablc PVC , 0,5 m



Properties

- Miniature F76 housing
- 2 mm, flush mountable
- DC, 3-wire switching output
- Cable version

Model Number

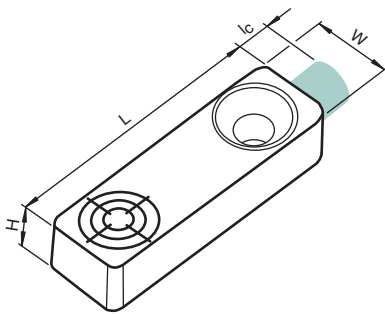
Switching element function	green = preferred type		NBB2-F76-E0-0,5M	NBB2-F76-E1-0,5M	NBB2-F76-E2-0,5M	NBB2-F76-E3-0,5M
	NPN	NC	●	●		
	NPN	NO			●	
	PNP	NC				●

Approvals and Certificates

CCC approval Products with a maximum operating voltage of ≤36 V do not bear a CCC marking because they do not require approval.

Dimensions

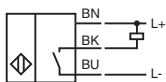
Length L [mm]	25
Width W [mm]	8
Height H [mm]	5.5
Connector area l _c [mm]	3



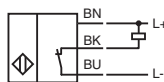
Electrical Connection



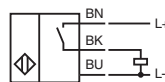
NBB2-F76-E0-0,5M



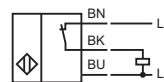
NBB2-F76-E1-0,5M



NBB2-F76-E2-0,5M



NBB2-F76-E3-0,5M



Date of issue 04/08/2015

Refer to "General Notes Relating to Pepperl+Fuchs Product Information".

Pepperl+Fuchs Group
www.pepperl-fuchs.com

USA: +1 330 486 0001
fa-info@us.pepperl-fuchs.com

Germany: +49 621 776 4411
fa-info@de.pepperl-fuchs.com

Singapore: +65 6779 9091
fa-info@sg.pepperl-fuchs.com



1
.1.2



Properties

- Miniature F29 housing
- 2 mm flush and 4 mm non-flush mountable versions
- DC, 3-wire and 4-wire switching output versions
- Cable version

Technical Data

For detailed data and product description refer to the data sheets at www.pepperl-fuchs.com

General Data

Reverse polarity protection	✓
Switching frequency	0 ... 1000 Hz
Operating current	0 ... 100 mA
Short-circuit protection	pulsing
Indication of the switching state	LED, yellow
Ambient temperature	-25 ... 70 °C (-13 ... 158 °F)
Protection degree	IP67
Connection type	cable PVC , 2 m



Model Number

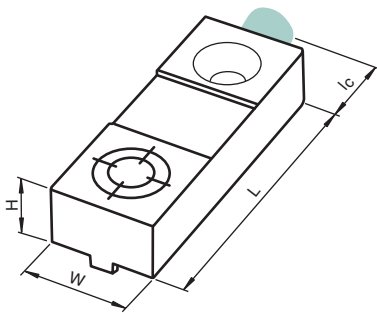
	green = preferred type	NBB2-F29-A0	NBB2-F29-A2	NBN4-F29-E0	NBN4-F29-E2	NBN4-F29-A0	NBN4-F29-A2
Rated operating distance	2 mm	●	●				
	4 mm			●	●	●	●
Installation	flush	●	●				
	non-flush			●	●	●	●
Switching element function	NPN NO/NC	●				●	
	NPN NO			●			
	PNP NO/NC		●				●
	PNP NO				●		
Operating voltage	10 ... 30 V DC			●	●		
	4.75 ... 30 V DC	●	●			●	●
No-load supply current	≤ 10 mA			●	●		
	≤ 15 mA	●	●			●	●
Housing material	PPS			●	●	●	●
	Ryton R4	●	●				

Approvals and Certificates

UL approval	cULus Listed, General Purpose	●	●	●	●	●	●
CSA approval	cCSAus Listed, General Purpose	●	●	●	●	●	●
CCC approval	Products with a maximum operating voltage of ≤36 V do not bear a CCC marking because they do not require approval.						

Dimensions

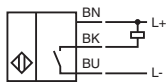
Length L [mm]	27
Width W [mm]	10
Height H [mm]	6
Connector area l _c [mm]	4



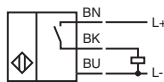
Electrical Connection



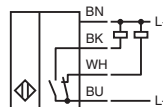
NBN4-F29-E0



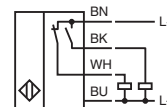
NBN4-F29-E2



NBB2-F29-A0
NBN4-F29-A0



NBB2-F29-A2
NBN4-F29-A2





Technical Data

For detailed data and product description refer to the data sheets at www.pepperl-fuchs.com

General Data

Rated operating distance	1.5 mm
Installation	flush
Operating voltage	5 ... 30 V DC
No-load supply current	≤ 15 mA
Switching frequency	0 ... 1200 Hz
Operating current	0 ... 100 mA
Short-circuit protection	pulsing
Ambient temperature	-25 ... 70 °C (-13 ... 158 °F)
Housing material	PA
Protection degree	IP67

Properties

- Miniature F79 housing
- 1.5 mm, flush mountable
- DC, 3-wire switching output
- Cable and pigtailed connector versions

Model Number

			NBB1,5-F79-E0	NBB1,5-F79-E1	NBB1,5-F79-E2	NBB1,5-F79-E3	NBB1,5-F79-E0-0,1M-V3	NBB1,5-F79-E1-0,1M-V3	NBB1,5-F79-E2-0,1M-V3	NBB1,5-F79-E3-0,1M-V3
Switching element function	green = preferred type		●		●		●		●	
	NPN NO		●				●			
	NPN NC			●				●		
	PNP NO				●				●	
	PNP NC					●				●
Connection type	cable PVC, 500 mm		●	●	●	●				
	Cable connector M8 x 1, 3-pin with PVC cable 100 mm						●	●	●	●

Approvals and Certificates

UL approval	cULus Listed, General Purpose	●	●	●	●
CSA approval	cCSAus Listed, General Purpose	●	●	●	●
CCC approval	Products with a maximum operating voltage of ≤36 V do not bear a CCC marking because they do not require approval.				

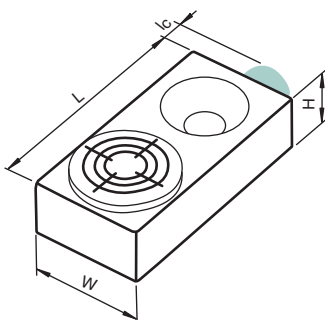
Dimensions

Length L [mm]	16
Width W [mm]	8
Height H [mm]	4
Cap length l ₁ [mm]	0.7
Connector area l _c [mm]	1.5

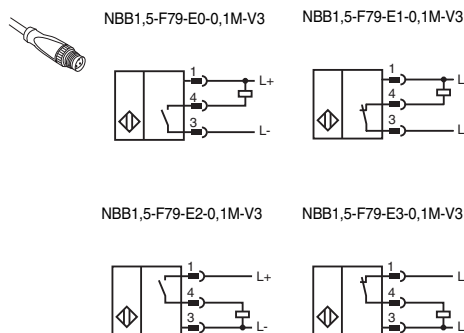
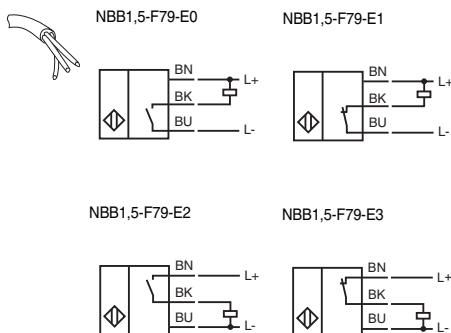
Accessories

This and more accessories can be found in chapter 10
See pages from 972 ... for cordsets See pages 1068 ... for mounting aids

- V3-WM** Female connector, M8, 3-pin, field attachable
- V3-GM** Female connector, M8, 3-pin, field attachable
- V3-WM-2M-PUR** Cable socket, M8, 3-pin, PUR cable
- V3-GM-2M-PUR** Cable socket, M8, 3-pin, PUR cable



Electrical Connection



Wire colors in accordance with EN 60947-5-2

- 1 | BN (brown)
- 3 | BU (blue)
- 4 | BK (black)

Date of issue 04/08/2015

Refer to "General Notes Relating to Pepperl+Fuchs Product Information".

Pepperl+Fuchs Group
www.pepperl-fuchs.com

USA: +1 330 486 0001
fa-info@us.pepperl-fuchs.com

Germany: +49 621 776 4411
fa-info@de.pepperl-fuchs.com

Singapore: +65 6779 9091
fa-info@sg.pepperl-fuchs.com



1
.1.2



Proximity Sensors, Inductive Sensors, rectangular types



Properties

- Miniature V3 housing
- 3 mm, flush mountable
- DC, 2-wire switching output
- Cable and connector versions

Technical Data

For detailed data and product description refer to the data sheets at www.pepperl-fuchs.com

General Data

Rated operating distance	3 mm
Installation	flush
Operating voltage	5 ... 60 V DC
Reverse polarity protection	✓
Switching frequency	0 ... 2000 Hz
Operating current	4 ... 100 mA
Lowest operating current	4 mA
Indication of the switching state	LED, yellow
Housing material	PBT
Protection degree	IP67

Model Number

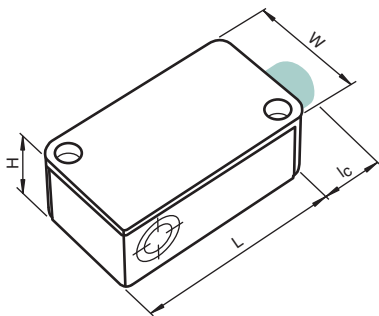
	green = preferred type				
Switching element function	DC NO	DC NC			
Ambient temperature	-25 ... 70 °C (-13 ... 158 °F)				
	-25 ... 85 °C (-13 ... 185 °F)				
Connection type	4.8 mm Faston	cable PVC, 130 mm			

Approvals and Certificates

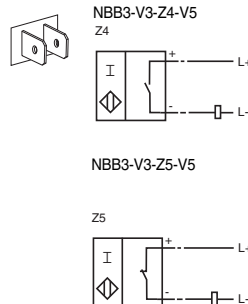
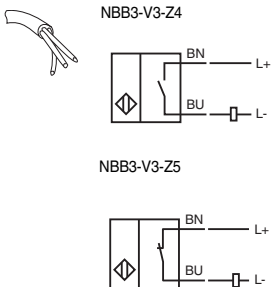
UL approval	cULus Listed, General Purpose				
CSA approval	cCSAus Listed, General Purpose				
CCC approval	Certified by China Compulsory Certification (CCC)				

Dimensions

Length L [mm]		27.8
Width W [mm]		16
Height H [mm]		10
Connector area l _c [mm]	0	9.7



Electrical Connection





Properties

- Miniature V3 housing
- 2 mm, flush mountable
- DC, 3-wire switching output
- Cable and connector versions

Further Products

In this series, we offer additionally:

NBB2-V3-E2-V3

Technical data like NBB2-V3-E2-V5 but:
Connection type: Device connector
M8 x 1, 3-pin



Technical Data

For detailed data and product description refer to the data sheets at www.pepperl-fuchs.com

General Data

Rated operating distance	2 mm
Installation	flush
Operating voltage	10 ... 30 V DC
No-load supply current	≤ 15 mA
Reverse polarity protection	✓
Switching frequency	0 ... 1000 Hz
Operating current	0 ... 100 mA
Short-circuit protection	pulsing
Indication of the switching state	LED, yellow
Ambient temperature	-25 ... 70 °C (-13 ... 158 °F)
Housing material	PBT
Protection degree	IP67

Model Number

Switching element function	green = preferred type		NBB2-V3-E0	NBB2-V3-E2	NBB2-V3-E3	NBB2-V3-E0-V5	NBB2-V3-E1-V5	NBB2-V3-E2-V5	NBB2-V3-E3-V5
	NPN NO	NO							
Connection type	NPN NC	NC							
	PNP NO	NO		●				●	
Connection type	PNP NC	NC			●				●
	4.8 mm Faston cable PVC, 130 mm		●	●	●	●	●	●	●

Approvals and Certificates

UL approval	cULus Listed, General Purpose	●	●	●	●	●	●	●	●
CSA approval	cCSAus Listed, General Purpose	●	●	●	●	●	●	●	●
CCC approval	Products with a maximum operating voltage of ≤36 V do not bear a CCC marking because they do not require approval.								

Dimensions

Length L [mm]		27.8
Width W [mm]		16
Height H [mm]		10
Connector area l _c [mm]	0	9.2

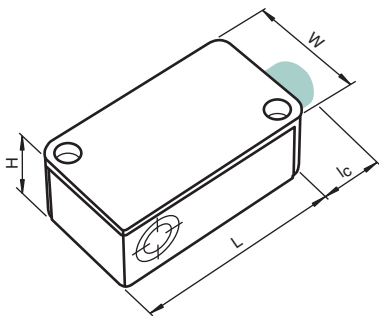
Accessories

This and more accessories can be found in chapter 10

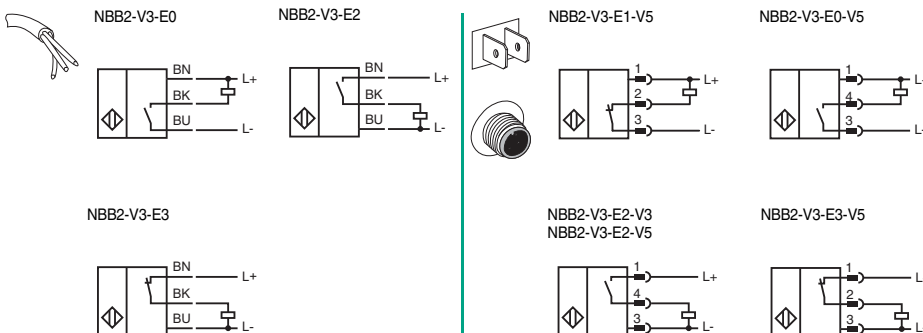
See pages from 972 ... for cordsets

See pages 1068 ... for mounting aids

V3-WM	Female connector, M8, 3-pin, field attachable
V3-GM	Female connector, M8, 3-pin, field attachable
V3-WM-2M-PUR	Cable socket, M8, 3-pin, PUR cable
V3-GM-2M-PUR	Cable socket, M8, 3-pin, PUR cable



Electrical Connection



Wire colors in accordance with EN 60947-5-2

- 1 | BN (brown)
- 3 | BU (blue)
- 4 | BK (black)

Date of issue 04/08/2015

Refer to "General Notes Relating to Pepperl+Fuchs Product Information".

Pepperl+Fuchs Group
www.pepperl-fuchs.com

USA: +1 330 486 0001
fa-info@us.pepperl-fuchs.com

Germany: +49 621 776 4411
fa-info@de.pepperl-fuchs.com

Singapore: +65 6779 9091
fa-info@sg.pepperl-fuchs.com



1
.1.2



Proximity Sensors, Inductive Sensors, rectangular types



Properties

- Miniature V3 housing
- 4 mm, non-flush mountable
- DC, 3-wire switching output
- Cable version

Technical Data

For detailed data and product description refer to the data sheets at www.pepperl-fuchs.com

General Data

Rated operating distance	4 mm
Installation	non-flush
Operating voltage	10 ... 30 V DC
No-load supply current	≤ 15 mA
Reverse polarity protection	✓
Switching frequency	0 ... 500 Hz
Operating current	0 ... 100 mA
Short-circuit protection	pulsing
Indication of the switching state	LED, yellow
Ambient temperature	-25 ... 70 °C (-13 ... 158 °F)
Housing material	PBT
Protection degree	IP67

Model Number

Switching element function	green = preferred type		
	NPN NO	●	
Connection type	PNP NO		●
	cable PVC , 100 mm	●	
	cable PVC , 130 mm		●

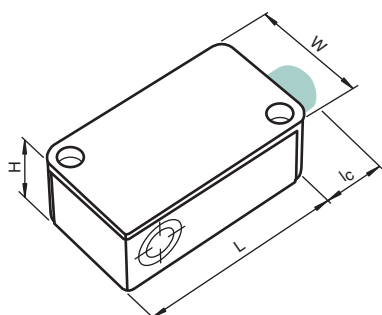


Approvals and Certificates

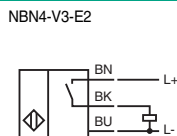
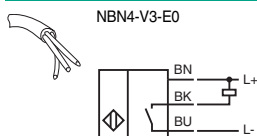
UL approval	cULus Listed, General Purpose	●	●
CSA approval	cCSAus Listed, General Purpose	●	●
CCC approval	Products with a maximum operating voltage of ≤36 V do not bear a CCC marking because they do not require approval.		

Dimensions

Length L [mm]	27.8
Width W [mm]	16
Height H [mm]	10
Connector area l _c [mm]	0



Electrical Connection





Technical Data

For detailed data and product description refer to the data sheets at www.pepperl-fuchs.com

General Data

Rated operating distance	0.8 mm
Installation	flush
Operating voltage	10 ... 30 V DC
No-load supply current	≤ 5 mA
Reverse polarity protection	✓
Operating current	0 ... 200 mA
Short-circuit protection	pulsing
Indication of the switching state	LED, yellow
Ambient temperature	-25 ... 85 °C (-13 ... 185 °F)
Housing material	brass, nickel-plated
Protection degree	IP67
Connection type	cablE PUR , 2 m



Properties

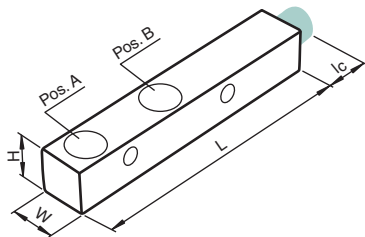
- Miniature F141 housing
- 0.8 mm, flush mountable
- DC, 3-wire switching output
- Cable version

Model Number

		NBB0,8-F141-E0	NBB0,8-F141-E1	NBB0,8-F141-E2	NBB0,8-F141-E3
Switching element function	green = preferred type				
	NPN normally closed	●	●		
	NPN NO			●	
	PNP NO				●
Switching frequency	PNP NC				●
	0 ... 10000 Hz	●		●	
	0 ... 2500 Hz		●		●

Dimensions

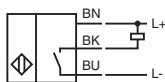
Length L [mm]	25
Width W [mm]	5
Height H [mm]	5
Connector area l _c [mm]	0
Active area position	Pos. A



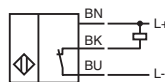
Electrical Connection



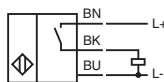
NBB0,8-F141-E0



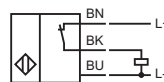
NBB0,8-F141-E1



NBB0,8-F141-E2



NBB0,8-F141-E3



Date of issue 04/08/2015

Refer to "General Notes Relating to Pepperl+Fuchs Product Information".

Pepperl+Fuchs Group
www.pepperl-fuchs.com

USA: +1 330 486 0001
fa-info@us.pepperl-fuchs.com

Germany: +49 621 776 4411
fa-info@de.pepperl-fuchs.com

Singapore: +65 6779 9091
fa-info@sg.pepperl-fuchs.com



Technical Data

For detailed data and product description refer to the data sheets at www.pepperl-fuchs.com

General Data

Rated operating distance	1.5 mm
Installation	flush
Operating voltage	10 ... 30 V DC
No-load supply current	≤ 15 mA
Reverse polarity protection	✓
Operating current	0 ... 100 mA
Switching frequency	0 ... 1500 Hz
Short-circuit protection	pulsing
Indication of the switching state	LED, yellow
Ambient temperature	-25 ... 70 °C (-13 ... 158 °F)
Housing material	brass, nickel-plated
Protection degree	IP67



Properties

- Miniature F41 housing
- 1.5 mm, flush mountable
- DC, 3-wire switching output
- Cable and connector versions

Model Number

Switching element function	green = preferred type PNP NO PNP NC	NBB1,5-F41-E2	NBB1,5-F41-E3	NBB1,5-F41-A-E2	NBB1,5-F41-A-E3	NBB1,5-F41-E2-V3	NBB1,5-F41-E3-V3	NBB1,5-F41-A-E2-V3	NBB1,5-F41-A-E3-V3
Connection type	Device connector M8 x 1, 3-pin cable PVC, 2 m	●	●	●	●	●	●	●	●

Approvals and Certificates

UL approval	cULus Listed, General Purpose	●	●	●	●	●	●	●	●
CSA approval	cCSAus Listed, General Purpose	●	●	●	●	●	●	●	●
CCC approval	Products with a maximum operating voltage of ≤36 V do not bear a CCC marking because they do not require approval.								

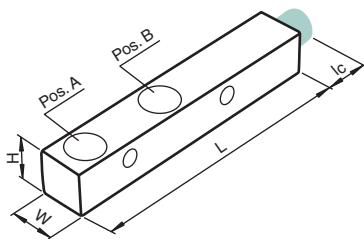
Dimensions

Length L [mm]	40		46	
Width W [mm]	8			
Height H [mm]	8			
Connector area l _c [mm]	8		9	
Active area position	Pos. A	Pos. B	Pos. A	Pos. B

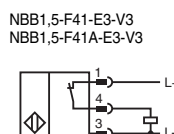
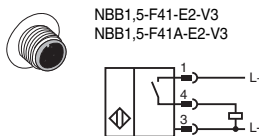
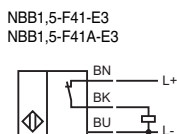
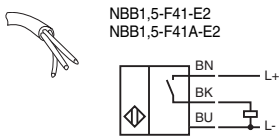
Accessories

This and more accessories can be found in chapter 10
See pages from 972 ... for cordsets See pages 1068 ... for mounting aids

- V3-GM** Female connector, M8, 3-pin, field attachable
- V3-WM** Female connector, M8, 3-pin, field attachable
- V3-GM-2M-PUR** Cable socket, M8, 3-pin, PUR cable
- V3-WM-2M-PUR** Cable socket, M8, 3-pin, PUR cable



Electrical Connection



Wire colors in accordance with EN 60947-5-2

- 1 BN (brown)
- 3 BU (blue)
- 4 BK (black)

Proximity Sensors, Inductive Sensors, rectangular types

1
1.2



Properties

- Miniature F41 housing
- 3 mm, virtually flush mountable
- DC, 3-wire switching output
- Cable and connector versions

Technical Data

For detailed data and product description refer to the data sheets at www.pepperl-fuchs.com

General Data

Rated operating distance	3 mm
Installation	virtually flush
Operating voltage	10 ... 30 V DC
No-load supply current	≤ 15 mA
Reverse polarity protection	✓
Switching frequency	0 ... 1000 Hz
Operating current	0 ... 200 mA , above 50°C ≤ 150 mA
Short-circuit protection	pulsing
Indication of the switching state	LED, yellow
Ambient temperature	-25 ... 85 °C (-13 ... 185 °F)
Housing material	brass, nickel-plated
Protection degree	IP67

Model Number

		NEB3-F41-E0	NEB3-F41-E1	NEB3-F41-E2	NEB3-F41-E3	NEB3-F41-E0-V3	NEB3-F41-E1-V3	NEB3-F41-E2-V3	NEB3-F41-E3-V3
Switching element function	NPN NO	●				●			
	NPN NC		●				●		
	PNP NO			●				●	
	PNP NC				●				●
Connection type	Device connector M8 x 1 , 3-pin	●	●	●	●	●	●	●	●
	cable PVC , 2 m								

Approvals and Certificates

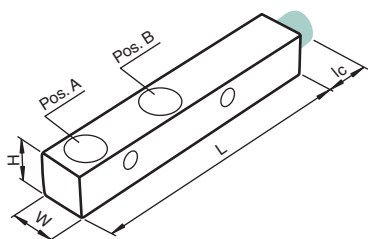
UL approval	cULus Listed, General Purpose	●	●	●	●	●	●	●	●
CSA approval	cCSAus Listed, General Purpose	●	●	●	●	●	●	●	●
CCC approval	Products with a maximum operating voltage of ≤36 V do not bear a CCC marking because they do not require approval.								

Dimensions

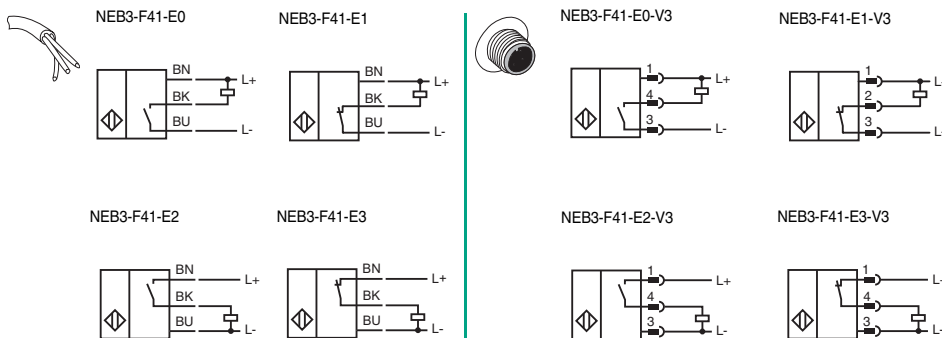
Length L [mm]		40		50
Width W [mm]			8	
Height H [mm]			8	
Connector area l _c [mm]		0		6
Active area position			Pos. A	

Accessories This and more accessories can be found in chapter 10
See pages from 972 ... for cordsets See pages 1068 ... for mounting aids

- V3-GM** Female connector, M8, 3-pin, field attachable
- V3-WM** Female connector, M8, 3-pin, field attachable
- V3-GM-2M-PUR** Cable socket, M8, 3-pin, PUR cable
- V3-WM-2M-PUR** Cable socket, M8, 3-pin, PUR cable



Electrical Connection



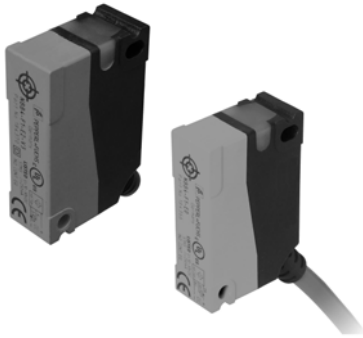
Wire colors in accordance with EN 60947-5-2

- 1 | BN (brown)
- 3 | BU (blue)
- 4 | BK (black)

Date of issue 04/08/2015



1
.1.2



Proximity Sensors, Inductive Sensors, rectangular types

Properties

- Compact F1 housing
- 2 mm and 4 mm, flush mountable versions
- DC, 3-wire switching output
- Cable and connector versions

Your Benefit

- Alignable housing

Technical Data

For detailed data and product description refer to the data sheets at www.pepperl-fuchs.com

General Data

Installation	flush
Operating voltage	10 ... 30 V DC
No-load supply current	≤ 15 mA
Reverse polarity protection	✓
Switching frequency	0 ... 1400 Hz
Operating current	0 ... 250 mA
Short-circuit protection	pulsing
Indication of the switching state	LED, yellow
Ambient temperature	-25 ... 70 °C (-13 ... 158 °F)
Housing material	PA
Protection degree	IP67

Model Number

Rated operating distance	green = preferred type	NBB2-F1-E2	NBB4-F1-E0	NBB4-F1-E2	NBB4-F1-E3	NBB2-F1-E2-V3	NBB4-F1-E0-V3	NBB4-F1-E2-V3	NBB4-F1-E3-V3
	2 mm	●	●	●	●	●	●	●	●
Switching element function	4 mm	●	●	●	●	●	●	●	●
	NPN NO	●	●	●	●	●	●	●	●
	PNP NO	●	●	●	●	●	●	●	●
Connection type	PNP NC	●	●	●	●	●	●	●	●
	Device connector M8 x 1, 3-pin cable PVC, 2 m	●	●	●	●	●	●	●	●

Approvals and Certificates

UL approval	cULus Listed, General Purpose	●	●	●	●	●	●	●	●
CSA approval	cCSAus Listed, General Purpose	●	●	●	●	●	●	●	●
CCC approval	Products with a maximum operating voltage of ≤36 V do not bear a CCC marking because they do not require approval.								

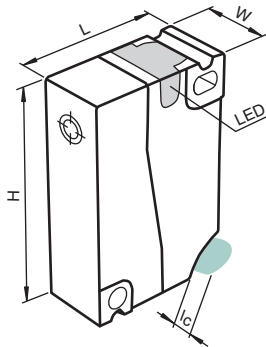
Dimensions

Length L [mm]	26
Width W [mm]	12
Height H [mm]	40
Connector area l _c [mm]	0 9

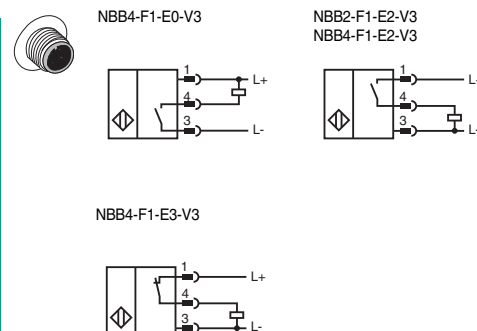
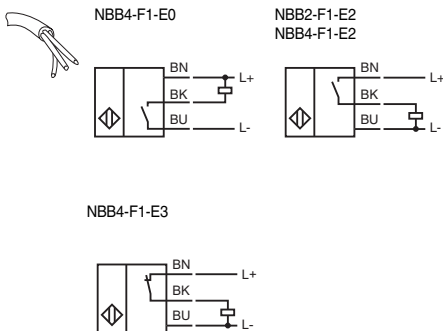
Accessories This and more accessories can be found in chapter 10

See pages from 972 ... for cordsets See pages 1068 ... for mounting aids

V3-WM-2M-PUR	Cable socket, M8, 3-pin, PUR cable
V3-WM	Female connector, M8, 3-pin, field attachable
V3-GM	Female connector, M8, 3-pin, field attachable
V3-GM-2M-PUR	Cable socket, M8, 3-pin, PUR cable

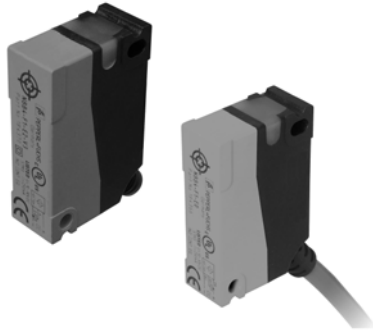


Electrical Connection



Wire colors in accordance with EN 60947-5-2

1	BN	(brown)
3	BU	(blue)
4	BK	(black)



Properties

- Compact F1 housing
- 4 mm, flush mountable
- DC, 4-wire switching output
- Cable and connector versions

Your Benefit

- Alignable housing

Technical Data

For detailed data and product description refer to the data sheets at www.pepperl-fuchs.com

General Data

Rated operating distance	4 mm
Installation	flush
Operating voltage	10 ... 30 V DC
No-load supply current	≤ 15 mA
Reverse polarity protection	✓
Switching frequency	0 ... 1400 Hz
Operating current	0 ... 250 mA
Short-circuit protection	pulsing
Indication of the switching state	LED, yellow
Ambient temperature	-25 ... 70 °C (-13 ... 158 °F)
Housing material	PA
Protection degree	IP67

Model Number

	green = preferred type	NBB4-F1-A0	NBB4-F1-A2	NBB4-F1-A0-V31	NBB4-F1-A2-V31
Switching element function	NPN NO/NC PNP NO/NC	●	●	●	●
Connection type	Device connector M8 x 1, 4-pin cable PVC, 2 m	●	●	●	●

Approvals and Certificates

UL approval	cULus Listed, General Purpose	●	●	●	●
CSA approval	cCSAus Listed, General Purpose	●	●	●	●
CCC approval	Products with a maximum operating voltage of ≤36 V do not bear a CCC marking because they do not require approval.				

Dimensions

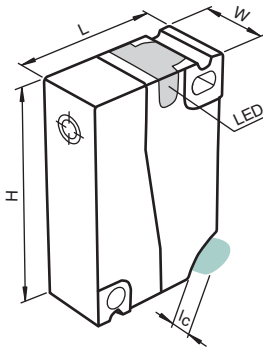
Length L [mm]		26
Width W [mm]		12
Height H [mm]		40
Connector area l _c [mm]		0 9

Accessories

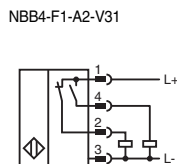
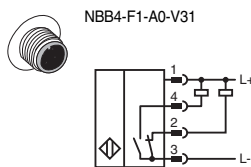
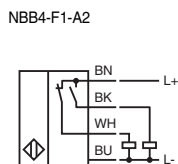
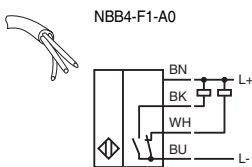
This and more accessories can be found in chapter 10

See pages from 972 ... for cordsets See pages 1068 ... for mounting aids

- V31-GM-2M-PUR 4-pin, M8 socket, PUR cable
- V31-WM-2M-PUR 4-pin, M8 socket, PUR cable



Electrical Connection



Wire colors in accordance with EN 60947-5-2

- 1 BN (brown)
- 2 WH (white)
- 3 BU (blue)
- 4 BK (black)

Date of issue 04/08/2015

Refer to "General Notes Relating to Pepperl+Fuchs Product Information".

Pepperl+Fuchs Group
www.pepperl-fuchs.com

USA: +1 330 486 0001
fa-info@us.pepperl-fuchs.com

Germany: +49 621 776 4411
fa-info@de.pepperl-fuchs.com

Singapore: +65 6779 9091
fa-info@sg.pepperl-fuchs.com



1
.1.2



Proximity Sensors, Inductive Sensors, rectangular types

Properties

- Compact F1 housing
- 8 mm, non-flush mountable
- DC, 3-wire switching output
- Cable and connector versions

Your Benefit

- Alignable housing

Technical Data

For detailed data and product description refer to the data sheets at www.pepperl-fuchs.com

General Data

Rated operating distance	8 mm
Installation	non-flush
Operating voltage	10 ... 30 V DC
No-load supply current	≤ 15 mA
Reverse polarity protection	✓
Switching frequency	0 ... 1400 Hz
Operating current	0 ... 250 mA
Short-circuit protection	pulsing
Indication of the switching state	LED, yellow
Ambient temperature	-25 ... 70 °C (-13 ... 158 °F)
Housing material	PA
Protection degree	IP67

Model Number

		NBN8-F1-E0	NBN8-F1-E2	NBN8-F1-E3	NBN8-F1-E0-V3	NBN8-F1-E2-V3	NBN8-F1-E3-V3
Switching element function	green = preferred type						
	NPN NO	●			●		
	PNP NO		●			●	
Connection type	PNP NC			●			●
	Device connector M8 x 1, 3-pin cable PVC, 2 m	●	●	●	●	●	●

Approvals and Certificates

UL approval	cULus Listed, General Purpose	●	●	●	●	●	●
CSA approval	cCSAus Listed, General Purpose	●	●	●	●	●	●
CCC approval	Products with a maximum operating voltage of ≤36 V do not bear a CCC marking because they do not require approval.						

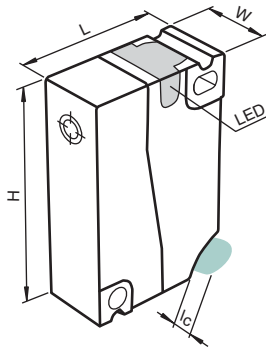
Dimensions

Length L [mm]		26
Width W [mm]		12
Height H [mm]		40
Connector area I _c [mm]		0
		9

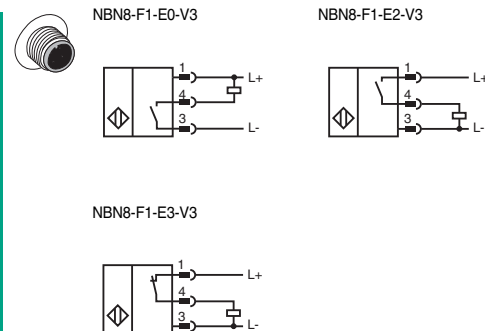
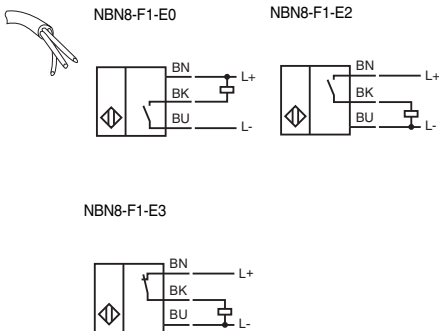
Accessories

This and more accessories can be found in chapter 10
See pages from 972 ... for cordsets See pages 1068 ... for mounting aids

V3-WM	Female connector, M8, 3-pin, field attachable
V3-GM	Female connector, M8, 3-pin, field attachable
V3-WM-2M-PUR	Cable socket, M8, 3-pin, PUR cable
V3-GM-2M-PUR	Cable socket, M8, 3-pin, PUR cable

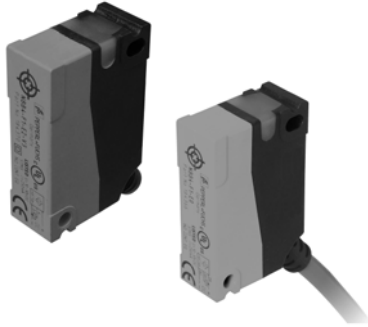


Electrical Connection



Wire colors in accordance with EN 60947-5-2

1	BN	(brown)
3	BU	(blue)
4	BK	(black)



Properties

- Compact F1 housing
- 8 mm, non-flush mountable
- DC, 4-wire switching output
- Cable and connector versions

Your Benefit

- Alignable housing

Technical Data

For detailed data and product description refer to the data sheets at www.pepperl-fuchs.com

General Data

Rated operating distance	8 mm
Installation	non-flush
Operating voltage	10 ... 30 V DC
No-load supply current	≤ 15 mA
Reverse polarity protection	✓
Switching frequency	0 ... 1400 Hz
Operating current	0 ... 250 mA
Short-circuit protection	pulsing
Indication of the switching state	LED, yellow
Ambient temperature	-25 ... 70 °C (-13 ... 158 °F)
Housing material	PA
Protection degree	IP67

Model Number

		NBN8-F1-A0	NBN8-F1-A2	NBN8-F1-A0-V31	NBN8-F1-A2-V31
Switching element function	NPN	NO/NC		●	
	PNP	NO/NC	●		●
Connection type	Device connector M8 x 1 , 4-pin		●	●	●
	cable PVC , 2 m	●	●		

Approvals and Certificates

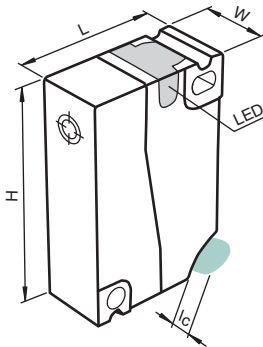
		NBN8-F1-A0	NBN8-F1-A2	NBN8-F1-A0-V31	NBN8-F1-A2-V31
UL approval	cULus Listed, General Purpose	●	●	●	●
CSA approval	cCSAus Listed, General Purpose	●	●	●	●
CCC approval	Products with a maximum operating voltage of ≤36 V do not bear a CCC marking because they do not require approval.				

Dimensions

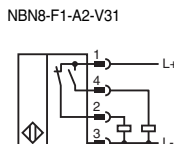
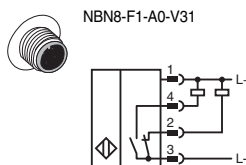
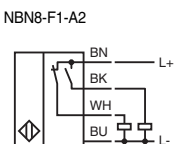
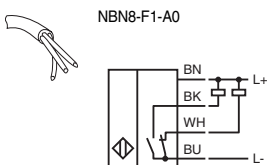
Length L [mm]		26	
Width W [mm]		12	
Height H [mm]		40	
Connector area l _c [mm]		0	9

Accessories This and more accessories can be found in chapter 10

V31-WM-2M-PUR	4-pin, M8 socket, PUR cable	See pages from 972 ... for cordsets	See pages 1068 ... for mounting aids
V31-GM-2M-PUR	4-pin, M8 socket, PUR cable		



Electrical Connection



Wire colors in accordance with EN 60947-5-2

- | | | |
|---|----|---------|
| 1 | BN | (brown) |
| 2 | WH | (white) |
| 3 | BU | (blue) |
| 4 | BK | (black) |

Date of issue 04/08/2015

Refer to "General Notes Relating to Pepperl+Fuchs Product Information".

Pepperl+Fuchs Group
www.pepperl-fuchs.com

USA: +1 330 486 0001
fa-info@us.pepperl-fuchs.com

Germany: +49 621 776 4411
fa-info@de.pepperl-fuchs.com

Singapore: +65 6779 9091
fa-info@sg.pepperl-fuchs.com



1
.1.2



Proximity Sensors, Inductive Sensors, rectangular types

Technical Data

For detailed data and product description refer to the data sheets at www.pepperl-fuchs.com

General Data

Installation	flush
Operating voltage	20 ... 253 V AC/DC
No-load supply current	≤ 4 mA
Reverse polarity protection	✓
Switching frequency	0 ... 25 Hz
Operating current	4 ... 250 mA AC 4 ... 100 mA DC
Short-circuit protection	pulsing
Operating voltage display	LED, green
Indication of the switching state	LED, yellow
Ambient temperature	-25 ... 70 °C (-13 ... 158 °F)
Housing material	PA
Protection degree	IP67
Connection type	cable PVC , 2 m



Properties

- Compact F1 housing
- 2 mm and 4 mm, flush mountable versions
- AC/DC, 2-wire switching output
- Cable version

Your Benefit

- Alignable housing

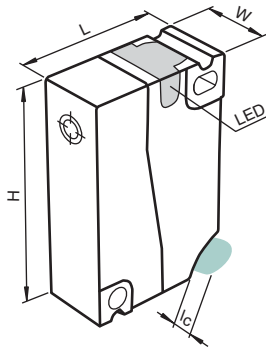
Model Number	NBB2-F1-US	NBB4-F1-US	NBB4-F1-UO
Rated operating distance	2 mm	4 mm	4 mm
Switching element function	AC/DC NO	•	•
	AC/DC NC	•	•

Approvals and Certificates

UL approval	cULus Listed, General Purpose	•	•	•
CSA approval	cCSAus Listed, General Purpose	•	•	•
CCC approval	Certified by China Compulsory Certification (CCC)	•	•	•

Dimensions

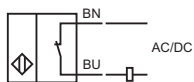
Length L [mm]	26
Width W [mm]	12
Height H [mm]	40
Connector area l _c [mm]	0



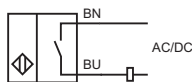
Electrical Connection



NBB4-F1-UO



NBB2-F1-US
NBB4-F1-US





Technical Data

For detailed data and product description refer to the data sheets at www.pepperl-fuchs.com

General Data

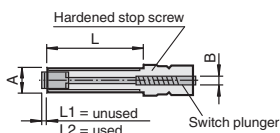
Rated operating distance	1.5 mm
Installation	flush
Switching element function	PNP NO
Operating voltage	10 ... 30 V DC
No-load supply current	≤ 15 mA
Reverse polarity protection	✓
Switching frequency	0 ... 1000 Hz
Operating current	0 ... 200 mA
Short-circuit protection	pulsing
Indication of the switching state	LED, red
Ambient temperature	-25 ... 70 °C (-13 ... 158 °F)
Housing material	PA
Protection degree	IP67

Properties

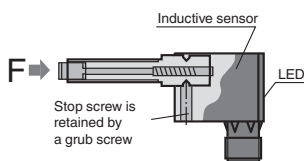
- Compact F2 housing
- 1.5 mm, flush mountable
- DC, 3-wire switching output
- Cable and connector versions

The inductive proximity sensor with plug-in acknowledgement elements is designed for applications where the simple installation of an adjustable mechanical stop with electronic acknowledgement is required. Heavy duty fine threaded stop screws serve as finely adjustable end stops. The state of the acknowledgement element is indicated by the built-in LED on the proximity sensor.

Accessories:
Stop screws (Acknowledgement elements)



Type Coding	A	B	L	L1	L2	Load F max.
AS 08/15	M 8 x 1	6	15	3.5	2	2 000 N
AS 08/40	M 8 x 1	6	40	3.5	2	2 000 N
AS 10/50	M 10 x 1	7	50	2.5	1	9 500 N
AS 12/60	M 12 x 1	9	60	2	0.5	20 500 N
AS 12/80	M 12 x 1	9	80	2	0.5	20 500 N



Model Number

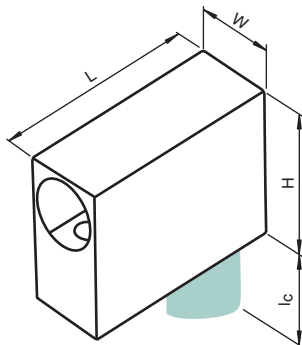
Model Number		NJ1,5-F2-E2	NJ1,5-F2-E2-V1
Connection type	Device connector M12 x 1, 4-pin cable PUR, 2 m		

Approvals and Certificates

UL approval	cULus Listed, General Purpose	●	●
CSA approval	cCSAus Listed, General Purpose	●	●

Dimensions

Length L [mm]	31
Width W [mm]	12
Height H [mm]	25
Connector area l _c [mm]	9 15



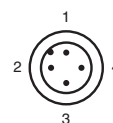
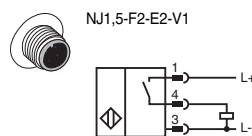
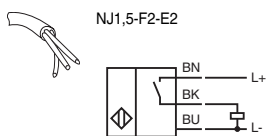
Accessories

This and more accessories can be found in chapter 10

See pages from 972 ... for cordsets See pages 1068 ... for mounting aids

- AS 12/60 Stop screw for series F2 sensors
- AS 12/80 Stop screw for series F2 sensors
- V1-G-BK 4-pin, M12 female field-attachable connector
- V1-W-BK 4-pin, M12 female field-attachable connector
- V1-G-2M-PUR Cable socket, M12, 4-pin, PUR cable
- V1-W-2M-PUR Cable socket, M12, 4-pin, PUR cable
- AS 08/15 Stop screw for series F2 sensors
- AS 08/40 Stop screw for series F2 sensors
- AS 10/50 Stop screw for series F2 sensors

Electrical Connection



Wire colors in accordance with EN 60947-5-2

1	BN	(brown)
2	WH	(white)
3	BU	(blue)
4	BK	(black)

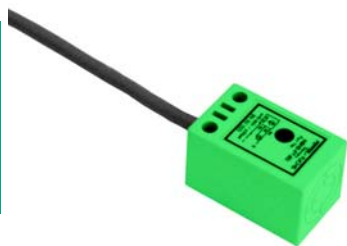
Date of issue 04/08/2015



1
.1.2



Proximity Sensors, Inductive Sensors, rectangular types



Properties

- Compact F7 housing
- 5 mm, non-flush mountable
- DC, 3-wire switching output
- Cable version

Technical Data

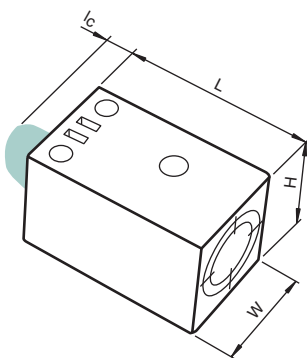
For detailed data and product description refer to the data sheets at www.pepperl-fuchs.com

General Data

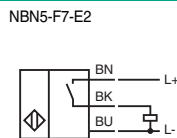
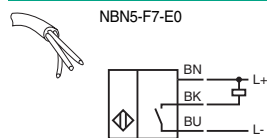
Rated operating distance	5 mm
Installation	non-flush
Operating voltage	10 ... 30 V DC
No-load supply current	≤ 20 mA
Reverse polarity protection	✓
Switching frequency	0 ... 500 Hz
Operating current	0 ... 100 mA
Short-circuit protection	pulsing
Indication of the switching state	LED, yellow
Ambient temperature	-25 ... 70 °C (-13 ... 158 °F)
Housing material	PBT
Protection degree	IP67
Connection type	cable PVC , 2 m

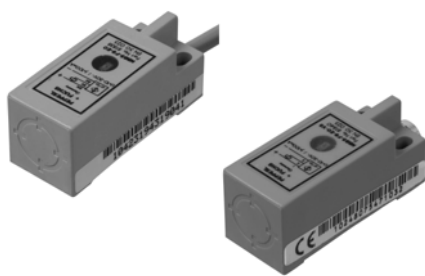


Model Number		NBN5-F7-E0	NBN5-F7-E2
Switching element function	NPN NO PNP NO	●	●
Approvals and Certificates			
UL approval	cULus Listed, General Purpose	●	●
CSA approval	cCSAus Listed, General Purpose	●	●
CCC approval	Products with a maximum operating voltage of ≤36 V do not bear a CCC marking because they do not require approval.		
Dimensions			
Length L [mm]		28	
Width W [mm]		17	
Height H [mm]		17	
Connector area l _c [mm]		0	



Electrical Connection





Properties

- Compact F9 housing
- 5 mm, flush mountable
- DC, 3-wire switching output
- Cable and connector versions

Technical Data

For detailed data and product description refer to the data sheets at www.pepperl-fuchs.com

General Data

Rated operating distance	5 mm
Installation	flush
Operating voltage	10 ... 30 V DC
No-load supply current	≤ 15 mA
Reverse polarity protection	✓
Switching frequency	0 ... 500 Hz
Operating current	0 ... 150 mA
Short-circuit protection	pulsing
Indication of the switching state	LED, yellow
Ambient temperature	-25 ... 70 °C (-13 ... 158 °F)
Housing material	PBT
Protection degree	IP67

Model Number

		NBB5-F9-E0	NBB5-F9-E2	NBB5-F9-E0-V3	NBB5-F9-E2-V3
Switching element function	NPN	●		●	
	NO		●		●
Connection type	PNP		●		●
	NO			●	●
Device connector M8 x 1, 3-pin cable PVC, 2 m		●	●		
				●	●

Approvals and Certificates

UL approval	cULus Listed, General Purpose	●	●	●	●
CSA approval	cCSAus Listed, General Purpose	●	●	●	●
CCC approval	Products with a maximum operating voltage of ≤36 V do not bear a CCC marking because they do not require approval.				

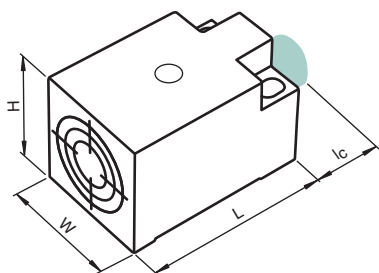
Dimensions

Length L [mm]		38.5
Width W [mm]		16
Height H [mm]		16.5
Connector area l _c [mm]		0
		6

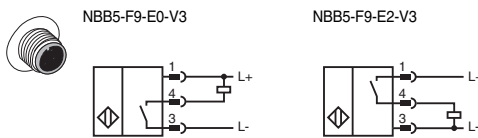
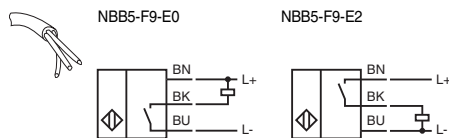
Accessories

This and more accessories can be found in chapter 10
 See pages from 972 ... for cordsets See pages 1068 ... for mounting aids

- V3-GM** Female connector, M8, 3-pin, field attachable
- V3-WM** Female connector, M8, 3-pin, field attachable
- V3-WR-5M-PUR** Cable connector
- V3-WR-E2-5M-PUR** M8 cable socket.



Electrical Connection



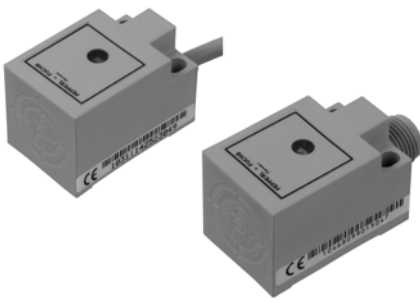
Wire colors in accordance with EN 60947-5-2

- 1 | BN (brown)
- 3 | BU (blue)
- 4 | BK (black)

Date of issue 04/08/2015



1
.1.2



Proximity Sensors, Inductive Sensors, rectangular types

Properties

- Compact F10 housing
- 7 mm, flush and non-flush mountable versions
- DC, 3-wire switching output
- Cable and connector versions

Technical Data

For detailed data and product description refer to the data sheets at www.pepperl-fuchs.com

General Data

Rated operating distance	7 mm
Operating voltage	10 ... 30 V
No-load supply current	≤ 15 mA
Reverse polarity protection	✓
Switching frequency	500 Hz
Operating current	0 ... 150 mA
Short-circuit protection	✓
Indication of the switching state	LED, yellow
Ambient temperature	-25 ... 70 °C (-13 ... 158 °F)
Housing material	PBT
Protection degree	IP67

Model Number

		NBB7-F10-E0	NBB7-F10-E1	NBB7-F10-E2	NBB7-F10-E3	NBB7-F10-E0-V1	NBB7-F10-E2-V1
Installation	flush	●	●	●	●		
	non-flush					●	●
Switching element function	NPN NC		●				
	NPN NO	●				●	
	PNP NC				●		
	PNP NO			●			●
Connection type	Device connector M12 x 1 , 4-pin					●	●
	cable PVC , 2 m	●	●	●	●		

Approvals and Certificates

UL approval	cULus Listed, General Purpose	●	●	●	●	●	●
CSA approval	cCSAus Listed, General Purpose	●	●	●	●	●	●
CCC approval	Products with a maximum operating voltage of ≤36 V do not bear a CCC marking because they do not require approval.						

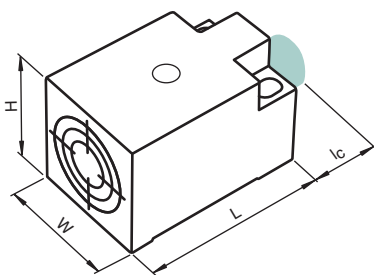
Dimensions

Length L [mm]		38.5
Width W [mm]		25
Height H [mm]		25.5
Connector area l _c [mm]		0 10

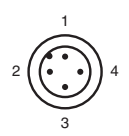
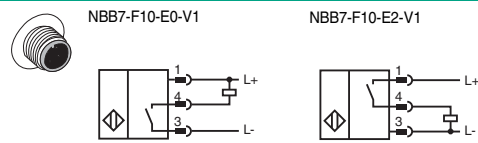
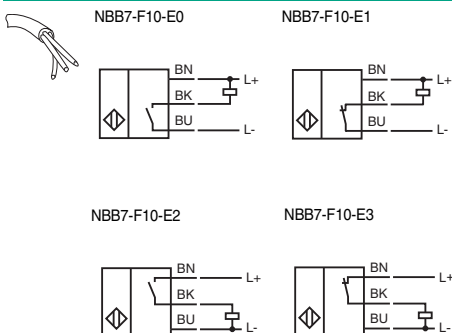
Accessories

This and more accessories can be found in chapter 10
See pages from 972 ... for cordsets See pages 1068 ... for mounting aids

- V1-W-BK** 4-pin, M12 female field-attachable connector
- V1-G-BK** 4-pin, M12 female field-attachable connector
- V1-G-2M-PUR** Cable socket, M12, 4-pin, PUR cable
- V1-W-2M-PUR** Cable socket, M12, 4-pin, PUR cable

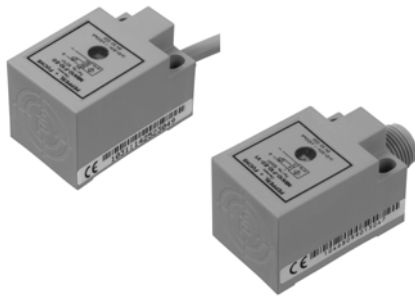


Electrical Connection



Wire colors in accordance with EN 60947-5-2

1	BN	(brown)
2	WH	(white)
3	BU	(blue)
4	BK	(black)



Technical Data

For detailed data and product description refer to the data sheets at www.pepperl-fuchs.com

General Data

Rated operating distance	10 mm
Installation	non-flush
Operating voltage	10 ... 30 V DC
No-load supply current	≤ 15 mA
Reverse polarity protection	✓
Switching frequency	0 ... 500 Hz
Operating current	0 ... 150 mA
Short-circuit protection	pulsing
Indication of the switching state	LED, yellow
Ambient temperature	-25 ... 70 °C (-13 ... 158 °F)
Housing material	PBT
Protection degree	IP67

Properties

- Compact F10 housing
- 10 mm, non-flush mountable
- DC, 3-wire switching output
- Cable and connector versions

Model Number

		green = preferred type		
Switching element function	NPN NO	●	●	●
	PNP NO		●	●
Connection type	Device connector M12 x 1, 4-pin cable PVC, 2 m	●	●	●

Approvals and Certificates

UL approval	cULus Listed, General Purpose	●	●	●	●
CSA approval	cCSAus Listed, General Purpose	●	●	●	●
CCC approval	Products with a maximum operating voltage of ≤36 V do not bear a CCC marking because they do not require approval.				

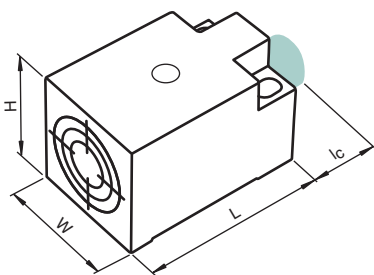
Dimensions

Length L [mm]			38.5
Width W [mm]			25
Height H [mm]			25.5
Connector area l _c [mm]		0	10

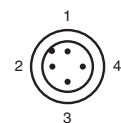
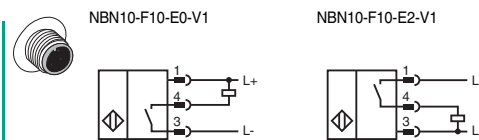
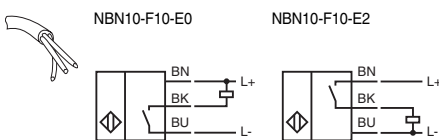
Accessories

This and more accessories can be found in chapter 10
 See pages from 972 ... for cordsets See pages 1068 ... for mounting aids

V1-G-BK	4-pin, M12 female field-attachable connector
V1-W-BK	4-pin, M12 female field-attachable connector
V1-G-2M-PUR	Cable socket, M12, 4-pin, PUR cable
V1-W-2M-PUR	Cable socket, M12, 4-pin, PUR cable



Electrical Connection



Wire colors in accordance with EN 60947-5-2

1	BN	(brown)
2	WH	(white)
3	BU	(blue)
4	BK	(black)

Date of issue 04/08/2015

Refer to "General Notes Relating to Pepperl+Fuchs Product Information".

Pepperl+Fuchs Group
www.pepperl-fuchs.com

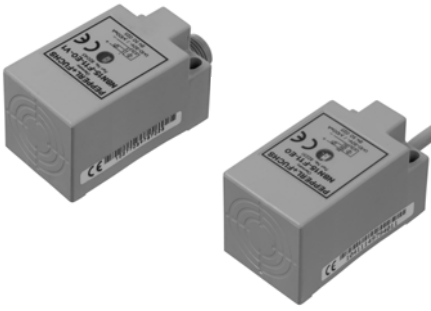
USA: +1 330 486 0001
fa-info@us.pepperl-fuchs.com

Germany: +49 621 776 4411
fa-info@de.pepperl-fuchs.com

Singapore: +65 6779 9091
fa-info@sg.pepperl-fuchs.com



1
.1.2



Proximity Sensors, Inductive Sensors, rectangular types

Properties

- Compact F11 housing
- 15 mm, non-flush mountable
- DC, 3-wire switching output
- Cable and connector versions

Technical Data

For detailed data and product description refer to the data sheets at www.pepperl-fuchs.com

General Data

Rated operating distance	15 mm
Installation	non-flush
Operating voltage	10 ... 30 V DC
No-load supply current	≤ 15 mA
Reverse polarity protection	✓
Switching frequency	0 ... 150 Hz
Operating current	0 ... 150 mA
Short-circuit protection	pulsing
Indication of the switching state	LED, yellow
Ambient temperature	-25 ... 70 °C (-13 ... 158 °F)
Housing material	PBT
Protection degree	IP67

Model Number

		NBN15-F11-E0	NBN15-F11-E2	NBN15-F11-E0-V1	NBN15-F11-E2-V1
Switching element function	NPN NO	●		●	
	PNP NO		●		●
Connection type	Device connector M12 x 1, 4-pin cable PVC, 2 m	●	●	●	●

Approvals and Certificates

UL approval	cULus Listed, General Purpose	●	●	●	●
CSA approval	cCSAus Listed, General Purpose	●	●	●	●
CCC approval	Products with a maximum operating voltage of ≤36 V do not bear a CCC marking because they do not require approval.				

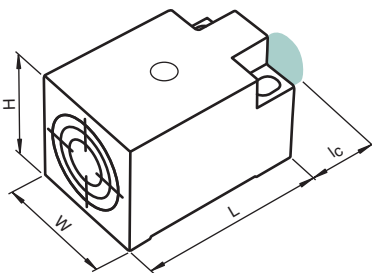
Dimensions

Length L [mm]		52.5
Width W [mm]		30
Height H [mm]		30.5
Connector area l _c [mm]		0
		10

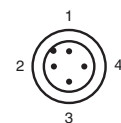
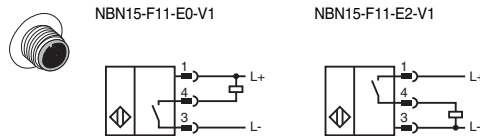
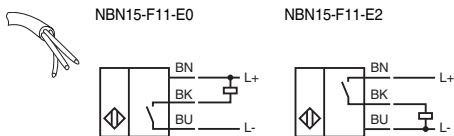
Accessories

This and more accessories can be found in chapter 10
See pages from 972 ... for cordsets See pages 1068 ... for mounting aids

V1-G-BK	4-pin, M12 female field-attachable connector
V1-W-BK	4-pin, M12 female field-attachable connector
V1-G-2M-PUR	Cable socket, M12, 4-pin, PUR cable
V1-W-2M-PUR	Cable socket, M12, 4-pin, PUR cable



Electrical Connection



Wire colors in accordance with EN 60947-5-2

1	BN	(brown)
2	WH	(white)
3	BU	(blue)
4	BK	(black)



Technical Data

For detailed data and product description refer to the data sheets at www.pepperl-fuchs.com

General Data

Rated operating distance	7 mm
Installation	flush
Operating voltage	10 ... 30 V DC
No-load supply current	≤ 15 mA
Reverse polarity protection	✓
Switching frequency	150 Hz
Operating current	200 mA
Short-circuit protection	pulsing
Indication of the switching state	LED
Ambient temperature	-25 ... 70 °C (-13 ... 158 °F)
Housing material	GD-Zn
Protection degree	IP67

Properties

- Compact F104 housing
- 7 mm, flush mountable
- DC, 4-wire switching output
- Cable and pigtailed connector versions

Model Number

		NBB7-F104M-A0	NBB7-F104M-A2	NBB7-F104M-A0-200MM-V1	NBB7-F104M-A2-200MM-V1
Switching element function	NPN	●		●	
	NO/NC				●
Connection type	PNP		●		●
	NO/NC				
Connection type	cable PUR , 2 m	●	●		
	Cable connector M12 x 1 , 4-pin with PUR cable 200 mm			●	●

Approvals and Certificates

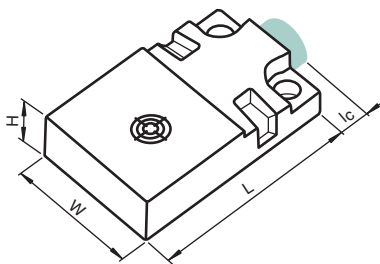
UL approval	cULus Listed, General Purpose	●	●	●	●
CCC approval	Products with a maximum operating voltage of ≤36 V do not bear a CCC marking because they do not require approval.				

Dimensions

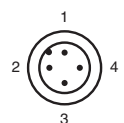
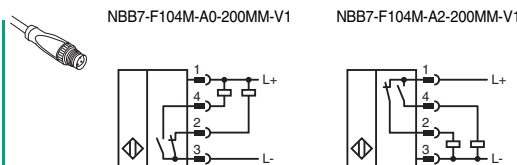
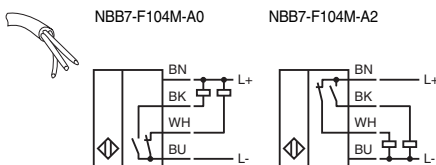
Length L [mm]	32
Width W [mm]	20
Height H [mm]	8
Connector area l _c [mm]	4

Accessories This and more accessories can be found in chapter 10
 See pages from 972 ... for cordsets See pages 1068 ... for mounting aids

V1-G-2M-PVC	Cable socket, M12, 4-pin, PVC cable
V1-W-2M-PVC	Cable socket, M12, 4-pin, PVC cable



Electrical Connection



Wire colors in accordance with EN 60947-5-2

1	BN	(brown)
2	WH	(white)
3	BU	(blue)
4	BK	(black)

Date of issue 04/08/2015



1
.1.2



Proximity Sensors, Inductive Sensors, rectangular types

Technical Data

For detailed data and product description refer to the data sheets at www.pepperl-fuchs.com

General Data

Rated operating distance	5 mm
Installation	flush
Operating voltage	10 ... 30 V DC
Reverse polarity protection	✓
Switching frequency	0 ... 500 Hz
Operating current	0 ... 200 mA
Short-circuit protection	pulsing
Indication of the switching state	LED
Ambient temperature	-25 ... 70 °C (-13 ... 158 °F)
Housing material	metal
Protection degree	IP67
Connection type	cabl PVC , 2 m



Properties

- Compact F33 metal housing
- 5 mm, flush mountable
- DC, 3-wire and 4-wire switching output versions
- Cable version

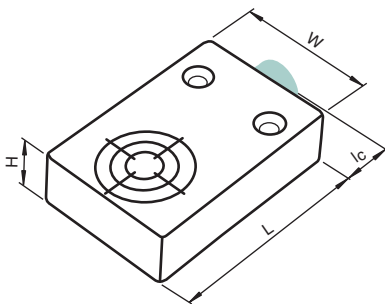
Model Number			NBB5-F33M-E0	NBB5-F33M-E2	NBB5-F33M-A0	NBB5-F33M-A2
Switching element function	NPN	NO/NC	●		●	
	NPN	NO				●
	PNP	NO/NC				●
	PNP	NO		●		
No-load supply current	≤ 15 mA		●	●		●
	≤ 20 mA				●	●

Approvals and Certificates

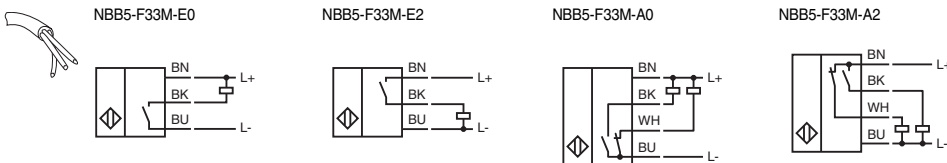
UL approval	cULus Listed, General Purpose	●	●	●	●
CSA approval	cCSAus Listed, General Purpose	●	●	●	●
CCC approval	Products with a maximum operating voltage of ≤36 V do not bear a CCC marking because they do not require approval.				

Dimensions

Length L [mm]	50
Width W [mm]	25
Height H [mm]	10
Connector area l _c [mm]	0



Electrical Connection



Date of issue: 04/08/2015



Properties

- Compact F33 plastic housing
- 5 mm and 8 mm, flush mountable versions
- DC, 3-wire and 4-wire switching output versions
- Cable version

Technical Data

For detailed data and product description refer to the data sheets at www.pepperl-fuchs.com

General Data

Installation	flush
Reverse polarity protection	✓
Operating current	0 ... 200 mA
Short-circuit protection	pulsing
Housing material	PBT
Protection degree	IP67
Connection type	cable PVC , 2 m



Model Number

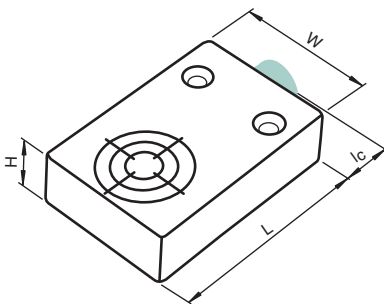
		green = preferred type	NBB5-F33-E0	NBB5-F33-E2	NBB5-F33-A0	NBB5-F33-A2	NBB8-F33-E0	NBB8-F33-E1	NBB8-F33-E2	NBB8-F33-E3
Rated operating distance	5 mm		●	●	●	●				
	8 mm						●	●	●	●
Switching element function	NPN NO/NC				●					
	NPN NO		●							
	NPN NC						●			
	PNP NO/NC				●					
	PNP NO			●					●	
	PNP NC									●
Operating voltage	10 ... 30 V DC		●	●	●	●				
	10 ... 60 V DC						●	●	●	●
No-load supply current	≤ 10 mA						●	●	●	●
	≤ 15 mA		●	●						
	≤ 20 mA				●	●				
Switching frequency	0 ... 350 Hz						●	●	●	●
	0 ... 500 Hz		●	●	●	●				
Indication of the switching state	LED yellow						●	●	●	●
Ambient temperature	-25 ... 70 °C (-13 ... 158 °F)		●	●	●	●				
	-35 ... 70 °C (-31 ... 158 °F)						●	●	●	●

Approvals and Certificates

UL approval	cULus Listed, General Purpose	●	●	●	●	●	●	●	●	●
CSA approval	cCSAus Listed, General Purpose	●	●	●	●	●	●	●	●	●
CCC approval	Certified by China Compulsory Certification (CCC)						●	●	●	●
	Products with a maximum operating voltage of ≤36 V do not bear a CCC marking because they do not require approval.	●	●	●	●					

Dimensions

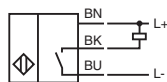
Length L [mm]	50
Width W [mm]	25
Height H [mm]	10
Connector area l _c [mm]	0



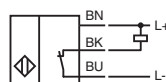
Electrical Connection



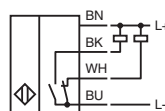
NBB5-F33-E0
NBB8-F33-E0



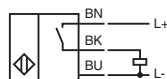
NBB8-F33-E1



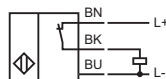
NBB5-F33-A0



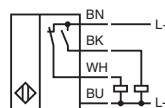
NBB5-F33-E2
NBB8-F33-E2



NBB8-F33-E3



NBB5-F33-A2



Date of issue 04/08/2015

Refer to "General Notes Relating to Pepperl+Fuchs Product Information".

Pepperl+Fuchs Group
www.pepperl-fuchs.com

USA: +1 330 486 0001
fa-info@us.pepperl-fuchs.com

Germany: +49 621 776 4411
fa-info@de.pepperl-fuchs.com

Singapore: +65 6779 9091
fa-info@sg.pepperl-fuchs.com



1
.1.2



Proximity Sensors, Inductive Sensors, Inductive Sensors, rectangular types



Properties

- Flexible VariKont-M housing
- 15 mm, non-flush mountable
- DC, 2-wire switching output
- Terminal compartment

Technical Data

For detailed data and product description refer to the data sheets at www.pepperl-fuchs.com

Model Number	NCN15-M1K-Z2
Rated operating distance	15 mm
Installation	non-flush
Switching element function	DC NO/NC
Operating voltage	5 ... 60 V DC
Reverse polarity protection	tolerant
Switching frequency	0 ... 150 Hz
Operating current	2 ... 200 mA
Lowest operating current	2 mA
Short-circuit protection	pulsing
Indication of the switching state	LED, yellow
Pre-fault indication	LED, red
Ambient temperature	-25 ... 70 °C (-13 ... 158 °F)
Housing material	PBT
Protection degree	IP67
Connection type	screw terminals



Approvals and Certificates

UL approval	cULus Listed, General Purpose
CSA approval	cCSAus Listed, General Purpose
CCC approval	Certified by China Compulsory Certification (CCC)

Dimensions

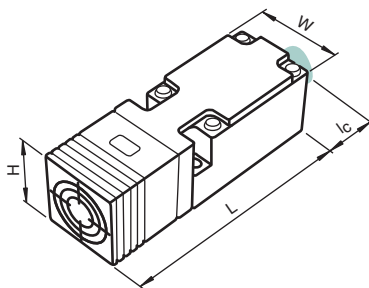
Length L [mm]	91
Width W [mm]	30
Height H [mm]	30
Connector area l _c [mm]	0 (M16 X 1.5)

Accessories

This and more accessories can be found in chapter 10
See pages from 972 ... for cordsets See pages 1068 ... for mounting aids

MH 04-3742A

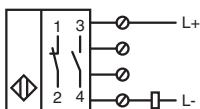
Mounting aid for VariKont and -M1K-



Electrical Connection



NCN15-M1K-Z2





Technical Data

For detailed data and product description refer to the data sheets at www.pepperl-fuchs.com

General Data

Rated operating distance	15 mm
Installation	non-flush
Operating voltage	10 ... 60 V DC
No-load supply current	≤ 14 mA
Reverse polarity protection	✓
Operating current	0 ... 200 mA
Short-circuit protection	pulsing
Operating voltage display	LED, green
Indication of the switching state	LED, yellow
Ambient temperature	-25 ... 70 °C (-13 ... 158 °F)
Housing material	PBT
Protection degree	IP67
Connection type	screw terminals



Properties

- Flexible VariKont-M housing
- 15 mm, non-flush mountable
- DC, 3-wire and 4-wire switching output versions
- Terminal compartment

Model Number

		NCN15-M1K-E4	NCN15-M1K-E5	NJ15-M1K-A2
Switching element function	NPN	●		
	PNP		●	●
Switching frequency	0 ... 200 Hz			●
	0 ... 500 Hz	●	●	

Approvals and Certificates

		NCN15-M1K-E4	NCN15-M1K-E5	NJ15-M1K-A2
UL approval	cULus Listed, General Purpose	●	●	
CSA approval	cCSAus Listed, General Purpose	●	●	
CCC approval	Certified by China Compulsory Certification (CCC)	●	●	●

Dimensions

Length L [mm]		91
Width W [mm]		30
Height H [mm]		30
Connector area l _c [mm]		0 (M16 X 1.5)

Accessories

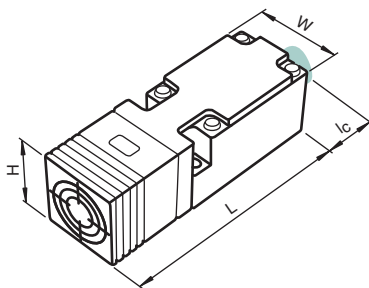
This and more accessories can be found in chapter 10

See pages from 972 ... for cordsets

See pages 1068 ... for mounting aids

MH 04-3742A

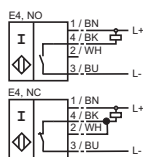
Mounting aid for VariKont and -M1K-



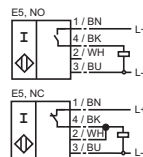
Electrical Connection



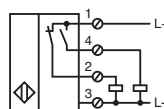
NCN15-M1K-E4



NCN15-M1K-E5



NJ15-M1K-A2



Date of issue 04/08/2015





Properties

- Flexible VariKont-M housing
- 15 mm, non-flush mountable
- AC, 2-wire switching output
- Terminal compartment

Technical Data

For detailed data and product description refer to the data sheets at www.pepperl-fuchs.com

General Data

Rated operating distance	15 mm
Installation	non-flush
Operating voltage	20 ... 253 V AC
Switching frequency	0 ... 20 Hz
Operating current	5 ... 400 mA
Operating voltage display	LED, green
Indication of the switching state	LED, yellow
Ambient temperature	-25 ... 70 °C (-13 ... 158 °F)
Housing material	PBT
Protection degree	IP67
Connection type	screw terminals



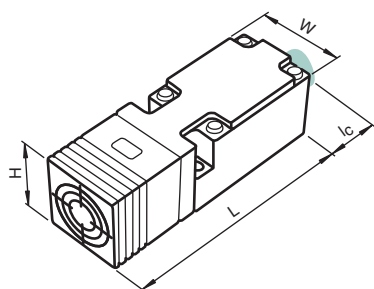
Model Number		NBN15-M1K-WS	NBN15-M1K-WO
Switching element function	AC NO AC NC	● ●	● ●
Approvals and Certificates			
UL approval	cULus Listed, General Purpose	●	●
CSA approval	cCSAus Listed, General Purpose	●	●
Dimensions			
Length L [mm]		91	
Width W [mm]		30	
Height H [mm]		30	
Connector area l _c [mm]		0 (M16 X 1.5)	

Accessories

This and more accessories can be found in chapter 10
See pages from 972 ... for cordsets See pages 1068 ... for mounting aids

MH 04-3742A

Mounting aid for VariKont and -M1K-

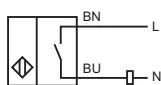
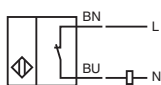


Electrical Connection



NBN15-M1K-WO

NBN15-M1K-WS





Technical Data

For detailed data and product description refer to the data sheets at www.pepperl-fuchs.com

General Data

Switching frequency	0 ... 30 Hz
Operating current	2 ... 100 mA
Short-circuit protection	pulsing
Indication of the switching state	LED, yellow
Ambient temperature	-25 ... 70 °C (-13 ... 158 °F)
Housing material	PA
Protection degree	IP69K
Connection type	Device connector M12 x 1 , 4-pin



1
1.2



Proximity Sensors, Inductive Sensors, rectangular types

Properties

- Flexible, compact VariKont-L housing
- 20 mm, flush and 40 mm, non-flush mountable versions
- DC, 2-wire switching output
- Connector version

Your Benefit

- All-around visible status display
- Sensor head can be aligned in 5 different positions
- Mounting base with quick clamping lever for swift mounting
- Rotatable connector allows all orientations of the attached cordset

Model Number

		NBB20-L2-Z0-V1	NBB20-L2-Z4-V1	NBB20-L2-Z5-V1	NBN40-L2-Z0-V1	NBN40-L2-Z4-V1	NBN40-L2-Z5-V1
Rated operating distance	20 mm	●	●	●			
	40 mm				●	●	●
Installation	flush	●	●	●			
	non-flush				●	●	●
Switching element function	NO	●	●	●	●	●	●
	NC			●			●
Operating voltage	3.8 ... 30 V DC		●	●		●	●
	5 ... 30 V DC	●			●		●
Reverse polarity protection	✓		●	●		●	●
	tolerant	●			●		

Approvals and Certificates

		NBB20-L2-Z0-V1	NBB20-L2-Z4-V1	NBB20-L2-Z5-V1	NBN40-L2-Z0-V1	NBN40-L2-Z4-V1	NBN40-L2-Z5-V1
UL approval	cULus Listed, General Purpose	●	●	●	●	●	●
CSA approval	cCSAus Listed, General Purpose	●	●	●	●	●	●
CCC approval	Products with a maximum operating voltage of ≤36 V do not bear a CCC marking because they do not require approval.						

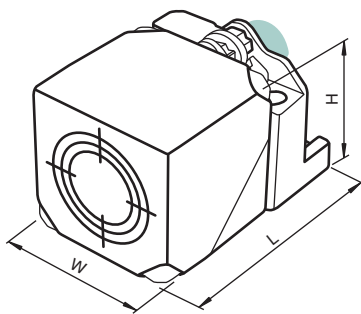
Dimensions

Length L [mm]	67
Width W [mm]	40
Height H [mm]	40

Accessories

This and more accessories can be found in chapter 10
 See pages from 972 ... for cordsets See pages 1068 ... for mounting aids

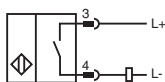
V1-G-BK	4-pin, M12 female field-attachable connector
V1-W-BK	4-pin, M12 female field-attachable connector
V1-G-2M-PUR	Cable socket, M12, 4-pin, PUR cable
V1-W-2M-PUR	Cable socket, M12, 4-pin, PUR cable
MHW 01	Modular mounting bracket
MH 02-L	Mounting aid



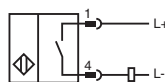
Electrical Connection



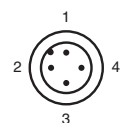
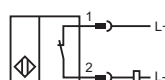
NBB20-L2-Z0-V1
NBN40-L2-Z0-V1



NBB20-L2-Z4-V1
NBN40-L2-Z4-V1



NBB20-L2-Z5-V1
NBN40-L2-Z5-V1



Wire colors in accordance with EN 60947-5-2

1	BN	(brown)
2	WH	(white)
3	BU	(blue)
4	BK	(black)

Date of issue 04/08/2015

Refer to "General Notes Relating to Pepperl+Fuchs Product Information".

Pepperl+Fuchs Group
www.pepperl-fuchs.com

USA: +1 330 486 0001
fa-info@us.pepperl-fuchs.com

Germany: +49 621 776 4411
fa-info@de.pepperl-fuchs.com

Singapore: +65 6779 9091
fa-info@sg.pepperl-fuchs.com

1
.1.2



Proximity Sensors, Inductive Sensors, rectangular types

Technical Data

For detailed data and product description refer to the data sheets at www.pepperl-fuchs.com

General Data

Operating voltage	10 ... 30 V DC
No-load supply current	≤ 20 mA
Reverse polarity protection	✓
Operating current	0 ... 200 mA
Short-circuit protection	pulsing
Operating voltage display	LED, green
Indication of the switching state	LED, yellow
Ambient temperature	-25 ... 85 °C (-13 ... 185 °F)
Housing material	PA
Protection degree	IP69K
Connection type	Device connector M12 x 1 , 4-pin



Properties

- Flexible, compact *VariKont-L* housing
- 20 mm, flush and 40 mm, non-flush mountable versions
- DC, 3-wire and 4-wire switching output versions
- Connector version

Your Benefit

- All-around visible status display
- Sensor head can be aligned in 5 different positions
- Mounting base with quick clamping lever for swift mounting
- Rotatable connector allows all orientations of the attached cordset

Further Products

In this series, we offer additionally:

NBB20-L2-A2-T-V1

Technical data like NBB20-L2-A2-V1 but:
Ambient temperature: -25 ... 100 °C (-13 ... 212 °F)

Model Number

Rated operating distance	20 mm 40 mm	green = preferred type
Installation	flush non-flush	
Switching element function	NPN NO/NC NPN NO PNP NO/NC PNP NO	
Switching frequency	0 ... 100 Hz 0 ... 150 Hz	

	NBB20-L2-E0-V1	NBB20-L2-E2-V1	NBB20-L2-A0-V1	NBB20-L2-A2-V1	NBN40-L2-E0-V1	NBN40-L2-E2-V1	NBN40-L2-A0-V1	NBN40-L2-A2-V1
Rated operating distance	●	●	●	●				
Installation	●	●	●	●	●	●	●	●
Switching element function			●		●		●	
Switching frequency	●	●	●	●	●	●	●	●

Approvals and Certificates

UL approval	cULus Listed, General Purpose	●	●	●	●	●	●	●
CSA approval	cCSAus Listed, General Purpose	●	●	●	●	●	●	●
CCC approval	Products with a maximum operating voltage of ≤36 V do not bear a CCC marking because they do not require approval.							

Dimensions

Length L [mm]	67
Width W [mm]	40
Height H [mm]	40

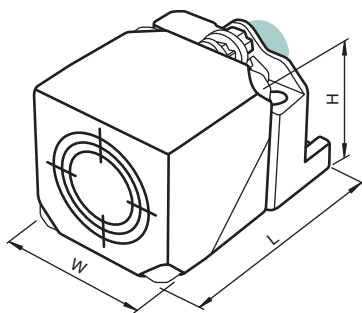
Accessories

This and more accessories can be found in chapter 10

See pages from 972 ... for cordsets

See pages 1068 ... for mounting aids

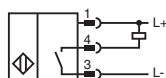
- V1-G-BK** 4-pin, M12 female field-attachable connector
- V1-W-BK** 4-pin, M12 female field-attachable connector
- V1-G-2M-PUR** Cable socket, M12, 4-pin, PUR cable
- V1-W-2M-PUR** Cable socket, M12, 4-pin, PUR cable
- MHW 01** Modular mounting bracket
- MH 02-L** Mounting aid



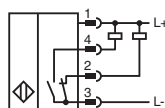
Electrical Connection



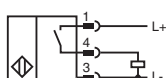
NBB20-L2-E0-V1
NBN40-L2-E0-V1



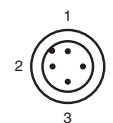
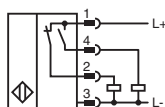
NBB20-L2-A0-V1
NBN40-L2-A0-V1



NBB20-L2-E2-V1
NBN40-L2-E2-V1

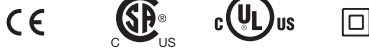


NBB20-L2-A2-T-V1
NBB20-L2-A2-V1
NBN40-L2-A2-V1



Wire colors in accordance with EN 60947-5-2

- 1 BN (brown)
- 2 WH (white)
- 3 BU (blue)
- 4 BK (black)



Technical Data

For detailed data and product description refer to the data sheets at www.pepperl-fuchs.com

General Data

Operating voltage	10 ... 30 V DC
No-load supply current	≤ 20 mA
Reverse polarity protection	✓
Operating current	0 ... 200 mA
Short-circuit protection	pulsing
Operating voltage display	LED, green
Indication of the switching state	LED, yellow
Ambient temperature	-25 ... 85 °C (-13 ... 185 °F)
Housing material	PA-GF35 metal base Xylan coated metal mounting flange Xylan coated.
Protection degree	IP69K
Connection type	Device connector M12 x 1, 4-pin



Properties

- Flexible, compact VariKont-L housing
- 20 mm, flush and 40 mm, non-flush mountable versions
- DC, 3-wire and 4-wire switching output versions
- Connector version

Your Benefit

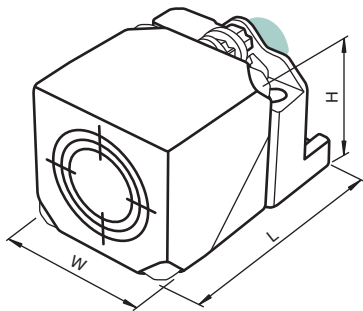
- All-around visible status display
- Sensor head can be aligned in 5 different positions
- Mounting base with quick clamping flange for swift mounting
- Rotatable connector allows all orientations of the attached cordset

Further Products

In this series, we offer additionally:

NBB20-L2M-A2-T-V1

Technical data like NBB20-L2M-A2-V1 but:
Ambient temperature: -25 ... 100 °C (-13 ... 212 °F)
Housing material: PA-GF35
metal base powder coated
metal mounting flange powder coated.



Model Number

		NBB20-L2M-E0-V1	NBB20-L2M-E2-V1	NBB20-L2M-A0-V1	NBB20-L2M-A2-V1	NBN40-L2M-E0-V1	NBN40-L2M-E2-V1	NBN40-L2M-A0-V1	NBN40-L2M-A2-V1
Rated operating distance	20 mm	●	●	●	●				
	40 mm					●	●	●	●
Installation	flush	●	●	●	●				
	non-flush					●	●	●	●
Switching element function	NPN NO/NC			●					
	NPN NO	●				●			
	PNP NO/NC				●				
	PNP NO		●				●		●
Switching frequency	0 ... 100 Hz					●	●	●	●
	0 ... 150 Hz	●	●	●	●				

Approvals and Certificates

UL approval	cULus Listed, General Purpose	●	●	●	●	●	●	●	●
CSA approval	cCSAus Listed, General Purpose	●	●	●	●	●	●	●	●
CCC approval	Products with a maximum operating voltage of ≤36 V do not bear a CCC marking because they do not require approval.								

Dimensions

Length L [mm]	67
Width W [mm]	40
Height H [mm]	40

Accessories

This and more accessories can be found in chapter 10

See pages from 972 ... for cordsets

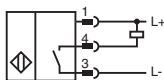
See pages 1068 ... for mounting aids

V1-G-BK	4-pin, M12 female field-attachable connector
V1-W-BK	4-pin, M12 female field-attachable connector
V1-G-2M-PUR	Cable socket, M12, 4-pin, PUR cable
V1-W-2M-PUR	Cable socket, M12, 4-pin, PUR cable
MHW 01	Modular mounting bracket
MH 02-L	Mounting aid

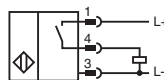
Electrical Connection



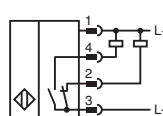
NBB20-L2M-E0-V1
NBN40-L2M-E0-V1



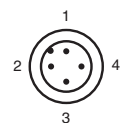
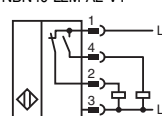
NBB20-L2M-E2-V1
NBN40-L2M-E2-V1



NBB20-L2M-A0-V1
NBN40-L2M-A0-V1



NBB20-L2M-A2-T-V1
NBB20-L2M-A2-V1
NBN40-L2M-A2-V1



Wire colors in accordance with EN 60947-5-2

1	BN	(brown)
2	WH	(white)
3	BU	(blue)
4	BK	(black)



1
.1.2



Properties

- Flexible, compact VariKont-L housing
- 20 mm, flush and 40 mm, non-flush mountable versions
- AC/DC, 2-wire switching output
- Connector version

Your Benefit

- All-around visible status display
- Sensor head can be aligned in 5 different positions
- Mounting base with quick clamping flange for swift mounting

Technical Data

For detailed data and product description refer to the data sheets at www.pepperl-fuchs.com

General Data

Operating voltage	20 ... 250 V AC/DC
No-load supply current	≤ 0.6 mA
Reverse polarity protection	✓
Switching frequency	0 ... 30 Hz
Operating current	3 ... 300 mA
Short-circuit protection	pulsing
Operating voltage display	LED, green
Indication of the switching state	LED, red
Ambient temperature	-25 ... 70 °C (-13 ... 158 °F)
Housing material	metal - Zinc housing
Housing base	Metal Bracket
Protection degree	IP67

Model Number

		NBB20-L3M-US-V12	NBB20-L3M-JO-V12	NBB20-L3M-US-V93	NBB20-L3M-JO-V93	NBN40-L3M-US-V12	NBN40-L3M-US-V93
Rated operating distance	20 mm	●	●	●	●		
	40 mm					●	●
Installation	flush	●	●	●	●		
	non-flush					●	●
Switching element function	AC/DC NC		●		●		
	AC/DC NO	●		●		●	●
Connection type	Device connector 1/2"-20 UN , 3-pin	●	●			●	
	Device connector 7/8"-16 UN , 3-pin			●	●		●



Approvals and Certificates

UL approval	cULus Listed, General Purpose	●	●	●	●	●	●
CSA approval	cCSAus Listed, General Purpose	●	●	●	●	●	●
CCC approval	Certified by China Compulsory Certification (CCC)	●	●	●	●	●	●

Dimensions

Length L [mm]	67	76	67	76
Width W [mm]			40	
Height H [mm]			40	

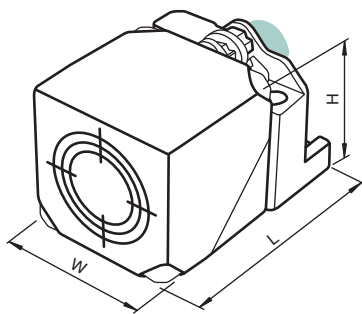
Accessories

This and more accessories can be found in chapter 10

See pages from 972 ... for cordsets

See pages 1068 ... for mounting aids

V93-G-YE2M-STOOW	Female connector, 7/8" - 16 UNF, 3-pin, PUR cable
V12-W-YE2M-PUR-H/S	Connecting cable, 1/2" - 20 UNF, 3-pin, irradiated PUR cable
MHW 01	Modular mounting bracket
V12-G-YE2M-PVC	Connecting cable, 1/2" - 20 UNF, 3-pin, PVC cable
V12-W-YE2M-PVC	Connecting cable, 1/2" - 20 UNF, 3-pin, PVC cable

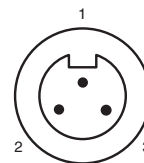
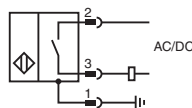
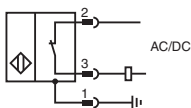


Electrical Connection



NBB20-L3M-UO-V12
NBB20-L3M-UO-V93

NBN40-L3M-US-V12
NBN40-L3M-US-V93
NBB20-L3M-US-V12
NBB20-L3M-US-V93



Wire colors

1	GN	(green)
2	BK	(black)
3	WH	(white)



Technical Data

For detailed data and product description refer to the data sheets at www.pepperl-fuchs.com

General Data

Switching element function	DC	NO/NC
Operating voltage	5 ... 60 V DC	
Reverse polarity protection	tolerant	
Operating current	2 ... 200 mA	
Short-circuit protection	pulsing	
Indication of the switching state	2 LED, yellow	
Ambient temperature	-25 ... 85 °C (-13 ... 185 °F)	
Housing material	PA/metal with epoxy powder coating	
Protection degree	IP68 / IP69K	
Connection type	screw terminals	



1
1.2



Proximity Sensors, Inductive Sensors, rectangular types

Properties

- Flexible **VariKont** housing
- 20 mm, flush and 40 mm, non-flush mountable versions
- DC, 2-wire switching output
- Terminal compartment

Your Benefit

- All-around visible status display
- Sensor head can be aligned in 5 different positions

Model Number

		green = preferred type	NBB20-U1-Z2	NBN40-U1-Z2	NBB20-U4-Z2	NBN40-U4-Z2
Rated operating distance	20 mm		●		●	
	40 mm			●		●
Installation	flush		●		●	
	non-flush			●		●
Switching frequency	0 ... 100 Hz		●	●	●	●
	0 ... 250 Hz		●		●	
Housing base	plastic		●	●		
	metal				●	●

Approvals and Certificates

UL approval	cULus Listed, General Purpose	●	●	●	●
CSA approval	cCSAus Listed, General Purpose	●	●	●	●
CCC approval	Certified by China Compulsory Certification (CCC)	●	●	●	●

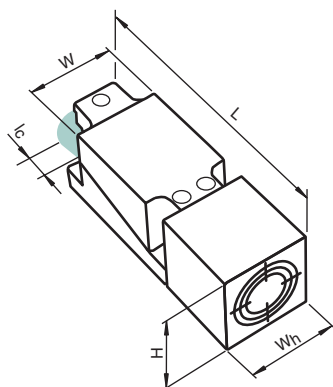
Dimensions

Length L [mm]	118	
Width W [mm]	40	
Head width W _h [mm]	40	
Height H [mm]	40	
Connector area I _c [mm]	0 (M20 x 1.5)	0 (1/2" NPT)

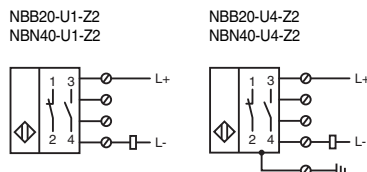
Accessories

This and more accessories can be found in chapter 10
See pages from 972 ... for cordsets See pages 1068 ... for mounting aids

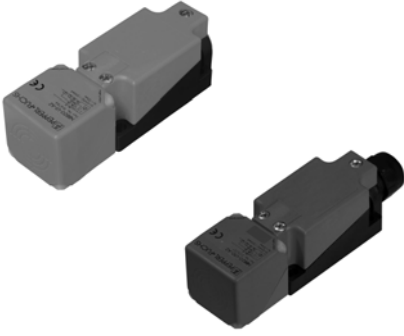
V1-M20-80	Receptacles, M12/M20; plastic version
MHW 01	Modular mounting bracket
MH 04-2681F	Mounting aid for VariKont, +U1+ and +U9*



Electrical Connection



Date of issue 04/08/2015



Properties

- Flexible *VariKont* housing
- 20 mm, flush mountable
- DC, 3-wire switching output
- Terminal compartment

Your Benefit

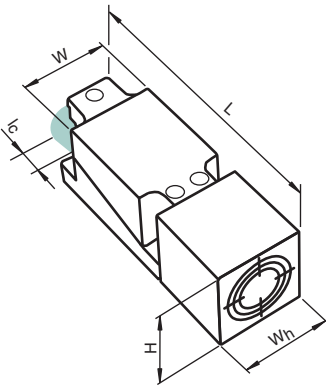
- All-around visible status display
- Sensor head can be aligned in 5 different positions

Further Products

In this series, we offer additionally:

NBB20-U4-E2-C-V1

Technical data like NBB20-U4-E2-C but:
Connection type: Device connector M12 x 1, 4-pin



Technical Data

For detailed data and product description refer to the data sheets at www.pepperl-fuchs.com

General Data

Rated operating distance	20 mm
Installation	flush
Operating voltage	10 ... 30 V DC
Reverse polarity protection	✓
Operating current	0 ... 200 mA
Short-circuit protection	pulsing
Operating voltage display	LED, green
Indication of the switching state	LED, yellow
Ambient temperature	-25 ... 85 °C (-13 ... 185 °F)
Housing material	PA/metal with epoxy powder coating
Protection degree	IP68 / IP69K
Connection type	screw terminals



Model Number	green = preferred type										
	NBB20-U1-E0	NBB20-U1-E1	NBB20-U1-E2	NBB20-U1-E2-C	NBB20-U1-E3	NBB20-U2-E0	NBB20-U2-E2	NBB20-U4-E0	NBB20-U4-E2	NBB20-U4-E2-C	NBB20-U10-E2
Weld-immune				✓						✓	
Switching element function	NPN	NO									
	NPN	NC									
	PNP	NO									
	PNP	NC									
No-load supply current	≤ 10 mA										
	≤ 20 mA										
Switching frequency	0 ... 150 Hz										
	0 ... 5 Hz										
Housing base	plastic										
	metal										

Approvals and Certificates

UL approval	cULus Listed, General Purpose	••••••••••••••••••
CSA approval	cCSAus Listed, General Purpose	••••••••••••••••••
CCC approval	Products with a maximum operating voltage of ≤36 V do not bear a CCC marking because they do not require approval.	

Dimensions

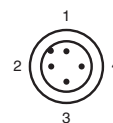
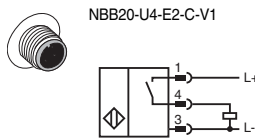
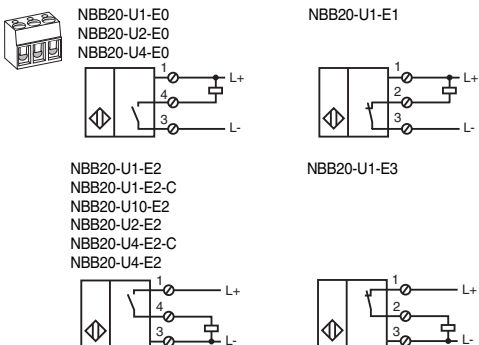
Length L [mm]	118		
Width W [mm]	40		
Head width Wh [mm]	40		
Height H [mm]	40		
Connector area lc [mm]	0 (M20 x 1,5)	0 (1/2" NPT)	20

Accessories

This and more accessories can be found in chapter 10
See pages from 972 ... for cordsets See pages 1068 ... for mounting aids

V1-M20-80	Receptacles, M12/M20; plastic version
MHW 01	Modular mounting bracket
V1-G-BK	4-pin, M12 female field-attachable connector
MH 04-2681F	Mounting aid for VariKont, +U1+ and +U9*
V1-W-BK	4-pin, M12 female field-attachable connector
V1-G-2M-PUR	Cable socket, M12, 4-pin, PUR cable
V1-W-2M-PUR	Cable socket, M12, 4-pin, PUR cable

Electrical Connection



Wire colors in accordance with EN 60947-5-2

1	BN	(brown)
2	WH	(white)
3	BU	(blue)
4	BK	(black)



Properties

- Flexible *VariKont* housing
- 20 mm, flush mountable
- DC, 4-wire switching output
- Terminal compartment

Your Benefit

- All-around visible status display
- Sensor head can be aligned in 5 different positions

Technical Data

For detailed data and product description refer to the data sheets at www.pepperl-fuchs.com

General Data

Rated operating distance	20 mm
Installation	flush
Operating voltage	10 ... 30 V DC
No-load supply current	≤ 20 mA
Reverse polarity protection	✓
Operating current	0 ... 200 mA
Short-circuit protection	pulsing
Operating voltage display	LED, green
Indication of the switching state	LED, yellow
Protection degree	IP68 / IP69K
Connection type	screw terminals



Model Number

Switching element function	green = preferred type
	NPN NO/NC
	PNP NO/NC

Switching frequency	0 ... 150 Hz	●	●	●	●	●	●	●	●	●	●
	0 ... 300 Hz	●	●	●	●	●	●	●	●	●	●
Ambient temperature	-25 ... 100 °C (-13 ... 212 °F)	●	●	●	●	●	●	●	●	●	●
	-25 ... 85 °C (-13 ... 185 °F)	●	●	●	●	●	●	●	●	●	●
Housing material	PA / LCP	●	●	●	●	●	●	●	●	●	●
	PA/metal with epoxy powder coating	●	●	●	●	●	●	●	●	●	●
Housing base	plastic	●	●	●	●	●	●	●	●	●	●
	metal										

Approvals and Certificates

UL approval	cULus Listed, General Purpose	●	●	●	●	●	●	●	●	●	●
CSA approval	cCSAus Listed, General Purpose	●	●	●	●	●	●	●	●	●	●
CCC approval	Products with a maximum operating voltage of ≤36 V do not bear a CCC marking because they do not require approval.										

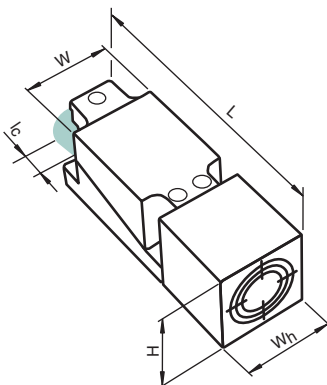
Dimensions

Length L [mm]	118
Width W [mm]	40
Head width W _h [mm]	40
Height H [mm]	40
Connector area l _c [mm]	0 (M20 x 1,5) 0 (1/2" NPT) 20

Accessories

This and more accessories can be found in chapter 10
See pages from 972 ... for cordsets See pages 1068 ... for mounting aids

V1-M20-80	Receptacles, M12/M20; plastic version
MHW 01	Modular mounting bracket
MH 04-2681F	Mounting aid for VariKont, +U1+ and +U9*

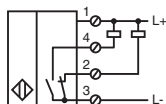
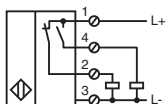


Electrical Connection



- NBB20-U1-A2
- NBB20-U1-A2-T
- NBB20-U10-A2
- NBB20-U2-A2
- NBB20-U2-A2-T
- NBB20-U4-A2
- NBB20-U4-A2-T

- NBB20-U1-A0
- NBB20-U1-A0-T
- NBB20-U2-A0
- NBB20-U4-A0
- NBB20-U4-A0-T



Date of issue 04/08/2015



1
.1.2



Proximity Sensors, Inductive Sensors, rectangular types



Technical Data

For detailed data and product description refer to the data sheets at www.pepperl-fuchs.com

General Data

Rated operating distance	40 mm
Installation	non-flush
Operating voltage	10 ... 30 V DC
No-load supply current	≤ 20 mA
Reverse polarity protection	✓
Switching frequency	0 ... 150 Hz
Operating current	0 ... 200 mA
Short-circuit protection	pulsing
Operating voltage display	LED, green
Indication of the switching state	LED, yellow
Ambient temperature	-25 ... 85 °C (-13 ... 185 °F)
Housing material	PA/metal with epoxy powder coating
Protection degree	IP68 / IP69K
Connection type	screw terminals



Properties

- Flexible *VariKont* housing
- 40 mm, non-flush mountable
- DC, 3-wire switching output
- Terminal compartment

Your Benefit

- All-around visible status display
- Sensor head can be aligned in 5 different positions

Model Number	NBN40-U1-E0	NBN40-U1-E1	NBN40-U1-E2	NBN40-U1-E3	NBN40-U2-E0	NBN40-U2-E2	NBN40-U4-E0	NBN40-U4-E2	NBN40-U10-E2
Switching element function	green = preferred type								
	●	●	●	●	●	●	●	●	●
Housing base	●	●	●	●	●	●	●	●	●

Approvals and Certificates

UL approval	cULus Listed, General Purpose	●	●	●	●	●	●	●	●
CSA approval	cCSAus Listed, General Purpose	●	●	●	●	●	●	●	●
CCC approval	Products with a maximum operating voltage of ≤36 V do not bear a CCC marking because they do not require approval.								

Dimensions

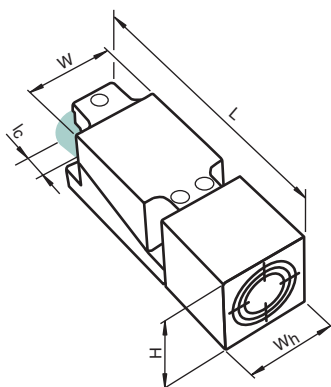
Length L [mm]	118		
Width W [mm]	40		
Head width W _h [mm]	40		
Height H [mm]	40		
Connector area l _c [mm]	0 (M20 x 1,5)	0 (1/2" NPT)	20

Accessories

This and more accessories can be found in chapter 10

See pages from 972 ... for cordsets See pages 1068 ... for mounting aids

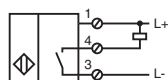
- V1-M20-80** Receptacles, M12/M20; plastic version
- MH 04-2681F** Mounting aid for VariKont, +U1+ and +U9*
- MHW 01** Modular mounting bracket



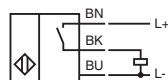
Electrical Connection



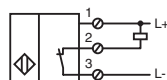
NBN40-U1-E0
NBN40-U2-E0
NBN40-U4-E0



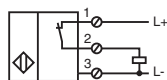
NBN40-U2-E2



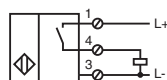
NBN40-U1-E1



NBN40-U1-E3



NBN40-U1-E2
NBN40-U4-E2
NBN40-U10-E2





Technical Data

For detailed data and product description refer to the data sheets at www.pepperl-fuchs.com

General Data

Rated operating distance	40 mm
Installation	non-flush
Operating voltage	10 ... 30 V DC
No-load supply current	≤ 20 mA
Reverse polarity protection	✓
Operating current	0 ... 200 mA
Short-circuit protection	pulsing
Operating voltage display	LED, green
Indication of the switching state	LED, yellow
Protection degree	IP68 / IP69K
Connection type	screw terminals



Properties

- Flexible *VariKont* housing
- 40 mm, non-flush mountable
- DC, 4-wire switching output
- Terminal compartment

Your Benefit

- All-around visible status display
- Sensor head can be aligned in 5 different positions

Model Number

		NBN40-U1-A0	NBN40-U1-A2	NBN40-U1-A2-T	NBN40-U2-A2	NBN40-U2-A2-T	NBN40-U4-A2
Switching element function	green = preferred type						
	NPN NO/NC	●					
Switching frequency	0 ... 150 Hz	●	●	●	●	●	●
	0 ... 250 Hz						
Ambient temperature	-25 ... 100 °C (-13 ... 212 °F)			●		●	
	-25 ... 85 °C (-13 ... 185 °F)	●	●		●	●	●
Housing material	PA / LCP			●		●	
	PA/metal with epoxy powder coating	●	●		●		●
Housing base	plastic	●	●	●	●	●	●
	metal						●

Approvals and Certificates

UL approval	cULus Listed, General Purpose	●	●	●	●	●	●
CSA approval	cCSAus Listed, General Purpose	●	●	●	●	●	●
CCC approval	Products with a maximum operating voltage of ≤36 V do not bear a CCC marking because they do not require approval.						

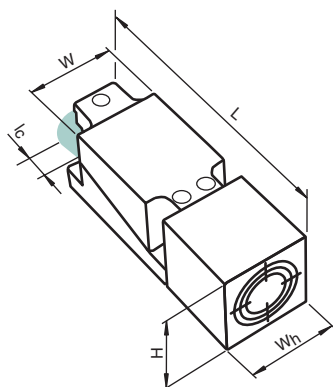
Dimensions

Length L [mm]	118
Width W [mm]	40
Head width W _h [mm]	40
Height H [mm]	40
Connector area l _c [mm]	0 (M20 x 1,5) 0 (1/2" NPT)

Accessories

This and more accessories can be found in chapter 10
See pages from 972 ... for cordsets See pages 1068 ... for mounting aids

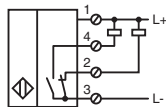
- MH 04-2681F** Mounting aid for VariKont, +U1+ and +U9*
- V1-M20-80** Receptacles, M12/M20; plastic version
- MHW 01** Modular mounting bracket



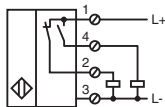
Electrical Connection



NBN40-U1-A0



NBN40-U1-A2
NBN40-U1-A2-T
NBN40-U2-A2
NBN40-U2-A2-T
NBN40-U4-A2



Date of issue 04/08/2015



1
.1.2



Proximity Sensors, Inductive Sensors, rectangular types



Properties

- Flexible *VariKont* housing
- 20 mm and 40 mm, non-flush mountable versions
- AC, 2-wire switching output
- Terminal compartment

Your Benefit

- Sensor head can be aligned in 5 different positions

Technical Data

For detailed data and product description refer to the data sheets at www.pepperl-fuchs.com

General Data

Installation	non-flush
Switching element function	AC NO/NC
Operating voltage	20 ... 253 V
Switching frequency	0 ... 20 Hz
Operating current	10 ... 500 mA
Operating voltage display	LED, green
Indication of the switching state	LED, yellow
Protection degree	IP68
Connection type	screw terminals



Model Number

	green = preferred type						
Rated operating distance	20 mm	●	●	●	●	●	●
	40 mm			●	●	●	●
Ambient temperature	-25 ... 100 °C (-13 ... 212 °F)		●				
	-25 ... 70 °C (-13 ... 158 °F)	●		●	●	●	
	0 ... 100 °C (32 ... 212 °F)						●
Housing material	PBT	●	●	●	●		
	PBT/base of metal			●		●	●

Approvals and Certificates

UL approval	cULus Listed, General Purpose	●	●	●	●	●	●
CSA approval	cCSAus Listed, General Purpose	●	●	●	●	●	●
CCC approval	Certified by China Compulsory Certification (CCC)	●	●	●	●	●	

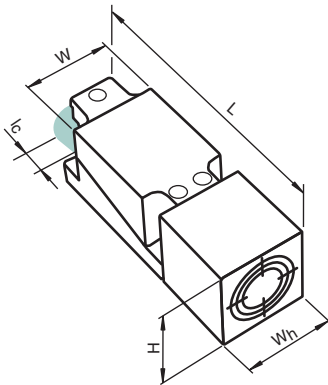
Dimensions

Length L [mm]		118		128
Width W [mm]			40	
Head width W _h [mm]		40		55
Height H [mm]		40		55
Connector area l _c [mm]	a) 0 (1/2" NPT)	b	a	b
	b) 0 (M20 x 1,5)			a

Accessories

This and more accessories can be found in chapter 10
See pages from 972 ... for cordsets See pages 1068 ... for mounting aids

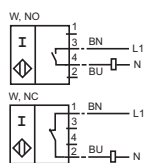
- V1-G-BK** 4-pin, M12 female field-attachable connector
- MHW 01** Modular mounting bracket
- V1-M20-80** Receptacles, M12/M20; plastic version
- V1-W-BK** 4-pin, M12 female field-attachable connector



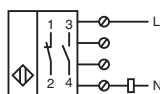
Electrical Connection



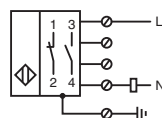
NJ20+U1+W-T

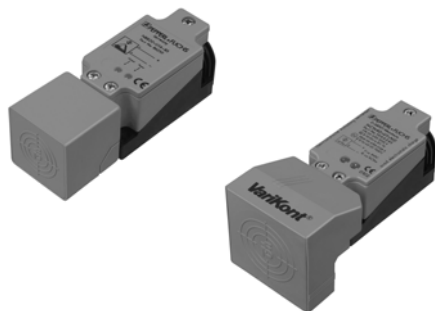


NJ20+U1+W
NJ40+U1+W
NJ40+U2+W



NJ20+U4+W
NJ40+U4+W
NJ40+U4+W-T





Technical Data

For detailed data and product description refer to the data sheets at www.pepperl-fuchs.com

General Data

Installation	non-flush
Switching element function	AC NO/NC
Operating voltage	20 ... 253 V
Switching frequency	0 ... 20 Hz
Operating current	10 ... 500 mA
Indication of the switching state	LED green: NC LED red: NO
Ambient temperature	-25 ... 70 °C (-13 ... 158 °F)
Housing material	PBT housing/PBT base
Protection degree	IP68
Connection type	screw terminals



1
1.2



Proximity Sensors, Inductive Sensors, rectangular types

Properties

- Flexible **VariKont** housing
- 20 mm and 40 mm, non-flush mountable versions
- AC, 4-wire switching output
- Terminal compartment

Your Benefit

- Sensor head can be aligned in 5 different positions

Model Number

		NJ40+U2+W4	NJ40+U1+W4	NJ20+U1+W4
Rated operating distance	20 mm			
	40 mm	●	●	●

Approvals and Certificates

		NJ40+U2+W4	NJ40+U1+W4	NJ20+U1+W4
UL approval	cULus Listed, General Purpose	●	●	●
CSA approval	cCSAus Listed, General Purpose	●	●	●
CCC approval	Certified by China Compulsory Certification (CCC)	●	●	●

Dimensions

Length L [mm]		128	118
Width W [mm]		40	
Head width W _h [mm]		55	40
Height H [mm]		55	40
Connector area l _c [mm]		0 (1/2" NPT)	0 (M20 x 1,5)

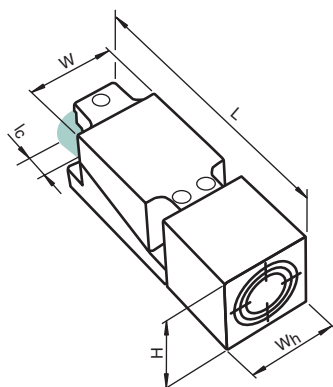
Accessories

This and more accessories can be found in chapter 10

See pages from 972 ... for cordsets

See pages 1068 ... for mounting aids

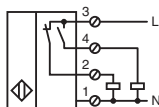
V1-M20-80	Receptacles, M12/M20; plastic version
V1-G-BK	4-pin, M12 female field-attachable connector
V1-W-BK	4-pin, M12 female field-attachable connector
MHW 01	Modular mounting bracket



Electrical Connection

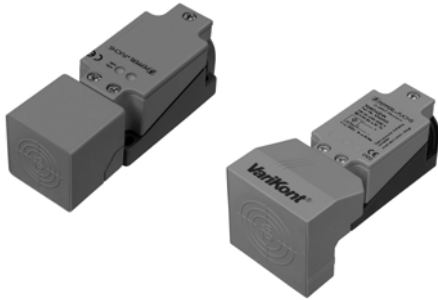


NJ20+U1+W4
NJ40+U1+W4
NJ40+U2+W4



Date of issue 04/08/2015

1
.1.2



Technical Data

For detailed data and product description refer to the data sheets at www.pepperl-fuchs.com

General Data

Switching element function	AC/DC	NO/NC
Operating voltage	20 ... 253 V	
Short-circuit protection	pulsing	
Ambient temperature	-25 ... 70 °C (-13 ... 158 °F)	
Protection degree	IP68	
Connection type	screw terminals	



Properties

- Flexible **VariKont** housing
- 20 mm, flush / non-flush and 40 mm, non-flush mountable versions
- AC/DC, 2-wire switching output
- Terminal compartment

Your Benefit

- Sensor head can be aligned in 5 different positions

Model Number	NCB20+U4+U	NCN20+U1+U	NCN40+U1+U	NCN40+U2+U	NCN40+U4+U
Rated operating distance	green = preferred type				
	20 mm	40 mm			
Installation	flush				
	non-flush				
Switching frequency	0 ... 25 Hz	200 Hz VDC / 30 Hz VAC			
Operating current	3 ... 400 mA	5 ... 500 mA			
Operating voltage display	LED, green				
Indication of the switching state	LED, yellow				
Housing material	PBT housing/PBT base				
	PBT housing/metal base				

Approvals and Certificates

UL approval	cULus Listed, General Purpose				
CSA approval	cCSAus Listed, General Purpose				
CCC approval	Certified by China Compulsory Certification (CCC)				

Dimensions

Length L [mm]	118	128
Width W [mm]	40	40
Head width W _h [mm]	40	55
Height H [mm]	40	55
Connector area l _c [mm]	0 (1/2" NPT)	0 (M20 x 1,5)
		0 (1/2" NPT)

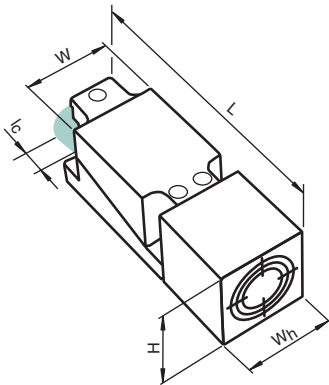
Accessories

This and more accessories can be found in chapter 10

See pages from 972 ... for cordsets

See pages 1068 ... for mounting aids

- V1-W-BK** 4-pin, M12 female field-attachable connector
- V1-W-2M-PUR** Cable socket, M12, 4-pin, PUR cable
- V1-G-2M-PUR** Cable socket, M12, 4-pin, PUR cable
- MHW 01** Modular mounting bracket
- V1-M20-80** Receptacles, M12/M20; plastic version

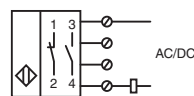
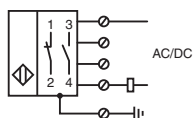


Electrical Connection



NCB20+U4+U
NCN40+U4+U

NCN40+U1+U
NCN20+U1+U
NCN40+U2+U



Proximity Sensors, Inductive Sensors, rectangular types



Properties

- Flat pack housing
- 50 mm, flush and non-flush mountable versions
- DC, 2-wire switching output
- Terminal compartment and connector versions

Technical Data

For detailed data and product description refer to the data sheets at www.pepperl-fuchs.com

General Data

Rated operating distance	50 mm
Operating voltage	10 ... 60 V DC
Reverse polarity protection	✓
Switching frequency	0 ... 80 Hz
Operating current	2 ... 200 mA
Lowest operating current	2 mA
Short-circuit protection	pulsing
Indication of the switching state	LED, yellow
Ambient temperature	-25 ... 70 °C (-13 ... 158 °F)

Model Number

		NCB50-FP-Z2-P1	NCN50-FP-Z2-P1	NCN50-FP-Z2-P4	NCB50-FP-Z4-V1	NCB50-FP-Z5-V1
Installation	flush	●			●	●
	non-flush		●	●		
Switching element function	DC NO/NC	●	●	●		
	DC NO				●	
	DC NC					●
Housing material	PBT housing / PBT base	●	●		●	●
	PBT housing / metal base			●		
Protection class	II	●				
Protection degree	IP67		●	●		
	IP68	●			●	●
Connection type	Device connector M12 x 1, 4-pin				●	●
	screw terminals	●	●	●		



Approvals and Certificates

		NCB50-FP-Z2-P1	NCN50-FP-Z2-P1	NCN50-FP-Z2-P4	NCB50-FP-Z4-V1	NCB50-FP-Z5-V1
UL approval	cULus Listed, General Purpose	●	●	●	●	●
CSA approval	cCSAus Listed, General Purpose	●	●	●	●	●
CCC approval	Certified by China Compulsory Certification (CCC)				●	
	Products with a maximum operating voltage of ≤36 V do not bear a CCC marking because they do not require approval.			●		

Dimensions

	NCB50-FP-Z2-P1	NCN50-FP-Z2-P1	NCN50-FP-Z2-P4	NCB50-FP-Z4-V1	NCB50-FP-Z5-V1
Length L [mm]	84	80	84	84	84
Width W [mm]	84	80	84	84	84
Height H [mm]			40		
Cap length l ₁ [mm]			0		
Connector area l _c [mm]	9 (M20 x 1,5)	11 (M20 x 1,5)			25

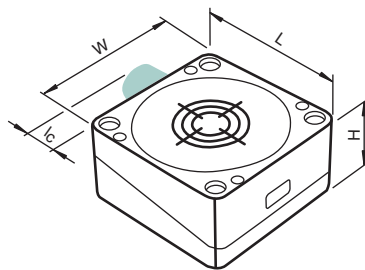
Accessories

This and more accessories can be found in chapter 10

See pages from 972 ... for cordsets

See pages 1068 ... for mounting aids

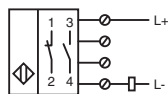
- V1-G-BK 4-pin, M12 female field-attachable connector
- V1-W-BK 4-pin, M12 female field-attachable connector
- V1-G-2M-PUR Cable socket, M12, 4-pin, PUR cable
- V1-W-2M-PUR Cable socket, M12, 4-pin, PUR cable



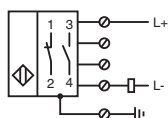
Electrical Connection



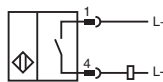
NCB50-FP-Z2-P1
NCN50-FP-Z2-P1



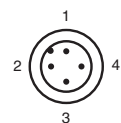
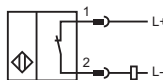
NCN50-FP-Z2-P4



NCB50-FP-Z4-V1



NCB50-FP-Z5-V1



Wire colors in accordance with EN 60947-5-2

- 1 BN (brown)
- 2 WH (white)
- 3 BU (blue)
- 4 BK (black)

Date of issue 04/08/2015

Refer to "General Notes Relating to Pepperl+Fuchs Product Information".

Pepperl+Fuchs Group
www.pepperl-fuchs.com

USA: +1 330 486 0001
fa-info@us.pepperl-fuchs.com

Germany: +49 621 776 4411
fa-info@de.pepperl-fuchs.com

Singapore: +65 6779 9091
fa-info@sg.pepperl-fuchs.com





Properties

- Flat pack housing
- 40 mm and 50 mm, flush mountable
- DC, 3-wire and 4-wire switching output versions
- Terminal compartment and connector versions

Technical Data

For detailed data and product description refer to the data sheets at www.pepperl-fuchs.com

General Data

Rated operating distance	50 mm
Installation	flush
Operating voltage	10 ... 60 V DC
No-load supply current	≤ 20 mA
Reverse polarity protection	✓
Switching frequency	0 ... 80 Hz
Operating current	0 ... 200 mA
Short-circuit protection	pulsing
Operating voltage display	LED, green
Indication of the switching state	LED, yellow
Ambient temperature	-25 ... 70 °C (-13 ... 158 °F)
Protection degree	IP68

Model Number

green = preferred type

	NCB50-FP-E2-P1	NCB50-FP-E2-P4	NCB40-FP-A2-P1	NCB50-FP-A2-P1	NCB50-FP-A2-P4	NCB50-FP-E2-P1-V1	NCB40-FP-A2-P1-V1	NCB50-FP-A2-P1-V1
Rated operating distance	●	●	●	●	●	●	●	●
Switching element function	●	●	●	●	●	●	●	●
Housing material	●	●	●	●	●	●	●	●
Connection type	●	●	●	●	●	●	●	●

Approvals and Certificates

UL approval	cULus Listed, General Purpose	●	●	●	●	●	●	●
CSA approval	cCSAus Listed, General Purpose	●	●	●	●	●	●	●
CCC approval	Certified by China Compulsory Certification (CCC)	●	●	●	●	●	●	●

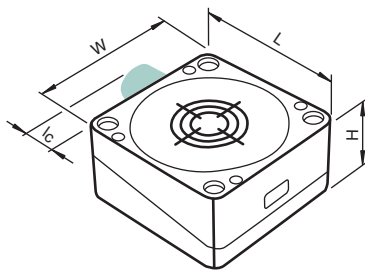
Dimensions

Length L [mm]	84	84	80	84	84	84	80	84
Width W [mm]	84	84	80	84	84	84	80	84
Height H [mm]	40							
Cap length l ₁ [mm]	0							
Connector area l _c [mm]	a) 10 (1/2" NPT)	c	a	c	c	a	b	
	b) 25							
	c) 9 (M20 x 1.5)							

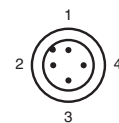
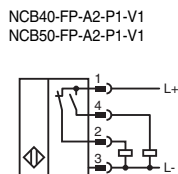
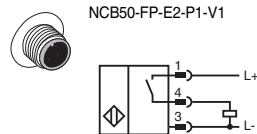
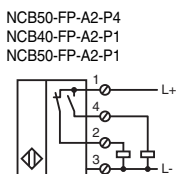
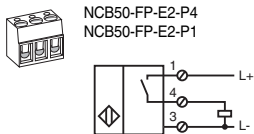
Accessories

This and more accessories can be found in chapter 10
See pages from 972 ... for cordsets See pages 1068 ... for mounting aids

- V1-G-BK 4-pin, M12 female field-attachable connector
- V1-W-2M-PUR Cable socket, M12, 4-pin, PUR cable
- V1-G-2M-PUR Cable socket, M12, 4-pin, PUR cable
- V1-W-BK 4-pin, M12 female field-attachable connector



Electrical Connection



Wire colors in accordance with EN 60947-5-2

- 1 BN (brown)
- 2 WH (white)
- 3 BU (blue)
- 4 BK (black)



Technical Data

For detailed data and product description refer to the data sheets at www.pepperl-fuchs.com

General Data

Rated operating distance	50 mm
Installation	non-flush
Switching element function	PNP NO/NC
Operating voltage	10 ... 60 V
No-load supply current	≤ 20 mA
Reverse polarity protection	✓
Switching frequency	0 ... 80 Hz
Operating current	0 ... 200 mA
Short-circuit protection	pulsing
Operating voltage display	LED, green
Indication of the switching state	LED, yellow
Ambient temperature	-25 ... 70 °C (-13 ... 158 °F)
Housing material	PBT housing / PBT base
Protection degree	IP68

Properties

- Flat pack housing
- 50 mm, non-flush mountable
- DC, 4-wire switching output
- Terminal compartment and connector versions

Model Number

		NCN50-FP-A2-P1	NCN50-FP-A2-P1-V1
Connection type	Device connector M12 x 1, 4-pin screw terminals		

Approvals and Certificates

UL approval	cULus Listed, General Purpose	●	●
CSA approval	cCSAus Listed, General Purpose	●	●
CCC approval	Certified by China Compulsory Certification (CCC)	●	●

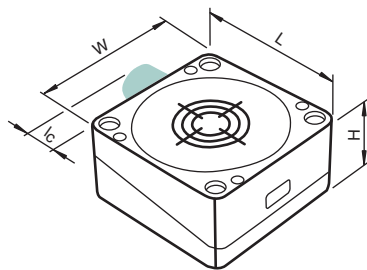
Dimensions

Length L [mm]	80	
Width W [mm]	80	
Height H [mm]	40	
Cap length l ₁ [mm]	0	
Connector area l _c [mm]	11 (M20 x 1.5)	27

Accessories

This and more accessories can be found in chapter 10
See pages from 972 ... for cordsets See pages 1068 ... for mounting aids

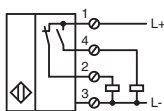
V1-G-BK	4-pin, M12 female field-attachable connector
V1-W-BK	4-pin, M12 female field-attachable connector
V1-W-2M-PUR	Cable socket, M12, 4-pin, PUR cable
V1-G-2M-PUR	Cable socket, M12, 4-pin, PUR cable



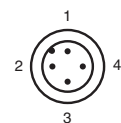
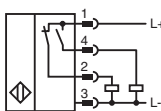
Electrical Connection



NCN50-FP-A2-P1



NCN50-FP-A2-P1-V1



Wire colors in accordance with EN 60947-5-2

1	BN	(brown)
2	WH	(white)
3	BU	(blue)
4	BK	(black)

Date of issue 04/08/2015



1
.1.2



Proximity Sensors, Inductive Sensors, rectangular types



Properties

- Flat pack housing
- 40 mm, flush mountable
- AC, 2-wire switching output
- Terminal compartment

Technical Data

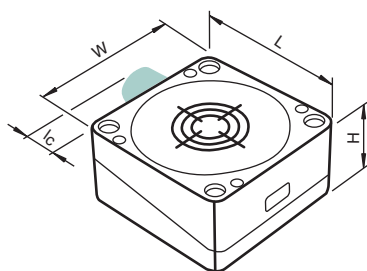
For detailed data and product description refer to the data sheets at www.pepperl-fuchs.com

General Data

Rated operating distance	40 mm
Installation	flush
Switching element function	AC NO/NC
Operating voltage	20 ... 253 V
Switching frequency	0 ... 20 Hz
Operating current	5 ... 500 mA
Operating voltage display	LED, green
Indication of the switching state	LED, yellow
Ambient temperature	-25 ... 70 °C (-13 ... 158 °F)
Protection degree	IP68
Connection type	screw terminals



Model Number	NCB40-FP-W-P1	NCB40-FP-W-P2	NCB40-FP-W-P4
Housing material	●	●	●
			●
Approvals and Certificates			
UL approval	●	●	●
CSA approval	●	●	●
CCC approval	●		
Dimensions			
Length L [mm]	80		
Width W [mm]	80		
Height H [mm]	40		
Cap length l ₁ [mm]	0		
Connector area l _c [mm]	11 (M20 x 1.5)	11 (1/2" NPT)	

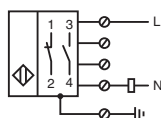
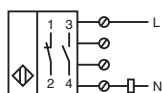


Electrical Connection



NCB40-FP-W-P1
NCB40-FP-W-P2

NCB40-FP-W-P4





Properties

- Flat pack housing
- 40 mm and 50 mm, non-flush mountable versions
- AC, 2-wire switching output
- Terminal compartment

Technical Data

For detailed data and product description refer to the data sheets at www.pepperl-fuchs.com

General Data

Installation	non-flush
Switching element function	AC NO/NC
Operating voltage	20 ... 253 V AC
Switching frequency	0 ... 20 Hz
Operating current	5 ... 500 mA
Operating voltage display	LED, green
Indication of the switching state	LED, yellow
Protection degree	IP68
Connection type	screw terminals



Model Number

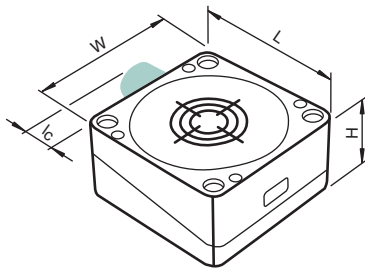
		NCN40-FP-W-T-P1	NCN40-FP-W-T-P4	NCN50-FP-W-P1	NCN50-FP-W-P2	NCN50-FP-W-P4
Rated operating distance	green = preferred type 40 mm 50 mm	●	●	●	●	●
Ambient temperature	-25 ... 100 °C (-13 ... 212 °F) -25 ... 70 °C (-13 ... 158 °F)	●	●	●	●	●
Housing material	PBT housing / PBT base PBT housing / metal base	●	●	●	●	●

Approvals and Certificates

UL approval	cULus Listed, General Purpose	●	●	●	●	●
CSA approval	cCSAus Listed, General Purpose	●	●	●	●	●
CCC approval	Certified by China Compulsory Certification (CCC)	●	●	●	●	●

Dimensions

Length L [mm]		80			
Width W [mm]		80			
Height H [mm]		40			
Cap length l ₁ [mm]		0			
Connector area l _c [mm]	a) 11 (1/2" NPT) b) 11 (M20 x 1.5)	b	a	b	a

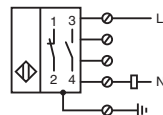
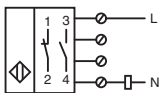


Electrical Connection



NCN40-FP-W-T-P1
NCN50-FP-W-P2
NCN50-FP-W-P1

NCN50-FP-W-P4
NCN40-FP-W-T-P4



Date of issue 04/08/2015

Refer to "General Notes Relating to Pepperl+Fuchs Product Information".

Pepperl+Fuchs Group
www.pepperl-fuchs.com

USA: +1 330 486 0001
fa-info@us.pepperl-fuchs.com

Germany: +49 621 776 4411
fa-info@de.pepperl-fuchs.com

Singapore: +65 6779 9091
fa-info@sg.pepperl-fuchs.com



1
.1.2

Proximity Sensors, Inductive Sensors, rectangular types



Properties

- Flat pack housing
- 40 mm, non-flush mountable
- DC, 3-wire analog output
- Terminal compartment and connector versions

Technical Data

For detailed data and product description refer to the data sheets at www.pepperl-fuchs.com

General Data

Installation	non-flush
Measurement range	15 ... 40 mm
Switching element function	Analog current output 0 ... 20 mA
Operating voltage	15 ... 30 V DC
No-load supply current	≤ 8 mA
Repeat accuracy	0 ... 6 μm
Output type	0 ... 20 mA
Linearity error	≤ ± 10 % of full-scale value
Load resistor	≤ 500 Ω
Adjustment tolerance zero point	≤ ± 10 % of full-scale value
Ambient temperature	-10 ... 70 °C (14 ... 158 °F)
Housing material	PBT housing / PBT base
Protection degree	IP67

Model Number

Connection type	green = preferred type			
	Device connector M12 x 1 , 4-pin screw terminals	●	●	●

Approvals and Certificates

UL approval	cULus Listed, General Purpose	●	●	●
CSA approval	cCSAus Listed, General Purpose	●	●	●
CCC approval	Products with a maximum operating voltage of ≤36 V do not bear a CCC marking because they do not require approval.			

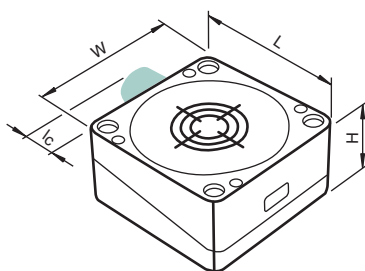
Dimensions

Length L [mm]	80
Width W [mm]	80
Height H [mm]	40
Cap length l ₁ [mm]	0
Connector area l _c [mm]	11 (M20 x 1,5)

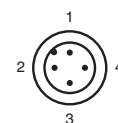
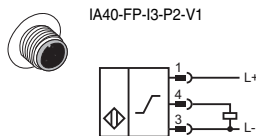
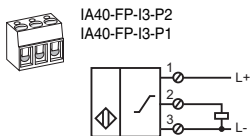
Accessories

This and more accessories can be found in chapter 10
See pages from 972 ... for cordsets See pages 1068 ... for mounting aids

V1-G-2M-PVC	Cable socket, M12, 4-pin, PVC cable
DA5-IU-C	Digital display unit
V1-W-2M-PVC	Cable socket, M12, 4-pin, PVC cable



Electrical Connection



Wire colors in accordance with EN 60947-5-2

1	BN	(brown)
2	WH	(white)
3	BU	(blue)
4	BK	(black)



Technical Data

For detailed data and product description refer to the data sheets at www.pepperl-fuchs.com

General Data

No-load supply current	≤ 20 mA
Reverse polarity protection	✓
Short-circuit protection	✓
Operating voltage display	LED, green
Indication of the switching state	LED, yellow
Ambient temperature	-25 ... 85 °C (-13 ... 185 °F)
Housing material	PBT
Housing base	PBT
Protection degree	IP65
Connection type	screw terminals



Properties

- Compact flat pack housing
- 25 mm, flush and 30 mm non-flush mountable versions
- DC, 3-wire and 4-wire switching output versions
- Terminal compartment

Model Number

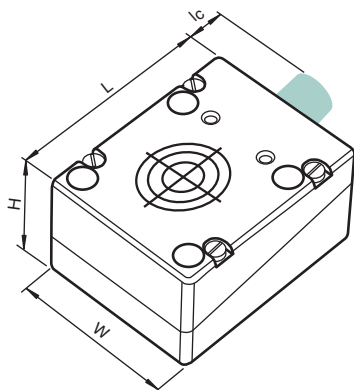
		NBN30-FPS-E5	NBB25-FPS-A2	NBN30-FPS-A2
Rated operating distance	green = preferred type			
	25 mm		●	
Installation	30 mm	●		●
	flush		●	
Switching element function	non-flush	●		●
	PNP, NO/NC, programmable	●		●
Operating voltage	PNP NO/NC		●	●
	10 ... 30 V DC		●	●
Switching frequency	10 ... 65 V DC	●		●
	0 ... 50 Hz	●		●
Operating current	0 ... 70 Hz		●	
	0 ... 200 mA		●	●
	0 ... 300 mA	●		●

Approvals and Certificates

CCC approval	Products with a maximum operating voltage of ≤36 V do not bear a CCC marking because they do not require approval.		●	●
--------------	--	--	---	---

Dimensions

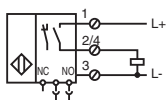
Length L [mm]	77
Width W [mm]	60
Height H [mm]	41
Connector area l _c [mm]	8



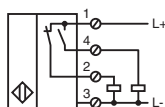
Electrical Connection



NBN30-FPS-E5



NBB25-FPS-A2
NBN30-FPS-A2



Date of issue 04/08/2015



1
.1.2



Proximity Sensors, Inductive Sensors, Inductive Sensors, rectangular types



CE

Technical Data

For detailed data and product description refer to the data sheets at www.pepperl-fuchs.com

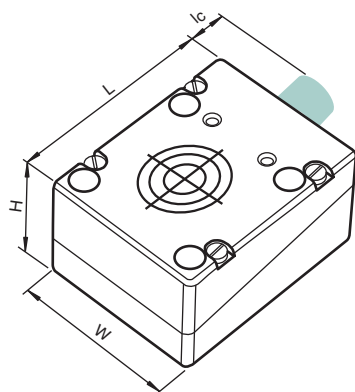
Model Number	NBN30-FPS-UU
Rated operating distance	30 mm
Installation	non-flush
Switching element function	AC/DC NO/NC
Operating voltage	20 ... 265 V AC/DC
No-load supply current	≤ 2 mA
Reverse polarity protection	✓
Switching frequency	0 ... 25 Hz
Operating current	0 ... 300 mA
Indication of the switching state	LED, yellow
Ambient temperature	-25 ... 85 °C (-13 ... 185 °F)
Housing material	PBT
Housing base	PBT
Protection degree	IP65
Connection type	screw terminals



Properties

- Compact flat pack housing
- 30 mm non-flush mountable
- AC/DC, 2-wire switching output
- Terminal compartment

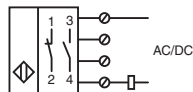
Dimensions	
Length L [mm]	77
Width W [mm]	60
Height H [mm]	41
Connector area l _c [mm]	8



Electrical Connection



NBN30-FPS-UU



Date of issue: 04/08/2015



Properties

- F23 surface mount housing
- 100 mm non-flush mountable
- DC, 3-wire switching output
- Connector version

Technical Data

For detailed data and product description refer to the data sheets at www.pepperl-fuchs.com

Model Number	NCN100-F23-E2-V1
Rated operating distance	100 mm
Installation	non-flush
Switching element function	PNP NO
Operating voltage	10 ... 30 V DC
No-load supply current	≤ 20 mA
Reverse polarity protection	✓
Switching frequency	0 ... 10 Hz
Operating current	0 ... 200 mA
Short-circuit protection	pulsing
Operating voltage display	LED, green
Indication of the switching state	LED, yellow
Ambient temperature	-25 ... 70 °C (-13 ... 158 °F)
Housing material	ABS (TSG), bottom Al
Protection degree	IP67
Connection type	Device connector M12 x 1 , 4-pin



Approvals and Certificates

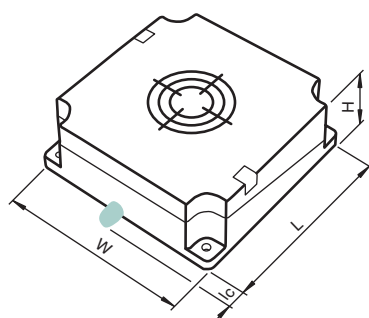
UL approval	cULus Listed, General Purpose
CSA approval	cCSAus Listed, General Purpose

Dimensions

Length L [mm]	177
Width W [mm]	177
Height H [mm]	60.5
Connector area l _c [mm]	15

Accessories This and more accessories can be found in chapter 10
See pages from 972 ... for cordsets See pages 1068 ... for mounting aids

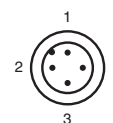
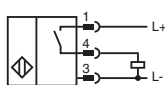
V1-G-BK	4-pin, M12 female field-attachable connector
V1-W-BK	4-pin, M12 female field-attachable connector
V1-W-2M-PUR	Cable socket, M12, 4-pin, PUR cable
V1-G-2M-PUR	Cable socket, M12, 4-pin, PUR cable



Electrical Connection



NCN100-F23-E2-V1



Wire colors in accordance with EN 60947-5-2

1	BN	(brown)
2	WH	(white)
3	BU	(blue)
4	BK	(black)

Date of issue 04/08/2015

1
.1.2

Proximity Sensors, Inductive Sensors, Inductive Sensors, rectangular types



Properties

- F23 surface mount housing
- 100 mm non-flush mountable
- AC/DC, 2-wire switching output
- Connector version

Technical Data

For detailed data and product description refer to the data sheets at www.pepperl-fuchs.com

Model Number	NCN100-F23-US-V93
Rated operating distance	100 mm
Installation	non-flush
Switching element function	Normally open
Operating voltage	20 ... 300 V DC 20 ... 253 V AC
No-load supply current	≤ 1 mA
Switching frequency	0 ... 10 Hz
Operating current	0 ... 300 mA
Short-circuit protection	pulsing
Operating voltage display	LED, green
Indication of the switching state	LED, red
Ambient temperature	-25 ... 70 °C (-13 ... 158 °F)
Housing material	ABS (TSG), bottom Al
Protection degree	IP67
Connection type	Device connector 7/8"-16 UN , 3-pin



Approvals and Certificates

UL approval	cULus Listed, General Purpose
CSA approval	cCSAus Listed, General Purpose
CCC approval	Certified by China Compulsory Certification (CCC)

Dimensions

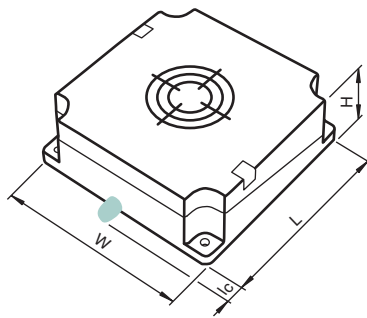
Length L [mm]	177
Width W [mm]	177
Height H [mm]	60.5
Connector area l _c [mm]	15

Accessories

This and more accessories can be found in chapter 10
See pages from 972 ... for cordsets See pages 1068 ... for mounting aids

V93-G-YE2M-STOOW

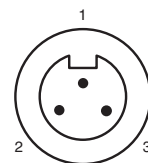
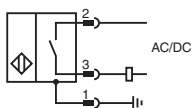
Female connector, 7/8" - 16 UNF, 3-pin, PUR cable



Electrical Connection



NCN100-F23-US-V93



Wire colors

1	GN	(green)
2	BK	(black)
3	WH	(white)



Properties

- Miniature F29 housing
- 4 mm non-flush mountable
- DC, 3-wire switching output
- Cable version

Your Benefit

- Specially optimized for welding applications

Technical Data

For detailed data and product description refer to the data sheets at www.pepperl-fuchs.com

General Data

Rated operating distance	4 mm
Installation	non-flush
Switching element function	PNP NO
Operating voltage	10 ... 30 V DC
No-load supply current	≤ 10 mA
Reverse polarity protection	✓
Switching frequency	0 ... 1000 Hz
Operating current	0 ... 100 mA
Short-circuit protection	pulsing
Indication of the switching state	LED, yellow
Ambient temperature	-25 ... 70 °C (-13 ... 158 °F)
Housing material	PPS
Protection degree	IP67

Model Number

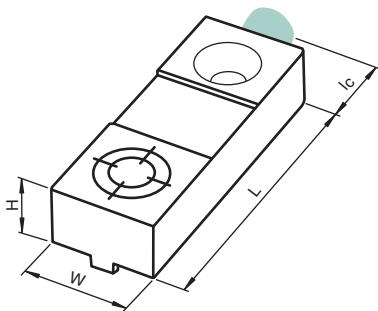
Connection type	cable PUR, irradiated , 2 m	●	●
	cable PVC , 2 m	●	●

Approvals and Certificates

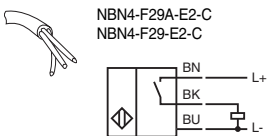
UL approval	cULus Listed, General Purpose	●	●
CSA approval	cCSAus Listed, General Purpose	●	●
CCC approval	Products with a maximum operating voltage of ≤36 V do not bear a CCC marking because they do not require approval.		

Dimensions

Length L [mm]		27	
Width W [mm]		10	
Height H [mm]	6		9
Connector area l _c [mm]		4	



Electrical Connection



Date of issue 04/08/2015

Refer to "General Notes Relating to Pepperl+Fuchs Product Information".

Pepperl+Fuchs Group
www.pepperl-fuchs.com

USA: +1 330 486 0001
fa-info@us.pepperl-fuchs.com

Germany: +49 621 776 4411
fa-info@de.pepperl-fuchs.com

Singapore: +65 6779 9091
fa-info@sg.pepperl-fuchs.com



1
.1.2



Proximity Sensors, Inductive Sensors, Inductive Sensors, rectangular types



Properties

- Flexible VariKont-L housing
- 20 mm, flush mountable
- DC, 2-wire switching output
- Connector version

Your Benefit

- All-around visible status display
- Sensor head can be aligned in 5 different positions
- Mounting base with quick clamping lever for swift mounting
- Rotatable connector allows all orientations of the attached cordset
- Specially optimized for welding applications

Technical Data

For detailed data and product description refer to the data sheets at www.pepperl-fuchs.com

Model Number	NBB20-L2-Z4-C-V1
Rated operating distance	20 mm
Installation	flush
Switching element function	NO
Operating voltage	3.8 ... 30 V DC
Reverse polarity protection	✓
Switching frequency	0 ... 3 Hz
Operating current	2 ... 100 mA
Short-circuit protection	pulsing
Indication of the switching state	LED, yellow
Ambient temperature	-25 ... 70 °C (-13 ... 158 °F)
Housing material	PA
Protection degree	IP69K
Connection type	Device connector M12 x 1 , 4-pin



Approvals and Certificates

UL approval	cULus Listed, General Purpose
CSA approval	cCSAus Listed, General Purpose
CCC approval	Products with a maximum operating voltage of ≤36 V do not bear a CCC marking because they do not require approval.

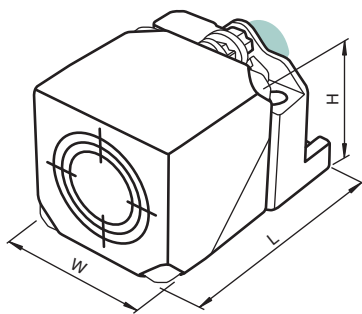
Dimensions

Length L [mm]	67
Width W [mm]	40
Height H [mm]	40
Connector area l _c [mm]	0

Accessories

This and more accessories can be found in chapter 10
See pages from 972 ... for cordsets See pages 1068 ... for mounting aids

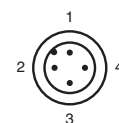
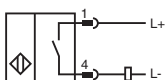
V1-G-BK	4-pin, M12 female field-attachable connector
V1-W-BK	4-pin, M12 female field-attachable connector
V1-G-2M-PUR	Cable socket, M12, 4-pin, PUR cable
V1-W-2M-PUR	Cable socket, M12, 4-pin, PUR cable
MHW 01	Modular mounting bracket
MH 02-L	Mounting aid



Electrical Connection



NBB20-L2-Z4-C-V1



Wire colors in accordance with EN 60947-5-2

1	BN	(brown)
2	WH	(white)
3	BU	(blue)
4	BK	(black)

Date of issue: 04/08/2015



Technical Data

For detailed data and product description refer to the data sheets at www.pepperl-fuchs.com

General Data

Operating voltage	10 ... 30 V DC
No-load supply current	≤ 20 mA
Reverse polarity protection	✓
Switching frequency	0 ... 10 Hz
Operating current	0 ... 200 mA
Short-circuit protection	pulsing
Operating voltage display	LED, green
Indication of the switching state	LED, yellow
Ambient temperature	-25 ... 85 °C (-13 ... 185 °F)
Housing material	PA
Protection degree	IP69K
Connection type	Device connector M12 x 1 , 4-pin



Properties

- Flexible *VariKont-L* housing
- 20 mm, flush and 40 mm non-flush mountable versions
- DC, 3-wire and 4-wire switching output
- Connector version

Your Benefit

- All-around visible status display
- Sensor head can be aligned in 5 different positions
- Mounting base with quick clamping lever for swift mounting
- Rotatable connector allows all orientations of the attached cordset
- Specially optimized for welding applications

Model Number	NBB20-L2-E2-C-V1	NBB20-L2-A2-C-V1	NBN40-L2-E2-C-V1	NBN40-L2-A2-C-V1
Rated operating distance	20 mm	40 mm		
Installation	flush	non-flush		
Switching element function	PNP NO/NC	PNP NO		

Approvals and Certificates

UL approval	cULus Listed, General Purpose	●	●	●	●
CSA approval	cCSAus Listed, General Purpose	●	●	●	●
CCC approval	Products with a maximum operating voltage of ≤36 V do not bear a CCC marking because they do not require approval.				

Dimensions

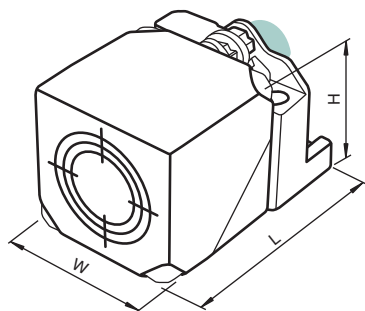
Length L [mm]	67
Width W [mm]	40
Height H [mm]	40
Connector area l _c [mm]	0

Accessories

This and more accessories can be found in chapter 10

See pages from 972 ... for cordsets See pages 1068 ... for mounting aids

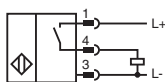
V1-G-BK	4-pin, M12 female field-attachable connector
V1-W-BK	4-pin, M12 female field-attachable connector
V1-G-2M-PUR	Cable socket, M12, 4-pin, PUR cable
V1-W-2M-PUR	Cable socket, M12, 4-pin, PUR cable
MHW 01	Modular mounting bracket
MH 02-L	Mounting aid



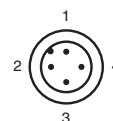
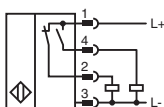
Electrical Connection



NBB20-L2-E2-C-V1
NBN40-L2-E2-C-V1



NBB20-L2-A2-C-V1
NBN40-L2-A2-C-V1



Wire colors in accordance with EN 60947-5-2

1	BN	(brown)
2	WH	(white)
3	BU	(blue)
4	BK	(black)

Date of issue 04/08/2015

1
.1.2

Proximity Sensors, Inductive Sensors, rectangular types

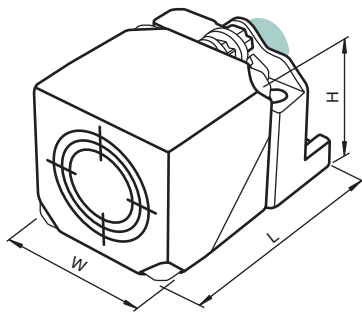


Properties

- Flexible VariKont-L housing
- 20 mm, flush and 40 mm non-flush mountable versions
- DC, 3-wire bistable switching output
- Connector version

Your Benefit

- Sensor for special applications e.g. conveyor systems due to bistable switching behavior
- All-around visible status display
- Sensor head can be aligned in 5 different positions
- Mounting base with quick clamping lever for swift mounting
- Rotatable connector allows all orientations of the attached cordset
- Specially optimized for welding applications



Technical Data

For detailed data and product description refer to the data sheets at www.pepperl-fuchs.com

General Data

Switching element function	PNP	NO
Operating voltage	10 ... 30 V	
No-load supply current	≤ 25 mA	
Reverse polarity protection	✓	
Switching frequency	0 ... 50 Hz	
Operating current	0 ... 200 mA	
Short-circuit protection	pulsing	
Operating voltage display	LED, green	
Indication of the switching state	LED, yellow	
Ambient temperature	0 ... 50 °C (32 ... 122 °F)	
Housing material	PA 6 Grivory GVN-35H	
Protection degree	IP69K	
Connection type	Device connector M12 x 1, 4-pin	



Model Number	NBB20-L2-E2B-C-V1	NBN40-L2-E2B-C-V1
Rated operating distance	20 mm	40 mm
Installation	flush	non-flush

Approvals and Certificates

UL approval	cULus Listed, General Purpose	●	●
CSA approval	cCSAus Listed, General Purpose	●	●
CCC approval	Products with a maximum operating voltage of ≤36 V do not bear a CCC marking because they do not require approval.		

Dimensions

Length L [mm]	67
Width W [mm]	40
Height H [mm]	40
Connector area l _c [mm]	0

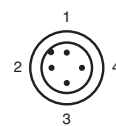
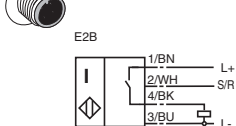
Accessories

This and more accessories can be found in chapter 10
See pages from 972 ... for cordsets See pages 1068 ... for mounting aids

V1-G-BK	4-pin, M12 female field-attachable connector
V1-W-BK	4-pin, M12 female field-attachable connector
V1-G-2M-PUR	Cable socket, M12, 4-pin, PUR cable
V1-W-2M-PUR	Cable socket, M12, 4-pin, PUR cable
MHW 01	Modular mounting bracket
MH 02-L	Mounting aid

Electrical Connection

NBB20-L2-E2B-C-V1
NBN40-L2-E2B-C-V1



Wire colors in accordance with EN 60947-5-2

1	BN	(brown)
2	WH	(white)
3	BU	(blue)
4	BK	(black)

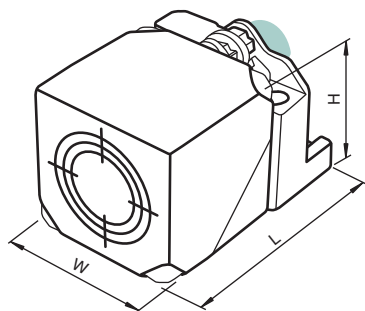


Properties

- Flexible *VariKont-L* housing
- 20 mm, flush and 40 mm non-flush mountable versions
- DC, 4-wire switching output
- Connector version

Your Benefit

- All-around visible status display
- Sensor head can be aligned in 5 different positions
- Mounting base with quick clamping lever for swift mounting
- Rotatable connector allows all orientations of the attached cordset
- Specially optimized for welding applications



Technical Data

For detailed data and product description refer to the data sheets at www.pepperl-fuchs.com

General Data

Operating voltage	10 ... 30 V DC
No-load supply current	≤ 20 mA
Reverse polarity protection	✓
Switching frequency	0 ... 5 Hz
Operating current	0 ... 200 mA
Short-circuit protection	pulsing
Operating voltage display	LED, green
Indication of the switching state	LED, yellow
Ambient temperature	-25 ... 85 °C (-13 ... 185 °F)
Connection type	Device connector M12 x 1, 4-pin



Model Number

		NBB20-L3-A2-C3-V1	NBB20-L3M-A0-C3-V1	NBB20-L3M-A2-C3-V1	NBN40-L3M-A2-C3-V1
Rated operating distance	20 mm	●	●	●	
	40 mm				●
Installation	flush	●	●	●	
	non-flush				●
Switching element function	NPN NO/NC		●		
	PNP NO/NC	●		●	●
Housing material	GD-ZnAl4Cu1, Coated metal fixing flange, coated.		●	●	●
	GD-ZnAl4Cu1, coated mounting flange PA6-GF35	●			
Housing base	PTFE coated zinc	●			

Approvals and Certificates

UL approval	cULus Listed, General Purpose	●	●	●	●
CSA approval	cCSAus Listed, General Purpose	●		●	●
CCC approval	Products with a maximum operating voltage of ≤36 V do not bear a CCC marking because they do not require approval.				

Dimensions

Length L [mm]	67
Width W [mm]	40
Height H [mm]	40

Accessories

This and more accessories can be found in chapter 10

See pages from 972 ... for cordsets

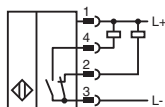
See pages 1068 ... for mounting aids

V1-G-BK	4-pin, M12 female field-attachable connector
V1-G-OR2M-POC	Female cordset, M12, 4-pin, TPE cable, welding-bead resistant
V1-W-BK	4-pin, M12 female field-attachable connector
V1-W-2M-PUR	Cable socket, M12, 4-pin, PUR cable
V1-G-2M-PUR	Cable socket, M12, 4-pin, PUR cable
MHW 01	Modular mounting bracket
MH 02-L	Mounting aid

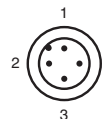
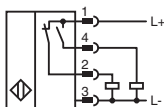
Electrical Connection



NBB20-L3M-A0-C3-V1



NBB20-L3-A2-C3-V1
NBB20-L3M-A2-C3-V1
NBN40-L3M-A2-C3-V1



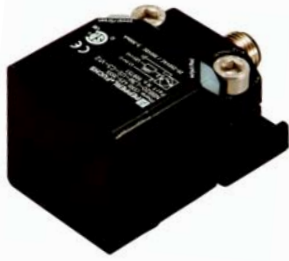
Wire colors in accordance with EN 60947-5-2

1	BN	(brown)
2	WH	(white)
3	BU	(blue)
4	BK	(black)

Date of issue 04/08/2015



1
.1.2



Proximity Sensors, Inductive Sensors, rectangular types

Properties

- Flexible *VariKont-L* housing
- 20 mm, flush and 40 mm non-flush mountable versions
- AC/DC, 2-wire switching output
- Connector version

Your Benefit

- All-around visible status display
- Sensor head can be aligned in 5 different positions
- Mounting base with quick clamping lever for swift mounting
- Rotatable connector allows all orientations of the attached cordset
- Specially optimized for welding applications

Technical Data

For detailed data and product description refer to the data sheets at www.pepperl-fuchs.com

General Data

Operating voltage	20 ... 250 V AC/DC
No-load supply current	≤ 0.6 mA
Reverse polarity protection	✓
Switching frequency	2 Hz
Operating current	3 ... 300 mA
Short-circuit protection	pulsing
Operating voltage display	LED, green
Indication of the switching state	LED, red
Ambient temperature	-25 ... 70 °C (-13 ... 158 °F)
Housing material	PTFE coated zinc
Housing base	PTFE coated zinc
Protection degree	IP67

Model Number

		NBB20-L3M-US-C3-V12	NBB20-L3M-US-C3-V93	NBB20-L3M-UO-C3-V12	NBN40-L3M-US-C3-V12	NBN40-L3M-US-C3-V93
Rated operating distance	20 mm	●	●	●		
	40 mm				●	●
Installation	flush	●	●	●		
	non-flush				●	●
Switching element function	AC/DC normally open	●	●		●	●
	AC/DC normally closed			●		
Connection type	Device connector 1/2"-20 UN , 3-pin	●		●	●	
	Device connector 7/8"-16 UN , 3-pin		●			●

Approvals and Certificates

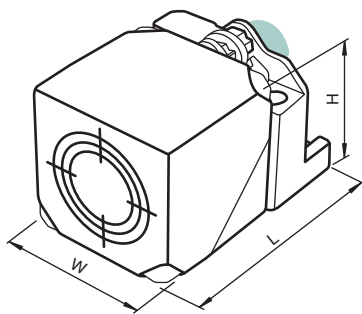
UL approval	cULus Listed, General Purpose	●	●	●	●	●
CSA approval	cCSAus Listed, General Purpose	●	●	●	●	●
CCC approval	Certified by China Compulsory Certification (CCC)	●	●	●	●	●

Dimensions

Length L [mm]	67
Width W [mm]	40
Height H [mm]	40

Accessories This and more accessories can be found in chapter 10

V93-G-YE2M-STOOW	Female connector, 7/8" - 16 UNF, 3-pin, PUR cable
V12-W-YE2M-PUR-H/S	Connecting cable, 1/2" - 20 UNF, 3-pin, irradiated PUR cable
MHW 01	Modular mounting bracket
MH 02-L	Mounting aid

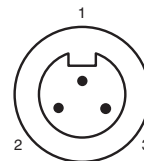
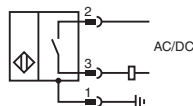
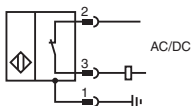


Electrical Connection



NBB20-L3M-UO-C3-V12

NBB20-L3M-US-C3-V12
NBB20-L3M-US-C3-V93
NBN40-L3M-US-C3-V12
NBN40-L3M-US-C3-V93



Wire colors

- 1 GN (green)
- 2 BK (black)
- 3 WH (white)



Wire colors

- 1 GN (green)
- 2 RD/BK (red/black)
- 3 RD/WH (red/white)



Technical Data

For detailed data and product description refer to the data sheets at www.pepperl-fuchs.com

General Data

Switching element function	PNP	NO
Operating voltage	10 ... 30 V DC	
No-load supply current	≤ 20 mA	
Reverse polarity protection	✓	
Switching frequency	0 ... 5 Hz	
Operating current	0 ... 200 mA	
Short-circuit protection	pulsing	
Operating voltage display	LED, green	
Indication of the switching state	LED, yellow	
Ambient temperature	-25 ... 85 °C (-13 ... 185 °F)	
Housing material	PA	
Housing base	plastic	
Protection degree	IP68 / IP69K	

Properties

- Flexible *VariKont* housing
- Up to 40 mm, flush and non-flush mountable versions
- DC, 3-wire switching output
- Terminal compartment and connector versions

Your Benefit

- All-around visible status display
- Sensor head can be aligned in 5 different positions
- Specially optimized for welding applications

Model Number

		NBB15-U1-E2-C	NBN40-U1-E2-C	NBB20-U1-E2-C-V1
Rated operating distance	15 mm	●		
	20 mm			●
	40 mm		●	
Installation	flush	●		●
	non-flush		●	
Connection type	Device connector M12 x 1, 4-pin			●
	screw terminals	●	●	

Approvals and Certificates

		NBB15-U1-E2-C	NBN40-U1-E2-C	NBB20-U1-E2-C-V1
UL approval	cULus Listed, General Purpose	●	●	●
CSA approval	cCSAus Listed, General Purpose		●	●
CCC approval	Products with a maximum operating voltage of ≤36 V do not bear a CCC marking because they do not require approval.			

Dimensions

	NBB15-U1-E2-C	NBN40-U1-E2-C	NBB20-U1-E2-C-V1
Length L [mm]		118	
Width W [mm]		40	
Height H [mm]		40	
Connector area l _c [mm]		0	20

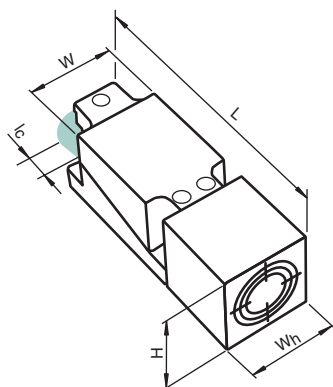
Accessories

This and more accessories can be found in chapter 10

See pages from 972 ... for cordsets

See pages 1068 ... for mounting aids

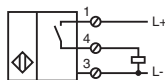
MHW 01	Modular mounting bracket
V1-M20-80	Receptacles, M12/M20; plastic version
V1-G-BK	4-pin, M12 female field-attachable connector
MH 04-2681F	Mounting aid for VariKont, +U1+ and +U9*
V1-W-BK	4-pin, M12 female field-attachable connector



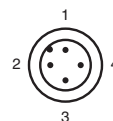
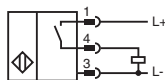
Electrical Connection



NBB15-U1-E2-C
NBN40-U1-E2-C



NBB20-U1-E2-C-V1



Wire colors in accordance with EN 60947-5-2

1	BN	(brown)
2	WH	(white)
3	BU	(blue)
4	BK	(black)

Date of issue 04/08/2015

Refer to "General Notes Relating to Pepperl+Fuchs Product Information".

Pepperl+Fuchs Group
www.pepperl-fuchs.com

USA: +1 330 486 0001
fa-info@us.pepperl-fuchs.com

Germany: +49 621 776 4411
fa-info@de.pepperl-fuchs.com

Singapore: +65 6779 9091
fa-info@sg.pepperl-fuchs.com

f PEPPERL+FUCHS
SENSING YOUR NEEDS

1
.1.2

Proximity Sensors, Inductive Sensors, rectangular types



Technical Data

For detailed data and product description refer to the data sheets at www.pepperl-fuchs.com

General Data

Rated operating distance	50 mm
Installation	flush
No-load supply current	≤ 20 mA
Reverse polarity protection	✓
Switching frequency	0 ... 1 Hz
Operating current	0 ... 200 mA
Short-circuit protection	pulsing
Operating voltage display	LED, green
Indication of the switching state	LED, yellow
Ambient temperature	-25 ... 70 °C (-13 ... 158 °F)
Housing material	PBT/metal
Protection degree	IP68
Connection type	Device connector M12 x 1 , 4-pin



Properties

- Flat pack housing
- 50 mm, flush mountable
- DC, 3-wire and 4-wire switching output versions
- Connector version

Your Benefit

- Specially optimized for welding applications

Model Number

			NCB50-FP-E2-C-P1-V1	NCB50-FP-E2-C-P3-V1	NCB50-FP-A2-C-P3-V1
Switching element function	PNP NO		●	●	
	PNP NO/NC				●
Operating voltage	10 ... 30 V DC			●	
	10 ... 60 V DC		●		●
Housing base	metal			●	●
	PBT		●		

Approvals and Certificates

		NCB50-FP-E2-C-P1-V1	NCB50-FP-E2-C-P3-V1	NCB50-FP-A2-C-P3-V1
UL approval	cULus Listed, General Purpose	●	●	●
CSA approval	cCSAus Listed, General Purpose	●	●	●
CCC approval	Certified by China Compulsory Certification (CCC)	●		●

Dimensions

Length L [mm]		84
Width W [mm]		84
Height H [mm]		40
Connector area l _c [mm]	25	32

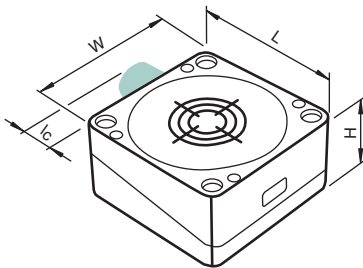
Accessories

This and more accessories can be found in chapter 10

See pages from 972 ... for cordsets

See pages 1068 ... for mounting aids

V1-G-BK	4-pin, M12 female field-attachable connector
V1-W-BK	4-pin, M12 female field-attachable connector
V1-G-2M-PUR	Cable socket, M12, 4-pin, PUR cable
V1-W-2M-PUR	Cable socket, M12, 4-pin, PUR cable

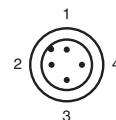
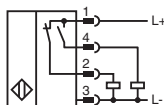
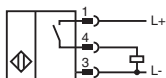


Electrical Connection



NCB50-FP-E2-C-P1-V1
NCB50-FP-E2-C-P3-V1

NCB50-FP-A2-C-P3-V1



Wire colors in accordance with EN 60947-5-2

1	BN	(brown)
2	WH	(white)
3	BU	(blue)
4	BK	(black)



Technical Data

For detailed data and product description refer to the data sheets at www.pepperl-fuchs.com

General Data

Operating voltage	10 ... 30 V DC
No-load supply current	≤ 25 mA
Reverse polarity protection	✓
Switching frequency	0 ... 100 Hz
Operating current	0 ... 200 mA
Short-circuit protection	pulsing
Operating voltage display	LED, green
Indication of the switching state	LED, yellow
Ambient temperature	-25 ... 70 °C (-13 ... 158 °F)
Housing material	GD-ZnAl4Cu1, coated mounting flange PA6-GF35
Protection degree	IP67
Connection type	Device connector M12 x 1, 4-pin



Properties

- Flexible *VariKont-L* housing
- Up to 40 mm, flush and non-flush mountable versions
- DC, 3-wire and 4-wire switching output versions
- Connector version

Your Benefit

- Same sensing range for all metals
- All-around visible status display
- Sensor head can be aligned in 5 different positions
- Rotatable connector allows all orientations of the attached cordset
- Mounting base with quick clamping lever for swift mounting

Model Number

		NRB20-L3-A2-V1	NRB20-L3-E2-V1	NRN35-L3-A2-V1	NRN40-L3K-A2-V1
Rated operating distance	20 mm	●	●		
	35 mm			●	
	40 mm				●
Installation	flush	●	●		
	non-flush			●	●
Switching element function	PNP NO/NC	●		●	●
	PNP NO		●		

Approvals and Certificates

		NRB20-L3-A2-V1	NRB20-L3-E2-V1	NRN35-L3-A2-V1	NRN40-L3K-A2-V1
Protection class	II	●	●	●	●
UL approval	cULus Listed, General Purpose	●	●	●	●
CSA approval	cCSAus Listed, General Purpose	●	●	●	●
CCC approval	Products with a maximum operating voltage of ≤36 V do not bear a CCC marking because they do not require approval.				

Dimensions

Length L [mm]	67
Width W [mm]	40
Height H [mm]	40
Connector area l _c [mm]	0

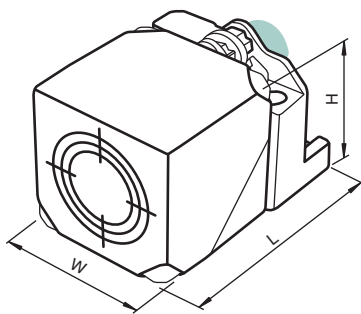
Accessories

This and more accessories can be found in chapter 10

See pages from 972 ... for cordsets

See pages 1068 ... for mounting aids

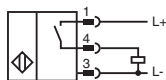
V1-G-BK	4-pin, M12 female field-attachable connector
V1-W-BK	4-pin, M12 female field-attachable connector
V1-G-2M-PUR	Cable socket, M12, 4-pin, PUR cable
V1-W-2M-PUR	Cable socket, M12, 4-pin, PUR cable
MHW 01	Modular mounting bracket
MH 02-L	Mounting aid



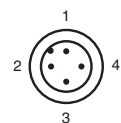
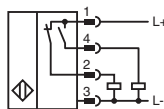
Electrical Connection



NRB20-L3-E2-V1



NRB20-L3-A2-V1
NRN35-L3-A2-V1
NRN40-L3K-A2-V1



Wire colors in accordance with EN 60947-5-2

1	BN	(brown)
2	WH	(white)
3	BU	(blue)
4	BK	(black)

Date of issue 04/08/2015



1
.1.2



Technical Data

For detailed data and product description refer to the data sheets at www.pepperl-fuchs.com

General Data

Operating voltage	10 ... 30 V DC
No-load supply current	≤ 25 mA
Reverse polarity protection	✓
Switching frequency	0 ... 100 Hz
Operating current	0 ... 200 mA
Short-circuit protection	pulsing
Operating voltage display	LED, green
Indication of the switching state	LED, yellow
Ambient temperature	-25 ... 70 °C (-13 ... 158 °F)
Housing material	GD-ZnAl4Cu1, coated mounting flange PA6-GF35
Protection degree	IP67
Connection type	Device connector M12 x 1, 4-pin



Properties

- Flexible *VariKont-L* housing
- Up to 40 mm, flush and non-flush mountable versions
- DC, 3-wire and 4-wire switching output versions
- Connector version

Your Benefit

- Same sensing range for all metals
- All-around visible status display
- Sensor head can be aligned in 5 different positions
- Rotatable connector allows all orientations of the attached cordset
- Mounting base with quick clamping lever for swift mounting

Further Products

In this series, we offer additionally:

NRB20-L3M-A2-C3-V1

Technical data like NRB20-L3-A2-C-V1 but:
Housing material: GD-ZnAl4Cu1, coated
metal fixing flange, coated.

Model Number

		NRB20-L3-E2-C-V1	NRB20-L3-A2-C-V1	NRN35-L3-E2-C-V1	NRN35-L3-A2-C-V1	NRN40-L3K-E2-C-V1	NRN40-L3K-A2-C-V1
Rated operating distance	20 mm	●	●				
	35 mm			●	●		
	40 mm					●	●
Installation	flush	●	●				
	non-flush			●	●	●	●
Switching element function	PNP NO/NC		●		●	●	●
	PNP NO	●		●		●	

Approvals and Certificates

		NRB20-L3-E2-C-V1	NRB20-L3-A2-C-V1	NRN35-L3-E2-C-V1	NRN35-L3-A2-C-V1	NRN40-L3K-E2-C-V1	NRN40-L3K-A2-C-V1
Protection class	II	●	●	●	●	●	●
UL approval	cULus Listed, General Purpose	●	●	●	●	●	●
CSA approval	cCSAus Listed, General Purpose	●	●	●	●	●	●
CCC approval	Products with a maximum operating voltage of ≤36 V do not bear a CCC marking because they do not require approval.						

Dimensions

Length L [mm]	67
Width W [mm]	40
Height H [mm]	40
Connector area l _c [mm]	0

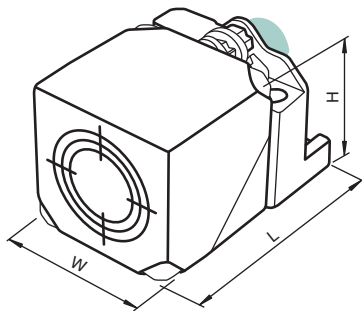
Accessories

This and more accessories can be found in chapter 10

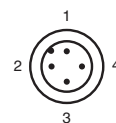
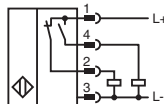
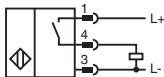
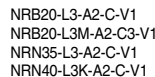
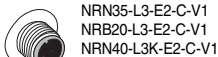
See pages from 972 ... for cordsets

See pages 1068 ... for mounting aids

- V1-G-BK** 4-pin, M12 female field-attachable connector
- V1-W-BK** 4-pin, M12 female field-attachable connector
- V1-G-2M-PUR** Cable socket, M12, 4-pin, PUR cable
- V1-W-2M-PUR** Cable socket, M12, 4-pin, PUR cable
- MHW 01** Modular mounting bracket
- MH 02-L** Mounting aid



Electrical Connection



Wire colors in accordance with EN 60947-5-2

- 1 BN (brown)
- 2 WH (white)
- 3 BU (blue)
- 4 BK (black)



Technical Data

For detailed data and product description refer to the data sheets at www.pepperl-fuchs.com

General Data

Switching element function	PNP	NO/NC
Operating voltage	10 ... 30 V DC	
No-load supply current	≤ 25 mA	
Reverse polarity protection	✓	
Switching frequency	0 ... 100 Hz	
Operating current	0 ... 200 mA	
Short-circuit protection	pulsing	
Operating voltage display	LED, green	
Indication of the switching state	LED, yellow	
Ambient temperature	-25 ... 70 °C (-13 ... 158 °F)	
Housing material	PA/metal with epoxy powder coating	
Housing base	plastic	
Protection degree	IP67	
Connection type	screw terminals	



Properties

- Flexible *VariKont* housing
- 20 mm, flush and 40 mm, non-flush mountable versions
- DC, 4-wire switching output
- Terminal compartment

Your Benefit

- Same sensing range for all metals
- All-around visible status display
- Sensor head can be aligned in 5 different positions

Model Number	NRB20-U1-A2	NRN40-U1-A2
Rated operating distance	20 mm	40 mm
Installation	flush	non-flush

Approvals and Certificates

Approvals	NRB20-U1-A2	NRN40-U1-A2
Protection class	II	II
UL approval	cULus Listed, General Purpose	cULus Listed, General Purpose
CSA approval	cCSAus Listed, General Purpose	cCSAus Listed, General Purpose
CCC approval	Products with a maximum operating voltage of ≤36 V do not bear a CCC marking because they do not require approval.	

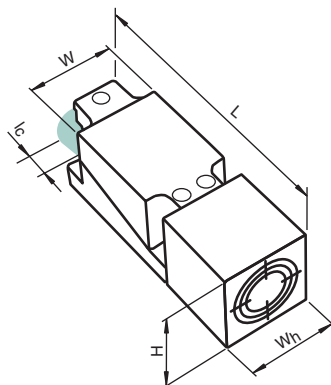
Dimensions

Length L [mm]	118
Width W [mm]	40
Height H [mm]	40
Connector area l _c [mm]	0 (M20 x 1.5)

Accessories

This and more accessories can be found in chapter 10
 See pages from 972 ... for cordsets See pages 1068 ... for mounting aids

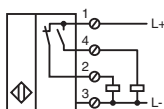
- MHW 01** Modular mounting bracket
- MH 04-2681F** Mounting aid for VariKont, +U1+ and +U9*



Electrical Connection



NRB20-U1-A2
NRN40-U1-A2



Date of issue 04/08/2015



1
.1.2



Technical Data

For detailed data and product description refer to the data sheets at www.pepperl-fuchs.com

General Data

Operating voltage	10 ... 30 V DC
No-load supply current	≤ 20 mA
Reverse polarity protection	✓
Operating current	0 ... 200 mA
Short-circuit protection	pulsing
Operating voltage display	LED, green
Indication of the switching state	LED, yellow
Ambient temperature	0 ... 50 °C (32 ... 122 °F) (± 10 % changing operating distance) -25 ... 70 °C (-13 ... 158 °F) (± 20 % changing operating distance)
Housing material	PBT/metal
Housing base	metal
Protection degree	IP68
Connection type	Device connector M12 x 1 , 4-pin



Properties

- Flat pack housing
- 50 mm, flush and 75 mm, non-flush mountable versions
- DC, 3-wire and 4-wire switching output versions
- Connector version

Your Benefit

- Same sensing range for all metals

Model Number							
	NRB50-FP-A2-P3-V1	NRB50-FP-E2-P3-V1	NRN75-FP-A2-P3-V1	NRB50-FP-A2-C-P3-V1	NRB50-FP-E2-C-P3-V1	NRN75-FP-A2-C-P3-V1	NRN75-FP-E2-C-P3-V1
Rated operating distance	50 mm	75 mm					
Installation	flush	non-flush					
Switching element function	PNP	NO/NC					
	PNP	NO					
Switching frequency	0 ... 1 Hz						
	0 ... 50 Hz						
	0 ... 80 Hz						

Approvals and Certificates

Protection class	II						
UL approval	cULus Listed, General Purpose						
CSA approval	cCSAus Listed, General Purpose						
CCC approval	Products with a maximum operating voltage of ≤36 V do not bear a CCC marking because they do not require approval.						

Dimensions

Length L [mm]	84	80	84	80
Width W [mm]	84	80	84	80
Height H [mm]			40	
Connector area l _c [mm]	32	33	32	33

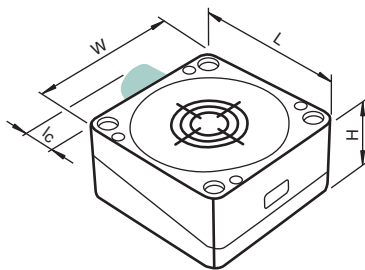
Accessories

This and more accessories can be found in chapter 10

See pages from 972 ... for cordsets

See pages 1068 ... for mounting aids

- V1-G-BK** 4-pin, M12 female field-attachable connector
- V1-W-BK** 4-pin, M12 female field-attachable connector
- V1-G-2M-PUR** Cable socket, M12, 4-pin, PUR cable
- V1-W-2M-PUR** Cable socket, M12, 4-pin, PUR cable

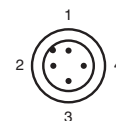
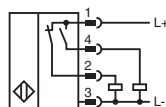
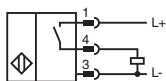


Electrical Connection



NRB50-FP-E2-P3-V1
NRB50-FP-E2-C-P3-V1
NRN75-FP-E2-C-P3-V1

NRB50-FP-A2-P3-V1
NRN75-FP-A2-P3-V1
NRB50-FP-A2-C-P3-V1
NRN75-FP-A2-C-P3-V1



Wire colors in accordance with EN 60947-5-2

- 1 BN (brown)
- 2 WH (white)
- 3 BU (blue)
- 4 BK (black)



Technical Data

For detailed data and product description refer to the data sheets at www.pepperl-fuchs.com

General Data

Operating voltage	5 ... 60 V DC
No-load supply current	≤ 10 mA
Reverse polarity protection	✓
Operating current	0 ... 200 mA
Short-circuit protection	pulsing
Indication of the switching state	LED yellow
Ambient temperature	-40 ... 85 °C (-40 ... 185 °F)
Housing material	PBT
Protection degree	IP67 / IP69K
Connection type	cable PUR , 2 m



Properties

- Compact F33 housing
- 8 mm, flush and 10 mm, non-flush mountable versions
- DC, 3-wire switching output
- Cable version

Further Products

In this series, we offer additionally:

NBB8-F33-E2-M-150MM-3DT04

Technical data like NBB8-F33-E2-M but:
 Connection type: Cable connector Deutsch
 DT04 , 3-pin with PUR cable
 150 mm

Model Number

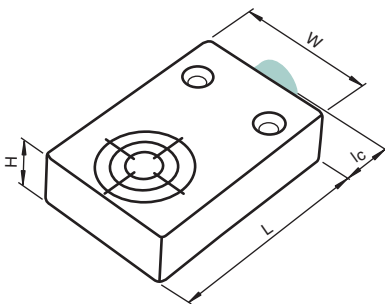
Rated operating distance	10 mm	green = preferred type
Installation	flush	
	non-flush	
Switching element function	NPN NO	
	PNP NO	
Switching frequency	0 ... 200 Hz	
	0 ... 350 Hz	

Approvals and Certificates

e1 Type approval	2006/28/EG
------------------	------------

Dimensions

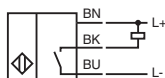
Length L [mm]	50
Width W [mm]	25
Height H [mm]	10
Connector area l _c [mm]	0



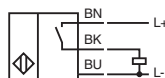
Electrical Connection



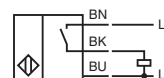
NBB8-F33-E0-M
NBN10-F33-E0-M



NBB8-F33-E2-M
NBN10-F33-E2-M



NBB8-F33-E2-M-150MM-3DT04



Date of issue 04/08/2015

Refer to "General Notes Relating to Pepperl+Fuchs Product Information".

Pepperl+Fuchs Group
www.pepperl-fuchs.com

USA: +1 330 486 0001
fa-info@us.pepperl-fuchs.com

Germany: +49 621 776 4411
fa-info@de.pepperl-fuchs.com

Singapore: +65 6779 9091
fa-info@sg.pepperl-fuchs.com



1
.1.2



Technical Data

For detailed data and product description refer to the data sheets at www.pepperl-fuchs.com

General Data

Installation	flush
Operating current	≤ 200 mA
Indication of the switching state	LED, yellow
Ambient temperature	-40 ... 85 °C (-40 ... 185 °F)
Housing material	anodized aluminium
Protection degree	IP67 / IP69K
Connection type	cable PUR , 2 m



CE

Properties

- Compact F148P housing
- 8 mm and 15 mm, flush mountable versions
- DC, 3-wire switching and relay output versions
- Cable version

Further Products

In this series, we offer additionally:

NBB8-F148P10-E2-M-150MM-3DT04

Technical data like NBB8-F148P10-E2-M but:
Connection type: 150 mm cable with Deutsch connector

Model Number

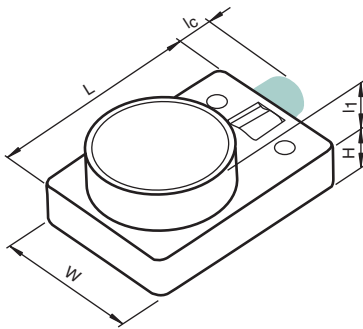
		NBB8-F148P10-E0-M	NBB8-F148P10-E2-M	NBB15-F148P10-E0-M	NBB15-F148P10-E2-M	NBB15-F148P10-ARO-M
Rated operating distance	green = preferred type					
	15 mm	●	●	●	●	●
	8 mm					
Switching element function	1 electronic relay, N.C.					●
	NPN NO	●		●		
	PNP NO		●		●	
Operating voltage	10 ... 30 V DC					●
	10 ... 60 V DC	●	●	●	●	
No-load supply current	≤ 10 mA	●	●	●	●	
	≤ 8 mA					●
Reverse polarity protection	✓	●	●	●	●	
	tolerant					●
Switching frequency	0 ... 120 Hz					
	0 ... 400 Hz	●	●	●		
	0 ... 40 Hz					●
Short-circuit protection	pulsing	●	●	●	●	

Approvals and Certificates

E1 Type approval	10R-04	●	●	●	●	●
------------------	--------	---	---	---	---	---

Dimensions

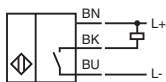
Length L [mm]	50
Width W [mm]	35
Height H [mm]	10
Connector area l _c [mm]	0



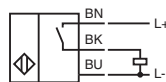
Electrical Connection



NBB8-F148P10-E0-M
NBB15-F148P10-E0-M



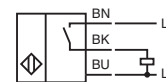
NBB8-F148P10-E2-M
NBB15-F148P10-E2-M



NBB15-F148P10-ARO-M



NBB8-F148P10-E2-M-150MM-3DT04





Technical Data

For detailed data and product description refer to the data sheets at www.pepperl-fuchs.com

General Data

Operating voltage	10 ... 60 V DC
No-load supply current	≤ 20 mA
Reverse polarity protection	✓
Operating current	0 ... 200 mA
Short-circuit protection	pulsing
Operating voltage display	LED, green
Indication of the switching state	LED, yellow
Ambient temperature	-40 ... 85 °C (-40 ... 185 °F)
Housing material	PA
Protection degree	IP69K
Connection type	Device connector M12 x 1 , 4-pin



Properties

- Flexible *VariKont-L* housing
- 20 mm, flush and 40 mm, non-flush mountable versions
- DC, 4-wire switching output
- Connector version

Your Benefit

- All-around visible status display
- Sensor head can be aligned in 5 different positions
- Mounting base with quick clamping lever for swift mounting
- Rotatable connector allows all orientations of the attached cordset

Model Number

		NBB20-L2-A0-V1-M	NBB20-L2-A2-V1-M	NBN40-L2-A0-V1-M	NBN40-L2-A2-V1-M
Rated operating distance	green = preferred type 20 mm 40 mm	●	●	●	●
Installation	flush non-flush	●	●	●	●
Switching element function	NPN NO/NC PNP NO/NC	●	●	●	●
Switching frequency	0 ... 100 Hz 0 ... 200 Hz	●	●	●	●

Approvals and Certificates

e1 Type approval	2006/28/EG	●	●	●	●
------------------	------------	---	---	---	---

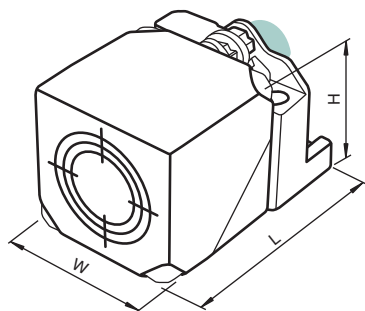
Dimensions

Length L [mm]	67
Width W [mm]	40
Height H [mm]	40
Connector area l _c [mm]	0

Accessories

This and more accessories can be found in chapter 10
See pages from 972 ... for cordsets See pages 1068 ... for mounting aids

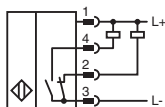
V1-G-BK	4-pin, M12 female field-attachable connector
V1-W-BK	4-pin, M12 female field-attachable connector
V1-G-2M-PUR	Cable socket, M12, 4-pin, PUR cable
V1-W-2M-PUR	Cable socket, M12, 4-pin, PUR cable
MHW 01	Modular mounting bracket
V1-M20-80	Receptacles, M12/M20; plastic version



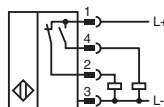
Electrical Connection



NBB20-L2-A0-V1-M
NBN40-L2-A0-V1-M



NBB20-L2-A2-V1-M
NBN40-L2-A2-V1-M



Date of issue 04/08/2015



1
.1.2



Proximity Sensors, Inductive Sensors, rectangular types



Technical Data

For detailed data and product description refer to the data sheets at www.pepperl-fuchs.com

General Data

Operating voltage	10 ... 60 V DC
No-load supply current	≤ 20 mA
Reverse polarity protection	✓
Operating current	0 ... 200 mA
Short-circuit protection	pulsing
Operating voltage display	LED, green
Indication of the switching state	LED, yellow
Ambient temperature	-40 ... 85 °C (-40 ... 185 °F)
Housing material	PA-GF35 metal base powder coated metal mounting flang powder coated.
Protection degree	IP69K
Connection type	Device connector M12 x 1 , 4-pin



Properties

- Flexible VariKont-L housing
- 20 mm, flush and 40 mm, non-flush mountable versions
- DC, 4-wire switching output
- Connector version

Your Benefit

- All-around visible status display
- Sensor head can be aligned in 5 different positions
- Rotatable connector allows all orientations of the attached cordset

Model Number	NBB20-L2M-A0-V1-M	NBB20-L2M-A2-V1-M	NBN40-L2M-A0-V1-M	NBN40-L2M-A2-V1-M
Rated operating distance	20 mm	40 mm		
Installation	flush	non-flush		
Switching element function	NPN	NO/NC	PNP	NO/NC
Switching frequency	0 ... 100 Hz	0 ... 200 Hz		

Approvals and Certificates

e1 Type approval	2006/28/EG				
------------------	------------	--	--	--	--

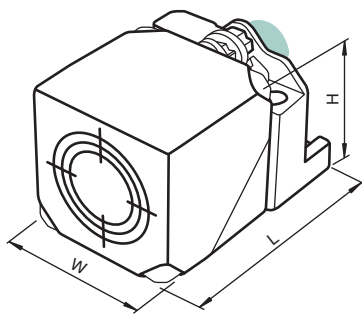
Dimensions

Length L [mm]	67
Width W [mm]	40
Height H [mm]	40
Connector area l _c [mm]	0

Accessories

This and more accessories can be found in chapter 10
See pages from 972 ... for cordsets See pages 1068 ... for mounting aids

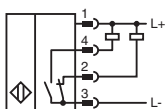
- V1-G-BK** 4-pin, M12 female field-attachable connector
- V1-W-BK** 4-pin, M12 female field-attachable connector
- V1-G-2M-PUR** Cable socket, M12, 4-pin, PUR cable
- V1-W-2M-PUR** Cable socket, M12, 4-pin, PUR cable
- MHW 01** Modular mounting bracket
- V1-M20-80** Receptacles, M12/M20; plastic version



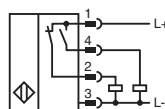
Electrical Connection



NBN40-L2M-A0-V1-M
NBB20-L2M-A0-V1-M



NBN40-L2M-A2-V1-M
NBB20-L2M-A2-V1-M





Technical Data

For detailed data and product description refer to the data sheets at www.pepperl-fuchs.com

General Data

Operating voltage	10 ... 60 V DC
No-load supply current	≤ 20 mA
Reverse polarity protection	✓
Operating current	0 ... 200 mA
Short-circuit protection	pulsing
Operating voltage display	LED, green
Indication of the switching state	LED, yellow
Ambient temperature	-40 ... 85 °C (-40 ... 185 °F)
Housing material	PA/metal with epoxy powder coating
Housing base	plastic
Protection degree	IP68 / IP69K
Connection type	screw terminals



Properties

- Flexible *VariKont* housing
- 20 mm, flush and 40 mm, non-flush mountable versions
- DC, 3-wire and 4-wire switching output versions
- Terminal compartment

Model Number

		NBB20-U1-A0-M	NBB20-U1-A2-M	NBB20-U1-E0-M	NBB20-U1-E2-M	NBN40-U1-A0-M	NBN40-U1-A2-M	NBN40-U1-E0-M	NBN40-U1-E2-M
Rated operating distance	green = preferred type	●	●	●	●				
Installation	flush	●	●	●	●	●	●	●	●
Switching element function	non-flush					●	●	●	●
	NPN NO/NC	●							
	NPN NO			●					
	PNP NO/NC		●				●		
Switching frequency	PNP NO				●				●
	0 ... 150 Hz	●	●	●	●	●	●	●	●
0 ... 200 Hz	●	●	●	●	●	●	●	●	

Approvals and Certificates

e1 Type approval	2006/28/EG	●	●	●	●	●	●	●	●
------------------	------------	---	---	---	---	---	---	---	---

Dimensions

Length L [mm]	128
Width W [mm]	40
Height H [mm]	40
Connector area l _c [mm]	0 (M20 x 1.5)

Accessories

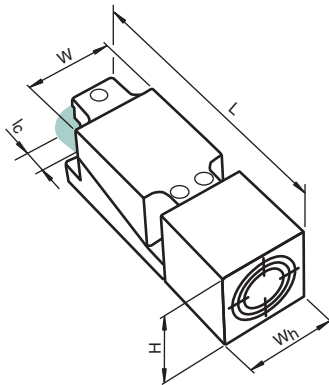
This and more accessories can be found in chapter 10

See pages from 972 ... for cordsets

See pages 1068 ... for mounting aids

MHW 01

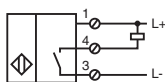
Modular mounting bracket



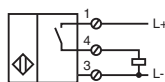
Electrical Connection



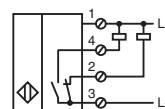
NBB20-U1-E0-M
NBN40-U1-E0-M



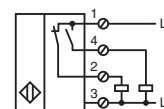
NBB20-U1-E2-M
NBN40-U1-E2-M



NBB20-U1-A0-M
NBN40-U1-A0-M



NBB20-U1-A2-M
NBN40-U1-A2-M



Date of issue 04/08/2015





Properties

- Sturdy F35 housing
- 20 mm and 25 mm, flush mountable versions
- DC, 4-wire switching output
- Connector version

Your Benefit

- For use in high temperature applications

Technical Data

For detailed data and product description refer to the data sheets at www.pepperl-fuchs.com

General Data

Description	Sensor consists of a sensor head and a cylindrical amplifier
Installation	flush mountable
Switching element function	PNP NO/NC
Operating voltage	10 ... 30 V
No-load supply current	≤ 25 mA
Reverse polarity protection	✓
Operating current	0 ... 200 mA
Switching frequency	0 ... 20 Hz
Short-circuit protection	pulsing
Indication of the switching state	Multihole-LED, yellow
Ambient temperature	0 ... 250 °C (32 ... 482 °F)
Housing material	PTFE / Al / 1.4305 / AISI 303
Protection degree	amplifier IP67 sensor IP40
Connection type	Device connector M12 x 1 , 4-pin



Model Number

		NCN25-F35-A2-250-V1	NCN20-F35-A2-250-10M-V1	NCN25-F35-A2-250-15M-V1	NCN20-F35-A2-250-20M-V1
Rated operating distance	20 mm		●		●
	25 mm	●			
Cable length between sensor and amplifier	10 m	●	●		
	15 m			●	
	20 m				●

Approvals and Certificates

UL approval	cULus Listed, General Purpose, Class 2 Power Source	●	●	●	●
CSA approval	cCSAus Listed, General Purpose		●		●
CCC approval	Products with a maximum operating voltage of ≤36 V do not bear a CCC marking because they do not require approval.				

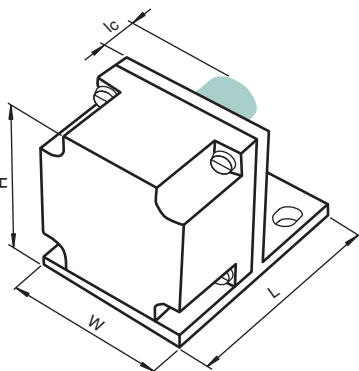
Dimensions

Length L [mm]	56
Width W [mm]	40
Height H [mm]	40
Connector area l _c [mm]	12

Accessories

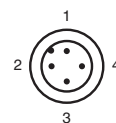
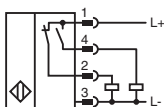
See pages from 972 ... for cordsets See pages 1068 ... for mounting aids

V1-G-BK	4-pin, M12 female field-attachable connector
V1-W-2M-PUR	Cable socket, M12, 4-pin, PUR cable
V1-W-BK	4-pin, M12 female field-attachable connector
V1-G-2M-PUR	Cable socket, M12, 4-pin, PUR cable



Electrical Connection

- NCN20-F35-A2-250-10M-V1
- NCN20-F35-A2-250-20M-V1
- NCN25-F35-A2-250-15M-V1
- NCN25-F35-A2-250-V1



Wire colors in accordance with EN 60947-5-2

1	BN	(brown)
2	WH	(white)
3	BU	(blue)
4	BK	(black)

Date of issue: 04/08/2015



Properties

- Miniature V3 housing
- 3 mm, flush mountable
- DC, 2-wire switching output
- Cable version

Your Benefit

- ATEX approval for use in zone 2/ zone 22

Technical Data

For detailed data and product description refer to the data sheets at www.pepperl-fuchs.com

Model Number	NBB3-V3-Z4-3G-3D
Rated operating distance	3 mm
Installation	flush
Switching element function	DC NO
Operating voltage	5 ... 60 V DC
Reverse polarity protection	✓
Switching frequency	0 ... 2000 Hz
Operating current	4 ... 100 mA
Indication of the switching state	LED, yellow
Ambient temperature	-25 ... 85 °C (-13 ... 185 °F)
Housing material	PBT
Protection degree	IP67
Connection type	cable PVC , 130 mm

Use in the Hazardous Area

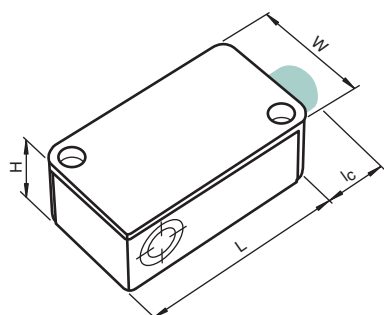
Use in the hazardous area	see instruction manuals
Category	3G; 3D

Approvals and Certificates

UL approval	cULus Listed, General Purpose
CSA approval	cCSAus Listed, General Purpose

Dimensions

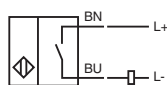
Length L [mm]	27.8
Width W [mm]	16
Height H [mm]	10
Connector area l _c [mm]	0



Electrical Connection



NBB3-V3-Z4-3G-3D



Date of issue 04/08/2015

Refer to "General Notes Relating to Pepperl+Fuchs Product Information".

Pepperl+Fuchs Group
www.pepperl-fuchs.com

USA: +1 330 486 0001
fa-info@us.pepperl-fuchs.com

Germany: +49 621 776 4411
fa-info@de.pepperl-fuchs.com

Singapore: +65 6779 9091
fa-info@sg.pepperl-fuchs.com



1
.1.2



Properties

- Miniature V3 housing
- 2 mm, flush and 4 mm non-flush mountable versions
- DC, 3-wire switching output
- Cable version

Your Benefit

- ATEX approval for use in zone 2 / zone 22

Technical Data

For detailed data and product description refer to the data sheets at www.pepperl-fuchs.com

General Data

Operating voltage	10 ... 30 V DC
No-load supply current	≤ 15 mA
Reverse polarity protection	✓
Operating current	0 ... 100 mA
Short-circuit protection	pulsing
Indication of the switching state	LED, yellow
Ambient temperature	-25 ... 70 °C (-13 ... 158 °F)
Housing material	PBT
Protection degree	IP67
Connection type	cable PVC , 130 mm



Model Number

Rated operating distance	green = preferred type 2 mm 4 mm	NBB2-V3-E2-3G-3D	NBB2-V3-E3-3G-3D	NBN4-V3-E2-3G-3D
Installation	flush non-flush	●	●	●
Switching element function	PNP NO PNP NC	●	●	●
Switching frequency	0 ... 1000 Hz 0 ... 500 Hz	●	●	●

Use in the Hazardous Area

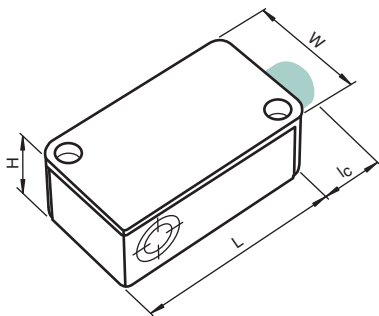
Use in the hazardous area	see instruction manuals	●	●	●
Category	3G; 3D	●	●	●

Approvals and Certificates

UL approval	cULus Listed, General Purpose	●	●	●
CSA approval	cCSAus Listed, General Purpose	●	●	●
CCC approval	Products with a maximum operating voltage of ≤36 V do not bear a CCC marking because they do not require approval.			

Dimensions

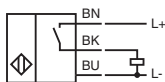
Length L [mm]	27.8
Width W [mm]	16
Height H [mm]	10
Connector area l _c [mm]	0



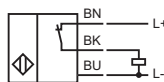
Electrical Connection



NBB2-V3-E2-3G-3D
NBN4-V3-E2-3G-3D



NBB2-V3-E3-3G-3D



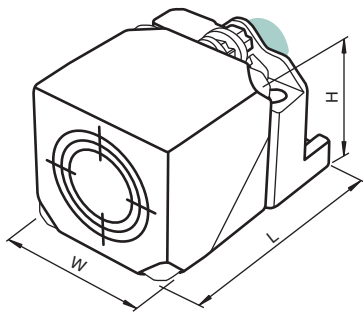


Properties

- Flexible *VariKont-L* housing
- 20 mm, flush and 40 mm non-flush mountable versions
- DC, 3-wire and 4-wire switching output versions
- Connector version

Your Benefit

- ATEX approval for use in zone 2/ zone 22
- All-around visible status display
- Sensor head can be aligned in 5 different positions
- Rotatable connector allows all orientations of the attached cordset
- Mounting base with quick clamping lever for swift mounting



Technical Data

For detailed data and product description refer to the data sheets at www.pepperl-fuchs.com

General Data

Operating voltage	10 ... 30 V DC
No-load supply current	≤ 20 mA
Reverse polarity protection	✓
Operating current	0 ... 200 mA
Short-circuit protection	pulsing
Operating voltage display	LED, green
Indication of the switching state	LED, yellow
Ambient temperature	-25 ... 85 °C (-13 ... 185 °F)
Housing material	PA
Protection degree	IP69K
Connection type	Device connector M12 x 1 , 4-pin



Model Number

Rated operating distance	20 mm 40 mm	●	●	●	●
Installation	flush non-flush	●	●	●	●
Switching element function	PNP NO/NC PNP NO	●	●	●	●
Switching frequency	0 ... 100 Hz 0 ... 150 Hz	●	●	●	●

Use in the Hazardous Area

Use in the hazardous area	see instruction manuals	●	●	●	●
Category	3G; 3D	●	●	●	●

Approvals and Certificates

UL approval	cULus Listed, General Purpose	●	●	●	●
CSA approval	cCSAus Listed, General Purpose	●	●	●	●
CCC approval	Products with a maximum operating voltage of ≤36 V do not bear a CCC marking because they do not require approval.				

Dimensions

Length L [mm]	67
Width W [mm]	40
Height H [mm]	40
Connector area l _c [mm]	0

Accessories

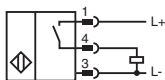
This and more accessories can be found in chapter 10
See pages from 972 ... for cordsets See pages 1068 ... for mounting aids

V1-G-BK	4-pin, M12 female field-attachable connector
V1-W-BK	4-pin, M12 female field-attachable connector
V1-G-2M-PUR	Cable socket, M12, 4-pin, PUR cable
V1-W-2M-PUR	Cable socket, M12, 4-pin, PUR cable
MHW 01	Modular mounting bracket
MH 02-L	Mounting aid
MH 04-2681F	Mounting aid for VariKont, +U1+ and +U9*

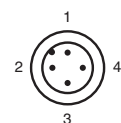
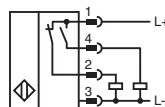
Electrical Connection



NBB20-L2-E2-V1-3G-3D
NBN40-L2-E2-V1-3G-3D



NBB20-L2-A2-V1-3G-3D
NBN40-L2-A2-V1-3G-3D



Wire colors in accordance with EN 60947-5-2

1	BN	(brown)
2	WH	(white)
3	BU	(blue)
4	BK	(black)

Date of issue 04/08/2015



1
.1.2



Proximity Sensors, Inductive Sensors, rectangular types

Technical Data

For detailed data and product description refer to the data sheets at www.pepperl-fuchs.com

General Data

Switching element function	PNP	NO
Operating voltage	10 ... 30 V DC	
No-load supply current	≤ 20 mA	
Reverse polarity protection	✓	
Switching frequency	0 ... 150 Hz	
Operating current	0 ... 200 mA	
Short-circuit protection	pulsing	
Operating voltage display	LED, green	
Indication of the switching state	LED, yellow	
Ambient temperature	-25 ... 85 °C (-13 ... 185 °F)	
Housing material	PA/metal	
Protection degree	IP68 / IP69K	
Connection type	screw terminals	



Properties

- Flexible *VariKont* housing
- 20 mm, flush and 40 mm non-flush mountable versions
- DC, 3-wire switching output
- Terminal compartment

Your Benefit

- ATEX approval for use in zone 2/ zone 22
- All-around visible status display
- Sensor head can be aligned in 5 different positions

Model Number	NBB20-U1K-E2-3G-3D	NBN40-U1K-E2-3G-3D
Rated operating distance		
20 mm	●	
40 mm		●
Installation		
flush	●	
non-flush		●

Use in the Hazardous Area

Use in the hazardous area	see instruction manuals	●	●
Category	3G; 3D	●	●

Approvals and Certificates

UL approval	cULus Listed, General Purpose	●	●
CSA approval	cCSAus Listed, General Purpose	●	●
CCC approval	Products with a maximum operating voltage of ≤36 V do not bear a CCC marking because they do not require approval.		

Dimensions

Length L [mm]	118
Width W [mm]	40
Height H [mm]	40
Connector area l _c [mm]	0 (M20 x 1.5)

Accessories

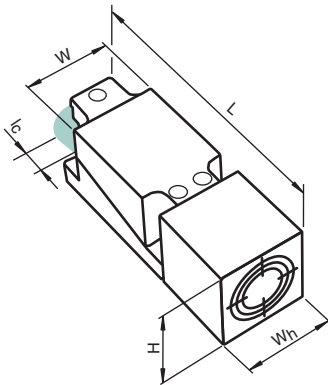
This and more accessories can be found in chapter 10

See pages from 972 ... for cordsets

See pages 1068 ... for mounting aids

MHW 01

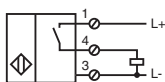
Modular mounting bracket



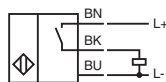
Electrical Connection



NBB20-U1K-E2-3G-3D



NBN40-U1K-E2-3G-3D



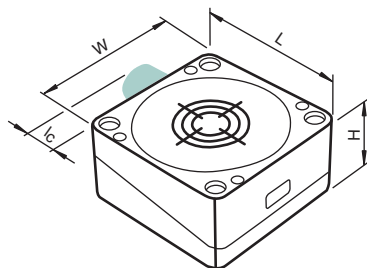


Properties

- Flat pack housing
- 40 mm and 50 mm, flush and non-flush mountable versions
- DC, 3-wire and 4-wire switching output versions
- Terminal compartment and connector versions

Your Benefit

- ATEX approval for use in zone 2/ zone 22



Technical Data

For detailed data and product description refer to the data sheets at www.pepperl-fuchs.com

General Data

Operating voltage	10 ... 60 V DC
No-load supply current	≤ 20 mA
Reverse polarity protection	✓
Switching frequency	0 ... 80 Hz
Operating current	0 ... 200 mA
Operating voltage display	LED, green
Indication of the switching state	LED, yellow
Ambient temperature	-25 ... 70 °C (-13 ... 158 °F)
Housing material	PBT housing / PBT base

Model Number

		NCB40-FP-A2-P1-3G-3D	NCB50-FP-A2-P1-3G-3D	NCN50-FP-A2-P1-3G-3D	NCB50-FP-E2-P1-V1-3G-3D
Rated operating distance	40 mm	●			
	50 mm		●		●
Installation	flush	●	●		●
	non-flush			●	
Switching element function	PNP NO			●	
	PNP NO/NC	●	●	●	●
Protection degree	IP67		●	●	●
	IP68	●			
Connection type	Device connector M12 x 1, 4-pin				●
	screw terminals	●	●	●	

Use in the Hazardous Area

Use in the hazardous area	see instruction manuals	●	●	●	●
Category	3G; 3D	●	●	●	●

Approvals and Certificates

UL approval	cULus Listed, General Purpose	●	●	●	●
CSA approval	cCSAus Listed, General Purpose	●	●	●	●
CCC approval	Certified by China Compulsory Certification (CCC)	●	●	●	●

Dimensions

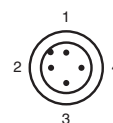
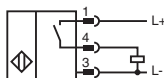
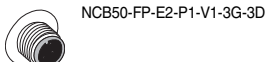
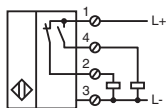
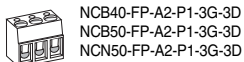
Length L [mm]	80	84	80	84
Width W [mm]	80	84	80	84
Height H [mm]	40			
Connector area lc [mm]	11 (M20 x 1.5)			

Accessories This and more accessories can be found in chapter 10

See pages from 972 ... for cordsets See pages 1068 ... for mounting aids

- V1-G-BK 4-pin, M12 female field-attachable connector
- V1-W-BK 4-pin, M12 female field-attachable connector
- V1-G-2M-PUR Cable socket, M12, 4-pin, PUR cable
- V1-W-2M-PUR Cable socket, M12, 4-pin, PUR cable

Electrical Connection



Wire colors in accordance with EN 60947-5-2

- 1 | BN (brown)
- 2 | WH (white)
- 3 | BU (blue)
- 4 | BK (black)

Date of issue 04/08/2015

1
.1.2



Properties

- Miniature V3 housing
- 2 mm, flush and 4 mm non-flush mountable versions
- DC, NAMUR interface
- Cable and connector versions

Your Benefit

- Usable up to SIL 2 acc. to IEC 61508
- ATEX approval up to zone 0 / zone 20

Technical Data

For detailed data and product description refer to the data sheets at www.pepperl-fuchs.com

General Data

Switching element function	NAMUR, NC
Type of voltage	DC
Nominal voltage	8.2 V (R _i approx. 1 kΩ)
Current consumption	
Measuring plate not detected	≥ 3 mA
Measuring plate detected	≤ 1 mA
Ambient temperature	-25 ... 100 °C (-13 ... 212 °F)
Housing material	PBT
Protection degree	IP67

Model Number

		green = preferred type				
Rated operating distance	2 mm	●	●		●	●
	4 mm			●		●
Installation	flush	●	●		●	●
	non-flush			●		●
Switching frequency	0 ... 1000 Hz	●			●	
	0 ... 2000 Hz		●	●		●
Suitable for 2:1 technology	✓, Reverse polarity protection diode not required	●			●	
Indication of the switching state	LED, yellow		●	●	●	●
Connection type	4.8 mm Faston cable PVC, 130 mm	●	●	●	●	●

Use in the Hazardous Area

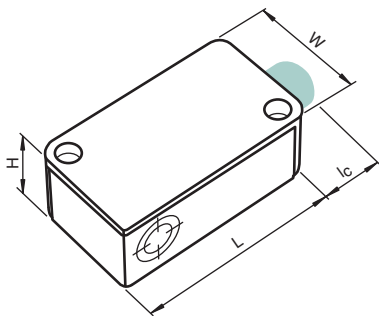
Use in the hazardous area	see instruction manuals	●	●	●	●	●
Category	1G; 2G; 1D	●	●	●	●	●

Approvals and Certificates

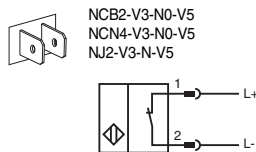
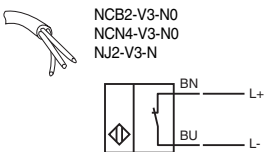
Control drawing	116-0165F	●	●	●		
UL approval	cULus Listed, General Purpose	●	●	●	●	●
CSA approval	cCSAus Listed, General Purpose	●	●	●	●	●
CCC approval	Products with a maximum operating voltage of ≤36 V do not bear a CCC marking because they do not require approval.					

Dimensions

Length L [mm]		27.8
Width W [mm]		16
Height H [mm]		10
Connector area l _c [mm]	0	9.2



Electrical Connection



Proximity Sensors, Inductive Sensors, rectangular types



Technical Data

For detailed data and product description refer to the data sheets at www.pepperl-fuchs.com

General Data

Rated operating distance	15 mm
Installation	non-flush
Switching element function	NAMUR, NC
Type of voltage	DC
Nominal voltage	8.2 V (R _i approx. 1 kΩ)
Current consumption	
Measuring plate not detected	≥ 3 mA
Measuring plate detected	≤ 1 mA
Switching frequency	0 ... 500 Hz
Indication of the switching state	LED, yellow
Ambient temperature	-25 ... 100 °C (-13 ... 212 °F)
Housing material	PBT
Protection degree	IP67

Properties

- Compact and flexible VariKont-M housing
- 15 mm, non-flush mountable
- DC, NAMUR interface
- Terminal compartment and connector versions

Your Benefit

- ATEX approval up to zone 0 / zone 20

Model Number

		NCN15-M1K-N0	NCN15-M1K-N0-V1
Connection type	Device connector M12 x 1, 4-pin screw terminals		

Use in the Hazardous Area

Use in the hazardous area	see instruction manuals	●	●
Category	1G; 2G; 1D	●	●

Approvals and Certificates

Control drawing	116-0165F	●	●
UL approval	cULus Listed, General Purpose	●	●
CSA approval	cCSAus Listed, General Purpose	●	●
CCC approval	Products with a maximum operating voltage of ≤36 V do not bear a CCC marking because they do not require approval.		

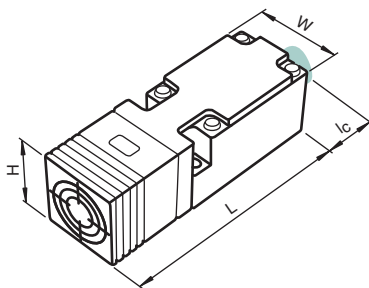
Dimensions

Length L [mm]		91
Width W [mm]		30
Height H [mm]		30
Connector area l _c [mm]	0 (M16 X 1.5)	25

Accessories This and more accessories can be found in chapter 10

See pages from 972 ... for cordsets See pages 1068 ... for mounting aids

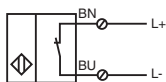
V1-W-BK	4-pin, M12 female field-attachable connector
V1-W-N-2M-PUR	Cable socket, M12, 2-pin, NAMUR, PUR cable
V1-G-BK	4-pin, M12 female field-attachable connector
V1-G-N-2M-PUR	Cable socket, M12, 2-pin, NAMUR, PUR cable



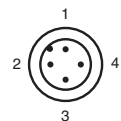
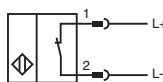
Electrical Connection



NCN15-M1K-N0



NCN15-M1K-N0-V1



Wire colors in accordance with EN 60947-5-6

1	BN	(brown)
2	BU	(blue)

1
.1.2



Proximity Sensors, Inductive Sensors, rectangular types

Properties

- Flexible *VariKont-L* housing
- 20 mm, flush and 40 mm, non-flush mountable versions
- DC, NAMUR interface
- Connector version

Your Benefit

- ATEX approval up to zone 0 / zone 20
- Rotatable connector allows all orientations of the attached cordset

Technical Data

For detailed data and product description refer to the data sheets at www.pepperl-fuchs.com

General Data

Switching element function	NAMUR, NC
Type of voltage	DC
Nominal voltage	8.2 V (R _i approx. 1 kΩ)
Current consumption	
Measuring plate not detected	≥ 2.2 mA
Measuring plate detected	≤ 1 mA
Indication of the switching state	LED, yellow
Ambient temperature	-25 ... 100 °C (-13 ... 212 °F)
Housing material	PA
Protection degree	IP69K
Connection type	Device connector M12 x 1 , 4-pin



Model Number

Rated operating distance	20 mm 40 mm	NCB20-L2-N0-V1	NCN40-L2-N0-V1
Installation	flush non-flush	●	●
Switching frequency	0 ... 150 Hz 0 ... 300 Hz	●	●

Use in the Hazardous Area

Use in the hazardous area	see instruction manuals	●	●
Category	1G; 2G; 3G; 3D	●	●

Approvals and Certificates

UL approval	cULus Listed, General Purpose	●	●
CSA approval	cCSAus Listed, General Purpose	●	●
CCC approval	Products with a maximum operating voltage of ≤36 V do not bear a CCC marking because they do not require approval.		

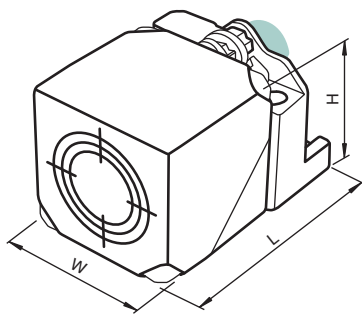
Dimensions

Length L [mm]	67
Width W [mm]	40
Height H [mm]	40
Connector area l _c [mm]	0

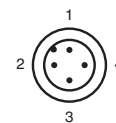
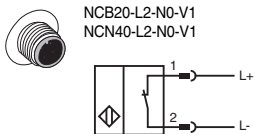
Accessories

This and more accessories can be found in chapter 10
See pages from 972 ... for cordsets See pages 1068 ... for mounting aids

V1-G-BK	4-pin, M12 female field-attachable connector
V1-W-BK	4-pin, M12 female field-attachable connector
V1-G-N-2M-PUR	Cable socket, M12, 2-pin, NAMUR, PUR cable
V1-W-N-2M-PUR	Cable socket, M12, 2-pin, NAMUR, PUR cable
MHW 01	Modular mounting bracket



Electrical Connection



Wire colors in accordance with EN 60947-5-6

1	BN	(brown)
2	BU	(blue)

Date of issue: 04/08/2015



Properties

- Flexible *VariKont* housing
- Up to 40 mm, flush and non-flush mountable versions
- DC, NAMUR interface
- Terminal compartment

Your Benefit

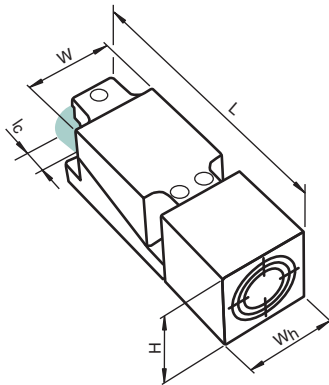
- ATEX approval up to zone 0 / zone 20

Further Products

In this series, we offer additionally:

- NJ40+U1+N
- NJ40+U2+N
- NJ40+U4+N

Technical data like NJ20+U1+N but:
 asymmetric head 55 mm x 55 mm
 Rated operating distance: 40 mm
 Housing base:
 PBT with M20 thread (NJ40+U1+N)
 PBT with 1/2" NPT thread (NJ40+U2+N)
 metal with 1/2" NPT thread (NJ40+U4+N)



Technical Data

For detailed data and product description refer to the data sheets at www.pepperl-fuchs.com

General Data

Switching element function	NAMUR, NC
Type of voltage	DC
Nominal voltage	8.2 V (R _i approx. 1 kΩ)
Ambient temperature	-25 ... 100 °C (-13 ... 212 °F)
Connection type	screw terminals



Model Number

	green = preferred type						
Rated operating distance	20 mm	●	●	●	●	●	●
	40 mm						
Installation	flush			●	●	●	●
	non-flush	●	●				
Current consumption							
Measuring plate not detected	≥ 2.2 mA			●	●	●	●
	≥ 3 mA	●	●				
Measuring plate detected	≤ 1 mA	●	●	●	●	●	●
Switching frequency							
	0 ... 100 Hz	●	●				
	0 ... 150 Hz					●	●
	0 ... 300 Hz						
Indication of the switching state	LED, yellow			●	●	●	●
Housing material							
	plastic housing / plastic base	●	●	●	●	●	●
	plastic housing / metal base		●				●
Protection degree							
	IP68	●	●				
	IP68 / IP69K			●	●	●	●

Use in the Hazardous Area

Use in the hazardous area	see instruction manuals	●	●	●	●	●	●
Category	1G; 2G; 1D	●	●				
	1G; 2G; 3G			●	●	●	●
	2G						

Approvals and Certificates

Control drawing	116-0165F	●	●				
UL approval	cULus Listed, General Purpose	●	●	●	●	●	●
CSA approval	cCSAus Listed, General Purpose	●	●	●	●	●	●
CCC approval	Products with a maximum operating voltage of ≤36 V do not bear a CCC marking because they do not require approval.						

Dimensions

Length L [mm]							118
Width W [mm]							40
Height H [mm]							40
Connector area l _c [mm]							
	¹⁾ M20 x 1.5 thread	0 ¹⁾	0 ²⁾	0 ¹⁾	0 ²⁾	0 ¹⁾	0 ²⁾
	²⁾ 1/2" NPT thread						

Accessories

This and more accessories can be found in chapter 10

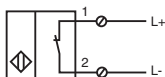
See pages from 972 ... for cordsets See pages 1068 ... for mounting aids

MHW 01	Modular mounting bracket
MH 04-2681F	Mounting aid for VariKont, +U1+ and +U9*
MH 04-2057B	Mounting aid for VariKont and +U1+

Electrical Connection



- NBB20-U1K-NO
- NBN40-U1K-NO
- NBB20-U4K-NO
- NBN40-U4K-NO
- NJ20+U1+N
- NJ20+U4+N
- NJ40+U1+N
- NJ40+U4+N
- NBN40-U2K-NO



Date of issue 04/08/2015

1
.1.2



Properties

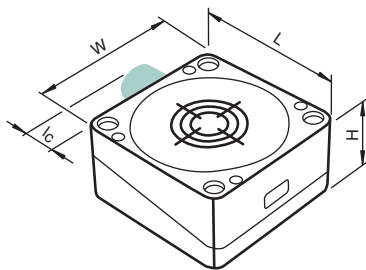
- Flat pack housing
- 40 mm, flush and 50 mm, non-flush mountable versions
- DC, NAMUR interface
- Terminal compartment and connector versions

Your Benefit

- ATEX approval up to zone 0 / zone 20

Further Products

In this series, we offer additionally:
NCB40-FP-N0-P1
 Technical data like NCB40-FP-N0-P4 but:
 Housing base: PBT



Technical Data

For detailed data and product description refer to the data sheets at www.pepperl-fuchs.com

General Data

Switching element function	NAMUR, NC
Type of voltage	DC
Nominal voltage	8.2 V (R _i approx. 1 kΩ)
Current consumption	
Measuring plate not detected	≥ 3 mA
Measuring plate detected	≤ 1 mA
Housing material	PBT/metal
Protection degree	IP67

Model Number

		NJ50-FP-N-P4	NCB40-FP-N0-P4	NCN50-FP-N0-P4	NCN50-FP-N0-P4-V1
Rated operating distance	40 mm		●		
	50 mm	●			
Installation	flush		●		
	non-flush	●		●	●
Switching frequency	0 ... 100 Hz	●			
	0 ... 80 Hz		●	●	●
Indication of the switching state	LED, yellow		●	●	●
Ambient temperature	-25 ... 100 °C (-13 ... 212 °F)		●	●	●
	-25 ... 70 °C (-13 ... 158 °F)	●			
Connection type	Device connector M12 x 1 , 4-pin				●
	screw terminals	●	●	●	

Use in the Hazardous Area

Use in the hazardous area	see instruction manuals	●	●	●	●
Category	1G; 2G; 1D	●	●	●	●

Approvals and Certificates

Control drawing	116-0165F	●	●	●	●
UL approval	cULus Listed, General Purpose	●	●	●	●
CSA approval	cCSAus Listed, General Purpose	●	●	●	●
CCC approval	Products with a maximum operating voltage of ≤36 V do not bear a CCC marking because they do not require approval.				

Dimensions

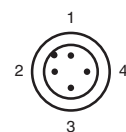
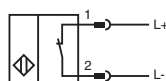
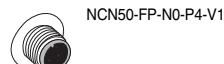
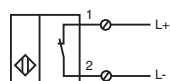
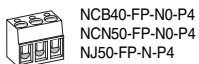
Length L [mm]	80
Width W [mm]	80
Height H [mm]	40
Connector area l _c [mm]	25

Accessories

This and more accessories can be found in chapter 10
 See pages from 972 ... for cordsets See pages 1068 ... for mounting aids

V1-G-BK	4-pin, M12 female field-attachable connector
V1-W-BK	4-pin, M12 female field-attachable connector
V1-G-N-2M-PUR	Cable socket, M12, 2-pin, NAMUR, PUR cable
V1-W-N-2M-PUR	Cable socket, M12, 2-pin, NAMUR, PUR cable

Electrical Connection



Wire colors in accordance with EN 60947-5-6

1	BN	(brown)
2	BU	(blue)



Technical Data

For detailed data and product description refer to the data sheets at www.pepperl-fuchs.com

General Data

Switching element function	NAMUR, NC
Type of voltage	DC
Nominal voltage	8.2 V (R _i approx. 1 kΩ)
Current consumption	
Measuring plate not detected	≥ 3 mA
Measuring plate detected	≤ 1 mA
Switching frequency	0 ... 150 Hz
Ambient temperature	-40 ... 100 °C (-40 ... 212 °F)
Protection degree	IP68
Connection type	screw terminals



1
1.2



Proximity Sensors, Inductive Sensors, rectangular types

Properties

- Flexible **VariKont** housing
- 15 mm, flush and 20 mm, non-flush mountable versions
- DC, NAMUR safety interface
- Terminal compartment

Your Benefit

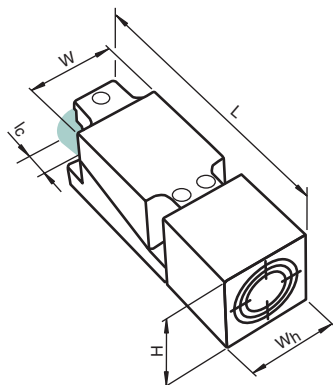
- Usable up to SIL 3 acc. to IEC 61508
- ATEX approval up to zone 0 / zone 20

Further Products

In this series, we offer additionally:

NJ6S1+U1+N1

for non-ferrous metals only.
 Technical data:
 Rated operating distance: 6 mm
 Installation: flush in mild steel
 Switching element function: NAMUR, NO
 Current consumption
 Measuring plate not detected: ≤ 1 mA
 Measuring plate detected: ≥ 3 mA
 Target object: aluminium plate



Model Number

Rated operating distance	15 mm	●	●	●	●
Installation	20 mm		●		●
	flush	●		●	
	non-flush		●		●
Housing material	PBT housing / PBT base	●	●		
	PBT housing / metal base			●	●

Use in the Hazardous Area

Use in the hazardous area	see instruction manuals	●	●	●	●
Category	1G; 2G; 1D	●	●	●	●

Approvals and Certificates

Control drawing	116-0165F			●	●
UL approval	cULus Listed, General Purpose	●	●	●	●
CSA approval	cCSAus Listed, General Purpose	●	●	●	●
CCC approval	Products with a maximum operating voltage of ≤36 V do not bear a CCC marking because they do not require approval.				

Dimensions

Length L [mm]	118
Width W [mm]	40
Height H [mm]	40
Connector area l _c [mm]	0 (M20 x 1.5) 0 (1/2" NPT)

Accessories This and more accessories can be found in chapter 10

See pages from 972 ... for cordsets See pages 1068 ... for mounting aids

MHW 01	Modular mounting bracket
MH 04-2681F	Mounting aid for VariKont, +U1+ and +U9*
MH 04-2057B	Mounting aid for VariKont and +U1+

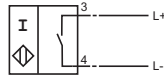
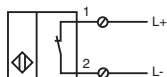
Electrical Connection



NJ15S+U1+N
 NJ15S+U4+N
 NJ20S+U1+N
 NJ20S+U4+N

NJ6S1+U1+N1

S1N



Date of issue 04/08/2015

1
.1.2



Proximity Sensors, Inductive Sensors, rectangular types

Technical Data

For detailed data and product description refer to the data sheets at www.pepperl-fuchs.com

General Data

Rated operating distance	40 mm
Installation	non-flush
Switching element function	NAMUR, NC
Type of voltage	DC
Nominal voltage	8.2 V (R _i approx. 1 kΩ)
Current consumption	
Measuring plate not detected	≥ 3 mA
Measuring plate detected	≤ 1 mA
Switching frequency	0 ... 100 Hz
Ambient temperature	-40 ... 100 °C (-40 ... 212 °F)
Protection degree	IP68
Connection type	screw terminals



Properties

- Flat pack housing
- 40 mm, non-flush mountable
- DC, NAMUR safety interface
- Terminal compartment

Your Benefit

- Usable up to SIL 3 acc. to IEC 61508
- ATEX approval up to zone 1 / zone 20

Model Number

		NJ40-FP-SN-P1	NJ40-FP-SN-P4
Housing material	PBT housing / PBT base PBT housing / metal base	●	●

Use in the Hazardous Area

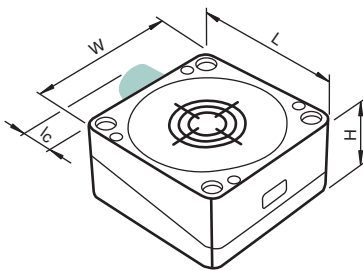
Use in the hazardous area	see instruction manuals	●	●
Category	2G; 1D	●	●

Approvals and Certificates

Control drawing	116-0165F		●
UL approval	cULus Listed, General Purpose	●	●
CSA approval	cCSAus Listed, General Purpose	●	●
CCC approval	Products with a maximum operating voltage of ≤36 V do not bear a CCC marking because they do not require approval.		

Dimensions

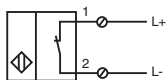
Length L [mm]	80
Width W [mm]	80
Height H [mm]	40
Connector area l _c [mm]	11 (M20 x 1.5)



Electrical Connection



NJ40-FP-SN-P4
NJ40-FP-SN-P1





Technical Data

For detailed data and product description refer to the data sheets at www.pepperl-fuchs.com

General Data

Switching element function	NO/NC programmable
Slave type	A/B slave
AS-Interface specification	V3.0
Required master specification	≥ V2.1
Operating voltage	26.5 ... 31.9 V via AS-i bus system
Reverse polarity protection	✓
Operating voltage display	LED, green
Indication of the switching state	LED, yellow
Fault indication	LED, red
Ambient temperature	-25 ... 70 °C (-13 ... 158 °F)
Housing material	PA
Protection degree	IP69K
Connection type	Device connector M12 x 1 , 4-pin



Properties

- Flexible *VariKont-L* housing
- 20 mm, flush and 40 mm non-flush mountable versions
- AS interface
- Connector version

Your Benefit

- All-around visible status display
- Sensor head can be aligned in 5 different positions
- Mounting base with quick clamping lever for swift mounting
- Rotatable connector allows all orientations of the attached cordset

Model Number

		NBB20-L2-B3B-V1	NBN40-L2-B3B-V1
Rated operating distance	20 mm	●	
	40 mm		●
Installation	flush	●	
	non-flush		●
No-load supply current	≤ 25 mA	●	●
	≤ 40 mA	●	
Switching frequency	0 ... 150 Hz	●	
	0 ... 50 Hz		●

Approvals and Certificates

		NBB20-L2-B3B-V1	NBN40-L2-B3B-V1
UL approval	cULus Listed, General Purpose	●	●
CSA approval	cCSAus Listed, General Purpose	●	●
CCC approval	Products with a maximum operating voltage of ≤36 V do not bear a CCC marking because they do not require approval.		

Dimensions

		NBB20-L2-B3B-V1	NBN40-L2-B3B-V1
Length L [mm]		67	
Width W [mm]		40	
Height H [mm]		40	
Connector area l _c [mm]		0	

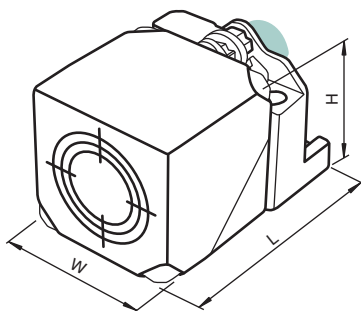
Accessories

This and more accessories can be found in chapter 10

See pages from 972 ... for cordsets

See pages 1068 ... for mounting aids

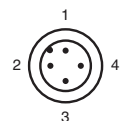
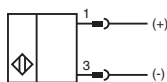
V1-G-BK	4-pin, M12 female field-attachable connector
V1-W-BK	4-pin, M12 female field-attachable connector
V1-G-2M-PUR	Cable socket, M12, 4-pin, PUR cable
V1-W-2M-PUR	Cable socket, M12, 4-pin, PUR cable
MHW 01	Modular mounting bracket
MH 02-L	Mounting aid



Electrical Connection



NBB20-L2-B3B-V1
NBN40-L2-B3B-V1



Date of issue 04/08/2015



1
.1.2

Proximity Sensors, Inductive Sensors, Inductive Sensors, rectangular types



Properties

- Flexible *VariKont* housing
- 20 mm, flush and 40 mm non-flush mountable versions
- AS interface
- Terminal compartment

Your Benefit

- All-around visible status display
- Sensor head can be aligned in 5 different positions

Technical Data

For detailed data and product description refer to the data sheets at www.pepperl-fuchs.com

General Data

Switching element function	NO/NC programmable
Slave type	A/B slave
AS-Interface specification	V3.0
Required master specification	≥ V2.1
Operating voltage	26.5 ... 31.9 V via AS-i bus system
No-load supply current	≤ 25 mA
Reverse polarity protection	✓
Switching frequency	0 ... 150 Hz
Operating voltage display	LED, green
Indication of the switching state	LED, yellow
Fault indication	LED, red
Ambient temperature	-25 ... 70 °C (-13 ... 158 °F)
Housing material	PA/metal with epoxy powder coating
Housing base	plastic
Protection degree	IP68 / IP69K
Connection type	screw terminals



		NBB20-U1-B3B	NBN40-U1-B3B
Model Number			
Rated operating distance	20 mm	●	
	40 mm		●
Installation	flush	●	
	non-flush		●

Approvals and Certificates

UL approval	cULus Listed, General Purpose	●	●
CSA approval	cCSAus Listed, General Purpose	●	●
CCC approval	Products with a maximum operating voltage of ≤36 V do not bear a CCC marking because they do not require approval.		

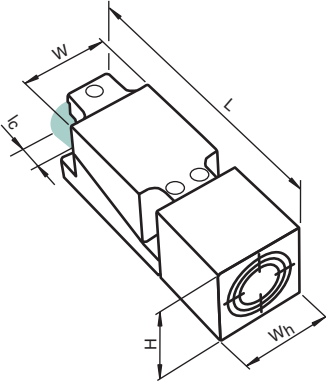
Dimensions

Length L [mm]	118
Width W [mm]	40
Height H [mm]	40
Connector area l _c [mm]	0 (M20 x 1.5)

Accessories

This and more accessories can be found in chapter 10
See pages from 972 ... for cordsets See pages 1068 ... for mounting aids

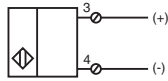
V1-M20-80	Receptacles, M12/M20; plastic version
MHW 01	Modular mounting bracket



Electrical Connection



NBB20-U1-B3B
NBN40-U1-B3B





Properties

- 3.5 mm slot width
- Very fast response
- DC, 3-wire and 4-wire switching output versions
- Flexible leads and cable versions

Technical Data

For detailed data and product description refer to the data sheets at www.pepperl-fuchs.com

General Data

Slot width	3.5 mm
Depth of immersion (lateral)	5 ... 7 mm
Operating voltage	10 ... 30 V DC
No-load supply current	≤ 15 mA
Reverse polarity protection	✓
Operating current	0 ... 100 mA
Short-circuit protection	pulsing
Housing material	PBT
Protection degree	IP67

Model Number

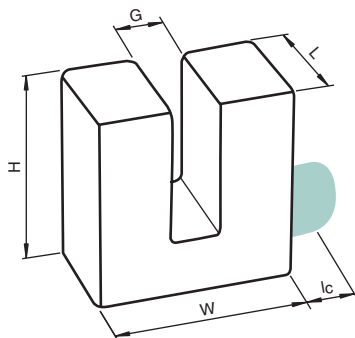
	green = preferred type	SB3,5-E2	SB3,5-G-E2	SB3,5-A2
Switching element function	PNP NO/NC	●	●	●
	PNP NO	●	●	●
Switching frequency	0 ... 2000 Hz	●	●	●
	0 ... 3000 Hz	●	●	●
Indication of the switching state	LED, yellow	●	●	●
Ambient temperature	-25 ... 70 °C (-13 ... 158 °F)	●	●	●
	-25 ... 85 °C (-13 ... 185 °F)	●	●	●
Connection type	cable PVC, 500 mm	●	●	●
	flexible leads LIY, 500 mm	●	●	●
	flexible leads PVC, 135 mm	●	●	●

Approvals and Certificates

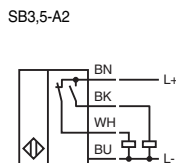
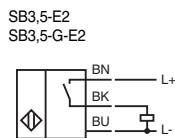
UL approval	cULus Listed, General Purpose	●	●	●
CSA approval	cCSAus Listed, General Purpose	●	●	●
CCC approval	Products with a maximum operating voltage of ≤36 V do not bear a CCC marking because they do not require approval.			

Dimensions

Length L [mm]	10
Width W [mm]	19
Height H [mm]	15
Slot width G [mm]	3.5
Connector area l _c [mm]	0



Electrical Connection



Date of issue 04/08/2015

Refer to "General Notes Relating to Pepperl+Fuchs Product Information".

Pepperl+Fuchs Group
www.pepperl-fuchs.com

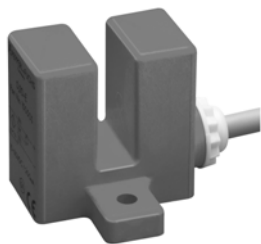
USA: +1 330 486 0001
fa-info@us.pepperl-fuchs.com

Germany: +49 621 776 4411
fa-info@de.pepperl-fuchs.com

Singapore: +65 6779 9091
fa-info@sg.pepperl-fuchs.com



1
.1.3



Proximity Sensors, Inductive Sensors, slot types

Technical Data

For detailed data and product description refer to the data sheets at www.pepperl-fuchs.com

General Data

Slot width	10 mm
Depth of immersion (lateral)	13.5 ... 16.5 mm
Operating voltage	10 ... 30 V DC
No-load supply current	≤ 15 mA
Reverse polarity protection	✓
Switching frequency	0 ... 1000 Hz
Operating current	0 ... 200 mA
Short-circuit protection	pulsing
Ambient temperature	-25 ... 70 °C (-13 ... 158 °F)
Housing material	PBT
Protection degree	IP67
Connection type	cable PVC , 2 m



Properties

- 10 mm slot width
- Very fast response
- DC, 3-wire switching output
- Cable version

Model Number

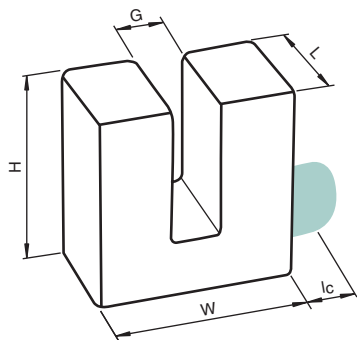
		SJ10-E	SJ10-E2	SJ10-E3
Switching element function	NPN NO	●		
	PNP NO		●	
	PNP NC			●

Approvals and Certificates

		SJ10-E	SJ10-E2	SJ10-E3
UL approval	cULus Listed, General Purpose	●	●	●
CSA approval	cCSAus Listed, General Purpose	●	●	●
CCC approval	Products with a maximum operating voltage of ≤36 V do not bear a CCC marking because they do not require approval.			

Dimensions

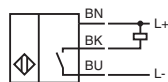
Length L [mm]	25
Width W [mm]	44
Height H [mm]	45
Slot width G [mm]	10
Connector area l _c [mm]	6 (PG9)



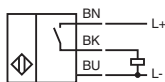
Electrical Connection



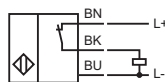
SJ10-E



SJ10-E2



SJ10-E3





Properties

- 15 mm slot width
- Fast response
- DC, 3-wire and 4-wire switching output versions
- Cable and connector versions

Technical Data

For detailed data and product description refer to the data sheets at www.pepperl-fuchs.com

General Data

Slot width	15 mm
Depth of immersion (lateral)	17 ... 20 mm
Operating voltage	10 ... 30 V DC
No-load supply current	≤ 20 mA
Reverse polarity protection	✓
Switching frequency	0 ... 500 Hz
Operating current	0 ... 200 mA
Short-circuit protection	pulsing
Ambient temperature	-25 ... 70 °C (-13 ... 158 °F)
Housing material	PBT
Protection degree	IP67

Model Number

			SJ15-E	SJ15-E2	SJ15-A	SJ15-A2	SJ15-A2-V1
Switching element function	NPN NO/NC				●		
	NPN NO	●					
	PNP NO/NC				●		●
	PNP NO			●			
Connection type	Device connector M12 x 1, 4-pin						●
	cable PVC, 2 m	●	●	●	●		

Approvals and Certificates

UL approval	cULus Listed, General Purpose	●	●	●	●	●
CSA approval	cCSAus Listed, General Purpose	●	●	●	●	●
CCC approval	Products with a maximum operating voltage of ≤36 V do not bear a CCC marking because they do not require approval.					

Dimensions

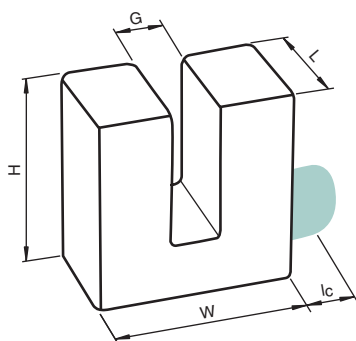
Length L [mm]		30
Width W [mm]		48
Height H [mm]		60
Slot width G [mm]		15
Connector area l _c [mm]		0 12

Accessories

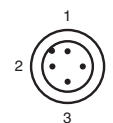
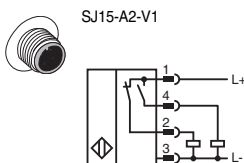
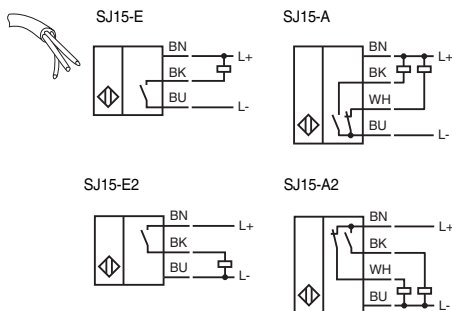
This and more accessories can be found in chapter 10

See pages from 972 ... for cordsets See pages 1068 ... for mounting aids

- V1-G-BK** 4-pin, M12 female field-attachable connector
- V1-W-BK** 4-pin, M12 female field-attachable connector
- V1-G-2M-PUR** Cable socket, M12, 4-pin, PUR cable
- V1-W-2M-PUR** Cable socket, M12, 4-pin, PUR cable



Electrical Connection



Wire colors in accordance with EN 60947-5-2

- 1 | BN (brown)
- 2 | WH (white)
- 3 | BU (blue)
- 4 | BK (black)

Date of issue 04/08/2015



Properties

- 30 mm slot width
- Fast response
- DC, 4-wire switching output
- Cable and connector versions

Technical Data

For detailed data and product description refer to the data sheets at www.pepperl-fuchs.com

General Data

Slot width	30 mm
Depth of immersion (lateral)	27 ... 31 mm
No-load supply current	≤ 20 mA
Reverse polarity protection	✓
Switching frequency	0 ... 150 Hz
Operating current	0 ... 200 mA
Short-circuit protection	pulsing
Ambient temperature	-25 ... 70 °C (-13 ... 158 °F)
Housing material	ABS
Protection degree	IP67

Model Number		SJ30-A	SJ30-A2	SJ30-A0-V1
Switching element function	NPN NO/NC PNP NO/NC	●	●	●
Operating voltage	10 ... 30 V DC 10 ... 65 V DC	●	●	●
Connection type	Device connector M12 x 1 , 4-pin cable PVC , 2 m	●	●	●

Approvals and Certificates

UL approval	cULus Listed, General Purpose	●	●	●
CSA approval	cCSAus Listed, General Purpose	●	●	●
CCC approval	Products with a maximum operating voltage of ≤36 V do not bear a CCC marking because they do not require approval.	●	●	

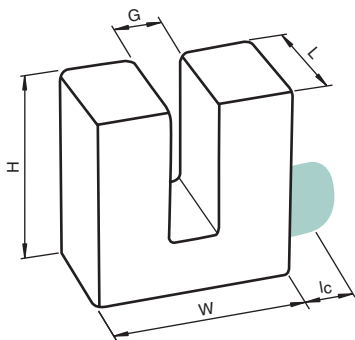
Dimensions

Length L [mm]	51
Width W [mm]	84
Height H [mm]	110
Slot width G [mm]	30
Connector area l _c [mm]	35 (PG13.5) 22

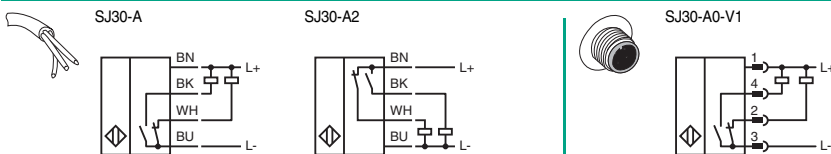
Accessories

This and more accessories can be found in chapter 10
See pages from 972 ... for cordsets See pages 1068 ... for mounting aids

- V1-G-BK** 4-pin, M12 female field-attachable connector
- V1-W-BK** 4-pin, M12 female field-attachable connector
- V1-G-2M-PUR** Cable socket, M12, 4-pin, PUR cable
- V1-W-2M-PUR** Cable socket, M12, 4-pin, PUR cable



Electrical Connection





Technical Data

For detailed data and product description refer to the data sheets at www.pepperl-fuchs.com

General Data

Slot width	15 mm
Depth of immersion (lateral)	18.5 ... 20.5 mm
Operating voltage	20 ... 253 V AC
Switching frequency	0 ... 25 Hz
Operating current	10 ... 500 mA
Ambient temperature	-25 ... 70 °C (-13 ... 158 °F)
Protection degree	IP67
Housing material	PBT
Connection type	cablc PVC , 2 m



Properties

- 15 mm slot width
- Fast response
- AC, 2-wire switching output
- Cable version

Model Number

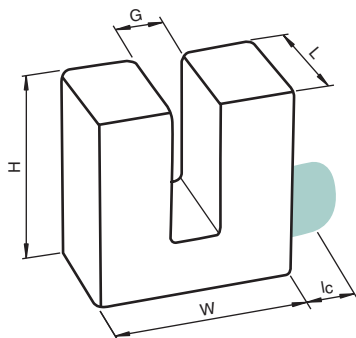
Switching element function	AC	NO	SJ15-WO	SJ15-WS
	AC	NC	●	●

Approvals and Certificates

UL approval	cULus Listed, General Purpose	●	●
CSA approval	cCSAus Listed, General Purpose	●	●
CCC approval	Certified by China Compulsory Certification (CCC)	●	●

Dimensions

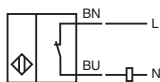
Length L [mm]	30
Width W [mm]	48
Height H [mm]	60
Slot width G [mm]	15
Connector area l _c [mm]	0



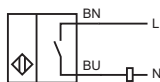
Electrical Connection



SJ15-WO



SJ15-WS



Date of issue 04/08/2015

Refer to "General Notes Relating to Pepperl+Fuchs Product Information".

Pepperl+Fuchs Group
www.pepperl-fuchs.com

USA: +1 330 486 0001
fa-info@us.pepperl-fuchs.com

Germany: +49 621 776 4411
fa-info@de.pepperl-fuchs.com

Singapore: +65 6779 9091
fa-info@sg.pepperl-fuchs.com



1
.1.3



Properties

- 2 mm slot width
- Extraordinary fast response
- DC, 2-wire NAMUR
- Flexible leads version

Your Benefit

- Usable up to SIL 2 acc. to IEC 61508
- ATEX approval up to zone 0 / zone 20

Technical Data

For detailed data and product description refer to the data sheets at www.pepperl-fuchs.com

General Data

Slot width	2 mm
Switching element function	NAMUR, NC
Depth of immersion (lateral)	5 ... 7 mm , typ. 6 mm
Nominal voltage	8.2 V (R _i approx. 1 kΩ)
Operating voltage	5 ... 25 V
Current consumption	
Measuring plate not detected	≥ 3 mA
Measuring plate detected	≤ 1 mA
Switching frequency	0 ... 5000 Hz
Ambient temperature	-25 ... 100 °C (-13 ... 212 °F)
Housing material	PBT
Protection degree	IP67

Model Number

	green = preferred type		
Suitable for 2:1 technology	✓ , Reverse polarity protection diode not required	SJ2-N	SC2-NO-GN
Indication of the switching state	LED, yellow		
Connection type	cable PVC , 500 mm flexible leads LIFYW , 500 mm		

Use in the Hazardous Area

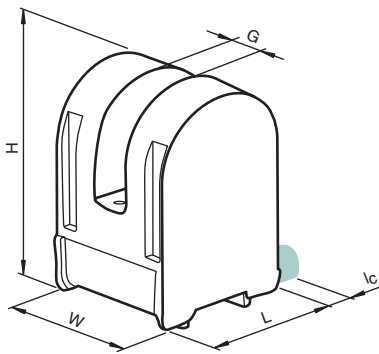
Use in the hazardous area	see instruction manuals		
Category	1G; 2G; 1D		
	1G; 2G; 3G; 1D		

Approvals and Certificates

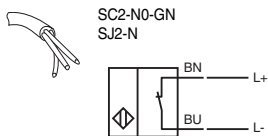
Control drawing	116-0165F		
UL approval	cULus Listed, General Purpose		
CSA approval	cCSAus Listed, General Purpose		
CCC approval	Products with a maximum operating voltage of ≤36 V do not bear a CCC marking because they do not require approval.		

Dimensions

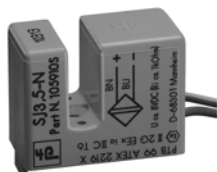
Length L [mm]	8	15
Width W [mm]		8
Height H [mm]		12
Slot width G [mm]		2
Connector area l _c [mm]		0



Electrical Connection



Date of issue: 04/08/2015



Properties

- 3.5 mm slot width
- Very fast response
- DC, 2-wire NAMUR
- Flexible leads version

Your Benefit

- Usable up to SIL 2 acc. to IEC 61508
- ATEX approval up to zone 0 / zone 20

Technical Data

For detailed data and product description refer to the data sheets at www.pepperl-fuchs.com

General Data

Slot width	3.5 mm
Switching element function	NAMUR, NC
Depth of immersion (lateral)	5 ... 7 mm , typ. 6 mm
Nominal voltage	8.2 V (R _i approx. 1 kΩ)
Operating voltage	5 ... 25 V
Current consumption	
Measuring plate not detected	≥ 3 mA
Measuring plate detected	≤ 1 mA
Switching frequency	0 ... 3000 Hz
Ambient temperature	-25 ... 100 °C (-13 ... 212 °F)
Protection degree	IP67

Model Number

	green = preferred type	SJ3,5-N	SJ3,5-G-N	SJ3,5-N LED	SC3,5-G-N0	SC3,5-N0-GN	SC3,5-N0-BU
Suitable for 2:1 technology	✓, Reverse polarity protection diode not required	●	●		●	●	●
	✓, with reverse polarity protection diode			●			
Switching hysteresis	0.11 ... 0.2 mm					●	
	0.21 ... 0.4 mm						●
Indication of the switching state	LED, yellow			●	●	●	●
Housing material	PBT	●	●	●	●	●	●
	PBT/PPS	●					
Connection type	flexible leads LIY , 500 mm	●	●	●			
	flexible leads PVC , 135 mm				●		
	flexible leads PVC , 500 mm					●	●

Use in the Hazardous Area

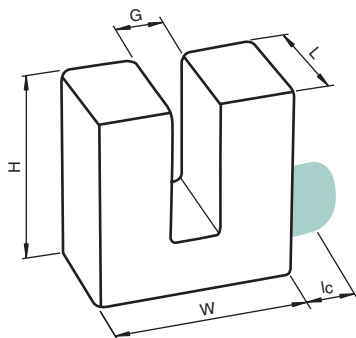
Use in the hazardous area	see instruction manuals	●	●	●	●	●	●
Category	1G; 2G; 1D	●	●			●	●
	1G; 2G; 3G; 1D				●		
	2G			●			

Approvals and Certificates

Control drawing	116-0165F	●					
UL approval	cULus Listed, General Purpose	●	●	●	●	●	●
CSA approval	cCSAus Listed, General Purpose	●	●	●	●	●	●
CCC approval	Products with a maximum operating voltage of ≤36 V do not bear a CCC marking because they do not require approval.						

Dimensions

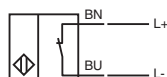
Length L [mm]		10
Width W [mm]		19 19.5
Height H [mm]		15
Slot width G [mm]		3.5
Connector area l _c [mm]		0



Electrical Connection



- SC3,5-G-N0
- SC3,5-N0-GN
- SC3,5-N0-BU
- SJ3,5-G-N
- SJ3,5-N
- SJ3,5-N LED



Date of issue 04/08/2015

Refer to "General Notes Relating to Pepperl+Fuchs Product Information".

Pepperl+Fuchs Group
www.pepperl-fuchs.com

USA: +1 330 486 0001
fa-info@us.pepperl-fuchs.com

Germany: +49 621 776 4411
fa-info@de.pepperl-fuchs.com

Singapore: +65 6779 9091
fa-info@sg.pepperl-fuchs.com

1
.1.3



Properties

- 5 mm slot width
- Very fast response
- DC, 2-wire NAMUR
- Flexible leads and cable versions

Your Benefit

- Usable up to SIL 2 acc. to IEC 61508
- ATEX approval up to zone 0 / zone 20

Technical Data

For detailed data and product description refer to the data sheets at www.pepperl-fuchs.com

General Data

Slot width	5 mm
Switching element function	NAMUR, NC
Nominal voltage	8.2 V (R _i approx. 1 kΩ)
Operating voltage	5 ... 25 V
Current consumption	
Measuring plate not detected	≥ 3 mA
Measuring plate detected	≤ 1 mA
Switching frequency	0 ... 2000 Hz
Ambient temperature	-25 ... 100 °C (-13 ... 212 °F)
Housing material	PBT
Protection degree	IP67

Model Number

	SJ5-N	SJ5-G-N	SJ5-K-N
Depth of immersion (lateral)	●	●	●
Connection type	●	●	●

Use in the Hazardous Area

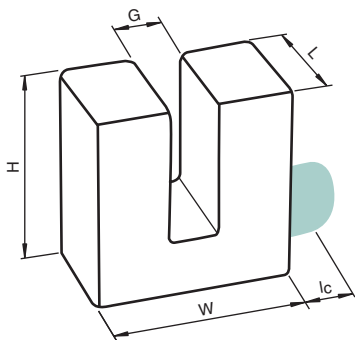
	SJ5-N	SJ5-G-N	SJ5-K-N
Use in the hazardous area	●	●	●
Category	●	●	●

Approvals and Certificates

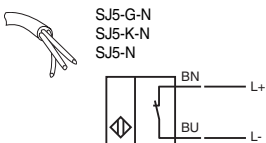
	SJ5-N	SJ5-G-N	SJ5-K-N
Control drawing	●	●	●
UL approval	●	●	●
CSA approval	●	●	●
CCC approval	Products with a maximum operating voltage of ≤36 V do not bear a CCC marking because they do not require approval.		

Dimensions

	SJ5-N	SJ5-G-N	SJ5-K-N
Length L [mm]	10		15
Width W [mm]	15		29
Height H [mm]	15		31
Slot width G [mm]		5	
Connector area l _c [mm]		0	



Electrical Connection



SJ5-G-N
SJ5-K-N
SJ5-N

Date of issue: 04/08/2015



Technical Data

For detailed data and product description refer to the data sheets at www.pepperl-fuchs.com

General Data

Switching element function	NAMUR, NC
Nominal voltage	8.2 V (R _i approx. 1 kΩ)
Operating voltage	5 ... 25 V
Current consumption	
Measuring plate not detected	≥ 3 mA
Measuring plate detected	≤ 1 mA
Protection degree	IP67
Connection type	cable PVC , 2 m



Properties

- 10, 15 and 30 mm slot width versions
- Fast response
- DC, 2-wire NAMUR
- Cable version

Your Benefit

- Usable up to SIL 2 acc. to IEC 61508
- ATEX approval up to zone 0 / zone 20

Model Number

		SJ10-N	SJ15-N	SJ30-N
Slot width	10 mm	●		
	15 mm		●	
	30 mm			●
Depth of immersion (lateral)	13.5 ... 16.5 mm , typ. 15 mm	●		
	16 ... 19 mm , typ. 17.5 mm		●	
	27 ... 30 mm			●
Switching frequency	0 ... 1000 Hz	●	●	
	0 ... 150 Hz			●
Ambient temperature	-25 ... 100 °C (-13 ... 212 °F)	●		
	-25 ... 70 °C (-13 ... 158 °F)		●	●
Housing material	ABS			●
	PBT	●	●	

Use in the Hazardous Area

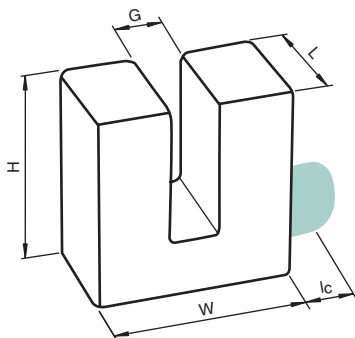
Use in the hazardous area	see instruction manuals	●	●	●
Category	1G; 2G; 1D	●	●	●

Approvals and Certificates

Control drawing	116-0165F	●	●	●
UL approval	cULus Listed, General Purpose	●	●	●
CSA approval	cCSAus Listed, General Purpose	●	●	●
CCC approval	Products with a maximum operating voltage of ≤36 V do not bear a CCC marking because they do not require approval.			

Dimensions

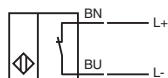
	25	30	51
Length L [mm]			
Width W [mm]	44	48	84
Height H [mm]	45	60	110
Slot width G [mm]	10	15	30
Connector area l _c [mm]	6 (PG9)	0	35 (PG13.5)



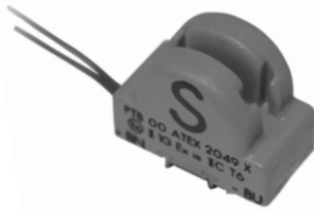
Electrical Connection



SJ10-N
SJ15-N
SJ30-N



1
.1.3



Technical Data

For detailed data and product description refer to the data sheets at www.pepperl-fuchs.com

General Data

Slot width	2 mm
Depth of immersion (lateral)	5 ... 7 typ. 6 mm
Type of voltage	DC
Nominal voltage	8 V
Switching frequency	0 ... 5000 Hz
Suitable for 2:1 technology	✓, with reverse polarity protection diode
Housing material	PBT
Protection degree	IP67
Connection type	flexible leads LIFYW, 500 mm



Properties

- 2 mm slot width
- Extraordinary fast response
- DC, 2-wire NAMUR
- Flexible leads version

Your Benefit

- EX approval 1G/1D for use up to zone 0 / zone 20
- Applicable up to SIL3 acc. to IEC 61508

Model Number

Switching element function	green = preferred type NAMUR, NO	SJ2-SN	SJ2-S1N
Current consumption	NAMUR, NC	●	●
Measuring plate not detected	≥ 3 mA	●	●
	≤ 1 mA		●
Measuring plate detected	≥ 3 mA		●
	≤ 1 mA	●	●
Ambient temperature	-25 ... 100 °C (-13 ... 212 °F)		●
	-40 ... 100 °C (-40 ... 212 °F)	●	●

Use in the Hazardous Area

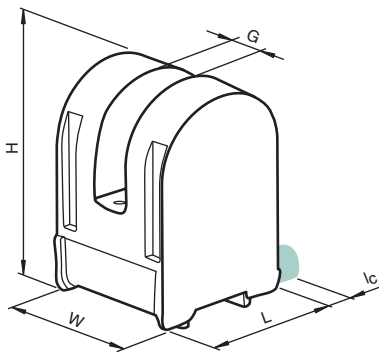
Use in the hazardous area	see instruction manuals	●	●
Category	1G; 2G; 3G; 1D	●	●

Approvals and Certificates

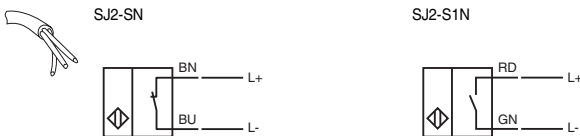
Control drawing	116-0165F	●	●
UL approval	cULus Listed, General Purpose	●	●
CSA approval	cCSAus Listed, General Purpose	●	●
CCC approval	Products with a maximum operating voltage of ≤36 V do not bear a CCC marking because they do not require approval.		

Dimensions

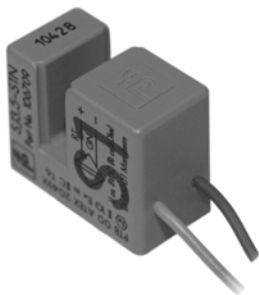
Length L [mm]	15
Width W [mm]	8
Height H [mm]	12
Slot width G [mm]	2
Connector area l _c [mm]	0



Electrical Connection



Date of issue: 04/08/2015



Technical Data

For detailed data and product description refer to the data sheets at www.pepperl-fuchs.com

General Data

Slot width	3.5 mm
Depth of immersion (lateral)	5 ... 7 typ. 6 mm
Type of voltage	DC
Nominal voltage	8 V
Suitable for 2:1 technology	✓, with reverse polarity protection diode
Housing material	PBT
Protection degree	IP67
Connection type	flexible leads LIY, 500 mm



Properties

- 3.5 mm slot width
- Very fast response
- DC, 2-wire NAMUR
- Flexible leads version

Your Benefit

- EX approval 1G/1D for use up to zone 0 / zone 20
- Applicable up to SIL3 acc. to IEC 61508

Model Number

Switching element function	green = preferred type NAMUR, NO NAMUR, NC	SJ3,5-SN	SJ3,5-S1N
Current consumption			
Measuring plate not detected	≥ 3 mA ≤ 1 mA	●	
Measuring plate detected	≥ 3 mA ≤ 1 mA		●
Switching frequency	0 ... 2500 Hz 0 ... 3000 Hz	●	●
Ambient temperature	-25 ... 100 °C (-13 ... 212 °F) -50 ... 100 °C (-58 ... 212 °F)	●	●

Use in the Hazardous Area

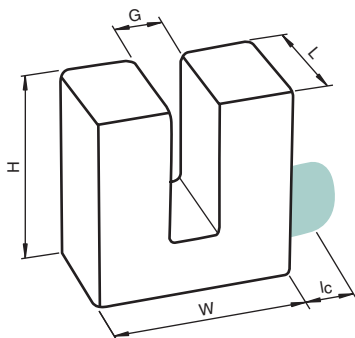
Use in the hazardous area	see instruction manuals	●	●
Category	1G; 2G; 3G; 1D	●	●

Approvals and Certificates

Control drawing	116-0165F	●	●
UL approval	cULus Listed, General Purpose	●	●
CSA approval	cCSAus Listed, General Purpose	●	●
CCC approval	Products with a maximum operating voltage of ≤36 V do not bear a CCC marking because they do not require approval.		

Dimensions

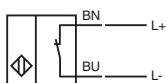
Length L [mm]	10
Width W [mm]	19
Height H [mm]	15
Slot width G [mm]	3.5
Connector area l _c [mm]	0



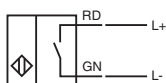
Electrical Connection



SJ3,5-SN



SJ3,5-S1N



Date of issue 04/08/2015

Refer to "General Notes Relating to Pepperl+Fuchs Product Information".

Pepperl+Fuchs Group
www.pepperl-fuchs.com

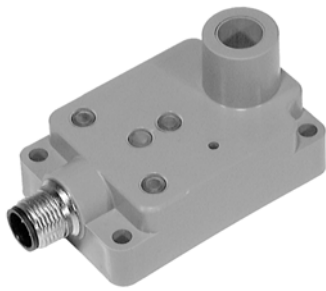
USA: +1 330 486 0001
fa-info@us.pepperl-fuchs.com

Germany: +49 621 776 4411
fa-info@de.pepperl-fuchs.com

Singapore: +65 6779 9091
fa-info@sg.pepperl-fuchs.com



1
.1.4



Proximity Sensors, Inductive Sensors, ring types

Technical Data

For detailed data and product description refer to the data sheets at www.pepperl-fuchs.com

General Data

Switching element function	PNP	NO
Operating voltage	12 ... 30 V DC	
No-load supply current	≤ 10 mA	
Reverse polarity protection	✓	
Switching frequency	0 ... 5 Hz	
Operating current	0 ... 100 mA	
Short-circuit protection	pulsing	
Ambient temperature	0 ... 50 °C (32 ... 122 °F)	
Housing material	PA 66	
Protection degree	IP65	
Connection type	Device connector M12 x 1 , 4-pin	



Properties

- Ø10 mm and Ø20 mm inside diameter versions
- Weld immune
- DC, 3-wire switching output
- Connector version

Your Benefit

- Sensor for checking bolt holders and collets
- Easily programmable for optimum trip point

Model Number

Inside diameter	10 mm	RC10-E2-C-V1	RC20-E2-C-V1
	20 mm		

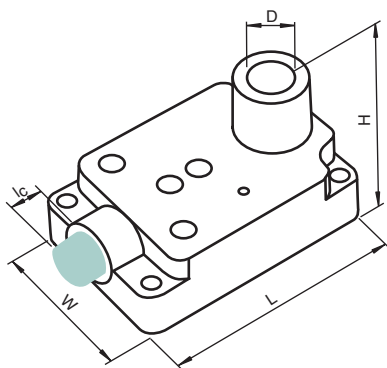
Dimensions

Length L [mm]	60		
Width W [mm]	40		
Height H [mm]	34		
Inside diameter D [mm]	10 mm		20 mm
Connector area l _C [mm]	11		

Accessories

This and more accessories can be found in chapter 10
See pages from 972 ... for cordsets See pages 1068 ... for mounting aids

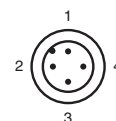
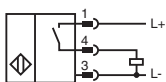
V1-G-BK	4-pin, M12 female field-attachable connector
V1-W-BK	4-pin, M12 female field-attachable connector
V1-W-2M-PUR	Cable socket, M12, 4-pin, PUR cable
V1-G-2M-PUR	Cable socket, M12, 4-pin, PUR cable



Electrical Connection



RC10-E2-C-V1
RC20-E2-C-V1



Wire colors in accordance with EN 60947-5-2

1	BN	(brown)
2	WH	(white)
3	BU	(blue)
4	BK	(black)

Date of issue: 04/08/2015



Technical Data

For detailed data and product description refer to the data sheets at www.pepperl-fuchs.com

General Data

Operating voltage	10 ... 30 V DC
No-load supply current	≤ 20 mA
Reverse polarity protection	✓
Operating current	0 ... 200 mA
Short-circuit protection	pulsing
Ambient temperature	-25 ... 70 °C (-13 ... 158 °F)
Housing material	PBT
Protection degree	IP67
Connection type	cable PVC , 2 m



Properties

- Ø21 mm and Ø43 mm inside diameter versions
- 6 mm / 9 mm minimum target diameter
- Mild steel targets
- Very fast response
- DC, 3-wire switching output

Model Number

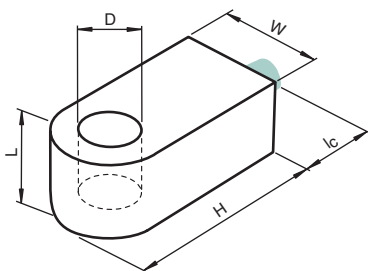
		RJ21-E	RJ43-E	RJ21-E2	RJ43-E2
Inside diameter	21 mm	●		●	
	43 mm		●		●
Switching element function	NPN NO	●	●		
	PNP NO			●	●
Measuring cylinder	Diameter	●		●	
	9 mm		●		●
	Length	●		●	●
Switching frequency	0 ... 1000 Hz	●	●	●	●
	0 ... 500 Hz		●		●

Approvals and Certificates

		RJ21-E	RJ43-E	RJ21-E2	RJ43-E2
UL approval	cULus Listed, General Purpose	●	●	●	●
CSA approval	cCSAus Listed, General Purpose	●	●	●	●

Dimensions

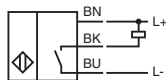
	20			
Length L [mm]				
Width W [mm]	45	70	45	70
Height H [mm]	80	100	80	100
Inside diameter D [mm]	21	43	21	43
Connector area l _c [mm]			0	



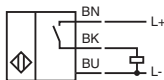
Electrical Connection



RJ21-E
RJ43-E



RJ21-E2
RJ43-E2



1
.1.4



Technical Data

For detailed data and product description refer to the data sheets at www.pepperl-fuchs.com

General Data

Switching element function	NAMUR, NC
Type of voltage	DC
Nominal voltage	8.2 V (R _i approx. 1 kΩ)
Measuring cylinder	9S20K
Current consumption	
Measuring plate not detected	≥ 3 mA
Measuring plate detected	≤ 1 mA
Ambient temperature	-25 ... 70 °C (-13 ... 158 °F)
Housing material	PBT
Protection degree	IP67
Connection type	cablе PVC , 2 m



Properties

- Up to Ø43 mm inside diameter versions
- 3 mm / 6 mm / 9 mm minimum target diameter
- 9S20K targets
- Very fast response
- DC, NAMUR interface

Your Benefit

- EX approved sensor applicable up to zone 1

Model Number

		RJ15-14-N	RJ15-N	RJ21-N	RJ43-N
Inside diameter	15 mm	●	●		
	21 mm			●	
	43 mm				●
Measuring cylinder	9S20K	●	●	●	●
	Diameter				
	3 mm	●	●		
Length	6 mm			●	
	9 mm				●
	6 mm	●			
	4 mm		●		
Switching frequency	12 mm			●	
	18 mm				●
	0 ... 1000 Hz			●	
	0 ... 1500 Hz	●	●		
	0 ... 500 Hz				●

Use in the Hazardous Area

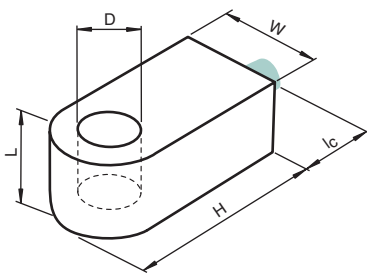
Use in the hazardous area	see instruction manuals	●	●	●	●
Category	2G	●	●	●	●

Approvals and Certificates

Control drawing	116-0165F		●	●	●
UL approval	cULus Listed, General Purpose	●	●	●	●
CSA approval	cCSAus Listed, General Purpose	●	●	●	●

Dimensions

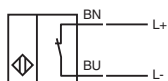
Length L [mm]	20			
Width W [mm]	25	29	45	70
Height H [mm]	32.5	45	80	100
Inside diameter D [mm]	15		21	
Connector area l _c [mm]	0			



Electrical Connection



RJ15-14-N
RJ15-N
RJ21-N
RJ43-N





Technical Data

For detailed data and product description refer to the data sheets at www.pepperl-fuchs.com

General Data

Switching element function	NAMUR, NC
Type of voltage	DC
Nominal voltage	8.2 V (R _i approx. 1 kΩ)
Current consumption	
Measuring plate not detected	≥ 3 mA
Measuring plate detected	≤ 1 mA
Ambient temperature	-20 ... 65 °C (-4 ... 149 °F)
Housing material	PBT
Protection degree	IP67
Connection type	cable PVC , 2 m



Properties

- Ø10 mm and Ø15 mm inside diameter versions
- 2.5 mm / 3 mm minimum target diameter
- 9S20K targets
- Very fast response
- DC, NAMUR interface

Your Benefit

- EX approved sensor applicable up to zone 1

Model Number

		RC10-14-N0	RC15-14-N0
Inside diameter	10 mm	●	
	15 mm		●
Measuring cylinder	9S20K	●	●
	Diameter		
	2.5 mm	●	
	3 mm		●
Length	4 mm	●	●
	Switching frequency		
	0 ... 1500 Hz	●	●
	0 ... 2000 Hz	●	●
Suitable for 2:1 technology	✓, Reverse polarity protection diode not required	●	

Use in the Hazardous Area

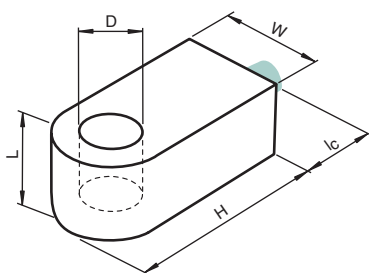
		RC10-14-N0	RC15-14-N0
Use in the hazardous area	see instruction manuals	●	●
Category	2G	●	●

Approvals and Certificates

		RC10-14-N0	RC15-14-N0
Control drawing	116-0165F	●	●
UL approval	cULus Listed, General Purpose	●	●
CSA approval	cCSAus Listed, General Purpose	●	●

Dimensions

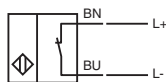
	RC10-14-N0	RC15-14-N0
Length L [mm]		20
Width W [mm]		25
Height H [mm]		32.5
Inside diameter D [mm]	10	15
Connector area l _c [mm]		0



Electrical Connection



RC10-14-N0
RC15-14-N0



Date of issue 04/08/2015

Refer to "General Notes Relating to Pepperl+Fuchs Product Information".

Pepperl+Fuchs Group
www.pepperl-fuchs.com

USA: +1 330 486 0001
fa-info@us.pepperl-fuchs.com

Germany: +49 621 776 4411
fa-info@de.pepperl-fuchs.com

Singapore: +65 6779 9091
fa-info@sg.pepperl-fuchs.com



1
.1.4



Proximity Sensors, Inductive Sensors, ring types

Properties

- Ø10 mm and Ø15 mm inside diameter versions
- 2.5 mm / 3 mm minimum target diameter
- Ferrous targets
- Very fast response
- DC, bistable NAMUR interface

Your Benefit

- Direction detection due to bistable switching behavior
- EX approved sensor applicable up to zone 1

Technical Data

For detailed data and product description refer to the data sheets at www.pepperl-fuchs.com

General Data

Switching element function	NAMUR, bistable
Type of voltage	DC
Nominal voltage	8.2 V (R _i approx. 1 kΩ)
Current consumption	
Traverse B	3 mA
Traverse A	1 mA
Housing material	PBT
Protection degree	IP67
Connection type	cable PVC , 2 m



Model Number	RC10-14-N3	RC15-14-N3
Inside diameter	●	●
Measuring cylinder	●	●
Diameter	●	●
Length	●	●
Passage speed	●	●
Ambient temperature	●	●

Use in the Hazardous Area

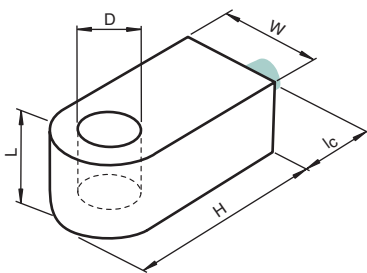
Use in the hazardous area	see instruction manuals	●	●
Category	2G	●	●

Approvals and Certificates

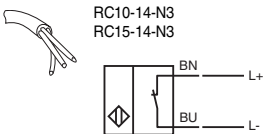
Control drawing	116-0165F	●	●
UL approval	cULus Listed, General Purpose	●	●
CSA approval	cCSAus Listed, General Purpose	●	●

Dimensions

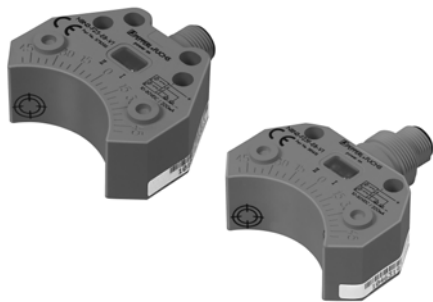
Length L [mm]	20	
Width W [mm]	25	
Height H [mm]	32.5	
Inside diameter D [mm]	10	15
Connector area l _c [mm]	0	



Electrical Connection



Date of issue: 04/08/2015



Technical Data

For detailed data and product description refer to the data sheets at www.pepperl-fuchs.com

General Data

Rated operating distance	3 mm
Switching element function	Dual (NO)
Installation	flush mountable
Operating voltage	6 ... 60 V DC
Reverse polarity protection	tolerant
Switching frequency	0 ... 500 Hz
Operating current	4 ... 100 mA
Off-state current	0 ... 1 mA, typically 0.7 mA
Indication of the switching state	LED, yellow
Ambient temperature	-25 ... 70 °C (-13 ... 158 °F)
Housing material	PBT
Protection degree	IP67

Properties

- F25 housing
- 3 mm, flush mountable
- DC, dual 2-wire switching output
- Cable and connector versions

Your Benefit

- Direct mounting without additional mounting aids on NAMUR bore holes 30 x 80

Model Number

	NBN3-F25-Z8-0,14	NBN3-F25-Z8-5M	NBN3-F25-Z8-V1	NBN3-F25F-Z8-V1
Installation type	compact design for installation in housing and flange installation			
Connection type	Device connector M12 x 1, 4-pin cable PVC, 180 mm cable PVC, 5 m			

Approvals and Certificates

		NBN3-F25-Z8-0,14	NBN3-F25-Z8-5M	NBN3-F25-Z8-V1	NBN3-F25F-Z8-V1
UL approval	cULus Listed, General Purpose	●	●	●	●
CSA approval	cCSAus Listed, General Purpose	●	●	●	●
CCC approval	Certified by China Compulsory Certification (CCC)			●	

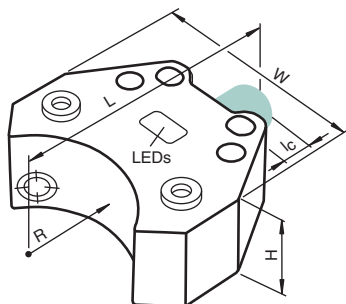
Dimensions

	NBN3-F25-Z8-0,14	NBN3-F25-Z8-5M	NBN3-F25-Z8-V1	NBN3-F25F-Z8-V1
Length L [mm]		52	61	62
Width W [mm]			52	
Height H [mm]			20	
Radius R [mm]			20.8	
Connector area l _c [mm]		0	12	18

Accessories

This and more accessories can be found in chapter 10
See pages from 972 ... for cordsets See pages 1068 ... for mounting aids

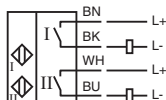
- BT32** Activator for F25 series
- BT32XS** Activator for F25 series
- BT32XAS** Activator for F25 series
- BT33** Activator for F25 series
- BT34** Activator for F25 series
- V1-G-BK** 4-pin, M12 female field-attachable connector
- V1-W-BK** 4-pin, M12 female field-attachable connector
- V1-G-2M-PUR** Cable socket, M12, 4-pin, PUR cable
- V1-W-2M-PUR** Cable socket, M12, 4-pin, PUR cable



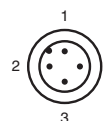
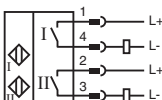
Electrical Connection



NBN3-F25-Z8-5M
NBN3-F25-Z8-0,14



NBN3-F25-Z8-V1
NBN3-F25F-Z8-V1

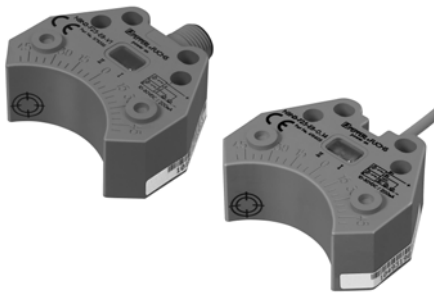


Wire colors in accordance with EN 60947-5-2

- | | | |
|---|----|---------|
| 1 | BN | (brown) |
| 2 | WH | (white) |
| 3 | BU | (blue) |
| 4 | BK | (black) |

Date of issue 04/08/2015

1
1.15



Proximity Sensors, Inductive Sensors, Double Sensors for Valve Actuators

Technical Data

For detailed data and product description refer to the data sheets at www.pepperl-fuchs.com

General Data

Rated operating distance	3 mm
Switching element function	PNP Dual NO
Installation	flush mountable
Operating voltage	10 ... 30 V DC
No-load supply current	≤ 25 mA
Reverse polarity protection	all connections
Switching frequency	0 ... 500 Hz
Operating current	0 ... 200 mA
Off-state current	0 ... 0.5 mA, typically 0.1 µA at 25 °C
Short-circuit protection	pulsing
Operating voltage display	LED, green
Indication of the switching state	LED, yellow
Protection degree	IP67
Ambient temperature	-25 ... 70 °C (-13 ... 158 °F)
Housing material	PBT

Properties

- F25 housing
- 3 mm, flush mountable
- DC, dual 3-wire switching output
- Cable and connector versions

Your Benefit

- Direct mounting without additional mounting aids on NAMUR bore holes 30 x 80

Further Products

In this series, we offer additionally:

NBN3-F25-E8-K

Technical data like NBN3-F25-E8-5M but:
Protection degree: IP20
Connection type: MINI-COMBICON



Model Number

	green = preferred type	NBN3-F25-E8-0,14	NBN3-F25-E8-5M	NBN3-F25-E8-V1	NBN3-F25F-E8-V1
Installation type	compact design for installation in housing and flange installation				●
Connection type	Device connector M12 x 1, 4-pin			●	●
	cable PVC, 180 mm	●			
	cable PVC, 5 m		●		
	MINI-COMBICON				

Approvals and Certificates

UL approval	cULus Listed, General Purpose	●	●	●	●
CSA approval	cCSAus Listed, General Purpose	●	●	●	●
CCC approval	Products with a maximum operating voltage of ≤36 V do not bear a CCC marking because they do not require approval.				

Dimensions

Length L [mm]	52	61	62
Width W [mm]		52	
Height H [mm]		20	
Radius R [mm]		20.8	
Connector area l _c [mm]	0	12	18

Accessories

This and more accessories can be found in chapter 10

See pages from 972 ... for cordsets

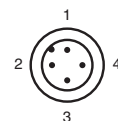
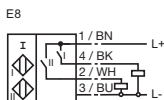
See pages 1068 ... for mounting aids

BT32	Activator for F25 series
BT32XS	Activator for F25 series
BT32XAS	Activator for F25 series
BT33	Activator for F25 series
BT34	Activator for F25 series
V1-G-BK	4-pin, M12 female field-attachable connector
V1-W-BK	4-pin, M12 female field-attachable connector
V1-W-2M-PUR	Cable socket, M12, 4-pin, PUR cable
V1-G-2M-PUR	Cable socket, M12, 4-pin, PUR cable

Electrical Connection

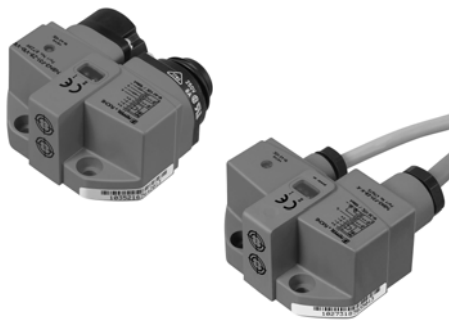


NBN3-F25-E8-K
NBN3-F25-E8-0,14
NBN3-F25-E8-5M
NBN3-F25-E8-V1
NBN3-F25F-E8-V1



Wire colors in accordance with EN 60947-5-2

1	BN	(brown)
2	WH	(white)
3	BU	(blue)
4	BK	(black)



Technical Data

For detailed data and product description refer to the data sheets at www.pepperl-fuchs.com

General Data

Rated operating distance	3 mm
Switching element function	Dual (NO)
Installation	flush mountable
Operating voltage	6 ... 60 V DC
Reverse polarity protection	tolerant
Switching frequency	0 ... 500 Hz
Operating current	4 ... 100 mA
Off-state current	0 ... 1 mA, typically 0.7 mA
Indication of the switching state	LED, yellow
Ambient temperature	-25 ... 70 °C (-13 ... 158 °F)
Housing material	PBT
Protection degree	IP67

Properties

- F31 housing
- 3 mm, flush mountable
- DC, dual 2-wire switching output
- Cable and connector versions

Your Benefit

- LED indicators for switching state and valve output
- Direct mounting without additional mounting aids on NAMUR bore holes 30 x 80 and 30 x 130

Model Number

	NBN3-F31-Z8-K	NBN3-F31-Z8-K-K	NBN3-F31-Z8-V1	NBN3-F31-Z8-V18	NBN3-F31-Z8-V16-V15	NBN3-F31-Z8-V16-V16
Valve status indication	LED, yellow					
Connection type	Device connector M18 x 1, 4-pin					
Connection (system side)	connector M12 x 1, 4-pin connector Rd24 x 1/8, 4-pin PVC cable 5 m					
Connection (valve side)	5-pin, M12 x 1 socket PVC cable 0.5 m connector Rd24 x 1/8, 4-pin					

Approvals and Certificates

	NBN3-F31-Z8-K	NBN3-F31-Z8-K-K	NBN3-F31-Z8-V1	NBN3-F31-Z8-V18	NBN3-F31-Z8-V16-V15	NBN3-F31-Z8-V16-V16
UL approval	cULus Listed, General Purpose					
CSA approval	cCSAus Listed, General Purpose					
CCC approval	Certified by China Compulsory Certification (CCC)					

Dimensions

Length L [mm]	36					
Width W [mm]	65					
Height H [mm]	33.5					
Connector area l _c [mm]	28	10	18			28

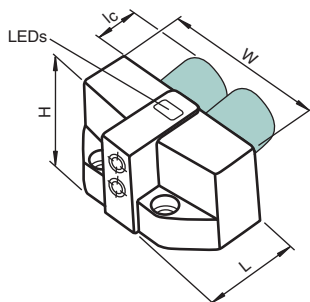
Accessories

This and more accessories can be found in chapter 10

See pages from 972 ... for cordsets

See pages 1068 ... for mounting aids

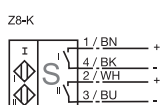
- BT65A** Activator for F31 series
- BT65X** Activator for F31 series
- BT115A** Activator for F31 series
- BT115X** Activator for F31 series
- BT65B** Activator for F31 series
- BT115B** Activator for F31 series
- V1-G-BK** 4-pin, M12 female field-attachable connector
- V1-W-BK** 4-pin, M12 female field-attachable connector
- V1-G-2M-PUR** Cable socket, M12, 4-pin, PUR cable
- V18-G** Cable socket in M18 format, ready for make up
- V16-G** Cable socket, dia. 24, 6-pin+PE, easy to assemble
- V18-W** Cable socket in M18 format, ready for make up
- V15-G-PG9** Cable socket, M12, 5-pin, ready for assembly



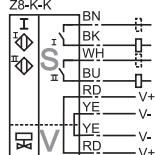
Electrical Connection



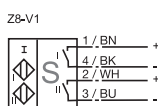
NBN3-F31-Z8-K



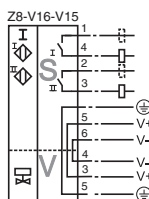
NBN3-F31-Z8-K-K



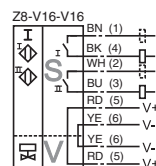
NBN3-F31-Z8-V1



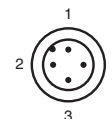
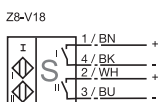
NBN3-F31-Z8-V16-V15



NBN3-F31-Z8-V16-V16



NBN3-F31-Z8-V18



Wire colors in accordance with EN 60947-5-2

- 1 BN (brown)
- 2 WH (white)
- 3 BU (blue)
- 4 BK (black)

Date of issue 04/08/2015

Refer to "General Notes Relating to Pepperl+Fuchs Product Information".

Pepperl+Fuchs Group
www.pepperl-fuchs.com

USA: +1 330 486 0001
fa-info@us.pepperl-fuchs.com

Germany: +49 621 776 4411
fa-info@de.pepperl-fuchs.com

Singapore: +65 6779 9091
fa-info@sg.pepperl-fuchs.com

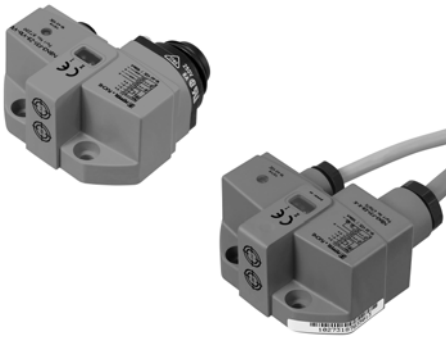
Technical Data

For detailed data and product description refer to the data sheets at www.pepperl-fuchs.com

General Data

Rated operating distance	3 mm
Switching element function	PNP Dual NO
Installation	flush mountable
Operating voltage	10 ... 30 V DC
No-load supply current	≤ 25 mA
Reverse polarity protection	all connections
Switching frequency	0 ... 500 Hz
Operating current	0 ... 100 mA
Off-state current	0 ... 0.5 mA, typically 0.1 µA at 25 °C
Short-circuit protection	pulsing
Operating voltage display	LED, green
Indication of the switching state	LED, yellow
Ambient temperature	-25 ... 70 °C (-13 ... 158 °F)
Housing material	PBT
Protection degree	IP67

1
1.15



Proximity Sensors, Inductive Sensors, Double Sensors for Valve Actuators

Properties

- F31 housing
- 3 mm, flush mountable
- DC, dual 3-wire switching output
- Cable and connector versions

Your Benefit

- LED indicators for switching state and valve output
- Direct mounting without additional mounting aids on NAMUR bore holes 30 x 80 and 30 x 130

Model Number

		NBN3-F31-E8-K	NBN3-F31-E8-K-K	NBN3-F31-E8-V1	NBN3-F31-E8-V16-V15	NBN3-F31-E8-V18
Valve status indication	LED, yellow		●			
Connection type	Device connector M12 x 1, 4-pin Device connector M18 x 1, 4-pin			●		
Connection (system side)	Device connector Rd24 x 1/8, 4-pin			●	●	●
Connection (valve side)	PVC cable 5 m	●	●	●	●	
	5-pin, M12 x 1 socket					
	PVC cable 0.5 m		●			

Approvals and Certificates

UL approval	cULus Listed, General Purpose	●	●	●	●	●
CSA approval	cCSAus Listed, General Purpose	●	●	●	●	●
CCC approval	Products with a maximum operating voltage of ≤36 V do not bear a CCC marking because they do not require approval.					

Dimensions

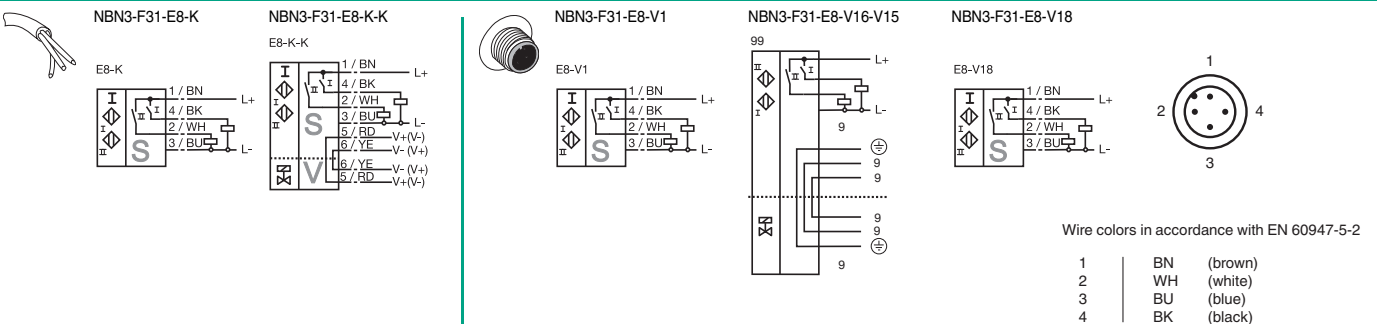
Length L [mm]	36
Width W [mm]	65
Height H [mm]	33.5
Connector area l _c [mm]	28 10 28 18

Accessories

This and more accessories can be found in chapter 10
See pages from 972 ... for cordsets See pages 1068 ... for mounting aids

- BT65A** Activator for F31 series
- BT65X** Activator for F31 series
- BT115A** Activator for F31 series
- BT115X** Activator for F31 series
- BT65B** Activator for F31 series
- BT115B** Activator for F31 series
- V1-G-BK** 4-pin, M12 female field-attachable connector
- V1-W-BK** 4-pin, M12 female field-attachable connector
- V1-G-2M-PUR** Cable socket, M12, 4-pin, PUR cable
- V18-G** Cable socket in M18 format, ready for make up
- V16-G** Cable socket, dia. 24, 6-pin+PE, easy to assemble
- V15-G-PG9** Cable socket, M12, 5-pin, ready for assembly

Electrical Connection



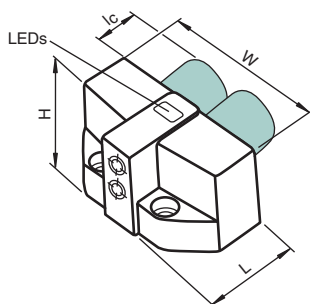


Properties

- F31 housing
- 3 mm, flush mountable
- AC/DC, dual 2-wire switching output
- Cable and connector versions

Your Benefit

- LED indicators for switching state and valve output
- Direct mounting without additional mounting aids on NAMUR bore holes 30 x 80 and 30 x 130



Technical Data

For detailed data and product description refer to the data sheets at www.pepperl-fuchs.com

General Data

Rated operating distance	3 mm
Switching element function	AC/DC binary NO
Installation	flush mountable
Operating voltage	20 ... 253 V AC/DC
Reverse polarity protection	✓
Switching frequency	25 Hz
Operating current	4 ... 400 mA
Off-state current	≤ 1.7 mA
Short-circuit protection	✓
Operating voltage display	LED, green
Indication of the switching state	LED, yellow
Ambient temperature	-25 ... 70 °C (-13 ... 158 °F)
Housing material	PBT
Protection degree	IP67

		NBN3-F31-U8-K	NBN3-F31-U8-V125	NBN3-F31-U8-V18
Model Number				
Connection type	Device connector 1/2"-20 UN Device connector M18 x 1, 4-pin cable PVC, 5 m			

Approvals and Certificates

UL approval	cULus Listed, General Purpose	●	●	●
CSA approval	cCSAus Listed, General Purpose	●	●	●

Dimensions

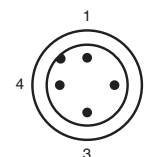
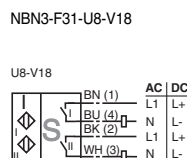
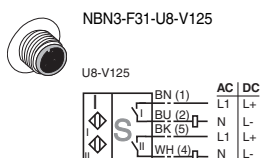
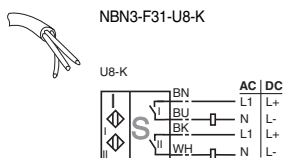
Length L [mm]			36
Width W [mm]			65
Height H [mm]			33.5
Connector area l _c [mm]	28	10	18

Accessories This and more accessories can be found in chapter 10

See pages from 972 ... for cordsets See pages 1068 ... for mounting aids

BT65A	Activator for F31 series
BT65X	Activator for F31 series
BT115A	Activator for F31 series
BT115X	Activator for F31 series
BT65B	Activator for F31 series
BT115B	Activator for F31 series
V18-G	Cable socket in M18 format, ready for make up
V125-G-YE2M-PVC	Cable socket, M12, 5-pin, PVC cable
V18-W	Cable socket in M18 format, ready for make up
V125-W-YE2M-PVC	Connecting cable, 1/2" - 20 UNF, 5-pin, PVC cable

Electrical Connection



Wire colors in accordance with EN 60947-5-2

- 1 BN (brown)
- 2 WH (white)
- 3 BU (blue)
- 4 BK (black)

Date of issue 04/08/2015



Technical Data

For detailed data and product description refer to the data sheets at www.pepperl-fuchs.com

General Data

Rated operating distance	3 mm
Switching element function	DC binary NO
Installation	flush mountable
Reverse polarity protection	tolerant
Switching frequency	0 ... 500 Hz
Operating current	4 ... 100 mA
Off-state current	0 ... 1 mA, typically 0.7 mA
Indication of the switching state	LED, yellow
Ambient temperature	-25 ... 70 °C (-13 ... 158 °F)
Housing material	PBT
Protection degree	IP67

Model Number

	NBN3-F31K-Z8	NBN3-F31K-Z8-K	NBN3-F31K-Z8-V1-V1
Operating voltage	10 ... 30 V DC		
	6 ... 60 V DC		
No-load supply current	≤ 25 mA		
Short-circuit protection	pulsing		
Operating voltage display	LED, green		
Valve status indication	LED, yellow		
Connection (system side)	Cage tension spring terminals		
Connection (valve side)	4-pin, M12 x 1 socket		
	Cage tension spring terminals		

Approvals and Certificates

UL approval	cULus Listed, General Purpose			
CSA approval	cCSAus Listed, General Purpose			
CCC approval	Products with a maximum operating voltage of ≤36 V do not bear a CCC marking because they do not require approval.			

Dimensions

Length L [mm]		77.5
Width W [mm]		65
Height H [mm]		35
Connector area I _{c1} [mm]		10
Connector area I _{c2} [mm]	-	10
Connector area I _{c3} [mm]		10

Accessories

This and more accessories can be found in chapter 10
 See pages from 972 ... for cordsets See pages 1068 ... for mounting aids

- BT65A** Activator for F31 series
- BT65X** Activator for F31 series
- BT115A** Activator for F31 series
- BT115X** Activator for F31 series
- BT65B** Activator for F31 series
- BT115B** Activator for F31 series
- VMA-2+P/Z2-0,3M-PVC-V1-W-Y** Valve connector, Form A on M12, 2+PE, LED, Z diode, PVC cable
- VMB-2+P/Z2-0,3M-PVC-V1-W-Y** Valve connector, Form B on M12, 2+PE, LED, Z diode, PUR cable
- VMC-2+P/Z2-0,3M-PVC-V1-W-Y** Valve connector, model C on M12, 2 + PE, LED, zener diode, PVC cable
- VMCI-2+P/Z2-0,3M-PVC-V1-W-Y** Valve connector, model C (ind) on M12, 2 + PE, LED, zener diode, PVC cable

1
1.15



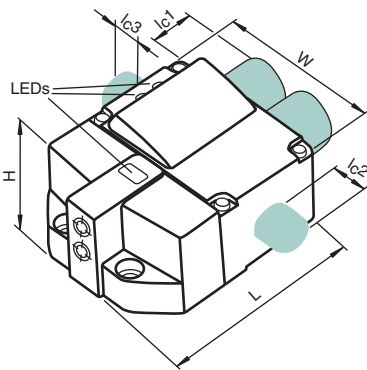
Proximity Sensors, Inductive Sensors, Double Sensors for Valve Actuators

Properties

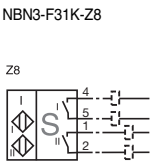
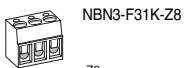
- F31K housing
- 3 mm, flush mountable
- DC, dual 2-wire switching output
- Terminal compartment
- Connector and cable gland versions

Your Benefit

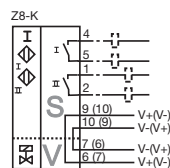
- LED indicators for switching state and valve output
- Direct mounting without additional mounting aids on NAMUR bore holes 30 x 80 and 30 x 130



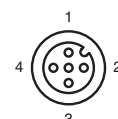
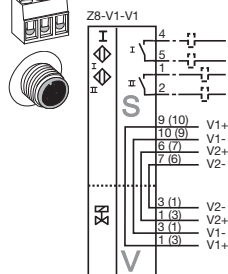
Electrical Connection



NBN3-F31K-Z8-K



NBN3-F31K-Z8-V1-V1



Wire colors in accordance with EN 60947-5-2

- 1 | BN (brown)
- 2 | WH (white)
- 3 | BU (blue)
- 4 | BK (black)
- 5 | GY (gray)

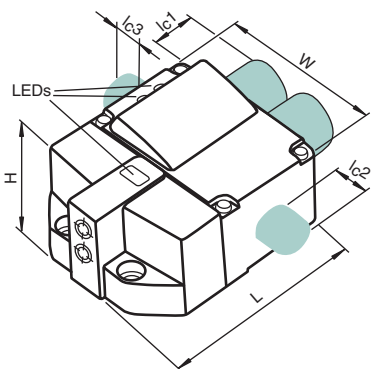


Properties

- F31K housing
- 3 mm, flush mountable
- DC, dual 3-wire switching output
- Terminal compartment
- Connector and cable gland versions

Your Benefit

- LED indicators for switching state and valve output
- Direct mounting without additional mounting aids on NAMUR bore holes 30 x 80 and 30 x 130



Technical Data

For detailed data and product description refer to the data sheets at www.pepperl-fuchs.com

General Data

Rated operating distance	3 mm
Switching element function	PNP Dual NO
Installation	flush mountable
Operating voltage	10 ... 30 V DC
No-load supply current	≤ 25 mA
Reverse polarity protection	✓
Switching frequency	0 ... 500 Hz
Operating current	0 ... 100 mA
Off-state current	0 ... 0.5 mA, typically 0.1 µA
Short-circuit protection	pulsing
Operating voltage display	LED, green
Indication of the switching state	LED, yellow
Ambient temperature	-25 ... 70 °C (-13 ... 158 °F)
Housing material	PBT
Protection degree	IP67

Model Number	NBN3-F31K-E8	NBN3-F31K-E8-K	NBN3-F31K-E8-V1-V1
Valve status indication	green = preferred type	●	●
Connection (system side)	●	●	●
Connection (valve side)	●	●	●

Approvals and Certificates

UL approval	cULus Listed, General Purpose	●	●	●
CSA approval	cCSAus Listed, General Purpose	●	●	●
CCC approval	Products with a maximum operating voltage of ≤36 V do not bear a CCC marking because they do not require approval.			

Dimensions

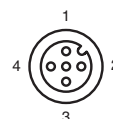
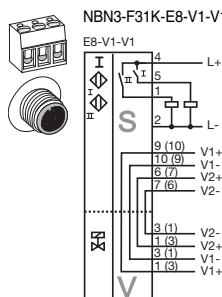
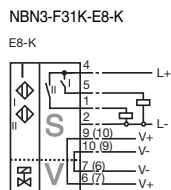
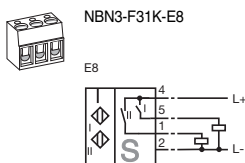
Length L [mm]		77.5
Width W [mm]		65
Height H [mm]		35
Connector area l _{c1} [mm]		10
Connector area l _{c2} [mm]	-	10
Connector area l _{c3} [mm]		10

Accessories This and more accessories can be found in chapter 10

See pages from 972 ... for cordsets See pages 1068 ... for mounting aids

- BT65A** Activator for F31 series
- BT65X** Activator for F31 series
- BT115A** Activator for F31 series
- BT115X** Activator for F31 series
- BT65B** Activator for F31 series
- BT115B** Activator for F31 series
- VMA-2+P/Z2-0,3M-PVC-V1-W-Y** Valve connector, Form A on M12, 2+PE, LED, Z diode, PVC cable
- VMB-2+P/Z2-0,3M-PVC-V1-W-Y** Valve connector, Form B on M12, 2+PE, LED, Z diode, PUR cable
- VMC-2+P/Z2-0,3M-PVC-V1-W-Y** Valve connector, model C on M12, 2 + PE, LED, zener diode, PVC cable
- VMCI-2+P/Z2-0,3M-PVC-V1-W-Y** Valve connector, model C (ind) on M12, 2 + PE, LED, zener diode, PVC cable
- VMBI-2+P/Z2-0,3M-PVC-V1-W-Y** Valve connector, Form B (Ind) on M12, 2+PE, LED, Z-Diode, PVC cable

Electrical Connection



Wire colors in accordance with EN 60947-5-2

- 1 BN (brown)
- 2 WH (white)
- 3 BU (blue)
- 4 BK (black)
- 5 GY (gray)

Date of issue 04/08/2015

Refer to "General Notes Relating to Pepperl+Fuchs Product Information".

Pepperl+Fuchs Group
www.pepperl-fuchs.com

USA: +1 330 486 0001
fa-info@us.pepperl-fuchs.com

Germany: +49 621 776 4411
fa-info@de.pepperl-fuchs.com

Singapore: +65 6779 9091
fa-info@sg.pepperl-fuchs.com



1
1.5



Technical Data

For detailed data and product description refer to the data sheets at www.pepperl-fuchs.com

General Data

Rated operating distance	2.5 mm
Installation	flush mountable
Switching element function	PNP Dual NO
Operating voltage	10 ... 30 VDC
No-load supply current	≤ 25 mA
Reverse polarity protection	✓
Switching frequency	0 ... 100 Hz
Operating current	0 ... 100 mA
Off-state current	0 ... 0.5 mA typ. 0.1 µA
Short-circuit protection	pulsing
Operating voltage display	LED, green
Indication of the switching state	LED, yellow
Valve status indication	LED, yellow
Ambient temperature	-40 ... 75 °C (-40 ... 167 °F)
Housing material	PC
Protection degree	IP66 / IP67 / IP69K
Connection (system side)	screw terminal



Properties

- F31K2 housing
- 3 mm, flush mountable
- DC, dual 3-wire switching output
- Terminal compartment
- Versions with connectors for valve control

Your Benefit

- LED indicators for switching state and valve output
- Direct mounting without additional mounting aids on NAMUR bore holes 30 x 80 and 30 x 130
- Tight sealing and temperature resistance

Model Number

	NBN3-F31K2-E8-B13-S	NBN3-F31K2M-E8-B13-S	NBN3-F31K2M-E8-B23-S	NBN3-F31K2-E8-B33-S
Housing base	aluminum	PC	PC	PC
Thread for cable gland	1/2" - 14 NPT	M20 x 1.5	M20 x 1.5	M20 x 1.5
Connection (valve side)	4-pin, M12 x 1 socket			



Approvals and Certificates

UL approval	cULus Listed, General Purpose, Class 2 Power Source	●	●	●	●
CCC approval	Products with a maximum operating voltage of ≤36 V do not bear a CCC marking because they do not require approval.				

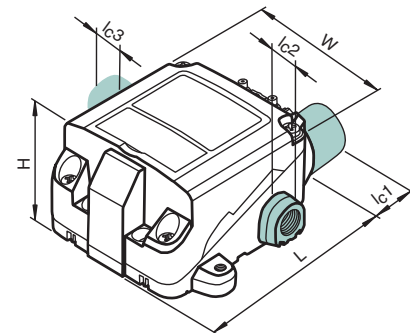
Dimensions

Length L [mm]	106
Width W [mm]	100
Height H [mm]	53
Connector area I _{c1} [mm]	depends on the cable gland being used
Connector area I _{c2} [mm]	- - - 15
Connector area I _{c3} [mm]	- - - 15

Accessories

This and more accessories can be found in chapter 10
See pages from 972 ... for cordsets See pages 1068 ... for mounting aids

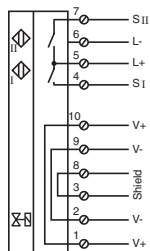
- BT65A Activator for F31 series
- BT65X Activator for F31 series
- BT115A Activator for F31 series
- BT115X Activator for F31 series
- BT65B Activator for F31 series
- BT115B Activator for F31 series
- BT65-F31K2-RG-EN Activator for F31K2 series



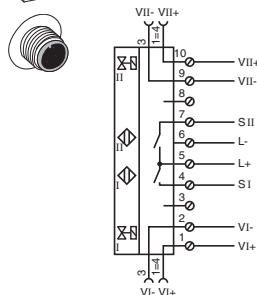
Electrical Connection



NBN3-F31K2-E8-B13-S
NBN3-F31K2M-E8-B13-S
NBN3-F31K2M-E8-B23-S



NBN3-F31K2-E8-B33-S





Technical Data

For detailed data and product description refer to the data sheets at www.pepperl-fuchs.com

General Data

Rated operating distance	3 mm
Installation	flush mountable
Switching element function	programmable
Operating voltage	26.5 ... 31.9 V via AS-i bus system
Switching frequency	0 ... 100 Hz
LED PWR	AS-Interface voltage; LED green
LED IN	switching state (input); LED yellow
Ambient temperature	-25 ... 70 °C (-13 ... 158 °F)
Protection degree	IP67
Connection (system side)	connector M12 x 1, 4-pin



Properties

- F31 housing
- 3 mm, flush mountable
- AS interface
- Cable and connector versions

Your Benefit

- LED indicators for switching state and valve output
- Direct mounting without additional mounting aids on NAMUR bore holes 30 x 80 and 30 x 130

Model Number

		NCN3-F31-B3B-V1	NCN3-F31-B3B-V1-K	NCN3-F31-B3B-V1-V1
LED OUT	binary LED yellow/red yellow: switching state red: lead breakage/short-circuit		●	●
Connection (valve side)	0.5 m, PVC cable socket connector, M12 x 1, 4-pin		●	●

Approvals and Certificates

UL approval	cULus Listed, General Purpose	●	●	●
CSA approval	cCSAus Listed, General Purpose	●	●	●
CCC approval	Products with a maximum operating voltage of ≤36 V do not bear a CCC marking because they do not require approval.			

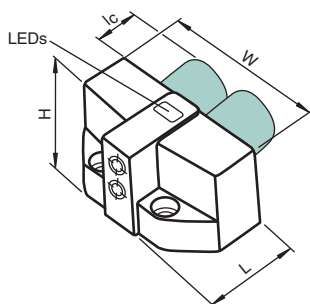
Dimensions

Length L [mm]		36	
Width W [mm]		65	
Height H [mm]		33.5	
Connector area l _c [mm]	10	12	15

Accessories

This and more accessories can be found in chapter 10
See pages from 972 ... for cordsets See pages 1068 ... for mounting aids

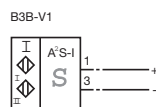
BT65A	Activator for F31 series
BT65X	Activator for F31 series
BT115A	Activator for F31 series
BT115X	Activator for F31 series
BT65B	Activator for F31 series
BT115B	Activator for F31 series
V1-W-2M-PUR	Cable socket, M12, 4-pin, PUR cable
V1-G-2M-PUR	Cable socket, M12, 4-pin, PUR cable
V1-G-BK	4-pin, M12 female field-attachable connector



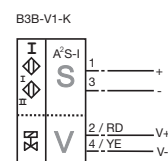
Electrical Connection



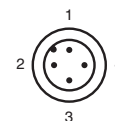
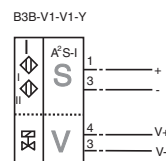
NCN3-F31-B3B-V1



NCN3-F31-B3B-V1-K



NCN3-F31-B3B-V1-V1



Date of issue 04/08/2015

Technical Data

For detailed data and product description refer to the data sheets at www.pepperl-fuchs.com

Model Number	NCN3-F31K-B3B-B31
Rated operating distance	3 mm
Installation	flush mountable
Switching element function	programmable
Operating voltage	26.5 ... 31.9 V via AS-i bus system
Switching frequency	0 ... 100 Hz
LED PWR	AS-Interface voltage; LED green
LED IN	switching state (input); LED yellow
LED OUT	binary LED yellow/red yellow: switching state red: lead breakage/short-circuit
Ambient temperature	-25 ... 70 °C (-13 ... 158 °F)
Housing material	PBT
Protection degree	IP67
Connection (system side)	screw terminals
Connection (valve side)	screw terminals



Approvals and Certificates

UL approval	cULus Listed, General Purpose
CSA approval	cCSAus Listed, General Purpose
CCC approval	Products with a maximum operating voltage of ≤36 V do not bear a CCC marking because they do not require approval.

Dimensions

Length L [mm]	77.5
Width W [mm]	65
Height H [mm]	35
Connector area l _{c1} [mm]	10
Connector area l _{c2} [mm]	10

Accessories This and more accessories can be found in chapter 10

See pages from 972 ... for cordsets See pages 1068 ... for mounting aids

BT65A	Activator for F31 series
BT65X	Activator for F31 series
BT115A	Activator for F31 series
BT115X	Activator for F31 series
BT65B	Activator for F31 series
BT115B	Activator for F31 series

1
1.15

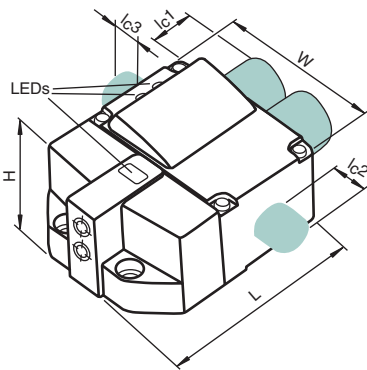


Properties

- F31K housing
- 3 mm, flush mountable
- AS interface
- Terminal compartment

Your Benefit

- LED indicators for switching state and valve output
- Direct mounting without additional mounting aids on NAMUR bore holes 30 x 80 and 30 x 130

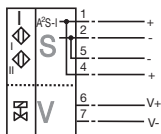


Electrical Connection



NCN3-F31K-B3B-B31

B3B-V1-K



Proximity Sensors, Inductive Sensors, Double Sensors for Valve Actuators



Technical Data

For detailed data and product description refer to the data sheets at www.pepperl-fuchs.com

General Data

Rated operating distance	3 mm
Installation	flush mountable
Switching element function	DC Dual NC
Type of voltage	DC
Nominal voltage	8.2 V (R _i approx. 1 kΩ)
Reverse polarity protection	✓
Current consumption	
Measuring plate not detected	≥ 3 mA
Measuring plate detected	≤ 1 mA
Switching frequency	0 ... 1500 Hz
Suitable for 2:1 technology	✓, Reverse polarity protection diode not required
Indication of the switching state	LED, yellow
Ambient temperature	-25 ... 100 °C (-13 ... 212 °F)
Housing material	PBT
Protection degree	IP67

Properties

- F25 housing
- 3 mm, flush mountable
- DC, dual NAMUR interface
- Cable and connector versions

Your Benefit

- EX approval 1G applicable up to zone 0
- Direct mounting without additional mounting aids on NAMUR bore holes 30 x 80

Model Number

		NCN3-F25-N4-0,14	NCN3-F25-N4-5M	NCN3-F25F-N4-V1	NCN3-F25-N4-V1
Installation type	green = preferred type compact design for installation in housing and flange installation				●
Connection type	Device connector M12 x 1, 4-pin cable PVC, 180 mm cable PVC, 5 m	●	●	●	●

Use in the Hazardous Area

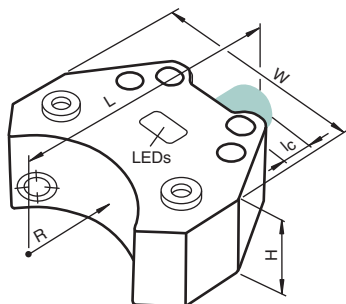
Use in the hazardous area	see instruction manuals	●	●	●	●
Category	1G; 2G; 3G				
	1G; 2G; 3G; 3D	●			●

Approvals and Certificates

FM control drawing	116-0165F	●	●	●	●
UL approval	cULus Listed, General Purpose	●	●	●	●
CSA approval	cCSAus Listed, General Purpose	●	●	●	●
CCC approval	Products with a maximum operating voltage of ≤36 V do not bear a CCC marking because they do not require approval.				

Dimensions

Length L [mm]		52	62	61
Width W [mm]			52	
Height H [mm]			20	
Connector area l _c [mm]		0	17	9



Accessories

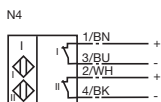
This and more accessories can be found in chapter 10
See pages from 972 ... for cordsets See pages 1068 ... for mounting aids

BT32	Activator for F25 series
BT32XS	Activator for F25 series
BT32XAS	Activator for F25 series
BT33	Activator for F25 series
BT34	Activator for F25 series
V1-G-BK	4-pin, M12 female field-attachable connector
V1-G-N4-5M-PUR	Female cordset, M12, 4-pin, NAMUR, PUR cable

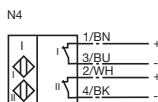
Electrical Connection



NCN3-F25-N4-0,14
NCN3-F25-N4-5M



NCN3-F25F-N4-V1
NCN3-F25-N4-V1



Date of issue 04/08/2015

1
.1.5

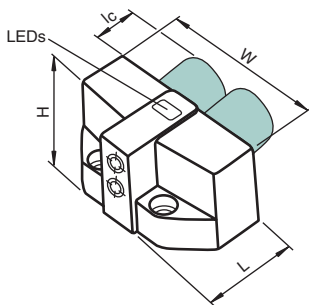


Properties

- F31 housing
- 3 mm, flush mountable
- DC, dual NAMUR interface
- Cable and connector versions

Your Benefit

- EX approval 1G applicable up to zone 0
- Usable up to SIL2 acc. to IEC 61508
- LED indicators for switching state and valve output
- Direct mounting without additional mounting aids on NAMUR bore holes 30 x 80



Technical Data

For detailed data and product description refer to the data sheets at www.pepperl-fuchs.com

General Data

Rated operating distance	3 mm
Installation	flush mountable
Switching element function	NAMUR, binary NC
Type of voltage	DC
Nominal voltage	8 V
Reverse polarity protection	✓
Current consumption	
Measuring plate not detected	≥ 3 mA
Measuring plate detected	≤ 1 mA
Switching frequency	0 ... 3 kHz
Suitable for 2:1 technology	✓, Reverse polarity protection diode not required
Indication of the switching state	LED, yellow
Ambient temperature	-25 ... 100 °C (-13 ... 158 °F)
Housing material	PBT

Model Number

	green = preferred type	NCN3-F31-N4-K	NCN3-F31-N4-K-K	NCN3-F31-N4-V16-K	NCN3-F31-N4-V1	NCN3-F31-N4-V18	NCN3-F31-N4-V16-V16	NCN3-F31-N5-V18-V1
Valve status indication	LED, yellow	●	●	●	●	●	●	●
Protection degree	IP66 / IP67	●	●	●	●	●	●	●
Connection (system side)	Device connector M12 x 1, 4-pin Device connector M18 x 1, 4-pin Device connector Rd24 x 1/8, 7-pin	●	●	●	●	●	●	●
Connection (valve side)	PVC cable, 5 m 4-pin, M12 x 1 socket socket connector Rd24 x 1/8, 7-pin PVC cable, 0.5 m	●	●	●	●	●	●	●

Use in the Hazardous Area

Use in the hazardous area	see instruction manuals	●	●	●	●	●	●	●
Category	1G; 2G 1G; 2G; 3G	●	●	●	●	●	●	●

Approvals and Certificates

UL approval	cULus Listed, General Purpose	●	●	●	●	●	●	●
CSA approval	cCSAus Listed, General Purpose	●	●	●	●	●	●	●
CCC approval	Products with a maximum operating voltage of ≤36 V do not bear a CCC marking because they do not require approval.	●	●	●	●	●	●	●

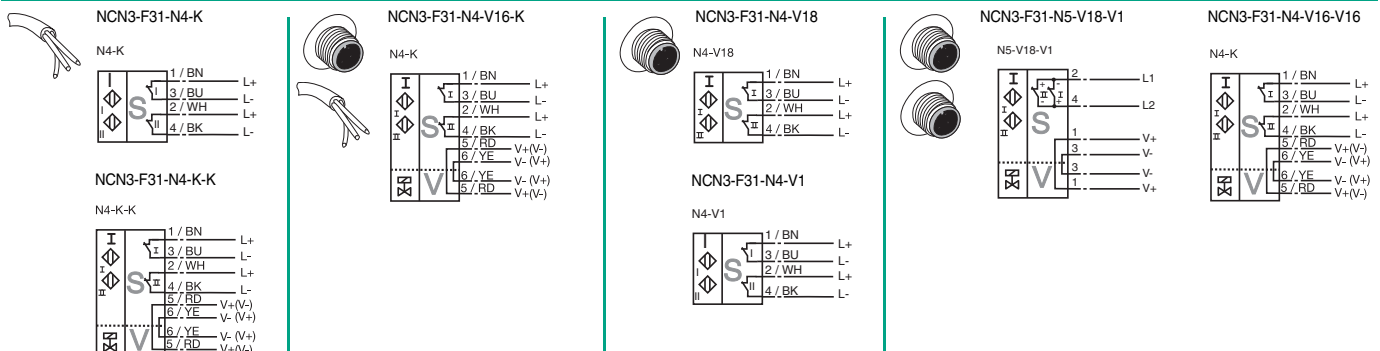
Dimensions

Length L [mm]	36
Width W [mm]	65
Height H [mm]	33.5
Connector area l _c [mm]	16 28 28 10 22 28 22

Accessories This and more accessories can be found in chapter 10
See pages from 972 ... for cordsets See pages 1068 ... for mounting aids

- BT65A Activator for F31 series
- BT65X Activator for F31 series
- BT115A Activator for F31 series

Electrical Connection



Proximity Sensors, Inductive Sensors, Double Sensors for Valve Actuators



Technical Data

For detailed data and product description refer to the data sheets at www.pepperl-fuchs.com

General Data

Rated operating distance	3 mm
Installation	flush mountable
Switching element function	DC Dual NC
Nominal voltage	8.2 V (R _I approx. 1 kΩ)
Reverse polarity protection	✓
Current consumption	
Measuring plate not detected	≥ 3 mA
Measuring plate detected	≤ 1 mA
Switching frequency	0 ... 3 kHz
Indication of the switching state	LED, yellow
Ambient temperature	-25 ... 100 °C (-13 ... 212 °F)
Housing material	PBT
Protection degree	IP67

Properties

- F31K housing
- 3 mm, flush mountable
- DC, dual NAMUR interface
- Terminal compartment and connector versions

Your Benefit

- EX approval 1G applicable up to zone 0
- Usable up to SIL2 acc. to IEC 61508
- LED indicators for switching state and valve output
- Direct mounting without additional mounting aids on NAMUR bore holes 30 x 80 and 30 x 130

Model Number

		NCN3-F31K-N4	NCN3-F31K-N4-K	NCN3-F31K-N4-K-S	NCN3-F31K-N4-S	NCN3-F31K-N4-V1-V1
Suitable for 2:1 technology	green = preferred type ✓, Reverse polarity protection diode not required	●	●	●	●	●
Valve status indication	LED, yellow	●	●	●	●	●
Connection (system side)	Cage tension spring terminals Screw terminals, tightening torque min. 0.5Nm Stripped length 7 mm	●	●	●	●	●
Connection (valve side)	4-pin, M12 x 1 socket Cage tension spring terminals like connection (system side)		●	●		●

Use in the Hazardous Area

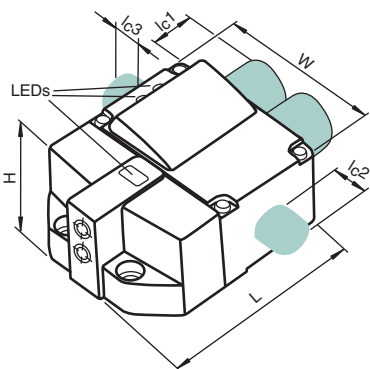
Use in the hazardous area	see instruction manuals	●	●	●	●	●
Category	1G; 2G; 3G	●	●	●	●	●

Approvals and Certificates

UL approval	cULus Listed, General Purpose	●	●	●	●	●
CSA approval	cCSAus Listed, General Purpose	●	●	●	●	●
CCC approval	Products with a maximum operating voltage of ≤36 V do not bear a CCC marking because they do not require approval.					

Dimensions

Length L [mm]	77.5
Width W [mm]	65
Height H [mm]	35
Connector area l _{c1} [mm]	10
Connector area l _{c2} [mm]	- 10 10 - 10
Connector area l _{c3} [mm]	- - - - 10



Accessories

This and more accessories can be found in chapter 10

See pages from 972 ... for cordsets

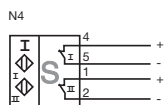
See pages 1068 ... for mounting aids

BT65A	Activator for F31 series
BT65X	Activator for F31 series
BT115A	Activator for F31 series
BT115X	Activator for F31 series

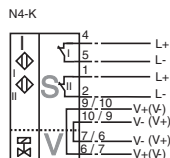
Electrical Connection



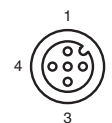
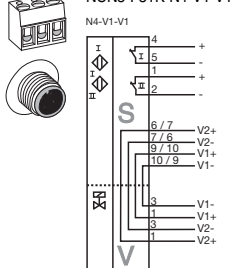
NCN3-F31K-N4
NCN3-F31K-N4-S



NCN3-F31K-N4-K
NCN3-F31K-N4-K-S



NCN3-F31K-N4-V1-V1



Wire colors in accordance with EN 60947-5-2

1	BN	(brown)
2	WH	(white)
3	BU	(blue)
4	BK	(black)
5	GY	(gray)

Date of issue 04/08/2015

1
1.15



Technical Data

For detailed data and product description refer to the data sheets at www.pepperl-fuchs.com

General Data

Rated operating distance	3 mm
Installation	flush mountable
Switching element function	DC Dual NC
Type of voltage	DC
Nominal voltage	8.2 V (R _i approx. 1 kΩ)
Current consumption	
Measuring plate not detected	≥ 3 mA
Measuring plate detected	≤ 1 mA
Switching frequency	0 ... 1500 Hz
Ambient temperature	-25 ... 100 °C (-13 ... 212 °F)
Housing material	PBT
Protection degree	IP67

Properties

- F25 housing
- 3 mm, flush mountable
- DC, dual NAMUR safety interface
- Cable and connector versions

Your Benefit

- EX approval 1G applicable up to zone 0
- Usable up to SIL3 acc. to IEC 61508
- LED indicators for switching state and valve output
- Direct mounting without additional mounting aids on NAMUR bore holes 30 x 80

Model Number

Connection type	Device connector M12 x 1 , 4-pin cable PVC , 180 mm cable PVC , 5 m	NCN3-F25-SN4-0,14 	NCN3-F25-SN4-5M 	NCN3-F25-SN4-V1
-----------------	---	-----------------------	---------------------	---------------------

Use in the Hazardous Area

Use in the hazardous area	see instruction manuals	●	●	●
Category	1G; 2G; 3G	●	●	●

Approvals and Certificates

FM control drawing	116-0165F	●	●	●
UL approval	cULus Listed, General Purpose	●	●	●
CSA approval	cCSAus Listed, General Purpose	●	●	●
CCC approval	Products with a maximum operating voltage of ≤36 V do not bear a CCC marking because they do not require approval.			

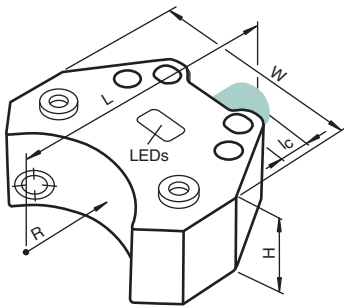
Dimensions

Length L [mm]	52	52	61
Width W [mm]		52	
Height H [mm]		20	
Connector area l _c [mm]	0	0	9

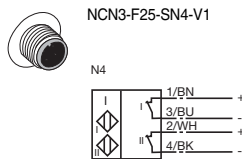
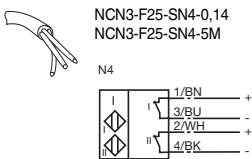
Accessories

This and more accessories can be found in chapter 10
See pages from 972 ... for cordsets See pages 1068 ... for mounting aids

BT32	Activator for F25 series
BT32XS	Activator for F25 series
BT32XAS	Activator for F25 series
BT33	Activator for F25 series
BT34	Activator for F25 series
V1-G-BK	4-pin, M12 female field-attachable connector
V1-G-N4-5M-PUR	Female cordset, M12, 4-pin, NAMUR, PUR cable



Electrical Connection



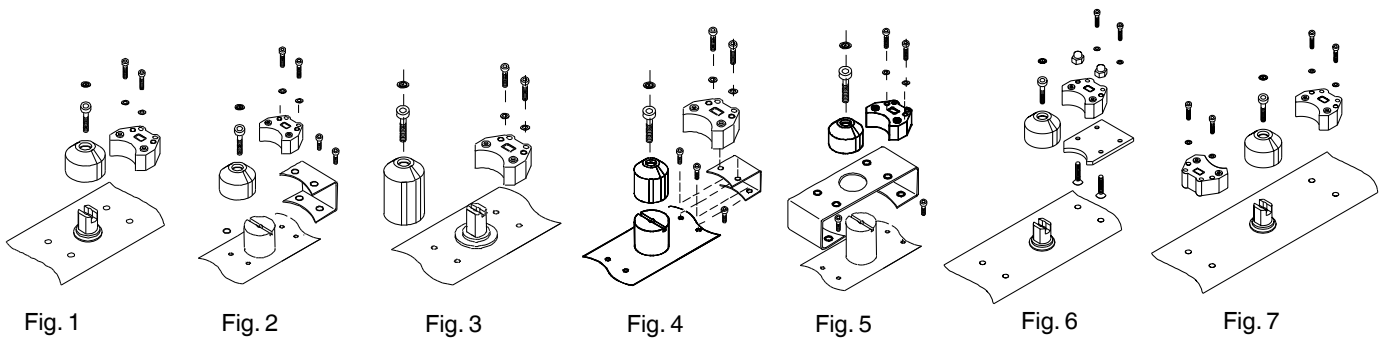
Proximity Sensors, Inductive Sensors, Double Sensors for Valve Actuators

Actuator, Mounting Sets, and Brackets for Position Feedback Sensors (-F25 Series)

Mounting set ¹⁾	Shaft diameter ²⁾	Shaft height	Mounting hole pattern	Includes:		Fig.
				Actuator	Bracket	
BT32-F25-0	< 34 mm	20 mm	30 mm x 80 mm	BT32	-	1
BT33-F25-0	< 34 mm	30 mm	30 mm x 80 mm	BT33	-	3
BT34-F25-2	preferably > 34 mm	20/30 mm	30 mm x 80 mm	BT34	K2	2
BT34-F25-3	preferably > 34 mm	30 mm	30 mm x 130 mm	BT34	K3	4
BT34-F25-4	preferably > 34 mm	50 mm	30 mm x 130 mm	BT34	K4	5
MH5-F25-Y43089	< 34 mm	20/30 mm	30 mm x 130 mm	-	Metal plate	6
MH20-F25-Y43090	Height compensation for additionally mounted regulator			-	F25 fully encapsulated	7

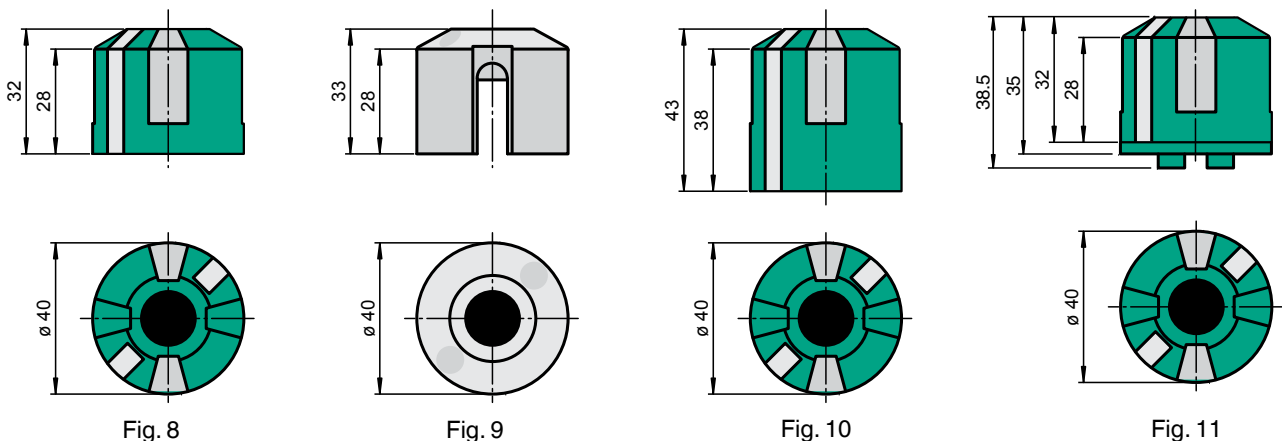
¹⁾ Includes mounting screws for the respective double sensor

²⁾ If the ring is higher than 3 mm, the height of the snap ring is the determining factor rather than the shaft diameter.







Individual part	Shaft diameter	Shaft height	Number of switching targets	Notes	Fig.
Actuator ³⁾					
BT32	≤ 34 mm	20 mm	2	Active height: 28 mm	8
BT32XS	≤ 34 mm	20 mm	1	As per BT32, with reverse-direction operation	9
BT32XAS	≤ 34 mm	20 mm	2	As per BT32, with reverse-direction operation	9
BT33	≤ 34 mm	30 mm	2	Active height: 38 mm	10
BT34	≥ 34 mm	≥ 20 mm	2	Active height: 28 mm, sitting on the drive shaft	11
BT37	≥ 34 mm	20 mm	1	Actuator BT37 with 4 mm groove for mounting on regulator	-
Bracket					
K2	-	-	-	Mounting hole pattern 30 mm x 80 mm	2

¹⁾ Actuator without mounting screws for the respective double sensor






Actuators for the -F31 / F31K2 Series with Fixed Switching Positions

The following actuators are made out of conductive plastic that prevents build-up of electrostatic charge and therefore can be used in hazardous areas. The sheathing surface of the BT65X and BT115X actuators is made out of stainless steel (V2A) with openings at the actuating positions. This results in an inverted operating principle.

Actuator	Drive shaft diameter	Shaft height	Mounting hole pattern	Notes	Illustration
BT65A	< 58 mm	20 mm and 30 mm	30 mm x 80 mm	Snap ring diameter max. 65 mm, Snap ring height max. 6 mm. For right and left rotating drives with 90°/180° rotation.	
BT65X					
BT115A	< 90 mm	30 mm and 50 mm	30 mm x 130 mm	Snap ring diameter max. 110 mm, Snap ring height max. 7 mm. For right and left rotating drives with 90°/180° rotation.	
BT115X					

Actuators for the -F31 / F31K2 Series with Adjustable Switching Positions

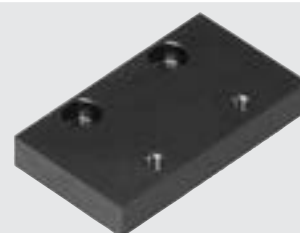
Actuator	Drive shaft diameter	Shaft height	Mounting hole pattern	Notes	Illustration
BT65B	< 58 mm	20 mm and 30 mm ¹⁾	30 mm x 80 mm	Snap ring diameter max. 65 mm, snap ring height max. 6 mm	
BT65-F31K2-RG-EN	< 49 mm	20 mm and 30 mm	30 mm x 80 mm	Adjustable in 5° steps, clearly visible colored indicators. Comes with protection hood.	
BT115B	< 90 mm	30 mm and 50 mm	30 mm x 130 mm	Snap ring diameter max. 110 mm, snap ring height max. 7 mm	

¹⁾ 30 mm using MH-BT65B mounting base

MH-BT65B Mounting Base

MH-BT65B

Adapter plate for using BT65B actuators on drives with:
 hole dimension 80 mm x 30 mm
 hole dimension 130 mm x 30 mm
 and drive shaft height 30 mm



1 Proximity Sensors, Inductive Sensors, Valve Position Sensors (Accessories)



Assembly set with switch plate for mounting of inductive valve sensors on manual operated valves acc. to ISO5211-DIN3337.
The assembly set includes a 2-parts mounting bracket with switch plate, a driver stem and a lock nut.

Technical Data

For detailed data and product description refer to the data sheets at www.pepperl-fuchs.com

General Data

Suitable sensors Double sensor, -F25 series with actuator BT32...
Double sensor, -F31 series with actuator BT65A
Double sensor, -F31K series with actuator BT65A
Material Mounting bracket and nut: stainless steel 1.4301
Tappet and shaft: Stainless steel 1.4305 / AISI 303 (V2A)
Sensor plate: Vestamid (PA 12), conductive

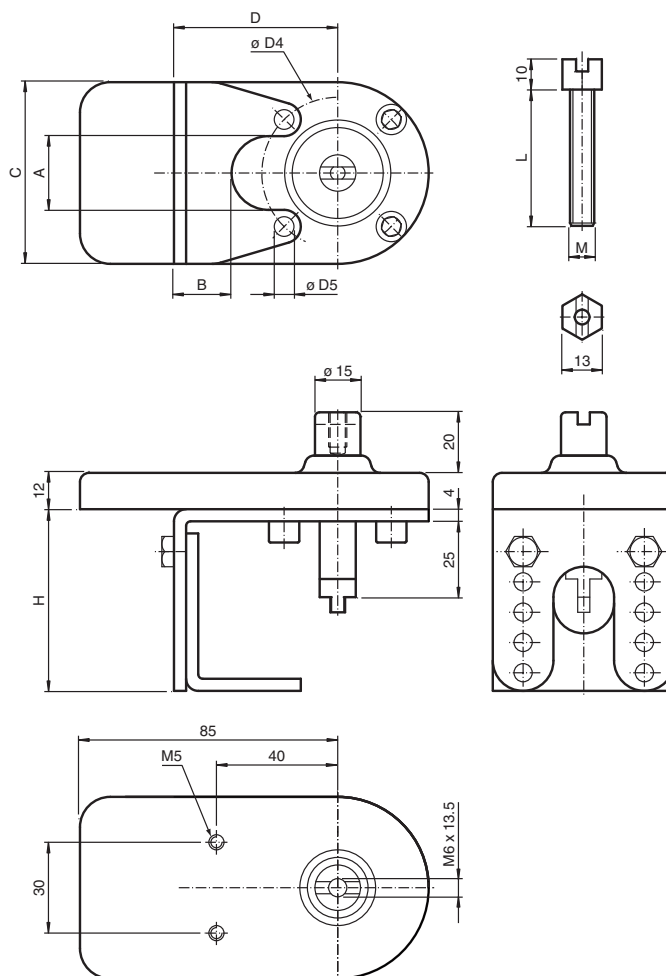
Model Number	MH-BT-F03-M5	MH-BT-F04-M5	MH-BT-F04-M6	MH-BT-F05-M5	MH-BT-F05-M6	MH-BT-F07-M5	MH-BT-F07-M6	MH-BT-F07-M8	MH-BT-F10-M8	MH-BT-F10-M10	MH-BT-F10-M12	MH-BT-F12-M10	
Dimensions													
A	[mm]	16	20.7	20.7	24.36	24.36	34.36	34.5	52.12	52.12	52.12	66.39	
B	[mm]	20	20	20	15	15	15	15	15	15	15	15	
C	[mm]	60	60	60	60	60	64.5	64.5	93	93	93	111	
D	[mm]	54	54	54	54	54	54	54	74	74	74	74	
Ø D4	[mm]	36	42	42	50	50	70	70	102	102	102	125	
Ø D5	[mm]	5.3	5.3	5.3	6.5	6.5	8.5	8.5	11	11	11	13	
H		60 mm / 70 mm / 80 mm / 90 mm / 100 mm, adjustable							80 mm / 90 mm / 100 mm / 110 mm / 120 mm, adjustable				
L	[mm]	25	25	50	25	50	25	50	45	45	60	60	
M	[mm]	5	5	6	5	6	5	6	8	8	10	10	

Properties

- Simple mounting
- Conforming to standards
- Adjustable in height
- Adjustable shaft extension

Your Benefit

- Suitable for use in hazardous areas due to conductive material
- Sturdy holder consisting of stainless steel and Vestamid
- Easy standard installation acc. to ISO5211-DIN3337



Date of issue 08.04.2015

Refer to "General Notes Relating to Pepperl+Fuchs Product Information".

Pepperl+Fuchs Group
www.pepperl-fuchs.com

USA: +1 330 486 0001
fa-info@us.pepperl-fuchs.com

Germany: +49 621 776 4411
fa-info@de.pepperl-fuchs.com

Singapore: +65 6779 9091
fa-info@sg.pepperl-fuchs.com

PEPPERL+FUCHS
SENSING YOUR NEEDS



1
1.6



Proximity Sensors, Inductive Sensors, Double Sensors for Clamping Systems



Technical Data

For detailed data and product description refer to the data sheets at www.pepperl-fuchs.com

General Data

Rated operating distance	2 mm
Installation	non-flush
Operating voltage	10 ... 30 V DC
Reverse polarity protection	✓
Operating current	0 ... 100 mA
Short-circuit protection	pulsing
Constant magnetic field	100 mT
Alternating magnetic field	100 mT
Operating voltage display	LED green
Indication of the switching state	switching state "close" = LED red (S2) switching state "open" = LED yellow (S1)
Housing material	amplifier; PBT, PA6 + GD-ZN AL4 oscillators; PBT
Protection degree	IP65
Connection type	Device connector M12 x 1 , 4-pin



Properties

- Compact F58 housing
- 2 mm, non-flush mountable
- DC, 3-wire switching outputs
- Adjustable connector version

Your Benefit

- Flexible mounting due to adjustable plug in 45° grid
- Numerous sensor types for minimal installation space

Model Number

			NBN2-F581-100S16-E8-V1	NBN2-F583-100S18-E8-V1	NBN2-F581-270S15-E8-V1	NBN2-F583-100S3-E8-V1	NBN2-F581-100S6-E10-V1	NBN2-F581-60/180S6-E8-V1
Switching element function	NPN	Dual NO					●	
	PNP	Dual NO	●	●	●	●		●
No-load supply current	≤ 15 mA		●	●	●	●		●
	≤ 35 mA						●	
Switching frequency	0 ... 100 Hz		●	●	●	●		
	0 ... 25 Hz						●	●
Ambient temperature	-25 ... 70 °C (-13 ... 158 °F)						●	●
	0 ... 50 °C (32 ... 122 °F)		●	●	●	●		

Approvals and Certificates

UL approval	cULus Listed, General Purpose	●	●	●	●	●	●	●
CSA approval	cCSAus Listed, General Purpose	●	●	●	●	●	●	●
CCC approval	Products with a maximum operating voltage of ≤36 V do not bear a CCC marking because they do not require approval.							

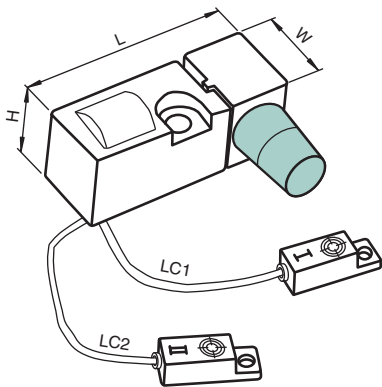
Dimensions

Length L [mm]	47			
Width W [mm]	18			
Height H [mm]	18			
Connector area l _{c1} [mm]	100	270	100	60
Connector area l _{c2} [mm]	100	270	100	180

Accessories

This and more accessories can be found in chapter 10
See pages from 972 ... for cordsets See pages 1068 ... for mounting aids

- V1-G-OR2M-POC** Female cordset, M12, 4-pin, TPE cable, welding-bead resistant
- V1-G-2M-PUR H/S** Female cordset, M12, 4-pin, irradiated PUR cable
- V1-W-2M-PUR H/S** Female cordset, M12, 4-pin, irradiated PUR cable

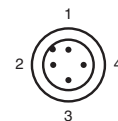
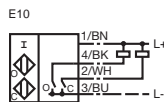
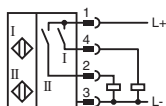


Electrical Connection



NBN2-F581-100S16-E8-V1
NBN2-F581-270S15-E8-V1
NBN2-F583-100S3-E8-V1
NBN2-F583-100S18-E8-V1
NBN2-F581-60/180S6-E8-V1

NBN2-F581-100S6-E10-V1



Wire colors in accordance with EN 60947-5-2

- 1 | BN (brown)
- 2 | WH (white)
- 3 | BU (blue)
- 4 | BK (black)



Properties

- Flexible *VariKont* housing
- 15 mm, flush mountable
- DC, 3-wire switching output
- Terminal compartment

Technical Data

For detailed data and product description refer to the data sheets at www.pepperl-fuchs.com

General Data

Rated operating distance	15 mm
Installation	flush
Switching element function	PNP NO
Operating voltage	15 ... 60 V DC
No-load supply current	≤ 25 mA
Reverse polarity protection	✓
Short-circuit protection	pulsing
Operating current	0 ... 100 mA
Indication of the switching state	LED 1: yellow
Damping indicator	LED 2: yellow
Ambient temperature	-25 ... 70 °C (-13 ... 158 °F)
Housing material	PBT
Protection degree	IP67
Connection type	screw terminals



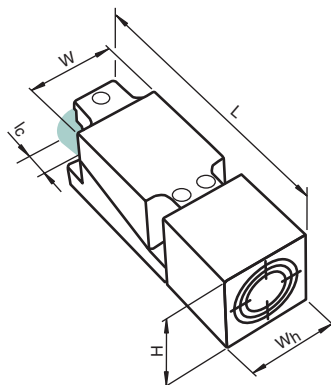
Model Number	NJ15+U1+DW1-1	NJ15+U1+DW1-10	NJ15+U1+DW1-100
Frequency range	0.1 ... 1 Hz , adjustable	1 ... 10 Hz , adjustable	10 ... 100 Hz , adjustable

Approvals and Certificates		NJ15+U1+DW1-1	NJ15+U1+DW1-10	NJ15+U1+DW1-100
UL approval	cULus Listed, General Purpose	●	●	●
CSA approval	cCSAus Listed, General Purpose	●	●	●
CCC approval	Certified by China Compulsory Certification (CCC)	●	●	●

Dimensions		
Length L [mm]		118
Width W [mm]		40
Head width W _h [mm]		40
Height H [mm]		40
Connector area l _c [mm]		0 (M20 x 1,5)

Accessories This and more accessories can be found in chapter 10
See pages from 972 ... for cordsets See pages 1068 ... for mounting aids

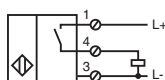
MH 04-2681F	Mounting aid for VariKont, +U1+ and +U9*
V1-M20-80	Receptacles, M12/M20; plastic version
V1-G-BK	4-pin, M12 female field-attachable connector
V1-W-BK	4-pin, M12 female field-attachable connector



Electrical Connection



NJ15+U1+DW1-1
NJ15+U1+DW1-10
NJ15+U1+DW1-100



Date of issue 04/08/2015



Technical Data

For detailed data and product description refer to the data sheets at www.pepperl-fuchs.com

General Data

Rated operating distance	15 mm
Installation	flush
Switching element function	NO
Operating voltage	90 ... 250 V AC ¹⁾
Operating current	0 ... 150 mA
Indication of the switching state	LED 1: yellow
Damping indicator	LED 2: yellow
Ambient temperature	-25 ... 70 °C (-13 ... 158 °F)
Protection degree	IP67
Connection type	screw terminals



Properties

- Flexible *VariKont* housing
- 15 mm, flush mountable
- AC, 3-wire switching output
- Terminal compartment

Model Number

		NJ15+U1+DW2-1	NJ15+U1+DW2-10	NJ15+U1+DW2-100	NJ15+U4+DW2-1	NJ15+U4+DW2-10	NJ15+U4+DW2-100
Frequency range	0.1 ... 1 Hz , adjustable	●			●		
	1 ... 10 Hz , adjustable		●			●	
	10 ... 100 Hz , adjustable			●			●
Housing material	PBT	●	●	●			
	PBT/metal				●	●	●

Approvals and Certificates

UL approval	cULus Listed, General Purpose	●	●	●	●	●	●
CSA approval	cCSAus Listed, General Purpose	●	●	●	●	●	●
CCC approval	Certified by China Compulsory Certification (CCC)	●	●	●			

Dimensions

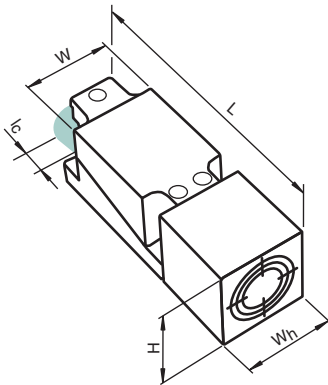
Length L [mm]	118	
Width W [mm]	40	
Head width W _h [mm]	40	
Height H [mm]	40	
Connector area l _c [mm]	0 (M20 x 1,5)	0 (1/2" NPT)

¹⁾ In the temperature range below 0 °C, permissible operating voltage U_b 80...253 V
 Safety fuse ≤ 0.2 A (quick-blow) according to IEC 60127-2 Sheet 1
 Recommendation: after a short circuit, check that the device is functioning correctly.

Accessories

This and more accessories can be found in chapter 10
 See pages from 972 ... for cordsets See pages 1068 ... for mounting aids

MH 04-2681F	Mounting aid for VariKont, +U1+ and +U9*
V1-M20-80	Receptacles, M12/M20; plastic version
V1-G-BK	4-pin, M12 female field-attachable connector
MHW 01	Modular mounting bracket
V1-W-BK	4-pin, M12 female field-attachable connector



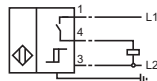
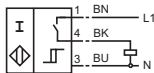
Electrical Connection

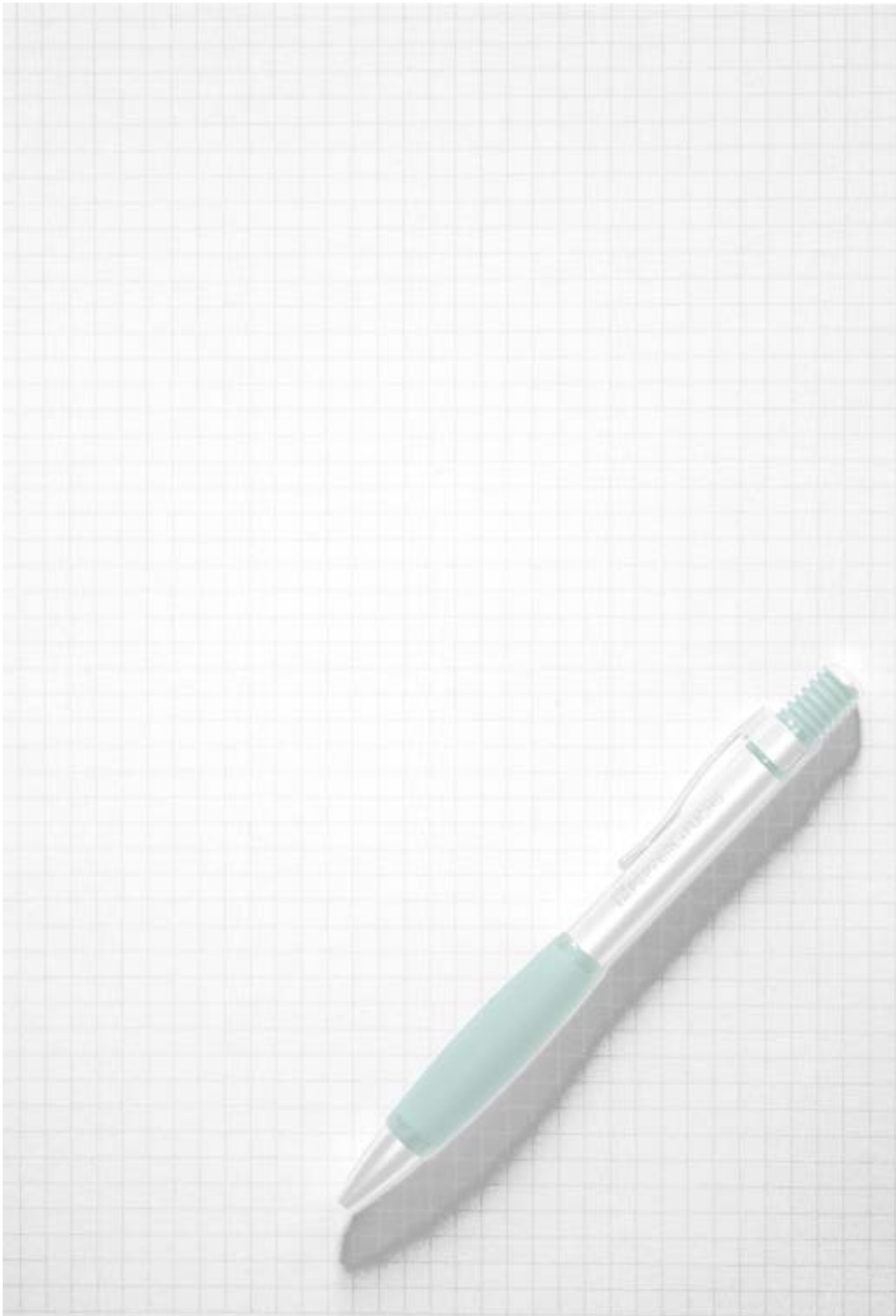


NJ15+U1+DW2-1
 NJ15+U1+DW2-10
 NJ15+U1+DW2-100

NJ15+U4+DW2-1
 NJ15+U4+DW2-10
 NJ15+U4+DW2-100

DW2





Contents

1
2

Proximity Sensors, Capacitive Sensors

1 Proximity Switches

1.1	Inductive Sensors	12
1.2	Capacitive Sensors	288
1.3	Magnetic Field Sensors	314



1 Proximity Switches

1.2 Capacitive Sensors

Overview of Capacitive Sensors/Selection Tables

Cylindrical Sensors 290

Rectangular Sensors 291




Introduction to Capacitive Sensors 292






Type-Code Capacitive Sensors 293

Data Section

1.2.1 Cylindrical Sensors 294

1.2.2 Square-Shaped Sensors 305

Cylindrical housing			
	12 mm	18 mm	30 mm
	<ul style="list-style-type: none"> Stainless steel housing 	<ul style="list-style-type: none"> Housing made from stainless steel or plastic 	<ul style="list-style-type: none"> Housing made from plastic, nickel-plated brass, or stainless steel
Operating distance			
Flush	4 mm	8 mm	10 mm
Non-flush	8 mm	15 mm	10 mm ... 15 mm
Connection			
Cable	●	●	●
Male cordset			
Plug connector	●	●	●
Terminal compartment			●
Output			
Two-wire DC			
Three-wire DC	Page 294	Page 295 ff	Page 297 ff
Four-wire DC			Page 297 ff
Two-wire AC			Page 300 ff
Three-wire AC			
Two-wire AC/DC			
Analog output			
NAMUR	Page 302	Page 303	Page 304

					Cubic housing
F46/F46A	F64	F104	VariKont	FP	
<ul style="list-style-type: none"> Flat housing design Chemically resistant design (optional) 	<ul style="list-style-type: none"> Small housing design 	<ul style="list-style-type: none"> Flat housing design Cable and plug versions 	<ul style="list-style-type: none"> Head can be moved in five directions Sensor can be replaced without loosening the connections 	<ul style="list-style-type: none"> Wide detection range Terminal compartment Sensor can be replaced without loosening the connections 	
Operating distance					
			15 mm		Flush
2 mm ... 10 mm	8 mm ... 15 mm	5 mm		40 mm	Non-flush
Connection					
●	●	●			Cable
					Male cordset
		●			Plug connector
			●	●	Terminal compartment
Output					
					Two-wire DC
Page 305 ff	Page 307	Page 308			Three-wire DC
			Page 309	Page 310	Four-wire DC
				Page 311	Two-wire AC
					Three-wire AC
					Two-wire AC/DC
					Analog output
Page 312					NAMUR

Introduction to Capacitive Sensors

Capacitive sensors detect both metallic and nonmetallic targets such as glass, plastic, or wood. Depending on the size and material properties of the target as well as the size and mounting conditions of the sensor, switching distances of between 1 mm and 50 mm are possible.

Capacitive proximity switches can be used as "penetrating sensors" to detect liquid or granular media. They react to the contents of a thin-walled and electrically nonconductive container made from glass or plastic. This function is performed by increasing the overall capacitance, consisting of the container wall and filling media (see also "Functional description of capacitive proximity switches"). The "penetration" functionality of capacitive sensors enables flow rate and fill level controls to be performed for liquid media and bulk goods without coming into direct contact with them.

Special technical features of capacitive sensors:

- They react to both electrically conductive materials and insulating materials
- (ferrous metals, nonferrous metals, glass, wood, plastic, as well as oil and liquid solutions)
- The operating distance of the sensor can be adapted to the object and mounting properties
- They can be used as "penetrating" sensors through nontransparent and nonconductive container walls

Common applications for capacitive sensors:

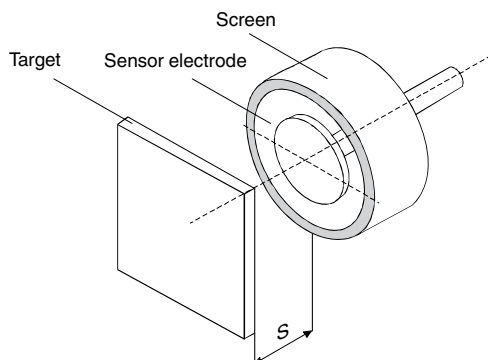
- Checks for the presence of paper, wood, glass, or plastic materials
- Fill level control for fluid media and bulk goods (pellets, tablets, granulate, toner)
- Flow rate control on plastic piping and hoses

Common areas of application for capacitive sensors:

- Print and paper processing industry
- Packaging and food industry
- Pharmacy, chemical, and process technology
- Wood and plastic processing
- Automotive industry

Functional description

Capacitive proximity switches have a sensor electrode (active area) and a shield ring. The sensor electrode is the active area of the sensor and emits an electric AC field that forms a capacitance with the surroundings acting as the counter potential (capacitor principle). If an actuator moves closer to the active sensor electrode, the counter potential changes. The capacity between the sensor and the switching flag increases. This change in external capacity is compared with an internal sensor reference value. If the reference value is exceeded, the sensor is actuated and delivers a switch-over signal to the sensor output. The external shield ring focuses the electric field of the sensor electrode and reduces the influence of the installation position upon the operating distance of the sensor.



The rated operating distance s_n of a capacitive proximity switch is based on a grounded metal object of a particular size. In contrast, the capacitance change for nonconductive actuator materials is lower and the object must be moved closer to the sensor electrode in order to actuate the switch. The length of the specific operating distance depends upon the electrode area, the size and the material (permittivity) of the object to be detected as well as the sensor's installed position. The lower the permittivity number of the respective actuator material under otherwise comparable geometric mounting conditions, the shorter the achievable operating distance. With most capacitive proximity switches, the sensitivity can be adjusted within limits using a potentiometer on the sensor. The factory-set operating distance can be adjusted retrospectively in accordance with the object material and the installation position.

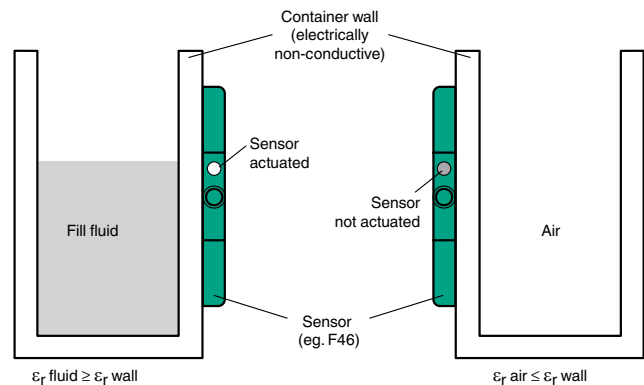
Correlation between material constants and operating distances

The rated operating distance s_n of a capacitive proximity switch is preset at the factory using a grounded metal object of a particular size and under defined mounting conditions (flush, non-flush). If other materials are used with the otherwise unchanged geometrics of the object and the mounting conditions of the sensor, the preset operating distance decreases. The table below illustrates the ranges of material-related dielectric constants and the expected reduction factors for the rated operating distance.

Material	Dielectricity ϵ_r	Reduction factor
Grounded metal plate	>100 to 10,000	1
Water	80	1
Alcohol	22	0.75
Glass	5 to 16	0.6
Ceramic	4 to 7	0.5
PVC	2.3 to 3.4	0.45
Wood (dry)	3 to 7	0.3
Oil	2.6 to 2.9	0.28
Paper (dry)	1.6 to 2.6	0.25
Air	1	0

The values in the table are reference values and therefore should not be referred to in terms of physical accuracy.

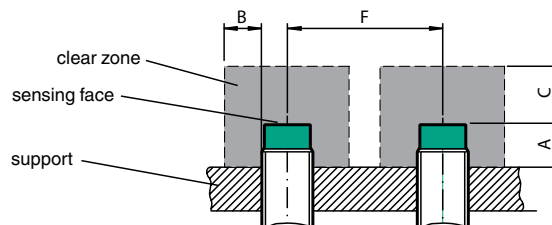
Special application—penetration functionality



The penetration functionality of capacitive proximity switches is based on the change in the total capacitance of the media to be detected. In this context, the term "penetration" is not used to describe how a specific detection range is covered in an optical sense. Rather, an insensitive sensor suppresses the container wall in the sense of a dielectric constant component (left drawing, sensor does not react to container wall). If the filling media in the container now rises above the center of the sensor's electrode, the electric conductivity of the system changes and results in sensor actuation.

Mounting conditions of capacitive sensors

Mounting the sensor in a machine or plant environment can result in preattenuation of the sensor due to material located within the detection range. This preattenuation results in a change in the preset operating distance. An installed potentiometer can be used to offset these changes within certain limits. However, if the preset operating distance has not changed, you must ensure that no material, other than the object, is located within the sensor detection range (see the gray clearance area). The exact values for lengths A to F are sensor-specific and are included on the data sheets of the corresponding product.

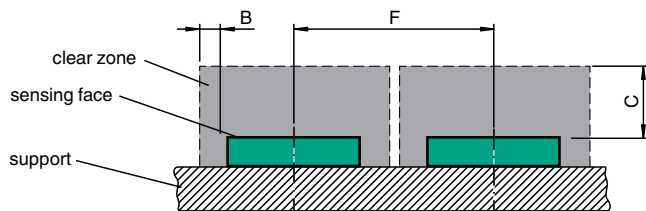


Mounting conditions for cylindrical sensors

Flush mounting of capacitive sensors

In addition to the above-mentioned, nonflush mounting of cylindrical sensors, the sensors can also be flush mounted (measurement A is 0 mm) in special cases. Pepperl+Fuchs offers specially aligned flush-mountable sensors (CJ-, CBB-, CCB types) for this purpose. A potentiometer can also be used with these types of sensor to adapt the operating distance for different object materials.

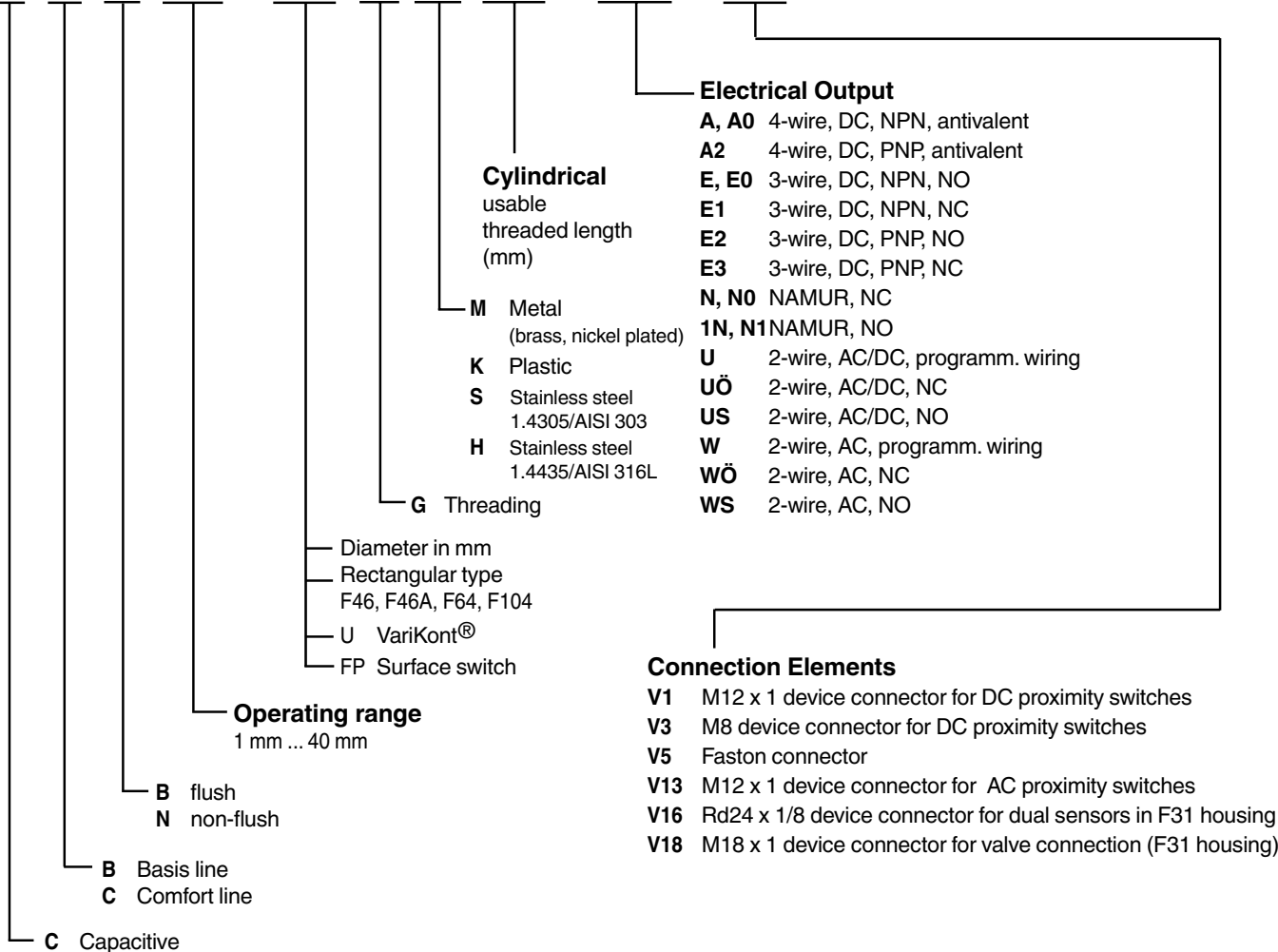
Sensors in cubic housing are generally installed on a carrier material. In this case, measurement A is defined by the height of the housing. One particular quality feature of capacitive sensors is their shielding against the carrier material. The most critical case would involve mounting in a metallic conductive carrier material. Pepperl+Fuchs sensors can be used under the above-mentioned conditions in all types of carrier material.



Installation conditions for cubic sensors

Type Code, Capacitive Sensors

C C N 15 - 30 G S 60 - E2 - V1



1
.2.1



Properties

- Ø12 mm housing
- 4 mm, flush and 8 mm, non-flush mountable versions
- Adjustable sensitivity
- DC, 3-wire switching output
- Cable and connector versions

Your Benefit

- Corrosion resistant high grade steel housing

Technical Data

For detailed data and product description refer to the data sheets at www.pepperl-fuchs.com

General Data

Operating voltage	10 ... 36 V DC
No-load supply current	≤ 12 mA
Reverse polarity protection	✓
Switching frequency	0 ... 50 Hz
Operating current	0 ... 100 mA
Short-circuit protection	pulsing
Indication of the switching state	LED, yellow
Potentiometer	sensitivity adjustment
Ambient temperature	-25 ... 70 °C (-13 ... 158 °F)
Housing material	Stainless steel 1.4404 / AISI 316L
Protection degree	IP65

Model Number

		CBB4-12GH70-E0	CBB4-12GH70-E2	CBN8-12GH70-E2	CBB4-12GH60-E0-V1	CBB4-12GH60-E2-V1	CBN8-12GH60-E2-V1
Rated operating distance	green = preferred type	●	●		●	●	●
	4 mm	●	●		●	●	●
Installation	flush	●	●		●	●	●
	non-flush			●			●
Switching element function	NPN NO	●			●		
	PNP NO		●	●		●	●
Connection type	Device connector M12 x 1, 4-pin	●	●		●	●	●
	cable PUR, 2 m			●			

Approvals and Certificates

UL approval	cULus Listed, General Purpose	●	●	●	●	●	●
CSA approval	cCSAus Listed, General Purpose	●	●	●	●	●	●

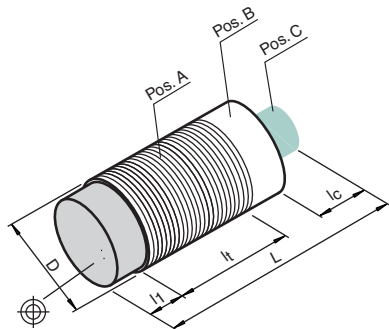
Dimensions

Length L [mm]	69	70	60	61
Diameter D [mm]	12			
Thread length l _t [mm]	38	35	38	35
Cap length l ₁ [mm]	0	5	0	5
Connector area l _c [mm]	0		6	
LED position	Pos. B		Pos. C	

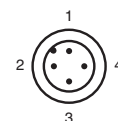
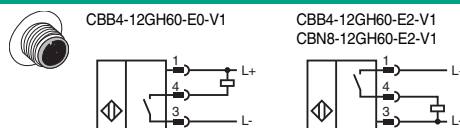
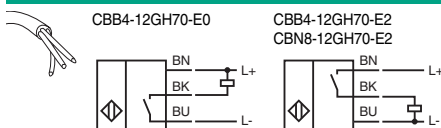
Accessories

This and more accessories can be found in chapter 10
See pages from 972 ... for cordsets See pages 1068 ... for mounting aids

- BF 12** Mounting flange, 12 mm
- V1-G-BK** 4-pin, M12 female field-attachable connector
- V1-W-BK** 4-pin, M12 female field-attachable connector
- V1-G-2M-PUR** Cable socket, M12, 4-pin, PUR cable
- V1-W-2M-PUR** Cable socket, M12, 4-pin, PUR cable



Electrical Connection



Wire colors in accordance with EN 60947-5-2

- 1 BN (brown)
- 2 WH (white)
- 3 BU (blue)
- 4 BK (black)

Proximity Sensors, Capacitive Sensors, cylindrical



Technical Data

For detailed data and product description refer to the data sheets at www.pepperl-fuchs.com

General Data

Switching element function	PNP	NO
Operating voltage	10 ... 30 V	
No-load supply current	≤ 18 mA	
Reverse polarity protection	✓	
Switching frequency	0 ... 100 Hz	
Operating current	0 ... 100 mA	
Short-circuit protection	pulsing	
Indication of the switching state	LED, yellow	
Potentiometer	sensitivity adjustment	
Ambient temperature	-25 ... 85 °C (-13 ... 185 °F)	
Housing material	PBT	
Protection degree	IP67	
Connection type	Device connector M12 x 1, 3-pin	



Properties

- Ø18 mm housing
- 8 mm, flush and 15 mm, non-flush mountable versions
- Adjustable sensitivity
- DC, 3-wire switching output
- Connector version

Model Number

	CBB8-18GK75-E2-V1	CBN15-18GK75-E2-V1
Rated operating distance	8 mm	15 mm
Installation	flush	non-flush

Approvals and Certificates

UL approval	cULus Listed, General Purpose	●	●
CSA approval	cCSAus Listed, General Purpose	●	●
CCC approval	Products with a maximum operating voltage of ≤36 V do not bear a CCC marking because they do not require approval.		

Dimensions

Length L [mm]	88.5	
Diameter D [mm]	18	
Thread length l _t [mm]	52	39
Cap length l ₁ [mm]	2	15
Connector area l _c [mm]	12	
LED position	Pos. B	

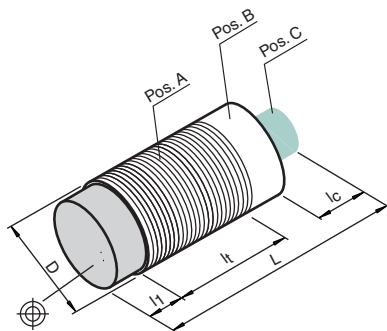
Accessories

This and more accessories can be found in chapter 10

See pages from 972 ... for cordsets

See pages 1068 ... for mounting aids

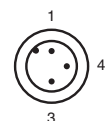
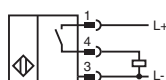
BF 18	Mounting flange, 18 mm
V1-G-BK	4-pin, M12 female field-attachable connector
V1-W-BK	4-pin, M12 female field-attachable connector
V1-G-2M-PUR	Cable socket, M12, 4-pin, PUR cable
V1-W-2M-PUR	Cable socket, M12, 4-pin, PUR cable
EXG-18	Quick mounting bracket with dead stop



Electrical Connection



CBB8-18GK75-E2-V1
CBN15-18GK75-E2-V1



Wire colors in accordance with EN 60947-5-2

1	BN	(brown)
3	BU	(blue)
4	BK	(black)

Date of issue: 2015-04-08



Properties

- Ø18 mm housing
- 8 mm, flush and 15 mm, non-flush mountable versions
- Adjustable sensitivity
- DC, 3-wire switching output
- Cable and connector versions

Your Benefit

- Corrosion resistant stainless steel housing

Technical Data

For detailed data and product description refer to the data sheets at www.pepperl-fuchs.com

General Data

Operating voltage	10 ... 30 V
No-load supply current	≤ 18 mA
Reverse polarity protection	✓
Switching frequency	0 ... 100 Hz
Operating current	0 ... 100 mA
Short-circuit protection	pulsing
Indication of the switching state	LED, yellow
Potentiometer	sensitivity adjustment
Ambient temperature	-25 ... 85 °C (-13 ... 185 °F)
Housing material	Stainless steel 1.4305 / AISI 303
Protection degree	IP67

Model Number

		CBB8-18GS75-E0	CBB8-18GS75-E2	CBN15-18GS75-E2	CBB8-18GS75-E2-V1	CBN15-18GS75-E2-V1
Rated operating distance	green = preferred type	●	●	●	●	●
	2 ... 8 mm	●	●	●	●	●
Installation	flush	●	●	●	●	●
	non-flush	●	●	●	●	●
Switching element function	NPN NO	●	●	●	●	●
	PNP NO	●	●	●	●	●
Connection type	Device connector M12 x 1 , 3-pin	●	●	●	●	●
	cable PVC , 2 m	●	●	●	●	●

Approvals and Certificates

UL approval	cULus Listed, General Purpose	●	●	●	●	●
CSA approval	cCSAus Listed, General Purpose	●	●	●	●	●
CCC approval	Products with a maximum operating voltage of ≤36 V do not bear a CCC marking because they do not require approval.					

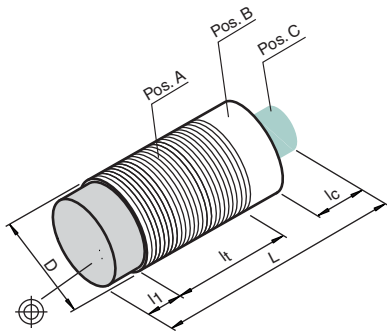
Dimensions

Length L [mm]		75.5		88.5
Diameter D [mm]			18	
Thread length l _t [mm]		61	47	53
Cap length l ₁ [mm]		0.5	15	0.5
Connector area l _c [mm]				12
LED position			Pos. C	Pos. B

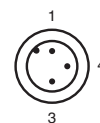
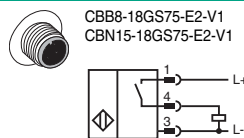
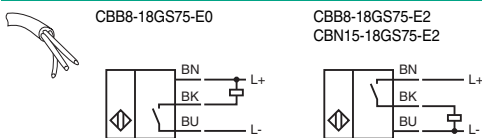
Accessories

This and more accessories can be found in chapter 10
See pages from 972 ... for cordsets See pages 1068 ... for mounting aids

BF 18	Mounting flange, 18 mm
V1-G-BK	4-pin, M12 female field-attachable connector
V1-W-BK	4-pin, M12 female field-attachable connector
V1-W-2M-PUR	Cable socket, M12, 4-pin, PUR cable
EXG-18	Quick mounting bracket with dead stop
V1-G-2M-PUR	Cable socket, M12, 4-pin, PUR cable

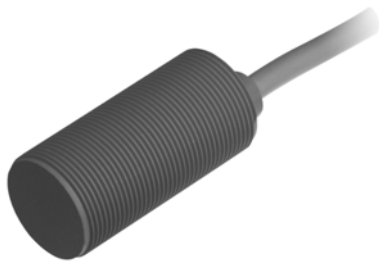


Electrical Connection



Wire colors in accordance with EN 60947-5-2

1	BN	(brown)
3	BU	(blue)
4	BK	(black)



Technical Data

For detailed data and product description refer to the data sheets at www.pepperl-fuchs.com

General Data

Operating voltage	10 ... 30 V DC
No-load supply current	≤ 20 mA
Reverse polarity protection	✓
Switching frequency	0 ... 10 Hz
Operating current	0 ... 200 mA
Short-circuit protection	pulsing
Indication of the switching state	LED, yellow
Potentiometer	sensitivity adjustment
Ambient temperature	-25 ... 70 °C (-13 ... 158 °F)
Housing material	PBT
Protection degree	IP67
Connection type	cable PVC , 2 m



Properties

- Ø30 mm housing
- 10 mm, flush and 15 mm, non-flush mountable versions
- Adjustable sensitivity
- DC, 3-wire and 4-wire switching output versions
- Cable version

Model Number

		CBB10-30GK60-E0	CBN15-30GK60-E0	CBN15-30GK60-E2	CBN15-30GK60-A0	CBN15-30GK60-A2
Rated operating distance	10 mm	●				
	15 mm		●			
Installation	flush	●				
	non-flush		●	●	●	●
Switching element function	NPN NO/NC				●	
	NPN NO	●	●			
	PNP NO/NC					●
	PNP NO			●		

Approvals and Certificates

		CBB10-30GK60-E0	CBN15-30GK60-E0	CBN15-30GK60-E2	CBN15-30GK60-A0	CBN15-30GK60-A2
UL approval	cULus Listed, General Purpose	●	●	●	●	●
CSA approval	cCSAus Listed, General Purpose	●	●	●	●	●
CCC approval	Products with a maximum operating voltage of ≤36 V do not bear a CCC marking because they do not require approval.		●	●	●	●

Dimensions

Length L [mm]	60
Diameter D [mm]	30
Thread length l _t [mm]	60
Cap length l ₁ [mm]	0
Connector area l _c [mm]	0
LED position	Pos. C

Accessories

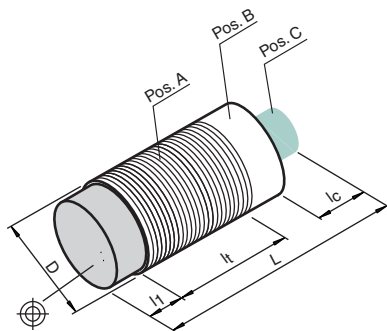
This and more accessories can be found in chapter 10

See pages from 972 ... for cordsets

See pages 1068 ... for mounting aids

BF 30

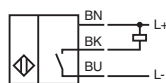
Mounting flange, 30 mm



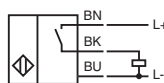
Electrical Connection



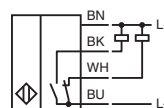
CBB10-30GK60-E0
CBN15-30GK60-E0



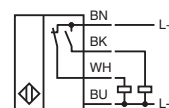
CBN15-30GK60-E2



CBN15-30GK60-A0



CBN15-30GK60-A2



Date of issue: 2015-04-08

1
.2.1



Properties

- Ø30 mm housing
- 10 mm, flush mountable
- Adjustable sensitivity
- DC, 4-wire switching output versions
- Terminals version

Technical Data

For detailed data and product description refer to the data sheets at www.pepperl-fuchs.com

Model Number	CBB10-30GKK-A2
Rated operating distance	10 mm
Installation	flush
Switching element function	PNP NO/NC
Operating voltage	10 ... 30 V DC
No-load supply current	≤ 15 mA
Reverse polarity protection	✓
Switching frequency	0 ... 100 Hz
Operating current	0 ... 200 mA
Short-circuit protection	pulsing
Operating voltage display	LED, green
Indication of the switching state	LED, yellow
Potentiometer	sensitivity adjustment
Ambient temperature	-25 ... 70 °C (-13 ... 158 °F)
Housing material	ABS
Protection degree	IP67
Connection type	screw terminals



Approvals and Certificates

UL approval	cULus Listed, General Purpose
CCC approval	Products with a maximum operating voltage of ≤36 V do not bear a CCC marking because they do not require approval.

Dimensions

Length L [mm]	115
Diameter D [mm]	30 / 40
Thread length l _t [mm]	61
Connector area l _c [mm]	0

Accessories

This and more accessories can be found in chapter 10

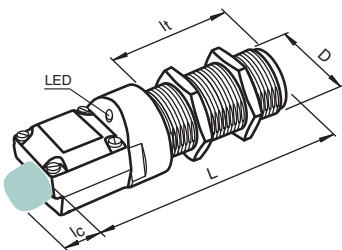
See pages from 972 ... for cordsets

See pages 1068 ... for mounting aids

BF 30

Mounting flange, 30 mm

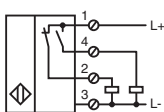
Proximity Sensors, Capacitive Sensors, cylindrical



Electrical Connection



CBB10-30GKK-A2





Technical Data

For detailed data and product description refer to the data sheets at www.pepperl-fuchs.com

General Data

Rated operating distance	15 mm
Installation	non-flush
Operating voltage	10 ... 60 V DC
No-load supply current	≤ 20 mA
Reverse polarity protection	✓
Switching frequency	0 ... 10 Hz
Operating current	0 ... 200 mA
Short-circuit protection	pulsing
Indication of the switching state	LED, yellow
Potentiometer	sensitivity adjustment
Ambient temperature	-25 ... 70 °C (-13 ... 158 °F)
Housing material	Stainless steel 1.4305 / AISI 303
Protection degree	IP67

Properties

- Ø30 mm housing
- 15 mm, non-flush mountable
- Adjustable sensitivity
- DC, 3-wire and 4-wire switching output versions
- Cable and connector versions

Your Benefit

- Corrosion resistant stainless steel housing

Model Number

		CCN15-30GS60-E0	CCN15-30GS60-E2	CCN15-30GS60-A0	CCN15-30GS60-A2	CCN15-30GS60-E2-V1	CCN15-30GS60-A2-V1
Switching element function	green = preferred type						
	NPN NO/NC	●		●			
	NPN NO						
	PNP NO/NC				●		●
	PNP NO		●			●	●
Connection type	Device connector M12 x 1, 4-pin cable PVC, 2 m	●	●	●	●	●	●

Approvals and Certificates

UL approval	cULus Listed, General Purpose	●	●	●	●	●	●
CSA approval	cCSAus Listed, General Purpose	●	●	●	●	●	●

Dimensions

Length L [mm]		60	75
Diameter D [mm]		30	
Thread length l _t [mm]		41	
Cap length l ₁ [mm]		18	
Connector area l _c [mm]		0	15
LED position		Pos. C	

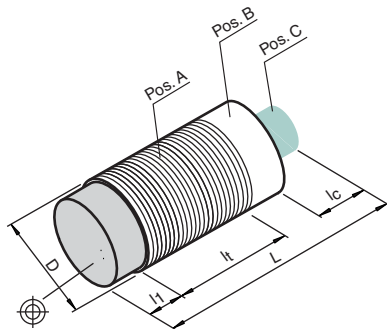
Accessories

This and more accessories can be found in chapter 10

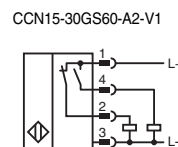
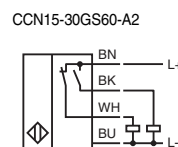
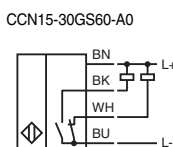
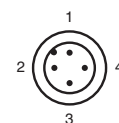
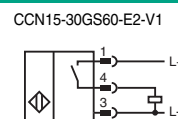
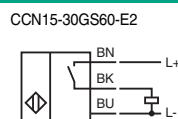
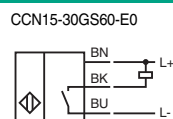
See pages from 972 ... for cordsets

See pages 1068 ... for mounting aids

- BF 30** Mounting flange, 30 mm
- V1-G-BK** 4-pin, M12 female field-attachable connector
- V1-W-BK** 4-pin, M12 female field-attachable connector
- V1-G-2M-PUR** Cable socket, M12, 4-pin, PUR cable
- V1-W-2M-PUR** Cable socket, M12, 4-pin, PUR cable



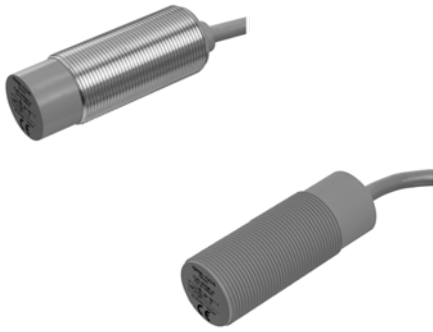
Electrical Connection



Wire colors in accordance with EN 60947-5-2

- 1 BN (brown)
- 2 WH (white)
- 3 BU (blue)
- 4 BK (black)

Date of issue: 2015-04-08



Properties

- Ø30 mm housing
- 10 mm, flush and non-flush mountable versions
- Adjustable sensitivity
- AC, 2-wire switching output
- Cable version

Technical Data

For detailed data and product description refer to the data sheets at www.pepperl-fuchs.com

General Data

Rated operating distance	10 mm
Operating voltage	20 ... 253 V AC
Reverse polarity protection	tolerant
Switching frequency	0 ... 10 Hz
Operating current	5 ... 200 mA
Indication of the switching state	LED, yellow
Potentiometer	sensitivity adjustment
Ambient temperature	-25 ... 70 °C (-13 ... 158 °F)
Protection degree	IP67
Connection type	cable PVC , 2 m



Model Number

		CJ10-30GK-WS	CJ10-30GK-WO	CJ10-30GM-WS	CJ10-30GM-WO
Installation	flush				
	non-flush	●	●	●	●
Switching element function	AC NO	●		●	
	AC NC		●		●
Housing material	Stainless steel 1.4305 / AISI 303			●	●
	PBT	●	●		

Approvals and Certificates

UL approval	cULus Listed, General Purpose	●	●	●	●
CSA approval	cCSAus Listed, General Purpose	●	●	●	●
CCC approval	Certified by China Compulsory Certification (CCC)	●	●	●	●

Dimensions

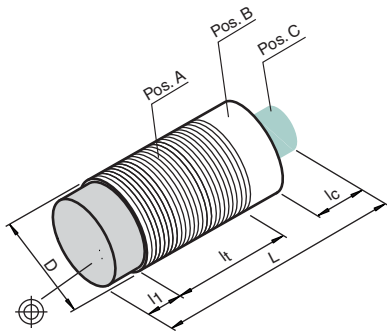
Length L [mm]		80		79
Diameter D [mm]			30	
Thread length l _t [mm]		59		60
Cap length l ₁ [mm]		1		18
Connector area l _c [mm]			0	
LED position			Pos. C	

Accessories

This and more accessories can be found in chapter 10
See pages from 972 ... for cordsets See pages 1068 ... for mounting aids

BF 30

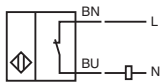
Mounting flange, 30 mm



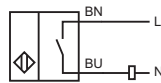
Electrical Connection



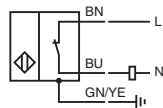
CJ10-30GK-WO



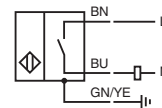
CJ10-30GK-WS



CJ10-30GM-WO



CJ10-30GM-WS





Technical Data

For detailed data and product description refer to the data sheets at www.pepperl-fuchs.com

Model Number	CBB10-30GKK-W
Rated operating distance	10 mm
Installation	flush
Switching element function	AC NO/NC
Operating voltage	20 ... 250 V AC
Switching frequency	0 ... 50 Hz
Operating current	0 ... 500 mA
Operating voltage display	LED, green
Indication of the switching state	LED, red
Potentiometer	sensitivity adjustment
Ambient temperature	-25 ... 70 °C (-13 ... 158 °F)
Housing material	ABS
Protection degree	IP67
Connection type	screw terminals



Properties

- Ø30 mm housing
- 10 mm, flush mountable
- Adjustable sensitivity
- AC, 2-wire switching output
- Terminals version

Dimensions

Length L [mm]	115
Diameter D [mm]	30 / 40
Thread length l_t [mm]	61
Connector area l_c [mm]	0

Accessories

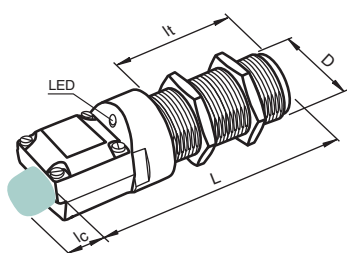
This and more accessories can be found in chapter 10

See pages from 972 ... for cordsets

See pages 1068 ... for mounting aids

BF 30

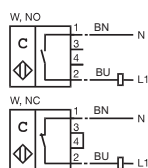
Mounting flange, 30 mm



Electrical Connection

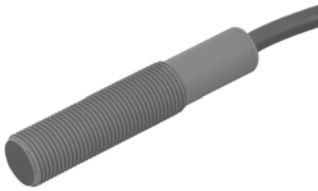


CBB10-30GKK-W



Date of issue: 2015-04-08

1
.2.1



Proximity Sensors, Capacitive Sensors, cylindrical

Properties

- Ø12 mm housing
- 1 mm and 4 mm, non-flush mountable versions
- DC, NAMUR interface
- Cable version

Your Benefit

- ATEX approved sensor applicable up to zone 0 and zone 20
- Ready-for-use switching distance

Technical Data

For detailed data and product description refer to the data sheets at www.pepperl-fuchs.com

General Data

Installation	non-flush
Switching element function	NAMUR, NO
Nominal voltage	8.2 V (R _i approx. 1 kΩ)
Current consumption	
Measuring plate not detected	≤ 1 mA
Measuring plate detected	≥ 2.4 mA
Switching frequency	0 ... 1 Hz
Ambient temperature	-25 ... 70 °C (-13 ... 158 °F)
Housing material	PBT
Protection degree	IP68
Connection type	cable PVC , 2 m



Model Number

		CJ1-12GK-N	CJ4-12GK-N
Rated operating distance	1 mm	●	
	4 mm		●

Use in the Hazardous Area

		CJ1-12GK-N	CJ4-12GK-N
Use in the hazardous area	see instruction manuals	●	●
Category	1G; 2G; 1D	●	●

Approvals and Certificates

		CJ1-12GK-N	CJ4-12GK-N
Control drawing	116-0165F	●	●
UL approval	cULus Listed, General Purpose	●	●
CSA approval	cCSAus Listed, General Purpose	●	●
CCC approval	Products with a maximum operating voltage of ≤36 V do not bear a CCC marking because they do not require approval.		

Dimensions

Length L [mm]	60
Diameter D [mm]	12
Thread length l _t [mm]	39
Cap length l ₁ [mm]	1
Connector area l _c [mm]	0
LED position	-

Accessories

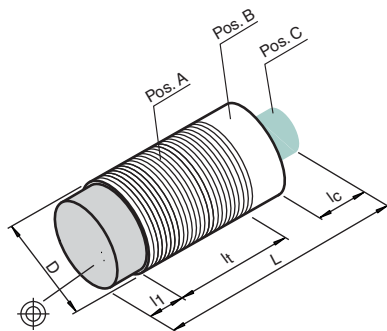
This and more accessories can be found in chapter 10

See pages from 972 ... for cordsets

See pages 1068 ... for mounting aids

BF 12

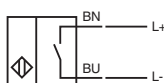
Mounting flange, 12 mm

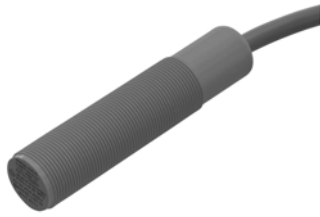


Electrical Connection



CJ1-12GK-N
CJ4-12GK-N





Technical Data

For detailed data and product description refer to the data sheets at www.pepperl-fuchs.com

General Data

Installation	non-flush
Switching element function	NAMUR, NO
Nominal voltage	8.2 V (R _i approx. 1 kΩ)
Current consumption	
Measuring plate not detected	≤ 1 mA
Measuring plate detected	≥ 2.4 mA
Switching frequency	0 ... 1 Hz
Ambient temperature	-25 ... 70 °C (-13 ... 158 °F)
Housing material	PBT
Protection degree	IP68
Connection type	cable PVC , 2 m



Properties

- Ø18 mm housing
- 2 mm and 6 mm, non-flush mountable versions
- DC, NAMUR interface
- Cable version

Your Benefit

- ATEX approved sensor applicable up to zone 0 and zone 20
- Ready-for-use switching distance

Model Number

		CJ2-18GK-N	CJ6-18GK-N
Rated operating distance	2 mm	●	
	6 mm		●

Use in the Hazardous Area

		CJ2-18GK-N	CJ6-18GK-N
Use in the hazardous area	see instruction manuals	●	●
Category	1G; 2G; 1D	●	●

Approvals and Certificates

Control drawing	116-0165F	●	●
UL approval	cULus Listed, General Purpose	●	●
CSA approval	cCSAus Listed, General Purpose	●	●
CCC approval	Products with a maximum operating voltage of ≤36 V do not bear a CCC marking because they do not require approval.		

Dimensions

Length L [mm]	80
Diameter D [mm]	18
Thread length l _t [mm]	59
Cap length l ₁ [mm]	1
Connector area l _c [mm]	0
LED position	-

Accessories

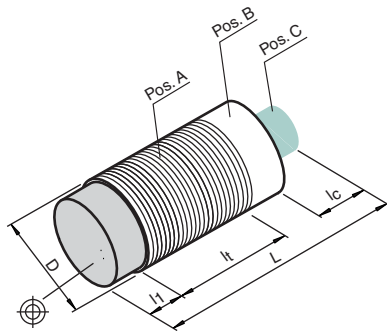
This and more accessories can be found in chapter 10

See pages from 972 ... for cordsets

See pages 1068 ... for mounting aids

BF 18

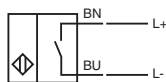
Mounting flange, 18 mm



Electrical Connection



CJ2-18GK-N
CJ6-18GK-N



1
.2.1



Proximity Sensors, Capacitive Sensors, cylindrical

Properties

- Ø30 mm housing
- 10 mm, flush mountable
- DC, NAMUR interface
- Cable and connector versions

Your Benefit

- ATEX approved sensor applicable up to zone 0 and zone 20

Technical Data

For detailed data and product description refer to the data sheets at www.pepperl-fuchs.com

General Data

Rated operating distance	10 mm
Installation	flush
Switching element function	NAMUR, NO
Nominal voltage	8.2 V (R _i approx. 1 kΩ)
Current consumption	
Measuring plate not detected	≤ 1.5 mA
Measuring plate detected	≥ 2.5 mA
Reverse polarity protection	✓
Switching frequency	0 ... 50 Hz
Indication of the switching state	LED, yellow
Ambient temperature	-20 ... 70 °C (-4 ... 158 °F)
Housing material	Stainless steel 1.4305 / AISI 303
Protection degree	IP67

Model Number

Connection type	Device connector M12 x 1 , 4-pin cable PVC , 2 m	CCB10-30GS55-N1 	CCB10-30GS55-N1-V1
-----------------	--	---------------------	------------------------

Use in the Hazardous Area

Use in the hazardous area	see instruction manuals	●	●
Category	1G; 1D	●	●

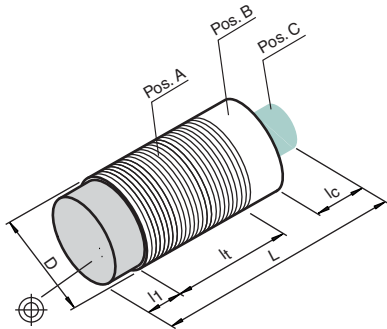
Approvals and Certificates

ETL approval	cETLus	●	●
CCC approval	Products with a maximum operating voltage of ≤36 V do not bear a CCC marking because they do not require approval.		

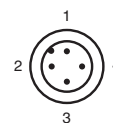
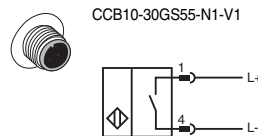
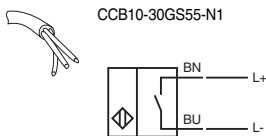
Dimensions

Length L [mm]	70	82
Diameter D [mm]		30
Thread length l _t [mm]		55
Cap length l ₁ [mm]		0
Connector area l _c [mm]	0	12
LED position		Pos. C

Accessories This and more accessories can be found in chapter 10
 See pages from 972 ... for cordsets See pages 1068 ... for mounting aids
BF 30 Mounting flange, 30 mm



Electrical Connection



Wire colors in accordance with EN 60947-5-6

1	BN	(brown)
4	BU	(blue)

Date of issue: 04/08/2015



Technical Data

For detailed data and product description refer to the data sheets at www.pepperl-fuchs.com

General Data

Installation	non-flush
Operating voltage	10 ... 30 V DC
No-load supply current	≤ 15 mA
Reverse polarity protection	✓
Operating current	0 ... 100 mA
Short-circuit protection	pulsing
Indication of the switching state	LED, yellow
Ambient temperature	-25 ... 70 °C (-13 ... 158 °F)
Housing material	PBT
Protection degree	IP67
Connection type	cable PVC , 2 m



Properties

- F46 housing
- 2 mm, 5 mm and 10 mm, non-flush mountable versions
- DC, 3-wire switching output
- Cable version

Your Benefit

- Ready-for-use switching distance

Model Number

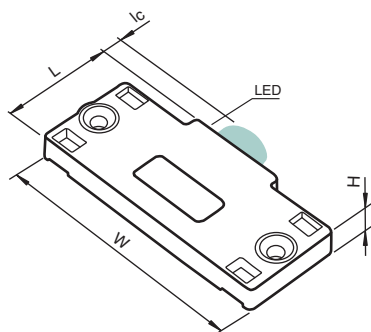
		CBN2-F46-E0	CBN2-F46-E1	CBN2-F46-E2	CBN2-F46-E3	CBN5-F46-E0	CBN5-F46-E1	CBN5-F46-E2	CBN5-F46-E3	CBN10-F46-E0	CBN10-F46-E2	CBN10-F46-E3
Rated operating distance	2 mm	●	●	●	●							
	5 mm					●	●	●	●			
	10 mm									●	●	●
Switching element function	NPN NO	●				●					●	
	NPN NC		●				●					●
	PNP NO			●				●				●
	PNP NC				●				●			●
Switching frequency	0 ... 10 Hz	●	●	●	●	●	●	●	●	●	●	●
	0 ... 5 Hz									●	●	●

Approvals and Certificates

UL approval	cULus Listed, General Purpose	●	●	●	●	●	●	●	●	●	●	●
CSA approval	cCSAus Listed, General Purpose	●	●	●	●	●	●	●	●	●	●	●
CCC approval	Products with a maximum operating voltage of ≤36 V do not bear a CCC marking because they do not require approval.											

Dimensions

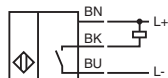
Length L [mm]	22
Width W [mm]	50
Height H [mm]	5
Connector area l _c [mm]	3



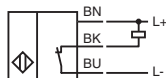
Electrical Connection



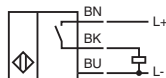
CBN2-F46-E0
CBN5-F46-E0
CBN10-F46-E0



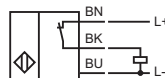
CBN2-F46-E1
CBN5-F46-E1



CBN2-F46-E2
CBN5-F46-E2
CBN10-F46-E2



CBN2-F46-E3
CBN5-F46-E3
CBN10-F46-E3



Date of issue 04/08/2015

Refer to "General Notes Relating to Pepperl+Fuchs Product Information".

Pepperl+Fuchs Group
www.pepperl-fuchs.com

USA: +1 330 486 0001
fa-info@us.pepperl-fuchs.com

Germany: +49 621 776 4411
fa-info@de.pepperl-fuchs.com

Singapore: +65 6779 9091
fa-info@sg.pepperl-fuchs.com

1
.2.2



Proximity Sensors, Capacitive Sensors, Rectangular types

Properties

- F46A housing
- 5 mm, non-flush mountable
- DC, 3-wire switching output
- Cable version

Your Benefit

- Ready-for-use switching distance
- Soiling-repellent PTFE housing

Technical Data

For detailed data and product description refer to the data sheets at www.pepperl-fuchs.com

General Data

Rated operating distance	5 mm
Installation	non-flush
Operating voltage	10 ... 30 V DC
No-load supply current	≤ 15 mA
Reverse polarity protection	✓
Switching frequency	0 ... 10 Hz
Operating current	0 ... 100 mA
Short-circuit protection	pulsing
Indication of the switching state	LED, yellow
Ambient temperature	-25 ... 70 °C (-13 ... 158 °F)
Housing material	PVDF
Protection degree	IP68
Connection type	cabLe FEP , 2 m



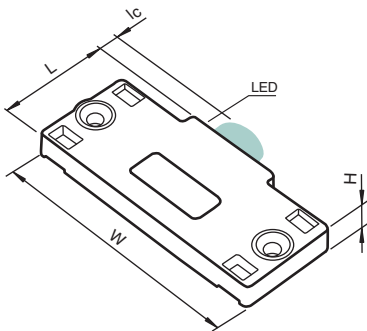
Model Number		CCN5-F46A-E0	CCN5-F46A-E1	CCN5-F46A-E2	CCN5-F46A-E3
Switching element function	NPN NO	●			
	NPN NC		●		
	PNP NO			●	
	PNP NC				●

Approvals and Certificates

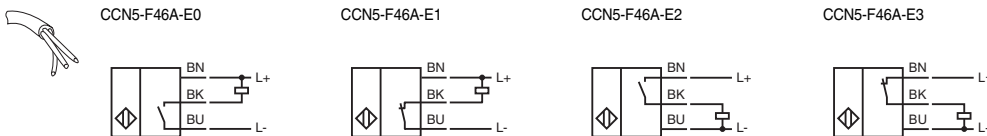
UL approval	cULus Listed, General Purpose	●	●	●	●
CSA approval	cCSAus Listed, General Purpose	●	●	●	●
CCC approval	Products with a maximum operating voltage of ≤36 V do not bear a CCC marking because they do not require approval.				

Dimensions

Length L [mm]	20.4
Width W [mm]	50
Height H [mm]	10.7
Connector area l _c [mm]	10



Electrical Connection



Date of issue: 04/08/2015



Properties

- F64 housing
- 8 mm, 12 mm and 15 mm, non-flush mountable versions
- DC, 3-wire switching output
- Cable version

Your Benefit

- Ready-for-use switching distance

Technical Data

For detailed data and product description refer to the data sheets at www.pepperl-fuchs.com

General Data

Installation	non-flush
Reverse polarity protection	✓
Operating voltage	10 ... 30 V DC
No-load supply current	≤ 16 mA
Operating current	0 ... 100 mA
Short-circuit protection	pulsing
Indication of the switching state	LED, yellow
Ambient temperature	-25 ... 70 °C (-13 ... 158 °F)
Protection degree	IP67

Model Number

		CBN8-F64-E0	CBN8-F64-E1	CBN12-F64-E2	CBN12-F64-E3	CCN15-F64-E2
Rated operating distance	8 mm	●	●			
	12 mm			●	●	
	15 mm					●
Switching element function	NPN NO	●				
	NPN NC		●			
	PNP NO			●		●
	PNP NC				●	●
Switching frequency	0 ... 20 Hz	●	●	●	●	●
	0 ... 5 Hz					
Housing material	Crastin (PBTB)	●	●			
	PBT			●	●	●
Connection type	cable PUR , 2 m					●
	cable PUR , 3.1 m			●		
	cable PUR , 4.6 m				●	
	cable PVC , 2 m	●	●			

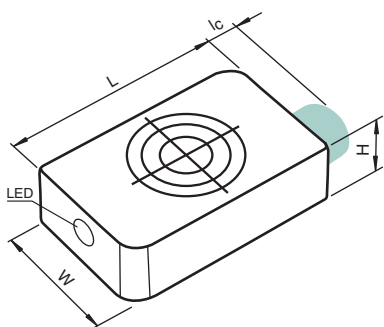


Approvals and Certificates

		CBN8-F64-E0	CBN8-F64-E1	CBN12-F64-E2	CBN12-F64-E3	CCN15-F64-E2
UL approval	cULus Listed, General Purpose	●	●	●	●	●
CSA approval	cCSAus Listed, General Purpose	●	●	●	●	●
CCC approval	Products with a maximum operating voltage of ≤36 V do not bear a CCC marking because they do not require approval.					

Dimensions

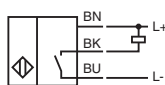
Length L [mm]	40
Width W [mm]	25
Height H [mm]	12
Connector area l _c [mm]	2



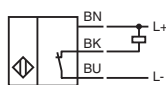
Electrical Connection



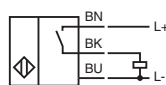
CBN8-F64-E0



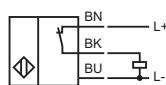
CBN8-F64-E1



CBN12-F64-E2
CCN15-F64-E2



CBN12-F64-E3



Date of issue 04/08/2015

Refer to "General Notes Relating to Pepperl+Fuchs Product Information".

Pepperl+Fuchs Group
www.pepperl-fuchs.com

USA: +1 330 486 0001
fa-info@us.pepperl-fuchs.com

Germany: +49 621 776 4411
fa-info@de.pepperl-fuchs.com

Singapore: +65 6779 9091
fa-info@sg.pepperl-fuchs.com

1
2.2



Proximity Sensors, Capacitive Sensors, Rectangular types

Properties

- F104M housing
- 5 mm, non-flush mountable
- DC, 3-wire switching output
- Cable and connector versions

Your Benefit

- Ready-for-use switching distance

Technical Data

For detailed data and product description refer to the data sheets at www.pepperl-fuchs.com

General Data

Rated operating distance	5 mm
Installation	non-flush
Switching element function	PNP NO
Operating voltage	10 ... 30 V DC
No-load supply current	≤ 15 mA
Reverse polarity protection	✓
Switching frequency	0 ... 100 Hz
Operating current	0 ... 200 mA
Short-circuit protection	pulsing
Operating voltage display	LED, green
Indication of the switching state	LED, yellow
Ambient temperature	-25 ... 70 °C (-13 ... 158 °F)
Housing material	GD-Zn
Protection degree	IP67

Model Number

	CBN5-F104M-E2	CBN5-F104M-E2-V3R
Connection type	Device connector 8 mm, 3-pin cable PUR, 2 m	•

Approvals and Certificates

UL approval	cULus Listed, General Purpose	•	•
CCC approval	Products with a maximum operating voltage of ≤36 V do not bear a CCC marking because they do not require approval.		

Dimensions

Length L [mm]	32
Width W [mm]	20
Height H [mm]	8
Connector area l _c [mm]	3

Accessories

This and more accessories can be found in chapter 10

See pages from 972 ... for cordsets

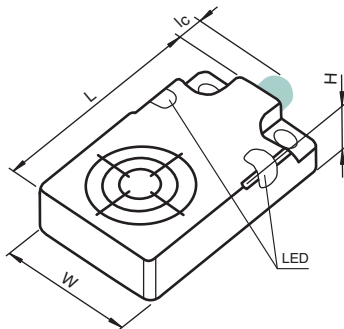
See pages 1068 ... for mounting aids

V3-WR-2M-PUR

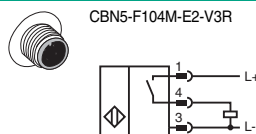
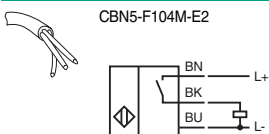
Cable socket, snap locking, 3-pin, PUR cable

V3-GR-2M-PUR

Cable socket, snap locking, 3-pin, PUR cable



Electrical Connection



Wire colors in accordance with EN 60947-5-2

1	BN	(brown)
3	BU	(blue)
4	BK	(black)



Technical Data

For detailed data and product description refer to the data sheets at www.pepperl-fuchs.com

General Data

Rated operating distance	15 mm
Installation	flush
Switching element function	PNP NO/NC
Operating voltage	10 ... 30 V DC
No-load supply current	≤ 20 mA
Reverse polarity protection	✓
Switching frequency	0 ... 10 Hz
Operating current	0 ... 200 mA
Short-circuit protection	pulsing
Operating voltage display	LED, green
Indication of the switching state	LED, yellow
Ambient temperature	-25 ... 70 °C (-13 ... 158 °F)
Protection degree	IP65
Connection type	screw terminals



Properties

- VariKont housing
- 15 mm, flush mountable
- Adjustable sensitivity
- DC, 4-wire switching output
- Terminal compartment

Model Number	CJ15+U1+A2	CJ15+U4+A2
Housing material	PBT housing / PBT base PBT housing / metal base	

Approvals and Certificates

UL approval	cULus Listed, General Purpose	●	●
CSA approval	cCSAus Listed, General Purpose	●	●
CCC approval	Products with a maximum operating voltage of ≤36 V do not bear a CCC marking because they do not require approval.		

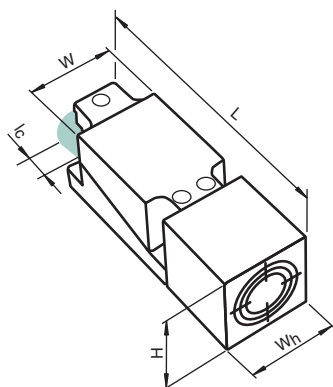
Dimensions

Length L [mm]	118
Width W [mm]	40
Height H [mm]	40
Connector area l _c [mm]	0 (M20 x 1.5) 0 (1/2" NPT)

Accessories

This and more accessories can be found in chapter 10
See pages from 972 ... for cordsets See pages 1068 ... for mounting aids

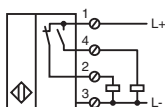
MHW 01	Modular mounting bracket
--------	--------------------------



Electrical Connection



CJ15+U1+A2
CJ15+U4+A2



Date of issue 04/08/2015

1
.2.2



Properties

- FP housing
- 40 mm, non-flush mountable
- Adjustable sensitivity
- DC, 4-wire switching output
- Terminal compartment

Technical Data

For detailed data and product description refer to the data sheets at www.pepperl-fuchs.com

General Data

Rated operating distance	40 mm
Installation	non-flush
Operating voltage	10 ... 60 V DC
No-load supply current	≤ 20 mA
Reverse polarity protection	✓
Switching frequency	0 ... 10 Hz
Operating current	0 ... 200 mA
Short-circuit protection	pulsing
Indication of the switching state	LED, yellow
Potentiometer	sensitivity adjustment
Ambient temperature	-25 ... 70 °C (-13 ... 158 °F)
Protection degree	IP65
Connection type	screw terminals



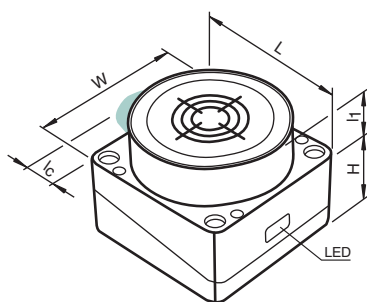
Model Number		CJ40-FP-A0-P1	CJ40-FP-A2-P1	CJ40-FP-A2-P4
Switching element function	NPN	●		
	NO/NC			
Housing material	PBT/POM housing / PBT base	●	●	
	POM housing / metal base			●

Approvals and Certificates

Approvals and Certificates		CJ40-FP-A0-P1	CJ40-FP-A2-P1	CJ40-FP-A2-P4
UL approval	cULus Listed, General Purpose	●	●	●
CSA approval	cCSAus Listed, General Purpose	●	●	●

Dimensions

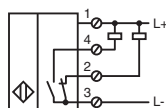
Length L [mm]	80
Width W [mm]	80
Height H [mm]	40
Cap length l ₁ [mm]	12.5
Connector area l _c [mm]	11 (M20 x 1.5) 11 (1/2" NPT)



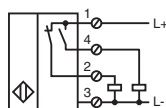
Electrical Connection



CJ40-FP-A0-P1



CJ40-FP-A2-P1
CJ40-FP-A2-P4



Proximity Sensors, Capacitive Sensors, rectangular types



Technical Data

For detailed data and product description refer to the data sheets at www.pepperl-fuchs.com

General Data

Rated operating distance	40 mm
Installation	non-flush
Switching element function	AC NO/NC
Operating voltage	20 ... 250 V AC
Reverse polarity protection	tolerant
Switching frequency	0 ... 10 Hz
Operating current	10 ... 500 mA
Indication of the switching state	LED, red
Potentiometer	sensitivity adjustment
Ambient temperature	-25 ... 70 °C (-13 ... 158 °F)
Protection degree	IP65
Connection type	screw terminals



Properties

- FP housing
- 40 mm, non-flush mountable
- Adjustable sensitivity
- AC, 2-wire switching output
- Terminal compartment

Model Number

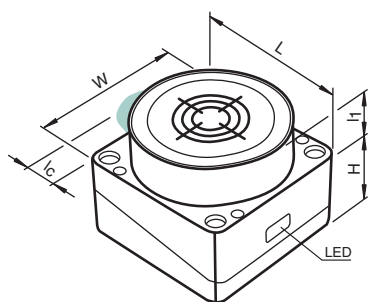
Housing material	PBT/POM housing / PBT base	CJ40-FP-W-P1	CJ40-FP-W-P4
	PBT/POM housing / metal base		

Approvals and Certificates

UL approval	cULus Listed, General Purpose		
CSA approval	cCSAus Listed, General Purpose		

Dimensions

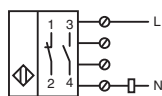
Length L [mm]	80	
Width W [mm]	80	
Height H [mm]	40	
Cap length l ₁ [mm]	12.5	
Connector area l _c [mm]	11 (M20 x 1.5)	11 (1/2" NPT)



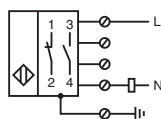
Electrical Connection



CJ40-FP-W-P1



CJ40-FP-W-P4



Date of issue 04/08/2015

Refer to "General Notes Relating to Pepperl+Fuchs Product Information".

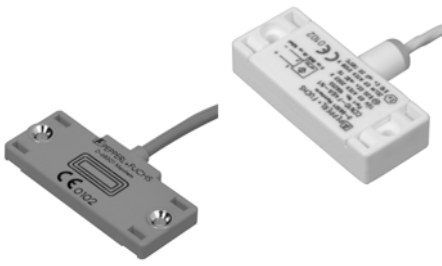
Pepperl+Fuchs Group
www.pepperl-fuchs.com

USA: +1 330 486 0001
fa-info@us.pepperl-fuchs.com

Germany: +49 621 776 4411
fa-info@de.pepperl-fuchs.com

Singapore: +65 6779 9091
fa-info@sg.pepperl-fuchs.com

1
.2.2



Properties

- Flat F46 / F46A housing
- Up to 10 mm, non-flush mountable versions
- DC, NAMUR interface
- Cable version

Your Benefit

- ATEX approved sensor applicable up to zone 0 and zone 20
- Soiling-repellent PTFE housing versions (F46A)
- Ready-for-use switching distance

Technical Data

For detailed data and product description refer to the data sheets at www.pepperl-fuchs.com

General Data

Installation	non-flush
Switching element function	NAMUR, NO
Nominal voltage	8.2 V (R _i approx. 1 kΩ)
Current consumption	
Measuring plate not detected	≤ 1 mA
Measuring plate detected	≥ 2.2 mA
Switching frequency	0 ... 10 Hz
Ambient temperature	-25 ... 70 °C (-13 ... 158 °F)

Model Number

Rated operating distance	10 mm				
	2 mm	●			
	5 mm		●		
Housing material	PBT	●	●		●
	PVDF			●	●
Protection degree	IP67	●	●	●	●
	IP68			●	●
Connection type	cable FEP , 2 m			●	●
	cable PUR , 2 m	●	●	●	●



Use in the Hazardous Area

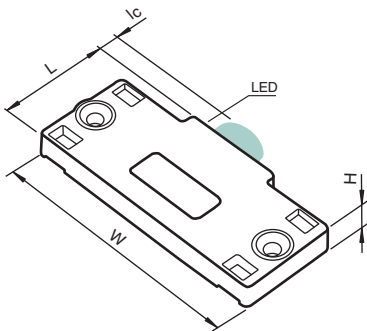
Use in the hazardous area	see instruction manuals	●	●	●	●	●
Category	1G; 2G; 1D	●	●	●	●	●

Approvals and Certificates

Control drawing	116-0165F	●	●		●	●
UL approval	cULus Listed, General Purpose	●	●	●	●	●
CSA approval	cCSAus Listed, General Purpose	●	●	●	●	●
CCC approval	Products with a maximum operating voltage of ≤36 V do not bear a CCC marking because they do not require approval.					

Dimensions

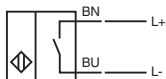
Length L [mm]		22	20.4
Width W [mm]		50	42
Height H [mm]		5	10.5
Connector area l _c [mm]		3	10

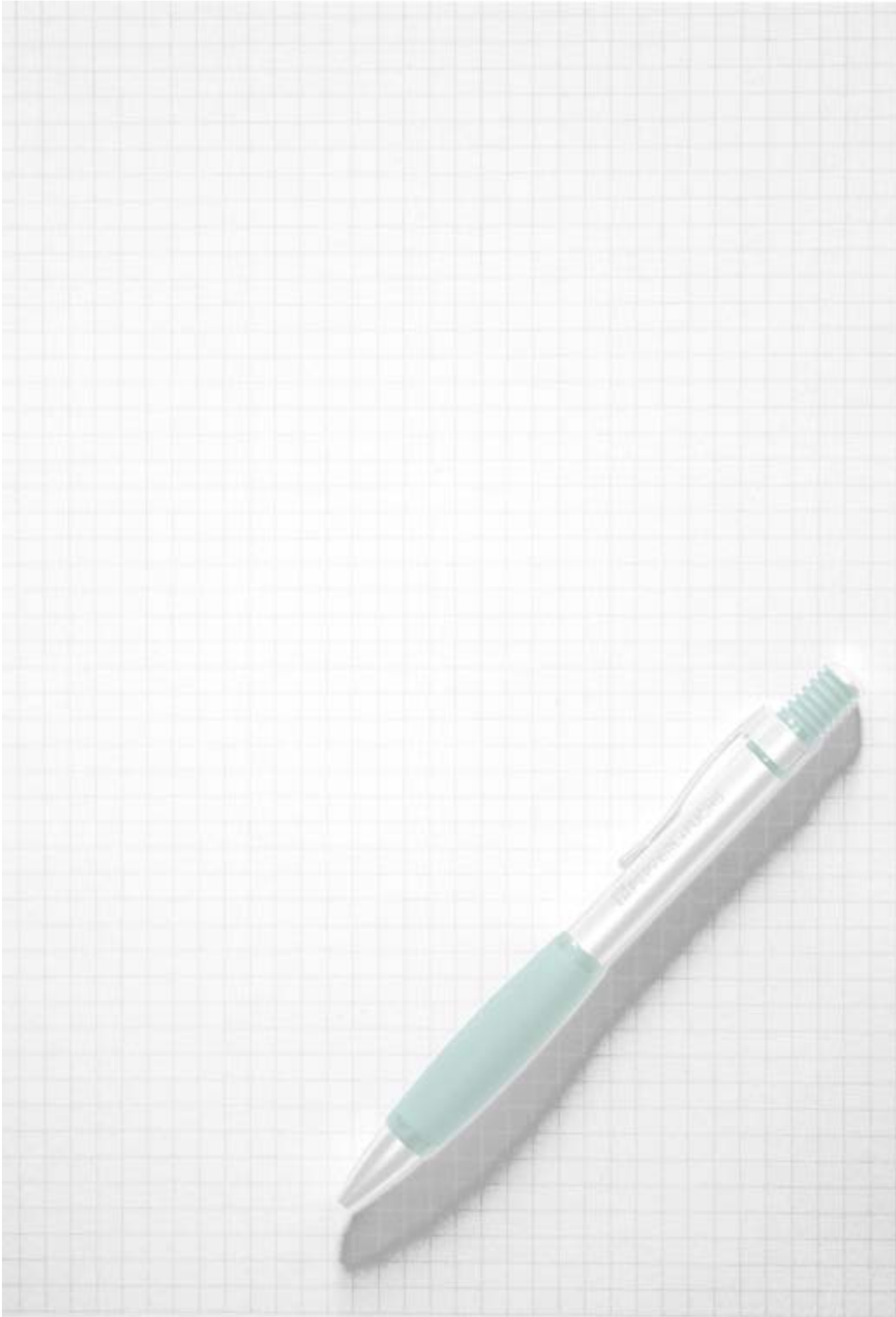


Electrical Connection



- CBN10-F46-N1
- CBN2-F46-N1
- CBN5-F46-N1
- CCN10-F46A-N1
- CCN5-F46A-N1

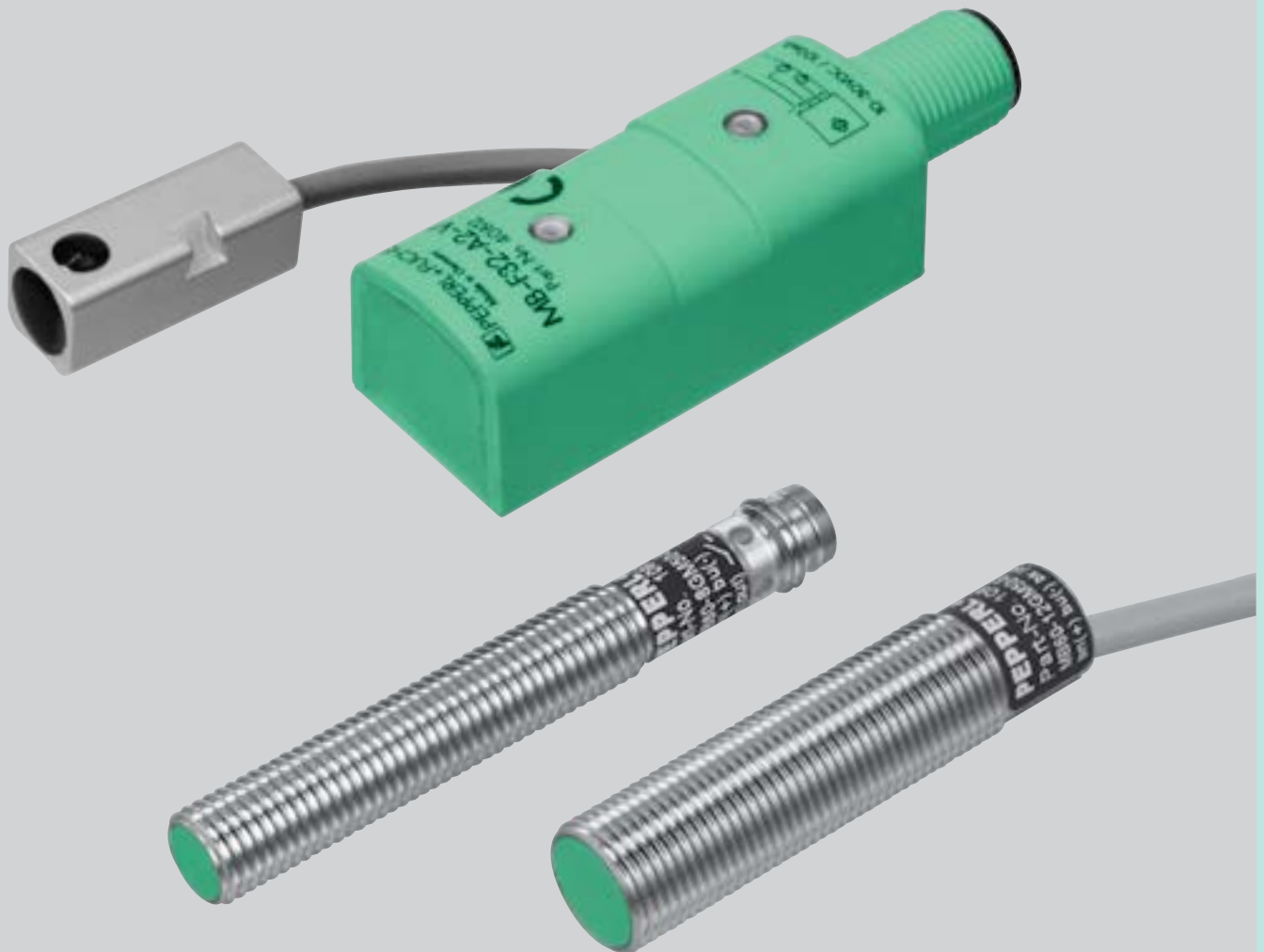




Contents

1 Proximity Sensors

1.1	Inductive Sensors	12
1.2	Capacitive Sensors	288
1.3	Magnetic Field Sensors	314



1 Proximity Sensors

1.3 Magnetic Field Sensors

Overview of Magnetic Field Sensors/Selection Table..... 316

Introduction to Magnetic Field Sensors 317

Operating Distance and Responsiveness

Mounting Conditions for Magnetic Field Sensors

Magnetic "Penetrating Sensors" for Hydraulic Cylinders 318

Type Code, Magnetic Field Sensors 318

Data Section

1.3.1 Magnetic Field Sensors 319

1.3.2 Accessories, Permanent Magnets see below

DM25-32-07

D = 32 mm, H = 7 mm
Material: BaFe with steel jacket
Ambient temperature: -40 °C ... 85 °C



DM60-31-15

D = 31 mm, H = 15 mm
Material: SrFe
Ambient temperature: max. 200 °C



DM06-05 NDFEB

D = 6 mm, H = 5 mm
Material: NdFeB
Coating: Ni + Sn
Ambient temperature: max. 120 °C
Packaging unit: 20 units



DM10-10 NDFEB





D = 10 mm, H = 10 mm
Material: NdFeB
Coating: Ni + Sn
Ambient temperature: max. 120 °C



DM20-10 NDFEB

D = 20 mm, H = 10 mm
Material: NdFeB
Coating: Ni + Sn
Ambient temperature: max. 120 °C



Designs				
Series	8 mm	12 mm	F12	F32
	<ul style="list-style-type: none"> Nickel-plated brass or stainless steel housing Plastic or stainless steel front face 	<ul style="list-style-type: none"> Nickel-plated brass housing 	<ul style="list-style-type: none"> Aluminum housing 	<ul style="list-style-type: none"> Mounted to hydraulic cylinders using tightening strap Noncontact detection of the piston position
Operating distance				
Flush in nonmagnetic material	60 mm	60 mm	35 mm	50 mm (switching width)
Connection				
Cable	●	●	●	●
Plug connector	●	●		●
Output				
Three-wire DC	Page 319	Page 320		
Four-wire DC				Page 322
NAMUR		Page 321	Page 323	

Introduction to Magnetic Field Sensors

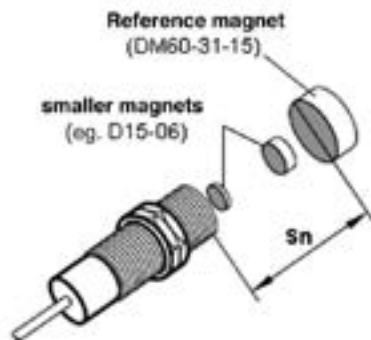
Unlike inductive or capacitive proximity switches, magnetic field sensors react to the presence of a magnetic field, regardless of whether this field is generated by an electromagnet or a permanent magnet. Compared with close-range sensors, they usually have longer operating distances.

Special technical characteristics of magnetic field sensors

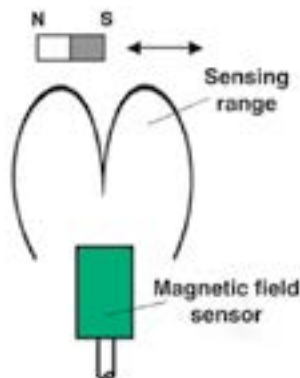
- Long operating distance - longest operating distance among close-range sensors
- Variable operating distance - the required operating distance can be adjusted based on the magnet selected and installed
- Coding character – sensor reacts solely to magnetic fields

Operating Distance and Responsiveness

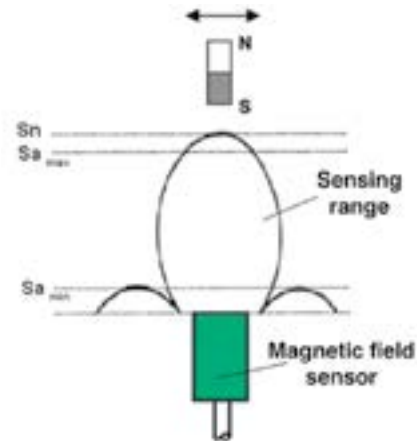
The possible operating distance of a magnetic field sensor depends on the size and magnetic flux density of the actuating magnet. Permanent magnet DM60 is used as a base for determining the rated operating distance (S_n). The magnet has a diameter of 31 mm and a height of 15 mm with a remanence B_r of 380 to 400 mT.



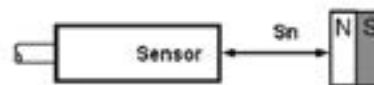
When the magnet passes laterally over the surface of the sensor, a polarity-dependent response curve is produced. The response curve represents the detection range of the sensor. The result is a bipolar alignment of the magnet: two symmetric curves.



switching behavior.

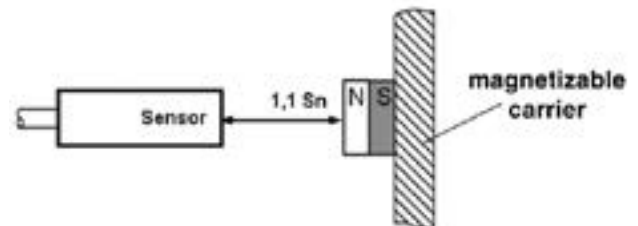


Mounting Conditions for Magnetic Field Sensors

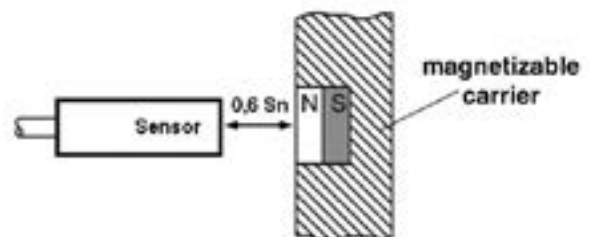


Due to the passive character of magnetic field sensors, unlike inductive or capacitive sensors, they can be flush mounted without affecting the operating distance. In contrast, the mounting conditions of the actuating magnet affect the operating distance.

If the magnet is applied to a magnetizable carrier, the obtainable operating distance increases slightly.



If the magnet is inserted flush into a magnetizable carrier material, the operating distance is considerably reduced by the magnetic "short circuit" through the carrier material.



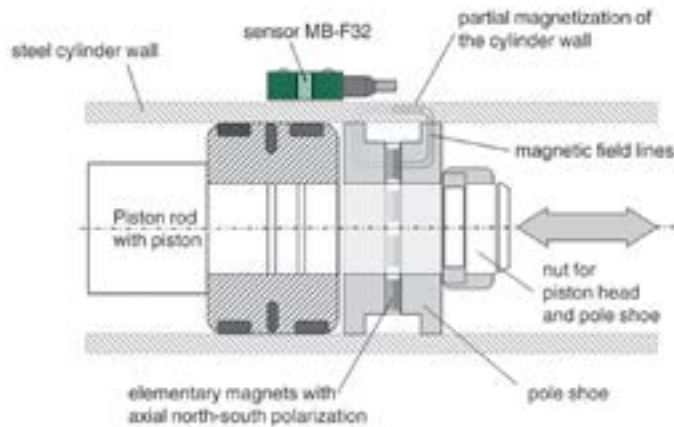
Unipolar alignment of the magnet results in a central detection range with side curves. These side curves are responsible for maintaining a specific minimum distance between the magnet and the sensor to ensure safe

Magnetic "Penetrating Sensors" for Hydraulic Cylinders

The MB-F32 magnetic field sensor has a unique special feature. The sensor enables one of the pistons to be detected through the wall of a hydraulic cylinder. Once the piston passes over the sensor, the sensor generates a switching signal. This special function means that the sensor can be used to determine the position of the piston and also to count the piston strokes.

Functional description of magnetic penetrating sensors

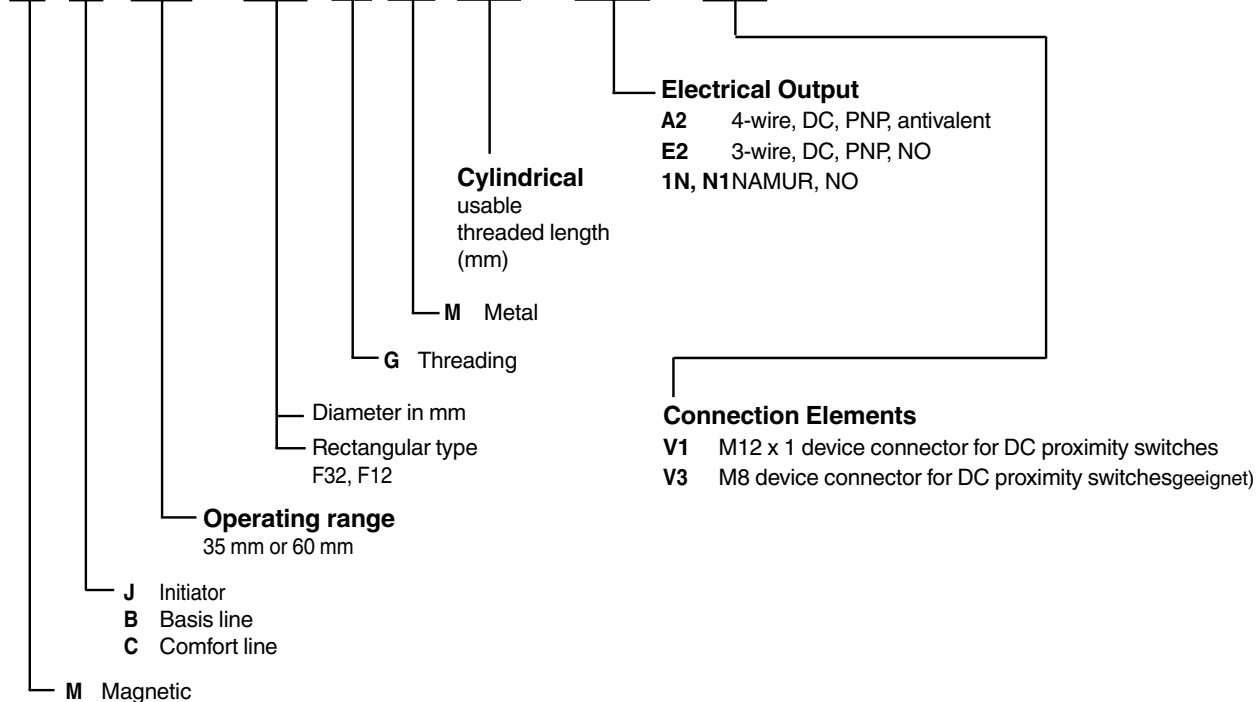
The MB-F32 sensor reacts sensitively to magnetic fields. It requires a magnetic field change in order to change its switching state. In the example below [Fig. 7], the magnetic pole shoe of the piston induces a partial magnetic field in the steel cylinder wall. The sensor switches once the partial magnetic field passes over it.



Cross section through a hydraulic cylinder with view of the cylinder and pole shoe

Type code, magnetic field sensors

MB 60 - 12 G M 50 - E2 - V1





Technical Data

For detailed data and product description refer to the data sheets at www.pepperl-fuchs.com

General Data

Rated operating distance	60 mm
Installation	flush in non-magnetic metal
Switching element function	PNP NO
Operating voltage	10 ... 30 V
No-load supply current	≤ 10 mA
Reverse polarity protection	✓
Switching frequency	0 ... 5000 Hz
Operating current	0 ... 200 mA
Short-circuit protection	pulsing
Indication of the switching state	LED, yellow
Ambient temperature	-25 ... 75 °C (-13 ... 167 °F)
Housing material	Stainless steel 1.4404 / AISI 316L
Protection degree	IP67

Properties

- Ø8 mm housing
- Up to 60 mm (depends on magnet), flush mountable
- DC, 3-wire switching output
- Cable and connector versions

Model Number

Connection type	Device connector M8 x 1 , 3-pin cable PUR , 2 m	MB60-8GM50-E2	MB60-8GM50-E2-V3
	green = preferred type		

Approvals and Certificates

Protection class	III	●	●
UL approval	cULus Listed, General Purpose	●	●
CSA approval	cCSAus Listed, General Purpose	●	●
CCC approval	Products with a maximum operating voltage of ≤36 V do not bear a CCC marking because they do not require approval.		

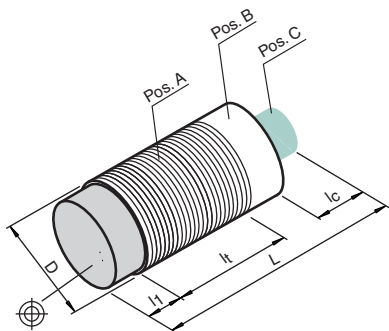
Dimensions

Length L [mm]	50	60
Diameter D [mm]	8	
Thread length l _t [mm]	40	45
Cap length l ₁ [mm]	0	
Connector area l _c [mm]	0	6
LED position	Pos. C	

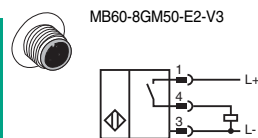
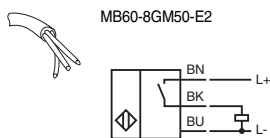
Accessories

This and more accessories can be found in chapter 10
See pages from 972 ... for cordsets See pages 1068 ... for mounting aids

- V3-WM** Female connector, M8, 3-pin, field attachable
- BF 8** Mounting flange, 8 mm
- V3-WM-2M-PUR** Cable socket, M8, 3-pin, PUR cable
- EXG-08** Quick mounting bracket with dead stop
- V3-GM-2M-PUR** Cable socket, M8, 3-pin, PUR cable
- DM 25-32-07** Permanent magnet for magnetic field sensors
- DM 60-31-15** Permanent magnet for magnetic field sensors
- V3-GM** Female connector, M8, 3-pin, field attachable



Electrical Connection



Wire colors in accordance with EN 60947-5-2

- | | | |
|---|----|---------|
| 1 | BN | (brown) |
| 3 | BU | (blue) |
| 4 | BK | (black) |

Date of issue 04/08/2015



Technical Data

For detailed data and product description refer to the data sheets at www.pepperl-fuchs.com

General Data

Rated operating distance	60 mm
Installation	flush in non-magnetic metal
Switching element function	PNP NO
Operating voltage	10 ... 30 V
No-load supply current	≤ 10 mA
Reverse polarity protection	✓
Switching frequency	0 ... 5000 Hz
Operating current	0 ... 200 mA
Short-circuit protection	pulsing
Indication of the switching state	LED, yellow
Ambient temperature	-25 ... 75 °C (-13 ... 167 °F)
Housing material	Stainless steel 1.4404 / AISI 316L
Protection degree	IP67

Properties

- Ø12 mm housing
- Up to 60 mm (depends on magnet), flush mountable
- DC, 3-wire switching output
- Cable and connector versions

Model Number

Connection type	green = preferred type Device connector M12 x 1, 4-pin cable PUR, 2 m	MB60-12GM50-E2	MB60-12GM50-E2-V1

Approvals and Certificates

Protection class	II	●	●
UL approval	cULus Listed, General Purpose	●	●
CSA approval	cCSAus Listed, General Purpose	●	●
CCC approval	Products with a maximum operating voltage of ≤36 V do not bear a CCC marking because they do not require approval.		

Dimensions

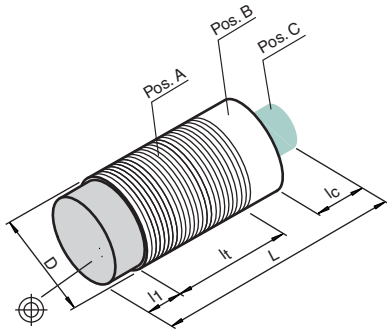
Length L [mm]	50	60
Diameter D [mm]	12	
Thread length l _t [mm]	29	40
Cap length l ₁ [mm]	0	
Connector area l _c [mm]	0	8
LED position	Pos. B	

Accessories

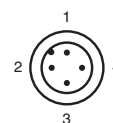
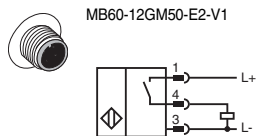
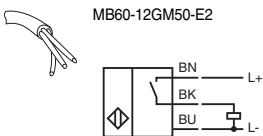
This and more accessories can be found in chapter 10

See pages from 972 ... for cordsets See pages 1068 ... for mounting aids

- BF 12** Mounting flange, 12 mm
- DM 25-32-07** Permanent magnet for magnetic field sensors
- DM 60-31-15** Permanent magnet for magnetic field sensors
- V1-W-2M-PUR** Cable socket, M12, 4-pin, PUR cable
- V1-G-2M-PUR** Cable socket, M12, 4-pin, PUR cable
- EXG-12** Quick mounting bracket with dead stop
- V1-G-BK** 4-pin, M12 female field-attachable connector
- V1-W-BK** 4-pin, M12 female field-attachable connector



Electrical Connection



Wire colors in accordance with EN 60947-5-2

- 1 | BN (brown)
- 2 | WH (white)
- 3 | BU (blue)
- 4 | BK (black)



Technical Data

For detailed data and product description refer to the data sheets at www.pepperl-fuchs.com

General Data

Rated operating distance	60 mm
Installation	flush in non-magnetic metal
Switching element function	NAMUR, NO
Type of voltage	DC
Nominal voltage	8.2 V (R _i approx. 1 kΩ)
Current consumption	
Magnet detected	≥ 2.5 mA
Magnet not detected	≤ 1 mA
Switching frequency	0 ... 5000 Hz
Indication of the switching state	LED, yellow
Ambient temperature	-25 ... 70 °C (-13 ... 158 °F)
Housing material	Stainless steel 1.4404 / AISI 316L
Protection degree	IP67

Properties

- Ø12 mm housing
- Up to 60 mm (depends on magnet), flush mountable
- DC, NAMUR interface
- Cable and connector versions

Your Benefit

- ATEX approved sensor applicable up to zone 1
- FM approval

Model Number

Connection type
 green = preferred type
 Device connector M12 x 1, 4-pin
 cable PVC, 2 m

MC60-12GM50-1N



MC60-12GM50-1N-V1



Use in the Hazardous Area

Use in the hazardous area	see instruction manuals	●	●
Category	2G	●	●

Approvals and Certificates

FM-control drawing	116-0165F	●	●
CCC approval	Products with a maximum operating voltage of ≤36 V do not bear a CCC marking because they do not require approval.		

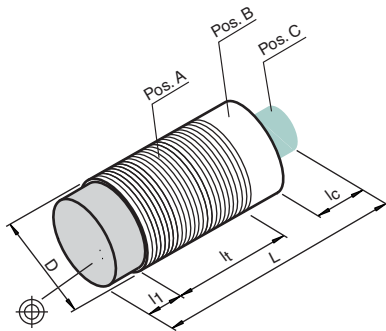
Dimensions

Length L [mm]	50	63
Diameter D [mm]		12
Thread length l _t [mm]		40
Cap length l ₁ [mm]		0
Connector area l _c [mm]	0	8
LED position		Pos. C

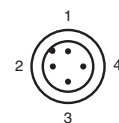
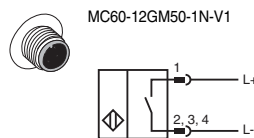
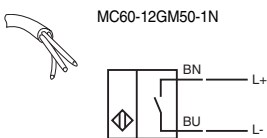
Accessories This and more accessories can be found in chapter 10

See pages from 972 ... for cordsets See pages 1068 ... for mounting aids

BF 12	Mounting flange, 12 mm
EXG-12	Quick mounting bracket with dead stop
DM 60-31-15	Permanent magnet for magnetic field sensors
DM 25-32-07	Permanent magnet for magnetic field sensors
V1-G-BK	4-pin, M12 female field-attachable connector
V1-W-BK	4-pin, M12 female field-attachable connector
V1-G-N-2M-PUR	Cable socket, M12, 2-pin, NAMUR, PUR cable
V1-W-N-2M-PUR	Cable socket, M12, 2-pin, NAMUR, PUR cable



Electrical Connection



Wire colors in accordance with EN 60947-5-6

1	BN	(brown)
2	BU	(blue)

Date of issue 04/08/2015



Technical Data

For detailed data and product description refer to the data sheets at www.pepperl-fuchs.com

General Data

Installation	on the cylinder surface
Switching element function	PNP NO/NC
Switching range	typ. 50 mm
Operating voltage	10 ... 30 V DC
No-load supply current	≤ 30 mA
Reverse polarity protection	✓
Operating current	0 ... 100 mA
Short-circuit protection	pulsing
LED indicator	red: switching state output 1 yellow: switching state output 2
Ambient temperature	-25 ... 85 °C (-13 ... 185 °F)
Housing material	Polyamide (PA)
Protection degree	IP67

Properties

- F32 housing
- Hydraulic cylinder installation
- Requires magnetic piston
- DC, 4-wire switching output
- Cable and connector versions

Model Number

Connection type	Device connector M12 x 1, 4-pin cable PVC, 2 m	MB-F32-A2 	MB-F32-A2-V1
-----------------	---	----------------------	-------------------------

Approvals and Certificates

CCC approval Products with a maximum operating voltage of ≤36 V do not bear a CCC marking because they do not require approval.

Dimensions

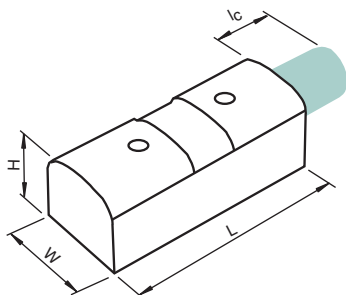
Length L [mm]	50
Width W [mm]	21
Height H [mm]	18
Connector area l _c [mm]	25 14

Accessories

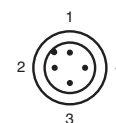
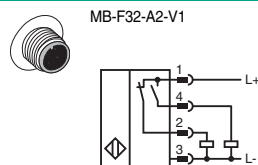
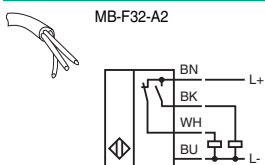
This and more accessories can be found in chapter 10

See pages from 972 ... for cordsets See pages 1068 ... for mounting aids

V1-G-BK	4-pin, M12 female field-attachable connector
V1-W-BK	4-pin, M12 female field-attachable connector
V1-W-2M-PUR	Cable socket, M12, 4-pin, PUR cable
V1-G-2M-PUR	Cable socket, M12, 4-pin, PUR cable



Electrical Connection



Wire colors in accordance with EN 60947-5-2

1	BN	(brown)
2	WH	(white)
3	BU	(blue)
4	BK	(black)

Date of issue: 04/08/2015

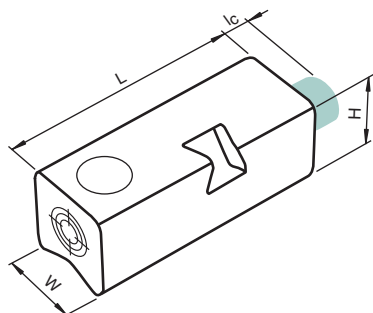


Properties

- Miniature F12 housing
- Up to 35 mm (depends on magnet), flush mountable
- DC, NAMUR interface
- Cable version

Your Benefit

- ATEX approved sensor applicable up to zone 1
- FM approval
- Suitable for installation on aluminium pneumatic cylinder



Technical Data

For detailed data and product description refer to the data sheets at www.pepperl-fuchs.com

Model Number	MJ35-F12-1N
Rated operating distance	35 mm
Installation	flush
Switching element function	NAMUR, NO
Type of voltage	DC
Nominal voltage	8.2 V (R_i approx. 1 k Ω)
Current consumption	
Magnet detected	≥ 3 mA
Magnet not detected	≤ 1 mA
Switching frequency	0 ... 5000 Hz
Indication of the switching state	LED, yellow
Ambient temperature	-25 ... 70 °C (-13 ... 158 °F)
Housing material	anodized aluminium
Protection degree	IP67
Connection type	connector PVC, 2 m



Use in the Hazardous Area

Use in the hazardous area	see instruction manuals
Category	2G

Approvals and Certificates

FM-control drawing	116-0165F
CCC approval	Products with a maximum operating voltage of ≤ 36 V do not bear a CCC marking because they do not require approval.

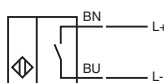
Dimensions

Length L [mm]	30
Width W [mm]	12
Height H [mm]	12
Connector length l_c [mm]	0

Electrical Connection



MJ35-F12-1N



Contents

Photoelectric Sensors



Photoelectric Sensors

Overview of Photoelectric Sensors/Selection Tables

Background suppression sensors	326
Energetic diffuse mode sensors	332
Retroreflective sensors	336
Thru-beam sensors.....	342
 The Functional Principles at a Glance	 346

Data Section

2.1 Standard Photoelectric Sensors	352
2.1.1 Background suppression sensors	352
2.1.2 Diffuse mode sensors	395
2.1.3 Retroreflective sensors	421
2.1.4 Thru-beam sensors	481
2.1.5 Distance sensors.....	511
2.1.6 Fiber optic sensors	514
2.1.7 Contrast sensors and luminescence scanners	534
2.1.8 Color sensors	545
2.1.9 Slot sensors and slot grid sensors	547
 2.2 Light Grids	 560
 2.3 Optical Data Couplers	 569
 2.4 Accessories	
2.4.1 Reflectors	575
Fiber optic cables, see 2.1.6 Fiber optic sensors	514
Mounting Aids, see 10.3 Mounting Accessories	1068

Background suppression sensors				
Series	KT10	Ø 18 mm	ML17	R2
	Page 352 ff	Page 354 ff	Page 373	Page 356
Features	<ul style="list-style-type: none"> • High-precision M4 miniature sensors • Smallest background suppressor • Sturdy V2A stainless steel metal housing 	<ul style="list-style-type: none"> • Economical Series for standard applications • Classic Series with wide range of features 	<ul style="list-style-type: none"> • Special housing design for M18 front mounting or side mounting through-holes 	<ul style="list-style-type: none"> • Ultra small housing • Abrasion-resistant, antistatic glass front

Specifications

Detection range limit	8 mm	120 mm	up to 100 mm	up to 80 mm
Type of voltage		DC	DC	DC
Red light		●	●	●
Infrared light	●			
Laser, visible				

Connection





Cable	●	●	●	
Male cordset			●	●
Plug connector		●	●	
Terminal compartment				

Output

PNP switching output		●		●
NPN switching output		●		
Push-pull output		●	●	
N-channel MOSFET				
Relay output				
NAMUR				
AS-Interface				

Special features

For "hygienic design"				
For hazardous applications				

Background suppression sensors				
ML4.2	ML6	ML7	ML8	Series
				
Page 357 ff	Page 360 ff	Page 365 ff	Page 367 ff	
<ul style="list-style-type: none"> High-precision VISO+ sensors for demanding applications Scratch-resistant glass optical surface 	<ul style="list-style-type: none"> Precision VISO+ sensors for standard applications Robust plastic optical surface 	<ul style="list-style-type: none"> Miniature housing design with different mounting options Certified by ECOLAB 	<ul style="list-style-type: none"> Cost-effective series Tamperproof, no operating controls Sensors for detecting critical objects using multiple light spots 	Features
Specifications				
up to 80 mm	up to 150 mm	up to 350 mm	up to 350 mm	Detection range limit
DC	DC	DC	DC	Type of voltage
●	●	●	●	Red light
●	●	●	●	Infrared light
				Laser, visible
Connection				
●	●	●	●	Cable
●	●	●	●	Male cordset
●	●	●	●	Plug connector
				Terminal compartment
Output				
		●	●	PNP switching output
	●		●	NPN switching output
●	●	●		Push-pull output
				N-channel MOSFET
				Relay output
				NAMUR
				AS-Interface
Special features				
				For "hygienic design"
				For hazardous applications

Background suppression sensors



Series	ML10	ML100	ML300
	Page 372	Page 374	Page 375
Features	<ul style="list-style-type: none"> High-precision miniature background suppressor Scratch-resistant glass optical surface 	<ul style="list-style-type: none"> Cost-effective series for standard applications PowerBeam 	<ul style="list-style-type: none"> Cost-effective series for standard applications BERO sensors, analog sensors Prefault diagnostics

Specifications

Detection range limit	up to 2.2 mm	350 mm	200 mm
Type of voltage		DC	DC
Red light		●	●
Infrared light	●		
Laser, visible			

Connection

Cable		●	●
Male cordset	●	●	
Plug connector		●	●
Terminal compartment			

Output

PNP switching output		●	●
NPN switching output		●	●
Push-pull output			
N-channel MOSFET			
Relay output			
NAMUR			
AS-Interface			

Special features

For "hygienic design"			
For hazardous applications			

Background suppression sensors



MLE75/MLE76

Page 376 ff

- EHEDG-certified sensors with hygienic design in stainless steel (V4A) housing
- Front lens inserted with no gaps and without use of adhesive



MLV12

Page 378 ff

- Sensor family in industry-standard housing
- 90° rotatable plug



MLV41

Page 380 ff

- Corrosion-resistant metal housing
- IO-Link interface for service and process data
- Shallow installation depth

Series

Features

Specifications

up to 140 mm

up to 250 mm

350 mm

Detection range limit

DC

DC

DC

Type of voltage



Red light



Infrared light

Laser, visible

Connection



Cable



Male cordset

Plug connector

Terminal compartment

Output



PNP switching output

NPN switching output

Push-pull output

N-channel MOSFET

Relay output

NAMUR

AS-Interface

Special features



For "hygienic design"

For hazardous applications

Background suppression sensors



Series	RL28	RL29	RL31
	Page 383 ff	Page 389	Page 390 ff
Features	<ul style="list-style-type: none"> • Universal series for a wide range of application options • Universal voltage devices with terminal compartment • Programmable timer function 	<ul style="list-style-type: none"> • Cost-effective series for standard applications 	<ul style="list-style-type: none"> • Cost-effective series for standard applications • End value versions with IO-Link interface for service and process data

Specifications

Detection range limit	up to 2 m	1.2 m	up to 800 mm
Type of voltage	DC and AC/DC	DC	DC
Red light	●	●	●
Infrared light	●		
Laser, visible	●		

Connection

Cable	●	●	●
Male cordset	●	●	
Plug connector	●	●	●
Terminal compartment	●		

Output

PNP switching output	●		
NPN switching output			
Push-pull output	●	●	●
N-channel MOSFET			
Relay output	●		
NAMUR			
AS-Interface	●		

Special features

For "hygienic design"			
For hazardous applications			

Background suppression sensors



SBL

RL32

Series

Page 392 ff

Page 394

Features

- Background suppression sensor for roller conveyors
- Slim housing design for mounting between rollers
- Sensors with and without integrated control logic for block removal

- EC-type examination certificate for Zone 2 and Zone 22, slim housing design
- Glass optical surface

Specifications

900 mm

up to 800 mm

Detection range limit

DC

DC

Type of voltage



Red light



Infrared light

Laser, visible

Connection

Cable



Male cordset



Plug connector

Terminal compartment

Output



PNP switching output



NPN switching output



Push-pull output

N-channel MOSFET

Relay output

NAMUR

AS-Interface

Special features

For "hygienic design"



For hazardous applications

Energetic diffuse mode sensors				
Series	KT10	Ø 12 mm	Ø 18 mm	ML17
	Page 395 ff	Page 397	Page 398 ff	Page 408
Features	<ul style="list-style-type: none"> • High-precision M4 miniature sensors • Sturdy V2A stainless steel metal housing 	<ul style="list-style-type: none"> • M12 series for space-saving mounting • Easy commissioning due to visible red light 	<ul style="list-style-type: none"> • Economical Series for standard applications • Basic Series with robust metal housing • Classic Series with wide range of features 	<ul style="list-style-type: none"> • Special housing design for M18 front mounting or side mounting thru-holes

Specifications

Detection range limit	80 mm	200 mm	up to 500 mm	450 mm
Type of voltage	DC	DC	DC and AC/DC	DC
Red light		●	●	
Infrared light	●		●	●
Laser, visible			●	

Connection

Cable	●	●	●	●
Male cordset				●
Plug connector		●	●	●
Terminal compartment				





Output

PNP switching output		●	●	
NPN switching output		●	●	
Push-pull output			●	●
N-channel MOSFET			●	
Relay output				
NAMUR				
AS-Interface				

Special features

For "hygienic design"				
For hazardous applications				

Energetic diffuse mode sensors

				
ML7/ML71	ML8	ML100	ML300	Series
Page 405 ff	Page 407	Page 409	Page 410 ff	
<ul style="list-style-type: none"> Miniature housing design with different mounting options Certified by ECOLAB 	<ul style="list-style-type: none"> Miniature design Cost-effective series Tamperproof, no operating controls 	<ul style="list-style-type: none"> Cost-effective series for standard applications PowerBeam 	<ul style="list-style-type: none"> Cost-effective series for standard applications BERO sensors, analog sensors Prefault diagnostics 	Features
Specifications				
200 mm	200 mm	1 m	up to 1.2 m	Detection range limit
DC	DC	DC	DC	Type of voltage
●	●	●	●	Red light
			●	Infrared light
				Laser, visible
Connection				
●	●	●	●	Cable
●	●	●		Male cordset
●	●	●	●	Plug connector
				Terminal compartment
Output				
●	●	●	●	PNP switching output
●	●	●	●	NPN switching output
				Push-pull output
				N-channel MOSFET
				Relay output
				NAMUR
				AS-Interface
Special features				
				For "hygienic design"
				For hazardous applications

Energetic diffuse mode sensors



Series	RL29	RL31	RL61	WTS10
	Page 412	Page 413 ff	Page 415 ff	Page 417
Features	<ul style="list-style-type: none"> • Cost-effective series for standard applications 	<ul style="list-style-type: none"> • Cost-effective series for standard applications • Devices for DC or AC/DC operation 	<ul style="list-style-type: none"> • Cubic housing design with M30 thread 	<ul style="list-style-type: none"> • Light scanner for checking the quality of welding tips • Coaxial optics with uniform light spot

Specifications

Detection range limit	2.5 m	up to 2.5 m	up to 4 m	12 mm
Type of voltage	DC	DC and AC/DC	DC and AC/DC	DC
Red light	●	●		●
Infrared light		●	●	
Laser, visible				

Connection

Cable		●	●	
Male cordset				
Plug connector	●	●	●	●
Terminal compartment				

Output

PNP switching output				●
NPN switching output				●
Push-pull output	●	●	●	
N-channel MOSFET				
Relay output		●	●	
NAMUR				
AS-Interface				

Special features

For "hygienic design"				
For hazardous applications				

Energetic diffuse mode sensors



MLV11

RL36

VariKont M

Series

Page 418

Page 419

Page 420

Features

- EC-type examination certificate for Zone 1, small housing design
- Insensitive to glare due to polarization filter

- EC-type examination certificate for Zone 1, small housing design
- Immune

- EC-type examination certificate Zone 20 (dust) and Zone 1 (gas)
- Rotatable sensor head

Specifications

500 mm

2 m

300 mm

Detection range limit

DC

DC

DC

Type of voltage

Red light



Infrared light

Laser, visible

Connection

Cable

Male cordset



Plug connector



Terminal compartment

Output

PNP switching output

NPN switching output

Push-pull output

N-channel MOSFET

Relay output



NAMUR

AS-Interface

Special features

For "hygienic design"



For hazardous applications

Retroreflective sensors			
Series	Ø 12 mm	Ø 18 mm	ML17
	Page 421 ff	Page 423 ff	Page 445 ff
Features	<ul style="list-style-type: none"> • M12 series for space-saving mounting • Robust metal housing with high IP67 degree of protection • Easy commissioning due to visible red light 	<ul style="list-style-type: none"> • Economical Series for standard applications • Basic Series with robust metal housing • Classic Series with wide range of features 	<ul style="list-style-type: none"> • Special housing design for M18 front mounting or side mounting thru-holes

Specifications

Detection range limit	up to 2.5 m	up to 20 m	5 m
Type of voltage	DC	DC and AC/DC	DC
Red light	●	●	●
Infrared light			
Laser, visible		●	

Connection

Cable	●	●	●
Male cordset			
Plug connector	●	●	●
Terminal compartment			

Output

PNP switching output	●	●	
NPN switching output	●	●	
Push-pull output		●	●
N-channel MOSFET		●	
Relay output			
NAMUR			
AS-Interface			

Special features

For "hygienic design"			
For hazardous applications			

Retroreflective sensors				
R2	ML4.2	ML6	ML7/ML71	Series
Page 434	Page 435	Page 436 ff	Page 438 ff	
<ul style="list-style-type: none"> Ultra small housing Abrasion-resistant, antistatic glass front 	<ul style="list-style-type: none"> High-precision VISO+ sensors for demanding applications Scratch-resistant glass optical surface 	<ul style="list-style-type: none"> Precision VISO+ sensors for standard applications Robust plastic optical surface 	<ul style="list-style-type: none"> Miniature housing design with different mounting options Certified by ECOLAB 	Features
Specifications				
1.4 m	6 m	6 m	up to 7.6 m	Detection range limit
DC	DC	DC	DC	Type of voltage
●	●	●	●	Red light
				Infrared light
				Laser, visible
Connection				
●	●	●	●	Cable
			●	Male cordset
	●	●	●	Plug connector
				Terminal compartment
Output				
●	●		●	PNP switching output
●			●	NPN switching output
	●	●		Push-pull output
				N-channel MOSFET
				Relay output
				NAMUR
				AS-Interface
Special features				
				For "hygienic design"
				For hazardous applications

Retroreflective sensors



Series	ML8	ML100	ML300	MLE75
	Page 443 ff	Page 447 ff	Page 449 ff	Page 451
Features	<ul style="list-style-type: none"> • Cost-effective series • Tamperproof, no operating controls • Detection of critical objects using multiple light spots 	<ul style="list-style-type: none"> • Cost-effective series for standard applications • PowerBeam 	<ul style="list-style-type: none"> • Cost-effective series for standard applications • BERO sensors, analog sensors • Prefault diagnostics 	<ul style="list-style-type: none"> • Sensors in stainless steel (V4A) housing for the splash zone • Permanent impermeability even with repeated thermal shocks

Specifications

Detection range limit	3.5 m	7 m	up to 7 m	5.1 m
Type of voltage	DC	DC	DC	DC
Red light	●	●	●	●
Infrared light		●		
Laser, visible				

Connection

Cable	●	●	●	●
Male cordset	●			
Plug connector	●	●	●	●
Terminal compartment				

Output

PNP switching output	●	●	●	
NPN switching output	●	●	●	
Push-pull output				●
N-channel MOSFET				
Relay output				
NAMUR				
AS-Interface				

Special features

For "hygienic design"				●
For hazardous applications				



Retroreflective sensors

MLE76	MLV12	MLV41	Series
Page 452	Page 453 ff	Page 457 ff	
<ul style="list-style-type: none"> • EHEDG-certified sensors with hygienic design in stainless steel (V4A) housing • Front lens inserted with no gaps and without use of adhesive 	<ul style="list-style-type: none"> • Sensor family in industry-standard housing • Versions with laser • 90° rotatable plug 	<ul style="list-style-type: none"> • Corrosion-resistant metal housing • Version with IO-Link interface for service and process data • Shallow installation depth 	Features

Specifications

5.1 m	up to 21 m	up to 12 m	Detection range limit
DC	DC	DC	Type of voltage
●	●	●	Red light
			Infrared light
	●		Laser, visible

Connection

●	●	●	Cable
			Male cordset
●	●	●	Plug connector
			Terminal compartment

Output

	●	●	PNP switching output
	●	●	NPN switching output
●	●	●	Push-pull output
			N-channel MOSFET
			Relay output
			NAMUR
			AS-Interface

Special features

●			For "hygienic design"
			For hazardous applications

Retroreflective sensors



Series	RL28	RL29	RL31	RL61
	Page 463 ff	Page 472	Page 473 ff	Page 475 ff
Features	<ul style="list-style-type: none"> • Universal series for a wide range of application options • Programmable timer function 	<ul style="list-style-type: none"> • Cost-effective series with terminal compartment • Versions with foreground suppression 	<ul style="list-style-type: none"> • Cost-effective series for standard applications • Devices for DC or AC/DC operation 	<ul style="list-style-type: none"> • Cubic housing design with M30 thread • 4 display LEDs • Programmable timer function

Specifications

Detection range limit	up to 42 m	up to 10 m	up to 16.5 m	25 m
Type of voltage	DC and AC/DC	DC	AC and DC	AC and DC
Red light	●	●	●	●
Infrared light				
Laser, visible	●			

Connection

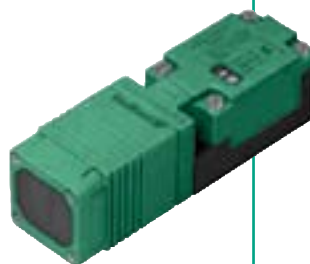
Cable	●	●	●	●
Male cordset				
Plug connector	●	●	●	●
Terminal compartment	●			

Output

PNP switching output	●			
NPN switching output	●			
Push-pull output	●	●	●	●
N-channel MOSFET				
Relay output	●		●	●
NAMUR				
AS-Interface	●			

Special features

For "hygienic design"				
For hazardous applications				



Retroreflective sensors

Thru-beam sensors				
Series	KS/KSE10	Ø 12 mm	Ø 18 mm	R2
	Page 481 ff	Page 483	Page 484 ff	Page 490
Features	<ul style="list-style-type: none"> • High-precision M4 miniature sensors • Sturdy V2A stainless steel metal housing 	<ul style="list-style-type: none"> • M12 series for space-saving mounting • Robust metal housing with high IP67 degree of protection • Easy commissioning due to visible red light 	<ul style="list-style-type: none"> • Economical Series for standard applications • Basic Series with robust metal housing • Classic Series with wide range of features 	<ul style="list-style-type: none"> • Ultra small housing • Abrasion-resistant, antistatic glass front

Specifications

Detection range limit	1.5 m	5 m	up to 60 m	2.5 m
Type of voltage	DC	DC	DC and AC/DC	DC
Red light		●	●	●
Infrared light	●		●	
Laser, visible			●	

Connection





Cable	●	●	●	
Male cordset				●
Plug connector		●	●	
Terminal compartment				

Output

PNP switching output		●	●	●
NPN switching output		●	●	
Push-pull output			●	
N-channel MOSFET			●	
Relay output				
NAMUR				
AS-Interface				

Special features

For "hygienic design"				
For hazardous applications				

Thru-beam sensors				
ML4.2	ML7/ML71	ML8	ML100	Series
				
Page 491	Page 492 ff	Page 494	Page 495 ff	
<ul style="list-style-type: none"> High-precision VISO+ sensors for demanding applications Scratch-resistant glass optical surface 	<ul style="list-style-type: none"> Versatile miniature design with various mounting options Certified by ECOLAB 	<ul style="list-style-type: none"> Cost-effective series with many extras Tamperproof, no operating controls 	<ul style="list-style-type: none"> Cost-effective series for standard applications PowerBeam: high detection ranges up to 30 m 	Features
Specifications				
10 m	4.5 m	4.5 m	up to 30 m	Detection range limit
DC	DC	DC	DC	Type of voltage
●	●	●	●	Red light
			●	Infrared light
				Laser, visible
Connection				
●	●	●	●	Cable
		●	●	Male cordset
●	●	●	●	Plug connector
				Terminal compartment
Output				
	●	●	●	PNP switching output
	●	●	●	NPN switching output
●				Push-pull output
				N-channel MOSFET
				Relay output
				NAMUR
				AS-Interface
Special features				
				For "hygienic design"
				For hazardous applications

Thru-beam sensors



Series	ML300	MLV12	RL28
	Page 498 ff	Page 500	Page 501 ff
Features	<ul style="list-style-type: none"> • Cost-effective series for standard applications • BERO sensors, analog sensors • Prefault diagnostics 	<ul style="list-style-type: none"> • Sensor family in industry-standard housing • 90° rotatable plug 	<ul style="list-style-type: none"> • Universal series for a wide range of application options • Universal voltage devices with terminal compartment • Programmable timer function

Specifications

Detection range limit	up to 14 m	25 m	up to 400 m
Type of voltage	DC	DC	DC and AC/DC
Red light	●	●	●
Infrared light	●	●	
Laser, visible			●

Connection

Cable	●	●	●
Male cordset			
Plug connector	●	●	●
Terminal compartment			●

Output

PNP switching output	●	●	●
NPN switching output	●		
Push-pull output			●
N-channel MOSFET			
Relay output			●
NAMUR			
AS-Interface			●

Special features

For "hygienic design"			
For hazardous applications			

Thru-beam sensors



RL31

Page 506 ff

- Cost-effective series for standard applications
- Devices for DC or AC/DC operation



MLV11

Page 508

- EC-type examination certificate for Zone 1, small housing design
- Insensitive to glare due to polarization filter
- IP67 degree of protection



RL32

Page 509

- EC-type examination certificate for Zone 2 and Zone 22, slim housing design
- Glass optical surface



RL36

Page 510

- EC-type examination certificate for Zone 1, large housing design
- Immune
- Adjustable sensitivity

Series

Features

Specifications

30 m

DC and AC/DC



10 m

DC



30 m

DC



30 m

DC



Detection range limit

Type of voltage

Red light

Infrared light

Laser, visible

Connection



Cable

Male cordset

Plug connector

Terminal compartment

Output



PNP switching output

NPN switching output

Push-pull output

N-channel MOSFET

Relay output

NAMUR

AS-Interface

Special features

For "hygienic design"



For hazardous applications

The Functional Principles at a Glance

The photoelectric sensors or photo sensors used in automation provide all the benefits of rapid and noncontact detection. Our wide range of photoelectric standard sensors is suitable for all noncontact object detection solutions. The many different versions available mean that it is always possible to find the best possible sensor for any application. Ongoing development of these sensors is setting new market trends through innovations such as the measuring photoelectric sensor or the efficient connection of sensors to the control hierarchy via IO-Link.

AT A GLANCE

- Various functional principles are available:
 - Thru-beam sensors
 - Retroreflective sensors
 - Energetic diffuse mode sensors or background suppression sensors
 - Fiber optic sensors with compatible fiber optic cables
 - Contrast sensors and color sensors
 - Photoelectric slot and slot grid sensors
 - Light grids
- Brass, stainless steel, or plastic housing
- From miniature housings to cylindrical threaded housing to robust compact sensors
- Innovative functions for easy setup and safe operation

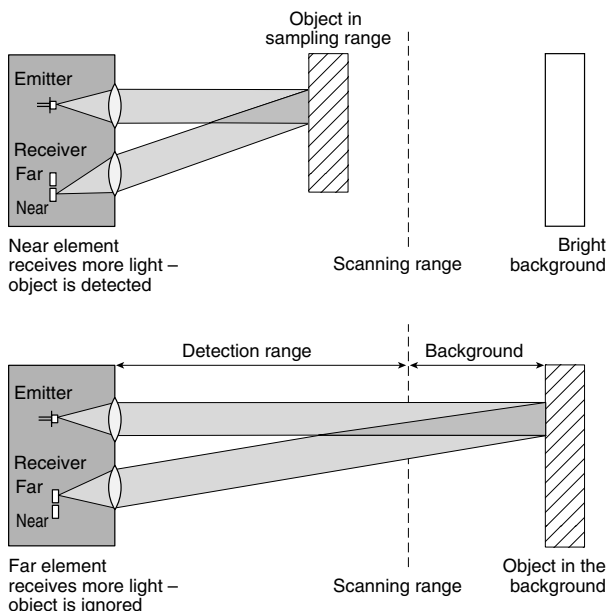
1. Background suppression sensors



Background suppression sensors were developed to reach a defined detection range for any object, regardless of its brightness, color, or other characteristics such as the brightness of the background. The following figure illustrates the functional principle of a background suppression sensor. The

light emitted by the emitter is directed by the lens and hits the object. If the object is located within the detection range, a portion of the reflected light, bundled by the receiver lens, is mapped to the near element of the receiver (N); the sensor outputs the “switched on” signal.

As the object’s distance increases, this light spot moves in the direction of the far element (F). At the detection range limit, one half of the light spot is on the near element, the other on the far element and the sensor registers “off.” If the object moves further away, the light only hits the far element and the sensor still registers “off.”

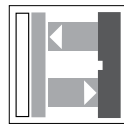


Features:

- Almost constant detection range for diffuse reflecting materials with extremely different degrees of remission.
- Dark objects in front of a light background are reliably detected.
- Insensitive to interfering reflections from objects outside of the specified detection range.
- High excess gain.
- Minimal mounting effort as the sensor consists of one unit and does not require a reflector.

Similarly to background suppression, it is also possible to make use of foreground suppression. These sensors ignore all objects that are located closer to the sensor than the preset minimum detection range.

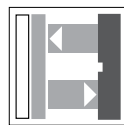
Measuring photoelectric sensors



Measuring photoelectric sensors combine the advantages of background/foreground suppression with the measuring functionality of a distance sensor. An integrated measuring core, otherwise found only in distance sensors, enables different switching functions in one device and provides

outstanding performance data.

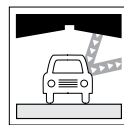
Convergent mode sensors



Convergent mode sensors function similarly to background suppression sensors, although the distance between the object and the background is greater. Due to this compromise in terms of selectivity, this device is offered at an extremely attractive cost/benefit ratio. These sensors are the

first choice where suppression of an existing background is required in the application despite high cost pressures.

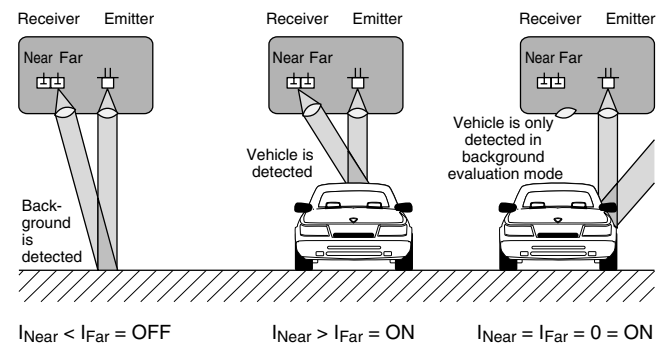
Background evaluation sensors



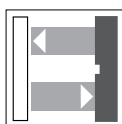
In addition to background suppression, the reverse principle—background evaluation—is also used in certain applications. While the one method ignores the background and detects only objects within the detection range, the other evaluates only the light reflected from the background: the

background becomes the reference rather than the object (see Fig.). If an object interrupts the light path to the background, the sensor switches, regardless of whether or not the reflected light reaches the receiver again and indicates a detected object before the background—such as with reflective objects.

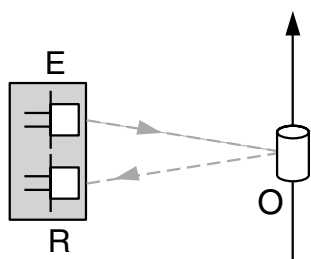
Background evaluation sensors do not have a blind zone and are especially suitable for detecting complex, highly reflective objects. In contrast to systems with background suppression, they can also be tested and support self-monitoring.



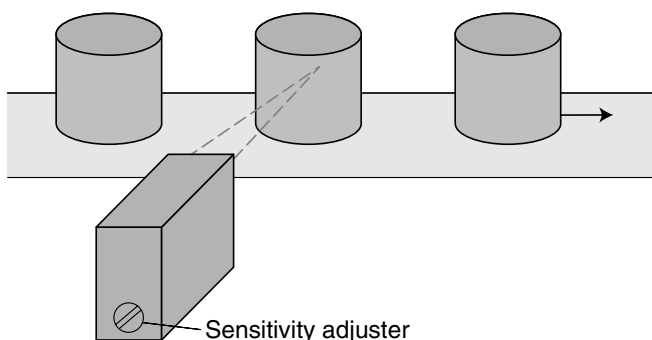
2. Diffuse Mode Sensors



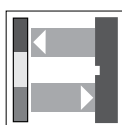
In principle, a diffuse mode sensor is constructed similarly to a retroreflective sensor. However, it does not use a reflector and the receiver evaluates the light reflected from the detected object instead.



Due to the diffuse reflection (remission) by the object, the sensor's detection range is reduced compared with that of the retroreflective sensor. This detection range is the maximum distance from the emitter at which an object can be reliably detected.



Special versions of diffuse mode sensors



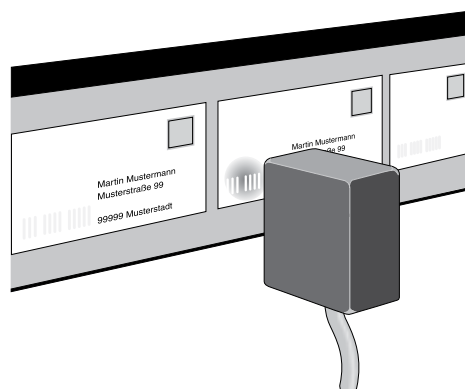
The standard feature of the diffuse mode sensor—that it reacts sensitively to the surface finish of the target—is utilized in contrast sensors and color sensors.

Contrast sensors

This sensor evaluates the difference in brightness between the target and a marking that is applied to it. The color of the emitter light or the color of the print mark is selected to allow as much contrast as possible. Our contrast sensors are fitted with a three-color LED as the light source. The best possible transmitter light color is selected automatically by the sensor during the Teach-in process. A large number of sensors are arranged in accordance with the auto-collimation principle, i.e., the transmitter and receiver are located on a common optical axis (monocular system). This enables the lens to be moved and makes the installation position of the sensor very flexible.

Luminescence sensors

The luminescence sensor—a version of the contrast sensor—works with modulated ultraviolet light. Suitable materials (luminophores) that are applied to the target become photoluminescent when exposed to the light. These materials include optical brighteners in white paper, certain chinks, varnishes, oils, fats, and in highlighters.



The light emitted from the luminophores to the receiver has a longer wavelength than that emitted from the transmitter; it is within the visible spectral range. Due to modulation and the precisely defined frequency shift between the transmitter light and the receiver light, luminescence sensors are barely affected by interfering light sources and therefore function reliably.

Color sensors

While a standard contrast sensor evaluates only the differences in brightness in a specific spectral range that is predetermined by the light color of the emitter, the color sensor divides the light reflected by the object into several subspectra and provides an intensity value for each of these subspectra. The distribution of these values reflects the spectral characteristics and the color of the target.

Visolux color sensors operate according to the three-range process, which can be either active or passive.

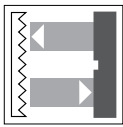
- **Active three-range process:**

The target is illuminated sequentially with the three emitter colors (red, green, and blue). The amount of reflected light is measured individually for each color. The color of the target is clearly determined based upon the three values obtained this way.

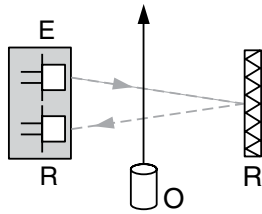
- **Passive three-range process:**

The target is illuminated with white emitter light. The light source is, for example, a white LED. The red, green, and blue portions of the reflected light are then filtered out and the amount of light is determined in each case. Three receivers are used for this and the values obtained are used to determine the color of the target.

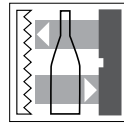
3. Retroreflective Sensors



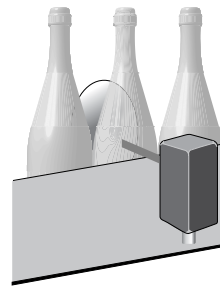
Retroreflective sensors contain an emitter and a receiver in one housing. The emitted light is reflected back to the receiver by a reflector. When the light beam is interrupted, the output is switched.



Retroreflective sensors for clear object detection

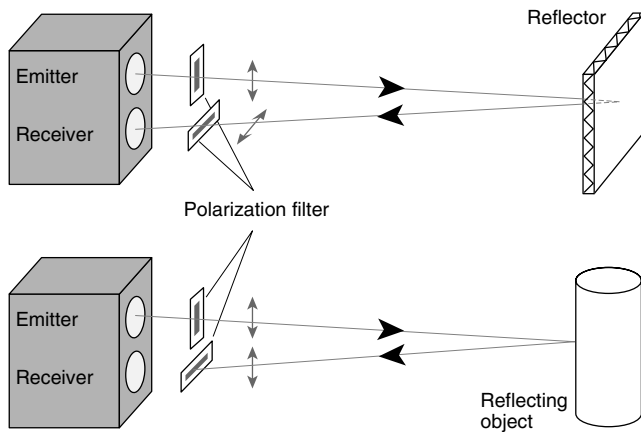


Retroreflective sensors with reduced excess gain are used for clear object detection. This results in increased switching sensitivity with only minimal absorption through the glass.

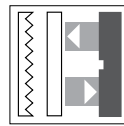


Retroreflective sensors with polarization filter

A problem typically associated with reflector systems is that shiny and reflective objects cannot be reliably detected. This problem is solved through the use of a polarization filter. Linear polarizing filters are positioned in front of the sensor's emitter and receiver, and the polarization levels are aligned perpendicular to one another (see Fig.). These filters create two polarization planes positioned at 90° from each other. As such, only the light beams from the corner cube reflectors reach the receiver because it changes the polarization level of the light, allowing it to pass freely through the filter in front of the receiver.



Retroreflective sensors with foreground suppression

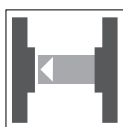


These photoelectric sensors ignore all signals from reflectors and high-gloss reflective objects positioned closer to the sensor than a preset minimum detection range.

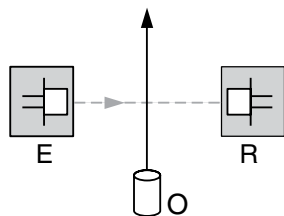
Features:

- Detects nontransparent objects even with shiny and reflective surfaces.
- Clear object detection possible with special sensors (G version).
- Minimal installation effort as electrical connection is required for the sensor only.

4. Thru-Beam Sensors



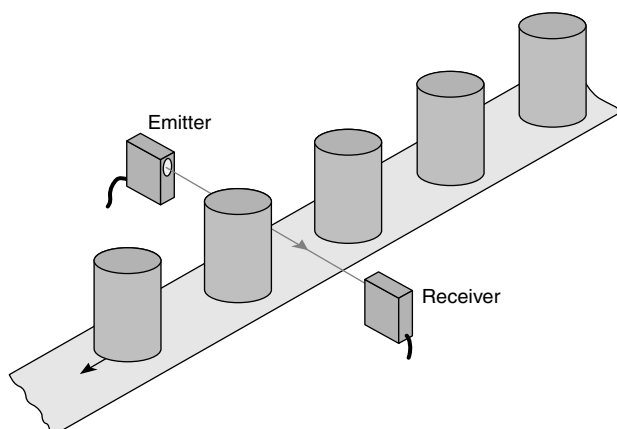
The emitters and receivers of thru-beam sensors are housed in physically separated housings. The emitter (E) sends signals directly to the receiver (R). If an object (O) interrupts the light beam, the receiver voltage decreases and the output is switched.



Features:

- Detects nontransparent and reflective objects.
- Wide detection ranges and high excess gain because the light beam travels only one path, from the emitter to the receiver.
- Low susceptibility to interference, therefore ideal for use in difficult conditions, e.g., open-air applications or in dirty surroundings.
- Greater installation effort as both units must be mounted and wired.

Typically, thru-beam sensors are used to monitor production and packaging lines (see Fig.), fill levels in transparent containers, and the safety of doors and hazardous areas. The latter application area is a domain for thru-beam technology.



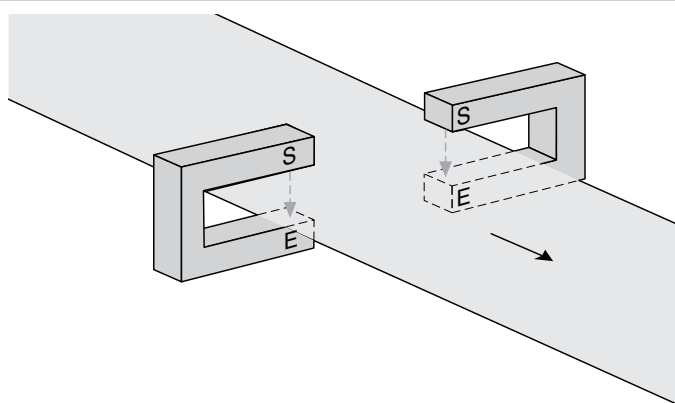
Special versions of thru-beam sensors

Photoelectric slot sensors



If there is only a short physical distance—a few millimeters or centimeters—to bridge between the emitter and the receiver, they can both be positioned opposite one another in a U-shaped housing. Compared with normal thru-beam sensors, photoelectric slot sensors (see Fig.) benefit from

simpler electrical installation as only one device needs to be wired. Also, the optical axes do not need to be adjusted.

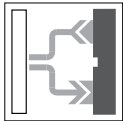


Light grids



Safety applications in particular often involve monitoring a large area. The easiest way to achieve this is through the parallel arrangement of several thru-beam sensors. All the emitters in this type of light grid are grouped into a single housing and all the receivers, whose switching outputs are logically linked, are grouped into another. This reduces the installation effort compared with a corresponding number of individual thru-beam sensors. The distances between the individual beams of the grid are application-specific.

5. Fiber Optic Systems



The optical characteristics of a photoelectric sensor with a fiber optic cable are similar to those of a thru-beam sensor or a diffuse mode sensor, depending on the housing design.

Thru-beam systems have one fiber optic cable each for the emitter and receiver, while in diffuse systems the light is passed through separate emitting and receiving fibers in a single fiber optic cable.

The emitter and receiver are arranged in one housing. The optically active area runs from the device to the sensing point using flexible fiber optic cables made of glass or plastic fibers. Due to their small optically active areas, fiber optic systems are suitable for detecting small details at close range. Special fiber optic cables are used with a coaxial or mixed fiber arrangement and small fiber diameters (plastic fibers: a few hundred μm , glass fibers: typically 50 μm).

The large opening angle at the light exit of the fiber optic cable (approx. 70°) also enables it to be used to achieve shorter detection ranges than standard photoelectric sensors or

light sensors; if necessary, these can be increased using suitable lens attachments.

Glass or plastic?

When choosing a suitable fiber optic cable, users can choose between plastic or glass fiber optic. The characteristics of both these materials are briefly outlined below.



- **Plastic fiber optics**

consist of a single PVC-sheathed fiber. As the fiber optic cable material is lightweight and very flexible, it can be used on machines with moving parts. One advantage in particular is the individual assembly of the fibers. The standard length is 2 m. The cutter provided can be used to shorten the fiber optic cable easily to the length required for the application. Two different fiber diameters and a range of different fiber heads are available to choose from. You are sure to find a type to suit your application.

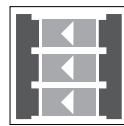
- **Glass fiber optics**

consist of many individual fibers, each with a diameter of approx. 50 μm . Depending upon the application, sheathing is available in stainless steel, PVC, metal and silicone, or silicone. Due to the low optical attenuation of glass fibers compared to plastic fibers, larger sensing ranges are possible. The robust mechanical design of the stainless steel sheathing means that the cables can be used at temperatures of up to 300 °C. You will find a suitable solution for your application

from the range of fiber heads, each of which can be combined with the sheathing materials.

To help you choose the right product, the "Fiber Optic Devices" section highlights which fiber optic cables are suitable for the individual sensor types.

6. Light Grids for Clear Object Detection



The devices in the PR and LG series are high-resolution light curtains for detecting very small position-independent objects.

The use of special low-noise receiver levels and a sophisticated evaluation algorithm enables even highly transparent objects with a high excess gain to be detected reliably.

Crossed beam evaluation:

Each emitter emits light to each receiver. This results in a very high sensor resolution.

Automatic calibration:

After turning on the supply voltage (model number -W) or externally activating the calibration input (model number -F), the sensor automatically calibrates itself. Each individual emitter-receiver distance is calibrated separately.

Example PR16:

16 emitters and 16 receivers for crossed beam evaluation result in 256 light beams being individually evaluated internally. Furthermore, the signal threshold for the individual emitter-receiver distances is permanently adjusted within a certain bandwidth during operation. This means that the sensor compares the stored value with the current measured reception level at certain time intervals.

If these two values differ over time (due to dust on the lens or slight misalignment) the receiver threshold for each of the individual light paths is redefined. This ensures that highly transparent objects are detected even in harsh industrial conditions.

RLG28 retroreflective area sensor

A very effective operating principle

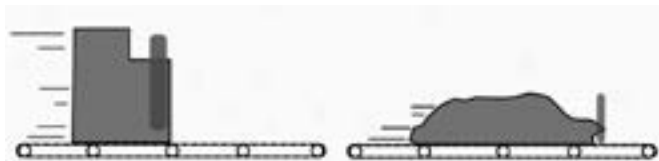


The retroreflective area sensor uniquely combines the advantages of a retroreflective sensor with those of a light grid. A retroreflective area sensor contains several emitters and receivers in one housing and, with a reflector positioned opposite it, forms a detection field with a consistent width and height across the relevant detection range. When the light beams within the detection area are interrupted by an object, the switching function is triggered.

The use of standard photoelectric sensors is often problematic when detecting objects with an appearance that differs occasionally. More specifically, objects with varying front edges regularly overload devices with single-point detection characteristics.



This sensor solves the problem 100%. It features a 60 mm wide detection field for the reliable detection of objects whose front edges can vary, e.g., different types of pallets, bags, packaged objects, or other items without a clearly defined shape.



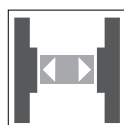
Features:

- Retroreflective area sensor with six light beams in a standard photoelectric sensor housing
- Replaces connection-compatible single-beam photoelectric sensors
- Reflection and foil-resistant, shock and vibration-resistant
- Uses six beams to generate a 60 mm wide detection area throughout the entire detection range, without a blind zone
- Constant detection of objects as small as 12 mm within the entire detection range
- Reliable detection of the front edge of the object irrespective of its shape, position, or surface finish
- Suitable for low temperature ranges of down to -30°C

Application examples

- Reliable front edge detection for a wide range of objects, such as pallets with different heights and varying reflectivity, as well as dirt and damage
- Detection of objects regardless of their shape, e.g., bags or other objects without a clearly defined shape
- Detection of objects regardless of their texture, e.g., reflective foil-wrapped objects
- Reliable location-independent detection of falling objects, e.g., in ejection control
- Overhang control
- As a muting sensor

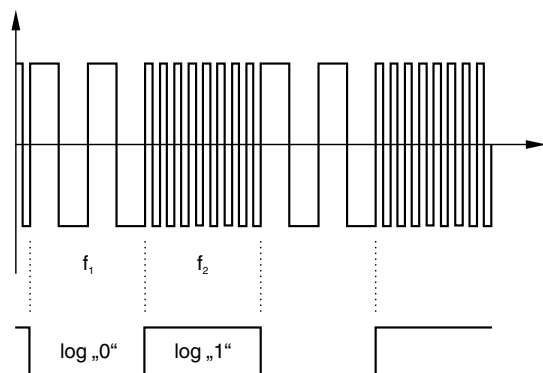
7. Optical Data Couplers



Optical data couplers use the light for the wireless transmission of information between two points, in cases where wire-based communication is not economically feasible. They perform a protocol-free transfer of the data from the interface to the receiver and make it available at the serial interface,

thus solving communication problems with stock feeders, forklift trucks, automated guide vehicles, or monorail conveyors.

Devices are available with different detection ranges and transfer rates. The latest version, the LS680-DA, is the fastest optical data coupler on the market and enables connection to Fast Ethernet networks without reducing the transfer rate for the first time.



Our product range includes optical data couplers for parallel data transfer as well as devices for serial data transfer.

- **Parallel data transfer:**

An optical data coupler can transfer 8 bits bidirectionally. The signals in the device are converted into a serial bit sequence. In the receiver, the data is reassigned to the parallel outputs. Interference-immune FSK modulation is used to transfer the binary signals.

- **Serial data transfer:**

Our serial optical data couplers also use the FSK procedure. The data at the interface is transferred free of protocols and then re-output to the serial interface in the receiver. Many devices with a serial interface are also available in a version with a red emitter light. These are always used if parallel transfer paths need to be created and cross-talk with the adjacent infrared path needs to be eliminated.



Photoelectrics With Unequaled Benefits

Pepperl+Fuchs photoelectric sensors easily cope with extreme influences such as excessive ambient light, high humidity, or dirt. Which is why most of our standard sensors bear the VISO+ quality symbol.

High priority is given to functional reliability. The sensors operate extremely reliably as the emitters generate between 10 and 100 times more light than is required for reliable detection. As a result, they operate perfectly even in very dirty, dusty environments or with inaccurate alignment. The high degree of insensitivity to ambient light further increases operational reliability and allows them to be used in the direct vicinity of frequency-controlled energy-saving lighting. A high degree of immunity to cross-talk allows several sensors to be positioned closely next to each other.

The features at a glance:

- Very high excess gain
- Very high degree of immunity to ambient light, even with frequency-controlled energy-saving lighting
- Protection against cross-talk.



Technical Data

For detailed data and product description refer to the data sheets at www.pepperl-fuchs.com

Model Number	KT10-8-H-8
Detection range	0.5 ... 8 mm
Light type	modulated infrared light , 870 nm
Diameter of the light spot	2 mm at 8 mm sensor range
Operating voltage	see accessory: signal transformer
Signal output	see accessory: signal transformer
Ambient temperature	-20 ... 60 °C (-4 ... 140 °F)
Material	
Housing	Stainless steel 1.4305 / AISI 303
Optical face	glass
Protection degree	IP65
Connection	1500 mm fixed cable



Approvals and Certificates

CCC approval	Products with a maximum operating voltage of ≤36 V do not bear a CCC marking because they do not require approval.
--------------	--

Dimensions

Length L [mm]	25
Diameter D [mm]	4
Thread length l _t [mm]	25
Connector area l _c [mm]	0

Accessories

This and more accessories can be found in chapter 10

See pages from 972 ... for cordsets

See pages 1068 ... for mounting aids

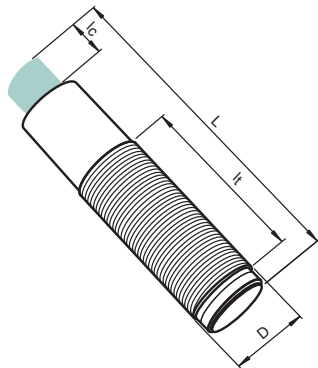
SU11/40a/49/92	External amplifier
SU11/32/40a/82b/92	External amplifier
SU11/40a/49/115	External amplifier
SU10/40a/49/116	External amplifier
BF 4	Mounting flange, 4 mm

Properties

- Background suppression
- Cylindrical threaded housing
- Stainless steel housing
- DC sensor
- Requires external amplifier
- Cable version
- Infrared light

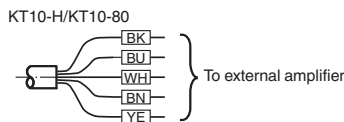
Your Benefit

- Smallest sensor design for space-saving mounting
- Reliable detection of all surfaces, regardless of color and structure

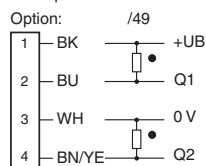


Electrical Connection

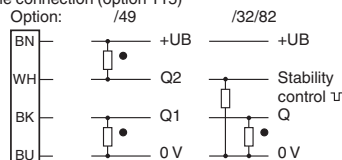
○ = light on, ● = dark on



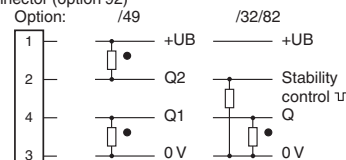
External amplifier SU10 ...



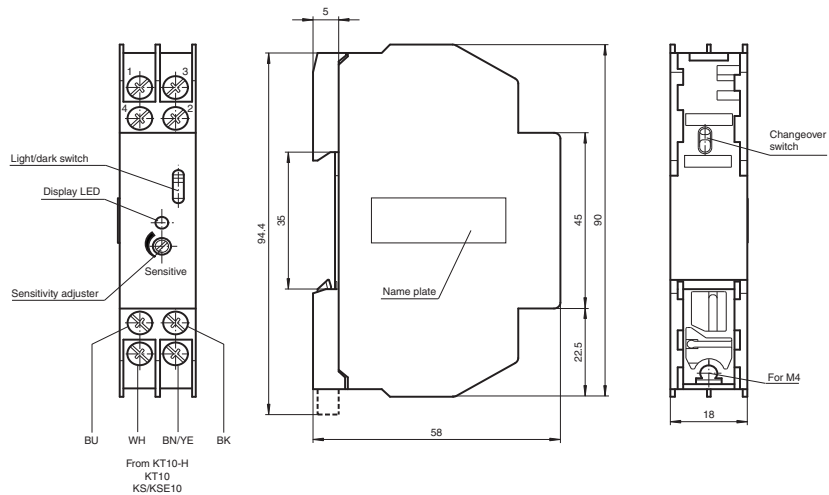
External amplifier SU11 ...
Cable connection (option 115)



Connector (option 92)



**External amplifier
SU10/40a/49/116**

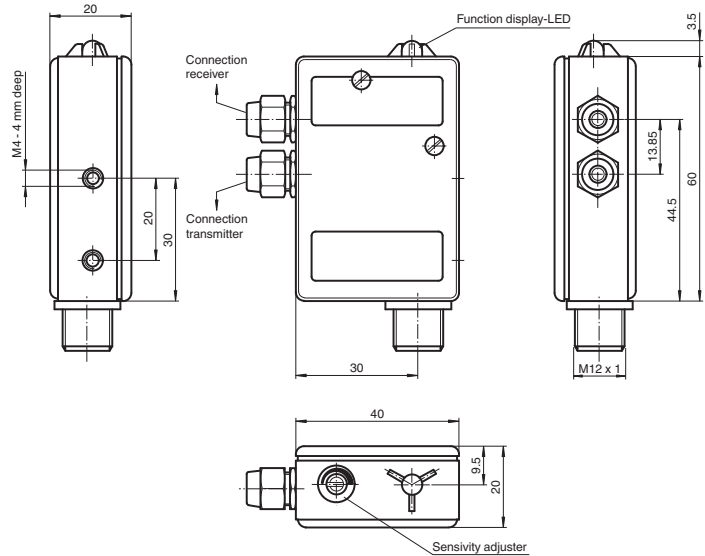


External amplifier for mounting on a standard top hat rail.

Technical Data

Supply voltage: 10 ... 30 VDC
 No load supply current: 40 mA
 Signal output: 1 PNP + 1 NPN switching output
 Output current: max. 200 mA

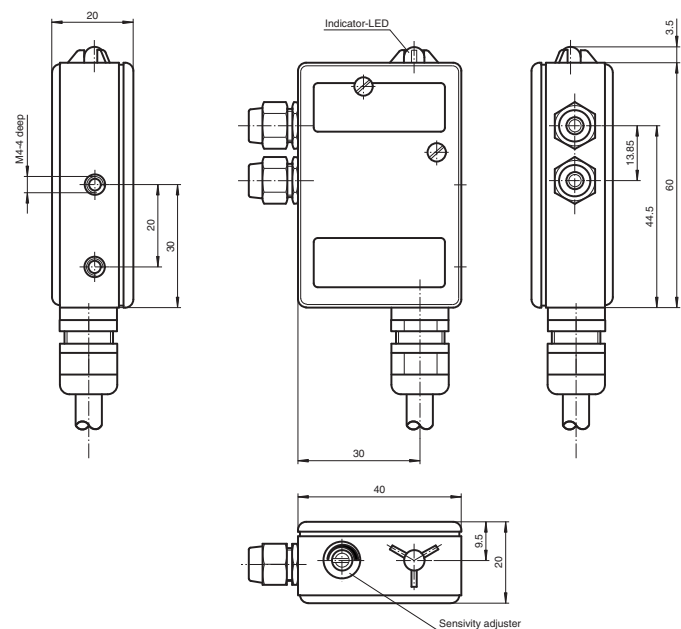
**External amplifier
SU11.../92**



Technical Data

Supply voltage: 10 ... 30 VDC
 No load supply current: 40 mA
 Signal output: 1 PNP + 1 NPN switching output or 1 PNP, open collector
 Output current: max. 200 mA

**External amplifier
SU11.../115**



Technical Data

Supply voltage: 10 ... 30 VDC
 No load supply current: 40 mA
 Signal output: 1 PNP + 1 NPN switching output or 1 PNP, open collector
 Output current: max. 200 mA

Date of issue: 2015-04-08

Technical Data

For detailed data and product description refer to the data sheets at www.pepperl-fuchs.com

General Data

Sensing range adjustment	✓
Detection range	10 ... 120 mm
Adjustment range	40 ... 120 mm
Light type	modulated visible red light , 640 nm
Diameter of the light spot	approx. 6 mm at detection range 120 mm
Operating voltage	10 ... 30 V DC
No-load supply current	< 15 mA
Switching current	max. 100 mA
Switching frequency	500 Hz
Ambient temperature	-25 ... 60 °C (-13 ... 140 °F)
Material	
Housing	PC
Optical face	PMMA
Protection degree	IP67

2
.1.1



Properties

- Background suppression
- Cylindrical threaded housing
- Plastic housing
- DC sensor
- Discrete output
- Cable and connector versions
- Visible red light

Your Benefit

- Most compact mechanically adjustable M18-background suppression sensor for space-saving mounting
- Reliable detection of all surfaces, regardless of color and texture
- Minimal black/white difference
- Adjustable switchpoint

Model Number

	green = preferred type	GLV18-8-H-120/115/120	GLV18-8-H-120/25/102/115	GLV18-8-H-120/25/102/159	GLV18-8-H-120/73/120
Switching type	light/dark on	●	●	●	●
Signal output	light on		●	●	
	1 NPN, short-circuit protected open collector		●	●	
Connection	2 PNP, complementary, short-circuit protected, open collectors	●			●
	2 m fixed cable	●	●		
	Connector M12 x 1, 3-pin			●	
	connector M12 x 1, 4-pin				●

Approvals and Certificates

Protection class	II	●	●	●	●
UL approval	cULus Listed, Class 2 Power Source	●	●	●	●
CCC approval	Products with a maximum operating voltage of ≤36 V do not bear a CCC marking because they do not require approval.				

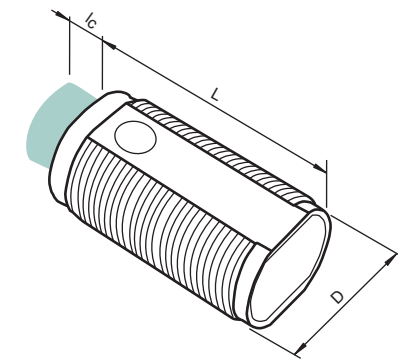
Dimensions

Length L [mm]		33
Diameter D [mm]		18
Connector area l _c [mm]		7 11

Accessories This and more accessories can be found in chapter 10

See pages from 972 ... for cordsets See pages 1068 ... for mounting aids

CPZ18B03	For Series CP18 Threaded Photoelectric Sensors
BF 18	Mounting flange, 18 mm
BF 18-F	Mounting flange with dead stop, 18 mm
BF 5-30	Universal mounting bracket for cylindrical sensors with a diameter of 5 ... 30 mm
V1-G-2M-PUR	Cable socket, M12, 4-pin, PUR cable
V1-W-2M-PUR	Cable socket, M12, 4-pin, PUR cable



Electrical Connection

○ = light on, ● = dark on

GLV18-8-H-120/25/102/115

Option 25/102/115

GLV18-8-H-120/115/120

Option /115/120

GLV18-8-H-120/25/102/159

Option 25/102/159

GLV18-8-H-120/73/120

Option 73/120

Wire colors in accordance with EN 6

1	BN	(brown)
3	BU	(blue)
4	BK	(black)

Wire colors in accordance with EN 6

1	BN	(brown)
2	WH	(white)
3	BU	(blue)
4	BK	(black)

Photoelectric Sensors, Standard Sensors, Diffuse Mode Sensors with Background Suppression



Properties

- Background suppression
- Cylindrical threaded housing
- Nickel-plated brass housing
- DC sensor
- Discrete output
- Connector version
- Visible red light

Your Benefit

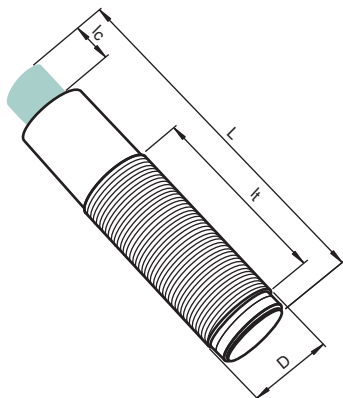
- Reliable detection of all surfaces, regardless of color and texture
- Minimal black/white difference
- Adjustable switchpoint

Further Products

In this series, we offer additionally:

VT18-8-H-120-M/32/40a/65b/118

Tech. spec. like VT18-8-H-120-M/40a/65b/118/128 but:
Signal output: 1 PNP output, short-circuit protected overvoltage protected, open collector



Technical Data

For detailed data and product description refer to the data sheets at www.pepperl-fuchs.com

Model Number	VT18-8-H-120-M/40a/65b/118/128
Sensing range adjustment	✓
Light/dark switch	✓
Detection range	20 ... 120 mm, adjustable
Light type	modulated visible red light
Diameter of the light spot	approx. 6 mm at a distance of 120 mm
Operating voltage	10 ... 30 V DC
No-load supply current	< 35 mA
Switching type	light/dark on, switchable
Signal output	Push-pull (4 in 1) output short-circuit protected overvoltage protected
Switching current	max. 200 mA
Switching frequency	500 Hz
Ambient temperature	-25 ... 70 °C (-13 ... 158 °F)
Material	
Housing	brass, nickel-plated
Optical face	plastic
Protection degree	IP67
Connection	M12 connector, 4-pin (Vario-Quick quick connect technology)



Approvals and Certificates

CCC approval	Products with a maximum operating voltage of ≤36 V do not bear a CCC marking because they do not require approval.
--------------	--

Dimensions

Length L [mm]	78
Diameter D [mm]	18
Thread length l_t [mm]	41
Connector area l_c [mm]	13

Accessories

This and more accessories can be found in chapter 10

See pages from 972 ... for cordsets

See pages 1068 ... for mounting aids

BF 18	Mounting flange, 18 mm
OMH-VL18	Mounting Bracket with swivel nut

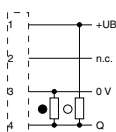
Electrical Connection

○ = light on, ● = dark on



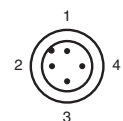
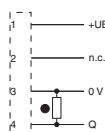
VT18-8-H-120-M/40a/65b/118/128

Option 40a/118/128



VT18-8-H-120-M/32/40a/65b/118

Option 32/40a/118



Wire colors in accordance with EN 60947-5-2

1	BN	(brown)
2	WH	(white)
3	BU	(blue)
4	BK	(black)



Technical Data

For detailed data and product description refer to the data sheets at www.pepperl-fuchs.com

General Data

Light type	modulated visible red light, 630 nm
Operating voltage	10 ... 30 V DC , class 2
No-load supply current	< 10 mA
Signal output	1 PNP output, short-circuit protected, reverse polarity protected, open collector
Switching type	light on
Switching current	max. 50 mA, resistive load
Switching frequency	approx. 800 Hz
Ambient temperature	-25 ... 60 °C (-13 ... 140 °F)
Material	
Housing	PC/ABS and PBT
Optical face	glass
Cable	PUR
Protection degree	IP67
Connection	200 m fixed cable with connector M8 x 1, 4-pin



Properties

- Background suppression
- Rectangular ultra-small housing
- Plastic housing
- DC sensor
- Discrete output
- Pigtail version
- Visible red light

Your Benefit

- Improved machine availability with abrasion-resistant, antistatic glass front

Model Number

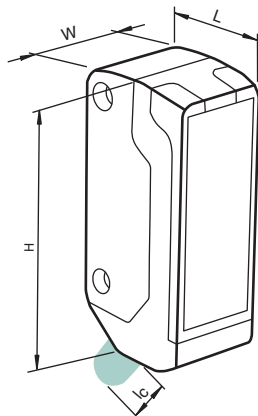
	green = preferred type				
Detection range	2 ... 15 mm	●			
	1 ... 30 mm		●		
	3 ... 50 mm			●	
	15 ... 80 mm				●
Diameter of the light spot	approx 2 mm at a distance of 15 mm	●			
	approx 2 mm at a distance of 30 mm		●		
	approx 3.5 mm at a distance of 50 mm			●	
	approx 5 mm at a distance of 80 mm				●

Approvals and Certificates

UL approval	cULus Recognized, Class 2 Power Source	●	●	●	●
CCC approval	Products with a maximum operating voltage of ≤36 V do not bear a CCC marking because they do not require approval.				

Dimensions

Length L [mm]	11.2
Width W [mm]	7.5
Height H [mm]	24
Connector area l _c [mm]	0



Accessories

This and more accessories can be found in chapter 10

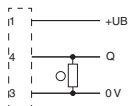
MH-R2-01	Mounting bracket	See pages from 972 ... for cordsets	See pages 1068 ... for mounting aids
MH-R2-02	Mounting bracket		
MH-R2-03	Mounting bracket		
MH-R2-04	Mounting bracket		
V31-GM-2M-PVC	M8, 4-pin socket, PVC cable		
V31-GM-5M-PUR	4-pin, M8 socket, PUR cable		

Electrical Connection

○ = light on, ● = dark on

- OBT15-R2-E2-0,2M-V31
- OBT30-R2-E2-0,2M-V31
- OBT50-R2-E2-0,2M-V31
- OBT80-R2-E2-0,2M-V31

Option E2



Wire colors in accordance with EN 60947-5-2

1	BN	(brown)
2	WH	(white)
3	BU	(blue)
4	BK	(black)



Technical Data

For detailed data and product description refer to the data sheets at www.pepperl-fuchs.com

General Data

Light type	modulated visible red light , 660 nm
Operating voltage	10 ... 30 V DC
No-load supply current	< 25 mA
Switching type	light/dark on electrically switchable
Signal output	Push-pull (4 in 1) output, short-circuit protected, reverse polarity protected
Switching current	max. 100 mA
Switching frequency	1000 Hz
Ambient temperature	-20 ... 60 °C (-4 ... 140 °F)
Material	
Housing	ABS
Optical face	glass pane
Protection degree	IP67

Properties

- Background suppression
- Rectangular miniature housing
- Plastic housing
- DC sensor
- Discrete output
- Cable, connector and pigtailed connector versions
- Visible red light

Your Benefit

- Reliable detection of all surfaces, regardless of color and texture
- Small, sharp light spots provide reliable, color insensitive object positioning
- Extremely sharp background suppression
- Antistatic optical face inhibits dust build-up in paper and printing applications

Model Number

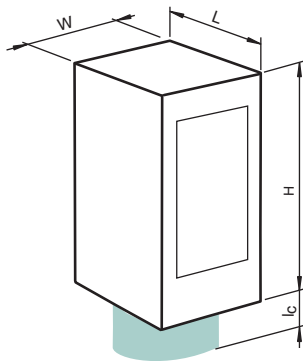
Detection range	7 ... 20 mm 10 ... 40 mm 10 ... 60 mm 10 ... 80 mm	ML4.2-8-H-20-RT/40b/110/115 ML4.2-8-H-40-RT/40b/110/115 ML4.2-8-H-60-RT/40b/110/115 ML4.2-8-H-80-RT/40b/110/115 ML4.2-8-H-20-RT/40b/110/115b ML4.2-8-H-40-RT/40b/110/115b ML4.2-8-H-80-RT/40b/110/115b ML4.2-8-H-20-RT/40b/95/110 ML4.2-8-H-40-RT/40b/95/110 ML4.2-8-H-40-43-RT/40b/95/110 ML4.2-8-H-60-RT/40b/95/110 ML4.2-8-H-80-RT/40b/95/110
Connection	2 m fixed cable 300 mm fixed cable with M12 x 1, 4-pin connector M8 x 1 connector, 4-pin	

Approvals and Certificates

UL approval	cULus Listed	
CCC approval	Products with a maximum operating voltage of ≤36 V do not bear a CCC marking because they do not require approval.	

Dimensions

Length L [mm]	18
Width W [mm]	13,9
Height H [mm]	25,4
Connector area l _c [mm]	7,5 13,9



Accessories

This and more accessories can be found in chapter 10

See pages from 972 ... for cordsets

See pages 1068 ... for mounting aids

OMH-4.1	Mounting Clamp
OMH-ML6	Mounting bracket
OMH-ML6-U	Mounting bracket
OMH-ML6-Z	Mounting bracket
V31-GM-2M-PVC	M8, 4-pin socket, PVC cable
V31-WM-2M-PVC	M8, 4-pin socket, PVC cable
V1-G-5M-PUR	Cable socket, M12, 4-pin, PUR cable
V31-GM-5M-PUR	4-pin, M8 socket, PUR cable
V31-WM-5M-PUR	4-pin, M8 socket, PUR cable
V1-W-5M-PUR	Cable socket, M12, 4-pin, PUR cable

Electrical Connection

○ = light on, ● = dark on

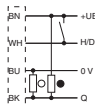


- ML4.2-8-H-20-RT/40b/110/115
- ML4.2-8-H-40-RT/40b/110/115
- ML4.2-8-H-60-RT/40b/110/115
- ML4.2-8-H-80-RT/40b/110/115

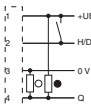


- ML4.2-8-H-20-RT/40b/95/110
- ML4.2-8-H-40-RT/40b/95/110
- ML4.2-8-H-60-RT/40b/95/110
- ML4.2-8-H-80-RT/40b/95/110
- ML4.2-8-H-40-43-RT/40b/95/110
- ML4.2-8-H-40-RT/40b/110/115b
- ML4.2-8-H-80-RT/40b/110/115b
- ML4.2-8-H-20-RT/40b/110/115b

Option 40b/110/115

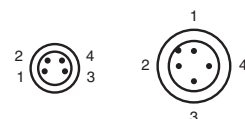


Option 40b/95/110



Wire colors in accordance with EN 60947-5-2

1	BN	(brown)
2	WH	(white)
3	BU	(blue)
4	BK	(black)



Date of issue 04/08/2015



Technical Data

For detailed data and product description refer to the data sheets at www.pepperl-fuchs.com

General Data

Light type	modulated infrared light , 880 nm
Operating voltage	10 ... 30 V DC
No-load supply current	< 25 mA
Switching type	light/dark on electrically switchable
Signal output	Push-pull (4 in 1) output, short-circuit protected, reverse polarity protected
Switching current	max. 100 mA
Switching frequency	1000 Hz
Ambient temperature	-20 ... 60 °C (-4 ... 140 °F)
Material	
Housing	ABS
Optical face	glass pane
Protection degree	IP67

2
.1.1



Properties

- Background suppression
- Rectangular miniature housing
- Plastic housing
- DC sensor
- Discrete output
- Cable and connector versions
- Infrared light

Your Benefit

- Reliable detection of all surfaces, regardless of color and texture
- Small, sharp light spots provide reliable, color insensitive object positioning
- Extremely sharp background suppression
- Antistatic optical face inhibits dust build-up in paper and printing applications

Model Number

		ML4.2-8-H-20-IR/40b/110/115	ML4.2-8-H-40-IR/40b/110/115	ML4.2-8-H-60-IR/40b/110/115	ML4.2-8-H-80-IR/40b/110/115	ML4.2-8-H-20-IR/40b/95/110	ML4.2-8-H-40-IR/40b/95/110	ML4.2-8-H-60-IR/40b/95/110	ML4.2-8-H-80-IR/40b/95/110
Detection range	green = preferred type	●	●	●	●	●	●	●	●
	7 ... 20 mm								
	10 ... 40 mm		●						
	10 ... 60 mm			●					
	10 ... 80 mm				●				
Diameter of the light spot	approx. 1.5 mm at 20 mm	●	●	●	●	●	●	●	●
	approx. 3 mm at 40 mm		●						
	approx. 4 mm at 60 mm			●					
	approx. 6 mm at 80 mm				●				
Connection	2 m fixed cable	●	●	●	●	●	●	●	●
	M8 x 1 connector, 4-pin								

Approvals and Certificates

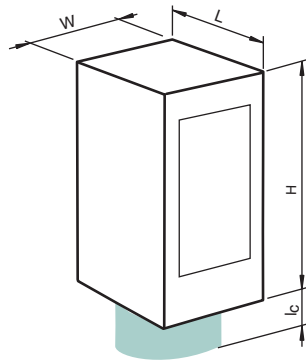
UL approval	cULus Listed	●	●	●	●	●	●	●	●
CCC approval	Products with a maximum operating voltage of ≤36 V do not bear a CCC marking because they do not require approval.								

Dimensions

Length L [mm]	18
Width W [mm]	13.9
Height H [mm]	25.4
Connector area l _c [mm]	7.5 13.9

Accessories This and more accessories can be found in chapter 10

OMH-4.1	Mounting Clamp	See pages from 972 ... for cordsets	See pages 1068 ... for mounting aids
OMH-ML6	Mounting bracket		
OMH-ML6-U	Mounting bracket		
OMH-ML6-Z	Mounting bracket		
V31-GM-2M-PVC	M8, 4-pin socket, PVC cable		
V31-WM-2M-PVC	M8, 4-pin socket, PVC cable		
V31-GM-5M-PUR	4-pin, M8 socket, PUR cable		
V31-WM-5M-PUR	4-pin, M8 socket, PUR cable		



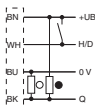
Electrical Connection

○ = light on, ● = dark on



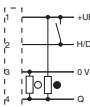
- ML4.2-8-H-40-IR/40b/110/115
- ML4.2-8-H-60-IR/40b/110/115
- ML4.2-8-H-80-IR/40b/110/115
- ML4.2-8-H-20-IR/40b/110/115

Option 40b/110/115



- ML4.2-8-H-20-IR/40b/95/110
- ML4.2-8-H-40-IR/40b/95/110
- ML4.2-8-H-60-IR/40b/95/110
- ML4.2-8-H-21-22-IR/40b/95/110
- ML4.2-8-H-80-IR/40b/95/110

Option 40b/95/110



Wire colors in accordance with EN 60947-5-2

- 1 | BN (brown)
- 2 | WH (white)
- 3 | BU (blue)
- 4 | BK (black)

Photoelectric Sensors, Standard Sensors, Diffuse mode sensors with background suppression



Technical Data

For detailed data and product description refer to the data sheets at www.pepperl-fuchs.com

General Data

Light type	modulated infrared light , 880 nm
Diameter of the light spot	2 light spots: size 2.5 mm distance 5 mm at 20 mm (ML4.2-8-H-20...) size 3.5 mm distance 9 mm at 40 mm (ML4.2-8-H-40...)
Operating voltage	10 ... 30 V DC
No-load supply current	< 20 mA
Switching current	max. 100 mA
Switching frequency	500 Hz
Ambient temperature	-20 ... 60 °C (-4 ... 140 °F)
Material	
Housing	ABS
Optical face	glass pane
Protection degree	IP67

Properties

- Background suppression with multiple beams
- Rectangular miniature housing
- Plastic housing
- DC sensor
- Discrete output
- Cable and connector versions
- Infrared light

Your Benefit

- Dual sensor with two light spots
- Improved detection of transparent or reflective materials
- Simple 2-point edge control
- Antistatic optical face inhibits dust in paper and printing applications

Model Number

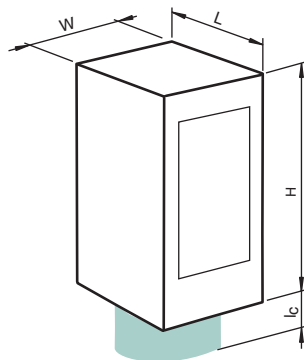
	ML4.2-8-H-20-IR/DS/25/95/136	ML4.2-8-H-20-IR/DS/40b/95/110	ML4.2-8-H-40-IR/DS/40b/95/110	ML4.2-8-H-40-IR/DS/40b/110/115
Detection range	10 ... 40 mm			
	7 ... 20 mm	●	●	●
Light type	modulated infrared light , 880 nm	●	●	●
Signal output	1 push-pull (4 in 1) output, short-circuit protected, reverse polarity protected	●	●	●
	2 Push-pull (4 in 1) outputs, short-circuit protected, reverse polarity protected	●	●	●
Switching type	light on: +UB / dark on: 0V	●	●	●
	light/dark on electrically switchable		●	●
Connection	2 m fixed cable			●
	M8 x 1 connector, 4-pin	●	●	●

Approvals and Certificates

UL approval	cULus Listed	●	●	●	●
CCC approval	Products with a maximum operating voltage of ≤36 V do not bear a CCC marking because they do not require approval.				

Dimensions

Length L [mm]	18
Width W [mm]	13,9
Height H [mm]	25,4
Connector area l _c [mm]	13,9 7,5



Accessories

This and more accessories can be found in chapter 10

See pages from 972 ... for cordsets

See pages 1068 ... for mounting aids

- OMH-4.1 Mounting Clamp
- OMH-ML6 Mounting bracket
- OMH-ML6-U Mounting bracket
- OMH-ML6-Z Mounting bracket
- V31-GM-2M-PVC M8, 4-pin socket, PVC cable
- V31-WM-2M-PVC M8, 4-pin socket, PVC cable
- V31-GM-5M-PUR 4-pin, M8 socket, PUR cable
- V31-WM-5M-PUR 4-pin, M8 socket, PUR cable

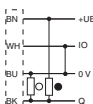
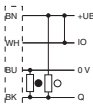
Electrical Connection

○ = light on, ● = dark on



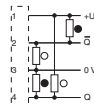
ML4.2-8-H-40-IR/DS/40b/110/115

Option 40b/110/115



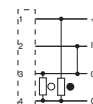
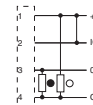
ML4.2-8-H-20-IR/DS/25/95/136

Option 25/95/136



ML4.2-8-H-20-IR/DS/40b/95/110
ML4.2-8-H-40-IR/DS/40b/95/110

Option 40b/95/110



Wire colors in accordance with EN 60947-5-2

- 1 BN (brown)
- 2 WH (white)
- 3 BU (blue)
- 4 BK (black)

Date of issue 04/08/2015



Technical Data

For detailed data and product description refer to the data sheets at www.pepperl-fuchs.com

General Data

Light type	modulated visible red light , 660 nm
Operating voltage	10 ... 30 V DC
No-load supply current	< 25 mA
Switching type	light/dark on
Switching current	max. 100 mA
Switching frequency	1000 Hz
Ambient temperature	-20 ... 60 °C (-4 ... 140 °F)
Material	
Housing	ABS
Optical face	PMMA
Protection degree	IP67
Connection	2 m fixed cable



2
.1.1



Photoelectric Sensors, Standard Sensors, Diffuse mode sensors with background suppression

Properties

- Background suppression
- Rectangular miniature housing
- Plastic housing
- DC sensor
- Discrete output
- Cable version
- Visible red light

Your Benefit

- Reliable detection of all surfaces, regardless of color and texture
- Small, sharp light spots provide reliable, color insensitive object positioning
- Extremely sharp background suppression

Model Number

Detection range	7 ... 20 mm	●				
	10 ... 40 mm		●	●		
	10 ... 60 mm				●	
	10 ... 80 mm					●
Diameter of the light spot	approx. 1.5 mm at 20 mm	●				
	approx. 3 mm at 40 mm		●	●		
	approx. 4 mm at 60 mm				●	
	approx. 6 mm at 80 mm					●
Signal output	NPN, open collector short-circuit protected reverse polarity protected	●	●	●	●	●
	2 Push-pull (4 in 1) outputs, complementary, short-circuit proof, reverse polarity protected	●	●	●	●	●

Approvals and Certificates

UL approval	cULus Listed	●	●	●	●	●
CCC approval	Products with a maximum operating voltage of ≤36 V do not bear a CCC marking because they do not require approval.					

Dimensions

Length L [mm]	18
Width W [mm]	13,9
Height H [mm]	25,4
Connector area l _c [mm]	7,5

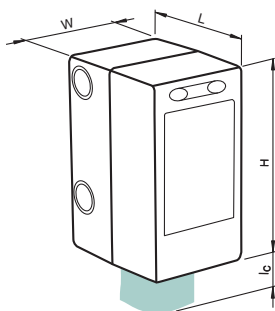
Accessories

This and more accessories can be found in chapter 10

See pages from 972 ... for cordsets

See pages 1068 ... for mounting aids

- OMH-4.1** Mounting Clamp
- OMH-ML6** Mounting bracket
- OMH-ML6-U** Mounting bracket
- OMH-ML6-Z** Mounting bracket

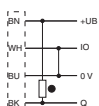
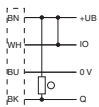


Electrical Connection

○ = light on, ● = dark on

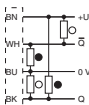
ML6-8-H-40-RT/40b/102/115

Option 40b/102/115



ML6-8-H-60-RT/59/115/136
ML6-8-H-80-RT/59/115/136
ML6-8-H-20-RT/59/115/136
ML6-8-H-40-RT/59/115/136
ML6-8-H-80-RT/110/115a

Option 59/115/136



Wire colors in accordance with EN 60947-5-2

- 1 | BN (brown)
- 3 | BU (blue)
- 4 | BK (black)



Technical Data

For detailed data and product description refer to the data sheets at www.pepperl-fuchs.com

General Data

Light type	modulated visible red light , 660 nm
Operating voltage	10 ... 30 V DC
No-load supply current	< 25 mA
Switching type	light/dark on
Switching current	max. 100 mA
Switching frequency	1000 Hz
Ambient temperature	-20 ... 60 °C (-4 ... 140 °F)
Material	
Housing	ABS
Optical face	PMMA
Protection degree	IP67
Connection	M8 x 1 connector, 4-pin



Properties

- Background suppression
- Rectangular miniature housing
- Plastic housing
- DC sensor
- Discrete output
- Connector version
- Visible red light

Your Benefit

- Reliable detection of all surfaces, regardless of color and texture
- Small, sharp light spots provide reliable, color insensitive object positioning
- Extremely sharp background suppression

Model Number

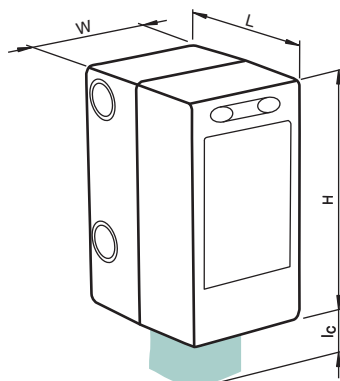
Detection range	green = preferred type	ML6-8-H-20-RT/59/95/136	ML6-8-H-40-RT/59/95/136	ML6-8-H-40-RT/95/102	ML6-8-H-60-RT/59/95/136	ML6-8-H-80-RT/59/95/136
	7 ... 20 mm	●				
	10 ... 40 mm		●	●		
	10 ... 60 mm				●	
	10 ... 80 mm					●
Diameter of the light spot	approx. 1.5 mm at 20 mm	●				
	approx. 3 mm at 40 mm		●	●		
	approx. 4 mm at 60 mm				●	
	approx. 6 mm at 80 mm					●
Signal output	NPN, open collector short-circuit protected reverse polarity protected	●	●	●	●	●
	2 Push-pull (4 in 1) outputs, complementary, short-circuit proof, reverse polarity protected	●	●		●	●

Approvals and Certificates

UL approval	cULus Listed	●	●	●	●	●
CCC approval	Products with a maximum operating voltage of ≤36 V do not bear a CCC marking because they do not require approval.					

Dimensions

Length L [mm]	18
Width W [mm]	13.9
Height H [mm]	25.4
Connector area l _c [mm]	13.9



Accessories

This and more accessories can be found in chapter 10
See pages from 972 ... for cordsets See pages 1068 ... for mounting aids

OMH-4.1	Mounting Clamp
OMH-ML6	Mounting bracket
OMH-ML6-U	Mounting bracket
OMH-ML6-Z	Mounting bracket
V31-GM-2M-PVC	M8, 4-pin socket, PVC cable
V31-WM-2M-PVC	M8, 4-pin socket, PVC cable
V31-GM-5M-PUR	4-pin, M8 socket, PUR cable
V31-WM-5M-PUR	4-pin, M8 socket, PUR cable

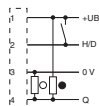
Electrical Connection

○ = light on, ● = dark on



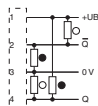
ML6-8-H-150-RT/40b/65a/95/110

Option 40b/95/110



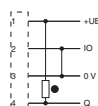
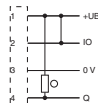
ML6-8-H-60-RT/59/95/136
ML6-8-H-80-RT/59/95/136
ML6-8-H-20-RT/59/95/136
ML6-8-H-40-RT/59/95/136

Option 59/95/136



ML6-8-H-40-RT/95/102

Option 95/102



Wire colors in accordance with EN 60947-5-2

1	BN	(brown)
2	WH	(white)
3	BU	(blue)
4	BK	(black)

Date of issue 04/08/2015



Technical Data

For detailed data and product description refer to the data sheets at www.pepperl-fuchs.com

General Data

Sensing range adjustment	✓
Detection range	15 ... 150 mm
Adjustment range	30 ... 150 mm
Light type	modulated visible red light , 660 nm
Diameter of the light spot	approx. 6 mm at detection range 150 mm
Operating voltage	10 ... 30 V DC , class 2
No-load supply current	< 25 mA
Switching current	max. 100 mA
Switching frequency	1000 Hz
Ambient temperature	-20 ... 60 °C (-4 ... 140 °F)
Material	
Housing	ABS
Optical face	PMMA
Protection degree	IP67

2
.1.1

Photoelectric Sensors, Standard Sensors, diffuse mode sensors with background suppression

Properties

- Background suppression
- Rectangular miniature housing
- Plastic housing
- DC sensor
- Discrete output
- Various connection versions
- Visible red light

Your Benefit

- Reliable detection of all surfaces, regardless of color and texture
- Minimal black/white difference
- Sharp background suppression
- Adjustable switchpoint

Further Products

In this series, we also offer:

ML6-8-H-120-RT/59/65a/95/136

Spec. like ML6-8-H-150-RT/59/65a/115b/136 but:
Detection range: 15 ... 120 mm
Connection: M8 x 1 connector, 4-pin

Model Number

Switching type	light/dark on electrically switchable light/dark on, programmable	●	●	●
Signal output	Push-pull (4 in 1) output, short-circuit protected, reverse polarity protected	●	●	●
Connection	2 m fixed cable 300 mm fixed cable with M12 x 1, 4-pin connector M8 x 1 connector, 4-pin	●	●	●

Approvals and Certificates

UL approval	cULus Listed	●	●	●
CCC approval	Products with a maximum operating voltage of ≤36 V do not bear a CCC marking because they do not require approval.			

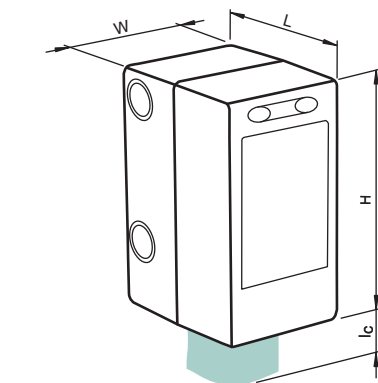
Dimensions

Length L [mm]	18
Width W [mm]	13,9
Height H [mm]	25,4
Connector area l _c [mm]	7,5 13,9

Accessories

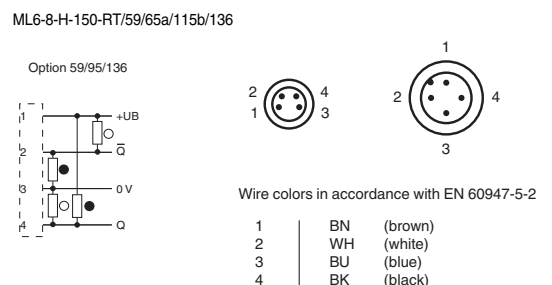
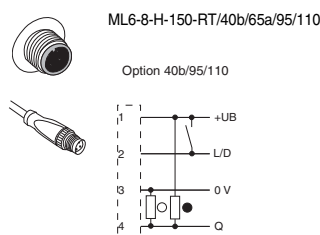
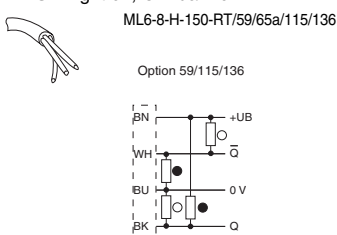
This and more accessories can be found in chapter 10
See pages from 972 ... for cordsets See pages 1068 ... for mounting aids

- OMH-4.1** Mounting Clamp
- OMH-ML6** Mounting bracket
- OMH-ML6-U** Mounting bracket
- V31-GM-2M-PVC** M8, 4-pin socket, PVC cable
- V1-G-2M-PVC** Cable socket, M12, 4-pin, PVC cable
- V1-W-2M-PVC** Cable socket, M12, 4-pin, PVC cable
- V31-WM-2M-PVC** M8, 4-pin socket, PVC cable



Electrical Connection

○ = light on, ● = dark on





Technical Data

For detailed data and product description refer to the data sheets at www.pepperl-fuchs.com

General Data

Sensing range adjustment	✓
Detection range	15 ... 150 mm
Adjustment range	30 ... 150 mm
Light type	modulated infrared light , 880 nm
Diameter of the light spot	approx. 6 mm at detection range 150 mm
Operating voltage	10 ... 30 V DC , class 2
No-load supply current	< 25 mA
Switching type	light/dark on, programmable
Signal output	2 Push-pull (4 in 1) outputs, complementary, short-circuit proof, reverse polarity protected
Switching current	max. 100 mA
Switching frequency	1000 Hz
Ambient temperature	-20 ... 60 °C (-4 ... 140 °F)
Material	
Housing	ABS
Optical face	PMMA
Protection degree	IP67

Properties

- Background suppression
- Rectangular miniature housing
- Plastic housing
- DC sensor
- Discrete output
- Cable and connector versions
- Infrared light

Your Benefit

- Reliable detection of all surfaces, regardless of color and texture
- Minimal black/white difference
- Sharp background suppression
- Adjustable switchpoint

Model Number

Connection	2 m fixed cable	●	●
	M8 x 1 connector, 4-pin	○	○

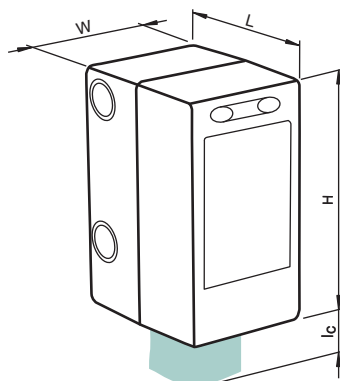


Approvals and Certificates

UL approval	cULus Listed	●	●
CCC approval	Products with a maximum operating voltage of ≤36 V do not bear a CCC marking because they do not require approval.	○	○

Dimensions

Length L [mm]	18
Width W [mm]	13.9
Height H [mm]	25.4
Connector area l _c [mm]	7.5 13.9



Accessories

This and more accessories can be found in chapter 10
 See pages from 972 ... for cordsets See pages 1068 ... for mounting aids

OMH-4.1	Mounting Clamp
OMH-ML6	Mounting bracket
OMH-ML6-U	Mounting bracket
OMH-ML6-Z	Mounting bracket
V31-GM-2M-PVC	M8, 4-pin socket, PVC cable
V31-WM-2M-PVC	M8, 4-pin socket, PVC cable
V31-GM-5M-PUR	4-pin, M8 socket, PUR cable
V31-WM-5M-PUR	4-pin, M8 socket, PUR cable

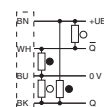
Electrical Connection

○ = light on, ● = dark on



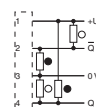
ML6-8-H-150-IR/59/65a/115/136

Option 59/115/136



ML6-8-H-150-IR/59/65a/95/136

Option 59/95/136



Wire colors in accordance with EN 60947-5-2

1	BN	(brown)
2	WH	(white)
3	BU	(blue)
4	BK	(black)

Date of issue 04/08/2015



Technical Data

For detailed data and product description refer to the data sheets at www.pepperl-fuchs.com

General Data

Light type	660 nm visible red light
Diameter of the light spot	2 light spots: size 2.5 mm, distance 5 mm at 20 mm (ML6-8-H-20...) size 3.5 mm, distance 9 mm at 40 mm (ML6-8-H-40...)
Operating voltage	10 ... 30 V DC
No-load supply current	< 20 mA
Switching type	light on +UB dark on: 0 V
Signal output	2 Push-pull (4 in 1) outputs, short-circuit protected, reverse polarity protection
Switching current	max. 100 mA
Switching frequency	500 Hz
Ambient temperature	-20 ... 60 °C (-4 ... 140 °F)
Material	
Housing	ABS
Optical face	PMMA
Protection degree	IP67

Properties

- Background suppression with multiple beams
- Rectangular miniature housing
- Plastic housing
- DC sensor
- Discrete output
- Cable and connector versions
- Visible red light

Your Benefit

- Dual sensor with two light spots
- Improved detection of transparent or reflective materials and 2-point edge control

Model Number	ML6-8-H-40-RT/DS/25/115/136	ML6-8-H-20-RT/DS/25/95/136	ML6-8-H-40-RT/DS/25/95/136
Detection range	7 ... 20 mm	●	●
10 ... 40 mm	●		●
Connection	2 m fixed cable	●	
M8 x 1 connector, 4-pin		●	●

Approvals and Certificates

UL approval	cULus Listed	●	●	●
CCC approval	Products with a maximum operating voltage of ≤36 V do not bear a CCC marking because they do not require approval.			

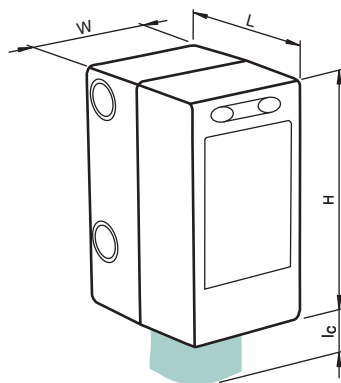
Dimensions

Length L [mm]	18
Width W [mm]	13.9
Height H [mm]	25.4
Connector area l _c [mm]	7.5 13.9

Accessories

This and more accessories can be found in chapter 10
See pages from 972 ... for cordsets See pages 1068 ... for mounting aids

OMH-4.1	Mounting Clamp
OMH-ML6	Mounting bracket
OMH-ML6-U	Mounting bracket
OMH-ML6-Z	Mounting bracket
V31-GM-2M-PVC	M8, 4-pin socket, PVC cable
V31-WM-2M-PVC	M8, 4-pin socket, PVC cable
V31-GM-5M-PUR	4-pin, M8 socket, PUR cable
V31-WM-5M-PUR	4-pin, M8 socket, PUR cable

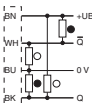


Electrical Connection

○ = light on, ● = dark on

ML6-8-H-40-RT/DS/25/115/136

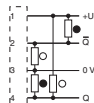
Option 25/115/136



ML6-8-H-20-RT/DS/25/95/136

ML6-8-H-40-RT/DS/25/95/136

Option 25/95/136



Wire colors in accordance with EN 60947-5-2

1	BN	(brown)
2	WH	(white)
3	BU	(blue)
4	BK	(black)

2 .1.1 Photoelectric Sensors, Standard Sensors, Diffuse Mode Sensors with Background Suppression



Technical Data

For detailed data and product description refer to the data sheets at www.pepperl-fuchs.com

General Data

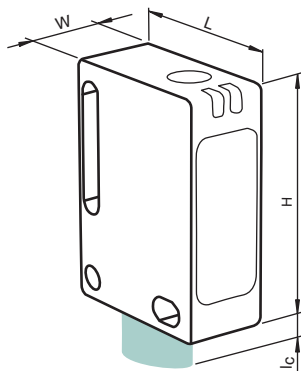
Sensing range adjustment	✓
Detection range	5 ... 140 mm
Adjustment range	25 ... 140 mm
Light type	modulated visible red light
Diameter of the light spot	approx. 5 mm at detection range 120 mm
Operating voltage	10 ... 30 V DC, class 2
No-load supply current	< 20 mA
Switching type	light/dark on
Signal output	2 Push-pull (4 in 1) outputs, complementary, short-circuit proof, reverse polarity protected
Switching current	max. 100 mA
Switching frequency	1 kHz
Ambient temperature	-20 ... 60 °C (-4 ... 140 °F)
Material	
Housing	PC (glass-fiber-reinforced Makrolon)
Optical face	PMMA
Protection degree	IP67 / IP69K

Properties

- Background suppression
- Rectangular miniature housing
- Plastic housing
- DC sensor
- Discrete output
- Cable, connector and pigtailed connector versions
- Visible red light

Your Benefit

- Slotted mounting holes provide flexible mounting options
- Reliable detection of all surfaces, regardless of color and texture
- Minimal black/white difference
- Sharp background suppression
- Adjustable switchpoint
- ECOLAB certificate



Model Number

Connection	green = preferred type 2 m fixed cable	●	●	●	●
	200 mm fixed cable with 4-pin, M12x1 connector				
	200 mm fixed cable with 4-pin, M8x1 connector		●		
	M8 x 1 connector, 4-pin				●

Approvals and Certificates

Protection class	II	●	●	●	●
UL approval	cULus	●	●	●	●
CCC approval	Products with a maximum operating voltage of ≤36 V do not bear a CCC marking because they do not require approval.				

Dimensions

Length L [mm]	23
Width W [mm]	11
Height H [mm]	31
Connector area l_c [mm]	7.6 9.1

Accessories

This and more accessories can be found in chapter 10

See pages from 972 ... for cordsets

See pages 1068 ... for mounting aids

- Montagekit OMH-ML7-01** Mounting set consisting of bracket OMH-ML-01 sheet ONH-ML7-03, and fastening material
- Montagekit OMH-ML7-02** Mounting set consisting of bracket OMH-ML-02 sheet ONH-ML7-03, and fastening material
- OMH-ML7-01** Mounting bracket
- OMH-ML7-02** Mounting bracket
- OMH-ML7-03** Fixing plate

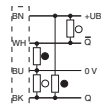
Electrical Connection

○ = light on, ● = dark on



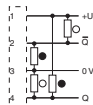
ML7-8-H-140-RT/59/65a/115/136

Option 59/115/136



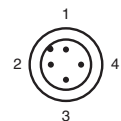
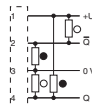
ML7-8-H-140-RT/59/65a/115a/136
ML7-8-H-140-RT/59/65a/115b/136

Option 59/115b/136



ML7-8-H-140-RT/59/65a/136/143

Option 59/136/143



Wire colors in accordance with EN 60947-5-2

- 1 | BN (brown)
- 2 | WH (white)
- 3 | BU (blue)
- 4 | BK (black)



ECOLAB



Technical Data

For detailed data and product description refer to the data sheets at www.pepperl-fuchs.com

General Data

Sensing range adjustment	✓
Light type	modulated infrared light
Operating voltage	10 ... 30 V DC, class 2
No-load supply current	< 20 mA
Switching type	light/dark on
Switching current	max. 100 mA
Ambient temperature	-20 ... 60 °C (-4 ... 140 °F)
Material	
Housing	PC (glass-fiber-reinforced Makrolon)
Optical face	PMMA
Protection degree	IP67 / IP69K

2
.1.1

Photoelectric Sensors, Standard Sensors, Diffuse mode sensors with background suppression

Properties

- Background suppression
- Rectangular miniature housing
- Plastic housing
- DC sensor
- Discrete output
- Cable, connector and pigtailed connector versions
- Infrared light

Your Benefit

- Slotted mounting holes provide flexible mounting options
- Reliable detection of all surfaces, regardless of color and texture
- Minimal black/white difference
- Sharp background suppression
- Adjustable switchpoint
- ECOLAB certificate

Model Number

	green = preferred type				
Detection range	4 ... 140 mm	●	●	●	●
	5 ... 350 mm				
Adjustment range	25 ... 140 mm	●	●	●	●
	25 ... 350 mm				
Diameter of the light spot	approx. 15 mm at detection range 350 mm		●	●	●
	approx. 5 mm at detection range 120 mm	●	●	●	●
Signal output	2 Push-pull (4 in 1) outputs, complementary, short-circuit proof, reverse polarity protected	●	●	●	●
	2 PNP, complementary, short-circuit protected, reverse polarity protected			●	●
Switching frequency	1 kHz	●	●	●	●
	250 Hz			●	●
Connection	2 m fixed cable	●			
	200 mm fixed cable with 4-pin, M12x1 connector		●	●	
	200 mm fixed cable with 4-pin, M8x1 connector			●	●
	M8 x 1 connector, 4-pin				●

Approvals and Certificates

Protection class	II	●	●	●	●	●
UL approval	cULus	●	●	●	●	●
CCC approval	Products with a maximum operating voltage of ≤36 V do not bear a CCC marking because they do not require approval.					

Dimensions

Length L [mm]	23
Width W [mm]	11
Height H [mm]	31
Connector area l _c [mm]	7,6 9,1

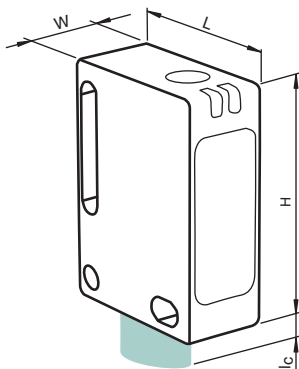
Accessories

This and more accessories can be found in chapter 10

See pages from 972 ... for cordsets

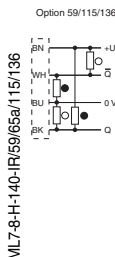
See pages 1068 ... for mounting aids

- OMH-ML7-01 Mounting bracket
- OMH-ML7-02 Mounting bracket
- OMH-ML7-03 Fixing plate

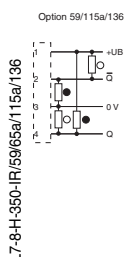


Electrical Connection

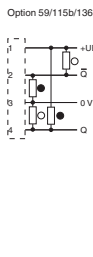
○ = light on, ● = dark on



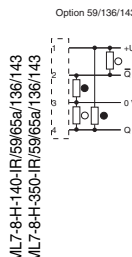
ML7-8-H-140-IR/59/65a/115/136



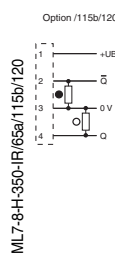
ML7-8-H-350-IR/59/65a/115a/136



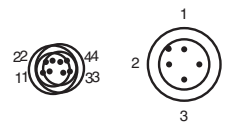
ML7-8-H-140-IR/59/65a/115b/136



ML7-8-H-140-IR/59/65a/136/143
ML7-8-H-350-IR/59/65a/136/143



ML7-8-H-350-IR/65a/115b/120



Wire colors in accordance with EN 60947-5-2

- 1 | BN (brown)
- 2 | WH (white)
- 3 | BU (blue)
- 4 | BK (black)

Date of issue: 04/08/2015



Technical Data

For detailed data and product description refer to the data sheets at www.pepperl-fuchs.com

General Data

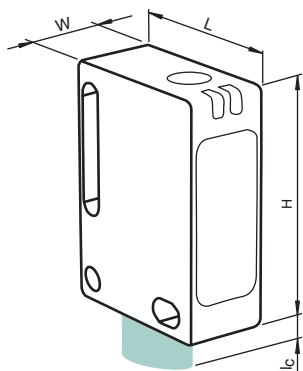
Background suppression	✓
Light type	modulated visible red light , 640 nm
Operating voltage	10 ... 30 V DC , class 2
No-load supply current	< 15 mA
Switching type	light on
Switching current	max. 100 mA
Switching frequency	500 Hz
Ambient temperature	-20 ... 60 °C (-4 ... 140 °F)
Housing	PC (glass-fiber-reinforced Makrolon)
Optical face	PMMA
Protection degree	IP67

Properties

- Background suppression with multiple beams
- Rectangular miniature housing
- Plastic housing
- DC sensor
- Discrete output
- Cable and connector versions
- Visible red light

Your Benefit

- Special sensors for printed circuit board and irregular object detection
- Reliably detects printed circuit boards with multiple light spots in a row
- Reliable detection of PCBs even with a near background
- Ignores holes, indentations and components on the circuit board
- Slotted mounting holes provide flexible mounting options



Model Number

		ML8-8-H-30-RT/102/115/162	ML8-8-H-50-RT/102/115/162	ML8-8-H-30-RT/103/143/162	ML8-8-H-50-RT/103/143/162
Detection range	15 ... 30 mm 20 ... 50 mm	●	●	●	●
Diameter of the light spot	2 light spots; 11 mm apart, spotsize 4 mm at a distance of 50 mm 3 light spots, 12 mm apart (outer spot to outer spot), spotsize 3.5 mm at a distance of 30 mm	●	●	●	●
Signal output	1 NPN output, short-circuit protected, reverse polarity protected, open collector 1 PNP output, short-circuit protected, reverse polarity protected, open collector	●	●	●	●
Connection	2 m fixed cable M8 x 1 connector, 4-pin	●	●	●	●

Approvals and Certificates

UL approval	cULus Listed, Class 2 Power Source, Type 1 enclosure	●	●	●	●
CCC approval	Products with a maximum operating voltage of ≤36 V do not bear a CCC marking because they do not require approval.				

Dimensions

Length L [mm]	23
Width W [mm]	11
Height H [mm]	31
Connector area l _c [mm]	7.6 9.1

Accessories

This and more accessories can be found in chapter 10
See pages from 972 ... for cordsets See pages 1068 ... for mounting aids

Montagekit OMH-ML7-01	Mounting set consisting of bracket OMH-ML-01 sheet ONH-ML7-03, and fastening material
Montagekit OMH-ML7-02	Mounting set consisting of bracket OMH-ML-02 sheet ONH-ML7-03, and fastening material
OMH-ML7-01	Mounting bracket
OMH-ML7-02	Mounting bracket
OMH-ML7-03	Fixing plate

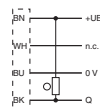
Electrical Connection

○ = light on, ● = dark on



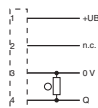
ML8-8-H-50-RT/102/115/162
ML8-8-H-30-RT/102/115/162

Option /25/102/115



ML8-8-H-50-RT/103/143/162
ML8-8-H-30-RT/103/143/162

Option /25/103



Wire colors in accordance with EN 60947-5-2

1	BN	(brown)
2	WH	(white)
3	BU	(blue)
4	BK	(black)

Date of issue 04/08/2015



Technical Data

For detailed data and product description refer to the data sheets at www.pepperl-fuchs.com

General Data

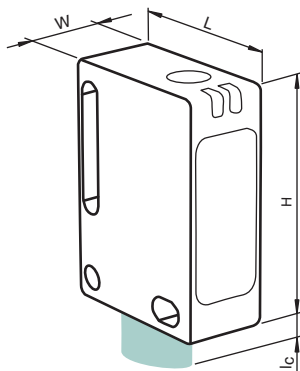
Background suppression	✓
Sensing range adjustment	✓
Detection range	20 ... 100 mm
Adjustment range	25 ... 100 mm
Light type	modulated visible red light , 640 nm
Diameter of the light spot	2 light spots; 12 mm apart, spotsize 4 mm at a distance of 50 mm, 25 mm apart, spotsize 10 mm at a distance of 100 mm
Operating voltage	10 ... 30 V DC , class 2
No-load supply current	< 15 mA
Switching type	light on
Switching current	max. 100 mA
Switching frequency	500 Hz
Ambient temperature	-20 ... 60 °C (-4 ... 140 °F)
Housing	PC (glass-fiber-reinforced Makrolon)
Optical face	PMMA
Protection degree	IP67

Properties

- Background suppression with multiple beams
- Rectangular miniature housing
- Plastic housing
- DC sensor
- Discrete output
- Cable and connector versions
- Visible red light

Your Benefit

- Special sensors for printed circuit board and irregular object detection
- Reliably detects printed circuit boards with multiple light spots in a row
- Reliable detection of PCBs even with a near background
- Ignores holes, indentations and components on the circuit board
- Slotted mounting holes provide flexible mounting options



Model Number

	ML8-8-H-100-RT/65a/102/115/162	ML8-8-H-100-RT/65a/103/115/162	ML8-8-H-100-RT/65a/102/143/162	ML8-8-H-100-RT/65a/103/143/162
Signal output	1 NPN output, short-circuit protected, reverse polarity protected, open collector	●	●	●
	1 PNP output, short-circuit protected, reverse polarity protected, open collector		●	●
Connection	2 m fixed cable	●	●	
	M8 x 1 connector, 4-pin		●	●

Approvals and Certificates

UL approval	cULus Listed, Class 2 Power Source, Type 1 enclosure	●	●	●	●
CCC approval	Products with a maximum operating voltage of ≤36 V do not bear a CCC marking because they do not require approval.				

Dimensions

Length L [mm]		23
Width W [mm]		11
Height H [mm]		31
Connector area l _c [mm]	7.6	9.1

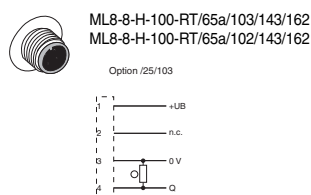
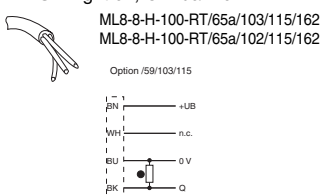
Accessories

This and more accessories can be found in chapter 10
 See pages from 972 ... for cordsets See pages 1068 ... for mounting aids

- Montagekit OMH-ML7-01** Mounting set consisting of bracket OMH-ML-01 sheet ONH-ML7-03, and fastening material
- Montagekit OMH-ML7-02** Mounting set consisting of bracket OMH-ML-02 sheet ONH-ML7-03, and fastening material
- OMH-ML7-01** Mounting bracket
- OMH-ML7-02** Mounting bracket
- OMH-ML7-03** Fixing plate

Electrical Connection

○ = light on, ● = dark on



Wire colors in accordance with EN 60947-5-2

- 1 BN (brown)
- 2 WH (white)
- 3 BU (blue)
- 4 BK (black)

2 .1.1 Photoelectric Sensors, Standard Sensors, Diffuse Mode Sensors with Background Suppression



Technical Data

For detailed data and product description refer to the data sheets at www.pepperl-fuchs.com

General Data

Background suppression	✓
Sensing range adjustment	✓
Operating voltage	10 ... 30 V DC, class 2
No-load supply current	< 20 mA
Switching type	light on
Signal output	1 NPN output, short-circuit protected, reverse polarity protected, open collector
Switching current	max. 100 mA
Switching frequency	200 Hz
Ambient temperature	-20 ... 60 °C (-4 ... 140 °F)
Housing	PC (glass-fiber-reinforced Makrolon)
Optical face	PMMA
Protection degree	IP65
Connection	2 m fixed cable



Properties

- Background suppression
- Rectangular miniature housing
- Plastic housing
- DC sensor
- Discrete output
- Cable version
- Visible red and infrared light versions

Your Benefit

- Reliable detection of all surfaces, regardless of color and texture
- Minimal black/white difference
- Slotted mounting holes provide flexible mounting options

Further Products

In this series, we offer additionally:

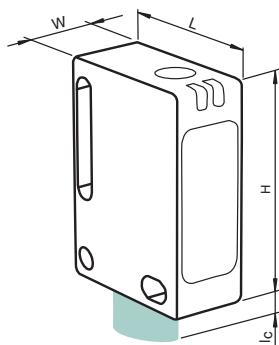
ML8-8-H-350-IR/25/65a/103/115b

Tech. spec. like ML8-8-H-350-IR/65a/102/115 but:

Signal output: 1 NPN output

Switching type: light on

Connection: fixed cable 300 mm with M12 connector 4-pin



Model Number

	ML8-8-H-140-RT/65a/102/115	ML8-8-H-350-IR/65a/102/115
Detection range	4 ... 350 mm	●
Adjustment range	5 ... 140 mm	●
	25 ... 350 mm	●
Light type	modulated infrared light	●
	modulated visible red light	●
Diameter of the light spot	approx. 15 mm at detection range 350 mm	●
	approx. 5 mm at detection range 120 mm	●

Approvals and Certificates

	ML8-8-H-140-RT/65a/102/115	ML8-8-H-350-IR/65a/102/115
Protection class	II, rated voltage ≤ 50 V AC with pollution degree 1-2 according to IEC 60664-1	●
UL approval	cULus Listed, Class 2 Power Source, Type 1 enclosure	●
CCC approval	Products with a maximum operating voltage of ≤ 36 V do not bear a CCC marking because they do not require approval.	●

Dimensions

Length L [mm]	23
Width W [mm]	11
Height H [mm]	31
Connector area l_c [mm]	7.6

Accessories

This and more accessories can be found in chapter 10

See pages from 972 ... for cordsets

See pages 1068 ... for mounting aids

Montagekit OMH-ML7-01	Mounting set consisting of bracket OMH-ML-01 sheet ONH-ML7-03, and fastening material
Montagekit OMH-ML7-02	Mounting set consisting of bracket OMH-ML-02 sheet ONH-ML7-03, and fastening material
OMH-ML7-01	Mounting bracket
OMH-ML7-02	Mounting bracket
OMH-ML7-03	Fixing plate

Electrical Connection

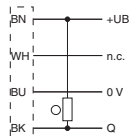
○ = light on, ● = dark on



ML8-8-H-350-IR/65a/102/115

ML8-8-H-140-RT/65a/102/115

Option /25/102/115





Technical Data

For detailed data and product description refer to the data sheets at www.pepperl-fuchs.com

General Data

Sensing range adjustment	✓
Detection range	5 ... 220 mm
Adjustment range	100 ... 220 mm
Light type	modulated visible red light
Diameter of the light spot	approx. 10 mm at detection range 220 mm
Operating voltage	10 ... 30 V DC, class 2
No-load supply current	< 15 mA
Switching type	light on
Switching current	max. 100 mA
Switching frequency	500 Hz
Ambient temperature	-30 ... 60 °C (-22 ... 140 °F)
Housing	PC (glass-fiber-reinforced Makrolon)
Optical face	PMMA
Protection degree	IP65/IP67

2
.1.1

Photoelectric Sensors, Standard Sensors, ML8 series, diffuse mode sensors with background suppression

Properties

- Diffuse type with convergent beam
- Rectangular miniature housing
- Plastic housing
- DC sensor
- Discrete output
- Cable, connector and pigtailed connector versions
- Visible red light

Your Benefit

- Convergent sensing ignores some objects in the background
- Slotted mounting holes provide flexible mounting options

Model Number

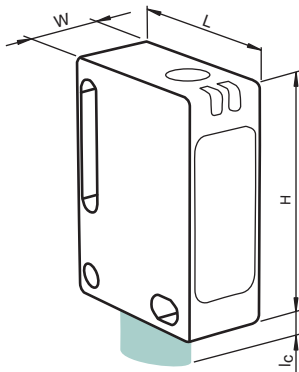
	ML8-8-HGU-220-RT/102/115	ML8-8-HGU-220-RT/103/115b	ML8-8-HGU-220-RT/103/143
Signal output	1 NPN output, short-circuit protected, reverse polarity protected, open collector	●	
	1 PNP output, short-circuit protected, reverse polarity protected, open collector		●
Connection	2 m fixed cable	●	
	fixed cable 300 mm with M12 connector, 4-pin		●
	M8 x 1 connector, 4-pin		●

Approvals and Certificates

UL approval	cULus Listed, Class 2 Power Source, Type 1 enclosure	●	●	●
CCC approval	Products with a maximum operating voltage of ≤36 V do not bear a CCC marking because they do not require approval.			

Dimensions

Length L [mm]		23
Width W [mm]		11
Height H [mm]		31
Connector area l _c [mm]		7.6
		9.1



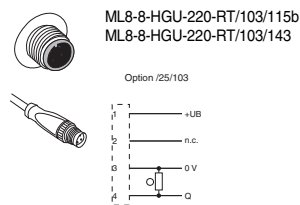
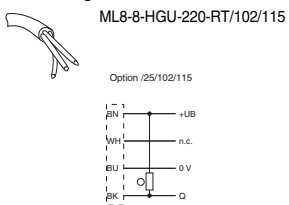
Accessories

This and more accessories can be found in chapter 10
See pages from 972 ... for cordsets See pages 1068 ... for mounting aids

Montagekit OMH-ML7-01	Mounting set consisting of bracket OMH-ML-01 sheet ONH-ML7-03, and fastening material
Montagekit OMH-ML7-02	Mounting set consisting of bracket OMH-ML-02 sheet ONH-ML7-03, and fastening material
OMH-ML7-01	Mounting bracket
OMH-ML7-02	Mounting bracket
OMH-ML7-03	Fixing plate

Electrical Connection

○ = light on, ● = dark on



Wire colors in accordance with EN 60947-5-2

1	BN	(brown)
2	WH	(white)
3	BU	(blue)
4	BK	(black)

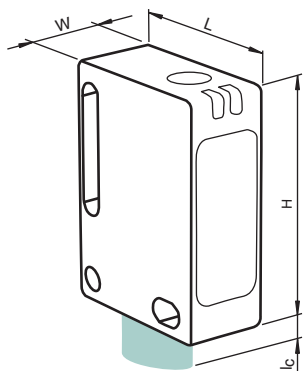


Properties

- Diffuse type with convergent beam with elongated light spot
- Rectangular miniature housing
- Plastic housing
- DC sensor
- Discrete output
- Cable and connector versions
- Visible red light

Your Benefit

- Special sensors for printed circuit board or irregular object detection
- Reliably detects printed circuit boards using a long and very narrow light spot
- Accurate position detection
- Elliptical light spot ignores holes and indentations
- Slotted mounting holes provide flexible mounting options



Technical Data

For detailed data and product description refer to the data sheets at www.pepperl-fuchs.com

General Data

Light type	modulated visible red light
Operating voltage	10 ... 30 V DC , class 2
No-load supply current	< 20 mA
Switching type	light on
Switching current	max. 100 mA
Ambient temperature	-20 ... 60 °C (-4 ... 140 °F)
Housing	PC (glass-fiber-reinforced Makrolon)
Optical face	PMMA
Protection degree	IP65 / IP67

Model Number

		ML8-8-HGU-30-RT/102/115/162	ML8-8-HGU-50-RT/102/115/162	ML8-8-HGU-30-RT/103/143/162	ML8-8-HGU-50-RT/103/143/162
Detection range	15 ... 30 mm 25 ... 50 mm	●	●	●	●
Diameter of the light spot	approx. 4 mm x 35 mm at 50 mm approx. 5 mm x 25 mm at 30 mm	●	●	●	●
Signal output	1 NPN output, short-circuit protected, reverse polarity protected, open collector 1 PNP output, short-circuit protected, reverse polarity protected, open collector	●	●	●	●
Connection	2 m fixed cable M8 x 1 connector, 4-pin	●	●	●	●

Approvals and Certificates

UL approval	cULus Listed, Class 2 Power Source, Type 1 enclosure	●	●	●	●
CCC approval	Products with a maximum operating voltage of ≤36 V do not bear a CCC marking because they do not require approval.				

Dimensions

Length L [mm]	23
Width W [mm]	11
Height H [mm]	31
Connector area l _c [mm]	7.6 9.1

Accessories

This and more accessories can be found in chapter 10
See pages from 972 ... for cordsets See pages 1068 ... for mounting aids

Montagekit OMH-ML7-01	Mounting set consisting of bracket OMH-ML-01 sheet ONH-ML7-03, and fastening material
Montagekit OMH-ML7-02	Mounting set consisting of bracket OMH-ML-02 sheet ONH-ML7-03, and fastening material
OMH-ML7-01	Mounting bracket
OMH-ML7-02	Mounting bracket
OMH-ML7-03	Fixing plate

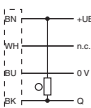
Electrical Connection

○ = light on, ● = dark on



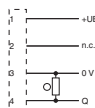
ML8-8-HGU-50-RT/102/115/162
ML8-8-HGU-30-RT/102/115/162

Option /25/102/115



ML8-8-HGU-30-RT/103/143/162
ML8-8-HGU-50-RT/103/143/162

Option /25/103



Wire colors in accordance with EN 60947-5-2

1	BN	(brown)
2	WH	(white)
3	BU	(blue)
4	BK	(black)



Technical Data

For detailed data and product description refer to the data sheets at www.pepperl-fuchs.com

General Data

Detection range	0.9 ... 2.2 mm
Light type	modulated infrared light , 870 nm
Diameter of the light spot	2 mm at sensor range 2.2 mm
Operating voltage	see accessory: external amplifier
Ambient temperature	-20 ... 60 °C (-4 ... 140 °F)
Material	
Housing	PC/ABS
Optical face	glass
Protection degree	IP65

Model Number

Connection	2 m cable with 4-pin connector	ML10-8-H-3-2-IR/115
	2 m cable with 5-pin connector	ML10-8-H-3-2-IR/115e



Approvals and Certificates

CCC approval	Products with a maximum operating voltage of ≤36 V do not bear a CCC marking because they do not require approval.
--------------	--

Dimensions

Length L [mm]	20
Width W [mm]	12
Height H [mm]	14
Connector area l _c [mm]	0

Accessories This and more accessories can be found in chapter 10

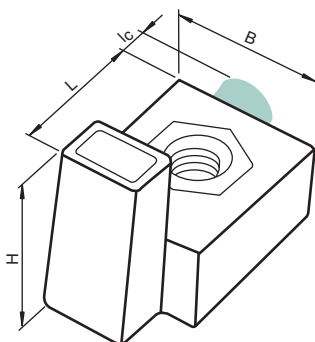
	See pages from 972 ... for cordsets	See pages 1068 ... for mounting aids
SU180-MD/40ab/115/170	External amplifier for single sensor connection - Master module	
SU100/25/145/165	External amplifier for connection of up to 3 devices ML10	
SU180-MD/40b/110/115	External amplifier for single sensor connection - Master module	
SU180-SD/40ab/115/170	External amplifier for single sensor connection - Slave module	
SU180-SD/40b/110/115	External amplifier for single sensor connection - Slave module	

Properties

- Background suppression
- Rectangular nano housing
- Plastic housing
- Requires external amplifier
- Cable version
- Infrared light

Your Benefit

- Special miniature design fits under feeder tables
- Smallest rectangular background suppression sensor for space saving
- Almost as small as fiber optics, but much better performance
- Precision through maximum switching accuracy
- Simple mounting with only one screw

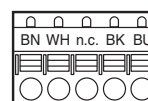
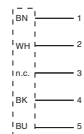


Electrical Connection

○ = light on, ● = dark on



ML10-8-H-3-2-IR/115e
ML10-8-H-3-2-IR/115
ML10-8-H-3-2-IR/115*





Technical Data

For detailed data and product description refer to the data sheets at www.pepperl-fuchs.com

General Data

Light type	modulated visible red light , 640 nm
Operating voltage	10 ... 30 V DC , class 2
No-load supply current	< 30 mA
Switching type	light/dark on
Signal output	2 Push-pull (4 in 1) outputs, short-circuit protected, reverse polarity protection, overvoltage protected
Switching current	max. 100 mA
Switching frequency	500 Hz
Ambient temperature	-20 ... 55 °C (-4 ... 131 °F)
Material	
Housing	ABS
Optical face	Acrylic
Protection degree	IP67

Properties

- Background suppression
- Rectangular miniature housing
- Plastic housing
- DC sensor
- Discrete output
- Cable, connector and pigtailed connector versions
- Visible red light

Your Benefit

- Reliable detection of all surfaces, regardless of color and texture
- Minimal black/white difference
- Threaded face and side thru-holes provide flexible mounting options

Model Number

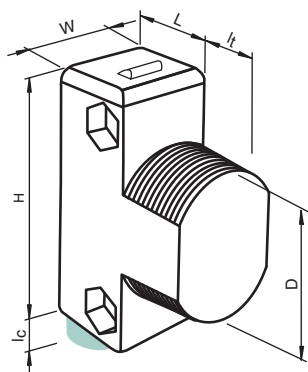
		ML17-8-H-50-RT/115/136	ML17-8-H-100-RT/115/136	ML17-8-H-50-RT/115b/136	ML17-8-H-100-RT/115b/136	ML17-8-H-50-RT/136/143	ML17-8-H-100-RT/136/143	ML17-8-H-50-RT/73/136	ML17-8-H-100-RT/73/136
Detection range	10 ... 100 mm	●	●	●	●	●	●	●	●
Diameter of the light spot	10 ... 50 mm	●	●	●	●	●	●	●	●
	≤ 3 mm at 50 mm	●	●	●	●	●	●	●	●
	≤ 6 mm at 100 mm	●	●	●	●	●	●	●	●
Connection	150 mm PVC cable with 4-pin, M12 connector			●	●				
	2 m PVC cable	●	●						
	4-pin , M12 x 1 connector					●	●	●	●
	4-pin , M8 x 1 connector					●	●	●	●

Approvals and Certificates

UL approval	cULus	●	●	●	●	●	●	●	●
CCC approval	Products with a maximum operating voltage of ≤36 V do not bear a CCC marking because they do not require approval.								

Dimensions

Length L [mm]	19
Width W [mm]	15
Height H [mm]	35
Thread length l _t [mm]	10
Connector area l _c [mm]	0 10 18



Accessories

This and more accessories can be found in chapter 10
See pages from 972 ... for cordsets See pages 1068 ... for mounting aids

OMH-ML17-EZ	Mounting bracket
OMH-ML17	Mounting bracket
OMH-ML17-1	Mounting bracket

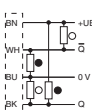
Electrical Connection

○ = light on, ● = dark on



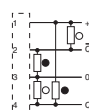
ML17-8-H-100-RT/115/136
ML17-8-H-50-RT/115/136

Option 59/115/136



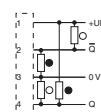
ML17-8-H-100-RT/73/136
ML17-8-H-50-RT/73/136

Option 73/136



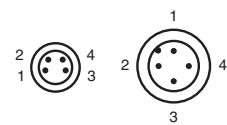
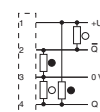
ML17-8-H-100-RT/115b/136
ML17-8-H-50-RT/115b/136

Option 59/115b/136



ML17-8-H-100-RT/136/143
ML17-8-H-50-RT/136/143

Option 59/136/143



Wire colors in accordance with EN 60947-5-2

1	BN	(brown)
2	WH	(white)
3	BU	(blue)
4	BK	(black)

Date of issue 04/08/2015



Technical Data

For detailed data and product description refer to the data sheets at www.pepperl-fuchs.com

General Data

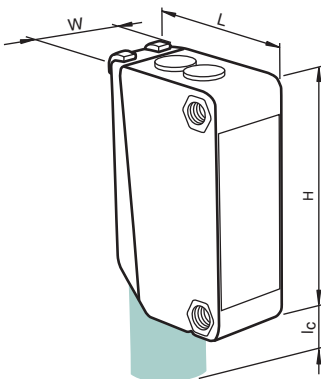
Sensing range adjustment	✓
Light/dark switch	✓
Detection range	5 ... 350 mm
Adjustment range	30 ... 350 mm
Light type	modulated visible red light
Diameter of the light spot	approx. 20 mm at a distance of 350 mm
Operating voltage	10 ... 30 V DC , class 2
No-load supply current	< 20 mA
Switching type	light/dark on, switchable
Switching current	max. 100 mA , resistive load
Switching frequency	500 Hz
Ambient temperature	-30 ... 60 °C (-22 ... 140 °F)
Material	
Housing	PC (Polycarbonate)
Optical face	PMMA
Protection degree	IP67

Properties

- Background suppression
- Rectangular miniature housing
- Plastic housing
- DC sensor
- Discrete output
- Cable, connector and pigtailed connector versions
- Visible red light

Your Benefit

- Reliable detection of all surfaces, regardless of color and texture
- Simplest alignment and set-up with ultra-bright Power-Beam emitter LED
- Small black/white difference
- Adjustable long range version
- Rugged housing has metal-reinforced mounting holes



Model Number

		ML100-8-H-350-RT/102/115	ML100-8-H-350-RT/103/115	ML100-8-H-350-RT/103/115a	ML100-8-H-350-RT/103/115b	ML100-8-H-350-RT/95/102	ML100-8-H-350-RT/95/103	ML100-8-H-350-RT/98/102	ML100-8-H-350-RT/98/103
Signal output	green = preferred type	●				●		●	●
Connection	1 NPN output, short-circuit protected, reverse polarity protected, open collector								
	1 PNP output, short-circuit protected, reverse polarity protected, open collector		●	●	●		●		●
	2 m fixed cable	●	●						
	300 mm fixed cable with 4-pin, M12 x 1 connector			●					
	300 mm fixed cable with M8 connector, 4-pin			●					
connector M8 x 1 , 3-pin						●	●		●
connector M8 x 1 , 4-pin						●	●		●

Approvals and Certificates

UL approval	cULus Listed, Class 2 Power Source, Type 1 enclosure	● ● ● ● ● ● ● ● ● ● ● ●
CCC approval	Products with a maximum operating voltage of ≤36 V do not bear a CCC marking because they do not require approval.	

Dimensions

Length L [mm]		20
Width W [mm]		11
Height H [mm]		31
Connector area I _c [mm]		0 10

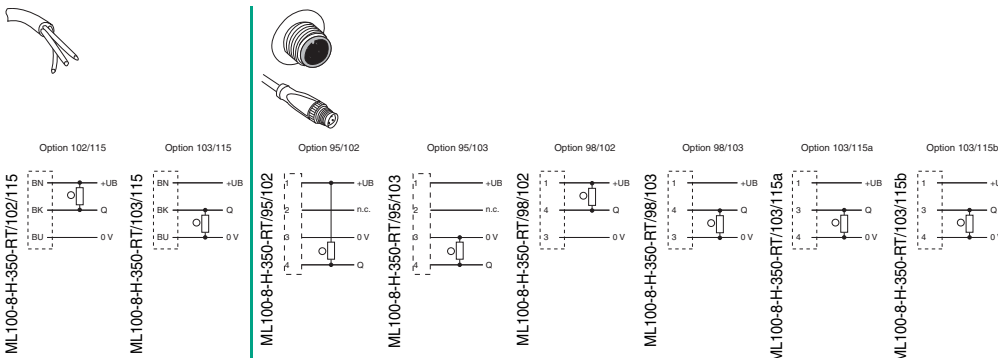
Accessories

This and more accessories can be found in chapter 10
See pages from 972 ... for cordsets See pages 1068 ... for mounting aids

- OMH-ML100-01 Mounting bracket
- OMH-ML100-02 Mounting bracket
- OMH-F10-ML100 Mounting aid for ML100 series

Electrical Connection

○ = light on, ● = dark on



Wire colors in accordance with EN 60947-5-2

- 1 BN (brown)
- 2 WH (white)
- 3 BU (blue)
- 4 BK (black)



Technical Data

For detailed data and product description refer to the data sheets at www.pepperl-fuchs.com

General Data

Sensing range adjustment	✓
Detection range	0 ... 200 mm , adjustable
Adjustment range	25 ... 200 mm
Light type	modulated visible red light , 660 nm
Diameter of the light spot	approx. 12 mm at a distance of 200 mm
Operating voltage	10 ... 30 V DC
No-load supply current	max. 25 mA
Switching current	max. 0.1 A
Switching frequency	500 Hz
Ambient temperature	-25 ... 55 °C (-13 ... 131 °F)
Material	
Housing	PBT
Optical face	glass pane
Protection degree	IP67
Connection	M8 x 1 connector, 3-pin



Properties

- Background suppression
- Rectangular miniature housing
- Plastic housing
- DC sensor
- Discrete output
- Connector version
- Visible red light

Your Benefit

- Reliable detection of all surfaces, regardless of color and texture
- Small black/white difference
- Adjustable switchpoint

Model Number

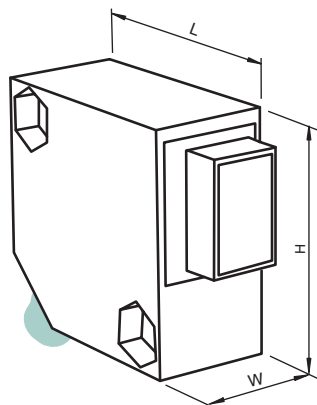
	ML300-8-H-200-RT/25/98/103	ML300-8-H-200-RT/59/98/103	ML300-8-H-200-RT/25/98/102
Switching type	dark on	●	●
	light on	●	●
Signal output	1 NPN output, short-circuit protected, reverse polarity protected, open collector	●	●
	1 PNP output, short-circuit protected, reverse polarity protected, open collector	●	●

Approvals and Certificates

UL approval	cULus Listed 57M3 (Only in association with UL Class 2 power supply; Type 1 enclosure)	●	●	●
CCC approval	Products with a maximum operating voltage of ≤36 V do not bear a CCC marking because they do not require approval.			

Dimensions

Length L [mm]	30
Width W [mm]	15
Height H [mm]	30



Accessories

This and more accessories can be found in chapter 10
 See pages from 972 ... for cordsets See pages 1068 ... for mounting aids

- OMH-ML300-01 Bracket for mounting ML300 series sensors
- OMH-ML300-02 Bracket for mounting ML300 series sensors on a 35 mm DIN rail

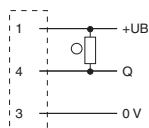
Electrical Connection

○ = light on, ● = dark on



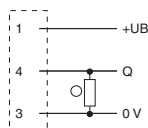
ML300-8-H-200-RT/25/98/102

Option 98/102



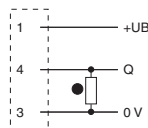
ML300-8-H-200-RT/25/98/103

Option 98/103



ML300-8-H-200-RT/59/98/103

Option 59/98/103



Wire colors in accordance with EN 60947-5-2

- 1 BN (brown)
- 3 BU (blue)
- 4 BK (black)

Date of issue 04/08/2015



Technical Data

For detailed data and product description refer to the data sheets at www.pepperl-fuchs.com

General Data

Background suppression	✓
Detection range	13 ... 140 mm
Light type	modulated visible red light
Diameter of the light spot	approx. 5 mm at detection range 120 mm
Operating voltage	10 ... 30 V DC , class 2
No-load supply current	< 20 mA
Switching type	dark on
Signal output	2 Push-pull (4 in 1) outputs, complementary, short-circuit proof, reverse polarity protected
Switching current	max. 100 mA
Switching frequency	1 kHz
Ambient temperature	-20 ... 60 °C (-4 ... 140 °F)
Material	
Housing	Stainless steel 1.4404 / AISI 316L
Optical face	PMMA
Protection degree	IP67 / IP69K

2
.1.1



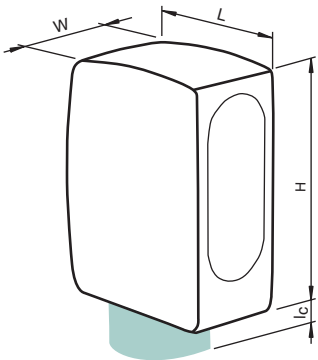
Photoelectric Sensors, Standard Sensors, Diffuse mode sensors with background suppression

Properties

- Background suppression
- Rectangular miniature housing
- Stainless steel housing
- DC sensor
- Discrete output
- Cable and connector versions
- Visible red light

Your Benefit

- Chemical and corrosion resistant housing for rough environments
- Wash down design for applications in food & beverage industries
- Reliable detection of all surfaces, regardless of color and texture
- Minimal black/white difference
- Sharp background suppression
- Adjustable switchpoint
- ECOLAB certificate



Model Number

Connection	2 m fixed cable M8 x 1 connector, 4-pin	MLE75-8-H-140-RT/59/65/115/136	MLE75-8-H-140-RT/59/65/95/136

Approvals and Certificates

UL approval	cULus	●	●
CCC approval	Products with a maximum operating voltage of ≤36 V do not bear a CCC marking because they do not require approval.		

Dimensions

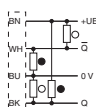
Length L [mm]	25.1
Width W [mm]	12.9
Height H [mm]	32.9
Connector area l_c [mm]	12

Electrical Connection

○ = light on, ● = dark on

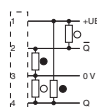
MLE75-8-H-140-RT/59/65/115/136

Option 59/115/136



MLE75-8-H-140-RT/59/65/95/136

Option 59/95/136



Wire colors in accordance with EN 60947-5-2

- | | | |
|---|----|---------|
| 1 | BN | (brown) |
| 2 | WH | (white) |
| 3 | BU | (blue) |
| 4 | BK | (black) |



Technical Data

For detailed data and product description refer to the data sheets at www.pepperl-fuchs.com

General Data

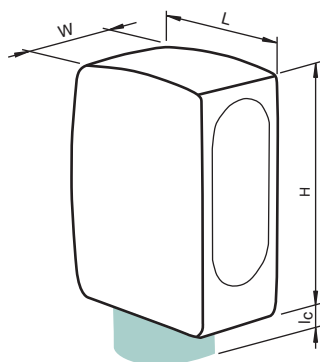
Background suppression	✓
Light type	modulated visible red light
Operating voltage	10 ... 30 V DC, class 2
No-load supply current	< 20 mA
Switching type	light/dark on
Signal output	2 Push-pull (4 in 1) outputs, complementary, short-circuit proof, reverse polarity protected
Switching current	max. 100 mA
Switching frequency	1 kHz
Ambient temperature	-20 ... 60 °C (-4 ... 140 °F)
Material	
Housing	Stainless steel 1.4404 / AISI 316L
Optical face	PMMA
Protection degree	IP67 / IP69K

Properties

- Background suppression
- Rectangular miniature housing
- Stainless steel housing
- DC sensor
- Discrete output
- Cable and connector versions
- Visible red light

Your Benefit

- Chemical and corrosion resistant housing for rough environments
- Hygienic design for applications in food & beverage industries
- Reliable detection of all surfaces, regardless of color and texture
- Minimal black/white difference
- Sharp background suppression
- ECOLAB and EHEDG certificate, integrated mounting solution is part of certificates
- Special accessories in safe hygienic design



Model Number

	MLE76100-8-H-50-RT/59/115/136	MLE76100-8-H-100-RT/59/115/136	MLE76100-8-H-140-RT/59/115/136	MLE76100-8-H-50-RT/59/92/136	MLE76350-8-H-50-RT/59/92/136	MLE76100-8-H-100-RT/59/92/136	MLE76100-8-H-140-RT/59/92/136
Detection range	12 ... 100 mm	13 ... 140 mm	7 ... 50 mm				
Diameter of the light spot	approx. 4 mm at detection range 50 mm	approx. 5 mm at detection range 100 mm	approx. 5 mm at detection range 120 mm				
Connection	2 m fixed cable	connector M12 x 1, 4-pin					

Approvals and Certificates

Protection class	II						
UL approval	cULus						
CCC approval	Products with a maximum operating voltage of ≤36 V do not bear a CCC marking because they do not require approval.						

Dimensions

Length L [mm]	25.1	25.1					
Width W [mm]	12.9	12.9					
Height H [mm]	32.9	32.9					
Connector area l _c [mm]	171	50	41	171	41		

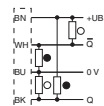
Electrical Connection

○ = light on, ● = dark on



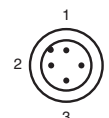
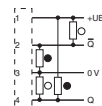
- MLE76100-8-H-100-RT/59/115/136
- MLE76100-8-H-140-RT/59/115/136
- MLE76100-8-H-50-RT/59/115/136

Option 59/115/136



- MLE76100-8-H-100-RT/59/92/136
- MLE76100-8-H-140-RT/59/92/136
- MLE76100-8-H-50-RT/59/92/136
- MLE76350-8-H-50-RT/59/92/136

Option 59/92/136



Wire colors in accordance with EN 60947-5-2

- 1 | BN (brown)
- 2 | WH (white)
- 3 | BU (blue)
- 4 | BK (black)

Date of issue 04/08/2015



Technical Data

For detailed data and product description refer to the data sheets at www.pepperl-fuchs.com

General Data

Sensing range adjustment	✓
Light/dark switch	✓
Detection range	20 ... 250 mm , adjustable
Adjustment range	50 ... 250 mm
Light type	modulated visible red light , 660 nm
Diameter of the light spot	8 mm at Tw 250 mm
Operating voltage	10 ... 30 V DC
No-load supply current	≤ 55 mA
Switching type	light/dark on switchable
Switching current	max. 0.2 A
Switching frequency	1000 Hz
Ambient temperature	-40 ... 60 °C (-40 ... 140 °F)
Material	
Housing	Frame: nickel plated, die cast zinc, Laterals: glass-fiber reinforced plastic PC
Optical face	Plastic pane
Protection degree	IP67

Properties

- Background suppression
- Rectangular compact housing
- Die cast zinc frame housing
- DC sensor
- Discrete output
- Cable and connector versions
- Visible red light

Your Benefit

- Reliable detection of all surfaces, regardless of color and texture
- Minimal black/white difference
- Adjustable switchpoint
- Extreme low-temperature operation

Model Number

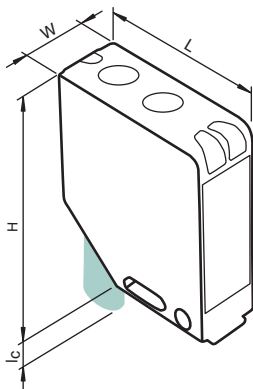
Signal output	green = preferred type 1 push-pull (4 in 1) output, short-circuit protected, reverse polarity protected, 0.2 A / 30 V DC	●	●	●	●	●
Connection	2500 mm fixed cable , PUR Metal connector, M12, 5-pin, 90° rotatable Metal connector, M12, 4-pin, 90° rotatable 4-pin M8 metal connector, 90° rotatable	●	●	●	●	●

Approvals and Certificates

Protection class	II	●	●	●	●
UL approval	cULus	●	●	●	●
CCC approval	Products with a maximum operating voltage of ≤36 V do not bear a CCC marking because they do not require approval.				

Dimensions

Length L [mm]	41.5
Width W [mm]	15
Height H [mm]	49
Connector area l _c [mm]	0 12 16



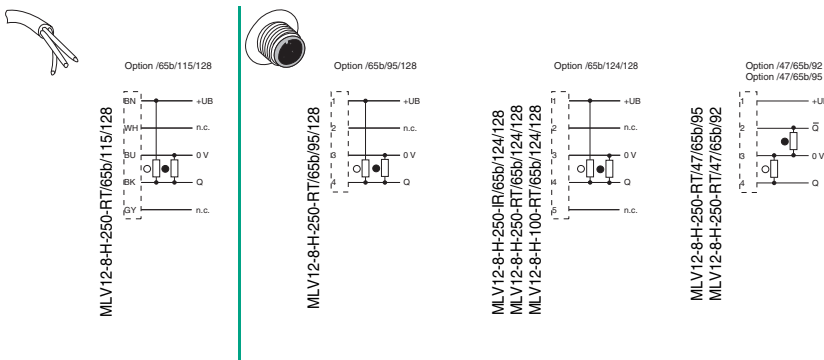
Accessories

This and more accessories can be found in chapter 10

- OMH-MLV12-HWG** Mounting bracket for series MLV12 sensors
- OMH-MLV12-HWK** Mounting bracket for series MLV12 sensors
- OMH-K01** dove tail mounting clamp
- OMH-K02** dove tail mounting clamp
- OMH-06** Mounting aid for round steel ø 12 mm or sheet 1.5 mm ... 3 mm

Electrical Connection

○ = light on, ● = dark on



Wire colors in accordance with EN 60947-5-2

1	BN	(brown)
2	WH	(white)
3	BU	(blue)
4	BK	(black)

Wire colors in accordance with EN 60947-5-2

1	BN	(brown)
2	WH	(white)
3	BU	(blue)
4	BK	(black)
5	GY	(gray)

Date of issue: 04/08/2015

Photoelectric Sensors, Standard Sensors, Diffuse Mode Sensors with Background Suppression



Technical Data

For detailed data and product description refer to the data sheets at www.pepperl-fuchs.com

General Data

Background evaluation	✓
Sensing range adjustment	✓
Light/dark switch	✓
Detection range	50 ... 150 mm , adjustable
Adjustment range	50 ... 150 mm
Light type	modulated visible red light , 680 nm
Diameter of the light spot	4 mm at Tw 150 mm
Operating voltage	10 ... 30 V DC
No-load supply current	≤ 55 mA
Switching type	light/dark on switchable
Signal output	1 push-pull (4 in 1) output, short-circuit protected, reverse polarity protected, 0.2 A / 30 V DC
Switching current	max. 0.2 A
Switching frequency	1000 Hz
Ambient temperature	-40 ... 60 °C (-40 ... 140 °F)
Material	
Housing	Frame: nickel plated, die cast zinc, Laterals: glass-fiber reinforced plastic PC
Optical face	Plastic pane
Protection degree	IP67

Properties

- Background evaluation
- Rectangular compact housing
- Die cast zinc frame housing
- DC sensor
- Discrete output
- Cable and connector versions
- Visible red light

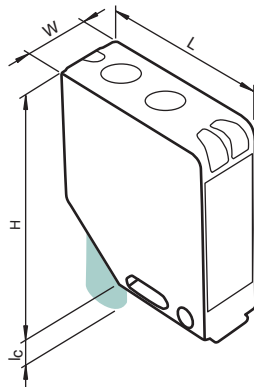
Your Benefit

- Reliable detection of all surfaces, regardless of color and texture
- Minimal black/white difference
- Adjustable switchpoint
- Extreme low-temperature operation

Further Products

In this series, we offer additionally:
MLV12-8-HW-RT/47/65b/124

Tech. spec. like MLV12-8-HW-RT/65b/124/128 but:
Signal output: 2 complementary PNP outputs



Model Number	MLV12-8-HW-RT/65b/115/128	MLV12-8-HW-RT/65b/95/128	MLV12-8-HW-RT/65b/124/128
Connection	2500 mm fixed cable , PUR		
	5-pin M12 metal connector, 90° rotatable		
	4-pin M8 metal connector, 90° rotatable		

Approvals and Certificates

Protection class	II	●	●	●
UL approval	cULus	●	●	●
CCC approval	Products with a maximum operating voltage of ≤36 V do not bear a CCC marking because they do not require approval.			

Dimensions

Length L [mm]	41.5
Width W [mm]	15
Height H [mm]	49
Connector area lc [mm]	0 12 16

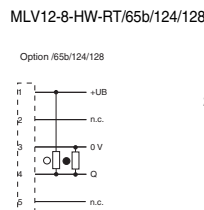
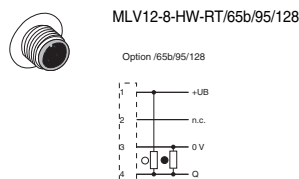
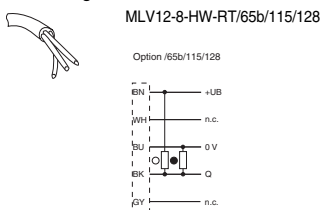
Accessories

This and more accessories can be found in chapter 10
See pages from 972 ... for cordsets See pages 1068 ... for mounting aids

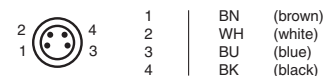
OMH-MLV12-HWG	Mounting bracket for series MLV12 sensors
OMH-MLV12-HWK	Mounting bracket for series MLV12 sensors
OMH-K01	dove tail mounting clamp
OMH-K02	dove tail mounting clamp
OMH-K03	dove tail mounting clamp
OMH-06	Mounting aid for round steel ø 12 mm or sheet 1.5 mm ... 3 mm

Electrical Connection

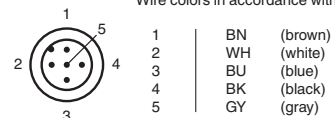
○ = light on, ● = dark on



Wire colors in accordance with EN 60947-5-2



Wire colors in accordance with EN 60947-5-2





Technical Data

For detailed data and product description refer to the data sheets at www.pepperl-fuchs.com

General Data

Sensing range adjustment	✓
Detection range	50 ... 350 mm , adjustable
Adjustment range	50 ... 350 mm
Operating voltage	10 ... 30 V DC
No-load supply current	max. 25 mA
Signal output	2 Push-pull (4 in 1) outputs, complementary, short-circuit proof, reverse polarity protected
Switching current	max. 100 mA
Switching frequency	1000 Hz
Ambient temperature	-40 ... 60 °C (-40 ... 140 °F)
Material	
Housing	aluminum , Delta-Seal coated
Optical face	glass pane
Protection degree	IP67

Properties

- Background suppression
- Rectangular compact housing
- Aluminium with Delta®-Seal coating housing
- DC sensor
- Discrete output
- Cable, connector and pigtailed connector versions
- Visible red and infrared light versions

Your Benefit

- Reliable detection of all surfaces, regardless of color and texture
- Minimal black/white difference
- Adjustable long range version
- Corrosion resistant Delta-Seal housing
- Extreme low-temperature operation

Model Number

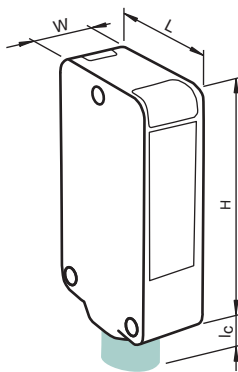
Light type	green = preferred type modulated infrared light , 880 nm modulated visible red light , 660 nm	●	●	●	●	●	●
Diameter of the light spot	approx. 18 mm at 350 mm sensor range approx. 8 mm at 350 mm sensor range	●	●	●	●	●	●
Connection	2500 mm fixed cable fixed cable 300 mm with M12 connector, 4-pin connector M12 x 1, 4-pin M8 x 1 connector, 4-pin	●	●	●	●	●	●

Approvals and Certificates

Protection class	II	●	●	●	●	●	●
UL approval	cULus Listed 57M3 (Only in association with UL Class 2 power supply; Type 1 enclosure)	●	●	●	●	●	●
CCC approval	Products with a maximum operating voltage of ≤36 V do not bear a CCC marking because they do not require approval.						

Dimensions

Length L [mm]	31
Width W [mm]	13.6
Height H [mm]	56.5
Connector area l _c [mm]	3 12.5 16



Accessories

This and more accessories can be found in chapter 10

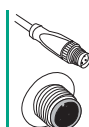
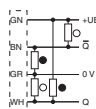
OMH-40	Mounting bracket
OMH-09	Mounting bracket for Sensors series MLV41 for M12 rod mounting
V31-WM-2M-PUR	4-pin, M8 socket, PUR cable
V1-G-2M-PUR	Cable socket, M12, 4-pin, PUR cable
V31-GM-2M-PUR	4-pin, M8 socket, PUR cable
V1-W-2M-PUR	Cable socket, M12, 4-pin, PUR cable

Electrical Connection

○ = light on, ● = dark on

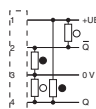
- MLV41-8-H-350-IR/59/115/136
- MLV41-8-H-350-IR/59/115b/136
- MLV41-8-H-350-RT/59/115b/136
- MLV41-8-H-350-RT/59/115/136

Option 59/115/136



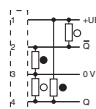
- MLV41-8-H-350-IR/59/92/136
- MLV41-8-H-350-RT/59/92/136

Option 59/92/136



- MLV41-8-H-350-IR/59/95/136
- MLV41-8-H-350-RT/59/95/136

Option 59/95/136



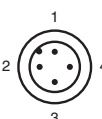
Wire colors in accordance with EN 60947-5-2

- 1 | BN (brown)
- 3 | BU (blue)
- 4 | BK (black)



Wire colors in accordance with EN 60947-5-2

- 1 | BN (brown)
- 2 | WH (white)
- 3 | BU (blue)
- 4 | BK (black)



2 .1.1 Photoelectric Sensors, Standard Sensors, Diffuse mode sensors with background suppression



Technical Data

For detailed data and product description refer to the data sheets at www.pepperl-fuchs.com

General Data

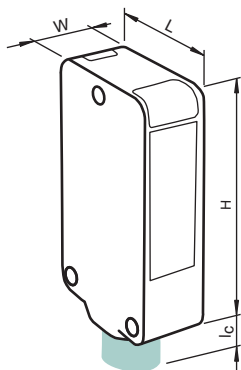
Sensing range adjustment	✓
Light type	modulated visible red light
Operating voltage	10 ... 30 V DC, class 2
No-load supply current	max. 25 mA @ 24 V supply voltage
Interface	IO-Link
Protocol	IO-Link V1.0
Mode	COM 2 (38.4 kbaud)
Signal output	2 Push-pull (4 in 1) outputs, short-circuit proof, reverse polarity protected
Switching current	max. 100 mA
Switching frequency	200 Hz
Ambient temperature	-20 ... 60 °C (-40 ... 140 °F)
Material	
Housing	aluminum, Delta-Seal coated
Optical face	glass pane
Protection degree	IP67

Properties

- Background suppression
- Rectangular compact housing
- Aluminium with Delta®-Seal coating housing
- DC sensor
- Discrete output with IO-Link
- Connector versions
- Visible red light

Your Benefit

- Reliable detection of all surfaces, regardless of color and texture
- Easily adapts to the application by the standard communication IO-Link interface
- Minimal black/white difference
- Adjustable long range version
- Corrosion resistant Delta-Seal housing



Model Number

		MLV41-8-H-120-RT-IO/65b/95/136	MLV41-8-H-500-RT-IO/65b/95/136	MLV41-8-H-120-RT-IO/65b/95/136	MLV41-8-H-500-RT-IO/65b/95/136
Detection range	20 ... 120 mm, black/white difference <3% 20 ... 500 mm, black/white difference <5%	●	●	●	●
Diameter of the light spot	approx. 4 mm at 100 mm sensor range approx. 25 mm at 500 mm sensor range	●	●	●	●
Connection	connector M12 x 1, 4-pin M8 x 1 connector, 4-pin	●	●	●	●

Approvals and Certificates

UL approval	cULus Listed 57M3 (Only in association with UL Class 2 power supply; Type 1 enclosure)	●	●	●	●
CCC approval	Products with a maximum operating voltage of ≤36 V do not bear a CCC marking because they do not require approval.				

Dimensions

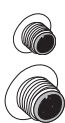
Length L [mm]	31
Width W [mm]	13.6
Height H [mm]	56.5
Connector area l _c [mm]	9 12

Accessories This and more accessories can be found in chapter 10

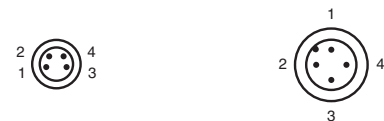
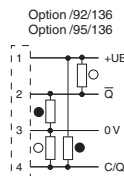
	See pages from 972 ... for cordsets	See pages 1068 ... for mounting aids
OMH-40	Mounting bracket	
OMH-09	Mounting bracket for Sensors series MLV41 for M12 rod mounting	
V1-G-2M-PUR	Cable socket, M12, 4-pin, PUR cable	
V1-W-2M-PUR	Cable socket, M12, 4-pin, PUR cable	
V31-GM-2M-PUR	4-pin, M8 socket, PUR cable	
V31-WM-2M-PUR	4-pin, M8 socket, PUR cable	

Electrical Connection

○ = light on, ● = dark on



- MLV41-8-H-120-RT-IO/65a/95/136
- MLV41-8-H-120-RT-IO/65a/92/136
- MLV41-8-H-500-RT-IO/65a/95/136
- MLV41-8-H-500-RT-IO/65a/92/136



Wire colors in accordance with EN 60947-5-2

- 1 BN (brown)
- 2 WH (white)
- 3 BU (blue)
- 4 BK (black)

Date of issue 04/08/2015



Technical Data

For detailed data and product description refer to the data sheets at www.pepperl-fuchs.com

Model Number	MLV41-8-HV-60-IR/110/124/167
Foreground suppression	0 ... 15 mm
Background suppression	starts from 70 mm
Detection range	20 ... 60 mm fixed
Light type	modulated infrared light , 880 nm
Diameter of the light spot	max. 6 mm at a distance of 70 mm
Operating voltage	10 ... 30 V DC
No-load supply current	max. 25 mA
Signal output	1 push-pull (4 in 1) output, short-circuit protected, reverse polarity protected
Switching current	max. 100 mA
Switching frequency	250 Hz
Output of the pre-fault indication	1 push-pull (4 in 1) output, short-circuit protected, reverse polarity protected
Test input	emitter deactivation at +U _B
Ambient temperature	0 ... 70 °C (32 ... 158 °F)
Material	
Housing	aluminum , Delta-Seal coated
Optical face	glass pane
Protection degree	IP67
Connection	M12 x 1 connector, 5-pin



Approvals and Certificates

Protection class	II
UL approval	cULus Listed 57M3 (Only in association with UL Class 2 power supply; Type 1 enclosure)
CCC approval	Products with a maximum operating voltage of ≤36 V do not bear a CCC marking because they do not require approval.

Dimensions

Length L [mm]	31
Width W [mm]	13.6
Height H [mm]	56.5
Connector area l _c [mm]	16

Accessories This and more accessories can be found in chapter 10

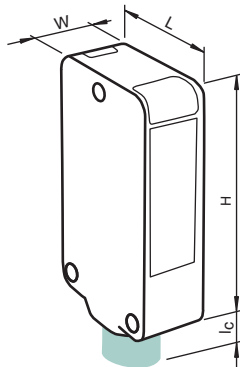
	See pages from 972 ... for cordsets	See pages 1068 ... for mounting aids
OMH-MLV41-8-HV-L	Mounting bracket	
OMH-MLV41-8-HV-U	Mounting bracket	
OMH-40	Mounting bracket	
OMH-09	Mounting bracket for Sensors series MLV41 for M12 rod mounting	

Properties

- Foreground and background suppression
- Rectangular compact housing
- Aluminium with Delta®-Seal coating housing
- DC sensor
- Discrete output
- Connector version
- Infrared light

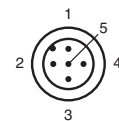
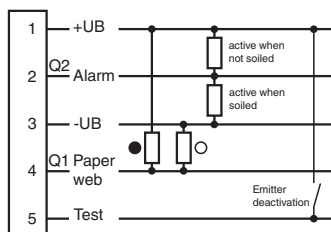
Your Benefit

- Special version for web-break monitoring
- Reliable detection of printed materials of any kind
- Extremely sharp background suppression
- Antistatic optical face inhibits dust in paper and printing applications
- Corrosion resistant Delta-Seal housing
- Patented design monitors lens contamination



Electrical Connection

○ = light on, ● = dark on



Wire colors in accordance with EN 60947-5-2

1	BN	(brown)
2	WH	(white)
3	BU	(blue)
4	BK	(black)
5	GY	(gray)

Date of issue: 04/08/2015



Technical Data

For detailed data and product description refer to the data sheets at www.pepperl-fuchs.com

General Data

Sensing range adjustment	✓
Light/dark switch	✓
Detection range	20 ... 400 mm
Light type	modulated visible red light , 660 nm
Operating voltage	10 ... 30 V DC
No-load supply current	≤ 40 mA
Switching type	light/dark on switchable
Switching frequency	250 Hz
Ambient temperature	-40 ... 60 °C (-40 ... 140 °F)
Material	
Housing	Plastic ABS
Optical face	plastic
Protection degree	IP67

Properties

- Background suppression
- Rectangular full-size housing
- Plastic housing
- DC sensor
- Discrete output
- Cable, connector and terminals versions
- Visible red light

Your Benefit

- Reliable detection of all surfaces, regardless of color and texture
- Small black/white difference
- Adjustable switchpoint
- Extreme low-temperature operation

Model Number

	RL28-8-H-400-RT/47/115	RL28-8-H-400-RT/105/110	RL28-8-H-400-RT/47/105	RL28-8-H-400-FFP-RT/47/105	RL28-8-H-400-RT-Z/110/116
Timer					
Adjustment range	150 ... 400 mm				
Diameter of the light spot	approx. 12 mm at a distance of 400 mm	●	●	●	●
4 mm x 4 mm at a distance of 250 mm					
Signal output	1 push-pull (4 in 1) output, short-circuit protected, reverse polarity protected		●		●
2 PNP, complementary, short-circuit protected, reverse polarity protected , open collectors	●		●	●	
Switching current	max. 100 mA	●	●	●	●
max. 200 mA	●				
Connection	2500 mm fixed cable	●			
M12 x 1 connector, 5-pin terminal compartment			●	●	●

Approvals and Certificates

Protection class	II	●	●	●	●	●
UL approval	cULus				●	●
CCC approval	Products with a maximum operating voltage of ≤36 V do not bear a CCC marking because they do not require approval.					

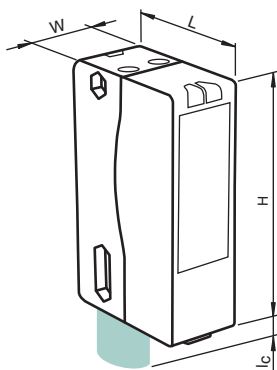
Dimensions

Length L [mm]		54.3	65.5
Width W [mm]		25.8	
Height H [mm]		88	
Connector area l _c [mm]	5	12	0

Accessories

This and more accessories can be found in chapter 10
See pages from 972 ... for cordsets See pages 1068 ... for mounting aids

- OMH-05** Mounting aid for round steel ø 12 mm or sheet 1.5 mm ... 3 mm
- OMH-21** Mounting bracket
- OMH-22** Mounting bracket
- OMH-K01** dove tail mounting clamp



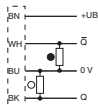
Electrical Connection

○ = light on, ● = dark on



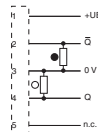
RL28-8-H-400-RT/47/115

Option /47/115



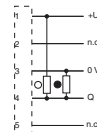
RL28-8-H-400-FFP-RT/47/105

Option /47/105



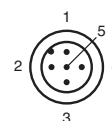
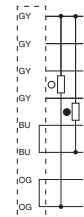
RL28-8-H-400-RT/105/110

Option /105/110



RL28-8-H-400-RT-Z/110/116

Option /110/116



Wire colors in accordance with EN 60947-5-2

- 1 BN (brown)
- 2 WH (white)
- 3 BU (blue)
- 4 BK (black)
- 5 GY (gray)



Technical Data

For detailed data and product description refer to the data sheets at www.pepperl-fuchs.com

General Data

Sensing range adjustment	✓
Light/dark switch	✓
Detection range	20 ... 700 mm
Light type	modulated visible red light , 660 nm
Diameter of the light spot	approx. 15 mm at a distance of 700 mm
Operating voltage	10 ... 30 V DC
No-load supply current	≤ 40 mA
Switching type	light/dark on switchable
Switching frequency	250 Hz
Ambient temperature	-40 ... 60 °C (-40 ... 140 °F)
Material	
Housing	Plastic ABS
Optical face	plastic
Protection degree	IP67

2
.1.1

Photoelectric Sensors, Standard Sensors, Diffuse Mode Sensors with Background Suppression

Properties

- Background suppression
- Rectangular full-size housing
- Plastic housing
- DC sensor
- Discrete output
- Connector and terminals versions
- Visible red light

Your Benefit

- Reliable detection of all surfaces, regardless of color and texture
- Small black/white difference
- Adjustable switchpoint

Model Number

green = preferred type

		RL28-8-H-700-RT/105/110	RL28-8-H-700-RT/47/105	RL28-8-H-700-RT-Z/47/116
Timer				●
Signal output	1 push-pull (4 in 1) output, short-circuit protected, reverse polarity protected	●		
	2 PNP, complementary, short-circuit protected, reverse polarity protected, open collectors		●	●
Switching current	max. 100 mA	●		
	max. 200 mA		●	●
Connection	M12 x 1 connector, 5-pin terminal compartment	●	●	●

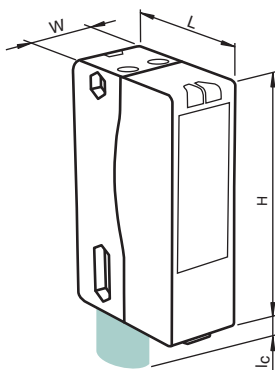


Approvals and Certificates

Protection class	II	●	●	●
UL approval	cULus	●	●	●
CCC approval	Products with a maximum operating voltage of ≤36 V do not bear a CCC marking because they do not require approval.			

Dimensions

Length L [mm]		54,3	65,5
Width W [mm]		25,8	
Height H [mm]		88	
Connector area l _c [mm]		12	0



Accessories

This and more accessories can be found in chapter 10

See pages from 972 ... for cordsets

See pages 1068 ... for mounting aids

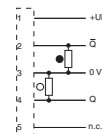
- OMH-05** Mounting aid for round steel ø 12 mm or sheet 1.5 mm ... 3 mm
- OMH-07** Mounting aid for round steel ø 12 mm or sheet 1.5 mm ... 3 mm
- OMH-21 / OHM-22** Mounting bracket
- OMH-K01** dove tail mounting clamp
- OMH-RLK29** Mounting bracket
- OMH-RLK29-HW** Mounting bracket for rear wall mounting
- OMH-RL28-C** Protective cover

Electrical Connection

○ = light on, ● = dark on

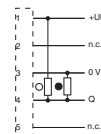


RL28-8-H-700-IR/47/105
RL28-8-H-700-RT/47/105
Option /47/105



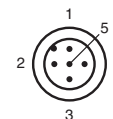
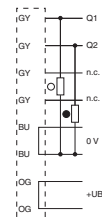
RL28-8-H-700-RT/105/110

Option /105/110



RL28-8-H-700-RT-Z/47/116

Option /47/116



Wire colors in accordance with EN 60947-5-2

- 1 | BN (brown)
- 2 | WH (white)
- 3 | BU (blue)
- 4 | BK (black)
- 5 | GY (gray)



Technical Data

For detailed data and product description refer to the data sheets at www.pepperl-fuchs.com

General Data

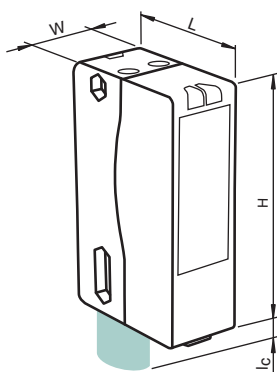
Sensing range adjustment	✓
Light/dark switch	✓
Detection range	20 ... 2000 mm
Light type	modulated infrared light , 880 nm
Diameter of the light spot	approx. 70 mm at a distance of 2000 mm
Operating voltage	10 ... 30 V DC
No-load supply current	≤ 40 mA
Switching type	light/dark on switchable
Switching frequency	250 Hz
Ambient temperature	-40 ... 60 °C (-40 ... 140 °F)
Material	
Housing	Plastic ABS
Optical face	plastic
Protection degree	IP67

Properties

- Background suppression
- Rectangular full-size housing
- Plastic housing
- DC sensor
- Discrete output
- Cable and connector versions
- Infrared light

Your Benefit

- Reliable detection of all surfaces, regardless of color and texture
- Small black/white difference
- Adjustable long range version
- Extreme low-temperature operation



Model Number

Signal output	green = preferred type 1 push-pull (4 in 1) output, short-circuit protected, reverse polarity protected 2 PNP, complementary, short-circuit protected, reverse polarity protected , open collectors	RL28-8-H-2000-IR/47/115	RL28-8-H-2000-IR/105/110	RL28-8-H-2000-IR/47/105
Switching current	max. 100 mA max. 200 mA	●	●	●
Connection	2500 mm fixed cable M12 x 1 connector, 5-pin	●	●	●

Approvals and Certificates

Protection class	II	●	●	●
UL approval	cULus	●	●	●
CCC approval	Products with a maximum operating voltage of ≤36 V do not bear a CCC marking because they do not require approval.			

Dimensions

Length L [mm]		54,3
Width W [mm]		25,8
Height H [mm]		88
Connector area l _c [mm]	5	12

Accessories

This and more accessories can be found in chapter 10
See pages from 972 ... for cordsets See pages 1068 ... for mounting aids

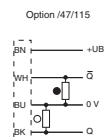
OMH-05	Mounting aid for round steel ø 12 mm or sheet 1.5 mm ... 3 mm
OMH-07	Mounting aid for round steel ø 12 mm or sheet 1.5 mm ... 3 mm
OMH-21	Mounting bracket
OMH-22	Mounting bracket
OMH-K01	dove tail mounting clamp
OMH-RLK29	Mounting bracket
OMH-RLK29-HW	Mounting bracket for rear wall mounting
OMH-RL28-C	Protective cover

Electrical Connection

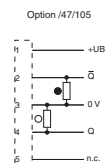
○ = light on, ● = dark on



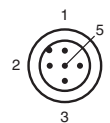
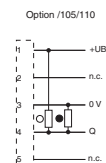
RL28-8-H-2000-IR/47/115



RL28-8-H-2000-IR/47/105



RL28-8-H-2000-IR/105/110



Wire colors in accordance with EN 60947-5-2

1	BN	(brown)
2	WH	(white)
3	BU	(blue)
4	BK	(black)
5	GY	(gray)

Date of issue 04/08/2015



Technical Data

For detailed data and product description refer to the data sheets at www.pepperl-fuchs.com

General Data

Sensing range adjustment	✓
Light/dark switch	✓
Detection range	100 ... 1500 mm
Light type	modulated visible red light
Laser class	1
Wave length	650 nm
Operating voltage	10 ... 30 V DC
No-load supply current	≤ 40 mA
Switching type	light/dark on switchable
Switching frequency	140 Hz
Ambient temperature	-10 ... 50 °C (14 ... 122 °F)
Material	
Housing	Plastic ABS
Optical face	plastic
Protection degree	IP67

Properties

- Background suppression
- Rectangular full-size housing
- Plastic housing
- DC sensor
- Discrete output
- Connector and pigtailed connector versions
- Laser red light

Your Benefit

- Reliable detection of all surfaces, regardless of color and texture
- Small black/white difference
- Adjustable long range version

Model Number

Signal output	green = preferred type 1 push-pull (4 in 1) output, short-circuit protected, reverse polarity protected 2 PNP outputs, complementary, short-circuit protected, reverse polarity protected, open collector	RL28-8-H-1500-LAS/47/115b	RL28-8-H-1500-LAS/105/110	RL28-8-H-1500-LAS/47/105
Switching current	max. 100 mA max. 200 mA	●	●	●
Connection	5-pin, M12 x 1 plastic connector 0.2 m fixed cable with 4-pin, M12 connector	●	●	●

Approvals and Certificates

Protection class	II	●	●	●
UL approval	cULus	●	●	●
CCC approval	Products with a maximum operating voltage of ≤36 V do not bear a CCC marking because they do not require approval.			

Dimensions

Length L [mm]	54,3
Width W [mm]	25,8
Height H [mm]	88
Connector area l _c [mm]	5 12

Accessories

This and more accessories can be found in chapter 10
See pages from 972 ... for cordsets See pages 1068 ... for mounting aids

- OMH-05** Mounting aid for round steel ø 12 mm or sheet 1.5 mm ... 3 mm
- OMH-07** Mounting aid for round steel ø 12 mm or sheet 1.5 mm ... 3 mm
- OMH-21** Mounting bracket
- OMH-22** Mounting bracket
- OMH-K01** dove tail mounting clamp
- OMH-RLK29-HW** Mounting bracket for rear wall mounting
- OMH-RL28-C** Protective cover

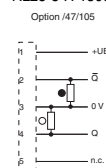
Electrical Connection

○ = light on, ● = dark on

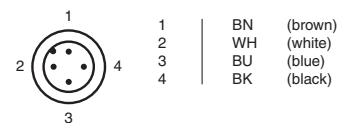
RL28-8-H-1500-LAS/47/115b

RL28-8-H-1500-LAS/105/110

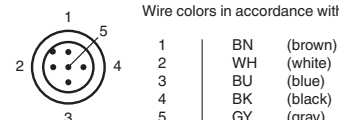
RL28-8-H-1500-LAS/47/105



Wire colors in accordance with EN 60947-5-2



Wire colors in accordance with EN 60947-5-2



Date of issue: 04/08/2015



Technical Data

For detailed data and product description refer to the data sheets at www.pepperl-fuchs.com

General Data

Timer	✓
Sensing range adjustment	✓
Light/dark switch	✓
Operating voltage	12 ... 240 V AC/DC
Power consumption	≤ 3.5 VA
Switching type	light/dark on, switchable
Signal output	Relay, 1 alternator
Switching current	max. 2 A
Switching power	DC: max. 50 W AC: max. 500 VA
Switching frequency	25 Hz
Ambient temperature	-40 ... 60 °C (-40 ... 140 °F)
Material	
Housing	Plastic ABS
Optical face	Plastic pane
Protection degree	IP67
Connection	terminal compartment with 8 spring-loaded terminals

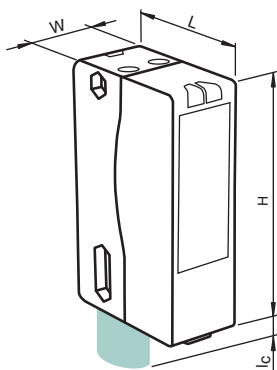


Properties

- Background suppression
- Rectangular full-size housing
- Plastic housing
- AC/DC sensor
- Relay output
- Terminals version
- Visible red and infrared light versions

Your Benefit

- Universal usage with AC or DC power supply
- Reliable detection of all surfaces, regardless of color and texture
- Small black/white difference
- Adjustable switchpoint
- Extreme low-temperature operation



Model Number

	green = preferred type			
Detection range	20 ... 400 mm	●	●	●
	20 ... 700 mm		●	
	20 ... 2000 mm			●
Adjustment range	150 ... 400 mm	●		
	200 ... 700 mm		●	
	200 ... 2000 mm			●
Light type	modulated infrared light , 880 nm			●
	modulated visible red light , 660 nm	●	●	
Diameter of the light spot	approx. 12 mm at a distance of 400 mm	●		
	approx. 15 mm at a distance of 700 mm		●	
	approx. 70 mm at a distance of 2000 mm			●

Approvals and Certificates

Protection class	II	●	●	●
UL approval	cULus	●	●	●
CCC approval	Certified by China Compulsory Certification (CCC)	●	●	●

Dimensions

Length L [mm]	65.5
Width W [mm]	25.8
Height H [mm]	88
Connector area l _c [mm]	0

Accessories

This and more accessories can be found in chapter 10
See pages from 972 ... for cordsets See pages 1068 ... for mounting aids

OMH-05	Mounting aid for round steel ø 12 mm or sheet 1.5 mm ... 3 mm
OMH-07	Mounting aid for round steel ø 12 mm or sheet 1.5 mm ... 3 mm
OMH-21 / OMH-22	Mounting bracket
OMH-K01	dove tail mounting clamp
OMH-RLK29	Mounting bracket

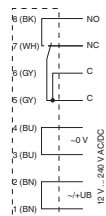
Electrical Connection

○ = light on, ● = dark on



RLK28-8-H-2000-IR-Z/31/116
RLK28-8-H-400-RT-Z/31/116
RLK28-8-H-700-RT-Z/31/116

Option /31/116



Date of issue 04/08/2015



Technical Data

For detailed data and product description refer to the data sheets at www.pepperl-fuchs.com

General Data

Sensing range adjustment	✓
Light/dark switch	✓
Operating voltage	26.5 ... 31.6 V via AS-Interface network, min. 18.5 V
No-load supply current	≤ 40 mA
Switching type	light/dark on switchable via AS-i bus system
Signal output	AS-Interface
Switching frequency	250 Hz
Test input	Data bit D2: 0: emitter on, 1: emitter off
Ambient temperature	-40 ... 60 °C (-40 ... 140 °F)
Material	
Housing	Plastic ABS
Optical face	plastic
Protection degree	IP67
Connection	connector M12 x 1, 4-pin



2
1.1



Photoelectric Sensors, Standard Sensors, Diffuse mode sensors with background suppression

Properties

- Background suppression
- Rectangular full-size housing
- Plastic housing
- AS interface
- Connector version
- Visible red and infrared light versions

Your Benefit

- Reliable detection of all surfaces, regardless of color and texture
- Small black/white difference
- Adjustable switchpoint
- Extreme low-temperature operation

Model Number

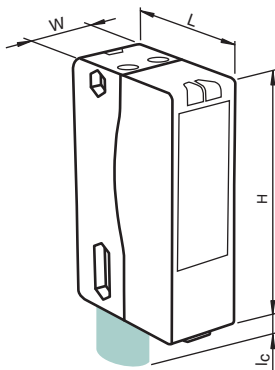
		RL28-8-H-400-RT-B3B/73c	RL28-8-H-700-RT-B3B/73c	RL28-8-H-2000-IR-B3B/73c
Detection range	20 ... 400 mm	●		
	20 ... 700 mm		●	
	20 ... 2000 mm			●
Light type	modulated infrared light, 880 nm			●
	modulated visible red light, 660 nm	●	●	
Diameter of the light spot	approx. 12 mm at a distance of 400 mm	●		
	approx. 15 mm at a distance of 700 mm		●	
	approx. 70 mm at a distance of 2000 mm			●

Approvals and Certificates

Protection class	II	●	●	●
CCC approval	Products with a maximum operating voltage of ≤36 V do not bear a CCC marking because they do not require approval.			

Dimensions

Length L [mm]	54.3
Width W [mm]	25.8
Height H [mm]	88
Connector area l _c [mm]	12



Accessories

This and more accessories can be found in chapter 10
See pages from 972 ... for cordsets See pages 1068 ... for mounting aids

VBP-HH1	Handheld programming device
OMH-05	Mounting aid for round steel ø 12 mm or sheet 1.5 mm ... 3 mm
OMH-07	Mounting aid for round steel ø 12 mm or sheet 1.5 mm ... 3 mm
OMH-21	Mounting bracket
OMH-22	Mounting bracket
OMH-K01	dove tail mounting clamp
OMH-RLK29	Mounting bracket
OMH-RLK29-HW	Mounting bracket for rear wall mounting
OMH-RL28-C	Protective cover

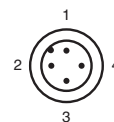
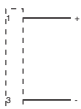
Electrical Connection

○ = light on, ● = dark on



RL28-8-H-2000-IR-B3B/73c
RL28-8-H-400-RT-B3B/73c
RL28-8-H-700-RT-B3B/73c

Option AS-Interface



Wire colors in accordance with EN 60947-5-2

1	BN	(brown)
2	WH	(white)
3	BU	(blue)
4	BK	(black)



Technical Data

For detailed data and product description refer to the data sheets at www.pepperl-fuchs.com

General Data

Sensing range adjustment	✓
Detection range	30 ... 1200 mm , adjustable
Light type	modulated visible red light
Diameter of the light spot	approx. 25 mm at a distance of 1200 mm
Operating voltage	10 ... 30 V DC , class 2
No-load supply current	≤ 40 mA
Signal output	2 Push-pull (4 in 1) outputs, short-circuit protected, reverse polarity protected
Switching current	max. 100 mA
Switching frequency	125 Hz
Ambient temperature	-25 ... 60 °C (-13 ... 140 °F)
Material	
Housing	Plastic ABS
Optical face	plastic
Protection degree	IP65

Properties

- Background suppression
- Rectangular full-size housing
- Plastic housing
- DC sensor
- Discrete output
- Cable and connector versions
- Visible red light

Your Benefit

- Reliable detection of all surfaces, regardless of color and texture
- Small black/white difference
- Adjustable switchpoint

Model Number

Switching type	green = preferred type dark on light on	RL29-8-H-1200-RT/115/136	RL29-8-H-1200-RT/59/73c/136	RL29-8-H-1200-RT/73c/136
Connection	2500 mm fixed cable Plastic connector M12 x 1, 4-pin	●	●	●

Approvals and Certificates

UL approval	cULus Listed, Class 2 Power Source, Type 1 enclosure	●	●	●
CCC approval	Products with a maximum operating voltage of ≤36 V do not bear a CCC marking because they do not require approval.			

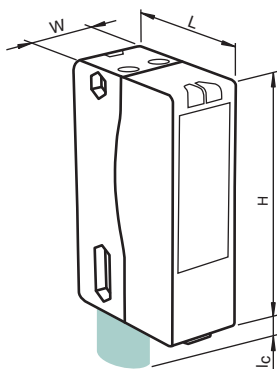
Dimensions

Length L [mm]	54.3
Width W [mm]	25.8
Height H [mm]	88
Connector area l _c [mm]	5 12

Accessories

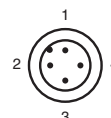
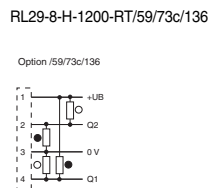
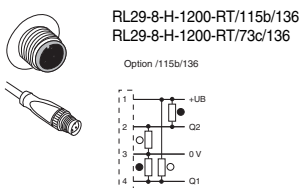
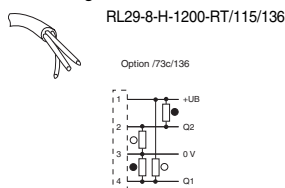
This and more accessories can be found in chapter 10
See pages from 972 ... for cordsets See pages 1068 ... for mounting aids

OMH-05	Mounting aid for round steel ø 12 mm or sheet 1.5 mm ... 3 mm
OMH-07	Mounting aid for round steel ø 12 mm or sheet 1.5 mm ... 3 mm
OMH-21	Mounting bracket
OMH-22	Mounting bracket
OMH-K01	dove tail mounting clamp
OMH-RLK29-HW	Mounting bracket for rear wall mounting
OMH-RL28-C	Protective cover



Electrical Connection

○ = light on, ● = dark on



Wire colors in accordance with EN 60947-5-2

1	BN	(brown)
2	WH	(white)
3	BU	(blue)
4	BK	(black)

Date of issue 04/08/2015



Technical Data

For detailed data and product description refer to the data sheets at www.pepperl-fuchs.com

General Data

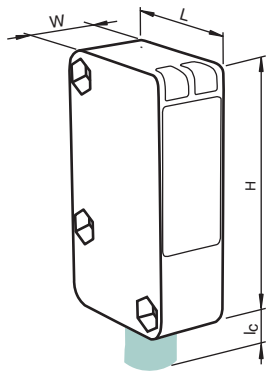
Background suppression	✓
Background analysis	✓
Sensing range adjustment	✓
Detection range	50 ... 800 mm
Adjustment range	100 ... 800 mm
Light type	modulated visible red light
Diameter of the light spot	approx. 25 mm at a distance of 800 mm
Operating voltage	10 ... 30 V DC, class 2
No-load supply current	max. 25 mA at 24 V supply voltage
Interface	
Interface type	IO-Link
Mode	COM 2 (38.4 kBaud)
Switching output	
Switching type	dark on
Signal output	2 Push-pull (4 in 1) outputs, short-circuit protected, reverse polarity protected
Switching current	max. 100 mA
Switching frequency	200 Hz
Ambient temperature	-30 ... 55 °C (-22 ... 131 °F)
Material	
Housing	Polycarbonate
Optical face	PMMA
Protection degree	IP67

Properties

- Background suppression
- Rectangular full-size housing
- Plastic housing
- DC sensor
- Discrete output with IO-Link
- Cable and connector versions
- Visible red light

Your Benefit

- Measuring photoelectric sensor with 4 selectable operating modes
- Easily adapts to the application by the standard communication IO-Link interface
- Simplest alignment and set-up with ultra-bright Power-Beam emitter LED
- Minimal black/white difference
- Adjustable



Model Number

green = preferred type
Connection 2 m fixed cable, 4-wire connector M12 x 1, 4-pin

RL31-8-H-800-RT-IO/59/115/136

RL31-8-H-800-RT-IO/59/73c/136



Approvals and Certificates

Protection class	II	●	●
UL approval	cULus Listed, Class 2 Power Source, Type 1 enclosure	●	●
CCC approval	Products with a maximum operating voltage of ≤36 V do not bear a CCC marking because they do not require approval.		

Dimensions

Length L [mm]	35
Width W [mm]	18
Height H [mm]	62
Connector area lc [mm]	0 10,3

Accessories

This and more accessories can be found in chapter 10
See pages from 972 ... for cordsets See pages 1068 ... for mounting aids

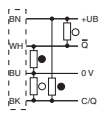
PACTware 4.X	
IODD Interpreter	Software for the integration of IODDs in a frame application (e. g. PACTware)
IO-Link-Master01-USB	IO-Link Master
OMH-RL31-01	Mounting bracket
OMH-RL31-04	Mounting aid for round steel ø 12 mm or sheet 1.5 mm ... 3 mm

Electrical Connection

○ = light on, ● = dark on

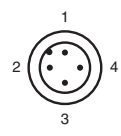
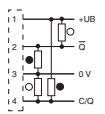
RL31-8-H-800-RT-IO/59/115/136

Option 59/115/136



RL31-8-H-800-RT-IO/59/73c/136

Option /59/73c/136



Wire colors in accordance with EN 60947-5-2

1	BN	(brown)
2	WH	(white)
3	BU	(blue)
4	BK	(black)



Technical Data

For detailed data and product description refer to the data sheets at www.pepperl-fuchs.com

General Data

Sensing range adjustment	✓
Light/dark switch	✓
Detection range	10 ... 300 mm
Light type	modulated visible red light , 630 nm
Convergent mode	≥ 450 mm
Diameter of the light spot	approx. 8 mm at a distance of 300 mm
Operating voltage	10 ... 30 V DC
No-load supply current	≤ 25 mA
Switching type	light on
Signal output	2 Push-pull (4 in 1) outputs, short-circuit protected, reverse polarity protected
Switching current	max. 100 mA
Switching frequency	≤ 500 Hz
Ambient temperature	-30 ... 55 °C (-22 ... 131 °F)
Material	
Housing	plastic
Optical face	PMMA
Protection degree	IP67

Properties

- Diffuse type with convergent beam
- Rectangular full-size housing
- Plastic housing
- DC sensor
- Discrete output
- Connector and pigtailed connector versions
- Visible red light

Your Benefit

- Convergent sensing ignores some objects in the background

Model Number

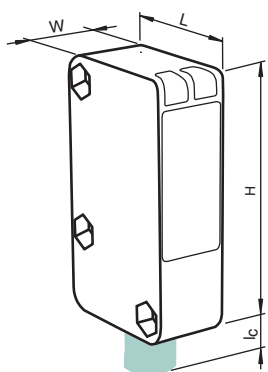
Connection	300 mm fixed cable with M12 x 1, 4-pin connector	●	●
	connector M12 x 1, 4-pin		

Approvals and Certificates

Protection class	II	●	●
UL approval	cULus Listed, Class 2 Power Source, Type 1 enclosure	●	●
CCC approval	Products with a maximum operating voltage of ≤36 V do not bear a CCC marking because they do not require approval.		

Dimensions

Length L [mm]	35
Width W [mm]	18
Height H [mm]	62
Connector area l _c [mm]	0 10,3



Accessories

This and more accessories can be found in chapter 10

See pages from 972 ... for cordsets

See pages 1068 ... for mounting aids

OMH-RL31-01	Mounting bracket
OMH-RL31-02	Mounting bracket
OMH-RL31-03	Mounting bracket
OMH-RL31-04	Mounting aid for round steel ø 12 mm or sheet 1.5 mm ... 3 mm
OMH-RL31-05	Mounting bracket
OMH-RL31-06	Mounting bracket

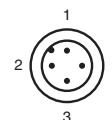
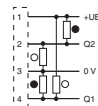
Electrical Connection

○ = light on, ● = dark on



RL31-8-HGU-300-RT/115b/136
RL31-8-HGU-300-RT/73c/136

Option /25/73c/136



Wire colors in accordance with EN 60947-5-2

1	BN	(brown)
2	WH	(white)
3	BU	(blue)
4	BK	(black)

Date of issue 04/08/2015



Technical Data

For detailed data and product description refer to the data sheets at www.pepperl-fuchs.com

General Data

Sensing range adjustment	✓
Detection range	40 ... 900 mm
Adjustment range	340 ... 900 mm
Light type	modulated infrared light , 880 nm
Diameter of the light spot	approx. 60 mm at detection range 900 mm
Operating voltage	24 VDC -20% +10%
No-load supply current	max. 20 mA
Switching frequency	100 Hz
Ambient temperature	-20 ... 50 °C (-4 ... 122 °F)
Material	
Housing	plastic
Optical face	plastic lens
Protection degree	IP65
Connection	connector M12 x 1, 4-pin



Properties

- Background suppression
- Application specific housing
- Plastic housing
- DC sensor
- Discrete output
- Connector version
- Infrared light

Your Benefit

- Congested track scanner optimized for roller conveyor
- Mounts under and between rollers to protect against damage
- Large sensing range
- Connection for motor or valve

Model Number

		SBL-8-H-900-IR/25/30/65b/73	SBL-8-H-900-IR/25/32/65b/73	SBL-8-H-900-IR/25/65b/73/136	SBL-8-H-900-IR/30/59/65b/73	SBL-8-H-900-IR/32/59/65b/73	SBL-8-H-900-IR/40a/65b/73/110	SBL-8-H-900-IR/59/65b/73/120	SBL-8-H-900-IR/59/65b/73/136
Switching type	dark on				●	●		●	●
	light/dark on, switchable						●		
Signal output	light on	●	●	●					
	1 Push-pull (4 in 1) output, short-circuit protected, reverse polarity protected						●		
	1 NPN, short-circuit protected, reverse polarity protected	●			●				
	1 PNP, short-circuit protected, reverse polarity protected		●			●			
	2 Push-pull outputs, short-circuit protected, reverse polarity protected			●					●
	2 PNP, complementary, short-circuit protected, open collectors						●		
Switching current	max. 100 mA	●	●	●	●	●	●	●	●
	max. 200 mA	●	●	●	●	●	●	●	●

Approvals and Certificates

UL approval	cULus Listed, Class 2 Power Source, Type 1 enclosure	●	●	●	●	●	●	●	●
CCC approval	Products with a maximum operating voltage of ≤36 V do not bear a CCC marking because they do not require approval.								

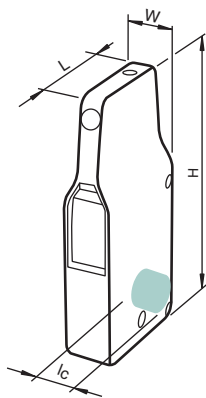
Dimensions

Length L [mm]	46
Width W [mm]	18
Height H [mm]	100
Connector area l _c [mm]	12

Accessories

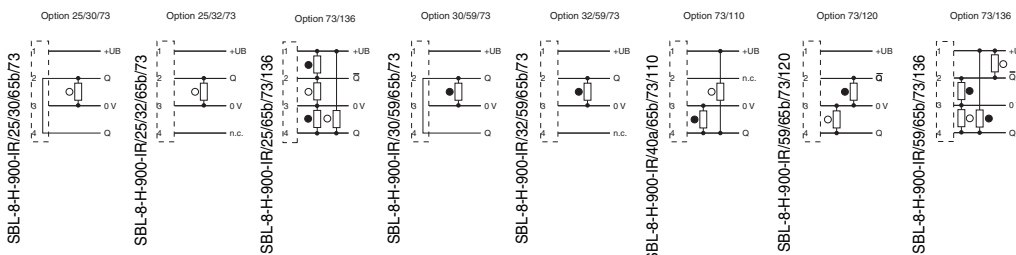
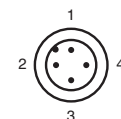
This and more accessories can be found in chapter 10
 See pages from 972 ... for cordsets See pages 1068 ... for mounting aids

- OMH-SBL-01** Mounting bracket for sensors of SBL series
- V1-G-2M-PVC** Cable socket, M12, 4-pin, PVC cable
- V1-W-2M-PUR** Cable socket, M12, 4-pin, PUR cable
- Schraubendreher 0,5 x 3,0 mm** Screwdriver



Electrical Connection

○ = light on, ● = dark on



Wire colors in accordance with EN 60947-5-2

- 1 BN (brown)
- 2 WH (white)
- 3 BU (blue)
- 4 BK (black)

Date of issue: 04/08/2015

Photoelectric Sensors, Standard Sensors, Standard Sensors with background suppression

2
.1.1

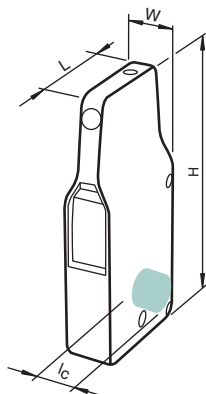


Properties

- Background suppression
- Application specific housing
- Plastic housing
- DC sensor
- Discrete output and pneumatic valve
- Connector/pigtailed connector version
- Infrared light

Your Benefit

- Congested track scanner optimized for roller conveyor
- Mounts under and between rollers to protect against damage
- Large sensing range
- 3 in 1: Sensor, pneumatic valve and integrated control logic
- Integral control logic for linking up to 30 devices
- Double timing relay for congestion-minimized conveying



Technical Data

For detailed data and product description refer to the data sheets at www.pepperl-fuchs.com

General Data

Sensing range adjustment	✓
Detection range	40 ... 900 mm
Adjustment range	340 ... 900 mm
Light type	modulated infrared light , 880 nm
Diameter of the light spot	approx. 60 mm at detection range 900 mm
Cascadability	At 20°C max. 64 sensors per line
Operating voltage	24 V DC ± 20 %
No-load supply current	max. 70 mA
Switching type	dark on
Signal output	1 PNP, short-circuit protected, reverse polarity protected
Switching current	max. 200 mA
Switching frequency	100 Hz
Pneumatic output	3/2 way valve
Type of valve	currentless closed
Operating pressure	2 ... 8 bar (2.9 ... 11.6 psi)
Ambient temperature	-15 ... 50 °C (5 ... 122 °F)
Material	
Housing	plastic
Optical face	plastic lens
Protection degree	IP65
Connection	connector M12 x 1, 4-pin ; Connecting cable with Socket, straight M12 x 1 ; Length: 1930 mm



Model Number

Timer

SBL-8-H-900-IR-SL-V/32/59/73

SBL-8-H-900-IR-SL-V-Z/32/59/73

Approvals and Certificates

UL approval	cULus Listed, Class 2 Power Source, Type 1 enclosure	●	●
CCC approval	Products with a maximum operating voltage of ≤36 V do not bear a CCC marking because they do not require approval.		

Dimensions

Length L [mm]	46
Width W [mm]	18
Height H [mm]	100
Connector area l _c [mm]	12

Accessories

This and more accessories can be found in chapter 10

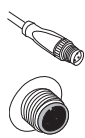
See pages from 972 ... for cordsets

See pages 1068 ... for mounting aids

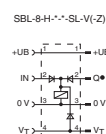
OMH-SBL-01	Mounting bracket for sensors of SBL series
V1-G-2M-PVC	Cable socket, M12, 4-pin, PVC cable
V1-G-5M-PVC	Cable socket, M12, 4-pin, PVC cable
V1-W-2M-PUR	Cable socket, M12, 4-pin, PUR cable
V1-W-5M-PUR	Cable socket, M12, 4-pin, PUR cable
V1S-TEE-V1/V1S	T-Distributor, M12 connector to M12 socket/connector
Schraubendreher 0,5 x 3,0 mm	Screwdriver

Electrical Connection

○ = light on, ● = dark on



SBL-8-H-900-IR-SL-V/32/59/73
SBL-8-H-900-IR-SL-V-Z/32/59/73



Wire colors in accordance with EN 60947-5-2

1	BN	(brown)
2	WH	(white)
3	BU	(blue)
4	BK	(black)



Technical Data

For detailed data and product description refer to the data sheets at www.pepperl-fuchs.com

General Data

Sensing range adjustment	✓
Operating voltage	10 ... 30 V DC
No-load supply current	40 mA
Signal output	2 PNP, complementary, short-circuit protected, reverse polarity protected
Switching type	light/dark on
Switching current	max. 50 mA
Switching frequency	250 Hz
Ambient temperature	-20 ... 50 °C (-4 ... 122 °F)
Optical face	glass
Protection degree	IP65
Connection	Plastic connector M12 x 1, 4-pin



Properties

- Background suppression
- Rectangular full-size housing
- Plastic housing
- DC sensor
- Discrete output
- Connector version
- Visible red and infrared light versions

Your Benefit

- ATEX-approval for zone 2 and zone 22

Model Number

		RL32-8-H-2482-400-Ex2/47/73c	RL32-8-H-800-Ex2/47/73c	RL32-8-H-800-RT-Ex2/47/73c
Detection range	green = preferred type 30 ... 400 mm , adjustable 30 ... 800 mm 40 ... 800 mm	●	●	●
Light type	modulated infrared light modulated visible red light	●	●	●
Diameter of the light spot	approx. 10 mm at 800 mm sensor range approx. 12 mm at 400 mm sensor range approx. 25 mm at 800 mm sensor range	●	●	●
Material				
Housing	ABS Terluran GV15	●	●	●

Use in the Hazardous Area

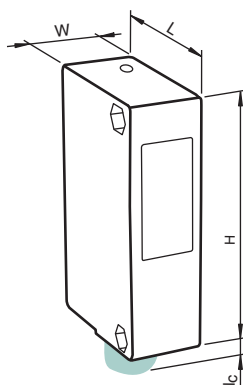
Marking	Zone 2: II 3G Ex nA op is IIC T4	●	●	●
	Zone 22: II 3D Ex tD A22 IP65 T 75°C	●	●	●

Approvals and Certificates

CCC approval	Products with a maximum operating voltage of ≤36 V do not bear a CCC marking because they do not require approval.
--------------	--

Dimensions

Length L [mm]	45,5
Width W [mm]	22
Height H [mm]	72
Connector area l _c [mm]	13,5



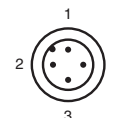
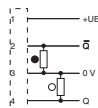
Electrical Connection

○ = light on, ● = dark on



RL32-8-H-800-RT-EX2/47/73c
RL32-8-H-2482-400-Ex2/47/73c
RL32-8-H-800-Ex2/47/73c

Option I47/73c



Wire colors in accordance with EN 60947-5-2

1	BN	(brown)
2	WH	(white)
3	BU	(blue)
4	BK	(black)

Date of issue: 2015-04-08



Technical Data

For detailed data and product description refer to the data sheets at www.pepperl-fuchs.com

Model Number	KT10-8-80
Detection range	0 ... 80 mm
Light type	modulated infrared light , 870 nm
Operating voltage	see accessory: signal transformer
Signal output	see accessory: signal transformer
Ambient temperature	-20 ... 60 °C (-4 ... 140 °F)
Material	
Housing	Stainless steel 1.4305 / AISI 303
Optical face	glass
Protection degree	IP65
Connection	1500 mm fixed cable

Approvals and Certificates

CCC approval	Products with a maximum operating voltage of ≤36 V do not bear a CCC marking because they do not require approval.
--------------	--

Dimensions

Length L [mm]	25
Diameter D [mm]	4
Thread length l _t [mm]	25
Connector area l _c [mm]	0

Accessories

This and more accessories can be found in chapter 10
 See pages from 972 ... for cordsets See pages 1068 ... for mounting aids

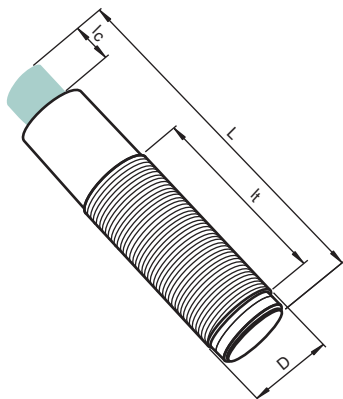
SU11/40a/49/92	External amplifier
SU11/32/40a/82b/92	External amplifier
SU11/40a/49/115	External amplifier
SU10/40a/49/116	External amplifier
BF 4	Mounting flange, 4 mm

Properties

- Diffuse type
- Cylindrical threaded housing
- Stainless steel housing
- DC sensor
- Requires external amplifier
- Cable version
- Infrared light

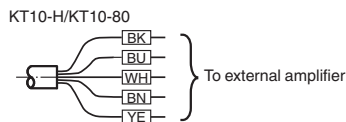
Your Benefit

- Smallest sensor design for space-saving mounting

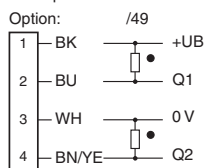


Electrical Connection

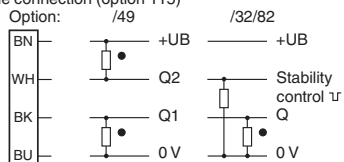
○ = light on, ● = dark on



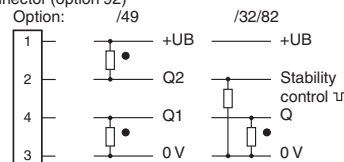
External amplifier SU10 ...



External amplifier SU11 ...
Cable connection (option 115)

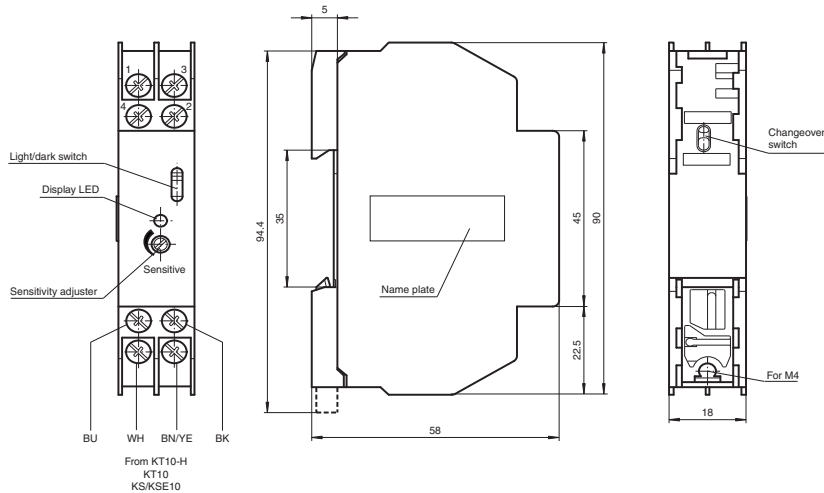


Connector (option 92)



Date of issue 04/08/2015

**External amplifier
SU10/40a/49/116**

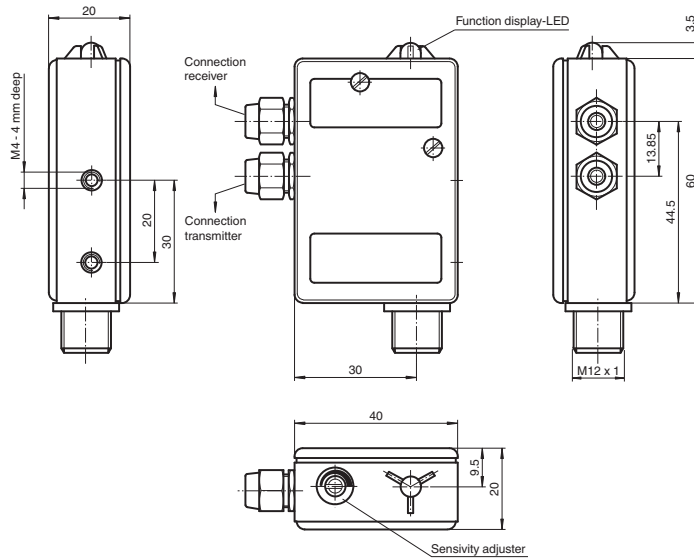


External amplifier for mounting on a standard top hat rail.

Technical Data

Supply voltage: 10 ... 30 VDC
 No load supply current: 40 mA
 Signal output: 1 PNP + 1 NPN switching output
 Output current: max. 200 mA

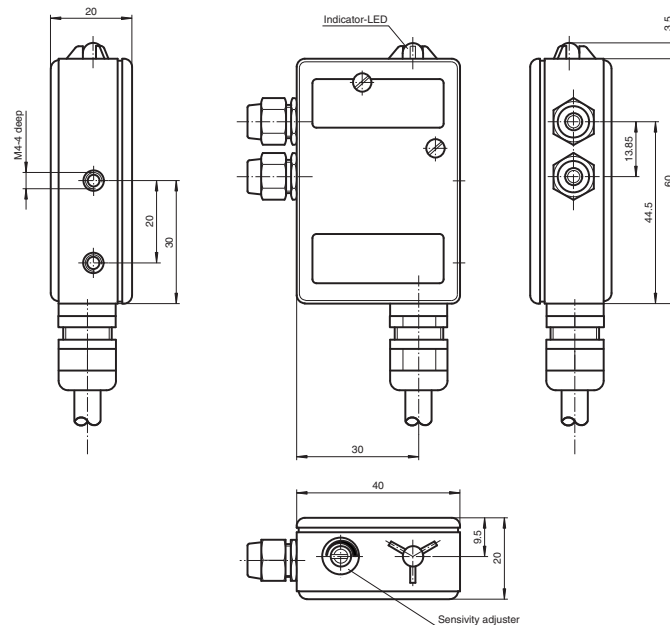
**External amplifier
SU11.../92**



Technical Data

Supply voltage: 10 ... 30 VDC
 No load supply current: 40 mA
 Signal output: 1 PNP + 1 NPN switching output or 1 PNP, open collector
 Output current: max. 200 mA

**External amplifier
SU11.../115**



Technical Data

Supply voltage: 10 ... 30 VDC
 No load supply current: 40 mA
 Signal output: 1 PNP + 1 NPN switching output or 1 PNP, open collector
 Output current: max. 200 mA

2
.1.2

Photoelectric Sensors, Standard Sensors, Diffuse Mode Sensors



Technical Data

For detailed data and product description refer to the data sheets at www.pepperl-fuchs.com

General Data

Light/dark switch	✓
Detection range	0 ... 200 mm
Light type	modulated visible red light
Operating voltage	10 ... 30 V DC
No-load supply current	≤ 20 mA
Switching type	light/dark on
Switching current	max. 300 mA
Switching frequency	≤ 700 Hz
Control input	light on: +UB dark on: 0 V
Ambient temperature	-25 ... 55 °C (-13 ... 131 °F)
Material	
Housing	brass, nickel-plated
Optical face	PMMA
Protection degree	IP67

Properties

- Diffuse type
- Cylindrical threaded housing
- nickel-plated brass housing
- DC sensor
- Discrete output
- Cable and connector versions
- Visible red light

Model Number

Signal output	green = preferred type 1 NPN output, short-circuit protected, reverse polarity protected, open collector 1 PNP output, short-circuit protected, protected from reverse polarity, open collector	GLV12-8-200/36/40b/115	GLV12-8-200/37/40b/115	GLV12-8-200/36/40b/92	GLV12-8-200/37/40b/92
Connection	2 m fixed cable connector M12 x 1, 4-pin	●	●	●	●

Approvals and Certificates

CCC approval Products with a maximum operating voltage of ≤36 V do not bear a CCC marking because they do not require approval.

Dimensions

Length L [mm]	55	65
Diameter D [mm]		12
Thread length l _t [mm]		35
Connector area l _c [mm]	0	12

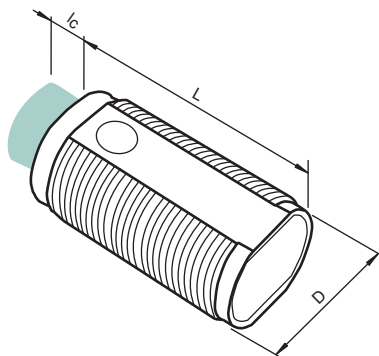
Accessories

This and more accessories can be found in chapter 10

See pages from 972 ... for cordsets

See pages 1068 ... for mounting aids

BF 12	Mounting flange, 12 mm
V1-G-2M-PUR	Cable socket, M12, 4-pin, PUR cable
V1-W-2M-PUR	Cable socket, M12, 4-pin, PUR cable



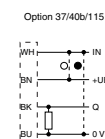
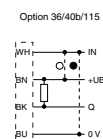
Electrical Connection

○ = light on, ● = dark on



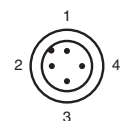
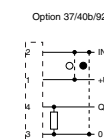
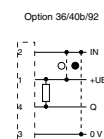
GLV12-8-200/36/40b/115

GLV12-8-200/37/40b/115



GLV12-8-200/36/40b/92

GLV12-8-200/37/40b/92



Wire colors in accordance with EN 60947-5-2

1	BN	(brown)
2	WH	(white)
3	BU	(blue)
4	BK	(black)



Technical Data

For detailed data and product description refer to the data sheets at www.pepperl-fuchs.com

General Data

Sensitivity adjustment	✓
Light type	modulated visible red light , 640 nm
Optical face	frontal
Operating voltage	10 ... 30 V DC
No-load supply current	< 20 mA
Switching current	max. 100 mA
Switching frequency	500 Hz
Ambient temperature	-25 ... 60 °C (-13 ... 140 °F)
Material	
Housing	PC
Optical face	PMMA
Protection degree	IP67



Properties

- Diffuse type
- Cylindrical threaded housing
- Plastic housing
- DC sensor
- Discrete output
- Cable and connector versions
- Visible red light

Your Benefit

- Short sensor design for space-saving mounting

Model Number

		GLV18-8-200/115/120	GLV18-8-200/25/102/115	GLV18-8-450/115/120	GLV18-8-450/25/102/115	GLV18-8-200/73/120	GLV18-8-200/25/102/159	GLV18-8-450/73/120	GLV18-8-450/25/102/159
Detection range	green = preferred type 50 ... 200 mm adjustable	●	●	●	●	●	●	●	●
Signal output	50 ... 450 mm adjustable								
Switching type	1 NPN, short-circuit protected open collector	●	●	●	●	●	●	●	●
	2 PNP, complementary, short-circuit protected, open collectors	●	●	●	●	●	●	●	●
Connection	light/dark on	●	●	●	●	●	●	●	●
	light on	●	●	●	●	●	●	●	●
Connection	2 m fixed cable	●	●	●	●				
	Connector M12 x 1, 3-pin					●	●	●	●
	connector M12 x 1, 4-pin					●	●	●	●

Approvals and Certificates

Protection class	II	●	●	●	●	●	●	●	●
UL approval	cULus Listed, Class 2 Power Source	●	●	●	●	●	●	●	●
CCC approval	Products with a maximum operating voltage of ≤36 V do not bear a CCC marking because they do not require approval.								

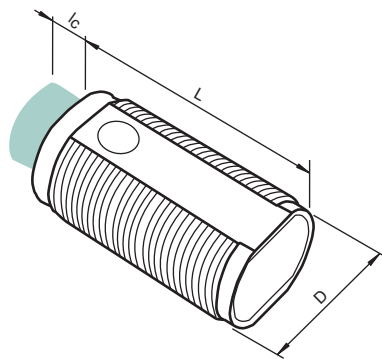
Dimensions

Length L [mm]		33
Diameter D [mm]		18
Connector area l _c [mm]		7 11

Accessories

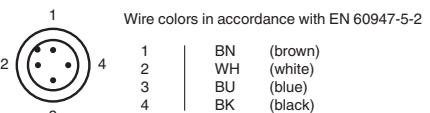
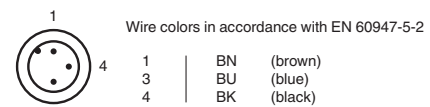
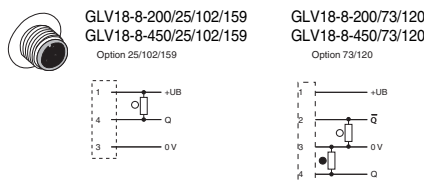
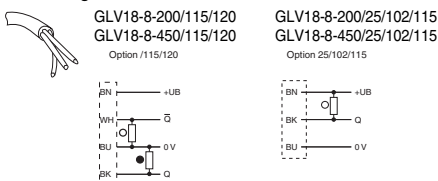
This and more accessories can be found in chapter 10
See pages from 972 ... for cordsets See pages 1068 ... for mounting aids

CPZ18B03	For Series CP18 Threaded Photoelectric Sensors
BF 18	Mounting flange, 18 mm
BF 18-F	Mounting flange with dead stop, 18 mm
BF 5-30	Universal mounting bracket for cylindrical sensors with a diameter of 5 ... 30 mm
V11-G-2M-PUR	Cable socket, M12, 3-pin, PUR cable
V1-G-2M-PUR	Cable socket, M12, 4-pin, PUR cable
V11-W-2M-PUR	Cable socket, M12, 3-pin, PUR cable
V1-W-2M-PUR	Cable socket, M12, 4-pin, PUR cable



Electrical Connection

○ = light on, ● = dark on





Technical Data

For detailed data and product description refer to the data sheets at www.pepperl-fuchs.com

General Data

Sensitivity adjustment	✓
Light type	modulated visible red light , 640 nm
Optical face	lateral
Operating voltage	10 ... 30 V DC
No-load supply current	< 20 mA
Switching current	max. 100 mA
Switching frequency	500 Hz
Ambient temperature	-25 ... 60 °C (-13 ... 140 °F)
Material	
Housing	PC
Optical face	PMMA
Protection degree	IP67

Properties

- Diffuse type
- Cylindrical threaded housing, side view
- Plastic housing
- DC sensor
- Discrete output
- Cable and connector versions
- Visible red light

Your Benefit

- Short sensor design for space-saving mounting

Model Number

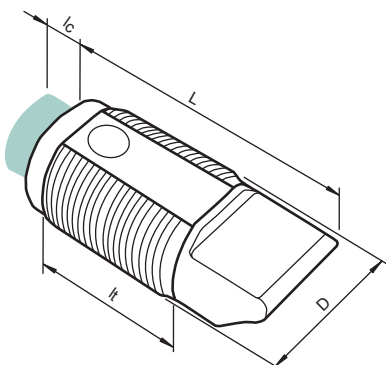
		GLV18-8-200-S/115/120	GLV18-8-200-S/25/102/115	GLV18-8-400-S/115/120	GLV18-8-400-S/25/102/115	GLV18-8-200-S/73/120	GLV18-8-200-S/25/102/159	GLV18-8-400-S/73/120	GLV18-8-400-S/25/102/159
Detection range	green = preferred type 50 ... 200 mm adjustable 50 ... 400 mm adjustable	●	●	●	●	●	●	●	●
Signal output	1 NPN, short-circuit protected open collector 2 PNP, complementary, short-circuit protected, open collectors	●	●	●	●	●	●	●	●
Switching type	light/dark on light on	●	●	●	●	●	●	●	●
Connection	2 m fixed cable Connector M12 x 1, 3-pin connector M12 x 1, 4-pin	●	●	●	●	●	●	●	●

Approvals and Certificates

Protection class	II	●	●	●	●	●	●	●	●
UL approval	cULus Listed, Class 2 Power Source	●	●	●	●	●	●	●	●
CCC approval	Products with a maximum operating voltage of ≤36 V do not bear a CCC marking because they do not require approval.	●	●	●	●	●	●	●	●

Dimensions

Length L [mm]	46
Diameter D [mm]	18
Connector area l _c [mm]	7 11



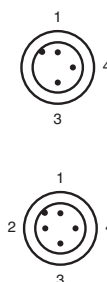
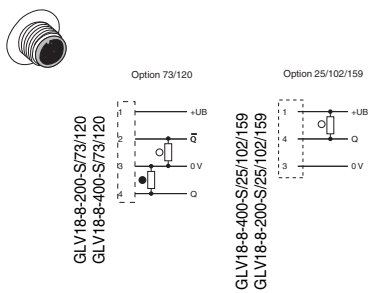
Accessories

This and more accessories can be found in chapter 10
See pages from 972 ... for cordsets See pages 1068 ... for mounting aids

- CPZ18B03** For Series CP18 Threaded Photoelectric Sensors
- BF 18** Mounting flange, 18 mm
- BF 18-F** Mounting flange with dead stop, 18 mm
- BF 5-30** Universal mounting bracket for cylindrical sensors with a diameter of 5 ... 30 mm
- V11-G-2M-PUR** Cable socket, M12, 3-pin, PUR cable
- V1-G-2M-PUR** Cable socket, M12, 4-pin, PUR cable
- V11-W-2M-PUR** Cable socket, M12, 3-pin, PUR cable
- V1-W-2M-PUR** Cable socket, M12, 4-pin, PUR cable

Electrical Connection

○ = light on, ● = dark on



Wire colors in accordance with EN 60947-5-2

1	BN	(brown)
3	BU	(blue)
4	BK	(black)

Wire colors in accordance with EN 60947-5-2

1	BN	(brown)
2	WH	(white)
3	BU	(blue)
4	BK	(black)

Date of issue 04/08/2015



Technical Data

For detailed data and product description refer to the data sheets at www.pepperl-fuchs.com

General Data

Sensitivity adjustment	✓
Light type	modulated visible red light , 640 nm
Optical face	frontal
Operating voltage	20 ... 250 V AC/DC
No-load supply current	< 2.5 mA
Signal output	N-channel MOSFET, short circuit protected
Switching type	light on
Switching current	max. 200 mA
Switching frequency	50 Hz
Ambient temperature	-20 ... 60 °C (-4 ... 140 °F)
Material	
Housing	PC-PBT
Optical face	PMMA
Protection degree	IP67

Properties

- Diffuse type
- Cylindrical threaded housing
- Plastic housing
- AC/DC sensor
- Discrete output
- Cable and connector versions
- Visible red light

Your Benefit

- Universal usage with AC or DC power supply

Model Number	GLK18-8-200/25/115/161	GLK18-8-450/25/115/161	GLK18-8-200/25/161/166	GLK18-8-450/25/161/166
Detection range	20 ... 200 mm adjustable	50 ... 450 mm adjustable	20 ... 200 mm adjustable	50 ... 450 mm adjustable
Connection	Micro AC connector, 1/2" V124 ; 4-pin	2 m, 3 x 0.34 mm ² , PVC cable	Micro AC connector, 1/2" V124 ; 4-pin	2 m, 3 x 0.34 mm ² , PVC cable

Approvals and Certificates

Protection class	II	●	●	●	●
UL approval	cULus Listed, Type 1 enclosure	●	●	●	●

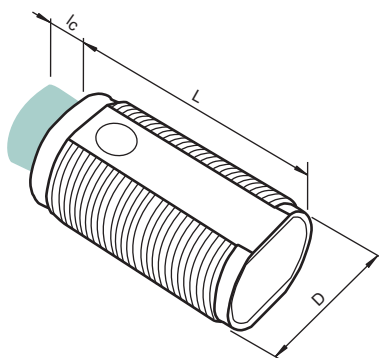
Dimensions

Length L [mm]	49
Diameter D [mm]	18
Connector area l _c [mm]	7 11

Accessories

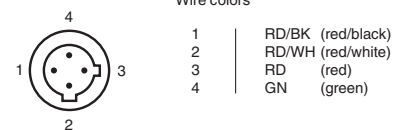
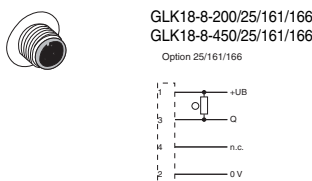
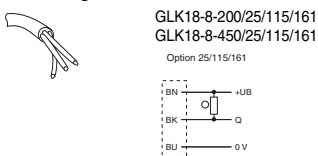
This and more accessories can be found in chapter 10
See pages from 972 ... for cordsets See pages 1068 ... for mounting aids

CPZ18B03	For Series CP18 Threaded Photoelectric Sensors
BF 18	Mounting flange, 18 mm
BF 18-F	Mounting flange with dead stop, 18 mm
BF 5-30	Universal mounting bracket for cylindrical sensors with a diameter of 5 ... 30 mm
V124-G-YE2M-PVC	Connecting cable, 1/2" - 20 UNF, 4-pin, PVC cable
V124-W-YE2M-PVC	Connecting cable, 1/2" - 20 UNF, 4-pin, PVC cable



Electrical Connection

○ = light on, ● = dark on





Technical Data

For detailed data and product description refer to the data sheets at www.pepperl-fuchs.com

General Data

Sensitivity adjustment	✓
Light type	modulated visible red light , 640 nm
Optical face	lateral
Operating voltage	20 ... 250 V AC/DC
No-load supply current	< 2.5 mA
Signal output	N-channel MOSFET, short circuit protected
Switching type	light on
Switching current	max. 200 mA
Switching frequency	50 Hz
Ambient temperature	-20 ... 60 °C (-4 ... 140 °F)
Material	
Housing	PC-PBT
Optical face	PMMA
Protection degree	IP67

Properties

- Diffuse type
- Cylindrical threaded housing, side view
- Plastic housing
- AC/DC sensor
- Discrete output
- Cable and connector versions
- Visible red light

Your Benefit

- Universal usage with AC or DC power supply

Model Number

	GLK18-8-200-S/25/115/161	GLK18-8-400-S/25/115/161	GLK18-8-200-S/25/161/166	GLK18-8-400-S/25/161/166
Detection range	50 ... 200 mm adjustable	50 ... 400 mm adjustable	●	●
Connection	Micro AC connector, 1/2" V124 ; 4-pin 2 m, 3 x 0.34 mm ² , PVC cable	●	●	●

Approvals and Certificates

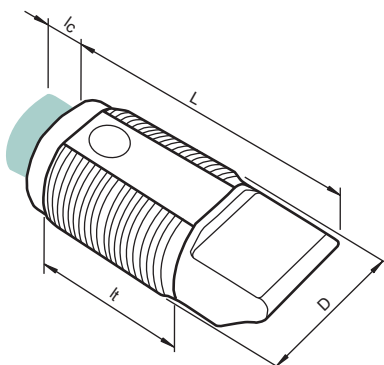
	II	●	●	●	●
Protection class	II	●	●	●	●
UL approval	cULus Listed, Type 1 enclosure	●	●	●	●

Dimensions

Length L [mm]	64
Diameter D [mm]	18
Connector area l _c [mm]	7 11

Accessories This and more accessories can be found in chapter 10 See pages from 972 ... for cordsets See pages 1068 ... for mounting aids

CPZ18B03	For Series CP18 Threaded Photoelectric Sensors
BF 18	Mounting flange, 18 mm
BF 18-F	Mounting flange with dead stop, 18 mm
BF 5-30	Universal mounting bracket for cylindrical sensors with a diameter of 5 ... 30 mm
V124-G-YE2M-PVC	Connecting cable, 1/2" - 20 UNF, 4-pin, PVC cable
V124-W-YE2M-PVC	Connecting cable, 1/2" - 20 UNF, 4-pin, PVC cable



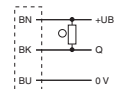
Electrical Connection

○ = light on, ● = dark on



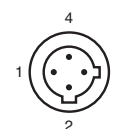
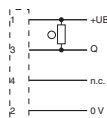
GLK18-8-400-S/25/115/161
GLK18-8-200-S/25/115/161

Option 25/115/161



GLK18-8-200-S/25/161/166
GLK18-8-400-S/25/161/166

Option 25/161/166



Wire colors

- 1 RD/BK (red/black)
- 2 RD/WH (red/white)
- 3 RD (red)
- 4 GN (green)



Technical Data

For detailed data and product description refer to the data sheets at www.pepperl-fuchs.com

General Data	
Light/dark switch	✓
Light type	infrared
Operating voltage	10 ... 30 V DC , class 2
No-load supply current	≤ 25 mA
Switching type	light/dark on electrically switchable
Switching current	max. 100 mA
Switching frequency	≤ 500 Hz
Ambient temperature	-25 ... 55 °C (-13 ... 131 °F)
Material	
Housing	brass, nickel-plated
Optical face	PC
Protection degree	IP67

Properties

- Diffuse type
- Cylindrical threaded housing
- Nickel-plated brass housing
- DC sensor
- Discrete output
- Cable and connector versions
- Infrared light

Model Number		OBT200-18GM60-E4	OBT200-18GM60-E5	OBT500-18GM60-E4	OBT500-18GM60-E5	OBT200-18GM60-E4-V1	OBT200-18GM60-E5-V1	OBT500-18GM60-E4-V1	OBT500-18GM60-E5-V1
Detection range	green = preferred type 0 ... 200 mm	●	●	●	●	●	●	●	●
Signal output	0 ... 500 mm 1 NPN output, short-circuit protected, reverse polarity protected, open collector 1 PNP output, short-circuit protected, reverse polarity protected, open collector	●	●	●	●	●	●	●	●
Connection	2 m fixed cable connector M12 x 1, 4-pin	●	●	●	●	●	●	●	●

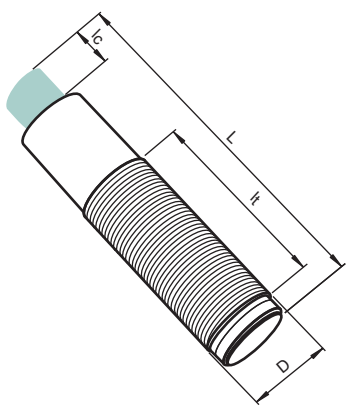
Approvals and Certificates
 CCC approval Products with a maximum operating voltage of ≤36 V do not bear a CCC marking because they do not require approval.

Dimensions	60	70
Length L [mm]		
Diameter D [mm]		18
Thread length l _t [mm]		38
Connector area l _c [mm]	0	10

Accessories

This and more accessories can be found in chapter 10
 See pages from 972 ... for cordsets See pages 1068 ... for mounting aids

- CPZ18B03** For Series CP18 Threaded Photoelectric Sensors
- BF 18** Mounting flange, 18 mm
- BF 18-F** Mounting flange with dead stop, 18 mm
- BF 5-30** Universal mounting bracket for cylindrical sensors with a diameter of 5 ... 30 mm
- V1-G-2M-PUR** Connecting cable, M12 x 1, 4-pin, PUR cable, straight
- V1-W-2M-PUR** Connecting cable, M12 x 1, 4-pin, PUR cable, angled



Electrical Connection

○ = light on, ● = dark on

OBT200-18GM60-E4
OBT500-18GM60-E4
Option E4

OBT200-18GM60-E5
OBT500-18GM60-E5
Option E5

OBT200-18GM60-E4-V1
OBT500-18GM60-E4-V1
Option E4-V1

OBT200-18GM60-E5-V1
OBT500-18GM60-E5-V1
Option E5-V1

Wire colors in accordance with EN 60947-5-2

1	BN	(brown)
2	WH	(white)
3	BU	(blue)
4	BK	(black)



Properties

- Diffuse type
- Cylindrical threaded housing
- Nickel-plated brass housing
- DC sensor
- Discrete output
- Connector version
- Visible red light

Further Products

In this series, we offer additionally:

VT18-8-400-M-LAS/32/40a/118

Tech. spec. like VT18-8-400-M/40a/118/128 but:
Signal output: 1 PNP output, short-circuit protected,
reverse polarity protected,
open collector

Technical Data

For detailed data and product description refer to the data sheets at www.pepperl-fuchs.com

Model Number	VT18-8-400-M/40a/118/128
Light/dark switch	✓
Detection range	0 ... 400 mm , adjustable
Light type	modulated visible red light
Optical face	frontal
Operating voltage	10 ... 30 V DC , class 2
No-load supply current	< 30 mA
Signal output	Push-pull (4 in 1) output, short-circuit protected, reverse polarity protected
Switching type	light/dark on, switchable
Switching current	max. 200 mA
Switching frequency	500 Hz
Ambient temperature	-25 ... 70 °C (-13 ... 158 °F)
Material	
Housing	brass, nickel-plated
Optical face	plastic
Protection degree	IP67
Connection	M12 connector, 4-pin (Vario-Quick quick connect technology)



Approvals and Certificates

CCC approval	Products with a maximum operating voltage of ≤36 V do not bear a CCC marking because they do not require approval.
--------------	--

Dimensions

Length L [mm]	78
Diameter D [mm]	18
Thread length l_t [mm]	41
Connector area l_c [mm]	13

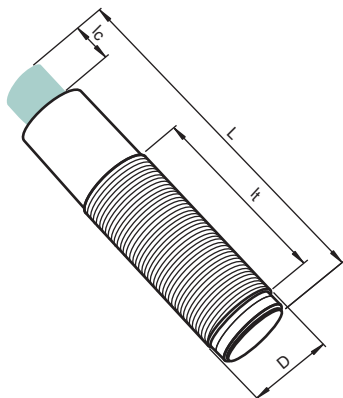
Accessories

This and more accessories can be found in chapter 10

See pages from 972 ... for cordsets

See pages 1068 ... for mounting aids

OMH-VL18	Mounting Bracket with swivel nut
BF 18	Mounting flange, 18 mm
BF 18-F	Mounting flange with dead stop, 18 mm
BF 5-30	Universal mounting bracket for cylindrical sensors with a diameter of 5 ... 30 mm
V1-G-2M-PUR	Connecting cable, M12 x 1, 4-pin, PUR cable, straight
V1-W-2M-PUR	Connecting cable, M12 x 1, 4-pin, PUR cable, angled



Electrical Connection

○ = light on, ● = dark on

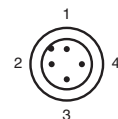
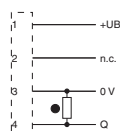
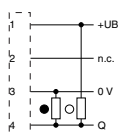


VT18-8-400-M/40a/118/128

VT18-8-400-M/32/40a/118

Option 40a/118/128

Option 32/40a/118



Wire colors in accordance with EN 60947-5-2

1	BN	(brown)
2	WH	(white)
3	BU	(blue)
4	BK	(black)



Properties

- Diffuse type
- Cylindrical threaded housing
- Nickel-plated brass housing
- DC sensor
- Discrete output
- Connector version
- Laser red light

Technical Data

For detailed data and product description refer to the data sheets at www.pepperl-fuchs.com

Model Number	VT18-8-400-M-LAS/40a/118/128
Light/dark switch	✓
Detection range	0 ... 400 mm , adjustable
Light type	modulated visible red light
Laser class	1
Optical face	frontal
Operating voltage	10 ... 30 V DC , class 2
No-load supply current	< 25 mA
Signal output	Push-pull (4 in 1) output, short-circuit protected, reverse polarity protected
Switching type	light/dark on, switchable
Switching current	max. 200 mA
Switching frequency	500 Hz
Ambient temperature	-25 ... 55 °C (-13 ... 131 °F)
Material	
Housing	brass, nickel-plated
Optical face	plastic
Protection degree	IP67
Connection	connector M12 x 1, 4-pin (Vario-Quick quick connect technology)



Approvals and Certificates

Protection class	II
UL approval	cULus Listed, Type 1 enclosure
CCC approval	Products with a maximum operating voltage of ≤36 V do not bear a CCC marking because they do not require approval.

Dimensions

Length L [mm]	78
Diameter D [mm]	18
Thread length l_t [mm]	41
Connector area l_c [mm]	13

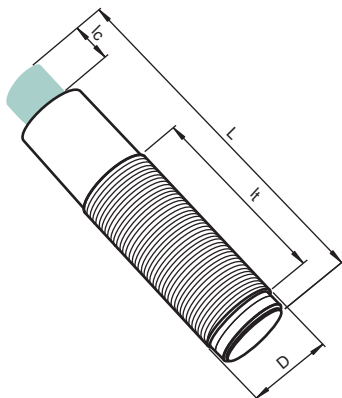
Accessories

This and more accessories can be found in chapter 10

See pages from 972 ... for cordsets

See pages 1068 ... for mounting aids

OMH-VL18	Mounting Bracket with swivel nut
BF 18	Mounting flange, 18 mm
BF 18-F	Mounting flange with dead stop, 18 mm
BF 5-30	Universal mounting bracket for cylindrical sensors with a diameter of 5 ... 30 mm
V1-G-2M-PUR	Connecting cable, M12 x 1, 4-pin, PUR cable, straight
V1-W-2M-PUR	Connecting cable, M12 x 1, 4-pin, PUR cable, angled



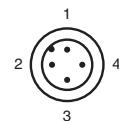
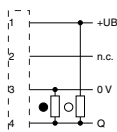
Electrical Connection

○ = light on, ● = dark on

VT18-8-400-M-LAS/40a/118/128



Option 40a/118/128



Wire colors in accordance with EN 60947-5-2

1	BN	(brown)
2	WH	(white)
3	BU	(blue)
4	BK	(black)



Technical Data

For detailed data and product description refer to the data sheets at www.pepperl-fuchs.com

General Data

Teach-In	✓
Detection range	20 ... 200 mm
Light type	modulated visible red light
Operating voltage	10 ... 30 V DC, class 2
No-load supply current	< 20 mA
Switching type	light on
Switching current	max. 100 mA
Switching frequency	1000 Hz
Ambient temperature	-20 ... 60 °C (-4 ... 140 °F)
Material	
Housing	PC (glass-fiber-reinforced Makrolon)
Optical face	PMMA
Protection degree	IP67 / IP69K

Properties

- Diffuse type
- Rectangular miniature housing
- Plastic housing
- DC sensor
- Discrete output
- Cable and connector versions
- Visible red light

Your Benefit

- Slotted mounting holes provide flexible mounting options
- ECOLAB certificate

Further Products

In this series, we offer additionally:

ML7-8-200/25/103/115b

Technical data like ML7-8-200/25/103/115 but:

Connection: fixed cable 200 mm with M12 connector, 4-pin

Model Number

		ML7-8-200/25/102/115	ML7-8-200/25/103/115	ML7-8-200/25/102/143	ML7-8-200/25/103/143
Signal output	green = preferred type 1 NPN output, short-circuit protected, reverse polarity protected, open collector 1 PNP output, short-circuit protected, reverse polarity protected, open collector	●	●	●	●
Connection	2 m fixed cable M8 x 1 connector, 4-pin	●	●	●	●

Approvals and Certificates

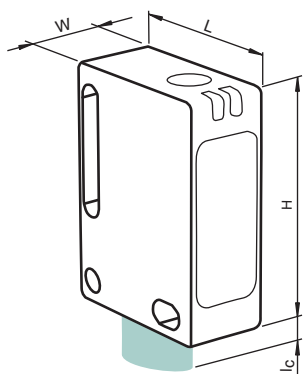
Protection class	II	●	●	●	●
UL approval	cULus	●	●	●	●
CCC approval	Products with a maximum operating voltage of ≤36 V do not bear a CCC marking because they do not require approval.				

Dimensions

Length L [mm]		23
Width W [mm]		11
Height H [mm]		31
Connector area l _c [mm]	7,6	9,1

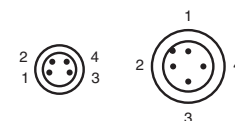
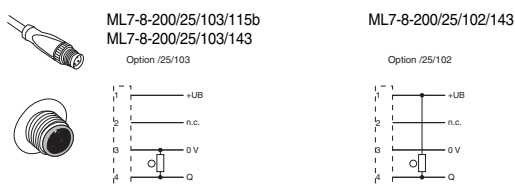
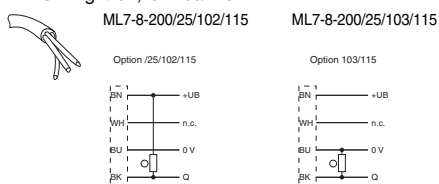
Accessories This and more accessories can be found in chapter 10 See pages from 972 ... for cordsets See pages 1068 ... for mounting aids

Montagekit OMH-ML7-01	Mounting set consisting of bracket OMH-ML-01 sheet ONH-ML7-03, and fastening material
Montagekit OMH-ML7-02	Mounting set consisting of bracket OMH-ML-02 sheet ONH-ML7-03, and fastening material
OMH-ML7-01	Mounting bracket
OMH-ML7-02	Mounting bracket
OMH-ML7-03	Fixing plate
V31-GM-2M-PVC	Connecting cable, M8 x 1, 4-pin, PVC cable, straight
V31-WM-2M-PVC	Connecting cable, M8 x 1, 4-pin, PVC cable, angled



Electrical Connection

○ = light on, ● = dark on



Wire colors in accordance with EN 60947-5-2

1	BN	(brown)
2	WH	(white)
3	BU	(blue)
4	BK	(black)

Date of issue 04/08/2015

Technical Data

For detailed data and product description refer to the data sheets at www.pepperl-fuchs.com



Properties

- Diffuse type
- Rectangular miniature housing, side view
- Plastic housing
- DC sensor
- Discrete output
- Cable and connector versions
- Visible red light

Your Benefit

- Slotted mounting holes provide flexible mounting options
- ECOLAB certificate

General Data

Teach-In	✓
Detection range	20 ... 200 mm
Light type	modulated visible red light
Operating voltage	10 ... 30 V DC , class 2
No-load supply current	< 20 mA
Switching type	light on
Switching current	max. 100 mA
Switching frequency	1000 Hz
Ambient temperature	-20 ... 60 °C (-4 ... 140 °F)
Material	
Housing	PC (glass-fiber-reinforced Makrolon)
Optical face	PMMA
Protection degree	IP67 / IP69K

Model Number

		ML71-8-200/25/102/115	ML71-8-200/25/103/115	ML71-8-200/25/102/143	ML71-8-200/25/103/143
Signal output	1 NPN output, short-circuit protected, reverse polarity protected, open collector	●	●	●	●
	1 PNP output, short-circuit protected, reverse polarity protected, open collector		●		●
Connection	2 m fixed cable	●	●		
	4-pin, M8 plastic connector			●	●

Approvals and Certificates

Protection class	II	●	●	●	●
UL approval	cULus	●	●	●	●
CCC approval	Products with a maximum operating voltage of ≤36 V do not bear a CCC marking because they do not require approval.				

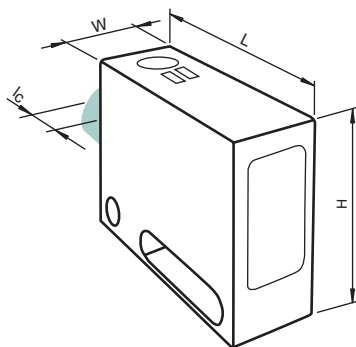
Dimensions

Length L [mm]		31
Width W [mm]		11
Height H [mm]		23
Connector area l _c [mm]	7,6	9,1

Accessories

This and more accessories can be found in chapter 10
 See pages from 972 ... for cordsets See pages 1068 ... for mounting aids

OMH-ML7-01	Mounting bracket
OMH-ML7-02	Mounting bracket
OMH-ML7-03	Fixing plate
V31-GM-2M-PVC	Connecting cable, M8 x 1, 4-pin, PVC cable, straight
V31-WM-2M-PVC	Connecting cable, M8 x 1, 4-pin, PVC cable, angled

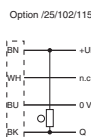


Electrical Connection

○ = light on, ● = dark on



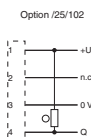
ML71-8-200/25/102/115



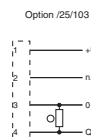
ML71-8-200/25/103/115



ML71-8-200/25/102/143



ML71-8-200/25/103/143



Wire colors in accordance with EN 60947-5-2

1	BN	(brown)
2	WH	(white)
3	BU	(blue)
4	BK	(black)

2
1.2
Photoelectric Sensors, Standard Sensors, Diffuse mode sensors



Technical Data

For detailed data and product description refer to the data sheets at www.pepperl-fuchs.com

General Data

Detection range	20 ... 200 mm
Light type	modulated visible red light
Operating voltage	10 ... 30 V DC , class 2
No-load supply current	< 20 mA
Switching type	light on
Switching current	max. 100 mA
Ambient temperature	-20 ... 60 °C (-4 ... 140 °F)
Material	
Housing	PC (glass-fiber-reinforced Makrolon)
Optical face	PMMA
Protection degree	IP67

Properties

- Diffuse type
- Rectangular miniature housing
- Plastic housing
- DC sensor
- Discrete output
- Cable and connector versions
- Visible red light

Your Benefit

- Slotted mounting holes provide flexible mounting options
- Tamper-proof, no operating controls

Model Number

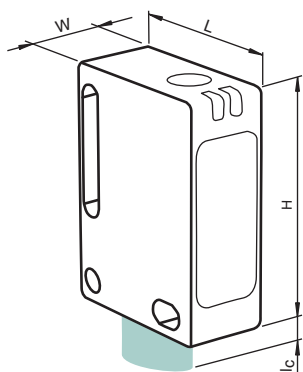
		ML8-8-200-RT/102/115	ML8-8-200-RT/103/115b	ML8-8-200-RT/102/143	ML8-8-200-RT/103/143
Signal output	1 NPN output, short-circuit protected, reverse polarity protected, open collector	●		●	
	1 PNP output, short-circuit protected, reverse polarity protected, open collector		●		●
Connection	2 m fixed cable	●			
	fixed cable 300 mm with M12 connector, 4-pin		●		
	M8 x 1 connector, 4-pin			●	●

Approvals and Certificates

Protection class	II	●	●	●	●
UL approval	cULus Listed, Class 2 Power Source, Type 1 enclosure	●	●	●	●
CCC approval	Products with a maximum operating voltage of ≤36 V do not bear a CCC marking because they do not require approval.				

Dimensions

Length L [mm]		23
Width W [mm]		11
Height H [mm]		31
Connector area l _c [mm]	7,6	9,1



Accessories

This and more accessories can be found in chapter 10
 See pages from 972 ... for cordsets See pages 1068 ... for mounting aids

- Montagekit OMH-ML7-01** Mounting set consisting of bracket OMH-ML-01 sheet ONH-ML7-03, and fastening material
- Montagekit OMH-ML7-02** Mounting set consisting of bracket OMH-ML-02 sheet ONH-ML7-03, and fastening material
- OMH-ML7-01** Mounting bracket
- OMH-ML7-02** Mounting bracket
- OMH-ML7-03** Fixing plate
- V31-GM-2M-PVC** Connecting cable, M8 x 1, 4-pin, PVC cable, straight
- V31-WM-2M-PVC** Connecting cable, M8 x 1, 4-pin, PVC cable, angled

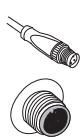
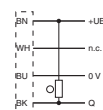
Electrical Connection

○ = light on, ● = dark on



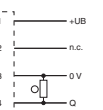
ML8-8-200-RT/102/115

Option /25/102/115



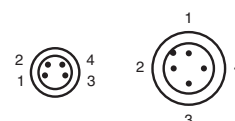
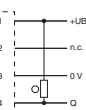
ML8-8-200-RT/103/115b
ML8-8-200-RT/103/143

Option /25/103



ML8-8-200-RT/102/143

Option /25/102



Wire colors in accordance with EN 60947-5-2

- 1 | BN (brown)
- 2 | WH (white)
- 3 | BU (blue)
- 4 | BK (black)

Date of issue 04/08/2015

2
.1.2

Photoelectric Sensors, Standard Sensors, Diffuse mode sensors



Technical Data

For detailed data and product description refer to the data sheets at www.pepperl-fuchs.com

General Data

Detection range	10 ... 450 mm
Light type	modulated infrared light , 950 nm
Operating voltage	10 ... 30 V DC , class 2
No-load supply current	< 25 mA
Signal output	2 Push-pull (4 in 1) outputs, short-circuit protected, reverse polarity protected, overvoltage protected
Switching type	light/dark on
Switching current	max. 100 mA per output
Switching frequency	500 Hz
Ambient temperature	-20 ... 55 °C (-4 ... 131 °F)
Material	
Housing	ABS
Optical face	Acrylic
Protection degree	IP67

Properties

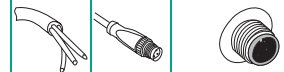
- Diffuse type
- Rectangular miniature housing
- Plastic housing
- DC sensor
- Discrete output
- Cable and connector versions
- Infrared light

Your Benefit

- Threaded face and side thru-holes provide flexible mounting options

Model Number

		ML17-8-450/115/136	ML17-8-450/115b/136	ML17-8-450/136/143	ML17-8-450/73/136
Connection	150 mm PVC cable with 4-pin, M12 connector		●		
	2 m PVC cable	●			
	4-pin , M12 x 1 connector				●
	4-pin , M8 x 1 connector			●	



Approvals and Certificates

UL approval	cULus	●	●	●	●
CCC approval	Products with a maximum operating voltage of ≤36 V do not bear a CCC marking because they do not require approval.				

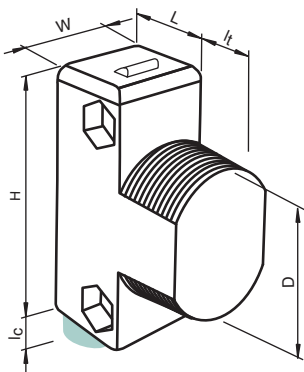
Dimensions

Length L [mm]	19			
Width W [mm]	15			
Height H [mm]	34,5			
Connector area l _c [mm]	0	9,8	18	

Accessories

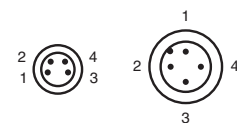
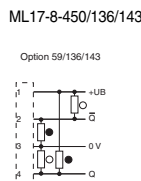
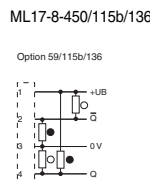
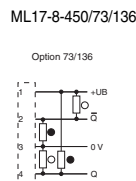
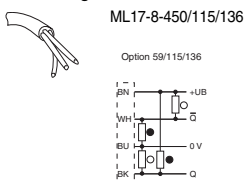
This and more accessories can be found in chapter 10
See pages from 972 ... for cordsets See pages 1068 ... for mounting aids

OMH-ML17-EZ	Mounting bracket
OMH-ML17	Mounting bracket
OMH-ML17-1	Mounting bracket
V1-G-2M-PUR	Cable socket, M12, 4-pin, PUR cable
V31-WM-2M-PUR	4-pin, M8 socket, PUR cable
V1-W-2M-PUR	Cable socket, M12, 4-pin, PUR cable
V31-GM-2M-PUR	4-pin, M8 socket, PUR cable



Electrical Connection

○ = light on, ● = dark on



Wire colors in accordance with EN 60947-5-2

1	BN	(brown)
2	WH	(white)
3	BU	(blue)
4	BK	(black)



Technical Data

For detailed data and product description refer to the data sheets at www.pepperl-fuchs.com

General Data

Sensitivity adjustment	✓
Light/dark switch	✓
Detection range	0 ... 1000 mm
Light type	modulated visible red light
Optical face	frontal
Operating voltage	10 ... 30 V DC , class 2
No-load supply current	< 20 mA
Switching type	light/dark on, switchable
Switching current	max. 100 mA
Switching frequency	1000 Hz
Ambient temperature	-30 ... 60 °C (-22 ... 140 °F)
Material	
Housing	PC (Polycarbonate)
Optical face	PMMA
Protection degree	IP67

Properties

- Diffuse type
- Rectangular miniature housing
- Plastic housing
- DC sensor
- Discrete output
- Cable and connector versions
- Visible red light

Your Benefit

- Simplest alignment and set-up with ultra-bright Power-Beam emitter LED
- Rugged housing has metal-reinforced mounting holes

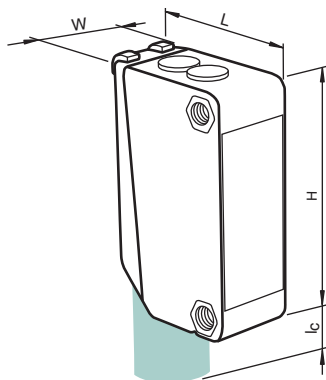
Further Products

In this series, we offer additionally:

ML100-8-1000-RT/103/115b

Technical data like ML100-8-1000-RT/103/115 but:

Connection: 300 mm fixed cable with 4-pin, M12 x 1 connector



Model Number

	green = preferred type	ML100-8-1000-RT/102/115	ML100-8-1000-RT/103/115	ML100-8-1000-RT/95/102	ML100-8-1000-RT/95/103	ML100-8-1000-RT/98/102	ML100-8-1000-RT/98/103
Signal output	1 NPN output, short-circuit protected, reverse polarity protected, open collector 1 PNP output, short-circuit protected, reverse polarity protected, open collector	●	●	●	●	●	●
Connection	2 m fixed cable Male connector M8 x 1 , 3-pin Male connector M8 x 1 , 4-pin	●	●			●	●

Approvals and Certificates

UL approval	cULus Listed, Class 2 Power Source, Type 1 enclosure	●	●	●	●	●	●
CCC approval	Products with a maximum operating voltage of ≤36 V do not bear a CCC marking because they do not require approval.						

Dimensions

Length L [mm]	20
Width W [mm]	11
Height H [mm]	31
Connector area lc [mm]	0 10

Accessories

This and more accessories can be found in chapter 10

See pages from 972 ... for cordsets

See pages 1068 ... for mounting aids

- OMH-ML100-01 Mounting bracket
- OMH-ML100-03 Mounting aid for round steel ø 12 mm or sheet 1.5 mm ... 3 mm
- OMH-ML100-02 Mounting bracket
- OMH-ML100-04 Mounting bracket
- OMH-ML100-05 Mounting bracket
- OMH-F10-ML100 Mounting aid for ML100 series
- V31-WM-2M-PUR 4-pin, M8 socket, PUR cable
- V31-GM-2M-PUR 4-pin, M8 socket, PUR cable
- V3-GM-2M-PUR Cable socket, M8, 3-pin, PUR cable
- V3-WM-2M-PUR Cable socket, M8, 3-pin, PUR cable

Electrical Connection

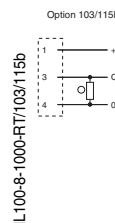
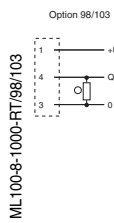
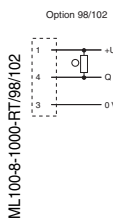
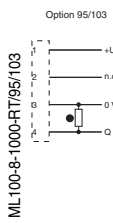
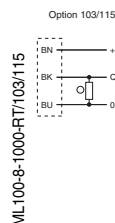
○ = light on, ● = dark on

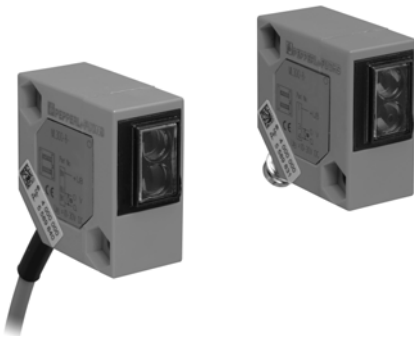


Wire colors in accordance with EN 60947-5-2

- 1 BN (brown)
- 2 WH (white)
- 3 BU (blue)
- 4 BK (black)

Date of issue 04/08/2015





Technical Data

For detailed data and product description refer to the data sheets at www.pepperl-fuchs.com

General Data

Detection range	0 ... 600 mm
Light type	modulated visible red light , 660 nm
Operating voltage	10 ... 30 V DC
Switching current	max. 0.1 A
Switching frequency	1000 Hz
Ambient temperature	-25 ... 55 °C (-13 ... 131 °F)
Material	
Housing	ABS
Optical face	plastic
Protection degree	IP65

Properties

- Diffuse type
- Rectangular miniature housing
- Plastic housing
- DC sensor
- Discrete output
- Cable and connector versions
- Visible red light

Model Number

		ML300-8-600-RT/59/103/115	ML300-8-600-RT/25/103/115	ML300-8-600-RT/59/102/115	ML300-8-600-RT/25/102/115	ML300-8-600-RT/59/98/103	ML300-8-600-RT/25/98/103	ML300-8-600-RT/59/98/102	ML300-8-600-RT/25/98/102
No-load supply current	max. 30 mA max. 35 mA	●	●	●	●	●	●	●	●
Signal output	1 NPN output, short-circuit protected, reverse polarity protected, open collector 1 PNP output, short-circuit protected, reverse polarity protected, open collector		●	●	●		●	●	●
Switching type	dark on light on	●	●	●	●	●	●	●	●
Connection	2 m fixed cable M8 x 1 connector, 3-pin	●	●	●	●				



Approvals and Certificates

CCC approval Products with a maximum operating voltage of ≤36 V do not bear a CCC marking because they do not require approval.

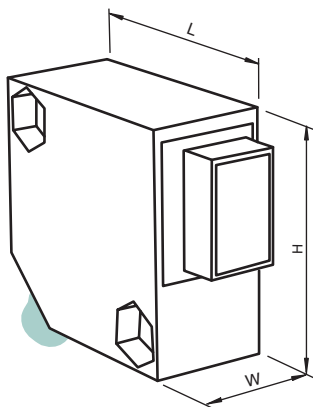
Dimensions

Length L [mm]	30
Width W [mm]	15
Height H [mm]	30

Accessories

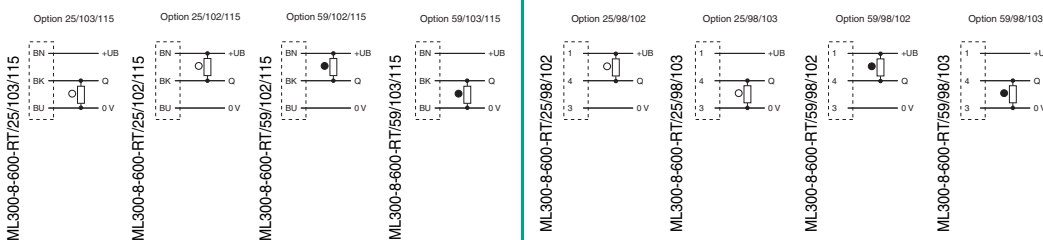
This and more accessories can be found in chapter 10
See pages from 972 ... for cordsets See pages 1068 ... for mounting aids

- OMH-ML300-01** Bracket for mounting ML300 series sensors
- OMH-ML300-02** Bracket for mounting ML300 series sensors on a 35 mm DIN rail
- V3-GM-2M-PVC** Cable socket, M8, 3-pin, PVC cable
- V3-WM-2M-PVC** Cable socket, M8, 3-pin, PVC cable
- V3-GM-2M-PUR** Cable socket, M8, 3-pin, PUR cable
- V3-WM-2M-PUR** Cable socket, M8, 3-pin, PUR cable



Electrical Connection

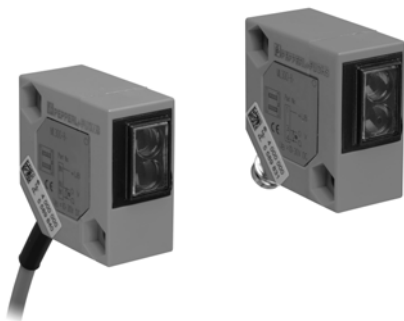
○ = light on, ● = dark on



Wire colors in accordance with EN 60947-5-2

- 1 BN (brown)
- 3 BU (blue)
- 4 BK (black)

Date of issue: 04/08/2015



Technical Data

For detailed data and product description refer to the data sheets at www.pepperl-fuchs.com

General Data

Detection range	0 ... 1200 mm
Light type	modulated infrared light , 880 nm
Operating voltage	10 ... 30 V DC
No-load supply current	max. 20 mA
Switching type	light on / dark on
Switching current	max. 0.1 A
Switching frequency	1000 Hz
Ambient temperature	-25 ... 55 °C (-13 ... 131 °F)
Material	
Housing	PBT
Optical face	glass pane
Protection degree	IP67

Properties

- Diffuse type
- Rectangular miniature housing
- Plastic housing
- DC sensor
- Discrete output
- Cable and connector versions
- Infrared light

Model Number

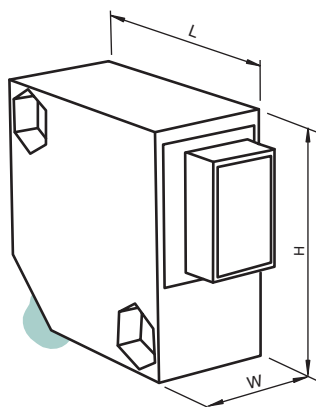
		ML300-8-1200-IR/25/15/120	ML300-8-1200-IR/25/15/127	ML300-8-1200-IR/25/82d/103/115	ML300-8-1200-IR/25/95/120	ML300-8-1200-IR/25/95/127	ML300-8-1200-IR/25/82d/95/103
Signal output	2 NPN outputs, complementary, short-circuit proof, reverse-polarity protected, open collector	●	●	●	●	●	●
	2 PNP outputs, complementary, short-circuit protected, reverse polarity protected, open collector	●	●	●	●	●	●
Output of the pre-fault indication	1 PNP, inactive when falling short of the stability control , open collector , short-circuit protected, reverse polarity protected , 100 mA max			●			●
Connection	2 m fixed cable	●	●	●			
	M8 x 1 connector, 4-pin				●	●	●

Approvals and Certificates

UL approval	cULus Listed 57M3 (Only in association with UL Class 2 power supply; Type 1 enclosure)	●	●	●	●	●	●
CCC approval	Products with a maximum operating voltage of ≤36 V do not bear a CCC marking because they do not require approval.						

Dimensions

Length L [mm]	30
Width W [mm]	15
Height H [mm]	30



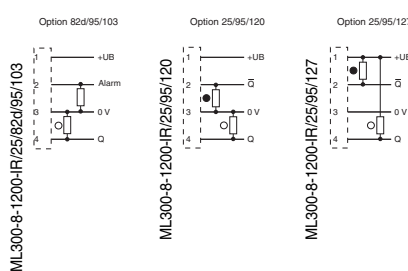
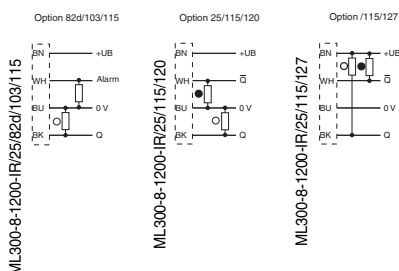
Accessories

This and more accessories can be found in chapter 10
See pages from 972 ... for cordsets See pages 1068 ... for mounting aids

OMH-ML300-01	Bracket for mounting ML300 series sensors
OMH-ML300-02	Bracket for mounting ML300 series sensors on a 35 mm DIN rail
V31-GM-2M-PVC	M8, 4-pin socket, PVC cable
V31-WM-2M-PVC	M8, 4-pin socket, PVC cable
V31-WM-2M-PUR	4-pin, M8 socket, PUR cable
V31-GM-2M-PUR	4-pin, M8 socket, PUR cable

Electrical Connection

○ = light on, ● = dark on



Wire colors in accordance with EN 60947-5-2

1	BN	(brown)
2	WH	(white)
3	BU	(blue)
4	BK	(black)

Date of issue 04/08/2015



Technical Data

For detailed data and product description refer to the data sheets at www.pepperl-fuchs.com

General Data

Detection range	20 ... 2000 mm , adjustable
Light type	modulated visible red light
Operating voltage	10 ... 30 V DC
No-load supply current	≤ 40 mA
Signal output	2 Push-pull (4 in 1) outputs, short-circuit protected, reverse polarity protected
Switching current	max. 100 mA
Switching frequency	125 Hz
Ambient temperature	-25 ... 60 °C (-13 ... 140 °F)
Material	
Housing	Plastic ABS
Optical face	plastic
Protection degree	IP65
Connection	Plastic connector M12 x 1, 4-pin



Properties

- Diffuse type
- Rectangular full-size housing
- Plastic housing
- DC sensor
- Discrete output
- Connector version
- Visible red light

Model Number

Switching type	dark on	RL29-8-2000/73c/136	RL29-8-2000/59/73c/136
	light on	●	●

Approvals and Certificates

UL approval	cULus Listed, Class 2 Power Source, Type 1 enclosure	●
CCC approval	Products with a maximum operating voltage of ≤36 V do not bear a CCC marking because they do not require approval.	

Dimensions

Length L [mm]	54,3
Width W [mm]	25,8
Height H [mm]	88
Connector area l _c [mm]	14

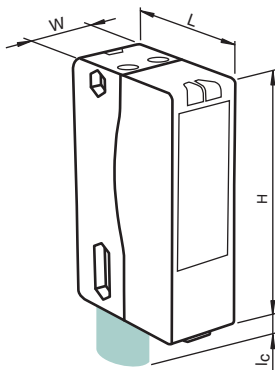
Accessories

This and more accessories can be found in chapter 10

See pages from 972 ... for cordsets

See pages 1068 ... for mounting aids

OMH-05	Mounting aid for round steel ø 12 mm or sheet 1.5 mm ... 3 mm
OMH-07	Mounting aid for round steel ø 12 mm or sheet 1.5 mm ... 3 mm
OMH-21	Mounting bracket
OMH-22	Mounting bracket
OMH-K01	dove tail mounting clamp
OMH-RLK29-HW	Mounting bracket for rear wall mounting
OMH-RL28-C	Protective cover
V1-G-2M-PUR	Connecting cable, M12 x 1, 4-pin, PUR cable, straight
V1-W-2M-PUR	Connecting cable, M12 x 1, 4-pin, PUR cable, angled
V1-G-5M-PUR	Connecting cable, M12 x 1, 4-pin, PUR cable, straight
V1-W-5M-PUR	Connecting cable, M12 x 1, 4-pin, PUR cable, angled



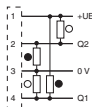
Electrical Connection

○ = light on, ● = dark on



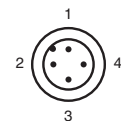
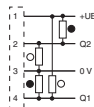
RL29-8-2000/59/73c/136

Option /59/73c/136



RL29-8-2000/73c/136

Option /73c/136



Wire colors in accordance with EN 60947-5-2

1	BN	(brown)
2	WH	(white)
3	BU	(blue)
4	BK	(black)



Technical Data

For detailed data and product description refer to the data sheets at www.pepperl-fuchs.com

General Data

Operating voltage	10 ... 30 V DC
No-load supply current	≤ 20 mA
Signal output	2 Push-pull (4 in 1) outputs, short-circuit protected, reverse polarity protected
Switching type	light on
Switching current	max. 100 mA
Switching frequency	≤ 500 Hz
Ambient temperature	-30 ... 55 °C (-22 ... 131 °F)
Material	
Housing	Polycarbonate
Optical face	PMMA
Protection degree	IP67

Properties

- Diffuse type
- Rectangular full-size housing
- Plastic housing
- DC sensor
- Discrete output
- Cable and connector versions
- Visible red and infrared light versions

Further Products

In this series, we offer additionally:

RL31-8-2500-IR/59/73c/136

Tech. spec. like RL31-8-2500-IR/73c/136 but:
Switching type: dark on

Model Number

		RL31-8-2500-IR/115/136	RL31-8-1200-RT/73c/136	RL31-8-2500-IR/73c/136
Detection range	green = preferred type 0 ... 1200 mm adjustable 0 ... 2500 mm adjustable	●	●	●
Light type	modulated infrared light , 850 nm modulated visible red light , 630 nm	●	●	●
Connection	2 m fixed cable , 4-wire connector M12 x 1, 4-pin	●	●	●

Approvals and Certificates

Protection class	II	●	●	●
UL approval	cULus Listed, Class 2 Power Source, Type 1 enclosure	●	●	●
CCC approval	Products with a maximum operating voltage of ≤36 V do not bear a CCC marking because they do not require approval.	●	●	●

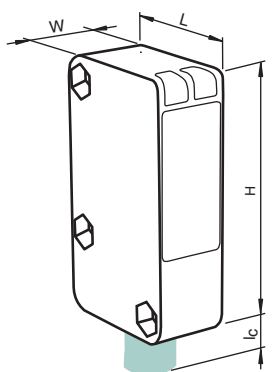
Dimensions

Length L [mm]	35
Width W [mm]	18
Height H [mm]	62
Connector area l _c [mm]	0 10,2

Accessories

This and more accessories can be found in chapter 10
See pages from 972 ... for cordsets See pages 1068 ... for mounting aids

OMH-RL31-01	Mounting bracket
OMH-RL31-02	Mounting bracket
OMH-RL31-03	Mounting bracket
OMH-RL31-04	Mounting aid for round steel ø 12 mm or sheet 1.5 mm ... 3 mm
OMH-RL31-05	Mounting bracket
OMH-RL31-06	Mounting bracket
V1-G-2M-PUR	Connecting cable, M12 x 1, 4-pin, PUR cable, straight
V1-W-2M-PUR	Connecting cable, M12 x 1, 4-pin, PUR cable, angled
V1-G-5M-PUR	Connecting cable, M12 x 1, 4-pin, PUR cable, straight
V1-W-5M-PUR	Connecting cable, M12 x 1, 4-pin, PUR cable, angled



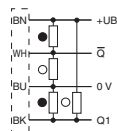
Electrical Connection

○ = light on, ● = dark on

RL31-8-2500-IR/115/136



Option 115/136

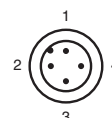
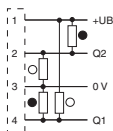


RL31-8-2500-IR/73c/136

RL31-8-1200-RT/73c/136



Option /25/73c/136



Wire colors in accordance with EN 60947-5-2

1	BN	(brown)
2	WH	(white)
3	BU	(blue)
4	BK	(black)

Date of issue 04/08/2015



Technical Data

For detailed data and product description refer to the data sheets at www.pepperl-fuchs.com

General Data

Operating voltage	24 ... 240 V AC 12 ... 240 V DC
No-load supply current	≤ 40 mA
Power consumption	≤ 2 VA
Signal output	Relay, 1 alternator
Switching type	light on
Switching current	max. 3 A
Switching power	DC: max. 150 W AC: max. 750 VA
Switching frequency	≤ 20 Hz
Ambient temperature	-25 ... 55 °C (-13 ... 131 °F)
Material	
Housing	Polycarbonate
Optical face	PMMA
Protection degree	IP67
Connection	2 m fixed cable , 5-wire



Properties

- Diffuse type
- Rectangular full-size housing
- Plastic housing
- AC/DC sensor
- Relay output
- Cable version
- Visible red and infrared light versions

Model Number

Detection range	green = preferred type 0 ... 1200 mm adjustable	●	RLK31-8-1200-RT/31/115
	0 ... 2500 mm adjustable		●
Light type	modulated infrared light , 850 nm		●
	modulated visible red light , 630 nm	●	

Approvals and Certificates

Protection class	II	●	●
CCC approval	Certified by China Compulsory Certification (CCC)	●	●

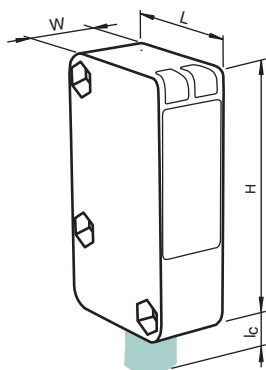
Dimensions

Length L [mm]	35
Width W [mm]	18
Height H [mm]	62
Connector area l _c [mm]	0

Accessories This and more accessories can be found in chapter 10

See pages from 972 ... for cordsets See pages 1068 ... for mounting aids

OMH-RL31-01	Mounting bracket
OMH-RL31-02	Mounting bracket
OMH-RL31-03	Mounting bracket
OMH-RL31-04	Mounting aid for round steel ø 12 mm or sheet 1.5 mm ... 3 mm
OMH-RL31-05	Mounting bracket
OMH-RL31-06	Mounting bracket



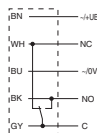
Electrical Connection

○ = light on, ● = dark on



RLK31-8-2500-IR/31/115
RLK31-8-1200-RT/31/115

Option 31/115





Technical Data

For detailed data and product description refer to the data sheets at www.pepperl-fuchs.com

General Data

Light type	modulated infrared light , 850 nm
Operating voltage	10 ... 30 V DC
No-load supply current	≤ 35 mA
Signal output	2 Push-pull (4 in 1) outputs, short-circuit protected, reverse polarity protection
Switching type	light/dark on, switchable
Switching current	max. 100 mA
Switching frequency	500 Hz
Ambient temperature	-40 ... 55 °C (-40 ... 131 °F)
Material	
Housing	PC (Polycarbonate)
Optical face	PMMA
Protection degree	IP67

Properties

- Diffuse type
- Rectangular full-size housing
- Plastic housing
- DC sensor
- Discrete output
- Cable and connector versions
- Infrared light

Your Benefit

- Ultra-bright four-corner LEDs for sensor status indication
- Threaded base and side thru-holes provide flexible mounting options

Model Number

		RL61-8-1000-Z/115/136	RL61-8-4000-Z/115/136	RL61-8-1000-Z/92/136	RL61-8-4000-Z/92/136
Threshold detection range	1.5 m 4.7 m	●	●	●	●
Detection range	0 ... 1000 mm adjustable 0 ... 4000 mm adjustable	●	●	●	●
Connection	fixed cable M12 connector, 4-pin	●	●	●	●

Approvals and Certificates

UL approval	cULus	●	●	●	●
CCC approval	Products with a maximum operating voltage of ≤36 V do not bear a CCC marking because they do not require approval.				

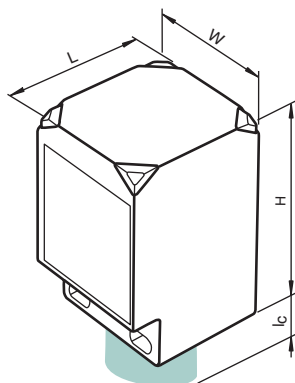
Dimensions

Length L [mm]	49
Width W [mm]	45
Height H [mm]	74
Connector area l _c [mm]	18 28

Accessories

This and more accessories can be found in chapter 10
See pages from 972 ... for cordsets See pages 1068 ... for mounting aids

MPZB01	Mounting bracket with vertical slots
MPZB02	Mounting bracket with circular slots
MPZB06	Ball and Swivel Mounting Bracket
MPZB07	Ball and Swivel Vertical Mounting Plate
V1-G-2M-PUR	Connecting cable, M12 x 1, 4-pin, PUR cable, straight
V1-W-2M-PUR	Connecting cable, M12 x 1, 4-pin, PUR cable, angled
V1-G-5M-PUR	Connecting cable, M12 x 1, 4-pin, PUR cable, straight
V1-W-5M-PUR	Connecting cable, M12 x 1, 4-pin, PUR cable, angled



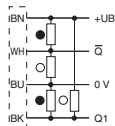
Electrical Connection

○ = light on, ● = dark on



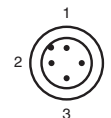
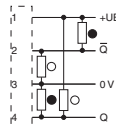
RL61-8-1000-Z/115/136
RL61-8-4000-Z/115/136

Option 115/136



RL61-8-1000-Z/92/136
RL61-8-4000-Z/92/136

Option 92/136



Wire colors in accordance with EN 60947-5-2

1	BN	(brown)
2	WH	(white)
3	BU	(blue)
4	BK	(black)

Date of issue 04/08/2015



Technical Data

For detailed data and product description refer to the data sheets at www.pepperl-fuchs.com

General Data

Timer	✓
Light/dark switch	✓
Light type	modulated infrared light , 850 nm
Operating voltage	24 ... 240 V AC 12 ... 240 V DC
No-load supply current	≤ 35 mA
Power consumption	≤ 2 VA
Signal output	Relay, Form C
Switching type	light/dark on, switchable
Switching current	max. 3 A
Switching power	DC: max. 150 W AC: max. 750 VA
Switching frequency	20 Hz
Ambient temperature	-40 ... 55 °C (-40 ... 131 °F)
Material	
Housing	PC (Polycarbonate)
Optical face	PMMA
Protection degree	IP67

Properties

- Diffuse type
- Rectangular full-size housing
- Plastic housing
- AC/DC sensor
- Relay output
- Cable and connector versions
- Infrared light

Your Benefit

- Ultra-bright four-corner LEDs for sensor status indication
- Threaded base and side thru-holes provide flexible mounting options
- Universal usage with AC or DC power

Model Number

		RLK61-8-4000-Z/31/115	RLK61-8-1000-Z/31/115	RLK61-8-1000-Z/31/135	RLK61-8-4000-Z/31/135
Threshold detection range	1.5 m		●	●	
	4.7 m	●			●
Detection range	0 ... 1000 mm adjustable		●	●	
	0 ... 4000 mm adjustable	●			●
Connection	fixed cable	●	●		
	V95 quick disconnect			●	●

Approvals and Certificates

UL approval	cULus	●	●	●	●
-------------	-------	---	---	---	---

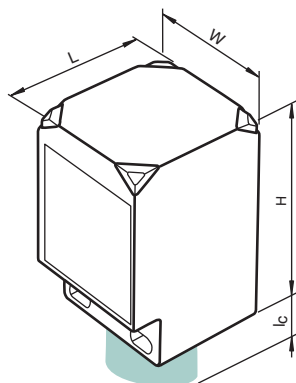
Dimensions

Length L [mm]	49
Width W [mm]	45
Height H [mm]	74
Connector area l _c [mm]	18 28

Accessories This and more accessories can be found in chapter 10

See pages from 972 ... for cordsets See pages 1068 ... for mounting aids

- MPZB01** Mounting bracket with vertical slots
- MPZB02** Mounting bracket with circular slots
- MPZB07** Ball and Swivel Vertical Mounting Plate
- MPZB06** Ball and Swivel Mounting Bracket
- V95-W-2M-PVC** Connecting cable, 5-pin, PVC cable, angled
- V95-W-5M-PVC** Connecting cable, 5-pin, PVC cable, angled
- V95-G** Field attachable connector, 5-pin, straight

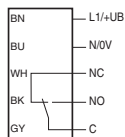


Electrical Connection

○ = light on, ● = dark on

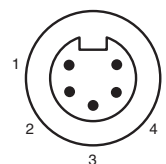
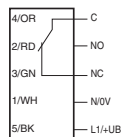
RLK61-8-1000-Z/31/115
RLK61-8-4000-Z/31/115

Option 31/115



RLK61-8-1000-Z/31/135
RLK61-8-4000-Z/31/135

Option 31/135





Technical Data

For detailed data and product description refer to the data sheets at www.pepperl-fuchs.com

General Data

Detection range	2 ... 12 mm
Light type	modulated visible red light , 640 nm
Operating voltage	10 ... 30 V DC
No-load supply current	≤ 70 mA
Switching type	light on
Switching current	max. 100 mA
Switching frequency	100 Hz
Ambient temperature	0 ... 50 °C (32 ... 122 °F)
Material	
Housing	PC + ABS
Optical face	Scratch resistant mineral glass lens
Protection degree	IP67
Connection	M12 x 1 connector, 5-pin

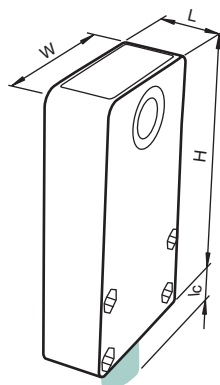


Properties

- Multiple beams
- Special application housing, side view
- Plastic housing
- DC sensor
- Discrete outputs
- Connector version
- Visible red light

Your Benefit

- Specifically for quality checks of weld tips
- Upper and lower weld tips checked simultaneously
- High position and angle tolerance insensitivity



Model Number

Signal output	2 switch outputs NPN, NO short-circuit protected reverse polarity protected	WTS10-12/20/105	WTS10-12/21/105
	2 switch outputs PNP, NO short-circuit protected reverse polarity protected	●	●

Approvals and Certificates

Protection class	II	●	●
UL approval	cULus Listed	●	●
CCC approval	Products with a maximum operating voltage of ≤36 V do not bear a CCC marking because they do not require approval.		

Dimensions

Length L [mm]	20
Width W [mm]	50
Height H [mm]	90
Connector area l _c [mm]	10

Accessories This and more accessories can be found in chapter 10

See pages from 972 ... for cordsets See pages 1068 ... for mounting aids

OMH-WTS10-01	Mounting bracket for sensors of WTS10 series
V15-G-2M-PVC	Cable socket, M12, 5-pin, PVC cable
V15-G-2M-PUR	Cable socket, M12, 5-pin, PUR cable
V15-W-5M-PVC	Cable socket, M12, 5-pin, PVC cable
V15-W-5M-PUR	Cable socket, M12, 5-pin, PUR cable

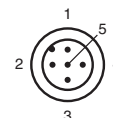
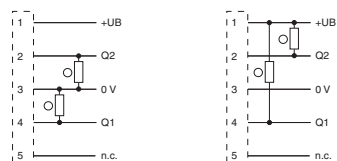
Electrical Connection

○ = light on, ● = dark on



WTS10-12/20/105

WTS10-12/21/105



Wire colors in accordance with EN 60947-5-2

1	BN	(brown)
2	WH	(white)
3	BU	(blue)
4	BK	(black)
5	GY	(gray)

Date of issue 04/08/2015



Technical Data

For detailed data and product description refer to the data sheets at www.pepperl-fuchs.com

Model Number	MLV11-8-500-Ex/40b/112
Sensing range adjustment	✓
Detection range	0 ... 500 mm
Light type	modulated infrared light , 860 nm
Operating voltage	6 ... 15.5 V DC (R _i approx. 0 Ohm)
Signal output	1 NAMUR output NC/NO programmable
Switching type	light/dark on, programmable
Current consumption	
Reference target detected	connection 1, 2: ≤ 1 mA connection 1, 4: ≥ 2.2 mA
Reference target not detected	connection 1, 2: ≥ 2.2 mA connection 1, 4: ≤ 1 mA
Switching frequency	≥ 100 Hz
Ambient temperature	-25 ... 70 °C (-13 ... 158 °F)
Material	
Housing	PBT
Optical face	scratch resistant plastic lens
Protection degree	IP67
Connection	V1 connector (M12 x 1), 4-pin, rotatable through 90°



Use in the Hazardous Area

Marking	Zone 1: Ex II 2G Ex op is ia IIC T6
---------	-------------------------------------

Approvals and Certificates

CCC approval	Products with a maximum operating voltage of ≤36 V do not bear a CCC marking because they do not require approval.
EC-Type Examination Certificate	PTB 99 ATEX 2036 X

Dimensions

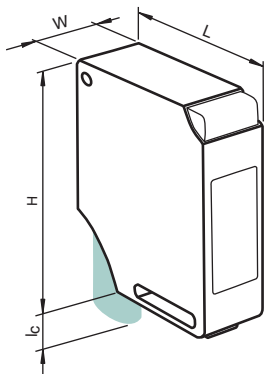
Length L [mm]	45
Width W [mm]	18
Height H [mm]	50
Connector area l _c [mm]	18 / 0

Properties

- Diffuse type
- Rectangular compact housing
- Plastic housing
- DC sensor
- NAMUR output
- Connector version
- Infrared light

Your Benefit

- ATEX-approval for zone 1
- Intrinsically safe, Ex op is ia IIC T6



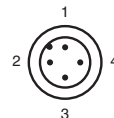
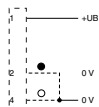
Electrical Connection

○ = light on, ● = dark on

MLV11-8-500-Ex/40b/112



Option 40b



Wire colors in accordance with EN 60947-5-2

1	BN	(brown)
2	WH	(white)
3	BU	(blue)
4	BK	(black)

Date of issue: 2015-04-08



Properties

- Diffuse type
- Rectangular full-size housing
- Plastic housing
- DC sensor
- NAMUR output
- Terminal version
- Infrared light

Your Benefit

- ATEX-approval for zone 1
- Intrinsically safe, Ex op is ia IIC T4

Technical Data

For detailed data and product description refer to the data sheets at www.pepperl-fuchs.com

Model Number	RL36-8-2000-Ex/40b/116
Sensing range adjustment	✓
Detection range	0 ... 2000 mm
Light type	modulated infrared light
Operating voltage	6 ... 20 V DC (R _i approx. 0 Ohm)
Signal output	1 NAMUR output NC/NO programmable
Switching type	light/dark on, programmable
Current consumption	
Reference target detected	connection 1, 2: ≤ 1 mA connection 1, 4: ≥ 2.2 mA
Reference target not detected	connection 1, 2: ≥ 2.2 mA connection 1, 4: ≤ 1 mA
Switching frequency	≥ 100 Hz
Ambient temperature	-25 ... 70 °C (-13 ... 158 °F)
Material	
Housing	PMMA
Optical face	PMMA
Protection degree	IP54
Connection	terminal compartment PG9, ≤ 2.5 mm ²



Use in the Hazardous Area

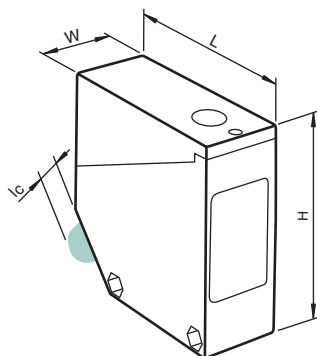
Marking II 2G Ex op is ia IIC T4

Approvals and Certificates

CCC approval Products with a maximum operating voltage of ≤36 V do not bear a CCC marking because they do not require approval.

Dimensions

Length L [mm]	85
Width W [mm]	34
Height H [mm]	80
Connector area l _c [mm]	0 (PG9)



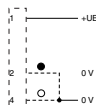
Electrical Connection

○ = light on, ● = dark on

RL36-8-2000-Ex/40b/116



Option 40b





Technical Data

For detailed data and product description refer to the data sheets at www.pepperl-fuchs.com

Model Number	OCT300-M1K-N2
Sensing range adjustment	✓
Light/dark switch	✓
Detection range	0 ... 300 mm
Light type	modulated infrared light
Operating voltage	6 ... 20 V DC (R _i approx. 0 Ohm)
Signal output	1 NAMUR output NC/NO programmable
Switching type	light/dark on, programmable
Current consumption	
Reference target detected	connection 1, 2: ≤ 1 mA connection 3, 4: ≥ 2.7 mA
Reference target not detected	connection 1, 2: ≥ 2.7 mA connection 3, 4: ≤ 1 mA
Switching frequency	≤ 100 Hz
Ambient temperature	-25 ... 70 °C (-13 ... 158 °F)
Material	
Housing	PBT
Optical face	Scratch resistant mineral glass lens
Protection degree	IP67
Connection	terminal compartment PG9, ≤ 2.5 mm ²



Use in the Hazardous Area

Marking	Zone 1: Ex II 2G Ex op is ia IIC T6
	Zone 20/21: Ex II 1D Ex iaD 20 T 85°C

Approvals and Certificates

FM approval Approved for	IS / I,II,III / 1 / ABCDEFG / T5 - 116-0110; Entity NI / 1 / 2 / ABCD / T6 Entity Parameters: V _{Max} = 12.6 V, I _{Max} = 20 mA, C _i = 1.11 µF, L _i = 0 mH (Groups A, B, C, D, E, F, G). V _{Max} = 15.5 V; I _{Max} = 52 mA, C _i = 1.11 µF, L _i = 0 mH (Groups C, D, E, F, G).
CSA approval Approved for	Class I, Division 2, Groups A, B, C and D Rated 20V (max), 50mA. These sensors are suitable for installation in (or through the wall of) a suitable enclosure with provision for connection of rigid metal conduit, as acceptable to the local inspection authority having jurisdiction.
CCC approval	Products with a maximum operating voltage of ≤36 V do not bear a CCC marking because they do not require approval.

Dimensions

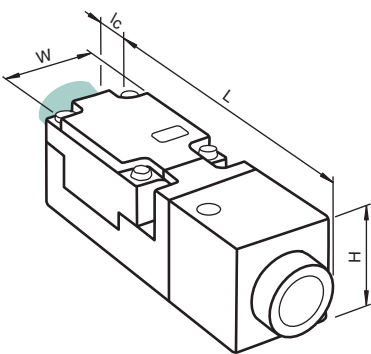
Length L [mm]	100
Width W [mm]	30
Height H [mm]	30
Connector area l _c [mm]	0

Properties

- Diffuse type
- Rectangular compact housing
- Plastic housing
- DC sensor
- NAMUR output
- Terminal version
- Infrared light

Your Benefit

- ATEX approval for zone 20 (Dust) and zone 1 (Gas)
- Intrinsically safe, Ex op is ia IIC T6
- FM and CSA approval



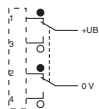
Electrical Connection

○ = light on, ● = dark on

OCT300-M1K-N2



Option 40b





Technical Data

For detailed data and product description refer to the data sheets at www.pepperl-fuchs.com

General Data

Sensitivity adjustment	✓
Threshold detection range	1200 mm
Effective detection range	0 ... 1000 mm
Reference target	H85 reflector
Light type	modulated visible red light
Operating voltage	10 ... 30 V DC
No-load supply current	≤ 20 mA
Control input	light on: +UB dark on: 0 V
Switching type	light/dark on
Switching current	max. 300 mA
Switching frequency	≤ 700 Hz
Ambient temperature	-25 ... 55 °C (-13 ... 131 °F)
Material	
Housing	brass, nickel-plated
Optical face	PMMA
Protection degree	IP67

Properties

- Polarized type
- Cylindrical threaded housing
- Nickel plated brass housing
- DC sensor
- Discrete output
- Cable and connector versions
- Visible red light

Model Number

		GLV12-54/36/40b/115	GLV12-54/37/40b/115	GLV12-54/36/40b/92	GLV12-54/37/40b/92
Signal output	green = preferred type 1 NPN output, short-circuit protected, reverse polarity protected, open collector 1 PNP output, short-circuit protected, reverse polarity protected, open collector	●	●	●	●
Connection	2 m fixed cable connector M12 x 1, 4-pin	●	●	●	●

Approvals and Certificates

CCC approval Products with a maximum operating voltage of ≤36 V do not bear a CCC marking because they do not require approval.

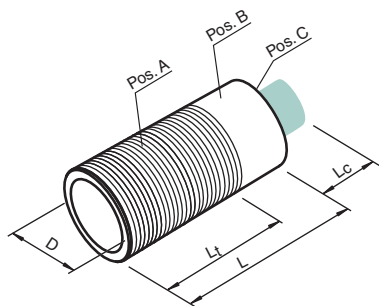
Dimensions

Length L [mm]	55
Diameter D [mm]	12
Thread length l _t [mm]	34
Connector area l _c [mm]	0 10
LED position	Pos. B

Accessories This and more accessories can be found in chapter 10

See pages from 972 ... for cordsets See pages 1068 ... for mounting aids

- BF 12** Mounting flange, 12 mm
- BF 12-F** Mounting flange with dead stop, 12 mm
- BF 5-30** Universal mounting bracket for cylindrical sensors with a diameter of 5 ... 30 mm
- REF-H85** Reflector, rectangular 84.5 mm x 84.5 mm, mounting holes
- V1-G-2M-PUR** Cable socket, M12, 4-pin, PUR cable
- V1-W-2M-PUR** Cable socket, M12, 4-pin, PUR cable

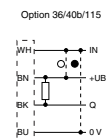


Electrical Connection

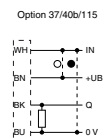
○ = light on, ● = dark on



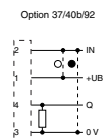
GLV12-54/36/40b/115



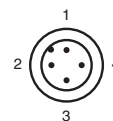
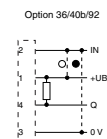
GLV12-54/37/40b/115



GLV12-54/37/40b/92



GLV12-54/36/40b/92



Wire colors in accordance with EN 60947-5-2

- | | | |
|---|----|---------|
| 1 | BN | (brown) |
| 2 | WH | (white) |
| 3 | BU | (blue) |
| 4 | BK | (black) |



Technical Data

For detailed data and product description refer to the data sheets at www.pepperl-fuchs.com

General Data

Sensitivity adjustment	✓
Threshold detection range	2500 mm
Effective detection range	0 ... 2000 mm
Reference target	H85 reflector
Light type	modulated visible red light
Operating voltage	10 ... 30 V DC
No-load supply current	≤ 20 mA
Control input	light on +UB dark on: 0 V
Switching type	light/dark on
Switching current	max. 300 mA
Switching frequency	≤ 700 Hz
Ambient temperature	-25 ... 55 °C (-13 ... 131 °F)
Material	
Housing	brass, nickel-plated
Optical face	PMMA
Protection degree	IP67

2
.1.3

Photoelectric Sensors, Standard Sensors, retroreflective sensors

Properties

- Non-polarized type
- Cylindrical threaded housing
- Nickel plated brass housing
- DC sensor
- Discrete output
- Cable and connector versions
- Visible red light

Model Number

	green = preferred type	GLV12-6/36/40b/115	GLV12-6/37/40b/115	GLV12-6/36/40b/92	GLV12-6/37/40b/92
Signal output	1 NPN output, short-circuit protected, reverse polarity protected, open collector	●		●	
	1 PNP output, short-circuit protected, reverse polarity protected, open collector		●		●
Connection	2 m fixed cable connector M12 x 1, 4-pin	●	●	●	●

Approvals and Certificates

CCC approval Products with a maximum operating voltage of ≤36 V do not bear a CCC marking because they do not require approval.

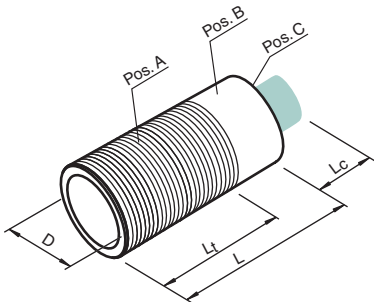
Dimensions

Length L [mm]	55
Diameter D [mm]	12
Thread length l_t [mm]	34
Connector area l_c [mm]	0 10
LED position	Pos. B

Accessories This and more accessories can be found in chapter 10

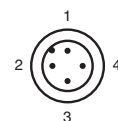
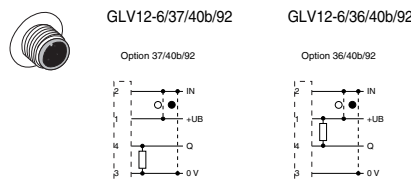
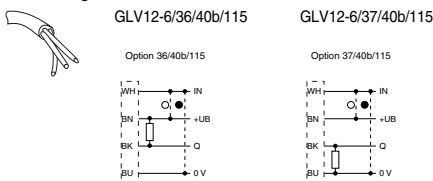
See pages from 972 ... for cordsets See pages 1068 ... for mounting aids

- BF 12** Mounting flange, 12 mm
- BF 12-F** Mounting flange with dead stop, 12 mm
- BF 5-30** Universal mounting bracket for cylindrical sensors with a diameter of 5 ... 30 mm
- REF-H85** Reflector, rectangular 84.5 mm x 84.5 mm, mounting holes
- V1-G-2M-PUR** Cable socket, M12, 4-pin, PUR cable
- V1-W-2M-PUR** Cable socket, M12, 4-pin, PUR cable



Electrical Connection

○ = light on, ● = dark on



Wire colors in accordance with EN 60947-5-2

- 1 | BN (brown)
- 2 | WH (white)
- 3 | BU (blue)
- 4 | BK (black)

Date of issue: 04/08/2015



Technical Data

For detailed data and product description refer to the data sheets at www.pepperl-fuchs.com

General Data

Threshold detection range	5.5 m
Effective detection range	0 ... 4 m
Reference target	reflector C110-2
Light type	modulated visible red light , 640 nm
Optical face	frontal
Operating voltage	10 ... 30 V DC
No-load supply current	< 20 mA
Switching current	max. 100 mA
Switching frequency	500 Hz
Ambient temperature	-25 ... 60 °C (-13 ... 140 °F)
Material	
Housing	PC
Optical face	PMMA
Protection degree	IP67

Properties

- Polarized type
- Cylindrical threaded housing
- Plastic housing
- DC sensor
- Discrete output
- Cable and connector versions
- Visible red light

Your Benefit

- Short sensor design for space-saving mounting

Model Number

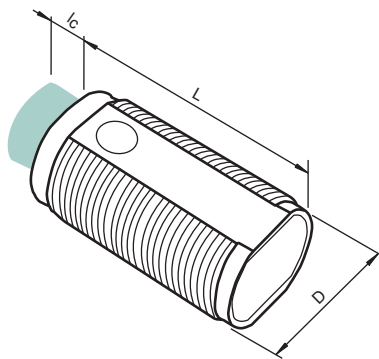
Signal output	green = preferred type 1 NPN, short-circuit protected open collector 1 PNP, short-circuit protected, open collector 2 PNP, complementary, short-circuit protected, open collectors	GLV18-55/115/120 ●	GLV18-55/59/102/115 ●	GLV18-55/59/102/159 ●	GLV18-55/59/103/159 ●	GLV18-55/73/120 ●
Switching type	dark on light/dark on	●	●	●	●	●
Connection	2 m fixed cable Connector M12 x 1, 3-pin connector M12 x 1, 4-pin	●	●	●	●	●

Approvals and Certificates

Protection class	II	●	●	●	●	●
UL approval	cULus Listed, Class 2 Power Source	●	●	●	●	●
CCC approval	Products with a maximum operating voltage of ≤36 V do not bear a CCC marking because they do not require approval.					

Dimensions

Length L [mm]		33
Diameter D [mm]		18
Connector area l _c [mm]	7	11



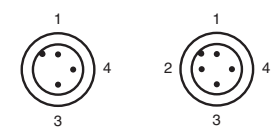
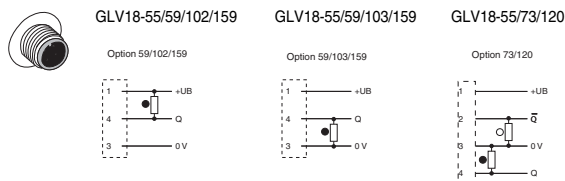
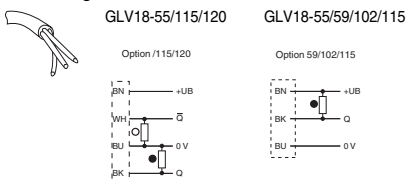
Accessories

This and more accessories can be found in chapter 10
See pages from 972 ... for cordsets See pages 1068 ... for mounting aids

CPZ18B03	For Series CP18 Threaded Photoelectric Sensors
BF 18	Mounting flange, 18 mm
BF 18-F	Mounting flange with dead stop, 18 mm
BF 5-30	Universal mounting bracket for cylindrical sensors with a diameter of 5 ... 30 mm
V11-G-2M-PUR	Cable socket, M12, 3-pin, PUR cable
V1-G-2M-PUR	Cable socket, M12, 4-pin, PUR cable
V11-W-2M-PUR	Cable socket, M12, 3-pin, PUR cable
V1-W-2M-PUR	Cable socket, M12, 4-pin, PUR cable

Electrical Connection

○ = light on, ● = dark on



Wire colors in accordance with EN 60947-5-2

1	BN	(brown)
2	WH	(white)
3	BU	(blue)
4	BK	(black)

Date of issue 04/08/2015



Technical Data

For detailed data and product description refer to the data sheets at www.pepperl-fuchs.com

General Data

Threshold detection range	4.5 m
Effective detection range	0 ... 3.5 m
Reference target	reflector C110-2
Light type	modulated visible red light, 640 nm
Optical face	lateral
Operating voltage	10 ... 30 V DC
No-load supply current	< 20 mA
Switching current	max. 100 mA
Switching frequency	500 Hz
Ambient temperature	-25 ... 60 °C (-13 ... 140 °F)
Material	
Housing	PC
Optical face	PMMA
Protection degree	IP67

Properties

- Polarized type
- Cylindrical threaded housing, side view
- Plastic housing
- DC sensor
- Discrete output
- Cable and connector versions
- Visible red light

Your Benefit

- Short sensor design for space-saving mounting

Model Number

	green = preferred type			
Signal output	1 NPN, short-circuit protected open collector	●	●	●
	2 PNP, complementary, short-circuit protected, open collectors	●	●	●
Switching type	dark on	●	●	●
	light/dark on	●	●	●
Connection	2 m fixed cable	●	●	●
	Connector M12 x 1, 3-pin		●	
	connector M12 x 1, 4-pin			●

Approvals and Certificates

Protection class	II	●	●	●	●
UL approval	cULus Listed, Class 2 Power Source	●	●	●	●
CCC approval	Products with a maximum operating voltage of ≤36 V do not bear a CCC marking because they do not require approval.				

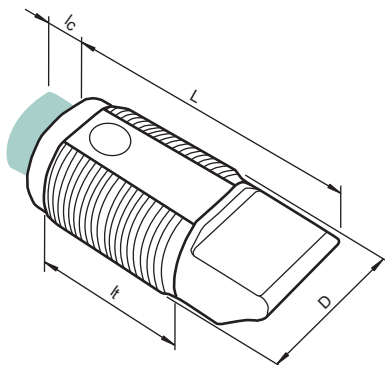
Dimensions

Length L [mm]		46	
Diameter D [mm]		18	
Connector area l _c [mm]		7	11

Accessories

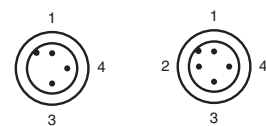
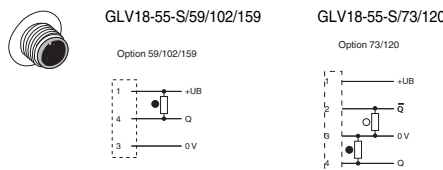
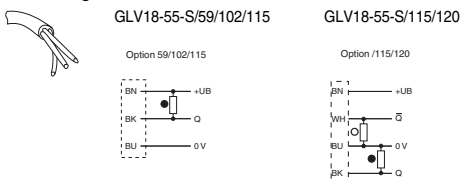
This and more accessories can be found in chapter 10
See pages from 972 ... for cordsets See pages 1068 ... for mounting aids

- CPZ18B03** For Series CP18 Threaded Photoelectric Sensors
- BF 18** Mounting flange, 18 mm
- BF 18-F** Mounting flange with dead stop, 18 mm
- BF 5-30** Universal mounting bracket for cylindrical sensors with a diameter of 5 ... 30 mm
- V11-G-2M-PUR** Cable socket, M12, 3-pin, PUR cable
- V1-G-2M-PUR** Cable socket, M12, 4-pin, PUR cable
- V11-W-2M-PUR** Cable socket, M12, 3-pin, PUR cable
- V1-W-2M-PUR** Cable socket, M12, 4-pin, PUR cable



Electrical Connection

○ = light on, ● = dark on



Wire colors in accordance with EN 60947-5-2

- 1 | BN (brown)
- 2 | WH (white)
- 3 | BU (blue)
- 4 | BK (black)



Technical Data

For detailed data and product description refer to the data sheets at www.pepperl-fuchs.com

General Data

Glass detection	✓
Threshold detection range	6.5 m
Effective detection range	0 ... 2.5 m in glass mode; 0 ... 5 m in normal mode
Reference target	reflector C110-2
Light type	modulated visible red light, 640 nm
Optical face	frontal
Operating voltage	10 ... 30 V DC
No-load supply current	< 15 mA
Switching current	max. 100 mA
Switching frequency	1 kHz
Ambient temperature	-25 ... 60 °C (-13 ... 140 °F)
Material	
Housing	PC
Optical face	PMMA
Protection degree	IP67

Properties

- Clear object detection type
- Cylindrical threaded housing
- Plastic housing
- DC sensor
- Discrete output
- Cable and connector versions
- Visible red light

Your Benefit

- Short sensor design for space-saving mounting
- Automatic threshold adjustment compensates for presence of dust and moisture

Model Number

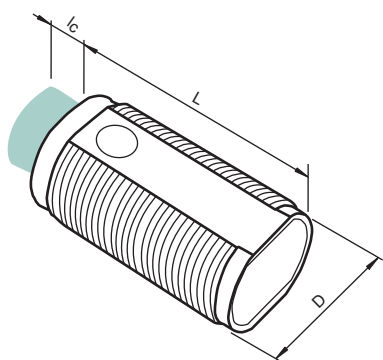
Signal output	green = preferred type 1 NPN, short-circuit protected open collector 2 PNP, complementary, short-circuit protected, open collectors	GLV18-55-G/115/120	GLV18-55-G/59/102/115	GLV18-55-G/59/102/159	GLV18-55-G/73/120
Switching type	dark on light/dark on	●	●	●	●
Connection	2 m fixed cable Connector M12 x 1, 3-pin connector M12 x 1, 4-pin	●	●	●	●

Approvals and Certificates

Protection class	II	●	●	●	●
UL approval	cULus Listed, Class 2 Power Source	●	●	●	●
CCC approval	Products with a maximum operating voltage of ≤36 V do not bear a CCC marking because they do not require approval.				

Dimensions

Length L [mm]		33
Diameter D [mm]		18
Connector area l _c [mm]	7	11



Accessories

This and more accessories can be found in chapter 10
See pages from 972 ... for cordsets See pages 1068 ... for mounting aids

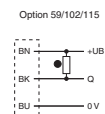
- CPZ18B03** For Series CP18 Threaded Photoelectric Sensors
- BF 18** Mounting flange, 18 mm
- BF 18-F** Mounting flange with dead stop, 18 mm
- BF 5-30** Universal mounting bracket for cylindrical sensors with a diameter of 5 ... 30 mm
- REF-C110-2** Reflector, round ø 84 mm, central mounting hole
- REF-H85** Reflector, rectangular 84.5 mm x 84.5 mm, mounting holes
- ORR50** Reflector, rectangular 50.9 mm x 50.9 mm, mounting holes, fixing strap
- V1-G-2M-PUR** Cable socket, M12, 4-pin, PUR cable
- V1-W-2M-PUR** Cable socket, M12, 4-pin, PUR cable

Electrical Connection

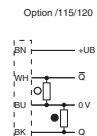
○ = light on, ● = dark on



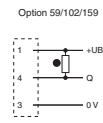
GLV18-55-G/59/102/115



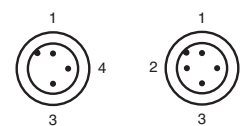
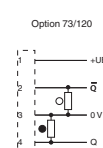
GLV18-55-G/115/120



GLV18-55-G/59/102/159



GLV18-55-G/73/120



Wire colors in accordance with EN 60947-5-2

- 1 | BN (brown)
- 2 | WH (white)
- 3 | BU (blue)
- 4 | BK (black)

Date of issue 04/08/2015



2
.1.3



Technical Data

For detailed data and product description refer to the data sheets at www.pepperl-fuchs.com

General Data

Threshold detection range	8 m
Effective detection range	0 ... 6.5 m
Reference target	reflector C110-2
Light type	modulated visible red light , 640 nm
Optical face	frontal
Operating voltage	10 ... 30 V DC
No-load supply current	< 20 mA
Switching current	max. 100 mA
Switching frequency	500 Hz
Ambient temperature	-25 ... 60 °C (-13 ... 140 °F)
Material	
Housing	PC
Optical face	PMMA
Protection degree	IP67

Properties

- Non-polarized type
- Cylindrical threaded housing
- Plastic housing
- DC sensor
- Discrete output
- Cable and connector versions
- Visible red light

Your Benefit

- Short sensor design for space-saving mounting

Model Number

		GLV18-6/115/120	GLV18-6/59/102/115	GLV18-6/59/102/159	GLV18-6/73/120
Signal output	1 NPN, short-circuit protected open collector		●	●	
	2 PNP, complementary, short-circuit protected, open collectors	●			●
Switching type	dark on		●	●	
	light/dark on	●			●
Connection	2 m fixed cable	●	●		
	Connector M12 x 1, 3-pin			●	
	connector M12 x 1, 4-pin				●

Approvals and Certificates

Protection class	II	●	●	●	●
UL approval	cULus Listed, Class 2 Power Source	●	●	●	●
CCC approval	Products with a maximum operating voltage of ≤36 V do not bear a CCC marking because they do not require approval.				

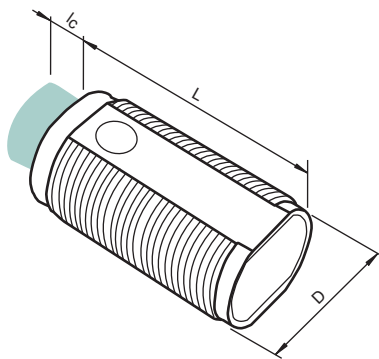
Dimensions

Length L [mm]		33
Diameter D [mm]		18
Connector area l _c [mm]		7 11

Accessories This and more accessories can be found in chapter 10

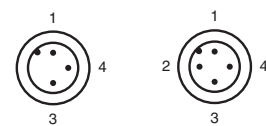
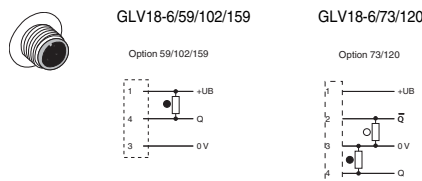
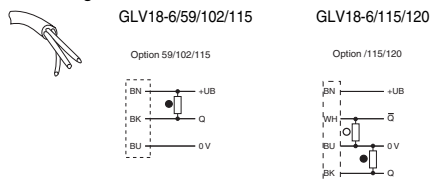
See pages from 972 ... for cordsets See pages 1068 ... for mounting aids

- CPZ18B03** For Series CP18 Threaded Photoelectric Sensors
- BF 18** Mounting flange, 18 mm
- BF 18-F** Mounting flange with dead stop, 18 mm
- BF 5-30** Universal mounting bracket for cylindrical sensors with a diameter of 5 ... 30 mm
- V11-G-2M-PUR** Cable socket, M12, 3-pin, PUR cable
- V1-G-2M-PUR** Cable socket, M12, 4-pin, PUR cable
- V11-W-2M-PUR** Cable socket, M12, 3-pin, PUR cable
- V1-W-2M-PUR** Cable socket, M12, 4-pin, PUR cable



Electrical Connection

○ = light on, ● = dark on



Wire colors in accordance with EN 60947-5-2

- 1 | BN (brown)
- 2 | WH (white)
- 3 | BU (blue)
- 4 | BK (black)

Photoelectric Sensors, Standard Sensors, retroreflective sensors



Technical Data

For detailed data and product description refer to the data sheets at www.pepperl-fuchs.com

General Data

Threshold detection range	6.5 m
Effective detection range	0 ... 5.5 m
Reference target	reflector C110-2
Light type	modulated visible red light , 640 nm
Optical face	lateral
Operating voltage	10 ... 30 V DC
No-load supply current	< 20 mA
Switching current	max. 100 mA
Switching frequency	500 Hz
Ambient temperature	-25 ... 60 °C (-13 ... 140 °F)
Material	
Housing	PC
Optical face	PMMA
Protection degree	IP67

Properties

- Non-polarized type
- Cylindrical threaded housing, side view
- Plastic housing
- DC sensor
- Discrete output
- Cable and connector versions
- Visible red light

Your Benefit

- Short sensor design for space-saving mounting

Model Number

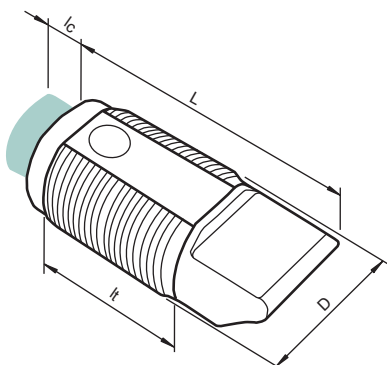
		GLV18-6-S/115/120	GLV18-6-S/59/102/115	GLV18-6-S/59/102/159	GLV18-6-S/73/120
Signal output	1 NPN, short-circuit protected open collector		●	●	
	2 PNP, complementary, short-circuit protected, open collectors	●			●
Switching type	dark on		●	●	
	light/dark on	●			●
Connection	2 m fixed cable	●	●		
	Connector M12 x 1, 3-pin			●	
	connector M12 x 1, 4-pin				●

Approvals and Certificates

Protection class	II	●	●	●	●
UL approval	cULus Listed, Class 2 Power Source	●	●	●	●
CCC approval	Products with a maximum operating voltage of ≤36 V do not bear a CCC marking because they do not require approval.				

Dimensions

Length L [mm]		46
Diameter D [mm]		18
Connector area l _c [mm]	7	11



Accessories

This and more accessories can be found in chapter 10
See pages from 972 ... for cordsets See pages 1068 ... for mounting aids

- CPZ18B03** For Series CP18 Threaded Photoelectric Sensors
- BF 18** Mounting flange, 18 mm
- BF 18-F** Mounting flange with dead stop, 18 mm
- BF 5-30** Universal mounting bracket for cylindrical sensors with a diameter of 5 ... 30 mm
- V11-G-2M-PUR** Cable socket, M12, 3-pin, PUR cable
- V1-G-2M-PUR** Cable socket, M12, 4-pin, PUR cable
- V11-W-2M-PUR** Cable socket, M12, 3-pin, PUR cable
- V1-W-2M-PUR** Cable socket, M12, 4-pin, PUR cable

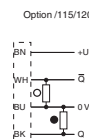
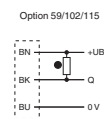
Electrical Connection

○ = light on, ● = dark on



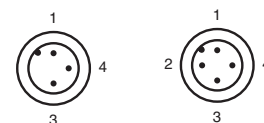
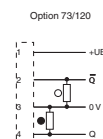
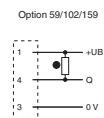
GLV18-6-S/59/102/115

GLV18-6-S/115/120



GLV18-6-S/59/102/159

GLV18-6-S/73/120



Wire colors in accordance with EN 60947-5-2

- 1 | BN (brown)
- 2 | WH (white)
- 3 | BU (blue)
- 4 | BK (black)

Date of issue 04/08/2015



Technical Data

For detailed data and product description refer to the data sheets at www.pepperl-fuchs.com

General Data

Reference target	reflector C110-2
Light type	modulated visible red light , 640 nm
Optical face	lateral
Operating voltage	20 ... 250 V AC/DC
No-load supply current	< 2.5 mA
Signal output	N-channel MOSFET, short circuit protected
Switching type	dark on
Switching current	max. 200 mA
Switching frequency	50 Hz
Ambient temperature	-20 ... 60 °C (-4 ... 140 °F)
Material	
Housing	PC-PBT
Optical face	PMMA
Protection degree	IP67

2
.1.3

Photoelectric Sensors, Standard Sensors, retroreflective sensors

Properties

- Polarized type
- Cylindrical threaded housing, side view
- Plastic housing
- AC/DC sensor
- Discrete output
- Cable and connector versions
- Visible red light

Your Benefit

- Universal usage with AC or DC power supply

Model Number

Polarization filter		●	●	●	●
Threshold detection range	4.5 m	●		●	
	6.5 m		●		●
Effective detection range	0 ... 3.5 m	●		●	
	0 ... 5.5 m		●		●
Connection	Micro AC connector, 1/2" V124 ; 4-pin			●	●
	2 m, 3 x 0.34 mm ² , PVC cable	●	●		

Approvals and Certificates

Protection class	II	●	●	●	●
UL approval	cULus Listed, Type 1 enclosure	●	●	●	●

Dimensions

Length L [mm]		64
Diameter D [mm]		18
Thread length l _t [mm]		43
Connector area l _c [mm]	7	11

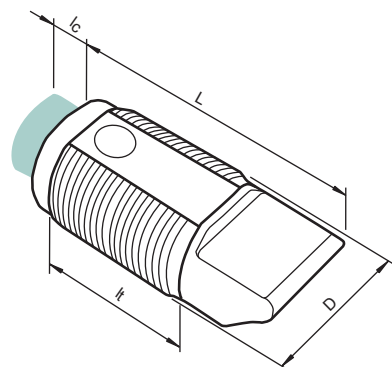
Accessories

This and more accessories can be found in chapter 10

See pages from 972 ... for cordsets

See pages 1068 ... for mounting aids

CPZ18B03	For Series CP18 Threaded Photoelectric Sensors
BF 18	Mounting flange, 18 mm
BF 18-F	Mounting flange with dead stop, 18 mm
BF 5-30	Universal mounting bracket for cylindrical sensors with a diameter of 5 ... 30 mm
V124-G-YE2M-PVC	Connecting cable, 1/2" - 20 UNF, 4-pin, PVC cable
V124-W-YE2M-PVC	Connecting cable, 1/2" - 20 UNF, 4-pin, PVC cable



Electrical Connection

○ = light on, ● = dark on

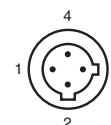
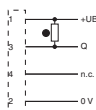
GLK18-6-S/59/115/161
GLK18-55-S/59/115/161

Option 59/115/161



GLK18-6-S/59/161/166
GLK18-55-S/59/161/166

Option 59/161/166



Wire colors

1	RD/BK (red/black)
2	RD/WH (red/white)
3	RD (red)
4	GN (green)



Technical Data

For detailed data and product description refer to the data sheets at www.pepperl-fuchs.com

General Data

Reference target	reflector C110-2
Light type	modulated visible red light , 640 nm
Optical face	frontal
Operating voltage	20 ... 250 V AC/DC
No-load supply current	< 2.5 mA
Signal output	N-channel MOSFET , short circuit protected
Switching type	dark on
Switching current	max. 200 mA
Switching frequency	50 Hz
Ambient temperature	-20 ... 60 °C (-4 ... 140 °F)
Material	
Housing	PC-PBT
Optical face	PMMA
Protection degree	IP67

Properties

- Non-polarized type
- Cylindrical threaded housing
- Plastic housing
- AC/DC sensor
- Discrete output
- Cable and connector versions
- Visible red light

Your Benefit

- Universal usage with AC or DC power supply

Model Number

		GLK18-55/59/115/161	GLK18-6/59/115/161	GLK18-55/59/161/166	GLK18-6/59/161/166
Polarization filter		●		●	
Threshold detection range	5.5 m	●		●	
	8 m		●		●
Effective detection range	0 ... 4 m	●		●	
	0 ... 6.5 m		●		●
Connection	Micro AC connector, 1/2" V124 ; 4-pin			●	●
	2 m, 3 x 0.34 mm ² , PVC cable	●	●		

Approvals and Certificates

Protection class	II	●	●	●	●
UL approval	cULus Listed, Type 1 enclosure	●	●	●	●

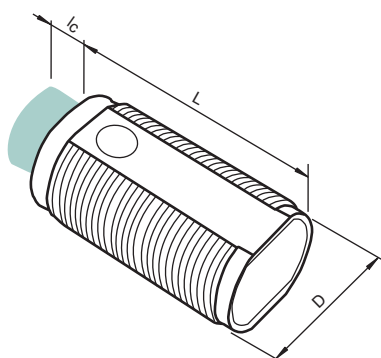
Dimensions

Length L [mm]		49
Diameter D [mm]		18
Thread length l _t [mm]		43
Connector area l _c [mm]		7 11

Accessories

This and more accessories can be found in chapter 10
See pages from 972 ... for cordsets See pages 1068 ... for mounting aids

CPZ18B03	For Series CP18 Threaded Photoelectric Sensors
BF 18	Mounting flange, 18 mm
BF 18-F	Mounting flange with dead stop, 18 mm
BF 5-30	Universal mounting bracket for cylindrical sensors with a diameter of 5 ... 30 mm
V124-G-YE2M-PVC	Connecting cable, 1/2" - 20 UNF, 4-pin, PVC cable
V124-W-YE2M-PVC	Connecting cable, 1/2" - 20 UNF, 4-pin, PVC cable



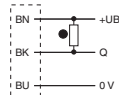
Electrical Connection

○ = light on, ● = dark on



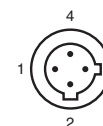
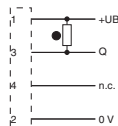
GLK18-6/59/115/161
GLK18-55/59/115/161

Option 59/115/161



GLK18-6/59/161/166
GLK18-55/59/161/166

Option 59/161/166



Wire colors

1	RD/BK (red/black)
2	RD/WH (red/white)
3	RD (red)
4	GN (green)

Date of issue 04/08/2015



Technical Data

For detailed data and product description refer to the data sheets at www.pepperl-fuchs.com

General Data

Polarization filter	✓
Sensitivity adjustment	✓
Threshold detection range	4.5 m
Effective detection range	0 ... 4 m
Reference target	H50 reflector
Light type	modulated visible red light , 660 nm
Optical face	frontal
Operating voltage	10 ... 30 V DC , class 2
No-load supply current	≤ 25 mA
Switching type	light/dark on electrically switchable
Switching current	max. 100 mA
Switching frequency	≤ 500 Hz
Ambient temperature	-25 ... 55 °C (-13 ... 131 °F)
Material	
Housing	brass, nickel-plated
Optical face	PMMA
Protection degree	IP67

Properties

- Polarized type
- Cylindrical threaded housing
- Nickel-plated brass housing
- DC sensor
- Discrete output
- Cable and connector versions
- Visible red light

Model Number

	green = preferred type	OBS4000-18GM60-E4	OBS4000-18GM60-E5	OBS4000-18GM60-E4-V1	OBS4000-18GM60-E5-V1
Signal output	1 NPN output, short-circuit protected, reverse polarity protected, open collector 1 PNP output, short-circuit protected, reverse polarity protected, open collector	●	●	●	●
Connection	2 m fixed cable connector M12 x 1, 4-pin	●	●	●	●

Approvals and Certificates

UL approval	cULus Listed, Type 1 enclosure	●	●	●	●
CCC approval	Products with a maximum operating voltage of ≤36 V do not bear a CCC marking because they do not require approval.				

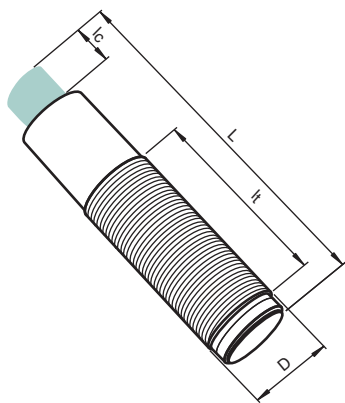
Dimensions

Length L [mm]	60	70
Diameter D [mm]	18	
Thread length l _t [mm]	38	
Connector area l _c [mm]	0	10

Accessories

This and more accessories can be found in chapter 10
See pages from 972 ... for cordsets See pages 1068 ... for mounting aids

CPZ18B03	For Series CP18 Threaded Photoelectric Sensors
BF 18	Mounting flange, 18 mm
BF 18-F	Mounting flange with dead stop, 18 mm
BF 5-30	Universal mounting bracket for cylindrical sensors with a diameter of 5 ... 30 mm
V1-G-2M-PUR	Cable socket, M12, 4-pin, PUR cable
V1-W-2M-PUR	Cable socket, M12, 4-pin, PUR cable



Electrical Connection

○ = light on, ● = dark on

<p>OBS4000-18GM60-E4</p> <p>Option E4</p>	<p>OBS4000-18GM60-E5</p> <p>Option E5</p>
---	---

<p>OBS4000-18GM60-E4-V1</p> <p>Option E4-V1</p>	<p>OBS4000-18GM60-E5-V1</p> <p>Option E5-V1</p>
---	---

Wire colors in accordance with EN 60947-5-2

1	BN	(brown)
2	WH	(white)
3	BU	(blue)
4	BK	(black)

2
.1.3
Photoelectric Sensors, Standard Sensors, retroreflective sensors



Properties

- Polarized type
- Cylindrical threaded housing
- Nickel-plated brass housing
- DC sensor
- Discrete output
- Connector version
- Visible red light

Technical Data

For detailed data and product description refer to the data sheets at www.pepperl-fuchs.com

Model Number	VL18-54-M/40a/118/128
Polarization filter	✓
Sensitivity adjustment	✓
Threshold detection range	4 m
Effective detection range	0 ... 3.5 m
Reference target	H50 reflector
Light type	modulated visible red light , 632 nm
Optical face	frontal
Operating voltage	10 ... 30 V DC , class 2
No-load supply current	< 25 mA
Signal output	Push-pull (4 in 1) output short-circuit protected overvoltage protected
Switching type	light/dark on, switchable
Switching current	max. 200 mA
Switching frequency	500 Hz
Ambient temperature	-25 ... 70 °C (-13 ... 158 °F)
Material	
Housing	brass, nickel-plated
Optical face	PMMA
Protection degree	IP67
Connection	connector M12 x 1, 4-pin



Approvals and Certificates

Protection class	II
UL approval	cULus Listed, Type 1 enclosure
CCC approval	Products with a maximum operating voltage of ≤36 V do not bear a CCC marking because they do not require approval.

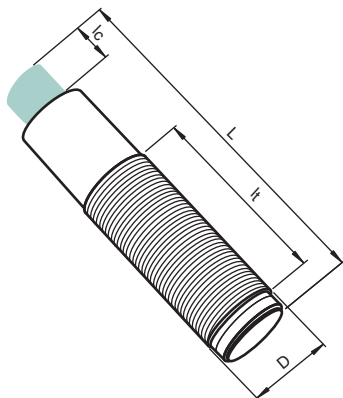
Dimensions

Length L [mm]	78
Diameter D [mm]	18
Connector area l _c [mm]	13

Accessories

This and more accessories can be found in chapter 10
See pages from 972 ... for cordsets See pages 1068 ... for mounting aids

CPZ18B03	For Series CP18 Threaded Photoelectric Sensors
BF 18	Mounting flange, 18 mm
BF 18-F	Mounting flange with dead stop, 18 mm
BF 5-30	Universal mounting bracket for cylindrical sensors with a diameter of 5 ... 30 mm
V1-G-2M-PUR	Cable socket, M12, 4-pin, PUR cable
V1-W-2M-PUR	Cable socket, M12, 4-pin, PUR cable



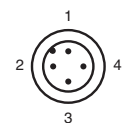
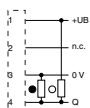
Electrical Connection

○ = light on, ● = dark on

VL18-54-M/40a/118/128



Option 40a/118/128



Wire colors in accordance with EN 60947-5-2

1	BN	(brown)
2	WH	(white)
3	BU	(blue)
4	BK	(black)



Properties

- Polarized type
- Cylindrical threaded housing
- Nickel-plated brass housing
- DC sensor
- Discrete output
- Connector version
- Laser red light

Technical Data

For detailed data and product description refer to the data sheets at www.pepperl-fuchs.com

Model Number	VL18-54-M-LAS/40a/118/128
Polarization filter	✓
Sensitivity adjustment	✓
Light/dark switch	✓
Threshold detection range	20 m
Effective detection range	0 ... 18 m
Reference target	H85 reflector
Light type	modulated visible red light
Laser class	1
Optical face	frontal
Operating voltage	10 ... 30 V DC, class 2
No-load supply current	< 20 mA
Signal output	Push-pull (4 in 1) output short-circuit protected overvoltage protected
Switching type	light/dark on, switchable
Switching current	max. 200 mA
Switching frequency	500 Hz
Ambient temperature	-25 ... 55 °C (-13 ... 131 °F)
Material	
Housing	brass, nickel-plated
Optical face	PMMA
Protection degree	IP67
Connection	connector M12 x 1, 4-pin



Approvals and Certificates

Protection class	II
UL approval	cULus Listed, Type 1 enclosure
CCC approval	Products with a maximum operating voltage of ≤36 V do not bear a CCC marking because they do not require approval.

Dimensions

Length L [mm]	78
Diameter D [mm]	18
Connector area l _c [mm]	13
LED position	Pos. B

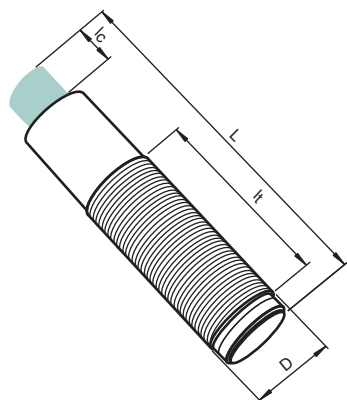
Accessories

This and more accessories can be found in chapter 10

See pages from 972 ... for cordsets

See pages 1068 ... for mounting aids

OMH-VL18	Mounting Bracket with swivel nut
BF 18	Mounting flange, 18 mm
BF 18-F	Mounting flange with dead stop, 18 mm
BF 5-30	Universal mounting bracket for cylindrical sensors with a diameter of 5 ... 30 mm
REF-MH23	Reflector with Micro-structure, rectangular 23 mm x 13.8 mm, diagonal mounting hole
REF-H85	Reflector, rectangular 84.5 mm x 84.5 mm, mounting holes
REF-H100	Reflector, rectangular 122 mm x 99.35 mm, mounting holes
ORR50	Reflector, rectangular 50.9 mm x 50.9 mm, mounting holes, fixing strap
V1-G-2M-PUR	Cable socket, M12, 4-pin, PUR cable
V1-W-2M-PUR	Cable socket, M12, 4-pin, PUR cable



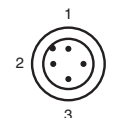
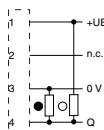
Electrical Connection

○ = light on, ● = dark on

VL18-54-M-LAS/40a/118/128



Option 40a/118/128



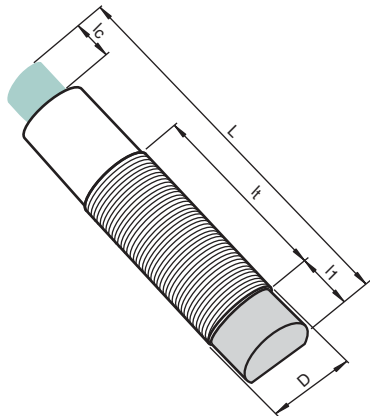
Wire colors in accordance with EN 60947-5-2

1	BN	(brown)
2	WH	(white)
3	BU	(blue)
4	BK	(black)



Properties

- Polarized type
- Cylindrical threaded housing, side view
- Nickel-plated brass housing
- DC sensor
- Discrete output
- Connector version
- Visible red light



Technical Data

For detailed data and product description refer to the data sheets at www.pepperl-fuchs.com

Model Number	VL18-54-MS/40a/118/128
Polarization filter	✓
Sensitivity adjustment	✓
Light/dark switch	✓
Threshold detection range	4 m
Effective detection range	0 ... 3.5 m
Reference target	H50 reflector
Light type	modulated visible red light , 632 nm
Optical face	lateral
Operating voltage	10 ... 30 V DC , class 2
No-load supply current	< 25 mA
Signal output	Push-pull (4 in 1) output short-circuit protected overvoltage protected
Switching type	light/dark on, switchable
Switching current	max. 200 mA
Switching frequency	500 Hz
Ambient temperature	-25 ... 70 °C (-13 ... 158 °F)
Material	
Housing	brass, nickel-plated
Optical face	PMMA
Protection degree	IP67
Connection	connector M12 x 1, 4-pin



Approvals and Certificates

Protection class	II
UL approval	cULus Listed, Type 1 enclosure
CCC approval	Products with a maximum operating voltage of ≤36 V do not bear a CCC marking because they do not require approval.

Dimensions

Length L [mm]	78
Diameter D [mm]	18
Cap length l ₁ [mm]	15
Connector area l _c [mm]	13
LED position	Pos. B

Accessories

This and more accessories can be found in chapter 10
See pages from 972 ... for cordsets See pages 1068 ... for mounting aids

CPZ18B03	For Series CP18 Threaded Photoelectric Sensors
BF 18	Mounting flange, 18 mm
BF 18-F	Mounting flange with dead stop, 18 mm
BF 5-30	Universal mounting bracket for cylindrical sensors with a diameter of 5 ... 30 mm
V1-G-2M-PUR	Cable socket, M12, 4-pin, PUR cable
V1-W-2M-PUR	Cable socket, M12, 4-pin, PUR cable

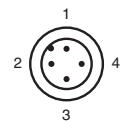
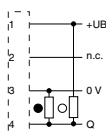
Electrical Connection

○ = light on, ● = dark on

VL18-54-MS/40a/118/128



Option 40a/118/128



Wire colors in accordance with EN 60947-5-2

1	BN	(brown)
2	WH	(white)
3	BU	(blue)
4	BK	(black)



Technical Data

For detailed data and product description refer to the data sheets at www.pepperl-fuchs.com

General Data

Polarization filter	✓
Test input	✓
Threshold detection range	1.4 m
Effective detection range	0 ... 1 m
Reference target	H40 reflector
Light type	modulated visible red light , 630 nm
Switching type	dark on
Operating voltage	10 ... 30 V DC, class 2
No-load supply current	< 10 mA
Switching current	max. 50 mA
Switching frequency	800 Hz
Test Input	emitter deactivation at 0 V
Ambient temperature	-25 ... 60 °C (-13 ... 140 °F)
Material	
Housing	PC, ABS and PBT
Optical face	glass pane
Cable	PUR
Protection degree	IP67
Connection	2 m fixed cable



Properties

- Polarized type
- Rectangular ultra-small housing
- Plastic housing
- DC sensor
- Discrete output
- Cable connection
- Visible red light

Your Benefit

- Improved machine availability with abrasion-resistant, antistatic glass front

Further Products

In this series, we offer additionally:

OBR1000-R2-E2-0,2M-V31

Technical data like OBR1000-R2-E2 but:
Connection: 200 mm fixed cable with M8, 4-pin connector

Model Number

	OBR1000-R2-E0	OBR1000-R2-E2
Signal output	1 PNP, open collector, short-circuit protected 1 NPN, open collector, short-circuit protected	● ●

Approvals and Certificates

UL approval	cULus Recognized, Class 2 Power Source	● ●
CCC approval	Products with a maximum operating voltage of ≤36 V do not bear a CCC marking because they do not require approval.	

Dimensions

Length L [mm]	
Width W [mm]	11.2
Height H [mm]	7.5
Height H [mm]	24
Connector area l _c [mm]	0

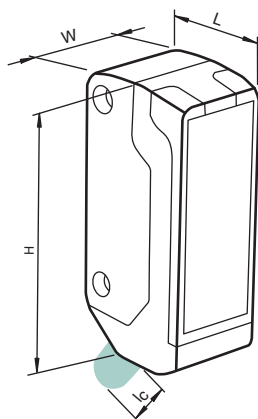
Accessories

This and more accessories can be found in chapter 10

See pages from 972 ... for cordsets

See pages 1068 ... for mounting aids

MH-R2-01	Mounting bracket
MH-R2-02	Mounting bracket
MH-R2-03	Mounting bracket
MH-R2-04	Mounting bracket

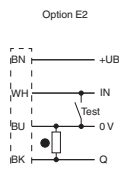
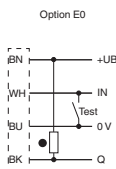


Electrical Connection

○ = light on, ● = dark on

OBR1000-R2-E0

OBR1000-R2-E2





Technical Data

For detailed data and product description refer to the data sheets at www.pepperl-fuchs.com

General Data

Polarization filter	✓
Threshold detection range	6 m
Effective detection range	0 ... 5 m
Reference target	H85-2 reflector
Light type	modulated visible red light , 660 nm
Operating voltage	10 ... 30 V DC
No-load supply current	< 20 mA at 24 V DC
Switching current	max. 100 mA
Switching frequency	1 kHz
Ambient temperature	-20 ... 60 °C (-4 ... 140 °F)
Material	
Housing	ABS
Optical face	glass pane
Protection degree	IP67

Properties

- Polarized type
- Rectangular miniature housing
- Plastic housing
- DC sensor
- Discrete output
- Cable, connector and pigtailed connector versions
- Visible red light

Your Benefit

- Reflector distance down to 0 mm due to coaxial optics
- Antistatic optical face inhibits dust in paper and printing applications

Model Number

green = preferred type

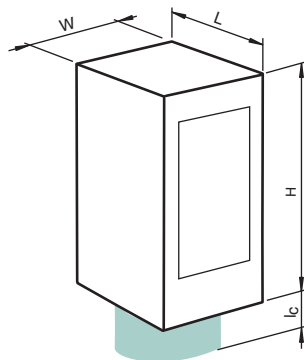
	ML4.2-54-F/40b/110/115	ML4.2-54-F/40b/103/115b	ML4.2-54-F/40b/110/115b	ML4.2-54-F/40b/95/103	ML4.2-54-F/40b/95/110	ML4.2-54-F/95/110/126b
Output of the pre-fault indication						●
Light/dark switch	●	●	●	●	●	
Signal output		●		●		
						●
Switching type	●	●	●	●	●	●
Output of the pre-fault indication						●
Connection	●					
		●	●			
				●	●	●

Approvals and Certificates

UL approval	cULus Listed	●	●	●	●	●
CCC approval	Products with a maximum operating voltage of ≤36 V do not bear a CCC marking because they do not require approval.					

Dimensions

Length L [mm]	18
Width W [mm]	13,9
Height H [mm]	25,4
Connector area l _c [mm]	7,5 13,9



Accessories

This and more accessories can be found in chapter 10
See pages from 972 ... for cordsets See pages 1068 ... for mounting aids

OMH-4.1	Mounting Clamp
V31-GM-2M-PVC	M8, 4-pin socket, PVC cable
REF-H85-2	Reflector, rectangular 84.5 mm x 84.5 mm, mounting holes
REF-C110-2	Reflector, round ø 84 mm, central mounting hole
OFR-100/100	Reflective tape 100 mm x 100 mm
V1-G-2M-PUR	Cable socket, M12, 4-pin, PUR cable

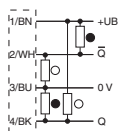
Electrical Connection

○ = light on, ● = dark on



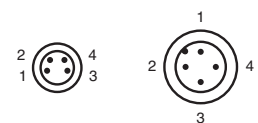
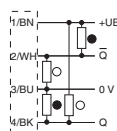
ML4.2-54-F/40b/110/115

Option 25/136



ML4.2-54-F/40b/103/115b
ML4.2-54-F/40b/110/115b
ML4.2-54-F/40b/95/103
ML4.2-54-F/40b/95/110
ML4.2-54-F/95/110/126b

Option 25/136



Wire colors in accordance with EN 60947-5-2

1	BN	(brown)
2	WH	(white)
3	BU	(blue)
4	BK	(black)



2
.1.3



Technical Data

For detailed data and product description refer to the data sheets at www.pepperl-fuchs.com

General Data

Polarization filter	✓
Threshold detection range	6 m
Effective detection range	0 ... 5 m
Reference target	H85-2 reflector
Light type	modulated visible red light , 660 nm
Operating voltage	10 ... 30 V DC
No-load supply current	< 20 mA at 24 V DC
Switching current	max. 100 mA
Switching frequency	1 kHz
Ambient temperature	-20 ... 60 °C (-4 ... 140 °F)
Material	
Housing	ABS
Optical face	PMMA
Protection degree	IP67

Properties

- Polarized type
- Rectangular miniature housing
- Plastic housing
- DC sensor
- Discrete output
- Cable, connector and pigtailed connector versions
- Visible red light

Your Benefit

- Reflector distance down to 0 mm due to coaxial optics

Model Number

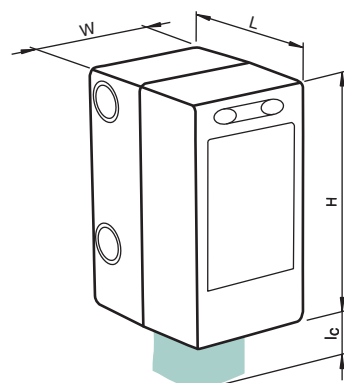
		ML6-54-F/25/115/136	ML6-54-F/110/115a	ML6-54-F/25/95/136	ML6-54-F/82b/95/110
Signal output	green = preferred type 1 push-pull (4 in 1) output, short-circuit protected, reverse polarity protected 2 Push-pull (4 in 1) outputs, complementary, short-circuit proof, reverse polarity protected	●	●	●	●
Switching type	light/dark on, programmable light on	●	●	●	●
Output of the pre-fault indication	1 PNP function reserve output (alarm), short-circuit protected, reverse polarity protected, open collector				●
Connection	2 m fixed cable 200 mm fixed cable with 3-pin, M8 x 1 connector M8 x 1 connector, 4-pin	●	●	●	●

Approvals and Certificates

UL approval	cULus Listed	●	●	●	●
CCC approval	Products with a maximum operating voltage of ≤36 V do not bear a CCC marking because they do not require approval.				

Dimensions

Length L [mm]	18
Width W [mm]	13,9
Height H [mm]	25,4
Connector area l _c [mm]	7,5 13,9



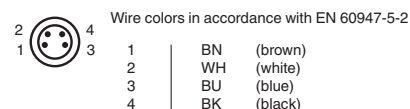
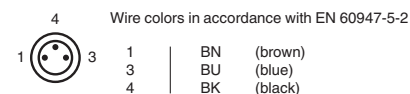
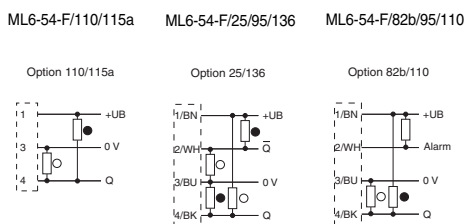
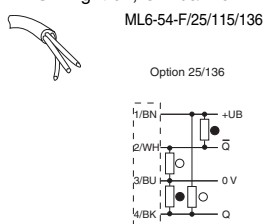
Accessories

This and more accessories can be found in chapter 10
See pages from 972 ... for cordsets See pages 1068 ... for mounting aids

OMH-4.1	Mounting Clamp
OMH-ML6	Mounting bracket
OMH-ML6-Z	Mounting bracket
OMH-ML6-U	Mounting bracket
V31-GM-2M-PVC	M8, 4-pin socket, PVC cable
V3-GM-2M-PVC	Cable socket, M8, 3-pin, PVC cable
REF-H85-2	Reflector, rectangular 84.5 mm x 84.5 mm, mounting holes
REF-C110-2	Reflector, round ø 84 mm, central mounting hole

Electrical Connection

○ = light on, ● = dark on





Technical Data

For detailed data and product description refer to the data sheets at www.pepperl-fuchs.com

General Data

Polarization filter	✓
Glass detection	✓
Teach-In	✓
Threshold detection range	6 m
Effective detection range	0 ... 3.5 m in TEACH mode 0 ... 5 m at switch position "N"
Reference target	H85-2 reflector
Light type	modulated visible red light , 660 nm
Operating voltage	10 ... 30 V DC
No-load supply current	< 15 mA at 24 V DC
Signal output	2 Push-pull (4 in 1) outputs, complementary, short-circuit proof, reverse polarity protected
Switching type	light/dark on, programmable
Switching current	max. 100 mA
Switching frequency	1 kHz
Ambient temperature	-20 ... 60 °C (-4 ... 140 °F)
Material	
Housing	ABS
Optical face	PMMA
Protection degree	IP67

Properties

- Clear object detection type
- Rectangular miniature housing
- Plastic housing
- DC sensor
- Discrete output
- Cable and connector versions
- Visible red light

Your Benefit

- Reflector distance down to 0 mm due to coaxial optics
- Two in one sensor - high operating range or clear class detection
- 3 selectable contrast levels
- Most reliable detection of PET-bottles in use with patented reflector with pole filter
- Automatic threshold adjustment compensates for presence of dust and moisture

Model Number

Connection
2 m fixed cable
M8 x 1 connector, 4-pin

ML6-54-G/25/115/136

ML6-54-G/25/95/136



Approvals and Certificates

UL approval	cULus Listed	●	●
CCC approval	Products with a maximum operating voltage of ≤36 V do not bear a CCC marking because they do not require approval.		

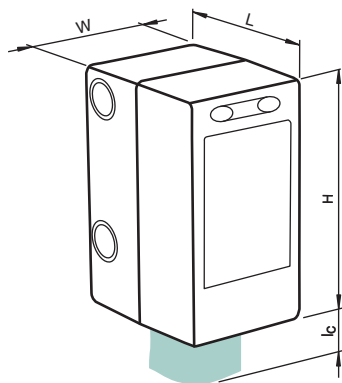
Dimensions

Length L [mm]	18
Width W [mm]	13,9
Height H [mm]	25,4
Connector area l _c [mm]	7,5 13,9

Accessories

This and more accessories can be found in chapter 10
See pages from 972 ... for cordsets See pages 1068 ... for mounting aids

OMH-4.1	Mounting Clamp
OMH-ML6	Mounting bracket
OMH-ML6-U	Mounting bracket
OMH-ML6-Z	Mounting bracket
V31-GM-2M-PVC	M8, 4-pin socket, PVC cable
REF-H85-2	Reflector, rectangular 84.5 mm x 84.5 mm, mounting holes
REF-C110-2	Reflector, round ø 84 mm, central mounting hole
OFR-100/100	Reflective tape 100 mm x 100 mm
REF-MH23	Reflector with Micro-structure, rectangular 23 mm x 13.8 mm, diagonal mounting hole
REF-H50HT	Reflector, rectangular 50.9 mm x 50.9 mm, mounting holes, fixing strap



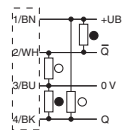
Electrical Connection

○ = light on, ● = dark on



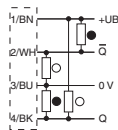
ML6-54-G/25/115/136

Option 25/136



ML6-54-G/25/95/136

Option 25/136



Wire colors in accordance with EN 60947-5-2

1	BN	(brown)
2	WH	(white)
3	BU	(blue)
4	BK	(black)

Date of issue 04/08/2015



Properties

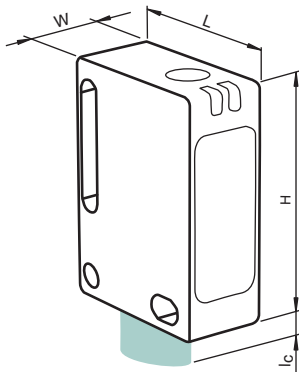
- Polarized type
- Rectangular miniature housing
- Plastic housing
- DC sensor
- Discrete output
- Cable, connector and pigtailed connector versions
- Visible red light

Your Benefit

- Flexible use with versatile mounting opportunities
- ECOLAB certificate

Further Products

In this series, we offer additionally:
ML7-55/25/103/143
 Technical data like ML7-55/59/103/143 but:
 Switching type: light on



Technical Data

For detailed data and product description refer to the data sheets at www.pepperl-fuchs.com

General Data

Polarization filter	✓
Teach-In	✓
Threshold detection range	3.5 m
Effective detection range	0 ... 3 m
Reference target	H85-2 reflector
Light type	modulated visible red light
Operating voltage	10 ... 30 V DC , class 2
No-load supply current	< 20 mA
Switching type	dark on
Switching current	max. 100 mA
Switching frequency	1000 Hz
Ambient temperature	-20 ... 60 °C (-4 ... 140 °F)
Material	
Housing	PC (glass-fiber-reinforced Makrolon)
Optical face	PMMA
Protection degree	IP67 / IP69K

Model Number

		ML7-55/59/102/115	ML7-55/59/102/115/126b	ML7-55/59/103/115	ML7-55/59/82b/103/115	ML7-55/59/103/115a	ML7-55/59/102/115b	ML7-55/59/102/115b	ML7-55/59/102/143	ML7-55/59/102/126b/143	ML7-55/59/103/143	ML7-55/59/82b/103/143
Output of the pre-fault indication	green = preferred type	●	●	●	●	●	●	●	●	●	●	●
Signal output	1 NPN output, short-circuit protected, reverse polarity protected, open collector	●	●	●	●	●	●	●	●	●	●	●
Output of the pre-fault indication	1 PNP output, short-circuit protected, reverse polarity protected, open collector			●	●	●	●	●	●	●	●	●
Output of the pre-fault indication	1 NPN			●					●			
Connection	1 PNP				●						●	
	2 m fixed cable	●	●	●	●							
	fixed cable 200 mm with M12 connector, 4-pin					●	●	●				
	M8 x 1 connector, 4-pin with fixed cable and 4-pin, M8 connector					●			●	●	●	●

Approvals and Certificates

Protection class	II	●●●●●●●●●●●●●●●●
UL approval	cULus	●●●●●●●●●●●●●●●●
CCC approval	Products with a maximum operating voltage of ≤36 V do not bear a CCC marking because they do not require approval.	

Dimensions

Length L [mm]	23
Width W [mm]	11
Height H [mm]	31
Connector area lc [mm]	7,6 9,1

Accessories

This and more accessories can be found in chapter 10
 See pages from 972 ... for cordsets See pages 1068 ... for mounting aids

Montagekit OMH-ML7-01	Mounting set consisting of bracket OMH-ML-01 sheet ONH-ML7-03, and fastening material
OMH-ML7-01	Mounting bracket
V31-GM-2M-PUR	Cable socket, M8, 4-pin, PUR cable

Electrical Connection

○ = light on, ● = dark on

Option /59/82b/103/115 Option /59/102/115 Option /59/102/115/126b Option /59/103/115 Option /59/82b/103 Option /59/103 Option /59/102 Option /59/102/126b

ML7-55/59/82b/103/115 ML7-55/59/102/115 ML7-55/59/102/115/126b ML7-55/59/103/115 ML7-55/59/103/115b ML7-55/59/82b/103/143 ML7-55/59/102/115b ML7-55/59/103/143 ML7-55/59/103/115a ML7-55/59/102/143 ML7-55/59/102/126b/143

Wire colors in accordance with EN 60947-5-2

1	BN	(brown)
2	WH	(white)
3	BU	(blue)
4	BK	(black)



Technical Data

For detailed data and product description refer to the data sheets at www.pepperl-fuchs.com

General Data

Teach-In	✓
Threshold detection range	3.5 m
Effective detection range	0 ... 3 m
Reference target	H85-2 reflector
Light type	modulated visible red light
Operating voltage	10 ... 30 V DC , class 2
No-load supply current	< 20 mA
Switching type	dark on
Switching current	max. 100 mA
Switching frequency	1000 Hz
Ambient temperature	-20 ... 60 °C (-4 ... 140 °F)
Material	
Housing	PC (glass-fiber-reinforced Makrolon)
Optical face	PMMA
Protection degree	IP67 / IP69K

Properties

- Non-polarized type
- Rectangular miniature housing
- Plastic housing
- DC sensor
- Discrete output
- Cable and connector versions
- Visible red light

Your Benefit

- Slotted mounting holes provide flexible mounting options
- ECOLAB certificate

Model Number

	ML7-6/59/102/115	ML7-6/59/102/115/126b	ML7-6/59/103/115	ML7-6/59/82b/103/115	ML7-6/59/102/126b/143	ML7-6/59/102/143	ML7-6/59/103/143	ML7-6/59/82b/103/143
Output of the pre-fault indication	●	●	●	●	●	●	●	●
Signal output	●	●	●	●	●	●	●	●
Output of the pre-fault indication	●	●	●	●	●	●	●	●
Connection	●	●	●	●	●	●	●	●

Approvals and Certificates

Protection class	II	●	●	●	●	●	●	●
UL approval	cULus	●	●	●	●	●	●	●
CCC approval	Products with a maximum operating voltage of ≤36 V do not bear a CCC marking because they do not require approval.	●	●	●	●	●	●	●

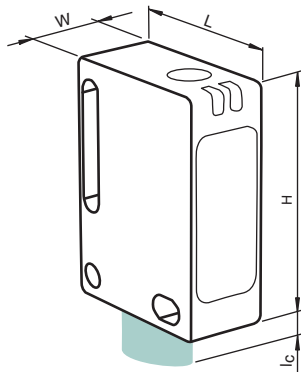
Dimensions

Length L [mm]		23
Width W [mm]		11
Height H [mm]		31
Connector area l _c [mm]	7,6	9,1

Accessories

This and more accessories can be found in chapter 10
See pages from 972 ... for cordsets See pages 1068 ... for mounting aids

- Montagekit OMH-ML7-01** Mounting set consisting of bracket OMH-ML-01 sheet ONH-ML7-03, and fastening material
- Montagekit OMH-ML7-02** Mounting set consisting of bracket OMH-ML-02 sheet ONH-ML7-03, and fastening material
- OMH-ML7-01** Mounting bracket
- OMH-ML7-02** Mounting bracket
- OMH-ML7-03** Fixing plate
- V31-GM-2M-PUR** Cable socket, M8, 4-pin, PUR cable
- V31-WM-2M-PUR** Cable socket, M8, 4-pin, PUR cable



Electrical Connection

○ = light on, ● = dark on



Option	Wiring Diagram	Wiring Diagram	Wiring Diagram	Wiring Diagram	Wiring Diagram	Wiring Diagram	Wiring Diagram	Wiring Diagram	Wiring Diagram
Option /59/82b/103/115	ML7-6/59/82b/103/115	Option /59/102/115	ML7-6/59/102/115	Option /59/102/115/126b	ML7-6/59/102/115/126b	Option /59/103/115	ML7-6/59/103/115	Option /59/82b/103	ML7-6/59/82b/103
Option /59/102/126b	ML7-6/59/102/126b	Option /59/102/143	ML7-6/59/102/143	Option /59/103/143	ML7-6/59/103/143	Option /59/102/143	ML7-6/59/102/143	Option /59/102/143	ML7-6/59/102/143
Option /59/103/143	ML7-6/59/103/143	Option /59/103/143	ML7-6/59/103/143	Option /59/103/143	ML7-6/59/103/143	Option /59/103/143	ML7-6/59/103/143	Option /59/103/143	ML7-6/59/103/143

Wire colors in accordance with EN 60947-5-2

1	BN	(brown)
2	WH	(white)
3	BU	(blue)
4	BK	(black)

Technical Data

For detailed data and product description refer to the data sheets at www.pepperl-fuchs.com

General Data

Polarization filter	✓
Glass detection	✓
Teach-In	✓
Threshold detection range	7.6 m
Effective detection range	0 ... 3.5 m in TEACH mode 0 ... 5.7 m at switch position "N"
Reference target	H85-2 reflector
Light type	modulated visible red light , 660 nm
Operating voltage	10 ... 30 V DC
No-load supply current	< 20 mA at 24 V DC
Switching current	max. 100 mA
Switching frequency	1 kHz
Ambient temperature	-20 ... 60 °C (-4 ... 140 °F)
Material	
Housing	PC (glass-fiber-reinforced Makrolon)
Optical face	PMMA
Protection degree	IP67 / IP69K



Properties

- Clear object detection type
- Rectangular miniature housing
- Plastic housing
- DC sensor
- Discrete output
- Cable, connector and pigtailed connector versions
- Visible red light

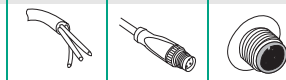
Your Benefit

- Reflector distance down to 0 mm due to coaxial optics
- Two in one sensor - high operating range or clear class detection
- 3 selectable contrast levels
- Most reliable detection of PET-bottles in use with patented reflector with pole filter
- Automatic threshold adjustment compensates for presence of dust and moisture
- ECOLAB certificate

Model Number

green = preferred type

Pre-fault indication output		●	●	●	●	●	●
Function input	Ext. Teach-In input (ET)						
Signal output	1 push-pull (4 in 1) output, short-circuit protected, reverse polarity protected						
	1 NPN output, short-circuit protected, reverse polarity protected, open collector	●		●			
	1 PNP output, short-circuit protected, reverse polarity protected, open collector		●	●		●	●
	2 NPN outputs, short-circuit protected, reverse polarity protected, open collector		●				
Switching type	dark on	●	●	●	●	●	●
	light on	●	●	●	●	●	●
Pre-fault indication output	1 NPN	●		●			
	1 PNP		●	●			●
Connection	200 mm cable with 4-pin, M12x1 connector	●	●	●	●	●	●
	2 m fixed cable	●	●	●	●	●	●
	500 mm cable with 3-pin, M8 x 1 connector			●			
	M8 x 1 connector, 4-pin					●	●

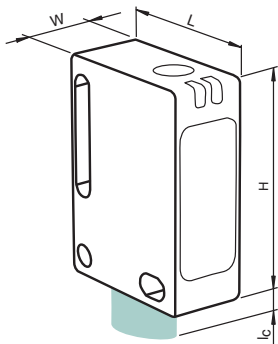


Approvals and Certificates

Protection class	II	●	●	●	●	●	●	●	●	●	●	●	●	●	●	●	●	●	●
UL approval	cULus																		
CCC approval	Products with a maximum operating voltage of ≤36 V do not bear a CCC marking because they do not require approval.																		

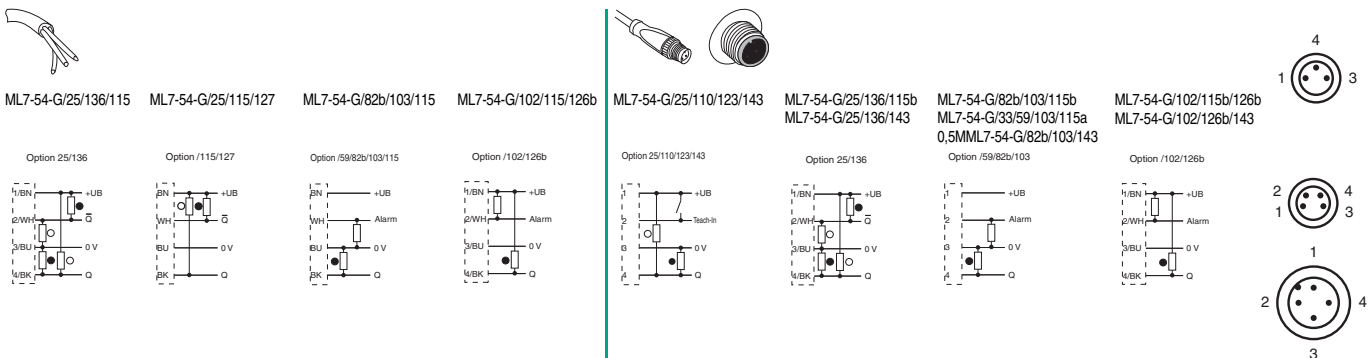
Dimensions

Length L [mm]		23
Width W [mm]		11
Height H [mm]		31
Connector area l _c [mm]		7,6 9,1



Electrical Connection

○ = light on, ● = dark on



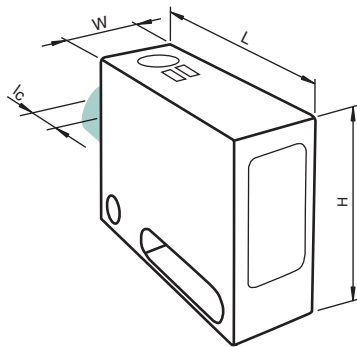


Properties

- Polarized type
- Rectangular miniature housing, side view
- Plastic housing
- DC sensor
- Discrete output
- Cable and connector versions
- Visible red light

Your Benefit

- Slotted mounting holes provide flexible mounting options
- ECOLAB certificate



Technical Data

For detailed data and product description refer to the data sheets at www.pepperl-fuchs.com

General Data

Polarization filter	✓
Teach-In	✓
Threshold detection range	3.5 m
Effective detection range	0 ... 3 m
Reference target	H85-2 reflector
Light type	modulated visible red light
Operating voltage	10 ... 30 V DC , class 2
No-load supply current	< 20 mA
Switching type	dark on
Switching current	max. 100 mA
Switching frequency	1000 Hz
Ambient temperature	-20 ... 60 °C (-4 ... 140 °F)
Material	
Housing	PC (glass-fiber-reinforced Makrolon)
Optical face	PMMA
Protection degree	IP67 / IP69K

Model Number

green = preferred type

Pre-fault indication output		●	●	●	●	●	●	●
Signal output	1 NPN output, short-circuit protected, reverse polarity protected, open collector	●	●			●	●	●
	1 PNP output, short-circuit protected, reverse polarity protected, open collector			●	●			●
Pre-fault indication output	1 NPN			●				●
	1 PNP					●		●
Connection	2 m fixed cable	●	●	●	●			
	4-pin, M8 plastic connector					●	●	●

Approvals and Certificates

Protection class	II	●	●	●	●	●	●	●	●	●	●	●
UL approval	cULus	●	●	●	●	●	●	●	●	●	●	●
CCC approval	Products with a maximum operating voltage of ≤36 V do not bear a CCC marking because they do not require approval.											

Dimensions

Length L [mm]		31
Width W [mm]		11
Height H [mm]		23
Connector area l _c [mm]		7,6 9,1

Accessories This and more accessories can be found in chapter 10

See pages from 972 ... for cordsets See pages 1068 ... for mounting aids

OMH-ML7-01	Mounting bracket
OMH-ML7-02	Mounting bracket
OMH-ML7-03	Fixing plate
V31-GM-2M-PUR	Cable socket, M8, 4-pin, PUR cable
V31-WM-2M-PUR	Cable socket, M8, 4-pin, PUR cable

Electrical Connection

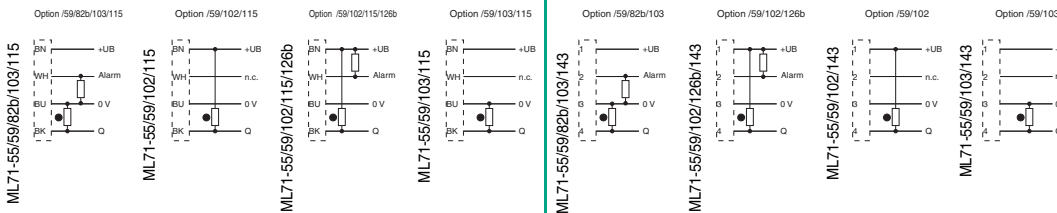
○ = light on, ● = dark on



Wire colors in accordance with EN 60947-5-2

1	BN	(brown)
2	WH	(white)
3	BU	(blue)
4	BK	(black)

Date of issue 04/08/2015



2
.1.3

Technical Data

For detailed data and product description refer to the data sheets at www.pepperl-fuchs.com



Properties

- Non-polarized type
- Rectangular miniature housing, side view
- Plastic housing
- DC sensor
- Discrete output
- Cable and connector versions
- Visible red light

Your Benefit

- Slotted mounting holes provide flexible mounting options
- ECOLAB certificate

General Data

Teach-In	✓
Threshold detection range	3.5 m
Effective detection range	0 ... 3 m
Reference target	H85-2 reflector
Light type	modulated visible red light
Operating voltage	10 ... 30 V DC, class 2
No-load supply current	< 20 mA
Switching type	dark on
Switching current	max. 100 mA
Switching frequency	1000 Hz
Ambient temperature	-20 ... 60 °C (-4 ... 140 °F)
Material	
Housing	PC (glass-fiber-reinforced Makrolon)
Optical face	PMMA
Protection degree	IP67 / IP69K

Model Number

	ML71-6/59/102/115	ML71-6/59/102/115/126b	ML71-6/59/103/115	ML71-6/59/82b/103/115	ML71-6/59/102/126b/143	ML71-6/59/102/143	ML71-6/59/103/143	ML71-6/59/82b/103/143
Pre-fault indication output	●	●	●	●	●	●	●	●
Signal output	●	●	●	●	●	●	●	●
Pre-fault indication output		●	●	●	●	●	●	●
Connection	●	●	●	●	●	●	●	●

Approvals and Certificates

Protection class	II	●
UL approval	cULus	●
CCC approval	Products with a maximum operating voltage of ≤36 V do not bear a CCC marking because they do not require approval.	●

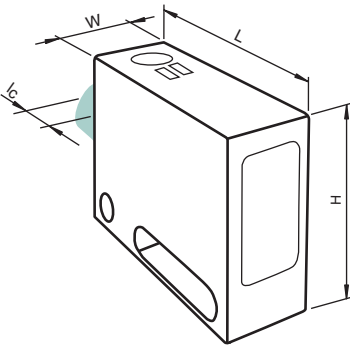
Dimensions

Length L [mm]	31
Width W [mm]	11
Height H [mm]	23
Connector area l _c [mm]	7.6 9.1

Accessories This and more accessories can be found in chapter 10

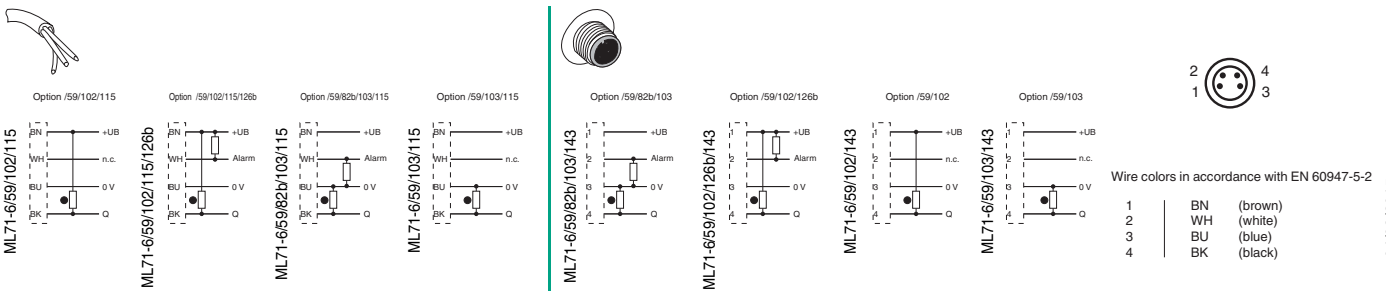
See pages from 972 ... for cordsets See pages 1068 ... for mounting aids

- OMH-ML7-01** Mounting bracket
- OMH-ML7-02** Mounting bracket
- OMH-ML7-03** Fixing plate
- V31-GM-2M-PUR** Cable socket, M8, 4-pin, PUR cable
- V31-WM-2M-PUR** Cable socket, M8, 4-pin, PUR cable



Electrical Connection

○ = light on, ● = dark on



Wire colors in accordance with EN 60947-5-2

- 1 BN (brown)
- 2 WH (white)
- 3 BU (blue)
- 4 BK (black)

Date of issue: 04/08/2015



Technical Data

For detailed data and product description refer to the data sheets at www.pepperl-fuchs.com

General Data

Polarization filter	✓
Threshold detection range	3.5 m
Effective detection range	0 ... 3 m
Reference target	H85-2 reflector
Light type	modulated visible red light
Operating voltage	10 ... 30 V DC , class 2
No-load supply current	< 12 mA
Switching type	dark on
Switching current	max. 100 mA
Ambient temperature	-20 ... 60 °C (-4 ... 140 °F)
Material	
Housing	PC (glass-fiber-reinforced Makrolon)
Optical face	PMMA
Protection degree	IP67

Properties

- Polarized type
- Rectangular miniature housing
- Plastic housing
- DC sensor
- Discrete output
- Cable and connector versions
- Visible red light

Your Benefit

- Slotted mounting holes provide flexible mounting options
- Tamper-proof, no operating controls

Model Number

		ML8-55/102/115	ML8-55/103/115	ML8-55/102/143	ML8-55/103/143
Signal output	1 NPN output, short-circuit protected, reverse polarity protected, open collector	●		●	
	1 PNP output, short-circuit protected, reverse polarity protected, open collector		●		●
Connection	2 m fixed cable	●	●		
	M8 x 1 connector, 4-pin			●	●

Approvals and Certificates

Protection class	II	●	●	●	●
UL approval	cULus Listed, Class 2 Power Source, Type 1 enclosure	●	●	●	●
CCC approval	Products with a maximum operating voltage of ≤36 V do not bear a CCC marking because they do not require approval.				

Dimensions

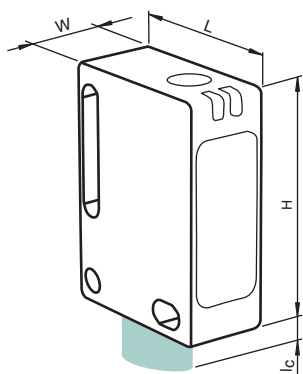
Length L [mm]	31
Width W [mm]	11
Height H [mm]	23
Connector area l _c [mm]	7,6 9,1

Accessories

This and more accessories can be found in chapter 10

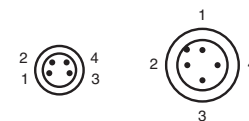
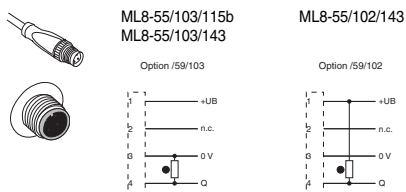
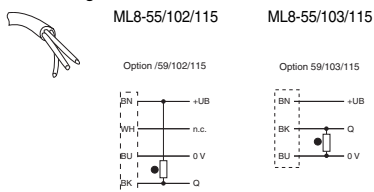
See pages from 972 ... for cordsets See pages 1068 ... for mounting aids

Montagekit OMH-ML7-01	Mounting set consisting of bracket OMH-ML-01 sheet ONH-ML7-03, and fastening material
Montagekit OMH-ML7-02	Mounting set consisting of bracket OMH-ML-02 sheet ONH-ML7-03, and fastening material
OMH-ML7-01	Mounting bracket
OMH-ML7-02	Mounting bracket
OMH-ML7-03	Fixing plate
V31-GM-2M-PUR	Cable socket, M8, 4-pin, PUR cable
V31-WM-2M-PUR	Cable socket, M8, 4-pin, PUR cable



Electrical Connection

○ = light on, ● = dark on



Wire colors in accordance with EN 60947-5-2

1	BN	(brown)
2	WH	(white)
3	BU	(blue)
4	BK	(black)

Date of issue 04/08/2015



Technical Data

For detailed data and product description refer to the data sheets at www.pepperl-fuchs.com

General Data	ML8-6/102/115
Threshold detection range	3.5 m
Effective detection range	0 ... 3 m
Reference target	H85-2 reflector
Light type	modulated visible red light
Operating voltage	10 ... 30 V DC , class 2
No-load supply current	< 12 mA
Switching type	dark on
Signal output	1 NPN output, short-circuit protected, reverse polarity protected, open collector
Switching current	max. 100 mA
Ambient temperature	-20 ... 60 °C (-4 ... 140 °F)
Material	
Housing	PC (glass-fiber-reinforced Makrolon)
Optical face	PMMA
Protection degree	IP67
Connection	2 m fixed cable



Approvals and Certificates

Protection class	II
UL approval	cULus Listed, Class 2 Power Source, Type 1 enclosure
CCC approval	Products with a maximum operating voltage of ≤36 V do not bear a CCC marking because they do not require approval.

Dimensions

Length L [mm]	23
Width W [mm]	11
Height H [mm]	31
Connector area l _c [mm]	2

Accessories

This and more accessories can be found in chapter 10
 See pages from 972 ... for cordsets See pages 1068 ... for mounting aids

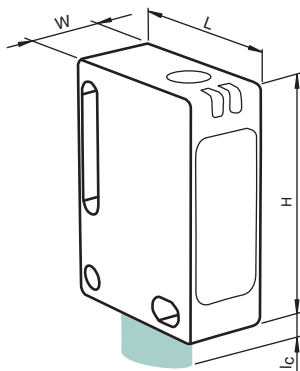
Montagekit OMH-ML7-01	Mounting set consisting of bracket OMH-ML-01 sheet ONH-ML7-03, and fastening material
Montagekit OMH-ML7-02	Mounting set consisting of bracket OMH-ML-02 sheet ONH-ML7-03, and fastening material
OMH-ML7-01	Mounting bracket
OMH-ML7-02	Mounting bracket
OMH-ML7-03	Fixing plate
V31-GM-2M-PUR	Cable socket, M8, 4-pin, PUR cable
V31-WM-2M-PUR	Cable socket, M8, 4-pin, PUR cable

Properties

- Non-polarized type
- Rectangular miniature housing
- Plastic housing
- DC sensor
- Discrete output
- Cable version
- Visible red light

Your Benefit

- Slotted mounting holes provide flexible mounting options
- Tamper-proof, no operating controls



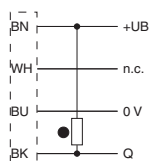
Electrical Connection

○ = light on, ● = dark on

ML8-6/102/115



Option /59/102/115





Technical Data

For detailed data and product description refer to the data sheets at www.pepperl-fuchs.com

General Data

Polarization filter	✓
Sensitivity adjustment	✓
Threshold detection range	5 m
Effective detection range	0 ... 3.5 m
Reference target	FE-RR1 reflector
Light type	modulated visible red light , 626 nm
Operating voltage	10 ... 30 V DC , class 2
No-load supply current	< 25 mA
Signal output	2 Push-pull (4 in 1) outputs, short-circuit protected, reverse polarity protected, overvoltage protected
Switching type	light/dark on
Switching current	max. 100 mA
Switching frequency	500 Hz
Ambient temperature	-20 ... 55 °C (-4 ... 131 °F)
Material	
Housing	ABS
Optical face	Acrylic
Protection degree	IP67

Properties

- Polarized type
- Rectangular miniature housing
- Plastic housing
- DC sensor
- Discrete output
- Cable, connector and pigtailed connector versions
- Visible red light

Your Benefit

- Threaded face and side thru-holes provide flexible mounting options

Model Number

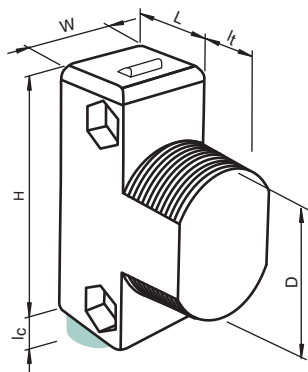
	ML17-54/115/136	ML17-54/115b/136	ML17-54/136/143	ML17-54/73/136
Connection	fixed cable 150 mm with M12 x 1 male connector, 4 pin	2 m fixed cable connector M12 x 1, 4-pin	M8 x 1 connector, 4-pin	
	●	●	●	●

Approvals and Certificates

UL approval	cULus	●	●	●	●
CCC approval	Products with a maximum operating voltage of ≤36 V do not bear a CCC marking because they do not require approval.				

Dimensions

Length L [mm]	19,1
Width W [mm]	15
Height H [mm]	34,5
Thread length l _t [mm]	10,2
Connector area l _c [mm]	10



Accessories

This and more accessories can be found in chapter 10

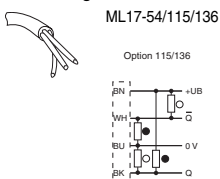
See pages from 972 ... for cordsets

See pages 1068 ... for mounting aids

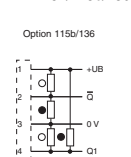
OMH-ML17-EZ	Mounting bracket
OMH-ML17	Mounting bracket
OMH-ML17-1	Mounting bracket
V31-GM-2M-PUR	Cable socket, M8, 4-pin, PUR cable
V31-WM-2M-PUR	Cable socket, M8, 4-pin, PUR cable
V1-G-2M-PUR	Cable socket, M12, 4-pin, PUR cable
V1-W-2M-PUR	Cable socket, M12, 4-pin, PUR cable

Electrical Connection

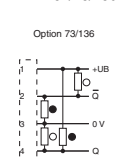
○ = light on, ● = dark on



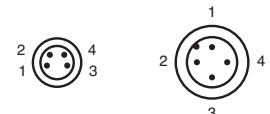
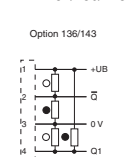
ML17-54/115b/136



ML17-54/73/136



ML17-54/136/143



Wire colors in accordance with EN 60947-5-2

1	BN	(brown)
2	WH	(white)
3	BU	(blue)
4	BK	(black)

Date of issue 04/08/2015



Technical Data

For detailed data and product description refer to the data sheets at www.pepperl-fuchs.com

General Data

Sensitivity adjustment	✓
Effective detection range	0 ... 6.5 m
Reference target	FE-RR1 reflector
Light type	modulated visible red light , 626 nm
Operating voltage	10 ... 30 V DC , class 2
No-load supply current	< 25 mA
Signal output	2 Push-pull (4 in 1) outputs, short-circuit protected, reverse polarity protected, overvoltage protected
Switching type	light/dark on
Switching current	max. 100 mA
Switching frequency	500 Hz
Ambient temperature	-20 ... 55 °C (-4 ... 131 °F)
Material	
Housing	ABS
Optical face	Acrylic
Protection degree	IP67

Properties

- Non-polarized type
- Rectangular miniature housing
- Plastic housing
- DC sensor
- Discrete output
- Cable, connector and pigtailed connector versions
- Visible red light

Your Benefit

- Threaded face and side thru-holes provide flexible mounting options

Model Number

Connection	fixed cable 150 mm with M12 x 1 male connector, 4 pin	ML17-6/115/136	ML17-6/115b/136	ML17-6/136/143	ML17-6/73/136
	2 m fixed cable connector M12 x 1, 4-pin	●	●	●	●
	M8 x 1 connector, 4-pin			●	●

Approvals and Certificates

UL approval	cULus	●	●	●	●
CCC approval	Products with a maximum operating voltage of ≤36 V do not bear a CCC marking because they do not require approval.				

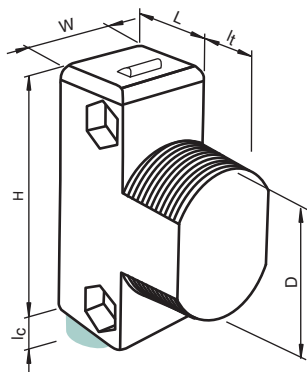
Dimensions

Length L [mm]	19,1
Width W [mm]	15
Height H [mm]	34,5
Thread length l _t [mm]	10,2
Connector area l _c [mm]	10

Accessories

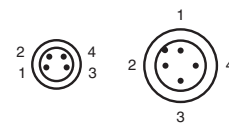
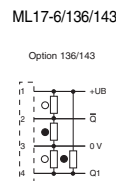
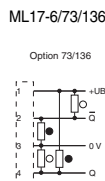
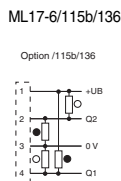
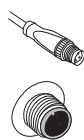
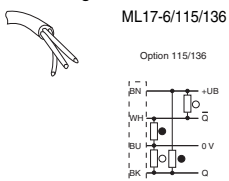
This and more accessories can be found in chapter 10
See pages from 972 ... for cordsets See pages 1068 ... for mounting aids

OMH-ML17-EZ	Mounting bracket
OMH-ML17	Mounting bracket
OMH-ML17-1	Mounting bracket
V31-GM-2M-PUR	Cable socket, M8, 4-pin, PUR cable
V31-WM-2M-PUR	Cable socket, M8, 4-pin, PUR cable
V1-G-2M-PUR	Cable socket, M12, 4-pin, PUR cable
V1-W-2M-PUR	Cable socket, M12, 4-pin, PUR cable



Electrical Connection

○ = light on, ● = dark on



Wire colors in accordance with EN 60947-5-2

1	BN	(brown)
2	WH	(white)
3	BU	(blue)
4	BK	(black)



Technical Data

For detailed data and product description refer to the data sheets at www.pepperl-fuchs.com

General Data

Polarization filter	✓
Sensitivity adjustment	✓
Light/dark switch	✓
Threshold detection range	7 m
Effective detection range	0 ... 5 m
Reference target	H50 reflector
Light type	modulated visible red light
Optical face	frontal
Operating voltage	10 ... 30 V DC , class 2
No-load supply current	< 20 mA
Switching type	light/dark on, switchable
Switching current	max. 100 mA , resistive load
Switching frequency	1000 Hz
Ambient temperature	-30 ... 60 °C (-22 ... 140 °F)
Material	
Housing	PC (Polycarbonate)
Optical face	PMMA
Protection degree	IP67

Properties

- Polarized type
- Rectangular miniature housing
- Plastic housing
- DC sensor
- Discrete output
- Cable, connector and pigtailed connector versions
- Visible red light

Your Benefit

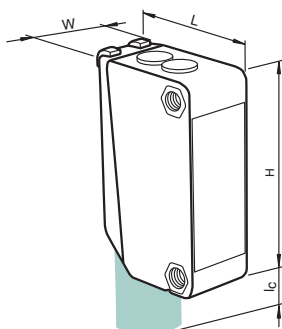
- Simplest alignment and set-up with ultra-bright Power-Beam emitter LED
- Rugged housing has metal-reinforced mounting holes

Further Products

In this series, we offer additionally:

- [ML100-55/25/103/115b/154](#)
- [ML100-55/25/95/103/154](#)

Technical data like ML100-55/103/115b and ML100-55/95/103 but:
No adjusters and light-on switching



Model Number

green = preferred type

	ML100-55/102/115	ML100-55/103/115	ML100-55/103/115a	ML100-55/103/115b	ML100-55/98/102	ML100-55/98/103	ML100-55/95/102	ML100-55/95/103
Signal output	1 NPN output, short-circuit protected, reverse polarity protected, open collector 1 PNP output, short-circuit protected, reverse polarity protected, open collector							
Connection	2 m fixed cable 300 mm fixed cable with 4-pin, M12 x 1 connector 300 mm fixed cable with 4-pin, M8 x 1 connector M8 x 1 connector, 3-pin connector M8 x 1 , 4-pin							
	<input checked="" type="checkbox"/>	<input checked="" type="checkbox"/>	<input checked="" type="checkbox"/>	<input checked="" type="checkbox"/>	<input checked="" type="checkbox"/>	<input checked="" type="checkbox"/>	<input checked="" type="checkbox"/>	<input checked="" type="checkbox"/>

Approvals and Certificates

UL approval	cULus Listed, Class 2 Power Source, Type 1 enclosure	<input checked="" type="checkbox"/>	<input checked="" type="checkbox"/>	<input checked="" type="checkbox"/>	<input checked="" type="checkbox"/>	<input checked="" type="checkbox"/>	<input checked="" type="checkbox"/>	<input checked="" type="checkbox"/>
CCC approval	Products with a maximum operating voltage of ≤36 V do not bear a CCC marking because they do not require approval.	<input type="checkbox"/>	<input type="checkbox"/>	<input type="checkbox"/>	<input type="checkbox"/>	<input type="checkbox"/>	<input type="checkbox"/>	<input type="checkbox"/>

Dimensions

Length L [mm]	20							
Width W [mm]	11							
Height H [mm]	31							
Connector area lc [mm]	0				10			

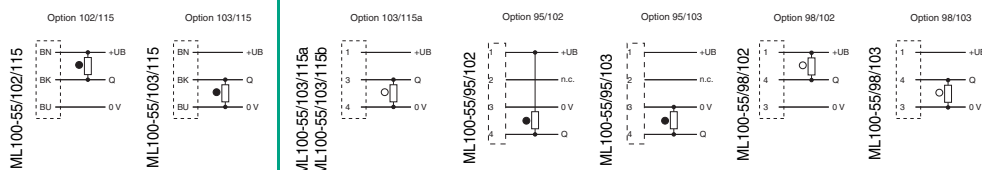
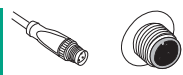
Accessories

This and more accessories can be found in chapter 10
See pages from 972 ... for cordsets See pages 1068 ... for mounting aids

- OMH-F10-ML100** Mounting aid for ML100 series
- OMH-ML100-01** Mounting bracket
- OMH-ML100-03** Mounting aid for round steel \varnothing 12 mm or sheet 1.5 mm ... 3 mm
- REF-H85-2** Reflector, rectangular 84.5 mm x 84.5 mm, mounting holes
- V3-GM-2M-PUR** Cable socket, M8, 3-pin, PUR cable
- V31-GM-2M-PUR** Cable socket, M8, 4-pin, PUR cable

Electrical Connection

○ = light on, ● = dark on



Wire colors in accordance with EN 60947-5-2

- 1 BN (brown)
- 2 WH (white)
- 3 BU (blue)
- 4 BK (black)

Date of issue 04/08/2015

2
.1.3

Photoelectric Sensors, Standard Sensors, retroreflective sensors



Technical Data

For detailed data and product description refer to the data sheets at www.pepperl-fuchs.com

General Data	
Sensitivity adjustment	✓
Light/dark switch	✓
Threshold detection range	7 m
Effective detection range	0 ... 5 m
Reference target	H50 reflector
Light type	modulated infrared light
Optical face	frontal
Operating voltage	10 ... 30 V DC , class 2
No-load supply current	< 20 mA
Switching type	light/dark on, switchable
Switching current	max. 100 mA , resistive load
Switching frequency	1000 Hz
Ambient temperature	-30 ... 60 °C (-22 ... 140 °F)
Material	
Housing	PC (Polycarbonate)
Optical face	PMMA
Protection degree	IP67

Properties

- Non-polarized type
- Rectangular miniature housing
- Plastic housing
- DC sensor
- Discrete output
- Cable and connector versions
- Infrared light

Your Benefit

- Rugged housing has metal-reinforced mounting holes

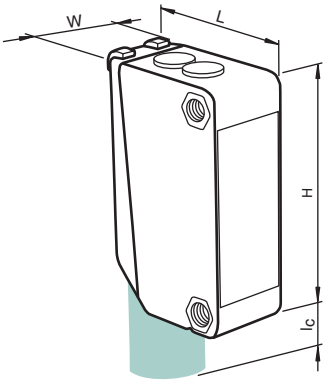
Model Number	ML100-6-IR/102/115	ML100-6-IR/103/115	ML100-6-IR/95/102	ML100-6-IR/95/103
Signal output	1 NPN output, short-circuit protected, reverse polarity protected, open collector	1 PNP output, short-circuit protected, reverse polarity protected, open collector		
Connection	fixed cable	connector M8 x 1 , 4-pin		

Approvals and Certificates

UL approval	cULus Listed, Class 2 Power Source, Type 1 enclosure	●	●	●	●
CCC approval	Products with a maximum operating voltage of ≤36 V do not bear a CCC marking because they do not require approval.				

Dimensions

Length L [mm]	20
Width W [mm]	11
Height H [mm]	31
Connector area l _c [mm]	0 10



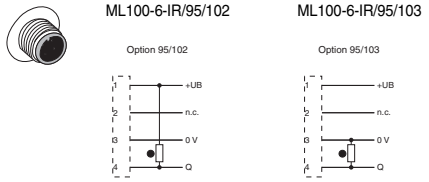
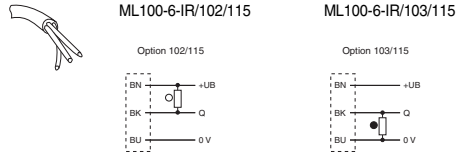
Accessories

This and more accessories can be found in chapter 10
See pages from 972 ... for cordsets See pages 1068 ... for mounting aids

OMH-ML100-03	Mounting aid for round steel ø 12 mm or sheet 1.5 mm ... 3 mm
OMH-ML100-02	Mounting bracket
OMH-ML100-04	Mounting bracket
OMH-ML100-05	Mounting bracket
OMH-F10-ML100	Mounting aid for ML100 series
OMH-10	Mounting aid
REF-H33	Reflector with screw fixing
V31-WM-2M-PUR	4-pin, M8 socket, PUR cable
V31-GM-2M-PUR	4-pin, M8 socket, PUR cable
OMH-ML100-01	Mounting bracket

Electrical Connection

○ = light on, ● = dark on



Wire colors in accordance with EN 60947-5-2

1	BN	(brown)
2	WH	(white)
3	BU	(blue)
4	BK	(black)



Technical Data

For detailed data and product description refer to the data sheets at www.pepperl-fuchs.com

General Data

Polarization filter	✓
Sensitivity adjustment	✓
Threshold detection range	3.5 m
Effective detection range	0 ... 2 m
Reference target	H85-2 reflector
Light type	modulated visible red light , 660 nm
Operating voltage	10 ... 30 V DC
Switching current	max. 0.1 A
Switching frequency	1000 Hz
Ambient temperature	-25 ... 55 °C (-13 ... 131 °F)
Material	
Housing	ABS
Optical face	plastic
Protection degree	IP65

Properties

- Polarized type
- Rectangular miniature housing
- Plastic housing
- DC sensor
- Discrete output
- Cable and connector versions
- Visible red light

Model Number

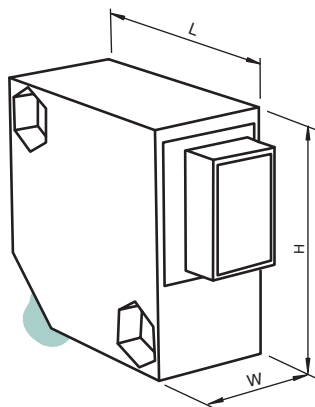
		ML300-55-2m-RT/59/102/115	ML300-55-2m-RT/25/102/115	ML300-55-2m-RT/59/103/115	ML300-55-2m-RT/25/103/115	ML300-55-2m-RT/59/98/102	ML300-55-2m-RT/25/98/102	ML300-55-2m-RT/59/98/103	ML300-55-2m-RT/25/98/103
No-load supply current	max. 20 mA max. 25 mA	●	●	●	●	●	●	●	●
Signal output	1 NPN output, short-circuit protected, reverse polarity protected, open collector 1 PNP output, short-circuit protected, reverse polarity protected, open collector	●	●	●	●	●	●	●	●
Switching type	dark on light on	●	●	●	●	●	●	●	●
Connection	2 m fixed cable M8 x 1 connector, 3-pin	●	●	●	●	●	●	●	●

Approvals and Certificates

CCC approval Products with a maximum operating voltage of ≤36 V do not bear a CCC marking because they do not require approval.

Dimensions

Length L [mm]	30
Width W [mm]	15
Height H [mm]	30



Accessories

This and more accessories can be found in chapter 10
See pages from 972 ... for cordsets See pages 1068 ... for mounting aids

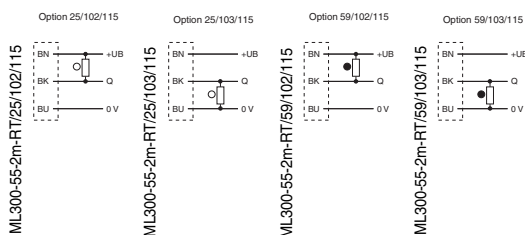
- OMH-ML300-01** Bracket for mounting ML300 series sensors
- OMH-ML300-02** Bracket for mounting ML300 series sensors on a 35 mm DIN rail
- REF-H85-2** Reflector, rectangular 84.5 mm x 84.5 mm, mounting holes
- REF-C110-2** Reflector, round ø 84 mm, central mounting hole
- REF-H50** Reflector, rectangular 51 mm x 51 mm, mounting holes, fixing strap
- REF-H60-2** Reflector with mounting holes
- REF-VR10-2** Reflector, rectangular 60 mm x 19 mm, mounting holes
- V3-GM-2M-PUR** Cable socket, M8, 3-pin, PUR cable
- OFR-100/100** Reflective tape 100 mm x 100 mm
- V3-WM-2M-PUR** Cable socket, M8, 3-pin, PUR cable

Electrical Connection

○ = light on, ● = dark on

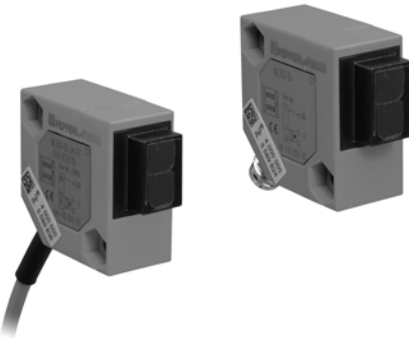


Date of issue 04/08/2015



Wire colors in accordance with EN 60947-5-2

- 1 | BN (brown)
- 3 | BU (blue)
- 4 | BK (black)



Technical Data

For detailed data and product description refer to the data sheets at www.pepperl-fuchs.com

General Data

Polarization filter	✓
Sensitivity adjustment	✓
Threshold detection range	7 m
Effective detection range	0 ... 6 m
Reference target	H85-2 reflector
Light type	modulated visible red light , 660 nm
Operating voltage	10 ... 30 V DC
No-load supply current	max. 20 mA
Switching current	max. 0.1 A
Switching frequency	1000 Hz
Ambient temperature	-25 ... 55 °C (-13 ... 131 °F)
Material	
Housing	PBT
Optical face	glass pane
Protection degree	IP67

Properties

- Polarized type
- Rectangular miniature housing
- Plastic housing
- DC sensor
- Discrete output
- Cable and connector versions
- Visible red light

Model Number

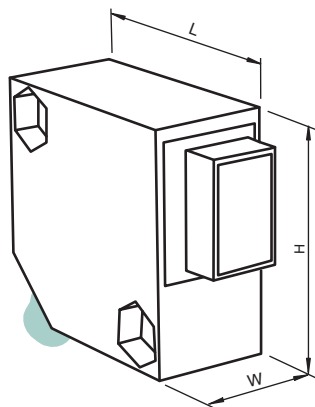
	ML300-55-6m-RT/25/115/120	ML300-55-6m-RT/25/82d/103/115	ML300-55-6m-RT/25/115/127	ML300-55-6m-RT/25/95/120	ML300-55-6m-RT/25/82d/95/103	ML300-55-6m-RT/25/95/127
Output of the pre-fault indication	●	●	●	●	●	●
Signal output	1 PNP output, short-circuit protected, reverse polarity protected, open collector	●	●	●	●	●
	2 PNP outputs, complementary, short-circuit protected, reverse polarity protected, open collector	●	●	●	●	●
Switching type	light on	●	●	●	●	●
	light on / dark on	●	●	●	●	●
Output of the pre-fault indication	1 PNP	●	●	●	●	●
Connection	2 m fixed cable	●	●	●	●	●
	M8 x 1 connector, 4-pin	●	●	●	●	●

Approvals and Certificates

UL approval	cULus Listed 57M3 (Only in association with UL Class 2 power supply; Type 1 enclosure)	●	●	●	●	●
CCC approval	Products with a maximum operating voltage of ≤36 V do not bear a CCC marking because they do not require approval.	●	●	●	●	●

Dimensions

Length L [mm]	30
Width W [mm]	15
Height H [mm]	30



Accessories

This and more accessories can be found in chapter 10
See pages from 972 ... for cordsets See pages 1068 ... for mounting aids

- OMH-ML300-01** Bracket for mounting ML300 series sensors
- OMH-ML300-02** Bracket for mounting ML300 series sensors on a 35 mm DIN rail
- V31-WM-2M-PUR** 4-pin, M8 socket, PUR cable
- V31-GM-2M-PUR** 4-pin, M8 socket, PUR cable

Electrical Connection

○ = light on, ● = dark on

Option 82d/103/115

ML300-55-6m-RT/25/82d/103/115

Option /115/120

ML300-55-6m-RT/25/115/120

Option /115/127

ML300-55-6m-RT/25/115/127

Option 82d/95/103

ML300-55-6m-RT/25/82d/95/103

Option 25/95/120

ML300-55-6m-RT/25/95/120

Option 25/95/127

ML300-55-6m-RT/25/95/127

2 4
1 3

Wire colors in accordance with EN 60947-5-2

1	BN	(brown)
2	WH	(white)
3	BU	(blue)
4	BK	(black)



Technical Data

For detailed data and product description refer to the data sheets at www.pepperl-fuchs.com

General Data

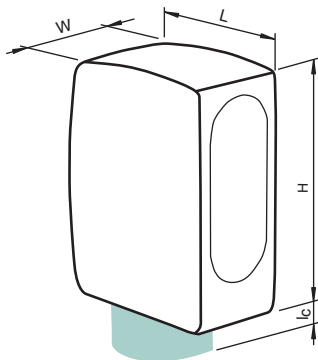
Polarization filter	✓
Glass detection	✓
Teach-In	✓
Threshold detection range	5.1 m
Effective detection range	0 ... 3.2 m in TEACH mode 0 ... 4 m by operating mode "N"
Reference target	H85-2 reflector
Light type	modulated visible red light , 660 nm
Operating voltage	10 ... 30 V DC , class 2
No-load supply current	< 20 mA at 24 V DC
Signal output	2 Push-pull (4 in 1) outputs, complementary, short-circuit proof, reverse polarity protected
Switching type	light on
Switching current	max. 100 mA
Switching frequency	1 kHz
Ambient temperature	-20 ... 60 °C (-4 ... 140 °F)
Material	
Housing	Stainless steel 1.4404 / AISI 316L
Optical face	PMMA
Protection degree	IP67 / IP69K

Properties

- Clear object detection type
- Rectangular miniature housing
- Stainless steel housing
- DC sensor
- Discrete output
- Cable and connector versions
- Visible red light

Your Benefit

- Chemical and corrosion resistant housing for rough environments
- Wash down design for applications in food & beverages industry
- Reflector distance down to 0 mm due to coaxial optics
- Most reliable detection of PET-bottles in use with patented reflector with pole filter
- Automatic threshold adjustment compensates for presence of dust and moisture
- ECOLAB certificate



Model Number

Connection	2 m fixed cable M8 x 1 connector, 4-pin	MLE75-54-G/25/115/136	MLE75-54-G/25/95/136

Approvals and Certificates

UL approval	cULus	●	●
CCC approval	Products with a maximum operating voltage of ≤36 V do not bear a CCC marking because they do not require approval.		

Dimensions

Length L [mm]	25,1
Width W [mm]	12,9
Height H [mm]	32,9
Connector area l _c [mm]	12

Accessories

This and more accessories can be found in chapter 10
See pages from 972 ... for cordsets See pages 1068 ... for mounting aids

V31-GM-2M-PUR	Cable socket, M8, 4-pin, PUR cable
V31-WM-2M-PUR	Cable socket, M8, 4-pin, PUR cable
Reflector REF-A25-HYG-01	flange mount reflector
Reflector REF-A25-HYG-02	direct mount reflector

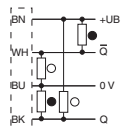
Electrical Connection

○ = light on, ● = dark on



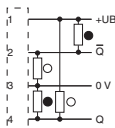
MLE75-54-G/25/115/136

Option 25/115/136



MLE75-54-G/25/95/136

Option 25/95/136



Wire colors in accordance with EN 60947-5-2

1	BN	(brown)
2	WH	(white)
3	BU	(blue)
4	BK	(black)

Date of issue 04/08/2015



2
.1.3

Photoelectric Sensors, Standard Sensors, retroreflective sensors



Technical Data

For detailed data and product description refer to the data sheets at www.pepperl-fuchs.com

General Data

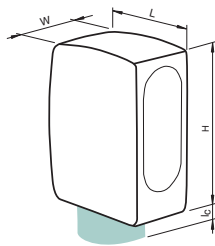
Polarization filter	✓
Glass detection	✓
Teach-In	✓
Threshold detection range	5.1 m
Effective detection range	0 ... 3.2 m in TEACH mode / 0 ... 4 m by operating mode "N"
Reference target	H85-2 reflector
Light type	modulated visible red light , 660 nm
Operating voltage	10 ... 30 V DC
No-load supply current	< 20 mA at 24 V DC
Function input	Ext. Teach-In input (ET)
Signal output	1 push-pull (4 in 1) output, short-circuit protected, reverse polarity protected
Switching type	light on
Switching current	max. 100 mA
Switching frequency	1 kHz
Ambient temperature	-20 ... 60 °C (-4 ... 140 °F)
Material	
Housing	Stainless steel 1.4404 / AISI 316L
Optical face	PMMA
Protection degree	IP67 / IP69K

Properties

- Clear object detection type
- Rectangular miniature housing
- Stainless steel housing
- DC sensor
- Discrete output
- Cable and connector versions
- Visible red light

Your Benefit

- Chemical and corrosion resistant housing for rough environments
- Hygienic design according to EHEDG for applications in food & beverages industry
- Reflector distance down to 0 mm due to coaxial optics
- Most reliable detection of PET-bottles in use with patented reflector with pole filter
- Automatic threshold adjustment compensates for presence of dust and moisture
- ECOLAB and EHEDG certificate, integrated mounting solution is part of certificates
- Special accessories in safe hygienic design



Model Number

	MLE76000-54-G/25/110/115/123	MLE76100-54-G/25/110/115/123	MLE76150-54-G/25/110/115/123	MLE76200-54-G/25/110/115/123	MLE76250-54-G/25/110/115/123	MLE76300-54-G/25/110/115/123	MLE76350-54-G/25/110/115/123	MLE76400-54-G/25/110/115/123	MLE76100-54-G/25/92/110/123	MLE76150-54-G/25/92/110/123
Mounting adapter		●								●
			●							●
				●						
					●					
						●				
							●			
								●		
Connection	●	●	●	●	●	●	●	●	●	●
									●	●

Approvals and Certificates

UL approval	cULus	●	●	●	●	●	●	●	●	●
CCC approval	Products with a maximum operating voltage of ≤36 V do not bear a CCC marking because they do not require approval.									

Dimensions

Length L [mm]	25,1
Width W [mm]	12,9
Height H [mm]	32,9
Connector area I _c [mm]	12 50 32 73 84 97 171 118 41 30

Accessories

This and more accessories can be found in chapter 10
See pages from 972 ... for cordsets See pages 1068 ... for mounting aids

REF-A25-HYG-01	Reflector in hygienic design, ø approx. 25 mm
REF-A25-HYG-02	Reflector in hygienic design, ø approx. 25 mm
MH-16H-02	Screw connection for pipe mount
OMH-MLE76-16x300	Pipe mount for flange/ball versions and reflectors
V1-G-2M-PUR	Cable socket, M12, 4-pin, PUR cable

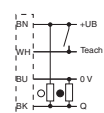
Electrical Connection

○ = light on, ● = dark on



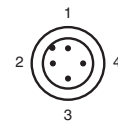
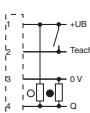
- MLE76000-54-G/25/110/115/123
- MLE76100-54-G/25/110/115/123
- MLE76150-54-G/25/110/115/123
- MLE76200-54-G/25/110/115/123
- MLE76250-54-G/25/110/115/123
- MLE76300-54-G/25/110/115/123
- MLE76350-54-G/25/110/115/123
- MLE76400-54-G/25/110/115/123

Option 110/115/123



- MLE76100-54-G/25/92/110/123
- MLE76150-54-G/25/92/110/123

Option 92/110/123



Wire colors in accordance with EN 60947-5-2

- 1 | BN (brown)
- 2 | WH (white)
- 3 | BU (blue)
- 4 | BK (black)



Technical Data

For detailed data and product description refer to the data sheets at www.pepperl-fuchs.com

General Data

Polarization filter	✓
Sensitivity adjustment	✓
Light/dark switch	✓
Threshold detection range	9 m
Effective detection range	0 ... 6.5 m
Reference target	H85-2 reflector
Light type	modulated visible red light , 660 nm
Operating voltage	10 ... 30 V DC
No-load supply current	max. 40 mA
Switching type	light/dark on switchable
Switching current	max. 0.2 A
Switching frequency	1000 Hz
Ambient temperature	-40 ... 60 °C (-40 ... 140 °F)
Material	
Housing	Frame: nickel plated, die cast zinc, Laterals: glass-fiber reinforced plastic PC
Optical face	Plastic pane
Protection degree	IP67

Properties

- Polarized type
- Rectangular compact housing
- Die-cast zinc frame housing
- DC sensor
- Discrete output
- Connector version
- Visible red light

Your Benefit

- Extreme low-temperature operation

Model Number

green = preferred type

		MLV12-54/76b/95/128	MLV12-54/32/82b/124	MLV12-54/49/124	MLV12-54/76b/124/128
Output of the pre-fault indication		●	●		●
Test input	emitter deactivation at 0 V	●			●
Signal output	1 push-pull (4 in 1) output, short-circuit protected, reverse polarity protected	●			●
	1 NPN and 1 PNP output, direct switching, short-circuit protected, reverse polarity protected, open collector			●	
	1 PNP output, short-circuit protected, reverse polarity protected, open collector		●		
Output of the pre-fault indication	1 PNP		●		
Connection	Metal connector, M12, 5-pin, 90° rotatable	●	●	●	●
	Metal connector, M8, 4-pin, 90° rotatable				●

Approvals and Certificates

Protection class	II	●	●	●	●
UL approval	cULus	●	●	●	●
CCC approval	Products with a maximum operating voltage of ≤36 V do not bear a CCC marking because they do not require approval.				

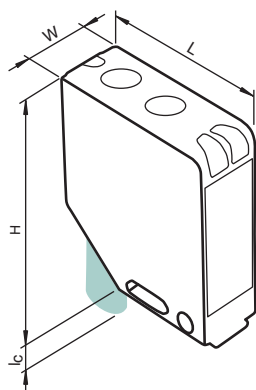
Dimensions

Length L [mm]	41,5
Width W [mm]	15
Height H [mm]	49
Connector area I _c [mm]	12 16

Accessories

This and more accessories can be found in chapter 10
See pages from 972 ... for cordsets See pages 1068 ... for mounting aids

- OMH-MLV12-HWG** Mounting bracket for series MLV12 sensors
- OMH-K01** dove tail mounting clamp
- OMH-06** Mounting aid for round steel ø 12 mm or sheet 1.5 mm ... 3 mm



Electrical Connection

○ = light on, ● = dark on



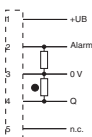
MLV12-54/32/82b/124

MLV12-54/49/124

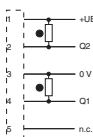
MLV12-54/76b/95/128

MLV12-54/76b/124/128

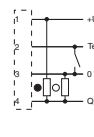
Option /32/82b/124



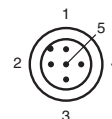
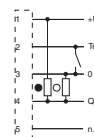
Option /49/128



Option /76b/95/128



Option /76b/124/128



Wire colors in accordance with EN 60947-5-2

- 1 | BN (brown)
- 2 | WH (white)
- 3 | BU (blue)
- 4 | BK (black)
- 5 | GY (gray)

Date of issue 04/08/2015



Technical Data

For detailed data and product description refer to the data sheets at www.pepperl-fuchs.com

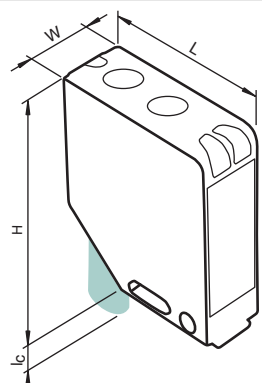
General Data	
Polarization filter	✓
Glass detection	✓
Teach-In	✓
Light/dark switch	✓
Threshold detection range	5.6 m
Effective detection range	0 ... 4.2 m
Reference target	H85-2 reflector
Light type	modulated visible red light, 660 nm
Operating voltage	10 ... 30 V DC
No-load supply current	max. 55 mA
Switching type	light/dark on switchable
Switching current	max. 0.2 A
Switching frequency	1000 Hz
Ambient temperature	-40 ... 60 °C (-40 ... 140 °F)
Material	
Housing	Frame: nickel plated, die cast zinc, Laterals: glass-fiber reinforced plastic PC
Optical face	Plastic pane
Protection degree	IP67

Properties

- Clear object detection type
- Rectangular compact housing
- Die-cast zinc frame housing
- DC sensor
- Discrete output
- Cable and connector versions
- Visible red light

Your Benefit

- Reflector distance down to 0 mm due to coaxial optics
- Two in one sensor - high operating range or clear class detection
- 3 selectable contrast levels
- Most reliable detection of PET-bottles in use with patented reflector with pole filter
- Automatic threshold adjustment compensates for presence of dust and moisture
- Extreme low-temperature operation



Model Number	MLV12-54-G/76b/115/128	MLV12-54-G/76b/95/128	MLV12-54-G/30/124/126g	MLV12-54-G/32/124	MLV12-54-G/32/82g/124	MLV12-54-G/76b/124/128
Output of the pre-fault indication			●		●	
Test input	●	●				●
Function input	●	●	●	●	●	●
Signal output	●	●				●
				●		
					●	
Output of the pre-fault indication			●			
Connection	●					
				●	●	●
						●

Approvals and Certificates	
Protection class	II
UL approval	cULus
CCC approval	Products with a maximum operating voltage of ≤36 V do not bear a CCC marking because they do not require approval.

Dimensions	
Length L [mm]	41,5
Width W [mm]	15
Height H [mm]	49
Connector area l _c [mm]	0 12 16

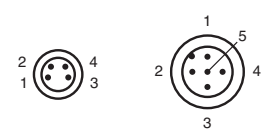
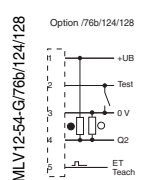
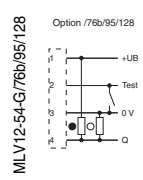
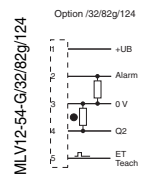
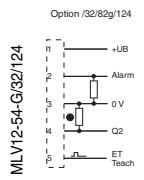
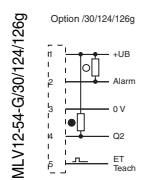
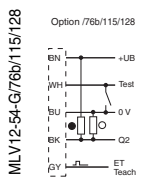
Accessories

This and more accessories can be found in chapter 10
See pages from 972 ... for cordsets See pages 1068 ... for mounting aids

OMH-MLV12-HWG	Mounting bracket for series MLV12 sensors
---------------	---

Electrical Connection

○ = light on, ● = dark on



Wire colors in accordance with EN 60947-5-2

1	BN	(brown)
2	WH	(white)
3	BU	(blue)
4	BK	(black)
5	GY	(gray)



Properties

- Polarized type
- Rectangular compact housing
- Die-cast zinc frame housing
- DC sensor
- Discrete output
- Connector version
- Laser red light

Technical Data

For detailed data and product description refer to the data sheets at www.pepperl-fuchs.com

General Data

Polarization filter	✓
Sensitivity adjustment	✓
Light/dark switch	✓
Threshold detection range	5.6 m
Effective detection range	100 ... 450 mm
Reference target	MH82 reflector
Light type	modulated visible red light
Laser class	1
Operating voltage	10 ... 30 V DC
No-load supply current	max. 40 mA
Test input	emitter deactivation at 0 V
Signal output	1 push-pull (4 in 1) output, short-circuit protected, reverse polarity protected
Switching type	light/dark on switchable
Switching current	max. 0.1 A
Switching frequency	2500 Hz
Ambient temperature	-10 ... 50 °C (14 ... 122 °F)
Material	
Housing	Frame: nickel plated, die cast zinc, Laterals: glass-fiber reinforced plastic PC
Optical face	Plastic pane
Protection degree	IP67

Model Number

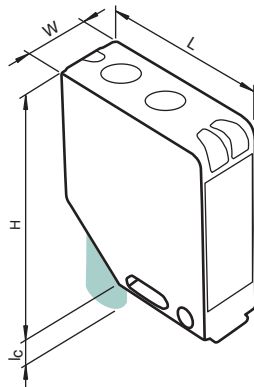
Connection	Metal connector, M12, 5-pin, 90° rotatable	MLV12-54-LAS-300/76b/95/110
	Metal connector, M8, 4-pin, 90° rotatable	MLV12-54-LAS-300/76b/110/124

Approvals and Certificates

Protection class	II
UL approval	cULus Listed, Type 1 enclosure
CCC approval	Products with a maximum operating voltage of ≤36 V do not bear a CCC marking because they do not require approval.

Dimensions

Length L [mm]	41,5
Width W [mm]	15
Height H [mm]	49
Connector area l _c [mm]	12 16



Accessories

This and more accessories can be found in chapter 10
See pages from 972 ... for cordsets See pages 1068 ... for mounting aids

OMH-MLV12-HWG	Mounting bracket for series MLV12 sensors
OMH-MLV12-HWK	Mounting bracket for series MLV12 sensors
OMH-K01	dove tail mounting clamp
OMH-01	Mounting aid for round steel ø 12 mm or sheet 1.5 mm ... 3 mm
REF-MH82	Reflector with Micro-structure, rectangular 82 mm x 60 mm, mounting holes
REF-MH50	Reflector with Micro-structure, rectangular 50.9 mm x 50.9 mm, mounting holes, fixing strap

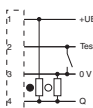
Electrical Connection

○ = light on, ● = dark on



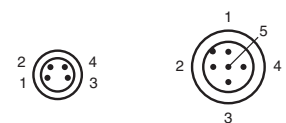
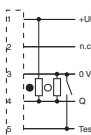
MLV12-54-LAS-76b/95/110
MLV12-54-LAS-300/76b/95/110

Option /76b/95/110



MLV12-54-LAS-76b/110/124
MLV12-54-LAS-300/76b/110/124

Option /76b/110/124



Wire colors in accordance with EN 60947-5-2

1	BN	(brown)
2	WH	(white)
3	BU	(blue)
4	BK	(black)
5	GY	(gray)

Date of issue 04/08/2015



Technical Data

For detailed data and product description refer to the data sheets at www.pepperl-fuchs.com

General Data	
Polarization filter	✓
Sensitivity adjustment	✓
Light/dark switch	✓
Threshold detection range	21 m
Effective detection range	0 ... 15 m
Reference target	MH82 reflector
Light type	modulated visible red light
Laser class	1
Operating voltage	10 ... 30 V DC
No-load supply current	max. 40 mA
Test input	emitter deactivation at 0 V
Signal output	1 push-pull (4 in 1) output, short-circuit protected, reverse polarity protected
Switching type	light/dark on switchable
Switching current	max. 0.1 A
Switching frequency	2500 Hz
Ambient temperature	-10 ... 50 °C (14 ... 122 °F)
Material	
Housing	Frame: nickel plated, die cast zinc, Laterals: glass-fiber reinforced plastic PC
Optical face	Plastic pane
Protection degree	IP67

Properties

- Polarized type
- Rectangular compact housing
- Die-cast zinc frame housing
- DC sensor
- Discrete output
- Cable and connector versions
- Laser red light

Further Products

In this series, we offer additionally:
MLV12-54-LAS/92/120
 Technical data like products on this page but:
 No test input
 Connection: Metal connector, M12, 4-pin
 Signal output: 2 pnp outputs, NO/NC

Model Number	MLV12-54-LAS/76b/110/115	MLV12-54-LAS/76b/95/110	MLV12-54-LAS/76b/110/124
Connection	2500 mm fixed cable, PUR		
	Metal connector, M12, 5-pin, 90° rotatable		
	Metal connector, M8, 4-pin, 90° rotatable		

Approvals and Certificates			
Protection class	II	●	●
UL approval	cULus Listed, Type 1 enclosure	●	●
CCC approval	Products with a maximum operating voltage of ≤36 V do not bear a CCC marking because they do not require approval.		

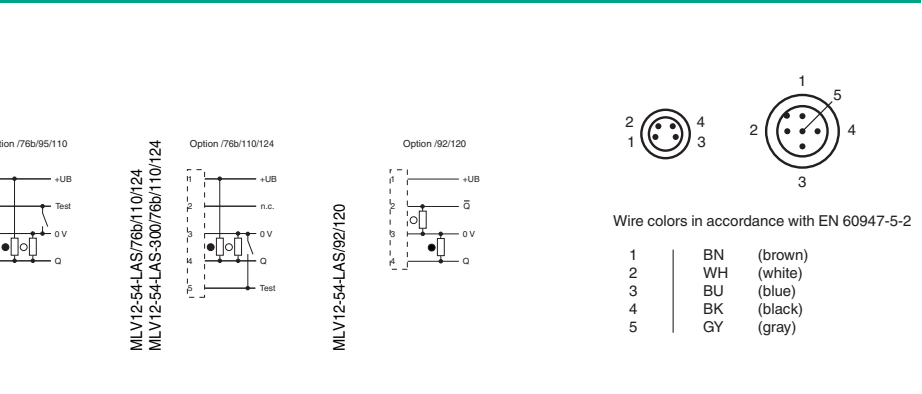
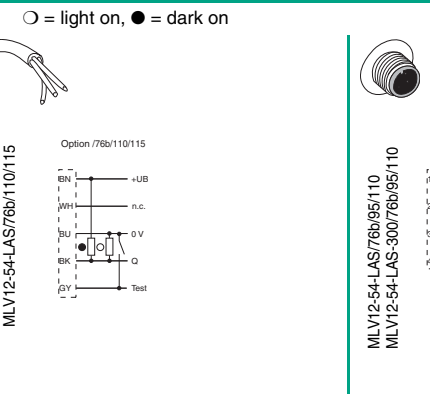
Dimensions			
Length L [mm]	41.5		
Width W [mm]	15		
Height H [mm]	49		
Connector area l _c [mm]	0	12	16

Accessories

This and more accessories can be found in chapter 10
 See pages from 972 ... for cordsets See pages 1068 ... for mounting aids

OMH-MLV12-HWG	Mounting bracket for series MLV12 sensors
OMH-MLV12-HWK	Mounting bracket for series MLV12 sensors
OMH-K01	dove tail mounting clamp
OMH-01	Mounting aid for round steel ø 12 mm or sheet 1.5 mm ... 3 mm
OMH-06	Mounting aid for round steel ø 12 mm or sheet 1.5 mm ... 3 mm
REF-MH82	Reflector with Micro-structure, rectangular 82 mm x 60 mm, mounting holes
REF-MA21	Reflector with Micro-structure, round ø 21 mm, self-adhesive

Electrical Connection





Technical Data

For detailed data and product description refer to the data sheets at www.pepperl-fuchs.com

General Data

Polarization filter	✓
Threshold detection range	10 m
Effective detection range	0 ... 8 m
Reference target	H85-2 reflector
Light type	modulated visible red light , 625 nm
Optical face	frontal
Operating voltage	10 ... 30 V DC
No-load supply current	max. 30 mA
Switching current	max. 100 mA
Switching frequency	1000 Hz
Ambient temperature	-40 ... 60 °C (-40 ... 140 °F)
Material	
Housing	aluminum , Delta-Seal coated
Optical face	glass pane
Protection degree	IP67

Properties

- Polarized type
- Rectangular compact housing
- Aluminium with Delta®-Seal coating housing
- DC sensor
- Discrete output
- Connector version
- Visible red light

Your Benefit

- Corrosion resistant Delta-Seal coated housing

Model Number

	MLV41-55/25/95/136	MLV41-55/25/92/136	MLV41-55/40a/82b/92/103	MLV41-55/40a/92/102/126b
Output of the pre-fault indication			●	●
Light/dark switch			●	●
Signal output			●	●
1 NPN output, short-circuit protected, reverse polarity protected, open collector				●
1 PNP output, short-circuit protected, reverse polarity protected, open collector			●	
2 Push-pull (4 in 1) outputs, complementary, short-circuit proof, reverse polarity protected	●	●		
Switching type			●	●
light/dark on switchable				
Output of the pre-fault indication			●	●
1 NPN				
1 PNP			●	
Connection			●	●
connector M12 x 1, 4-pin				
connector M8 x 1, 4-pin	●		●	

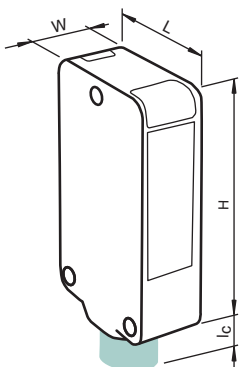


Approvals and Certificates

UL approval	cULus Listed 57M3 (Only in association with UL Class 2 power supply; Type 1 enclosure)	●	●	●	●
CCC approval	Products with a maximum operating voltage of ≤36 V do not bear a CCC marking because they do not require approval.				

Dimensions

Length L [mm]		31
Width W [mm]		13,6
Height H [mm]		56,5
Connector area l _c [mm]	12,5	16

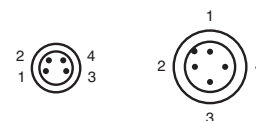
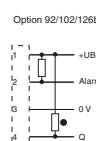
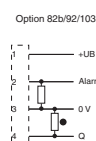
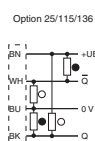
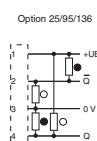
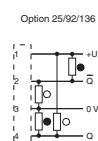


Electrical Connection

○ = light on, ● = dark on



MLV41-55/25/92/136 MLV41-55/25/95/136 MLV41-55/25/115/136 MLV41-55/40a/82b/92/103 MLV41-55/40a/92/102/126b



Wire colors in accordance with EN 60947-5-2

- | | | | |
|---|--|----|---------|
| 1 | | BN | (brown) |
| 2 | | WH | (white) |
| 3 | | BU | (blue) |
| 4 | | BK | (black) |

Date of issue 04/08/2015



Technical Data

For detailed data and product description refer to the data sheets at www.pepperl-fuchs.com

General Data

Polarization filter	✓
Threshold detection range	10 m
Reference target	H85-2 reflector
Light type	modulated visible red light , 625 nm
Optical face	frontal
Operating voltage	10 ... 30 V DC
No-load supply current	max. 30 mA
Interface type	IO-Link
Switching current	max. 100 mA
Switching frequency	1000 Hz
Ambient temperature	-40 ... 60 °C (-40 ... 140 °F)
Material	
Housing	aluminum , Delta-Seal coated
Optical face	glass pane
Protection degree	IP67

2
1.3



Photoelectric Sensors, Standard Sensors, retroreflective sensors

Properties

- Polarized type
- Rectangular compact housing
- Aluminium with Delta®-Seal coating housing
- DC sensor
- Discrete output with IO-Link
- Connector version
- Visible red light

Your Benefit

- Corrosion resistant Delta-Seal coated housing
- Easy configuration and diagnosis via standard communication IO-Link interface

Model Number

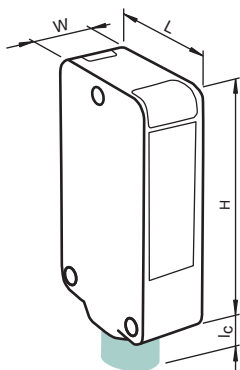
	green = preferred type	MLV41-55-IO/98/103	MLV41-55-IO/95/136	MLV41-55-IO/92/136
Effective detection range	0 ... 7 m	●		
	0 ... 8 m		●	●
Signal output	1 PNP output, short-circuit protected, reverse polarity protected, open collector	●		
	2 Push-pull (4 in 1) outputs, complementary, short-circuit proof, reverse polarity protected		●	●
Connection	M12 x 1 connector, 4-pin			●
	M8 x 1 connector, 3-pin	●		
	M8 x 1 connector, 4-pin		●	

Approvals and Certificates

UL approval	cULus Listed 57M3 (Only in association with UL Class 2 power supply; Type 1 enclosure)	●	●	●
CCC approval	Products with a maximum operating voltage of ≤36 V do not bear a CCC marking because they do not require approval.			

Dimensions

Length L [mm]	31
Width W [mm]	13.6
Height H [mm]	56.5
Connector area l _c [mm]	12.5 16



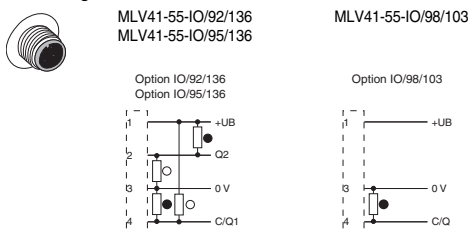
Accessories

This and more accessories can be found in chapter 10
See pages from 972 ... for cordsets See pages 1068 ... for mounting aids

OMH-09	Mounting bracket for Sensors series MLV41 for M12 rod mounting
OMH-40	Mounting bracket
IO-Link-Master01-USB	IO-Link Master
IO-Link-Master-USB DTM	Communication DTM for use of IO-Link-Master
IODD Interpreter	Software for the integration of IODDs in a frame application (e. g. PACTware)
PACTware 4.X	FDT frame application
V3-G-2M-PUR	Cable socket, M8, 3-pin, PUR cable
V31-WM-2M-PUR	Cable socket, M8, 4-pin, PUR cable
V1-G-2M-PUR	Cable socket, M12, 4-pin, PUR cable

Electrical Connection

○ = light on, ● = dark on



Wire colors in accordance with EN 60947-5-2

1	BN	(brown)
2	WH	(white)
3	BU	(blue)
4	BK	(black)

Date of issue: 04/08/2015



Technical Data

For detailed data and product description refer to the data sheets at www.pepperl-fuchs.com

General Data

Threshold detection range	12 m
Effective detection range	0 ... 9.5 m
Reference target	OFR-22800/76 , H85-2 reflector
Light type	modulated visible red light , 625 nm
Optical face	frontal
Operating voltage	10 ... 30 V DC
No-load supply current	max. 30 mA
Switching current	max. 100 mA
Switching frequency	1000 Hz
Ambient temperature	-40 ... 60 °C (-40 ... 140 °F)
Material	
Housing	aluminum , Delta-Seal coated
Optical face	glass pane
Protection degree	IP67

Properties

- Non-polarized type
- Rectangular compact housing
- Aluminium with Delta®-Seal coating housing
- DC sensor
- Discrete output
- Connector version
- Visible red light

Your Benefit

- Corrosion resistant Delta-Seal coated housing

Model Number

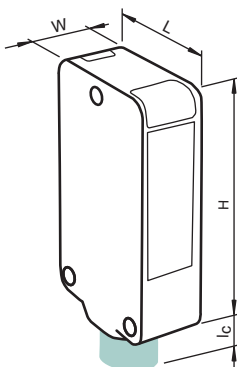
		MLV41-6/25/95/136	MLV41-6/25/92/136	MLV41-6/82b/92/103	MLV41-6/92/102/126b
Output of the pre-fault indication				●	●
Signal output	1 NPN output, short-circuit protected, reverse polarity protected, open collector				●
	1 PNP output, short-circuit protected, reverse polarity protected, open collector			●	
	2 Push-pull (4 in 1) outputs, complementary, short-circuit proof, reverse polarity protected	●	●		
Output of the pre-fault indication	1 NPN				●
	1 PNP			●	
Connection	M12 x 1 connector, 4-pin		●	●	●
	M8 x 1 connector, 4-pin	●			

Approvals and Certificates

UL approval	cULus Listed 57M3 (Only in association with UL Class 2 power supply; Type 1 enclosure)	●	●	●	●
CCC approval	Products with a maximum operating voltage of ≤36 V do not bear a CCC marking because they do not require approval.				

Dimensions

Length L [mm]	31
Width W [mm]	13,6
Height H [mm]	56,5
Connector area l _c [mm]	12,5 16



Accessories This and more accessories can be found in chapter 10
See pages from 972 ... for cordsets See pages 1068 ... for mounting aids

OMH-09	Mounting bracket for Sensors series MLV41 for M12 rod mounting
OMH-40	Mounting bracket
V31-WM-2M-PUR	4-pin, M8 socket, PUR cable
V1-G-2M-PUR	Cable socket, M12, 4-pin, PUR cable
V31-GM-2M-PUR	4-pin, M8 socket, PUR cable
V1-W-2M-PUR	Cable socket, M12, 4-pin, PUR cable

Electrical Connection

○ = light on, ● = dark on



MLV41-6/25/92/136

MLV41-6/25/95/136

MLV41-6/82b/92/103

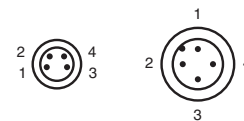
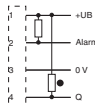
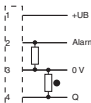
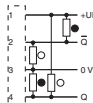
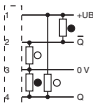
MLV41-6/92/102/126b

Option 25/92/136

Option 25/95/136

Option 82b/92/103

Option 92/102/126b



Wire colors in accordance with EN 60947-5-2

1	BN	(brown)
2	WH	(white)
3	BU	(blue)
4	BK	(black)

Date of issue 04/08/2015



Technical Data

For detailed data and product description refer to the data sheets at www.pepperl-fuchs.com

General Data

Threshold detection range	12 m
Effective detection range	0 ... 9.5 m
Reference target	OFR-22800/76 , H85-2 reflector
Light type	modulated visible red light , 625 nm
Optical face	frontal
Operating voltage	10 ... 30 V DC
No-load supply current	max. 30 mA
Interface type	IO-Link
Switching current	max. 100 mA
Switching frequency	1000 Hz
Material	
Housing	aluminum , Delta-Seal coated
Optical face	glass pane
Protection degree	IP67

2
.1.3



Properties

- Non-polarized type
- Rectangular compact housing
- Aluminium with Delta®-Seal coating housing
- DC sensor
- Discrete output with IO-Link
- Connector version
- Visible red light

Your Benefit

- Corrosion resistant Delta-Seal coated housing
- Easy configuration and diagnosis via standard communication IO-Link interface

Model Number

		MLV41-6-IO/92/136	MLV41-6-IO/95/136	MLV41-6-IO/98/103
Signal output	1 PNP output, short-circuit protected, reverse polarity protected, open collector 2 Push-pull (4 in 1) outputs, complementary, short-circuit proof, reverse polarity protected			●
Ambient temperature	-20 ... 60 °C (-4 ... 140 °F) -40 ... 60 °C (-40 ... 140 °F)	●	●	●
Connection	M12 x 1 connector, 4-pin M8 x 1 connector, 3-pin M8 x 1 connector, 4-pin	●		●

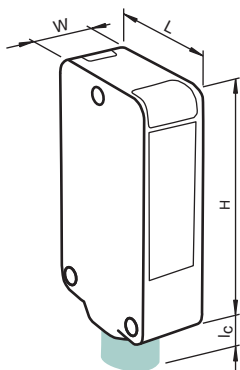


Approvals and Certificates

UL approval	cULus Listed 57M3 (Only in association with UL Class 2 power supply; Type 1 enclosure)	●	●	●
CCC approval	Products with a maximum operating voltage of ≤36 V do not bear a CCC marking because they do not require approval.			

Dimensions

Length L [mm]	31
Width W [mm]	13,6
Height H [mm]	56,5
Connector area l _c [mm]	16 12,5



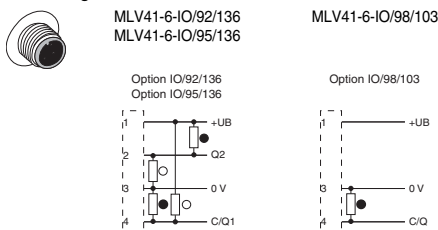
Accessories

This and more accessories can be found in chapter 10
See pages from 972 ... for cordsets See pages 1068 ... for mounting aids

OMH-09	Mounting bracket for Sensors series MLV41 for M12 rod mounting
OMH-40	Mounting bracket
IO-Link-Master01-USB	IO-Link Master
IO-Link-Master-USB DTM	Communication DTM for use of IO-Link-Master
IODD Interpreter	Software for the integration of IODDs in a frame application (e. g. PACTware)
PACTware 4.X	FDT frame application
V3-G-2M-PUR	Cable socket, M8, 3-pin, PUR cable
V31-GM-2M-PUR	Cable socket, M8, 4-pin, PUR cable
V31-WM-2M-PUR	Cable socket, M8, 4-pin, PUR cable
V1-G-2M-PUR	Cable socket, M12, 4-pin, PUR cable
V1-W-2M-PUR	Cable socket, M12, 4-pin, PUR cable

Electrical Connection

○ = light on, ● = dark on



Wire colors in accordance with EN 60947-5-2

1	BN	(brown)
2	WH	(white)
3	BU	(blue)
4	BK	(black)

Photoelectric Sensors, Standard Sensors, retroreflective sensors



Technical Data

For detailed data and product description refer to the data sheets at www.pepperl-fuchs.com

General Data

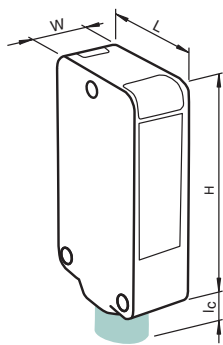
Polarization filter	✓
Glass detection	✓
Teach-In	✓
Threshold detection range	6.5 m
Effective detection range	0 ... 4 m in TEACH mode , 0 ... 5.2 m at switch position "N"
Reference target	H85-2 reflector
Light type	modulated visible red light , 660 nm
Operating voltage	10 ... 30 V DC
No-load supply current	max. 35 mA
Switching current	max. 100 mA
Switching frequency	1000 Hz
Ambient temperature	-40 ... 60 °C (-40 ... 140 °F)
Material	
Housing	aluminum , Delta-Seal coated
Optical face	glass pane
Protection degree	IP67

Properties

- Clear object detection type
- Rectangular compact housing
- Aluminium with Delta®-Seal coating housing
- DC sensor
- Discrete output
- Cable and connector versions
- Visible red light

Your Benefit

- Corrosion resistant Delta-Seal housing
- Reflector distance down to 0 mm due to coaxial optics
- Two in one sensor - high operating range or clear class detection
- 3 selectable contrast levels
- Most reliable detection of PET-bottles in use with patented reflector with pole filter
- Automatic threshold adjustment compensates for presence of dust and moisture



Model Number

Test input	emitter deactivation with +Ub	MLV41-54-G/25/115/123/136	MLV41-54-G/25/95/136	MLV41-54-G/25/123/124/136	MLV41-54-G/25/76a/124/136	MLV41-54-G/82b/103/123/124	MLV41-54-G/102/123/124/126g
Function input	Ext. Teach-In input (ET)	●	●	●	●	●	●
Signal output	1 NPN output, short-circuit protected, reverse polarity protected, open collector					●	●
	1 PNP output, short-circuit protected, reverse polarity protected, open collector						
	2 Push-pull (4 in 1) outputs, complementary, short-circuit proof, reverse polarity protected	●	●	●	●		
Switching type	light/dark on switchable					●	●
Output of the pre-fault indication	1 NPN function reserve						●
	1 PNP function reserve output					●	●
Connection	2500 mm fixed cable	●					
	M12 x 1 connector, 5-pin		●	●	●	●	●
	M8 x 1 connector, 4-pin		●				

Approvals and Certificates

Protection class	II	●	●	●	●	●	●
UL approval	cULus Listed 57M3 (Only in association with UL Class 2 power supply; Type 1 enclosure)	●	●	●	●	●	●
CCC approval	Products with a maximum operating voltage of ≤36 V do not bear a CCC marking because they do not require approval.						

Dimensions

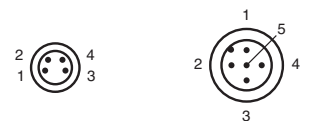
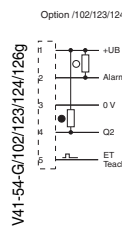
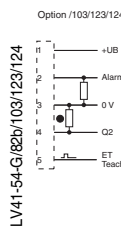
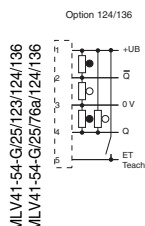
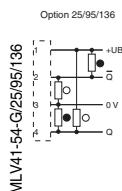
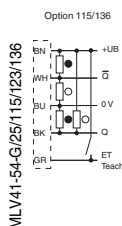
Length L [mm]	31
Width W [mm]	13,6
Height H [mm]	56,5
Connector area lc [mm]	3 12,5 16

Accessories This and more accessories can be found in chapter 10

- OMH-41 Mounting bracket
- OMH-09 Mounting bracket for Sensors series MLV41 for M12 rod mounting

Electrical Connection

○ = light on, ● = dark on



Wire colors in accordance with EN 60947-5-2

- 1 BN (brown)
- 2 WH (white)
- 3 BU (blue)
- 4 BK (black)
- 5 GY (gray)

Date of issue 04/08/2015

Photoelectric Sensors, Standard Sensors, retroreflective sensors

2
1.3

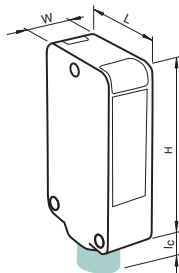


Properties

- Clear object detection type
- Rectangular compact housing
- Aluminium with Delta[®]-Seal coating housing
- DC sensor
- Discrete output with IO-Link
- Connector version
- Visible red light

Your Benefit

- Corrosion resistant Delta-Seal coated housing
- Reflector distance down to 0 mm due to coaxial optics
- Two in one sensor - high operating range or clear class detection
- 3 selectable contrast levels
- Most reliable detection of PET-bottles in use with patented reflector with pole filter
- Automatic threshold adjustment compensates for presence of dust and moisture
- Easy configuration and diagnosis via standard communication IO-Link interface



Technical Data

For detailed data and product description refer to the data sheets at www.pepperl-fuchs.com

Model Number	MLV41-54-G-IO/25/92/136
Polarization filter	✓
Glass detection	✓
Teach-In	✓
Threshold detection range	6.5 m
Effective detection range	0 ... 4 m in TEACH mode 0 ... 5.2 m at switch position "N"
Reference target	H85-2 reflector
Light type	modulated visible red light , 660 nm
Optical face	frontal
Operating voltage	10 ... 30 V DC when operating in IO-Link mode: 18 ... 30 V
No-load supply current	max. 35 mA
Interface type	IO-Link
Signal output	2 Push-pull (4 in 1) outputs, complementary, short-circuit proof, reverse polarity protected
Switching current	max. 100 mA
Switching frequency	1000 Hz
Ambient temperature	-40 ... 60 °C (-40 ... 140 °F)
Material	
Housing	aluminum , Delta-Seal coated
Optical face	glass pane
Protection degree	IP67
Connection	connector M12 x 1, 4-pin



Approvals and Certificates

Protection class	II
UL approval	cULus Listed 57M3 (Only in association with UL Class 2 power supply; Type 1 enclosure)
CCC approval	Products with a maximum operating voltage of ≤36 V do not bear a CCC marking because they do not require approval.

Dimensions

Length L [mm]	31
Width W [mm]	13.6
Height H [mm]	56.5
Connector area l _c [mm]	16

Accessories This and more accessories can be found in chapter 10

See pages from 972 ... for cordsets See pages 1068 ... for mounting aids

OMH-09	Mounting bracket for Sensors series MLV41 for M12 rod mounting
OMH-41	Mounting bracket
IO-Link-Master01-USB	IO-Link Master
IODD Interpreter	Software for the integration of IODDs in a frame application (e.g. PACTware)
PACTware 4.x	FDT frame application
ORR50G	Reflector, rectangular 50.9 mm x 60.9 mm, mounting holes, fixing strap and polarization filter
V1-G-2M-PUR	Cable socket, M12, 4-pin, PUR cable
V1-W-2M-PUR	Cable socket, M12, 4-pin, PUR cable

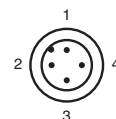
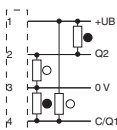
Electrical Connection

○ = light on, ● = dark on

MLV41-54-G-IO/25/92/136



Option IO/92/136
Option IO/95/136



Wire colors in accordance with EN 60947-5-2

1	BN	(brown)
2	WH	(white)
3	BU	(blue)
4	BK	(black)

2
.1.3
Photoelectric Sensors, Standard Sensors, retroreflective sensors



Technical Data

For detailed data and product description refer to the data sheets at www.pepperl-fuchs.com

General Data

Polarization filter	✓
Output of the pre-fault indication	✓
Sensitivity adjustment	✓
Light/dark switch	✓
Threshold detection range	21 m
Effective detection range	0 ... 17 m
Reference target	H85-2 reflector
Light type	modulated visible red light , 660 nm
Operating voltage	10 ... 30 V DC
No-load supply current	40 mA
Switching type	light/dark on switchable
Switching frequency	1000 Hz
Output of the pre-fault indication	1 PNP
Ambient temperature	-40 ... 60 °C (-40 ... 140 °F)
Material	
Housing	Plastic ABS
Optical face	plastic
Protection degree	IP67

Properties

- Polarized type
- Rectangular full-size housing
- Plastic housing
- DC sensor
- Discrete output
- Cable, connector and terminals versions
- Visible red light

Your Benefit

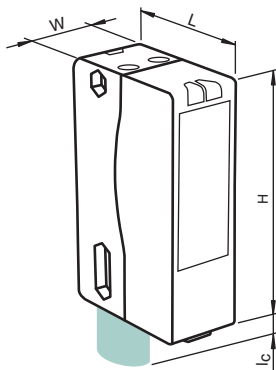
- Extreme low-temperature operation

Further Products

In this series, we offer additionally:

RL28-55/47/73c

Technical data like RL28-55/47/82b/105 but:
No output of the pre-fault indication
Connection: M12 x 1 connector, 4-pin



Model Number

green = preferred type

Timer						
Test input	emitter deactivation at +UB					
Signal output						
	1 push-pull (4 in 1) output, short-circuit protected, reverse polarity protected					
	1 NPN, 1 PNP synchronized-switching, short-circuit protected, reverse polarity protected, open collectors					
	2 PNP, complementary, short-circuit protected, reverse polarity protected, open collectors					
Switching current						
	max. 100 mA					
	max. 200 mA					
Connection						
	2500 mm fixed cable					
	M12 x 1 connector, 5-pin terminal compartment					

Approvals and Certificates

Protection class	II					
UL approval	cULus					
CCC approval	Products with a maximum operating voltage of ≤36 V do not bear a CCC marking because they do not require approval.					

Dimensions

Length L [mm]		54,3	65,5	
Width W [mm]		25,8		
Height H [mm]		90		
Connector area lc [mm]		5,5	12	0

Accessories

This and more accessories can be found in chapter 10

See pages from 972 ... for cordsets

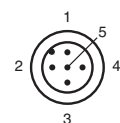
See pages 1068 ... for mounting aids

OMH-RLK29

Mounting bracket

Electrical Connection

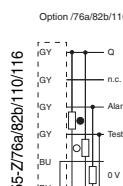
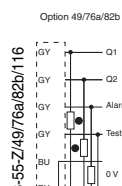
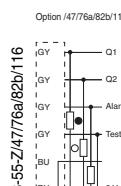
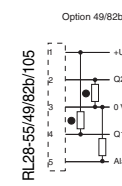
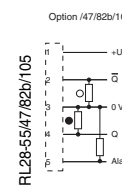
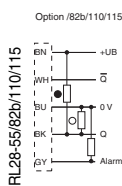
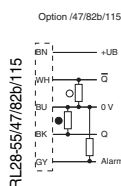
○ = light on, ● = dark on



Wire colors in accordance with EN 60947-5-2

- 1 BN (brown)
- 2 WH (white)
- 3 BU (blue)
- 4 BK (black)
- 5 GY (gray)

Date of issue 04/08/2015





2
.1.3

Photoelectric Sensors, Standard Sensors, retroreflective sensors

Properties

- Polarized type
- Rectangular full-size housing
- Plastic housing
- DC sensor
- Discrete output
- Cable and connector versions
- Laser red light

Technical Data

For detailed data and product description refer to the data sheets at www.pepperl-fuchs.com

General Data

Polarization filter	✓
Output of the pre-fault indication	✓
Sensitivity adjustment	✓
Light/dark switch	✓
Threshold detection range	42 m
Effective detection range	0 ... 30 m
Reference target	MH82 reflector
Light type	modulated visible red light
Laser class	1
Operating voltage	10 ... 30 V DC
No-load supply current	≤ 35 mA
Switching type	light/dark on switchable
Switching frequency	1000 Hz
Output of the pre-fault indication	1 PNP
Ambient temperature	-10 ... 50 °C (14 ... 122 °F)
Material	
Housing	Plastic ABS
Optical face	Plastic pane
Protection degree	IP67

	RL28-55-LAS/47/82b/115	RL28-55-LAS/76a/82b/110/115	RL28-55-LAS/47/82b/105	RL28-55-LAS/76a/82b/105/110
Model Number				
Test input		●		●
Signal output		●		●
			●	
Switching current		●	●	●
Connection		●	●	●
		●		●

green = preferred type

emitter deactivation with +Ub
 1 push-pull (4 in 1) output, short-circuit protected, reverse polarity protected
 2 PNP, complementary, short-circuit protected, reverse polarity protected, open collectors
 max. 100 mA
 max. 200 mA
 2.5 m, 5-wire, fixed cable, Euronorm
 2500 mm fixed cable
 5-pin, M12 x 1 plastic connector

Approvals and Certificates

CCC approval Products with a maximum operating voltage of ≤36 V do not bear a CCC marking because they do not require approval.

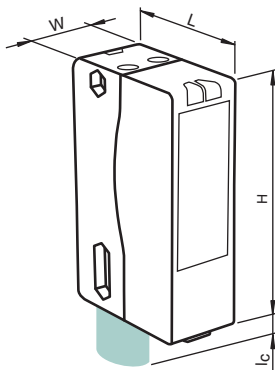
Dimensions

Length L [mm]	54.3
Width W [mm]	25.8
Height H [mm]	90
Connector area l _c [mm]	5.5 12

Accessories

This and more accessories can be found in chapter 10
 See pages from 972 ... for cordsets See pages 1068 ... for mounting aids

- OMH-05** Mounting aid for round steel ø 12 mm or sheet 1.5 mm ... 3 mm
- OMH-RLK29** Mounting bracket
- OMH-K01** dove tail mounting clamp
- OMH-RL28-C** Protective cover

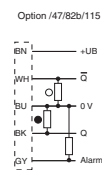


Electrical Connection

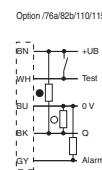
○ = light on, ● = dark on



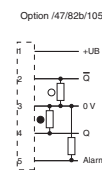
RL28-55-LAS/47/82b/115



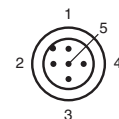
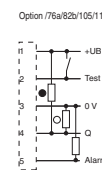
RL28-55-LAS/76a/82b/110/115



RL28-55-LAS/47/82b/105



RL28-55-LAS/76a/82b/105/110



Wire colors in accordance with EN 60947-5-2

- 1 BN (brown)
- 2 WH (white)
- 3 BU (blue)
- 4 BK (black)
- 5 GY (gray)



Technical Data

For detailed data and product description refer to the data sheets at www.pepperl-fuchs.com

General Data

Polarization filter	✓
Sensitivity adjustment	✓
Light/dark switch	✓
Light type	modulated visible red light , 660 nm
Operating voltage	12 ... 240 V AC/DC
Power consumption	≤ 3.5 VA
Signal output	Relay, 1 alternator
Switching type	light/dark on switchable
Switching current	max. 2 A
Switching power	DC: max. 50 W AC: max. 500 VA
Switching frequency	25 Hz
Material	
Housing	Plastic ABS
Optical face	Plastic pane
Protection degree	IP67
Connection	terminal compartment with 8 spring-loaded terminals

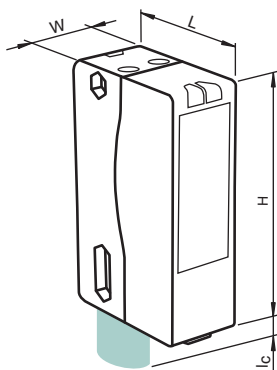


Properties

- Polarized type
- Rectangular full-size housing
- Plastic housing
- AC/DC sensor
- Relay output
- Terminals version
- Visible red light and laser red light versions

Your Benefit

- Universal usage with AC or DC power supply
- Extreme low-temperature operation



Model Number

		RLK28-55/31/116	RLK28-55-Z/31/116	RLK28-55-LAS-Z/31/116
Timer	green = preferred type			
Threshold detection range	21 m	●	●	●
	42 m			●
Effective detection range	0 ... 17 m	●	●	●
	0 ... 30 m			●
Reference target	H85-2 reflector	●	●	●
	MH82 reflector			●
Laser class	1			●
Ambient temperature	-10 ... 50 °C (14 ... 122 °F)			●
	-40 ... 60 °C (-40 ... 140 °F)	●	●	

Approvals and Certificates

Protection class	II	●	●	●
UL approval	cULus Listed , Class 2 power source	●	●	●
CCC approval	Certified by China Compulsory Certification (CCC)	●	●	●

Dimensions

Length L [mm]	65,5
Width W [mm]	25,8
Height H [mm]	90
Connector area l _c [mm]	0

Accessories

This and more accessories can be found in chapter 10
 See pages from 972 ... for cordsets See pages 1068 ... for mounting aids

OMH-05	Mounting aid for round steel ø 12 mm or sheet 1.5 mm ... 3 mm
OMH-07	Mounting aid for round steel ø 12 mm or sheet 1.5 mm ... 3 mm
OMH-21	Mounting bracket
OMH-RLK29	Mounting bracket
OMH-K01	dove tail mounting clamp
OMH-RL28-C	Protective cover

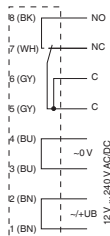
Electrical Connection

○ = light on, ● = dark on



RLK28-55/31/116
 RLK28-55-LAS-Z/31/116
 RLK28-55-Z/31/116

Option /31/116



Date of issue 04/08/2015



Technical Data

For detailed data and product description refer to the data sheets at www.pepperl-fuchs.com

General Data

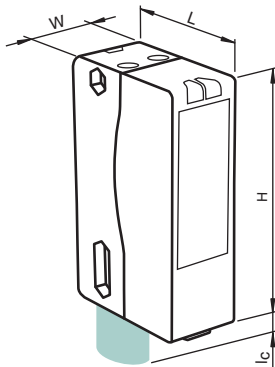
Polarization filter	✓
Glass detection	✓
Teach-In	✓
Light/dark switch	✓
Threshold detection range	7 m
Effective detection range	0 ... 5.6 m
Reference target	H85-2 reflector
Light type	modulated visible red light , 660 nm
Operating voltage	10 ... 30 V DC
No-load supply current	≤ 50 mA
Function input	Ext. Teach-In input (ET)
Switching type	light/dark on switchable
Switching frequency	1000 Hz
Ambient temperature	-40 ... 60 °C (-40 ... 140 °F)
Material	
Housing	Plastic ABS
Optical face	Plastic pane
Protection degree	IP67

Properties

- Clear object detection type
- Rectangular full-size housing
- Plastic housing
- DC sensor
- Discrete output
- Cable, connector and terminals versions
- Visible red light

Your Benefit

- Reflector distance down to 0 mm due to coaxial optics
- Two in one sensor - high operating range or clear class detection
- 3 selectable contrast levels
- Most reliable detection of PET-bottles in use with patented reflector with pole filter
- Automatic threshold adjustment compensates for presence of dust and moisture
- Extreme low-temperature operation



Model Number

green = preferred type

	RL28-54-G/47/115	RL28-54-G/76a/110/115	RL28-54-G/47/105	RL28-54-G-Z/47/116	RL28-54-G-Z/76a/110/116
Timer				●	●
Test input		●			●
Signal output		●			●
			●	●	●
Switching current	●	●		●	●
Connection	●	●		●	●
			●	●	●
				●	●

Approvals and Certificates

Protection class	II	●	●	●	●
UL approval	cULus	●	●	●	●
CCC approval	Products with a maximum operating voltage of ≤36 V do not bear a CCC marking because they do not require approval.				

Dimensions

Length L [mm]		54,3	65,5	
Width W [mm]		25,8		
Height H [mm]		90		
Connector area I _c [mm]		5,5	12	0

Accessories

This and more accessories can be found in chapter 10
 See pages from 972 ... for cordsets See pages 1068 ... for mounting aids

- OMH-05** Mounting aid for round steel ø 12 mm or sheet 1.5 mm ... 3 mm
- OMH-K01** dove tail mounting clamp
- OMH-RLK29** Mounting bracket
- OMH-RL28-C** Protective cover

Electrical Connection

○ = light on, ● = dark on

RL28-54-G/47/115

Option /47/115

RL28-54-G/76a/110/115

Option /76a/110/115

RL28-54-G/47/105

Option /47/105

RL28-54-G-Z/47/116

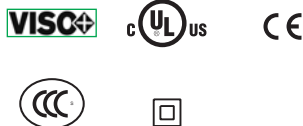
Option 47

RL28-54-G-Z/76a/110/116

Option /76a/110/116

Wire colors in accordance with EN 60947-5-2

1	BN	(brown)
2	WH	(white)
3	BU	(blue)
4	BK	(black)
5	GY	(gray)

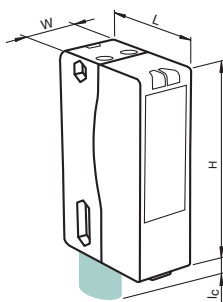


Properties

- Clear object detection type
- Rectangular full-size housing
- Plastic housing
- AC/DC sensor
- Relay output
- Terminals version
- Visible red light

Your Benefit

- Reflector distance down to 0 mm due to coaxial optics
- Two in one sensor - high operating range or clear class detection
- 3 selectable contrast levels
- Most reliable detection of PET-bottles in use with patented reflector with pole filter
- Automatic threshold adjustment compensates for presence of dust and moisture
- Universal usage with AC or DC power supply
- Extreme low-temperature operation



Technical Data

For detailed data and product description refer to the data sheets at www.pepperl-fuchs.com

Model Number	RLK28-54-G/31/116
Polarization filter	✓
Glass detection	✓
Teach-In	✓
Light/dark switch	✓
Threshold detection range	7 m
Effective detection range	0 ... 5.6 m
Reference target	H85-2 reflector
Light type	modulated visible red light , 660 nm
Operating voltage	12 ... 240 V AC/DC
Power consumption	≤ 3.5 VA
Signal output	Relay, 1 alternator
Switching type	light/dark on switchable
Switching current	max. 2 A
Switching power	DC: max. 50 W AC: max. 500 VA
Switching frequency	25 Hz
Ambient temperature	-40 ... 60 °C (-40 ... 140 °F)
Material	
Housing	Plastic ABS
Optical face	Plastic pane
Protection degree	IP67
Connection	terminal compartment



Approvals and Certificates

Protection class	II
UL approval	cULus Listed , Class 2 power source
CCC approval	Certified by China Compulsory Certification (CCC)

Dimensions

Length L [mm]	65.5
Width W [mm]	25.8
Height H [mm]	90
Connector area l _c [mm]	0

Accessories

This and more accessories can be found in chapter 10
 See pages from 972 ... for cordsets See pages 1068 ... for mounting aids

OMH-05	Mounting aid for round steel ø 12 mm or sheet 1.5 mm ... 3 mm
OMH-07	Mounting aid for round steel ø 12 mm or sheet 1.5 mm ... 3 mm
OMH-21	Mounting bracket
OMH-22	Mounting bracket
OMH-K01	dove tail mounting clamp
OMH-RLK29	Mounting bracket
OMH-RLK29-HW	Mounting bracket for rear wall mounting
OMH-RL28-C	Protective cover

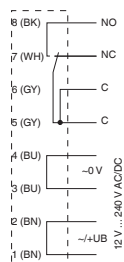
Electrical Connection

○ = light on, ● = dark on



RLK28-54-G/31/116

Option /31/116



Date of issue 04/08/2015



Technical Data

For detailed data and product description refer to the data sheets at www.pepperl-fuchs.com

General Data

Polarization filter	✓
Foreground suppression	✓
Output of the pre-fault indication	✓
Sensitivity adjustment	✓
Light/dark switch	✓
Threshold detection range	17 m
Effective detection range	0 ... 13 m
Reference target	H85-2 reflector
Light type	modulated visible red light , 660 nm
Operating voltage	10 ... 30 V DC
No-load supply current	≤ 40 mA
Switching type	light/dark on switchable
Switching current	max. 200 mA
Switching frequency	1000 Hz
Output of the pre-fault indication	1 PNP
Ambient temperature	-40 ... 60 °C (-40 ... 140 °F)
Material	
Housing	Plastic ABS
Optical face	plastic
Protection degree	IP67

2
1.3

Photoelectric Sensors, Standard Sensors, retroreflective sensors

Properties

- Foreground suppression type
- Rectangular full-size housing
- Plastic housing
- DC sensor
- Discrete output
- Connector and terminals versions
- Visible red light

Your Benefit

- Most reliable detection of shrink wrapped objects
- Extreme low-temperature operation

Model Number

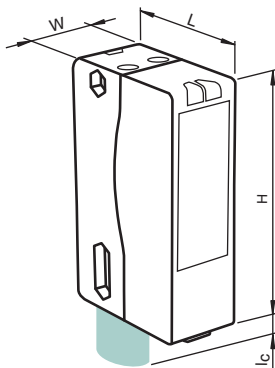
	green = preferred type	RL28-55-V/47/82b/105	RL28-55-V/49/82b/105	RL28-55-V-Z/47/82b/116
Timer				●
Signal output	1 NPN, 1 PNP synchronized-switching, short-circuit protected, reverse polarity protected, open collectors		●	
	2 PNP, complementary, short-circuit protected, reverse polarity protected, open collectors	●		●
Connection	M12 x 1 connector, 5-pin terminal compartment	●	●	●

Approvals and Certificates

Protection class	II	●	●	●
UL approval	cULus	●	●	●
CCC approval	Products with a maximum operating voltage of ≤36 V do not bear a CCC marking because they do not require approval.			

Dimensions

Length L [mm]		54.3	65.5
Width W [mm]			25.8
Height H [mm]			90
Connector area l _c [mm]		12	0



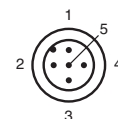
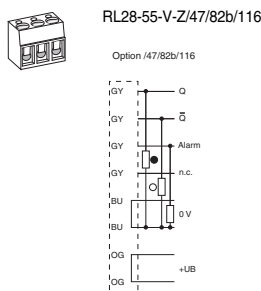
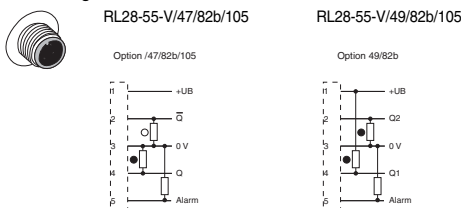
Accessories

This and more accessories can be found in chapter 10
See pages from 972 ... for cordsets See pages 1068 ... for mounting aids

- OMH-05** Mounting aid for round steel ø 12 mm or sheet 1.5 mm ... 3 mm
- OMH-21** Mounting bracket
- OMH-K01** dove tail mounting clamp
- OMH-RLK29** Mounting bracket
- OMH-RL28-C** Protective cover

Electrical Connection

○ = light on, ● = dark on



Wire colors in accordance with EN 60947-5-2

- 1 BN (brown)
- 2 WH (white)
- 3 BU (blue)
- 4 BK (black)
- 5 GY (gray)

Date of issue: 04/08/2015

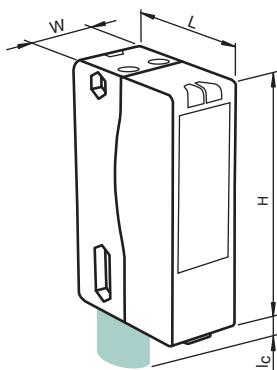


Properties

- Foreground suppression type
- Rectangular full-size housing
- Plastic housing
- AC/DC sensor
- Relay output
- Terminals version
- Visible red light


Your Benefit

- Most reliable detection of shrink wrapped objects
- Universal usage with AC or DC power supply
- Extreme low-temperature operation



Technical Data

For detailed data and product description refer to the data sheets at www.pepperl-fuchs.com

Model Number	RLK28-55-V-Z/31/116
Polarization filter	✓
Foreground suppression	✓
Timer	✓
Sensitivity adjustment	✓
Light/dark switch	✓
Threshold detection range	17 m
Effective detection range	0 ... 13 m
Reference target	H85-2 reflector
Light type	modulated visible red light , 660 nm
Operating voltage	12 ... 240 V AC/DC
Power consumption	≤ 3.5 VA
Signal output	Relay, 1 alternator
Switching type	light/dark on, switchable (selectable, light/dark switching is only activated if the receiver has 'dark on' selected.)
Switching current	max. 2 A
Switching power	DC: max. 50 W AC: max. 500 VA
Switching frequency	25 Hz
Ambient temperature	-40 ... 60 °C (-40 ... 140 °F)
Material	
Housing	Plastic ABS
Optical face	Plastic pane
Protection degree	IP67
Connection	terminal compartment with 

Approvals and Certificates

Protection class	II
UL approval	cULus
CCC approval	Certified by China Compulsory Certification (CCC)

Dimensions

Length L [mm]	65.5
Width W [mm]	25.8
Height H [mm]	90
Connector area lc [mm]	0

Accessories

This and more accessories can be found in chapter 10
See pages from 972 ... for cordsets See pages 1068 ... for mounting aids

OMH-05	Mounting aid for round steel ø 12 mm or sheet 1.5 mm ... 3 mm
OMH-07	Mounting aid for round steel ø 12 mm or sheet 1.5 mm ... 3 mm
OMH-21	Mounting bracket
OMH-22	Mounting bracket
OMH-K01	dove tail mounting clamp
OMH-RLK29	Mounting bracket
OMH-RLK29-HW	Mounting bracket for rear wall mounting
OMH-RL28-C	Protective cover

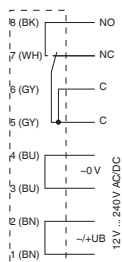
Electrical Connection

○ = light on, ● = dark on



RLK28-55-V-Z/31/116

Option /31/116



Date of issue 04/08/2015



Technical Data

For detailed data and product description refer to the data sheets at www.pepperl-fuchs.com

General Data

Polarization filter	✓
Sensitivity adjustment	✓
Light/dark switch	✓
Light type	modulated visible red light , 660 nm
Operating voltage	26.5 ... 31.6 V via AS-Interface network , min. 18.5 V
No-load supply current	≤ 40 mA
Test input	Data bit D2:
Signal output	AS-Interface
Switching type	light/dark on switchable via AS-i bus system
Switching frequency	1000 Hz
Output of the pre-fault indication	Data bit D1
Material	
Housing	Plastic ABS
Optical face	plastic
Protection degree	IP67
Connection	connector M12 x 1, 4-pin



Properties

- Polarized and foreground suppression types
- Rectangular full-size housing
- Plastic housing
- AS interface
- Connector version
- Visible red light and laser red light versions

Model Number

green = preferred type

	RL28-55-B3B/73c	RL28-55-LAS-B3B/73c	RL28-55-V-B3B/73c
Foreground suppression			●
Output of the pre-fault indication		●	●
Timer		●	
Threshold detection range	17 m		
	21 m	●	
	42 m		●
Effective detection range	0 ... 13 m		●
	0 ... 17 m	●	
	0 ... 30 m		●
Reference target	H85-2 reflector	●	●
	MH82 reflector		●
Laser class	1	●	
Ambient temperature	-10 ... 50 °C (14 ... 122 °F)	●	
	-40 ... 60 °C (-40 ... 140 °F)	●	●

Approvals and Certificates

Protection class	II	●	●
CCC approval	Products with a maximum operating voltage of ≤36 V do not bear a CCC marking because they do not require approval.		

Dimensions

Length L [mm]	54.3
Width W [mm]	25.8
Height H [mm]	90
Connector area l _c [mm]	12

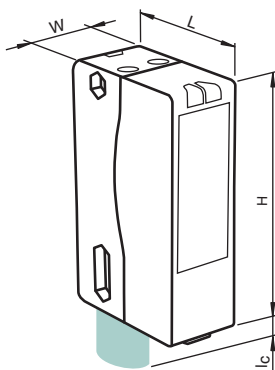
Accessories

This and more accessories can be found in chapter 10

See pages from 972 ... for cordsets

See pages 1068 ... for mounting aids

VBP-HH1	Handheld programming device
OMH-RLK29	Mounting bracket
OMH-K01	dove tail mounting clamp
REF-MH82	Reflector with Micro-structure, rectangular 82 mm x 60 mm, mounting holes



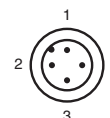
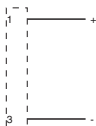
Electrical Connection

○ = light on, ● = dark on



RL28-55-B3B/73c
RL28-55-LAS-B3B/73c
RL28-55-V-B3B/73c

Option AS-Interface



Wire colors in accordance with EN 60947-5-2

1	BN	(brown)
2	WH	(white)
3	BU	(blue)
4	BK	(black)



Technical Data

For detailed data and product description refer to the data sheets at www.pepperl-fuchs.com

General Data

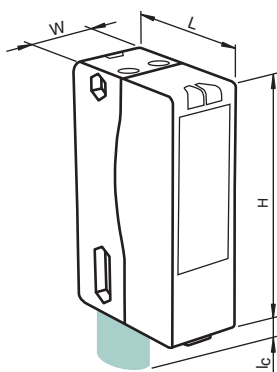
Polarization filter	✓
Teach-In	✓
Threshold detection range	5.6 m
Effective detection range	0 ... 4 m
Reference target	H60 reflector , H85-2 reflector , Foil reflector OFR-100/100
Light type	modulated visible red light , 625 nm
Operating voltage	12 ... 30 V DC Power from Class 2 Power Source
No-load supply current	max. 50 mA
Signal output	2 Push-pull (4 in 1) outputs, complementary, short-circuit proof, reverse polarity protected
Switching type	light/dark on
Switching current	max. 100 mA
Switching frequency	230 Hz
Ambient temperature	-30 ... 60 °C (-22 ... 140 °F)
Material	
Housing	Plastic ABS
Optical face	Plastic pane
Protection degree	IP67

Properties

- Polarized type with multiple beams
- Rectangular full-size housing
- Plastic housing
- DC sensor
- Discrete output
- Connector and pigtailed connector versions
- Visible red light

Your Benefit

- Area sensor with 6 light beams for reliable detection of objects regardless of texture
- Reliable detection of the front edge of the object regardless of its shape and position
- Consistently detects objects as small as 12 mm within the entire detection area
- Use in low temperature environments down to -30°C



Model Number

green = preferred type

	RLG28-55/115b/136	RLG28-55/40a/115b/136	RLG28-55/40a/73c/136
Light/dark switch		●	●
Connection	300 mm fixed cable with M12 x 1, 4-pin connector	●	●
	connector M12 x 1, 4-pin		●

Approvals and Certificates

Protection class	II	●	●	●
UL approval	cULus Listed, Class 2 Power Source	●	●	●
CCC approval	Products with a maximum operating voltage of ≤36 V do not bear a CCC marking because they do not require approval.			

Dimensions

Length L [mm]	54.4
Width W [mm]	25.8
Height H [mm]	90
Connector area l_c [mm]	5.5 12

Accessories

This and more accessories can be found in chapter 10
See pages from 972 ... for cordsets See pages 1068 ... for mounting aids

OMH-05	Mounting aid for round steel \varnothing 12 mm or sheet 1.5 mm ... 3 mm
OMH-07	Mounting aid for round steel \varnothing 12 mm or sheet 1.5 mm ... 3 mm
OMH-21	Mounting bracket
OMH-RLK29-HW	Mounting bracket for rear wall mounting
OMH-K01	dove tail mounting clamp
REF-H60	Reflector, rectangular 40.5 mm x 60 mm, mounting holes
REF-H85-2	Reflector, rectangular 84.5 mm x 84.5 mm, mounting holes
V1-G-2M-PVC	Cable socket, M12, 4-pin, PVC cable
V1-G-2M-PUR	Cable socket, M12, 4-pin, PUR cable
V1-W-2M-PUR	Cable socket, M12, 4-pin, PUR cable

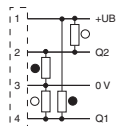
Electrical Connection

○ = light on, ● = dark on



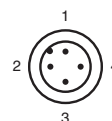
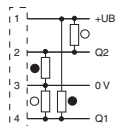
RLG28-55/115b/136
RLG28-55/40a/115b/136

Option /115b/136



RLG28-55/40a/73c/136

Option /73c/136



Wire colors in accordance with EN 60947-5-2

1	BN	(brown)
2	WH	(white)
3	BU	(blue)
4	BK	(black)

Date of issue 04/08/2015



Technical Data

For detailed data and product description refer to the data sheets at www.pepperl-fuchs.com

General Data

Polarization filter	✓
Reference target	H85 reflector
Light type	modulated visible red light
Operating voltage	10 ... 30 V DC, class 2
Signal output	2 Push-pull (4 in 1) outputs, short-circuit protected, reverse polarity protection
Switching type	dark on
Switching current	max. 100 mA
Switching frequency	500 Hz
Ambient temperature	-25 ... 60 °C (-13 ... 140 °F)
Material	
Housing	Plastic ABS
Optical face	plastic
Protection degree	IP65

Properties

- Polarized and foreground suppression types
- Rectangular full-size housing
- Plastic housing
- DC sensor
- Discrete output
- Connector and pigtailed connector versions
- Visible red light

Your Benefit

- Most reliable detection of shrink wrapped objects

Model Number

green = preferred type

		RL-29-55/115b/136	RL-29-55-V/115b/136	RL-29-55/73c/136	RL-29-55-V/73c/136
Foreground suppression			●		●
Threshold detection range	10 m	●		●	
	8 m		●		●
Effective detection range	0.1 ... 7 m	●		●	
	0.4 ... 6 m		●		●
No-load supply current	≤ 30 mA		●	●	●
	≤ 40 mA	●			
Connection	Plastic connector M12 x 1, 4-pin			●	●
	0.2 m fixed cable with 4-pin, M12 connector	●	●		

Approvals and Certificates

UL approval	cULus Listed, Class 2 Power Source, Type 1 enclosure	●	●	●	●
CCC approval	Products with a maximum operating voltage of ≤36 V do not bear a CCC marking because they do not require approval.				

Dimensions

Length L [mm]	54,3
Width W [mm]	25,8
Height H [mm]	90
Connector area l _c [mm]	5,5 12

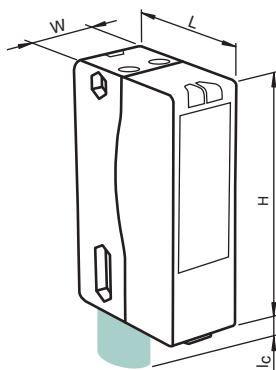
Accessories

This and more accessories can be found in chapter 10

See pages from 972 ... for cordsets

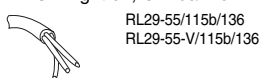
See pages 1068 ... for mounting aids

OMH-05	Mounting aid for round steel ø 12 mm or sheet 1.5 mm ... 3 mm
OMH-07	Mounting aid for round steel ø 12 mm or sheet 1.5 mm ... 3 mm
OMH-21	Mounting bracket
OMH-22	Mounting bracket
OMH-K01	dove tail mounting clamp
OMH-RLK29-HW	Mounting bracket for rear wall mounting
OMH-RL28-C	Protective cover
V1-G-2M-PUR	Cable socket, M12, 4-pin, PUR cable
V1-W-2M-PUR	Cable socket, M12, 4-pin, PUR cable



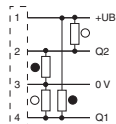
Electrical Connection

○ = light on, ● = dark on



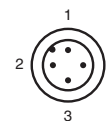
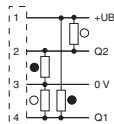
RL29-55/115b/136
RL29-55-V/115b/136

Option /115b/136



RL29-55/73c/136
RL29-55-V/73c/136

Option /73c/136



Wire colors in accordance with EN 60947-5-2

1	BN	(brown)
2	WH	(white)
3	BU	(blue)
4	BK	(black)



Technical Data

For detailed data and product description refer to the data sheets at www.pepperl-fuchs.com

General Data

Polarization filter	✓
Threshold detection range	12 m
Effective detection range	0 ... 9000 mm
Reference target	reflector C110-2
Light type	modulated visible red light , 630 nm
Operating voltage	10 ... 30 V DC
No-load supply current	≤ 20 mA
Signal output	2 Push-pull (4 in 1) outputs, short-circuit protected, reverse polarity protected
Switching type	dark on
Switching current	max. 100 mA
Switching frequency	≤ 500 Hz
Ambient temperature	-30 ... 55 °C (-22 ... 131 °F)
Material	
Housing	plastic
Optical face	PMMA
Protection degree	IP67

Properties

- Polarized type
- Rectangular full-size housing
- Plastic housing
- DC sensor
- Discrete output
- Cable, connector and pigtailed connector versions
- Visible red light

Further Products

In this series, we offer additionally:

RL31-54/25/73c/136

Technical data like RL31-54/73c/136 but:
Switching type: light on

Model Number

	RL31-54/115/136	RL31-54/115b/136	RL31-54/73c/136
Connection	●	●	●

Approvals and Certificates

Protection class	II	●	●	●
UL approval	cULus Listed, Class 2 Power Source, Type 1 enclosure	●	●	●
CCC approval	Products with a maximum operating voltage of ≤36 V do not bear a CCC marking because they do not require approval.			

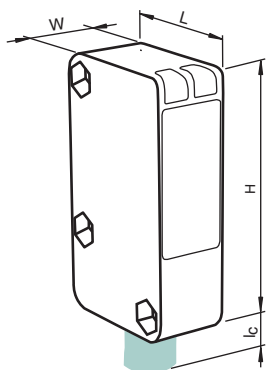
Dimensions

Length L [mm]	35
Width W [mm]	18
Height H [mm]	62
Connector area l _c [mm]	0 10

Accessories

This and more accessories can be found in chapter 10
See pages from 972 ... for cordsets See pages 1068 ... for mounting aids

OMH-RL31-01	Mounting bracket
OMH-RL31-02	Mounting bracket
OMH-RL31-03	Mounting bracket
OMH-RL31-04	Mounting aid for round steel ø 12 mm or sheet 1.5 mm ... 3 mm
OMH-RL31-05	Mounting bracket
OMH-RL31-06	Mounting bracket
V1-G-2M-PUR	Cable socket, M12, 4-pin, PUR cable
V1-W-2M-PUR	Cable socket, M12, 4-pin, PUR cable



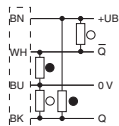
Electrical Connection

○ = light on, ● = dark on



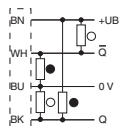
RL31-54/115/136

Option 59/115/136



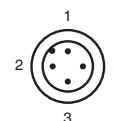
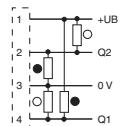
RL31-54/115b/136

Option 59/115/136



RL31-54/73c/136

Option /59/73c/136



Wire colors in accordance with EN 60947-5-2

1	BN	(brown)
2	WH	(white)
3	BU	(blue)
4	BK	(black)

Date of issue 04/08/2015



Technical Data

For detailed data and product description refer to the data sheets at www.pepperl-fuchs.com

General Data

Light type	modulated visible red light , 630 nm
Operating voltage	24 ... 240 V AC / 12 ... 240 V DC
No-load supply current	≤ 40 mA
Power consumption	≤ 2 VA
Signal output	Relay, 1 alternator
Switching type	dark on
Switching current	max. 3 A
Switching power	DC: max. 150 W AC: max. 750 VA
Switching frequency	20 Hz
Ambient temperature	-25 ... 55 °C (-13 ... 131 °F)
Material	
Housing	Polycarbonate
Optical face	PMMA
Protection degree	IP67
Connection	2 m fixed cable , 5-wire



Properties

- Polarized and non-polarized types
- Rectangular full-size housing
- Plastic housing
- AC/DC sensor
- Relay output
- Cable version
- Visible red light

Your Benefit

- Universal usage with AC or DC power supply

Further Products

In this series, we offer additionally:

- RLK31-54/25/31/115
- RLK31-54/25/31/115 SET

Technical data like RLK31-54/31/115 but:
Switching type: light on
SET includes reflector C110-2, mounting bracket OMH-RL31-01 and installation material

Model Number

Polarization filter	green = preferred type	RLK31-6/31/115	RLK31-54/31/115
Threshold detection range	12 m		●
	16.5 m	●	
Effective detection range	0 ... 9 m		●
	0 ... 14 m	●	
Reference target	reflector C110-2		●
	H85-2 reflector	●	

Approvals and Certificates

Protection class	II	●	●
CCC approval	Certified by China Compulsory Certification (CCC)	●	●

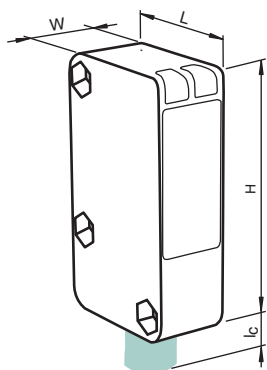
Dimensions

Length L [mm]	35
Width W [mm]	18
Height H [mm]	62
Connector area l _c [mm]	0

Accessories

This and more accessories can be found in chapter 10
See pages from 972 ... for cordsets See pages 1068 ... for mounting aids

OMH-RL31-01	Mounting bracket
OMH-RL31-02	Mounting bracket
OMH-RL31-03	Mounting bracket
OMH-RL31-04	Mounting aid for round steel ø 12 mm or sheet 1.5 mm ... 3 mm
OMH-RL31-05	Mounting bracket
OMH-RL31-06	Mounting bracket

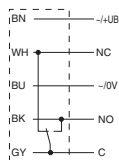


Electrical Connection

○ = light on, ● = dark on

- RLK31-54/31/115
- RLK31-6/31/115

Option 31/115





Technical Data

For detailed data and product description refer to the data sheets at www.pepperl-fuchs.com

General Data

Polarization filter	✓
Timer	✓
Light/dark switch	✓
Threshold detection range	25 m
Effective detection range	0 ... 18 m
Reference target	FE-RR1 reflector
Light type	modulated visible red light , 630 nm
Operating voltage	10 ... 30 V DC
No-load supply current	≤ 35 mA
Signal output	2 Push-pull (4 in 1) outputs, short-circuit protected, reverse polarity protected
Switching type	light/dark on, switchable
Switching current	max. 100 mA
Switching frequency	500 Hz
Ambient temperature	-40 ... 55 °C (-40 ... 131 °F)
Material	
Housing	PC (Polycarbonate)
Optical face	PMMA
Protection degree	IP67

Properties

- Polarized type
- Rectangular full-size housing
- Plastic housing
- DC sensor
- Discrete output
- Cable and connector versions
- Visible red light

Your Benefit

- Ultra-bright four-corner LEDs for sensor status indication
- Threaded base and side thru-holes provide flexible mounting options

Model Number

Connection	fixed cable connector M12 x 1, 4-pin
------------	---

RL61-55-Z/115/136

RL61-55-Z/92/136



Approvals and Certificates

UL approval	cULus
CCC approval	Products with a maximum operating voltage of ≤36 V do not bear a CCC marking because they do not require approval.

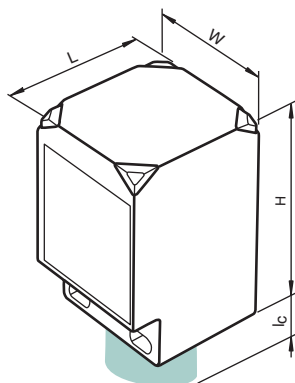
Dimensions

Length L [mm]	49
Width W [mm]	45
Height H [mm]	74
Connector area l _c [mm]	18 30

Accessories

This and more accessories can be found in chapter 10
See pages from 972 ... for cordsets See pages 1068 ... for mounting aids

MPZB01	Mounting bracket with vertical slots
MPZB02	Mounting bracket with circular slots
MPZB06	Ball and Swivel Mounting Bracket
MPZB07	Ball and Swivel Vertical Mounting Plate
V1-G-2M-PUR	Cable socket, M12, 4-pin, PUR cable
V1-W-2M-PUR	Cable socket, M12, 4-pin, PUR cable



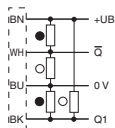
Electrical Connection

○ = light on, ● = dark on



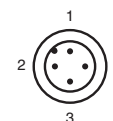
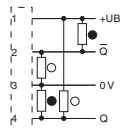
RL61-55-Z/115/136

Option 115/136



RL61-55-Z/92/136

Option 92/136



Wire colors in accordance with EN 60947-5-2

1	BN	(brown)
2	WH	(white)
3	BU	(blue)
4	BK	(black)

Date of issue 04/08/2015



Technical Data

For detailed data and product description refer to the data sheets at www.pepperl-fuchs.com

General Data

Polarization filter	✓
Timer	✓
Light/dark switch	✓
Threshold detection range	25 m
Effective detection range	0 ... 18 m
Reference target	FE-RR1 reflector
Light type	modulated visible red light, 630 nm
Operating voltage	24 ... 240 V AC / 12 ... 240 V DC
No-load supply current	≤ 35 mA
Power consumption	≤ 2 VA
Signal output	Relay, Form C
Switching type	light/dark on, switchable
Switching current	max. 3 A
Switching power	DC: max. 150 W AC: max. 750 VA
Switching frequency	20 Hz
Ambient temperature	-40 ... 55 °C (-40 ... 131 °F)
Material	
Housing	PC (Polycarbonate)
Optical face	PMMA
Protection degree	IP67

Properties

- Polarized type
- Rectangular full-size housing
- Plastic housing
- AC/DC sensor
- Relay output
- Cable and connector versions
- Visible red light

Your Benefit

- Universal usage with AC or DC power supply
- Ultra-bright four-corner LEDs for sensor status indication
- Threaded base and side thru-holes provide flexible mounting options

Model Number

Connection	fixed cable	●	●
	V95 quick disconnect	○	○

Approvals and Certificates

UL approval	cULus	●	●
-------------	-------	---	---

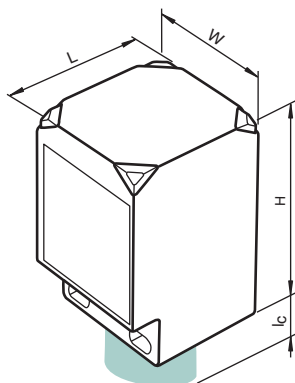
Dimensions

Length L [mm]	49
Width W [mm]	45
Height H [mm]	74
Connector area l _c [mm]	18 30

Accessories

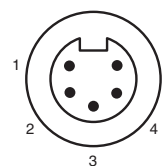
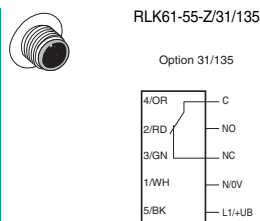
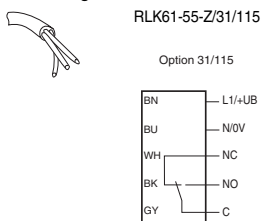
This and more accessories can be found in chapter 10
See pages from 972 ... for cordsets See pages 1068 ... for mounting aids

MPZB01	Mounting bracket with vertical slots
MPZB02	Mounting bracket with circular slots
MPZB06	Ball and Swivel Mounting Bracket
MPZB07	Ball and Swivel Vertical Mounting Plate



Electrical Connection

○ = light on, ● = dark on





Technical Data

For detailed data and product description refer to the data sheets at www.pepperl-fuchs.com

Model Number	MLV11-54-Ex/40b/112
Polarization filter	✓
Threshold detection range	3 m
Effective detection range	0 ... 3 m
Reference target	H85 reflector
Light source	LED
Light type	modulated visible red light , 660 nm
Operating voltage	6 ... 15.5 V DC (R _i approx. 0 Ohm)
Switching type	light/dark on, programmable
Signal output	1 NAMUR output NC/NO programmable
Switching frequency	≥ 100 Hz
Current consumption	
Reference target detected	connection 1, 2: ≥ 2.2 mA connection 1, 4: ≤ 1 mA
Reference target not detected	connection 1, 2: ≤ 1 mA connection 1, 4: ≥ 2.2 mA
Ambient temperature	-25 ... 70 °C (-13 ... 158 °F)
Material	
Housing	PBT
Optical face	scratch resistant plastic lens
Protection degree	IP67
Connection	V1 connector (M12 x 1), 4-pin, rotatable through 90°



2
1.3

Properties

- Polarized type
- Rectangular compact housing
- Plastic housing
- DC sensor
- NAMUR output
- Connector version
- Visible red light

Your Benefit

- ATEX-approval for zone 1
- Intrinsically safe, Ex op is ia IIC T6

Use in the Hazardous Area

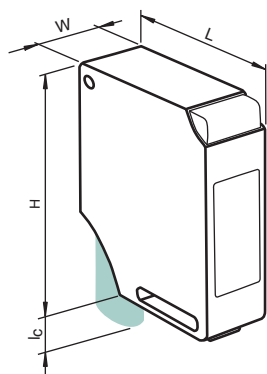
Marking	Zone 1: Ex II 2G Ex op is ia IIC T6
---------	-------------------------------------

Approvals and Certificates

CCC approval	Products with a maximum operating voltage of ≤36 V do not bear a CCC marking because they do not require approval.
EC-Type Examination Certificate	PTB 99 ATEX 2036 X

Dimensions

Length L [mm]	45
Width W [mm]	18
Height H [mm]	50
Connector area l _c [mm]	16 / 0



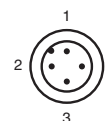
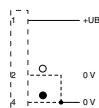
Electrical Connection

○ = light on, ● = dark on

MLV11-54-Ex/40b/112



Option 40b



Wire colors in accordance with EN 60947-5-2

1	BN	(brown)
2	WH	(white)
3	BU	(blue)
4	BK	(black)

Date of issue 2015-04-08



Technical Data

For detailed data and product description refer to the data sheets at www.pepperl-fuchs.com

General Data

Polarization filter	✓
Reference target	H60 reflector
Light source	LED
Light type	modulated visible red light
Operating voltage	10 ... 30 V DC
No-load supply current	40 mA
Switching type	light/dark on
Signal output	2 PNP, complementary, short-circuit protected, reverse polarity protected
Switching current	max. 50 mA
Switching frequency	250 Hz
Ambient temperature	-20 ... 50 °C (-4 ... 122 °F)
Material	
Housing	Terluran GV15
Optical face	glass
Protection degree	IP65
Connection	Plastic connector M12 x 1, 4-pin



2
1.3



Photoelectric Sensors, Standard Sensors, retroreflective sensors

Properties

- Polarized type
- Rectangular full-size housing
- Plastic housing
- DC sensor
- Discrete output
- Connector version
- Visible red light

Your Benefit

- ATEX-approval for zone 2 and zone 22

Model Number

	green = preferred type		
Threshold detection range	14 m		
	7 m	●	
Effective detection range	0 ... 10 m	●	●
	0 ... 4 m	●	

Use in the Hazardous Area

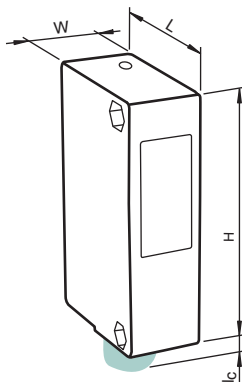
Marking	Zone 2: II 3G Ex nA op is IIC T4;		
	Zone 22: II 3D Ex tD A22 IP65 T 75°C	●	●

Approvals and Certificates

CCC approval Products with a maximum operating voltage of ≤36 V do not bear a CCC marking because they do not require approval.

Dimensions

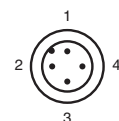
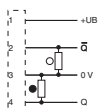
Length L [mm]	45,5
Width W [mm]	22
Height H [mm]	72
Connector area l _c [mm]	13,5



Electrical Connection

○ = light on, ● = dark on

RL32-55-Ex2/47/73c
RL32-54-Ex2/47/73c
Option /47/73c



Wire colors in accordance with EN 60947-5-2

- 1 | BN (brown)
- 2 | WH (white)
- 3 | BU (blue)
- 4 | BK (black)



Properties

- Polarized type
- Rectangular full-size housing
- Plastic housing
- DC sensor
- NAMUR output
- Terminal version
- Visible red light

Your Benefit

- ATEX-approval for zone 1
- Intrinsically safe Ex op is ia IIC T4

Technical Data

For detailed data and product description refer to the data sheets at www.pepperl-fuchs.com

Model Number	RL36-55-Ex/40b/116
Polarization filter	✓
Threshold detection range	11.5 m
Effective detection range	0 ... 8 m
Reference target	H85 reflector
Light source	LED
Light type	modulated visible red light , 660 nm
Operating voltage	6 ... 20 V DC (R _i approx. 0 Ohm)
Switching type	light/dark on, programmable
Signal output	1 NAMUR output NC/NO programmable
Switching frequency	≥ 100 Hz
Current consumption	
Reference target detected	connection 1, 2: ≥ 2.2 mA connection 1, 4: ≤ 1 mA
Reference target not detected	connection 1, 2: ≤ 1 mA connection 1, 4: ≥ 2.2 mA
Ambient temperature	-25 ... 70 °C (-13 ... 158 °F)
Material	
Housing	PMMA
Optical face	Scratch resistant mineral glass lens
Protection degree	IP54
Connection	terminal compartment PG9, ≤ 2.5 mm ²



Use in the Hazardous Area

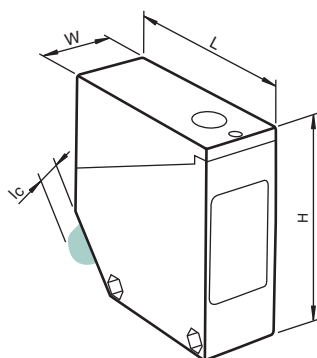
Marking II 2G Ex op is ia IIC T4

Approvals and Certificates

CCC approval Products with a maximum operating voltage of ≤36 V do not bear a CCC marking because they do not require approval.

Dimensions

Length L [mm]	85
Width W [mm]	34
Height H [mm]	80
Connector area l _c [mm]	4



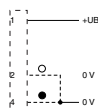
Electrical Connection

○ = light on, ● = dark on

RL36-55-Ex/40b/116



Option 40b





Technical Data

For detailed data and product description refer to the data sheets at www.pepperl-fuchs.com

Model Number	OCS2000-M1K-N2
Polarization filter	✓
Threshold detection range	2 m
Effective detection range	0 ... 2 m
Reference target	Retro-reflector C110-2
Light source	LED , 660 nm
Light type	modulated visible red light
Operating voltage	6 ... 20 V DC (R _i approx. 0 Ohm)
Switching type	light/dark on, programmable
Signal output	1 NAMUR output NC/NO programmable
Switching frequency	≥ 100 Hz
Current consumption	
Reference target detected	connection 1, 2: ≥ 2.2 mA connection 1, 4: ≤ 1 mA
Reference target not detected	connection 1, 2: ≤ 1 mA connection 1, 4: ≥ 2.2 mA
Ambient temperature	-25 ... 70 °C (-13 ... 158 °F)
Material	
Housing	PBT
Optical face	Scratch resistant mineral glass lens
Protection degree	IP67 according to EN 60529, Class II insulation
Connection	terminal compartment PG9, ≤ 2.5 mm ²



2
1.3



Photoelectric Sensors, Standard Sensors, retroreflective sensors

Properties

- Polarized type
- Rectangular compact housing
- Plastic housing
- DC sensor
- NAMUR output
- Terminal version
- Visible red light

Your Benefit

- ATEX approval for zone 20 (Dust) and zone 1 (Gas)
- Intrinsically safe, Ex op is ia IIC T6
- FM and CSA approval

Use in the Hazardous Area

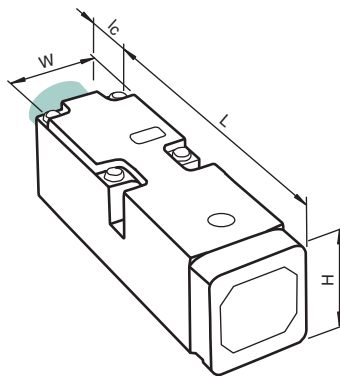
Marking	Zone 1: Ex II 2G Ex op is ia IIC T6 Zone 20/21: Ex II 1D Ex iaD 20 T 85°C
---------	---

Approvals and Certificates

Approved for	IS / I,II,III / 1 / ABCDEFG / T5 - 116-0110; Entity NI / I / 2 / ABCD / T6 Entity Parameters: V _{Max} = 12.6 V, I _{Max} = 20 mA, C _i = 1.11 µF, L _i = 0 mH (Groups A, B, C, D, E, F, G). V _{Max} = 15.5 V, I _{Max} = 52 mA, C _i = 1.11 µF, L _i = 0 mH (Groups C, D, E, F, G).
Approved for	Class I, Division 2, Groups A, B, C and D Rated 20V (max), 50mA. These sensors are suitable for installation in (or through the wall of) a suitable enclosure with provision for connection of rigid metal conduit, as acceptable to the local inspection authority having jurisdiction.
CCC approval	Products with a maximum operating voltage of ≤36 V do not bear a CCC marking because they do not require approval.

Dimensions

Length L [mm]	102
Width W [mm]	30
Height H [mm]	30
Connector area l _c [mm]	0 (M16 X 1.5)



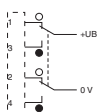
Electrical Connection

○ = light on, ● = dark on

OCS2000-M1K-N2



Option 40b





Technical Data

For detailed data and product description refer to the data sheets at www.pepperl-fuchs.com

Model Number	KS/KSE10
Threshold detection range	1500 mm
Effective detection range	0 ... 1000 mm
Light type	modulated infrared light , 870 nm
Operating voltage	see accessory: signal transformer
Signal output	see accessory: signal transformer
Ambient temperature	-20 ... 60 °C (-4 ... 140 °F)
Material	
Housing	Stainless steel 1.4305 / AISI 303
Optical face	glass
Protection degree	IP65
Connection	fixed cable 2000 mm

Approvals and Certificates

CCC approval	Products with a maximum operating voltage of ≤36 V do not bear a CCC marking because they do not require approval.
--------------	--

Dimensions

Length L [mm]	25
Diameter D [mm]	4
Thread length l _t [mm]	25
Connector area l _c [mm]	0

Accessories

This and more accessories can be found in chapter 10
 See pages from 972 ... for cordsets See pages 1068 ... for mounting aids

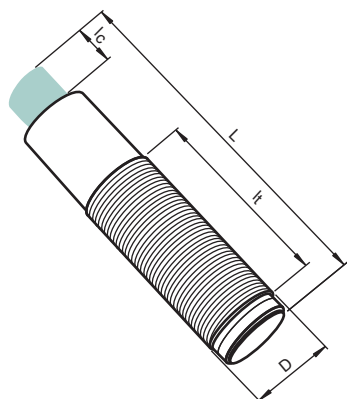
SU11/40a/49/92	External amplifier
SU11/32/40a/82b/92	External amplifier
SU11/40a/49/115	External amplifier
SU10/40a/49/116	External amplifier
BF 4	Mounting flange, 4 mm

Properties

- Emitter / receiver set
- Cylindrical threaded housing
- Stainless steel housing
- Requires external amplifier
- Cable version
- Infrared light

Your Benefit

- Smallest sensor design for space-saving mounting

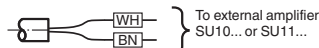


Electrical Connection

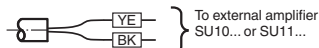
○ = light on, ● = dark on



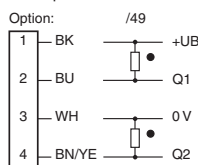
KS/KSE10
Emitter



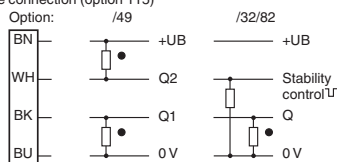
Receiver



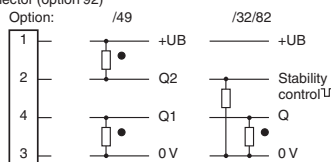
External amplifier SU10 ...



External amplifier SU11 ...
Cable connection (option 115)

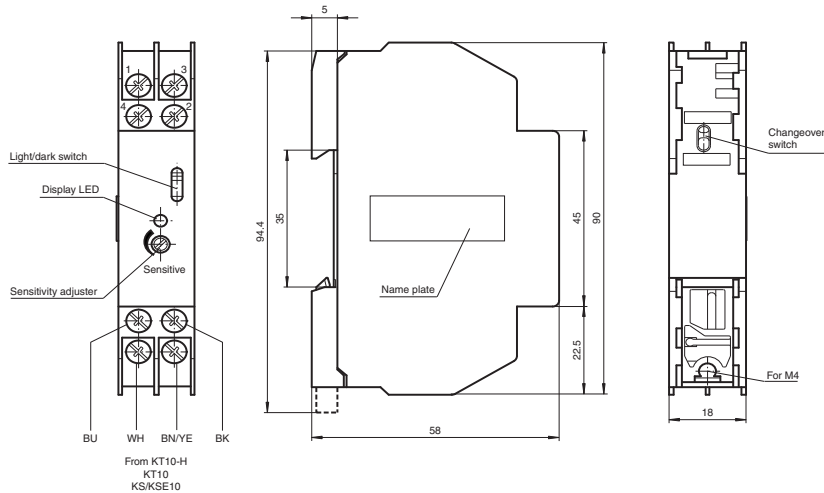


Connector (option 92)



Date of issue 04/08/2015

**External amplifier
SU10/40a/49/116**

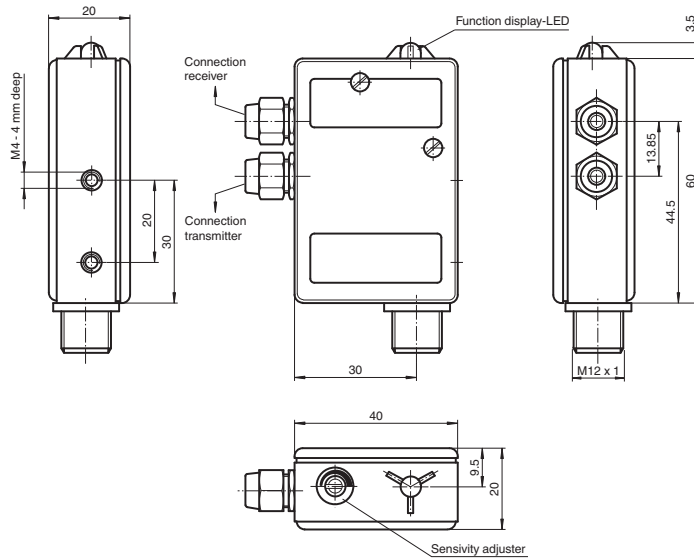


External amplifier for mounting on a standard top hat rail.

Technical Data

Supply voltage: 10 ... 30 VDC
 No load supply current: 40 mA
 Signal output: 1 PNP + 1 NPN switching output
 Output current: max. 200 mA

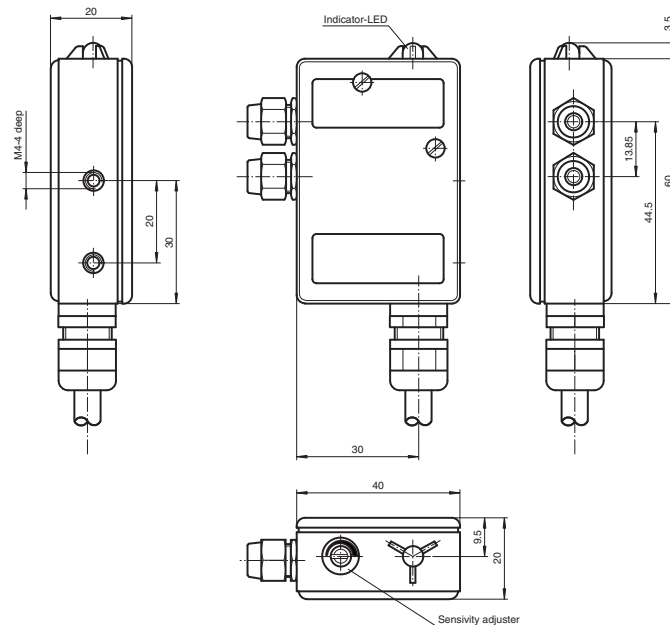
**External amplifier
SU11.../92**



Technical Data

Supply voltage: 10 ... 30 VDC
 No load supply current: 40 mA
 Signal output: 1 PNP + 1 NPN switching output or 1 PNP, open collector
 Output current: max. 200 mA

**External amplifier
SU11.../115**



Technical Data

Supply voltage: 10 ... 30 VDC
 No load supply current: 40 mA
 Signal output: 1 PNP + 1 NPN switching output or 1 PNP, open collector
 Output current: max. 200 mA

2
.1.4

Photoelectric Sensors, Standard Sensors, thru-beam sensors



Technical Data

For detailed data and product description refer to the data sheets at www.pepperl-fuchs.com

General Data

Sensitivity adjustment	✓
Light/dark switch	✓
Effective detection range	0 ... 5000 mm
Light type	modulated visible red light, 660 nm
Operating voltage	10 ... 30 V DC
No-load supply current	≤ 20 mA
Switching type	light/dark on
Switching current	max. 300 mA
Switching frequency	≤ 500 Hz
Control input	light on: +UB dark on: 0 V
Ambient temperature	-25 ... 55 °C (-13 ... 131 °F)
Material	
Housing	brass, nickel-plated
Optical face	PMMA
Protection degree	IP67

Properties

- Emitter / receiver set
- Cylindrical threaded housing
- Nickel plated brass housing
- Discrete output
- Cable and connector versions
- Visible red light

Model Number

Signal output	green = preferred type 1 NPN output, short-circuit protected, reverse polarity protected, open collector 1 PNP output, short-circuit protected, reverse polarity protected, open collector	G12/GV12/36/40b/115	G12/GV12/37/40b/115	G12/GV12/36/40b/92	G12/GV12/37/40b/92
Connection	2 m fixed cable connector M12 x 1, 4-pin	●	●	●	●

Approvals and Certificates

CCC approval Products with a maximum operating voltage of ≤36 V do not bear a CCC marking because they do not require approval.

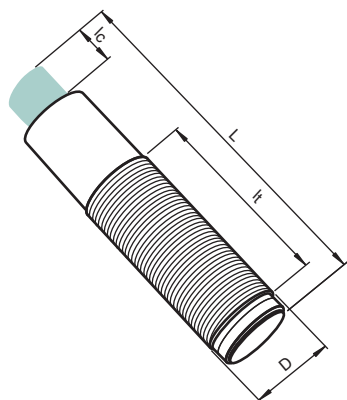
Dimensions

Length L [mm]	55	65
Diameter D [mm]		12
Thread length l _t [mm]		34
Connector area l _c [mm]	0	10

Accessories This and more accessories can be found in chapter 10

See pages from 972 ... for cordsets See pages 1068 ... for mounting aids

- BF 12** Mounting flange, 12 mm
- BF 12-F** Mounting flange with dead stop, 12 mm
- BF 5-30** Universal mounting bracket for cylindrical sensors with a diameter of 5 ... 30 mm
- V1-G-2M-PUR** Cable socket, M12, 4-pin, PUR cable
- V1-W-2M-PUR** Cable socket, M12, 4-pin, PUR cable

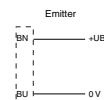
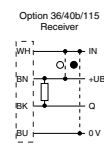


Electrical Connection

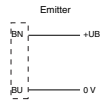
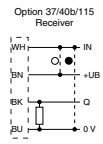
○ = light on, ● = dark on



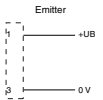
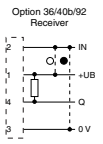
G12/GV12/36/40b/115



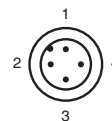
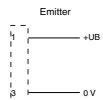
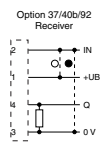
G12/GV12/37/40b/115



G12/GV12/36/40b/92



G12/GV12/37/40b/92



Wire colors in accordance with EN 60947-5-2

- 1 BN (brown)
- 2 WH (white)
- 3 BU (blue)
- 4 BK (black)

Date of issue 04/08/2015

2
.1.4



Technical Data

For detailed data and product description refer to the data sheets at www.pepperl-fuchs.com

General Data	
Threshold detection range	25 m
Effective detection range	0 ... 20 m
Light type	modulated visible red light , 640 nm
Operating voltage	10 ... 30 V DC
No-load supply current	< 20 mA
Switching current	max. 100 mA
Switching frequency	500 Hz
Ambient temperature	-25 ... 60 °C (-13 ... 140 °F)
Material	
Housing	PC
Optical face	PMMA
Protection degree	IP67

Properties

- Emitter / receiver set
- Cylindrical threaded housing
- Plastic housing
- Discrete output
- Cable and connector versions
- Visible red light

Your Benefit

- Short sensor design for space-saving mounting

Model Number

		GD18/GV18/115/120	GD18/GV18/59/102/115	GD18/GV18/59/102/159	GD18/GV18/73/120
Switching type	green = preferred type dark on		●	●	
Signal output	light/dark on	●			●
	1 NPN, short-circuit protected open collector		●	●	
Connection	2 PNP, complementary, short-circuit protected, open collectors	●			●
	2 m fixed cable	●	●		
	Connector M12 x 1, 3-pin			●	
	connector M12 x 1, 4-pin				●

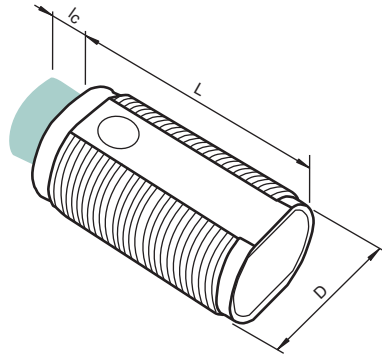
Approvals and Certificates					
Protection class	II	●	●	●	●
UL approval	cULus Listed, Class 2 Power Source, Type 1 enclosure	●	●	●	●
CCC approval	Products with a maximum operating voltage of ≤36 V do not bear a CCC marking because they do not require approval.				

Dimensions				
Length L [mm]			33	
Diameter D [mm]			18	
Connector area l _c [mm]		7		11

Accessories This and more accessories can be found in chapter 10
See pages from 972 ... for cordsets See pages 1068 ... for mounting aids

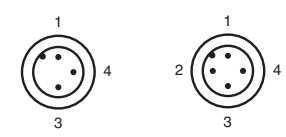
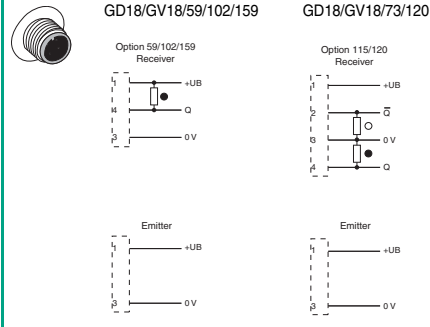
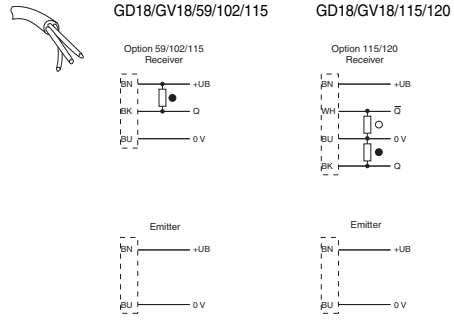
CPZ18B03	For Series CP18 Threaded Photoelectric Sensors
BF 18	Mounting flange, 18 mm
BF 18-F	Mounting flange with dead stop, 18 mm
BF 5-30	Universal mounting bracket for cylindrical sensors with a diameter of 5 ... 30 mm
V1-G-2M-PUR	Cable socket, M12, 4-pin, PUR cable
V1-W-2M-PUR	Cable socket, M12, 4-pin, PUR cable
V11-G-2M-PUR	Cable socket, M12, 3-pin, PUR cable
V11-W-2M-PUR	Cable socket, M12, 3-pin, PUR cable

Photoelectric Sensors, Standard Sensors, thru-beam sensors



Electrical Connection

○ = light on, ● = dark on



Wire colors in accordance with EN 60947-5-2

1	BN	(brown)
2	WH	(white)
3	BU	(blue)
4	BK	(black)

Date of issue: 04/08/2015



Technical Data

For detailed data and product description refer to the data sheets at www.pepperl-fuchs.com

General Data

Threshold detection range	17.5 m
Effective detection range	0 ... 12 m
Light type	modulated visible red light , 640 nm
Operating voltage	10 ... 30 V DC
No-load supply current	< 20 mA
Switching current	max. 100 mA
Switching frequency	500 Hz
Ambient temperature	-25 ... 60 °C (-13 ... 140 °F)
Material	
Housing	PC
Optical face	PMMA
Protection degree	IP67

Properties

- Emitter / receiver set
- Cylindrical threaded housing, side view
- Plastic housing
- Discrete output
- Cable and connector versions
- Visible red light

Your Benefit

- Short sensor design for space-saving mounting

Model Number

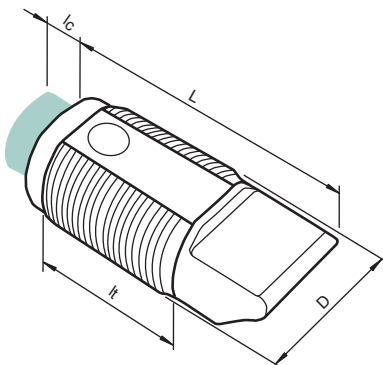
		GD18-S/GV18-S/115/120	GD18-S/GV18-S/59/102/115	GD18-S/GV18-S/59/102/159	GD18-S/GV18-S/73/120
Switching type	dark on		●	●	
	light/dark on	●			●
Signal output	1 NPN, short-circuit protected open collector		●	●	
	2 PNP, complementary, short-circuit protected, open collectors	●			●
Connection	2 m fixed cable	●	●		
	Connector M12 x 1, 3-pin			●	
	connector M12 x 1, 4-pin				●

Approvals and Certificates

Protection class	II	●	●	●	●
UL approval	cULus Listed, Class 2 Power Source, Type 1 enclosure	●	●	●	●
CCC approval	Products with a maximum operating voltage of ≤36 V do not bear a CCC marking because they do not require approval.				

Dimensions

Length L [mm]		46
Diameter D [mm]		18
Connector area l _c [mm]	7	11



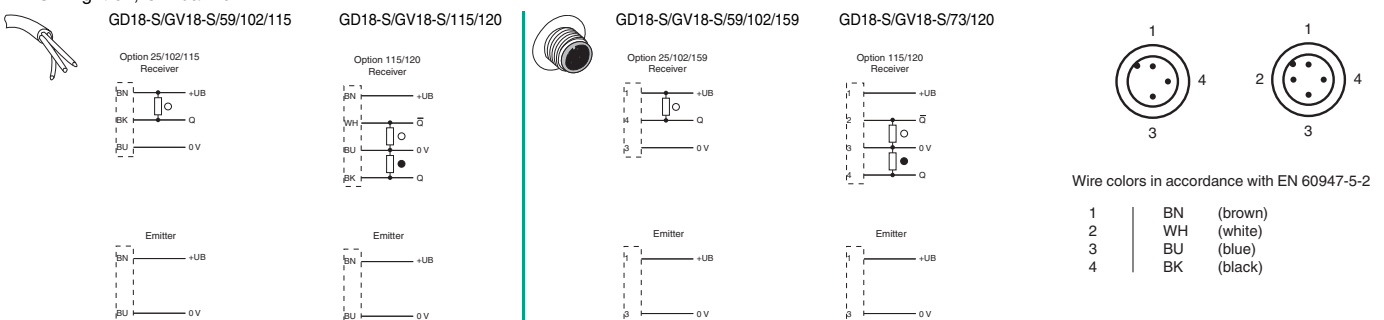
Accessories

This and more accessories can be found in chapter 10
See pages from 972 ... for cordsets See pages 1068 ... for mounting aids

- CPZ18B03** For Series CP18 Threaded Photoelectric Sensors
- BF 18** Mounting flange, 18 mm
- BF 18-F** Mounting flange with dead stop, 18 mm
- BF 5-30** Universal mounting bracket for cylindrical sensors with a diameter of 5 ... 30 mm
- V11-G-2M-PUR** Cable socket, M12, 3-pin, PUR cable
- V1-G-2M-PUR** Cable socket, M12, 4-pin, PUR cable
- V11-W-2M-PUR** Cable socket, M12, 3-pin, PUR cable
- V1-W-2M-PUR** Cable socket, M12, 4-pin, PUR cable

Electrical Connection

○ = light on, ● = dark on



Date of issue 04/08/2015



Technical Data

For detailed data and product description refer to the data sheets at www.pepperl-fuchs.com

General Data

Threshold detection range	25 m
Effective detection range	0 ... 20 m
Light type	modulated visible red light , 640 nm
Operating voltage	20 ... 250 V AC/DC
No-load supply current	< 2.5 mA
Switching type	dark on
Signal output	N-channel MOSFET, short circuit protected
Switching current	max. 200 mA
Switching frequency	50 Hz
Ambient temperature	-20 ... 60 °C (-4 ... 140 °F)
Material	
Housing	PC-PBT
Optical face	PMMA
Protection degree	IP67



Properties

- Emitter / receiver set
- Cylindrical threaded housing
- Plastic housing
- AC/DC sensor
- Cable and connector versions
- Visible red light

Your Benefit

- Universal usage with AC or DC power supply

Model Number

Connection	2 m fixed cable ; 3 x 0.14 mm ² , PVC Micro AC connector, 1/2" V124 ; 4-pin	GA18/GK18/59/115/161	GA18/GK18/59/161/166

Approvals and Certificates

Protection class	II	●	●
UL approval	cULus Listed, Type 1 enclosure	●	●

Dimensions

Length L [mm]	49	
Diameter D [mm]	18	
Connector area l _C [mm]	7	11

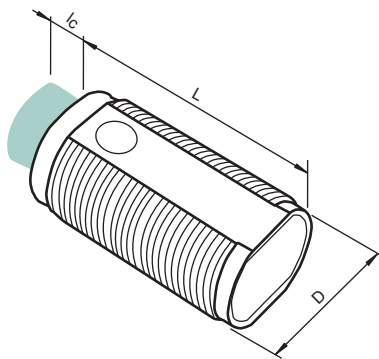
Accessories

This and more accessories can be found in chapter 10

See pages from 972 ... for cordsets

See pages 1068 ... for mounting aids

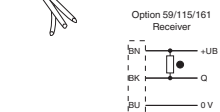
CPZ18B03	For Series CP18 Threaded Photoelectric Sensors
BF 18	Mounting flange, 18 mm
BF 18-F	Mounting flange with dead stop, 18 mm
BF 5-30	Universal mounting bracket for cylindrical sensors with a diameter of 5 ... 30 mm
V124-G-YE2M-PVC	Connecting cable, 1/2" - 20 UNF, 4-pin, PVC cable
V124-W-YE2M-PVC	Connecting cable, 1/2" - 20 UNF, 4-pin, PVC cable



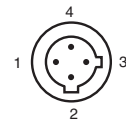
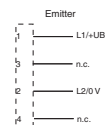
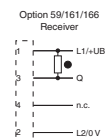
Electrical Connection

○ = light on, ● = dark on

GA18/GK18/59/115/161



GA18/GK18/59/161/166



Photoelectric Sensors, Standard Sensors, thru-beam sensors

2
.1.4



Properties

- Emitter / receiver set
- Cylindrical threaded housing, side view
- Plastic housing
- AC/DC sensor
- Cable and connector versions
- Visible red light

Your Benefit

- Universal usage with AC or DC power supply

Technical Data

For detailed data and product description refer to the data sheets at www.pepperl-fuchs.com

General Data

Threshold detection range	17.5 m
Effective detection range	0 ... 12 m
Light type	modulated visible red light , 640 nm
Operating voltage	20 ... 250 V AC/DC
No-load supply current	< 2.5 mA
Switching type	dark on
Signal output	N-channel MOSFET, short circuit protected
Switching current	max. 200 mA
Switching frequency	50 Hz
Ambient temperature	-20 ... 60 °C (-4 ... 140 °F)
Material	
Housing	PC-PBT
Optical face	PMMA
Protection degree	IP67

Model Number		GA18-S/GK18-S/59/115/161	GA18-S/GK18-S/59/161/166
	Connection	2 m fixed cable ; 3 x 0.14 mm ² , PVC Micro AC connector, 1/2" V124 ; 4-pin	

Approvals and Certificates

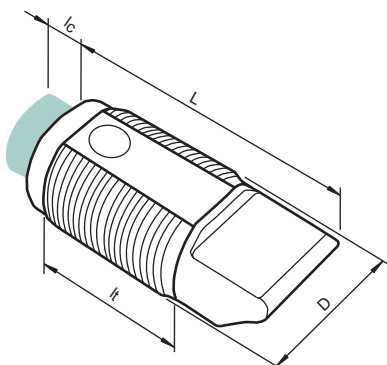
Protection class	II	●	●
UL approval	cULus Listed, Type 1 enclosure	●	●

Dimensions

Length L [mm]		64
Diameter D [mm]		18
Connector area l _c [mm]		7 11

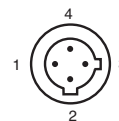
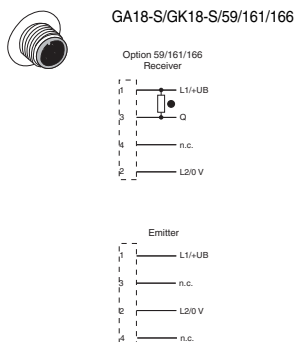
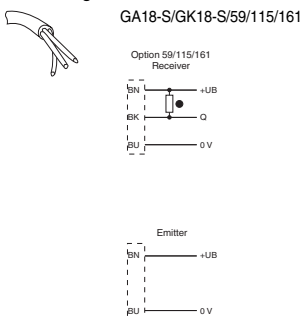
Accessories This and more accessories can be found in chapter 10
See pages from 972 ... for cordsets See pages 1068 ... for mounting aids

CPZ18B03	For Series CP18 Threaded Photoelectric Sensors
BF 18	Mounting flange, 18 mm
BF 18-F	Mounting flange with dead stop, 18 mm
BF 5-30	Universal mounting bracket for cylindrical sensors with a diameter of 5 ... 30 mm
V124-G-YE2M-PVC	Connecting cable, 1/2" - 20 UNF, 4-pin, PVC cable
V124-W-YE2M-PVC	Connecting cable, 1/2" - 20 UNF, 4-pin, PVC cable



Electrical Connection

○ = light on, ● = dark on



Date of issue 04/08/2015



Technical Data

For detailed data and product description refer to the data sheets at www.pepperl-fuchs.com

General Data

Sensitivity adjustment	✓
Light/dark switch	✓
Effective detection range	0 ... 10 m
Operating voltage	10 ... 30 V DC, class 2
No-load supply current	≤ 25 mA (device)
Switching type	light/dark on electrically switchable
Switching current	max. 100 mA
Switching frequency	≤ 500 Hz
Ambient temperature	-25 ... 55 °C (-13 ... 131 °F)
Material	
Housing	brass, nickel-plated
Optical face	PC
Protection degree	IP67

2
.1.4



Properties

- Emitter / receiver set
- Cylindrical threaded housing
- Nickel plated brass housing
- Discrete output
- Cable and connector versions
- Red and infrared light versions

Model Number

	green = preferred type					
Light type	880 nm IR light 660 nm visible red light	●	●	●	●	●
Signal output	1 NPN output, short-circuit protected, reverse polarity protected, open collector 1 PNP output, short-circuit protected, reverse polarity protected, open collector	●	●	●	●	●
Connection	2 m fixed cable connector M12 x 1, 4-pin	●	●	●	●	●

Approvals and Certificates

CCC approval Products with a maximum operating voltage of ≤36 V do not bear a CCC marking because they do not require approval.

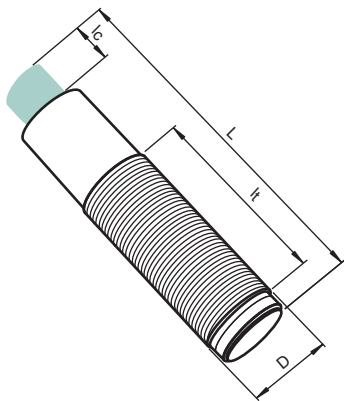
Dimensions

Length L [mm]	60	70
Diameter D [mm]		18
Thread length l _t [mm]		38
Connector area l _c [mm]	0	10

Accessories

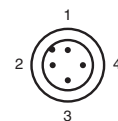
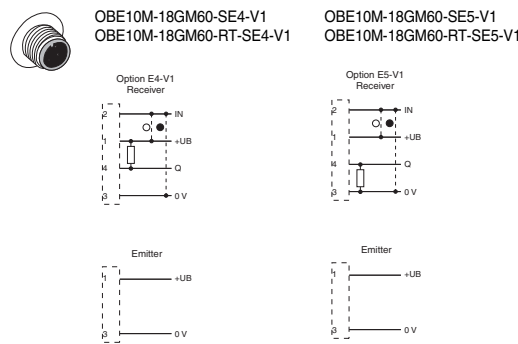
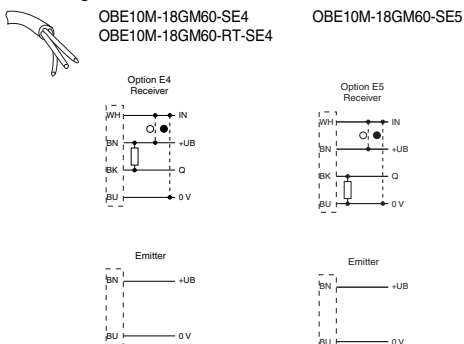
This and more accessories can be found in chapter 10
See pages from 972 ... for cordsets See pages 1068 ... for mounting aids

CPZ18B03	For Series CP18 Threaded Photoelectric Sensors
BF 18	Mounting flange, 18 mm
BF 18-F	Mounting flange with dead stop, 18 mm
BF 5-30	Universal mounting bracket for cylindrical sensors with a diameter of 5 ... 30 mm
V1-G-2M-PUR	Cable socket, M12, 4-pin, PUR cable
V1-W-2M-PUR	Cable socket, M12, 4-pin, PUR cable



Electrical Connection

○ = light on, ● = dark on



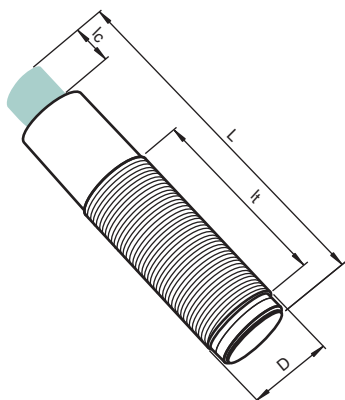


Properties

- Emitter / receiver set
- Cylindrical threaded housing
- Nickel plated brass housing
- Discrete output
- Connector version
- Laser red light

Your Benefit

- Best small part detection with adjustable focus



Technical Data

For detailed data and product description refer to the data sheets at www.pepperl-fuchs.com

Model Number	VS18/VSE18-M-LAS/40a/76a/118/128
Test input	✓
Sensitivity adjustment	✓
Light/dark switch	✓
Threshold detection range	85 m
Effective detection range	0 ... 60 m
Light type	modulated visible red light
Laser class	1
Operating voltage	10 ... 30 V DC , class 2
No-load supply current	Emitter: 20 mA , Receiver: 15 mA
Switching type	light/dark on, switchable
Signal output	Push-pull (4 in 1) output short-circuit protected overvoltage protected
Switching current	max. 200 mA
Switching frequency	5000 Hz
Test input	emitter deactivation at +U _B
Ambient temperature	-25 ... 55 °C (-13 ... 131 °F)
Material	
Housing	brass, nickel-plated
Optical face	plastic
Protection degree	IP67
Connection	connector M12 x 1, 4-pin (Vario-Quick quick connect technology)



Approvals and Certificates

UL approval	cULus Listed, Type 1 enclosure
CCC approval	Products with a maximum operating voltage of ≤36 V do not bear a CCC marking because they do not require approval.

Dimensions

Length L [mm]	78
Diameter D [mm]	18
Thread length l _t [mm]	40
Connector area l _c [mm]	13

Accessories

This and more accessories can be found in chapter 10
 See pages from 972 ... for cordsets See pages 1068 ... for mounting aids

OMH-VL18	Mounting Bracket with swivel nut
BF 18	Mounting flange, 18 mm
BF 18-F	Mounting flange with dead stop, 18 mm
BF 5-30	Universal mounting bracket for cylindrical sensors with a diameter of 5 ... 30 mm
V1-G-2M-PUR	Cable socket, M12, 4-pin, PUR cable
V1-W-2M-PUR	Cable socket, M12, 4-pin, PUR cable

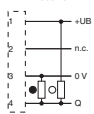
Electrical Connection

○ = light on, ● = dark on

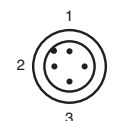
VS18/VSE18-M-LAS/40a/76a/118/128



Option 76a/118/128 Receiver



Emitter



Wire colors in accordance with EN 60947-5-2

1	BN	(brown)
2	WH	(white)
3	BU	(blue)
4	BK	(black)

Date of issue 04/08/2015



2
.1.4

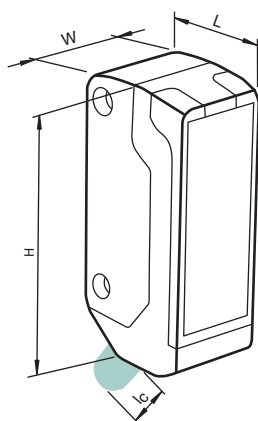
Photoelectric Sensors, Standard Sensors, thru-beam sensors

Properties

- Emitter / receiver set
- Rectangular ultra-small housing
- Plastic housing
- DC sensor
- Discrete output
- Cable connection
- Visible red light

Your Benefit

- Improved machine availability with abrasion-resistant, antistatic glass front



Technical Data

For detailed data and product description refer to the data sheets at www.pepperl-fuchs.com

Model Number	OBE2000-R2-SE2-0,2M-V31
Control input	✓
Teach-In input	✓
Threshold detection range	Long range mode: 2.5 m High precision mode: 300 mm
Effective detection range	Long range mode: 0 ... 2 m High precision mode: 0 ... 200 mm
Light type	modulated visible red light, 630 nm
Operating voltage	10 ... 30 V DC , class 2
No-load supply current	Emitter: max. 11 mA , Receiver: max. 8 mA
Switching type	normally open (NO)
Signal output	1 PNP output short-circuit protected, reverse voltage protected, open collector
Switching current	max. 50 mA
Switching frequency	approx. 800 Hz
Control input	not connected: long range mode connected to 0 V: high precision mode
Ambient temperature	-25 ... 60 °C (-13 ... 140 °F)
Material	
Housing	PC/ABS and PBT
Optical face	glass
Cable	PUR
Protection degree	IP67
Connection	fixed cable 200 mm with connector M8 x 1, 4-pin



Approvals and Certificates

UL approval	cULus Recognized, Class 2 Power Source
CCC approval	Products with a maximum operating voltage of ≤36 V do not bear a CCC marking because they do not require approval.

Dimensions

Length L [mm]	11.2
Width W [mm]	7.5
Height H [mm]	24
Connector area lc [mm]	0

Accessories

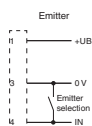
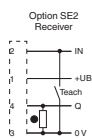
This and more accessories can be found in chapter 10
See pages from 972 ... for cordsets See pages 1068 ... for mounting aids

MH-R2-01	Mounting bracket
MH-R2-02	Mounting bracket
MH-R2-03	Mounting bracket
MH-R2-04	Mounting bracket
V31-GM-2M-PVC	M8, 4-pin socket, PVC cable
V31-GM-5M-PUR	4-pin, M8 socket, PUR cable

Electrical Connection

○ = light on, ● = dark on

OBE2000-R2-SE2-0,2M-V31



Wire colors in accordance with EN 60947-5-2

- | | | |
|---|----|---------|
| 1 | BN | (brown) |
| 2 | WH | (white) |
| 3 | BU | (blue) |
| 4 | BK | (black) |



Technical Data

For detailed data and product description refer to the data sheets at www.pepperl-fuchs.com

General Data

Test input	✓
Light/dark switch	✓
Threshold detection range	10000 mm
Effective detection range	0 ... 8000 mm
Light type	modulated visible red light
Operating voltage	10 ... 30 V DC
No-load supply current	< 15 mA at 24 V DC
Switching type	light/dark on electrically switchable
Signal output	Push-pull (4 in 1) output, short-circuit protected, reverse polarity protected
Switching current	max. 100 mA
Switching frequency	2000 Hz
Test input	emitter deactivation at +U _B
Ambient temperature	-20 ... 60 °C (-4 ... 140 °F)
Material	
Housing	ABS
Optical face	glass pane
Protection degree	IP67

Properties

- Emitter / receiver set
- Rectangular miniature housing
- Plastic housing
- Discrete output
- Cable and connector versions
- Visible red light

Your Benefit

- Scratch-resistant, antistatic glass optical face
- Mount from back surface without additional mounting accessories

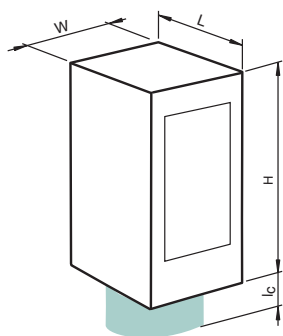
Further Products

In this series, we offer additionally:

ML4.2-P-20m-LAS/40b/76a/95/110

Tech. spec. like ML4.2-P-8m-RT/40b/76a/95/110 but:

- Threshold detection range: 30 m
- Effective detection range: 0 ... 20 m
- Laser class: 1
- Switching frequency: 4000 Hz



Model Number

Connection	green = preferred type
	2 m fixed cable
	M8 x 1 connector, 4-pin

M4.2/MV4.2-8000-RT/76a/110/115

ML4.2-P-8m-RT/40b/76a/95/110



Approvals and Certificates

UL approval	cULus Listed, General Purpose
CCC approval	Products with a maximum operating voltage of ≤36 V do not bear a CCC marking because they do not require approval.

Dimensions

Length L [mm]	18
Width W [mm]	13,9
Height H [mm]	25,4
Connector area l _c [mm]	7,5 16,6

Accessories

This and more accessories can be found in chapter 10

See pages from 972 ... for cordsets

See pages 1068 ... for mounting aids

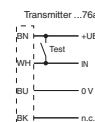
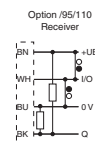
OMH-4.1	Mounting Clamp
OMH-ML6	Mounting bracket
OMH-ML6-U	Mounting bracket
OMH-ML6-Z	Mounting bracket
V31-GM-2M-PVC	M8, 4-pin socket, PVC cable
V31-WM-2M-PVC	M8, 4-pin socket, PVC cable
V31-GM-5M-PUR	4-pin, M8 socket, PUR cable
V31-WM-5M-PUR	4-pin, M8 socket, PUR cable

Electrical Connection

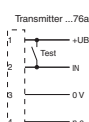
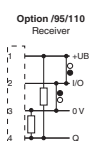
○ = light on, ● = dark on



M4.2/MV4.2-8000-RT/76a/110/115



ML4.2-P-8m-RT/40b/76a/95/110
ML4.2-P-20m-LAS/40b/76a/95/110



Wire colors in accordance with EN 60947-5-2

1	BN	(brown)
2	WH	(white)
3	BU	(blue)
4	BK	(black)

Date of issue 04/08/2015



Technical Data

For detailed data and product description refer to the data sheets at www.pepperl-fuchs.com

General Data

Test input	✓
Teach-In	✓
Threshold detection range	4.5 m
Effective detection range	0 ... 3.5 m
Light type	modulated visible red light
Operating voltage	10 ... 30 V DC, class 2
No-load supply current	Emitter: ≤ 17 mA Receiver: ≤ 15 mA
Switching type	dark on
Switching current	max. 100 mA
Switching frequency	1000 Hz
Test input	emitter deactivation at +UB
Ambient temperature	-20 ... 60 °C (-4 ... 140 °F)
Material	
Housing	PC (glass-fiber-reinforced Makrolon)
Optical face	PMMA
Protection degree	IP67 / IP69K

Properties

- Emitter / receiver set
- Rectangular miniature housing
- Plastic housing
- Discrete output
- Cable and connector versions
- Visible red light

Your Benefit

- Slotted mounting holes provide flexible mounting options
- ECOLAB certificate

Model Number

Signal output	1 NPN output, short-circuit protected, reverse polarity protected, open collector	●	●	●	●	●	●	●
	1 PNP output, short-circuit protected, reverse polarity protected, open collector			●	●			●
Pre-fault indication output	1 NPN		●			●		
	1 PNP				●			●
Connection	2 m fixed cable	●	●	●	●			
	M8 x 1 connector, 4-pin					●	●	●

Approvals and Certificates

Protection class	II	●	●	●	●	●	●	●
UL approval	cULus	●	●	●	●	●	●	●
CCC approval	Products with a maximum operating voltage of ≤36 V do not bear a CCC marking because they do not require approval.							

Dimensions

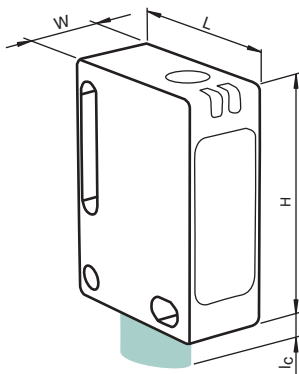
Length L [mm]	23
Width W [mm]	11
Height H [mm]	31
Connector area l _c [mm]	7,6 9,1

Accessories

This and more accessories can be found in chapter 10

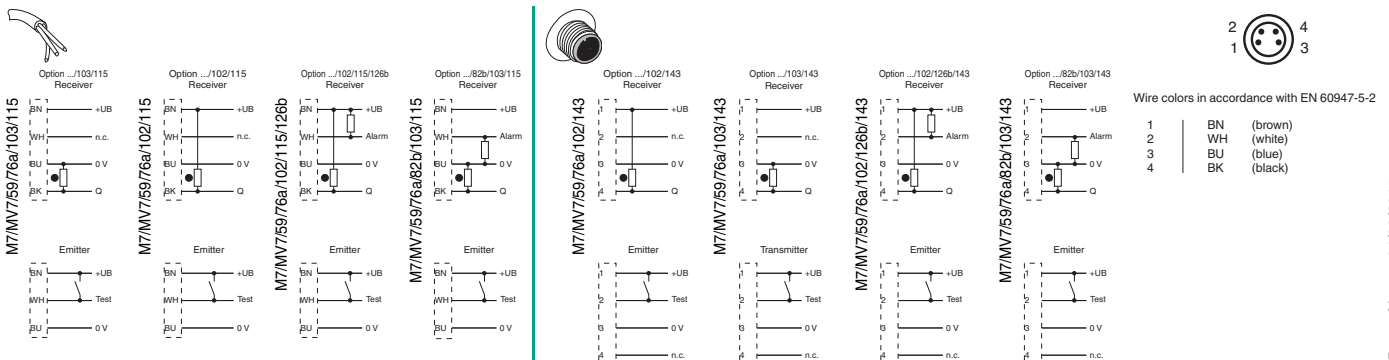
See pages from 972 ... for cordsets See pages 1068 ... for mounting aids

Montagekit OMH-ML7-01	Mounting set consisting of bracket OMH-ML-01 sheet ONH-ML7-03, and fastening material
Montagekit OMH-ML7-02	Mounting set consisting of bracket OMH-ML-02 sheet ONH-ML7-03, and fastening material
V31-GM-2M-PVC	M8, 4-pin socket, PVC cable
V31-WM-2M-PVC	M8, 4-pin socket, PVC cable



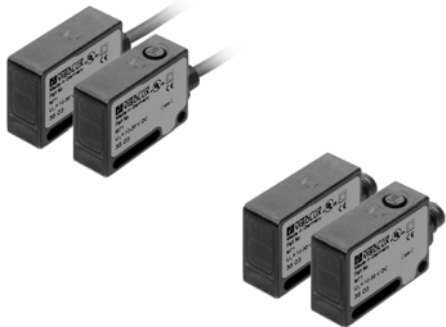
Electrical Connection

○ = light on, ● = dark on



Photoelectric Sensors, Standard Sensors, thru-beam sensors

2
.1.4



Technical Data

For detailed data and product description refer to the data sheets at www.pepperl-fuchs.com

General Data

Test input	✓
Teach-In	✓
Threshold detection range	4.5 m
Effective detection range	0 ... 3.5 m
Light type	modulated visible red light
Operating voltage	10 ... 30 V DC, class 2
No-load supply current	Emitter: ≤ 17 mA Receiver: ≤ 15 mA
Switching type	dark on
Switching current	max. 100 mA
Switching frequency	1000 Hz
Test input	emitter deactivation at +UB
Ambient temperature	-20 ... 60 °C (-4 ... 140 °F)
Material	
Housing	PC (glass-fiber-reinforced Makrolon)
Optical face	PMMA
Protection degree	IP67 / IP69K

Properties

- Emitter / receiver set
- Rectangular miniature housing, side view
- Plastic housing
- Discrete output
- Cable and connector versions
- Visible red light

Your Benefit

- Slotted mounting holes provide flexible mounting options
- ECOLAB certificate

Model Number

Signal output	green = preferred type 1 NPN output, short-circuit protected, reverse polarity protected, open collector	●	●	●	●	●	●	●	●
Pre-fault indication output	1 NPN 1 PNP		●					●	
Connection	2 m fixed cable 4-pin, M8 plastic connector	●	●	●	●			●	●

Approvals and Certificates

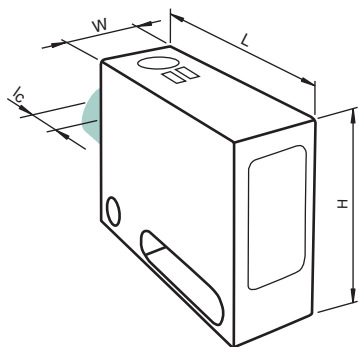
Protection class	II	●	●	●	●	●	●	●	●
UL approval	cULus	●	●	●	●	●	●	●	●
CCC approval	Products with a maximum operating voltage of ≤36 V do not bear a CCC marking because they do not require approval.								

Dimensions

Length L [mm]		31
Width W [mm]		11
Height H [mm]		23
Connector area l _c [mm]	7,6	9,1

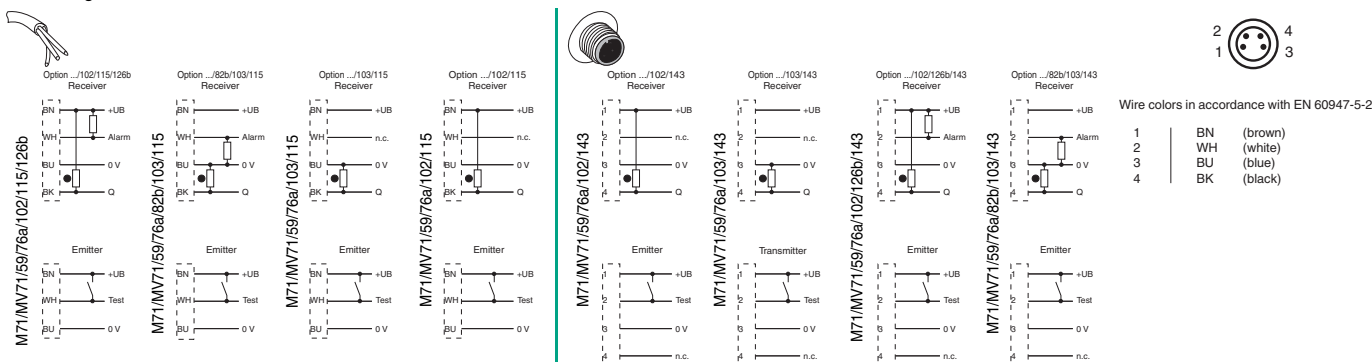
Accessories This and more accessories can be found in chapter 10

OMH-ML7-01	Mounting bracket
OMH-ML7-02	Mounting bracket
OMH-ML7-03	Fixing plate
V31-GM-2M-PVC	M8, 4-pin socket, PVC cable
V31-WM-2M-PVC	M8, 4-pin socket, PVC cable



Electrical Connection

○ = light on, ● = dark on



Date of issue 04/08/2015



Technical Data

For detailed data and product description refer to the data sheets at www.pepperl-fuchs.com

General Data

Test input	✓
Threshold detection range	4.5 m
Effective detection range	0 ... 3.5 m
Light type	modulated visible red light , 660 nm
Operating voltage	10 ... 30 V DC , class 2
No-load supply current	Emitter: ≤ 17 mA Receiver: ≤ 15 mA
Switching type	dark on
Switching current	max. 100 mA
Switching frequency	1000 Hz
Test input	emitter deactivation at +U _B
Ambient temperature	-20 ... 60 °C (-4 ... 140 °F)
Material	
Housing	PC (glass-fiber-reinforced Makrolon)
Optical face	PMMA
Protection degree	IP67

2
.1.4

Photoelectric Sensors, Standard Sensors, thru-beam sensors

Properties

- Emitter / receiver set
- Rectangular miniature housing
- Plastic housing
- Discrete output
- Cable, pigtail and connector versions
- Visible red light

Your Benefit

- Slotted mounting holes provide flexible mounting options
- Tamper-proof, no operating controls

Model Number

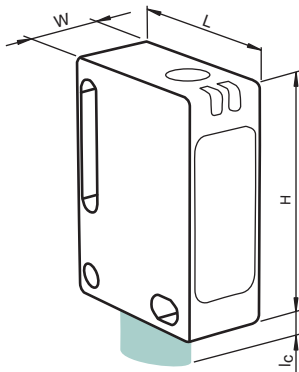
	M8/MV8/76a/102/115	M8/MV8/76a/103/115b	M8/MV8/76a/102/143	M8/MV8/76a/103/143
Signal output	1 NPN output, short-circuit protected, reverse polarity protected, open collector		1 PNP output, short-circuit protected, reverse polarity protected, open collector	
Connection	fixed cable 300 mm with M12 connector, 4-pin		M8 x 1 connector, 4-pin	
	with 2 m fixed cable			

Approvals and Certificates

Protection class	II	●	●	●	●
UL approval	cULus Listed, Class 2 Power Source, Type 1 enclosure	●	●	●	●
CCC approval	Products with a maximum operating voltage of ≤36 V do not bear a CCC marking because they do not require approval.				

Dimensions

Length L [mm]	23
Width W [mm]	11
Height H [mm]	31
Connector area l _c [mm]	7,6 9,1



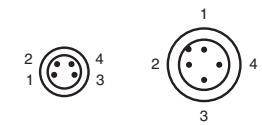
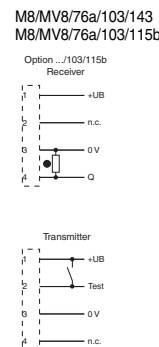
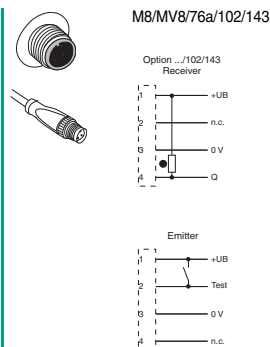
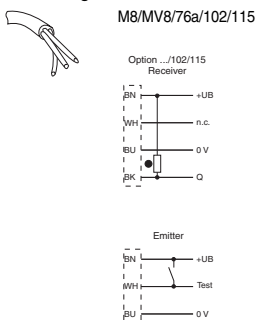
Accessories This and more accessories can be found in chapter 10

See pages from 972 ... for cordsets See pages 1068 ... for mounting aids

Montagekit OMH-ML7-01	Mounting set consisting of bracket OMH-ML-01 sheet ONH-ML7-03, and fastening material
Montagekit OMH-ML7-02	Mounting set consisting of bracket OMH-ML-02 sheet ONH-ML7-03, and fastening material
OMH-ML7-01	Mounting bracket
OMH-ML7-02	Mounting bracket
OMH-ML7-03	Fixing plate
V31-GM-2M-PVC	M8, 4-pin socket, PVC cable
V31-WM-2M-PVC	M8, 4-pin socket, PVC cable

Electrical Connection

○ = light on, ● = dark on



Wire colors in accordance with EN 60947-5-2

- 1 BN (brown)
- 2 WH (white)
- 3 BU (blue)
- 4 BK (black)

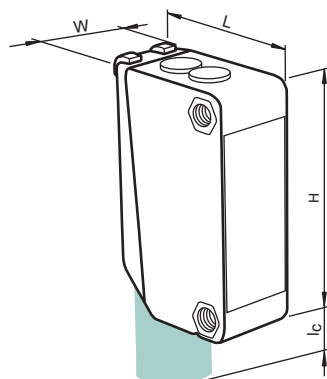


Properties

- Emitter / receiver set
- Rectangular miniature housing
- Plastic housing
- Discrete output
- Cable version
- Visible red light

Your Benefit

- Simplest alignment and set-up with ultra-bright Power-Beam emitter LED
- Rugged housing has metal-reinforced mounting holes



Technical Data

For detailed data and product description refer to the data sheets at www.pepperl-fuchs.com

General Data

Test input	✓
Sensitivity adjustment	✓
Light/dark switch	✓
Light type	modulated visible red light
Operating voltage	10 ... 30 V DC , class 2
No-load supply current	Emitter: ≤ 15 mA Receiver: ≤ 8 mA
Switching type	light/dark on, switchable
Switching current	max. 100 mA
Test input	emitter deactivation
Ambient temperature	-30 ... 60 °C (-22 ... 140 °F)
Material	
Housing	PC (Polycarbonate)
Optical face	PMMA
Protection degree	IP67
Connection	2 m fixed cable



Model Number

	M100/MV100-RT/35/76b/102/115	M100/MV100-RT/35/76a/103/115	M100/MV100-RT/76a/103/115	M100/MV100-RT/76b/102/115
Threshold detection range	15 m			
	30 m	●	●	●
Effective detection range	0 ... 10 m			
	0 ... 20 m	●	●	●
Signal output	1 NPN output, short-circuit protected, reverse polarity protected, open collector	●		●
	1 PNP output, short-circuit protected, reverse polarity protected, open collector		●	●
Switching frequency	1000 Hz	●	●	●
	250 Hz	●	●	●

Approvals and Certificates

UL approval	cULus Listed, Class 2 Power Source, Type 1 enclosure	●	●	●	●
CCC approval	Products with a maximum operating voltage of ≤36 V do not bear a CCC marking because they do not require approval.				

Dimensions

Length L [mm]	20
Width W [mm]	11
Height H [mm]	31
Connector area l_c [mm]	0

Accessories This and more accessories can be found in chapter 10

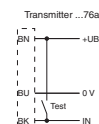
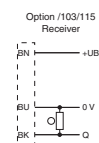
OMH-ML100-01	Mounting bracket	See pages 972 ... for cordsets	See pages 1068 ... for mounting aids
OMH-ML100-02	Mounting bracket		
OMH-F10-ML100	Mounting aid for ML100 series		

Electrical Connection

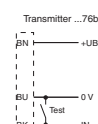
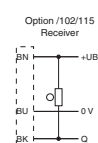
○ = light on, ● = dark on



M100/MV100-RT/35/76a/103/115
M100/MV100-RT/76a/103/115



M100/MV100-RT/35/76b/102/115
M100/MV100-RT/76b/102/115



Date of issue 04/08/2015



Technical Data

For detailed data and product description refer to the data sheets at www.pepperl-fuchs.com

General Data

Test input	✓
Sensitivity adjustment	✓
Light/dark switch	✓
Light type	modulated visible red light
Operating voltage	10 ... 30 V DC , class 2
No-load supply current	Emitter: ≤ 15 mA Receiver: ≤ 8 mA
Switching type	light/dark on, switchable
Switching current	max. 100 mA , resistive load
Test input	emitter deactivation
Ambient temperature	-30 ... 60 °C (-22 ... 140 °F)
Material	
Housing	PC (Polycarbonate)
Optical face	PMMA
Protection degree	IP67

Properties

- Emitter / receiver set
- Rectangular miniature housing
- Plastic housing
- Discrete output
- Connector version
- Visible red light

Your Benefit

- Simplest alignment and set-up with ultra-bright Power-Beam emitter LED
- Rugged housing has metal-reinforced mounting holes

Further Products

In this series, we offer additionally:

M100/MV100-RT/76a/103/115a

Technical data like M100/MV100-RT/76a/98/103 but:

Connection: 300 mm fixed cable with M8 connector, 4-pin

Model Number

		green = preferred type						
Threshold detection range	15 m	●	●	●	●	●	●	●
	30 m							
Effective detection range	0 ... 10 m	●	●	●	●	●	●	●
	0 ... 20 m							
Signal output	1 NPN output, short-circuit protected, reverse polarity protected, open collector	●	●	●	●	●	●	●
	1 PNP output, short-circuit protected, reverse polarity protected, open collector					●	●	●
Switching frequency	1000 Hz	●	●	●	●	●	●	●
	250 Hz							
Connection	M8 x 1 connector, 3-pin	●	●	●	●	●	●	●
	M8 x 1 connector, 4-pin							

Approvals and Certificates

UL approval	cULus Listed, Class 2 Power Source, Type 1 enclosure	●	●	●	●	●	●	●
CCC approval	Products with a maximum operating voltage of ≤36 V do not bear a CCC marking because they do not require approval.							

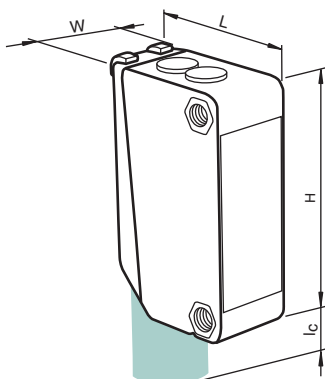
Dimensions

Length L [mm]	20
Width W [mm]	11
Height H [mm]	31
Connector area l _c [mm]	10

Accessories

This and more accessories can be found in chapter 10
See pages from 972 ... for cordsets See pages 1068 ... for mounting aids

OMH-ML100-03	Mounting aid for round steel ø 12 mm or sheet 1.5 mm ... 3 mm
OMH-ML100-01	Mounting bracket
OMH-F10-ML100	Mounting aid for ML100 series
V31-GM-2M-PVC	M8, 4-pin socket, PVC cable
V3-GM-2M-PVC	M8, 3-pin socket, PVC cable



Electrical Connection

○ = light on, ● = dark on

 Option 95/103 Receiver Option 98/102 Receiver 	M100/MV100-RT/35/76b/98/102 M100/MV100-RT/76b/98/102 Option 95/102 Receiver 	M100/MV100-RT/35/76b/95/102 M100/MV100-RT/76b/95/102 Option 103/115a Receiver 	M100/MV100-RT/76a/103/115a M100/MV100-RT/35/76a/98/103 M100/MV100-RT/76a/98/103 Option 98/103 Receiver 	Wire colors in accordance with EN 60947-5-2 1 BN (brown) 2 WH (white) 3 BU (blue) 4 BK (black)
Transmitter ...76a Transmitter ...76b 	Transmitter ...76b Transmitter ...76a 	Transmitter ...76a Transmitter ...76a 	Transmitter ...76a Transmitter ...76a 	Wire colors in accordance with EN 60947-5-2 1 BN (brown) 3 BU (blue) 4 BK (black)



Technical Data

For detailed data and product description refer to the data sheets at www.pepperl-fuchs.com

General Data

Test input	✓
Sensitivity adjustment	✓
Light/dark switch	✓
Threshold detection range	20 m
Effective detection range	0 ... 15 m
Light type	modulated infrared light
Operating voltage	10 ... 30 V DC, class 2
No-load supply current	Emitter: ≤ 15 mA Receiver: ≤ 8 mA
Switching type	light/dark on, switchable
Switching current	max. 100 mA, resistive load
Switching frequency	250 Hz
Test input	emitter deactivation
Ambient temperature	-30 ... 60 °C (-22 ... 140 °F)
Material	
Housing	PC (Polycarbonate)
Optical face	PMMA
Protection degree	IP67

Properties

- Emitter / receiver set
- Rectangular miniature housing
- Plastic housing
- Discrete output
- Cable and connector versions
- Infrared light

Your Benefit

- Rugged housing has metal-reinforced mounting holes

Model Number

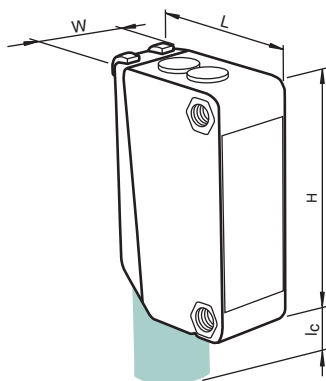
	M100/MV100-IR-76b/102/115	M100/MV100-IR-76a/103/115	M100/MV100-IR-76a/95/103
Signal output	1 NPN output, short-circuit protected, reverse polarity protected, open collector	1 PNP output, short-circuit protected, reverse polarity protected, open collector	
Connection	2 m fixed cable M8 x 1 connector, 4-pin		

Approvals and Certificates

UL approval	cULus Listed, Class 2 Power Source, Type 1 enclosure	●	●	●
CCC approval	Products with a maximum operating voltage of ≤36 V do not bear a CCC marking because they do not require approval.			

Dimensions

Length L [mm]	20
Width W [mm]	11
Height H [mm]	31
Connector area l _c [mm]	0 10



Accessories

This and more accessories can be found in chapter 10
See pages from 972 ... for cordsets See pages 1068 ... for mounting aids

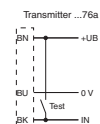
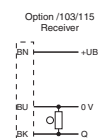
- OMH-ML100-01** Mounting bracket
- OMH-ML100-03** Mounting aid for round steel ø 12 mm or sheet 1.5 mm ... 3 mm
- OMH-ML100-02** Mounting bracket
- OMH-ML100-04** Mounting bracket
- OMH-ML100-05** Mounting bracket
- OMH-F10-ML100** Mounting aid for ML100 series
- OMH-10** Mounting aid
- V3-GM-2M-PUR** Cable socket, M8, 3-pin, PUR cable

Electrical Connection

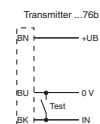
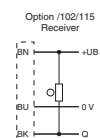
○ = light on, ● = dark on



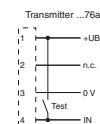
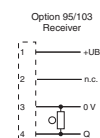
M100/MV100-IR-76a/103/115



M100/MV100-IR-76b/102/115



M100/MV100-IR-76a/95/103



Wire colors in accordance with EN 60947-5-2

- 1 | BN (brown)
- 2 | WH (white)
- 3 | BU (blue)
- 4 | BK (black)

Date of issue 04/08/2015



2
.1.4



Properties

- Emitter / receiver set
- Rectangular miniature housing
- Plastic housing
- Discrete output
- Cable and connector versions
- Visible red light

Technical Data

For detailed data and product description refer to the data sheets at www.pepperl-fuchs.com

General Data

Sensitivity adjustment	✓
Threshold detection range	8 m
Effective detection range	0 ... 6 m
Light type	modulated visible red light 660 nm
Operating voltage	10 ... 30 V DC
Switching current	max. 0.1 A
Switching frequency	1000 Hz
Ambient temperature	-25 ... 55 °C (-13 ... 131 °F)
Material	
Housing	ABS
Optical face	plastic
Protection degree	IP65

Model Number

	ML300-P-6m-RT/59/103/115	ML300-P-6m-RT/25/103/115	ML300-P-6m-RT/59/102/115	ML300-P-6m-RT/25/102/115	ML300-P-6m-RT/59/98/103	ML300-P-6m-RT/25/98/103	ML300-P-6m-RT/59/98/102	ML300-P-6m-RT/25/98/102
No-load supply current	Emitter: ≤ 20 mA Receiver: ≤ 15 mA							
	Emitter: ≤ 20 mA Receiver: ≤ 20 mA							
Switching type	dark on							
	light on							
Signal output	1 NPN output, short-circuit protected, reverse polarity protected, open collector							
	1 PNP output, short-circuit protected, reverse polarity protected, open collector							
Connection	2 m fixed cable							
	M8 x 1 connector, 3-pin							

Approvals and Certificates

CCC approval Products with a maximum operating voltage of ≤36 V do not bear a CCC marking because they do not require approval.

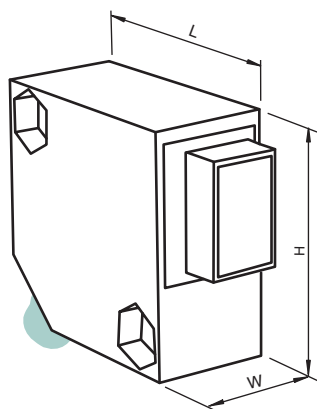
Dimensions

Length L [mm]	30
Width W [mm]	15
Height H [mm]	30
Connector area l _c [mm]	2 11

Accessories This and more accessories can be found in chapter 10

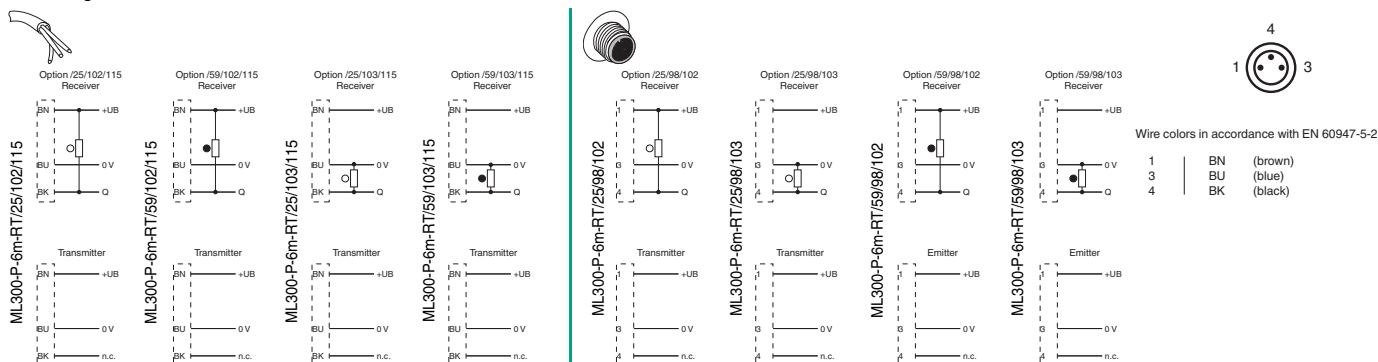
See pages from 972 ... for cordsets See pages 1068 ... for mounting aids

- OMH-ML300-01 Bracket for mounting ML300 series sensors
- OMH-ML300-02 Bracket for mounting ML300 series sensors on a 35 mm DIN rail
- V3-GM-2M-PVC M8, 3-pin socket, PVC cable
- V3-WM-2M-PVC M8, 3-pin socket, PVC cable



Electrical Connection

○ = light on, ● = dark on





Technical Data

For detailed data and product description refer to the data sheets at www.pepperl-fuchs.com

General Data

Sensitivity adjustment	✓
Threshold detection range	14 m
Effective detection range	0 ... 12 m
Light type	modulated infrared light 880 nm
Operating voltage	10 ... 30 V DC
No-load supply current	Emitter: ≤ 15 mA , Receiver: ≤ 10 mA
Switching current	max. 0.1 A
Switching frequency	1000 Hz
Test input	emitter: not activated: < 4 V, activated: > 8 V or open
Ambient temperature	-25 ... 55 °C (-13 ... 131 °F)
Material	
Housing	PBT
Optical face	glass pane
Protection degree	IP67

Properties

- Emitter / receiver set
- Rectangular miniature housing
- Plastic housing
- Discrete output
- Cable and connector versions
- Infrared light

Model Number

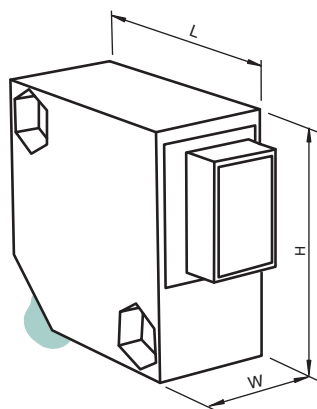
Switching type	light on light on / dark on	ML300-P-12m-IR/76b/115/120	ML300-P-12m-IR/76b/115/127	ML300-P-12m-IR/76b/82d/103/115	ML300-P-12m-IR/76b/95/120	ML300-P-12m-IR/76b/95/127	ML300-P-12m-IR/76b/82d/95/103
Signal output	1 PNP output, short-circuit protected, reverse polarity protected, open collector	●	●	●	●	●	●
	2 NPN outputs, complementary, short-circuit proof, reverse-polarity protection, open collector		●			●	
	2 PNP outputs, complementary, short-circuit protected, reverse polarity protected, open collector	●			●		
Output of the pre-fault indication	1 PNP			●			●
Connection	2 m fixed cable M8 x 1 connector, 4-pin	●	●	●	●	●	●

Approvals and Certificates

UL approval	cULus Listed 57M3 (Only in association with UL Class 2 power supply; Type 1 enclosure)	●	●	●	●	●	●
CCC approval	Products with a maximum operating voltage of ≤36 V do not bear a CCC marking because they do not require approval.						

Dimensions

Length L [mm]	30
Width W [mm]	15
Height H [mm]	30
Connector area I _c [mm]	2 11



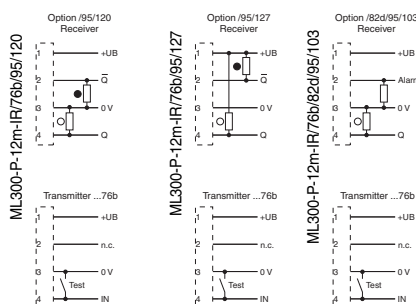
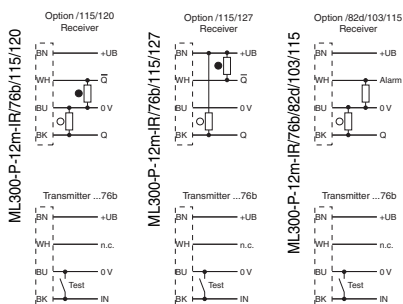
Accessories

This and more accessories can be found in chapter 10
See pages from 972 ... for cordsets See pages 1068 ... for mounting aids

- OMH-ML300-01** Bracket for mounting ML300 series sensors
- OMH-ML300-02** Bracket for mounting ML300 series sensors on a 35 mm DIN rail
- V31-GM-2M-PVC** M8, 4-pin socket, PVC cable
- V31-WM-2M-PVC** M8, 4-pin socket, PVC cable

Electrical Connection

○ = light on, ● = dark on



Wire colors in accordance with EN 60947-5-2

- 1 BN (brown)
- 2 WH (white)
- 3 BU (blue)
- 4 BK (black)

Date of issue 04/08/2015



Technical Data

For detailed data and product description refer to the data sheets at www.pepperl-fuchs.com

General Data

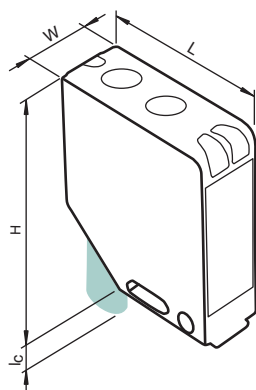
Test input	✓
Teach-In	✓
Light/dark switch	✓
Threshold detection range	25 m
Effective detection range	0 ... 16 m
Operating voltage	10 ... 30 V DC
No-load supply current	Emitter: ≤ 35 mA Receiver: ≤ 45 mA
Switching type	light/dark on, switchable
Signal output	1 push-pull (4 in 1) output, short-circuit protected, reverse polarity protected
Switching current	max. 0.2 A
Switching frequency	1000 Hz
Pre-fault indication output	1 PNP
Test input	emitter deactivation at 0 V
Ambient temperature	-40 ... 60 °C (-40 ... 140 °F)
Material	
Housing	Frame: nickel plated, die cast zinc, Laterals: glass-fiber reinforced plastic PC
Optical face	Plastic pane
Protection degree	IP67

Properties

- Emitter / receiver set
- Rectangular compact housing
- Die cast zinc frame housing
- Discrete output
- Cable and connector versions
- Visible red and infrared light versions

Your Benefit

- Integral alignment aid LED simplifies setup
- Contrast detection mode automatically compensates for lens contaminants
- Extreme low-temperature operation



Model Number

	M12/MV12-F1/76b/82b/115/128	M12/MV12-F1/76b/82b/95/128	M12/MV12-F1/76b/82b/124/128	M12/MV12-F1-IR/76b/82b/124/128
Light type	modulated infrared light , 880 nm	modulated visible red light , 660 nm		
Function input	Ext. Teach-In input (ET)			
Connection	2500 mm fixed cable, PUR			
	5-pin M12 metal connector, 90° rotatable			
	4-pin M8 metal connector, 90° rotatable			

Approvals and Certificates

Protection class	II	●	●	●	●
UL approval	cULus	●	●	●	●
CCC approval	Products with a maximum operating voltage of ≤36 V do not bear a CCC marking because they do not require approval.				

Dimensions

Length L [mm]	41,5			
Width W [mm]	15			
Height H [mm]	49			
Connector area l _c [mm]	0	12	16	

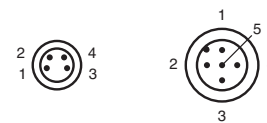
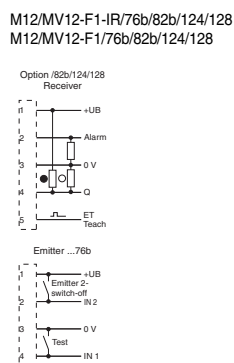
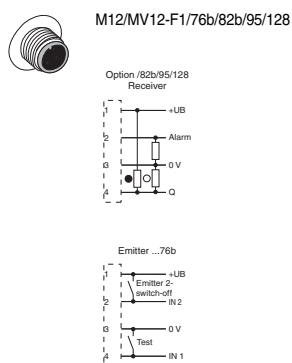
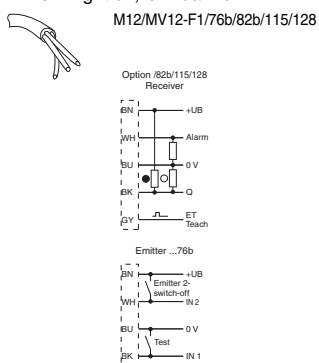
Accessories

This and more accessories can be found in chapter 10
See pages from 972 ... for cordsets See pages 1068 ... for mounting aids

- OMH-MLV12-HWG** Mounting bracket for series MLV12 sensors
- OMH-MLV12-HWK** Mounting bracket for series MLV12 sensors
- OMH-K01** dove tail mounting clamp
- V31-GM-2M-PVC** M8, 4-pin socket, PVC cable
- V15-GM-2M-PVC** M12, 5-pin socket, PVC cable

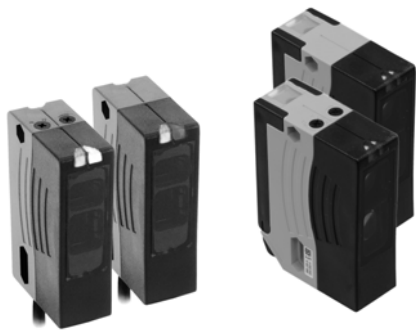
Electrical Connection

○ = light on, ● = dark on



Wire colors in accordance with EN 60947-5-2

- 1 BN (brown)
- 2 WH (white)
- 3 BU (blue)
- 4 BK (black)
- 5 GY (gray)



Technical Data

For detailed data and product description refer to the data sheets at www.pepperl-fuchs.com

General Data

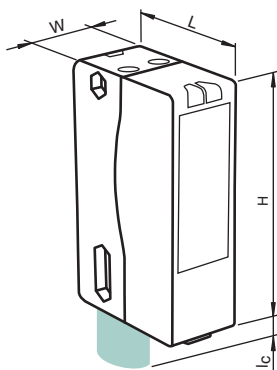
Test input	✓
Sensitivity adjustment	✓
Light/dark switch	✓
Threshold detection range	40 m
Effective detection range	0 ... 30 m
Light type	modulated visible red light , 660 nm
Operating voltage	10 ... 30 V DC
No-load supply current	Emitter: ≤ 50 mA , Receiver: ≤ 35 mA
Switching type	light/dark on, switchable
Switching frequency	1000 Hz
Output of the pre-fault indication	1 PNP
Test input	emitter deactivation
Ambient temperature	-40 ... 60 °C (-40 ... 140 °F)
Material	
Housing	Plastic ABS
Optical face	Plastic pane
Protection degree	IP67

Properties

- Emitter / receiver set
- Rectangular full-size housing
- Plastic housing
- Discrete output
- Cable, connector and terminals versions
- Visible red light

Your Benefit

- Integral alignment aid LED simplifies setup
- Extreme low-temperature operation



Model Number

	LD28/LV28-F1/47/76a/82b/115	LD28/LV28-F1/76a/82b/110/115	LD28/LV28-F1/47/76a/82b/105	LD28/LV28-Z-F1/76a/82b/110/116
Signal output		●		●
Switching current	●	●	●	●
Timer function				●
Connection	●	●		●
			●	

Approvals and Certificates

Protection class	II	●	●	●	●
UL approval	cULus	●	●	●	●
CCC approval	Products with a maximum operating voltage of ≤36 V do not bear a CCC marking because they do not require approval.				

Dimensions

Length L [mm]		54,3	65,5	
Width W [mm]		25,8		
Height H [mm]		88		
Connector area l _c [mm]		4	14	0

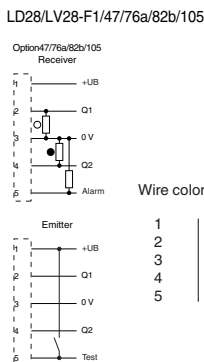
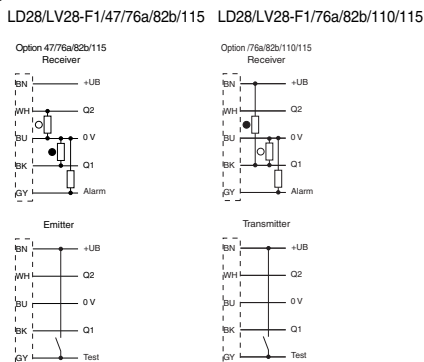
Accessories

This and more accessories can be found in chapter 10
See pages from 972 ... for cordsets See pages 1068 ... for mounting aids

- OMH-K01 dove tail mounting clamp
- OMH-RL28-C Protective cover

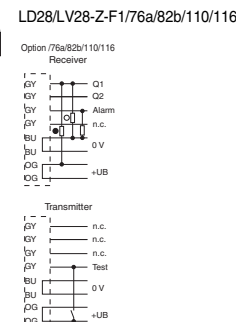
Electrical Connection

○ = light on, ● = dark on



Wire colors in accordance with EN 60947-5-2

- 1 BN (brown)
- 2 WH (white)
- 3 BU (blue)
- 4 BK (black)
- 5 GY (gray)



Date of issue 04/08/2015



Properties

- Emitter / receiver set
- Rectangular full-size housing
- Plastic housing
- Discrete output
- Connector and terminals versions
- Laser red light

Your Benefit

- Integral alignment aid LED simplifies setup
- High operating range and small light spot for gap monitoring

Technical Data

For detailed data and product description refer to the data sheets at www.pepperl-fuchs.com

General Data

Test input	✓
Sensitivity adjustment	✓
Light/dark switch	✓
Threshold detection range	400 m
Effective detection range	0 ... 300 m
Light type	modulated visible red light
Laser class	2
Operating voltage	10 ... 30 V DC
No-load supply current	Emitter: ≤ 55 mA, Receiver: ≤ 35 mA
Switching type	light/dark on, switchable
Signal output	2 PNP, complementary, short-circuit protected, reverse polarity protected, open collectors
Switching current	max. 200 mA
Switching frequency	1000 Hz
Pre-fault indication output	1 PNP transistor, short-circuit protected, reverse polarity protected, open collector, U _{max} = 30 V DC, I _{max} = 0.2 A
Test input	emitter deactivation at +U _B
Ambient temperature	-10 ... 50 °C (14 ... 122 °F)
Material	
Housing	Plastic ABS
Optical face	Plastic pane
Protection degree	IP67

Model Number

Timer function	programmable adjustment interval 0.02 s ... 1 s
Connection	terminal compartment
	5-pin, M12 x 1 plastic connector

LD28/LV28-LAS-F1/47/76a/82b/105

LD28/LV28-LAS-F1-Z/47/76a/116



Approvals and Certificates

Protection class	II	●	●
UL approval	cULus Listed , Class 2 power source	●	●
CCC approval	Products with a maximum operating voltage of ≤36 V do not bear a CCC marking because they do not require approval.		

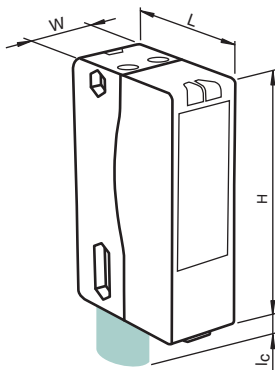
Dimensions

Length L [mm]	54,3	65,5
Width W [mm]		25,8
Height H [mm]		88
Connector area l _c [mm]	14	0

Accessories This and more accessories can be found in chapter 10

See pages from 972 ... for cordsets See pages 1068 ... for mounting aids

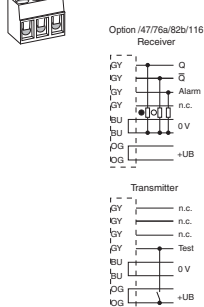
- OMH-RLK29** Mounting bracket
- OMH-K01** dove tail mounting clamp
- OMH-RLK29-HW** Mounting bracket for rear wall mounting
- OMH-RL28-C** Protective cover



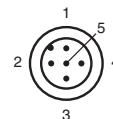
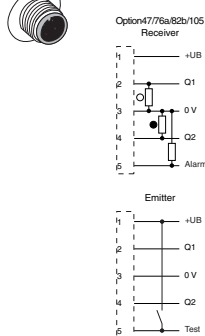
Electrical Connection

○ = light on, ● = dark on

LD28/LV28-LAS-F1-Z/47/76a/116



LD28/LV28-LAS-F1/47/76a/82b/105



Wire colors in accordance with EN 60947-5-2

- 1 BN (brown)
- 2 WH (white)
- 3 BU (blue)
- 4 BK (black)
- 5 GY (gray)

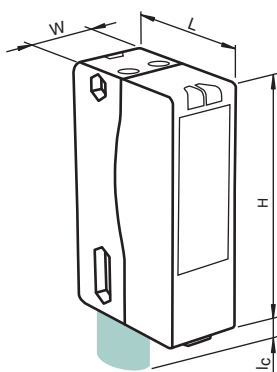


Properties

- Emitter / receiver set
- Rectangular full-size housing
- Plastic housing
- AC/DC sensor
- Relay output
- Terminals
- Visible red light

Your Benefit

- Integral alignment aid LED simplifies setup
- Extreme low-temperature operation



Technical Data

For detailed data and product description refer to the data sheets at www.pepperl-fuchs.com

General Data

Sensitivity adjustment	✓
Light/dark switch	✓
Threshold detection range	90 m
Effective detection range	0 ... 65 m
Light type	modulated visible red light , 660 nm
Operating voltage	12 ... 240 V AC/DC
Power consumption	≤ 3.5 VA
Switching type	light/dark on, switchable
Signal output	Relay, 1 alternator
Switching current	max. 2 A
Switching power	DC: max. 50 W AC: max. 500 VA
Switching frequency	25 Hz
Timer function	ON delay (GAN), OFF delay (GAB), one shot (IAB), ON delay-OFF delay (GAN-GAB), programmable adjustment range 0.1 ...10 s
Ambient temperature	-40 ... 60 °C (-40 ... 140 °F)
Material	
Housing	Plastic ABS
Optical face	Plastic pane
Protection degree	IP67
Connection	terminal compartment



Model Number

Transmitter frequency	F1 = 25 kHz	●	●
	F1 = 30 kHz		●

Approvals and Certificates

Protection class	II	●	●
UL approval	cULus Listed , Class 2 power source	●	●
CCC approval	Certified by China Compulsory Certification (CCC)	●	●

Dimensions

Length L [mm]	65,5
Width W [mm]	25,8
Height H [mm]	88
Connector area l _c [mm]	0

Accessories

This and more accessories can be found in chapter 10
 See pages from 972 ... for cordsets See pages 1068 ... for mounting aids

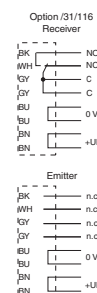
OMH-05	Mounting aid for round steel ø 12 mm or sheet 1.5 mm ... 3 mm
OMH-07	Mounting aid for round steel ø 12 mm or sheet 1.5 mm ... 3 mm
OMH-21	Mounting bracket
OMH-22	Mounting bracket
OMH-RLK29	Mounting bracket
OMH-K01	dove tail mounting clamp
OMH-RLK29-HW	Mounting bracket for rear wall mounting
OMH-RL28-C	Protective cover

Electrical Connection

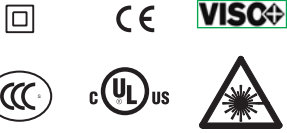
○ = light on, ● = dark on



LA28/LK28-Z-F1/31/116
 LA28/LK28-Z-F2/31/116



Date of issue 04/08/2015



Properties

- Emitter / receiver set
- Rectangular full-size housing
- Plastic housing
- AC/DC sensor
- Relay output
- Terminals
- Laser red light

Your Benefit

- Integral alignment aid LED simplifies setup
- High operating range and small light spot for gap monitoring

Technical Data

For detailed data and product description refer to the data sheets at www.pepperl-fuchs.com

Model Number	LA28/LK28-LAS-F1-Z/31/116
Sensitivity adjustment	✓
Light/dark switch	✓
Threshold detection range	400 m
Effective detection range	0 ... 300 m
Light type	modulated visible red light
Laser class	2
Operating voltage	12 ... 240 V AC/DC
Power consumption	≤ 3.5 VA
Switching type	light/dark on, switchable
Signal output	Relay, 1 alternator
Switching current	max. 2 A
Switching power	DC: max. 50 W AC: max. 500 VA
Switching frequency	25 Hz
Timer function	programmable adjustment range 0.1 ... 10 s
Ambient temperature	-10 ... 50 °C (14 ... 122 °F)
Material	
Housing	Plastic ABS
Optical face	Plastic pane
Protection degree	IP67
Connection	terminal compartment



Approvals and Certificates

Protection class	II
UL approval	cULus Listed
CCC approval	Certified by China Compulsory Certification (CCC)

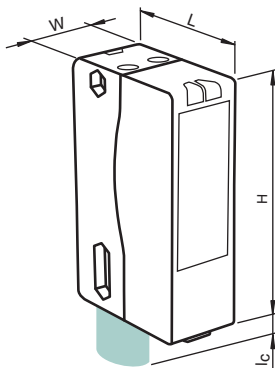
Dimensions

Length L [mm]	65.5
Width W [mm]	25.8
Height H [mm]	88
Connector area l _c [mm]	0

Accessories

This and more accessories can be found in chapter 10
 See pages from 972 ... for cordsets See pages 1068 ... for mounting aids

OMH-05	Mounting aid for round steel ø 12 mm or sheet 1.5 mm ... 3 mm
OMH-07	Mounting aid for round steel ø 12 mm or sheet 1.5 mm ... 3 mm
OMH-21	Mounting bracket
OMH-22	Mounting bracket
OMH-RLK29	Mounting bracket
OMH-K01	dove tail mounting clamp
OMH-RLK29-HW	Mounting bracket for rear wall mounting
OMH-RL28-C	Protective cover



Electrical Connection

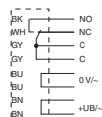
○ = light on, ● = dark on

LA28/LK28-LAS-F1-Z/31/116

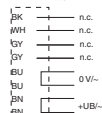


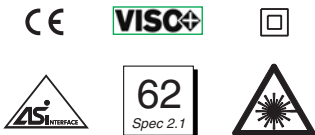
Option /31/116

Receiver



Emitter



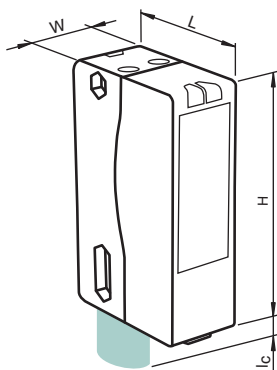


Properties

- Emitter / receiver set
- Rectangular full-size housing
- Plastic housing
- AS interface
- Connector version
- Laser red light

Your Benefit

- Integral alignment aid LED simplifies setup



Technical Data

For detailed data and product description refer to the data sheets at www.pepperl-fuchs.com

Model Number	LD28/LV28-LAS-F1-B3B/73c
Sensitivity adjustment	✓
Light/dark switch	✓
Threshold detection range	400 m
Effective detection range	0 ... 300 m
Light type	modulated visible red light
Laser class	2
Operating voltage	26.5 ... 31.6 V via AS-Interface network , min. 18.5 V
No-load supply current	Emitter: ≤ 55 mA Receiver: ≤ 45 mA
Switching type	light/dark on switchable via AS-i bus system
Signal output	AS-Interface
Switching frequency	1000 Hz
Timer function	Impulsed off-delay IAB, 50 ms, switchable via AS-Interface
Output of the pre-fault indication	data bit D1
Test input	Data bit D2: 0: emitter on, 1: emitter off
Ambient temperature	-10 ... 50 °C (14 ... 122 °F)
Material	
Housing	Plastic ABS
Optical face	Plastic pane
Protection degree	IP67
Connection	Plastic connector M12 x 1, 4-pin

Approvals and Certificates

Protection class	II
CCC approval	Products with a maximum operating voltage of ≤36 V do not bear a CCC marking because they do not require approval.

Dimensions

Length L [mm]	54.3
Width W [mm]	25.8
Height H [mm]	88
Connector area l_c [mm]	14

Accessories This and more accessories can be found in chapter 10

See pages from 972 ... for cordsets See pages 1068 ... for mounting aids

VBP-HH1	Handheld programming device
OMH-05	Mounting aid for round steel \varnothing 12 mm or sheet 1.5 mm ... 3 mm
OMH-07	Mounting aid for round steel \varnothing 12 mm or sheet 1.5 mm ... 3 mm
OMH-21	Mounting bracket
OMH-22	Mounting bracket
OMH-K01	dove tail mounting clamp
OMH-RLK29-HW	Mounting bracket for rear wall mounting
OMH-RL28-C	Protective cover
V1-GM-2M-PUR	M12, 4-pin socket, PUR cable
V1-WM-2M-PUR	M12, 4-pin socket, PUR cable
V1-GM-5M-PUR	M12, 4-pin socket, PUR cable
V1-WM-5M-PUR	M12, 4-pin socket, PUR cable

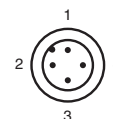
Electrical Connection

○ = light on, ● = dark on

LD28/LV28-LAS-F1-B3B/73c



Option AS-Interface



Wire colors in accordance with EN 60947-5-2

1	BN	(brown)
2	WH	(white)
3	BU	(blue)
4	BK	(black)

Date of issue 04/08/2015



Properties

- Emitter / receiver set
- Rectangular full-size housing
- Plastic housing
- Discrete output
- Cable and connector versions
- Visible red light

Technical Data

For detailed data and product description refer to the data sheets at www.pepperl-fuchs.com

General Data

Test input	✓
Threshold detection range	43 m
Effective detection range	0 ... 30 m
Light type	modulated visible red light , 630 nm
Operating voltage	10 ... 30 V DC
No-load supply current	Emitter: ≤ 18 mA Receiver: ≤ 18 mA
Switching type	dark on
Signal output	2 Push-pull (4 in 1) outputs, short-circuit protected, reverse polarity protected
Switching current	max. 100 mA
Switching frequency	≤ 250 Hz
Test input	emitter deactivation at +U _B
Ambient temperature	-30 ... 55 °C (-22 ... 131 °F)
Material	
Housing	Polycarbonate
Optical face	PMMA
Protection degree	IP67

Model Number

green = preferred type
 Connection connector M12 x 1, 4-pin
 Emitter: 2 m fixed cable , 3-wire
 Receiver: 2 m fixed cable , 4-wire

LD31/LV31/76a/115/136

LD31/LV31/73c/76a/136

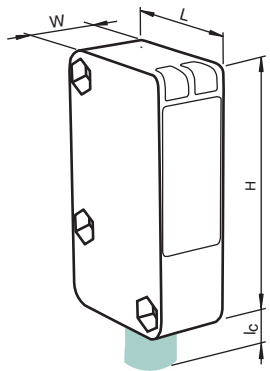


Approvals and Certificates

Protection class	II	●	●
UL approval	cULus Listed, Class 2 Power Source, Type 1 enclosure	●	●
CCC approval	Products with a maximum operating voltage of ≤36 V do not bear a CCC marking because they do not require approval.		

Dimensions

Length L [mm]	35
Width W [mm]	18
Height H [mm]	62
Connector area l _c [mm]	0 10



Accessories

This and more accessories can be found in chapter 10
 See pages from 972 ... for cordsets See pages 1068 ... for mounting aids

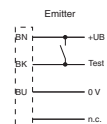
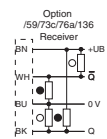
- OMH-RL31-01** Mounting bracket
- OMH-RL31-02** Mounting bracket
- OMH-RL31-03** Mounting bracket
- OMH-RL31-04** Mounting aid for round steel ø 12 mm or sheet 1.5 mm ... 3 mm
- OMH-RL31-05** Mounting bracket
- OMH-RL31-06** Mounting bracket
- V1-GM-2M-PUR** M12, 4-pin socket, PUR cable
- V1-WM-2M-PUR** M12, 4-pin socket, PUR cable
- V1-GM-5M-PUR** M12, 4-pin socket, PUR cable
- V1-WM-5M-PUR** M12, 4-pin socket, PUR cable

Electrical Connection

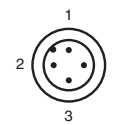
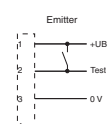
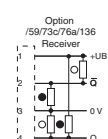
○ = light on, ● = dark on



LD31/LV31/76a/115/136



LD31/LV31/73c/76a/136



Wire colors in accordance with EN 60947-5-2

- 1 | BN (brown)
- 2 | WH (white)
- 3 | BU (blue)
- 4 | BK (black)



Properties

- Emitter / receiver set
- Rectangular full-size housing
- Plastic housing
- AC/DC sensor
- Relay output
- Cable version
- Visible red light

Technical Data

For detailed data and product description refer to the data sheets at www.pepperl-fuchs.com

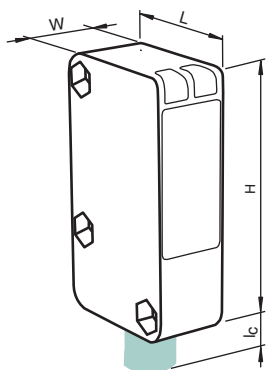
Model Number	LA31/LK31/31/115
Threshold detection range	43 m
Effective detection range	0 ... 30 m
Light type	modulated visible red light , 630 nm
Operating voltage	24 ... 240 V AC 12 ... 240 V DC
No-load supply current	Emitter: ≤ 20 mA Receiver: ≤ 20 mA
Power consumption	Emitter: ≤ 1 VA Receiver: ≤ 1 VA
Switching type	dark on
Signal output	Relay, 1 alternator
Switching current	max. 3 A
Switching power	DC: max. 150 W AC: max. 750 VA
Switching frequency	≤ 20 Hz
Ambient temperature	-25 ... 55 °C (-13 ... 131 °F)
Material	
Housing	Polycarbonate
Optical face	PMMA
Protection degree	IP67
Connection	Emitter: 2 m fixed cable , 2-wire Receiver: 2 m fixed cable , 5-wire

Approvals and Certificates	
Protection class	II
CCC approval	Certified by China Compulsory Certification (CCC)

Dimensions	
Length L [mm]	35
Width W [mm]	18
Height H [mm]	62
Connector area l _c [mm]	0

Accessories This and more accessories can be found in chapter 10
See pages from 972 ... for cordsets See pages 1068 ... for mounting aids

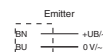
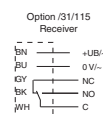
OMH-RL31-01	Mounting bracket
OMH-RL31-02	Mounting bracket
OMH-RL31-03	Mounting bracket
OMH-RL31-04	Mounting aid for round steel ø 12 mm or sheet 1.5 mm ... 3 mm
OMH-RL31-05	Mounting bracket
OMH-RL31-06	Mounting bracket



Electrical Connection

○ = light on, ● = dark on

LA31/LK31/31/115



Date of issue 04/08/2015

2
.1.4
Photoelectric Sensors, Standard Sensors, thru-beam sensors



Technical Data

For detailed data and product description refer to the data sheets at www.pepperl-fuchs.com

Model Number	M11/MV11-Ex/40b/112
Sensitivity adjustment	✓
Light/dark switch	✓
Threshold detection range	10 m
Effective detection range	0 ... 10 m
Light source	LED
Light type	modulated visible red light , 660 nm
Operating voltage	6 ... 15.5 V DC (R _i approx. 0 Ohm)
Power consumption	max. 64 mW
Switching type	light/dark on, programmable
Signal output	1 NAMUR output NC/NO programmable
Switching frequency	≥ 100 Hz
Current consumption	Emitter: ≥ 2.2 mA , Receiver:
Reference target detected	connection 1, 2: ≥ 2.2 mA connection 1, 4: ≤ 1 mA
Reference target not detected	connection 1, 2: ≤ 1 mA connection 1, 4: ≥ 2.2 mA
Ambient temperature	-25 ... 70 °C (-13 ... 158 °F)
Material	
Housing	PBT
Optical face	scratch resistant plastic lens
Protection degree	IP67
Connection	V1 connector (M12 x 1), 4-pin, rotatable through 90°



Properties

- Emitter / receiver set
- Rectangular compact housing
- Plastic housing
- NAMUR output
- Connector version
- Visible red light

Your Benefit

- ATEX-approval for zone 1
- Intrinsically safe Ex op is ia IIC T6

Use in the Hazardous Area

Marking	Zone 1: II 2G Ex op is ia IIC T6
---------	-----------------------------------

Approvals and Certificates

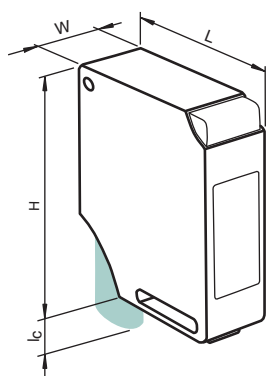
CCC approval	Products with a maximum operating voltage of ≤36 V do not bear a CCC marking because they do not require approval.
EC-Type Examination Certificate	PTB 99 ATEX 2036 X

Dimensions

Length L [mm]	45
Width W [mm]	18
Height H [mm]	50
Connector area l _c [mm]	18 / 0

Photoelectric Sensors, Standard Sensors, thru-beam sensors

2
.1.4



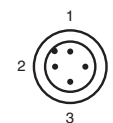
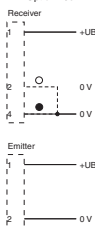
Electrical Connection

○ = light on, ● = dark on

M11/MV11-Ex/40b/112



Option 40b



Wire colors in accordance with EN 60947-5-2

1	BN	(brown)
2	WH	(white)
3	BU	(blue)
4	BK	(black)



Properties

- Emitter / receiver set
- Rectangular compact housing
- Plastic housing
- Discrete output
- Connector version
- Visible red light

Your Benefit

- ATEX-approval for zone 2 and zone 22

Technical Data

For detailed data and product description refer to the data sheets at www.pepperl-fuchs.com

Model Number	L32/LV32-EX2/35/47/73c
Threshold detection range	45 m
Effective detection range	0 ... 30 m
Light source	LED
Light type	modulated visible red light
Operating voltage	10 ... 30 V DC
No-load supply current	50 mA
Switching type	light/dark on
Signal output	2 PNP, complementary, short-circuit protected, reverse polarity protected
Switching current	max. 50 mA
Switching frequency	150 Hz
Test input	Emitter deactivation
Ambient temperature	-20 ... 50 °C (-4 ... 122 °F)
Material	
Housing	Terluran GV15
Optical face	glass
Protection degree	IP65
Connection	Plastic connector M12 x 1, 4-pin



Use in the Hazardous Area

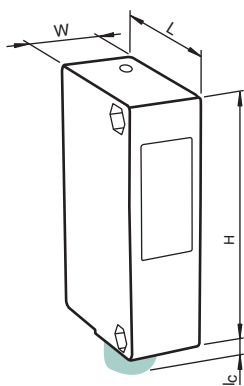
Marking	Zone 2: II 3G Ex nA op is IIC T4; Zone 22: II 3D Ex tD A22 IP65 T 75°C
---------	--

Approvals and Certificates

CCC approval	Products with a maximum operating voltage of ≤36 V do not bear a CCC marking because they do not require approval.
--------------	--

Dimensions

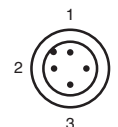
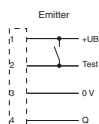
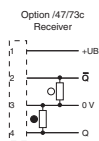
Length L [mm]	85
Width W [mm]	34
Height H [mm]	80
Connector area l _c [mm]	0 (PG9)



Electrical Connection

○ = light on, ● = dark on

L32/LV32-EX2/35/47/73c



Wire colors in accordance with EN 60947-5-2

1	BN	(brown)
2	WH	(white)
3	BU	(blue)
4	BK	(black)

Date of issue 2015-04-08



Technical Data

For detailed data and product description refer to the data sheets at www.pepperl-fuchs.com

Model Number	L36/LV36-Ex/40b/116
Sensitivity adjustment	✓
Light/dark switch	✓
Threshold detection range	30 m
Effective detection range	0 ... 30 m
Light source	LED , 660 nm
Light type	modulated visible red light
Operating voltage	6 ... 16 V DC (R _i approx. 0 Ohm)
Switching type	light/dark on, programmable
Signal output	1 NAMUR output NC/NO programmable
Switching frequency	≥ 100 Hz
Current consumption	Emitter: ≥ 2.2 mA , Receiver:
Reference target detected	connection 1, 2: ≥ 2.2 mA connection 1, 4: ≤ 1 mA
Reference target not detected	connection 1, 2: ≤ 1 mA connection 1, 4: ≥ 2.2 mA
Ambient temperature	-25 ... 70 °C (-13 ... 158 °F)
Material	
Housing	PMMA
Optical face	PMMA
Protection degree	IP54
Connection	terminal compartment PG9, ≤ 2.5 mm ²



Use in the Hazardous Area

Marking II 2G Ex op is ia IIC T4

Approvals and Certificates

CCC approval Products with a maximum operating voltage of ≤36 V do not bear a CCC marking because they do not require approval.

Dimensions

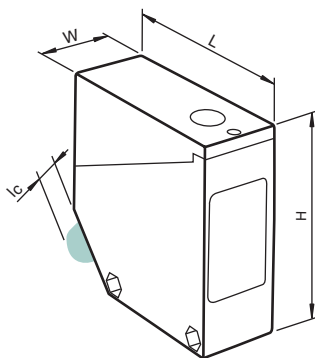
Length L [mm]	45.5
Width W [mm]	22
Height H [mm]	72
Connector area l _c [mm]	13.5

Properties

- Emitter / receiver set
- Rectangular full-size housing
- Plastic housing
- NAMUR output
- Terminals version
- Visible red light

Your Benefit

- ATEX-approval for zone 1
- Intrinsically safe Ex op is ia IIC T4



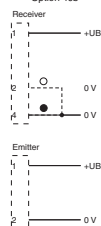
Electrical Connection

○ = light on, ● = dark on

L36/LV36-Ex/40b/116



Option 40b



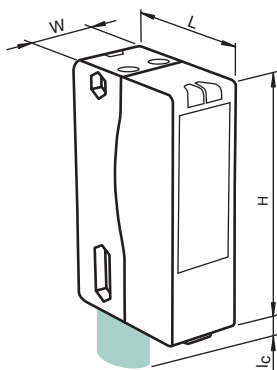


Properties

- Rectangular full-size housing
- Diffuse distance measurement
- Pulse Ranging Technology (PRT)
- Medium range
- Discrete and analog outputs with IO-Link
- Laser red light

Your Benefit

- Parallel measuring paths possible. No cross-talk
- Secure measurement in difficult conditions, e.g. mist or dust
- High resistance to ambient light
- Measures distances consistently, regardless of surface color



Technical Data

For detailed data and product description refer to the data sheets at www.pepperl-fuchs.com

General Data

Teach-In	✓
Measurement range	0.2 ... 8 m
Reference target	Kodak white (90%)
Light source	laser diode
Light type	modulated visible red light
Laser class	2
Measuring method	Pulse Ranging Technology (PRT)
Diameter of the light spot	< 10 mm at a distance of 8 m at 20 °C
Operating voltage	10 ... 30 V DC / IO-Link mode: 18 ... 30 V DC
No-load supply current	≤ 70 mA / 24 V DC
Interface	
Interface type	IO-Link
Mode	COM 2 (38.4 kBaud)
Switching current	max. 100 mA
Switching frequency	50 Hz
Absolute accuracy	± 25 mm
Repeat accuracy	< 5 mm
Ambient temperature	-30 ... 50 °C (-22 ... 122 °F)
Material	
Housing	Plastic ABS
Optical face	Plastic pane
Protection degree	IP65

Model Number

	green = preferred type	VDM28-8-L-IO/110/115b/122	VDM28-8-L-IO/115b/136	VDM28-8-L-IO/73c/110/122	VDM28-8-L-IO/73c/136
Signal output	Push-pull (4 in 1) output, short-circuit protected, reverse polarity protected	●	●	●	●
	2 Push-pull (4 in 1) outputs, short-circuit protected, reverse polarity protection		●		●
Measurement output	1 analog output 4 ... 20 mA, short-circuit/overload protected	●		●	
Connection	300 mm fixed cable with M12 x 1, 4-pin connector	●	●		
	connector M12 x 1, 4-pin			●	●

Approvals and Certificates

Protection class	II	●	●	●	●
UL approval	cULus Listed, Class 2 Power Source, Type 1 enclosure	●	●	●	●

Dimensions

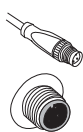
Length L [mm]	54,3
Width W [mm]	25,8
Height H [mm]	88
Connector area l _c [mm]	5 14

Accessories This and more accessories can be found in chapter 10
See pages from 972 ... for cordsets See pages 1068 ... for mounting aids

- OMH-21** Mounting bracket
- OMH-K01** dove tail mounting clamp
- OMH-VDM28-01** Metal enclosure for inserting protective panes or apertures

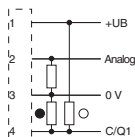
Electrical Connection

○ = light on, ● = dark on



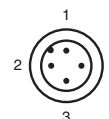
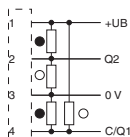
VDM28-8-L-IO/110/115b/122
VDM28-8-L-IO/73c/110/122
VDM28-8-L-IO/73c/110/122

Option /110/122



VDM28-8-L-IO/115b/136
VDM28-8-L-IO/73c/136

Option /136



Wire colors in accordance with EN 60947-5-2

- 1 BN (brown)
- 2 WH (white)
- 3 BU (blue)
- 4 BK (black)

Date of issue 2015-04-08



Technical Data

For detailed data and product description refer to the data sheets at www.pepperl-fuchs.com

Model Number	VDM28-15-L-IO/73c/110/122
Teach-In	✓
Measurement range	0.2 ... 15 m
Reference target	Kodak white (90%)
Light source	laser diode
Light type	modulated visible red light
Laser class	2
Measuring method	Pulse Ranging Technology (PRT)
Diameter of the light spot	< 15 mm at a distance of 15 m at 20 °C
Operating voltage	10 ... 30 V DC / IO-Link mode: 18 ... 30 V DC
No-load supply current	≤ 70 mA / 24 V DC
Interface	
Interface type	IO-Link
Mode	COM 2 (38.4 kBaud)
Signal output	Push-pull (4 in 1) output, short-circuit protected, reverse polarity protected
Switching current	max. 100 mA
Switching frequency	50 Hz
Measurement output	1 analog output 4 ... 20 mA, short-circuit/overload protected
Absolute accuracy	± 25 mm
Repeat accuracy	< 5 mm
Ambient temperature	-30 ... 50 °C (-22 ... 122 °F)
Material	
Housing	Plastic ABS
Optical face	Plastic pane
Protection degree	IP65
Connection	connector M12 x 1, 4-pin



Properties

- Rectangular full-size housing
- Diffuse distance measurement
- Pulse Ranging Technology (PRT)
- Medium range
- Discrete and analog outputs with IO-Link
- Laser red light

Your Benefit

- Parallel measuring paths possible. No cross-talk
- Secure measurement in difficult conditions, e.g. mist or dust
- High resistance to ambient light
- Measures distances consistently, regardless of surface color

Approvals and Certificates

Protection class	II
UL approval	cULus Listed, Class 2 Power Source, Type 1 enclosure
CCC approval	Products with a maximum operating voltage of ≤36 V do not bear a CCC marking because they do not require approval.

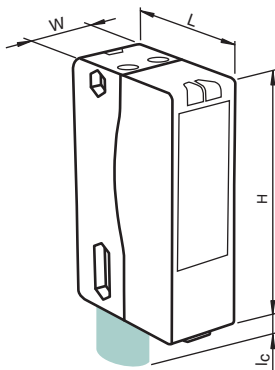
Dimensions

Length L [mm]	54.3
Width W [mm]	25.8
Height H [mm]	88
Connector area l _c [mm]	14

Accessories This and more accessories can be found in chapter 10

See pages from 972 ... for cordsets See pages 1068 ... for mounting aids

PACTware 4.X	FDT frame application
VDM28-IO-Link DTM	Device DTM for communication with VDM28-IO-Link sensors
IODD Interpreter	Software for the integration of IODDs in a frame application (e.g. PACTware)
IO-Link-Master01-USB	IO-Link Master
IO-Link-Master-USB DTM	Communication DTM for use of IO-Link-Master
OMH-05	Mounting aid for round steel ø 12 mm or sheet 1.5 mm ... 3 mm
OMH-07	Mounting aid for round steel ø 12 mm or sheet 1.5 mm ... 3 mm
OMH-21	Mounting bracket
OMH-22	Mounting bracket
OMH-RLK29	Mounting bracket
OMH-RLK29-HW	Mounting bracket for rear wall mounting
OMH-RL28-C	Protective cover
OMH-K01	dove tail mounting clamp
OMH-K03	dove tail mounting clamp
OMH-VDM28-01	Metal enclosure for inserting protective panes or apertures

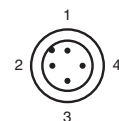
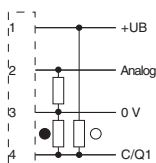


Electrical Connection

○ = light on, ● = dark on

VDM28-15-L-IO/73c/110/122

Option /110/122



Wire colors in accordance with EN 60947-5-2

1	BN	(brown)
2	WH	(white)
3	BU	(blue)
4	BK	(black)

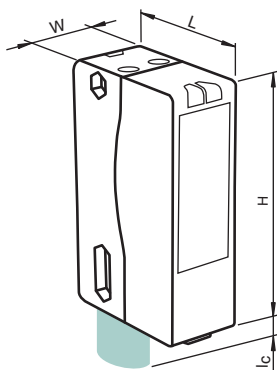


Properties

- Rectangular full-size housing
- Retroreflective distance measurement
- Pulse Ranging Technology (PRT)
- Long range
- Discrete and analog outputs with IO-Link
- Laser red light

Your Benefit

- Parallel measuring paths possible. No cross-talk
- Secure measurement in difficult conditions, e.g. mist or dust
- High resistance to ambient light
- Measures distances consistently, regardless of surface color



Technical Data

For detailed data and product description refer to the data sheets at www.pepperl-fuchs.com

General Data

Teach-In	✓
Measurement range	0.2 ... 50 m
Reference target	OFR-100/100
Light source	laser diode
Light type	modulated visible red light
Laser class	2
Measuring method	Pulse Ranging Technology (PRT)
Diameter of the light spot	< 50 mm at a distance of 50 m at 20 °C
Operating voltage	10 ... 30 V DC / IO-Link mode: 18 ... 30 V DC
No-load supply current	≤ 70 mA / 24 V DC
Interface	
Interface type	IO-Link
Mode	COM 2 (38.4 kBaud)
Switching current	max. 100 mA
Switching frequency	50 Hz
Absolute accuracy	± 25 mm
Repeat accuracy	< 5 mm
Ambient temperature	-30 ... 50 °C (-22 ... 122 °F)
Material	
Housing	Plastic ABS
Optical face	Plastic pane
Protection degree	IP65
Connection	connector M12 x 1, 4-pin



Model Number

Signal output	Push-pull (4 in 1) output, short-circuit protected, reverse polarity protected 2 Push-pull (4 in 1) outputs, short-circuit protected, reverse polarity protection	VDM28-50-R-IO/73c/110/122	VDM28-50-R-IO/73c/136
Measurement output	1 analog output 4 ... 20 mA, short-circuit/overload protected	●	●

Approvals and Certificates

Protection class	II	●	●
UL approval	cULus Listed, Class 2 Power Source, Type 1 enclosure	●	●

Dimensions

Length L [mm]	54,3
Width W [mm]	25,8
Height H [mm]	88
Connector area l _c [mm]	14

Accessories

This and more accessories can be found in chapter 10
See pages from 972 ... for cordsets See pages 1068 ... for mounting aids

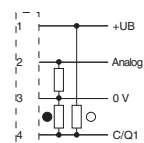
OMH-RLK29	Mounting bracket
OFR-100/100	Reflective tape 100 mm x 100 mm
REF-MH82	Reflector with Micro-structure, rectangular 82 mm x 60 mm, mounting holes
OMH-VDM28-01	Metal enclosure for inserting protective panes or apertures

Electrical Connection

○ = light on, ● = dark on

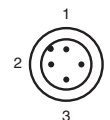
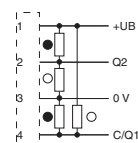


VDM28-50-R1-IO/73c/110/122
VDM28-50-R-IO/73c/110/122
Option /110/122



VDM28-50-R-IO/73c/136

Option /136



Wire colors in accordance with EN 60947-5-2

1	BN	(brown)
2	WH	(white)
3	BU	(blue)
4	BK	(black)

Date of issue 2015-04-08



Technical Data

For detailed data and product description refer to the data sheets at www.pepperl-fuchs.com

General Data

Sensor principle	Fiber optic sensor for glass fiber optics and plastic fiber optics
Sensor range	up to 150 mm (KLR-C02-2,2-2,0-K146)
Detection range	up to 450 mm (KLE-C01-2,2-2,0-K116)
Light type	modulated visible red light , 660 nm
Gang mounting	maximum 20 units / 100 mA load current per unity
Diagnostics display	7-segment display
Operating voltage	10 ... 30 V DC
No-load supply current	≤ 30 mA
Switching type	light/dark on selectable programmable
Switching current	max. 100 mA , resistive load
Switching frequency	High speed mode: 16 kHz , Standard mode: 3 kHz , High resolution: 250 Hz , Automatic: 250 Hz ~ 3 kHz (selection by the sensor), Glass mode: 250 Hz
Timer function	ON-delay, OFF-delay, one shot, pulse extension ; adjustable 0 ... 999 ms in 1 ms increments
Ambient temperature	-10 ... 55 °C (14 ... 131 °F)
Housing	PC
Protection degree	IP50
Connection	2 m PVC cable, 4 x 0,14 mm ²



Properties

- Suitable for use with glass fiber optics and plastic fiber optics
- DIN rail housing
- Plastic housing
- Cable version
- Visible red light

Your Benefit

- AGC (Automatic Gain Control) for simple and time-saving teaching
- High resolution four-digit percentage display for clear, unambiguous indication of signal statuses

Model Number

	green = preferred type	SU19/102/115/123	SU19/102/115/126a	SU19/103/115/123	SU19/110/115/123	SU19/110/115/126a
Signal output	1 push-pull (4 in 1) output NPN/PNP , short-circuit protected					
	1 NPN, short-circuit protected open collector	●	●			
	1 PNP, short-circuit protected, open collector			●		
Output of the pre-fault indication	1 push-pull (4 in 1) output NPN/PNP , short-circuit protected					●
Function input	1 NPN, short-circuit protected open collector external Teach-In	●	●	●	●	●

Approvals and Certificates

UL approval	cULus Listed, Class 2 Power Source, Type 1 enclosure	●	●	●	●	●
CCC approval	Products with a maximum operating voltage of ≤36 V do not bear a CCC marking because they do not require approval.					

Dimensions

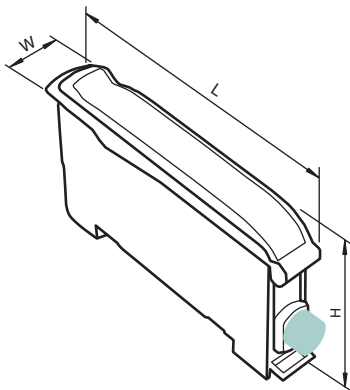
Length L [mm]	62,3
Width W [mm]	9
Height H [mm]	34,5
Connector area l _c [mm]	2

Accessories

This and more accessories can be found in chapter 10
See pages from 972 ... for cordsets See pages 1068 ... for mounting aids

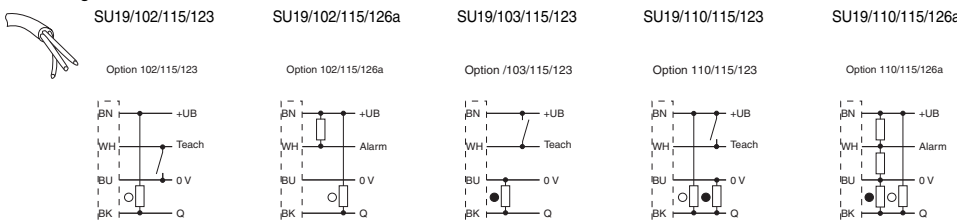
Bracket SU

Mounting bracket for DIN rail



Electrical Connection

○ = light on, ● = dark on



2 .1.6 Photoelectric Sensors, Standard Sensors, fiber optic sensors

Preferred fiber optic cables

Detailed data and product description refer to data sheet on www.pepperl-fuchs.com

	Head shape	Mounting	Model number	Core	Detection distance	Fiber cross-section	Bend radius	Dimensions
Diffuse mode fiber optic cables	Threaded	M6	KLR-C02-2,2-2,0-K146	plastic	150 mm	2 x 1.5	min. 40 mm	
	Threaded	M6	KLR-C02-2,2-2,0-K70	plastic	80 mm	2 x 1.0	min. 25 mm	
	Threaded	M3	KLR-C02-1,0-2,0-K75	plastic	4 mm	2 x 0.25	min. 10 mm	
	Threaded	M3	KLR-C09-1,25-2,0-K76	plastic	30 mm	emitter: 1 x 0.5 receiver: 9 x 0.25	min. 15 mm	
	Threaded	M4	KLR-C09-1,25-2,0-K74	plastic	30 mm	emitter: 1 x 0.5 receiver: 9 x 0.25	min. 15 mm	
	Threaded	M6	KLR-C16-2,2-2,0-K71	plastic	85 mm	emitter: 1 x 1.0 receiver: 16 x 0.25	min. 25 mm	
	Array		KLR-A32-2,2-2,0-K83	plastic	35 mm	2 x (0.25 x 16)	min. 25 mm	
	Right angle smooth / threaded	M6	KHR-C02-2,2-2,0-K131	plastic	60 mm	2 x 1.0	min. 2 mm	
	Threaded	M6	KHTR-C02-2,2-2,0-K88	plastic	80 mm	2 x 1.0	min. 25 mm	
	Threaded	M2.6 / M4	LHR 00-0,8-1,0-20M4	glass	40 mm		5 mm static	
Thru-beam fiber optic cables	Threaded	M3	KLE-C01-2,2-2,0-K116	plastic	450 mm	1 x 1.5	min. 40 mm	
	Threaded	M2.6 / M4	KLE-C01-2,2-2,0-K102	plastic	220 mm	1 x 1.0	min. 25 mm	
	Threaded	M6	KLE-C01-2,2-2,0-K100	plastic	220 mm	1 x 1.0	min. 25 mm	
	Cylindrical		KLE-C01-2,2-2,0-K101	plastic	220 mm	1 x 1.0	min. 25 mm	
	Cylindrical		KLE-C01-2,2-2,0-K113	plastic	200 mm	1 x 1.0	min. 25 mm	
	Threaded	M3	KLE-C01-1,0-2,0-K120	plastic	20 mm	1 x 0.25	min. 10 mm	
	Threaded	M3	KHE-C01-2,2-2,0-K122	plastic	200 mm	1 x 1.0	min. 2 mm	
	Threaded	M2.6 / M4	LHE 00-1,1-1,0-20M4	glass	195 mm		5 mm static	

2
1.6

Photoelectric Sensors, Standard Sensors, fiber optic sensors

Date of issue 2015-04-08



2
.1.6



Photoelectric Sensors, Standard Sensors, fiber optic sensors

Technical Data

For detailed data and product description refer to the data sheets at www.pepperl-fuchs.com

General Data	
Sensor principle	Fiber optic sensor for glass fiber optics and plastic fiber optics
Sensor range	up to 150 mm (KLR-C02-2,2-2,0-K146)
Detection range	up to 450 mm (KLE-C01-2,2-2,0-K116)
Light type	modulated visible red light , 660 nm
Gang mounting	maximum 20 units / 100 mA load current per unity
Diagnostics display	7-segment display
Operating voltage	10 ... 30 V DC
No-load supply current	≤ 30 mA
Switching type	light/dark on selectable programmable
Switching current	max. 100 mA , resistive load
Switching frequency	High speed mode: 16 kHz , Standard mode: 3 kHz , High resolution: 250 Hz ~ 3 kHz (selection by the sensor), Automatic: 250 Hz , Glass mode: 250 Hz
Timer function	ON-delay, OFF-delay, one shot, pulse extension ; adjustable 0 ... 999 ms in 1 ms increments
Ambient temperature	-10 ... 55 °C (14 ... 131 °F)
Housing	PC
Protection degree	IP50
Connection	2 m fixed cable , 1 x 0.25 mm ² , PVC



Properties

- Suitable for use with glass fiber optics and plastic fiber optics
- DIN rail housing
- Plastic housing
- Cable version
- Visible red light

Your Benefit

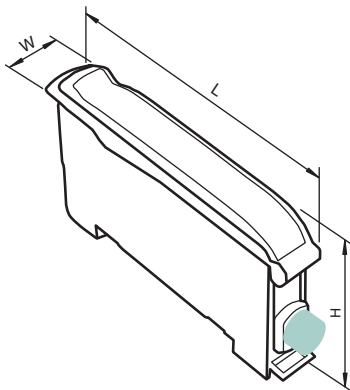
- AGC (Automatic Gain Control) for simple and time-saving teaching
- High resolution four-digit percentage display for clear, unambiguous indication of signal statuses

Model Number	SU19.1/102/115	SU19.1/103/115	SU19.1/110/115
Signal output			
green = preferred type			
1 push-pull (4 in 1) output NPN/PNP , short-circuit protected			●
1 NPN, short-circuit protected open collector	●		
1 PNP, short-circuit protected, open collector		●	

Approvals and Certificates	SU19.1/102/115	SU19.1/103/115	SU19.1/110/115
UL approval	●	●	●
CCC approval	Products with a maximum operating voltage of ≤36 V do not bear a CCC marking because they do not require approval.		

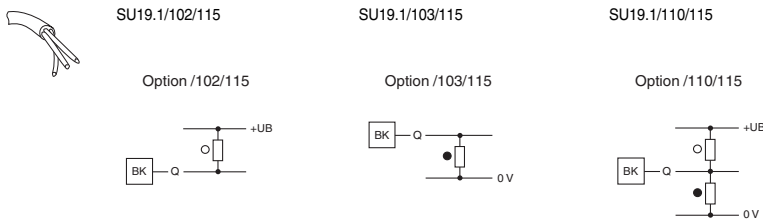
Dimensions	
Length L [mm]	62,3
Width W [mm]	9
Height H [mm]	34,5
Connector area l _c [mm]	2

Accessories	This and more accessories can be found in chapter 10
Bracket SU	See pages from 972 ... for cordsets See pages 1068 ... for mounting aids
	Mounting bracket for DIN rail



Electrical Connection

○ = light on, ● = dark on



Preferred fiber optic cables

Detailed data and product description refer to data sheet on www.pepperl-fuchs.com

	Head shape	Mounting	Model number	Core	Detection distance	Fiber cross-section	Bend radius	Dimensions
Diffuse mode fiber optic cables	Threaded	M6	KLR-C02-2,2-2,0-K146	plastic	150 mm	2 x 1.5	min. 40 mm	
	Threaded	M6	KLR-C02-2,2-2,0-K70	plastic	80 mm	2 x 1.0	min. 25 mm	
	Threaded	M3	KLR-C02-1,0-2,0-K75	plastic	4 mm	2 x 0.25	min. 10 mm	
	Threaded	M3	KLR-C09-1,25-2,0-K76	plastic	30 mm	emitter: 1 x 0.5 receiver: 9 x 0.25	min. 15 mm	
	Threaded	M4	KLR-C09-1,25-2,0-K74	plastic	30 mm	emitter: 1 x 0.5 receiver: 9 x 0.25	min. 15 mm	
	Threaded	M6	KLR-C16-2,2-2,0-K71	plastic	85 mm	emitter: 1 x 1.0 receiver: 16 x 0.25	min. 25 mm	
	Array		KLR-A32-2,2-2,0-K83	plastic	35 mm	2 x (0.25 x 16)	min. 25 mm	
	Right angle smooth / threaded	M6	KHR-C02-2,2-2,0-K131	plastic	60 mm	2 x 1.0	min. 2 mm	
	Threaded	M6	KHTR-C02-2,2-2,0-K88	plastic	80 mm	2 x 1.0	min. 25 mm	
	Threaded	M2.6 / M4	LHR 00-0,8-1,0-20M4	glass	40 mm		5 mm static	
Thru-beam fiber optic cables	Threaded	M3	KLE-C01-2,2-2,0-K116	plastic	450 mm	1 x 1.5	min. 40 mm	
	Threaded	M2.6 / M4	KLE-C01-2,2-2,0-K102	plastic	220 mm	1 x 1.0	min. 25 mm	
	Threaded	M6	KLE-C01-2,2-2,0-K100	plastic	220 mm	1 x 1.0	min. 25 mm	
	Cylindrical		KLE-C01-2,2-2,0-K101	plastic	220 mm	1 x 1.0	min. 25 mm	
	Cylindrical		KLE-C01-2,2-2,0-K113	plastic	200 mm	1 x 1.0	min. 25 mm	
	Threaded	M3	KLE-C01-1,0-2,0-K120	plastic	20 mm	1 x 0.25	min. 10 mm	
	Threaded	M3	KHE-C01-2,2-2,0-K122	plastic	200 mm	1 x 1.0	min. 2 mm	
	Threaded	M2.6 / M4	LHE 00-1,1-1,0-20M4	glass	195 mm		5 mm static	

2
1.6

Photoelectric Sensors, Standard Sensors, fiber optic sensors

Date of issue 2015-04-08



Technical Data

For detailed data and product description refer to the data sheets at www.pepperl-fuchs.com

General Data

Sensor principle	Fiber optic sensor for glass fiber optics and plastic fiber optics
Sensor range	up to 460 mm (KLR-C02-2,2-2,0-K146)
Detection range	up to 1500 mm (KLE-C01-2,2-2,0-K116)
Light type	modulated visible red light , 640 nm
Operating voltage	10 ... 30 V DC
No-load supply current	≤ 30 mA
Switching type	light/dark on, switchable
Switching current	max. 100 mA , resistive load
Switching frequency	Standard mode: 3 kHz , High power mode: 1 kHz , Ultra mode: 100 Hz
Ambient temperature	-10 ... 55 °C (14 ... 131 °F)
Housing	PC
Protection degree	IP50
Connection	2 m PVC cable, 4 x 0,14 mm ²



Properties

- Suitable for use with glass fiber optics and plastic fiber optics
- DIN rail housing
- Plastic housing
- Cable version
- Visible red light

Your Benefit

- High Power version for highest signal strength and detection ranges
- AGC (Automatic Gain Control) for simple and time-saving teaching

Model Number

		SU18/35/40a/102/115/126a	SU18/35/40a/102/115/123	SU18/35/40a/110/115/123	SU18/35/40a/110/115/126a	SU18/16/35/40a/110/115/126a
Signal output	1 push-pull (4 in 1) output NPN/PNP , short-circuit protected					
	1 NPN, short-circuit protected open collector	●	●			
Output of the pre-fault indication	1 push-pull output NPN/PNP , short-circuit protected				●	●
	1 NPN, short-circuit protected open collector	●				
Function input	external Teach-In		●	●		

Approvals and Certificates

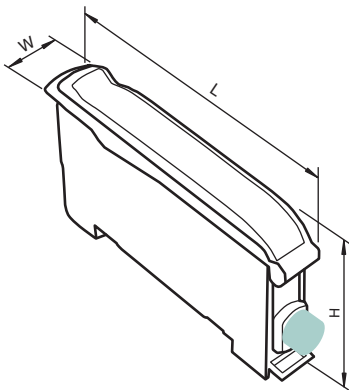
UL approval	cULus Listed, Class 2 Power Source, Type 1 enclosure	●	●	●	●	●
CCC approval	Products with a maximum operating voltage of ≤36 V do not bear a CCC marking because they do not require approval.					

Dimensions

Length L [mm]	62,3
Width W [mm]	9
Height H [mm]	34,5
Connector area l _c [mm]	2

Accessories This and more accessories can be found in chapter 10

Bracket SU	Mounting bracket for DIN rail
-------------------	-------------------------------



Electrical Connection

○ = light on, ● = dark on



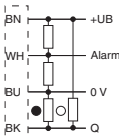
SU18/16/35/40a/110/115/126a
SU18/35/40a/110/115/126a

SU18/35/40a/102/115/123

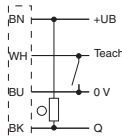
SU18/35/40a/102/115/126a

SU18/35/40a/110/115/123

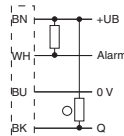
Option 110/115/126a



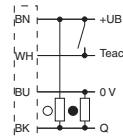
Option 102/115/123



Option 102/115/126a



Option 110/115/123



2
.1.6
Photoelectric Sensors, Standard Sensors, fiber optic sensors

Preferred fiber optic cables

Detailed data and product description refer to data sheet on www.pepperl-fuchs.com

	Head shape	Mounting	Model number	Core	Detection distance	Fiber cross-section	Bend radius	Dimensions
Diffuse mode fiber optic cables	Threaded	M6	KLR-C02-2,2-2,0-K146	plastic	150 mm	2 x 1.5	min. 40 mm	
	Threaded	M6	KLR-C02-2,2-2,0-K70	plastic	80 mm	2 x 1.0	min. 25 mm	
	Threaded	M3	KLR-C02-1,0-2,0-K75	plastic	4 mm	2 x 0.25	min. 10 mm	
	Threaded	M3	KLR-C09-1,25-2,0-K76	plastic	30 mm	emitter: 1 x 0.5 receiver: 9 x 0.25	min. 15 mm	
	Threaded	M4	KLR-C09-1,25-2,0-K74	plastic	30 mm	emitter: 1 x 0.5 receiver: 9 x 0.25	min. 15 mm	
	Threaded	M6	KLR-C16-2,2-2,0-K71	plastic	85 mm	emitter: 1 x 1.0 receiver: 16 x 0.25	min. 25 mm	
	Array		KLR-A32-2,2-2,0-K83	plastic	35 mm	2 x (0.25 x 16)	min. 25 mm	
	Right angle smooth / threaded	M6	KHR-C02-2,2-2,0-K131	plastic	60 mm	2 x 1.0	min. 2 mm	
	Threaded	M6	KHTR-C02-2,2-2,0-K88	plastic	80 mm	2 x 1.0	min. 25 mm	
	Threaded	M2.6 / M4	LHR 00-0,8-1,0-20M4	glass	40 mm		5 mm static	
Thru-beam fiber optic cables	Threaded	M3	KLE-C01-2,2-2,0-K116	plastic	450 mm	1 x 1.5	min. 40 mm	
	Threaded	M2.6 / M4	KLE-C01-2,2-2,0-K102	plastic	220 mm	1 x 1.0	min. 25 mm	
	Threaded	M6	KLE-C01-2,2-2,0-K100	plastic	220 mm	1 x 1.0	min. 25 mm	
	Cylindrical		KLE-C01-2,2-2,0-K101	plastic	220 mm	1 x 1.0	min. 25 mm	
	Cylindrical		KLE-C01-2,2-2,0-K113	plastic	200 mm	1 x 1.0	min. 25 mm	
	Threaded	M3	KLE-C01-1,0-2,0-K120	plastic	20 mm	1 x 0.25	min. 10 mm	
	Threaded	M3	KHE-C01-2,2-2,0-K122	plastic	200 mm	1 x 1.0	min. 2 mm	
	Threaded	M2.6 / M4	LHE 00-1,1-1,0-20M4	glass	195 mm		5 mm static	

2
1.6

Photoelectric Sensors, Standard Sensors, fiber optic sensors

Date of issue 2015-04-08



Technical Data

For detailed data and product description refer to the data sheets at www.pepperl-fuchs.com

General Data

Sensor principle	Fiber optic sensor for glass fiber optics and plastic fiber optics
Sensor range	up to 460 mm (KLR-C02-2,2-2,0-K146)
Detection range	up to 1500 mm (KLE-C01-2,2-2,0-K116)
Light type	modulated visible red light , 640 nm
Operating voltage	10 ... 30 V DC
No-load supply current	≤ 30 mA
Switching type	light/dark on, switchable
Signal output	1 push-pull output NPN/PNP , short-circuit protected
Switching current	max. 100 mA , resistive load
Switching frequency	Standard mode: 3 kHz , High power mode: 1 kHz , Ultra mode: 100 Hz
Ambient temperature	-10 ... 55 °C (14 ... 131 °F)
Housing	PC
Protection degree	IP50

2
.1.6



Properties

- Suitable for use with glass fiber optics and plastic fiber optics
- DIN rail housing
- Plastic housing
- Pigtailed connector version
- Visible red light

Your Benefit

- High Power version for highest signal strength and detection ranges
- AGC (Automatic Gain Control) for simple and time-saving teaching

Model Number

	green = preferred type			
Output of the pre-fault indication	1 push-pull (4 in 1) output NPN/PNP , short-circuit protected			
Connection	200 mm, PVC cable with M8 connector, 3-pin			
	200 mm, PVC cable with M8 connector, 4-pin			

SU18/16/35/40a/110/115a
SU18/35/40a/110/115a/126a
SU18/16/35/40a/110/115a/126a



Approvals and Certificates

UL approval	cULus Listed, Class 2 Power Source, Type 1 enclosure			
CCC approval	Products with a maximum operating voltage of ≤36 V do not bear a CCC marking because they do not require approval.			

Dimensions

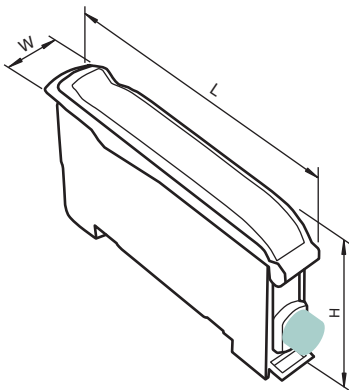
Length L [mm]	62.3
Width W [mm]	9
Height H [mm]	34.5
Connector area l _c [mm]	2

Accessories This and more accessories can be found in chapter 10

See pages from 972 ... for cordsets See pages 1068 ... for mounting aids

Bracket SU

Mounting bracket for DIN rail



Electrical Connection

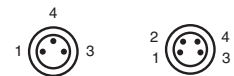
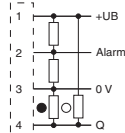
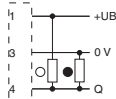
○ = light on, ● = dark on

SU18/16/35/40a/110/115a

SU18/16/35/40a/110/115a/126a
SU18/35/40a/110/115a/126a

Option 40a/110/115a

Option 110/115a/126a



Wire colors in accordance with EN 60947-5-2

- 1 BN (brown)
- 2 WH (white)
- 3 BU (blue)
- 4 BK (black)

Photoelectric Sensors, Standard Sensors, fiber optic sensors

Preferred fiber optic cables

Detailed data and product description refer to data sheet on www.pepperl-fuchs.com

	Head shape	Mounting	Model number	Core	Detection distance	Fiber cross-section	Bend radius	Dimensions
Diffuse mode fiber optic cables	Threaded	M6	KLR-C02-2,2-2,0-K146	plastic	150 mm	2 x 1.5	min. 40 mm	
	Threaded	M6	KLR-C02-2,2-2,0-K70	plastic	80 mm	2 x 1.0	min. 25 mm	
	Threaded	M3	KLR-C02-1,0-2,0-K75	plastic	4 mm	2 x 0.25	min. 10 mm	
	Threaded	M3	KLR-C09-1,25-2,0-K76	plastic	30 mm	emitter: 1 x 0.5 receiver: 9 x 0.25	min. 15 mm	
	Threaded	M4	KLR-C09-1,25-2,0-K74	plastic	30 mm	emitter: 1 x 0.5 receiver: 9 x 0.25	min. 15 mm	
	Threaded	M6	KLR-C16-2,2-2,0-K71	plastic	85 mm	emitter: 1 x 1.0 receiver: 16 x 0.25	min. 25 mm	
	Array		KLR-A32-2,2-2,0-K83	plastic	35 mm	2 x (0.25 x 16)	min. 25 mm	
	Right angle smooth / threaded	M6	KHR-C02-2,2-2,0-K131	plastic	60 mm	2 x 1.0	min. 2 mm	
	Threaded	M6	KHTR-C02-2,2-2,0-K88	plastic	80 mm	2 x 1.0	min. 25 mm	
	Threaded	M2.6 / M4	LHR 00-0,8-1,0-20M4	glass	40 mm		5 mm static	
Thru-beam fiber optic cables	Threaded	M3	KLE-C01-2,2-2,0-K116	plastic	450 mm	1 x 1.5	min. 40 mm	
	Threaded	M2.6 / M4	KLE-C01-2,2-2,0-K102	plastic	220 mm	1 x 1.0	min. 25 mm	
	Threaded	M6	KLE-C01-2,2-2,0-K100	plastic	220 mm	1 x 1.0	min. 25 mm	
	Cylindrical		KLE-C01-2,2-2,0-K101	plastic	220 mm	1 x 1.0	min. 25 mm	
	Cylindrical		KLE-C01-2,2-2,0-K113	plastic	200 mm	1 x 1.0	min. 25 mm	
	Threaded	M3	KLE-C01-1,0-2,0-K120	plastic	20 mm	1 x 0.25	min. 10 mm	
	Threaded	M3	KHE-C01-2,2-2,0-K122	plastic	200 mm	1 x 1.0	min. 2 mm	
	Threaded	M2.6 / M4	LHE 00-1,1-1,0-20M4	glass	195 mm		5 mm static	

2
1.6

Photoelectric Sensors, Standard Sensors, fiber optic sensors

Date of issue 2015-04-08



Technical Data

For detailed data and product description refer to the data sheets at www.pepperl-fuchs.com

General Data

Sensor principle	Fiber optic sensor for glass fiber optics and plastic fiber optics
Sensor range	up to 150 mm (KLR-C02-2,2-2,0-K146)
Detection range	up to 450 mm (KLE-C01-2,2-2,0-K116)
Light type	modulated visible red light , 660 nm
Operating voltage	10 ... 30 V DC
No-load supply current	≤ 30 mA
Switching type	light/dark on, switchable
Switching current	max. 100 mA , resistive load
Switching frequency	Standard mode: 3 kHz , High speed mode: 6 kHz , High resolution: 500 Hz
Ambient temperature	-10 ... 55 °C (14 ... 131 °F)
Housing	PC
Protection degree	IP50
Connection	2 m PVC cable, 4 x 0,14 mm ²



Properties

- Suitable for use with glass fiber optics and plastic fiber optics
- DIN rail housing
- Plastic housing
- Cable version
- Visible red light

Your Benefit

- High Speed Mode for high switching accuracy
- AGC (Automatic Gain Control) for simple and time-saving teaching

Model Number

		SU18-40a/102/115/123	SU18-40a/102/115/126a	SU18-16/40a/102/115/126a	SU18-40a/110/115/123	SU18-16/40a/110/115/126a	SU18-40a/110/115/126a
Signal output	green = preferred type 1 push-pull (4 in 1) output NPN/PNP , short-circuit protected 1 NPN, short-circuit protected open collector				●	●	●
Output of the pre-fault indication	1 push-pull (4 in 1) output NPN/PNP , short-circuit protected 1 NPN, short-circuit protected open collector					●	●
Function input	external Teach-In	●		●			

Approvals and Certificates

UL approval	cULus Listed, Class 2 Power Source, Type 1 enclosure	●	●	●	●	●	●
CCC approval	Products with a maximum operating voltage of ≤36 V do not bear a CCC marking because they do not require approval.						

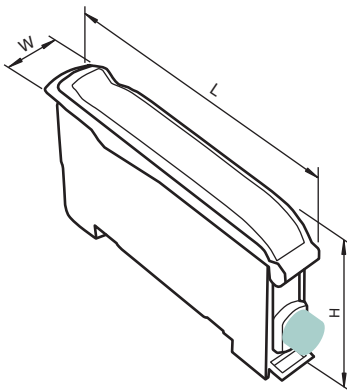
Dimensions

Length L [mm]	62,3
Width W [mm]	9
Height H [mm]	34,5
Connector area I _c [mm]	2

Accessories

This and more accessories can be found in chapter 10
See pages from 972 ... for cordsets See pages 1068 ... for mounting aids

Bracket SU Mounting bracket for DIN rail



Electrical Connection

○ = light on, ● = dark on

SU18-16/40a/102/115/126a
SU18-40a/102/115/126a

SU18-16/40a/110/115/126a
SU18-40a/110/115/126a

SU18-40a/102/115/123

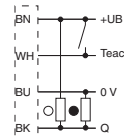
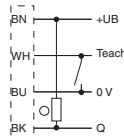
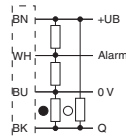
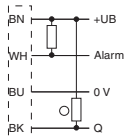
SU18-40a/110/115/123

Option 102/115/126a

Option 110/115/126a

Option 102/115/123

Option 110/115/123



Photoelectric Sensors, Standard Sensors, fiber optic sensors

2
1.6

Preferred fiber optic cables

Detailed data and product description refer to data sheet on www.pepperl-fuchs.com

	Head shape	Mounting	Model number	Core	Detection distance	Fiber cross-section	Bend radius	Dimensions
Diffuse mode fiber optic cables	Threaded	M6	KLR-C02-2,2-2,0-K146	plastic	150 mm	2 x 1.5	min. 40 mm	
	Threaded	M6	KLR-C02-2,2-2,0-K70	plastic	80 mm	2 x 1.0	min. 25 mm	
	Threaded	M3	KLR-C02-1,0-2,0-K75	plastic	4 mm	2 x 0.25	min. 10 mm	
	Threaded	M3	KLR-C09-1,25-2,0-K76	plastic	30 mm	emitter: 1 x 0.5 receiver: 9 x 0.25	min. 15 mm	
	Threaded	M4	KLR-C09-1,25-2,0-K74	plastic	30 mm	emitter: 1 x 0.5 receiver: 9 x 0.25	min. 15 mm	
	Threaded	M6	KLR-C16-2,2-2,0-K71	plastic	85 mm	emitter: 1 x 1.0 receiver: 16 x 0.25	min. 25 mm	
	Array		KLR-A32-2,2-2,0-K83	plastic	35 mm	2 x (0.25 x 16)	min. 25 mm	
	Right angle smooth / threaded	M6	KHR-C02-2,2-2,0-K131	plastic	60 mm	2 x 1.0	min. 2 mm	
	Threaded	M6	KHTR-C02-2,2-2,0-K88	plastic	80 mm	2 x 1.0	min. 25 mm	
	Threaded	M2.6 / M4	LHR 00-0,8-1,0-20M4	glass	40 mm		5 mm static	
Thru-beam fiber optic cables	Threaded	M3	KLE-C01-2,2-2,0-K116	plastic	450 mm	1 x 1.5	min. 40 mm	
	Threaded	M2.6 / M4	KLE-C01-2,2-2,0-K102	plastic	220 mm	1 x 1.0	min. 25 mm	
	Threaded	M6	KLE-C01-2,2-2,0-K100	plastic	220 mm	1 x 1.0	min. 25 mm	
	Cylindrical		KLE-C01-2,2-2,0-K101	plastic	220 mm	1 x 1.0	min. 25 mm	
	Cylindrical		KLE-C01-2,2-2,0-K113	plastic	200 mm	1 x 1.0	min. 25 mm	
	Threaded	M3	KLE-C01-1,0-2,0-K120	plastic	20 mm	1 x 0.25	min. 10 mm	
	Threaded	M3	KHE-C01-2,2-2,0-K122	plastic	200 mm	1 x 1.0	min. 2 mm	
	Threaded	M2.6 / M4	LHE 00-1,1-1,0-20M4	glass	195 mm		5 mm static	

Date of issue 2015-04-08

2
1.6
Photoelectric Sensors, Standard Sensors, fiber optic sensors



Technical Data

For detailed data and product description refer to the data sheets at www.pepperl-fuchs.com

General Data	
Sensor principle	Fiber optic sensor for glass fiber optics and plastic fiber optics
Sensor range	up to 150 mm (KLR-C02-2,2-2,0-K146)
Detection range	up to 450 mm (KLE-C01-2,2-2,0-K116)
Light type	modulated visible red light , 660 nm
Operating voltage	10 ... 30 V DC
No-load supply current	≤ 30 mA
Switching type	light/dark on, switchable
Switching current	max. 100 mA , resistive load
Switching frequency	Standard mode: 3 kHz , High speed mode: 6 kHz , High resolution: 500 Hz
Ambient temperature	-10 ... 55 °C (14 ... 131 °F)
Housing	PC
Protection degree	IP50

2
.1.6

Photoelectric Sensors, Standard Sensors, fiber optic sensors

Properties

- Suitable for use with glass fiber optics and plastic fiber optics
- DIN rail housing
- Plastic housing
- Pigtailed connector version
- Visible red light

Your Benefit

- High Speed Mode for high switching accuracy
- AGC (Automatic Gain Control) for simple and time-saving teaching

Model Number

Model Number	SU18-40a/102/115a/123	SU18-40a/102/115a/126a	SU18-16/40a/110/115a	SU18-40a/110/115a	SU18-40a/110/115a/123	SU18-40a/110/115a/126a
Signal output	1 push-pull (4 in 1) output NPN/PNP , short-circuit protected					
	1 NPN, short-circuit protected open collector					
Output of the pre-fault indication	1 push-pull (4 in 1) output NPN/PNP , short-circuit protected					
	1 NPN, short-circuit protected open collector					
Function input	external Teach-In					
Connection	200 mm, PVC cable with M8 connector, 3-pin					
	200 mm, PVC cable with M8 connector, 4-pin					

Approvals and Certificates

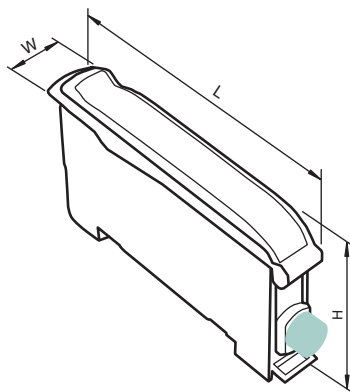
UL approval	cULus Listed, Class 2 Power Source, Type 1 enclosure
CCC approval	Products with a maximum operating voltage of ≤36 V do not bear a CCC marking because they do not require approval.

Dimensions

Length L [mm]	62,3
Width W [mm]	9
Height H [mm]	34,5
Connector area l _c [mm]	2

Accessories This and more accessories can be found in chapter 10
See pages from 972 ... for cordsets See pages 1068 ... for mounting aids

Bracket SU Mounting bracket for DIN rail

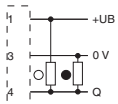


Electrical Connection

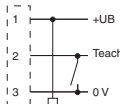
○ = light on, ● = dark on

SU18-16/40a/110/115a SU18-40a/102/115a/123 SU18-40a/110/115a/123 SU18-40a/110/115a/126a SU18-40a/102/115a/126a

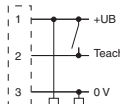
Option 40a/110/115a



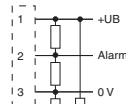
Option 102/115a/123



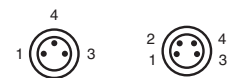
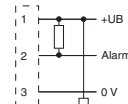
Option 110/115a/123



Option 110/115a/126a



Option 102/115a/126a



Wire colors in accordance with EN 60947-5-2

- 1 BN (brown)
- 2 WH (white)
- 3 BU (blue)
- 4 BK (black)

Preferred fiber optic cables

Detailed data and product description refer to data sheet on www.pepperl-fuchs.com

	Head shape	Mounting	Model number	Core	Detection distance	Fiber cross-section	Bend radius	Dimensions
Diffuse mode fiber optic cables	Threaded	M6	KLR-C02-2,2-2,0-K146	plastic	150 mm	2 x 1.5	min. 40 mm	
	Threaded	M6	KLR-C02-2,2-2,0-K70	plastic	80 mm	2 x 1.0	min. 25 mm	
	Threaded	M3	KLR-C02-1,0-2,0-K75	plastic	4 mm	2 x 0.25	min. 10 mm	
	Threaded	M3	KLR-C09-1,25-2,0-K76	plastic	30 mm	emitter: 1 x 0.5 receiver: 9 x 0.25	min. 15 mm	
	Threaded	M4	KLR-C09-1,25-2,0-K74	plastic	30 mm	emitter: 1 x 0.5 receiver: 9 x 0.25	min. 15 mm	
	Threaded	M6	KLR-C16-2,2-2,0-K71	plastic	85 mm	emitter: 1 x 1.0 receiver: 16 x 0.25	min. 25 mm	
	Array		KLR-A32-2,2-2,0-K83	plastic	35 mm	2 x (0.25 x 16)	min. 25 mm	
	Right angle smooth / threaded	M6	KHR-C02-2,2-2,0-K131	plastic	60 mm	2 x 1.0	min. 2 mm	
	Threaded	M6	KHTR-C02-2,2-2,0-K88	plastic	80 mm	2 x 1.0	min. 25 mm	
	Threaded	M2.6 / M4	LHR 00-0,8-1,0-20M4	glass	40 mm		5 mm static	
Thru-beam fiber optic cables	Threaded	M3	KLE-C01-2,2-2,0-K116	plastic	450 mm	1 x 1.5	min. 40 mm	
	Threaded	M2.6 / M4	KLE-C01-2,2-2,0-K102	plastic	220 mm	1 x 1.0	min. 25 mm	
	Threaded	M6	KLE-C01-2,2-2,0-K100	plastic	220 mm	1 x 1.0	min. 25 mm	
	Cylindrical		KLE-C01-2,2-2,0-K101	plastic	220 mm	1 x 1.0	min. 25 mm	
	Cylindrical		KLE-C01-2,2-2,0-K113	plastic	200 mm	1 x 1.0	min. 25 mm	
	Threaded	M3	KLE-C01-1,0-2,0-K120	plastic	20 mm	1 x 0.25	min. 10 mm	
	Threaded	M3	KHE-C01-2,2-2,0-K122	plastic	200 mm	1 x 1.0	min. 2 mm	
	Threaded	M2.6 / M4	LHE 00-1,1-1,0-20M4	glass	195 mm		5 mm static	

2
1.6

Photoelectric Sensors, Standard Sensors, fiber optic sensors

Date of issue 2015-04-08



Technical Data

For detailed data and product description refer to the data sheets at www.pepperl-fuchs.com

General Data

Sensor principle	Fiber Optic Diffuse and Thru-Beam Mode Sensor
Fiber optic	plastic
Sensitivity adjustment	✓
Effective detection range	depends on the fiber optic cable being used
Light type	modulated visible red light , 670 nm
Operating voltage	10 ... 30 V DC , class 2
No-load supply current	< 25 mA
Switching type	light/dark on
Signal output	2 Push-pull (4 in 1) outputs, short-circuit protected, reverse polarity protection, overvoltage protected
Switching current	max 100 mA per output
Switching frequency	500 Hz
Ambient temperature	-20 ... 55 °C (-4 ... 131 °F)
Housing	ABS
Optical face	Acrylic
Protection degree	IP67

2
.1.6

Photoelectric Sensors, Standard Sensors, fiber optic sensors

Properties

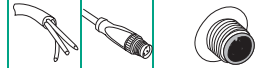
- Suitable for use with plastic fiber optics
- Rectangular miniature housing
- Plastic housing
- Cable, pigtailed connector and connector versions
- Visible red light

Your Benefit

- Threaded face and side thru-holes provide flexible mounting options

Model Number

Connection	ML17-LL-K/115/136	ML17-LL-K/115b/136	ML17-LL-K/136/143	ML17-LL-K/73/136
fixed cable 150 mm with M12 x 1 male connector, 4 pin	●	●		
2 m fixed cable	●			
4-pin, M12 plastic connector			●	
4-pin, M8 plastic connector				●



Approvals and Certificates

UL approval	cULus	●	●	●	●
CCC approval	Products with a maximum operating voltage of ≤36 V do not bear a CCC marking because they do not require approval.				

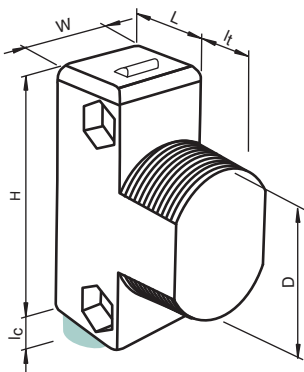
Dimensions

Length L [mm]	19
Width W [mm]	15
Height H [mm]	35
Diameter D [mm]	18
Connector area l _c [mm]	10 18

Accessories

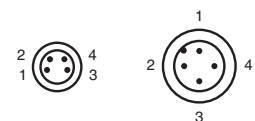
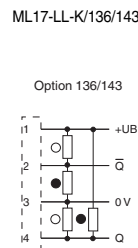
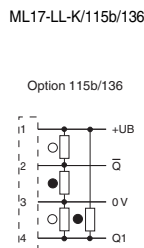
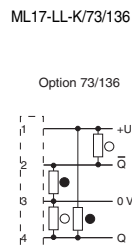
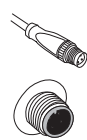
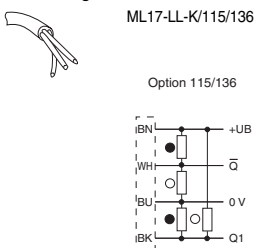
This and more accessories can be found in chapter 10
See pages from 972 ... for cordsets See pages 1068 ... for mounting aids

OMH-ML17-EZ	Mounting bracket
OMH-ML17	Mounting bracket
OMH-ML17-1	Mounting bracket
V1-G-2M-PUR	Cable socket, M12, 4-pin, PUR cable
V31-WM-2M-PUR	4-pin, M8 socket, PUR cable
V1-W-2M-PUR	Cable socket, M12, 4-pin, PUR cable
V31-GM-2M-PUR	4-pin, M8 socket, PUR cable



Electrical Connection

○ = light on, ● = dark on



Wire colors in accordance with EN 60947-5-2

- 1 | BN (brown)
- 2 | WH (white)
- 3 | BU (blue)
- 4 | BK (black)

Preferred fiber optic cables

Detailed data and product description refer to data sheet on www.pepperl-fuchs.com

Head shape	Mounting	Model number	Core	Detection distance	Fiber cross-section	Bend radius	Dimensions	
Diffuse mode fiber optic cables	Threaded	M6	KLR-C02-2,2-2,0-K146	PMMA	85 mm	2 x 1.5	min. 40 mm	
	Threaded	M6	KLR-C02-2,2-2,0-K70	PMMA	45 mm	2 x 1.0	min. 25 mm	
	Threaded	M3	KLR-C02-1,0-2,0-K75	PMMA	2 mm	2 x 0.25	min. 10 mm	
	Threaded	M3	KLR-C09-1,25-2,0-K76	PMMA	16 mm	emitter: 1 x 0.5 receiver: 9 x 0.25	min. 15 mm	
	Threaded	M4 / M2.6	KLR-C09-1,25-2,0-K74	PMMA	16 mm	emitter: 1 x 0.5 receiver: 9 x 0.25	min. 15 mm	
	Threaded	M6	KLR-C16-2,2-2,0-K71	PMMA	48 mm	emitter: 1 x 1 receiver: 16 x 0.25	min. 25 mm	
	Array		KLR-A32-2,2-2,0-K83	PMMA	19 mm	2 x (0.25 x 16)	min. 25 mm	
	Right angle smooth	M6	KHR-C02-2,2-2,0-K131	PMMA	34 mm	2 x 1.0	min. 2 mm	
	Threaded	M6	KHTR-C02-2,2-2,0-K88	PMMA	46 mm	2 x 1.0	min. 25 mm	
	Thru-beam fiber optic cables	Threaded	M3	KLE-C01-2,2-2,0-K116	PMMA	241 mm		min. 40 mm
Threaded		M3	KLE-C01-2,2-2,0-K103	PMMA	140 mm		min. 25 mm	
Threaded		M2.6 / M4	KLE-C01-2,2-2,0-K102	PMMA	140 mm	1 x 1.0	min. 25 mm	
Threaded		M6	KLE-C01-2,2-2,0-K100	PMMA	140 mm	1 x 1.0	min. 25 mm	
Cylindrical			KLE-C01-2,2-2,0-K101	PMMA	140 mm	1 x 1.0	min. 25 mm	
Cylindrical		M2.6	KLE-C01-2,2-2,0-K113	PMMA	128 mm	1 x 1.0	min. 25 mm	
Threaded		M3	KLE-C01-1,0-2,0-K120	PMMA	13 mm	1 x 0.25	min. 10 mm	
Threaded		M3	KHE-C01-2,2-2,0-K122	PMMA	128 mm	1 x 1.0	min. 2 mm	
Periskope		KHTE-C01-2,2-2,0-K118	PMMA	76 mm		min. 25 mm		

Date of issue 2015-04-08

2
1.6

Photoelectric Sensors, Standard Sensors, fiber optic sensors



Technical Data

detailed data and product description refer to the data sheets at www.pepperl-fuchs.com

General Data

Sensor principle	Fiber optic sensor for glass fiber optics
Operating voltage	10 ... 30 V DC
No-load supply current	max. 35 mA
Switching type	light/dark on switchable
Interface	IO-Link
Protocol	IO-Link V1.0
Mode	COM 2 (38.4 kbaud)
Signal output	2 Push-pull (4 in 1) outputs, complementary, short-circuit proof, reverse polarity protected
Switching current	max. 100 mA
Switching frequency	1000 Hz
Ambient temperature	-40 ... 60 °C (-40 ... 140 °F)
Material	
Housing	aluminum , Delta-Seal coated
Optical face	Fiber optic connection
Protection degree	IP67

Properties

- Suitable for use with glass fiber optics
- Rectangular miniature housing
- Aluminum with Delta®-Seal coating housing
- Discrete output with IO-Link
- Cable and connector versions
- Visible red and infrared light versions

Your Benefit

- Corrosion resistant due to Delta®-Seal coating
- Time saving quick connection to fiber optic cables
- Easily adapts to the application by the standard communication IO-Link interface

Model Number

	green = preferred type	MLV41-LL-RT-IO/115/136	MLV41-LL-IR-IO/115/136	MLV41-LL-RT-IO/95/136	MLV41-LL-IR-IO/95/136	MLV41-LL-RT-IO/92/136	MLV41-LL-IR-IO/92/136
Sensor range	up to 45 mm (LCR 04-1,6-0,5-Z1) up to 90 mm (LCR 04-1,6-0,5-Z1)	●	●	●	●	●	●
Detection range	up to 120 mm (LCE 04-1,6-1,0-Z1) up to 240 mm (LCE 04-1,6-1,0-Z1)	●	●	●	●	●	●
Light type	modulated infrared light , 880 nm modulated visible red light , 660 nm	●	●	●	●	●	●
Connection	connector M12 x 1, 4-pin M8 x 1 connector, 4-pin 2 m fixed cable , 5-pin	●	●	●	●	●	●

Approvals and Certificates

Protection class	II	●	●	●	●
UL approval	cULus Listed 57M3 (Only in association with UL Class 2 power supply; Type 1 enclosure)	●	●	●	●
CCC approval	Products with a maximum operating voltage of ≤36 V do not bear a CCC marking because they do not require approval.				

Dimensions

Length L [mm]	37,6
Width W [mm]	13,6
Height H [mm]	56,5
Connector area l _c [mm]	5 9 12,5

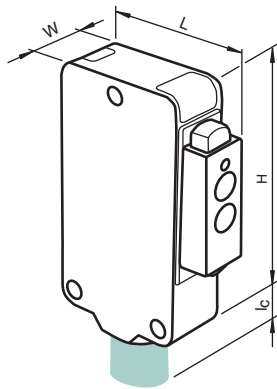
Accessories

This and more accessories can be found in chapter 10

See pages from 972 ... for cordsets

See pages 1068 ... for mounting aids

OMH-41	Mounting bracket
V1-G-2M-PUR	Cable socket, M12, 4-pin, PUR cable
V31-WM-2M-PUR	4-pin, M8 socket, PUR cable
V1-W-2M-PUR	Cable socket, M12, 4-pin, PUR cable
V31-GM-2M-PUR	4-pin, M8 socket, PUR cable



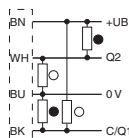
Electrical Connection

○ = light on, ● = dark on



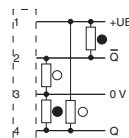
MLV41-LL-IR/115/136
MLV41-LL-RT/115/136

Option IO/115/136



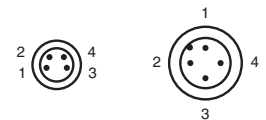
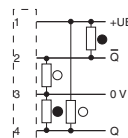
MLV41-LL-IR/95/136
MLV41-LL-RT/95/136

Option 25/95/136



MLV41-LL-RT/92/136
MLV41-LL-IR/92/136

Option 25/92/136



Wire colors in accordance with EN 60947-5-2

1	BN	(brown)
2	WH	(white)
3	BU	(blue)
4	BK	(black)

Date of issue: 2015-04-08

Preferred fiber optic cables

Detailed data and product description refer to data sheet on www.pepperl-fuchs.com

Head shape	Mounting	Model number	Core	Detection distance	Fiber cross-section	Bend radius	Head dimensions
Cylindrical		LCR 04-1,6-0,5-Z1	Glass	IR: 90 mm RT: 45 mm	1.8 mm	min. 10 mm	
Threaded	M6	LLR 04-1,6-0,5-G(M6x30)	Glass	IR: 90 mm RT: 45 mm	1.6 mm	min. 20 mm	
Right angle		LCR 04-1,6-0,5-WC 3	Glass	IR: 90 mm RT: 45 mm	1.8 mm	min. 15 mm	
Right angle		LLR 04-1,6-0,5-W C3	Glass	IR: 90 mm RT: 45 mm	1.8 mm	min. 20 mm	
Right angle		LLR 04-1,6-0,5-QW 1x4	Glass	IR: 90 mm RT: 45 mm	1 x 3.6 mm	min. 25 mm	
Cylindrical		LCE 04-1,6-1,0-Z1	Glass	IR: 240 mm RT: 120 mm	1.8 mm	min. 10 mm	
Threaded	M6	LCE 04-1,6-1,0 G	Glass	IR: 240 mm RT: 120 mm	1.8 mm	min. 10 mm	
Threaded	M6	LLE 04-1,6-1,0-G	Glass	IR: 240 mm RT: 120 mm	1.8 mm	min. 20 mm	
Right angle		LCE 04-1,6-1,0-W C3	Glass	IR: 240 mm RT: 120 mm	1.8 mm	min. 10 mm	
Right angle		LLE 04-1,6-1,0-W C3	Glass	IR: 240 mm RT: 120 mm	1.8 mm	min. 20 mm	

Diffuse mode fiber optic cables

Thru-beam fiber optic cables

Legend:

IR = used on an infrared light sensor
RT = used on a visible red light sensor

Date of issue 2015-04-08

2
.1.6

Photoelectric Sensors, Standard Sensors, fiber optic sensors



Properties

- Suitable for use with glass fiber optics
- Cylindrical threaded housing
- Nickel-plated brass housing
- Connector version
- Visible red light

Technical Data

For detailed data and product description refer to the data sheets at www.pepperl-fuchs.com

Model Number	VL18LL-M/40a/118/128
Sensor principle	Fiber optic sensor for glass fiber optics
Sensor range	up to 70 mm (LMR 18-3,2-1,0-K4)
Detection range	up to 300 mm (LME 18-2,3-0,5-K3)
Light type	modulated visible red light
Operating voltage	10 ... 30 V DC , class 2
No-load supply current	< 35 mA
Switching type	light/dark on, switchable
Signal output	Push-pull (4 in 1) output short-circuit protected overvoltage protected
Switching current	max. 200 mA
Switching frequency	500 Hz
Ambient temperature	-25 ... 70 °C (-13 ... 158 °F)
Material	
Housing	brass, nickel-plated
Optical face	plastic
Protection degree	IP67
Connection	M12 connector, 4-pin



Approvals and Certificates

CCC approval	Products with a maximum operating voltage of ≤36 V do not bear a CCC marking because they do not require approval.
--------------	--

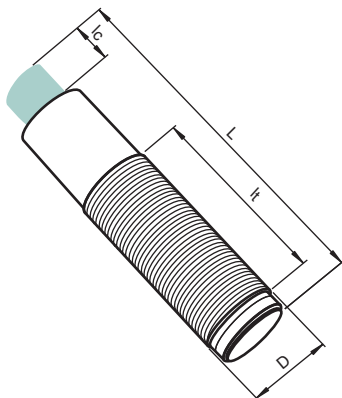
Dimensions

Length L [mm]	78
Diameter D [mm]	18
Thread length l _t [mm]	41
Connector area l _c [mm]	13

Accessories

This and more accessories can be found in chapter 10
See pages from 972 ... for cordsets See pages 1068 ... for mounting aids

CPZ18B03	For Series CP18 Threaded Photoelectric Sensors
BF 18	Mounting flange, 18 mm
BF 18-F	Mounting flange with dead stop, 18 mm
BF 5-30	Universal mounting bracket for cylindrical sensors with a diameter of 5 ... 30 mm
V1-G-2M-PUR	Cable socket, M12, 4-pin, PUR cable
V1-W-2M-PUR	Cable socket, M12, 4-pin, PUR cable



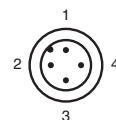
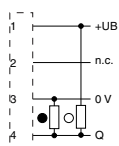
Electrical Connection

○ = light on, ● = dark on

VL18LL-M/40a/118/128



Option 40a/118/128



Wire colors in accordance with EN 60947-5-2

1	BN	(brown)
2	WH	(white)
3	BU	(blue)
4	BK	(black)

Preferred fiber optic cables

Detailed data and product description refer to data sheet on www.pepperl-fuchs.com

	Head shape	Mounting	Model number	Core	Detection distance	Fiber cross-section	Bend radius	Head dimensions
Diffuse mode fiber optic cables	Cylindrical		LMR 18-3,2-0,5-K1	Glass	70 mm	3.2 mm	min. 20 mm	
	Threaded	M8	LCR 18-3,2-0,5-K5	Glass	70 mm	3.2 mm	min. 15 mm	
	Threaded	M10	LMR 18-3,2-0,5-K4	Glass	70 mm	3.2 mm	min. 20 mm	
Thru-beam fiber optic cables	Cylindrical		LME 18-2,3-0,5-K1	Glass	300 mm	2.3 mm	min. 20 mm	
	Threaded	M4	LME 18-2,3-0,5-K3	Glass	300 mm	2.3 mm	min. 20 mm	
	Threaded	M8	LME 18-2,3-0,5-K5	Glass	300 mm	2.3 mm	min. 20 mm	
	Right angle smooth / threaded		LSE 18-2,3-0,5-K1	Glass	300 mm	2.3 mm	min. 20 mm	
	Right angle smooth / threaded		LME 18-1,9-0,5-K9	Glass	220 mm	1.9 mm	min. 20 mm	

2
.1.6

Photoelectric Sensors, Standard Sensors, fiber optic sensors



Technical Data

For detailed data and product description refer to the data sheets at www.pepperl-fuchs.com

Model Number	OJ500-M1K-E23
Light/dark switch	✓
Light type	modulated infrared light
Operating voltage	10 ... 30 V DC
No-load supply current	≤ 35 mA
Switching type	light/dark on
Signal output	1 PNP output, short-circuit protected, protected from reverse polarity, open collector
Switching current	≤ 200 mA
Switching frequency	≤ 1.5 kHz / 200 Hz switchable
Timer function	pulse extension 20 ms, switchable
Output of the pre-fault indication	1 PNP, active when falling short of the stability control
Ambient temperature	-25 ... 70 °C (-13 ... 158 °F)
Material	
Housing	PBT
Optical face	Scratch resistant mineral glass lens
Protection degree	IP67
Connection	M16 terminal compartment, core cross-section ≤ 2.5 mm ²



Approvals and Certificates

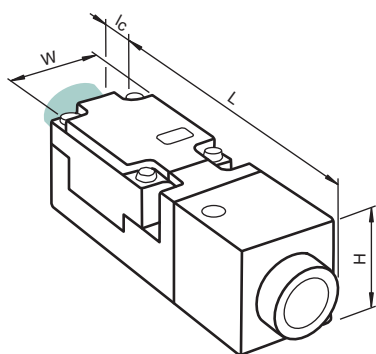
CCC approval	Products with a maximum operating voltage of ≤36 V do not bear a CCC marking because they do not require approval.
--------------	--

Dimensions

Length L [mm]	100
Width W [mm]	30
Height H [mm]	30
Connector area l _c [mm]	0 (M16 X 1.5)

Properties

- Suitable for use with glass fiber optics
- Rectangular compact housing
- Plastic housing
- Terminal version
- Infrared light



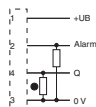
Electrical Connection

○ = light on, ● = dark on

OJ500-M1K-E23



Option E23



Preferred fiber optic cables

Detailed data and product description refer to data sheet on www.pepperl-fuchs.com

	Head shape	Mounting	Model number	Core	Detection distance	Fiber cross-section	Bend radius	Head dimensions
Diffuse mode fiber optic cables	Cylindrical		LMR 18-3,2-0,5-K1	Glass	100 mm	3.2 mm	min. 20 mm	
	Threaded	M8	LCR 18-3,2-0,5-K5	Glass	100 mm	3.2 mm	min. 15 mm	
	Threaded	M10	LMR 18-3,2-0,5-K4	Glass	100 mm	3.2 mm	min. 20 mm	
Thru-beam fiber optic cables	Cylindrical		LME 18-2,3-0,5-K1	Glass	600 mm	2.3 mm	min. 20 mm	
	Threaded	M4	LME 18-2,3-0,5-K3	Glass	600 mm	2.3 mm	min. 20 mm	
	Threaded	M8	LME 18-2,3-0,5-K5	Glass	600 mm	2.3 mm	min. 20 mm	
	Right angle smooth / threaded		LSE 18-2,3-0,5-K9	Glass	600 mm	2.3 mm	min. 20 mm	
	Right angle smooth / threaded		LME 18-1,9-0,5-K9	Glass	440 mm	1.9 mm	min. 20 mm	



Photoelectric Sensors, Standard Sensors, fiber optic sensors



Technical Data

For detailed data and product description refer to the data sheets at www.pepperl-fuchs.com

General Data

Sensitivity adjustment	✓
Light/dark switch	✓
Light source	laser diode
Light type	modulated visible red light
Laser class	2
Operating voltage	10 ... 30 V DC
No-load supply current	≤ 55 mA
Switching type	light/dark on switchable
Switching current	max. 200 mA
Response time	30 μs
Test input	emitter deactivation with +Ub
Ambient temperature	-10 ... 50 °C (14 ... 122 °F)
Material	
Housing	PC (glass-fiber-reinforced Makrolon)
Optical face	glass
Protection degree	IP67
Connection	M12 x 1 connector, 5-pin



Properties

- Suitable for very small print marks
- Rectangular full-size housing
- Plastic housing
- Discrete output
- Connector version
- Visible red light

Model Number

	DK10-LAS/35/49	DK10-LAS/35/79b	DK10-LAS/49	DK10-LAS/76a/110/124	DK10-LAS/76a/79b/110/124	DK10-LAS/9S20	DK10-LAS/9S50/76a/110/124
Time function						●	●
Detection range	3 ... 300 mm		●	●	●	●	●
	3 ... 800 mm	●	●				
Light spot representation	approx. 0.8 mm at a distance of 300 mm	●	●	●	●	●	●
	approx. 2 mm at a distance of 800 mm	●	●				
Signal output	Push-pull (4 in 1) output, short-circuit protected, reverse polarity protected	●		●	●	●	●
	1 PNP and 1 NPN short-circuit protected, open collector, synchronized-switching	●	●				
Timer function	rising edge , mono stable					●	●
Pulse length	20 ms					●	
	50 ms						●
Measurement output	Analog output 0.3 ... 10 mA	●			●		

Approvals and Certificates

UL approval	cULus Listed , Class 2 power source	●	●	●	●	●	●
CCC approval	Products with a maximum operating voltage of ≤36 V do not bear a CCC marking because they do not require approval.						

Dimensions

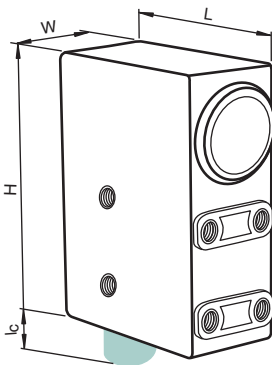
Length L [mm]	60,8
Width W [mm]	33
Height H [mm]	85,6
Connector area l _c [mm]	19

Accessories This and more accessories can be found in chapter 10

V15-G-5M-PVC	Cable socket, M12, 5-pin, PVC cable
OMH-DK	Right-Angled Mounting Bracket
OMH-DK-1	Flat Mounting Bracket

2
.1.7

Photoelectric Sensors, Standard Sensors, contrast sensors



Electrical Connection

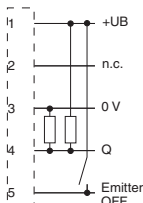
○ = light on, ● = dark on

- DK10-LAS/76a/110/124
- DK10-LAS/9S20
- DK10-LAS/9S50/76a/110/124

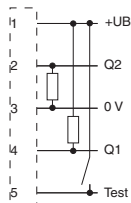
- DK10-LAS/35/49
- DK10-LAS/49

- DK10-LAS/35/79b
- DK10-LAS/76a/79b/110/124

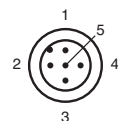
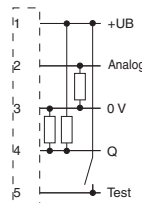
Option 76a/110



Option 49



Option 79b/110



Wire colors in accordance with EN 60947-5-2

- 1 | BN (brown)
- 2 | WH (white)
- 3 | BU (blue)
- 4 | BK (black)
- 5 | GY (gray)



Properties

- Suitable for very small print marks
- Rectangular full-size housing
- Plastic housing
- Discrete output
- Connector version
- Visible red light

Technical Data

For detailed data and product description refer to the data sheets at www.pepperl-fuchs.com

Model Number	DK10-LAS-54/76/110/124
Sensitivity adjustment	✓
Light/dark switch	✓
Threshold detection range	12 m
Effective detection range	0 ... 10 m
Reference target	reflector C110-2
Light source	laser diode
Light type	modulated visible red light
Laser class	2
Light spot representation	approx. 10 mm at a distance of 10 m
Operating voltage	10 ... 30 V DC
No-load supply current	≤ 55 mA
Switching type	light/dark on switchable
Signal output	Push-pull (4 in 1) output, short-circuit protected, reverse polarity protected
Switching current	max. 200 mA
Response time	30 μs
Test input	emitter deactivation with +Ub
Ambient temperature	-10 ... 50 °C (14 ... 122 °F)
Material	
Housing	PC (glass-fiber-reinforced Makrolon)
Optical face	glass
Protection degree	IP67
Connection	M12 x 1 connector, 5-pin



Approvals and Certificates

UL approval	cULus Listed , Class 2 power source
CCC approval	Products with a maximum operating voltage of ≤36 V do not bear a CCC marking because they do not require approval.

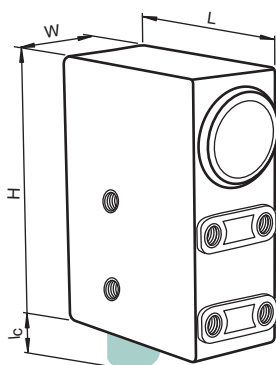
Dimensions

Length L [mm]	60.8
Width W [mm]	33
Height H [mm]	85.6
Connector area l _c [mm]	19

Accessories This and more accessories can be found in chapter 10

See pages from 972 ... for cordsets See pages 1068 ... for mounting aids

V15-G-5M-PVC	Cable socket, M12, 5-pin, PVC cable
V15-W-5M-PVC	Cable socket, M12, 5-pin, PVC cable
OMH-DK	Right-Angled Mounting Bracket
OMH-DK-1	Flat Mounting Bracket



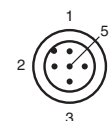
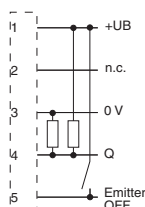
Electrical Connection

○ = light on, ● = dark on

DK10-LAS-54/76/110/124



Option 76a/110



Wire colors in accordance with EN 60947-5-2

1	BN	(brown)
2	WH	(white)
3	BU	(blue)
4	BK	(black)
5	GY	(gray)

Date of issue: 2015-04-08



Technical Data

For detailed data and product description refer to the data sheets at www.pepperl-fuchs.com

General Data

Static TEACH-IN	✓
Dynamic TEACH-IN	✓
Sensor range	11 mm ± 2 mm
Light source	3 LEDs (R,G,B)
Light type	Visible green/red/blue, modulated light
Teach-In	static and dynamic TEACH-IN
Operating voltage	10 ... 30 V DC
No-load supply current	≤ 80 mA
Switching type	light/dark on
Signal output	2 Push-pull (4 in 1) outputs, complementary, short-circuit proof, reverse polarity protected
Switching current	max. 100 mA
Response time	50 µs
Function input	Ext. Teach-In input (ET)
Ambient temperature	-20 ... 60 °C (-4 ... 140 °F)
Material	
Housing	Frame: nickel plated, die cast zinc, Laterals: glass-fiber reinforced plastic PC
Optical face	Plastic pane
Protection degree	IP67
Connection	Metal connector, M12, 5-pin, 90° rotatable



Properties

- Suitable for contrast evaluation
- Rectangular compact housing
- Die-cast zinc frame housing
- Discrete output
- Connector version
- Visible green / red / blue light

Your Benefit

- Detection of the smallest contrasts
- Accurate registration mark detection without color jitter

Model Number

		DK12-11/124/136	DK12-11/9s20/124/136	DK12-11/A/124/136
Time function	green = preferred type		●	
Light spot representation	1 mm x 3 mm, light spot parallel to housing	●	●	
	3 mm x 1 mm, light spot perpendicular to housing			●
Timer function	Impulsed time element off-delay 20 ms		●	

Approvals and Certificates

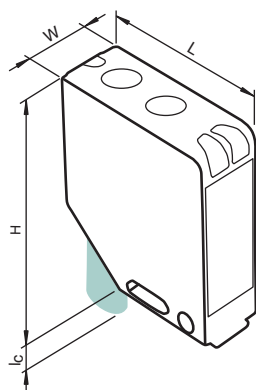
Protection class	II	●	●	●
UL approval	cULus Listed , Class 2 power source	●	●	●
CCC approval	Products with a maximum operating voltage of ≤36 V do not bear a CCC marking because they do not require approval.			

Dimensions

Length L [mm]	41,5
Width W [mm]	15
Height H [mm]	49
Connector area l _c [mm]	16 / 0

Accessories This and more accessories can be found in chapter 10
See pages from 972 ... for cordsets See pages 1068 ... for mounting aids

V15-G-5M-PVC	Cable socket, M12, 5-pin, PVC cable
V15-W-5M-PVC	Cable socket, M12, 5-pin, PVC cable



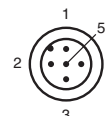
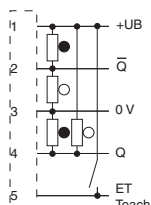
Electrical Connection

○ = light on, ● = dark on



DK12-11/124/136
DK12-11/9s20/124/136
DK12-11/A/124/136

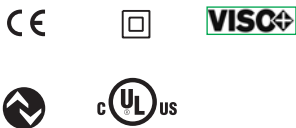
Option 124/136



Wire colors in accordance with EN 60947-5-2

1	BN	(brown)
2	WH	(white)
3	BU	(blue)
4	BK	(black)
5	GY	(gray)

Date of issue: 2015-04-08



Properties

- Suitable for contrast evaluation
- Rectangular compact housing
- Die-cast zinc frame housing
- Discrete output with IO-Link
- Connector version
- Visible green / red / blue light

Your Benefit

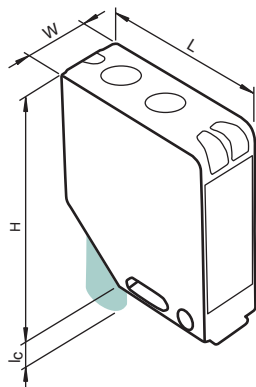
- Detection of the smallest contrasts
- Accurate registration mark detection without color jitter
- Easily adapts to the application by the standard communication IO-Link interface

Further Products

In this series, we offer additionally:

DK12-11-IO/A/92/136

Technical data like DK12-11-IO/92/136 but:
Light spot representation: orthogonal to housing



Technical Data

For detailed data and product description refer to the data sheets at www.pepperl-fuchs.com

Model Number	DK12-11-IO/92/136
Static TEACH-IN	✓
Dynamic TEACH-IN	✓
Sensor range	11 mm ± 2 mm
Light source	3 LEDs (R,G,B)
Light type	Visible green/red/blue, modulated light
Light spot representation	1 mm x 3 mm, light spot parallel to housing
Teach-In	static and dynamic TEACH-IN
Operating voltage	10 ... 30 V DC / when operating in IO-Link mode: 18 ... 30 V
No-load supply current	≤ 60 mA at 24 V supply voltage
Interface type	IO-Link
Mode	COM 2 (38.4 kBaud)
Switching type	light/dark on
Signal output	2 Push-pull (4 in 1) outputs, complementary, short-circuit proof, reverse polarity protected
Switching current	max. 100 mA
Response time	40 μs
Ambient temperature	-20 ... 60 °C (-4 ... 140 °F)
Material	
Housing	Frame: nickel plated, die cast zinc, Laterals: glass-fiber reinforced plastic PC
Optical face	Plastic pane
Protection degree	IP67
Connection	4-pin, M12 metal connector, can be rotated 90°



Approvals and Certificates

Protection class	II
UL approval	cULus Listed, Class 2 power source
CCC approval	Products with a maximum operating voltage of ≤36 V do not bear a CCC marking because they do not require approval.

Dimensions

Length L [mm]	41.5
Width W [mm]	15
Height H [mm]	49
Connector area l _c [mm]	16 / 0

Accessories

This and more accessories can be found in chapter 10

See pages from 972 ... for cordsets

See pages 1068 ... for mounting aids

IO-Link-Master-USB DTM	Communication DTM for use of IO-Link-Master
PACTware 4.X	FDT frame application
IODD Interpreter	Software for the integration of IODDs in a frame application (e. g. PACTware)
IO-Link-Master01-USB	IO-Link Master

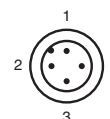
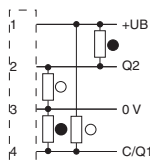
Electrical Connection

○ = light on, ● = dark on



DK12-11-IO/92/136
DK12-11-IO/A/92/136

Option IO/92/136
Option IO/95/136



Wire colors in accordance with EN 60947-5-2

1	BN	(brown)
2	WH	(white)
3	BU	(blue)
4	BK	(black)

Date of issue: 2015-04-08



Technical Data

For detailed data and product description refer to the data sheets at www.pepperl-fuchs.com

General Data

Static TEACH-IN	✓
Sensor range	25 mm +/- 6 mm
Light source	LED
Light type	Visible green/red/blue, modulated light
Teach-In	static TEACH-IN
Operating voltage	10 ... 30 V DC
No-load supply current	≤ 70 mA
Switching type	light/dark on switchable, results from the order of the TEACH-IN
Signal output	Push-pull (4 in 1) output, short-circuit protected, reverse polarity protected
Switching current	max. 200 mA
Response time	30 μs
Function input	TEACH-IN input
Ambient temperature	-20 ... 60 °C (-4 ... 140 °F)
Material	
Housing	PC (glass-fiber-reinforced Makrolon)
Optical face	glass
Protection degree	IP67
Connection	M12 x 1 connector, 5-pin



Properties

- Suitable for contrast evaluation
- Rectangular full-size housing
- Plastic housing
- Discrete output
- Connector version
- Visible green / red / blue light

Your Benefit

- Interchangeable dual lens for mounting flexibility

Model Number

		DK20-25/A/110/124	DK20-25/B/110/124	DK20-25/B/110/124
Light spot representation	Light spot diameter 3 mm			●
	2 mm x 8.5 mm	●		
	2 mm x 8.5 mm , light spot perpendicular to housing		●	

Approvals and Certificates

UL approval	cULus Listed , Class 2 power source	●	●	●
CCC approval	Products with a maximum operating voltage of ≤36 V do not bear a CCC marking because they do not require approval.			

Dimensions

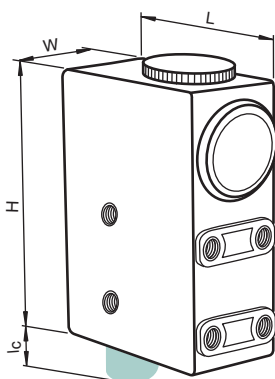
Length L [mm]	60,8
Width W [mm]	33
Height H [mm]	85,6
Connector area l _c [mm]	19

Accessories This and more accessories can be found in chapter 10

V15-G-5M-PVC	Cable socket, M12, 5-pin, PVC cable
V15-W-5M-PVC	Cable socket, M12, 5-pin, PVC cable
OMH-DK	Right-Angled Mounting Bracket
OMH-DK-1	Flat Mounting Bracket

Photoelectric Sensors, Standard Sensors, contrast sensors

2
.1.7



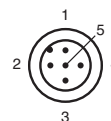
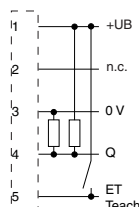
Electrical Connection

○ = light on, ● = dark on



DK20-25/A/110/124
DK20-25/B/110/124
DK20-25/110/124

Option 110



Wire colors in accordance with EN 60947-5-2

1	BN	(brown)
2	WH	(white)
3	BU	(blue)
4	BK	(black)
5	GY	(gray)

Date of issue: 2015-04-08



Technical Data

For detailed data and product description refer to the data sheets at www.pepperl-fuchs.com

General Data

Static TEACH-IN	✓
Sensor range	9.5 mm +/-3 mm
Light source	LED
Light type	Visible green/red/blue, modulated light
Teach-In	static TEACH-IN
Operating voltage	10 ... 30 V DC
No-load supply current	≤ 70 mA
Switching type	light/dark on switchable, results from the order of the TEACH-IN
Signal output	Push-pull (4 in 1) output, short-circuit protected, reverse polarity protected
Switching current	max. 200 mA
Response time	30 µs
Function input	TEACH-IN input
Ambient temperature	-20 ... 60 °C (-4 ... 140 °F)
Material	
Housing	PC (glass-fiber-reinforced Makrolon)
Optical face	glass
Protection degree	IP67
Connection	M12 x 1 connector, 5-pin



Properties

- Suitable for contrast evaluation
- Rectangular full-size housing
- Plastic housing
- Discrete output
- Connector version
- Visible green / red / blue light

Your Benefit

- Interchangeable dual lens for mounting flexibility

Further Products

In this series, we offer additionally:

DKE20-9,5/110/124

Technical data like DK20-9,5/110/124 but:

Housing: Stainless steel



Model Number

green = preferred type

Time function		DK20-9,5/110/124	DK20-9,5/9S20/110/124	DK20-9,5/A/110/124	DK20-9,5/B/110/124
Light spot representation	Light spot diameter 1.5 mm rectangular 1 mm x 4 mm 1 mm x 4 mm, light spot perpendicular to housing	●	●	●	●
Timer function	rising edge, mono stable		●		
Pulse length	20 ms		●		

Approvals and Certificates

UL approval	cULus Listed, Class 2 power source	●	●	●	●
CCC approval	Products with a maximum operating voltage of ≤36 V do not bear a CCC marking because they do not require approval.				

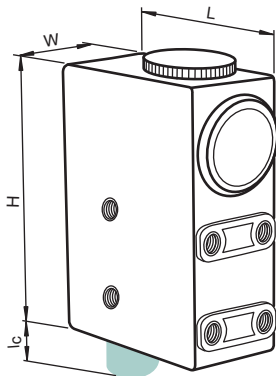
Dimensions

Length L [mm]	60,8
Width W [mm]	33
Height H [mm]	85,6
Connector area l _c [mm]	19

Accessories This and more accessories can be found in chapter 10

See pages from 972 ... for cordsets See pages 1068 ... for mounting aids

V15-G-5M-PVC	Cable socket, M12, 5-pin, PVC cable
V15-W-5M-PVC	Cable socket, M12, 5-pin, PVC cable
OMH-DK	Right-Angled Mounting Bracket
OMH-DK-1	Flat Mounting Bracket



Electrical Connection

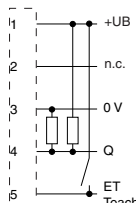
○ = light on, ● = dark on



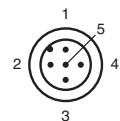
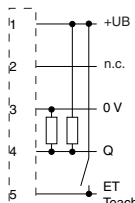
DK20-9,5/9S20/110/124

DK20-9,5/110/124
DK20-9,5/A/110/124
DK20-9,5/B/110/124
DK20-9,5/110/124

Option 9S20/110



Option 110



Wire colors in accordance with EN 60947-5-2

1	BN	(brown)
2	WH	(white)
3	BU	(blue)
4	BK	(black)
5	GY	(gray)

Date of issue: 2015-04-08



Technical Data

For detailed data and product description refer to the data sheets at www.pepperl-fuchs.com

General Data

Dynamic TEACH-IN	✓
Sensor range	25 mm +/- 6 mm
Light source	LED
Light type	Visible green/red/blue, modulated light
Teach-In	Dynamic Teach-In
Operating voltage	10 ... 30 V DC
No-load supply current	≤ 60 mA
Signal output	Push-pull (4 in 1) output, short-circuit protected, reverse polarity protected
Switching current	max. 200 mA
Response time	30 μs
Function input	TEACH-IN input
Ambient temperature	-20 ... 60 °C (-4 ... 140 °F)
Material	
Housing	PC (glass-fiber-reinforced Makrolon)
Optical face	glass
Protection degree	IP67
Connection	M12 x 1 connector, 5-pin



2
.1.7



Properties

- Suitable for contrast evaluation
- Rectangular full-size housing
- Plastic housing
- Discrete output
- Connector version
- Visible green / red / blue light

Your Benefit

- Interchangeable dual lens for mounting flexibility

Model Number

Light spot representation	Light spot diameter 3 mm 2 mm x 8.5 mm	DK21-25/110/124	DK21-25/B/110/124
---------------------------	---	-----------------	-------------------

Approvals and Certificates

CCC approval Products with a maximum operating voltage of ≤36 V do not bear a CCC marking because they do not require approval.

Dimensions

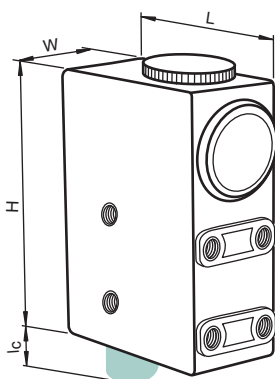
Length L [mm]	60,8
Width W [mm]	33
Height H [mm]	85,6
Connector area l _c [mm]	19

Accessories This and more accessories can be found in chapter 10

See pages from 972 ... for cordsets See pages 1068 ... for mounting aids

V15-G-5M-PVC	Cable socket, M12, 5-pin, PVC cable
V15-W-5M-PVC	Cable socket, M12, 5-pin, PVC cable
OMH-DK	Right-Angled Mounting Bracket
OMH-DK-1	Flat Mounting Bracket

Photoelectric Sensors, Standard Sensors, Contrast Sensors



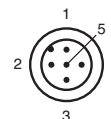
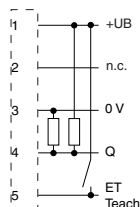
Electrical Connection

○ = light on, ● = dark on



DK21-25/B/110/124
DK21-25/110/124

Option 110



Wire colors in accordance with EN 60947-5-2

1	BN	(brown)
2	WH	(white)
3	BU	(blue)
4	BK	(black)
5	GY	(gray)

Date of issue: 2015-04-08



Technical Data

For detailed data and product description refer to the data sheets at www.pepperl-fuchs.com

General Data

Dynamic TEACH-IN	✓
Sensor range	9.5 mm +/-3 mm
Light source	LED
Light type	Visible green/red/blue, modulated light
Teach-In	Dynamic Teach-In
Operating voltage	10 ... 30 V DC
No-load supply current	≤ 60 mA
Signal output	Push-pull (4 in 1) output, short-circuit protected, reverse polarity protected
Switching current	max. 200 mA
Response time	30 μs
Function input	TEACH-IN input
Ambient temperature	-20 ... 60 °C (-4 ... 140 °F)
Material	
Housing	PC (glass-fiber-reinforced Makrolon)
Optical face	glass
Protection degree	IP67
Connection	M12 x 1 connector, 5-pin



Properties

- Suitable for contrast evaluation
- Rectangular full-size housing
- Plastic housing
- Discrete output
- Connector version
- Visible green / red / blue light

Your Benefit

- Interchangeable dual lens for mounting flexibility

Further Products

In this series, we offer additionally:

DKE21-9,5/110/124

Technical data like DK21-9,5/110/124 but:

Housing: Stainless steel



Model Number

	DK21-9,5/110/124	DK21-9,5/9S20/110/124	DK21-9,5/A/110/124
Time function		●	
Light spot representation	rectangular 1 mm x 4 mm, light spot parallel to housing	●	
	1 mm x 4 mm, light spot perpendicular to housing		●
Timer function	rising edge, mono stable	●	
Pulse length	20 ms	●	

Approvals and Certificates

CCC approval Products with a maximum operating voltage of ≤36 V do not bear a CCC marking because they do not require approval.

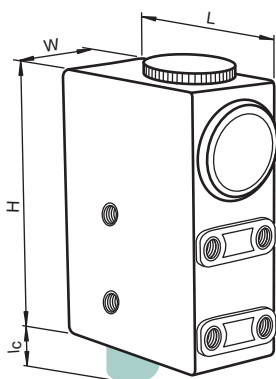
Dimensions

Length L [mm]	60,8
Width W [mm]	33
Height H [mm]	85,6
Connector area l _c [mm]	19

Accessories

This and more accessories can be found in chapter 10
See pages from 972 ... for cordsets See pages 1068 ... for mounting aids

V15-G-5M-PVC	Cable socket, M12, 5-pin, PVC cable
V15-W-5M-PVC	Cable socket, M12, 5-pin, PVC cable
OMH-DK	Right-Angled Mounting Bracket
OMH-DK-1	Flat Mounting Bracket



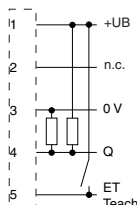
Electrical Connection

○ = light on, ● = dark on



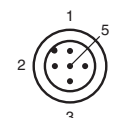
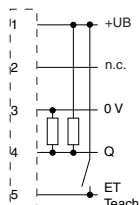
DK21-9,5/9S20/110/124

Option 9S20/110



DKE21-9,5/110/124
DK21-9,5/A/110/124
DK21-9,5/110/124

Option 110



Wire colors in accordance with EN 60947-5-2

1	BN	(brown)
2	WH	(white)
3	BU	(blue)
4	BK	(black)
5	GY	(gray)

Date of issue: 2015-04-08



Technical Data

For detailed data and product description refer to the data sheets at www.pepperl-fuchs.com

General Data

Sensor range	9.5 mm ± 3 mm
Light source	LED
Light type	Visible green/red/blue, modulated light
Light spot representation	rectangular 1 mm x 4 mm
Operating voltage	10 ... 30 V DC
No-load supply current	≤ 75 mA
Signal output	Push-pull (4 in 1) output, short-circuit protected, reverse polarity protected
Switching current	max. 200 mA
Response time	30 µs
Function input	TEACH-IN input
Ambient temperature	-20 ... 60 °C (-4 ... 140 °F)
Material	
Housing	PC (glass-fiber-reinforced Makrolon)
Optical face	glass
Protection degree	IP67
Connection	M12 x 1 connector, 5-pin



Properties

- Suitable for contrast evaluation
- Rectangular full-size housing
- Plastic housing
- Discrete output
- Connector version
- Visible green / red / blue light

Your Benefit

- Detection of the smallest contrasts

Further Products

In this series, we offer additionally:
DK31-9,5/110/124
 Technical data like DK35-9,5/110/124 but:
 axial light exit



Model Number

	DK34-9,5/110/124	DK34-9,5/8S50/110/124	DK35-9,5/110/124
Time function			
Static TEACH-IN	●	●	
Dynamic TEACH-IN			●
Teach-In			●
Teach-In	Dynamic Teach-In	static TEACH-IN	
Switching type			
Output switches to U _B when print mark is detected and to 0 V when background is detected	●	●	●
light/dark on switchable, results from the order of the TEACH-IN	●	●	
Timer function			
falling edge		●	
Off-delay			●

Approvals and Certificates

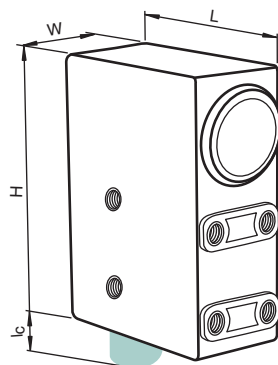
CCC approval Products with a maximum operating voltage of ≤36 V do not bear a CCC marking because they do not require approval.

Dimensions

Length L [mm]	60,8
Width W [mm]	33
Height H [mm]	85,6
Connector area l _c [mm]	19

Accessories This and more accessories can be found in chapter 10

V15-G-5M-PVC	Cable socket, M12, 5-pin, PVC cable	See pages 972 ... for cordsets	See pages 1068 ... for mounting aids
V15-W-5M-PVC	Cable socket, M12, 5-pin, PVC cable		
OMH-DK	Right-Angled Mounting Bracket		
OMH-DK-1	Flat Mounting Bracket		



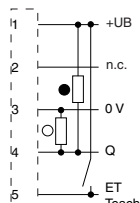
Electrical Connection

○ = light on, ● = dark on



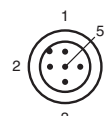
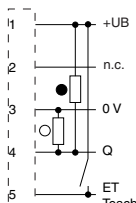
DK34-9,5/8S50/110/124

Option 8S50/110



DK31-9,5/110/124
 DK34-9,5/110/124
 DK35-9,5/110/124

Option 110



Wire colors in accordance with EN 60947-5-2

1	BN	(brown)
2	WH	(white)
3	BU	(blue)
4	BK	(black)
5	GY	(gray)

Date of issue: 2015-04-08



Technical Data

For detailed data and product description refer to the data sheets at www.pepperl-fuchs.com

General Data

Time function	✓
Sensitivity adjustment	✓
Light/dark switch	✓
Light source	LED
Light type	modulated UV light
Teach-In	Incremental or automatic
Operating voltage	10 ... 30 V DC
Switching type	light on / dark on
Signal output	1 PNP and 1 NPN short-circuit protected, reverse polarity protected
Switching current	150 mA
Material	
Housing	Polycarbonate
Optical face	Acrylic
Protection degree	IP67
Connection	150 mm, PVC cable with M12 x 1 connector, 5 pin

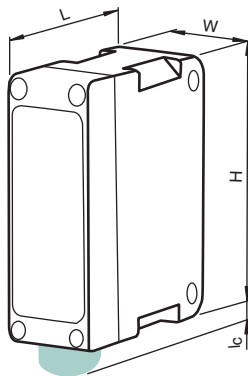


Properties

- Suitable for luminescence evaluation
- Rectangular compact housing
- Plastic housing
- Discrete output
- Pigtailed connector version
- Ultraviolet light

Your Benefit

- Detection of invisible marks and/or marks on irregular surfaces
- Small focal point detects small parts



Model Number

		DK50-UV-190/115b/147	DK50-UV-254/115b/147	DK50-UV-330/115b/147	DK50-UV-609/115b/147
Detection range	0 ... 190 mm	●			
	0 ... 254 mm		●		
	0 ... 330 mm			●	
	50.8 ... 609.6 mm				●
Light spot representation	2.2 mm at 25.4 mm sensor range	●			
	3.25 mm at 50.8 mm sensor range		●		
	4.1 mm at 101.6 mm sensor range			●	
No-load supply current	25.4 mm at 203 mm sensor range			●	●
	50 mA	●	●	●	●
Response time	65 mA	●	●	●	●
	200 µs	●	●	●	●
Ambient temperature	750 µs	●	●	●	●
	-15 ... 55 °C (5 ... 131 °F)	●	●	●	●
	-15 ... 70 °C (5 ... 158 °F)	●	●	●	●

Dimensions

Length L [mm]	55,5
Width W [mm]	22,6
Height H [mm]	64,9
Connector area l_c [mm]	7

Accessories

This and more accessories can be found in chapter 10

See pages from 972 ... for cordsets

See pages 1068 ... for mounting aids

OMH-DK50	Right-Angled Mounting Bracket
V15-G-2M-PUR	Cable socket, M12, 5-pin, PUR cable
V15-W-2M-PUR	Cable socket, M12, 5-pin, PUR cable

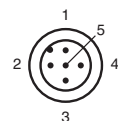
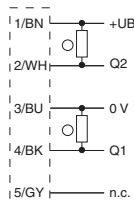
Electrical Connection

○ = light on, ● = dark on



DK50-UV-254/115b/147
DK50-UV-190/115b/147
DK50-UV-330/115b/147
DK50-UV-609/115b/147

Option 115b/147



Wire colors in accordance with EN 60947-5-2

1	BN	(brown)
2	WH	(white)
3	BU	(blue)
4	BK	(black)
5	GY	(gray)

Date of issue: 2015-04-08



Technical Data

For detailed data and product description refer to the data sheets at www.pepperl-fuchs.com

General Data

Time function	✓
Sensitivity adjustment	✓
Light/dark switch	✓
Light source	LED
Light type	modulated UV light
Teach-In	Incremental or automatic
Operating voltage	10 ... 30 V DC
Switching type	light on / dark on
Signal output	1 PNP and 1 NPN short-circuit protected, reverse polarity protected
Switching current	150 mA
Response time	Discrete Output 200 µs Analog output 1 ms
Measurement output	0 - 5 V DC R _{min} = 1 kΩ

Material	
Housing	Polycarbonate
Optical face	Acrylic
Protection degree	IP67
Connection	150 mm pigtail , quick disconnect type M12 (micro)



Properties

- Suitable for luminescence evaluation
- Rectangular compact housing
- Plastic housing
- Discrete output
- Pigtailed connector version
- Ultraviolet light

Your Benefit

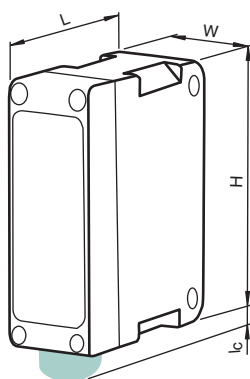
- Detection of invisible marks and/or marks on irregular surfaces
- Small focal point detects small parts

Model Number

		DK50-UV-190/79d/115b/147	DK50-UV-254/79d/115b/147	DK50-UV-330/79d/115b/147	DK50-UV-609/79d/115b/147
Detection range	0 ... 190 mm	●			
	0 ... 254 mm		●		
	0 ... 330 mm			●	
	50.8 ... 609.6 mm				●
Light spot representation	2.2 mm at 25.4 mm sensor range	●			
	3.25 mm at 50.8 mm sensor range		●		
	4.1 mm at 101.6 mm sensor range			●	
	25.4 mm at 203 mm sensor range				●
No-load supply current	50 mA	●	●	●	
	65 mA				●
Ambient temperature	-15 ... 55 °C (5 ... 131 °F)	●	●	●	●
	-15 ... 60 °C (5 ... 140 °F)				●

Dimensions

Length L [mm]	55,5
Width W [mm]	22,6
Height H [mm]	64,9
Connector area l _c [mm]	7



Accessories

This and more accessories can be found in chapter 10
See pages from 972 ... for cordsets See pages 1068 ... for mounting aids

OMH-DK50	Right-Angled Mounting Bracket
V15-G-2M-PUR	Cable socket, M12, 5-pin, PUR cable
V15-W-2M-PUR	Cable socket, M12, 5-pin, PUR cable

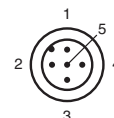
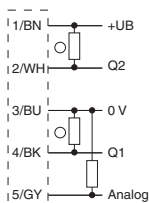
Electrical Connection

○ = light on, ● = dark on



DK50-UV-190/79d/115b/147
DK50-UV-254/79d/115b/147
DK50-UV-330/79d/115b/147
DK50-UV-609/79d/115b/147

Option 79d/115b/147



Wire colors in accordance with EN 60947-5-2

1	BN	(brown)
2	WH	(white)
3	BU	(blue)
4	BK	(black)
5	GY	(gray)



Properties

- Suitable for color evaluation
- Rectangular compact housing
- Die-cast zinc frame housing
- Discrete output
- Connector version
- Visible green / red / blue light

Your Benefit

- Up to three different colors and tolerances can be stored
- One output for each color

Technical Data

For detailed data and product description refer to the data sheets at www.pepperl-fuchs.com

General Data

Function input	✓
Static TEACH-IN	✓
Sensor range	11 mm ± 2 mm
Light source	3 LEDs (R,G,B)
Light type	Visible green/red/blue, modulated light
Light spot representation	1 mm x 3 mm
Operating voltage	10 ... 30 V DC
No-load supply current	≤ 40 mA
Signal output	3 Push-pull (4 in 1) outputs, short-circuit proof, reverse polarity protected
Switching current	max. 100 mA
Response time	1 ms
Function input	Ext. Teach-In input (ET) Ext. blanking-input (AT)
Ambient temperature	-20 ... 60 °C (-4 ... 140 °F)
Material	
Housing	Frame: nickel plated, die cast zinc, Laterals: glass-fiber reinforced plastic PC
Optical face	Plastic pane
Protection degree	IP67
Connection	8-pin, M12 metal connector, 90° convertible (use V19 type connection cable)



Model Number

green = preferred type

Timer function Impulsed time element off-delay 20 ms

DF12-11-3K/145/151

DF12-11-3K/9s20/145/151

Approvals and Certificates

CCC approval Products with a maximum operating voltage of ≤36 V do not bear a CCC marking because they do not require approval.

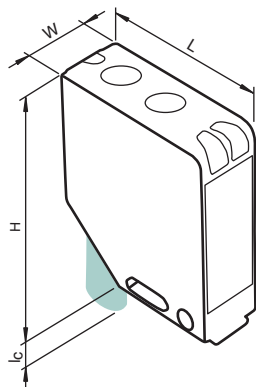
Dimensions

Length L [mm]	41,5
Width W [mm]	15
Height H [mm]	49
Connector area l _c [mm]	16 / 0

Accessories This and more accessories can be found in chapter 10

See pages from 972 ... for cordsets See pages 1068 ... for mounting aids

V19-G-5M-PVC	Cable socket, M12, 8-pin, PVC cable
V19-W-5M-PUR54	Cable connector, M12, 8-pin, welding-bead resistant, PUR cable
V19-G-15M-PVC	Cable socket, M12, 8-pin, PVC cable
V19-G-2M-PUR ABG	Cable socket, M12, 8-pin, shielded, PUR cable
V19-G-3M-PUR ABG	Cable socket, M12, 8-pin, shielded, PUR cable
V19-G-10M-PUR-ABG	Cable socket, M12, 8-pin, shielded, PUR cable

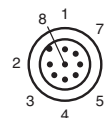
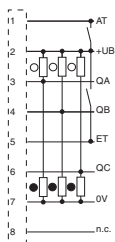


Electrical Connection

○ = light on, ● = dark on

DF12-11-3K/145/151
DF12-11-3K/9s20/145/151

Option /145/151



Wire colors

1	WH	(white)
2	BN	(brown)
3	GN	(green)
4	YE	(yellow)
5	GY	(gray)
6	PK	(pink)
7	BU	(blue)
8	RD	(red)

Date of issue: 2015-04-08



Technical Data

For detailed data and product description refer to the data sheets at www.pepperl-fuchs.com

General Data

Function input	✓
Static TEACH-IN	✓
Light source	3 LEDs (R,G,B)
Light type	Visible green/red/blue, modulated light
Operating voltage	10 ... 30 V DC
No-load supply current	≤ 55 mA
Switching type	PNP switches according to +U _B , NPN according to 0 V for detected mark
Signal output	1 PNP and 1 NPN short-circuit protected, open collector, synchronized-switching
Switching current	max. 200 mA
Response time	300 μs
Function input	TEACH-IN input
Ambient temperature	-20 ... 60 °C (-4 ... 140 °F)
Material	
Housing	PC (glass-fiber-reinforced Makrolon)
Optical face	glass
Protection degree	IP67
Connection	M12 x 1 connector, 5-pin



Properties

- Suitable for color evaluation
- Rectangular full-size housing
- Plastic housing
- Discrete output
- Connector version
- Visible green / red / blue light

Your Benefit

- Interchangeable dual lens for mounting flexibility

Model Number

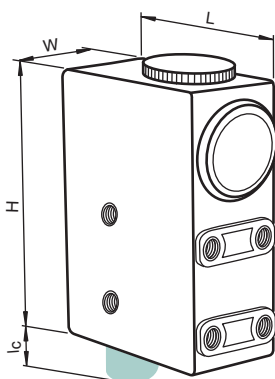
	green = preferred type	DF20/49/124	DF20/9S20/49/124	DF20/B/49/124	DF20/35A/49/124
Sensor range	9.5 mm ± 2 mm 25 mm ± 4 mm	●	●	●	●
Light spot representation	Light spot diameter 1.5 mm rectangular 1 mm x 4 mm rectangular 2 mm x 8.5 mm	●	●	●	●
Timer function	Impulsed time element off-delay 20 ms		●		

Approvals and Certificates

CCC approval Products with a maximum operating voltage of ≤36 V do not bear a CCC marking because they do not require approval.

Dimensions

Length L [mm]	60,8
Width W [mm]	33
Height H [mm]	85,5
Connector area l _c [mm]	19



Electrical Connection

○ = light on, ● = dark on

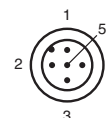
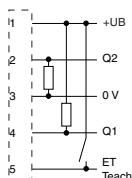
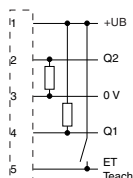


DF20/35A/49/124

DF20/49/124
DF20/9S20/49/124
DF20/B/49/124

Option 35a/49/124

Option 49/124



Wire colors in accordance with EN 60947-5-2

- | | | |
|---|----|---------|
| 1 | BN | (brown) |
| 2 | WH | (white) |
| 3 | BU | (blue) |
| 4 | BK | (black) |
| 5 | GY | (gray) |

Date of issue: 2015-04-08





Technical Data

For detailed data and product description refer to the data sheets at www.pepperl-fuchs.com

General Data

Sensitivity adjustment	✓
Light/dark switch	✓
Light source	LED
Light type	modulated visible red light
Operating voltage	10 ... 30 V DC, class 2
No-load supply current	≤ 15 mA
Signal output	1 PNP, short-circuit protected, open collector
Switching type	light/dark on
Switching current	max. 100 mA
Switching frequency	3 kHz
Ambient temperature	-20 ... 60 °C (-4 ... 140 °F)
Protection degree	IP67
Connection	M8 connector, 3-pin



Properties

- Single beam type
- Rectangular compact housing
- Die-cast zinc and aluminium housing versions
- DC sensor
- Discrete output
- Connector version
- Visible red light

Your Benefit

- Optimized for small part detection
- No mutual interference for side by side mounting (no cross-talk)
- Suitable for high speed processes

Model Number

	green = preferred type	GL10-RT/32/40a/98a	GL20-RT/32/40a/98a	GL30-RT/32/40a/98a	GL40-RT/32/40a/98a	GL50-RT/32/40a/98a	GL80-RT/32/40a/98a	GL121-RT/32/40a/98a	GL220-RT/32/40a/98a
Fork width	10 mm	●							
	20 mm		●						
	30 mm			●					
	40 mm				●				
	50 mm					●			
	80 mm						●		
	121 mm							●	
	220 mm								●
Target size	0.3 mm	●	●	●	●	●	●	●	●
	0.5 mm								●
Material									
Housing	black anodized aluminium	●	●		●				●
	powder coated diecast zinc			●		●	●	●	
Optical face	glass	●	●	●	●	●	●	●	●

Approvals and Certificates

CCC approval Products with a maximum operating voltage of ≤36 V do not bear a CCC marking because they do not require approval.

Dimensions

Length L [mm]	46	46	60	70	80	80	90	90
Width W [mm]				10				12
Height H [mm]	30	40	50	60	70	100	145	244
Fork width G [mm]	10	20	30	40	50	80	121	220

Accessories

This and more accessories can be found in chapter 10

See pages from 972 ... for cordsets

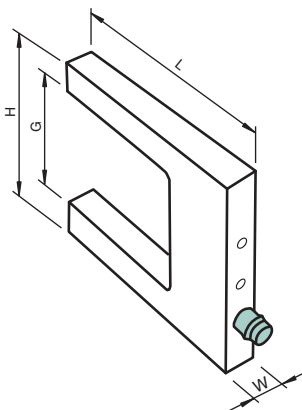
See pages 1068 ... for mounting aids

V3-GM-2M-PUR

Cable socket, M8, 3-pin, PUR cable

V3-WM-2M-PUR

Cable socket, M8, 3-pin, PUR cable



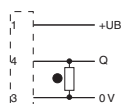
Electrical Connection

○ = light on, ● = dark on



- GL10-RT/32/40a/98a
- GL20-RT/32/40a/98a
- GL30-RT/32/40a/98a
- GL50-RT/32/40a/98a
- GL80-RT/32/40a/98a
- GL121-RT/32/40a/98a
- GL220-RT/32/40a/98a
- GL40-RT/32/40a/98a

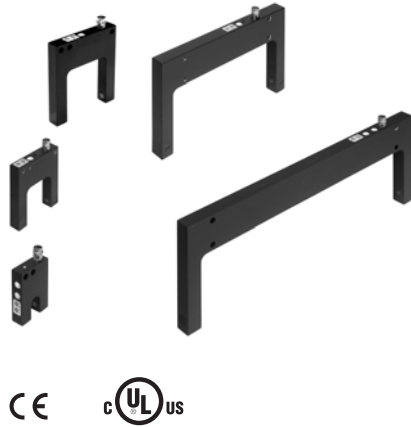
Option 32/40a/98a



Wire colors in accordance with EN 60947-5-2

- 1 | BN (brown)
- 3 | BU (blue)
- 4 | BK (black)

Date of issue: 2015-04-08



Technical Data

For detailed data and product description refer to the data sheets at www.pepperl-fuchs.com

General Data

Sensitivity adjustment	✓
Light/dark switch	✓
Light type	modulated infrared light
Light source	IRED
Operating voltage	10 ... 30 V DC, class 2
No-load supply current	≤ 15 mA
Signal output	1 PNP, short-circuit protected, open collector
Switching type	light/dark on
Switching current	max. 100 mA
Switching frequency	2 kHz
Ambient temperature	-20 ... 60 °C (-4 ... 140 °F)
Protection degree	IP67
Connection	M8 connector, 3-pin



Properties

- Single beam type
- Rectangular compact housing
- Die-cast zinc and aluminium housing versions
- DC sensor
- Discrete output
- Connector version
- Infrared light

Your Benefit

- Optimized for small part detection
- No mutual interference for side by side mounting (no cross-talk)
- Suitable for high speed processes

Model Number	GL10-IR/32/40a/98a	GL20-IR/32/40a/98a	GL30-IR/32/40a/98a	GL40-IR/32/40a/98a	GL50-IR/32/40a/98a	GL80-IR/32/40a/98a	GL121-IR/32/40a/98a	GL220-IR/32/40a/98a
Fork width	●	●	●	●	●	●	●	●
Target size	●	●	●	●	●	●	●	●
Material	●	●	●	●	●	●	●	●
Housing	●	●	●	●	●	●	●	●
Optical face	●	●	●	●	●	●	●	●

Approvals and Certificates

CCC approval Products with a maximum operating voltage of ≤36 V do not bear a CCC marking because they do not require approval.

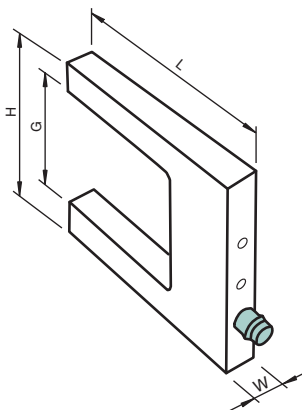
Dimensions

Length L [mm]	46	46	60	70	80	80	90	90
Width W [mm]				10			12	
Height H [mm]	30	40	50	60	70	100	145	244
Fork width G [mm]	10	20	30	40	50	80	121	220

Accessories

This and more accessories can be found in chapter 10
See pages from 972 ... for cordsets See pages 1068 ... for mounting aids

V3-GM-2M-PUR	Cable socket, M8, 3-pin, PUR cable
V3-WM-2M-PUR	Cable socket, M8, 3-pin, PUR cable



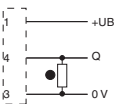
Electrical Connection

○ = light on, ● = dark on



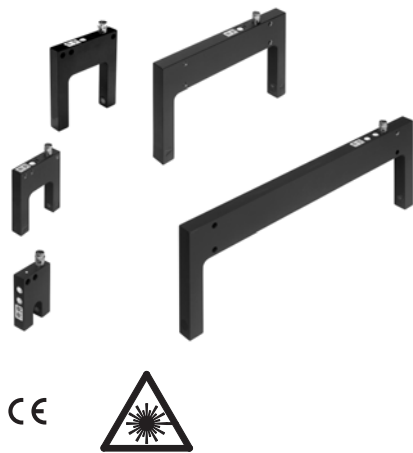
- GL20-IR/32/40a/98a
- GL30-IR/32/40a/98a
- GL50-IR/32/40a/98a
- GL10-IR/32/40a/98a
- GL80-IR/32/40a/98a
- GL121-IR/32/40a/98a
- GL220-IR/32/40a/98a
- GL40-IR/32/40a/98a

Option 32/40a/98a



Wire colors in accordance with EN 60947-5-2

1	BN	(brown)
3	BU	(blue)
4	BK	(black)



Technical Data

For detailed data and product description refer to the data sheets at www.pepperl-fuchs.com

General Data

Sensitivity adjustment	✓
Light/dark switch	✓
Light source	laser diode
Light type	red
Laser class	2
Target size	0.05 mm
Operating voltage	10 ... 30 V DC
No-load supply current	45 mA
Signal output	1 PNP output, short-circuit protected, protected from reverse polarity, open collector
Switching type	light/dark on
Switching current	max. 200 mA
Switching frequency	10000 Hz
Ambient temperature	-10 ... 60 °C (14 ... 140 °F)
Material	
Housing	black anodized aluminium
Optical face	glass
Protection degree	IP65
Connection	M8 connector, 3-pin

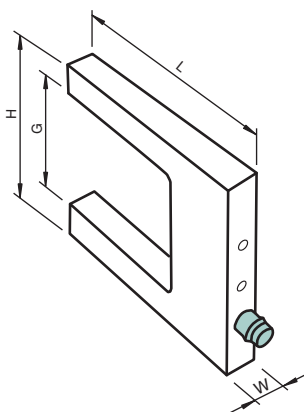


Properties

- Single beam type
- Rectangular compact housing
- Aluminium housing
- DC sensor
- Discrete output
- Connector version
- Laser red light

Your Benefit

- Optimized for small part detection down to 0.05 mm
- Suitable for high speed processes



Model Number

Fork width	20 mm	●				
Fork width	30 mm		●			
Fork width	50 mm			●		
Fork width	80 mm				●	
Fork width	120 mm					●
Fork width	220 mm					●

Approvals and Certificates

CCC approval Products with a maximum operating voltage of ≤36 V do not bear a CCC marking because they do not require approval.

Dimensions

Length L [mm]	60		80		85	
Width W [mm]	10					
Height H [mm]	45	55	75	105	145	245
Fork width G [mm]	20	30	50	80	120	220

Accessories

This and more accessories can be found in chapter 10
See pages from 972 ... for cordsets See pages 1068 ... for mounting aids

- V3-GM-2M-PUR Cable socket, M8, 3-pin, PUR cable
- V3-WM-2M-PUR Cable socket, M8, 3-pin, PUR cable

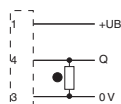
Electrical Connection

○ = light on, ● = dark on



- GL20-LAS/32/40a/98a
- GL30-LAS/32/40a/98a
- GL50-LAS/32/40a/98a
- GL80-LAS/32/40a/98a
- GL120-LAS/32/40a/98a
- GL220-LAS/32/40a/98a

Option 32/40a/98a



Wire colors in accordance with EN 60947-5-2

- 1 BN (brown)
- 3 BU (blue)
- 4 BK (black)

Date of issue: 2015-04-08



Technical Data

For detailed data and product description refer to the data sheets at www.pepperl-fuchs.com

General Data

Time function	✓
Sensitivity adjustment	✓
Light source	IRED
Light type	modulated infrared light
Operating voltage	24 V DC ± 20 %
No-load supply current	< 70 mA
Signal output	1 PNP output, short-circuit protected, protected from reverse polarity, open collector
Switching type	dark on
Switching current	200 mA
Switching frequency	5000 Hz
Repeat accuracy	0.1 mm
Pulse extension	0.1 ... 150 ms
Ambient temperature	-10 ... 60 °C (14 ... 140 °F)
Material	
Housing	black anodized aluminium
Optical face	glass
Protection degree	IP67
Connection	M8 connector, 3-pin



Properties

- Array type
- Rectangular compact housing
- Aluminium housing
- DC sensor
- Discrete output
- Connector version
- Infrared light

Your Benefit

- Detecting randomly-positioned or falling objects
- Automatic suppression of stationary machine parts in the detection area

Model Number

	green = preferred type	RAL50-IR/32/98	RAL70-IR/32/98	RAL100-IR/32/98	RAL150-IR/32/98
Fork width	50 mm	●			
	70 mm		●		
	100 mm			●	
	150 mm				●
active zone	35 mm x 50 mm	●			
	70 mm x 64 mm		●		
	100 mm x 94 mm			●	
	150 mm x 144 mm				●
Resolution	0.5 mm	●			
	1 mm		●		
	2 mm			●	
	3 mm				●

Dimensions

Length L [mm]	81	105	135	185
Width W [mm]			20	
Height H [mm]	90	110	140	190
Fork width G [mm]	50	70	100	150

Accessories

This and more accessories can be found in chapter 10

See pages from 972 ... for cordsets

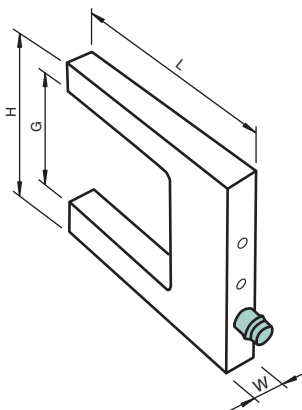
See pages 1068 ... for mounting aids

V3-GM-2M-PUR

Cable socket, M8, 3-pin, PUR cable

V3-WM-2M-PUR

Cable socket, M8, 3-pin, PUR cable



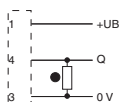
Electrical Connection

○ = light on, ● = dark on



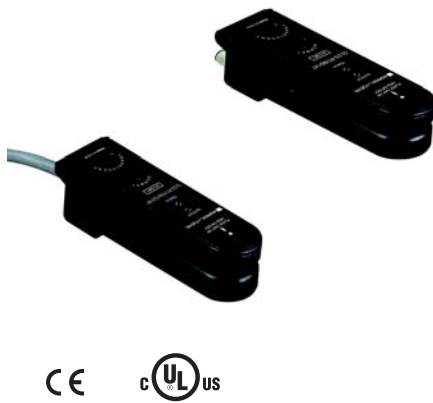
RAL100-IR/32/98
RAL150-IR/32/98
RAL50-IR/32/98
RAL70-IR/32/98

Option 32/98



Wire colors in accordance with EN 60947-5-2

1	BN	(brown)
3	BU	(blue)
4	BK	(black)



Technical Data

For detailed data and product description refer to the data sheets at www.pepperl-fuchs.com

General Data

Sensitivity adjustment	✓
Fork width	3 mm
Light source	LED
Light type	modulated visible red light
Operating voltage	10 ... 30 V DC
No-load supply current	≤ 45 mA
Signal output	1 NPN and 1 PNP Short circuit and overload protected Reverse polarity protected
Switching type	light/dark on
Switching current	max. 150 mA
Switching frequency	5 kHz
Ambient temperature	-40 ... 70 °C (-40 ... 158 °F)
Material	
Housing	Thermoplastic PPS
Optical face	zylex
Protection degree	IP66

Properties

- Single beam type
- Rectangular compact housing
- Plastic housing
- DC sensor
- Discrete output
- Cable, pigtailed connector and connector versions
- Visible red light

Your Benefit

- Special sensor for label detection
- One-touch automatic set-up for easy alignment
- Detection of some transparent labels

Model Number

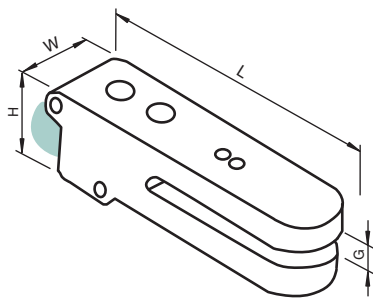
	GLD3-RT/115/147	GLD3-RT/115b/123/147	GLD3-RT/95/147
Teach-In		●	
Connection		●	●
			●
	●		
			●

Approvals and Certificates

UL approval	cULus	●	●	●
CCC approval	Products with a maximum operating voltage of ≤36 V do not bear a CCC marking because they do not require approval.			

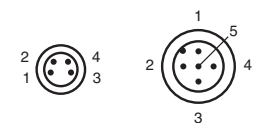
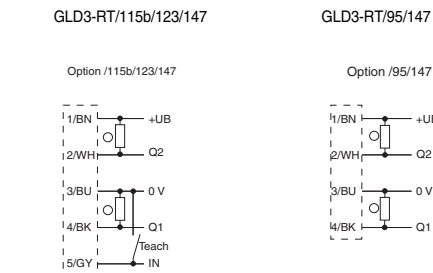
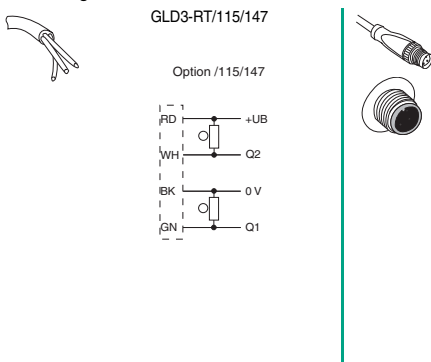
Dimensions

Length L [mm]	92
Width W [mm]	25
Height H [mm]	27
Fork width G [mm]	3



Electrical Connection

○ = light on, ● = dark on



Wire colors in accordance with EN 60947-5-2

1	BN	(brown)
2	WH	(white)
3	BU	(blue)
4	BK	(black)

Date of issue: 2015-04-08

Technical Data

For detailed data and product description refer to the data sheets at www.pepperl-fuchs.com

General Data

Fork width	5 mm
Light source	IREL
Light type	Infrared, continuous light , 940 nm
Target size	0.8 x 1.8 mm
Operating voltage	5 ... 24 V DC
No-load supply current	max. 20 mA
Switching type	light/dark on
Switching current	max. 50 mA
Switching frequency	max. 5 kHz
Repeat accuracy	0.03 mm
Ambient temperature	-25 ... 55 °C (-13 ... 131 °F)
Housing	PBT
Protection degree	IP40

Model Number

		GL5-F/28a/115	GL5-F/43a/115	GL5-F/28a/155	GL5-F/43a/155
Signal output	2 NPN complementary , overvoltage protected	●		●	
	2 PNP complementary , overvoltage protected		●		●
Connection	4-pin flat connector			●	●
	2 m PVC cable, 4 x 0.09 mm ²	●	●		

Approvals and Certificates

CCC approval Products with a maximum operating voltage of ≤36 V do not bear a CCC marking because they do not require approval.

Dimensions

Length L [mm]	26,2	22,2
Width W [mm]		6,4
Height H [mm]		13,4
Fork width G [mm]		5

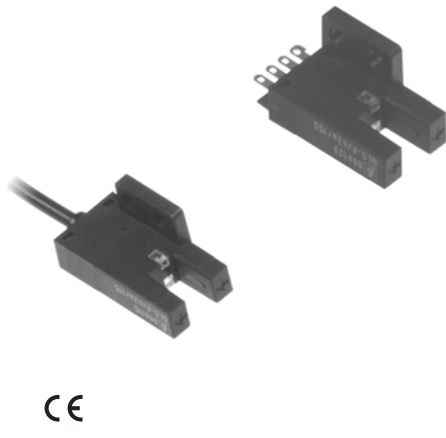
Accessories This and more accessories can be found in chapter 10

See pages from 972 ... for cordsets See pages 1068 ... for mounting aids

CBL SET GL5 Connection cable for GL5 series

2
.1.9

Photoelectric Sensors, Standard Sensors, slot sensors

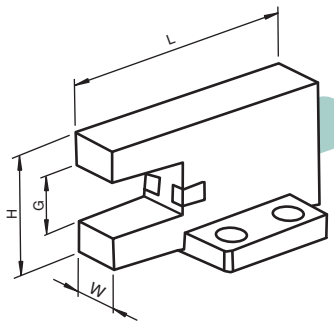


Properties

- Single beam type
- Rectangular nano housing
- Plastic housing
- DC sensor
- Discrete output
- Cable and solder pin versions
- Infrared light

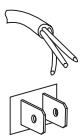
Your Benefit

- High positioning accuracy

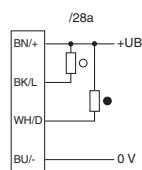


Electrical Connection

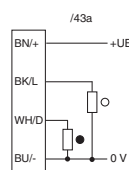
○ = light on, ● = dark on

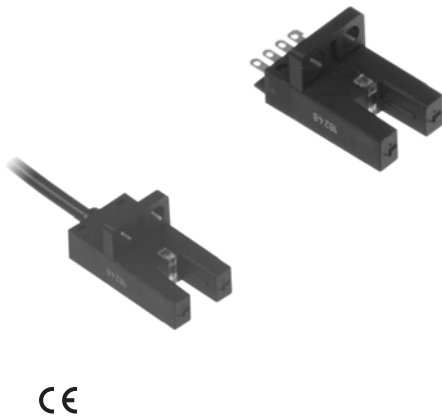


GL5-F/28a/115
GL5-F/28a/155



GL5-F/43a/115
GL5-F/43a/155





Technical Data

For detailed data and product description refer to the data sheets at www.pepperl-fuchs.com

General Data

Fork width	5 mm
Light source	IREL
Light type	Infrared, continuous light , 940 nm
Target size	0.8 x 1.8 mm
Operating voltage	5 ... 24 V DC
No-load supply current	max. 20 mA
Switching type	light/dark on
Switching current	max. 50 mA
Switching frequency	max. 5 kHz
Repeat accuracy	0.03 mm
Ambient temperature	-25 ... 55 °C (-13 ... 131 °F)
Housing	PBT
Protection degree	IP40

Properties

- Single beam type
- Rectangular nano housing
- Plastic housing
- DC sensor
- Discrete output
- Cable and solder pin versions
- Infrared light

Your Benefit

- High positioning accuracy

Model Number

	GL5-J/28a/115	GL5-J/43a/115	GL5-J/28a/155	GL5-J/43a/155
Signal output	2 NPN complementary , overvoltage protected		2 NPN complementary , overvoltage protected	
	2 PNP complementary , overvoltage protected			2 PNP complementary , overvoltage protected
Connection	4-pin flat connector		4-pin flat connector	
	2 m PVC cable, 4 x 0.09 mm ²			2 m PVC cable, 4 x 0.09 mm ²

Approvals and Certificates

CCC approval Products with a maximum operating voltage of ≤36 V do not bear a CCC marking because they do not require approval.

Dimensions

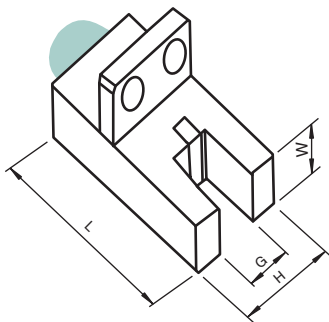
Length L [mm]	26,2	22,2
Width W [mm]		6,4
Height H [mm]		13,4
Fork width G [mm]		5

Accessories

This and more accessories can be found in chapter 10
 See pages from 972 ... for cordsets See pages 1068 ... for mounting aids

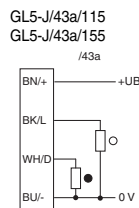
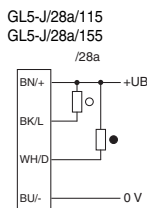
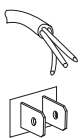
CBL SET GL5

Connection cable for GL5 series

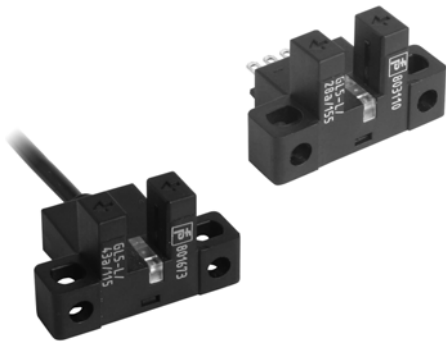


Electrical Connection

○ = light on, ● = dark on



Date of issue: 2015-04-08



Technical Data

For detailed data and product description refer to the data sheets at www.pepperl-fuchs.com

General Data

Fork width	5 mm
Light source	IREL
Light type	Infrared, continuous light , 940 nm
Target size	0.8 x 1.8 mm
Operating voltage	5 ... 24 V DC
No-load supply current	max. 20 mA
Switching type	light/dark on
Switching current	max. 50 mA
Switching frequency	max. 5 kHz
Repeat accuracy	0.03 mm
Ambient temperature	-25 ... 55 °C (-13 ... 131 °F)
Housing	PBT
Protection degree	IP40

Properties

- Single beam type
- Rectangular nano housing
- Plastic housing
- DC sensor
- Discrete output
- Cable and solder pin versions
- Infrared light

Your Benefit

- High positioning accuracy

Model Number

		GL5-L/28a/115	GL5-L/43a/115	GL5-L/28a/155	GL5-L/43a/155
Signal output	2 NPN complementary , overvoltage protected	●		●	
	2 PNP complementary , overvoltage protected		●		●
Connection	4-pin flat connector			●	●
	2 m PVC cable, 4 x 0.09 mm ²	●	●		

Approvals and Certificates

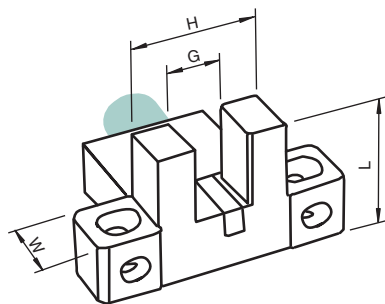
CCC approval Products with a maximum operating voltage of ≤36 V do not bear a CCC marking because they do not require approval.

Dimensions

Length L [mm]	15,5
Width W [mm]	6,4
Height H [mm]	13,4
Fork width G [mm]	5

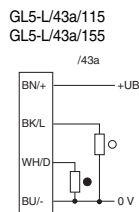
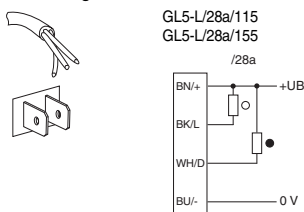
Accessories This and more accessories can be found in chapter 10
 See pages from 972 ... for cordsets See pages 1068 ... for mounting aids

CBL SET GL5 Connection cable for GL5 series



Electrical Connection

○ = light on, ● = dark on





Technical Data

For detailed data and product description refer to the data sheets at www.pepperl-fuchs.com

General Data

Fork width	5 mm
Light source	IREL
Light type	Infrared, continuous light , 940 nm
Target size	0.8 x 1.8 mm
Operating voltage	5 ... 24 V DC
No-load supply current	max. 20 mA
Switching type	light/dark on
Switching current	max. 50 mA
Switching frequency	max. 5 kHz
Repeat accuracy	0.03 mm
Ambient temperature	-25 ... 55 °C (-13 ... 131 °F)
Housing	PBT
Protection degree	IP40

Properties

- Single beam type
- Rectangular nano housing
- Plastic housing
- DC sensor
- Discrete output
- Cable and solder pin versions
- Infrared light

Your Benefit

- High positioning accuracy

Model Number

		GL5-R/28a/115	GL5-R/43a/115	GL5-R/28a/155	GL5-R/43a/155
Signal output	2 NPN complementary , overvoltage protected	●		●	
	2 PNP complementary , overvoltage protected		●		●
Connection	4-pin flat connector			●	●
	2 m PVC cable, 4 x 0.09 mm ²	●	●		

Approvals and Certificates

CCC approval Products with a maximum operating voltage of ≤36 V do not bear a CCC marking because they do not require approval.

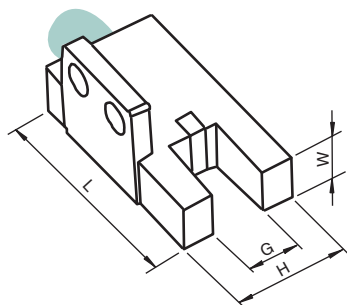
Dimensions

Length L [mm]	26,2	22,2
Width W [mm]		6,4
Height H [mm]		13,4
Fork width G [mm]		5

Accessories

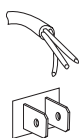
This and more accessories can be found in chapter 10
 See pages from 972 ... for cordsets See pages 1068 ... for mounting aids

CBL SET GL5 Connection cable for GL5 series

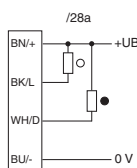


Electrical Connection

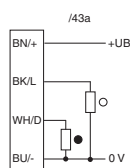
○ = light on, ● = dark on



GL5-R/28a/115
GL5-R/28a/155



GL5-R/43a/115
GL5-R/43a/155



Date of issue: 2015-04-08

2
1.9
Photoelectric Sensors, Standard Sensors, slot sensors



Technical Data

For detailed data and product description refer to the data sheets at www.pepperl-fuchs.com

General Data

Fork width	5 mm
Light source	IRED
Light type	Infrared, continuous light , 940 nm
Target size	0.8 x 1.8 mm
Operating voltage	5 ... 24 V DC
No-load supply current	max. 20 mA
Switching type	light/dark on
Switching current	max. 50 mA
Switching frequency	max. 5 kHz
Repeat accuracy	0.03 mm
Ambient temperature	-25 ... 55 °C (-13 ... 131 °F)
Housing	PBT
Protection degree	IP40

2
.1.9

Photoelectric Sensors, Standard Sensors, slot sensors

Properties

- Single beam type
- Rectangular nano housing
- Plastic housing
- DC sensor
- Discrete output
- Cable and solder pin versions
- Infrared light

Your Benefit

- High positioning accuracy

Model Number

		GL5-T/28a/115	GL5-T/43a/115	GL5-T/28a/155	GL5-T/43a/155
Signal output	2 NPN complementary , overvoltage protected	●		●	
	2 PNP complementary , overvoltage protected		●		●
Connection	4-pin flat connector			●	●
	2 m PVC cable, 4 x 0.09 mm ²	●	●		

Approvals and Certificates

CCC approval Products with a maximum operating voltage of ≤36 V do not bear a CCC marking because they do not require approval.

Dimensions

Length L [mm]	26,2	22,2
Width W [mm]		6,4
Height H [mm]		13,4
Fork width G [mm]		5

Accessories

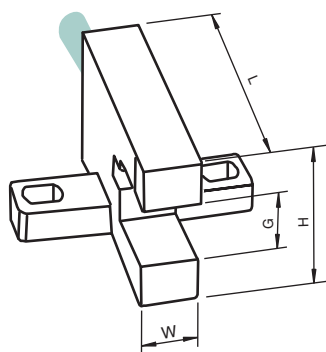
This and more accessories can be found in chapter 10

See pages from 972 ... for cordsets

See pages 1068 ... for mounting aids

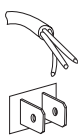
CBL SET GL5

Connection cable for GL5 series

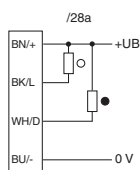


Electrical Connection

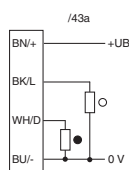
○ = light on, ● = dark on

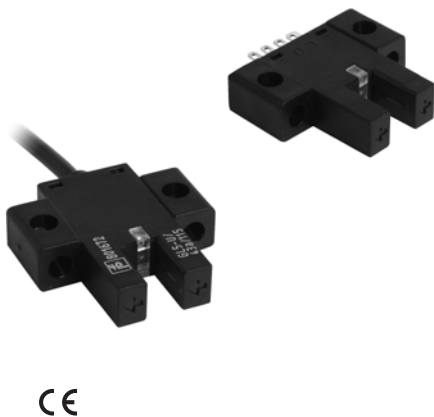


GL5-T/28a/115
GL5-T/28a/155



GL5-T/43a/115
GL5-T/43a/155





Technical Data

For detailed data and product description refer to the data sheets at www.pepperl-fuchs.com

General Data

Fork width	5 mm
Light source	IREL
Light type	Infrared, continuous light , 940 nm
Target size	0.8 x 1.8 mm
No-load supply current	max. 20 mA
Switching type	light/dark on
Switching current	max. 50 mA
Switching frequency	max. 5 kHz
Repeat accuracy	0.03 mm
Ambient temperature	-25 ... 55 °C (-13 ... 131 °F)
Housing	PBT
Protection degree	IP40

Properties

- Single beam type
- Rectangular nano housing
- Plastic housing
- DC sensor
- Discrete output
- Cable and solder pin versions
- Infrared light

Your Benefit

- High positioning accuracy

Model Number

	GL5-U/28a/115	GL5-U/43a/115	GL5-U/28a/155	GL5-U/43a/155
Operating voltage	5 ... 24 V DC	5 ... 24 V DC, class 2	5 ... 24 V DC	5 ... 24 V DC, class 2
Signal output	2 NPN complementary , overvoltage protected	2 PNP complementary , overvoltage protected	2 NPN complementary , overvoltage protected	2 PNP complementary , overvoltage protected
Connection	4-pin flat connector	2 m PVC cable, 4 x 0.09 mm ²	4-pin flat connector	2 m PVC cable, 4 x 0.09 mm ²

Approvals and Certificates

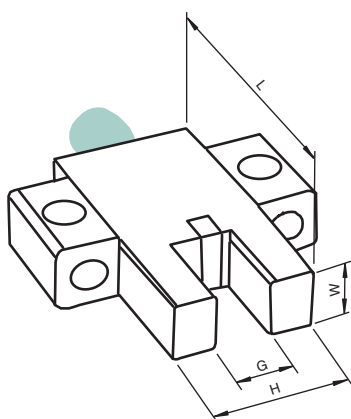
CCC approval Products with a maximum operating voltage of ≤36 V do not bear a CCC marking because they do not require approval.

Dimensions

Length L [mm]	26,2	22,2
Width W [mm]	6,4	
Height H [mm]	13,4	
Fork width G [mm]	5	

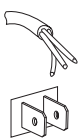
Accessories This and more accessories can be found in chapter 10
 See pages from 972 ... for cordsets See pages 1068 ... for mounting aids

CBL SET GL5 Connection cable for GL5 series

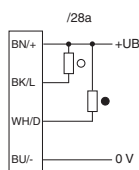


Electrical Connection

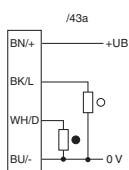
○ = light on, ● = dark on



GL5-U/28a/115
GL5-U/28a/155



GL5-U/43a/115
GL5-U/43a/155



Date of issue: 2015-04-08

Technical Data

For detailed data and product description refer to the data sheets at www.pepperl-fuchs.com

General Data

Fork width	5 mm
Light source	IRED
Light type	Infrared, continuous light , 940 nm
Target size	0.8 x 1.8 mm
Operating voltage	5 ... 24 V DC
No-load supply current	max. 20 mA
Switching type	light/dark on
Switching current	max. 50 mA
Switching frequency	max. 5 kHz
Repeat accuracy	0.03 mm
Ambient temperature	-25 ... 55 °C (-13 ... 131 °F)
Housing	PBT
Protection degree	IP40

Model Number

		GL5-Y/28a/115	GL5-Y/43a/115	GL5-Y/28a/155	GL5-Y/43a/155
Signal output	2 NPN complementary , overvoltage protected	●		●	
	2 PNP complementary , overvoltage protected		●		●
Connection	4-pin flat connector			●	●
	2 m PVC cable, 4 x 0.09 mm ²	●	●		

Approvals and Certificates

CCC approval Products with a maximum operating voltage of ≤36 V do not bear a CCC marking because they do not require approval.

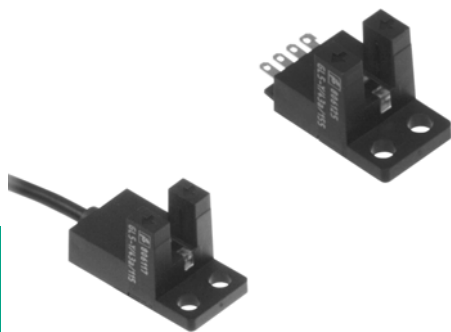
Dimensions

Length L [mm]	26,2	22,2
Width W [mm]		6,4
Height H [mm]		13,4
Fork width G [mm]		5

Accessories This and more accessories can be found in chapter 10

See pages from 972 ... for cordsets See pages 1068 ... for mounting aids

CBL SET GL5 Connection cable for GL5 series

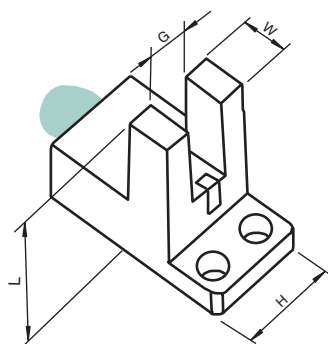


Properties

- Single beam type
- Rectangular nano housing
- Plastic housing
- DC sensor
- Discrete output
- Cable and solder pin versions
- Infrared light

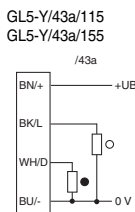
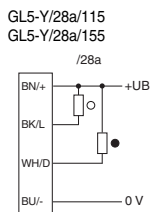
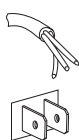
Your Benefit

- High positioning accuracy



Electrical Connection

○ = light on, ● = dark on





Technical Data

For detailed data and product description refer to the data sheets at www.pepperl-fuchs.com

General Data

Sensitivity adjustment	✓
Light/dark switch	✓
Target size	0.3 mm
Light source	IREd
Light type	modulated infrared light
Operating voltage	10 ... 30 V DC
No-load supply current	≤ 15 mA
Signal output	1 PNP, short-circuit protected, open collector
Switching type	light/dark on
Switching current	max. 100 mA
Repeat accuracy	0.05 mm
Switching frequency	2 kHz
Ambient temperature	-20 ... 60 °C (-4 ... 140 °F)
Material	
Housing	powder coated diecast zinc
Optical face	glass
Protection degree	IP67
Connection	M8 connector, 3-pin



Properties

- Single beam type
- Rectangular compact housing
- Die-cast zinc housing
- DC sensor
- Discrete output
- Connector version
- Infrared light

Your Benefit

- ATEX-approval for zone 2

Model Number

	GL30-IR-EX2/32/40a/98a	GL50-IR-EX2/32/40a/98a	GL80-IR-EX2/32/40a/98a	GL121-IR-EX2/32/40a/98a
Fork width	●	●	●	●
30 mm	●			
50 mm		●		
80 mm			●	
121 mm				●

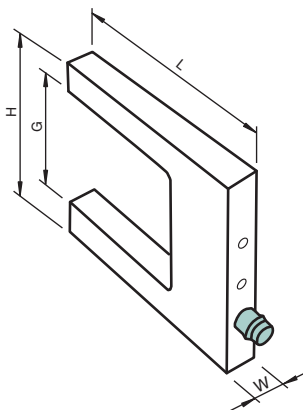
Use in the Hazardous Area

	GL30-IR-EX2/32/40a/98a	GL50-IR-EX2/32/40a/98a	GL80-IR-EX2/32/40a/98a	GL121-IR-EX2/32/40a/98a
Marking	●	●	●	●
Category	●	●	●	●

Approvals and Certificates

CCC approval Products with a maximum operating voltage of ≤36 V do not bear a CCC marking because they do not require approval.

	60	80	90
Length L [mm]			
Width W [mm]		10	12
Height H [mm]	50	70	145
Fork width G mm	30	50	80
			121



Electrical Connection

○ = light on, ● = dark on



- GL121-IR-EX2/32/40a/98a
- GL30-IR-EX2/32/40a/98a
- GL80-IR-EX2/32/40a/98a
- GL50-IR-EX2/32/40a/98a

Option 32/40a/98a



Wire colors in accordance with EN 60947-5-2

- 1 | BN (brown)
- 3 | BU (blue)
- 4 | BK (black)

Date of issue: 2015-04-08



Technical Data

For detailed data and product description refer to the data sheets at www.pepperl-fuchs.com

General Data

Threshold detection range	5.6 m
Effective detection range	0 ... 4 m
Detection area height	typical 60 mm
Reference target	H60 reflector , H85-2 reflector , Foil reflector OFR-100/100
Light type	modulated visible red light , 625 nm
Operating voltage	12 ... 30 V DC Power from Class 2 Power Source
Signal output	2 Push-pull (4 in 1) outputs, complementary, short-circuit proof, reverse polarity protected
Switching current	max. 100 mA
Number of beams	6
Response time	1 ms
Ambient temperature	-30 ... 60 °C (-22 ... 140 °F)
Material	
Housing	Plastic ABS
Optical face	Plastic pane
Protection degree	IP67

Properties

- Retro-reflective area sensor
- Self-contained
- Resolution 12 mm
- Parallel light beams
- Discrete output
- Pigtailed connector and connector versions

Your Benefit

- Reliable detection of the front edge of the object regardless of its shape and position
- Reliable detection of all surfaces regardless of the object texture
- Consistently detects objects as small as 12 mm within the entire detection area (60 mm)
- Use in low temperature environments down to -30°C

Model Number

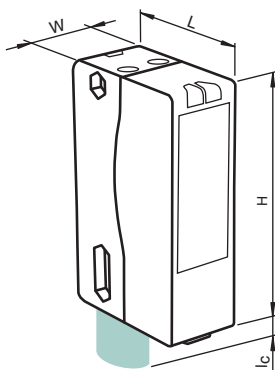
Switching type	green = preferred type light/dark on light/dark on, switchable	●	●	●
Connection	300 mm fixed cable with M12 x 1, 4-pin connector connector M12 x 1, 4-pin	●	●	●

Approvals and Certificates

Protection class	II	●	●	●
UL approval	cULus Listed, Class 2 Power Source	●	●	●
CCC approval	Products with a maximum operating voltage of ≤36 V do not bear a CCC marking because they do not require approval.			

Dimensions

Length L [mm]	54,4
Width W [mm]	25,8
Height H [mm]	90
Connector area l _c [mm]	12 5,5



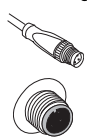
Accessories

See pages from 972 ... for cordsets See pages 1068 ... for mounting aids

OMH-05	Mounting aid for round steel ø 12 mm or sheet 1.5 mm ... 3 mm
OMH-07	Mounting aid for round steel ø 12 mm or sheet 1.5 mm ... 3 mm
OMH-21	Mounting bracket
OMH-RLK29-HW	Mounting bracket for rear wall mounting
OMH-K01	dove tail mounting clamp
REF-H60	Reflector, rectangular 40.5 mm x 60 mm, mounting holes
REF-H85-2	Reflector, rectangular 84.5 mm x 84.5 mm, mounting holes
V1-G-2M-PVC	Cable socket, M12, 4-pin, PVC cable
V1-G-2M-PUR	Cable socket, M12, 4-pin, PUR cable
V1-W-2M-PUR	Cable socket, M12, 4-pin, PUR cable

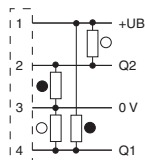
Electrical Connection

○ = light on, ● = dark on



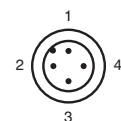
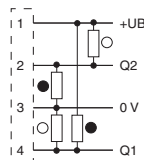
RLG28-55/40a/73c/136

Option /73c/136



RLG28-55/115b/136
RLG28-55/40a/115b/136

Option /115b/136



Wire colors in accordance with EN 60947-5-2

1	BN	(brown)
2	WH	(white)
3	BU	(blue)
4	BK	(black)



Technical Data

For detailed data and product description refer to the data sheets at www.pepperl-fuchs.com

General Data

Threshold detection range	1200 mm (applies to a operation period to 35,000 h)
Effective detection range	300 ... 1000 mm (applies to a operation period to 35,000 h)
Light type	modulated infrared light
Field height	482.5 mm
Beam spacing	2.5 mm
Number of beams	192
Operating voltage	24 V DC ± 15 %
Signal output	PNP, open collector, short-circuit protected
Switching type	dark on
Switching current	100 mA
Response time	< 5 ms
Function input	PNP, low aktiv (CAL-Input)
Ambient temperature	-28 ... 50 °C (-18.4 ... 122 °F)
Material	
Housing	aluminum , black anodized
Optical face	PMMA
Protection degree	IP54
Connection	fixed cable 70 mm with M16 x 1 male connector, 19-pin



Properties

- Emitter / receiver set
- Self-contained
- Resolution 2.5 mm
- Parallel light beams
- Discrete output and parallel interface
- Pigtailed connector

Your Benefit

- Detecting randomly-positioned or falling objects
- Detecting any object shapes

Model Number

Measurement output

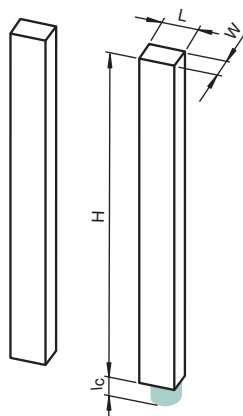
	LG192-480-F1	LG192-480-F2
Gray Code D0...D8 The highest interrupted beam is emitted. PNP, open collector, short-circuit protected, low-active		●
Gray Code D0...D8 The difference between the highest and the lowest interrupted beam is emitted. PNP, open collector, short-circuit protected, low-active	●	

Approvals and Certificates

CCC approval	Products with a maximum operating voltage of ≤36 V do not bear a CCC marking because they do not require approval.
--------------	--

Dimensions

Length L [mm]	40
Width W [mm]	20
Height H [mm]	627
Connector area l _c [mm]	25



Accessories

This and more accessories can be found in chapter 10
See pages from 972 ... for cordsets See pages 1068 ... for mounting aids

Mounting Bracket LGXX 620	Mounting aid for light grid of LG96 and LG192 series
ASM	
V1619-G-5M-PVC	Connecting cable

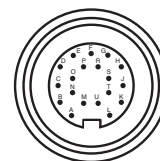
Electrical Connection

○ = light on, ● = dark on



LG192-480-F1
LG192-480-F2

P	+UB
A	GND
L	D0
U	D1
S	D2
D	D3
M	D4
N	D5
E	D6
F	D7
G	D8
C	OUT
H	MIN
I	MAX
K	SYNC- IN/CUT
B	CAL- INPUT



Date of issue: 2015/04/08



Technical Data

For detailed data and product description refer to the data sheets at www.pepperl-fuchs.com

General Data	
Threshold detection range	1200 mm (applies to a operation period to 35,000 h)
Effective detection range	300 ... 1000 mm (applies to a operation period to 35,000 h)
Light type	modulated infrared light
Field height	802.5 mm
Beam spacing	2.5 mm
Number of beams	320
Operating voltage	24 V DC ± 15 %
Signal output	PNP, open collector, short-circuit protected
Switching type	dark on
Switching current	100 mA
Response time	< 6 ms
Function input	PNP, low aktiv (CAL-Input)
Ambient temperature	-28 ... 50 °C (-18.4 ... 122 °F)
Material	
Housing	aluminum , black anodized
Optical face	PMMA
Protection degree	IP54
Connection	fixed cable 70 mm with M16 x 1 male connector, 19-pin



Properties

- Emitter / receiver set
- Self-contained
- Resolution 2.5 mm
- Parallel light beams
- Discrete output and parallel interface
- Pigtailed connector

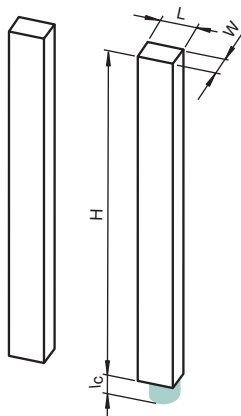
Your Benefit

- Detecting randomly-positioned or falling objects
- Detecting any object shapes

Model Number	LG320-800-F1	LG320-800-F2
Measurement output	Gray Code D0...D8 The highest interrupted beam is emitted. PNP, open collector, short-circuit protected, low-active	●
	Gray Code D0...D8 The difference between the highest and the lowest interrupted beam is emitted. PNP, open collector, short-circuit protected, low-active	●

Approvals and Certificates	
CCC approval	Products with a maximum operating voltage of ≤36 V do not bear a CCC marking because they do not require approval.

Dimensions	
Length L [mm]	40
Width W [mm]	20
Height H [mm]	947
Connector area l _c [mm]	25



Accessories

This and more accessories can be found in chapter 10
 See pages from 972 ... for cordsets See pages 1068 ... for mounting aids

Mounting Bracket LGXX L940 ASM	Mounting aid for light grid
V1619-G-5M-PVC	Connecting cable

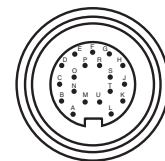
Electrical Connection

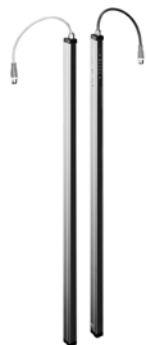
○ = light on, ● = dark on



LG320-800-F1
LG320-800-F2

P	+UB
A	GND
L	D0
U	D1
S	D2
D	D3
M	D4
N	D5
E	D6
F	D7
G	D8
C	OUT
H	MIN
I	MAX
K	SYNC ₊
B	CAL-INPUT





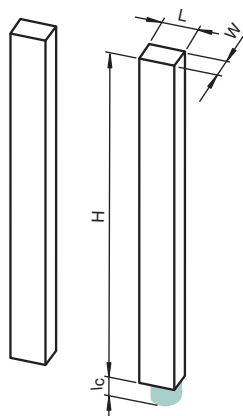
Properties

- Emitter / receiver set
- Self-contained
- Resolution 8 mm
- Capable of 3-way beam crossover
- Discrete output and IO-Link
- Pigtailed connector

Your Benefit

- Can uniquely identify an object or gap
- Software-free configuration via Touch-Field
- Standby mode reduces power consumption
- Versions for use in low temperature environments down to -30°C

For accurate selection of the suitable version see the LGS8 data sheet on page www.pepperl-fuchs.com.



Technical Data

For detailed data and product description refer to the data sheets at www.pepperl-fuchs.com

Model Number	LGS8 Serie
Threshold detection range	Standard : 7.5 m Option /35: 10 m
Effective detection range	Standard : 0.3 ... 6 m Option /35: 0.5 ... 8 m
Light type	modulated infrared light , 850 nm
Field height	100 mm ... 2100 mm in steps of 100 mm (see data sheet)
Beam spacing	8.33 mm
Optical resolution	without beam crossover: 8 mm with beam crossover: 4 mm with in 25% and 75% of the range
Chipping	Factory setting: 3-way, deactivateable
Tuning-out of beam	adjustable max. 2 fixed suppressible beam areas (blanking)
Number of beams	13 ... 253, depending on field height (see data sheet)
Operating voltage	18 ... 30 V DC
Interface type	IO-Link
Mode	COM 2 (38.4 kBaud)
Signal output	Switch output (detection field C/Q) 1 push-pull output, short-circuit protected, reverse polarity protected on pin 4 (receiver), Height monitoring (H1, H2, H3) 3 Push-pull outputs, short-circuit proof, reverse polarity protected on pin 5, pin 6, pin 7 (receiver)
Switching type	Factory setting: dark ON , Switchable to light ON mode
Switching current	max. 100 mA
Response time	3 ms ... 20 ms, depending on number of beams (see data sheet)
Timer function	Off-delay programmable from 0 ... 1.25 s in 5 ms steps (adjustment via IO-Link only)
Output of the pre-fault indication	Stability Control (SC) 1 PNP, short-circuit protected, reverse polarity protected on pin 2 (receiver)
Test input	Emitter switch-off with +UB or 0 V at pin 4 (emitter)
Function input	Range input activation from 1.6 m (or 2 m in case of option /35) with +UB or 0 V on pin 2 (emitter) Teach-in input for programming on pin 8 (receiver)
Ambient temperature	Standard : -10 ... 60 °C (14 ... 140 °F) Option /146: -30 ... 60 °C (-22 ... 140 °F)
Material	
Housing	extruded aluminum section , Silver anodized
Optical face	Plastic pane , Polycarbonate
Protection degree	IP67
Connection	Emitter: 200 mm connecting cable with 4-pin, M12x1 connector Receiver: 200 mm connecting cable with 8-pin, M12 x 1 connector Cable cross section min. 0.25 mm ² Max. cable length 30 m



Approvals and Certificates

Protection class	III (IEC 61140)
CCC approval	Products with a maximum operating voltage of ≤36 V do not bear a CCC marking because they do not require approval.

Dimensions

Length L [mm]	30.5
Width W [mm]	20
Height H [mm]	259 ... 2259
Connector area lc [mm]	25

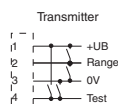
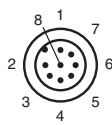
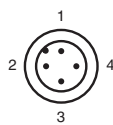
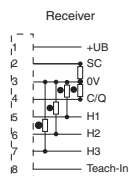
Accessories

This and more accessories can be found in chapter 10
See pages from 972 ... for cordsets See pages 1068 ... for mounting aids

OMH-LGS-01	Attachment aid for light grid series LGS
OMH-SLCT-01	Quick clamp and adjustment system
OMH-SLCT-03	Mounting bracket including adjustment
OMH-SLCT-04	Mounting bracket including adjustment (with loose bearing)
OMH-SLCT-05	Mounting bracket including adjustment
AA SLCT-01	Profile alignment aid

Electrical Connection

○ = light on, ● = dark on



Date of issue: 2015/04/08



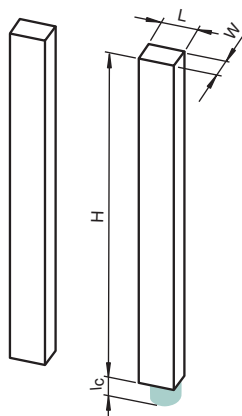
Properties

- Emitter / receiver set
- Self-contained
- Resolution 17 mm
- Capable of 3-way beam crossover
- Discrete output and IO-Link
- Pigtailed connector

Your Benefit

- Can uniquely identify an object or gap
- Software-free configuration via Touch-Field
- Standby mode reduces power consumption
- Versions for use in low temperature environments down to -30°C

For accurate selection of the suitable version see the LGS17 data sheet on page www.pepperl-fuchs.com.



Technical Data

For detailed data and product description refer to the data sheets at www.pepperl-fuchs.com

Model Number	LGS17 Serie
Threshold detection range	Standard : 7.5 m Option /35: 10 m
Effective detection range	Standard : 0.3 ... 6 m Option /35: 0.5 ... 8 m
Light type	modulated infrared light , 850 nm
Field height	100 mm ... 3200 mm in steps of 100 mm (see data sheet)
Beam spacing	16.67 mm
Optical resolution	without beam crossover: 17 mm with beam crossover: 8.5 mm with in 25% and 75% of the range
Chipping	Factory setting: 3-way, deactivateable
Tuning-out of beam	adjustable max. 2 fixed suppressible beam areas (blanking)
Number of beams	7 ... 193, depending on field height (see data sheet)
Operating voltage	18 ... 30 V DC
Interface type	IO-Link
Mode	COM 2 (38.4 kBaud)
Signal output	Switch output (detection field C/Q) 1 push-pull output, short-circuit protected, reverse polarity protected on pin 4 (receiver), Height monitoring (H1, H2, H3) 3 Push-pull outputs, short-circuit proof, reverse polarity protected on pin 5, pin 6, pin 7 (receiver)
Switching type	Factory setting: dark ON , Switchable to light ON mode
Switching current	max. 100 mA
Response time	2 ms ... 16 ms, depending on number of beams (see data sheet)
Timer function	Off-delay programmable from 0 ... 1.25 s in 5 ms steps (adjustment via IO-Link only)
Output of the pre-fault indication	Stability Control (SC) 1 PNP, short-circuit protected, reverse polarity protected on pin 2 (receiver)
Test input	Emitter switch-off with +UB or 0 V at pin 4 (emitter)
Function input	Range input activation from 1.6 m (or 2 m in case of option /35) with +UB or 0 V on pin 2 (emitter) Teach-in input for programming on pin 8 (receiver)
Ambient temperature	Standard : -10 ... 60 °C (14 ... 140 °F) Option /146: -30 ... 60 °C (-22 ... 140 °F)
Material	
Housing	extruded aluminum section , Silver anodized
Optical face	Plastic pane , Polycarbonate
Protection degree	IP67
Connection	Emitter: 200 mm connecting cable with 4-pin, M12x1 connector Receiver: 200 mm connecting cable with 8-pin, M12 x 1 connector Cable cross section min. 0.25 mm ² Max. cable length 30 m



Approvals and Certificates

Protection class	III (IEC 61140)
CCC approval	Products with a maximum operating voltage of ≤36 V do not bear a CCC marking because they do not require approval.

Dimensions

Length L [mm]	30.5
Width W [mm]	20
Height H [mm]	259 ... 3359
Connector area lc [mm]	25

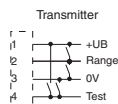
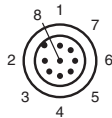
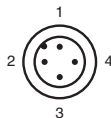
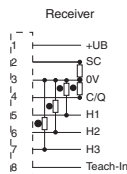
Accessories

This and more accessories can be found in chapter 10
See pages from 972 ... for cordsets See pages 1068 ... for mounting aids

OMH-LGS-01	Attachment aid for light grid series LGS
OMH-SLCT-01	Quick clamp and adjustment system
OMH-SLCT-03	Mounting bracket including adjustment
OMH-SLCT-04	Mounting bracket including adjustment (with loose bearing)
OMH-SLCT-05	Mounting bracket including adjustment
AA SLCT-01	Profile alignment aid

Electrical Connection

○ = light on, ● = dark on





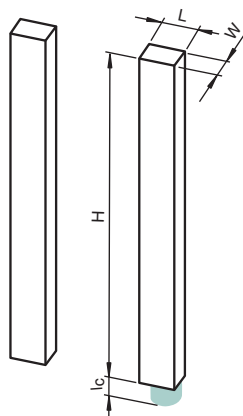
Properties

- Emitter / receiver set
- Self-contained
- Resolution 25 mm
- Capable of 3-way beam crossover
- Discrete output and IO-Link
- Pigtailed connector

Your Benefit

- Can uniquely identify an object or gap
- Software-free configuration via Touch-Field
- Standby mode reduces power consumption
- Versions for use in low temperature environments down to -30°C

For accurate selection of the suitable version see the LGS25 data sheet on page www.pepperl-fuchs.com.



Technical Data

For detailed data and product description refer to the data sheets at www.pepperl-fuchs.com

Model Number	LGS25 Serie
Threshold detection range	Standard : 7.5 m Option /35: 10 m
Effective detection range	Standard : 0.3 ... 6 m Option /35: 0.5 ... 8 m
Light type	modulated infrared light , 850 nm
Field height	100 mm ... 3200 mm in steps of 100 mm (see data sheet)
Beam spacing	25 mm
Optical resolution	without beam crossover: 25 mm with beam crossover: 12.5 mm with in 25% and 75% of the range
Chipping	Factory setting: 3-way, deactivateable
Tuning-out of beam	adjustable max. 2 fixed suppressible beam areas (blanking)
Number of beams	4 ... 129, depending on field height (see data sheet)
Operating voltage	18 ... 30 V DC
Interface type	IO-Link
Mode	COM 2 (38.4 kBaud)
Signal output	Switch output (detection field C/Q) 1 push-pull output, short-circuit protected, reverse polarity protected on pin 4 (receiver), Height monitoring (H1, H2, H3) 3 Push-pull outputs, short-circuit proof, reverse polarity protected on pin 5, pin 6, pin 7 (receiver)
Switching type	Factory setting: dark ON , Switchable to light ON mode
Switching current	max. 100 mA
Response time	2 ms ... 12 ms, depending on number of beams (see data sheet)
Timer function	Off-delay programmable from 0 ... 1.25 s in 5 ms steps (adjustment via IO-Link only)
Output of the pre-fault indication	Stability Control (SC) 1 PNP, short-circuit protected, reverse polarity protected on pin 2 (receiver)
Test input	Emitter switch-off with +UB or 0 V at pin 4 (emitter)
Function input	Range input activation from 1.6 m (or 2 m in case of option /35) with +UB or 0 V on pin 2 (emitter) Teach-in input for programming on pin 8 (receiver)
Ambient temperature	Standard : -10 ... 60 °C (14 ... 140 °F) Option /146: -30 ... 60 °C (-22 ... 140 °F)
Material	
Housing	extruded aluminum section , Silver anodized
Optical face	Plastic pane , Polycarbonate
Protection degree	IP67
Connection	Emitter: 200 mm connecting cable with 4-pin, M12x1 connector Receiver: 200 mm connecting cable with 8-pin, M12 x 1 connector Cable cross section min. 0.25 mm ² Max. cable length 30 m



Approvals and Certificates

Protection class	III (IEC 61140)
CCC approval	Products with a maximum operating voltage of ≤36 V do not bear a CCC marking because they do not require approval.

Dimensions

Length L [mm]	30.5
Width W [mm]	20
Height H [mm]	259 ... 3359
Connector area lc [mm]	25

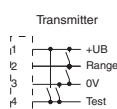
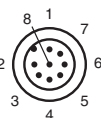
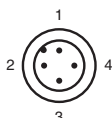
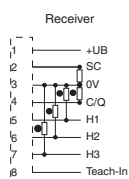
Accessories

This and more accessories can be found in chapter 10
See pages 972 ... for cordsets See pages 1068 ... for mounting aids

OMH-LGS-01	Attachment aid for light grid series LGS
OMH-SLCT-01	Quick clamp and adjustment system
AA SLCT-01	Profile alignment aid
OMH-SLCT-04	Mounting bracket including adjustment (with loose bearing)
OMH-SLCT-05	Mounting bracket including adjustment
OMH-SLCT-03	Mounting bracket including adjustment

Electrical Connection

○ = light on, ● = dark on



Date of issue: 2015/04/08



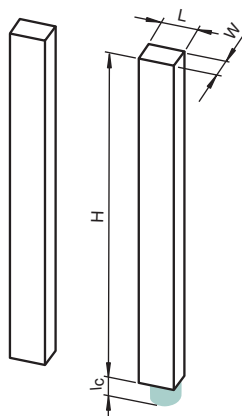
Properties

- Emitter / receiver set
- Self-contained
- Resolution 50 mm
- Capable of 3-way beam crossover
- Discrete output and IO-Link
- Pigtailed connector

Your Benefit

- Can uniquely identify an object or gap
- Software-free configuration via Touch-Field
- Standby mode reduces power consumption
- Versions for use in low temperature environments down to -30°C

For accurate selection of the suitable version see the LGS50 data sheet on page www.pepperl-fuchs.com.



Technical Data

For detailed data and product description refer to the data sheets at www.pepperl-fuchs.com

Model Number	LGS50 Serie
Threshold detection range	Standard : 7.5 m Option /35: 10 m
Effective detection range	Standard : 0.3 ... 6 m Option /35: 0.5 ... 8 m
Light type	modulated infrared light , 850 nm
Field height	300 mm ... 3000 mm in steps of 300 mm (see data sheet)
Beam spacing	50 mm
Optical resolution	without beam crossover: 50 mm with beam crossover: 25 mm with in 25% and 75% of the range
Chipping	Factory setting: 3-way, deactivateable
Tuning-out of beam	adjustable max. 2 fixed suppressible beam areas (blanking)
Number of beams	7 ... 61, depending on field height (see data sheet)
Operating voltage	18 ... 30 V DC
Interface type	IO-Link
Mode	COM 2 (38.4 kBaud)
Signal output	Switch output (detection field C/Q) 1 push-pull output, short-circuit protected, reverse polarity protected on pin 4 (receiver), Height monitoring (H1, H2, H3) 3 Push-pull outputs, short-circuit proof, reverse polarity protected on pin 5, pin 6, pin 7 (receiver)
Switching type	Factory setting: dark ON , Switchable to light ON mode
Switching current	max. 100 mA
Response time	3 ms ... 8 ms, depending on number of beams (see data sheet)
Timer function	Off-delay programmable from 0 ... 1.25 s in 5 ms steps (adjustment via IO-Link only)
Output of the pre-fault indication	Stability Control (SC) 1 PNP, short-circuit protected, reverse polarity protected on pin 2 (receiver)
Test input	Emitter switch-off with +UB or 0 V at pin 4 (emitter)
Function input	Range input activation from 1.6 m (or 2 m in case of option /35) with +UB or 0 V on pin 2 (emitter) Teach-in input for programming on pin 8 (receiver)
Ambient temperature	Standard : -10 ... 60 °C (14 ... 140 °F) Option /146: -30 ... 60 °C (-22 ... 140 °F)
Material	
Housing	extruded aluminum section , Silver anodized
Optical face	Plastic pane , Polycarbonate
Protection degree	IP67
Connection	Emitter: 200 mm connecting cable with 4-pin, M12x1 connector Receiver: 200 mm connecting cable with 8-pin, M12 x 1 connector Cable cross section min. 0.25 mm ² Max. cable length 30 m



Approvals and Certificates

Protection class	III (IEC 61140)
CCC approval	Products with a maximum operating voltage of ≤36 V do not bear a CCC marking because they do not require approval.

Dimensions

Length L [mm]	30.5
Width W [mm]	20
Height H [mm]	459 ... 3159
Connector area lc [mm]	25

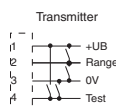
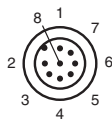
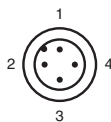
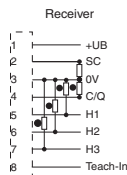
Accessories

This and more accessories can be found in chapter 10
See pages from 972 ... for cordsets See pages 1068 ... for mounting aids

OMH-LGS-01	Attachment aid for light grid series LGS
OMH-SLCT-01	Quick clamp and adjustment system
OMH-SLCT-03	Mounting bracket including adjustment
OMH-SLCT-04	Mounting bracket including adjustment (with loose bearing)
OMH-SLCT-05	Mounting bracket including adjustment
AA SLCT-01	Profile alignment aid

Electrical Connection

○ = light on, ● = dark on





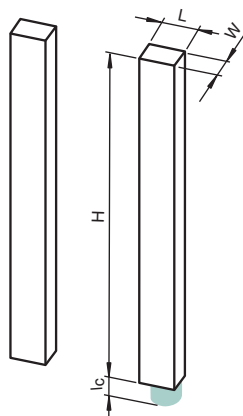
Properties

- Emitter / receiver set
- Self-contained
- Resolution 100 mm
- Capable of 3-way beam crossover
- Discrete output and IO-Link
- Pigtailed connector

Your Benefit

- Can uniquely identify an object or gap
- Software-free configuration via Touch-Field
- Standby mode reduces power consumption
- Versions for use in low temperature environments down to -30°C

For accurate selection of the suitable version see the LGS8 data sheet on page www.pepperl-fuchs.com.



Technical Data

For detailed data and product description refer to the data sheets at www.pepperl-fuchs.com

Model Number	LGS100 Serie
Threshold detection range	Standard : 7.5 m Option /35: 10 m
Effective detection range	Standard : 0.3 ... 6 m Option /35: 0.5 ... 8 m
Light type	modulated infrared light , 850 nm
Field height	300 mm ... 3000 mm in steps of 300 mm (see data sheet)
Beam spacing	100 mm
Optical resolution	without beam crossover: 100 mm with beam crossover: 50 mm with in 25% and 75% of the range
Chipping	Factory setting: 3-way, deactivateable
Tuning-out of beam	adjustable max. 2 fixed suppressible beam areas (blanking)
Number of beams	4 ... 31, depending on field height (see data sheet)
Operating voltage	18 ... 30 V DC
Interface type	IO-Link
Mode	COM 2 (38.4 kBaud)
Signal output	Switch output (detection field C/Q) 1 push-pull output, short-circuit protected, reverse polarity protected on pin 4 (receiver), Height monitoring (H1, H2, H3) 3 Push-pull outputs, short-circuit proof, reverse polarity protected on pin 5, pin 6, pin 7 (receiver)
Switching type	Factory setting: dark ON , Switchable to light ON mode
Switching current	max. 100 mA
Response time	2 ms ... 6 ms, depending on number of beams (see data sheet)
Timer function	Off-delay programmable from 0 ... 1.25 s in 5 ms steps (adjustment via IO-Link only)
Output of the pre-fault indication	Stability Control (SC) 1 PNP, short-circuit protected, reverse polarity protected on pin 2 (receiver)
Test input	Emitter switch-off with +UB or 0 V at pin 4 (emitter)
Function input	Range input activation from 1.6 m (or 2 m in case of option /35) with +UB or 0 V on pin 2 (emitter) Teach-in input for programming on pin 8 (receiver)
Ambient temperature	Standard : -10 ... 60 °C (14 ... 140 °F) Option /146: -30 ... 60 °C (-22 ... 140 °F)
Material	
Housing	extruded aluminum section , Silver anodized
Optical face	Plastic pane , Polycarbonate
Protection degree	IP67
Connection	Emitter: 200 mm connecting cable with 4-pin, M12x1 connector Receiver: 200 mm connecting cable with 8-pin, M12 x 1 connector Cable cross section min. 0.25 mm ² Max. cable length 30 m



Approvals and Certificates

Protection class	III (IEC 61140)
CCC approval	Products with a maximum operating voltage of ≤36 V do not bear a CCC marking because they do not require approval.

Dimensions

Length L [mm]	30.5
Width W [mm]	20
Height H [mm]	459 ... 3159
Connector area lc [mm]	25

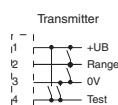
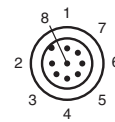
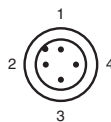
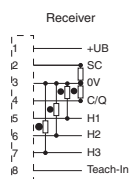
Accessories

This and more accessories can be found in chapter 10
See pages from 972 ... for cordsets See pages 1068 ... for mounting aids

OMH-LGS-01	Attachment aid for light grid series LGS
OMH-SLCT-01	Quick clamp and adjustment system
OMH-SLCT-03	Mounting bracket including adjustment
OMH-SLCT-04	Mounting bracket including adjustment (with loose bearing)
OMH-SLCT-05	Mounting bracket including adjustment
AA SLCT-01	Profile alignment aid

Electrical Connection

○ = light on, ● = dark on



Date of issue: 2015/04/08



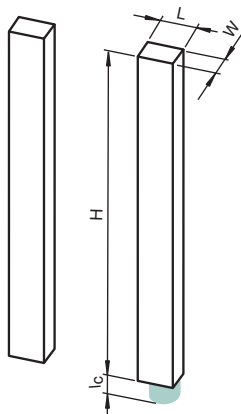
Properties

- Emitter / receiver set
- Self-contained
- Resolution 8 mm
- Capable of 3-way beam crossover
- Discrete output and IO-Link
- Pigtailed connector

Your Benefit

- Can uniquely identify an object or gap
- Output of an analog measured value, can be selected from a number of measuring functions
- Standby mode reduces power consumption
- Use in low temperature environments down to -30°C

For accurate selection of the suitable version see the LGM8 data sheet on page www.pepperl-fuchs.com.



Technical Data

For detailed data and product description refer to the data sheets at www.pepperl-fuchs.com

Model Number	LGM8 Serie
Threshold detection range	Standard : 7.5 m
Effective detection range	Standard : 0.3 ... 6 m
Light type	modulated infrared light , 850 nm
Field height	100 mm ... 2100 mm in steps of 100 mm (see data sheet)
Beam spacing	8.33 mm
Optical resolution	without beam crossover: 8 mm with beam crossover: 4 mm within 25% and 75% of the range
Chipping	Factory setting: 3-way, deactivateable
Tuning-out of beam	adjustable max. 2 fixed suppressible beam areas (blanking)
Number of beams	13 ... 253, depending on field height (see data sheet)
Operating voltage	18 ... 30 V DC
Interface type	IO-Link
Mode	COM 2 (38.4 kBaud)
Signal output	Command interface: Pin 4 IO-Link interface C or used as switching output Q; 1 short-circuit proof reverse polarity protected push-pull output (receiver) Switch output: Pin 5 switching output Q; 1 short-circuit proof reverse polarity protected push-pull output (receiver) synchronized with pin 4
Switching type	Factory setting: dark ON , Switchable to light ON mode
Switching current	max. 100 mA
Response time	3 ms ... 20 ms, depending on number of beams (see data sheet)
Timer function	Off-delay programmable from 0 ... 1.25 s in 5 ms steps (adjustment via IO-Link only)
Pre-fault indication output	Stability Control (SC) 1 PNP, short-circuit protected, reverse polarity protected on pin 2 (receiver)
Test input	Emitter switch-off with +UB or 0 V at pin 4 (emitter)
Function input	Range input activation from 1.6 m with +UB or 0 V on pin 2 (emitter) Teach-in input for programming on pin 8 (receiver)
Ambient temperature	Standard : -30 ... 60 °C (-22 ... 140 °F)
Material	
Housing	extruded aluminum section , Silver anodized
Optical face	Plastic pane , Polycarbonate
Protection degree	IP67
Connection	Emitter: 200 mm connecting cable with 4-pin, M12x1 connector Receiver: 200 mm connecting cable with 8-pin, M12 x 1 connector Cable cross section min. 0.25 mm ² Max. cable length 30 m



Approvals and Certificates

Protection class	III (IEC 61140)
UL approval	cULus Listed
CCC approval	Products with a maximum operating voltage of ≤36 V do not bear a CCC marking because they do not require approval.

Dimensions

Length L [mm]	30.5
Width W [mm]	20
Height H [mm]	259 ... 2259
Connector area lc [mm]	25

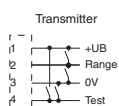
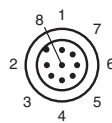
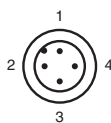
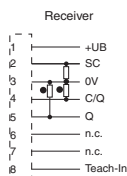
Accessories

This and more accessories can be found in chapter 10
See pages from 972 ... for cordsets See pages 1068 ... for mounting aids

OMH-LGS-01	Attachment aid for light grid series LGS
OMH-SLCT-01	Quick clamp and adjustment system
OMH-SLCT-03	Mounting bracket including adjustment
OMH-SLCT-04	Mounting bracket including adjustment (with loose bearing)
OMH-SLCT-05	Mounting bracket including adjustment
AA SLCT-01	Profile alignment aid

Electrical Connection

○ = light on, ● = dark on





Technical Data

For detailed data and product description refer to the data sheets at www.pepperl-fuchs.com

General Data

Light type	modulated infrared light
Cycle time	35 ms
No-load supply current	40 mA
Data rate	225 Bit/s
Data sampling blanking	Enable input emitter deactivation
Ambient temperature	-20 ... 60 °C (-4 ... 140 °F)
Housing	Terluran, black
Optical face	glass
Protection degree	IP67
Connection	2 M16 cable glands, tension spring terminals in the terminal compartment



2
3

Properties

- Parallel interface
- Data rate up to 225 kBaud
- Terminals
- Infrared light

Model Number

		DAD15-8P	DAD15-8P-NPN	DAD15-8P/35	DAD15-8P-NPN/35
Threshold detection range	2500 mm	●	●		
	5000 mm			●	●
Effective detection range	0 ... 1500 mm	●	●		
	0 ... 2500 mm			●	●
Diameter of the light spot	approx. 1000 mm at 1.5 m	●	●		
	approx. 500 mm at 1.5 m			●	●
Interface type	8 bit parallel, bidirectional 10 inputs, PNP ; 10 outputs, PNP	●		●	
	8 bit parallel, bidirectional 10 inputs, NPN ; 10 outputs, NPN		●		●
Operating voltage	10 ... 30 V DC		●		●
	10 ... 60 V DC	●		●	

Dimensions

Length L [mm]	51
Width W [mm]	56
Height H [mm]	76
Connector area l _c [mm]	24

Accessories

This and more accessories can be found in chapter 10

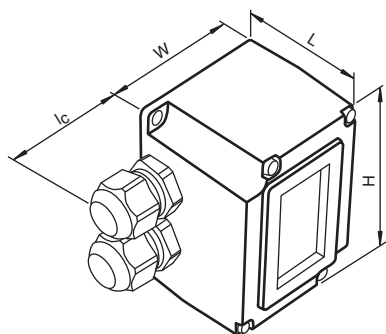
See pages from 972 ... for cordsets

See pages 1068 ... for mounting aids

OMH-DAD10

Mounting bracket

Photoelectric Sensors, Optical Data Couplers



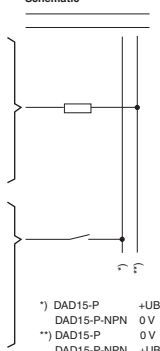
Electrical Connection



DAD15-8P
DAD15-8P/35
DAD15-8P-NPN
DAD15-8P-NPN/35

Pin	Function	Description
1, 14	0 V	- Supply voltage
2	+UB	+ Supply voltage
3	SYNC	Synchronization
4	REC	Receive indicator
5	D8OUT	Output data bit 8
6	D7OUT	Output data bit 7
7	D6OUT	Output data bit 6
8	D5OUT	Output data bit 5
9	D4OUT	Output data bit 4
10	D3OUT	Output data bit 3
11	D2OUT	Output data bit 2
12	D1OUT	Output data bit 1
13, 25	-	not connected
15	D8IN	Input data bit 8
16	D7IN	Input data bit 7
17	D6IN	Input data bit 6
18	D5IN	Input data bit 5
19	D4IN	Input data bit 4
20	D3IN	Input data bit 3
21	D2IN	Input data bit 2
22	D1IN	Input data bit 1
23	IN-Master/Slave	Master/Slave select
24	IN Enable	Input enable

Schematic



Date of issue: 2015/04/08



Technical Data

For detailed data and product description refer to the data sheets at www.pepperl-fuchs.com

General Data

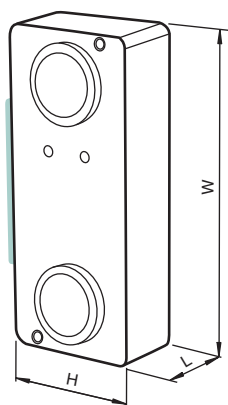
Response delay	40 µs
Interface type	RS 232, RS 422, CL20 mA active/passive switchable
Operating voltage	24 V DC ± 25 %
No-load supply current	200 mA
Data rate	0 ... 19.2 kBit/s
Operation frequency	F1 = 83 kHz F2 = 118 kHz
Data sampling blanking	Input for incoming data blanking with +24 V DC
Pre-fault indication output	2 PNP-outputs, short-circuit protected, 30 V DC 0.1 A activated for single or sufficient stability control
Measurement output	+1.8 ... 5.8 V DC, max. 10 mA, simple stability control: 2.5 V triple stability control: 4.2 V
Ambient temperature	-20 ... 60 °C (-4 ... 140 °F)
Housing	aluminum
Protection degree	IP65
Connection	25-pin Sub-D connector



Properties

- Serial interface
- Data rate up to 19.2 kBaud
- Connector version
- Visible red and infrared light versions

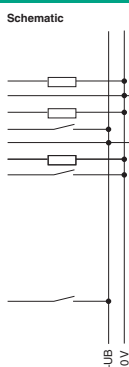
Model Number		DAD30-W	DAD30	DAD30/35	DAD30-RT/35
Threshold detection range	20 m	●			
	45 m		●		
	150 m			●	●
Effective detection range	0 ... 15 m	●			
	0 ... 30 m		●		
	0 ... 100 m			●	●
Light type	modulated infrared light	●	●	●	
	modulated visible red light				●
Diameter of the light spot	4200 mm at a distance of 15 m	●			
	500 mm at a distance of 30 m		●		
	1800 mm at a distance of 100 m			●	●
Optical face	glass	●			
	plastic lens		●	●	●
Dimensions					
Length L [mm]			34		
Width W [mm]			150		
Height H [mm]			64		



Electrical Connection



Model	Pin	Function	Description
DAD30	2	RX232	RS 232 input
DAD30/35	3	TX232	RS 232 output
DAD30-RT/35	5	TX-N	RS 422 Data- (A-output)
DAD30-W	6	Alarm 1	1-fold stability control
	7	0 V	- supply voltage
	9	Analog	Measure output
	10	RX-DIS	Data blanking
	11	+UB	+ supply voltage
	12	Alarm 2	sufficient stability control
	13	RX-DIS/TTL	Data disable
	14	RX-P	RS 422 (B-input)
	15	RX-N	RS 422 (A-input)
	16	TX-P	RS 422 (B-output)
	17	TX-N	RS 422 (A-output)
	18	CL-IN+	Current loop input
	19	CL-IN-	Current loop input
	21	CL-OUT-	Current loop output
	22	TX-DIS	Emitter disable
	25	CL-OUT+	Current loop output
	1, 4, 5, 8, 20, 23, 24	-	not connected





Technical Data

For detailed data and product description refer to the data sheets at www.pepperl-fuchs.com

General Data

Light type	modulated infrared light
Diameter of the light spot	2 m at a distance of 100 m
Interface type	RS 422 , galvanically isolated
Operating voltage	18 ... 30 V DC
No-load supply current	200 mA
Data rate	0 ... 2 MBit/s
Pre-fault indication output	1 PNP (switches if there is sufficient stability control) short-circuit protected, max. 200 mA
Housing	ABS / PC
Optical face	plastic
Protection degree	IP65
Connection	4-pin, M12x1 connector, standard (supply) , 5-pin, M12x1 connector, B-coded (Remote Bus In) , 5-pin, M12x1 socket, B-coded (Remote Bus Out)



Properties

- INTERBUS interface
- Data rate up to 2 Mbaud
- Connector version
- Infrared light

Your Benefit

- Integral alignment aid LED simplifies setup
- Easy installation due to quick clamp tool-less mounting
- LED bar display indicates signal strength

Model Number	LS610-DA-IBS/F1	LS610-DA-IBS/F1/146	LS610-DA-IBS/F2	LS610-DA-IBS/F2/146	LS610-DA-IBS/F1/35	LS610-DA-IBS/F1/35/146	LS610-DA-IBS/F2/35	LS610-DA-IBS/F2/35/146
Threshold detection range	140 m	260 m						
Effective detection range	0 ... 120 m	0 ... 240 m						
Operation frequency	F1 = 8.25 MHz	F2 = 12.5 MHz						
Ambient temperature	-10 ... 50 °C (14 ... 122 °F)	-30 ... 50 °C (-22 ... 122 °F) , For use in dry cold						

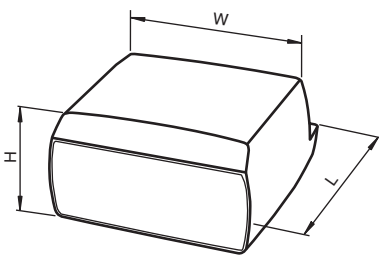
Dimensions

Length L [mm]	171
Width W [mm]	170
Height H [mm]	90

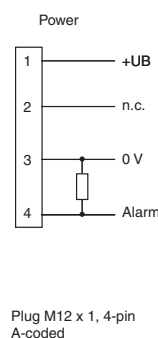
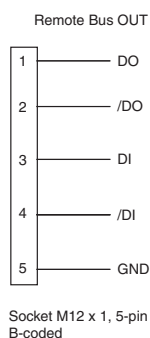
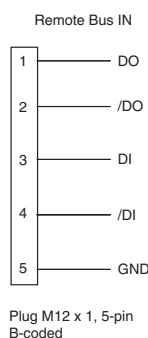
Accessories

This and more accessories can be found in chapter 10
See pages from 972 ... for cordsets See pages 1068 ... for mounting aids

- OMH-LS610-05** Mounting bracket for optical data coupler and distance measurement devices
- V15SB-G** Cable connector, M12, for PROFIBUS, adjustable
- V15B-G** Cable socket, M12, for PROFIBUS, adjustable
- V15-G-PG9** Cable socket, M12, 5-pin, ready for assembly
- Funkionserdung LS610/ VDM100 Zubehoer** Function grounding for LS610 / LS611 / VDM100 series
- Schutzkappe LS610 Zubehoer** M12 protective cap set (connector + socket) for series LS610 / LS611
- OMH-LS610-01** Mounting bracket for optical data coupler
- OMH-LS610-02** Direct mounting set consisting of 4 x M4 threaded inserts
- OMH-LS610-03** Mounting bracket with deviation mirror for optical data coupler
- OMH-LS610-04**
- OMH-LS610-31** Mounting bracket for optical data coupler and distance measurement devices
- OMH-LS610-32** Mounting bracket for optical data coupler and distance measurement devices



Electrical Connection



Date of issue: 2015/04/08



Technical Data

For detailed data and product description refer to the data sheets at www.pepperl-fuchs.com

General Data

Light type	modulated infrared light
Diameter of the light spot	2 m at a distance of 100 m
Interface type	PROFIBUS, galvanically isolated
Operating voltage	18 ... 30 V DC
No-load supply current	200 mA
Data rate	93.75; 187.5;(350); 500;1500 kBit/s , adjustable
Function input	Keylock, internal Pull-up resistor keypad locked with 0 V
Pre-fault indication output	1 PNP (switches if there is sufficient stability control) short-circuit protected, max. 200 mA
Housing	ABS / PC
Optical face	plastic
Protection degree	IP65
Connection	4-pin, M12x1 connector, standard (supply) , 5-pin, M12x1 connector, B-coded (Bus In) , 5-pin, M12x1 socket, B-coded (Bus Out/Termination)



Properties

- PROFIBUS interface
- Data rate up to 1.5 MBaud
- Connector version
- Infrared light

Your Benefit

- Integral alignment aid LED simplifies setup
- Easy installation due to quick clamp tool-less mounting
- LED bar display indicates signal strength

Model Number

		LS610-DA-P/F1	LS610-DA-P/F1/146	LS610-DA-P/F2	LS610-DA-P/F2/146	LS610-DA-P/F1/35	LS610-DA-P/F2/35
Threshold detection range	green = preferred type						
	140 m	●	●	●	●		
Effective detection range	260 m					●	●
	0 ... 120 m	●	●	●	●		
Operation frequency	0 ... 240 m					●	●
	F1 = 8.25 MHz	●	●			●	●
Ambient temperature	F2 = 12.5 MHz			●	●		
	-10 ... 50 °C (14 ... 122 °F)	●	●	●	●	●	●
	-30 ... 50 °C (-22 ... 122 °F) , For use in dry cold		●		●		

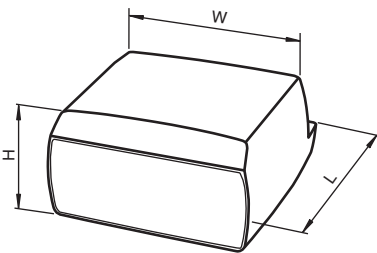
Dimensions

Length L [mm]	171
Width W [mm]	170
Height H [mm]	90

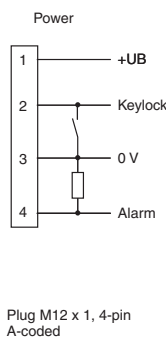
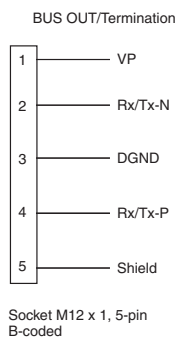
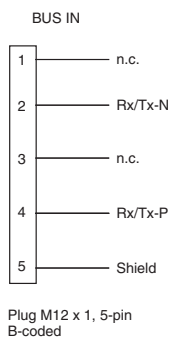
Accessories

This and more accessories can be found in chapter 10
See pages from 972 ... for cordsets See pages 1068 ... for mounting aids

- OMH-LS610-05** Mounting bracket for optical data coupler and distance measurement devices
- ICZ-TR-V15B** Terminal resistor for PROFIBUS
- V15SB-G** Cable connector, M12, for PROFIBUS, adjustable
- V15B-G** Cable socket, M12, for PROFIBUS, adjustable
- V15-G-PG9** Cable socket, M12, 5-pin, ready for assembly
- Funktionserdung LS610/ VDM100 Zubehoer** Function grounding for LS610 / LS611 / VDM100 series
- Schutzkappe LS610 Zubehoer** M12 protective cap set (connector + socket) for series LS610 / LS611
- OMH-LS610-01** Mounting bracket for optical data coupler
- OMH-LS610-03** Mounting bracket with deviation mirror for optical data coupler
- OMH-LS610-02** Direct mounting set consisting of 4 x M4 threaded inserts
- OMH-LS610-04**
- OMH-LS610-31** Mounting bracket for optical data coupler and distance measurement devices
- OMH-LS610-32** Mounting bracket for optical data coupler and distance measurement devices



Electrical Connection





Technical Data

For detailed data and product description refer to the data sheets at www.pepperl-fuchs.com

General Data

Light type	modulated infrared light
Diameter of the light spot	2 m at a distance of 100 m
Interface type	PROFIBUS DP-V0,-V1,-V2; FMS; MPI; FMS-DP mixed mode; galvanically isolated
Operating voltage	18 ... 30 V DC
No-load supply current	200 mA
Data rate	93.75/187.5/500/1500 kBit/s , adjustable
Operation frequency	8.25 MHz
Function input	Keyboard disabling, digital input (current sinking), closed ON
Pre-fault indication output	1 PNP (switches if there is sufficient stability control) short-circuit protected, max. 200 mA
Housing	ABS / PC
Optical face	plastic
Protection degree	IP65
Connection	4-pin, M12x1 connector, standard (supply) , 5-pin, M12x1 connector, B-coded (Bus In) , 5-pin, M12x1 socket, B-coded (Bus Out/Termination)



Properties

- PROFIBUS interface
- Data rate up to 1.5 Mbaud
- Connector version
- Infrared light

Your Benefit

- 1:1 communication - identical units communicate with each other
- Integral alignment aid LED simplifies setup
- Easy installation due to quick clamp tool-less mounting
- LED bar display indicates signal strength

Model Number

	green = preferred type	LS611-DA-P	LS611-DA-P/146	LS611-DA-P/85	LS611-DA-P/35/146
Threshold detection range	200 m	●	●		●
Effective detection range	350 m			●	
	0 ... 150 m	●	●		
	0 ... 300 m			●	●
Ambient temperature	-10 ... 50 °C (14 ... 122 °F)	●		●	
	-30 ... 50 °C (-22 ... 122 °F) , For use in dry cold		●		●

Approvals and Certificates

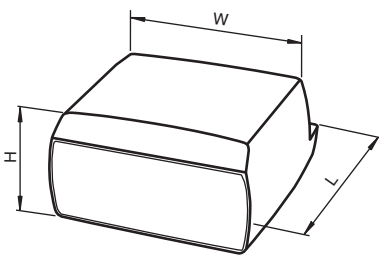
UL approval	cULus	●	●	●	●
-------------	-------	---	---	---	---

Dimensions

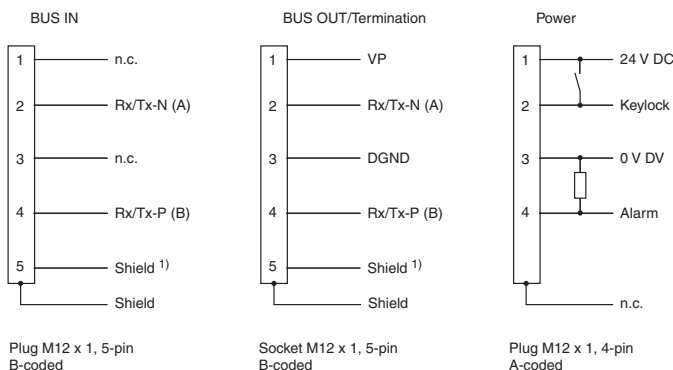
Length L [mm]	171
Width W [mm]	170
Height H [mm]	90

Accessories This and more accessories can be found in chapter 10
See pages from 972 ... for cordsets See pages 1068 ... for mounting aids

OMH-LS610-05	Mounting bracket for optical data coupler and distance measurement devices
ICZ-TR-V15B	Terminal resistor for PROFIBUS
V15SB-G	Cable connector, M12, for PROFIBUS, adjustable
V15-G-PG9	Cable socket, M12, 5-pin, ready for assembly
V15B-G	Cable socket, M12, for PROFIBUS, adjustable
Schutzkappe LS610 Zubehoer	M12 protective cap set (connector + socket) for series LS610 / LS611
Funktionserdung LS610/ VDM100 Zubehoer	Function grounding for LS610 / LS611 / VDM100 series
OMH-LS610-01	Mounting bracket for optical data coupler
OMH-LS610-31	Mounting bracket for optical data coupler and distance measurement devices
OMH-LS610-32	Mounting bracket for optical data coupler and distance measurement devices
OMH-LS610-02	Direct mounting set consisting of 4 x M4 threaded inserts
OMH-LS610-03	Mounting bracket with deviation mirror for optical data coupler



Electrical Connection



Date of issue: 2015/04/08



Technical Data

For detailed data and product description refer to the data sheets at www.pepperl-fuchs.com

General Data

Threshold detection range	180 m
Effective detection range	0 ... 150 m
Light source	laser diode
Laser class	1M
Diameter of the light spot	1.5 m at a distance of 100 m
Interface type	100 BASE-TX
Operating voltage	18 ... 30 V DC
No-load supply current	200 mA
Data rate	100 MBit/s (Fast Ethernet)
Pre-fault indication output	1 PNP, inactive when falling short of the stability control , short-circuit protected, max. 200 mA
Ambient temperature	-10 ... 50 °C (14 ... 122 °F)
Housing	ABS / PC
Optical face	plastic
Protection degree	IP65
Connection	4-pin, M12x1 connector, standard (supply) , 8-pin M12x1 connector, service , M12x1 socket, 4-pin, D-coded (LAN)



Properties

- Ethernet interface
- Data rate 100 MBaud
- Connector version
- Visible red and infrared light versions

Your Benefit

- Works with all Industrial Ethernet-protocols
- Plug and Play usability, no configuration required
- LED bar display indicates signal strength
- Fast transmission of even live video

Further Products

In this series, we offer additionally:

- LS670-DA-EN/F1
- LS670-DA-EN/F2

Tech. spec. like LS680... but:
Diagnostics indicator: LED red, OVERLOAD
Data rate: 7.5 MBit/s

Model Number

Light type	green = preferred type		
	modulated infrared light	●	
	modulated visible red light		●

Approvals and Certificates

UL approval	cULus Listed	●	●
-------------	--------------	---	---

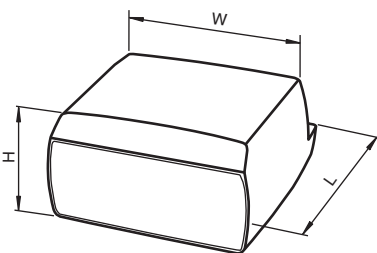
Dimensions

Length L [mm]	171
Width W [mm]	170
Height H [mm]	90

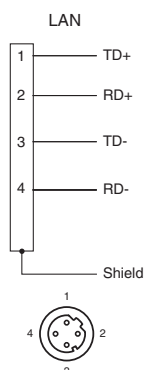
Accessories

This and more accessories can be found in chapter 10
See pages from 972 ... for cordsets See pages 1068 ... for mounting aids

OMH-LS610-01	Mounting bracket for optical data coupler
OMH-LS610-02	Direct mounting set consisting of 4 x M4 threaded inserts
OMH-LS610-03	Mounting bracket with deviation mirror for optical data coupler
OMH-LS610-05	Mounting bracket for optical data coupler and distance measurement devices



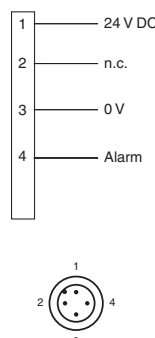
Electrical Connection



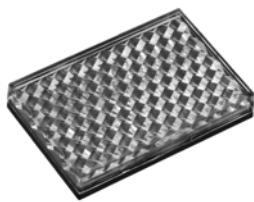
Service



Power



Model number



REF-CLIP40

Reflector, rectangular 40 mm x 23.5 mm, snap-in

Ambient conditions

Ambient temperature -20 ... 85 °C (-4 ... 185 °F)

Mechanical specifications

Material PMMA/ABS
 Dimensions 40 mm x 23.5 mm x 8 mm
 Mounting Snap-in

Model number



REF-H60

Reflector, rectangular 40.5 mm x 60 mm, mounting holes

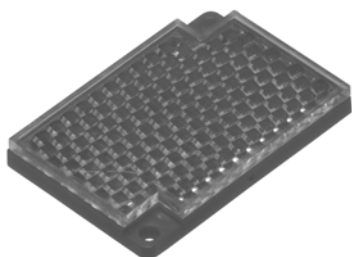
Ambient conditions

Ambient temperature -20 ... 85 °C (-4 ... 185 °F)

Mechanical specifications

Material PMMA/ABS
 Dimensions 60 mm x 40.5 mm x 7.5 mm
 Mounting mounting holes

Model number



REF-H60F

Reflector, rectangular 40.5 mm x 60 mm, mounting holes

Ambient conditions

Ambient temperature -25 ... 50 °C (-13 ... 122 °F)

Mechanical specifications

Material PES
 Dimensions 60 mm x 41 mm x 8 mm
 Mounting mounting holes

Model number



REF-H40

Reflector, rectangular 47.5 mm x 23.5 mm, mounting holes, fixing strap

Ambient conditions

Ambient temperature -20 ... 85 °C (-4 ... 185 °F)

Mechanical specifications

Material PMMA/ABS
 Dimensions 47.5 mm x 23.5 mm x 8 mm
 Mounting mounting holes

Date of issue: 2015-04-08

Model number



REF-A48

Reflector, rectangular 48 mm x 32.5 mm, self-adhesive

Ambient conditions

Ambient temperature -20 ... 85 °C (-4 ... 185 °F)

Mechanical specifications

Material PMMA/ABS
 Dimensions 48 mm x 32.5 mm x 8 mm
 Mounting self-adhesive

Model number



REF-H50

Reflector, rectangular 51 mm x 51 mm, mounting holes, fixing strap

Ambient conditions

Ambient temperature -20 ... 85 °C (-4 ... 185 °F)

Mechanical specifications

Material PMMA/ABS
 Dimensions 51 mm x 51 mm x 8 mm
 Mounting mounting holes

Model number



REF-H50HT

Reflector, rectangular 50.9 mm x 50.9 mm, mounting holes, fixing strap

Ambient conditions

Ambient temperature -20 ... 120 °C (-4 ... 248 °F) ; briefly (< 2 min) up to 160 °C (320 °F)

Mechanical specifications

Material PMMA
 Dimensions 51.4 mm x 60.3 mm x 8.5 mm
 Mounting mounting holes

Model number



ORR50G

Reflector, rectangular 50.9 mm x 60.9 mm, mounting holes, fixing strap and polarization filter

Ambient conditions

Ambient temperature 0 ... 50 °C (32 ... 122 °F)

Mechanical specifications

Material PMMA/ABS
 Dimensions 51 mm x 61 mm x 8 mm
 Mounting mounting holes

Model number



REF-H85HT

Reflector, rectangular 51 mm x 94 mm, mounting holes, high temperature resistant up to 500 °C

Ambient conditions

Ambient temperature -50 ... 500 °C (-58 ... 932 °F)

Mechanical specifications

Material Borosilicate glass

Dimensions 51 mm x 94 mm

Mounting mounting holes

Model number



REF-H116HT

Reflector, rectangular 55.5 mm x 132 mm, mounting holes, high temperature applications

Ambient conditions

Ambient temperature -20 ... 110 °C (-4 ... 230 °F)

Mechanical specifications

Dimensions 55.5 mm x 132 mm x 9 mm

Mounting mounting holes

Model number



REF-VR10

Reflector, rectangular 60 mm x 19 mm, mounting holes

Ambient conditions

Ambient temperature -20 ... 85 °C (-4 ... 185 °F)

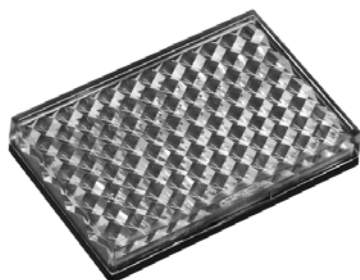
Mechanical specifications

Material PMMA/ABS

Dimensions 60 mm x 19 mm x 6 mm

Mounting mounting holes

Model number



REF-A80

Reflector, rectangular 80 mm x 50 mm, self-adhesive

Ambient conditions

Ambient temperature -20 ... 85 °C (-4 ... 185 °F)

Mechanical specifications

Material PMMA/ABS

Dimensions 80 mm x 50 mm x 7.2 mm

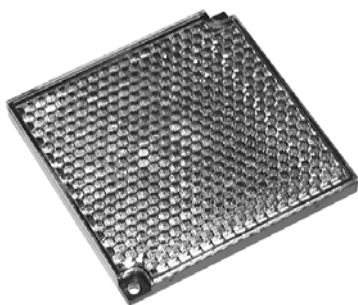
Mounting self-adhesive

Date of issue: 2015-04-08

Model number

REF-H85-2

Reflector, rectangular 84.5 mm x 84.5 mm, mounting holes



Ambient conditions

Ambient temperature -20 ... 85 °C (-4 ... 185 °F)

Mechanical specifications

Material PMMA/ABS
 Dimensions 84.5 mm x 84.5 mm x 8.7 mm
 Mounting mounting holes

Model number

REF-HEATER120

Reflector, rectangular 120 mm x 51 mm, mounting holes, heatable 24 V DC



Electrical specifications

Operating voltage U_B 24 V DC
 Operating current 200 mA
 Power consumption P_0 max. 4.8 W

Ambient conditions

Ambient temperature -20 ... 60 °C (-4 ... 140 °F)

Mechanical specifications

Connection connector M12 x 1, 4-pin
 Dimensions 119 mm x 51.5 mm x 27 mm
 Mounting mounting holes

Model number

REF-H50x100

Reflector, rectangular 122 mm x 49.5 mm, mounting holes



Ambient conditions

Ambient temperature -40 ... 70 °C (-40 ... 158 °F)

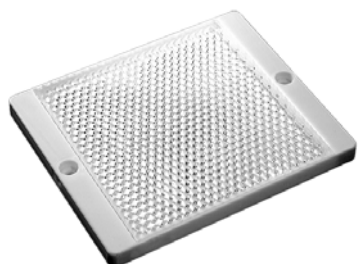
Mechanical specifications

Dimensions 122 mm x 49.5 mm x 8.4 mm
 Mounting mounting holes

Model number

REF-H100

Reflector, rectangular 122 mm x 99.35 mm, mounting holes



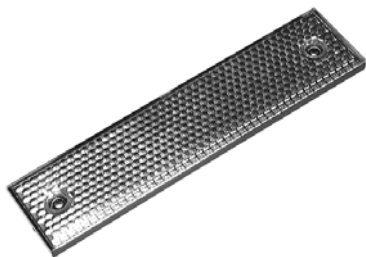
Ambient conditions

Ambient temperature -40 ... 70 °C (-40 ... 158 °F)

Mechanical specifications

Material PMMA
 Dimensions 122 mm x 99.35 mm x 8.5 mm
 Mounting mounting holes

Model number



REF-H180

Reflector, rectangular 180 mm x 40 mm, mounting holes

Ambient conditions

Ambient temperature -20 ... 85 °C (-4 ... 185 °F)

Mechanical specifications

Material PMMA/ABS
 Dimensions 180 mm x 40 mm x 7.4 mm
 Mounting mounting holes

Model number



REF-S20F

Reflector, round ø 20 mm, screw fixing M4

Ambient conditions

Ambient temperature -25 ... 50 °C (-13 ... 122 °F)

Mechanical specifications

Material PES
 Dimensions Diameter: 20 mm
 Mounting screw fixing

Model number



REF-A17

Reflector, round ø 20.5 mm, self-adhesive

Ambient conditions

Ambient temperature -20 ... 85 °C (-4 ... 185 °F)

Mechanical specifications

Material PMMA/ABS
 Dimensions Diameter: 20.5 mm
 Mounting self-adhesive

Model number



REF-S25

Reflector, round ø 25 mm, screw fixing M4

Ambient conditions

Ambient temperature -20 ... 85 °C (-4 ... 185 °F)

Mechanical specifications

Material PMMA/ABS
 Dimensions Diameter: 25 mm
 Mounting screw fixing

Date of issue: 2015-04-08

Model number



REF-A25

Reflector, round ø 25 mm, self-adhesive

Ambient conditions

Ambient temperature -20 ... 85 °C (-4 ... 185 °F)

Mechanical specifications

Material PMMA/ABS
 Dimensions Diameter: 25 mm
 Mounting self-adhesive

Model number



REF-CA24

Reflector, round ø 25 mm, self-adhesive

Ambient conditions

Ambient temperature -20 ... 85 °C (-4 ... 185 °F)

Mechanical specifications

Material PMMA/ABS
 Dimensions Diameter: 25 mm
 Mounting self-adhesive

Model number



REF-CLIP25

Reflector, round ø 25.2 mm, snap-in

Ambient conditions

Ambient temperature -20 ... 85 °C (-4 ... 185 °F)

Mechanical specifications

Material PMMA/ABS
 Dimensions Diameter: 25.2 mm
 Mounting Snap-in

Model number



REF-A35

Reflector, round ø 35 mm, self-adhesive

Ambient conditions

Ambient temperature -20 ... 85 °C (-4 ... 185 °F)

Mechanical specifications

Material PMMA/ABS
 Dimensions Diameter: 35 mm
 Mounting self-adhesive

Model number



REF-S42

Reflector, round ø 42 mm, screw fixing M5

Ambient conditions

Ambient temperature -20 ... 85 °C (-4 ... 185 °F)

Mechanical specifications

Material PMMA/ABS
 Dimensions Diameter: 42 mm
 Mounting screw fixing

Model number



REF-CLIP42

Reflector, round ø 42 mm, snap-in

Ambient conditions

Ambient temperature -20 ... 85 °C (-4 ... 185 °F)

Mechanical specifications

Material PMMA/ABS
 Dimensions Diameter: 42 mm
 Mounting Snap-in

Model number



REF-CLIP50HT

Reflector, round ø 50 mm, snap-in, high temperature applications

Ambient conditions

Ambient temperature -20 ... 110 °C (-4 ... 230 °F)

Mechanical specifications

Dimensions Diameter: 50 mm
 Mounting Snap-in

Model number



REF-C60

Reflector, round ø 58 mm, central mounting hole

Ambient conditions

Ambient temperature -20 ... 85 °C (-4 ... 185 °F)

Mechanical specifications

Material PMMA/ABS
 Dimensions Diameter: 58 mm
 Mounting mounting hole

Date of issue: 2015-04-08

Model number

REF-C110-2

Reflector, round \varnothing 84 mm, central mounting hole



Ambient conditions

Ambient temperature -20 ... 85 °C (-4 ... 185 °F)

Mechanical specifications

Material PMMA/ABS
 Dimensions Diameter: 84 mm
 Mounting mounting hole

Model number

REF-H32G

Reflector, hexagonal 55 mm x 25 mm, with mounting holes and polarisation filter



Ambient conditions

Ambient temperature -20 ... 60 °C (-4 ... 140 °F)

Mechanical specifications

Material PMMA/ABS
 Dimensions 55 mm x 25 mm x 9 mm
 Mounting mounting holes

Model number

REF-H32

Reflector, hexagonal 55 mm x 25 mm, mounting holes



Ambient conditions

Ambient temperature -20 ... 60 °C (-4 ... 140 °F)

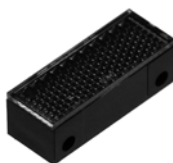
Mechanical specifications

Material PMMA/ABS
 Dimensions 55 mm x 25 mm x 9 mm
 Mounting mounting holes

Model number

REF-H33

Reflector with screw fixing



Ambient conditions

Ambient temperature -25 ... 65 °C (-13 ... 149 °F)

Mechanical specifications

Material PMMA/ABS
 Dimensions 33.3 mm x 12.8 mm x 11 mm
 Mounting M3 metal threaded insert

Model number



REF-VDM01

Reflector for distance measurement devices

Ambient conditions

Ambient temperature -30 ... 60 °C (-22 ... 140 °F)

Mechanical specifications

Material Reflective tape, PMMA reflectors plastic base

Dimensions 500 mm x 500 mm

Mounting mounting holes

Model number



REF-VDM02

Reflector for distance measurement devices

Ambient conditions

Ambient temperature -30 ... 60 °C (-22 ... 140 °F)

Mechanical specifications

Material Reflective tape, PMMA reflectors plastic base

Dimensions 500 mm x 250 mm

Mounting mounting holes

Model number



REF-H18x40HT

Reflector, rectangular 18.5 mm x 60 mm, mounting holes, high temperature applications

Ambient conditions

Ambient temperature -20 ... 120 °C (-4 ... 248 °F) ; briefly (< 2 min) up to 160 °C (320 °F)

Mechanical specifications

Material PMMA

Dimensions 18.5 mm x 60 mm x 7.1 mm

Mounting mounting holes

Model number



REF-H20x40F

Reflector, rectangular 20 mm x 60 mm, mounting holes

Ambient conditions

Ambient temperature -25 ... 50 °C (-13 ... 122 °F)

Mechanical specifications

Material PES

Dimensions 60 mm x 20 mm x 6 mm

Mounting mounting holes

Date of issue: 2015-04-08

Model number

REF-H50x100HT

Reflector, rectangular 49.5 mm x 122 mm, mounting holes, high temperature applications



Ambient conditions

Ambient temperature -20 ... 120 °C (-4 ... 248 °F) ; briefly (< 2 min) up to 160 °C (320 °F)

Mechanical specifications

Material PMMA
 Dimensions 122 mm x 49.5 mm x 8.4 mm
 Mounting mounting holes

Model number

REF-H51x72

Reflector, rectangular 51 mm x 72 mm, mounting holes



Ambient conditions

Ambient temperature -20 ... 60 °C (-4 ... 140 °F)

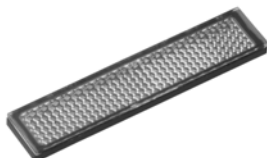
Mechanical specifications

Material PMMA
 Dimensions 51 mm x 72 mm x 7.5 mm
 Mounting mounting holes

Model number

REF-MA50

Reflector with Micro-structure, rectangular 10 mm x 50 mm, self-adhesive



Ambient conditions

Ambient temperature -20 ... 85 °C (-4 ... 185 °F)

Mechanical specifications

Material PMMA/ABS
 Dimensions 10 mm x 50 mm x 5 mm
 Mounting self-adhesive

Model number

REF-MH23

Reflector with Micro-structure, rectangular 23 mm x 13.8 mm, diagonal mounting hole



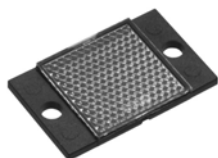
Ambient conditions

Ambient temperature -20 ... 85 °C (-4 ... 185 °F)

Mechanical specifications

Material PMMA/ABS
 Dimensions 23 mm x 13.8 mm x 4.9 mm
 Mounting mounting holes

Model number



REF-MH20

Reflector with Micro-structure, rectangular 32 mm x 20 mm, mounting holes

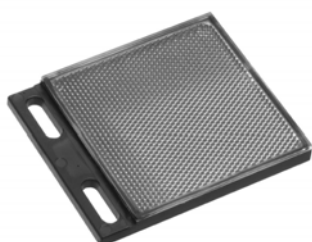
Ambient conditions

Ambient temperature -20 ... 85 °C (-4 ... 185 °F)

Mechanical specifications

Material PMMA/ABS
 Dimensions 32 mm x 20 mm x 3 mm
 Mounting mounting holes

Model number



REF-MH50

Reflector with Micro-structure, rectangular 50.9 mm x 50.9 mm, mounting holes, fixing strap

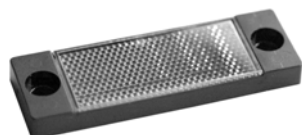
Ambient conditions

Ambient temperature -20 ... 85 °C (-4 ... 185 °F)

Mechanical specifications

Material PMMA/ABS
 Dimensions 50.9 mm x 50.9 mm x 8.5 mm
 Mounting mounting holes

Model number



REF-MVR10

Reflector with Micro-structure, rectangular 60 mm x 19 mm, mounting holes

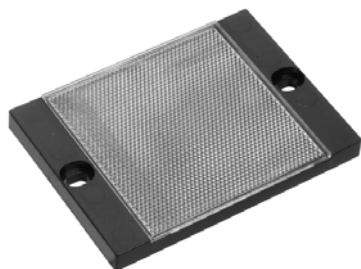
Ambient conditions

Ambient temperature -20 ... 85 °C (-4 ... 185 °F)

Mechanical specifications

Material PMMA/ABS
 Dimensions 60 mm x 19 mm x 6 mm
 Mounting mounting holes

Model number



REF-MH82

Reflector with Micro-structure, rectangular 82 mm x 60 mm, mounting holes

Ambient conditions

Ambient temperature -20 ... 85 °C (-4 ... 185 °F)

Mechanical specifications

Material PMMA/ABS
 Dimensions 82 mm x 60 mm 7.4 mm
 Mounting mounting holes

Date of issue: 2015-04-08

Model number



REF-MCLIP15HT

Reflector with Micro-structure, round \varnothing 15 mm, snap-in, high temperature applications

Ambient conditions

Ambient temperature -20 ... 110 °C (-4 ... 230 °F)

Mechanical specifications

Dimensions Diameter: 15 mm
Mounting Snap-in

Model number



REF-MS21

Reflector with Micro-structure, round \varnothing 21 mm, screw fixing M3

Ambient conditions

Ambient temperature -20 ... 85 °C (-4 ... 185 °F)

Mechanical specifications

Material PMMA/ABS
Dimensions Diameter: 21 mm
Mounting screw fixing

Model number



REF-MA21

Reflector with Micro-structure, round \varnothing 21 mm, self-adhesive

Ambient conditions

Ambient temperature -20 ... 85 °C (-4 ... 185 °F)

Mechanical specifications

Material PMMA/ABS
Dimensions Diameter: 21 mm
Mounting self-adhesive

Model number



REF-MCLIP21

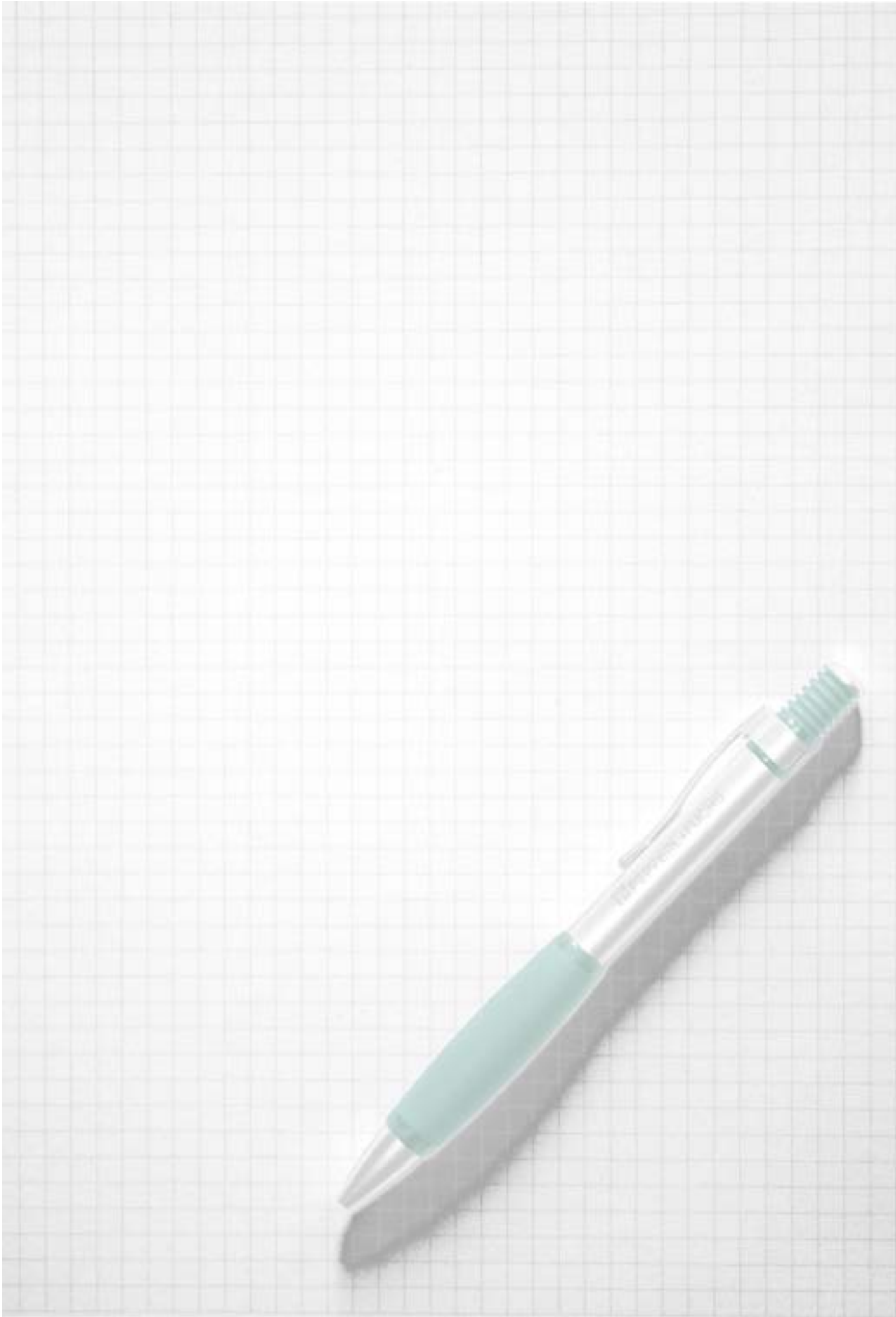
Reflector with Micro-structure, round \varnothing 21 mm, snap-in

Ambient conditions

Ambient temperature -20 ... 85 °C (-4 ... 185 °F)

Mechanical specifications

Material PMMA/ABS
Dimensions Diameter: 21 mm
Mounting Snap-in



Contents

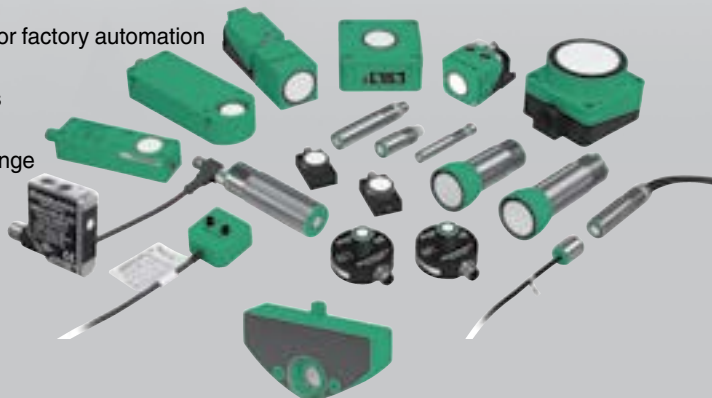
3

Ultrasonic Sensors

ULTRASONICS XL

Diversity from the technology leader in the field of ultrasonic sensors

- **Technology XL:**
In-house ultrasonic transducer development and production
- **Portfolio XL:**
The largest range of ultrasonic sensors for factory automation
- **Experience XL:**
Top team of ultrasonic sensor specialists
- **Innovation XL:**
Designed to solve any application challenge



3. Ultrasonic Sensors

Overview of Ultrasonic Sensors/Selection Tables

Ultrasonic Thru-Beam Sensors	590
Ultrasonic Diffuse Mode Sensors	591

Introduction

Fundamentals of Ultrasonic Detection	594
Selecting and Commissioning an Ultrasonic Sensor	595
Special Sensor Properties for Special Applications	601
Type Code, Ultrasonic Sensors	602

Data Section

3.1 Diffuse Mode Sensors	603
Cylindrical	603
Rectangular	636
3.2 Thru-Beam Sensors	658
Cylindrical	658
Rectangular	663
3.3 Sensors for Separate Evaluation	664
3.4 Double Sheet Sensors	665
3.5 Accessories	673

Ultrasonic diffuse mode sensor



Series	Ø 12 mm	Ø 18 mm	Ø 30 mm
	Page 603 ff	Page 607 ff	Page 618 ff
Features	<ul style="list-style-type: none"> • Compact design • Extremely small blind zone • Teach-in 	<ul style="list-style-type: none"> • Very short housing design (18GM40) • Teach-in • Also with angled transducer • Synchronization options 	<ul style="list-style-type: none"> • Wide detection range up to 6 m • Extensive product portfolio • Programmable and Teach-in • Synchronization options

Technical data

Detection range	up to 400 mm	up to 1000 mm	up to 6000 mm
Supply voltage	10 VDC ... 30 VDC	10 VDC ... 30 VDC	10 VDC ... 30 VDC

Connection

Plug connector	●	●	●
Terminal compartment			

Output

Switching output	●	●	●
Relay output			
Analog output	●	●	●
Frequency output		●	
PWM output		●	

Input

Teach-in input	●	●	●
Synchronization		●	●

Interface

RS 232 interface			●
IO-Link		●	●
Serial interface			

Special features

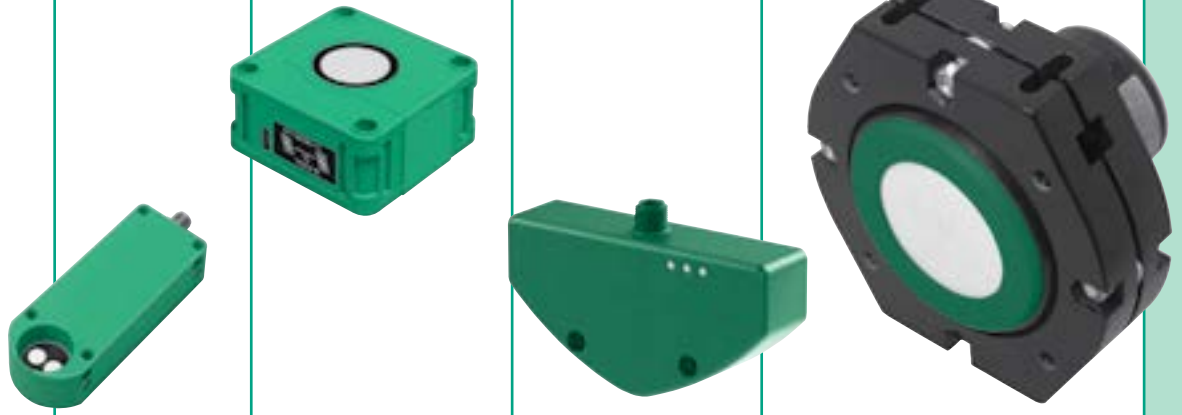
Chemically resistant	●	●	●
Hygienic design			●
Rotatable transducer			●
Separate transducer			●
Angled transducer		●	●
Height measurement	●		
Fill level measurement			

Ultrasonic diffuse mode sensor






	D1	F77	F12	L2	F54	Series
	Page 635	Page 636 ff	Page 638 ff	Page 641 ff	Page 644 ff	
Features	<ul style="list-style-type: none"> Single-hole mounting 3 relay outputs AC/DC power supply Ideal for filling level detection in small containers 	<ul style="list-style-type: none"> Miniature housing design Teach-in Diffuse mode and retroreflective sensors 	<ul style="list-style-type: none"> Compact design Adjustable sound beam shape Many mounting options Teach-in or potentiometer adjustability Synchronization 	<ul style="list-style-type: none"> Operating keys Convertible transformer Compact design Programmable 	<ul style="list-style-type: none"> Teach-in Temperature compensated 	
Technical data						
	550 mm	up to 400 mm	up to 800 mm	up to 4000 mm	up to 2000 mm	Detection range
	10 VDC ... 252 VDC 20 VAC ... 252 VAC	20 VDC ... 30 VDC	10 VDC ... 30 VDC	10 VDC ... 30 VDC	10 VDC ... 30 VDC	Supply voltage
Connection						
	●	●	●	●	●	Plug connector
						Terminal compartment
Output						
		●	●	●	●	Switching output
	●					Relay output
			●	●	●	Analog output
						Frequency output
						PWM output
Input						
		●	●	●	●	Teach-in input
			●	●	●	Synchronization
Interface						
						RS 232 interface
						IO-Link
				●		Serial interface
Special features						
						Chemically resistant
						Hygienic design
				●		Rotatable transducer
						Separate transducer
						Angled transducer
						Height measurement
	●					Fill level measurement

Ultrasonic diffuse mode sensor



Series	F43	F42	F65	F260
	Page 646	Page 647 ff	Page 654 ff	Page 657
Features	<ul style="list-style-type: none"> Relay and analog outputs Programmable via the RS 232 interface 	<ul style="list-style-type: none"> Wide detection range up to 6 m Programming via membrane keys Adjustable sensitivity Adjustable sound beam shape Synchronization 	<ul style="list-style-type: none"> Ideal for detecting filling levels Programmable 	<ul style="list-style-type: none"> Very wide sensor detection range Rotatable sensor head Programmable Supplied with mounting flange
Technical data				
Detection range	up to 2000 mm	up to 6000 mm	up to 2500 mm	10000 mm
Supply voltage	10 VDC ... 30 VDC	10 VDC ... 30 VDC 20 VAC ... 253 VAC	12 VDC ... 30 VDC	15 VDC ... 30 VDC
Connection				
Plug connector	●	●	●	
Terminal compartment				●
Output				
Switching output		●	●	●
Relay output	●	●		
Analog output	●	●	●	●
Frequency output			●	
Input				
Teach-in input		●	●	
Synchronization		●		●
Interface				
RS 232 interface	●		●	●
IO-Link				
Parallel interface				
Special features				
Rotatable transducer				●
Fill level measurement			●	

			Ultrasonic Thru-Beam Sensors
Ø 18 mm	Ø 30 mm	F77	Series
Page 660 ff	Page 664	Page 665	
<ul style="list-style-type: none"> • Compact design • Models with stainless steel housing 	<ul style="list-style-type: none"> • Wide detection range • Adjustable sensitivity 	<ul style="list-style-type: none"> • Miniature housing design • Fast response time 	
Technical data			
up to 1000 mm	4000 mm	800 mm	Detection range
100 Hz	15 Hz	100 Hz	Switching frequency
10 VDC ... 30 VDC	18 VDC ... 30 VDC	12 VDC ... 30 VDC	Supply voltage
Connection			
			Cable
●	●	●	Plug connector
			Terminal compartment
Output			
●		●	1 switching output
	●		2 complementary switching outputs
Special features			
●			Chemically resistant
●			Angled transducer
●			Hygienic design

Fundamentals of Ultrasonic Detection

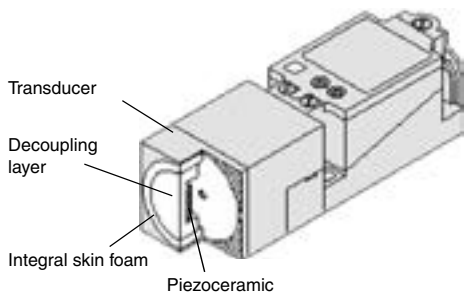
Physics and technology of ultrasonic sensors

Sound with a frequency higher than approx. 16 kHz cannot be detected by the human ear—this is referred to as ultrasound. Like sound in the audible frequency range, it propagates at a speed of around 344m/s in the air. The distance of an object can thus be accurately determined by evaluating the known speed of sound and the measured sound travel time.

Ultrasonic sensors are ideal for consistent object detection, even in harsh and problematic conditions. Objects made from different materials and with different shapes, colors, or consistencies are reliably detected.

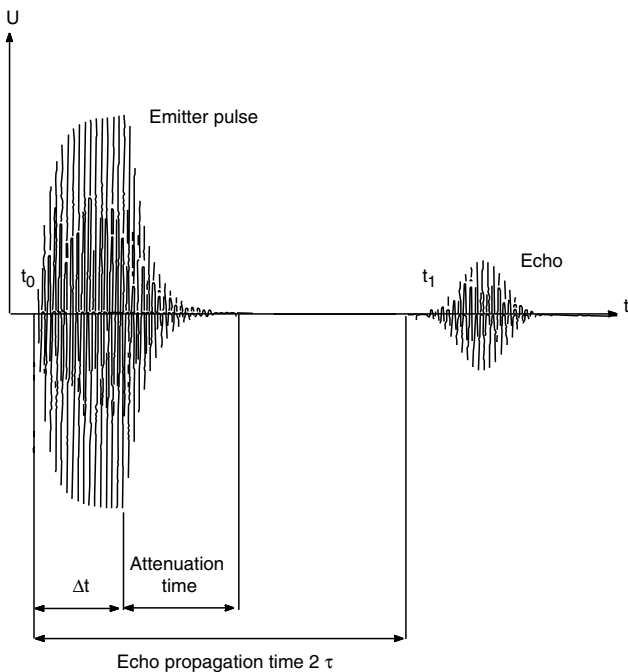
Pepperl+Fuchs ultrasonic sensors incorporate a piezoelectric converter as the sonic emitter and receiver. A patented decoupling layer made from a special plastic is used to couple the ultrasonic waves in the surrounding air.

Ultrasonic sensors are available with switching and/or analog outputs. Depending on the model, different output functions are available.



Blind zone

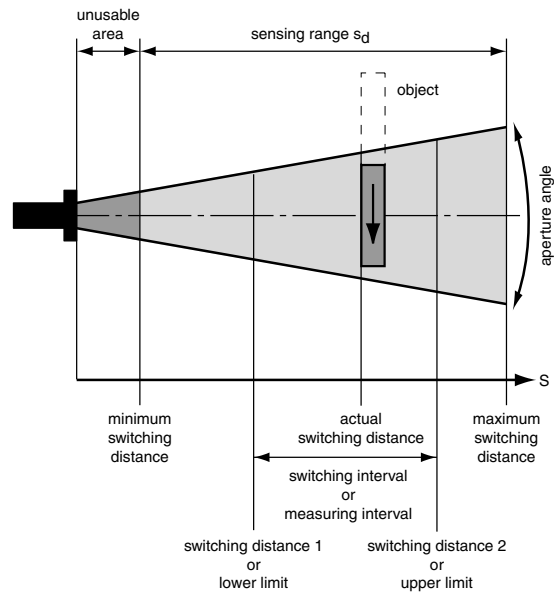
The ultrasonic converter transmits a burst of sound and converts the pulse echo into electric voltage. The integrated microcontroller calculates the distance of the object based upon the echo travel time and speed of sound. The transmission period and delay period of the ultrasonic converter result in a blind zone in which the ultrasonic sensor is not able to detect any objects.



Detection range

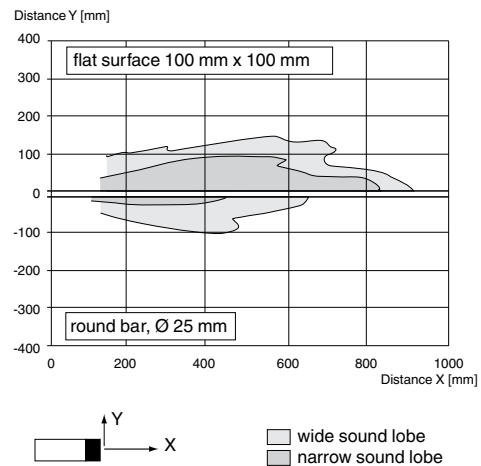
The active area of the ultrasonic sensor is known as the detection range and is limited by the shortest and longest operating distance. The longest operating distance is included in the model number.

The ultrasonic sensor detects objects within its detection range, regardless of whether they approach axially or move sideways in the sound beam.



Response curves

The following figure illustrates the response areas for two typical objects. The specified object is detected within this area.



The upper part of the diagram illustrates the response characteristic on a level panel measuring 100 mm x 100 mm, the lower part using a rod with a diameter of 25 mm as the object. Many sensors include a feature for setting the sound beam width. Both sound beam shapes are shown in the diagram.

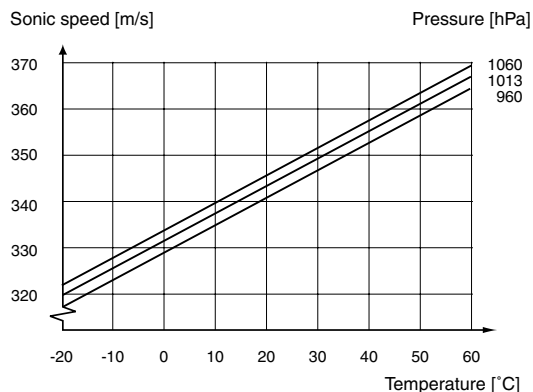
The information in the type designation relates to a normal level panel measuring 100 mm x 100 mm. This panel must be perpendicular to the propagation direction of the ultrasonic signal. The sound is reflected away from upright objects and the echo does not reach the sensor.

Environmental influences

Due to the physical properties of sound propagation, the detection range and speed of the ultrasonic signal are influenced by the following factors:

- Air temperature
- Relative humidity
- Air pressure

The following diagram illustrates the theoretical relationship between air temperature, air pressure, and the speed of sound.



Daily air pressure fluctuations have a negligible effect on the speed of sound.

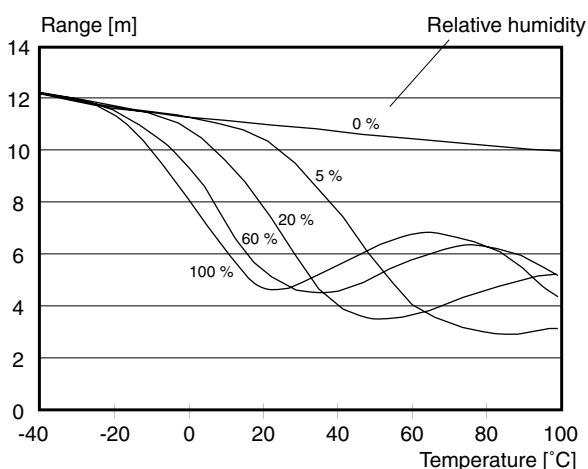
Temperature

Fluctuations in air temperature in the object area have an indirect effect upon the propagation of sound waves and therefore upon the accuracy of the sensor. Typically this changes the speed of sound by 0.17%/K. If, for example, the temperature increases from 20 °C ... 40 °C, the speed of sound increases by approx. 3.5% and a fixed object will appear closer to the sensor. To prevent this from happening, most ultrasonic sensors include temperature compensation; an electric probe measures the ambient temperature.

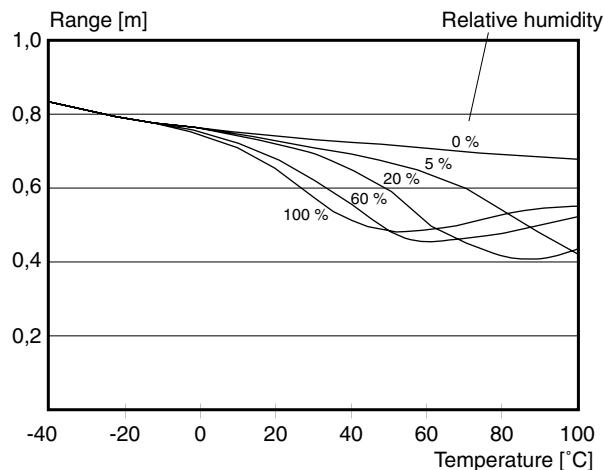
Ultrasonic sensors incur a certain amount of self-heating, which depends on the housing design and installation. During the first 60 minutes after switching on the sensor, this leads to an additional temperature error of max. 2%.

Erratic temperature changes cannot be compensated for due to the lag in the temperature probe.

The following diagram illustrates the effect of air temperature and humidity on the detection range of an ultrasonic sensor. In principle, the correlations apply to all ultrasonic sensors, in relation to the respective detection range.



UC4000-30GM-...



UC500-30GM-...

Low temperatures increase the detection range regardless of air humidity. At high temperatures, the detection range is reduced and this is increasingly influenced by relative air humidity.

The detection range details included in the data sheets relate to an ambient temperature of 20 °C and 50% relative air humidity.

Rain or snow

Light rain or snow does not affect the operation of ultrasonic sensors. Mounting the sensor at an inclined position prevents water or snow from collecting on the surface of the converter.

Object properties

Ultrasonic sensors can detect solid, liquid, and granular objects. Material properties such as transparency, color, or surface treatment (shiny or matt) do not affect detection reliability.

Level and flat surfaces located at a right angle to the converter axis provide an ideal reflection. The maximum angular deviation of the object from the ideal position is approx. $\pm 3^\circ$.

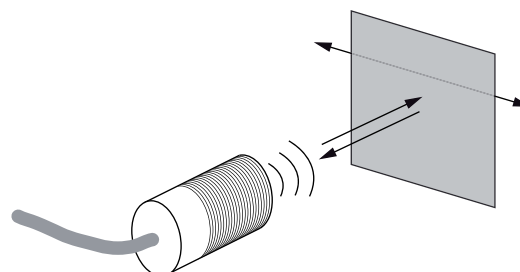
Rough surfaces result in diffuse reflection of a portion of the sound energy and the detection range decreases. The surface roughness does, however, allow for greater angular deviation.

Selecting and Commissioning an Ultrasonic Sensor

1. Operating principle

Ultrasonic diffuse mode sensor

The sender and receiver are located in the same housing. The object acts as a sound reflector.

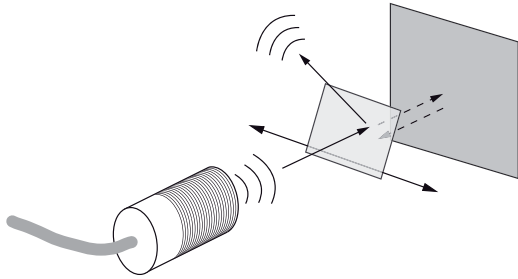


Features:

- Simple installation, just one sensing head
- The detection range depends on the surface properties and the pitch angle of the object
- Measuring frequency is lower compared with a thru-beam sensor
- Background suppression

Ultrasonic retroreflective sensor

The sender and receiver are located in the same housing. The ultrasonic beam is reflected by a fixed reflector. Objects that appear in the sound beam change the measured distance and absorb or deflect the sound.

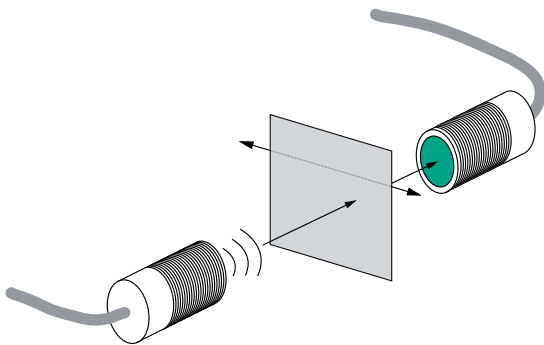


Features:

- Simple installation, just one sensing head
- Reliable detection of problematic objects (sound-absorbing objects, angled surfaces)

Ultrasonic thru-beam sensor

The emitter and receiver are separate and mounted opposite each other. If the ultrasonic beam is interrupted by an object, the switching output is activated.



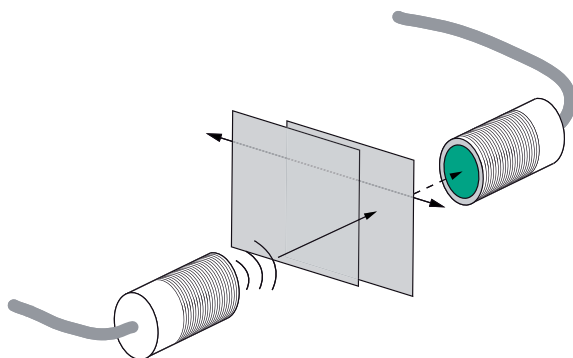
Features:

- Large distance between emitter and receiver
- Low susceptibility to interference, suitable for difficult operating conditions
- Fast response times
- Two separate units to wire

Ultrasonic double feed detection

Ultrasonic double feed detection is performed using ultrasonic thru-beam sensors, consisting of an ultrasonic emitter and an ultrasonic receiver with integrated evaluation that are optimized especially for these applications:

- Double sheet control
- Label detection
- Adhesive strip detection
- Double feed detection



Double sheet control can detect three different states:

- No sheet
- Single sheet
- Double sheet

During detection of labels and splices, the system can distinguish the tag material from the labels and the adhesive strip from the basic material.

Double feed detection is similar to double sheet control and distinguishes between no, one, or two instances of a material (e.g., sheet metals, wooden boards, glass panels).

2. Output function

Analog distance measurement

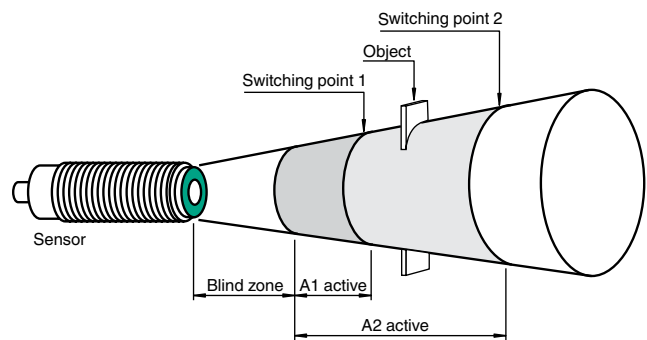
The sensor determines the distance from an object by measuring the time interval between emitting an ultrasonic signal and the arrival of the reflected echo. The sensors operate in diffuse mode. Depending on the model, different analog outputs are available:

- Analog output voltage: 0 V ... 10 V
- Analog output current: 4 mA ... 20 mA
- Serial output, RS232
- IO-Link

Trip point mode

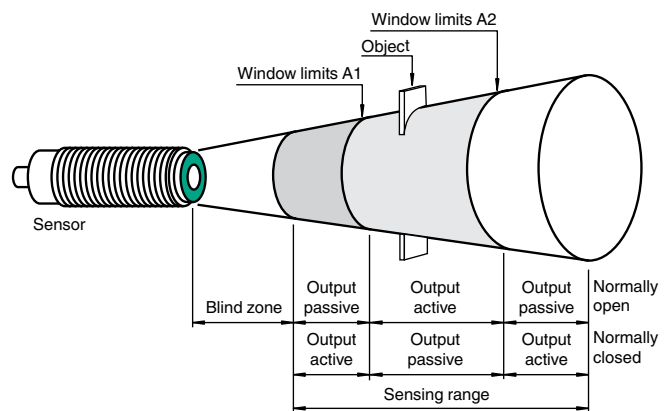
In the case of sensors with independent trip points, the output is activated if the object is located within the respective switching area.

This trip point can be set via Teach-in or a potentiometer.



Window mode

In window mode, the output is activated if the object is located in the switching window. The window limits are configurable.



Retroflective mode

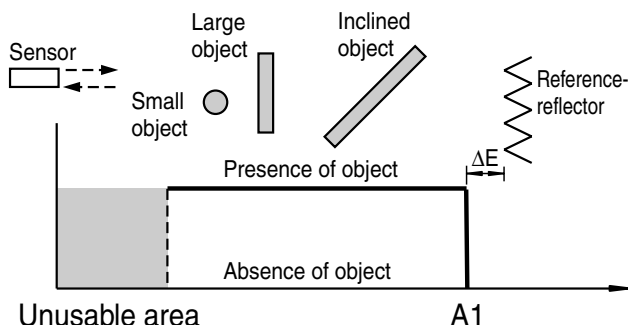
In retroflective mode, a fixed reflector is positioned.

The sensor output switches in the following cases:

- The sensor detects an object that is located in front of the reflector.
The echo from the reflector must not necessarily be suppressed.
- The sensor does not receive an echo.

This can be caused by sound-absorbent material or an inclined reflector.

The position of the reference reflector must not be changed.



Hysteresis mode

In hysteresis mode, the evaluation window is limited by two trip points (near and far). If the object approaches the near switch point, the state of the switching output changes. To change the state of the switching output again, the object must reach the far trip point. Both trip points create an adjustable hysteresis window.

This operating mode can be used to control a pump. If the filling level reaches the filler mark, the pump is switched on. The pump then switches off again once the filling level has dropped to below the minimum level.

3. Electric outputs

For an overview of electric output types for our sensors, see page 14 onwards in our catalog.

NPN/PNP/push-pull transistor output

Ultrasonic sensors can have NPN, PNP, or push-pull outputs.

Relay output

Different ultrasonic sensors have relay contact outputs. The maximum switching power and type of voltage are included in the respective data sheet. The mechanical service life data relates to the number of switching operations for the unloaded relay contacts. These values are reached with a low electric load. Under nominal load, the service life reduces to that of the value specified for the electric service life. The service life data relates to MTBF values.

Analog output

Analog outputs are available as current outputs and voltage outputs. The output current and output voltage are proportional to the object's distance. The limits of the analog window can be programmed within the measuring range.

Serial interface

Sensors with a serial interface can be programmed via this interface. The measured distance of the object and the switching states are transferred. Parameterization is carried out using the ULTRA 3000 service program or a terminal program and individual commands. A list of available commands is included in the respective sensor data sheets.

IO-Link

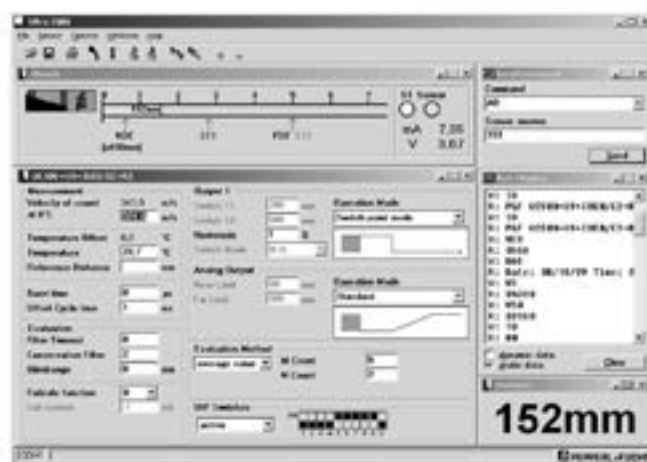
The bidirectional IO-Link interface enables the user to access the switching states and the object distance information directly in the control unit without the need for a complex analog value transfer. The sensor can be easily parameterized from the control unit. The IO-Link interface also transfers diagnosis data from the sensor to the control unit.

4. Programming

ULTRA 3000

The ULTRA 3000 parameterization software facilitates sensor programming by providing direct communication between an RS232 programmable ultrasonic sensor and a Windows computer. You can easily define and display the sensor parameters, display the commands transferred to and from the sensor, and call up the last measured distance. You also have precise control of functions that are not available in normal sensors, such as:

- Detection range and limits
- Extended detection ranges
- Blind zone
- Sensitivity (sound beam width)
- Number of pulses evaluated per output
- Hysteresis
- Sound burst times
- Temperature offset
- Output mode

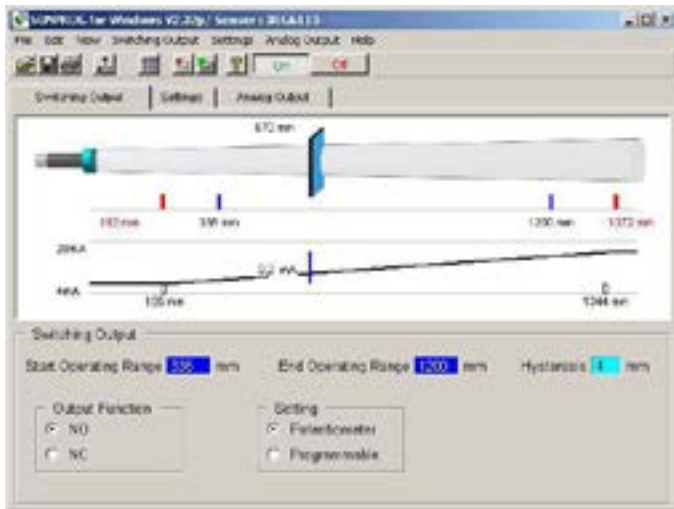


You can download ULTRA 3000 free of charge at www.pepperl-fuchs.com (Products -> Software) or via a direct link on the product page for each sensor compatible with ULTRA 3000.

SONPROG

The SONPROG PC interface and associated software enable the ultrasonic sensors in F65 and F260 housing designs to be adjusted individually in line with the needs of the respective application. For example, the following parameters can be set:

- Start and end of the switching range
- Hysteresis
- Switching frequency
- Start and end of the analog characteristic
- Analog characteristic rising or falling
- End of the blind zone
- End of the detection range
- Averaging
- Attenuation
- Multiplex function
- Temperature compensation
- Function as a diffuse mode sensor or ultrasonic sensor
- Level measurement mode



The start and end of the switching range and analog range can be taught at the touch of a button, and parameter sets can be copied from one sensor to another.

You can download SONPROG free of charge in the download area at www.pepperl-fuchs.com or via a direct link on the product page for each sensor compatible with SONPROG.

ULTRA-PROG-IR

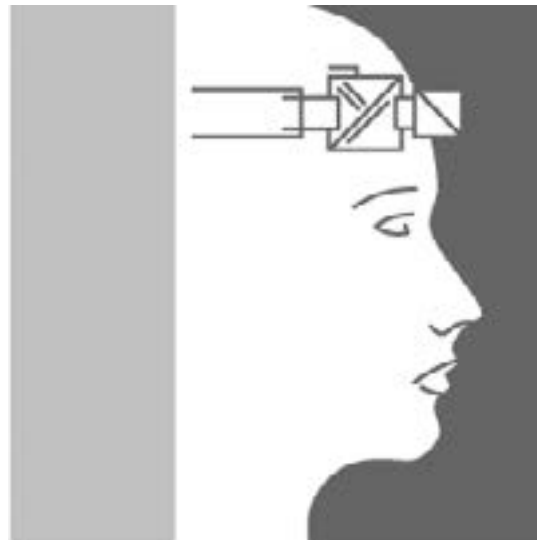
The ULTRA-PROG-IR PC program and associated UC-18/30GM-IR programming device enable ultrasonic sensors with an infrared interface to be adjusted easily in line with the application requirements. The existing wiring to the sensor need not be removed as the programming device snaps on to the sensor. The distance and the quality of several echoes can be visualized in real time. Communication with the sensor does not affect the measuring task in the sensor.

Examples of adjustable parameters:

- Start and end of the switching range
- Hysteresis
- Switching frequency
- Start and end of the analog characteristic
- Analog characteristic rising or falling
- End of the blind zone
- End of the detection range
- Averaging
- Attenuation
- Multiplex function
- Temperature compensation
- Function as a diffuse mode sensor or ultrasonic sensor
- Level measurement mode

IO-Link/PACTware

The IO-Link interface enables ultrasonic sensors from the UC...-18GM-...IO and UC...-30GM-...IO Series to be configured and parameterized with ease. It is also possible to carry out diagnostics for the connected sensor. The IO-Link Master01 USB is used to communicate between the sensor and the PC. **PACTware** parameterization and diagnostics software is used together with the corresponding DTM.



PACTware is an open, manufacturer-independent user interface that is used in areas such as the parameterization of ultrasonic sensors.

You can download **PACTware** free of charge at www.pepperl-fuchs.com or via a direct link on the product page for each sensor with an IO-Link.

5. Resolution/measurement accuracy

Resolution

Pepperl+Fuchs UC-type ultrasonic sensors are fitted internally with an integrated 12-bit D/A converter. A resolution of 12 bits corresponds to 4096 levels. The echo travel time is determined at a resolution of approx. 1 µs. This equates to a distance resolution of around 0.18 mm. This maximum sensor resolution is reached with a maximum measurement window of 750 mm. Up to this window size, the resolution depends solely on the pulse frequency of the microcontroller. The D/A converter determines the resolution by selecting a larger measurement window. This is calculated according to the following formula:

$$(\text{upper limit} - \text{lower limit}) / 4096$$

Example:

A UC4000-30GM-IUR2-V1 sensor is set with the following parameters.

Upper limit: 3500 mm

Lower limit: 800 mm

With this setting, the sensor resolution is

$$(3500 \text{ mm} - 800 \text{ mm}) / 4096 = 0.66 \text{ mm}$$

Measurement accuracy/characteristic deviation

To determine the absolute accuracy of the measured value for an ultrasonic sensor, the following influencing factors must be taken into consideration:

- Temperature
- Atmospheric pressure
- Relative humidity
- Atmospheric turbulence
- Hot spots in the ambient air around the sensor or the object
- Sensor at operating temperature state

Consideration of these influences can provide measurement accuracy of better than 2%.

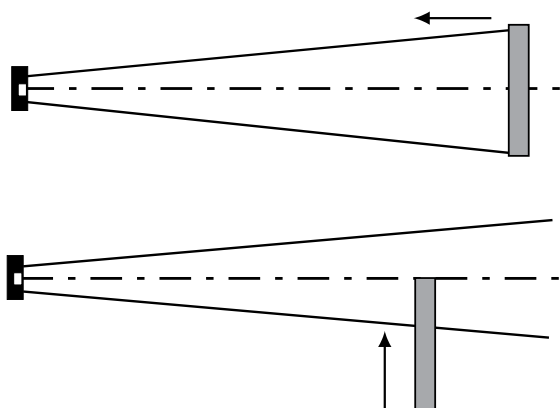
Reproducibility and linearity are better than 0.2% (under constant ambient conditions)

6. Installation and operation

Ultrasonic sensors can be installed and operated in any location. However, the excessive build-up of dust or dirt should be avoided. When cleaning the ultrasonic sensors, make sure that the sensor area (decoupling layer) and the integral foam surrounding the converter are not damaged. Water droplets or crusting on the decoupling layer affect the functioning of the ultrasonic sensor. Minor deposits of dust are not critical.

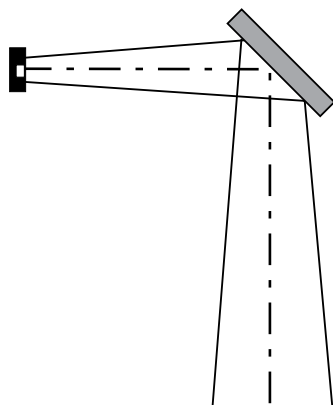
Actuating direction

The objects to be detected can enter into the sound beam from all sides. The anticipated trip points are defined based on the detection ranges and response curves specified in the data sheets.



Deflection of the beam angle

The beam angle can be deflected using flat, level reflectors. However, the signal may not be deflected more than twice because the signal attenuation that occurs with each deflection reduces the detection range.

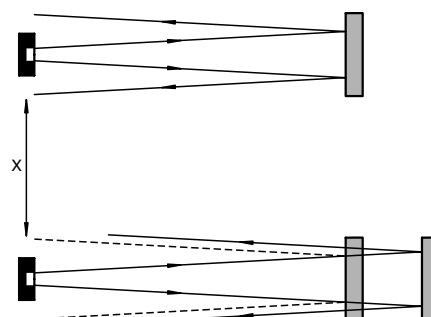


Note:

The reflector areas must be accurately aligned. For some of its sensor types, Pepperl+Fuchs offers reflectors designed for 90° angle deflection.

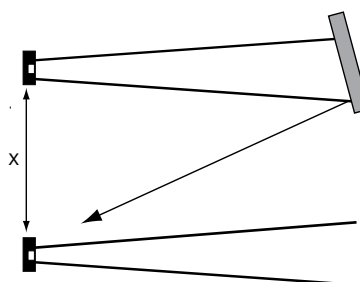
Mutual interference

To prevent mutual interference, the minimum distances between sensors with the same detection range must be taken into account, as specified in the following graphics.

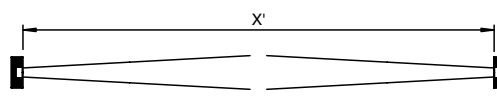


Detection range mm	X m	Detection range mm	X m
to 500 to 2000	> 0.3 > 1.0	to 4000 to 6000	> 2.0 > 2.5

The specified values are to be taken as guidelines. They apply if the beam angles are aligned parallel to one another and the object surfaces are located at right angles to the axes of the beam angle. The actual required distance "X" depends on the alignment, the type of target to be detected, and the conditions relating to other objects that are located in the beam angle.



The distances specified below must be taken into account when mounting sensors opposite one another.



Detection range mm	X' m	Detection range mm	X' m
to 500 to 2000	> 2.0 > 8.0	to 4000 to 6000	> 16.0 > 25.0

If interference occurs, it may be necessary to increase the distance "X" or activate the synchronization function if required. Pepperl+Fuchs offers a range of sensors that are fitted with synchronization inputs for this purpose. These sensors can be used in synchronous or multiplex mode.

Synchronization can be achieved using an external synchronization signal

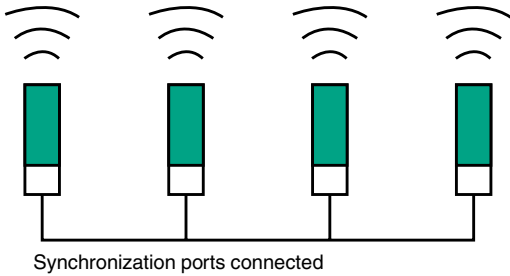
or even through self-synchronization for some sensor types. Synchronized and unsynchronized sensors must not be mounted opposite each other.

Avoiding interference

If several sensors are operated in very close proximity to each other, they can cause mutual interference, meaning that reliable detection is no longer possible. Synchronizing the transfer cycles for all sensors makes it possible to reduce the interference-free minimum distance between the sensors.

Multiplex mode

Operating the sensor in multiplex mode enables ultrasonic bursts to be staggered, which prevents one or more units from emitting signals at the same time.



The sensors are activated on a cycle over a short period. It should be noted that with this operation mode, the multiplex time T is extended by factor N, where N indicates the number of sensors operated in multiplex mode.

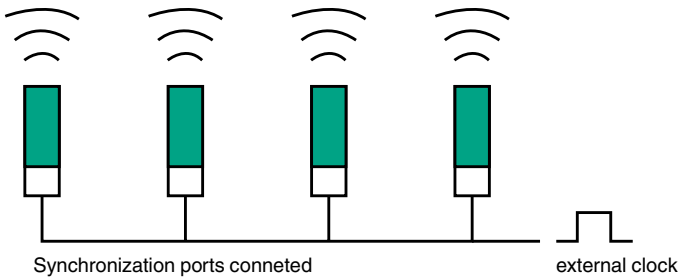
$$T_{\text{multiplex}} = N \times T_{\text{sensor}} \text{ and } f_{\text{sync}} = 1/T_{\text{multiplex}}$$

If different types of sensors are used, the entire cycle time equates to the total of the cycle times for the individual sensors.

$$T_{\text{multiplex}} = T_1 + T_2 + T_3 \dots + T_N$$

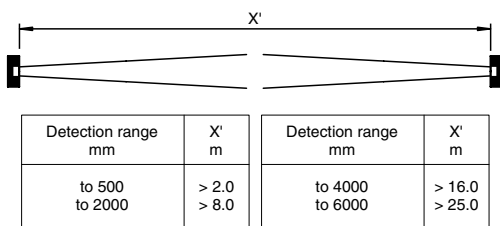
When using self-synchronization, the sensors operate in multiplex mode.

Synchronized mode



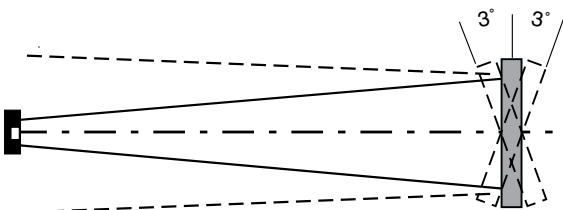
In this operating mode, the synchronization inputs for all sensors are linked and are controlled collectively by an external clock-pulse source. In contrast to multiplex mode, this does not increase the cycle time. Synchronization mode is suitable for monitoring larger areas but is also useful in confined spaces because little distance is required between the sensors.

The distances specified below must be taken into account when mounting sensors opposite one another.



Measuring plates/objects

Ultrasonic sensors can detect solid, liquid, and granulated objects. The surface properties of the object are important for the evaluation of the echo by the sensor. All level and flat surfaces that are positioned at a right angle to the beam angle enable an ideal reflection. The measuring plate may have a maximum angle deviation of +/- 3° in order to guarantee reliable detection.



Material properties such as transparency, color, or surface treatment (shiny or matt) do not affect detection reliability. Rough surfaces result in diffuse reflection of a portion of the sound energy, which decreases the detection range.

However, the roughness of the surface allows for greater angle deviation due to the predominantly diffuse reflection of the ultrasonic signal. This enables detection of the filling level or angle of repose for granular materials with an angle deviation of up to 45° (with reduced detection range).

The following objects are suitable for detection:

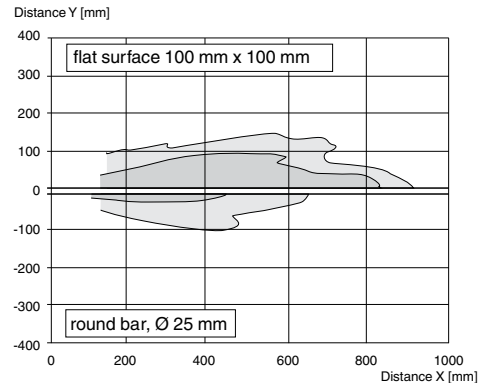
- All flat and fixed objects that are aligned at a right angle to the beam angle
- All fixed objects that are randomly aligned and have a rough surface that causes a diffuse reflection
- Surfaces of fluids at an angle of < 3° from the axis of the beam angle

The following materials are not suitable:

- Materials that absorb ultrasonic signals such as felt, cotton, rough textiles, or foam
- Materials with temperatures exceeding 100 °C

Sensors with an adjustable beam angle width

Some series offer an adjustable beam angle that enables the sensors to be used in confined spaces where objects can be spread out laterally in the beam angle. Such conditions would result in inaccurate switching characteristics or incorrect readings for sensors that do not include this function. Adjusting the shape of the beam angle does not affect the maximum detection range.



The graphic above illustrates the characteristic response curve of sensor UB500-F42 for two different objects:

- Rod with 25 mm diameter (lower part) and
- Level area measuring 100 mm x 100 mm (upper part).

It can be seen that the selection of a slim beam reduces the radial detection range. As a result, the sensor can be mounted in confined spaces.

Special Sensor Properties for Special Applications

Chemically-resistant sensors

The range of UCC-type ultrasonic sensors from Pepperl+Fuchs includes a wide selection of sensors with increased resistance to chemically aggressive vapors and media. The housings of these sensors are made from stainless steel and the converter is coated with a PTFE film.



Sensors with a rotatable transducer

Sensors with a rotatable transducer offer total flexibility in terms of aligning the measurement beam. Rotatable converters are included in the VariKont, VariKont L, 30GM, and F260 Series.



Sensors with an offset transducer

The solution for applications where it is difficult to use an ultrasonic sensor due to space restrictions. To save space, the transducer is located in a small threaded housing that is connected to the control interface of the sensor via a cable. The sensor at the measurement site requires very little installation space. The rest of the sensor is mounted at another location where there is sufficient space.

A further benefit is the good accessibility to the display and operator elements on the amplifier when the measurement site is located at an inaccessible location within your plant or machine.



Sensors for the food industry

The food and drink industry environment places extremely high requirements on machinery and components. Pepperl+Fuchs has therefore developed sensors for this sector in line with current standards. Our sensor solutions fulfill the globally applicable standards and guidelines for the food and drink industry, such as EHEDG and FDA.



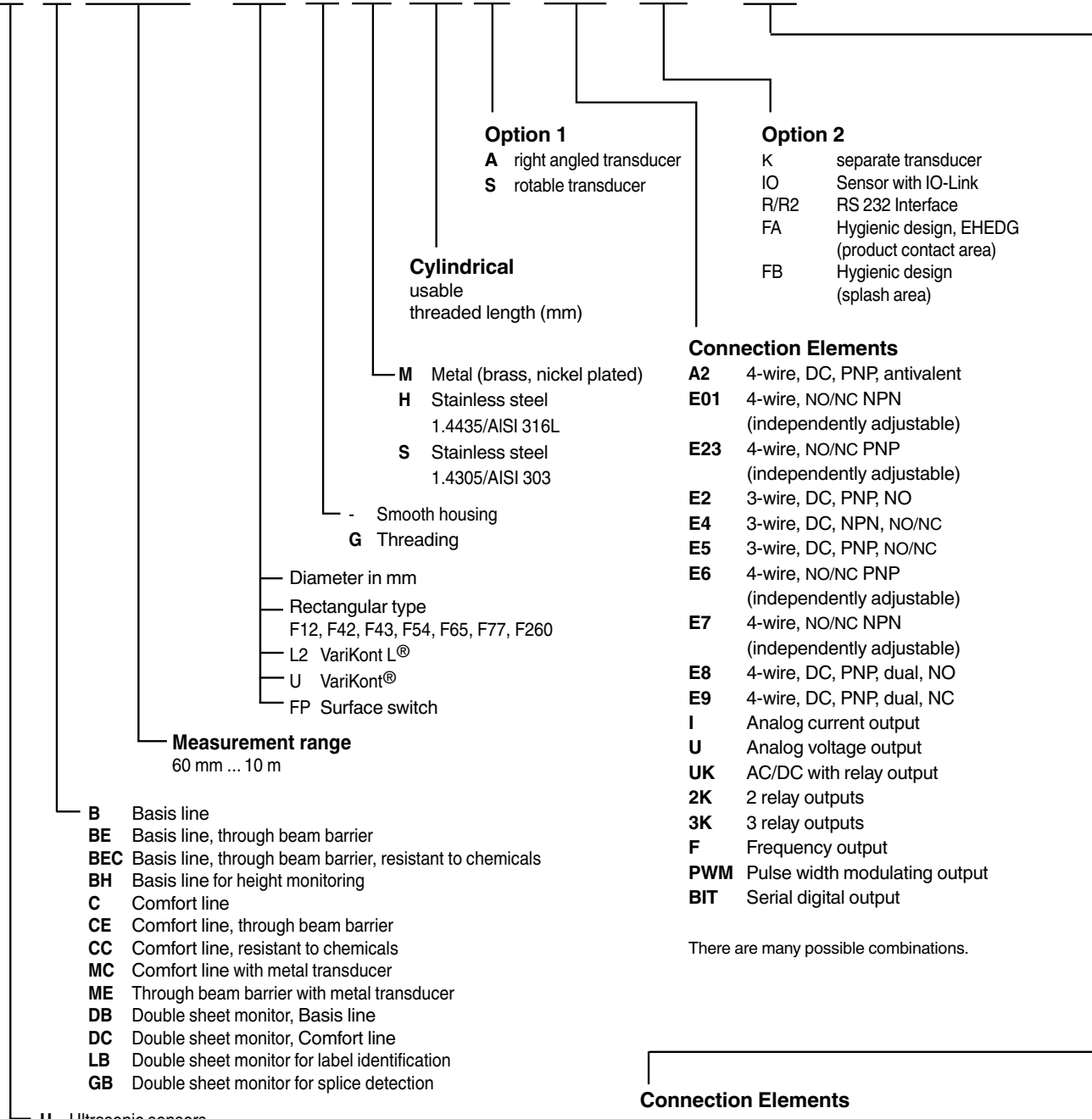
Benefits

- Quick and efficient cleaning
- Short cleaning times
- Microbiological safety
- Greater machine availability

Type Code, Ultrasonic Sensors

U C 1000 - 18 G M 90 A - E2 - IO - V1

Ultrasonic Sensors



Option 1
A right angled transducer
S rotatable transducer

Cylindrical
 usable threaded length (mm)

M Metal (brass, nickel plated)
H Stainless steel 1.4435/AISI 316L
S Stainless steel 1.4305/AISI 303

- Smooth housing
G Threading

Diameter in mm
 Rectangular type F12, F42, F43, F54, F65, F77, F260
 L2 VariKont L®
 U VariKont®
 FP Surface switch

Measurement range
 60 mm ... 10 m

B Basis line
BE Basis line, through beam barrier
BEC Basis line, through beam barrier, resistant to chemicals
BH Basis line for height monitoring
C Comfort line
CE Comfort line, through beam barrier
CC Comfort line, resistant to chemicals
MC Comfort line with metal transducer
ME Through beam barrier with metal transducer
DB Double sheet monitor, Basis line
DC Double sheet monitor, Comfort line
LB Double sheet monitor for label identification
GB Double sheet monitor for splice detection

Option 2
K separate transducer
IO Sensor with IO-Link
R/R2 RS 232 Interface
FA Hygienic design, EHEDG (product contact area)
FB Hygienic design (splash area)

Connection Elements
A2 4-wire, DC, PNP, antivalent
E01 4-wire, NO/NC NPN (independently adjustable)
E23 4-wire, NO/NC PNP (independently adjustable)
E2 3-wire, DC, PNP, NO
E4 3-wire, DC, NPN, NO/NC
E5 3-wire, DC, PNP, NO/NC
E6 4-wire, NO/NC PNP (independently adjustable)
E7 4-wire, NO/NC NPN (independently adjustable)
E8 4-wire, DC, PNP, dual, NO
E9 4-wire, DC, PNP, dual, NC
I Analog current output
U Analog voltage output
UK AC/DC with relay output
2K 2 relay outputs
3K 3 relay outputs
F Frequency output
PWM Pulse width modulating output
BIT Serial digital output

There are many possible combinations.

Connection Elements
 - Sensor with cable connection or terminal compartment
V1 M12 x 1 device connector for DC proximity switches, 4-pole
V15 M12 x 1 device connector for DC proximity switches, 5-pole
V17 M12 x 1 device connector for DC proximity switches, 8-pole
V31 M8 device connector for DC proximity switches, 4-pole (suitable for snap closure)
V95 7/8" - 16 UN device connector for AC/DC proximity switches, 5-pole
V7 connector for AC/DC proximity switches, 7-pole



Technical Data

For detailed data and product description refer to the data sheets at www.pepperl-fuchs.com

General Data

Operating voltage	10 ... 30 V DC , ripple 10 % _{SS}
No-load supply current	≤ 30 mA
Rated operational current	100 mA , short-circuit/overload protected
Input type	1 program input
LED yellow	indication of the switching state flashing: program function object detected
LED red	solid red: Error red, flashing: program function, object not detected
Ambient temperature	-25 ... 70 °C (-13 ... 158 °F)
Material	
Housing	brass, nickel-plated
Transducer	epoxy resin/hollow glass sphere mixture; foam polyurethane, cover PBT
Protection degree	IP67
Connection type	Device connector M12 x 1 , 4-pin



Properties

- Up to 400 mm sensing range
- DC, switching output
- Ø12 mm cylindrical housing
- Connector version

Your Benefit

- Smallest diameter cylindrical model
- Teach-wire or UB-PROG2 pushbutton configurable

Model Number

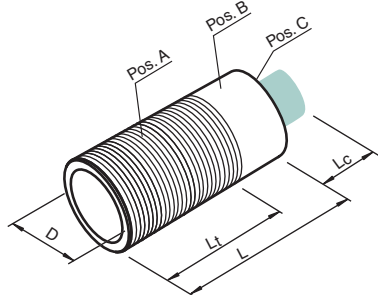
		UB120-12GM-E4-V1	UB120-12GM-E5-V1	UB200-12GM-E4-V1	UB200-12GM-E5-V1	UB400-12GM-E4-V1	UB400-12GM-E5-V1
Sensing range	green = preferred type						
	15 ... 120 mm	●	●				
	15 ... 200 mm			●	●		
Transducer frequency	30 ... 400 mm					●	●
	approx. 850 kHz	●	●				
	approx. 400 kHz			●	●		
Output type	approx. 310 kHz					●	●
	1 switch output NPN Normally open/closed , programmable	●		●		●	
	1 switch output PNP Normally open/closed , programmable		●		●		●
Switching frequency	≤ 52 Hz	●	●				
	≤ 13 Hz			●	●		
	≤ 8 Hz					●	●

Approvals and Certificates

UL approval	cULus Listed, General Purpose	●	●	●	●	●	●
CSA approval	cCSAus Listed, General Purpose	●	●	●	●	●	●

Dimensions

Length L [mm]	64
Diameter D [mm]	12
Thread length l _t [mm]	41
Connector area l _c [mm]	6
LED position	Pos. B



Accessories

This and more accessories can be found in chapter 3.5 from page 673
See pages from 972 ... for cordsets See pages 1068 ... for mounting aids

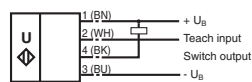
UB-PROG2	Programming unit
BF 5-30	Universal mounting bracket for cylindrical sensors with a diameter of 5 ... 30 mm
BF 12	Mounting flange, 12 mm
BF 12-F	Mounting flange with dead stop, 12 mm
V1-G-2M-PVC	Cable socket, M12, 4-pin, PVC cable
V1-W-2M-PUR	Cable socket, M12, 4-pin, PUR cable
UVW90-M12	Ultrasonic -deflector

Electrical Connection



UB200-12GM-E4-V1
UB400-12GM-E4-V1
UB120-12GM-E4-V1

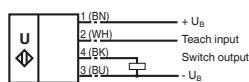
Standard symbol/Connections:
(version E4, npn)



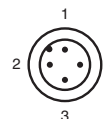
Core colours in accordance with EN 60947-5-2.

UB200-12GM-E5-V1
UB400-12GM-E5-V1
UB120-12GM-E5-V1

Standard symbol/Connections:
(version E5, pnp)



Core colours in accordance with EN 60947-5-2.



Wire colors in accordance with EN 60947-5-2

1	BN	(brown)
2	WH	(white)
3	BU	(blue)
4	BK	(black)

Date of issue 04/08/2015



Technical Data

For detailed data and product description refer to the data sheets at www.pepperl-fuchs.com

General Data	
No-load supply current	≤ 30 mA
Resolution	0.17 mm
Deviation of the characteristic curve	± 1 % of full-scale value
Input type	1 program input
LED yellow	solid yellow: object in the evaluation range yellow, flashing: program function, object detected
LED red	solid red: Error red, flashing: program function, object not detected
Ambient temperature	-25 ... 70 °C (-13 ... 158 °F)
Material	
Housing	brass, nickel-plated
Transducer	epoxy resin/hollow glass sphere mixture; foam polyurethane, cover PBT
Protection degree	IP67
Connection type	Device connector M12 x 1 , 4-pin



Properties

- Up to 400 mm sensing range
- DC, analog output
- Ø12 mm cylindrical housing
- Connector version

Your Benefit

- Smallest diameter cylindrical model
- Teach-wire or UB-PROG2 pushbutton configurable

Model Number

	green = preferred type	UB120-12GM-I-V1	UB120-12GM-U-V1	UB200-12GM-I-V1	UB200-12GM-U-V1	UB400-12GM-I-V1	UB400-12GM-U-V1
Sensing range	15 ... 120 mm	●	●				
	15 ... 200 mm			●	●		
	30 ... 400 mm					●	●
Transducer frequency	approx. 850 kHz	●	●				
	approx. 400 kHz			●	●		
	approx. 310 kHz					●	●
Operating voltage	10 ... 30 V DC , ripple 10 % _{SS}	●	●	●	●	●	●
	15 ... 30 V DC , ripple 10 % _{SS}		●		●		●
Output type	1 analog output 0 ... 10 V		●		●		●
	1 analog output 4 ... 20 mA	●		●		●	

Approvals and Certificates

UL approval	cULus Listed, General Purpose	●	●	●	●	●	●
CSA approval	cCSAus Listed, General Purpose	●	●	●	●	●	●

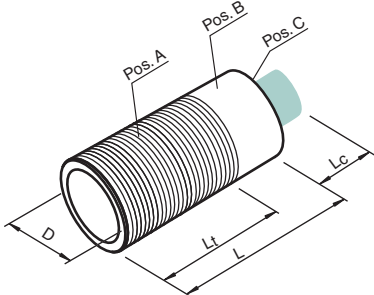
Dimensions

Length L [mm]	64
Diameter D [mm]	12
Thread length l _t [mm]	41
Connector area l _c [mm]	6
LED position	Pos. B

Accessories

This and more accessories can be found in chapter 3.5 from page 673
See pages from 972 ... for cordsets See pages 1068 ... for mounting aids

UB-PROG2	Programming unit
BF 5-30	Universal mounting bracket for cylindrical sensors with a diameter of 5 ... 30 mm
BF 12	Mounting flange, 12 mm
BF 12-F	Mounting flange with dead stop, 12 mm
V1-G-2M-PVC	Cable socket, M12, 4-pin, PVC cable
V1-W-2M-PUR	Cable socket, M12, 4-pin, PUR cable
UVW90-M12	Ultrasonic -deflector

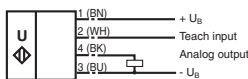


Electrical Connection



UB200-12GM-U-V1
UB400-12GM-U-V1
UB120-12GM-U-V1

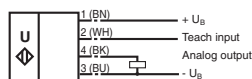
Standard symbol/Connections:
(version U)



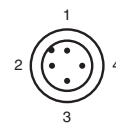
Core colors in accordance with EN 60947-5-2.

UB200-12GM-I-V1
UB400-12GM-I-V1
UB120-12GM-I-V1

Standard symbol/Connections:
(version I)



Core colors in accordance with EN 60947-5-2.



Wire colors in accordance with EN 60947-5-2

1	BN	(brown)
2	WH	(white)
3	BU	(blue)
4	BK	(black)



Technical Data

For detailed data and product description refer to the data sheets at www.pepperl-fuchs.com

Model Number	UBC250-12GM-E5-V1
Sensing range	30 ... 250 mm
Transducer frequency	approx. 310 kHz
Operating voltage	10 ... 30 V DC, ripple 10 % _{SS}
No-load supply current	≤ 30 mA
Output type	1 switch output PNP Normally open/closed, programmable
Rated operational current	100 mA, short-circuit/overload protected
Switching frequency	≤ 8 Hz
Input type	1 program input
Ambient temperature	0 ... 70 °C (32 ... 158 °F)
Material	
Housing	Stainless steel 1.4435 / AISI 316L O-ring for cover sealing: EPDM
Transducer	PTFE (diaphragm surface)
Protection degree	IP68 / IP69K
Connection type	Device connector M12 x 1, 4-pin



Properties

- 250 mm sensing range
- DC, switching output
- Ø12 mm cylindrical housing
- Connector version

Your Benefit

- PTFE-coated transducer and 316L stainless steel barrel for maximum chemical resistance
- Teach-wire or UB-PROG2 pushbutton configurable

Approvals and Certificates

UL approval	cULus Listed, General Purpose
CSA approval	cCSAus Listed, General Purpose

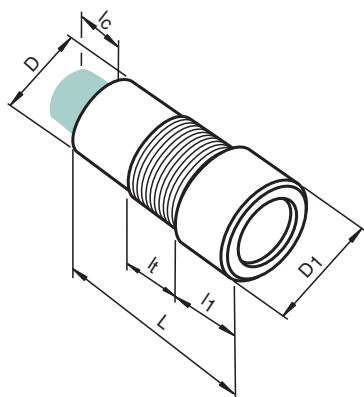
Dimensions

Length L [mm]	65
Diameter D [mm]	12
Cap diameter D ₁ [mm]	15
Thread length l _t [mm]	41
Cap length l ₁ [mm]	12
Connector area l _c [mm]	7.5

Accessories

This and more accessories can be found in chapter 3.5 from page 673
See pages from 972 ... for cordsets See pages 1068 ... for mounting aids

UB-PROG2	Programming unit
BF 5-30	Universal mounting bracket for cylindrical sensors with a diameter of 5 ... 30 mm
BF 12	Mounting flange, 12 mm
BF 12-F	Mounting flange with dead stop, 12 mm
V1-G-2M-PVC	Cable socket, M12, 4-pin, PVC cable
V1-W-2M-PUR	Cable socket, M12, 4-pin, PUR cable

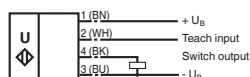


Electrical Connection

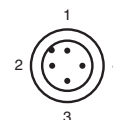


UBC250-12GM-E5-V1

Standard symbol/Connections:
(version ES, pnp)



Core colours in accordance with EN 60947-5-2.



Wire colors in accordance with EN 60947-5-2

1	BN	(brown)
2	WH	(white)
3	BU	(blue)
4	BK	(black)

Date of issue 04/08/2015



Technical Data

For detailed data and product description refer to the data sheets at www.pepperl-fuchs.com

Model Number	UBH60/30-12GM-U-V1
Measurement range	object thickness (d) : 0 ... 30 mm
Transducer frequency	approx. 850 kHz
Operating voltage	15 ... 30 V DC , ripple 10 % _{SS}
No-load supply current	≤ 30 mA
Output type	1 analog output 0 ... 10 V
Resolution	0.17 mm
Deviation of the characteristic curve	± 1 % of full-scale value
Input type	1 function input
LED yellow	solid: object in evaluation range
LED red	solid red: Error red, flashing: program function, object not detected
Ambient temperature	-25 ... 70 °C (-13 ... 158 °F)
Material	
Housing	brass, nickel-plated
Transducer	epoxy resin/hollow glass sphere mixture; foam polyurethane, cover PBT
Protection degree	IP67
Connection type	Device connector M12 x 1 , 4-pin



Approvals and Certificates

UL approval	cULus Listed, General Purpose
CSA approval	cCSAus Listed, General Purpose

Dimensions

Length L [mm]	64
Diameter D [mm]	12
Thread length l _t [mm]	41
Connector area l _c [mm]	6
LED position	Pos. B

Accessories

This and more accessories can be found in chapter 3.5 from page 673
See pages from 972 ... for cordsets See pages 1068 ... for mounting aids

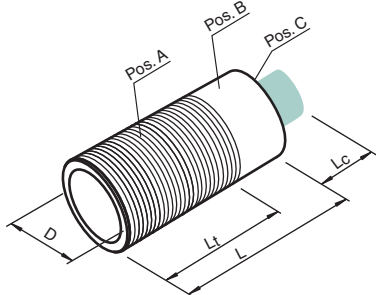
BF 5-30	Universal mounting bracket for cylindrical sensors with a diameter of 5 ... 30 mm
BF 12	Mounting flange, 12 mm
BF 12-F	Mounting flange with dead stop, 12 mm
V1-G-2M-PVC	Cable socket, M12, 4-pin, PVC cable
V1-W-2M-PUR	Cable socket, M12, 4-pin, PUR cable

Properties

- 0 ... 30 mm high accuracy height measurement
- DC, analog output
- Ø12 mm cylindrical housing
- Connector version

Your Benefit

- High-resolution thickness measurement
- Temperature compensation activated upon power-up

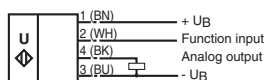


Electrical Connection

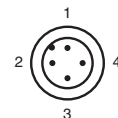


UBH60/30-12GM-U-V1

Standard symbol/Connections:



Core colors in accordance with EN 60947-5-2.



Wire colors in accordance with EN 60947-5-2

1	BN	(brown)
2	WH	(white)
3	BU	(blue)
4	BK	(black)



Technical Data

For detailed data and product description refer to the data sheets at www.pepperl-fuchs.com

General Data

Operating voltage	10 ... 30 V DC , ripple 10 % _{SS}
No-load supply current	≤ 20 mA
Rated operational current	200 mA , short-circuit/overload protected
Input type	1 program input
LED green	Power on
LED yellow	indication of the switching state flashing: program function object detected
LED red	permanently red: Error red, flashing: program function, object not detected
Ambient temperature	-25 ... 70 °C (-13 ... 158 °F)
Material	
Housing	brass, nickel-plated
Transducer	epoxy resin/hollow glass sphere mixture; foam polyurethane, cover PBT
Protection degree	IP67
Connection type	Device connector M12 x 1 , 4-pin



Properties

- 300 mm and 800 mm sensing range versions
- DC, switching output
- Ø18 mm cylindrical housing
- Connector version

Your Benefit

- Short barrel length for space-restricted mounting
- Ultra bright rear-view LEDs
- Flexible configuration via Teach-wire or UB-PROG2 pushbutton

Model Number

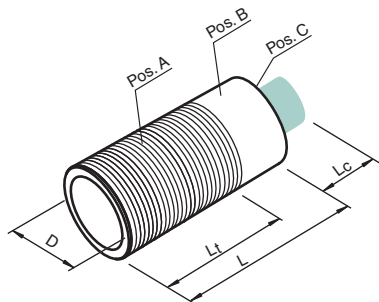
	green = preferred type	UB300-18GM40-E5-V1	UB300-18GM40-E4-V1	UB800-18GM40-E4-V1	UB800-18GM40-E5-V1
Sensing range	30 ... 300 mm 50 ... 800 mm	●	●	●	●
Transducer frequency	approx. 390 kHz approx. 255 kHz	●	●	●	●
Output type	1 switch output E4, NPN, NO/NC, programmable 1 switch output E5, PNP NO/NC, programmable	●	●	●	●
Switching frequency	≤ 13 Hz ≤ 4 Hz	●	●	●	●

Approvals and Certificates

UL approval	cULus Listed, General Purpose	●	●	●	●
CSA approval	cCSAus Listed, General Purpose	●	●	●	●

Dimensions

Length L [mm]	39,2
Diameter D [mm]	18
Thread length l _t [mm]	24,5
Connector area l _c [mm]	10
LED position	Pos. C



Accessories

This and more accessories can be found in chapter 3.5 from page 673
See pages from 972 ... for cordsets See pages 1068 ... for mounting aids

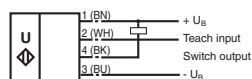
UB-PROG2	Programming unit
OMH-04	Mounting aid for round steel ø 12 mm or sheet 1.5 mm ... 3 mm
BF 18	Mounting flange, 18 mm
BF 18-F	Mounting flange with dead stop, 18 mm
BF 5-30	Universal mounting bracket for cylindrical sensors with a diameter of 5 ... 30 mm
V1-G-2M-PVC	Cable socket, M12, 4-pin, PVC cable
V1-W-2M-PUR	Cable socket, M12, 4-pin, PUR cable

Electrical Connection



UB300-18GM40-E4-V1
UB800-18GM40-E4-V1

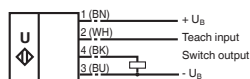
Standard symbol/Connections:
(version E4, npn)



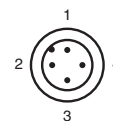
Core colours in accordance with EN 60947-5-2.

UB800-18GM40-E5-V1
UB300-18GM40-E5-V1

Standard symbol/Connections:
(version E5, pnp)



Core colours in accordance with EN 60947-5-2.



Wire colors in accordance with EN 60947-5-2

1	BN	(brown)
2	WH	(white)
3	BU	(blue)
4	BK	(black)

Date of issue 04/08/2015

3
1
Ultrasonic Sensors, Diffuse Mode Sensors, cylindrical



Technical Data

For detailed data and product description refer to the data sheets at www.pepperl-fuchs.com

General Data

No-load supply current	≤ 20 mA
Resolution	0.4 mm at max. sensing range
Deviation of the characteristic curve	± 1 % of full-scale value
Input type	1 program input
LED green	Power on
LED yellow	permanently yellow: object in the evaluation range yellow, flashing: program function, object detected
LED red	permanently red: Error red, flashing: program function, object not detected
Ambient temperature	-25 ... 70 °C (-13 ... 158 °F)
Material	
Housing	brass, nickel-plated
Transducer	epoxy resin/hollow glass sphere mixture; foam polyurethane, cover PBT
Protection degree	IP67
Connection type	Device connector M12 x 1 , 4-pin



Properties

- 300 mm and 800 mm sensing range versions
- DC, analog output
- Ø18 mm cylindrical housing
- Connector version

Your Benefit

- Short barrel length for space-restricted mounting
- Ultra bright rear-view LEDs
- Flexible configuration via Teach-wire or UB-PROG2 pushbutton

Model Number

		UB300-18GM40-I-V1	UB300-18GM40-U-V1	UB800-18GM40-I-V1	UB800-18GM40-U-V1
Sensing range	green = preferred type 30 ... 300 mm 50 ... 800 mm	●	●	●	●
Transducer frequency	approx. 390 kHz approx. 255 kHz	●	●	●	●
Operating voltage	10 ... 30 V DC , ripple 10 % _{SS} 15 ... 30 V DC , ripple 10 % _{SS}	●	●	●	●
Output type	1 analog output 0 ... 10 V 1 analog output 4 ... 20 mA	●	●	●	●

Approvals and Certificates

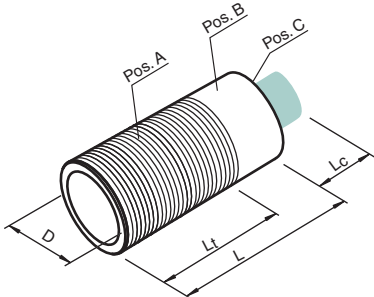
UL approval	cULus Listed, General Purpose	●	●	●	●
CSA approval	cCSAus Listed, General Purpose	●	●	●	●

Dimensions

Length L [mm]	39,2
Diameter D [mm]	18
Thread length l _t [mm]	24,5
Connector area l _c [mm]	10
LED position	Pos. C

Accessories This and more accessories can be found in chapter 3.5 from page 673 See pages from 972 ... for cordsets See pages 1068 ... for mounting aids

UB-PROG2	Programming unit
OMH-04	Mounting aid for round steel ø 12 mm or sheet 1.5 mm ... 3 mm
BF 18	Mounting flange, 18 mm
BF 18-F	Mounting flange with dead stop, 18 mm
BF 5-30	Universal mounting bracket for cylindrical sensors with a diameter of 5 ... 30 mm
V1-G-2M-PVC	Cable socket, M12, 4-pin, PVC cable
V1-W-2M-PUR	Cable socket, M12, 4-pin, PUR cable

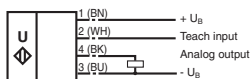


Electrical Connection



UB300-18GM40-U-V1
UB800-18GM40-U-V1

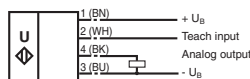
Standard symbol/Connections:
(version U)



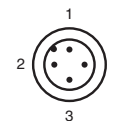
Core colors in accordance with EN 60947-5-2.

UB300-18GM40-I-V1
UB800-18GM40-I-V1

Standard symbol/Connections:
(version I)



Core colors in accordance with EN 60947-5-2.



Wire colors in accordance with EN 60947-5-2

1	BN	(brown)
2	WH	(white)
3	BU	(blue)
4	BK	(black)



Properties

- 400 mm sensing range
- DC, analog output
- Ø18 mm cylindrical housing
- Connector version

Your Benefit

- Short barrel length for space-restricted mounting
- PTFE-coated transducer and 316L stainless steel barrel for maximum chemical resistance
- Flexible configuration via Teach-wire or UB-PROG2 pushbutton

Technical Data

For detailed data and product description refer to the data sheets at www.pepperl-fuchs.com

Model Number	UBC400-18GH40-I-V1
Sensing range	40 ... 400 mm
Transducer frequency	approx. 255 kHz
Operating voltage	10 ... 30 V DC, ripple 10 % _{SS}
No-load supply current	≤ 20 mA
Output type	1 analog output 4 ... 20 mA, short-circuit/overload protected
Resolution	0.4 mm at max. sensing range
Deviation of the characteristic curve	± 1 % of full-scale value
Input type	1 program input lower evaluation limit A1: -U _B ... +1 V, upper evaluation limit A2: +4 V ... +U _B input impedance: > 4.7 kΩ, pulse duration: ≥ 1 s
Ambient temperature	0 ... 70 °C (32 ... 158 °F)
Material	
Housing	Stainless steel 1.4435 / AISI 316L O-ring for cover sealing: EPDM
Transducer	PTFE
Protection degree	IP67
Connection type	Device connector M12 x 1, 4-pin



Approvals and Certificates

UL approval	cULus Listed, General Purpose
CSA approval	cCSAus Listed, General Purpose

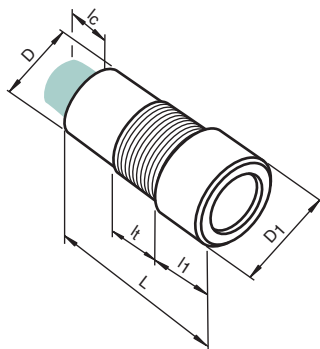
Dimensions

Length L [mm]	43
Diameter D [mm]	18
Head diameter D ₁ [mm]	22
Head length l ₁ [mm]	13
Thread length l _t [mm]	15
Connector area l _c [mm]	10

Accessories

This and more accessories can be found in chapter 3.5 from page 673
See pages from 972 ... for cordsets See pages 1068 ... for mounting aids

UB-PROG2	Programming unit
OMH-04	Mounting aid for round steel ø 12 mm or sheet 1.5 mm ... 3 mm
BF 18	Mounting flange, 18 mm
BF 18-F	Mounting flange with dead stop, 18 mm
BF 5-30	Universal mounting bracket for cylindrical sensors with a diameter of 5 ... 30 mm
V1-G-2M-PVC	Cable socket, M12, 4-pin, PVC cable
V1-W-2M-PUR	Cable socket, M12, 4-pin, PUR cable

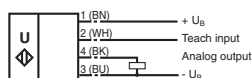


Electrical Connection

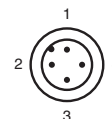


UBC400-18GH40-I-V1

Standard symbol/Connections:
(version I)



Core colors in accordance with EN 60947-5-2.



Wire colors in accordance with EN 60947-5-2

1	BN	(brown)
2	WH	(white)
3	BU	(blue)
4	BK	(black)

Date of issue: 04/08/2015

3
.1

Ultrasonic Sensors, Diffuse Mode Sensors, cylindrical



Technical Data

For detailed data and product description refer to the data sheets at www.pepperl-fuchs.com

General Data

Operating voltage	10 ... 30 V DC , ripple 10 % _{SS}
No-load supply current	≤ 20 mA
Rated operational current	200 mA , short-circuit/overload protected
Input type	1 program input
LED green	Power on
LED yellow	indication of the switching state flashing: program function object detected
LED red	permanently red: Error red, flashing: program function, object not detected
Ambient temperature	-25 ... 70 °C (-13 ... 158 °F)
Material	
Housing	brass, nickel-plated
Transducer	epoxy resin/hollow glass sphere mixture; foam polyurethane, cover PBT
Protection degree	IP67
Connection type	Device connector M12 x 1 , 4-pin



Properties

- 300 mm and 800 mm sensing range versions
- DC, switching output
- Ø18 mm cylindrical housing, angled head
- Connector version

Your Benefit

- Right-angle transducer for space-restricted mounting
- Ultra bright LEDs
- Flexible configuration via Teach-wire or UB-PROG2 pushbutton

Model Number

		UB300-18GM40A-E4-V1	UB300-18GM40A-E5-V1	UB800-18GM40A-E4-V1	UB800-18GM40A-E5-V1
Sensing range	green = preferred type 30 ... 300 mm	●	●		
	50 ... 800 mm			●	●
Transducer frequency	approx. 390 kHz	●	●		
	approx. 255 kHz			●	●
Output type	1 switch output E4, NPN, NO/NC, programmable	●		●	
	1 switch output E5, PNP NO/NC, programmable		●		●
Switching frequency	≤ 13 Hz	●	●		
	≤ 4 Hz			●	●

Approvals and Certificates

UL approval	cULus Listed, General Purpose	●	●	●	●
CSA approval	cCSAus Listed, General Purpose	●	●	●	●

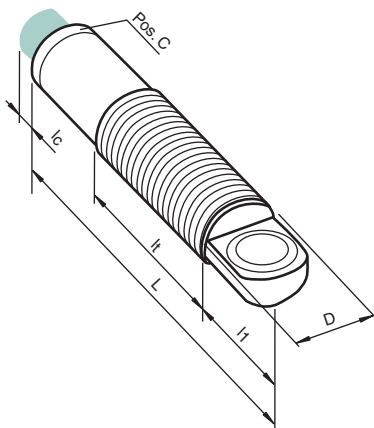
Dimensions

Length L [mm]	57,7
Diameter D [mm]	18
Transducer length l _t [mm]	18,5
Thread length l _t [mm]	24,5
Connector area l _c [mm]	10
LED position	Pos. C

Accessories

This and more accessories can be found in chapter 3.5 from page 673
See pages from 972 ... for cordsets See pages 1068 ... for mounting aids

UB-PROG2	Programming unit
OMH-04	Mounting aid for round steel ø 12 mm or sheet 1.5 mm ... 3 mm
BF 18	Mounting flange, 18 mm
BF 18-F	Mounting flange with dead stop, 18 mm
BF 5-30	Universal mounting bracket for cylindrical sensors with a diameter of 5 ... 30 mm
V1-G-2M-PVC	Cable socket, M12, 4-pin, PVC cable
V1-W-2M-PUR	Cable socket, M12, 4-pin, PUR cable

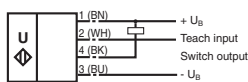


Electrical Connection



UB300-18GM40A-E4-V1
UB800-18GM40A-E4-V1

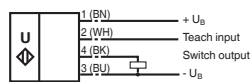
Standard symbol/Connections:
(version E4, npn)



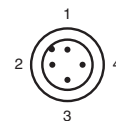
Core colours in accordance with EN 60947-5-2.

UB300-18GM40A-E5-V1
UB800-18GM40A-E5-V1

Standard symbol/Connections:
(version E5, pnp)



Core colours in accordance with EN 60947-5-2.



Wire colors in accordance with EN 60947-5-2

1	BN	(brown)
2	WH	(white)
3	BU	(blue)
4	BK	(black)



Technical Data

For detailed data and product description refer to the data sheets at www.pepperl-fuchs.com

General Data

No-load supply current	≤ 20 mA
Resolution	0.4 mm at max. sensing range
Deviation of the characteristic curve	± 1 % of full-scale value
Input type	1 program input
LED green	Power on
LED yellow	permanently yellow: object in the evaluation range yellow, flashing: program function, object detected
LED red	permanently red: Error red, flashing: program function, object not detected
Ambient temperature	-25 ... 70 °C (-13 ... 158 °F)
Material	
Housing	brass, nickel-plated
Transducer	epoxy resin/hollow glass sphere mixture; foam polyurethane, cover PBT
Protection degree	IP67
Connection type	Device connector M12 x 1 , 4-pin

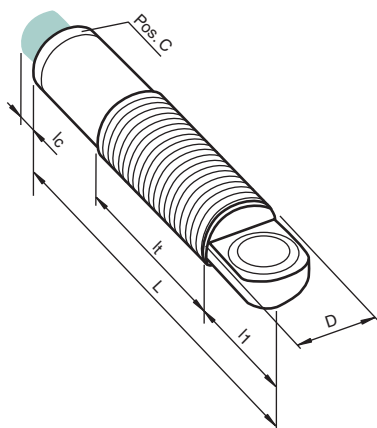


Properties

- 300 mm and 800 mm sensing range versions
- DC, analog output
- Ø18 mm cylindrical housing, angled head
- Connector version

Your Benefit

- Right-angle transducer for space-restricted mounting
- Ultra bright LEDs
- Flexible configuration via Teach-wire or UB-PROG2 pushbutton



Model Number

		UB300-18GM40A-I-V1	UB300-18GM40A-U-V1	UB800-18GM40A-I-V1	UB800-18GM40A-U-V1
Sensing range	green = preferred type 30 ... 300 mm 50 ... 800 mm	●	●	●	●
Transducer frequency	approx. 390 kHz approx. 255 kHz	●	●	●	●
Operating voltage	10 ... 30 V DC , ripple 10 % _{SS} 15 ... 30 V DC , ripple 10 % _{SS}	●	●	●	●
Output type	1 analog output 0 ... 10 V 1 analog output 4 ... 20 mA	●	●	●	●

Approvals and Certificates

UL approval	cULus Listed, General Purpose	●	●	●	●
CSA approval	cCSAus Listed, General Purpose	●	●	●	●

Dimensions

Length L [mm]	57,7
Diameter D [mm]	18
Transducer length l ₁ [mm]	18,5
Thread length l ₂ [mm]	24,5
Connector area l _c [mm]	10
LED position	Pos. C

Accessories

This and more accessories can be found in chapter 3.5 from page 673
See pages from 972 ... for cordsets See pages 1068 ... for mounting aids

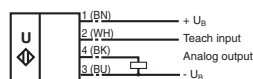
UB-PROG2	Programming unit
OMH-04	Mounting aid for round steel ø 12 mm or sheet 1.5 mm ... 3 mm
BF 18	Mounting flange, 18 mm
BF 18-F	Mounting flange with dead stop, 18 mm
BF 5-30	Universal mounting bracket for cylindrical sensors with a diameter of 5 ... 30 mm
V1-G-2M-PVC	Cable socket, M12, 4-pin, PVC cable
V1-W-2M-PUR	Cable socket, M12, 4-pin, PUR cable

Electrical Connection



UB300-18GM40A-U-V1
UB800-18GM40A-U-V1

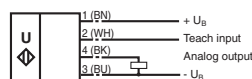
Standard symbol/Connections:
(version U)



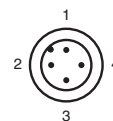
Core colors in accordance with EN 60947-5-2.

UB300-18GM40A-I-V1
UB800-18GM40A-I-V1

Standard symbol/Connections:
(version I)



Core colors in accordance with EN 60947-5-2.



Wire colors in accordance with EN 60947-5-2

1	BN	(brown)
2	WH	(white)
3	BU	(blue)
4	BK	(black)

Date of issue 04/08/2015



Technical Data

For detailed data and product description refer to the data sheets at www.pepperl-fuchs.com

General Data	
Operating voltage	10 ... 30 V DC , ripple 10 % _{SS}
No-load supply current	≤ 50 mA
Rated operational current	200 mA , short-circuit/overload protected
Input type	1 program input,
Synchronization	1 synchronous connection, bi-directional
LED yellow	indication of the switching state flashing: program function object detected
LED red	permanently red: Error red, flashing: program function, object not detected
Ambient temperature	-25 ... 70 °C (-13 ... 158 °F)
Material	
Housing	brass, nickel-plated
Transducer	epoxy resin/hollow glass sphere mixture; foam polyurethane, cover PBT
Protection degree	IP65
Connection type	Device connector M12 x 1 , 5-pin



Properties

- 500 mm and 1000 mm sensing range versions
- DC, switching output
- Ø18 mm cylindrical housing
- Connector version

Your Benefit

- Ultra bright rear-view LEDs
- Flexible configuration via Teach-wire or UB-PROG2 pushbutton

Model Number

	UB500-18GM75-E4-V15	UB500-18GM75-E5-V15	UB1000-18GM75-E4-V15	UB1000-18GM75-E5-V15
Sensing range	30 ... 500 mm	70 ... 1000 mm		
Transducer frequency	approx. 380 kHz	approx. 255 kHz		
Output type	1 switch output NPN Normally open/closed , programmable	1 switch output PNP Normally open/closed , programmable		
Switching frequency	max. 8 Hz	max. 3 Hz		

Approvals and Certificates

UL approval	cULus Listed, General Purpose	●	●	●	●
CSA approval	cCSAus Listed, General Purpose	●	●	●	●

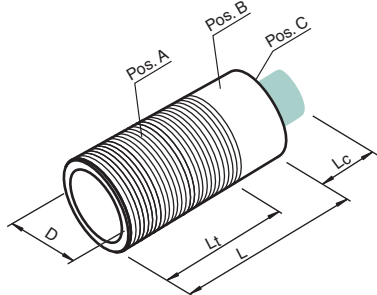
Dimensions

Length L [mm]	75
Diameter D [mm]	18
Thread length l _t [mm]	48
Connector area l _c [mm]	10
LED position	Pos. C

Accessories

This and more accessories can be found in chapter 3.5 from page 673
See pages from 972 ... for cordsets See pages 1068 ... for mounting aids

UB-PROG2	Programming unit
OMH-04	Mounting aid for round steel ø 12 mm or sheet 1.5 mm ... 3 mm
BF 18	Mounting flange, 18 mm
BF 18-F	Mounting flange with dead stop, 18 mm
BF 5-30	Universal mounting bracket for cylindrical sensors with a diameter of 5 ... 30 mm
UVW90-K18	Ultrasonic -deflector
V15-G-2M-PVC	Cable socket, M12, 5-pin, PVC cable
V15-W-2M-PUR	Cable socket, M12, 5-pin, PUR cable

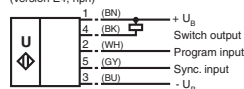


Electrical Connection



UB500-18GM75-E4-V15
UB1000-18GM75-E4-V15

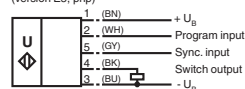
Standard symbol/Connections:
(version E4, nph)



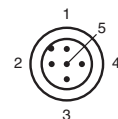
Wire colors in accordance with EN 60947-5-2.

UB500-18GM75-E5-V15
UB1000-18GM75-E5-V15

Standard symbol/Connections:
(version E5, pnp)



Wire colors in accordance with EN 60947-5-2.



Wire colors in accordance with EN 60947-5-2

- 1 | BN (brown)
- 2 | WH (white)
- 3 | BU (blue)
- 4 | BK (black)
- 5 | GY (gray)



Technical Data

For detailed data and product description refer to the data sheets at www.pepperl-fuchs.com

General Data

Operating voltage	10 ... 30 V DC , ripple 10 % _{SS}
No-load supply current	≤ 50 mA
Rated operational current	2 x 100 mA , short-circuit/overload protected
Input type	1 program input,
LED yellow	indication of the switching state flashing: program function object detected
LED red	"Error", object uncertain in program function: No object detected
Ambient temperature	-25 ... 70 °C (-13 ... 158 °F)
Material	
Housing	brass, nickel-plated
Transducer	epoxy resin/hollow glass sphere mixture; foam polyurethane, cover PBT
Protection degree	IP65
Connection type	Device connector M12 x 1 , 5-pin



Properties

- 500 mm and 1000 mm sensing range versions
- DC, 2 switching outputs
- Ø18 mm cylindrical housing
- Connector version

Your Benefit

- Dual outputs, either both N.O. or N.C.
- Ultra bright rear-view LEDs
- Flexible configuration via Teach-wire or UB-PROG3 pushbutton

Model Number

		green = preferred type			
Sensing range	30 ... 500 mm	●	●	●	●
	70 ... 1000 mm			●	●
Transducer frequency	approx. 380 kHz	●	●	●	●
	approx. 255 kHz			●	●
Output type	2 switch outputs NPN, normally open/ closed , programmable		●		●
	2 switch outputs PNP, NO/NC, programmable	●		●	
Switching frequency	max. 8 Hz	●	●	●	●
	max. 3 Hz			●	●

Approvals and Certificates

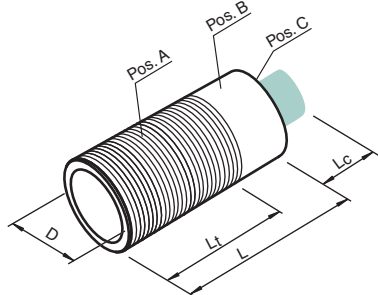
UL approval	cULus Listed, General Purpose	●	●	●	●
CSA approval	cCSAus Listed, General Purpose	●	●	●	●

Dimensions

Length L [mm]	75
Diameter D [mm]	18
Thread length l _t [mm]	48
Connector area l _c [mm]	10
LED position	Pos. C

Accessories This and more accessories can be found in chapter 3.5 from page 673
See pages from 972 ... for cordsets See pages 1068 ... for mounting aids

UB-PROG3	Programming unit
OMH-04	Mounting aid for round steel ø 12 mm or sheet 1.5 mm ... 3 mm
BF 18	Mounting flange, 18 mm
BF 18-F	Mounting flange with dead stop, 18 mm
BF 5-30	Universal mounting bracket for cylindrical sensors with a diameter of 5 ... 30 mm
UVW90-K18	Ultrasonic -deflector
V15-G-2M-PVC	Cable socket, M12, 5-pin, PVC cable
V15-W-2M-PUR	Cable socket, M12, 5-pin, PUR cable

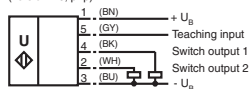


Electrical Connection



UB500-18GM75-E6-V15
UB1000-18GM75-E6-V15

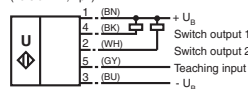
Standard symbol/Connections:
(version E6, pnp)



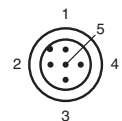
Core colours in accordance with EN 60947-5-2.

UB500-18GM75-E7-V15
UB1000-18GM75-E7-V15

Standard symbol/Connections:
(version E7, npn)



Core colours in accordance with EN 60947-5-2.



Wire colors in accordance with EN 60947-5-2

1	BN	(brown)
2	WH	(white)
3	BU	(blue)
4	BK	(black)
5	GY	(gray)

Date of issue 04/08/2015



Technical Data

For detailed data and product description refer to the data sheets at www.pepperl-fuchs.com

General Data	
Operating voltage	10 ... 30 V DC , ripple 10 % _{SS}
No-load supply current	≤ 50 mA
Rated operational current	2 x 100 mA , short-circuit/overload protected
Input type	1 program input,
LED yellow	indication of the switching state flashing: program function object detected
LED red	"Error", object uncertain in program function: No object detected
Ambient temperature	-25 ... 70 °C (-13 ... 158 °F)
Material	
Housing	brass, nickel-plated
Transducer	epoxy resin/hollow glass sphere mixture; foam polyurethane, cover PBT
Protection degree	IP65
Connection type	Device connector M12 x 1 , 5-pin



Properties

- 500 mm and 1000 mm sensing range versions
- DC, 2 switching outputs
- Ø18 mm cylindrical housing
- Connector version

Your Benefit

- Dedicated N.O. (1) and N.C. (1) outputs
- Ultra bright rear-view LEDs
- Flexible configuration via Teach-wire or UB-PROG3 pushbutton

Model Number

	UB500-18GM75-E01-V15	UB500-18GM75-E23-V15	UB1000-18GM75-E01-V15	UB1000-18GM75-E23-V15
Sensing range	30 ... 500 mm	70 ... 1000 mm		
Transducer frequency	approx. 380 kHz	approx. 255 kHz		
Output type	2 switch outputs NPN, normally open/closed , programmable	2 switch outputs PNP, NO/NC, programmable		
Switching frequency	max. 8 Hz	max. 3 Hz		

Approvals and Certificates

UL approval	cULus Listed, General Purpose	●	●	●	●
CSA approval	cCSAus Listed, General Purpose	●	●	●	●

Dimensions

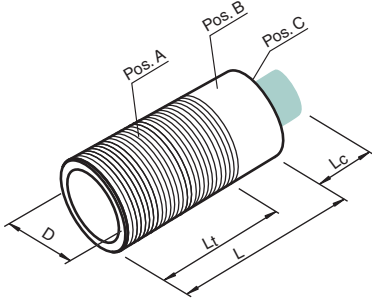
Length L [mm]	75
Diameter D [mm]	18
Thread length l _t [mm]	48
Connector area l _c [mm]	10
LED position	Pos. C

Accessories This and more accessories can be found in chapter 3.5 from page 673 See pages from 972 ... for cordsets See pages 1068 ... for mounting aids

UB-PROG3	Programming unit
OMH-04	Mounting aid for round steel ø 12 mm or sheet 1.5 mm ... 3 mm
BF 18	Mounting flange, 18 mm
BF 18-F	Mounting flange with dead stop, 18 mm
BF 5-30	Universal mounting bracket for cylindrical sensors with a diameter of 5 ... 30 mm
UVW90-K18	Ultrasonic -deflector
V15-G-2M-PVC	Cable socket, M12, 5-pin, PVC cable
V15-W-2M-PUR	Cable socket, M12, 5-pin, PUR cable

3
1

Ultrasonic Sensors, Diffuse Mode Sensors, cylindrical

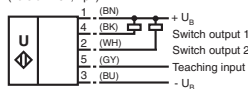


Electrical Connection



UB500-18GM75-E01-V15
UB1000-18GM75-E01-V15

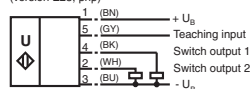
Standard symbol/Connections:
(version E01, npn)



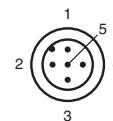
Core colours in accordance with EN 60947-5-2.

UB500-18GM75-E23-V15
UB1000-18GM75-E23-V15

Standard symbol/Connections:
(version E23, pnp)



Core colours in accordance with EN 60947-5-2.



Wire colors in accordance with EN 60947-5-2

1	BN	(brown)
2	WH	(white)
3	BU	(blue)
4	BK	(black)
5	GY	(gray)



Technical Data

For detailed data and product description refer to the data sheets at www.pepperl-fuchs.com

General Data

Deviation of the characteristic curve	± 1 % of full-scale value
Input type	1 program input
Synchronization	1 synchronous connection, bi-directional
LED yellow	permanently yellow: object in the evaluation range yellow, flashing: program function, object detected
LED red	permanently red: Error red, flashing: program function, object not detected
Ambient temperature	-25 ... 70 °C (-13 ... 158 °F)
Material	
Housing	brass, nickel-plated
Transducer	epoxy resin/hollow glass sphere mixture; foam polyurethane, cover PBT
Protection degree	IP65
Connection type	Device connector M12 x 1 , 5-pin



Properties

- 500 mm and 1000 mm sensing range versions
- DC, analog output
- Ø18 mm cylindrical housing
- Connector version

Your Benefit

- Ultra bright rear-view LEDs
- Flexible configuration via Teach-wire or UB-PROG2 pushbutton

Model Number

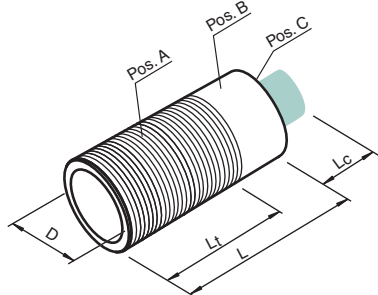
		UB500-18GM75-U-V15	UB500-18GM75-I-V15	UB1000-18GM75-I-V15	UB1000-18GM75-U-V15
Sensing range	green = preferred type 30 ... 500 mm 70 ... 1000 mm	●	●	●	●
Transducer frequency	approx. 380 kHz approx. 255 kHz	●	●	●	●
Operating voltage	10 ... 30 V DC , ripple 10 % _{SS} 15 ... 30 V DC , ripple 10 % _{SS}	●	●	●	●
No-load supply current	≤ 45 mA ≤ 50 mA	●	●	●	●
Output type	1 analog output 0 ... 10 V 1 analog output 4 ... 20 mA	●	●	●	●
Resolution	0.11 mm at max. sensing range 0.13 mm at max. sensing range 0.35 mm	●	●	●	●

Approvals and Certificates

UL approval	cULus Listed, General Purpose	●	●	●	●
CSA approval	cCSAus Listed, General Purpose	●	●	●	●

Dimensions

Length L [mm]	75
Diameter D [mm]	18
Thread length l _t [mm]	48
Connector area l _c [mm]	10
LED position	Pos. C



Accessories

This and more accessories can be found in chapter 3.5 from page 673
See pages from 972 ... for cordsets See pages 1068 ... for mounting aids

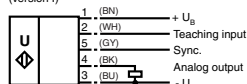
UB-PROG2	Programming unit
OMH-04	Mounting aid for round steel ø 12 mm or sheet 1.5 mm ... 3 mm
BF 18	Mounting flange, 18 mm
BF 18-F	Mounting flange with dead stop, 18 mm
UVW90-K18	Ultrasonic -deflector
V15-G-2M-PVC	Cable socket, M12, 5-pin, PVC cable
V15-W-2M-PUR	Cable socket, M12, 5-pin, PUR cable

Electrical Connection



UB1000-18GM75-I-V15
UB500-18GM75-I-V15

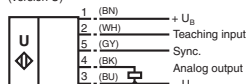
Standard symbol/Connections:
(version I)



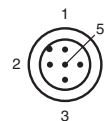
Core colours in accordance with EN 60947-5-2.

UB1000-18GM75-U-V15
UB500-18GM75-U-V15

Standard symbol/Connections:
(version U)



Core colours in accordance with EN 60947-5-2.



Wire colors in accordance with EN 60947-5-2

1	BN	(brown)
2	WH	(white)
3	BU	(blue)
4	BK	(black)
5	GY	(gray)

Date of issue 04/08/2015



Technical Data

For detailed data and product description refer to the data sheets at www.pepperl-fuchs.com

General Data

Operating voltage	10 ... 30 V DC , ripple 10 % _{SS}
No-load supply current	≤ 50 mA
Resolution	1 mm
Deviation of the characteristic curve	± 1 % of full-scale value
Input type	1 Parameterization input
Synchronization	1 synchronous connection, bi-directional
LED green	Power on
LED red	flashing: error(permanent: no object detected)
Ambient temperature	-25 ... 70 °C (-13 ... 158 °F)
Material	
Housing	brass, nickel-plated
Transducer	epoxy resin/hollow glass sphere mixture; foam polyurethane, cover PBT
Protection degree	IP65
Connection type	Device connector M12 x 1 , 5-pin



Properties

- 500 mm and 1000 mm sensing range versions
- DC, frequency output, PWM output and serial output versions
- Ø18 mm cylindrical housing
- Connector version

Model Number

		UB500-18GM75-F-V15	UB500-18GM75-PWM-V15	UB500-18GM75-BIT-V15	UB1000-18GM75-F-V15	UB1000-18GM75-PWM-V15	UB1000-18GM75-BIT-V15
Sensing range	30 ... 500 mm	●	●	●			
	80 ... 1000 mm				●	●	●
Transducer frequency	approx. 380 kHz	●	●	●			
	approx. 255 kHz				●	●	●
Output type	1 frequency output, push/pull, programmable	●			●		
	1 PWM output, push/pull, programmable		●			●	
	1 serial output, push/pull, programmable			●			●

Approvals and Certificates

UL approval	cULus Listed, General Purpose	●	●	●	●	●	●
CSA approval	cCSAus Listed, General Purpose	●	●	●	●	●	●

Dimensions

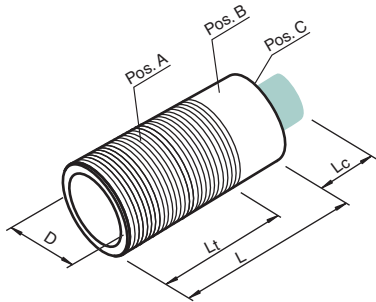
Length L [mm]	75
Diameter D [mm]	18
Thread length l _t [mm]	52
Connector area l _c [mm]	10
LED position	Pos. B

Accessories This and more accessories can be found in chapter 3.5 from page 673 See pages from 972 ... for cordsets See pages 1068 ... for mounting aids

OMH-04	Mounting aid for round steel ø 12 mm or sheet 1.5 mm ... 3 mm
BF 18	Mounting flange, 18 mm
BF 18-F	Mounting flange with dead stop, 18 mm
BF 5-30	Universal mounting bracket for cylindrical sensors with a diameter of 5 ... 30 mm
UVW90-K18	Ultrasonic -deflector
V15-G-2M-PVC	Cable socket, M12, 5-pin, PVC cable
V15-W-2M-PUR	Cable socket, M12, 5-pin, PUR cable

3
1

Ultrasonic Sensors, Diffuse Mode Sensors, cylindrical



Electrical Connection

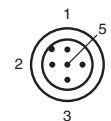


- UB1000-18GM75-F-V15
- UB500-18GM75-F-V15
- UB500-18GM75-PWM-V15
- UB1000-18GM75-PWM-V15
- UB1000-18GM75-BIT-V15
- UB500-18GM75-BIT-V15

Standard symbol/Connections:



Core colours in accordance with EN 60947-5-2.



Wire colors in accordance with EN 60947-5-2

- 1 | BN (brown)
- 2 | WH (white)
- 3 | BU (blue)
- 4 | BK (black)
- 5 | GY (gray)



Technical Data

For detailed data and product description refer to the data sheets at www.pepperl-fuchs.com

General Data

Sensing range	100 ... 1000 mm
Transducer frequency	approx. 200 kHz
Linearity error	≤ ± 2 mm
Operating voltage	12 ... 30 V DC (including ripple)
No-load supply current	≤ 50 mA
Interface type	IO-Link
Output type	1 switch output PNP, NO SIO mode
Operating current	≤ 200 mA, short-circuit/overload protected
LED green	permanently green: Power on flashes: IO-Link ON
LED yellow	on: object within measuring range
Ambient temperature	-25 ... 70 °C (-13 ... 158 °F)
Material	
Housing	brass, nickel-plated
Transducer	epoxy resin/hollow glass sphere mixture; foam polyurethane, cover PBT
Protection degree	IP67
Connection type	Device connector M12 x 1, 4-pin



Properties

- 1000 mm sensing range
- DC, IO-Link / switching output
- Ø18 mm cylindrical housing, angled and straight versions
- Connector version

Your Benefit

- Continuous IO-Link accessibility to output status and configuration parameters

Model Number

Direction of radiation	frontal	●	●
	lateral		●

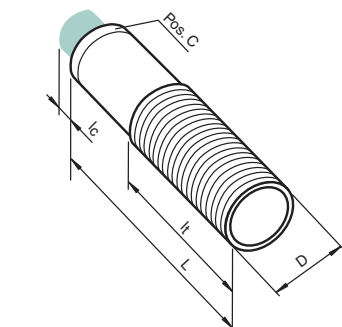
Dimensions

Length L [mm]	91	119
Diameter D [mm]		18
Transducer length l ₁ [mm]		28
Thread length l ₂ [mm]		65
Connector area l _c [mm]		10
LED position		Pos. C

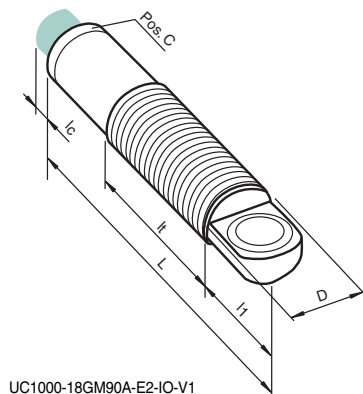
Accessories

This and more accessories can be found in chapter 3.5 from page 673
See pages from 972 ... for cordsets See pages 1068 ... for mounting aids

- OMH-04** Mounting aid for round steel ø 12 mm or sheet 1.5 mm ... 3 mm
- BF 18** Mounting flange, 18 mm
- BF 18-F** Mounting flange with dead stop, 18 mm
- BF 5-30** Universal mounting bracket for cylindrical sensors with a diameter of 5 ... 30 mm
- UVW90-K18** Ultrasonic deflector
- V1-G-2M-PVC** Cable socket, M12, 4-pin, PVC cable
- V1-G-2M-PUR** Cable socket, M12, 4-pin, PUR cable
- V1-W-2M-PVC** Cable socket, M12, 4-pin, PVC cable
- V1-W-2M-PUR** Cable socket, M12, 4-pin, PUR cable



UC1000-18GM90-E2-IO-V1

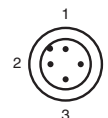
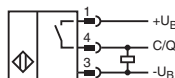


UC1000-18GM90A-E2-IO-V1

Electrical Connection



UC1000-18GM90-E2-IO-V1
UC1000-18GM90A-E2-IO-V1



Wire colors in accordance with EN 60947-5-2

- 1 BN (brown)
- 2 WH (white)
- 3 BU (blue)
- 4 BK (black)

Date of issue 04/08/2015

3
1
Ultrasonic Sensors, Diffuse Mode Sensors, cylindrical



Technical Data

For detailed data and product description refer to the data sheets at www.pepperl-fuchs.com

General Data

Operating voltage	10 ... 30 V DC , ripple 10 % _{SS}
No-load supply current	≤ 50 mA
Rated operational current	200 mA , short-circuit/overload protected
Input type	1 program input,
Synchronization	bi-directional
Ambient temperature	-25 ... 70 °C (-13 ... 158 °F)
Material	
Housing	nickel plated brass; plastic components: PBT
Transducer	epoxy resin/hollow glass sphere mixture; polyurethane foam
Protection degree	IP65
Connection type	Device connector M12 x 1 , 5-pin



Properties

- Up to 6000 mm sensing range versions
- DC, switching output
- Ø30 mm cylindrical housing
- Connector version

Your Benefit

- Teach-wire or UB-PROG2 pushbutton configurable

Model Number

	green = preferred type	UB500-30GM-E4-V15	UB500-30GM-E5-V15	UB2000-30GM-E4-V15	UB2000-30GM-E5-V15	UB4000-30GM-E4-V15	UB4000-30GM-E5-V15	UB6000-30GM-E4-V15	UB6000-30GM-E5-V15
Sensing range	30 ... 500 mm	●	●						
	80 ... 2000 mm			●	●				
	200 ... 4000 mm					●	●		
	350 ... 6000 mm							●	●
Transducer frequency	approx. 380 kHz	●	●						
	approx. 180 kHz			●	●				
	approx. 85 kHz					●	●		
	approx. 65 kHz							●	●
Output type	1 switch output NPN , Normally open/closed , programmable	●	●	●	●	●	●	●	●
	1 switch output PNP , Normally open/closed , programmable		●	●	●	●	●	●	●

Approvals and Certificates

UL approval	cULus Listed, General Purpose	●	●	●	●	●	●	●	●
CSA approval	cCSAus Listed, General Purpose	●	●	●	●	●	●	●	●

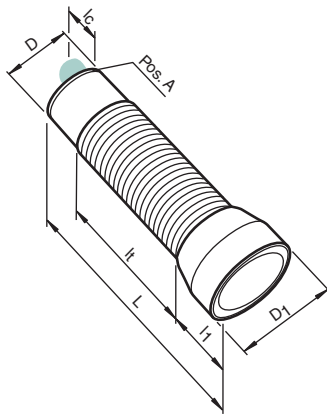
Dimensions

Length L [mm]	94	108	112
Diameter D [mm]	30		
Transducer diameter D ₁ [mm]	30	40	73
Transducer length l ₁ [mm]	0	25	32,5
Thread length l _t [mm]	72	61	57,5
Connector area l _c [mm]	10		
LED position	Pos. A		

Accessories

This and more accessories can be found in chapter 3.5 from page 673
See pages from 972 ... for cordsets See pages 1068 ... for mounting aids

BF 30	Mounting flange, 30 mm
BF 30-F	Mounting flange with dead stop, 30 mm
BF 5-30	Universal mounting bracket for cylindrical sensors with a diameter of 5 ... 30 mm
UB-PROG2	Programming unit
V15-G-2M-PVC	Cable socket, M12, 5-pin, PVC cable
UVW90-M30	Ultrasonic -deflector
V15-W-2M-PUR	Cable socket, M12, 5-pin, PUR cable
UVW90-K30	Ultrasonic -deflector

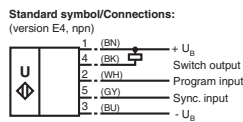


Electrical Connection

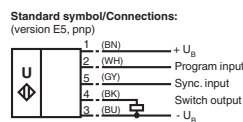


UB500-30GM-E4-V15
UB4000-30GM-E4-V15
UB2000-30GM-E4-V15
UB6000-30GM-E4-V15

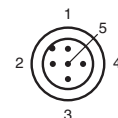
UB2000-30GM-E5-V15
UB6000-30GM-E5-V15
UB4000-30GM-E5-V15
UB500-30GM-E5-V15



Wire colors in accordance with EN 60947-5-2.



Wire colors in accordance with EN 60947-5-2.



Wire colors in accordance with EN 60947-5-2

1	BN	(brown)
2	WH	(white)
3	BU	(blue)
4	BK	(black)
5	GY	(gray)



Technical Data

For detailed data and product description refer to the data sheets at www.pepperl-fuchs.com

General Data

Operating voltage	10 ... 30 V DC , ripple 10 % _{SS}
No-load supply current	≤ 50 mA
Interface type	RS 232, 9600 Bit/s , no parity, 8 data bits, 1 stop bit
Rated operational current	200 mA , short-circuit/overload protected
Synchronization	bi-directional
Ambient temperature	-25 ... 70 °C (-13 ... 158 °F)
Material	
Housing	stainless steel (1.4305 / AISI 303), PBT plastic parts
Transducer	epoxy resin/hollow glass sphere mixture; polyurethane foam
Protection degree	IP65
Connection type	Device connector M12 x 1 , 5-pin



Properties

- Up to 6000 mm sensing range versions
- DC, 2 switching outputs
- Ø30 mm cylindrical housing
- Connector version

Your Benefit

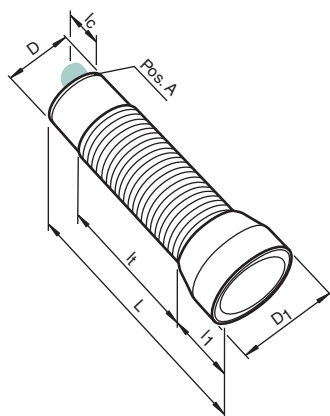
- Potentiometer-free configuration via programming plug or ULTRA3000 software

Further Products

In this series, we offer additionally:

UCC1000-30GM-E6R2-V15

Technical data like UC2000-30GM-E6R2-V15 but:
Sensing range: 1000 mm
Transducer: chemical resistant PTFE coated



Model Number

		UC500-30GM-E6R2-V15	UC500-30GM-E7R2-V15	UC2000-30GM-E6R2-V15	UC2000-30GM-E7R2-V15	UC4000-30GM-E6R2-V15	UC4000-30GM-E7R2-V15	UC6000-30GM-E6R2-V15	UC6000-30GM-E7R2-V15
Sensing range	30 ... 500 mm	●	●						
	80 ... 2000 mm			●	●				
	200 ... 4000 mm					●	●		
	350 ... 6000 mm							●	●
Transducer frequency	approx. 380 kHz	●	●						
	approx. 180 kHz			●	●				
	approx. 85 kHz					●	●		
Output type	approx. 65 kHz					●	●		
	2 switch outputs NPN, NO/NC, programmable		●		●		●		●
	2 switch outputs PNP, NO/NC, programmable	●	●	●	●	●	●	●	●
Switching frequency	≤ 0.5 Hz							●	●
	≤ 1 Hz							●	●
	≤ 2.5 Hz			●	●			●	●
	≤ 7 Hz	●	●						

Approvals and Certificates

UL approval	cULus Listed, General Purpose	●	●	●	●	●	●	●	●
CSA approval	cCSAus Listed, General Purpose	●	●	●	●	●	●	●	●

Dimensions

Length L [mm]		94	108	112
Diameter D [mm]			30	
Transducer diameter D ₁ [mm]		30	40	73
Transducer length l ₁ [mm]		0	25	32,5
Thread length l _t [mm]		72	61	57,5
Connector area l _c [mm]			10	
LED position			Pos. A	
Temperature / program plug			Pos. A , 27,5 mm	

Accessories This and more accessories can be found in chapter 3.5 from page 673
See pages from 972 ... for cordsets See pages 1068 ... for mounting aids

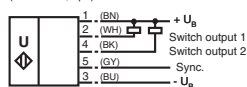
BF 30	Mounting flange, 30 mm
UC-30GM-R2	Programming cable
ULTRA3000	Software for ultrasonic sensors, comfort line
UVW90-M30	Ultrasonic -deflector
V15-G-2M-PVC	Cable socket, M12, 5-pin, PVC cable
V15-W-2M-PUR	Cable socket, M12, 5-pin, PUR cable

Electrical Connection



UC500-30GM-E7R2-V15
UC2000-30GM-E7R2-V15
UC4000-30GM-E7R2-V15
UC6000-30GM-E7R2-V15

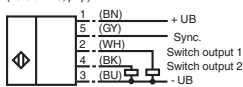
Standard symbol/Connection:
(version E7, rpn)



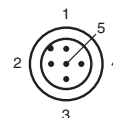
Core colors in accordance with EN 60947-5-2.

UC500-30GM-E6R2-V15
UC2000-30GM-E6R2-V15
UC4000-30GM-E6R2-V15
UC6000-30GM-E6R2-V15
UCC1000-30GM-E6R2-V15

Standard symbol/Connection:
(version E6, pnp)



Core colors in accordance with EN 60947-5-2.



Wire colors in accordance with EN 60947-5-2

1	BN	(brown)
2	WH	(white)
3	BU	(blue)
4	BK	(black)
5	GY	(gray)

Date of issue 04/08/2015



Technical Data

For detailed data and product description refer to the data sheets at www.pepperl-fuchs.com

General Data

Operating voltage	10 ... 30 V DC , ripple 10 % _{SS}
Power consumption	≤ 900 mW
Interface type	RS 232, 9600 Bit/s , no parity, 8 data bits, 1 stop bit
Output type	1 current output 4 ... 20 mA 1 voltage output 0 ... 10 V
Deviation of the characteristic curve	≤ 0.2 % of full-scale value
Synchronization	bi-directional
Material	
Housing	stainless steel (1.4305 / AISI 303), PBT plastic parts
Transducer	epoxy resin/hollow glass sphere mixture; polyurethane foam
Protection degree	IP65
Connection type	Device connector M12 x 1 , 5-pin



Properties

- Up to 6000 mm sensing range versions
- DC, analog outputs
- Ø30 mm cylindrical housing
- Connector version

Your Benefit

- Potentiometer-free configuration via programming plug or ULTRA3000 software

Further Products

In this series, we offer additionally:

UCC1000-30GM-IUR2-V15

Technical data like UC2000-30GM-IUR2-V15 but
Sensing range: 1000 mm
Transducer: chemical resistant PTFE coated

Model Number	UC300-30GM-IUR2-V15	UC500-30GM-IUR2-V15	UC2000-30GM-IUR2-V15	UC4000-30GM-IUR2-V15	UC6000-30GM-IUR2-V15
Sensing range	●	●	●	●	●
15 ... 300 mm	●				
30 ... 500 mm		●			
80 ... 2000 mm			●		
200 ... 4000 mm				●	
350 ... 6000 mm					●
Transducer frequency	●	●	●	●	●
approx. 380 kHz	●	●			
approx. 180 kHz			●		
approx. 85 kHz				●	
approx. 65 kHz					●
Resolution	●	●	●	●	●
evaluation range [mm]/4000, but ≥ 0.05 mm	●	●			
evaluation range [mm]/4000, but ≥ 0.35 mm			●	●	●
Ambient temperature	●	●	●	●	●
0 ... 70 °C (32 ... 158 °F)	●	●	●	●	●
-25 ... 70 °C (-13 ... 158 °F)		●	●	●	●

Approvals and Certificates

UL approval	cULus Listed, General Purpose	●	●	●	●	●
CSA approval	cCSAus Listed, General Purpose	●	●	●	●	●

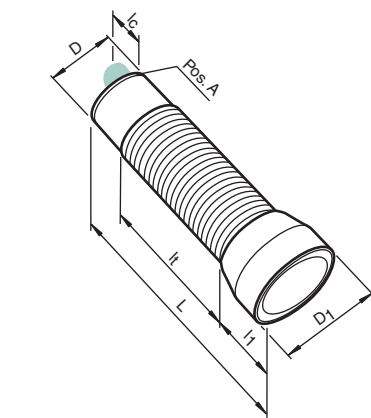
Dimensions

Length L [mm]	114	128	132
Diameter D [mm]	30		
Transducer diameter D ₁ [mm]	30	40	73
Transducer length l ₁ [mm]	0	25	32,5
Thread length l _t [mm]	92	81	77,5
Connector area l _c [mm]	10		
LED position	Pos. A		
Temperature / program plug	Pos. A , 27.5 mm		

Accessories

This and more accessories can be found in chapter 3.5 from page 673
See pages from 972 ... for cordsets See pages 1068 ... for mounting aids

BF 30	Mounting flange, 30 mm
BF 30-F	Mounting flange with dead stop, 30 mm
BF 5-30	Universal mounting bracket for cylindrical sensors with a diameter of 5 ... 30 mm
UC-30GM-R2	Programming cable
ULTRA3000	Software for ultrasonic sensors, comfort line
V15-G-2M-PVC	Cable socket, M12, 5-pin, PVC cable
V15-W-2M-PUR	Cable socket, M12, 5-pin, PUR cable

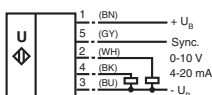


Electrical Connection

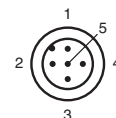


- UC300-30GM-IUR2-V15
- UC500-30GM-IUR2-V15
- UC2000-30GM-IUR2-V15
- UC4000-30GM-IUR2-V15
- UC6000-30GM-IUR2-V15
- UCC1000-30GM-IUR2-V15

Standard symbol/Connection:
(version IU)



Core colors in accordance with EN 60947-5-2.



Wire colors in accordance with EN 60947-5-2

- 1 | BN (brown)
- 2 | WH (white)
- 3 | BU (blue)
- 4 | BK (black)
- 5 | GY (gray)



Technical Data

For detailed data and product description refer to the data sheets at www.pepperl-fuchs.com

General Data

Operating voltage	10 ... 30 V DC , ripple 10 % _{SS}
No-load supply current	≤ 50 mA
Interface type	RS 232, 9600 Bit/s , no parity, 8 data bits, 1 stop bit
Output type	2 switch outputs PNP, NO/NC, programmable
Rated operational current	200 mA , short-circuit/overload protected
Synchronization	bi-directional
Ambient temperature	-25 ... 70 °C (-13 ... 158 °F)
Material	
Housing	stainless steel (1.4305 / AISI 303), PBT plastic parts
Transducer	epoxy resin/hollow glass sphere mixture; polyurethane foam
Protection degree	sensor head: IP67 connector sensor head/controller unit: IP52
Connection type	Device connector M12 x 1 , 5-pin



Properties

- 300 mm and 1000 mm sensing range versions
- DC, 2 switching outputs
- Ø30 mm cylindrical housing with separate head
- Connector version

Your Benefit

- Provides maximum sensing range in space-restricted mounting areas
- Potentiometer-free configuration via programming plug or ULTRA3000 software

Model Number

		UC300-30GM-E6R2-K-V15	UC1000-30GM-E6R2-K-V15
Sensing range	30 ... 300 mm 80 ... 1000 mm	●	●
Transducer frequency	approx. 380 kHz approx. 180 kHz	●	●
Switching frequency	≤ 2.5 Hz ≤ 7 Hz	●	●

Approvals and Certificates

UL approval	cULus Listed, General Purpose	●	●
CSA approval	cCSAus Listed, General Purpose	●	●

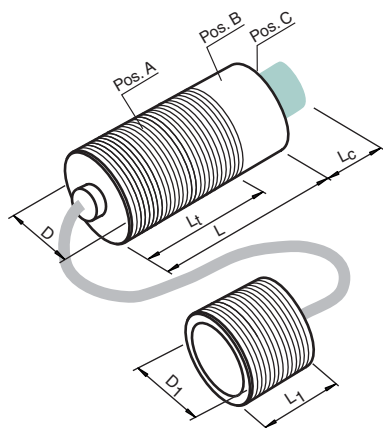
Dimensions

	93,5	112
Length L [mm]		
Diameter D [mm]	30	
Transducer diameter D ₁ [mm]	18	30
Transducer length l ₁ [mm]	25	27
Thread length l _t [mm]	71,5	90
Connector area l _c [mm]		10
LED position		Pos. C
Temperature / program plug		Pos. C , 27.5 mm

Accessories

This and more accessories can be found in chapter 3.5 from page 673
See pages from 972 ... for cordsets See pages 1068 ... for mounting aids

BF 30	Mounting flange, 30 mm
BF 30-F	Mounting flange with dead stop, 30 mm
BF 18	Mounting flange, 18 mm
BF 5-30	Universal mounting bracket for cylindrical sensors with a diameter of 5 ... 30 mm
BF 18-F	Mounting flange with dead stop, 18 mm
UC-30GM-R2	Programming cable
ULTRA3000	Software for ultrasonic sensors, comfort line
V15-G-2M-PVC	Cable socket, M12, 5-pin, PVC cable
V15-W-2M-PUR	Cable socket, M12, 5-pin, PUR cable

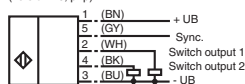


Electrical Connection

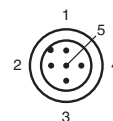


UC300-30GM-E6R2-K-V15
UC1000-30GM-E6R2-K-V15

Standard symbol/Connection:
(version E6, pnp)



Core colors in accordance with EN 60947-5-2.



Wire colors in accordance with EN 60947-5-2

1	BN	(brown)
2	WH	(white)
3	BU	(blue)
4	BK	(black)
5	GY	(gray)

Date of issue 04/08/2015

3
1
Ultrasonic Sensors, Diffuse Mode Sensors, cylindrical



Technical Data

For detailed data and product description refer to the data sheets at www.pepperl-fuchs.com

General Data

Operating voltage	10 ... 30 V DC , ripple 10 % _{SS}
Power consumption	≤ 900 mW
Interface type	RS 232, 9600 Bit/s , no parity, 8 data bits, 1 stop bit
Output type	1 current output 4 ... 20 mA 1 voltage output 0 ... 10 V
Deviation of the characteristic curve	≤ 0.2 % of full-scale value
Synchronization	bi-directional
Ambient temperature	-25 ... 70 °C (-13 ... 158 °F)
Material	
Housing	stainless steel (1.4305 / AISI 303), PBT plastic parts
Transducer	epoxy resin/hollow glass sphere mixture; polyurethane foam
Protection degree	sensor head: IP67 connector sensor head/controller unit: IP52
Connection type	Device connector M12 x 1 , 5-pin



Properties

- 300 mm and 1000 mm sensing range versions
- DC, analog outputs
- Ø30 mm cylindrical housing with separate head
- Connector version

Your Benefit

- Provides maximum sensing range in space-restricted mounting areas
- Potentiometer-free configuration via programming plug or ULTRA3000 software

Model Number

		UC300-30GM-IUR2-K-V15	UC1000-30GM-IUR2-K-V15
Sensing range	30 ... 300 mm 80 ... 1000 mm	●	●
Transducer frequency	approx. 380 kHz approx. 180 kHz	●	●
Resolution	evaluation range [mm]/4000, but ≥ 0.05 mm evaluation range [mm]/4000, but ≥ 0.35 mm	●	●

Approvals and Certificates

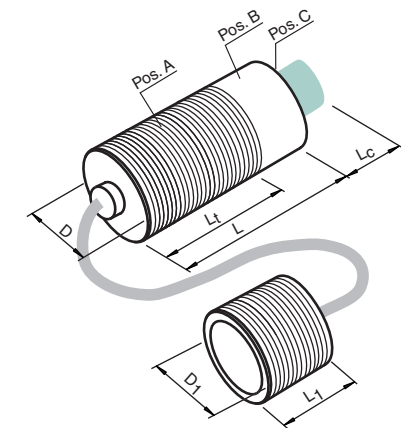
		UC300-30GM-IUR2-K-V15	UC1000-30GM-IUR2-K-V15
UL approval	cULus Listed, General Purpose	●	●
CSA approval	cCSAus Listed, General Purpose	●	●

Dimensions

		UC300-30GM-IUR2-K-V15	UC1000-30GM-IUR2-K-V15
Length L [mm]		112	
Diameter D [mm]		30	
Transducer diameter D ₁ [mm]		18	30
Transducer length l ₁ [mm]		25	27
Thread length l _t [mm]		90	
Connector area l _c [mm]		10	
LED position		Pos. C	
Temperature / program plug		Pos. C , 27.5 mm	

Accessories This and more accessories can be found in chapter 3.5 from page 673 See pages from 972 ... for cordsets See pages 1068 ... for mounting aids

BF 18	Mounting flange, 18 mm
BF 30	Mounting flange, 30 mm
BF 18-F	Mounting flange with dead stop, 18 mm
BF 30-F	Mounting flange with dead stop, 30 mm
BF 5-30	Universal mounting bracket for cylindrical sensors with a diameter of 5 ... 30 mm
UC-30GM-R2	Programming cable
ULTRA3000	Software for ultrasonic sensors, comfort line
DA5-IU-2K-V	Process control and indication equipment
V15-G-2M-PVC	Cable socket, M12, 5-pin, PVC cable
V15-W-2M-PUR	Cable socket, M12, 5-pin, PUR cable

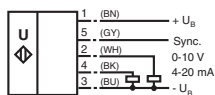


Electrical Connection

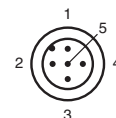


UC300-30GM-IUR2-K-V15
UC1000-30GM-IUR2-K-V15

Standard symbol/Connection:
(version IU)



Core colors in accordance with EN 60947-5-2.



Wire colors in accordance with EN 60947-5-2

1	BN	(brown)
2	WH	(white)
3	BU	(blue)
4	BK	(black)
5	GY	(gray)

Date of issue: 04/08/2015



Technical Data

For detailed data and product description refer to the data sheets at www.pepperl-fuchs.com

General Data

Operating voltage	12 ... 30 V DC (including ripple)
No-load supply current	≤ 50 mA
Potentiometer	Switching output 1 and Switching output 2 adjustable
Interface type	Infrared
Output type	2 switch outputs PNP, NO (NC programmable)
Operating current	Per 150 mA , short-circuit/overload protected
Input/output type	1 synchronization connection, bidirectional / TEACH-IN input, programmable
Ambient temperature	-25 ... 70 °C (-13 ... 158 °F)
Material	
Housing	brass, nickel-plated
Transducer	epoxy resin/hollow glass sphere mixture; polyurethane foam
Protection degree	IP65
Connection type	Device connector M12 x 1 , 5-pin



Properties

- Up to 6000 mm sensing range versions
- DC, 2 switching outputs
- Ø30 mm cylindrical housing
- Connector version

Your Benefit

- Simple potentiometer-based configuration
- Optional, expanded configuration control via ULTRA-PROG-IR software and interface

Model Number

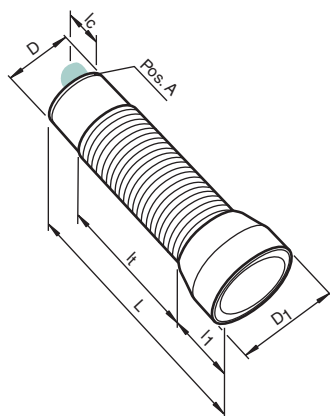
		UC500-30GM70-2E2R2-V15	UC2000-30GM70-2E2R2-V15	UC3500-30GM70-2E2R2-V15	UC6000-30GM70-2E2R2-V15
Sensing range	45 ... 500 mm	●			
	100 ... 2000 mm		●		
	200 ... 3500 mm			●	
	350 ... 6000 mm				●
Transducer frequency	approx. 300 kHz	●			
	approx. 200 kHz		●		
	approx. 120 kHz			●	
	approx. 80 kHz				●

Approvals and Certificates

UL approval	cULus Listed, General Purpose	●	●	●	●
CSA approval	cCSAus Listed, General Purpose	●	●	●	●

Dimensions

Diameter D [mm]	30		
Length L [mm]	99,3	121,2	
Thread length l _t [mm]	74,7	62	
Transducer diameter D ₁ [mm]	30	65	
Transducer length l ₁ [mm]	0,3	0,5	36,5
Connector area l _c [mm]	10,5		



Accessories

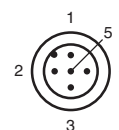
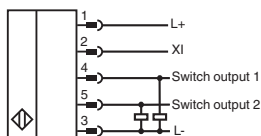
This and more accessories can be found in chapter 3.5 from page 673
See pages from 972 ... for cordsets See pages 1068 ... for mounting aids

BF 30	Mounting flange, 30 mm
BF 5-30	Universal mounting bracket for cylindrical sensors with a diameter of 5 ... 30 mm
V15-G-2M-PUR	Cable socket, M12, 5-pin, PUR cable
V15-W-2M-PUR	Cable socket, M12, 5-pin, PUR cable
UC-18/30GM-IR	Interface cable
ULTRA-PROG-IR	Service program

Electrical Connection



UC500-30GM70-2E2R2-V15
UC2000-30GM70-2E2R2-V15
UC3500-30GM70-2E2R2-V15
UC6000-30GM70-2E2R2-V15



Wire colors in accordance with EN 60947-5-2

1	BN	(brown)
2	WH	(white)
3	BU	(blue)
4	BK	(black)
5	GY	(gray)

Date of issue 04/08/2015

3
1
Ultrasonic Sensors, Diffuse Mode Sensors, cylindrical



Technical Data

For detailed data and product description refer to the data sheets at www.pepperl-fuchs.com

General Data

Operating voltage	12 ... 30 V DC (including ripple)
No-load supply current	≤ 50 mA
Potentiometer	Switching output 1 and Switching output 2 adjustable
Interface type	Infrared
Output type	2 switch outputs PNP, NO (NC programmable)
Operating current	Per 150 mA , short-circuit/overload protected
Input/output type	1 synchronization connection, bidirectional / TEACH-IN input, programmable
Ambient temperature	-25 ... 70 °C (-13 ... 158 °F)
MATERIAL	
Housing	brass, nickel-plated
Transducer	epoxy resin/hollow glass sphere mixture; polyurethane foam
Protection degree	IP65
Connection type	Device connector M12 x 1 , 5-pin



Properties

- Up to 6000 mm sensing range versions
- DC, 2 switching outputs
- Ø30 mm cylindrical housing with adjustable head
- Connector version

Your Benefit

- Simple potentiometer-based configuration
- Optional, expanded configuration control via ULTRA-PROG-IR software and interface

Model Number

	UC500-30GM70S-2E2R2-V15	UC2000-30GM70S-2E2R2-V15	UC3500-30GM70S-2E2R2-V15	UC6000-30GM70S-2E2R2-V15
Sensing range	●	●	●	●
45 ... 500 mm	●			
100 ... 2000 mm		●		
200 ... 3500 mm			●	
350 ... 6000 mm				●
Transducer frequency	●	●	●	●
approx. 300 kHz	●			
approx. 200 kHz		●		
approx. 120 kHz			●	
approx. 80 kHz				●

Approvals and Certificates

UL approval	cULus Listed, General Purpose	●	●	●	●
CSA approval	cCSAus Listed, General Purpose	●	●	●	●

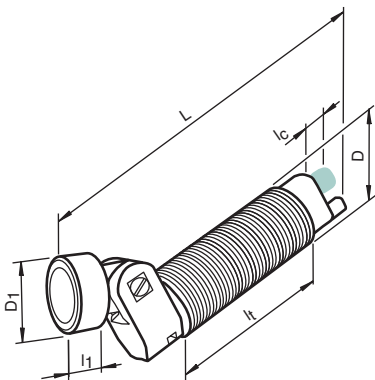
Dimensions

Diameter D [mm]	30		
Length L [mm]	126	143,5	
Thread length l _t [mm]	74,4		
Transducer diameter D ₁ [mm]	30	65	
Transducer length l ₁ [mm]	28	37,2	
Connector area l _c [mm]	10,5		

Accessories

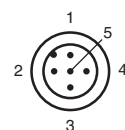
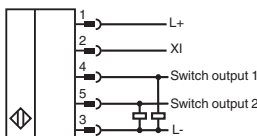
This and more accessories can be found in chapter 3.5 from page 673
 See pages from 972 ... for cordsets See pages 1068 ... for mounting aids

BF 30	Mounting flange, 30 mm
BF 5-30	Universal mounting bracket for cylindrical sensors with a diameter of 5 ... 30 mm
V15-G-2M-PUR	Cable socket, M12, 5-pin, PUR cable
V15-W-2M-PUR	Cable socket, M12, 5-pin, PUR cable
UC-18/30GM-IR	Interface cable
ULTRA-PROG-IR	Service program



Electrical Connection

- UC500-30GM70S-2E2R2-V15
- UC2000-30GM70S-2E2R2-V15
- UC3500-30GM70S-2E2R2-V15
- UC6000-30GM70S-2E2R2-V15



Wire colors in accordance with EN 60947-5-2

1	BN	(brown)
2	WH	(white)
3	BU	(blue)
4	BK	(black)
5	GY	(gray)



Technical Data

For detailed data and product description refer to the data sheets at www.pepperl-fuchs.com

General Data

Operating voltage	12 ... 30 V DC (including ripple)
No-load supply current	≤ 50 mA
Potentiometer	Switching output 1 and Switching output 2 adjustable
Interface type	Infrared
Output type	2 switch outputs PNP, NO (NC programmable)
Operating current	Per 150 mA , short-circuit/overload protected
Input/output type	1 synchronization connection, bidirectional / TEACH-IN input, programmable
Ambient temperature	-25 ... 70 °C (-13 ... 158 °F)
Material	
Housing	brass, nickel-plated
Transducer	epoxy resin/hollow glass sphere mixture; polyurethane foam
Protection degree	IP65
Connection type	Device connector M12 x 1 , 5-pin



Properties

- 500 mm and 2000 mm sensing range versions
- DC, 2 switching outputs
- Ø30 mm cylindrical housing with separate head
- Connector version

Your Benefit

- Provides maximum sensing range in space-restricted mounting areas
- Simple potentiometer-based configuration
- Optional, expanded configuration control via ULTRA-PROG-IR software and interface

Model Number

Sensing range	45 ... 500 mm	●	UC500-30GM70-2E2R2-K-V15	●	UC2000-30GM70-2E2R2-K-V15
	100 ... 2000 mm				
Transducer frequency	approx. 300 kHz	●		●	
	approx. 200 kHz				●

Approvals and Certificates

UL approval	cULus Listed, General Purpose	●	●
CSA approval	cCSAus Listed, General Purpose	●	●

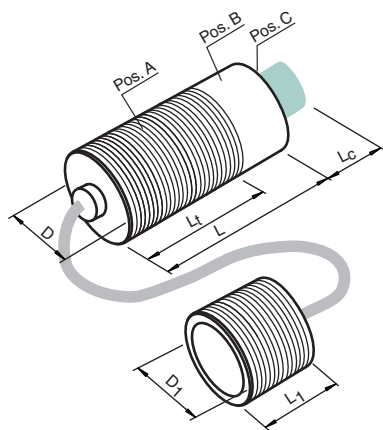
Dimensions

Diameter D [mm]	30
Length L [mm]	111,3
Thread length l_t [mm]	74,4
Transducer diameter D_1 [mm]	18
Transducer length l_1 [mm]	26,7
Connector area l_c [mm]	10,5

Accessories

This and more accessories can be found in chapter 3.5 from page 673
See pages from 972 ... for cordsets See pages 1068 ... for mounting aids

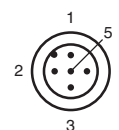
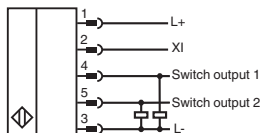
BF 30	Mounting flange, 30 mm
BF 5-30	Universal mounting bracket for cylindrical sensors with a diameter of 5 ... 30 mm
V15-G-2M-PUR	Cable socket, M12, 5-pin, PUR cable
V15-W-2M-PUR	Cable socket, M12, 5-pin, PUR cable
UC-18/30GM-IR	Interface cable
ULTRA-PROG-IR	Service program



Electrical Connection



UC500-30GM70-2E2R2-K-V15
UC2000-30GM70-2E2R2-K-V15



Wire colors in accordance with EN 60947-5-2

1	BN	(brown)
2	WH	(white)
3	BU	(blue)
4	BK	(black)
5	GY	(gray)

Date of issue 04/08/2015

3
1
Ultrasonic Sensors, Diffuse Mode Sensors, cylindrical



Technical Data

For detailed data and product description refer to the data sheets at www.pepperl-fuchs.com

General Data

Operating voltage	20 ... 30 V DC (including ripple)
No-load supply current	≤ 50 mA
Potentiometer	switch output adjustable
Interface type	Infrared
Output type	1 switch output PNP, NO (NC programmable)
Operating current	300 mA , short-circuit/overload protected
Input/output type	1 synchronization connection, bidirectional / TEACH-IN input, programmable
Ambient temperature	-25 ... 70 °C (-13 ... 158 °F)
Material	
Housing	brass, nickel-plated
Transducer	epoxy resin/hollow glass sphere mixture; polyurethane foam
Protection degree	IP65
Connection type	Device connector M12 x 1 , 5-pin



Properties

- Up to 6000 mm sensing range versions
- DC, analog and switching output
- Ø30 mm cylindrical housing
- Connector version

Your Benefit

- Simple potentiometer-based configuration
- Optional, expanded configuration control via ULTRA-PROG-IR software and interface

Model Number

		UC500-30GM70-IE2R2-V15	UC500-30GM70-UE2R2-V15	UC2000-30GM70-IE2R2-V15	UC2000-30GM70-UE2R2-V15	UC3500-30GM70-IE2R2-V15	UC3500-30GM70-UE2R2-V15	UC6000-30GM70-IE2R2-V15	UC6000-30GM70-UE2R2-V15
Sensing range	green = preferred type	●	●	●	●	●	●	●	●
	45 ... 500 mm								
	100 ... 2000 mm			●	●				
	200 ... 3500 mm					●	●		
	350 ... 6000 mm							●	●
Transducer frequency	approx. 300 kHz	●	●						
	approx. 200 kHz			●	●				
	approx. 120 kHz					●	●		
	approx. 80 kHz							●	●
Output type	1 voltage output 0 ... 10 V , ascending/descending programmable		●		●		●		●
	1 current output 4 ... 20 mA , ascending/descending programmable	●	●		●		●		●

Approvals and Certificates

UL approval	cULus Listed, General Purpose	●	●	●	●	●	●	●	●
CSA approval	cCSAus Listed, General Purpose	●	●	●	●	●	●	●	●

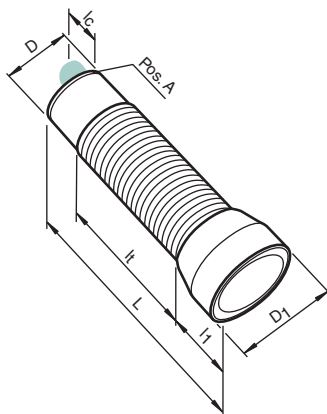
Dimensions

Diameter D [mm]	30		
Length L [mm]	99,3	121,2	
Thread length l _t [mm]	74,7	62	
Transducer diameter D ₁ [mm]	30	65	
Transducer length l ₁ [mm]	0,3	0,5	36,5
Connector area l _c [mm]	10,5		

Accessories

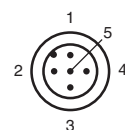
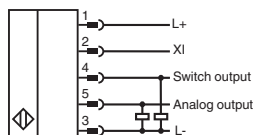
This and more accessories can be found in chapter 3.5 from page 673
See pages from 972 ... for cordsets See pages 1068 ... for mounting aids

BF 30	Mounting flange, 30 mm
BF 5-30	Universal mounting bracket for cylindrical sensors with a diameter of 5 ... 30 mm
V15-G-2M-PUR	Cable socket, M12, 5-pin, PUR cable
V15-W-2M-PUR	Cable socket, M12, 5-pin, PUR cable
UC-18/30GM-IR	Interface cable
ULTRA-PROG-IR	Service program



Electrical Connection

- UC500-30GM70-IE2R2-V15
- UC500-30GM70-UE2R2-V15
- UC2000-30GM70-IE2R2-V15
- UC2000-30GM70-UE2R2-V15
- UC3500-30GM70-IE2R2-V15
- UC3500-30GM70-UE2R2-V15
- UC6000-30GM70-IE2R2-V15
- UC6000-30GM70-UE2R2-V15



Wire colors in accordance with EN 60947-5-2

1	BN	(brown)
2	WH	(white)
3	BU	(blue)
4	BK	(black)
5	GY	(gray)



Technical Data

For detailed data and product description refer to the data sheets at www.pepperl-fuchs.com

General Data

Operating voltage	20 ... 30 V DC (including ripple)
No-load supply current	≤ 50 mA
Potentiometer	switch output adjustable
Interface type	Infrared
Output type	1 switch output PNP, NO (NC programmable)
Operating current	300 mA , short-circuit/overload protected
Input/output type	1 synchronization connection, bidirectional / TEACH-IN input, programmable
Ambient temperature	-25 ... 70 °C (-13 ... 158 °F)
Material	
Housing	brass, nickel-plated
Transducer	epoxy resin/hollow glass sphere mixture; polyurethane foam
Protection degree	IP65
Connection type	Device connector M12 x 1 , 5-pin



Properties

- Up to 6000 mm sensing range versions
- DC, analog and switching output
- Ø30 mm cylindrical housing with adjustable head
- Connector version

Your Benefit

- Simple potentiometer-based configuration
- Optional, expanded configuration control via ULTRA-PROG-IR software and interface

Model Number

		UC500-30GM70S-IE2R2-V15	UC500-30GM70S-UE2R2-V15	UC2000-30GM70S-IE2R2-V15	UC2000-30GM70S-UE2R2-V15	UC3500-30GM70S-IE2R2-V15	UC3500-30GM70S-UE2R2-V15	UC6000-30GM70S-IE2R2-V15	UC6000-30GM70S-UE2R2-V15
Sensing range	45 ... 500 mm	●	●						
	100 ... 2000 mm			●	●				
	200 ... 3500 mm					●	●		
	350 ... 6000 mm							●	●
Transducer frequency	approx. 300 kHz	●	●						
	approx. 200 kHz			●	●				
	approx. 120 kHz					●	●		
	approx. 80 kHz							●	●
Output type	1 voltage output 0 ... 10 V , ascending/descending programmable		●		●		●		●
	1 current output 4 ... 20 mA , ascending/descending programmable	●		●		●		●	

Approvals and Certificates

UL approval	cULus Listed, General Purpose	●	●	●	●	●	●	●	●
CSA approval	cCSAus Listed, General Purpose	●	●	●	●	●	●	●	●

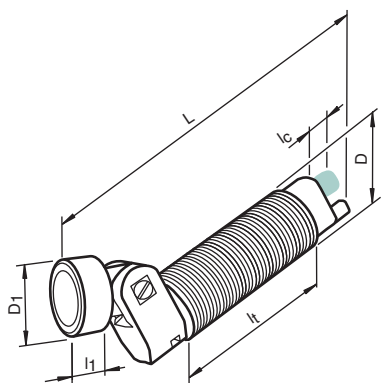
Dimensions

Diameter D [mm]	30	
Length L [mm]	126	143,5
Thread length l _t [mm]	74,4	
Transducer diameter D ₁ [mm]	30	65
Transducer length l ₁ [mm]	28	37,2
Connector area l _c [mm]	10,5	

Accessories

This and more accessories can be found in chapter 3.5 from page 673
See pages from 972 ... for cordsets See pages 1068 ... for mounting aids

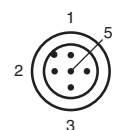
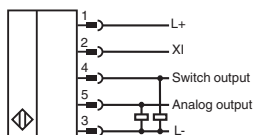
BF 30	Mounting flange, 30 mm
BF 5-30	Universal mounting bracket for cylindrical sensors with a diameter of 5 ... 30 mm
V15-G-2M-PUR	Cable socket, M12, 5-pin, PUR cable
V15-W-2M-PUR	Cable socket, M12, 5-pin, PUR cable
UC-18/30GM-IR	Interface cable
ULTRA-PROG-IR	Service program



Electrical Connection



- UC500-30GM70S-IE2R2-V15
- UC500-30GM70S-UE2R2-V15
- UC2000-30GM70S-IE2R2-V15
- UC2000-30GM70S-UE2R2-V15
- UC3500-30GM70S-IE2R2-V15
- UC3500-30GM70S-UE2R2-V15
- UC6000-30GM70S-IE2R2-V15
- UC6000-30GM70S-UE2R2-V15



Wire colors in accordance with EN 60947-5-2

- 1 | BN (brown)
- 2 | WH (white)
- 3 | BU (blue)
- 4 | BK (black)
- 5 | GY (gray)

Date of issue 04/08/2015



Technical Data

For detailed data and product description refer to the data sheets at www.pepperl-fuchs.com

General Data

Operating voltage	20 ... 30 V DC (including ripple)
No-load supply current	≤ 50 mA
Potentiometer	switch output adjustable
Interface type	Infrared
Output type	1 switch output PNP, NO (NC programmable)
Operating current	300 mA , short-circuit/overload protected
Input/output type	1 synchronization connection, bidirectional / TEACH-IN input, programmable
Ambient temperature	-25 ... 70 °C (-13 ... 158 °F)
MATERIAL	
Housing	brass, nickel-plated
Transducer	epoxy resin/hollow glass sphere mixture; polyurethane foam
Protection degree	IP65
Connection type	Device connector M12 x 1 , 5-pin



Properties

- 500 mm and 2000 mm sensing range versions
- DC, analog and switching output
- Ø30 mm cylindrical housing with separate head
- Connector version

Your Benefit

- Provides maximum sensing range in space-restricted mounting areas
- Simple potentiometer-based configuration
- Optional, expanded configuration control via ULTRA-PROG-IR software and interface

Model Number

	green = preferred type				
Sensing range	45 ... 500 mm	●	●	●	●
Transducer frequency	100 ... 2000 mm	●	●	●	●
	approx. 300 kHz				
Output type	approx. 200 kHz			●	●
	1 voltage output 0 ... 10 V , ascending/ descending programmable		●		
	1 current output 4 ... 20 mA , ascending/ descending programmable	●		●	

Approvals and Certificates

UL approval	cULus Listed, General Purpose	●	●	●	●
CSA approval	cCSAus Listed, General Purpose	●	●	●	●

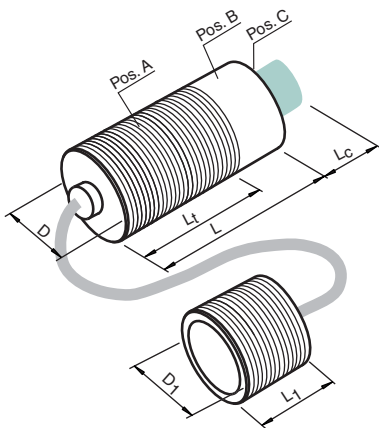
Dimensions

Diameter D [mm]	30
Length L [mm]	111,3
Thread length l _t [mm]	74,4
Transducer diameter D ₁ [mm]	18
Transducer length l ₁ [mm]	26,7
Connector area l _c [mm]	10,5

Accessories

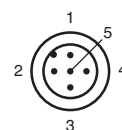
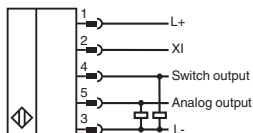
This and more accessories can be found in chapter 3.5 from page 673
See pages from 972 ... for cordsets See pages 1068 ... for mounting aids

BF 30	Mounting flange, 30 mm
BF 5-30	Universal mounting bracket for cylindrical sensors with a diameter of 5 ... 30 mm
V15-G-2M-PUR	Cable socket, M12, 5-pin, PUR cable
V15-W-2M-PUR	Cable socket, M12, 5-pin, PUR cable
UC-18/30GM-IR	Interface cable
ULTRA-PROG-IR	Service program



Electrical Connection

- UC500-30GM70-IE2R2-K-V15
- UC500-30GM70-UE2R2-K-V15
- UC2000-30GM70-IE2R2-K-V15
- UC2000-30GM70-UE2R2-K-V15



Wire colors in accordance with EN 60947-5-2

1	BN	(brown)
2	WH	(white)
3	BU	(blue)
4	BK	(black)
5	GY	(gray)



Technical Data

For detailed data and product description refer to the data sheets at www.pepperl-fuchs.com

General Data

Operating voltage	20 ... 30 V DC (including ripple)
No-load supply current	≤ 50 mA
Potentiometer	switch output adjustable
Interface type	Infrared
Output type	1 switch output PNP, NO (NC programmable)
Operating current	300 mA , short-circuit/overload protected
Input/output type	1 synchronization connection, bidirectional / TEACH-IN input, programmable
Ambient temperature	-25 ... 70 °C (-13 ... 158 °F)
Material	
Housing	High grade stainless steel
Transducer	PTFE coated; epoxy resin/hollow glass sphere mixture; polyurethane foam
Protection degree	IP65
Connection type	Device connector M12 x 1 , 5-pin



Properties

- Up to 6000 mm sensing range versions
- DC, analog and switching output
- Ø30 mm cylindrical housing
- Connector version

Your Benefit

- Chemically resistant PTFE-coated sensing face and corrosion resistant high grade stainless steel housing
- Simple potentiometer-based configuration
- Optional, expanded configuration control via ULTRA-PROG-IR software and interface

Model Number

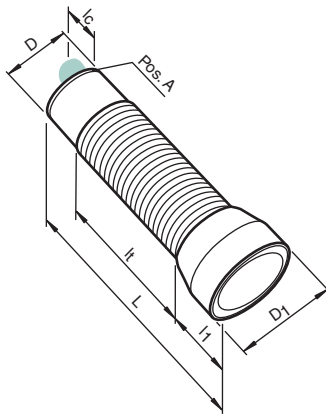
	UCC500-30GH70-IE2R2-V15	UCC500-30GH70-UE2R2-V15	UCC2000-30GH70-IE2R2-V15	UCC2000-30GH70-UE2R2-V15	UCC3500-30GH70-IE2R2-V15	UCC3500-30GH70-UE2R2-V15	UCC6000-30GH70-IE2R2-V15	UCC6000-30GH70-UE2R2-V15
Sensing range	●	●	●	●	●	●	●	●
45 ... 500 mm	●	●						
100 ... 2000 mm			●	●				
200 ... 3500 mm					●	●		
350 ... 6000 mm							●	●
Transducer frequency	●	●						
approx. 300 kHz	●	●						
approx. 200 kHz			●	●				
approx. 120 kHz					●	●		
approx. 80 kHz							●	●
Output type								
1 voltage output 0 ... 10 V , ascending/descending programmable		●			●	●		●
1 current output 4 ... 20 mA , ascending/descending programmable	●		●		●		●	

Approvals and Certificates

UL approval	cULus Listed, General Purpose	●	●	●	●	●	●	●
CSA approval	cCSAus Listed, General Purpose	●	●	●	●	●	●	●

Dimensions

Diameter D [mm]	30		
Length L [mm]	99,3	121,2	
Thread length l _t [mm]	74,7	62	
Transducer diameter D ₁ [mm]	30	65	
Transducer length l ₁ [mm]	0,3	0,5	36,5
Connector area l _c [mm]	10,5		



Accessories

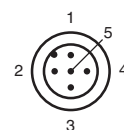
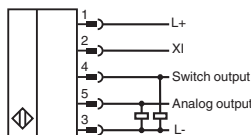
This and more accessories can be found in chapter 3.5 from page 673
See pages from 972 ... for cordsets See pages 1068 ... for mounting aids

BF 30	Mounting flange, 30 mm
BF 5-30	Universal mounting bracket for cylindrical sensors with a diameter of 5 ... 30 mm
V15-G-2M-PUR	Cable socket, M12, 5-pin, PUR cable
V15-W-2M-PUR	Cable socket, M12, 5-pin, PUR cable
UC-18/30GM-IR	Interface cable
ULTRA-PROG-IR	Service program

Electrical Connection



- UCC500-30GH70-IE2R2-V15
- UCC500-30GH70-UE2R2-V15
- UCC2000-30GH70-IE2R2-V15
- UCC2000-30GH70-UE2R2-V15
- UCC3500-30GH70-IE2R2-V15
- UCC3500-30GH70-UE2R2-V15
- UCC6000-30GH70-IE2R2-V15
- UCC6000-30GH70-UE2R2-V15



Wire colors in accordance with EN 60947-5-2

1	BN	(brown)
2	WH	(white)
3	BU	(blue)
4	BK	(black)
5	GY	(gray)

Date of issue 04/08/2015



Technical Data

For detailed data and product description refer to the data sheets at www.pepperl-fuchs.com

General Data

Operating voltage	20 ... 30 V DC (including ripple)
No-load supply current	≤ 50 mA
Potentiometer	switch output adjustable
Interface type	Infrared
Output type	1 switch output PNP, NO (NC programmable)
Operating current	300 mA , short-circuit/overload protected
Input/output type	1 synchronization connection, bidirectional / TEACH-IN input, programmable
Ambient temperature	-25 ... 70 °C (-13 ... 158 °F)
Material	
Housing	High grade stainless steel
Transducer	PTFE coated; epoxy resin/hollow glass sphere mixture; polyurethane foam
Protection degree	IP65
Connection type	Device connector M12 x 1 , 5-pin



Properties

- Up to 6000 mm sensing range versions
- DC, analog and switching output
- Ø30 mm cylindrical housing with adjustable head
- Connector version

Your Benefit

- Chemically resistant PTFE-coated sensing face and corrosion resistant high grade stainless steel housing
- Simple potentiometer-based configuration
- Optional, expanded configuration control via ULTRA-PROG-IR software and interface

Model Number

		UCC500-30GH70S-IE2R2-V15	UCC500-30GH70S-UE2R2-V15	UCC2000-30GH70S-IE2R2-V15	UCC2000-30GH70S-UE2R2-V15	UCC3500-30GH70S-IE2R2-V15	UCC3500-30GH70S-UE2R2-V15	UCC6000-30GH70S-IE2R2-V15	UCC6000-30GH70S-UE2R2-V15
Sensing range	45 ... 500 mm	●	●						
	100 ... 2000 mm			●	●				
	200 ... 3500 mm					●	●		
	350 ... 6000 mm							●	●
Transducer frequency	approx. 300 kHz	●	●						
	approx. 200 kHz			●	●				
	approx. 120 kHz					●	●		
	approx. 80 kHz							●	●
Output type	1 voltage output 0 ... 10 V , ascending/ descending programmable		●		●		●		●
	1 current output 4 ... 20 mA , ascending/ descending programmable	●	●			●	●		●

Approvals and Certificates

UL approval	cULus Listed, General Purpose	●	●	●	●	●	●	●	●
CSA approval	cCSAus Listed, General Purpose	●	●	●	●	●	●	●	●

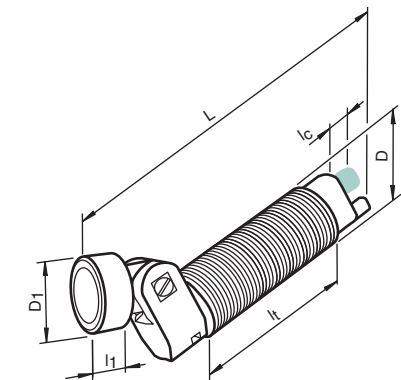
Dimensions

Diameter D [mm]	30	
Length L [mm]	143,5	126
Thread length l _t [mm]	74,4	
Transducer diameter D ₁ [mm]	30	65
Transducer length l ₁ [mm]	28	37,2
Connector area l _c [mm]	10,5	

Accessories

This and more accessories can be found in chapter 3.5 from page 673
See pages from 972 ... for cordsets See pages 1068 ... for mounting aids

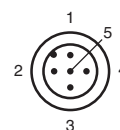
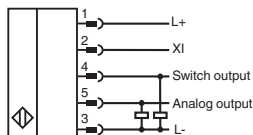
BF 30	Mounting flange, 30 mm
BF 5-30	Universal mounting bracket for cylindrical sensors with a diameter of 5 ... 30 mm
V15-G-2M-PUR	Cable socket, M12, 5-pin, PUR cable
V15-W-2M-PUR	Cable socket, M12, 5-pin, PUR cable
UC-18/30GM-IR	Interface cable
ULTRA-PROG-IR	Service program



Electrical Connection



- UCC2000-30GH70S-UE2R2-V15
- UCC3500-30GH70S-IE2R2-V15
- UCC3500-30GH70S-UE2R2-V15
- UCC6000-30GH70S-IE2R2-V15
- UCC6000-30GH70S-UE2R2-V15
- UCC500-30GH70S-IE2R2-V15
- UCC500-30GH70S-UE2R2-V15
- UCC2000-30GH70S-IE2R2-V15



Wire colors in accordance with EN 60947-5-2

1	BN	(brown)
2	WH	(white)
3	BU	(blue)
4	BK	(black)
5	GY	(gray)



Technical Data

For detailed data and product description refer to the data sheets at www.pepperl-fuchs.com

General Data

Operating voltage	20 ... 30 V DC (including ripple)
No-load supply current	≤ 50 mA
Potentiometer	switch output adjustable
Interface type	Infrared
Output type	1 switch output PNP, NO (NC programmable)
Operating current	300 mA , short-circuit/overload protected
Input/output type	1 synchronization connection, bidirectional / TEACH-IN input, programmable
Ambient temperature	-25 ... 70 °C (-13 ... 158 °F)
Material	
Housing	High grade stainless steel
Transducer	PTFE coated; epoxy resin/hollow glass sphere mixture; polyurethane foam
Protection degree	IP65
Connection type	Device connector M12 x 1 , 5-pin

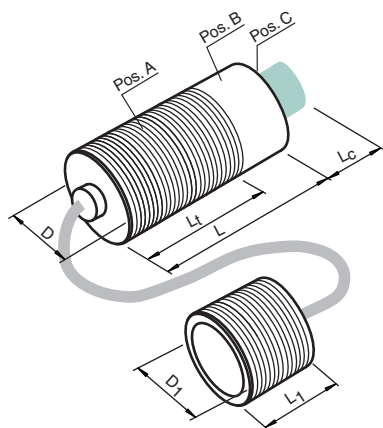


Properties

- 500 mm and 2000 mm sensing range versions
- DC, analog and switching output
- Ø30 mm cylindrical housing with separate head
- Connector version

Your Benefit

- Chemically resistant PTFE-coated sensing face and corrosion resistant high grade stainless steel housing
- Provides maximum sensing range in space-restricted mounting areas
- Simple potentiometer-based configuration
- Optional, expanded configuration control via ULTRA-PROG-IR software and interface



Model Number

	UCC500-30GH70-IE2R2-K-V15	UCC500-30GH70-UE2R2-K-V15	UCC2000-30GH70-IE2R2-K-V15	UCC2000-30GH70-UE2R2-K-V15
Sensing range	45 ... 500 mm	100 ... 2000 mm		
Transducer frequency	approx. 300 kHz	approx. 200 kHz		
Output type	1 voltage output 0 ... 10 V , ascending/descending programmable			
	1 current output 4 ... 20 mA , ascending/descending programmable			

Approvals and Certificates

UL approval	cULus Listed, General Purpose	●	●	●	●
CSA approval	cCSAus Listed, General Purpose	●	●	●	●

Dimensions

Diameter D [mm]	30
Length L [mm]	111,3
Thread length l ₁ [mm]	74,4
Transducer diameter D ₁ [mm]	18
Transducer length l ₁ [mm]	26,7
Connector area l _c [mm]	10,5

Accessories

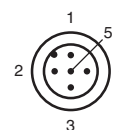
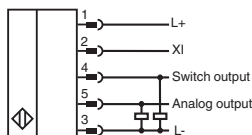
This and more accessories can be found in chapter 3.5 from page 673
See pages from 972 ... for cordsets See pages 1068 ... for mounting aids

BF 30	Mounting flange, 30 mm
BF 5-30	Universal mounting bracket for cylindrical sensors with a diameter of 5 ... 30 mm
V15-G-2M-PUR	Cable socket, M12, 5-pin, PUR cable
V15-W-2M-PUR	Cable socket, M12, 5-pin, PUR cable
UC-18/30GM-IR	Interface cable
ULTRA-PROG-IR	Service program

Electrical Connection



UCC500-30GH70-IE2R2-K-V15
UCC500-30GH70-UE2R2-K-V15
UCC2000-30GH70-IE2R2-K-V15
UCC2000-30GH70-UE2R2-K-V15



Wire colors in accordance with EN 60947-5-2

1	BN	(brown)
2	WH	(white)
3	BU	(blue)
4	BK	(black)
5	GY	(gray)

Date of issue 04/08/2015



Technical Data

For detailed data and product description refer to the data sheets at www.pepperl-fuchs.com

General Data

Operating voltage	10 ... 30 V DC , ripple 10 % _{SS}
No-load supply current	≤ 60 mA
Power consumption	≤ 1 W
Interface type	IO-Link
SIO mode support	✓
Output type	2 Push-pull outputs, short-circuit protected, reverse polarity protection
Rated operational current	200 mA , short-circuit/overload protected
Input/output type	1 synchronization connection, bidirectional
Ambient temperature	-25 ... 70 °C (-13 ... 158 °F)
Material	
Housing	Stainless steel 1.4305 / AISI 303, TPU, Polyamides
Transducer	epoxy resin/hollow glass sphere mixture; polyurethane foam
Protection degree	IP65/IP67
Connection type	Device connector M12 x 1 , 5-pin



Properties

- Up to 6000 mm sensing range versions
- DC, IO-Link and switching output
- Ø30 mm cylindrical housing
- Connector version

Your Benefit

- Simple pushbutton-based configuration
- Continuous IO-Link accessibility to output status and configuration parameters
- Optional, expanded configuration control via PACTware
- High-visibility LED indicators

Model Number

		UC500-30GM-2EP-IO-V15	UC2000-30GM-2EP-IO-V15	UC4000-30GM-2EP-IO-V15	UC6000-30GM-2EP-IO-V15
Sensing range	35 ... 500 mm	●			
	80 ... 2000 mm		●		
	200 ... 4000 mm			●	
	350 ... 6000 mm				●
Transducer frequency	approx. 380 kHz	●			
	approx. 180 kHz		●		
	approx. 85 kHz			●	
	approx. 65 kHz				●
Switching frequency	≤ 11 Hz	●			
	≤ 4 Hz		●		
	≤ 2 Hz			●	
	≤ 1.5 Hz				●

Approvals and Certificates

UL approval	cULus Listed, General Purpose	●	●	●	●
CSA approval	cCSAus Listed, General Purpose	●	●	●	●

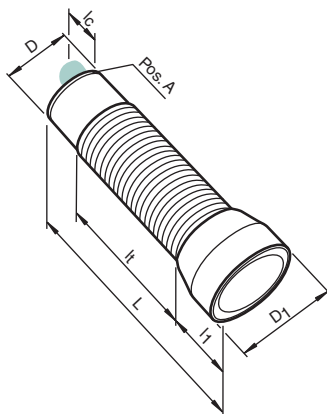
Dimensions

Diameter D [mm]	30			
Length L [mm]	81	86	93	
Thread length l _t [mm]	54	36		
Transducer diameter D ₁ [mm]	30	40	73	
Transducer length l ₁ [mm]	2	25	32	
Connector area l _c [mm]	11			

Accessories

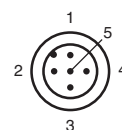
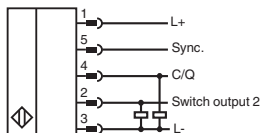
This and more accessories can be found in chapter 3.5 from page 673
 See pages from 972 ... for cordsets See pages 1068 ... for mounting aids

BF 30	Mounting flange, 30 mm
V15-W-2M-PUR	Cable socket, M12, 5-pin, PUR cable
IO-Link-Master01-USB	IO-Link Master
IO-Link-Master-USB DTM	Communication DTM for use of IO-Link-Master
IODD Interpreter	Software for the integration of IODDs in a frame application (e. g. PACTware)
PACTware 4.X	FDT frame application



Electrical Connection

- UC500-30GM-2EP-IO-V15
- UC2000-30GM-2EP-IO-V15
- UC4000-30GM-2EP-IO-V15
- UC6000-30GM-2EP-IO-V15



Wire colors in accordance with EN 60947-5-2

1	BN	(brown)
2	WH	(white)
3	BU	(blue)
4	BK	(black)
5	GY	(gray)



Technical Data

For detailed data and product description refer to the data sheets at www.pepperl-fuchs.com

General Data

Operating voltage	10 ... 30 V DC , ripple 10 % _{SS} 15 ... 30 V voltage output
No-load supply current	≤ 60 mA
Power consumption	≤ 1 W
Interface type	IO-Link
SIO mode support	✓
Output type	1 push-pull output, short-circuit protected, reverse polarity protected
Rated operational current	200 mA , short-circuit/overload protected
Analog output	Current output 4 mA ... 20 mA or voltage output 0 V ... 10 V configurable
Deviation of the characteristic curve	≤ 0.2 % of full-scale value
Input/output type	1 synchronization connection, bidirectional
Ambient temperature	-25 ... 70 °C (-13 ... 158 °F)
Material	
Housing	Stainless steel 1.4305 / AISI 303, TPU, Polyamides
Transducer	epoxy resin/hollow glass sphere mixture; polyurethane foam
Protection degree	IP65/IP67
Connection type	Device connector M12 x 1 , 5-pin



Properties

- Up to 6000 mm sensing range versions
- DC, IO-Link and analog output
- Ø30 mm cylindrical housing
- Connector version

Your Benefit

- Simple pushbutton-based configuration
- Continuous IO-Link accessibility to output status and configuration parameters
- Optional, expanded configuration control via PACTware
- High-visibility LED indicators

Model Number

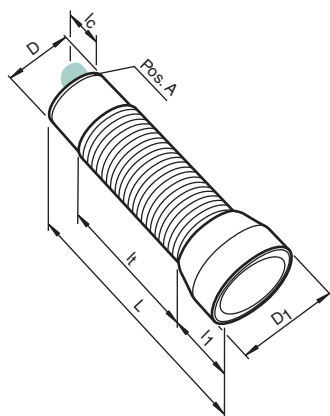
		UC500-30GM-IUEP-IO-V15	UC2000-30GM-IUEP-IO-V15	UC4000-30GM-IUEP-IO-V15	UC6000-30GM-IUEP-IO-V15
Sensing range	green = preferred type	●			
	35 ... 500 mm		●		
Transducer frequency	80 ... 2000 mm		●		
	200 ... 4000 mm			●	
	350 ... 6000 mm				●
	approx. 380 kHz	●			
Resolution	approx. 180 kHz		●		
	approx. 85 kHz			●	
	approx. 65 kHz				●
	evaluation range [mm]/4000, but ≥ 0.05 mm	●			
Switching frequency	evaluation range [mm]/4000, but ≥ 0.35 mm		●	●	●
	≤ 11 Hz	●			
	≤ 4 Hz		●		
	≤ 2 Hz			●	
	≤ 1.5 Hz				●

Approvals and Certificates

UL approval	cULus Listed, General Purpose	●	●	●	●
CSA approval	cCSAus Listed, General Purpose	●	●	●	●

Dimensions

Diameter D [mm]	30		
Length L [mm]	81	86	93
Thread length l _t [mm]	54	36	
Transducer diameter D ₁ [mm]	30	40	73
Transducer length l ₁ [mm]	2	25	32
Connector area l _c [mm]	11		



Accessories

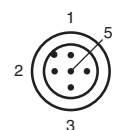
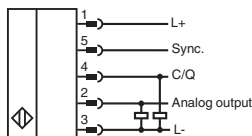
This and more accessories can be found in chapter 3.5 from page 673
See pages from 972 ... for cordsets See pages 1068 ... for mounting aids

BF 30	Mounting flange, 30 mm
V15-W-2M-PUR	Cable socket, M12, 5-pin, PUR cable
IO-Link-Master01-USB	IO-Link Master

Electrical Connection



UC500-30GM-IUEP-IO-V15
UC2000-30GM-IUEP-IO-V15
UC4000-30GM-IUEP-IO-V15
UC6000-30GM-IUEP-IO-V15



Wire colors in accordance with EN 60947-5-2

1	BN	(brown)
2	WH	(white)
3	BU	(blue)
4	BK	(black)
5	GY	(gray)

Date of issue 04/08/2015

3
1
Ultrasonic Sensors, Diffuse Mode Sensors, cylindrical



Technical Data

For detailed data and product description refer to the data sheets at www.pepperl-fuchs.com

General Data

Sensing range	200 ... 3000 mm
Transducer frequency	approx. 100 kHz
Operating voltage	10 ... 30 V DC
No-load supply current	≤ 50 mA
Input type	1 program input
Input/output type	1 synchronization connection, bidirectional
Ambient temperature	-25 ... 60 °C (-13 ... 140 °F)
Material	
Housing	Stainless steel 1.4404 / AISI 316L
Transducer	Stainless steel 1.4435 / AISI 316L
Protection degree	IP68 / IP69K
Connection type	5 m cable PUR



Properties

- 3000 mm sensing range
- DC, analog and switching output versions
- Ø30 mm cylindrical housing
- Cable version

Model Number

	green = preferred type		
Output type	1 analog output 4 ... 20 mA 1 switch output, PNP NO/NC, programmable	●	●
Rated operational current	200 mA , short-circuit/overload protected	●	
Resolution	Evaluation range [mm]/3200, however ≥ 0.4 mm		●
Deviation of the characteristic curve	≤ 0.2 % of full-scale value		●
Switching frequency	≤ 2.8 Hz	●	

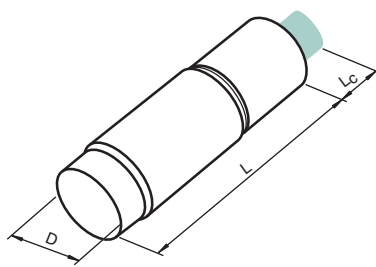
Dimensions

Length L [mm]	100
Diameter D [mm]	30
Thread length l _t [mm]	0
Connector area l _c [mm]	11

Accessories

This and more accessories can be found in chapter 3.5 from page 673
See pages from 972 ... for cordsets See pages 1068 ... for mounting aids

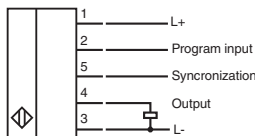
UC-PROG1	Programming adapter
V15S-G-0,3M-PUR-WAGO	Male cordset, M12, 5-pin, PUR cable with WAGO terminals
MH-30H-01-FA	Mounting aid, 30 mm acc. to EHEDG



Electrical Connection



UMC3000-30H-E5-5M-FA
UMC3000-30H-I-5M-FA



Wire colors in accordance with EN 60947-5-2

1	BN	(brown)
2	WH	(white)
3	BU	(blue)
4	BK	(black)
5	GY	(gray)



Properties

- 500 mm sensing range
- AC/DC, 3 relay outputs
- Ø30/75 mm cylindrical housing
- Connector version

Technical Data

For detailed data and product description refer to the data sheets at www.pepperl-fuchs.com

Model Number	UC500-D1-3K-V7
Sensing range	60 ... 550 mm
Transducer frequency	approx. 380 kHz
Operating voltage	10 ... 253 V DC 20 ... 253 V AC , 47 ... 63 Hz
No-load supply current	< 30 mA with $U_B = 30$ V DC < 110 mA at $U_B = 10$ V DC < 25 mA at $U_B = 220$ V AC
Output type	3 relay outputs, normally open/closed, selectable
Contact loading	253 V AC/150V DC, 3 A (ohm. load)
Ambient temperature	-20 ... 60 °C (-4 ... 140 °F)
Material	
Housing	cover: PC housing: PBT threaded flange: stainless steel installation connector/cable socket: PETP
Transducer	epoxy resin/hollow glass sphere mixture; polyurethane foam
Protection degree	IP65
Connection	90° V7 (7-pin) cable connector Wire cross section: ≤ 1.5 mm ² cable diameter Ø7 ... 9 mm

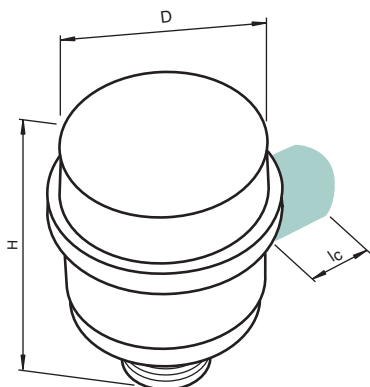


Approvals and Certificates

CCC approval	Certified by China Compulsory Certification (CCC)
--------------	---

Dimensions

Height H [mm]	106
Diameter D [mm]	75
Connector area l_c [mm]	79

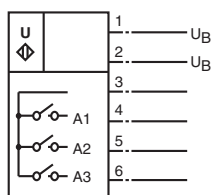


Electrical Connection



UC500-D1-3K-V7

Normsymbol/Anschluss:



Connector V7



Date of issue 04/08/2015



Technical Data

For detailed data and product description refer to the data sheets at www.pepperl-fuchs.com

General Data

Operating voltage	20 ... 30 V DC , ripple 10 % _{SS} ; 12 ... 20 V DC reduced sensitivity by 90 %
No-load supply current	≤ 20 mA
Output type	1 switch output PNP, NO
Rated operational current	200 mA , short-circuit/overload protected
Input type	1 program input
Ambient temperature	-25 ... 70 °C (-13 ... 158 °F)
Material	
Housing	Polycarbonate
Transducer	epoxy resin/hollow glass sphere mixture; polyurethane foam
Protection degree	IP67
Connection type	M8 x 1 connector , 4-pin

Properties

- 250 mm and 400 mm sensing range versions
- DC, switching output
- Sub-miniature F77 housing
- Connector version

Your Benefit

- Best-in-class immunity to acoustic interference
- Simple, intuitive range adjustment
- High-end performance and low cost
- Front-view output LED

Model Number

	green = preferred type	UB250-F77-E2-V31	UB400-F77-E2-V31
Sensing range	20 ... 250 mm	●	
	25 ... 400 mm		●
Transducer frequency	approx. 400 kHz	●	
	approx. 300 kHz		●
Switching frequency	10 Hz	●	
	5 Hz		●

Approvals and Certificates

UL approval	cULus Listed, General Purpose	●	●
CSA approval	cCSAus Listed, General Purpose	●	●

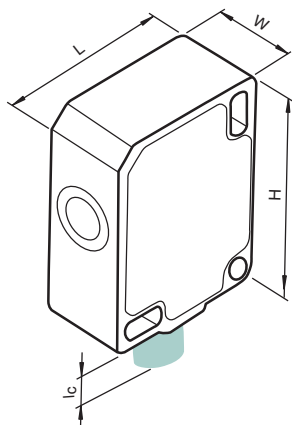
Dimensions

Length L [mm]	23
Width W [mm]	12
Height H [mm]	31
Connector area l _c [mm]	9

Accessories

This and more accessories can be found in chapter 3.5 from page 673
 See pages from 972 ... for cordsets See pages 1068 ... for mounting aids

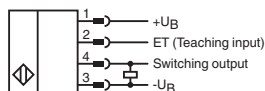
UB-PROG4-V31	Programming unit
OMH-ML7-01	Mounting bracket
V31-GM-2M-PVC	M8, 4-pin socket, PVC cable
V31-WM-2M-PVC	M8, 4-pin socket, PVC cable



Electrical Connection



UB250-F77-E2-V31
 UB400-F77-E2-V31



Wire colors in accordance with EN 60947-5-2

1	BN	(brown)
2	WH	(white)
3	BU	(blue)
4	BK	(black)

Date of issue: 04/08/2015



Technical Data

For detailed data and product description refer to the data sheets at www.pepperl-fuchs.com

General Data

Operating voltage	20 ... 30 V DC , ripple 10 % _{SS} ; 12 ... 20 V DC reduced sensitivity by 90 %
No-load supply current	≤ 20 mA
Rated operational current	200 mA , short-circuit/overload protected
Input type	1 program input
Ambient temperature	-25 ... 70 °C (-13 ... 158 °F)
Material	
Housing	Polycarbonate
Transducer	epoxy resin/hollow glass sphere mixture; polyurethane foam
Protection degree	IP67
Connection type	M8 x 1 connector , 4-pin



Properties

- 250 mm and 400 mm sensing range versions
- DC, switching output
- Sub-miniature F77 housing
- Connector version

Your Benefit

- Retro-reflective operation
- Best-in-class immunity to acoustic interference
- Simple, intuitive range adjustment
- High-end performance and low cost

Model Number

	green = preferred type	UBR250-F77-E2-V31	UBR250-F77-E3-V31	UBR400-F77-E2-V31	UBR400-F77-E3-V31
Sensing range	0 ... 250 mm 0 ... 400 mm	●	●	●	●
Transducer frequency	approx. 400 kHz approx. 300 kHz	●	●	●	●
Output type	1 switch output PNP , NC 1 switch output PNP , NO	●	●	●	●
Switching frequency	10 Hz 5 Hz	●	●	●	●

Approvals and Certificates

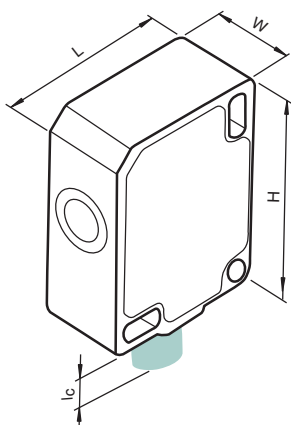
UL approval	cULus Listed, General Purpose	●	●	●	●
CSA approval	cCSAus Listed, General Purpose	●	●	●	●

Dimensions

Length L [mm]	23
Width W [mm]	12
Height H [mm]	31
Connector area l _c [mm]	9

Accessories This and more accessories can be found in chapter 3.5 from page 673

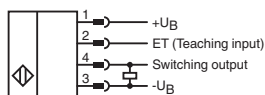
UB-PROG4-V31	Programming unit
OMH-ML7-01	Mounting bracket
V31-GM-2M-PVC	M8, 4-pin socket, PVC cable
V31-WM-2M-PVC	M8, 4-pin socket, PVC cable



Electrical Connection



UBR250-F77-E2-V31
UBR400-F77-E2-V31
UBR250-F77-E3-V31
UBR400-F77-E3-V31



Wire colors in accordance with EN 60947-5-2

1	BN	(brown)
2	WH	(white)
3	BU	(blue)
4	BK	(black)

Date of issue 04/08/2015



Technical Data

For detailed data and product description refer to the data sheets at www.pepperl-fuchs.com

General Data

Operating voltage	10 ... 30 V DC , ripple 10 % _{SS}
Output type	Push-pull output, short-circuit protected, reverse polarity protected
Rated operational current	200 mA , short-circuit/overload protected
Synchronization	1 synchronous connection, bi-directional
Ambient temperature	-15 ... 70 °C (5 ... 158 °F)
Material	
Housing	Frame: nickel plated, die cast zinc, Laterals: glass-fiber reinforced plastic PC
Transducer	epoxy resin/hollow glass sphere mixture; foam polyurethane, cover PBT
Protection degree	IP54
Connection type	Device connector M12 x 1 , 5-pin

Properties

- Up to 800 mm sensing range versions
- DC, switching output
- Miniature F12 housing
- Connector version

Your Benefit

- Potentiometer configurable
- Selectable wide/narrow beam width
- Universal sinking-sourcing output
- Rugged metal housing

Model Number

		UB120-F12P-EP-V15	UB250-F12P-EP-V15	UB800-F12P-EP-V15
Sensing range	15 ... 150 mm	●		
	20 ... 250 mm		●	
	30 ... 800 mm			●
Transducer frequency	approx. 850 kHz	●		
	approx. 400 kHz		●	
	approx. 310 kHz			●
No-load supply current	≤ 25 mA		●	●
	≤ 60 mA	●	●	●
Switching frequency	max. 4 Hz			●
	20 Hz		●	
	50 Hz	●	●	
Input type	1 input for sound lobe adjustment		●	●

Approvals and Certificates

UL approval	cULus Listed, General Purpose	●	●	●
CSA approval	cCSAus Listed, General Purpose	●	●	●

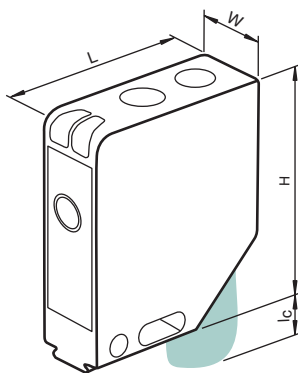
Dimensions

Length L [mm]	43
Width W [mm]	15
Height H [mm]	49
Connector area l _c [mm]	16

Accessories

This and more accessories can be found in chapter 3.5 from page 673
 See pages from 972 ... for cordsets See pages 1068 ... for mounting aids

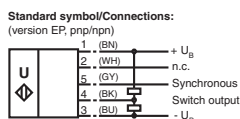
OMH-K01	dove tail mounting clamp
OMH-K02	dove tail mounting clamp
OMH-K03	dove tail mounting clamp
OMH-01	Mounting aid for round steel ø 12 mm or sheet 1.5 mm ... 3 mm
OMH-06	Mounting aid for round steel ø 12 mm or sheet 1.5 mm ... 3 mm
OMH-MLV12-HWG	Mounting bracket for series MLV12 sensors
OMH-MLV12-HWK	Mounting bracket for series MLV12 sensors
V15-G-2M-PVC	Cable socket, M12, 5-pin, PVC cable
V15-W-2M-PUR	Cable socket, M12, 5-pin, PUR cable



Electrical Connection

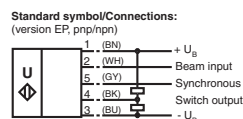


UB120-F12P-EP-V15

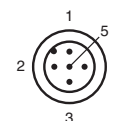


Core colours in accordance with EN 60947-5-2.

UB250-F12P-EP-V15
UB800-F12P-EP-V15



Core colours in accordance with EN 60947-5-2.



Wire colors in accordance with EN 60947-5-2

1	BN	(brown)
2	WH	(white)
3	BU	(blue)
4	BK	(black)
5	GY	(gray)



Technical Data

For detailed data and product description refer to the data sheets at www.pepperl-fuchs.com

General Data

Operating voltage	10 ... 30 V DC
No-load supply current	≤ 30 mA
Output type	Push-pull output, short-circuit protected, reverse polarity protected
Rated operational current	200 mA , short-circuit/overload protected
Input type	1 program input
Synchronization	1 synchronous connection, bi-directional
Ambient temperature	-15 ... 70 °C (5 ... 158 °F)
Material	
Housing	Frame: nickel plated, die cast zinc, Laterals: glass-fiber reinforced plastic PC
Transducer	epoxy resin/hollow glass sphere mixture; foam polyurethane, cover PBT
Protection degree	IP54
Connection type	Device connector M12 x 1 , 5-pin



Properties

- 250 mm and 800 mm sensing range versions
- DC, switching output
- Miniature F12 housing
- Connector version

Your Benefit

- Simple pushbutton configuration
- Selectable wide/narrow beam width
- Universal sinking-sourcing output
- Rugged metal housing

Model Number

	UB250-F12-EP-V15	UB800-F12-EP-V15
Sensing range	20 ... 250 mm	30 ... 800 mm
Transducer frequency	approx. 400 kHz	approx. 310 kHz
Switching frequency	20 Hz	6 Hz

Approvals and Certificates

UL approval	cULus Listed, General Purpose	●	●
CSA approval	cCSAus Listed, General Purpose	●	●

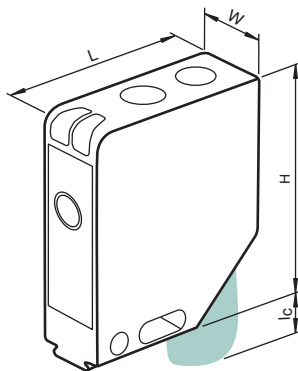
Dimensions

Length L [mm]	43
Width W [mm]	15
Height H [mm]	49
Connector area l _c [mm]	16

Accessories

This and more accessories can be found in chapter 3.5 from page 673
See pages from 972 ... for cordsets See pages 1068 ... for mounting aids

OMH-K01	dove tail mounting clamp
OMH-K02	dove tail mounting clamp
OMH-K03	dove tail mounting clamp
OMH-01	Mounting aid for round steel ø 12 mm or sheet 1.5 mm ... 3 mm
OMH-06	Mounting aid for round steel ø 12 mm or sheet 1.5 mm ... 3 mm
OMH-MLV12-HWG	Mounting bracket for series MLV12 sensors
OMH-MLV12-HWK	Mounting bracket for series MLCV12 sensors
V15-G-2M-PVC	Cable socket, M12, 5-pin, PVC cable
V15-W-2M-PUR	Cable socket, M12, 5-pin, PUR cable

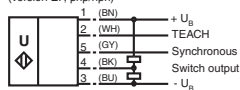


Electrical Connection

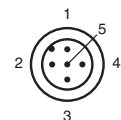


UB250-F12-EP-V15
UB800-F12-EP-V15

Standard symbol/Connections:
(version EP, prnp/npn)



Core colours in accordance with EN 60947-5-2.



Wire colors in accordance with EN 60947-5-2

1	BN	(brown)
2	WH	(white)
3	BU	(blue)
4	BK	(black)
5	GY	(gray)

Date of issue 04/08/2015

3
.1



Ultrasonic Sensors, Diffuse Mode Sensors, Rectangular types



Properties

- Up to 800 mm sensing range versions
- DC, analog output
- Miniature F12 housing
- Connector version

Your Benefit

- Simple pushbutton configuration
- Selectable wide/narrow beam width
- Universal sinking-sourcing output
- Rugged metal housing

Technical Data

For detailed data and product description refer to the data sheets at www.pepperl-fuchs.com

General Data

No-load supply current	≤ 30 mA
Input type	1 program input
Synchronization	1 synchronous connection, bi-directional
Ambient temperature	-15 ... 70 °C (5 ... 158 °F)
Material	
Housing	Frame: nickel plated, die cast zinc, Laterals: glass-fiber reinforced plastic PC
Transducer	epoxy resin/hollow glass sphere mixture; foam polyurethane, cover PBT
Protection degree	IP54
Connection type	Device connector M12 x 1 , 5-pin



Model Number

		UB250-F12-I-V15	UB250-F12-U-V15	UB800-F12-I-V15	UB800-F12-U-V15
Sensing range	20 ... 250 mm	●	●		
	30 ... 800 mm			●	●
Transducer frequency	approx. 400 kHz	●	●		
	approx. 310 kHz			●	●
Operating voltage	10 ... 30 V DC	●		●	
	12 ... 30 V DC		●		●
Output type	1 analog output 0 ... 10 V		●		●
	1 analog output 4 ... 20 mA	●		●	

Approvals and Certificates

UL approval	cULus Listed, General Purpose	●	●	●	●
CSA approval	cCSAus Listed, General Purpose	●	●	●	●

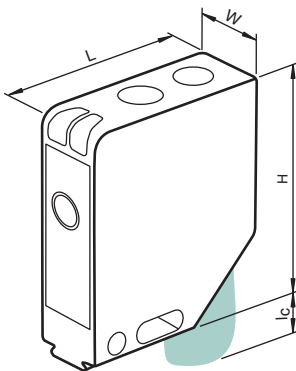
Dimensions

Length L [mm]	43
Width W [mm]	15
Height H [mm]	49
Connector area l _c [mm]	16

Accessories

This and more accessories can be found in chapter 3.5 from page 673
See pages from 972 ... for cordsets See pages 1068 ... for mounting aids

OMH-K01	dove tail mounting clamp
OMH-K02	dove tail mounting clamp
OMH-K03	dove tail mounting clamp
OMH-01	Mounting aid for round steel ø 12 mm or sheet 1.5 mm ... 3 mm
OMH-06	Mounting aid for round steel ø 12 mm or sheet 1.5 mm ... 3 mm
OMH-MLV12-HWG	Mounting bracket for series MLV12 sensors
OMH-MLV12-HWK	Mounting bracket for series MLV12 sensors
V15-G-2M-PVC	Cable socket, M12, 5-pin, PVC cable
V15-W-2M-PUR	Cable socket, M12, 5-pin, PUR cable

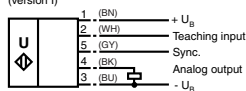


Electrical Connection



UB250-F12-I-V15
UB800-F12-I-V15

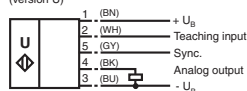
Standard symbol/Connections:
(version I)



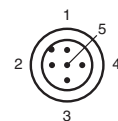
Core colours in accordance with EN 60947-5-2.

UB250-F12-U-V15
UB800-F12-U-V15

Standard symbol/Connections:
(version U)



Core colours in accordance with EN 60947-5-2.



Wire colors in accordance with EN 60947-5-2

1	BN	(brown)
2	WH	(white)
3	BU	(blue)
4	BK	(black)
5	GY	(gray)





Technical Data

For detailed data and product description refer to the data sheets at www.pepperl-fuchs.com

General Data

Operating voltage	10 ... 30 V DC
No-load supply current	≤ 50 mA
Interface type	Serial interface (programming adapter required) 9600 BPS, no parity, 8 data bits, 1 stop bit
Rated operational current	200 mA , short-circuit/overload protected
Input type	1 program input
Input/output type	1 synchronization connection, bidirectional
Ambient temperature	-25 ... 70 °C (-13 ... 158 °F)
Material	
Housing	PA-GF35
Transducer	epoxy resin/hollow glass sphere mixture; polyurethane foam
Protection degree	IP67
Connection type	Device connector M12 x 1 , 5-pin



Properties

- Up to 4000 mm sensing range versions
- DC, switching output
- Compact VariKont-L housing
- Connector version

Your Benefit

- High-visibility corner LEDs
- Pushbutton and PACTware configurable
- 5-way, quick pivot sensing face

Model Number

		UC500-L2-E4-V15	UC500-L2-E5-V15	UC2000-L2-E4-V15	UC2000-L2-E5-V15	UC4000-L2-E4-V15	UC4000-L2-E5-V15
Sensing range	35 ... 500 mm	●	●				
	60 ... 2000 mm			●	●		
	200 ... 4000 mm					●	●
Transducer frequency	approx. 380 kHz	●	●				
	approx. 175 kHz			●	●		
	approx. 85 kHz					●	●
Output type	1 switch output E4, NPN, NO/NC, programmable	●		●		●	
	1 switch output E5, PNP NO/NC, programmable		●		●		●
Switching frequency	≤ 14 Hz	●	●				
	≤ 5 Hz			●	●		
	≤ 2.8 Hz					●	●

Approvals and Certificates

UL approval	cULus Listed, General Purpose	●	●	●	●	●	●
CSA approval	cCSAus Listed, General Purpose	●	●	●	●	●	●

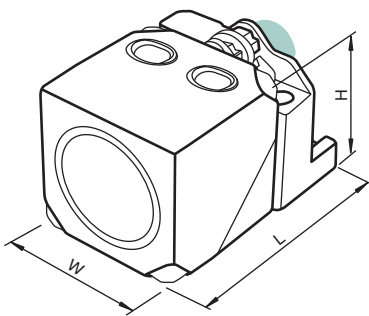
Dimensions

Length L [mm]	67
Width W [mm]	40
Height H [mm]	40

Accessories

This and more accessories can be found in chapter 3.5 from page 673
See pages from 972 ... for cordsets See pages 1068 ... for mounting aids

- PACTware 3.6**
- PACTware 4.X**
- Ultraschall-Sensoren DTM** DTM devices for communication with cube style and UMC... sensors
- UC-PROG1** Programming adapter
- V15-G-2M-PVC** Cable socket, M12, 5-pin, PVC cable
- V15-W-2M-PUR** Cable socket, M12, 5-pin, PUR cable
- UB-PROG2** Programming unit
- Microsoft .NET**

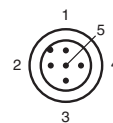
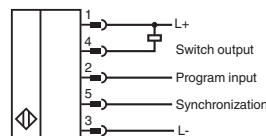
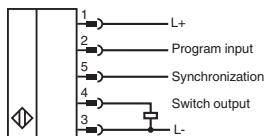


Electrical Connection



UC500-L2-E5-V15
UC2000-L2-E5-V15
UC4000-L2-E5-V15

UC2000-L2-E4-V15
UC500-L2-E4-V15
UC4000-L2-E4-V15



Wire colors in accordance with EN 60947-5-2

1	BN	(brown)
2	WH	(white)
3	BU	(blue)
4	BK	(black)
5	GY	(gray)

Date of issue 04/08/2015



Technical Data

For detailed data and product description refer to the data sheets at www.pepperl-fuchs.com

General Data

Operating voltage	10 ... 30 V DC
No-load supply current	≤ 50 mA
Interface type	Serial interface (programming adapter required) 9600 BPS, no parity, 8 data bits, 1 stop bit
Rated operational current	200 mA , short-circuit/overload protected
Input/output type	1 synchronization connection, bidirectional
Ambient temperature	-25 ... 70 °C (-13 ... 158 °F)
Material	
Housing	PA-GF35
Transducer	epoxy resin/hollow glass sphere mixture; polyurethane foam
Protection degree	IP67
Connection type	Device connector M12 x 1 , 5-pin



Properties

- Up to 4000 mm sensing range versions
- DC, 2 switching outputs
- Compact VariKont-L housing
- Connector version

Your Benefit

- High-visibility corner LEDs
- Pushbutton and PACTware configurable
- 5-way, quick pivot sensing face

Model Number

	green = preferred type	UC500-L2-E6-V15	UC500-L2-E7-V15	UC2000-L2-E6-V15	UC2000-L2-E7-V15	UC4000-L2-E6-V15	UC4000-L2-E7-V15
Sensing range	35 ... 500 mm	●	●				
	60 ... 2000 mm			●	●		
	200 ... 4000 mm					●	●
Transducer frequency	approx. 380 kHz	●	●				
	approx. 175 kHz			●	●		
	approx. 85 kHz					●	●
Output type	2 switch outputs NPN, NO/NC, programmable		●		●		●
	2 switch outputs PNP, NO/NC, programmable	●		●		●	
Switching frequency	≤ 14 Hz	●	●				
	≤ 5 Hz			●	●		
	≤ 2.8 Hz					●	●

Approvals and Certificates

UL approval	cULus Listed, General Purpose	●	●	●	●	●	●
CSA approval	cCSAus Listed, General Purpose	●	●	●	●	●	●

Dimensions

Length L [mm]	67
Width W [mm]	40
Height H [mm]	40

Accessories

This and more accessories can be found in chapter 3.5 from page 673
See pages from 972 ... for cordsets See pages 1068 ... for mounting aids

PACTware 3.6

PACTware 4.X

Ultraschall-Sensoren DTM

DTM devices for communication with cube style and UMC... sensors

UC-PROG1

Programming adapter

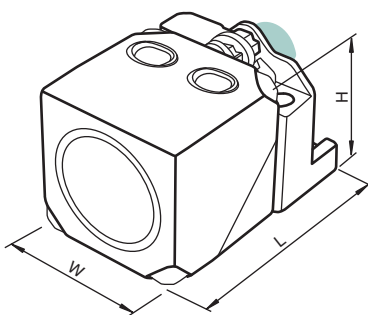
V15-G-2M-PVC

Cable socket, M12, 5-pin, PVC cable

V15-W-2M-PUR

Cable socket, M12, 5-pin, PUR cable

Microsoft .NET

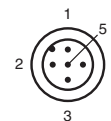
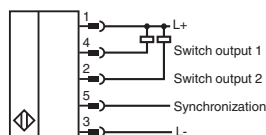
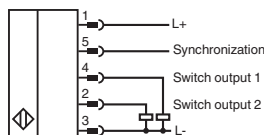


Electrical Connection



UC2000-L2-E6-V15
UC500-L2-E6-V15
UC4000-L2-E6-V15

UC500-L2-E7-V15
UC4000-L2-E7-V15
UC2000-L2-E7-V15



Wire colors in accordance with EN 60947-5-2

1	BN	(brown)
2	WH	(white)
3	BU	(blue)
4	BK	(black)
5	GY	(gray)

Date of issue: 04/08/2015



Technical Data

For detailed data and product description refer to the data sheets at www.pepperl-fuchs.com

General Data

No-load supply current	≤ 50 mA
Interface type	Serial interface (programming adapter required) 9600 BPS, no parity, 8 data bits, 1 stop bit
Deviation of the characteristic curve	≤ 0.2 % of full-scale value
Input type	1 program input
Input/output type	1 synchronization connection, bidirectional
Ambient temperature	-25 ... 70 °C (-13 ... 158 °F)
Material	
Housing	PA-GF35
Transducer	epoxy resin/hollow glass sphere mixture; polyurethane foam
Protection degree	IP67
Connection type	Device connector M12 x 1 , 5-pin



Properties

- Up to 4000 mm sensing range versions
- DC, analog output
- Compact VariKont-L housing
- Connector version

Your Benefit

- High-visibility corner LEDs
- Pushbutton and PACTware configurable
- 5-way, quick pivot sensing face

Model Number		UC500-L2-I-V15	UC2000-L2-I-V15	UC4000-L2-I-V15	UC500-L2-U-V15	UC2000-L2-U-V15	UC4000-L2-U-V15
Sensing range	35 ... 500 mm	●			●		
	60 ... 2000 mm		●			●	
	200 ... 4000 mm			●			●
Transducer frequency	approx. 380 kHz	●			●		
	approx. 175 kHz		●			●	
	approx. 85 kHz			●			●
Operating voltage	10 ... 30 V DC	●	●	●			
	12 ... 30 V DC				●	●	●
Output type	1 analog output 4 ... 20 mA	●	●	●			
	1 analog output 0 ... 10 V				●	●	●
Resolution	Evaluation range [mm]/3200, but ≥ 0.05 mm	●					
	Evaluation range [mm]/3200, but ≥ 0.4 mm		●	●			
	evaluation range [mm]/4000, but ≥ 0.05 mm				●		
	evaluation range [mm]/4000, but ≥ 0.4 mm					●	●

Approvals and Certificates

UL approval	cULus Listed, General Purpose	●	●	●	●	●	●
CSA approval	cCSAus Listed, General Purpose	●	●	●	●	●	●

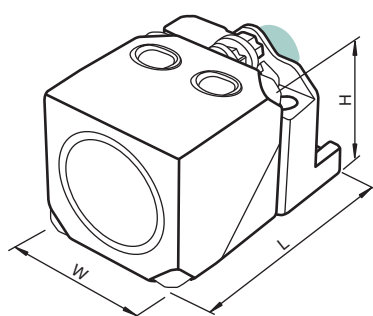
Dimensions

Length L [mm]	67
Width W [mm]	40
Height H [mm]	40

Accessories

This and more accessories can be found in chapter 3.5 from page 673
See pages from 972 ... for cordsets See pages 1068 ... for mounting aids

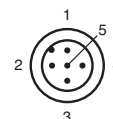
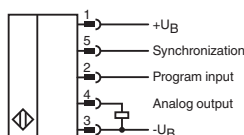
PACTware 3.6	Frame application
PACTware 4.X	Frame application
Ultraschall-Sensoren DTM	DTM devices for communication with cube style and UMC... sensors
UC-PROG1	Programming adapter
V15-G-2M-PVC	Cable socket, M12, 5-pin, PVC cable
V15-W-2M-PUR	Cable socket, M12, 5-pin, PUR cable
UB-PROG2	Programming unit
Microsoft .NET	Software



Electrical Connection



UC500-L2-I-V15
UC2000-L2-I-V15
UC4000-L2-I-V15
UC500-L2-U-V15
UC2000-L2-U-V15
UC4000-L2-U-V15



Wire colors in accordance with EN 60947-5-2

1	BN	(brown)
2	WH	(white)
3	BU	(blue)
4	BK	(black)
5	GY	(gray)

Date of issue 04/08/2015



Technical Data

For detailed data and product description refer to the data sheets at www.pepperl-fuchs.com

General Data

Operating voltage	10 ... 30 V DC , ripple 10 % _{SS}
No-load supply current	≤ 55 mA
Rated operational current	200 mA , short-circuit/overload protected
Input type	1 program input,
Synchronization	1 synchronous input
Ambient temperature	-25 ... 70 °C (-13 ... 158 °F)
Material	
Housing	ABS
Transducer	epoxy resin/hollow glass sphere mixture; polyurethane foam
Protection degree	IP65
Connection type	Device connector M12 x 1 , 5-pin



Properties

- 500 mm and 2000 mm sensing range versions
- DC, switching output
- Surface mount F54 housing
- Connector version

Your Benefit

- Low mounting profile

Model Number

green = preferred type

	UB500-F54-E4-V15	UB500-F54-E5-V15	UB2000-F54-E4-V15	UB2000-F54-E5-V15
Sensing range	●	●	●	●
30 ... 500 mm				
80 ... 2000 mm				
Transducer frequency	●	●	●	●
approx. 380 kHz				
approx. 175 kHz				
Output type	●	●	●	●
1 switch output E4, NPN, NO/NC				
1 switch output E5, PNP, NO/NC				
Switching frequency	●	●	●	●
max. 10 Hz				
max. 3 Hz				

Approvals and Certificates

UL approval	cULus Listed, General Purpose	●	●	●	●
CSA approval	cCSAus Listed, General Purpose	●	●	●	●

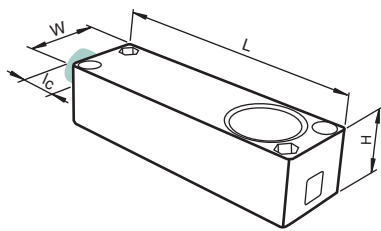
Dimensions

Length L [mm]	105
Width W [mm]	32
Height H [mm]	25
Connector area l _c [mm]	15

Accessories

This and more accessories can be found in chapter 3.5 from page 673
 See pages from 972 ... for cordsets See pages 1068 ... for mounting aids

UB-PROG2	Programming unit
V15-G-2M-PVC	Cable socket, M12, 5-pin, PVC cable
V15-W-2M-PUR	Cable socket, M12, 5-pin, PUR cable

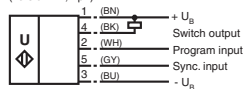


Electrical Connection



UB500-F54-E4-V15
UB2000-F54-E4-V15

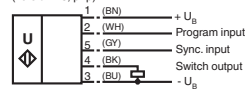
Standard symbol/Connections:
(version E4, npn)



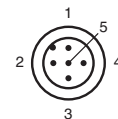
Wire colors in accordance with EN 60947-5-2.

UB500-F54-E5-V15
UB2000-F54-E5-V15

Standard symbol/Connections:
(version E5, pnp)



Wire colors in accordance with EN 60947-5-2.



Wire colors in accordance with EN 60947-5-2

1	BN	(brown)
2	WH	(white)
3	BU	(blue)
4	BK	(black)
5	GY	(gray)



Technical Data

For detailed data and product description refer to the data sheets at www.pepperl-fuchs.com

General Data

No-load supply current	≤ 55 mA
Deviation of the characteristic curve	± 1 % of full-scale value
Input type	1 program input
Synchronization	1 synchronous input
Ambient temperature	-25 ... 70 °C (-13 ... 158 °F)
Material	
Housing	ABS
Transducer	epoxy resin/hollow glass sphere mixture; polyurethane foam
Protection degree	IP65
Connection type	Device connector M12 x 1 , 5-pin



Properties

- 500 mm and 2000 mm sensing range versions
- DC, analog output
- Surface mount F54 housing
- Connector version

Your Benefit

- Low mounting profile

Model Number

	green = preferred type	UB500-F54-I-V15	UB500-F54-U-V15	UB2000-F54-I-V15	UB2000-F54-U-V15
Sensing range	30 ... 500 mm	●	●	●	●
	80 ... 2000 mm			●	●
Transducer frequency	approx. 380 kHz	●	●	●	●
	approx. 175 kHz			●	●
Operating voltage	10 ... 30 V DC , ripple 10 % _{SS}	●	●	●	●
	15 ... 30 V DC , ripple 10 % _{SS}		●	●	●
Output type	1 analog output 0 ... 10 V		●		●
	1 analog output 4 ... 20 mA	●		●	
Resolution	0.11 mm		●		
	0.13 mm	●			
	0.47 mm				●
	0.5 mm			●	

Approvals and Certificates

UL approval	cULus Listed, General Purpose	●	●	●	●
CSA approval	cCSAus Listed, General Purpose	●	●	●	●

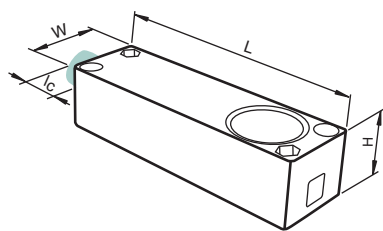
Dimensions

Length L [mm]	105
Width W [mm]	32
Height H [mm]	25
Connector area l _c [mm]	15

Accessories

This and more accessories can be found in chapter 3.5 from page 673
See pages from 972 ... for cordsets See pages 1068 ... for mounting aids

- UB-PROG2** Programming unit
- V15-G-2M-PVC** Cable socket, M12, 5-pin, PVC cable
- V15-W-2M-PUR** Cable socket, M12, 5-pin, PUR cable

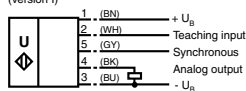


Electrical Connection



UB500-F54-I-V15
UB2000-F54-I-V15

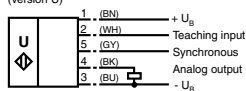
Standard symbol/Connections:
(version I)



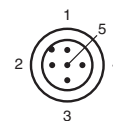
Core colours in accordance with EN 60947-5-2.

UB500-F54-U-V15
UB2000-F54-U-V15

Standard symbol/Connections:
(version U)



Core colours in accordance with EN 60947-5-2.



Wire colors in accordance with EN 60947-5-2

- 1 | BN (brown)
- 2 | WH (white)
- 3 | BU (blue)
- 4 | BK (black)
- 5 | GY (gray)

Date of issue 04/08/2015



Technical Data

For detailed data and product description refer to the data sheets at www.pepperl-fuchs.com

General Data

Operating voltage	10 ... 30 V DC, ripple $\pm 10\%$ _{SS}
Power consumption	≤ 2 W (all relays pulled-in, current output 20 mA) no-load power consumption ≤ 0.7 W
Interface type	RS 232, 9600 bit/s, no parity, 8 data bits, 1 stop bit
Output type	2 relay outputs, 1 analog output 4 ... 20 mA
Contact loading	60 V DC / 1 A (max. 24 W DC), ohmic
Deviation of the characteristic curve	$< 0.2\%$ of full-scale value
Material	
Housing	PBT
Transducer	epoxy resin/hollow glass sphere mixture; polyurethane foam
Protection degree	IP65
Connection type	Device connector M12 x 1, 8-pin screen connected to pin 8



Properties

- 300 mm and 2000 mm sensing range versions
- DC, relay and analog outputs
- Surface mount F43 housing
- Connector version

Your Benefit

- Low mounting profile
- Minimal unusable area
- Software-configurable parameters

Model Number

		UC300-F43-2KIR2-V17	UC2000-F43-2KIR2-V17
Sensing range	0 ... 300 mm 80 ... 2000 mm	●	●
Transducer frequency	approx. 390 kHz approx. 175 kHz	●	●
Resolution	0.2 mm 0.6 mm	●	●
Ambient temperature	0 ... 70 °C (32 ... 158 °F) -25 ... 70 °C (-13 ... 158 °F)	●	●

Approvals and Certificates

		UC300-F43-2KIR2-V17	UC2000-F43-2KIR2-V17
UL approval	cULus Listed, General Purpose	●	●
CSA approval	cCSAus Listed, General Purpose	●	●

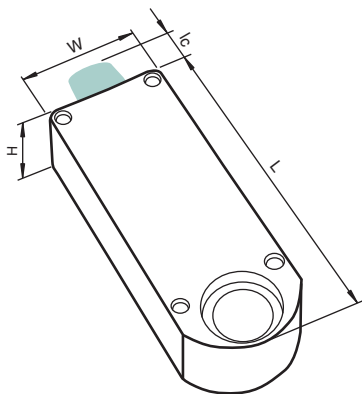
Dimensions

Length L [mm]	134
Width W [mm]	52
Height H [mm]	30
Connector area l _c [mm]	15

Accessories

This and more accessories can be found in chapter 3.5 from page 673
See pages from 972 ... for cordsets See pages 1068 ... for mounting aids

UC-F43-R2	Configuration Interface
ULTRA3000	Software for ultrasonic sensors, comfort line
V17-G-2M-PUR	Cable socket, M12, 8-pin, shielded, PUR cable
V17-G-5M-PUR	Cable socket, M12, 8-pin, shielded, PUR cable

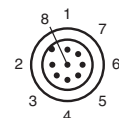
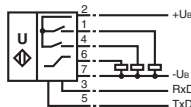


Electrical Connection



UC300-F43-2KIR2-V17
UC2000-F43-2KIR2-V17

Standard symbol/Connection:



Wire colors

1	WH	(white)
2	BN	(brown)
3	GN	(green)
4	YE	(yellow)
5	GY	(gray)
6	PK	(pink)
7	BU	(blue)
8	RD	(red)





Technical Data

For detailed data and product description refer to the data sheets at www.pepperl-fuchs.com

General Data

Operating voltage	10 ... 30 V DC , ripple 10 % _{SS}
Rated operational current	200 mA , short-circuit/overload protected
Synchronization	bi-directional
Ambient temperature	-25 ... 70 °C (-13 ... 158 °F)
Material	
Housing	ABS
Transducer	epoxy resin/hollow glass sphere mixture; foam polyurethane, cover PBT
Protection degree	IP54
Connection type	Device connector M12 x 1 , 5-pin



Properties

- Up to 6000 mm sensing range versions
- DC, switching output
- Surface mount F42 housing, front view
- Connector version

Your Benefit

- Simple pushbutton configuration

Model Number

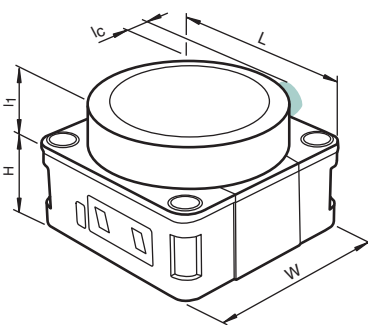
		UB500-F42-E4-V15	UB500-F42-E5-V15	UB2000-F42-E4-V15	UB2000-F42-E5-V15	UB4000-F42-E4-V15	UB4000-F42-E5-V15	UB6000-F42-E4-V15	UB6000-F42-E5-V15
Sensing range	30 ... 500 mm	●	●						
	60 ... 2000 mm			●	●				
	200 ... 4000 mm					●	●		
	350 ... 6000 mm							●	●
Transducer frequency	approx. 390 kHz	●	●						
	approx. 175 kHz			●	●				
	approx. 85 kHz					●	●		
	approx. 65 kHz							●	●
No-load supply current	≤ 50 mA	●	●	●	●				
	≤ 60 mA					●	●	●	●
Output type	1 switch output E4, NPN, NO/NC, programmable	●	●	●	●			●	●
	1 switch output E5, PNP NO/NC, programmable		●		●		●		●
Switching frequency	≤ 0.6 Hz							●	●
	≤ 1.2 Hz							●	●
	≤ 2.7 Hz			●	●				
	≤ 8 Hz	●	●						

Approvals and Certificates

UL approval	cULus Listed, General Purpose	●	●	●	●	●	●	●	●
CSA approval	cCSAus Listed, General Purpose	●	●	●	●	●	●	●	●

Dimensions

Length L [mm]	80
Width W [mm]	80
Height H [mm]	34
Transducer length l ₁ [mm]	0 16
Connector area l _c [mm]	16



Accessories

This and more accessories can be found in chapter 3.5 from page 673
See pages from 972 ... for cordsets See pages 1068 ... for mounting aids

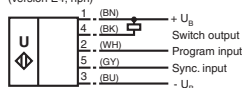
MH 04-3505	Mounting aid for FP sensors
MHW 11	Mounting brackets for sensors
V15-G-2M-PVC	Cable socket, M12, 5-pin, PVC cable
V15-W-2M-PUR	Cable socket, M12, 5-pin, PUR cable

Electrical Connection



UB500-F42-E4-V15
UB2000-F42-E4-V15
UB4000-F42-E4-V15
UB6000-F42-E4-V15

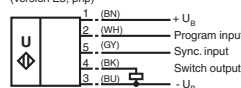
Standard symbol/Connections:
(version E4, npn)



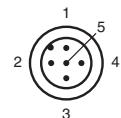
Wire colors in accordance with EN 60947-5-2.

UB500-F42-E5-V15
UB2000-F42-E5-V15
UB4000-F42-E5-V15
UB6000-F42-E5-V15

Standard symbol/Connections:
(version E5, pnp)



Wire colors in accordance with EN 60947-5-2.



Wire colors in accordance with EN 60947-5-2

1	BN	(brown)
2	WH	(white)
3	BU	(blue)
4	BK	(black)
5	GY	(gray)

Date of issue 04/08/2015



Technical Data

For detailed data and product description refer to the data sheets at www.pepperl-fuchs.com

General Data	
Operating voltage	10 ... 30 V DC , ripple 10 % _{SS}
Rated operational current	200 mA , short-circuit/overload protected
Synchronization	bi-directional
Ambient temperature	-25 ... 70 °C (-13 ... 158 °F)
Material	
Housing	ABS
Transducer	epoxy resin/hollow glass sphere mixture; foam polyurethane, cover PBT
Protection degree	IP54
Connection type	Device connector M12 x 1 , 5-pin



Properties

- Up to 6000 mm sensing range versions
- DC, 2 switching outputs
- Surface mount F42 housing, front view
- Connector version

Your Benefit

- Simple pushbutton configuration

Model Number

		UB500-F42-E6-V15	UB500-F42-E7-V15	UB2000-F42-E6-V15	UB2000-F42-E7-V15	UB4000-F42-E6-V15	UB4000-F42-E7-V15	UB6000-F42-E6-V15	UB6000-F42-E7-V15
Sensing range	30 ... 500 mm	●	●						
	60 ... 2000 mm			●	●				
	200 ... 4000 mm					●	●		
	350 ... 6000 mm							●	●
Transducer frequency	approx. 390 kHz	●	●						
	approx. 175 kHz			●	●				
	approx. 85 kHz					●	●		
	approx. 65 kHz							●	●
No-load supply current	≤ 50 mA	●	●	●	●			●	●
	≤ 60 mA					●	●	●	●
Output type	2 switch outputs NPN, normally open/ close selectable	●	●	●	●	●	●	●	●
	2 switch outputs PNP, NO/NC selectable								
Switching frequency	≤ 0.6 Hz							●	●
	≤ 1.2 Hz							●	●
	≤ 2.7 Hz					●	●		
	≤ 8 Hz	●	●						

Approvals and Certificates

UL approval	cULus Listed, General Purpose	●	●	●	●	●	●	●	●
CSA approval	cCSAus Listed, General Purpose	●	●	●	●	●	●	●	●

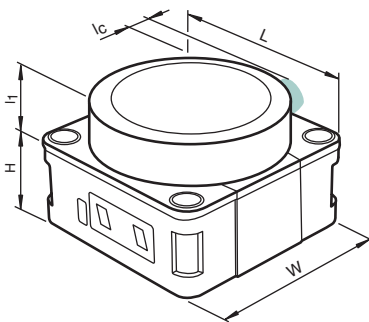
Dimensions

Length L [mm]	80
Width W [mm]	80
Height H [mm]	34
Transducer length l _t [mm]	0 16
Connector area l _c [mm]	16

Accessories

This and more accessories can be found in chapter 3.5 from page 673
See pages from 972 ... for cordsets See pages 1068 ... for mounting aids

MH 04-3505	Mounting aid for FP sensors
MHW 11	Mounting brackets for sensors
V15-G-2M-PVC	Cable socket, M12, 5-pin, PVC cable
V15-W-2M-PUR	Cable socket, M12, 5-pin, PUR cable

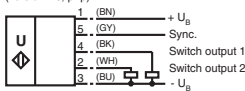


Electrical Connection



UB500-F42-E6-V15
UB2000-F42-E6-V15
UB4000-F42-E6-V15
UB6000-F42-E6-V15

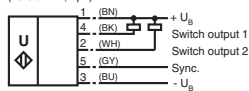
Standard symbol/Connections:
(version E6, npn)



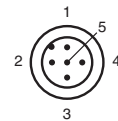
Core colours in accordance with EN 60947-5-2.

UB500-F42-E7-V15
UB2000-F42-E7-V15
UB4000-F42-E7-V15
UB6000-F42-E7-V15

Standard symbol/Connections:
(version E7, npn)



Core colours in accordance with EN 60947-5-2.



Wire colors in accordance with EN 60947-5-2

1	BN	(brown)
2	WH	(white)
3	BU	(blue)
4	BK	(black)
5	GY	(gray)





Properties

- Up to 6000 mm sensing range versions
- DC, analog output
- Surface mount F42 housing, front view
- Connector version

Your Benefit

- Simple pushbutton configuration

Technical Data

For detailed data and product description refer to the data sheets at www.pepperl-fuchs.com

General Data

Deviation of the characteristic curve	± 1 % of full-scale value
Synchronization	bi-directional
Ambient temperature	-25 ... 70 °C (-13 ... 158 °F)
Material	
Housing	ABS
Transducer	epoxy resin/hollow glass sphere mixture; foam polyurethane, cover PBT
Protection degree	IP54
Connection type	Device connector M12 x 1 , 5-pin



Model Number

		UB500-F42-I-V15	UB500-F42-U-V15	UB2000-F42-I-V15	UB2000-F42-U-V15	UB4000-F42-I-V15	UB4000-F42-U-V15	UB6000-F42-I-V15	UB6000-F42-U-V15
Sensing range	green = preferred type	●	●	●	●	●	●	●	●
	30 ... 500 mm								
	60 ... 2000 mm			●	●				
	200 ... 4000 mm					●	●		
	350 ... 6000 mm							●	●
Transducer frequency	approx. 390 kHz	●	●						
	approx. 175 kHz			●	●				
	approx. 85 kHz					●	●		
	approx. 65 kHz							●	●
Operating voltage	10 ... 30 V DC , ripple 10 % _{SS}	●	●	●	●	●	●	●	●
	17 ... 30 V DC , ripple 10 % _{SS}			●	●	●	●	●	●
No-load supply current	≤ 50 mA	●	●	●	●	●	●	●	●
	≤ 60 mA								
Output type	1 analog output 0 ... 10 V		●		●		●		●
	1 analog output 4 ... 20 mA	●		●		●		●	
Resolution	0.2 mm at max. sensing range	●	●			●		●	
	0.7 mm			●	●	●	●	●	●

Approvals and Certificates

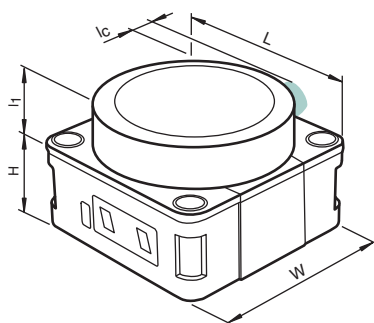
UL approval	cULus Listed, General Purpose	●	●	●	●	●	●	●	●
CSA approval	cCSAus Listed, General Purpose	●	●	●	●	●	●	●	●

Dimensions

Length L [mm]	80
Width W [mm]	80
Height H [mm]	34
Transducer length l ₁ [mm]	0 16
Connector area l _c [mm]	16

Accessories This and more accessories can be found in chapter 3.5 from page 673
See pages from 972 ... for cordsets See pages 1068 ... for mounting aids

MH 04-3505	Mounting aid for FP sensors
MHW 11	Mounting brackets for sensors
DA5-IU-2K-V	Process control and indication equipment
V15-G-2M-PVC	Cable socket, M12, 5-pin, PVC cable
V15-W-2M-PUR	Cable socket, M12, 5-pin, PUR cable

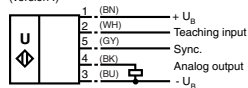


Electrical Connection



UB500-F42-I-V15
UB2000-F42-I-V15
UB4000-F42-I-V15
UB6000-F42-I-V15

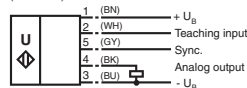
Standard symbol/Connections:
(version I)



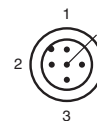
Core colours in accordance with EN 60947-5-2.

UB500-F42-U-V15
UB2000-F42-U-V15
UB4000-F42-U-V15
UB6000-F42-U-V15

Standard symbol/Connections:
(version U)



Core colours in accordance with EN 60947-5-2.



Wire colors in accordance with EN 60947-5-2

1	BN	(brown)
2	WH	(white)
3	BU	(blue)
4	BK	(black)
5	GY	(gray)

Date of issue 04/08/2015



Technical Data

For detailed data and product description refer to the data sheets at www.pepperl-fuchs.com

General Data

Operating voltage	20 ... V DC ... 253 V AC
No-load supply current	≤ 60 mA
Output type	1 relay output
Rated operational current	3 A
Ambient temperature	-25 ... 70 °C (-13 ... 158 °F)
Material	
Housing	PBT
Transducer	epoxy resin/hollow glass sphere mixture; foam polyurethane, cover PBT
Protection degree	IP65
Connection	5-pin V95 connector (7/8"-16 UN 2A)



Properties

- Up to 5000 mm sensing range versions
- AC/DC, relay output
- Surface mount F42 housing, front view
- Connector version

Your Benefit

- Simple pushbutton configuration

Model Number

		UB400-F42-UK-V95	UB1500-F42-UK-V95	UB3000-F42-UK-V95	UB5000-F42-UK-V95
Sensing range	40 ... 400 mm	●			
	70 ... 1500 mm		●		
	200 ... 3000 mm			●	
	350 ... 5000 mm				●
Transducer frequency	approx. 390 kHz	●			
	approx. 175 kHz		●		
	approx. 85 kHz			●	
	approx. 65 kHz				●
Switching frequency	≤ 0.6 Hz				●
	≤ 1.5 Hz			●	●
	≤ 3 Hz		●		
	≤ 8 Hz	●			

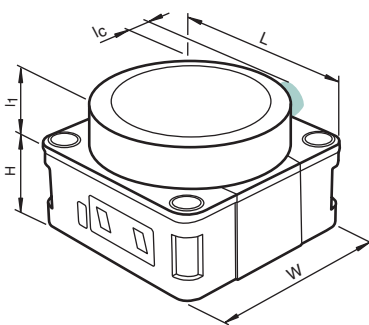
Dimensions

Length L [mm]	80
Width W [mm]	80
Height H [mm]	34
Transducer length l ₁ [mm]	0 16
Connector area l _c [mm]	16

Accessories

This and more accessories can be found in chapter 3.5 from page 673
 See pages from 972 ... for cordsets See pages 1068 ... for mounting aids

V95-G	Female connector, 7/8" - 16 UN, 5-pin, field attachable
V95-W-5M-PVC	Female connector, 7/8", 5-pin, PVC cable
V95-W	Field attachable female cordset
V95-W-2M-PVC	Female connector, 7/8", 5-pin, PVC cable
MH 04-3505	Mounting aid for FP sensors
MHW 11	Mounting brackets for sensors

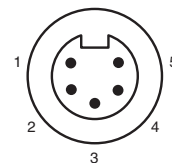
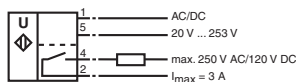


Electrical Connection



UB400-F42-UK-V95
 UB1500-F42-UK-V95
 UB3000-F42-UK-V95
 UB5000-F42-UK-V95

Standard symbol/Connections:
 (version UK)



Wire colors

1	WH	(white)
2	RD	(red)
3	GN	(green)
4	OR	(orange)
5	BK	(black)



Technical Data

For detailed data and product description refer to the data sheets at www.pepperl-fuchs.com

General Data

Operating voltage	10 ... 30 V DC , ripple 10 % _{SS}
No-load supply current	≤ 50 mA
Rated operational current	200 mA , short-circuit/overload protected
Synchronization	bi-directional
Ambient temperature	-25 ... 70 °C (-13 ... 158 °F)
Material	
Housing	ABS
Transducer	epoxy resin/hollow glass sphere mixture; foam polyurethane, cover PBT
Protection degree	IP54
Connection type	Device connector M12 x 1 , 5-pin



Properties

- 500 mm and 2000 mm sensing range versions
- DC, 1 and 2 switching outputs versions
- Surface mount F42 housing, side view
- Connector version

Your Benefit

- Simple pushbutton configuration

Model Number

		UB500-F42S-E4-V15	UB500-F42S-E5-V15	UB500-F42S-E6-V15	UB500-F42S-E7-V15	UB2000-F42S-E4-V15	UB2000-F42S-E5-V15	UB2000-F42S-E6-V15	UB2000-F42S-E7-V15
Sensing range	30 ... 500 mm	●	●	●	●	●	●	●	●
	60 ... 2000 mm								
Transducer frequency	approx. 390 kHz	●	●	●	●	●	●	●	●
	approx. 175 kHz								
Output type	1 switch output E4, NPN, NO/NC, programmable	●							
	1 switch output E5, PNP NO/NC, programmable		●						
	2 switch outputs NPN, normally open/close selectable				●				●
	2 switch outputs PNP, NO/NC selectable			●				●	
Switching frequency	≤ 2.7 Hz					●	●	●	●
	≤ 8 Hz	●	●	●	●	●	●	●	●

Approvals and Certificates

UL approval	cULus Listed, General Purpose	●	●	●	●	●	●	●	●
CSA approval	cCSAus Listed, General Purpose	●	●	●	●	●	●	●	●

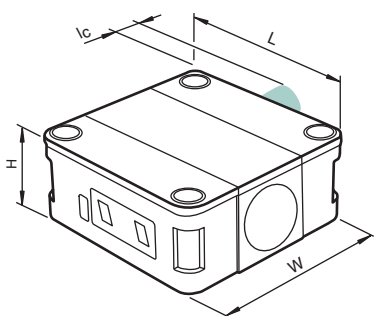
Dimensions

Length L [mm]	80
Width W [mm]	80
Height H [mm]	34
Transducer length l ₁ [mm]	0
Connector area l _c [mm]	16

Accessories

This and more accessories can be found in chapter 3.5 from page 673
See pages from 972 ... for cordsets See pages 1068 ... for mounting aids

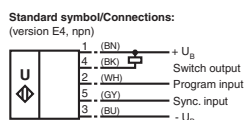
MH 04-3505	Mounting aid for FP sensors
MHW 11	Mounting brackets for sensors
V15-G-2M-PVC	Cable socket, M12, 5-pin, PVC cable
V15-W-2M-PUR	Cable socket, M12, 5-pin, PUR cable



Electrical Connection

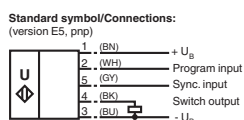


UB500-F42S-E4-V15
UB2000-F42S-E4-V15



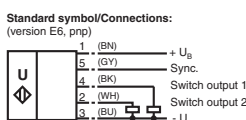
Wire colors in accordance with EN 60947-5-2.

UB500-F42S-E5-V15
UB2000-F42S-E5-V15



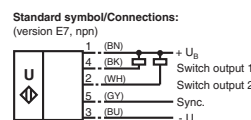
Wire colors in accordance with EN 60947-5-2.

UB500-F42S-E6-V15
UB2000-F42S-E6-V15

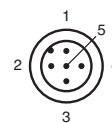


Core colours in accordance with EN 60947-5-2.

UB500-F42S-E7-V15
UB2000-F42S-E7-V15



Core colours in accordance with EN 60947-5-2.



Wire colors in accordance with EN 60947-5-2

1	BN	(brown)
2	WH	(white)
3	BU	(blue)
4	BK	(black)
5	GY	(gray)

Date of issue 04/08/2015



Technical Data

For detailed data and product description refer to the data sheets at www.pepperl-fuchs.com

General Data

Operating voltage	20 ... V DC ... 253 V AC
No-load supply current	≤ 60 mA
Output type	1 relay output
Rated operational current	3 A
Ambient temperature	-25 ... 70 °C (-13 ... 158 °F)
Material	
Housing	PBT
Transducer	epoxy resin/hollow glass sphere mixture; foam polyurethane, cover PBT
Protection degree	IP65
Connection	5-pin V95 connector (7/8"-16 UN 2A)



Properties

- 400 mm and 1500 mm sensing range versions
- AC/DC, relay output
- Surface mount F42 housing, side view
- Connector version

Your Benefit

- Simple pushbutton configuration

Model Number

		UB400-F42S-UK-V95	UB1500-F42S-UK-V95
Sensing range	40 ... 400 mm	●	
	70 ... 1500 mm		●
Transducer frequency	approx. 390 kHz	●	
	approx. 175 kHz		●
Switching frequency	≤ 3 Hz		●
	≤ 8 Hz	●	

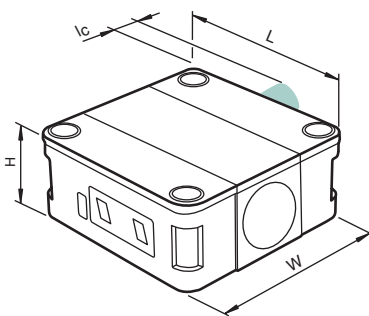
Dimensions

Length L [mm]	80
Width W [mm]	80
Height H [mm]	34
Transducer length l ₁ [mm]	0
Connector area l _c [mm]	16

Accessories

This and more accessories can be found in chapter 3.5 from page 673
See pages from 972 ... for cordsets See pages 1068 ... for mounting aids

V95-G	Female connector, 7/8" - 16 UN, 5-pin, field attachable
V95-W-5M-PVC	Female connector, 7/8", 5-pin, PVC cable
V95-W	Field attachable female cordset
V95-W-2M-PVC	Female connector, 7/8", 5-pin, PVC cable
MH 04-3505	Mounting aid for FP sensors
MHW 11	Mounting brackets for sensors

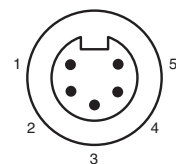
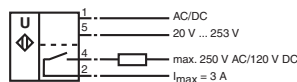


Electrical Connection



UB400-F42S-UK-V95
UB1500-F42S-UK-V95

Normsymbol/Anschluss:
(Version UK)



Wire colors

1	WH	(white)
2	RD	(red)
3	GN	(green)
4	OR	(orange)
5	BK	(black)





Properties

- 500 mm and 2000 mm sensing range versions
- DC, analog output
- Surface mount F42 housing, side view
- Connector version

Your Benefit

- Simple pushbutton configuration

Technical Data

For detailed data and product description refer to the data sheets at www.pepperl-fuchs.com

General Data

Deviation of the characteristic curve	± 1 % of full-scale value
Synchronization	bi-directional
Ambient temperature	-25 ... 70 °C (-13 ... 158 °F)
Material	
Housing	ABS
Transducer	epoxy resin/hollow glass sphere mixture; foam polyurethane, cover PBT
Protection degree	IP54
Connection type	Device connector M12 x 1 , 5-pin



Model Number

		UB500-F42S-I-V15	UB500-F42S-U-V15	UB2000-F42S-I-V15	UB2000-F42S-U-V15
Sensing range	30 ... 500 mm	●	●		
	60 ... 2000 mm			●	●
Transducer frequency	approx. 390 kHz	●	●		
	approx. 175 kHz			●	●
Operating voltage	10 ... 30 V DC , ripple 10 % _{SS}	●		●	
	17 ... 30 V DC , ripple 10 % _{SS}		●		●
No-load supply current	≤ 50 mA	●	●	●	●
Output type	1 analog output 0 ... 10 V		●		●
	1 analog output 4 ... 20 mA	●		●	
Resolution	0.2 mm at max. sensing range		●		
	0.2 mm for max. detection range	●			
	0.7 mm			●	●

Approvals and Certificates

UL approval	cULus Listed, General Purpose	●	●	●	●
CSA approval	cCSAus Listed, General Purpose	●	●	●	●

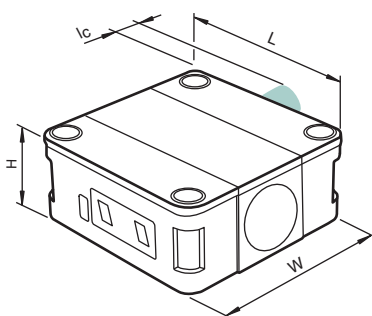
Dimensions

Length L [mm]	80
Width W [mm]	80
Height H [mm]	34
Transducer length l ₁ [mm]	0
Connector area l _c [mm]	16

Accessories

This and more accessories can be found in chapter 3.5 from page 673
See pages from 972 ... for cordsets See pages 1068 ... for mounting aids

MH 04-3505	Mounting aid for FP sensors
MHW 11	Mounting brackets for sensors
DA5-IU-2K-V	Process control and indication equipment
V15-G-2M-PVC	Cable socket, M12, 5-pin, PVC cable
V15-W-2M-PUR	Cable socket, M12, 5-pin, PUR cable

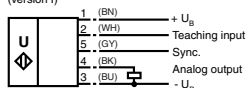


Electrical Connection



UB500-F42S-I-V15
UB2000-F42S-I-V15

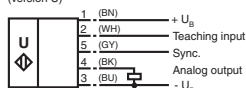
Standard symbol/Connections:
(version I)



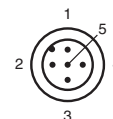
Core colours in accordance with EN 60947-5-2.

UB500-F42S-U-V15
UB2000-F42S-U-V15

Standard symbol/Connections:
(version U)



Core colours in accordance with EN 60947-5-2.



Wire colors in accordance with EN 60947-5-2

1	BN	(brown)
2	WH	(white)
3	BU	(blue)
4	BK	(black)
5	GY	(gray)

Date of issue 04/08/2015



Technical Data

For detailed data and product description refer to the data sheets at www.pepperl-fuchs.com

General Data	
Operating voltage	12 ... 30 V (including ripple) In supply voltage interval 12 ... 20 V reduced sensitivity by 20% ... 0%
No-load supply current	≤ 60 mA
Output type	2 switch outputs PNP, NO
Rated operational current	150 mA , short-circuit/overload protected
Input type	1 program input Teach-In of S _{min}
Ambient temperature	-25 ... 70 °C (-13 ... 158 °F)
Material	
Housing	PBT
Transducer	epoxy resin/hollow glass sphere mixture; polyurethane foam
Protection degree	IP65
Connection type	Device connector M12 x 1 , 5-pin



Properties

- Up to 2500 mm sensing range
- DC, 2 switching outputs and programming interface
- Level measurement optimized F65 housing
- Connector version

Your Benefit

- SONPROG programmable sensing limits and filtering
- Ultra-low 30 mm mounting height
- Gasketed transducer seals the tank/container

Model Number	UC500-F65-E8R2-V15	UC1500-F65-E8R2-V15	UC2500-F65-E8R2-V15
Sensing range	60 ... 500 mm	200 ... 1500 mm	250 ... 2500 mm
Transducer frequency	approx. 300 kHz	approx. 200 kHz	approx. 120 kHz

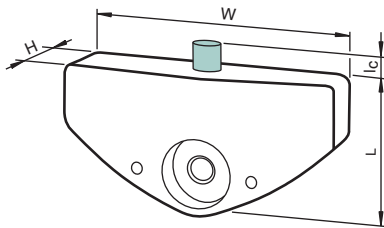
Approvals and Certificates			
UL approval	cULus Listed, General Purpose	●	●
CSA approval	cCSAus Listed, General Purpose	●	●

Dimensions	
Length L [mm]	64,4
Width W [mm]	125
Height H [mm]	30
Connector area l _c [mm]	12

Accessories

This and more accessories can be found in chapter 3.5 from page 673
See pages from 972 ... for cordsets See pages 1068 ... for mounting aids

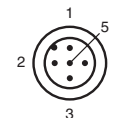
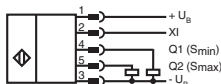
V15-G-2M-PUR	Cable socket, M12, 5-pin, PUR cable
V15-G-2M-PVC	Cable socket, M12, 5-pin, PVC cable
V15-W-2M-PUR	Cable socket, M12, 5-pin, PUR cable
V15-W-2M-PVC	Cable socket, M12, 5-pin, PVC cable
3RX4000-PF	PC interface



Electrical Connection



UC500-F65-E8R2-V15
UC1500-F65-E8R2-V15
UC2500-F65-E8R2-V15



Wire colors in accordance with EN 60947-5-2

1	BN	(brown)
2	WH	(white)
3	BU	(blue)
4	BK	(black)
5	GY	(gray)

Date of issue: 04/08/2015

3
1
Ultrasonic Sensors, Diffuse Mode Sensors, Rectangular types



Technical Data

For detailed data and product description refer to the data sheets at www.pepperl-fuchs.com

General Data

Operating voltage	15 ... 30 V (including ripple) In supply voltage interval 15 ... 20 V reduced sensitivity by 20% ... 0%
No-load supply current	≤ 60 mA
Output type	1 switch output PNP, NO
Operating current	≤ 300 mA , short-circuit/overload protected
Linearity error	≤ 1.5 %
Input type	1 Function input
Ambient temperature	-25 ... 70 °C (-13 ... 158 °F)
Material	
Housing	PBT
Transducer	epoxy resin/hollow glass sphere mixture; polyurethane foam
Protection degree	IP65
Connection type	Device connector M12 x 1 , 5-pin



Properties

- Up to 2500 mm sensing range versions
- DC, analog output, switching output and programming interface
- Level measurement optimized F65 housing
- Connector version

Your Benefit

- SONPROG programmable sensing limits and filtering
- Ultra-low 30 mm mounting height
- Gasketed transducer seals the tank/container

Model Number

	UC500-F65-IE2R2-V15	UC500-F65-UE2R2-V15	UC1500-F65-IE2R2-V15	UC1500-F65-UE2R2-V15	UC2500-F65-IE2R2-V15	UC2500-F65-UE2R2-V15
Sensing range	60 ... 500 mm	200 ... 1500 mm	250 ... 2500 mm			
Transducer frequency	approx. 300 kHz	approx. 200 kHz	approx. 120 kHz			
Output type	1 voltage output 0 ... 10 V , rising slope	1 current output 4 ... 20 mA , rising slope				

Approvals and Certificates

UL approval	cULus Listed, General Purpose					
CSA approval	cCSAus Listed, General Purpose					

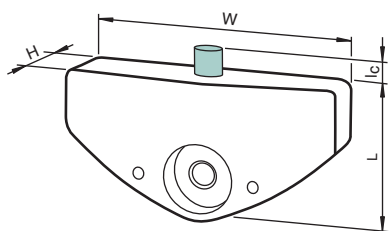
Dimensions

Length L [mm]	64,4
Width W [mm]	125
Height H [mm]	30
Connector area l _c [mm]	12

Accessories

This and more accessories can be found in chapter 3.5 from page 673
See pages from 972 ... for cordsets See pages 1068 ... for mounting aids

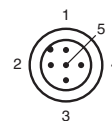
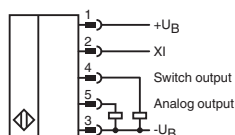
V15-G-2M-PUR	Cable socket, M12, 5-pin, PUR cable
V15-G-2M-PVC	Cable socket, M12, 5-pin, PVC cable
V15-W-2M-PUR	Cable socket, M12, 5-pin, PUR cable
V15-W-2M-PVC	Cable socket, M12, 5-pin, PVC cable
3RX4000-PF	PC interface



Electrical Connection



UC500-F65-IE2R2-V15
UC1500-F65-IE2R2-V15
UC2500-F65-IE2R2-V15
UC500-F65-UE2R2-V15
UC1500-F65-UE2R2-V15
UC2500-F65-UE2R2-V15



Wire colors in accordance with EN 60947-5-2

1	BN	(brown)
2	WH	(white)
3	BU	(blue)
4	BK	(black)
5	GY	(gray)

Date of issue 04/08/2015



Technical Data

For detailed data and product description refer to the data sheets at www.pepperl-fuchs.com

General Data

Operating voltage	12 ... 30 V (including ripple) In supply voltage interval 12 ... 20 V reduced sensitivity by 20% ... 0%
No-load supply current	≤ 60 mA
Output type	1 Frequency output
Rated operational current	300 mA
Input type	1 Function input
Ambient temperature	-25 ... 70 °C (-13 ... 158 °F)
Material	
Housing	PBT
Transducer	epoxy resin/hollow glass sphere mixture; polyurethane foam
Protection degree	IP65
Connection type	Device connector M12 x 1 , 4-pin



Properties

- Up to 2500 mm sensing range versions
- DC, frequency output, switching output and programming interface
- Level measurement optimized F65 housing
- Connector version

Your Benefit

- SONPROG programmable sensing limits and filtering
- Frequency (Hz) output provides continuous feedback to discrete input controllers
- Ultra-low 30 mm mounting height
- Gasketed transducer seals the tank/container

Model Number

		UC500-F65-FE2R2-V15	UC1500-F65-FE2R2-V15	UC2500-F65-FE2R2-V15
Sensing range	60 ... 500 mm	●		
	200 ... 1500 mm		●	
	250 ... 2500 mm			●
Transducer frequency	approx. 300 kHz	●		
	approx. 200 kHz		●	
	approx. 120 kHz			●
Output frequency	30 ... 250 Hz (300 ... 2500 Hz) , adjustable	●		
	20 ... 150 Hz (200 ... 1500 Hz) , adjustable		●	
	12.5 ... 125 Hz (125 ... 1250 Hz) , adjustable			●

Approvals and Certificates

UL approval	cULus Listed, General Purpose	●	●	●
CSA approval	cCSAus Listed, General Purpose	●	●	●

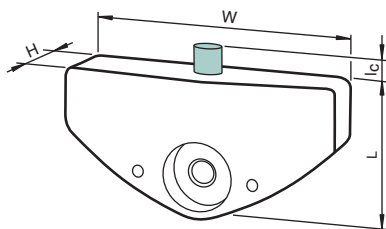
Dimensions

Length L [mm]	64,4
Width W [mm]	125
Height H [mm]	30
Connector area l _c [mm]	12

Accessories

This and more accessories can be found in chapter 3.5 from page 673
See pages from 972 ... for cordsets See pages 1068 ... for mounting aids

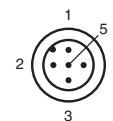
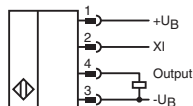
V1-G-2M-PUR	Cable socket, M12, 4-pin, PUR cable
V1-G-2M-PVC	Cable socket, M12, 4-pin, PVC cable
V1-W-2M-PUR	Cable socket, M12, 4-pin, PUR cable
V1-W-2M-PVC	Cable socket, M12, 4-pin, PVC cable
3RX4000-PF	PC interface



Electrical Connection



UC500-F65-FE2R2-V15
UC1500-F65-FE2R2-V15
UC2500-F65-FE2R2-V15



Wire colors in accordance with EN 60947-5-2

1	BN	(brown)
2	WH	(white)
3	BU	(blue)
4	BK	(black)
5	GY	(gray)

Date of issue: 04/08/2015



Technical Data

For detailed data and product description refer to the data sheets at www.pepperl-fuchs.com

General Data

Sensing range	800 ... 10000 mm
Transducer frequency	approx. 60 kHz
Operating voltage	15 ... 30 V (including ripple) In supply voltage interval 15 ... 20 V reduced sensitivity by 20% ... 0%
No-load supply current	≤ 75 mA
Linearity error	≤ 1.5 %
Input/output type	1 synchronization connection, bidirectional
Ambient temperature	-25 ... 70 °C (-13 ... 158 °F)
Material	
Housing	UP 1225 SF/R8
Transducer	epoxy resin/hollow glass sphere mixture; polyurethane foam
Protection degree	IP65
Connection type	screw terminals , PG 13.5 cable gland



Properties

- 10 m sensing range
- DC, analog output, switching outputs and programming interface
- Rotatable F260 housing
- Terminal compartment

Your Benefit

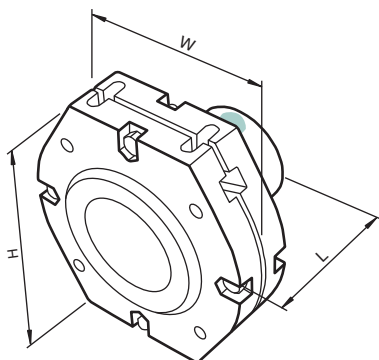
- SONPROG programmable sensing limits and filtering

Model Number	UC10000-F260-IE8R2	UC10000-F260-IE9R2	UC10000-F260-UE8R2	UC10000-F260-UE9R2
Output type	2 switch outputs PNP, NC 2 switch outputs PNP, NO	●	●	●
Operating current	150 mA , short-circuit/overload protected 300 mA , short-circuit/overload protected	●	●	●
Output type	1 voltage output: 0 ... 10 V rising slope 1 current output 4 ... 20 mA rising slope	●	●	●
Approvals and Certificates				
UL approval	cULus Listed, General Purpose	●	●	●
CSA approval	cCSAus Listed, General Purpose	●	●	●
Dimensions				
Length L [mm]				112
Width W [mm]				160
Height H [mm]				160

Accessories

This and more accessories can be found in chapter 3.5 from page 673
See pages from 972 ... for cordsets See pages 1068 ... for mounting aids

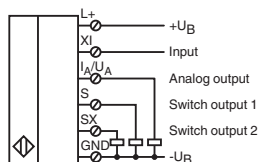
DA5-IU-C	Digital display unit
3RX4000-PF	PC interface
V1S-M12-500	Receptacles, M12/M16, 5-pin



Electrical Connection



UC10000-F260-IE9R2
UC10000-F260-UE8R2
UC10000-F260-UE9R2
UC10000-F260-IE8R2



Date of issue 04/08/2015



Properties

- Ø18 mm housing
- 1000 mm sensing range
- DC, 3-wire switching output
- Connector version

Technical Data

For detailed data and product description refer to the data sheets at www.pepperl-fuchs.com

Model Number	UBE1000-18GM40-SE2-V1
Sensing range	15 ... 1000 mm
Transducer frequency	approx. 255 kHz
Operating voltage	10 ... 30 V DC , ripple 10 % _{SS}
No-load supply current	≤ 20 mA
Output type	PNP, NO
Rated operational current	200 mA , short-circuit/overload protected
Switching frequency	≤ 100 Hz
Input type	1 program input free air path: -U _B ... +1 V, object: +6 V ... +U _B input impedance: > 4,7 kΩ program pulse: ≥ 1 s
LED green	Power on
LED yellow	switching state
LED red	error, object uncertain
Ambient temperature	-25 ... 70 °C (-13 ... 158 °F)
Material	
Housing	brass, nickel-plated
Transducer	epoxy resin/hollow glass sphere mixture; foam polyurethane, cover PBT
Protection degree	IP67
Connection type	Device connector M12 x 1 , 4-pin



Approvals and Certificates

UL approval	cULus Listed, General Purpose
CSA approval	cCSAus Listed, General Purpose

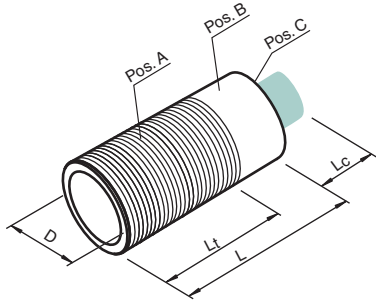
Dimensions

Length L [mm]	49.2
Diameter D [mm]	18
Thread length l _t [mm]	24.5
Connector area l _c [mm]	10
LED position	Pos. C

Accessories

This and more accessories can be found in chapter 3.5 from page 673
See pages from 972 ... for cordsets See pages 1068 ... for mounting aids

UB-PROG2	Programming unit
OMH-04	Mounting aid for round steel ø 12 mm or sheet 1.5 mm ... 3 mm
BF 18	Mounting flange, 18 mm
BF 18-F	Mounting flange with dead stop, 18 mm
BF 5-30	Universal mounting bracket for cylindrical sensors with a diameter of 5 ... 30 mm
V1-G-2M-PVC	Cable socket, M12, 4-pin, PVC cable
V1-W-2M-PUR	Cable socket, M12, 4-pin, PUR cable



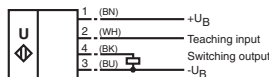
Electrical Connection



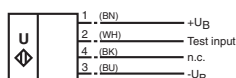
UBE1000-18GM40-SE2-V1

Standard symbol/Connection:
(version E2, prnp)

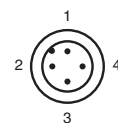
Receiver:



Emitter:



Core colours in accordance with EN 60947-5-2.



Wire colors in accordance with EN 60947-5-2

1	BN	(brown)
2	WH	(white)
3	BU	(blue)
4	BK	(black)



Properties

- Ø18 mm high grade steel housing
- 300 mm sensing range
- DC, 3-wire switching output
- Connector version

Technical Data

For detailed data and product description refer to the data sheets at www.pepperl-fuchs.com

Model Number	UBEC300-18GH40-SE2-V1
Sensing range	100 ... 300 mm
Transducer frequency	approx. 255 kHz
Operating voltage	10 ... 30 V DC , ripple 10 % _{SS}
No-load supply current	≤ 20 mA
Output type	PNP, NO
Rated operational current	200 mA , short-circuit/overload protected
Switching frequency	≤ 100 Hz
Input type	1 program input [receiver] switch point 1: -U _B ... +1 V, switch point 2: +6 V ... +U _B 1 test input [emitter] emitter deactivated: +6 V ... +U _B
Ambient temperature	-25 ... 70 °C (-13 ... 158 °F)
Material	
Housing	Stainless steel 1.4435 / AISI 316L O-ring for cover sealing: EPDM
Transducer	PTFE (diaphragm surface)
Protection degree	IP68 / IP69K
Connection type	Device connector M12 x 1 , 4-pin



Approvals and Certificates

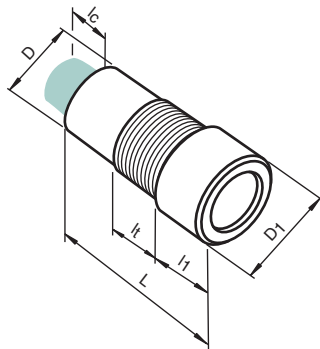
UL approval	cULus Listed, General Purpose
CSA approval	cCSAus Listed, General Purpose

Dimensions

Length L [mm]	43
Diameter D [mm]	18
Head diameter D ₁ [mm]	21
Thread length l _t [mm]	15
Head length l ₁ [mm]	13
Connector area l _c [mm]	10

Accessories This and more accessories can be found in chapter 3.5 from page 673
See pages from 972 ... for cordsets See pages 1068 ... for mounting aids

UB-PROG2	Programming unit
V1-GU-BK2M-PVC	Cable socket, M12 Ultra-Lock, 4-pin, PVC cable
V1-WU-BK2M-PVC	Cable socket, M12 Ultra-Lock, 4-pin, PVC cable



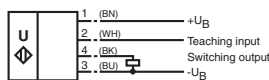
Electrical Connection



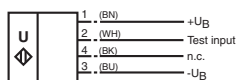
UBEC300-18GH40-SE2-V1

Standard symbol/Connection:
(version E2, pnp)

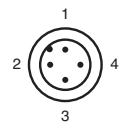
Receiver:



Emitter:



Core colours in accordance with EN 60947-5-2.



Wire colors in accordance with EN 60947-5-2

- 1 | BN (brown)
- 2 | WH (white)
- 3 | BU (blue)
- 4 | BK (black)

Date of issue 04/08/2015

3
2

Ultrasonic Sensors, Thru-Beam Sensors, cylindrical



Properties

- Ø18 mm housing, angled head
- 1000 mm sensing range
- DC, 3-wire switching output
- Connector version

Technical Data

For detailed data and product description refer to the data sheets at www.pepperl-fuchs.com

Model Number	UBE1000-18GM40A-SE2-V1
Sensing range	15 ... 1000 mm
Transducer frequency	approx. 255 kHz
Operating voltage	10 ... 30 V DC , ripple 10 % _{SS}
No-load supply current	≤ 20 mA
Output type	PNP, NO
Rated operational current	200 mA , short-circuit/overload protected
Switching frequency	≤ 100 Hz
Input type	1 program input free air path: -U _B ... +1 V, object: +6 V ... +U _B input impedance: > 4,7 kΩ program pulse: ≥ 1 s
LED green	Power on
LED yellow	switching state
LED red	error, object uncertain
Ambient temperature	-25 ... 70 °C (-13 ... 158 °F)
Material	
Housing	brass, nickel-plated
Transducer	epoxy resin/hollow glass sphere mixture; foam polyurethane, cover PBT
Protection degree	IP67
Connection type	Device connector M12 x 1 , 4-pin



Approvals and Certificates

UL approval	cULus Listed, General Purpose
CSA approval	cCSAus Listed, General Purpose

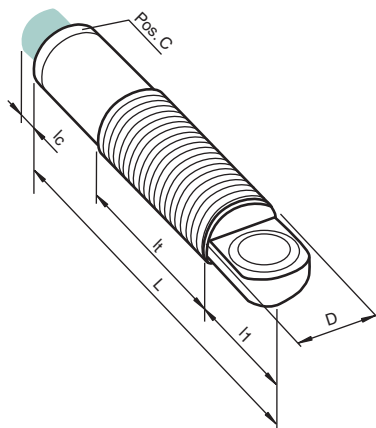
Dimensions

Length L [mm]	57.7
Diameter D [mm]	18
Transducer length l ₁ [mm]	18.5
Thread length l ₂ [mm]	24.5
Connector area l _c [mm]	10
LED position	Pos. C

Accessories

This and more accessories can be found in chapter 3.5 from page 673
See pages from 972 ... for cordsets See pages 1068 ... for mounting aids

UB-PROG2	Programming unit
OMH-04	Mounting aid for round steel ø 12 mm or sheet 1.5 mm ... 3 mm
BF 18	Mounting flange, 18 mm
BF 18-F	Mounting flange with dead stop, 18 mm
BF 5-30	Universal mounting bracket for cylindrical sensors with a diameter of 5 ... 30 mm
V1-G-2M-PVC	Cable socket, M12, 4-pin, PVC cable
V1-W-2M-PUR	Cable socket, M12, 4-pin, PUR cable



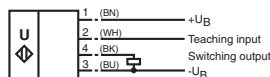
Electrical Connection



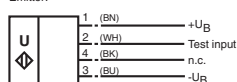
UBE1000-18GM40A-SE2-V1

Standard symbol/Connection:
(version E2, pnp)

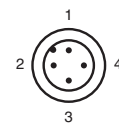
Receiver:



Emitter:



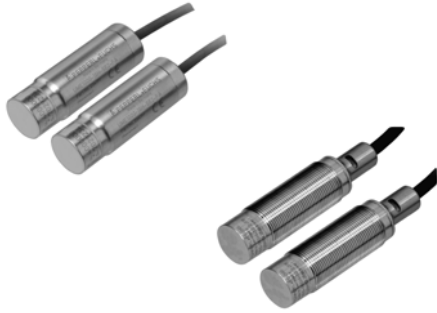
Core colours in accordance with EN 60947-5-2.



Wire colors in accordance with EN 60947-5-2

1	BN	(brown)
2	WH	(white)
3	BU	(blue)
4	BK	(black)





Properties

- Ø18 mm high grade steel housing, hygienic design
- 1000 mm sensing range
- DC, 3-wire switching output
- Cable version

Technical Data

For detailed data and product description refer to the data sheets at www.pepperl-fuchs.com

General Data

Sensing range	15 ... 1000 mm
Transducer frequency	170 kHz
Operating voltage	10 ... 30 V DC , ripple 10 % _{SS}
No-load supply current	≤ 20 mA
Output type	1 switch output E2, PNP, NO
Rated operational current	200 mA , short-circuit/overload protected
Switching frequency	≤ 100 Hz
Input type	1 program input free air path: -U _B ... +1 V, object: +6 V ... +U _B
Ambient temperature	-25 ... 85 °C (-13 ... 185 °F)
Material	
Housing	Stainless steel 1.4435 / AISI 316L
Transducer	Stainless steel 1.4435 / AISI 316L
Protection degree	IP68 / IP69K

Model Number		UME1000-18H-SE2-FA	UME1000-18H-SE2-FB	UME1000-18GH-SE2-FB
LED green	Power on		●	●
LED yellow	Receiver: switching state, uncertain object, Teach-In		●	●
LED red	Transducer: test input		●	●
Connection type	cable PUR , 2 m	●		
	cable PVC , 2 m		●	●

Approvals and Certificates

UL approval	cULus Listed, General Purpose		●	●
CSA approval	cCSAus Listed, General Purpose		●	●

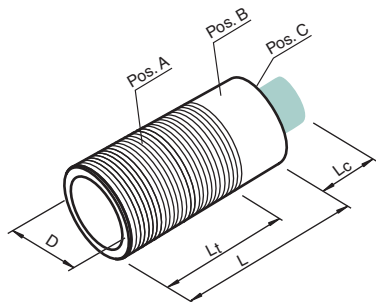
Dimensions

Length L [mm]	55	66,7
Diameter D [mm]		18
Thread length l _t [mm]	0	32
Connector area l _c [mm]		0
LED position	-	Pos. C

Accessories

This and more accessories can be found in chapter 3.5 from page 673
See pages from 972 ... for cordsets See pages 1068 ... for mounting aids

BF 18	Mounting flange, 18 mm
BF 18-F	Mounting flange with dead stop, 18 mm
MH-18H-01-FA	



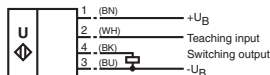
Electrical Connection



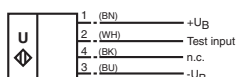
UME1000-18H-SE2-FA
UME1000-18GH-SE2-FB
UME1000-18H-SE2-FB

Standard symbol/Connection:
(version E2, pnp)

Receiver:



Emitter:





Properties

- Ø30 mm housing
- 4 m sensing range
- DC, 4-wire complementary switching outputs
- Connector version

Technical Data

For detailed data and product description refer to the data sheets at www.pepperl-fuchs.com

Model Number	UBE4000-30GM-SA2-V15
Sensing range	0 ... 4000 mm , distance emitter-receiver 500 mm ... 4000 mm
Transducer frequency	85 kHz
Operating voltage	18 ... 30 V DC , ripple 10 % _{SS}
No-load supply current	35 mA emitter 25 mA receiver
Output type	2 switch outputs PNP, normally open/closed (complementary)
Rated operational current	200 mA
Switching frequency	≤ 15 Hz
LED green	alignment aid OFF: no ultrasonic signal flashing: uncertain area ON: positive reception
LED yellow	switching state
Ambient temperature	0 ... 60 °C (32 ... 140 °F)
Material	
Housing	nickel plated brass; plastic components: PBT
Protection degree	IP65
Connection type	Device connector M12 x 1 , 5-pin



Approvals and Certificates

UL approval	cULus Listed, General Purpose
CSA approval	cCSAus Listed, General Purpose

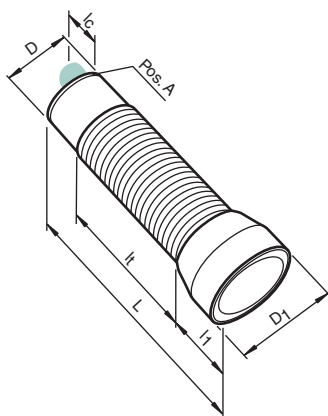
Dimensions

Length L [mm]	90
Diameter D [mm]	30
Transducer diameter D ₁ [mm]	40
Transducer length l ₁ [mm]	25
Thread length l _t [mm]	43
Connector area l _c [mm]	10
LED position	Pos. A

Accessories

This and more accessories can be found in chapter 3.5 from page 673
See pages from 972 ... for cordsets See pages 1068 ... for mounting aids

FP100	Remote potentiometer
BF 30	Mounting flange, 30 mm
BF 5-30	Universal mounting bracket for cylindrical sensors with a diameter of 5 ... 30 mm
V1-G-2M-PVC	Cable socket, M12, 4-pin, PVC cable
V1-W-2M-PVC	Cable socket, M12, 4-pin, PVC cable



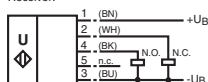
Electrical Connection



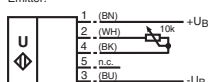
UBE4000-30GM-SA2-V15

Standard symbol/Connection:
(version A2, pnp)

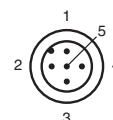
Receiver:



Emitter:



Core colours in accordance with EN 60947-5-2.



Wire colors in accordance with EN 60947-5-2

1	BN	(brown)
2	WH	(white)
3	BU	(blue)
4	BK	(black)
5	GY	(gray)



Properties

- Emitter / receiver set
- Miniature F77 housing
- 800 mm sensing range
- DC, 3-wire switching output
- Connector version

Your Benefit

- Best-in-class immunity to acoustic interference
- Excellent for detection of clear objects
- Fast, 100Hz switching frequency

Technical Data

For detailed data and product description refer to the data sheets at www.pepperl-fuchs.com

Model Number	UBE800-F77-SE2-V31
Sensing range	0 ... 800 mm emitter/receiver spacing
Transducer frequency	approx. 300 kHz
Operating voltage	20 ... 30 V DC , ripple 10 % _{SS} ; 12 ... 20 V DC reduced sensitivity by 80 %
No-load supply current	≤ 20 mA
Output type	1 switch output PNP, NO
Rated operational current	200 mA , short-circuit/overload protected
Switching frequency	100 Hz
Input type	1 program input (receiver)
LED green	Power on (emitter)
LED yellow	switching state (receiver)
Ambient temperature	-25 ... 70 °C (-13 ... 158 °F)
Material	
Housing	Polycarbonate
Transducer	epoxy resin/hollow glass sphere mixture; polyurethane foam
Protection degree	IP67
Connection type	M8 x 1 connector , 4-pin



Approvals and Certificates

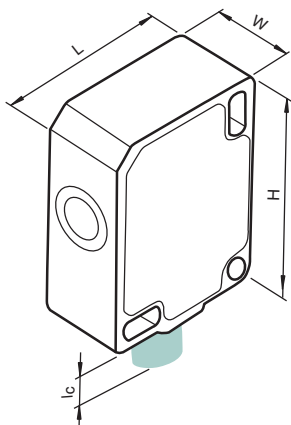
UL approval	cULus Listed, General Purpose
CSA approval	cCSAus Listed, General Purpose

Dimensions

Length L [mm]	23
Width W [mm]	12
Height H [mm]	31
Connector area l _c [mm]	9

Accessories This and more accessories can be found in chapter 3.5 from page 673
See pages from 972 ... for cordsets See pages 1068 ... for mounting aids

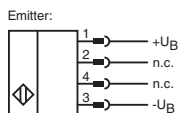
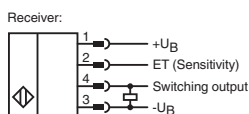
UB-PROG4-V31	Programming unit
OMH-ML7-01	Mounting bracket
V31-GM-2M-PVC	M8, 4-pin socket, PVC cable
V31-WM-2M-PVC	M8, 4-pin socket, PVC cable



Electrical Connection



UBE800-F77-SE2-V31



Wire colors in accordance with EN 60947-5-2

1	BN	(brown)
2	WH	(white)
3	BU	(blue)
4	BK	(black)

Date of issue 2015-04-08





Technical Data

For detailed data and product description refer to the data sheets at www.pepperl-fuchs.com

General Data

Operating voltage	10 ... 30 V DC , ripple 10 % _{SS}
No-load supply current	≤ 30 mA
Input type	1 pulse input for transmitter pulse (clock)
Output type	1 pulse output for echo run time, short-circuit proof open collector PNP with pulldown resistor = 22 kOhm level 0 (no echo): -U _B level 1 (echo detected): ≥ (+U _B -2 V)
Ambient temperature	-25 ... 85 °C (-13 ... 185 °F)
Material	
Housing	nickel plated brass; plastic components: PBT
Transducer	epoxy resin/hollow glass sphere mixture; polyurethane foam
Protection degree	IP67
Connection type	Device connector M12 x 1 , 4-pin

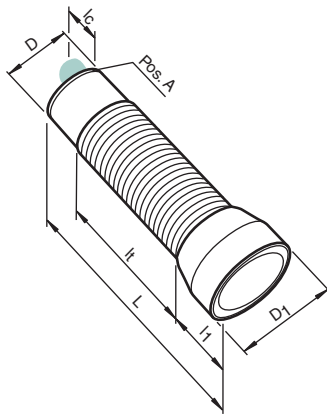
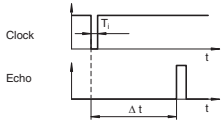


Properties

- Up to 6000 mm sensing range versions
- DC, clock input / echo output
- Requires external controller / amplifier
- Ø30 mm cylindrical housing
- Connector version

Function

The sensing range is determined in the downstream evaluation electronics such as PLC modules or other existing evaluation units. The object distance in pulse-echo mode is obtained from the echo time Δt. The emission of an ultrasonic pulse starts simultaneously with the falling slope of the clock input signal.



Model Number

		UB500-30GM-H3-V1	UB2000-30GM-H3-V1	UB4000-30GM-H3-V1	UB6000-30GM-H3-V1
Sensing range	30 ... 500 mm	●			
	80 ... 2000 mm		●		
	200 ... 4000 mm			●	
	350 ... 6000 mm				●
Transducer frequency	approx. 380 kHz	●			
	approx. 180 kHz		●		
	approx. 85 kHz			●	
	approx. 65 kHz				●

Approvals and Certificates

UL approval	cULus Listed, General Purpose	●	●	●	●
CSA approval	cCSAus Listed, General Purpose	●	●	●	●

Dimensions

	80	95	100
Length L [mm]			
Diameter D [mm]		30	
Transducer diameter D ₁ [mm]	30	40	74
Transducer length l ₁ [mm]	0	25	32,5
Thread length l _i [mm]	60	49	47,5
Connector area l _c [mm]		10	

Accessories

This and more accessories can be found in chapter 3.5 from page 673
See pages from 972 ... for cordsets See pages 1068 ... for mounting aids

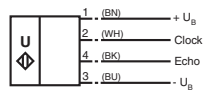
BF 30	Mounting flange, 30 mm
BF 30-F	Mounting flange with dead stop, 30 mm
BF 5-30	Universal mounting bracket for cylindrical sensors with a diameter of 5 ... 30 mm
UVW90-M30	Ultrasonic deflector (only UB500... and UB2000...)
UVW90-K30	Ultrasonic deflector (only UB500... and UB2000...)
V1-G-2M-PVC	Cable socket, M12, 4-pin, PVC cable
V1-W-2M-PVC	Cable socket, M12, 4-pin, PVC cable

Electrical Connection

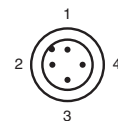


UB2000-30GM-H3-V1
UB4000-30GM-H3-V1
UB500-30GM-H3-V1
UB6000-30GM-H3-V1

Standard symbol/Connection:



2 = Emitter pulse input
4 = Echo propagation time output
Core colours in accordance with EN 60947-5-2.



Wire colors in accordance with EN 60947-5-2

1	BN	(brown)
2	WH	(white)
3	BU	(blue)
4	BK	(black)



Properties

- Ø18 mm housing
- Wide range double sheet detection
- Very fast response
- DC, 3 switching outputs
- Cable version

Your Benefit

- 400-series is designed for detection of the broadest range of materials (typically paper)
- One sensor identifies zero-, single- and double-sheets

Technical Data

For detailed data and product description refer to the data sheets at www.pepperl-fuchs.com

General Data

Sensing range	20 ... 60 mm , optimal distance: 45 mm
Transducer frequency	395 kHz
Operating voltage	18 ... 30 V DC , ripple 10 % _{SS}
No-load supply current	< 80 mA
Rated operational current	3 x 100 mA , short-circuit/overload protected
Switch-on delay	approx. 15 ms (shorter response time on request)
Switch-off delay	approx. 15 ms (shorter response time on request)
Pulse extension	min. 120 ms programmable
Input type	Function input
LED green	indication: single sheet detected
LED yellow	Indication: No sheet detected (Air)
LED red	indication: double sheet detected
Ambient temperature	0 ... 60 °C (32 ... 140 °F)
Material	
Housing	nickel plated brass; plastic components: PBT
Transducer	epoxy resin/hollow glass sphere mixture; polyurethane foam
Protection degree	IP67
Connection type	cable PVC , 2 m



Model Number

	UDC-18GM-400-3E1	UDC-18GM-400-3E2	UDC-18GM-400-3E3
Output type	3 switch outputs NPN, NC		
	3 Switch outputs PNP, NC		
	3 switch outputs PNP, NO		

Approvals and Certificates

		UDC-18GM-400-3E1	UDC-18GM-400-3E2	UDC-18GM-400-3E3
UL approval	cULus Listed, General Purpose, Class 2 Power Source	●	●	●
CSA approval	cCSAus Listed, General Purpose, Class 2 Power Source	●	●	●

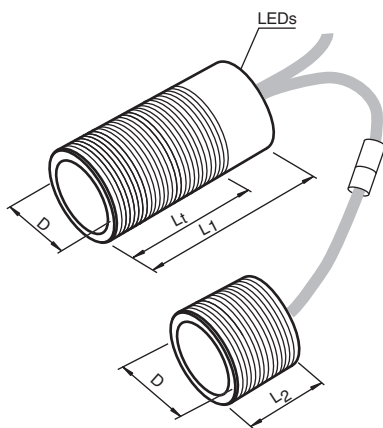
Dimensions

Receiver length L1 [mm]	74
Emitter length L2 [mm]	22
Diameter D [mm]	18
Receiver thread length l _t [mm]	45

Accessories

This and more accessories can be found in chapter 3.5 from page 673
See pages from 972 ... for cordsets See pages 1068 ... for mounting aids

UDB-Cable-2M	Extension cable
MH-UDB01	Mounting bracket for double sheet monitor
UDB-Cable-1M	Extension cable

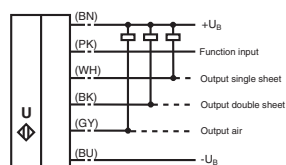


Electrical Connection



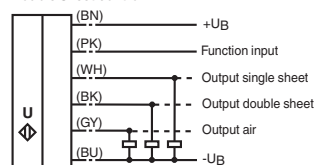
UDC-18GM-400-3E1

Standard symbol/Connection:
Double sheet control



UDC-18GM-400-3E2
UDC-18GM-400-3E3

Standard symbol/Connection:
Double sheet control



Date of issue 2015-04-08



Technical Data

For detailed data and product description refer to the data sheets at www.pepperl-fuchs.com

General Data

Sensing range	20 ... 60 mm , optimal distance: 45 mm
Transducer frequency	395 kHz
Operating voltage	18 ... 30 V DC , ripple 10 % _{SS}
No-load supply current	< 80 mA
Rated operational current	3 x 100 mA , short-circuit/overload protected
Switch-on delay	approx. 15 ms (shorter response time on request)
Switch-off delay	approx. 15 ms (shorter response time on request)
Pulse extension	min. 120 ms programmable
Input type	Function input
LED green	indication: single sheet detected
LED yellow	Indication: No sheet detected (Air)
LED red	indication: double sheet detected
Ambient temperature	0 ... 60 °C (32 ... 140 °F)
Material	
Housing	nickel plated brass; plastic components: PBT
Transducer	epoxy resin/hollow glass sphere mixture; polyurethane foam
Protection degree	IP67
Connection type	cable PVC , 2 m



Properties

- Ø18 mm housing with mounting bracket
- Wide range double sheet detection
- Very fast response
- DC, 3 switching outputs
- Cable version

Your Benefit

- 400-series is designed for detection of the broadest range of materials (typically paper)
- One sensor identifies zero-, single- and double-sheets

Model Number

Output type	3 switch outputs NPN, NC	UDC-18GMA-400-3E1	UDC-18GMA-400-3E3
	3 switch outputs PNP, NC	●	●

Approvals and Certificates

UL approval	cULus Listed, General Purpose, Class 2 Power Source	●	●
CSA approval	cCSAus Listed, General Purpose, Class 2 Power Source	●	●

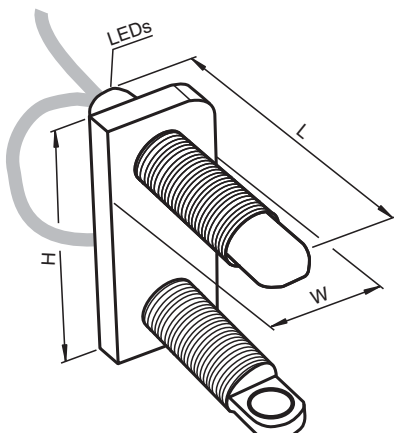
Dimensions

Length L [mm]	87
Diameter D [mm]	18
Height H [mm]	86
Width W [mm]	36

Accessories

This and more accessories can be found in chapter 3.5 from page 673
See pages from 972 ... for cordsets See pages 1068 ... for mounting aids

UDB-Cable-2M	Extension cable
UDB-Cable-1M	Extension cable

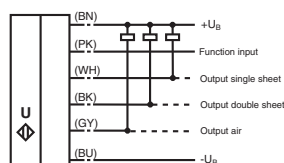


Electrical Connection



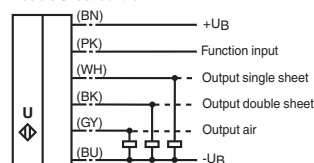
UDC-18GMA-400-3E1

Standard symbol/Connection:
Double sheet control



UDC-18GMA-400-3E3

Standard symbol/Connection:
Double sheet control





Properties

- Short Ø18 mm housing
- Wide range double sheet detection
- Very fast response
- DC, 3 switching outputs
- Cable version

Your Benefit

- Short-barrel design
- 400-series is designed for detection of the broadest range of materials
- One sensor identifies zero-, single- and double-sheets

Technical Data

For detailed data and product description refer to the data sheets at www.pepperl-fuchs.com

General Data

Sensing range	20 ... 60 mm , optimal distance: 45 mm
Transducer frequency	395 kHz
Operating voltage	18 ... 30 V DC , ripple 10 % _{SS}
No-load supply current	< 50 mA
Rated operational current	3 x 100 mA , short-circuit/overload protected
Switch-on delay	approx. 15 ms (shorter response time on request)
Switch-off delay	approx. 15 ms (shorter response time on request)
Pulse extension	min. 120 ms programmable
Input type	Function input
LED green	indication: single sheet detected
LED yellow	Indication: No sheet detected (Air)
LED red	indication: double sheet detected
Ambient temperature	0 ... 60 °C (32 ... 140 °F)
Material	
Housing	nickel plated brass; plastic components: PBT
Transducer	epoxy resin/hollow glass sphere mixture; polyurethane foam
Protection degree	IP67
Connection type	cable PVC , 2 m



Model Number

	UDC-18GM50-400-3E1	UDC-18GM50-400-3E2	UDC-18GM50-400-3E0	UDC-18GM50-400-3E3
Output type	3 switch outputs NPN, NC			
	3 switch outputs NPN, NO			
	3 switch outputs PNP, NC			
	3 switch outputs PNP, NO			

Approvals and Certificates

UL approval	cULus Listed, General Purpose, Class 2 Power Source	●	●	●	●
CSA approval	cCSAus Listed, General Purpose, Class 2 Power Source	●	●	●	●

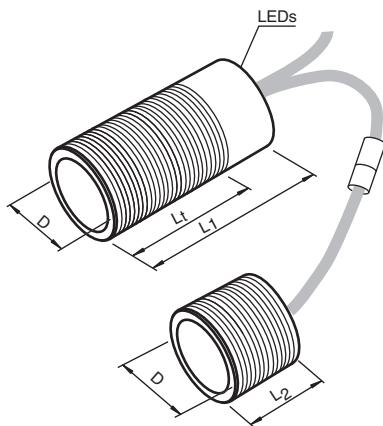
Dimensions

Receiver length L1 [mm]	53
Emitter length L2 [mm]	22
Diameter D [mm]	18
Receiver thread length l _t [mm]	30

Accessories

This and more accessories can be found in chapter 3.5 from page 673
See pages from 972 ... for cordsets See pages 1068 ... for mounting aids

MH-UDB01	Mounting bracket for double sheet monitor
UDB-Cable-2M	Extension cable
UDB-Cable-1M	Extension cable

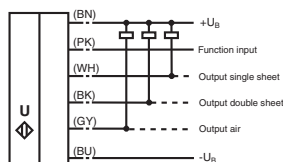


Electrical Connection



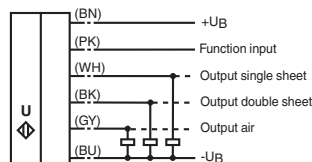
UDC-18GM50-400-3E1
UDC-18GM50-400-3E0

Standard symbol/Connection:
Double sheet control



UDC-18GM50-400-3E2
UDC-18GM50-400-3E3

Standard symbol/Connection:
Double sheet control



Date of issue 2015-04-08



Properties

- Short Ø18 mm housing
- Wide range double sheet detection
- Very fast response
- DC, 3 switching outputs
- Cable version

Your Benefit

- Short-barrel design
- 255-series is designed for detection of the materials too thick for 400-series monitoring
- One sensor identifies zero-, single- and double-sheets

Technical Data

For detailed data and product description refer to the data sheets at www.pepperl-fuchs.com

General Data

Sensing range	20 ... 60 mm , optimal distance: 45 mm
Transducer frequency	255 kHz
Operating voltage	18 ... 30 V DC , ripple 10 % _{SS}
No-load supply current	< 50 mA
Rated operational current	3 x 100 mA , short-circuit/overload protected
Switch-on delay	approx. 15 ms (shorter response time on request)
Switch-off delay	approx. 15 ms (shorter response time on request)
Pulse extension	min. 120 ms programmable
Input type	Function input
LED green	indication: single sheet detected
LED yellow	Indication: No sheet detected (Air)
LED red	indication: double sheet detected
Ambient temperature	0 ... 60 °C (32 ... 140 °F)
Material	
Housing	nickel plated brass; plastic components: PBT
Transducer	epoxy resin/hollow glass sphere mixture; polyurethane foam
Protection degree	IP67
Connection type	cable PVC , 2 m



Model Number

Output type	3 switch outputs NPN, NC	UDC-18GM50-255-3E1	UDC-18GM50-255-3E0	UDC-18GM50-255-3E3
	3 switch outputs NPN, NO	●	●	
	3 switch outputs PNP, NC			●

Approvals and Certificates

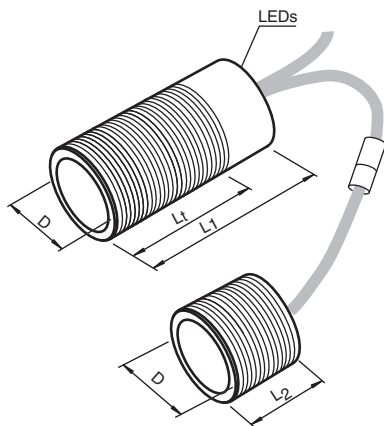
UL approval	cULus Listed, General Purpose, Class 2 Power Source	●	●	●
CSA approval	cCSAus Listed, General Purpose, Class 2 Power Source	●	●	●

Dimensions

Receiver length L1 [mm]	53
Emitter length L2 [mm]	22
Diameter D [mm]	18
Receiver thread length l _t [mm]	30

Accessories This and more accessories can be found in chapter 3.5 from page 673 See pages from 972 ... for cordsets See pages 1068 ... for mounting aids

UDB-Cable-2M	Extension cable
MH-UDB01	Mounting bracket for double sheet monitor
UDB-Cable-1M	Extension cable

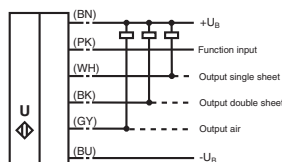


Electrical Connection



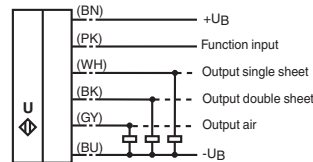
UDC-18GM50-255-3E1
UDC-18GM50-255-3E0

Standard symbol/Connection:
Double sheet control



UDC-18GM50-255-3E3

Standard symbol/Connection:
Double sheet control



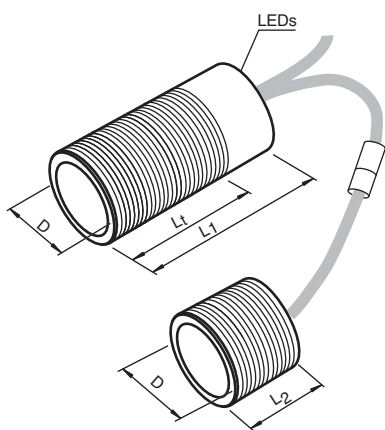


Properties

- Short Ø18 mm housing
- Universal double material detection
- Fast response
- DC, 3 switching outputs
- Cable version

Your Benefit

- Short-barrel design
- 255S-series offers the maximum power possible in the 18 mm diameter housing
- Excellent for plastics (credit card thickness), cardboard and thin metals
- One sensor identifies zero-, single- and double-sheets



Technical Data

For detailed data and product description refer to the data sheets at www.pepperl-fuchs.com

General Data

Sensing range	40 ... 100 mm optimal distance 75 mm
Transducer frequency	255 kHz
Operating voltage	18 ... 30 V DC, ripple 10 % _{SS}
No-load supply current	< 65 mA
Rated operational current	3 x 100 mA, short-circuit/overload protected
Switch-on delay	approx. 70 ms
Switch-off delay	approx. 70 ms
Pulse extension	min. 120 ms programmable
Input type	Function input
LED green	Indicator: single material detected
LED yellow	Indicator: no material detected (air)
LED red	Indicator: double material detected
Ambient temperature	0 ... 60 °C (32 ... 140 °F)
Material	
Housing	nickel plated brass; plastic components: PBT
Transducer	epoxy resin/hollow glass sphere mixture; polyurethane foam
Protection degree	IP67
Connection type	cable PVC, 2 m



Model Number

	UDC-18GM50-255S-3E0	UDC-18GM50-255S-3E1	UDC-18GM50-255S-3E3
Output type			
3 switch outputs NPN, NC	●	●	
3 switch outputs NPN, NO			●
3 switch outputs PNP, NC			

Approvals and Certificates

	UDC-18GM50-255S-3E0	UDC-18GM50-255S-3E1	UDC-18GM50-255S-3E3
UL approval	●	●	●
CSA approval	●	●	●

Dimensions

Receiver length L1 [mm]	53
Emitter length L2 [mm]	40
Diameter D [mm]	18
Receiver thread length l _t [mm]	30

Accessories This and more accessories can be found in chapter 3.5 from page 673
See pages from 972 ... for cordsets See pages 1068 ... for mounting aids

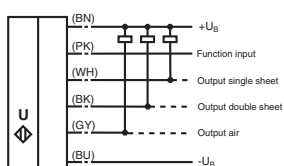
UDB-Cable-2M	Extension cable
MH-UDB01	Mounting bracket for double sheet monitor
UDB-Cable-1M	Extension cable

Electrical Connection



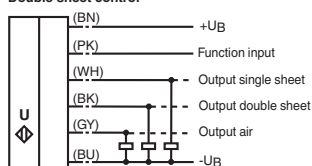
UDC-18GM50-255S-3E0
UDC-18GM50-255S-3E1

Standard symbol/Connection:
Double sheet control



UDC-18GM50-255S-3E3

Standard symbol/Connection:
Double sheet control



Date of issue 2015-04-08



Properties

- Short Ø18 mm housing
- Universal splice detection
- Extraordinary fast response
- DC, 2 switching outputs
- Cable version

Technical Data

For detailed data and product description refer to the data sheets at www.pepperl-fuchs.com

General Data

Sensing range	20 ... 60 mm , optimal distance: 45 mm
Transducer frequency	255 kHz
Operating voltage	18 ... 30 V DC , ripple 10 % _{SS}
No-load supply current	< 60 mA
Rated operational current	2 x 100 mA , short-circuit/overload protected
Switch-on delay	≤ 600 µs
Switch-off delay	≤ 600 µs
Pulse extension	≥ 120 ms programmable
Input type	TEACH-IN input
LED green	Display: readiness
LED yellow	Display: splice detected
LED red	Indication: No sheet detected (Air)
Ambient temperature	0 ... 60 °C (32 ... 140 °F)
Material	
Housing	nickel plated brass; plastic components: PBT
Transducer	epoxy resin/hollow glass sphere mixture; polyurethane foam
Protection degree	IP67
Connection type	2 m cable PVC , 2 m



Model Number

Output type	2 switch outputs NPN, NC	UGB-18GM50-255-2E3	UGB-18GM50-255-2E1
	2 switch outputs PNP, NC	●	●

Approvals and Certificates

UL approval	cULus Listed, General Purpose	●	●
CSA approval	cCSAus Listed, General Purpose	●	●

Dimensions

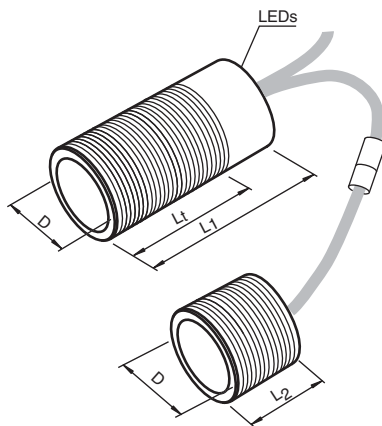
Receiver length L1 [mm]	53
Emitter length L2 [mm]	22
Diameter D [mm]	18
Receiver thread length l _t [mm]	30

Accessories

This and more accessories can be found in chapter 3.5 from page 673
See pages from 972 ... for cordsets See pages 1068 ... for mounting aids

MH-UDB01

Mounting bracket for double sheet monitor

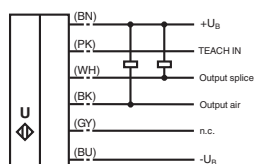


Electrical Connection



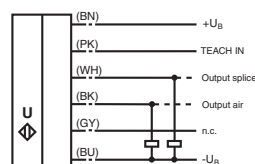
UGB-18GM50-255-2E1

Standard symbol/Connection:
Splice control



UGB-18GM50-255-2E3

Standard symbol/Connection:
Splice control





Properties

- Short Ø18 mm housing
- Universal label detection
- Extraordinary fast response
- DC, 2 switching outputs
- Cable version

Technical Data

For detailed data and product description refer to the data sheets at www.pepperl-fuchs.com

General Data

Sensing range	20 ... 60 mm , optimal distance: 45 mm
Transducer frequency	255 kHz
Operating voltage	18 ... 30 V DC , ripple 10 % _{SS}
No-load supply current	< 60 mA
Rated operational current	2 x 100 mA , short-circuit/overload protected
Switch-on delay	≤ 600 µs
Switch-off delay	≤ 600 µs
Input type	TEACH-IN input
LED green	Display: readiness
LED yellow	indication: label detected
LED red	Display: error
Ambient temperature	0 ... 60 °C (32 ... 140 °F)
Material	
Housing	nickel plated brass; plastic components: PBT
Transducer	epoxy resin/hollow glass sphere mixture; polyurethane foam
Protection degree	IP67
Connection type	cable PVC , 2 m



Model Number

Output type	2 switch outputs NPN, NC	ULB-18GM50-255-2E3	ULB-18GM50-255-2E1
	2 switch outputs PNP, NC	●	●

Approvals and Certificates

UL approval	C-UL listed: 57M3, IND CONT. EQ., "Powered by Class 2 Power Source"	●	●
-------------	---	---	---

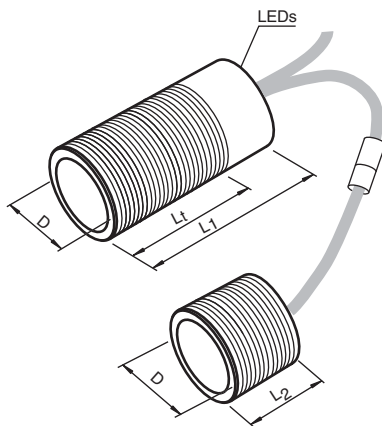
Dimensions

Receiver length L1 [mm]	53
Emitter length L2 [mm]	22
Diameter D [mm]	18
Receiver thread length l _t [mm]	30

Accessories

This and more accessories can be found in chapter 3.5 from page 673
See pages from 972 ... for cordsets See pages 1068 ... for mounting aids

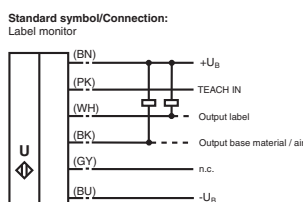
MH-USB01	Mounting bracket for double sheet monitor
----------	---



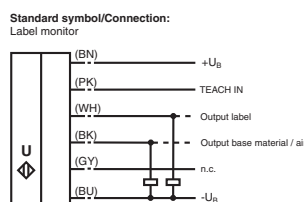
Electrical Connection



ULB-18GM50-255-2E1



ULB-18GM50-255-2E3




Date of issue 2015-04-08



Technical Data

For detailed data and product description refer to the data sheets at www.pepperl-fuchs.com

Model Number	UDC-30GM-085-3E3
Sensing range	50 ... 150 mm , optimal distance: 80 mm
Transducer frequency	85 kHz
Operating voltage	18 ... 30 V DC , ripple 10 % _{SS}
No-load supply current	< 200 mA
Output type	3 switch outputs PNP, NC
Rated operational current	3 x 100 mA , short-circuit/overload protected
Switch-on delay	approx. 30 ms
Switch-off delay	approx. 30 ms
Pulse extension	min. 120 ms programmable
Input type	Function input
LED green	Display: single-layer material detected
LED yellow	Display: no material (air)
LED red	Display: 2-layer or multi-layer material detected
Ambient temperature	0 ... 50 °C (32 ... 122 °F)
Material	
Housing	nickel plated brass; plastic components: PBT
Transducer	epoxy resin/hollow glass sphere mixture; polyurethane foam
Protection degree	IP65
Connection type	cable PVC , 2 m 

Properties

- Ø30 mm housing
- Powerful material detection
- Fast response
- DC, 3 switching outputs
- Cable version

Your Benefit

- Short-barrel design
- Maximum possible material burn-through power
- Excellent for thick plastics and cardboard
- One sensor identifies zero-, single- and double-sheets

Approvals and Certificates

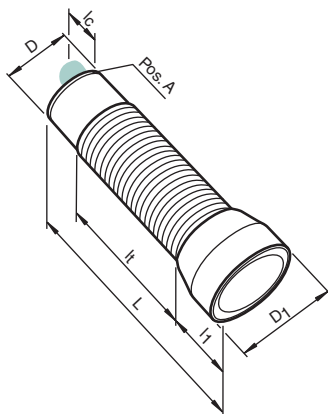
UL approval	cULus Listed, General Purpose, Class 2 Power Source
CSA approval	cCSAus Listed, General Purpose, Class 2 Power Source

Dimensions

Length L [mm]	88 / 52
Diameter D [mm]	30
Transducer diameter D ₁ [mm]	40
Transducer length l ₁ [mm]	25
Thread length l _t [mm]	41 / 27
Connector area l _c [mm]	0
LED position	Pos. C

Accessories This and more accessories can be found in chapter 3.5 from page 673 See pages from 972 ... for cordsets See pages 1068 ... for mounting aids

MH-UDB02	Mounting bracket for double sheet metal monitor
UDB-Cable-2M	Extension cable
UDB-Cable-1M	Extension cable

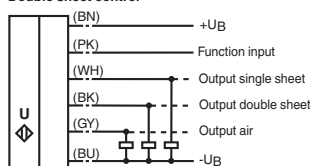


Electrical Connection



UDC-30GM-085-3E3

Standard symbol/Connection:
Double sheet control



Technical Data

For detailed data and product description, see the data sheet at www.pepperl-fuchs.com



Model number	MH-UDB01
Material	Stainless steel
Description	Rotatable mounting bracket with angle scale for ultrasonic double sheet control.

Technical Data

For detailed data and product description, see the data sheet at www.pepperl-fuchs.com



Model number	M-105
Material	PTFE
Description	Universal mounting bracket for cylindrical sensors with ø 30 mm and a thread that extends to the front end of the sensor (UB/UC300, -500, and -2000).

- Secure fastening
- Easy installation
- Robust design
- Resistant to chemicals

Technical Data

For detailed data and product description, see the data sheet at www.pepperl-fuchs.com



Model number	PA-02
Material	PVC
Description	Mounting flange for all square-shaped sensors in the FP series

- Secure fastening
- Easy installation
- Robust design

Technical Data

For detailed data and product description, see the data sheet at www.pepperl-fuchs.com



Common data	
Material	PA
Description	Plastic nuts with centering ring for vibration-free mounting of cylindrical sensors. These plastic nuts must be used in applications where a sensor is affixed at the front third of the housing, and operated at temperatures < 0 °C.

Model number		M12K-VE	M18K-VE	M30K-VE
For sensor diameter	12 mm	●		
	18 mm		●	
	30 mm			●

Issue date: 26.08.2014

Technical Data

For detailed data and product description, see the data sheet at www.pepperl-fuchs.com



Common data

Material	PMMA
Description	Ultrasonic deviation reflector for cylindrical ultrasonic sensors. The ultrasonic deviation reflector has an opening across the entire width at the lower end of the inclined position. Any falling dust particles cannot collect in the ultrasonic deviation reflector. This ensures ongoing operation even in dusty environments.

Model number

For sensors from the series	-18GM	UVW90-K18	UVW90-K30
	-30GM	●	●

- Clamp mounting
- 90° sound deflection for difficult mounting conditions
- Universal mounting position

Technical Data

For detailed data and product description, see the data sheet at www.pepperl-fuchs.com



Model number	UVW90-M12
Material	Stainless steel
Description	Ultrasonic deviation reflector for cylindrical ultrasonic sensors in the -12GM Series.

- Suitable for universal mounting
- 90° sound deflection for difficult mounting conditions
- Universal mounting position

Technical Data

For detailed data and product description, see the data sheet at www.pepperl-fuchs.com



Model number	UVW90-M30
Material	Stainless steel
Description	Focusing ultrasonic deviation reflector for cylindrical ultrasonic sensors in the -30GM series.

- Suitable for universal mounting
- 90° sound deflection for difficult mounting conditions
- Universal mounting position
- Ultrasonic focusing effect
- Increase in detection range (through focus)
 - approx. 40% with UB/UC500 (measurement L = 10 mm)
 - approx. 20% with UB/UC2000 (measurement L = 35 mm +/- 5 mm)

Technical Data

For detailed data and product description, see the data sheet at www.pepperl-fuchs.com



- For LUC4T-type ultrasonic sensors
- 8 mm connector
- Swivel-free single-hole mounting

Model number	UC-30GM-TEMP
Function	External temperature probe
Description	As an alternative to the supplied temperature probe, the UC-30GM-TEMP external temperature probe can be connected to LUC4T-type ultrasonic sensors. The UC-30GM-TEMP temperature probe can be used to detect the ambient temperature of the measurement path, irrespective of the sensor mounting conditions, with a view to minimizing temperature effects to the greatest extent possible.

Technical Data

For detailed data and product description, see the data sheet at www.pepperl-fuchs.com



- For LUC4T-type ultrasonic fill level sensors
- 8 mm connector.
- Single-hole mounting in thread:
G $\frac{1}{2}$ A (LUC4-Z30-G2V)
 $\frac{1}{2}$ NPT (LUC4-Z30-N2V).

Common data	
Function	External temperature probe
Description	As an alternative to the supplied temperature probe, this external temperature probe can be connected to LUC4T-type ultrasonic sensors. The LUC4-Z30 sensor can be used to detect the ambient temperature of the measurement path, in line with the process and irrespective of the mounting conditions of the sensor, with a view to minimizing temperature effects to the greatest extent possible.

Model number		LUC4-Z30-G2V	LUC4-Z30-N2V
Thread	G $\frac{1}{2}$ A $\frac{1}{2}$ NPT	●	●

Technical Data

For detailed data and product description, see the data sheet at www.pepperl-fuchs.com



Model number	USB-0.8M-PVC ABG-SUBD9
Function	USB/RS232 interface adapter
Description	Interface adapter USB-0.8M-PVC ABG-SUBD9 provides an RS232 interface at a free USB port. It can be connected to a free USB port on the computer either directly or using the 800 mm USB extension cable provided. The available interface cable can then be connected to the 9-pin SUB-D plug in the usual way.

Technical Data

For detailed data and product description, see the data sheet at www.pepperl-fuchs.com



Model number	UC-F43-R2
Function	RS232 interface
Description	The device can be switched between the V17 cable connection box and the V17 plug connection at the sensor for the Teach-in process. The parameterized functions are retained after the programming unit has been removed and/or the operating voltage has been turned off at the sensor.

- For sensors UC300-F43-2KIR2-V17 and UC2000-F43-2KIR2-V17.
- Simple intermediate switching in the sensor connection line.

Technical Data

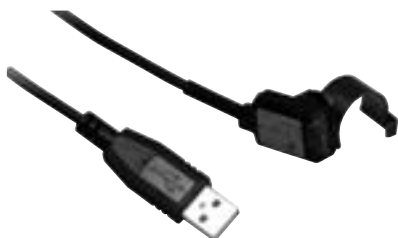
For detailed data and product description, see the data sheet at www.pepperl-fuchs.com



Model number	UC-30GM-R2
Function	Interface cable
Description	Interface cable UC-30GM-R2 enables type UC...-30GM-..R2-V15 ultrasonic sensors to be parameterized using service program ULTRA 2001. The cable establishes a connection between the PC's internal RS232 interface and the connector of the temperature/programming plug at the sensor.

Technical Data

For detailed data and product description, see the data sheet at www.pepperl-fuchs.com



Model number	UC-18/30GM-IR
Function	Interface cable

Technical Data

For detailed data and product description, see the data sheet at www.pepperl-fuchs.com



Model number	UC-30GM-PROG
Function	Extension cable
Description	Extension cable UC-30GM-PROG enables UC...-30GM-... and LUC-type ultrasonic sensors to be taught in, even at installation locations that are difficult to access. The sensor end of the extension cable is connected to the socket for the temperature plug at the sensor. Sensors can be programmed at the other end of the cable using the temperature plug.

Technical Data

For detailed data and product description, see the data sheet at www.pepperl-fuchs.com



Common data	
Connectors	M8 x 1, male connector, 3-pin and M8 x 1, female connector, 3-pin
Cable material	PUR
Cable color	black
Description	Extension cable for ultrasonic double sheet monitors

Model number		UDB-Cable-1M	UDB-Cable-2M
Cable length	1 m	●	
	2 m		●

Issue date: 26.08.2014

Technical Data

For detailed data and product description, see the data sheet at www.pepperl-fuchs.com



Model number	3RX4000-PF
Function	PC interface
Description	Using this PC interface and the corresponding software, you can adapt ultrasonic sensors of a specific series to the requirements of your application. It is also possible to parameterize several sensors identically. The start and end of a sensor's detection range can be stored and copied to other sensors at the press of a button.

Technical Data

For detailed data and product description, see the data sheet at www.pepperl-fuchs.com



Model number	UB-PROG2
Function	Programming unit
Description	The device can be switched between the V15 cable connection box and the V15 plug connection at the sensor for the Teach-in process. The trip points/measurement window and the output function are taught in using sensors A1 and A2 in accordance with the diagram provided. The taught in trip points and functions are retained after the programming unit has been removed and/or the operating voltage has been turned off at the sensor.

- Simple Teach-in of trip points A1/A2 or the measurement window.
- Easy selection of output function: window operation, NO contact/NC contact function. One trip point, NO contact/NC contact function. Monitoring of detection range.

For the following types of ultrasonic sensors:

UB300			
UB400	-12GM		
UB500	-18GM40	-E4	
UB800	-18GM75	-E5	
UB1000	-30GM	-I	-V15
UB2000	-F42(S)	-U	
UB4000	-F54		
UB6000			

... where the Teach-in input is at pin 2.

Technical Data

For detailed data and product description, see the data sheet at www.pepperl-fuchs.com



Model number	UB-PROG3
Function	Programming unit
Description	The unit can be switched between the V15 cable connection box and the V15 plug connection at the sensor for the Teach-in process. The trip points/measurement window and the output function are taught in using sensors A1 and A2 in accordance with the diagram provided. The taught in trip points and functions are retained after the programming unit has been removed and/or the operating voltage has been turned off at the sensor.

- Simple Teach-in of trip points A1/A2 or the measurement window.
- Easy selection of output function: window operation, NO contact/NC contact function. One trip point, NO contact/NC contact function. Monitoring of detection range.

For the following types of ultrasonic sensors:

		-E01	
UB500		-E23	
UB1000	-18GM75	-E6	-V15
		-E7	

... where the Teach-in input is at pin 2.

Contents

Rotary encoders

4




Rotary Encoders






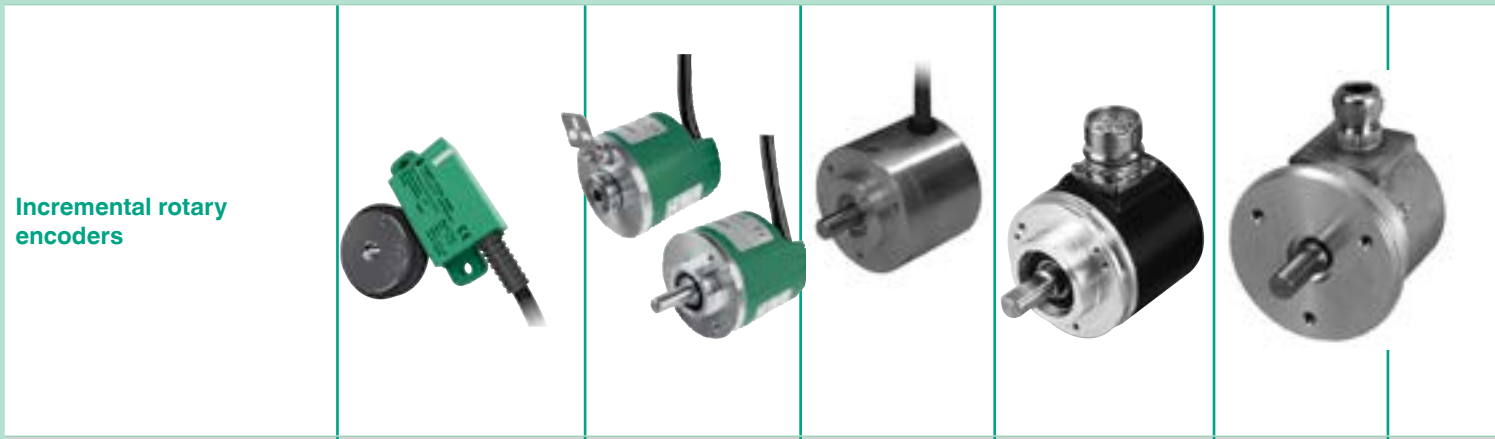
4. Rotary Encoders

Overview of Rotary Encoders/Selection Tables

Selection Table - Absolute Rotary Encoders	680
Selection Table - Incremental Rotary Encoders	682
Technology and Functional Principle	684
Data Section	
4.1.1 Standard Absolute Rotary Encoders	692
4.1.2 Absolute Rotary Encoders for Safety Applications.....	706
4.1.3 Absolute Rotary Encoders for Hazardous Areas.....	707
4.2.1 Incremental Rotary Encoders with Pulse Outputs	710
4.2.2 Incremental Rotary Encoders, Sine/Cosine	730
4.2.3 Incremental Rotary Encoders for Safety Applications.....	733
4.2.4 Incremental Rotary Encoders for Hazardous Areas.....	734
4.3 Cable pulls	737
4.4 Accessories	741
4.5 Safe Speed Monitor	756

<p>Absolute rotary encoders</p>				
<p>Series</p>	<p>Ø 36 mm</p>	<p>Ø 42 mm</p>	<p>Ø 58 mm</p>	
	<p>Page 692 ff</p>	<p>Page 694</p>	<p>Page 695 ff</p>	
	<ul style="list-style-type: none"> • Small housing design • Magnetic sensing 	<ul style="list-style-type: none"> • Magnetic sensing • Robust heavy load design • Stainless steel housing 	<ul style="list-style-type: none"> • Aluminium or stainless steel housing • Clamping flange and servo flange 	
<p>Resolution</p>				
<p>Singleturn</p>	<p>up to 13 bits</p>	<p>up to 12 bits</p>	<p>up to 16 bits</p>	
<p>Multiturn</p>	<p>up to 12 bits</p>	<p>up to 12 bits</p>	<p>up to 14 bits</p>	
<p>Total resolution</p>	<p>up to 25 bits</p>	<p>up to 24 bits</p>	<p>up to 30 bits</p>	
<p>Mechanics</p>				
<p>Solid shaft</p>	<p>●</p>	<p>●</p>	<p>●</p>	
<p>Hollow shaft</p>			<p>●</p>	
<p>Recessed hollow shaft</p>	<p>●</p>		<p>●</p>	
<p>Interface</p>				
<p>Parallel</p>			<p>●</p>	
<p>SSI</p>	<p>●</p>		<p>●</p>	
<p>AS-Interface</p>			<p>●</p>	
<p>CANopen</p>	<p>●</p>	<p>●</p>		
<p>DeviceNet</p>				
<p>PROFIBUS</p>				
<p>EtherNet, TCP/IP</p>				
<p>EtherNet Powerlink</p>				
<p>EtherNet/IP</p>				
<p>PROFINET</p>				
<p>Modbus</p>				
<p>EtherCAT</p>				
<p>Special features</p>				
<p>Magnetic sensing</p>	<p>●</p>	<p>●</p>	<p>See ENA58IL series on www.pepperl-fuchs.com</p>	
<p>Heavy load</p>		<p>●</p>		
<p>With safety function</p>				
<p>For applications in hazardous areas</p>				

Absolute rotary encoders			
			
Ø 58 mm	Ø 58 mm	Ø 78 mm	Series
Page 702 ff	Page 706	Page 709	
<ul style="list-style-type: none"> Removable bus cover Terminal compartment or plug connector Clamping flange and servo flange 	<ul style="list-style-type: none"> Assessed for safety in accordance with SIL3/PLe TÜV-certified Clamping flange and servo flange 	<ul style="list-style-type: none"> Removable bus cover EC-Type-Examination Certificate IEC Ex certificate Flameproof enclosure 	
Resolution			
up to 16 bits	up to 16 bits	up to 16 bits	Singleturn
up to 14 bits	up to 14 bits	up to 14 bits	Multiturn
up to 30 bits	up to 30 bits	up to 30 bits	Total resolution
Mechanics			
●	●	●	Solid shaft
			Hollow shaft
●	●		Recessed hollow shaft
Interface			
			Parallel
		●	SSI
			AS-Interface
●	●	●	CANopen
●		●	DeviceNet
●		●	PROFIBUS
●			EtherNet, TCP/IP
●			EtherNet Powerlink
●			EtherNet/IP
●			PROFINET
●			Modbus
●			EtherCAT
Special features			
See ENA58IL series on www.pepperl-fuchs.com			Magnetic sensing
			Heavy load
	●		With safety function
● (Page 707 ff)		●	For applications in hazardous areas



Incremental rotary encoders					
Series	MNI20 / MNI40	Ø 40 mm	Ø 50 mm	Ø 58 mm	Ø 2.5"
	Page 710 ff	Page 712 ff	Page 715 ff	Page 717 ff	Page 726
	<ul style="list-style-type: none"> • Magnetic sensing • No moving parts • High degree of protection • Speed up to 30,000 rpm • Diagnostic functions 	<ul style="list-style-type: none"> • Miniature housing design • Loadable metal disk 	<ul style="list-style-type: none"> • Robust and compact housing design 	<ul style="list-style-type: none"> • Industry standard with 58 mm diameter • Extended temperature range • Very high resolution 	<ul style="list-style-type: none"> • Industry standard housing 2.5 " • Servo flange or square flange

Resolution					
Max. pulse count	5000	1024	2500	50,000	5000
Max. frequency				2048	

Mechanics					
Solid shaft	-	●	●	●	●
Hollow shaft	-	●	●	●	
Recessed hollow shaft	-	●	●	●	
Cone shaft					

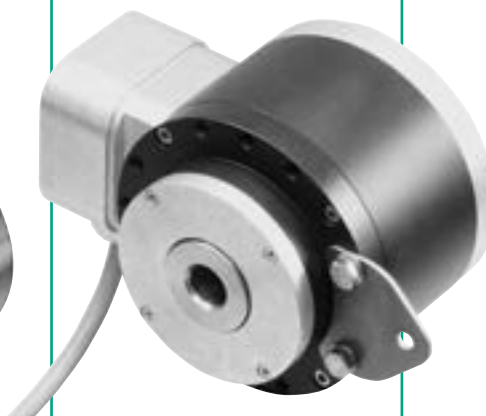
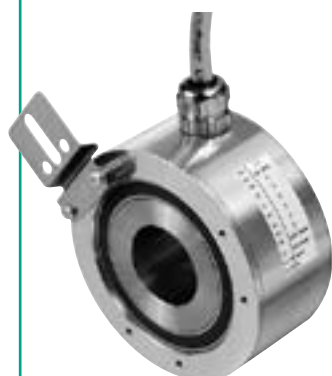
Connection technology					
Cable	●	●	●	●	●
Plug					●
Terminals					

Output type					
Push-pull output	●	●	●	●	●
RS422 compatibility	●	●	●	●	●
Sine/cosine				●	
				Page 730 ff	

Special features					
Hygienic design				●	
				Page 725	
IP69K degree of protection	●*)				
With safety function				●	
				Page 733	
For applications in hazardous areas				●	
				Page 734 ff	

*) MNI40 only, MNI20 is protection degree IP67

Incremental rotary encoders



Ø 70 mm	Ø 90 mm	Ø 110 mm	Series
Page 736	Page 727 ff	Page 729	
<ul style="list-style-type: none"> • EC-Type-Examination Certificate • Flameproof enclosure 	<ul style="list-style-type: none"> • Hollow shaft 16 mm to 45 mm • Short housing design • Gentle shaft clamping 	<ul style="list-style-type: none"> • Suitable for heavy duty applications • Highly shock and vibration resistant • Protected against shaft currents • Rotatable connection box • Suitable for high bearing loads 	
			Resolution
5000	50,000	2500	Max. pulse count
	2048		Max. frequency
			Mechanics
●			Solid shaft
	●	●	Hollow shaft
			Recessed hollow shaft
		●	Cone shaft
			Connection technology
●	●	●	Cable
	●	●	Plug
		●	Terminals
			Output type
●	●	●	Push-pull output
●	●	●	RS422 compatibility
	●		Sine/cosine
	Page 732		
			Special features
			Hygienic design
			IP69K degree of protection
			With safety function
●			For applications in hazardous areas

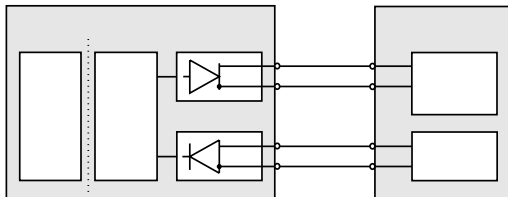
Technology and Functional Principle

Rotary encoders are used in automation technology as sensors for angles, positions, speed, and acceleration. Spindles, gear racks, measuring wheels, or cable pulls can also be used to detect linear movements.

They convert the actual value of a mechanical movement into electric signals that can be evaluated by counters, tachometers, PLCs, and industrial PCs.

Transparent and nontransparent fields are applied to a plastic or glass pane.

Placing a light source on one side of the pane and a light receiver on the other enables rotation to be detected in a noncontact manner. If the light beam hits a transparent field, the receiver circuit detects a pulse. However, if the path of the beam is interrupted by a dark field, no pulse is triggered. LEDs that emit light in the infrared range are usually used as the light source. Photo diodes or photo transistors are used as the receiver.



If no further functions are added to this principle, the device simply detects that the disk is rotating. It is not possible to specify the direction of rotation or even an absolute position.

Rotary encoders differ in terms of their functional principle, mechanical design, and mounting.



1. Different Functional Principles

1.1 Incremental rotary encoders

Incremental rotary encoders provide a defined number of pulses per shaft revolution.

The speed of a movement is determined by measuring the period duration or counting the pulses per time unit. If you add together the pulses from a reference point, the counted value represents a measurement for the angle passed or the distance traveled.

Two-channel rotary encoders—with 90° phase-shifted output signals—enable the downstream electronics to determine the direction of rotation of the shaft and thereby also enable bidirectional positioning tasks.

Three-channel incremental rotary encoders issue a zero signal once per revolution.

For further information, see the section "Application Notes for Incremental Rotary Encoders."

1.2 Absolute rotary encoders

Absolute rotary encoders output a uniquely coded numerical value at each shaft position.

For positioning applications in particular, absolute rotary encoders perform the counting tasks instead of the subsequent electronics, eliminating the need for complex and expensive input components. Furthermore, reference runs do not need to be performed when switching the machine on or if the supply voltage fails, because the current position value is available immediately.

Singleturn absolute rotary encoders divide one shaft revolution into a defined number of measuring steps. The maximum resolution is 16 bits, i.e., up to 65,536 different positions.

Multiturn absolute rotary encoders do not just detect angular positions within a revolution, they also detect the number of revolutions using a multistage gear. The resolution of the multiturn part is up to 14 bits, i.e., up to 16,384 revolutions can be identified. This results in a total resolution of 30 bits or a total of 1,073,741,824 measuring steps.

Parallel absolute rotary encoders transfer the position value to the evaluation electronics in parallel over several lines.

In the case of serial absolute rotary encoders, the output data is issued via standard interfaces and standardized protocols. Point-to-point connections were often used in the past to perform a data transfer, whereas nowadays fieldbus systems are increasingly used.

For further information, see the section "Application Notes for Absolute Rotary Encoders."

2. Different Designs and Mounting

2.1 Rotary encoders with solid shaft

These rotary encoders are fitted with a solid shaft. The rotary encoder is connected to the drive shaft via an additional coupling. The coupling connects both shafts mechanically and compensates the axle offset.

Straps, pinions, measuring wheels, and cable pulls can also be used to connect a rotary encoder to the driving shaft.

Generally, attention must be paid to the permissible shaft load. Depending on the coupling type, there are different levels of risk of destroying the measuring device due to radial and/or axial forces that are too strong.



Advantages of rotary encoders with solid shaft:

- Simple construction
- Higher degree of protection possible
- Mechanically and, depending on coupling, also electrically decoupled

Disadvantages of rotary encoders with solid shaft:

- Many parts for mounting the rotary encoder: rotary encoder, mounting flange, coupling

2.2 Hollow shaft rotary encoders

The rotary encoder shaft for this design has either a thru-hole or a blind hole (rotary encoder with recessed hollow shaft).

The rotary encoder and drive can be connected easily via the integrated shaft and hub connection.

Hollow shaft rotary encoders have an integrated or attached torque rest that compensates an axle offset of the rotary encoder and drive. Coupling is unnecessary in this case.



Advantages of hollow shaft rotary encoders:

- Compact system of motor and encoder
- Easy mounting

Disadvantages of hollow shaft rotary encoders:

- Complex internal structure

2.3 Mounting

Clamping flange

This type of flange enables the rotary encoder to be

- mounted on the clamping flange with simultaneous centering of the rotational axis (mounting bracket), or
- mounted on the existing front-face threads.



Servo flange

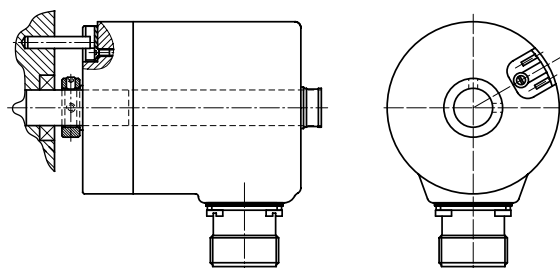
This type of flange enables the rotary encoder to be

- fixed to the servo groove of the rotary encoder using mounting clamps, or
- screwed to existing front-face threads, or
- mounted using a mounting bell.



Hollow shaft rotary encoder

Hollow shaft rotary encoders have a thru-hole for the drive shaft.

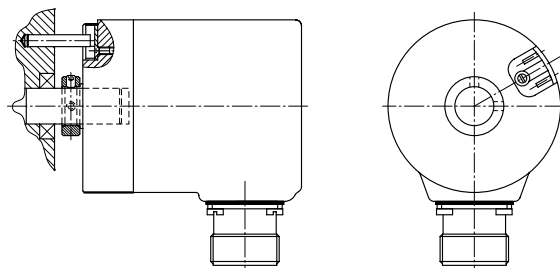


The shaft and hub connection is already integrated in these rotary encoders. It must simply be ensured that the torque is transferred correctly.

A simple and cost-effective option for this is the integrated torque rest. With this type of mounting, the drive shaft bears the weight of the rotary encoder. The inclusion of a pin on the periphery of the rotary encoder prevents rotation about the hollow shaft. All other levels of freedom must not be restricted.

Rotary encoder with recessed hollow shaft

Rotary encoders with recessed hollow shaft offer the same functionality as the hollow shaft rotary encoders described above. However, in contrast to the hollow shaft rotary encoders, they have a blind hole.

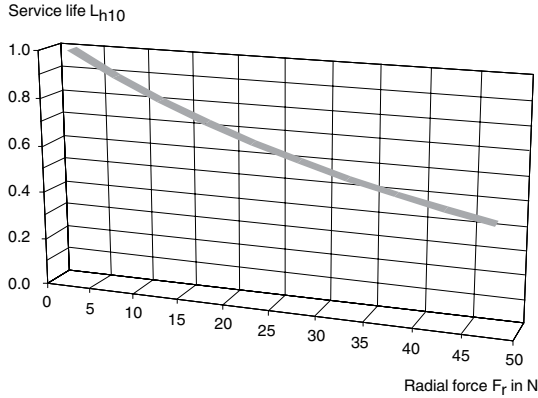


2.4 Shaft load

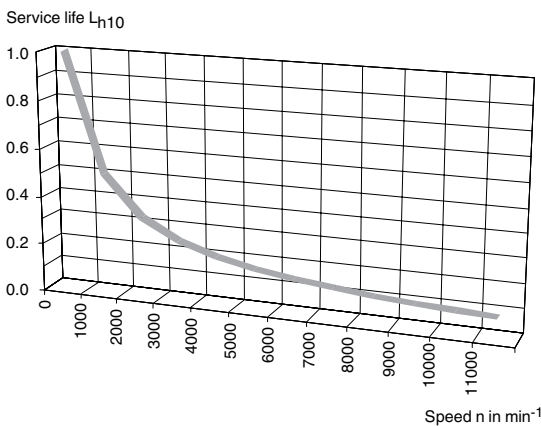
The shaft of a rotary encoder is mounted free of play using two axially tensioned ball bearings.

Due to the characteristics of the system, the permissible radial force (F_r) is always greater than the axial force (F_a). The anticipated service life of the bearing depends on three parameters: axial force, radial force, and speed.

The diagram below illustrates the course of the anticipated service life L_{h10} in relation to the radial force (F_r).



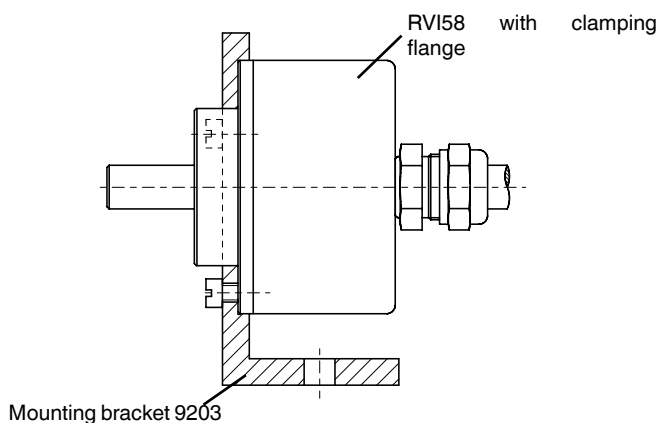
The correlation between service life and speed is illustrated by the following diagram. The maximum permissible speed is specified in the data sheets for the rotary encoders. Note that this refers to the maximum permissible mechanical speed. The permissible electric speed depends on the type of interface used.



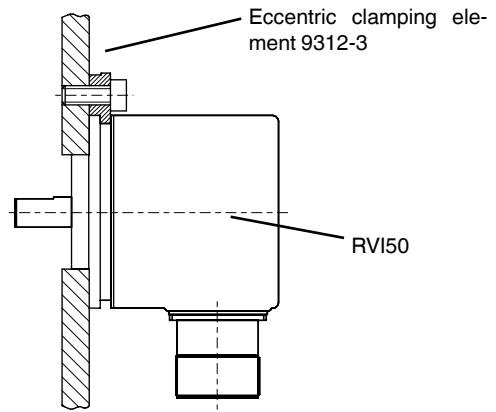
3. Mounting Instructions

3.1 Mounting rotary encoders

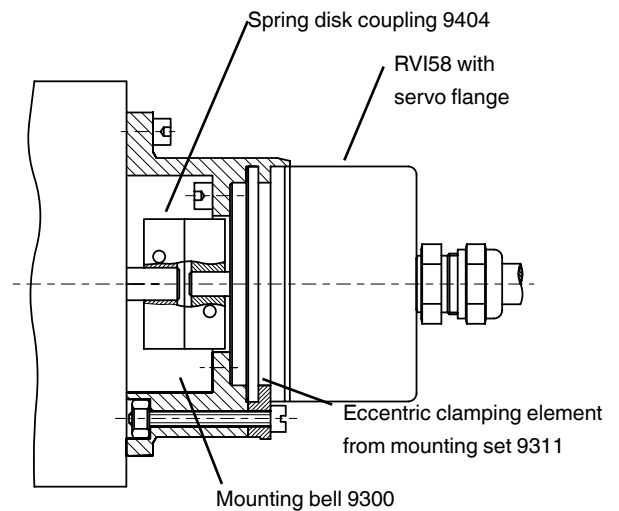
Mounting rotary encoders with solid shaft using a mounting bracket



Mounting rotary encoders with solid shaft using an eccentric clamping element



Mounting rotary encoders with solid shaft using a mounting bell



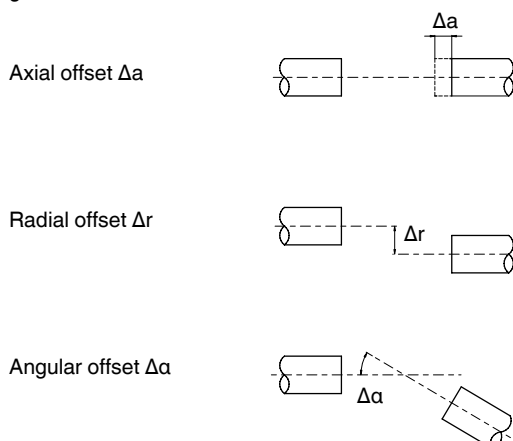
3.2 Use of couplings

To prevent prohibited high loads on the bearing, a flexible coupling must be used to connect the rotary encoder with solid shaft and the drive shaft. Shaft offsets such as a radial, axial, or angular offset occur despite very precise production and mounting of the drive shaft. This is often caused by temperature effects. A rigidly mounted rotary encoder creates an over-determined system with its clearance-free mount and the drive shaft mount. The forces generated destroy the rotary encoder as a result of increased axial and radial forces.

The higher the torsional rigidity of the coupling, the lower the torsional error between the rotary encoder and drive.

The restoring forces of the coupling are directly related to the compensating movement of the coupling. These forces must not exceed the permissible axial and radial forces.

See the data sheets for details on the permissible radial, axial, and angular offset.



4. Installation Notes

4.1 Interference suppression measures

The use of sophisticated microelectronics requires a consistently designed interference suppression and wiring concept. This applies increasingly as housing designs become smaller and performance requirements become higher in modern machines.

The following installation notes and proposals apply to "normal industrial environments." There is no single optimum solution to suit every interfering environment. The encoder should function correctly when applying the following measures:

- Abschließen der seriellen Leitung mit 120 W-Widerstand (zwischen Receive/Transmit und Receive/Transmit) am Anfang und Ende der seriellen Leitung (z. B. die Steuerung und der letzte Geber).
- Place the wiring for the rotary encoder far away from power lines loaded with interference.
- The cable diameter of the shield must be minimum 4 mm².
- The cable diameter must be minimum 0.14 mm².
- The wiring of the shield and 0 V must be kept in star formation if possible.
- Do not bend or clamp the cable.
- Maintain a minimum radius of curvature in accordance with the data in the data sheet, and avoid sheer and tensile stress.

4.2 Operating notes

- Every Pepperl+Fuchs rotary encoder leaves our factory in perfect condition. To maintain this quality and guarantee undisturbed operation, note the following specifications:
- Avoid shock impacts to the housing and the encoder shaft in particular, as well as axial and radial overloading of the encoder shaft.
- The accuracy and service life of the encoder are guaranteed only when a suitable coupling is used.
- The operating voltage must be switched on or off at the same time for the rotary encoder and connecting device (e.g., control unit).
- Any wiring activity may be carried out only when de-energized.
- The maximum operating voltages must not be exceeded. The devices must be operated with safety extra-low voltages.

4.3 Notes on fitting the shield

The immunity of a system is largely determined by the correct choice of shield. Installation errors often occur in precisely this area. The shield is often laid only on one side and soldered to the grounding terminal by a wire, which is authorized in LF technology. However, with EMC it is the rules of HF technology that apply.

A basic objective of HF technology is that HF energy is led to the ground with as little impedance as possible because it otherwise discharges in the cable. Low impedance is achieved through a large-area connection with metal areas.

You must note the following:

- Connect the shield on both sides to a large area on a "common ground," provided there is no risk of potential equalization currents.
- Pull back the entire shield behind the isolation and clamp it to a large area below a tension relief.
- When using a cable connection, connect the tension relief directly to a grounded area on the screw terminal, ensuring all-round contact.
- When using plugs, only metalized plugs may be used (e.g., SUB-D plugs with metalized housing). Ensure the direct connection of the tension relief to the housing.

5. Safety Notices



Warning

You must note the national safety and accident prevention regulations as well as the following safety information in these operating instructions when working with a rotary encoder.

If faults cannot be rectified, the device must be switched off and protected against inadvertent startup.

Repairs may be carried out only by the manufacturer.

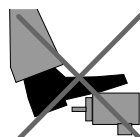
Access and modifications to the device are not permitted.



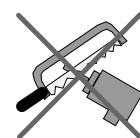
Caution

Only tighten the clamping ring if a shaft is inserted into the area of the clamping ring (hollow shaft rotary encoder).

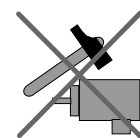
Tighten all screws and connectors before the rotary encoder is put into operation.



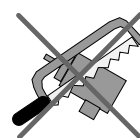
Do not stand on the rotary encoder!



Do not make subsequent modifications to the drive shaft!



Avoid impact!



Do not make subsequent modifications to the housing!

Application Notes for Incremental Rotary Encoders

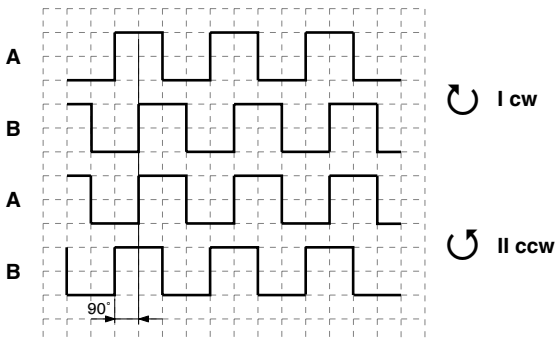
Incremental rotary encoders are rotary encoders that only emit pulses. The angular position can be calculated from the resolution (Z) and the number of pulses per revolution. The angular speed (ω) can be calculated from the signal frequency. The period duration of the angular acceleration (a) can also be calculated from the temporal change.

Rotational direction monitoring with incremental rotary encoders

To detect the direction of rotation of a movement, the detection principle is extended to include a receiver on channel A and channel B. Rotational direction monitoring is enabled by the 90° phase-shifted detection (see graphic).

In the first graphic (I cw), channel A runs ahead of channel B. This indicates clockwise rotation, whereas II ccw indicates counter-clockwise rotation. The direction of rotation is specified on the rotary encoder shaft from the perspective of the viewer.

Depending on the type of incremental rotary encoder, channel A or channel B is the lead channel. Further details are included in the respective data sheets.

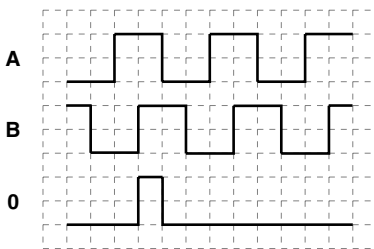


Zero signal

The actual measurement or, more precisely, the evaluation (counting) of the pulses takes place in an additional control interface. This could be, for example, a counter, a control device (PLC), or a tachometer.

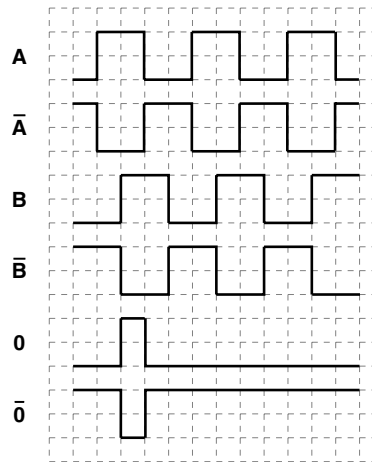
If detection should not be limited to within one revolution, a further signal is required that appears only once per revolution. This signal (third channel) is known as a zero signal, channel N, or spur N. The zero signal is often also used as the reference value.

The graphic illustrates the signal sequence of a three-channel incremental rotary encoder.

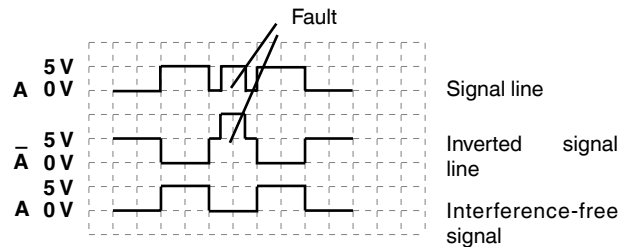


Inverted channels

The inverted signals are used in addition to spurs A, B, and 0 to improve signal transmission. This transmission is available as an option with the RS422 standard interface and with push-pull.



The advantage is that unwanted signals can be blanked. If a noise pulse occurs, it is induced equally in all lines if the strands are twisted in pairs. The noise pulse can be blanked by calculating the difference. The working principle is illustrated in the graphic below.



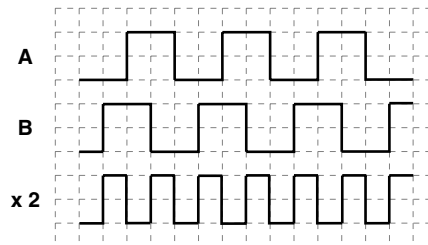
Pulse multiplication

Pulse multiplication is used to increase the measuring steps or reduce the output frequency of the incremental rotary encoder. The signals of an incremental rotary encoder can be doubled or multiplied by linking channels A and B (see following graphics).

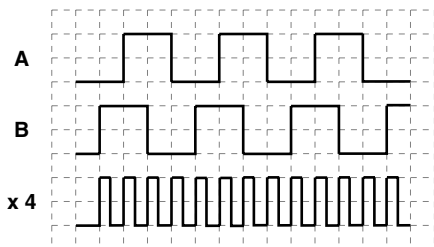
Example:

An application requires 20,000 measuring steps per revolution at a speed of 3000 min⁻¹. If the control units (PLC, counter, tachometer) offer the "multiplication" option, it is possible to revert to the more cost-effective incremental rotary encoders with 5000 pulses. The output frequency of the incremental rotary encoder is also reduced.

- Without multiplication: 1 MHz (this frequency is too high for most control units)
- With multiplication: 250 kHz



Signal doubling



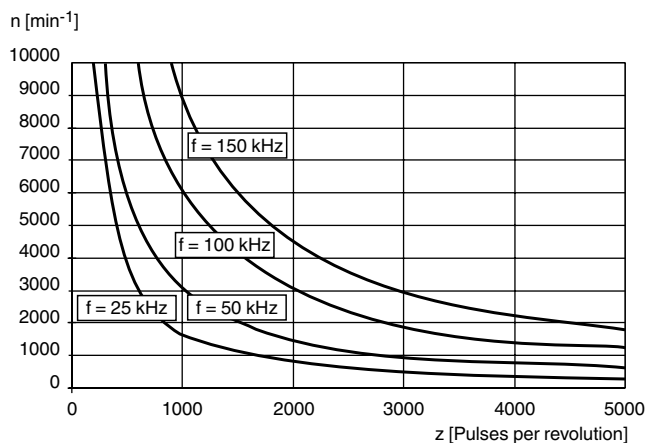
Signal multiplication

The information about rotational direction is lost as a result of linking both channels A and B.

Correlation between operating speed and output frequency

$$f = \frac{n}{60 \text{ s}} \times Z \quad n \text{ in } \text{min}^{-1}$$

$$n_{\text{max}} = \frac{f_{\text{max}} \times 60 \text{ s}}{Z} \quad f_{\text{max}} \text{ in Hz, } n_{\text{max}} \text{ in } \text{min}^{-1}$$

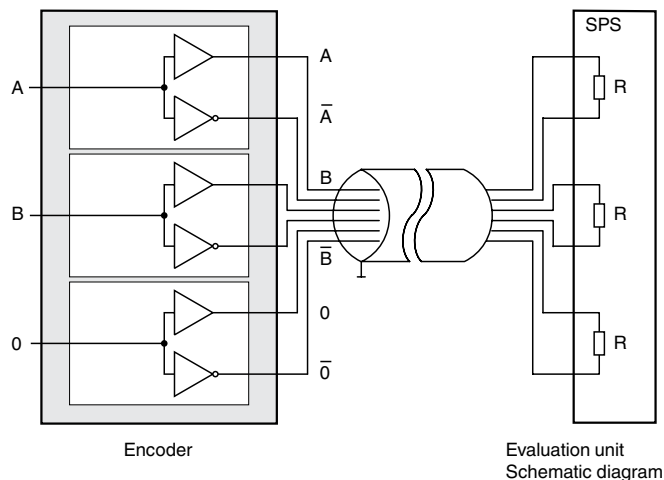


Interfaces

Line driver (RS422)

This symmetrical interface is always recommended if a high level of immunity and/or a long line length are required. The associated strand pairs must be twisted to achieve maximum immunity.

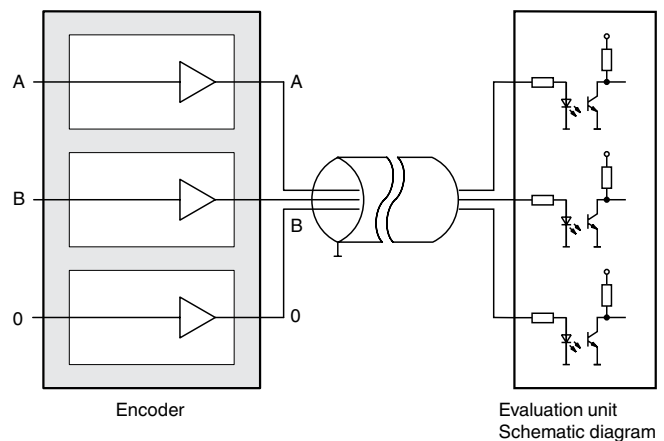
This interface can also be used as an alternative to the TTL interface. In this case, the inverted outputs are not used.



Push-pull output

The push-pull output is a combination of NPN and PNP outputs. Compared with the Open Collector outputs (OC), the push-pull output is characterized by its better slew rate and increased level of immunity. An external circuit, such as is necessary with NPN or PNP, is not required.

In addition to improved immunity, this output also still has the inverted channels. The main area of application for this output is that of medium switching frequencies. The OC outputs can be replaced by this interface. In this case, only the non-inverted signals are used.



Application Notes for Sine/Cosine Rotary Encoders

Sine/cosine rotary encoders are incremental rotary encoders that provide analog signals instead of rectangular signals at their outputs stages. The output voltages of channels A and B have a sine-shaped signal sequence. Compared with the digital signals of an incremental rotary encoder, such sine and cosine-shaped signals offer a few advantages in terms of reprocessing in downstream connected control units.

The angular position can be calculated from the number of periods per revolution and the measured signal periods. The angular speed (ω) can be calculated from the signal frequency. The period duration of the angular acceleration can also be calculated from the temporal change.

Rotational direction monitoring with sine/cosine rotary encoders

Both these sine-shaped pulses are electrically phase-shifted by 90° . As with incremental rotary encoders with rectangular output signals, rotational direction monitoring is also possible for (see graphic).

In the earlier graphic (cw), channel A runs ahead of channel B. This indicates clockwise rotation, whereas ccw indicates counter-clockwise rotation. The direction of rotation is specified on the rotary flange from the perspective of the viewer.

The actual measurement, more precisely the evaluation (counting) of the signal periods, takes place in an additional control interface on the plant side. This could be, for example, a counting and control device (PLC) or tachometer.

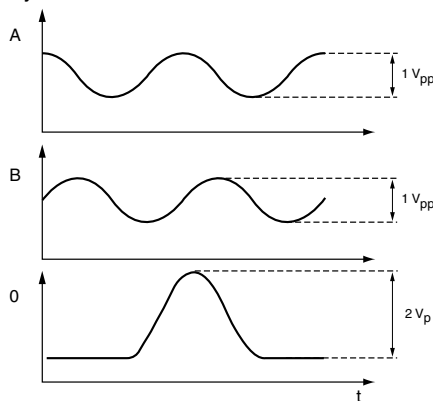
Depending on the type of sine/cosine rotary encoder, channel A or channel B is the lead channel. Further details are included in the respective data sheets.

Zero signal

If detection should not be limited to within a revolution, a further signal is required that appears only once per revolution. This signal (third channel) is known as a zero signal, channel 0 or spur 0. The zero signal is often also used as the reference signal.

The reference mark signal for the zero position is issued in analog form. It has a triangular voltage sequence.

The graphic illustrates the signal sequence of a three-channel sine/cosine rotary encoder.



Pulse multiplication

Pulse multiplication is used to increase the measuring steps or reduce the output frequency of an incremental rotary encoder. The analog phase-shifted signals for a sine/cosine rotary encoder can be multiplied virtually any number of times by linking the channels A and B in an analog control unit on the plant side.

Correlation between operating speed and output frequency

See the application notes for incremental rotary encoders.

Properties of sine/cosine rotary encoders

The comparably flat, sine-shaped signal sequence at the outputs of a sine/cosine rotary encoder results in a number of beneficial features when compared with incremental rotary encoders with pulse outputs. These are:

- Longer available line lengths,
- Good filtering options compared with line-coupled interfering signals,
- Excellent suitability for frequency multiplication without the loss of rotational direction information,
- Very low phase jitter,
- High suitability for monitoring extremely long movements.

Application Notes for Absolute Rotary Encoders

In the case of absolute rotary encoders, both pulses and entire data words are generated. The detection function that has been developed especially for this reads the position of the shaft from the code disk. The data words are transferred in parallel or serial depending on the interface.

Singleturn

In the case of singleturn absolute rotary encoders, one encoder revolution (360°) is divided into a maximum of 65,536 measuring steps (16 bits). After each complete revolution, encryption commences once more at the start value. The encoder electronics do not recognize how many revolutions have been completed.

Multiturn

In addition to the encrypted disk that is used with singleturn, a gear is also integrated for multiturn absolute rotary encoders. This gear is specified and encrypted in such a way that up to 16,384 revolutions (14 bits) can be detected. The total resolution is 16 bits (singleturn resolution) in addition to 14 bits (multiturn resolution), equating to 30 bits. Due to the high number of measuring steps (over one billion), this type of encoder can also divide very long linear distances into small measuring steps.

Interfaces

The Pepperl+Fuchs product portfolio incorporates rotary encoders for the wide range of common interfaces that are available on the market for absolute rotary encoders:

Parallel interface

The focus of this interface is on rapid data transfer. The position data is read directly from the gray-coded material measure.

SSI interface

The SSI (Synchronous Serial Interface) interface was developed especially for transferring output data from an absolute rotary encoder to a control system. The control unit transmits a start sequence and the absolute rotary encoder responds with a position value.

AS-Interface

Binary sensors are generally networked using AS-Interface in modern machines and plants. In order to meet real-time requirements, a multi-slave solution was developed in the form of the AS-Interface rotary encoder.

CAN

Pepperl+Fuchs offers CANopen rotary encoders in accordance with DSP406 (Class 1 and Class 2).

DeviceNet

Device Net rotary encoders add to our range of products. The integrated interface supports all DeviceNet functions.

PROFIBUS

The absolute rotary encoders in this series comply with the PROFIBUS profiles for encoders, order no. 3062. They support operation according to Class 1 and Class 2.

Ethernet

The absolute rotary encoders with Ethernet interface support TCP/IP, EtherNet/IP, Powerlink, and PROFINET IO protocols. Parameterization is carried out using the Java Applets provided by the internal web server. The protocols provided enable data to be transferred from the control level to the plant periphery and back in a quick and verifiable manner, which enables parameterization, diagnosis, and remote maintenance.

Code types

Binary code

Binary code is the classic code of the dual number system. This code can be used to perform calculations as is the case with the decimal number system. It is a multistep code.

2 ⁴																				
2 ³																				
2 ²																				
2 ¹																				
2 ⁰																				
	0	1	2	3	4	5	6	7	8	9	10	11	12	13	14	15	16	17	18	19

This encryption can be used to change several bits at the same time from step to step. If the transition from seven to eight is executed, bits 0, 1, 2, and 3 change.

To ensure high transfer safety, it is recommended that you use a code where just one bit changes from step to step. The evaluating control unit can then check whether the associated condition has been fulfilled and, if this is not the case, implement the necessary fault repair.

Gray code

The Gray code is a one-step code.

2 ⁴																				
2 ³																				
2 ²																				
2 ¹																				
2 ⁰																				
	0	1	2	3	4	5	6	7	8	9	10	11	12	13	14	15	16	17	18	19

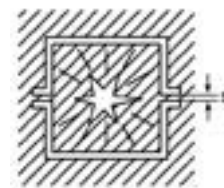
If you look at the transitions from step to step, you can see that just one bit changes in each case. To calculate using this code, it must first be converted into a binary code. This code type is recommended if the data is transferred via a parallel interface. In order to check the single-step code, each code change must be detectable by the test logic.

Gray excess code

The Gray excess code, also known as the capped gray code, is an extract from the complete Gray code. It is always symmetrically capped, so only even-numbered extracts can be used. The logic behind this is that another number of measuring steps can be achieved when this is required by the power of two. For instance, there is often a need to reduce a 9-bit value (512 measuring steps) to 360 measuring steps. The one-step code remains unaffected.

Application Notes for Rotary Encoders for Hazardous Areas

"Flameproof enclosure" type of protection (EEx d) DIN EN 50016/VDE/0170/0171 Part 5



"Type of protection where the parts that can ignite a potentially explosive atmosphere are placed in an enclosure which can withstand the pressure caused by an explosion inside the housing and prevents the transmission of the explosion to the surrounding explosive atmosphere."

The housings are not gas-tight but have a flameproof joint that acts as a pressure relief opening. Any emerging gases are cooled down to such an extent that they are unable to ignite a potentially explosive atmosphere outside of the housing. Ignition is prevented if the minimum ignition temperature and the minimum ignition energy of the surrounding potentially explosive atmosphere are not reached. The apparatus for this type of protection is therefore permitted for explosion groups I, IIA, IIB, and IIC with different minimum joint lengths and maximum joint widths (see Tables 1 and 2 of EN 50018) depending on the type of joint.

The most important detail in the flameproof enclosure "d" type of protection is the flameproof joint that can be neither enlarged (rough removal of rust) nor made smaller (lubrication with resinous fat).

If apparatus is used that is protected through flameproof enclosure, the electric lines are usually installed on the basis of the "increased safety" type of protection.

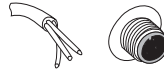
The devices in series 14 and 74 are designed in accordance with the "flameproof enclosure" type of protection with EC-Type Examination Certificate ZELM 02 ATEX 0078.



Technical Data

For detailed data and product description refer to the data sheets at www.pepperl-fuchs.com

General Data	
Detection type	magnetic sampling
Operating voltage	10 ... 30 V DC
Operating temperature	cable, flexing: -5 ... 70 °C (-23 ... 158 °F), cable, fixed: -30 ... 70 °C (-22 ... 158 °F) connector models: -30 ... 85 °C (-22 ... 185 °F)
Material	
Housing	nickel-plated steel
Flange	aluminum
Shaft	Stainless steel
Rotational speed	max. 12000 min ⁻¹
Shaft load	
Axial	40 N
Radial	110 N
Connection	



Properties

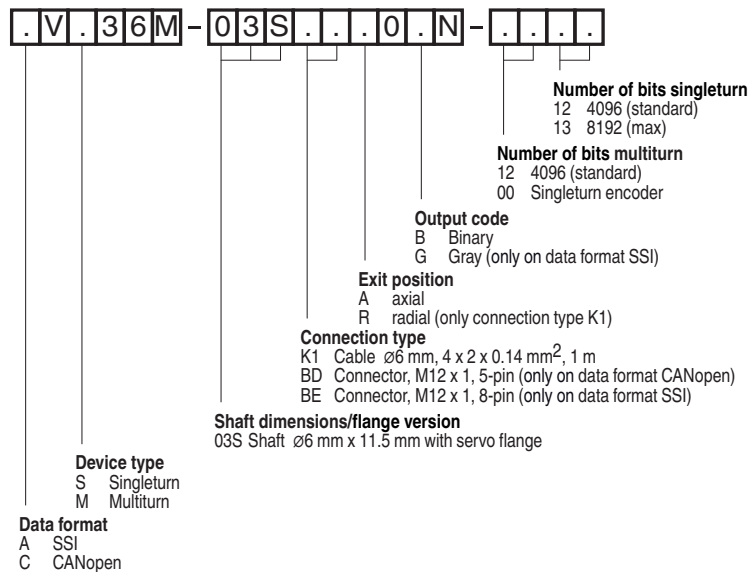
- SSI and CANopen interface versions
- 36 mm housing
- Solid shaft
- Single- and multiturn encoders, up to 25 bit resolution

Your Benefit

- Compact design for space saving mounting
- Wear-free sensing technology for long life-time

Model Number		AVS36M-*****	AVM36M-*****	CVS36M-*****	CVM36M-*****
Device type	Multiturn absolute encoder		●		●
	Singleturn absolute encoder	●		●	
Interface type	CANopen			●	●
	SSI	●	●		
Resolution					
Single turn	up to 13 Bit (hysteresis: 0.1 °)	●	●	●	●
Multiturn	up to 12 Bit		●		●
Overall resolution	up to 13 Bit	●		●	
	up to 25 Bit		●		●
Transfer rate	max. 1 MBit/s			●	●
	0.1 ... 2 MBit/s	●	●		
Input type	Selection of counting direction (cw/ccw)	●	●		
Input type	zero-set (PRESET 1)	●	●		
Dimensions					
Length L [mm]				46	
Diameter D [mm]				36,5	

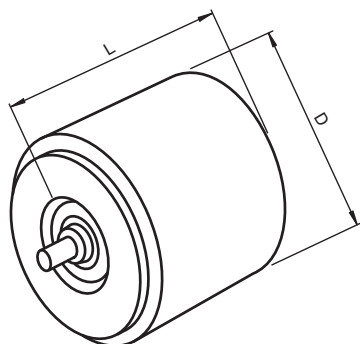
Ordering Information



Example of order:
AVS36M-03SK1A0BN-0012

Accessories This and more accessories can be found in chapter 4.4 from page 741

- V19-G-5M-PUR-ABG** Cable socket, M12, 8-pin, shielded, PUR cable
- V19-G-10M-PUR-ABG** Cable socket, M12, 8-pin, shielded, PUR cable





Technical Data

For detailed data and product description refer to the data sheets at www.pepperl-fuchs.com

General Data

Detection type	magnetic sampling
Operating voltage	10 ... 30 V DC
Operating temperature	cable, flexing: -5 ... 70 °C (-23 ... 158 °F), cable, fixed: -30 ... 70 °C (-22 ... 158 °F) connector models: -30 ... 85 °C (-22 ... 185 °F)
Material	
Housing	nickel-plated steel
Flange	aluminum
Shaft	Stainless steel
Rotational speed	max. 12000 min ⁻¹
Shaft load	
Axial	40 N
Radial	110 N
Connection	

Properties

- SSI and CANopen interface versions
- 36 mm housing
- Recessed hollow shaft
- Single- and multiturn encoders, up to 25 bit resolution

Your Benefit

- Compact design for space saving mounting
- Wear-free sensing technology for long life-time

Model Number	ASS36M-*****	ASM36M-*****	CSS36M-*****	CSM36M-*****
Device type		●		●
Multiturn absolute encoder		●		●
Singleturn absolute encoder	●		●	
Interface type				
CANopen	●	●	●	●
SSI	●			
Resolution				
Single turn		●	●	●
Multiturn		●	●	●
Overall resolution	●	●	●	●
up to 13 Bit (hysteresis: 0.1 °)				
up to 12 Bit				
up to 13 Bit				
up to 25 Bit		●		●
Transfer rate				
max. 1 MBit/s			●	●
0.1 ... 2 MBit/s	●	●		
Input type				
Selection of counting direction (cw/ccw)	●	●		
Input type				
zero-set (PRESET 1)	●	●		

Approvals and Certificates

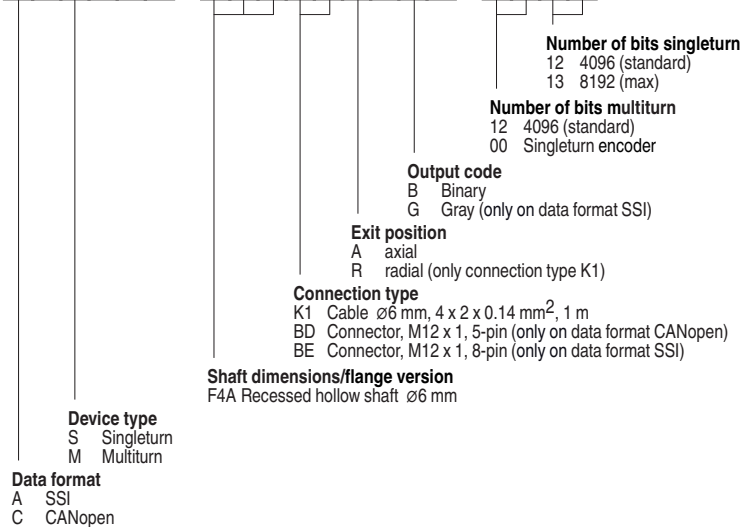
UL approval	cULus Listed, General Purpose, Class 2 Power Source	●
-------------	---	---

Dimensions

Length L [mm]	54
Diameter D [mm]	36,5

Ordering Information

. S . 3 6 M - F 4 A . . 0 . N - . . .

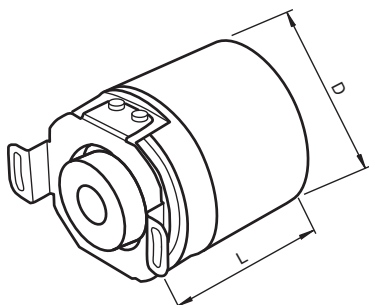


Example of order:
CSM36-F4ABDA0BN-1212

Accessories

This and more accessories can be found in chapter 4.4 from page 741

V15-G-PG9	Cable socket, M12, 5-pin, ready for assembly
V19-G-ABG-PG9	Cable socket, M12, 8-pin, shielded, non pre-wired
V15-G-YE2M-PVC	Cable socket, M12, 5-pin, PVC cable
V19-G-2M-PUR ABG	Cable socket, M12, 8-pin, shielded, PUR cable
V19-G-5M-PUR-ABG	Cable socket, M12, 8-pin, shielded, PUR cable




Date of issue 2015-04-08



Technical Data

For detailed data and product description refer to the data sheets at www.pepperl-fuchs.com

General Data

Detection type	magnetic sampling
Operating voltage	10 ... 30 V DC
Interface type	CANopen
Transfer rate	max. 1 MBit/s
Operating temperature	-40 ... 85 °C (-40 ... 185 °F)
Material	
Housing	Stainless steel 1.4305 / AISI 303
Flange	Stainless steel 1.4305 / AISI 303
Shaft	stainless steel 1.4104 / AISI 430F
Protection degree	IP66 / IP68 / IP69K
Rotational speed	max. 6000 min ⁻¹
Shaft load	
Axial	270 N
Radial	270 N
Connection	

Properties

- CANopen interface
- 42 mm housing
- Solid shaft
- Single- and multiturn encoders, up to 24 bit resolution

Your Benefit

- Robust design with very high shock and vibration resistance
- Stainless steel housing with high protection degree, suitable for harsh environmental conditions
- Compact design for space saving mounting

Model Number

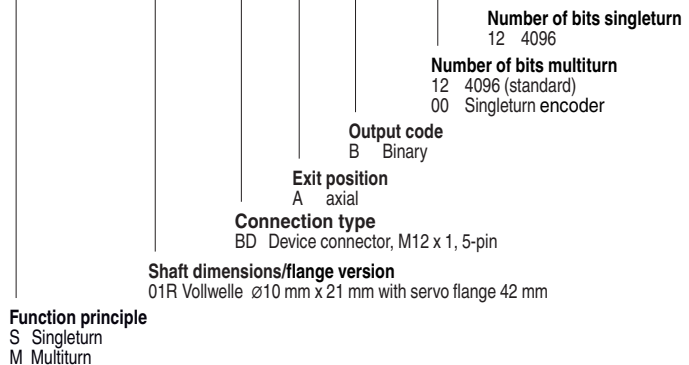
Model Number		CVS42H	CVM42H
Device type	Multiturn absolute encoder		●
	Singleturn absolute encoder	●	
Resolution			
Single turn	12 Bit	●	●
Multiturn	12 Bit		●
Overall resolution	12 Bit	●	
	24 Bit		●

Dimensions

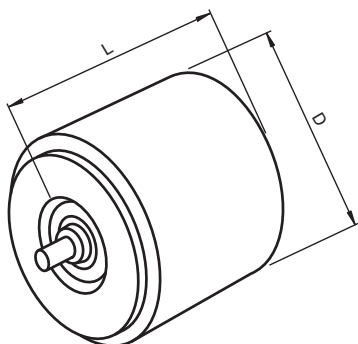
Length L [mm]	66
Diameter D [mm]	42

Ordering Information

CV.42H - 01RBDA0BN - . . 12



Example of order:
CVS42H-01RBDA0BN-0012






Technical Data

For detailed data and product description refer to the data sheets at www.pepperl-fuchs.com

General Data

Detection type	photoelectric sampling
Operating voltage	4.5 ... 30 V DC
Interface type	SSI
Transfer rate	0.1 ... 2 MBit/s
Input type	Selection of counting direction (cw/ccw)
Operating temperature	-40 ... 85 °C (-40 ... 185 °F)
Material	
Combination 1	housing: powder coated aluminium flange: aluminium shaft: stainless steel
Combination 2 (Inox)	housing: stainless steel flange: stainless steel shaft: stainless steel
Rotational speed	max. 12000 min ⁻¹
Shaft load	
Axial	40 N
Radial	110 N
Connection	

Properties

- SSI interface
- 58 mm housing
- Solid shaft
- Single- and multiturn encoders, up to 30 bit resolution

Your Benefit

- Choose between standard industrial flange versions
- High-speed data transfer
- Function inputs available for zero-set (preset) and counting direction
- Optional zero-set pushbutton

Model Number	AVS58-0	AVS58-K	AVS58-H	AVM58-0	AVM58-K	AVM58-H
Device type				●	●	●
Resolution						
Single turn	●	●	●	●	●	●
Multiturn				●	●	●
Overall resolution	●	●	●	●	●	●
Input type	●	●		●	●	●

Approvals and Certificates

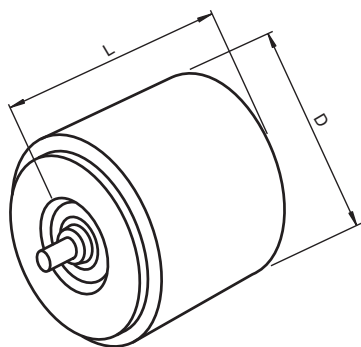
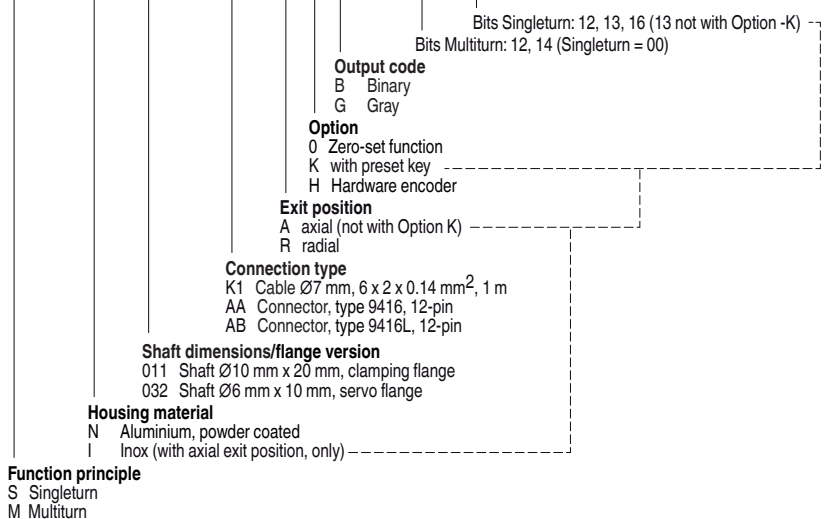
UL approval	cULus Listed, General Purpose, Class 2 Power Source	●	●	●	●	●
-------------	---	---	---	---	---	---

Dimensions

Length L [mm]	depending on the version: 45 ... 63	●	●	●	●	●
	depending on the version: 56 ... 63		●	●	●	●
	depending on the version: 57 ... 64			●	●	●
Diameter D [mm]					●	●
					aluminum: 59	Stainless steel: 61

Ordering Information

A **V** **.** **58** **.** **-** **.** **.** **.** **.** **.** **.** **.** **.** **N** **-** **.** **.** **.** **.**



Example of order:
AVM58N-011K1A0B-1212

Accessories This and more accessories can be found in chapter 4.4 from page 741

9203	Angled flange
9213	Mounting bracket, spring-loaded for clamping flange
9310-3	Synchro clamping element
9300	Mounting bracket for servo flange

Date of issue 2015-04-08





Properties

- SSI interface
- 58 mm housing
- Recessed hollow shaft
- Single- and multiturn encoders, up to 30 bit resolution

Your Benefit

- Recessed hollow shaft up to 15 mm in 58 mm housing
- High-speed data transfer
- Function inputs available for zero-set (preset) and counting direction
- Optional zero-set pushbutton

Technical Data

For detailed data and product description refer to the data sheets at www.pepperl-fuchs.com

General Data

Detection type	photoelectric sampling
Operating voltage	4.5 ... 30 V DC
Interface type	SSI
Transfer rate	0.1 ... 2 MBit/s
Input type	Selection of counting direction (cw/ccw)
Operating temperature	-40 ... 85 °C (-40 ... 185 °F)
Material	
Combination 1	housing: powder coated aluminium flange: aluminium shaft: stainless steel
Combination 2 (Inox)	housing: stainless steel flange: stainless steel shaft: stainless steel
Rotational speed	max. 12000 min ⁻¹
Shaft load	
Angle offset	± 0.9 °
Axial offset	static: ± 0.3 mm, dynamic: ± 0.1 mm
Radial offset	static: ± 0.5 mm, dynamic: ± 0.2 mm
Connection	

Model Number	ASS58-0	ASS58-K	ASS58-H	ASM58-0	ASM58-K	ASM58-H
Device type				●	●	●
Resolution						
Single turn	●	●	●	●	●	●
Multiturn				●	●	●
Overall resolution	●	●	●	●	●	●
Input type	●	●	●	●	●	●

Approvals and Certificates

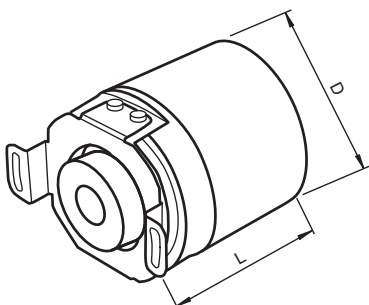
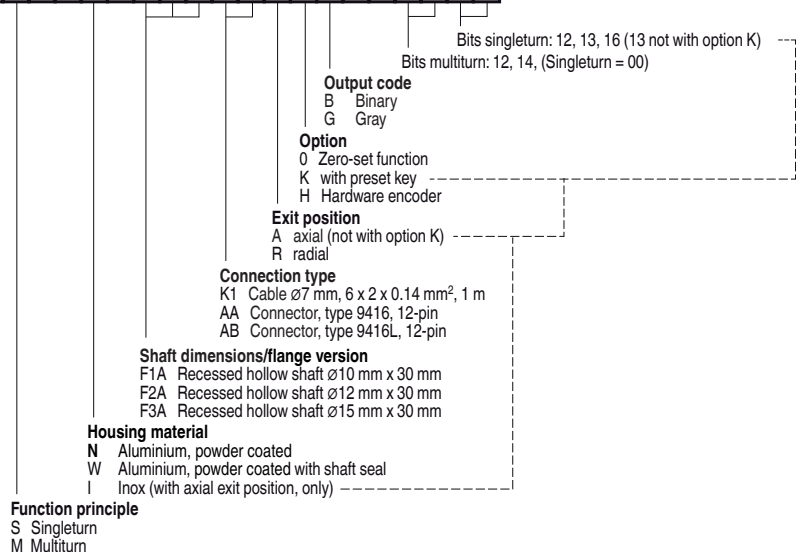
UL approval	cULus Listed, General Purpose, Class 2 Power Source	●	●	●	●	●
-------------	---	---	---	---	---	---

Dimensions

Length L [mm]	depending on the version: 61 ... 72 depending on the version: 73 ... 81	●	●	●	●	●
	72		●			
	73				●	
Diameter D [mm]		aluminum: 59 Stainless steel: 61				

Ordering Information

A **S** . **58** . - **N** -



Example of order:
AVS58W-F3AABRKB-1212

Accessories This and more accessories can be found in chapter 4.4 from page 741

9416 Cable connector

Date of issue 2015-04-08



Technical Data

For detailed data and product description refer to the data sheets at www.pepperl-fuchs.com

General Data

Detection type	photoelectric sampling
Operating voltage	4.5 ... 30 V DC
Interface type	SSI
Transfer rate	0.1 ... 2 MBit/s
Input type	Selection of counting direction (cw/ccw)
Operating temperature	-40 ... 85 °C (-40 ... 185 °F)
Combination 1	Housing: aluminium Flange: aluminium Shaft: stainless steel
Rotational speed	max. 3000 min ⁻¹
Shaft load	
Angle offset	± 0.9 °
Axial offset	static: ± 0.3 mm, dynamic: ± 0.1 mm
Radial offset	static: ± 0.5 mm, dynamic: ± 0.2 mm
Connection	

Properties

- SSI interface
- 58 mm housing
- Hollow shaft
- Single- and multiturn encoders, up to 30 bit resolution

Your Benefit

- High-speed data transfer
- Function inputs available for zero-set (preset) and counting direction

Model Number	AHS58-0	AHS58-H	AHM58-0	AHM58-H
Device type				
Multiturn absolute encoder			●	●
Singleturn absolute encoder	●	●		
Resolution				
Single turn	●	●	●	●
Multiturn			●	●
Overall resolution	●	●	●	●
up to 16 Bit				
up to 30 Bit			●	●
Input type	●		●	
zero-set (PRESET 1)				

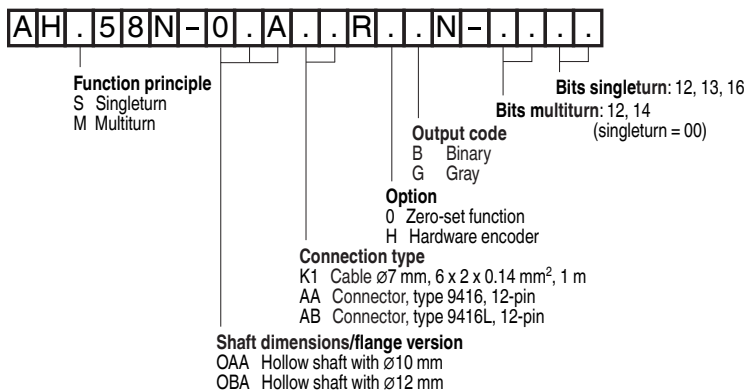
Approvals and Certificates

UL approval	cULus Listed, General Purpose, Class 2 Power Source	●	●	●	●
-------------	---	---	---	---	---

Dimensions

Length L [mm]	36	49
Diameter D [mm]	59	

Ordering Information

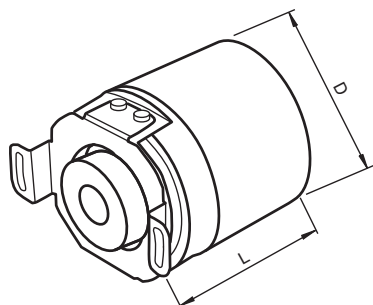


Example of order:
AHM58N-0AAABR0BN-1213

Accessories

This and more accessories can be found in chapter 4.4 from page 741

9416	Cable connector
------	-----------------



Date of issue 2015-04-08





Properties

- Parallel interface
- 58 mm housing
- Solid shaft
- Single- and multiturn encoders, up to 25 bit resolution

Your Benefit

- High code change frequency up to 400 kHz
- Inputs for PRESET, LATCH and counting direction selection

Technical Data

For detailed data and product description refer to the data sheets at www.pepperl-fuchs.com

General Data

Detection type	photoelectric sampling
Operating voltage	10 ... 30 V DC
Interface type	Push-pull, parallel, short-circuit protected
Code change frequency	400 kHz
Input type	Selection of counting direction (cw/ccw)
Input type	Temporary storage (LATCH)
Input type	zero-set (PRESET)
Operating temperature	-40 ... 85 °C (-40 ... 185 °F) cable models: -30 ... 70 °C (rigid wiring) -5 ... 70 °C (flexible wiring)

Material

Combination 1	housing: powder coated aluminium flange: aluminium shaft: stainless steel
Combination 2 (Inox)	housing: stainless steel flange: stainless steel shaft: stainless steel

Rotational speed	max. 12000 min ⁻¹
Shaft load	
Axial	40 N
Radial	110 N
Connection	

Model Number

		FVS58	FVM58
Device type	Multiturn absolute encoder	●	●
	Singleturn absolute encoder	●	●
Resolution			
Single turn	13 Bit	●	●
Multiturn	12 Bit	●	●
Overall resolution	13 Bit	●	●
	25 Bit		●

Approvals and Certificates

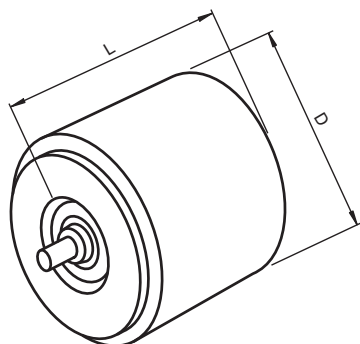
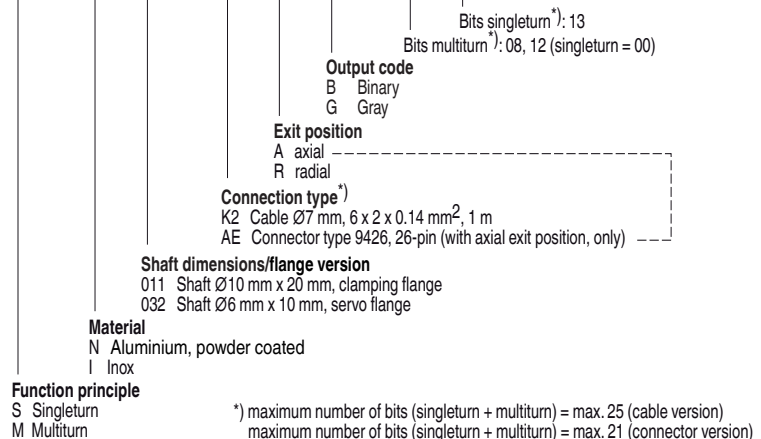
UL approval	cULus Listed, General Purpose, Class 2 Power Source	●	●
-------------	---	---	---

Dimensions

Length L [mm]	depending on the version: 45 ... 63	●	
	depending on the version: 65 ... 72		●
Diameter D [mm]			aluminum: 59 Stainless steel: 61

Ordering Information

FV.58.-.3.N-.



Example of order:
FVS58N-032K2A3BN-0013

Accessories This and more accessories can be found in chapter 4.4 from page 741

9213	Mounting bracket, spring-loaded for clamping flange
9203	Angled flange
9310-3	Synchro clamping element
9300	Mounting bracket for servo flange





Properties

- Parallel interface
- 58 mm housing
- Recessed hollow shaft
- Single- and multiturn encoders, up to 25 bit resolution

Your Benefit

- Recessed hollow shaft up to 15 mm in 58 mm housing
- High code change frequency up to 400 kHz
- Inputs for PRESET, LATCH and counting direction selection

Technical Data

For detailed data and product description refer to the data sheets at www.pepperl-fuchs.com

General Data

Detection type	photoelectric sampling
Operating voltage	10 ... 30 V DC
Interface type	Push-pull, parallel, short-circuit protected
Code change frequency	400 kHz
Input type	Selection of counting direction (cw/ccw)
Input type	Temporary storage (LATCH)
Input type	zero-set (PRESET)
Operating temperature	-40 ... 85 °C (-40 ... 185 °F) cable models: -30 ... 70 °C (rigid wiring) -5 ... 70 °C (flexible wiring)

Material

Combination 1	housing: powder coated aluminium flange: aluminium shaft: stainless steel
Combination 2 (Inox)	housing: stainless steel flange: stainless steel shaft: stainless steel

Rotational speed	max. 12000 min ⁻¹
Connection	

Model Number	FSS58	FSM58
Device type		
Multiturn absolute encoder	●	●
Singleturn absolute encoder	●	●
Resolution		
Single turn	13 Bit	●
Multiturn	12 Bit	●
Overall resolution	13 Bit	●
	25 Bit	●

Approvals and Certificates

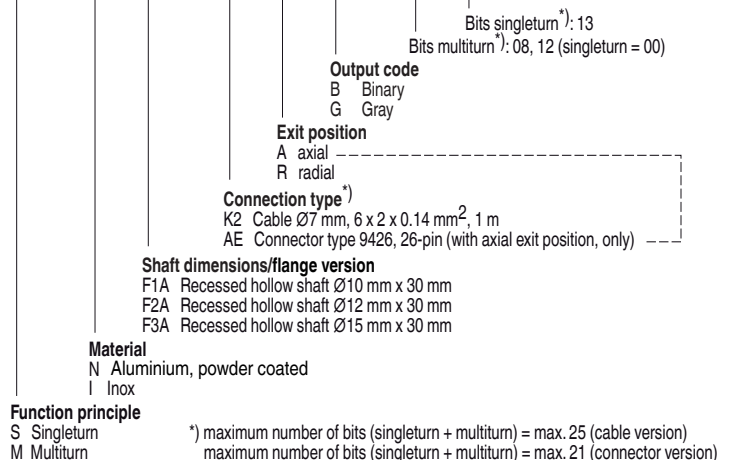
UL approval	cULus Listed, General Purpose, Class 2 Power Source	●	●
-------------	---	---	---

Dimensions

Length L [mm]	72	80
Diameter D [mm]	aluminum: 59 Stainless steel: 61	

Ordering Information

F S . 5 8 3 . N -



Example of order:
FSM58I-F1AK2A3GN-0813

Accessories This and more accessories can be found in chapter 4.4 from page 741

- 9426
- 9424

Date of issue 2015-04-08



Properties

- AS-Interface
- 58 mm housing
- Solid shaft
- Single- and multiturn encoders, up to 25 bit resolution

Your Benefit

- Position data transfer using 4 AS-Interface addresses
- Configuration and addressing via AS-Interface

Technical Data

For detailed data and product description refer to the data sheets at www.pepperl-fuchs.com

General Data

Detection type	photoelectric sampling
Operating voltage	29.5 ... 31.6 V DC
Interface type	AS-Interface
Transfer rate	max. 0.167 MBit/s
Operating temperature	-20 ... 70 °C (-4 ... 158 °F)
Material	
Combination 1	housing: powder coated aluminium flange: aluminium shaft: stainless steel
Combination 2 (Inox)	housing: stainless steel flange: stainless steel shaft: stainless steel

Connection



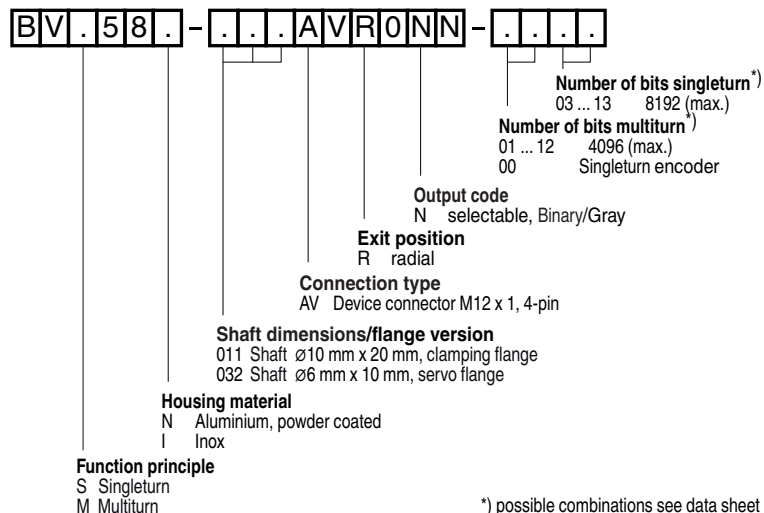
Model Number

		BVS58	BVM58
Device type	Multiturn absolute encoder		●
	Singleturn absolute encoder	●	
Resolution			
Single turn	up to 13 Bit	●	●
Multiturn	up to 12 Bit		●
Overall resolution	13 Bit	●	
	25 Bit		●
Rotational speed	max. 10000 min ⁻¹	●	
	max. 6000 min ⁻¹		●
Shaft load			
Axial	40 N		●
	40 N at max. 6000 min ⁻¹	●	
	10 N at max. 12000 min ⁻¹		
Radial	60 N		●
	60 N at max. 6000 min ⁻¹	●	
	20 N at max. 12000 min ⁻¹		

Dimensions

Length L [mm]	depending on the version: 64 ... 67	●	●
Diameter D [mm]			58

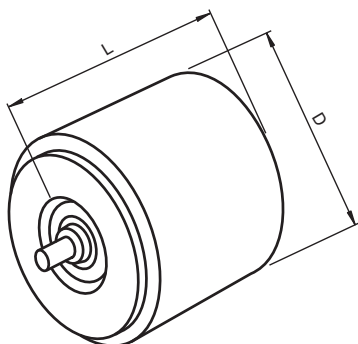
Ordering Information



Example of order:
BVS58N-011AVR0NN-0013

Accessories This and more accessories can be found in chapter 4.4 from page 741

9203	Angled flange
9213	Mounting bracket, spring-loaded for clamping flange
9310-3	Synchro clamping element
9300	Mounting bracket for servo flange





Technical Data

For detailed data and product description refer to the data sheets at www.pepperl-fuchs.com

General Data

Detection type	photoelectric sampling
Operating voltage	29.5 ... 31.6 V DC
Interface type	AS-Interface
Transfer rate	max. 0.167 MBit/s
Operating temperature	-20 ... 70 °C (-4 ... 158 °F)
Material	
Combination 1	housing: powder coated aluminium flange: aluminium shaft: stainless steel
Combination 2 (Inox)	housing: stainless steel flange: stainless steel shaft: stainless steel
Shaft load	
Angle offset	1 °
Axial offset	max. 1 mm
Connection	

Properties

- AS-Interface
- 58 mm housing
- Recessed hollow shaft
- Single- and multiturn encoders, up to 25 bit resolution

Your Benefit

- Position data transfer using 4 AS-Interface addresses
- Configuration and addressing via AS-Interface

Model Number		BSS58	BSM58
Device type	Multiturn absolute encoder	●	●
	Singleturn absolute encoder	●	
Resolution			
Single turn	up to 13 Bit	●	●
Multiturn	up to 12 Bit		●
Overall resolution	13 Bit	●	
	25 Bit		●
Rotational speed	max. 10000 min ⁻¹	●	
	max. 6000 min ⁻¹		●
Dimensions			
Length L [mm]			68
Diameter D [mm]			58

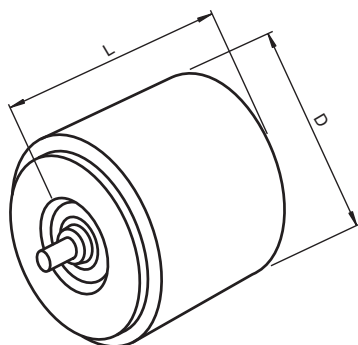
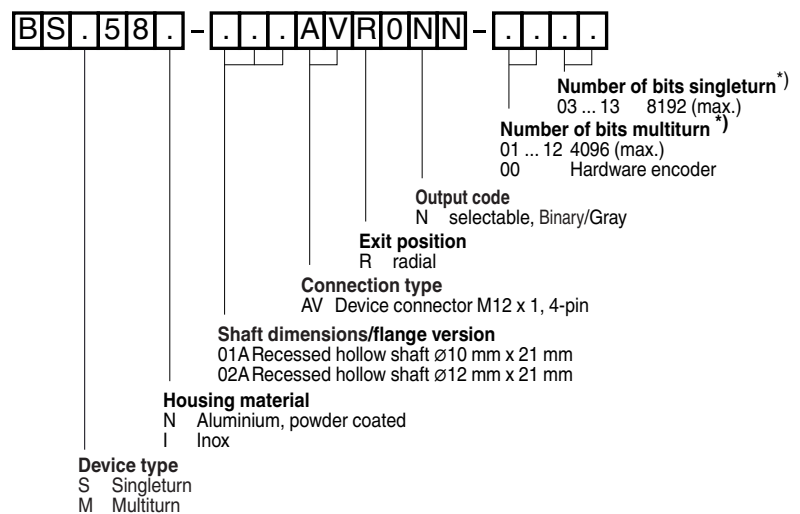
4

.1.1



Rotary Encoders, Absolute Rotary Encoders, Standard

Ordering Information



Example of order:
BSM58I/02AAVR0NN/1213

Accessories

This and more accessories can be found in chapter 4.4 from page 741

- V1-G-BK 4-pin, M12 female field-attachable connector
- V1-G-YE2M-PVC Cable socket, M12, 4-pin, PVC cable
- V1-G-YE5M-PVC Cable socket, M12, 4-pin, PVC cable

Date of issue 2015-04-08



Properties

- CANopen, DeviceNet and PROFIBUS interface versions
- 58 mm housing
- Solid shaft
- Single- and multturn encoders, up to 30 bit resolution

Your Benefit

- Fast and easy installation due to removable housing cover
- Manually set baudrate, address, and termination resistor in the housing cover
- Wide range of programming functions, such as resolution, scaling, limit switches etc.
- Optional shaft seal for higher IP protection

Technical Data

For detailed data and product description refer to the data sheets at www.pepperl-fuchs.com

General Data

Detection type	photoelectric sampling
Operating voltage	10 ... 30 V DC
Operating temperature	-40 ... 85 °C (-40 ... 185 °F)
Material	
Combination 1	housing: powder coated aluminium flange: aluminium shaft: stainless steel
Combination 2 (Inox)	housing: stainless steel flange: stainless steel shaft: stainless steel
Rotational speed	max. 12000 min ⁻¹
Shaft load	
Axial	40 N
Radial	110 N
Connection	

Model Number

Model Number	CVS58	DVS58	PVS58	CVM58	DVM58	PVM58
Device type				•	•	•
Interface type	•	•	•			
Resolution						
Single turn	•	•	•	•	•	•
Multiturn				•	•	•
Overall resolution	•	•	•			
Transfer rate						
UL approval	•	•	•	•	•	•

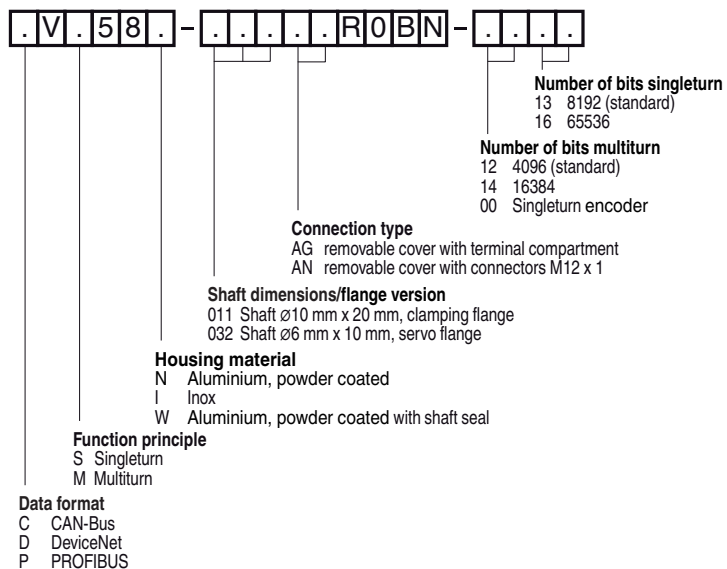
Approvals and Certificates

UL approval	cULus Listed, General Purpose, Class 2 Power Source	•	•	•	•	•
-------------	---	---	---	---	---	---

Dimensions

Length L [mm]	depending on the version: 73 ... 79 depending on the version: 84 ... 90	•	•	•	•	•
Diameter D [mm]				58		
Connector area l _c [mm]				25		

Ordering Information

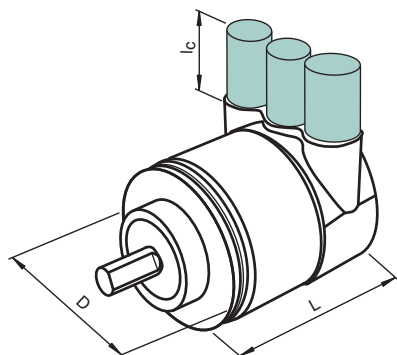


Example of order:
PVM58N-032AGR0BN-1213

Accessories

This and more accessories can be found in chapter 4.4 from page 741

9203	Angled flange
9213	Mounting bracket, spring-loaded for clamping flange
9310-3	Synchro clamping element
9300	Mounting bracket for servo flange



4 .1.1 Rotary Encoders, Absolute Rotary Encoders, Standard



Technical Data

For detailed data and product description refer to the data sheets at www.pepperl-fuchs.com

General Data

Detection type	photoelectric sampling
Operating voltage	10 ... 30 V DC
Operating temperature	-40 ... 85 °C (-40 ... 185 °F)
Material	
Combination 1	housing: powder coated aluminium flange: aluminium shaft: stainless steel
Combination 2 (Inox)	housing: stainless steel flange: stainless steel shaft: stainless steel
Rotational speed	max. 12000 min ⁻¹
Shaft load	
Angle offset	± 0.9 °
Axial offset	static: ± 0.3 mm, dynamic: ± 0.1 mm
Radial offset	static: ± 0.5 mm, dynamic: ± 0.2 mm
Connection	

Properties

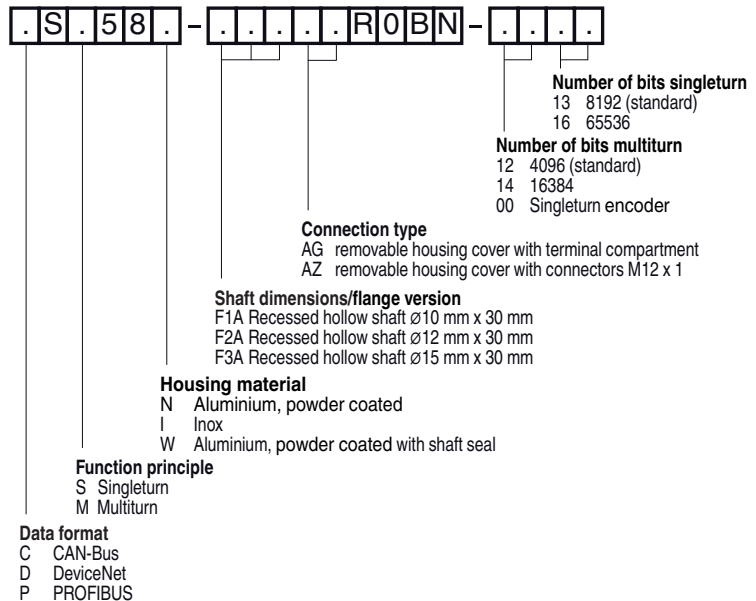
- CANopen, DeviceNet and PROFIBUS interface versions
- 58 mm housing
- Recessed hollow shaft
- Single- and multiturn encoders, up to 30 bit resolution

Your Benefit

- Fast and easy installation due to removable housing cover
- Manually set baudrate, address, and termination resistor in the housing cover
- Wide range of programming functions, such as resolution, scaling, limit switches etc.
- Optional shaft seal for higher IP protection

Model Number	CSS58	DSS58	PSS58	CSM58	DSM58	PSM58
Device type						
Multiturn absolute encoder	●	●	●	●	●	●
Singleturn absolute encoder	●	●	●	●	●	●
Interface type						
CANopen	●	●	●	●	●	●
DeviceNet		●			●	
PROFIBUS			●			●
Resolution						
Single turn	●	●	●	●	●	●
Multiturn	●	●	●	●	●	●
Overall resolution	●	●	●	●	●	●
up to 16 Bit	●	●	●	●	●	●
up to 30 Bit				●	●	●
Transfer rate						
max. 0.5 MBit/s	●	●	●	●	●	●
max. 1 MBit/s				●	●	●
0.0096 ... 12 MBit/s			●			●
Approvals and Certificates						
UL approval	●	●	●	●	●	●
cULus Listed, General Purpose, Class 2						
Power Source						
Dimensions						
Length L [mm]		87			98	
Diameter D [mm]					59	
Connector area I _c [mm]						25

Ordering Information



Example of order:
CSS58W/F2AAGR0BN-0013

Accessories

This and more accessories can be found in chapter 4.4 from page 741

AH 58-B1CA-2BW

Date of issue 2015-04-08





Properties

- Ethernet versions with
 - TCP/IP
 - Powerlink
 - ProfiNet-IO
 - EtherNet/IP
 - Modbus
 - EtherCAT
- 58 mm housing
- Solid shaft
- Single- and multturn encoders, up to 30 bit resolution

Your Benefit

- Choice of many Ethernet protocols
- Optional shaft seal for higher IP protection

Technical Data

For detailed data and product description refer to the data sheets at www.pepperl-fuchs.com

General Data

Detection type	photoelectric sampling
Operating voltage	10 ... 30 V DC
Physical	Ethernet
Material	housing: powder coated aluminium or stainless steel, flange: aluminium, shaft: stainless steel
Rotational speed	max. 12000 min ⁻¹
Shaft load	
Axial	40 N
Radial	110 N
Connection	

Model Number

		EVS58-TZ	EVS58-PZ	EVS58-PN	EVS58-IZ	EVS58-MB	EVS58-EC	EVM58-TZ	EVM58-PZ	EVM58-PN	EVM58-IZ	EVM58-MB	EVM58-EC
Device type	Multiturn absolute encoder							●	●	●	●	●	●
	Singleturn absolute encoder	●	●	●	●	●	●						
Interface type	TCP/IP	●						●					
	Powerlink		●						●				
	ProfiNet IO			●						●			
	Ethernet IP				●						●		
	Modbus					●						●	
	EtherCAT						●						●
Resolution													
Single turn	up to 16 Bit	●	●	●	●	●	●	●	●	●	●	●	●
Multiturn	14 Bit							●	●	●	●	●	●
Overall resolution	up to 16 Bit	●	●	●	●	●	●						
	up to 30 Bit							●	●	●	●	●	●
Transfer rate	10 MBit/s / 100 MBit/s	●	●	●	●	●	●	●	●	●	●	●	●
	100 MBit/s				●								
Operating temperature	0 ... 60 °C (32 ... 140 °F)				●								
	-40 ... 85 °C (-40 ... 185 °F)	●	●	●	●	●	●	●	●	●	●	●	●

Approvals and Certificates

UL approval	cULus Listed, General Purpose, Class 2 Power Source	●	●	●	●	●	●	●	●	●	●	●	●
-------------	---	---	---	---	---	---	---	---	---	---	---	---	---

Dimensions

Length L [mm]	depending on the version: 81 ... 87 depending on the version: 83 ... 90 depending on the version: 92 ... 98	●	●	●	●	●	●	●	●	●	●	●	●
Diameter D [mm]								59					
Connector area l _c [mm]								23					

Ordering Information



- Protocol**
- PN Profinet
 - PZ Powerlink
 - TZ TCP/IP
 - IZ Ethernet/IP
 - MB Modbus
 - EC EtherCAT
- Number of bits singleturn**
- 13 8192 (standard)
 - 16 65536
- Number of bits multiturn**
- 12 4096 (standard)
 - 14 16384
 - 00 Singleturn encoder

- Shaft dimensions/flange version**
- 011 Shaft Ø10 mm x 20 mm, clamping flange
 - 032 Shaft Ø6 mm x 10 mm, Servo flange

- Housing material**
- N Aluminium, powder coated
 - W Aluminium, powder coated with shaft seal
 - I Stainless steel

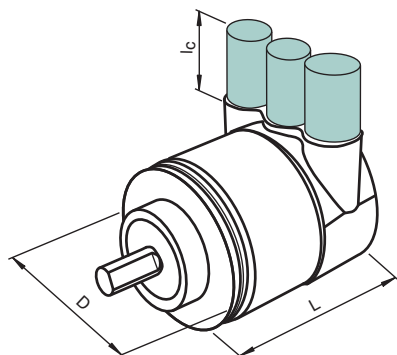
- Function principle**
- S Singleturn
 - M Multiturn

Example of order:
EVM58N-032PNR0BN-1416

Accessories

This and more accessories can be found in chapter 4.4 from page 741

9203	Angled flange
9310-3	Synchro clamping element
V1SD-G-2M-PUR-ABG-V45X-G	Connection cable, M12 to RJ-45, PUR cable 4-pin, CAT5e
V1SD-G-2M-PUR-ABG-V45-G	Connection cable, M12 to RJ-45, PUR cable 4-pin, CAT5e
9300	Mounting bracket for servo flange
V15-G-YE2M-PVC	Cable socket, M12, 5-pin, PVC cable
V15-G-YE5M-PVC	Cable socket, M12, 5-pin, PVC cable






Technical Data

For detailed data and product description refer to the data sheets at www.pepperl-fuchs.com

General Data

Detection type	photoelectric sampling
Operating voltage	10 ... 30 V DC
Physical	Ethernet
Material	housing: powder coated aluminium or stainless steel flange: aluminium, shaft: stainless steel
Rotational speed	max. 12000 min ⁻¹
Shaft load	
Angle offset	± 0.9 °
Axial offset	static: ± 0.3 mm, dynamic: ± 0.1 mm
Radial offset	static: ± 0.5 mm, dynamic: ± 0.2 mm
Connection	

Model Number

		ESS58-TZ	ESS58-PZ	ESS58-PN	ESS58-IZ	ESM58-TZ	ESM58-PZ	ESM58-PN	ESM58-IZ
Device type	Multiturn absolute encoder								
	Singleturn absolute encoder	●	●	●	●	●	●	●	●
Interface type	Ethernet/IP				●				●
	Powerlink		●				●		
	ProfiNet IO			●				●	
	TCP/IP	●				●			
Resolution									
Single turn	up to 16 Bit	●	●	●	●	●	●	●	●
Multiturn	14 Bit								
Overall resolution	up to 16 Bit	●	●	●	●	●	●	●	●
	up to 30 Bit								
Transfer rate	10 MBit/s / 100 MBit/s	●	●			●	●		●
	100 MBit/s			●				●	●
Operating temperature	0 ... 60 °C (32 ... 140 °F)				●				●
	-40 ... 85 °C (-40 ... 185 °F)	●	●	●	●	●	●	●	●

Approvals and Certificates

UL approval	cULus Listed, General Purpose, Class 2 Power Source	●	●	●	●	●	●	●	●
-------------	---	---	---	---	---	---	---	---	---

Dimensions

Length L [mm]		95		106
Diameter D [mm]	59			
Connector area I _c [mm]	23			

Properties

- Ethernet versions with
 - TCP/IP
 - Powerlink
 - ProfiNet-IO
 - Ethernet/IP
 - EtherCAT
- 58 mm housing
- Recessed hollow shaft
- Single- and multiturn encoders, up to 30 bit resolution

Your Benefit

- Choice of many Ethernet protocols
- Optional shaft seal for higher IP protection

Ordering Information



- Protocol**
- PN Profinet
 - PZ Powerlink
 - TZ TCP/IP
 - IZ Ethernet/IP
 - MB Modbus
 - EC EtherCAT
- Number of bits singleturn**
- 13 8192 (standard)
 - 16 65536
- Number of bits multiturn**
- 12 4096 (standard)
 - 14 16384
 - 00 Singleturn encoder

- Shaft dimensions/flange version**
- F1A Recessed hollow shaft ø10 mm x 30 mm
 - F2A Recessed hollow shaft ø12 mm x 30 mm
 - F3A Recessed hollow shaft ø15 mm x 30 mm

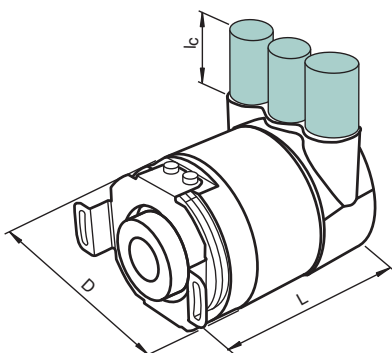
- Housing material**
- N Aluminium, powder coated
 - W Aluminium, powder coated with shaft seal
 - I Stainless steel

- Function principle**
- S Singleturn
 - M Multiturn

Example of order:
ESS58W-F1ATZR0BN-0016

Accessories This and more accessories can be found in chapter 4.4 from page 741

V15-G-PG9	Cable socket, M12, 5-pin, ready for assembly
V15-G-YE2M-PVC	Cable socket, M12, 5-pin, PVC cable
V15-G-YE5M-PVC	Cable socket, M12, 5-pin, PVC cable
V1SD-G-ABG-PG9	Cable connector, M12, 4-pin, D-coded, shielded, non pre-wired
V1SD-G-2M-PUR-ABG-V45-G	Connection cable, M12 to RJ-45, PUR cable 4-pin, CAT5e
V1SD-G-5M-PUR-ABG-V45-G	Connection cable, M12 to RJ-45, PUR cable 4-pin, CAT5e
V1SD-G-2M-PUR-ABG-V45X-G	Connection cable, M12 to RJ-45, PUR cable 4-pin, CAT5e



Date of issue 2015-04-08



Properties

- CANopen safety interface
- 58 mm housing
- Solid shaft
- Single- and multiturn encoders, up to 30 bit resolution

Your Benefit

- Suitable for systems up to SIL3 and PLe
- Integrated functional safety by means of twin processor structure and dual sensing for extra safety

Technical Data

For detailed data and product description refer to the data sheets at www.pepperl-fuchs.com

General Data

Detection type	photoelectric sampling
Operating voltage	12 ... 30 V DC
Interface type	CANopen / CANopen Safety
Transfer rate	max. 1 MBit/s
Output type	DSP 406/301/304, CLASS 1 and 2
Operating temperature	-30 ... 70 °C (-22 ... 158 °F)
Material	
Combination 1	housing: powder coated aluminium flange: aluminium shaft: stainless steel
Combination 2 (Inox)	housing: stainless steel flange: stainless steel shaft: stainless steel
Rotational speed	max. 12000 min ⁻¹
Shaft load	
Axial	40 N
Radial	110 N
Connection	

Model Number

		CVS58S	CVM58S
Device type	Multiturn absolute encoder		●
	Singleturn absolute encoder	●	
Resolution			
Single turn	CANopen: up to 16 Bit CANopen Safety: 10 Bit	●	●
Multiturn	14 Bit		●
Overall resolution	up to 16 Bit	●	
	up to 30 Bit		●

Approvals and Certificates

UL approval	cULus Listed, General Purpose, Class 2 Power Source	●	●
-------------	---	---	---

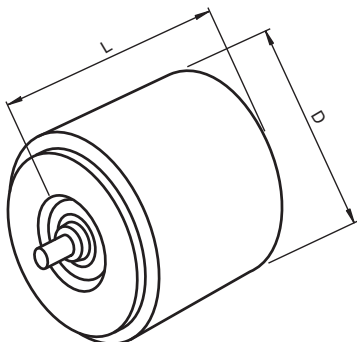
Dimensions

Length L [mm]	depending on the version: 54 ... 92 depending on the version: 83 ... 118	●	●
Diameter D [mm]		aluminum: 59 Stainless steel: 61	

Ordering Information

CV.58S - 0B . -

- Number of bits singleturn**
13 8192
16 65536
- Number of bits multiturn**
14 16384
00 Singleturn encoder
- Option 2**
N Aluminum housing (standard)
I Stainless steel housing
W Aluminum housing with shaft seal
- Output code**
B Binary
- Exit position**
A axial (Connection type K1, without bus cover)
R radial (Connection type AG, AN, AW)
- Connection type**
AG removable cover with terminal compartment
AN 1 Device connector, M12 x 1, 5-pin
AW 1 Device connector and 1 socket, M12 x 1, 5-pin
K1 Cable, 1 m long
- Shaft dimensions/flange version**
011 solid shaft ø10 mm x 20 mm with clamping flange
012 solid shaft ø10 mm x 20 mm with servo flange
032 solid shaft ø6 mm x 10 mm with servo flange
- Function principle**
S Singleturn
M Multiturn

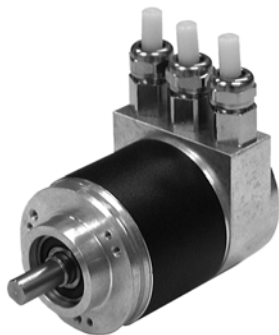


Example of order:
CVM58S-032AGR0BN-1416

Accessories This and more accessories can be found in chapter 4.4 from page 741

9203	Angled flange
9213	Mounting bracket, spring-loaded for clamping flange
9310-3	Synchro clamping element
9300	Mounting bracket for servo flange





Technical Data

For detailed data and product description refer to the data sheets at www.pepperl-fuchs.com

General Data

Detection type	photoelectric sampling
Operating voltage	10 ... 30 V DC
Interface type	PROFIBUS
Transfer rate	0.0096 ... 12 MBit/s
Operating temperature	-30 ... 55 °C (-22 ... 131 °F)
Protection degree	DIN EN 60529, shaft side: IP64 (without shaft seal)/IP66 (with shaft seal) housing side: IP65
Combination 1	housing: powder coated aluminium flange: aluminium shaft: stainless steel
Rotational speed	max. 6000 min ⁻¹
Shaft load	
Axial	40 N
Radial	110 N
Connection	

Properties

- PROFIBUS interface
- Ø58 mm housing
- Solid shaft
- Single- and multiturn encoders, up to 30 bit total resolution

Your Benefit

- ATEX approval for zone 2 and zone 22
- Fast and easy installation due to removable housing cover
- Manually set baudrate, address, and termination resistor in the housing cover
- Wide range of programming functions, such as resolution, scaling, limit switches etc.

Model Number

		PVS58X	PVM58X
Device type	Multiturn absolute encoder		●
	Singleturn absolute encoder	●	
Resolution			
Single turn	up to 16 Bit	●	●
Multiturn	14 Bit		●
Overall resolution	up to 16 Bit	●	
	up to 30 Bit		●

Use in the Hazardous Area

Group, category, type of protection	II 3G Ex nA IIB T4		
	II 3D Ex tD A22 IP64 T120°C	●	●

Approvals and Certificates

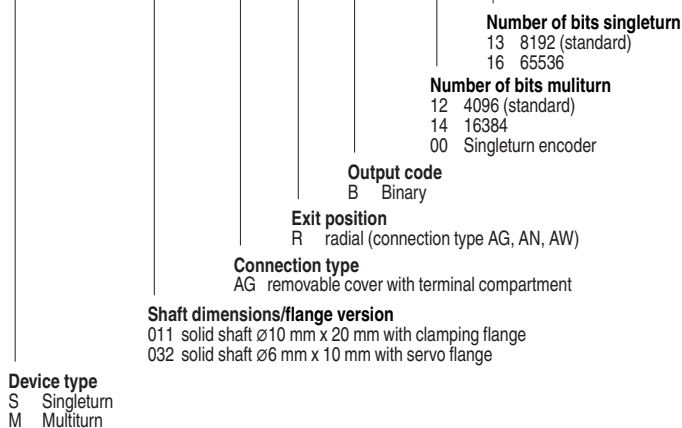
UL approval	cULus Listed, General Purpose, Class 2 Power Source	●	●
-------------	---	---	---

Dimensions

Length L [mm]	86	96
Diameter D [mm]	aluminum: 59 Stainless steel: 61	
Connector area l _c [mm]	32	

Ordering Information

PV.58X - . . . AGR0BN -

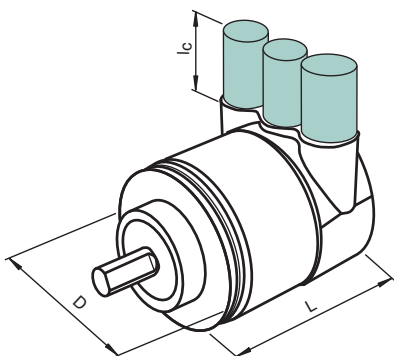


Example of order:
PVS58X-032AGR0BN-0016

Accessories

This and more accessories can be found in chapter 10
See pages from 972 ... for cordsets See pages 1068 ... for mounting aids

9203	Angled flange
9213	Mounting bracket, spring-loaded for clamping flange
9310-3	Synchro clamping element
9300	Mounting bracket for servo flange



Date of issue 2015-04-08

Rotary Encoders, Absolute Rotary Encoders for hazardous areas



Technical Data

For detailed data and product description refer to the data sheets at www.pepperl-fuchs.com

General Data

Detection type	photoelectric sampling
Operating voltage	10 ... 30 V DC
Interface type	PROFIBUS
Transfer rate	0.0096 ... 12 MBit/s
Operating temperature	-30 ... 55 °C (-22 ... 131 °F)
Protection degree	DIN EN 60529, shaft side: IP64 (without shaft seal)/IP66 (with shaft seal) housing side: IP65
Combination 1	housing: powder coated aluminium flange: aluminium shaft: stainless steel
Rotational speed	max. 6000 min ⁻¹
Shaft load	
Angle offset	± 0.9 °
Axial offset	static: ± 0.3 mm, dynamic: ± 0.1 mm
Radial offset	static: ± 0.5 mm, dynamic: ± 0.2 mm
Connection	

Properties

- PROFIBUS interface
- Ø58 mm housing
- Recessed hollow shaft
- Single- and multiturn encoders, up to 30 bit total resolution

Your Benefit

- ATEX approval for zone 2 and zone 22
- Fast and easy installation due to removable housing cover
- Manually set baudrate, address, and termination resistor in the housing cover
- Wide range of programming functions, such as resolution, scaling, limit switches etc.

Model Number

Model Number		PSS58X	PSM58X
Device type	Multiturn absolute encoder		●
	Singleturn absolute encoder	●	
Resolution			
Single turn	up to 16 Bit	●	●
Multiturn	14 Bit		●
Overall resolution	up to 16 Bit	●	
	up to 30 Bit		●

Use in the Hazardous Area

Group, category, type of protection	II 3G Ex nA IIB T4 II 3D Ex tD A22 IP64 T120°C		
-------------------------------------	---	--	--

Approvals and Certificates

UL approval	cULus Listed, General Purpose, Class 2 Power Source	●	●
-------------	---	---	---

Dimensions

Length L [mm]	100	112
Diameter D [mm]	aluminum: 59 Stainless steel: 61	
Connector area l _c [mm]	32	

Ordering Information

PS . 58 X - . . . AGR 0 B N - . . .

Number of bits singleturn
13 8192 (standard)
16 65536

Number of bits multiturn
12 4096 (standard)
14 16384
00 Singleturn encoder

Output code
B Binary

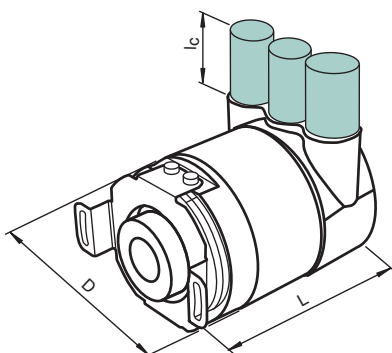
Exit position
A axial (connection type AG, AN, AW)

Connection type
AG removable cover with terminal compartment

Shaft dimensions/flange version
F1A Recessed hollow shaft ø10 mm x 30 mm
F2A Recessed hollow shaft ø12 mm x 30 mm
F3A Recessed hollow shaft ø15 mm x 30 mm

Device type
S Singleturn
M Multiturn

Example of order:
PSM58X-F1AAGR0BN-1213



4
1.3

Rotary Encoders, Absolute Rotary Encoders for hazardous areas

Date of issue 2015-04-08



DeviceNet



Technical Data

For detailed data and product description refer to the data sheets at www.pepperl-fuchs.com

General Data

Detection type	photoelectric sampling
Operating voltage	10 ... 30 V DC
Operating temperature	-40 ... 70 °C (-40 ... 158 °F)
Protection degree	DIN EN 60529, IP66
Material	
Combination 1	housing: anodized aluminium flange: aluminium, blank shaft: Stainless steel 1.4401 / AISI 316
Combination 2 (Inox)	housing: stainless steel 1.4404 / AISI 316L flange: stainless steel 1.4404 / AISI 316L shaft: Stainless steel 1.4401 / AISI 316
Rotational speed	max. 3000 min ⁻¹
Shaft load	
Axial	60 N
Radial	80 N

Properties

- SSI, CANopen, DeviceNet and PROFIBUS versions
- Ø78 mm housing
- Solid shaft
- Single- and multturn encoders, up to 30 bit total resolution

Your Benefit

- Suitable for global usage due to ATEX and IECEx approval for zone1 and zone 21
- Fast and easy installation by means of removable wiring cover and access to control elements
- Reliable and robust for rough environmental conditions

Model Number

		AVS78E	AVM78E	CVS78E	CVM78E	DVS78E	DVM78E	PVS78E	PVM78E
Device type	Multiturn absolute encoder		●		●		●		●
	Singleturn absolute encoder	●		●		●		●	
Interface type	SSI	●	●						
	CANopen			●	●				
	DeviceNet					●	●		
	PROFIBUS							●	●
Resolution									
Single turn	up to 16 Bit	●	●	●	●	●	●	●	●
Multiturn	up to 14 Bit		●		●		●		●
Overall resolution	up to 30 Bit		●		●		●		●
Transfer rate	0.1 ... 2 MBit/s	●	●						
	max. 1 MBit/s			●	●				
	max. 0.5 MBit/s					●	●		
	0.0096 ... 12 MBit/s							●	●
Input 1									
Input type	Selection of counting direction (cw/ccw)	●	●						
Input 2									
Input type	zero-set (PRESET)	●	●						

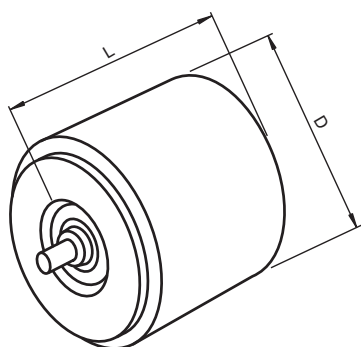
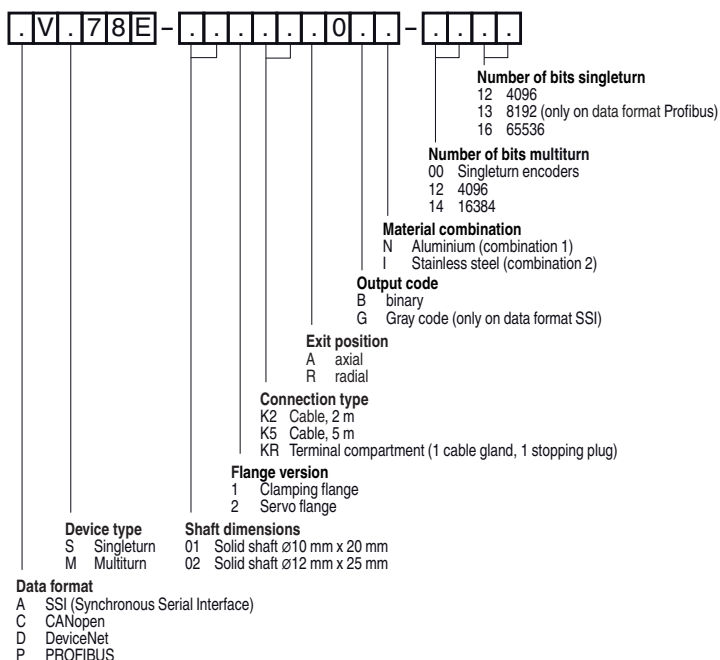
Use in the Hazardous Area

EC-Type Examination Certificate	TÜV 11 ATEX 084272X		●	●	●	●	●	●	●
	IECEx TUN 11.0017X		●	●	●	●	●	●	●
Group, category, type of protection	II 2G Ex d IIC T5 Gb	●	●	●	●	●	●	●	●
	II 2D Ex tb IIIC T100°C Db IP6X	●	●	●	●	●	●	●	●

Dimensions

Length L [mm]	depending on the version: 109 ... 125
Diameter D [mm]	78

Ordering Information



Example of order:
AVM78E-011K2R0BI-1212

Date of issue: 2015-04-08



4

.1.3





Technical Data

For detailed data and product description refer to the data sheets at www.pepperl-fuchs.com

Model Number	MNI20N
Detection type	magnetic sampling
Pulse count	max. 7200
Operating voltage	10 ... 30 V DC 5 V DC for RS 422
Output type	push-pull, incremental (RS 422, incremental)
Output frequency	max. 800 kHz
Operating temperature	-25 ... 85 °C (-13 ... 185 °F)
Protection degree	DIN EN 60529, IP67
Material	
Housing	PA
Cable	PUR
Magnetic wheel	PA, ferrite
Rotational speed	max. 20000 min ⁻¹
Connection	

Properties

- Surface mount 32 x 22 mm housing
- Separate magnetic wheel
- Up to 7,200 pulses per revolution

Your Benefit

- Cost-effective, bearing-free encoder for rotational speed measurement
- Simple installation reduces time and cost
- Status LED
- Robust and flexible magnetic wheel provides resistance to dirt as well as thermal and mechanical shock
- Long service life at high speeds and temperatures

Function

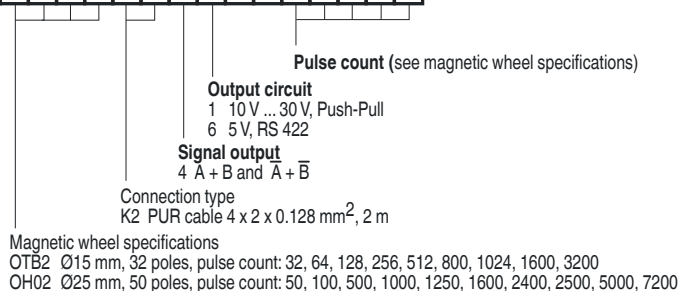
The magnetic incremental encoder MNI20 is an exceptionally robust measurement system in the smallest space. Its highly compact encapsulated housing gives the sensor its high resistance to harsh environmental conditions. The installation-friendly design reduces the installation time considerably.

Dimensions

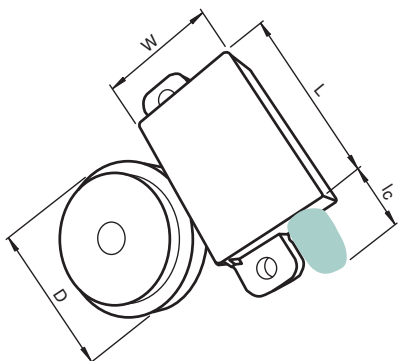
Length L [mm]	32
Width W [mm]	22.4
Diameter D [mm]	depending on the version: 15 or 25
Connector area l _c [mm]	15

Ordering Information

MNI20N-...K24.N-...



Example of order:
MNI20N-OH02K241N-02400



4
.2.1



Rotary Encoders, Incremental Rotary Encoders with pulse outputs



Technical Data

For detailed data and product description refer to the data sheets at www.pepperl-fuchs.com

Model Number	MNI40N
Detection type	magnetic sampling
Pulse count	max. 7200
Operating voltage	10 ... 30 V DC 5 V DC for RS 422
Output type	push-pull, incremental (RS 422, incremental)
Output frequency	max. 1 MHz
Operating temperature	-40 ... 100 °C (-40 ... 212 °F)
Protection degree	DIN EN 60529, IP67 , IP68 , IP69K
Material	
Housing	PA
Cable	PUR
Magnetic wheel	cured ferrite filled rubber
Rotational speed	max. 30000 min ⁻¹
Connection	

Properties

- Surface mount 32 x 22 mm housing
- Separate magnetic wheel
- Up to 7,200 pulses per revolution

Your Benefit

- Two-color (red, green) LEDs provide clear indication of magnetic wheel alignment
- Simple installation and adjustment reduce costs
- An elastomer-coated magnetic wheel resists dirt as well as thermal and mechanical shock
- Long service life at high speeds and temperatures

Function

The magnetic incremental encoder MNI40 combines an exceptionally robust measurement system with intelligent diagnosis and alignment functions in the smallest space. Its highly compact encapsulated housing gives the sensor its high resistance to harsh environmental conditions. The installation-friendly design and simple guided adjustment of the sensor using two-color status LED reduces the installation time considerably.

Dimensions

Length L [mm]	32
Width W [mm]	22.4
Diameter D [mm]	depending on the version: 31.7 ... 45.7
Connector area l _c [mm]	15

4

.2.1



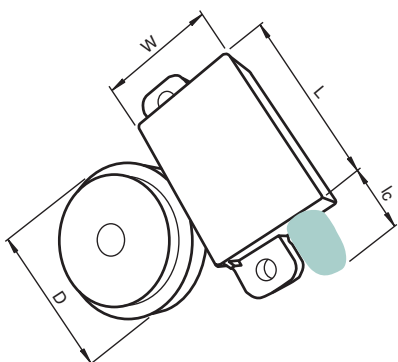
Rotary Encoders, Incremental Rotary Encoders with pulse outputs

Ordering Information

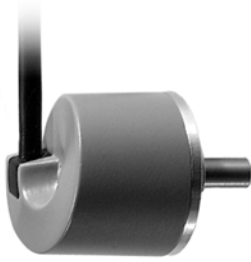
MNI40N-...K26.N-... .

	Pulse count	see below
	Output circuit	1 10 V ... 30 V, Push-Pull 6 5 V, RS 422
	Signal output	6 $\bar{A} + B + 0$ and $\bar{A} + \bar{B} + \bar{0}$
	Connection type	K2 PUR cable 4 x 2 x 0.128 mm ² , 2 m
	Magnetic wheel properties	01 50 Poles, Ø31.7 mm pulse numbers: 100, 500, 1000, 1250, 1600, 2400, 2500
	A1	64 Poles, Ø40.6 mm pulse numbers: 128, 512, 1024, 2048, 3072, 3200
	E1	72 Poles, Ø46 mm pulse numbers: 360, 1800, 3600, 7200
	Magnetic wheel center borehole	0S Ø6 mm 0A Ø10 mm 0B Ø12 mm 0T Ø15 mm

Example of order:
MNI40N-0A01K261N-01000



Date of issue 08.04.2015



Technical Data

For detailed data and product description refer to the data sheets at www.pepperl-fuchs.com

Model Number	TVI40N
Detection type	photoelectric sampling
Pulse count	max. 1024
Operating voltage	4.75 ... 30 V DC 5 V DC for RS 422
Output type	push-pull, incremental (RS 422, incremental)
Output frequency	max. 100 kHz (max. 100 kHz)
Nickel disk	-10 ... 70 °C (14 ... 158 °F)
Protection degree	DIN EN 60529, IP54
Material	
Housing	Polycarbonate
Flange	3.1645 aluminum
Shaft	Stainless steel 1.4305 / AISI 303
Rotational speed	max. 6000 min ⁻¹
Shaft load	
Axial	max. 20 N
Radial	max. 30 N
Connection	

Properties

- Ø40 mm housing
- Solid shaft
- Up to 1024 pulses per revolution

Your Benefit

- Economical design
- Small housing for restricted areas

Function

The TVI40 continues the new economical target line of Pepperl+Fuchs. With a small outside diameter of 40 mm, the unit is ideal for use in industrial areas where very little space is available.

The technology of the rotary encoder is adapted to the new requirements of the rotary encoder market. Innovative fast technology with Opto-ASIC forms the central basis of the device. The rotary encoder is available with a pulse count of up to 1024 pulses per revolution.

The rotary encoder is equipped with a metal disk that can accept a high load. It provides the ideal combination of non-sensitivity to temperature and high resolution.

The appearance of this rotary encoder is the tangential cable outlet. This ensures a buckling-free, carefully laying of the connection cable in tangential, radial or axial manner.

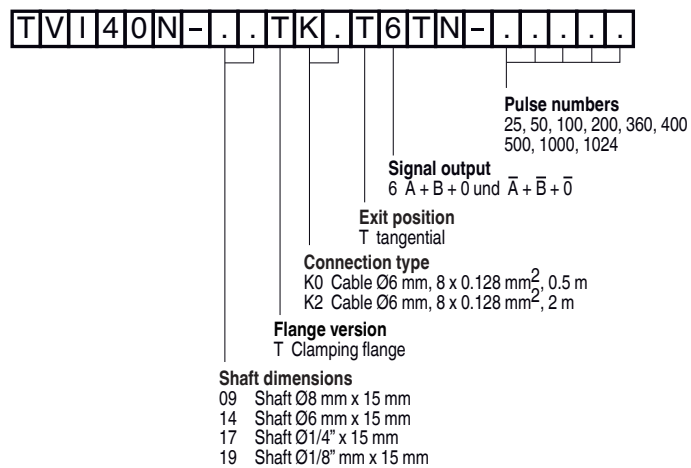
Approvals and Certificates

UL approval	cULus Listed, General Purpose, Class 2 Power Source
-------------	---

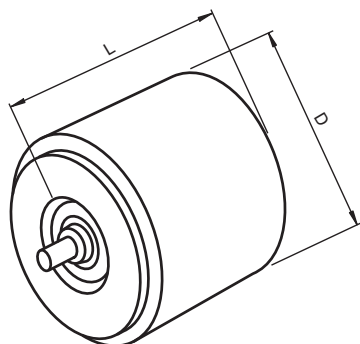
Dimensions

Length L [mm]	42
Diameter D [mm]	40

Ordering Information



Example of order:
TVI40N-14TK2T6TN-01024



4
.2.1

Rotary Encoders, Incremental Rotary Encoders with pulse outputs



Properties

- Ø40 mm housing
- Recessed hollow shaft
- Up to 1024 pulses per revolution

Your Benefit

- Economical design
- Small housing for restricted areas

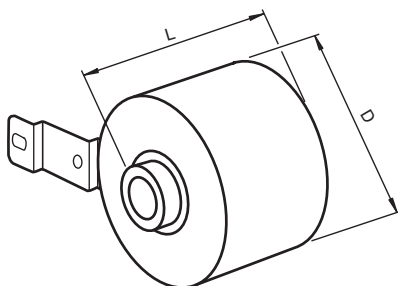
Function

The TVI40 continues the new economical target line of Pepperl+Fuchs with a recessed hollow shaft version. With a small outside diameter of 40 mm, the unit is ideal for use in industrial areas where very little space is available.

The technology of the rotary encoder is adapted to the new requirements of the rotary encoder market. Innovative fast technology with Opto-ASIC forms the central basis of the device. The rotary encoder is available with a pulse count of up to 1024 pulses per revolution.

The rotary encoder is equipped with a metal disk that can accept a high load. It provides the ideal combination of non-sensitivity to temperature and high resolution.

The appearance of this rotary encoder is the tangential cable outlet. This ensures a buckling-free, carefully laying of the connection cable in tangential, radial or axial manner.



Technical Data

For detailed data and product description refer to the data sheets at www.pepperl-fuchs.com

Model Number	TSI40N
Detection type	photoelectric sampling
Pulse count	max. 1024
Operating voltage	4.75 ... 30 V DC 5 V DC for RS 422
Output type	push-pull, incremental (RS 422, incremental)
Output frequency	max. 100 kHz (max. 100 kHz)
Nickel disk	-10 ... 70 °C (14 ... 158 °F)
Protection degree	DIN EN 60529, IP54
Material	
Housing	Polycarbonate
Flange	3.1645 aluminum
Shaft	Stainless steel 1.4305 / AISI 303
Rotational speed	max. 6000 min ⁻¹
Shaft load	
Angle offset	1 °
Axial offset	max. 1 mm
Connection	

Approvals and Certificates

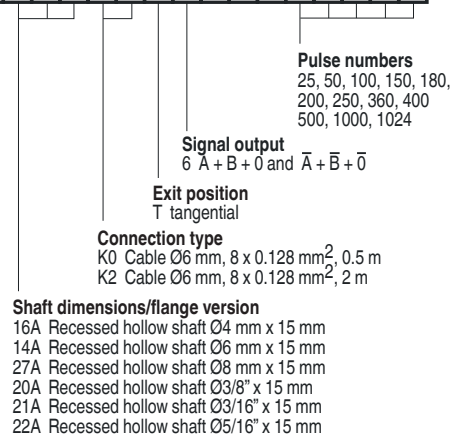
UL approval	cULus Listed, General Purpose, Class 2 Power Source
-------------	---

Dimensions

Length L [mm]	43
Diameter D [mm]	40

Ordering Information

TSI40N-...K.T6TN-... ..



Example of order:
TSI40N-27AK0T6TN-00250

Date of issue 08.04.2015





Technical Data

For detailed data and product description refer to the data sheets at www.pepperl-fuchs.com

Model Number	TH140N
Detection type	photoelectric sampling
Pulse count	max. 1024
Operating voltage	4.75 ... 30 V DC 5 V DC for RS 422
Output type	push-pull, incremental (RS 422, incremental)
Output frequency	max. 100 kHz (max. 100 kHz)
Nickel disk	-10 ... 70 °C (14 ... 158 °F)
Protection degree	DIN EN 60529, IP54
Material	
Housing	aluminum
Flange	aluminum
Shaft	Stainless steel
Rotational speed	max. 6000 min ⁻¹
Connection	

Properties

- Ø40 mm housing
- Hollow shaft
- Up to 1024 pulses per revolution

Your Benefit

- Economical design
- Small housing for restricted areas

Function

The TH140 continues the new economical target line of Pepperl+Fuchs. With a small outside diameter of 40 mm, the unit is ideal for use in industrial areas where very little space is available. The technology of the rotary encoder is adapted to the new requirements of the rotary encoder market. Innovative fast technology with Opto-ASIC forms the central basis of the device. The rotary encoder is available with a pulse count of up to 1024 pulses per revolution. The rotary encoder is equipped with a metal disk that can accept a high load. It provides the ideal combination of non-sensitivity to temperature and high resolution.

Approvals and Certificates

UL approval: cULus Listed, General Purpose, Class 2 Power Source

Dimensions

Length L [mm]	20.7
Diameter D [mm]	40

Ordering Information

TH140N-..AK2R6TN-.....

Pulse numbers
25, 50, 100, 150, 180, 200, 250,
360, 400, 500, 1000, 1024

Signal output
6 A + B + 0 and $\bar{A} + \bar{B} + \bar{0}$

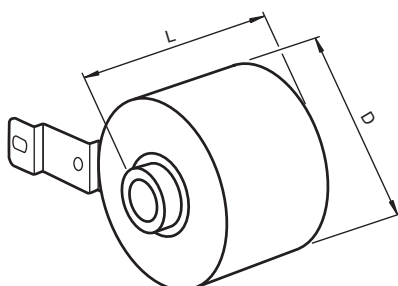
Exit position
R radial

Connection type
K2 Cable Ø5 mm, 8 x 0.08 mm², 2 m

Shaft dimensions/flange version

- 09 Shaft Ø8 mm x 15 mm
- 0S Hollow shaft Ø6 mm, clamping ring on both sides
- 0U Hollow shaft Ø6.35 mm, clamping ring on flange side
- 0C Hollow shaft Ø8 mm, clamping ring on flange side
- 0X Hollow shaft Ø3/16", clamping ring on flange side
- 2A Hollow shaft Ø5/16", clamping ring on flange side
- 1S Hollow shaft Ø6 mm, clamping ring on cover side
- 1U Hollow shaft Ø6.35 mm, clamping ring on cover side
- 1C Hollow shaft Ø8 mm, clamping ring on cover side
- 1X Hollow shaft Ø3/16", clamping ring on cover side
- 3A Hollow shaft Ø5/16", clamping ring on cover side

Example of order:
TH140N-0CAK2R6TN-00500



4
.2.1

Rotary Encoders, Incremental Rotary Encoders with pulse outputs



Properties

- Ø50 mm housing
- Solid shaft
- Up to 1024 pulses per revolution

Your Benefit

- Sturdy and compact design
- Cost-effective version

Function

The TVI50 is the starting point for the new economical target line of Pepperl+Fuchs. With a small outside diameter of 50 mm, the unit is ideal for use in industrial areas where little space is available.

The technology of the rotary encoder is adapted to the new requirements of the rotary encoder market. Innovative fast technology with Opto-ASIC forms the central basis of the device. The rotary encoder is available with a pulse count of up to 1024 pulses per revolution.

The rotary encoder is equipped with a metal disk that can accept a high load. It provides the ideal combination of non-sensitivity to temperature and high resolution.

Technical Data

For detailed data and product description refer to the data sheets at www.pepperl-fuchs.com

Model Number	TVI50N-09BK0**T
Detection type	photoelectric sampling
Pulse count	max. 1024
Operating voltage	4.75 ... 30 V DC 5 V DC for RS 422
Output type	push-pull, incremental (RS 422, incremental)
Output frequency	max. 100 kHz (max. 100 kHz)
Nickel disk	-10 ... 70 °C (14 ... 158 °F)
Protection degree	DIN EN 60529, IP40, IP54
Material	
Housing	aluminium, blank
Flange	3.1645 aluminium
Shaft	Stainless steel 1.4305 / AISI 303
Rotational speed	max. 6000 min ⁻¹
Shaft load	
Axial	20 N
Radial	40 N
Connection	

Approvals and Certificates

UL approval	cULus Listed, General Purpose, Class 2 Power Source
-------------	---

Dimensions

Length L [mm]	44
Diameter D [mm]	50

4

.2.1



Rotary Encoders, Incremental Rotary Encoders with pulse outputs

Ordering Information

TVI50N-...K...6TN-... ..

Pulse numbers
50, 100, 200, 360, 400,
500, 1000, 1024

Signal output
6 A + B + 0 and $\bar{A} + \bar{B} + \bar{0}$

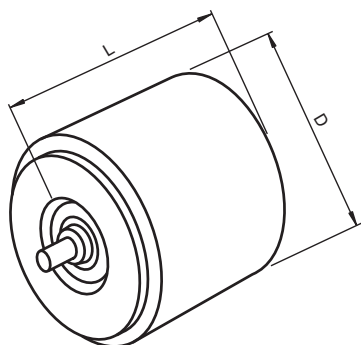
Exit position
A axial
R radial

Connection type
K0 Cable Ø6 mm, 8 x 0.128 mm², 0.5 m
K2 Cable Ø6 mm, 8 x 0.128 mm², 2 m

Flange version
B Clamping flange
U Square flange 2"
W Servo flange 2" (4)
X Servo flange 2" (3)

Shaft dimensions
09 Shaft Ø8 mm x 15 mm
24 Shaft Ø1/4" x 19 mm
25 Shaft Ø1/8" x 19 mm
26 Shaft Ø3/8" x 19 mm

Housing material
N Aluminum, IP40
T Aluminum, IP54



Example of order:
TVI50N-25BK2A6TN-01024

Date of issue 08.04.2015



Properties

- Ø50 mm housing
- Solid shaft
- Up to 2500 pulses per revolution

Your Benefit

- Sturdy and compact design
- Choice of mechanical and electrical options

Function

The RVI50 is characterised by its small housing diameter of 50 mm with equal technical data compared to other encoder series. The centering shoulder makes it possible to fit the unit very precisely. In addition to the three M3 holes, the encoder has a servo infeed on the circumference. This allows you to make a slight adjustment to the reference point of the incremental rotary encoder by turning the housing. The clamping element that grips into the servo infeed ensures that the incremental rotary encoder stays firmly in place without slipping out of adjustment. The pulse disk is designed in plastic up to 600 pulses. Beyond that, glass is used.

Technical Data

For detailed data and product description refer to the data sheets at www.pepperl-fuchs.com

General Data

Detection type	photoelectric sampling
Pulse count	max. 2500
Output frequency	max. 160 kHz
Operating temperature	
Glass disk	-20 ... 70 °C (-4 ... 158 °F)
Plastic disk	-20 ... 60 °C (-4 ... 140 °F)
Protection degree	DIN EN 60529, IP50
Material	
Housing	powder coated aluminum
Flange	3.1645 aluminum
Shaft	Stainless steel 1.4305 / AISI 303
Rotational speed	max. 10000 min ⁻¹
Shaft load	
Axial	30 N
Radial	50 N
Connection	



Model Number

Operating voltage	4.75 ... 30 V DC		
	5 V DC ± 5 %	●	●
Output type	push-pull, incremental		
	RS 422, incremental	●	●

Approvals and Certificates

UL approval	cULus Listed, General Purpose, Class 2 Power Source	●	●
-------------	---	---	---

Dimensions

Length L [mm]	55
Diameter D [mm]	50

Ordering Information

RVI50N-09B.A.N-.....

Pulse numbers
30, 60, 90, 100, 180, 200, 250, 300, 314, 360, 400, 500, 600, 720, 900, 1000, 1024, 1200, 1250, 1440, 1500, 1800, 2000, 2048, 2400, 2500

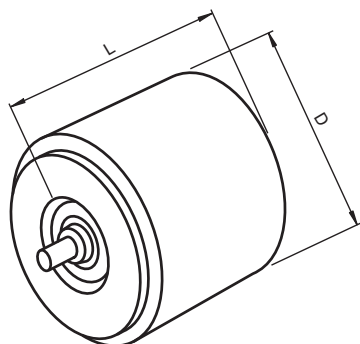
Connection type, Exit position, Signal output, Output circuit

AAA3T Connector type 9416, 12-pin, axial, A + B + 0, 4.75 V ... 30 V, Push-Pull
 AAA66 Connector type 9416, 12-pin, axial, A + B + 0 und $\bar{A} + \bar{B} + 0.5$ V, RS 422
 K0A3T Cable Ø6 mm, 5 x 0.38 mm², 0.5 m, axial, A + B + 0, 4.75 V ... 30 V, Push-Pull

Flange version
B Clamping flange

Shaft dimensions
09 Shaft Ø8 mm x 15 mm

Example of order:
RVI50N-09BK0A3TN-00360





Properties

- Ø58 mm housing
- Solid shaft
- Up to 1500 pulses per revolution

Your Benefit

- Cost-effective version

Function

The TVI58 extends the economical target line of Pepperl+Fuchs. With its outside diameter of 58 mm, the device is fully mechanical compatible to the usual industry standard.

The technology of the rotary encoder is optimally adapted to the requirements of the rotary encoder market. Innovative fast technology with Opto-ASIC forms the central basis of the device. The rotary encoder is available with a pulse count of up to 1500 pulses per revolution.

The rotary encoder is equipped with a metal disk that can accept a high load. It provides the ideal combination of non-sensitivity to temperature and high resolution.

Technical Data

For detailed data and product description refer to the data sheets at www.pepperl-fuchs.com

Model Number	TVI58N
Detection type	photoelectric sampling
Pulse count	max. 1500
Operating voltage	4.75 ... 30 V DC 5 V DC for RS 422
Output type	push-pull, incremental (RS 422, incremental)
Output frequency	max. 100 kHz (max. 100 kHz)
Nickel disk	-10 ... 70 °C (14 ... 158 °F)
Protection degree	DIN EN 60529, IP54
Material	
Housing	aluminium, blank
Flange	3.1645 aluminium
Shaft	Stainless steel 1.4305 / AISI 303
Rotational speed	max. 6000 min ⁻¹
Shaft load	
Axial	20 N
Radial	40 N
Connection	

Approvals and Certificates

UL approval	cULus Listed, General Purpose, Class 2 Power Source
-------------	---

Dimensions

Length L [mm]	47
Diameter D [mm]	58

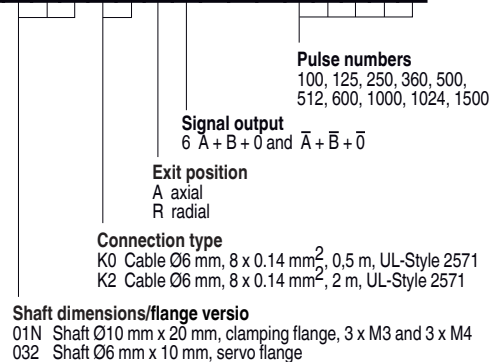
4
2.1



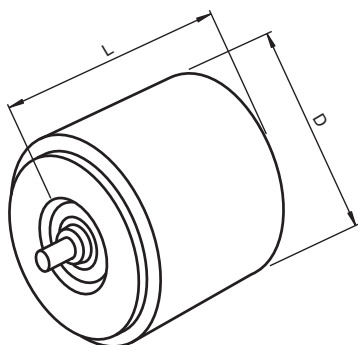
Rotary Encoders, Incremental Rotary Encoders with pulse outputs

Ordering Information

TVI58N-...K...6TN-...-...



Example of order:
TVI58N-032K2R6TN-00512



Date of issue 08.04.2015



Technical Data

For detailed data and product description refer to the data sheets at www.pepperl-fuchs.com

General Data

Detection type	photoelectric sampling
Pulse count	max. 1500
Nickel disk	-10 ... 70 °C (14 ... 158 °F)
Protection degree	DIN EN 60529, IP54
Material	
Housing	aluminium, blank
Flange	3.1645 aluminum
Shaft	Stainless steel 1.4305 / AISI 303
Rotational speed	max. 6000 min ⁻¹
Shaft load	
Angle offset	1 °
Axial offset	max. 1 mm
Connection	

Properties

- Ø58 mm housing
- Hollow shaft
- Up to 1500 pulses per revolution

Your Benefit

- Cost-effective version

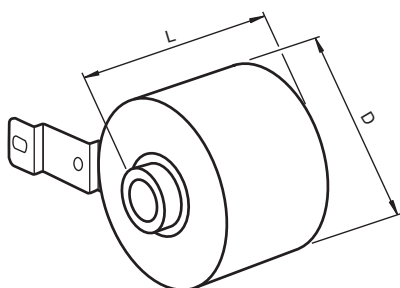
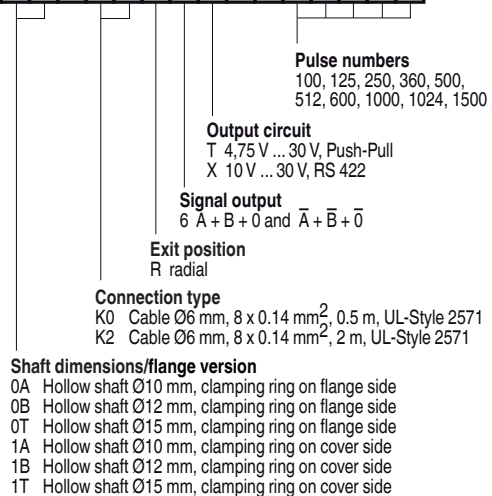
Function

The Pepperl+Fuchs target line is extended by the TH158, an economical hollow shaft encoder. With its outside diameter of 58 mm, the device is fully mechanical compatible to the usual industry standard. The technology of the rotary encoder is optimally adapted to the requirements of the rotary encoder market. Innovative fast technology with Opto-ASIC forms the central basis of the device. The rotary encoder is available with a pulse count of up to 1500 pulses per revolution. The rotary encoder is equipped with a metal disk that can accept a high load. It provides the ideal combination of non-sensitivity to temperature and high resolution.

Model Number		
	TH158N	TH158N-*****X
Operating voltage	10 ... 30 V DC 4.75 ... 30 V DC 5 V DC for RS 422	●
Output type	push-pull, incremental (RS 422, incremental) RS 422, incremental	●
Output frequency	max. 100 kHz max. 100 kHz (max. 100 kHz)	●
Approvals and Certificates		
UL approval	cULus Listed, General Purpose, Class 2 Power Source	●
Dimensions		
Length L [mm]		31
Diameter D [mm]		58

Ordering Information

THI58N- . . AK . R6 . N -



Example of order:
THI58N-0AAK2R6XN-01500

4
.2.1

Rotary Encoders, Incremental Rotary Encoders with pulse outputs



Properties

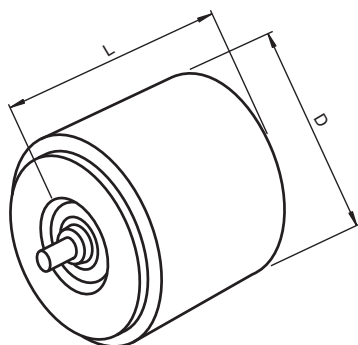
- Ø58 mm housing
- Solid shaft
- Up to 5000 pulses per revolution

Your Benefit

- General-purpose encoder series
- Choice of mechanical and electrical options

Function

Compatibility says it all for this incremental rotary encoder. All six output channels are fitted for this incremental rotary encoder. It can thus be used universally in many different applications. Focussing on the designs that are most often required has allowed us to offer rapid availability at an attractive price. The pulse disk is designed in plastic up to 1500 pulses. Beyond that, glass is used. This incremental rotary encoder is available either in clamping flange design with a shaft 10 mm in diameter x 20 mm or in servo flange design with a shaft 6 mm in diameter x 10 mm. The electrical connection is made by a 12-pin round plug connector. It is also possible to obtain a version with a cable connector.



Technical Data

For detailed data and product description refer to the data sheets at www.pepperl-fuchs.com

General Data

Detection type	photoelectric sampling
Pulse count	max. 5000
Output frequency	max. 200 kHz
Operating temperature	
Glass disk	-5 ... 80 °C (23 ... 176 °F) , movable cable -20 ... 80 °C (-4 ... 176 °F) , fixed cable
Plastic disk	-5 ... 60 °C (23 ... 140 °F) , movable cable -20 ... 60 °C (-4 ... 140 °F) , fixed cable
Protection degree	DIN EN 60529, IP65
Material	
Housing	powder coated aluminum
Flange	3.1645 aluminum
Shaft	Stainless steel 1.4305 / AISI 303
Rotational speed	max. 12000 min ⁻¹
Shaft load	
Axial	40 N at max. 6000 min ⁻¹ 10 N at max. 12000 min ⁻¹
Radial	60 N at max. 6000 min ⁻¹ 20 N at max. 12000 min ⁻¹
Connection	

Model Number	RVI58N-*****1	RVI58N-*****6	RVI58N-*****X
Operating voltage	10 ... 30 V DC	5 V DC ± 5 %	5 V DC ± 5 %
Output type	push-pull, incremental	RS 422, incremental	RS 422, incremental

Approvals and Certificates

UL approval	cULus Listed, General Purpose, Class 2 Power Source			
-------------	---	--	--	--

Dimensions

Length L [mm]	depending on the version: 46 ... 56
Diameter D [mm]	58

Ordering Information

RVI58N-...6.N-...

Pulse numbers
100, 360, 500, 512, 1000, 1024, 1250, 2048, 2500, 3600, 4096, 5000

Output circuit
1 10V ... 30V, Push-Pull
6 5V, RS 422
X 10V ... 30V, RS 422

Signal output
6 A + B + 0 and \bar{A} + \bar{B} + $\bar{0}$

Exit position
A axial
R radial

Connection type
AA Connector type 9416, 12-pin
AB Connector type 9416L, 12-pin
K1 Cable Ø7.8 mm, 6 x 2 x 0.14 mm², 1m

Shaft dimensions/flange versio
011 Shaft Ø10 mm x 20 mm with clamping flange
032 Shaft Ø6 mm x 10 mm with servo flange
044 Shaft Ø10 mm x 20 mm (flattening 1 mm x 20 mm) with clamping flange

Example of order:
RVI58N-032AAR6XN-02500

Date of issue 08.04.2015

4
.2.1



Rotary Encoders, Incremental Rotary Encoders with pulse outputs



Technical Data

For detailed data and product description refer to the data sheets at www.pepperl-fuchs.com

General Data

Detection type	photoelectric sampling
Pulse count	max. 50000
Output frequency	max. 200 kHz
Operating temperature	-5 ... 80 °C (23 ... 176 °F), movable cable -20 ... 80 °C (-4 ... 176 °F), fixed cable -40 ... 80 °C (-40 ... 176 °F) with Option T, fixed cable
Protection degree	DIN EN 60529, IP65
Material	
Housing	powder coated aluminum
Flange	3.1645 aluminum
Shaft	Stainless steel 1.4305 / AISI 303
Rotational speed	max. 12000 min ⁻¹
Shaft load	
Axial	40 N at max. 6000 min ⁻¹ 10 N at max. 12000 min ⁻¹
Radial	60 N at max. 6000 min ⁻¹ 20 N at max. 12000 min ⁻¹

Connection



Properties

- Ø58 mm housing
- Solid shaft
- Up to 50,000 pulses per revolution

Your Benefit

- Designed for applications that require the highest resolutions
- Choice of mechanical and electrical options
- Optional extended temperature

Function

High performance are key words for this rotary encoder. The outstanding features of this encoder include a high angle resolution and an optional extended temperature range. Usually all six output channels of this incremental rotary encoder are assigned to ensure flexible use of the encoder in a wide range of applications. This incremental rotary encoder is available as a clamping flange version with a Ø10 mm x 20 mm shaft or a servo flange version with a Ø6 mm x 10 mm shaft. The electrical connection is made via a 12-pin round connector. A version with a cable connection is also available.

Model Number

	RVI58N-*****1	RVI58N-*****6	RVI58N-*****X
Operating voltage	10 ... 30 V DC		
	5 V DC ± 5 %		
Output type	push-pull, incremental		
	RS 422, incremental		

Approvals and Certificates

UL approval	cULus Listed, General Purpose, Class 2 Power Source			
-------------	---	--	--	--

Dimensions

Length L [mm]	depending on the version: 50 ... 56
Diameter D [mm]	58

Ordering Information

RVI58N- 6 . . -

Pulse numbers
1024, 2048, 2500, 4096, 5000, 8192, 10000, 20000, 50000

Option
N normal
T extended temperature range, -40 °C

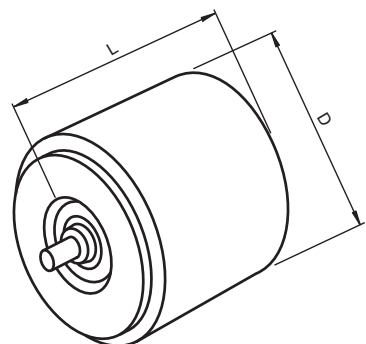
Output circuit
1 10 V ... 30 V, Push-Pull
6 5 V, RS 422
X 10 V ... 30 V, RS 422

Signal output
6 A + B + 0 and \bar{A} + \bar{B} + $\bar{0}$

Exit position
A axial
R radial

Connection type
AA Connector type 9416, 12-pin
AB Connector type 9416L, 12-pin
K1 Cable Ø7.8 mm, 6 x 2 x 0.14 mm², 1 m

Shaft dimensions/flange versio
011 Shaft Ø10 mm x 20 mm with clamping flange
032 Shaft Ø6 mm x 10 mm with servo flange
044 Shaft Ø10 mm x 20 mm (flattening 1 mm x 20 mm) with clamping flange



Example of order:
RVI58N-011K1A66T-10000

4
.2.1



Rotary Encoders, Incremental Rotary Encoders with pulse outputs



Properties

- Ø58 mm housing
- Recessed hollow shaft
- Up to 5000 pulses per revolution

Your Benefit

- General-purpose encoder series
- Choice of mechanical and electrical options

Function

Compatibility says it all for this incremental rotary encoder. All six output channels are fitted for this incremental rotary encoder. It can thus be used universally in many different applications. Focussing on the designs that are most often required has allowed us to offer rapid availability at an attractive price. The pulse disk is designed in plastic up to 1500 pulses. Beyond that, glass is used. This incremental rotary encoder is available in recessed hollow shaft design with a shaft 10 mm in diameter x 20 mm or with a shaft 12 mm in diameter x 20 mm. The rotary encoder is held in place by an included torque rest. The electrical connection is made by a 12-pin round plug connector. It is also possible to obtain a version with a cable connector.

Technical Data

For detailed data and product description refer to the data sheets at www.pepperl-fuchs.com

General Data

Detection type	photoelectric sampling
Pulse count	max. 5000
Output frequency	max. 200 kHz
Operating temperature	
Glass disk	-5 ... 80 °C (23 ... 176 °F), movable cable -20 ... 80 °C (-4 ... 176 °F), fixed cable
Plastic disk	-5 ... 60 °C (23 ... 140 °F), movable cable -20 ... 60 °C (-4 ... 140 °F), fixed cable
Protection degree	DIN EN 60529, IP54
Material	
Housing	powder coated aluminum
Flange	3.1645 aluminum
Shaft	Stainless steel 1.4305 / AISI 303
Rotational speed	max. 12000 min ⁻¹
Shaft load	
Angle offset	1 °
Axial offset	max. 1 mm
Connection	

Model Number

		RS158N-*****1	RS158N-*****6	RS158N-*****X
Operating voltage	10 ... 30 V DC	●	●	●
	5 V DC ± 5 %		●	
Output type	push-pull, incremental	●	●	●
	RS 422, incremental		●	●

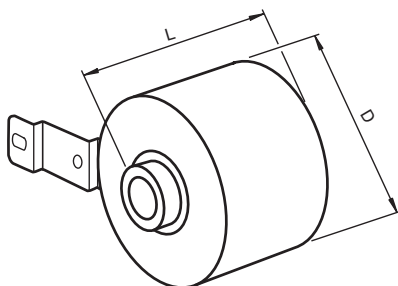
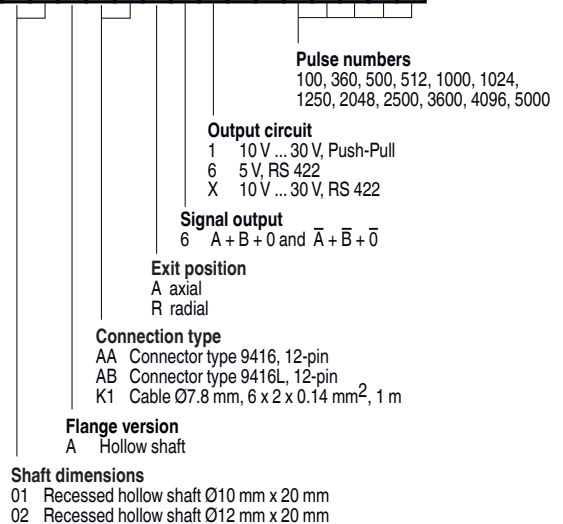
Approvals and Certificates

UL approval	cULus Listed, General Purpose, Class 2 Power Source	●	●	●
-------------	---	---	---	---

Dimensions

Length L [mm]	depending on the version: 42.4 ... 50
Diameter D [mm]	58

Ordering Information



Example of order:
RS158N-01AAAR61N-01250

Date of issue 08.04.2015





Technical Data

For detailed data and product description refer to the data sheets at www.pepperl-fuchs.com

General Data	
Detection type	photoelectric sampling
Pulse count	max. 50000
Output frequency	max. 200 kHz
Operating temperature	-5 ... 80 °C (23 ... 176 °F) , movable cable -20 ... 80 °C (-4 ... 176 °F), fixed cable
Protection degree	DIN EN 60529, IP54
Material	
Housing	powder coated aluminum
Flange	3.1645 aluminum
Shaft	Stainless steel 1.4305 / AISI 303
Rotational speed	max. 12000 min ⁻¹
Shaft load	
Angle offset	1 °
Axial offset	max. 1 mm
Connection	

Properties

- Ø58 mm housing
- Recessed hollow shaft
- Up to 50,000 pulses per revolution

Your Benefit

- Designed for applications that require the highest resolutions
- Choice of mechanical and electrical options

Function

High performance are key words for this rotary encoder. Its outstanding feature is the high resolution angle. Usually all six output channels of this incremental rotary encoder are assigned to ensure flexible use of the encoder in a wide range of applications. This incremental rotary encoder is available in a recessed hollow shaft version with a Ø10 mm x 20 mm shaft or a Ø12 mm x 20 mm shaft. The rotary encoder must be mounted using a torque support. The torque support supplied with the unit or provided by the customer can be used. The electrical connection is made via a 12-pin round connector. A version with a cable connection is also available.

Model Number

		RSI58N-*****1	RSI58N-*****6	RSI58N-*****X
Operating voltage	10 ... 30 V DC	●		●
	5 V DC ± 5 %		●	
Output type	push-pull, incremental	●		●
	RS 422, incremental		●	●

Approvals and Certificates

UL approval	cULus Listed, General Purpose, Class 2 Power Source	●	●	●
-------------	---	---	---	---

Dimensions

Length L [mm]	depending on the version: 44 ... 50
Diameter D [mm]	58

Ordering Information

RSI58N- . . A . . . 6 . N -

Pulse numbers
1024, 2048, 2500, 4096, 5000,
8192, 10000, 20000, 50000

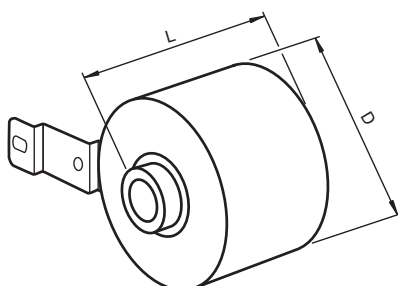
Output circuit
1 10 V ... 30 V, Push-Pull
6 5 V, RS 422
X 10 V ... 30 V, RS 422

Signal output
6 A + B + 0 and \bar{A} + \bar{B} + $\bar{0}$

Exit position
A axial
R radial

Connection type
AA Connector type 9416, 12-pin
AB Connector type 9416L, 12-pin
K1 Cable Ø7.8 mm, 6 x 2 x 0.14 mm², 1 m

Shaft dimensions/flange version
01 Recessed hollow shaft Ø10 mm x 20 mm
02 Recessed hollow shaft Ø12 mm x 20 mm



Example of order:
RSI58N-02AK1A61N-20000





Properties

- Ø58 mm housing
- Hollow shaft
- Up to 5000 pulses per revolution

Your Benefit

- General-purpose encoder series
- Choice of mechanical and electrical options


Function

Compatibility says it all for this incremental rotary encoder. All six output channels are fitted for this incremental rotary encoder. It can thus be used universally in many different applications. Focussing on the designs that are most often required has allowed us to offer rapid availability at an attractive price. Usually the pulse disk is designed in plastic up to 1500 pulses. Beyond that, glass is used. This incremental rotary encoder is available as hollow shaft design with a shaft Ø10 mm or Ø12 mm. The rotary encoder is held in place by an included torque rest. The electrical connection is made with a cable connector.

Technical Data

For detailed data and product description refer to the data sheets at www.pepperl-fuchs.com

General Data

Detection type	photoelectric sampling
Pulse count	max. 5000
Output frequency	max. 200 kHz
Operating temperature	
Glass disk	-5 ... 80 °C (23 ... 176 °F), movable cable -20 ... 80 °C (-4 ... 176 °F), fixed cable
Plastic disk	-5 ... 60 °C (23 ... 140 °F), movable cable -20 ... 60 °C (-4 ... 140 °F), fixed cable
Protection degree	DIN EN 60529, IP54
Material	
Housing	powder coated aluminum
Flange	3.1645 aluminum
Shaft	Stainless steel 1.4305 / AISI 303
Rotational speed	max. 6000 min ⁻¹
Shaft load	
Angle offset	1 °
Axial offset	max. 1 mm
Connection	

Model Number	RH158N-*****1	RH158N-*****6	RH158N-*****X
Operating voltage	10 ... 30 V DC	5 V DC ± 5 %	5 V DC ± 5 %
Output type	push-pull, incremental	RS 422, incremental	RS 422, incremental

Approvals and Certificates

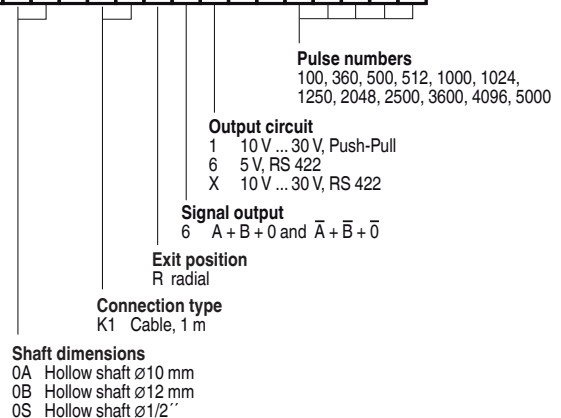
UL approval	cULus Listed, General Purpose, Class 2 Power Source			
-------------	---	--	--	--

Dimensions

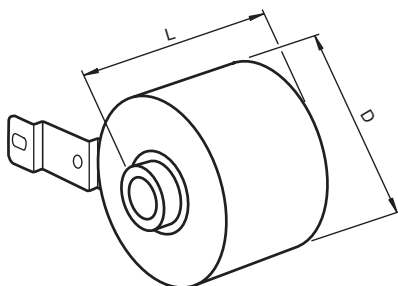
Length L [mm]	38
Diameter D [mm]	58

Ordering Information

RH158N- . . AK1R6 . N-



Example of order:
RH158N-0AAK1R61N-00512



Date of issue 08.04.2015





Technical Data

For detailed data and product description refer to the data sheets at www.pepperl-fuchs.com

General Data	
Detection type	photoelectric sampling
Pulse count	max. 50000
Output frequency	max. 200 kHz
Operating temperature	-5 ... 80 °C (23 ... 176 °F) , movable cable -20 ... 80 °C (-4 ... 176 °F), fixed cable
Protection degree	DIN EN 60529, IP54
Material	
Housing	powder coated aluminum
Flange	3.1645 aluminum
Shaft	Stainless steel 1.4305 / AISI 303
Rotational speed	max. 6000 min ⁻¹
Shaft load	
Angle offset	1 °
Axial offset	max. 1 mm
Connection	

Properties

- Ø58 mm housing
- Hollow shaft
- Up to 50,000 pulses per revolution

Your Benefit

- Designed for applications that require the highest resolutions
- Choice of mechanical and electrical options

Function

High performance are key words for this rotary encoder. Its outstanding feature is the high resolution angle. Usually all six output channels of this incremental rotary encoder are assigned to ensure flexible use of the encoder in a wide range of applications. This incremental rotary encoder is available as hollow shaft design with a shaft Ø10 mm, Ø12 mm or Ø15 mm. The rotary encoder is held in place by an included torque rest. The electrical connection is made with a cable connector.

Model Number

		RH158N-*****1	RH158N-*****6	RH158N-*****X
Operating voltage	10 ... 30 V DC 5 V DC ± 5 %	●	●	●
Output type	push-pull, incremental RS 422, incremental	●	●	●

Approvals and Certificates

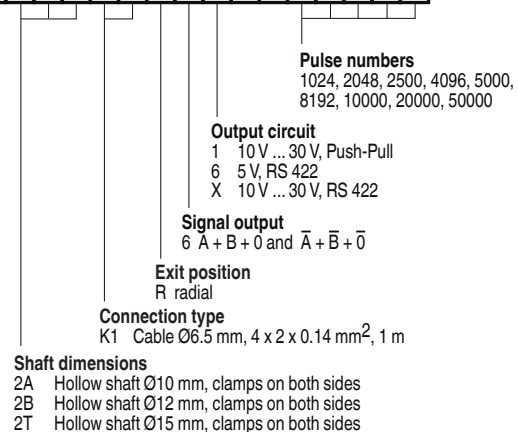
UL approval	cULus Listed, General Purpose, Class 2 Power Source	●	●	●
-------------	---	---	---	---

Dimensions

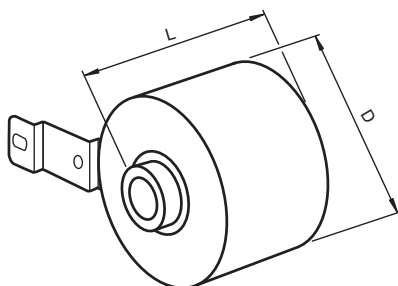
Length L [mm]	44,1
Diameter D [mm]	58

Ordering Information

RH158N- . . AK1R6 . N-



Example of order:
RH158N-2BAK1R6XN-50000





Properties

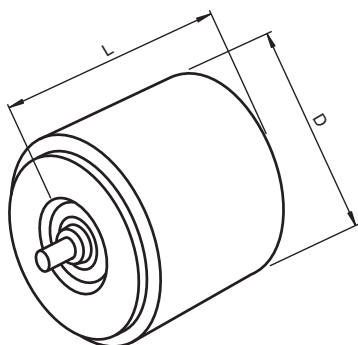
- Ø58 mm housing
- Solid shaft
- Up to 5000 pulses per revolution

Your Benefit

- High-grade steel version, especially suitable in applications for food and beverage industry
- Cleaning compatible according to EHEDG
- Approval for ECOLAB detergents
- IP69K protection degree

Function

Due to its extremely high protection degree IP69K, this stainless steel incremental encoder is best suitable for all areas of food industry. By means of the used material and the superior design, this encoder is certified according to EHEDG (European Hygienic Engineering & Design Group) and ECOLAB (resistance against agents and desinfectants). Typical applications for this encoder can be found in food production, food machinery, filling and packaging machines. The fixation of this encoder can be carried out by either clamping at the flange or screw fixation using the frontal bore holes. For the electrical connection the RVI58L is provided with a fixed cable.



Technical Data

For detailed data and product description refer to the data sheets at www.pepperl-fuchs.com

Model Number	RVI58L
Detection type	photoelectric sampling
Pulse count	50, 100, 150, 200, 360, 500, 1000, 1024, 1250, 2048, 2500, 4096, 5000
Operating voltage	10 ... 30 V DC or 5 V DC
Output type	push-pull, incremental or RS 422, incremental
Output frequency	max. 600 kHz
Operating temperature	-20 ... 80 °C (-4 ... 176 °F)
Material	
Housing	stainless steel V4A
Flange	stainless steel V4A
Shaft	stainless steel V4A
Rotational speed	max. 3600 min ⁻¹
Shaft load	
Axial	max. 40 N
Radial	max. 60 N
Connection	

Approvals and Certificates

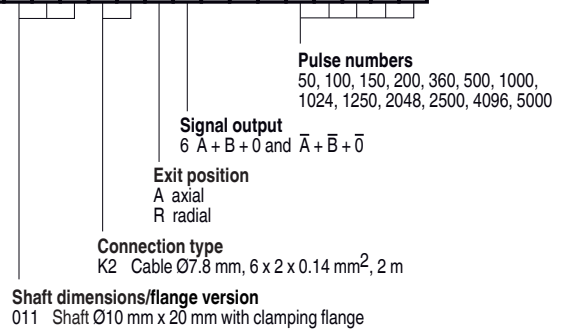
ECOLAB	material compatibility attested for: P3-topactive DES P3-topax 19 P3-topax 56 P3-topax 66 P3-topax 91 de-mineralized water as zero value
--------	---

Dimensions

Length L [mm]	depending on the version: 52 ... 63
Diameter D [mm]	58

Ordering Information

RVI58L-011K2.61N-.....



Example of order:
RVI58L-011K2A61N-01024

Date of issue 08.04.2015



Technical Data

For detailed data and product description refer to the data sheets at www.pepperl-fuchs.com

General Data

Detection type	photoelectric sampling
Pulse count	max. 5000
Output frequency	max. 100 kHz
Operating temperature	
Glass disk	-20 ... 80 °C (-4 ... 176 °F)
Plastic disk	-20 ... 60 °C (-4 ... 140 °F)
Protection degree	DIN EN 60529, IP54 (without shaft seal)/IP65 (with shaft seal)
Material	
Housing	diecast zinc, not laquered or coated
Flange	3.1645 aluminum
Shaft	Stainless steel 1.4305 / AISI 303
Rotational speed	max. 12000 min ⁻¹
Shaft load	
Axial	40 N at max. 6000 min ⁻¹ 10 N at max. 12000 min ⁻¹
Radial	60 N at max. 6000 min ⁻¹ 20 N at max. 12000 min ⁻¹
Connection	

Properties

- Ø2.5" housing
- Solid shaft
- Up to 5000 pulses per revolution

Your Benefit

- General-purpose encoder series
- Choice of mechanical and electrical options

Function

The RVI25 series is Pepperl+Fuchs' industrial standard size 2,5" encoder. This encoder is well-suited for many applications with its rugged, industrial housing and variety of options. Standard mounting configurations include 1/4" and 3/8" shafts and servo or face mounts. The pulse disk is designed in plastic up to 1500 pulses. Beyond that, glass is used. Electrical options include push-pull and RS 422 outputs on either Mil-Spec connectors or cables. An optional shaft seal protects the encoder and gives it a protection rating of IP65.

Model Number

Operating voltage	10 ... 30 V DC	●	●	●
Output type	5 V DC ± 5 %			
	push-pull, incremental	●		
	RS 422, incremental		●	●

Approvals and Certificates

UL approval	cULus Listed, General Purpose, Class 2 Power Source	●	●	●
-------------	---	---	---	---

Dimensions

Length L [mm]	55,5
Diameter D [mm]	57,8

Ordering Information

RVI25 N

Pulse numbers
100, 360, 500, 512, 1000,
1024, 1250, 2048, 2500,
3600, 4096, 5000

Output circuit
1 10 V ... 30 V, Push-Pull
6 5 V, RS 422
X 10 V ... 30 V, RS 422

Signal output
3 A + B + 0
6 A + B + 0 and \bar{A} + B + 0

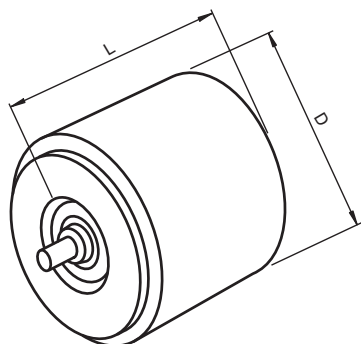
Exit position
A axial
R radial

Connection type
AR Connector type 9415, 7-pin
AS Connector type 9419, 10-pin
BF Connector type 9419, 10-pin, industrial
K2 Cable Ø7.8 mm, 6 x 2 x 0.14 mm², 2 m
K5 Cable Ø7.8 mm, 6 x 2 x 0.14 mm², 5 m

Flange version
D Square flange 2,65" x 2,65"
E Servo flange Ø2,625"
F Clamping flange Ø2,5"
G Clamping flange Ø2,5"
H Clamping flange Ø2,5"

Shaft dimensions
06 Shaft Ø3/8" x 0,875"
11 Shaft Ø1/4" x 0,875"

Housing
N Normal, protection degree IP54
P with shaft seal, protection degree IP65



Example of order:
RVI25P-06DK2R61N-02500

Date of issue 08.04.2015





Technical Data

For detailed data and product description refer to the data sheets at www.pepperl-fuchs.com

General Data

Detection type	photoelectric sampling
Pulse count	max. 50000
Output frequency	max. 200 kHz
Operating temperature	-5 ... 70 °C (23 ... 158 °F), movable cable -20 ... 70 °C (-4 ... 158 °F), fixed cable
Protection degree	DIN EN 60529, IP65
Material	
Housing	aluminium, blank
Flange	3.1645 aluminum
Shaft	Stainless steel 1.4305 / AISI 303
Rotational speed	max. 3500 min ⁻¹
Shaft load	
Angle offset	1 °
Axial offset	max. 1 mm
Connection	

Properties

- Ø90 mm housing
- Hollow shaft
- Up to 50,000 pulses per revolution

Your Benefit

- Designed for applications that require the highest resolutions
- Choice of mechanical and electrical options
- Larger diameter, hollow shaft version available

Function

The hollow shaft encoder RH190 is a product, which has been developed specially for mechanical drive and lift engineering. It combines the advantages of modern technics and cost effective design. The hollow shaft encoder is available with shaft diameters between Ø16 mm and Ø45 mm. Thanks to its comparatively small outside diameter it can also be used if only little mounting space is available. The shaft fastening is designed in a way that the shaft of the customer is not being damaged.

Model Number	RH190N-*****1	RH190N-*****6	RH190N-*****X
Operating voltage	10 ... 30 V DC	5 V DC ± 5 %	5 V DC ± 5 %
Output type	push-pull, incremental	RS 422, incremental	RS 422, incremental

Approvals and Certificates

UL approval	cULus Listed, General Purpose, Class 2 Power Source			
-------------	---	--	--	--

Dimensions

Length L [mm]	48,5
Diameter D [mm]	87,1

Ordering Information

RH190N- . . A . . R6 . N -

Pulse numbers
100, 360, 500, 512, 1000, 1024,
1250, 2048, 2500, 4096, 5000,
8192, 10000, 25000, 50000

Output circuit
1 10 V ... 30 V, Push-Pull
6 5 V, RS 422
X 10 V ... 30 V, RS 422

Signal output
6 A + B + 0 and $\bar{A} + \bar{B} + \bar{0}$

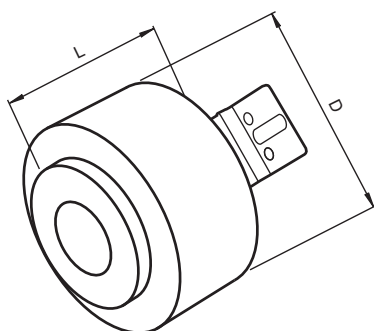
Exit position
R radial

Connection type
AA Connector type 9416, 12-pin
AB Connector type 9416L, 12-pin
K1 Cable Ø6.5 mm, 4 x 2 x 0.14 mm², 1m

Shaft dimensions/flange version

- 0E Hollow shaft Ø16 mm
- 0F Hollow shaft Ø20 mm
- 0G Hollow shaft Ø24 mm
- 0H Hollow shaft Ø25 mm
- 0Z Hollow shaft Ø1"
- 0I Hollow shaft Ø30 mm
- 0L Hollow shaft Ø38 mm
- 0N Hollow shaft Ø45 mm

Example of order:
RH190N-0HAAAR61N-05000



Date of issue 08.04.2015





Technical Data

For detailed data and product description refer to the data sheets at www.pepperl-fuchs.com

Model Number	RHI900
Detection type	photoelectric sampling
Pulse count	max. 2.500
Operating voltage	10 ... 30 V DC
Output type	HTL, incremental, TTL
Output frequency	max. 120 kHz
Operating temperature	-20 ... 70 °C (23 ... 158 °F)
Protection degree	DIN EN 60529, IP65
Material	
Housing	aluminium, coated, salt water resistant
Flange	aluminium, coated, salt water resistant
Shaft	Stainless steel 1.4404 / AISI 316L
Rotational speed	max. 3000 min ⁻¹
Shaft load	
Radial offset	max. 0.04 mm
Connection	



Properties

- Ø90 mm housing
- Hollow shaft
- Up to 1.024 pulses per revolution

Your Benefit

- Sturdy version for harsh environmental conditions
- Best suitable for offshore applications
- Easy shaft to collar connection by means of double shaft flattening
- Shaft isolation by means of highly resilient plastic bushing

Function

This hollow shaft encoder was specially developed for use in regions heavily influenced by maritime conditions or for offshore use. The sea-waterproof coated housing material and the 316L stainless steel shaft are perfectly suited for these tough environmental influences. The internal electronics also meet these high requirements. The durable metal disc ensures that the encoder can be used for applications exposed to extreme shock and vibration loads. High line counts of up to 2500 pulses/revolution allow for use in applications with demanding requirements in terms of measurement accuracy and resolution. The robust properties of the hollow shaft encoder are appropriately present in the extremely sturdy plastic bushing as well. The bushing electrically isolates the rotary encoder from the shaft, thereby preventing unwanted shunt currents.

Approvals and Certificates

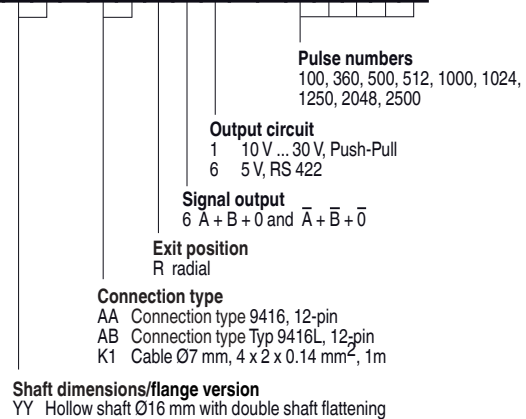
UL approval: cULus Listed, General Purpose, Class 2 Power Source

Dimensions

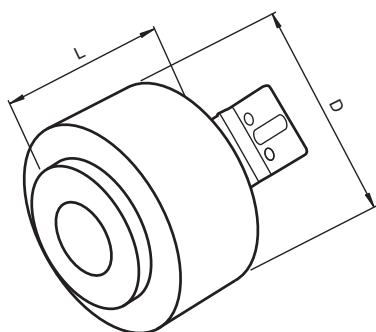
Length L [mm]	55
Diameter D [mm]	87.1

Ordering Information

RHI900- . . A . . R6 . N -



Example of order:
RHI900-YYAAAR61N-01024



4
.2.1

Rotary Encoders, Incremental Rotary Encoders with pulse outputs



Technical Data

For detailed data and product description refer to the data sheets at www.pepperl-fuchs.com

Model Number	ENI11HD
Detection type	photoelectric sampling
Pulse count	max. 2.500
Operating voltage	10 V ... 30 V DC or 5 V DC ± 5 %, (see Ordering Information, below)
Output type	push-pull or RS 422, incremental or (see Ordering Information, below)
Output frequency	max. 200 kHz
Operating temperature	-40 ... 80 °C (240 ... 176 °F)
Protection degree	DIN EN 60529, IP66, IP67 or IP69K
Material	
Housing	aluminium 3.1645
Flange	aluminium 3.1645
Shaft	Stainless steel 1.4305 / AISI 303
Rotational speed	max. 3000 min ⁻¹
Shaft load	
Axial	max. 300 N
Radial	max. 400 N
Angle offset	1°
Radial offset	max. 1 mm
Connection	

Properties

- Ø110 mm housing
- Hollow and recessed hollow shaft versions
- Up to 2.500 pulses per revolution

Your Benefit

- Highly shock and vibration resistant
- Protected against shaft currents
- Variable connection by means of rotating terminal box with plug-in terminals
- High bearing loads

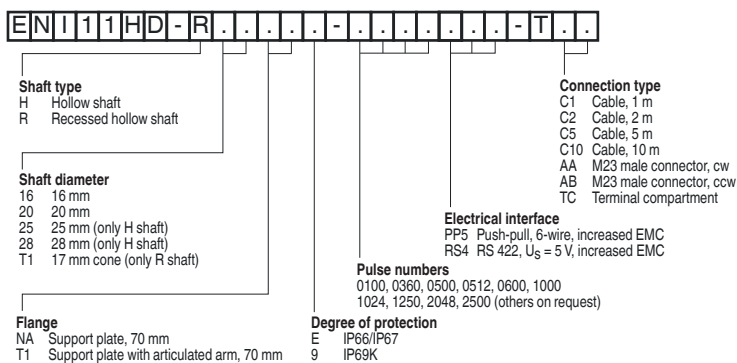
Function

When conditions are tough, the ENI11HD heavy duty rotary encoders provide reliable speed feedback for large asynchronous motors. Heat, cold, dirt, permanent vibration, strong shocks, and electromagnetic interference pose no problem for these heavy duty encoders. The same applies to leakage currents that are generated as a result of induced voltage in the shaft of the drive motor. ENI11HD rotary encoders combine a long service life with a high level of reliability. The cover on the junction box, which can be rotated 4 x 90°, provides greater flexibility when installing and maintaining the device while also helping to save costs.

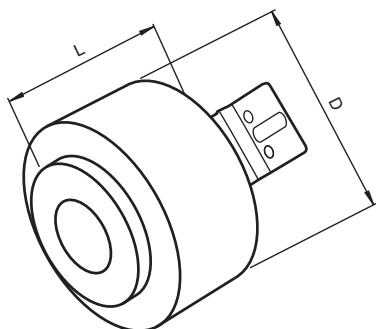
Dimensions

Length L [mm]	depending on the version: 99.5 ... 105.5
Diameter D [mm]	108.5

Ordering Information



Example of order:
ENI11HD-RT1NAE-2048PP5-TC5



Date of issue 08.04.2015





Properties

- Ø58 mm housing
- Solid shaft
- Up to 2048 signal periods per revolution

Your Benefit

- Choice of mechanical options
- Sine/cosine enables position and speed computation

Function

Compatibility says it all for this incremental rotary encoder.

The RVS58 provides sinusoidal / cosinusoidal signals at a resolution of up to 2.048 signal periods per revolution. All six output channels are fitted for this incremental rotary encoder. It can thus be used universally in many different applications.

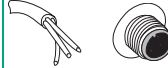
Focussing on the designs that are most often required has allowed us to offer rapid availability at an attractive price.

This incremental rotary encoder is available either in clamping flange design with a shaft 10 mm in diameter x20 mm or in servo flange design with a shaft 6 mm in diameter x10 mm.

The electrical connection is made by a 12-pin round plug connector. It is also possible to obtain a version with a cable connector.

Technical Data

For detailed data and product description refer to the data sheets at www.pepperl-fuchs.com

Model Number	RVS58N-*****Z
Detection type	photoelectric sampling
Pulse count	1024 and 2048
Operating voltage	5 V ± 5 %
Output type	sine / cosine
Amplitude	1 V _{SS} ± 10 %
Output frequency	max. 200 kHz (3 dB limit)
Operating temperature	-5 ... 80 °C (23 ... 176 °F), movable cable -20 ... 80 °C (-4 ... 176 °F), fixed cable
Protection degree	DIN EN 60529, IP65
Material	
Housing	powder coated aluminum
Flange	aluminum
Shaft	Stainless steel
Rotational speed	max. 12000 min ⁻¹
Shaft load	
Axial	40 N at max. 6000 min ⁻¹ 10 N at max. 12000 min ⁻¹
Radial	60 N at max. 6000 min ⁻¹ 20 N at max. 12000 min ⁻¹
Connection	

Approvals and Certificates

UL approval cULus Listed, General Purpose, Class 2 Power Source

Dimensions

Length L [mm] depending on the version: 50 ... 56
Diameter D [mm] 58

Ordering Information

RVS58N- 6ZN-

Signal periods
1024, 2048

Signal output
6 A + B + 0 and $\bar{A} + \bar{B} + \bar{0}$

Exit position
A axial
R radial

Connection type

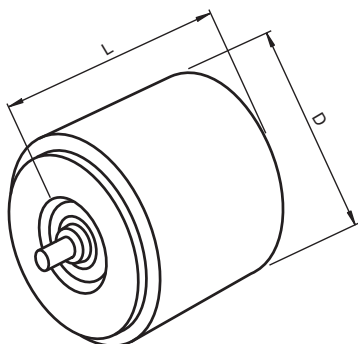
AA Connector type 9416, 12-pin
AB Connector type 9416L, 12-pin
K1 Cable Ø7.8 mm, 6 x 2 x 0.14 mm², 1 m

Shaft dimensions/flange version

011 Shaft Ø10 mm x 20 mm with clamping flange
032 Shaft Ø6 mm x 10 mm with servo flange
041 Shaft Ø10 mm x 20 mm with clamping flange, flattening 1 mm x 20 mm
282 Shaft Ø6 mm x 10 mm with servo flange, flattening 1 mm x 20 mm

Example of order:

RVS58N-011ABR6ZN-02048





Properties

- Ø58 mm housing
- Hollow shaft
- Up to 2048 signal periods per revolution

Your Benefit

- Choice of mechanical options
- Sine/cosine enables position and speed computation

Function

Compatibility says it all for this incremental rotary encoder.

The RHS58 provides sinusoidal / cosinusoidal signals at a resolution of up to 2.048 signal periods per revolution

Focussing on the designs that are most often required has allowed us to offer rapid availability at an attractive price.


This rotary encoder is available as hollow shaft design with a shaft Ø10 mm, Ø12 mm or Ø15 mm.

The rotary encoder is held in place by an included torque rest.

The electrical connection is made with a cable.

Technical Data

For detailed data and product description refer to the data sheets at www.pepperl-fuchs.com

Model Number	RHS58N-*****Z
Pulse count	max. 2048
Operating voltage	5 V DC ± 5 %
Output type	sine / cosine
Amplitude	1 V _{SS} ± 10 %
Output frequency	max. 200 kHz (3 dB limit)
Operating temperature	-5 ... 80 °C (23 ... 176 °F) , movable cable -20 ... 80 °C (-4 ... 176 °F), fixed cable
Protection degree	DIN EN 60529, IP54
Material	
Housing	powder coated aluminum
Flange	3.1645 aluminum
Shaft	Stainless steel 1.4305 / AISI 303
Rotational speed	max. 6000 min ⁻¹
Shaft load	
Angle offset	1 °
Axial offset	max. 1 mm
Connection	

Approvals and Certificates

UL approval	cULus Listed, General Purpose, Class 2 Power Source
-------------	---

Dimensions

Length L [mm]	44.1
Diameter D [mm]	58

4

.2.2



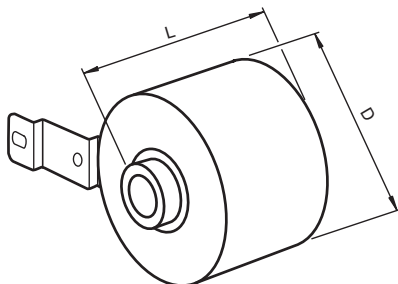
Rotary Encoders, Incremental Rotary Encoders, Sine/Cosine

Ordering Information

RHS58N- . . AK1R6ZN-

Signal periods	1024, 2048
Signal output	6 A + B + 0 and $\bar{A} + \bar{B} + \bar{0}$
Exit position	R radial
Connection type	K1 Cable Ø6.5 mm, 4 x 2 x 0.14 mm ² , 1 m
Shaft dimensions/flange version	
2A	Hollow shaft Ø10 mm, clamping rings on both sides
2B	Hollow shaft Ø12 mm, clamping rings on both sides
2T	Hollow shaft Ø15 mm, clamping rings on both sides

Example of order:
RHS58N-2TAK1R6ZN-01024





Technical Data

For detailed data and product description refer to the data sheets at www.pepperl-fuchs.com

Model Number	RHS90N-*****Z
Detection type	photoelectric sampling
Pulse count	max. 2048
Operating voltage	5 V DC ± 5 %
Output type	sine / cosine
Amplitude	1 V _{SS} ± 10 %
Output frequency	max. 200 kHz (3 dB limit)
Operating temperature	-5 ... 70 °C (23 ... 158 °F) , movable cable -20 ... 70 °C (-4 ... 158 °F), fixed cable
Protection degree	DIN EN 60529, IP65
Material	
Housing	aluminium, blank
Flange	3.1645 aluminium
Shaft	Stainless steel 1.4305 / AISI 303
Rotational speed	max. 3500 min ⁻¹
Shaft load	
Angle offset	1 °
Axial offset	max. 1 mm
Connection	

Properties

- Ø90 mm housing
- Hollow shaft
- Up to 2048 signal periods per revolution

Your Benefit

- Choice of mechanical options
- Sine/cosine enables position and speed computation
- Larger diameter, hollow shaft version available

Function

The RHS90 provides the user with sine/cosine signals with a resolution of up to 2048 signal periods per revolution.
 Typical applications for these rotary encoders are found in drive technology (motor feedback in assembly applications). Thanks to the 1 V_{SS} sine/cosine interface the RHS90 is compatible with the current drive converters available on the market, as are required for the fine positioning of drives and servo-drive systems in industrial applications.
 A clear increase in precision and improved drive running characteristics at an attractive price are the strengths of this series of rotary encoders.

Approvals and Certificates

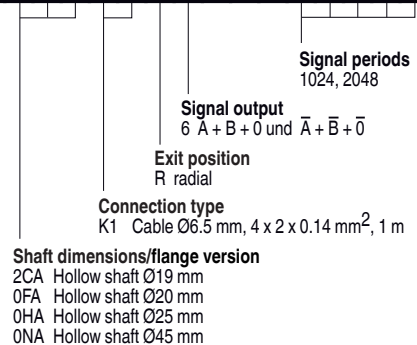
UL approval	cULus Listed, General Purpose, Class 2 Power Source
-------------	---

Dimensions

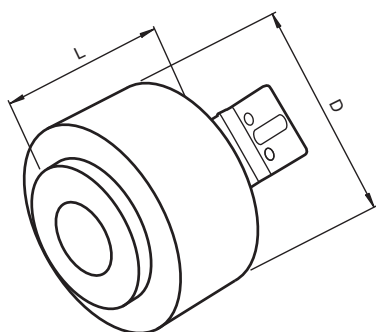
Length L [mm]	48.5
Diameter D [mm]	87.1

Ordering Information

RHS90N- . . . K1R6ZN-



Example of order:
 RHS90N-OFK1R6ZN-01024





Properties

- Ø58 mm housing
- Solid shaft
- Up to 2048 signal periods per revolution

Your Benefit

- Suitable for systems up to SIL3 and PL_e
- Integrated functional safety
- TÜV certified
- Suitable as motor feedback system for safe drives in accordance with IEC 61800-5-2
- Thermally stabilized with highest precision for high resolution interpolation

Function

The RVS58S – a combination of precision and integrated safety technology for demanding requirements.

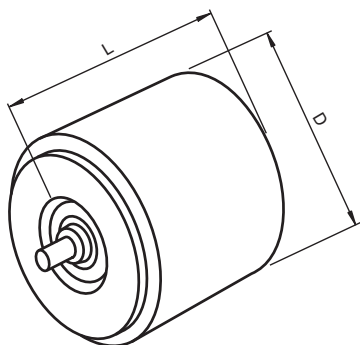
The RVS58S rotary encoder is suitable for use in safety-aligned systems up to

- SIL3 in accordance with IEC 61508
- Performance Level e in accordance with IEC 13849
- Category 4 in accordance with DIN EN 954-1

given the corresponding prerequisites with regard to the diagnostic capability of the higher level control/evaluation system.

Typical applications for this rotary encoder are found in safety-evaluated drive technology (Motor feedback). Thanks to the 1 V_{SS} sine/cosine interface the RVS58S is compatible with the current drive converters available on the market, as are required for the fine positioning of drives and servo-drive systems in industrial applications.

A clear increase in precision and the smooth running of the drive at an attractive price, including certified safety in accordance with the applicable standards, enable this rotary encoder to be used in a wide variety of applications.



Date of issue 08.04.2015

Technical Data

For detailed data and product description refer to the data sheets at www.pepperl-fuchs.com

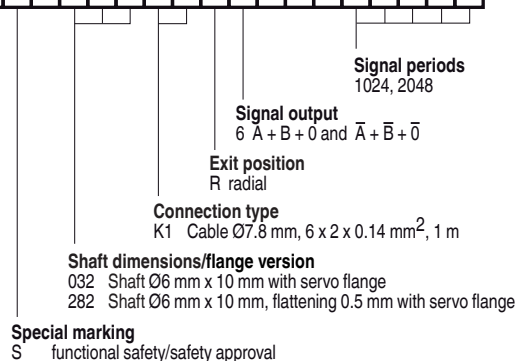
Model Number	RVS58S-*****Z
Detection type	photoelectric sampling
Pulse count	1024 and 2048
Operating voltage	5 V DC ± 5 %
Output type	sine / cosine
Amplitude	1 V _{SS} ± 10 %
Output frequency	max. 200 kHz (3 dB limit)
Operating temperature	-5 ... 80 °C (23 ... 176 °F), movable cable -20 ... 80 °C (-4 ... 176 °F), fixed cable
Protection degree	DIN EN 60529, IP65
Material	
Housing	powder coated aluminum
Flange	3.1645 aluminum
Shaft	Stainless steel 1.4305 / AISI 303
Rotational speed	max. 12000 min ⁻¹
Shaft load	
Axial	40 N at max. 6000 min ⁻¹ 10 N at max. 12000 min ⁻¹
Radial	60 N at max. 6000 min ⁻¹ 20 N at max. 12000 min ⁻¹
Connection	

Approvals and Certificates

UL approval	cULus Listed, General Purpose, Class 2 Power Source
Length L [mm]	50.5
Diameter D [mm]	58

Ordering Information

RVS58S-...K1R6ZN-... ..



Example of order:
RVS58S-032K1R6ZN-02048





Properties

- Ø58 mm housing
- Solid shaft
- Up to 5000 pulses per revolution

Your Benefit

- ATEX approval for zone 2 and zone 22

Technical Data

For detailed data and product description refer to the data sheets at www.pepperl-fuchs.com

General Data

Detection type	photoelectric sampling
Pulse count	max. 5000
Output frequency	max. 200 kHz
Protection degree	DIN EN 60529, IP64
Operating temperature	
Glass disk	-30 ... 70 °C (-22 ... 158 °F) , fixed cable
Plastic disk	-30 ... 60 °C (-22 ... 140 °F) , fixed cable
Material	
Housing	powder coated aluminum
Flange	aluminum
Shaft	Stainless steel
Rotational speed	max. 6000 min ⁻¹
Shaft load	
Axial	40 N
Radial	60 N
Connection type	

Model Number	RVI58X-*****1	RVI58X-*****6	RVI58X-*****X
Operating voltage	10 ... 30 V DC	●	●
	5 V DC ± 5 %		●
Output type	push-pull, incremental	●	
	RS 422, incremental		●
Use in the Hazardous Area			
Group, category, type of protection	Ex II 3G Ex nA IIB T4	●	●
	Ex II 3D Ex tD A22 IP64 T105°C	●	●
Approvals and Certificates			
UL approval	cULus Listed, General Purpose, Class 2 Power Source	●	●
Dimensions			
Length L [mm]		50.5	
Diameter D [mm]		58	

Ordering Information

RVI58X- 6 . N -

Pulse numbers
100, 360, 500, 512, 1000, 1024, 1250, 2048, 2500, 3600, 4096, 5000

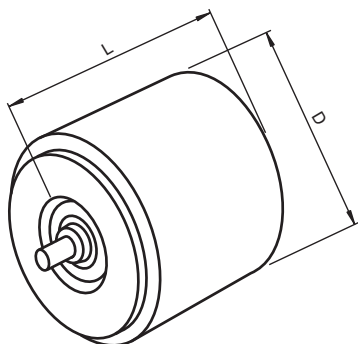
Output circuit
1 10 V ... 30 V, Push-Pull
6 5 V, RS 422
X 10 V ... 30 V, RS 422

Signal output
6 A + B + 0 and \bar{A} + \bar{B} + 0

Exit position
A axial
R radial

Connection type
K1 Cable Ø7.8 mm, 6 x 2 x 0.14 mm², 1 m

Shaft dimensions/flange version
011 Shaft Ø10 mm x 20 mm with clamping flange
032 Shaft Ø6 mm x 10 mm with servo flange



Example of order:
RVI58X-032K1A66N-02500

4
2.4



Rotary Encoders, Incremental Rotary Encoders for hazardous areas

Date of issue: 2015-04-08



Properties

- Ø58 mm housing
- Recessed hollow shaft
- Up to 5000 pulses per revolution

Your Benefit

- ATEX approval for zone 2 and zone 22

Technical Data

For detailed data and product description refer to the data sheets at www.pepperl-fuchs.com

General Data

Detection type	photoelectric sampling
Pulse count	max. 5000
Output frequency	max. 200 kHz
Protection degree	DIN EN 60529, IP54
Operating temperature	
Glass disk	-30 ... 60 °C (-22 ... 140 °F) , fixed cable
Plastic disk	-30 ... 60 °C (-22 ... 140 °F) , fixed cable
Material	
Housing	powder coated aluminum
Flange	aluminum
Shaft	Stainless steel
Rotational speed	max. 6000 min ⁻¹
Shaft load	
Angle offset	1 °
Axial offset	max. 1 mm
Connection type	

Model Number	RS158X-*****1	RS158X-*****6	RS158X-*****X
Operating voltage	10 ... 30 V DC	5 V DC ± 5 %	5 V DC ± 5 %
Output type	push-pull, incremental	RS 422, incremental	RS 422, incremental
Use in the Hazardous Area			
Group, category, type of protection	II 3G Ex nA IIB T4	II 3D Ex tD A22 IP54 T105°C	II 3D Ex tD A22 IP54 T105°C
Approvals and Certificates			
UL approval	cULus Listed, General Purpose, Class 2 Power Source		
Dimensions			
Length L [mm]		44.5	
Diameter D [mm]		58	

Ordering Information

RSI58X- . . A . . . 6 . N -

Pulse numbers
100, 360, 500, 512, 1000, 1024, 1250, 2048, 2500, 3600, 4096, 5000

Output circuit
1 10V ... 30V, Push-Pull
6 5V, RS 422
X 10V ... 30V, RS 422

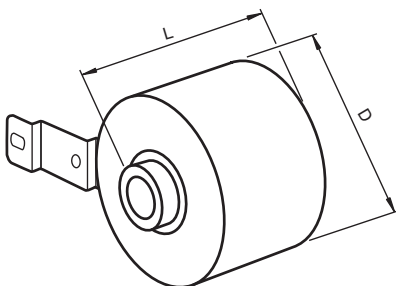
Signal output
6 A + B + 0 and \bar{A} + \bar{B} + 0

Exit position
A axial
R radial

Connection type
K1 Cable Ø7.8 mm, 6 x 2 x 0.14 mm², 1 m

Flange version
A Hollow shaft

Shaft dimensions
01 Recessed hollow shaft Ø10 mm x 20 mm
02 Recessed hollow shaft Ø12 mm x 20 mm



Example of order:
RSI58X-01AK1R61N-00512

Date of issue: 2015-04-08

Rotary Encoders, Incremental Rotary Encoders for hazardous areas



Properties

- Ø70 mm housing
- Solid shaft
- Up to 5000 pulses per revolution

Your Benefit

- ATEX and IECEx approval for zone 1 and zone 21

Technical Data

For detailed data and product description refer to the data sheets at www.pepperl-fuchs.com

Model Number	RV170E
Detection type	photoelectric sampling
Pulse count	max. 5000
Operating voltage	10 V ... 30 V DC or 5 V DC ± 5 %, (see Ordering Information, below)
Output type	push-pull or RS 422, incremental or (see Ordering Information, below)
Output frequency	max. 200 kHz
Protection degree	DIN EN 60529, IP66 DIN EN 60529, IP67
Operating temperature	
Gas Ex-area	-40 ... 70 °C (-40 ... 158 °F)
Dust Ex-area	-40 ... 70 °C (-40 ... 158 °F)
Material	
Housing	anodized aluminum or stainless steel 1.4404 / AISI 316L
Flange	anodized aluminum or stainless steel 1.4404 / AISI 316L
Shaft	Stainless steel 1.4401 / AISI 316
Rotational speed	max. 6000 min ⁻¹
Shaft load	
Axial	110 N
Radial	150 N
Connection type	

Use in the Hazardous Area

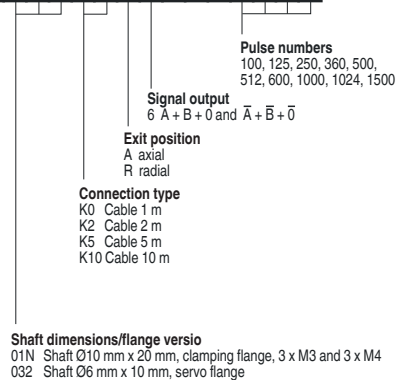
Group, category, type of protection	II 2G Ex d IIC T6-T4 Gb
	II 2D Ex tb IIIIC T80°C Db IP6X
EC-Type Examination Certificate	ZELM 14 ATEX 0519 X IECEx ZLM 14.0003X

Dimensions

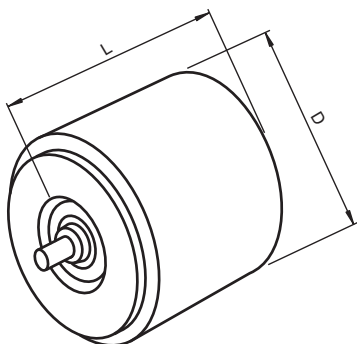
Length L [mm]	depending on the version: 78 mm ... 87 mm
Diameter D [mm]	69 mm (euro flange: 115 mm diameter)

Ordering Information

RV170E-...K...6TN-... ..



Example of order:
RV170E-01NK5R6TN-0500



Rotary Encoders, Incremental Rotary Encoders for hazardous areas

4
2.4



CE

Properties

- Up to 5 m measuring range
- Fits to Ø6 x 10 mm solid shaft encoders with servo flange

Technical Data

For detailed data and product description refer to the data sheets at www.pepperl-fuchs.com

General Data

Scope of delivery	Cable pull , Coupling
Ambient temperature	-30 ... 70 °C (-22 ... 158 °F)
Shock resistance	25 g
Shaft dimensions	6 mm x 10 mm , servo flange
Protection degree	IP65
Housing	anodized aluminium
Rope	Stainless steel 1.4401/316

Model Number

		SL02-X1/GS80-200	SL03-X1/GS80-200	SL05-X1/GS130-333
Measuring range	2000 mm	●		
	3000 mm		●	
	5000 mm			●
Drum perimeter	200 mm	●	●	
	333.3 mm			●
Resolution	200 mm / steps per revolution of mounted encoder	●	●	
	333.3 mm / steps per revolution of mounted encoder			●

Dimensions

	[mm]	34,7	56,4	59,5
A	[mm]	78,2	99,9	106
B	[mm]	34,7	56,4	59,5
C	[mm]		50	80
D	[mm]		80	130
E	[mm]		approx. 115 mm	
F	[mm]		30,5	54
G	[mm]		M6 x 7	M8 x 8
M				

Accessories

This and more accessories can be found in chapter 10

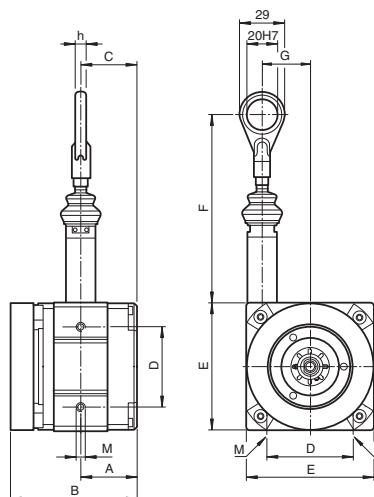
See pages from 972 ... for cordsets

See pages 1068 ... for mounting aids

SL-RP/GS80

Guide pulley

Dimensions





CE

Properties

- Up to 3 m measuring range
- Fits to Ø10 x 20 mm solid shaft encoders with clamping flange

Technical Data

For detailed data and product description refer to the data sheets at www.pepperl-fuchs.com

General Data

Drum perimeter	200 mm
Resolution	200 mm / steps per revolution of mounted encoder
Scope of delivery	Cable pull , Coupling
Ambient temperature	-30 ... 70 °C (-22 ... 158 °F)
Shock resistance	25 g
Shaft dimensions	10 mm x 20 mm , clamping flange
Protection degree	IP65
Housing	anodized aluminium
Rope	Stainless steel 1.4401/316

Model Number

Measuring range	2000 mm	●	●
	3000 mm		

Dimensions

A	[mm]	34,7	56,4
B	[mm]	78,2	99,9
C	[mm]	34,7	56,4
D	[mm]		50
E	[mm]		80
F	[mm]		approx. 115
G	[mm]		30,5
M	[mm]		M6 x 7

Accessories

This and more accessories can be found in chapter 10

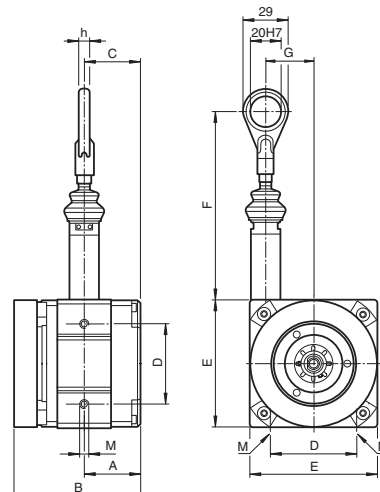
See pages from 972 ... for cordsets

See pages 1068 ... for mounting aids

SL-RP/GS80

Guide pulley

Dimensions



Date of issue 04/08/2015



Properties

- Up to 40 m measuring range
- Fits to Ø6 x 10 mm solid shaft encoders with servo flange

Technical Data

For detailed data and product description refer to the data sheets at www.pepperl-fuchs.com

General Data

Scope of delivery	Cable pull , Coupling
Ambient temperature	-30 ... 70 °C (-22 ... 158 °F)
Shock resistance	25 g
Shaft dimensions	6 mm x 10 mm , servo flange
Protection degree	IP65
Housing	anodized aluminium
Rope	Stainless steel 1.4401/316

Model Number

	SL3001-X1/GS80	SL3002-X1/GS80	SL3003-X1/GS80	SL3005-X1/GS130	SL3010-X1/GS130	SL3015-X1/GS130	SL3020-X1/GS130	SL3025-X1/GS130	SL3030-X1/GS130	SL3040-X1/GS190
Measuring range [m]	1	2	3	5	10	15	20	25	30	40
Drum perimeter [mm]	200			334,1						
Resolution	200 mm / steps per revolution of mounted encoder			334.1 mm / steps per revolution of mounted encoder						
Spring housing	PPO/PS			PPO/PS						

Dimensions

		SL3001-X1/GS80	SL3002-X1/GS80	SL3003-X1/GS80	SL3005-X1/GS130	SL3010-X1/GS130	SL3015-X1/GS130	SL3020-X1/GS130	SL3025-X1/GS130	SL3030-X1/GS130	SL3040-X1/GS190
A	[mm]	34	41.5	60	77.2	99.6	146.2	168.9	215.4	237.9	203
B	[mm]	77	92	118	141.3	186.3	256	301	370	415	366
C	[mm]	34	41.5	60	77.2	99.6	146.2	168.9	215.4	237.9	203
D	[mm]	50			80						
E	[mm]	80			130						
F	[mm]	approx. 60									
G	[mm]	31,5			52						
M		M6 x 7			M8 x 8						

Accessories

This and more accessories can be found in chapter 10

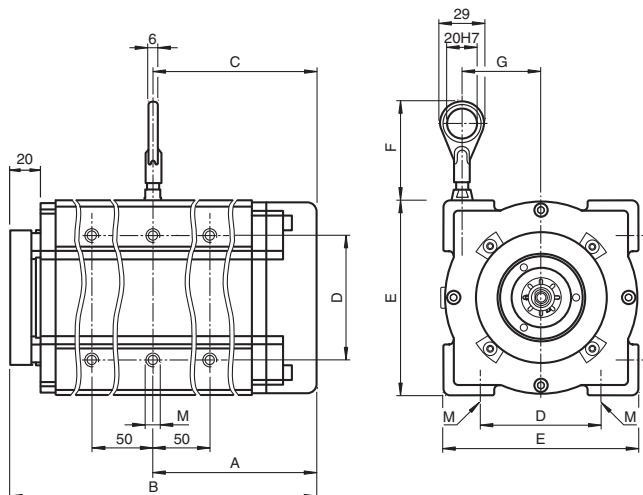
See pages from 972 ... for cordsets

See pages 1068 ... for mounting aids

- SL-RP/GS130/GS190
- SL-RP/GS80

- Guide pulley for cable pulls SL30.../GS130 and SL30.../GS190
- Guide pulley

Dimensions



Date of issue 04/08/2015



CE

Properties

- Up to 25 m measuring range
- Fits to Ø10 x 20 mm solid shaft encoders with clamping flange

Technical Data

For detailed data and product description refer to the data sheets at www.pepperl-fuchs.com

General Data

Scope of delivery	Cable pull , Coupling
Ambient temperature	-30 ... 70 °C (-22 ... 158 °F)
Shock resistance	25 g
Shaft dimensions	10 mm x 20 mm , clamping flange
Protection degree	IP65
Housing	anodized aluminium
Rope	Stainless steel 1.4401/316

Model Number

		SL3001-X2/GS80	SL3002-X2/GS80	SL3003-X2/GS80	SL3005-X2/GS130	SL3010-X2/GS130	SL3015-X2/GS130	SL3025-X2/GS130
Measuring range	[m]	1	2	3	5	10	15	25
Drum perimeter	[mm]		200			334,1		
Resolution	200 mm / steps per revolution of mounted encoder	●	●	●				
	334.1 mm / steps per revolution of mounted encoder				●	●	●	●

Dimensions

		SL3001-X2/GS80	SL3002-X2/GS80	SL3003-X2/GS80	SL3005-X2/GS130	SL3010-X2/GS130	SL3015-X2/GS130	SL3025-X2/GS130
A	[mm]	34	41.5	60	77.2	99.7	146.2	215.4
B	[mm]	93.8	108.8	134.8	156.1	201.1	270.1	384.1
C	[mm]	34	41.5	60	77.2	99.7	146.2	215.4
D	[mm]		50				80	
E	[mm]		80				130	
F	[mm]				approx. 60			
G	[mm]		31,5				52	
L _F	[mm]		36,8				36,8	
M			M6 x 7				M8 x 8	

Accessories

This and more accessories can be found in chapter 10

See pages from 972 ... for cordsets

See pages 1068 ... for mounting aids

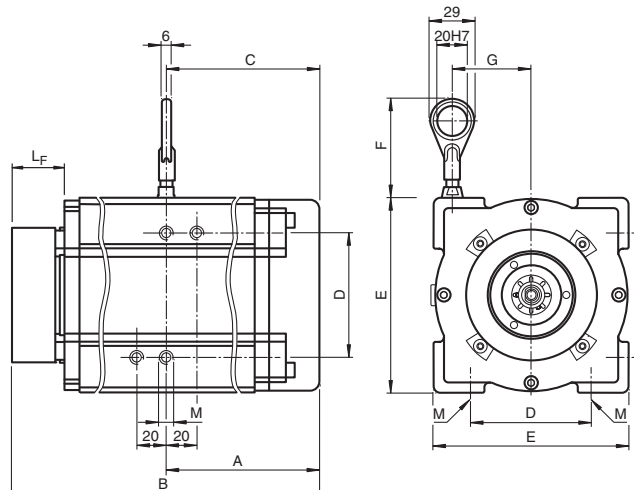
SL-RP/GS130/GS190

Guide pulley for cable pulls SL30.../GS130 and SL30.../GS190

SL-RP/GS80

Guide pulley

Dimensions



Date of issue 04/08/2015



Technical Data

For detailed data and product description refer to the data sheets at www.pepperl-fuchs.com

General Data

Material	anodized aluminium
Rotational speed	max. 8000 min ⁻¹
Max. torque	1 Nm
Radial offset	max. ± 0.3 mm
Axial offset	max. ± 0.5 mm
Angle error	max. ± 4 °
Torsion spring stiffness	18 Nm / rad
Radial spring stiffness	50 N / mm
Moment of inertia	30 kg m ² x 10 ⁻⁷
Mounting	clamp screws M4 x 6, DIN 916

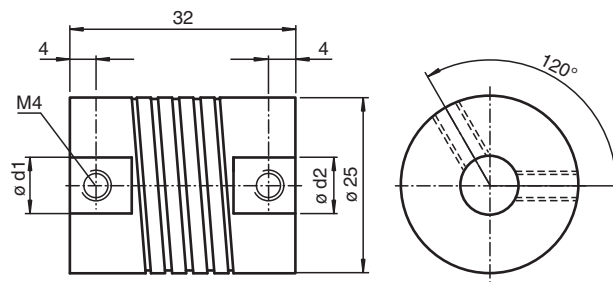
Model Number

Shaft diameter	d1 = 6 mm , d2 = 6 mm	KW-6/6	KW-6/8	KW-6/10	KW-8/8	KW-8/10	KW-10/10
d1 = 6 mm , d2 = 8 mm		●	●				
d1 = 6 mm , d2 = 10 mm				●			
d1 = 8 mm , d2 = 8 mm					●		
d1 = 8 mm , d2 = 10 mm						●	
d1 = 10 mm , d2 = 10 mm							●

Properties

- Shafts from Ø6 to Ø10 mm
- Anodized aluminium
- Helical coupling

Dimensions





Technical Data

For detailed data and product description refer to the data sheets at www.pepperl-fuchs.com

General Data

Spring	spring steel, nickel plated
End piece	Diecast zinc
Rotational speed	max. 3000 min
Max. torque	1.5 Nm
Radial offset	max. ± 1.5 mm
Axial offset	max. ± 1 mm
Angle error	max. ± 5 °
Torsion angle	at torque 0.75 Nm drive shaft view
CW rotation direction	40 °
CCW rotation direction	60 °
Moment of inertia	95 kg m ² x 10 ⁻⁷
Mounting	clamp screws M5 x 6, DIN 916

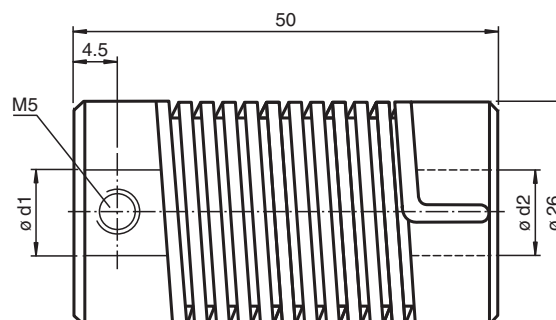
Properties

- Shafts from Ø6 to Ø12 mm
- Spring steel, nickel plated
- Spring steel coupling

Model Number

Model Number	9401 6*6	9401 6*10	9401 8*8	9401 8*10	9401 10*10	9401 10*12	9401 12*12
Shaft diameter	d1 = 6 mm , d2 = 6 mm	●					
	d1 = 6 mm , d2 = 10 mm		●				
	d1 = 8 mm , d2 = 8 mm			●			
	d1 = 8 mm , d2 = 10 mm				●		
	d1 = 10 mm , d2 = 10 mm					●	
	d1 = 10 mm , d2 = 12 mm						●
	d1 = 12 mm , d2 = 12 mm						●

Dimensions



Date of issue 04/08/2015



Technical Data

For detailed data and product description refer to the data sheets at www.pepperl-fuchs.com

General Data

Spring	spring steel, nickel plated
End piece	Diecast zinc
Rotational speed	max. 3000 min
Max. torque	0.5 Nm
Radial offset	max. ± 1 mm
Axial offset	max. ± 1 mm
Angle error	max. $\pm 5^\circ$
Torsion angle	at torque 0.25 Nm drive shaft view
CW rotation direction	50°
CCW rotation direction	70°
Moment of inertia	$10 \text{ kg m}^2 \times 10^{-7}$
Mounting	clamp screws M4 x 4, DIN 916

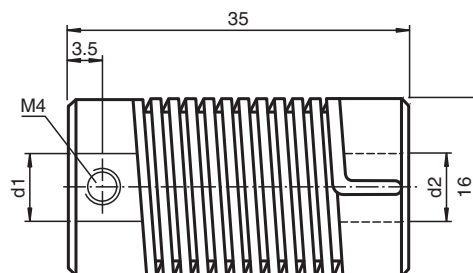
Model Number

Shaft diameter	d1 = 6 mm , d2 = 6 mm	9402 6*6	9402 8*8
	d1 = 8 mm , d2 = 8 mm		

Properties

- Shafts from $\text{Ø}6$ to $\text{Ø}8$ mm
- Spring steel, nickel plated
- Spring steel coupling

Dimensions





Technical Data

For detailed data and product description refer to the data sheets at www.pepperl-fuchs.com

General Data

Flange	aluminum
Spring washers	plastic
Rotational speed	max. 12000 min ⁻¹
Max. torque	0.6 Nm
Radial offset	max. ± 0.3 mm
Axial offset	max. ± 0.4 mm
Angle error	max. ± 2.5 °
Torsional rigidity	50 Nm / rad
Mounting	clamping flange

Model Number

		9404 6*6	9404 10*10	9404 12*12
Shaft diameter	d1 = 6 mm , d2 = 6 mm	●		
	d1 = 10 mm , d2 = 10 mm		●	
	d1 = 12 mm , d2 = 12 mm			●

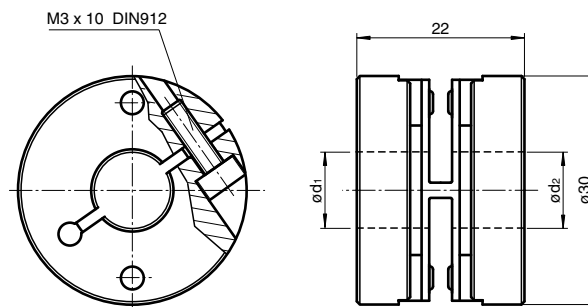
Properties

- Shafts from Ø6 to Ø12 mm
- Aluminium
- Spring disk coupling

4
.4

Rotary Encoders, Accessories

Dimensions



Date of issue 04/08/2015



Technical Data

For detailed data and product description refer to the data sheets at www.pepperl-fuchs.com

General Data

Material	CuZn20, nickel-plated
Rotational speed	max. 8000 min ⁻¹
Max. torque	0.8 Nm
Radial offset	max. ± 0.3 mm
Axial offset	max. ± 0.5 mm
Angle error	max. ± 4 °
Moment of inertia	22 kg m ² x 10 ⁻⁷
Mounting	clamp screws

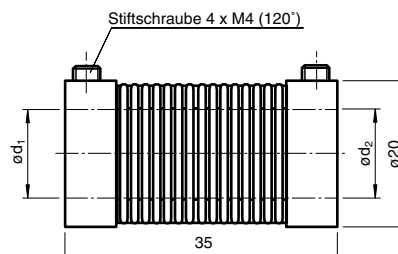
Model Number

Shaft diameter	d1 = 6 mm , d2 = 6 mm	9409 6*6				
	d1 = 6 mm , d2 = 8 mm		9409 6*8			
	d1 = 6 mm , d2 = 10 mm			9409 6*10		
	d1 = 8 mm , d2 = 8 mm				9409 8*8	
	d1 = 10 mm , d2 = 10 mm					9409 10*10
	d1 = 12 mm , d2 = 12 mm					9409 12*12

Properties

- Shafts from Ø6 to Ø12 mm
- Brass, nickel plated
- Bellows coupling

Dimensions





Technical Data

For detailed data and product description refer to the data sheets at www.pepperl-fuchs.com

General Data

Material	Delrin 107, AlMgSi1, hard coated
Rotational speed	max. 15000 min ⁻¹
Max. torque	1 Nm
Radial offset	max. ± 0.5 mm
Axial offset	max. ± 0.3 mm
Angle error	max. ± 1.5 °
Torsional rigidity	50 Nm / rad
Moment of inertia	20 kg m ² x 10 ⁻⁷
Mounting	clamping flange

Model Number

Shaft diameter	d1 = 6 mm , d2 = 6 mm	9410 6*6	9410 10*10	9410 12*12
	d1 = 10 mm , d2 = 10 mm	●	●	
	d1 = 12 mm , d2 = 12 mm			●

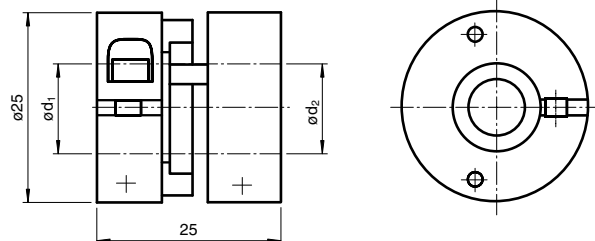
Properties

- Shafts from Ø6 to Ø12 mm
- Aluminium, hard coated, electrically isolated
- Precision coupling

4
.4

Rotary Encoders, Accessories

Dimensions





Technical Data

For detailed data and product description refer to the data sheets at www.pepperl-fuchs.com

General Data

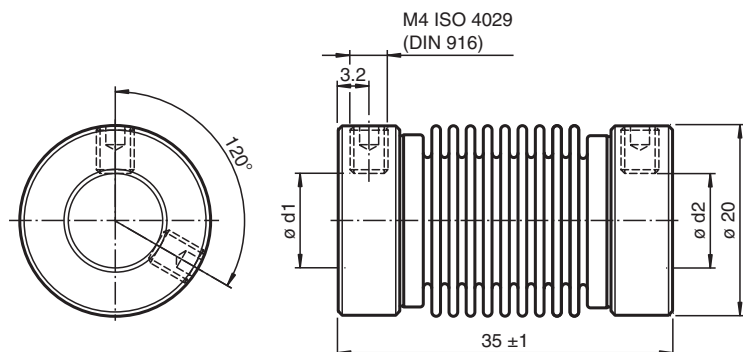
Material	Stainless steel 1.4305 / AISI 303
Rotational speed	max. 10000 min
Max. torque	0.8 Nm
Radial offset	max. ± 0.3 mm
Axial offset	max. ± 0.5 mm
Angle error	max. ± 4 °
Torsion spring stiffness	140 Nm / rad
Radial spring stiffness	10 N / mm
Moment of inertia	18.81 kg m ² x 10 ⁻⁷
Mounting	clamp screws , M4 DIN 916

Model Number		9460 6*6	9460 10*10	9460 12*12
Shaft diameter	d1 = 6 mm , d2 = 6 mm	●		
	d1 = 10 mm , d2 = 10 mm		●	
	d1 = 12 mm , d2 = 12 mm			●

Properties

- Shafts from Ø6 to Ø12 mm
- Stainless steel
- Bellows coupling

Dimensions



Date of issue 04/08/2015

9109 series



Model Number		9101, 8	9101, 10	9101, 12
Surface	plastic Hytrek 4056	●	●	●
Diameter	D = 159 mm	●	●	●
Circumference	500 mm	●	●	●
Width	B = 25 mm	●	●	●
Shaft diameter	d = 8 mm	●		
	d = 10 mm		●	
	d = 12 mm			●

Properties

- Plastic coating
- 500 mm circumference

9102 series



Model Number		9102, 8	9102, 10	9102, 12
Surface	pimpled rubber Nitril (NBR)-Blend	●	●	●
Diameter	D = 159 mm	●	●	●
Circumference	500 mm	●	●	●
Width	B = 25 mm	●	●	●
Shaft diameter	d = 8 mm	●		●
	d = 10 mm		●	
	d = 12 mm			●

Properties

- Pimpled rubber coating
- 500 mm circumference

9103 series

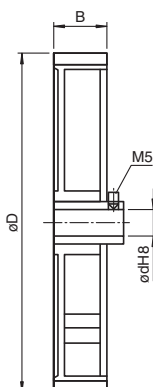


Model Number		9103, 8	9103, 10	9103, 12
Surface	knurled aluminum	●	●	●
Diameter	D = 159 mm	●	●	●
Circumference	500 mm	●	●	●
Width	B = 25 mm	●	●	●
Shaft diameter	d = 8 mm	●		
	d = 10 mm		●	
	d = 12 mm			●

Properties

- Knurled aluminium
- 500 mm circumference

Dimensions



Date of issue: 2015-04-08

9108 series



Model Number		9108, 6	9108, 8	9108, 10
Surface	plastic Hytrel 4056	●	●	●
Diameter	D = 63.7 mm	●	●	●
Circumference	200 mm	●	●	●
Width	B = 12 mm	●	●	●
Shaft diameter	d = 6 mm	●		
	d = 8 mm		●	
	d = 10 mm			●

Properties

- Plastic coating
- 200 mm circumference

9109 series



Model Number		9109, 6	9109, 8	9109, 10
Surface	pimpled rubber Nitril (NBR)-Blend	●	●	●
Diameter	D = 63.7 mm	●	●	●
Circumference	200 mm	●	●	●
Width	B = 12 mm	●	●	●
Shaft diameter	d = 6 mm	●		●
	d = 8 mm		●	
	d = 10 mm			●

Properties

- Pimpled rubber coating
- 200 mm circumference

9110 series

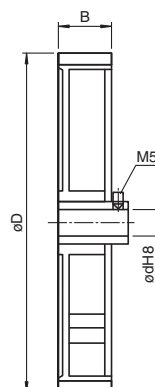


Model Number		9110, 6	9110, 8	9110, 10
Surface	knurled aluminum	●	●	●
Diameter	D = 63.7 mm	●	●	●
Circumference	200 mm	●	●	●
Width	B = 12 mm	●	●	●
Shaft diameter	d = 6 mm	●		●
	d = 8 mm		●	
	d = 10 mm			●

Properties

- Knurled aluminium
- 500 mm circumference

Dimensions



Date of issue: 2015-04-08

9112 series



Model Number		9112, 8	9112, 10	9112, 12
Surface	knurled plastic Hytrel 4056	●	●	●
Diameter	D = 159 mm	●	●	●
Circumference	500 mm	●	●	●
Width	B = 25 mm	●	●	●
Shaft diameter	d = 8 mm	●		
	d = 10 mm		●	
	d = 12 mm			●

Properties

- Knurled plastic
- 500 mm circumference

9113 series

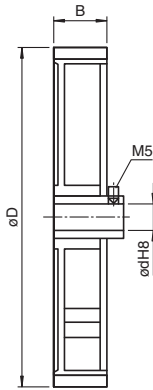


Model Number		9113, 6	9113, 8	9113, 10
Surface	knurled plastic Hytrel 4056	●	●	●
Diameter	D = 63.7 mm	●	●	●
Circumference	200 mm	●	●	●
Width	B = 12 mm	●	●	●
Shaft diameter	d = 6 mm	●		●
	d = 8 mm		●	
	d = 10 mm			●

Properties

- Knurled plastic
- 200 mm circumference

Dimensions



Model number



9416
Cable connector

General specifications

Type	Cable connector
Number of pins	12-pin round connection (Binder, Series 423)
Construction type	straight, clockwise rotation

Standard conformity

Protection degree	IP68
-------------------	------

Model number



9416L
Cable connector

General specifications

Type	Cable connector
Number of pins	12-pin round connection (Binder, Series 423)
Construction type	straight, counter clockwise rotation

Standard conformity

Protection degree	IP68
-------------------	------

Model number



9420
Cable connector

General specifications

Type	Cable connector
Number of pins	16-pin
Construction type	straight

Standard conformity

Protection degree	IP68
-------------------	------

Model number



9424
Cable connector

General specifications

Type	Cable connector
Number of pins	19-pin
Construction type	straight

Standard conformity

Protection degree	IP68
-------------------	------

Model number



9426
Cable connector

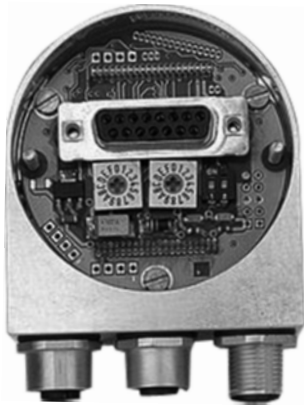
General specifications

Type	Cable connector
Number of pins	26-pin
Construction type	straight

Standard conformity

Protection degree	IP67
-------------------	------

Model number



Connection covers with M12 connectors

AH 58-B1CA-2BW	CANopen connection cover with 2 M12 connectors
AH 58-B1DA-2BW	DeviceNet connection cover with 2 M12 connectors
AH 58-B1DP-3BW	Profibus connection cover with 3 M12 connectors

Model number



9301
Angled flange

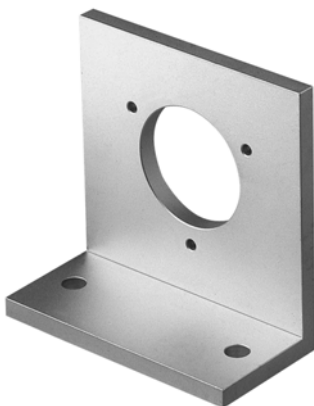
General specifications

Suitable for	Series 30 encoders
--------------	--------------------

Mechanical specifications

Material	aluminum
----------	----------

Model number



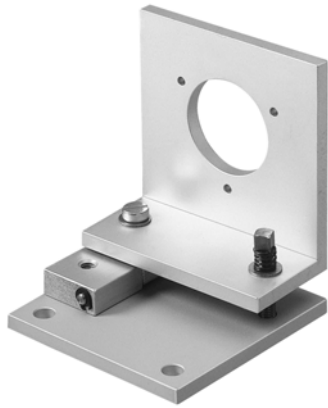
9203
Angled flange

General specifications

Suitable for	Series 10 and series 58 encoders
--------------	----------------------------------

Material	Aluminium
----------	-----------

Model number



9213
Mounting bracket, spring-loaded for clamping flange

General specifications

Suitable for Series 10 and series 58 encoders

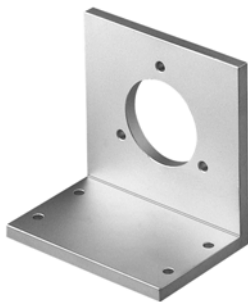
Ambient conditions

Ambient temperature -25 ... 70 °C (-13 ... 158 °F)

Mechanical specifications

Material aluminum

Model number



9250
Angled flange

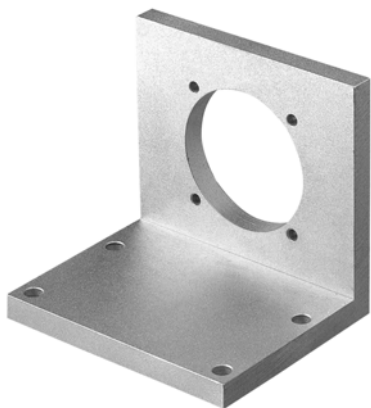
General specifications

Suitable for Series RVI50 encoders

Mechanical specifications

Material aluminum

Model number



9278
Angled flange

General specifications

Suitable for Series RVI78 encoders

Mechanical specifications

Material aluminum

Model number



9300
Mounting bracket for servo flange

General specifications

Suitable for Series 10 and series 58 encoders

Mechanical specifications

Material plastic

Date of issue: 2015-04-08

Model number



9311
Mounting set

General information

Suitable for	9300 mounting bracket
Scope of delivery	3 screws 3 nuts 3 Synchro clamping element 9310-3

Model number



9310-3
Synchro clamping element

General information

Suitable for	Series 10 and series 58 encoders
Scope of delivery	3 item(s)

Model number



9312-3
Synchro clamping element

General information

Suitable for	RVI50, RVI78, RVI84 and TRD-G encoders
Scope of delivery	3 item(s)

Model number



SL-RP/GS80
Guide pulley

Ambient conditions

Ambient temperature	-20 ... 60 °C (-4 ... 140 °F)
Storage temperature	-40 ... 80 °C (-40 ... 176 °F)

Mechanical specifications

Material	ABS, anthracite
Mass	100 g

Model number



SL-RP/GS130/GS190
Guide pulley for cable pulls SL30.../GS130 and SL30.../GS190

Ambient conditions

Ambient temperature	-20 ... 60 °C (-4 ... 140 °F)
Storage temperature	-40 ... 80 °C (-40 ... 176 °F)

Mechanical specifications

Material	ABS, anthracite
Mass	100 g



Properties

- Applicable up to SIL 3 / PL e
- Connection of 2 safety incremental encoders
- DIN rail mounting
- Terminal version

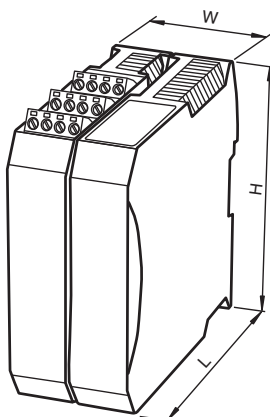
Your Benefit

- Monitors safe standstill, safe speed and safe direction of rotation
- Fulfills safety requirements up to SIL 3 / PL e with a single safety encoder per axis
- User friendly configuration by PC software
- Expandable up to 40 axes

Description

The speed monitor from Pepperl+Fuchs fulfills all safety requirements up to SIL3 / PL e and allows the implementation of safety functions while keeping conventional drive technology. An additional failsafe PLC, other safety relays, or a second sensor are not required.

The system has a modular design. The simplest version consists of a compact safety control, a speed monitor module, and a safe sine/cosine rotary encoder. The functions "safe stop" and "safe speed" for monitoring the drive shaft(s) are available via two safe outputs. Previous knowledge of PLC programming is not required because parameterization is intuitive. Configurations stored on a memory card allow the user to change programs or transfer data to other hardware in the blink of an eye, for example, when replacing defective components. The speed monitor can even be linked to a higher-level fieldbus such as PROFINET or PROFIBUS-DP, etc., using gateways if required. The monitor is equipped with four safe inputs and can be upgraded to a maximum of 40 axes. The monitor for a second axis is already integrated in the basic device.



Technical Data

For detailed data and product description refer to the data sheets at www.pepperl-fuchs.com

Safe Speed Monitor	
Rated operational voltage	20 ... 30 V DC, PELV at AUX
Rated operational current	≤ 350 mA / ≤ 4 A off AUX
Interface 1	
Interface type	Chip card slot
Interface 2	
Interface type	Micro USB
Input	
Number/Type	2 inputs for incremental rotary encoders AMP mini-IO connector
Output	
Number/Type	Output circuits 1 and 2 max. contact rating: 700 m A _{DC-13} at 24 V
Ambient temperature	0 ... 55 °C (32 ... 131 °F)
Protection degree	IP20
Housing	PA 66-FR
Mounting	DIN rail
Connection	removable terminals
Scope of delivery	1 AS-Interface safety module VAS/M-2A8L-KE4-8SE-C1 1 AS-Interface safety module VBA-2E-KE4-ENC-S

Dimensions

Safety Integrity Level (SIL)	SIL 3
Performance level (PL)	PL e
Mission Time (T _M)	20 a
PFH _d	7.85 E-9

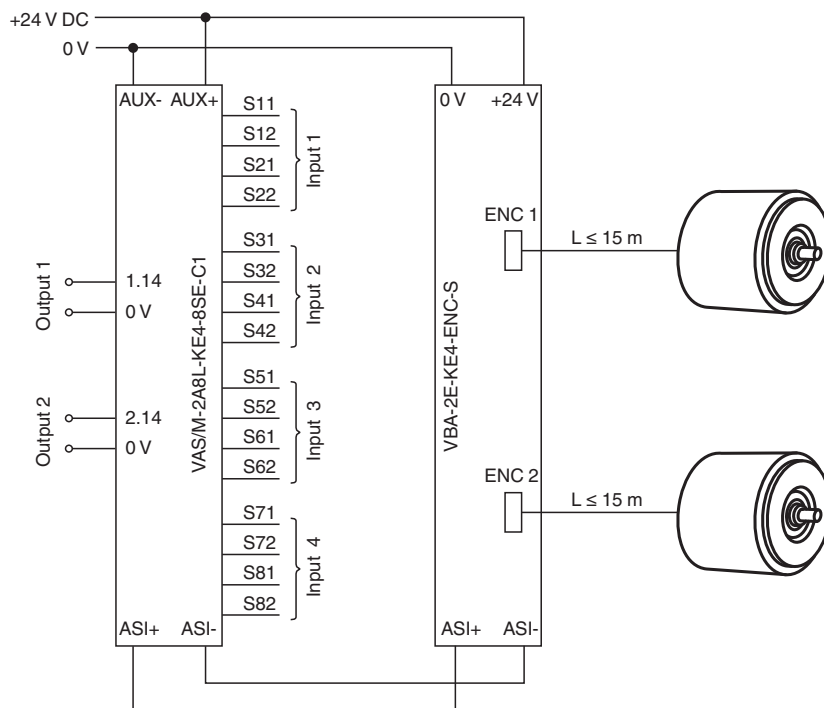
Dimensions

Length L [mm]	113
Width W [mm]	45
Height H [mm]	99

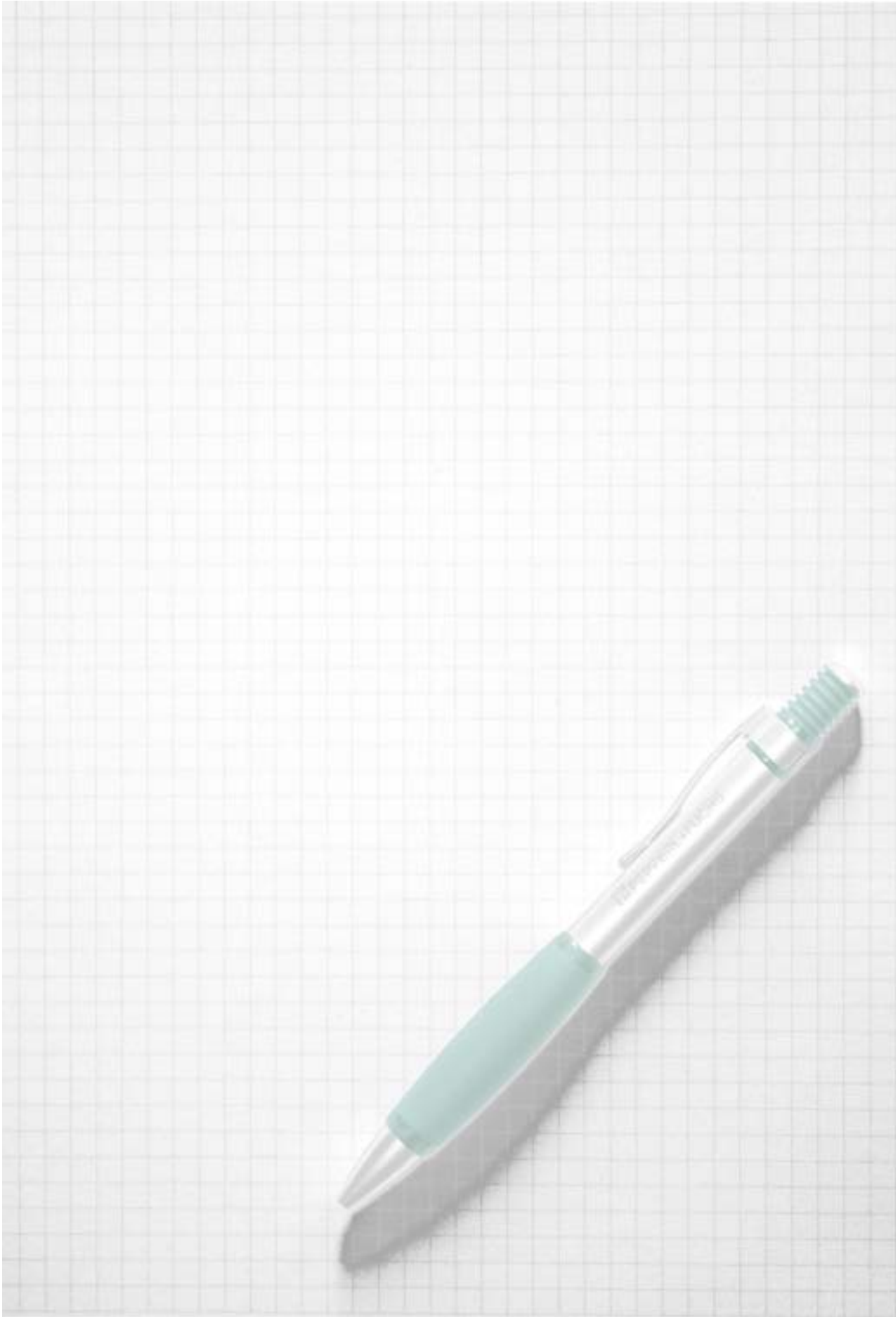
Accessories

RVS58S-282YR4ZM-01024	Safety incremental encoder
VAZ-SW-SIMON+	Software for configuration of K30 Master Monitors/K31 Safety Monitors
VAZ-ENC-1,5M-PVC	Connection cable for connecting encoders to a speed monitor

Electrical connection



Date of issue 2015-04-08

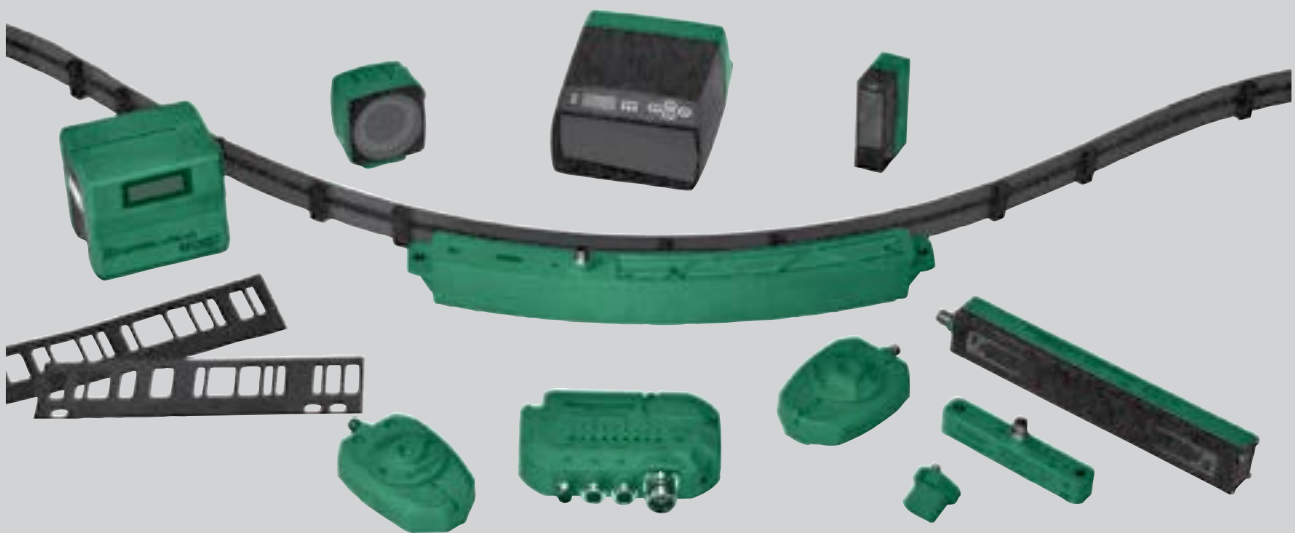


Contents

Positioning Systems

5

Positioning Systems



5. Positioning systems

Overview of Positioning Systems/Selection Tables

Selection Tables	760
Introduction	764
Data Section	
5.1 Inductive Positioning Systems	768
5.2 Laser Distance Measurement Devices	776
5.3 Position Encoding System WCS	784
5.4 Data Matrix Position Feedback System PCV	802
5.5 Electronic Cam-Operated Switch Group PAX	812
5.6 Accessories	814

Inductive Positioning systems



Series	F112	F90	F110	F130
	Page 768 ff	Page 770 ff	Page 772	Page 773 ff
	<ul style="list-style-type: none"> Programmable measuring range 	<ul style="list-style-type: none"> Programmable trip points 	<ul style="list-style-type: none"> Analog output Long measuring distances 	<ul style="list-style-type: none"> Programmable switch points and measuring ranges Programmable zero point

Specifications

Measuring distance	14 mm	up to 120 mm	up to 810 mm	
Measurement angle				360°
Resolution	33 µm	125 µm	210 µm	0.2°
Repeatability	0.05 mm	0.1 mm	< 0.5 mm	0.25°
Target	Actuator made from construction steel	Actuator made from construction steel	Actuator made from construction steel	Actuator made from construction steel
Operating voltage	18 VDC ... 30 VDC	18 VDC ... 30 VDC	18 VDC ... 30 VDC	18 VDC ... 30 VDC

Interface

Analog output	●	●	●	●
Switch output	●	●		●
IO-Link	●			
RS485				
RS422				
SSI				
PROFIBUS				



Laser Distance Measurement Devices

VDM18	VDM28	VDM70	VDM100	Series
Page 776	Page 777 ff	Page 780 ff	Page 782 ff	
<ul style="list-style-type: none"> • Miniature housing design • Master-slave operation • Very fast response time 	<ul style="list-style-type: none"> • Pulse Ranging Technology measurement method • Precise, clear, and reproducible measurement results 	<ul style="list-style-type: none"> • Pulse Ranging Technology measurement method • Integrated pilot laser for simple alignment 	<ul style="list-style-type: none"> • Pulse Ranging Technology measurement method • Dynamic control • Extremely fast measured value acquisition • Alignment laser 	

Specifications

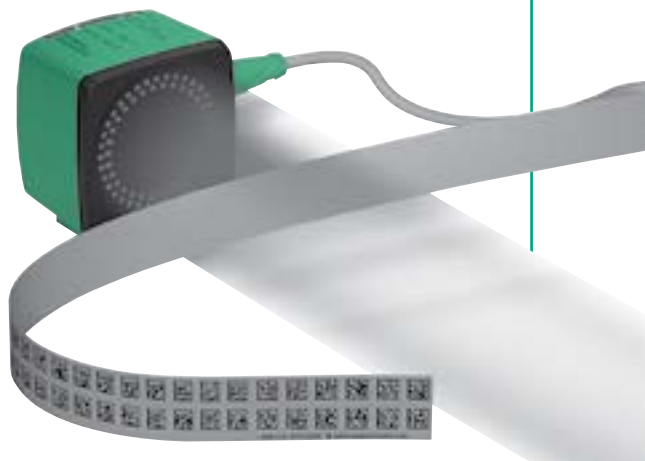
up to 300 mm	up to 15 m/50 m	10 mm/250 m	up to 300 m	Measuring distance
				Measurement angle
< 0.1 %	1 mm	0.1 mm	0.1 mm	Resolution
	< 5 mm	4 mm/2 mm	< 0.5 mm	Repeatability
< 0.25 %	25 mm	12 mm/8 mm	2.5 mm	Absolute accuracy
Object	Object/reflector	Object/reflector	Reflector	Target
18 VDC ... 30 VDC	10 VDC ... 30 VDC	18 VDC ... 30 VDC	18 VDC ... 30 VDC	Operating voltage

Interface

●	●	●		Analog output
●	●	●		Switch output
	●			IO-Link
●				RS485
		●		RS422
		●	●	SSI
			●	PROFIBUS

WCS position encoding system

PCV Data Matrix positioning system



Series

WCS

PCV

Page 784 ff

Page 802 ff

- Noncontact absolute position
- Automatic contamination detection
- Position and speed outputs
- Code reel made from plastic or stainless steel
- Interface modules for all common field buses and networks

- Noncontact positioning on Data Matrix code reel
- Travel ranges up to 10 km, in X and Y direction
- Mechanical robustness: no wear, long service life, maintenance-free
- High resolution and precise positioning, especially for systems with curves, track switches, and inclines

Specifications

Measuring distance	max. 327 m	max. 10,000 m
Measurement angle		
Resolution	0.4 mm	0.1 mm
Speed/rotational speed	max. 12.5 m/s	max. 12.5 m/s
Detection type	Optical	Optical
Target	Code rail	Code reel
Operating voltage	10 VDC ... 30 VDC	15 VDC ... 30 VDC

Interface

Switching outputs		
Analog outputs		
USB 2.0		
RS485	●	●
SSI	●	●
CANopen	●	
PROFIBUS		●
Profinet		●



PAX electronic cam-operated switch group

PAX

Page 812 ff

Series

- Arbitrary positioning
- Easy installation
- Simple operating software
- Robust and insensitive to environmental influences
- Suitable for use in the field

Specifications

		Measuring distance
	360° (max. 200 revolutions)	Measurement angle
	0.2°	Resolution
	max. 100 rpm	Speed/rotational speed
	Inductive	Detection type
	Actuator made from construction steel (BT-F130)	Target
	20 VDC ... 30 VDC	Operating voltage

Interface

	●	Switching outputs
	●	Analog outputs
	●	USB 2.0
		RS485
		SSI
		CANopen
		PROFIBUS
		Profinet

PMI Inductive Analog Measuring Systems

From switch to positioning measuring technology

The sensors used in inductive positioning measuring technology (PMI) are a further development of the traditional inductive proximity switch. By arranging several coils next to each other, a processor can be used to calculate the exact position of a metallic actuator. Based on this measurement, the sensor provides the result as an output signal that is proportional to the path or angle.

In addition to the analog current signal (4 mA ... 20 mA) or voltage signal (0 V ... 10 V), PMI sensors often also offer binary switching element functions. This enables limit switch positions to be implemented in addition to the measured path information.

Special technical features:

Noncontact path and angle positioning

The inductive functional principle of these sensors enables contact-free position measurement. This measuring technique operates entirely without wear and provides reliable position and switching signals even in the most extreme ambient conditions.

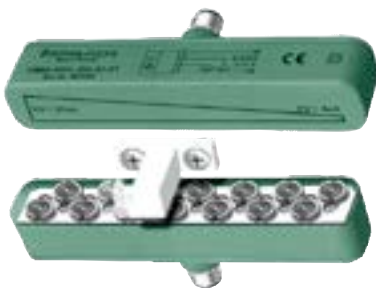
Simple steel actuator

PMI sensors react to a simple steel actuator. The actuating element can therefore be designed as a part of the machine module or the machine bed.

Three-in-one – combined measuring and switching element functions

The combination of measuring and switching element functions can replace up to three standard sensors. For comprehensive hub valve control, in addition to the continuous determination of the current opening state, both end stop positions valve OPEN and valve CLOSED can be fed back separately.

Functional description of inductive positioning sensors



In PMI technology, multiple coils are positioned in two rows on a coil carrier. If an actuator passes over the coil arrangement, this results in a path-dependent attenuation pattern over the coils. The attenuation level for adjacent coils is compared in order to determine the exact position of the actuator.

Actuators are offered as original accessories, however, an actuator can be produced as part of a machine module. In order to achieve the specified performance data, certain mechanical dimensions and mounting conditions must be adhered to when reproducing the actuator.

Material and dimensions of the actuator

Actuators for PMI sensors are made out of mild steel. Construction steel 1.0037 (formerly ST37) is used as the reference material. When using other materials, you must take into account that the sensor will not provide the specified measurement accuracy. To provide protection against corrosion, the actuator's surface can be burnished, varnished, or galvanized.

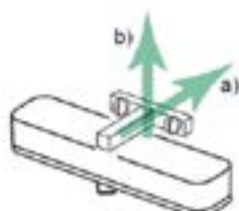
The actuator must present a coplanar surface with two non-rounded edges to the measuring surface of the sensor. The required width of the actuator is 8 mm or 13 mm depending on the sensor type. The actuator must be long enough to completely overlap the active sensor area. The type-related detailed dimensions are included in the corresponding data sheet.

Mounting conditions

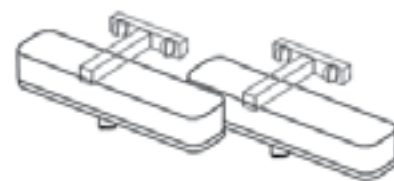
The sensor and actuator together make up the positioning system. To ensure proper performance with the corresponding measurement accuracy, the actuator must neither leave the detection range [a] of the sensor, nor exceed the type-specific distance [b]. The type-related mounting condi-

tions are included in the corresponding data sheet.

Inductive positioning systems can be flush-mounted on a machine ele-



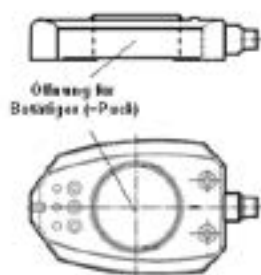
Mounting conditions for actuators on positioning sensors



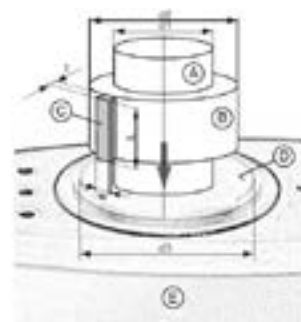
Side-by-side arrangement, cascading of positioning sensors

ment. They can be mounted side-by-side or end to end. To avoid cross-talk between the sensors, either two different actuators or one actuator with an insulation layer [B] are to be used between the sensors. The detailed dimensions for reproducing the actuator are included in the corresponding data sheet.

Inductive positioning systems



Outline of angular positioning system with central opening for the actuator



Dimensions and mounting conditions for reproducing the actuator

PMI-F90

The PMI-F90 inductive positioning system is available in three different measured lengths of 80 mm, 104 mm, and 120 mm. In addition to the positioning types with analog signal output designed solely for positioning, types are also available with combined analog interface and binary switching element functions.

PMI-F110

For longer measuring ranges, the PMI-F110 types are available in five different measured lengths from 210 mm to 960 mm. The sensors in the F110 Series provide an analog output signal that is either 0 V ... 10 V or 4 mA ... 20 mA. They can be mounted flexibly in the machine bed using steplessly adjustable t-slides.

PMI-F112

The PMI-F112 Series offers a measuring range of up to 14 mm and has a compact housing design. The analog voltage signal (0 V ... 10 V) is continuously adjustable between 7 mm and 14 mm on the measuring range. In addition to the standard type with analog interface, a configurable version is available with an IO-Link interface.

Inductive angular positioning system

PMI-F130

The angle-measuring PMI-F130 types are constructed similarly to the linear positioning sensors. The metallic actuator is integrated in a puck as an accessory that can be mounted onto a rotating drive shaft. The air gap between the sensor and the puck enables wear-free pick-up of the rotation angle.

The PMI-F130 Series includes three different function types. In its basic function, the sensor feeds back the measured rotation angle as an analog current signal (4 mA ... 20 mA) or a voltage signal (0 V ... 10 V). The desired rotation angle range can be scaled for the output range. Similarly to the PMI-F90 positioning sensor, the F130 is also available as an angular sensor with two configurable switching window functions. A further type is also available with three separately configurable switching window functions. This version can be used as an electronic cam-operated switch.

VDM Laser Distance Measurement Device

Even the smallest model, the VDM18, is an exceptional solution for a wide range of measuring and positioning tasks. It works with laser background/foreground suppression and offers an analog output. All other sensors in the VDM Series use Pulse Ranging Technology (PRT) and have long detection ranges, offering completely reliable measurement results. Through the use of intense impulses of laser light, PRT offers a high level of reliability even in extreme ambient conditions with excessive light and dust.

Equipped with analog outputs and/or a maximum of two switching outputs, the sensors are used for presence checking, threshold monitoring, the positioning of industrial trucks, measuring distances on monorail conveyors, manufacturing systems, cranes and gantries, for stack height control, dip monitoring, and much more.

VDM18, Laser background/foreground suppression for short distances



The VDM18 is based upon the principle of laser background/foreground suppression and has measuring ranges of 30 mm ... 100 mm and 80 mm ... 300 mm. The VDM18 not only offers a space-saving housing style but also optimal measurement accuracy. Its analog output can be scaled to any measurement distance in the measuring range. Furthermore, it is fully equipped with two configurable switching outputs and is available with an RS485 interface option.

VDM28, Sensing by ranging



The VDM28 is a universal measuring and monitoring device. It can be used in a wide range of industries and applications. With its PRT-based measurement principle, it is used where sensors with background suppression have reached their limitations. The VDM28 has a small, extremely visible red light spot and always provides accurate, reliable, clear, and reproducible results, regardless of ambient conditions such as surface texture, dark color, or ambient light. Thanks to the Teach-in option or the IO-Link interface for service and process data, the VDM28 is flexible for your application.

Distance Measurement using PRT (Pulse Ranging Technology)



A wide range of sensors with different measuring methods are available for measuring distances. However, many measuring procedures are inadequate because the ambient conditions, the object to be measured, or simply the distance are not "standard."

Incorrect or inaccurate measurement results are often the result of indirect measuring methods. Examples of where this might occur include reflective or dark objects, excessive ambient light, several objects in a beam, or the use of several sensors in one application.

Cause

Using indirect measuring methods, phase correlation, or chip-based processes generates only weak emitted light levels signals.

These technologies do not offer long-term solutions to problems.

What is PRT?

PRT is an abbreviation for Pulse Ranging Technology—a direct measuring method for distance measurement. It is the most precise industry-grade distance measuring method.

PRT operating principles

In this most advanced of all optical measuring methods, a laser diode emits short light pulses that are reflected from the target and then recaptured by a light-sensitive receiver element. The power of a single pulse is up to one thousand times more intense than with sensors that permanently emit light beams. The exact distance(s) from the target is calculated using the measured signal travel time and the speed of light (c).

In modern sensors, this procedure is repeated up to 250,000 times per second.

The benefits of PRT

The benefits of Pulse Ranging Technology (PRT) lie in its direct measuring method, which achieves accurate, reliable, and clear measurements with repeat accuracy and short response times. Only sensors with PRT always achieve accurate, reliable, clear, and repeatable results regardless of ambient and object conditions such as surface texture, dark color, or extraneous light.

Benefit from the advantages of PRT!

- Accuracy
- Immunity
- Unambiguity
- Target independence
- Farsightedness

VDM70, Distance measurement to reflector or object



The VDM70 quickly and precisely determines the distance to a reflector (VDM70-250-R version) or to any object (VDM70-10-L version) down to the millimeter. The measured values are available via integrated digital interfaces. The VDM70 operates according to the principle of Pulse Ranging Technology (PRT).

The VDM70-250-R is ideal for positioning transfer cars, cranes, stock feeders as well as use in small-parts and high-bay warehouses.

The VDM70-10-L is suitable for use in many automation technology applications that require parts to be detected or measured over long distances.

VDM100, Further than the eye can see



The VDM100 works with perfect vision up to 300 m. It achieves a measuring frequency of 1000 measurements per second using light pulses in the range of nanoseconds.

Using noncontact technology that is completely eye-safe, this modern and robust device is used for fast and accurate positioning tasks on stock feeders, moving carriages, and gantry cranes. The Pulse

Ranging Technology (PRT) measuring method certainly demonstrates its strengths in this area, even at travel speeds of up to 15 m/s.

The VDM100 is the perfect enhancement to the LS611 optical data coupler that is already popular on the market—together these form a strong duo to fulfill your requirements for a flexible and scalable solution for automation activities.

Optical Position Encoding Systems WCS and PCV

Position encoding system WCS

The automation of material handling systems requires information about the moving vehicle or forklift truck that is accurate to the millimeter. The position encoding system WCS by Pepperl+Fuchs provides the operator with a reliable and proven positioning system. The WCS combines two important characteristics: noncontact technology and absolute positioning. You need just two components for positioning within your application—the read head and the code rail.

The read head

The U-shaped read head is used for noncontact optical scanning of the code rail. This enables the position encoding system to detect a new position value every 0.8 mm. Position values are determined regardless of temperature fluctuations and in real time, even at high travel speeds. The read heads have an internal light intensity regulation function. This allows the position value to be determined accurately even in harsh ambient conditions.

The mounting base is a special mechanical head support that enables the read head to be installed quickly. No adjustments are necessary.

The data is transferred directly from the read head to the control unit via a serial RS485, SSI, or CANopen interface. A wide range of interface modules are available for connecting to bus systems, such as PROFIBUS DP, PROFINET RT, MODBUS/RTU, DeviceNet, or Interbus S.

The code rail

The code rail—which carries absolute path information—is positioned parallel to the travel path and assigns a clear and exactly reproducible position at each point of the travel path. In addition to branches and curves, it is also possible to install the code rail only where positioning is required. Bracketry is available for quickly mounting the code rail, which is supplied in stainless steel or laminated plastic.



Intelligence on rails: precise, flexible, noncontact, and absolute position feedback!

Outstanding features ...

- Absolute measuring type
- Suitable for curved paths
- No reference points
- Protected against power
- Variable path lengths up to 325 m failure
- Speed up to 12 m/s
- Noncontact
- Easy to maintain
- Resolution = 0.8 mm

... proven in many applications

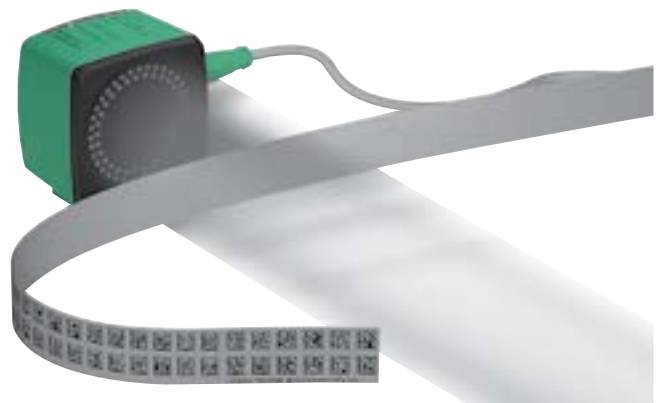
- Automatic cranes
- Monorail conveyors
- Elevators
- Stock feeders
- Moving vehicles
- Galvanic plants
- Rotating cranes
- Vehicle detection
- Lifters

Data Matrix positioning system PCV

The Data Matrix positioning system uses individual Data Matrix codes arranged beside and above one another in the form of a code reel that serves as an information carrier. The PCV read head uses modern camera technology to detect codes two-dimensionally, which are then decoded and finally output as an exact position in an X and Y direction.

The data bits of the Data Matrix code are divided into two dimensions and provide a high degree of data density over a small surface area.

The PCV read head and the Data Matrix code reel together are suitable for a wide range of positioning tasks in all applications. The unique code reel is available in lengths of up to 10 km and is ideal for use in material handling, the automotive industry, elevator technology, and general machine construction. Several Data Matrix code lines on the reel can also be used to evaluate the vertical position. Benefit from the many years of practical experience that Pepperl+Fuchs has acquired in the area of Data Matrix technology and position detection.



Always in focus: the read head unit with power illumination and two-row Data Matrix code reel

Benefits

- Positioning along two axes
- High mechanical robustness, no moving parts
- Long service life as no laser diodes are used
- Insensitive to dirt and damage to the code reel
- Consistent laying of the code reel
- Extremely narrow code reel
- Small read field enables the smallest curve radii and inclines
- Event markers for generating control signals
- DC output and input signals can be activated at freely selectable positions
- Camera parameterization using a PC or code cards

Application examples

Monorail conveyor

The Data Matrix code reel is affixed directly above the power rails and the PCV read head attached to the hanger. Each hanger is optimally positioned.

Skid conveyor

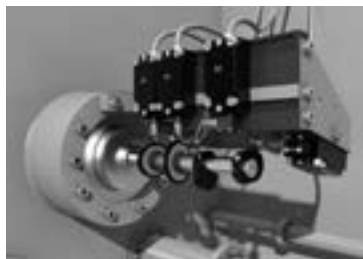
The simple attachment of the code reel and its insensitivity mean that the PCV system is ideal for positioning skids, in shell constructions for example.

High-bay warehouse

The Data Matrix positioning system is always the best choice for moving and positioning in an X or Y-direction.

Electronic Cam-Operated Switch Group PAX

Complex mechanical switch controllers?



Cam switch controllers are used wherever control is required relevant to the machine position. With mechanical cam switch controllers, and particularly with rotational movements, mechanical cams are positioned on a shaft. These cams must be intricately positioned according to their switching characteristics in order to actuate the mechanical switches for drive shift rotation.

There is an easier option!

The electronic cam-operated switch group PAX provides a far easier alternative. The position of the drive shaft is detected using a wear- and maintenance-free PMI inductive rotation angle sensor and is transferred as an absolute value to the robust PAX box.



A PC and USB interface can be used to parameterize individual switching windows, trip points, or switching ramps in the cam switch controller. The easy-to-use software is integrated into the PAX and starts automatically when a PC connection is established. Up to 12 switching outputs each with 250 mA, two power outputs each with 2.5 A, and six analog power outputs (4 mA ... 20 mA) can all be individually configured and activated in the PAX.

All the data and parameters are stored on a micro SD card that is integrated into the cam switch controller and that can be easily removed and reinserted. This micro SD card also contains the configuration software. No installation is required on the PC.

Benefits

- Replaces mechanical switches, multiple limit switches, and geared limit switches
- Cost savings as it is easy and quick to mount
- Wear-free, durable, and maintenance-free
- Multiturn capability of up to 200 revolutions
- PAX control box suitable for use in the field, can be freely positioned outside of the control cabinet
- Twelve switching outputs and two additional power outputs
- Six freely programmable analog outputs
- Generation of up to 16 switching points or analog cams per output
- All data stored on an integral micro SD card





Properties

- F112 housing style
- 14 mm measuring range
- Analog output
- Pushbutton configurable

Your Benefit

- Non-contact position measurement
- Position proportional analog value
- Up to 2.5 mm reading distance
- No specialized targets or magnets needed

Technical Data

For detailed data and product description refer to the data sheets at www.pepperl-fuchs.com

Model Number	PMI14V-F112-U-V3
Measurement range	0 ... 14 mm
Object distance	max. 2.5 mm
Switching element function	Analog voltage output
Operating voltage	18 ... 30 V DC
No-load supply current	≤ 20 mA
Linearity error	± 0.3 mm
Resolution	33 µm
Reverse polarity protected	✓
Analog output	
Output type	1 voltage output: 0 ... 10 V
Ambient temperature	-25 ... 70 °C (-13 ... 158 °F)
Material	
Housing	PA 6
Target	mild steel, e. g. 1.0037, SR235JR (formerly St37-2)
Protection degree	IP67
Connection type	M8 x 1 connector, 3-pin



Approvals and Certificates

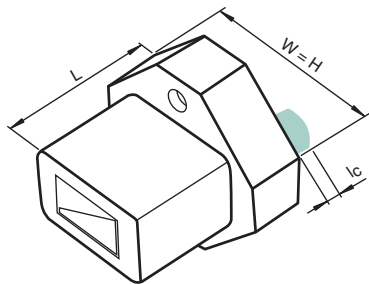
UL approval	cULus Listed, General Purpose, Class 2 Power Source
CCC approval	Products with a maximum operating voltage of ≤36 V do not bear a CCC marking because they do not require approval.

Dimensions

Length L [mm]	30.5
Width W [mm]	35
Height H [mm]	35
Connector area l _c [mm]	10.5

Accessories This and more accessories can be found in chapter 3.5 from page 673
 See pages from 972 ... for cordsets See pages 1068 ... for mounting aids

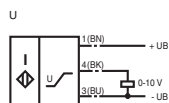
BT-F90-W	Damping element; lateral screw holes
V3-GM-2M-PUR	Cable socket, M8, 3-pin, PUR cable
V3-WM-2M-PUR	Cable socket, M8, 3-pin, PUR cable



Electrical Connection



PMI14V-F112-U-V3



Core colours in accordance with EN 60947-5-2.



Wire colors in accordance with EN 60947-5-2

1	BN	(brown)
3	BU	(blue)
4	BK	(black)

Ausgabedatum: 08.04.2015



Technical Data

For detailed data and product description refer to the data sheets at www.pepperl-fuchs.com

Model Number	PMI14V-F112-U-IO-V31
Measurement range	0 ... 14 mm
Object distance	max. 2.5 mm
Operating voltage	18 ... 30 V DC
No-load supply current	≤ 20 mA
Reverse polarity protected	✓
Resolution	33 µm
Interface type	IO-Link
Mode	COM 2 (38.4 kBaud)
Analog output	
Output type	voltage output 0 ... 10 V
Ambient temperature	-25 ... 70 °C (-13 ... 158 °F)
Material	
Housing	PA 6
Target	mild steel, e. g. 1.0037, SR235JR (formerly St37-2)
Protection degree	IP67
Connection type	M8 x 1 connector, 4-pin



Properties

- F112 housing style
- 14 mm measuring range
- IO-Link interface
- Network configurable

Your Benefit

- Non-contact position measurement
- Position proportional analog value
- Up to 2.5 mm reading distance
- No specialized targets or magnets needed

Approvals and Certificates

UL approval	cULus Listed, General Purpose
CCC approval	Products with a maximum operating voltage of ≤36 V do not bear a CCC marking because they do not require approval.

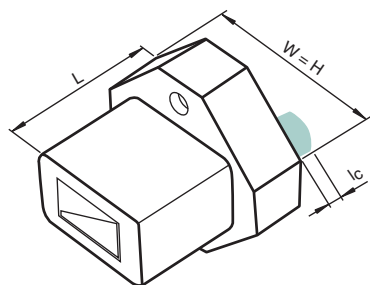
Dimensions

Length L [mm]	30.5
Width W [mm]	35
Height H [mm]	35
Connector area l _c [mm]	10.5

Accessories

This and more accessories can be found in chapter 3.5 from page 673
See pages from 972 ... for cordsets See pages 1068 ... for mounting aids

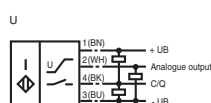
BT-F90-W	Damping element; lateral screw holes
V31-GM-2M-PUR-V1-G	Connection cable, M8 to M12, PUR cable, 4-pin
IO-Link-Master01-USB	IO-Link Master



Electrical Connection



PMI14V-F112-U-IO-V31



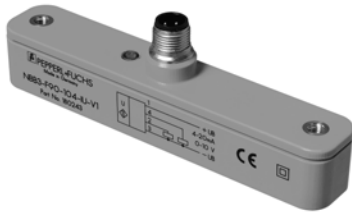
Core colors in accordance with EN 60947-5-2.



Wire colors in accordance with EN 60947-5-2

1	BN	(brown)
2	WH	(white)
3	BU	(blue)
4	BK	(black)

Ausgabedatum 08.04.2015



Properties

- F90 housing style
- Up to 120 mm measuring range versions
- Current or voltage analog output
- Fixed setting

Your Benefit

- Non-contact position measurement
- Position proportional analog value
- Up to 3 mm reading distance
- No specialized targets or magnets needed

Technical Data

For detailed data and product description refer to the data sheets at www.pepperl-fuchs.com

General Data

Object distance	0.5 ... 3 mm , recommended: 2 mm
Switching element function	analog, current or voltage output
Operating voltage	18 ... 30 V DC
No-load supply current	≤ 40 mA
Reverse polarity protected	✓
Linearity error	within measuring range: ± 0.8 mm within linearity range: ± 0.4 mm
Resolution	125 µm
Analog output	(only one output can be used at the same time)
Output type	1 current output: 4 ... 20 mA 1 voltage output: 0 ... 10 V
Ambient temperature	-25 ... 70 °C (-13 ... 158 °F)
Material	
Housing	ABS
Target	mild steel, e. g. 1.0037, SR235JR (formerly St37-2)
Protection degree	IP67
Connection type	connector M12 x 1, 4-pin



Model Number

	green = preferred type			
Measurement range	0 ... 80 mm	●		
	0 ... 104 mm		●	
	0 ... 120 mm			●

Approvals and Certificates

UL approval	cULus Listed, General Purpose, Class 2 Power Source	●	●	●
CCC approval	Products with a maximum operating voltage of ≤36 V do not bear a CCC marking because they do not require approval.			

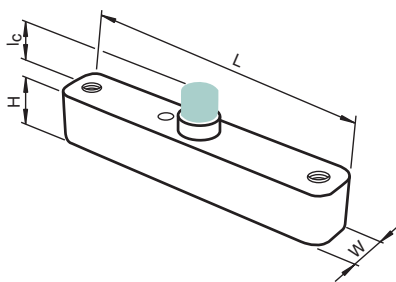
Dimensions

Length L [mm]	102	126	142
Width W [mm]		23	
Height H [mm]		22	
Connector area l _c [mm]		19	

Accessories

This and more accessories can be found in chapter 3.5 from page 673
See pages from 972 ... for cordsets See pages 1068 ... for mounting aids

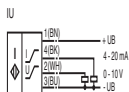
BT-F90-W	Damping element for F90 sensors; lateral screw holes
MH-F90	Mounting bracket for mounting of F90 sensors
V1-G-2M-PVC	Cable socket, M12, 4-pin, PVC cable
V1-W-2M-PVC	Cable socket, M12, 4-pin, PVC cable



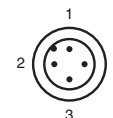
Electrical Connection



PMI104-F90-IU-V1
PMI120-F90-IU-V1
PMI80-F90-IU-V1



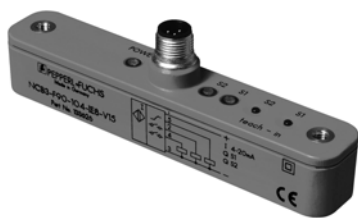
Core colours in accordance with EN 60947-5-2



Wire colors in accordance with EN 60947-5-2

1	BN	(brown)
2	WH	(white)
3	BU	(blue)
4	BK	(black)

Ausgabedatum: 08.04.2015



Properties

- F90 housing style
- Up to 120 mm measuring range versions
- 1 Analog and 2 switching outputs
- Pushbutton configurable

Your Benefit

- 3 functions in a single sensor
- Non-contact position measurement
- 2 teachable limit switches
- Up to 3 mm reading distance
- No specialized targets or magnets needed

Technical Data

For detailed data and product description refer to the data sheets at www.pepperl-fuchs.com

General Data

Object distance	0.5 ... 3 mm , recommended: 2 mm
Switching element function	Analog current output with 2 PNP NO switching outputs
Operating voltage	18 ... 30 V DC
No-load supply current	≤ 40 mA
Reverse polarity protected	✓
Linearity error	within measuring range: ± 0.8 mm within linearity range: ± 0.4 mm
Resolution	125 µm
Switching outputs	
Output type	2 switch outputs PNP, NO , reverse polarity protected , short-circuit protected
Operating current	≤ 100 mA
Short-circuit protection	pulsing
Analog output	
Output type	1 current output: 4 ... 20 mA
Ambient temperature	-25 ... 70 °C (-13 ... 158 °F)
Material	
Housing	ABS
Target	mild steel, e. g. 1.0037, SR235JR (formerly St37-2)
Protection degree	IP67
Connection type	M12 x 1 connector, 5-pin



Model Number

Measurement range	0 ... 80 mm	●		
	0 ... 104 mm		●	
	0 ... 120 mm			●

PMI180-F90-IE8-V15

PMI104-F90-IE8-V15

PMI120-F90-IE8-V15

Approvals and Certificates

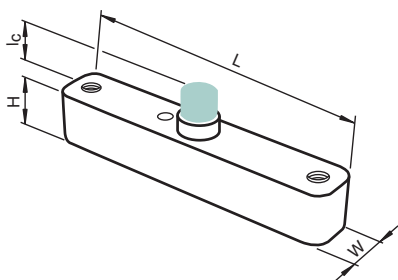
UL approval	cULus Listed, General Purpose, Class 2 Power Source	●	●	●
CCC approval	Products with a maximum operating voltage of ≤36 V do not bear a CCC marking because they do not require approval.			

Dimensions

Length L [mm]	102	126	142
Width W [mm]		23	
Height H [mm]		22	
Connector area l _c [mm]		19	

Accessories This and more accessories can be found in chapter 3.5 from page 673
See pages from 972 ... for cordsets See pages 1068 ... for mounting aids

BT-F90-W	Damping element for F90 sensors; lateral screw holes
MH-F90	Mounting bracket for mounting of F90 sensors
V15-G-2M-PVC	Cable socket, M12, 5-pin, PVC cable
V15-W-2M-PVC	Cable socket, M12, 5-pin, PVC cable

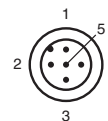
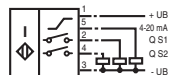


Electrical Connection



PMI104-F90-IE8-V15
PMI120-F90-IE8-V15
PMI180-F90-IE8-V15

IE8



Wire colors in accordance with EN 60947-5-2

1	BN	(brown)
2	WH	(white)
3	BU	(blue)
4	BK	(black)
5	GY	(gray)



Technical Data

For detailed data and product description refer to the data sheets at www.pepperl-fuchs.com

General Data

Object distance	max. 6 mm
Switching element function	analog, current or voltage output
Operating voltage	18 ... 30 V DC
Reverse polarity protected	✓
Analog outputs	
Output type	1 current output: 4 ... 20 mA 1 voltage output: 0 ... 10 V
Ambient temperature	-25 ... 70 °C (-13 ... 158 °F)
Material	
Housing	PA 6 / AL
Target	mild steel, e. g. 1.0037, SR235JR (formerly St37-2)
Protection degree	IP65
Connection type	connector M12 x 1, 4-pin



Properties

- F110 housing style
- Up to 810 mm measuring range
- Current or voltage analog output
- Fixed setting

Your Benefit

- Non-contact position measurement
- Position proportional analog value
- Up to 6 mm reading distance
- No specialized targets or magnets needed

Model Number	PMI210-F110-IU-V1	PMI360-F110-IU-V1	PMI510-F110-IU-V1	PMI810-F110-IU-V1
Measurement range	●	●	●	●
No-load supply current	●	●	●	●
Linearity error	●	●	●	●
Resolution	●	●	●	●

Approvals and Certificates

UL approval	cULus Listed, General Purpose, Class 2 Power Source	●	●	●	●
CCC approval	Products with a maximum operating voltage of ≤36 V do not bear a CCC marking because they do not require approval.				

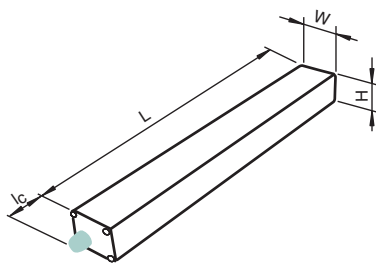
Dimensions

Length L [mm]	250	400	550	850
Width W [mm]	41			
Height H [mm]	30,5			
Connector area l _c [mm]	17			

Accessories

This and more accessories can be found in chapter 3.5 from page 673
See pages from 972 ... for cordsets See pages 1068 ... for mounting aids

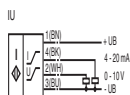
BT-F110-G	Damping element for F110 housing sensors; front screw holes
BT-F110-W	Damping element for F110 housing sensors; lateral screw holes
V1-G-2M-PVC	Cable socket, M12, 4-pin, PVC cable
V1-W-2M-PVC	Cable socket, M12, 4-pin, PVC cable
MH-F110	Mounting bracket for mounting F110 series sensors



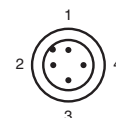
Electrical Connection



PMI210-F110-IU-V1
PMI360-F110-IU-V1
PMI510-F110-IU-V1
PMI810-F110-IU-V1

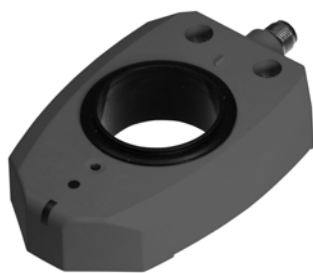


Core colours in accordance with EN 60947-5-2



Wire colors in accordance with EN 60947-5-2

- 1 | BN (brown)
- 2 | WH (white)
- 3 | BU (blue)
- 4 | BK (black)



Properties

- F130 housing style
- 360° measuring range
- Analog output
- Pushbutton configurable

Your Benefit

- Non-contact position measurement
- Angle proportional analog value
- No specialized targets or magnets needed

Technical Data

For detailed data and product description refer to the data sheets at www.pepperl-fuchs.com

Model Number	PMI360DV-F130-IU-V15
Measurement range	max. 360° min. 45°
Adjustment range	45° ... 360° analog range and 2 switch frames programmable
Operating voltage	18 ... 30 V DC
No-load supply current	≤ 45 mA
Reverse polarity protected	✓
Resolution	0.2 °
Repeat accuracy	±0.25°
Linearity	±0.6° (with original actuator)
Analog output	
Output type	current output or voltage output (depends on load) 4 ... 20 mA (R _L < 400 Ω) 0 ... 10 V (R _L > 3.3 kΩ)
Ambient temperature	-25 ... 70 °C (-13 ... 158 °F)
Material	
Housing	PBT
Target	mild steel, e. g. 1.0037, SR235JR (formerly St37-2)
Protection degree	IP67
Connection type	M12 x 1 connector, 5-pin



Approvals and Certificates

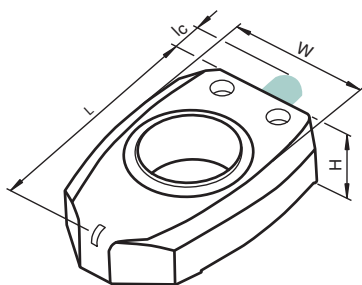
UL approval	cULus Listed, General Purpose, Class 2 Power Source
CCC approval	Products with a maximum operating voltage of ≤36 V do not bear a CCC marking because they do not require approval.

Dimensions

Length L [mm]	110
Width W [mm]	76.5
Height H [mm]	26
Connector area l _c [mm]	20

Accessories This and more accessories can be found in chapter 3.5 from page 673
See pages from 972 ... for cordsets See pages 1068 ... for mounting aids

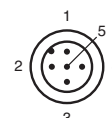
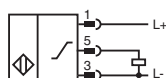
BT-F130-A	Actuator for F130 series
V15-G-2M-PVC	Cable socket, M12, 5-pin, PVC cable
V15-W-2M-PVC	Cable socket, M12, 5-pin, PVC cable



Electrical Connection



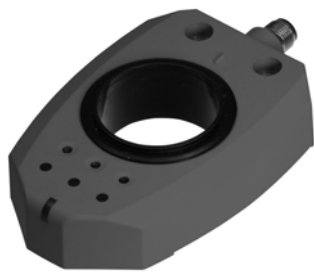
PMI360DV-F130-IU-V15



Wire colors in accordance with EN 60947-5-2

1	BN	(brown)
2	WH	(white)
3	BU	(blue)
4	BK	(black)
5	GY	(gray)

Ausgabedatum 08.04.2015



Properties

- F130 housing style
- 360° measuring range
- 3 switching outputs
- Pushbutton configurable

Your Benefit

- Non-contact cam switch
- 3 teachable cams
- No specialized targets or magnets needed

Technical Data

For detailed data and product description refer to the data sheets at www.pepperl-fuchs.com

Model Number	PMI360DV-F130-3E2-V15
Adjustment range	3 switch frames programmable , min. 5°, max. 360°
Operating voltage	18 ... 30 V DC
No-load supply current	≤ 45 mA
Reverse polarity protected	✓
Resolution	0.2 °
Repeat accuracy	±0.25°
Switching outputs	
Output type	3 switch outputs PNP, NO , reverse polarity protected , short-circuit protected , programmable
Operating current	≤ 100 mA
Short-circuit protection	pulsing
Ambient temperature	-25 ... 70 °C (-13 ... 158 °F)
Material	
Housing	PBT
Target	mild steel, e. g. 1.0037, SR235JR (formerly St37-2)
Protection degree	IP67
Connection type	M12 x 1 connector, 5-pin



Approvals and Certificates

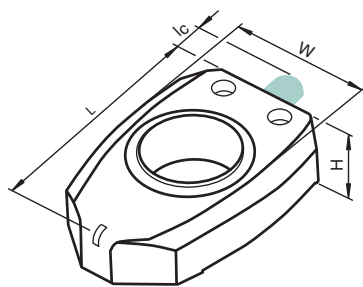
UL approval	cULus Listed, General Purpose, Class 2 Power Source
CCC approval	Products with a maximum operating voltage of ≤36 V do not bear a CCC marking because they do not require approval.

Dimensions

Length L [mm]	110
Width W [mm]	76,5
Height H [mm]	26
Connector area l _c [mm]	20

Accessories This and more accessories can be found in chapter 3.5 from page 673
See pages from 972 ... for cordsets See pages 1068 ... for mounting aids

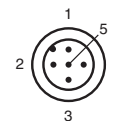
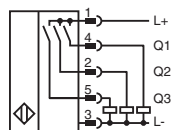
BT-F130-A	Actuator for F130 series
V15-G-2M-PVC	Cable socket, M12, 5-pin, PVC cable
V15-W-2M-PVC	Cable socket, M12, 5-pin, PVC cable



Electrical Connection



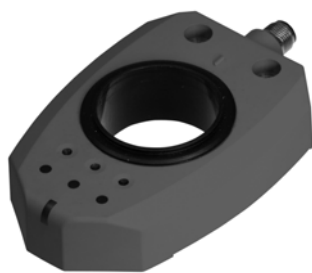
PMI360DV-F130-3E2-V15



Wire colors in accordance with EN 60947-5-2

1	BN	(brown)
2	WH	(white)
3	BU	(blue)
4	BK	(black)
5	GY	(gray)

Ausgabedatum: 08.04.2015



Properties

- F130 housing style
- 360° measuring range
- 1 analog output and 2 switching outputs
- Pushbutton configurable

Your Benefit

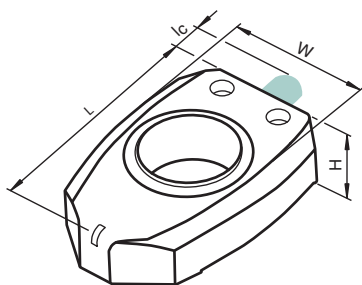
- 3 functions in a single sensor
- Non-contact position measurement
- Angle proportional analog value
- 2 teachable cams
- No specialized targets or magnets needed

Further Products

In this series, we offer additionally:

PMI360D-F130-IE8-V15

Technical data like PMI360DV-F130-IU2E2-V15 but:
 Analog output: 1 Current output 4 ... 20 mA
 Analog range: 360°
 Switching outputs: 2 PNP outputs, NO, with programmable switching points



Technical Data

For detailed data and product description refer to the data sheets at www.pepperl-fuchs.com

General Data

Measurement range	max. 360° min. 45°
Adjustment range	45° ... 360° analog range, programmable 2 switch frames programmable, min. 5°, max. 360°
Operating voltage	18 ... 30 V DC
No-load supply current	≤ 45 mA
Reverse polarity protected	✓
Resolution	0.2 °
Repeat accuracy	±0.25°
Linearity	±0.6° (with original actuator)
Switching outputs	
Operating current	≤ 100 mA
Short-circuit protection	pulsing
Analog output	
Output type	current output or voltage output (depends on load) 4 ... 20 mA (R _L < 400 Ω) 0 ... 10 V (R _L > 3.3 kΩ)
Ambient temperature	-25 ... 70 °C (-13 ... 158 °F)
Material	
Housing	PBT
Target	mild steel, e. g. 1.0037, SR235JR (formerly St37-2)
Protection degree	IP67
Connection type	M12 x 1 connector, 5-pin



Model Number

Output type	2 switch outputs NPN, NO, reverse polarity protected, short-circuit protected, programmable	PMI360DV-F130-IU2E0-V15	PMI360DV-F130-IU2E2-V15
	2 switch outputs PNP, NO, reverse polarity protected, short-circuit protected, programmable	●	●

Approvals and Certificates

UL approval	cULus Listed, General Purpose, Class 2 Power Source	●	●
CCC approval	Products with a maximum operating voltage of ≤36 V do not bear a CCC marking because they do not require approval.		

Dimensions

Length L [mm]	110
Width W [mm]	76,5
Height H [mm]	26
Connector area l _c [mm]	20

Accessories

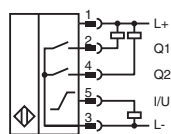
This and more accessories can be found in chapter 3.5 from page 673
 See pages from 972 ... for cordsets See pages 1068 ... for mounting aids

BT-F130-A	Actuator for F130 series
V15-G-2M-PVC	Cable socket, M12, 5-pin, PVC cable
V15-W-2M-PVC	Cable socket, M12, 5-pin, PVC cable

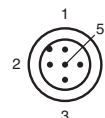
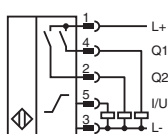
Electrical Connection



PMI360DV-F130-IU2E0-V15



PMI360DV-F130-IU2E2-V15



Wire colors in accordance with EN 60947-5-2

1	BN	(brown)
2	WH	(white)
3	BU	(blue)
4	BK	(black)
5	GY	(gray)

Ausgabedatum 08.04.2015

Positioning Systems, Inductive Positioning Systems



Technical Data

For detailed data and product description refer to the data sheets at www.pepperl-fuchs.com

General Data

Light source	laser diode typ. service life 50,000 h at Ta = +40 °C
Light type	modulated visible red light
Laser class	2
Wave length	650 nm
Measuring method	Laser triangulation
Linearity error	0.25 % of the measuring range
Resolution	< 0.1 % of the measuring range
Operating voltage	18 ... 30 V DC
No-load supply current	≤ 40 mA at 24 V DC
Switching current	max. 100 mA
Switching frequency	≤ 1 kHz
Measurement output	1 analog output 4 ... 20 mA, short-circuit/overload protected , Rmax = 500 Ohm
Ambient temperature	-10 ... 60 °C (14 ... 140 °F)
Material	
Housing	ABS , impact resistant
Optical face	PMMA
Protection degree	IP67

Properties

- Rectangular compact housing
- Diffuse distance measurement
- Triangulation method
- Short range
- Analog output
- Laser red light

Model Number

		VDM18-100/20/122/151	VDM18-100/20/88/122/151	VDM18-100/32/105/122	VDM18-300/20/122/151	VDM18-300/20/88/122/151	VDM18-300/32/105/122
Measurement range	green = preferred type 30 ... 100 mm	●	●	●	●	●	●
	80 ... 300 mm						
Light spot representation	approx. 1.5 mm x 3 mm at 100 mm	●	●				
	approx. 1.5 mm x 3.25 mm at 100 mm			●			
	approx. 2 mm x 4.5 mm at 300 mm				●	●	●
Interface type	RS 485		●		●	●	●
Control input	Laser off (HIGH +UB) , Keypad lock (LOW 0 V)			●			●
Signal output	1 PNP output, short-circuit protected, reverse polarity protected, open collector			●			●
	2 PNP outputs, independent , short-circuit protected, reverse polarity protected	●	●		●	●	
Connection	5-pin, M12 x 1 plastic connector			●			●
	M12 connector, 8-pin	●	●	●	●	●	●

Approvals and Certificates

UL approval	cULus Listed	●	●	●	●	●	●
-------------	--------------	---	---	---	---	---	---

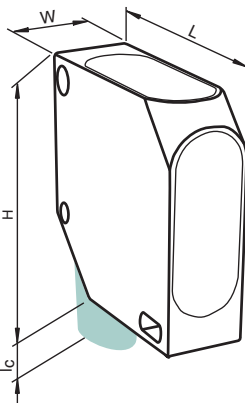
Dimensions

Length L [mm]	50
Width W [mm]	17
Height H [mm]	46
Connector area l _c [mm]	13,5 / 0

Accessories

This and more accessories can be found in chapter 10
See pages from 972 ... for cordsets See pages 1068 ... for mounting aids

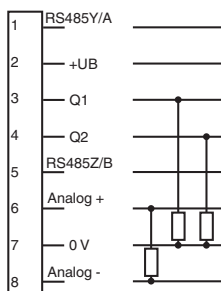
- OMH-VDM18-01** Mounting accessory, distance measuring devices Series VDM18
- OMH-VDM18-02** Mounting accessory, distance measuring devices Series VDM18



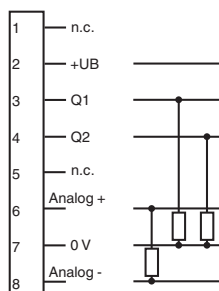
Electrical Connection



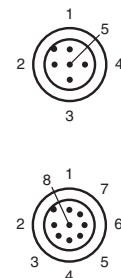
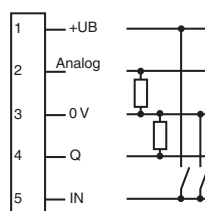
VDM18-100/20/88/122/151
VDM18-300/20/88/122/151



VDM18-100/20/122/151
VDM18-300/20/122/151



VDM18-100/32/105/122
VDM18-300/32/105/122





Properties

- Rectangular full-size housing
- Diffuse distance measurement
- Pulse Ranging Technology (PRT)
- Medium range
- Discrete and analog outputs with IO-Link
- Laser red light

Your Benefit

- Parallel measuring paths possible. No mutual interference.
- Safe measurement under difficult conditions, e.g. mist or dust
- Immunity to extraneous light
- Surface independent measurement, practically no black-white difference

Further Products

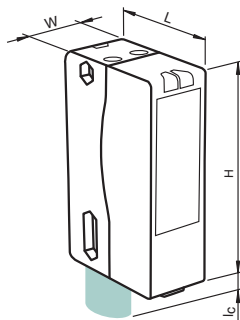
In this series, we offer additionally:

VDM28-8-L1-IO/73c/110/122

Tech. spec. like VDM28-8-L-IO/73c/110/122 but: Laser class: 1

VDM28-8-L/73c/136

Tech. spec. like VDM28-8-L-IO/73c/136 but: Interface: no IO-Link interface



Technical Data

For detailed data and product description refer to the data sheets at www.pepperl-fuchs.com

General Data

Measurement range	0.2 ... 8 m
Reference target	Kodak white (90%)
Light source	laser diode typ. service life 85,000 h at Ta = +25 °C
Light type	modulated visible red light
Laser class	2
Wave length	660 nm
Measuring method	Pulse Ranging Technology (PRT)
Diameter of the light spot	< 10 mm at a distance of 8 m at 20 °C
Absolute accuracy	± 25 mm
Repeat accuracy	< 5 mm
Operating voltage	10 ... 30 V DC / when operating in IO-Link mode: 18 ... 30 V
No-load supply current	≤ 70 mA / 24 V DC
Interface	
Interface type	IO-Link
Switching current	max. 100 mA
Switching frequency	50 Hz
Ambient temperature	-30 ... 50 °C (-22 ... 122 °F)
Material	
Housing	Plastic ABS
Optical face	Plastic pane
Protection degree	IP65

Model Number

		VDM28-8-L-IO/110/115b/122	VDM28-8-L-IO/115b/136	VDM28-8-L-IO/73c/110/122	VDM28-8-L-IO/73c/136
Signal output	green = preferred type Push-pull output, short-circuit protected, reverse polarity protected 2 Push-pull outputs, short-circuit protected, reverse polarity protection	●	●	●	●
Measurement output	1 analog output 4 ... 20 mA, short-circuit/overload protected	●	●	●	●
Connection	300 mm fixed cable with M12 x 1, 4-pin connector connector M12 x 1, 4-pin	●	●	●	●

Approvals and Certificates

Protection class	II	●	●	●	●
UL approval	cULus Listed, Class 2 Power Source, Type 1 enclosure	●	●	●	●

Dimensions

Length L [mm]	54,3
Width W [mm]	25,8
Height H [mm]	88
Connector area l _c [mm]	5 14

Accessories

This and more accessories can be found in chapter 10

See pages from 972 ... for cordsets

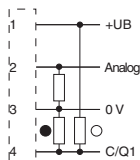
See pages 1068 ... for mounting aids

IO-Link-Master01-USB	IO-Link Master
PACTware 4.X	Software
IODD Interpreter	Software for the integration of IODDs in a frame application (e. g. PACTware)
VDM28-IO-Link DTM	Device DTM for communication with VDM28-IO-Link sensors

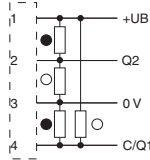
Electrical Connection



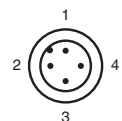
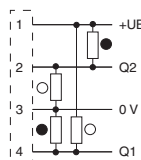
VDM28-8-L-IO/110/115b/122
VDM28-8-L-IO/73c/110/122
VDM28-8-L1-IO/73c/110/122
Option /110/122



VDM28-8-L-IO/115b/136
VDM28-8-L-IO/73c/136
Option /136



VDM28-8-L/73c/136
Option /73c/136



Wire colors in accordance with EN 60947-5-2

1	BN	(brown)
2	WH	(white)
3	BU	(blue)
4	BK	(black)

Date of issue: 2015-04-08



Properties

- Rectangular full-size housing
- Diffuse distance measurement
- Pulse Ranging Technology (PRT)
- Medium range
- Discrete and analog outputs with IO-Link
- Laser red light

Your Benefit

- Parallel measuring paths possible. No mutual interference.
- Safe measurement under difficult conditions, e.g. mist or dust
- Immunity to extraneous light
- Surface independent measurement, practically no black-white difference

Technical Data

For detailed data and product description refer to the data sheets at www.pepperl-fuchs.com

Model Number	VDM28-15-L-IO/73c/110/122
Measurement range	0.2 ... 15 m
Reference target	Kodak white (90%)
Light source	laser diode typ. service life 85,000 h at Ta = +25 °C
Light type	modulated visible red light
Laser class	2
Wave length	660 nm
Measuring method	Pulse Ranging Technology (PRT)
Diameter of the light spot	< 15 mm at a distance of 15 m at 20 °C
Absolute accuracy	± 25 mm
Repeat accuracy	< 5 mm
Operating voltage	10 ... 30 V DC when operating in IO-Link mode: 18 ... 30 V
No-load supply current	≤ 70 mA / 24 V DC
Interface	
Interface type	IO-Link
Signal output	Push-pull output, short-circuit protected, reverse polarity protected
Switching current	max. 100 mA
Switching frequency	50 Hz
Measurement output	1 analog output 4 ... 20 mA, short-circuit/overload protected
Ambient temperature	-30 ... 50 °C (-22 ... 122 °F)
Material	
Housing	Plastic ABS
Optical face	Plastic pane
Protection degree	IP65
Connection	connector M12 x 1, 4-pin



Approvals and Certificates

Protection class	II
UL approval	cULus Listed, Class 2 Power Source, Type 1 enclosure
CCC approval	Products with a maximum operating voltage of ≤36 V do not bear a CCC marking because they do not require approval.

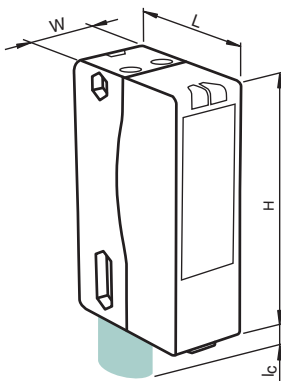
Dimensions

Length L [mm]	54.3
Width W [mm]	25.8
Height H [mm]	88
Connector area l _c [mm]	14

Accessories This and more accessories can be found in chapter 10

See pages from 972 ... for cordsets See pages 1068 ... for mounting aids

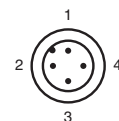
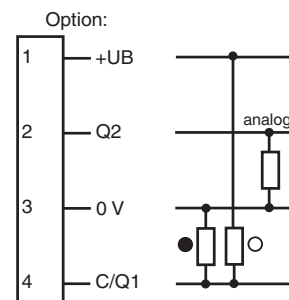
PACTware 4.X	Software
VDM28-IO-Link DTM	Device DTM for communication with VDM28-IO-Link sensors
IODD Interpreter	Software for the integration of IODDs in a frame application (e. g. PACTware)
IO-Link-Master01-USB	IO-Link Master
IO-Link-Master-USB DTM	Communication DTM for use of IO-Link-Master
OMH-05	Mounting aid for round steel ø 12 mm or sheet 1.5 mm ... 3 mm
OMH-07	Mounting aid for round steel ø 12 mm or sheet 1.5 mm ... 3 mm
OMH-21	Mounting bracket
OMH-22	Mounting bracket
OMH-RLK29	Mounting bracket
OMH-RLK29-HW	Mounting bracket for rear wall mounting
OMH-RL28-C	Protective cover
OMH-K01	dove tail mounting clamp
OMH-K03	dove tail mounting clamp
OMH-VDM28-01	Metal enclosure for inserting protective panes or apertures



Electrical Connection



VDM28-15-L-IO/73c/110/122



Wire colors in accordance with EN 60947-5-2

1	BN	(brown)
2	WH	(white)
3	BU	(blue)
4	BK	(black)



Properties

- Rectangular full-size housing
- Retroreflective distance measurement
- Pulse Ranging Technology (PRT)
- Long range
- Discrete and analog outputs with IO-Link
- Laser red light

Your Benefit

- Parallel measuring paths possible. No mutual interference.
- Safe measurement under difficult conditions, e.g. mist or dust
- Immunity to extraneous light

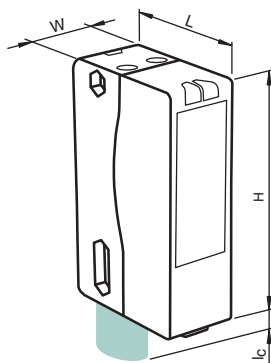
Further Products

In this series, we offer additionally:
VDM28-50-R-IO/73c/110/122

Tech. spec. like VDM28-50-R-IO/73c/110/122 but:
 Laser class: 1

VDM28-50-R/73c/136

Tech. spec. like VDM28-50-R-IO/73c/136 but:
 Interface: no IO-Link interface



Technical Data

For detailed data and product description refer to the data sheets at www.pepperl-fuchs.com

General Data

Measurement range	0.2 ... 50 m
Reference target	OFR-100/100
Light source	laser diode typ. service life 85,000 h at Ta = +25 °C
Light type	modulated visible red light
Laser class	2
Wave length	660 nm
Measuring method	Pulse Ranging Technology (PRT)
Diameter of the light spot	< 50 mm at a distance of 50 m at 20 °C
Absolute accuracy	± 25 mm
Repeat accuracy	< 5 mm
Operating voltage	10 ... 30 V DC / when operating in IO-Link mode: 18 ... 30 V
No-load supply current	≤ 70 mA / 24 V DC
Interface	
Interface type	IO-Link
Switching current	max. 100 mA
Switching frequency	50 Hz
Ambient temperature	-30 ... 50 °C (-22 ... 122 °F)
Material	
Housing	Plastic ABS
Optical face	Plastic pane
Protection degree	IP65
Connection	connector M12 x 1, 4-pin



Model Number

Signal output	Push-pull output, short-circuit protected, reverse polarity protected 2 Push-pull outputs, short-circuit protected, reverse polarity protection	●	●
Measurement output	1 analog output 4 ... 20 mA, short-circuit/overload protected	●	●

Approvals and Certificates

Protection class	II	●	●
UL approval	cULus Listed, Class 2 Power Source, Type 1 enclosure	●	●

Dimensions

Length L [mm]	54,3
Width W [mm]	25,8
Height H [mm]	88
Connector area l _c [mm]	14

Accessories

This and more accessories can be found in chapter 10
 See pages from 972 ... for cordsets See pages 1068 ... for mounting aids

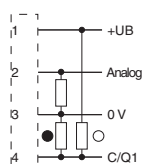
PACTware 4.X	Software
VDM28-IO-Link DTM	Device DTM for communication with VDM28-IO-Link sensors
IODD Interpreter	Software for the integration of IODDs in a frame application (e. g. PACTware)
IO-Link-Master01-USB	IO-Link Master
OMH-VDM28-01	Metal enclosure for inserting protective panes or apertures

Electrical Connection



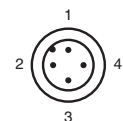
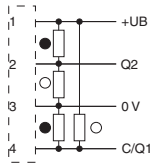
VDM28-50-R-IO/73c/110/122
 VDM28-50-R-IO/73c/110/122

Option /110/122



VDM28-50-R-IO/73c/136
 VDM28-50-R-IO/73c/136

Option /136



Wire colors in accordance with EN 60947-5-2

1	BN	(brown)
2	WH	(white)
3	BU	(blue)
4	BK	(black)

Date of issue: 2015-04-08



Technical Data

For detailed data and product description refer to the data sheets at www.pepperl-fuchs.com

Model Number	VDM70-10-L/87/122/160
Measurement range	0.5 ... 10 m by 90 % reflection (white)
Reference target	Kodak white (90%)
Light source	laser diode
Light type	modulated visible red light modulated infrared light
Laser class	Measurement laser: 1 Alignment laser: 2
Wave length	Measurement laser: 905 nm Alignment laser: 650 nm
Measuring method	Pulse Ranging Technology (PRT)
Linearity error	+/- 8 mm
Absolute accuracy	± 12 mm
Diameter of the light spot	3 mm x 10 mm at a distance of 4 m
Resolution	0.1 mm or 0.125 mm
Operating voltage	18 ... 30 V DC
No-load supply current	190 mA
Interface type	RS 422, SSI
Signal output	2 PNP, short-circuit protected, reverse polarity protected
Switching current	100 mA
Measurement output	1 analog output 4 ... 20 mA, short-circuit/overload protected
Other outputs	Service output, plausibility output, PNP, short-circuit protected 50 mA
Ambient temperature	-10 ... 50 °C (14 ... 122 °F)
Material	
Housing	ABS
Optical face	PMMA
Protection degree	IP67
Connection	12-pin M16 connector



Properties

- Rectangular full-size housing
- Diffuse distance measurement
- Pulse Ranging Technology (PRT)
- Medium range
- SSI interface with discrete and analog outputs
- Laser infrared light

Dimensions

Length L [mm]	95
Width W [mm]	42
Height H [mm]	93
Connector area l _c [mm]	9.5

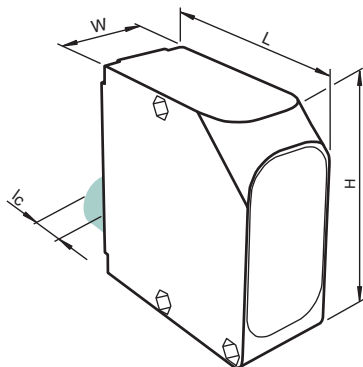
Accessories

This and more accessories can be found in chapter 10

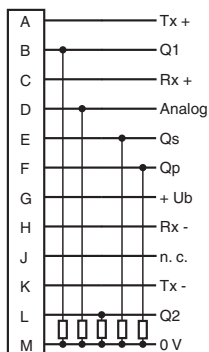
See pages from 972 ... for cordsets

See pages 1068 ... for mounting aids

OMH-VDM35-01	Adjustment set series VDM35
VDM35-AR	Alignment aid for VDM35 and VDM70 series
OMH-VDM35	Mounting bracket



Electrical Connection





Technical Data

For detailed data and product description refer to the data sheets at www.pepperl-fuchs.com

Model Number	VDM70-250-R/20/87/160
Measurement range	0.5 ... 250 m on reflector
Reference target	REF-VDM05
Light source	laser diode
Light type	modulated visible red light modulated infrared light
Laser class	Measurement laser: 1 Alignment laser: 2
Wave length	Measurement laser: 905 nm Alignment laser: 650 nm
Measuring method	Pulse Ranging Technology (PRT)
Linearity error	+/- 3 mm
Absolute accuracy	± 8 mm
Diameter of the light spot	20 mm x 20 mm at a distance of 10 m
Resolution	0.1 mm or 0.125 mm
Operating voltage	18 ... 30 V DC
No-load supply current	190 mA
Interface type	RS 422, SSI
Signal output	2 PNP, short-circuit protected, reverse polarity protected
Switching current	100 mA
Other outputs	Service output, plausibility output, PNP, short-circuit protected 50 mA
Ambient temperature	-10 ... 50 °C (14 ... 122 °F)
Material	
Housing	ABS
Optical face	PMMA
Protection degree	IP67
Connection	12-pin M16 connector



Properties

- Rectangular full-size housing
- Retroreflective distance measurement
- Pulse Ranging Technology (PRT)
- Extended range
- SSI interface and discrete outputs
- Laser infrared light

Dimensions

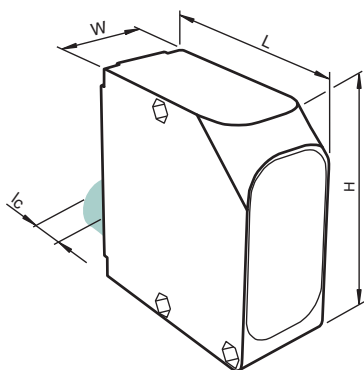
Length L [mm]	95
Width W [mm]	42
Height H [mm]	93
Connector area l _c [mm]	9.5

Accessories

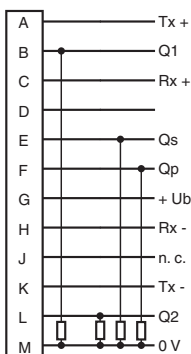
This and more accessories can be found in chapter 10

See pages from 972 ... for cordsets See pages 1068 ... for mounting aids

OMH-VDM35-01	Adjustment set series VDM35
VDM35-AR	Alignment aid for VDM35 and VDM70 series
OMH-VDM35	Mounting bracket



Electrical Connection



Date of issue: 2015-04-08



Technical Data

For detailed data and product description refer to the data sheets at www.pepperl-fuchs.com

General Data

Light source	laser diode
Alignment aid	Laserpointer
Laser class	Measurement laser: 1 Alignment laser: 2
Wave length	Measurement laser: 905 nm Alignment laser: 660 nm
Measuring method	Pulse Ranging Technology (PRT)
Max. Motion velocity	15 m/s
Resolution	0.1 mm , adjustable
Absolute accuracy	± 2.5 mm (> 3 m); ± 3.5 mm (0.3 m to 3 m)
Repeat accuracy	< 0.5 mm
Operating voltage	18 ... 30 V DC
No-load supply current	250 mA (18 V) ... 150 mA (30 V)
Interface type	SSI
Input/output type	2 PNP inputs/outputs, independent configuration, short-circuit protected, reverse polarity protection
Switching current	200 mA per output
Material	
Housing	ABS / PC
Optical face	PMMA , hard coated
Protection degree	IP65
Connection	4-pin, M12x1 connector, standard (supply) , 5-pin, M12 x 1 connector, B-coded (SSI) , 8-pin M12x1 connector, service

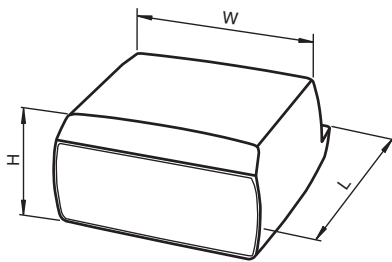


Properties

- Rectangular full-size housing
- Retroreflective distance measurement
- Pulse Ranging Technology (PRT)
- Extended range
- SSI interface
- Laser infrared light

Your Benefit

- Accurate positioning over the whole operating range
- Eyesafe, due to laser class 1 in measurement operation
- Easy installation due to quick clamp mounting
- Usable in highly dynamic control loops



Model Number

green = preferred type

Measurement range	0.3 ... 50 m	●	●		●	●
	0.3 ... 150 m			●	●	
	0.3 ... 300 m					●
Reference target	Foil reflector 500 mm x 500 mm	●	●	●	●	
	Reflector VDM01					●
Diameter of the light spot	< 15 cm at 50 m	●	●			
	< 35 cm at 150 m			●	●	
	< 70 cm at 300 m					●
Ambient temperature	-10 ... 50 °C (14 ... 122 °F)	●		●		●
	-30 ... 50 °C (-22 ... 122 °F) , For use in dry cold		●		●	

Approvals and Certificates

UL approval	cULus Listed	●	●	●	●	●
-------------	--------------	---	---	---	---	---

Dimensions

Length L [mm]	170
Width W [mm]	140
Height H [mm]	90

Accessories

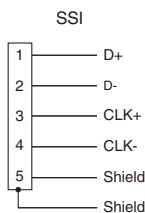
This and more accessories can be found in chapter 10

See pages from 972 ... for cordsets

See pages 1068 ... for mounting aids

OMH-LS610-05	Mounting bracket for optical data coupler and distance measurement devices
V15-G-15M-LIHCH-TP	SSI bus cable, B-coded M12, 5-pin cable
OMH-VDM100-01	Mounting bracket with deviation mirror for distance measurement devices
OMH-LS610-01	Mounting bracket for optical data coupler
OMH-LS610-02	Direct mounting set consisting of 4 x M4 threaded inserts

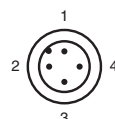
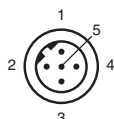
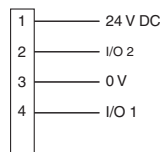
Electrical Connection



Service



Power





Technical Data

For detailed data and product description refer to the data sheets at www.pepperl-fuchs.com

General Data

Light source	laser diode
Alignment aid	Laserpointer
Laser class	Measurement laser: 1 Alignment laser: 2
Wave length	Measurement laser: 905 nm Alignment laser: 660 nm
Measuring method	Pulse Ranging Technology (PRT)
Max. Motion velocity	15 m/s
Absolute accuracy	± 2.5 mm (> 3 m); ± 3.5 mm (0.3 m to 3 m)
Repeat accuracy	< 0.5 mm
Operating voltage	18 ... 30 V DC
No-load supply current	250 mA (18 V) ... 150 mA (30 V)
Interface type	PROFIBUS DP acc. to EN 50170
Transfer rate	9.6 kbit/s ... 12 Mbit/s , adjustable
Input/output type	2 PNP inputs/outputs, independent configuration, short-circuit protected, reverse polarity protection
Switching current	200 mA per output
Material	
Housing	ABS / PC
Optical face	PMMA , hard coated
Protection degree	IP65
Connection	4-pin, M12x1 connector, standard (supply) , 5-pin, M12x1 connector, B-coded (Bus In) , M12x1 socket, 5-pin, B-coded (Bus Out) , 8-pin M12x1 connector, service

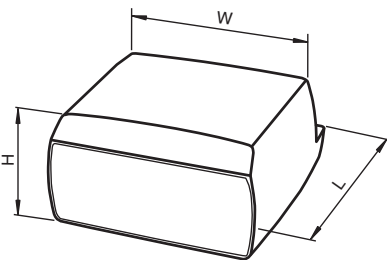


Properties

- Rectangular full-size housing
- Retroreflective distance measurement
- Pulse Ranging Technology (PRT)
- Extended range
- PROFIBUS interface
- Laser infrared light

Your Benefit

- Accurate positioning over the whole operating range
- Eyesafe, due to laser class 1 in measurement operation
- Easy installation due to quick clamp mounting
- Usable in highly dynamic control loops



Model Number

	green = preferred type				
Measurement range	0.3 ... 50 m	●	●		
	0.3 ... 150 m			●	●
	0.3 ... 300 m				●
Reference target	Foil reflector 500 mm x 500 mm	●	●	●	●
	Reflector VDM01				●
Diameter of the light spot	< 15 cm at 50 m	●	●		
	< 35 cm at 150 m			●	●
	< 70 cm at 300 m				●
Ambient temperature	-10 ... 50 °C (14 ... 122 °F)	●		●	●
	-30 ... 50 °C (-22 ... 122 °F) , For use in dry cold		●		●

Approvals and Certificates

UL approval	cULus Listed	●	●	●	●	●
-------------	--------------	---	---	---	---	---

Dimensions

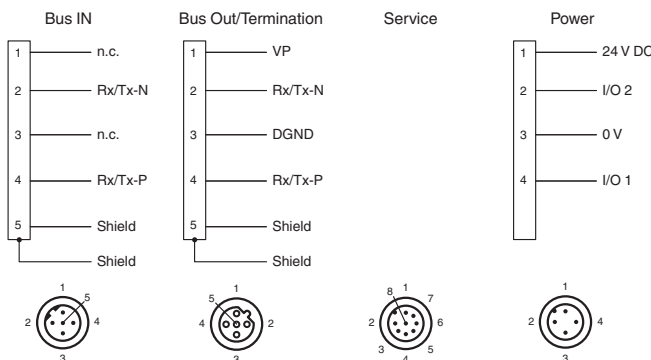
Length L [mm]	170
Width W [mm]	140
Height H [mm]	90

Accessories

This and more accessories can be found in chapter 10
See pages from 972 ... for cordsets See pages 1068 ... for mounting aids

OMH-LS610-05	Mounting bracket for optical data coupler and distance measurement devices
ICZ-TR-V15B	Terminal resistor for PROFIBUS
OMH-VDM100-01	Mounting bracket with deviation mirror for distance measurement devices
OMH-LS610-01	Mounting bracket for optical data coupler
OMH-LS610-02	Direct mounting set consisting of 4 x M4 threaded inserts

Electrical Connection



Date of issue: 2015-04-08



Technical Data

For detailed data and product description refer to the data sheets at www.pepperl-fuchs.com

General Data

Measuring range	max. 314.5 m
Resolution	± 0.4 mm (1,250 positions/m)
Passage speed	≤ 12.5 m/s
Free tolerances to code rail	horizontal: 31 mm (± 15.5 mm) vertical: 28 mm (± 14 mm)
Operating voltage	10 ... 30 V DC
Power consumption	2 VA with Option H, heating: 11 VA at 24 V DC
Operating display	LED green: power on
Data flow display	LED yellow: data communication active
Velocity indication	LED yellow (only with Option S, speed output) off, if speed limit is exceeded (instead of data flow display)
Error display	LED red flashing: read head outside of code rail solid on: internal diagnostic test failed
Display	Display module, 6-digit (only with option D, display) adaptable to installation position
Interface type	RS 485 interface
Data output code	binary code
Transfer rate	Baud rate 19.2 kBit/s ... 187.5 kBit/s (to be specified with order)
Output velocity	switch output , short-circuit protected (only with Option S, speed output)
Operating temperature	0 ... 60 °C (32 ... 140 °F) with Option H, heating: -40 ... 60 °C (-40 ... 140 °F)
Housing	ABS , PC (Polycarbonate)
Protection degree	IP54
Connection type	M12 x 1 connector, 5-pin



Properties

- Barcode technology
- Positioning up to 314.5 m
- RS 485 interface
- U-shape rectangular plastic housing

Your Benefit

- Simple assembly
- Maintenance-free
- No wearing parts
- Long operating life
- Mechanically rugged

Model Number

	green = preferred type		
Termination	with RS 485 termination	●	●
	without RS 485 termination	●	●

Approvals and Certificates

CSA approval	cCSAus Certified, General Purpose Class 2 power source	●	●
CCC approval	Products with a maximum operating voltage of ≤36 V do not bear a CCC marking because they do not require approval.		●

Dimensions

Length L [mm]	115
Width W [mm]	90
Height H [mm]	99
Slot width G [mm]	31

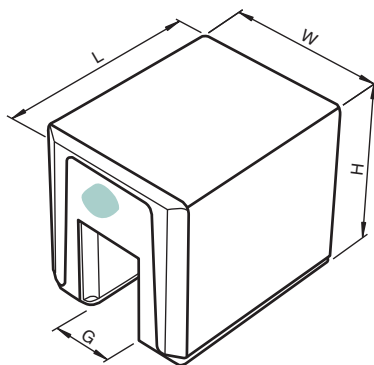
Accessories

This and more accessories can be found in chapter 10

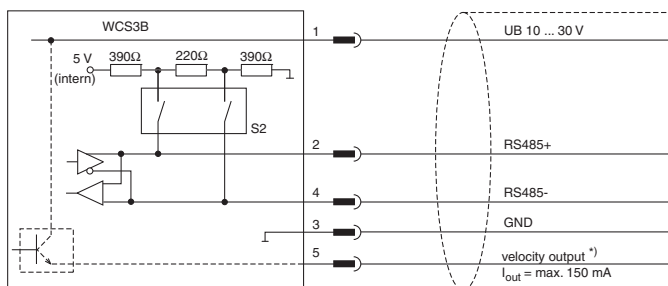
See pages from 972 ... for cordsets

See pages 1068 ... for mounting aids

WCS-MP1	Mounting plate for reading heads WCS2 and WCS3
---------	--

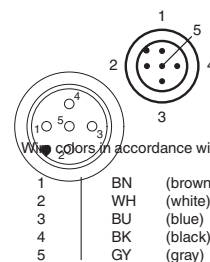


Electrical Connection



WCS3B-LS2... S2 = ON
WCS3B-LS1... S2 = OFF

¹⁾ only with option S, velocity output



- 1 BN (brown)
- 2 WH (white)
- 3 BU (blue)
- 4 BK (black)
- 5 GY (gray)



Properties

- Barcode technology
- Positioning up to 314.5 m
- SSI interface
- U-shape rectangular plastic housing

Your Benefit

- Simple assembly
- Maintenance-free
- No wearing parts
- Long operating life
- Mechanically rugged

Technical Data

For detailed data and product description refer to the data sheets at www.pepperl-fuchs.com

General Data

Measuring range	max. 314.5 m
Resolution	± 0.4 mm (1,250 positions/m)
Passage speed	≤ 12.5 m/s
Free tolerances to code rail	horizontal: 31 mm (± 15.5 mm) vertical: 28 mm (± 14 mm)
Operating voltage	10 ... 30 V DC
Power consumption	2 VA
Operating display	LED green: power on
Data flow display	LED yellow: data communication active
Error display	LED red flashing: read head outside of code rail solid on: internal diagnostic test failed
Interface type	SSI interface
Clock frequency	100 ... 1000 kHz
Operating temperature	0 ... 60 °C (32 ... 140 °F)
Housing	ABS , PC (Polycarbonate)
Protection degree	IP54
Connection type	8-pin, M12 x 1 connector



Model Number

Velocity indication	green = preferred type LED yellow (only with Option S, speed output) off, if speed limit is exceeded (instead of data flow display)	WCS3B-LS310	WCS3B-LS311
Data output code	binary code , 25 bit Gray code , 25 bit	●	●

Approvals and Certificates

CSA approval	cCSAus Certified, General Purpose Class 2 power source	●	●
CCC approval	Products with a maximum operating voltage of ≤36 V do not bear a CCC marking because they do not require approval.		

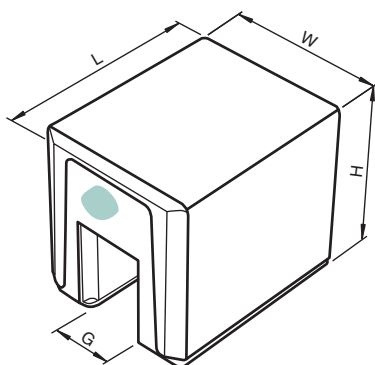
Dimensions

Length L [mm]	115
Width W [mm]	90
Height H [mm]	99
Slot width G [mm]	31

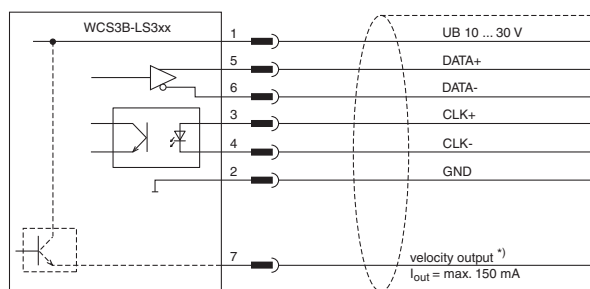
Accessories

This and more accessories can be found in chapter 10
See pages from 972 ... for cordsets See pages 1068 ... for mounting aids

WCS-MP1 Mounting plate for reading heads WCS2 and WCS3



Electrical Connection



1	WH	(white)
2	BN	(brown)
3	GN	(green)
4	YE	(yellow)
5	GY	(gray)
6	PK	(pink)
7	BU	(blue)
8	RD	(red)

^{*)} only with option S, velocity output

Date of issue: 04/08/2015



Technical Data

For detailed data and product description refer to the data sheets at www.pepperl-fuchs.com

Model Number	WCS3B-LS410
Measuring range	max. 314.5 m
Resolution	± 0.4 mm (1,250 positions/m)
Passage speed	≤ 12.5 m/s
Free tolerances to code rail	horizontal: 31 mm (± 15.5 mm) vertical: 28 mm (± 14 mm)
Operating voltage	10 ... 30 V DC
Power consumption	2 VA
Operating display	LED green: power on
Data flow display	LED yellow: data communication active
Error display	LED red flashing: read head outside of code rail solid on: internal diagnostic test failed
Interface type	CANopen , galvanically isolated
Data output code	binary code
Transfer rate	max. 1 MBit/s
Termination	switchable
Operating temperature	0 ... 60 °C (32 ... 140 °F)
Housing	ABS , PC (Polycarbonate)
Protection degree	IP54
Connection type	M12 x 1 connector, 5-pin



Properties

- Barcode technology
- Positioning up to 314.5 m
- CANopen interface
- U-shape rectangular plastic housing

Your Benefit

- Simple assembly
- Maintenance-free
- No wearing parts
- Long operating life
- Mechanically rugged

Approvals and Certificates

CSA approval	cCSAus Certified, General Purpose Class 2 power source
CCC approval	Products with a maximum operating voltage of ≤36 V do not bear a CCC marking because they do not require approval.

Dimensions

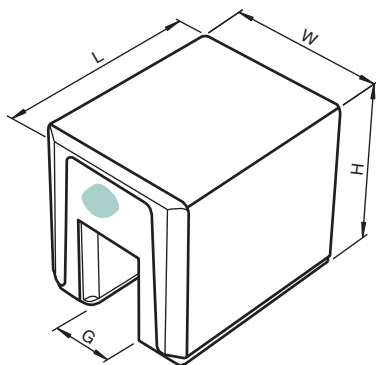
Length L [mm]	115
Width W [mm]	90
Height H [mm]	99
Slot width G [mm]	31

Accessories

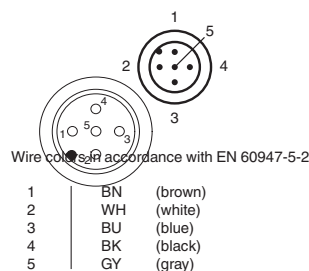
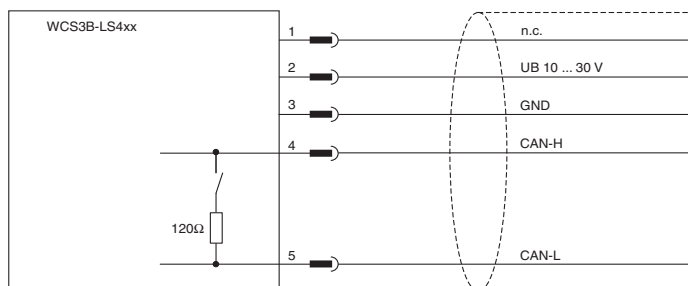
This and more accessories can be found in chapter 10
See pages from 972 ... for cordsets See pages 1068 ... for mounting aids

WCS-MP1

Mounting plate for reading heads WCS2 and WCS3



Electrical Connection





Technical Data

For detailed data and product description refer to the data sheets at www.pepperl-fuchs.com

General Data

Measuring range	max. 327 m
Resolution	± 0.42 mm (1,200 positions/m)
Passage speed	≤ 12.5 m/s
Free tolerances to code rail	horizontal: 10 mm (± 5 mm) vertical: 10 mm (± 5 mm)
Operating voltage	10 ... 30 V DC
Power consumption	2 VA with Option H, heating: 9 VA at 24 V DC
Interface type	RS 485 interface
Data output code	binary code
Transfer rate	Baud rate 19.2 kBit/s ... 187.5 kBit/s (to be specified with order)
Operating temperature	0 ... 60 °C (32 ... 140 °F) with Option H, heating: -40 ... 60 °C (-40 ... 140 °F)
Housing	ABS , Polycarbonate , Polyamide (PA)
Protection degree	IP54
Connection type	M12 x 1 connector, 5-pin



Properties

- Barcode technology
- Positioning up to 327 m
- RS 485 interface
- U-shape rectangular plastic housing

Your Benefit

- Simple assembly
- Maintenance-free
- No wearing parts
- Long operating life
- Mechanically rugged

Model Number

Termination	green = preferred type with RS 485 termination without RS 485 termination	WCS2B-LS1**	WCS2B-LS2**
-------------	---	-------------	-------------

Approvals and Certificates

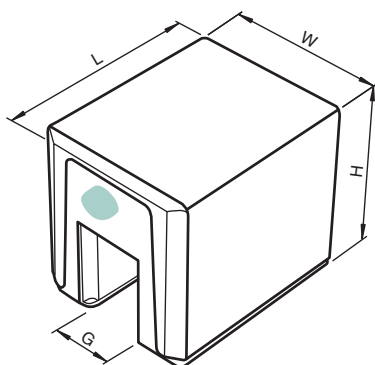
CSA approval	cCSAus Certified, General Purpose Class 2 power source	●	●
CCC approval	Products with a maximum operating voltage of ≤36 V do not bear a CCC marking because they do not require approval.		

Dimensions

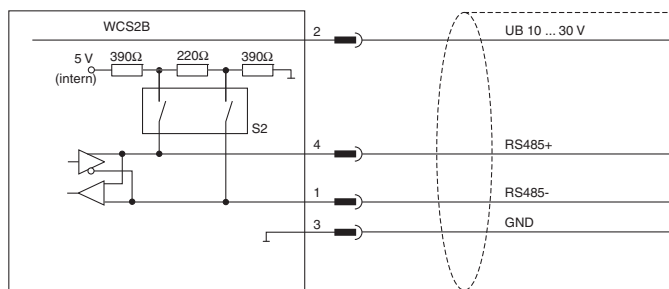
Length L [mm]	115
Width W [mm]	75
Height H [mm]	75
Slot width G [mm]	10

Accessories This and more accessories can be found in chapter 10
See pages from 972 ... for cordsets See pages 1068 ... for mounting aids

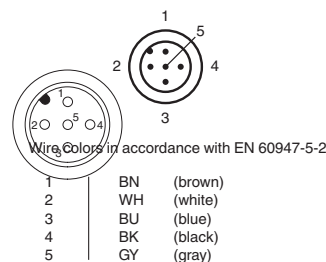
WCS-MP1	Mounting plate for reading heads WCS2 and WCS3
---------	--



Electrical Connection



WCS2B-LS2... S2 = ON
WCS2B-LS1... S2 = OFF



Date of issue: 04/08/2015



Technical Data

For detailed data and product description refer to the data sheets at www.pepperl-fuchs.com

General Data

Measuring range	max. 327 m
Resolution	± 0.42 mm (1,200 positions/m)
Passage speed	≤ 12.5 m/s
Free tolerances to code rail	horizontal: 10 mm (± 5 mm) vertical: 10 mm (± 5 mm)
Operating voltage	10 ... 30 V DC
Power consumption	2 VA with Option H, heating: 9 VA at 24 V DC
Interface type	SSI interface
Clock frequency	100 ... 1000 kHz
Operating temperature	0 ... 60 °C (32 ... 140 °F) with Option H, heating: -40 ... 60 °C (-40 ... 140 °F)
Housing	ABS , Polycarbonate , Polyamide (PA)
Protection degree	IP54
Connection type	8-pin, M12 x 1 connector



Properties

- Barcode technology
- Positioning up to 327 m
- SSI interface
- U-shape rectangular plastic housing

Your Benefit

- Simple assembly
- Maintenance-free
- No wearing parts
- Long operating life
- Mechanically rugged

Model Number

	green = preferred type		
Data output code	binary code , 25 bit	●	
	Gray code , 25 bit		●

Approvals and Certificates

CSA approval	cCSAus Certified, General Purpose Class 2 power source	●	●
CCC approval	Products with a maximum operating voltage of ≤36 V do not bear a CCC marking because they do not require approval.		

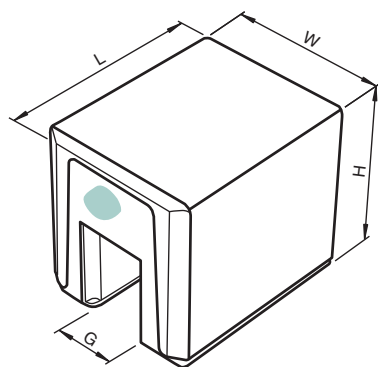
Dimensions

Length L [mm]	115
Width W [mm]	75
Height H [mm]	75
Slot width G [mm]	10

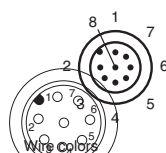
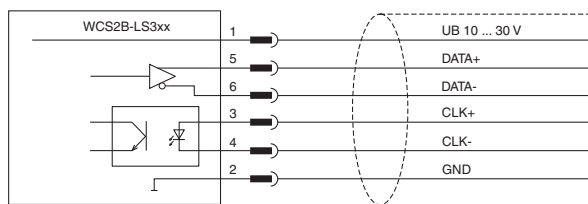
Accessories

This and more accessories can be found in chapter 10
See pages from 972 ... for cordsets See pages 1068 ... for mounting aids

WCS-MP1	Mounting plate for reading heads WCS2 and WCS3
---------	--

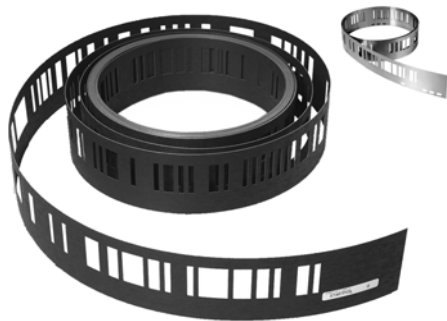


Electrical Connection



Pin	Color	Label
1	WH	(white)
2	BN	(brown)
3	GN	(green)
4	YE	(yellow)
5	GY	(gray)
6	PK	(pink)
7	BU	(blue)
8	RD	(red)

Date of issue: 04/08/2015



Technical Data

For detailed data and product description refer to the data sheets at www.pepperl-fuchs.com

General Data

Length	0.1 ... 314.5 m
Radius of bend	≥ 300 mm

Model Number

		WCS3-CS70-L0	WCS3-CS70-L1	WCS3-CS70-L2	WCS3-CS70-M1
Operating temperature	green = preferred type				
	-40 ... 100 °C (-40 ... 212 °F)	●	●	●	●
Storage temperature	-40 ... 60 °C (-40 ... 140 °F)	●	●	●	
	-40 ... 60 °C (-40 ... 140 °F)	●	●	●	
Installation temperature	10 ... 60 °C (50 ... 140 °F)	●	●	●	
	10 ... 60 °C (50 ... 140 °F)	●	●	●	
Material thickness	0.5 mm				●
	0.7 mm	●	●	●	
Tension loading	≤ 260 N	●	●	●	
	≤ 5000 N				●
Material	stainless steel 1.4310 / AISI 301				●
	polyester laminate	●	●	●	
Thermal expansion coefficient	approx. 2.8 x 10 ⁻⁵ / K	●	●	●	
	1.6 x 10 ⁻⁵ / K				●
Mass	240 g / m				●
	40 g / m	●	●	●	
Ordering information	WCS3-CS70-L0: without mounting holes				
	WCS3-CS70-L1: with standard mounting holes	●	●	●	
	WCS3-CS70-L2: with Vahle VKS mounting holes	●	●	●	

Properties

- Code rail for WCS3 system
- Positioning length up to 314.5 m
- Polyester laminate and stainless steel versions

Accessories

This and more accessories can be found in chapter 10

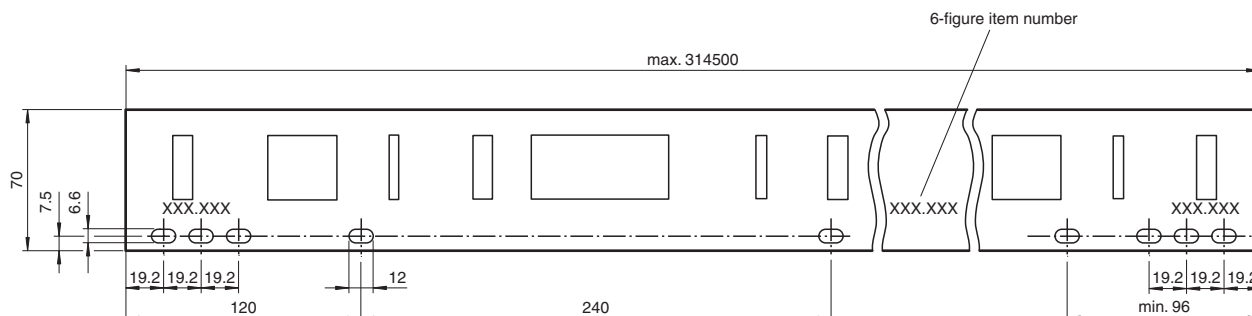
See pages from 972 ... for cordsets

See pages 1068 ... for mounting aids

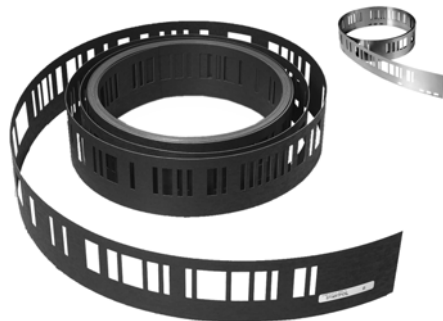
WCS-MT1

Tensioning device for stainless steel code rail

Dimensions



Date of issue: 2015-04-08



Technical Data

For detailed data and product description refer to the data sheets at www.pepperl-fuchs.com

General Data

Code rail height	a = 55 mm
Length	0.1 ... 327 m
Radius of bend	≥ 500 mm

Model Number

		WCS2-CS55-L1	WCS2-CS55-M1
Operating temperature	green = preferred type		
	-40 ... 100 °C (-40 ... 212 °F)	●	●
Storage temperature	-40 ... 60 °C (-40 ... 140 °F)	●	
	-40 ... 60 °C (-40 ... 140 °F)	●	
Installation temperature	10 ... 60 °C (50 ... 140 °F)	●	
Material thickness	0.5 mm		●
	0.7 mm	●	
Tension loading	≤ 230 N	●	
	≤ 4500 N		●
Material	stainless steel 1.4310 / AISI 301		●
	polyester laminate	●	
Thermal expansion coefficient	approx. 2.8 x 10 ⁻⁵ / K	●	
Mass	1.6 x 10 ⁻⁵ / K		●
	175 g / m		●
	30 g / m	●	

Properties

- Code rail for WCS2 system
- Positioning length up to 327 m
- Polyester laminate and stainless steel versions

Accessories

This and more accessories can be found in chapter 10

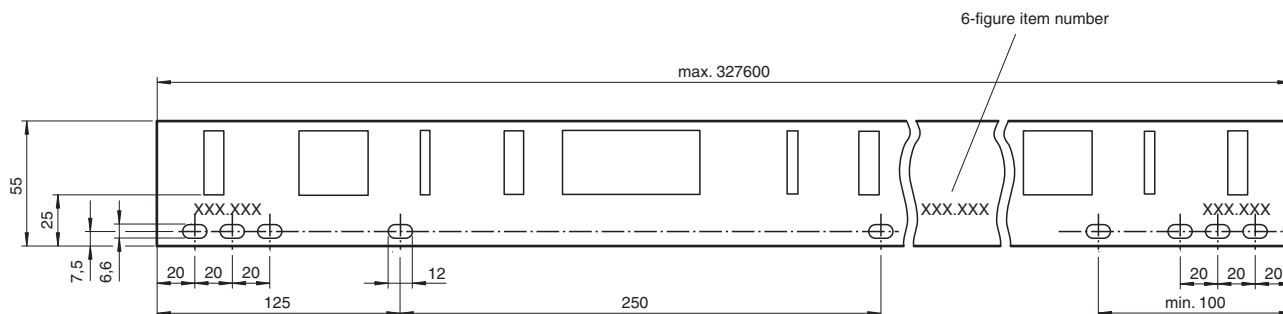
See pages from 972 ... for cordsets

See pages 1068 ... for mounting aids

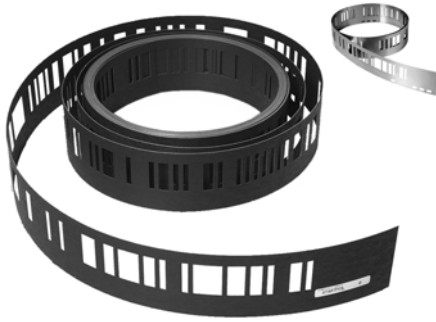
WCS-MT1

Tensioning device for stainless steel code rail

Dimensions



Date of issue: 2015-04-08



Technical Data

For detailed data and product description refer to the data sheets at www.pepperl-fuchs.com

General Data

Code rail height	a = 70 mm
Length	0.1 ... 327 m
Radius of bend	≥ 500 mm

Model Number

		WCS2-CS70-L1	WCS2-CS70-M1
Operating temperature	-40 ... 100 °C (-40 ... 212 °F)		●
	-40 ... 60 °C (-40 ... 140 °F)	●	
Storage temperature	-40 ... 60 °C (-40 ... 140 °F)	●	
	-40 ... 60 °C (-40 ... 140 °F)	●	
Installation temperature	10 ... 60 °C (50 ... 140 °F)	●	
	10 ... 60 °C (50 ... 140 °F)	●	
Material thickness	0.5 mm		●
	0.7 mm	●	
Tension loading	≤ 340 N	●	
	≤ 6500 N		●
Material	stainless steel 1.4310 / AISI 301		●
	polyester laminate	●	
Thermal expansion coefficient	approx. 2.8 x 10 ⁻⁵ / K	●	
	1.6 x 10 ⁻⁵ / K		●
Mass	240 g / m		●
	40 g / m	●	

Properties

- Code rail for WCS2 system
- Positioning length up to 327 m
- Polyester laminate and stainless steel versions

Accessories

This and more accessories can be found in chapter 10

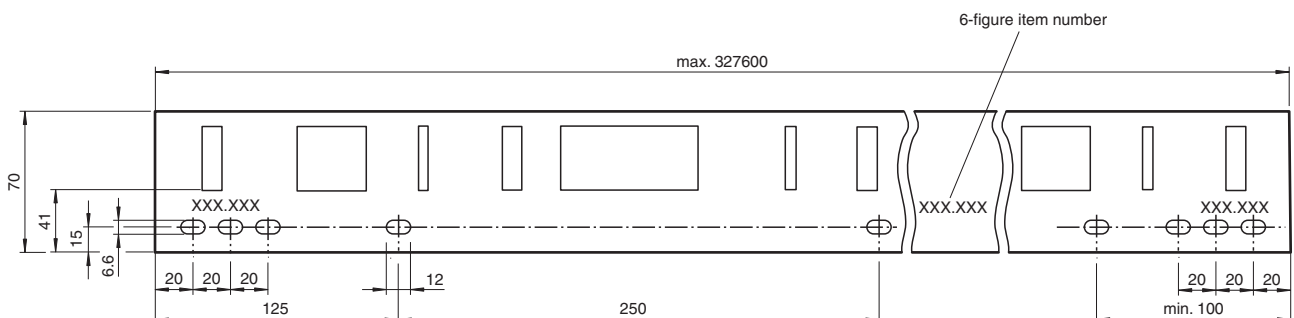
See pages from 972 ... for cordsets

See pages 1068 ... for mounting aids

WCS-MT1

Tensioning device for stainless steel code rail

Dimensions



Date of issue: 2015-04-08



Properties

- RS 485 to PROFINET interface
- Connection of up to 4 read heads
- DIN rail mounting

Technical Data

For detailed data and product description refer to the data sheets at www.pepperl-fuchs.com

Model Number	WCS-PNG210
Operating voltage	24 V DC ± 10 %
Power consumption	≤ 3.6 W (without read heads)
Number of channels	2
Interface 1	
Interface type	more information, see table below
Connection of control system	Ethernet; 100 BASE-TX
Protocol	PROFINET
Transfer rate	100 MBit/s
Data output format	binary code
Interface 2	
Connection of Reading head	WCS-LS221 , WCS-LS121
Connectable read heads	WCS-LS221 , WCS-LS121
Interface type	RS 485
Transmission method	half duplex
Transfer rate	62.5 kBit/s
RS485 termination resistor	switchable
Refresh cycle of read head	1 ms
Operating temperature	0 ... 45 °C (32 ... 113 °F) , no moisture condensation
Protection degree	IP20
Connection type	Interface 1: RJ-45 socket, 8-pin Interface 2: terminal connection ≤ 2.5 mm ² , 5-pin

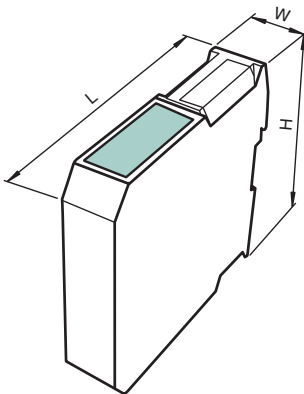


Approvals and Certificates

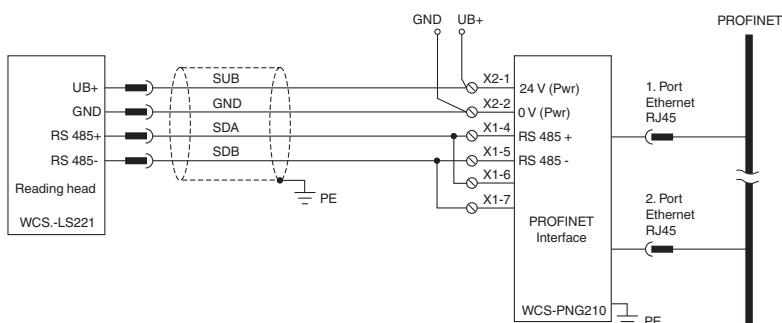
CCC approval	Products with a maximum operating voltage of ≤36 V do not bear a CCC marking because they do not require approval.
--------------	--

Dimensions

Length L [mm]	117
Width W [mm]	23
Height H [mm]	100



Electrical Connection



Date of issue: 08.04.2015



Properties

- RS 485 to Ethernet/IP interface
- Connection of up to 4 read heads
- DIN rail mounting

Technical Data

For detailed data and product description refer to the data sheets at www.pepperl-fuchs.com

Model Number	WCS-EIG310
Operating voltage	10 ... 30 V DC
Power consumption	≤ 3.6 W (without read heads)
Number of channels	2
Interface 1	
Connection of	control system
Interface type	Ethernet
Protocol	Ethernet/IP
Transfer rate	10 MBit/s or 100 MBit/s
Data output format	Ethernet 10/100 BASE-TX
Interface 2	
Connection of	Reading head
Connectable read heads	WCS-LS221 , WCS-LS121
Interface type	RS 485
Transmission method	half duplex
Transfer rate	62.5 kBit/s
RS485 termination resistor	switchable
Refresh cycle of read head	1 ms
Operating temperature	0 ... 55 °C (32 ... 131 °F) , no moisture condensation
Protection degree	IP20
Connection type	Interface 1: RJ-45 socket, 8-pin Interface 2: terminal connection ≤ 2.5 mm ² , 5-pin

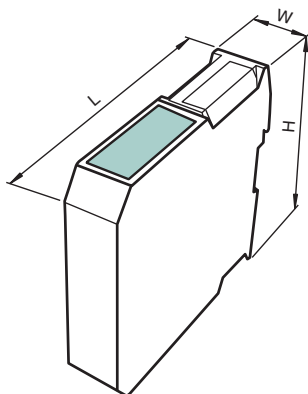


Approvals and Certificates

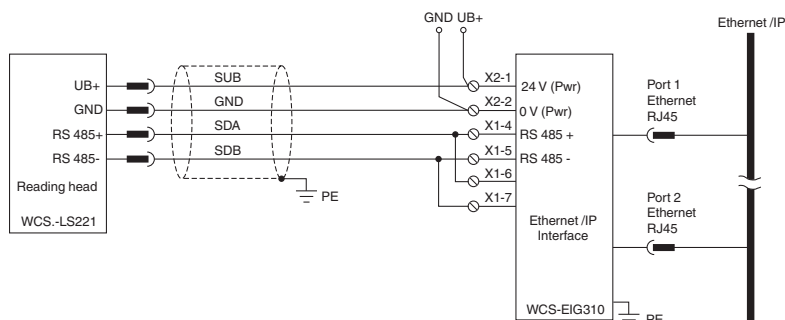
CCC approval	Products with a maximum operating voltage of ≤36 V do not bear a CCC marking because they do not require approval.
--------------	--

Dimensions

Length L [mm]	117
Width W [mm]	23
Height H [mm]	100



Electrical Connection



Date of issue: 08.04.2015



Properties

- RS 485 to MODBUS-RTU interface
- Connection of up to 4 read heads
- DIN rail mounting

Technical Data

For detailed data and product description refer to the data sheets at www.pepperl-fuchs.com

Model Number	WCS-MBG110
Operating voltage	24 V DC ± 20 %
Power consumption	≤ 3.6 W (without read heads)
Interface 1	
Connection of	control system
Interface type	RS 422
Protocol	MODBUS RTU (Remote Terminal Unit)
Transfer rate	19.2 kBit/s or 38.4 kBit/s
Data output format	binary code
Bus termination resistor	switchable
Interface 2	
Connection of	Reading head
Connectable read heads	WCS-LS221 , WCS-LS121
Interface type	RS 485
Transmission method	half duplex
Transfer rate	62.5 kBit/s
RS485 termination resistor	switchable
Refresh cycle of read head	2 ms
Operating temperature	-20 ... 55 °C (-4 ... 131 °F) , no moisture condensation
Protection degree	IP20
Connection type	Interface 1: terminal connection ≤ 2.5 mm ² Interface 2: terminal connection ≤ 2.5 mm ²

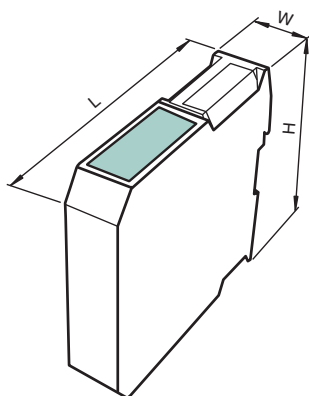


Approvals and Certificates

CCC approval Products with a maximum operating voltage of ≤36 V do not bear a CCC marking because they do not require approval.

Dimensions

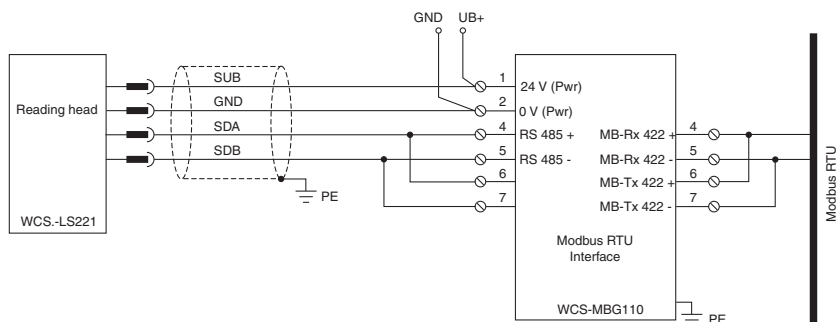
Length L [mm]	117
Width W [mm]	23
Height H [mm]	100



Electrical Connection



WCS-MBG110



Date of issue: 08.04.2015



Properties

- RS 485 to INTERBUS-S interface
- Connection of up to 4 read heads
- DIN rail mounting

Technical Data

For detailed data and product description refer to the data sheets at www.pepperl-fuchs.com

Model Number	WCS-IG110
Operating voltage	24 V DC ± 20 %
Power consumption	≤ 3.6 W (without read heads)
Interface 1	
Connection of	control system
Interface type	INTERBUS-S
Transfer rate	500 kBit/s / 2 MBit/s , configurable
Data output format	binary code / Gray code , switchable
Bus termination resistor	switchable
Interface 2	
Connection of	Reading head
Connectable read heads	WCS-LS221 , WCS-LS121
Interface type	RS 485
Transmission method	half duplex
Transfer rate	62.5 kBit/s
RS485 termination resistor	switchable
Refresh cycle of read head	1 ms
Operating temperature	0 ... 45 °C (32 ... 113 °F) , no moisture condensation
Protection degree	IP24
Connection type	Interface 1: 9-pin Sub-D connector and 9-pin Sub-D socket Interface 2: terminal connection ≤ 2.5 mm ² , 5-pin

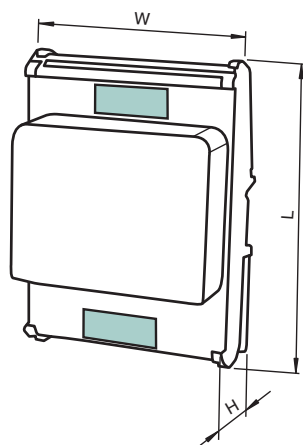


Approvals and Certificates

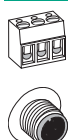
CCC approval	Products with a maximum operating voltage of ≤36 V do not bear a CCC marking because they do not require approval.
--------------	--

Dimensions

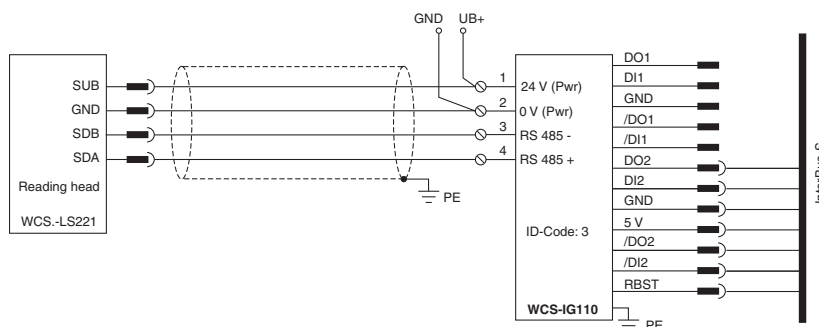
Length L [mm]	127
Width W [mm]	90
Height H [mm]	64.5



Electrical Connection



WCS-IG110



Date of issue: 08.04.2015



Properties

- RS 485 to CANopen interface
- Connection of up to 4 read heads
- DIN rail mounting

Technical Data

For detailed data and product description refer to the data sheets at www.pepperl-fuchs.com

Model Number	WCS-CG210
Operating voltage	24 V DC ± 20 %
Power consumption	≤ 3.6 W (without read heads)
Interface 1	
Connection of	control system
Interface type	CANopen
Transfer rate	max. 1 MBit/s
Data output format	binary code
Bus termination resistor	switchable
Interface 2	
Connection of	Reading head
Connectable read heads	WCS-LS221 , WCS-LS121
Interface type	RS 485
Transmission method	half duplex
Transfer rate	62.5 kBit/s
RS485 termination resistor	switchable
Refresh cycle of read head	1 ms
Operating temperature	0 ... 45 °C (32 ... 113 °F) , no moisture condensation
Protection degree	IP24
Connection type	Interface 1: 9-pin Sub-D connector Interface 2: terminal connection ≤ 2.5 mm ² , 5-pin

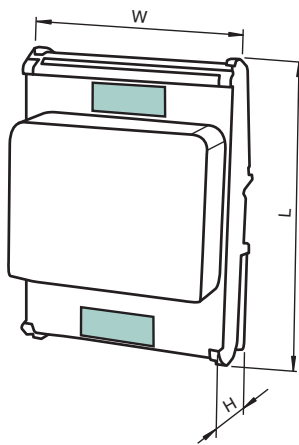


Approvals and Certificates

CCC approval	Products with a maximum operating voltage of ≤36 V do not bear a CCC marking because they do not require approval.
--------------	--

Dimensions

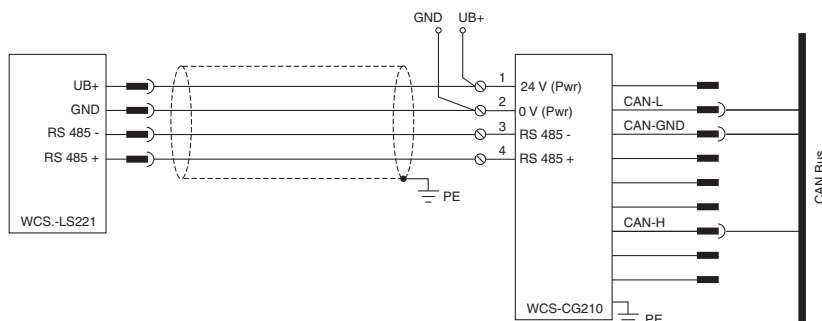
Length L [mm]	127
Width W [mm]	90
Height H [mm]	52.5



Electrical Connection



WCS-CG210



Date of issue: 08.04.2015

Positioning Systems, Position Encoding System WCS



Properties

- RS 485 to DeviceNet interface
- Connection of up to 4 read heads
- DIN rail mounting

Technical Data

For detailed data and product description refer to the data sheets at www.pepperl-fuchs.com

Model Number	WCS-DG210
Operating voltage	24 V DC ± 20 %
Power consumption	≤ 3.6 W (without read heads)
Interface 1	
Connection of	control system
Interface type	DeviceNet
Transfer rate	max. 500 kBit/s
Data output format	binary code
Bus termination resistor	switchable
Interface 2	
Connection of	Reading head
Connectable read heads	WCS-LS221 , WCS-LS121
Interface type	RS 485
Transmission method	half duplex
Transfer rate	62.5 kBit/s
RS485 termination resistor	switchable
Refresh cycle of read head	1 ms
Operating temperature	0 ... 45 °C (32 ... 113 °F) , no moisture condensation
Protection degree	IP24
Connection type	Interface 1: terminal connection ≤ 2.5 mm ² , 5-pin Interface 2: terminal connection ≤ 2.5 mm ² , 5-pin

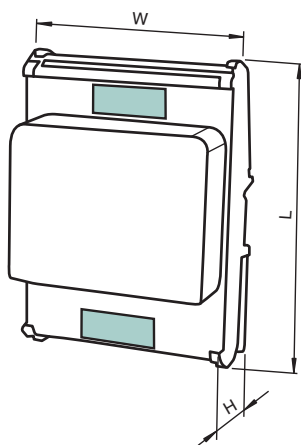


Approvals and Certificates

CCC approval	Products with a maximum operating voltage of ≤36 V do not bear a CCC marking because they do not require approval.
--------------	--

Dimensions

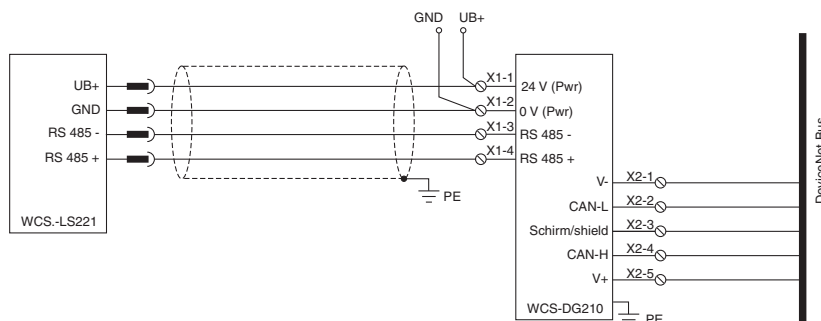
Length L [mm]	127
Width W [mm]	90
Height H [mm]	63.5



Electrical Connection



WCS-DG210



Date of issue: 08.04.2015



Properties

- RS 485 to Profibus interface
- Connection of up to 4 read heads
- DIN rail mounting

Technical Data

For detailed data and product description refer to the data sheets at www.pepperl-fuchs.com

Model Number	WCS-PG110
Operating voltage	24 V DC ± 20 %
Power consumption	≤ 3.6 W (without read heads)
Interface 1	
Connection of	control system
Interface type	PROFIBUS DP
Transfer rate	max. 12 MBit/s , Automatic baud rate detection
Data output format	binary code
Bus termination resistor	switchable
Interface 2	
Connection of	Reading head
Connectable read heads	WCS-LS221 , WCS-LS121 , WCS-LS246 , WCS-LS146
Interface type	RS 485
Transmission method	half duplex
Transfer rate	19.2 kBit/s or 62.5 kBit/s
RS485 termination resistor	switchable
Refresh cycle of read head	1 ms
Operating temperature	0 ... 45 °C (32 ... 113 °F) , no moisture condensation
Protection degree	IP24
Connection type	Interface 1: 9-pin Sub-D connector Interface 2: terminal connection ≤ 2.5 mm ² , 5-pin

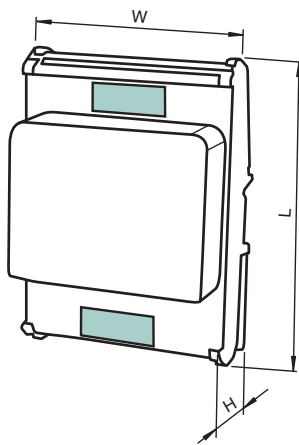


Approvals and Certificates

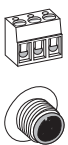
CCC approval	Products with a maximum operating voltage of ≤36 V do not bear a CCC marking because they do not require approval.
--------------	--

Dimensions

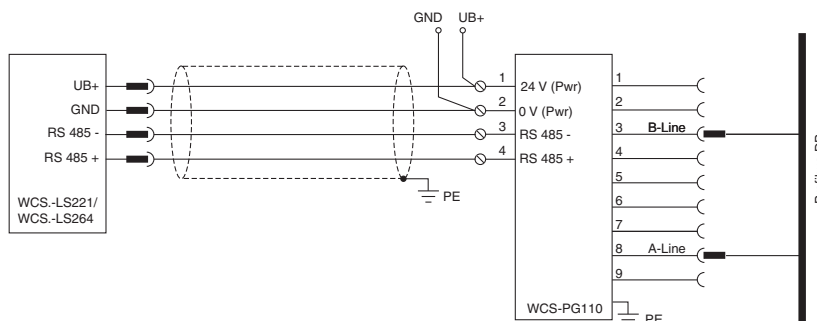
Length L [mm]	127
Width W [mm]	90
Height H [mm]	64.5



Electrical Connection



WCS-PG110



Date of issue: 08.04.2015



Properties

- RS 485 to Profibus interface
- Connection of up to 4 read heads
- DIN rail mounting

Technical Data

For detailed data and product description refer to the data sheets at www.pepperl-fuchs.com

Model Number	WCS-PG210E
Operating voltage	24 V DC ± 20 %
Power consumption	≤ 3.6 W (without read heads)
Interface 1	
Connection of	control system
Interface type	PROFIBUS DP V1
Transfer rate	max. 12 MBit/s , Automatic baud rate detection
Data output format	binary code
Bus termination resistor	switchable
Interface 2	
Connection of	Reading head
Connectable read heads	WCS...A-LS221 , WCS...A-LS121 , WCS...B-LS121 , WCS...B-LS221
Interface type	RS 485
Transmission method	half duplex
Transfer rate	62.5 kBit/s
RS485 termination resistor	switchable
Refresh cycle of read head	1 ms
Operating temperature	0 ... 45 °C (32 ... 113 °F) , no moisture condensation
Protection degree	IP24
Connection type	Interface 1: 9-pin Sub-D connector Interface 2: terminal connection ≤ 2.5 mm ² , 5-pin

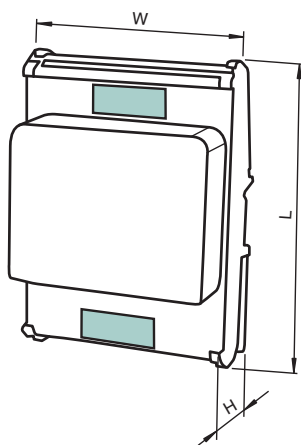


Approvals and Certificates

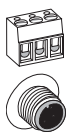
CCC approval	Products with a maximum operating voltage of ≤36 V do not bear a CCC marking because they do not require approval.
--------------	--

Dimensions

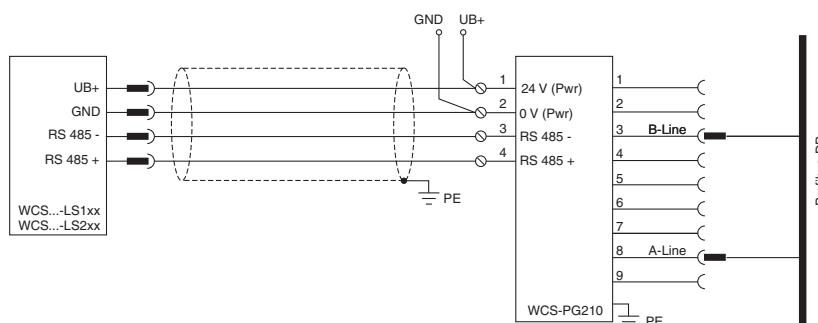
Length L [mm]	127
Width W [mm]	90
Height H [mm]	64.5



Electrical Connection



WCS-PG210E



Date of issue: 08.04.2015



Properties

- RS 485 to SSI interface
- Connection of read heads LS211 or LS111
- DIN rail mounting

Technical Data

For detailed data and product description refer to the data sheets at www.pepperl-fuchs.com

General Data

Operating voltage	24 V DC ± 20 %
Power consumption	≤ 2 W (without read heads)
Interface 1	
Connection of control system	
Interface type	SSI
Bus termination resistor	integrated
Interface 2	
Connection of Reading head	
Interface type	RS 485
Transmission method	half duplex
RS485 termination resistor	integrated
Refresh cycle of read head	1 ms
Operating temperature	0 ... 55 °C (32 ... 131 °F)
Protection degree	IP20
Transfer rate	max. 500 kHz
Connection type	removable terminal block



Model Number

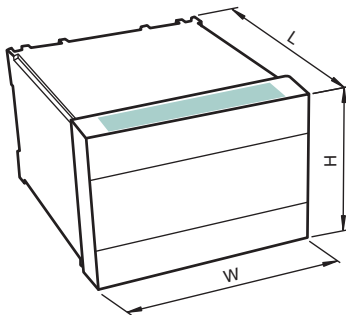
	WCS-IS31*	WCS-IS32*
Data output format	WCS-IS310 : binary code WCS-IS311 : Gray code	
	WCS-IS320 : binary code WCS-IS321 : Gray code	
Connectable read heads	WCS-LS211	
	WCS-LS221	
Transfer rate	max. 187.5 kBit/s	
	max. 62.5 kBit/s	

Approvals and Certificates

CCC approval	Products with a maximum operating voltage of ≤36 V do not bear a CCC marking because they do not require approval.
--------------	--

Dimensions

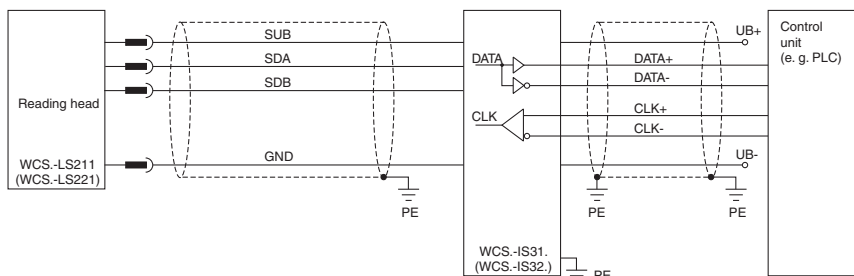
Length L [mm]	121
Width W [mm]	100
Height H [mm]	74



Electrical Connection



WCS-IS31*
WCS-IS32*



Date of issue: 08.04.2015



Properties

- RS 485 to parallel interface
- Connection of up to 4 read heads LS211 or LS111
- DIN rail mounting

Technical Data

For detailed data and product description refer to the data sheets at www.pepperl-fuchs.com

General Data

Operating voltage	24 V DC ± 20 %
Power consumption	≤ 2 W (without read heads)
Interface 1	
Connection of control system	Push-pull, parallel
Interface type	max. 500 Updates/s
Transfer rate	Push-pull output
Output stage	
Interface 2	
Connection of Reading head	WCS-LS211 , WCS-LS111
Connectable read heads	RS 485
Interface type	half duplex
Transmission method	max. 187.5 kBit/s
Transfer rate	1 ms
Refresh cycle of read head	
Control input	store input 2 inputs for reading head address
Output type	PNP
Signal output	error condition
Rated operational current	≤ 15 mA
Operating temperature	0 ... 55 °C (32 ... 131 °F)
Protection degree	IP20
Load current	max. 5 mA
Connection type	removable terminal block



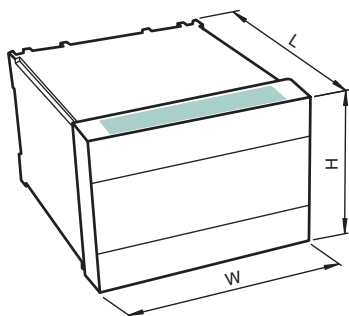
Model Number	WCS-IP110	WCS-IP111	WCS-IP120	WCS-IP121
Data output format	●	●	●	●
Gray code		●		●
RS485 termination resistor	●	●	●	●
without			●	●

Approvals and Certificates

CCC approval Products with a maximum operating voltage of ≤36 V do not bear a CCC marking because they do not require approval.

Dimensions

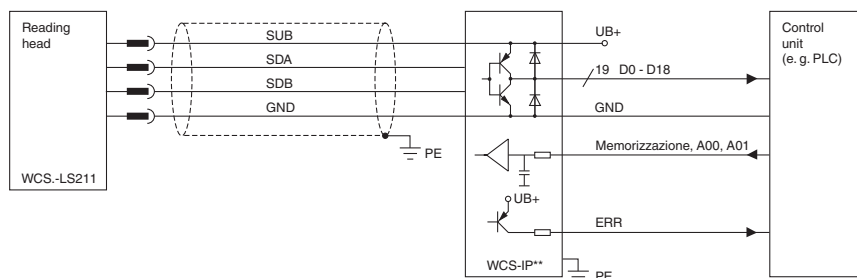
Length L [mm]	121
Width W [mm]	100
Height H [mm]	74



Electrical Connection



WCS-IP110
WCS-IP111
WCS-IP120
WCS-IP121



Date of issue: 08.04.2015



Technical Data

For detailed data and product description refer to the data sheets at www.pepperl-fuchs.com

General Data

Measuring range	max. 10000 m
Resolution	± 0.1 mm
Operating voltage	15 ... 30 V DC , PELV
No-load supply current	max. 200 mA
Interface 1	
Interface type	SSI interface
Data output code	Gray code, binary code , programmable
Clock frequency	100 ... 1000 kHz
Interface 2	
Interface type	USB (serial comport)
Protocol	8E1
Transfer rate	38.4 ... 460.8 kBit/s
Input	
Input type	1 to 2 functional inputs , programmable
Output	
Output type	1 to 2 switch outputs , PNP , programmable , short-circuit protected
Switching current	150 mA each output
Operating temperature	0 ... 60 °C (32 ... 140 °F) , -20 ... 60 °C (-4 ... 140 °F) (noncondensing; prevent icing on the lens!)
Housing	PC/ABS
Protection degree	IP67
Connection type	8-pin, M12 x 1 connector



Properties

- Data Matrix, 2 axis
- 10.000 meters measurement length
- SSI interface
- DC, pnp outputs
- Configurable with PC and codecard
- Small rectangular plastic housing

Your Benefit

- Simple assembly
- Mechanically rugged
- No wearing parts
- Long operating life
- Maintenance-free

Model Number

	green = preferred type	PCV80-F200-SSI-V19	PCV80S-F200-SSI-V19	PCV100-F200-SSI-V19
Read distance	80 mm	●	●	
	100 mm			●
Depth of focus	± 15 mm	●	●	
	± 20 mm			●
Passage speed	≤ 12.5 m/s	●	●	
	≤ 8 m/s			●

Approvals and Certificates

UL approval	cULus Listed, General Purpose, Class 2 Power Source	●	●	●
CCC approval	Products with a maximum operating voltage of ≤36 V do not bear a CCC marking because they do not require approval.			

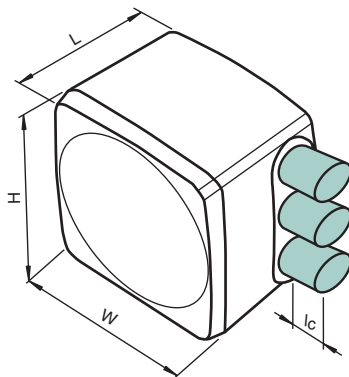
Dimensions

Length L [mm]	51
Width W [mm]	70
Height H [mm]	70
Connector area l _c [mm]	14,5

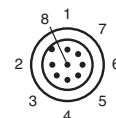
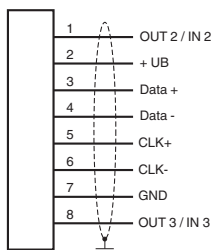
Accessories

This and more accessories can be found in chapter 10

V19-G-ABG-PG9	Cable socket, M12, 8-pin, shielded, non pre-wired
V19-G-ABG-PG9-FE	Cable socket, M12, 8-pin, shielded, non pre-wired
PCV-KBL-V19-STR-USB	USB cable unit with power supply
PCV-SC12	Grounding clip for PCV system



Electrical Connection





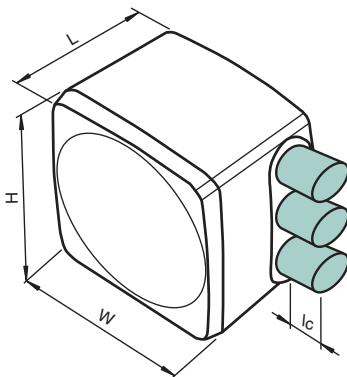
CE

Properties

- Data Matrix, 2 axis
- 10.000 meters measurement length
- RS 485 interface
- DC, pnp outputs
- Configurable with PC and codecard
- Small rectangular plastic housing

Your Benefit

- Simple assembly
- Mechanically rugged
- No wearing parts
- Long operating life
- Maintenance-free



Technical Data

For detailed data and product description refer to the data sheets at www.pepperl-fuchs.com

General Data

Measuring range	max. 10000 m
Resolution	± 0.1 mm
Operating voltage	15 ... 30 V DC , PELV
No-load supply current	max. 200 mA
Interface	
Interface type	RS 485 interface
Data output code	binary code
Transfer rate	38400 ... 230400 Bit/s
Termination	Switchable terminal resistor
Input	
Input type	1 to 3 functional inputs , programmable
Output	
Output type	1 to 3 switch outputs , PNP , programmable , short-circuit protected
Switching current	150 mA each output
Operating temperature	0 ... 60 °C (32 ... 140 °F) , -20 ... 60 °C (-4 ... 140 °F) (noncondensing; prevent icing on the lens!)
Housing	PC/ABS
Protection degree	IP67
Connection type	8-pin, M12 x 1 connector



Model Number

Read distance	green = preferred type 80 mm	●	●
Depth of focus	100 mm	●	●
Passage speed	± 15 mm	●	●
	± 20 mm	●	●
Passage speed	≤ 12.5 m/s	●	●
	≤ 8 m/s	●	●

Approvals and Certificates

UL approval	cULus Listed, General Purpose, Class 2 Power Source	●	●
CCC approval	Products with a maximum operating voltage of ≤36 V do not bear a CCC marking because they do not require approval.		

Dimensions

Length L [mm]	51
Width W [mm]	70
Height H [mm]	70
Connector area l _c [mm]	14,5

Accessories

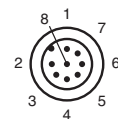
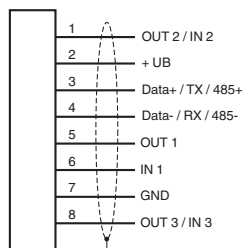
This and more accessories can be found in chapter 10

See pages from 972 ... for cordsets

See pages 1068 ... for mounting aids

PCV-USB-RS485-Converter Set	USB to RS 485 interface converter
PCV-KBL-V19-STR-RS485	Cable unit with power supply for USB / RS 485 interface converter
V19-G-ABG-PG9	Cable socket, M12, 8-pin, shielded, non pre-wired
V19-G-ABG-PG9-FE	Cable socket, M12, 8-pin, shielded, non pre-wired
PCV-SC12	Grounding clip for PCV system

Electrical Connection





CE

Properties

- Data Matrix, 2 axis
- 524 meters measurement length
- RS 485 interface
- DC, pnp output
- Configurable with PC and codecard
- Small rectangular plastic housing

Your Benefit

- Simple assembly
- Mechanically rugged
- No wearing parts
- Long operating life
- Maintenance-free

Technical Data

For detailed data and product description refer to the data sheets at www.pepperl-fuchs.com

Model Number	PCV80-F200-R4-V15-LS221
Read distance	80 mm
Measuring range	max. 524 m
Resolution	± 1 mm
Depth of focus	± 15 mm
Passage speed	≤ 12.5 m/s
Operating voltage	15 ... 30 V DC , PELV
No-load supply current	max. 200 mA
Interface	
Interface type	RS 485 interface
Data output code	binary code
Protocol	WCS...B-LS221
Transfer rate	62500 Bit/s
Termination	Switchable terminal resistor
Input	
Input type	1 funtion input 0-level: -U _B or unwired 1-level: +8 V ... +U _B , programmable
Output	
Output type	1 switch output PNP , programmable , short-circuit protected
Switching current	150 mA each output
Operating temperature	0 ... 60 °C (32 ... 140 °F) , -20 ... 60 °C (-4 ... 140 °F) (noncondensing; prevent icing on the lens!)
Housing	PC/ABS
Protection degree	IP67
Connection type	M12 x 1 connector, 5-pin



Approvals and Certificates

UL approval	cULus Listed, General Purpose, Class 2 Power Source
CCC approval	Products with a maximum operating voltage of ≤36 V do not bear a CCC marking because they do not require approval.

Dimensions

Length L [mm]	51
Width W [mm]	70
Height H [mm]	70
Connector area l _c [mm]	14.5

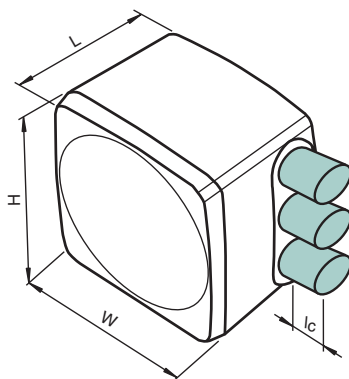
Accessories

This and more accessories can be found in chapter 10

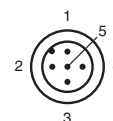
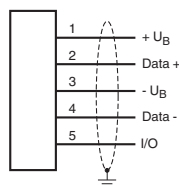
See pages from 972 ... for cordsets

See pages 1068 ... for mounting aids

V15-G-ABG-PG9	Cable socket, M12, 5-pin, shielded, non pre-wired
V15-G-ABG-PG9-FE	Cable socket, M12, 5-pin, shielded, non pre-wired
PCV-SC12	Grounding clip for PCV system



Electrical Connection





Properties

- Data Matrix, 2 axis
- 10.000 meters measurement length
- PROFIBUS interface
- DC, pnp outputs
- PLC configurable via fieldbus
- Configurable with PC and codecard
- Small rectangular plastic housing

Your Benefit

- Simple assembly
- Mechanically rugged
- No wearing parts
- Long operating life
- Maintenance-free

Technical Data

For detailed data and product description refer to the data sheets at www.pepperl-fuchs.com

Model Number	PCV80-F200-B6-V15B
Read distance	80 mm
Measuring range	max. 10000 m
Resolution	± 0.1 mm
Depth of focus	± 15 mm
Passage speed	≤ 12.5 m/s
Operating voltage	15 ... 30 V DC , PELV
No-load supply current	max. 400 mA
Interface 1	
Interface type	PROFIBUS DP V0
Protocol	PROFIBUS DP acc. to EN 50170
Transfer rate	9.6; 19.2; 93.75; 187.5; 500; 1500 kBit/s 3; 6; 12 Mbit/s self-synchronizing
Interface 2	
Interface type	USB (serial comport)
Protocol	8E1
Transfer rate	38.4 ... 460.8 kBit/s
Input	
Input type	1 to 3 functional inputs , programmable
Output	
Output type	1 to 3 switch outputs , PNP , programmable , short-circuit protected
Switching current	150 mA each output
Operating temperature	0 ... 60 °C (32 ... 140 °F) , -20 ... 60 °C (-4 ... 140 °F) (noncondensing; prevent icing on the lens!)
Housing	PC/ABS
Protection degree	IP67
Connection type	8-pin, M12x1 connector, standard (supply+IO) M12x1 socket, 5-pin, B-coded (Bus Out) 5-pin, M12x1 connector, B-coded (Bus In)



Approvals and Certificates

UL approval	cULus Listed, General Purpose, Class 2 Power Source
CCC approval	Products with a maximum operating voltage of ≤36 V do not bear a CCC marking because they do not require approval.

Dimensions

Length L [mm]	51
Width W [mm]	70
Height H [mm]	70
Connector area l _c [mm]	14.5

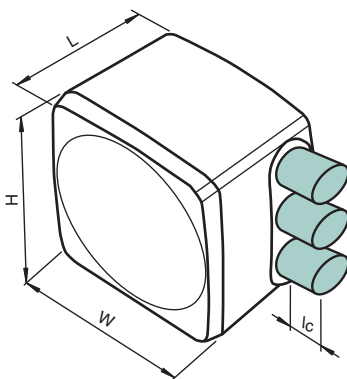
Accessories

This and more accessories can be found in chapter 10

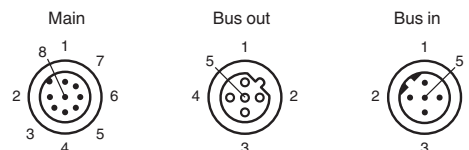
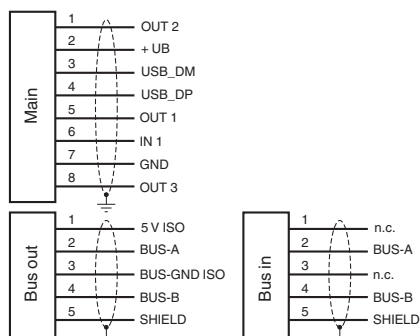
See pages from 972 ... for cordsets

See pages 1068 ... for mounting aids

PCV-KBL-V19-STR-USB	USB cable unit with power supply
ICZ-TR-V15B	Terminal resistor for PROFIBUS
V15B-G-2M-PUR ABG-V15B-G	Bus cable PROFIBUS, M12 to M12, PUR cable
V15B-G-5M-PUR ABG-V15B-G	Bus cable PROFIBUS, M12 to M12, PUR cable
PCV-SC12	Grounding clip for PCV system



Electrical Connection



Ausgabedatum 08.04.2015



Technical Data

For detailed data and product description refer to the data sheets at www.pepperl-fuchs.com

Model Number	PCV80-F200-B17-V1D
Read distance	80 mm
Measuring range	max. 10000 m
Resolution	± 0.1 mm
Depth of focus	± 15 mm
Passage speed	≤ 12.5 m/s
Operating voltage	15 ... 30 V DC , PELV
No-load supply current	max. 400 mA
Interface 1	
Interface type	100 BASE-TX
Protocol	PROFINET IO Real-Time (RT) Conformance class A
Transfer rate	100 MBit/s
Interface 2	
Interface type	USB Service
Input	
Input type	1 funtion input 0-level: -U ₀ or unwired 1-level: +8 V ... +U _B , programmable
Input impedance	≥ 27 kOhm
Output	
Output type	1 to 3 switch outputs , PNP , programmable , short-circuit protected
Switching current	150 mA each output
Operating temperature	0 ... 60 °C (32 ... 140 °F) , -20 ... 60 °C (-4 ... 140 °F) (noncondensing; prevent icing on the lens!)
Housing	PC/ABS
Protection degree	IP67
Connection type	8-pin, M12x1 connector, standard (supply+IO) M12x1 socket, 4-pin, D-coded (LAN) M12x1 socket, 4-pin, D-coded (LAN)



Properties

- Data Matrix, 2 axis
- 10.000 meters measurement length
- PROFINET interface
- DC, pnp outputs
- PLC configurable via fieldbus
- Configurable with PC and codecard
- Small rectangular plastic housing

Your Benefit

- Simple assembly
- Mechanically rugged
- No wearing parts
- Long operating life
- Maintenance-free

Approvals and Certificates

UL approval	cULus Listed, General Purpose, Class 2 Power Source
CCC approval	Products with a maximum operating voltage of ≤36 V do not bear a CCC marking because they do not require approval.

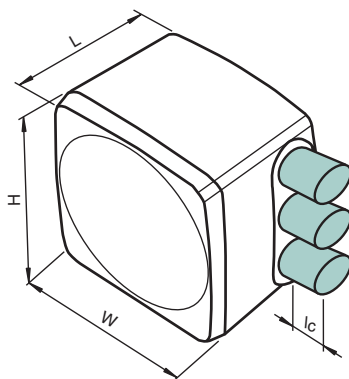
Dimensions

Length L [mm]	51
Width W [mm]	70
Height H [mm]	70
Connector area l _c [mm]	14.5

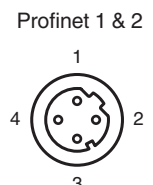
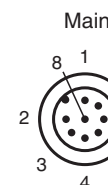
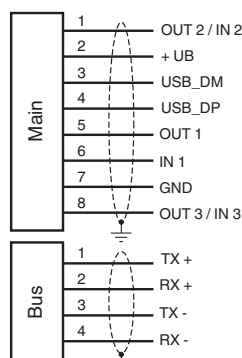
Accessories

This and more accessories can be found in chapter 10
See pages from 972 ... for cordsets See pages 1068 ... for mounting aids

V19-G-2M-PUR-ABG	Female cordset, M12, 8-pin, shielded, PUR cable
PCV-AG80	Alignment guide for PCV80-* read head
V1SD-G-2M-PUR-ABG-V1SD-G	Ethernet bus cable, M12 to M12, PUR cable 4-pin, CAT5e
V1SD-G-5M-PUR-ABG-V1SD-G	Ethernet bus cable, M12 to M12, PUR cable 4-pin, CAT5e
PCV-SC12	Grounding clip for PCV system



Electrical Connection





Technical Data

For detailed data and product description refer to the data sheets at www.pepperl-fuchs.com

Model Number	PCV*-CA10-*
Length	6 ... 100 m (see Order Information)
Start position	0 ... 9900 m (see Order Information)
Operating temperature	-40 ... 150 °C (-40 ... 302 °F)
Installation temperature	10 ... 40 °C (50 ... 104 °F)
Environmental resistance	UV radiation Humidity Salt spray (150 h / 5%)
Chemical resistance	Oils Grease Fuels Aliphatic solvents Weak acids
Material thickness	150 µm
Material	polyester laminate
Surface	polyester, matte
Tensile strength	≥ 60 N
Adhesive	Acrylate-based adhesive ; curing 72 h
Adhesive strength	Average values (FTM2) aluminum : 24 N / 25 mm High grade stainless steel : 25 N / 25 mm ABS : 22 N / 25 mm PP : 18 N / 25 mm HD-PE : 12 N / 25 mm LD-PE : 12 N / 25 mm

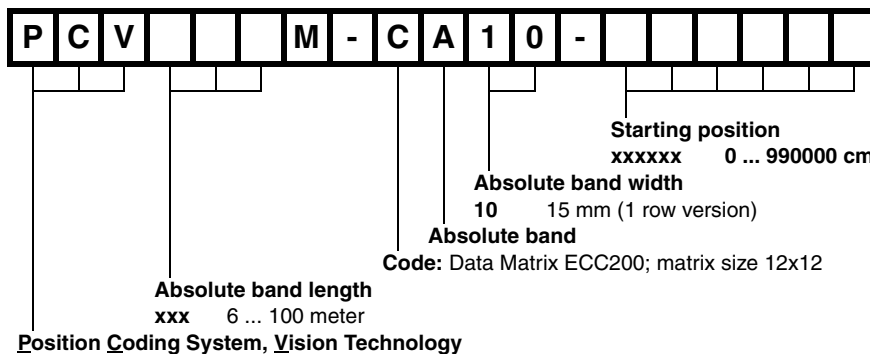
Properties

- Data Matrix code reel
- Self adhesive
- Versions of various length
- Versions of various starting positions

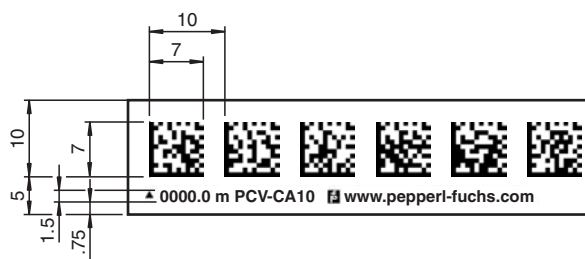
Your Benefit

- High chemical resistance
- Low weight
- High temperature resistance
- High mechanical stability

Order Information



Dimensions





Technical Data

For detailed data and product description refer to the data sheets at www.pepperl-fuchs.com

Model Number	PCV*-CA20-*
Length	6 ... 100 m (see Order Information)
Start position	0 ... 9900 m (see Order Information)
Operating temperature	-40 ... 150 °C (-40 ... 302 °F)
Installation temperature	10 ... 40 °C (50 ... 104 °F)
Environmental resistance	UV radiation Humidity Salt spray (150 h / 5%)
Chemical resistance	Oils Grease Fuels Aliphatic solvents Weak acids
Material thickness	150 µm
Material	polyester laminate
Surface	polyester , matte
Tensile strength	≥ 150 N
Adhesive	Acrylate-based adhesive ; curing 72 h
Adhesive strength	Average values (FTM2) aluminum : 24 N / 25 mm High grade stainless steel : 25 N / 25 mm ABS : 22 N / 25 mm PP : 18 N / 25 mm HD-PE : 12 N / 25 mm LD-PE : 12 N / 25 mm

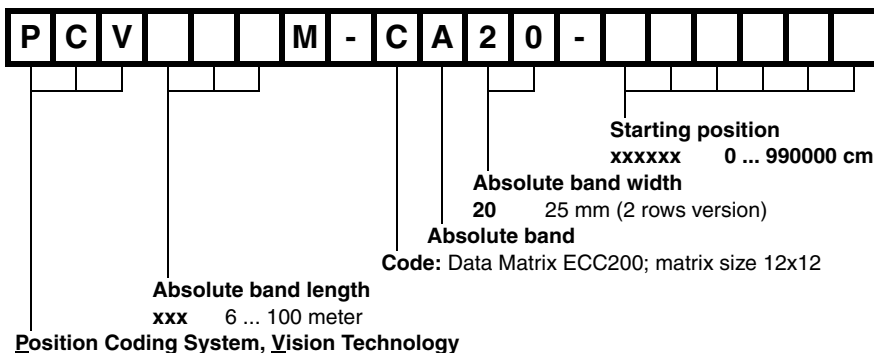
Properties

- Data Matrix code reel
- Self adhesive
- Versions of various length
- Versions of various starting positions

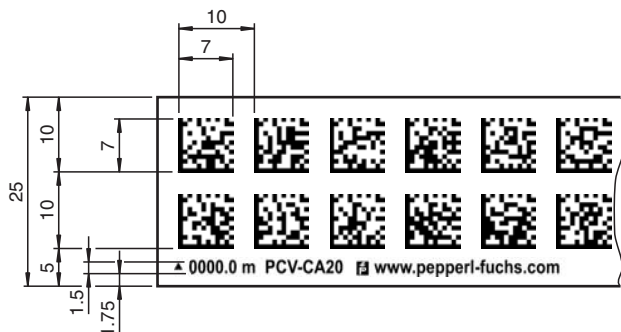
Your Benefit

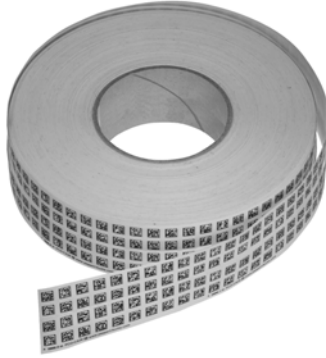
- High chemical resistance
- Low weight
- High temperature resistance
- High mechanical stability

Order Information



Dimensions





Technical Data

For detailed data and product description refer to the data sheets at www.pepperl-fuchs.com

Model Number	PCV*-CA40-*
Length	6 ... 100 m (see Order Information)
Start position	0 ... 9900 m (see Order Information)
Operating temperature	-40 ... 150 °C (-40 ... 302 °F)
Installation temperature	10 ... 40 °C (50 ... 104 °F)
Environmental resistance	UV radiation Humidity Salt spray (150 h / 5%)
Chemical resistance	Oils Grease Fuels Aliphatic solvents Weak acids
Material thickness	150 μm
Material	polyester laminate
Surface	polyester, matte
Tensile strength	≥ 270 N
Adhesive	Acrylate-based adhesive ; curing 72 h
Adhesive strength	Average values (FTM2) aluminum : 24 N / 25 mm High grade stainless steel : 25 N / 25 mm ABS : 22 N / 25 mm PP : 18 N / 25 mm HD-PE : 12 N / 25 mm LD-PE : 12 N / 25 mm

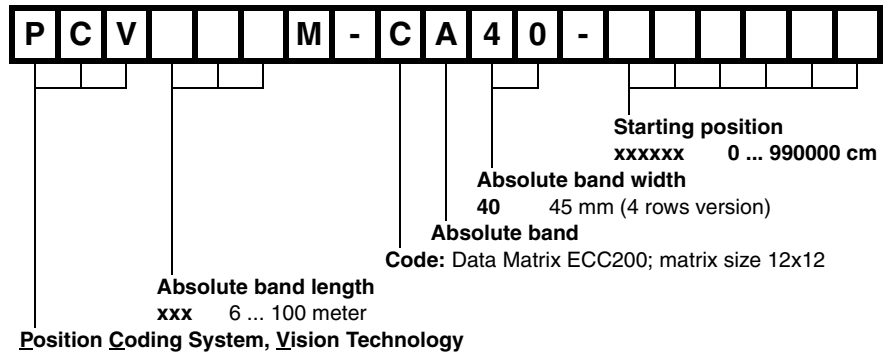
Properties

- Data Matrix code reel
- Self adhesive
- Versions of various length
- Versions of various starting positions

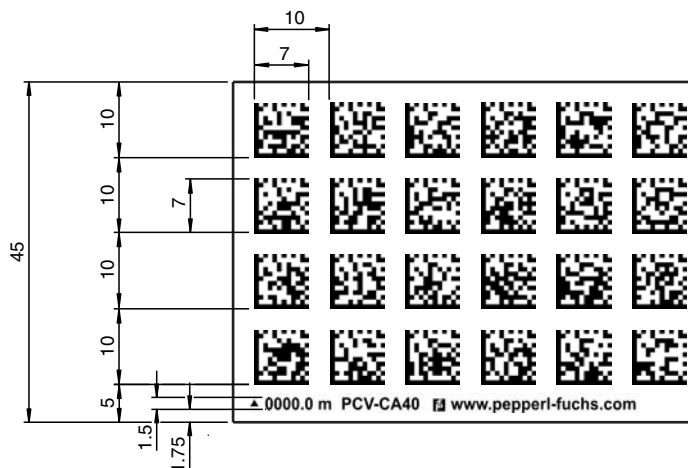
Your Benefit

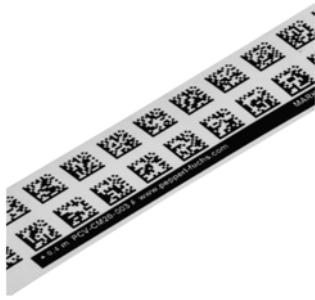
- High chemical resistance
- Low weight
- High temperature resistance
- High mechanical stability

Order Information



Dimensions





Technical Data

For detailed data and product description refer to the data sheets at www.pepperl-fuchs.com

Model Number	PCV-CM20-***
Number interval	1 ... 998 = marker number (see Order Information)
Length	1000 mm
Operating temperature	-40 ... 150 °C (-40 ... 302 °F)
Installation temperature	10 ... 40 °C (50 ... 104 °F)
Environmental resistance	UV radiation Humidity Salt spray (150 h / 5%)
Chemical resistance	Oils Grease Fuels Aliphatic solvents Weak acids
Material thickness	150 µm
Material	polyester laminate
Surface	polyester , matte
Tensile strength	≥ 150 N
Adhesive	Acrylate-based adhesive ; curing 72 h
Adhesive strength	Average values (FTM2) aluminum : 24 N / 25 mm High grade stainless steel : 25 N / 25 mm ABS : 22 N / 25 mm PP : 18 N / 25 mm HD-PE : 12 N / 25 mm LD-PE : 12 N / 25 mm

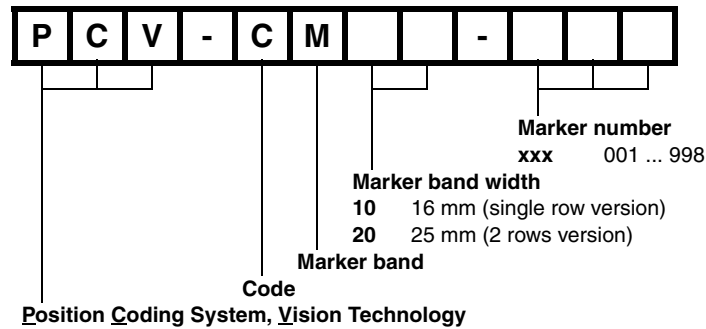
Properties

- Data Matrix event marker reel
- Self adhesive
- Marker number 001 ... 998

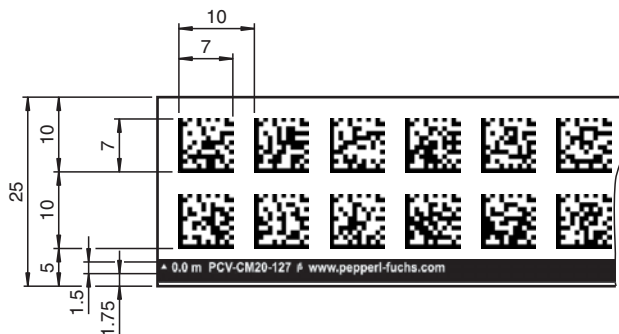
Your Benefit

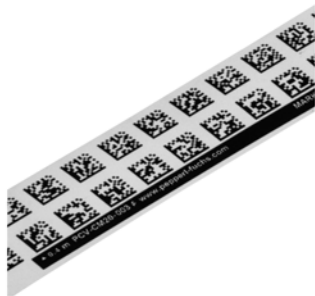
- Easy creation of event triggers by simply pasting over the existing code reel
- Provides high plant flexibility

Order Information



Dimensions





Technical Data

For detailed data and product description refer to the data sheets at www.pepperl-fuchs.com

Model Number	PCV-CR20
Length	1000 mm
Operating temperature	-40 ... 150 °C (-40 ... 302 °F)
Installation temperature	10 ... 40 °C (50 ... 104 °F)
Environmental resistance	UV radiation Humidity Salt spray (150 h / 5%)
Chemical resistance	Oils Grease Fuels Aliphatic solvents Weak acids
Material thickness	150 µm
Material	polyester laminate
Surface	polyester , matte
Tensile strength	≥ 150 N
Adhesive	Acrylate-based adhesive ; curing 72 h
Adhesive strength	Average values (FTM2) aluminum : 24 N / 25 mm High grade stainless steel : 25 N / 25 mm ABS : 22 N / 25 mm PP : 18 N / 25 mm HD-PE : 12 N / 25 mm LD-PE : 12 N / 25 mm

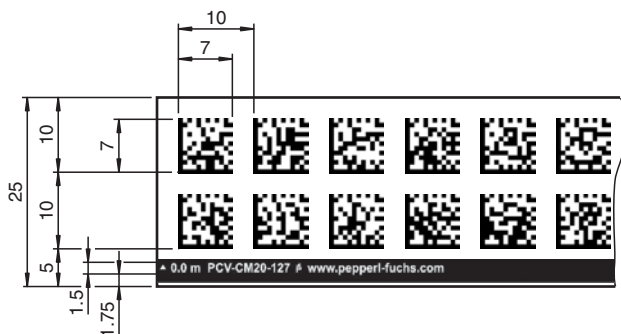
Properties

- Data Matrix repair tape
- Self adhesive
- Incremental, 1 meter long

Your Benefit

- Easy repair by simply pasting over the damaged code reel
- Provides a high level of system availability

Dimensions



Date of issue: 2015-04-08



Properties

- 360° / up to 200 revolutions
- DC, 14 pnp switching and 6 analog outputs
- Up to 16 cams/output
- Configuration with PC
- Rectangular plastic housing

Your Benefit

- Easy installation and fast adaptation
- Intuitive operating and parameterizing software
- Wear-free and resistant to environmental influences
- Suitable for field use

Technical Data

For detailed data and product description refer to the data sheets at www.pepperl-fuchs.com

Model Number	PAX001-F160-6I14E2-B14
Operating voltage	20 ... 30 V DC
No-load supply current	≤ 90 mA (without sensor)
Operating display	LED, green
Status indication	8 LEDs , red and yellow
Interface	
Interface type	USB 2.0 for parameterization tool
Input	
Input type	RS 232 interface for Ind. angular measuring system
Output	
Output type	12 switch outputs PNP, short circuit / overload protected 2 high power outputs PNP, short circuit / overload protected
Operating current	switch outputs: ≤ 250 mA , total ≤ 1.5 A high power outputs: ≤ 2.5 A , total ≤ 2.5 A
Short-circuit protection	pulsing
Analog output	
Output type	6 current outputs 4 ... 20 mA (current sinks)
Load resistor	≤ 600 Ω at 24 V DC
Ambient temperature	-25 ... 70 °C (-13 ... 158 °F)
Housing material	PBT
Protection degree	IP67
Connection type	X1, M23 connector X2, M12 x 1 socket X3, M12 x 1 socket X4, M12 x 1 connector



Dimensions

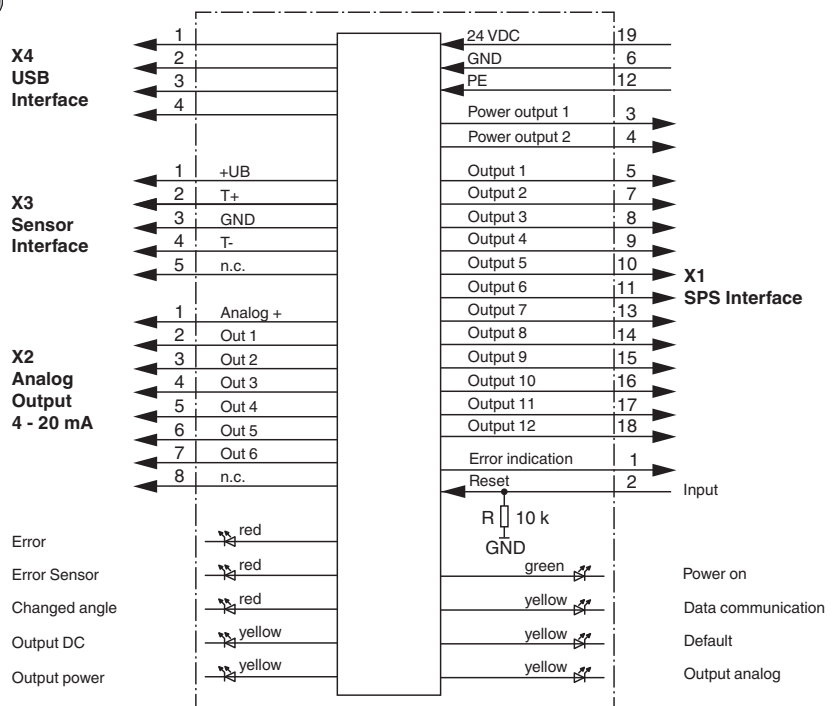
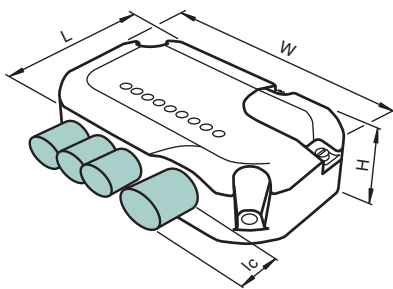
Length L [mm]	150
Width W [mm]	90
Height H [mm]	33
Connector area l _c [mm]	23

Accessories

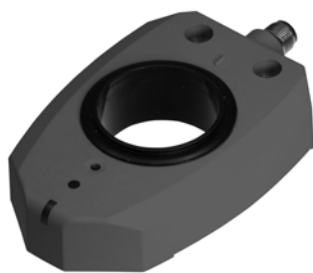
This and more accessories can be found in chapter 10
See pages from 972 ... for cordsets See pages 1068 ... for mounting aids

PMI360D-F130-R2-V15	Position sensor for PAX001
V23-19-G-10M-PUR	Cable socket, M23, 19-pin, PUR cable
V15-G-2M-PUR-V15-G	Connecting cable, M12 to M12, PUR cable 5-pin
PAX001-F130-USD-CARD	Micro SD memory card
V23-19-G	Field attachable female cordset
V19S-G-ABG-PG9	Cable connector, M12, 8-pin, shielded, non pre-wired
V19S-G-BK5M-PUR-U/ABG	Cable connector, M12, 8-pin, PUR cable, shielded
V1-G-2M-PVC-USBA	adapter cable, M12 to USB, 4-pin PVC cable

Electrical Connection



Ausgabedatum: 08.04.2015



Technical Data

For detailed data and product description refer to the data sheets at www.pepperl-fuchs.com

Model Number	PMI360D-F130-R2-V15
Measurement range	0 ... 360 °
Rotational speed	≤ 100 min ⁻¹
Operating voltage	supplied by evaluation unit (PAX001...)
No-load supply current	≤ 45 mA
Reverse polarity protected	reverse polarity protected
Repeat accuracy	0.5°
Resolution	0.2 °
LED yellow	RS 232
LED PWR/ERR	status display LED, green/red (Power on / missing actuator)
Interface	
Interface type	RS 232, for communication with interface box PAX...
Ambient temperature	-25 ... 70 °C (-13 ... 158 °F)
Housing material	PBT
Protection degree	IP67
Connection type	M12 x 1 connector, 5-pin



Properties

- Measuring range 0 ... 360°
- PAX001 communication interface
- Rectangular plastic housing

Your Benefit

- Rugged and wearless angular measuring system
- Concentricity tolerant, even with self-made actuator

Approvals and Certificates

UL approval	cULus Listed, General Purpose, Class 2 Power Source
CCC approval	Products with a maximum operating voltage of ≤36 V do not bear a CCC marking because they do not require approval.

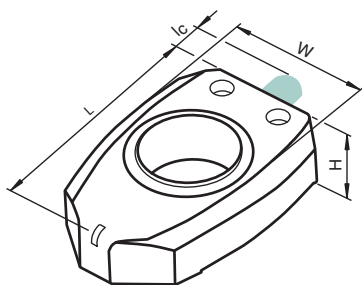
Dimensions

Length L [mm]	110
Width W [mm]	76.5
Height H [mm]	26
Connector area l _c [mm]	20

Accessories

This and more accessories can be found in chapter 10
 See pages from 972 ... for cordsets See pages 1068 ... for mounting aids

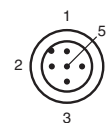
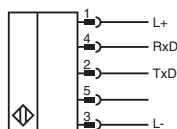
BT-F130-A	Actuator for F130 series
V15-G-2M-PUR-V15-G	Connecting cable, M12 to M12, PUR cable 5-pin



Electrical Connection



PMI360D-F130-R2-V15



Ausgabedatum 08.04.2015

Technical Data

For detailed data and product description, see the data sheet at www.pepperl-fuchs.com



Model number	BT-F90-G
Material	Steel ST37/1.0037
Description	Actuator for F90 inductive positioning system

Technical Data

For detailed data and product description, see the data sheet at www.pepperl-fuchs.com



Common data	
Function	Mounting bracket for the inductive positioning system
Material	Zinc-coated sheet steel
Scope of delivery	2 units

Model number		MH-F90	MH-F110
Inductive positioning system	F90 F110	●	●

Technical Data

For detailed data and product description, see the data sheet at www.pepperl-fuchs.com



Model number	BT-F110-G
Material	Steel ST37/1.0037
Description	Actuator for F110 inductive positioning system

Technical Data

For detailed data and product description, see the data sheet at www.pepperl-fuchs.com



Model number	BT-F110-W
Material	Steel ST37/1.0037
Description	Actuator for F110 inductive positioning system

Technical Data

For detailed data and product description, see the data sheet at www.pepperl-fuchs.com



Model number	BT-F130-A
Material	Housing: PBT Spacer: PP Cap plugs: PBT Mounting screw: V2A
Description	Actuator for F130 inductive positioning system
Shaft diameter	< 27.5 mm
Shaft height	20 mm

Technical Data

For detailed data and product description, see the data sheet at www.pepperl-fuchs.com



Model number	OMH-LS610-01
Material	Black anodized aluminum Black zinc-coated steel
Description	Mounting bracket for VDM100 laser distance measurement devices

Technical Data

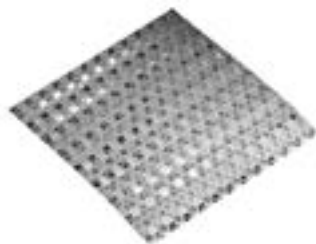
For detailed data and product description, see the data sheet at www.pepperl-fuchs.com



Model number	OMH-LS610-02
Material	Brass
Description	Direct mounting set comprising 4 M4 threaded inserts for VDM100 laser distance measurement devices

Technical Data

For detailed data and product description, see the data sheet at www.pepperl-fuchs.com

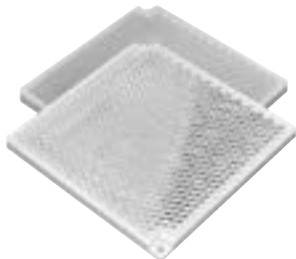


Model number	OFR-100/100
Description	100 mm x 100 mm reflective tape for VDM35 and VDM70 laser distance measurement devices
Ambient temperature	-20 °C ... 85 °C

 Self-adhesive

Technical Data

For detailed data and product description, see the data sheet at www.pepperl-fuchs.com



Model number	REF-H100-2R
Material	PMMA
Description	100 mm x 100 mm reflector for VDM54 laser distance measurement devices
Ambient temperature	-20 °C ... 85 °C

Technical Data

For detailed data and product description, see the data sheet at www.pepperl-fuchs.com



Model number	REF-500MMx500MM
Description	500 mm x 500 mm reflective tape for VDM100 laser distance measurement devices
Ambient temperature	-20 °C ... 85 °C

 Self-adhesive

Technical Data

For detailed data and product description, see the data sheet at www.pepperl-fuchs.com



Model number	Protective cap LS610
Description	For VDM100 laser distance measurement devices

Technical Data

For detailed data and product description, see the data sheet at www.pepperl-fuchs.com



Model number	Functional grounding LS610/VDM100
Description	For VDM100 laser distance measurement devices

Issue date: 26.08.2014

Contents

Inclination and Acceleration Sensors



6. Inclination and Acceleration Sensors

Overview/Selection Table	818
Introduction	820
Data Section	
6.1 Inclination Sensors	821
6.2 Acceleration Sensors	826

Inclination Sensors



Series	INX	INY
	Page 821 ff	Page 821 ff
	<ul style="list-style-type: none"> • Measurement range 360° • Single axis • Programmable switching window • Programmable analog window 	<ul style="list-style-type: none"> • Measurement range 360° • Dual axis • Programmable switching windows • Programmable analog windows

Specifications		
Measurement angle	up to 360°	up to 360° in both axes
Resolution	up to 0.01°	up to 0.01°
Absolute accuracy	0.5°	0.5°
Operating voltage	10 VDC ... 30 VDC	10 VDC ... 30 VDC

Connection type		
Cable	●	●
Plug	●	●

Interface		
Analog output	●	●
Switching output	●	●
CANopen	●	●



Acceleration Sensors

Inclination and Acceleration Sensors

6

ACX	ACY	Series
Page 826	Page 826	
<ul style="list-style-type: none"> • Single axis • Measuring range $\pm 2 g$ • Analog output 	<ul style="list-style-type: none"> • Dual axis • Measuring range $\pm 2 g$ in both axes • Analog outputs 	
Specifications		
-2 g to 2 g	-2 g to 2 g in both axes	Measuring range
5 mg	5 mg	Resolution
5 mg	5 mg	Repeatability
10 VDC ... 30 VDC	10 VDC ... 30 VDC	Operating voltage
Connection type		
		Cable
●	●	Plug
Interface		
●	●	Analog output
		Switching output
		CANopen

Introduction

Do you want to monitor the inclination angle of your machine components or the acceleration values of sensitive system components?

The F99 Series of inclination and acceleration sensors by Pepperl+Fuchs offers the ideal solution. Our precise and adjustable systems for inclination and acceleration monitoring are ideal for mobile equipment, renewable energy, and factory automation applications. They provide simple solutions for protecting your investment over the long-term.

Highlights

- Customer-specific adjustment of measuring ranges and outputs
- Intelligent mounting concept with impact protection
- High IP68 and IP69K degree of protection
- Robust housing suitable for outdoor use
- Extended temperature range -40 °C ... +85 °C
- Highly resistant to mechanical shock 100 g
- Increased immunity 100 V/m
- e1 approval for use on public roads
- CSA approval for worldwide use
- Wear-free and without actuator

Benefits

Mounting concept

- The F99 Series incorporates a robust metal mounting bracket with four screw holes and a sensor module, for separate and flexible mounting
- Integrated hex socket screw that enables the sensor module to be used quickly and easily replaced without having to remove the mounting bracket
- A captive locking wedge in the bracket ensures optimum distribution of forces in the event of machine vibrations



Simple mounting with a central screw

Adjustability

- All F99 Series products can be adjusted by the customer

Filters and angle ranges can be adapted to suit your application

Housing concept

- Particularly suitable for applications under extreme conditions and for outdoor applications
- Water resistance and extreme shock resistance ensure a long service life

Typical areas of application

F99 inclination sensor

- **Commercial vehicle sector**
for leveling cranes, liftgates, container-loading equipment, etc.
- **Construction machinery**,
e.g., for monitoring the inclined position of excavators
- **Transport and loading units**
for automatic horizontal alignment of inclined positions
- **Solar power systems**
for optimum solar tracking
- **Automobile production plants**
for monitoring rotation during assembly
- **Rail and marine vessels**
for ensuring equal loading
- **Metal processing**
e.g., for monitoring the movement sequences of stamping and pressing machines

F99 acceleration sensor

- **Wind power plants or large machinery**
for shutting down when defined vibration values are exceeded
- **Elevators**
to control acceleration
- **Large plants**
for status monitoring
- **Machines**
for measuring vibrations
- **Robots and picker arms**
to control acceleration

In short—what does your plant need?

Inclination...

Static value that is suitable for movement sequences that are not subject to extreme changes. The static value for the inclination is used for long-term monitoring of the machine to determine if readjustment is required.

... based on the example of a lifting platform

Continuous monitoring and leveling of the vehicle, working platform, or overall system.

Acceleration...

Dynamic value that needs to be monitored in order to quickly identify short-term dynamic influences on the machine.

... based on the example of a lifting platform

To prevent a dangerous situation when the lifting platform is extended and may be influenced by a sudden gust of high wind. This will permit early detection by the control system and readjustment before a permissible inclination angle is exceeded.



CANopen

Properties

- 1 and 2 axes measurement
- 30° and 360° measurement range versions
- CANopen and J1939 protocol versions
- Connector version

Technical Data

For detailed data and product description refer to the data sheets at www.pepperl-fuchs.com

General Data

No-load supply current	≤ 65 mA
Data output code	binary code
Ambient temperature	-40 ... 85 °C (-40 ... 185 °F)
Housing material	PA
Protection degree	IP68 / IP69K
Connection type	M12 x 1 connector, 5-pin



Model Number

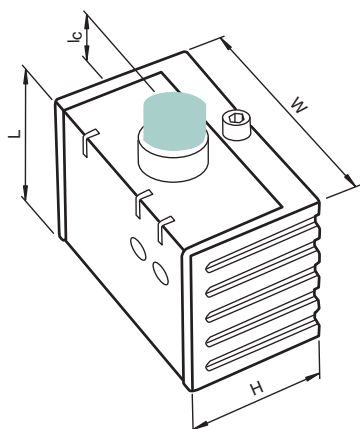
		INX360D-F99-B16-V15	INY360D-F99-B16-V15	INY030D-F99-B16-V15	INX360D-F99-B20-V15	INY360D-F99-B20-V15	INY030D-F99-B20-V15
Type	green = preferred type Inclination sensor, 1-axis Inclination sensor, 2-axis	●	●	●	●	●	●
Measurement range	0 ... 360 ° -15 ... 15 °	●	●	●	●	●	●
Absolute accuracy	≤ ± 0.5 ° ≤ ± 0.2 °	●	●	●	●	●	●
Resolution	≤ 0.1 ° ≤ 0.01 °	●	●	●	●	●	●
Operating voltage	10 ... 30 V DC 10 ... 60 V DC	●	●	●	●	●	●
Interface type	CANopen, profile CiA410, Ver. 1.2 J1939 protocol	●	●	●	●	●	●
Transfer rate	125 ... 1000 kBit/s , programmable 10 ... 1000 kBit/s , programmable	●	●	●	●	●	●
Node ID	1 ... 127 , programmable 0 ... 253 , programmable	●	●	●	●	●	●

Approvals and Certificates

CSA approval	cCSAus Listed, General Purpose, Class 2 Power Source	●	●	●	●	●	●
CCC approval	Products with a maximum operating voltage of ≤36 V do not bear a CCC marking because they do not require approval.	●	●	●	●	●	●
e1 Type approval	2006/28/EG	●	●	●	●	●	●

Dimensions

Length L [mm]	44
Width W [mm]	65
Height H [mm]	37
Connector area l _c [mm]	18.5



Accessories

This and more accessories can be found in chapter 10

See pages from 972 ... for cordsets

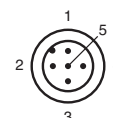
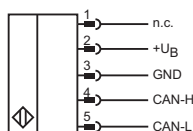
See pages 1068 ... for mounting aids

V15-G-2M-PUR-CAN-V15-G	DeviceNet/CANOpen bus cable, M12 to M12, PUR cable 5-pin
V15-G-5M-PUR-CAN-V15-G	DeviceNet/CANOpen bus cable, M12 to M12, PUR cable 5-pin
V15-G-10M-PUR-CAN-V15-G	DeviceNet/CANOpen bus cable, M12 to M12, PUR cable 5-pin
V15S-T-CAN/DN-V15	T distributor, M12 socket on M12 connector/socket
ICZ-TR-CAN/DN-V15	Terminal resistor for DeviceNet, CANopen

Electrical Connection

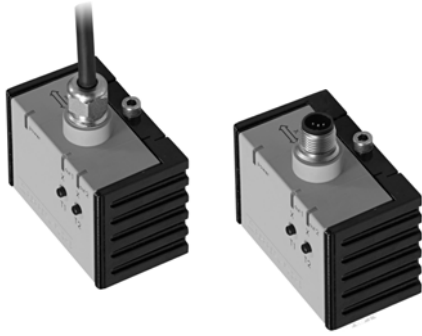


INX360D-F99-B16-V15
INY030D-F99-B16-V15
INX360D-F99-B16-V15
INX360D-F99-B20-V15
INY030D-F99-B20-V15
INY360D-F99-B20-V15



Wire colors in accordance with EN 60947-5-2

1	BN	(brown)
2	WH	(white)
3	BU	(blue)
4	BK	(black)
5	GY	(gray)



Properties

- 1 axis measurement
- 360° measurement range
- Analog and switching outputs
- Cable and connector versions

Technical Data

For detailed data and product description refer to the data sheets at www.pepperl-fuchs.com

General Data

Type	Inclination sensor, 1-axis
Measurement range	0 ... 360 °
Absolute accuracy	≤ ± 0.5 °
Resolution	≤ 0.1 °
Operating voltage	10 ... 30 V DC
No-load supply current	≤ 25 mA
Switch output	
Output type	2 switching outputs PNP, NO , reverse polarity and short-circuit protected
Operating current	≤ 100 mA
Analog output	
Output type	1 current output 4 ... 20 mA
Load resistor	0 ... 200 Ω at U _B = 10 ... 18 V 0 ... 500 Ω at U _B = 18 ... 30 V
Ambient temperature	-40 ... 85 °C (-40 ... 185 °F)
Housing material	PA
Protection degree	IP68 / IP69K

Model Number

Connection type	green = preferred type		
	M12 x 1 connector, 5-pin 5 m, PUR cable 5 x 0.5 mm ²	●	●

Approvals and Certificates

CSA approval	cCSAus Listed, General Purpose, Class 2 Power Source	●	●
CCC approval	Products with a maximum operating voltage of ≤36 V do not bear a CCC marking because they do not require approval.	●	●
e1 Type approval	2006/28/EG	●	●

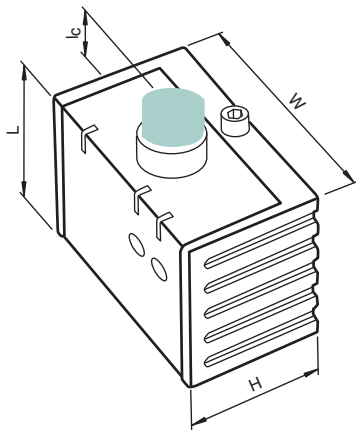
Dimensions

Length L [mm]	44
Width W [mm]	65
Height H [mm]	37
Connector area l _c [mm]	22 18.5

Accessories

This and more accessories can be found in chapter 10
 See pages from 972 ... for cordsets See pages 1068 ... for mounting aids

V15-G-2M-PUR	Cable socket, M12, 5-pin, PUR cable
V15-W-2M-PUR	Cable socket, M12, 5-pin, PUR cable

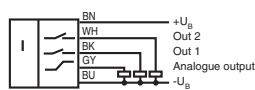


Electrical Connection



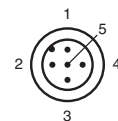
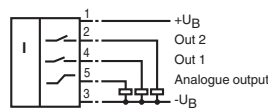
INX360D-F99-12E2-5M

Standard symbol/Connection:



INX360D-F99-12E2-V15

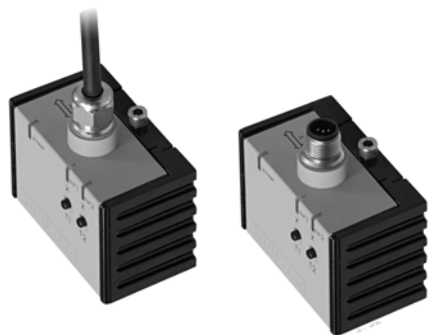
Standard symbol/Connection:



Wire colors in accordance with EN 60947-5-2

1	BN	(brown)
2	WH	(white)
3	BU	(blue)
4	BK	(black)
5	GY	(gray)

Ausgabedatum: 08.04.2015



Properties

- 1 axis measurement
- 360° measurement range
- Analog and switching outputs
- Cable and connector versions

Technical Data

For detailed data and product description refer to the data sheets at www.pepperl-fuchs.com

General Data

Type	Inclination sensor, 1-axis
Measurement range	0 ... 360 °
Absolute accuracy	± 0.5 °
Resolution	≤ 0.1 °
Operating voltage	10 ... 30 V DC
No-load supply current	≤ 25 mA
Switch output	
Output type	2 switching outputs PNP, NO , reverse polarity and short-circuit protected
Operating current	≤ 100 mA
Analog output	
Output type	1 voltage output 0 ... 5 V
Load resistor	≥ 1 kΩ
Ambient temperature	-40 ... 85 °C (-40 ... 185 °F)
Housing material	PA
Protection degree	IP68 / IP69K

Model Number

Connection type	M12 x 1 connector, 5-pin 5 m, PUR cable 5 x 0.5 mm ²	INX360D-F99-U2E2-5M 	INX360D-F99-U2E2-V15
-----------------	--	-------------------------	--------------------------

Approvals and Certificates

CSA approval	cCSAus Listed, General Purpose, Class 2 Power Source	●	●
CCC approval	Products with a maximum operating voltage of ≤36 V do not bear a CCC marking because they do not require approval.	●	●
e1 Type approval	2006/28/EG	●	●

Dimensions

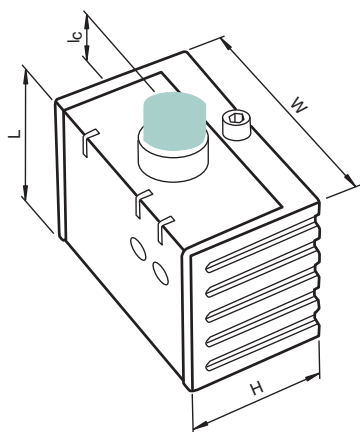
Length L [mm]	44
Width W [mm]	65
Height H [mm]	37
Connector area l _c [mm]	22 18.5

Accessories

This and more accessories can be found in chapter 10

See pages from 972 ... for cordsets See pages 1068 ... for mounting aids

V15-G-2M-PUR	Cable socket, M12, 5-pin, PUR cable
V15-W-2M-PUR	Cable socket, M12, 5-pin, PUR cable

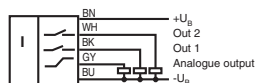


Electrical Connection



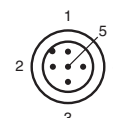
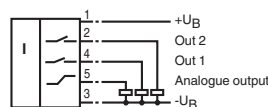
INX360D-F99-U2E2-5M

Standard symbol/Connection:



INX360D-F99-U2E2-V15

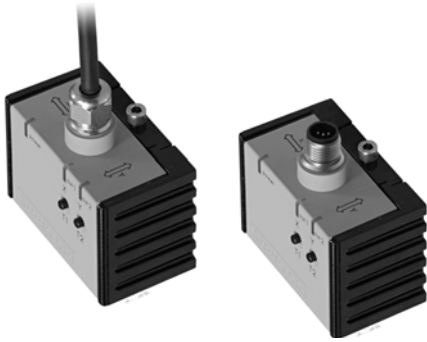
Standard symbol/Connection:



Wire colors in accordance with EN 60947-5-2

1	BN	(brown)
2	WH	(white)
3	BU	(blue)
4	BK	(black)
5	GY	(gray)

Ausgabedatum 08.04.2015



Technical Data

For detailed data and product description refer to the data sheets at www.pepperl-fuchs.com

General Data

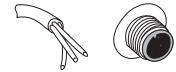
Type	Inclination sensor, 2-axis
Operating voltage	10 ... 30 V DC
No-load supply current	≤ 25 mA
Switch output	
Output type	2 switching outputs PNP, NO, reverse polarity and short-circuit protected
Operating current	≤ 100 mA
Analog output	
Output type	2 current outputs 4 ... 20 mA (one output for each axis)
Load resistor	0 ... 200 Ω at U _B = 10 ... 18 V 0 ... 500 Ω at U _B = 18 ... 30 V
Ambient temperature	-40 ... 85 °C (-40 ... 185 °F)
Housing material	PA
Protection degree	IP68 / IP69K

Properties

- 2 axes measurement
- 30° and 360° measurement range versions
- Analog and switching outputs
- Cable and connector versions

Model Number

	green = preferred type	INY360D-F99-2I2E2-5M	INY030D-F99-2I2E2-5M	INY360D-F99-2I2E2-V17	INY030D-F99-2I2E2-V17
Measurement range	0 ... 360 °	●	●	●	●
Absolute accuracy	-15 ... 15 °	●	●	●	●
	≤ ± 0.5 °	●	●	●	●
	≤ ± 0.2 °	●	●	●	●
Resolution	≤ 0.1 °	●	●	●	●
	≤ 0.01 °	●	●	●	●
Connection type	8-pin, M12 x 1 connector	●	●	●	●
	5 m, PUR cable 7 x 0.5 mm ²	●	●	●	●



Approvals and Certificates

CSA approval	cCSAus Listed, General Purpose, Class 2 Power Source	●	●
CCC approval	Products with a maximum operating voltage of ≤36 V do not bear a CCC marking because they do not require approval.	●	●
e1 Type approval	2006/28/EG	●	●

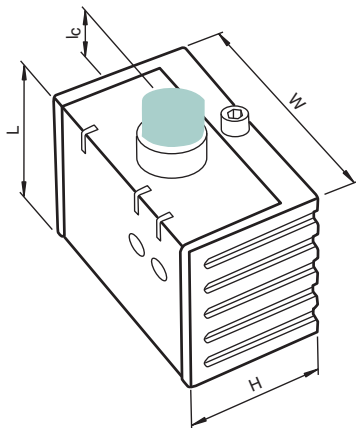
Dimensions

Length L [mm]	44
Width W [mm]	65
Height H [mm]	37
Connector area l _c [mm]	22 18.5

Accessories

This and more accessories can be found in chapter 10
See pages from 972 ... for cordsets See pages 1068 ... for mounting aids

V17-G-2M-PUR	Cable socket, M12, 8-pin, shielded, PUR cable
V17-G-5M-PUR	Cable socket, M12, 8-pin, shielded, PUR cable
V17-G-10M-PUR	Cable socket, M12, 8-pin, shielded, PUR cable
V17-G-10M-PVC ABG	Cable socket, M12, 8-pin, shielded, PVC cable

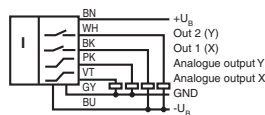


Electrical Connection



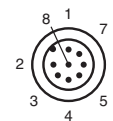
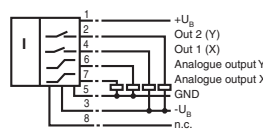
INY030D-F99-2I2E2-5M
INY360D-F99-2I2E2-5M

Standard symbol/Connection:



INY360D-F99-2I2E2-V17
INY030D-F99-2I2E2-V17

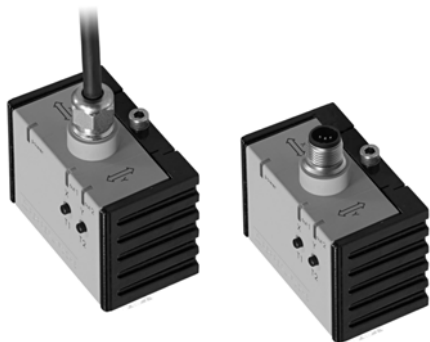
Standard symbol/Connection:



Wire colors

1	WH	(white)
2	BN	(brown)
3	GN	(green)
4	YE	(yellow)
5	GY	(gray)
6	PK	(pink)
7	BU	(blue)
8	RD	(red)

Ausgabedatum: 08.04.2015



Properties

- 2 axes measurement
- 360° measurement range
- Analog and switching outputs
- Cable and connector versions

Technical Data

For detailed data and product description refer to the data sheets at www.pepperl-fuchs.com

General Data

Type	Inclination sensor, 2-axis
Measurement range	0 ... 360 °
Absolute accuracy	≤ ± 0.5 °
Resolution	≤ 0.1 °
Operating voltage	10 ... 30 V DC
No-load supply current	≤ 25 mA
Switch output	
Output type	2 switch outputs PNP, NO, reverse polarity protected, short-circuit protected
Operating current	≤ 100 mA
Analog output	
Output type	2 voltage outputs 0 ... 5 V (one output for each axis)
Load resistor	≥ 1 kΩ
Ambient temperature	-40 ... 85 °C (-40 ... 185 °F)
Housing material	PA
Protection degree	IP68 / IP69K

Model Number

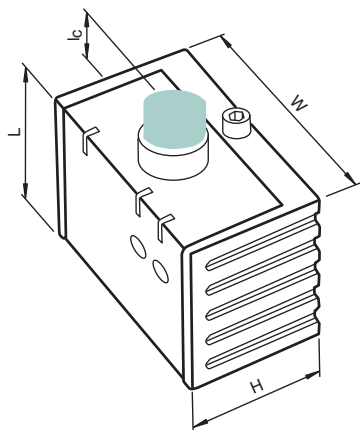
	Model	INY360D-F99-2U2E2-5M	INY360D-F99-2U2E2-V17
Connection type	8-pin, M12 x 1 connector 5 m, PUR cable 7 x 0.5 mm ²		

Approvals and Certificates

CSA approval	cCSAus Listed, General Purpose, Class 2 Power Source	●	●
CCC approval	Products with a maximum operating voltage of ≤36 V do not bear a CCC marking because they do not require approval.	●	●
e1 Type approval	2006/28/EG	●	●

Dimensions

Length L [mm]	44
Width W [mm]	65
Height H [mm]	37
Connector area l _c [mm]	22 18.5



Accessories

This and more accessories can be found in chapter 10
See pages from 972 ... for cordsets See pages 1068 ... for mounting aids

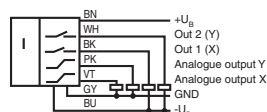
V17-G-2M-PUR	Cable socket, M12, 8-pin, shielded, PUR cable
V17-G-5M-PUR	Cable socket, M12, 8-pin, shielded, PUR cable
V17-G-10M-PUR	Cable socket, M12, 8-pin, shielded, PUR cable
V17-G-10M-PVC ABG	Cable socket, M12, 8-pin, shielded, PVC cable

Electrical Connection



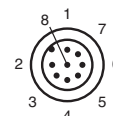
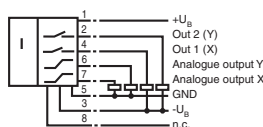
INY360D-F99-2U2E2-5M

Standard symbol/Connection:



INY360D-F99-2U2E2-V17

Standard symbol/Connection:



Wire colors

1	WH	(white)
2	BN	(brown)
3	GN	(green)
4	YE	(yellow)
5	GY	(gray)
6	PK	(pink)
7	BU	(blue)
8	RD	(red)



Properties

- 1 and 2 axes measurement
- ±2g measurement range
- Analog output(s)
- Connector version

Technical Data

For detailed data and product description refer to the data sheets at www.pepperl-fuchs.com

General Data

Measurement range	-2 ... 2 g
Resolution	≤ 5 mg
Frequency range	0 ... 100 Hz
Operating voltage	10 ... 30 V DC
No-load supply current	≤ 25 mA
Operating display	LED, green
TEACH-IN indication	LED, yellow
Zero signal	12 mA
Slope of output characteristic	4 mA / g
Linearity error	± 1.2 %
Analog output	
Load resistor	0 ... 200 Ω at U _B = 10 ... 18 V 0 ... 500 Ω at U _B = 18 ... 30 V
Ambient temperature	-40 ... 85 °C (-40 ... 185 °F)
Housing material	PA
Protection degree	IP68 / IP69K
Connection type	M12 x 1 connector, 5-pin



Model Number

		ACX04-F99-I-V15	ACY04-F99-2I-V15
Type	green = preferred type		
	1 axis acceleration sensor	●	
	2 axis acceleration sensor		●
Analog output			
Output type	1 current output 4 ... 20 mA	●	
	2 current outputs 4 ... 20 mA (one output for each axis)		●

Approvals and Certificates

CSA approval	cCSAus Listed, General Purpose	●	●
CCC approval	Products with a maximum operating voltage of ≤36 V do not bear a CCC marking because they do not require approval.		
e1 Type approval	2006/28/EG	●	●

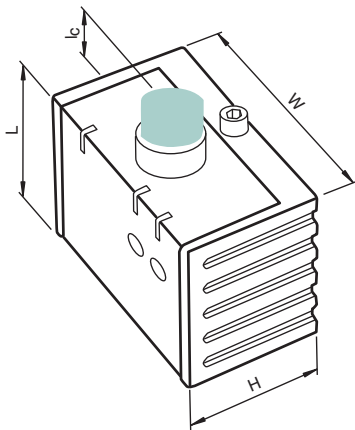
Dimensions

Length L [mm]	44
Width W [mm]	65
Height H [mm]	37
Connector area l _c [mm]	18,5

Accessories This and more accessories can be found in chapter 10

See pages from 972 ... for cordsets See pages 1068 ... for mounting aids

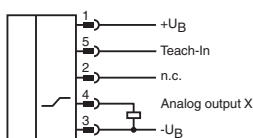
- V15-W-2M-PUR** Cable socket, M12, 5-pin, PUR cable
- V15-G-2M-PUR** Cable socket, M12, 5-pin, PUR cable



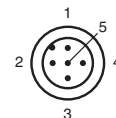
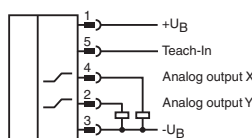
Electrical Connection



ACX04-F99-I-V15



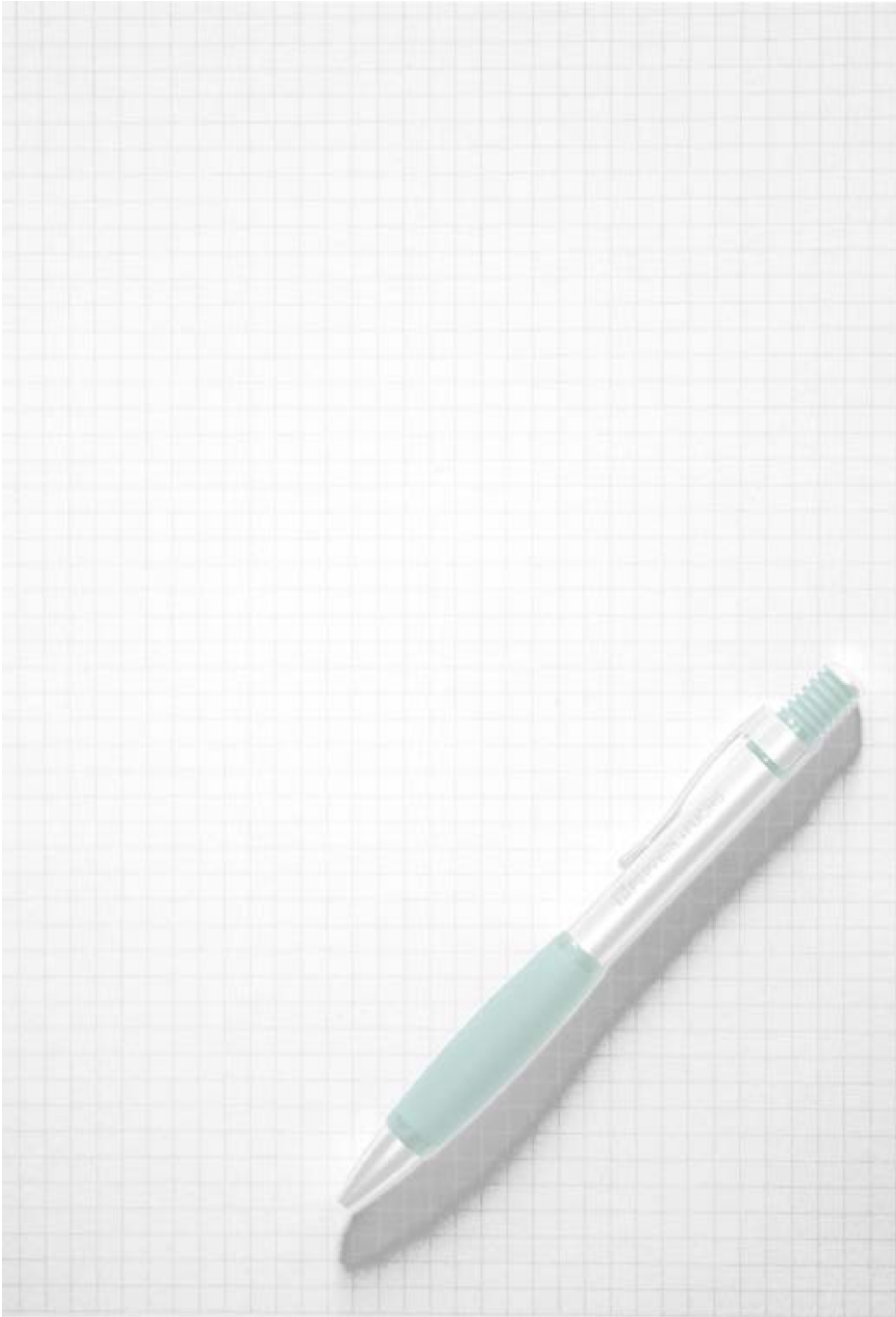
ACY04-F99-2I-V15



Wire colors in accordance with EN 60947-5-2

- 1 | BN (brown)
- 2 | WH (white)
- 3 | BU (blue)
- 4 | BK (black)
- 5 | GY (gray)

Ausgabedatum: 08.04.2015



Contents

AS-Interface data

Gateways	855
Power Supply	858
Switching Power Supplies	859
Repeaters/Bus Termination	860
Safety Monitors with Gateway.....	862
Safety Modules/Safety Monitors	863
Safety Modules	864
Emergency Stop Buttons	868
Safety Switches	869
Accessory Safety Switches	870
Configuration Software/Interface Cable	873
Sensor/Actuator Modules	874 - 875, 879 - 882
PCB Modules	876
Module Mounting Bases	878
Analog Modules	880, 883
Pneumatic Modules	884
Stack Light Modules	885
Display/Operation Accessories	889
Handheld Devices	891
Cables	892
Passive Splitters	893
Accessories	897








AS-Interface





Overview of AS-Interface/Selection Tables





Gateways	830
Power Supplies	832
Data Decouplers	832
Repeaters/Bus Termination	833
Safety Monitors	834
Safety Modules	836
Door Monitoring	836 ff
Emergency Stop Buttons	838
Sensor/Actuator Modules	840 ff
PCB Modules	844
Pneumatic Modules	845
Analog Modules	846
Display/Operating Modules	847
Passive Splitters	848
7.1 Introduction	850
7.2 AS-Interface System Components	850
7.3 AS-Interface Installation	850
7.4 AS-Interface Technical Characteristics	851
7.6 Masters and Gateways	852
7.7 Power Supplies	852
7.8 Repeaters, Bus Termination, and Analyzers	852
7.9 AS-Interface Safety at Work	852
7.10 ASIMON+ Configuration Software	853
7.11 Modules	853
7.12 Stack Lights	854
7.13 PCB Modules	854
7.14 Accessories	854

Gateways

Protocol					
	DeviceNet	DeviceNet	DeviceNet	Ethernet/IP MODBUS TCP	Ethernet/IP MODBUS TCP
Features					
Diagnostic interface	●	●		●	●
Duplicate address detection	●	●		●	●
Double master		●	●		●
Optional Control 3 programming				●	●
Model number					
	VBG-DN-K20-D	VBG-DN-K20-DMD	VBG-DN-K20-DMD-BV	VBG-ENX-K20-D	VBG-ENX-K20-DMD
	Page 855	Page 855	Page 855	Page 855	Page 855

Gateways




Protocol				
	PROFIBUS	PROFIBUS	PROFIBUS	PROFIBUS
Features				
Diagnostic interface	●	●		
Duplicate address detection	●	●		
Double master		●	●	
Optional Control 3 programming				
Model number				
	VBG-PB-K20-D	VBG-PB-K20-DMD	VBG-PB-K20-DMD-BV	VBG-PB-K25
	Page 856	Page 856	Page 856	Page 856

				Protocol
PROFINET	PROFINET	MODBUS	CC-Link	
Features				
●	●	●	●	Diagnostic interface
●	●	●		Duplicate address detection
	●			Double master
●	●			Optional Control 3 programming
Model number				
VBG-PN-K20-D	VBG-PN-K20-DMD	VBG-MOD-K20-D	VBG-CCL-K20-D-BV	
Page 856	Page 856	Page 855	Page 855	



Master





			Protocol
ControlLogix PLC	CompactLogix / MicroLogix 1500 PLC	Serial	
Features			
●	●		Diagnostic interface
●	●	●	Duplicate address detection
●			Double master
Model number			
VBM-CLX-DM	VBM-MLX/CPLX	VBM-CTR-K20-R2	
Page 857	Page 857	Page 857	

Power supply





Output current				
	5 A	10 A	10 A	
Nominal voltage, primary side				
24 V _{DC}				
115/230 V _{AC}	●	●		
3 x 340 to 550 V _{AC}			●	
Features				
Integrated data decoupling				
Output voltage adjustable	●	●	●	
Model number				
	K17-STR-24..30VDC-5A	K24-STR-24..30VDC-10A	K34-STR-24..30VDC-3X500VAC-10A	
	Page 859	Page 859	Page 859	

Data Decouplers

Output current		
	4 A	2 x 4 A
Degree of protection		
IP20		●
IP67	●	
Model number		
	VAN-G4-PE-4A	VAN-KE2-2PE
	Page 860	Page 860

				Output current
2.8 A	4 A	4 A	8 A	
Nominal voltage, primary side				
		●		24 V_{DC}
●	●		●	115/230 V_{AC}
				3 x 340 to 550 V_{AC}
Features				
●	●	●	●	Integrated data decoupling
				Output voltage adjustable
Model number				
VAN-115/230AC-K19	VAN-115/230AC-K27	VAN-24DC-K28	VAN-115/230AC-K16	
Page 858	Page 858	Page 858	Page 858	

Repeaters/Bus Termination




				Description
●	●	●		Repeater
	●	●		Terminator
				Tuner
			●	Analyzer
Model number				
VAR-G4F	VAR-KE3-TERM	VAZ-G10-TERM	VAZ-ANALYZER	
Page 860	Page 860	Page 860	Page 897	

Gateways/safety monitors



Interface					
	PROFIBUS	PROFIBUS	PROFIBUS	PROFINET	
Features/function					
Integrated master		●	●		
Integrated second master	●			●	
16 shutdown circuits	●	●	●	●	
Model number					
	VBG-PB-K30-DMD-S16	VBG-PB-K30-D-S	VBG-PB-K30-D-S16	VBG-PN-K30-DMD-S16	
	Page 861	Page 861	Page 861	Page 861	

Safety Monitors

Housing design		
	K31	K31
Features/function		
2 AS-Interface networks		●
2 shutdown circuits	●	
4 shutdown circuits		●
Logic output	●	●
Model number		
	VAS-2A1L-K31	VAS-4A16L-K31
	Page 862	Page 862

			Interface
Ethernet	PROFIBUS/ PROFIsafe	PROFINET/ PROFIsafe	
			Features/function
			Integrated master
●	●	●	Integrated second master
●	●	●	16 shutdown circuits
			Model number
VBG-ENX-K30-DMD-S16	VBG-PBS-K30-DMD	VBG-PNS-K30-DMD	
Page 861	Page 861	Page 861	

Safe Speed Monitor




		Housing design
Safety monitor compact	Safety module Rotational speed monitor	
		Features/function
	●	2 inputs for safe encoders
●		2 shutdown circuits
●		Logic output
		Model number
VAS-2A8L-KE4-8SE	VBA-2E-KE4-ENC-S	
Page 863	Page 863	




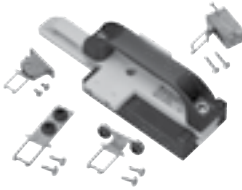
Safety Modules

Type				
	Field module for OSSD inputs	Control cabinet module	Control cabinet module	Control cabinet module
Features/function				
Safe inputs	●	●	●	
Safe outputs				●
Standard outputs			●	
Model number				
	VAA-2E-G4-SE	VAA-2E-KE1-S	VAA-2E2A-KE1-S/E2	VBA-4E1A-KE3-ZEJ/SR
	Page 864	Page 867	Page 867	Page 867

Door monitoring

Type				
	Safety switch	Safety switch	Safety switch	Safety switch
Guard locking principle				
Operating current				●
Closed current			●	
No guard locking	●	●		
Power supply				
AS-Interface	●	●	●	●
AUX/AS-Interface				
Displays				
Fault/voltage		●	●	●
Model number				
	VAA-2E-IM1-J-S-V1	VAA-2E2A-IM1-J-S-V1	VAA-2E3A-LIM1-PU-J-S-V1	VAA-2E3A-LIM1-PL-J-S-V1
	Page 870	Page 870	Page 870	Page 870

			Type
Field module	Field module	Field module	
Features/function			
●	●	●	Safe inputs
			Safe outputs
●	●	●	Standard outputs
Model number			
VAA-2E2A-G12-SAJ/ EA2L	VAA-2E1A-G10-SAJ/ EA2J-1M	VAA-2E1A-G10-SAJ/ EA2J-2X1M	
Page 866	Page 865	Page 865	





				Type
Safety switch	Safety switch	Enabling switches	Safety switch accessories	
Guard locking principle				
	●			Operating current
●				Closed current
				No guard locking
Power supply				
		●		AS-Interface
●	●			AUX/AS-Interface
Displays				
●	●			Fault/voltage
Model number				
VAA-2E3A-LIM1- PU-L-S-V1	VAA-2E3A-LIM1- PL-L-S-V1	VAA-3E-HH30-J- S-V1	VAZ-IM1-*-BOLT-S	
Page 870	Page 870	Page 870	Page 871 f	

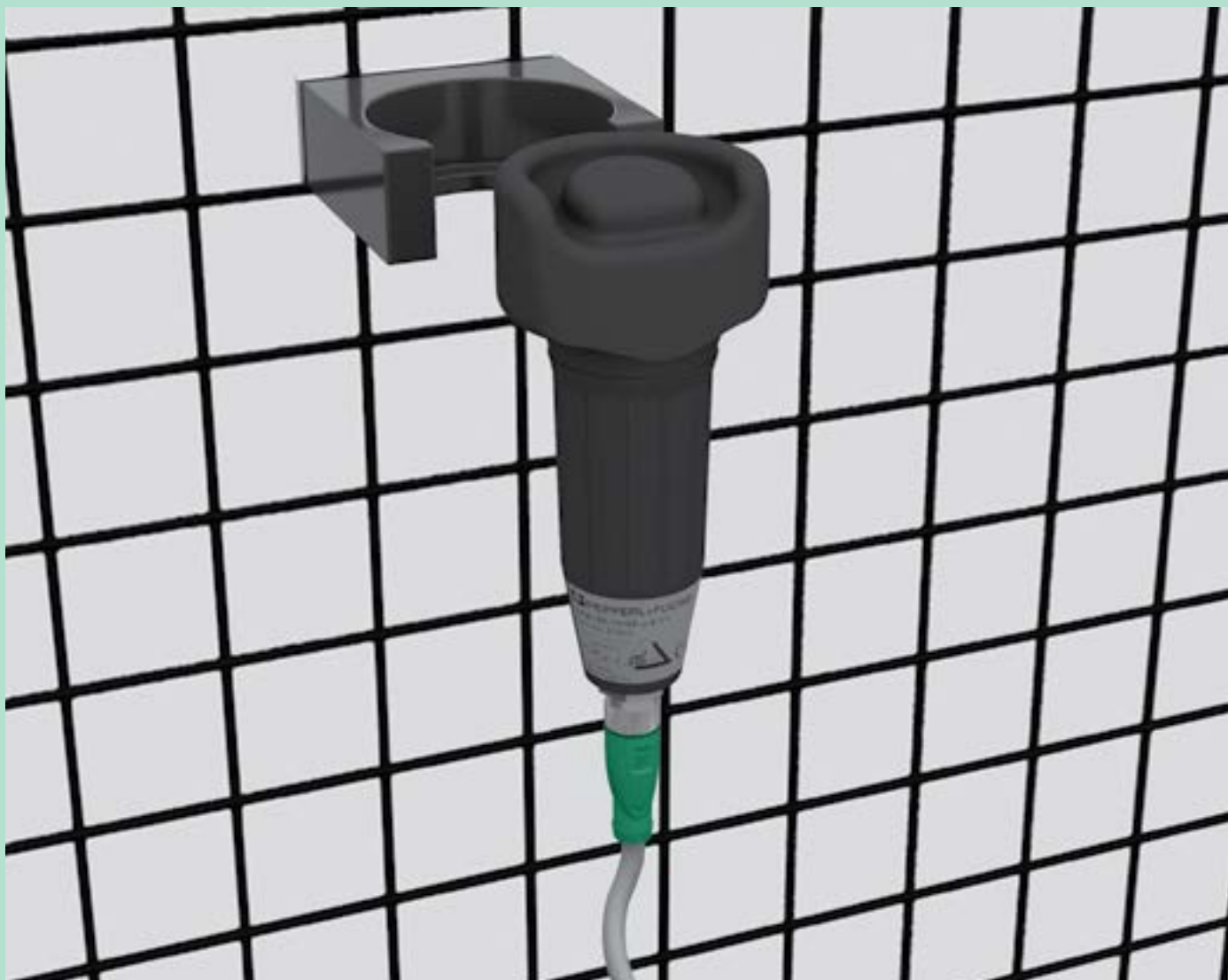
Door monitoring

Type				
	Control interface for noncontact safety switch	Read head for noncontact safety switch	Actuator for noncontact safety switch	Reed switch for noncontact safety switch
Mode of operation				
RFID	●	●	●	
Reed				●
Model number				
	VAA-4E-IEI1-CONTROL-J-S	VAZ-IEI1-READER1-S-V3	VAZ-IEI1-TAG1-S	VAA-2E1A-IER1-S-1M-V1
	Page 869	Page 869	Page 869	Page 869






Emergency Stop Buttons

Type				
	Surface mountable	Surface mountable	Embeddable	Embeddable
Display				
Integrated red LED		●		●
Model number				
	VAA-2E-F85A-S-V1	VAA-2E1A-F85A-S-V1	VAA-2E-PM-S	VAA-2E1A-PM-S
	Page 868	Page 868	Page 868	Page 868

				Type
Actuator for non-contact safety switch	Reed switch for noncontact safety switch	Reed switch for noncontact safety switch	Actuator for non-contact safety switch	
Mode of operation				
				RFID
●	●	●	●	Reed
Model number				
VAZ-IER1-ACTUATOR1-S	VAA-2E-IER2-S-1M-V1	VAA-2E-IER2-S-0,15M-V1	VAZ-IER2-ACTUATOR2-S	
Page 869	Page 869	Page 869	Page 869	












Sensor/actuator modules




Inputs/outputs					
	4/4 relay	4/4	4/-	4/3 relay	4/3
Power supply					
Inputs from AS-Interface	●	●	●	●	●
Inputs from AUX	● ¹	● ¹	● ¹	● ¹	● ¹
Outputs from AS-Interface					
Outputs from AUX	●	●	●	●	●
Slave type					
Extended addressing			●	●	●
Model number					
	VAA-4E4A-KE-ZE/R	VAA-4E4A-KE-ZEJQ/E2L	VBA-4E-KE-ZEJQ	VBA-4E3A-KE-ZE/R	VBA-4E3A-KE-ZEJQ/E2L
	Page 881	Page 881	Page 881	Page 881	Page 881

¹ = not directed via module




Sensor/actuator modules

Inputs/outputs				
	1/3	4/2	4/-	4/4
Power supply				
Inputs from AS-Interface		●	●	●
Inputs from AUX	●			
Outputs from AS-Interface		●		
Outputs from AUX	●			●
Slave type				
Extended addressing	●		●	●
Model number				
	VBA-1E3A-M18-ZE/E2-V1	VAA-4E2A-G5-N/V2-Ex	VBA-4E-G16-ZEJ	VBA-4E4A-G16-ZEJ/E2L
	Page 879	Page 879	Page 879	Page 879






					Inputs/outputs
4/4 relay	4/4	4/-	4/2	4/4	
Power supply					
●	●	●	●		Inputs from AS-Interface
● ¹	● ¹			●	Inputs from AUX
					Outputs from AS-Interface
●	●		●	●	Outputs from AUX
Slave type					
●	●	●	●		Extended addressing
Model number					
VBA-4E4A-KE-ZE/R	VBA-4E4A-KE-ZEJQ/E2L	VBA-4E-KE1-Z	VBA-4E2A-KE1-Z/E2	VAA-4E4A-KE1-Z/E2	
Page 881	Page 881	Page 882	Page 882	Page 882	





			Inputs/outputs
4/-	2/2	4/4	
Power supply			
●	●	●	Inputs from AS-Interface
			Inputs from AUX
			Outputs from AS-Interface
	●	●	Outputs from AUX
Slave type			
●	●	●	Extended addressing
Model number			
VBA-4E-G4-ZE	VBA-2E2A-G4-ZE/E2	VBA-4E4A-G4-ZE/E2	
Page 877	Page 877	Page 877	






Sensor/actuator modules

Inputs/outputs				
	2/-	2/-	2/1	
Power supply				
Inputs from AS-Interface	<input checked="" type="checkbox"/>	<input checked="" type="checkbox"/>		
Inputs from AUX			<input checked="" type="checkbox"/>	
Outputs from AS-Interface				
Outputs from AUX			<input checked="" type="checkbox"/>	
Slave type				
Extended addressing	<input checked="" type="checkbox"/>	<input checked="" type="checkbox"/>	<input checked="" type="checkbox"/>	
AS-Interface/AUX connection				
Flat cable	<input checked="" type="checkbox"/>	<input checked="" type="checkbox"/>	<input checked="" type="checkbox"/>	
M12 round plug connector				
Model number				
	VBA-2E-G10-ZAJ-1M-V1-W	VBA-2E-G10-ZEJ-1M-2V1-W	VBA-2E1A-G10-ZAL/E2L-1M-2V1-W	
	Page 876	Page 876	Page 876	




Sensor/actuator modules

Inputs/outputs						
	-/4	4/4	4/4	4/-	4/-	
Power supply						
Inputs from AS-Interface		<input checked="" type="checkbox"/>		<input checked="" type="checkbox"/>		
Inputs from AUX			<input checked="" type="checkbox"/>		<input checked="" type="checkbox"/>	
Outputs from AS-Interface						
Outputs from AUX	<input checked="" type="checkbox"/>	<input checked="" type="checkbox"/>	<input checked="" type="checkbox"/>			
Slave type						
Extended addressing				<input checked="" type="checkbox"/>	<input checked="" type="checkbox"/>	
Model number						
	VAA-4A-G12-EA2L	VAA-4E4A-G12-ZAJ/EA2L	VAA-4E4A-G12-ZAL/EA2L	VBA-4E-G12-ZAJ	VBA-4E-G12-ZAL	
	Page 874	Page 874	Page 874	Page 874	Page 874	

				Inputs/outputs
4/-	4/-	4/4	4/4	
Power supply				
●	●	●	●	Inputs from AS-Interface
				Inputs from AUX
				Outputs from AS-Interface
		●	●	Outputs from AUX
Slave type				
●	●	●	●	Extended addressing
AS-Interface/AUX connection				
●		●		Flat cable
	●		●	M12 round plug connector
Model number				
VBA-4E-G11-ZAJ-F	VBA-4E-G11-ZAJ-V1	VBA-4E4A-G11-ZAJ/EA2L-F	VBA-4E4A-G11-ZAJ/EA2L-V1	
Page 875	Page 875	Page 875	Page 875	

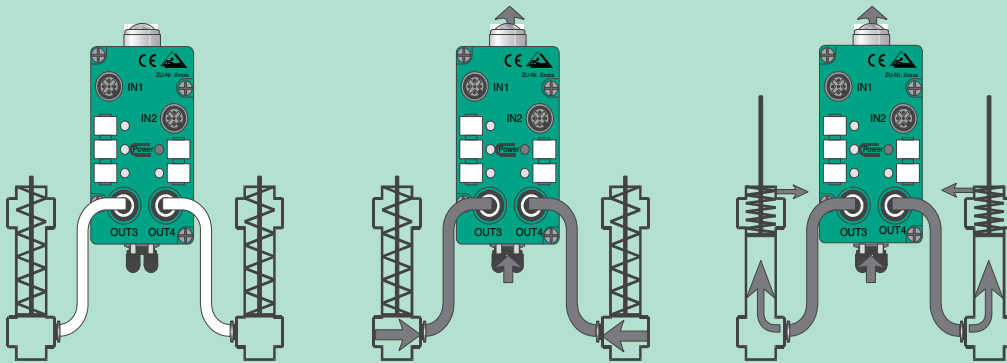
					Inputs/outputs
2/2	4/4	8/-	4/4	4/4	
Power supply					
●		●	●		Inputs from AS-Interface
	●			●	Inputs from AUX
					Outputs from AS-Interface
●	●		●	●	Outputs from AUX
Slave type					
●	●	●	●	●	Extended addressing
Model number					
VBA-2E2A-G12-ZAJ/EA2L	VBA-4E4A-G12-XEL	VBA-4E4E-G12-ZAJ	VBA-4E4A-G12-ZAJ/EA2L	VBA-4E4A-G12-ZAL/EA2L	
Page 874	Page 874	Page 874	Page 874	Page 874	

PCB Modules

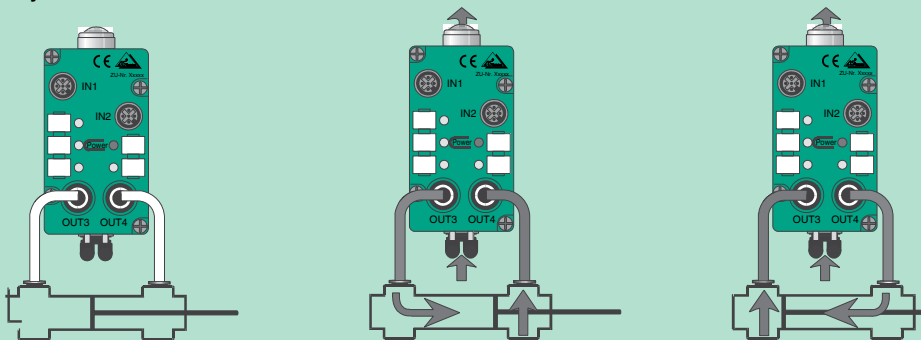
Inputs/outputs			
	4/4	4/4	4/4
Power supply			
Inputs from AS-Interface	●		●
Inputs from AUX		●	
Outputs from AS-Interface	●		●
Outputs from AUX		●	
Slave type			
Extended addressing	●	●	●
Model number			
	VBA-4E4A-CB1-ZEJ/E2J	VBA-4E4A-CB2-ZEL/E2L	VBA-4E4A-CB1-ZEJ/E2J-FL
	Page 884	Page 884	Page 884

Examples of pneumatic module functions



as 3/2-way valve



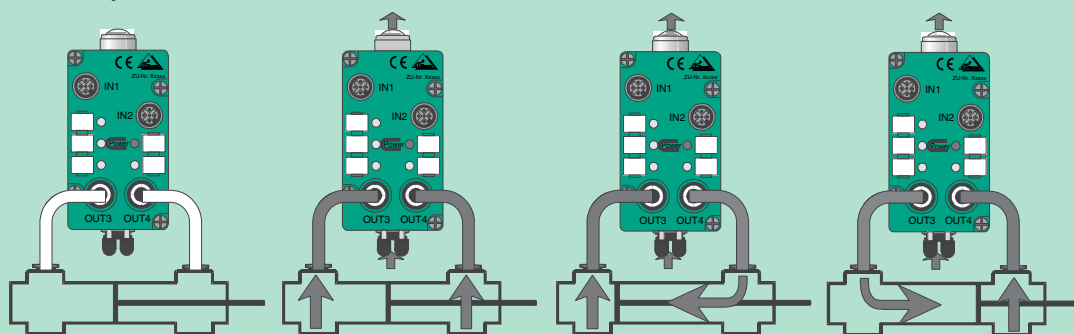
as 4/2-way valve



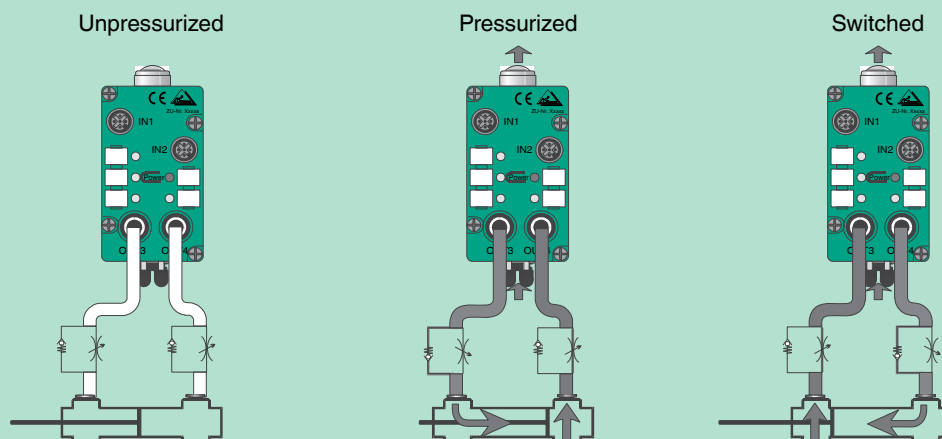
Pneumatic Modules

		Inputs/outputs
4/2 x pneum.	4/2 x pneum.	
Power supply		
●	●	Inputs from AS-Interface
		Inputs from AUX
●		Outputs from AS-Interface
	●	Outputs from AUX
Slave type		
●	●	Extended addressing
Model number		
VBA-4E2A-G1-ZE/P-S	VBA-4E2A-G1-ZE/PEXT-S	
Page 877	Page 877	




as 5/2-way valve






as 5/2-way valve






Analog Modules





Inputs/outputs				
	-/2 x analog	-/2 x analog	-/4 x analog	
Type				
Current	●	●	●	
Voltage			●	
Temperature (Pt100)				
Power supply from				
AS-Interface	●	●	●	
AUX				
AS-Interface/AUX connection				
Flat cable	●		●	
M12 round plug connector		●		
Model number				
	VBA-2A-G11-I-F	VBA-2A-G11-I-V1	VBA-4A-G11-I/U-F	
	Page 880	Page 880	Page 880	

Analog Modules





Inputs/outputs				
	-/2 x analog	2/- x analog	2/- x analog	
Type				
Current	●	●	●	
Voltage	●	●	●	
Temperature (Pt100)				
Power supply from				
AS-Interface	●	●	●	
AUX	●	●	●	
AS-Interface/AUX connection				
Removable screw terminal	●	●	●	
Model number				
	VBA-2A-KE2-I/U	VBA-2E-KE2-I/U-V3.0	VBA-2E-KE2-I/U	
	Page 849	Page 849	Page 849	

			Inputs/outputs
4/- x analog	2/- x analog	2/- x analog	
			Type
●	●	●	Current
	●	●	Voltage
	●	●	Temperature (Pt100)
			Power supply from
	●	●	AS-Interface
●	●	●	AUX
			AS-Interface/AUX connection
●	●		Flat cable
		●	M12 round plug connector
			Model number
VBA-4E-G11-I-F	VBA-2E-G11-I/U/PT100-F	VBA-2E-G11-I/U/PT100-V1	
Page 880	Page 880	Page 880	




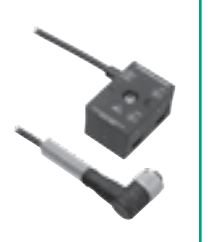

Display/Operating Modules

				Inputs/outputs
-/4	2/2	4/4	1/2	
				Power supply from
●	●	●	●	AS-Interface
●				AUX
				Slave type
	●		●	Extended addressing
				Model number
VAA-4A-70MM & accessories	VBA-LT2-G1	VAA-LT3-F86-V1	VBA-1E2A-BUZZER/LT-RD	
Page 885 ff	Page 889	Page 889	Page 890	

Passive Splitters






Function				
	AS-Interface on 1 x M12 socket	AS-Interface & auxiliary power on 1 x M12 socket	AS-Interface & auxiliary power flat cable on 8 x M12 socket	AS-Interface & auxiliary power M12 plug on 8 x M12 socket
Display				
Overload AS-Interface	●	●		
Operating Display AS-Interface	●	●	●	●
Overload AUX		●	●	●
Operating Display AUX		●	●	●
Model number				
	VAZ-T1-FK-G10-PTC-1M-PUR-V1-G	VAZ-2T1-FK-G10-PTC-1M-PUR-V1-G	VAZ-2T8-G11-F	VAZ-2T8-G11-V1
	Page 893	Page 894	Page 896	Page 896

Passive Splitters

Function					
	AS-Interface on 1 x M12 socket	AS-Interface on 1 x M12 socket	AS-Interface & auxiliary power on 1 x M12 socket	AS-Interface & auxiliary power on 1 x M12 socket	AS-Interface on 1 x M12 socket
Connection					
Straight M12 socket with cable	●		●		
Angled M12 socket with cable		●		●	
Straight M12 socket					●
Model number					
	VAZ-T1-FK-G10-*M-PUR-V1-G	VAZ-T1-FK-G10-*M-PUR-V1-W	VAZ-2T1-FK-G10-*M-PUR-V1-G	VAZ-2T1-FK-G10-*M-PUR-V1-W	VAZ-T1-FK-G10-V1
	Page 893	Page 893	Page 894	Page 894	Page 895

AS-Interface handheld programmer

					Operating mode
230 V charger	120 V charger	230 V charger	120 V charger	230 V charger	
					Features/function
		●	●		Incl. accessories
				●	Power supplied externally
VBP-HH1-V3.0	VBP-HH1-V3.0-110V	VBP-HH1-V3.0-KIT	VBP-HH1-V3.0-KIT-110V	VBP-HH1-V3.0-V1	
Page 891	Page 891	Page 891	Page 891	Page 891	

					Function
AS-Interface & auxiliary power on 1 x M12 socket	AS-Interface & auxiliary power on 2 x M12 socket	2 x AS-Interface on 2 x double terminal	AS-Interface & auxiliary power on double terminals	Flat cable on flat cable	
					Connection
					Straight M12 socket with cable
					Angled M12 socket with cable
●	●				Straight M12 socket
					Model number
VAZ-2T1-FK-G10-V1	VAZ-2T2-FK-G10-V1	VAZ-T1-FK-G10-CLAMP1	VAZ-2T1-FK-G10-CLAMP1	VAZ-2FK-G10-BRIDGE	
Page 895	Page 895	Page 895	Page 895	Page 895	

7.7 Introduction

What is AS-Interface?

The actuator-sensor interface (AS-Interface) replaces conventional wiring technology at the sensor-actuator level. The AS-Interface minimizes installation effort, has a comprehensive diagnostic function, and enables flexible system enhancements. AS-Interface is an open installation system that is recognized and accepted around the world. Many manufacturers offer a wide range of compatible products.

The main benefits of AS-Interface

AS-Interface transfers digital and analog I/O signals and safe I/O signals over a two-core cable that also supplies the nodes and their peripherals with power. Installation via the profiled flat cable is performed using insulation piercing technology. This is easy and failsafe thanks to the polarity-protected geometry of the flat cable.

AS-Interface is fast and can achieve response times of less than 3 ms. The installation of an AS-Interface is completely flexible and topology-free. The use of passive splitters means it is very quick to install. If required, modules can be supplied with power via a second black flat cable. The slaves are assigned with addresses locally within seconds using a handheld device. If you replace a product at a later point for maintenance purposes, the addresses are assigned automatically by the master. Program routines for decentralized processes can also be managed in the master in order to replace small control units. AS-Interface is transparent to the higher-level control unit and behaves like an I/O plug-in card. In doing so, AS-Interface has a considerably higher functional density because 1000 I/Os can be realized on a construction width of less than 100 mm. The diagnostic function enables detection of duplicate addresses or a short circuit to ground, the evaluation of sporadic faults, and the separate detection of overloads on the bus and peripheral side through to the port-related LED display on the module.

Compared with conventional wiring technology, this removes the need for parallel wiring, as well as a number of plug and terminal connections. Control cabinets and cable trays can be designed much smaller and the documentation is also simpler.

This additional functionality and the reduced wiring result in considerable cost savings over the service life in the application.

Manchester coding (alternating pulse modulation) and potential-free differential signal transfer enable AS-Interface to achieve extremely high data security and immunity, despite the use of an unsheathed two-wire cable.

The choice of AS-Interface topology is flexible and can be based on line, star, or tree structures. Even larger networks can be created cost-effectively using bus terminations and repeaters with an overall network length of 1 km. A maximum of two repeaters can be switched consecutively. Higher-level systems are connected with the gateway integrated into the master. All common international gateway functions are available, meaning that AS-Interface is always upward compatible with all control unit types when installed in the field.

8.8 AS-Interface System Components

AS-Interface products from Pepperl+Fuchs are certified by the independent AS-Interface testing body to ensure interoperability between products. This is indicated by the AS-Interface shadow logo on our products.

Masters, gateways, and power supplies

A master with gateway function controls the AS-Interface system and makes the process data available to all higher-level control unit types in a defined configuration. Typically, this involves more than 32 bytes of digital I/O data and additional diagnostic data. AS-Interface operates like a conventional I/O card in the control unit, making it possible to convert a system to AS-Interface without changing the control unit software.

The master is usually installed in the control cabinet and stores the

configuration used. Individual communication errors do not result in a fault, although they are listed in the statistical error memory for diagnostic purposes.

Masters with an integrated monitor function enable the connection of the safe slaves to the same AS-Interface cable.

AS-Interface power supplies are used to supply power.

AS-Interface slaves

Sensors/actuators with AS-Interface

These devices can be connected directly to the flat cable via passive splitters, and offer the advantage of transferring additional information such as pre-fault diagnostics and parameterization options.

Modules

Standard sensors and actuators can be connected to modules for control cabinet installation or field mounting up to IP68/69K degree of protection. Analog modules that automatically detect the connected sensor (I, U, PT100) are also available.

The color-coded terminals in our control cabinet modules at installation depths of 50 mm and 100 mm facilitate reliable assignment during installation. We offer various PCB solutions for installation in the terminal box and integration into the housing.

Field modules with a direct cable output for connecting up to two sensors, and modules for connecting via M8 and M12 connectors are available in different housing designs.

AS-Interface Safety at Work for safety-related applications

A single AS-Interface cable can be used to connect components such as emergency stop buttons, safety light grids, or safety door locks in mixed operation while using the same protocol. You only need to integrate a safety monitor and safe slaves into the segment. The monitor evaluates data communication on the AS-Interface cable using dynamic code sequences that are taught in to the monitor during commissioning. AS-Interface guarantees a safe shutdown time of a maximum 40 ms. A safety monitor integrated into the master can control up to 16 safe shutdown circuits with multiple safe inputs and outputs. Safe outputs can be grouped together and controlled simultaneously via a shutdown circuit without jitter.

Field and control cabinet modules, emergency stop buttons, door locks, and locking door guards with integrated AS-Interface chip are available as slaves with safe inputs. The bus communication and the deployed technology have been assessed by BGIA as safe and certified by TÜV. AS-Interface can be used even for the highest safety level PLe specified in the new machine safety guideline ISO 13849-1. Machines can be controlled in accordance with stop category 0 (immediate energy shutdown) and 1 (controlled shutdown). Several AS-Interface segments can also be coupled together safely. In accordance with IEC 61508 approval, it is possible to achieve up to SIL3.

Addressing device, diagnostics and parameterization tools

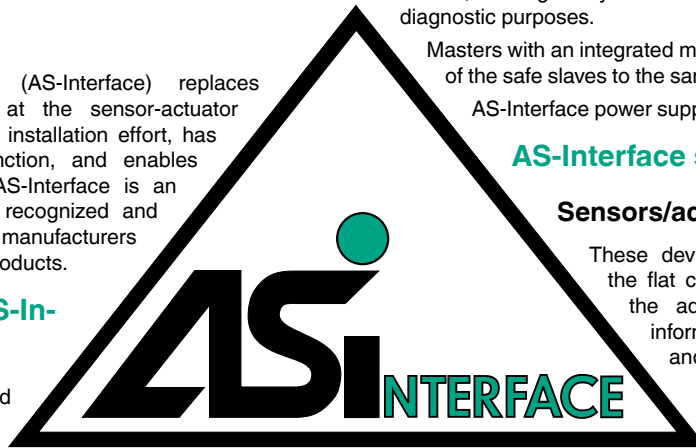
AS-Interface slaves can be easily assigned an address locally during installation using the AS-Interface handheld programmer. Addresses that have already been assigned can also be displayed. The handheld device can also be used to read input data and control outputs, e.g. during a commissioning test.

The AS-i Control Tools software provides a clear diagnosis that can be displayed visually. The ASIMON+ software is used to define all safety-related functions and import them into the monitor. The use of Drag & Drop makes this action simple, clear, and very functional.

7.3 The AS-Interface Installation

Flat cable

The flat cable is one of the biggest benefits of AS-Interface. The flat shape of the cable prevents reverse polarity and the slaves are connected within seconds thanks to the insulation piercing technology.





Simply insert the flat cable into the module and, depending on the housing design, close the module or attach the top part. Most modules can be mounted without tools or by using just one screw. The connection to AS-Interface is established using the penetrating, gold-plated, twisted contact pins.

A black flat cable is used for a 24 V power supply to provide high power to outputs.

Installation

The AS-Interface cable is symmetrical, i.e., you must not connect either of the strands to the system ground. You can place a branch at any point (any topology layout) where the cable end does not require a terminator. If you use a bus termination at the far "cable end," the segment length is extended to 200 m. Using a maximum of two further repeaters in a row and three bus terminations in each segment, you can achieve a maximum distance of 600 m from the master. You can also use repeaters in a star-shaped topology to achieve a possible 1 km total network length.

Power from the AS-Interface power supply is supplied at any point within the AS-Interface segment. In the event of high current slaves, position the power supply close to the slaves in order to keep the voltage drop



low. A 24 V additional power supply may be required when connecting powerful actuators, in order to operate them via the electronic outputs. The 24 V power supply can be connected several times locally. AS-Interface masters/gateways are supplied with 24 V directly or from the AS-Interface.

Commissioning of the AS-Interface segment can take place directly at the master/gateway without a PC.

Pepperl+Fuchs offers an extensive range of connectors for connecting sensors and actuators.

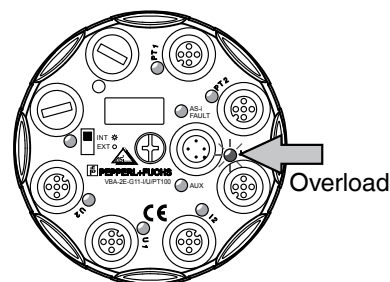
7.4 AS-Interface Technical Characteristics

Number of slaves on the AS-Interface segment and functionalities

AS-Interface is backward compatible, meaning that even the very first generation of slaves will still function with the current master. You can connect up to 62 slaves to one AS-Interface segment. These can have up to four inputs and four outputs enabling 248 input signals and 248 output signals to be connected per network. These addresses are counted sequentially from 1A to 31A and 1B to 31B for historical reasons. As safe slaves require both an A and a B address, you can connect a maximum of 31 safe nodes to one segment. Slaves are also referred to as A/B slaves if they only require either an A or B address and standard slaves if they require a full address.

Several outputs can be switched simultaneously within 1 μ s via the "synchronous mode" parameter bit.

Diagnostic function with peripheral errors



In addition to communication errors (such as faulty telegrams), the master also detects hardware errors at the slave. These peripheral error messages can be transferred to the control unit and used to perform shutdowns in the event of an error.

A peripheral error is indicated by a red LED on the module itself. Some slaves also offer the option to display the inputs/outputs affected.

Analog value transfer

Analog values are transferred in several cycles and are then sent as a complete analog value, typically 16-bit, from the master to the control unit. Seven cycles are required for each channel for the transfer time and approximately 10 ms conversion time.

Transfer rate and cycle time



The maximum cycle time is 10 ms. If the segment is not fully occupied, the cycle time reduces by 0.15 ms per slave. If a module has four inputs and four outputs, the maximum cycle time for the outputs only is a maximum of 20 ms. If the corresponding B address is released, the cycle time for the respective slave with the A address is halved. Standard slaves with a full address always have a maximum 5 ms cycle time.

This enables both time-critical applications and applications with multiple inputs and outputs to be set up on the same segment.

9.9 Programming and Installation

Plant size

By specifying the sensors and actuators you wish to connect, you can determine the required number of modules and addresses. Note that analog modules and safety modules occupy a full address (A and B).

Estimate the required length for the segment. Incorporate a bus termination for lengths over 100 m. Incorporate repeaters with downstream AS-Interface power supply for distances over 200 m.

As AS-Interface is not restricted by topology, you can route the cables freely.

Power supply dimensioning

You can determine the required power supply from the power consumption of the individual devices. The relevant data is included in the data sheets. Then, select the AS-Interface power supply and specify, if necessary, the required 24 V_{DC} power supply through the output load.

Assigning an address to the slaves and wiring

Prior to mounting, you have the option of assigning an address to all the slaves, labeling them, and installing them at the planned mounting location, or you can use the VBP-HH1-V3.0-KIT handheld device to assign addresses once installation is complete. It is common to assign addresses locally following installation. The default address for all slaves on delivery is 0. The slaves are connected and assigned an address via a programming plug, the M12 plug on the device, or the socket on the addressing device.

Configuration of the master/gateway and monitor

You must then specify which nodes are connected to the AS-Interface segment in the master/gateway.

Fieldbus master simulation is available for PROFIBUS, DeviceNet and MODBUS. You can use AS-i Control Tools to simulate Ethernet and MODBUS gateways and test them in conjunction with the higher-level fieldbus connection.

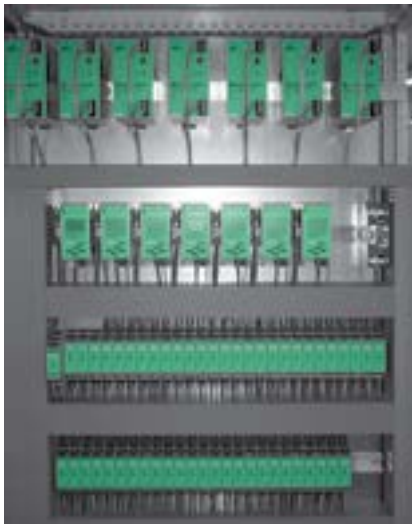
Most K20/K30 masters have a separate serial diagnostic interface for connecting to a PC. You can use AS-i Control Tools to perform diagnostics on the AS-Interface segment.

To execute safety-related functions, the logic must be stored in the monitor using the ASIMON+ software. Function blocks are used to define and store the logic. This configuration is loaded to the monitor from the PC. The safe code sequences are then taught in.

10.10 Masters and Gateways

The AS-Interface master/gateways control communication and are also available with an integrated safety monitor with various different gateway interfaces. You can enter the parameters easily via the graphical display on the master or call up diagnostic information in plain text. All the diagnostic data can be transferred to the control unit. The standard menu structure and universal operating concept make this system easy to use despite the wide variety of different devices.

Many masters/gateways are also available with a control function and, similarly to a small PLC, can directly control the inputs and outputs on the AS-Interface segment. This reduces the upward data volume, reduces response times, and renders a small control unit superfluous.



7.7 Power Supplies

With AS-Interface, the data and power supply are transferred on the same two strands. Data communication is modulated to 30.5 V_{DC} voltage. A special AS-Interface power supply with data decoupling is therefore required to supply the AS-Interface segment. All power supplies comply with the PELV (protective extra low voltage) requirements of EN 50178 and EN 60204. Therefore no earth ground (PE) is required for the AS-Interface current circuit. Since AS-Interface is constructed symmetrically, the shield terminal on the power supply must have ground potential.

A ground connection monitoring function is integrated into some power supplies to increase plant safety. This reliably indicates a non-compliant contact on the AS-Interface cable to the ground potential, which can result in communication errors.

Depending on the size of the plant you can use power units from 2 A to 8 A at any point within the AS-Interface segment. If there are particularly heavy consumers, you should position the power units close to them.

The total input current for all the AS-Interface nodes must be lower than the maximum output current of the power supply. Current consumption is made up of the following for the modules:

- Operating current
- Current consumption of the sensors supplied from AS-Interface

- Required current for operating the outputs, provided these are not supplied externally.

11.11 Repeaters, Bus Termination, and Analyzers

If the segment length is longer than 100 m, you need bus termination in order to extend the segment to 200 m. The bus termination reduces the reflections at the cable ends. It must be positioned as far away as possible from the master. As each AS-Interface network functions differently, the bus termination has two impedances that cover the entire required range depending on the application.

For segment lengths over 200 m, you can use repeaters that reprocess the signal and transmit it to the next galvanically isolated decoupled segment. A separate AS-Interface power supply is therefore also required for this segment. In principle, you can use as many repeaters as you wish in parallel for star topology, although there must be a maximum of just two repeaters between the master and the last node.

The analyzer is used to test AS-Interface networks. In applications with many powerful noise sources or with very long cable lengths, it is advisable to check the signal quality on the AS-Interface segment. You can transfer the measured data to the PC and use the diagnostic software to perform a more accurate analysis. The device can detect sources of interference and makes it easier to implement a suitable fix. You can also set up test protocols for plant transfer.

12.12 AS-Interface Safety at Work



AS-Interface Safety at Work describes the safe communication on the AS-Interface network in accordance with the latest machine guidelines. This globally implemented safety system enables you to achieve the highest safety class. You can connect all known safety devices to the AS-Interface segment via modules or directly as an integrated solution. Parallel wiring is avoided entirely. Especially when several machines are linked together using safety-related components, the easily configured AS-Interface Safety at Work solution quickly proves its worth even with a small number of slaves.

The safety principle

Neither special cabling nor special control units are required to make the most of these benefits. You can retrofit each existing AS-Interface line with safety-related devices by integrating one or more safety monitors into the AS-Interface segment. The monitor observes the responses from the "safe" nodes to the master. The higher-level standard master continues to operate all components in a network. The AS-Interface transfer protocol is so noise-immune and failsafe that safety-related telegrams may be transmitted. Additional monitoring of the "safe" nodes is carried out by the safety monitor that continuously monitors the communication between the standard master and the "safe" slaves. This functional principle is extremely reliable and can therefore be used up to Performance Level e (PLe) in accordance with ISO 13849-1 "Safety of machinery - Safety-related parts of control systems" and up to SIL3 in accordance with IEC 61508. TÜV has certified the devices and the BGIA (German Institute for Occupational Safety) has also classified the communication as "safe." The system offers the following functions:

- Safe coupling of up to 32 AS-Interface segments
- Safe local outputs with the option of creating groups
- Replacement of a failsafe PLC

- Safety at Work is compatible with existing AS-Interface systems
- Flexible expansion options
- Safe and standard signals are possible on one segment
- Active safety replaces the passive solution for power shutdown

Safety monitor

The safety monitor monitors the proper functioning of the safe slaves and, in the event of a fault, restores them to a safe state using a positive-action relay. The safety monitor "listens" to the AS-Interface communication. The master talks to all the slaves for every cycle. The signal response of the safe slaves includes the input states of the connected sensors and contacts as well as a 4-bit safety code that varies for each query in accordance with a fixed algorithm. If this 4-bit code is modified in an unexpected way, a malfunction can be detected and the system is safely switched off. In the event of an alarm, code "0000" is transferred. This code results in a shutdown after a maximum of 40 ms (max. cycle time incl. repetition and processing time).

The safety monitor does not require an address, but assigning an address enables communication with the master and provides the master with access to diagnostic information. To safely control outputs, the monitor generates and sends further code sequences that are checked by the safe output slave. A group of safe output slaves can be controlled using a single AS-Interface address.

Masters/gateways are also available with an integrated monitor function. Direct communication between the monitor and master enables more detailed diagnostic information to be transmitted to the control unit.

Configuration software ASIMON+ is used to configure release circuits for the K30 and K31 safety monitors. This software is used to define logical links and up to 16 shutdown circuits. The stop categories 0 and 1 can be stored in the monitor.

A Windows-based Drag&Drop function enables configurations to be created easily as a flow chart on the PC and saved to a chip card. This chip card then transfers the configuration to the device, making a change in function relatively easy. The chip card also enables a safety monitor to be replaced easily.

Safe slaves

In order to cover the necessary functions in the systems, safe slaves are available that connect directly to the AS-Interface. These include emergency stop buttons with an integrated AS-Interface, safe slaves with two safe outputs, and safe slaves with two safe inputs and two standard outputs, e.g., for connecting contacts.

Safety category 3 is achieved by assigning the inputs on the module separately. For safety category 4, you must use the dual-channel input on the module. The safe output slaves provide a further four standard inputs. A standard input is used as a feedback circuit. You can use the remaining standard inputs for diagnostics. The safe modules with standard outputs can be used for direct on-site signaling. You can easily link the input and output logically in the module using one data bit, and control a warning light or the LED in the emergency stop button. Due to the logic function integrated in the module, you must only run the module output to the light. Previously this required a detour via the master, a software routine in the PLC, a relay output in the control cabinet, and wiring from the control cabinet to the warning light.

We also offer integrated solutions for safe mechanical contacts, noncontact contacts, emergency stop buttons, locks with guard locking, tamper-proof RFID door monitoring, and enabling switches.

7.10 ASIMON+ Configuration Software



visualization

ASIMON+ software is used to configure and commission the safety monitor using a PC with an RS232 interface. The simple user interface is used to assign the safe inputs to the shutdown circuits or monitoring blocks, define the emergency stop functions, make assignments to the start blocks, and select the output modules (stop category 0 or 1). There are many different options, meaning that the settings are suitable for almost all applications. System documentation for

the safe components is supported as you can save and print out the

configuration. It is also possible to create a copy of the configuration for other safety monitors. To create a configuration you must perform the following steps:

- Start the program and "Setup Wizard,"
- Select the diagnostic function,
- Define the configuration: enter the title, dependencies, slave addresses, assignment of slaves to a module, supplement the AND/OR logic block, define the stop category, define delay time.
- Assign the AS-Interface address for the safety monitor (optional).

If a configuration already exists, you can load this and change it. You can assign the blocks from a symbol library to both release circuits interactively using Drag&Drop.

When you have created and checked a configuration, you can transfer it to the safety monitor and teach in the code sequences of the safe slaves that are to be monitored. You must then check and release the configuration protocol. Finally, you must switch the safety monitor from configuration mode to protection mode.



operation

The functions for reconfiguration, code sequence teach-in, release, stop command, and password modification are password protected. The ASIMON+ software offers extensive support for troubleshooting and fault clearance. The ASIMON+ manual also includes a few application examples to help you familiarize yourself with the system quickly.

7.11 Modules

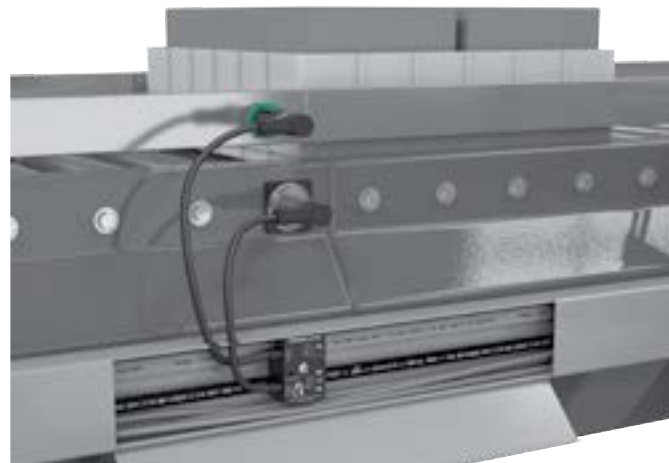
Field modules

Pepperl+Fuchs offers field modules to suit almost every application:

- Ultra compact modules with cable outlet and M12-plug (housing design G10)
- Modules in round housing design with IP68/69K degree of protection (housing design G11)
- Flat modules for mounting without tools (housing design G12)
- Compact modules with M8 plug-in connection and width of just 30 mm (housing design G16)
- Field modules with cable gland (housing design G4)

All modules have round, rotated, and gold-plated pins for establishing contact with the flat cable, which guarantee a permanent and stable contact. The modules are available in different I/O versions:

- 4 inputs
- 2 inputs/2 outputs
- 4 inputs/4 outputs
- 8 inputs or
- 4 outputs



All the modules are easy to mount. Housing design G10 is especially

quick to mount due to its single section housing concept with direct sensor connection that already has an integrated connection line for the sensor.

The G11 module design is robust, round, and has the higher IP68/69K degree of protection. It especially suitable for use in harsh ambient conditions.

You can directly connect double sensors or four-wire sensors to the modules with two signal inputs on an M12-plug. Inside most G11 and G12 modules, the inputs for pins 2 and 4 are bridged by two adjacent slots. If you want to use just a single signal input, however, you must use a three-strand connection cable.

The flat modules in the G12 series enable quick mounting without tools. You can mount the flat module to the DIN mounting rail using the stainless steel quick action lock. The inputs and outputs have M12-quick disconnects. The M12-quick disconnects enable safe connection and removal of the connector using a half turn. The LEDs on the connectors of the respective port allow for quick diagnostics. An output overload is displayed directly on the affected port. The stainless steel half shell and encapsulated housing provide impact resistance and a high degree of protection.

The G16 series is available in two housing designs (4 or 8 ports) and is ideal for confined spaces (e.g., robotics, handling technology). The flat cable is connected via an M12- plug and an AS-Interface passive splitter.

The modules offer communication monitoring as well as a function display for bus, external auxiliary power, and inputs and outputs. An output overload is displayed for the port on the affected plug connection. This enables peripheral errors to be detected accurately at the affected port.

Control cabinet modules

Our KE series control cabinet modules require an overall width of only 22.5 mm for four inputs and four outputs. They are connected using removable, color-coded terminal blocks that guarantee a quick and fault-free exchange. You can plug the terminals even when energized. The permissible core cross-section is a maximum of 2.5 mm².

The KE1 housing is suitable for installation in flat connector boxes since it has a height of just 50 mm.

Analog modules

We offer analog input and output modules in the G11 housing design with M12 plug-in connections. The modules can be used universally for several signal sources and, in part, automatically detect the connected sensor (I, U, PT100), meaning that no wiring programming or parameterization is required. We also offer analog modules for the control cabinet.

The analog values are galvanically isolated from the AS-Interface. The analog modules can be supplied externally or via the AS-Interface (adjustable via switch).

Modules for hazardous areas

We offer a module in housing design G5 that is suitable for hazardous area Zone 1. You can connect four NAMUR sensors and two outputs to this module. You must either position the master and power supply outside of Zone 1 or mount it in a housing that is approved for hazardous areas. The cabling in Zone 1 must meet increased safety requirements (EEx e). The AS-Interface is connected via the flat cable (in this case the seal VAZ-PG11-FKD is also required) or a round cable. The module is encapsulated (EEx m). The field circuits are designed with EEx ia IIC type of protection. The inputs are monitored for lead breakages and short circuits (can be switched off for connecting mechanical contacts).



Pneumatic modules

You can use our AS-Interface pneumatic modules to control the air pressure locally, e.g., to actuate valves or flaps pneumatically. Shorter pneumatic lines result in energy savings and faster response times. In the case of decentralized actuators, this solution is superior to valve islands.

Display and control modules

You can use illuminated button modules for locally controlling and displaying states. Traditionally, illuminated button modules are often used with two illuminated buttons for the start and stop functions. However, we also offer a system solution for the installation of up to six illuminated buttons with a diameter of 22 mm.

7.12 Stack Lights

You can freely combine this modular series of signal lights, which are available in five colors and with three signal horns. You can connect up to four sensors to the AS-Interface module. The stack lights can also be connected without the AS-Interface module.



7.13 PCB Modules

Pepperl+Fuchs also offers PCB solutions (type designation CB*) for integrating AS-Interface into existing devices. We offer standard PCBs with up to four inputs and four outputs as well as special encapsulated solutions or installation modules in a plastic shell. Customer-specific solutions are also easy and quick to implement. You can choose between pins, single conductors, or terminals as standard connection technology.

7.14 Accessories

Pepperl+Fuchs offer all the accessories required for seamless installation and commissioning of an AS-Interface system.

AS-Interface handheld programmer

The AS-Interface system is very easy to operate. The AS-Interface handheld programmer VBP-HH1-V3.0-KIT is used to assign addresses and for the initial commissioning tests. You can connect the slaves directly via the plug-in cap, a programming cable, or an M12 connection line. Single-hand operation of the handheld programmer makes it extremely easy to assign addresses to individual modules or even an entire segment. You can also use the handheld programmer to control the AS-Interface outputs directly for testing purposes. The handheld programmer is powered by battery or the provided power supply.



AS-Interface flat cable

The profiled flat cable is used in most AS-Interface installations. The flat cable is available with rubber sheathing or in an oil-resistant TPE design in yellow and black. If you need to implement safety-related applications via AS-Interface, you can also use our flat cable marked with "+++SAFETY+++ in red lettering.

Converters

Converters are used to connect different AS-Interface gateways to the RS232 interface on a PC. You can then configure and parameterize these gateways using the commissioning software AS-i Control Tools.

Mounting bases

Mounting bases for AS-Interface modules in the G1 series make it easy to lay the AS-Interface flat cable. The mechanical coding prevents incorrect mounting. Pepperl+Fuchs offers different mounting bases with and without an addressing socket, for flat and round cables, and for different housing sizes.

Adapters and passive splitters

Adapters and passive splitters are available to suit every application: screw-in adapters in housings, outlets on round cables, adapters for M12 sockets, freely configurable solutions, outlets from yellow/black lines to 4-pin M12 plugs, splitters for a second flat cable spur, or mounting clips for mounting flat cables.

Plugs and female cordsets

As your AS-Interface service provider, Pepperl+Fuchs also offers all the necessary plug components, manufactured in our own factories.



Properties

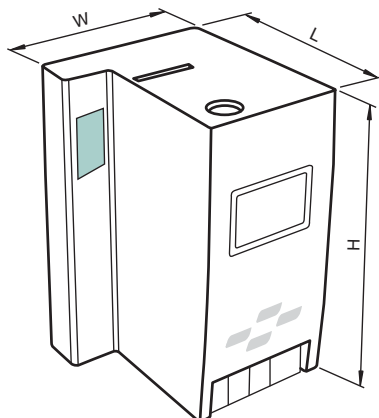
- High grade steel housing with push-in clamp connection
- CC-Link, DeviceNet, Ethernet/IP and MODBUS versions
- Versions for 1 or 2 AS-Interface networks

Your Benefit

- Color coded removable terminals simplify maintenance
- Advanced integrated diagnostics options increases system uptime
- Integrated button/display user interface simplifies trouble shooting

VBG-ENX-K20-D*

- Memory card makes device replacement fast and easy



Technical Data

For detailed data and product description refer to the data sheets at www.pepperl-fuchs.com

General Data

AS-Interface specification	V3.0
PLC-Functionality	activateable
UL File Number	E223772
Display	Illuminated graphical LC display for addressing and error messages
Ambient temperature	0 ... 55 °C (32 ... 131 °F)
Protection degree	IP20
Construction type	Low profile housing , Stainless steel

Model Number

		green = preferred type	VBG-CCL-K20-D-BV	VBG-DN-K20-D	VBG-DN-K20-DMD	VBG-DN-K20-DMD-BV	VBG-ENX-K20-D	VBG-ENX-K20-DMD	VBG-MOD-K20-D
AS-Interface networks	1	●	●	●	●	●	●	●	●
	2								
Duplicate address detection	from AS-Interface slaves		●	●	●	●	●	●	●
Upper level network									
Interface type	CombiCon	●	●	●	●	●	●	●	●
	RJ-45						●	●	
	Sub-D								●
Protocol	CC-Link	●							
	DeviceNet		●	●	●				
	Ethernet/IP + MODBUS TCP/IP according to IEEE 802.3 , integrated switch						●	●	
	MODBUS RTU (Remote Terminal Unit)								●
Transfer rate	10 MBit/s / 100 MBit/s, Automatic baud rate detection						●	●	
Diagnostic interface									
Interface type	RS 232, serial		●				●	●	●
Transfer rate	19,2 kBit/s		●				●	●	●
Chip card									
Interface type	Chip card slot						●	●	

Dimensions

Length L [mm]	83	76	
Width W [mm]		85	75
Height H [mm]		120	

Accessories

This and more accessories can be found in chapter 7.6 from page 891
See pages from 972 ... for cordsets See pages 1068 ... for mounting aids

VAZ-SW-ACT32	Full version of the AS-I Control Tools including connection cable
VAZ-DN-SIM-USB	DeviceNet master simulator
USB-0,8M-PVC ABG-SUBD9	Interface converter USB/RS 232



Properties

- High grade steel housing with push-in clamp connection
- PROFIBUS or PROFINET versions
- Versions for 1 or 2 AS-Interface networks

Your Benefit

- Color coded removable terminals simplify maintenance
- Advanced integrated diagnostics options increases system uptime
- Integrated button/display user interface simplifies trouble shooting

VBG-PN-K20-D*

- Memory card makes device replacement fast and easy

VBG-PB-K25

- Low-cost AS-Interface/Profibus gateway ideal for cost critical installations with basic diagnostics

Technical Data

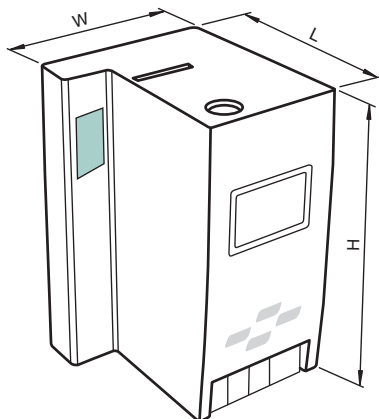
For detailed data and product description refer to the data sheets at www.pepperl-fuchs.com

General Data

AS-Interface specification	V3.0
UL File Number	E223772
Ambient temperature	0 ... 55 °C (32 ... 131 °F)
Protection degree	IP20
Construction type	Low profile housing , Stainless steel

Model Number

		VBG-PB-K25	VBG-PB-K20-D	VBG-PB-K20-DMID	VBG-PB-K20-DMD-BV	VBG-PN-K20-D	VBG-PN-K20-DMID
	green = preferred type						
PLC-Functionality	activateable	●	●	●	●		
AS-Interface networks	1	●	●			●	
	2			●	●		●
Duplicate address detection	from AS-Interface slaves		●	●		●	●
Display	address display, error message LED display, 3 digits, for addressing and error messages	●					
	Illuminated graphical LC display for addressing and error messages		●	●	●	●	●
Upper level network							
Interface type	RJ-45					●	●
	RS 485	●	●	●	●		
Protocol	PROFIBUS DP V0 and V1	●					
	PROFIBUS DP V1		●	●	●		
	PROFINET according to IEEE 802.3					●	●
Transfer rate	9.6 kBit/s ... 12 MBit/s, Automatic baud rate detection	●	●	●	●		
	10 MBit/s / 100 MBit/s, Automatic baud rate detection					●	●
Diagnostic interface							
Interface type	RS 232, serial Diagnostic Interface		●	●		●	●
Transfer rate	19,2 kBit/s		●	●		●	●
Chip card							
Interface type	Chip card slot					●	●



Dimensions

Length L [mm]	45	76	
Width W [mm]	45	75	85
Height H [mm]		120	

Accessories

This and more accessories can be found in chapter 7.6 from page 891
See pages from 972 ... for cordsets See pages 1068 ... for mounting aids

VAZ-SW-ACT32	Full version of the AS-I Control Tools including connection cable
USB-0,8M-PVC ABG-SUBD9	Interface converter USB/RS 232
VAZ-PB-SIM	PROFIBUS master simulator
VAZ-PB-DB9-W	PROFIBUS Sub-D Connector with switchable terminal resistance



Properties

- RS 232 serial interface
- Versions for 1 or 2 AS-Interface networks

Your Benefit

- AS-Interface scanner cards for Allen-Bradley PLC simplify I/O and safety integration

Technical Data

For detailed data and product description refer to the data sheets at www.pepperl-fuchs.com

General Data

AS-Interface specification	V3.0
PLC-Functionality	none
Display	LC display
Interface type	RS 232
Ambient temperature	0 ... 55 °C (32 ... 131 °F)
Protection degree	IP20

Model Number

		VBM-CLX-DIM	VBM-MLX/CPLX
AS-Interface networks	1 2	●	●
Protocol	ControlLogix, backplane MicroLogix 1500 or CompactLogix backplane	●	●
Construction type	Mounting into backplane of ControlLogix PLC rack Mounting into the backplane of a MicroLogix 1500 or CompactLogix PLC	●	●

Accessories

This and more accessories can be found in chapter 7.6 from page 891
See pages from 972 ... for cordsets See pages 1068 ... for mounting aids

VAZ-SW-ACT32	Full version of the AS-I Control Tools including connection cable
K-ADP2 RPI	Adapter for Gateways with RS 232 interface
USB-0,8M-PVC ABG-SUBD9	Interface converter USB/RS 232



Properties

- RS 232 serial interface
- Supports 1 AS-Interface network

Your Benefit

- Color coded removable terminals simplify maintenance
- Integrated button/display user interface simplifies trouble shooting
- Advanced integrated diagnostics options increases system uptime

Technical Data

Detailed data and product description refer to data sheet on www.pepperl-fuchs.com

Model Number

Model Number	VBM-CTR-K20-R2
AS-Interface specification	V3.0
PLC-Functionality	integrated
UL File Number	E223772
Display	Illuminated graphical LC display for addressing and error messages
Interface type	Sub-D
Transfer rate	1200, 2400, 4800, 9600, 19200, 28800, 38400, 57600 or 11500 Bit/s , Automatic baud rate detection
Cable length	max. 30 m
Construction type	Low profile housing , Stainless steel
Ambient temperature	0 ... 55 °C (32 ... 131 °F)
Protection degree	IP20

Accessories

This and more accessories can be found in chapter 7.6 from page 891
See pages from 972 ... for cordsets See pages 1068 ... for mounting aids

VAZ-SW-ACT32	Full version of the AS-I Control Tools including connection cable
USB-0,8M-PVC ABG-SUBD9	Interface converter USB/RS 232



AS-Interface, Power Supplies, Power Extender and Repeater

7
2

Properties

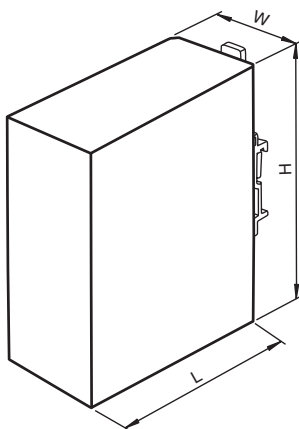
- AS-Interface power supply with data decoupling
- 2.8 A, 4 A and 8 A output current versions
- 24 V_{DC} and 115/230 V_{AC} input voltage versions
- 124 x 102 mm (h x l)
- Overload indication

Your Benefit

- The integrated ground fault detection enhances network reliability
- Auto-resetting short circuit protection simplifies maintenance

Further Products

In this series, we offer additionally:
VAN-230/500AC-K24 8 A



Technical Data

For detailed data and product description refer to the data sheets at www.pepperl-fuchs.com

General Data

UL File Number	E223176
Voltage	30.55 V _{DC} ± 3 % fixed
Residual ripple	< 50 mV _{SS} (500 kHz bandwidth, 50 Ω measurement, with resistive load)
Protection degree	IP20
Protection class	I, Protective conductor connection necessary
Electrical isolation	SELV/PELV
Mounting	DIN rail

Model Number

		VAN-115/230AC-K16	VAN-115/230AC-K19	VAN-115/230AC-K27	VAN-24DC-K28
Current	green = preferred type				
	2.8 A		●		
	4 A				●
Fusing	8 A	●			
	T10A HBC (not accessible)				
	T3A 15/250 V HBC (not accessible)			●	
	T8A/250 V AC HBC (not accessible)	●			
Capacity factor	2.5 AT (not replacable)		●		
	> 0.5	●	●		
Rated operational voltage	100 ... 120 V _{AC} /220 ... 240 V _{AC}	●	●		
	24 V _{DC}				●
Rated operational current	85 ... 132 V _{AC}				
	184 ... 264 V _{AC}			●	
	240 ... 300 V _{DC}				
	2.0 A at 115 V _{AC}		●		
	0.9 A at 230 V _{AC}				
	2.7 A at 115 V _{AC}			●	
	1.3 A at 230 V _{AC}				
	5.6 A at 24 V _{DC}				●
Supply frequency	6.0 A (Switch position 115 V)	●			
	2.8 A (Switch position 230 V)	●	●	●	
Efficiency	typ. 90 % (230 V _{AC} , 4 A)			●	
	typ. 90.5 % (24 V _{DC} , 4 A)				●
	typ. 92 % (at 230 V AC/8 A)	●			
Overvoltage protected	90.5 % (230 V _{AC} , 2.8 A)		●		
	limited to max. 55 V	●	●	●	
Short-circuit protection/overload	limited to max. 36 V				●
	> 4.2 A				
	< 6.5 A			●	
Short-circuit current	> 5 A				●
	< 9 A				
	FUSE Mode (2 ... 5 s current, then trips)	●			
Ambient temperature	min. 3.2 A, max. 4.6 A		●		
	12 ... 25 A (max. 5 s)	●			
Note derating	-10 ... 70 °C (14 ... 158 °F)	●	●	●	
	-25 ... 70 °C (-13 ... 158 °F)				●

Dimensions

Length L [mm]			102	
Width W [mm]	91	49	73	40
Height H [mm]			124	

Accessories

This and more accessories can be found in chapter 7.6 from page 891
 See pages from 972 ... for cordsets See pages 1068 ... for mounting aids

AS-Interface Power Calculator AS-Interface Power supply and network checking utility

Date of issue: 04/08/2015



Properties

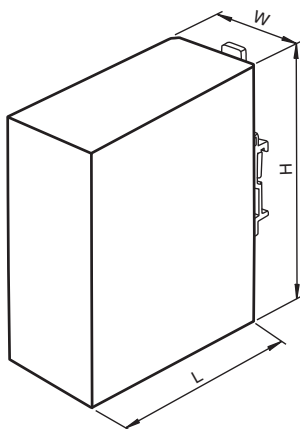
- Standard power supply
- 4 A and 8 A output current versions, adjustable voltage
- 115/230 V_{AC} and 3 x 340 ... 500 V_{AC} input voltage versions
- Overload protected
- 132.5 x 70 x 140 mm and 153 x 81 x 160 mm versions (h x w x l)

Your Benefit

- LED overload indication simplifies troubleshooting

Further Products

In this series, we offer additionally:
K26-STR-24VDC-2A



Technical Data

For detailed data and product description refer to the data sheets at www.pepperl-fuchs.com

General Data

UL File Number	E223176
Supply frequency	47 ... 63 Hz
Voltage	30 V ± 1 % Adjustment range 23 ... 30 V AC
Efficiency	89 %
Protection degree	IP20
Protection class	I, Protective conductor connection necessary
Mounting	DIN rail

Model Number

		K17-STR-24...30VDC-5A	K24-STR-24...30VDC-10A	K34-STR-24...30V-3X500VAC-10A
Current	green = preferred type 0 ... 4 A 0 ... 8 A	●	●	●
Fusing	3.15 AT 6.3 AT	●	●	●
Capacity factor	approx. 0.5 (Depending on input voltage) approx. 0.6 (Depending on input voltage) 0.55 capacitive	●	●	●
Rated operational voltage	115/230 V _{AC} 3 x 340 ... 550 V _{AC}	●	●	●
Rated operational current	2.2 A (115 V) 0.9 A (230 V) 3 x 700 mA At 400 V _{AC}	●	●	●
Nominal voltage	4.0 A (115 V) 1.9 A (230 V) 3 x 380 ... 500 V _{AC}	●	●	●
Current limit	approx. 12 A approx. 6 A 12.5 A	●	●	●
Ambient temperature	-10 ... 60 °C (14 ... 140 °F) with free convection, noncondensing -10 ... 70 °C (14 ... 158 °F) with free convection	●	●	●

Dimensions

Length L [mm]	140	160
Width W [mm]	70	81
Height H [mm]	132,5	153



Properties

- Repeater and Terminator versions
- IP20 and IP67 versions

Your Benefit

- VAZ-G10-TERM
- 200 m segment networks without repeater simplifies installation
- Two integrated termination profiles allow operation with virtually any network topology

Further Products

In this series, we offer additionally:
VAA-4E4A-KE2-DK Data coupler-I/O module

Technical Data

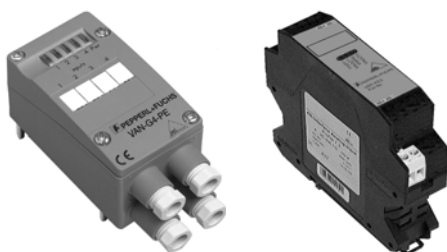
For detailed data and product description refer to the data sheets at www.pepperl-fuchs.com

		VAR-G4F	VAR-KE3-TERM	VAZ-G10-TERM
Model Number				
green = preferred type				
UL File Number	E223772	●	●	
Insulation voltage	≥ 500 V		●	
Rated operational voltage	18.5 ... 31.6 V			●
	26.5 ... 31.6 V from AS-Interface	●	●	
Rated operational current	approx. 70 mA			
	≤ 15 mA per connection			●
	60 mA (per strand element), 120 mA (total)	●	●	
Protection class	III			●
Ambient temperature	0 ... 55 °C (32 ... 131 °F)		●	
	-10 ... 55 °C (14 ... 131 °F)	●		
	-25 ... 70 °C (-13 ... 158 °F)			●
Protection degree	IP20 according to EN 60529		●	
	IP67	●		
	IP67 / IP68 / IP69K with flat cable VAZ-FK-S*			●
Mounting	DIN rail		●	
	screw mounting	●		

Accessories

This and more accessories can be found in chapter 7.6 from page 891
 See pages from 972 ... for cordsets See pages 1068 ... for mounting aids

VAZ-G4-B1 Blind plug M12



Your Benefit

- Power conditioner allows the easy use of a standard 30 VDC power supply

Technical Data

For detailed data and product description refer to the data sheets at www.pepperl-fuchs.com

		VAN-G4-PE-4A	VAN-KE2-2PE
General Data			
UL File Number	E223772		
Insulation voltage	≥ 500 V		
Short-circuit protection/overload	6 A self resetting fuse		
Rated operational voltage	30 V DC PELV		
Voltage	29.5 ... 31.6 V DC		
Rated operational current	4 A at 30 V		

		VAN-G4-PE-4A	VAN-KE2-2PE
Model Number			
Number/Type	2 AS-Interface circuits 1+2		●
Ambient temperature	0 ... 55 °C (32 ... 131 °F)		●
	0 ... 70 °C (32 ... 158 °F)	●	
Protection degree	IP20		●
	IP67	●	
Mounting	DIN rail		●

Accessories

This and more accessories can be found in chapter 7.6 from page 891
 See pages from 972 ... for cordsets See pages 1068 ... for mounting aids

VAR-KE3-TERM AS-Interface advanced repeater with terminator
VAZ-G4-B Blind plug PG7
K17-STR-24..30VDC-5A Power supply, 24 to 30 V DC, 5 A
VAR-G4F AS-Interface Advanced Repeater
K24-STR-24..30VDC-10A Power supply, 24 to 30 V DC, 10 A
VAZ-G4-B1 Blind plug M12
AS-Interface Power Calculator AS-Interface Power supply and network checking utility



Technical Data

For detailed data and product description refer to the data sheets at www.pepperl-fuchs.com

General Data

AS-Interface specification	V3.0
Duplicate address detection	from AS-Interface slaves
Switch-on delay	< 10 s
Safety Integrity Level (SIL)	SIL 3
Performance level (PL)	PL e
MTTF _d	200 a
B _{10d}	2 E+7
Display	Illuminated graphical LC display for addressing and error messages
Interface type	Chip card slot
	RS 232, serial
	Diagnostic Interface
Ambient temperature	0 ... 55 °C (32 ... 131 °F)
Protection degree	IP20

Properties

- PROFIBUS, PROFINET and Ethernet/IP versions
- Versions for 1 and 2 supported networks
- Versions with 2 and 4 safe OSSD
- SIL 3 / Pl e

Your Benefit

- A single safety configuration processes safe data from two AS-Interface networks
- Memory card makes device replacement fast and easy
- Sharing of safe data between several gateway/safety controllers enables safety systems with nearly 1000 safe devices

VBG-PB-K30-DMD-S16-EV, VBG-PBS-K30-DMD & VBG-PNS-K30-DMD

- PROFISAFE gateway brings AS-Interface simplicity to PROFISAFE enabled PLC

Model Number

green = preferred type

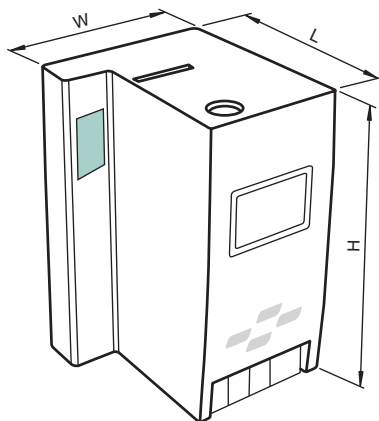
		VBG-PB-K30-DMD-S16	VBG-PB-K30-DMD-S16-EV	VBG-PB-K30-D-S	VBG-PB-K30-D-S16	VBG-PBS-K30-DMD	VBG-PN-K30-DMD-S16	VBG-PNS-K30-DMD	VBG-ENV-K30-DMD-S16
AS-Interface networks	1	●	●	●	●	●	●	●	●
	2	●	●	●	●	●	●	●	●
PLC-Functionality	activateable	●	●	●	●	●	●	●	●
Response delay	< 40 ms	●	●	●	●	●	●	●	●
UL File Number	E223772	●	●	●	●	●	●	●	●
Upper level network									
Interface type	RJ-45								
	RS 485	●	●	●	●	●	●	●	●
Protocol	Ethernet/IP + MODBUS TCP/IP								●
	PROFIBUS DP V1	●	●	●	●	●	●	●	●
	PROFINET according to IEEE 802.3						●	●	
	PROFISAFE		●			●		●	
Inputs									
Number/Type	2 EDM inputs: Inputs for external device monitoring circuits 1 and 2			●					
	2 Start inputs: Output circuits 1 and 2								
	4 EDM/Start inputs: EDM: Inputs for the external device monitoring circuits	●	●		●	●	●	●	●
	Start: start inputs: Static switching current 4 mA at 24 V, dynamic 30 mA at 24 V (T=100 μs)								
Outputs									
Safety output	Outlet circuits 1 and 2: 2 potential-free contacts, Outlet circuits 3 and 4: 2 PNP transistor outlets	●	●		●	●	●	●	●
	2 x 2 output switch elements: Output circuits 1 and 2			●					

Dimensions

Length L [mm]	89		
Width W [mm]	100	110	
Height H [mm]	120		

Accessories This and more accessories can be found in chapter 7.6 from page 891
See pages from 972 ... for cordsets See pages 1068 ... for mounting aids

USB-0,8M-PVC ABG-SUBD9	Interface converter USB/RS 232
VAZ-SW-SIMON+	Software for configuration of K30 Master Monitors/K31 Safety Monitors
VAZ-PB-DB9-W	PROFIBUS Sub-D Connector with switchable terminal resistance





Properties

- 2 supported networks
- 4 safe OSSD
- 4 integrated safe outputs
- SIL 3 / Ple

Your Benefit

- 16 channel Safety Monitor with four on-board safe outputs (two relays, two electronic safe outputs)
- Memory card makes device replacement fast and easy

Further Products

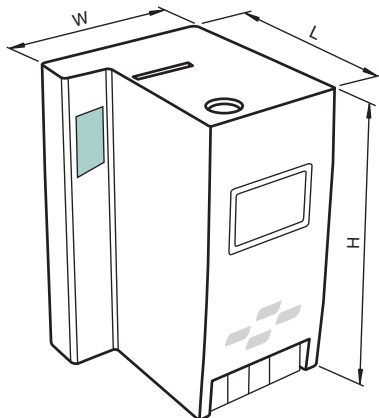
In this series, we offer additionally:

- | | |
|-----------------|--------------------------|
| VAS-1A-K12-S1 | Response delay < 50 ms |
| VAS-1A-K12-U | 1 De-energizing circuit |
| VAS-1A-K12-U-S1 | Response delay < 50 ms |
| VAS-2A-K12 | Response delay < 40 ms |
| VAS-2A-K12-S1 | Response delay < 50 ms |
| VAS-2A-K12-U | 2 De-energizing circuits |
| VAS-2A-K12-U-S1 | Response delay < 50 ms |

Technical Data

For detailed data and product description refer to the data sheets at www.pepperl-fuchs.com

Model Number	VAS-4A16L-K31 VAS-2A1L-K31
Slave type	Standard slave
AS-Interface specification	V3.0
Required master specification	V3.0
Duplicate address detection	from AS-Interface slaves
Switch-on delay	< 10 s
Response delay	< 40 ms
UL File Number	E223772
Safety Integrity Level (SIL)	SIL 3
Performance level (PL)	PL e
MTTF _d	200 a
B _{10d}	2 E+7
Display	Illuminated graphical LC display for addressing and error messages
Rated operational current	≤ 200 mA from 24 V _{DC} ≤ 45 mA from AS-Interface
Inputs	4 EDM/Start inputs: EDM: Inputs for the external device monitoring circuits Start: start inputs: Static switching current 4 mA at 24 V, dynamic 30 mA at 24 V (T=100 μs)
Outputs	
Safety output	Outlet circuits 1 and 2: 2 potential-free contacts, Outlet circuits 3 and 4: 2 PNP transistor outlets
Interface type	Chip card slot RS 232, serial Diagnostic Interface
Ambient temperature	0 ... 55 °C (32 ... 131 °F)
Protection degree	IP20



Dimensions

Length L [mm]	89
Width W [mm]	85
Height H [mm]	120

Accessories

This and more accessories can be found in chapter 7.6 from page 891
See pages from 972 ... for cordsets See pages 1068 ... for mounting aids

USB-0,8M-PVC ABG-SUBD9	Interface converter USB/RS 232
VAZ-SW-SIMON+	Software for configuration of K30 Master Monitors/K31 Safety Monitors



Technical Data

For detailed data and product description refer to the data sheets at www.pepperl-fuchs.com

General Data

AS-Interface specification	V3.0
Performance level (PL)	PL e
Safety Integrity Level (SIL)	SIL 3
Mission Time (T _M)	20 a

Inputs

Input current	Static switching current 4 mA at 24 V, dynamic 30 mA at 24 V (T=100 μs)
Ambient temperature	0 ... 55 °C (32 ... 131 °F)
Protection degree	IP20
Mounting	DIN rail

Properties

- Versions with 2 safety-related inputs for mechanical contacts, 8 / 4 safe inputs Cat. 4, 2 inputs for incremental rotary encoders and 1 safety relay output
- SIL 3 / Pl e
- IP20

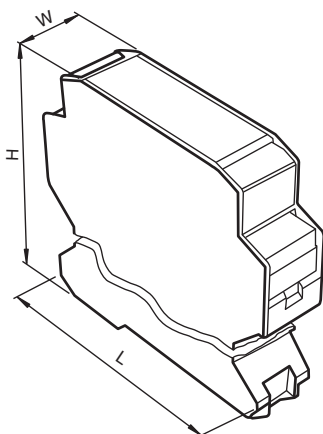
Your Benefit

VAS-2A8L-KE4-8SE

- Safety monitor with two integrated safe electronic outputs offers decentralized safety control
- Memory card makes device replacement fast and easy
- Integrated mini-safety PLC functionality make this the ideal solution for small to medium size stand-alone applications

VBA-2E-KE4-ENC-S

- Safe, fully configurable 2-channel zero-speed monitor makes zero-speed detection over AS-Interface flexible and convenient



Model Number

		VAS-2A8L-KE4-8SE	VBA-2E-KE4-ENC-S	VAS/M-2A8L-KE4-8SE-C1
Type	green = preferred type Safety monitor Safety module	●		●
Required master specification	≥ V2.1 ≥ V3.0	●		●
PFH _d	2.77 E-9 5.08 E-9		●	●
Rated operational current	≤ 150 mA from AS-Interface; ≤ 200 mA off AUX ≤ 200 mA from AS-Interface; ≤ 4 A off AUX	●	●	●
Inputs				
Number/Type	8 / 4 safe inputs cat. 4 or 8 standard inputs 8 / 4 safe inputs cat. 4 or 8 standard inputs and outputs	●		●
Supply	24 V U _{AUX} Voltage U _b = 5 V DC	●	●	●
Current loading capacity	10 mA per signal output 1.4 A OSSD supply output	●		●
Outputs				
Number/Type	Output circuits 1 and 2	●		
Supply	from external auxiliary voltage U _{AUX}	●		
Profile	S-0.B.E Safe input slaves: S-0.B.E Diagnosis slaves: S-7.A.5.	●		

Dimensions

Length L [mm]	113
Width W [mm]	22,5
Height H [mm]	99

Accessories

This and more accessories can be found in chapter 7.6 from page 891
See pages from 972 ... for cordsets See pages 1068 ... for mounting aids

VBP-HH1-V3.0-KIT	AS-Interface Handheld with accessory
VBP-HH1-V3.0	AS-Interface Handheld
VAZ-SIMON-USB	Connection cable module/hand-held programming device
VAZ-ENC-1,5M-PVC	Connection cable for connecting encoders to a speed monitor
RVS58S-*****Z	Incremental rotary encoder
RVS58S-282YR4ZN-01024	Safety incremental encoder
Safe Speed Monitor	Speed monitor



TÜV approved
up to cat.4 / SIL3

Properties

- 2 inputs for 2-channel active optoelectronic protective devices
- SIL 3 / Ple
- IP67

Your Benefit

- Modular solution to connect all semiconductor safety devices
- PG gland connection allows cut-to-length cable

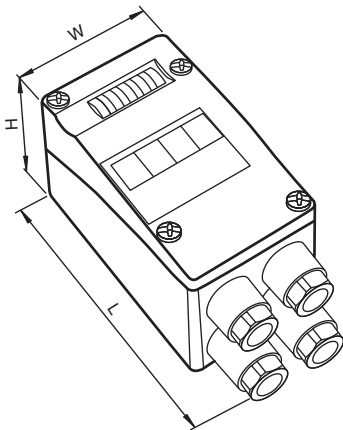
Technical Data

For detailed data and product description refer to the data sheets at www.pepperl-fuchs.com

Model Number	VAA-2E-G4-SE
Slave type	Safety-Slave
AS-Interface specification	V2.1
Required master specification	≥ V2.0
Response delay	≤ 10 ms
Safety Integrity Level (SIL)	SIL 3
Performance level (PL)	PL e
Category	Cat. 4
MTTF _d	1500 a
Mission Time (T _M)	10 a
PFH _d	1.54 E-9
PFD	2.5 E-5
Diagnostic Coverage (DC)	99.4 %
Rated operational current	≤ 30 mA
Number/Type	2 inputs for a 2-channel active optoelectronic protective devices (AOPD) for safeguarding positions and areas of danger up to Type 4 in accordance with EN 61496-1.
Supply	from external auxiliary voltage U _{AUX}
Current loading capacity	≤ 2 A overload and short-circuit resistant
Input current	≤ 45 mA
Profile	S-0.B
Functional safety	EN 61496-1:2004/A1:2008 (by type 4), EN ISO 13849-1:2008 (up to PL e), EN 61508:2001 and IEC 62061:2005 (up to SIL3)
Ambient temperature	-25 ... 55 °C (-13 ... 131 °F)
Protection degree	IP67
Mounting	DIN rail or screw mounting

Dimensions

Length L [mm]	102
Width W [mm]	45
Height H [mm]	51



Accessories

This and more accessories can be found in chapter 7.6 from page 891
See pages from 972 ... for cordsets See pages 1068 ... for mounting aids

VBP-HH1-V3.0-KIT	AS-Interface Handheld with accessory
VBP-HH1-V3.0	AS-Interface Handheld
VAZ-G4-B	Blind plug PG7
SLPCM8-2	Safety light grid with integrated control unit
VAZ-G4-B1	Blind plug M12



TÜV approved up to cat.4 / SIL3

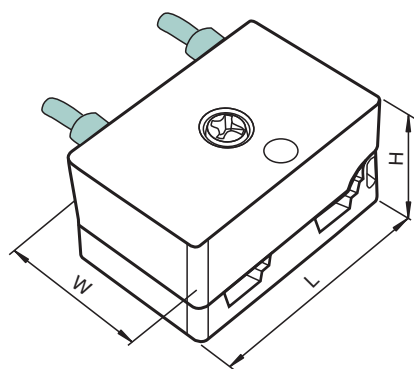


Properties

- 2 safety-related inputs for mechanical contacts
- SIL 3 / Ple
- IP67

Your Benefit

- Reduces installation complexity and cost by interfacing with any dry-contact safety device
- Integrated non-safe output drives announcement (horns/visual indicators)



Technical Data

For detailed data and product description refer to the data sheets at www.pepperl-fuchs.com

General Data	
Slave type	Safety-Slave
AS-Interface specification	V3.0
Required master specification	≥ V2.1
Performance level (PL)	PL e
Category	Cat. 4
Safety Integrity Level (SIL)	SIL 3
Supply	from AS-Interface
Voltage	20 ... 30 V DC pulsed
Rated operational current	≤ 90 mA
Current loading capacity	input current limited ≤ 15 mA, overload and short-circuit resistant
Inputs	
Number/Type	2 safety-related inputs for mechanical contacts, crossed-circuit monitored: 2 single-channel contacts: up to category 2/PL c to ISO 13849-1 or 1 2-channel contact: up to category 4/PL e to ISO 13849-1 Cable length must not exceed 30 m per input.
Outputs	
Number/Type	1 conventional electronic output, PNP
Supply	from AS-Interface
Current	50 mA, short-circuit/overload protected
Profile	S-7.B
Ambient temperature	-25 ... 60 °C (-13 ... 140 °F)
Protection degree	IP67
Functional safety	EN ISO 13849-1:2008, IEC 62061:2005
Cable length	1 m

	VAA-2E1A-G10-SAJ/EA2J-1M	VAA-2E1A-G10-SAJ/EA2J-2X1M
Model Number		
Electrical connection	●	●
	2 open cable ends: 1 open cable end for inputs 1 open cable end for output	1 open cable end for inputs and output

Dimensions	
Length L [mm]	40,5
Width W [mm]	27,7
Height H [mm]	21,5

Accessories

This and more accessories can be found in chapter 7.6 from page 891
See pages from 972 ... for cordsets See pages 1068 ... for mounting aids

VBP-HH1-V3.0-KIT	AS-Interface Handheld with accessory
VBP-HH1-V3.0	AS-Interface Handheld
VAZ-PK-FK-0.2-V1-W	Connection cable G10 module/hand-held programming device
VAZ-2E1A-F85A-S	Emergency stop button

Date of issue: 0408/2015

Subject to modifications without notice

Pepperl+Fuchs Group
www.pepperl-fuchs.com

USA: +1 330 486 0001
fa-info@us.pepperl-fuchs.com

Germany: +49 621 776-4411
fa-info@pepperl-fuchs.com

Copyright Pepperl+Fuchs
Singapore: +65 6779 9091
fa-info@sg.pepperl-fuchs.com

TÜV approved
up to cat.4 / SIL3

Properties

- 2 safety-related inputs for mechanical contacts
- SIL 3 / Ple
- IP67

Your Benefit

- Safety module with all the benefits of the G12 line
- Flexible solution with inputs for any dry-contact safety device and non-safe output for machine control or annunciation

Technical Data

For detailed data and product description refer to the data sheets at www.pepperl-fuchs.com

Model Number	VAA-2E2A-G12-SAJ/EA2L
Slave type	Safety-Slave
AS-Interface specification	V2.1
Required master specification	≥ V2.1
Safety Integrity Level (SIL)	SIL 3
UL File Number	E87056
Rated operational current	≤ 50 mA
Supply	from AS-Interface
Voltage	20 ... 30 V DC pulsed
Current loading capacity	input current limited ≤ 15 mA, overload and short-circuit resistant
Inputs	
Number/Type	2 safety-related inputs for mechanical contacts, crossed-circuit monitored: 2 single-channel contacts: up to category 2/PL c to ISO 13849-1 or 1 2-channel contact: up to category 4/PL e to ISO 13849-1 nicht uebersetzt!
Outputs	
Number/Type	2 conventional electronic outputs, PNP
Supply	from external auxiliary voltage U _{AUX}
Current	1.5 A per output, short-circuit protected
Functional safety	ISO 13849-1 (up to category 4/PL e), IEC 61508/IEC 62061 (up to SIL3)
Mounting	Mounting base
Profile	S-7.B
Ambient temperature	-25 ... 60 °C (-13 ... 140 °F)
Protection degree	IP67

Dimensions

Length L [mm]	118
Width W [mm]	57,4
Height H [mm]	35

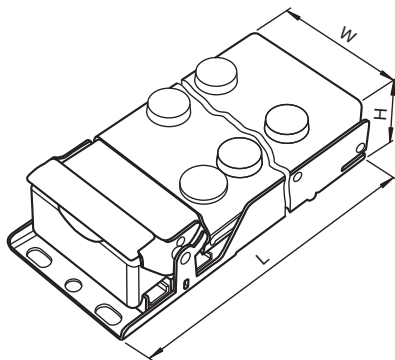
Accessories

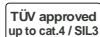
This and more accessories can be found in chapter 7.6 from page 891

See pages from 972 ... for cordsets

See pages 1068 ... for mounting aids

VAZ-V1-B2	Blind plug for M12 sockets
VBP-HH1-V3.0-KIT	AS-Interface Handheld with accessory
VAZ-G12-MARK1-YE	Lettering set for AS-Interface module, design G12 "Safety, short", yellow
VBP-HH1-V3.0	AS-Interface Handheld
VAZ-PK-1,5M-V1-G	Connection cable module/hand-held programming device
VAZ-V1-B	Blind plug for M12 sockets
VAZ-CLIP-G12	lock for G12 module





Technical Data

For detailed data and product description refer to the data sheets at www.pepperl-fuchs.com

General Data

AS-Interface specification	V2.1
Safety Integrity Level (SIL)	SIL 3
Performance level (PL)	PL e
Protection degree	IP20

Inputs

Supply	from AS-Interface
Mounting	DIN rail

Model Number

		VAA-2E-KE1-S	VAA-2E2A-KE1-S/E2	VBA-4E1A-KE3-ZEJ/SR
Slave type	green = preferred type A/B slave Safety-Slave	●	●	●
Required master specification	≥ V2.0 ≥ V2.1	●	●	●
MTTF _d	200 a	●	●	●
Rated operational current	≤ 30 mA (without sensors) / max. 200 mA ≤ 70 mA	●	●	●
Inputs				
Number/Type	2 safe inputs for mechanical contacts 4 inputs for 2- or 3-wire sensors	●	●	●
Voltage	20 ... 30 V DC pulsed 21 ... 31 V DC	●	●	●
Current loading capacity	input current limited ≤ 15 mA, ≤ 90 mA (INT)	●	●	●
Input current	≤ 8 mA (limited internally)			●
Outputs				
Number/Type	1 safety relay output 2 conventional electronic outputs, PNP		●	●
Supply	from AS-Interface from external auxiliary voltage U _{AUX}		●	●
Profile	S-0.B S-7.A.E S-7.B	●		●
Ambient temperature	0 ... 55 °C (32 ... 131 °F) -25 ... 50 °C (-13 ... 122 °F)	●	●	●

Properties

- Versions with 2 safety-related inputs for mechanical contacts and 1 safety relay output
- SIL 3 / Pl e (some versions)
- IP20

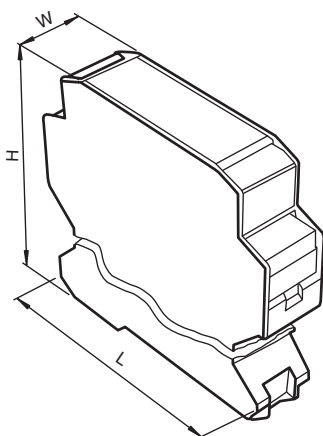
Your Benefit

VAA-2E*-KE1-S*

- Reduced mounting height is ideal for junction box applications
- Color-coded removable terminals simplify maintenance

VBA-4E1A-KE3-ZEJ/SR

- Remote safe output increases the control capabilities of AS-Interface Safety at Work
- On-board non-safe input simplify EDM feedback from motor control relays



Dimensions

Length L [mm]	48,5	107
Width W [mm]	22,5	
Height H [mm]	99,6	99

Accessories

This and more accessories can be found in chapter 7.6 from page 891
See pages from 972 ... for cordsets See pages 1068 ... for mounting aids

VBP-HH1-V3.0-KIT	AS-Interface Handheld with accessory
VBP-HH1-V3.0	AS-Interface Handheld
VAZ-PK-1,5M-V1-G	Connection cable module/hand-held programming device



Technical Data

For detailed data and product description refer to the data sheets at www.pepperl-fuchs.com

General Data

Slave type	Safety-Slave
AS-Interface specification	V2.1
Required master specification	≥ V2.0
UL File Number	E198304
MTTF _d	200 a
B _{10d}	1 E+5

Inputs

Number/Type	2 NC Safety function with positive opening operation in accordance with IEC/EN 60947-5-1 Reset by pulling/turning
-------------	---

Supply

Functional safety	from AS-Interface EN 954-1:1996, EN 62061:2005, EN 61508 Parts 1-7:1998-2000, NFPA 79:2002, EN 60204-1:2006
-------------------	--

Properties

- Emergency stop
- Release of emergency stop by pull or turn
- IP65

Your Benefit

- AS-Interface intelligent E-stop with M12 quick disconnect results in fast error-free installation
- Pull and twist release satisfies customers preferences
- Pre-tensioned mechanical design results in secure deactivation of contacts upon mechanical failure

Model Number

	green = preferred type
Rated operational current	≤ 25 mA ≤ 40 mA

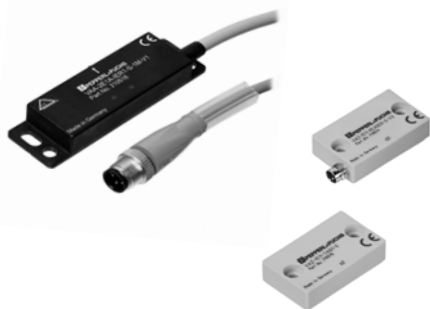
Outputs

Number/Type	LED red			
Supply	from AS-Interface			
Profile	S-0.B.E S-7.B.E			
Ambient temperature	-25 ... 50 °C (-13 ... 122 °F) (no freezing) -25 ... 55 °C (-13 ... 131 °F) (no freezing)			
Protection degree	IP65			
Mechanical data	Module: IP20 Panel mount Surface mount			

VAA-2E-F85A-S-V1	VAA-2E1A-F85A-S-V1	VAA-2E-PM-S	VAA-2E1A-PM-S
●		●	
	●		●
●	●	●	●
●	●	●	●
●	●	●	●
●	●	●	●
●	●	●	●

Further Products

- In this series, we offer additionally:
- VAA-2E1A-F85A-S Emergency Stop Button
 - VAA-2E1A-G10-SAJ/EA2J-1M Safety module
 - VAA-2E1A-G10-SAJ/EA2J-2X1M Safety module



Properties

- Magnetic door switch and RFID safety interlock switch versions
- SIL 3 / Ple
- IP67

Your Benefit

VA*-IEI*

- 4-Channel RFID safety door switch ideal for high-vibration applications
- Unique RFID target cannot be bypassed and provides superior operator protection

VA*-IER*

- AS-Interface intelligent design with M12 connector ensures proper network connection

Technical Data

For detailed data and product description refer to the data sheets at www.pepperl-fuchs.com

Model Number		VAA-4E-IEI1-CONTROL-J-S	VAZ-IEI1-READER1-S-V3	VAZ-IEI1-TAG1-S	VAA-2E1A-IER1-S-1M-V1	VAZ-IER1-ACTUATOR1-S	VAA-2E-IER2-S-1M-V1	VAA-2E-IER2-S-0,15M-V1	VAZ-IER2-ACTUATOR2-S
Detection type	green = preferred type inductive	●	●						
	magnetic				●	●	●	●	●
Slave type	Safety-Slave	●			●	●	●	●	●
AS-Interface specification	V2.1	●			●	●	●	●	●
Required master specification	≥ V2.0	●			●	●	●	●	●
Response delay	< 5 ms				●	●	●	●	●
UL File Number	E155795				●	●	●	●	●
	E179102	●	●	●					
Safety Integrity Level (SIL)	SIL 3	●	●	●	●	●	●	●	●
Performance level (PL)	PL e	●	●	●	●	●	●	●	●
MTTF _d	330 a	●							
Mission Time (T _M)	20 a				●	●	●	●	●
PFH _d	4.29 E-8				●	●	●	●	●
Rated operational current	≤ 130 mA	●							
	≤ 30 mA				●	●	●	●	
Number/Type	4 safety-related inputs up to 4 read heads, Cable length must not exceed 25 m per input.	●							
Supply	from AS-Interface	●			●				
Profile	S-0.B	●					●	●	
	S-7.B				●				
Functional safety	DIN EN 954-1, EN ISO 13849-1 (up to PL _d)		●	●					
	DIN EN 954-1 (Cat. 4), EN ISO 13849-1 (to PL _e), EN 62061 (SIL 3)	●							
	ISO 13849-1:2008 (up to category 3/PL e)				●	●	●	●	●
	EN ISO 12100-1, -2:2003				●	●	●	●	●
	EN 1088:1995+A2:2008				●	●	●	●	●
Ambient temperature	0 ... 50 °C (32 ... 122 °F)	●							
	-20 ... 60 °C (-4 ... 140 °F)				●	●	●	●	●
	-25 ... 70 °C (-13 ... 158 °F)		●	●					
Protection degree	IP67	●			●	●	●	●	●
	IP67 / IP69K		●	●					
Mounting	Mounting base	●							

AS-Interface, Safety at Work

7
3

Accessories

This and more accessories can be found in chapter 7.6 from page 891
See pages from 972 ... for cordsets See pages 1068 ... for mounting aids

V3-GM-5M-PUR-ABG43-V1-G	Connection cable, M8 to M12, PUR cable, 3-pin
V3-GM-2M-PUR-ABG43-V1-G	Connection cable, M8 to M12, PUR cable, 3-pin
VAZ-T1-FK-V1	Splitter box AS-Interface to 1x M12 round connector



Properties

- Mechanical safety interlock switch and enabling switch versions
- PI_d
- IP67

Your Benefit

- VAA-2E*-IM1-J-S-V1**
- AS-Interface intelligent safety door switch with M12 quick disconnect results in fast error-free installation
- VAA-2E3A-LIM1-P***
- AS-Interface intelligent latching safety door switch with M12 quick disconnect results in fast error-free installation
 - Two integrated user-controlled, high-visibility LEDs can be used to indicate door open/close status
- VAA-3E-HH30-J-S-V1**
- AS-Interface intelligent enabling switch with M12 quick disconnect results in fast error-free installation

Technical Data

For detailed data and product description refer to the data sheets at www.pepperl-fuchs.com

General Data

Slave type	Safety-Slave
AS-Interface specification	V2.1
Required master specification	≥ V2.0
Rated operational current	≤ 45 mA
Supply	from AS-Interface
Profile	S-7.B
Functional safety	DIN EN 954-1, EN ISO 13849-1 (up to PL_d)
Protection degree	IP67

Model Number

		VAA-2E-IM1-J-S-V1	VAA-2E2A-IM1-J-S-V1	VAA-2E3A-LIM1-PU-J-S-V1	VAA-2E3A-LIM1-PL-J-S-V1	VAA-2E3A-LIM1-PU-L-S-V1	VAA-2E3A-LIM1-PL-L-S-V1	VAA-3E-HH30-J-S-V1
guard-locking mode	power to lock							
	power to unlock			●		●		
Switching principle	slow-acting contact element, 3-stage							●
UL File Number	E179102	●	●					
Performance level (PL)	PL d			●	●	●	●	●
B_{10d}	1 E+5			●	●	●	●	●
	5 E+6			●	●	●	●	●
Inputs:								
Number/Type	2 safety-related inputs: NO E1 NO E2							●
	2 safety-related inputs: normally-closed contact 1 normally-closed contact 2	●	●					
	2 safety-related inputs: 1 door-monitoring contact SK 1 Magnet-monitoring contact MC			●	●	●	●	
Outputs:								
Number/Type	1 guard locking magnet, 1 LED red, 1 LED green			●	●	●	●	
Supply	from AS-Interface			●	●			
	from external auxiliary voltage					●	●	
Current	300 mA			●	●	●	●	
Ambient temperature	-20 ... 55 °C (-4 ... 131 °F)	●	●	●	●	●	●	
	-5 ... 50 °C (23 ... 122 °F)							●

Dimensions

Length L [mm]	123	190	-
Width W [mm]		40	-
Height H [mm]		42	-
Connector area l_c [mm]		13	-

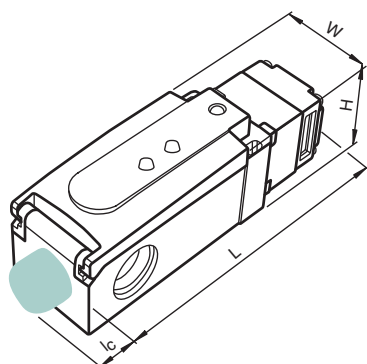
Accessories

This and more accessories can be found in chapter 7.6 from page 891

See pages from 972 ... for cordsets

See pages 1068 ... for mounting aids

VAZ-HH30-BRACKET	Bracket for VAA-3E-HH30-J-S-V1
VAZ-IM1-90°-BOLT-S	Right-angled actuator for AS-Interface safety switches
VAZ-T1-FK-V1	Splitter box AS-Interface to 1x M12 round connector
VAZ-IM1-BOLT-S	Straight actuator for AS-Interface safety switches
V1-G-0,6M-PUR-V1-G	Connection cable, M12 to M12, PUR cable, 4-pin
VAZ-IM1-LR-RADIUS-BOLT-S	Hinged actuator for right/left mounted doors, for safety switches
V1-G-1M-PUR-V1-G	Connection cable, M12 to M12, PUR cable, 4-pin
VAZ-IM1-TD-RADIUS-BOLT-S	Hinged actuator for top/bottom mounted doors, for safety switches
V1-G-10M-PUR-V1-G	Connection cable, M12 to M12, PUR cable, 4-pin
VAZ-IM1-BASE-BOLT-S	Latches for mechanical security switches (LIM1 and IM1)
VAZ-IM1-BASE-S	Switch mount for mechanical safety switches (LIM1 and IM1)
VAZ-2T1-FK-1M-PUR-V1-G	Splitter box AS-Interface and auxiliary voltage to 1 x M12 round connector
VAZ-T1-FK-1M-PUR-V1-G	Splitter box AS-Interface to 1x M12 round connector



Model number



VAZ-IM1-BOLT-S

Straight actuator for AS-Interface safety switches

Mechanical specifications

Tension force	≤ 2500 N
door radius r	≥ 300 mm
caster	5 mm

General information

Scope of delivery	1 straight actuator, with rubber grommet; 2 safety screws, stainless steel M4 x 14
-------------------	--

Model number



VAZ-IM1-90°-BOLT-S

Right-angled actuator for AS-Interface safety switches

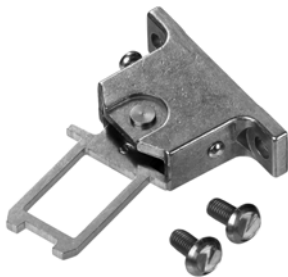
Mechanical specifications

Tension force	≤ 1500 N
door radius r	≥ 300 mm
caster	5 mm

General information

Scope of delivery	1 right-angled actuator, with rubber grommet; 2 safety screws, stainless steel M4 x 14
-------------------	--

Model number



VAZ-IM1-LR-RADIUS-BOLT-S

Hinged actuator for right/left mounted doors, for AS-Interface safety switches

Mechanical specifications

door radius r	100 ... 1000 mm
door stop	left/right
caster	5 mm

General information

Scope of delivery	1 hinged actuator, for right- and left-mounted doors 2 safety screws, stainless steel M5 x 10
-------------------	---

Model number



VAZ-IM1-TD-RADIUS-BOLT-S

Hinged actuator for top/bottom mounted doors, for AS-Interface safety switches

Mechanical specifications

door radius r	200 ... 1000 mm
door stop	top/bottom
caster	5 mm

General information

Scope of delivery	1 hinged actuator, For top and bottom mounted doors 2 safety screws, stainless steel M5 x 25
-------------------	--

Date of issue: 0408/2015

Subject to modifications without notice

Pepperl+Fuchs Group
www.pepperl-fuchs.com

USA: +1 330 486 0001
fa-info@us.pepperl-fuchs.com

Germany: +49 621 776-4411
fa-info@pepperl-fuchs.com

Copyright Pepperl+Fuchs
Singapore: +65 6779 9091
fa-info@sg.pepperl-fuchs.com

Model number



VAZ-IM1-BASE-BOLT-S

Latches for mechanical security switches (LIM1 and IM1)

General information

Scope of delivery	1 latch 1 actuator included
-------------------	--------------------------------

Model number



VAZ-IM1-BASE-S

Switch mount for mechanical safety switches (LIM1 and IM1)

AS-Interface, Safety at Work

7

3

Date of issue: 04/08/2015

Model number



VAZ-SW-SIMON+

Software for configuration of K12 Basic Monitors/K30 Master Monitors/K31 Safety Monitors via a PC

General specifications

Description	Software on CD-ROM
-------------	--------------------

The easy-to-operate user interface enables you to configure the AS-Interface safety monitor in conjunction with safe AS-Interface slaves such as EMERGENCY STOP buttons, safety switches for doors, or safety thru-beam sensors within an AS-Interface bus system for virtually all applications relating to the protection of danger areas on industrial power-driven machines. This software also assists you in commissioning and documenting your safety-relevant applications and has powerful diagnostic features.

Model number



VAZ-SIMON-R2

USB Type A to Micro-USB connector

Mechanical specifications

Connection	USB Type A to Micro-USB connector
------------	-----------------------------------

Cable	
Length L	2 m

Model number



VAZ-SIMON-RJ45

Interface cable for connecting two K12-Safety Monitors

Mechanical specifications

Connection	2 x RJ-45
------------	-----------

Cable	
Length L	0.1 m

Model number



VAZ-SIMON+-R2-1,8M-PS/2

Interface cable for connecting the K20/K30/K31 Safety Monitor to a PC

Mechanical specifications

Connection	Serial interface RS 232: 9-pin Sub-D socket On the monitor: PS/2
------------	---

Cable	
Length L	1.8 m

Date of issue: 0408/2015

Subject to modifications without notice

Pepperl+Fuchs Group
www.pepperl-fuchs.com

USA: +1 330 486 0001
fa-info@us.pepperl-fuchs.com

Germany: +49 621 776-4411
fa-info@pepperl-fuchs.com

Copyright Pepperl+Fuchs
Singapore: +65 6779 9091
fa-info@sg.pepperl-fuchs.com



Properties

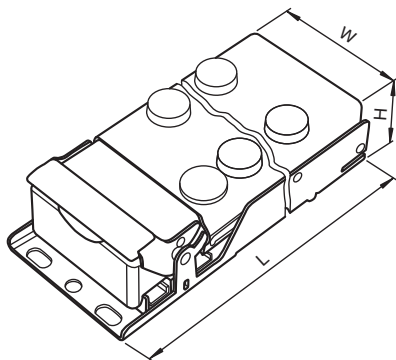
- Versions with 2, 4 and 2 x 4 PNP inputs
- Versions with 2 and 4 electronic outputs
- Versions with standard, A/B and double A/B slave
- IP67

Your Benefit

- Toolless installation and one-part construction speeds-up installation
- Output overload indication on affected M12 port takes guessing out of troubleshooting
- SPEEDCON M12 metal inserts reduce I/O installation time

Further Products

In this series, we offer additionally:
VAA-4E4A-G12-ZAJ/EA2L sensor/actuator module
VAA-4E4A-G12-ZAL/EA2L sensor/actuator module



Technical Data

For detailed data and product description refer to the data sheets at www.pepperl-fuchs.com

General Data

UL File Number	E87056
Ambient temperature	-25 ... 70 °C (-13 ... 158 °F)
Protection degree	IP67
Mounting	Mounting base
AS-Interface specification	V3.0

Model Number

		VAA-4A-G12-EA2L	VBA-4E-G12-ZAJ	VBA-4E-G12-ZAL	VBA-2E2A-G12-ZAJ/EA2L	VBA-4E4A-G12-XEL	VBA-4E4E-G12-ZAJ	VBA-4E4A-G12-ZAJ/EA2L	VBA-4E4A-G12-ZAL/EA2L
Slave type	A/B slave	●	●	●	●	●	●	●	●
	Double A/B slave							●	
Required master specification	Standard slave	●							
	≥ V2.1	●	●	●	●	●	●	●	●
Auxiliary voltage	≥ V3.0							●	●
	24 V DC ± 15 % PELV							●	●
Rated operational current	≤ 40 mA	●	●	●	●	●	●	●	●
	≤ 40 mA (without sensors) / max. 240 mA		●	●	●	●	●	●	●
	≤ 80 mA (without sensors) / max. 280 mA						●		
Inputs	Number/Type				●				
	2 inputs for 2- or 3-wire sensors option 1 input for 4-wire sensor				●				
	2x 4 inputs for 2- or 3-wire sensors alternative 2 x 2 inputs for 4-wire sensors						●		
	4 inputs for 2- or 3-wire sensors					●			
Supply	4 inputs for 2- or 3-wire sensors option 2 inputs for 4-wire sensors		●	●				●	●
	from AS-Interface		●	●				●	●
	from auxiliary voltage U _{AUX}			●		●		●	●
Voltage	21 ... 31 V		●	●			●	●	●
	Current loading capacity		●	●			●	●	●
Input current	≤ 200 mA		●	●			●	●	●
	≤ 500 mA					●			
	≤ 600 mA			●					●
Output current	≤ 8 mA (limited internally)		●	●		●	●	●	●
Outputs	Number/Type				●				
	2 electronic outputs				●				
Supply	4 electronic outputs		●			●		●	●
	from external auxiliary voltage U _{AUX}		●			●		●	●
Current	1 A per output					●			
	2 A per output								
	4 A total (TB ≤ 40 °C) 3 A total (TB ≤ 70 °C)				●				
Voltage	2 A per output								
	6 A total (TB ≤ 40 °C) 4 A total (TB ≤ 70 °C)		●					●	●
	≥ (U _{AUX} - 0.5 V)		●		●	●		●	●
Profile	S-B.A.2					●			
	S-O.A.2		●	●			●		
	S-7.A.7						●		●
	S-8.1		●						

Dimensions

Length L [mm]	118	151,6
Width W [mm]	57,4	
Height H [mm]	35	

Accessories

This and more accessories can be found in chapter 7.6 from page 891
 See pages from 972 ... for cordsets See pages 1068 ... for mounting aids

VAZ-V1-B3	Blind plug for M12 sockets
VBP-HH1-V3.0-KIT	AS-Interface Handheld with accessory
VBP-HH1-V3.0	AS-Interface Handheld
VAZ-PK-1,5M-V1-G	Connection cable module/hand-held programming device
VAZ-G12-MARK2-GN	Lettering set for AS-Interface module, design G12 "long", green
VAZ-G12-MARK1-GN	Lettering set for AS-Interface module, design G12 "short", green
VAZ-CLIP-G12	lock for G12 module



Technical Data

For detailed data and product description refer to the data sheets at www.pepperl-fuchs.com

General Data

AS-Interface specification	V3.0
Slave type	A/B slave
UL File Number	E87056
Rated operational current	≤ 40 mA (without sensors) / max. 240 mA
Inputs	
Number/Type	4 inputs for 2- or 3-wire sensors (PNP), DC option 2 inputs for 4-wire sensors (PNP), DC
Supply	from AS-Interface
Voltage	12 ... 31 V
Current loading capacity	≤ 200 mA
Input current	≤ 9 mA (limited internally)
Ambient temperature	-25 ... 70 °C (-13 ... 158 °F)
Protection degree	IP68 / IP69K
Mounting	Mounting base

Properties

- 4 PNP inputs / versions with 4 electronic outputs
- A/B slave
- IP69 / IP69k

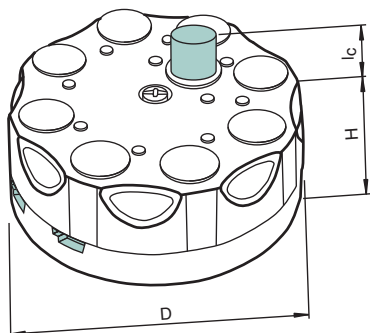
Your Benefit

- High IP rating makes this an excellent solution for washdown applications
- Compact, round design fits into tight spaces
- Sturdy mounting base (included) make this one of the toughest housings on the market

Further Products

In this series, we offer additionally:

- VAA-4E4A-G11-ZAJ/EA2L-F Sensor/actuator modul
 VAA-4E4A-G11-ZAJ/EA2L-V1 Sensor/actuator modul



Model Number

	green = preferred type	VBA-4E-G11-ZAJ-F	VBA-4E-G11-ZAJ-V1	VBA-4E4A-G11-ZAJ/EA2L-F	VBA-4E4A-G11-ZAJ/EA2L-V1
Required master specification	≥ V2.1 ≥ V3.0	●	●		
Outputs					
Number/Type	4 electronic outputs, PNP			●	●
Supply	from external auxiliary voltage U _{AUX}			●	●
Current	2 A per output TB ≤ 40 °C: 6 A total TB ≤ 70 °C: sum O1 + O2 max. 2 A, sum O3 + O4 max. 2 A			●	●
Voltage	≥ (U _{AUX} - 0.5 V)			●	●
Connection	AS-Interface: AS-Interface flat cable Inputs: M12 round connector	●			
	AS-Interface: M12 round connector Inputs: M12 round connector		●		
	AS-Interface/U _{AUX} : AS-Interface flat cable Inputs/outputs: M12 round connector			●	
	AS-Interface/U _{AUX} : M12 round connector Inputs/outputs: M12 round connector				●
Profile	S-0.A.2	●	●		
	S-7.A.7			●	●

Dimensions

Height H [mm]	35			
Diameter D [mm]	85			
Connector area l _c [mm]	-	11	-	11

Accessories

This and more accessories can be found in chapter 7.6 from page 891
 See pages from 972 ... for cordsets See pages 1068 ... for mounting aids

VBP-HH1-V3.0-KIT	AS-Interface Handheld with accessory
VAZ-V1-B3	Blind plug for M12 sockets
VBP-HH1-V3.0	AS-Interface Handheld
VAZ-PK-1,5M-V1-G	Connection cable module/hand-held programming device
VAZ-FK-S-BK-SEAL	AS-Interface flat cable seal



ECOLAB

CE



Technical Data

For detailed data and product description refer to the data sheets at www.pepperl-fuchs.com

General Data

Slave type	A/B slave
AS-Interface specification	V3.0
Ambient temperature	-25 ... 70 °C (-13 ... 158 °F)
Protection degree	IP67 IP67 / IP68 / IP69K with flat cable VAZ-FK-S*

Model Number

Properties

- 2 PNP inputs / versions with 1 electronic output
- A/B slave
- Up to IP67/68/69k possible

Your Benefit

- Ultra-compact dimensions allow direct installation in cable trays and ducts
- Integrated sensor pigtails reduce installation time and cost

		VBA-2E-G10-ZAJ-1M-V1-W	VBA-2E-G10-ZEJ-1M-2V1-W	VBA-2E1A-G10-ZAL/E2L-1M-2V1-W
Required master specification	green = preferred type ≥ V2.0 ≥ V2.1	●	●	●
Auxiliary voltage	20 ... 30 V DC PELV			●
Rated operational current	≤ 40 mA / max. 60 mA ≤ 40 mA (without sensors) / max. 120 mA	●	●	●
Inputs				
Number/Type	2 inputs for 2- or 3-wire sensors 2 inputs for 2- or 3-wire sensors option 1 input for 4-wire sensor	●	●	●
Supply	from AS-Interface from external auxiliary voltage U _{AUX}	●	●	●
Voltage	20 ... 30 V 21 ... 31 V	●	●	●
Current loading capacity	≤ 1000 mA 75 mA at TB ≤ 40 °C (104 °F) 60 mA at TB ≤ 75 °C (167 °F)	●	●	●
Outputs				
Number/Type	1 electronic output, PNP,			●
Supply	from external auxiliary voltage U _{AUX}			●
Voltage	≥ (U _{AUX} - 0.5 V)			●
Current loading capacity	≤ 1000 mA			●
Profile	S-0.A.2 S-7.A.E	●	●	●

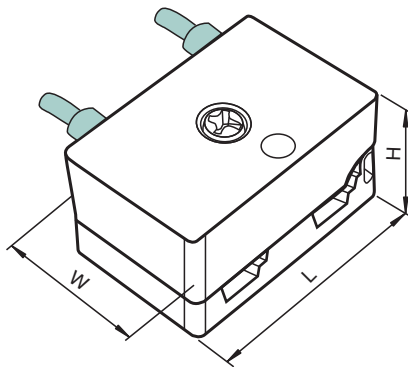
Dimensions

Length L [mm]	40,5
Width W [mm]	27,7
Height H [mm]	21,5

Accessories

This and more accessories can be found in chapter 7.6 from page 891
See pages from 972 ... for cordsets See pages 1068 ... for mounting aids

VAZ-PK-FK-0,2M-V1-W	Connection cable G10 module/hand-held programming device
---------------------	--



AS-Interface, Modules

7
.4



Properties

- Versions with 2, 2 x 2 and 4 PNP inputs / versions with 2 pneumatic outputs, 2 and 4 electronic outputs
- A/B slave
- Versions with IP65 and IP67

Your Benefit

VBA-4E2A-G1-ZE/P*

- AS-Interface pneumatic modules with electronic inputs simplify valve control

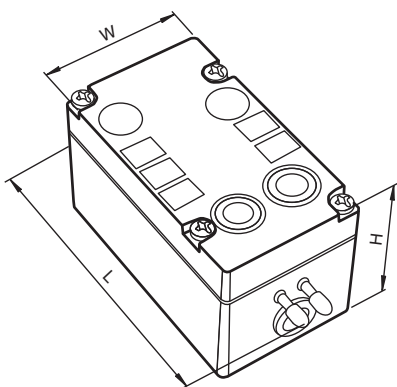
VBA*-G4-ZE*

- PG gland connection allows cut-to-length cable

Further Products

In this series, we offer additionally:

- VAA-4E4A-G4-ZE/E2 sensor/actuator module
- VAA-4E-G4-ZE sensor/actuator module
- VBA-4E3A-G4-ZE/E2 sensor/actuator module



Technical Data

For detailed data and product description refer to the data sheets at www.pepperl-fuchs.com

General Data

Slave type	A/B slave
Inputs	
Supply	from AS-Interface
Mounting	DIN rail or screw mounting

Model Number

		VBA-4E2A-G1-ZE/P-S	VBA-4E2A-G1-ZE/PEXT-S	VBA-4E-G4-ZE	VBA-2E2A-G4-ZE/E2	VBA-4E4A-G4-ZE/E2
Required master specification	green = preferred type					
	≥ V2.0					
	≥ V2.1	●	●		●	
	≥ V3.0					●
UL File Number	E87056			●	●	●
Rated operational current	≤ 30 mA (without sensors) / max. 140 mA				●	
	≤ 30 mA (without sensors) / max. 230 mA					●
	≤ 40 mA (without sensors) / max. 190 mA			●		
	≤ 45 mA (without sensors) / max. 200 mA	●	●			
Inputs						
Number/Type	2 inputs for 2- or 3-wire sensors				●	
	2x 2 inputs for 2- or 3-wire sensors	●	●			
	4 inputs for 2- or 3-wire sensors			●		●
Voltage	21 ... 31 V			●	●	●
Input current	≤ 8 mA (limited internally)			●	●	●
	≤ 9 mA (limited internally)					●
Outputs						
Number/Type	2 electronic outputs,				●	
	2 pneumatic outputs with separated 3/2-way valves	●	●			
	4 electronic outputs					●
Supply	from external auxiliary voltage U _{AUX}		●		●	●
Current	1 A per output				●	●
	1 A per output, 4 A total					●
Voltage	≥ (U _{AUX} - 0.5 V)				●	●
	20 ... 30 V DC, PELV		●			
Venting guide	Sinter filter	●	●			
Compressed air	2 ... 8 bar, filtered (5 µm), oiled or unoled compressed air	●	●			
Air throughput	550 NI/min at 6/0 bar	●	●			
	350 NI/min at 6/5 bar					
Valve cross-section	5 mm	●	●			
Profile	S-B.A.0				●	
	S-O.A.0					
	S-7.A.E	●	●			
	S-7.A.7			●		
Ambient temperature	0 ... 55 °C (32 ... 131 °F)	●	●			
	-25 ... 60 °C (-13 ... 140 °F)			●	●	●
Protection degree	IP65	●	●			●
	IP67			●	●	

Dimensions

Length L [mm]	102		
Width W [mm]	45	51	90
Height H [mm]	60	51	71

Accessories

This and more accessories can be found in chapter 7.6 from page 891
See pages from 972 ... for cordsets See pages 1068 ... for mounting aids

VBP-HH1-V3.0-KIT	AS-Interface Handheld with accessory
VBP-HH1-V3.0	AS-Interface Handheld
VAZ-G4-B	Blind plug PG7
VAZ-G4-B1	Blind plug M12



Technical Data

For detailed data and product description refer to the data sheets at www.pepperl-fuchs.com

General Data

Ambient temperature	-25 ... 60 °C (-13 ... 140 °F)
Protection degree	IP67 according to EN 60529 (only in connection with module or cover)
Mounting	DIN rail or screw mounting

Model Number		U-G1F	U-G1FA	U-G1FF	U-G1FFA	U-G1PP
UL File Number	green = preferred type E198304 E223772					●
Addressing	via addressing jack	●	●	●	●	
Connection	2 AS-Interface flat cables	●	●			
	Flat cable for AS-Interface and external power supply			●	●	
	round cable PG11 for AS-Interface and external power supply core cross-section : 2.5 mm					●
Dimensions	about 80, 45, 20 mm (L, W, H) about 80, 45, 34 mm (L, W, H)	●	●	●	●	●

Accessories

This and more accessories can be found in chapter 7.6 from page 891
See pages from 972 ... for cordsets See pages 1068 ... for mounting aids

VAZ-DK-G1	cover for bases -G1F- and -G1P-
PG11-1/2NPT	Conduit adapter



Technical Data

For detailed data and product description refer to the data sheets at www.pepperl-fuchs.com

Model Number		VBA-1E3A-M18-ZE/E2-V1	VAA-4E2A-G5-N/V2-Ex	VBA-4E-G16-ZEJ	VBA-4E4A-G16-ZEJ/E2L
Slave type	green = preferred type A/B slave	●		●	●
	Standard slave		●		
Required master specification	≥ V2.0	●			
	≥ V2.1			●	
	≥ V3.0				●
UL File Number	E87056			●	●
Rated operational current	≤ 30 mA	●			
	≤ 40 mA (without sensors) / max. 240 mA			●	●
	≤ 90 mA		●		
Inputs					
Number/Type	1 Input for 2-wire sensor	●			
	4 inputs for 2- or 3-wire sensors (PNP), DC			●	●
	4 inputs according to IEC 60947-5-6 (NAMUR, DIN 19234)		●		
Supply	from AS-Interface			●	●
	from external auxiliary voltage U _{AUX}	●			
Voltage	21 ... 31 V			●	●
Current loading capacity	≤ 200 mA (T _B ≤ 40 °C), ≤ 150 mA (T _B ≤ 70 °C), overload-proof and short-circuit protected			●	●
Input current	≤ 9 mA (limited internally)			●	●
Outputs					
Number/Type	2 outputs for control of intrinsically safe valves		●		
	3 electronic outputs, PNP	●			
	4 electronic outputs, PNP				●
Supply	from external auxiliary voltage U _{AUX}	●			●
Current	1 A per output				●
	20 mA per output	●			
Voltage	≥ (U _{AUX} - 0.5 V)				●
Profile	S-0.A.0			●	
	S-7.A.7				●
	S-7.F		●		
	S-9.A.E	●			
Ambient temperature	0 ... 70 °C (32 ... 158 °F)	●			
	-20 ... 60 °C (-4 ... 140 °F)		●		
	-25 ... 70 °C (-13 ... 158 °F)			●	●
Protection degree	IP54 according to EN 60529		●		
	IP67 / IP68 / IP69k			●	●
	IP67	●			
Mounting	screw mounting		●	●	●

Properties

- Versions with 1 and 4 inputs / versions with 2 outputs for safe valves, 3 and 4 electronic outputs
- Standard and A/B slave versions
- Versions with IP54, IP67 and IP67/68/69k

Your Benefit

VBA-1E3A-M18-ZE/E2-V1

- Motor starter module designed to simplify MOVIMOT control

VAA-4E2A-G5-N/V2-Ex

- Approved for hazardous environments up to Zone 1, extends AS-Interface advantages to critical process control applications

VBA-4E*-G16-ZEJ*

- M8 input/output connections are advantageous when mounting space is limited
- M12 AS-Interface/AUX power connection and lightweight construction is ideal for robotics applications
- Output overload indication on affected M12 port takes guessing out of troubleshooting

Further Products

In this series, we offer additionally:

VAA-4E4A-G16-ZEJ/E2L Sensor-/actuator module

Accessories

This and more accessories can be found in chapter 7.6 from page 891
See pages from 972 ... for cordsets See pages 1068 ... for mounting aids

VBP-HH1-V3.0-KIT	AS-Interface Handheld with accessory
VAZ-2T5-G2	Splitter box AS-Interface and auxiliary voltage to 5 x M12 round connector
VAZ-RK-PUR 2x1,5-YE 100M	AS-Interface round cable
VAZ-T1-FK-0,3M-PUR-V1-G	Splitter box AS-Interface to 1x M12 round connector
VAZ-2T1-FK-0,3M-PUR-V1-W	Splitter box AS-Interface and auxiliary voltage to 1 x M12 round connector
V1-G-BK	4-pin, M12 female field-attachable connector
VAZ-2T1-FK-1M-PUR-V1-W	Splitter box AS-Interface and auxiliary voltage to 1 x M12 round connector
VAZ-V3-B	Blind plug for M8 sockets
VBP-HH1-V3.0	AS-Interface Handheld

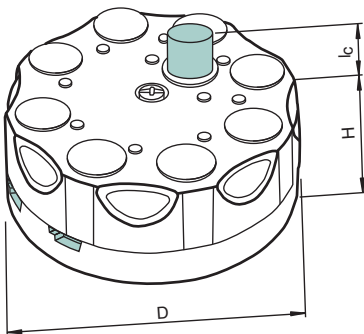


Properties

- Versions with 2 analog inputs (I, U, Pt100) / versions with 2 and 4 analog outputs
- Standard slave
- ECOLAB approved
- IP69 / IP69k

Your Benefit

- High IP rating make this an excellent solution for wash-down applications
- Constructed for highest precision analog data transmission
- Sturdy mounting base (included) make this one of the toughest housings on the market
- Large operating temperature span increases application security



Technical Data

For detailed data and product description refer to the data sheets at www.pepperl-fuchs.com

General Data

Slave type	Standard slave
AS-Interface specification	V3.0
Required master specification	≥ V2.1
UL File Number	E87056
Protection degree	IP68 / IP69K
Mounting	Mounting base

Model Number

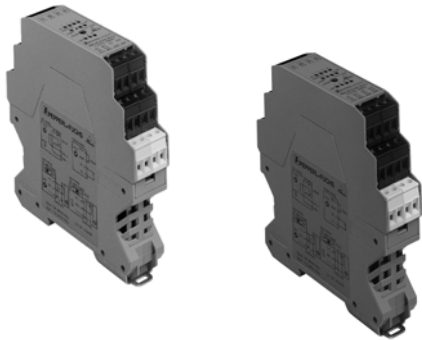
		VBA-2A-G11-I-F	VBA-2A-G11-I-V1	VBA-4A-G11-I-U-F	VBA-4E-G11-I-F	VBA-2E-G11-I-U/PT100-F	VBA-2E-G11-I-U/PT100-V1
Rated operational current	green = preferred type	●	●				
	≤ 100 mA	●	●				
	≤ 110 mA				●		
	≤ 60 mA (without sensors) / max. 200 mA					●	●
	≤ 75 mA (without outputs) / max. 200 mA			●			
Inputs							
Number/Type	2 analog inputs Current: 0 ... 20 mA/4 ... 20 mA voltage: 0 ... 10 V Pt100: -200 ... 850 °C					●	●
Supply	from AS-Interface or auxiliary voltage U _{EXT}					●	●
Current loading capacity	≤ 140 mA from AS-Interface ≤ 600 mA from auxiliary voltage U _{AUX}					●	●
Outputs							
Number/Type	2 analog outputs (current), 0 ... 20 mA 4 analog outputs Current: 0 ... 20 mA Voltage: 0 ... 10 V	●	●		●		
Supply	from AS-Interface	●	●		●		
	from AS-Interface or auxiliary voltage U _{EXT}			●			
Current loading capacity	≤ 120 mA from AS-Interface ≤ 700 mA from auxiliary voltage U _{AUX}			●			
Connection							
	AS-Interface: AS-Interface flat cable Outputs: M12 round connector	●					
	AS-Interface: M12 round connector Outputs: M12 round connector		●				
	AS-Interface/U _{AUX} : AS-Interface flat cable Outputs: M12 round connector			●			
	AS-Interface/U _{AUX} : AS-Interface flat cable Inputs: M12 round connector				●	●	
	AS-Interface/U _{AUX} : M12 round connector Inputs: M12 round connector						●
Profile	S-7.3.D					●	●
	S-7.3.5	●	●		●		
	S-7.3.6			●			
Ambient temperature	0 ... 60 °C (32 ... 140 °F)				●		
	-25 ... 60 °C (-13 ... 140 °F)			●			
	-25 ... 70 °C (-13 ... 158 °F)	●	●			●	●
Dimensions							
Height H [mm]		35					
Diameter D [mm]		85					
Connector area l _c [mm]		-	11	-	-	-	11

Accessories

This and more accessories can be found in chapter 7.6 from page 891
See pages from 972 ... for cordsets See pages 1068 ... for mounting aids

VBP-HH1-V3.0-KIT	AS-Interface Handheld with accessory
VAZ-V1-B3	Blind plug for M12 sockets
VAZ-PK-1,5M-V1-G	Connection cable module/hand-held programming device
VAZ-FK-S-BK-SEAL	AS-Interface flat cable seal

Date of issue: 04/08/2015

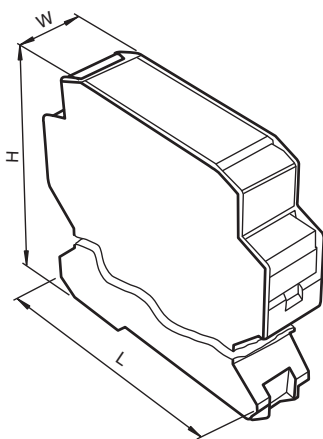


Properties

- 4 PNP inputs / versions with 3 and 4 electronic or relay outputs
- Standard and A/B slave versions
- IP20

Your Benefit

- Color coded, removable terminals speed up installation and replacement
- Relay version allows switching of 115/230VAC sources
- Increased application flexibility as connected sensors are powered from AS-Interface or external power source (DIP switch selectable)



Technical Data

For detailed data and product description refer to the data sheets at www.pepperl-fuchs.com

General Data

Inputs

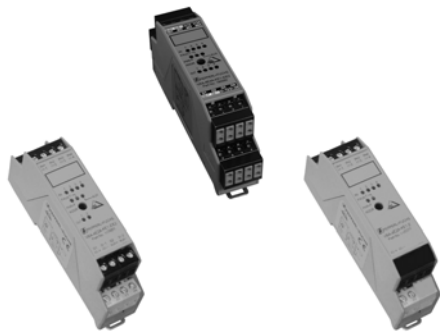
Number/Type	4 inputs for 2- or 3-wire sensors (PNP), DC
Supply	from AS-Interface (switch position INT, basic setting) or external U _{EXT} (switch position EXT)
Voltage	21 ... 31 V DC (INT)
Current loading capacity	≤ 150 mA, overload- and short-circuit protected (INT)
Ambient temperature	-25 ... 60 °C (-13 ... 140 °F)
Protection degree	IP20
Mounting	DIN rail

		VAA-4E4A-KE-ZE/R	VAA-4E4A-KE-ZEJQ/E2L	VBA-4E3A-KE-ZE/R	VBA-4E3A-KE-ZEJQ/E2L	VBA-4E4A-KE-ZE/R	VBA-4E4A-KE-ZEJQ/E2L	VBA-4E-KE-ZEJQ
Slave type	green = preferred type A/B slave Standard slave	●	●	●	●	●	●	●
Required master specification	≥ V2.0 ≥ V2.1 ≥ V3.0	●	●	●	●	●	●	●
UL File Number	E106378 E87056	●	●	●	●	●	●	●
Rated operational current	≤ 30 mA (without sensors) / max. 180 mA ≤ 35 mA (without sensors) / max. 190 mA ≤ 35 mA (without sensors)/max. 210 mA ≤ 35 mA (without sensors) / max. 235 mA	●	●	●	●	●	●	●
Inputs								
Input current	≤ 8 mA (limited internally) ≤ 9 mA (limited internally)	●	●	●	●	●	●	●
Outputs								
Number/Type	3 electronic outputs, PNP, overload and short-circuit proof 3 relay outputs, normally open 4 electronic outputs, PNP, overload and short-circuit proof 4 relay outputs, normally open	●	●	●	●	●	●	●
Supply	from external auxiliary voltage U _{AUX} none	●	●	●	●	●	●	●
Current	O1 max. 3 A, O2/O3 max. 1.5 A, total 6 A (T _B ≤ 40 °C) O1 max. 2 A, O2/O3 max. 1 A, total 4 A (T _B ≤ 60 °C) 2 A per output, sum 4A (T _B ≤ 40 °C) 0.5 A per output, total 2A (T _B ≤ 60 °C, arranged in series without gaps) 2 A per output, total 4A (T _B ≤ 60 °C, arranged in series with 5 mm gap)	●	●	●	●	●	●	●
Voltage	≥ (U _{AUX} - 0.5 V)	●	●	●	●	●	●	●
Profile	S-0.A.0 S-7.A.0 S-7.A.7 S-7.0	●	●	●	●	●	●	●
Dimensions								
Length L [mm]		102						
Width W [mm]		22,5						
Height H [mm]		99						

Accessories

This and more accessories can be found in chapter 7.6 from page 891
See pages from 972 ... for cordsets See pages 1068 ... for mounting aids

VBP-HH1-V3.0-KIT	AS-Interface Handheld with accessory
VBP-HH1-V3.0	AS-Interface Handheld
VAZ-PK-1,5M-V1-G	Connection cable module/hand-held programming device
VBP-HH1-V3.0-V1	AS-Interface Handheld



Properties

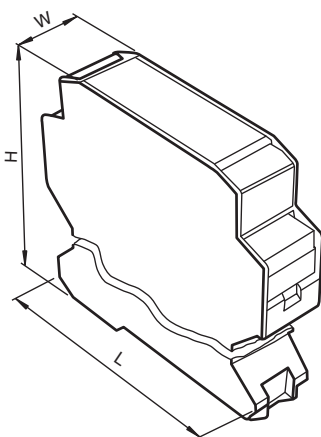
- Versions with 4 PNP inputs and 2 analog inputs / versions with 2 and 4 electronic outputs
- Standard and A/B slave versions
- IP20

Your Benefit

- Reduced mounting height is ideal for junction box applications
- Color coded push-in clamps for easy installation
- Color-coded removable terminals simplify maintenance

Further Products

In this series, we offer additionally:
VAA-4E4A-KE1-Z/E2-TL
 Sensor/actuator module
VAA-4E4A-KE-ZEJQ/E2L
 Sensor/actuator module
VBA-4E4A-KE-ZE/R
 Sensor/actuator module



Technical Data

For detailed data and product description refer to the data sheets at www.pepperl-fuchs.com

General Data

UL File Number	E87056
Inputs	
Number/Type	4 inputs for 2-wire sensors (PNP), DC or for mechanical contacts
Input current	≤ 8 mA (limited internally)
Protection degree	IP20
Mounting	DIN rail

Model Number

		VBA-4E-KE1-Z	VBA-4E2A-KE1-Z/E2	VAA-4E4A-KE1-Z/E2
Slave type	green = preferred type	●	●	
	A/B slave			●
	Standard slave			●
Required master specification	≥ V2.0	●		●
	≥ V2.1		●	
Rated operational current	≤ 25 mA (without sensors)	●	●	
	≤ 40 mA (without sensors)			●
Inputs				
Supply	from AS-Interface	●	●	
	from external auxiliary voltage as required U _{AUX}			●
Outputs				
Number/Type	2 electronic outputs, PNP, overload and short-circuit proof		●	
	4 electronic outputs, PNP, overload and short-circuit proof			●
Supply	from external auxiliary voltage U _{AUX}		●	●
Current	O1/O2 max. 1.5 A, total 3 A (T _B ≤ 40 °C)		●	
	O1/O2 max. 1 A, total 2 A (T _B ≤ 70 °C)			●
Voltage	0.5 A per output , 2 A per module			●
	≥ (U _{AUX} - 0.5 V)		●	●
Profile	S-0.A.0	●		
	S-7.A.0		●	
	S-7.0			●
Ambient temperature	-25 ... 60 °C (-13 ... 140 °F)			●
	-25 ... 70 °C (-13 ... 158 °F)	●	●	

Dimensions

Length L [mm]	99,6
Width W [mm]	22,5
Height H [mm]	48,5

Accessories

This and more accessories can be found in chapter 7.6 from page 891
 See pages from 972 ... for cordsets See pages 1068 ... for mounting aids

VBP-HH1-V3.0-KIT	AS-Interface Handheld with accessory
VBP-HH1-V3.0	AS-Interface Handheld
VAZ-PK-1,5M-V1-G	Connection cable module/hand-held programming device
VBP-HH1-V3.0-V1	AS-Interface Handheld

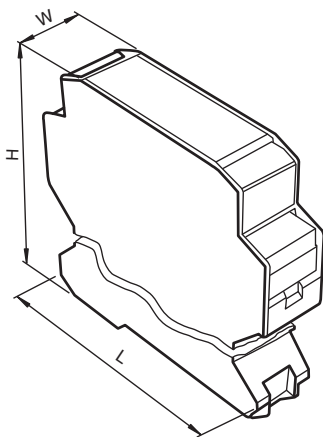


Properties

- Versions with 4 PNP inputs and 2 analog inputs / versions with 2 and 4 electronic outputs
- Standard and A/B slave versions
- IP20

Your Benefit

- Selectable current or voltage analog inputs or outputs increase usability/flexibility
- Color-coded removable terminals simplify maintenance



Technical Data

For detailed data and product description refer to the data sheets at www.pepperl-fuchs.com

General Data

UL File Number	E223772
Protection degree	IP20
Mounting	DIN rail

Model Number

		VBA-2A-KE2-I/U	VBA-2E-KE2-I/U	VBA-2E-KE2-I/U-V3.0
Slave type	A/B slave			●
	Standard slave	●	●	
Required master specification	≥ V2.1	●	●	
	≥ V3.0			●
Rated operational current	≤ 80 mA		●	●
	Supply via AS-Interface: ≤ 100 mA supply via AS-Interface and U _{AUX} : ≤ 120 mA	●		
Inputs	Input voltage	For voltage module: ≤ 25 V per input		
	Number/Type	2 analog inputs Current: 4 ... 20 mA voltage: 0 ... 10 V		
Supply	from AS-Interface or from external auxiliary voltage as required U _{AUX}			
Current loading capacity	≤ 40 mA per input		●	
Input current	For current module: ≤ 40 mA per input			●
Outputs	Number/Type	2 analog outputs Current: 4 ... 20 mA ± 0.5 % voltage: 0 ... 10 V ± 0.5 %		
	Open loop voltage	current output: max. 21 V (dependent on the supply voltage)		
Supply	from AS-Interface or from external auxiliary voltage as required U _{AUX}			
Profile	S-7.A.9			●
	S-7.3.D		●	
	S-7.3.5	●		
Ambient temperature	0 ... 55 °C (32 ... 131 °F)	●		
	0 ... 70 °C (32 ... 158 °F)		●	●

Dimensions

Length L [mm]	99,6
Width W [mm]	22,5
Height H [mm]	85

Accessories

This and more accessories can be found in chapter 7.6 from page 891
See pages from 972 ... for cordsets See pages 1068 ... for mounting aids

VBP-HH1-V3.0-KIT	AS-Interface Handheld with accessory
VBP-HH1-V3.0	AS-Interface Handheld
VAZ-PK-1,5M-V1-G	Connection cable module/hand-held programming device
VBP-HH1-V3.0-V1	AS-Interface Handheld



62
Spec 2.1



Technical Data

For detailed data and product description refer to the data sheets at www.pepperl-fuchs.com

General Data

AS-Interface specification	V3.0
Required master specification	≥ V3.0
Profile	S-7.A.7
Inputs	
Number/Type	4 inputs for 2- or 3-wire sensors (PNP), DC
Input current	5 mA (typically)
Outputs	
Number/Type	4 electronic outputs, PNP
Current	≤ 100 mA per output, ≤ 140 mA total
Ambient temperature	-25 ... 60 °C (-13 ... 140 °F)

Properties

- 4 PNP inputs / 4 electronic outputs
- Standard and A/B slave versions

Your Benefit

- AS-Interface powered outputs are ideal to power LED indicators and pushbuttons
- Fully potted design protects electronics in moist/humid environments
- Easily create custom pushbutton/annunciation boxes

Further Products

In this series, we offer additionally:

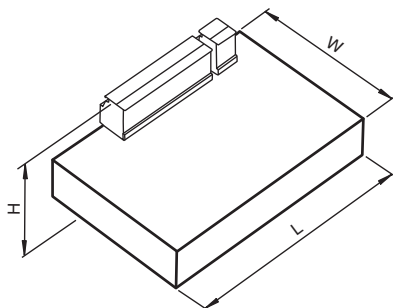
- VAA-4E4A-CB1-Z/E2 Printed circuit board module
- VAA-4E4A-CB2-Z/E2 Printed circuit board module

Model Number

		VBA-4E4A-CB1-ZEJ/E2J	VBA-4E4A-CB1-ZEJ/E2J-FL	VBA-4E4A-CB2-ZEL/E2L
Slave type		green = preferred type		
Slave type	A/B slave	●	●	
	Standard slave			●
UL File Number	E87056	●	●	
Rated operational current	≤ 30 mA			●
	≤ 30 mA (without sensors) / max. 180 mA	●	●	
Inputs				
Supply	from AS-Interface	●	●	
	from external auxiliary voltage U _{AUX}			●
Voltage	20 ... 30 V DC PELV			●
	21 ... 31 V	●	●	
Outputs				
Supply	from AS-Interface	●	●	
	from external auxiliary voltage U _{AUX}			●
Voltage	20 ... 30 V DC PELV			●
	21 ... 31 V	●	●	
Connection	screw terminals, removable	●		●
	190 mm, PVC - flexible lead		●	
Mounting	Self-adhesive velcro for mounting enclosed			●

Dimensions

Length L [mm]	76		
Width W [mm]	51		
Height H [mm]	29	15	29





Properties

- 4 outputs
- Standard slave
- IP65

Your Benefit

- This modular set of stack light components makes it easy to build up the desired variant

Technical Data

For detailed data and product description refer to the data sheets at www.pepperl-fuchs.com

General Data

UL File Number	E223176
Protection degree	IP65

Model Number

		VAA-4A-70MM	VAZ-LAMP-70MM-BU	VAZ-LAMP-70MM-CL	VAZ-LAMP-70MM-GN	VAZ-LAMP-70MM-RD	VAZ-LAMP-70MM-YE
Slave type	Standard slave	●					
AS-Interface specification	V3.0	●					
Required master specification	≥ V2.0	●					
Color	blue		●				
	yellow						●
	green				●		
	clear			●			
	red					●	
Rated operational current	≤ 210 mA	●					
Illuminant	illuminant dependent		●	●	●	●	●
	24 V / ≤ 7 W holder BA15D		●	●	●	●	●
Number/Type	4 semiconductor outputs	●					
Supply	from AS-Interface or from external auxiliary voltage as required U _{AUX}	●					
Current	AS-interface: ≤ 200 mA for the signal tower U _{AUX} : ≤ 300 mA per light element	●					
Voltage	21 ... 31 V	●					
Profile	S-8.F	●					
Ambient temperature	-20 ... 50 °C (-4 ... 122 °F)	●					
	-20 ... 60 °C (-4 ... 140 °F)		●	●	●	●	●
Life span	illuminant dependent		●	●	●	●	●
Illumination	Bulbs are not included		●	●	●	●	●

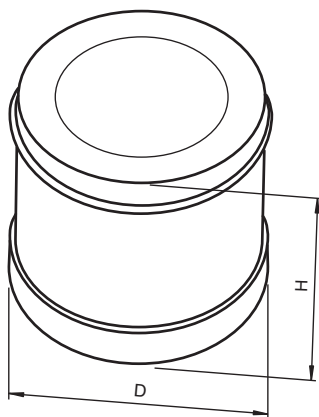
Dimensions

Height H [mm]	70	65
Diameter D [mm]		70

Accessories

This and more accessories can be found in chapter 7.6 from page 891
See pages from 972 ... for cordsets See pages 1068 ... for mounting aids

VAZ-MH 100-70MM	Stack light assembly mounting, straight
VAZ-LAMP-70MM-BULB-5W/24V	Bulb for solid light element stack light
VAZ-CLAMP-70MM	Stack light terminal base with cover plate
VAZ-MH 90°-70MM	Stack light assembly mounting, angled
VAZ-CLAMP-70MM-90°	Stack light terminal base with cover plate
VAZ-LED-70MM-YE	Stack light LED permanent light element, yellow
VAZ-LED-70MM-RD	Stack light LED solid light element, red
VAZ-LED-70MM-GN	Stack light LED solid light element, green
VAZ-LED-70MM-CL	Stack light LED permanent light element, clear
VAZ-LED-70MM-BU	Stack light LED permanent light element, blue





Your Benefit

- This modular set of stack light components makes it easy to build up the desired variant

Technical Data

For detailed data and product description refer to the data sheets at www.pepperl-fuchs.com

General Data

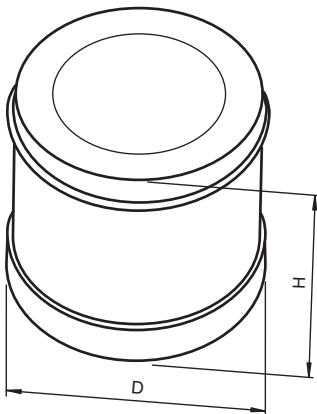
Ambient temperature -20 ... 50 °C (-4 ... 122 °F)

Model Number

		V	A	Z	-	L	E	D	-	7	0	M	M	-	B	U
UL File Number	E223176	●	●	●	●	●	●	●	●	●	●	●	●	●	●	●
Color	blue	●														
	yellow															
	green															
	clear															
	red															
	black															
Frequency	approx. 1 Hz															
	approx. 1,6/3,4 kHz															
	approx. 2.5/3.5 kHz Alternating															
Rated operational current	1.75 kHz Duration/pulse															
	≤ 25 mA	●	●	●	●	●	●	●	●	●	●	●	●	●	●	●
	≤ 30 mA															
	≤ 35 mA															
	≤ 80 mA															
Protection degree	IP40															
	IP65	●	●	●	●	●	●	●	●	●	●	●	●	●	●	●
Life span	Max. 100,000 hours = 11.4 years (continuous operation)	●	●	●	●	●	●	●	●	●	●	●	●	●	●	●
	Max. 50000 hours = 5.7 years (continuous operation)															
	min. 5000 hours															

Dimensions

Height H [mm]	70	65	72	79	72
Diameter D [mm]		70			



Model number

**VAZ-CLAMP-70MM**

Stack light terminal base with cover plate

General specifications

UL File Number E223176

Ambient conditions

Ambient temperature -20 ... 50 °C (-4 ... 122 °F)

Mechanical specifications

Protection degree IP65

Connection Bayonet system

Model number

**VAZ-MH 100-70MM**

Stack light assembly mounting, straight

General specifications

UL File Number E223176

Ambient conditions

Ambient temperature -20 ... 60 °C (-4 ... 140 °F)

Model number

**VAZ-CLAMP-70MM-90°**

Stack light terminal base with cover plate for angled mounting

General specifications

UL File Number E223176

Ambient conditions

Ambient temperature -20 ... 50 °C (-4 ... 122 °F)

Mechanical specifications

Protection degree IP65

Connection Bayonet system

Model number

**VAZ-MH 90°-70MM**

Stack light assembly mounting, angled

General specifications

UL File Number E223176

Ambient conditions

Ambient temperature -20 ... 60 °C (-4 ... 140 °F)

Model number

**VAZ-TUBE400-70MM**

Stack light upright, straight

Ambient conditions

Ambient temperature -20 ... 50 °C (-4 ... 122 °F)

Model number

**VAZ-TUBE-BASE-70MM**

Stack light mounting base

Ambient conditions

Ambient temperature -20 ... 50 °C (-4 ... 122 °F)

Model number

**VAZ-MH-1/2" Conduit-70MM**

Stack light adapter for pipe assembly 25 mm - 1/2"

Ambient conditions

Ambient temperature -20 ... 50 °C (-4 ... 122 °F)

Model number

**VBA-LT2-G1**

Illuminated pushbutton (1 red, 1 green) module

General specifications

Slave type	A/B slave
AS-Interface specification	V2.1

Electrical specifications

Rated operational current I_o	≤ 50 mA (LEDs on)
---------------------------------	------------------------

Ambient conditions

Ambient temperature	-25 ... 60 °C (-13 ... 140 °F)
---------------------	--------------------------------

Mechanical specifications

Protection degree	IP67 according to EN 60529
Connection	Via module mounting base U-G1* cable piercing method or terminal compartment flat cable or standard round cable

Model number

**VAZ-LT2-BK**

Pressure cover for illuminated pushbutton module

Also available:

- VAZ-LT2-BK** - black
- VAZ-LT2-BU** - transparent blue
- VAZ-LT2-CL** - transparent
- VAZ-LT2-GN** - transparent green
- VAZ-LT2-RD** - transparent red
- VAZ-LT2-YE** - transparent yellow

Model number

**VAZ-LT2-REMOVER**

Mounting aid for pressure covers

Model number

**VAA-LT3-F86-V1**

Luminous push-button housing for 22 mm pushbuttons with 4 input/4output module

General specifications

Slave type	Standard slave
AS-Interface specification	V2.0

Electrical specifications

Rated operational current I_o	≤ 30 mA (without sensors) / max. 180 mA
---------------------------------	--

Ambient conditions

Ambient temperature	-25 ... 40 °C (-13 ... 104 °F)
---------------------	--------------------------------

Mechanical specifications

Protection degree	IP65 in accordance with EN 60529 (with corresponding displays and controls)
Connection	M12 round connector

Model number

**VBA-1E2A-BUZZER/LT-RD**

AS-Interface buzzer element with red LED and acknowledgment

General specifications

Slave type	A/B slave
AS-Interface specification	V3.0
UL File Number	E223176

Electrical specifications

Rated operational current I_o	≤ 80 mA
---------------------------------	--------------

Ambient conditions

Ambient temperature	-20 ... 50 °C (-4 ... 122 °F)
---------------------	-------------------------------

Mechanical specifications

Protection degree	IP65
Connection	plug-in screw terminals Wire cross section: ≤ 1.5 mm ² fine-strand

Model number

**VAZ-BUZZER/LT-RD**

buzzer element with red LED and acknowledgment

General specifications

UL File Number	E223176
----------------	---------

Electrical specifications

Rated operational current I_o	≤ 80 mA
---------------------------------	--------------

Ambient conditions

Ambient temperature	-20 ... 50 °C (-4 ... 122 °F)
---------------------	-------------------------------

Mechanical specifications

Protection degree	IP65
Connection	plug-in screw terminals Wire cross section: ≤ 1.5 mm ² fine-strand



Technical Data

For detailed data and product description refer to the data sheets at www.pepperl-fuchs.com

General Data

Interface type	AS-Interface, short-circuit and overload protected
Open loop voltage	28 V
Load current	100 mA at 25 V
Ambient temperature	0 ... 40 °C (32 ... 104 °F)
Protection degree	IP20
AS-Interface specification	V3.0

Model Number

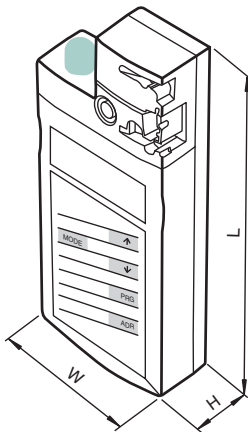
		VBP-HH1-V3.0	VBP-HH1-V3.0-110V	VBP-HH1-V3.0-KIT	VBP-HH1-V3.0-KIT-110V	VBP-HH1-V3.0-V1
Interface type	green = preferred type M12 connector for external power supply					●
Physical	AUX: 24 V PELV, 2 A (not short-circuit proof) AS-Interface: 31,6 V PELV (DC or AS-Interface), 200 mA (short-circuit proof)					●
Supplied with	case			●	●	●
	connecting cable module / handheld			●	●	●
	connecting cable for external auxiliary voltage					●

Properties

- Versions with 115 V and 230 V supply voltage

Your Benefit

- Simple address assignment speeds up installation
- Works with any AS-Interface module on the market
- Reading inputs and setting outputs support manual system tests
- Long lasting rechargeable battery allows addressing of hundreds of modules



Dimensions

Length L [mm]	214
Width W [mm]	80
Height H [mm]	34

Accessories

This and more accessories can be found in chapter 7.6 from page 891
See pages from 972 ... for cordsets See pages 1068 ... for mounting aids

VAZ-PK-1,5M-V1-G	Connection cable module/hand-held programming device
V1S-TEE-V1/V1S	T-Distributor, M12 connector to M12 socket/connector
V1-W-2M-PVC	Cable socket, M12, 4-pin, PVC cable
VAZ-PK-FK-0,2M-V1-W	Connection cable G10 module/hand-held programming device
VAZ-9VDC-CHRG-115VAC	Power Supply
VAZ-9VDC-CHRG-230VAC	Power Supply



Properties

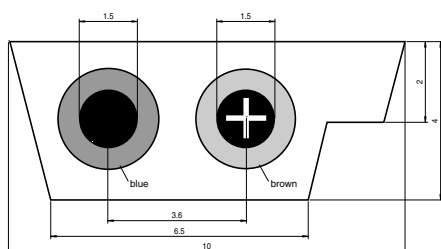
- PUR, TPE and rubber compound versions in yellow and black

Your Benefit

- Rubber jacket offers highest IP protection and simplest handling
- TPE jacket is suitable for harsh chemical environment
- TPE jacketed cable is suitable for flex-applications
- Oil-resistant TPE jacketed cable is suitable for automotive installations

Further Products

In this series, we offer additionally:
VAZ-RK-PUR 2x1,5-YE 100M AS-Interface round cable



Technical Data

For detailed data and product description refer to the data sheets at www.pepperl-fuchs.com

General Data

Ambient temperature -40 ... 85 °C (-40 ... 185 °F) fixed mounting,
 -25 ... 85 °C (-13 ... 185 °F) flexible mounting

Model Number

UL File Number	green = preferred type E130266	VAZ-FK-R-BK	VAZ-FK-R-BK 1000M	VAZ-FK-R-YE	VAZ-FK-R-YE 1000M	VAZ-FK-S-BK	VAZ-FK-S-BK-2,5MM	VAZ-FK-S-YE	VAZ-FK-S-YE-SAFETY	VAZ-FK-PURBK-500M	VAZ-FK-PUR-YE-500M
Cable		●	●	●	●	●	●	●	●	●	●
Cable	UL-Style 2103	●	●	●	●	●	●	●	●	●	●
Cable length	100 m	●	●	●	●	●	●	●	●	●	●
	500 m										
	1000 m										
Material	TPE	●	●	●	●	●	●	●	●	●	●
	EPDM (rubber)					●	●	●	●	●	●
	PUR									●	●
Halogen-free						●	●	●	●	●	●

Accessories

This and more accessories can be found in chapter 7.6 from page 891
 See pages from 972 ... for cordsets See pages 1068 ... for mounting aids

VAZ-FK-S-BK-SEAL	Flat cable seal
VAZ-FK-GLAND-12NPT	Flat cable sleeve
VAZ-2FK-GLAND-12NPT	Flat cable sleeve
VAZ-FK-GLAND-M20	Flat cable sleeve
VAZ-2FK-GLAND-M20	Flat cable sleeve
VAZ-FK-S-STRIPPER	Cable stripper for standard AS-Interface flat cable
VAZ-FK-R-STRIPPER	Stripping Pliers for AS-Interface flat cable
VAZ-FK-R-STRIPPER-BLADES	Replacement blades



ECOLAB

Properties

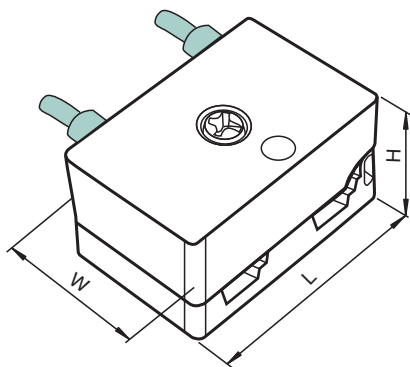
- Flat cable to M12
- Up to IP67/68/69k
- ECOLAB approved

Your Benefit

- AS-Interface passive splitters promote correct installation
- Simple and intuitive handling enables installation in seconds

VAZ-T1-FK-G10-PTC-1M-PUR-V1-G

- Passive splitter with integrated current limiting protects end devices



Technical Data

For detailed data and product description refer to the data sheets at www.pepperl-fuchs.com

General Data

Rated operational current	≤ 4 A
Ambient temperature	-25 ... 75 °C (-13 ... 167 °F)
Protection degree	IP67 IP67 / IP68 / IP69K with flat cable VAZ-FK-S.*
Connection	Flat cable AS-Interface: cable piercing method Plug connection: M12 x 1 socket (V1)

Model Number

Length	30 cm 1 m 2 m 5 m	VAZ-T1-FK-G10-0,3M-PUR-V1-G VAZ-T1-FK-G10-1M-PUR-V1-G VAZ-T1-FK-G10-2M-PUR-V1-G VAZ-T1-FK-G10-5M-PUR-V1-G VAZ-T1-FK-G10-1M-PUR-V1-W VAZ-T1-FK-G10-2M-PUR-V1-W VAZ-T1-FK-G10-5M-PUR-V1-W VAZ-T1-FK-G10-PTC-1M-PUR-V1-G
LED Overload	Overload display output LED red Red: overload output	
LED PWR	Operating voltage LED green Green: voltage OK	
Construction type	right-angled socket connector straight socket connector	

Dimensions

Length L [mm]	40,5
Width W [mm]	27,7
Height H [mm]	22



ECOLAB

Properties

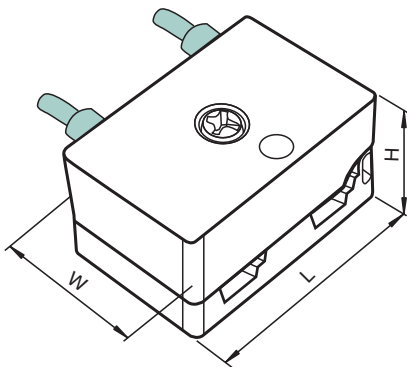
- 2 x flat cable to M12
- Up to IP67/68/69k
- ECOLAB approved

Your Benefit

- AS-Interface passive splitters promote correct installation
- Simple and intuitive handling enables installation in seconds

VAZ-2T1-FK-G10-PTC-1M-PUR-V1-G

- Passive splitter with integrated current limiting protects end devices



Technical Data

For detailed data and product description refer to the data sheets at www.pepperl-fuchs.com

General Data

Rated operational current	≤ 4 A AS-Interface, ≤ 4 A AUX
Ambient temperature	-25 ... 75 °C (-13 ... 167 °F)
Protection degree	IP67 IP67 / IP68 / IP69K with flat cable VAZ-FK-S-*
Connection	Flat cable AS-Interface: cable piercing method Flat cable ext. auxiliary voltage U _{AUX} : Insulation penetration technology Plug connection: M12 x 1 socket (V1)

Model Number

		VAZ-2T1-FK-G10-1M-PUR-V1-G	VAZ-2T1-FK-G10-2M-PUR-V1-G	VAZ-2T1-FK-G10-5M-PUR-V1-G	VAZ-2T1-FK-G10-1M-PUR-V1-W	VAZ-2T1-FK-G10-2M-PUR-V1-W	VAZ-2T1-FK-G10-5M-PUR-V1-W	VAZ-2T1-FK-G10-PTC-1M-PUR-V1-G
Length	green = preferred type	●	●	●	●	●	●	●
LED Overload	Overload display output LED red Red: overload output			●				●
LED PWR	Operating voltage LED green Green: voltage OK							●
Construction type	right-angled socket connector	●	●	●	●	●	●	●
	straight socket connector							

Dimensions

Length L [mm]	40,5
Width W [mm]	27,7
Height H [mm]	22

AS-Interface, Accessories

7.6

Date of issue: 04/08/2015



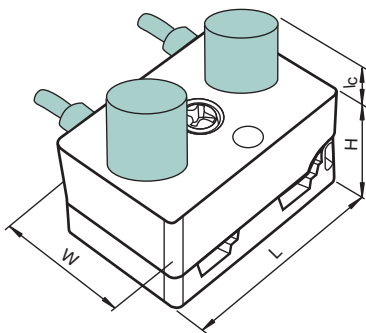
ECOLAB

Properties

- Versions with flat cable to M12, flat cable to spring terminal and flat cable to flat cable
- Versions with IP20 and up to IP67/68/69k
- ECOLAB approved

Your Benefit

- AS-Interface passive splitters promote correct installation
- Simple and intuitive handling enables installation in seconds



Technical Data

For detailed data and product description refer to the data sheets at www.pepperl-fuchs.com

General Data

Ambient temperature -25 ... 75 °C (-13 ... 167 °F)

Model Number

green = preferred type

	VAZ-T1-FK-G10-V1	VAZ-2T1-FK-G10-V1	VAZ-2T2-FK-G10-V1	VAZ-T1-FK-G10-CLAMP1	VAZ-2T1-FK-G10-CLAMP1	VAZ-2FK-G10-BRIDGE
Rated operational current	●	●	●			
Protection degree				●	●	●
Connection	●	●	●			●
Function	●	●	●			●

Dimensions

Length L [mm]	40,5		
Width W [mm]	27,7		
Height H [mm]	22	21,5	22
Connector area l _c [mm]	13,3		9,5



Technical Data

For detailed data and product description refer to the data sheets at www.pepperl-fuchs.com

General Data

Rated operational current	≤ 4 A
Ambient temperature	-25 ... 70 °C (-13 ... 158 °F)
Protection degree	IP67 according to EN 60529
Mounting	Mounting base

Model Number

Connection	green = preferred type	VAZ-2T8-G11-F	VAZ-2T8-G11-V1
	Flat cable AS-Interface: cable piercing method Flat cable ext. auxiliary voltage U_{AUX} : cable piercing method Plug connection: M12 x 1 socket (V1) Plug connection: M12 x 1 socket (V1) Connector: M12 x 1 connector (V1)	●	●

Properties

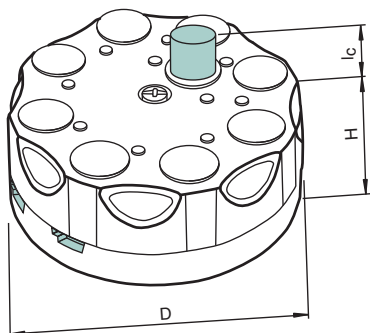
- Versions with flat cable to M12 and M12 to M12
- IP67
- ECOLAB approved

Your Benefit

- High IP protection, 8-port passive splitter is suitable for harsh environments including wash down

Dimensions

Height H [mm]	35	
Diameter D [mm]	85	
Connector area l_c [mm]	-	11



Model number

**VAZ-ANALYZER**

If errors occur in an AS-Interface network, practically all the errors in the network can be identified with this AS-Interface Analyzer.

General specifications

AS-Interface specification V3.0

Electrical specifications

Rated operational current I_e approx. 70 mA
Power supply from AS-Interface

Interface

Interface type AS-Interface: Screw terminal
Trigger: Screw terminal (Input: 24 V; Output: TTL)
PC: RS 232 with 9-pin Sub-D Socket

Ambient conditions

Ambient temperature 0 ... 55 °C (32 ... 131 °F)

Model number

**VAZ-PB-SIM**

PROFIBUS master simulator

Electrical specifications

Rated operational current I_e ≤ 60 mA

Power supply draws its 5 V power supply from the RS 485 interface of the PROFIBUS slave

Interface

Interface type Standard PC RS 232 interface with 9-pin D-SUB connector (female)
RS 485 interface with 9-pin D-SUB connector (male)

Protocol PROFIBUS DP V0

Ambient conditions

Ambient temperature 0 ... 55 °C (32 ... 131 °F)

Mechanical specifications

Dimensions 63, 34, 17 mm (L, W, H)

Model number

**VAZ-DN-SIM-USB**

DeviceNet master simulator

Electrical specifications

Rated operational current I_e ≤ 60 mA

Power supply draws its 5 V power from USB of the PC

Interface

Interface type USB-PC-interface (USB-connector Serie A)
DeviceNet-interface with 9-pin sub-D connector (male)

Transfer rate 125, 250 und 500 kBit/s

Cable length max. 2 m

Ambient conditions

Ambient temperature 0 ... 55 °C (32 ... 131 °F)

Model number

VAZ-2FK-CL2

Fixing clip for one or two AS-Interface flat cables



Mechanical specifications

Installation	Mounting on smooth, grease-free, clean, dry surfaces.
Mounting	Adhesive or screw mounting Attached with cheese-head screws and optional spring washer.

Model number

VAZ-DK-G1

cover for bases -G1F- and -G1P-



Mechanical specifications

Dimensions	about 80, 45, 8 mm (L, W, H)
------------	------------------------------

Model number

VAZ-PG11-FKD

Seal for AS-Interface-flat cable in PG11 screwed connection



Mechanical specifications

Protection degree	IP67 according to EN 60529
-------------------	----------------------------

Model number

VAZ-FK-ED2

AS-Interface end seal for flat cable



Mechanical specifications

Protection degree	IP67
-------------------	------

Model number

**VAZ-PK-1,5M-V1-G**

Connection cable module/hand-held programming device

Mechanical specifications

Connection	M12 plug connection for handheld programming device connector for addressing jack to module
------------	--

Model number

**VAZ-PK-FK-0,2M-V1-W**

Connection cable G10 module/hand-held programming device

Ambient conditions

Ambient temperature	-25 ... 85 °C (-13 ... 185 °F)
---------------------	--------------------------------

Mechanical specifications

Protection degree	IP20
Connection	AS-Interface flat cable: cable piercing method Connector: M12 x 1 (V1)

Cable

Model number

**VAZ-V1-B3**

Blind plug for M12 sockets

Mechanical specifications

Connection	M12 x 1
Installation	Phillips screwdriver H3, size 3 Flat-head screwdriver 1.2 x 8 or 1.6 x 10 Knurling tool MH V1-BIT M12

Model number

**VAZ-V3-B**

Blind plug for M8 sockets

Mechanical specifications

Connection	M8 x 1
------------	--------

Model number


VAZ-FK-GLAND-M20
flat cable sleeve
Ambient conditions

Ambient temperature -20 ... 100 °C (-4 ... 212 °F)

Mechanical specifications

Protection degree IP65

Connection 1 Flat cable

Installation M20 cable gland No O-Ring necessary to obtain IP65 seal. Crush ribs on underside of HEX will provide the seal

Model number


VAZ-FK-GLAND-12NPT
flat cable sleeve
Ambient conditions

Ambient temperature -20 ... 100 °C (-4 ... 212 °F)

Mechanical specifications

Protection degree IP65

Connection 1 Flat cable

Installation 1/2" NPT cable gland No O-Ring necessary to obtain IP65 seal. Crush ribs on underside of HEX will provide the seal

Model number


VAZ-2FK-GLAND-M20
flat cable sleeve
Ambient conditions

Ambient temperature -20 ... 100 °C (-4 ... 212 °F)

Mechanical specifications

Protection degree IP65

Connection 2 Flat cable

Installation M20 cable gland No O-Ring necessary to obtain IP65 seal. Crush ribs on underside of HEX will provide the seal

Model number


VAZ-2FK-GLAND-12NPT
flat cable sleeve
Ambient conditions

Ambient temperature -20 ... 100 °C (-4 ... 212 °F)

Mechanical specifications

Protection degree IP65

Connection 2 Flat cable

Installation 1/2" NPT cable gland No O-Ring necessary to obtain IP65 seal. Crush ribs on underside of HEX will provide the seal

Model number


VAZ-T1-FK-PG11
 Screw adapter PG11
Ambient conditions

Ambient temperature -25 ... 60 °C (-13 ... 140 °F)

Mechanical specifications

Protection degree IP67 according to EN 60529

Connection AS-Interface flat cable

Cable

Length L Lead length approx. 200 mm

Model number


VAZ-T1-FK-M20
 Screw adapter M20 x 1.5 with metal housing
Ambient conditions

Ambient temperature -25 ... 60 °C (-13 ... 140 °F)

Mechanical specifications

Protection degree IP65 according to EN 60529

Connection AS-Interface flat cable

Cable

Length L Lead length approx. 200 mm

Model number


VAZ-T1-FK-PG9
 Screw adapter PG9
Ambient conditions

Ambient temperature -25 ... 60 °C (-13 ... 140 °F)

Mechanical specifications

Protection degree IP67 according to EN 60529

Connection AS-Interface flat cable

Cable

Length L Lead length approx. 200 mm

Contents

Data RFID Identification Systems

Control Interfaces IDENTControl	915
Control Interfaces IDENTControl Compact	917
Read/Write Heads	918 ff
Read/Write Heads for Hazardous Areas	919
RFID Tags	923 ff
R/W Station and Mounting Bases	933
Handheld Devices	934
R/W Station and Tags 2.45 GHz.....	935

Identification Systems RFID

8






RFID Identification Systems





Overview of Identification Systems/Selection Tables

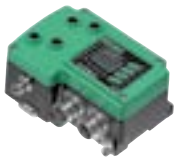







Control Interfaces <i>IDENTControl</i> / <i>IDENTControl Compact</i>	904
Read/Write Heads	
LF (125 kHz)	906
HF (13.56 MHz)	906
UHF (868 MHz)	907
IPT1-FP R/W System and Mounting Bases	906
Tags	
LF (125 kHz)	908
HF (13.56 MHz)	908
UHF (868 MHz)	910
Handheld Devices	910
8.1 Introduction	912
8.2 Programming an RFID System	912
8.3 RFID Handheld Devices	912
8.4 LF R/W System IPT1-FP	913
8.5 2.45 GHz R/W System (MT System)	913
8.6 System <i>IDENTControl</i>	913

IDENTControl

Interface				
	PROFIBUS	PROFIBUS	PROFIBUS	
Connection interface				
M23 cylindrical connector; Plug: incoming Socket: outgoing				
9-pin sub-D connector	●			
1 x M12 plug B-coded		●		
2 x M12 plug B-coded			●	
1 x M12 plug A-coded				
7/8SDSq (mini style)				
RJ-45 AIDA				
Model number				
	IC-KP-B6-SUBD	IC-KP-B6-V15B	IC-KP-B6-2V15B	
	Page 915	Page 915	Page 915	

IDENTControl Compact






Interface					
	PROFIBUS	PROFIBUS	CC-Link	EtherCAT	
Protocol					
ASCII					
CC-Link			●		
PROFIBUS	●	●			
EtherCAT				●	
SMTP HTTP TCP/IP MODBUS/TCP EtherNet/IP PROFINET IO					
Read/Write Heads					
max. 1	●				
max. 2		●	●	●	
Model number					
	IC-KP2-1HB6-V15B	IC-KP2-2HB6-V15B	IC-KP2-2HB18-2V1	IC-KP2-2HB21-2V1D	
	Page 917	Page 917	Page 917	Page 917	

				Interface
INTERBUS	DeviceNet	Ethernet	Serial RS232/485	
Connection interface				
				M23 cylindrical connector; Plug: incoming Socket: outgoing
				9-pin sub-D connector
				1 x M12 plug B-coded
				2 x M12 plug B-coded
				1 x M12 plug A-coded
				7/8" (mini style)
				RJ-45 AIDA
Model number				
IC-KP-B5-V23	IC-KP-B7-V95	IC-KP-B17-AIDA1	IC-KP-R2-V1	
Page 915	Page 915	Page 915	Page 915	
				Interface
Ethernet	Ethernet	Serial	Serial	
Protocol				
				ASCII
				CC-Link
				PROFIBUS
				EtherCAT
				SMT HTTP TCP/IP MODBUS/TCP EtherNet/IP PROFINET IO
Read/Write Heads				
				max. 1
				max. 2
Model number				
IC-KP2-1HB17-2V1D	IC-KP2-2HB17-2V1D	IC-KP2-1HRX-2V1	IC-KP2-2HRX-2V1	
Page 917	Page 917	Page 917	Page 917	

Read/write heads LF (125 kHz)






Detection range					
Read distance	1 to 50 mm	1 to 65 mm	2 to 45 mm	1 to 97 mm	2 to 155 mm
Write distance	0 to 40 mm	1 to 55 mm	2 to 35 mm	1 to 80 mm	2 to 140 mm
Width	max. 40 mm	max. 55 mm	max. 65 mm	max. 140 mm	145 mm
Model number					
	IPH-18GM-V1	IPH-30GM-V1	IPH-F61-V1	IPH-F90A-V1	IPH-F15-V1
	Page 918	Page 918	Page 920	Page 920	Page 920

Read/write heads HF (13.56 MHz)






Detection range					
Read distance	1 to 55 mm	0 to 50 mm	0 to 130 mm	0 to 160 mm	0 to 10 mm
Write distance	0 to 55 mm	0 to 50 mm	0 to 130 mm	0 to 160 mm	0 to 10 mm
Width	max. 45 mm	max. 45 mm	max. 100 mm	160 mm	max. 20 mm
Conforms to					
ISO/IEC 15693	IQH1-18GM-V1 Page 918	IQH1-F61-V1 Page 921	IQH1-FP-V1 Page 921	IQH1-F15-V1 Page 921	IQH1-30GM105-EXD Page 919
ISO/IEC 14443	IQH2-18GM-V1 Page 918	IQH2-F61-V1 Page 921	IQH2-FP-V1 Page 921		



IPT1-FP R/W system and LF mounting bases (125 kHz)






Interface					
	Serial	Serial	Serial	Serial	Serial
Connection interface					
Screw terminals	●	●	●		●
M12 x 1				●	
M23 cylindrical connector; Plug: incoming Socket: outgoing					
Housing material					
Die-cast aluminum	●		●	●	
Stainless steel		●			●
Model number					
	U-P3-RX	U-P3V4A-RX	U-P3-R4	U-P3-R4-V15	U-P7V4A-R4
	Page 933	Page 933	Page 933	Page 933	Page 933



					Detection range
1 to 75 mm	0 to 100 mm	0 to 100 mm	1 to 75 mm	0 to 10 mm	Read distance
1 to 58 mm	0 to 80 mm	0 to 80 mm	2 to 65 mm	0 to 10 mm	Write distance
max. 500 mm	max. 100 mm	max. 100 mm	max. 60 mm	max. 20 mm	Width
Model number					
IPH-F97-V1	IPH-FP-V1	IPH-FP7V4A	IPH-L2-V1	IPH-30GM 105-EXD	
Page 920	Page 920	Page 920	Page 920	Page 919	

Read/write heads UHF (868 MHz)

			Detection range
max. 6 m	max. 6 m	max. 6 m	Operating distance
865.1 to 867.9 MHz	902 to 928 MHz	920.5 to 924.5 MHz	Operating frequency
Model number			
IUH-F117-V1-EU	IUH-F117-V1-US	IUH-F117-V1-CN	
Page 922	Page 922	Page 922	

					Interface
PROFIBUS	PROFIBUS	PROFIBUS	INTERBUS	INTERBUS	Connection interface
●	●	●	●		Screw terminals
					M12, B-coded
				●	M23 cylindrical connector Plug: incoming Socket: outgoing
Housing material					
●	●	●	●	●	Die-cast aluminum
	●				Stainless steel
Model number					
U-P6-B6	U-P6V4A-B6	U-P6-B6-V15B	U-P6-B5	U-P6-B5-V	
Page 933	Page 933	Page 933	Page 933	Page 933	







LF tag (125 kHz)

Housing design					
	Ø 12 mm	Ø 16 mm	Ø 20 mm	Ø 26 mm	Ø 30 mm
Special features	<ul style="list-style-type: none"> Wide temperature range 	<ul style="list-style-type: none"> Wide temperature range 	<ul style="list-style-type: none"> Flat disk shape 	<ul style="list-style-type: none"> Mounting hole Wide temperature range 	<ul style="list-style-type: none"> Mounting hole Flat disk shape

Storage type

Read-only tag	IPC02-12 Page 923	IPC02-16 Page 923	IPC02-20P Page 923	IPC02-26-T6 Page 923	IPC02-30P Page 923
Programmable read-only tag	IPC11-12 Page 925				IPC11-30 Page 925
Read/write tag			IPC03-20P Page 924		IPC03-30P Page 924

LF tag (125 kHz)

Housing design				
	Ø 58 mm	85.6 x 54 mm	46.4 x 35 mm	Ø 3.15 x 13 mm
Special features	<ul style="list-style-type: none"> Can be mounted on metal Mounting hole 	<ul style="list-style-type: none"> ISO credit card format 	<ul style="list-style-type: none"> Key ring Different colors 	<ul style="list-style-type: none"> Mounting in metal Protection degree IP68

Storage type

Read-only tag		IPC02-C1 Page 930		IPC02-3GL Page 930
Programmable read-only tag				
Read/write tag	IPC03-58 Page 924	IPC03-C1 Page 930	IPC03-20K* Page 931	

HF tag (13.56 MHz) ISO/IEC 15693

Housing design					
	Ø 16 mm	Ø 30 mm	Ø 50 mm	Ø 58 mm	Ø 85 mm
Special features	<ul style="list-style-type: none"> Writable and readable on both sides 	<ul style="list-style-type: none"> Mounting hole 	<ul style="list-style-type: none"> Mounting hole 	<ul style="list-style-type: none"> Can be mounted on metal Mounting hole 	<ul style="list-style-type: none"> Wide temperature range Mounting hole

Storage type




112 byte EEPROM	●	●	●	●	●
256 byte EEPROM					
2 kilobyte FRAM					






Model number

	IQC21-16	IQC21-30P	IQC21-50P	IQC21-58	IQC21-85-T13
	Page 927	Page 927	Page 926	Page 926	Page 926




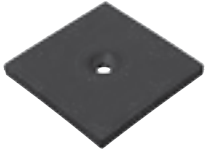
					Housing design
Ø 50 mm	Ø 12.4 mm	Ø 16 mm	Ø 24 mm	Ø 30 mm	
<ul style="list-style-type: none"> • Mounting hole • Flat disk shape 	<ul style="list-style-type: none"> • Can be flush mounted in metal • For press fitting 	<ul style="list-style-type: none"> • Can be flush mounted in metal • External thread for screwing 	<ul style="list-style-type: none"> • Can be flush mounted in metal • For press fitting 	<ul style="list-style-type: none"> • Can be flush mounted in metal • External thread for screwing 	Special features
					Storage type
IPC02-50P Page 923					Read-only tag
IPC11-50 Page 925					Programmable read-only tag
IPC03-50P Page 924	IPC03-12.4 Page 924	IPC03-16GK Page 924	IPC03-24 Page 924	IPC03-30GK Page 924	Read/write tag

HF tag (13.56 MHz) ISO/IEC 14443

			Housing design
Ø 30 mm	Ø 50 mm	85.6 x 54 mm	
		<ul style="list-style-type: none"> • ISO credit card format 	Special features
			Storage type
●	●	●	4 kilobyte EEPROM
			1 kilobyte EEPROM
			Model number
IQC43-30	IQC43-50	IQC42-C1	
Page 929	Page 929	Page 930	

					Housing design
Ø 22 mm	Ø 39 mm	Ø 10 mm	Ø 16 mm	Ø 20 mm	
<ul style="list-style-type: none"> • Wide temperature range 	<ul style="list-style-type: none"> • Wide temperature range 				Special features
					Storage type
	●				112 byte EEPROM
●					256 byte EEPROM
		●	●	●	2 kilobyte FRAM
					Model number
IQC22-22-T9	IQC21-39-T1	IQC33-10	IQC33-16	IQC33-20	
Page 926	Page 926	Page 928	Page 928	Page 928	

HF tag (13.56 MHz) ISO/IEC 15693

Housing design				
	Ø 30 mm	Ø 50 mm	Ø 10 mm	51 x 51 mm
Special features	<ul style="list-style-type: none"> • Mounting hole 	<ul style="list-style-type: none"> • Mounting hole 	<ul style="list-style-type: none"> • High resistance to petrol, chemicals, transformer oil and fuel oil 	<ul style="list-style-type: none"> • Mounting hole • Wide temperature range

Storage type

112 byte EEPROM				●
256 byte EEPROM			●	
2 kilobyte FRAM	●	●		

Model number

	IQC33-30	IQC33-50	IQC35-10	IQC21-50F-T10
	Page 928	Page 928	Page 928	Page 927

UHF tag (868 MHz)

Housing design		
	Ø 50 mm	48 x 52 mm
Special features	<ul style="list-style-type: none"> • Mounting holes • Must be mounted on metal 	<ul style="list-style-type: none"> • Mounting holes • Must be mounted on metal




Storage type

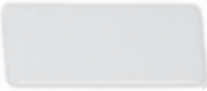



240 bits EPC + 64 bytes user memory		●
96 bits EPC + 64 bytes user memory	●	

Model number

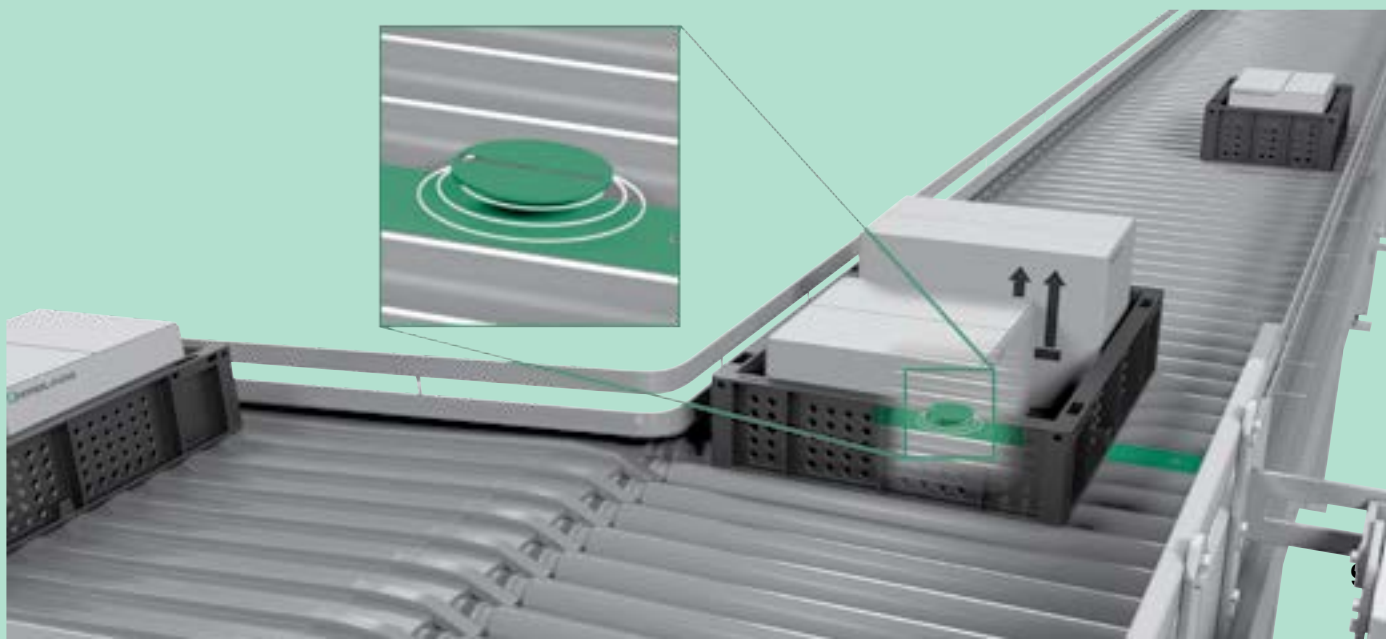
	IUC76-50-M	IUC72-F151-M
	Page 932	Page 932

Handheld Devices

Operating frequency			
LF (125 kHz)	●		
HF (13.56 MHz)		●	
Depending on the connected read/write head			●
Model number	IPT-HH20	IQT1-HH20	IC-HH20-V1
	Page 934	Page 934	Page 934

				Housing design
65 x 25 mm	85.6 x 54 mm	85.6 x 54 mm	116 x 64.5 mm	
<ul style="list-style-type: none"> • Self-adhesive mounting • Can be mounted on metal 	<ul style="list-style-type: none"> • ISO credit card format 	<ul style="list-style-type: none"> • ISO credit card format 	<ul style="list-style-type: none"> • Mounting flange 	Special features
				Storage type
●				112 byte EEPROM
	●	●	●	256 byte EEPROM
				2 kilobyte FRAM
				Model number
IQC21-F125	IQC22-C1	IQC24-C1	IQC22-C4	
Page 926	Page 930	Page 930	Page 930	

			Housing design
36.3 x 51 mm	150 x 40 mm	60 x 14 mm	
<ul style="list-style-type: none"> • Must be mounted on metal 	<ul style="list-style-type: none"> • Transparent film • Only 0.3 mm thick 	<ul style="list-style-type: none"> • Must be mounted on metal 	Special features
			Storage type
	●	●	240 bits EPC + 64 bytes user memory
●			96 bits EPC + 64 bytes user memory
			Model number
IUC76-F157-M	IUC72-C8-T14	IUC72-F152-M	
Page 932	Page 932	Page 932	



8.1 Introduction

Automatic object identification has become an integral part of industrial manufacturing. RFID (Radio Frequency Identification) links together the data and material flow during manufacturing processes, including inventory control, warehouse management, theft protection systems, or product piracy protection systems. It is also for management supply chain. As a system provider, Pepperl+Fuchs has over 20 years of experience and offers a wide range of products as well as excellent programming and commissioning support.

The IDENTControl system by Pepperl+Fuchs can control read heads in the frequency ranges



- Low Frequency (LF) 125 kHz
- High Frequency (HF) 13.56 MHz
- Ultra High Frequency (UHF) 868 MHz

using just one control interface.

Systems operating in the 125 kHz (LF) frequency range are used in metallic surroundings and for installation in metal.

Systems operating in the 13.56 MHz (HF) frequency range are used for Smart Label tags. Systems in the LF and HF frequency ranges work at close range using inductive coupling and provide operating distances of less than half a meter.

UHF systems in the 868 MHz frequency range cover larger operating distances.

RFID is essential for many types of production processes since manufacturers are increasingly demanding the level of traceability that can be achieved with RFID.

RFID offers excellent data security, data hold times, and read rates. Encapsulated tags can withstand dirt, water, or mechanical effects. An EEPROM chip or an FRAM memory bank is used as a storage medium in the tag.

The IDENTControl interface is compatible with all common interfaces (PROFIBUS, Ethernet, INTERBUS, DeviceNet, CC-Link and serial). The user concept and set of commands are almost identical.

Our devices are approved in accordance with R&TTE.

8.2 Programming an RFID System

Components of an identification system

Identification systems usually consist of a control interface, read/write heads, and tags. The tags are divided into:

- Read-only tags contain a globally unique read only code (UID), usually 40, 64, or 96 bits that cannot be changed.
- Read/write tags with an additional memory area that can be freely used and overwritten many times. The size of the writable memory bank is between 1 kBit and 64 kBit.

Read/write heads, controlled by system commands, read released data and write data areas. The functionality of the evaluation unit with an interface to the higher-level fieldbus is defined by a software program in the control unit. The evaluation unit enables internal communication and provides the power for the read/write heads. The read/write heads are connected to the evaluation unit by a shielded M12 connecting cable. Systems with several hundred read/write points (ID points) can be set

up using the fieldbus and the corresponding number of evaluation units, and they can be connected to a control unit. **System selection criteria**

Number of read/write cycles

Passive read-only and read/write tags can be read as often as required and have an almost unlimited service life. Read/write tags on an EEPROM basis, however, can be written to only a limited number of times (usually 100,000 times). In contrast, FRAM read/write tags can be read and written to an unlimited number of times.

Data processing

During programming it should be ensured that the data being read can also be collected by the higher-level system. The number of read points, quantity of data, and repeat rate must be taken into consideration and reconciled with the performance of the fieldbus system.

Read/write distances and tolerances

The read/write distances are specified in the data sheets. Communication should typically take place within 30% and 80% of the maximum read area.

Housing designs for read/write heads and tags

The most suitable housing design can be selected from a wide range of products, depending on the application. Generally speaking, a larger housing design usually also provides larger read ranges but should still be a similar size to the tag.

Maximum passing speed

Specific minimum times are required to detect the tag and read the data. The amount of time that the tag spends in the read area is longer with large read/write heads, which enables faster passing speeds. The recommended range (30 to 80% of the maximum read distance) indicates the read range that can be used reliably.

Cable routing and grounding

Signal lines are shielded because they are especially sensitive to external electromagnetic fields. Lines to heavy consumers and high-frequency system lines must not be positioned parallel to the data line and there must be a sufficient safety distance.

8.3 RFID Handheld Devices

Product description

Our handheld devices represent a mobile extension of the IDENTControl system. RFID handheld devices are available for LF and HF tags. The read data can be stored in the device and assigned a prefix, suffix, timestamp, and checksum, enabling the devices to be safely integrated into logistics and production processes.



LC display and keyboard

The design is similar to that of a cell phone and is intuitive to use. The handheld device has a keyboard and a multiline display.

Application-specific functions

The JavaScript programming language is used to control the display, execute all the commands in a routine, and assign soft keys. If you wish to configure your own interface for the device, please contact

08.04.15

Pepperl+Fuchs.

Interfaces

The handheld device has different interfaces through which it can communicate with a computer. In addition to the wireless Bluetooth interface, the handheld device also has RS232, PS/2, and USB wired interfaces. You set the parameters of the individual interfaces directly via the user interface on the handheld device. Compatible interface accessories are available from Pepperl+Fuchs.

Power supply

A lithium-ion battery provides power to the handheld device. Batteries and battery chargers are available from Pepperl+Fuchs.

8.4 LF R/W System IPT1-FP

The IPT1-FP system can be used if the IDENT read points are distributed over long distances in the plant. These R/W systems have a maximum detection range of 100 mm and, in addition to the actual



read/write head, also incorporate the control interface and fieldbus interface in one device. These devices are designed for use in harsh industrial applications. They fulfill the IP67 degree of protection and can be directly connected to the higher-level control unit. Serial interfaces are available for simple point-to-point connection, addressable RS485 interfaces for creating a simple bus system, and fieldbus interfaces for PROFIBUS and INTERBUS. We offer special stainless steel designs for use in the food industry.

8.5 2.45 GHz R/W System (MT System)

The MT system comprises a read/write device and the read-only or read/write tags. The tags contain a code that cannot be changed, along with a memory bank for modifiable data. The read/write device transfers the data to the read-only and read/write tags and can be connected directly to a higher-level computer, e.g., PC or PLC, via Ethernet or a serial interface. The read/write device can also be used in stand-alone mode.

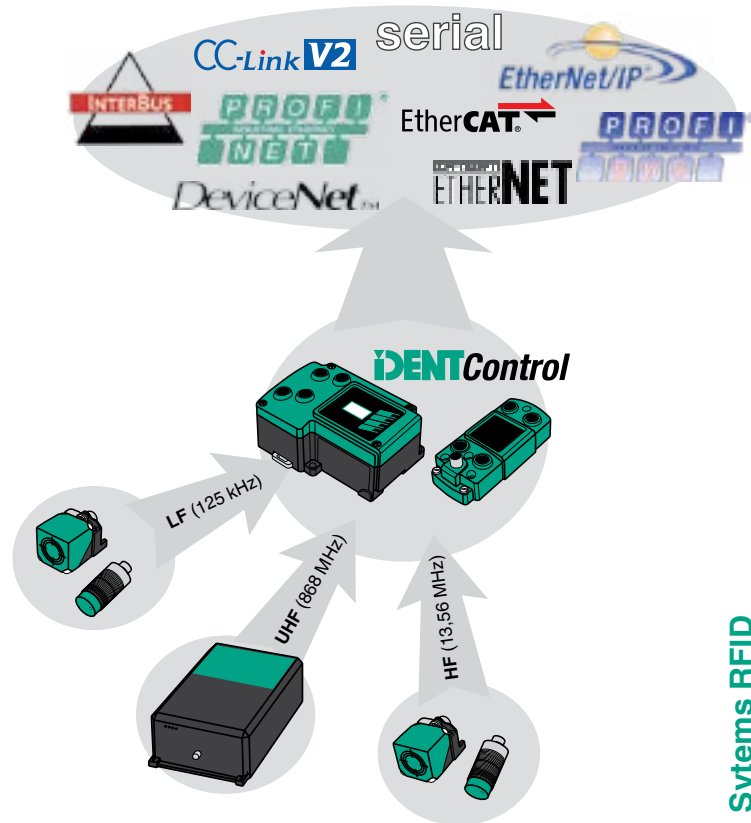
This reader with integrated antenna provides a reading range up to 6 m.



8.6 System IDENTControl

System description

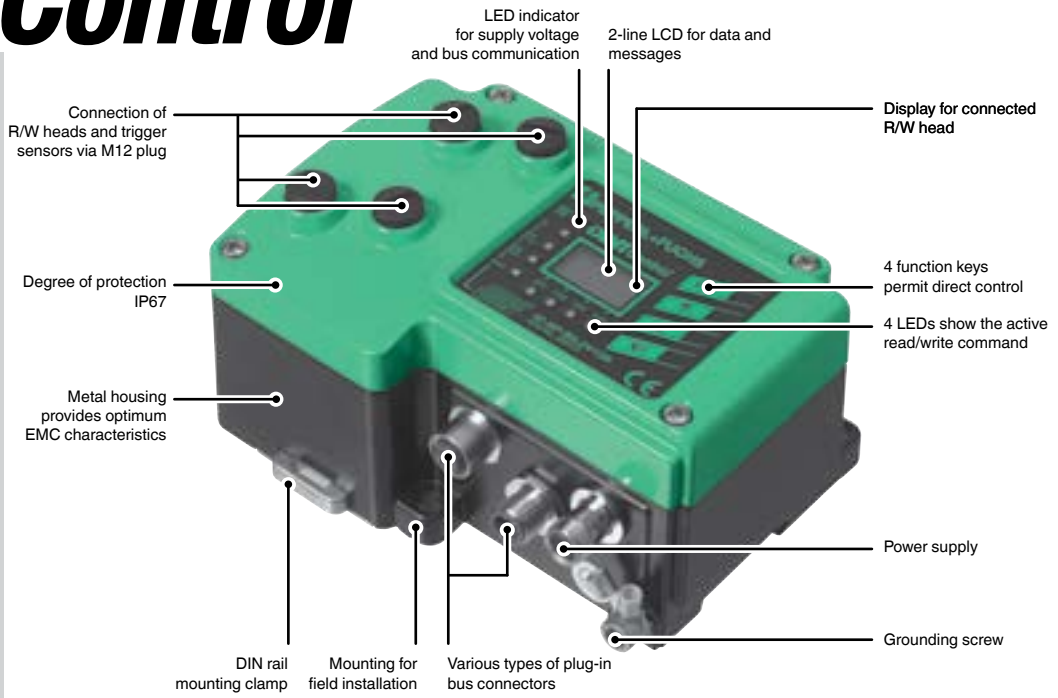
The IDENTControl brand represents an innovative identification system. It enables RFID read/write heads with different operating frequencies to be connected using an almost identical set of commands, which facilitates easy integration into the PLC program. Up to four read/write heads can be connected to IDENTControl. Depending on the type, one or two read heads can be connected to IDENTControl Compact.



Advantages of the IDENTControl system

- The system is completely shielded and can be easily connected with a ground potential. The read head cables are also shielded to provide the highest level of EMC safety.
- Up to four read/write heads can be connected and a mixed mode of different frequency ranges is possible.
- Trigger sensors can be connected to start read/write commands.
- The quick disconnect design means that all components can be connected easily and swapped over quickly
- The 24 V_{DC} power supply is obtained through a separate M12 plug; a red LED indicates polarity.
- The robust aluminum housing can be mounted to the DIN mounting rail in the control cabinet using the integrated snap-on hook (IDENTControl) or suitable mounting aids (IDENTControl Compact). A simple three-point screw fixing makes it suitable for field mounting in IP67 applications.

IDENTControl



IDENTControl

IDENTControl has a graphic LC display and can display the data that has been read. It also uses icons to display other information such as the device status. The plain text display and function keys enable function tests to be carried out directly after installation, even without the need for a PLC program.

IDENTControl Compact

Suitable for local installation, IDENTControl Compact offers high optical resolution and is ideal for field mounting. As many applications require up to two RFID read points, this device is ideal for many applications. The modular construction and command syntax are identical.

IDENTControl Compact has separate LEDs for displaying the connected read/write heads, the status of the read/write heads, and bus communication and diagnostics.

LF, HF, and UHF read/write heads can be connected to the IDENTControl interface even in mixed mode.

Tags

Tags are available in a wide range of housing designs. The application and mounting/installation of the tag often determine which type to use. Special solutions are available for high temperatures, chemically aggressive ambient conditions, high protection requirements, price-critical applications, and for mounting on or in metal. Pepperl+Fuchs offers housing designs for installation in metallic objects (e.g. workpiece carriers) for the 125 kHz frequency range, in which the coil is embedded in a shielded ferrite core that enables the bundled inductive field to emerge from the front.

Fieldbus connection

The IDENTControl interface offers integrated interfaces to common fieldbus systems such as PROFIBUS, EtherNet (supported protocols: TCP/IP, EtherNet/IP, PROFINET, MODBUS/TCP), DeviceNet, INTERBUS, CC-Link, and serial connections (RS232 and RS485). The shared control interface means that the command structure and command philosophy are very similar.

EtherNet/IP maps the data similarly to a standard IO card, so special configuration software is not required.

Connection to port 10,000 is used as the standard socket with TCP/IP protocol in order to exchange data. The integrated web server function facilitates configuration and testing. The integrated SMTP server even enables alarms to be issued via email in the case of an error.

The MODBUS/TCP protocol is easy to use and offers powerful features. It enables several control units to communicate simultaneously with the IDENTControl interface.

PROFINET and PROFIBUS are very similar in terms of operation but use different hardware. GSD files or GSDML files in XML format provide the device characteristics.

PROFINET and PROFIBUS support automatic parameterization via the host and diagnostic messages can be easily forwarded to the host.

DeviceNet connections allow cable lengths of over 100 m with over 50 read/write points due to their low power requirement. DeviceNet offers automatic parameterization in the event of a replacement.

The serial interface is used to enable local PC solutions and to adapt software to changed conditions in a highly flexible manner. This also enables larger quantities of data to be read/written to the tag at once.



LF read/write heads and tags

Identification systems with an operating frequency of 125 kHz are the most versatile systems and are most often used in automation technology.

This is partly due to the large selection of tags available in different designs and sizes, which are suitable for high temperatures, are available in chemically resistant housings for installation in and on metal, and feature a degree of protection up to IP68/IP69K.

High temperature

Tags are exposed to high temperatures in many industrial applications. Tags with a higher temperature class are identified with -T* in the model number.

High detection range at low frequency

Maximum detection ranges in the 125 kHz range are achieved through combinations of a large tag and a large read/write head (e.g., IPH-F15-V1 with Ø 140 mm). Detection ranges greater than 10 cm can be achieved in nonmetallic surroundings or using spacers.

Memory bank segmentation

All read/write tags (rewritable tags) have a 32-bit memory block. Most of these read/write tags are based on EEPROM technology and enable at least 100,000 write cycles. Memory segmentation in 32-bit memory bank blocks enables you to simply change to the next memory bank block on the same read/write tag after 100,000 write cycles. Each memory bank

08.04.15

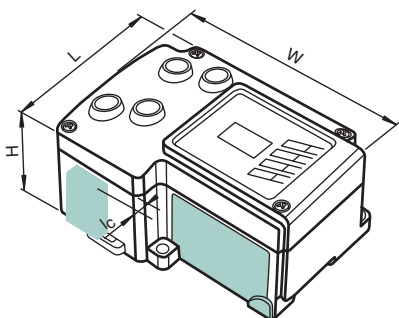


Properties

- DeviceNet, Ethernet, PROFIBUS, PROFINET, InterBus, RS 232 and RS485 interface versions
- Max. 4 R/W heads connectable

Your Benefit

- All IDENT Control interfaces support all IPH and IQH R/W heads. The IC-KP-B17-AIDA1 supports also our IUH R/W heads
- Metal housing and continuous shielding concept result in exceptional noise resistance
- Common user interface makes application development for different PLCs simpler and faster
- Quick disconnect design speeds up installation and eliminates wiring errors
- LCD and function keys allow faster on-site setup and testing



Technical Data

For detailed data and product description refer to the data sheets at www.pepperl-fuchs.com

General Data

Number of read/write heads	max. 4 alternative 2 read/write heads and 2 trigger sensors
UL File Number	E87056
LC display	two-line multi-function display with 12 characters per line
Button	4 keys: ESC, up, down and return
Rated operational voltage	20 ... 30 V DC , PELV
Ambient temperature	-25 ... 70 °C (-13 ... 158 °F)
Housing material	Powder coated zinc
Installation	snap-on to 35 mm standard rail or screw fixing

Model Number

		IC-KP-B17-AIDA1	IC-KP-B5-V23	IC-KP-B6-2V15B	IC-KP-B6-SUBD	IC-KP-B6-V15B	IC-KP-B7-V95	IC-KP-R2-V1
Current consumption	green = preferred type ≤ 2 A incl. read/write heads ≤ 8 A incl. read/write heads	●	●	●	●	●	●	●
Interface:								
Physical	DeviceNet						●	
	Ethernet	●						
	RS 232							●
	RS 485		●	●	●	●		
Protocol	ASCII							●
	INTERBUS remote bus		●					
	PROFIBUS DP acc. to EN 50170			●	●	●		
	TCP/IP (Port 10000)	●						
	MODBUS/TCP							
	EtherNet/IP							
	PROFINET IO							
Protection degree	IP40				●			
	IP65		●					
	IP67	●		●		●	●	●

Dimensions

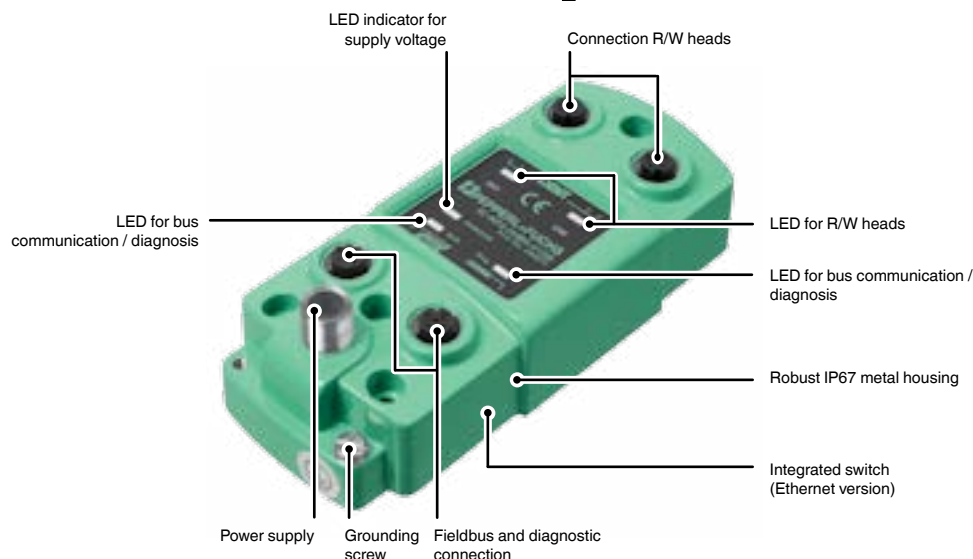
Length L [mm]	107
Width W [mm]	148
Height H [mm]	73
Connector area l _c [mm]	10

Accessories

This and more accessories can be found in chapter 10
See pages from 972 ... for cordsets See pages 1068 ... for mounting aids

V15-G-0,15M-PUR-ABG-SUBD	Adapter M12 on Sub-D for PC connection with null modem cable
ICZ-AIDA1-MSTB-0,2M-PUR-V1-G	Double-ended connector MSTB to M12 connector
V1-G-5M-PUR-ABG-V1-W	Double-ended connector, M12 to M12, PUR cable 4-pin, shielded
ICZ-AIDA1-B	Blind plug for IC-KP-B17-AIDA1
ICZ-AIDA1-MSTB	Field connector MSTB
V1-G-5M-PUR	Single-ended cordset, M12, 4-pin, PUR cable
V15B-G-5M-PUR-ABG-V15B-G	Data connector PROFIBUS, M12 to M12, PUR cable
ICZ-3T-0,2M-PUR ABG-V15B-G	Y-splitter connector for PROFIBUS
ICZ-TR-V15B	Terminal resistor for PROFIBUS
ICZ-2T/TR-0,2M-PUR ABG-V15B-G	Terminal cable for PROFIBUS with terminal resistor
VAZ-PB-DB9-W	PROFIBUS Sub-D Data connector with switchable terminal resistance
IVZ-K-R2	Null modem cable
ICZ-AIDA1-V45	Field connector for RJ-45
V15B-G	Field connector, M12, for PROFIBUS, adjustable
CBL-PUR-PN-GN-04x034-100M	Data connector, PROFINET, PUR/PE, 4-pin, shielded
V15SB-G	Data connector, M12, for PROFIBUS, adjustable

IDENT Control Compact



block then offers another 100,000 write cycles. With this procedure, type IPC03 read/write tags allow at least 2,900,000 write cycles if all the memory bank blocks are used sequentially.

The IPC12-58-64K ferrite magnetic FRAM tag offers an almost unlimited number of write cycles (10^{12}).

IPC02 read-only tag

The IPC02-type read-only tags have an internationally unique code that is 40 bits long. They are one of the most cost-effective RFID solutions on the market and come preprogrammed with a read only code that cannot be changed.



Read/write tags with "make read-only code" function

Special IPC11-type read/write tags (one-time writable tags) can emulate a read-only tag through the programming of a separate read-only code. The freely programmable read-only code can be protected against change and as a result the tag achieves read speeds that are just as quick as a "real" read-only tag. In this way, the evaluation or assignment of the read-only code can be made considerably easier in the PLC program.

HF read/write heads and tags

Read/write heads at 13.56 MHz are well defined worldwide in accordance with ISO and IEC standards. However, only the UID code can be securely read by all standardized systems due to the manufacturer-specific variations for chips and a certain level of freedom in the standards.

Due to the higher tag frequency, a lower number of receiver/transmitter coil windings is required for tuning. The coil geometry can be stamped out in a "meandering" pattern and can easily and cost-effectively be incorporated with the silicon chip in a smart label. It can, for example, be laminated in a credit card format. However, if requirements include a high degree of protection, mechanically robust industrial design, or high temperature applications, the price does not differ greatly from that of other systems. Installation or mounting on metal is only possible if the relevant spacers are fitted. It is not possible to align the field using ferrite cores due to the low number of windings. A distance from the metal of at least 15 mm should be used as a benchmark. This spacer is already integrated in the housing design of some types. These considerations must always be taken into account when programming 13.56 MHz systems.

13.56 MHz tags typically have a 64-bit UID code as well as a data range of variable size.

UHF read/write heads and tags

Read/write heads in the 865 to 928 MHz frequency range work with electromagnetic waves in the far field. The tags can be either passive or active (i.e., with battery) and have a specially shaped rod antenna as the resonance element. The passive tags can be manufactured very cost-effectively and reach detection ranges of up to a few meters. However, UHF systems are very sensitive to humidity and metal in the read range. Conductive objects in the direct surroundings can reflect waves and interference can lead to reading gaps. It therefore makes sense to read UHF tags during movement or at a tested location.

Due to the lower tag costs in particular, this system offers a cost-effective alternative to microwave systems for material handling and the automotive sector with required detection ranges of 1 to 5 meters. The high tag frequency supports large data volumes and extremely short read times.



Application Examples

8.7 RFID in several applications

For several applications using RFID go to www.pepperl-fuchs.com.

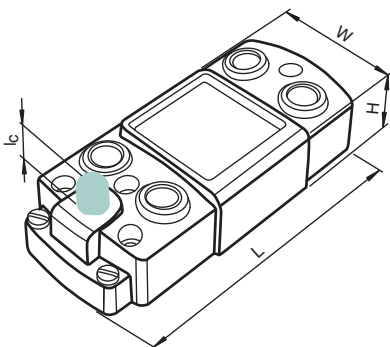


Properties

- CC-Link, PROFIBUS, EtherCAT, various Ethernet protocols and serial interface versions
- Versions with max. 1 and max. 2 connectable R/W heads

Your Benefit

- All IDENT Control interfaces support all IPH, IQH and IUH R/W heads
- Metal housing and continuous shielding concept result in exceptional noise resistance
- Common user interface makes application development for different PLCs simpler and faster
- Quick disconnect design speeds up installation and eliminates wiring errors
- Second port, if present, can be used as a trigger sensor input



Technical Data

For detailed data and product description refer to the data sheets at www.pepperl-fuchs.com

General Data

UL File Number	E87056
LED PWR/ERR	Power on
Rated operational voltage	20 ... 30 V DC , PELV
Ambient temperature	-25 ... 70 °C (-13 ... 158 °F)
Protection degree	IP67
Housing material	Powder coated zinc
Installation	screw fixing

Model Number

		IC-KP2-1HB17-2V1D	IC-KP2-1HB6-V15B	IC-KP2-1HRX-2V1	IC-KP2-2HB17-2V1D	IC-KP2-2HB18-2V1	IC-KP2-2HB6-V15B	IC-KP2-2HRX-2V1	IC-KP2-2HB21-2V1D
Number of read/write heads	max. 1	●	●	●					
	max. 2 alternatively 1 read/write head and 1 trigger sensor				●	●	●	●	●
LEDs 1, 2	Status indicator for read/write heads	●	●	●	●	●	●	●	●
LED 1	Status indicator for read/write head	●	●	●					
LEDs CH1, CH2	Read head detected				●	●	●	●	●
LED CH1	Read head detected	●	●	●					
LED BUS	Data exchange		●				●		
LED Diag	Receiving data		●				●		
LED Link/Traffic	Network connection	●			●				
LED L RUN	Data communication active					●			
LED L ERR	Invalid rotary switch setting or data transfer failure					●			
LED TxD	Transmitting data			●				●	
LED RxD	Receiving data			●				●	
Rotary switch	Address setting	●	●	●	●	●	●	●	●
Current consumption	≤ 2 A incl. read/write head	●	●	●					
	≤ 4 A incl. read/write heads				●	●			●
Interface:									
Interface type	serial			●					●
Protocol	ASCII			●					●
	CC-Link			●					●
	PROFIBUS DP acc. to EN 50170		●				●		
	SMTp, HTTP, TCP/IP (Port 10000)								
	MODBUS/TCP	●			●				
	EtherNet/IP								
	PROFINET IO								
	EtherCAT								●
Diagnostic interface:									
Protocol	ASCII		●			●	●		●

Dimensions

Length L [mm]	136.6	141.6	136.6	141.6
Width W [mm]		61.4		
Height H [mm]		33		
Connector area l _c [mm]		9		

Accessories

This and more accessories can be found in chapter 10

See pages from 972 ... for cordsets

See pages 1068 ... for mounting aids

V1S-G-0,15M-PUR-ABG-SUBD	Adapter M12 on Sub-D for PC connection with null modem cable
V1-G-5M-PUR-ABG-V1-W	Double-ended cordset, M12 to M12, PUR cable 4-pin, shielded
V1-G-10M-PUR-ABG-V1-W	Double-ended cordset, M12 to M12, PUR cable 4-pin, shielded
ICZ-MH05-SACB-8	Mounting aid for DIN rail
V1SD-G-5M-PUR-ABG-V45-G	Double-ended cordset, M12 to RJ-45, PUR cable 4-pin, CAT5e
ICZ-3T-0,3M-PUR ABG-V15B-G	Y-splitter cordset for PROFIBUS
ICZ-2T/TR-0,2M-PUR ABG-V15B-G	Terminal cable for PROFIBUS with terminal resistor
V15B-G-5M-PUR-ABG-V15B-G	Data connector PROFIBUS, M12 to M12, PUR cable
V15B-G-10M-PUR-ABG-V15B-G	Data connector PROFIBUS, M12 to M12, PUR cable
V15B-G	Field connector, M12, for PROFIBUS, adjustable
V15SB-G	Field connector, M12, for PROFIBUS, adjustable
V1-G-ABG-PG9	Field connector, M12, 4-pin, screened, ready to make up
V1S-G-ABG-PG9	4-pin, M12, screened field connector
ICZ-3T-0,2M-PVC-CCL-V1-G	Y-splitter cordset for CC-Link
V3S-GM-0,15M-PUR-ABG-SUBD	Adapter M8 on Sub-D for PC connection with null modem cable
ICZ-TR-V1-130R	Terminal resistor for CC-Link
ICZ-TR-V1-110R	Terminal resistor for CC-Link



Technical Data

For detailed data and product description refer to the data sheets at www.pepperl-fuchs.com

General Data

UL File Number	E87056
LED green/yellow	Multihole-LED: green: power on green flashing: read/write attempt performed yellow: data carrier detected
Power consumption	≤ 1.2 W
Ambient temperature	-25 ... 70 °C (-13 ... 158 °F)
Protection degree	IP67
Connection	M12 x 1 connector
Installation	non-flush

Model Number

	green = preferred type	IPH-18GM-V1	IQH1-18GM-V1	IQH2-18GM-V1	IPH-30GM-V1
Operating frequency	125 kHz	●			●
	13.56 MHz		●		
Read distance	0 ... 22 mm			●	
	0 ... 55 mm		●		
	1 ... 50 mm	●			
	1 ... 65 mm				●
Write distance	0 ... 22 mm			●	
	0 ... 40 mm	●			
	0 ... 55 mm		●		
	1 ... 55 mm				●

Properties

- Up to 65 mm range
- LF and HF System
- ø 18 and 30 mm versions, cylindrical

Your Benefit

IPH-*

- LF solutions for high metallic environments
- Compatibility with any IDENTControl interface simplifies parts selection and reduces complexity

IQH1-*

- HF solution enables fast data exchange
- Conforms to ISO/IEC 15693
- Use with IQC tag

IQH2-*

- Conforms to ISO/IEC 14443 Mode A
- Exceptionally fast tag access, ideal for high-speed applications

Dimensions

Length L [mm]	66	
Diameter D [mm]	18	30
Thread length l_t [mm]	34	32
Cap length l_1 [mm]	16	18
Connector area l_c [mm]	16	

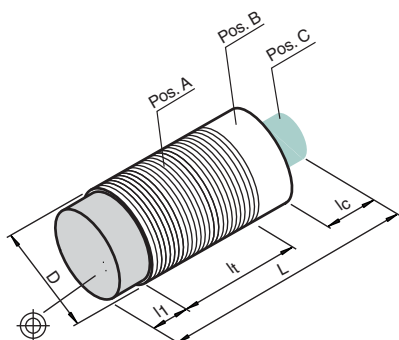
Accessories

This and more accessories can be found in chapter 10

See pages from 972 ... for cordsets

See pages 1068 ... for mounting aids

V1-G-5M-PUR-ABG-V1-W	Double-ended cordset, M12 to M12, PUR cable 4-pin, shielded
V1-G-10M-PUR-ABG-V1-W	Double-ended cordset, M12 to M12, PUR cable 4-pin, shielded
IQC21-50P	Data carrier
IQC21-58	Data carrier
IQC33-20	Data carrier
IQC33-30	Data carrier
IQC33-50	Data carrier
IQC24-27-T12	Data carrier
IQC22-22-T9	Data carrier





Technical Data

For detailed data and product description refer to the data sheets at www.pepperl-fuchs.com

General Data

UL File Number	E87056
Power consumption	≤ 1.8 W
Type of protection	II 2G EEx d IIC T6/T5 II 2D EEx tD A21 IP68 T80°C/95°C
ATEX Directive 94/9/EC	EN 60079-0:2006, EN 60079-1:2004, EN 61241-0:2006, EN 61241-1:2004
Ambient temperature	-20 ... 50 °C (-4 ... 122 °F)
Protection degree	IP68
Installation	flush

Properties

- LF and HF System versions
- ø 30 mm, cylindrical
- Suitable for hazardous areas

Your Benefit

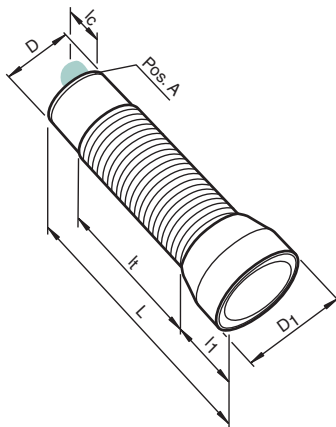
- RFID head for hazardous area applications
- Compatibility with any IDENTControl interface simplifies parts selection and reduces complexity

IQH*-*

- HF solution enables fast data exchange
- Conforms to ISO/IEC 15693
- Use with IQC tag

Model Number

		IQH1-30GM105-EXD dS64M-1038	IPH-30GM105-EXD dS64M-1038
Operating frequency	125 kHz		
	13.56 MHz	●	
Operating distance	0 ... 9 mm	●	
	0 ... 10 mm		●



Dimensions

Length L [mm]	105
Diameter D [mm]	30
Cap diameter D ₁ [mm]	38
Cap length l ₁ [mm]	38



Properties

- Up to 155 mm range
- LF System
- Various housing styles

Your Benefit

- LF solutions for high metallic environments
- Compatibility with any IDENTControl interface simplifies parts selection and reduces complexity

Technical Data

For detailed data and product description refer to the data sheets at www.pepperl-fuchs.com

General Data

Operating frequency	125 kHz
UL File Number	E87056
Power consumption	≤ 1.2 W

Model Number

	green = preferred type	IPH-F15-V1	IPH-F61-V1	IPH-F90A-V1	IPH-F97-V1	IPH-FP7V4A	IPH-FP-V1	IPH-L2-V1
Read distance	0 ... 100 mm							
	1 ... 70 mm (with transponder IPC03-50P)				●			
	1 ... 75 mm							●
	2 ... 155 mm	●						
	2 ... 45 mm		●					
	3 ... 90 mm (with transponder IPC03-50P)			●				
Write distance	0 ... 80 mm					●	●	
	1 ... 58 mm (with transponder IPC03-50P)				●			
	2 ... 140 mm	●						
	2 ... 35 mm		●					
	2 ... 65 mm							●
	3 ... 80 mm (with transponder IPC03-50P)			●				
Ambient temperature	-25 ... 55 °C (-13 ... 131 °F)			●	●			
	-25 ... 70 °C (-13 ... 158 °F)	●	●			●	●	●
Protection degree	IP67	●	●	●	●		●	●
	IP69K							
Installation	non-flush in metal							●

Accessories

This and more accessories can be found in chapter 10

See pages from 972 ... for cordsets

See pages 1068 ... for mounting aids

V1-G-2M-PUR-ABG-V1-W	Double-ended cordset, M12 to M12, PUR cable 4-pin, shielded
V1-G-5M-PUR-ABG-V1-W	Double-ended cordset, M12 to M12, PUR cable 4-pin, shielded
V1-G-10M-PUR-ABG-V1-W	Double-ended cordset, M12 to M12, PUR cable 4-pin, shielded



Technical Data

For detailed data and product description refer to the data sheets at www.pepperl-fuchs.com

General Data

Operating frequency	13.56 MHz
UL File Number	E87056
Protection degree	IP67

Model Number

	green = preferred type	IQH1-FP-V1	IQH2-FP-V1	IQH1-F15-V1	IQH1-F61-V1	IQH2-F61-V1	IQH2-L2-V1
Read distance	0 ... 35 mm (with transponder IQC42-C1)						
	0 ... 40 mm (with transponder IQC42-C1)						
	0 ... 50 mm						
	0 ... 130 mm						
Write distance	0 ... 160 mm (with transponder IQC22-C4)						
	0 ... 35 mm (with transponder IQC42-C1)						
	0 ... 40 mm (with transponder IQC42-C1)						
	0 ... 50 mm						
Power consumption	0 ... 130 mm						
	0 ... 160 mm (with transponder IQC22-C4)						
Ambient temperature	≤ 1.3 W						
	≤ 3.5 W						
	-25 ... 70 °C (-13 ... 158 °F)						
	-5 ... 70 °C (23 ... 158 °F)						

Properties

- Up to 160 mm range
- HF System
- Various housing styles

Your Benefit

IQH1-*

- HF solution enables fast data exchange
- Conforms to ISO/IEC 15693
- Use with IQC tag

IQH2-*

- Conforms to ISO/IEC 14443 Mode A
- Exceptionally fast tag access, ideal for high-speed applications

Accessories

This and more accessories can be found in chapter 10

See pages from 972 ... for cordsets

See pages 1068 ... for mounting aids

V1-G-5M-PUR-ABG-V1-W	Double-ended cordset, M12 to M12, PUR cable 4-pin, shielded
V1-G-10M-PUR-ABG-V1-W	Double-ended cordset, M12 to M12, PUR cable 4-pin, shielded
IQC21-50P	Data carrier
IQC21-58	Data carrier
IQC33-20	Data carrier
IQC22-C1	Data carrier
IQC33-30	Data carrier
IQC22-C4	Data carrier
IQC33-50	Data carrier
IQC22-22-T9	Data carrier
IQC24-27-T12	Data carrier
IQC42-C1	Data carrier
IQC43-30	Data carrier
IQC43-50	Data carrier

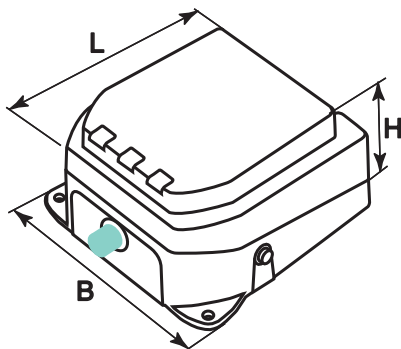


Properties

- Up to 1 m range
- UHF System

Your Benefit

- UHF mid-range R/W antenna
- Conforms to ISO/IEC 18000-63
- Chinese/Asian, European and North American approvals respectively



Technical Data

For detailed data and product description refer to the data sheets at www.pepperl-fuchs.com

General Data

Operating distance	typ. 1 m
LED green	Power on
LED yellow	Read/write operation successful
LED blue	Transmission mode
Power consumption	≤ 7 W
Ambient temperature	-25 ... 70 °C (-13 ... 158 °F) (Operation with nontransmission periods, adjustable) -25 ... 50 °C (-13 ... 122 °F) (Continuous transmission mode)
Protection degree	IP67
Connection	M12 x 1 connector
Material	
Housing	Aluminium / PA 6

Model Number

		IUH-F190-V1-EU	IUH-F190-V1-FR2	IUH-F190-V1-FR2-02
Operating frequency	865 ... 868 MHz	●		
	902 ... 928 MHz possible		●	
	902 ... 928 MHz			●

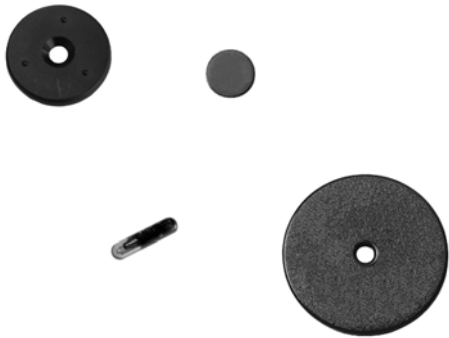
Dimensions

Length L [mm]	114	114
Width W [mm]	112	112
Height H [mm]	50	63

Accessories

This and more accessories can be found in chapter 10
See pages from 972 ... for cordsets See pages 1068 ... for mounting aids

V1-G-5M-PUR-ABG-V1-W	Double-ended cordset, M12 to M12, PUR cable 4-pin, shielded
V1-G-10M-PUR-ABG-V1-W	Double-ended cordset, M12 to M12, PUR cable 4-pin, shielded
IUZ-MH12	Mounting accessories
IUC72-F152-M-FR*	Data carrier
IUC76-F157-M-FR*	Data carrier
IUC76-50-M-FR*	Data carrier
IUC76-50-FR*	Data carrier
IUC76-F203-M-FR* 10pcs	Data carrier

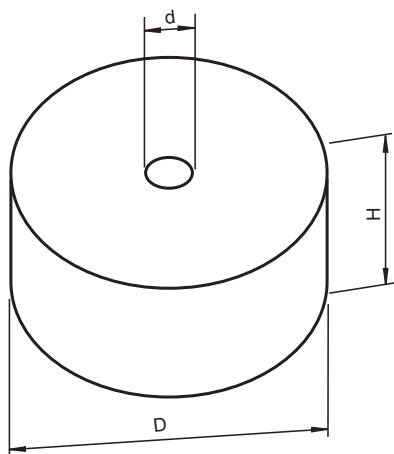


Properties

- Diameter 12.4 - 50mm
- Height 2.2 - 3 mm
- LF System
- Read only tags

Your Benefit

- Battery-free construction results in unlimited lifetime
- Chemically resilient encapsulation housing for harsh environments
- Extended temperature range for paint and curing applications



Technical Data

Detailed data, read/write distances and product description refer to data sheet on www.pepperl-fuchs.com

General Data

Operating frequency	125 kHz
Transfer rate	2 kBit/s
Memory	
Chip type	EM4102 Unique (EM Microelectronic)
Type/Size	ROM 64 Bit (40 Bit code, 24 bit data security)
Read cycles	unlimited

Model Number

	IPC02-12	IPC02-16	IPC02-20P	IPC02-26-T6	IPC02-30P	IPC02-50P	IPC02-3GL
Ambient temperature							
-20 ... 100 °C (-4 ... 212 °F)							
-20 ... 85 °C (-4 ... 185 °F)							
-25 ... 85 °C (-13 ... 185 °F)	●	●					
-25 ... 85 °C (-13 ... 185 °F)							
20 ... 160 °C (68 ... 320 °F) for 100 x 5 minutes with transposition every 30 seconds				●			
-40 ... 85 °C (-40 ... 185 °F)							
Protection degree							
IP68	●	●			●	●	●
IP68 / IP69K			●				
IP68 (24 hours in water 1 m deep)				●			
Material							
Housing							
Epoxy (black)	●	●					
PC (Polycarbonate)			●		●	●	
PA				●			
glass							●

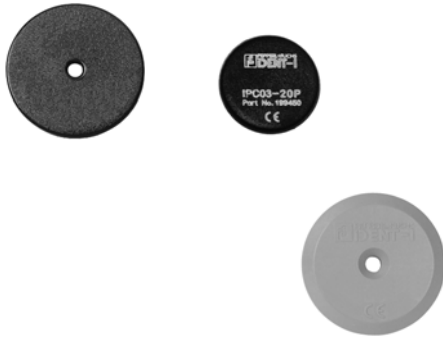
Dimensions

Height H [mm]	2.2	3	4	3	13		
Diameter D [mm]	12.4	16	20	26	30	50	3.15
Middle hole d [mm]		-		4.5	3	5	-

Accessories

This and more accessories can be found in chapter 10
 See pages from 972 ... for cordsets See pages 1068 ... for mounting aids

IPZ-MH50	Spacer
----------	--------

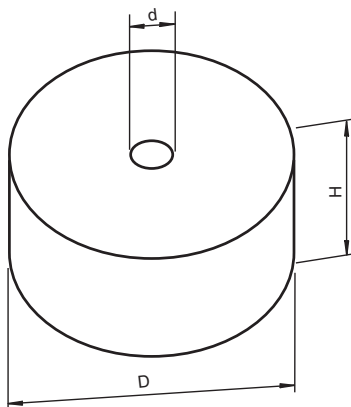


Properties

- Diameter 12.4 - 58mm
Height 3 - 20.1 mm
- LF System
- Programmable tags

Your Benefit

- Battery-free for an unlimited lifetime
- Chemically resilient encapsulation housing for harsh environments
- Flush mounting in metal for increased mechanical protection (for some versions)



Technical Data

Detailed data, read/write distances and product description refer to data sheet on www.pepperl-fuchs.com

General Data

Operating frequency	125 kHz
Transfer rate	2 kBit/s
Memory	
Chip type	EM4450 Titan (EM Microelectronic)
Type/Size	EEPROM 928 Bit ROM 32 Bit
Read cycles	unlimited
Write cycles	> 100 000

	IPC03-12.4	IPC03-16GK	IPC03-20P	IPC03-24	IPC03-30P	IPC03-30GK	IPC03-50P	IPC03-58
Ambient temperature	green = preferred type							
-20 ... 100 °C (-4 ... 212 °F)					●			
-20 ... 85 °C (-4 ... 185 °F)	●	●	●	●	●	●	●	
-25 ... 70 °C (-13 ... 158 °F)	●	●	●	●	●	●	●	●
-25 ... 85 °C (-13 ... 185 °F)	●	●	●	●	●	●	●	●
Protection degree								
IP67	●	●	●	●	●	●	●	●
IP68					●		●	
IP68 / IP69K			●					
Material								
Housing								
PBT	●	●	●	●	●	●	●	●
PC (Polycarbonate)			●		●		●	
PP						●		
PA 6 (Polyamid)								●

Dimensions

Height H [mm]	6	3	11	3	20	5	20.1
Diameter D [mm]	12.3	16	20	24	30	50	58
Middle hole d [mm]		-			3	-	5
							6:5

Accessories

This and more accessories can be found in chapter 10

See pages from 972 ... for cordsets

See pages 1068 ... for mounting aids

IVZ-16G-EW	Screw-in tool
IVZ-30G-EW	Screw-in tool
IPZ-MH50	Spacer



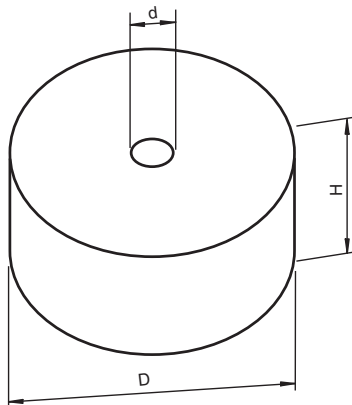
CE

Properties

- Diameter 12.4 - 50 mm
- Height 2 mm
- LF System
- Programmable tags

Your Benefit

- Battery-free for an unlimited lifetime
- Chemically resilient encapsulation housing for harsh environments
- Flush mounting in metal for increased mechanical protection (for some versions)
- Write-once-read-many tag allows unchangeable custom codes



Technical Data

Detailed data, read/write distances and product description refer to data sheet on www.pepperl-fuchs.com

General Data

Operating frequency	125 kHz
Transfer rate	2 kBit/s
Memory	
Chip type	Q5
Type/Size	EEPROM Bit 40 bit fixcode free programmable
Read cycles	unlimited

Model Number		IPC11-12	IPC11-30	IPC11-50
Ambient temperature	-25 ... 70 °C (-13 ... 158 °F)		●	●
	-25 ... 85 °C (-13 ... 185 °F)	●		
Protection degree	IP67		●	●
	IP68	●		
Material				
Housing	PPS and epoxy (black)	●		
	PC (Polycarbonate)		●	●

Dimensions

Height H [mm]	2		
Diameter D [mm]	12.4	30	50
Middle hole d [mm]	-	3	5

Accessories

This and more accessories can be found in chapter 10

See pages from 972 ... for cordsets

See pages 1068 ... for mounting aids

IPZ-MH50

Spacer

Technical Data

Detailed data, read/write distances and product description refer to data sheet on www.pepperl-fuchs.com

General Data

Operating frequency	13.56 MHz
Transfer rate	26 kBit/s
Read cycles	unlimited

Model Number

green = preferred type

		IQC21-50P	IQC21-58	IQC21-85-T13	IQC21-F125	IQC22-22-T9	IQC21-39-T1
Memory							
Chip type	I-CODE SLI (NXP)	●	●		●		●
	Tag-it HF-I Plus (Texas Instruments)					●	
Type/Size	EEPROM 112 Byte			●			
	EEPROM 896 Bit	●	●		●		●
	ROM 64 Bit						
	EEPROM 2 kBit					●	
	ROM 64 Bit						
Ambient temperature	-25 ... 50 °C (-13 ... 122 °F)				●		
	-25 ... 70 °C (-13 ... 158 °F)	●					●
	-25 ... 100 °C (-13 ... 212 °F)						
	140 °C (413 K) for 20% reduction in limit of exposure zone			●			
	200 °C (473 K) for 4000 hours or 1500 cycles						
	220 °C (493 K) for 2000 hours or 500 cycles						
	-25 ... 85 °C (-13 ... 185 °F)		●				
	-25 ... 90 °C (-13 ... 194 °F)					●	
Protection degree	IP65				●		
	IP67	●	●				●
	IP68			●		●	
Material							
Housing	PPS			●		●	
	PC (Polycarbonate)	●					
	ABS		●		●		
	PP/POM						●

Properties

- Rectangular version: 65 x 25 x 3 mm
- Cylindrical versions:
Diameter 12.4 - 50mm
Height 2 mm
- HF System
- Programmable tags

Your Benefit

- Battery-free for an unlimited lifetime

IQC21-85-T13 & IQC22-22-T9

- High-temperature design for paint and curing applications

Dimensions

Length L [mm]				65		
Width W [mm]				25		
Height H [mm]	5	20.1	21.5	3	3	21.5
Diameter D [mm]	50	58	39		22	39
Middle hole d [mm]	5	6.5	-		-	-

Accessories

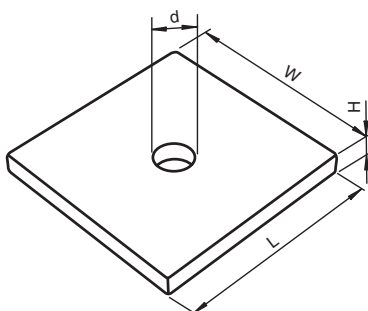
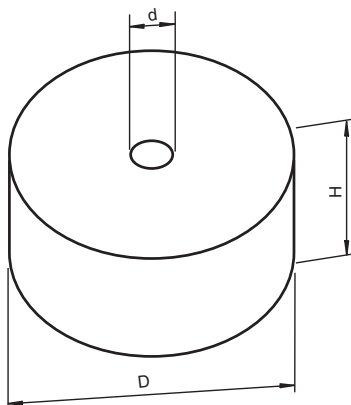
This and more accessories can be found in chapter 10

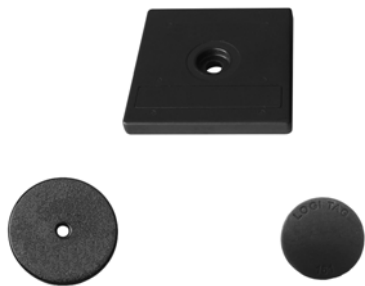
See pages from 972 ... for cordsets

See pages 1068 ... for mounting aids

IPZ-MH50

Spacer





Properties

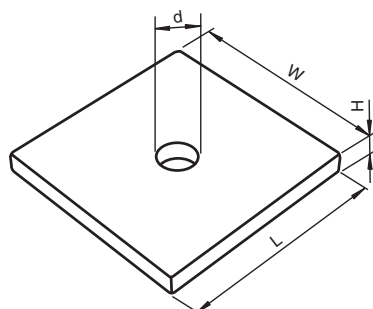
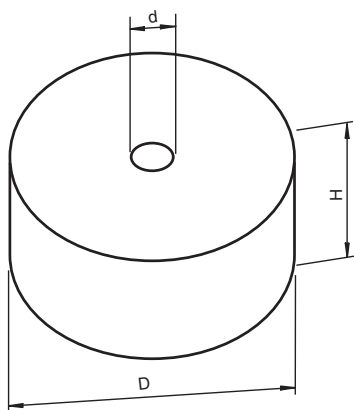
- Square versions: 51 x 51 x 6.5 mm
Cylindrical versions:
Diameter 8, 10, 12.4, 16 and 30mm
Height 2.9 - 6 mm
- HF System
- Programmable tags

Your Benefit

- HF tags enables fast data exchange
- Conforms to ISO 15693
- Use with any IQH1 R/W head

IQC21-50F-T10

- High-temperature design for paint and curing applications



Technical Data

Detailed data, read/write distances and product description refer to data sheet on www.pepperl-fuchs.com

General Data

Operating frequency	13.56 MHz
Memory	
Type/Size	EEPROM 896 Bit ROM 64 Bit
Transfer rate	26 kBit/s
Memory	
Chip type	I-CODE SLI (NXP)
Read cycles	unlimited

Model Number

	IQC21-8	IQC21-10	IQC21-12.4	IQC21-16	IQC21-30P	IQC21-50F-T10
Ambient temperature						
-40 ... 93 °C (-40 ... 199.4 °F)						●
-20 ... 100 °C (-4 ... 212 °F)						
-25 ... 70 °C (-13 ... 158 °F)	●	●	●			
-25 ... 70 °C (-13 ... 158 °F) 120 °C for 100 h 220 °C for 30 s				●		
Protection degree						
IP67	●	●	●	●		
IP68					●	●
Material						
Housing						
PPS						●
PC (Polycarbonate)				●	●	

Dimensions

Length L [mm]						51
Width W [mm]						51
Height H [mm]	5	4.5	6	2.9	3	6.5
Diameter D [mm]	8	10	12.4	16	30	
Middle hole d [mm]					3	5.5

Accessories

This and more accessories can be found in chapter 10

See pages from 972 ... for cordsets

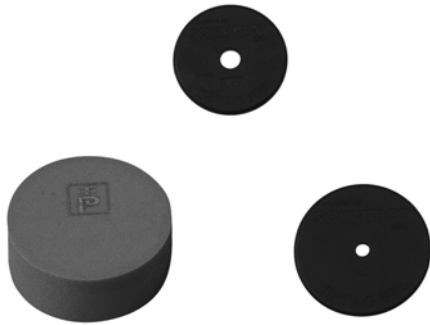
See pages 1068 ... for mounting aids

ICZ-MH30-25-T10

Spacers for code/data carrier

IQZ-MH-85

Spacers for code/data carrier

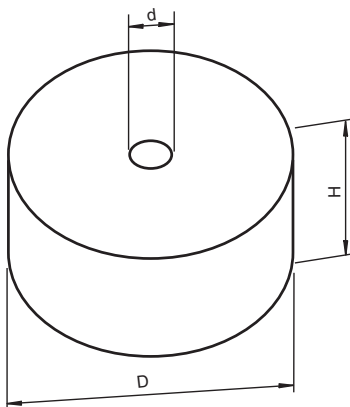


Properties

- Diameter 10 - 50mm
- Height 2 - 4.5 mm
- HF System
- Programmable tags

Your Benefit

- Conforms to ISO/IEC 15693
- FRAM technology allows unlimited number of R/W operations
- Large data capacity holds specific data



Technical Data

Detailed data, read/write distances and product description refer to data sheet on www.pepperl-fuchs.com

General Data

Operating frequency	13.56 MHz
Transfer rate	26 kBit/s
Memory	
Chip type	FRAM MB89R118 (Fujitsu)
Type/Size	EEPROM 2048 Bit , fixcode 64 Bit
Read cycles	unlimited
Write cycles	unlimited

Model Number

	IQC33-10	IQC33-16	IQC33-20	IQC33-30	IQC33-50	IQC35-10
Type/Size	EEPROM 2048 Bit , fixcode 64 Bit					
	FRAM 16 kBit , fixcode 64 Bit					
Ambient temperature	-20 ... 85 °C (-4 ... 185 °F)					
	-25 ... 85 °C (-13 ... 185 °F)					
	-40 ... 85 °C (-40 ... 185 °F)					
Protection degree	IP67					
	IP68					
Material						
Housing	PBT					
	Polycarbonate					
	PA 6 modified					
	PPS					

Dimensions

Height H [mm]	4.5	3	2.8	2.8	3.3	2
Diameter D [mm]	10	16	20	30	50	10
Middle hole d [mm]	-	-	-	5.2	-	-



CE

Technical Data

Detailed data, read/write distances and product description refer to data sheet on www.pepperl-fuchs.com

General Data

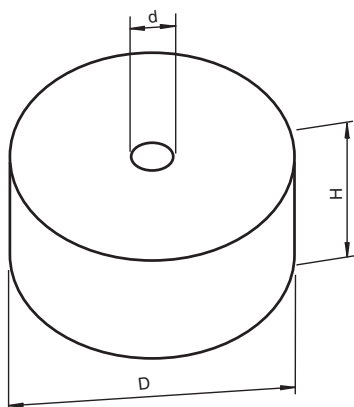
Operating frequency	13.56 MHz
Transfer rate	106 kBit/s
Memory	
Chip type	NXP MF1 S7009
Type/Size	EEPROM 4096 Byte 3440 Byte Nutzerdaten
Read cycles	unlimited
Write cycles	> 100 000
Ambient temperature	-40 ... 85 °C (-40 ... 185 °F)
Protection degree	IP68
Material	
Housing	Thermoplastic polyester

Properties

- Diameter 30 - 50mm
Height 3 mm
- HF System
- Programmable tags

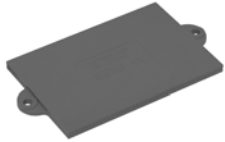
Your Benefit

- Conforms to ISO/IEC 14443
- Large data capacity holds specific data



Dimensions

	IOC43-30	IOC43-50
Height H [mm]	3	3
Diameter D [mm]	30	50
Middle hole d [mm]	3	5

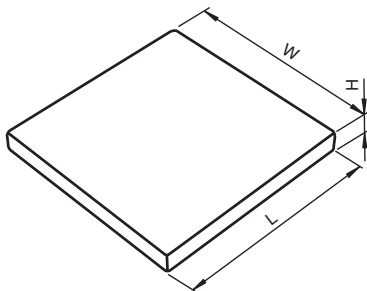


Properties

- Length 85.6 and 116 mm
Width 54 and 64.5 mm
Height 0.8 and 5 mm
- LF and HF System
- Programmable and read only tags

Your Benefit

- Battery-free for an unlimited lifetime



Technical Data

Detailed data, read/write distances and product description refer to data sheet on www.pepperl-fuchs.com

General Data

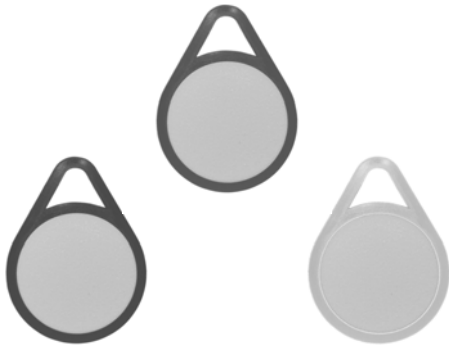
Memory	
Read cycles	unlimited

Model Number

		IPC02-C1	IPC03-C1	IQC22-C1	IQC24-C1	IQC42-C1	IQC22-C4
Operating frequency	125 kHz	●	●				
	13.56 MHz (according to ISO/IEC 15693)			●	●		●
Transfer rate	2 kBit/s	● ⁹	●				
	26 kBit/s			●	●		●
	106 kBit/s					●	
Memory	Chip type	EM4102 Unique (EM Microelectronic)	●				
		EM4450 Titan (EM Microelectronic)		●			
		Tag-it HF-I Plus (Texas Instruments)			●		●
		NXP MF1 S5009					●
Type/Size	EEPROM 2 kBit			●			●
	ROM 64 Bit						
	EEPROM 1024 Byte						
	ROM 56 Bit 752 Byte User data					●	
	EEPROM 928 Bit		●				
	ROM 32 Bit						
	EEPROM 992 Byte				●		
	ROM 64 Bit						
Ambient temperature	ROM 64 Bit	●					
	(40 Bit code, 24 bit data security)						
	0 ... 50 °C (32 ... 122 °F)	●	●				
	0 ... 55 °C (32 ... 131 °F)					●	
	-20 ... 50 °C (-4 ... 122 °F)			●	●		
	-25 ... 70 °C (-13 ... 158 °F)						●
Protection degree	IP20						●
	IP67	●	●	●	●	●	
Material	Housing	●	●	●	●	●	
	PVC						
	ABS						●

Dimensions

Length L [mm]	116	85.6	116
Width W [mm]	54	54	64.5
Height H [mm]	0.8	0.8	5

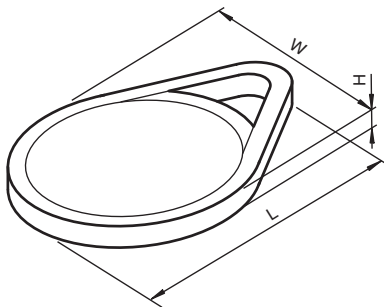


Properties

- Keyrings
40 x 31 mm and
46.5 x 35 mm
- LF System
- Programmable tags

Your Benefit

- Battery-free for an unlimited lifetime
- Chemically resilient encapsulation housing for harsh environments
- Keyring design is ideal for machine and building access control systems



Technical Data

Detailed data, read/write distances and product description refer to data sheet on www.pepperl-fuchs.com

General Data

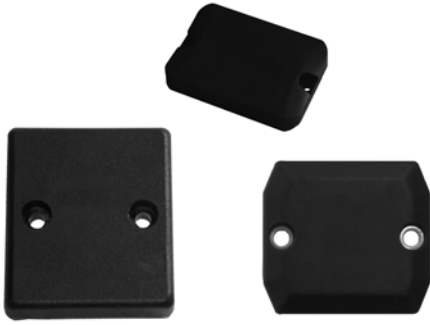
Operating frequency	125 kHz
Transfer rate	2 kBit/s
Memory	
Chip type	EM4450 Titan (EM Microelectronic)
Type/Size	EEPROM 928 Bit ROM 32 Bit
Read cycles	unlimited
Protection degree	IP67
Material	
Housing	PC (Polycarbonat)

Model Number

		IPC03-20K1	IPC03-20K2	IPC03-20K3	IPC03-20K4	IPC03-20K5	IPC03-20K6
Color	black	●				●	
	red		●				
	white			●			
	blue				●		
	green						●
Ambient temperature	-20 ... 80 °C (-4 ... 176 °F)	●	●	●	●	●	●
	-25 ... 70 °C (-13 ... 158 °F)	●					

Dimensions

Length L [mm]	40	40	46.5
Width W [mm]	31	31	35
Height H [mm]	4.5	4.5	5



Properties

- Various sizes
- UHF System
- Programmable tags

Your Benefit

- Conforms to ISO/IEC 18000-63
- Battery-free for an unlimited lifetime
- R/W ranges of several meters, depending on selected UHF antenna

Technical Data

Detailed data, read/write distances and product description refer to data sheet on www.pepperl-fuchs.com

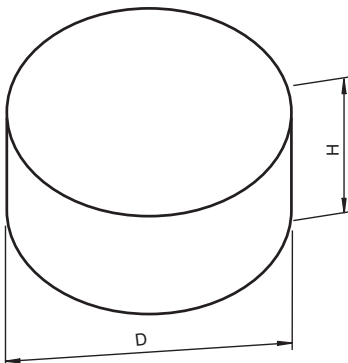
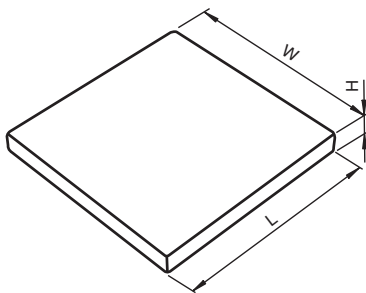
General Data

Operating frequency	865 - 928 MHz
Polarization	linear

Model Number	IUC72-F151-M	IUC72-F152-M	IUC76-F157-M	IUC72-C8-T14	IUC76-50-M
Memory					
Chip type	NXP UCode-EPC-G2XM				
Capacity	Higgs-3 (Alien)				
	240 Bit EPC, 512 Bit expanded memory unique 64 bit fixcode (TID) available				
Ambient temperature	96 Bit EPC, 512 Bit expanded memory unique 64 bit fixcode (TID) available				
	-30 ... 85 °C (-22 ... 185 °F)				
Protection degree	-35 ... 85 °C (-31 ... 185 °F)				
	-40 ... 85 °C (-40 ... 185 °F)				
Material	IP67				
	IP68				
Housing	Impact-resistant plastic material				
	ABS / PC				
	PP				
	Transparent tape				
Installation	PA 6				
	preferably mountable on plastic, wood or paper				
	preferably mountable on metal				
	preferably free hanging				

Dimensions

Length L [mm]	47.5	60	58	51	150	-
Width W [mm]	51.5	14	50	36.3	40	-
Height H [mm]	10	12	12	7.5	0.1	8
Diameter D [mm]						50





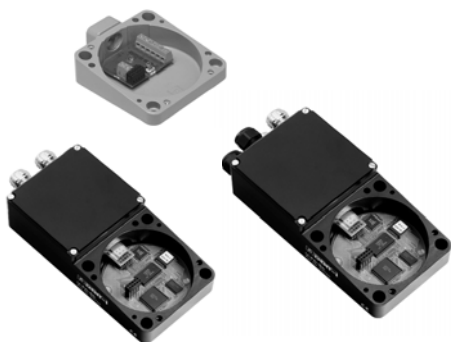
Your Benefit

- Single R/W station with direct field-bus connection by combining this head unit with the preferred U-P* base unit

Technical Data Read/Write Head

For detailed data and product description refer to the data sheets at www.pepperl-fuchs.com

Model Number	IPT1-FP
Operating frequency	125 kHz
UL File Number	E87056
Power consumption	max. 5 W , in connection with the base
Physical	Interface type depends on base used
Ambient temperature	-25 ... 70 °C (-13 ... 158 °F)
Protection degree	IP67 according to EN 60529, with base



Properties

- PROFIBUS, INTERBUS and serial versions
- LF and HF System
- Flat packed housing

Technical Data Base

For detailed data and product description refer to the data sheets at www.pepperl-fuchs.com

General Data	
Ambient temperature	-25 ... 70 °C (-13 ... 158 °F)
Protection degree	IP67 according to EN 60529 with IPT*-FP

Model Number	U-P3-R4	U-P3-R4-V15	U-P3-RX	U-P3V4A-FX	U-P6-B5	U-P6-B5-V	U-P6-B6	U-P6-B6-V15B	U-P6V4A-B6	U-P7V4A-R4
Power consumption	●	●	●	●	●	●	●	●	●	●
Physical			●	●	●	●	●	●	●	●
Protocol	●	●	●	●	●	●	●	●	●	●
					●	●				
							●	●	●	

Dimensions	
Length L [mm]	91 114 91 92 161 103
Width W [mm]	80
Height H [mm]	30 29 30 29 50 50 50 50 50 29

Accessories

This and more accessories can be found in chapter 10
 See pages from 972 ... for cordsets See pages 1068 ... for mounting aids

RFIDControl	Software for RFID identification systems
ICZ-3T-0,2M-PUR ABG-V15B-G	Y connection cable for PROFIBUS
ICZ-TR-V15B	Terminal resistor for PROFIBUS
V15B-G	Cable socket, M12, for PROFIBUS, adjustable
V15SB-G	Cable connector, M12, for PROFIBUS, adjustable
V15B-G-0,6M-PUR ABG-V15B-G	M12 connection cable for PROFIBUS

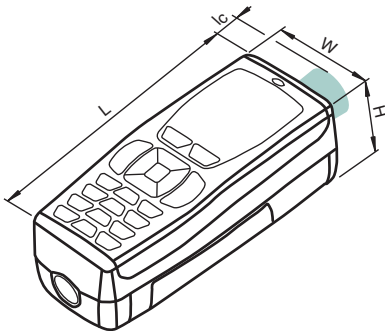


Properties

■ LF and HF System

Your Benefit

- Flexible handheld solution for any R/W head
- Battery powered Bluetooth handheld for true mobile RFID applications
- Display and keypad allows even complex user interaction
- Users can develop in-house applications using JavaScript



Technical Data

For detailed data and product description refer to the data sheets at www.pepperl-fuchs.com

General Data

UL File Number	E87056
Display	128 x 128 pixel monochrome LC Display
Keyboard	Keypad for entering alphanumeric characters
Key	Programmable function keys
Supply	from interface or Li-Ion battery
Physical	Bluetooth , USB 2.0 , RS 232 or PS/2
Protocol	ASCII
Ambient temperature	0 ... 40 °C (32 ... 104 °F)
Protection degree	IP20

Model Number

	green = preferred type	IC-HH20-V1	IPT-HH20	IQT1-HH20
Operating frequency	125 kHz		●	
	13.56 MHz			●
	acc. to connected read/write head	●		

Dimensions

Length L [mm]	111
Width W [mm]	46
Height H [mm]	41
Connector area l _c [mm]	11

Accessories

This and more accessories can be found in chapter 10

See pages from 972 ... for cordsets

See pages 1068 ... for mounting aids

ODZ-MAH-CHARGER-5310	Charging tray for ODZ-MAH-GRIP2/GRIP3
V1-G-0,5/2,5M-PUR-V1-G	Double-ended cordset, Helix cable
ODZ-MAH-SUPPLY	Power supply
ODZ-MAH-BLANK	Battery blank
ODZ-MAH-GRIP1	Handle with trigger button
ODZ-MAH-GRIP2	Handle with trigger button and 1950 mAh battery
ODZ-MAH-GRIP3	Handle with trigger button and 3900 mAh battery
ODZ-MAH200-SUPPLY	Power supply
ODZ-MAH-CAB-CHARGE	Cable for power supply unit
ODZ-MAH200-CHARGER	Charger for ODT-HH-MAH200/ODZ-MAH-BAT
ODZ-MAH-CHARGER	Charging tray for ODZ-MAH-GRIP2/GRIP3
ODZ-MAH-CAB-B14	Double-ended cordset with USB Interface
ODZ-MAH-CAB-R6	Double-ended cordset PS/2 interface
ODZ-MAH-CAB-R2	Double-ended cordset RS 232 interface
ODZ-MAH200-B15-B14	Bluetooth Dongle USB for PC
ODZ-MAH300-COVER	Protective sleeve for handheld reader without handle
ODZ-MAH-CHARGER-SINGLE	Charger for ODT-HH-MAH200/300/I* T-HH20
ODZ-MAH-B15-M3	Bluetooth modem, configured for USB
ODZ-MAH-5V-110V	Power supply
ODZ-MAH-CHARGER-UM-110V	Charging tray for ODZ-MAH-GRIP2/GRIP3



Technical Data

For detailed data and product description refer to the data sheets at www.pepperl-fuchs.com

General Data

Operating frequency	2.402 ... 2.482 GHz
Channel separation	300 kHz

Model Number of Reader

MTT6000-F120-B12-V45

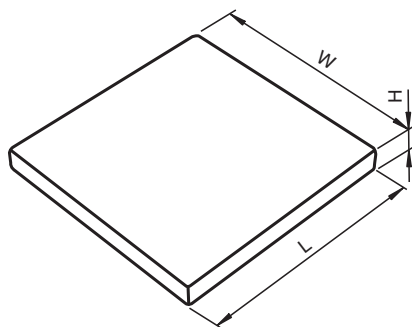
Interface	Ethernet / RS 232/RS 485
Reading range	0 ... 6 m
Writing range	0 ... 0.25 m
Transfer rate	read: 4 kBit/s , 16 kBit/s write: 4 kBit/s
Memory	
Type/Size	Flash 16 MByte RAM 32 MByte
Power consumption	typical 4.5 W max. 15 W
Ambient temperature	-20 ... 60 °C (-4 ... 140 °F)
Protection degree	IP65
Material	
Housing	Plastic

Model Numbers of Tags

		MTO-C1	MTO-C2	MTM-C1	MTM-C2
Memory					
Capacity	an 8-digit decimal number as fixcode and 32-bit checksum	●	●		
	606 Bit R/W (584 bits available for user data) 8-digit decimal number as fixcode			●	●
Battery life	typically 6 years	●	●	●	●
Ambient temperature	-20 ... 85 °C (-4 ... 185 °F)	●	●	●	●
	-40 ... 85 °C (-40 ... 185 °F)		●		●
Protection degree	IP67 according to EN 60529	●	●	●	●
Material					
Housing	Polymer	●	●	●	●

Dimensions

	86	90	86	90
Length L [mm]	86	90	86	90
Width W [mm]	54	58	54	58
Height H [mm]	3	8	3	8



Accessories

This and more accessories can be found in chapter 10

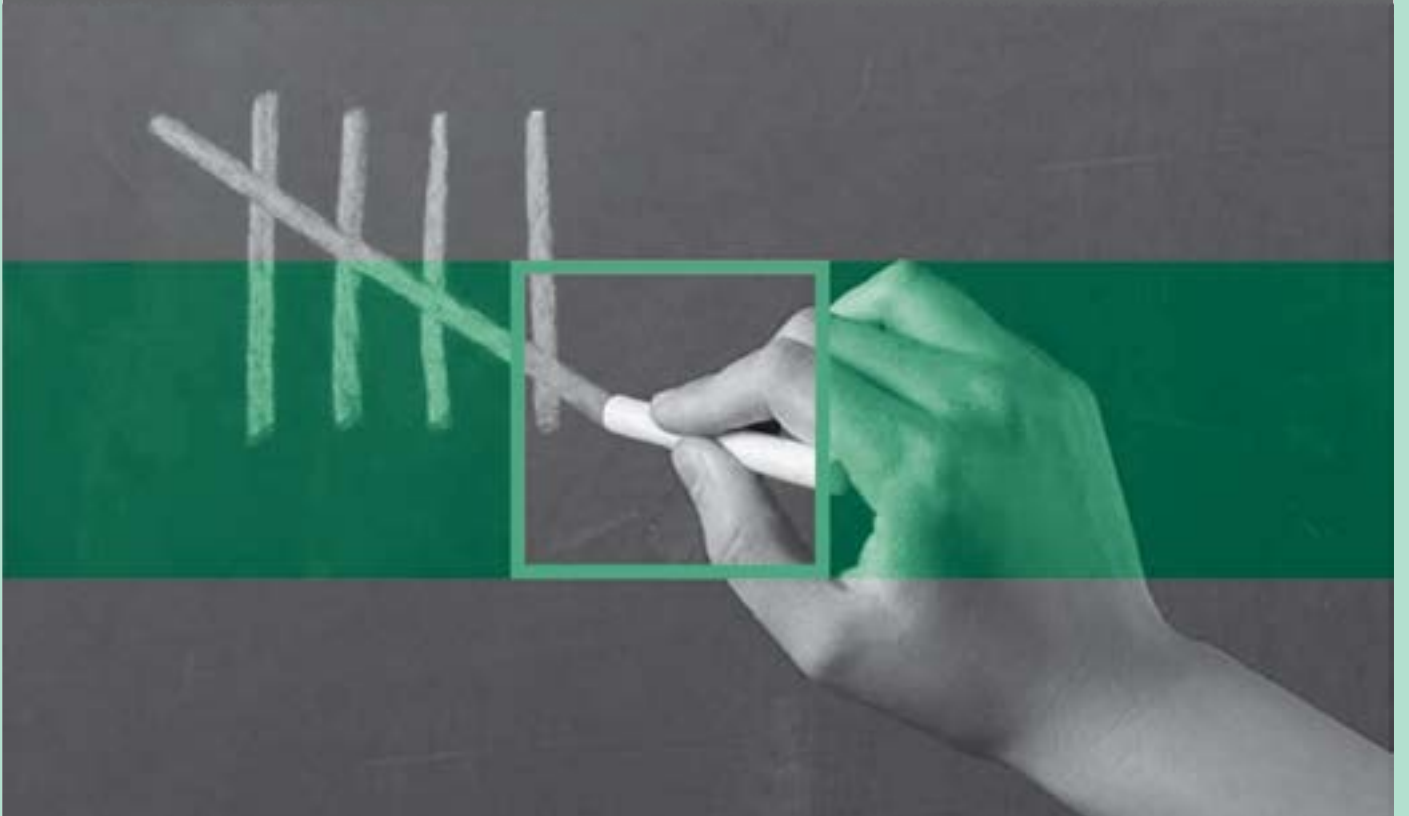
See pages from 972 ... for cordsets

See pages 1068 ... for mounting aids

MTA-C1V1	Card holder with fixing clip
MTA-C1V2	Card holder for window mounting in vehicles
MTA-MH09	Mounting bracket for pole and wall mounting

Contents

Logic Control Units



Logic Control Units

9.1 Displays and Counters	946
Visibility	946
Type of Display	946
Electromechanical Counters	946
Electronic Batch Controllers	946
Time Measurement	946
Measuring Speed/Frequency	946
Multifunction Devices	946
Displaying Analog Values	946
Operation	946
9.2 Tachometers	947
9.3 Sensor End Stages	947
9.4 Rotation Speed Monitors	947
9.5 Frequency Voltage Current Converters	947

Data Section

Counters	948
Batch Controllers	952
Counters/Timers/Tachometers	953
LCD Timers	958
LED Digital Display Units	959
Process Control and Indication Equipment	960
LED Temperature Displays	961
Temperature Control Units with LED Display	962
Rotation Speed Monitors	963
Frequency Voltage Current Converters	964
Signal Converters	965
Sensor Output Interface Terminals	967

Displays and Counters

Dimensions					
	48 x 48 mm	48 x 48 mm	48 x 48 mm	48 x 48 mm	48 x 48 mm


Type of display					
Numeric display					
LED display					
LCD display	●	●	●	●	●
Multicolor			●	●	●
Backlit		●	●	●	●
Number of decades	6	6	2 x 6	2 x 6	2 x 6

Power supply					
24 V _{DC}	●	●	●	●	●
240 V _{AC}					

Type					
Counters					
Batch controller	●	●	●	●	●
Counter/tachometer/timer	●	●	●	●	●
Process displays					






Functionality					
Relay output	1	2		2	
Transistor output			2		6
Reset button	●	●	●	●	●
External reset	●	●	●	●	●


Model number					
	KC-LCD-48-1R-24VDC	KC-LCDL-48-2R-24VDC	KC-LCDC-48-2T-24VDC	KC-LCDC-48-2R-24VDC	KC-LCDC-48-6T-24VDC
	Page 955	Page 955	Page 955	Page 955	Page 955

					Dimensions
48 x 48 mm	48 x 48 mm	48 x 48 mm	48 x 48 mm	48 x 48 mm	
Type of display					
					Numeric display
					LED display
●	●	●	●	●	LCD display
		●	●	●	Multicolor
	●	●	●	●	Backlit
6	6	2 x 6	2 x 6	2 x 6	Number of decades
Power supply					
					24 V _{DC}
●	●	●	●	●	240 V _{AC}
Type					
					Counters
●	●	●	●	●	Batch controller
●	●	●	●	●	Counter/tachometer/timer
					Process displays
Functionality					
1	2		2		Relay output
		2		6	Transistor output
●	●	●	●	●	Reset button
●	●	●	●	●	External reset
Model number					
KC-LCD-48-1R-230VAC	KC-LCDL-48-2R-230VAC	KC-LCDC-48-2T-230VAC	KC-LCDC-48-2R-230VAC	KC-LCDC-48-6T-230VAC	
Page 956	Page 956	Page 956	Page 956	Page 956	







Displays and Counters





Dimensions						
	48 x 48 mm	48 x 48 mm	48 x 48 mm	48 x 24 mm	48 x 24 mm	
Type of display						
Numeric display						
LED display	●	●	●	●	●	
LCD display						
Multicolor						
Backlit						
Number of decades	6	6	6	6	6	
Power supply						
24 V _{DC}	●			●	●	
240 V _{AC}		●	●			
Type						
Counters						
Batch controller	●	●		●	●	
Counter/tachometer/timer			●			
Process displays						
Functionality						
Relay output	1	1	1			
Transistor output					1	
Analog output						
Reset button	●	●	●	●	●	
External reset	●	●	●	●	●	
Model number						
	KCT1-6SR-C	KCT1-6SR-V	KCT1-6WR/ RS232-V	KCT-6S-C	KCT-6ST-C	
	Page 954	Page 954	Page 957	Page 952	Page 952	

						Dimensions
48 x 48 mm	96 x 48 mm	96 x 48 mm	48 x 48 mm	96 x 48 mm		
						Type of display
						Numeric display
●	●	●		●		LED display
			●			LCD display
						Multicolor
						Backlit
6	6	6	7	6		Number of decades
						Power supply
			●	●		24 V _{DC}
●	●	●				240 V _{AC}
						Type
				●		Counters
●						Batch controller
	●	●				Counter/tachometer/timer
						Process displays
						Functionality
						Relay output
1	1			1		Transistor output
		1				Analog output
●	●	●	●	●	●	Reset button
●	●	●	●	●	●	External reset
						Model number
KCT1-6ST-V	KCT2-6ST-V	TC-6A-V	KC-LCD-24-24VDC	KC-LED-96-1T-24VDC		
Page 952	Page 952	Page 958	Page 959	Page 959		



Displays and Counters

Dimensions					
	48 x 48 mm	48 x 24 mm	48 x 24 mm	48 x 24 mm	
Type of display					
Numeric display			●	●	
LED display					
LCD display	●	●			
Multicolor					
Backlit					
Number of decades	6	7	5	5	
Power supply					
2 x 3.6 V battery	●				
24 V _{DC}		●	●		
240 V _{AC}				●	
Type					
Counters			●	●	
Batch controller	●				
Operating hours counter		●			
Process displays					
Functionality					
Relay output	1				
Transistor output					
Reset button	●	●	●	●	
External reset	●	●			
Model number					
	KCY1-6SR-B	KH-LCD-24-24VCD	KCM-51-C	KCM-51-V	
	Page 953	Page 960	Page 950	Page 950	

					Dimensions
	32 x 15 mm	32 x 15 mm	48 x 24 mm	48 x 24 mm	
					Type of display
	<input checked="" type="checkbox"/>	<input checked="" type="checkbox"/>	<input checked="" type="checkbox"/>	<input checked="" type="checkbox"/>	Numeric display
					LED display
					LCD display
					Multicolor
					Backlit
	7	7	7	7	Number of decades
					Power supply
					2 x 3.6 V battery
	<input checked="" type="checkbox"/>		<input checked="" type="checkbox"/>		24 V _{DC}
		<input checked="" type="checkbox"/>		<input checked="" type="checkbox"/>	240 V _{AC}
					Type
	<input checked="" type="checkbox"/>	<input checked="" type="checkbox"/>	<input checked="" type="checkbox"/>	<input checked="" type="checkbox"/>	Counters
					Batch controller
					Operating hours counter
					Process displays
					Functionality
					Relay output
					Transistor output
					Reset button
					External reset
					Model number
	KCM-70A-C	KCM-70A-V	KCM-70-C	KCM-70-V	
	Page 951	Page 951	Page 950	Page 950	



Displays and Counters

Dimensions				
	48 x 24 mm	48 x 24 mm	96 x 48 mm	96 x 48 mm




Type of display				
Numeric display				
LED display	●	●	●	●
LCD display				
Multicolor				
Backlit				
Number of decades	5	5	5	5

Power supply				
10 .. 30 V _{DC}	●	●	●	
90 ... 260 V _{AC}				●

Type				
Digital display				
Temperature display	Pt100/Ni100	Thermocouples J, K, N	Pt100/Pt1000 thermocouples B, E, J, K, N, R, S, T	Pt100/Pt1000 thermocouples B, E, J, K, N, R, S, T
Process display				
Controller			●	●

Functionality				
Relay output				
Transistor output				
Reset button	●	●	●	●
External reset	●	●	●	●

Model number				
	KT-LED-24-PT100- 24VDC	KT-LED-24-TC- 24VDC	KT-LED-96-2R- 24VDC	KT-LED-96-2R- 230VAC
	Page 963	Page 963	Page 964	Page 964

			Dimensions
48 x 24 mm	96 x 48 mm	96 x 48 mm	
			Type of display
			Numeric display
<input checked="" type="checkbox"/>	<input checked="" type="checkbox"/>	<input checked="" type="checkbox"/>	LED display
			LCD display
			Multicolor
			Backlit
5	6	6	Number of decades
			Power supply
<input checked="" type="checkbox"/>	<input checked="" type="checkbox"/>		10 ... 30 V_{DC}
		<input checked="" type="checkbox"/>	90 ... 260 V_{AC}
			Type
<input checked="" type="checkbox"/>			Digital display
			Temperature display
	<input checked="" type="checkbox"/>	<input checked="" type="checkbox"/>	Process display
	<input checked="" type="checkbox"/>	<input checked="" type="checkbox"/>	Controller
			Functionality
	2 x SPDT	2 x SPDT	Relay output
			Transistor output
<input checked="" type="checkbox"/>	<input checked="" type="checkbox"/>	<input checked="" type="checkbox"/>	Reset button
	<input checked="" type="checkbox"/>	<input checked="" type="checkbox"/>	External reset
			Model number
DA5-IU-C	DA6-IU-2K-C	DA6-IU-2K-V	
Page 961	Page 962	Page 962	

Logic Control Units



Functional Description

Sensor signals often need to be displayed clearly on site or further processed and used to control processes directly.

Therefore, in addition to the sensors featured in the previous sections, Pepperl+Fuchs also offers a wide range of products for signal evaluation.

9.1 Displays and Counters

Visibility

Depending on the type, you can choose from four standard sizes with front measurements of 48 mm x 24 mm, 48 mm x 48 mm, 96mm x 48 mm, and 32 mm x 15 mm depending on the space available for your application.

The 96 mm x 48 mm housing design with very bright LED-display is ideal for situations where good readability is required for process visualization or if the viewer is several meters away.

Type of Display

With the exception of electromechanical counters (cost-effective numeric displays) and pure digital display units (extremely bright LED-display), you can choose between a high-contrast liquid crystal display (LCD) and a light-emitting diode display (LED).

The LCD-display is usually more cost effective and requires less power, although it has restricted readability in low-light conditions. Therefore, you should use a large LED display wherever good readability is required.

Electromechanical Counters

Electromechanical counters are used in situations without electric output signals that call for cost-effective counting with or without a reset function. The KCM series is particularly well suited to this scenario



Electronic Batch Controllers

Electronic batch controllers are used to control transactions through switching outputs and display scaled values. Electronic counters with LED displays offer excellent readability even without the batch control function. The KC-L Series is best suited to this purpose.

Time Measurement

The multifunction devices from the KC-L and KCT Series are ideal for short- and long-term measurements as well as the measurement of operating hours. These devices can accurately measure times to the nearest millisecond. The measuring intervals can be started and stopped automatically through the two inputs. For long-term measurements, the devices can display times up to a maximum of 999,999 hours.

Measuring Speed/Frequency

Pulse intervals are measured in order to calculate rotational speed or frequency. The display on the KC-L and KCT Series can easily be scaled. The data is displayed directly in Hertz or rpm.



Multifunction Devices

The KC-L and KCT Series incorporating a time/counter/tachometer function can be used in all situations where a device is used to detect several signals and programming needs to be quickly customizable to the specific application. These devices are also ideally equipped to deal with future changes in your plant while helping you to reduce your inventory.

Displaying Analog Values

Display units from the DA5 Series can display measured analog values such as pressure, temperature, or distance. These devices provide excellent readability and feature a scalable numeric display of the measured values. You can choose between a purely digital display in 48 mm x 24 mm format and a process display in 96 mm x 48 mm format with two relay outputs and linearization for sequential control. Thanks to the power supply provided, you can supply the sensors used in the application directly using these displays and without an auxiliary power supply.

Operation

The requirements for an optimal operational philosophy differ depending on the application. These requirements are as follows:

- No setting function or just a reset function to prevent adjustments from being made
- Very easy and clear operation with limited functionality
- Menu-driven operation with a high level of flexibility for the application.
- These requirements are fulfilled in this order by the series:
- KCM (no adjustment option)
- KCY (simple adjustment of preset values using one button per digit)
- KC-L and KCT (menu-driven operation and connection via RS232-interface, keylock can be activated).

9.2 Tachometers

Tachometers are pulse-controlled time measurement devices. In contrast to standard tachometers (KCT Series) that count the incoming pulses within a gate time, TC-type tachometers evaluate the duration of a period between two subsequent input pulses (cycle method).

The period duration is allocated an adjustable multiplication factor and is converted into a rotational speed or speed depending on the operating mode.

Benefit:

The cycle method requires only one pulse per revolution and a maximum of two revolutions to detect the rotational speed with high accuracy.

$$\text{Rotational speed} = 1/T \times 60 \text{ min}^{-1}$$

T = time between two pulses

min⁻¹ = revolutions/minute



9.3 Sensor End Stages

Sensor end stages form the interface between the sensor and the system controller or actuator if the output signal of the sensor cannot be further processed directly. This is the case, for example, where a two-wire sensor with NAMUR interface must directly switch a load. The sensor obtains its power supply from the sensor end stage, which also monitors the line if necessary. The sensor end stage evaluates the sensor circuit and switches its output accordingly. Sensor end stages are also useful for connecting three-wire sensors. For example, if the current load for the sensor-specific end stage is insufficient for the connected load, or if a semiconductor output needs to be converted to a potential-free relay output.

9.4 Rotation Speed Monitors

Rotation speed monitors are devices for displaying and monitoring periodic signals, i.e., frequencies in general and rotation speeds in particular. Periodic signals occur in almost all areas of automation and process technology.

The input signals are evaluated depending on the cycle method, i.e., through period duration measurement, and are converted into frequency or rotational speed by a very quick microcontroller.

Particular attention was paid to rotation speed monitoring during the development of these devices. Displays and data can be provided in either Hz or 1/min. It is also possible to automatically apply the actual rotation speed of the drive for applications with slow processes. For this, several pulses per sensor revolution can be converted into the rotational speed using an appropriate setting.

The monitoring function operates using a trip value for which the upper and lower hysteresis value can be freely selected within the respective measurement and display range. The output signal is generated when the predefined limits are exceeded or not met.



In addition to the ON delay and OFF delay, pulse function, and OFF delay timer, it is possible to select the direction of operation for the output, i.e., for underspeed or overspeed monitoring. A built-in start-up override prevents false signals during start-up of the monitored system.

All common two-, three-, or four-wire proximity switches and incremental rotary encoders can be used as signal sources. Terminals are also available for connecting proximity switches in accordance with DIN 19 234 (NAMUR).

9.5 Frequency Voltage Current Converters

Frequency voltage current converters function in the same way as rotation speed monitors. The difference is that a voltage or current value that is proportional to the input frequency is emitted as the output signal:

- 0 V ... 10 V
- 2 V ... 10 V
- 0 mA ... 20 mA
- 4 mA ... 20 mA

The pulse output provides the input frequency divided by an adjustable factor (1 to 1200) for further processing.

09.04.15



Technical Data

For detailed data and product description refer to the data sheets at www.pepperl-fuchs.com

General Data

Function	Electromechanical summator
Type	digital display
Display value	digit height 4 mm
Pulse length/pulse interval	50 ms / 50 ms
Counting frequency	10 Hz
Ambient temperature	-10 ... 50 °C (14 ... 122 °F)
Storage temperature	-40 ... 90 °C (-40 ... 194 °F)
Relative humidity	≤ 80 % (noncondensing)
Connection	flexible leads AWG 22 150 mm long
Mounting	latch fastener

Properties

- Electromechanical summators
- 24 V_{DC} and 230 V_{AC} supply voltage versions
- 5 and 7 digit versions

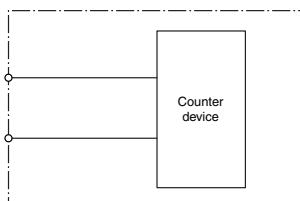
Model Number

		KCM-51-C	KCM-51-V	KCM-70-C	KCM-70-V
Number of digits	5	●	●		
	7			●	●
Reset	manually	●	●		
Operating voltage	230 V _{AC}		●		●
	24 V _{DC}	●		●	
Power consumption	0.6 W	●		●	
	1.3 VA		●		●
Dimensions	48 mm x 24 mm x 54 mm			●	●
	48 mm x 24 mm x 59 mm	●	●		
Mass		62 g	48 g	60 g	50 g

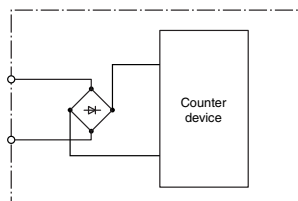
Electrical Connection



DC Supply



AC Supply





Technical Data

For detailed data and product description refer to the data sheets at www.pepperl-fuchs.com

General Data

Function	Electromechanical summators
Type	digital display
Number of digits	7
Display value	digit height 4 mm
Ambient temperature	-10 ... 60 °C (14 ... 140 °F)
Storage temperature	-40 ... 90 °C (-40 ... 194 °F)
Relative humidity	≤ 80 % (noncondensing)
Connection	flexible leads AWG 22 150 mm long
Mass	18 g
Dimensions	32 mm x 15 mm x 36 mm
Mounting	Locating springs

Properties

- Electromechanical summators
- 24 V_{DC} and 230 V_{AC} supply voltage version
- 7 digits

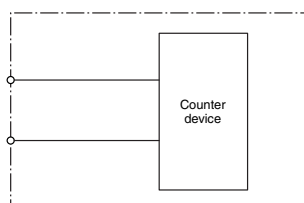
Model Number

		KCM-70A-C	KCM-70A-V
Operating voltage	230 V _{AC}		●
	24 V _{DC}	●	
Power consumption	0.3 W	●	
	0.9 VA		●
Pulse length/interval	20 ms / 20 ms	●	
	50 ms / 50 ms		●
Counting frequency	10 Hz		●
	25 Hz	●	

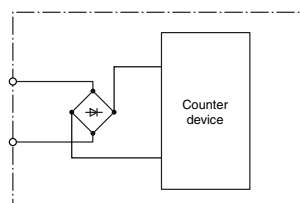
Electrical Connection



DC Supply



AC Supply



Date of issue: 04/08/2015

Technical Data

For detailed data and product description refer to the data sheets at www.pepperl-fuchs.com

General Data

Type	7-segment LED display, red
Number of digits	6
Reset	manually or external
Storage temperature	-25 ... 70 °C (-13 ... 158 °F)
Relative humidity	≤ 80 % (noncondensing)
Mounting	latch fastener

Model Number

Function		KCT-6S-C	KCT-6ST-C	KCT1-6ST-V	KCT2-6ST-V
Counter		●	●	●	●
Timer					●
Tachometer					●
Display value	digit height 14 mm				●
	digit height 8 mm	●	●	●	
Operating voltage	10 ... 30 V _{DC}	●	●		
	90 ... 250 V _{AC}			●	●
Power consumption	max. 6 VA			●	●
	max. 7 VA			●	
	1.5 W	●	●		
Counting frequency	20 kHz			●	
	30 Hz / 20 kHz	●	●		
	30 Hz / 20 kHz (max. 11 kHz when counting with phase discriminator)				●
Output type	Transistor switching output		●	●	●
Sensor supply	✓			●	●
Ambient temperature	-10 ... 50 °C (14 ... 122 °F)	●	●	●	
	-20 ... 65 °C (-4 ... 149 °F)				●
Connection	7-pin screw terminal , max. core cross-section 0.34 ... 1.5 mm ²		●		
	2 plug-in 7-pin screw terminals max. core cross-section 0.34 ... 1.5 mm ²			●	
	2-pin and 7-pin plug-in connection terminals, core cross-section ≤ 1.5 mm ²				●
	5-pin screw terminal , max. core cross-section 0.34 ... 1.5 mm ²	●			
Mass	approx. 150 g			●	●
	approx. 200 g				
	48 g				
Dimensions	48 mm x 24 mm x 65 mm	●	●		
	48 mm x 48 mm x 106 mm			●	
	96 mm x 48 mm x 90 mm				●



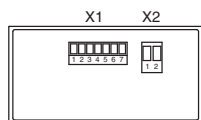
Properties

- LED Counter and LED Counter/Timer/Tachometer versions
- 10 - 30 V_{DC} and 90 - 250 V_{AC} supply voltage versions
- 6 digits

Electrical Connection



KCT2-6ST-V



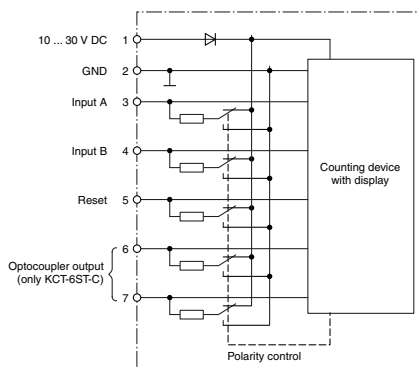
Connection assignment X2

Terminal No.	AC version
1	Power supply 90 ... 260 V AC
2	Power supply 90 ... 260 V AC

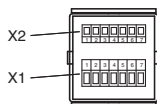
Connection assignment X1

Terminal No.	AC version
1	Optocoupler collector output
2	Optocoupler emitter output
3	SET
4	INP B
5	INP A
6	GND
7	+24 V out

KCT-6S-C
KCT-6ST-C



KCT1-6ST-V



Connector assignment X1
supply voltage and outputs

Terminal No.	AC version	10 ... 30 V DC version
1	Optocoupler output 1 collector	
2	Optocoupler output 1 emitter	
3	Optocoupler output 2 emitter	
4	n.c.	
5	Optocoupler output 2 collector	
6	supply voltage 90 ... 250 V AC	operating voltage 10 ... 30 V DC
7	supply voltage 90 ... 250 V AC	0 V DC (GND)

Connector assignment X2
inputs

Terminal No.	Name	AC version	10 ... 30 V DC version
1	+24 VDC	Sensor Supply voltage	n.c.
2	0 VDC (GND)	Reference voltage	n.c.
3	INP A	Counter input A	
4	INP B	Counter input B	
5	RESET	Reset input	
6	GATE	Gate circuit	
7	KEY	Input for key locking	



Properties

- LCD counter
- 10 - 30 V_{DC} supply voltage

Technical Data

For detailed data and product description refer to the data sheets at www.pepperl-fuchs.com

General Data

Function	Counter
Reset	manually or external
Operating voltage	10 ... 30 V DC
Ambient temperature	-20 ... 65 °C (-4 ... 149 °F)

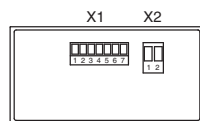
Model Number

		KC-LCD-24-24VDC	KC-LED-96-1T-24VDC
Type	6-digit 7-segment LED display, red		●
Display value	7-digit 7-segment LC display	●	●
	digit height 14 mm		
Counting frequency	digit height 8 mm	●	
	30 Hz / 60 kHz with position display max. 25 kHz		●
Output type	8 kHz, pnp input	●	
	max. 48 Hz, npn input		
Storage temperature	1 transistor switching output		●
	-25 ... 70 °C (-13 ... 158 °F)		●
Dimensions	-25 ... 75 °C (-13 ... 167 °F)	●	
	48 mm x 24 mm x 53.5 mm	●	
Mass	96 mm x 48 mm x 89.4 mm		●
	approx. 140 g	40 g	140 g

Electrical Connection



KC-LED-96-1T-24VDC



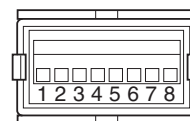
Connection assignment X2

Terminal No.	DC version
1	Power supply 0 V DC (GND)
2	Power supply 10 ... 30 V DC

Connection assignment X1

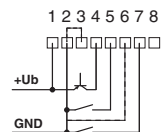
Terminal No.	DC version
1	Optocoupler collector output
2	Optocoupler emitter output
3	SET
4	INP B
5	INP A
6	n.c.
7	n.c.

KC-LCD-24-24VDC



Function and terminal assignment

Terminal	Text on device	Function
1	10 - 30 V DC	Supply voltage +Ub
2	GND	0 V DC
3	GND	0 V DC
4	INP PNP	fast counting input
5	INP NPN	slow counting input
6	RESET	Reset key enable input
	ENABLE	
7	RESET	Reset input
8	n.c.	not used



Date of issue: 04/08/2015



CE

Technical Data

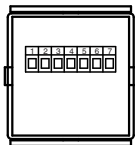
For detailed data and product description refer to the data sheets at www.pepperl-fuchs.com

Model Number	KCY1-6SR-B
Function	Addition/Subtraction pre-select counter
Type	2-line, 7-segment LC display with signs
Number of digits	6
Display value	digit height 7 mm
Reset	manually or external
Operating voltage	2 x 3.6 V batteries
Counting frequency	25 Hz
Output type	Relay output
Ambient temperature	-10 ... 50 °C (14 ... 122 °F)
Storage temperature	-20 ... 60 °C (-4 ... 140 °F)
Relative humidity	≤ 80 % (noncondensing)
Mass	80 g
Dimensions	48 mm x 48 mm x 85 mm
Mounting	latch fastener (dimension 50.5 mm x 54.5 mm)

Properties

- LCD batch controller
- Battery operated
- 6 digits

Electrical Connection



Terminal No.	
1	+3 V DC for terminal 2
2	Input of push-button lock
3	Relay contact
4	Relay contact
5	AC/DC optocoupler count input
6	AC/DC optocoupler reset input
7	Common AC/DC input for terminals 5 and 6



Properties

- LED batch controller
- 10 - 30 V_{DC} and 90 - 250 V_{AC} supply voltage version
- 7 digits

Technical Data

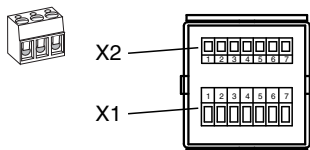
For detailed data and product description refer to the data sheets at www.pepperl-fuchs.com

General Data

Function	Counter Timer Tachometer
Type	7-segment LED display, red
Number of digits	6
Display value	digit height 8 mm
Reset	manually or external
Counting frequency	20 kHz
Output type	Relay output
Sensor supply	✓
Ambient temperature	-10 ... 50 °C (14 ... 122 °F)
Storage temperature	-25 ... 70 °C (-13 ... 158 °F)
Relative humidity	≤ 80 % (noncondensing)
Connection	2 plug-in 7-pin screw terminals max. core cross-section 0.34 ... 1.5 mm ²
Mass	approx. 200 g
Dimensions	48 mm x 48 mm x 106 mm
Mounting	latch fastener (dimension 50.5 mm x 54.5 mm)

Model Number	KCT1-6SR-C	KCT1-6SR-V
Operating voltage	10 ... 30 V DC	90 ... 250 V AC
Power consumption	max. 1.2 VA	max. 7 VA

Electrical Connection



Connector assignment X1
supply voltage and outputs

Terminal No.	AC version	10 ... 30 V DC version
1	n.c.	
2	n.c.	
3	output relay common contact (C)	
4	output relay normally open contact (NO)	
5	output relay normally closed contact (NC)	
6	supply voltage 30 V	operating voltage 10 ... 30 V DC
7	supply voltage 90 ... 250 V AC	0 V DC (GND)

Connector assignment X2
inputs

Terminal No.	Name	AC version	10 ... 30 V DC version
1	+24 VDC	Sensor supply voltage	not connected
2	0 VDC (GND)	Reference voltage	not connected
3	INP A	Counter input A	
4	INP B	Counter input B	
5	RESET	Reset input	
6	GATE	Gate circuit	
7	KEY	Input for key locking	



Properties

- LCD batch controller
- 10 - 30 V_{DC} supply voltage
- 2 x 6 digits

Technical Data

For detailed data and product description refer to the data sheets at www.pepperl-fuchs.com

General Data

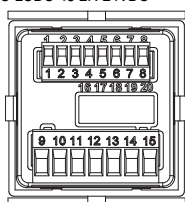
Function	Counter Timer Tachometer
Display value	digit height 9 mm
Reset	manually or external
Sensor supply	✓
Storage temperature	-25 ... 75 °C (-13 ... 167 °F)
Relative humidity	≤ 93 % at 40 °C (noncondensing)
Dimensions	48 mm x 48 mm x 109.8 mm

		KC-LCD-48-1R-24VDC	KC-LCDL-48-2R-24VDC	KC-LCDC-48-2T-24VDC	KC-LCDC-48-2R-24VDC	KC-LCDC-48-6T-24VDC
Type	green = preferred type 2-line, 2 x 6-digit LC display with leading sign	●				
	2-line, 2 x 6-digit LC display with leading sign backlighted		●			
	2-line, 2 x 6-digit LC display with leading sign Multicolor, backlit			●	●	●
Operating voltage	10 ... 30 V _{DC}	●	●	●	●	●
Power consumption	max. 1.5 W	●	●	●	●	●
	max. 4 W	●				
Counting frequency	max. 50 kHz					●
	30 Hz / 5 kHz	●				
	30 Hz / 55 kHz		●	●	●	
Output type	1 relay output	●				
	2 relay outputs		●		●	
	2 transistor switching outputs			●		
	6 transistor switching outputs					●
Ambient temperature	-10 ... 50 °C (14 ... 122 °F)	●				
	-20 ... 65 °C (-4 ... 149 °F)		●	●	●	●
Mass	approx.	117 g	138 g	130 g	138 g	147 g

Electrical Connection



KC-LCDL-48-2H-24VDC
KC-LCDC-48-2R-24VDC



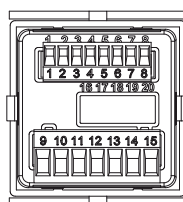
Signal and control inputs

- 1 Sensor supply voltage
- 2 GND (0V)
- 3 INP A (Signal input A)
- 4 INP B (Signal input B)
- 5 RESET (Reset input)
- 6 LOCK (Input Keypad lock)
- 7 GATE (Gate input)
- 8 MPI (User input)

Supply voltage and outputs

- | | |
|-----------------------|------------------|
| 9 Relay contact C. | } Output 1 |
| 10 Relay contact N.O. | |
| 11 Relay contact C. | } Output 2 |
| 12 Relay contact N.O. | |
| 13 Relay contact N.C. | } Supply voltage |
| 14 10 ... 30 V DC | |
| 15 GND (0V) | |

KC-LCDC-48-2T-24VDC



Signal and control inputs

- 1 Sensor supply voltage
- 2 GND (0V)
- 3 INP A (Signal input A)
- 4 INP B (Signal input B)
- 5 RESET (Reset input)
- 6 LOCK (Input Keypad lock)
- 7 GATE (Gate input)
- 8 MPI (User input)

Supply voltage and outputs

- | | |
|-------------------|------------------|
| 9 Collector | } Output 1 |
| 10 Emitter | |
| 11 Collector | } Output 2 |
| 12 not connected | |
| 13 Emitter | } Supply voltage |
| 14 10 ... 30 V DC | |
| 15 GND (0V) | |



Properties

- LCD batch controller
- 230 V_{AC} supply voltage
- 2 x 6 digits

Technical Data

For detailed data and product description refer to the data sheets at www.pepperl-fuchs.com

General Data

Display value	digit height 9 mm
Reset	manually or external
Sensor supply	✓
Storage temperature	-25 ... 75 °C (-13 ... 167 °F)
Relative humidity	≤ 93 % at 40 °C (noncondensing)
Dimensions	48 mm x 48 mm x 109.8 mm

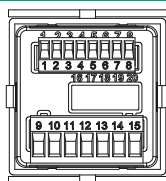
Model Number

		KC-LCD-48-1R-230VAC	KC-LCDL-48-2R-230VAC	KC-LCDC-48-2T-230VAC	KC-LCDC-48-2R-230VAC	KC-LCDC-48-6T-230VAC
Type	green = preferred type 2-line, 2 x 6-digit LC display with leading sign 2-line, 2 x 6-digit LC display with leading sign backlighted 2-line, 2 x 6-digit LC display with leading sign Multicolor, backlit	●	●	●	●	●
Operating voltage	230 V _{AC} 90 ... 260 V _{AC}	●	●	●	●	●
Power consumption	max. 6.5 VA max. 8 VA	●	●	●	●	●
Counting frequency	max. 50 kHz 30 Hz / 5 kHz 30 Hz / 55 kHz	●	●	●	●	●
Output type	1 relay output 2 relay outputs 2 transistor switching outputs 6 transistor switching outputs	●	●	●	●	●
Ambient temperature	-10 ... 50 °C (14 ... 122 °F) -20 ... 65 °C (-4 ... 149 °F)	●	●	●	●	●
Mass	approx.	230 g	143 g	134 g	142 g	151 g

Electrical Connection



KC-LCD-48-1R-230VAC



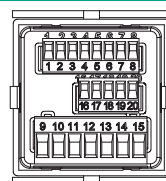
Signal and control inputs

- 1 Sensor supply voltage
- 2 GND (0V)
- 3 INP A (Signal input A)
- 4 INP B (Signal input B)
- 5 RESET (Reset input)
- 6 LOCK (Input Keypad lock)
- 7 not connected
- 8 not connected

Supply voltage and outputs

- 9 not connected
- 10 not connected
- 11 Relay contact C.
- 12 Relay contact N.O. } Output
- 13 Relay contact N.C. }
- 14 230 V AC N- } Supply voltage
- 15 230 V AC L- }

KC-LCDC-48-6T-230VAC



Signal and control inputs

- 1 Sensor supply voltage
- 2 GND (0V)
- 3 INP A (Signal input A)
- 4 INP B (Signal input B)
- 5 RESET (Reset input)
- 6 LOCK (Input Keypad lock)
- 7 GATE (Gate input)
- 8 MPI (User input)

Supply voltage and outputs

- 9 Collector } Output 1
- 10 Emitter }
- 11 Collector } Output 2
- 12 not connected }
- 13 Emitter }
- 14 10 ... 30 V DC } Supply voltage
- 15 GND (0V) }
- 16 Common Emitter } Output 3 - 6
- 17 Collector 6 } Output 6
- 18 Collector 5 } Output 5
- 19 Collector 4 } Output 4
- 20 Collector 3 } Output 3

Date of issue: 04/08/2015



Properties

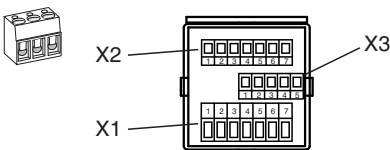
- LED Counter/Timer/Tachometer
- 90 - 250 V_{AC} supply voltage
- 6 digits

Technical Data

For detailed data and product description refer to the data sheets at www.pepperl-fuchs.com

Model Number	KCT1-6WR/RS232-V
Function	Counter Timer Tachometer
Type	7-segment LED display, red
Number of digits	6
Display value	digit height 8 mm
Reset	manually or external
Operating voltage	90 ... 250 V _{AC}
Power consumption	max. 7 VA
Counting frequency	20 kHz
Output type	Relay output
Sensor supply	✓
Ambient temperature	-10 ... 50 °C (14 ... 122 °F)
Storage temperature	-25 ... 70 °C (-13 ... 158 °F)
Relative humidity	≤ 80 % (noncondensing)
Connection	2 plug-in 7-pin screw terminals
Mass	approx. 200 g
Dimensions	48 mm x 48 mm x 106 mm
Mounting	latch fastener (dimension 50.5 mm x 54.5 mm)

Electrical Connection



Connection assignment X1
Supply voltage and outputs

Terminal No.	AC version
1	Output 1 relay contact
2	Output 1 relay contact
3	Output 2 relay common contact (C)
4	Output 2 relay normally open contact (NO)
5	Output 2 relay normally closed contact (NC)
6	Power supply 90 ... 250 V AC
7	Sensor supply voltage 90 ... 250 V AC
8	Reference voltage 90 ... 250 V AC

Connection assignment X2
Inputs

Terminal No.	Name	AC version
1	+24 V DC	Sensor supply voltage
2	0 VDC (GND)	Reference voltage
3	INP A	Counter input A
4	INP B	Counter input B
5	RESET	Reset input
6	GATE	Gate input
7	KEY	Input of push-button lock



CE

Properties

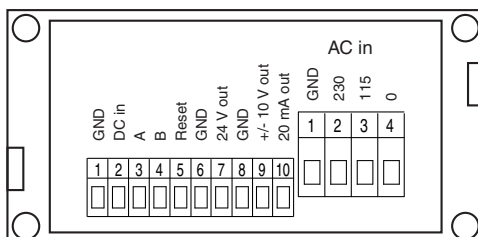
- LED Counter/Timer/Tachometer with analog voltage and current output
- 16 - 35 V_{DC} and 115 - 230 V_{AC} supply voltage
- 6 digits

Technical Data

For detailed data and product description refer to the data sheets at www.pepperl-fuchs.com

Model Number	TC-6A-V
Function	Counter Timer Tachometer
Type	7-segment LED display, red
Number of digits	6
Display value	digit height 15 mm
Reset	manually/external/automatically
Operating voltage	115 ... 230 V _{AC} 16 ... 35 V _{DC}
Power consumption	7.5 VA
Counting frequency	25 kHz (Timer function 1 kHz)
Output type	1 Analog output, configurable voltage output: -10 V ... 10 V current output: 0/4 ... 20 mA
Sensor supply	✓
Ambient temperature	0 ... 45 °C (32 ... 113 °F)
Storage temperature	-25 ... 70 °C (-13 ... 158 °F)
Relative humidity	45 ... 90 % (noncondensing)
Connection	screw terminals, removable max. core cross-section 0.34 ... 1.5 mm ² (AC max. 2.5 mm ²)
Mass	approx. 450 g
Dimensions	96 x 48 x 140 mm

Electrical Connection



Date of issue: 04/08/2015

Consider the General Notes on the Information in the Pepperl+Fuchs Product Catalogs

Pepperl+Fuchs Group
www.pepperl-fuchs.comUSA: +1 330 486 0001
fa-info@us.pepperl-fuchs.comGermany: +49 621 776-4411
fa-info@de.pepperl-fuchs.comCopyright Pepperl+Fuchs
Singapore: +65 6779 9091
fa-info@sg.pepperl-fuchs.com

PEPPERL+FUCHS
SENSING YOUR NEEDS



Technical Data

For detailed data and product description refer to the data sheets at www.pepperl-fuchs.com

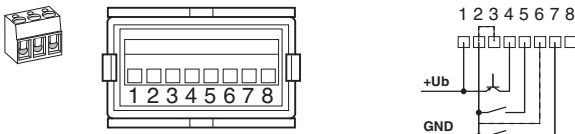
Model Number	KH-LCD-24-24VDC
Function	Operating hours counter
Type	7-digit 7-segment LC display Hourglass as operating indicator
Display value	digit height 8 mm
Reset	manually or external
Operating voltage	10 ... 30 V DC
Ambient temperature	-20 ... 65 °C (-4 ... 149 °F)
Storage temperature	-25 ... 75 °C (-13 ... 167 °F)
Mass	approx. 40 g
Dimensions	48 mm x 24 mm x 53.5 mm



Properties

- LCD operating hours counter
- 10 - 30 V_{DC} supply voltage
- 7 digits

Electrical Connection



Function and terminal assignment

Terminal	Text on device	Function
1	10 - 30 V DC	Supply voltage +Ub
2	GND	0 V DC
3	GND	0 V DC
4	INP PNP	static counting input ≥ 3,5 V
5	INP NPN	static counting input ≤ 2 V
6	RESET MANUEL ENABLE	Reset key enable input
7	RESET	Reset input
8	n.c.	not used



Properties

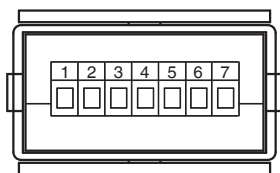
- LED display
- Digital display unit
- 10 - 30 V_{DC} supply voltage
- 5 digits

Technical Data

For detailed data and product description refer to the data sheets at www.pepperl-fuchs.com

Model Number	DA5-IU-C
Pre-selection	none
Data storage	10 ⁶ storage cycles or 10 years, EEPROM
Programming	keypad-driven menu
Type	7-segment LED display, red
Number of digits	5
Display value	digit height 8 mm
Display interval	-19999 ... 99999
Operating voltage	10 ... 30 V _{DC}
Power consumption	1.5 VA
Impedance	1 MOhm
Voltage	max. 30 V _{DC}
Analog voltage input	0 ... 10 V / 2 ... 10 V _{DC}
Analog current input	0 ... 20 mA / 4 ... 20 mA
Ambient temperature	-10 ... 50 °C (14 ... 122 °F)
Storage temperature	-25 ... 70 °C (-13 ... 158 °F)
Relative humidity	≤ 80 % (noncondensing)
Connection	7-pin screw terminal max. core cross-section 0.34 ... 1.5 mm ²
Dimensions	48 mm x 24 mm x 65 mm
Mounting	latch fastener/mounting frame
Protection degree	IP65 (front)

Electrical Connection



Terminal No.	
1	10 ... 30 V DC
2	0 V (GND)
3	0 V LATCH
4	LATCH
5	Current input
6	0 V input signal
7	Voltage input

Date of issue: 04/08/2015



Properties

- LED display
- Process control and indication unit
- 10 - 30 V_{DC} and 90 - 260 V_{AC} supply voltage version
- 6 digits

Technical Data

For detailed data and product description refer to the data sheets at www.pepperl-fuchs.com

General Data

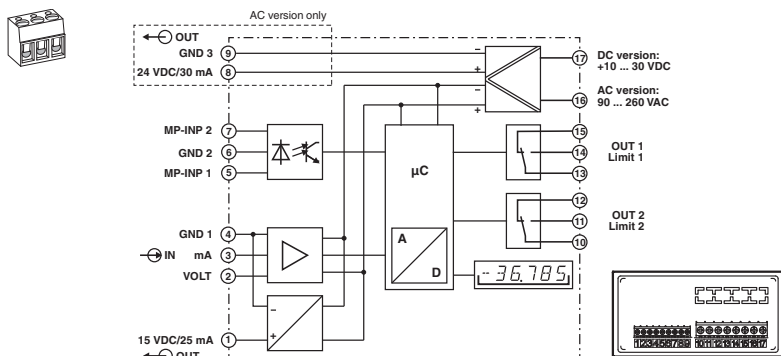
Pre-selection	2-fold
Data storage	> 10 years, EEPROM
Programming	keypad-driven menu
Type	14-segment LED display, red
Number of digits	6
Display value	digit height 14 mm
Display interval	-199999 ... 999999 with suppression of leading zeros
Impedance	> 1 MΩ for voltage measurement 22 Ω + PTC 25 Ω for current measurement
Analog voltage input	0 ... 10 V / 2 ... 10 V DC, -10 ... 10 V DC
Analog current input	0 ... 20 mA / 4 ... 20 mA
Relay output	2 x 250 V AC / 125 V DC, 5 A, changeover contact
Ambient temperature	-10 ... 50 °C (14 ... 122 °F)
Storage temperature	-20 ... 70 °C (-13 ... 158 °F)
Relative humidity	≤ 80 % (noncondensing)
Connection	8-pin and 9-pin connectors with plug-in screw terminals
Dimensions	96 mm x 48 mm x 102 mm
Mounting	mounting frame with latch fastener

Model Number

	green = preferred type		
Operating voltage	10 ... 30 V _{DC}	●	DA6-IU-2K-C
	90 ... 260 V _{AC}		● DA6-IU-2K-V
Power consumption	3.8 W	●	
	9 VA		●
Sensor supply	15 V DC , 25 mA	●	
	24 V DC , 30 mA		●

Logic Control Units, Digital Meters

Electrical Connection





Technical Data

For detailed data and product description refer to the data sheets at www.pepperl-fuchs.com

General Data

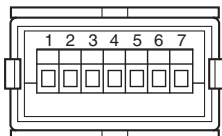
Data storage	EEPROM
Programming	keypad-driven menu
Type	5-digit 7-segment LED display, red
Display value	digit height 8 mm
Operating voltage	10 ... 30 V _{DC} galvanically isolated
Ambient temperature	-20 ... 65 °C (-4 ... 149 °F)
Storage temperature	-25 ... 70 °C (-13 ... 158 °F)
Relative humidity	≤ 85 % (noncondensing)
Dimensions	48 mm x 24 mm x 68.3 mm
Protection degree	IP65 (front)

Properties

- LED temperature display
- 10 - 30 V_{DC} supply voltage
- 5 digits

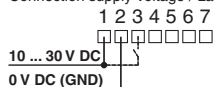
		KT-LED-24-PT100-24VDC	KT-LED-24-TC-24VDC
Display interval	-1999.9 ... 9999.9 -999.9 ... 1999.9	●	●

Electrical Connection

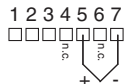


Electrical connection

Connection supply Voltage / Latch input



Thermocouple Sensor



Connections

Pin	Function
1	10 - 30 V DC Supply voltage
2	0 V DC (GND)
3	Latch input
4	not connected
5	Thermocouple "+"
6	not connected
7	Thermocouple "-"

Date of issue: 04/08/2015

Technical Data

For detailed data and product description refer to the data sheets at www.pepperl-fuchs.com



General Data

Data storage	10 ⁶ storage cycles or 10 years, EEPROM
Programming	keypad-driven menu
Type	5-digit 7-segment LED display, red
Display value	digit height 14.2 mm
Display interval	-19999 ... 99999 with suppression of leading zeros
Output type	2 Relay changeover outputs
Sensor supply	✓
Ambient temperature	-20 ... 65 °C (-4 ... 149 °F)
Storage temperature	-40 ... 85 °C (-40 ... 185 °F)
Relative humidity	≤ 75 % (noncondensing)
Dimensions	96 mm x 48 mm x 90.7 mm
Protection degree	IP65 (front)

Properties

- LED display
- Temperature control unit
- 10 - 30 V_{DC} and 90 - 260 V_{AC} supply voltage version
- 5 digits

		KT-LED-96-2R-24VDC	KT-LED-96-2R-230VAC
Operating voltage	10 ... 30 V _{DC} galvanically isolated 90 ... 260 V _{AC}	●	●
Power consumption	max. 2 W max. 6 VA	●	●

Electrical Connection



KT-LED-96-2R-230VAC
KT-LED-96-2R-24VDC

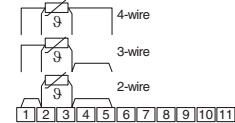
Electrical connection X2 Thermocouples



Voltage measurement



Resistance thermometer Pt100/Pt1000



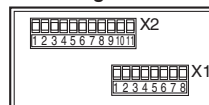
Control inputs and auxiliary power (Vout)



* Alternatively connect directly to DC power supply (galvanic isolation of control and measurement inputs)

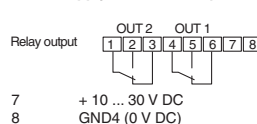
KT-LED-96-2R-24VDC

Wire assignment



X1: Pin Function

Power supply and alarm outputs



X2: Pin Function

Thermocouples

- 1 Positive sensing arm
- 2 Negative sensing arm

Resistance thermometer

- 1 Pt100 or 0 ... 400 Ω
- 2 Pt1000 or 0 ... 4000 Ω

Voltage measurement

- 1 Voltage input (V)
- 2 GND 1 (analog)

Control inputs and auxiliary power (Vout)

- 6 Keypad lock-out "Key"
- 7 GND2 Key/MPI
- 8 MP-input "Reset-alarm-latch/ Display-Hold"
- 9 GND3 (for Vout)
- 10 Vout + 10 V/30 mA
- 11 n.c.



Properties

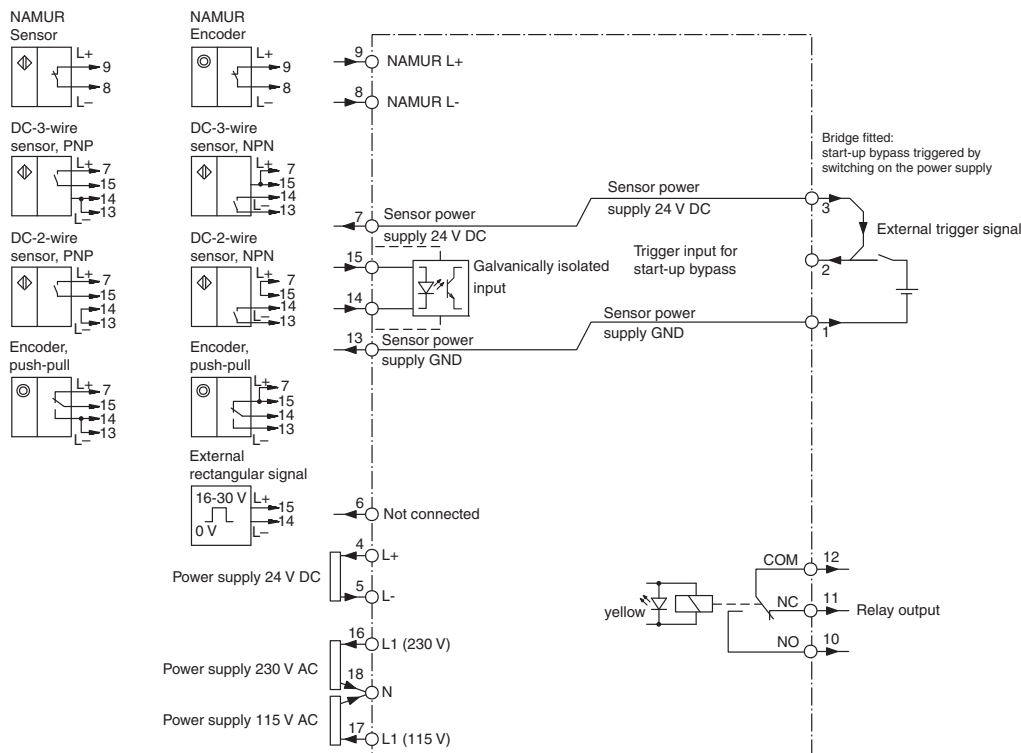
- Overspeed / underspeed monitor
- DC and AC supply voltage
- 4 digits display

Technical Data

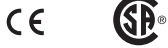
For detailed data and product description refer to the data sheets at www.pepperl-fuchs.com

Model Number	KFU8-DW-1.D
Rated voltage	196 ... 250 V AC ; 98 ... 127 V AC; 47 ... 63 Hz 20.4 ... 28 V DC
Power consumption	AC: < 5 VA DC: < 5 W
Type	4-digit, 7-segment red display, 7 mm digit height
Display interval	0.002 ... 9999 Hz or 0.01 ... 9999 min ⁻¹
Parameter assignment	keypad-driven menu
Switching state	LED yellow, 3 mm
Input 1	
Connection	terminals 8-, 9+
Connectable sensor types	NAMUR sensors according to DIN EN 60947-5-6
Input frequency	0.002 ... 40000 Hz, pulse length/duration: ≥ 12µs
Input 2	
Connection	terminals 7+, 13- sensor supply terminals 14, 15 NPN/PNP input (galvanically isolated)
Connectable sensor types	Two, three, or four-wire proximity switch, incremental rotary encoder, or externally generated pulses 16 ... 30 V
Start-up override	Triggering by external signal 16 ... 30 V or Place jumper between terminals 2/3 or by switching on supply voltage (terminal 2 and terminal 3 permanently bridged)
Jumpering time	0.1 ... 999.9 s (External trigger signal)
Relay	1 changeover contact NO, NC, COM
Sensor supply	24 V DC ± 10 %, 30 mA , short-circuit protected
Delay	≤ 20 ms (incl. calculation time)
Ambient temperature	-25 ... 50 °C (-13 ... 122 °F)
Storage temperature	-40 ... 85 °C (-40 ... 185 °F)
Protection degree	IP20
Connection	coded, removable terminals , max. core cross-section 0.34 ... 2.5 mm ²
Mounting	Snap onto 35 mm standard rail compliant with DIN EN 50022 or Screw fastening using slide-on straps in a 90 mm net

Electrical Connection



Date of issue: 04/08/2015



Technical Data

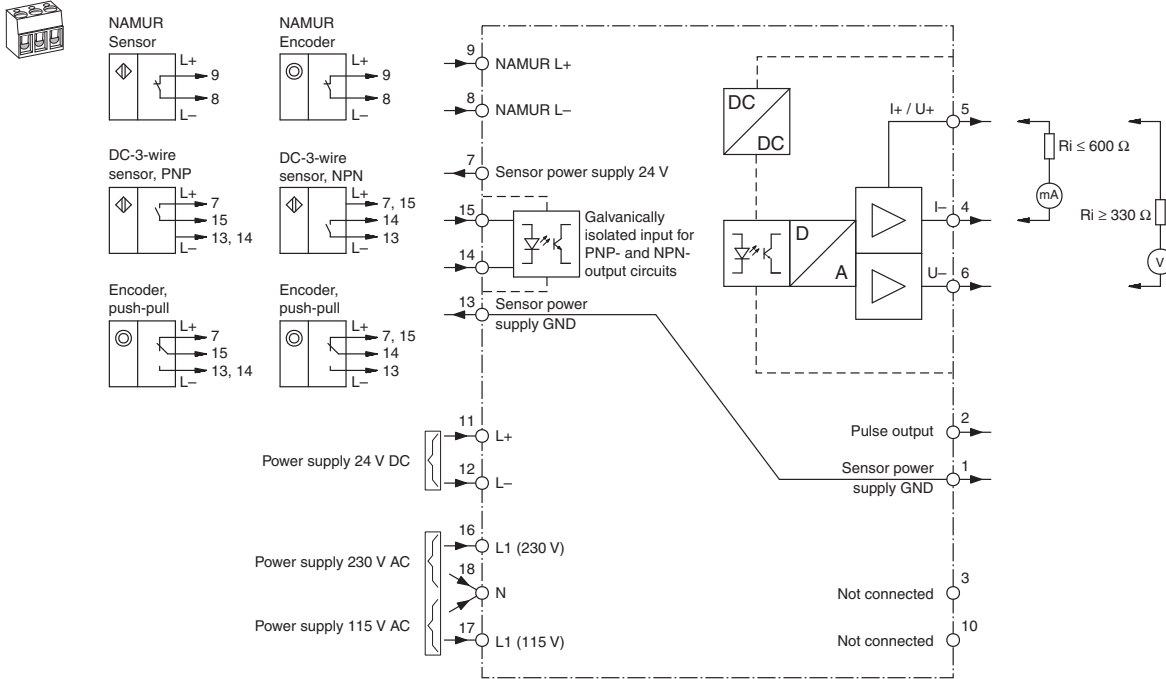
For detailed data and product description refer to the data sheets at www.pepperl-fuchs.com

Model Number	KFU8-FSSP-1.D
Rated voltage	196 ... 250 V AC ; 98 ... 127 V AC; 47 ... 63 Hz 20.4 ... 27.6 V DC
Power consumption	AC: < 5 VA DC: < 5 W
Type	4-digit, 7-segment red display, 7 mm digit height
Display interval	0.002 ... 9999 Hz or 0.01 ... 9999 min ⁻¹
Input 1	
Connection	terminals 8-, 9+
Connectable sensor types	NAMUR sensors according to DIN EN 60947-5-6
Switching point	high: 16 ... 30 V DC; max. 10 mA; R _i ≅ 3 kOhm low: 0 ... 6 V DC
Input 2	
Connection	terminals 7+, 13- sensor supply terminals 14, 15 NPN/PNP input (galvanically isolated)
Connectable sensor types	2-, 3-, or 4-wire proximity switches and incremental rotary encoder
Ambient temperature	-25 ... 50 °C (-13 ... 122 °F)
Storage temperature	-40 ... 85 °C (-40 ... 185 °F)
Protection degree	IP20
Connection	coded, removable terminals , max. core cross-section 0.34 ... 2.5 mm ²
Mounting	snap-on to 35 mm standard rail or screw fixing

Properties

- Frequency voltage current converter
- DC and AC supply voltage
- 4 digits display

Electrical Connection



Logic Control Units, Signal Converters

9.4

Date of issue: 04/08/2015



Technical Data

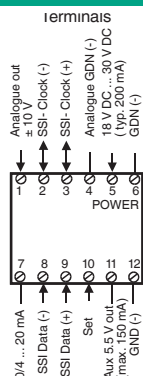
For detailed data and product description refer to the data sheets at www.pepperl-fuchs.com

K23-SSI/R2/IU-C	
Rated operational voltage	18 ... 30 V DC
Rated operational current	≤ 170 mA at 18 V DC (5.5 V not connected) ≤ 120 mA at 30 V DC
Supply	Encoder: 5.5 V ±5 %, max. load 150 mA
Input 1	
Input type	SSI
Input format	Gray code, binary code
Resolution	13, 21, or 25 bit
Input 2	
Input type	Set
Output	
Number/Type	analog
Output rated operating current	0/4 ... 20 mA (< 150Ω) at ±10 V DC (> 5 kΩ)
Ambient temperature	0 ... 45 °C (32 ... 113 °F)
Connection	screw terminals , max. core cross-section 0.34 ... 2.5 mm ²

Properties

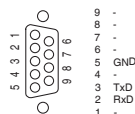
- Signal converter
- DC supply voltage

Electrical Connection

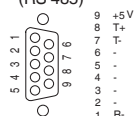


Sub-D 9-pin (RS 232)

Only connect PINS 2, 3 and 5.
The connection of other PINS leads
to interference with the RS 485 signal.



(RS 485)



Date of issue: 04/08/2015

Consider the General Notes on the Information in the Pepperl+Fuchs Product Catalogs

Pepperl+Fuchs Group
www.pepperl-fuchs.com

USA: +1 330 486 0001
fa-info@us.pepperl-fuchs.com

Germany: +49 621 776-4411
fa-info@de.pepperl-fuchs.com

Copyright Pepperl+Fuchs
Singapore: +65 6779 9091
fa-info@sg.pepperl-fuchs.com

PEPPERL+FUCHS
SENSING YOUR NEEDS



Technical Data

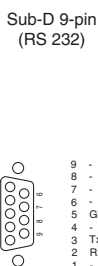
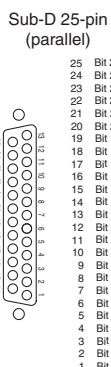
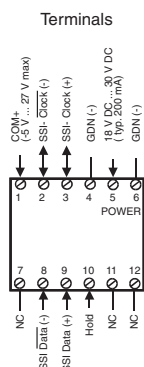
For detailed data and product description refer to the data sheets at www.pepperl-fuchs.com

Model Number	K23-SSI/R2/25B-C
Rated operational voltage	18 ... 30 V DC
Rated operational current	≤ 200 mA
Input 1	
Input type	SSI
Input format	Gray code, binary code
Resolution	13, 21, or 25 bit
Input 2	
Input type	HTL (Hold)
Output	
Number/Type	Parallel
Output rated operating current	Gray-Code, Binary-Code, BCD-Code
Ambient temperature	0 ... 45 °C (32 ... 113 °F)
Connection	screw terminals , max. core cross-section 0.34 ... 2.5 mm ²

Properties

- Signal converter
- DC supply voltage

Electrical Connection





Technical Data

For detailed data and product description refer to the data sheets at www.pepperl-fuchs.com

General Data

LED yellow	switch output lead breakage: LED off, output locked
Operating voltage	10 ... 30 V DC
Operating current	approx. 22 mA
Sensor supply	8 V DC
Input	
Connection	terminals 1+, 2-
Connectable sensor types	NAMUR
Trip value	1 kHz
Output	
Current	200 mA short-circuit protected
Ambient temperature	-25 ... 70 °C (-13 ... 158 °F)
Storage temperature	-25 ... 85 °C (-13 ... 185 °F)
Connection	self-opening apparatus connection terminals, max. core cross-section 0.34 ... 2.5 mm ²
Dimensions	20x60x40 (in mm)

Properties

- Sensor output interface terminal
- DC supply voltage

Model Number

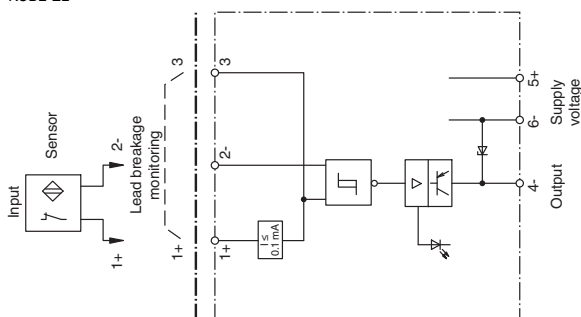
green = preferred type

	KCD2-EL	KCD2-E2L
Output		
Output type	1 NPN, NO	1 PNP, NO
Connection	terminal 4+	terminal 4-
Signal level	U _B - 1.1V	U _B - 1.8V

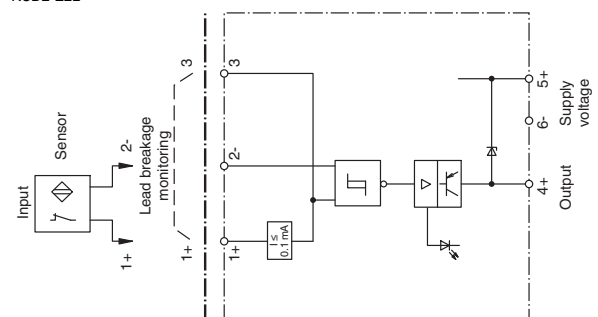
Electrical Connection



KCD2-EL



KCD2-E2L



Date of issue: 04/08/2015



Technical Data

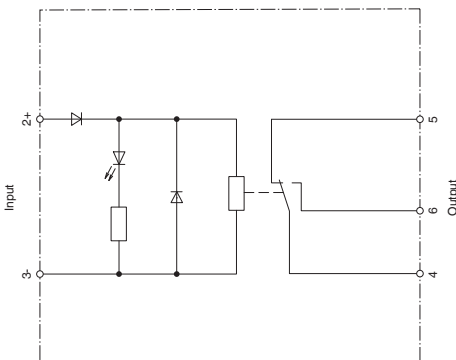
For detailed data and product description refer to the data sheets at www.pepperl-fuchs.com

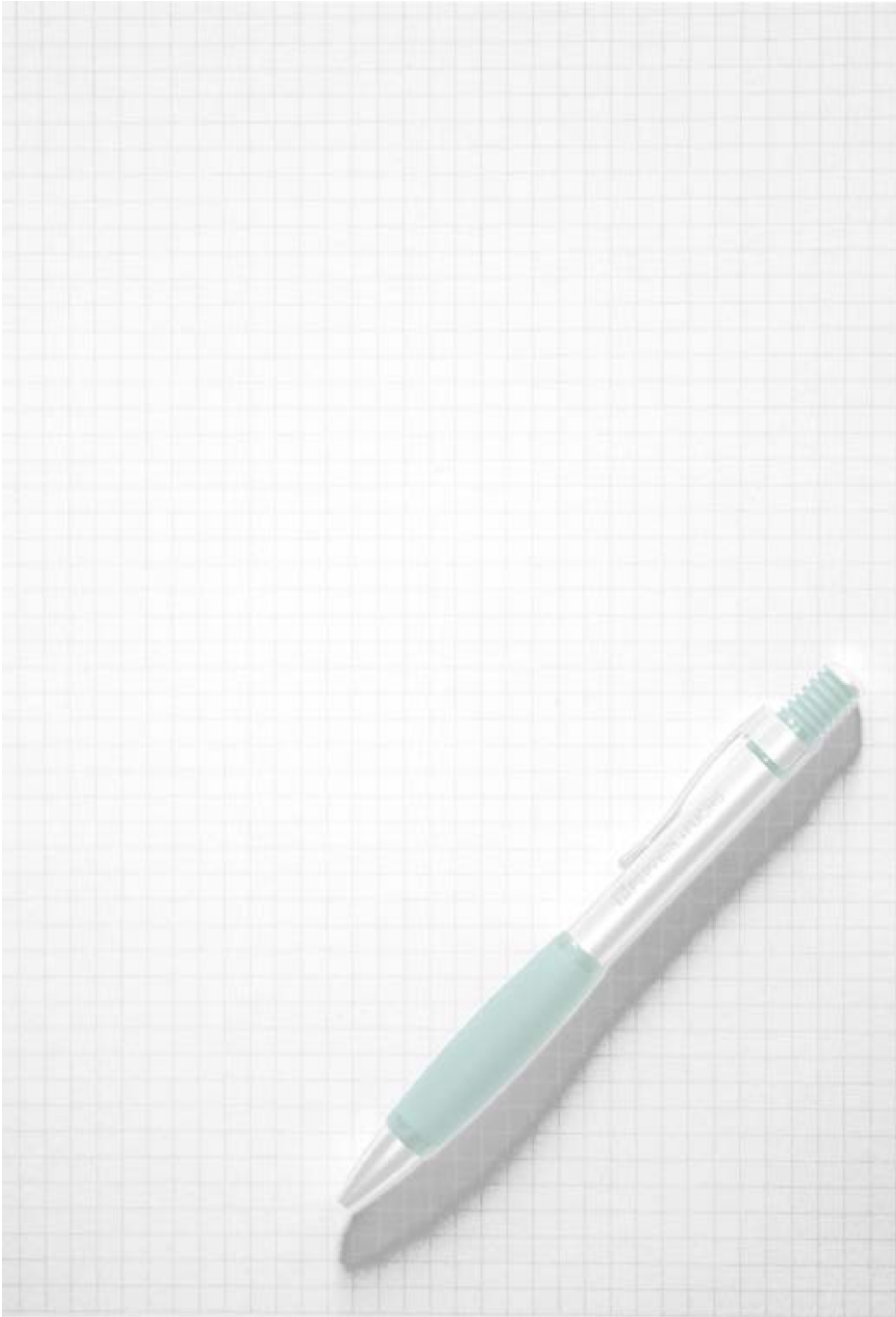
	KCD2-R
LED yellow	switch output
Operating voltage	24 V DC ± 15 %
Operating current	16 mA
Input	
Connection	terminals 2+, 3-
Connectable sensor types	PNP or NPN 3-wire sensors
Output	
Relay	1 changeover contact
Contact load	30 VDC / 2 A
Switching frequency	≤ 10 Hz
Ambient temperature	-25 ... 60 °C (-13 ... 140 °F)
Storage temperature	-25 ... 85 °C (-13 ... 185 °F)
Connection	self-opening apparatus connection terminals, max. core cross-section 0.34 ... 2.5 mm ²
Dimensions	20 mm x 60 mm x 40 mm

Properties

- Sensor output interface terminal
- DC supply voltage

Electrical Connection





Contents

Accessories



Accessories

10.1	Connectors, Cordsets, Splitters	
	Sensor-actuator cable M12.....	980
	Sensor-actuator cable M8.....	998
	Sensor-actuator cable 1/2“.....	1012
	Sensor-actuator cable 7/8“.....	1014
	Valve Connector Cordsets Form A, B, C.....	1016
	Field Connectors M12.....	1018
	Field Connectors M8.....	1024
	Field Connectors 1/2“.....	1030
	Field Connectors 7/8“.....	1032
	Field Connectors M18.....	1034
	Field Connectors Rd24.....	1036
	Valve Field Connector.....	1038
	Sensor-actuator receptacles M12.....	1040
	Sensor-actuator receptacles M8.....	1042
	Sensor-actuator receptacles 7/8“.....	1044
	Sensor-actuator receptacles 1/2“.....	1046
	Junction blocks M12.....	1048
	Junction blocks M8.....	1050
	T-Splitter M12 / M8.....	1052
	Y-Splitter M12 / M8.....	1054
	Data connectors PROFIBUS.....	1058
	Data connectors Ethernet.....	1058
	Data connectors DeviceNet / CANopen.....	1059
	Accessories.....	1060
	Raw cable rings.....	1062
	Technical information.....	1066
10.2	Sensor tester and Tools	
	Sensor tester and Tools.....	1067
10.3	Mounting accessories	
	Mounting Adapters for cylindrical sensors.....	1068
	Mounting Adapters for the VariKont, VariKont M and VariKont L series.....	1070
	Cable Protectors.....	1070
10.4	Wireless Inductive System WIS	
	Noncontact Energy and Data Transfer.....	1084



Product Diversity – Always the Right Connection

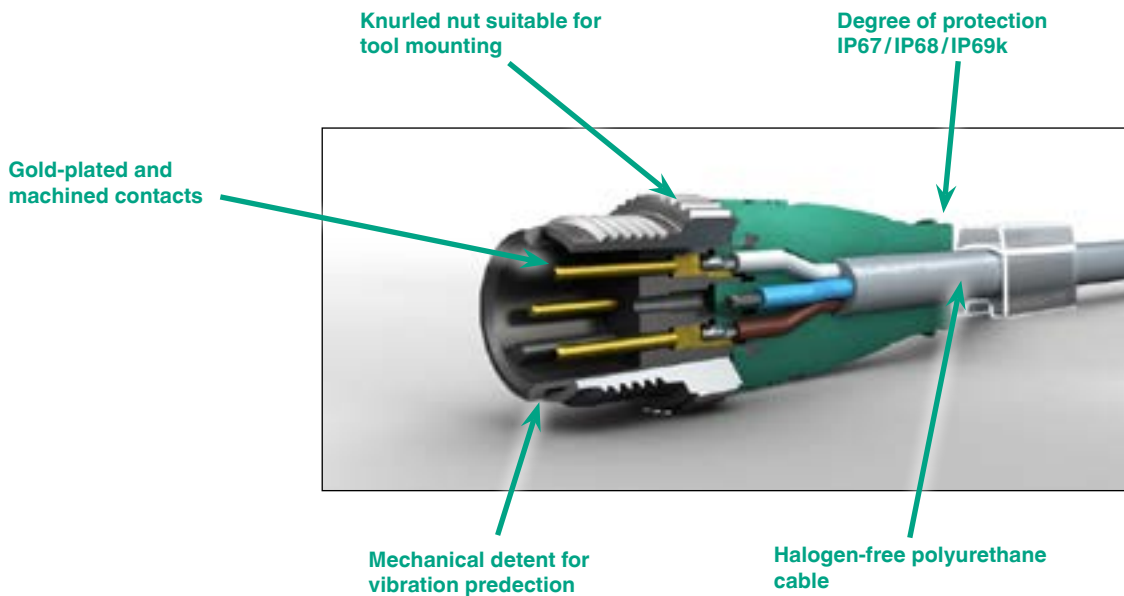
Pepperl+Fuchs offers a comprehensive range of sensor-actuator cables for machine and plant installations. In addition to the common M8, M12, and valve connector designs, ready-made 1/2" and 7/8" connectors are also available in stock as standard. Our recently introduced "LEAN Production" philosophy will enable us to manufacture and deliver customized versions with short delivery times.

Our range includes:

- Shielded versions
- Versions with stainless-steel coupling nut
- Versions with indicators for operation and function.


In conjunction with our wide range of cable types, these options mean that we can provide the optimum solution for virtually any application.

The New Generation – Connectors with Impressive Properties



- Optimized size and a rounded body designed for a secure grip enable the connector to be used in the tightest of spaces
- Gold-plated, machined contacts ensure contact resistances < 5 mΩ
- Halogen-free PUR cables prevent toxic vapors being released in the event of a fire
- The knurled nut enables a torque wrench to be used to securely tighten our connectors
- Highly effective integrated vibration prediction

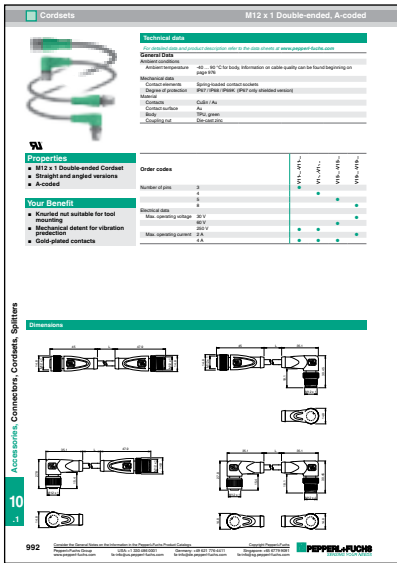
Your Benefits at a Glance

- Flexibility – we are happy to customize our products to your specifications
- Shortest delivery times – even for customized products
- Quality – exhaustive functional testing of all connectors
- Products are approved for the American market – 
- Reliably sealed to IP67 or higher

Our Type Code – Your Order Code

Simply use our type code to order the product you desire with a minimum of fuss. We'll show you how!

For example, just select the desired cable material and cable length and enter this into the empty space on the type code – your order code is complete.

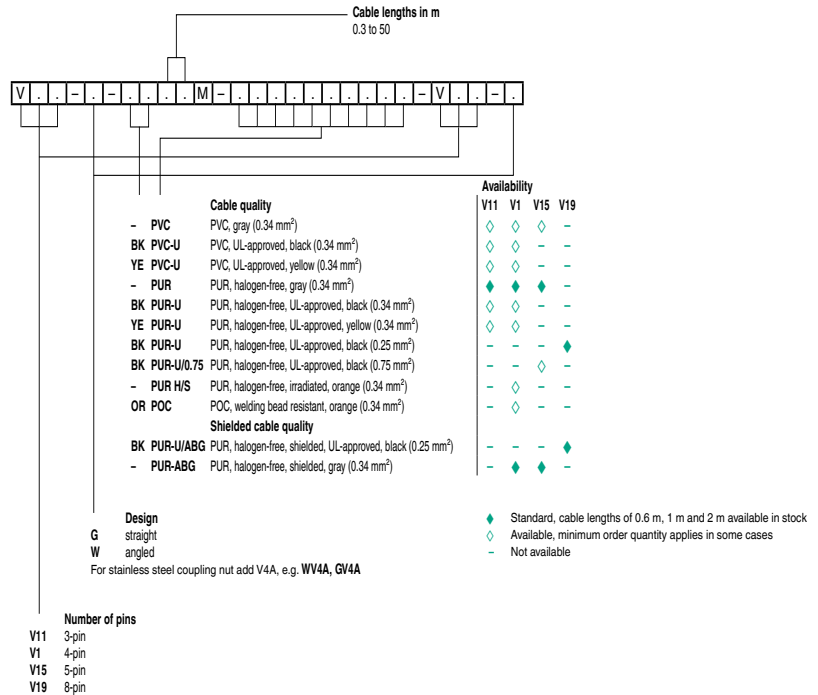


Example

You wish to order the following M12 double-ended cordset:

- M12 socket, straight to M12 plug, straight, 4-pin
- Halogen-free polyurethane cable, gray
- 1 m cable length

Order codes



As you can see from the image above, the correct order code is:

V1-G-1M-PUR-V1-G.

The Correct Cable for Every Application

Choosing the right cable is crucial in terms of the service life you can expect from a sensor-actuator cable. This is why it pays to familiarize yourself with our extensive range of cables. It will save you time as well as money!



PVC – for straightforward applications

Application areas:

For use in areas subject to moderate mechanical strain, e.g., packaging machines, assembly and production lines.

- Affordable cable quality
- Effective resistance to chemicals
- Suitable for the food industry




Features:

- Easily strippable
- Excellent flame retardance
- Suitable for flexible installation to some extent
- Limited resistance to oil and lubricant

Temperature range

fixed installed	-25 °C ... 70 °C
	-25 °C ... 105 °C for indicated cable types
flexible installed	-5 °C ... 70 °C
Minimum bending radius	10 x D

PVC

Cable type	Structure	Diameter	Use
PVC, gray, 70 °C	3/4/5 x 0.34 mm ² (19 x 0.15 mm)	Ø = 4.8 mm	M12
PVC, gray, 70 °C	3/4 x 0.25 mm ² (14 x 0.15 mm)	Ø = 4.3 mm	M8
PVC, black, 80 °C	2+1 x 0.5 mm ² (16 x 0.2 mm)	Ø = 4.8 mm	Valve connectors
PVC, black, 80 °C	3+1/4+1 x 0.5 mm ² (28 x 0.15 mm)	Ø = 4.9 mm / 5.3 mm	Valve connectors
PVC-U, black, 70 °C	 3/4 x 0.34 mm ² (19 x 0.15 mm)	Ø = 4.3 mm	M8 / M12
PVC-U, yellow, 70 °C	 3/4 x 0.34 mm ² (19 x 0.15 mm)	Ø = 4.3 mm	M8 / M12
PVC, blue (NAMUR), 70 °C	2/4 x 0.34 mm ² (19 x 0.15 mm)	Ø = 4.8 mm	M8 / M12
PVC-U, yellow, 105 °C	 3/4/5 x 0.34 mm ² (42 x 0.1 mm)	Ø = 5.2 mm / 5.5 mm / 5.9 mm	1/2"

For available Raw cable rings, see page 1064.



PUR – for complex applications

Application areas:

Suitable for long-term flexible use in the most challenging of environments such as with machine tools, redary tables and swivel tables. Shielded versions available to meet additional EMC requirements.

- Halogen-free
- Capable of withstanding a high level of mechanical stress
- Effective resistance to chemicals
- Effective resistance to oil
- UL cable types are extremely flame-retardant

Features:







- Free from silicone and substances that inhibit lacquer adhesion
- Resistant to microbes and hydrolysis
- UV-resistant

Temperature range

fixed installed	-40 °C ... 80 °C
flexible installed	-20 °C ... 80 °C
Minimum bending radius	10 x D

Additional data for UL-approved cable types (unshielded):

Min. no. of bending cycles	5 million
Distance	5 m
Acceleration	5 m/s ²
Speed	3.33 m/s
Torsion	±180°/m tested at 20 °C ... 25 °C

PUR			
Cable type	Structure	Diameter	Use
PUR, gray, 80 °C	3/4/5 x 0.34 mm ² (19 x 0.15 mm)	Ø = 4.8 mm	M12
PUR, gray, 80 °C	3/4 x 0.25 mm ² (14 x 0.15 mm)	Ø = 4.3 mm	M8
PUR-U, black, 80 °C	 8 x 0.25 mm ² (14 x 0.15 mm)	Ø = 6.0 mm	M12
PUR-U, black, 80 °C	 3/4 x 0.34 mm ² (42 x 0.1 mm)	Ø = 4.3 mm	M8 / M12
PUR-U, yellow, 80 °C	 4 x 0.34 mm ² (42 x 0.1 mm)	Ø = 4.3 mm	M8 / M12
PUR, blue (NAMUR), 80 °C	2/4 x 0.34 mm ² (19 x 0.15 mm)	Ø = 4.8 mm	M8 / M12
PUR-ABG, gray, shielded, 80 °C	4/5 x 0.34 mm ² (19 x 0.15 mm)	Ø = 4.8 mm	M8 / M12
PUR-U/ABG, black, shielded, 80 °C	 8 x 0.25 mm ² (14 x 0.15 mm)	Ø = 6.0 mm	M12
PUR-U/0.75, black, 80 °C	 5 x 0.75 mm ² (42 x 0.15 mm)	Ø = 6.0 mm	M12
PUR, black, 80 °C	 2+1/3+1/4+1 x 0.5 mm ² (28 x 0.15 mm)	Ø = 4.5 mm / 4.9 mm/5.3 mm	Valve connectors

For available Raw cable rings, see page 1064.



Irradiated PUR – for extreme applications

Application areas:

This cable boasts properties that are better than those of conventional PUR cables, making this highly-flexible control cable also suitable for use in robot applications and particularly with welding robots.

- Welding bead resistant
- Resistant to high temperatures
- Capable of withstanding mechanical stress
- Robot-compatible
- Halogen-free
- Excellent flame retardance


Features:

- Effective resistance to oil
- Effective resistance to chemicals
- UV-resistant
- Free from silicone and substances that inhibit lacquer adhesion
- Resistant to microbes and hydrolysis

Temperature range

fixed installed	-50 °C ... 105 °C	
	-50 °C ... 80 °C	for UL cable types
flexible installed	-40 °C ... 105 °C	
	-40 °C ... 80 °C	for UL cable types
Minimum bending radius	10 x D	
Min. no. of bend cycles	5 million	
Distance	10 m	
Acceleration	10 m/s ²	
Speed	3 m/s	
Torsion	±360°/m tested at 20 °C ... 25 °C	

Irradiated PUR

Cable type	Structure	Diameter	Use
PUR-H/S, orange, irradiated, 80 °C	4 x 0.34 mm ² (19 x 0.15 mm)	∅ = 4.8 mm	M8 / M12
PUR-H/S, yellow, irradiated, 80 °C	 3/4/5 x 0.75 mm ² (42 x 0.15 mm)	∅ = 5.8 mm	1/2"

For available Raw cable rings, see page 1064.



POC welding bead resistant – for the most challenging scenarios

Application areas:

This special cable comes into its own for applications in the welding sector that cannot be solved with irradiated PUR cables.

- **Welding bead resistant**
- **Resistant to high temperatures**
- **Capable of withstanding mechanical stress**
- **Robot-compatible**
- **Excellent flame retardance**

Features:

- Effective resistance to oil
- Effective resistance to chemicals
- UV-resistant
- Free from silicone and substances that inhibit lacquer adhesion
- Resistant to microbes and hydrolysis

Temperature range

fixed installed	-40 °C ... 150 °C
flexible installed	-15 °C ... 150 °C
Minimum bending radius	10 x D
Torsion	±360°/m tested at 20 ... 25 °C

POC

Cable type	Structure	Diameter	Use
POC, orange, 105 °C	4 x 0.34 mm ² (19 x 0.15 mm)	Ø = 4.8 mm	M8 / M12

For available Raw cable rings, see page 1064.



STOOW – THE cable for the American market

Application areas:

This type of cable uses an extremely resilient PVC mixture that is used predominantly in the American market.

- **Extremely resilient PVC mixture acc. to STOOW-A**
- **Tried and tested for outdoor use**
- **Approved up to 600 V**
- **Excellent flame retardance**

Features:

- Effective resistance to oil
- Effective resistance to chemicals

Temperature range

fixed installed	-25 °C ... 105 °C
flexible installed	-5 °C ... 105 °C
Minimum bending radius	10 x D

STOOW

Cable type	Structure	Diameter	Use
STOOW, yellow, 105 °C	3/4/5 x AWG16 (~1.25 mm ² , 19 x 0.29 mm)	Ø = 9.9 mm / 10.7 mm / 12.9 mm	7/8"

Instructions on Connecting and Routing Cables

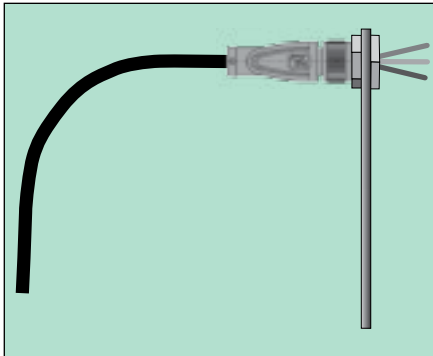
Avoid common mistakes when connecting and routing cables

Properly connecting, routing, and maintaining cable systems is the best way to ensure their reliability and long service life.

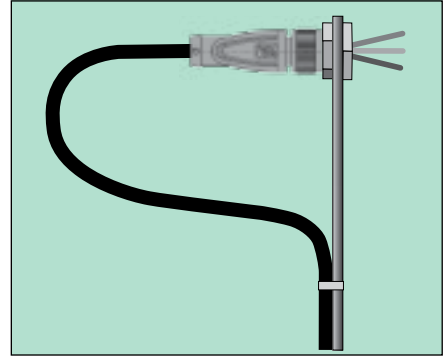
Bending radius

By using an appropriate bending radius you can reduce the tensions that arise from bending, and extend the cable's service life.

Recommended flexible installation



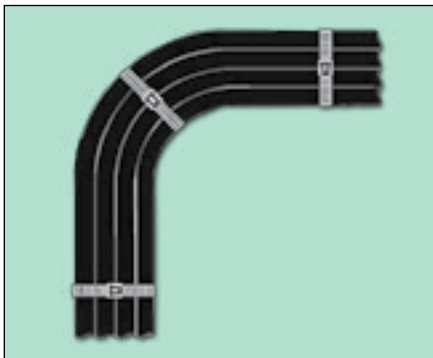
Recommended fixed installation



Bundling

When individual cables are connected to a device and when securing cables together, take care to avoid deforming the cables with the cable ties. When cables are secured correctly it should be possible to move them easily and without using much force; this will extend their service life.

Correct bundling



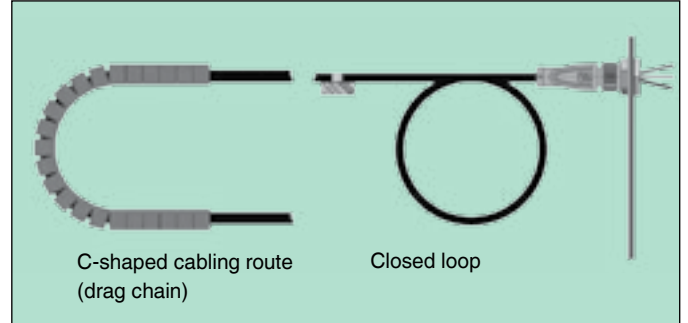
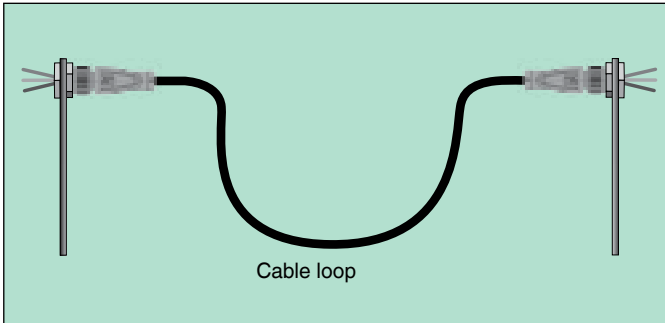
Incorrect bundling

Cable ties that are too tight should be loosened, and those that are too slack should be tightened



Connecting cables to portable devices

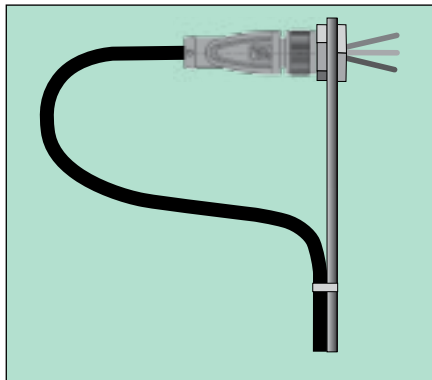
Connecting cables that are subject to movement between two points must be long enough to avoid excessive strain on the cables and connectors. In this situation it is advisable to form loops in the cable and route sections in the shape of the letter C.



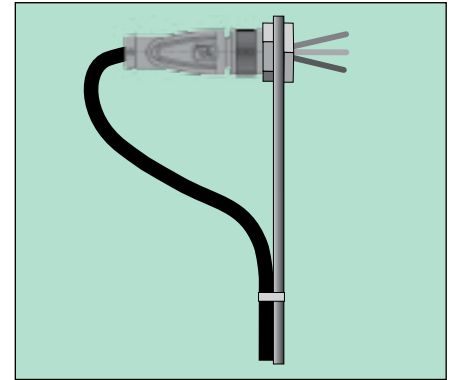
Strains

If a sufficiently large loop is formed at connection points, then excessive wear and common problems due to the strains illustrated below can be avoided. Pepperl+Fuchs connecting cables feature rugged, pre-fitted easy-grip body. If these are combined with correctly formed loops, the result is that both connector and cable are relieved very effectively of strain.

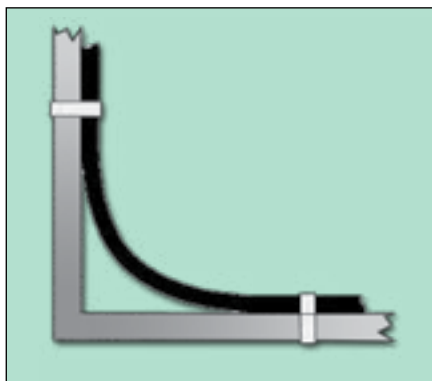
Correct strain relief loop



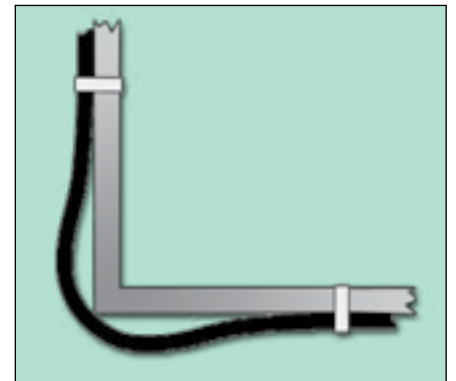
Incorrect strain relief loop



Recommended: Routing inside corner



Routing the cable round the outside of a corner is not recommended





Technical data

For detailed data and product description refer to the data sheets at www.pepperl-fuchs.com

General Data

Ambient conditions

Ambient temperature -40 ... 90 °C for body, Information on cable quality can be found beginning on page 974

Mechanical data

Contact elements Spring-loaded contact sockets
 Degree of protection IP67 / IP68 / IP69K (IP67 only shielded version)

Material

Contacts CuSn / Au
 Contact surface Au
 Body TPU, green
 Coupling nut Die-cast zinc

Properties

- M12 x 1 Single-ended Cordset
- Female straight and angled versions
- A-coded

Your Benefit

- Knurled nut suitable for tool mounting
- Mechanical detent for vibration predection
- Gold-plated contacts

Order codes

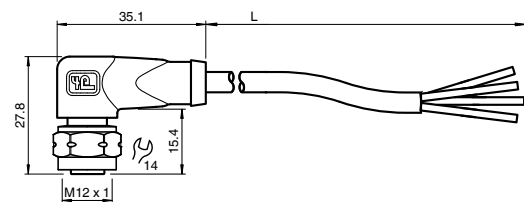
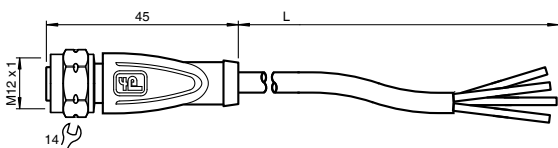
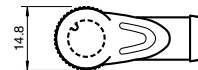
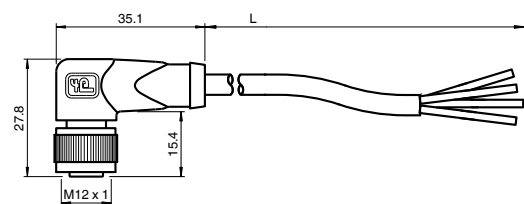
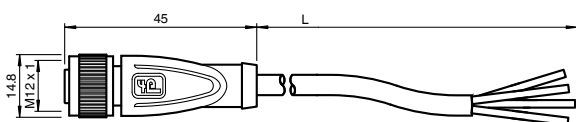
Number of pins	3
	4
	5
	7 + Shield
	8

Electrical data

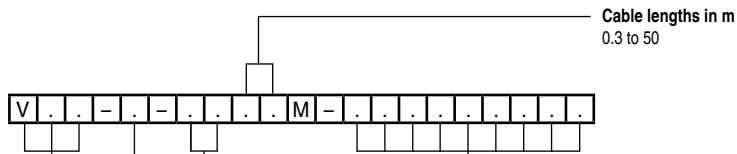
Max. operating voltage	30 V
	60 V
	250 V
Max. operating current	2 A
	4 A

V11-...	V1-...	V15-...	V17-...	V19-...
●				
	●			
		●		
			●	
				●
●	●	●	●	●
●	●	●	●	●

Dimensions



Order codes



- Cable quality**
- PVC PVC, gray (0.34 mm²)
 - BK PVC-U** PVC, UL-approved, black (0.34 mm²)
 - YE PVC-U** PVC, UL-approved, yellow (0.34 mm²)
 - PUR PUR, halogen-free, gray (0.34 mm²)
 - BK PUR-U** PUR, halogen-free, UL-approved, black (0.34 mm²)
 - YE PUR-U** PUR, halogen-free, UL-approved, yellow (0.34 mm²)
 - BK PUR-U** PUR, halogen-free, UL-approved, black (0.25 mm²)
 - BK PUR-U/0.75** PUR, halogen-free, UL-approved, black (0.75 mm²)
 - PUR H/S PUR, halogen-free, irradiated, orange (0.34 mm²)
 - OR POC** POC, welding bead resistant, orange (0.34 mm²)
- Shielded cable quality**
- PUR-ABG PUR, halogen-free, shielded, gray (0.34 mm²)
 - BK PUR-U/ABG** PUR, halogen-free, shielded, UL-approved, black (0.25mm²)

Availability

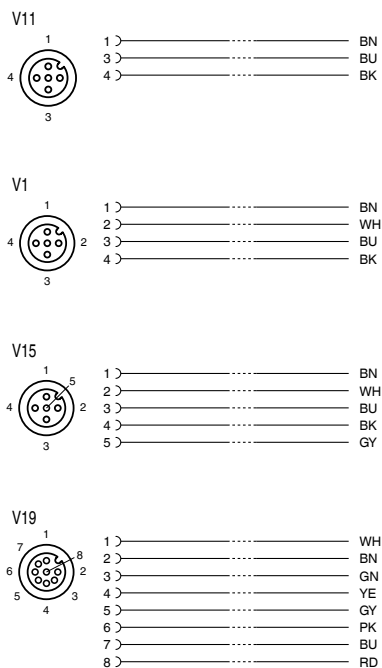
V11	V1	V15	V17	V19
◇	◇	◇	-	-
◇	◇	-	-	-
◇	◇	-	-	-
◆	◆	◆	-	-
◇	◇	-	-	-
◇	◇	-	-	-
-	-	◇	-	-
-	-	-	-	◆
-	◇	-	-	-
-	◇	-	-	-
-	◆	◆	-	-
-	-	-	◆	◆

- Design**
- G** straight
 - W** angled
- For stainless steel coupling nut add V4A, e.g. **WV4A, GV4A**

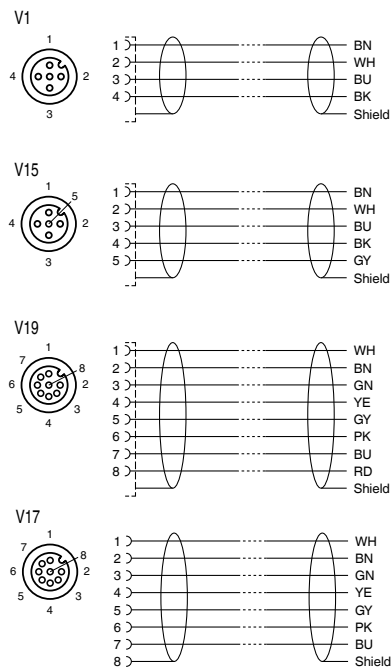
- Number of pins**
- V11** 3-pin
 - V1** 4-pin
 - V15** 5-pin
 - V17** 7-pin + shield
 - V19** 8-pin

- ◆ Standard, cable lengths of 2 m, 5 m and 10 m available in stock
- ◇ Available, minimum order quantity applies in some cases
- Not available

Electrical connection



Shielded





Properties

- M12 x 1 Single-ended Cordset
- Male straight and angled versions
- A-coded

Your Benefit

- Knurled nut suitable for tool mounting
- Mechanical detent for vibration preduction
- Gold-plated contacts

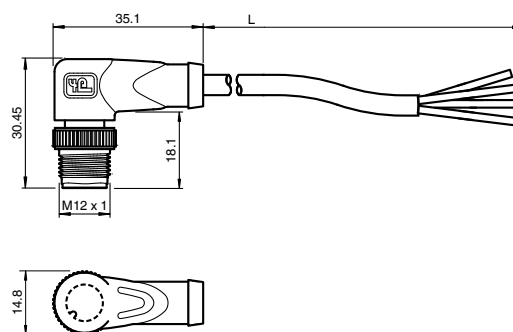
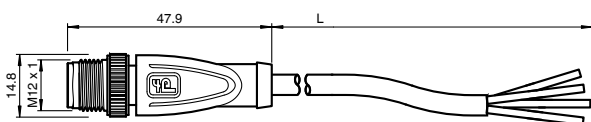
Technical data

For detailed data and product description refer to the data sheets at www.pepperl-fuchs.com

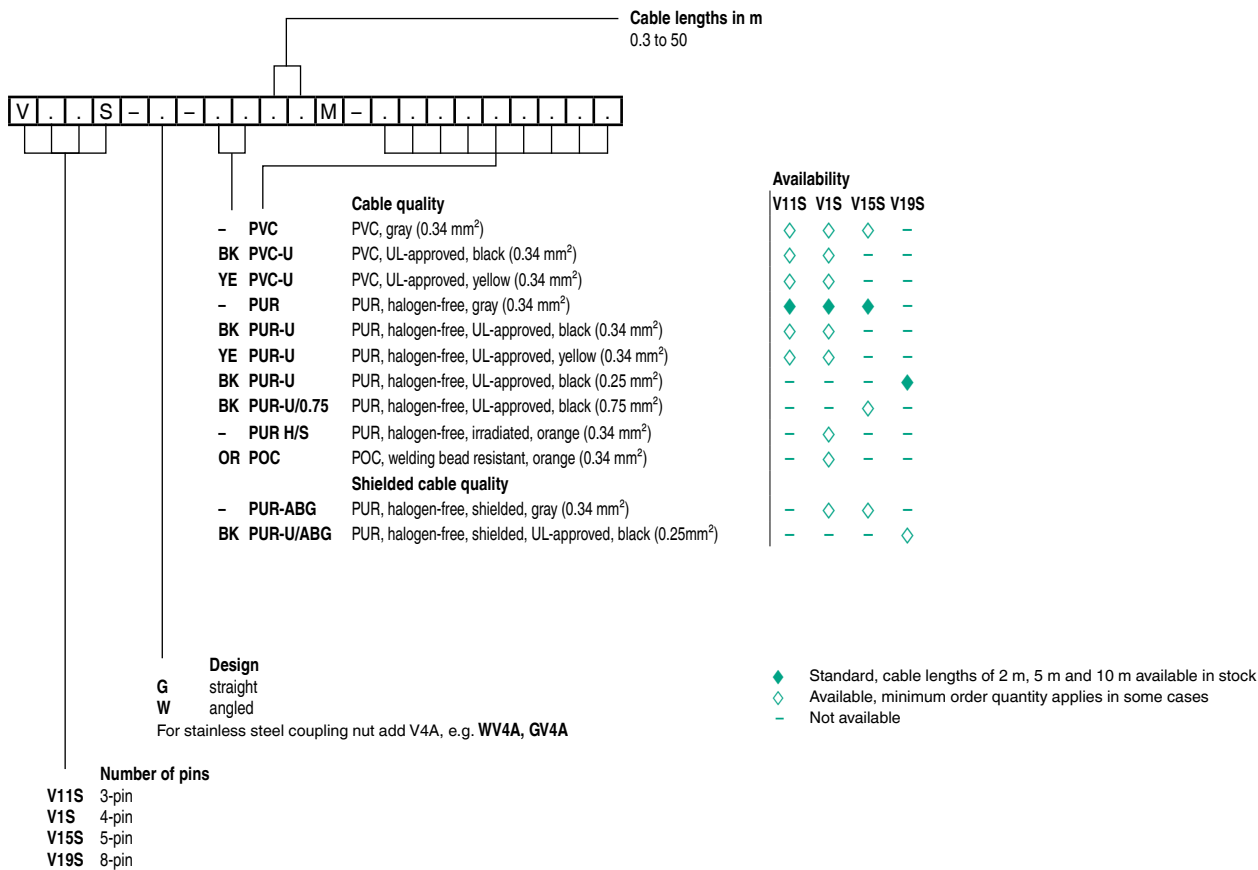
General Data	
Ambient conditions	
Ambient temperature	-40 ... 90 °C for body, Information on cable quality can be found beginning on page 974
Mechanical data	
Pin diameter	1 mm
Degree of protection	IP67 / IP68 / IP69K
Material	
Contacts	CuSn / Au
Contact surface	Au
Body	TPU, green
Coupling nut	Die-cast zinc

Order codes		V11S-...	V15S-...	V19S-...
Number of pins	3	●		
	4		●	
	5			●
	8			●
Electrical data				
Max. operating voltage	30 V			●
	60 V			●
	250 V	●	●	●
Max. operating current	2 A	●	●	●
	4 A	●	●	●

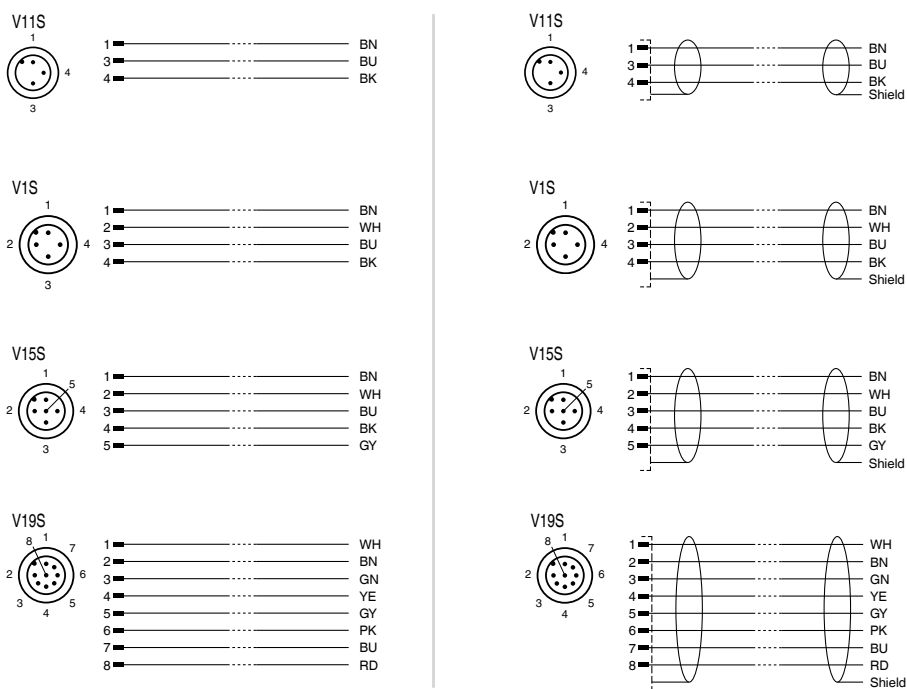
Dimensions



Order codes



Electrical connection





Technical data

For detailed data and product description refer to the data sheets at www.pepperl-fuchs.com

General Data

Display/controls	
LED green	Operating display
Electrical data	
Max. operating voltage	24 V DC ± 15%
Max. operating current	4 A
Ambient conditions	
Ambient temperature	-40 ... 90 °C for body, Information on cable quality can be found beginning on page 974
Mechanical data	
Contact elements	Spring-loaded contact sockets
Degree of protection	IP67 / IP68 / IP69K
Material	
Contacts	CuSn / Au
Contact surface	Au
Body	TPU, transparent
Coupling nut	Die-cast zinc

Properties

- M12 x 1 Single-ended Cordset
- Female straight and angled versions
- A-coded
- LED

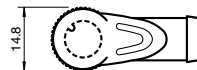
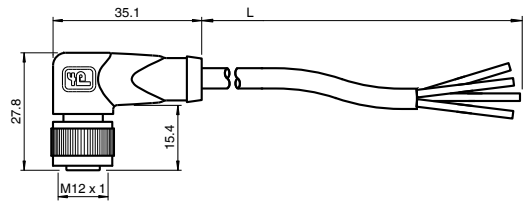
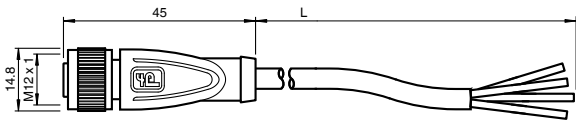
Your Benefit

- Built-in LED, as operating and function indicator
- Knurled nut suitable for tool mounting
- Mechanical detent for vibration pretection
- Gold-plated contacts

Order codes

			V1-...-E2-...	V1-...-E0-...	V1-...-E2/E3-...	V1-...-A2-...	V1-...-E8-...	V1-...-E8W-...
Number of pins	3 (E2)		●					
	3 (E0) NPN			●				
	4 (E2, E3)				●			
	4 (A2)					●		
	4 (E8)						●	
4 (E8W)							●	
Display/controls	LED yellow	NO contact function display	Pin 4	●	●	●	●	●
		NO/NC contact function display						
	LED red	NO contact function display	Pin 2		●		●	
	LED white	NO contact function display	Pin 2					●

Dimensions



Order codes

Cable lengths in m
0.3 to 50

V 1 - M -

Cable quality

- PVC PVC, gray (0.34 mm²)
- BK PVC-U PVC, UL-approved, black (0.34 mm²)
- YE PVC-U PVC, UL-approved, yellow (0.34 mm²)
- PUR PUR, halogen-free, gray (0.34 mm²)
- BK PUR-U PUR, halogen-free, UL-approved, black (0.34 mm²)
- YE PUR-U PUR, halogen-free, UL-approved, yellow (0.34 mm²)
- PUR H/S PUR, halogen-free, irradiated, orange (0.34 mm²)
- OR POC POC, welding bead resistant, orange (0.34 mm²)

Availability

E2	E2/E3	A2	E0	E8	E8W
◇	◇	◇	◇	◇	◇
◇	◇	◇	◆	◇	◇
◆	◆	◆	◇	◆	◆
◇	◇	◇	◇	◇	◇
◇	◇	◇	◇	◇	◇
-	◇	◇	◇	◇	◇
-	◇	◇	◇	◇	◇

Number of pins

- E2 3-pin
- E2/E3 4-pin (2+4 bridged)
- A2 4-pin
- E0 3-pin (NPN)
- E8 4-pin
- E8W 4-pin

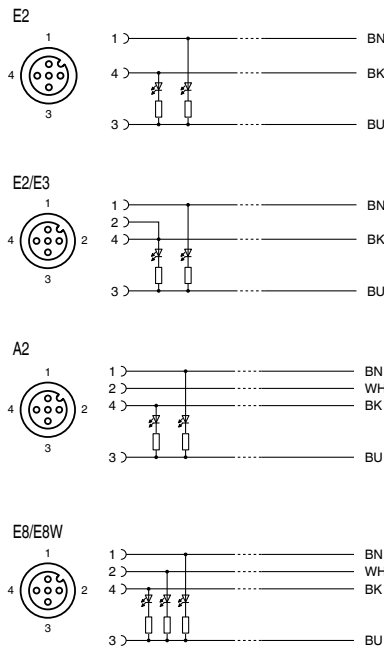
Design

- G straight
- W angled

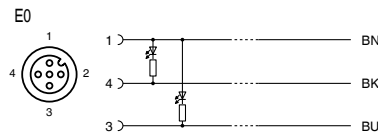
◆ Standard, cable lengths of 2 m, 5 m and 10 m available in stock
 ◇ Available, minimum order quantity applies in some cases
 - Not available

Electrical connection

PNP



NPN





Technical data

For detailed data and product description refer to the data sheets at www.pepperl-fuchs.com

General Data	
Display/controls	LED green Operating display
Electrical data	
Max. operating voltage	24 V DC ± 15%
Max. operating current	4 A
Ambient conditions	
Ambient temperature	-40 ... 90 °C for body, Information on cable quality can be found beginning on page 974
Mechanical data	
Pin diameter	1 mm
Degree of protection	IP67 / IP68 / IP69K
Material	
Contacts	CuSn / Au
Contact surface	Au
Body	TPU, transparent
Coupling nut	Die-cast zinc

Properties

- M12 x 1 Single-ended Cordset
- Male straight and angled versions
- A-coded
- LED

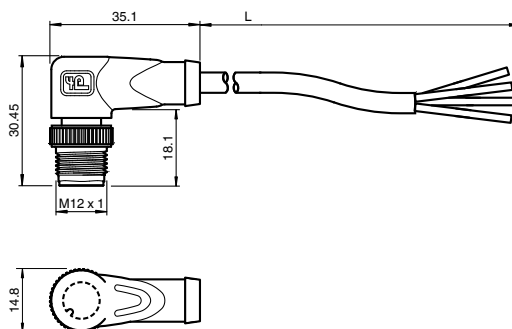
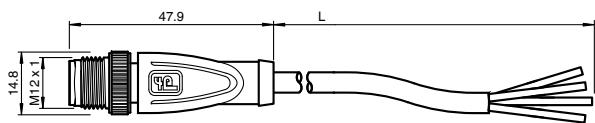
Your Benefit

- Built-in LED, as operating and function indicator
- Knurled nut suitable for tool mounting
- Mechanical detent for vibration predection
- Gold-plated contacts

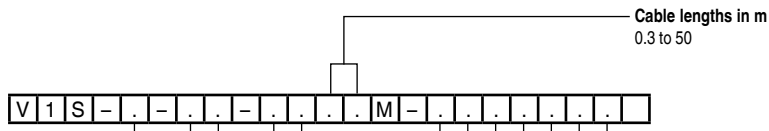
Order codes

Number of pins	3 (E2) 3 (E0) NPN	V1S...-E2-...	V1S...-E0-...
Display/controls	LED yellow		
	NO contact function display NO/NC contact function display		

Dimensions



Order codes



Cable lengths in m
0.3 to 50

- Cable quality**
- PVC PVC, gray (0.34 mm²)
 - BK PVC-U** PVC, UL-approved, black (0.34 mm²)
 - YE PVC-U** PVC, UL-approved, yellow (0.34 mm²)
 - PUR PUR, halogen-free, gray (0.34 mm²)
 - BK PUR-U** PUR, halogen-free, UL-approved, black (0.34 mm²)
 - YE PUR-U** PUR, halogen-free, UL-approved, yellow (0.34 mm²)
 - PUR H/S PUR, halogen-free, irradiated, orange (0.34 mm²)
 - OR POC** POC, welding bead resistant, orange (0.34 mm²)

Availability

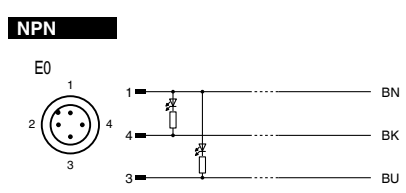
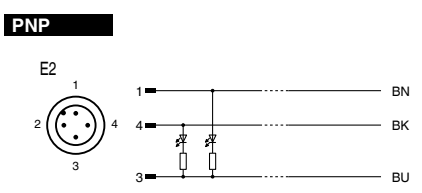
E0	E8
◇	◇
◇	◇
◇	◇
◇	◇
◇	◇
◇	◇
◇	◇
◇	◇

- Number of pins**
- E2** 3-pin
 - E0** 3-pin (NPN)

- ◆ Standard, cable lengths of 2 m, 5 m and 10 m available in stock
- ◇ Available, minimum order quantity applies in some cases
- Not available

- Design**
- G** straight
 - W** angled

Electrical connection





Technical data

For detailed data and product description refer to the data sheets at www.pepperl-fuchs.com

General Data

Electrical data

Max. operating voltage 250 V
 Max. operating current 4 A

Ambient conditions

Ambient temperature -40 ... 90 °C for body, Information on cable quality can be found beginning on page 974

Mechanical data

Contact elements Spring-loaded contact sockets
 Degree of protection IP67 / IP68 / IP69K

Material

Contacts CuSn / Au
 Contact surface Au
 Body TPU
 Coupling nut Die-cast zinc

Properties

- M12 x 1 Single-ended Cordset
- Female straight and angled versions
- A-coded
- NAMUR

Order codes

Number of pins 2
 4

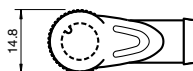
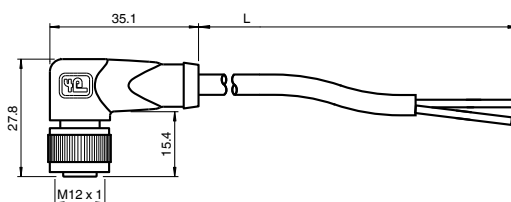
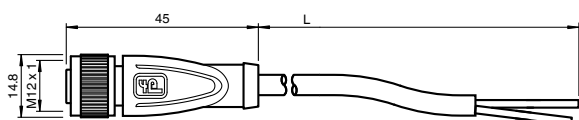
V1-...-N-...

V1-...-N4-...

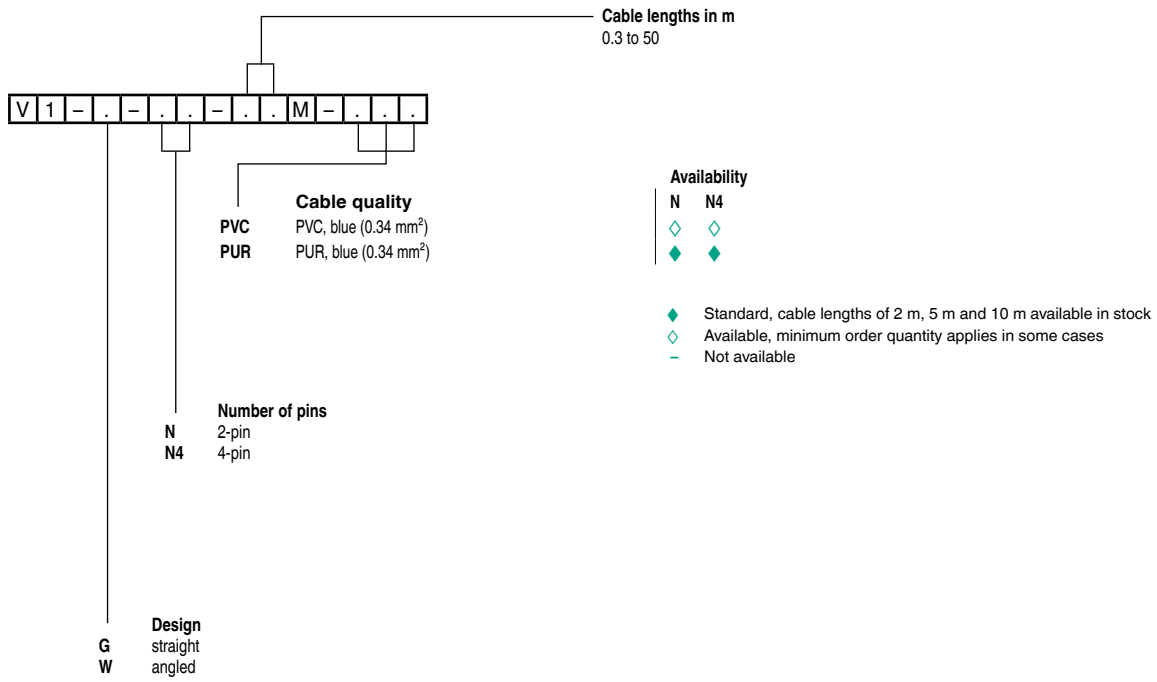
Your Benefit

- Suitable for NAMUR technology
- Blue cable jacket
- Knurled nut suitable for tool mounting
- Mechanical detent for vibration predection
- Gold-plated contacts

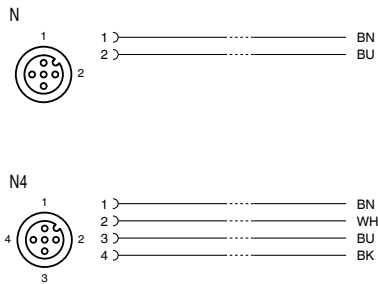
Dimensions



Order codes



Electrical connection





Technical data

For detailed data and product description refer to the data sheets at www.pepperl-fuchs.com

General Data

Ambient conditions

Ambient temperature -40 ... 90 °C for body, Information on cable quality can be found beginning on page 974

Mechanical data

Contact elements Spring-loaded contact sockets
Degree of protection IP67 / IP68 / IP69K (IP67 only shielded version)

Material

Contacts CuSn / Au
Contact surface Au
Body TPU, green
Coupling nut Die-cast zinc

Properties

- M12 x 1 Double-ended Cordset
- Straight and angled versions
- A-coded

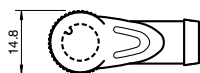
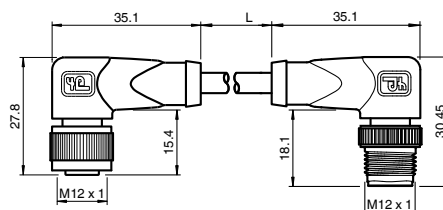
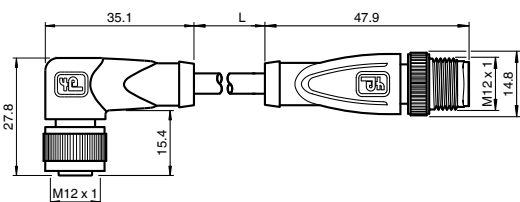
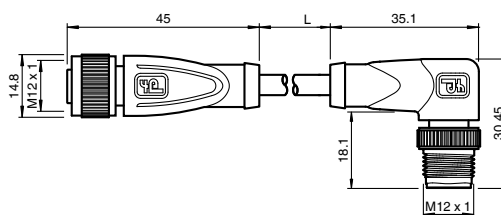
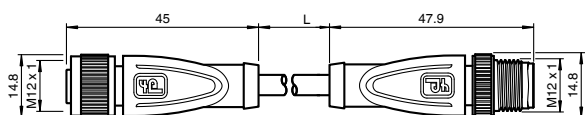
Your Benefit

- Knurled nut suitable for tool mounting
- Mechanical detent for vibration pretection
- Gold-plated contacts

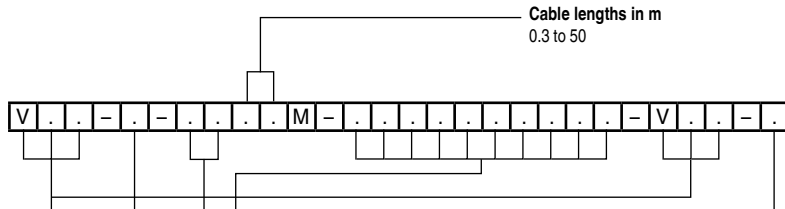
Order codes

		V11...-V11...	V1...-V1...	V15...-V15...	V19...-V19...
Number of pins	3	●			
	4		●		
	5			●	
	8				●
Electrical data	Max. operating voltage	30 V			●
		60 V			
		250 V	●	●	●
	Max. operating current	2 A	●	●	●
4 A		●	●	●	●

Dimensions



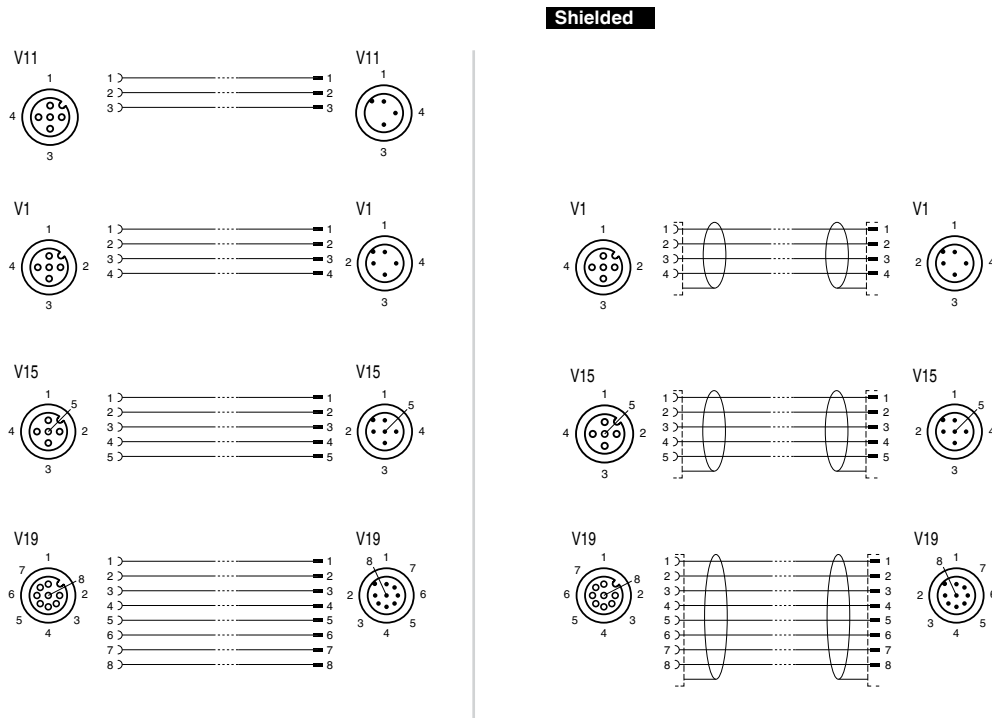
Order codes



		Availability			
		V11	V1	V15	V19
Cable quality					
- PVC	PVC, gray (0.34 mm ²)	◇	◇	◇	-
BK PVC-U	PVC, UL-approved, black (0.34 mm ²)	◇	◇	-	-
YE PVC-U	PVC, UL-approved, yellow (0.34 mm ²)	◇	◇	-	-
- PUR	PUR, halogen-free, gray (0.34 mm ²)	◆	◆	◆	-
BK PUR-U	PUR, halogen-free, UL-approved, black (0.34 mm ²)	◇	◇	-	-
YE PUR-U	PUR, halogen-free, UL-approved, yellow (0.34 mm ²)	◇	◇	-	-
BK PUR-U	PUR, halogen-free, UL-approved, black (0.25 mm ²)	-	-	-	◆
BK PUR-U/0.75	PUR, halogen-free, UL-approved, black (0.75 mm ²)	-	-	◇	-
- PUR H/S	PUR, halogen-free, irradiated, orange (0.34 mm ²)	-	◇	-	-
OR POC	POC, welding bead resistant, orange (0.34 mm ²)	-	◇	-	-
Shielded cable quality					
BK PUR-U/ABG	PUR, halogen-free, shielded, UL-approved, black (0.25 mm ²)	-	-	-	◆
- PUR-ABG	PUR, halogen-free, shielded, gray (0.34 mm ²)	-	◆	◆	-
Design					
G	straight				
W	angled				
For stainless steel coupling nut add V4A, e.g. WV4A, GV4A					
Number of pins					
V11	3-pin				
V1	4-pin				
V15	5-pin				
V19	8-pin				

◆ Standard, cable lengths of 0.6 m, 1 m and 2 m available in stock
◇ Available, minimum order quantity applies in some cases
- Not available

Electrical connection





Technical data

For detailed data and product description refer to the data sheets at www.pepperl-fuchs.com

General Data	
Display/controls	LED green Operating display
Electrical data	
Max. operating voltage	24 V DC ± 15%
Max. operating current	4 A
Ambient conditions	
Ambient temperature	-40 ... 90 °C for body, Information on cable quality can be found beginning on page 974
Mechanical data	
Contact elements	Spring-loaded contact sockets
Degree of protection	IP67 / IP68 / IP69K
Material	
Contacts	CuSn / Au
Contact surface	Au
Body	TPU, transparent/green
Coupling nut	Die-cast zinc

Properties

- M12 x 1 Double-ended Cordset
- Straight and angled versions
- A-coded
- LED

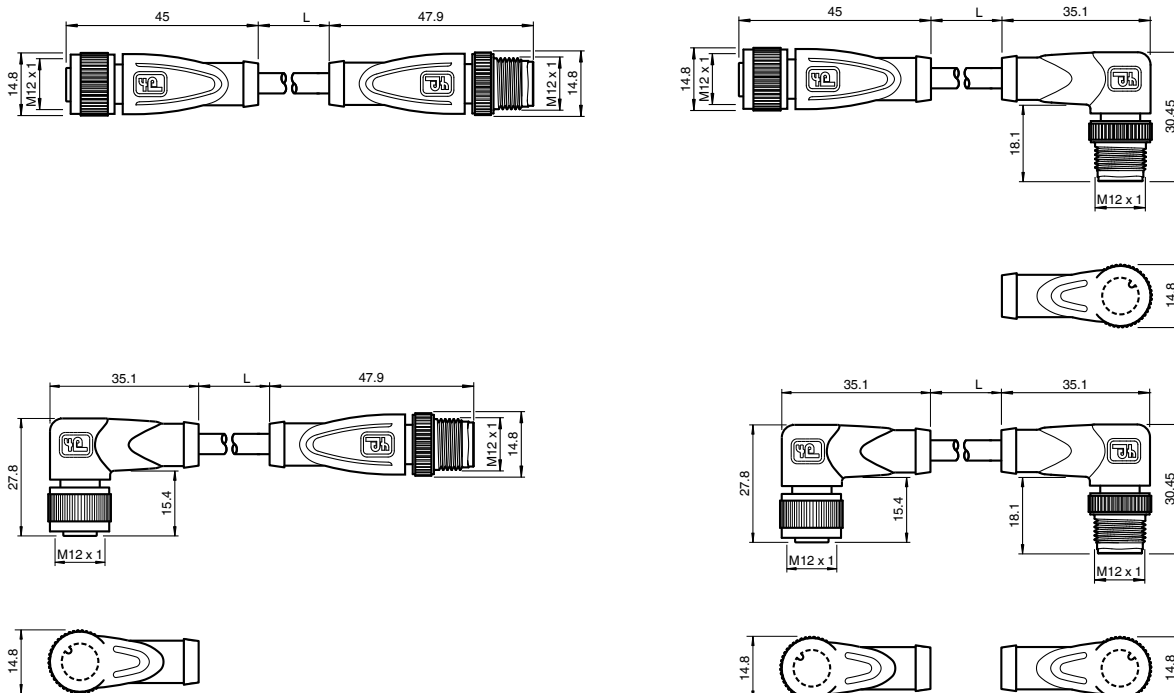
Your Benefit

- Built-in LED, as operating and function indicator
- Knurled nut suitable for tool mounting
- Mechanical detent for vibration predection
- Gold-plated contacts

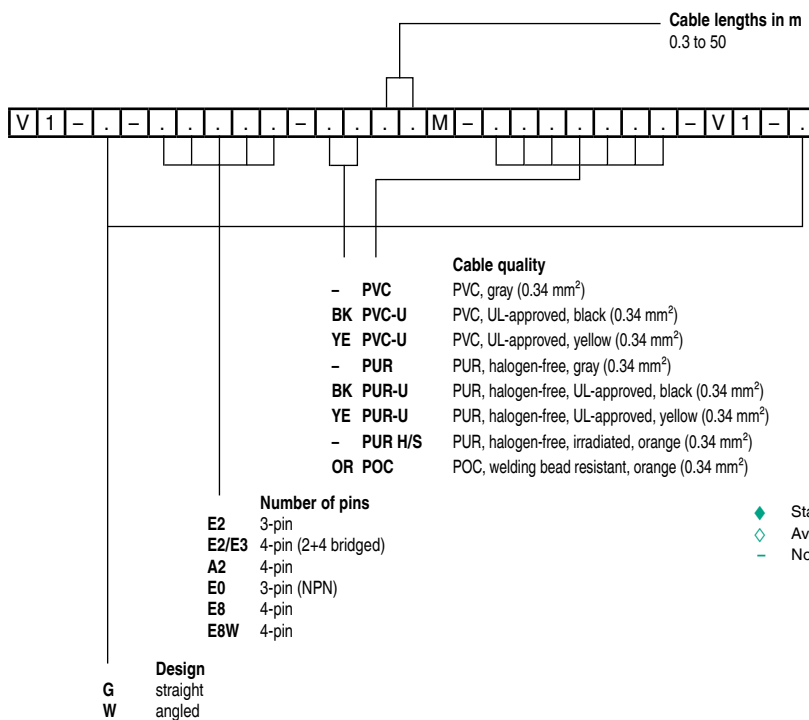
Order codes

Number of pins	3 (E2)						●	V1...E2...-V1...
	3 (E0 NPN)						●	V1...E0...-V1...
	4 (E2, E3)						●	V1...E2/E3...-V1...
	4 (A2)						●	V1...A2...-V1...
	4 (E8)						●	V1...E8...-V1...
	4 (E8W)						●	V1...E8W...-V1...
Display/controls	LED yellow	NO contact function display	Pin 4				●	
		NO/NC contact function display					●	
	LED red	NO contact function display	Pin 2					
	LED white	NO contact function display	Pin 2					

Dimensions



Order codes

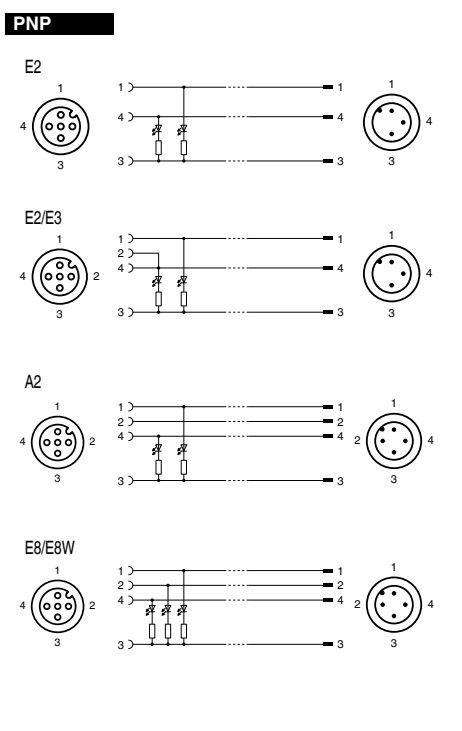


Availability

E2	E2/E3	A2	E0	E8	E8W
◇	◇	◇	◇	◇	◇
◇	◇	◇	◇	◇	◇
◇	◇	◇	◆	◇	◇
◆	◆	◆	◇	◇	◇
◇	◇	◇	◇	◇	◇
◇	◇	◇	◇	◇	◇
◇	◇	◇	◇	◇	◇
◇	◇	◇	◇	◇	◇

◆ Standard, cable lengths of 0.6 m, 1 m and 2 m available in stock
◇ Available, minimum order quantity applies in some cases
- Not available

Electrical connection





Technical data

For detailed data and product description refer to the data sheets at www.pepperl-fuchs.com

General Data

Electrical data	
Max. operating current	3 A
Ambient conditions	
Ambient temperature	-40 ... 90 °C for body, Information on cable quality can be found beginning on page 974
Mechanical data	
Contact elements	Spring-loaded contact sockets
Pin diameter	1 mm
Degree of protection	IP67
Material	
Contacts	CuSn / Au
Contact surface	Au
Body	TPU, green
Coupling nut	Die-cast zinc

Properties

- M12-M8 Adapter Cordset
- M12 x 1 Female straight and angled versions
- M8 x 1 Male straight
- A-coded

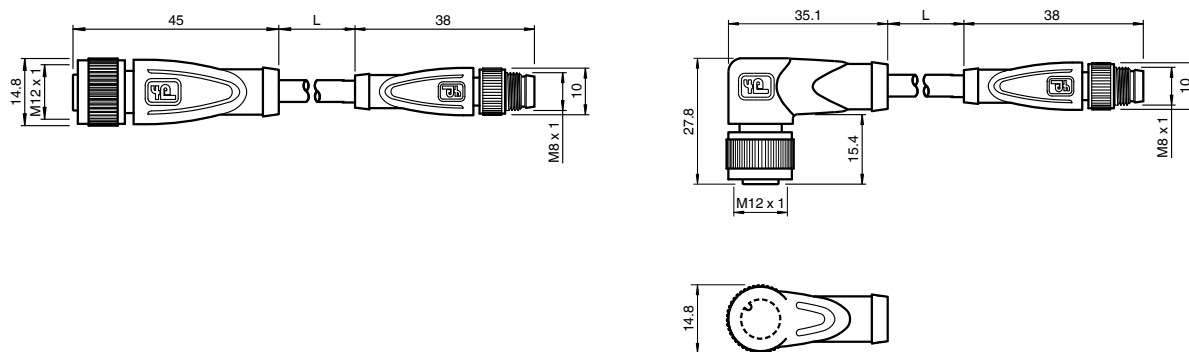
Your Benefit

- Knurled nut suitable for tool mounting
- Mechanical detent for vibration prediction
- Gold-plated contacts

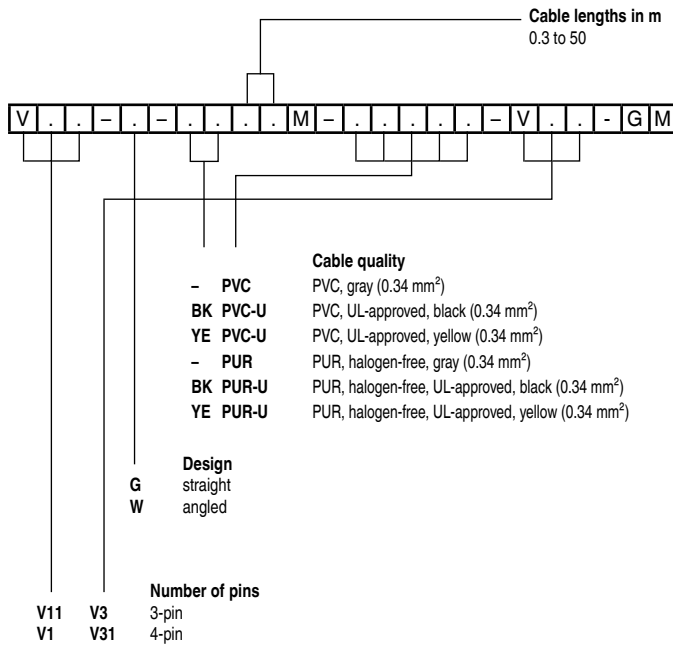
Order codes

Number of pins	3	●	V11-...-V3-GM	
	4			●
Electrical data				
Max. operating voltage	30 V			●
	60 V	●		

Dimensions



Order codes

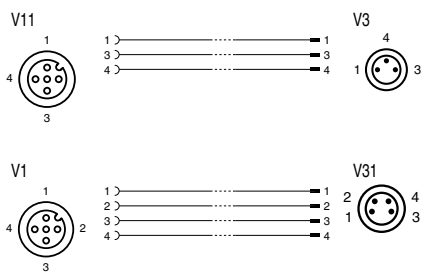


Availability

V11-V3	V1-V31
◇	◇
◇	◇
◇	◇
◆	◆
◇	◇
◇	◇

- ◆ Standard, cable lengths of 0.6 m, 1 m and 2 m available in stock
- ◇ Available, minimum order quantity applies in some cases
- Not available

Electrical connection





Technical data

For detailed data and product description refer to the data sheets at www.pepperl-fuchs.com

General Data

Electrical data	
Max. operating current	3 A
Ambient conditions	
Ambient temperature	-40 ... 90 °C for body, Information on cable quality can be found beginning on page 974
Mechanical data	
Contact elements	Spring-loaded contact sockets
Pin diameter	1 mm
Degree of protection	IP67
Material	
Contacts	CuSn / Au
Contact surface	Au
Body	TPU, green
Coupling nut	Die-cast zinc

Properties

- M8-M12 Adapter Cordset
- M8 x 1 Female straight and angled versions
- M12 x 1 Male straight
- A-coded

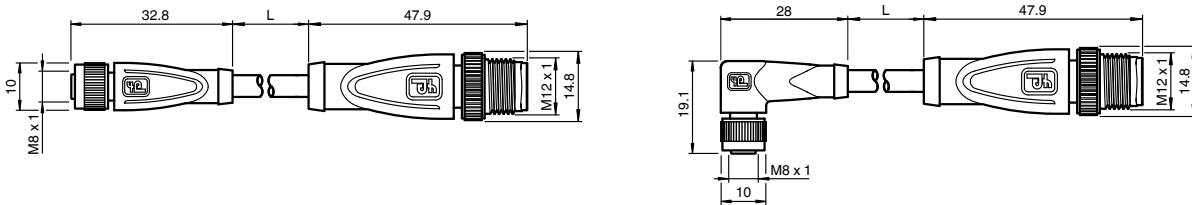
Your Benefit

- Knurled nut suitable for tool mounting
- Mechanical detent for vibration predection
- Gold-plated contacts

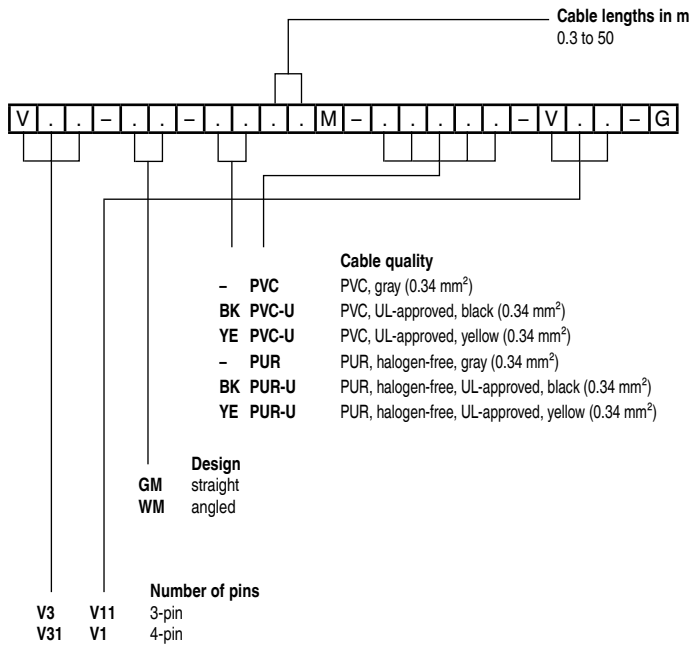
Order codes

Number of pins	3	●	V3-...-V11-G	●	V31-...-V1-G
	4				
Electrical data					
Max. operating voltage	30 V				
	60 V	●		●	

Dimensions



Order codes

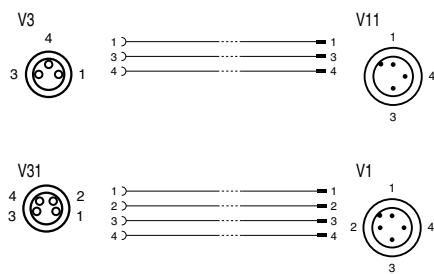


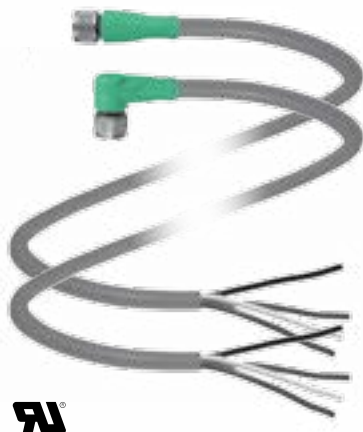
Availability

V3-V11	V31-V1
◇	◇
◇	◇
◇	◇
◆	◆
◇	◇
◇	◇

- ◆ Standard, cable lengths of 0.6 m, 1 m and 2 m available in stock
- ◇ Available, minimum order quantity applies in some cases
- Not available

Electrical connection





Technical data

For detailed data and product description refer to the data sheets at www.pepperl-fuchs.com

General Data

Electrical data	
Max. operating current	3 A
Ambient conditions	
Ambient temperature	-40 ... 90 °C for body, Information on cable quality can be found beginning on page 974
Mechanical data	
Contact elements	Spring-loaded contact sockets
Degree of protection	IP67
Material	
Contacts	CuSn / Au
Contact surface	Au
Body	TPU, green
Coupling nut	Die-cast zinc

Properties

- M8 x 1 Single-ended Cordset
- Female straight and angled versions

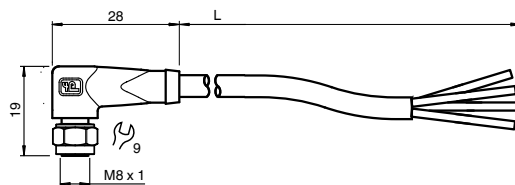
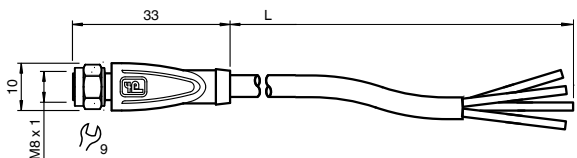
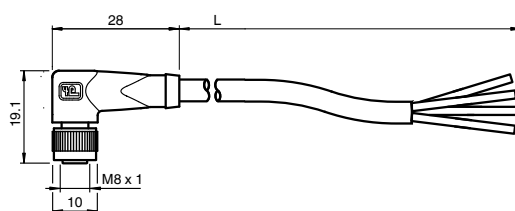
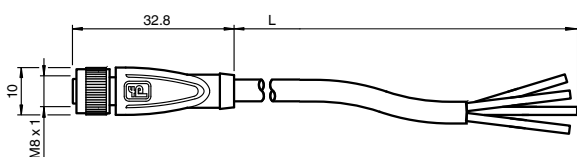
Your Benefit

- Knurled nut suitable for tool mounting
- Mechanical detent for vibration prediction
- Gold-plated contacts

Order codes

Number of pins	3	V3-...	V31-...
	4	●	●
Electrical data			
Max. operating voltage	30 V		
	60 V	●	●

Dimensions



Accessories, Connectors, Cordsets, Splitters

Order codes

Cable lengths in m
0.3 to 50

V . . - . . - . . . M -

Cable quality

- PVC PVC, gray (0.25 mm²)
- BK PVC-U PVC, UL-approved, black (0.34 mm²)
- YE PVC-U PVC, UL-approved, yellow (0.34 mm²)
- PUR PUR, halogen-free, gray (0.25 mm²)
- BK PUR-U PUR, halogen-free, UL-approved, black (0.34 mm²)
- YE PUR-U PUR, halogen-free, UL-approved, yellow (0.34 mm²)

Shielded cable quality

- PUR-ABG PUR, halogen-free, shielded, gray (0.34 mm²)

Availability

V3	V31
◇	◇
◇	◇
◇	◇
◆	◆
◇	◇
◇	◇
◇	◇
◇	◇

Design

- GM straight
- WM angled

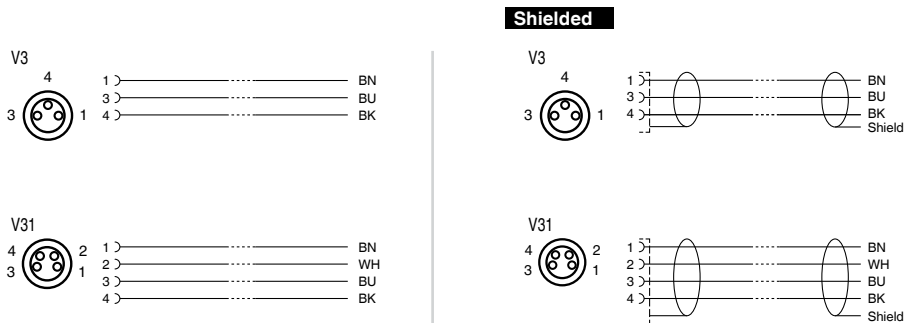
For stainless steel coupling nut add V4A, e.g. WMV4A, GMV4A

Number of pins

- V3 3-pin
- V31 4-pin

◆ Standard, cable lengths of 2 m, 5 m and 10 m available in stock
◇ Available, minimum order quantity applies in some cases
- Not available

Electrical connection





Properties

- M8 x 1 Single-ended Cordset
- Male straight and angled versions

Your Benefit

- Knurled nut suitable for tool mounting
- Mechanical detent for vibration prediction
- Gold-plated contacts

Technical data

For detailed data and product description refer to the data sheets at www.pepperl-fuchs.com

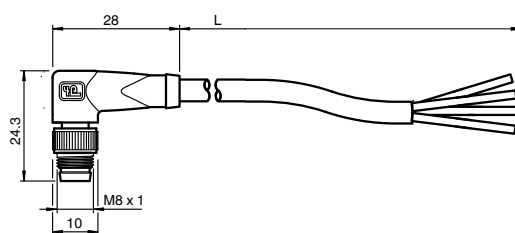
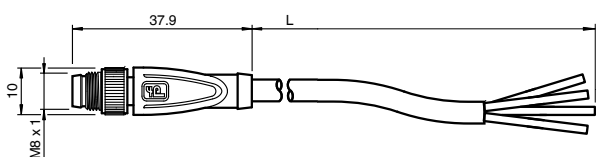
General Data

Electrical data	
Max. operating current	3 A
Ambient conditions	
Ambient temperature	-40 ... 90 °C for body, Information on cable quality can be found beginning on page 974
Mechanical data	
Pin diameter	1 mm
Degree of protection	IP67
Material	
Contacts	CuSn / Au
Contact surface	Au
Body	TPU, green
Coupling nut	Die-cast zinc

Order codes

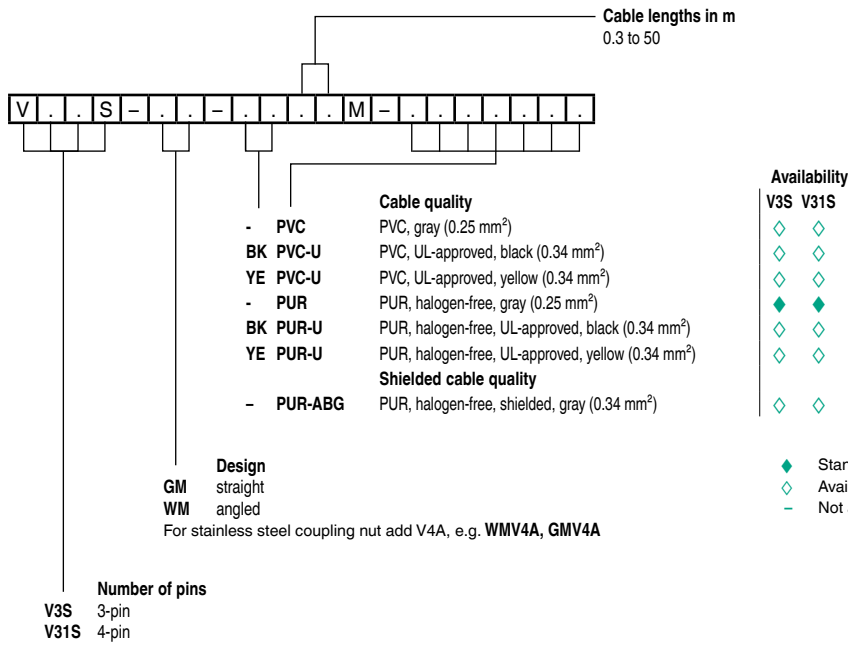
Number of pins	3	V3S-...	V31S-...
	4	●	●
Electrical data			
Max. operating voltage	30 V		●
	60 V	●	

Dimensions

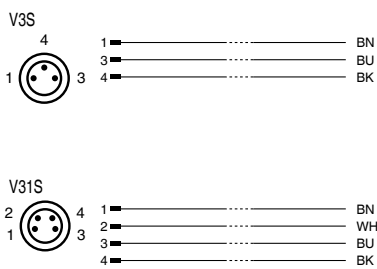


Accessories, Connectors, Cordsets, Splitters

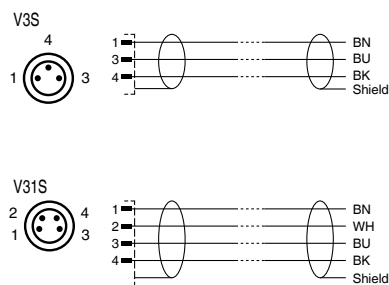
Order codes



Electrical connection



Shielded





Properties

- M8 x 1 Single-ended Cordset
- Female straight and angled versions
- LED

Your Benefit

- Built-in LED, as operating and function indicator
- Knurled nut suitable for tool mounting
- Mechanical detent for vibration predection
- Gold-plated contacts

Technical data

For detailed data and product description refer to the data sheets at www.pepperl-fuchs.com

General Data

Display/controls	
LED green	Operating display
LED yellow	NO contact function display

Electrical data

Max. operating voltage	24 V DC ± 15%
Max. operating current	3 A

Ambient conditions

Ambient temperature	-40 ... 90 °C for body, Information on cable quality can be found beginning on page 974
---------------------	---

Mechanical data

Contact elements	Spring-loaded contact sockets
Degree of protection	IP67

Material

Contacts	CuSn / Au
Contact surface	Au
Body	TPU, transparent
Coupling nut	Die-cast zinc

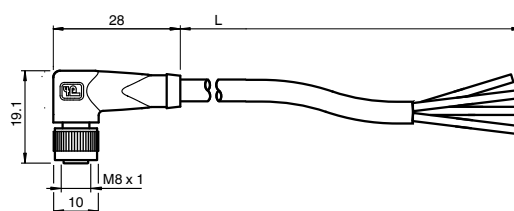
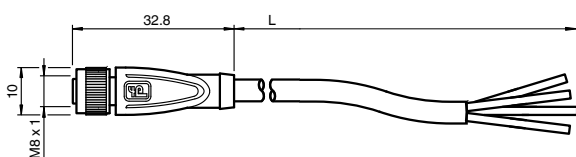
Order codes

Number of pins	3 (E2)
	4 (A2)

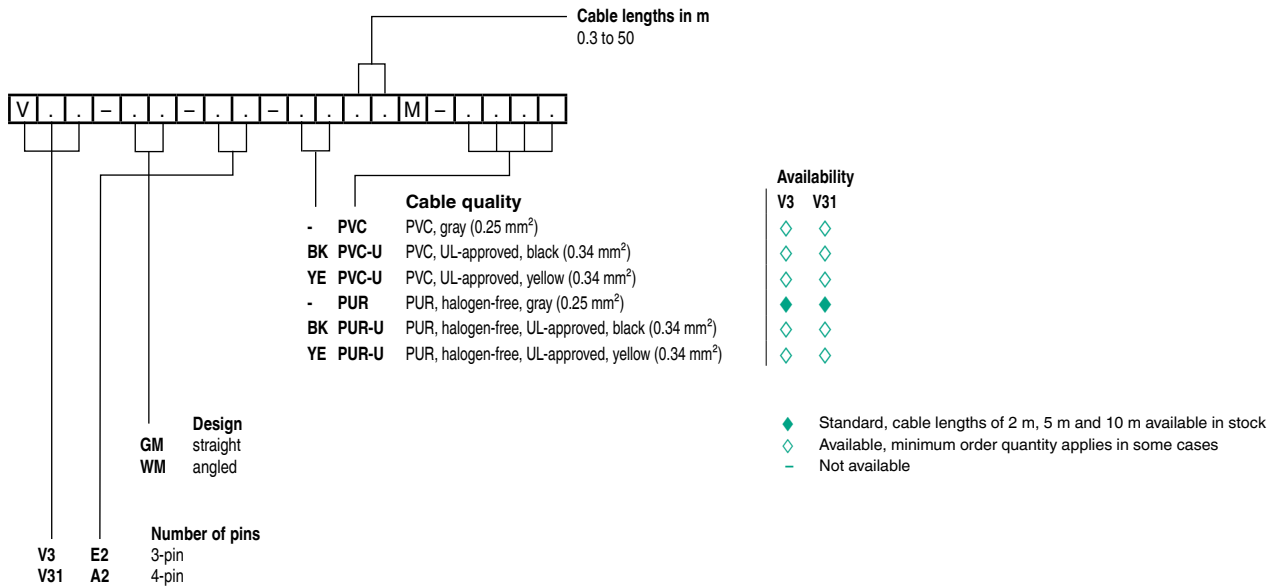
V3-E2-...

V31-A2-...

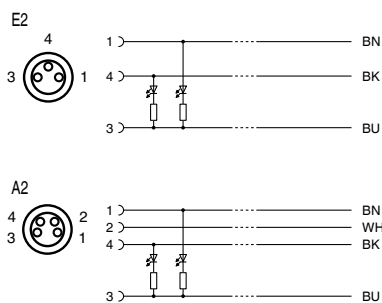
Dimensions



Order codes



Electrical connection





Properties

- M8 x 1 Single-ended Cordset
- Male straight and angled versions
- LED

Your Benefit

- Built-in LED, as operating and function indicator
- Knurled nut suitable for tool mounting
- Mechanical detent for vibration predection
- Gold-plated contacts

Technical data

For detailed data and product description refer to the data sheets at www.pepperl-fuchs.com

General Data

Number of pins 3 (E2)

Display/controls

LED green Operating display

LED yellow NO contact function display

Electrical data

Max. operating voltage 24 V DC ± 15%

Max. operating current 3 A

Ambient conditions

Ambient temperature -40 ... 90 °C for body, Information on cable quality can be found beginning on page 974

Mechanical data

Pin diameter 1 mm

Degree of protection IP67

Material

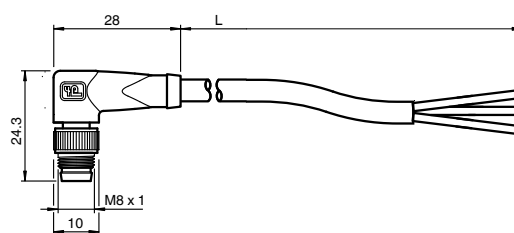
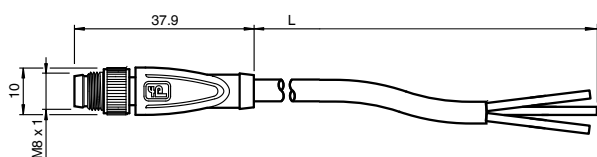
Contacts CuSn / Au

Contact surface Au

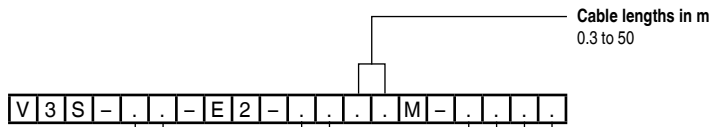
Body TPU, transparent

Coupling nut Die-cast zinc

Dimensions



Order codes



Cable quality

-	PVC	PVC, gray (0.25 mm ²)
BK	PVC-U	PVC, UL-approved, black (0.34 mm ²)
YE	PVC-U	PVC, UL-approved, yellow (0.34 mm ²)
-	PUR	PUR, halogen-free, gray (0.25 mm ²)
BK	PUR-U	PUR, halogen-free, UL-approved, black (0.34 mm ²)
YE	PUR-U	PUR, halogen-free, UL-approved, yellow (0.34 mm ²)

Availability

V3S

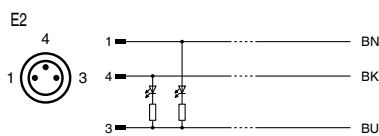
- ◇
- ◇
- ◇
- ◇
- ◇
- ◇

GM
WM

Design
straight
angled

- ◆ Standard, cable lengths of 2 m, 5 m and 10 m available in stock
- ◇ Available, minimum order quantity applies in some cases
- Not available

Electrical connection





Technical data

For detailed data and product description refer to the data sheets at www.pepperl-fuchs.com

General Data

Electrical data	
Max. operating current	3 A
Ambient conditions	
Ambient temperature	-25 ... 70 °C for body, Information on cable quality can be found on the data sheet.
Mechanical data	
Contact elements	Spring-loaded contact sockets
Degree of protection	IP65
Material	
Contacts	CuSn / Au
Contact surface	Au
Body	PUR, black

Properties

- M8 x 1 Single-ended Cordset
- Male straight and angled versions
- Snap-on

Your Benefit

- Snap locking

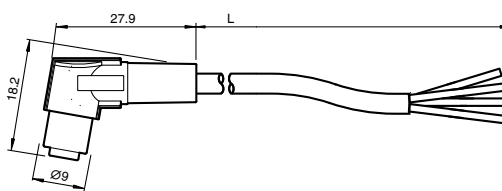
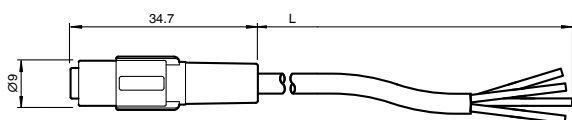
Order codes

Number of pins	3	●	●
	4		
Electrical data			
Max. operating voltage	30 V		●
	60 V	●	

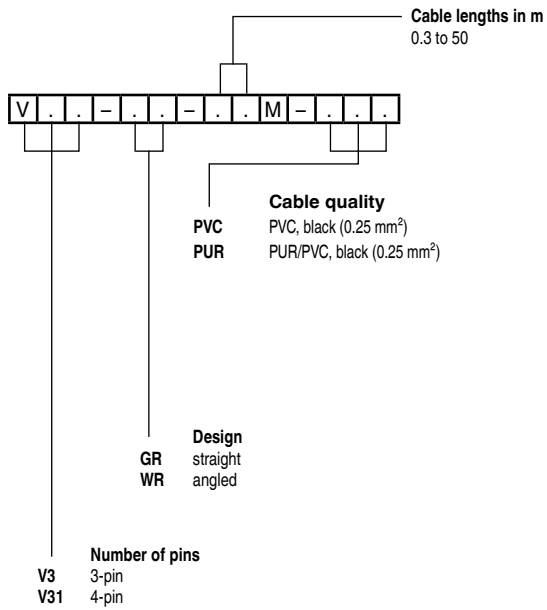
V3-...R-...

V31-...R-...

Dimensions



Order codes



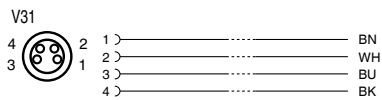
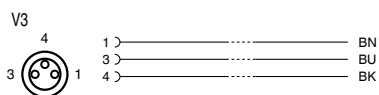
Availability

V3 V31



- ◆ Standard, cable lengths of 2 m, 5 m and 10 m available in stock
- ◇ Available, minimum order quantity applies in some cases
- Not available

Electrical connection





Technical data

For detailed data and product description refer to the data sheets at www.pepperl-fuchs.com

General Data	
Electrical data	
Max. operating current	3 A
Ambient conditions	
Ambient temperature	-40 ... 90 °C for body, Information on cable quality can be found beginning on page 974
Mechanical data	
Contact elements	Spring-loaded contact sockets
Degree of protection	IP67
Material	
Contacts	CuSn / Au
Contact surface	Au
Body	TPU, green
Coupling nut	Die-cast zinc

Properties

- M8 x 1 Double-ended Cordset
- Straight and angled versions

Your Benefit

- Knurled nut suitable for tool mounting
- Mechanical detent for vibration prediction
- Gold-plated contacts

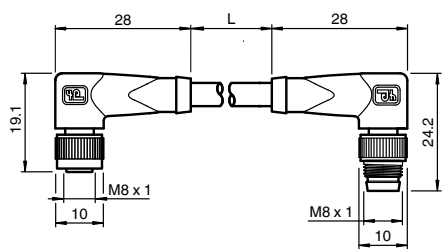
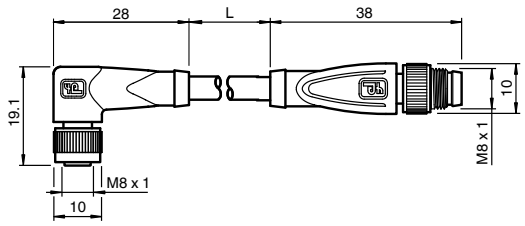
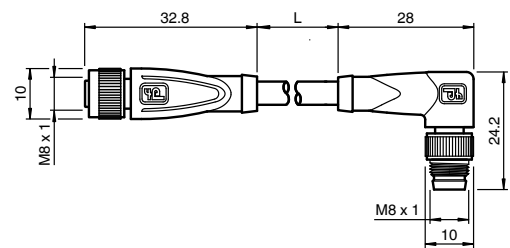
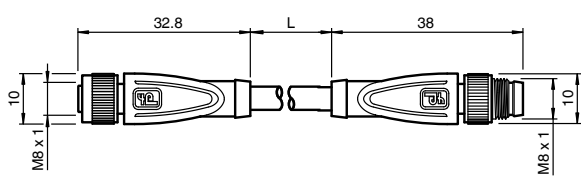
Order codes

Number of pins	3		
	4	●	●
Electrical data			
Max. operating voltage	30 V		
	60 V	●	●

V3-...-V3-...

V31-...-V31-...

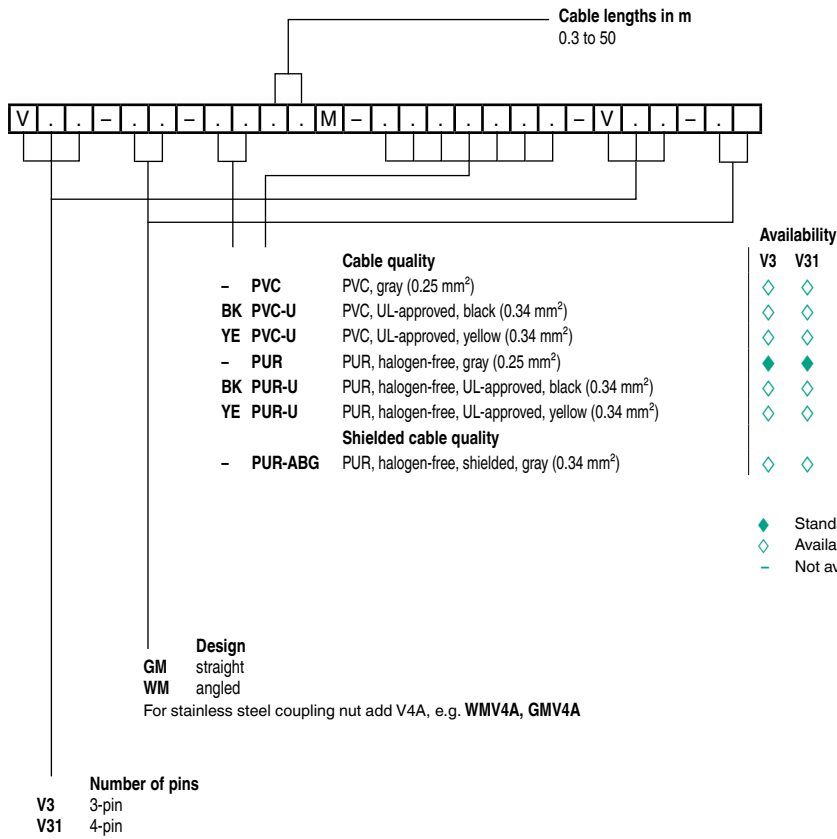
Dimensions



Accessories, Connectors, Cordsets, Splitters

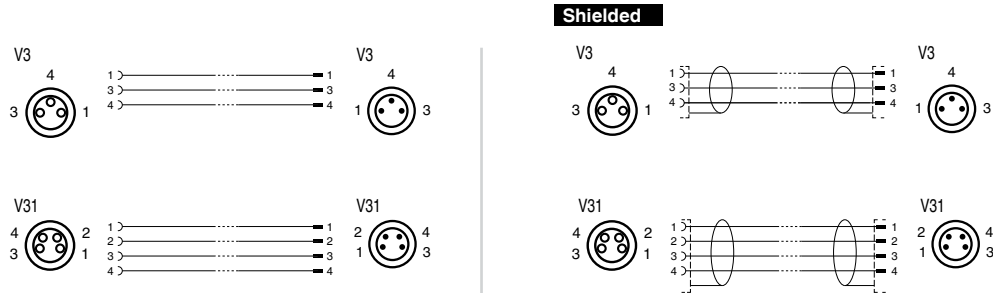
10

Order codes



◆ Standard, cable lengths of 0.6 m, 1 m and 2 m available in stock
◇ Available, minimum order quantity applies in some cases
- Not available

Electrical connection





Properties

- M8 x 1 Double-ended Cordset
- Straight and angled versions
- LED

Your Benefit

- Built-in LED, as operating and function indicator
- Knurled nut suitable for tool mounting
- Mechanical detent for vibration preduction
- Gold-plated contacts

Technical data

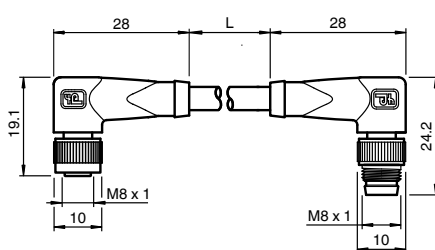
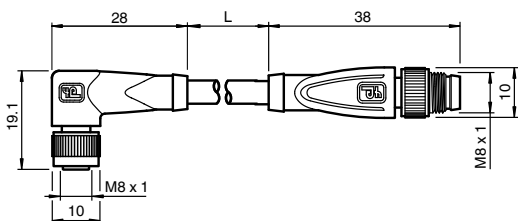
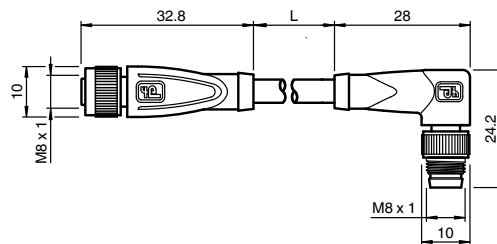
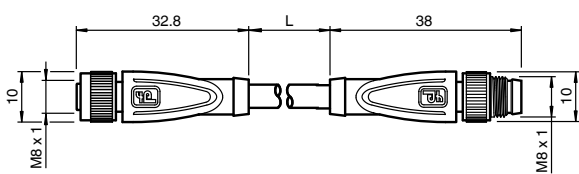
For detailed data and product description refer to the data sheets at www.pepperl-fuchs.com

Gemeinsame Daten	
Display/controls	
LED green	Operating display
LED yellow	NO contact function display
Electrical data	
Max. operating voltage	24 V DC ± 15%
Max. operating current	3 A
Ambient conditions	
Ambient temperature	-40 ... 90 °C for body, Information on cable quality can be found beginning on page 974
Mechanical data	
Contact elements	Spring-loaded contact sockets
Degree of protection	IP67
Material	
Contacts	CuSn / Au
Contact surface	Au
Body	TPU, transparent/green
Coupling nut	Die-cast zinc

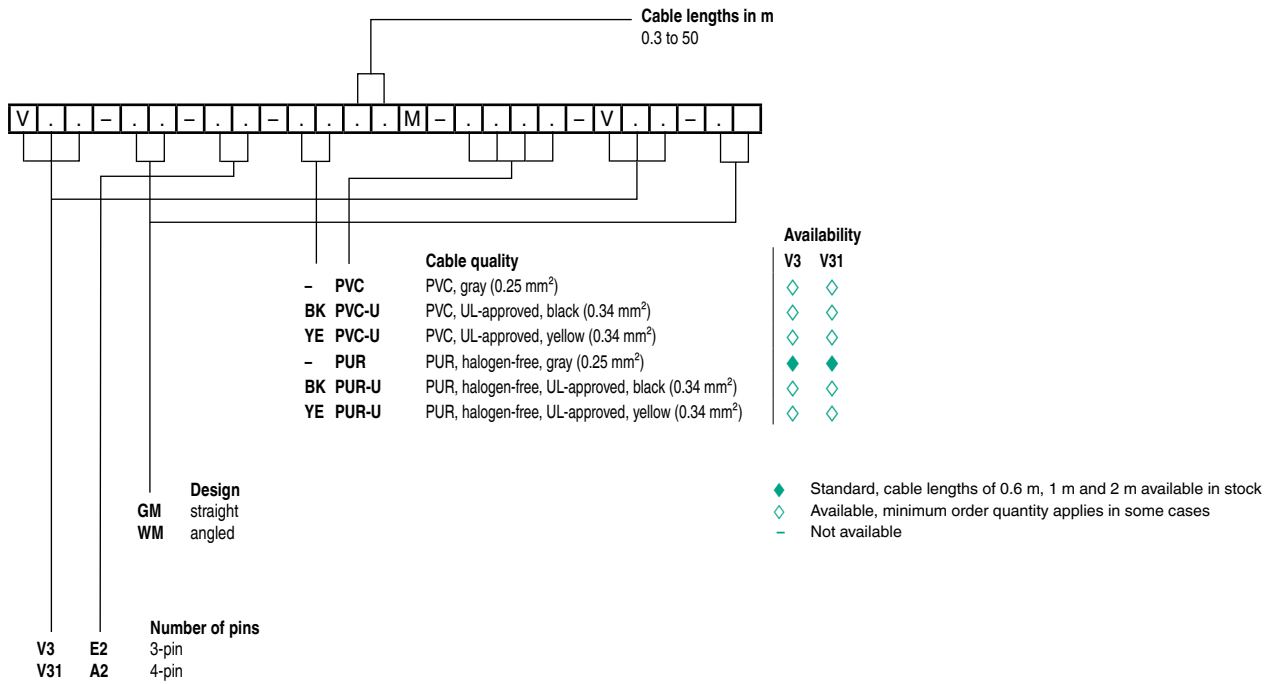
Order codes

		V3-E2-...-V3-...	V31-A2-...-V31-...
Number of pins	3 (E2)	●	
	4 (A2)		●

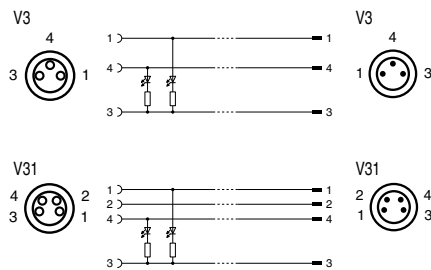
Dimensions



Order codes



Electrical connection





Technical data

For detailed data and product description refer to the data sheets at www.pepperl-fuchs.com

General Data

Electrical data	
Max. operating current	4 A
Ambient conditions	
Ambient temperature	-25 ... 90 °C for body, Information on cable quality can be found beginning on page 974
Mechanical data	
Contact elements	Spring-loaded contact sockets
Degree of protection	IP67/IP69K
Material	
Contacts	CuSn / Au
Contact surface	Au
Body	TPU, yellow
Coupling nut	Brass, nickel-plated

Properties

- 1/2" Single-ended and Double-ended Cordset versions
- Straight and angled versions

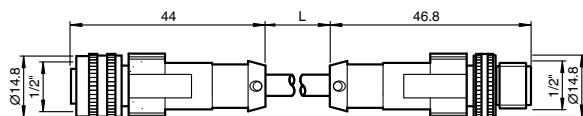
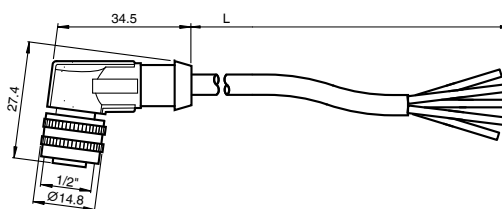
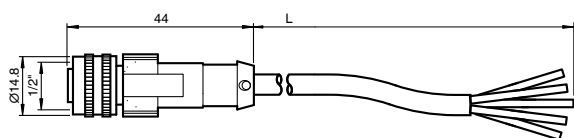
Your Benefit

- Knurled nut suitable for tool mounting
- Micro AC dual key
- Yellow body and cable jacket
- Gold-plated contacts

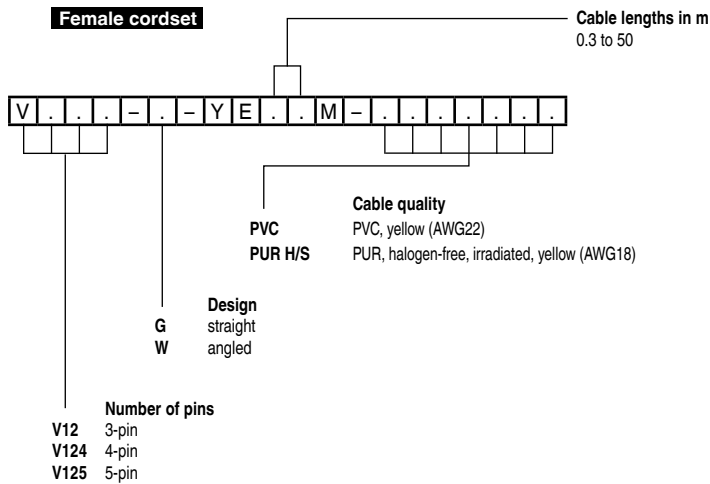
Order codes

	V12-...	V124-...	V125-...
Number of pins	3	4	5
Electrical data			
Max. operating voltage	60 V AC/DC	250 V AC/DC	

Dimensions



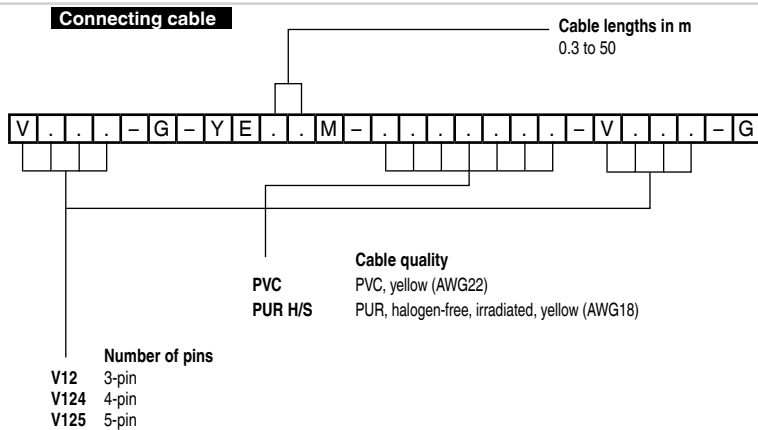
Order codes



Availability

V12	V124	V125
◆	◆	◆
◇	◇	◇
-	-	-

- ◆ Standard, cable lengths of 2 m, 5 m and 10 m available in stock
- ◇ Available, minimum order quantity applies in some cases
- Not available

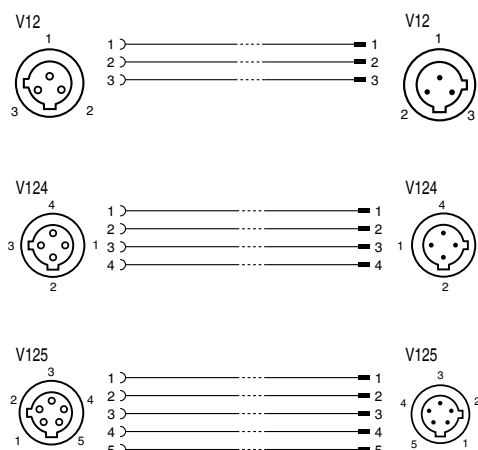
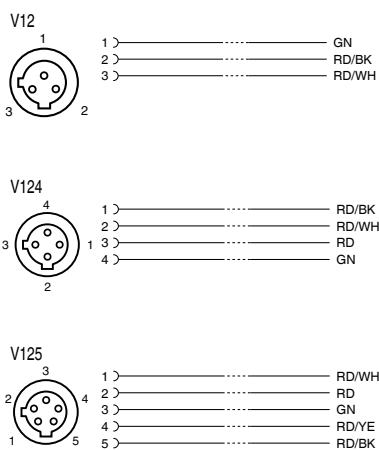


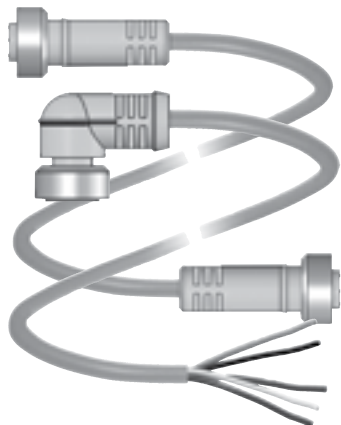
Availability

V12	V124	V125
◆	◆	◆
◇	◇	◇
-	-	-

- ◆ Standard, cable lengths of 0.6 m, 1 m and 2 m available in stock
- ◇ Available, minimum order quantity applies in some cases
- Not available

Electrical connection





Technical data

For detailed data and product description refer to the data sheets at www.pepperl-fuchs.com

General Data

Electrical data	
Max. operating voltage	600 V AC/DC
Ambient conditions	
Ambient temperature	-40 ... 105 °C for body, Information on cable quality can be found beginning on page 974
Mechanical data	
Contact elements	Spring-loaded contact sockets
Degree of protection	IP67
Material	
Contacts	CuZn
Contact surface	Au
Body	PVC, yellow
Coupling nut	Aluminum, anodized

Properties

- 7/8" Single-ended and Double-ended Cordset versions
- Straight and angled versions

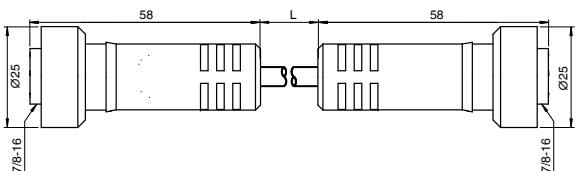
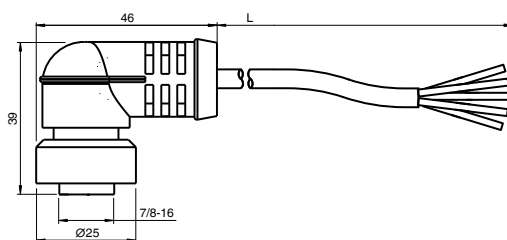
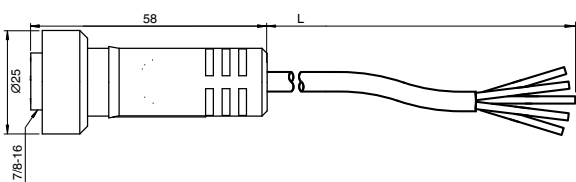
Your Benefit

- Mini connector
- Immunity to vibration
- Gold-plated contacts
- Heavy-gauge wire

Order codes

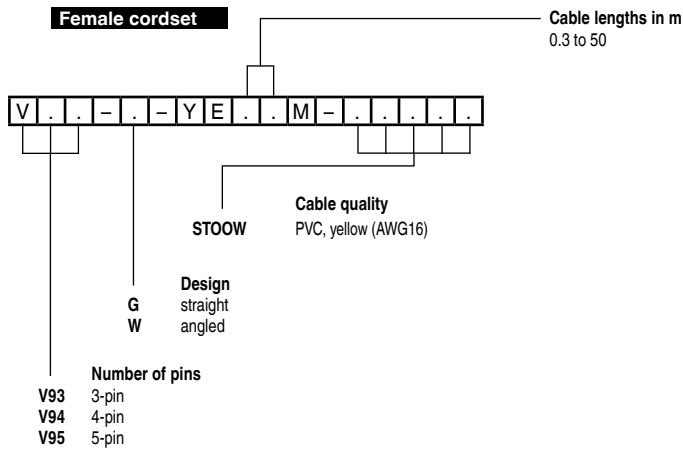
		V93-...	V94-...	V95-...
Number of pins	3	●		
	4		●	
	5			●
Electrical data	Max. operating current			
	8 A		●	●
	10 A			
	13 A	●		

Dimensions



Accessories, Connectors, Cordsets, Splitters

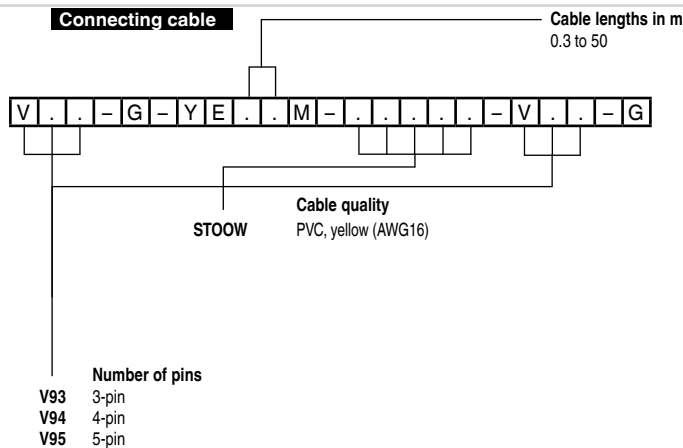
Order codes



Availability

V93 V94 V95
◆ ◆ ◆

- ◆ Standard, cable lengths of 2 m, 5 m and 10 m available in stock
- ◇ Available, minimum order quantity applies in some cases
- Not available

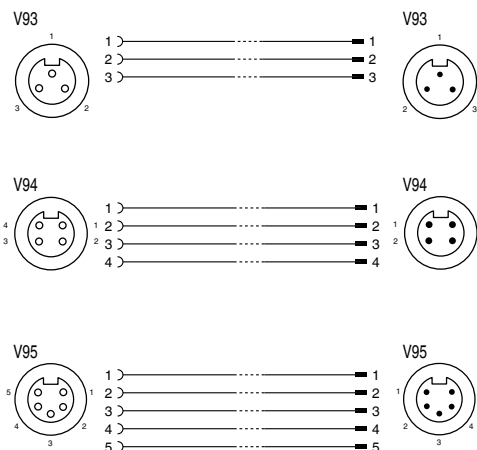
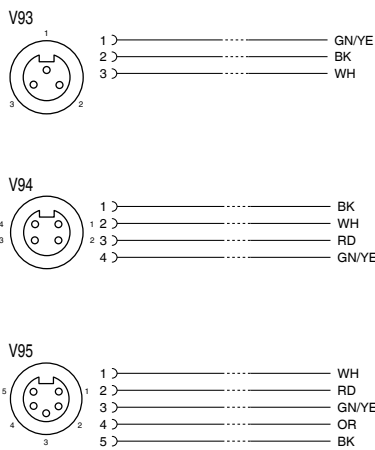


Availability

V93 V94 V95
◆ ◆ ◆

- ◆ Standard, cable lengths of 2 m, 5 m and 10 m available in stock
- ◇ Available, minimum order quantity applies in some cases
- Not available

Electrical connection





Properties

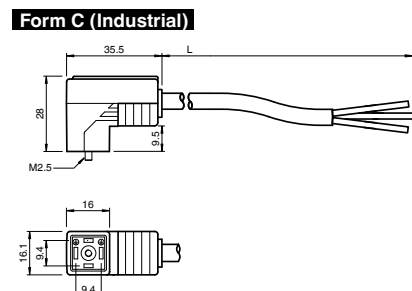
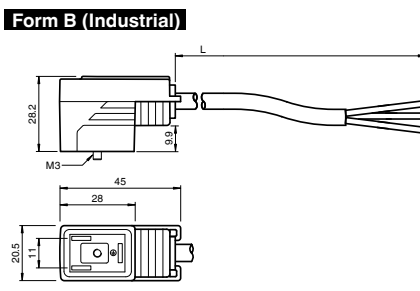
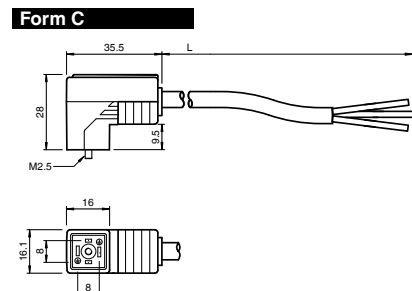
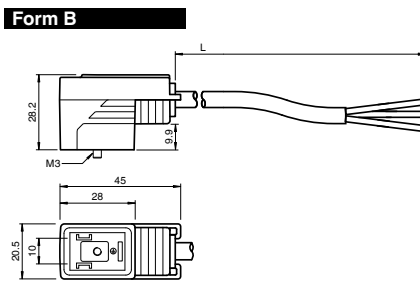
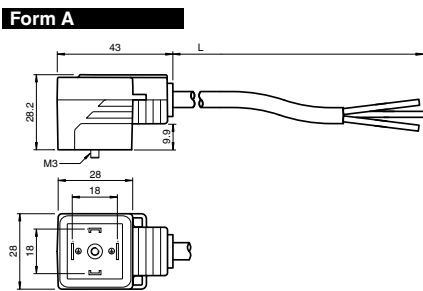
- Valve connector cordsets acc. EN 175301-803 A/ISO 4400
- Form A, B and C versions, DIN and Industrial versions
- Unwired, Z diode, Varistor and Pressure switch versions
- PUR and PVC cable versions

Technical data

For detailed data and product description refer to the data sheets at www.pepperl-fuchs.com

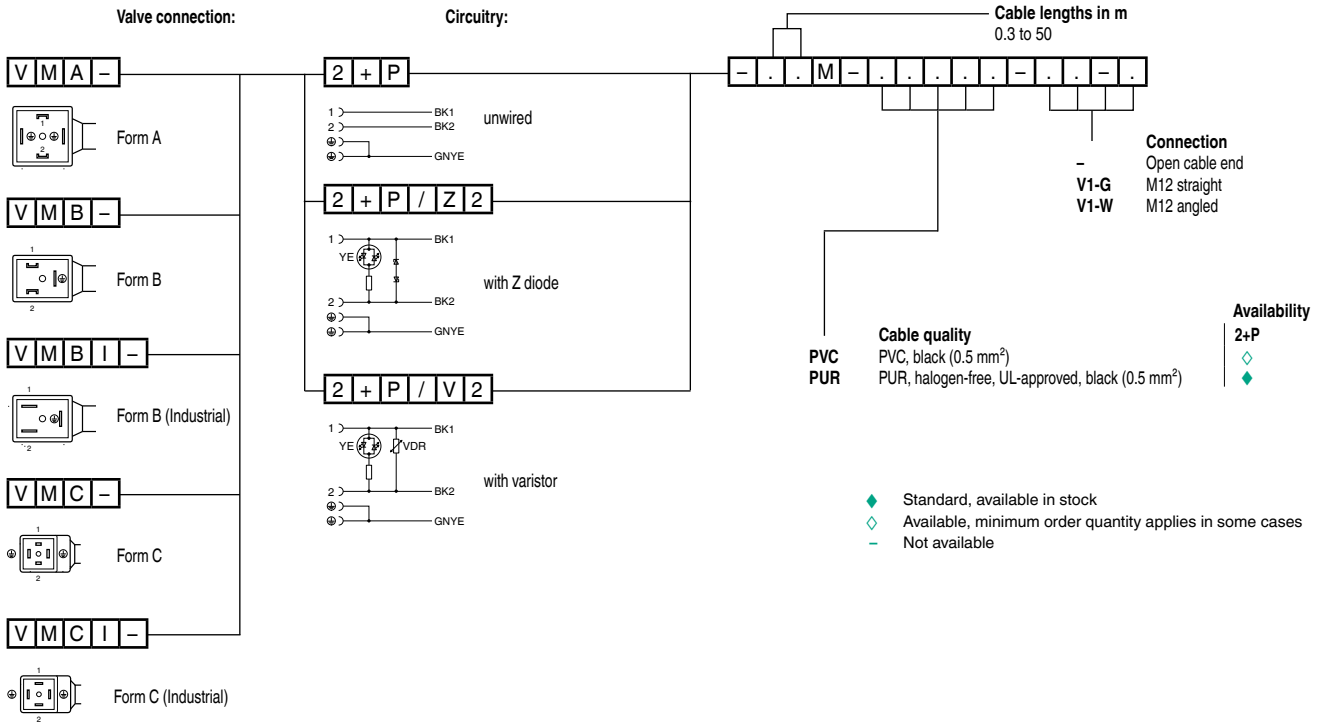
Application	Valve		Pressure switch	
Circuitry	unwired	Z diode	unwired	LED
Number of pins	2+P	2+P/Z2	3+P	3+P/L1
Display/controls		Function display		Function display
LED	-		-	
Electrical data				
Max. operating voltage	230 V AC/DC	24 V AC/DC	230 V AC/DC	24 V AC/DC
Max. operating current open end cable	6 A	4 A	6 A	4 A
Max. operating current M12 body	4 A			
Volume resistance	≤ 5 mΩ			
Ambient conditions				
Ambient temperature	-20 ... 85 °C for valve plug, Information on cable quality can be found beginning on page 1020			
Mechanical data				
Degree of protection	IP65/IP67			
Material				
Contacts	CuSn			
Contact surface	Sn			
Body	TPU, black-transparent			

Dimensions

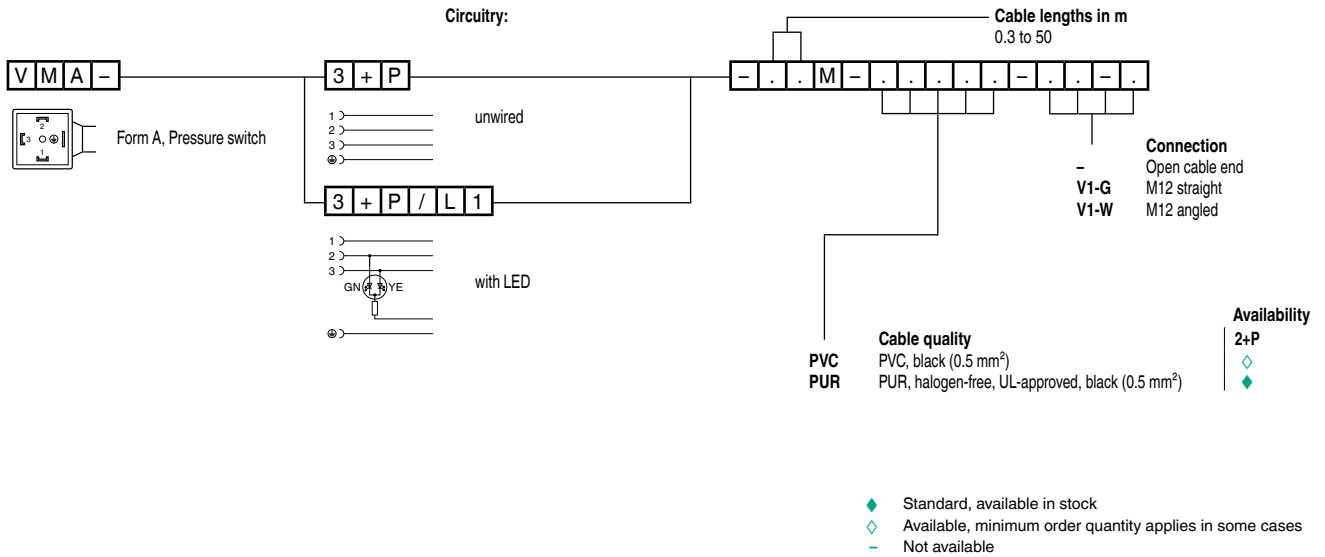


Order codes

Valve connector



Pressure switch connector



Accessories, Connectors, Cordsets, Splitters



Technical data

For detailed data and product description refer to the data sheets at www.pepperl-fuchs.com

General Data	
Ambient conditions	
Ambient temperature	-25 ... 85 °C
Mechanical data	
Degree of protection	IP67
Material	
Contacts	CuZn
Contact surface	Au
Body	PA
Coupling nut	CuZn, nickel-plated

Properties

- M12 x 1 Field Connector
- Female and male, straight and angled versions
- A-coded

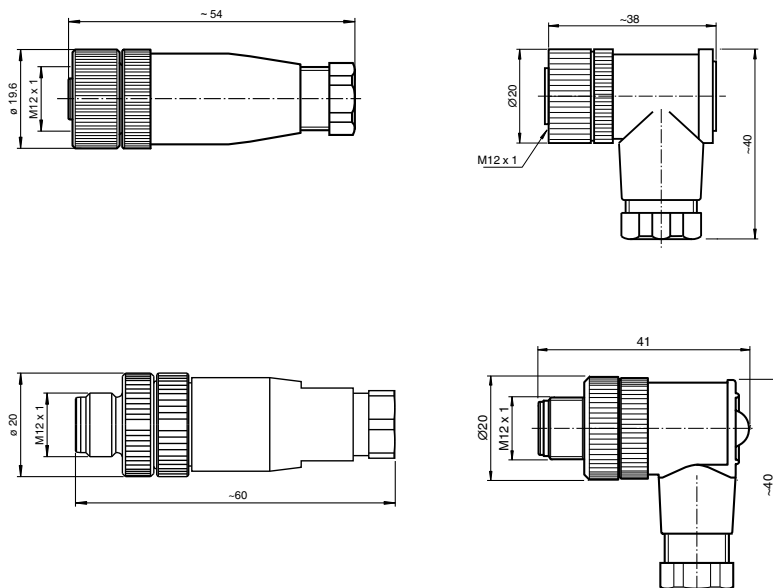
Your Benefit

- Screw terminal connection
- Gold-plated contacts

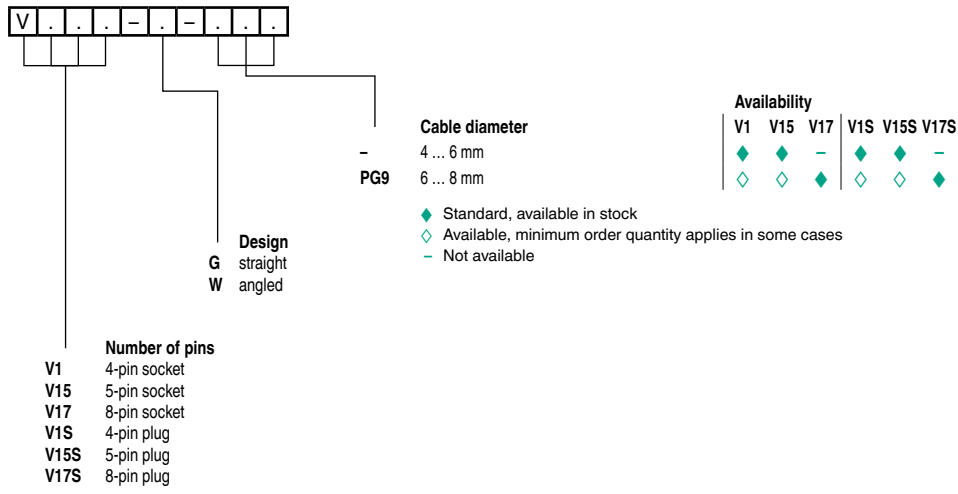
Order codes

		V1-...	V15-...	V17-...	V1S-...	V15S-...	V17S-...	
Number of pins	4	●			●			
	5		●					
	8			●			●	
Electrical data	Max. operating voltage	30 V AC/DC			●			
		60 V AC/DC		●				
		250 V AC/DC	●			●		
Max. operating current	2 A			●			●	
	4 A	●	●		●	●	●	
Mechanical data	Connection	Screw terminals for max. 0.5 mm ²			●		●	
		Screw terminals for max. 0.75 mm ²	●	●		●	●	
		1 x M12 socket	●	●	●			
		1 x M12 plug				●	●	●

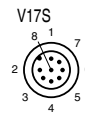
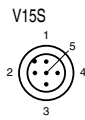
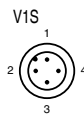
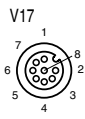
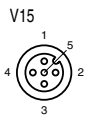
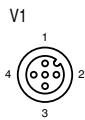
Dimensions



Order codes



Electrical connection





Technical data

For detailed data and product description refer to the data sheets at www.pepperl-fuchs.com

General Data	
Ambient conditions	
Ambient temperature	-25 ... 85 °C
Mechanical data	
Degree of protection	IP67
Material	
Contacts	CuZn
Contact surface	Au
Body	Die-cast zinc, nickel-plated
Coupling nut	CuZn, nickel-plated
Cable	
Cable diameter	5 ... 8 mm

Properties

- M12 x 1 Field Connector
- Shielded
- Female and male, straight and angled versions
- A-coded

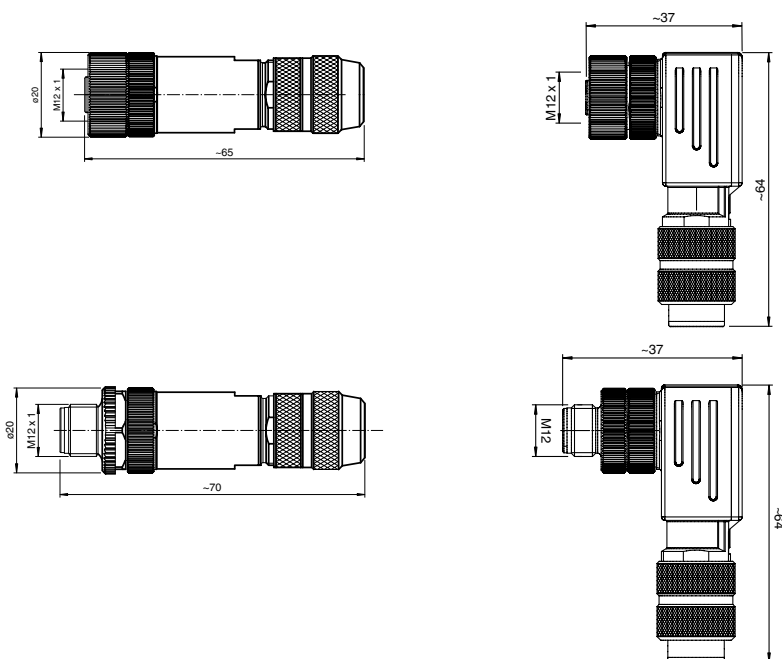
Your Benefit

- Screw terminal connection
- Iris spring provides easy shield bonding
- Gold-plated contacts

Order codes

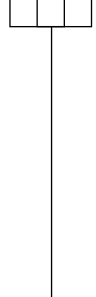
		V1...	V15...	V19...	V1S...	V15S...	V19S...
Number of pins	4	●			●		
	5		●			●	
	8			●			●
Electrical data	Max. operating voltage		30 V AC/DC				
			60 V AC/DC		●		
			250 V AC/DC			●	●
Max. operating current	2 A			●			
	4 A		●	●	●	●	●
Mechanical data	Connection		Screw terminals for max. 0.5 mm ²			●	●
			Screw terminals for max. 0.75 mm ²		●	●	●
	1 x M12 socket		●	●	●		
	1 x M12 plug					●	●

Dimensions



Order codes

V . . . - . - A B G - P G 9



Design
G straight
W angled

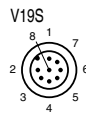
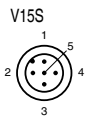
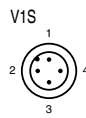
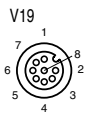
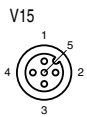
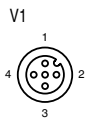
Availability					
V1	V15	V19	V1S	V15S	V19S
◆	◆	◆	◆	◆	◆
◆	◆	◆	◆	◆	◆

- ◆ Standard, available in stock
- ◇ Available, minimum order quantity applies in some cases
- Not available

Number of pins

- V1 4-pin socket
- V15 5-pin socket
- V19 8-pin socket
- V1S 4-pin plug
- V15S 5-pin plug
- V19S 8-pin plug

Electrical connection





Technical data

For detailed data and product description refer to the data sheets at www.pepperl-fuchs.com

General Data

Number of pins	4
Electrical data	
Max. operating current	4 A
Ambient conditions	
Ambient temperature	-25 ... 85 °C
Mechanical data	
Degree of protection	IP65 / IP67
Material	
Contacts	CuSn
Contact surface	Ni/Au
Body	PA66, black
Coupling nut	Die-cast zinc

Properties

- M12 x 1 Field Connector
- QuickOn
- Female and male, straight and angled versions
- A-coded

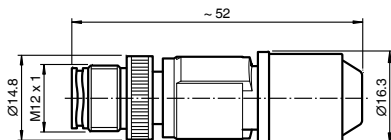
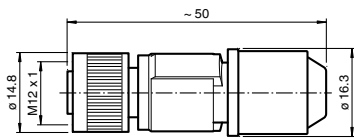
Your Benefit

- Time-saving insulation displacement connection technology
- No screwdriver required
- Gold-plated contacts

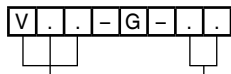
Order codes

		V1-G-Q2	V1S-G-Q2	V1-G-Q3	V1S-G-Q3
Electrical data					
Max. operating voltage	125 V AC/DC			●	●
	250 V AC/DC	●	●		
Mechanical data					
Connection	Insulation displacement for 0.14 ... 0.34 mm ²			●	●
	Insulation displacement for 0.34 ... 0.75 mm ²	●	●		
	1 x M12 socket	●		●	
	1 x M12 plug		●		●
Cable					
Cable diameter	3.5 ... 6 mm			●	●
	4 ... 8 mm	●	●		

Dimensions



Order codes



Number of pins
V1 4-pin socket
V1S 4-pin plug

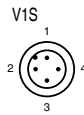
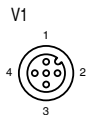
Core cross-section
Q2 0.34 ... 0.75 mm²
Q3 0.14 ... 0.34 mm²

- ◆ Standard, available in stock
- ◇ Available, minimum order quantity applies in some cases
- Combination not available

Availability

V1	V1S
◆	◆
◆	◆

Electrical connection





Technical data

For detailed data and product description refer to the data sheets at www.pepperl-fuchs.com

General Data	
Electrical data	
Max. operating current	4 A
Ambient conditions	
Ambient temperature	-25 ... 85 °C
Mechanical data	
Connection	Straight design: screw terminals < 0.5 mm ² Angled design: solder connection 0.25 mm ²
Degree of protection	IP67
Material	
Contacts	CuZn
Contact surface	Au
Body	PA
Coupling nut	CuZn, nickel-plated
Cable	
Cable diameter	3.5 ... 5 mm

Properties

- M8 x 1 Field Connector
- Female and male, straight and angled versions
- Screw terminal and solder connection versions

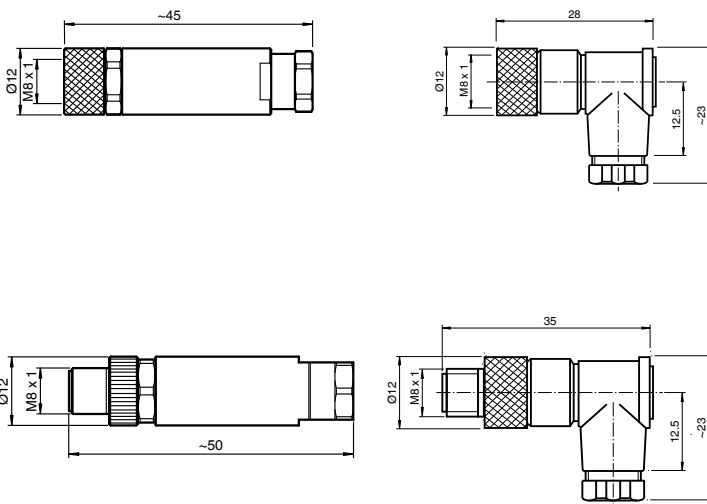
Your Benefit

- Gold-plated contacts

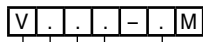
Order codes

		V3-...	V31-...	V3S-...	V31S-...
Number of pins	3	●		●	
	4		●		●
Electrical data					
Max. operating voltage	30 V AC/DC		●		●
	60 V AC/DC	●		●	
Mechanical data					
Connection	1 x M8 plug			●	●
	1 x M8 socket	●	●		

Dimensions



Order codes



Design
 straight
 angled

G
 W

Connectiontype
 Screw terminals
 Solder connection

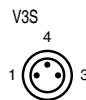
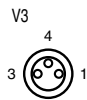
Availability			
V3	V31	V3S	V31S
◆	◆	◆	◆
◆	◆	◆	◆

- ◆ Standard, available in stock
- ◇ Available, minimum order quantity applies in some cases
- Combination not available

Number of pins

- V3 3-pin socket
- V31 4-pin socket
- V3S 3-pin plug
- V31S 4-pin plug

Electrical connection





Technical data

For detailed data and product description refer to the data sheets at www.pepperl-fuchs.com

General Data

Electrical data	
Max. operating current	4 A
Ambient conditions	
Ambient temperature	-25 ... 85 °C
Mechanical data	
Connection	Straight design: screw terminals < 0.5 mm ² Angled design: solder connection 0.25 mm ²
Degree of protection	IP67
Material	
Contacts	CuZn
Contact surface	Au
Body	PA
Coupling nut	CuZn, nickel-plated
Cable	
Cable diameter	3.5 ... 5 mm

Properties

- M8 x 1 Field Connector
- Shielded
- Female and male, straight and angled versions
- Screw terminal and solder connection versions

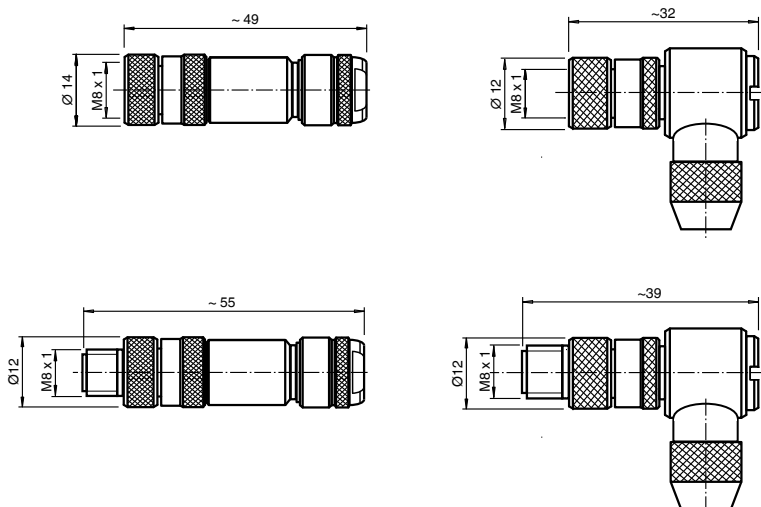
Your Benefit

- Gold-plated contacts

Order codes

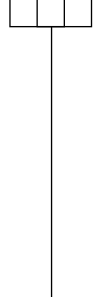
		V3-...	V31-...	V3S-...	V31S-...
Number of pins	3	●		●	
	4		●		●
Electrical data					
Max. operating voltage	30 V AC/DC		●		●
	60 V AC/DC	●		●	
Mechanical data					
Connection	1 x M8 plug			●	●
	1 x M8 socket	●	●		

Dimensions



Order codes

V . . - . M - A B G



Design
G straight
W angled

Connectiontype
 Screw terminals
 Solder connection

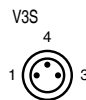
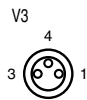
Availability			
V3	V31	V3S	V31S
◆	◆	◆	◆
◆	◆	◆	◆

- ◆ Standard, available in stock
- ◇ Available, minimum order quantity applies in some cases
- Combination not available

Number of pins

- V3** 3-pin socket
- V31** 4-pin socket
- V3S** 3-pin plug
- V31S** 4-pin plug

Electrical connection





Technical data

For detailed data and product description refer to the data sheets at www.pepperl-fuchs.com

General Data

Electrical data	
Max. operating current	4 A
Ambient conditions	
Ambient temperature	-25 ... 85 °C
Mechanical data	
Contact elements	Insulation piercing technology 0.14 ... 0.34 mm ²
Degree of protection	IP67
Material	
Contacts	CuZn
Contact surface	Au
Body	PA
Coupling nut	ZnAl / Ni
Cable	
Cable diameter	4 ... 5 mm

Properties

- M8 x 1 Field Connector
- Female and male, straight and angled versions
- MiniQuick technology

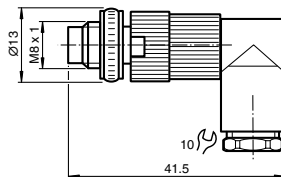
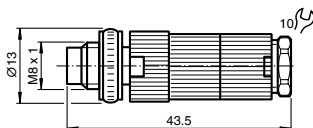
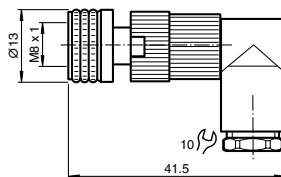
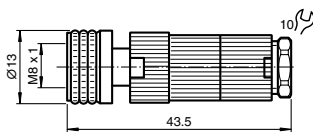
Your Benefit

- Time-saving axial wire contact technology
- Gold-plated contacts

Order codes

		V3-...	V31-...	V3S-...	V31S-...
Number of pins	3	●		●	
	4		●		●
Electrical data					
Max. operating voltage	30 V AC/DC		●		●
	60 V AC/DC	●		●	
Mechanical data					
Connection	1 x M8 plug			●	●
	1 x M8 socket	●	●		

Dimensions



Order codes



Design
GM straight
WM angled

Availability

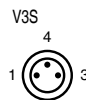
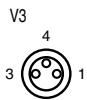
V3	V31	V3S	V31S
◆	◆	◆	◆
◆	◆	◆	◆

- ◆ Standard, available in stock
- ◇ Available, minimum order quantity applies in some cases
- Combination not available

Number of pins

- V3 3-pin socket
- V31 4-pin socket
- V3S 3-pin plug
- V31S 4-pin plug

Electrical connection





Technical data

For detailed data and product description refer to the data sheets at www.pepperl-fuchs.com

General Data	
Number of pins	3
Electrical data	
Max. operating voltage	250 V AC/DC
Max. operating current	4 A
Ambient conditions	
Ambient temperature	-40 ... 85 °C
Mechanical data	
Connection	Screw terminals for max. 0.75 mm ² PG7 cable gland
Degree of protection	IP67
Material	
Contacts	CuSn
Contact surface	Au
Body	PA
Coupling nut	CuSn, nickel-plated
Cable	
Cable diameter	4 ... 6 mm

Properties

- 1/2" Field Connector
- Female and male, straight and angled versions

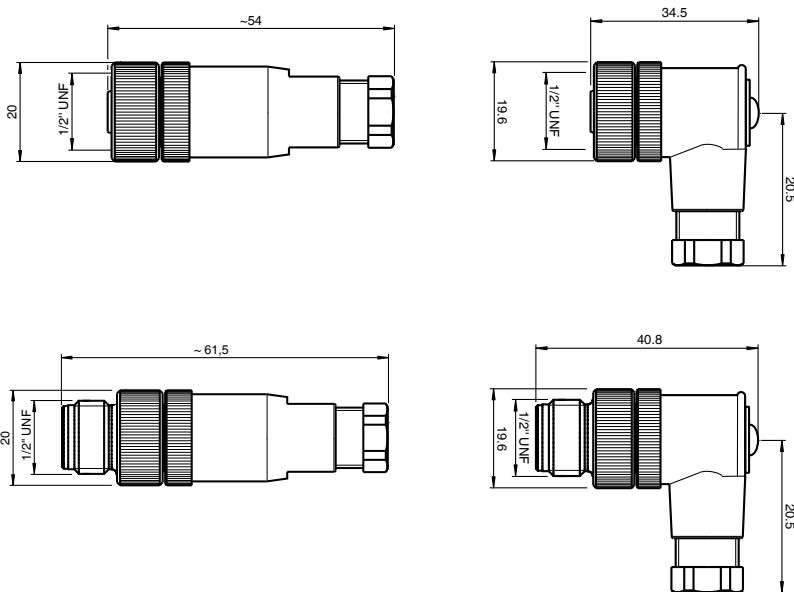
Your Benefit

- Gold-plated contacts

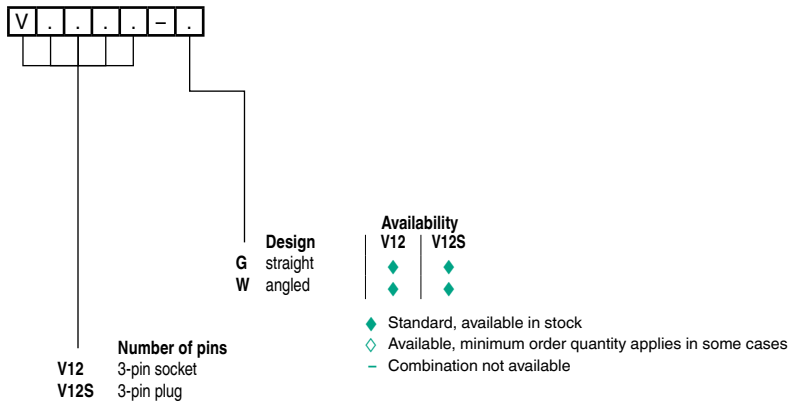
Order codes

Mechanical data		V12-...	V12S-...
Connection	1 x M12 socket 1 x M12 plug	●	●

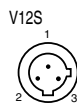
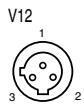
Dimensions



Order codes



Electrical connection





Technical data

For detailed data and product description refer to the data sheets at www.pepperl-fuchs.com

General Data

Electrical data	
Max. operating voltage	600 V AC/DC
Ambient conditions	
Ambient temperature	-40 ... 90 °C
Mechanical data	
Connection	1 x 7/8" socket, screw terminals < 2.0 mm ² 1 x 7/8" plug, internal or external thread, screw terminals < 2.0 mm ² , PG9 cable gland
Degree of protection	IP67
Material	
Contacts	CuZn
Contact surface	Au
Body	PA
Coupling nut	Al, anodized
Cable	
Cable diameter	5 ... 13 mm

Properties

- 7/8" Field Connector
- Female and male, straight and angled versions

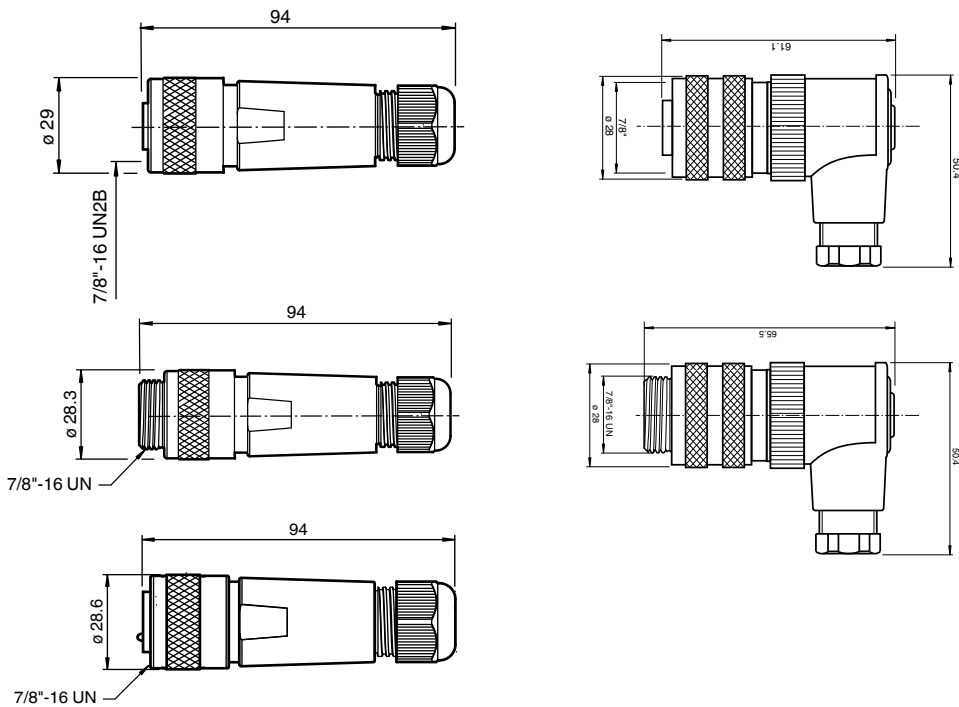
Your Benefit

- Gold-plated contacts
- Suitable for heavy-gauge wires

Order codes

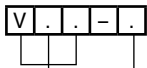
Number of pins	3	●		
	4		●	
	5			●
Electrical data				
Max. operating voltage	12 A			●
	15 A		●	
	18 A	●		

Dimensions



Order codes

Socket



Design
G straight
W angled

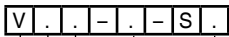
Number of pins
V93 3-pin
V94 4-pin
V95 5-pin

Availability

V93	V94	V95
◆	◆	◆
◇	◇	◇

- ◆ Standard, available in stock
- ◇ Available, minimum order quantity applies in some cases
- Combination not available

Plug



Design
G straight
W angled

Number of pins
V93 3-pin
V94 4-pin
V95 5-pin

Type of thread

I	internal
E	external

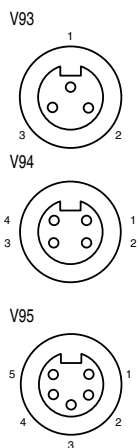
Availability

V93	V94	V95
◆	◆	◆
◇	◇	◇

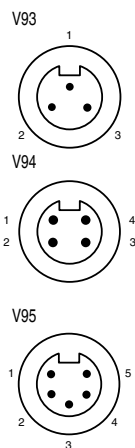
- ◆ Standard, available in stock
- ◇ Available, minimum order quantity applies in some cases
- Combination not available

Electrical connection

Socket



Plug





Technical data

For detailed data and product description refer to the data sheets at www.pepperl-fuchs.com

General Data	
Number of pins	4
Electrical data	
Max. operating voltage	250 V AC/DC
Max. operating current	16 A
Ambient conditions	
Ambient temperature	-25 ... 85 °C
Mechanical data	
Connection	1 x M18-socket Screw terminals for max. 1.5 mm ² PG9 cable gland
Degree of protection	IP67
Material	
Contacts	CuZn
Contact surface	CuSnZn
Body	PA
Coupling nut	PA
Cable	
Cable diameter	6 ... 8 mm

Properties

- M18 x 1 Field Connector
- Female, straight and angled versions

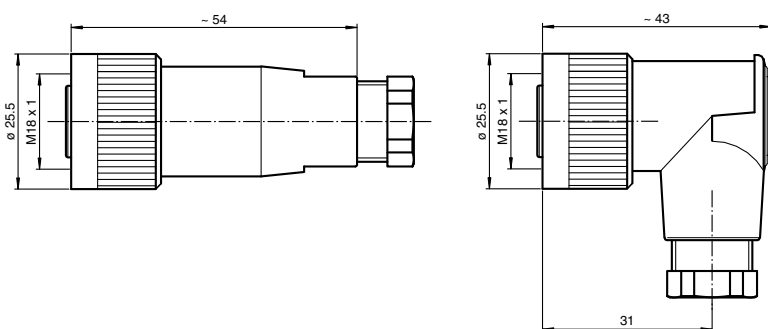
Your Benefit

- Gold-plated contacts

Order codes

Design	straight	V18-G	V18-W
	angled	●	●

Dimensions



Order codes

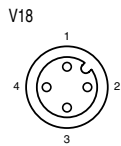
V 1 8 - .

Design
 G straight
 W angled

Availability
 V18

- ◆ Standard, available in stock
- ◇ Available, minimum order quantity applies in some cases
- Combination not available

Electrical connection





Technical data

For detailed data and product description refer to the data sheets at www.pepperl-fuchs.com

General Data	
Number of pins	6 + PE
Electrical data	
Max. operating voltage	250 V AC/DC
Max. operating current	10 A
Ambient conditions	
Ambient temperature	-40 ... 100 °C
Mechanical data	
Connection	Screw terminals < 1.5 mm ² PG9 cable gland
Degree of protection	IP65 / IP67
Material	
Contacts	CuZn
Contact surface	Ag
Body	PBT
Cable	
Cable diameter	6 ... 8 mm

Properties

- Rd24 Field Connector
- Female and male, straight and angled versions

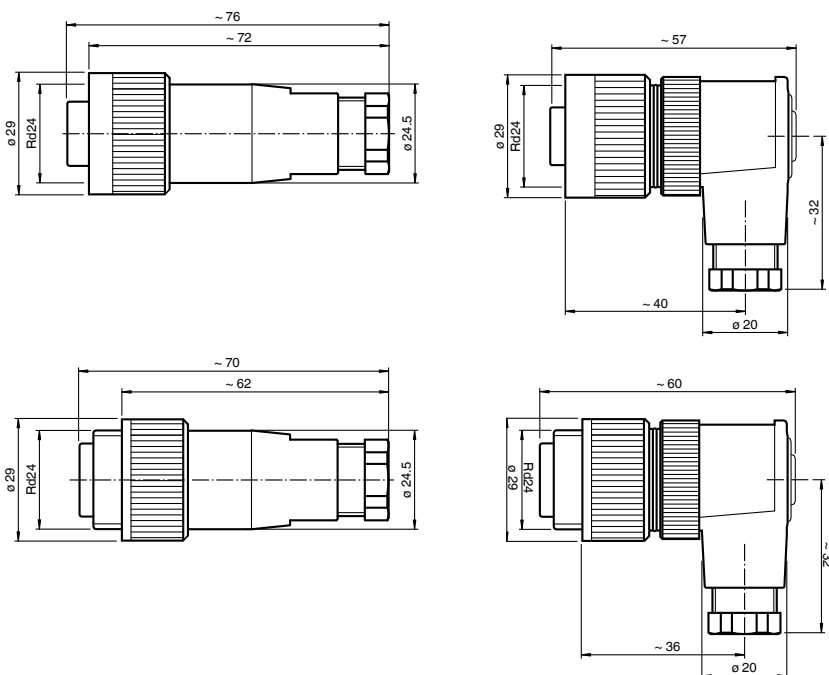
Your Benefit

- Silver-plated contacts

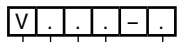
Order codes

Mechanical data		V16-...	V16S-...
Connection	1 x Socket, Rd24 x 1/8"	●	
	1 x Plug, Rd24 x 1/8"		●

Dimensions



Order codes



Number of pins
V16 6-pin + PE socket
V16S 6-pin + PE plug

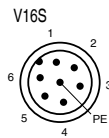
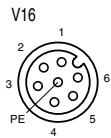
Design
G straight
W angled

Availability

V16	V16S
◆	◆
◇	◇
—	—

◆ Standard, available in stock
 ◇ Available, minimum order quantity applies in some cases
 — Combination not available

Electrical connection





Properties

- Valve Field Connector acc. EN 175301-803
- Form A, B and C versions, DIN and Industrial versions
- Unwired, and Varistor versions

Your Benefit

- Selectable PE position (Form A and Form B)
- Integrated seal

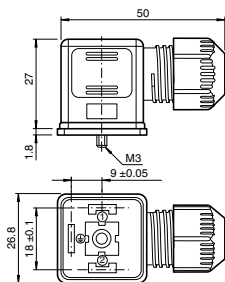
Technical data

For detailed data and product description refer to the data sheets at www.pepperl-fuchs.com

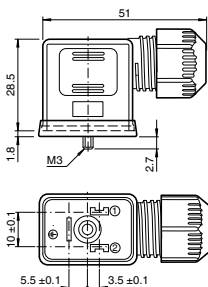
Application	Valve	Varistor	Pressure switch
Circuitry	unwired		unwired
Number of pins	2+P	2+P/V2	3+P
Display/controls			
LED	-	Function display	-
Electrical data			
Max. operating voltage	250 V AC/300 V DC	24 V AC/DC	250 V AC/300 V DC
Max. operating current			
Form A	16 A		
Form B	16 A		
Form C	10 A		
Ambient conditions			
Ambient temperature	-25 ... 90 °C		
Storage temperature	-40 ... 125 °C		
Mechanical data			
Degree of protection	IP67		
Material			
Contact surface	Ag		
Seal	NBR		
Body	PA6, black	PA6, transparent	PA6, black
Cable diameter			
Form A+B	4 ... 9 mm		
Form C	3 ... 5.5 mm		

Dimensions

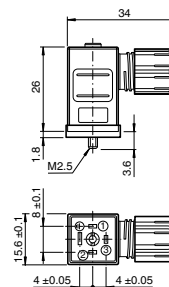
Form A



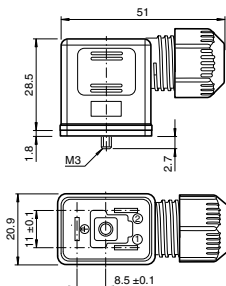
Form B



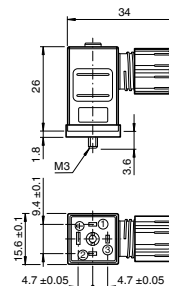
Form C



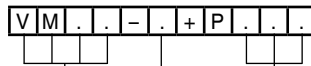
Form B (Industrial)



Form C (Industrial)



Order codes



Circuitry
 - none
 /V2 Varistor

Number of poles
 2 2 + PE
 3 3 + PE (Form A and Form C only)

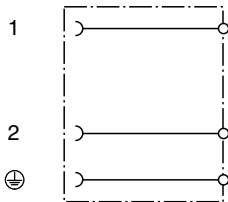
Valve connection
VMA Form A
VMB Form B
VMBI Form B (Industrial)
VMC Form C
VMCI Form C (Industrial)

Availability				
VMA	VMB	VMBI	VMC	VMCI
◆	◆	◆	◆	◆
-	-	-	◆	-

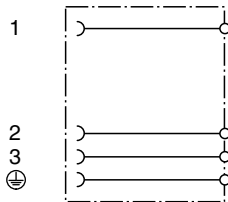
- ◆ Standard, cable lengths of 2 m, 5 m and 10 m available in stock
- ◆ Available, minimum order quantity applies in some cases
- Not available

Electrical connection

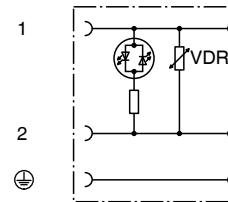
2+P



3+P



2+P/V2





Technical data

For detailed data and product description refer to the data sheets at www.pepperl-fuchs.com

General Data

Ambient conditions	
Ambient temperature	-25 ... 80 °C
Mechanical data	
Connection	Single strand leads
Degree of protection	IP67
Material	
Contacts	CuZn
Contact surface	Au
Housing	Brass, nickel-plated
Cable	
Insulation type	TPE stranded wire
Length L	500 mm

Properties

- M12 x 1 Receptacles, A-coded
- Female and male versions
- Front and Rear panel mounting
- Thread M16 or PG9 mounting

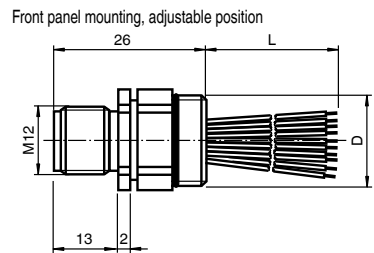
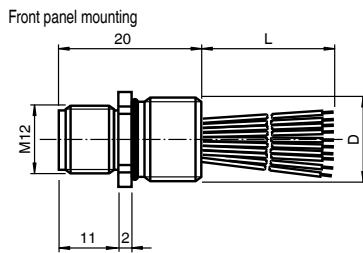
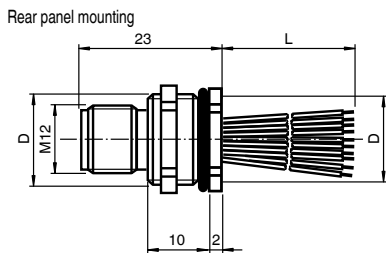
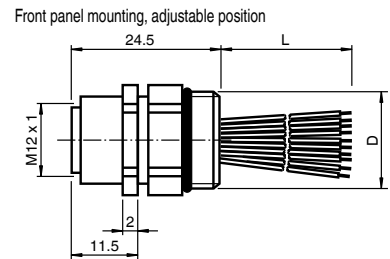
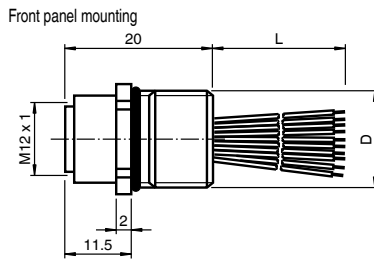
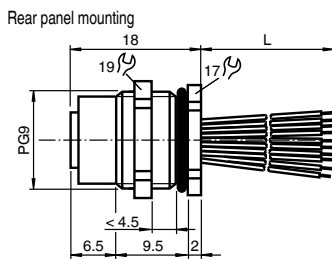
Your Benefit

- Halogen-free
- Degree of protection IP67

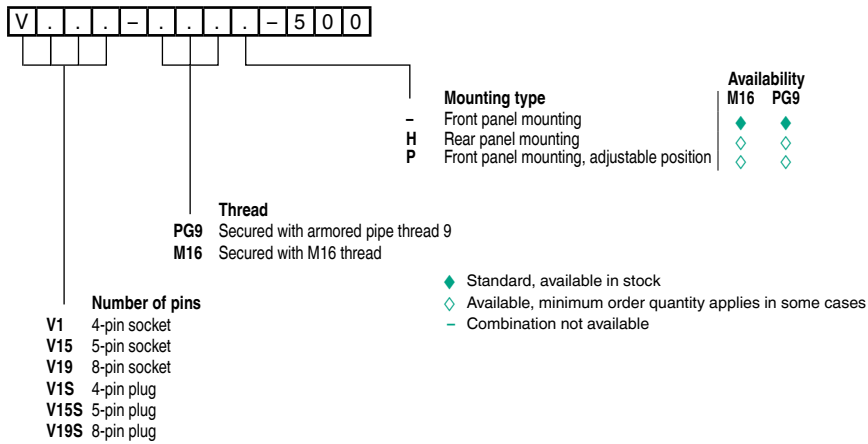
Order codes

		V1-...	V15-...	V19-...	V1S-...	V15S-...	V19S-...
Number of pins	4	●			●		
	5		●			●	
	8			●			●
Electrical data	Max. operating voltage		30 V AC/DC		●		
			60 V AC/DC		●		
			250 V AC/DC	●		●	
Max. operating current	2 A			●			
	4 A	●	●	●	●	●	●
Mechanical data	Connection		1 x M12 socket	●	●	●	●
			1 x M12 plug			●	●
Cable	Leads		4 x 0.34 mm ²	●		●	
			5 x 0.34 mm ²		●		●
			8 x 0.25 mm ²			●	●

Dimensions

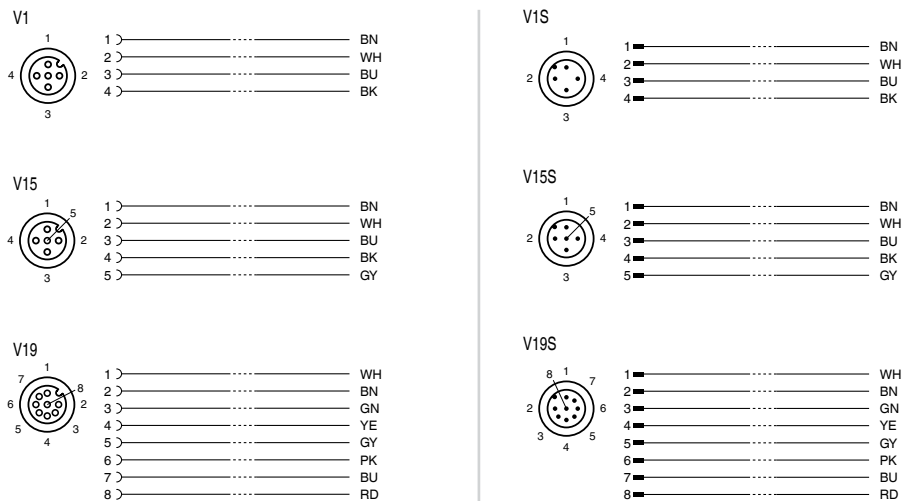


Order codes



See also 1/2" NPT series on page 1046

Electrical connection





Technical data

For detailed data and product description refer to the data sheets at www.pepperl-fuchs.com

General Data

Electrical data	
Max. operating current	4 A
Ambient conditions	
Ambient temperature	-25 ... 80 °C
Mechanical data	
Connection	M8 x 0.5 mounting thread, single strand leads
Degree of protection	IP67
Material	
Contacts	CuZn
Contact surface	Au
Housing	Brass, nickel-plated
Cable	
Insulation type	TPE stranded wire
Length L	500 mm

Properties

- M8 x 0.5 Receptacles
- Female and male versions
- Front panel mounting
- Thread M8 mounting

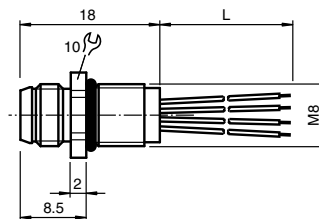
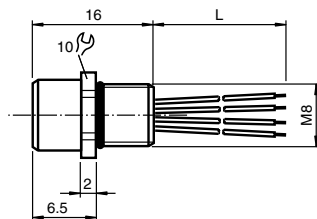
Your Benefit

- Halogen-free
- Degree of protection IP67

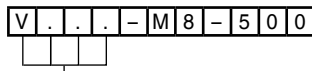
Order codes

		V3-...	V31-...	V3S-...	V31S-...
Number of pins	3	●		●	
	4		●		●
Electrical data					
Max. operating voltage	30 V AC/DC	●	●		●
	60 V AC/DC			●	
Mechanical data					
Connection	1 x M8 socket	●	●		
	1 x M8 plug			●	●
Cable					
Leads	3 x 0.25 mm ²	●		●	
	4 x 0.25 mm ²		●		●

Dimensions



Order codes

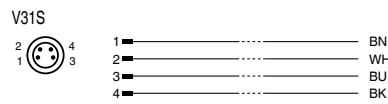
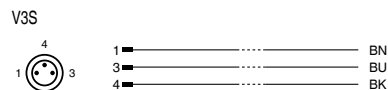
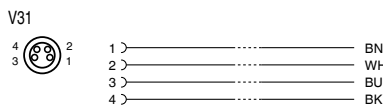
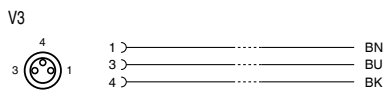


	Number of pins
V3	3-pin socket
V31	4-pin socket
V3S	3-pin plug
V31S	4-pin plug

Availability

- ◆ Standard, available in stock
- ◇ Available, minimum order quantity applies in some cases
- Combination not available

Electrical connection





Technical data

For detailed data and product description refer to the data sheets at www.pepperl-fuchs.com

General Data	
Electrical data	
Max. operating voltage	600 V AC/DC
Ambient conditions	
Ambient temperature	-40 ... 105 °C
Mechanical data	
Degree of protection	IP67
Material	
Contacts	CuZn
Contact surface	Au
Housing	Al, anodized
Cable	
Length L	300 mm

Properties

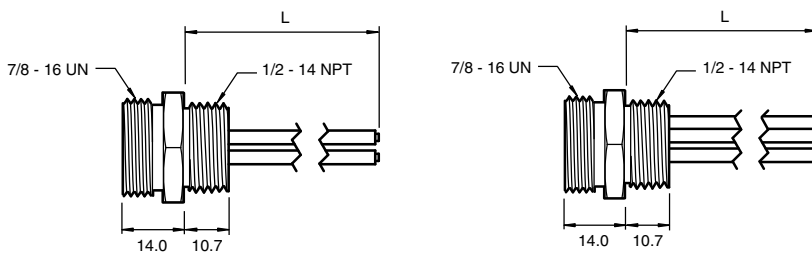
- 7/8"-16 UN Receptacles
- Female and male versions
- Front panel mounting
- Thread 1/2" NPT mounting

Your Benefit

- Gold-plated contacts

Order codes		1/2" NPT-V93-G-S-3M	1/2" NPT-V94-G-S-3M	1/2" NPT-V95-G-S-3M	1/2" NPT-V93-G-S-3M	1/2" NPT-V94-G-S-3M	1/2" NPT-V95-G-S-3M
		Number of pins	3	●			●
	4		●			●	
	5			●			●
Electrical data							
Max. operating current	8 A			●			●
	10 A		●			●	
	13 A	●			●		●
Mechanical data							
Connection	7/8"-16 UN socket	●	●	●			
	7/8"-16 UN plug				●	●	●
Cable							
Leads	3 x 1.5 mm ²	●			●		
	4 x 1.5 mm ²		●			●	
	5 x 1.5 mm ²			●			●

Dimensions



Order codes

1 / 2 " N P T - V . . - G - . - . 3 M

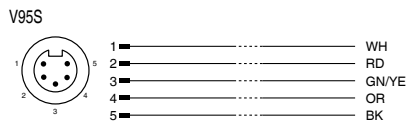
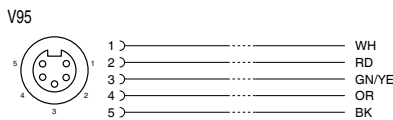
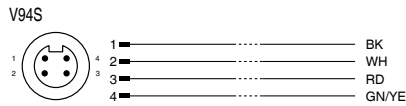
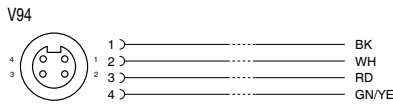
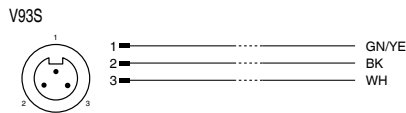
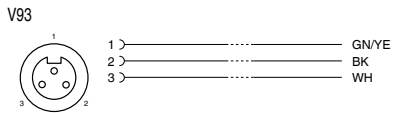
Number of pins
 V93 3-pin
 V94 4-pin
 V95 5-pin

Type
 - Socket
 S Plug

Availability
 V93 V94 V95
 ◆ ◆ ◆
 ◆ ◆ ◆

- ◆ Standard, available in stock
- ◇ Available, minimum order quantity applies in some cases
- Combination not available

Electrical connection





Technical data

For detailed data and product description refer to the data sheets at www.pepperl-fuchs.com

General Data

Electrical data	
Max. operating voltage	300 V AC/DC
Max. operating current	4 A
Ambient conditions	
Ambient temperature	-40 ... 105 °C (-40 ... 221 °F)
Mechanical data	
Degree of protection	IP67
Material	
Contacts	CuZn
Contact surface	Au
Housing	Al, anodized
Cable	
Core cross-section	0.34 mm ² (22 AWG)
Length L	300 mm

Properties

- M12 x 1 and 1/2" - 20 UNF Receptacles
- Female and male versions
- Front panel mounting
- Thread 1/2" NPT mounting

Your Benefit

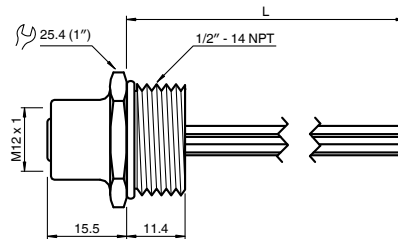
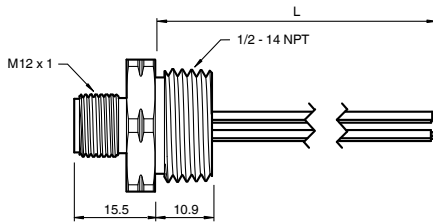
- Gold-plated contacts

Order codes

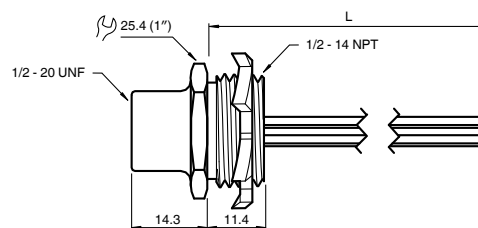
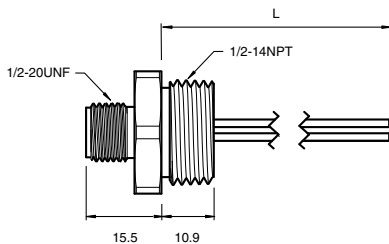
Number of pins	4	●	●	●	●	●
	5		●			
	3			●		●
Mechanical data						
Connection	M12 x 1 socket	●	●			
	M12 x 1 plug				●	●
	1/2" - 20 UNF socket			●		
	1/2" - 20 UNF plug					●

Dimensions

M12 x 1

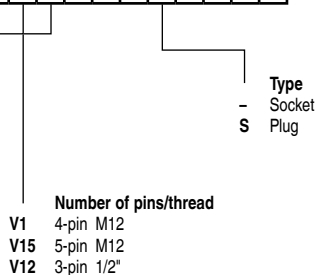


1/2" - 20 UNF



Order codes

1 / 2 " N P T - V . . - G - . - . 3 M

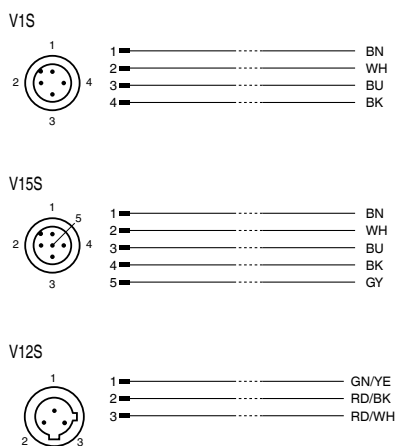
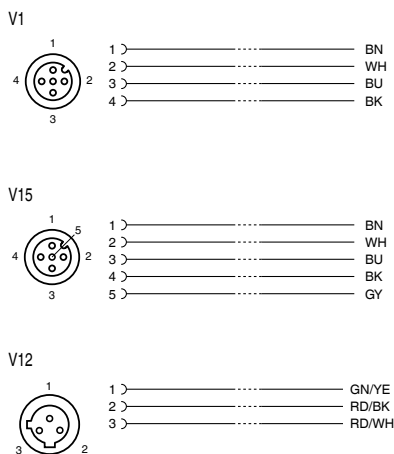


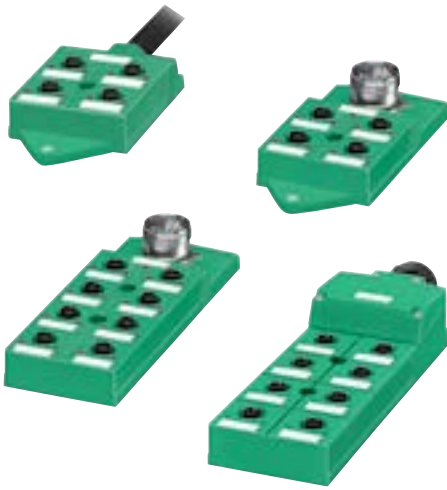
Availability

V1	V15	V12
◆	◆	◆
◆	◆	◆

- ◆ Standard, available in stock
- ◆ Available, minimum order quantity applies in some cases
- Combination not available

Electrical connection





Technical data

For detailed data and product description refer to the data sheets at www.pepperl-fuchs.com

General Data	
Number of pins	4, 5
Display/controls	LED green LED yellow
	Supply voltage per module I/O status indication
Electrical data	
Operating voltage	24 V DC, max. 30 V DC
Max. operating current	5 mA per channel display element
Max. current loading	2 A per channel, 4 A per port, 12 A total current per block
Ambient conditions	
Ambient temperature	-25 ... 75 °C
Mechanical data	
Sockets	M12 x 1
Degree of protection	IP65 / IP67
Material	
Contacts	CuSn
Contact surface	Ni/Au
Housing	PA, green

Properties

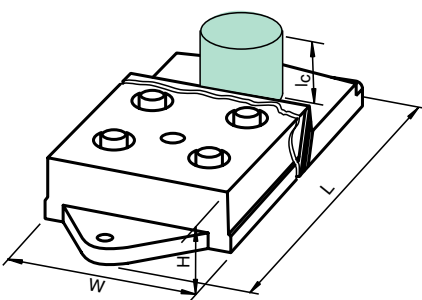
- M12 Junction Blocks
- 4, 6 and 8 port versions, single and dual PNP input
- Master cable, M23 connector and Cage terminal versions

Your Benefit

- Flat design
- LED indication for module supply and I/O status

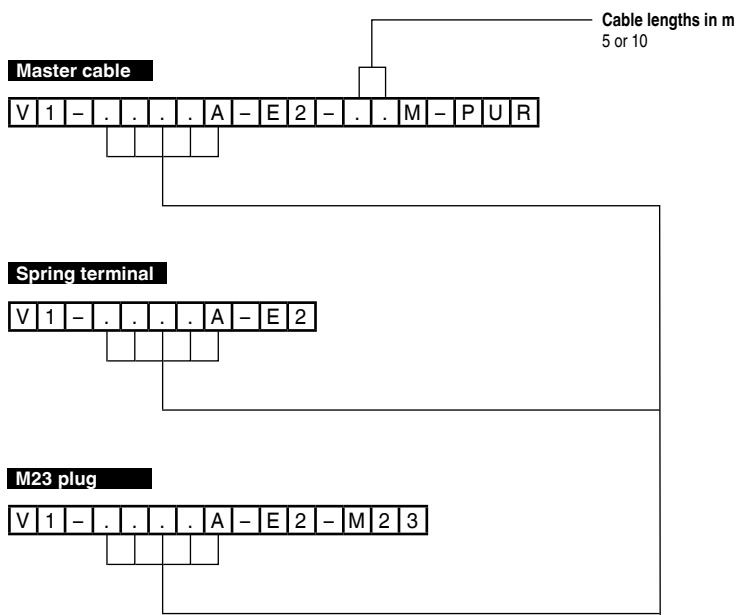
Order codes		V1-...A-E2-...M-PUR	V1-...A-E2	V1-...A-E2-M23
Connection	Master cable Cage terminal M23 plug	●	●	●
Mechanical data	Connection	Cable: stranded wire Cage terminal M23 plug	●	●
Cable	Material	PUR black	●	
	Leads	Signal line: 0.34 mm ² Supply line: 0.75 mm ²	●	

Accessories, Connectors, Cordsets, Splitters



Dimensions	Master cable						Spring terminal			M23 plug			
	Slots	4	6	8	4/8	6/12	8/16	4	6	8	4	6	8
Length L [mm]		82	100	126.5	116.5	128.5	155	116.5	128.5	155	116.5	128.5	155
Width W [mm]		54	54	54	54	54	54	54	54	54	54	54	54
Height H [mm]		18.5	18.5	18.5	18.5	18.5	18.5	32	32	32	18.5	18.5	18.5
Connection area l _c [mm]		-	-	-	-	-	-	-	-	-	7.5	7.5	7.5

Order codes



Cable lengths in m
5 or 10

	Ports/Signal inputs
4	4 ports/4 signal inputs
6	6 ports/6 signal inputs
8	8 ports/8 signal inputs
4/8	4 ports/8 signal inputs (dual inputs)
6/12	6 ports/12 signal inputs (dual inputs)
8/16	8 ports/16 signal inputs (dual inputs)

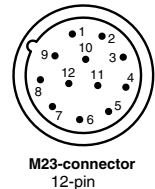
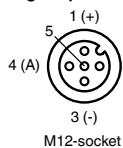
Availability

- V1
- ◆
- ◇
- ◆
- ◇
- ◆

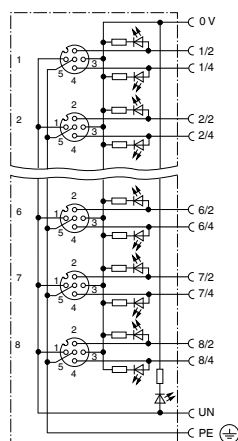
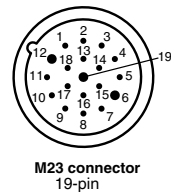
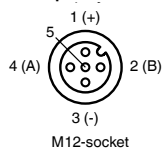
- ◆ Standard, available in stock
- ◇ Available, minimum order quantity applies in some cases
- Not available

Electrical connection

Single input:



Dual inputs:



Master cable

Slot/Signal input	color
1/4 (A)	WH
1/2 (B)	GY/PK
2/4 (A)	GN
2/2 (B)	RD/BU
3/4 (A)	YE
3/2 (B)	WH/GN
4/4 (A)	GY
4/2 (B)	BN/GN
5/4 (A)	PK
5/2 (B)	WH/YE
6/4 (A)	RD
6/2 (B)	YE/BN
7/4 (A)	BK
7/2 (B)	WH/GY
8/4 (A)	VT
8/2 (B)	GY/BN
1-8/1 (UN)	BN
1-8/3 (0V)	BU
1-8/5 (PE)	GN/YE

(B) with double layout ports

Spring terminal

Slot/Signal input	Terminal
1/4 (A)	1/4
1/2 (B)	1/2
2/4 (A)	2/4
2/2 (B)	2/2
3/4 (A)	3/4
3/2 (B)	3/2
4/4 (A)	4/4
4/2 (B)	4/2
5/4 (A)	5/4
5/2 (B)	5/2
6/4 (A)	6/4
6/2 (B)	6/2
7/4 (A)	7/4
7/2 (B)	7/2
8/4 (A)	8/4
8/2 (B)	8/2
1-8/1 (UN)	UN
1-8/3 (0V)	0V
1-8/5 (PE)	PE

(B) with double layout ports

M23 plug

Slot/Signal input	Pin 12-pin	Pin 19-pin
1/4 (A)	1	15
1/2 (B)		7
2/4 (A)	2	5
2/2 (B)		4
3/4 (A)	3	16
3/2 (B)		8
4/4 (A)	4	3
4/2 (B)		14
5/4 (A)	5	17
5/2 (B)		9
6/4 (A)	6	2
6/2 (B)		13
7/4 (A)	7	11
7/2 (B)		10
8/4 (A)	8	1
8/2 (B)		18
1-n/1 (UN)	11	19
1-n/3 (0V)	9+10	6
1-n/5 (PE)	12	12

12-pin with single layout ports, 19-pin with dual input ports



Properties

- M8 Junction Blocks
- 4, 6 and 8 port versions, single PNP input
- Master cable and M12 connector versions

Your Benefit

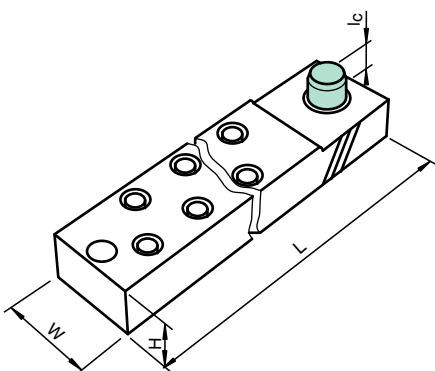
- LED indication for module supply and I/O status

Technical data

For detailed data and product description refer to the data sheets at www.pepperl-fuchs.com

General Data	
Number of pins	3
Display/controls	
LED green	Supply voltage per module
LED yellow	I/O status indication
Electrical data	
Operating voltage	24 V DC, max. 30 V DC
Max. operating current	5 mA per channel display element
Ambient conditions	
Ambient temperature	-30 ... 80 °C
Mechanical data	
Sockets	M8, 3-pin
Degree of protection	IP65 / IP67
Material	
Contacts	CuSn
Contact surface	Ni/Au
Housing	PBT

Order codes		V3-...A-E2-...M-PUR	V3-...A-E2-V19
Connection	Master cable M12 plug	●	●
Electrical data			
Max. current loading	2 A per channel, 2 A per port, 4 A total current per block		●
	2 A per channel, 2 A per port, 6 A total current per block	●	
Mechanical data			
Connection	Cable: stranded wire Plug M12 x 1, 8-pin	●	●
Cable			
Material	PUR black	●	
Leads	Signal line: 0.34 mm ² Supply line: 0.75 mm ²	●	



Dimensions	Master cable			M12 plug		
	Slots	4	6	8	4	6
Length L [mm]		102	122	141	92.2	111.8
Width W [mm]		30	30	30	30	30
Height H [mm]		22	22	22	20	20
Connection area I _c [mm]		-	-	-	7	7

Order codes

Master cable

V 3 - . A - E 2 - . . M - P U R

Cable lengths in m
5 or 10

Slots/Signal inputs	Availability
4 4 ports/4 signal inputs	V3 ◆
6 6 ports/6 signal inputs	◆
8 8 ports/8 signal inputs	◆

- ◆ Standard, available in stock
- ◇ Available, minimum order quantity applies in some cases
- Not available

M12 plug

V 3 - . A - E 2 - V 1 9

Slots/Signal inputs	Availability
4 4 ports/4 signal inputs	V3 ◆
6 6 ports/6 signal inputs	◆

- ◆ Standard, available in stock
- ◇ Available, minimum order quantity applies in some cases
- Not available

Electrical connection

Master cable

Core colour	M8-socket/pole
WH	1/4 (A)
GN	2/4 (A)
YE	3/4 (A)
GY	4/4 (A)
PK	5/4 (A)
RD	6/4 (A)
BK	7/4 (A)
VT	8/4 (A)
BN	1 ... 8/1 (+24 V)
BU	1 ... 8/3 (0 V)

M8 socket

M12 plug

M12-connector -V19	M8-socket/pole
P	1/4 (A)
J	2/4 (A)
T	3/4 (A)
S	4/4 (A)
A	1 ... 4/1 (+24 V)
L	1 ... 4/3 (0 V)

Displays

M12-connector -V19	M8-socket/pole
P	1/4 (A)
J	2/4 (A)
T	3/4 (A)
S	4/4 (A)
G	5/4 (A)
R	6/4 (A)
A	1 ... 6/1 (+24 V)
L	1 ... 6/3 (0 V)

Displays



Technical data

For detailed data and product description refer to the data sheets at www.pepperl-fuchs.com

General Data

Electrical data

Max. operating voltage 60 V AC/DC

Max. operating current 4 A

Ambient conditions

Ambient temperature -25 ... 85 °C

Mechanical data

Degree of protection IP67

Properties

- Parallel splitter
- M12, 4-pin and 5-pin versions

Your Benefit

- Immunity to vibration
- 5-pin: compatible with DeviceNet and CANopen

Order codes

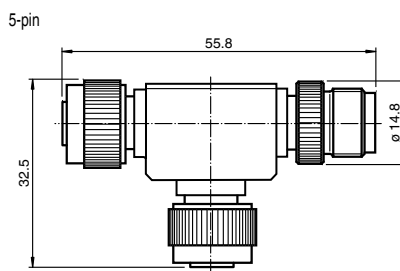
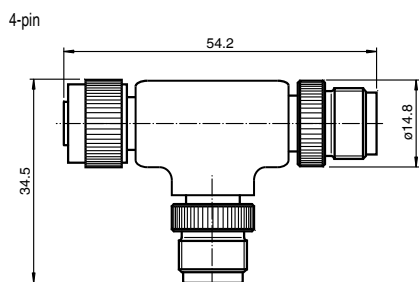
Number of pins	4
	5
Mechanical data	
Connection	1 x M12 plug
	1 x M12 plug / 1 x M12 socket
	1 x M12 socket
	1 x M12 plug / 1 x M12 socket

V1S-TEE-V...

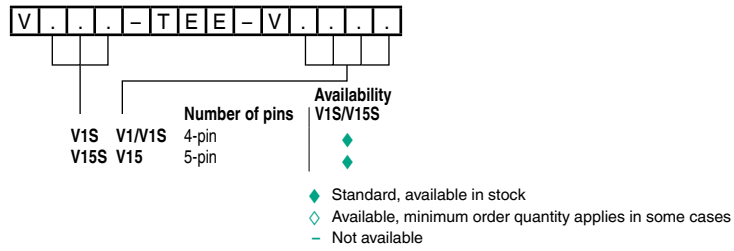
V15S-TEE-V...



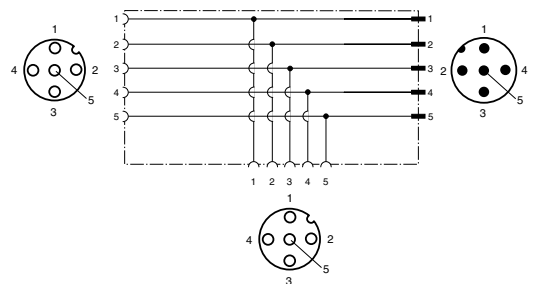
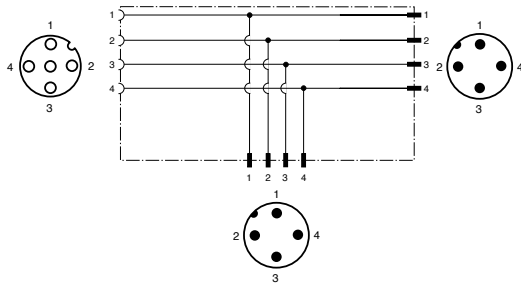
Dimensions



Order codes



Electrical connection





Properties

- Parallel splitter
- M12 to M12 and M8 to M8 versions
- 3-pin, 4-pin and 5-pin versions

Your Benefit

- Efficiently combines two signals onto one slot
- Immunity to vibration

Technical data

For detailed data and product description refer to the data sheets at www.pepperl-fuchs.com

General Data

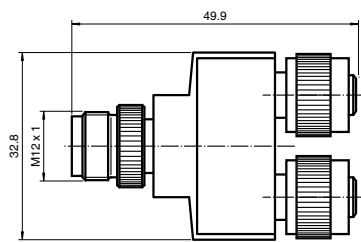
Ambient conditions	
Ambient temperature	-25 ... 90 °C
Mechanical data	
Degree of protection	IP65/IP67

Order codes

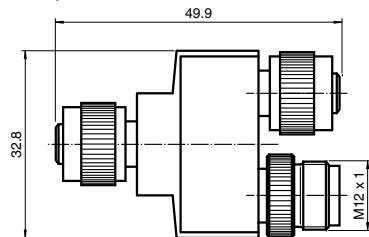
		V1S-TV1	V11S-TV11.	V15S-TV15	V15S-YEE-V15	V31S-TV3	V3S-YEE-V3	V31S-YEE-V31
Connectionsize	M8							
	M12	●	●	●	●	●	●	●
Number of pins	3		●			●		
	3 + PE	●						
	4 + PE			●				
	3 (parallel)						●	
	4 (parallel)							●
	5 (parallel)				●			
Electrical data								
Max. operating voltage	30 V AC/DC					●	●	●
	60 V AC/DC	●	●	●	●			
Max. operating current	3 A					●	●	●
	4 A	●	●	●	●			
Mechanical data								
Connection	1 x M12 plug	●	●	●				
	1 x M12 socket / 1 x M12 socket							
	1 x M12 socket							
	1 x M12 plug / 1 x M12 socket				●			
	1 x M8 plug						●	●
	2 x M8 socket						●	●

Dimensions

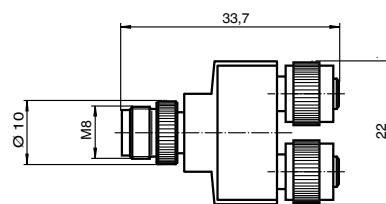
M12



Parallel splitter

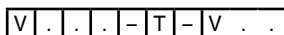


M8



Order codes

M12



Number of pins
 V11S V11 3-pin
 V1S V1 3-pin + PE
 V15S V15 4-pin + PE (Pins 2+4 bridged)

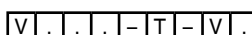
Availability
 ◆
 ◆



Number of pins
 V15S V15 5-pin

Availability
 ◆

M8



Number of pins
 V31S V3 3-pin

Availability
 ◆



Number of pins
 V3S V3 3-pin
 V31S V31 4-pin

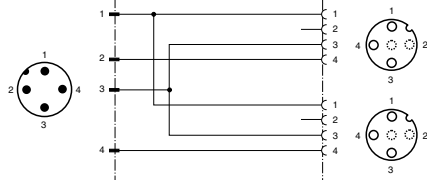
Availability
 ◆
 ◆

- ◆ Standard, available in stock
- ◇ Available, minimum order quantity applies in some cases
- Not available

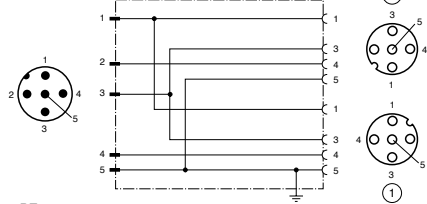
Electrical connection

M12

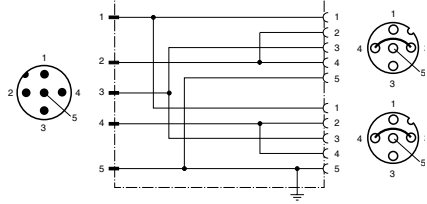
3-pin



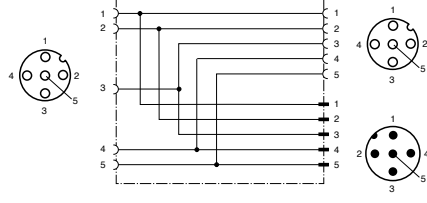
3 + PE



4 + PE

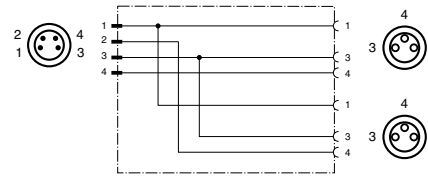


5-pin (parallel)

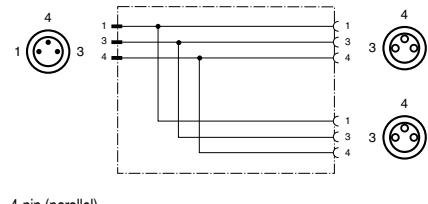


M8

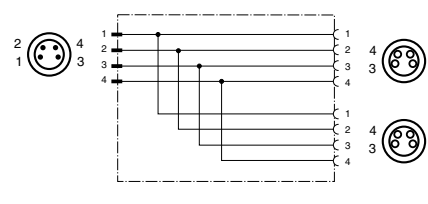
3-pin



3-pin (parallel)



4-pin (parallel)





Properties

- Y-Splitter
- M12 and M12 to M8 versions
- 3-pin, 4-pin and 5-pin versions

Your Benefit

- Efficiently combines two signals onto one M12 slot
- Immunity to vibration

Technical data

For detailed data and product description refer to the data sheets at www.pepperl-fuchs.com

Ambient conditions

Ambient temperature	-40 ... 80 °C fixed
	-5 ... 80 °C non-fixed

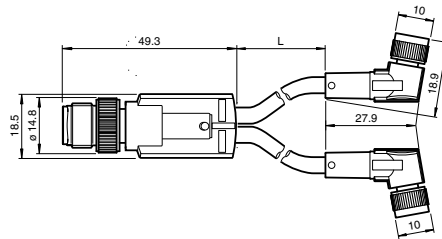
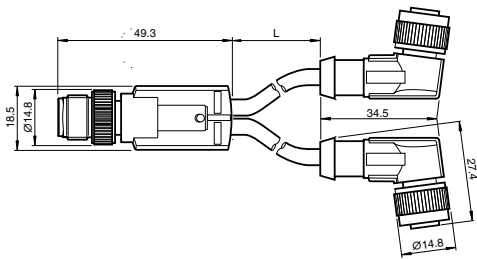
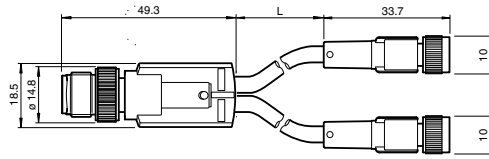
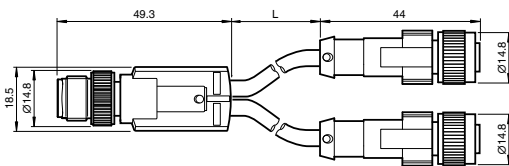
Mechanical data

Degree of protection	IP67/IP68/IP69K
----------------------	-----------------

Order codes

		V1-...-...M-PUR-TV1-G	V3-...-...M-PUR-TV1-G
Type	M12-M12	●	
	M12-M8		●
Number of pins	3		●
	4 (2+4 bridged)	●	
Electrical data			
Max. operating voltage	60 V AC/DC		●
	250 V AC/DC	●	
Max. operating current	3 A		●
	4 A	●	
Mechanical data			
Connection	1 x M12 plug	●	
	2 x M12 socket		
	1 x M12 plug		
	2 x M8 socket		●

Dimensions



Order codes

Cable length L in m
0.3 to 10

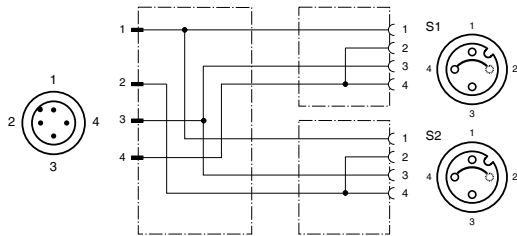
V M - P U R - T - V 1 - G

	Number of pins	Design	Availability	
			V1	V3
V1	M12. 4-pin (2+4 bridged)	G	◆	-
		W	◆	-
V3	M12-M8. 3-pin	GM	-	◆
		WM	-	◆

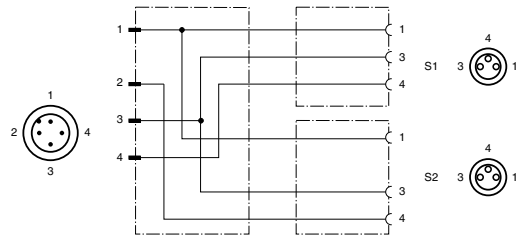
- ◆ Standard, In den Cable lengthn 0.3 m, 0.6 m, 1 m ab Lager verfügbar
- ◇ Available, minimum order quantity applies in some cases
- Not available

Electrical connection

M12



M12-M8



Ethernet

For detailed data and product description refer to the data sheets at www.pepperl-fuchs.com



Double-ended Cordsets

Type	Order codes	Cable length available
Ethernet cable, M12-M12	V1SD-G-..M-PUR-ABG-V1SD-G	0.5 ... 60 m ¹⁾
Ethernet cable, M12-RJ45	V1SD-G-..M-PUR-ABG-V45-G, V1SD-G-..M-PUR-ABG-V45X G (crossed)	0.5 ... 60 m ¹⁾
Ethernet cable, RJ45-RJ45	V45-G-..M-V45-G	0.5 ... 30 m ¹⁾

¹⁾ = cable lengths of 2m, 5m and 10m available in stock



Field Connectors

Type	Order codes
RJ45 Field connector - male	V45-G V45-GP (Push-Pull)
M12 x 1 Field connector - male, D-coded	V1SD-G-ABG-PG9. V1SD-W-ABG-PG9

INDUSTRIAL
ETHERNET

PROFIBUS

For detailed data and product description refer to the data sheets at www.pepperl-fuchs.com



Double-ended Cordsets

Type	Order codes	Cable length available
PROFIBUS bus cable, M12-M12	V15B-G-..M-PUR-ABG-V15B-G	0.2 ... 40 m ¹⁾

¹⁾ = cable lengths of 2m, 5m and 10m available in stock

Field Connectors

Type	Order codes
M12 Field connector - male/female, B-coded	V15B-G-ABG-PG9. V15SB-G-ABG-PG9. V15B-W-ABG-PG9. V15SB-W-ABG-PG9
Sub-D Field connector - male, D-coded switchable terminal resistor	VAZ-PB-DB9-W

Splitter

Type	Order codes
Y-Splitter cordset	ICZ-3T-0.2M-PUR ABG-V15B-G
Y-Splitter	ICZ-3T-V15B

Terminal resistor

Type	Order codes	Cable length available
Terminal resistor	ICZ-TR-V15B	-
Terminal resistor cordset	ICZ-2T/TR-0.2M-PUR ABG-V15B-G	0.2 m



PROFI[®]
BUS

DeviceNet / CANopen

For detailed data and product description refer to the data sheets at www.pepperl-fuchs.com



Double-ended Cordsets

Type	Order codes	Cable length available
DeviceNet/CANopen bus cable, M12-M12	V15-G-...M-PUR-CAN-V15-G	0.2 ... 40 m ¹⁾

¹⁾ = cable lengths of 2m, 5m and 10m available in stock



Field Connectors

Type	Order codes
M12 Field connector male/female, A-coded	V15-G-ABG-PG9. V15S-G-ABG-PG9. V15-W-ABG-PG9. V15S-W-ABG-PG9



Splitter

Type	Order codes
T-Splitter	V15S-T-CAN/DN-V15



Terminal resistor

Type	Order codes
Terminal resistor	ICZ-TR-CAN/DN-V15

DeviceNet™
CANopen

Mounting tools

For detailed data and product description refer to the data sheets at www.pepperl-fuchs.com



General Data

Length	Blade: 100 mm
Drive	4 mm hexagonal

Order codes

Preset torque	0.2 Nm		
	0.4 Nm	●	●
Weight	approx. 93 g	●	
	approx. 95 g		●
Matching nut	MH V1-BIT M12	●	
	MH V3-BIT M8		●

Properties

- Tightening tool for round plug connectors with knurled coupling nuts
- Acoustic signal on reaching the preset torque

Blind plug

For detailed data and product description refer to the data sheets at www.pepperl-fuchs.com



Order codes

Thread		V1-B	V1S-B	V3-B	V3S-B
Size	M8 x 1			●	●
	M12 x 1	●	●		
Type	Internal thread		●		●
	External thread	●		●	

● Suitable for M8 and M12 connectors and splitter boxes

Identification

For detailed data and product description refer to the data sheets at www.pepperl-fuchs.com



Order codes

		V1/V3-LABELHOLDER	V1/V3-LABEL	V1-BOX LABEL	V3-BOX LABEL
Color	Transparent	●			
	White		●	●	●
Cable diameter	4.0 - 6.0 mm	●			
Length	23 mm	●			
Material	TPE	●			
	PC		●	●	●
Suitable for	M8/M12 connectors	●	●		
	Splitter boxes M8				●
	Splitter boxes M12			●	

Lock nut

For detailed data and product description refer to the data sheets at www.pepperl-fuchs.com



General Data

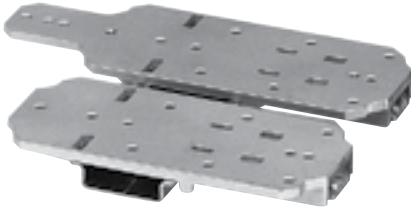
Material Brass, nickel-plated

Order codes

		LOCKNUT M8 NICKEL BRASS	LOCKNUT PG9 NICKEL BRASS	LOCKNUT M16 NICKEL BRASS
Thread	M8 x 0.5	●		
	PG9		●	
	M16 x 1.5			●
Width across the flats	10	●		
	18		●	
	19			●
Thickness	2.2 mm	●		
	2.8 mm		●	●

Mounting base

For detailed data and product description refer to the data sheets at www.pepperl-fuchs.com



General Data

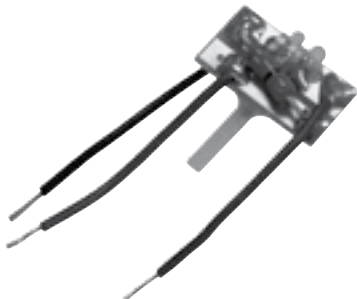
Material Die-cast zinc

Order codes

		MH 05-SACB-4	MH 05-SACB-8
Weight	approx. 130 g	●	
	approx. 150 g		●
Dimensions	107 x 52 x 3 mm	●	
	136 x 52 x 3 mm		●
Suitable for splitter boxes	V1-4A-...	●	
	V1-8A-...		●

Indication element

For detailed data and product description refer to the data sheets at www.pepperl-fuchs.com



Order codes

V1-E/E2-LED
 LED green Operating display
 LED yellow NO contact function display
 Max. operating voltage 24 V DC ± 15%
 Max. operating current 4 A

i Fits in M12 connectors with screw terminal connections



Order codes

C B L - . . . - . . . X . . . - 1 0 0 M

Cable lengths

Core cross-section
025 0.25 mm²
034 0.34 mm²
050 0.5 mm²
075 0.75 mm²

Number of leads
03 3
04 4
05 5
08 8

Cable quality and color	
PVC	- PVC, gray
PVC-U	BK PVC, UL-approved, black
PVC-U	YE PVC, UL-approved, yellow
PUR	- PUR, halogen-free, gray
PUR-U	BK PUR, halogen-free, UL-approved, black
PUR-U	YE PUR, halogen-free, UL-approved, yellow
PUR-U/0.75	BK PUR, halogen-free, UL-approved, black
PUR H/S	- PUR, halogen-free, irradiated, orange
POC	OR POC, welding bead resistant, orange
Shielded cable quality	
PUR-ABG	- PUR, halogen-free, shielded, gray
PUR-U/ABG	BK PUR, halogen-free, shielded, UL-approved, black

i All combinations of lengths, number of leads and cable qualities available only on request

Availability

Number of leads → Core cross-section

	3	4	5	8
0.25 mm ² / 0.34 mm ²	0.25 mm ² / 0.34 mm ²	0.25 mm ² / 0.34 mm ²	0.34 mm ²	-
0.34 mm ²	0.34 mm ²	0.34 mm ²	-	-
0.34 mm ²	0.34 mm ²	0.34 mm ²	-	-
0.25 mm ² / 0.34 mm ²	0.25 mm ² / 0.34 mm ²	0.34 mm ²	0.34 mm ²	-
0.34 mm ²	0.34 mm ²	-	-	0.25 mm ²
-	-	0.34 mm ²	-	-
-	-	-	0.75 mm ²	-
-	-	0.34 mm ²	-	-
-	-	0.34 mm ²	-	-
-	0.34 mm ²	-	0.34 mm ²	0.25 mm ²
-	-	-	-	0.25 mm ²

Examples for order codes

CBL-PVC-GY-04x025-100M	PVC cable coil, 100 m, 4 x 0.25 mm ²
CBL-PVC-GY-04x034-100M	PVC cable coil, 100 m, 4 x 0.34 mm ²
CBL-PVC-U-BK-04x034-100M	PVC cable coil with UL, 100 m, 4 x 0.34 mm ²
CBL-PUR-GY-04x025-100M	PUR cable coil, 100 m, 4 x 0.25 mm ²
CBL-PUR-GY-04x034-100M	PUR cable coil, 100 m, 4 x 0.34 mm ²
CBL-PUR-U-BK-04x034-100M	PUR cable coil with UL, 100 m, 4 x 0.34 mm ²
CBL-PUR-OR-04x034-100M	PUR cable coil welding bead resistant, 100 m, 4 x 0.34 mm ²
CBL-PUR-ABG-GY-04x034-100M	PUR cable coil shielded, 100 m, 4 x 0.34 mm ²

For detailed data and product description refer to the data sheets at www.pepperl-fuchs.com

Technical Information

The user must follow the appropriate equipment instructions when using connectors. We reserve the right to alter designs for quality improvement, product enhancement and technology improvements. The technical information listed in the catalog is based on connectors that are not allowed to be connected in energized condition.

The distance to conductive parts should not be minimized by stripping the insulation. Take care when soldering cables to ensure that no individual strands are loose or exposed, making possible the risk of short-circuits. Listed below are the key standards and regulations to which our products are produced and tested.

Product-Specific Standards

DIN IEC 61076-2-101 / DIN EC 61076-2-104

Connectors for electronic equipment

Part 2-101: Circular connectors – design specification for screw-locking M12 connectors for low-voltage applications

Part 2-104: Circular connectors – design specification for screw or snap-locking M8 connectors for low-voltage applications

These standards specify the design guidelines for M12 and M8 connectors. They also serve as the basis for the test specifications.

DIN EN 175301-803

Design specification:

Rectangular connectors – 0.8 mm-thick flat contacts, captive-locking screws

This standard specifies the design guidelines for valve connectors. It also serves as the basis for the test specification.

DIN EN 60664-1

Coordination of the insulation of electronic equipment in low-voltage systems – Part 1:

Principles, requirements and tests

This standard replaces DIN VDE 0110-1, which was valid until the end of the transitional period in May 2006. These standards define the air and creepage distances depending on area of application, material and degree of pollution.

DIN EN 61984

Connectors – Safety requirements and tests

This standard replaces DIN VDE 0627, which was valid until the end of the transitional period in October 2004.

In addition to the product-specific standards for connectors, this standard specifies further design requirements and calls for individual testing.

DIN EN 60512

Connectors for electronic equipment – Tests and measurements

This standard specifies the test requirements for connectors. The test program includes: climate/mechanical tests, test description of the mechanical characteristics of connectors such as max. current and insulation resistance.

DIN EN 60068

Environmental tests

In this series of tests the possible influences on the environment are defined. Among other things, this includes climatic influences such as dry heat, coldness, moist heat and temperature cycles as well as mechanical influences such as vibration and shock. With these tests, the influences from the location to be used are checked in the laboratory.

DIN EN 60529

Degree of protection due to housing (IP code)

In this standard the IP code is defined. The test setup and the test conditions necessary to comply with the IP coding are prescribed.

Calculating American Wire Gauge (AWG) in mm²

Certain branches of industry also use the American Wire Gauge (AWG) for lines and wires.

The table below demonstrates how to convert AWG to mm².

AWG	Cable Structure [mm]	Cable diameter [mm]	Conductor Cross-Section [mm ²]
30	1 x 0.25	0.25	0.05
	7 x 0.10	0.36	0.06
28	1 x 0.32	0.32	0.08
	7 x 0.13	0.38	0.09
26	1 x 0.4	0.40	0.13
	7 x 0.16	0.48	0.14
24	1 x 0.51	0.51	0.21
	17 x 0.20	0.61	0.22
	19 x 0.13	0.64	0.25
22	1 x 0.64	0.64	0.33
	7 x 0.25	0.76	0.34
	19 x 0.16	0.81	0.38
20	1 x 0.81	0.81	0.52
	7 x 0.32	0.97	0.56
	19 x 0.20	1.02	0.60
18	1 x 1.02	1.02	0.82
	19 x 0.25	1.27	0.93
16	19 x 0.29	1.44	1.25
14	19 x 0.36	1.80	1.93
12	19 x 0.46	2.29	3.16
10	37 x 0.40	3.10	4.65

Please note that cables with the same AWG number may have different cross-sections due to their differing structures.

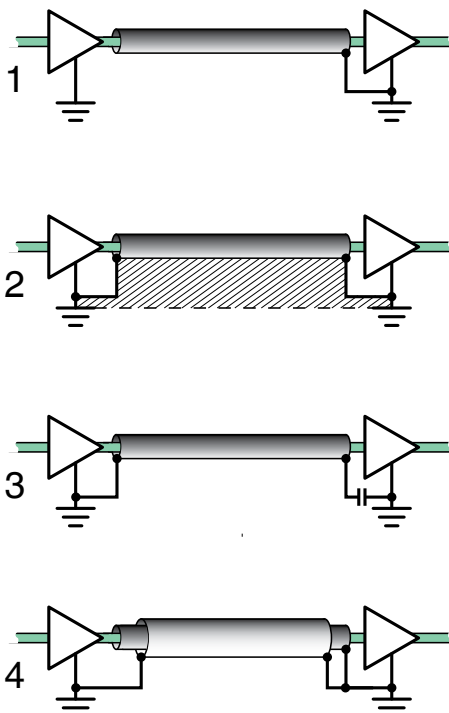
Cable Structure Data

VDE standard 0295 specifies that only the maximum single wire diameter and the corresponding highest-permissible electrical resistance have to be determined for each cable cross-section.

Cables made of Uninsulated or Tin-Plated Copper Wires Number of Wires x Wire Diameter [mm] VDE 0295						
Conductor Cross-Section [mm ²]	Single wire Class 1	Stranded Class 2	Finely-Stranded* Class 5	Extra Finely-Stranded* Class 6		
0.10			14 x 0.10		26 x 0.07	50 x 0.05
0.14			18 x 0.10		36 x 0.07	72 x 0.05
0.25			14 x 0.15		32 x 0.10	65 x 0.07
0.34		7 x 0.25	19 x 0.15		43 x 0.10	88 x 0.07
0.50	1 x 0.80	7 x 0.30	16 x 0.20	28 x 0.15	63 x 0.10	129 x 0.07
0.75	1 x 1.00	7 x 0.37	24 x 0.20	42 x 0.15	95 x 0.10	196 x 0.07
1.00	1 x 1.13	7 x 0.43	32 x 0.20	56 x 0.15	127 x 0.10	258 x 0.07
1.50	1 x 1.38	7 x 0.52	30 x 0.25	84 x 0.15	191 x 0.10	385 x 0.07
2.50	1 x 1.78	7 x 0.67	50 x 0.25	140 x 0.15	320 x 0.10	651 x 0.07
4.00	1 x 2.26	7 x 0.85	56 x 0.30	224 x 0.15	512 x 0.10	1036 x 0.07
6.00	1 x 2.77	7 x 1.05	84 x 0.30	192 x 0.20	765 x 0.10	1561 x 0.07
10.00	1 x 3.57	7 x 1.35	80 x 0.40	320 x 0.20	1275 x 0.10	

* The number of wires in finely and extra finely-stranded cable structures are preferred values.

Shield Connection



The type of shield connection is primarily decided by the nature of the expected interference.

To suppress electrical fields, the shield must be grounded (1) at one end. However, interference caused by a magnetic alternating field can only be suppressed if the shield is connected at both ends (2).

A ground loop, including all its known disadvantages, is created when a shield is connected at both ends. The useful signal is particularly susceptible to noise on the reference voltage. Triaxial cables (4) combat this effect. The internal shield is connected at one end, whereas the external shield is connected at both ends.

Interference of this nature when a cable shield is connected at both ends is often reduced by also connecting one end of the shield to the reference potential via a capacitor (3). This breaks the ground loop, at least for direct currents and low-frequency currents.

Chemical resistance

The chemical resistance of the plastics, elastomers and outer sheath are shown in the table below:

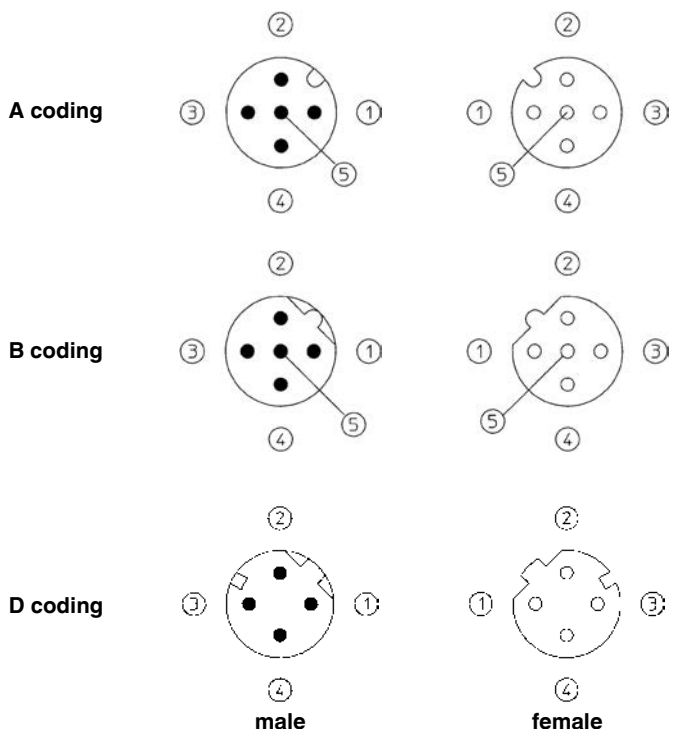
Outer Sheath	PVC	PUR	TPU	Polyamide	NBR	Fluorinated rubber (FPM)
10% acetic acid	◆	◆	◆◆	◇	◆◆	◆◆
10% potassium hydroxide	◆◆	◆◆				
ATE brake fluid	◆	-				
Cleaning agents			◆◆	◆◆	◆◆	
Citric acid		◆◆	◆◆	◆◆	◆◆	
Detergent			◆◆	◆◆	◆◆	
Diesel oil/heating oil	-	◆	◆◆	◆◆	◆◆	◆◆
Ethanol	-	◆	-	◇	◆◆	◆◆
Gasoline, normal		◆◆	◆◆	◆◆	◆◆	
Hydraulic oils		◆◆	◆◆			
Isopropanol	-	◇	◇	◇	◆◆	◆◆
Mineral oils		◆◆	◆◆	◆◆	◇	
Ozone	◆◆	◆◆				
Seawater		◆◆	◆◆	◆◆	◆◆	

◆◆ = resistant ◆ = largely resistant ◇ = offers limited resistance - = not resistant

The research was carried out, unless otherwise indicated, at room temperature. Resistances may change when different mediums converge, hence we can assume no liability with regard to this information

Coding M12 Connectors

Coding M12 connectors with a pin or groove on the contact body prevents similar M12-style connectors from being mixed up and erroneously connected. Distinctions are made between "A" standard coding, "B" coding (Reverse Key) for fieldbus applications such as Profibus, "C" coding (Double Key; also known as "U" coding) and "D" coding for Ethernet applications.



Testing Devices for Sensors

Our battery-operated sensor tester can be used to verify the functionality of a variety of sensors without the need for an external power supply. The testing device indicates the switching state of the sensor both visually and audibly. This enables you to test sensors quickly and easily, even if the sensors are mounted in difficult-to-see locations. This allows the user to easily locate faults and replace the corresponding devices. You can also adjust sensors before the electrical installation is fully completed.

Sensor tester

For detailed data and product description refer to the data sheets at www.pepperl-fuchs.com



Model number	ST 03
Operating voltage	18 V, two 9 V block batteries included with delivery
Current loading	Output current max. 100 mA
Connection	Three terminals for 0 V, 18 V, and signal input

Properties

- Usable for 2-, 3- an 4-wire sensors in NPN- and PNP-technique as well as for NAMUR sensors
- Suitable for ultrasonic sensors due to output current of 100 mA
- Two LEDs (NPN/PNP) for displaying the switching state

Your Benefit

- Visual and audible signaling
- Battery-operated portable testing device, includes two 9 V block batteries
- Sensor adjustment prior to completion of the electrical installation
- Detection of wiring faults
- Test function control/battery test

Tools

Screwdriver



Model number	Screwdriver 0.5 mm x 3.0 mm
Length	Blade: Ø 3 mm x 80 mm
Weight	approx. 28 g

Properties

- Slot screwdriver
- Easy handle grip

Mounting Adapters for cylindrical sensors with adjustment feature

The mounting flanges for directly mounting cylindrical sensors on even surfaces allow easy sensor adjustment using just two screws.

Technical Data

For detailed data and product description refer to the data sheets at www.pepperl-fuchs.com

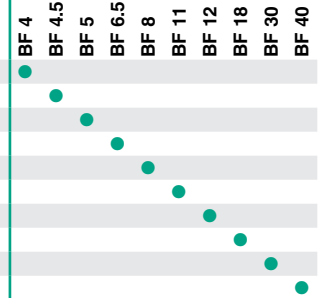


Common data

Ambient temperature	-25 °C ... 85 °C (-13 °F ... 185 °F)
Material	Mounting base: PBTB (green) Top: PC (transparent)

Model number

Diameter Ø	4 mm
	4.5 mm
	5 mm
	6.5 mm
	8 mm
	11 mm
	12 mm
	18 mm
	30 mm
	40 mm



The universal mounting set BF 5-30 includes inserts suitable for use with cylindrical sensors with a diameter of 5, 8, 12, 18, and 30 mm. The sensors can be adjusted by rotating 360° in two planes using the mounting set.

Technical Data

For detailed data and product description refer to the data sheets at www.pepperl-fuchs.com



Model number

Model number	BF 5-30
Ambient temperature	-25 °C ... 85 °C (-13 °F ... 185 °F)
Scope of delivery	2 mounting heads (ø 18 mm, ø 30 mm) 4 adapter sockets (ø 5 mm, ø 8 mm, ø 12 mm, ø 14 mm)

Also suitable for threaded photoelectric sensors from the KT10, GLV12, VL18, 18GM60, CP18, and GLV30 series.

Mounting flanges for cylindrical sensors with snap lever bracket

The snap lever bracket allows for easy sensor replacement, because the adjustment made during the initial installation using two lateral slots is retained. The adjustment range is max. 8 mm.

Technical Data

For detailed data and product description refer to the data sheets at www.pepperl-fuchs.com

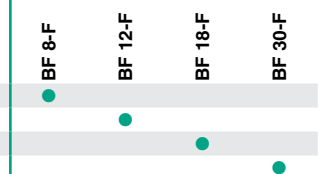


Common data

Ambient temperature	-25 °C ... 85 °C (-13 °F ... 185 °F)
Material	PC (Polycarbonat)

Model number

Diameter Ø	8 mm
	12 mm
	18 mm
	30 mm



Mounting Adapters for cylindrical sensors with adjustment feature

Technical Data

For detailed data and product description refer to the data sheets at www.pepperl-fuchs.com



Model number	MH01-M18
Material	Clamping cylinder: die-cast zinc Mounting bracket: steel
Description	For mounting M18 sensors to round steel with 12 mm diameter, two-axis adjustment of sensor.

Technical Data

For detailed data and product description refer to the data sheets at www.pepperl-fuchs.com



Model number	OMH04
Material	Nickel-plated sheet steel Aluminum
Description	For mounting M18 sensors to round steel with 12 mm diameter, adjustable in all directions, can be clamped to sheet.

Technical Data

For detailed data and product description refer to the data sheets at www.pepperl-fuchs.com



Model number	OMH-VL18
Material	Sheet steel/stainless steel
Description	Mounting adapter with swivel adjustment for mounting M18 sensors

Technical Data

For detailed data and product description refer to the data sheets at www.pepperl-fuchs.com



Model number	CPZ18B03
Material	Plastic
Description	Mounting adapter with swivel adjustment for mounting M18 sensors

Technical Data

For detailed data and product description refer to the data sheets at www.pepperl-fuchs.com



Model number	M105
Material	PTFE
Description	Universal mounting adapter for cylindrical sensors with \varnothing 30 mm with thread that extends to the front end of the sensor. The external thread on the mounting adapter is 1-1/2" NPT.

Your Benefit

- Secure mounting
- Easy installation
- Robust design
- Resistant to chemicals

Cable Protectors

Hose connections can be used to fit a protective hose to protect the connecting cable from mechanical damage and corrosion. Hose connections are available for sensors with M8, M12, M18, and M30 thread.



Technical Data

For detailed data and product description refer to the data sheets at www.pepperl-fuchs.com

Common data

Material Housing: stainless steel 1.4305 / AISI 303 (V2A)
Seal: NBR

Model number

for sensor diameter		SM8	SM12	SM18	SM30
8 mm		●			
12 mm			●		
18 mm				●	
30 mm					●

Mounting Adapters for the VariKont, VariKont M and VariKont L series

Technical Data

For detailed data and product description refer to the data sheets at www.pepperl-fuchs.com



Model number

MH 04-2681F

Material Chrome-plated die-cast zinc

Description Mounting adapter for all VariKont series sensors that use the C-profile rail, in accordance with EN 50024 and DIN 43662.

Your Benefit

- 20 mm adjustment range
- 360° rotation range
- The wired sensor can be adjusted

Technical Data

For detailed data and product description refer to the data sheets at www.pepperl-fuchs.com



Model number

MH 04-3742A

Material Aluminum

Description Mounting adapter for all sensors in the VariKont M series.

Your Benefit

- 12 mm adjustment range
- The wired sensor can be adjusted

Technical Data

For detailed data and product description refer to the data sheets at www.pepperl-fuchs.com



Model number

MH 04-2057B

Material Aluminum

Description Mounting adapter for all sensors in the VariKont series.

Your Benefit

- 30 mm adjustment range
- The wired sensor can be adjusted

Technical Data

For detailed data and product description refer to the data sheets at www.pepperl-fuchs.com



Model number	MH 02-L
Material	Profile rail: aluminum Base: die-cast zinc
Description	Mounting adapter for all sensors in the VariKont L series. Suitable for C-profile rails in accordance with EN 50024 and DIN 43662.

Your Benefit

- 60 mm adjustment range
- The wired sensor can be adjusted

Technical Data

For detailed data and product description refer to the data sheets at www.pepperl-fuchs.com



Model number	MH 03-U1/L
Material	Aluminum
Description	Mounting rail for all sensors in the VariKont and VariKont L series

i Mounting set MHZ 03-U1/L (screws and t-slides) required to mount the VariKont and VariKont L sensors

Your Benefit

- 1-meter profile rail
- Easy to move the sensors along the profile groove
- Can be connected in any configuration

Technical Data

For detailed data and product description refer to the data sheets at www.pepperl-fuchs.com



Model number	MHW 01
Material	Aluminum
Description	Modular mounting adapter for all VariKont and VariKont L series sensors that use profile rails for material handling

Your Benefit

- Easy to mount on the profile rails
- Flexible mounting and simple adjustment in all three axis directions
- Height: 107 mm, arm: 155 mm
- Other dimensions upon request

Model Number



BF-L2
Mounting flange

Mechanical specifications

Material	PA 6 Grivory GVN-35H
Mass	19 g

Model Number



BF-L2K
Mounting flange

Mechanical specifications

Material	
Mass	19 g

Model Number



BF-L2M
Mounting flange

Mechanical specifications

Material	Diecast zinc , Xylan powder coated
Mass	74 g

Model Number



BF-L3M
Mounting flange

Mechanical specifications

Material	Diecast zinc , Xylan powder coated
Mass	74 g

Model Number



OMH-01

Mounting aid for round steel \varnothing 12 mm or sheet 1.5 mm ... 3 mm

Mechanical specifications

Material Metal sheet (steel), zinc-plated aluminum

Mass approx. 50 g

Suitable series

Series MLV11
MLV12

Model Number



OMH-02

Mounting aid for round steel \varnothing 12 mm or sheet 1.5 mm ... 3 mm

Mechanical specifications

Material Metal sheet (steel), zinc-plated aluminum

Mass approx. 50 g

Suitable series

Series VariKont M

Model Number



OMH-03

Mounting aid for round steel \varnothing 12 mm or sheet 1.5 mm ... 3 mm

Mechanical specifications

Material Metal sheet (steel), zinc-plated aluminum

Mass approx. 85 g

Suitable series

Series RL36
RL39
EDM3,5
EDM5
EDM20

Model Number



Bracket SU

Mounting bracket for DIN rail

Mechanical specifications

Material stainless steel 1.4301 / AISI 304

Mass approx. 5 g

Suitable series

Series SU18 ; SU18/35 ; SU19

Date of issue: 2015-04-08

Model Number



OMH-05

Mounting aid for round steel \varnothing 12 mm or sheet 1.5 mm ... 3 mm

Mechanical specifications

Material	Metal sheet (steel), zinc-plated aluminum
Mass	approx. 50 g

Suitable series

Series	RL23 RL28 RL29 RL30 RL32
Reflector series	H75 reflector

Model Number



OMH-06

Mounting aid for round steel \varnothing 12 mm or sheet 1.5 mm ... 3 mm

Mechanical specifications

Material	Metal sheet (steel), zinc-plated aluminum
Mass	approx. 50 g
Mounting	Mounting accessories included

Suitable series

Series	MLV12
--------	-------

Model Number



OMH-07

Mounting aid for round steel \varnothing 12 mm or sheet 1.5 mm ... 3 mm

Mechanical specifications

Material	Metal sheet (steel), zinc-plated aluminum
Mass	approx. 120 g

Suitable series

Series	RL23 RL28 RL29 RL30 RL32
Reflector series	reflector C110-2 VR10 reflector

Model Number



OMH-21

Mounting bracket

Mechanical specifications

Material	Powder coated steel
Mass	approx. 175 g
Mounting	Mounting accessories included

Suitable series

Series	RL23 RL28 RL29
--------	----------------------

Model Number



OMH-22
Mounting bracket

Mechanical specifications

Material black anodized aluminium
Mass approx. 180 g

Suitable series

Series RL23
RL28
RL29
RL32
Reflector series reflector C110-2
H60 reflector

Model Number



OMH-4.1
Mounting Clamp

Mechanical specifications

Material plastic
Mass approx. 2 g
Dimensions 14 mm x 18 mm x 6 mm

Suitable series

Series ML4.1
ML4.2
ML6

Model Number



OMH-40
Mounting bracket

Mechanical specifications

Material nickel-plated steel
Mass approx. 30 g
Dimensions 136 mm x 52 mm x 3 mm
Mounting Mounting accessories included

Suitable series

Series MLV40

Model Number



OMH-91
Mounting bracket

Mechanical specifications

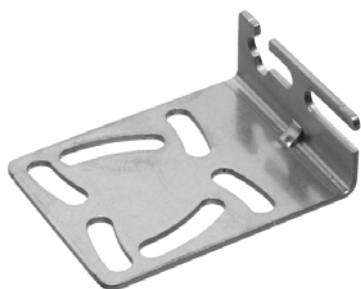
Material Metal sheet (steel), black-coated
Mass approx. 70 g
Mounting Mounting accessories included

Suitable series

Series RL91

Date of issue: 2015-04-08

Model Number



OMH-ML5

Mounting bracket for series ML5 sensors

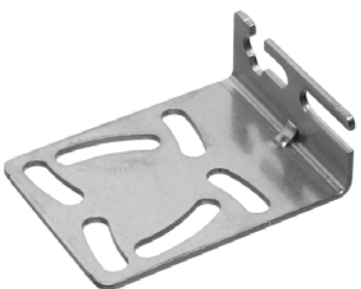
Mechanical specifications

Material	Stainless steel
Mass	approx. 10 g

Suitable series

Series	ML5
--------	-----

Model Number



OMH-ML5

Mounting bracket for series ML5 sensors

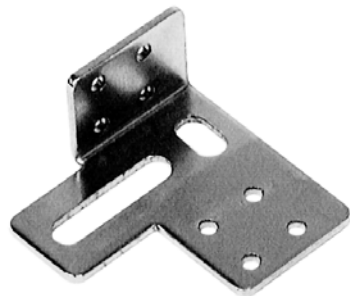
Mechanical specifications

Material	Stainless steel
Mass	approx. 10 g
Mounting	Mounting accessories included

Suitable series

Series	ML5
--------	-----

Model Number



OMH-ML6

Mounting bracket

Mechanical specifications

Material	nickel-plated steel
Mass	approx. 10 g

Suitable series

Series	ML6 ML4.1 ML4.2
--------	-----------------------

Model Number



OMH-ML6-U

Mounting bracket

Mechanical specifications

Material	nickel-plated steel
----------	---------------------

Suitable series

Series	ML6 ML4.1 ML4.2
--------	-----------------------

Model Number



OMH-ML7-01
Mounting bracket

Mechanical specifications

Material	Stainless steel
Mass	approx. 15 g
Mounting	Mounting accessories included

Suitable series

Series	ML7 ML8
--------	------------

Model Number



OMH-ML7-02
Mounting bracket

Mechanical specifications

Material	Stainless steel
Mass	approx. 8 g
Mounting	Mounting accessories included

Suitable series

Series	ML71 ML8
--------	-------------

Model Number



OMH-ML7-03
Fixing plate

Mechanical specifications

Material	Stainless steel
Mass	approx. 5 g

Suitable series

Series	ML7 ML71 ML8
--------	--------------------

Model Number



OMH-ML6-Z
Mounting bracket

Mechanical specifications

Material	nickel-plated steel
----------	---------------------

Suitable series

Series	ML6 ML4.1 ML4.2
--------	-----------------------

Date of issue: 2015-04-08

Model Number



OMH-MLV11
 Mounting bracket for series MLV11 sensors

Mechanical specifications

Material	Stainless steel
Mass	approx. 40 g
Mounting	Mounting accessories included

Suitable series

Series	MLV11
--------	-------

Model Number



OMH-MLV12-HWG
 Mounting bracket for series MLV12 sensors

Mechanical specifications

Material	nickel-plated steel
Mass	approx. 15 g

Suitable series

Series	MLV12
--------	-------

Model Number



OMH-MLV12-HWK
 Mounting bracket for series MLV12 sensors

Mechanical specifications

Material	nickel-plated steel
Mass	approx. 10 g

Suitable series

Series	MLV12
--------	-------

Model Number



MH 04-3505
 Mounting bracket for inductive /capacitive -FP series and ultrasonic sensors -F42 series

Suitable series

Series	Ultrasonic sensors F42 series Inductive sensors / capacitive sensors FP series
--------	---

Model Number



OMH-GL
Mounting bracket for glass fiber optics

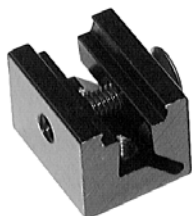
Mechanical specifications

Material aluminum
Mass approx. 20 g

Suitable series

Series Glass fiber optic

Model Number



OMH-K01
dove tail mounting clamp

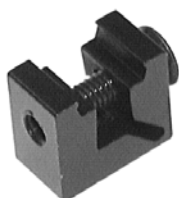
Mechanical specifications

Material anodized aluminium
Mass approx. 10 g

Suitable series

Series MLV12

Model Number



OMH-K02
dove tail mounting clamp

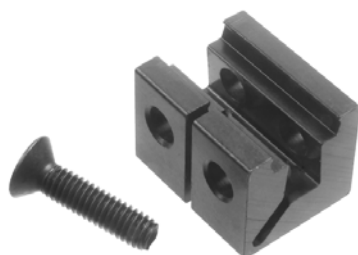
Mechanical specifications

Material anodized aluminium
Mass approx. 5 g

Suitable series

Series MLV12

Model Number



OMH-K03
dove tail mounting clamp

Mechanical specifications

Material anodized aluminium
Mass approx. 6 g

Suitable series

Series MLV12

Date of issue: 2015-04-08

Model Number



OMH-RL36
Mounting bracket

Mechanical specifications

Material	Metal sheet (steel), zinc-plated
Mass	approx. 95 g
Mounting	Mounting accessories included

Suitable series

Series	RL36 EDM3,5 EDM5 EDM20
--------	---------------------------------

Model Number



OMH-RL39
Mounting bracket for RL39 series Sensors

Mechanical specifications

Material	Metal sheet (steel), zinc-plated
Mass	approx. 85 g
Mounting	Mounting accessories included

Suitable series

Series	RL39
--------	------

Model Number



OMH-RLK29
Mounting bracket

Mechanical specifications

Material	Stainless steel
Mass	approx. 85 g

Suitable series

Series	RLK28 RLK29
--------	----------------

Model Number



OMH-RLK29-HW
Mounting bracket for rear wall mounting

Mechanical specifications

Material	Stainless steel
Mass	approx. 150 g
Dimensions	136 mm x 52 mm x 3 mm

Suitable series

Series	RL23 RL28 RL29 RL32
Reflector series	C110-2

Model Number



OMH-RL28-C
Weld slag cover model

General specifications

Accessories provided glass
M4 x 8 mm thumb screw

Mechanical specifications

Material
Housing Metal sheet (steel), black-coated
Optical face glass

Suitable series

Series RL28
RL29

Model Number



OMH-RL31-01
Mounting bracket

Mechanical specifications

Material Metal sheet (steel), zinc-plated

Suitable series

Series Series 31

Model Number



OMH-RL31-02
Mounting bracket narrow

Mechanical specifications

Material Metal sheet (steel), zinc-plated

Suitable series

Series Series 31

Model Number



OMH-RL31-03
Mounting bracket narrow

Mechanical specifications

Material Metal sheet (steel), zinc-plated

Suitable series

Series Series 31

Date of issue: 2015-04-08

Model Number



OMH-DAD10
Mounting bracket

Mechanical specifications

Material	aluminum
Mass	approx. 50 g

Suitable series

Series	DAD10 DAD15
--------	----------------

Model Number



OMH-LS610-01
Mounting bracket for optical data coupler

Mechanical specifications

Material	black coated aluminum zinc-plated black steel
Mass	approx. 1500 g

Suitable series

Series	LS610 LS611 VDM100
--------	--------------------------

Model Number



OMH-LS610-02
Direct mounting set consisting of 4 x M4 threaded inserts

Mechanical specifications

Material	brass
----------	-------

Suitable series

Series	LS610 LS611 VDM100
--------	--------------------------

Model Number



OMH-LS610-03
Mounting bracket with deviation mirror for optical data coupler

Mechanical specifications

Material	Stainless steel
Mass	approx. 1580 g

Suitable series

Series	LS610 LS611
--------	----------------

Model Number



OMH-VDM100-01

Mounting bracket with deviation mirror for distance measurement devices

Mechanical specifications

Material	Stainless steel, Deviation mirror: glass
Mass	approx. 1580 g

Suitable series

Series	VDM100
--------	--------

Model Number



OMH 4-4950

Retainer

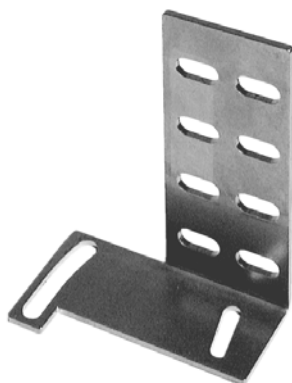
Mechanical specifications

Material	plastic
Mass	approx. 50 g
Mounting	Mounting accessories included

Suitable series

Series	VariKont M
--------	------------

Model Number



OMH-SBL-01

Mounting bracket for sensors of SBL series

Mechanical specifications

Material	Metal sheet (steel), zinc-plated
Mass	approx. 70 g

Suitable series

Series	SBL
--------	-----

Noncontact Energy and Data Transfer

The coupling of sensors on moving machine types is a particular challenge in automation technology. Due to their mechanical nature, conventional solutions with drag chains or slip rings have the disadvantage of a considerable reduction in service life, resulting in regular maintenance and replacement costs. The WIS module primary from Pepperl+Fuchs GmbH operates in a more intelligent and efficient way.

Greater freedom in plant design

The system consists of four components and enables noncontact power supply and simultaneous communication with sensors on moving machine types. Up to 1.5 W can be transferred with a maximum operating distance of 5 mm (NDP5-30GM-5M) and of 20 mm (NDP20-FP-V1).

Inductive, capacitive, photoelectric, or ultrasonic sensors can be operated wirelessly and their signal states evaluated.

WIS offers a wear-free solution for the operation of up to eight sensors on

- interchangeable tools for redary tables and pressing machines
- Object detection on workpiece carriers
- Component manufacture
- Redation tools
- Robotic gripper arms



Primary side

Technical Data

For detailed data and product description refer to the data sheets at www.pepperl-fuchs.com



Model number	NDP-KE2-8E2	NDP-KE2-8E2-FP
Operating voltage	24 VDC ± 10%	
Current consumption	max. 1000 mA	
Number of signal channels	8	
Signal transfer direction	From the secondary side to the primary side	
For transmitter	NDP5-30GM-5M	NDP20-FP-V1

Properties

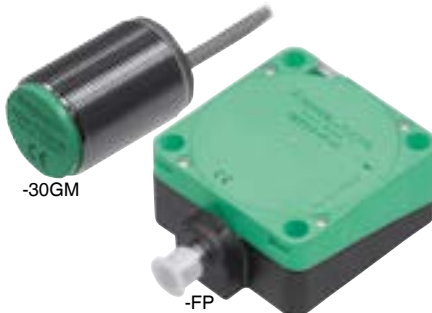
- 8 channels
- 9 outputs
- LEDs for display of the output states and communication

Your Benefit

- Deactivation option
- Housing with removable clamps
- 1 connectable transwithter head

Technical Data

For detailed data and product description refer to the data sheets at www.pepperl-fuchs.com



Model number	NDP5-30GM-5M	NDP20-FP-V1
Transfer distance	0 mm to 5 mm	0 mm to 20 mm
Housing design	M30	FP
Installation	Non-flush	Screw mounting
Connection	5 m cable	M12 x 1 plug
Degree of protection	IP67	IP67

Properties

- Transfer range up to 20 mm

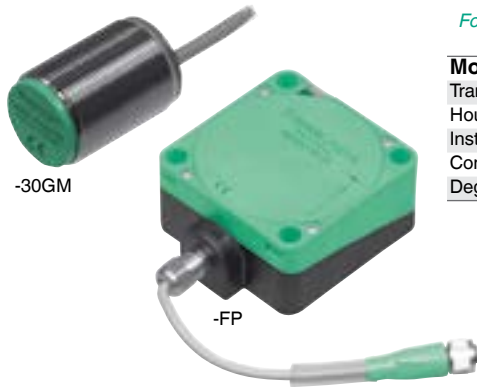
Your Benefit

- Compact housing design

Secondary side

Technical Data

For detailed data and product description refer to the data sheets at www.pepperl-fuchs.com



Model number	NDS5-30GM-1M-V1	NDS20-FP-V1
Transfer distance	0 mm to 5 mm	0 mm to 20 mm
Housing design	M30	FP
Installation	Non-flush	Screw mounting
Connection	Cable 1 m with 1 x M12 plug, 4-pin	Cable with M12 x 1 plug
Degree of protection	IP67	IP67

Properties

- Transfer range up to 20 mm

Your Benefit

- Connection via M12 x 1 plug

Technical Data

For detailed data and product description refer to the data sheets at www.pepperl-fuchs.com



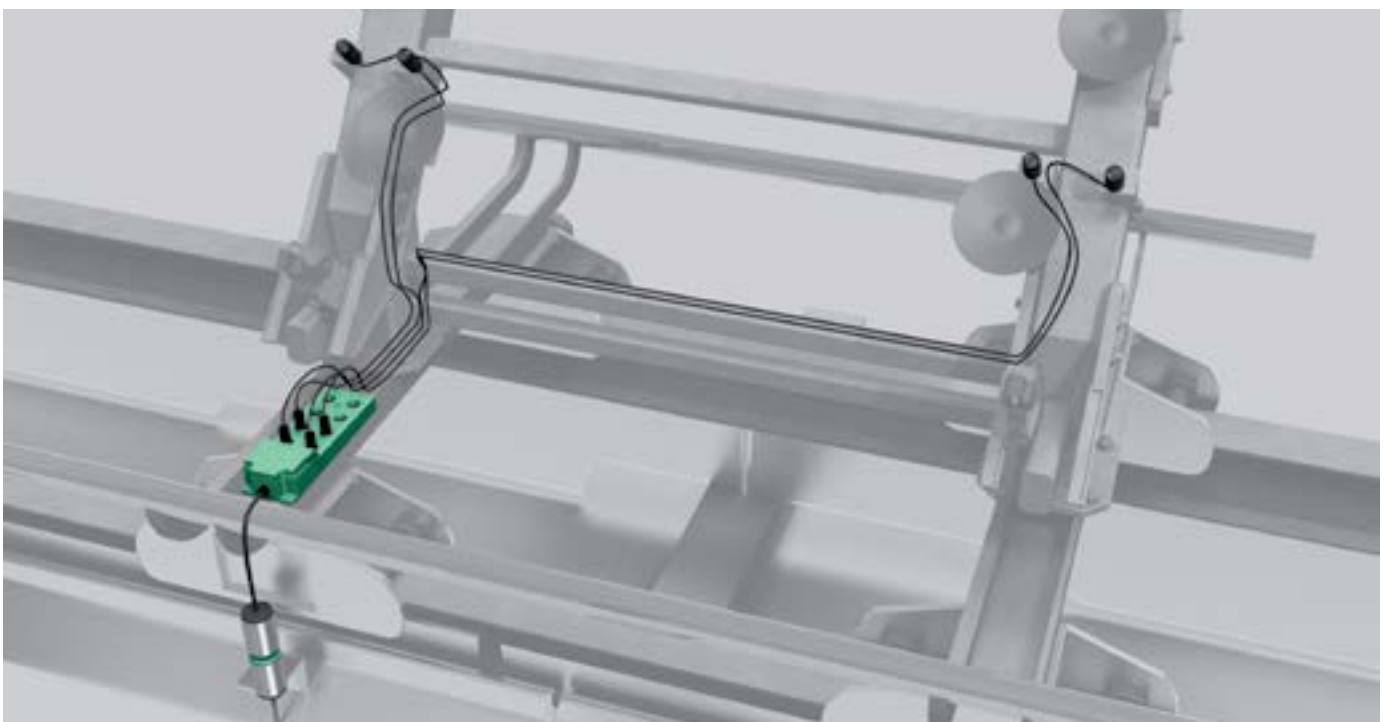
Model number	NDS-F146-8E2-V1
Sensor supply voltage	12 VDC ± 10%, overload and short-circuit proof
Transferred power	max. 2.5 W (1.5 W with 5 mm)
Number of signal channels	8
Signal transfer direction	From the secondary side to the primary side

Properties

- 8 channels
- 8 sensor inputs

Your Benefit

- Fast, flexible installation/
separation



Standards

Proximity switches by Pepperl+Fuchs GmbH are developed and produced in accordance with current standards. Draft standards are also taken into account for new developments and during the reworking and modification of our existing products

German standards

DIN VDE 0660 Part 208 Low-voltage switchgear and controlgear, additional requirements for inductive proximity switches

DIN VDE 0660 Part 209 Switchgear, low-voltage switchgear, additional requirements for noncontact operating position switches used in safety applications

DIN VDE 0660 Part 212 Measuring, regulating, and controlling - electric travel sensors - DC interfaces for travel sensors and switch amplifiers (replaces DIN 19234)

European standards

EN 60947-5-2 Low-voltage switchgear
Part 5: control circuit devices and switching elements, main section 2: proximity switches

EN 60947-5-6 Control circuit devices and switching elements, proximity sensors – DC interface for proximity sensors and switching amplifiers (NAMUR)

International standards

IEC 60947-5-2 Low-voltage switchgear and controlgear
Part 5 Control circuit devices and switching elements - Section 2, proximity switches

Draft IEC 61934 Control circuit devices and switching elements DC interface for proximity sensors and switching amplifiers (NAMUR)

Standards for electromagnetic compatibility

EN 50081 Generic emission standard for electromagnetic interference
Part 1, residential
Part 2, industrial

EN 50082 Generic emission standard for immunity
Part 1, residential
Part 2, industrial

EN 61000-4 EMC, testing and measuring types
Parts 2, 3, 4, 5 and 6

Standards for explosion protection

DIN EN 50014 Electrical apparatus for hazardous areas
General conditions

DIN EN 50020 Electrical apparatus for potentially explosive atmospheres
Intrinsic safety "i"

EN 60079-10 Electrical apparatus for potentially explosive gas atmospheres
Classification of potentially explosive atmospheres

EN 60079-14 Electrical apparatus for potentially explosive gas atmospheres
Electric installations in potentially explosive atmospheres (other than mines)

Quality assurance standards

DIN ISO 9000-9004 Quality assurance (QA) for products and services (EN 29000-29 004)

DIN ISO 9001 QA from development to production, installation, and customer service

Pepperl+Fuchs GmbH is certified according to DIN ISO 9001.

The CE quality mark

The CE quality mark is a declaration by the manufacturer that the labeled product complies with the worldwide standards and guidelines that are applicable to the product. The following guidelines apply to products offered by Pepperl+Fuchs GmbH:



89/336/EEC EMC Directive (EN 60 947-5-2)

73/23/EEC Low Voltage Directive (see also VDE 0160, product standard EN 60947-5-2)

Directive 94/9/EC Equipment and protective systems intended for use in potentially explosive atmospheres

The Pepperl+Fuchs GmbH manufacturer declaration confirms that the company's products have been certified for conformity with the respective applicable guidelines.

ALPHA

Pepperl+Fuchs GmbH is a member of ALPHA, an organization for testing and certifying low-voltage devices. This organization promotes the direct responsibility of the manufacturers of such devices through standard test instructions in accordance with applicable standards, and supports the assurance of high product quality. As ALPHA is a member of LOVAG (Low Voltage Agreement Group), the state-recognized product certificates issued by ALPHA are also recognized in other European states, under certain conditions.



Chemical Resistance of Housing Materials

The following table summarizes the chemical resistance of our housing materials and provides information for using our sensors in harsh ambient conditions.

Chemical Resistance

Chemically resistant against	V2A	ABS	Epoxy	PBT	PC	POM	PP	PPS	PS	PVC	Brass, nickel-plated
Acetone	●	-	-	●	-	●	●	●	-	-	●
Formic acid	20 °C	40%	●	10 %	-	-	85 %	○	40%	50 %	●
Ammonia	●	25 %	○	10 %	-	●	●	●	●	○	○
Benzene	●	25 %	●	●	○	●	-	●	-	●	●
Benzene	●	-	●	●	-	●	-	●	-	-	●
Brake fluid		○			-	●	●				
Butane		●	●		●	●	●	●	-	●	●
Butanol			-			●	●			40 °C	●
Calcium chloride		●		10 %	●	●	●	●	●	60 °C	●
Chlorobenzene	20 °C	-	●		-	●	-		-	-	
Diesel oil		●	●	●	○	●	60 °C	●	-		
Acetic acid	20 °C	25 %	○	●	10%	10 %	70 %	●	50 %	40 °C	○
Formaldehyde	●	30 %	50 %	30 %		●	40%	37 %	40%	●	●
Freon 113		-			●		-	●		●	
Fruit juice	●		●		●	●	●		-	●	●
Glycerin	●	●	●	●	○	●	●	●	●	60 °C	●
Heating oil		○	●	●	○	●	60 °C	●	-		●
Hydraulic oil					●	●	60 °C			●	
Caustic potash		50 %	○	3 %	-	●	50 %		50 %	60 °C	
Potassium chloride	●				●	●	●		●	60 °C	●
Potassium hydroxide	●					●	●				●
Linseed oil	●	●			●	●	●		●	●	●
Methanol	●		●	●	-	●	●	●		●	●
Methylene chloride	●	-	-		-	○	○	●	-	-	-
Lactic acid	20 °C	80 %	●		●	●	●		80 %	○	-
Mineral oil	●		●	●		●	●	●		●	●
Engine oil	●	●		●		●	●	●	○		
Sodium carbonate	●	●			●	●	●		●		●
Sodium chloride	●	●			●	●	●		●	●	●
Sodium hydroxide	20 °C	●					●				●
Caustic soda lye	20 °C	50 %		3 %	-	●	●		50 %	●	
Nitric acid	66 %	-	-		10 %	-	25 %		10 %	●	-
Hydrochloric acid	-	○	-	10 %	20 %	-	●	-	10 %	○	-
Lubricating oil	●		●		●	○/●	●				
Carbon disulfide	●	-	-		-	●	●		-	○	
Sulfuric acid	-	50 %	-	28 %	50 %	-	80 %	50 %	50 %	70 %	-
Sea water (cold)	●		●	●		●	●	●		●	●
Soap suds	●		●		○	●	●			●	●
Detergent	●						●				
Turpentine oil	●		●		○		●		-	●	●
Carbon tetrachloride	●	-			○		-		-	○	●
Toluene	●	-	●	●	-	●	-	●	-	-	●
Trichloroethylene	●	-	-	●	-	-	-	○	-	-	●
Water	●	●	68 °C	68 °C	●	●	●	●	●	60 °C	●
Tartaric acid	20 °C	●	●		●	10 %	●		●	60 °C	●
Xylene	●	-		●	-	●	-	●	-	-	
Zinc sulfate		●			●		●		-		
Citric acid	20 °C	●	●		10 %	●	●		●		●

Legend:

●: resistant/○: limited resistance/-: not resistant/: no information

resistant from ..°C: to ..°C/..%: resistant up to ...% solution

Accreditation Offices for Electric Apparatus

This table contains a selection of accreditation offices that have certified the products of Pepperl+Fuchs GmbH.

		Other potentially explosive areas	Firedamp hazardous mining areas	Safety-related control components
PTB	Physikalisch-Technische Bundesanstalt	●		
DMT	DMT Deutsche Montan Technologie GmbH	●	●	
ZELM Ex	ZELM Ex Testing and Certification Body	●		
BIA	German Institute for Occupational Safety			●
TÜV	Technical Inspection Association of Bavaria and South West Germany	●		●
TÜV	Technical Inspection Association of Hanover/Saxony-Anhalt	●		
GL	Germanischer Lloyd (application area: maritime and inland vessels)	●		
TÜV	Technical Inspection Association of Vienna	●		●
SEV	Swiss Association for Electrical Engineering, Power and Information Technologies	●		
SUVA	Swiss Accident Insurance Fund			●
BASEEFA	British Approvals Service for Electrical Equipment in Flammable Atmospheres	●		
SMRE	Safety in Miners Research Establishment (GB)		●	
FM	Factory Mutual Research (USA)	●		
UL	Underwriters Laboratories Association (USA)	●		
CSA	Canadian Standards Association	●		
KBI	Központi Banyaszati Fejlesztési Intezet Budapest (Hungary)	●		
FTZU	Fyzikálne Technický Zkusební Ústav Ostrava (Czech Republic)	●		
VNIIVE	Explosion Protection Test Center Donezk (Ukraine)	●	●	

General Explosion Protection Requirements

	European Union	North America
Classification of dangers	Explosive mixture in Group I: Firedamp hazardous mining areas Group II: Other areas except mining areas	Explosive mixture of air with CLASS I: Gases and vapors CLASS II: Dust CLASS III: Fibers
Ignition hazard due to sparks	Subclassification for types of protection intrinsic safety/flameproof enclosure based on minimum ignition current/maximum permitted gap, under assignment of minimum ignition energy of representative gases: Group I Methane Group IIA Propane IIB Ethylene IIC Hydrogen, acetylene The subclassification also partially applies to the type of protection "n" (zone 2 apparatus)	Subclassification of the CLASS by ignition energy: CLASS I Group A Acetylene B Hydrogen C Ethylene D Methane CLASS II Group E Metal dusts F Coal dusts G Grain dusts CLASS III No classification
Ignition hazard due to hot surfaces	Classification into temperature classes in accordance with IEC 79-8 for maximum surface temperatures at an ambient temperature of 40 °C under fault conditions: T1 ≤ 450 °C T2 ≤ 300 °C T3 ≤ 200 °C T4 ≤ 135 °C T5 ≤ 100 °C T6 ≤ 85 °C	
Classification of hazardous areas	Areas classified according to the probability of a potentially explosive atmosphere: For gases, vapors, mist: (EN 60079-10) Zone 0 Continuous or long term 1 Occasionally 2 Rarely and short term For dusts: (EN 1127-1) Zone 20 Continuous or long term or often 21 Occasionally 22 Short term or build-up or layers of dust Note (see IEC 79-10): Continuous or long term equivalent to > 1000 hr/year Occasionally equivalent to 10 to 1000 hr/year Rarely or short term equivalent to < 10 hr/year	For gases and dusts: } Division 1 } Division 2
Safety-related data	For data on combustible gases and vapors as a basis for grouping according to ignition energy and temperature as well as flash-point temperature, see: Redeker, Nabert, Schön/Safety characteristics of combustible gases and vapors	NFPA 497 M CSA No. C22-1
Accreditation offices	PTB Physikalisch-Technische Bundesanstalt DMT Deutsche Montan Technologie GmbH BASEEFABritish Approvals Service for Electrical Equipment in Flammable Atmospheres and others	UL Underwriters Laboratories, USA FM Factory Mutual Research, USA CSA Canadian Standards Association
Installation conditions	DIN EN 60079-14 (VDE 0165 Part 1) for potentially explosive gas atmospheres DIN EN 50281-1-2 (VDE 0165 Part 2) for areas with combustible dust	NFPA 70 National Electrical Code Art. 500 NFPA 493 Standard for intrinsically safe operations ...

Degrees of Protection through Housing

IP 6 7



Degree of protection against contact and ingress of objects	Degree of protection against water
0 - Not protected	0 - Not protected
1 - Protected against hand access to hazardous parts - Protected against solid foreign objects with a diameter greater than 50 mm	1 - Protected against vertically falling drops of water
2 - Protected against finger access to hazardous parts - Protected against solid foreign objects with a diameter greater than 12.5 mm	2 - Protected against drops of water when the housing is inclined up to 15°
3 - Protected against tool access to hazardous parts - Protected against solid foreign objects with a diameter greater than 2.5 mm	3 - Protected against water falling as a spray when the housing is inclined up to 60°
4 - Protected against wire access to hazardous parts - Protected against solid foreign objects with a diameter greater than 1.0 mm	4 - Protected against splash water
5(K) - Protected against wire access to hazardous parts - Protected against dust	4k - Protected against water splashing from any direction under increased pressure
6(K) - Protected against wire access to hazardous parts - Dust-tight	5 - Protected against water projected by a nozzle from any angle
	6 - Protected against water projected from powerful jets (flooding)
	6k - Protected against water projected from powerful jets under increased pressure (flooding)
	7 - Protected against the effect of temporary immersion in water
	8 - Protected against the effect of permanent immersion in water
	9k - Protected against water during high-pressure/steam jet cleaning

Notes:

If a digit does not need to be specified, it must be replaced by the letter X.

Devices where the second digit is 7 or 8 do not need to fulfill the requirements for the second digits 5 or 6 as they are given a dual designation (e.g., IPX6/IPX7).

The letter K is used in conjunction with some of the main digits for the identification of road vehicle equipment.

Glossary

ABS

Acrylonitrile butadiene styrene

Absolute rotary encoder

Issues a unique encrypted numerical value for each shaft position. The internal coded disk enables an absolute measured value to be read out after application of the supply voltage. A reference run is not required.

Actuating direction

Objects can enter the sound beam from all directions. All information included in the catalog relating to trip points applies to the axial approach of objects.

Adjuster

Operating element, usually a potentiometer or rotary switch, used to adjust the response sensitivity, operating distance, direction of operation for the output, timer functions, etc.

Adjustment aid

The pre-fault diagnostics tool can be used to help make adjustments. Sensors that use visible red light can be adjusted visually. The mounting aids included in the catalog enable optimal adjustments to be made.
⇒ also Mounting aids

Adjustment insensitivity

Retroreflectors can be mounted and adjusted by +25° from the reference axis.

Adjustment range

Range within which the trip point for a sensor can be set.

Air humidity

The speed of sound increases by 2% from dry to saturated air. As a result, the operating distances reduces by a maximum of 2%. This can usually be disregarded.

Air pressure

Under common atmospheric deviations (±5%), the speed of sound deviates by around ±0.6% at a fixed location. The resulting change in operating distance can usually be disregarded.

Air temperature

The speed of sound is extremely dependent upon air temperature. This can result in the output values of an ultrasonic sensor changing if the sensor is not temperature-compensated.

⇒ Temperature compensation

Alarm

⇒ Fault indication
⇒ Prefault diagnostics

Ambient conditions

Pepperl+Fuchs ultrasonic sensors are unaffected by dust, mist, rain, snow, or audible noise. Deposits on the sensor surface are usually avoided due to the self-cleaning effect of the oscillating decoupling layer.

Ambient temperature

According to the standard, photoelectric sensors must be capable of operating at temperatures of -5 °C to +55 °C. The standard temperature range for Pepperl+Fuchs sensors is -25 °C to +70 °C. The values applicable in each case are included in the data sheets.

Background/foreground suppression

Measuring method that determines the distance from the object using angle geometry.

Binary code

A code based upon two digits that is also used with absolute rotary encoders.

Blind zone

Zone in front of an ultrasonic sensor where an object or reflector is not detected.
⇒ Section Detection range
⇒ Adjustment range

Cable length

This can be up to 300 m for sensors with internal evaluation. If the cable is used to communicate via the RS232 interface, the maximum cable length is reduced to 100 m. The cable must be shielded in case of high interference levels. The cable length for sensors without evaluation (H1/2/3 sensors) must not exceed 50 m.

Cams 1, 2

(A**58 parameterizable)

The AVE/AVM58 absolute rotary encoders incorporate a switching mechanism with two cams. The cam signals are emitted via the outputs or the SSI special bit

CE mark

The CE mark is a declaration by the manufacturer that the labeled product conforms to the applicable international and European standards and guidelines.

Channel

Signal track of the incremental rotary encoder.

Characteristic deviation

⇒ Measurement accuracy

Characteristic displacement

Adjustable offset by which the output characteristic of a measuring sensor can be displaced.

Close range

(blind zone)
Area in which e.g., a diffuse mode sensor can no longer detect an object.
⇒ Section Detection range

Code construction

It is possible to choose between open and closed code construction for multitrack absolute rotary encoders with a singleturn resolution that is unequal to a power of two, and when the Tannenbaum format is used, provided that the measuring range has not been moved. Open code construction means that the position within a revolution and the number of detected revolutions are arranged separately. In all other instances, only closed code construction is possible, i.e., the resulting position value is already calculated in the rotary encoder.

Code course

⇒ Counting direction.

Code rate

Maximum number of measuring step changes per second.

Constant light

Light with largely constant radiant flux (e.g., daylight).

Dark ON

The photoelectric sensor switches through when there is no light falling on the receiver optics. In a diffuse mode sensor, this occurs when no object is close and in light barriers, when an object breaks the beam.

Degree of protection

The standard EN 40050 classifies the protection of electrical apparatus against contact, the ingress of objects or water through the housing, covers, etc. The IP abbreviation is made up of the letters IP (International Protection) and two numbers:
1st Number:
Degree of protection against contact and the ingress of objects
2nd Number:
Degree of protection against the ingress of water
⇒ Table Degrees of protection through housing

Detectable object

⇒ Standard measuring plate

Detection difference

Difference in the detection range depending on the reflectivity of the objects to be detected. In particular, this specification characterizes diffuse mode sensors with background suppression and ultrasonic sensors in detection mode.

Detection range

Range within which an object or reflector can be reliably detected or within which the operating distance can be set. In accordance with EN 60947-5-2, the terms scanning range and sensing range are replaced with the term detection range. This range is determined when applying the rated operational voltage U_e at an ambient temperature of 20 °C and relative humidity of 50%. In the case of ultrasonic thru-beam sensors, the receiver (or the measuring plate in the case of diffuse mode sensors) is moved in an axial direction towards the sensor. The switching element function must switch reliably in detection area sd.

Detection range

Photoelectric sensors:

Usable distance between the light source and receiver (thru-beam sensor) or emitter/receiver and reflector (retroreflective sensor).
Ultrasonic sensors:

Usable distance between the ultrasonic sensor emitter and receiver (thru-beam sensor), sensor and reflector (retroreflective sensor), or sensor and object (diffuse mode sensor).

⇒ Detection range

Detection range

Maximum usable distance between the diffuse mode sensor and the object. The detection range depends on the intensity of the emitted signal, the ratios in the measurement path and, above, all the reflectivity of the object.

⇒ Detection range

Diffuse mode sensor

Consists of an active device with an integrated light source and receiver. The light is reflected diffusely by the object (target).

⇒ Section Mounting and functional principle of optical sensors

Diffuse mode sensor (type D)

Consists of an active device with an integrated ultrasonic emitter and receiver. The sound waves are reflected diffusely by the object (target).

⇒ Section Sensor principle

Diffuse reflection

⇒ Reflection

Diffuse sensor

⇒ Diffuse mode sensor

Distance hysteresis

Indicates the distance of the trip points between the approach and withdrawal of the measuring plate. The hysteresis is specified as a percentage of the operating distance.

EMC classification

Electromagnetic compatibility is the ability of an electric device to function properly in an electromagnetic environment, without improperly interfering with other devices or interfering with itself. The EMC classification is based upon tests for emission and immunity for different severity levels for testing. Severity level 3, for example, applies to a common industrial environment.

(see also EN 60947-5-2 Appendix X).

Explosion protection

Measures that prevent the formation (primary) or the ignition (secondary) of a potentially explosive atmosphere.

Extraneous light

Extraneous light is the optical radiation that is received by a photoelectric sensor's receiver but was not emitted by its emitter.

This can include elements of constant light (sun, incandescent lamps) and/or modulated light (fluorescent lighting, other sensors).

Extraneous light limit

Specifies the level of extraneous light intensity above which an optical sensor will no longer function.

⇒ Lux

Fault indication (alarm)

Many ultrasonic sensors by Pepperl+Fuchs are fitted with a red LED display for signaling faults. A fault primarily occurs through misalignment of the sensor or if the noise level is too high. This is signaled by a blinking red LED.

In the event of a fault, the last applicable output states are frozen. The output states remain unchanged until the fault has been rectified and the sensor re-enters normal operation.

Fiber optic cable

(also: fiber optics)

Glass fiber optic cables consist of several glass fibers combined into one bundle. Each of these glass fibers has an optically thicker glass core and an optically thinner glass sheathing. As a result of total reflection, the light follows the longitudinal axis of the fiber optic cable, even if this is bent. Plastic fiber optic cables operate along the same basic principle, although they consist of one single fiber.

⇒ Section Mounting and functional principle of optical sensors

Focus

The sound beam has an opening angle of approximately 5° with -6dB sound pressure. It is not possible to further focus the ultrasound, e.g., through a pipe that is positioned ahead of the converter.

Gray code

Enhanced data security through a single step and cyclical code. Each time, only one bit changes from step to step. This code must be converted into the binary code for data processing.

Gray excess code

This is an extract of the gray code. It is used to create angular steps.

Example: 360 steps

In this instance, 9 bits are required. This is equivalent to 512 steps. The extract of the code is symmetrical. It begins with 76 and ends at 436. The 360 steps between the start and end represent the difference.

Hysteresis

⇒ Distance hysteresis

⇒ Scanning width hysteresis

Incremental rotary encoder

Provides a frequency that is proportional to the rotational speed or a number of electric pulses that is proportional to the rotational angle. A reference run should be carried out after the loss of power.

Infrared light (IR or IRED)

The beaming of larger wavelengths as visible light ($\lambda = 780 \text{ nm to } 1 \text{ mm}$). IR transmitter diodes beam with wavelengths of 880, 940, or 950 nm, for example.

Interface

Electrical or mechanical interface.

Interference, mutual

Simultaneously operating ultrasonic sensors with overlapping detection ranges can interfere with each other. Therefore the minimum distances between the sensors must be adhered to:

If the sensors emit sound in the same direction, the lateral safety distance equates to around half a detection range.

However, if sensors are positioned opposite each other, the safety distance equates to more than both detection ranges together. If it is not possible to adhere to these safety distances, we recommend the use of synchronizable sensors.

Inverse-polarity protection

Protection against the incorrect application of the operating voltage.

Laser

(Light Amplification by Stimulated Emission of Radiation)

Lasers have properties that make them quite different from traditional types of light. When using lasers in photoelectric sensors, being able to focus well is extremely important.

Laser photoelectric sensors/light scanners by Pepperl+Fuchs have a narrow beam profile for detecting small parts or edges. They pose no danger to eyesight due to their technical design.

Lasers in photoelectric sensors operate in the red or infrared spectral range.

LATCH

Memory function: when the absolute rotary encoder input is activated, the current measured value is frozen. The rotary encoder drive shaft continues to rotate, although no measured value exchange takes place at the interface.

If the input is deactivated, each new measuring step is transferred to the interface (transparent latch).

Leakage current

Current that flows into the load circuit of the sensor when in a locked state.

LED

(Light Emitting Diode)

The light emitting diode is a semiconductor light source that can be modulated and has a long service life. LEDs in photoelectric sensors operate primarily in the red and infrared spectral range.

Light Emitting Diodes

The majority of sensors by Pepperl+Fuchs are fitted with LEDs to indicate different states:

The respective data sheets include information on the importance of the individual LEDs.

Light exit

A transparent window in the housing within the wavelength range determined by the type of light, behind which the transmitting and/or receiving elements are located.

Light ON

The sensor output is switched through when light falls on the receiver optics. For retroreflective sensors, this is the case with a free light path for diffuse mode sensors, when an object moves close enough.

Linearity

⇒ Measurement accuracy

Load current

Specifies the permissible current load for an output.

LSB

Least Significant Bit.

Lux

Lux is the unit of measurement for light intensity, i.e., a measurement for the light beam falling on each receiver area. Sunlight during the summer can generate up to 100,000 Lux, an overcast winter sky 1000 to 2000 Lux, and in normal rooms the light intensity is around 50 Lux to 100 Lux.

Measurement accuracy

The maximum value of the deviation from the ideal characteristic. This is specified for measuring sensors and relates to the maximum measurement range.

Measuring output

Absolute: the measuring output specifies the distance of the object from the sound converter area in millimeters. The output is either analog (4 mA to 20 mA or 0 V to 10 V) or digital (parallel 8-bit or serial RS232).

Relative: the measuring output specifies the position of the object within the window area (A1/A2 or upper limit/lower limit).

Measuring photoelectric sensor

Measuring photoelectric sensors combine the advantages of background/foreground suppression with the measuring functionality of a distance sensor. An integrated measuring core, otherwise found only in distance sensors, enables different switching functions in one device and provides outstanding performance data.

Measuring range

Evaluation range for measuring sensors. The start value of the measuring range is determined by the lower limit, the end value of the measuring range by the upper limit.

Modulated light

Light with a periodically changing radiant power (e.g., fluorescent lighting).

Mounting aids

Brackets and mutually adjustable mounting panels for sensors are included in the catalog. These make adjusting easier.

MSB

Most Significant Bit.

Multiturn

In addition to singleturn, the number of revolutions is also detected.

NAMUR

Standardization commission for measuring and control technology in the chemical industry. Tasks include the definition of guidelines for devices that are operated in hazardous areas.

NC contact

If the sensor does not detect an object, the output is live. If an object is detected it is de-energized (normally closed, NC).

NO contact

The output is de-energized if the sensor does not detect an object. If it detects an object, the output is live (normally open, NO).

No-load current

Specifies the individual power consumption of the sensor and is measured without load.

Objects

(for ultrasonic sensors)
A 100 x 100 mm level standard measuring plate, aligned perpendicular to the sensor axis, is usually used as the basis for the detection range. The detection range of sensors for very small distances involves using smaller measuring plates to some extent (see data sheets for further information).

Fixed or powdered objects can be detected, as well as fluids.

We recommend that ultrasonic sensors are used for poorly reflective materials (felt, absorbent cotton, foam rubber, rough textiles).

Heated materials (>100 °C) are poor reflectors.

⇒ Section Notes on mounting and operating

OFF delay

(previously: turn-off time)

The time required by the sensor from when the object disappears from the detection range until the switching process. (The same applies for the ON delay.)

Off-delay time

The time it takes for an electric signal to change from high to low.

Offset

Value that is permanently added to a measured value.

Open Collector (OC)

Divided into OC-PNP and OC-NPN end stages. The latter inverts the output signals. OC end stages are superseded by the push-pull output for incremental rotary encoders and absolute rotary encoders.

The inverting behavior of the OC-NPN end stage should be taken into account for absolute rotary encoders.

Operating temperature

The temperature range in which the values and tolerances specified in the data sheet are adhered to. However, if these are marginally and temporarily undershot or exceeded, the rotary encoder is not destroyed.

Once the operating temperature is reached again, the specifications are once more fulfilled.

Operating voltage

The operating voltage is specified with maximum and minimum values for supply voltage,

e.g., UB = 10 to 60 VDC.

Safe operation of the sensor is guaranteed within this range. The rated voltage is specified for NAMUR sensors.

Output frequency

The maximum signal frequency of the rotary encoder. It is made up of the pulse count and the speed.

Parity

Control bit for fault detection in the data transfer.

PBT

Polybutylene terephthalate

PC

Polycarbonate

Phase correlation

Measurement method that determines the distance from the object via an indirect runtime measurement. The phase displacement between the intensity-modulated emitted solid light and the reflected signals is the measurement for the distance.

Phasing

Offset of the edges of channels A and B for an incremental rotary encoder.

PMMA

Polymethylmethacrylate

Polarization filter

Filter for generating polarized light.

Polarized light

In polarized light the electric field vector oscillates only in one preferred plane and not in all planes as is the case for natural light.

Power consumption

Specifies the no-load power consumption of the sensor.

Pre-fault diagnostics (alarm)

Optical sensors are very sensitive to soiling. The pre-fault diagnostics tool therefore issues warnings in good time prior to failure. The red blinking LED signalizes soiling, misalignment, or an incorrectly selected detection range. The switching element function of the sensor is still guaranteed. A pre-fault output allows the pre-fault indication to be detected remotely. The pre-fault diagnostics tool can also be used as an alignment aid.

PRESET 1

Control input for resetting the measured value to zero. This is used for electrically adjusting the absolute rotary encoder.

A value other than zero can be set for parameterizable absolute rotary encoders.

PRESET 2

Control input for setting the measured value to a quarter of the singleturn resolution. This is used for electrically adjusting the absolute rotary encoder.

A value other than one quarter of the singleturn resolution can be set for parameterizable absolute rotary encoders.

Pulse count

Resolution of the incremental rotary encoder. It specifies the number of pulses per revolution.

Pulse frequency

Sensors that use LEDs are not operated using solid light but rather pulsed light (the pulse frequency is in the range of 10 kHz). If two sensors are positioned directly adjacent to each other, it is possible to set a second pulse frequency for some sensors in order to prevent mutual interference.

Pulse function

Timer function for switching outputs that generates an output pulse with a defined length, which is independent of the duration of the switching event.

⇒ Timer function

Pulse stretching

Timer function that is used to delay the switching time, provided it is shorter than the pulse stretching value.

⇒ Timer function

Push-pull output

The maximum high signal is calculated from the supply voltage minus the voltage drop specified in the data sheet.

The low signal corresponds with the reference potential.

Quality assurance

The standards DIN ISO 9000-9004 (EN 29000-29004) regulate the quality assurance (QA) of products and services.

Pepperl+Fuchs GmbH is certified according to DIN ISO 9001.

Rated operational current

This value specifies the maximum load current during continuous operation.

Rated operational voltage

The rated operational voltage is specified with maximum and minimum values for supply voltage,

e.g., $U_e = 10 \text{ VDC to } 30 \text{ VDC}$.

Safe operation of the sensor is guaranteed within this range.

Red light

Visible light with wavelengths between 630 and 780 nm. Red light end diodes operate, e.g., with $\lambda = 660 \text{ nm}$.

Reference axis

Ideal line on which the emitter and receiver (thru-beam sensor) or emitter and object/reflector (diffuse mode sensor or retroreflective sensor) face each other. Photoelectric sensors:

In the case of a thru-beam sensor, the reference axis is the same as the optical axis of the lens

in the case of a diffuse mode sensor or retroreflective sensor it is the center line between the optical axes of the transmitter and receiver lens.

Ultrasonic sensors:

The reference axis on single-head systems is the same as the line of symmetry for the sound beam

on dual-head systems it is the center line between the sound beam axes of the emitter and receiver.

Reflection

In general, a reflection is a throwback of waves on the boundary between two media.

There are three types of reflection:

Mirroring: reflection where virtually the entire incident radiant power is reflected and for which the angle of incidence = angle of reflection.

Largely directed reflection: mirroring with diffuse portion, e.g., for rough object surfaces.

Diffuse reflection: reflection where the incident radiant power is reflected equally in all directions.

The way in which an ultrasonic wave is reflected depends on the ratio between the sound wavelength and the roughness of the object's surface.

⇒ Section Notes on mounting and operating

Reflectivity

Depending on an object's surface structure and texture, it will reflect ultrasonic waves well or poorly, directly or diffusely. The unreflected portion is absorbed or emitted. Reflection tables for common materials can be used to estimate the achievable detection range for diffuse mode sensors.

Reflector

A reflector is a level plate with good reflective characteristics, which is positioned perpendicular to the propagation direction of the sound waves within the detection range. The reflector is used as a reference object for ultrasonic diffuse mode sensors that are used in retroreflective mode.

⇒ Sensor principle

Reflector range

Ultrasonic sensors:

Range within which the ultrasonic sensor's reflector must be installed in retroreflective mode in order to be safely detected. The reflector range spans from the end of the reflector blind zone to the end of the detection range.

Photoelectric sensors:

Range within which the retroreflector of a retroreflective sensor must be installed in order to be safely detected. The reflector range spans from the end of the retroreflector blind zone to the end of the detection range.

Repeat accuracy

⇒ Repeatability

Repeatability

(also: repeat accuracy)

This is determined during an eight-hour test at $23 \pm 5 \text{ °C}$ and under rated operational voltage. The difference between two operating distances must not exceed 10% of the actual operating distance.

Residual ripple

The AC voltage (peak to peak) that is superimposed over the operating DC voltage is specified as a percentage of the arithmetic average value. Pepperl+Fuchs GmbH sensors feature max. 10% residual ripple and comply with standard EN 50008.

Resolution

Smallest change in the measured quantity that can be detected and shown by a measuring sensor.

Response time

The shortest possible time between two switch outputs. The response time corresponds with half the reciprocal value of the switching frequency.

Retroreflective area sensor

A retroreflective area sensor contains several transmitters and receivers in one enclosure with a reflector positioned opposite, forming a continuous wide or high detection area over the relevant detection range.

When the light beams in the detection area are interrupted by an object, the switching element function is triggered.

These sensors are suitable for reliable and complete object detection irrespective of the object's shape, surface, and position without incorrect switching. If the object's shape or position changes, you do not need to realign the sensors.

Retroreflective sensor

Consists of an active device with an integrated light source and receiver as well as a passive reflector from which the light is reflected.

⇒ Section Mounting and functional principle of optical sensors

Retroreflective sensor (type R)

Ultrasonic sensor in retroreflective mode.

A highly reflective object within the detection range is used as a reference. Poorly reflective objects that appear in the detection range can be safely detected in this operating mode.

⇒ Section Sensor principle

Retroreflector

Retroreflectors (also referred to as triple mirrors) reflect the incoming light parallel to the direction of incidence. They can be rotated up to a certain angle in relation to the reference axis without restricting the function of a retroreflective sensor.

Retroreflector blind zone

Zone in front of a retroreflective sensor where the retroreflector is not detected.

Reverse polarity tolerant

A reverse polarity tolerant sensor is guaranteed to operate irrespective of the polarity of the supply voltage.

Ring register, standard 0 mode

The same single position value is often required multiple times by the evaluation electronics. For this, a 51-bit long start sequence is sent to the multitur absolute rotary encoder instead of a 25-bit start sequence, for example. If the absolute rotary encoder is in ring register mode, the same position value is transferred twice in succession. The control unit can then check for consistency in order to filter out transfer errors, e.g., caused by EMC faults.

In standard 0 mode, zeros are provided as of the 26th cycle.

Ripple

The AC voltage (peak to peak) that is superimposed over the operating DC voltage is specified as a percentage of the arithmetic average value. Pepperl+Fuchs GmbH sensors feature max. 10% ripple and comply with standard EN 50008.

Rise time

The time it takes for an electric signal to change from low to high.

Rotational speed

Specifies the mechanical load limit for the rotary encoder. If this limit is exceeded it can have a negative effect upon the service life of the ball bearings. It can also result in signal generation faults.

Rotational speed monitoring

The absolute rotary encoder monitors the speed of the shaft. If the maximum permissible speed of 6000 min⁻¹ is exceeded, the rotary encoder generates an alarm signal. It is also possible to specify an application-specific rotational speed trip value that is monitored and reported upon in the case of under or overshooting.

RS232

Unsymmetrical, serial, unidirectional interface between the PC and parameterizable absolute rotary encoder.

RS422

Unsymmetrical, serial, unidirectional interface. Used with incremental rotary encoders for transferring complementary pulse channels: AA, BB, 00. For absolute rotary encoders with SSI interface for transferring cycles and data: cycle+ cycle-, data+, data-. Each signal pair is carried via a set of pair-stranded cables.

RS485

Symmetrical, serial, bidirectional interface. The basis for many fieldbus systems.

Scaling

It is possible to define the number of steps per revolution. The number of multiturn revolutions to be detected can be selected between 1 and 4096 depending on the type of rotary encoder.

Scan range

Evaluable angle range that the scanner's light beam moves through.

Scanning width hysteresis

Depicts the offset of the trip points between the lateral approach and removal of the measuring plate, i.e. between the approach and removal at a right angle to the reference axis.

Selection of counting direction

This control input is used to define whether the absolute rotary encoder generates increasing measured values when the drive shaft rotates either in a clockwise direction (CW) or counterclockwise direction (CCW). The line of sight is always from the front facing the shaft.

Sense-

Used along with Sense+ to measure the effective rotary encoder supply voltage. Enables automatic compensation of the voltage drop that occurs via the rotary encoder cable.

Sense+

Used along with Sense- to measure the effective rotary encoder supply voltage. Enables automatic compensation of the voltage drop that occurs via the rotary encoder cable.

Sensor

⇒ Diffuse mode sensor
⇒ Diffuse mode sensor

Sensor principle

Physical layer upon which a sensor's functionality is based.

Service life

The service life of an LED is defined as the period during which the light output drops to 50% of the original value. This period of time is specified for an operating temperature of +25 °C.

Shaft load

Specifies the maximum permissible axial and radial force on the rotary encoder shaft. The point of application of force is the center of the drive shaft journal. If these levels of force are exceeded, this can have a negative impact upon the service life of the mount. This may also result in irreparable damage to the rotary encoder.

Short circuit current limitation

Many sensors by Pepperl+Fuchs GmbH are equipped with a cyclic short-circuit current limitation. If the current trip value is exceeded, the output is periodically locked and re-released until the short circuit has been rectified.

Singleturn

Absolute rotary encoder that issues a defined number of measuring steps within one revolution. Once the revolution is completed, the measured value jumps from the maximum to the minimum value.

Spur

⇒ Channel.

SSI

Synchronous Serial Interface. Used with absolute rotary encoders.

Standard identification of switching element functions

Six-part code consisting of a maximum of eight letters or numbers that identifies the sensor type, mechanical installation conditions, housing design and size, switching element function, switching output, and type of sensor connection (⇒EN 60947-5-2).

Standard measuring plate

Standard measuring plates enable comparison measurements of the operating distances and detection ranges for different proximity switches. The following is defined for photoelectric sensors:

Retroreflective sensor:

Reflector defined by manufacturer (specified in the data sheets)

Thru-beam sensor:

Receiver defined by manufacturer (corresponds with the receiver of the two-part sensor set)

Diffuse mode sensor:

White test card, size 100 x 100 mm (for detection ranges up to 400 mm), size 200 x 200 mm (for detection ranges over 400 mm). The white test cards must have 90% diffuse reflectivity, resulting in e.g., a fourfold detection range for polished stainless steel because it mainly reflects directly.

Starting torque

Torque that is required to start the rotary encoder shaft from a standstill.

Storage temperature

Permissible temperature limits for a sensor that is neither electrically nor mechanically stressed.

Switching current

This value specifies the maximum load current during continuous operation.
⇒ Rated operational current

Switching frequency f

The switching frequency is the maximum number of relevant events per time interval that are detected by the sensor. It applies for a duty cycle of 50% and is specified in Hertz (Hz).

Switching hysteresis

The hysteresis is the path differential between the switch-on point and the switch-off point when an object moves towards or away from a trip point on the sensor in an axial direction. This prevents permanent switching at the range limit.

Switch-on delay

(previously: response time)

The time required by the sensor from when the object appears in the detection range until the switching process. (The same applies to the OFF delay.)

Switch-on pulse suppression

All sensors are equipped with this feature, which suppresses a fault signal at the output when the operating voltage is switched on during the time delay before availability.

Synchronization

Many types of sensor have a synchronization output to avoid mutual interference from adjacent sensors. If the input is blank or is at zero potential, the sensor functions in free-range operation with its internal cycle generator.

A positive synchronization pulse triggers a measuring cycle. It is started with the incoming pulse edge.

Pepperl+Fuchs provides UC sensors with synchronization inputs/outputs that can be linked together for self-synchronization.

Temperature compensation

To minimize the effect of air temperature upon the output values, many ultrasonic sensors by Pepperl+Fuchs incorporate a temperature compensation function.
⇒ Air temperature

Temperature effect

Temperature-dependent effect upon the output sizes and trip points of a sensor. Specified in mm/K.

Thru-beam sensor

Thru-beam sensors consist of two separate active devices: a light source and light receiver.

⇒ Section Mounting and functional principle of optical sensors

Tightening torque

The recommended tightening torque of 15 Nm must not be exceeded when mounting cylindrical sensors with a threaded housing.

Time delay before availability

The time delay before availability is the time it takes until a proximity switch is ready for operation once the operating voltage has been switched on.

Timer function

Parameterizable timer functions for sensor switching outputs.
⇒ Off delay timer
⇒ Pulse function

Total reflection

A material-specific critical angle exists for total reflection at the transition from an optically thick to an optically thin medium. Beams that strike the boundary surface at a larger angle are not interrupted but are reflected back to the optically thicker medium.

Total resolution

Summarization of the single-turn and multiturn resolution. Usually specified in bits.

Transfer rate

Data transfer speed for absolute rotary encoders.

Type D

The term for a diffuse mode sensor in accordance with EN 60947-5-2.

Type of light

Indicates the emission wavelength of the light source used in the sensor.

Type R

The term for a retroreflective sensor in accordance with EN 60947-5-2.

Type T

The term for a thru-beam sensor in accordance with EN 60947-5-2.

Ultrasonic thru-beam sensor (type T)

Ultrasonic thru-beam sensors consist of two separate active devices: an ultrasonic emitter and receiver.

⇒ Section Functional principle

V/R input

⇒ Selection of counting direction.

Voltage drop

The voltage drop is measured via the active sensor output.

Warning field output

Signalizes a fault, short circuit of an output, LED failure, undershooting of supply voltage.

Watchdog function

In the event of operational voltage faults or EMC influences, the Watchdog function resets the internal micro controller of the sensor to a defined initial state, i.e., the program within the sensor restarts.

Window area

The switching output is active if the object is located in the area delimited by both trip points A1 and A2.

Zero setting

⇒ Preset 1.

General notes relating to Pepperl+Fuchs product information

1. All information and statements in the product catalog (both in printed and electronic form), in particular, but not limited to descriptions, illustrations, drawings, statements concerning quality, workmanship, service and use as well as dimensions, are current at the time the printed product catalog is issued or published in electronic media.
2. Pepperl+Fuchs reserves the right to unilaterally amend all information and statements at any time. Despite careful editing by Pepperl+Fuchs, type or printing errors cannot be excluded completely. The information and statements do not provide any guarantee or warrant any characteristics of the products.
3. The information and statements in the printed product catalog reflect the current status at the time of issue. Changes made after the printed product catalog is issued are published in product data sheets on the Pepperl+Fuchs homepage. This information is available at www.pepperl-fuchs.com.
4. All information, statements, and technical specifications contained therein are based on valid standards and comply with relevant standardized measuring methods.
5. Customers are always responsible for independently determining the suitability of our products for the intended application. Only customers are aware of all the boundary conditions and influencing factors associated with the intended purpose. Due to the enormous number of potential application options offered by Pepperl+Fuchs products and the subsequent range of possible external influences and a potential overlap of these influences in the application of products, Pepperl+Fuchs cannot accept liability for any aspect of the actual customer application. This applies in particular to, but not limited to, applications in safety systems and explosion hazardous areas as well as environmental influences such as chemicals, pressure, temperature fluctuations, moisture, mechanical influences, and incorrect installation.
6. Customers who intend to use Pepperl+Fuchs products in new applications or applications where they do not have adequate experience can contact Technical Sales Support (service line) and discuss the suitability of the products for the intended application with our specialists. Customers are obliged to provide realistic and complete information on all the relevant conditions associated with the application in writing to prevent misunderstandings.

INTERNATIONAL HEADQUARTERS

Pepperl+Fuchs GmbH
 Phone: +49 621 7760
 E-mail: fa-info@pepperl-fuchs.com

USA HEADQUARTERS

Pepperl+Fuchs Inc.
 Phone: +1 330 4253555
 E-mail: fa-info@us.pepperl-fuchs.com

ASIA PACIFIC HEADQUARTERS

Pepperl+Fuchs PTE LTD
 Phone: +65 67799091
 E-mail: sales@sg.pepperl-fuchs.com

EGYPT

Pepperl+Fuchs Egypt (LLC)
 Phone: +202 22721097
 E-mail: mesmat@eg-pepperl-fuchs.com

ALGERIA

STC Co
 Phone: +213 21 564209
 E-mail: stcco@wissal.dz

ARGENTINA

Pepperl+Fuchs Argentina S.R.L.
 Phone: +54 11 5197 7667/7810
 E-mail: ventas@ar.pepperl-fuchs.com

AUSTRALIA

Pepperl+Fuchs Australia Pty Ltd
 Phone: +61 3 93583499
 E-mail: sales@au.pepperl-fuchs.com

BALTIC STATES

MERTEH SIA-Meas. Technologies
 Phone: +371 67626453
 E-mail: merteh@inbox.lv

BANGLADESH

Pepperl + Fuchs (M.E.) FZE
 Phone: +971 4 8838378
 E-mail: info@ae.pepperl-fuchs.com

BELGIUM

Pepperl+Fuchs N.V.
 Phone: +32 3 6442500
 E-mail: info@be.pepperl-fuchs.com

BOLIVIA

Hiller Electric S.A.
 Phone: +591 3 3524484
 E-mail: mail@hillerelectric.com.bo

BRAZIL

Pepperl+Fuchs Ltda.
 Phone: +55 11 4007 1448
 E-mail: vendas@br.pepperl-fuchs.com

CHILE

Desimat Ingeniería Ltda.
 Phone: +56 2 25851200
 E-mail: importaciones@desimat.cl

CHINA

Pepperl+Fuchs Automation Trading
 Phone: +86 20 8527 6957
 E-mail: info@cn.pepperl-fuchs.com

COSTA RICA

Ditesa
 FA Distributor
 Phone: +506 25735757
 E-mail: info@ditesacr.com

DENMARK

Pepperl+Fuchs A/S
 Phone: +45 7010 4210
 E-mail: info@dk.pepperl-fuchs.com

GERMANY

Pepperl+Fuchs GmbH
 Phone: +49 621 776 1111
 E-mail: fa-info@pepperl-fuchs.com

FINLAND

Pepperl+Fuchs Oy
 Phone: +358 20 7809 407
 E-mail: aluukkainen@fi.pepperl-fuchs.com

FRANCE

Pepperl+Fuchs EURL
 Phone: +33 1 60921313
 E-mail: commercial@fr.pepperl-fuchs.com

UNITED KINGDOM

Pepperl+Fuchs GB Ltd.
 Phone: +44 161 6336431
 E-mail: sales@gb.pepperl-fuchs.com

GUATEMALA

ENERSYS Co.
 Phone: +502 2 4352674
 E-mail: info@enersys-control.com

HONDURAS

Cilasa
 Phone: +504 5571146
 E-mail: remorale@mayanet.hn

INDIA

Pepperl+Fuchs (India) Pvt. Ltd.
 Phone: +91 124 3894000
 E-mail: fa-info@in.pepperl-fuchs.com

INDONESIA

PT Himalaya Everest Jaya
 Phone: +62 21 5448956
 E-mail: hejimp3@hej.co.id

KOREA

Pepperl+Fuchs Korea Ltd
 Phone: +82 2 34819494
 E-mail: info@kr.pepperl-fuchs.com

CROATIA

Pepperl+Fuchs Ges.m.b.H.
 Phone: +43 2236 33441
 E-mail: info@at.pepperl-fuchs.com

KUWAIT

M/S Almeer Technical Services Co. W.L.L.
 Phone: +965 320 2254
 E-mail: fa-info@ae.pepperl-fuchs.com

LEBANON

Pepperl + Fuchs (M.E.) FZE
 Phone: +971 4 8838378
 E-mail: fa-info@ae.pepperl-fuchs.com

MALAYSIA

Industrial Automation (M) Sdn Bhd
 Phone: +60 03 92210511
 E-mail: enquiry@iasb.com.my

MEXICO

Pepperl+Fuchs México, S.A. de C.V.
 Phone: +52 55 56360970
 E-mail: pfmexico@mx.pepperl-fuchs.com

NEW ZEALAND

Custom Control Ltd
 Phone: +64 9 634-1391
 E-mail: sales@customcontrols.co.nz

THE NETHERLANDS

Pepperl+Fuchs B.V.
 Phone: +31 73 7507107
 E-mail: sales@nl.pepperl-fuchs.com

NORWAY

Pepperl+Fuchs AS
 Phone: +47 35573800
 E-mail: info@no.pepperl-fuchs.com

OMAN

Riyam Engineering & Services L.L.C.
 Phone: +968 24 594960
 E-mail: pa-info@ae.pepperl-fuchs.com

AUSTRIA

Pepperl+Fuchs Ges.m.b.H.
 Phone: +43 2236 33441
 E-mail: info@at.pepperl-fuchs.com

PAKISTAN

Tariq Electric House
 Phone: +92 21 2628409
 E-mail: fa-info@ae.pepperl-fuchs.com

PANAMA

Doger Technology
 Phone: +507 317 1989
 E-mail: ronaldhernandez@doger.com

IRAQ

Pepperl+Fuchs (M. E.) FZE
Phone: +971 48838378
E-mail: fa-info@ae.pepperl-fuchs.com

IRELAND

Insteco Ltd.
Phone: +353 214 883798
E-mail: info@insteco.iol.ie

ICELAND

Ískraft
Phone: +354 5351210
E-mail: iskraft@iskraft.is

ISRAEL

Nirtrade Agencies Ltd.
Phone: +972-3-9212694
E-mail: info@nirtrade.co.il

ITALY

Pepperl+Fuchs FA Italia srl.
Phone: +39 039 69599 1
E-mail: fa-info@it.pepperl-fuchs.com

JAPAN

Pepperl+Fuchs K.K.
Phone: +81 45 9397802
E-mail: sales@jp.pepperl-fuchs.com

JORDAN

Pepperl + Fuchs (M.E.) FZE
Phone: +971 4 8838378
E-mail: fa-info@ae.pepperl-fuchs.com

CANADA

Pepperl+Fuchs Inc.
Phone: +1 330 4253555
E-mail: sales@us.pepperl-fuchs.com

QATAR

Middle East Business Development
Phone: +974 435 8989
E-mail: fa-info@ae.pepperl-fuchs.com

KENYA

Shankan Enterprises Ltd.
Phone: +254 2 440093
E-mail: dks@kenyaonline.com

COLUMBIA

Sentronic LTDA.
Phone: +57 1 533-0701
E-mail: sensores@sentronic.com.co

PERU

Industrial Controls S.A.C.
Phone: +51 1 517-0360
E-mail: ventas@ic-controls.com

PHILIPPINES

Process Innovations, Inc.
Phone: +63 2 6356590
E-mail: pi-sensors@pltdtstl.net

POLAND

Pepperl+Fuchs Sp. z o .o
Phone: +48 22 256 9770
E-mail: info@pl.pepperl-fuchs.com

PORTUGAL

Pepperl+Fuchs, S.A.
Phone: +349 4 4535020
E-mail: sov@es.pepperl-fuchs.com

PUERTO RICO

Rafael Benitez Carrillo Inc.
Phone: +1 787 7257635
E-mail: fdejesus@applied.com

ROMANIA

Pepperl+Fuchs SRL
Phone: +40 731 312558
E-mail: info@ro.pepperl-fuchs.com

RUSSIA

Pepperl+Fuchs Automation, LLC
Phone: +7 812 6774848
E-mail: office@ru.pepperl-fuchs.com

SAUDI ARABIA

GAS Arabian Services Co., Ltd.
Phone: +966 3 340-7919
E-mail: fa-info@ae.pepperl-fuchs.com

SWEDEN

Pepperl+Fuchs AB
Phone: +46 303 246070
E-mail: info@se.pepperl-fuchs.com

SWITZERLAND

Pepperl+Fuchs AG
Phone: +41 32 3747676
E-mail: info@ch.pepperl-fuchs.com

SLOVAKIA

Pepperl+Fuchs SK s. r. o.
Phone: +421 901 707786
E-mail: pskorvanek@sk.pepperl-fuchs.com

SLOVENIA

Pepperl+Fuchs Ges.m.b.H.
Phone: +43 2236 33441
E-mail: info@at.pepperl-fuchs.com

SPAIN

Pepperl+Fuchs, S.A.
Phone: +349 4 4535020
E-mail: sov@es.pepperl-fuchs.com

SRI LANKA

Nikini Automation Systems (Pvt) Ltd
Phone: +94 1 826894
E-mail: sales@nikiniautomation.com

SOUTH AFRICA

Pepperl+Fuchs PTY Ltd.
Phone: +27 87 9850797
E-mail: info@za.pepperl-fuchs.com

TAIWAN

Kawa Kami Enterprise Corp.
Phone: +886 2 27920078
E-mail: info@kawa-kami.com.tw

THAILAND

Industrial Electrical Co., Ltd.
Phone: +66 2 6427887
E-mail: iecl@ie.co.th

TRINIDAD & TOBAGO

VANSAD Automation Limited
Phone: +1 868 6368704
E-mail: fidel.ramquar@vansad.ca

CZECH REPUBLIC

Pepperl+Fuchs s.r.o.
Phone: +420 266 052 828
E-mail: info@cz.pepperl-fuchs.com

TURKEY

Pepperl+Fuchs Elektronik Sanayi ve Ticaret Limited Sirketi
Phone: +90 216 5772250
E-mail: info@tr.pepperl-fuchs.com

HUNGARY

Pepperl+Fuchs Kft.
Phone: +36 88 590100
E-mail: info@hu.pepperl-fuchs.com

URUGUAY

Pepperl+Fuchs Ltda.
Phone: +55 11 4007 1448
E-mail: vendas@br.pepperl-fuchs.com

VENEZUELA

EMI Equipos y Sistemas C. A.
+58 212 2435072
E-mail: ventas@emi-ve.com

UAE

Pepperl + Fuchs (M.E.) FZE
Phone: +971 4 8838378
E-mail: fa-info@ae.pepperl-fuchs.com

VIETNAM

New Sky Co., Ltd
Phone: +84 8 8126593
E-mail: vuongcuong@newskyvn.com

Model Number	Page
CBN15-18GS75-E2-V1	296
CBN15-30GK60-A0	297
CBN15-30GK60-A2	297
CBN15-30GK60-E0	297
CBN15-30GK60-E2	297
CBN2-F46-E0	305
CBN2-F46-E1	305
CBN2-F46-E2	305
CBN2-F46-E3	305
CBN2-F46-N1	312
CBN5-F104M-E2	308
CBN5-F104M-E2-V3R	308
CBN5-F46-E0	305
CBN5-F46-E1	305
CBN5-F46-E2	305
CBN5-F46-E3	305
CBN5-F46-N1	312
CBN8-12GH60-E2-V1	294
CBN8-12GH70-E2	294
CBN8-F64-E0	307
CBN8-F64-E1	307
CCB10-30GS55-N1	304
CCB10-30GS55-N1-V1	304
CCN10-F46A-N1	312
CCN15-30GS60-A0	299
CCN15-30GS60-A2	299
CCN15-30GS60-A2-V1	299
CCN15-30GS60-E0	299
CCN15-30GS60-E2	299
CCN15-30GS60-E2-V1	299
CCN15-F64-E2	307
CCN5-F46A-E0	306
CCN5-F46A-E1	306
CCN5-F46A-E2	306
CCN5-F46A-E3	306
CCN5-F46A-N1	312
CJ10-30GK-WO	300
CJ10-30GK-WS	300
CJ10-30GM-WO	300
CJ10-30GM-WS	300
CJ1-12GK-N	302
CJ15+U1+A2	309
CJ15+U4+A2	309
CJ2-18GK-N	303
CJ40-FP-A0-P1	310
CJ40-FP-A2-P1	310
CJ40-FP-A2-P4	310
CJ40-FP-W-P1	311
CJ40-FP-W-P4	311
CJ4-12GK-N	302
CJ6-18GK-N	303
CPZ18B03	1069
CSM36M-*****	693
CSM58	703
CSS36M-*****	693
CSS58	703
CVM36M-*****	692
CVM42H	694
CVM58	702

Model Number	Page
CVM58S	706
CVM78E	709
CVS36M-*****	692
CVS42H	694
CVS58	702
CVS58S	706
CVS78E	709

D

DA5-IU-C	959
DA6-IU-2K-C	960
DA6-IU-2K-V	960
DAD15-8P	569
DAD15-8P/35	569
DAD15-8P-NPN	569
DAD15-8P-NPN/35	569
DAD30	570
DAD30/35	570
DAD30-RT/35	570
DAD30-W	570
Data coupler-I/O module	860
DF12-11-3K/145/151	545
DF12-11-3K/9s20/145/151	545
DF20/35A/49/124	546
DF20/49/124	546
DF20/9S20/49/124	546
DF20/B/49/124	546
DK10-LAS/35/49	534
DK10-LAS/35/79b	534
DK10-LAS/49	534
DK10-LAS/76a/110/124	534
DK10-LAS/76a/79b/110/124	534
DK10-LAS/9S20	534
DK10-LAS/9S50/76a/110/124	534
DK10-LAS-54/76/110/124	535
DK12-11/124/136	536
DK12-11/9s20/124/136	536
DK12-11/A/124/136	536
DK12-11-IO/92/136	537
DK12-11-IO/A/92/136	537
DK20-25/110/124	538
DK20-25/A/110/124	538
DK20-25/B/110/124	538
DK20-9,5/110/124	539
DK20-9,5/9S20/110/124	539
DK20-9,5/A/110/124	539
DK20-9,5/B/110/124	539
DK21-25/110/124	540
DK21-25/B/110/124	540
DK21-9,5/110/124	541
DK21-9,5/9S20/110/124	541
DK21-9,5/A/110/124	541
DK31-9,5/110/124	542
DK34-9,5/110/124	542
DK34-9,5/8S50/110/124	542
DK35-9,5/110/124	542
DK50-UV-190/115b/147	543
DK50-UV-190/79d/115b/147	544

Model Number	Page
DK50-UV-254/115b/147	543
DK50-UV-254/79d/115b/147	544
DK50-UV-330/115b/147	543
DK50-UV-330/79d/115b/147	544
DK50-UV-609/115b/147	543
DK50-UV-609/79d/115b/147	544
DKE20-9,5/110/124	539
DKE21-9,5/110/124	541
DM06-05 NDFEB	315
DM10-10 NDFEB	315
DM20-10 NDFEB	315
DM25-32-07	315
DM60-31-15	315
DSM58	703
DSS58	703
DVM58	702
DVM78E	709
DVS58	702
DVS78E	709

E

ENI11HD	729
ESM58-IZ	705
ESM58-PN	705
ESM58-PZ	705
ESM58-TZ	705
ESS58-IZ	705
ESS58-PN	705
ESS58-PZ	705
ESS58-TZ	705
EVM58-EC	704
EVM58-IZ	704
EVM58-MB	704
EVM58-PN	704
EVM58-PZ	704
EVM58-TZ	704
EVS58-EC	704
EVS58-IZ	704
EVS58-MB	704
EVS58-PN	704
EVS58-PZ	704
EVS58-TZ	704
EXG-08	1069
EXG-12	1069
EXG-18	1069
EXG-30	1069

F

FSM58	699
FSS58	699
Functional Grounding LS610/VDM100	815
FVM58	698
FVS58	698

G

G12/GV12/36/40b/115	483
G12/GV12/36/40b/92	483
G12/GV12/37/40b/115	483

Date of issue: 04/08/2015

Model Number	Page	Model Number	Page	Model Number	Page
G12/GV12/37/40b/92	483	GL5-Y/28a/115	558	GLV18-6-S/73/120	427
GA18/GK18/59/115/161	486	GL5-Y/28a/155	558	GLV18-8-200/115/120	398
GA18/GK18/59/161/166	486	GL5-Y/43a/115	558	GLV18-8-200/25/102/115	398
GA18-S/GK18-S/59/115/161	487	GL5-Y/43a/155	558	GLV18-8-200/25/102/159	398
GA18-S/GK18-S/59/161/166	487	GL80-IR/32/40a/98a	548	GLV18-8-200/73/120	398
GD18/GV18/115/120	484	GL80-IR-EX2/32/40a/98a	559	GLV18-8-200-S/115/120	399
GD18/GV18/59/102/115	484	GL80-LAS/32/40a/98a	549	GLV18-8-200-S/25/102/115	399
GD18/GV18/59/102/159	484	GL80-RT/32/40a/98a	547	GLV18-8-200-S/25/102/159	399
GD18/GV18/73/120	484	GLD3-RT/115/147	551	GLV18-8-200-S/73/120	399
GD18-S/GV18-S/115/120	485	GLD3-RT/115b/123/147	551	GLV18-8-400-S/115/120	399
GD18-S/GV18-S/59/102/115	485	GLD3-RT/95/147	551	GLV18-8-400-S/25/102/115	399
GD18-S/GV18-S/59/102/159	485	GLK18-55/59/115/161	429	GLV18-8-400-S/25/102/159	399
GD18-S/GV18-S/73/120	485	GLK18-55/59/161/166	429	GLV18-8-400-S/73/120	399
GL10-IR/32/40a/98a	548	GLK18-55-S/59/115/161	428	GLV18-8-450/115/120	398
GL10-RT/32/40a/98a	547	GLK18-55-S/59/161/166	428	GLV18-8-450/25/102/115	398
GL120-LAS/32/40a/98a	549	GLK18-6/59/115/161	429	GLV18-8-450/25/102/159	398
GL121-IR/32/40a/98a	548	GLK18-6/59/161/166	429	GLV18-8-450/73/120	398
GL121-IR-EX2/32/40a/98a	559	GLK18-6-S/59/115/161	428	GLV18-8-H-120/115/120	354
GL121-RT/32/40a/98a	547	GLK18-6-S/59/161/166	428	GLV18-8-H-120/25/102/115	354
GL20-IR/32/40a/98a	548	GLK18-8-200/25/115/161	400	GLV18-8-H-120/25/102/159	354
GL20-LAS/32/40a/98a	549	GLK18-8-200/25/161/166	400	GLV18-8-H-120/73/120	354
GL20-RT/32/40a/98a	547	GLK18-8-200-S/25/115/161	401		
GL220-IR/32/40a/98a	548	GLK18-8-200-S/25/161/166	401		
GL220-LAS/32/40a/98a	549	GLK18-8-400-S/25/115/161	401		
GL220-RT/32/40a/98a	547	GLK18-8-400-S/25/161/166	401		
GL30-IR/32/40a/98a	548	GLK18-8-450/25/115/161	400		
GL30-IR-EX2/32/40a/98a	559	GLK18-8-450/25/161/166	400		
GL30-LAS/32/40a/98a	549	GLV12-54/36/40b/115	421	IA15-30GM-I3	118
GL30-RT/32/40a/98a	547	GLV12-54/36/40b/92	421	IA40-FP-I3-P1	214
GL40-IR/32/40a/98a	548	GLV12-54/37/40b/115	421	IA40-FP-I3-P2	214
GL40-RT/32/40a/98a	547	GLV12-54/37/40b/92	421	IA40-FP-I3-P2-V1	214
GL50-IR/32/40a/98a	548	GLV12-6/36/40b/115	422	IA6-12GM35-U-V1	79
GL50-IR-EX2/32/40a/98a	559	GLV12-6/36/40b/92	422	IA6-12GM50-IU-V1	79
GL50-LAS/32/40a/98a	549	GLV12-6/37/40b/115	422	IA8-30GM-I3	118
GL50-RT/32/40a/98a	547	GLV12-6/37/40b/92	422	IC-HH20-V1	934
GL5-F/28a/115	552	GLV12-8-200/36/40b/115	397	IC-KP2-1HB17-2V1D	917
GL5-F/28a/155	552	GLV12-8-200/36/40b/92	397	IC-KP2-1HB6-V15B	917
GL5-F/43a/115	552	GLV12-8-200/37/40b/115	397	IC-KP2-1HRX-2V1	917
GL5-F/43a/155	552	GLV12-8-200/37/40b/92	397	IC-KP2-2HB17-2V1D	917
GL5-J/28a/115	553	GLV18-55/115/120	423	IC-KP2-2HB18-2V1	917
GL5-J/28a/155	553	GLV18-55/59/102/115	423	IC-KP2-2HB21-2V1D	917
GL5-J/43a/115	553	GLV18-55/59/102/159	423	IC-KP2-2HB6-V15B	917
GL5-J/43a/155	553	GLV18-55/59/103/159	423	IC-KP2-2HRX-2V1	917
GL5-L/28a/115	554	GLV18-55/73/120	423	IC-KP-B17-AIDA1	915
GL5-L/28a/155	554	GLV18-55-G/115/120	425	IC-KP-B5-V23	915
GL5-L/43a/115	554	GLV18-55-G/59/102/115	425	IC-KP-B6-2V15B	915
GL5-L/43a/155	554	GLV18-55-G/59/102/159	425	IC-KP-B6-SUBD	915
GL5-R/28a/115	555	GLV18-55-G/73/120	425	IC-KP-B6-V15B	915
GL5-R/28a/155	555	GLV18-55-S/115/120	424	IC-KP-B7-V95	915
GL5-R/43a/115	555	GLV18-55-S/59/102/115	424	IC-KP-R2-V1	915
GL5-R/43a/155	555	GLV18-55-S/59/102/159	424	ICZ-2T/TR-0,2M-PUR ABG-V15B-G	1058
GL5-T/28a/115	556	GLV18-55-S/73/120	424	ICZ-3T-0,2M-PUR ABG-V15B-G	1058
GL5-T/28a/155	556	GLV18-6/115/120	426	ICZ-3T-V15B	1058
GL5-T/43a/115	556	GLV18-6/59/102/115	426	ICZ-AIDA1-MSTB	1058
GL5-T/43a/155	556	GLV18-6/59/102/159	426	ICZ-AIDA1-V45	1058
GL5-U/28a/115	557	GLV18-6/73/120	426	ICZ-TR-CAN/DN-V15	1058
GL5-U/28a/155	557	GLV18-6-S/115/120	427	ICZ-TR-V15B	1058
GL5-U/43a/115	557	GLV18-6-S/59/102/115	427	INX360D-F99-B16-V15	821
GL5-U/43a/155	557	GLV18-6-S/59/102/159	427	INX360D-F99-B20-V15	821
				INX360D-F99-I2E2-5M	822
				INX360D-F99-I2E2-V15	822
				INX360D-F99-U2E2-5M	823

I

Model Number	Page	Model Number	Page	Model Number	Page
INX360D-F99-U2E2-V15	823	IQC21-F125	926	KCM-70A-C	949
INY030D-F99-2I2E2-5M	824	IQC22-22-T9	926	KCM-70A-V	949
INY030D-F99-2I2E2-V17	824	IQC22-C1	930	KCM-70-C	948
INY030D-F99-B16-V15	821	IQC22-C4	930	KCM-70-V	948
INY030D-F99-B20-V15	821	IQC24-C1	930	KCT1-6SR-C	953
INY360D-F99-2I2E2-5M	824	IQC33-10	928	KCT1-6SR-V	953
INY360D-F99-2I2E2-V17	824	IQC33-16	928	KCT1-6ST-V	950
INY360D-F99-2U2E2-5M	825	IQC33-20	928	KCT1-6WR/RS232-V	956
INY360D-F99-2U2E2-V17	825	IQC33-30	928	KCT2-6ST-V	950
INY360D-F99-B16-V15	821	IQC33-50	928	KCT-6S-C	950
INY360D-F99-B20-V15	821	IQC35-10	928	KCT-6ST-C	950
IPC02-12	923	IQC42-C1	930	KCY1-6SR-B	952
IPC02-16	923	IQC43-30	929	KFU8-DW-1.D	963
IPC02-20P	923	IQC43-50	929	KFU8-FSSP-1.D	964
IPC02-26-T6	923	IQH1-18GM-V1	918	KHE-C01-2,2-2,0-K122	515
IPC02-30P	923	IQH1-30GM105-EXD dS64M-1038	919	KHE-C01-2,2-2,0-K122	517
IPC02-3GL	923	IQH1-F15-V1	921	KHE-C01-2,2-2,0-K122	519
IPC02-50P	923	IQH1-F61-V1	921	KHE-C01-2,2-2,0-K122	521
IPC02-C1	930	IQH1-FP-V1	921	KHE-C01-2,2-2,0-K122	523
IPC03-12.4	924	IQH2-18GM-V1	918	KHE-C01-2,2-2,0-K122	525
IPC03-16GK	924	IQH2-F61-V1	921	KHE-C01-2,2-2,0-K122	527
IPC03-20K1	931	IQH2-FP-V1	921	KH-LCD-24-24VDC	958
IPC03-20K2	931	IQH2-L2-V1	921	KHR-C02-2,2-2,0-K131	515
IPC03-20K3	931	IQT1-HH20	934	KHR-C02-2,2-2,0-K131	517
IPC03-20K4	931	IUC72-C8-T14	932	KHR-C02-2,2-2,0-K131	519
IPC03-20K5	931	IUC72-F151-M	932	KHR-C02-2,2-2,0-K131	521
IPC03-20K6	931	IUC72-F152-M	932	KHR-C02-2,2-2,0-K131	523
IPC03-20P	924	IUC76-50-M	932	KHR-C02-2,2-2,0-K131	525
IPC03-24	924	IUC76-F157-M	932	KHR-C02-2,2-2,0-K131	527
IPC03-30GK	924	IUH-F190-V1-EU	922	KHTE-C01-2,2-2,0-K118	527
IPC03-30P	924	IUH-F190-V1-FR2	922	KHTR-C02-2,2-2,0-K88	515
IPC03-50P	924	IUH-F190-V1-FR2-02	922	KHTR-C02-2,2-2,0-K88	517
IPC03-58	924			KHTR-C02-2,2-2,0-K88	519
IPC03-C1	930			KHTR-C02-2,2-2,0-K88	521
IPC11-12	925			KHTR-C02-2,2-2,0-K88	523
IPC11-30	925			KHTR-C02-2,2-2,0-K88	525
IPC11-50	925			KHTR-C02-2,2-2,0-K88	527
IPH-18GM-V1	918			KLE-C01-1,0-2,0-K120	515
IPH-30GM105-EXD dS64M-1038	919			KLE-C01-1,0-2,0-K120	517
IPH-30GM-V1	918			KLE-C01-1,0-2,0-K120	519
IPH-F15-V1	920			KLE-C01-1,0-2,0-K120	521
IPH-F61-V1	920			KLE-C01-1,0-2,0-K120	523
IPH-F90A-V1	920			KLE-C01-1,0-2,0-K120	525
IPH-F97-V1	920			KLE-C01-1,0-2,0-K120	527
IPH-FP7V4A	920			KLE-C01-1,0-2,0-K120	527
IPH-FP-V1	920			KLE-C01-2,2-2,0-K100	515
IPH-L2-V1	920			KLE-C01-2,2-2,0-K100	517
IPT1-FP	933			KLE-C01-2,2-2,0-K100	519
IPT-HH20	934			KLE-C01-2,2-2,0-K100	521
IQC21-10	927			KLE-C01-2,2-2,0-K100	523
IQC21-12.4	927			KLE-C01-2,2-2,0-K100	525
IQC21-16	927			KLE-C01-2,2-2,0-K100	527
IQC21-30P	927			KLE-C01-2,2-2,0-K101	515
IQC21-39-T1	926			KLE-C01-2,2-2,0-K101	517
IQC21-50F-T10	927			KLE-C01-2,2-2,0-K101	519
IQC21-50P	926			KLE-C01-2,2-2,0-K101	521
IQC21-58	926			KLE-C01-2,2-2,0-K101	523
IQC21-8	927			KLE-C01-2,2-2,0-K101	525
IQC21-85-T13	926			KLE-C01-2,2-2,0-K101	527
				KLE-C01-2,2-2,0-K102	515

K

Date of issue: 04/08/2015

Model Number	Page	Model Number	Page	Model Number	Page
KLE-C01-2,2-2,0-K102	517	KLR-C09-1,25-2,0-K76	521	LHE 00-1,1-1,0-20M4	515
KLE-C01-2,2-2,0-K102	519	KLR-C09-1,25-2,0-K76	523	LHE 00-1,1-1,0-20M4	517
KLE-C01-2,2-2,0-K102	521	KLR-C09-1,25-2,0-K76	525	LHE 00-1,1-1,0-20M4	519
KLE-C01-2,2-2,0-K102	523	KLR-C09-1,25-2,0-K76	527	LHE 00-1,1-1,0-20M4	521
KLE-C01-2,2-2,0-K102	525	KLR-C16-2,2-2,0-K71	515	LHE 00-1,1-1,0-20M4	523
KLE-C01-2,2-2,0-K102	527	KLR-C16-2,2-2,0-K71	517	LHE 00-1,1-1,0-20M4	525
KLE-C01-2,2-2,0-K103	527	KLR-C16-2,2-2,0-K71	519	LHR 00-0,8-1,0-20M4	515
KLE-C01-2,2-2,0-K113	515	KLR-C16-2,2-2,0-K71	521	LHR 00-0,8-1,0-20M4	517
KLE-C01-2,2-2,0-K113	517	KLR-C16-2,2-2,0-K71	523	LHR 00-0,8-1,0-20M4	519
KLE-C01-2,2-2,0-K113	519	KLR-C16-2,2-2,0-K71	525	LHR 00-0,8-1,0-20M4	521
KLE-C01-2,2-2,0-K113	521	KLR-C16-2,2-2,0-K71	527	LHR 00-0,8-1,0-20M4	523
KLE-C01-2,2-2,0-K113	523	KS/KSE10	481	LHR 00-0,8-1,0-20M4	525
KLE-C01-2,2-2,0-K113	525	KT10-8-80	395	LLE 04-1,6-1,0-G	529
KLE-C01-2,2-2,0-K113	527	KT10-8-H-8	352	LLE 04-1,6-1,0-W C3	529
KLE-C01-2,2-2,0-K116	515	KT-LED-24-PT100-24VDC	961	LLR 04-1,6-0,5-G(M6x30)	529
KLE-C01-2,2-2,0-K116	517	KT-LED-24-TC-24VDC	961	LLR 04-1,6-0,5-QW 1x4	529
KLE-C01-2,2-2,0-K116	519	KT-LED-96-2R-230VAC	962	LLR 04-1,6-0,5-W C3	529
KLE-C01-2,2-2,0-K116	521	KT-LED-96-2R-24VDC	962	LME 18-1,9-0,5-K9	531
KLE-C01-2,2-2,0-K116	523	KW-10/10	741	LME 18-1,9-0,5-K9	533
KLE-C01-2,2-2,0-K116	525	KW-6/10	741	LME 18-2,3-0,5-K1	531
KLE-C01-2,2-2,0-K116	527	KW-6/6	741	LME 18-2,3-0,5-K1	533
KLR-A32-2,2-2,0-K83	515	KW-6/8	741	LME 18-2,3-0,5-K3	531
KLR-A32-2,2-2,0-K83	517	KW-8/10	741	LME 18-2,3-0,5-K3	533
KLR-A32-2,2-2,0-K83	519	KW-8/8	741	LME 18-2,3-0,5-K5	531
KLR-A32-2,2-2,0-K83	521			LME 18-2,3-0,5-K5	533
KLR-A32-2,2-2,0-K83	523			LMR 18-3,2-0,5-K1	531
KLR-A32-2,2-2,0-K83	525			LMR 18-3,2-0,5-K1	533
KLR-A32-2,2-2,0-K83	527			LMR 18-3,2-0,5-K4	531
KLR-C02-1,0-2,0-K75	515			LMR 18-3,2-0,5-K4	533
KLR-C02-1,0-2,0-K75	517			LOCKNUT M18 NICKEL BRASS	1061
KLR-C02-1,0-2,0-K75	519			LOCKNUT M8 NICKEL BRASS	1061
KLR-C02-1,0-2,0-K75	521			LOCKNUT PG9 NICKEL BRASS	1061
KLR-C02-1,0-2,0-K75	523			LS610-DA-IBS/F1	571
KLR-C02-1,0-2,0-K75	525			LS610-DA-IBS/F1/146	571
KLR-C02-1,0-2,0-K75	527			LS610-DA-IBS/F1/35	571
KLR-C02-2,2-2,0-K146	515			LS610-DA-IBS/F1/35/146	571
KLR-C02-2,2-2,0-K146	517			LS610-DA-IBS/F2	571
KLR-C02-2,2-2,0-K146	519			LS610-DA-IBS/F2/146	571
KLR-C02-2,2-2,0-K146	521			LS610-DA-IBS/F2/35	571
KLR-C02-2,2-2,0-K146	523			LS610-DA-IBS/F2/35/146	571
KLR-C02-2,2-2,0-K146	525			LS610-DA-P/F1	572
KLR-C02-2,2-2,0-K146	527			LS610-DA-P/F1/146	572
KLR-C02-2,2-2,0-K70	515			LS610-DA-P/F1/35	572
KLR-C02-2,2-2,0-K70	517			LS610-DA-P/F2	572
KLR-C02-2,2-2,0-K70	519			LS610-DA-P/F2/146	572
KLR-C02-2,2-2,0-K70	521			LS610-DA-P/F2/35	572
KLR-C02-2,2-2,0-K70	523			LS611-DA-P	573
KLR-C02-2,2-2,0-K70	525			LS611-DA-P/146	573
KLR-C02-2,2-2,0-K70	527			LS611-DA-P/35	573
KLR-C09-1,25-2,0-K74	515			LS611-DA-P/35/146	573
KLR-C09-1,25-2,0-K74	517			LS670-DA-EN/F1	574
KLR-C09-1,25-2,0-K74	519			LS670-DA-EN/F2	574
KLR-C09-1,25-2,0-K74	521			LS680-DA-EN/F1	574
KLR-C09-1,25-2,0-K74	523			LS680-DA-EN/F2	574
KLR-C09-1,25-2,0-K74	525			LSE 18-2,3-0,5-K1	531
KLR-C09-1,25-2,0-K74	527			LSE 18-2,3-0,5-K9	533
KLR-C09-1,25-2,0-K76	515			LUC4-Z30-G2V	675
KLR-C09-1,25-2,0-K76	517			LUC4-Z30-N2V	675
KLR-C09-1,25-2,0-K76	519				
KLR-C09-1,25-2,0-K76	521				
KLR-C09-1,25-2,0-K76	523				
KLR-C09-1,25-2,0-K76	525				
KLR-C09-1,25-2,0-K76	527				
KLR-C09-1,25-2,0-K76	515				
KLR-C09-1,25-2,0-K76	517				
KLR-C09-1,25-2,0-K76	519				
KLR-C09-1,25-2,0-K76	521				
KLR-C09-1,25-2,0-K76	523				
KLR-C09-1,25-2,0-K76	525				
KLR-C09-1,25-2,0-K76	527				
KLR-C09-1,25-2,0-K76	515				
KLR-C09-1,25-2,0-K76	517				
KLR-C09-1,25-2,0-K76	519				
KLR-C09-1,25-2,0-K76	521				
KLR-C09-1,25-2,0-K76	523				
KLR-C09-1,25-2,0-K76	525				
KLR-C09-1,25-2,0-K76	527				
KLR-C09-1,25-2,0-K76	515				
KLR-C09-1,25-2,0-K76	517				
KLR-C09-1,25-2,0-K76	519				
KLR-C09-1,25-2,0-K76	521				
KLR-C09-1,25-2,0-K76	523				
KLR-C09-1,25-2,0-K76	525				
KLR-C09-1,25-2,0-K76	527				
KLR-C09-1,25-2,0-K76	515				
KLR-C09-1,25-2,0-K76	517				
KLR-C09-1,25-2,0-K76	519				
KLR-C09-1,25-2,0-K76	521				
KLR-C09-1,25-2,0-K76	523				
KLR-C09-1,25-2,0-K76	525				
KLR-C09-1,25-2,0-K76	527				
KLR-C09-1,25-2,0-K76	515				
KLR-C09-1,25-2,0-K76	517				
KLR-C09-1,25-2,0-K76	519				
KLR-C09-1,25-2,0-K76	521				
KLR-C09-1,25-2,0-K76	523				
KLR-C09-1,25-2,0-K76	525				
KLR-C09-1,25-2,0-K76	527				
KLR-C09-1,25-2,0-K76	515				
KLR-C09-1,25-2,0-K76	517				
KLR-C09-1,25-2,0-K76	519				
KLR-C09-1,25-2,0-K76	521				
KLR-C09-1,25-2,0-K76	523				
KLR-C09-1,25-2,0-K76	525				
KLR-C09-1,25-2,0-K76	527				
KLR-C09-1,25-2,0-K76	515				
KLR-C09-1,25-2,0-K76	517				
KLR-C09-1,25-2,0-K76	519				
KLR-C09-1,25-2,0-K76	521				
KLR-C09-1,25-2,0-K76	523				
KLR-C09-1,25-2,0-K76	525				
KLR-C09-1,25-2,0-K76	527				
KLR-C09-1,25-2,0-K76	515				
KLR-C09-1,25-2,0-K76	517				
KLR-C09-1,25-2,0-K76	519				
KLR-C09-1,25-2,0-K76	521				
KLR-C09-1,25-2,0-K76	523				
KLR-C09-1,25-2,0-K76	525				
KLR-C09-1,25-2,0-K76	527				
KLR-C09-1,25-2,0-K76	515				
KLR-C09-1,25-2,0-K76	517				
KLR-C09-1,25-2,0-K76	519				
KLR-C09-1,25-2,0-K76	521				
KLR-C09-1,25-2,0-K76	523				
KLR-C09-1,25-2,0-K76	525				
KLR-C09-1,25-2,0-K76	527				
KLR-C09-1,25-2,0-K76	515				
KLR-C09-1,25-2,0-K76	517				
KLR-C09-1,25-2,0-K76	519				
KLR-C09-1,25-2,0-K76	521				
KLR-C09-1,25-2,0-K76	523				
KLR-C09-1,25-2,0-K76	525				
KLR-C09-1,25-2,0-K76	527				
KLR-C09-1,25-2,0-K76	515				
KLR-C09-1,25-2,0-K76	517				
KLR-C09-1,25-2,0-K76	519				
KLR-C09-1,25-2,0-K76	521				
KLR-C09-1,25-2,0-K76	523				
KLR-C09-1,25-2,0-K76	525				
KLR-C09-1,25-2,0-K76	527				
KLR-C09-1,25-2,0-K76	515				
KLR-C09-1,25-2,0-K76	517				
KLR-C09-1,25-2,0-K76	519				
KLR-C09-1,25-2,0-K76	521				
KLR-C09-1,25-2,0-K76	523				
KLR-C09-1,25-2,0-K76	525				
KLR-C09-1,25-2,0-K76	527				
KLR-C09-1,25-2,0-K76	515				
KLR-C09-1,25-2,0-K76	517				
KLR-C09-1,25-2,0-K76	519				
KLR-C09-1,25-2,0-K76	521				
KLR-C09-1,25-2,0-K76	523				
KLR-C09-1,25-2,0-K76	525				
KLR-C09-1,25-2,0-K76	527				
KLR-C09-1,25-2,0-K76	515				
KLR-C09-1,25-2,0-K76	517				
KLR-C09-1,25-2,0-K76	519				
KLR-C09-1,25-2,0-K76	521				
KLR-C09-1,25-2,0-K76	523				
KLR-C09-1,25-2,0-K76	525				
KLR-C09-1,25-2,0-K76	527				
KLR-C09-1,25-2,0-K76	515				
KLR-C09-1,25-2,0-K76	517				
KLR-C09-1,25-2,0-K76	519				
KLR-C09-1,25-2,0-K76	521				
KLR-C09-1,25-2,0-K76	523				
KLR-C09-1,25-2,0-K76	525				
KLR-C09-1,25-2,0-K76	527				
KLR-C09-1,25-2,0-K76	515				
KLR-C09-1,25-2,0-K76	517				
KLR-C09-1,25-2,0-K76	519				
KLR-C09-1,25-2,0-K76	521				
KLR-C09-1,25-2,0-K76	523				
KLR-C09-1,25-2,0-K76	525				
KLR-C09-1,25-2,0-K76	527				
KLR-C09-1,25-2,0-K76	515				
KLR-C09-1,25-2,0-K76	517				
KLR-C09-1,25-2,0-K76	519				
KLR-C09-1,25-2,0-K76	521				
KLR-C09-1,25-2,0-K76	523				
KLR-C09-1,25-2,0-K76	525				
KLR-C09-1,25-2,0-K76	527				
KLR-C09-1,25-2,0-K76	515				
KLR-C09-1,25-2,0-K76	517				
KLR-C09-1,25-2,0-K76	519				
KLR-C09-1,25-2,0-K76	521				
KLR-C09-1,25-2,0-K76	523				
KLR-C09-1,25-2,0-K76	525				
KLR-C09-1,25-2,0-K76	527				
KLR-C09-1,25-2,0-K76	515				
KLR-C09-1,25-2,0-K76	517				
KLR-C09-1,25-2,0-K76	519				
KLR-C09-1,25-2,0-K76	521				
KLR-C09-1,25-2,0-K76	523				
KLR-C09-1,25-2,0-K76	525				
KLR-C09-1,25-2,0-K76	527				
KLR-C09-1,25-2,0-K76	515				
KLR-C09-1,25-2,0-K76	517				
KLR-C09-1,25-2,0-K76	519				
KLR-C09-1,25-2,0-K76	521				
KLR-C09-1,25-2,0-K76	523				
KLR-C09-1,25-2,0-K76	525				
KLR-C09-1,25-2,0-K76	527				
KLR-C09-1,25-2,0-K76	515				
KLR-C09-1,25-2,0-K76	517				
KLR-C09-1,25-2,0-K76	519				
KLR-C09-1,25-2,0-K76	521				
KLR-C09-1,25-2,0-K76	523				
KLR-C09-1,25-2,0-K76	525				
KLR-C09-1,25-2,0-K76	527				
KLR-C09-1,25-2,0-K76	515				
KLR-C09-1,25-2,0-K76	517				
KLR-C09-1,25-2,0-K76	519				
KLR-C09-1,25-2,0-K76	521				
KLR-C09-1,25-2,0-K76	523				
KLR-C09-1,25-2,0					

Model Number Page

M

M100/MV100-IR/76a/103/115 497
 M100/MV100-IR/76a/95/103 497
 M100/MV100-IR/76b/102/115 497
 M100/MV100-RT/35/76a/103/115 ... 495
 M100/MV100-RT/35/76a/95/103 496
 M100/MV100-RT/35/76a/98/103 496
 M100/MV100-RT/35/76b/102/115 ... 495
 M100/MV100-RT/35/76b/95/102 496
 M100/MV100-RT/35/76b/98/102 496
 M100/MV100-RT/76a/103/115 495
 M100/MV100-RT/76a/103/115a 496
 M100/MV100-RT/76a/95/103 496
 M100/MV100-RT/76a/98/103 496
 M100/MV100-RT/76b/102/115 495
 M100/MV100-RT/76b/95/102 496
 M100/MV100-RT/76b/98/102 496
 M105 1069
 M-105 673
 M11/MV11-Ex/40b/112 508
 M12/MV12-F1/76b/82b/115/128 500
 M12/MV12-F1/76b/82b/124/128 500
 M12/MV12-F1/76b/82b/95/128 500
 M12/MV12-F1-IR/76b/82b/124/128 .. 500
 M12K-VE 673
 M18K-VE 673
 M30K-VE 673
 M4.2/MV4.2-8000-RT/76a/110/115 ... 491
 M7/MV7/59/76a/102/115 492
 M7/MV7/59/76a/102/115/126b 492
 M7/MV7/59/76a/102/126b/143 492
 M7/MV7/59/76a/102/143 492
 M7/MV7/59/76a/103/115 492
 M7/MV7/59/76a/103/143 492
 M7/MV7/59/76a/82b/103/115 492
 M7/MV7/59/76a/82b/103/143 492
 M71/MV71/59/76a/102/115 493
 M71/MV71/59/76a/102/115/126b 493
 M71/MV71/59/76a/102/126b/143 493
 M71/MV71/59/76a/102/143 493
 M71/MV71/59/76a/103/115 493
 M71/MV71/59/76a/103/143 493
 M71/MV71/59/76a/82b/103/115 493
 M71/MV71/59/76a/82b/103/143 493
 M8/MV8/76a/102/115 494
 M8/MV8/76a/102/143 494
 M8/MV8/76a/103/115b 494
 M8/MV8/76a/103/143 494
 MB60-12GM50-E2 320
 MB60-12GM50-E2-V1 320
 MB60-8GM50-E2 319
 MB60-8GM50-E2-V3 319
 MB-F32-A2 322
 MB-F32-A2-V1 322
 MC60-12GM50-1N 321
 MC60-12GM50-1N-V1 321
 MH 01-M18 1069

Model Number Page

MH 02-L 1071
 MH 03-U1/L 1071
 MH 04-2057B 1070
 MH 04-2681F 1070
 MH 04-3505 1078
 MH 04-3742A 1070
 MH 05-SACB-4 1061
 MH 05-SACB-8 1061
 MH V1-BIT M12 1059
 MH V1-SCREWDRIVER 1059
 MH V3-BIT M8 1059
 MH V3-SCREWDRIVER 1059
 MH20-F25-Y43090 281
 MH5-F25-Y43089 281
 MH-BT65B 282
 MH-BT-F03-M5 283
 MH-BT-F04-M5 283
 MH-BT-F04-M6 283
 MH-BT-F05-M5 283
 MH-BT-F05-M6 283
 MH-BT-F07-M5 283
 MH-BT-F07-M6 283
 MH-BT-F07-M8 283
 MH-BT-F10-M10 283
 MH-BT-F10-M12 283
 MH-BT-F10-M8 283
 MH-BT-F12-M10 283
 MH-F110 814
 MH-F90 814
 MH-UDB01 673
 MHW 01 1071
 MJ35-F12-1N 323
 ML100-55/102/115 447
 ML100-55/103/115 447
 ML100-55/103/115a 447
 ML100-55/103/115b 447
 ML100-55/25/103/115b/154 447
 ML100-55/25/95/103/154 447
 ML100-55/95/102 447
 ML100-55/95/103 447
 ML100-55/98/102 447
 ML100-55/98/103 447
 ML100-6-IR/102/115 448
 ML100-6-IR/103/115 448
 ML100-6-IR/95/102 448
 ML100-6-IR/95/103 448
 ML100-8-1000-RT/102/115 409
 ML100-8-1000-RT/103/115 409
 ML100-8-1000-RT/103/115b 409
 ML100-8-1000-RT/95/102 409
 ML100-8-1000-RT/95/103 409
 ML100-8-1000-RT/98/102 409
 ML100-8-1000-RT/98/103 409
 ML100-8-H-350-RT/102/115 374
 ML100-8-H-350-RT/103/115 374
 ML100-8-H-350-RT/103/115a 374
 ML100-8-H-350-RT/103/115b 374
 ML100-8-H-350-RT/95/102 374
 ML100-8-H-350-RT/95/103 374

Model Number Page

ML100-8-H-350-RT/98/102 374
 ML100-8-H-350-RT/98/103 374
 ML10-8-H-3,2-IR/115 372
 ML10-8-H-3,2-IR/115e 372
 ML17-54/115/136 445
 ML17-54/115b/136 445
 ML17-54/136/143 445
 ML17-54/73/136 445
 ML17-6/115/136 446
 ML17-6/115b/136 446
 ML17-6/136/143 446
 ML17-6/73/136 446
 ML17-8-450/115/136 408
 ML17-8-450/115b/136 408
 ML17-8-450/136/143 408
 ML17-8-450/73/136 408
 ML17-8-H-100-RT/115/136 373
 ML17-8-H-100-RT/115b/136 373
 ML17-8-H-100-RT/136/143 373
 ML17-8-H-100-RT/73/136 373
 ML17-8-H-50-RT/115/136 373
 ML17-8-H-50-RT/115b/136 373
 ML17-8-H-50-RT/136/143 373
 ML17-8-H-50-RT/73/136 373
 ML17-LL-K/115/136 526
 ML17-LL-K/115b/136 526
 ML17-LL-K/136/143 526
 ML17-LL-K/73/136 526
 ML300-55-2m-RT/25/102/115 449
 ML300-55-2m-RT/25/103/115 449
 ML300-55-2m-RT/25/98/102 449
 ML300-55-2m-RT/25/98/103 449
 ML300-55-2m-RT/59/102/115 449
 ML300-55-2m-RT/59/103/115 449
 ML300-55-2m-RT/59/98/102 449
 ML300-55-2m-RT/59/98/103 449
 ML300-55-6m-RT/25/115/120 450
 ML300-55-6m-RT/25/115/127 450
 ML300-55-6m-RT/25/82d/103/115 ... 450
 ML300-55-6m-RT/25/82d/95/103 ... 450
 ML300-55-6m-RT/25/95/120 450
 ML300-55-6m-RT/25/95/127 450
 ML300-8-1200-IR/25/115/120 411
 ML300-8-1200-IR/25/115/127 411
 ML300-8-1200-IR/25/82d/103/115 ... 411
 ML300-8-1200-IR/25/82d/95/103 ... 411
 ML300-8-1200-IR/25/95/120 411
 ML300-8-1200-IR/25/95/127 411
 ML300-8-600-RT/25/102/115 410
 ML300-8-600-RT/25/103/115 410
 ML300-8-600-RT/25/98/102 410
 ML300-8-600-RT/25/98/103 410
 ML300-8-600-RT/59/102/115 410
 ML300-8-600-RT/59/103/115 410
 ML300-8-600-RT/59/98/102 410
 ML300-8-600-RT/59/98/103 410
 ML300-8-H-200-RT/25/98/102 375
 ML300-8-H-200-RT/25/98/103 375
 ML300-8-H-200-RT/59/98/103 375

Date of issue: 04/08/2015

Model Number	Page	Model Number	Page	Model Number	Page
ML300-P-12m-IR/76b/115/120	499	ML6-8-H-20-RT/59/95/136	361	ML7-6/59/102/143	439
ML300-P-12m-IR/76b/115/127	499	ML6-8-H-20-RT/DS/25/95/136	364	ML7-6/59/103/115	439
ML300-P-12m-IR/76b/82d/103/115	499	ML6-8-H-40-RT/40b/102/115	360	ML7-6/59/103/143	439
ML300-P-12m-IR/76b/82d/95/103	499	ML6-8-H-40-RT/59/115/136	360	ML7-6/59/82b/103/115	439
ML300-P-12m-IR/76b/95/120	499	ML6-8-H-40-RT/59/95/136	361	ML7-6/59/82b/103/143	439
ML300-P-12m-IR/76b/95/127	499	ML6-8-H-40-RT/95/102	361	ML7-8-200/25/102/115	356
ML300-P-6m-RT/25/102/115	498	ML6-8-H-40-RT/DS/25/115/136	364	ML7-8-200/25/102/115	405
ML300-P-6m-RT/25/103/115	498	ML6-8-H-40-RT/DS/25/95/136	364	ML7-8-200/25/102/143	356
ML300-P-6m-RT/25/98/102	498	ML6-8-H-60-RT/59/115/136	360	ML7-8-200/25/102/143	405
ML300-P-6m-RT/25/98/103	498	ML6-8-H-60-RT/59/95/136	361	ML7-8-200/25/103/115	356
ML300-P-6m-RT/59/102/115	498	ML6-8-H-80-RT/59/115/136	360	ML7-8-200/25/103/115	405
ML300-P-6m-RT/59/103/115	498	ML6-8-H-80-RT/59/95/136	361	ML7-8-200/25/103/115b	405
ML300-P-6m-RT/59/98/102	498	ML71-55/59/102/115	441	ML7-8-200/25/103/143	356
ML300-P-6m-RT/59/98/103	498	ML71-55/59/102/115/126b	441	ML7-8-200/25/103/143	405
ML4.2-54-F/40b/103/115b	435	ML71-55/59/102/126b/143	441	ML7-8-H-140-IR/59/65a/115/136	366
ML4.2-54-F/40b/110/115	435	ML71-55/59/102/143	441	ML7-8-H-140-IR/59/65a/115b/136	366
ML4.2-54-F/40b/110/115b	435	ML71-55/59/103/115	441	ML7-8-H-140-IR/59/65a/136/143	366
ML4.2-54-F/40b/95/103	435	ML71-55/59/103/143	441	ML7-8-H-140-RT/59/65a/115/136	365
ML4.2-54-F/40b/95/110	435	ML71-55/59/82b/103/115	441	ML7-8-H-140-RT/59/65a/115a/136	365
ML4.2-54-F/95/110/126b	435	ML71-55/59/82b/103/143	441	ML7-8-H-140-RT/59/65a/115b/136	365
ML4.2-8-H-20-IR/40b/110/115	358	ML71-6/59/102/115	442	ML7-8-H-140-RT/59/65a/136/143	365
ML4.2-8-H-20-IR/40b/95/110	358	ML71-6/59/102/115/126b	442	ML7-8-H-350-IR/59/65a/115a/136	366
ML4.2-8-H-20-IR/DS/25/95/136	359	ML71-6/59/102/126b/143	442	ML7-8-H-350-IR/59/65a/136/143	366
ML4.2-8-H-20-IR/DS/40b/95/110	359	ML71-6/59/102/143	442	ML7-8-H-350-IR/59/65a/115b/120	366
ML4.2-8-H-20-RT/40b/110/115	357	ML71-6/59/103/115	442	ML8-55/102/115	443
ML4.2-8-H-20-RT/40b/110/115b	357	ML71-6/59/103/143	442	ML8-55/102/143	443
ML4.2-8-H-20-RT/40b/95/110	357	ML71-6/59/82b/103/115	442	ML8-55/103/115	443
ML4.2-8-H-40-43-RT/40b/95/110	357	ML71-6/59/82b/103/143	442	ML8-55/103/143	443
ML4.2-8-H-40-IR/40b/110/115	358	ML71-8-200/25/102/115	406	ML8-6/102/115	444
ML4.2-8-H-40-IR/40b/95/110	358	ML71-8-200/25/102/143	406	ML8-8-200-RT/102/115	407
ML4.2-8-H-40-IR/DS/40b/110/115	359	ML71-8-200/25/103/115	406	ML8-8-200-RT/102/143	407
ML4.2-8-H-40-IR/DS/40b/95/110	359	ML71-8-200/25/103/143	406	ML8-8-200-RT/103/115b	407
ML4.2-8-H-40-RT/40b/110/115	357	ML7-54-G/102/115/126b	440	ML8-8-200-RT/103/143	407
ML4.2-8-H-40-RT/40b/110/115b	357	ML7-54-G/102/115b/126b	440	ML8-8-H-100-RT/65a/102/115/162	368
ML4.2-8-H-40-RT/40b/95/110	357	ML7-54-G/102/126b/143	440	ML8-8-H-100-RT/65a/102/143/162	368
ML4.2-8-H-60-IR/40b/110/115	358	ML7-54-G/25/110/123/143	440	ML8-8-H-100-RT/65a/103/115/162	368
ML4.2-8-H-60-IR/40b/95/110	358	ML7-54-G/25/115/127	440	ML8-8-H-100-RT/65a/103/143/162	368
ML4.2-8-H-60-RT/40b/110/115	357	ML7-54-G/25/136/115	440	ML8-8-H-140-RT/65a/102/115	369
ML4.2-8-H-60-RT/40b/95/110	357	ML7-54-G/25/136/115b	440	ML8-8-H-30-RT/102/115/162	367
ML4.2-8-H-80-IR/40b/110/115	358	ML7-54-G/25/136/143	440	ML8-8-H-30-RT/103/143/162	367
ML4.2-8-H-80-IR/40b/95/110	358	ML7-54-G/33/59/103/115a 0,5M	440	ML8-8-H-350-IR/25/65a/103/115b	369
ML4.2-8-H-80-RT/40b/110/115	357	ML7-54-G/82b/103/115	440	ML8-8-H-350-IR/65a/102/115	369
ML4.2-8-H-80-RT/40b/110/115b	357	ML7-54-G/82b/103/115b	440	ML8-8-H-50-RT/102/115/162	367
ML4.2-8-H-80-RT/40b/95/110	357	ML7-54-G/82b/103/143	440	ML8-8-H-50-RT/103/143/162	367
ML4.2-P-20m-LAS/40b/76a/95/110	491	ML7-55/25/103/143	438	ML8-8-HGU-220-RT/102/115	370
ML4.2-P-8m-RT/40b/76a/95/110	491	ML7-55/59/102/115	438	ML8-8-HGU-220-RT/103/115b	370
ML6-54-F/110/115a	436	ML7-55/59/102/115/126b	438	ML8-8-HGU-220-RT/103/143	370
ML6-54-F/25/115/136	436	ML7-55/59/102/115b	438	ML8-8-HGU-30-RT/102/115/162	371
ML6-54-F/25/95/136	436	ML7-55/59/102/126b/143	438	ML8-8-HGU-30-RT/103/143/162	371
ML6-54-F/82b/95/110	436	ML7-55/59/102/143	438	ML8-8-HGU-50-RT/102/115/162	371
ML6-54-G/25/115/136	437	ML7-55/59/103/115	438	ML8-8-HGU-50-RT/103/143/162	371
ML6-54-G/25/95/136	437	ML7-55/59/103/115a	438	MLE75-54-G/25/115/136	451
ML6-8-H-120-RT/59/65a/95/136	362	ML7-55/59/103/143	438	MLE75-54-G/25/95/136	451
ML6-8-H-150-IR/59/65a/115/136	363	ML7-55/59/82b/103/115	438	MLE75-8-H-140-RT/59/65/115/136	376
ML6-8-H-150-IR/59/65a/95/136	363	ML7-55/59/82b/103/115b	438	MLE75-8-H-140-RT/59/65/95/136	376
ML6-8-H-150-RT/40b/65a/95/110	362	ML7-55/59/82b/103/143	438	MLE76000-54-G/25/110/115/123	452
ML6-8-H-150-RT/59/65a/115/136	362	ML7-6/59/102/115	439	MLE76100-54-G/25/110/115/123	452
ML6-8-H-150-RT/59/65a/115b/136	362	ML7-6/59/102/115/126b	439	MLE76100-54-G/25/92/110/123	452
ML6-8-H-20-RT/59/115/136	360	ML7-6/59/102/126b/143	439	MLE76100-8-H-100-RT/59/115/136	377

Date of issue: 04/08/2015

Model Number	Page	Model Number	Page	Model Number	Page
MLE76100-8-H-100-RT/59/92/136	377	MLV41-6-IO/92/136	460	NBB0,8-F141-E0	177
MLE76100-8-H-140-RT/59/115/136	377	MLV41-6-IO/95/136	460	NBB0,8-F141-E1	177
MLE76100-8-H-140-RT/59/92/136	377	MLV41-6-IO/98/103	460	NBB0,8-F141-E2	177
MLE76100-8-H-50-RT/59/115/136	377	MLV41-8-H-120-RT-IO/65b/95/136	381	NBB0,8-F141-E3	177
MLE76100-8-H-50-RT/59/92/136	377	MLV41-8-H-120-RT-IO/65b/95/136	381	NBB1,5-4M25-E0-V3	37
MLE76150-54-G/25/110/115/123	452	MLV41-8-H-350-IR/59/115/136	380	NBB1,5-5GM25-E2-V3	39
MLE76150-54-G/25/92/110/123	452	MLV41-8-H-350-IR/59/115b/136	380	NBB1,5-5GM25-E3-V3	39
MLE76200-54-G/25/110/115/123	452	MLV41-8-H-350-IR/59/92/136	380	NBB1,5-6,5S16-E2	41
MLE76250-54-G/25/110/115/123	452	MLV41-8-H-350-IR/59/95/136	380	NBB1,5-6,5S20-E2-V3	41
MLE76300-54-G/25/110/115/123	452	MLV41-8-H-350-RT/59/115/136	380	NBB1,5-6,5S20-E3-V3	41
MLE76350-54-G/25/110/115/123	452	MLV41-8-H-350-RT/59/115b/136	380	NBB1,5-6,5S30-E0	41
MLE76350-8-H-50-RT/59/92/136	377	MLV41-8-H-350-RT/59/92/136	380	NBB1,5-6,5S30-E2	41
MLE76400-54-G/25/110/115/123	452	MLV41-8-H-350-RT/59/95/136	380	NBB1,5-6,5S40-E0-V3	41
MLV11-54-Ex/40b/112	477	MLV41-8-H-500-RT-IO/65b/95/136	381	NBB1,5-6,5S40-E1-V3	41
MLV11-8-500-Ex/40b/112	418	MLV41-8-H-500-RT-IO/65b/95/136	381	NBB1,5-6,5S40-E2-V3	41
MLV12-54/32/82b/124	453	MLV41-8-HV-60-IR/110/124/167	382	NBB1,5-6,5S40-E3-V3	41
MLV12-54/49/124	453	MLV41-LL-IR-IO/115/136	528	NBB1,5-8GM16-E2	49
MLV12-54/76b/124/128	453	MLV41-LL-IR-IO/92/136	528	NBB1,5-8GM30-E2-C-V1	124
MLV12-54/76b/95/128	453	MLV41-LL-IR-IO/95/136	528	NBB1,5-8GM40-E0-V1	49
MLV12-54-G/30/124/126g	454	MLV41-LL-RT-IO/115/136	528	NBB1,5-8GM40-E2-C-V3	124
MLV12-54-G/32/124	454	MLV41-LL-RT-IO/92/136	528	NBB1,5-8GM40-Z0	46
MLV12-54-G/32/82g/124	454	MLV41-LL-RT-IO/95/136	528	NBB1,5-8GM50-A0-V1	49
MLV12-54-G/76b/115/128	454	MNI20N	710	NBB1,5-8GM50-A2-V1	49
MLV12-54-G/76b/124/128	454	MNI40N	711	NBB1,5-8GM60-A0	49
MLV12-54-G/76b/95/128	454	MTM-C1	935	NBB1,5-8GM60-A2	49
MLV12-54-LAS/76b/110/115	456	MTM-C2	935	NBB1,5-8GS30-E2-T	50
MLV12-54-LAS/76b/110/124	456	MTO-C1	935	NBB1,5-8GS40-E2-T-V3	50
MLV12-54-LAS/76b/95/110	456	MTO-C2	935	NBB1,5-F41A-E2	178
MLV12-54-LAS/92/120	456	MTT6000-F120-B12-V45	935	NBB1,5-F41A-E2-V3	178
MLV12-54-LAS-300/76b/110/124	455			NBB1,5-F41A-E3	178
MLV12-54-LAS-300/76b/95/110	455			NBB1,5-F41A-E3-V3	178
MLV12-8-H-250-RT/47/65b/124	378			NBB1,5-F41-E2	178
MLV12-8-H-250-RT/47/65b/92	378			NBB1,5-F41-E2-V3	178
MLV12-8-H-250-RT/47/65b/95	378			NBB1,5-F41-E3	178
MLV12-8-H-250-RT/65b/115/128	378			NBB1,5-F41-E3-V3	178
MLV12-8-H-250-RT/65b/124/128	378			NBB1,5-F79-E0	173
MLV12-8-H-250-RT/65b/95/128	378			NBB1,5-F79-E0-0,1M-V3	173
MLV12-8-HW-RT/47/65b/124	379			NBB1,5-F79-E1	173
MLV12-8-HW-RT/65b/115/128	379			NBB1,5-F79-E1-0,1M-V3	173
MLV12-8-HW-RT/65b/124/128	379			NBB1,5-F79-E2	173
MLV12-8-HW-RT/65b/95/128	379			NBB1,5-F79-E2-0,1M-V3	173
MLV41-54-G/102/123/124/126g	461			NBB1,5-F79-E3	173
MLV41-54-G/25/115/123/136	461			NBB1,5-F79-E3-0,1M-V3	173
MLV41-54-G/25/123/124/136	461			NBB10-30GK50-E0	102
MLV41-54-G/25/76a/124/136	461			NBB10-30GK50-E2	102
MLV41-54-G/25/95/136	461			NBB10-30GK50-E2-M	139
MLV41-54-G/82b/103/123/124	461			NBB10-30GKK-WO	115
MLV41-54-G-IO/25/92/136	462			NBB10-30GKK-WS	115
MLV41-55/25/92/136	457			NBB10-30GM40-Z0	96
MLV41-55/25/95/136	457			NBB10-30GM40-Z0-V1	96
MLV41-55/40a/82b/92/103	457			NBB10-30GM40-Z3-V1	96
MLV41-55/40a/92/102/126b	457			NBB10-30GM50-E0	100
MLV41-55-IO/92/136	458			NBB10-30GM50-E0-C-V1	128
MLV41-55-IO/95/136	458			NBB10-30GM50-E0-V1	100
MLV41-55-IO/98/103	458			NBB10-30GM50-E2	100
MLV41-6/25/92/136	459			NBB10-30GM50-E2-C3-V1	128
MLV41-6/25/95/136	459			NBB10-30GM50-E2-C-V1	128
MLV41-6/82b/92/103	459			NBB10-30GM50-E2-V1	100
MLV41-6/92/102/126b	459			NBB10-30GM50-E3-V1	100

N

NBB0,6-3M22-E0	36
NBB0,6-3M22-E0-0,3M-V3	36
NBB0,6-3M22-E1	36
NBB0,6-3M22-E2	36
NBB0,6-3M22-E2-0,3M-V3	36
NBB0,6-3M22-E3	36
NBB0,6-4GM22-E0	38
NBB0,6-4GM22-E1	38
NBB0,6-4GM22-E2	38
NBB0,6-4GM22-E2-0,3M-V3	38
NBB0,6-4GM22-E3	38
NBB0,8-4M25-E0	37
NBB0,8-4M25-E0-0,3M-V3	37
NBB0,8-4M25-E0-V3	37
NBB0,8-4M25-E1	37
NBB0,8-4M25-E2	37
NBB0,8-4M25-E2-0,3M-V3	37
NBB0,8-4M25-E2-V3	37
NBB0,8-4M25-E3	37
NBB0,8-5GM25-E0	39
NBB0,8-5GM25-E0-0,3M-V3	39
NBB0,8-5GM25-E0-V3	39
NBB0,8-5GM25-E1	39
NBB0,8-5GM25-E2	39
NBB0,8-5GM25-E2-0,3M-V3	39
NBB0,8-5GM25-E2-V3	39
NBB0,8-5GM25-E3	39

Date of issue: 04/08/2015

Model Number	Page	Model Number	Page	Model Number	Page
NBB10-30GM50-WO	113	NBB20-L2-A2-V1-3G-3D	239	NBB20-U4-E2	202
NBB10-30GM50-WS	113	NBB20-L2-A2-V1-M	233	NBB20-U4-E2-C	202
NBB10-30GM60-A0	101	NBB20-L2-B3B-V1	249	NBB20-U4-E2-C-V1	202
NBB10-30GM60-A0-V1	101	NBB20-L2-E0-V1	198	NBB20-U4K-N0	245
NBB10-30GM60-A2	101	NBB20-L2-E2B-C-V1	222	NBB20-U4-Z2	201
NBB10-30GM60-A2-V1	101	NBB20-L2-E2-C-V1	221	NBB2-12GK50-E0	61
NBB1-3M22-E0	36	NBB20-L2-E2-V1	198	NBB2-12GK50-E2	61
NBB1-3M22-E0-0,3M-V3	36	NBB20-L2-E2-V1-3G-3D	239	NBB2-12GM30-E2	64
NBB1-3M22-E2	36	NBB20-L2M-A0-V1	199	NBB2-12GM30-E2-V1	64
NBB1-3M22-E2-0,3M-V3	36	NBB20-L2M-A0-V1-M	234	NBB2-12GM40-E0	64
NBB1-4GM22-E0	38	NBB20-L2M-A2-T-V1	199	NBB2-12GM40-E0-V1	64
NBB1-4GM22-E0-0,3M-V3	38	NBB20-L2M-A2-V1	199	NBB2-12GM40-E1	64
NBB1-4GM22-E2	38	NBB20-L2M-A2-V1-M	234	NBB2-12GM40-E2	64
NBB1-4GM22-E2-0,3M-V3	38	NBB20-L2M-E0-V1	199	NBB2-12GM40-E2-V1	64
NBB15-30GKK-WO	115	NBB20-L2M-E2-V1	199	NBB2-12GM40-E3	64
NBB15-30GKK-WS	115	NBB20-L2-Z0-V1	197	NBB2-12GM40-Z0	59
NBB15-30GK-WO	114	NBB20-L2-Z4-C-V1	220	NBB2-12GM40-Z0-3G-3D	146
NBB15-30GK-WS	114	NBB20-L2-Z4-V1	197	NBB2-12GM40-Z0-V1	59
NBB15-30GM30-E2	104	NBB20-L2-Z5-V1	197	NBB2-12GM50-E0	65
NBB15-30GM30-E2-V1	104	NBB20-L3-A2-C3-V1	223	NBB2-12GM50-E0-V1	65
NBB15-30GM30-E3	104	NBB20-L3M-A0-C3-V1	223	NBB2-12GM50-E1	65
NBB15-30GM30-E3-V1	104	NBB20-L3M-A2-C3-V1	223	NBB2-12GM50-E1-V1	65
NBB15-30GM50-E0	104	NBB20-L3M-UO-C3-V12	224	NBB2-12GM50-E2	65
NBB15-30GM50-E0-M	139	NBB20-L3M-UO-V12	200	NBB2-12GM50-E2-C3-V1	125
NBB15-30GM50-E0-V1	104	NBB20-L3M-UO-V93	200	NBB2-12GM50-E2-C-V1	125
NBB15-30GM50-E0-V1-M	139	NBB20-L3M-US-C3-V12	224	NBB2-12GM50-E2-T-V1	65
NBB15-30GM50-E2	104	NBB20-L3M-US-C3-V93	224	NBB2-12GM50-E2-V1	65
NBB15-30GM50-E2-3G-3D	151	NBB20-L3M-US-V12	200	NBB2-12GM60-A0	65
NBB15-30GM50-E2-M	139	NBB20-L3M-US-V93	200	NBB2-12GM60-A0-V1	65
NBB15-30GM50-E2-M-150MM-3DT04	139	NBB20-U10-A2	203	NBB2-12GM60-A2	65
NBB15-30GM50-E2-V1	104	NBB20-U10-E2	202	NBB2-12GM60-A2-3G-3D	147
NBB15-30GM50-E2-V1-M	139	NBB20-U1-A0	203	NBB2-12GM60-A2-V1	65
NBB15-30GM50-UO	116	NBB20-U1-A0-M	235	NBB2-12GM60-E2-T	65
NBB15-30GM50-UO-V12	116	NBB20-U1-A0-T	203	NBB2-12GM60-E2-V1	65
NBB15-30GM50-UO-V93	116	NBB20-U1-A2	203	NBB2-12GM60-WS	76
NBB15-30GM50-US	116	NBB20-U1-A2-M	235	NBB25-FPS-A2	215
NBB15-30GM50-US-V12	116	NBB20-U1-A2-T	203	NBB2-6,5M25-E0-V3	42
NBB15-30GM50-US-V93	116	NBB20-U1-B3B	250	NBB2-6,5M25-E1-V3	42
NBB15-30GM50-WO	113	NBB20-U1-E0	202	NBB2-6,5M25-E2-V3	42
NBB15-30GM50-WO-V12	113	NBB20-U1-E0-M	235	NBB2-6,5M25-E3-V3	42
NBB15-30GM50-WO-V93	113	NBB20-U1-E1	202	NBB2-6,5M30-E0	42
NBB15-30GM50-WS	113	NBB20-U1-E2	202	NBB2-6,5M30-E2	42
NBB15-30GM50-WS-V12	113	NBB20-U1-E2-C	202	NBB2-8GH20-E0-V3	51
NBB15-30GM50-WS-V93	113	NBB20-U1-E2-C-V1	225	NBB2-8GH20-E2-V3	51
NBB15-30GM60-A0	105	NBB20-U1-E2-M	235	NBB2-8GH25-E0-V3	51
NBB15-30GM60-A0-V1	105	NBB20-U1-E3	202	NBB2-8GH25-E2-V3	51
NBB15-30GM60-A2	105	NBB20-U1K-E2-3G-3D	240	NBB2-8GH40-E0-V3	51
NBB15-30GM60-A2-V1	105	NBB20-U1K-N0	245	NBB2-8GH40-E2-V3	51
NBB15-30GM60-B3B-V1	170	NBB20-U1-Z2	201	NBB2-8GM25-E0-V3	52
NBB15-F148P10-ARO-M	232	NBB20-U2-A0	203	NBB2-8GM25-E1-V3	52
NBB15-F148P10-E0-M	232	NBB20-U2-A2	203	NBB2-8GM25-E2-V3	52
NBB15-F148P10-E2-M	232	NBB20-U2-A2-T	203	NBB2-8GM25-E3-V3	52
NBB15-U1-E2-C	225	NBB20-U2-E0	202	NBB2-8GM30-A0-V1	52
NBB1-8GS50-Z0-T	46	NBB20-U2-E2	202	NBB2-8GM30-A2-V1	52
NBB20-L2-A0-V1	198	NBB20-U4-A0	203	NBB2-8GM30-E0	52
NBB20-L2-A0-V1-M	233	NBB20-U4-A0-T	203	NBB2-8GM30-E0-V1	52
NBB20-L2-A2-C-V1	221	NBB20-U4-A2	203	NBB2-8GM30-E2	52
NBB20-L2-A2-T-V1	198	NBB20-U4-A2-T	203	NBB2-8GM30-E2-V1	52
NBB20-L2-A2-V1	198	NBB20-U4-E0	202	NBB2-8GM40-E0-V1	52

Date of issue: 04/08/2015

Model Number	Page	Model Number	Page	Model Number	Page
NBB2-8GM40-E2	52	NBB4-12GM50-E0-V1	68	NBB5-18GM60-A2-V1-3G-3D	149
NBB2-8GM40-E2-V1	52	NBB4-12GM50-E0-V1	69	NBB5-18GM60-I	95
NBB2-8GM40-E2-V3	52	NBB4-12GM50-E1	68	NBB5-18GM60-I3	95
NBB2-8GM40-E3-V3	52	NBB4-12GM50-E1	69	NBB5-18GM60-I3-V1	95
NBB2-8GM50-E0	52	NBB4-12GM50-E1-V1	68	NBB5-18GM60-I-V1	95
NBB2-8GM50-E2	52	NBB4-12GM50-E1-V1	69	NBB5-18GM60-WO	92
NBB2-8GS30-E0	50	NBB4-12GM50-E2	68	NBB5-18GM60-WS	92
NBB2-8GS30-E1	50	NBB4-12GM50-E2	69	NBB5-F33-A0	193
NBB2-8GS30-E2	50	NBB4-12GM50-E2-3G-3D	147	NBB5-F33-A2	193
NBB2-8GS30-E2-V1	50	NBB4-12GM50-E2-V1	68	NBB5-F33-E0	193
NBB2-8GS30-E3	50	NBB4-12GM50-E2-V1	69	NBB5-F33-E2	193
NBB2-8GS40-E1-V3	50	NBB4-12GM50-E2-V1-3G-3D	147	NBB5-F33M-A0	192
NBB2-8GS40-E3-V3	50	NBB4-12GM50-E3	68	NBB5-F33M-A2	192
NBB2-F1-E2	180	NBB4-12GM50-E3	69	NBB5-F33M-E0	192
NBB2-F1-E2-V3	180	NBB4-12GM50-E3-V1	68	NBB5-F33M-E2	192
NBB2-F1-US	184	NBB4-12GM50-E3-V1	69	NBB5-F9-E0	187
NBB2-F29-A0	172	NBB4-12GM65-US-V12	78	NBB5-F9-E0-V3	187
NBB2-F29-A2	172	NBB4-12GM75-US	78	NBB5-F9-E2	187
NBB2-F76-E0-0,5M	171	NBB4-F1-A0	181	NBB5-F9-E2-V3	187
NBB2-F76-E1-0,5M	171	NBB4-F1-A0-V31	181	NBB7-F104M-A0	191
NBB2-F76-E2-0,5M	171	NBB4-F1-A2	181	NBB7-F104M-A0-200MM-V1	191
NBB2-F76-E3-0,5M	171	NBB4-F1-A2-V31	181	NBB7-F104M-A2	191
NBB2-V3-E0	175	NBB4-F1-E0	180	NBB7-F104M-A2-200MM-V1	191
NBB2-V3-E0-V5	175	NBB4-F1-E0-V3	180	NBB7-F10-E0	188
NBB2-V3-E1-V5	175	NBB4-F1-E2	180	NBB7-F10-E0-V1	188
NBB2-V3-E2	175	NBB4-F1-E2-V3	180	NBB7-F10-E1	188
NBB2-V3-E2-3G-3D	238	NBB4-F1-E3	180	NBB7-F10-E2	188
NBB2-V3-E2-V3	175	NBB4-F1-E3-V3	180	NBB7-F10-E2-V1	188
NBB2-V3-E2-V5	175	NBB4-F1-UO	184	NBB7-F10-E3	188
NBB2-V3-E3	175	NBB4-F1-US	184	NBB8-18GM30-E2	87
NBB2-V3-E3-3G-3D	238	NBB5-18GK50-E0	86	NBB8-18GM30-E2-V1	87
NBB2-V3-E3-V5	175	NBB5-18GK50-E2	86	NBB8-18GM30-E3	87
NBB3-V3-Z4	174	NBB5-18GK50-E2-M	137	NBB8-18GM30-E3-V1	87
NBB3-V3-Z4-3G-3D	237	NBB5-18GK-WO	93	NBB8-18GM50-E0	87
NBB3-V3-Z4-V5	174	NBB5-18GK-WS	93	NBB8-18GM50-E0-M	137
NBB3-V3-Z5	174	NBB5-18GM20-E2	84	NBB8-18GM50-E0-V1	87
NBB3-V3-Z5-V5	174	NBB5-18GM20-E2-V1	84	NBB8-18GM50-E0-V1-M	137
NBB4-12GM30-E2	67	NBB5-18GM40-E0-V1	84	NBB8-18GM50-E2	87
NBB4-12GM30-E2	69	NBB5-18GM40-E1	84	NBB8-18GM50-E2-3G-3D	149
NBB4-12GM30-E2-T-V1	67	NBB5-18GM40-E2	84	NBB8-18GM50-E2-M	137
NBB4-12GM30-E2-V1	67	NBB5-18GM40-E2-V1	84	NBB8-18GM50-E2-M-150MM-3DT04	137
NBB4-12GM30-E2-V1	69	NBB5-18GM40-E3-V1	84	NBB8-18GM50-E2-V1	87
NBB4-12GM30-E2-V3	67	NBB5-18GM40-Z0	80	NBB8-18GM50-E2-V1-3G-3D	149
NBB4-12GM30-E2-V3	69	NBB5-18GM40-Z0-3G-3D	148	NBB8-18GM50-E2-V1-M	137
NBB4-12GM30-E3	67	NBB5-18GM40-Z0-V1	80	NBB8-18GM60-A0	87
NBB4-12GM30-E3	69	NBB5-18GM50-E0	85	NBB8-18GM60-A0-V1	87
NBB4-12GM30-E3-V1	67	NBB5-18GM50-E0-C-V1	126	NBB8-18GM60-A2	87
NBB4-12GM30-E3-V1	69	NBB5-18GM50-E0-V1	85	NBB8-18GM60-A2-V1	87
NBB4-12GM40-E0	67	NBB5-18GM50-E2	85	NBB8-18GM60-A2-V1-3G-3D	149
NBB4-12GM40-E2	67	NBB5-18GM50-E2-C3-V1	126	NBB8-18GM60-B3B-V1	170
NBB4-12GM45-E0-M	135	NBB5-18GM50-E2-C-V1	126	NBB8-18GM60-UO	94
NBB4-12GM45-E0-V1-M	135	NBB5-18GM50-E2-T-V1	85	NBB8-18GM60-UO-V12	94
NBB4-12GM45-E2-M	135	NBB5-18GM50-E2-V1	85	NBB8-18GM60-US	94
NBB4-12GM45-E2-M-150MM-3DT04	135	NBB5-18GM50-E3	85	NBB8-18GM60-US-V12	94
NBB4-12GM45-E2-V1-M	135	NBB5-18GM50-E3-V1	85	NBB8-F148P10-E0-M	232
NBB4-12GM50-A2	69	NBB5-18GM60-A0	85	NBB8-F148P10-E2-M	232
NBB4-12GM50-A2-V1	69	NBB5-18GM60-A0-V1	85	NBB8-F148P10-E2-M-150MM-3DT04	232
NBB4-12GM50-E0	68	NBB5-18GM60-A2	85	NBB8-F33-E0	193
NBB4-12GM50-E0	69	NBB5-18GM60-A2-V1	85	NBB8-F33-E0-M	231

Model Number	Page	Model Number	Page	Model Number	Page
NBB8-F33-E1	193	NBN25-30GM50-US-V93	117	NBN3-F31-U8-K	271
NBB8-F33-E2	193	NBN2-8GM40-E2-V1	53	NBN3-F31-U8-V125	271
NBB8-F33-E2-M	231	NBN2-8GM40-E2-V3	53	NBN3-F31-U8-V18	271
NBB8-F33-E2-M-150MM-3DT04	231	NBN2-8GM40-Z1	47	NBN3-F31-Z8-K	269
NBB8-F33-E3	193	NBN2-8GM50-A0-V1	53	NBN3-F31-Z8-K-K	269
NBN10-F10-E0	189	NBN2-8GM50-A2-V1	53	NBN3-F31-Z8-V1	269
NBN10-F10-E0-V1	189	NBN2-8GM50-E0	53	NBN3-F31-Z8-V16-V15	269
NBN10-F10-E2	189	NBN2-8GM50-E2	53	NBN3-F31-Z8-V16-V16	269
NBN10-F10-E2-V1	189	NBN2-8GM60-A0	53	NBN3-F31-Z8-V18	269
NBN10-F33-E0-M	231	NBN2-8GM60-A2	53	NBN40-L2-A0-V1	198
NBN10-F33-E2-M	231	NBN2-F581-100S16-E8-V1	284	NBN40-L2-A0-V1-M	233
NBN12-18GM35-E2	89	NBN2-F581-100S6-E10-V1	284	NBN40-L2-A2-C-V1	221
NBN12-18GM35-E2-V1	89	NBN2-F581-270S15-E8-V1	284	NBN40-L2-A2-V1	198
NBN12-18GM50-A0	89	NBN2-F581-60/180S6-E8-V1	284	NBN40-L2-A2-V1-3G-3D	239
NBN12-18GM50-A0-V1	89	NBN2-F583-100S18-E8-V1	284	NBN40-L2-A2-V1-M	233
NBN12-18GM50-A2	89	NBN2-F583-100S3-E8-V1	284	NBN40-L2-B3B-V1	249
NBN12-18GM50-A2-V1	89	NBN30-FPS-A2	215	NBN40-L2-E0-V1	198
NBN12-18GM50-E0-M	138	NBN30-FPS-E5	215	NBN40-L2-E2B-C-V1	222
NBN12-18GM50-E0-V1-M	138	NBN30-FPS-UU	216	NBN40-L2-E2-C-V1	221
NBN12-18GM50-E2	89	NBN3-6,5M25-E0-V3	44	NBN40-L2-E2-V1	198
NBN12-18GM50-E2-M	138	NBN3-6,5M25-E1-V3	44	NBN40-L2-E2-V1-3G-3D	239
NBN12-18GM50-E2-V1	89	NBN3-6,5M25-E2-V3	44	NBN40-L2M-A0-V1	199
NBN12-18GM50-E2-V1-M	138	NBN3-6,5M30-E0	44	NBN40-L2M-A0-V1-M	234
NBN15-18GM60-UO	94	NBN3-6,5M30-E2	44	NBN40-L2M-A2-V1	199
NBN15-18GM60-UO-V12	94	NBN3-8GM25-E0-V3	54	NBN40-L2M-A2-V1-M	234
NBN15-18GM60-US	94	NBN3-8GM25-E1-V3	54	NBN40-L2M-E0-V1	199
NBN15-18GM60-US-V12	94	NBN3-8GM25-E2-V3	54	NBN40-L2M-E2-V1	199
NBN15-30GK50-E0	108	NBN3-8GM25-E3-V3	54	NBN40-L2-Z0-V1	197
NBN15-30GK50-E2	108	NBN3-8GM30-E0	54	NBN40-L2-Z4-V1	197
NBN15-30GK50-E2-M	139	NBN3-8GM30-E0-V1	54	NBN40-L2-Z5-V1	197
NBN15-30GM40-Z0	97	NBN3-8GM30-E2	54	NBN40-L3M-A2-C3-V1	223
NBN15-30GM40-Z0-V1	97	NBN3-8GM30-E2-C-V1	124	NBN40-L3M-US-C3-V12	224
NBN15-30GM40-Z3-V1	97	NBN3-8GM30-E2-V1	54	NBN40-L3M-US-C3-V93	224
NBN15-30GM50-E0	106	NBN3-8GM45-E2-V3	54	NBN40-L3M-US-V12	200
NBN15-30GM50-E0-V1	106	NBN3-8GM50-E0	54	NBN40-L3M-US-V93	200
NBN15-30GM50-E2	106	NBN3-F25-E8-0,14	268	NBN40-U10-E2	204
NBN15-30GM50-E2-C-V1	128	NBN3-F25-E8-5M	268	NBN40-U1-A0	205
NBN15-30GM50-E2-V1	106	NBN3-F25-E8-K	268	NBN40-U1-A0-M	235
NBN15-30GM60-A0	107	NBN3-F25-E8-V1	268	NBN40-U1-A2	205
NBN15-30GM60-A0-V1	107	NBN3-F25F-E8-V1	268	NBN40-U1-A2-M	235
NBN15-30GM60-A2	107	NBN3-F25F-Z8-V1	267	NBN40-U1-A2-T	205
NBN15-30GM60-A2-V1	107	NBN3-F25-Z8-0,14	267	NBN40-U1-B3B	250
NBN15-F11-E0	190	NBN3-F25-Z8-5M	267	NBN40-U1-E0	204
NBN15-F11-E0-V1	190	NBN3-F25-Z8-V1	267	NBN40-U1-E0-M	235
NBN15-F11-E2	190	NBN3-F31-E8-K	270	NBN40-U1-E1	204
NBN15-F11-E2-V1	190	NBN3-F31-E8-K-K	270	NBN40-U1-E2	204
NBN15-M1K-WO	196	NBN3-F31-E8-V1	270	NBN40-U1-E2-C	225
NBN15-M1K-WS	196	NBN3-F31-E8-V16-V15	270	NBN40-U1-E2-M	235
NBN22-30GM35-E2	111	NBN3-F31-E8-V18	270	NBN40-U1-E3	204
NBN22-30GM35-E2-V1	111	NBN3-F31K2-E8-B13-S	274	NBN40-U1K-E2-3G-3D	240
NBN25-30GM50-E0	111	NBN3-F31K2-E8-B33-S	274	NBN40-U1K-N0	245
NBN25-30GM50-E0-V1	111	NBN3-F31K2M-E8-B13-S	274	NBN40-U1-Z2	201
NBN25-30GM50-E2	111	NBN3-F31K2M-E8-B23-S	274	NBN40-U2-A2	205
NBN25-30GM50-E2-V1	111	NBN3-F31K-E8	273	NBN40-U2-A2-T	205
NBN25-30GM50-UO	117	NBN3-F31K-E8-K	273	NBN40-U2-E0	204
NBN25-30GM50-UO-V12	117	NBN3-F31K-E8-V1-V1	273	NBN40-U2-E2	204
NBN25-30GM50-UO-V93	117	NBN3-F31K-Z8	272	NBN40-U2K-N0	245
NBN25-30GM50-US	117	NBN3-F31K-Z8-K	272	NBN40-U4-A2	205
NBN25-30GM50-US-V12	117	NBN3-F31K-Z8-V1-V1	272	NBN40-U4-E0	204

Date of issue: 04/08/2015

Model Number	Page	Model Number	Page	Model Number	Page
NBN40-U4-E2	204	NBN8-18GK50-A2	86	NCB15-30GM50-Z5-V1	98
NBN40-U4K-N0	245	NBN8-18GK50-E0	88	NCB20+U4+U	208
NBN40-U4-Z2	201	NBN8-18GK50-E2	88	NCB20-L2-N0-V1	244
NBN4-12GK50-E0	61	NBN8-18GK50-E2-M	137	NCB2-12GK35-N0	155
NBN4-12GK50-E2	61	NBN8-18GK-WO	93	NCB2-12GM35-N0	156
NBN4-12GK50-E2-M	135	NBN8-18GK-WS	93	NCB2-12GM35-N0-V1	156
NBN4-12GM35-A0-V1	71	NBN8-18GM40-Z0	82	NCB2-12GM40-E2-3G-3D	147
NBN4-12GM35-A2-V1	71	NBN8-18GM40-Z0-V1	82	NCB2-12GM40-Z0	59
NBN4-12GM40-E2-T-V1	70	NBN8-18GM50-E0	88	NCB2-12GM40-Z0-V1	59
NBN4-12GM40-Z0	60	NBN8-18GM50-E0-V1	88	NCB2-12GM40-Z0-V1-3G-3D	146
NBN4-12GM40-Z0-V1	60	NBN8-18GM50-E2	88	NCB2-12GM40-Z1	59
NBN4-12GM50-E0	70	NBN8-18GM50-E2-C-V1	126	NCB2-12GM40-Z1-V1	59
NBN4-12GM50-E0-V1	70	NBN8-18GM50-E2-C-V1	127	NCB2-V3-N0	242
NBN4-12GM50-E1	70	NBN8-18GM50-E2-T	88	NCB2-V3-N0-V5	242
NBN4-12GM50-E1-V1	70	NBN8-18GM50-E2-T-V1	88	NCB3-14GM65-E2-D-V1	143
NBN4-12GM50-E2	70	NBN8-18GM50-E2-V1	88	NCB40-FP-A2-P1	210
NBN4-12GM50-E2-C	125	NBN8-18GM60-WO	92	NCB40-FP-A2-P1-3G-3D	241
NBN4-12GM50-E2-C-V1	125	NBN8-18GM60-WS	92	NCB40-FP-A2-P1-V1	210
NBN4-12GM50-E2-V1	70	NBN8-F1-A0	183	NCB40-FP-N0-P1	246
NBN4-12GM50-E3	70	NBN8-F1-A0-V31	183	NCB40-FP-N0-P4	246
NBN4-12GM50-E3-V1	70	NBN8-F1-A2	183	NCB40-FP-W-P1	212
NBN4-12GM60-A0	71	NBN8-F1-A2-V31	183	NCB40-FP-W-P2	212
NBN4-12GM60-A0-V1	71	NBN8-F1-E0	182	NCB40-FP-W-P4	212
NBN4-12GM60-A2	71	NBN8-F1-E0-V3	182	NCB4-12GM35-Z4	59
NBN4-12GM60-A2-V1	71	NBN8-F1-E2	182	NCB4-12GM35-Z5	59
NBN4-12GM60-E2-T-V1	70	NBN8-F1-E2-V3	182	NCB4-12GM40-N0	156
NBN4-12GM60-WO	77	NBN8-F1-E3	182	NCB4-12GM40-N0-V1	156
NBN4-12GM60-WO-V12	77	NBN8-F1-E3-V3	182	NCB4-12GM40-Z4-V1	59
NBN4-12GM60-WS	77	NCB1,5-12GM40-E2-D-V1	142	NCB4-12GM40-Z5-V1	59
NBN4-12GM60-WS-V11	77	NCB1,5-12GM45-E2-D-V1	142	NCB4-12GM50-E2-V1	68
NBN4-12GM60-WS-V12	77	NCB1,5-12GM60-E2-D-V1	142	NCB4-12GM60-B3B-V1	170
NBN4-F29-A0	172	NCB1,5-12GM70-E2-D-V1	142	NCB4-12GM70-E0-M	135
NBN4-F29-A2	172	NCB1,5-12GM85-E2-D-V1	142	NCB4-12GM70-E2-M	135
NBN4-F29A-E2-C	219	NCB1,5-18GM60-E2-D	144	NCB50-FP-A2-C-P3-V1	226
NBN4-F29-E0	172	NCB1,5-18GM60-E2-D-V1	144	NCB50-FP-A2-P1	210
NBN4-F29-E2	172	NCB1,5-18GM60-E3-D	144	NCB50-FP-A2-P1-3G-3D	241
NBN4-F29-E2-C	219	NCB1,5-6,5M25-N0	152	NCB50-FP-A2-P1-V1	210
NBN4-V3-E0	176	NCB1,5-6,5M25-N0-V1	152	NCB50-FP-A2-P4	210
NBN4-V3-E2	176	NCB1,5-8GM25-N0	153	NCB50-FP-E2-C-P1-V1	226
NBN4-V3-E2-3G-3D	238	NCB1,5-8GM25-N0-V1	153	NCB50-FP-E2-C-P3-V1	226
NBN5-F7-E0	186	NCB1,5-8GM40-Z0	46	NCB50-FP-E2-P1	210
NBN5-F7-E2	186	NCB1,5-8GM40-Z1	46	NCB50-FP-E2-P1-V1	210
NBN7-12GM35-E2	73	NCB1,5-8GM50-Z0-V3	46	NCB50-FP-E2-P1-V1-3G-3D	241
NBN7-12GM35-E2-V1	73	NCB1,5-8GM50-Z1-V3	46	NCB50-FP-E2-P4	210
NBN7-12GM35-E3-V1	73	NCB10-30GK40-N0	161	NCB50-FP-Z2-P1	209
NBN7-12GM45-E0-M	136	NCB10-30GM40-N0	162	NCB50-FP-Z4-V1	209
NBN7-12GM45-E2-M	136	NCB10-30GM40-N0-V1	162	NCB50-FP-Z5-V1	209
NBN7-12GM50-E0-V1-M	136	NCB10-30GM40-Z0	96	NCB5-18GK40-N0	157
NBN7-12GM50-E2-V1-M	136	NCB10-30GM40-Z0-3G-3D	150	NCB5-18GM40-N0	158
NBN8-12GM50-A0	74	NCB10-30GM40-Z0-V1	96	NCB5-18GM40-N0-V1	158
NBN8-12GM50-A0-V1	74	NCB10-30GM40-Z0-V1-3G-3D	150	NCB5-18GM40-Z0	80
NBN8-12GM50-A2	74	NCB10-30GM40-Z1	96	NCB5-18GM40-Z0-3G-3D	148
NBN8-12GM50-A2-V1	74	NCB10-30GM40-Z1-V1	96	NCB5-18GM40-Z0-V1	80
NBN8-12GM50-E0	74	NCB10-30GM40-Z3-V1	96	NCB5-18GM40-Z0-V1-3G-3D	148
NBN8-12GM50-E0-V1	74	NCB15-30GM40-N0	162	NCB5-18GM40-Z1	80
NBN8-12GM50-E2	74	NCB15-30GM40-N0-V1	162	NCB5-18GM40-Z1-3G-3D	148
NBN8-12GM50-E2-V1	74	NCB15-30GM50-Z4	98	NCB5-18GM40-Z1-V1	80
NBN8-12GM65-US-V12	78	NCB15-30GM50-Z4-V1	98	NCB5-18GM40-Z3-V1	80
NBN8-12GM75-US	78	NCB15-30GM50-Z5	98	NCB5-18GM60-B3B-V1	170

Date of issue: 04/08/2015

Model Number	Page	Model Number	Page	Model Number	Page
NCB5-18GM70-N0	158	NCN3-F31-N4-V1	278	NEB22-30GM60-E2-V1	110
NCB8-18GM40-N0	158	NCN3-F31-N4-V16-K	278	NEB22-30GM60-E3-V1	110
NCB8-18GM40-N0-V1	158	NCN3-F31-N4-V16-V16	278	NEB3-6,5M45-E0	43
NCB8-18GM50-Z4	81	NCN3-F31-N4-V18	278	NEB3-6,5M45-E0-V1	43
NCB8-18GM50-Z4-V1	81	NCN3-F31-N5-V18-V1	278	NEB3-6,5M45-E1	43
NCB8-18GM50-Z5	81	NCN40+U1+U	208	NEB3-6,5M45-E1-V1	43
NCB8-18GM50-Z5-V1	81	NCN40+U2+U	208	NEB3-6,5M45-E2	43
NCN100-F23-E2-V1	217	NCN40+U4+U	208	NEB3-6,5M45-E2-V1	43
NCN100-F23-US-V93	218	NCN40-FP-W-T-P1	213	NEB3-6,5M45-E3	43
NCN12-18GM50-Z4	83	NCN40-FP-W-T-P4	213	NEB3-6,5M45-E3-V1	43
NCN12-18GM50-Z4-V1	83	NCN40-L2-N0-V1	244	NEB3-6,5M50-E0-V3	43
NCN12-18GM50-Z5	83	NCN4-12GK35-N0	155	NEB3-6,5M50-E1-V3	43
NCN12-18GM50-Z5-V1	83	NCN4-12GM35-N0	156	NEB3-6,5M50-E2-V3	43
NCN15-30GK40-N0	161	NCN4-12GM35-N0-V1	156	NEB3-6,5M50-E3-V3	43
NCN15-30GM40-N0	162	NCN4-12GM40-E2-3G-3D	147	NEB3-8GM45-E0	55
NCN15-30GM40-N0-V1	162	NCN4-12GM40-E2-V1-3G-3D	147	NEB3-8GM45-E0-V1	55
NCN15-30GM40-Z0	97	NCN4-12GM40-Z0	60	NEB3-8GM45-E0-V3	55
NCN15-30GM40-Z0-3G-3D	150	NCN4-12GM40-Z0-3G-3D	146	NEB3-8GM45-E1	55
NCN15-30GM40-Z0-V1	97	NCN4-12GM40-Z0-V1	60	NEB3-8GM45-E1-V1	55
NCN15-30GM40-Z1	97	NCN4-12GM40-Z1	60	NEB3-8GM45-E1-V3	55
NCN15-30GM40-Z1-V1	97	NCN4-12GM40-Z1-V1	60	NEB3-8GM45-E2	55
NCN15-30GM40-Z3-V1	97	NCN4-V3-N0	242	NEB3-8GM45-E2-V1	55
NCN15-M1K-E4	195	NCN4-V3-N0-V5	242	NEB3-8GM45-E2-V3	55
NCN15-M1K-E5	195	NCN50-FP-A2-P1	211	NEB3-8GM45-E3	55
NCN15-M1K-N0	243	NCN50-FP-A2-P1-3G-3D	241	NEB3-8GM45-E3-V1	55
NCN15-M1K-N0-V1	243	NCN50-FP-A2-P1-V1	211	NEB3-8GM45-E3-V3	55
NCN15-M1K-Z2	194	NCN50-FP-N0-P4	246	NEB3-F41-E0	179
NCN20+U1+U	208	NCN50-FP-N0-P4-V1	246	NEB3-F41-E0-V3	179
NCN20-F35-A2-250-10M-V1	236	NCN50-FP-W-P1	213	NEB3-F41-E1	179
NCN20-F35-A2-250-20M-V1	236	NCN50-FP-W-P2	213	NEB3-F41-E1-V3	179
NCN25-30GM50-Z4	99	NCN50-FP-W-P4	213	NEB3-F41-E2	179
NCN25-30GM50-Z4-V1	99	NCN50-FP-Z2-P1	209	NEB3-F41-E2-V3	179
NCN25-30GM50-Z5	99	NCN50-FP-Z2-P4	209	NEB3-F41-E3	179
NCN25-30GM50-Z5-V1	99	NCN8-12GM35-Z4	60	NEB3-F41-E3-V3	179
NCN25-30GM50-Z7-V1	99	NCN8-12GM35-Z5	60	NEB4-8GM45-E2	56
NCN25-F35-A2-250-15M-V1	236	NCN8-12GM40-Z4-V1	60	NEB4-8GM50-E2-V3	56
NCN25-F35-A2-250-V1	236	NCN8-12GM40-Z5-V1	60	NEB6-12GM50-E0	72
NCN2-8GM40-Z0	47	NCN8-18GK40-N0	157	NEB6-12GM50-E0-V1	72
NCN2-8GM40-Z1	47	NCN8-18GM40-N0	158	NEB6-12GM50-E1	72
NCN2-8GM50-Z0-V3	47	NCN8-18GM40-N0-V1	158	NEB6-12GM50-E1-V1	72
NCN2-8GM50-Z1-V3	47	NCN8-18GM40-Z0	82	NEB6-12GM50-E2	72
NCN3-F25F-N4-V1	277	NCN8-18GM40-Z0-3G-3D	148	NEB6-12GM50-E2-V1	72
NCN3-F25-N4-0,14	277	NCN8-18GM40-Z0-V1	82	NEB6-12GM50-E3	72
NCN3-F25-N4-5M	277	NCN8-18GM40-Z1	82	NEB6-12GM50-E3-V1	72
NCN3-F25-N4-V1	277	NCN8-18GM40-Z1-V1	82	NEN10-12GM50-E0	75
NCN3-F25-SN4-0,14	280	NCN8-18GM50-E2-3G-3D	149	NEN10-12GM50-E0-V1	75
NCN3-F25-SN4-5M	280	NDP20-FP-V1	1084	NEN10-12GM50-E1	75
NCN3-F25-SN4-V1	280	NDP5-30GM-5M	1084	NEN10-12GM50-E1-V1	75
NCN3-F31-B3B-V1	275	NDP-KE2-8E2	1084	NEN10-12GM50-E2	75
NCN3-F31-B3B-V1-K	275	NDP-KE2-8E2-FP	1084	NEN10-12GM50-E2-V1	75
NCN3-F31-B3B-V1-V1	275	NDS20-FP-V1	1085	NEN10-12GM50-E3	75
NCN3-F31K-B3B-B31	276	NDS5-30GM-1M-V1	1085	NEN10-12GM50-E3-V1	75
NCN3-F31K-N4	279	NDS-F146-8E2-V1	1085	NEN20-18GM50-E2-V1	91
NCN3-F31K-N4-K	279	NEB12-18GM50-E2	90	NEN20-18GM50-E3-V1	91
NCN3-F31K-N4-K-S	279	NEB12-18GM50-E2-V1	90	NEN40-30GM60-E0	112
NCN3-F31K-N4-S	279	NEB12-18GM50-E3-V1	90	NEN40-30GM60-E0-V1	112
NCN3-F31K-N4-V1-V1	279	NEB22-30GM60-E0	110	NEN40-30GM60-E2	112
NCN3-F31-N4-K	278	NEB22-30GM60-E0-V1	110	NEN40-30GM60-E2-V1	112
NCN3-F31-N4-K-K	278	NEB22-30GM60-E2	110	NEN40-30GM60-E3-V1	112

Model Number	Page	Model Number	Page	Model Number	Page
NEN6-6,5M45-E0	45	NJ15+U4+DW2-100	286	NJ4-12GK40-E	62
NEN6-6,5M45-E0-V1	45	NJ15-30GK-E2-T	108	NJ4-12GK40-E1	62
NEN6-6,5M45-E0-V3	45	NJ15-30GKK-A	109	NJ4-12GK40-E2	62
NEN6-6,5M45-E1	45	NJ15-30GKK-A2	109	NJ4-12GK40-E3	62
NEN6-6,5M45-E1-V1	45	NJ15-30GKK-N	163	NJ4-12GK-N	155
NEN6-6,5M45-E1-V3	45	NJ15-30GK-N	161	NJ4-12GK-SN	166
NEN6-6,5M45-E2	45	NJ15-30GK-N-150	141	NJ4-12GM40-E	66
NEN6-6,5M45-E2-V1	45	NJ15-30GK-SN	169	NJ4-12GM40-E1	66
NEN6-6,5M45-E2-V3	45	NJ15-30GM50-E2-3G-3D	151	NJ4-12GM40-E2	66
NEN6-6,5M45-E3	45	NJ15-30GM50-E2-V1-3G-3D	151	NJ4-12GM40-E2-V1	66
NEN6-6,5M45-E3-V1	45	NJ15-30GM-N	162	NJ4-12GM40-E3	66
NEN6-6,5M45-E3-V3	45	NJ15-M1K-A2	195	NJ4-12GM40-E3-V1	66
NEN6-8GM45-E0	57	NJ15S+U1+N	247	NJ4-12GM40-E-V1	66
NEN6-8GM45-E0-V1	58	NJ15S+U4+N	247	NJ4-12GM50-WO	76
NEN6-8GM45-E0-V3	57	NJ20+U1+N	245	NJ4-12GM50-WS	76
NEN6-8GM45-E1	57	NJ20+U1+W	206	NJ4-12GM-N	156
NEN6-8GM45-E1-V1	58	NJ20+U1+W4	207	NJ4-12GM-N-V1	156
NEN6-8GM45-E1-V3	57	NJ20+U1+W-T	206	NJ4-30GM-N-200	141
NEN6-8GM45-E2	57	NJ20+U4+N	245	NJ50-FP-N-P4	246
NEN6-8GM45-E2-V1	58	NJ20+U4+W	206	NJ5-11-N	154
NEN6-8GM45-E2-V3	57	NJ20-40-N	163	NJ5-11-N-G	154
NEN6-8GM45-E3	57	NJ20S+U1+N	247	NJ5-18GK-N	157
NEN6-8GM45-E3-V1	58	NJ20S+U4+N	247	NJ5-18GK-N-150	140
NEN6-8GM45-E3-V3	57	NJ2-11-N	154	NJ5-18GK-SN	167
NJ0,8-4,5-N	152	NJ2-11-N-G	154	NJ5-18GM50-E2-3G-3D	149
NJ0,8-5GM-N	152	NJ2-11-SN	165	NJ5-18GM50-E2-V1-3G-3D	149
NJ1,5-18GM-N-D	159	NJ2-11-SN-G	165	NJ5-18GM-N	158
NJ1,5-18GM-N-D-V1	159	NJ2-12GK40-E	62	NJ5-18GM-N-V1	158
NJ1,5-6,5-40-E0	40	NJ2-12GK40-E1	62	NJ5-30GK-S1N	169
NJ1,5-6,5-40-E0-V3	40	NJ2-12GK40-E2	62	NJ6-22-N	160
NJ1,5-6,5-40-E2	40	NJ2-12GK40-E3	62	NJ6-22-N-G	160
NJ1,5-6,5-40-E2-V3	40	NJ2-12GK-N	155	NJ6-22-SN	168
NJ1,5-6,5-N	152	NJ2-12GK-SN	166	NJ6-22-SN-G	168
NJ1,5-8GM40-E0	48	NJ2-12GM40-E	63	NJ6S1+U1+N1	247
NJ1,5-8GM40-E0-V1	48	NJ2-12GM40-E2	63	NJ8-18GK-N	157
NJ1,5-8GM40-E2	48	NJ2-12GM40-E2-V1	63	NJ8-18GK-N-150	140
NJ1,5-8GM40-E2-V1	48	NJ2-12GM40-E3	63	NJ8-18GK-SN	167
NJ1,5-8GM-N	153	NJ2-12GM40-E3-V1	63	NJ8-18GM-N	158
NJ1,5-8GM-N-V1	153	NJ2-12GM40-E-V1	63	NJ8-18GM-N-V1	158
NJ1,5-F2-E2	185	NJ2-12GM50-WO	76	NMB10-18GM55-E0	133
NJ1,5-F2-E2-V1	185	NJ2-12GM50-WS	76	NMB10-18GM55-E2	133
NJ10-22-N	160	NJ2-12GM-N	156	NMB10-18GM65-E0-V1	133
NJ10-22-N-G	160	NJ2-12GM-N-V1	156	NMB10-18GM65-E2-C-V1	130
NJ10-30GKK-A	103	NJ25-50-N	164	NMB10-18GM65-E2-V1	133
NJ10-30GKK-A2	103	NJ2-V3-N	242	NMB10-18GM65-E3-V1	133
NJ10-30GKK-N	163	NJ2-V3-N-V5	242	NMB15-30GM55-E0	134
NJ10-30GK-N	161	NJ3-18GK-S1N	167	NMB15-30GM55-E2	134
NJ10-30GK-SN	169	NJ3-18GK-S1N-130	167	NMB15-30GM65-E0-V1	134
NJ10-30GM50-E2-3G-3D	151	NJ40+U1+N	245	NMB15-30GM65-E2-C-V1	130
NJ10-30GM50-E2-V1-3G-3D	151	NJ40+U1+W	206	NMB15-30GM65-E2-V1	134
NJ10-30GM-N-V1	162	NJ40+U1+W4	207	NMB3-8GM35-E0	131
NJ15+U1+DW1-1	285	NJ40+U2+N	245	NMB3-8GM35-E2	131
NJ15+U1+DW1-10	285	NJ40+U2+W	206	NMB3-8GM50-E0-V1	131
NJ15+U1+DW1-100	285	NJ40+U2+W4	207	NMB3-8GM50-E0-V3	131
NJ15+U1+DW2-1	286	NJ40+U4+N	245	NMB3-8GM50-E2-C-V1	130
NJ15+U1+DW2-10	286	NJ40+U4+W	206	NMB3-8GM50-E2-V1	131
NJ15+U1+DW2-100	286	NJ40+U4+W-T	206	NMB3-8GM50-E2-V3	131
NJ15+U4+DW2-1	286	NJ40-FP-SN-P1	248	NMB5-12GM55-E0	132
NJ15+U4+DW2-10	286	NJ40-FP-SN-P4	248	NMB5-12GM55-E2	132

Date of issue: 04/08/2015

Model Number	Page
NMB5-12GM65-E0-V1	132
NMB5-12GM65-E2-C-V1	130
NMB5-12GM65-E2-V1	132
NMB5-12GM65-E3-V1	132
NRB12-18GM40-E2-C-V1	129
NRB12-18GS40-E2-V1	122
NRB15-30GM50-E2-C-V1	129
NRB15-30GS50-E2-V1	123
NRB15-30GS50-E3-V1	123
NRB20-L3-A2-C-V1	228
NRB20-L3-A2-V1	227
NRB20-L3-E2-C-V1	228
NRB20-L3-E2-V1	227
NRB20-L3M-A2-C3-V1	228
NRB20-U1-A2	229
NRB2-6,5S50-E2-V3	119
NRB2-8GM40-E2-C-V1	129
NRB2-8GS40-E2-V1	120
NRB2-8GS50-E2-V3	120
NRB4-12GM40-E2-C-V1	129
NRB4-12GS40-A2-V1	121
NRB4-12GS40-E2-V1	121
NRB50-FP-A2-C-P3-V1	230
NRB50-FP-A2-P3-V1	230
NRB50-FP-E2-C-P3-V1	230
NRB50-FP-E2-P3-V1	230
NRB8-18GM40-E2-C-V1	129
NRB8-18GM50-E2-C-V1	129
NRB8-18GS40-E2-V1	122
NRB8-18GS50-E2-V1	122
NRN10-12GM40-E2-C-V1	129
NRN10-12GS40-A2-V1	121
NRN10-12GS40-E2-V1	121
NRN12-18GM50-E2-C-V1	127
NRN15-18GM50-E2-C-V1	127
NRN15-18GM50-E2-C-V1	129
NRN15-18GS40-E2-V1	122
NRN15-18GS50-E2-V1	122
NRN15-18GS50-E3-V1	122
NRN30-30GM50-E2-C-V1	129
NRN30-30GS50-E2-V1	123
NRN30-30GS50-E3-V1	123
NRN35-L3-A2-C-V1	228
NRN35-L3-A2-V1	227
NRN35-L3-E2-C-V1	228
NRN40-L3K-A2-C-V1	228
NRN40-L3K-A2-V1	227
NRN40-L3K-E2-C-V1	228
NRN40-U1-A2	229
NRN6-6,5S50-E2-V3	119
NRN6-8GM40-E2-C-V1	129
NRN6-8GS40-E2-V1	120
NRN6-8GS50-E2-V3	120
NRN75-FP-A2-C-P3-V1	230
NRN75-FP-A2-P3-V1	230
NRN75-FP-E2-C-P3-V1	230
NRN8-18GM50-E2-C-V1	127

Model Number	Page
O	
OBE10M-18GM60-RT-SE4	488
OBE10M-18GM60-RT-SE4-V1	488
OBE10M-18GM60-RT-SE5-V1	488
OBE10M-18GM60-SE4	488
OBE10M-18GM60-SE4-V1	488
OBE10M-18GM60-SE5	488
OBE10M-18GM60-SE5-V1	488
OBE2000-R2-SE2-0,2M-V31	490
OBR1000-R2-E0	434
OBR1000-R2-E2	434
OBR1000-R2-E2-0,2M-V31	434
OBS4000-18GM60-E4	430
OBS4000-18GM60-E4-V1	430
OBS4000-18GM60-E5	430
OBS4000-18GM60-E5-V1	430
OBT200-18GM60-E4	402
OBT200-18GM60-E4-V1	402
OBT200-18GM60-E5	402
OBT200-18GM60-E5-V1	402
OBT500-18GM60-E4	402
OBT500-18GM60-E4-V1	402
OBT500-18GM60-E5	402
OBT500-18GM60-E5-V1	402
OCS2000-M1K-N2	480
OCT300-M1K-N2	420
OFR-100/100	815
OJ500-M1K-E23	532
OMH 4-4950	1083
OMH-01	1073
OMH-02	1073
OMH-03	1073
OMH-04	1069
OMH-05	1074
OMH-06	1074
OMH-07	1074
OMH-21	1074
OMH-22	1075
OMH-4.1	1075
OMH-40	1075
OMH-91	1075
OMH-DAD10	1082
OMH-GL	1079
OMH-K01	1079
OMH-K02	1079
OMH-K03	1079
OMH-LS610-01	1082
OMH-LS610-01	814
OMH-LS610-02	1082
OMH-LS610-02	815
OMH-LS610-03	1082
OMH-ML5	1076
OMH-ML5	1076
OMH-ML6	1076
OMH-ML6-U	1076
OMH-ML6-Z	1077
OMH-ML7-01	1077

Model Number	Page
OMH-ML7-02	1077
OMH-ML7-03	1077
OMH-MLV11	1078
OMH-MLV12-HWG	1078
OMH-MLV12-HWK	1078
OMH-RL28-C	1081
OMH-RL31-01	1081
OMH-RL31-02	1081
OMH-RL31-03	1081
OMH-RL36	1080
OMH-RL39	1080
OMH-RLK29	1080
OMH-RLK29-HW	1080
OMH-SBL-01	1083
OMH-VDM100-01	1083
OMH-VL18	1069
ORR50G	576

Model Number	Page
P	
PA-02	673
PAX001-F160-6I14E2-B14	812
PCV*-CA10*	807
PCV*-CA20*	808
PCV*-CA40*	809
PCV100-F200-R4-V19	803
PCV100-F200-SSI-V19	802
PCV80-F200-B17-V1D	806
PCV80-F200-B6-V15B	805
PCV80-F200-R4-V15-LS221	804
PCV80-F200-R4-V19	803
PCV80-F200-SSI-V19	802
PCV80S-F200-SSI-V19	802
PCV-CM20-***	810
PCV-CR20	811
PMI104-F90-IE8-V15	771
PMI104-F90-IU-V1	770
PMI120-F90-IE8-V15	771
PMI120-F90-IU-V1	770
PMI14V-F112-U-IO-V31	769
PMI14V-F112-U-V3	768
PMI210-F110-IU-V1	772
PMI360D-F130-IE8-V15	775
PMI360D-F130-R2-V15	813
PMI360DV-F130-3E2-V15	774
PMI360DV-F130-IU2E0-V15	775
PMI360DV-F130-IU2E2-V15	775
PMI360DV-F130-IU-V15	773
PMI360-F110-IU-V1	772
PMI510-F110-IU-V1	772
PMI80-F90-IE8-V15	771
PMI80-F90-IU-V1	770
PMI810-F110-IU-V1	772
Protective Cap LS610	815
PSM58	703
PSM58X	708
PSS58	703
PSS58X	708
PVM58	702

Model Number	Page	Model Number	Page	Model Number	Page
PVM58X	707	REF-MS21	586	RL28-8-H-400-RT/105/110	383
PVM78E	709	REF-MVR10	585	RL28-8-H-400-RT/47/105	383
PVS58	702	REF-S20F	579	RL28-8-H-400-RT/47/115	383
PVS58X	707	REF-S25	579	RL28-8-H-400-RT-B3B/73c	388
PVS78E	709	REF-S42	581	RL28-8-H-400-RT-Z/110/116	383
R					
RAL100-IR/32/98	550	REF-VDM01	583	RL28-8-H-700-RT/105/110	384
RAL150-IR/32/98	550	REF-VDM02	583	RL28-8-H-700-RT/47/105	384
RAL50-IR/32/98	550	REF-VR10	577	RL28-8-H-700-RT-B3B/73c	388
RAL70-IR/32/98	550	RHI58N-*****1	723	RL28-8-H-700-RT-Z/47/116	384
RC10-14-N0	265	RHI58N-*****1	724	RL29-55/115b/136	472
RC10-14-N3	266	RHI58N-*****6	723	RL29-55/73c/136	472
RC10-E2-C-V1	262	RHI58N-*****6	724	RL29-55-V/115b/136	472
RC15-14-N0	265	RHI58N-*****X	723	RL29-55-V/73c/136	472
RC15-14-N3	266	RHI58N-*****X	724	RL29-8-2000/59/73c/136	412
RC20-E2-C-V1	262	RHI90N-*****1	727	RL29-8-2000/73c/136	412
REF-500MMx500MM	815	RHI90N-*****6	727	RL29-8-H-1200-RT/115/136	389
REF-A17	579	RHI90N-*****X	727	RL29-8-H-1200-RT/59/73c/136	389
REF-A25	580	RHI90O	728	RL29-8-H-1200-RT/73c/136	389
REF-A35	580	RHS58N-*****Z	731	RL31-54/115/136	473
REF-A48	576	RHS90N-*****Z	732	RL31-54/115b/136	473
REF-A80	577	RJ15-14-N	264	RL31-54/25/73c/136	473
REF-C110-2	582	RJ15-N	264	RL31-54/73c/136	473
REF-C60	581	RJ21-E	263	RL31-8-1200-RT/73c/136	413
REF-CA24	580	RJ21-E2	263	RL31-8-2500-IR/115/136	413
REF-CLIP25	580	RJ21-N	264	RL31-8-2500-IR/59/73c/136	413
REF-CLIP40	575	RJ43-E	263	RL31-8-2500-IR/73c/136	413
REF-CLIP42	581	RJ43-E2	263	RL31-8-H-800-RT-IO/59/115/136	390
REF-CLIP50HT	581	RJ43-N	264	RL31-8-H-800-RT-IO/59/73c/136	390
REF-H100	578	RL28-54-G/47/105	466	RL31-8-HGU-300-RT/115b/136	391
REF-H100-2R	815	RL28-54-G/47/115	466	RL31-8-HGU-300-RT/73c/136	391
REF-H116HT	577	RL28-54-G/76a/110/115	466	RL32-54-Ex2/47/73c	478
REF-H180	579	RL28-54-G-Z/47/116	466	RL32-55-Ex2/47/73c	478
REF-H18x40HT	583	RL28-54-G-Z/76a/110/116	466	RL32-8-H-2482-400-Ex2/47/73c	394
REF-H20x40F	583	RL28-55/47/73c	463	RL32-8-H-800-Ex2/47/73c	394
REF-H32	582	RL28-55/47/82b/105	463	RL32-8-H-800-RT-EX2/47/73c	394
REF-H32G	582	RL28-55/47/82b/115	463	RL36-55-Ex/40b/116	479
REF-H33	582	RL28-55/49/82b/105	463	RL36-8-2000-Ex/40b/116	419
REF-H40	575	RL28-55/82b/110/115	463	RL61-55-Z/115/136	475
REF-H50	576	RL28-55-B3B/73c	470	RL61-55-Z/92/136	475
REF-H50HT	576	RL28-55-LAS/47/82b/105	464	RL61-8-1000-Z/115/136	415
REF-H50x100	578	RL28-55-LAS/47/82b/115	464	RL61-8-1000-Z/92/136	415
REF-H50x100HT	584	RL28-55-LAS/76a/82b/105/110	464	RL61-8-4000-Z/115/136	415
REF-H51x72	584	RL28-55-LAS/76a/82b/110/115	464	RLG28-55/115b/136	471
REF-H60	575	RL28-55-LAS-B3B/73c	470	RLG28-55/115b/136	560
REF-H60F	575	RL28-55-V/47/82b/105	468	RLG28-55/40a/115b/136	471
REF-H85-2	578	RL28-55-V/49/82b/105	468	RLG28-55/40a/115b/136	560
REF-H85HT	577	RL28-55-V-B3B/73c	470	RLG28-55/40a/73c/136	471
REF-HEATER120	578	RL28-55-V-Z/47/82b/116	468	RLG28-55/40a/73c/136	560
REF-MA21	586	RL28-55-Z/47/76a/82b/116	463	RLK28-54-G/31/116	467
REF-MA50	584	RL28-55-Z/49/76a/82b/116	463	RLK28-55/31/116	465
REF-MCLIP15HT	586	RL28-55-Z/76a/82b/110/116	463	RLK28-55-LAS-Z/31/116	465
REF-MCLIP21	586	RL28-8-H-1500-LAS/105/110	386	RLK28-55-V-Z/31/116	469
REF-MH20	585	RL28-8-H-1500-LAS/47/105	386	RLK28-55-Z/31/116	465
REF-MH23	584	RL28-8-H-1500-LAS/47/115b	386	RLK28-8-H-2000-IR-Z/31/116	387
REF-MH50	585	RL28-8-H-2000-IR/105/110	385	RLK28-8-H-400-RT-Z/31/116	387
REF-MH82	585	RL28-8-H-2000-IR/47/105	385	RLK28-8-H-700-RT-Z/31/116	387
		RL28-8-H-2000-IR/47/115	385	RLK31-54/25/31/115	474
		RL28-8-H-2000-IR-B3B/73c	388	RLK31-54/25/31/115 SET	474
		RL28-8-H-400-FFP-RT/47/105	383		

Date of issue: 04/08/2015

Model Number	Page
RLK31-54/31/115	474
RLK31-6/31/115	474
RLK31-8-1200-RT/31/115	414
RLK31-8-2500-IR/31/115	414
RLK61-55-Z/31/115	476
RLK61-55-Z/31/135	476
RLK61-8-1000-Z/31/115	416
RLK61-8-1000-Z/31/135	416
RLK61-8-4000-Z/31/115	416
RLK61-8-4000-Z/31/135	416
RSI58N-*****1	721, 722
RSI58N-*****6	721, 722
RSI58N-*****X	721, 722
RSI58X-*****1	735
RSI58X-*****6	735
RSI58X-*****X	735
RVI25*-*****1	726
RVI25*-*****6	726
RVI25*-*****X	726
RVI50N-09B**A*6	716
RVI50N-09B**A*T	716
RVI58L	725
RVI58N-*****1	719, 720
RVI58N-*****6	719, 720
RVI58N-*****X	719, 720
RVI58X-*****1	734
RVI58X-*****6	734
RVI58X-*****X	734
RVI70E	736
RVS58N-*****Z	730
RVS58S-*****Z	733

S

SB3,5-A2	251
SB3,5-E2	251
SB3,5-G-E2	251
SBL-8-H-900-IR/25/30/65b/73	392
SBL-8-H-900-IR/25/32/65b/73	392
SBL-8-H-900-IR/25/65b/73/136	392
SBL-8-H-900-IR/30/59/65b/73	392
SBL-8-H-900-IR/32/59/65b/73	392
SBL-8-H-900-IR/40a/65b/73/110	392
SBL-8-H-900-IR/59/65b/73/120	392
SBL-8-H-900-IR/59/65b/73/136	392
SBL-8-H-900-IR-SL-V/32/59/73	393
SBL-8-H-900-IR-SL-V-Z/32/59/73	393
SC2-N0-GN	256
SC3,5-G-N0	257
SC3,5-N0-BU	257
SC3,5-N0-GN	257
Screwdriver 0.5 mm x 3.0 mm	1067
SJ10-E	252
SJ10-E2	252
SJ10-E3	252
SJ10-N	259
SJ15-A	253
SJ15-A2	253
SJ15-A2-V1	253

Model Number	Page
SJ15-E	253
SJ15-E2	253
SJ15-N	259
SJ15-WO	255
SJ15-WS	255
SJ2-N	256
SJ2-S1N	260
SJ2-SN	260
SJ3,5-G-N	257
SJ3,5-N	257
SJ3,5-N LED	257
SJ3,5-S1N	261
SJ3,5-SN	261
SJ30-A	254
SJ30-A0-V1	254
SJ30-A2	254
SJ30-N	259
SJ5-G-N	258
SJ5-K-N	258
SJ5-N	258
SL02-X1/GS80-200	737
SL02-X2/GS80-200	738
SL03-X1/GS80-200	737
SL03-X2/GS80-200	738
SL05-X1/GS130-333	737
SL3001-X1/GS80	739
SL3001-X2/GS80	740
SL3002-X1/GS80	739
SL3002-X2/GS80	740
SL3003-X1/GS80	739
SL3003-X2/GS80	740
SL3005-X1/GS130	739
SL3005-X2/GS130	740
SL3010-X1/GS130	739
SL3010-X2/GS130	740
SL3015-X1/GS130	739
SL3015-X2/GS130	740
SL3020-X1/GS130	739
SL3025-X1/GS130	739
SL3025-X2/GS130	740
SL3030-X1/GS130	739
SL3040-X1/GS190	739
SL-RP/GS130/GS190	755
SL-RP/GS80	755
SM12	1070
SM18	1070
SM30	1070
SM8	1070
ST 03	1067
SU10/40a/49/116	353
SU10/40a/49/116	396
SU10/40a/49/116	482
SU11.../115	353
SU11.../115	396
SU11.../115	482
SU11.../92	353
SU11.../92	396
SU11.../92	482
SU18/16/35/40a/110/115/126a	518

Model Number	Page
SU18/16/35/40a/110/115a	520
SU18/16/35/40a/110/115a/126a	520
SU18/35/40a/102/115/123	518
SU18/35/40a/102/115/126a	518
SU18/35/40a/110/115/123	518
SU18/35/40a/110/115/126a	518
SU18/35/40a/110/115a/126a	520
SU18-16/40a/102/115/126a	522
SU18-16/40a/110/115/126a	522
SU18-16/40a/110/115a	524
SU18-40a/102/115/123	522
SU18-40a/102/115/126a	522
SU18-40a/102/115a/123	524
SU18-40a/102/115a/126a	524
SU18-40a/110/115/123	522
SU18-40a/110/115/126a	522
SU18-40a/110/115a	524
SU18-40a/110/115a/123	524
SU18-40a/110/115a/126a	524
SU19.1/102/115	516
SU19.1/103/115	516
SU19.1/110/115	516
SU19/102/115/123	514
SU19/102/115/126a	514
SU19/103/115/123	514
SU19/110/115/123	514
SU19/110/115/126a	514

T

TC-6A-V	957
THI40N	714
THI58N	718
THI58N-*****X	718
TSI40N	713
TVI40N	712
TVI50N-09BK0**T	715
TVI58N	717

U

UB1000-18GM75-BIT-V15	616
UB1000-18GM75-E01-V15	614
UB1000-18GM75-E23-V15	614
UB1000-18GM75-E4-V15	612
UB1000-18GM75-E5-V15	612
UB1000-18GM75-E6-V15	613
UB1000-18GM75-E7-V15	613
UB1000-18GM75-F-V15	616
UB1000-18GM75-I-V15	615
UB1000-18GM75-PWM-V15	616
UB1000-18GM75-U-V15	615
UB120-12GM-E4-V1	603
UB120-12GM-E5-V1	603
UB120-12GM-I-V1	604
UB120-12GM-U-V1	604
UB120-F12P-EP-V15	638
UB1500-F42S-UK-V95	652
UB1500-F42-UK-V95	650
UB2000-30GM-E4-V15	618

Model Number	Page	Model Number	Page	Model Number	Page
UB2000-30GM-E5-V15	618	UB500-18GM75-E7-V15	613	UC10000-F260-IE8R2	657
UB2000-30GM-H3-V1	664	UB500-18GM75-F-V15	616	UC10000-F260-IE9R2	657
UB2000-F42-E4-V15	647	UB500-18GM75-I-V15	615	UC10000-F260-UE8R2	657
UB2000-F42-E5-V15	647	UB500-18GM75-PWM-V15	616	UC10000-F260-UE9R2	657
UB2000-F42-E6-V15	648	UB500-18GM75-U-V15	615	UC1000-18GM90A-E2-IO-V1	617
UB2000-F42-E7-V15	648	UB500-30GM-E4-V15	618	UC1000-18GM90-E2-IO-V1	617
UB2000-F42-I-V15	649	UB500-30GM-E5-V15	618	UC1000-30GM-E6R2-K-V15	621
UB2000-F42S-E4-V15	651	UB500-30GM-H3-V1	664	UC1000-30GM-IUR2-K-V15	622
UB2000-F42S-E5-V15	651	UB500-F42-E4-V15	647	UC1500-F65-E8R2-V15	654
UB2000-F42S-E6-V15	651	UB500-F42-E5-V15	647	UC1500-F65-FE2R2-V15	656
UB2000-F42S-E7-V15	651	UB500-F42-E6-V15	648	UC1500-F65-IE2R2-V15	655
UB2000-F42S-I-V15	653	UB500-F42-E7-V15	648	UC1500-F65-UE2R2-V15	655
UB2000-F42S-U-V15	653	UB500-F42-I-V15	649	UC-18/30GM-IR	676
UB2000-F42-U-V15	649	UB500-F42S-E4-V15	651	UC2000-30GM-2EP-IO-V15	632
UB2000-F54-E4-V15	644	UB500-F42S-E5-V15	651	UC2000-30GM70-2E2R2-K-V15	625
UB2000-F54-E5-V15	644	UB500-F42S-E6-V15	651	UC2000-30GM70-2E2R2-V15	623
UB2000-F54-I-V15	645	UB500-F42S-E7-V15	651	UC2000-30GM70-IE2R2-K-V15	628
UB2000-F54-U-V15	645	UB500-F42S-I-V15	653	UC2000-30GM70-IE2R2-V15	626
UB200-12GM-E4-V1	603	UB500-F42S-U-V15	653	UC2000-30GM70S-2E2R2-V15	624
UB200-12GM-E5-V1	603	UB500-F42-U-V15	649	UC2000-30GM70S-IE2R2-V15	627
UB200-12GM-I-V1	604	UB500-F54-E4-V15	644	UC2000-30GM70S-UE2R2-V15	627
UB200-12GM-U-V1	604	UB500-F54-E5-V15	644	UC2000-30GM70-UE2R2-K-V15	628
UB250-F12-EP-V15	639	UB500-F54-I-V15	645	UC2000-30GM70-UE2R2-V15	626
UB250-F12-I-V15	640	UB500-F54-U-V15	645	UC2000-30GM-E6R2-V15	619
UB250-F12P-EP-V15	638	UB6000-30GM-E4-V15	618	UC2000-30GM-E7R2-V15	619
UB250-F12-U-V15	640	UB6000-30GM-E5-V15	618	UC2000-30GM-IUEP-IO-V15	633
UB250-F77-E2-V31	636	UB6000-30GM-H3-V1	664	UC2000-30GM-IUR2-V15	620
UB3000-F42-UK-V95	650	UB6000-F42-E4-V15	647	UC2000-F43-2KIR2-V17	646
UB300-18GM40A-E4-V1	610	UB6000-F42-E5-V15	647	UC2000-L2-E4-V15	641
UB300-18GM40A-E5-V1	610	UB6000-F42-E6-V15	648	UC2000-L2-E5-V15	641
UB300-18GM40A-I-V1	611	UB6000-F42-E7-V15	648	UC2000-L2-E6-V15	642
UB300-18GM40A-U-V1	611	UB6000-F42-I-V15	649	UC2000-L2-E7-V15	642
UB300-18GM40-E4-V1	607	UB6000-F42-U-V15	649	UC2000-L2-I-V15	643
UB300-18GM40-E5-V1	607	UB800-18GM40A-E4-V1	610	UC2000-L2-U-V15	643
UB300-18GM40-I-V1	608	UB800-18GM40A-E5-V1	610	UC2500-F65-E8R2-V15	654
UB300-18GM40-U-V1	608	UB800-18GM40A-I-V1	611	UC2500-F65-FE2R2-V15	656
UB4000-30GM-E4-V15	618	UB800-18GM40A-U-V1	611	UC2500-F65-IE2R2-V15	655
UB4000-30GM-E5-V15	618	UB800-18GM40-E4-V1	607	UC2500-F65-UE2R2-V15	655
UB4000-30GM-H3-V1	664	UB800-18GM40-E5-V1	607	UC300-30GM-E6R2-K-V15	621
UB4000-F42-E4-V15	647	UB800-18GM40-I-V1	608	UC300-30GM-IUR2-K-V15	622
UB4000-F42-E5-V15	647	UB800-18GM40-U-V1	608	UC300-30GM-IUR2-V15	620
UB4000-F42-E6-V15	648	UB800-F12-EP-V15	639	UC300-F43-2KIR2-V17	646
UB4000-F42-E7-V15	648	UB800-F12-I-V15	640	UC-30GM-PROG	676
UB4000-F42-I-V15	649	UB800-F12P-EP-V15	638	UC-30GM-R2	676
UB4000-F42-U-V15	649	UB800-F12-U-V15	640	UC-30GM-TEMP	675
UB400-12GM-E4-V1	603	UBC250-12GM-E5-V1	605	UC3500-30GM70-2E2R2-V15	623
UB400-12GM-E5-V1	603	UBC400-18GH40-I-V1	609	UC3500-30GM70-IE2R2-V15	626
UB400-12GM-I-V1	604	UBE1000-18GM40A-SE2-V1	660	UC3500-30GM70S-2E2R2-V15	624
UB400-12GM-U-V1	604	UBE1000-18GM40-SE2-V1	658	UC3500-30GM70S-IE2R2-V15	627
UB400-F42S-UK-V95	652	UBE4000-30GM-SA2-V15	662	UC3500-30GM70S-UE2R2-V15	627
UB400-F42-UK-V95	650	UBE800-F77-SE2-V31	663	UC3500-30GM70-UE2R2-V15	626
UB400-F77-E2-V31	636	UBEC300-18GH40-SE2-V1	659	UC4000-30GM-2EP-IO-V15	632
UB5000-F42-UK-V95	650	UBH60/30-12GM-U-V1	606	UC4000-30GM-E6R2-V15	619
UB500-18GM75-BIT-V15	616	UB-PROG2	677	UC4000-30GM-E7R2-V15	619
UB500-18GM75-E01-V15	614	UB-PROG3	677	UC4000-30GM-IUEP-IO-V15	633
UB500-18GM75-E23-V15	614	UBR250-F77-E2-V31	637	UC4000-30GM-IUR2-V15	620
UB500-18GM75-E4-V15	612	UBR250-F77-E3-V31	637	UC4000-L2-E4-V15	641
UB500-18GM75-E5-V15	612	UBR400-F77-E2-V31	637	UC4000-L2-E5-V15	641
UB500-18GM75-E6-V15	613	UBR400-F77-E3-V31	637	UC4000-L2-E6-V15	642

Date of issue: 04/08/2015

Model Number	Page	Model Number	Page	Model Number	Page
UC4000-L2-E7-V15	642	UCC6000-30GH70S-UE2R2-V15	630	V1/V3-LABELHOLDER	1059
UC4000-L2-I-V15	643	UCC6000-30GH70-UE2R2-V15	629	V11-... xxx	980
UC4000-L2-U-V15	643	UC-F43-R2	676	V11S-... xxx	982
UC500-30GM-2EP-IO-V15	632	UDB-Cable-1M	676	V11S-T-V11	1054
UC500-30GM70-2E2R2-K-V15	625	UDB-Cable-2M	676	V12-... xxx	1012
UC500-30GM70-2E2R2-V15	623	UDC-18GM-400-3E1	665	V124-...	1012
UC500-30GM70-IE2R2-K-V15	628	UDC-18GM-400-3E2	665	V125-...	1012
UC500-30GM70-IE2R2-V15	626	UDC-18GM-400-3E3	665	V12S-...	1030
UC500-30GM70S-2E2R2-V15	624	UDC-18GM50-255-3E0	668	V15-... xxx	980
UC500-30GM70S-IE2R2-V15	627	UDC-18GM50-255-3E1	668	V15B-G-..M-PUR-ABG-V15B-G	1058
UC500-30GM70S-UE2R2-V15	627	UDC-18GM50-255-3E3	668	V15B-G-ABG-PG9	1058
UC500-30GM70-UE2R2-K-V15	628	UDC-18GM50-255S-3E0	669	V15B-W-ABG-PG9	1058
UC500-30GM70-UE2R2-V15	626	UDC-18GM50-255S-3E1	669	V15-G-..M-PUR-CAN-V15-G	1058
UC500-30GM-E6R2-V15	619	UDC-18GM50-255S-3E3	669	V15-G-ABG-PG9	1058
UC500-30GM-E7R2-V15	619	UDC-18GM50-400-3E0	667	V15S-... xxx	982
UC500-30GM-IUEP-IO-V15	633	UDC-18GM50-400-3E1	667	V15SB-G-ABG-PG9	1058
UC500-30GM-IUR2-V15	620	UDC-18GM50-400-3E2	667	V15SB-W-ABG-PG9	1058
UC500-D1-3K-V7	635	UDC-18GM50-400-3E3	667	V15S-G-ABG-PG9	1058
UC500-F65-E8R2-V15	654	UDC-18GMA-400-3E1	666	V15S-T-CAN/DN-V15	1058
UC500-F65-FE2R2-V15	656	UDC-18GMA-400-3E3	666	V15S-TEE-V.....	1052
UC500-F65-IE2R2-V15	655	UDC-30GM-085-3E3	672	V15S-T-V15	1054
UC500-F65-UE2R2-V15	655	U-G1F	878	V15S-W-ABG-PG9	1058
UC500-L2-E4-V15	641	U-G1FA	878	V15S-YEE-V15	1054
UC500-L2-E5-V15	641	U-G1FF	878	V15-W-ABG-PG9	1058
UC500-L2-E6-V15	642	U-G1FFA	878	V16-...	1036
UC500-L2-E7-V15	642	U-G1PP	878	V16S-...	1036
UC500-L2-I-V15	643	UGB-18GM50-255-2E1	670	V17-... xxx	980
UC500-L2-U-V15	643	UGB-18GM50-255-2E3	670	V17-...	1018
UC6000-30GM-2EP-IO-V15	632	ULB-18GM50-255-2E1	671	V17S-...	1018
UC6000-30GM70-2E2R2-V15	623	ULB-18GM50-255-2E3	671	V18-G	1034
UC6000-30GM70-IE2R2-V15	626	UMC3000-30H-E5-5M-FA	634	V18-W	1034
UC6000-30GM70S-2E2R2-V15	624	UMC3000-30H-I-5M-FA	634	V19-... xxx	980
UC6000-30GM70S-IE2R2-V15	627	UME1000-18GH-SE2-FB	661	V19S-... xxx	982
UC6000-30GM70S-UE2R2-V15	627	UME1000-18H-SE2-FA	661	V1-B	1059
UC6000-30GM70-UE2R2-V15	626	UME1000-18H-SE2-FB	661	V1-BOX LABEL	1059
UC6000-30GM-E6R2-V15	619	U-P3-R4	933	V1-E/E2-LED	1061
UC6000-30GM-E7R2-V15	619	U-P3-R4-V15	933	V1-G-BK	1018
UC6000-30GM-IUEP-IO-V15	633	U-P3-RX	933	V1-G-Q2	1022
UC6000-30GM-IUR2-V15	620	U-P3V4A-RX	933	V1-G-Q3	1022
UCC1000-30GM-E6R2-V15	619	U-P6-B5	933	V1S-... xxx	982
UCC1000-30GM-IUR2-V15	620	U-P6-B5-V	933	V1S-B	1059
UCC2000-30GH70-IE2R2-K-V15	631	U-P6-B6	933	V1SD-G-..M-PUR-ABG-V1SD-G	1058
UCC2000-30GH70-IE2R2-V15	629	U-P6-B6-V15B	933	V1SD-G-..M-PUR-ABG-V45-G	1058
UCC2000-30GH70S-IE2R2-V15	630	U-P6V4A-B6	933	V1SD-G-..M-PUR-ABG-V45X G	1058
UCC2000-30GH70S-UE2R2-V15	630	U-P7V4A-R4	933	V1SD-G-5M-PUR-ABG-V45-G	1058
UCC2000-30GH70-UE2R2-K-V15	631	USB-0,8M-PVC ABG-SUBD9	675	V1SD-G-ABG-PG9	1058
UCC2000-30GH70-UE2R2-V15	629	UVW90-K18	674	V1SD-W-ABG-PG9	1058
UCC3500-30GH70-IE2R2-V15	629	UVW90-K30	674	V1S-G-Q2	1022
UCC3500-30GH70S-IE2R2-V15	630	UVW90-M12	674	V1S-G-Q3	1022
UCC3500-30GH70S-UE2R2-V15	630	UVW90-M30	674	V1S-TEE-V.....	1052
UCC3500-30GH70-UE2R2-V15	629			V1S-T-V1	1054
UCC500-30GH70-IE2R2-K-V15	631			V1-W-BK	1018
UCC500-30GH70-IE2R2-V15	629			V3-... xxx	998
UCC500-30GH70S-IE2R2-V15	630			V3-...-...M-PUR-T-V1-G	1056
UCC500-30GH70S-UE2R2-V15	630			V3-...A-E2-...M-PUR	1050
UCC500-30GH70-UE2R2-K-V15	631			V3-...A-E2-V19	1050
UCC500-30GH70-UE2R2-V15	629			V31-... xxx	998
UCC6000-30GH70-IE2R2-V15	629			V31S-... xxx	1000
UCC6000-30GH70S-IE2R2-V15	630			V31S-T-V3	1054

V

V1-... xxx	980
V1-...-...M-PUR-T-V1-G	1056
V1-...A-E2	1048
V1-...A-E2-...M-PUR	1048
V1-...A-E2-M23	1048
V1/V3-LABEL	1059

Model Number	Page	Model Number	Page	Model Number	Page
V31S-YEE-V31	1054	VAN-24DC-K28	858	VAZ-IER2-ACTUATOR2-S	869
V3-B	1059	VAN-G4-PE-4A	860	VAZ-IM1-90°-BOLT-S	871
V3-BOX LABEL	1059	VAN-KE2-2PE	860	VAZ-IM1-BASE-BOLT-S	872
V3S-... xxx	1000	VAR-G4F	860	VAZ-IM1-BASE-S	872
V3S-B	1059	VAR-KE3-TERM	860	VAZ-IM1-BOLT-S	871
V3S-YEE-V3	1054	VAS/M-2A8L-KE4-8SE-C1	863	VAZ-IM1-LR-RADIUS-BOLT-S	871
V45-G	1058	VAS-1A-K12-S1	862	VAZ-IM1-TD-RADIUS-BOLT-S	871
V45-G-...M-V45-G	1058	VAS-1A-K12-U	862	VAZ-LAMP-70MM-BU	885
V45-GP	1058	VAS-1A-K12-U-S1	862	VAZ-LAMP-70MM-CL	885
V93-... xxx	1014	VAS-2A8L-KE4-8SE	863	VAZ-LAMP-70MM-GN	885
V94-... xxx	1014	VAS-2A-K12	862	VAZ-LAMP-70MM-RD	885
V95-... xxx	1014	VAS-2A-K12-S1	862	VAZ-LAMP-70MM-YE	885
VAA-2E1A-F85A-S-V1	868	VAS-2A-K12-U	862	VAZ-LED-70MM-BU	886
VAA-2E1A-G10-SAJ/EA2J-1M	865	VAS-2A-K12-U-S1	862	VAZ-LED-70MM-CL	886
VAA-2E1A-G10-SAJ/EA2J-1M	868	VAZ-2E1A-F85A-S	868	VAZ-LED-70MM-GN	886
VAA-2E1A-G10-SAJ/EA2J-2X1M	865	VAZ-2FK-CL2	898	VAZ-LED-70MM-RD	886
VAA-2E1A-G10-SAJ/EA2J-2X1M	868	VAZ-2FK-G10-BRIDGE	895	VAZ-LED-70MM-YE	886
VAA-2E1A-IER1-S-1M-V1	869	VAZ-2FK-GLAND-12NPT	900	VAZ-LT2-BK	889
VAA-2E1A-PM-S	868	VAZ-2FK-GLAND-M20	900	VAZ-LT2-REMOVER	889
VAA-2E2A-G12-SAJ/EA2L	866	VAZ-2T1-FK-G10-1M-PUR-V1-G	894	VAZ-MH 100-70MM	887
VAA-2E2A-IM1-J-S-V1	870	VAZ-2T1-FK-G10-1M-PUR-V1-W	894	VAZ-MH 90°-70MM	887
VAA-2E2A-KE1-S/E2	867	VAZ-2T1-FK-G10-2M-PUR-V1-G	894	VAZ-MH-1/2"Conduit-70MM	888
VAA-2E3A-LIM1-PL-J-S-V1	870	VAZ-2T1-FK-G10-2M-PUR-V1-W	894	VAZ-PB-DB9-W	1058
VAA-2E3A-LIM1-PL-L-S-V1	870	VAZ-2T1-FK-G10-2M-PUR-V1-W	894	VAZ-PB-SIM	897
VAA-2E3A-LIM1-PU-J-S-V1	870	VAZ-2T1-FK-G10-5M-PUR-V1-G	894	VAZ-PG11-FKD	898
VAA-2E3A-LIM1-PU-L-S-V1	870	VAZ-2T1-FK-G10-5M-PUR-V1-W	894	VAZ-PK-1,5M-V1-G	899
VAA-2E-F85A-S-V1	868	VAZ-2T1-FK-G10-CLAMP1	895	VAZ-PK-FK-0,2M-V1-W	899
VAA-2E-G4-SE	864	VAZ-2T1-FK-G10-PTC-1M-PUR-V1-G	894	VAZ-RK-PUR 2x1,5-YE 100M	892
VAA-2E-IER2-S-0,15M-V1	869	VAZ-2T1-FK-G10-V1	895	VAZ-SIMON+-R2-1,8M-PS/2	873
VAA-2E-IER2-S-1M-V1	869	VAZ-2T2-FK-G10-V1	895	VAZ-SIMON-R2	873
VAA-2E-IM1-J-S-V1	870	VAZ-2T8-G11-F	896	VAZ-SIMON-RJ45	873
VAA-2E-KE1-S	867	VAZ-2T8-G11-V1	896	VAZ-SW-SIMON+	873
VAA-2E-PM-S	868	VAZ-ANALYZER	897	VAZ-T1-FK-G10-0,3M-PUR-V1-G	893
VAA-3E-HH30-J-S-V1	870	VAZ-BUZZER/LT-RD	890	VAZ-T1-FK-G10-1M-PUR-V1-G	893
VAA-4A-70MM	885	VAZ-CLAMP-70MM	887	VAZ-T1-FK-G10-1M-PUR-V1-W	893
VAA-4A-G12-EA2L	874	VAZ-CLAMP-70MM-90°	887	VAZ-T1-FK-G10-2M-PUR-V1-G	893
VAA-4E2A-G5-N/V2-Ex	879	VAZ-DK-G1	898	VAZ-T1-FK-G10-2M-PUR-V1-W	893
VAA-4E4A-CB1-Z/E2	884	VAZ-DN-SIM-USB	897	VAZ-T1-FK-G10-5M-PUR-V1-G	893
VAA-4E4A-CB2-Z/E2	884	VAZ-FK-ED2	898	VAZ-T1-FK-G10-5M-PUR-V1-W	893
VAA-4E4A-G11-ZAJ/EA2L-F	875	VAZ-FK-GLAND-12NPT	900	VAZ-T1-FK-G10-CLAMP1	895
VAA-4E4A-G11-ZAJ/EA2L-V1	875	VAZ-FK-GLAND-M20	900	VAZ-T1-FK-G10-PTC-1M-PUR-V1-G	893
VAA-4E4A-G12-ZAJ/EA2L	874	VAZ-FK-PURBK-500M	892	VAZ-T1-FK-G10-V1	895
VAA-4E4A-G12-ZAL/EA2L	874	VAZ-FK-PUR-YE-500M	892	VAZ-T1-FK-M20	901
VAA-4E4A-G16-ZEJ/E2L	879	VAZ-FK-R-BK	892	VAZ-T1-FK-PG11	901
VAA-4E4A-G4-ZE/E2	877	VAZ-FK-R-BK 1000M	892	VAZ-T1-FK-PG9	901
VAA-4E4A-KE1-Z/E2	882	VAZ-FK-R-YE	892	VAZ-TUBE400-70MM	888
VAA-4E4A-KE1-Z/E2-TL	882	VAZ-FK-R-YE 1000M	892	VAZ-TUBE-BASE-70MM	888
VAA-4E4A-KE2-DK	860	VAZ-FK-S-BK	892	VAZ-V1-B3	899
VAA-4E4A-KE-ZE/R	881	VAZ-FK-S-BK-2,5MM	892	VAZ-V3-B	899
VAA-4E4A-KE-ZEJQ/E2L	881	VAZ-FK-S-YE	892	VBA-1E2A-BUZZER/LT-RD	890
VAA-4E4A-KE-ZEJQ/E2L	882	VAZ-FK-S-YE-SAFETY	892	VBA-1E3A-M18-ZE/E2-V1	879
VAA-4E-G4-ZE	877	VAZ-FLASH-70MM-RD	886	VBA-2A-G11-I-F	880
VAA-4E-IEI1-CONTROL-J-S	869	VAZ-FLASH-70MM-YE	886	VBA-2A-G11-I-V1	880
VAA-LT3-F86-V1	889	VAZ-G10-TERM	860	VBA-2A-KE2-I/U	883
VAG-PB-G4F-R4	856	VAZ-HORN-70MM-0..100DBA-8TONE	886	VBA-2E1A-G10-ZAL/E2L-1M-2V1-W	876
VAN-115/230AC-K16	858	VAZ-HORN-70MM-105DBA	886	VBA-2E2A-G12-ZAJ/EA2L	874
VAN-115/230AC-K19	858	VAZ-HORN-70MM-85DBA	886	VBA-2E2A-G4-ZE/E2	877
VAN-115/230AC-K27	858	VAZ-IEI1-READER1-S-V3	869	VBA-2E-G10-ZAJ-1M-V1-W	876
VAN-230/500AC-K24	858	VAZ-IEI1-TAG1-S	869	VBA-2E-G10-ZEJ-1M-2V1-W	876
		VAZ-IER1-ACTUATOR1-S	869		

Date of issue: 04/08/2015

Model Number	Page	Model Number	Page	Model Number	Page
VBA-2E-G11-I/U/PT100-F	880	VBG-PB-K30-D-S16	861	VMA-... xxx	1016
VBA-2E-G11-I/U/PT100-V1	880	VBG-PBS-K30-DMD	861	VMA-2+P	1038
VBA-2E-KE2-I/U	883	VBG-PN-K20-D	856	VMB-... xxx	1016
VBA-2E-KE2-I/U-V3.0	883	VBG-PN-K20-DMD	856	VMB-2+P	1038
VBA-2E-KE4-ENC-S	863	VBG-PN-K30-DMD-S16	861	VMBI-... xxx	1016
VBA-4A-G11-I/U-F	880	VBG-PNS-K30-DMD	861	VMBI-2+P	1038
VBA-4E1A-KE3-ZEJ/SR	867	VBM-CLX-DM	857	VMC-... xxx	1016
VBA-4E2A-G1-ZE/PEXT-S	877	VBM-MLX/CPLX	857	VMC-2+P	1038
VBA-4E2A-G1-ZE/P-S	877	VBP-HH1-V3.0	891	VMCI-... xxx	1016
VBA-4E2A-KE1-Z/E2	882	VBP-HH1-V3.0-110V	891	VMCI-2+P	1038
VBA-4E3A-G4-ZE/E2	877	VBP-HH1-V3.0-KIT	891	VS18/VSE18-M-LAS/40a/76a/118/128	489
VBA-4E3A-KE-ZE/R	881	VBP-HH1-V3.0-KIT-110V	891	VT18-8-400-M/40a/118/128	403
VBA-4E3A-KE-ZEJQ/E2L	881	VBP-HH1-V3.0-V1	891	VT18-8-400-M-LAS/32/40a/118	403
VBA-4E4A-CB1-ZEJ/E2J	884	VDM100-150-P/G2	783	VT18-8-400-M-LAS/40a/118/128	404
VBA-4E4A-CB1-ZEJ/E2J-FL	884	VDM100-150-P/G2/146	783	VT18-8-H-120-M/32/40a/65b/118	355
VBA-4E4A-CB2-ZEL/E2L	884	VDM100-150-SSI/G2	782	VT18-8-H-120-M/40a/65b/118/128	355
VBA-4E4A-G11-ZAJ/EA2L-F	875	VDM100-150-SSI/G2/146	782	WCS2B-LS1**	787
VBA-4E4A-G11-ZAJ/EA2L-V1	875	VDM100-300-P/G2	783	W	
VBA-4E4A-G12-XEL	874	VDM100-300-SSI/G2	782	WCS2B-LS2**	787
VBA-4E4A-G12-ZAJ/EA2L	874	VDM100-50-P/G2	783	WCS2B-LS310	788
VBA-4E4A-G12-ZAL/EA2L	874	VDM100-50-P/G2/146	783	WCS2B-LS311	788
VBA-4E4A-G16-ZEJ/E2L	879	VDM100-50-SSI/G2	782	WCS2-CS55-L1	790
VBA-4E4A-G4-ZE/E2	877	VDM100-50-SSI/G2/146	782	WCS2-CS55-M1	790
VBA-4E4A-KE-ZE/R	882	VDM18-100/20/122/151	776	WCS2-CS70-L1	791
VBA-4E4A-KE-ZE/R	881	VDM18-100/20/88/122/151	776	WCS2-CS70-M1	791
VBA-4E4A-KE-ZEJQ/E2L	881	VDM18-100/32/105/122	776	WCS3B-LS1**	784
VBA-4E4E-G12-ZAJ	874	VDM18-300/20/122/151	776	WCS3B-LS2**	784
VBA-4E-G11-I-F	880	VDM18-300/32/105/122	776	WCS3B-LS310	785
VBA-4E-G11-ZAJ-F	875	VDM18-300/20/88/122/151	776	WCS3B-LS311	785
VBA-4E-G11-ZAJ-V1	875	VDM18-300/32/105/122	776	WCS3B-LS410	786
VBA-4E-G12-ZAJ	874	VDM28-15-L-IO/73c/110/122	512	WCS3-CS70-L0	789
VBA-4E-G12-ZAL	874	VDM28-15-L-IO/73c/110/122	512	WCS3-CS70-L1	789
VBA-4E-G16-ZEJ	879	VDM28-50-R/73c/136	779	WCS3-CS70-L2	789
VBA-4E-G4-ZE	877	VDM28-50-R-IO/73c/110/122	779	WCS3-CS70-M1	789
VBA-4E-KE1-Z	882	VDM28-50-R-IO/73c/110/122	779	WCS-CG210	796
VBA-4E-KE-ZEJQ	881	VDM28-50-R-IO/73c/136	779	WCS-DG210	797
VBA-LT2-G1	889	VDM28-8-L/73c/136	777	WCS-EIG310	793
VBG-CCL-K20-D-BV	855	VDM28-8-L-IO/73c/110/122	777	WCS-IG110	795
VBG-DN-K20-D	855	VDM28-8-L-IO/110/115b/122	511	WCS-IP110	801
VBG-DN-K20-DMD	855	VDM28-8-L-IO/110/115b/122	777	WCS-IP111	801
VBG-DN-K20-DMD-BV	855	VDM28-8-L-IO/115b/136	511	WCS-IP120	801
VBG-ENX-K20-D	855	VDM28-8-L-IO/115b/136	777	WCS-IP121	801
VBG-ENX-K20-DMD	855	VDM28-8-L-IO/73c/110/122	511	WCS-IS31*	800
VBG-ENX-K30-DMD-S16	861	VDM28-8-L-IO/73c/110/122	777	WCS-IS32*	800
VBG-MOD-K20-D	855	VDM28-8-L-IO/73c/136	511	WCS-MBG110	794
VBG-PB-G4F-R4	856	VDM28-8-L-IO/73c/136	777	WCS-PG110	798
VBG-PB-K20-D	856	VDM28-8-L-IO/73c/136	777	WCS-PG210E	799
VBG-PB-K20-DMD	856	VDM70-10-L/87/122/160	780	WCS-PNG210	792
VBG-PB-K20-DMD-BV	856	VDM70-250-R/20/87/160	781	WTS10-12/20/105	417
VBG-PB-K25	856	VL18-54-M/40a/118/128	431	WTS10-12/21/105	417
VBG-PB-K30-DMD-S16	861	VL18-54-M-LAS/40a/118/128	432		
VBG-PB-K30-DMD-S16-EV	861	VL18-54-MS/40a/118/128	433		
VBG-PB-K30-D-S	861	VL18LL-M/40a/118/128	530		

Your automation, our passion.

Process interfaces

- Intrinsically safe barriers
- Signal conditioners
- Fieldbus infrastructure
- Remote I/O systems
- HART interface solutions
- Wireless solutions
- Level measurement
- Purge and pressurization systems
- Industrial monitors and HMI solutions
- Explosion protection equipment
- Solutions with process interfaces

Industrial sensors

- Proximity sensors
- Photoelectric sensors
- Industrial vision
- Ultrasonic sensors
- Rotary encoders
- Positioning systems
- Inclination and acceleration sensors
- AS-Interface
- Identification systems
- Logic control units