



Breakers and Switches

Switch fuses OS and OSM

Switch fuses OS and OSM 20...1250

Product overview, features	
Product overview	4
Features	6
Technical data	7
Type designation key	17
Ordering information, manual operation, DIN type	19
Front operated	19
Side operated	24
Special connected	26
Ordering information, manual operation, BS type	28
Front operated	28
Side operated	34
Special connected	36
Ordering information, manual operation, NFC type	38
Front operated	38
Side operated	39
Ordering information, manual operation, CC, J and L types	40
Front operated	40
Side operated	42
Ordering information, motorized operation	43
Motorized switch fuses OSM, DIN-, BS- and NFC -types	43
Ordering information, accessories	45
Selection overview	45
Optional handles	47
Extended shafts and shaft accessories	51
Auxiliary contacts	54
Fourth poles and neutral links	57
Solid links, handle/fuse storage and phase barriers	59
Terminal shrouds and terminal angles	60
Terminal clamps	62
Conversion kits	65
Blown fuse indicators	68
Locking and mounting accessories	69
Dimension drawings	71
Contact functions	105
Index	107

Switch fuses 20...1250 Amperes

Manual operation



Switch size [A]	20	25	30	32	35	40	32	50	60	63	100	125	160	100	200	250
DIN	-	-	-	-	-	OS40FD	OS32GD	OS63GD	OS125GD	OS160GD					OS200D	OS250D
BS	OS20FB	OS32FB					OS32GB	OS63GB	OS100GB	OS125GB	OS160GB				OS200B	OS250B
NFC	OS25FF	OS32FF					OS50GF	OS125GF								
UL98 File # E101914	OS30FACC	OS30FAJ					OS60GJ				OS100GJ					
AC23/400 V [kW]	11	15	15	18.5			15	22	30	55	75				110	140
AC23/415 V [kW]	7.5	15					15	30	30	55	55	75			110	145
480 V [HP]		15						30						60		
600 V [HP]		20						50						75		



Switch size [A]	200	315	400	600	630	800	1200	1250
DIN		OS400D		OS630D	OS800D		OS1250D	
BS		OS315B	OS400B	OS630B	OS800B		OS1250B	
UL98 File # E101914	OS200J	OS400J		OS600J	OS800L		OS1200L	
AC23/400 V [kW]		230		355	450		560	
AC23/415 V [kW]		180	230	355	450		560	
480 V [HP]	150	250		400	500		-	
600 V [HP]	200	250		500	600		-	

Switch fuses 20...1250 Amperes

Motor operation



Switch size [A]	32 50 63	100 125 160	200 250
DIN	OSM32GD	OSM125GD	OSM200D
	OSM63GD	OSM160GD	OSM250D
BS	OSM32GB	OSM100GB	OSM200B
	OSM63GB	OSM125GB	OSM250B
		OSM160GB	



Switch size [A]	315 400	630 800	1250
DIN	OSM400D	OSM630D	OSM1250D
		OSM800D	
BS	OSM315B	OSM630B	OSM1250B
	OSM400B	OSM800B	

Switch fuses

Designed for extreme conditions



Reduced testing and design costs

Tested type 2 co-ordination tables for motor protection are available. This enables a fast and easy selection of motor control devices.

(<http://applications.it.abb.com/SOC/Page/Selection.aspx>)

Easy installation and design of panels

Thanks to a modular structure the mechanism and poles can be placed according to installation requirements. The shaft is adjustable for a range of installation depths.

Save money and installation space

OS switch fuses are compact, allowing installation in smaller enclosures. Lightweight structure saves money by reducing installation time.

High protection and reliability

Contact design enables rapid fault clearance and maintains protection level even after fault occurs.

Technical data, IEC

Switch fuses OS20...40 and OS32G

Technical data according to IEC 60947-3		Switch size	A	OS (Mini) 20	OS (Mini) 25	OS (Mini) 32	OS (Mini) 40	OS_ 32G
Rated insulation voltage	Pollution degree 3		V	1 000	1 000	1 000	1 000	1 000
Dielectric strength		50 Hz 1min.	kV	10	10	10	10	10
Rated impulse withstand voltage			kV	12	12	12	12	12
Rated thermal current in ambient	In open air		A/W	20/3.5	25/3.5	32/3.5	40/4.5	32/7.5
35 °C and temporarily 40 °C ⁴⁾ /	In enclosure ²⁾		A/W	20/3.5	25/3.5	32/3.5	40/4.5	32/7.5
max. fuse power dissipation ¹⁾	In enclosure with solid links		A	32	32	32	40	
...with minimum cable cross section		Cu	mm ²	2.5	4	6	10	6
Rated operational voltage AC-20 and DC-20			V	1 000	1 000	1 000	1 000	1 000
Rated operational current, AC-21A		up to 500 V	A	20	25	32	40	32
		690 V	A	20	25	32	40	32
Rated operational current, AC-22A		up to 500 V	A	20	25	32	40	32
		690 V	A	20	25	32	40	32
Rated operational current, AC-23A		up to 500 V	A	20	25	32	40	32
		690 V	A	20	25	32	40	32
Rated operational current / poles in series DC-21A		48 V	A	20/2	25/2	32/2	32/2	32/2
		110-220 V	A	20/2	25/2	32/2	32/2	32/2*
		440 V	A	20/4	25/4	25/4	32/4	32/4*
Rated operational current / poles in series DC-22A		48 V	A	20/2	25/2	32/2	32/2	32/2
		110-220 V	A	20/2	25/2	32/2	32/2	32/2*
		440 V	A	20/4	25/4	32/4	32/4	
Rated operational current / poles in series DC-23A		48 V	A	20/2	25/2	32/2	32/2	32/2
		110-220 V	A	20/2	25/2	32/2	32/2	32/2*
		440 V	A	20/4	25/4	32/4	32/4	
Rated operational power, AC-23 ³⁾	The kW-ratings are accurate for three-phase 1500 R.P.M. standard asynchronous motors.	230 V	kW	5.5	5.5	7.5	11	7.5
		400 V	kW	7.5	11	15	18.5	15
		415 V	kW	7.5	11	15	18.5	15
		500 V	kW	11	15	18.5	22	18.5
		690 V	kW	15	22	22	30	22
Rated breaking capacity in category AC-23		≤ 690 V	A	256	256	256	320	504
Rated breaking capacity / poles in series in category DC-23		up to 220 V	A	128/2	128/2	128/2	128/2	252/2
		440 V	A	128/4	128/4	128/4	128/4	
Rated conditional short-circuit current I _p (r.m.s.) and corresponding max. allowed cut-off current I _c	at prospective SC-current	80 kA, 415 V	kA	9	9	9	9	13.5
	Max. OFA _g fuse size gG / aM		A					80/63
	at prospective SC-current	100 kA, 500 V	kA	8	8	8	8	12.5
	Max. OFA _g fuse size gG / aM		A					63/50
The cut-off current I _c refers to values listed by fuse manufacturers (single phase test acc. to IEC60269).	at prospective SC-current	50 kA, 690 V	kA	7	7	7	7	9.5
	Max. OFA _g fuse size gG / aM		A					63/50
	at prospective SC-current	80 kA, 690 V	kA	7.5	7.5	7.5	7.5	11.5
	Max. OFA _g fuse size gG / aM		A					50/50
Rated short-time withstand current, 1 s.	r.m.s. -value		kA	1	1	1	1	2.5
Rated capacitor power when no initial charge on the capacitor	The capacitor rating of the switch-fuse is limited by the fuse link.	400 V	kVAr	10	12.5	15	15	15
		415 V	kVAr	10	12	15	15	15
		690 V	kVAr	15	20	25	25	25
Power loss / pole	With rated current, without fuse		W	1.3	1.3	2	3.5	1
Mechanical endurance	Divide by two for operation cycles		Oper.	20 000	20 000	20 000	20 000	20 000
Fuse types, IEC 60269-2-1	DIN 43620						000	000
	NFC 63210, 63211				10x38	14x51		
	BS 88-2, -6 -size / distance of fuse-link bolts		mm	A1 M4/44.5		A1, A2 M4/44.5 (A1) M4/73 (A2)		A2-A3 ⁵⁾ M5/73
Cable size		Cu	mm ²	0.75...10	0.75...10	0.75...10	0.75...10	2.5...25
Terminal tightening torque	Counter torque required		Nm	2	2	2	2	3/4 ⁶⁾
Fuse-links bolts tightening torque			Nm	2		2		3.5
Operating torque	Typical for 3-pole switch fuses		Nm	3	3	3	3	5

* = Utilization category B

¹⁾ Ambient temperature 60°C: derating 20%. Mounting on "ceiling": derating 10%

²⁾ OS160G: Mounting on wall, horizontal fuses: derating 5%

³⁾ Some fuse links limit these figures further. Starting current characteristics must be considered separately

⁴⁾ Acc. to IEC 60947-1, § 6.1.1. Minimum ambient temperature -5°C. Category B: -5°C...-35°C

⁵⁾ Max. fuse body diam. 22 mm

⁶⁾ 3 Nm with cable sizes 2.5...6 mm²,

4 Nm with cable sizes 10...25 mm²

Technical data, IEC

Switch fuses OS50...160G

Technical data according to IEC 60947-3		Switch size	A	OS_50G	OS_63G	OS_100G	OS_125G	OS_160G
Rated insulation voltage	Pollution degree 3		V	1 000	1 000	1 000	1 000	1 000
Dielectric strength		50 Hz 1min.	kV	10	10	10	10	10
Rated impulse withstand voltage			kV	12	12	8	8	8
Rated thermal current in ambient	In open air		A/W	50/7.5	63/7.5	100/12	125/12	160/12
35 °C and temporarily 40 °C ⁵⁾ / max. fuse power dissipation ¹⁾	In enclosure ²⁾		A/W	50/7.5	63/7.5	100/12	125/12	160/12
...with minimum cable cross section		Cu	mm ²	10	16	50	50	70
Rated operational voltage AC-20 and DC-20			V	1 000	1 000	1 000	1 000	1 000
Rated operational current, AC-21A		up to 500 V	A	50	63	100	125	160
		690 V	A	50	63	100	125	160
Rated operational current, AC-22A		up to 500 V	A	50	63	100	125	160
		690 V	A	50	63	100	125	160
Rated operational current, AC-23A		up to 500 V	A	50	63	100	125	160
		690 V	A	50	63	100	125	160
Rated operational current / poles in series DC-21A		48 V	A	50/2	63/2	100/2	125/2	160/2
		110-220 V	A	50/2*	63/2*	100/2*	125/2*	125/2*
		440 V	A	50/4*	50/4*	100/4*	125/4*	125/4*
Rated operational current / poles in series DC-22A		48 V	A	50/2	63/2	100/2	125/2	160/2
		110-220 V	A	50/2*	63/2*	100/2*	125/2*	125/2*
Rated operational current / poles in series DC-23A		48 V	A	50/2	63/2	100/2	125/2	160/2
		110-220 V	A	50/2*	63/2*	100/2*	125/2*	125/2*
Rated operational power, AC-23 ⁴⁾	The kW-ratings are accurate for three-phase 1500 R.P.M. standard asynchronous motors.	230 V	kW	11	18.5	30	37	45
		400 V	kW	22	30	55	55	75
		415 V	kW	22	30	55	55	75
		500 V	kW	30	37	55	75	90
		690 V	kW	37	55	90	110	132
Rated breaking capacity in category AC-23		≤ 690 V	A	504	504	1280	1280	1280
Rated breaking capacity / poles in series in category DC-23		up to 220 V	A	252/2	252/2	640/2	640/2	640/2
Rated conditional short-circuit current I _p (r.m.s.) and corresponding max. allowed cut-off current I _c	at prospective SC-current	80 kA, 415 V	kA	13.5	13.5	23.5	23.5	23.5
	Max. OFA _{max} fuse size gG / aM		A	80/63	80/63	160/160	160/160	160/160
	at prospective SC-current	100 kA, 500 V	kA	12.5	12.5	25.5	25.5	25.5
	Max. OFA _{max} fuse size gG / aM		A	63/50	63/50	160/160	160/160	160/160
The cut-off current I _c refers to values listed by fuse manufacturers (single phase test acc. to IEC60269).	at prospective SC-current	50 kA, 690 V	kA	9.5	9.5	17.5	17.5	17.5
	Max. OFA _{max} fuse size gG / aM		A	63/50	63/50	125/160	125/160	125/160
	at prospective SC-current	80 kA, 690 V	kA	11.5	11.5	20.5	20.5	20.5
	Max. OFA _{max} fuse size gG / aM		A	50/50	50/50	125/160	125/160	125/160
Rated short-time withstand current, 1 s.	r.m.s. -value		kA	2.5	2.5	5	5	5
Rated capacitor power when no initial charge on the capacitor	The capacitor rating of the switch-fuse is limited by the fuse link.	400 V	kVAr	20	25	40	50	60
		415 V	kVAr	25	32	42	55	65
		690 V	kVAr	42	50	75	90	100
Power loss / pole	With rated current, without fuse		W	2.5	4	4	5	9
Mechanical endurance	Divide by two for operation cycles		Oper.	20 000	20 000	20 000	16 000	16 000
Fuse types, IEC 60269-2-1	DIN 43620				000		000, 00	000, 00
	NFC 63210, 63211			14x51			22x58	
	BS 88-2, -6 -size / distance of fuse-link bolts		mm		A2-A3 ³⁾	A2-A4 ³⁾	A2-A4 ³⁾	A2-A4 ³⁾
			mm		M5/73	M5/73, M8/94	M5/73, M8/94	M5/73, M8/94
Cable size		Cu	mm ²	2.5...25	2.5...25			
Terminal tightening torque	Counter torque required		Nm	3/4 ⁷⁾	3/4 ⁷⁾	15-22	15-22	15-22
Fuse-links bolts tightening torque			Nm		3.5	M5:3.5 M8:5	M5:3.5 M8:5	M5:3.5 M8:5
Operating torque	Typical for 3-pole switch fuses		Nm	5	5	7	7	7

* = Utilization category B

¹⁾ Ambient temperature 60°C: derating 20%. Mounting on "ceiling": derating 10%

²⁾ OS160G: Mounting on wall, horizontal fuses: derating 5%

³⁾ Max. fuse body diam. 32 mm

⁴⁾ Some fuse links limit these figures further. Starting current characteristics must be considered separately

⁵⁾ Acc. to IEC 60947-1, § 6.1.1. Minimum ambient temperature -5°C. Category B: -5°C...-35°C

⁶⁾ Max. fuse body diam. 22 mm

⁷⁾ 3 Nm with cable sizes 2.5...6 mm²,
4 Nm with cable sizes 10...25 mm²

Technical data, IEC

Switch fuses OS/OSM200...1250

Technical data according to IEC 60947-3		Switch size	A	OS_200GB	OS_200_	OS_250_	OS_315_	OS_400_
Rated insulation voltage and rated operational voltage AC-20 and DC-20	Pollution degree 3		V	1 000	1000	1 000	1 000	1 000
Dielectric strength		50 Hz 1min.	kV	10	10	10	10	10
Rated impulse withstand voltage			kV	8	12	12	12	12
Rated thermal current in ambient 35 °C and temporarily 40 °C ⁵⁾ / max. fuse power dissipation	In open air		A/W	200/14	200/17	250/23	315/32	400/45
...with minimum cable cross section	In enclosure		A/W	200/14	200/15	250/20	315/32	400/30
Derating, mounting on wall horizontal fuses	In open air or ventilated enclosure	Cu	mm ²	70	95	120	185	240
Derating, mounting on ceiling	Totally enclosed		%	0	0	0	0	4
Derating at 60 °C			%	5	5	5	5	8
Rated operational current AC-22B	In open air / in enclosure		%	10	10	10	10	10
Rated operational current AC-21A			%	20/20	20/20	20/20	20/20	20/20
Rated operational current AC-22A		≤ 415 V	A	200				
		≤ 500 V	A	160	200	250	315	400
		690 V	A	160	200	250	315	400
		≤ 415 V	A	160	200	250	315	400
		500 V	A	160	200	250	315	400
		690 V	A	160	200	250	315	400
		≤ 415 V	A	160	200	250	315	400
		500 V	A	160	200	250	315	400
		690 V	A	160	200	250	315	400
		≤ 220 V	A	125/2 ⁶⁾	200/1	250/1	315/2	400/2
		440 V	A	125/4 ⁶⁾	200/2	250/2	315/3 ⁴⁾	400/3 ⁴⁾
		660 V	A		200/3	250/3	315/4 ⁴⁾	400/4 ⁴⁾
		750 V	A		180/4	230/4	315/4 ⁴⁾	400/4 ⁴⁾
		880 V	A		180/4	230/4		
		230 V	kW	45	60	75	100	132
		400 V	kW	75	110	140	160	220
		415 V	kW	75	110	145	180	230
		500 V	kW	90	132	170	220	280
		690 V	kW	132	200	250	315	400
		≤ 690 V	A	1280	1600	2000	3200	3200
	at prospective SC-current	80 kA, 415 V	kA	23.5	35	40.5		59
	Max. OFA_fuse size gG/aM		A	160/160	250/200	355/315		500/500
	at prospective SC-current	100 kA, 500 V	kA	25.5	37.5	37.5		63.5
	Max. OFA_fuse size gG/aM		A	160/160	250/200	250/250		500/500
	at prospective SC-current	80 kA, 690 V	kA	20.5	25	32.5		46
	Max. OFA_fuse size gG/aM		A	125/160	160/	200/250		315/400
	at prospective SC-current	50 kA, 415 V	kA	17.5	28	28	44	44
	Max. BS fuse size gG/gM		A	125/160	200/200M315	250/200M315	400/400M500	400/400M500
	at prospective SC-current	80 kA, 690 V	kA	20.5	28	28	48	48
	Max. BS fuse size gG/gM		A	125/160	200/200M250	250/200M250	400/400M450	400/400M450
	r.m.s. -value		kA	5	8	8	14	14
	Max. distance from switch frame to nearest busbar/cable support		mm	150	150	150	150	150
	The capacitor ratings of the switch-fuses are limited by the fuse links	400 V	kVAr	60	90	105	145	180
		415 V	kVAr	65	100	115	160	200
		500 V	kVAr		120	135	175	215
		690 V	kVAr	100	160	190	250	325
	With rated current, without fuse		W	9	8	13	19	30
	Divide by two for operation cycles		Oper.	16 000	20 000	20 000	16 000	16 000
	Sec. I, DIN 43620				0	0-1		0-2
	Sec. IA, NFC 0-3 Ref.A, 4a Ref.B				1	1		2
	Sec. II, BS 88			A2-A4	B1-B2	B1-B3 ³⁾	B1-B4 ³⁾	B1-B4 ³⁾
	Size / distance of fuse-link bolts		mm	M5/73, M8/94	M6/111	M8/111	M8/111	M8/111
	Counter torque required		Nm	15-22	15-22	30-44	30-44	30-44
	Typical for 3-pole switch fuses		Nm	7	7	7	19	19

¹⁾ These values are given for guidance and may vary acc. to the motor manufacturer

²⁾ Max fuse body dia 52 mm

³⁾ Max fuse body dia 62 mm

⁴⁾ Category B

⁵⁾ Acc. to IEC 60957-2, IEC 60947-1, § 6.1.1. Minimum ambient temperature -5°C. Category B: -5°C...-35°C

⁶⁾ Utilization category DC21-B

Technical data, IEC

Switch fuses OS/OSM200...1250

Technical data according to IEC 60947-3		Switch size	A	OS_630_	OS_800_	OS_1250_
Rated insulation voltage and rated operational voltage AC-20 and DC-20	Pollution degree 3		V	1000	1000	1000
Dielectric strength		50 Hz 1min.	kV	10	10	10
Rated impulse withstand voltage			kV	12	12	12
Rated thermal current in ambient 35 °C and temporarily in 40 °C ³⁾ / max. fuse power dissipation	In open air		A/W	630/60	800/65	1250/110
...with minimum cable cross section	In enclosure		A/W	570/50	720/55	1000/85
		Cu	mm ²	2 x 185	2 x 240	2 x 400
Derating, mounting on wall horizontal fuses	In open air or ventilated enclosure		%	0	4	4
	Totally enclosed		%	5	8	8
Derating, mounting on 'ceiling'			%	10	10	10
Derating at 60 °C	In open air / in enclosure		%	20/20	20/20	20/20
Rated operational current AC-21A		≤ 500 V	A	630	800	1250 ⁴⁾
		690 V	A	630	800	1250 ⁴⁾
Rated operational current AC-22A		≤ 415 V	A	630	800	1250
		500 V	A	630	800	1250 ⁴⁾
		690 V	A	630	800	1250 ⁴⁾
Rated operational current AC-23A		≤ 415 V	A	630 ²⁾	800	1000
		500 V	A	630 ²⁾	800	1000 ⁴⁾
		690 V	A	630 ²⁾	800	1000 ⁴⁾
Rated operational current / poles in series DC-21A, DC-22A and DC-23A		≤ 220 V	A	630/1 ²⁾	800/1 ²⁾	
		440 V	A	630/2 ²⁾	800/2 ²⁾	
		660 V	A	630/3 ²⁾	720/3 ²⁾	
		750 V	A	630/4 ²⁾	720/4 ²⁾	
		880 V	A	630/4 ²⁾	720/4 ²⁾	
Rated operational power AC-23 ¹⁾		230 V	kW	200	250	315
		400 V	kW	355	450	560
		415 V	kW	355	450	560
		500 V	kW	450	560	710
		690 V	kW	630	710	1000
Rated breaking capacity AC-23		≤ 690 V	A	6400	6400	8000
Rated conditional short circuit current I _b (r.m.s.) and corresponding max. allowed cut-off current I _c	at prospective SC-current	80 kA, 415 V	kA	77	77	89
	Max. OFA ₂ fuse size gG/aM		A	800/800	800/800	1250/1250
	at prospective SC-current	100 kA, 500 V	kA	83	83	105
	Max. OFA ₂ fuse size gG/aM		A	800/800	800/800	1250/-
The cut-off current I _c refers to values listed by fuse manufacturers (single phase test acc. to IEC60269)	at prospective SC-current	80 kA, 690 V	kA	55	55	88
	Max. OFA ₂ fuse size gG/aM		A	500/630	500/630	1000/1000
	at prospective SC-current	50 kA, 415 V	kA	67	67	90
	Max. BS fuse size gG/gM		A			
Rated short-time withstand current, 1s.	r.m.s. -value		kA	18	18	40
	Max. distance from switch frame to nearest busbar/cable support		mm	150	150	150
Rated capacitor power when no initial charge of the capacitor	The capacitor ratings of the switch-fuses are limited by the fuse links	400 V	kVAr	250	310	440
		415 V	kVAr	270	340	460
		500 V	kVAr	300	375	550
		690 V	kVAr	450	550	750
Power loss / pole	With rated current, without fuse		W	46	75	75
Mechanical endurance	Divide by two for operation cycles		Oper.	10 000	6000	6000
Fuse types, IEC 60269-2	Sec. I, DIN 43620			3	3	4, 4 a
	Sec. IA, NFC 0-3 Ref.A, 4a Ref.B			3	3	4 a
	Sec. II, BS 88			C1-C2	C1-C3	D1
	Size / distance of fuse-link bolts		mm	M10/133, 184	M10/133, 184	2xM12/149
Terminal tightening torque	Counter torque required		Nm	50-75	50-75	50-75
Fuse-links bolts tightening torque			Nm	M10:30 M12:40	M10:30 M12:40	M12:40
Operating torque	Typical for 3-pole switch fuses		Nm	38	38	65

¹⁾ These values are given for guidance and may vary acc. to the motor manufacturer

²⁾ Category B with 4-pole

³⁾ Acc. to IEC 60957-2, IEC 60947-1, § 6.1.1. Minimum ambient temperature -5°C. Category B: -5°C...-35°C

Technical data, IEC

Special connected switch fuses OS125...200

Technical data according to IEC 60947-3		Switch size	A	OS 125G	OS 160G	OS 200
Rated insulation voltage and rated operational voltage AC-20 and DC-20	Pollution degree 3	V		1000	1000	1000
Dielectric strength	50 Hz 1min.	kV		10	10	10
Rated impulse withstand voltage		kV		8	8	12
Rated thermal current in ambient 35 °C and temporarily 40 °C ¹⁰⁾ /max. fuse power dissipation ¹⁾		A/W		125/12	160/12	200/17
...with minimum cable or bar cross section	Cu	mm ²		50	70	95
Rated operational current, AC-21A, AC-22A, AC-23A	up to 690 V	A		125	160	200
Rated operational current/poles in series	48 V	A		125/2	160/2	200/1
DC-21A, DC-22A and DC23-A	110-220 V	A		125/2	125/2*	200/1
	440 V	A		125/4*(DC-21A)	125/4*(DC-21A)	200/2
	660 V	A				200/3
	750 V	A				180/4
	880 V	A				180/4
Rated operational power, AC-23 ²⁾	The kW-ratings are accurate for three-phase 1500 R.P.M. standard asynchronous motors.	230 V 400 V/415 V 500 V/690 V	kW	37 55/55 75/110	45 75/75 90/132	60 100/110 140/180
Rated breaking capacity in category AC-23	up to 690 V	A		1280	1280	1600
Rated breaking capacity/poles in series in category DC-23	up to 220 V	A		640/2	640/2	
Rated conditional short-circuit current I_{cs} (r.m.s.) and corresponding max. allowed cut-off current \hat{I}_c	at prospective SC-current Max. OFA_fuse size gG/aM	80 kA, 415 V	kA	23.5 160/160	23.5 160/160	
The cut-off currents \hat{I}_c refer to values listed by fuse manufacturers ⁷⁾	at prospective SC-current Max. OFA_fuse size gG/aM	100 kA, 500 V	kA	25.5 160/160	25.5 160/160	30 200/200 ⁸⁾
(single phase test acc. to IEC60269)	at prospective SC-current Max. OFA_fuse size gG/aM	50 kA, 690 V	kA	17.5 125/160	17.5 125/160	20 160/-
	at prospective SC-current Max. OFA_fuse size gG/aM	80 kA, 690 V	kA	20.5 125/160	20.5 125/160	25 160/- ⁸⁾
Rated short-time withstand current, 1s.	r.m.s. -value Max. distance from switch frame to nearest busbar/cable support		kA	5	5	8 150
Rated capacitor power when there is no initial charge on the capacitor	The capacitor rating of the switch-fuse is limited by the fuse link	400 V/415 V 690 V	kVAr	50/55 90	60/65 100	
Power loss/pole	With rated current, without fuse	BB, BD, UB P_, L_, _R, _L, LR	W	5	9	8 11
Mechanical endurance	Divide by two for operation cycles		Oper.	20 000	20 000	20 000
Fuse types, IEC 60269-2	DIN 43620	BB, BD, UB P_, L_, _R, _L, LR		000, 00 000, 00	000, 00 000, 00	0
	BS 88	BB, BD, UB		A2-A4 ⁹⁾	A2-A4 ⁹⁾	B1 - B2 ⁴⁾
	-size/distance of fuse-link bolts	BB, BD, UB	mm	M5/73, M8/94	M5/73, M8/94	M6/111
	BS 88	P_, L_, _R, _L, LR		A2-A4 ⁹⁾	A2-A4 ⁹⁾	B1 - B3 ⁴⁾
	-size/distance of fuse-link bolts	P_, L_, _R, _L, LR	mm	M5/73, M8/94	M5/73, M8/94	M8/111
Terminal tightening torque	Counter torque required		Nm	15-22	15-22	M8:15-22 ⁹⁾ , M10:30-44
Fuse-links bolts tightening torque		BB, BD, UB P_, L_, _R, _L, LR	Nm	M5:3.5 M8:5	M5:3.5 M8:5	4 5
Operating torque	Typical for 3 and 4-pole switches		Nm	7	7	7

* B category.

¹⁾ Ambient temperature 60 °C: derating 20%; mounting on ceiling: derating 10%; mounting on wall, horizontal fuses: derating 8%. OS160G: Mounting on wall, horizontal fuses: derating 5%.

²⁾ Some fuse links limit these figures further. Starting current characteristics must be considered separately.

³⁾ Max fuse body dia 52 mm.

⁴⁾ Side terminals tightening torque max 15 Nm.

⁵⁾ BS fuse manufacturers covered by this table ABB, MEM, Bussmann, GEC.

⁶⁾ 3-pole types only.

⁷⁾ Max fuse body dia 32 mm.

⁸⁾ Acc. to IEC 60947-1, § 6.1.1. Minimum ambient temperature -5°C. Category B: -5°C...-35°C.

Technical data, IEC

Special connected switch fuses OS250...400

Technical data according to IEC 60947-3		Switch size	A	OS 250	OS 315	OS 400
Rated insulation voltage and rated operational voltage AC-20 and DC-20		Pollution degree 3	V	1 000	1 000	1 000
Dielectric strength		50 Hz 1min.	kV	10	10	10
Rated impulse withstand voltage			kV	12	12	12
Rated thermal current in ambient 35°C and temporarily 40°C ⁹⁾ /max. fuse power dissipation ¹⁾ ...with minimum cable or bar cross section		Cu	A/W mm ²	250/23 120	315/32 185	400/45 240
Rated operational current, AC-21A, AC-22A, AC-23A		up to 690 V	A	250	315	400
Rated operational current/poles in series DC-21A, DC-22A and DC23-A		48 V	A	250/1	315/2	400/2
		110-220 V	A	250/1	315/2	400/2
		440 V	A	250/2	315/3*	400/3*
		660 V	A	250/3	315/4*	400/4*
		750 V	A	230/4	315/4*	400/4*
		880 V	A	230/4		
Rated operational power, AC-23 ²⁾	The kW-ratings are accurate for three-phase 1500 R.P.M. standard asynchronous motors.	230 V	kW	75	100	110
		400 V/415 V	kW	132/140	170/180	220/230
		500 V/690 V	kW	170/240	220/295	280/355
Rated breaking capacity in category AC-23		up to 690 V	A	2000	3200	3200
Rated conditional short-circuit current I_p (r.m.s.) and corresponding max. allowed cut-off current \hat{i}_c	at prospective SC-current	65 kA, 500 V	kA	32,5		40,5
	Max. OFA_ fuse size gG/aM		A	250/-		400/-
The cut-off currents \hat{i}_c refer to values listed by fuse manufacturers ⁷⁾ (single phase test acc. to IEC60269)	at prospective SC-current	100 kA, 500 V	kA	37,5		63,5
	Max. OFA_ fuse size gG/aM		A	250 /250 ⁸⁾		500/500 ⁸⁾
	at prospective SC-current	50 kA, 690 V	kA	29,5		32
	Max. OFA_ fuse size gG/aM		A	250/-		355/-
	at prospective SC-current	80 kA, 690 V	kA	32,5		38
	Max. OFA_ fuse size gG/aM		A	200/250 ⁸⁾		355/400 ⁸⁾
	at prospective SC-current	50 kA, 415 V	kA	26	28	34
	Max. BS fuse size gG/gM		A	250/-	315/-	400/-
	at prospective SC-current	80 kA, 415 V	kA	30	50	50
	Max. BS fuse size gG/gM		A	250/200M250 ⁸⁾	400/400M500 ⁸⁾	400/400M500 ⁸⁾
Rated short-time withstand current, 1s.	r.m.s. -value		kA	8	14	14
	Max. distance from switch frame to nearest busbar/cable support		mm	150	150	150
	Rated capacitor power when there is no initial charge on the capacitor	The capacitor rating of the switch-fuse is limited by the fuse link	400 V/415 V 690 V	kVar kVar		
	Power loss/pole	With rated current, without fuse	BB, BD, UB	W	13	19
		P_, L_, _R, _L, LR	W	17	25	
Mechanical endurance	Divide by two for operation cycles		Oper.	20 000	16 000	16 000
Fuse types, IEC 60269-2	DIN 43620	BB, BD, UB		0 - 1		0 - 2
		P_, L_, _R, _L, LR		0 - 1		0 - 2
	BS 88	BB, BD, UB		B1 - B3 ⁴⁾	B1 - B4 ⁶⁾	B1 - B4 ⁶⁾
	-size/distance of fuse-link bolts	BB, BD, UB	mm	M8/111	M8/111	M8/111
	BS 88	P_, L_, _R, _L, LR		B1 - B3 ⁴⁾	B1 - B4 ⁶⁾	B1 - B4 ⁶⁾
-size/distance of fuse-link bolts	P_, L_, _R, _L, LR	mm	M8/111	M8/111	M8/111	
Terminal tightening torque	Counter torque required		Nm	M8:15-22 ⁹⁾ ,M10:30-44	M8:15-22 ⁹⁾ ,M10:30-44	M8:15-22 ⁹⁾ ,M10:30-44
Fuse-links bolts tightening torque		BB, BD, UB	Nm	5	20	20
		P_, L_, _R, _L, LR	Nm	5	20	20
Operating torque	Typical for 3 and 4-pole switches		Nm	7	19	19

⁴⁾ B category.

¹⁾ Ambient temperature 60 °C: derating 20%; mounting on ceiling: derating 10%; mounting on wall, horizontal fuses: derating 8%. OS160G: Mounting on wall, horizontal fuses: derating 5%.

²⁾ Some fuse links limit these figures further. Starting current characteristics must be considered separately.

³⁾ Plug in types: fuse size gG/aM:400/400.

⁴⁾ Max fuse body dia 52 mm.

⁵⁾ Side terminals tightening torque max 15 Nm.

⁶⁾ Max fuse body dia 62 mm.

⁷⁾ BS fuse manufacturers covered by this table ABB, MEM, Busmann, GEC.

⁸⁾ 3-pole types only.

⁹⁾ Acc. to IEC 60947-1, § 6.1.1. Minimum ambient temperature -5°C. Category B: -5°C...-35°C.

Technical data, UL/CSA

Fusible disconnect switches OS30...200

	Switch size	A	OS Mini 30	OS 60G	OS 100G	OS 200
Approvals ^{*)}		2 pole	-	UL98, IEC	UL98, IEC	UL98, IEC
		3 pole	UL98, IEC	UL98, IEC	UL98, IEC	UL98, IEC
		4 pole	UL98, IEC	UL98, IEC	UL98, IEC	UL98, IEC

Technical data according to UL/CSA

General purpose amp rating	pf= 0.7...0.8	up to 40 °C	A	30	60	100	200
Max. operating voltage			VAC	600	600	600	600
			VDC		250	250	250
Max. horsepower rating / motor FLA current	pf= 0.4...0.5 Three phase	240 V	HP/A	7.5/22.0	15/42.0	30/80.0	60/154.0
		480 V	HP/A	15/21.0	30/40.0	60/77.0	125/156.0
		600 V	HP/A	20/22.0	50/52.0	75/77.0	150/144.0
	Single phase	120 V	HP/A	2/24.0			
		240 V	HP/A	3/17.0			
Short circuit rating with fuse, 3 and 4-pole types			kA	200	200	200	200
	UL/CSA fuse size		A	30	60	100	200
	UL/CSA fuse type		J/CC	J	J	J	J
Min. electrical endurance	pf= 0.75...0.8	operation cycles		6000	6000	6000	6000
Terminal lug kits				Integral	Integral	OZXA-24	OZXA-200
Wire range			AWG	#18-8	#14-4	#14-2/0	#4-300MCM
Torque	Wire tightening		lb.in	17	30/35 ⁴⁾	120	275
	Lug mounting		lb.in	N/A	N/A	50	72

Technical data according to IEC 60947-3

Rated insulation voltage	Pollution degree 3		V	1 000	1 000	1 000	1 000
Dielectric strength		50 Hz 1min.	kV	10	10	10	10
Rated impulse withstand voltage			kV	12			12
Rated thermal current in ambient 40 °C/ max. fuse power dissipation ¹⁾	In open air		A/W	32/3.5	63/7.5	160/12	200/17
	In enclosure ²⁾		A/W	32/3.5	63/7.5	160/10,135/12	200/15
...with minimum cable cross section		Cu	mm ²	6	16	70	95
Rated operational current, AC-23A		up to 500 V	A	32	63	160	200
		690 V	A	32	63	160	200
Rated operational power, AC-23 ³⁾	The kW-ratings are accurate for three-phase 1500 R.P.M. standard asynchronous motors.	230 V	kW	7.5	18.5	45	60
		400 V	kW	15	30	75	110
		415 V	kW	15	30	75	110
		500 V	kW	18.5	37	90	132
		690 V	kW	22	55	132	200
Rated breaking capacity in category AC-23		up to 500 V	A	256	504	1280	1600
		690 V	A	256	504	1280	1600
Rated short-time withstand current, 1 s	r.m.s. -value		kA	1	2.5	5	8
Power loss / pole	With rated current, without fuse		W	2	4	9	8
Built-in terminal size		Cu	mm ²	0.75...10	2.5...25		
Fuse-links bolts tightening torque			Nm			4	4

^{*)} UL listed disconnects are also listed under CSA requirements

¹⁾ Ambient temperature 60 °C: derating 20%

²⁾ Mounting on "ceiling": derating 10%. Mounting on wall, horizontal fuses: derating 8%.

³⁾ Some fuse links limit these figures further. Starting current characteristics must be considered separately.

⁴⁾ 30 lb.in with cable size #14-10, 35 lb.in with cable size #8-4

Technical data, UL/CSA

Fusible disconnect switches OS400...1200

	Switch size	A	OS 400	OS 600	OS 800	OS 1200
Approvals *)		2 pole	UL98, IEC	UL98, IEC	UL98, IEC	UL98, IEC
		3 pole	UL98, IEC	UL98, IEC	UL98, IEC	UL98, IEC
		4 pole	UL98, IEC	UL98, IEC	UL98, IEC	UL98, IEC

Technical data according to UL/CSA

General purpose amp rating	pf= 0.7...0.8	up to 40 °C	A	400	600	800	1200	
Max. operating voltage			VAC	600	600	600	600	
			VDC	250	250	250	250	
Max. horsepower rating / motor FLA current	pf= 0.4...0.5 Three phase	240 V	HP/A	125.0/312.0	200/480.0	250/602.0		
			480 V	HP/A	250.0/302.0	400/477.0	500/590.0	
			600 V	HP/A	350.0/336.0	500/472.0	500/472.0	
		Single phase	120 V	HP/A				
		240 V	HP/A					
Short circuit rating with fuse, 3 and 4-pole types	UL/CSA fuse size		kA	200	200	200	200	
			UL/CSA fuse type	A	400	600	800	1200
			J	J	L	L		
Min. electrical endurance	pf= 0.75...0.8	operation cycles		1000	1000	500	500	
Terminal lug kits				OZXA-400	OZXA-800	OZXA-800	OZXA-1200	
Wire range			AWG	#2-600MCM	(2)#2-600MCM	(2)#2-600MCM	(4)#2-600MCM	
Torque	Wire tightening		lb.in	375	500	500	500	
	Lug mounting		lb.in	240	480	480	480	

Technical data according to IEC 60947-3

Rated insulation voltage	Pollution degree 3		V	1 000	1 000	1 000	1000
Dielectric strength		50 Hz 1min.	kV	10	10	10	10
			kV	12	12	12	12
Rated impulse withstand voltage							
Rated thermal current in ambient 40 °C/ max. fuse power dissipation ¹⁾	In open air		A/W	400/45	630/60	800/65	1250/110
	In enclosure ²⁾		A/W	400/30	570/50	720/55	1000/85
...with minimum cable cross section		Cu	mm ²	240	2x185	2x240	2x400
Rated operational current, AC-23A		up to 500 V	A	400	630	800	1000 ⁴⁾
			690 V	A	400	630	800
Rated operational power, AC-23 ³⁾	The kW-ratings are accurate for three-phase 1500 R.P.M. standard asynchronous motors.	230 V	kW	132	200	250	315 ⁴⁾
		400 V	kW	220	355	450	560 ⁴⁾
		415 V	kW	230	355	450	560 ⁴⁾
		500 V	kW	280	450	560	710 ⁴⁾
		690 V	kW	400	630	710	1000 ⁴⁾
Rated breaking capacity in category AC-23		up to 500 V	A	3200	6400	6400	8000
			690 V	A	3200	6400	6400
Rated short-time withstand current, 1 s	r.m.s. -value		kA	14	20	20	
Power loss / pole	With rated current, without fuse		W	30	46	75	75
Built-in terminal size		Cu	mm ²				
Fuse-links bolts tightening torque			Nm	20	40	40	40

¹⁾ Ambient temperature 60 °C: derating 20%

²⁾ Mounting on "ceiling": derating 10%. Mounting on wall, horizontal fuses: derating 8%.

³⁾ Some fuse links limit these figures further. Starting current characteristics must be considered separately.

⁴⁾ = Utilization category B

^{*)} UL listed disconnects are also listed under CSA requirements

Technical data, motor operators, IEC Motorized switch fuses OSM32...250

Data for motor operator OSM according to IEC 60947		Switch size	A	32...63	100...160	200...250
Rated operational voltage U_e	Pollution degree 3 50/60 Hz		V AC		220 - 240	220 - 240
Operating voltage range				$0.85 - 1.1 \times U_e$	$0.85 - 1.1 \times U_e$	$0.85 - 1.1 \times U_e$
Operating time ¹⁾	90° I - 0, 0 - I	220-240VAC	s	0.5 - 1.0	0.5 - 1.0	0.5 - 1.0
Nominal current I_n ¹⁾		220-240VAC	A	0.3	0.3	0.3
Current Inrush ¹⁾		220-240VAC	A	1.5	1.5	1.5
Overload fuse	Type / I_n / Capacity	220-240VAC	mA	T / 315 / H	T / 315 / H	T / 315 / H
	Size		mm	5x20	5x20	5x20
Operating rate	Cycle 0 - I - 0					
	Max. continuous	220-240VAC	cycles / min	1	1	1
	Max. short-time ≤ 10 cycles	220-240VAC	cycles / min	10	10	10
Overvoltage category				III	III	III
Rated impulse withstand voltage U_{mp}			kV	4	4	4
Dielectric strength		50 Hz 1 min.	kV	1.5	1.5	1.5
Impulse command		Min. impulse duration	ms		100	100
Terminals	Voltage supply wiring for U_e		PE - N - L	PE - N - L	PE - N - L	PE - N - L
	Cross section	solid/stranded	mm ²	1.5 - 2.5	1.5 - 2.5	1.5 - 2.5
	Short-circuit protection device	max.fuse size	A	16	16	16
	Push-button control	C - I - 0		no SELV	no SELV	no SELV
	Cross section	solid/stranded	mm ²	1.5 - 2.5	1.5 - 2.5	1.5 - 2.5
	Maximum cable length		m	100	100	100
State information of locking				no SELV	no SELV	no SELV
	Handle attached or motor operator locked	11-12-14 (C/O)	$\cos\phi=1$	5A/250V	5A/250V	5A/250V
	Locking motor operator	23-24 (NO)	$\cos\phi=1$	5A/250V	5A/250V	5A/250V
	Short-circuit protection device	MCB type and size		C/2A	C/2A	C/2A
Protection degree				IP20	IP20	IP20
Operating temperature			°C	-25...+55	-25...+55	-25...+55
Transportation and storage temperature			°C	-40...+70	-40...+70	-40...+70
Max. altitude			m	2000	2000	2000

¹⁾ Under nominal conditions

Technical data, motor operators, IEC

Motorized switch fuses OSM315...1250

Data for motor operator OSM according to IEC 60947		Switch size	A	315...400	630...800	1250
Rated operational voltage U_e	Pollution degree 3 50/60 Hz		V AC	220 - 240	220 - 240	220 - 240
Operating voltage range				$0.85 - 1.1 \times U_e$	$0.85 - 1.1 \times U_e$	$0.85 - 1.1 \times U_e$
Operating time ¹⁾	90° I - 0, 0 - I	220-240VAC	s	0.5 - 1.2	0.5 - 1.5	0.8 - 2.0
Nominal current I_n ¹⁾		220-240VAC	A	0.5	0.9	1.4
Current Inrush ¹⁾		220-240VAC	A	2.5	4	10
Overload fuse	Type / I_n / Capacity	220-240VAC	mA	T / 500 / H	T / 1000 / H	T / 2000 / H
	Size		mm	5x20	5x20	5x20
Operating rate	Cycle 0 - I - 0					
	Max. continuous	220-240VAC	cycles / min	1	1	0.5
	Max. short-time ≤ 10 cycles	220-240VAC	cycles / min	10	10	5
Overvoltage category				III	III	
Rated impulse withstand voltage U_{imp}			kV	4	4	
Dielectric strength		50 Hz 1 min.	kV	1.5	1.5	
Impulse command		Min. impulse duration	ms	100	100	
Terminals	Voltage supply wiring for U_e		PE - N - L	PE - N - L	PE - N - L	
	Cross section	solid/stranded	mm ²	1.5 - 2.5	1.5 - 2.5	1.5 - 2.5
	Short-circuit protection device	max.fuse size	A	16	16	16
	Push-button control	C - I - 0		no SELV	no SELV	no SELV
	Cross section	solid/stranded	mm ²	1.5 - 2.5	1.5 - 2.5	1.5 - 2.5
	Maximum cable length		m	100	100	100
State information of locking				no SELV	no SELV	no SELV
	Handle attached or motor operator locked	11-12-14 (C/O)	$\cos\phi=1$	5A/250V	5A/250V	5A/250V
	Locking motor operator	23-24 (NO)	$\cos\phi=1$	5A/250V	5A/250V	5A/250V
	Short-circuit protection device	MCB type and size		C/2A	C/2A	C/2A
Protection degree				IP20	IP20	IP20
Operating temperature			°C	-25...+55	-25...+55	-25...+55
Transportation and storage temperature			°C	-40...+70	-40...+70	-40...+70
Max. altitude			m	2000	2000	2000

¹⁾ Under nominal conditions

Type designation key

Explanation of the types OS20...40

OS	25F	F	—	22	10	N1	-2
1	2	3	4	5	6	7	8

1 - Brand	
OS	ABB switch fuse/fusible switch
2- Switch size/ Ampere rating	
20...40F	Mini, 20...40 A
3- Fuse type	
D	DIN
B	BS
F	NFC
AJ	J
ACC	CC
4- Switch operation	
Blank	Front operation
S	Side operation

5 - Number of poles and placing of the operating mechanism	
12	3 poles, operating mechanism between the poles
22	4 poles, operating mechanism between the poles
30	3 poles, operating mechanism at the right end of the switch
6- Fuse size	
A1, A2	BS88, A1, A2
000	DIN 000
10, 14	NFC 10x38, 14x51
7- Fourth pole/neutral terminal	
N1	Non-fused switched neutral on the left side
F	Fused switched neutral
Blank	Terminal not included
8 - Included handle	
Blank	Pistol handle and shaft included
-2	No handle included

Explanation of the types OS32...1250 A

OS	125G	D	—	04	N2	—	P
1	2	3	4	5	6	7	8

1 - Brand	
OS	ABB switch fuse/fusible switch
2- Switch size/ Ampere rating	
32G...200G	Gamma, 32A...200A
200...1250	200A...1250 A
3- Fuse type	
D	DIN
B	BS
F	NFC
J	J
L	L
4- Switch operation	
Blank:	Front operation
S	Side operation
5 - Number of poles and placing of the operating mechanism	
03	3 poles, operating mechanism at the left end of the switch
04	4 poles, operating mechanism at the left end of the switch

12:	3 poles, operating mechanism between the poles
22:	4 poles, operating mechanism between the poles
30:	3 poles, operating mechanism at the right end of the switch
40:	4 poles, operating mechanism at the right end of the switch
6- Fourth pole/neutral terminal	
Blank	Neutral terminal not included
N1	Non-fused switched neutral on the left side
N2	Non-fused switched neutral on the right side
N3	Includes a detachable neutral link integrated into the mechanism
F	Fused switch neutral
7 - Terminals for special connection (only IEC)	
Blank	No special connection
BB	Back in, back out
LR	Left in, right out
8 - Included handle	
Blank	No handle included
P	Pistol handle and shaft
K	Direct mount handle

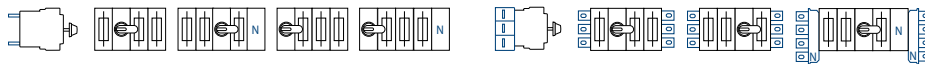
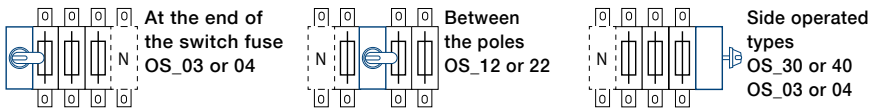
Type designation key

Explanation of the types OSM...1250 A (IEC only)

OSM	125G	B
1	2	3
1 - Brand		
OSM		ABB motorized switch fuse
2- Switch size/ Ampere rating		
32G...200G		Gamma, 32A...200A
200...1250		200A...1250 A
3- Fuse type		
B		BS
D		DIN
4 - Number of poles		
3:		3 poles, motor operator at the left end of the switch

4	N1	M230C
4	5	6
4:		
		4 poles, motor operator at the left end of the switch
5- Fourth pole/neutral terminal		
N1		Non-fused switched neutral on the left side
N2		Non-fused switched neutral on the right side
N3		Includes a detachable neutral link integrated into the mechanism
Blank		Neutral terminal not included
6- Motor operator voltage		
230C		230 V AC

Placing options of the operating mechanism



Ordering information, IEC

Switch fuses, DIN-type

OS32...63GD02P



Front operated switch fuses

Including terminal bolt set in OS125G...160G, a black ON-OFF plastic handle and shaft as standard. The handle is IP65 protected, padlockable in the OFF-position and with door interlock in the ON-position. The shaft is adjustable for a range of installation depths.

Rated op. current AC-20...23A ≤ 690V [A]	Fuse size	No. of poles	Type	Order number	Weight/unit [kg]
---	-----------	--------------	------	--------------	------------------

OS32...63GD04N2P



Mechanism at the end of the switch fuse

Protected tunnel terminals, IP20

32	000	2	OS32GD02P	1SCA116714R1001	1.0
32	000	3	OS32GD03P	1SCA115189R1001	1.3
32	000	4	OS32GD04N2P	1SCA115193R1001	1.6
32	000	4	OS32GD04FP	1SCA115196R1001	1.6
63	000	2	OS63GD02P	1SCA116715R1001	1.0
63	000	3	OS63GD03P	1SCA115207R1001	1.3
63	000	4	OS63GD04N2P	1SCA115209R1001	1.6
63	000	4	OS63GD04FP	1SCA115228R1001	1.6

OS32...63GD04FP



Including terminal bolt set

125	000, 00	2	OS125GD02P	1SCA116716R1001	1.2
125	000, 00	3	OS125GD03P	1SCA115639R1001	1.5
125	000, 00	4	OS125GD04N2P	1SCA115877R1001	1.8
125	000, 00	4	OS125GD04FP	1SCA115686R1001	1.8
160	000, 00	2	OS160GD02P	1SCA116717R1001	1.2
160	000, 00	3	OS160GD03P	1SCA115399R1001	1.5
160	000, 00	4	OS160GD04N2P	1SCA115882R1001	1.8
160	000, 00	4	OS160GD04FP	1SCA115402R1001	1.8

OS125...160GD03P



F = Fused switched neutral

N2 = Non-fused switched neutral on the right side

Shafts and handles included as standard

Suitable for switches	Included shaft	Included handle	Incl. terminal bolts
OS32G...63G_P	OXp6X161	OHB45J6	-
OS125G...160G_P	OXp6X161	OHB65J6	M8X25

Ordering information, IEC

Switch fuses, DIN-type

OS200DZ04N2P



Front operated switch fuses

Including terminal bolt set, a black ON-OFF plastic handle and shaft as standard. The handle is IP65 protected, padlockable in the OFF-position and with door interlock in the ON-position. The shaft is adjustable for a range of installation depths.

OS200...250D03N3P



OS200...250D02P



OS400D04FP



Rated op. current AC-20...23A ≤ 690V [A]	Fuse size	No. of poles	Type	Order number	Weight/unit [kg]
Mechanism at the end of the switch fuse					
200	00	3	OS200DZ03P	1SCA022797R3440	3.3
200	00	4	OS200DZ04N2P	1SCA022820R9230	4.2
200	0	2	OS200D02P	1SCA022759R9220	2.4
200	0	3	OS200D03P	1SCA022709R9500	3.3
200	0	3+N	OS200D03N3P	1SCA022749R8710	3.4
200	0	4	OS200D04N2P	1SCA022709R9680	4.2
200	0	4	OS200D04FP	1SCA022725R4750	4.2
250	0-1	2	OS250D02P	1SCA022760R0170	3.5
250	0-1	3	OS250D03P	1SCA022719R0090	4.3
250	0-1	3+N	OS250D03N3P	1SCA022749R9430	4.4
250	0-1	4	OS250D04N2P	1SCA022719R2380	5.1
250	0-1	4	OS250D04FP	1SCA022726R8620	5.1
400	0-2	2	OS400D02P	1SCA022811R2740	5.4
400	0-2	3	OS400D03P	1SCA022719R0250	7.1
400	0-2	3+N	OS400D03N3P	1SCA022753R9320	7.5
400	0-2	4	OS400D04N2P	1SCA022719R2460	9.1
400	0-2	4	OS400D04FP	1SCA022753R7110	9.1

F = Fused switched neutral, N2 = Non-fused switched neutral on the right side

N3 = Include a detachable neutral link integrated into the mechanism

Shafts and handles included as standard

Suitable for switches	Included shaft	Included handle	Incl. terminal bolts
OS200_P	OXp6X210	OHB65J6	MBX25
OS250_P	OXp6X210	OHB65J6	M10X30
OS400_P	OXp12X250	OHB95J12	M10X30

Ordering information, IEC Switch fuses, DIN-type

OS630...800D02P



Front operated switch fuses

Including terminal bolt set, a black ON-OFF plastic handle and shaft as standard. The handle is IP65 protected, padlockable in the OFF-position and with door interlock in the ON-position. The shaft is adjustable for a range of installation depths. OS1250DA_: a fuse replacement tool is integrated in the fuse cover.

OS630...800D04FP



OS1250D03P



OS1250D04P



Rated op. current AC-20...23A ≤ 690V [A]	Fuse size	No. of poles	Type	Order number	Weight/unit [kg]
Mechanism at the end of the switch fuse					
630	3	2	OS630D02P	1SCA107745R1001	10.3
630	3	3	OS630D03P	1SCA022825R2830	13.6
630	3	3+N	OS630D03N3P	1SCA100858R1001	14.5
630	3	4	OS630D04N2P	1SCA022825R4290	16.9
630	3	4	OS630D04FP	1SCA022825R4610	16.9
800	3	2	OS800D02P	1SCA022837R2650	10.3
800	3	3	OS800D03P	1SCA022825R4880	13.6
800	3	3+N	OS800D03N3P	1SCA100859R1001	14.5
800	3	4	OS800D04N2P	1SCA022825R5180	16.9
800	3	4	OS800D04FP	1SCA022825R5000	16.9
1250 ¹⁾	4	2	OS1250D02P	1SCA114051R1001	37
1250 ¹⁾	4	3	OS1250D03P	1SCA105475R1001	46
1250 ¹⁾	4	3+N	OS1250D03N3P	1SCA107932R1001	47
1250 ¹⁾	4	4	OS1250D04N2P	1SCA105248R1001	55
1250 ¹⁾	4	4	OS1250D04FP	1SCA105473R1001	55
1250 ¹⁾	4a	2	OS1250DA02P	1SCA114059R1001	37
1250 ¹⁾	4a	3	OS1250DA03P	1SCA105238R1001	46
1250 ¹⁾	4a	3+N	OS1250DA03N3P	1SCA107934R1001	47
1250 ¹⁾	4a	4	OS1250DA04N2P	1SCA105243R1001	55
1250 ¹⁾	4a	4	OS1250DA04FP	1SCA105240R1001	55

F = Fused switched neutral, N2 = Non-fused switched neutral on the right side

N3 = Include a detachable neutral link integrated into the mechanism

¹⁾ 1250A / AC-21...22A, 1000A / AC-23A

Shafts and handles included as standard

Suitable for switches	Included shaft	Included handle	Incl. terminal bolts
OS630...800_P	OX P12X280	OHB145J12	M12X40
OS1250_P	OX P12X395	OHB274J12	M12X50

Ordering information, IEC

Switch fuses, DIN-type

OS32...63GD03K



Front operated switch fuses with direct mount handle

Including terminal bolt set in OS125G...160G, a black Test-OFF-ON plastic handle and shaft as standard. The handle is padlockable in the OFF-position. Types OS1250DA_: a fuse replacement tool is integrated in the fuse cover.

OS32...63GD04N2K



OS125...160GD03K



OS125...160GD04FK



Rated op. current AC-20...23A ≤ 690V [A]	Fuse size	No. of poles	Type	Order number	Weight/unit [kg]
---	-----------	--------------	------	--------------	------------------

Mechanism at the end of the switch fuse

Protected tunnel terminals, IP20

32	000	3	OS32GD03K	1SCA116733R1001	1.3
32	000	4	OS32GD04N2K	1SCA116734R1001	1.6
32	000	4	OS32GD04FK	1SCA116737R1001	1.6
63	000	3	OS63GD03K	1SCA116738R1001	1.3
63	000	4	OS63GD04N2K	1SCA116876R1001	1.6
63	000	4	OS63GD04FK	1SCA116739R1001	1.6

Including terminal bolt set

125	000, 00	3	OS125GD03K	1SCA116878R1001	1.5
125	000, 00	4	OS125GD04N2K	1SCA116740R1001	1.8
125	000, 00	4	OS125GD04FK	1SCA116741R1001	1.8
160	000, 00	3	OS160GD03K	1SCA116742R1001	1.5
160	000, 00	4	OS160GD04N2K	1SCA116743R1001	1.8
160	000, 00	4	OS160GD04FK	1SCA116880R1001	1.8

F = Fused fourth pole

N2 = Non-fused switched neutral on the right side

Shafts and handles included as standard

Suitable for switches	Included shaft	Included handle	Incl. terminal bolts
OS32G...63G_K	-	OSV200BK	-
OS125G...160G_K	-	OSV200BK	M8X25

Ordering information, IEC

Switch fuses, DIN-type

OS200...250D03K



Front operated switch fuses with direct mount handle

Including terminal bolt set, a black Test-OFF-ON plastic handle and shaft as standard. The handle is padlockable in the OFF-position. Types OS1250DA_: a fuse replacement tool is integrated in the fuse cover.

OS400D03K



OS630...800D03K



Rated op. current AC-20...23A ≤ 690V [A]	Fuse size	No. of poles	Type	Order number	Weight/unit [kg]
---	-----------	--------------	------	--------------	---------------------

Mechanism at the end of the switch fuse

Including terminal bolt set

200	0	3	OS200D03K	1SCA022764R7130	3.3
200	0	4	OS200D04N2K	1SCA022768R7430	4.2
250	0-1	3	OS250D03K	1SCA022763R6360	4.3
250	0-1	4	OS250D04N2K	1SCA022763R6440	5.1
400	0-2	3	OS400D03K	1SCA022779R5410	7.0
400	0-2	4	OS400D04N2K	1SCA022763R7250	9.0
630	3	3	OS630D03K	1SCA108704R1001	13
630	3	4	OS630D04N2K	1SCA108705R1001	16
800	3	3	OS800D03K	1SCA108725R1001	13
800	3	4	OS800D04N2K	1SCA108722R1001	16
1250 ¹⁾	4	3	OS1250D03K	1SCA108718R1001	45
1250 ¹⁾	4	4	OS1250D04N2K	1SCA108719R1001	54
1250 ¹⁾	4a	3	OS1250DA03K	1SCA108720R1001	45
1250 ¹⁾	4a	4	OS1250DA04N2K	1SCA108721R1001	54

N2 = Non-fused switched neutral on the right side

¹⁾ 1250A / AC-20...22A, 1000A / AC-23A

Shafts and handles included as standard

Suitable for switches	Included shaft	Included handle	Incl. terminal bolts
OS200_K	-	OSV250DK	M8X25
OS250_K	-	OSV250DK	M10X30
OS400_K	-	OSV400DK	M10X30
OS630...800_K	-	OSV800DK	M12X40
OS1250_K	-	OSV1250DK	M12x50

Ordering information, IEC

Switch fuses, DIN-type

OS32...63GDS30K



Side operated switch fuses with pistol handle

Including a black ON-OFF plastic handle and shaft as standard. The handle is IP65 protected, padlockable in the OFF-position and with door interlock in the ON-position. The shaft is adjustable for a range of installation depths.

Rated op. current AC-20...23A ≤ 690V [A]	Fuse size	No. of poles	Type	Order number	Weight/unit [kg]
---	-----------	--------------	------	--------------	------------------

Shaft mounting depths measured from the left side of the switch, 3-pole: H=157...164 mm and 4-pole: H= 193...200 mm. Protected tunnel terminals, IP20.

40	000	3	OS40FDS30000	1SCA108942R1001	0.9
40	000	3	OS40FDS30000-2	1SCA108945R1001	0.7

OS32...63GDS40N2K



Side operated switch fuses with direct mount handle

Including terminal bolt set in OS125G...160G, a black Test-ON-OFF plastic handle and shaft as standard. The handle is padlockable in the OFF-position.

Rated op. current AC-20...23A ≤ 690V [A]	Fuse size	No. of poles	Type	Order number	Weight/unit [kg]
---	-----------	--------------	------	--------------	------------------

Protected tunnel terminals, IP20.

32	000	3	OS32GDS30K	1SCA115929R1001	1.3
32	000	4	OS32GDS40N2K	1SCA116402R1001	1.6
63	000	3	OS63GDS30K	1SCA115931R1001	1.3
63	000	4	OS63GDS40N2K	1SCA116403R1001	1.6
Including terminal bolt set					
125	000, 00	3	OS125GDS30K	1SCA115933R1001	1.5
125	000, 00	4	OS125GDS40N2K	1SCA115934R1001	1.8
160	000, 00	3	OS160GDS30K	1SCA115935R1001	1.5
160	000, 00	4	OS160GDS40N2K	1SCA115939R1001	1.8

N2 = Non-fused switched neutral on the right side

Shafts and handles incl. as standard

Suitable for switches	Included shaft	Included handle	Incl. terminal bolts
OS40FDS_ (OS Mini)	OPX6X150	OHB65J6	-
OS32G...63_K	OPX6X42-T0	OHB65D6	-
OS125G...160G_K	OPX6X42-T0	OHB65D6	M8X25

OS125...160GDS40N2K



Ordering information, IEC Switch fuses, DIN-type

OS200...250DS40FK



Side operated switch fuses with direct mount handle

Including terminal bolt set, a black Test-ON-OFF plastic handle and shaft as standard.
The handle is padlockable in the OFF-position.

OS630...800DS04FK



Rated op. current AC-20...23A ≤ 690V [A]	Fuse size	No. of poles	Type	Order number	Weight/unit [kg]
Including terminal bolt set					
200	0	3	OS200DS30K	1SCA022871R1450	3.6
200	0	4	OS200DS40FK	1SCA022871R1610	4.5
250	0-1	3	OS250DS30K	1SCA022871R2260	4.6
250	0-1	4	OS250DS40FK	1SCA022871R2420	5.4
400	0-2	3	OS400DS30K	1SCA022871R2930	7.5
400	0-2	4	OS400DS40FK	1SCA022871R3150	9.5
630	3	3	OS630DS30K	1SCA108136R1001	14.1
630	3	4	OS630DS40FK	1SCA108138R1001	17
800	3	3	OS800DS30K	1SCA108099R1001	14.1
800	3	4	OS800DS40FK	1SCA108101R1001	17

F = Fused switched neutral

Shafts and handles included as standard:

Suitable for switches	Included shaft	Included handle	Incl. terminal bolts
OS200_K	OXp6X42-T0	OHB65D6	M8x25
OS250_K	OXp6X42-T0	OHB65D6	M10x30
OS315...400_K	OXp12X47-T0	OHB95D12	M10x30
OS630...800_K	OXp12X59-T0	OHB145D12	M12x40

Ordering information, IEC

Switch fuses, DIN-type

OS250D03BBP



OS250D04BBN2P



Special connected switch fuses, back in, back out connection (BB)

Including terminal bolt set, a black ON-OFF plastic handle and shaft as standard. The handle is IP65 protected, padlockable in the OFF-position and with door interlock in the ON-position. The shaft is adjustable for a range of installation depths.

Rated op. current AC-20...23A ≤ 690V [A]	Fuse*) size	No. of poles	Type	Order number	Weight/ unit [kg]
Mechanism at the end of the switch fuse					
125	000, 00	3	OS125GD03BBP	1SCA120802R1001	2.3
125	000, 00	4	OS125GD04BBN2P	1SCA120806R1001	2.7
160	000, 00	3	OS160GD03BBP	1SCA120655R1001	2.3
160	000, 00	4	OS160GD04BBN2P	1SCA120661R1001	2.7
200	0	3	OS200D03BBP	1SCA102150R1001	3.3
200	0	4	OS200D04BBN2P	1SCA102139R1001	4.2
250	0...1	3	OS250D03BBP	1SCA102190R1001	4.3
250	0...1	4	OS250D04BBN2P	1SCA102205R1001	5.1
400	0...2	3	OS400D03BBP	1SCA102260R1001	7.1
400	0...2	4	OS400D04BBN2P	1SCA102289R1001	9.1

N2 = Non-fused switched neutral on the right side

Shafts and handles included as standard

Suitable for switches	Included shaft	Included handle	Incl. terminal bolts
OS125G_...160G_P	0XP6X161	0HB65J6	M8x25
OS200_P	0XP6X210	0HB65J6	M8x25
OS250_P	0XP6X210	0HB65J6	M10x30
OS400_P	0XP12X250	0HB95J12	M10x30

Ordering information, IEC

Switch fuses, DIN-type

OS125...160GD12LRP



Special connected switch fuses, left in, right out connection (LR)

Including terminal bolt set, a black ON-OFF plastic handle and shaft as standard. The handle is IP65 protected, padlockable in the OFF-position and with door interlock in the ON-position. The shaft is adjustable for a range of installation depths. Terminal angles for side terminals are accessories and are not included in standard delivery.

OS200...250D22LR



OS400D12LRP



Rated op. current AC-20...23A ≤ 690V [A]	Fuse*) size	No. of poles	Type	Order number	Weight/ unit [kg]
Mechanism between the poles					
125	000, 00	3	OS125GD12LRP	1SCA120062R1001	2.9
125	000, 00	3	OS125GD21LRP	1SCA120255R1001	2.9
125	000, 00	4	OS125GD22LRP	1SCA120263R1001	3.7
160	000, 00	3	OS160GD12LRP	1SCA120267R1001	2.9
160	000, 00	3	OS160GD21LRP	1SCA120294R1001	2.9
160	000, 00	4	OS160GD22LRP	1SCA120275R1001	3.7
250	0...1	3	OS250D12LRP	1SCA022852R8410	6.2
250	0...1	3	OS250D21LRP	1SCA022852R8500	6.2
250	0...1	4	OS250D22LRP	1SCA022853R0310	9.1
400	0...2	3	OS400D12LRP	1SCA022853R2280	9.6
400	0...2	3	OS400D21LRP	1SCA022853R2360	9.6
400	0...2	4	OS400D22LRP	1SCA022853R4140	12.8

Fuse standards DIN 43620, IEC 60269-2 sec. I

Shafts and handles included as standard

Suitable for switches	Included shaft	Included handle	Incl. terminal bolts
OS125G...160G_P	XP6X161	0HB65J6	M8x25
OS250_P	XP6X210	0HB65J6	M8x16
OS400_P	XP12X250	0HB95J12	M8x16

Ordering information, IEC

Switch fuses, BS-type

OS32...63GB02P



Front operated switch fuses

Including terminal bolt set in OS100G...160G, a black ON-OFF plastic handle and shaft as standard. The handle is IP65 protected, padlockable in the OFF-position and with door interlock in the ON-position. The shaft is adjustable for a range of installation depths.

OS32...63GB04N1P



Rated op. current AC-20...23A ≤ 690V [A]	Fuse size	No. of poles	Type	Order number	Weight/unit [kg]
Protected tunnel terminals IP20, mechanism at the end of the switch					
32	A2, A3	2	OS32GB02P	1SCA116721R1001	1.0
32	A2, A3	3	OS32GB03P	1SCA115259R1001	1.3
32	A2, A3	4	OS32GB04N1P	1SCA114610R1001	1.6
63	A2, A3	2	OS63GB02P	1SCA116854R1001	1.0
63	A2, A3	3	OS63GB03P	1SCA115235R1001	1.3
63	A2, A3	4	OS63GB04N1P	1SCA115238R1001	1.6

Including terminal bolt set, mechanism at the end of the switch

100	A2-A4 ¹⁾	3	OS100GB03P	1SCA114613R1001	1.8
100	A2-A4 ¹⁾	3+N	OS100GB03N3P	1SCA125531R1001	2.1
100	A2-A4 ¹⁾	4	OS100GB04N1P	1SCA114614R1001	2.5
125	A2-A4 ¹⁾	3	OS125GB03P	1SCA115634R1001	1.7
125	A2-A4 ¹⁾	3+N	OS125GB03N3P	1SCA122008R1001	2.1
125	A2-A4 ¹⁾	4	OS125GB04N1P	1SCA115901R1001	2.7
160	A2-A4 ¹⁾	3	OS160GB03P	1SCA115413R1001	1.8
160	A2-A4 ¹⁾	3+N	OS160GB03N3P	1SCA122010R1001	2.1
160	A2-A4 ¹⁾	4	OS160GB04N1P	1SCA115896R1001	2.5

N1 = Non-fused switched neutral on the left side

N3=Detachable neutral link integrated into the mechanism

¹⁾ Max. fuse diameter 32 mm

OS100...160GB03P



Shafts and handles included as standard

Suitable for switches	Included shaft	Included handle	Incl. terminal bolts
OS32G...63G_P	OX6X161	OHB45J6	-
OS100G...160G_P	OX6X161	OHB65J6	M8X25

OS100...160GB03N3P



Ordering information, IEC

Switch fuses, BS-type

OS200...250B02P



Front operated switch fuses

Including terminal bolt set, a black ON-OFF plastic handle and shaft as standard. The handle is IP65 protected, padlockable in the OFF-position and with door interlock in the ON-position. The shaft can be adjusted to different installation depths.

OS200...250B03N3P



OS315...400B03P



Rated op. current AC-20...23A ≤ 690V [A]	Fuse size	No. of poles	Type	Order number	Weight/unit [kg]
Mechanism at the end of the switch fuse					
200	B1-B2	2	OS200B02P	1SCA022769R7820	2.4
200	B1-B2	3	OS200B03P	1SCA022709R9330	3.3
200	B1-B2	3+N	OS200B03N3P	1SCA022750R0620	3.4
250	B1-B3	2	OS250B02P	1SCA022769R9440	3.5
250	B1-B3	3	OS250B03P	1SCA022750R6660	4.3
250	B1-B3	3+N	OS250B03N3P	1SCA022750R8010	4.4
315	B1-B4	2	OS315B02P	1SCA022817R3450	5.4
315	B1-B4	3	OS315B03P	1SCA022719R0680	7.1
315	B1-B4	3+N	OS315B03N3P	1SCA022753R8940	7.5
400	B1-B4	2	OS400B02P	1SCA022813R7220	5.4
400	B1-B4	3	OS400B03P	1SCA022719R0840	7.1
400	B1-B4	3+N	OS400B03N3P	1SCA022753R9160	7.5

N3 = Include a detachable neutral link integrated into the mechanism.

OS200GB_P are optimal for electrical distribution applications and are compact in size.

Rated op. current AC-20...22B ≤ 415V [A]	Fuse size	No. of poles	Type	Order number	Weight/unit [kg]
Mechanism at the end of the switch fuse					
200	A2-A4 ¹⁾	3	OS200GB03P	1SCA125468R1001	2.3
200	A2-A4 ¹⁾	3+N	OS200GB03N3P	1SCA126216R1001	2.3
200	A2-A4 ¹⁾	4	OS200GB04N1P	1SCA125493R1001	2.7

N1 = Non-neutral on the right side

N3 = Include a detachable neutral link integrated into the mechanism.

Shafts and handles included as standard

Suitable for switches	Included shaft	Included handle	Incl. terminal bolts
OS200_GB_P	XP6X161	OHB65J6	M8X25
OS200_P	XP6X210	OHB65J6	M8X25
OS250_P	XP6X210	OHB65J6	M10X30
OS315...400_P	XP12X250	OHB95J12	M10X30

Ordering information, IEC

Switch fuses, BS-type

OS630...800B02P



Front operated switch fuses

Including terminal bolt set, a black ON-OFF plastic handle and shaft as standard. The handle is IP65 protected, padlockable in the OFF-position and with door interlock in the ON-position. The shaft is adjustable for a range of installation depths.

Rated op. current AC-20...23A ≤ 690V [A]	Fuse size	No. of poles	Type	Order number	Weight/unit [kg]
Mechanism at the end of the switch fuse					
630	C1-C2	2	OS630B02P	1SCA113529R1001	10.3
630	C1-C2	3	OS630B03P	1SCA022825R5850	13.6
630	C1-C2	3+N	OS630B03N3P	1SCA100860R1001	14.5
800	C1-C3	2	OS800B02P	1SCA022837R6480	10.3
800	C1-C3	3	OS800B03P	1SCA022825R7550	13.6
800	C1-C3	3+N	OS800B03N3P	1SCA100861R1001	14.5
1250 ¹⁾	D1	2	OS1250B02P	1SCA114070R1001	37
1250 ¹⁾	D1	3	OS1250B03P	1SCA105250R1001	46
1250 ¹⁾	D1	3+N	OS1250B03N3P	1SCA107936R1001	47

N3 = Include a detachable neutral link integrated into the mechanism.

¹⁾ 1250A / AC-20...22A, 1000A / AC-23A

OS630...800B03N3P



Shafts and handles included as standard

Suitable for switches	Included shaft	Included handle	Incl. terminal bolts
OS630...800_P	0XP12X280	0HB145J12	M12X40
OS1250_P	0XP12X395	0HB274J12	M12X50

OS1250D03P



Ordering information, IEC

Switch fuses, BS-type

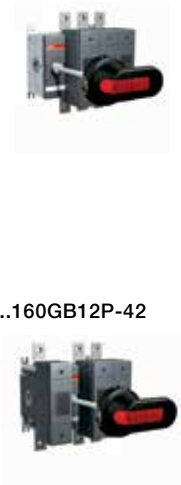
Terminals with integrated nuts



Front operated switch fuses

These types (-42) have nuts integrated on the back of the terminals, for easy installation. A black ON-OFF plastic handle and shaft included as standard. The handle is IP 54 protected, padlockable in OFF position and has door interlock in the ON-position and when padlocked. The shaft can be adjusted to different installation depth.

OS100...200GB03P-42



OS100...160GB12P-42



OS100...200GB03N3P-42



Rated op. current AC-20...23A ≤ 690V [A]	Fuse size	No. of poles	Type	Order number	Weight/unit [kg]
Mechanism Mechanism between the poles					
100	A2-A4 ¹⁾	3+N	OS100GB12N3P-42	1SCA129910R1001	2.7
125	A2-A4 ¹⁾	3+N	OS125GB12N3P-42	1SCA129914R1001	2.7
160	A2-A4 ¹⁾	3+N	OS160GB12N3P-42	1SCA129919R1001	2.7
Mechanism at the end of the switch fuse					
100	A2-A4 ¹⁾	3	OS100GB03P-42	1SCA128217R1001	1.7
100	A2-A4 ¹⁾	3+N	OS100GB03N3P-42	1SCA129907R1001	2.7
125	A2-A4 ¹⁾	4	OS125GB03P-42	1SCA128215R1001	2.3
125	A2-A4 ¹⁾	3+N	OS125GB03N3P-42	1SCA129912R1001	2.7
160	A2-A4 ¹⁾	3	OS160GB03P-42	1SCA128213R1001	2.3
160	A2-A4 ¹⁾	3+N	OS160GB03N3P-42	1SCA129916R1001	2.7

N3 = Include a detachable neutral link integrated into the mechanism
¹⁾ Max. fuse diameter 32 mm

Rated op. current AC20B-AC22B ≤ 415V [A]	Fuse size	No. of poles	Type	Order number	Weight/unit [kg]
Mechanism at the end of the switch fuse					
200	A2-A4 ¹⁾	3	OS200GB03P-42	1SCA128211R1001	2.3
200	A2-A4 ¹⁾	3+N	OS200GB03N3P-42	1SCA129922R1001	2.7

N3 = Include a detachable neutral link integrated into the mechanism
¹⁾ Max. fuse diameter 32 mm

Shafts and handles included as standard

Suitable for switches	Included shaft	Included handle	Incl. terminal bolts
OS100...125GB_P-42	OSP6X161	OHB65J6	M8x25

Ordering information, IEC

Switch fuses, BS-type

OS32G...63GB03K



Front operated switch fuses with direct mount handle

Including terminal bolt set in OS100G...160G, a black Test-OFF-ON plastic handle and shaft as standard. The handle is padlockable in the OFF-position.

Rated op. current AC-20...23A ≤ 690V [A]	Fuse size	No. of poles	Type	Order number	Weight/unit [kg]
--	-----------	--------------	------	--------------	------------------

Mechanism at the end of the switch fuse

Protected tunnel terminals, IP20

32	A2, A3	3	OS32GB03K	1SCA116744R1001	1.3
32	A2, A3	4	OS32GB04N1K	1SCA116856R1001	1.6
63	A2, A3	3	OS63GB03K	1SCA116745R1001	1.3
63	A2, A3	4	OS63GB04N1K	1SCA116746R1001	1.6

Including terminal bolt set

100	A2-A4 ¹⁾	3	OS100GB03K	1SCA116747R1001	1.5
100	A2-A4 ¹⁾	4	OS100GB04N1K	1SCA116748R1001	1.8
125	A2-A4 ¹⁾	3	OS125GB03K	1SCA116751R1001	1.5
125	A2-A4 ¹⁾	4	OS125GB04N1K	1SCA116752R1001	1.8
160	A2-A4 ¹⁾	3	OS160GB03K	1SCA116753R1001	1.5
160	A2-A4 ¹⁾	4	OS160GB04N1K	1SCA116754R1001	1.8

N1 = Non-fused switched neutral on the left side

¹⁾ Max. fuse diameter 32 mm

OS32G...63GB04N1K



OS100G...160GB03K



Shafts and handles included as standard

Suitable for switches	Included shaft	Included handle	Incl. terminal bolts
OS32G...63G_K	-	OSV200BK	-
OS100G...160G_K	-	OSV200BK	M8X25

OS100G...160GB04N1K



Ordering information, IEC Switch fuses, BS-type

OS630B03K



Front operated switch fuses with direct mount handle

Including terminal bolt set, a black Test-OFF-ON plastic handle and shaft as standard. The handle is padlockable in the OFF-position.

Rated op. current AC-20...23A ≤ 690V [A]	Fuse size	No. of poles	Type	Order number	Weight/unit [kg]
Mechanism at the end of the switch fuse					
Including terminal bolt set					
200	B1-B2	3	OS200B03K	1SCA022763R6950	3.3
250	B1-B3	3	OS250B03K	1SCA022763R6010	4.3
315	B1-B4	3	OS315B03K	1SCA022763R6520	7.0
400	B1-B4	3	OS400B03K	1SCA022763R6790	7.0
630	C1-C2	3	OS630B03K	1SCA108708R1001	13
800	C1-C3	3	OS800B03K	1SCA108713R1001	13
1250A ¹⁾	D1	3	OS1250B03K	1SCA108715R1001	45

¹⁾ 1250A / AC-20...22A, 1000A / AC-23A

Shafts and handles included as standard

Suitable for switches	Included shaft	Included handle	Incl. terminal bolts
OS200_K	-	OSV200BK	M8X25
OS250_K	-	OSV250DK	M10X30
OS315...400_K	-	OSV400BK	M10X30
OS630...800_K	-	OSV800DK	M12X40
OS1250_K	-	OSV1250DK	M12x50

Ordering information

Switch fuses, BS-type

OS32GBS30K



Side operated switch fuses with direct mount handle

Including terminal bolt set (OS125G...160G), a black Test-ON-OFF plastic handle and shaft as standard. The handle is padlockable in the OFF-position.

Rated op. current AC-20...23A ≤ 690V [A]	Fuse size	No. of poles	Type	Order number	Weight/unit [kg]
Protected tunnel terminals, IP20.					
32	A2, A3	3	OS32GBS30K	1SCA115918R1001	1.3
32	A2, A3	4	OS32GBS40N1K	1SCA115923R1001	1.6
63	A2, A3	3	OS63GBS30K	1SCA115924R1001	1.3
63	A2, A3	4	OS63GBS40N1K	1SCA115979R1001	1.6
Including terminal bolt set					
125	A2-A4 ¹⁾	3	OS125GBS30K	1SCA116400R1001	1.5
125	A2-A4 ¹⁾	4	OS125GBS40N1K	1SCA115926R1001	1.8
160	A2-A4 ¹⁾	3	OS160GBS30K	1SCA115927R1001	1.5
160	A2-A4 ¹⁾	4	OS160GBS40N1K	1SCA115928R1001	1.8

N1 = Non-fused switched neutral on the left side
¹⁾ Max. diameter 32 mm

OS32GBS40N1K



OS125GBS30K



Shafts and handles included as standard

Suitable for switches	Included shaft	Included handle	Incl. terminal bolts
OS20F...32F_ (OS Mini)	0XP6X70-V0	0HB65J6	-
OS32G...63G_K	0XP6X42-T0	0HB65D6	-
OS125G...160G_K	0XP6X42-T0	0HB65D6	M8X25

OS125GBS40N1K



Ordering information, IEC Switch fuses, BS-type

OS200...250BS30K



Side operated switch fuses with direct mount handle

Including terminal bolt set, a black Test-ON-OFF plastic handle and shaft as standard. The handle is padlockable in the OFF-position.

OS200...250BS40N2K



Rated op. current AC-20...23A ≤ 690V [A]	Fuse size	No. of poles	Type	Order number	Weight/unit [kg]
200	B1-B2	3	OS200BS30K	1SCA022870R7850	3.6
200	B1-B2	4	OS200BS40N2K	1SCA022870R8230	4.5
250	B1-B3	3	OS250BS30K	1SCA022870R8660	4.6
250	B1-B3	4	OS250BS40N2K	1SCA022870R9040	5.4
315	B1-B4	3	OS315BS30K	1SCA022870R9470	7.5
315	B1-B4	4	OS315BS40N2K	1SCA022870R9800	9.5
400	B1-B4	3	OS400BS30K	1SCA022871R0210	7.5
400	B1-B4	4	OS400BS40N2K	1SCA022871R0640	9.5
630	C1-C2	3	OS630BS30K	1SCA108148R1001	14.1
630	C1-C2	4	OS630BS40N2K	1SCA108151R1001	17
800	C1-C3	3	OS800BS30K	1SCA108084R1001	14.1
800	C1-C3	4	OS800BS40N2K	1SCA108087R1001	17

N2 = Non-fused switched neutral on the right side

Shafts and handles included as standard

Suitable for switches	Included shaft	Included handle	Incl. terminal bolts
OS200_K	XP6X42-T0	OHB65D6	M8x25
OS250_K	XP6X42-T0	OHB65D6	M10x30
OS315...400_K	XP12X47-T0	OHB95D12	M10x30
OS630...800_K	XP12X59-T0	OHB145D12	M12x40

Ordering information, IEC

Switch fuses, BS-type

OS125...160GB03BBP



Special connected switch fuses, back in, back out connection (BB)

Including terminal bolt set, a black ON-OFF plastic handle and shaft as standard. The handle is IP65 protected, padlockable in the OFF-position and with door interlock in the ON-position. The shaft is adjustable for a range of installation depths.

OS200...400B03BBP



OS250...400B04BBN2P



Rated op. current AC-20...23A ≤ 690V [A]	Fuse size	No. of poles	Type	Order number	Weight/unit [kg]
Mechanism at the end of the switch fuse					
125	A2...A4 ¹⁾	3	OS125GB03BBP	1SCA120783R1001	2.3
125	A2...A4 ¹⁾	4	OS125GB04BBN1P	1SCA122597R1001	2.7
160	A2...A4 ¹⁾	3	OS160GB03BBP	1SCA120657R1001	2.3
160	A2...A4 ¹⁾	4	OS160GB04BBN1P	1SCA122598R1001	2.7
200	B1...B2 ²⁾	3	OS200B03BBP	1SCA102082R1001	3.3
200	B1...B2 ²⁾	4	OS200B04BBN2P	1SCA102123R1001	4.2
250	B1...B3 ³⁾	3	OS250B03BBP	1SCA102168R1001	4.3
250	B1...B3 ³⁾	4	OS250B04BBN2P	1SCA102164R1001	5.1
315	B1...B4 ³⁾	3	OS315B03BBP	1SCA102222R1001	7.1
315	B1...B4 ³⁾	4	OS315B04BBN2P	1SCA102225R1001	9.1
400	B1...B4 ³⁾	3	OS400B03BBP	1SCA102252R1001	7.1
400	B1...B4 ³⁾	4	OS400B04BBN2P	1SCA102248R1001	9.1

¹⁾ Max fuse body dia 32 mm

²⁾ Max fuse body dia 52 mm

³⁾ Max fuse body dia 62 mm

N1 = Non-fused switched neutral on the left side

N2 = Non-fused switched neutral on the right side

Shafts and handles included as standard

Suitable for switches	Included shaft	Included handle	Incl. terminal bolts
OS125G...160G_P	XP6X161	OH65J6	M8x25
OS200_P	XP6X210	OH65J6	M8x25
OS250_P	XP6X210	OH65J6	M10x30
OS315...400_P	XP12X250	OH95J12	M10x30

Ordering information, IEC Switch fuses, BS-type

OS125G...160GB12LRP



Special connected switch fuses, left in, right out connection (LR)

Including terminal bolt set, a black ON-OFF plastic handle and shaft as standard. The handle is IP65 protected, padlockable in the OFF-position and with door interlock in the ON-position. The shaft is adjustable for a range of installation depths. Terminal angles for side terminals are accessories and are not included in standard delivery.

OS200...250B12LRP



OS125GB21LRP



OS125GB22LRP



Rated op. current AC-20...23A ≤ 690V [A]	Fuse size	No. of poles	Type	Order number	Weight/unit [kg]
Mechanism between the poles					
125	A2...A4 ¹⁾	3	OS125GB12LRP	1SCA120258R1001	2.9
125	A2...A4 ¹⁾	3	OS125GB21LRP	1SCA120261R1001	2.9
125	A2...A4 ¹⁾	4	OS125GB22LRP	1SCA120265R1001	3.7
160	A2...A4 ¹⁾	3	OS160GB12LRP	1SCA120271R1001	2.9
160	A2...A4 ¹⁾	3	OS160GB21LRP	1SCA120273R1001	2.9
160	A2...A4 ¹⁾	4	OS160GB22LRP	1SCA120277R1001	3.7
200	B1...B2 ²⁾	3	OS200B12LRP	1SCA022854R2910	6.2
200	B1...B2 ²⁾	3	OS200B21LRP	1SCA022854R3050	6.2
200	B1...B2 ²⁾	4	OS200B22LRP	1SCA022854R4290	9.1
250	B1...B3 ²⁾	3	OS250B12LRP	1SCA022854R5690	6.2
250	B1...B3 ²⁾	3	OS250B21LRP	1SCA022854R5850	6.2
250	B1...B3 ²⁾	4	OS250B22LRP	1SCA022854R7210	9.1
315	B1...B4 ³⁾	3	OS315B12LRP	1SCA022854R8790	9.6
315	B1...B4 ³⁾	3	OS315B21LRP	1SCA022854R8870	9.6
315	B1...B4 ³⁾	4	OS315B22LRP	1SCA022855R0000	12.8
400	B1...B4 ³⁾	3	OS400B12LRP	1SCA022855R1400	9.6
400	B1...B4 ³⁾	3	OS400B21LRP	1SCA022855R1580	9.6
400	B1...B4 ³⁾	4	OS400B22LRP	1SCA022855R2710	12.8

¹⁾ Max fuse body dia 32 mm

²⁾ Max fuse body dia 52 mm

³⁾ Max fuse body dia 62 mm

Shafts and handles included as standard

Suitable for switches	Included shaft	Included handle	Incl. terminal bolts
OS125G...160G_P	OXp6X161	OHb65J6	M8x25
OS200...250_P	OXp6X210	OHb65J6	M8x16
OS315...400_P	OXp12X250	OHb95J12	M8x16

Ordering information, IEC

Switch fuses, NFC-type

OS50GF04FP



Front operated switch fuses

Including terminal bolt set in OS125G, a black ON-OFF plastic handle and shaft as standard. The handle is IP65 protected, padlockable in the OFF-position and with door interlock in the ON-position. The shaft is adjustable for a range of installation depths.

Rated op. current AC-20...23A ≤ 690V [A]	Fuse size	No. of poles	Type	Order number	Weight/unit [kg]
Mechanism at the end of the switch fuse					
Protected tunnel terminals, IP20					
50	14x51	2	OS50GF02P	1SCA118345R1001	1.0
50	14x51	3	OS50GF03P	1SCA115492R1001	1.3
50	14x51	4	OS50GF04N1P	1SCA115495R1001	1.6
50	14x51	4	OS50GF04FP	1SCA115498R1001	1.6
Including terminal bolt set					
125	22x58	2	OS125GF02P	1SCA116727R1001	1.2
125	22x58	3	OS125GF03P	1SCA115602R1001	1.5
125	22x58	4	OS125GF04N1P	1SCA115888R1001	1.8
125	22x58	4	OS125GF04FP	1SCA115606R1001	1.8

F = Fused switched neutral

N1 = Non-fused switched neutral on the left side

Shafts and handles included as standard

Suitable for switches	Included shaft	Included handle	Incl. terminal bolts
OS25FF...32FF_ (OS Mini)	XP6X150	OHB65J6	-
OS50G_P	XP6X161	OHB45J6	-
OS125G_P	XP6X161	OHB65J6	M8X25

Ordering information, IEC Switch fuses, NFC-type

OS50GFS40FK



Side operated switch fuses with pistol handle

Including a black ON-OFF plastic handle and shaft as standard. The handle is IP65 protected, Nema type 1, 3R, 12, padlockable in the OFF-position and with door interlock in the ON-position. The shaft is adjustable for a range of installation depths.

Rated op. current AC-20...23A ≤ 690V [A]	Fuse size	No. of poles	Type	Order number	Weight/unit [kg]
---	-----------	--------------	------	--------------	------------------

Shaft mounting depths measured from the left side of the switch, 3-pole: H=154...166 mm and 4 pole: H=189...201 mm. Protected tunnel terminals, IP20.

25	10x38	3	OS25FFS3010	1SCA108639R1001	0.7
25	10x38	3	OS25FFS3010-2	1SCA108808R1001	0.7

F = Fused switched neutral

OS125GFS40FK



Side operated switch fuses with direct mount handle

Including terminal bolt set (OS125G), a black Test-ON-OFF plastic handle and shaft as standard. The handle is padlockable in the OFF-position.

Rated op. current AC-20...23A ≤ 690V [A]	Fuse size	No. of poles	Type	Order number	Weight/unit [kg]
---	-----------	--------------	------	--------------	------------------

Protected tunnel terminals, IP20.

50	14x51	3	OS50GFS30K	1SCA116404R1001	1.3
50	14x51	4	OS50GFS40N1K	1SCA116013R1001	1.6
50	14x51	4	OS50GFS40FK	1SCA116425R1001	1.6

Including terminal bolt set

125	22x58	3	OS125GFS30K	1SCA115944R1001	1.5
125	22x58	4	OS125GFS40N1K	1SCA115945R1001	1.8
125	22x58	4	OS125GFS40FK	1SCA115946R1001	1.8

F = Fused switched neutral

N1 = Non-fused switched neutral on the left side

Shafts and handles included as standard

Suitable for switches	Included shaft	Included handle	Incl. terminal bolts
OS50G_K	XP6X42-T0	OHB65D6	-
OS125G_K	XP6X42-T0	OHB65D6	M8X25

Ordering information, UL/CSA

Switch fuses, CC and J types

OS60GJ12



Front operated fusible disconnect switches

Ampere rating [A]	Fuse size	No. of poles	Type	Order number	Weight/unit [kg]
Mechanism between the poles					
Protected tunnel terminals, IP20, cable size 0.5...10 mm ² , (AWG 18 - 8).					
30	CC, 30A	3	OS30FACC12	1SCA108813R1001	0.7
30	CC, 30A	4	OS30FACC22F	1SCA108819R1001	0.9
30	J, 30A	3	OS30FAJ12	1SCA108824R1001	0.7
30	J, 30A	4	OS30FAJ22F	1SCA108829R1001	0.8
Protected tunnel terminals, IP20, cable size 2.5...25 mm ² (AWG 14 - 4).					
60	J, 60A	3	OS60GJ12	1SCA122981R1001	1.3
60	J, 60A	4	OS60GJ22F	1SCA115468R1001	1.6
Including terminal bolt set					
100	J, 100A	3	OS100GJ12	1SCA115665R1001	2.2
100	J, 100A	4	OS100GJ22F	1SCA115668R1001	2.5
Mechanism at the end of the switch fuse					
Protected tunnel terminals, IP20, cable size 2.5...25 mm ² (AWG 14 - 4).					
60	J, 60A	3	OS60GJ03	1SCA115866R1001	1.3
60	J, 60A	4	OS60GJ04F	1SCA115445R1001	1.6
Including terminal bolt set					
100	J, 100A	3	OS100GJ03	1SCA115436R1001	2.2
100	J, 100A	4	OS100GJ04F	1SCA115438R1001	2.5

F = Fused switched neutral

OS100GJ12



OS60GJ22F



OS100GJ22F



OS100GJ03



Recommended shafts and handles

Suitable for switches	Shaft	Handle	Terminal bolts
OS30FA (OS Mini)	OSP6X150	OHB65J6	-
OS60G	OSP6X161	OHB45J6	-
OS100G	OSP6X161	OHB65J6	M8X25

Ordering information, UL/CSA

Switch fuses, J and L types

OS200J02



Front operated fusible disconnect switches

Including terminal bolt set.

Ampere rating [A]	Fuse size	No. of poles	Type	Order number	Weight/unit [kg]
Mechanism at the end of the switch fuse					
Including terminal bolt set					
200	J/200A	2	OS200J02	1SCA107591R1001	2.1
200	J/200A	3	OS200J03	1SCA022733R6130	3.1
200	J/200A	4	OS200J04F	1SCA022758R9340	4.0
400	J/400A	2	OS400J02	1SCA107592R1001	5.0
400	J/400A	3	OS400J03	1SCA022755R0810	6.8
400	J/400A	4	OS400J04F	1SCA022755R3660	8.6
600	J/600A	2	OS600J02	1SCA107593R1001	10.0
600	J/600A	3	OS600J03	1SCA022825R8610	13.0
600	J/600A	4	OS600J04F	1SCA022839R3900	15.9
800	L/800A	2	OS800L02	1SCA116920R1001	9.8
800	L/800A	3	OS800L03	1SCA022825R9760	13.0
800	L/800A	4	OS800L04F	1SCA022839R5350	15.9
1200	L/1200A	2	OS1200L02	1SCA116924R1001	37
1200	L/1200A	3	OS1200L03	1SCA105467R1001	45
1200	L/1200A	4	OS1200L04F	1SCA105465R1001	54

F = Fused switched neutral

OS400J04F



OS600J02



Recommended shafts and handles

Suitable for switches	Shaft	Handle	Terminal bolts
OS200	XP6X210	OHB65J6	M8X25
OS400	XP12X250	OHB95J12	M10X30
OS600...800	XP12X280	OHB145J12	M12X40
OS1200	XP12X395	OHB274J12	M12X50

OS800L04F



Ordering information, UL/CSA Switch fuses, CC and J types

OS60GJS40F



OS100GJS30



Side operated fusible disconnect switches

Ampere rating [A]	Fuse size	No. of poles	Type	Order number	Weight/unit [kg]
Protected tunnel terminals, IP20.					
30	CC, 30A	3	OS30FACCS30	1SCA108822R1001	0.7
30	J, 30A	3	OS30FAJS30	1SCA108834R1001	0.8
60	J, 60A	3	OS60GJS30	1SCA116051R1001	1.3
60	J, 60A	4	OS60GJS40F	1SCA115970R1001	1.7
Including terminal bolt set					
100	J, 100A	3	OS100GJS30	1SCA115971R1001	2.3
100	J, 100A	4	OS100GJS40F	1SCA115972R1001	2.7

F = Fused switched neutral

Recommended shafts and handles

Suitable for switches	Shaft	Handle	Terminal bolts
OS30FA (OS Mini)	OX6X70	OHB65J6	-
OS60GJS	OX6X42-T0	OHB65D6	-
OS100GJS	OX6X42-T0	OHB65D6	M8X25

Ordering information, IEC

Motorized switch fuses OSM, DIN-type

OSM63GD3M230C



OSM160GD3M230C



OSM200D4N2M230C



OSM400D3M230C



OSM800D3M230C



OSM1250D3M230C



Motorized switch fuses OSM

Including a handle for manual operation, bolt kit with nut and washers for all terminals (100A...1250A), male connectors for control circuit and a handle and spare fuse storage clip. Type codes for motor voltage $U_e = 220-240 \text{ VAC}$

Rated current AC-20...23 $\leq 690\text{V}$	Fuse size	No. of poles	Type	Order number	Weight/ unit [kg]
32	000	3	OSM32GD3M230C	1SCA116664R1001	7.0
32	000	4	OSM32GD4N2M230C	1SCA118822R1001	7.3
63	000	3	OSM63GD3M230C	1SCA116660R1001	7.0
63	000	4	OSM63GD4N2M230C	1SCA118865R1001	7.3
125	000,00	3	OSM125GD3M230C	1SCA116674R1001	7.6
125	000,00	4	OSM125GD4N2M230C	1SCA118828R1001	7.9
160	000,00	3	OSM160GD3M230C	1SCA116673R1001	7.6
160	000,00	4	OSM160GD4N2M230C	1SCA118831R1001	7.9
200	0	3	OSM200D3M230C	1SCA104284R1001	9.6
200	0	3+N	OSM200D3N3M230C	1SCA104282R1001	9.8
200	0	4	OSM200D4N2M230C	1SCA118836R1001	10.7
250	0-1	3	OSM250D3M230C	1SCA104295R1001	10.4
250	0-1	3+N	OSM250D3N3M230C	1SCA104297R1001	10.5
250	0-1	4	OSM250D4N2M230C	1SCA118838R1001	11.2
400	0-2	3	OSM400D3M230C	1SCA104315R1001	14.8
400	0-2	3+N	OSM400D3N3M230C	1SCA104317R1001	15.1
400	0-2	4	OSM400D4N2M230C	1SCA118842R1001	16.7
630	3	3	OSM630D3M230C	1SCA104518R1001	34
630	3	3+N	OSM630D3N3M230C	1SCA104533R1001	35
630	3	4	OSM630D4N2M230C	1SCA118846R1001	38
800	3	3	OSM800D3M230C	1SCA104522R1001	34
800	3	3+N	OSM800D3N3M230C	1SCA104534R1001	35
800	3	4	OSM800D4N2M230C	1SCA118847R1001	38
1250	4	3	OSM1250D3M230C	1SCA112549R1001	55
1250	4	3+N	OSM1250D3N3M230C	1SCA112547R1001	56
1250	4	4	OSM1250D4N2M230C	1SCA118850R1001	65
1250	4a	3	OSM1250DA3M230C	1SCA112546R1001	55
1250	4a	3+N	OSM1250DA3N3M230C	1SCA112544R1001	56
1250	4a	4	OSM1250DA4N2M230C	1SCA118851R1001	65

Number of poles: 3+N / Type: _N3_ = Include a detachable neutral link integrated into the mechanism
 N2 = Non-fused switched neutral on the right side
 Available on request: F = Fused switched neutral

Handles and bolt kits included as standard

Suitable for switch fuses	Handle+shaft kit	Bolt kit
OSM32...63	OTV250EMK	-
OSM100...200	OTV250EMK	M8x25
OSM250	OTV250EMK	M10x30
OSM400	OTV400EMK	M10x30
OSM630...800	OTV800EMK	M12x40
OSM1250	OTV1000EMK	M12x50

Ordering information, IEC

Motorized switch fuses OSM, BS-type

OSM100GB3M230C



Motorized switch fuses OSM

Including a handle for manual operation, bolt kit with nut and washers for all terminals (100A...1250A), male connectors for control circuit and a handle and spare fuse storage clip. Type codes for motor voltage $U_e = 220-240$ VAC.

OSM250B3N3M230C



OSM250B4N1M230C



OSM315B3N3M230C



Rated current AC-20...23 ≤ 690V	Fuse size	No. of poles	Type	Order number	Weight/ unit [kg]
32	A2-A3	3	OSM32GB3M230C	1SCA116662R1001	7.0
32	A2-A3	4	OSM32GB4N1M230C	1SCA118775R1001	7.3
63	A2-A3	3	OSM63GB3M230C	1SCA116657R1001	7.0
63	A2-A3	4	OSM63GB4N1M230C	1SCA118776R1001	7.3
100	A2-A4	3	OSM100GB3M230C	1SCA116679R1001	7.6
100	A2-A4	4	OSM100GB4N1M230C	1SCA118779R1001	7.9
125	A2-A4	3	OSM125GB3M230C	1SCA116677R1001	7.6
125	A2-A4	4	OSM125GB4N1M230C	1SCA118780R1001	7.9
160	A2-A4	3	OSM160GB3M230C	1SCA116670R1001	7.6
160	A2-A4	4	OSM160GB4N1M230C	1SCA118781R1001	7.9
200	B1-B2	3	OSM200B3M230C	1SCA104272R1001	9.6
200	B1-B2	3+N	OSM200B3N3M230C	1SCA104323R1001	9.8
200	B1-B2	4	OSM200B4N1M230C	1SCA118784R1001	10.7
250	B1-B3	3	OSM250B3M230C	1SCA104287R1001	10.4
250	B1-B3	3+N	OSM250B3N3M230C	1SCA104290R1001	10.5
250	B1-B3	4	OSM250B4N1M230C	1SCA118785R1001	11.2
315	B1-B4	3	OSM315B3M230C	1SCA104303R1001	14.8
315	B1-B4	3+N	OSM315B3N3M230C	1SCA104306R1001	15.1
315	B1-B4	4	OSM315B4N1M230C	1SCA118788R1001	16.7
400	B1-B4	3	OSM400B3M230C	1SCA104310R1001	14.8
400	B1-B4	3+N	OSM400B3N3M230C	1SCA104312R1001	15.1
400	B1-B4	4	OSM400B4N1M230C	1SCA118789R1001	16.7
630	C1-C2	3	OSM630B3M230C	1SCA104516R1001	34
630	C1-C2	3+N	OSM630B3N3M230C	1SCA104535R1001	35
630	C1-C2	4	OSM630B4N1M230C	1SCA118791R1001	38
800	C1-C3	3	OSM800B3M230C	1SCA104520R1001	34
800	C1-C3	3+N	OSM800B3N3M230C	1SCA104536R1001	35
800	C1-C3	4	OSM800B4N1M230C	1SCA118792R1001	38
1250	D1	3	OSM1250B3M230C	1SCA112552R1001	55
1250	D1	3+N	OSM1250B3N3M230C	1SCA112550R1001	56
1250	D1	4	OSM1250B4N1M230C	1SCA118795R1001	65

Number of poles: 3+N / Type: _N3_ = Include a detachable neutral link integrated into the mechanism

N1 = Non-fused switched neutral on the left side

Available on request: F = Fused switched neutral, N2 = Non-fused switched neutral on the right side

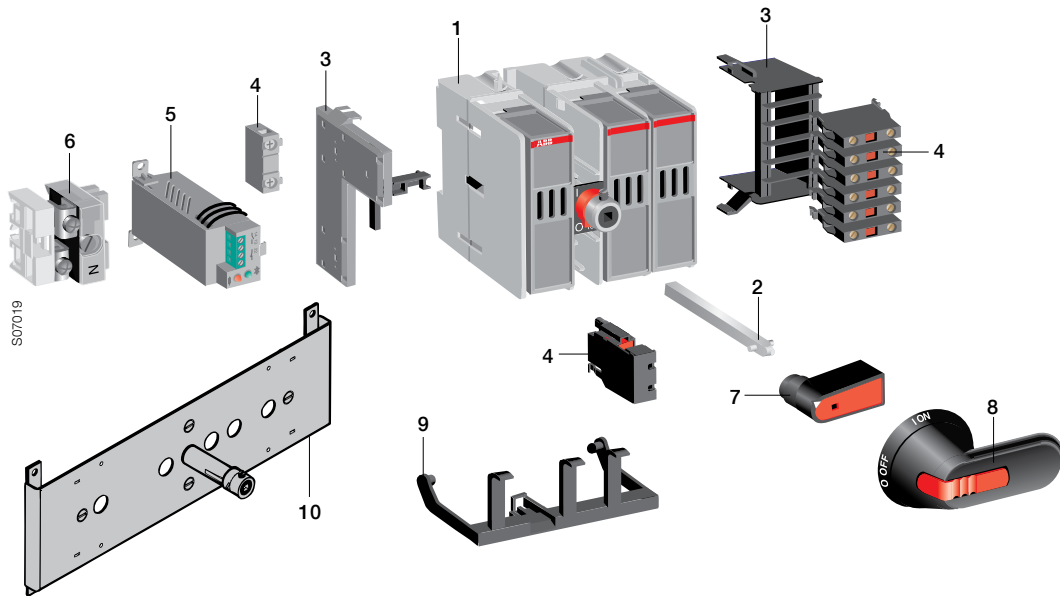
Handle and bolt kits included as standard

Suitable for switch fuses	Handle+shaft kit	Bolt kit
OSM32...63	OTV250EMK	-
OSM100...200	OTV250EMK	M8x25
OSM250	OTV250EMK	M10X30
OSM315...400	OTV400EMK	M10X30
OSM630...800	OTV800EMK	M12X40
OSM1250	OTV1000EMK	M12X50

Accessories

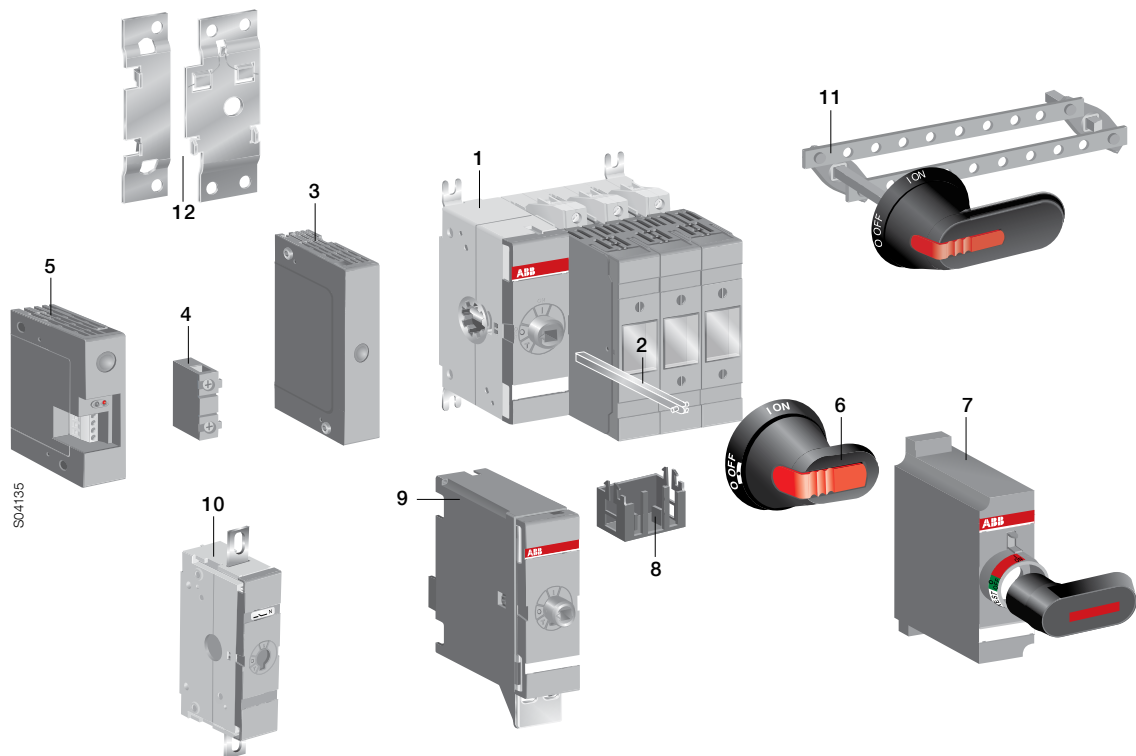
Selection overview

OS16...OS40 (OS Mini)



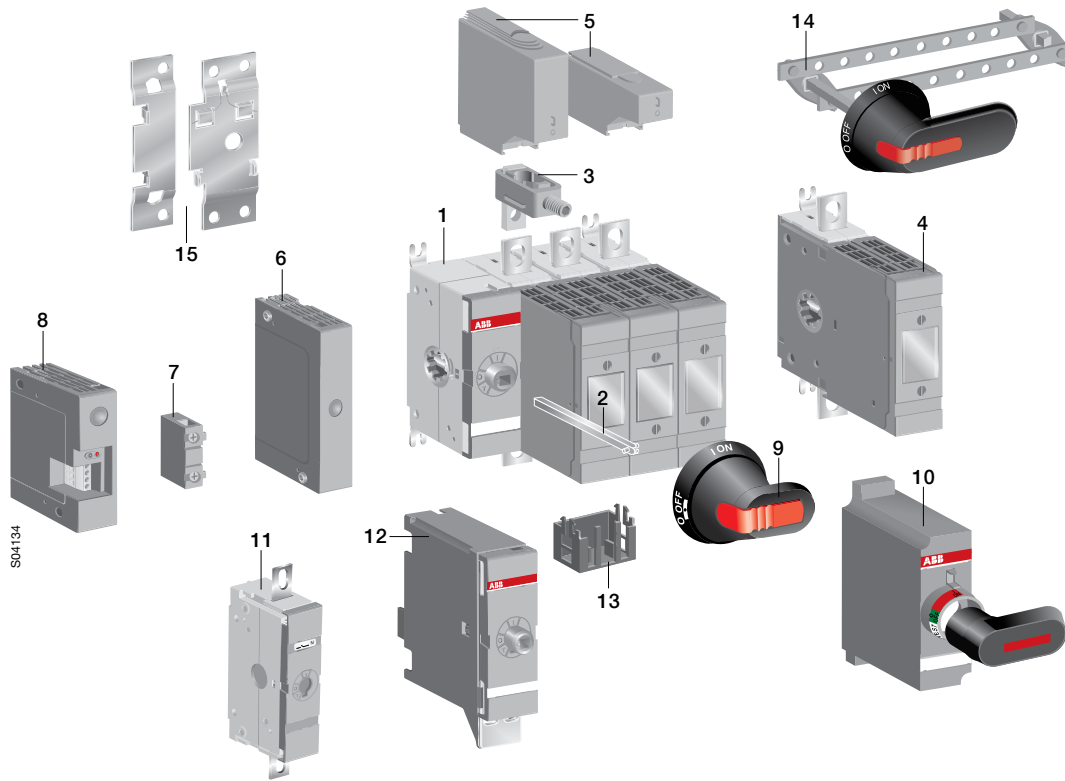
1 Switch fuse | 2 Extended shaft | 3 Mounting frame for auxiliary contact | 4 Auxiliary contact | 5 Fuse monitor | 6 Detachable neutral link | 7 Handle knob | 8 Pistol type handle | 9 Blown fuse indicator | 10 Conversion kit: 6/8-pole, C/O, mech. interlock

OS32G...OS63G



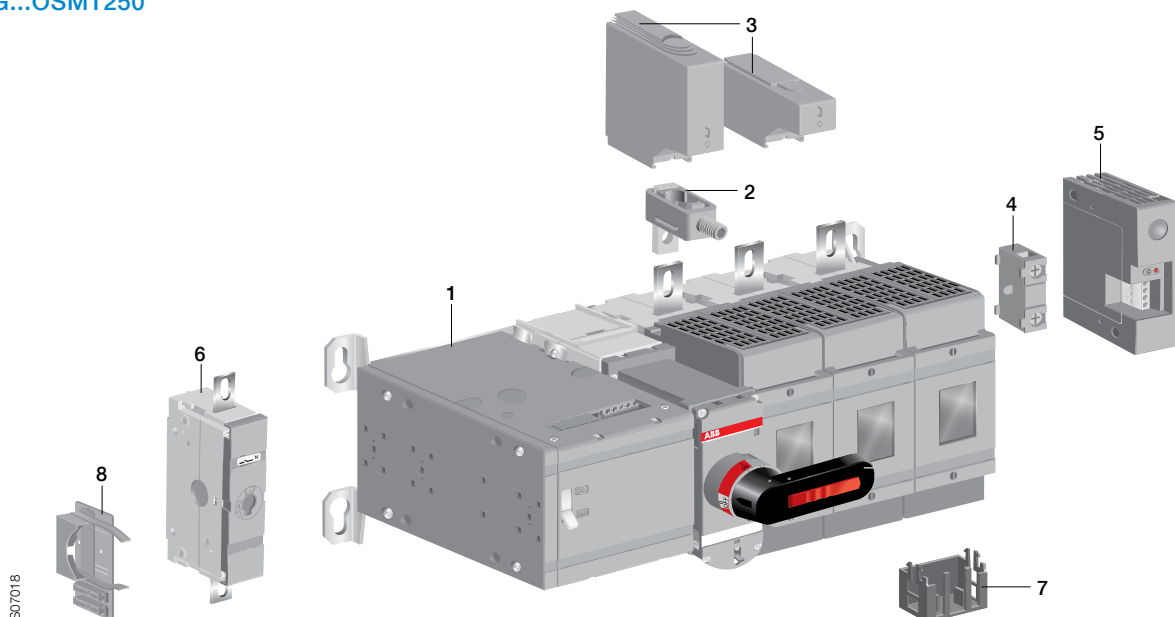
1 Switch fuse | 2 Extended shaft | 3 Module for auxiliary contacts | 4 Auxiliary contact | 5 Fuse monitor | 6 Pistol type handle | 7 Direct mounted handle | 8 Blown fuse indicator | 9 Interlocks, mechanical & electrical | 10 Detachable neutral link | 11 Conversion kit: 6/8-pole, C/O, bypass, mech. interlock | 12 DIN rail mounting kit

OS100G...OS1250_



1 Switch fuse | 2 Extended shaft | 3 Terminal clamp | 4 Fourth pole | 5 Terminal shroud | 6 Module for auxiliary contacts | 7 Auxiliary contact | 8 Fuse monitor | 9 Pistol type handle | 10 Direct mounted handle | 11 Detachable neutral link | 12 Interlocks, mechanical & electrical | 13 Blown fuse indicator | 14 Conversion kit: 6/8-pole, C/O, bypass, mech. interlock | 15 DIN rail mounting kit (only for OS100G...160G_)

OSM32G...OSM1250



1 Motor operator | 2 Terminal clamp | 3 Terminal shroud | 4 Auxiliary contact | 5 Fuse monitor | 6 Detachable neutral link | 7 Blown fuse indicator | 8 Storage for handle and fuses

Ordering information

Accessories

OHB65J6



Pistol handles for front operated switch fuses

Plastic pistol handles, IP 65, Nema type 1, 3R, 12

Padlockable with 3 padlocks in the OFF-position, door interlock in the ON-position. Screw fixing from the back side of the handle ensures double insulation.

OHY65J6



OHG65J6



OHB95J12



OHY95J12T



OHB125J12



Colour	Handle length [mm]	Type	Order number	Weight/unit [kg]
For shaft diameter 6 mm (for OSMini and OS32...250)				
Black and red-yellow: I-O/ON-OFF, grey: I-O.				
Black	45	OHB45J6	1SCA022380R8770	0.12
Red-yellow	45	OHY45J6	1SCA022380R8930	0.12
Grey	45	OHG45J6	1SCA022380R8850	0.12
Black	65	OHB65J6	1SCA022380R9660	0.12
Red-yellow	65	OHY65J6	1SCA022380R9820	0.12
Grey	65	OHG65J6	1SCA022380R9740	0.12
Black	80	OHB80J6	1SCA022381R0240	0.14
Black and red-yellow: Test/I-O/ON-OFF, grey: Test/I-O.				
Black	45	OHB45J6T	1SCA109870R1001	0.12
Black	65	OHB65J6T	1SCA022399R8110	0.12
Red-yellow	65	OHY65J6T	1SCA022456R9540	0.12
Grey	65	OHG65J6T	1SCA022456R9620	0.12
Black	80	OHB80J6T	1SCA022399R8290	0.14
For shaft diameter 12 mm (for OS315...400)				
Black and red-yellow: I-O/ON-OFF, grey: I-O.				
Black	95	OHB95J12	1SCA022381R0830	0.16
Red-yellow	95	OHY95J12	1SCA022381R1050	0.16
Grey	95	OHG95J12	1SCA022381R0910	0.16
Indication: Test-OFF-ON/Test-O-I				
Black	95	OHB95J12T	1SCA022736R1750	0.16
Red-yellow	95	OHY95J12T	1SCA022736R1910	0.16
For shaft diameter 12 mm (for OS630...800)				
Black and red-yellow: I-O/ON-OFF, grey: I-O.				
Black	125	OHB125J12	1SCA022381R1560	0.16
Red-yellow	125	OHY125J12	1SCA022381R1720	0.16
Grey	125	OHG125J12	1SCA022381R1640	0.16
Black	145	OHB145J12	1SCA022381R2110	0.17
Red-yellow	145	OHY145J12	1SCA022381R2370	0.17
Grey	145	OHG145J12	1SCA022381R2290	0.17
Black	175	OHB175J12	1SCA022381R2450	0.18
Red-yellow	175	OHY175J12	1SCA022381R2700	0.18
Grey	175	OHG175J12	1SCA022381R2610	0.18
Indication: Test-OFF-ON/Test-O-I				
Black	125	OHB125J12T	1SCA022652R2220	0.16
Red-yellow	125	OHY125J12T	1SCA022652R2310	0.16
Black	145	OHB145J12T	1SCA022652R2570	0.17
Red-yellow	145	OHY145J12T	1SCA022652R2650	0.17
Black	175	OHB175J12T	1SCA022708R0740	0.18

- Door interlocking in the ON-position means that the door cannot be opened, when the handle is in the ON-position.

This can be defeated to allow authorized personnel access for inspection.

- Handles padlockable in all positions and NEMA4/4X handles are available on request.

Ordering information

Accessories

OHB274/330J12



OHY274J12



OHM_



YASDA_



Optional handles for front operated switch fuses

Plastic pistol handles, IP 65, Nema type 1, 3R, 12

Padlockable with 3 padlocks in the OFF-position, door interlock in the ON-position. Screw fixing from the back side of the handle ensures double insulation.

Colour	Handle length [mm]	Type	Order number	Weight/unit [kg]
For shaft diameter 12 mm (for OS1200...1250)				
Black and red-yellow: I-O/ON-OFF.				
Black	274	OHB274J12	1SCA115920R1001	0.54
Red-yellow	274	OHY274J12	1SCA115919R1001	0.54
Black	330	OHB330J12	1SCA115922R1001	0.58
Red-yellow	330	OHY330J12	1SCA115921R1001	0.58
Black	2x150	OHB150J12P	1SCA022865R9430	0.17
Red-yellow	2x150	OHY150J12P	1SCA101586R1001	0.17
Black	2x200	OHB200J12P	1SCA022865R9510	0.40
Red-yellow	2x200	OHY200J12P	1SCA101587R1001	0.40
Indication: Test-OFF-ON/Test-O-I				
Black	274	OHB274J12T	1SCA120250R1001	0.54
Black	330	OHB330J12T	1SCA120252R1001	0.58
Black	2x200	OHB200J12PT	1SCA106510R1001	0.40
Red-yellow	2x200	OHY200J12PT	1SCA111512R1001	0.40

- Door interlocking in the ON-position means that the door cannot be opened, when the handle is in the ON-position.
- This can be defeated to allow authorized personnel access for inspection.
- Handles padlockable in all positions and NEMA4/4X handles are available on request.

Stainless steel pistol handles, IP66, NEMA 4X

Padlockable with 3 padlocks in the OFF-position, door interlock in the ON-position, indication: I-O/ON-OFF

Colour	Handle length [mm]	Type	Order number	Weight/unit [kg]
For shaft diameter 6 mm (for OSMini and OS32...250)				
Metallic	65	OHM65L6	1SCA022739R1070	0.73
For shaft diameter 12 mm				
Metallic	125	OHM125L12	1SCA022739R1150	0.76
Metallic	175	OHM175L12	1SCA022739R1230	0.83
Metallic	275	OHM275L12	1SCA022832R4840	0.96

Metallic pistol handles

Padlockable with 3 padlocks in OFF-position, door interlock in the ON-position.

For shaft diameter 12 mm				
Black I-O	220	YASDA 7	1SCA022071R3010	0.70
Black ON-OFF	220	YASDA 8	1SCA022071R3270	0.70
Black I-O	320	YASDA35	1SCA104400R1001	0.80

Ordering information

Accessories

OHB65J6E00S



Pistol handles for side operated switch fuses

Plastic pistol handles, IP 65, Nema type 1, 3R, 12

For mounting on the side of the enclosure. Padlockable with three padlocks in the OFF-position, door interlock in the ON-position, IP 65. The position indications are rotated 90°. If the handle is mounted on the front of the door, a standard handle can be used as well.

OHY65J6E00S



OHZX14



Colour	Handle length [mm]	Type	Order number	Weight/unit [kg]
For shaft diameter 6 mm				
Plastic handles, black and red-yellow: I-O/ON-OFF, grey: I-O.				
Black	65	OHB65J6E00S	1SCA022382R9850	0.12
Red-yellow	65	OHY65J6E00S	1SCA022382R9930	0.12
Grey	65	OHG65J6E00S	1SCA022383R4510	0.12
Plastic handles, black and red-yellow: Test/I-O/ON-OFF, grey: Test/I-O.				
Black	65	OHB65J6TE00S	1SCA109016R1001	0.12
Red-yellow	65	OHY65J6TE00S	1SCA022688R0140	0.12
Grey	65	OHG65J6TE00S	1SCA109014R1001	0.12
For shaft diameter 12 mm				
Plastic handles, indication I-O/ON-OFF				
Black	145	OHB145J12E00S	1SCA022679R9700	0.17

- Door interlocking in the ON-position means that the door cannot be opened, when the handle is in the ON-position. This can be defeated to allow authorized personnel access for inspection.
- Handles padlockable in all positions are available on request.

Extension ring for pistol handles

Suitable for handles	Colour	Type	Order number	Weight unit [kg]
OHB_	Black	OHZX14	1SCA022851R6590	0.06

Ordering information

Accessories

OSV250DK



Direct mount handles for front operated switch fuses

Panel board handle, can be padlocked in the OFF-position. Includes a special shaft. The handle can also be used with a standard shaft as padlocking device.

Suitable for switches	Colour	Type	Order number	Weight/unit [kg]
Suitable for OS Mini				
Indication: I-O/ON-OFF/TEST Padlockable with 2 padlocks in the OFF- and Test-positions when the door is open. Max. bail dia 8 mm.				
OS20F...40F_	Black	OHBS5	1SCA109015R1001	0.05

Suitable for OS 32G...1250

Indication: Test OFF-ON/Test O-I indication Padlockable with three padlocks in the OFF-position, optionally also in the ON-position. Includes shaft and mechanism cover.

OS32G...160G, OS200J	Black	OSV200BK	1SCA022779R7530	0.14
OS200B/J_K	Red-yellow	OSVY200BK	1SCA022779R7700	0.14
OS200D...250D/B_K	Black	OSV250DK	1SCA022763R3510	0.16
OS200D...250D/B_K	Red-yellow	OSVY250DK	1SCA022778R6500	0.16
OS400D_K	Black	OSV400DK	1SCA022763R4230	0.34
OS400D_K	Red-yellow	OSVY400DK	1SCA022779R5590	0.34
OS315...400B/J_K	Black	OSV400BK	1SCA022763R3930	0.33
OS315...400B/J_K	Red-yellow	OSVY400BK	1SCA022779R5830	0.33
OS600...800_K	Black	OSV800DK	1SCA107794R1001	1.1
OS600...800_K	Red-yellow	OSVY800DK	1SCA108703R1001	1.1
OS1200...OS1250_K	Black	OSV1250DK	1SCA107797R1001	1.5
OS1200...OS1250_K	Red-yellow	OSVY1250DK	1SCA108702R1001	1.5

OSV400DK



OSV1250DK



Direct mount handles for side operated switch fuses

Panel board handle, can be padlocked in the OFF-position. Includes a special shaft. The handle can also be used with a standard shaft as padlocking device.

Suitable for switches	Colour	Type	Order number	Weight/unit [kg]
Suitable for OS Mini				
Padlockable with three padlocks in the OFF- position when the door is open. Max. bail dia 6 mm.				
OS20F...40F_	Black	OHB4	1SCA022439R4050	0.05

OHB4



Fuse replacement handles

OFAE506



For DIN-fuse sizes	Type	Order number	Weights/unit [kg]
000,00,1,2,3	OFAE506	1SCA128175R1001	0.2

Ordering information

Accessories

OXP6X_



OXP_X_-45



Extended shafts

Shaft length [mm]	Front operated H [mm]	Side operated H [mm]	Type	Order number	Weight/unit [kg]
For OS 16...35 (Mini)²⁾, shaft diameter 6 mm					
150	135...210	154...166	OXP6X150 ⁵⁾	1SCA022295R5600	0.05
170	155...230	174...186	OXP6X170	1SCA108224R1001	0.05
265	250...325	269...281	OXP6X265	1SCA108225R1001	0.08
400	385...460	404...416	OXP6X400	1SCA108226R1001	0.12
150	135...210	154...166	OXP6X150-45 ¹⁾	1SCA022294R4400	0.05
170	155...230	174...186	OXP6X170-45 ¹⁾	1SCA108227R1001	0.05
265	380...460	269...281	OXP6X265-45 ¹⁾	1SCA108228R1001	0.08
400	380...460	404...416	OXP6X400-45 ¹⁾	1SCA108229R1001	0.12
For OS 40 (Mini)²⁾, shaft diameter 6 mm					
150	135...210	235...243	OXP6X150 ⁵⁾	1SCA022295R5600	0.05
170	155...230	255...363	OXP6X170	1SCA108224R1001	0.05
265	250...325	352...360	OXP6X265	1SCA108225R1001	0.08
400	385...460	487...495	OXP6X400	1SCA108226R1001	0.12
150	135...210	235...243	OXP6X150-45 ¹⁾	1SCA022294R4400	0.05
170	155...230	255...363	OXP6X170-45 ¹⁾	1SCA108227R1001	0.05
265	250...325	352...360	OXP6X265-45 ¹⁾	1SCA108228R1001	0.08
400	385...460	487...495	OXP6X400-45 ¹⁾	1SCA108229R1001	0.12
For OS 32G...63G⁴⁾, shaft diameter 6 mm					
63		161...167	OXP6X63	1SCA111010R1001	0.02
90		188...194	OXP6X90	1SCA022064R1180	0.03
130	127...174 ⁶⁾	228...234	OXP6X130	1SCA022057R0570	0.04
161	138...205		OXP6X161 ³⁾	1SCA022067R1760	0.05
210	187...254		OXP6X210	1SCA022295R6080	0.06
290	267...334		OXP6X290	1SCA022042R6370	0.08
360	337...404		OXP6X360	1SCA022042R6530	0.10
430	407...474		OXP6X430	1SCA022056R6030	0.12
210	187...254		OXP6X210-45 ¹⁾	1SCA022294R4230	0.06
290	267...334		OXP6X290-45 ¹⁾	1SCA022304R4290	0.08
360	337...404		OXP6X360-45 ¹⁾	1SCA022341R4640	0.10

¹⁾ The shaft position is rotated 45 degrees

²⁾ Side operated, 4-pole: add 36 mm

³⁾ Included as standard in P-types

⁴⁾ Side operated 3-pole OS60GJ: add 33mm, 4-pole types: OS32...63GD/GB: add 23.5 mm, OS60GJ: add 68mm

⁵⁾ Included as standard in front operated types

⁶⁾ OS32...63GB/GF: 115...174

Ordering information

Accessories

OHP6X_



Extended shafts

Shaft length [mm]	Front operated H [mm]	Side operated H [mm]	Type	Order number	Weight/unit [kg]
For OS100G...160G²⁾, shaft diameter 6 mm					
63		196...202	OSP6X63	1SCA111010R1001	0.02
90		223...229	OSP6X90	1SCA022064R1180	0.03
130	137...174 ⁴⁾	263...269	OSP6X130	1SCA022057R0570	0.04
161	138...205		OSP6X161 ³⁾	1SCA022067R1760	0.05
210	187...254		OSP6X210	1SCA022295R6080	0.06
290	267...334		OSP6X290	1SCA022042R6370	0.08
360	337...404		OSP6X360	1SCA022042R6530	0.10
430	407...474		OSP6X430	1SCA022056R6030	0.12
210	187...254		OSP6X210-45 ¹⁾	1SCA022294R4230	0.06
290	267...334		OSP6X290-45 ¹⁾	1SCA022304R4290	0.08
360	337...404		OSP6X360-45 ¹⁾	1SCA022341R4640	0.10
For OS 200...250 DIN-type, shaft diameter 6 mm					
161	160...205		OSP6X161	1SCA022067R1760	0.05
210	189...254		OSP6X210 ³⁾	1SCA022295R6080	0.06
290	269...334		OSP6X290	1SCA022042R6370	0.08
For OS 200...250 BS-type, shaft diameter 6 mm					
161	140...205		OSP6X161	1SCA022067R1760	0.05
210	189...254		OSP6X210 ³⁾	1SCA022295R6080	0.06
290	269...334		OSP6X290	1SCA022042R6370	0.08
For OS 315...400, shaft diameter 12 mm					
250	230...325		OSP12X250 ³⁾	1SCA022325R6980	0.30
280	260...355		OSP12X280	1SCA022137R5140	0.30
325	305...400		OSP12X325	1SCA022042R5810	0.36
395	375...470		OSP12X395	1SCA022042R5990	0.43
465	445...540		OSP12X465	1SCA022042R6020	0.51
535	515...610		OSP12X535	1SCA022042R6110	0.59

¹⁾ The shaft position is rotated 45 degrees

²⁾ Side operated 4-pole types: add 35mm

³⁾ Included as standard in P-types

⁴⁾ OS100GJ: 113...174, OS100GB...160GB: 121...174

Ordering information

Accessories

OXP12X_



OXP12X250-45



OETLZX95



Extended shafts

Shaft length [mm]	Front operated H [mm]	H [mm]	Type	Order number	Weight/unit [kg]
For OS 630...800, shaft diameter 12 mm					
280	258...382		OXP12X280 ²⁾	1SCA022137R5140	0.30
325	303...427		OXP12X325	1SCA022042R5810	0.40
395	373...497		OXP12X395	1SCA022042R5990	0.50
465	443...567		OXP12X465	1SCA022042R6020	0.60
535	513...637		OXP12X535	1SCA022042R6110	0.70
For OS 1200...1250, shaft diameter 12 mm					
280	258...382		OXP12X280-45 ¹⁾	1SCA022382R0800	0.30
325	303...427		OXP12X325-45 ¹⁾	1SCA022304R4450	0.40
395	366...495 ³⁾	371...500 ⁴⁾	OXP12X395 ²⁾	1SCA022042R5990	0.43
465	436...565 ³⁾	441...570 ⁴⁾	OXP12X465	1SCA022042R6020	0.51
535	506...635 ³⁾	441...571 ⁴⁾	OXP12X535	1SCA022042R6110	0.59

¹⁾ The shaft position is rotated 45 degrees

²⁾ Included as standard in front operated P-types

³⁾ H with handle OH_274/330J12

⁴⁾ H with handle OHB150/200J12P

Shaft extension socket

For extending the shaft of combination attachment.

Suitable for shaft with diameter [mm]	Type	Order number	Weight/unit [kg]
12	OETLZX95	1SCA022083R5620	0.04

Adapters for extension socket

Adapters to place inside of OETLZX 95 to connect shafts of different sizes.

Suitable for shaft with diameter [mm]	Type	Order number	Weight/unit [kg]
6/6, 6/12	OETLZK19	1SCA022093R1850	0.02

Ordering information

Accessories

OA4B10



Auxiliary contacts for OS20F...40F_ (OS Mini)

Units/type = 1 piece

Description	Type	Order number	Weight/ unit [kg]
-------------	------	--------------	-------------------------

Mounting to the switch mechanism

Change over contacts

Auxiliary/test contacts. Max. two change over contacts.

See function chart below	OA4B1C	1SCA022193R0150	0.03
--------------------------	--------	-----------------	------

Single pole contacts

> 3 mm contact gap.

1 NO	OA4B10	1SCA022276R9050	0.03
1 NC	OA4B01	1SCA022276R9210	0.03

Mounting on the side of the switch

Mounting on the side of the switch with aux.contact frame OESAZX 169

1NO	MCB-10	1SCA022150R5110	0.03
1NC	MCB-01	1SCA022150R5370	0.03

OA3G01



OESAZX169



Snap-on mounting on the switch, by using a frame OSZ4, IP20

NO contacts are provided with a positive opening feature.

Types _AU have gold plated contacts for harsh environments and low operating voltages.

1 NO	OA1G10	1SCA022353R4970	0.03
1 NC	OA3G01	1SCA022456R7410	0.03
1 NO	OA1G10AU	1SCA022436R7910	0.03
1 NC	OA3G01AU	1SCA022819R5260	0.03

Mounting frames for auxiliary contacts of OS20F...40F_ (OS Mini)

Description	Amount of auxiliary contacts [pcs]	Type	Order number	Weight/ unit [kg]
-------------	--	------	--------------	-------------------------

Frame for auxiliary contacts OA1G10 and OA3G01 and for fuse monitor

Mounting on the left side of the switch	max. 6	OSZ4	1SCA022530R0200	0.06
--	--------	------	-----------------	------

Frame for MCB- auxiliary contacts. Not suitable for side operated switches

Mounting on the right side of the switch	max. 6	OESAZX169	1SCA022196R9360	0.06
---	--------	-----------	-----------------	------

Function chart, change over contacts OA4B1C / OS Mini

Handle position	Main contacts	Aux./Test contacts N.O.
Test	open	closed
0	open	open
I	closed	closed

Ordering information

Accessories

OA3G01



OA3G01AU



Auxiliary contacts for OS/OSM32G...1250

Types _AU have gold plated contacts for harsh environments and low operating voltages.

Suitable for switches	Description	Protection degree	Type	Order number	Weight/unit [kg]
OS/OSM32G...1250	1NO	IP20	OA1G10	1SCA022353R4970	0.03
OS/OSM32G...1250	1NC	IP20	OA3G01	1SCA022456R7410	0.03
OS/OSM32G...1250	1NO	IP20	OA1G10AU	1SCA022436R7910	0.03
OS/OSM32G...1250	1NC	IP20	OA3G01AU	1SCA022819R5260	0.03

Mounting under the mechanism cover

The “test” contacts operate in ON- and OFF-positions as well as when the handle is turned to TEST-position = 45 degrees over the OFF-position. The “test indication” contacts operate only when the handle is turned to TEST-position. See the function table below. The OA1G10 (N.O.) or OA3G01 (N.C.) auxiliary contact blocks can be used as standard auxiliary contacts, “test” or “test indication” contacts. The desired functions are achieved when an auxiliary contact block is installed in a specific place shown in the mounting instruction. In order to activate the “test” and “test indication” features, a handle with test function is required. See the optional handles, pages 60...48.

Function table of OS/OSM32G...1250 auxiliary contacts

Handle position	Main contacts	Aux./Test contacts N.O.	Test indication contacts N.O
Test	open	closed	closed
0	open	open	open
I	closed	closed	open

Maximum number of contact blocks, “Aux./test” contacts and “test indication” contacts, see the table below. Standard versions include all except for N3-types, which are equipped with integrated neutral through the mechanism.

Maximum number of auxiliary contacts under the mechanism cover

Pole version	OS/OSM32G...250		OS/OSM315...800		OS/OSM1200...1250	
	Standard	N3	Standard	N3	Standard	N3
Maximum number of contact blocks	4	0	8	4	12	8
Aux./Test contacts	4	0	4	2	8 ¹⁾	6 ²⁾
Test indication contacts	2	0	4	2	4	2

For contact timing, see pages 106 and 107.

¹⁾ 6 aux./test contacts and 2 early operation aux./test contacts

²⁾ 4 aux./test contacts and 2 early operation aux./test contacts

Mounting on the left side of the OS switch fuse:

Maximum 8 auxiliary contact blocks (N.O. or N.C.) with the OEA28 module.

Side operated types: OS_S30..._S40 types only.

Mounting on the right side of the OSM motorized switch fuse:

Maximum 4 auxiliary contact blocks (N.O. or N.C.), snap-on mounting.

Ordering information

Accessories

OEA28



Module for auxiliary contacts for OS32...1250

Description	Type	Order number	Weight/ unit [kg]
Screw mounting to the left side of the switch	OEA28	1SCA022714R8810	0.04

Performance data for auxiliary contacts according to IEC 60947-5-1

OA1G_, OA3G_

U _e /[V]	690
U _e /[kV]	4
Pollution degree	3
I _{th} /[A]	16
Cable size	1...2 x 0,75...2,5 mm ²
Maximum fuse	16 A/gG
NEMA	A600, R300
Wire size	18 - 14AWG, 1 (2)

OA1G_, OA3G_

U _e /[V]	AC15		DC12		DC13	
	I _e /[A]	U _e /[V]	I _e /[A]	P/[W]	I _e /[A]	P/[W]
230	6	24	10	240	2	48
400	4	72	4	288	0.8	58
690	2	125	2	250	0.55	69
		250	0.55	138	0.27	68
		440	0.1	44		

OA4_

EN61058-1	
U _e /[V]	400
I _{th} /[A]	10
I _e	400V AC
	10 (4) A, 10E3
	6 (2,5) A, 50E3
NEMA	10 A, 125-250V AC, 1/4 HP
M3 Screw connection	

MCB_

IEC60947-5-1			
U _e /[V]	690		
I _{th} /[A]	10		
I _e /[A]	24V	AC12	AC15
	110V	10	8
	220/240V	10	8
	250V		6
	380/415V		4
	660/690V		4
NEMA	A600, 10A, 600VAC		DC13
			5
			1.1
			0.55
			0.55

Ordering information

Accessories

OSP200-400D



Mounting plate for auxiliary contacts

Mount on the switch mechanism, max. 3 auxiliary contacts.

Suitable for switches	Type	Order number	
R: Mounting on the right side of the switch L: mounting on the left side of the switch			
OS100G...200G_	OEA30R	1SCA131817R1001	
OS100G...200G_	OEA30L	1SCA131816R1001	

OSP160GN



Fourth poles

Snap-on mounting to the side of the switch (not suitable for OSM-types).

Suitable for 3-pole switches	Mounting side	Type	Order number	Weight/unit [kg]
Fusible 4. poles				
OS100GB...160GB	Left/right	OSP160GB	1SCA114769R1001	0.45
OS125GD...160GD	Left/right	OSP160GD	1SCA114768R1001	0.45
OS200B	Left/right	OSP200B	1SCA022735R9180	1.20
OS200D	Left/right	OSP200D	1SCA022735R8960	1.20
OS250B	Left/right	OSP250B	1SCA022770R4030	1.20
OS250D	Left/right	OSP250D	1SCA022735R9340	1.20
OS315B...400B	Left/right	OSP400B	1SCA022770R3140	2.00
OS400D	Left/right	OSP400D	1SCA022770R3220	2.00
OS630...800D	Left/right	OSP800D	1SCA100433R1001	4.20
OS630...800B	Left/right	OSP800B	1SCA100434R1001	4.20
OS1250D	Left/right	OSP1250D	1SCA107946R1001	7.20
OS1250DA	Left/right	OSP1250DA	1SCA112402R1001	7.20
OS1250B	Left/right	OSP1250B	1SCA107950R1001	7.20

OSP250N



OSP800N



Switched 4. poles

OS100G...160G	Left/right	OSP160GN	1SCA114770R1001	0.45
OS200_	Left/right	OSP200N	1SCA022735R8700	1.20
OS250_	Left/right	OSP250N	1SCA022735R9260	1.20
OS400_	Left/right	OSP400N	1SCA022770R3490	1.20
OS630...800	Left/right	OSP800N	1SCA100432R1001	4.40
OS1200...1250	Left/right	OSP1250N	1SCA107943R1001	7.20

Ordering information

Accessories

OSZ1



Neutral links

Max. wire	H/W/D [mm]	Mounting holes	Type	Order number	Weight/unit [kg]
-----------	------------	----------------	------	--------------	------------------

For OS/OSM 32G...160G

Detachable, mounting onto the base plate or DIN-rail.

16 mm ² Cu	39/41/40	∅ 4.2, distance 32	OSZ1	1SCA022481R3710	0.06
35 mm ² Cu	39/44/45	∅ 4.2, distance 35	OSZ2	1SCA022481R3800	0.07

OXN250



For OS/OSM 100G...1250

Mounting with screws (included) onto either side of the switch (OXN250 to OS200...250) or on the base plate (OXN250...1250) according the table below.

Detachable, mounting on the switch

OS200...250	OXN250	1SCA022752R9950	0.40
-------------	--------	-----------------	------

Detachable, mounting on the base plate

OS/OSM32G...250	OXN250	1SCA022752R9950	0.40
OS/OSM315...400	OXN400	1SCA022770R3060	0.70
OS/OSM630...800	OXN800S	1SCA022831R4880	1.20
OS/OSM1250	OXN1250S	1SCA104163R1001	2.50

OXN400



OXN800S



Ordering information

Accessories

OTVS1



OTVS2



Solid links

Suitable for	Type	Order number	Weight/ unit [kg]
OS32GD...OS160GD	OFAW0	1SCA022003R9680	0.08
OS200...250B, J	OEZNL1	1SCA022723R7400	0.19
OS600J, 800...1200L	OEZNL8	1SCA113998R1001	0.58
OS1250B	OEZNL10	1SCA116437R1001	0.60
OS250 D	OFAW1	1SCA022003R9760	0.15
OS400 D	OFAW2	1SCA022003R9840	0.24
OS630/800 D	OFAW3	1SCA022003R9920	0.28

Handle and spare fuse storage clip for OSM

Handle and two spare fuses (for motor operator) can be stored on the OTVS_. OTVS_ can be installed on the left side of the motorized switch-fuse OSM_. Snap-on mounting, no tools required. On OSM1250, the size of the handle prevents the installation onto the switch frame. However, the handle clip can be separately installed on the panel frame and the fuse holder clip onto the switch frame.

Suitable for	Type	Order number	Weight/ unit [kg]
OSM32G...250	OTVS1	1SCA111413R1001	0.02
OSM315...1250	OTVS2	1SCA111414R1001	0.04

Phase barriers

The phase barriers designed for ABB Tmax T4-T5 MCCB's can also be used for OS200...400 switch fuses. 3-pole switch fuses need 4 barriers and 4-pole switch fuses need 6 barriers for full protection. Cutting width of the phase barrier 55mm.

Suitable for switches	No. of poles	Height h [mm]	Type	Order number	Units/ type [pcs]
OS100G...OS200G	3	-	OSB160/4	1SCA131820R1001	4
OS100G...OS200G	3	-	OSB160/6	1SCA131821R1001	6
OS250	3	-	OSB250/4	1SCA131822R1001	4
OS250	4	-	OSB250/6	1SCA131823R1001	6
OS315, OS400	3	200	PB200 high	1SDA054972R1	4
OS315, OS400	4	200	PB200 high	1SDA054973R1	6

Ordering information

Accessories

OSS200G1L



Terminal shrouds

Suitable for switches	Description	Type	Order number	Units/ type [pcs]	Weight/ unit [kg]
-----------------------	-------------	------	--------------	-------------------	-------------------

Pack of single pole terminal shrouds

Snap-on mounting, grey plastic, IP 3X from front. Transparent shrouds available on request.

OSS200G1S



OS/OSM100G...160G	Long type	OSS160GG1L/3	1SCA114764R1001	3	0.08
OS/OSM100G...160G	Short type	OSS160GG1S/3	1SCA114766R1001	3	0.05
OS/OSM100G...160G	Long type	OSS160GG1L/4	1SCA114765R1001	4	0.11
OS/OSM100G...160G	Short type	OSS160GG1S/4	1SCA114767R1001	4	0.07
OS/OSM200	Long type	OSS200G1L/3	1SCA022731R8910	3	0.09
OS/OSM200	Short type	OSS200G1S/3	1SCA022732R0130	3	0.06
OS/OSM200	Long type	OSS200G1L/4	1SCA022731R9040	4	0.12
OS/OSM200	Short type	OSS200G1S/4	1SCA022732R0050	4	0.08
OS/OSM250	Long type	OSS250G1L/3	1SCA022731R9390	3	0.09
OS/OSM250	Short type	OSS250G1S/3	1SCA022731R9550	3	0.06
OS/OSM250	Long type	OSS250G1L/4	1SCA022731R9470	4	0.12
OS/OSM250	Short type	OSS250G1S/4	1SCA022731R9630	4	0.08
OS/OSM315...400	Long type	OSS400G1L/3	1SCA022776R6650	3	0.18
OS/OSM315...400	Short type	OSS400G1S/3	1SCA022776R6900	3	0.10
OS/OSM315...400	Long type	OSS400G1L/4	1SCA022776R6730	4	0.25
OS/OSM315...400	Short type	OSS400G1S/4	1SCA022776R7030	4	0.15
OS/OSM600...800	Long type	OSS800G1L/3	1SCA022776R7200	3	0.53
OS/OSM600...800	Short type	OSS800G1S/3	1SCA022776R7540	3	0.21
OS/OSM600...800	Long type	OSS800G1L/4	1SCA022776R7380	4	0.70
OS/OSM600...800	Short type	OSS800G1S/4	1SCA022776R7460	4	0.28
OS1200...1250/ OSM1250	Long type	OSS1250G1L/3	1SCA107938R1001	3	0.76
OS1200...1250/ OSM1250	Short type	OSS1250G1S/3	1SCA107939R1001	3	0.40
OS1200...1250/ OSM1250	Long type	OSS1250G1L/4	1SCA107940R1001	4	1.00
OS1200...1250/ OSM1250	Short type	OSS1250G1S/4	1SCA107941R1001	4	0.52

Terminal shrouds suitable for mechanisms with detachable integrated neutral (N3 versions)

OSS800G1S



OS/OSM100G...250_N3_	Long type	OTS250G1L	1SCA022715R5340	1	0.03
OS/OSM100G...250_N3_	Short type	OTS250G1S	1SCA022715R5260	1	0.02
OS/OSM315...400_N3_	Long type	OSS250G1L	1SCA022727R5080	1	0.03
OS/OSM315...400_N3_	Short type	OSS250G1S	1SCA022727R4940	1	0.02
OS/OSM630...800_N3_	Long type	OTS800G1L	1SCA022776R7710	1	0.10
OS/OSM630...800_N3_	Short type	OTS800G1S	1SCA022776R8010	1	0.06
OS1200...1250/OSM1250_N3_	Long type	OTS1600G1L	1SCA106134R1001	1	0.20
OS1200...1250/OSM1250_N3_	Short type	OTS1600G1S	1SCA102667R1001	1	0.12

OSS250G1SH



Single pole terminal shroud for the fourth pole side terminals (LR-types)

IP20, snap-on mounting, grey plastic.

OS250_LR	Short type	OSS250G1SH/1	1SCA103500R1001	1	0.003
OS400_LR	Short type	OSS400G1SH/1	1SCA103503R1001	1	0.003

Please consult us when using OS600J...OS800L with OZXA-800 lugs

Ordering information

Accessories

OSS160GG3LS



Terminal shrouds

Three and four pole terminal shrouds for side terminals (LR types)

IP20. Snap-on mounting, grey plastic.

Suitable for switches	No. of poles	Remarks	Type	Order number	Units/ type [pcs]	Weight/ unit [kg]
OS100G...160G_LR	3	Long type	OSS160GG3LS	1SCA121570R1001	1	0.01
OS100G...160G_LR	4	Long type	OSS160GG4LS	1SCA121571R1001	1	0.01
OS200...400_	3	Short type	OSS400G3SS	1SCA100390R1001	1	0.01
OS200...400_	3	Long type	OSS400G3LS	1SCA100396R1001	1	0.01
OS200...400_	4	Left side, short	OSS400G4SSL	1SCA100392R1001	1	0.01
OS200...400_	4	Left side, long	OSS400G4LSL	1SCA100398R1001	1	0.01
OS200...400_	4	Right side, short	OSS400G4SSR	1SCA100394R1001	1	0.01
OS200...400_	4	Right side, long	OSS400G4LSR	1SCA100400R1001	1	0.01

OSS400G3LS



Single pole shroud for terminal clamps

Snap-on mounting, transparent plastic, IP 2X.

Suitable for terminal clamps	Type	Order number	Units/ type [pcs]	Weight/ unit [kg]
OZXB2, 2L	OZXB2K	1SCA022264R0010	3	0.06
OZXB3, 4	OZXB3K	1SCA022264R0440	3	0.18
OZXB5, 6	OZXB4K	1SCA022199R2850	3	0.24
OZXB7, 7L	OZXB5K	1SCA022283R8040	3	0.15

OEZXU14



Terminal angle for side terminals (LR types)

Terminal angle extension bar for cable connections in upper or lower position.

Including terminal bolts M10x30.

Suitable for switches	Type	Order number	Units/ type [pcs]	Weight/ unit [kg]
OS100G...160G_LR, 3-pole	OEZXU68/3	1SCA121380R1001	3	
OS100G...160G_LR, 4-pole	OEZXU68/4	1SCA121379R1001	4	
OS200...400_LR	OEZXU14/3	1SCA100361R1001	3	0.24
OS200...400_LR	OEZXU14/4	1SCA101082R1001	4	0.32

Ordering information

Accessories

OZXT1



Terminal clamp sets for Al- and Cu-cables

Suitable for switches	Cable cross section [mm ²]	Type	Order number	Units/ type [pcs]	Weight/ unit [kg]
-----------------------	--	------	--------------	-------------------	-------------------

Insulated versions

OS/OSM32G...63G	16...50 Al, 2.5...50 Cu	OZXT1	1SCA022469R6310	3	0.05
-----------------	-------------------------	-------	-----------------	---	------

OZXB8



OZXB-type Al/Cu connectors made of stainless steel

Suitable for switches	Cable cross section [mm ²]	Suitable shroud	Type	Order number	Units/ type [pcs]	Weight/ unit [kg]
OS/OSM100G...160G ¹⁾	10...70	OSS160G_	OZXB1L	1SCA022169R2030	3	0.15
OS/OSM100G...160G ¹⁾	95...185	OSS160G_	OZXB8	1SCA022744R1510	3	0.50
OS/OSM200	10...70	OSS200_L	OZXB1L	1SCA022169R2030	3	0.15
OS/OSM200	25...120	OZXB2K	OZXB2	1SCA022119R7610	3	0.34
OS/OSM200 ²⁾	25...120	OZXB2K	OZXB2L	1SCA022158R7750	3	0.42
OS/OSM200	95...185	OSS200_L	OZXB8	1SCA022744R1510	3	0.50
OS200	95...240	OSS200_L	OZXB9	1SCA022750R3210	3	0.50
OSM250	10...70	OSS200_L	OZXB1L	1SCA022169R2030	3	0.15
OS/OSM250 ²⁾	25...120	OZXB2K	OZXB2L	1SCA022158R7750	3	0.42
OS/OSM250 ²⁾	95...185	OZXB3K	OZXB3	1SCA022136R8100	3	1.30
OS/OSM250 ²⁾	2x(95...185)	OZXB3K	OZXB4	1SCA022137R4760	3	1.70
OS/OSM250 ²⁾	120...300	OZXB4K	OZXB5	1SCA022137R2470	3	2.30
OS/OSM250 ²⁾	120...240	OZXB5K	OZXB7L	1SCA022185R7130	3	1.20
OS/OSM250 ²⁾	95...185	OSS250_L	OZXB8	1SCA022744R1510	3	0.50
OS250 ²⁾	95...240	OSS250_L	OZXB9	1SCA022750R3210	3	0.50
OS200...400_LR_	95...240	OSS400G4LSL	OZXB17	1SCA022859R3230	3	0.53

OZXB2L



OZXB17



¹⁾ Suitable for OS125G...160G_LR -types only with terminal angle OEZXU68

²⁾ Suitable for OS250_BB -types, OS200B_LR, for OS250_LR types suitable only with terminal angle OEZXU14

Ordering information

Accessories

OZXB2L



Terminal clamp sets for Al- and Cu-cables

Suitable for switches	Cable cross section [mm ²]	Suitable shroud	Type	Order number	Units/ type [pcs]	Weight/ unit [kg]
-----------------------	--	-----------------	------	--------------	-------------------	-------------------

OZXB-type Al/Cu connectors made of stainless steel

OS/OSM315...400 ¹⁾	25...120	OSS400_L	OZXB2L	1SCA022158R7750	3	0.42
OS/OSM315...400 ¹⁾	95...185	OZXB3K	OZXB3	1SCA022136R8100	3	1.30
OS/OSM315...400 ¹⁾	2x(95...185)	OZXB3K	OZXB4	1SCA022137R4760	3	1.70
OS315...400 ¹⁾	120...300	OZXB4K	OZXB5	1SCA022137R2470	3	2.30
OS315...400 ¹⁾	2x(120...300)	OZXB4K	OZXB6	1SCA022137R4920	3	3.03
OS/OSM315...400 ¹⁾	120...240	OZXB5K	OZXB7	1SCA022185R0040	3	1.00
OS/OSM315...400 ¹⁾	95...185	OSS400_L	OZXB8	1SCA022744R1510	3	0.50
OS/OSM315...400 ¹⁾	95...240	OSS400_L	OZXB9	1SCA022750R3210	3	0.50
OS/OSM630...800	95...185	OSS800_L	OZXB3	1SCA022136R8100	3	1.30
OS/OSM630...800	2x(95...185)	OSS800_L	OZXB4	1SCA022137R4760	3	1.70
OS/OSM630...800	120...300	OSS800_L	OZXB5	1SCA022137R2470	3	2.30
OS/OSM630...800	2x(120...300)	OSS800_L	OZXB6	1SCA022137R4920	3	3.03
OS/OSM630...800	120...240	OSS800_L	OZXB7L	1SCA022185R7130	3	1.20
OS/OSM630...800	95...185	OSS800_L	OZXB8	1SCA022744R1510	3	0.50
OS/OSM630...800	95...240	OSS800_L	OZXB9	1SCA022750R3210	3	0.50

OZXB8



¹⁾ Suitable for OS315...400_BB_-types, for OS315...400_LR_-types suitable only with terminal angle OEZXU14

Ordering information

Accessories

OZXB8



Terminal clamp sets for Al- and Cu-cables

Suitable for switches	Cable cross section [mm ²]	Suitable shroud	Type	Order number	Units/ type [pcs]	Weight/ unit [kg]
-----------------------	--	-----------------	------	--------------	-------------------	-------------------

OZXB-type Al/Cu connectors made of stainless steel

OZXR95



OS/OSM1250	95...185	OTS1600_L	OZXB3	1SCA022136R8100	3	1.30
OS/OSM1250	2x(95...185)	OTS1600_L	OZXB4	1SCA022137R4760	3	1.70
OS/OSM1250	120...300	OTS1600_L	OZXB5	1SCA022137R2470	3	2.30
OS/OSM1250	2x(120...300)	OTS1600_L	OZXB6	1SCA022137R4920	3	3.03
OS/OSM1250	120...240	OTS1600_L	OZXB7L	1SCA022185R7130	3	1.20
OS/OSM1250	95...185	OTS1600_L	OZXB8	1SCA022744R1510	3	0.50
OS/OSM1250	95...240	OTS1600_L	OZXB9	1SCA022750R3210	3	0.50

OZXR185



OZXR type Al/Cu connectors made of stainless steel and copper²⁾

OS100G...160G ¹⁾	6...70	OSS160G_L	OZXR70	1SCA115529R1001	3	0.15	
OS100G...160G ¹⁾	25...95	OSS160G_L	OZXR95	1SCA115530R1001	3	0.21	
OS200	25...95	OSS200_L	OZXR95	1SCA115530R1001	3	0.21	
OS200	95...185	OSS200_L	OZXR185	1SCA115531R1001	3	0.45	
OS200	2x(95...185)	-	OZXR2X185	1SCA115534R1001	3	0.66	
OS250	95...185	OSS250_L	OZXR185	1SCA115531R1001	3	0.45	
OS250	2x(95...185)	-	OZXR2X185	1SCA115534R1001	3	0.66	
OZXR240	OS315...400	95...240	OSS400_L	OZXR240	1SCA115532R1001	3	0.42
	OS315...400	2x(95...185)	-	OZXR2X185	1SCA115534R1001	3	0.66
	OS315...400	185...300	-	OZXR300	1SCA115533R1001	3	0.87
	OS630...800	2x(185...300)	OSS800_L	OZXR2X300	1SCA115535R1001	3	1.59

OZXR240



OZXP type Al/Cu connectors made of tin plated aluminium profile²⁾

OZXR300



OS100G...160G ¹⁾	6...95	OSS160G_L	OZXP95	1SCA115539R1001	3	0.09
OS200	6...95	OSS200_L	OZXP95	1SCA115539R1001	3	0.09
OS200	16...120	OSS200_L	OZXP120	1SCA115540R1001	3	0.15
OS200	25...150	-	OZXP150	1SCA115541R1001	3	0.18
OS200	35...240	-	OZXP240	1SCA115542R1001	3	0.27
OS250	35...240	-	OZXP240	1SCA115542R1001	3	0.27
OS315...400	35...240	-	OZXP240	1SCA115542R1001	3	0.27
OS315...400	95...300	-	OZXP300	1SCA115543R1001	3	0.42
OS315...400	2x(70...240)	-	OZXP2X240	1SCA115544R1001	3	1.38
OS630...800	2x(70...240)	OSS800_L	OZXP2X240	1SCA115544R1001	3	1.38

¹⁾ For _LR-types, suitable only with terminal angle OEZXU68

²⁾ Suitable also for OS200...400_BB_, for OS200...400_LR_-types suitable only with terminal angle OEZXU14

Ordering information

Accessories

OESAZW2



Conversion kits for front operated combination switches

Suitable for switches	Switches needed [pcs]	Shaft distance [mm]	Type	Order number	Units/ type [pcs]	Weight/ unit [kg]
-----------------------	-----------------------	---------------------	------	--------------	-------------------	-------------------

6 and 8-pole switch mechanism

Parallel attachment for connecting 3- and 4-pole switches. The switches work simultaneously.

6-pole switches, OS Mini

OS Mini	Two 3-pole		OWP6DS1	1SCA105255R1001	1	0.69
---------	------------	--	---------	-----------------	---	------

8-pole switches, OS Mini

OS Mini	Two 4-pole		OWP6DS2	1SCA105256R1001	1	0.69
---------	------------	--	---------	-----------------	---	------

6 and 8-pole switches, OS32G...400

The attachment levers are provided with holes, enabling different shaft distances.

The combination switches can be mounted either horizontally or vertically.

OS32G...250	Two 3- or 4-pole	45+(0-13)x15	OESAZW2	1SCA022078R1600	1	0.37
OS315...400	Two 3- or 4-pole	60+(0-19)x20	OETLZW9	1SCA022061R3300	1	1.1

OTZW25



Change-over switch mechanism

Two switches connected with a mechanism operating into I-O-II positions.

OS Mini	Two 3-pole	-	OWC6DSH1	1SCA105251R1001	1	1.0
OS Mini	Two 4-pole	-	OWC6DSH2	1SCA105252R1001	1	1.0
OS32G...250	Two 3- or 4-pole	210+(0 - 18)x20	OTZW25	1SCA022778R6920	1	2.8
OS315...400	Two 3- or 4-pole	210+(0 - 11)x20	OETLZW11	1SCA022078R0030	1	3.0
OS315...400	Two 3- or 4-pole	210+(0 - 20)x20	OETLZW12	1SCA022078R0200	1	4.6

OTZW26



Bypass switch mechanism

A combination of two switches in parallel with a third switch for change-over operation to bypass, for example, a breaker for maintenance. The bypass attachment can be used together with another combination attachment.

OS32G...250	Three 3- or 4-pole		OTZW26	1SCA022778R7060	1	3.3
	Between 1 and 2:	210+(0 - 9)x20				
	Between 1 and 3:	250+(0 - 9)x20				
OS315...400	Three 3- or 4-pole		OETLZW13	1SCA022078R0460	1	4.0
	Between 1 and 2:	210+(0 - 18)x20				
	Between 1 and 3:	250+(0 - 18)x20				

OETLZW3



Mechanical interlock mechanism

Prevents one switch from closing to ON -position, if the other is not in OFF - position.

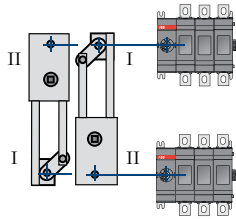
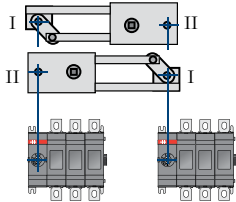
OTZW/OETLZW-types: When mounted upside down, prevents one switch from opening to OFF-position, if the other is not in the ON-position. (UPS-usage, make-before-break)

OS Mini	Two 3-pole	-	OWM6DS1	1SCA105253R1001	1	0.30
OS Mini	Two 4-pole	-	OWM6DS2	1SCA105254R1001	-	0.30
OS32G...250	Two 3- or 4-pole	190	OTZW10	1SCA022431R5280	1	0.40
OS315...800	Two 3- or 4-pole	250	OETLZW14	1SCA022077R3410	1	0.70
OS315...800	Two 3- or 4-pole	300	OETLZW3	1SCA022049R0380	1	0.80
OS315...1250	Two 3- or 4-pole	500	OETLZW15	1SCA022081R9340	1	1.24

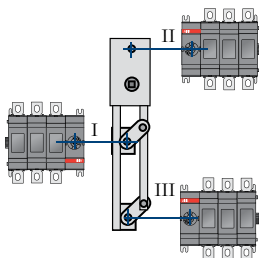
Ordering information

Accessories

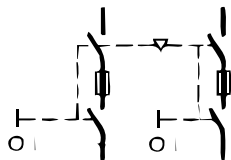
Change-over switches



Change-over and bypass switches



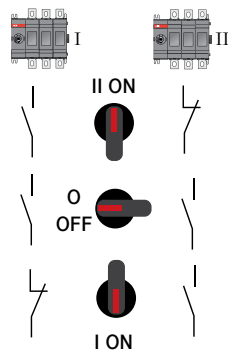
Mechanical interlock



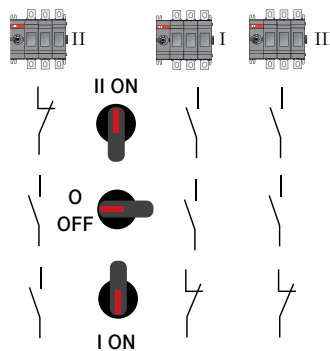
Shafts and handles for conversion kits

Conversion kit type	Shaft	To be ordered separately		Included in the conversion kit delivery	The standard handle or shaft of one of the combined switches can be used	
		Handle	Shaft		Handle	Shaft
6 and 8-pole switches						
OWP6DS1	x	-	-	-	-	X
OWP6DS2	x	-	-	-	-	X
OESAZW2	-	-	x (2 pcs)	OHB145J12	-	-
OETLZW9	-	-	-	-	X	X
Change-over switches						
OWC6DSH1	x (length min. 170mm)	-	-	OHB65J6E011	-	-
OWC6DSH2	x (length min. 170mm)	-	-	OHB65J6E011	-	-
OTZW25	-	-	x (2 pcs)	OHB95J12E011	-	-
OETLZW11	-	-	x (2 pcs)	OHB145J12E011	-	-
OETLZW12	-	-	x (2 pcs)	YASDA21	-	-
Bypass switches						
OTZW26	-	-	x (3 pcs)	OHB95J12E011	-	-
OETLZW13	-	-	x (3 pcs)	YASDA 6	-	-
Mechanical interlock						
OWM6DS1	x (2 pcs, length min. 170mm)	x (2 pcs)	-	-	-	-
OWM6DS2	x (2 pcs, length min. 170mm)	x (2 pcs)	-	-	-	-
OTZW10	-	-	-	-	X	X
OETLZW14	-	-	-	-	X	X
OETLZW3	-	-	-	-	X	X
OETLZW15	-	-	-	-	X	X

Change-over switches



Bypass switches



Ordering information

Accessories

OFM260



Electronic fuse monitor

Includes the auxiliary contacts 1NO + 1NC. More information, see brochure OFM_OFS20GB.

Rated voltage [V]	Type	Order number	Weight/unit [kg]
-------------------	------	--------------	------------------

OS Mini

Mounting onto the left side of OS Mini (with a frame OSZ4) or on mounting plate.

OFS260



120...240/AC	OFM240	1SCA022579R1340	0.2
120...260/AC	OFM260	1SCA022459R8560	0.14
380...600/AC	OFM600	1SCA022579R1260	0.2
380...690/AC	OFM690	1SCA022459R8480	0.14

OS/OSM32G...1250

Mounting onto the left side of OS32G-1250 switch fuse (right side of OSM motorized switch fuses) or on DIN-rail or on mounting plate.

OFD500EA



100...260/AC	OFS260	1SCA022716R0180	0.16
380...690/AC	OFS690	1SCA022715R9920	0.16
48...110/DC	OFD110EA	1SCA121775R1001	0.155
110...500/DC	OFD500EA	1SCA121776R1001	0.155

Mounting accessories for fuse monitor

Suitable for switches	Flat terminal size [mm]	Type	Order number	Units/type [pcs]	Weight/unit [kg]
-----------------------	-------------------------	------	--------------	------------------	------------------

Crimp terminals

OFMZX2



OS_	2.8 - 0.8	OFMZX2	1SCA022475R9910	6	0.01
-----	-----------	--------	-----------------	---	------

Mounting frame for OS Mini

Mounting on the left side of the switch		OSZ4	1SCA022530R0200	1	0.60
---	--	------	-----------------	---	------

OSZ4



Ordering information

Accessories

OSD25P3



Blown fuse indicators (DPMM)

Striker type fuse is needed. See the dimensions in IEC60269-2-1, Section 1A.

Suitable for switches	Type	Order number	Weight/unit [kg]
-----------------------	------	--------------	------------------

OS Mini

Auxiliary contact (1x C/O) included. See the ratings on page 63, type OA4

OSGD50P4



for 3-pole switches	OSD25P3	1SCA022192R9060	0.10
for 4-pole switches, fused neutral	OSD25P4	1SCA022196R9520	0.10

OS/OSM50GF_

Auxiliary contacts (3 x C/O in 3-pole, 4 x C/O in 4-pole) included. Ratings: lth: 5A, AC15: 0.15A/250VAC. NEMA 5A, 125-250 VAC, 1/10 HP

for 3-pole switches	OSGD50P3	1SCA116401R1001	0.015
for 4-pole switches, fused neutral	OSGD50P4	1SCA115689R1001	0.020

OSGD125P3



OS/OSM125GF_

Auxiliary contacts (3 x C/O in 3-pole, 4 x C/O in 4-pole) included. Ratings: lth: 5A, AC15: 0.15A/250VAC. NEMA 5A, 125-250 VAC, 1/10 HP

for 3-pole switches	OSGD125P3	1SCA115690R1001	0.025
for 4-pole switches, fused neutral	OSGD125P4	1SCA115692R1001	0.035

OS/OSM250D...800D

Auxiliary contacts (3xNO + 3xNC in 3-pole and 4xNO + 4xNC in 4-pole) included. See the ratings on page 63, type OA1G_, OA3G_

OSZX3



for 3-pole switches	OSZX3	1SCA101224R1001	0.15
for 4-pole switches, fused neutral	OSZX4	1SCA101225R1001	0.20

Ordering information

Accessories

OSZT1A



Cam attachment

For Castell, Lowe & Fletcher and Ronis interlock. Cam attachment for adapting the switches to the interlock system. The interlock is not included.

Suitable for switches	Type	Order number	Weight /unit [kg]
OS16...250	OETLZW16	1SCA022095R2070	0.17
OS315...1250	OETLZW5	1SCA022052R3900	0.14

OSZT2A



Mechanism interlock kits and Electrical interlocks

OS32G...1250 switch fuses can be interlocked in the OFF position using padlocks and by using a mechanical interlock kit mounted on the mechanism. The diameter of the lock ball can be max 8 mm.

Note: The shaft must go through the interlock into the switch mechanism.

Suitable for switches	Type	Order number	Weight /unit [kg]
Interlocking in the OFF position			
OS32G...160G	OTZT1A	1SCA106522R1001	0.21
OS200 ... 250_	OSZT1A	1SCA106532R1001	0.32
OS315 ... 400_	OSZT2A	1SCA106534R1001	0.75
OS600 ...800_	OSZT3A	1SCA106535R1001	1.20
OS1200 ... 1250_	OSZT4A	1SCA106536R1001	2.00
Interlocking in the OFF & ON positions			
OS32G...160G	OTZT1L	1SCA106527R1001	0.21
OS200 ... 250_	OSZT1L	1SCA106538R1001	0.32
OS315 ... 400_	OSZT2L	1SCA106539R1001	0.75
OS600 ...800_	OSZT3L	1SCA106540R1001	1.20
OS1200 ... 1250_	OSZT4L	1SCA106541R1001	2.00

Ordering information

Accessories

PDAL2-230AC50Hz



Coils

By installing a coil inside the housing of the interlock kit the switch can be interlocked electrically in the OFF position or both in the OFF and ON positions. The electrical interlock works using the "closed circuit principle", meaning that when the control voltage is not connected to the coil, the switches provided with A-type interlocks cannot be turned to the ON position and switches with L-type interlocks cannot be turned to the ON or OFF positions.

OSGZD1



Suitable for switches	Type	Order number	Weight /unit [kg]
AC coils			
24 VAC, 60 Hz	PDAL2/24AC60Hz	1SCA111350R1001	0.15
110 VAC, 50Hz	PDAL2/110AC50Hz	1SCA106543R1001	0.15
110 VAC, 60Hz	PDAL2/110AC60Hz	1SCA107100R1001	0.15
120 VAC, 60 Hz	PDAL2/120AC60Hz	1SCA111353R1001	0.15
208 VAC, 60Hz	PDAL2/208AC60Hz	1SCA107101R1001	0.15
230 VAC, 50Hz	PDAL2/230AC50Hz	1SCA107102R1001	0.15
240 VAC, 60 Hz	PDAL2/240AC60Hz	1SCA111356R1001	0.15
DC coils			
24 VDC	PDAL2/24DC	1SCA106542R1001	0.15
48 VDC	PDAL2/48DC	1SCA107103R1001	0.15
60 VDC	PDAL2/60DC	1SCA107104R1001	0.15
110 VDC	PDAL2/110DC	1SCA107105R1001	0.15
125 VDC	PDAL2/125DC	1SCA111338R1001	0.15
220 VDC	PDAL2/220DC	1SCA112503R1001	0.15

Technical data for the coil

Operating voltage		U=0.7...1.1 x Un	
Operating ambient temperature		-40°C...+65°C	
Power consumption	with AC	6.5 W	
	with DC	9 VA	

Mounting accessories

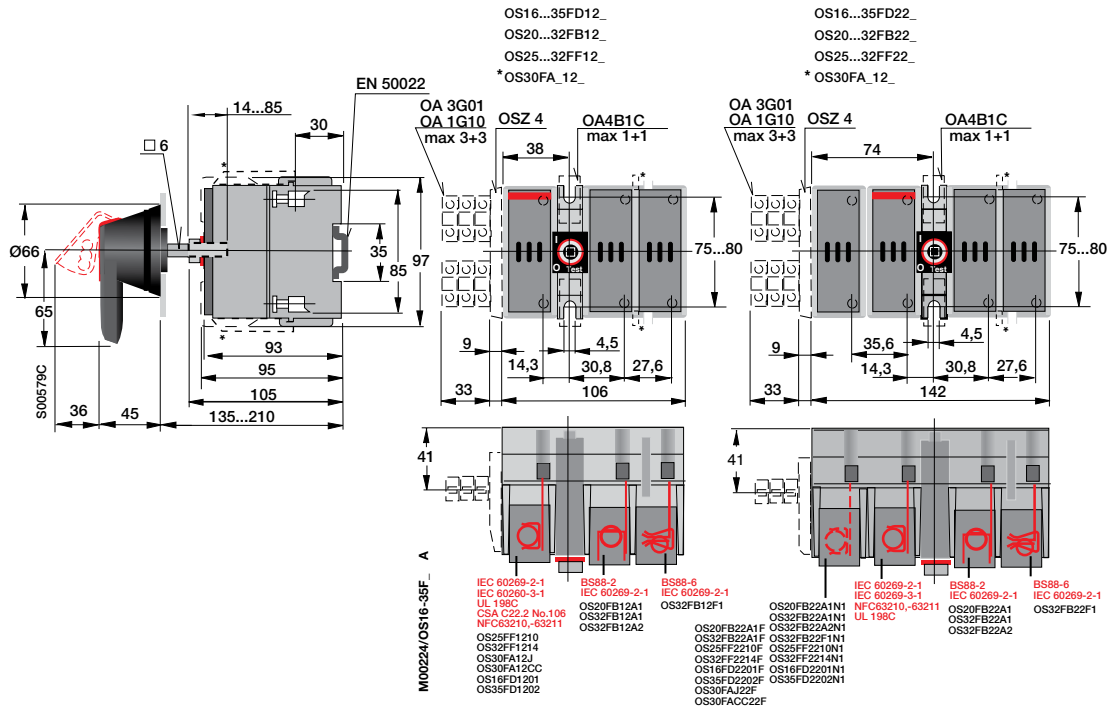
DIN-rail mounting kit

For mounting a switch fuse into 35 mm DIN-rail

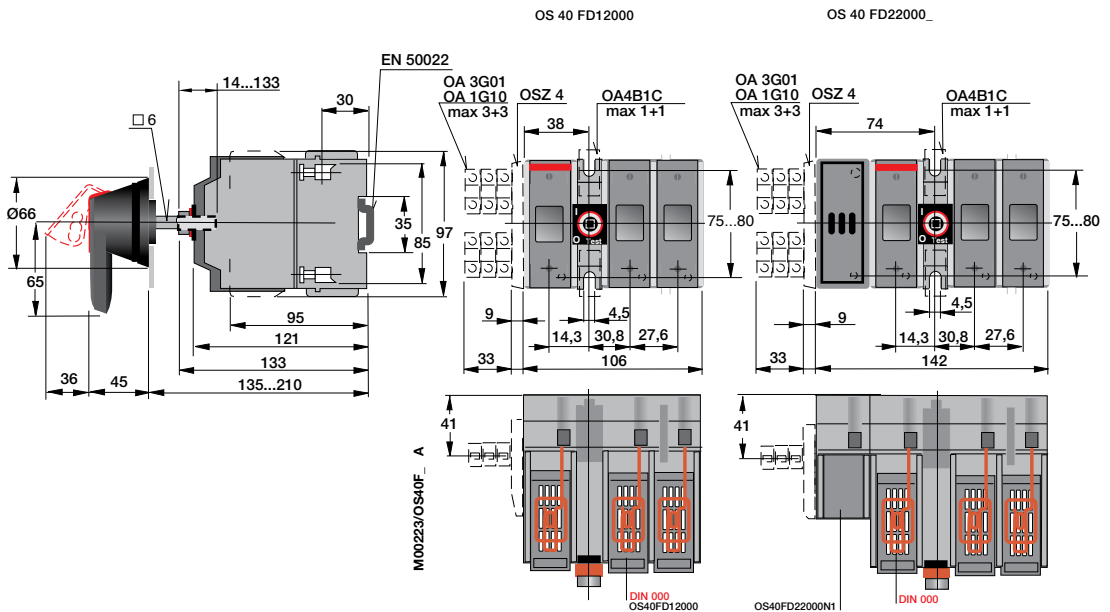
Suitable for switches	Type	Order number	Weight /unit [kg]
OS32G...160G, 1 - 4 -pole	OSGZD1	1SCA115688R1001	0.20

Dimension drawings, IEC and UL/CSA Front operated switch fuses

OS Mini



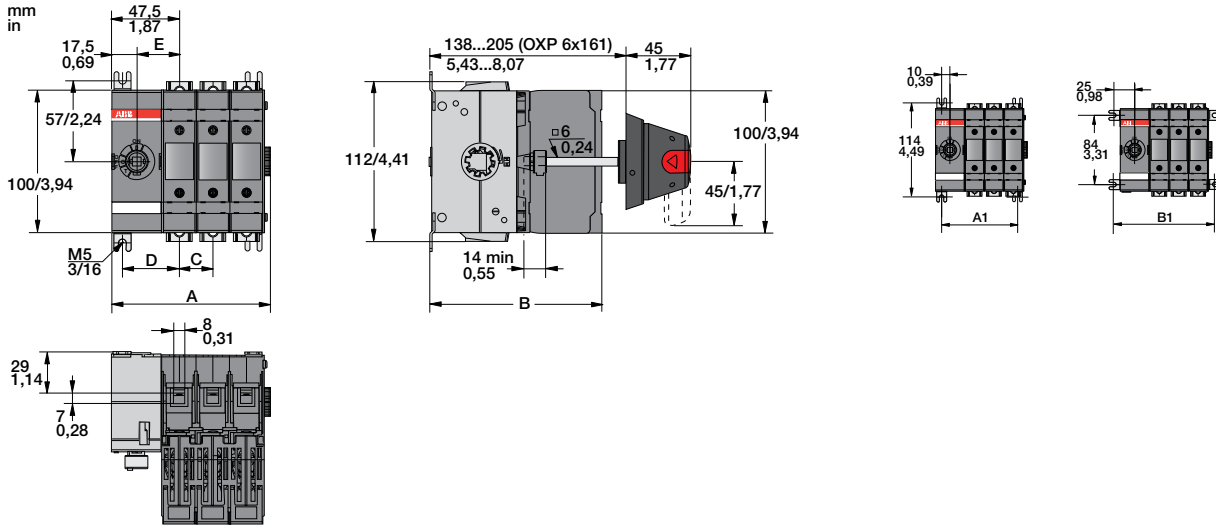
OS40 Mini



Dimension drawings, IEC Front operated switch fuses

OS32...63G P

Mechanism at the end of the switch fuse



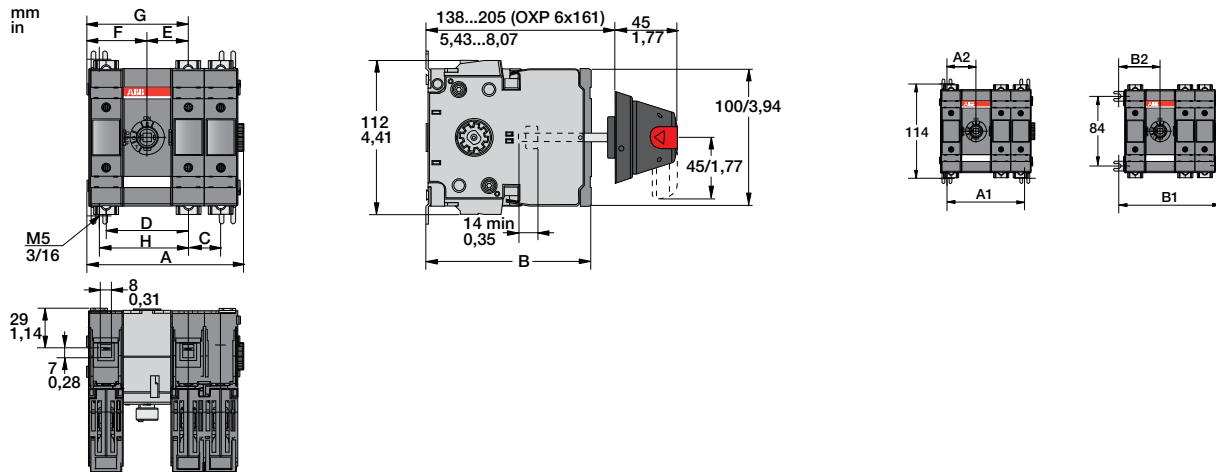
OS32-63GD

[mm]	D01	D02	D03	D04
A	64,5	88	111,5	135,5
B	120,5	120,5	120,5	120,5
C	-	23,5	23,5	23,5
D	40	40	40	40
E	30	30	30	30
A1	45	68,5	92	111,5
B1	75	98,5	122	145,5

OS32-63GB/F

[mm]	B/F01	B/F02	B/F03	B/F04
A	64,5	88	111,5	135,5
B	108,5	108,5	108,5	108,5
C	-	23,5	23,5	23,5
D	40	40	40	40
E	30	30	30	30
A1	45	68,5	92	111,5
B1	75	98,5	122	145,5

Mechanism between the poles



OS32-63GD

[mm]	D11	D12	D13	D22
A	91	114,5	138	138
B	120,5	120,5	120,5	120,5
C	-	23,5	23,5	23,5
D	60	60	60	60
E	30	30	30	30
F	44	44	44	67,5
G	74	74	74	97,5
A1	70	93,5	117	117
A2	35	35	35	58,5
B1	100	123,5	147	147
B2	50	50	50	73,5

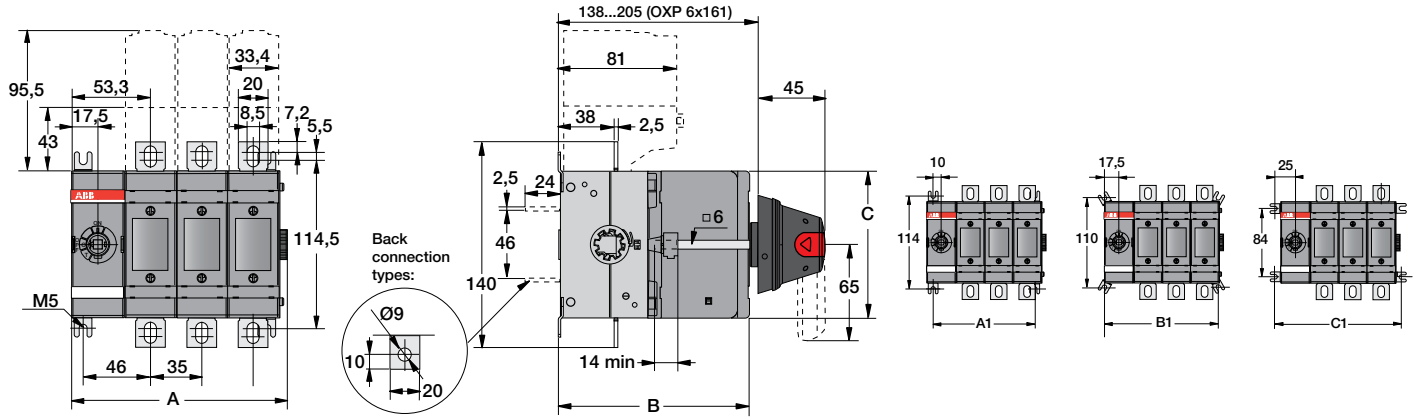
OS32-63GB/F

[mm]	B/F11	B/F12	B/F13	B/F22
A	91	114,5	138	138
B	108,5	108,5	108,5	108,5
C	-	23,5	23,5	23,5
D	60	60	60	60
E	30	30	30	30
F	44	44	44	67,5
G	74	74	74	97,5
A1	70	93,5	117	117
A2	35	35	35	58,5
B1	100	123,5	147	147
B2	50	50	50	73,5

Dimension drawings, IEC Front operated switch fuses

OS100...160G_P

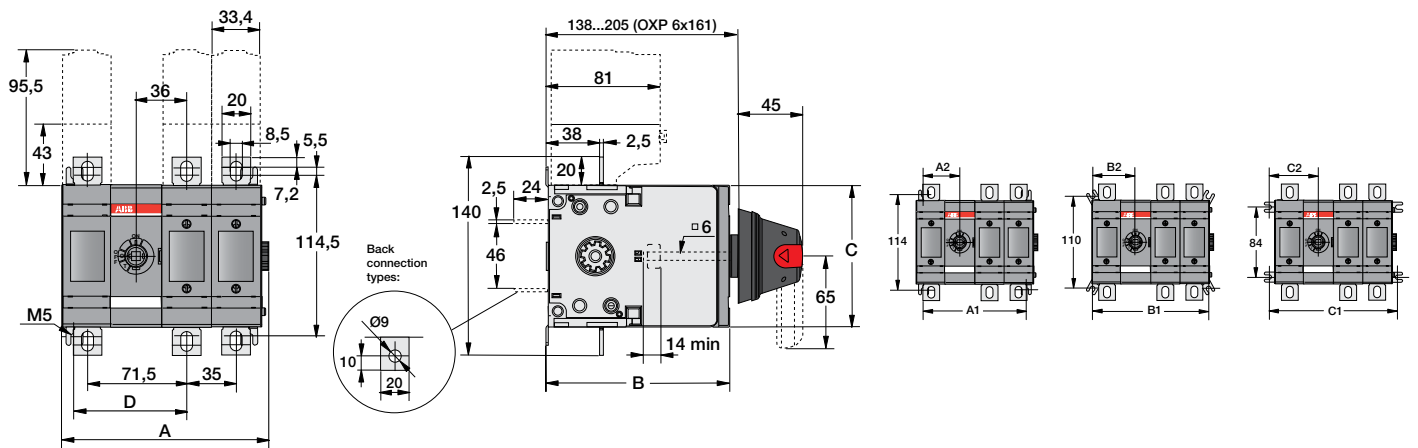
Mechanism at the end of the switch fuse



OS100-160G				
[mm]	D/F01	D/F02	D/F03	D/F04
A	76,5	111,5	146,5	181,5
B	130	130	130	130
C	100	100	100	100
A1	55	90	125	160
B1	70	105	140	175
C1	85	120	155	190

OS100-200G				
[mm]	B01	B02	B03	B04
A	76,5	111,5	146,5	181,5
B	114,5	114,5	114,5	114,5
C	118	118	118	118
A1	55	90	125	160
B1	70	105	140	175
C1	85	120	155	190

Mechanism between the poles

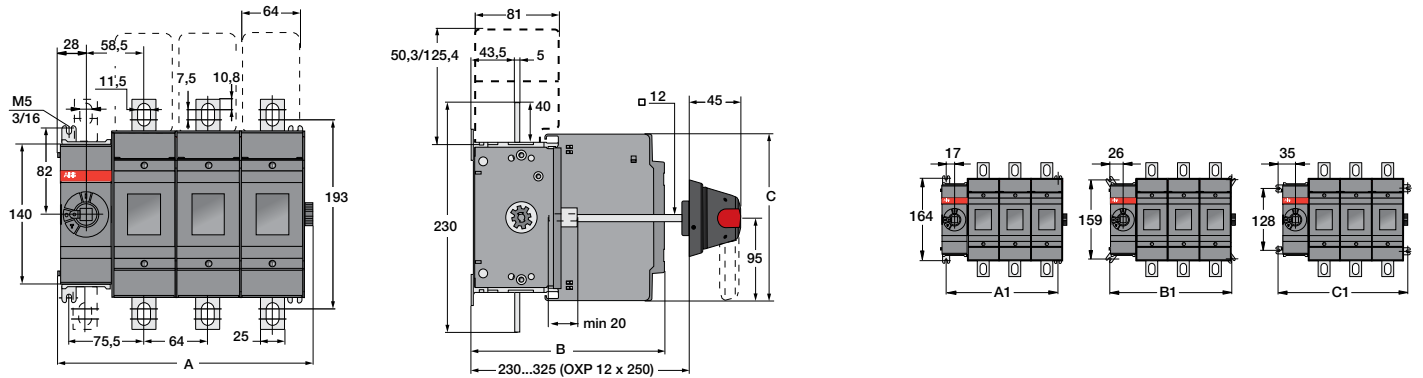


OS100-160GD/F				
[mm]	D/F11	D/F12	D/F13	D/F22
A	113	148	183	183
B	130	130	130	130
C	100	100	100	100
D	81	81	81	116
A1	90	125	160	160
A2	45	45	45	80
B1	105	140	175	175
B2	52,5	52,5	52,5	87,5
C1	120	155	190	190
C2	60	60	60	95

Dimension drawings, IEC Front operated switch fuses

OS315_P and OS400_P

Mechanism at the end of the switch fuse



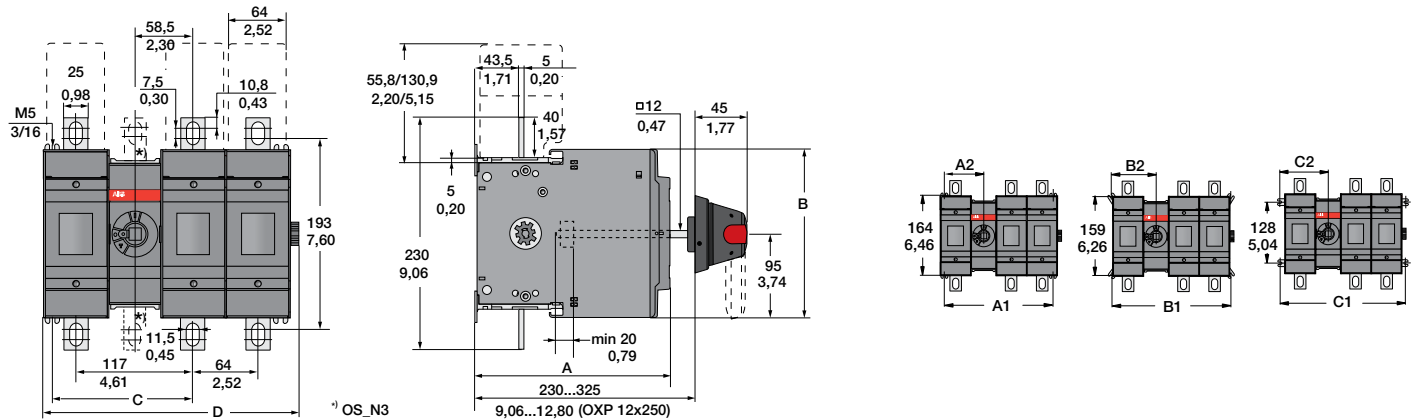
OS315				
[mm]	B01	B02	B03	B04
A	127	191	255	319
B	176	176	176	176
C	194	194	194	194

OS400									
[mm]	B01	B02	B03	B04	D01	D02	D03	D04	
A	127	191	255	319	127	191	255	319	
B	176	176	176	176	193	193	193	193	
C	194	194	194	194	166	166	166	166	

OS315				
[mm]	B01	B02	B03	B04
A1	98,5	162,5	226,5	290,5
B1	116,5	180,5	244,5	308,5
C1	134,5	198,5	262,5	326,5

OS400				
[mm]	B01/D01	B02/D02	B03/D03	B04/D04
A1	98,5	162,5	226,5	290,5
B1	116,5	180,5	244,5	308,5
C1	134,5	198,5	262,5	326,5

Mechanism between the poles



OS315-400					
[mm]	B11	B12	B13	B21	B22
A	176	176	176	176	176
B	194	194	194	194	194
C	140	140	140	204	204
D	190	254	318	254	318

OS400					
[mm]	D11	D12	D13	D21	D22
A	193	193	193	193	193
B	166	166	166	166	166
C	140	140	140	204	204
D	190	254	318	254	318

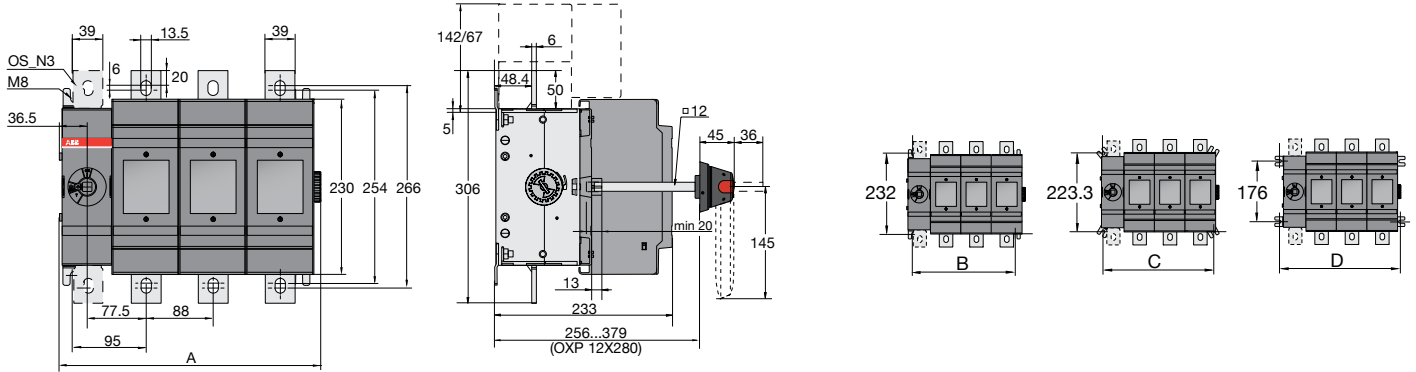
OS315					
[mm]	B11	B12	B21	B22	B13
A1	163	227	227	291	291
A2	81,5	81,5	145,5	145,5	81,5
B1	181	245	245	309	309
B2	90,5	90,5	154,5	154,5	90,5
C1	199	263	263	327	327
C2	99,5	99,5	163,5	163,5	99,5

OS400					
[mm]	B11/D11	B12/D12	B21/D21	B22/D22	B13/D13
A1	163	227	227	291	291
A2	81,5	81,5	145,5	145,5	81,5
B1	181	245	245	309	309
B2	90,5	90,5	154,5	154,5	90,5
C1	199	263	263	327	327
C2	99,5	99,5	163,5	163,5	99,5

Dimension drawings, IEC Front operated switch fuses

OS 630 P and OS 800 P

Mechanism at the end of the switch fuse

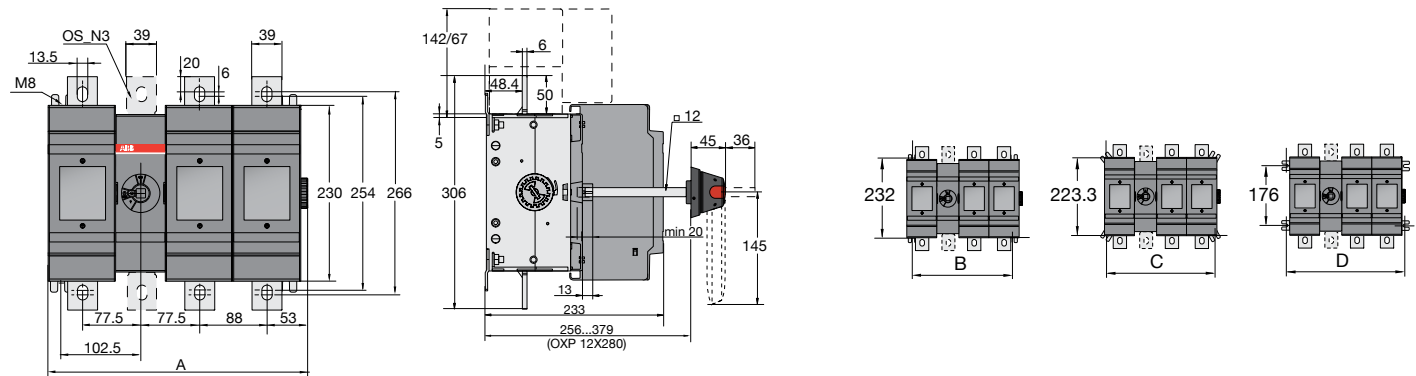


OS630-800

[mm]	D/B01	D/B02	D/B03	D/B04
A	167	255	343	431
B	120	208	296	384
C	150	238	326	414
D	176	264	352	440

M00097/OS600-800_01-04_A / KE00041

Mechanism between the poles



OS630-800

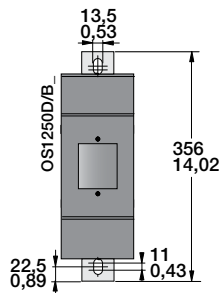
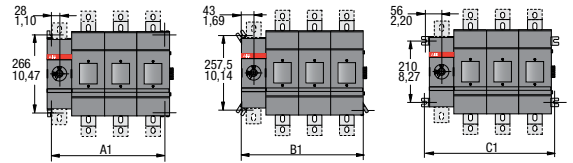
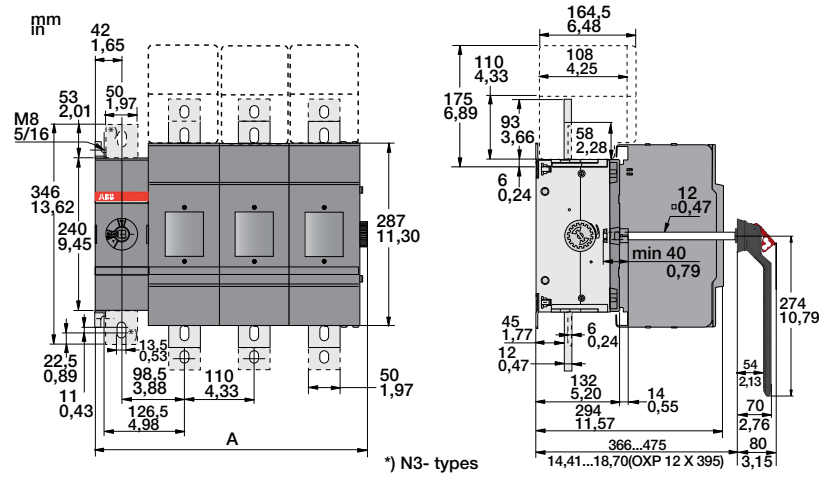
[mm]	D/B11	D/B12	D/B13	D/B22
A	253	341	429	429
B	205	293	381	381
C	235	323	411	411
D	261	349	437	437

KE00042 / M00100/OS600-800_11-22_A

Dimension drawings, IEC Front operated switch fuses

OS1200...1250 P

Mechanism at the end of the switch fuse

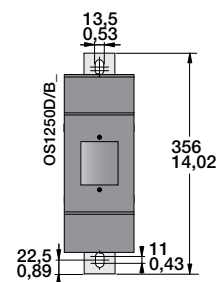
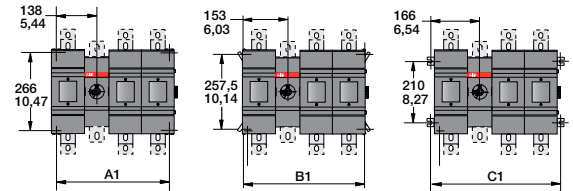
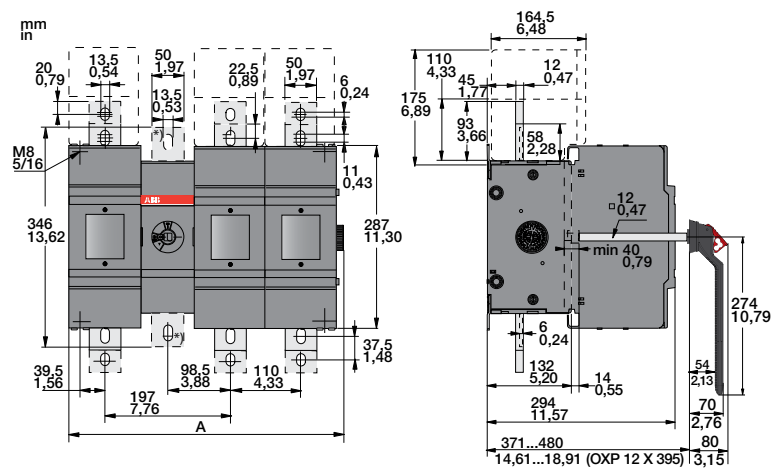


M0207/OS1200-1250_01-04 C

OS1200/1250

[mm]	D/B01	D/B02	D/B03	D/B04
A	209	319	429	539
A1	166	276	386	496
B1	196	306	416	526
C1	222	332	442	552

Mechanism between the poles



M0208/OS1200-1250_11-22 C

OS1200/1250

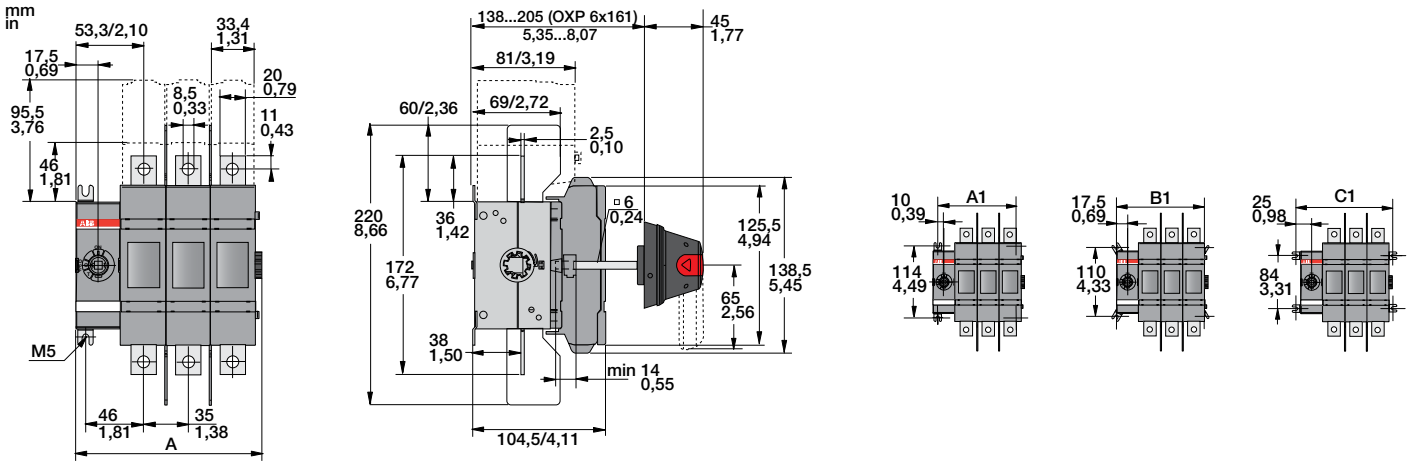
[mm]	D/B11	D/B12	D/B13	D/B22
A	322	432	542	652
A1	276	386	496	606
B1	306	416	526	636
C1	322	442	552	662

Dimension drawings, UL/CSA

Front operated switch fuses

OS60...100GJ

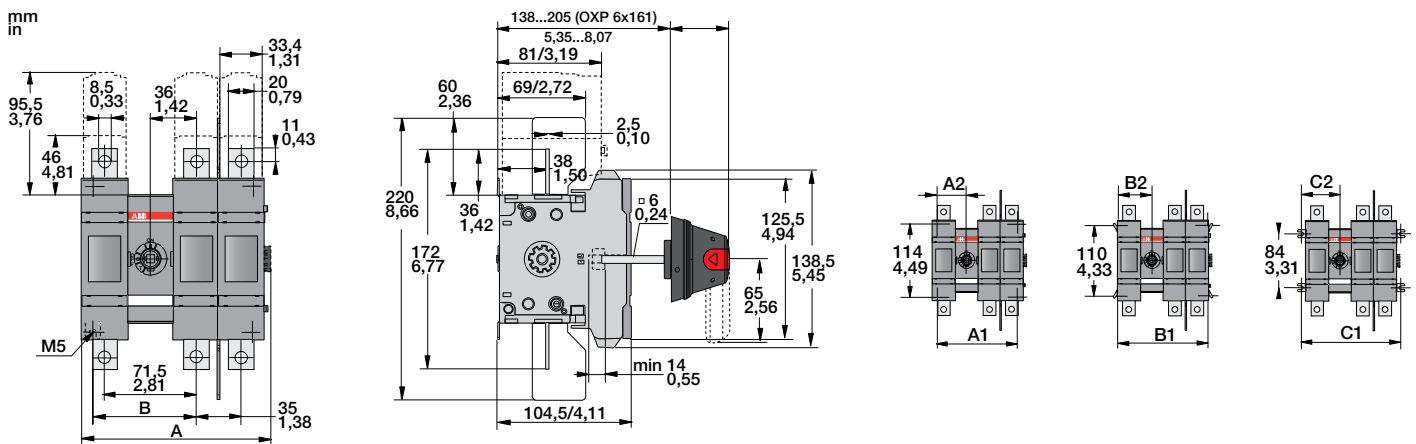
Mechanism at the end of the switch fuse



OS60GJ				
[mm/in]	J01	J02	J03	J04
A	74,5/2,93	109,5/4,31	144,5/5,69	179,5/7,07
B	118/4,65	118/4,65	118/4,65	118/4,65
C	-	35/1,38	35/1,38	35/1,38
D	45,5/1,79	45,5/1,79	45,5/1,79	45,5/1,79
E	36/1,41	36/1,41	36/1,41	36/1,41
A1	51/2,01	86/3,39	121/4,76	156/6,14
B1	81/3,19	116/4,57	151/5,94	186/7,32

OS100GJ				
[mm/in]	J01	J02	J03	J04
A	76,5/3,01	111,5/4,39	146,5/5,77	181,5/7,15
A1	55/2,17	90/3,54	125/4,92	160/6,30
B1	70/2,76	105/4,13	140/5,51	175/6,89
C1	85/3,35	120/4,72	155/6,10	190/7,48

Mechanism between the poles



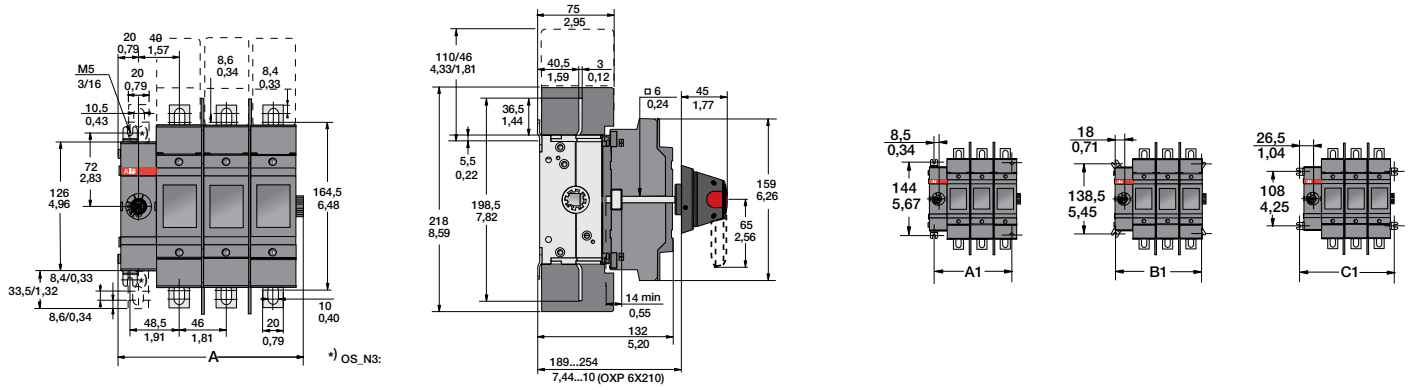
OS60GJ				
[mm/in]	J11	J12	J13	J22
A	112,5/4,43	148/5,82	182,5/7,19	182,5/7,19
B	118/4,65	118/4,65	118/4,65	118/4,65
C	-	35/1,38	35/1,38	35/1,38
D	71,5/2,81	71,5/2,81	71,5/2,81	71,5/2,81
E	36/1,41	36/1,41	36/1,41	36/1,41
F	55,5/2,19	55,5/2,19	55,5/2,19	90,5/3,56
G	91,5/3,6	91,5/3,6	91,5/3,6	126,5/4,98
A1	81,5/3,21	116,5/4,59	151,5/5,96	151,5/5,96
A2	40,5/1,59	40,5/1,59	40,5/1,59	75,5/2,97
B1	111,5/4,39	146,5/5,77	181,5/7,15	181,5/7,15
B2	56/2,20	56/2,20	56/2,20	90,5/3,56

OS100GJ				
[mm/in]	J11	J12	J13	J22
A	113/4,45	148/5,83	183/7,20	183/7,20
B	81/3,19	81/3,19	81/3,19	116/4,57
A1	90/3,54	125/4,92	160/6,30	160/6,30
A2	45/1,77	45/1,77	45/1,77	80/3,15
B1	105/4,13	140/5,51	175/6,89	175/6,89
B2	52,5/2,07	52,5/2,07	52,5/2,07	160/3,44
C1	120/4,72	155/6,10	190/7,48	190/7,48
C2	60/2,36	60/2,36	60/2,36	95/3,74

Dimension drawings, UL/CSA Front operated switch fuses

OS200J

Mechanism at the end of the switch fuse



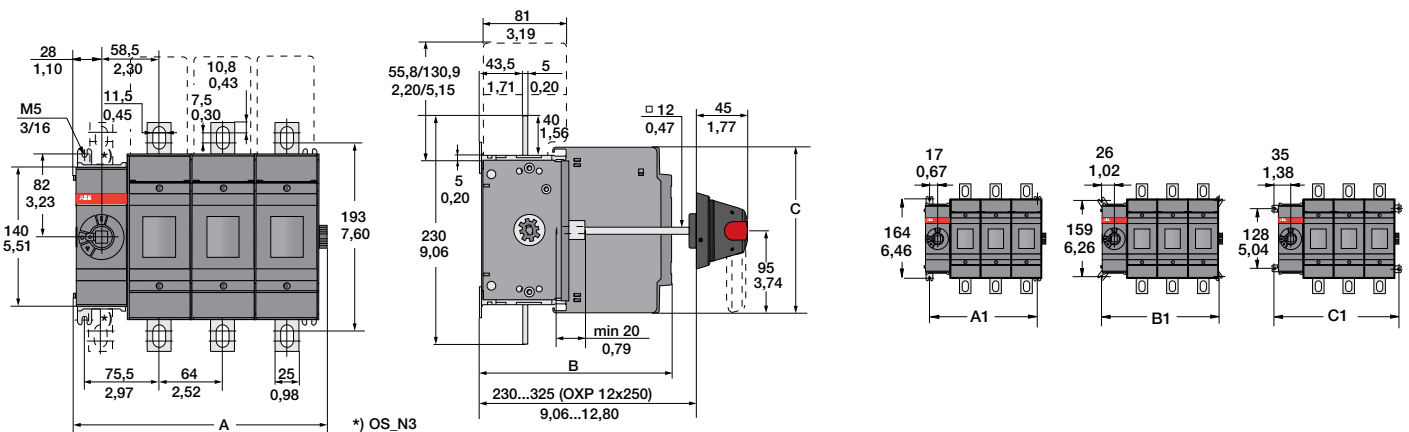
OS200

[mm/in]	J01	J02	J03	J04
A	89,5 / 3,52	135,5/5,34	181,5/7,15	227,5/8,96
A1	60,5 / 2,38	106,5/4,19	152,5/6,00	198,5/7,82
B1	79,5 / 3,13	125,5/4,94	171,5/6,75	217,5/8,56
C1	96,5 / 3,80	142,5 / 5,61	188,5/7,42	234,5/9,23

MO0001/OS200J01_04_H

OS400J

Mechanism at the end of the switch fuse



OS400

[mm/in]	J01	J02	J03	J04
A	127/5,00	191/7,52	255/10,04	319/12,56
B	176/6,93	176/6,93	176/6,93	176/6,93
C	194/7,64	194/7,64	194/7,64	194/7,64

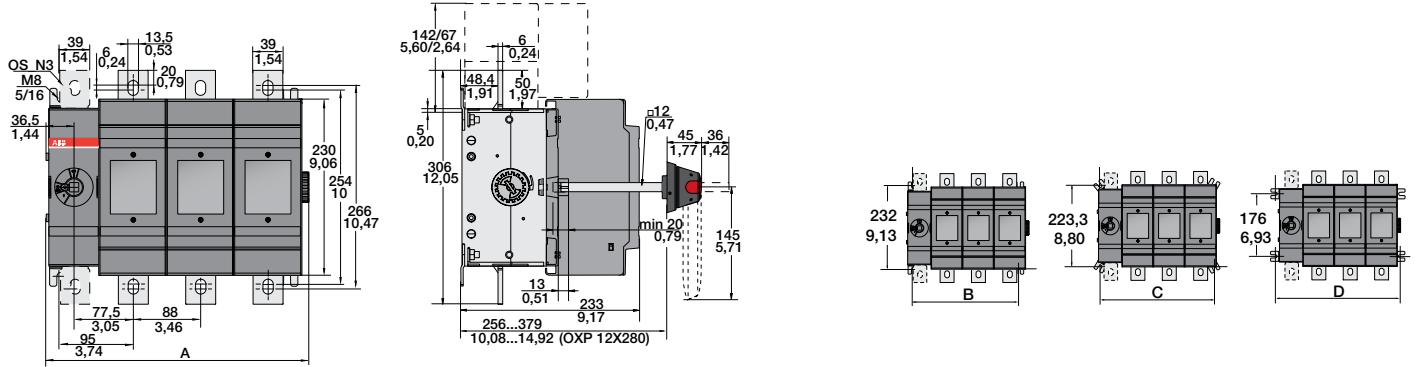
CO00012 /CS315_400_01_04_B

Dimension drawings, UL/CSA

Front operated switch fuses

OS600J and OS800L

Mechanism at the end of the switch fuse

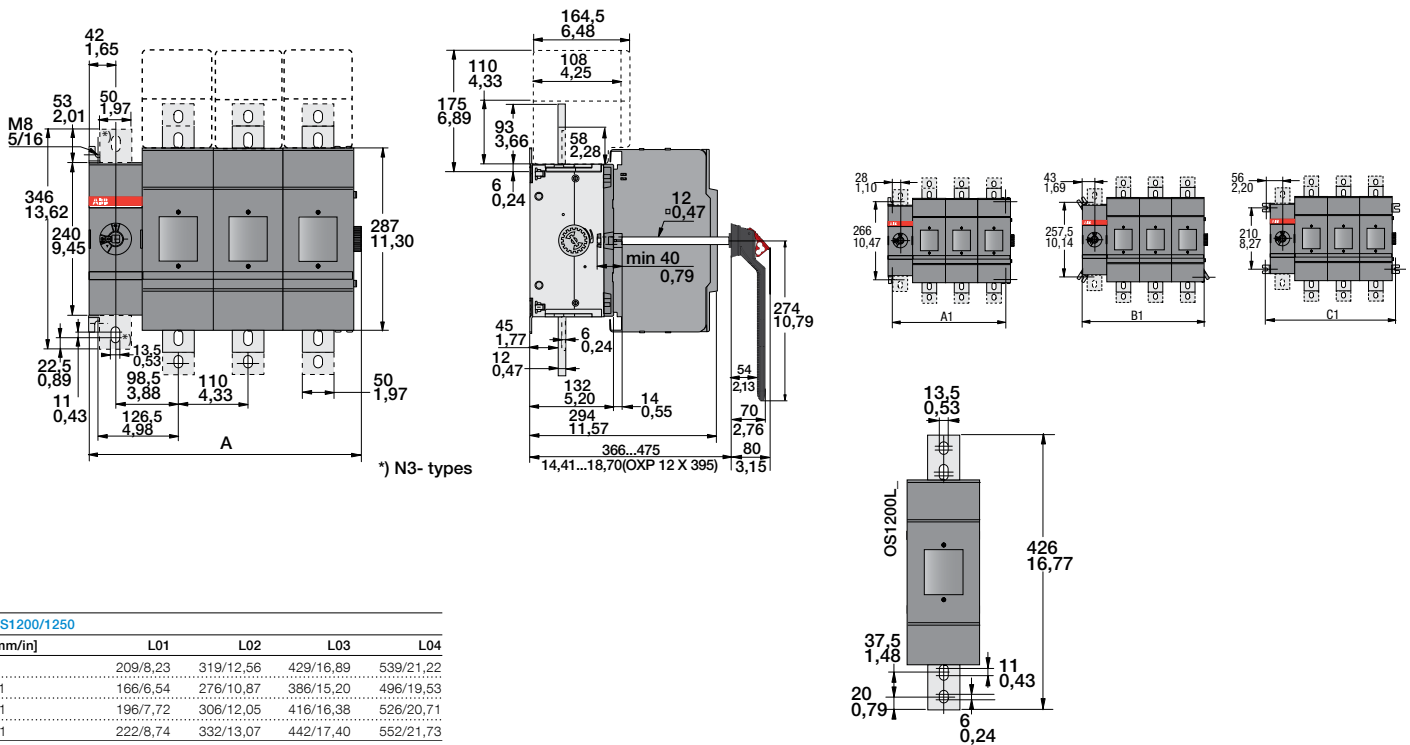


OS600-800

[mm/in]	J/L01	J/L02	J/L03	J/L04
A	167/6,57	255/10,04	343/13,50	431/16,97
B	120/4,72	208/8,19	296/11,65	384/15,12
C	150/5,91	238/9,37	326/12,83	414/16,30
D	176/6,93	264/10,39	352/13,86	440/17,32

M00097 / OS 600-800_01-04-B

OS1200L



*) N3- types

OS1200/1250

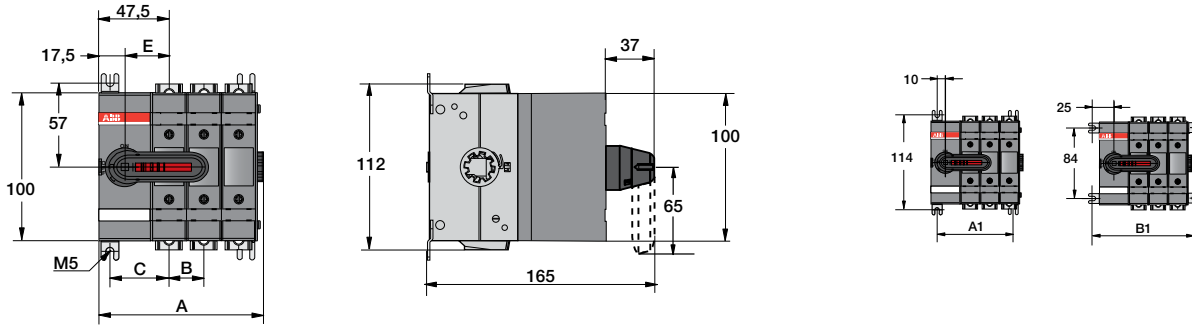
[mm/in]	L01	L02	L03	L04
A	209/8,23	319/12,56	429/16,89	539/21,22
A1	166/6,54	276/10,87	386/15,20	496/19,53
B1	196/7,72	306/12,05	416/16,38	526/20,71
C1	222/8,74	332/13,07	442/17,40	552/21,73

M00207/OS1200-1250_01-04-C

Dimension drawings, IEC

Front operated switch fuses with direct mount handles

OS32G_K...OS63G_K



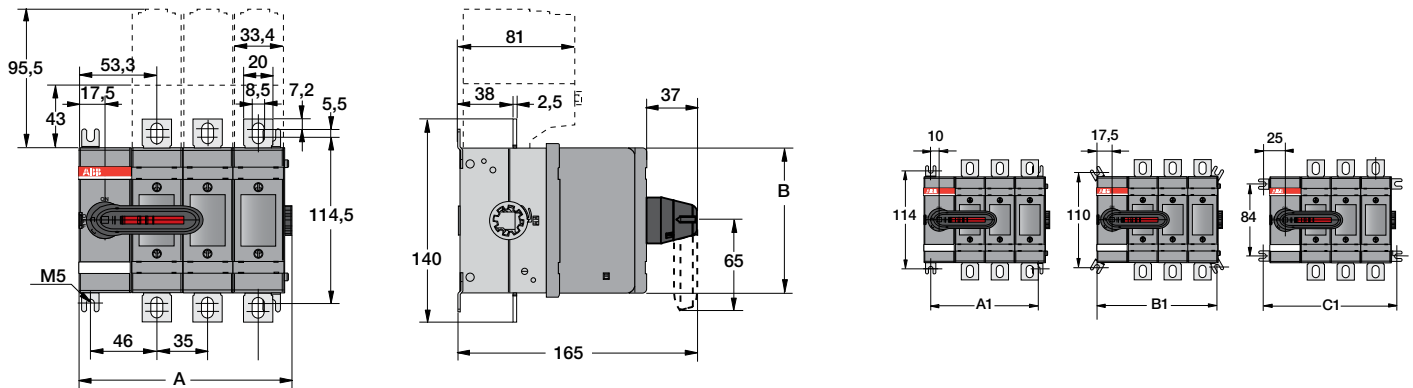
OS32-63G_K

[mm]	D01	D02	D03	D04
A	64,5	88	111,5	135,5
B	40	40	40	40
C	-	23,5	23,5	23,5
E	30	30	30	30
A1	45	68,5	92	111,5
B1	75	98,5	122	145,5

OS32-63G_K

[mm]	B/F01	B/F02	B/F03	B/F04
A	64,5	88	111,5	135,5
B	40	40	40	40
C	-	23,5	23,5	23,5
E	30	30	30	30
A1	45	68,5	92	111,5
B1	75	98,5	122	145,5

OS100G_K...OS160G_K



OS100-160G_K

[mm]	D/F01	D/F02	D/F03	D/F04
A	76,5	111,5	146,5	181,5
B	100	100	100	100
A1	55	90	125	160
B1	70	105	140	175
C1	85	120	155	190

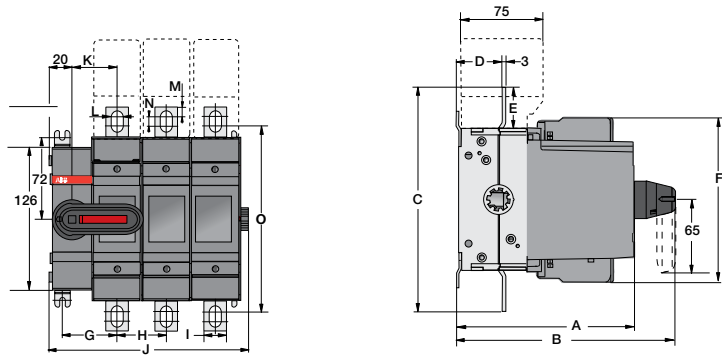
OS100-160G_K

[mm]	B01	B02	B03	B04
A	76,5	111,5	146,5	181,5
B	118	118	118	118
A1	55	90	125	160
B1	70	105	140	175
C1	85	120	155	190

Dimension drawings, IEC

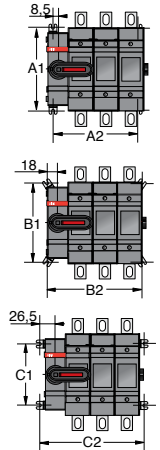
Front operated switch fuses with direct mount handles

OS200_K and OS250_K



OS200K				
[mm]	D01/B01	D02/B02	D03/B03	D04/B04
A1	144	144	144	144
A2	60,5	104	147,5	191
B1	138,5	138,5	138,5	138,5
B2	79,5	123	166,5	210
C1	108	108	108	108
C2	96,5	140	183,5	227

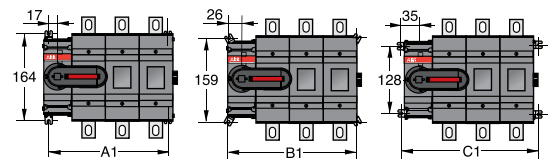
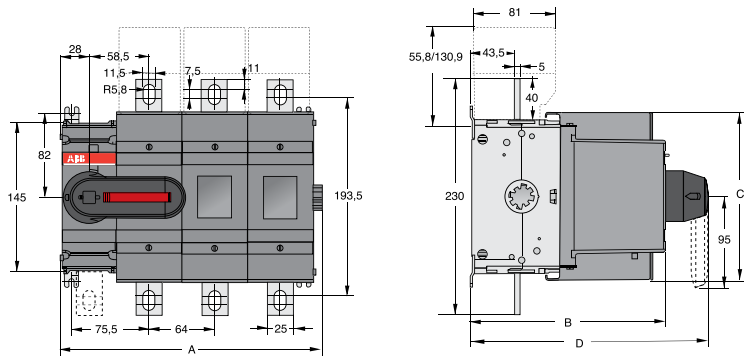
OS250K				
[mm]	D01	D02	D03	D04
A1	144	144	144	144
A2	70,5	124,5	178,5	232,5
B1	138,5	138,5	138,5	138,5
B2	89,5	143,5	197,5	251,5
C1	108	108	108	108
C2	106,5	106,5	214,5	268,5



OS200_K								
[mm]	D01	B01	D02	B02	D03	B03	D04	B04
A	154	130	154	130	154	130	154	130
B	191	167	191	167	191	167	191	167
C	198,5	198,5	198,5	198,5	198,5	198,5	198,5	198,5
D	40,5	40,5	40,5	40,5	40,5	40,5	40,5	40,5
E	36,5	36,5	36,5	36,5	36,5	36,5	36,5	36,5
F	144,5	144,5	144,5	144,5	144,5	144,5	144,5	144,5
G	48,5	48,5	48,5	48,5	48,5	48,5	48,5	48,5
H	-	-	43,5	43,5	43,5	43,5	43,5	43,5
I	20	20	20	20	20	20	20	20
J	89,5	89,5	133	133	176,5	176,5	220	220
K	40	40	40	40	40	40	40	40
L	10	10	10	10	10	10	10	10
M	8,5	8,5	8,5	8,5	8,5	8,5	8,5	8,5
N	8,5	8,5	8,5	8,5	8,5	8,5	8,5	8,5
O	164,5	164,5	164,5	164,5	164,5	164,5	164,5	164,5

OS250_K				
[mm]	D01/B01	D02/B02	D03/B03	D04/B04
A	154	154	154	154
B	191	191	191	191
C	193	193	193	193
D	40,5	40,5	40,5	40,5
E	33,5	33,5	33,5	33,5
F	148,5	148,5	148,5	148,5
G	53,5	53,5	53,5	53,5
H	-	54	54	54
I	25	25	25	25
J	99,5	153,5	207,5	261,5
K	45	45	45	45
L	11	11	11	11
M	11,5	11,5	11,5	11,5
N	4	4	4	4
O	162	162	162	162

OS315_K and OS400_K



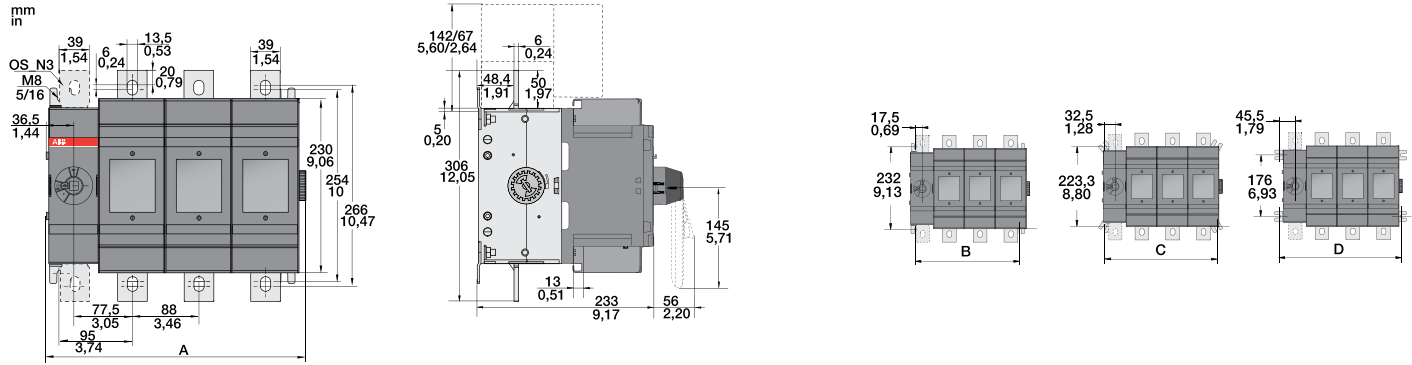
OS315, OS400				
[mm]	B01K	B02K	B03K	B04K
A	127	191	255	319
B	176	176	176	176
C	194	194	194	194
D	219	219	219	219
A1	96,5	162,5	226,5	290,5
B1	116,5	180,5	244,5	308,5
C1	134,5	198,5	262,5	326,5

OS400				
[mm]	D01K	D02K	D03K	D04K
A	127	191	255	319
B	193	193	193	193
C	166	166	166	166
D	236	236	236	236
A1	96,5	162,5	226,5	290,5
B1	116,5	180,5	244,5	308,5
C1	134,5	198,5	262,5	326,5

Dimension drawings, IEC

Front operated switch fuses with direct mount handles

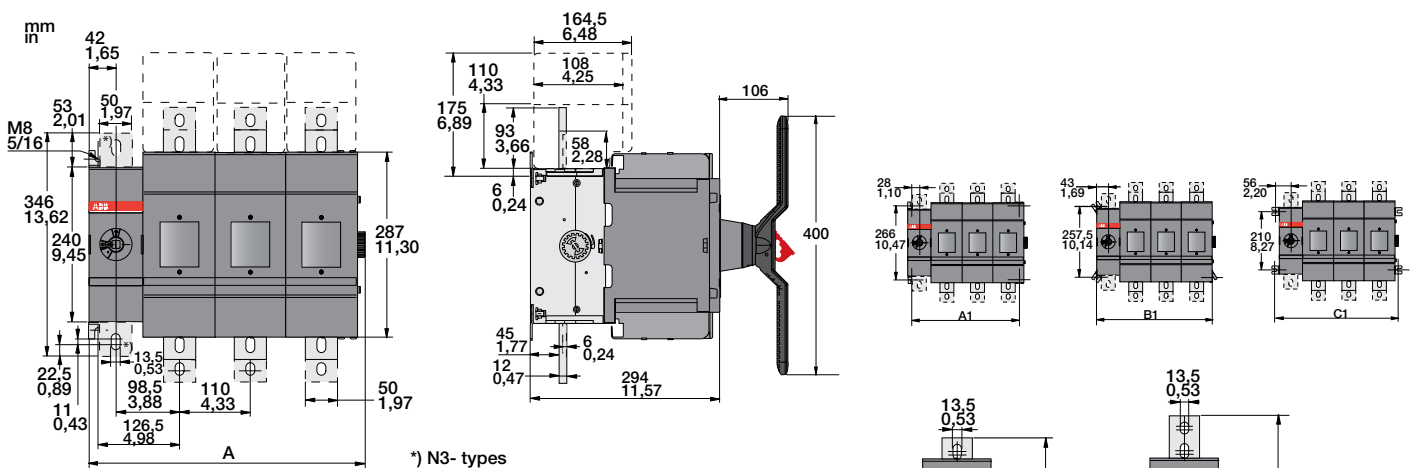
OS 630_K and OS 800_K



OS600-800

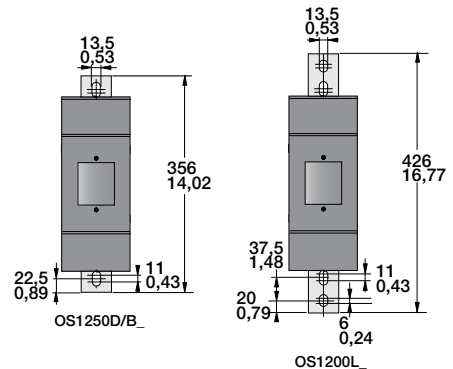
[mm/in]	D/B01	D/B02	D/B03	D/B04
A	167/6,57	255/10,04	343/13,50	431/16,97
B	120/4,72	208/8,19	296/11,65	384/15,12
C	150/5,91	238/9,37	328/12,83	414/16,30
D	176/6,93	264/10,39	352/13,86	440/17,32

OS 1200_K



OS1200/1250

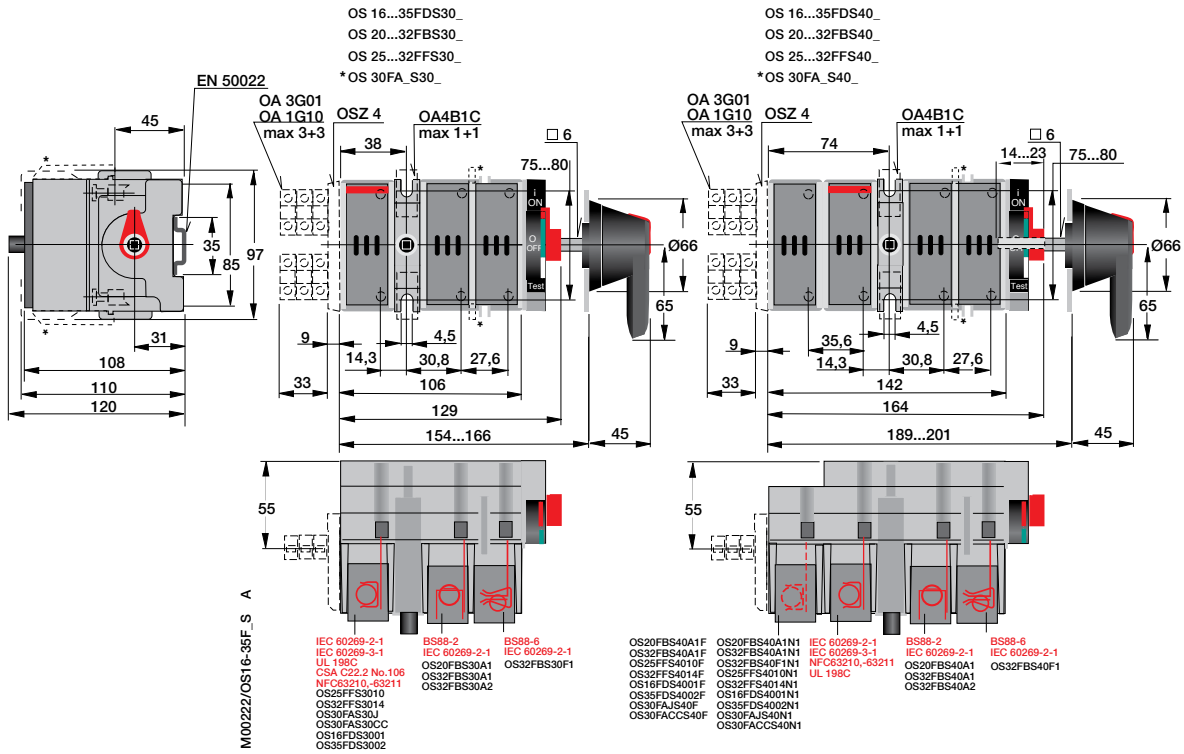
[mm/in]	L01	L02	L03	L04
A	209 / 8,23	319 / 12,56	429 / 16,89	539 / 21,22
A1	166 / 6,54	276 / 10,87	386 / 15,20	496 / 19,53
B1	196 / 7,72	306 / 12,05	416 / 16,38	526 / 20,71
C1	222 / 8,74	332 / 13,07	442 / 17,40	552 / 21,73



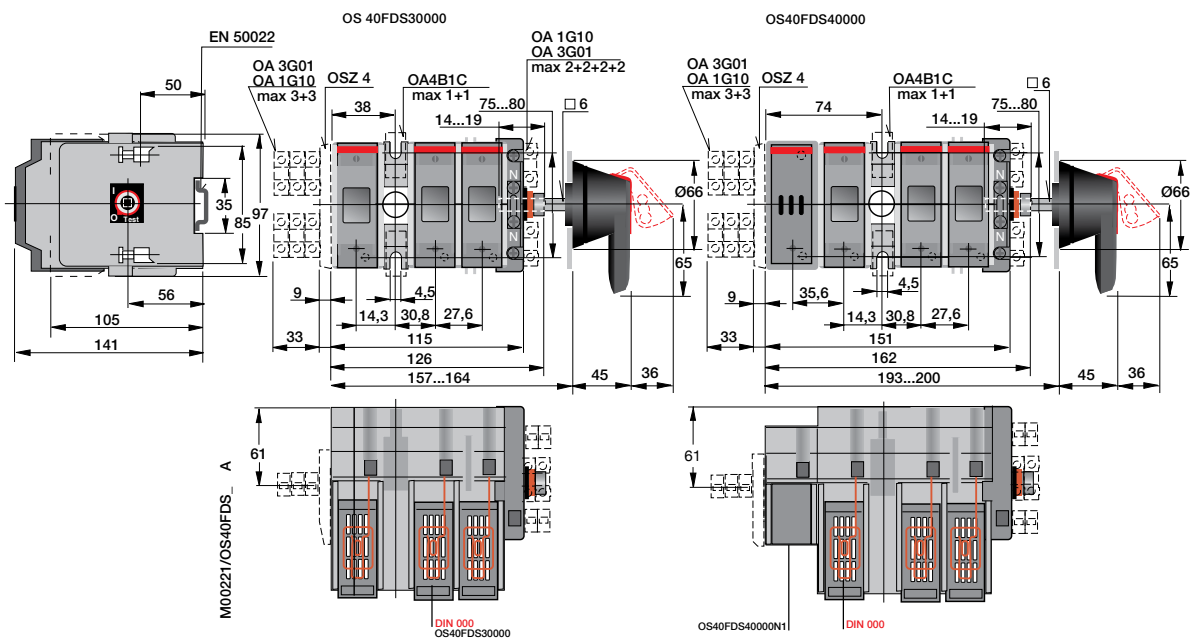
Dimension drawings, IEC and UL/CSA

Side operated switch fuses

OS Mini



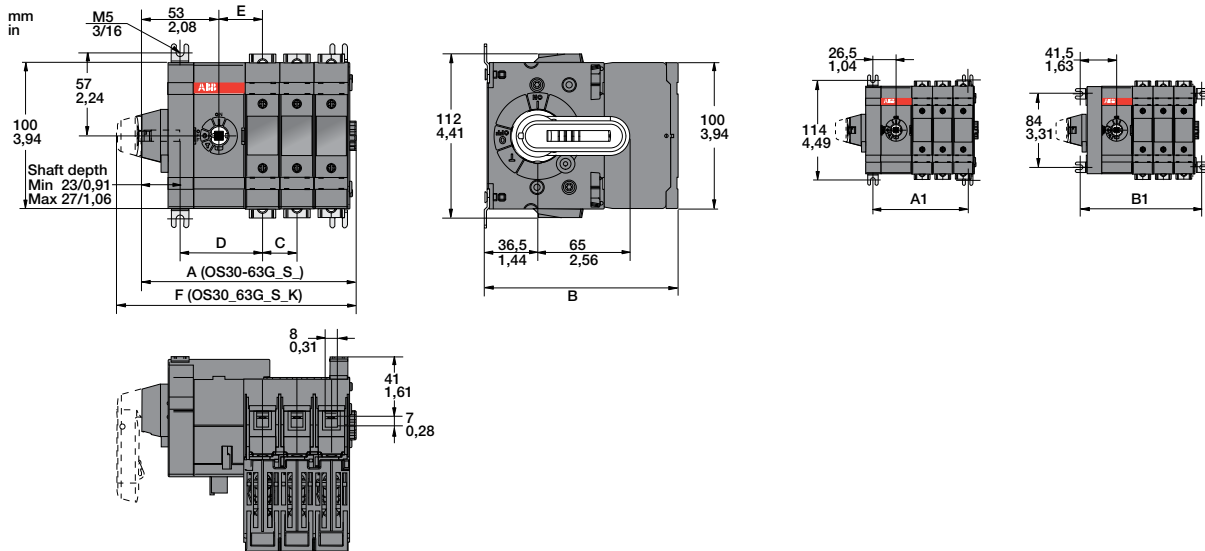
OS 40 Mini



Dimension drawings, IEC and UL/CSA

Side operated switch fuses

OS32G...63G_S_



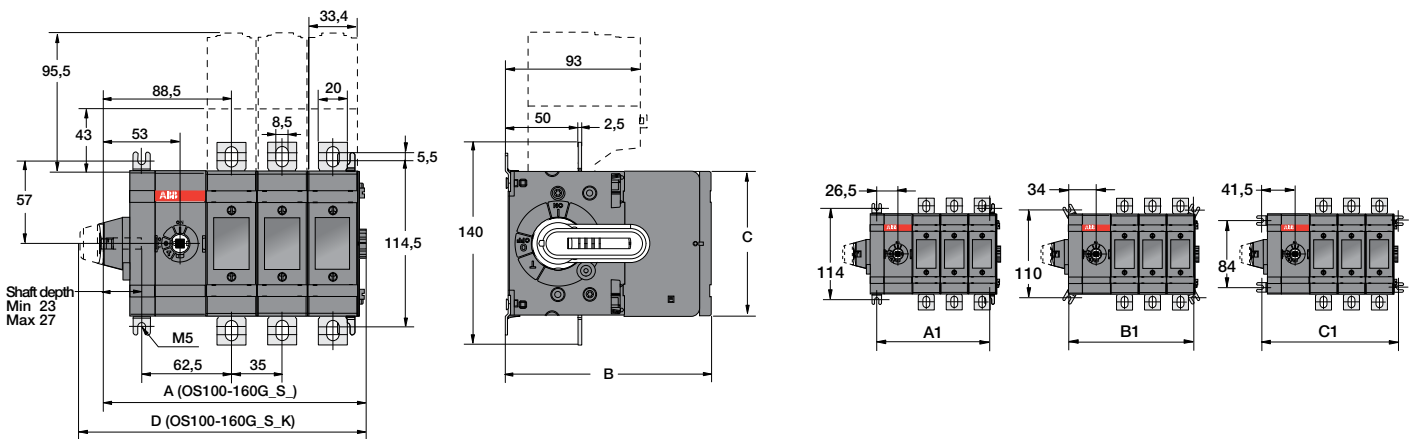
OS32-63G

[mm]	DS01	DS02	DS03	DS04	B/FS01	B/FS02	B/FS03	B/FS04
A	99,5	123	146,5	170	99,5	123	146,5	170
B	132,5	132,5	132,5	132,5	120,5	120,5	120,5	120,5
C	-	23,5	23,5	23,5	-	23,5	23,5	23,5
D	56,5	56,5	56,5	56,5	56,5	56,5	56,5	56,5
E	30	30	30	30	30	30	30	30
F	116,5	140	163,5	187	116,5	140	163,5	187
A1	61,5	85	108,5	132	61,5	85	108,5	132
B1	91,5	115	138,5	162,5	91,5	115	138,5	162,5

OS60G

[mm/in]	JS01	JS02	JS03	JS04
A	109,5/4,31	144,5/5,69	179,5/7,07	214,5/8,44
B	130/5,12	130/5,12	130/5,12	130/5,12
C	-	35/1,38	35/1,38	35/1,38
D	62/2,44	62/2,44	62/2,44	62/2,44
E	36/1,41	36/1,41	36/1,41	36/1,41
F	126,5/4,98	161,5/6,36	196,5/7,74	231,5/9,11
A1	67,5/2,66	102,5/4,04	137,5/5,41	172,5/6,79
B1	37,5/1,48	72,5/2,85	107,5/4,23	142,5/5,61

OS100G...160G_S_



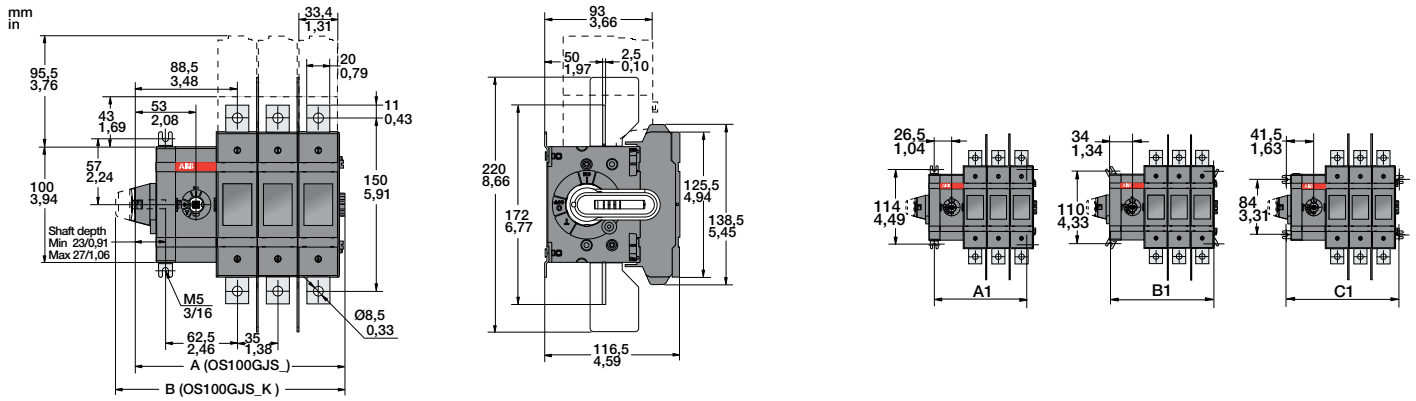
OS100-160G

[mm]	D/F01	D/F02	D/F03	D/F04	B01	B02	B03	B04
A	111,5	146,5	181,5	216,5	111,5	146,5	181,5	216,5
B	142	142	142	142	126,5	126,5	126,5	126,5
C	100	100	100	100	118	118	118	118
D	128,5	163,5	198,5	233,5	128,5	163,5	198,5	233,5
A1	71,5	106,5	141,5	176,5	71,5	106,5	141,5	176,5
B1	86,5	121,5	156,5	191,5	86,5	121,5	156,5	191,5
C1	101,5	136,5	171,5	206,5	101,5	136,5	171,5	206,5

Dimension drawings, IEC and UL/CSA

Side operated switch fuses

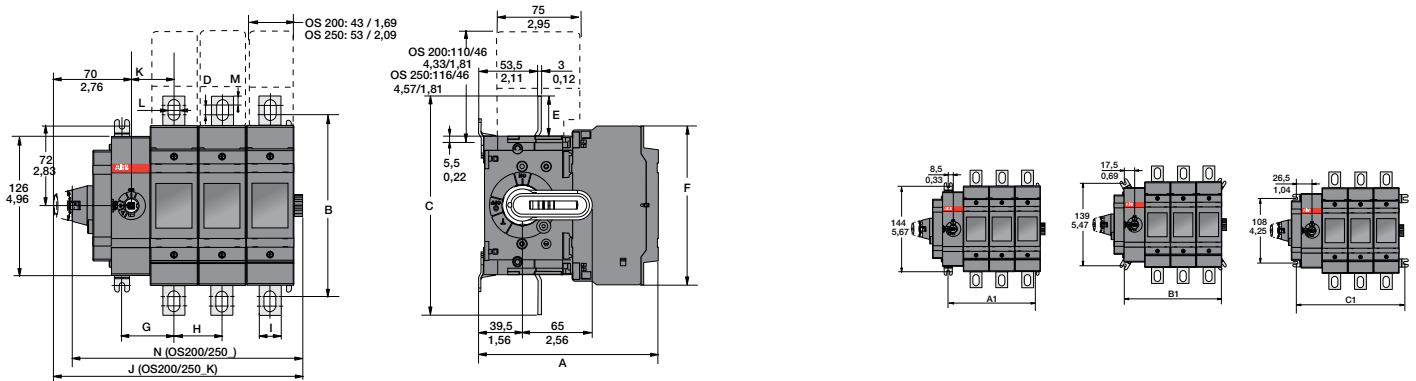
OS100GJS



OS100G				
[mm/in]	JS01	JS02	JS03	JS04
A	111,5/4,39	146,5/5,77	181,5/7,15	216,5/8,52
B	128,5/5,06	163,5/6,44	198,5/7,91	233,5/9,19
A1	71,5/2,81	106,5/4,19	141,5/5,57	176,5/6,95
B1	86,5/3,41	121,5/4,78	156,5/6,16	191,5/7,54
C1	101,5/4,00	136,5/5,37	171,5/6,75	206,5/8,13

MOC298/OS200_250_S01_04S A

OS200...250_S_ (IEC only)



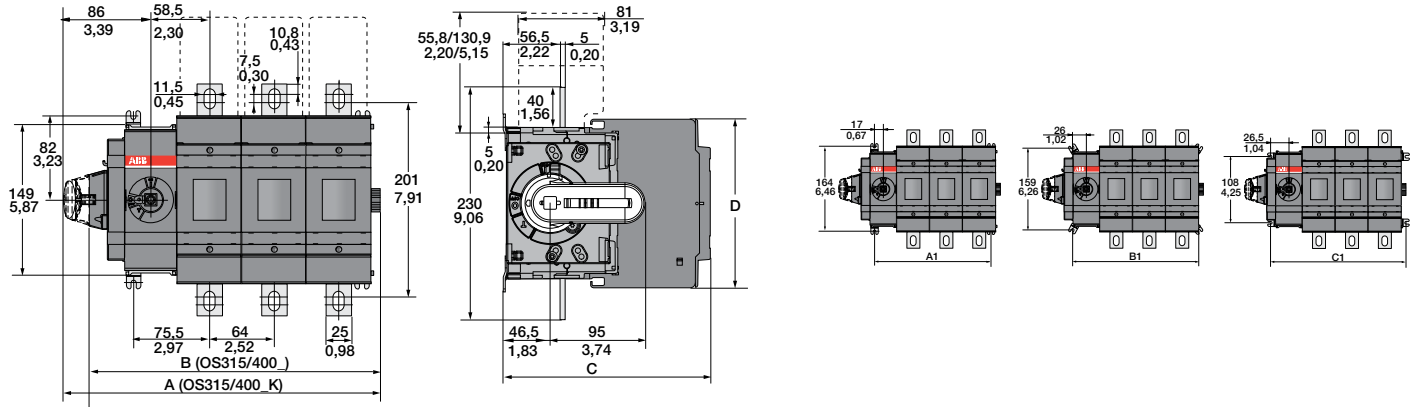
OS200... OS200_K								
[mm/in]	DS01	BS01	DS02	BS02	DS03	BS03	DS04	BS04
A	162,0/6,38	143,0/5,63	162,0/6,38	143,0/5,12	162,0/6,38	143,0/5,63	162,0/6,38	143,0/5,63
B	164,5/6,48	164,5/6,48	164,5/6,48	164,5/6,48	164,5/6,48	164,5/6,48	164,5/6,48	164,5/6,48
C	198,5/7,81	198,5/7,81	198,5/7,81	198,5/7,81	198,5/7,81	198,5/7,81	198,5/7,81	198,5/7,81
D	8,5/0,33	8,5/0,33	8,5/0,33	8,5/0,33	8,5/0,33	8,5/0,33	8,5/0,33	8,5/0,33
E	36,5/1,44	36,5/1,44	36,5/1,44	36,5/1,44	36,5/1,44	36,5/1,44	36,5/1,44	36,5/1,44
F	144,5/5,69	144,5/5,69	144,5/5,69	144,5/5,69	144,5/5,69	144,5/5,69	144,5/5,69	144,5/5,69
G	48,5/1,91	48,5/1,91	48,5/1,91	48,5/1,91	48,5/1,91	48,5/1,91	48,5/1,91	48,5/1,91
H	-/-	-/-	43,5/1,71	43,5/1,71	43,5/1,71	43,5/1,71	43,5/1,71	43,5/1,71
I	20,0/0,79	20,0/0,79	20,0/0,79	20,0/0,79	20,0/0,79	20,0/0,79	20,0/0,79	20,0/0,79
J	138,5/5,45	138,5/5,45	182,0/7,17	182,0/7,17	225,5/8,88	225,5/8,88	269,0/10,59	269,0/10,59
K	40,0/1,57	40,0/1,57	40,0/1,57	40,0/1,57	40,0/0,39	84,0/1,57	40,0/1,57	40,0/1,57
L	10,0/0,39	10,0/0,39	10,0/0,39	10,0/0,39	10,0/0,39	10,0/0,39	10,0/0,39	10,0/0,39
M	8,5/0,33	8,5/0,33	8,5/0,33	8,5/0,33	8,4/0,33	8,5/0,33	8,5/0,33	8,5/0,33
N	121,5/4,78	121,5/4,78	165,0/6,50	165,0/6,50	208,5/8,21	208,5/8,21	252,0/9,92	252,0/9,92
A1	60,5/2,38	60,5/2,38	104,0/4,09	104,0/4,09	147,5/5,81	147,5/5,81	191,0/7,52	191,0/7,52
B1	79,5/3,13	79,5/3,13	123,0/4,84	123,0/4,84	166,5/6,56	166,5/6,56	210,0/8,27	210,0/8,27
C1	96,5/3,80	96,5/3,80	140,0/5,51	140,0/5,51	183,5/7,22	183,5/7,22	227,0/8,94	227,0/8,94

OS250... OS250_K				
[mm/in]	DS01	BS01	DS02	BS02
A	154,0/6,06	154,0/6,06	154,0/6,06	154,0/6,06
B	162,0/6,38	162,0/6,38	162,0/6,38	162,0/6,38
C	193,0/7,60	193,0/7,60	193,0/7,60	193,0/7,60
D	4,0/0,16	4,0/0,16	4,0/0,16	4,0/0,16
E	33,5/1,32	33,5/1,32	33,5/1,32	33,5/1,32
F	148,5/5,85	148,5/5,85	148,5/5,85	148,5/5,85
G	53,5/2,11	53,5/2,11	53,5/2,11	53,5/2,11
H	-/-	54,0/2,13	54,0/2,13	54,0/2,13
I	25,0/0,98	25,0/0,98	25,0/0,98	25,0/0,98
J	148,5/5,85	202,5/7,97	256,5/10,10	310,5/12,22
K	45,0/1,77	45,0/1,77	45,0/1,77	45,0/1,77
L	11,0/0,43	11,0/0,43	11,0/0,43	11,0/0,43
M	11,5/0,45	11,5/0,45	11,5/0,45	11,5/0,45
N	131,5/5,18	186,0/7,32	240,0/9,45	294,0/11,57
A1	70,5/2,78	124,5/4,90	178,5/7,03	232,5/9,15
B1	89,5/3,52	143,5/5,65	197,5/7,78	251,5/9,90
C1	106,5/4,19	214,5/8,44	268,5/10,57	322,5/12,70

M01161/OS200_250_S01_04L C

Dimension drawings, IEC Side operated switch fuses

OS315...400_S_



OS315, OS315_K, OS400, OS400_K

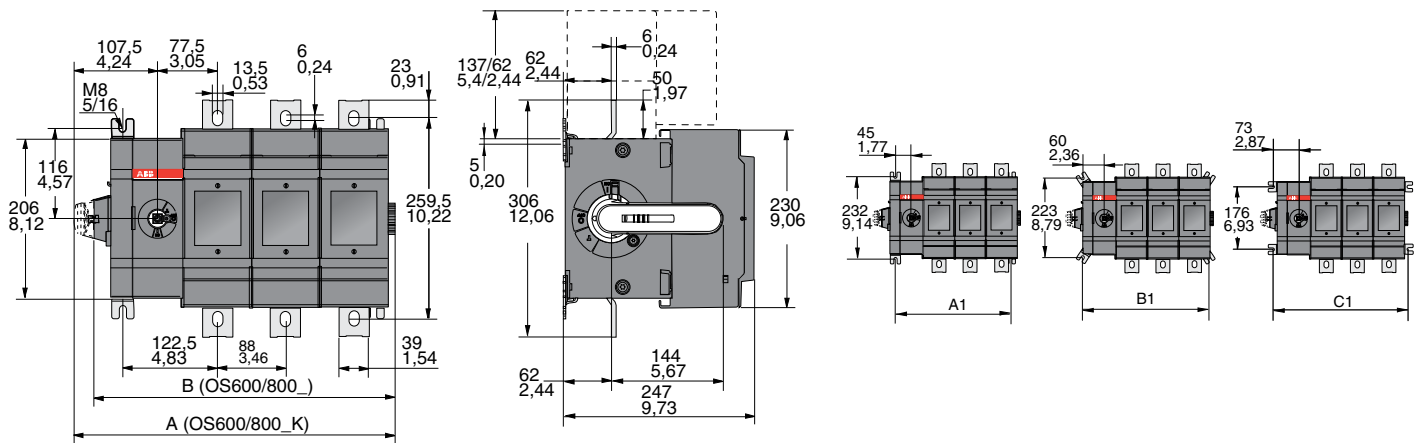
[mm]	BS01	BS02	BS03	BS04
A	185,0	249,0	313,0	377,0
B	160,0	224,0	288,0	352,0
C	176,0	176,0	176,0	176,0
D	194,0	194,0	194,0	194,0
A1	98,5	162,5	226,5	290,5
B1	116,5	180,5	244,5	308,5
C1	134,5	198,5	262,5	326,5

OS400_ , OS400_K

[mm]	DS01	DS02	DS03	DS04
A	185,0	249,0	313,0	377,0
B	160,0	224,0	288,0	352,0
C	193,0	193,0	193,0	193,0
D	166,0	166,0	166,0	166,0
A1	98,5	162,5	226,5	290,5
B1	116,5	180,5	244,5	308,5
C1	134,5	198,5	262,5	326,5

M00154/OS315-400_S01-04_A

OS630_S_ and OS800_S_



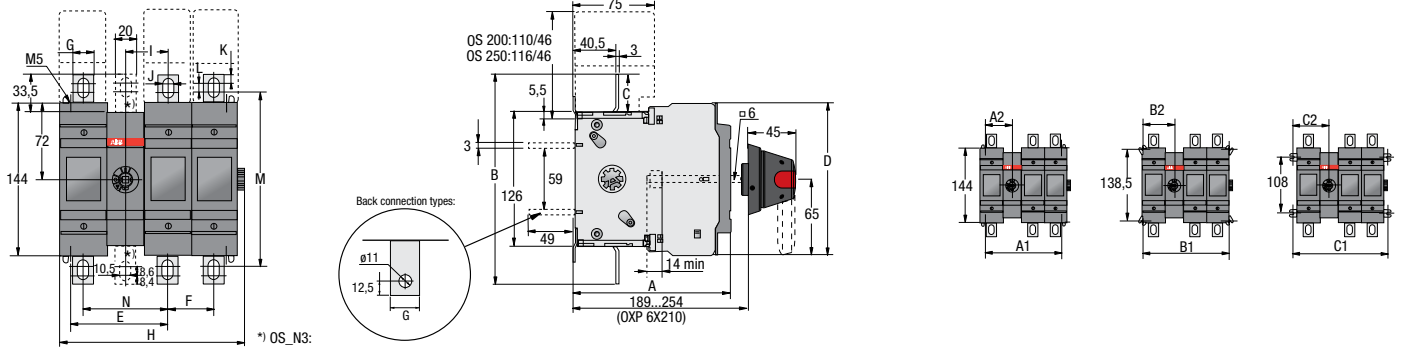
OS600/630/800_ , OS600/630/800_K

[mm]	DS/BS01	DS/BS02	DS/BS03	DS/BS05
A	238	326/12,84	414	502
B	213	301/11,86	389	477
A1	147,5	235,5/9,28	323,5	411,5
B1	177,5	265,5/10,46	353,5	441,5
C1	203,5	291,5/11,48	379,5	467,5

M00146/OS600-800_S01-04_C

Dimension drawings, IEC Special connected switch fuses

OS200_12/22_ and OS250_12/22 (BB)



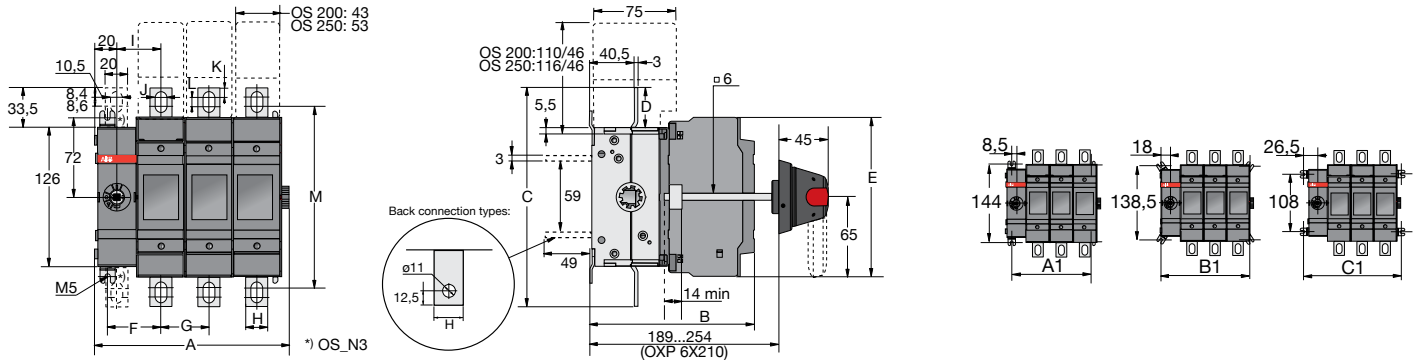
OS200

[mm]	D11	B11	D12	B12	D13	B13	D22	B22
A	149	130	149	130	141	130	149	130
B	199	199	199	199	199	199	199	199
C	36,5	36,5	36,3	36,5	36,5	36,5	36,5	36,5
D	144,5	144,5	144,5	144,5	144,5	144,5	144,5	144,5
E	92	92	92	92	92	92	135,5	135,5
F	43,5	43,5	43,5	43,5	43,5	43,5	43,5	43,5
G	20	20	20	20	20	20	20	20
H	132	132	175,5	175,5	219	219	219	219
I	40	40	40	40	40	40	40	40
J	10	10	10	10	10	10	10	10
K	8,4	8,4	8,4	8,4	8,4	8,4	8,4	8,4
L	8,6	8,6	8,6	8,6	8,6	8,6	8,6	8,6
M	165	165	165	165	165	165	165	165
N	80	80	80	80	80	80	80	80
A1	104	104	147,5	147,5	191	191	191	191
A2	52	52	52	52	52	52	95,5	95,5
B1	123	123	166,5	166,5	210	210	210	210
B2	61,5	61,5	61,5	61,5	61,5	61,5	105	105
C1	140	140	183,5	183,5	227	227	227	227
C2	70	70	70	70	70	70	113,5	113,5

OS250

[mm]	D11	D12	D13	D22
A	154	154	154	154
B	193	193	193	193
C	33,5	33,5	33,5	33,5
D	148,5	148,5	148,5	148,5
E	112,5	112,5	112,5	161
F	54	54	54	54
G	25	25	25	25
H	152	206	260	260
I	45	45	45	45
J	11	11	11	11
K	11,5	11,5	11,5	11,5
L	4	4	4	4
M	162	162	162	162
N	90	90	90	90
A1	124	178	232	232
A2	62	62	62	116
B1	143	197	251	251
B2	71,5	71,5	71,5	125,5
C1	160	214	268	268
C2	80	80	80	134

OS200_03/04_ and OS250_03/04 (BB)



OS200_BB_

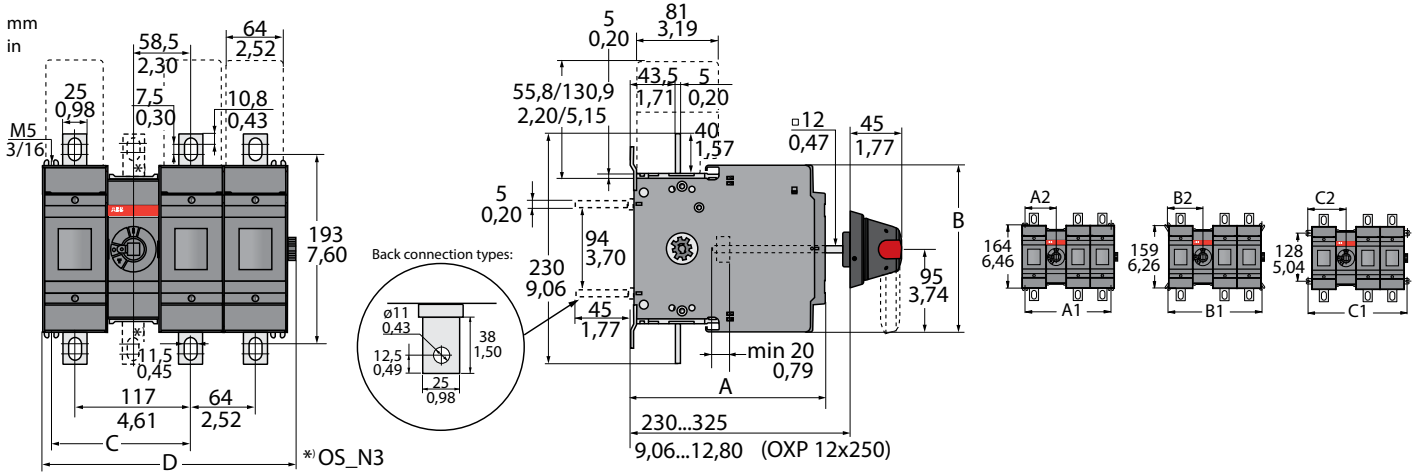
[mm]	D01	B01	D02	B02	D03	B03	D04	B04
A	89,5	89,5	133	133	176,5	176,5	220	220
B	149	130	149	130	149	130	149	149
C	198,5	198,5	198,5	198,5	198,5	198,5	198,5	198,5
D	36,5	36,5	36,5	36,5	36,5	36,5	36,5	36,5
E	144,5	144,5	144,5	144,5	144,5	144,5	144,5	144,5
F	48,5	48,5	48,5	48,5	48,5	48,5	48,5	48,5
G	-	-	43,5	43,5	43,5	43,5	43,5	43,5
H	20	20	20	20	20	20	20	20
I	40	40	40	40	40	40	40	40
J	10	10	10	10	10	10	10	10
K	8,4	8,4	8,4	8,4	8,4	8,4	8,4	8,4
L	8,6	8,6	8,6	8,6	8,6	8,6	8,6	8,6
M	164,5	164,5	164,5	164,5	164,5	164,5	164,5	164,5
A1	80,5	80,5	104	104	147,5	147,5	191	191
B1	79,5	79,5	123	123	166,5	166,5	210	210
C1	96,5	96,5	140	140	183,5	183,5	227	227

OS250_BB_

[mm]	D01/B01	D02/B02	D03/B03	D04/B04
A	99,5	153,5	207,5	261,5
B	154	154	154	154
C	193	193	193	193
D	33,5	33,5	33,5	33,5
E	148,5	148,5	148,5	148,5
F	53,5	53,5	53,5	53,5
G	-	54	54	54
H	25	25	25	25
I	45	45	45	45
J	11	1	11	11
K	11,5	11,5	11,5	11,5
L	4	4	4	4
M	162	162	162	162
A1	70,5	124,5	178,5	232,5
B1	89,5	143,5	197,5	251,5
C1	106,5	160,5	214,5	268,5

Dimension drawings, IEC Special connected switch fuses

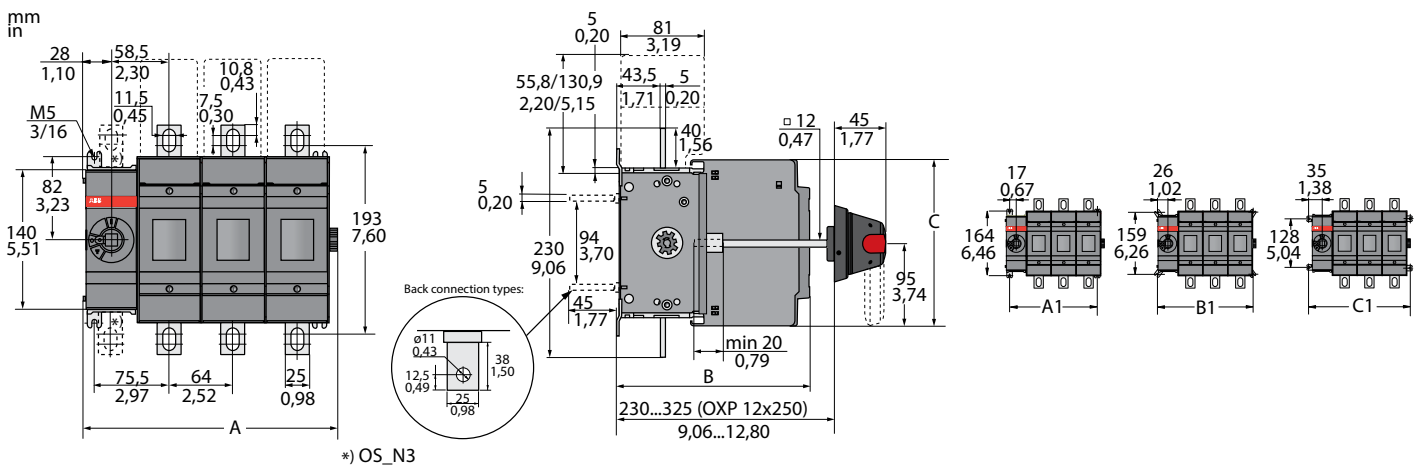
OS315_12/22_ and OS400_12/22 (BB)



OS315-400_BB					OS400_BB						
[mm]	B11	B12	B13	B21	B22	[mm]	D11	D12	D13	D21	D22
A	176	176	176	176	176	A	193	193	193	193	193
B	194	194	194	194	194	B	166	166	166	166	166
C	140	140	140	204	204	C	140	140	140	204	204
D	190	254	318	254	318	D	190	254	318	254	318

OS315_BB					OS400_BB						
[mm]	B11	B12	B21	B22	B13	[mm]	B11/D11	B12/D12	B21/D21	B22/D22	B13/D13
A1	163	227	291	291	291	A1	163	227	227	291	291
A2	81,5	81,5	145,5	145,5	81,5	A2	81,5	81,5	145,5	145,5	81,5
B1	181	245	245	309	309	B1	181	245	245	309	309
B2	90,5	90,5	154,5	154,5	90,5	B2	90,5	90,5	154,5	154,5	90,5
C1	199	263	263	327	327	C1	199	263	263	327	327
C2	99,5	99,5	163,5	163,5	99,5	C2	99,5	99,5	163,5	163,5	99,5

OS315_03/04_ and OS400_03/04 (BB)

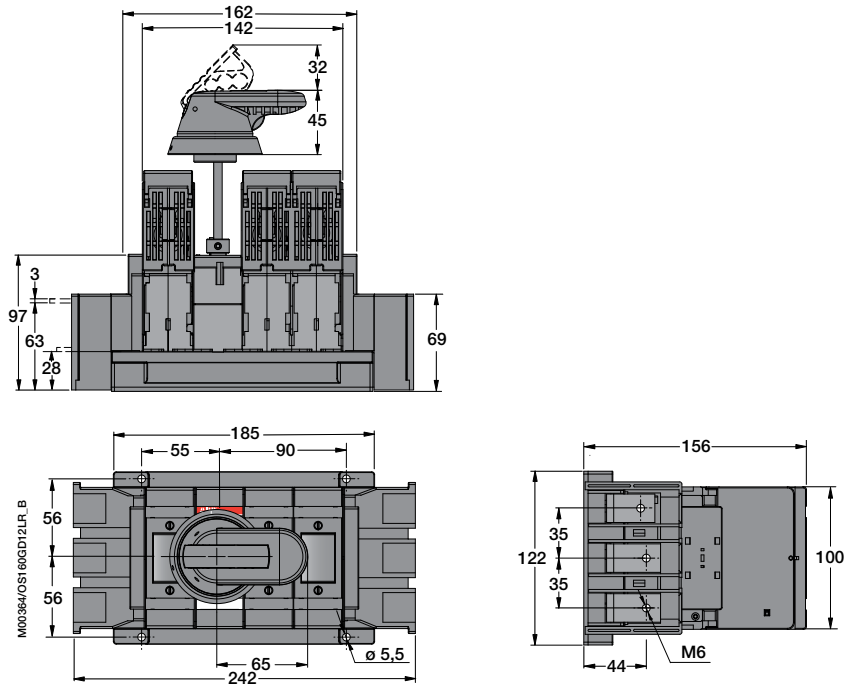


OS315 - 400_BB				OS400_BB					
[mm]	B01	B02	B03	B04	[mm]	D01	D02	D03	D04
A	127	191	255	319	A	127	191	255	319
B	176	176	176	176	B	193	193	193	193
C	194	194	194	194	C	166	166	166	166

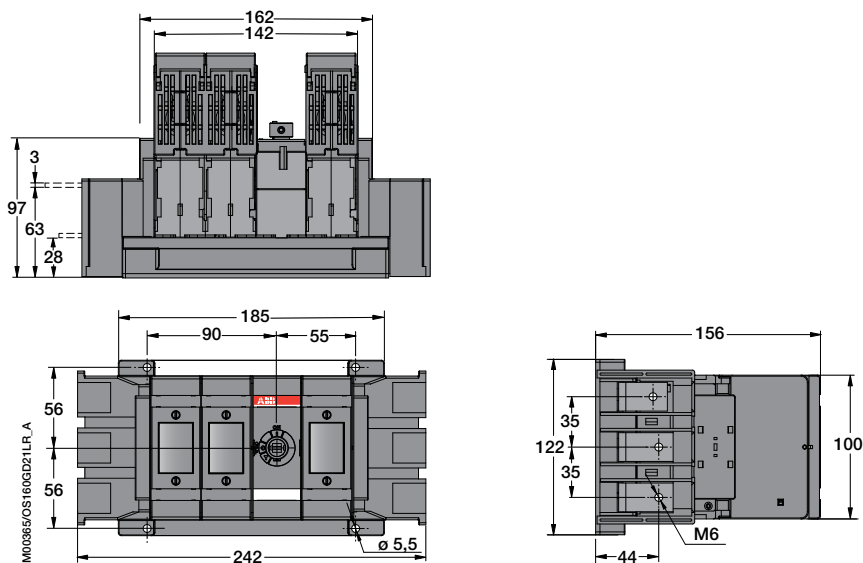
OS315_BB				OS400_BB					
[mm]	B01	B02	B03	B04	[mm]	B01/D01	B02/D02	B03/D03	B04/D04
A1	98,5	162,5	226,5	290,5	A1	98,5	162,5	226,5	290,5
B1	116,5	180,5	244,5	308,5	B1	116,5	180,5	244,5	308,5
C1	134,5	198,5	262,5	326,5	C1	134,5	198,5	262,5	326,5

Dimension drawings, IEC Special connected switch fuses

OS125G...160GD12LR (LR)

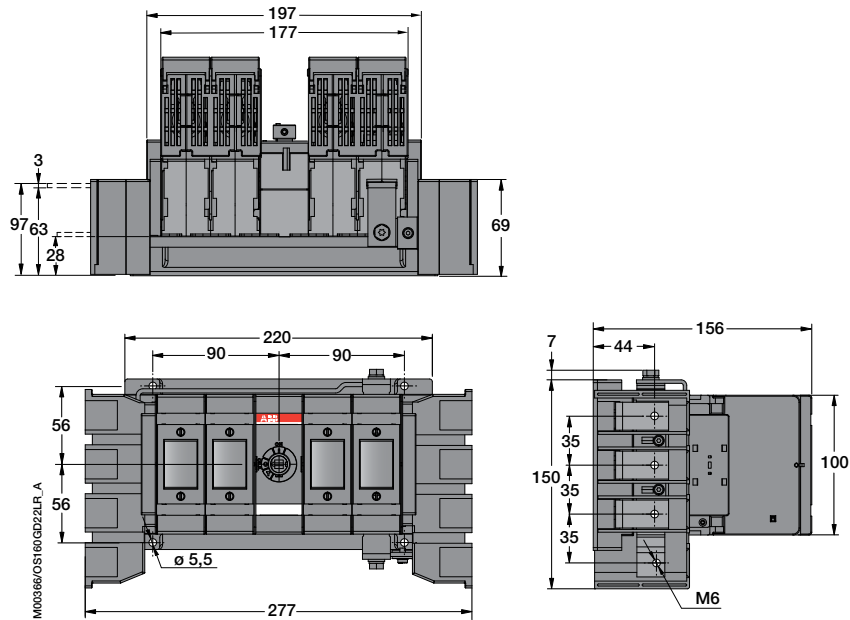


OS125G...160GD21LR (LR)

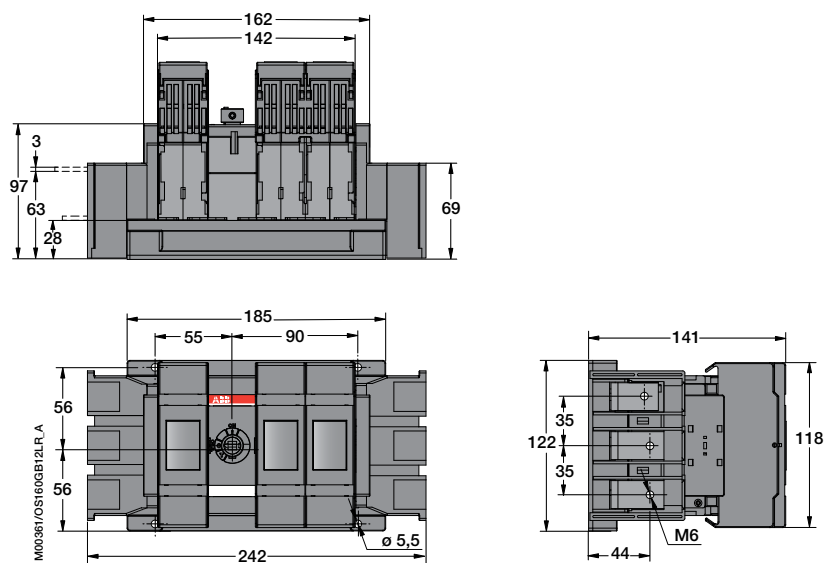


Dimension drawings, IEC Special connected switch fuses

OS125G...160GD22LR (LR)

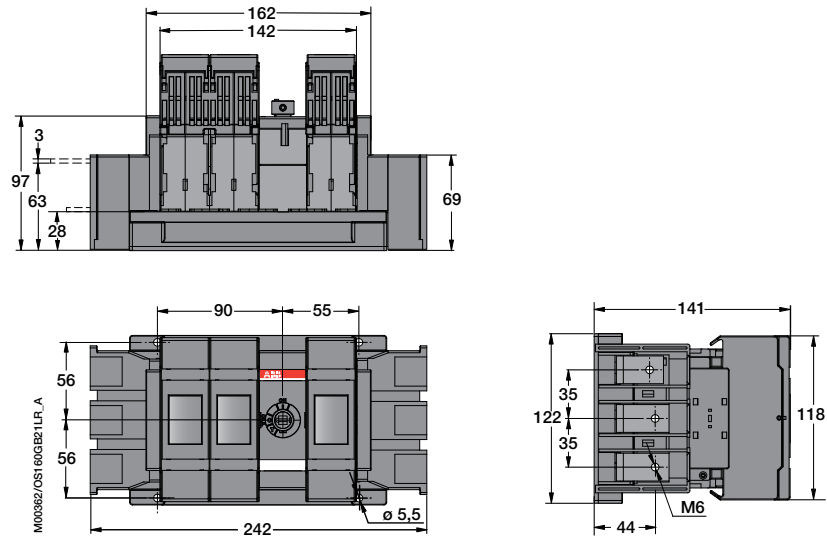


OS125G...160GB12LR (LR)

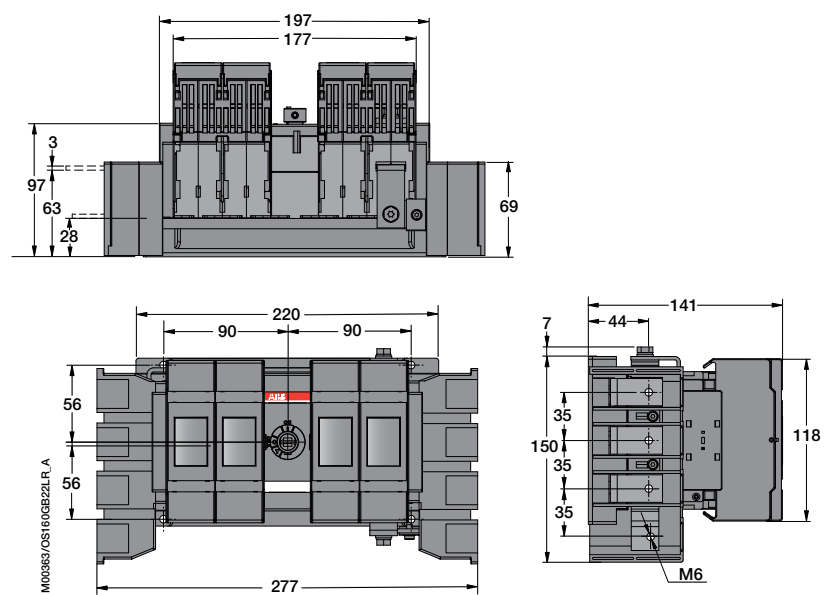


Dimension drawings, IEC Special connected switch fuses

OS125G...160GB21LR (LR)

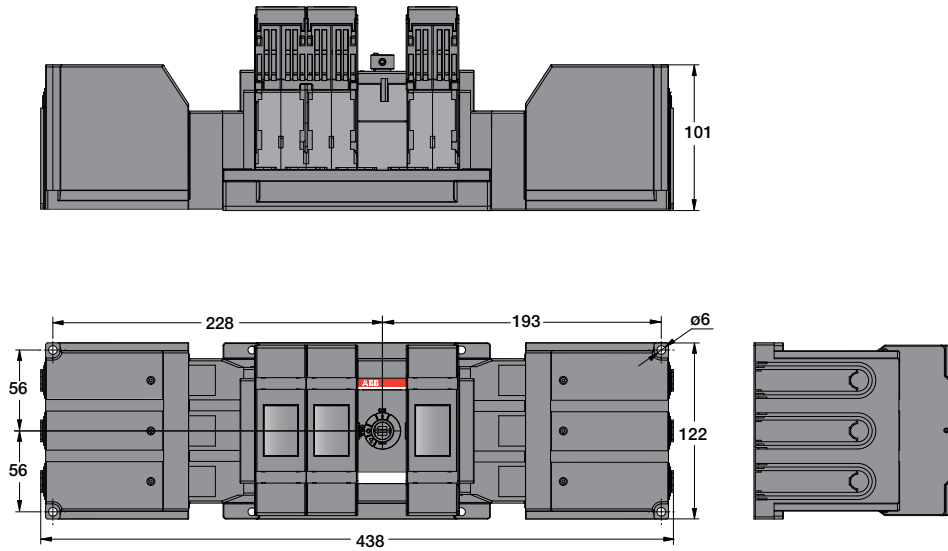


OS125G...160GB22LR (LR)

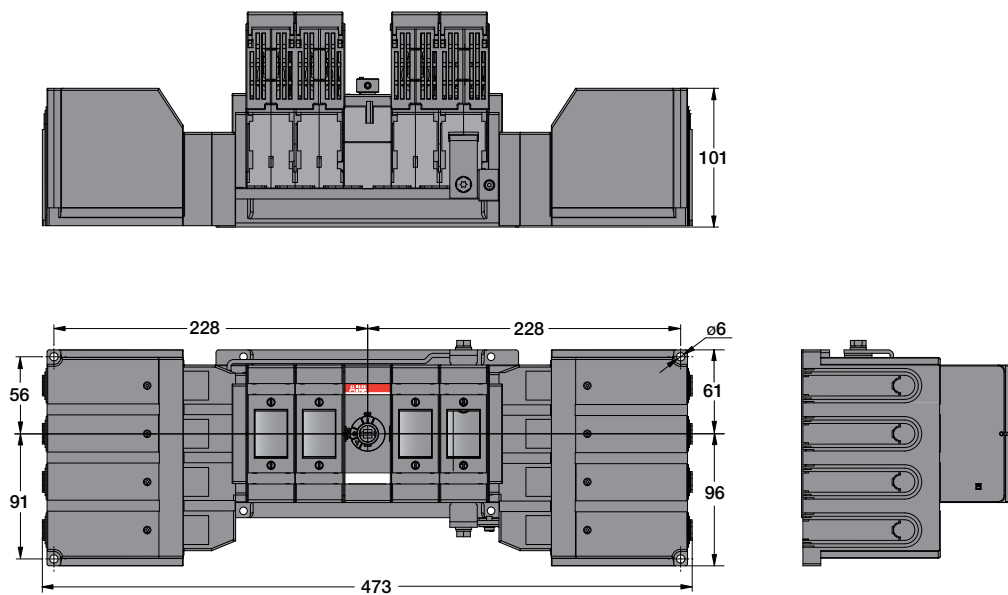


Dimension drawings, IEC Special connected switch fuses

OS125G...160G_21LR + OSS160G_T^G3LS



OS125G...160G_22LR + OSS160G_T^G4LS

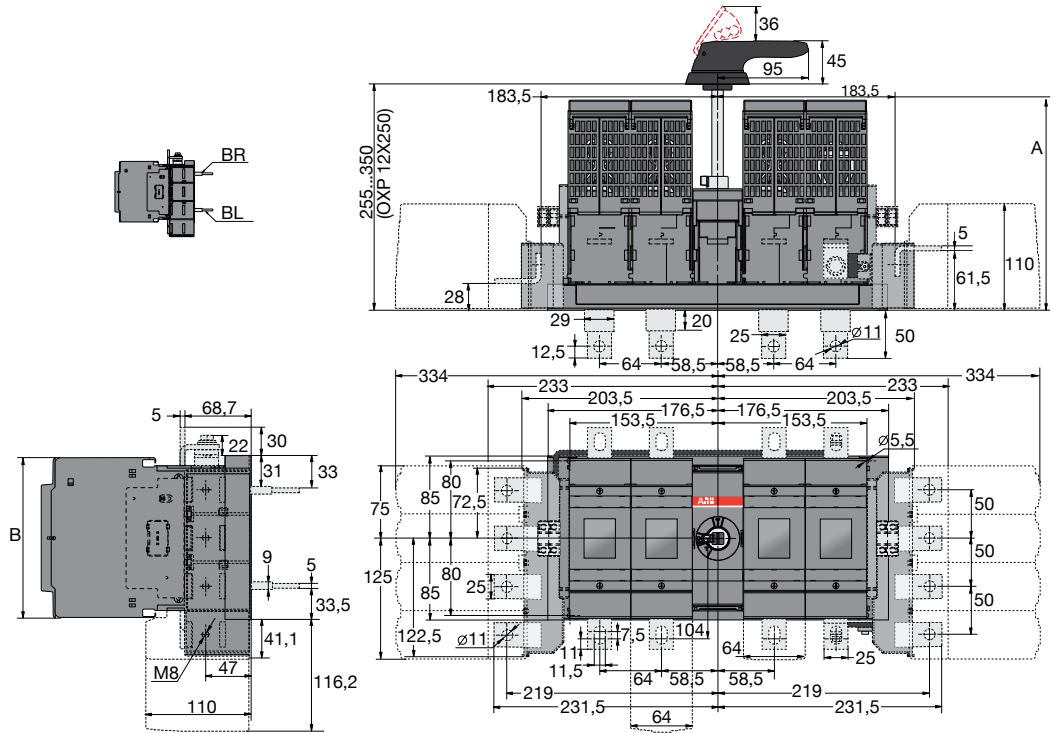


Dimension drawings, IEC Special connected switch fuses

OS315B22_N2 and OS400_22_N2 (LR)

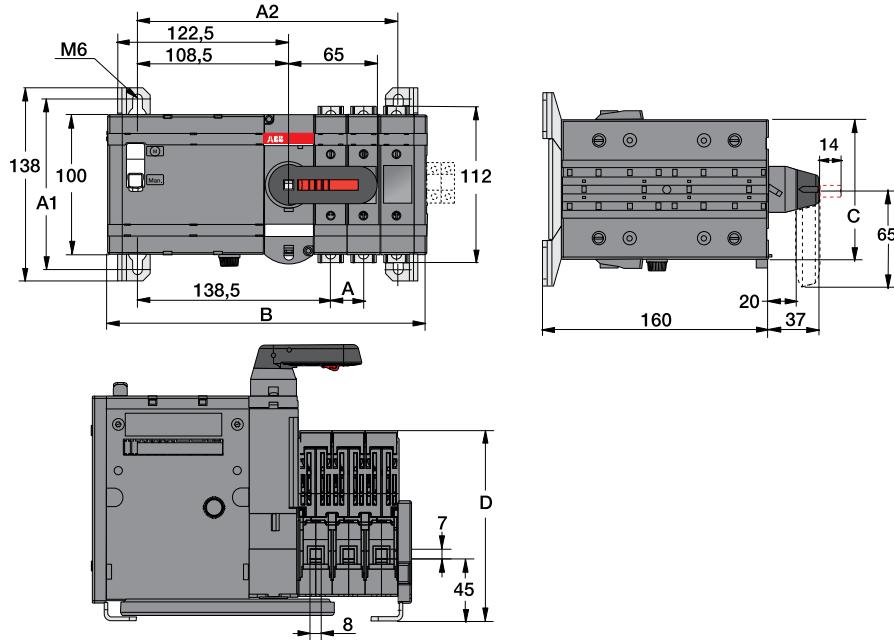
M00126/OS400-22BL-BRN2 C / M07030

OS315B...400_LR		
	A	B
OS315B22LR	201	194
OS400B22LR	201	194
OS400D22LR	218	166



Dimension drawings, IEC Motorized switch fuses

OSM32...63_M_

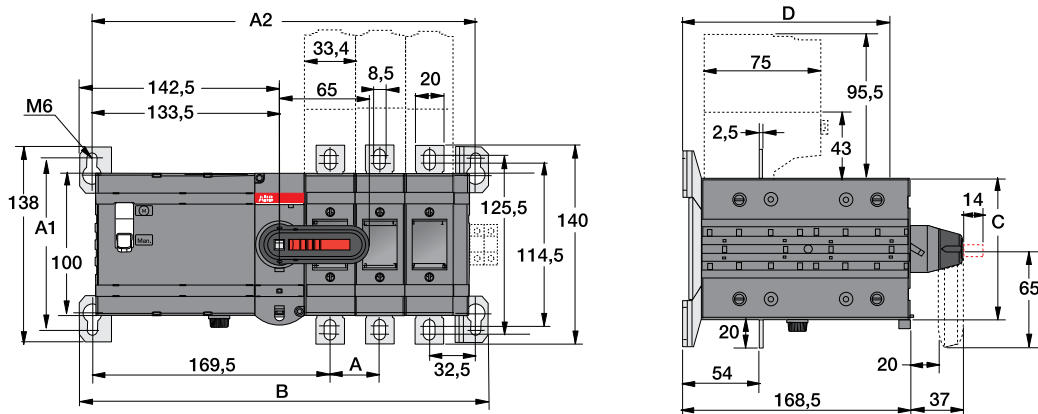


OSM32-63_M_

[mm]	D3	D4	B3	B4
A	23,5	23,5	23,5	23,5
A1	122	122	122	122
A2	187,5	211	187,5	211
B	229	252,5	229	252,5
C	100	100	100	100
D	136,5	136,5	124,5	124,5

MO0293 / OSM32-63-M A

OSM100...160_M_



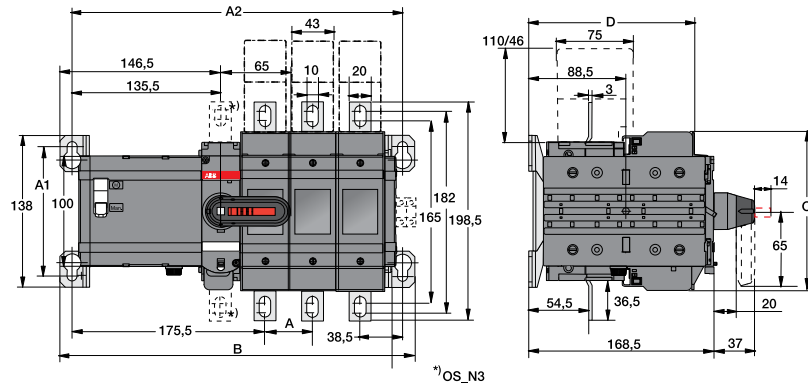
OSM100-160_M_

[mm]	D/F3	D/F4	B3	B4
A	35	35	35	35
A1	122	122	122	122
A2	272	307	272	307
B	290	325	290	325
C	100	100	118	188
D	146	146	130,5	130,5

MO0294 / OSM100-160-M A

Dimension drawings, IEC Motorized switch fuses

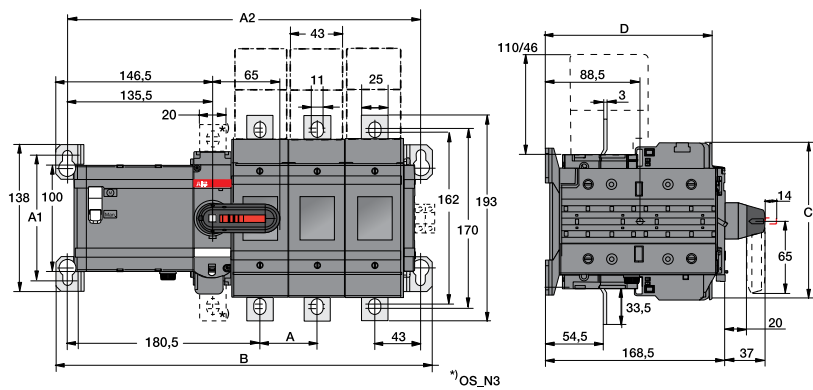
OSM200_M_



OSM200_M				
[mm]	B3	B4	D3	D4
A	43,5	43,5	43,5	43,5
A1	118	118	118	118
A2	301,5	345	301,5	345
B	323,5	367	323,5	367
C	144,5	144,5	144,5	144,5
D	132	132	151	151

MOC1987 / OSM200-M B

OSM250_M_

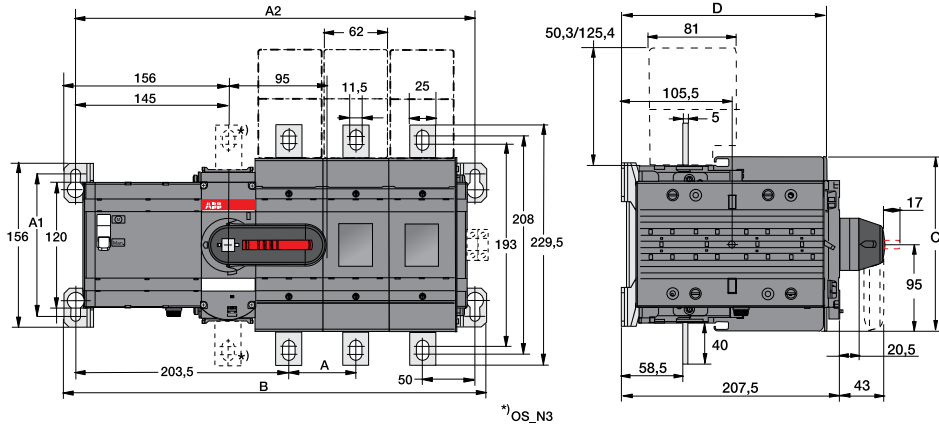


OSM250_M		
[mm]	D3/B3	D4/B4
A	54	54
A1	118	118
A2	332	386
B	354	408
C	148,5	148,5
D	156	156

MOC1988 / OSM250-M B

Dimension drawings, IEC Motorized switch fuses

OSM315...400_M_



OSM315_M_

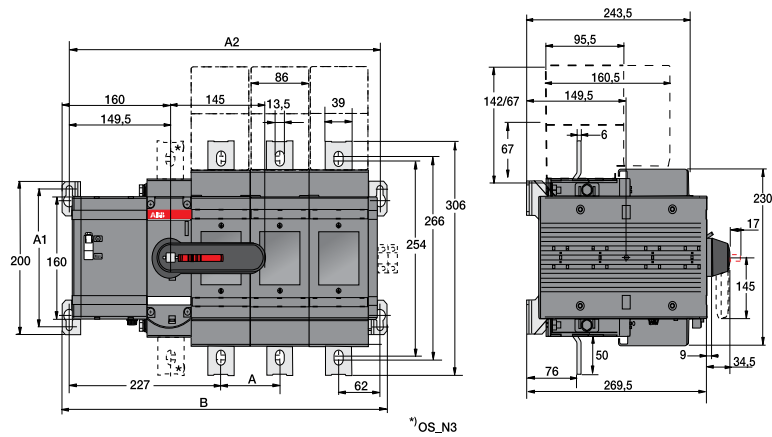
[mm]	B3	B4
A	64	64
A1	136	136
A2	382	446
B	404	468
C	194	194
D	178,5	178,5

OSM400_M_

[mm]	B3	B4	D3	D4
A	64	64	64	64
A1	136	136	136	136
A2	382	446	382	446
B	404	468	404	468
C	194	194	166	166
D	178,5	178,5	196,5	196,5

M00199 / OSM315-400-M C

OSM630...800_M_



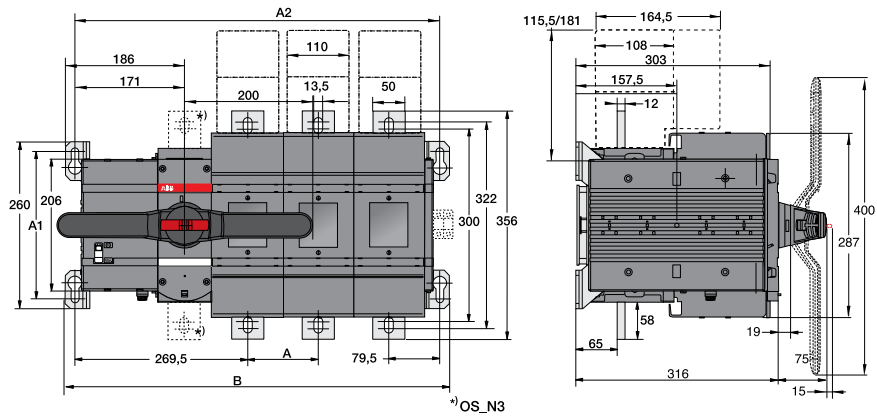
OSM630-800_M_

[mm]	D3/B3	D4/B4
A	88	88
A1	180	180
A2	465,5	553,5
B	486,5	574,5

M00206 / OSM630-800-M B

Dimension drawings, IEC Motorized switch fuses

OSM1250_M_



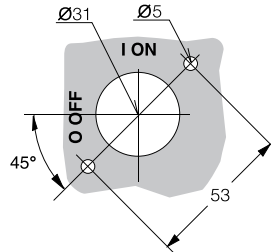
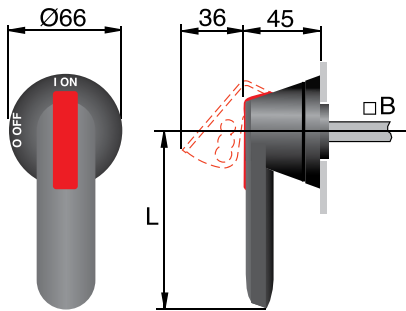
MOC238 / OSM1250-M C

OSM1250_M		
[mm]	B3/D3	B4/D4
A	110	110
A1	230	230
A2	569,5	679,5
B	599,5	709,5

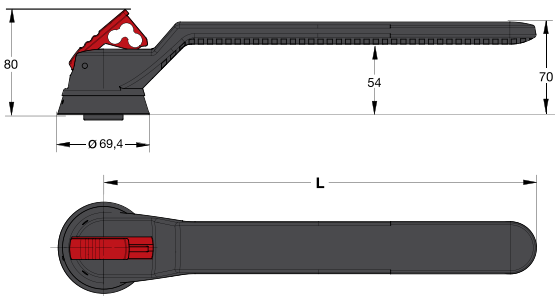
Dimension drawings Accessories

Plastic handles

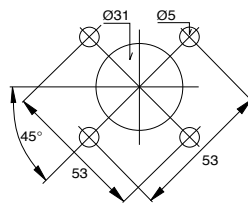
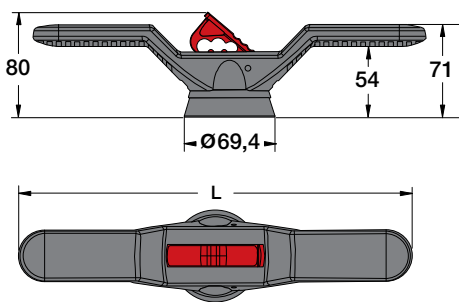
Door drilling for OH_ handles:



Handle type	B shaft diameter	Length L
	[mm]	[mm]
OH_45J6	6	45
OH_65J6	6	65
OH_95J12	12	95
OH_125J12	12	125
OH_145J12	12	145
OH_175J12	12	175
OH_275J12	12	275



Handle type	Length L
	[mm]
OH_274J12	274
OH_330J12	330

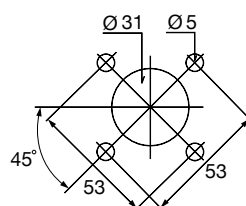
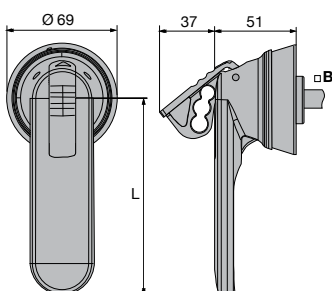


Handle type	Length L
	[mm]
OHB150J12P	300
OHB200J12P	400

Stainless steel handles

OHM_

Door drilling for OHM_



Handle type	B shaft diameter	Length L
	[mm]	[mm]
OHM65L6	6	65
OHM125L12	12	125
OHM175L12	12	175
OHM275L12	12	275

M00133/13OHM45-275L-A/KE00020

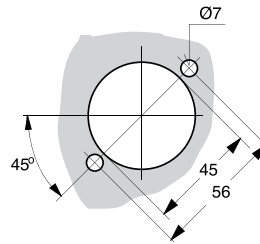
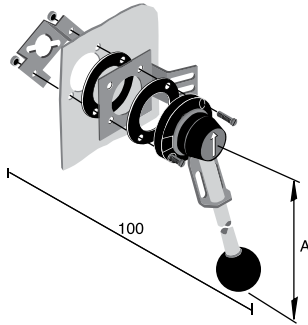
Dimension drawings

Accessories

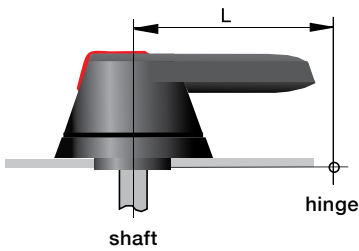
Metallic handles

YASDA7, 8 (A=220)

Door drilling for YASDA:



Minimum distance L between the hinge and the rotating shaft

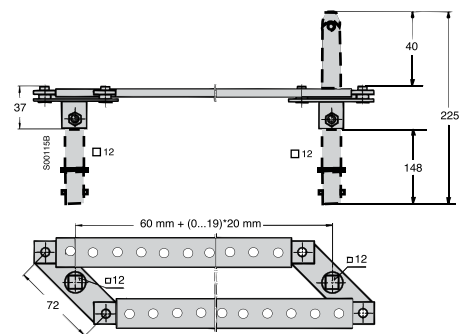
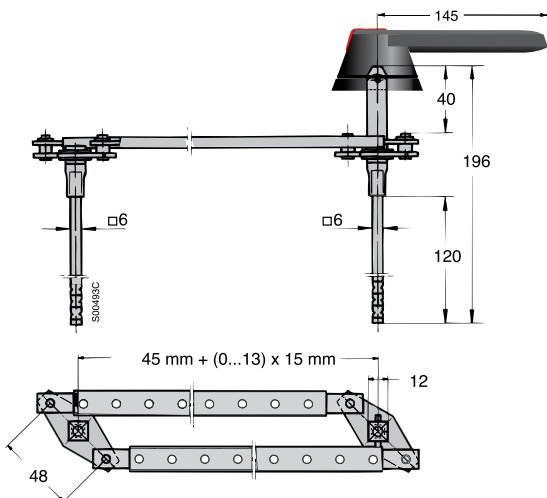


Sizes [A]	Length L [mm]	Handle type
30...250	60	OH_65J6
315...400	95	OH_95J12
630...800	150	OH_125J12, OH_145J12
630...800	175	OH_175J12
630...800	275	OH_275J12
630...800	220	YASDA7, 8
1200...1250	274	OH_274J12
1200...1250	330	OH_330J12

6 and 8-pole switch fuses

OESAZW2

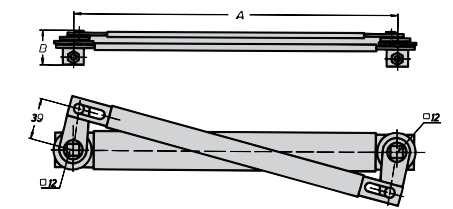
OETLZW9



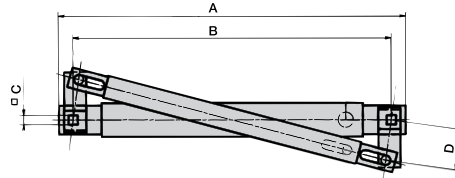
Dimension drawings

Accessories

Mechanical interlock



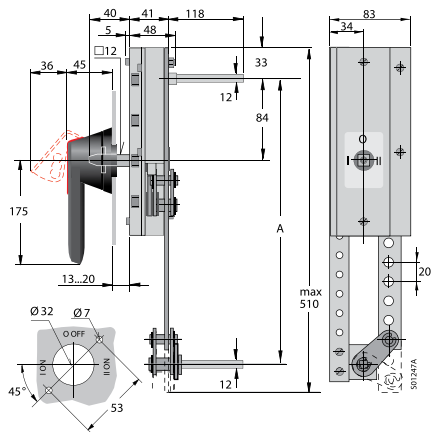
OETLZX3, 14, 15			
	OETLZW3	OETLZW14	OETLZW15
A	300	250	500
B	31	31	36



OTZW10, 24		
	OTZW10	OTZW24
A	206	114
B	190	100
C	6	5
D	30	25

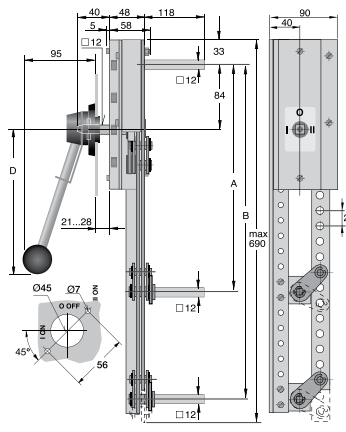
Change-over and by-pass switch fuses

OETLZW11



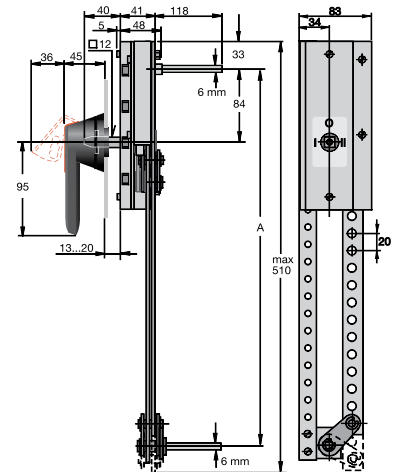
OETLZW11	
	OETLZW11
A	210+(0...11)x20 mm

OETLZW12, 13



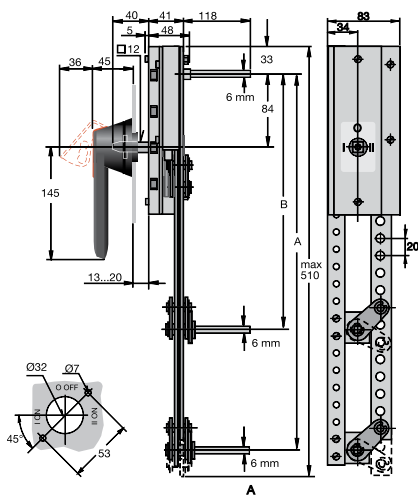
OETLZW12, 13		
	OETLZW12	OETLZW13
A	210+(0...18)x20 mm	210+(0...18)x20 mm
B		250+(0...18)x20 mm
D	220 mm	320 mm

OTZW 25



OTZW25	
	OETLZW11
A	210+(0...18)x20mm

OTZW 26

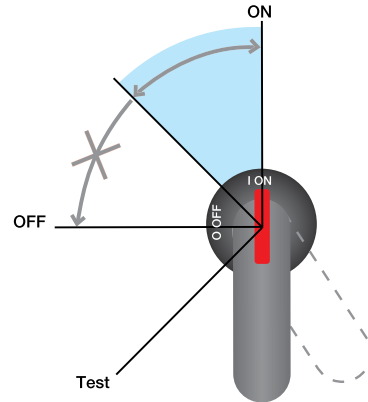


OTZW26	
	OETLZW11
A	210+(0...9)x20mm
B	210+(0...9)x20mm

Contact functions

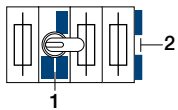
Handle indications and functions

- The handle indicates the position of the contacts with complete reliability in all situations. If the contacts are welded together, the handle doesn't reach the OFF-position but remains between ON and OFF, maintaining the door interlock and padlocking is not possible to do.
- When operating the switch fuse to the Test-position with a test handle the testauxiliary contacts change position. The main contacts remain open.



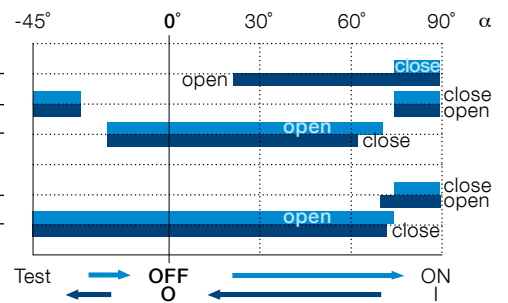
ON and OFF-functions of main and auxiliary contacts

Example

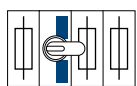


Places of auxiliary contacts and Test ind.

- 1 [NO auxiliary contact
NC auxiliary contact
- 2 [NO auxiliary contact
NC auxiliary contact

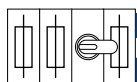


OS Mini



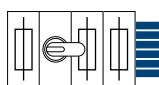
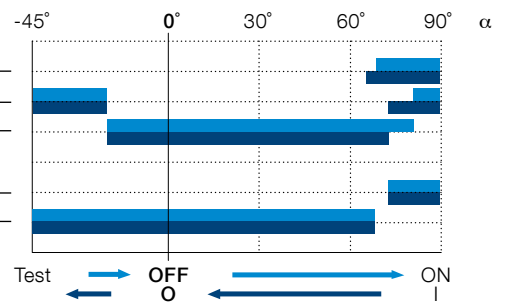
OA4B1C, 1 NO-NC

- Change over [Main contacts
NO auxiliary contact
NC auxiliary contact



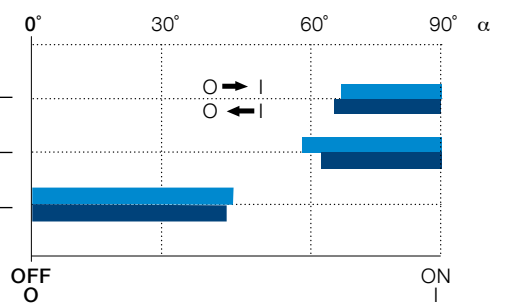
OA1G10, 1NO
OA3G01, 1NC

- NO auxiliary contact
NC auxiliary contact



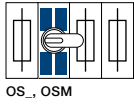
MCB-10 + OESAZX169, 1NO
MCB-01 + OESAZX169, 1NC

- Main contacts
NO auxiliary contact
NC auxiliary contact



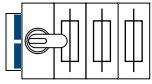
Contact functions

OS/OSM32G...1250



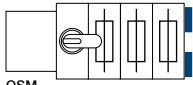
OS_, OSM

OA1G10, 1NO
OA3G01, 1NC



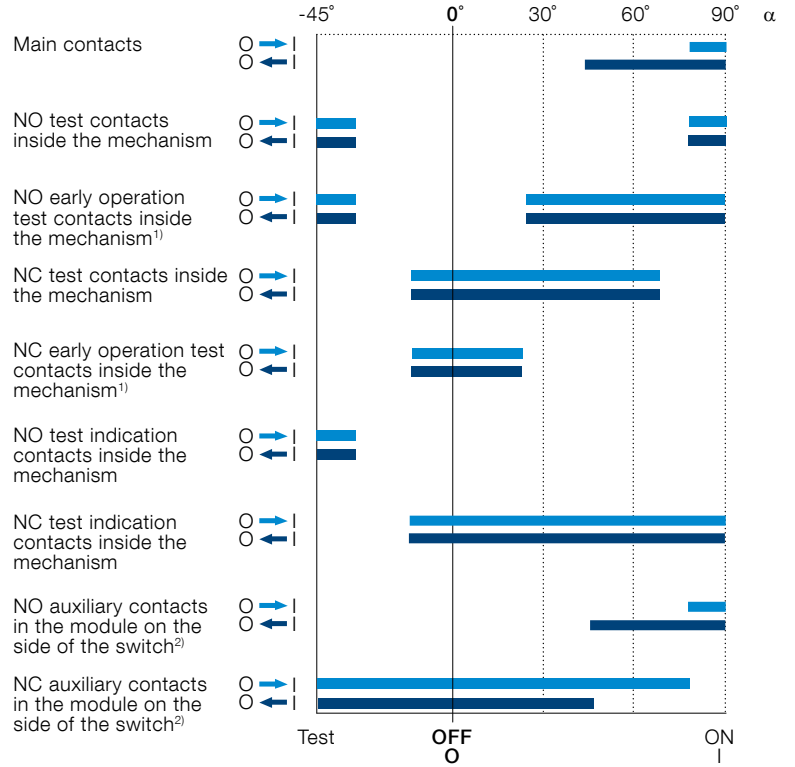
OS_

OA1G10, 1NO
OA3G01, 1NC
+ OEA28



OSM_

OA1G10, 1NO
OA3G01, 1NC



¹⁾ OS/OSM1200...1250 only

²⁾ Also OSM32G...1250 mounted on the right side of the switch

Index

Type	Order number	Description	Page
MCB-01	1SCA022150R5370	Auxiliary contacts	54
MCB-10	1SCA022150R5110	Auxiliary contacts	54
OA1G10	1SCA022353R4970	Auxiliary contacts	54
OA1G10	1SCA022353R4970	Auxiliary contacts	55
OA1G10AU	1SCA022436R7910	Auxiliary contacts	54
OA1G10AU	1SCA022436R7910	Auxiliary contacts	55
OA3G01	1SCA022456R7410	Auxiliary contacts	54
OA3G01	1SCA022456R7410	Auxiliary contacts	55
OA3G01AU	1SCA022819R5260	Auxiliary contacts	54
OA3G01AU	1SCA022819R5260	Auxiliary contacts	55
OA4B01	1SCA022276R9210	Auxiliary contacts	54
OA4B10	1SCA022276R9050	Auxiliary contacts	54
OA4B1C	1SCA022193R0150	Auxiliary contacts	54
OEA28	1SCA022714R8810	Module for auxiliary contacts	56
OEA30L	1SCA131816R1001	Mounting plate	57
OEA30R	1SCA131817R1001	Mounting plate	57
OESAZW2	1SCA022078R1600	Conversion kits	65
OETLZK19	1SCA022093R1850	Adapters for extension socket	53
OETLZW11	1SCA022078R0030	Conversion kits	65
OETLZW12	1SCA022078R0200	Conversion kits	65
OETLZW13	1SCA022078R0460	Conversion kits	65
OETLZW14	1SCA022077R3410	Conversion kits	65
OETLZW15	1SCA022081R9340	Conversion kits	65
OETLZW16	1SCA022095R2070	Cam attachment	69
OETLZW3	1SCA022049R0380	Conversion kits	65
OETLZW5	1SCA022052R3900	Cam attachment	69
OETLZW9	1SCA022061R3300	Conversion kits	65
OETLZX95	1SCA022083R5620	Shaft extension socket	53
OEZNL1	1SCA022723R7400	Solid links	59
OEZNL10	1SCA116437R1001	Solid links	59
OEZNL8	1SCA113998R1001	Solid links	59
OEZXU14/3	1SCA100361R1001	Terminal angle	61
OEZXU14/4	1SCA101082R1001	Terminal angle	61
OEZXU68/3	1SCA121380R1001	Terminal angle	61
OEZXU68/4	1SCA121379R1001	Terminal angle	61
OFAE506	1SCA128175R1001	Fuse replacement handles	50
OFAW00	1SCA022003R9680	Solid links	59
OFAW1	1SCA022003R9760	Solid links	59
OFAW2	1SCA022003R9840	Solid links	59
OFAW3	1SCA022003R9920	Solid links	59
OFD110EA	1SCA121775R1001	Electronic fuse monitor	67
OFD500EA	1SCA121776R1001	Electronic fuse monitor	67
OFM240	1SCA022579R1340	Electronic fuse monitor	67
OFM260	1SCA022459R8560	Electronic fuse monitor	67
OFM600	1SCA022579R1260	Electronic fuse monitor	67
OFM690	1SCA022459R8480	Electronic fuse monitor	67
OFMZx2	1SCA022475R9910	Electronic fuse monitor	67
OFS260	1SCA022716R0180	Electronic fuse monitor	67
OFS690	1SCA022715R9920	Electronic fuse monitor	67
OHB125J12	1SCA022381R1560	Pistol handles	47
OHB125J12T	1SCA022652R2220	Pistol handles	47
OHB145J12	1SCA022381R2110	Pistol handles	47
OHB145J12E00S	1SCA022679R9700	Pistol handles	49
OHB145J12T	1SCA022652R2570	Pistol handles	47
OHB150J12P	1SCA022865R9430	Optional handles	48
OHB175J12	1SCA022381R2450	Pistol handles	47

Type	Order number	Description	Page
OHB175J12T	1SCA022708R0740	Pistol handles	47
OHB200J12P	1SCA022865R9510	Optional handles	48
OHB200J12PT	1SCA106510R1001	Optional handles	48
OHB274J12	1SCA115920R1001	Optional handles	48
OHB274J12T	1SCA120250R1001	Optional handles	48
OHB330J12	1SCA115922R1001	Optional handles	48
OHB330J12T	1SCA120252R1001	Optional handles	48
OHB4	1SCA022439R4050	Direct mount handles	50
OHB45J6	1SCA022380R8770	Pistol handles	47
OHB45J6T	1SCA109870R1001	Pistol handles	47
OHB65J6	1SCA022380R9660	Pistol handles	47
OHB65J6E00S	1SCA022382R9850	Pistol handles	49
OHB65J6T	1SCA022399R8110	Pistol handles	47
OHB65J6TE00S	1SCA109016R1001	Pistol handles	49
OHB80J6	1SCA022381R0240	Pistol handles	47
OHB80J6T	1SCA022399R8290	Pistol handles	47
OHB95J12	1SCA022381R0830	Pistol handles	47
OHB95J12T	1SCA022736R1750	Pistol handles	47
OHG125J12	1SCA022381R1640	Pistol handles	47
OHG145J12	1SCA022381R2290	Pistol handles	47
OHG175J12	1SCA022381R2610	Pistol handles	47
OHG45J6	1SCA022380R8850	Pistol handles	47
OHG65J6	1SCA022380R9740	Pistol handles	47
OHG65J6E00S	1SCA022383R4510	Pistol handles	49
OHG65J6T	1SCA022456R9620	Pistol handles	47
OHG65J6TE00S	1SCA109014R1001	Pistol handles	49
OHG95J12	1SCA022381R0910	Pistol handles	47
OHY125J12	1SCA022381R1720	Pistol handles	47
OHY125J12T	1SCA022652R2310	Pistol handles	47
OHY145J12	1SCA022381R2370	Pistol handles	47
OHY145J12T	1SCA022652R2650	Pistol handles	47
OHY150J12P	1SCA101586R1001	Optional handles	48
OHY175J12	1SCA022381R2700	Pistol handles	47
OHY200J12P	1SCA101587R1001	Optional handles	48
OHY200J12PT	1SCA111512R1001	Optional handles	48
OHY274J12	1SCA115919R1001	Optional handles	48
OHY330J12	1SCA115921R1001	Optional handles	48
OHY45J6	1SCA022380R8930	Pistol handles	47
OHY65J6	1SCA022380R9820	Pistol handles	47
OHY65J6E00S	1SCA022382R9930	Pistol handles	49
OHY65J6T	1SCA022456R9540	Pistol handles	47
OHY65J6TE00S	1SCA022688R0140	Pistol handles	49
OHY95J12	1SCA022381R1050	Pistol handles	47
OHY95J12T	1SCA022736R1910	Pistol handles	47
OS100GB03N3P	1SCA125531R1001	Front operated switch fuse	28
OS100GB03N3P-42	1SCA129907R1001	Switch fuse, BS-type	31
OS100GB03P	1SCA114613R1001	Front operated switch fuse	28
OS100GB03P-42	1SCA128217R1001	Switch fuse, BS-type	31
OS100GB04N1P	1SCA114614R1001	Front operated switch fuse	28
OS100GB12N3P-42	1SCA129910R1001	Switch fuse, BS-type	31
OS100GJ03	1SCA115436R1001	Front operated fusible disconnect switches	40
OS100GJ04F	1SCA115438R1001	Front operated fusible disconnect switches	40
OS100GJ12	1SCA115665R1001	Front operated fusible disconnect switches	40

Type	Order number	Description	Page	Type	Order number	Description	Page
OS100GJ22F	1SCA115668R1001	Front operated fusible disconnect switches	40	OS125GF04FP	1SCA115606R1001	Front operated switch fuses	38
OS100GJS30	1SCA115971R1001	Side operated fusible disconnect switches	42	OS125GF04N1P	1SCA115888R1001	Front operated switch fuses	38
OS100GJS40F	1SCA115972R1001	Side operated fusible disconnect switches	42	OS125GFS30K	1SCA115944R1001	Side operated switch fuse	39
OS1200L02	1SCA116924R1001	Front operated fusible disconnect switches	41	OS125GFS40FK	1SCA115946R1001	Side operated switch fuse	39
OS1200L03	1SCA105467R1001	Front operated fusible disconnect switches	41	OS125GFS40N1K	1SCA115945R1001	Side operated switch fuse	39
OS1200L04F	1SCA105465R1001	Front operated fusible disconnect switches	41	OS160GB03BBP	1SCA120657R1001	Special connected switch fuse	36
OS1250B02P	1SCA114070R1001	Front operated switch fuse	30	OS160GB03K	1SCA116753R1001	Front operated switch fuse	32
OS1250B03K	1SCA108715R1001	Front operated switch fuse	33	OS160GB03N3P	1SCA122010R1001	Front operated switch fuse	28
OS1250B03N3P	1SCA107936R1001	Front operated switch fuse	30	OS160GB03N3P-42	1SCA129916R1001	Switch fuse, BS-type	31
OS1250B03P	1SCA105250R1001	Front operated switch fuse	30	OS160GB03N3P-42	1SCA129916R1001	Front operated switch fuse	32
OS1250D02P	1SCA114051R1001	Front operated switch fuse	21	OS160GB03P	1SCA115413R1001	Front operated switch fuse	28
OS1250D03K	1SCA108718R1001	Front operated switch fuse	23	OS160GB03P-42	1SCA128213R1001	Switch fuse, BS-type	31
OS1250D03N3P	1SCA107932R1001	Front operated switch fuse	21	OS160GB03P-42	1SCA128213R1001	Front operated switch fuse	32
OS1250D03P	1SCA105475R1001	Front operated switch fuse	21	OS160GB04BBN1P	1SCA122598R1001	Special connected switch fuse	36
OS1250D04FP	1SCA105473R1001	Front operated switch fuse	21	OS160GB04N1K	1SCA116754R1001	Front operated switch fuse	32
OS1250D04N2K	1SCA108719R1001	Front operated switch fuse	23	OS160GB04N1P	1SCA115896R1001	Front operated switch fuse	28
OS1250D04N2P	1SCA105248R1001	Front operated switch fuse	21	OS160GB12LRP	1SCA120271R1001	Special connected switch fuse	37
OS1250DA02P	1SCA114059R1001	Front operated switch fuse	21	OS160GB12N3P-42	1SCA129919R1001	Switch fuse, BS-type	31
OS1250DA03K	1SCA108720R1001	Front operated switch fuse	23	OS160GB21LRP	1SCA120273R1001	Special connected switch fuse	37
OS1250DA03N3P	1SCA107934R1001	Front operated switch fuse	21	OS160GB22LRP	1SCA120277R1001	Special connected switch fuse	37
OS1250DA03P	1SCA105238R1001	Front operated switch fuse	21	OS160GBS30K	1SCA115927R1001	Side operated switch fuse	34
OS1250DA04FP	1SCA105240R1001	Front operated switch fuse	21	OS160GBS40N1K	1SCA115928R1001	Side operated switch fuse	34
OS1250DA04N2K	1SCA108721R1001	Front operated switch fuse	23	OS160GD02P	1SCA116717R1001	Front operated switch fuse	19
OS1250DA04N2P	1SCA105243R1001	Front operated switch fuse	21	OS160GD03BBP	1SCA120655R1001	Special connected switch fuse	26
OS125GB03BBP	1SCA120783R1001	Special connected switch fuse	36	OS160GD03K	1SCA116742R1001	Front operated switch fuse	22
OS125GB03N3P	1SCA122008R1001	Front operated switch fuse	28	OS160GD03P	1SCA115399R1001	Front operated switch fuse	19
OS125GB03N3P-42	1SCA129912R1001	Switch fuse, BS-type	31	OS160GD04BBN2P	1SCA120661R1001	Special connected switch fuse	26
OS125GB03N3P-42	1SCA129912R1001	Front operated switch fuse	32	OS160GD04FK	1SCA116880R1001	Front operated switch fuse	22
OS125GB03P	1SCA115634R1001	Front operated switch fuse	28	OS160GD04FP	1SCA115402R1001	Front operated switch fuse	19
OS125GB03P-42	1SCA128215R1001	Switch fuse, BS-type	31	OS160GD04N2K	1SCA116743R1001	Front operated switch fuse	22
OS125GB03P-42	1SCA128215R1001	Front operated switch fuse	32	OS160GD04N2P	1SCA115882R1001	Front operated switch fuse	19
OS125GB04BBN1P	1SCA122597R1001	Special connected switch fuse	36	OS160GD12LRP	1SCA120267R1001	Special connected switch fuse	27
OS125GB04N1P	1SCA115901R1001	Front operated switch fuse	28	OS160GD21LRP	1SCA120294R1001	Special connected switch fuse	27
OS125GB12LRP	1SCA120258R1001	Special connected switch fuse	37	OS160GD22LRP	1SCA120275R1001	Special connected switch fuse	27
OS125GB12N3P-42	1SCA129914R1001	Switch fuse, BS-type	31	OS160GDS30K	1SCA115935R1001	Side operated switch fuse	24
OS125GB21LRP	1SCA120261R1001	Special connected switch fuse	37	OS160GDS40N2K	1SCA115939R1001	Side operated switch fuse	24
OS125GB22LRP	1SCA120265R1001	Special connected switch fuse	37	OS200B02P	1SCA022769R7820	Front operated switch fuse	29
OS125GBS30K	1SCA116400R1001	Side operated switch fuse	34	OS200B03BBP	1SCA102082R1001	Special connected switch fuse	36
OS125GBS40N1K	1SCA115926R1001	Side operated switch fuse	34	OS200B03K	1SCA022763R6950	Front operated switch fuse	33
OS125GD02P	1SCA116716R1001	Front operated switch fuse	19	OS200B03N3P	1SCA022750R0620	Front operated switch fuse	29
OS125GD03BBP	1SCA120802R1001	Special connected switch fuse	26	OS200B03P	1SCA022709R9330	Front operated switch fuse	29
OS125GD03K	1SCA116878R1001	Front operated switch fuse	22	OS200B04BBN2P	1SCA102123R1001	Special connected switch fuse	36
OS125GD03P	1SCA115639R1001	Front operated switch fuse	19	OS200B12LRP	1SCA022854R2910	Special connected switch fuse	37
OS125GD04BBN2P	1SCA120806R1001	Special connected switch fuse	26	OS200B21LRP	1SCA022854R3050	Special connected switch fuse	37
OS125GD04FK	1SCA116741R1001	Front operated switch fuse	22	OS200B22LRP	1SCA022854R4290	Special connected switch fuse	37
OS125GD04FP	1SCA115686R1001	Front operated switch fuse	19	OS200BS30K	1SCA022870R7850	Side operated switch fuse	35
OS125GD04N2K	1SCA116740R1001	Front operated switch fuse	22	OS200BS40N2K	1SCA022870R8230	Side operated switch fuse	35
OS125GD04N2P	1SCA115877R1001	Front operated switch fuse	19	OS200D02P	1SCA022759R9220	Front operated switch fuse	20
OS125GD12LRP	1SCA120062R1001	Special connected switch fuse	27	OS200D03BBP	1SCA102150R1001	Special connected switch fuse	26
OS125GD21LRP	1SCA120255R1001	Special connected switch fuse	27	OS200D03K	1SCA022764R7130	Front operated switch fuse	23
OS125GD22LRP	1SCA120263R1001	Special connected switch fuse	27	OS200D03N3P	1SCA022749R8710	Front operated switch fuse	20
OS125GDS30K	1SCA115933R1001	Side operated switch fuse	24	OS200D03P	1SCA022709R9500	Front operated switch fuse	20
OS125GDS40N2K	1SCA115934R1001	Side operated switch fuse	24	OS200D04BBN2P	1SCA102139R1001	Special connected switch fuse	26
OS125GF02P	1SCA116727R1001	Front operated switch fuses	38	OS200D04FP	1SCA022725R4750	Front operated switch fuse	20
OS125GF03P	1SCA115602R1001	Front operated switch fuses	38	OS200D04N2K	1SCA022768R7430	Front operated switch fuse	23
				OS200D04N2P	1SCA022709R9680	Front operated switch fuse	20
				OS200DS30K	1SCA022871R1450	Side operated switch fuse	25
				OS200DS40FK	1SCA022871R1610	Side operated switch fuse	25
				OS200DZ03P	1SCA022797R3440	Front operated switch fuse	20
				OS200DZ04N2P	1SCA022820R9230	Front operated switch fuse	20

Type	Order number	Description	Page
OS200J02	1SCA107591R1001	Front operated fusible disconnect switches	41
OS200J03	1SCA022733R6130	Front operated fusible disconnect switches	41
OS200J04F	1SCA022758R9340	Front operated fusible disconnect switches	41
OS250B02P	1SCA022769R9440	Front operated switch fuse	29
OS250B03BBP	1SCA102168R1001	Special connected switch fuse	36
OS250B03K	1SCA022763R6010	Front operated switch fuse	33
OS250B03N3P	1SCA022750R8010	Front operated switch fuse	29
OS250B03P	1SCA022750R6660	Front operated switch fuse	29
OS250B04BBN2P	1SCA102164R1001	Special connected switch fuse	36
OS250B12LRP	1SCA022854R5690	Special connected switch fuse	37
OS250B21LRP	1SCA022854R5850	Special connected switch fuse	37
OS250B22LRP	1SCA022854R7210	Special connected switch fuse	37
OS250BS30K	1SCA022870R8660	Side operated switch fuse	35
OS250BS40N2K	1SCA022870R9040	Side operated switch fuse	35
OS250D02P	1SCA022760R0170	Front operated switch fuse	20
OS250D03BBP	1SCA102190R1001	Special connected switch fuse	26
OS250D03K	1SCA022763R6360	Front operated switch fuse	23
OS250D03N3P	1SCA022749R9430	Front operated switch fuse	20
OS250D03P	1SCA022719R0090	Front operated switch fuse	20
OS250D04BBN2P	1SCA102205R1001	Special connected switch fuse	26
OS250D04FP	1SCA022726R8620	Front operated switch fuse	20
OS250D04N2K	1SCA022763R6440	Front operated switch fuse	23
OS250D04N2P	1SCA022719R2380	Front operated switch fuse	20
OS250D12LRP	1SCA022852R8410	Special connected switch fuse	27
OS250D21LRP	1SCA022852R8500	Special connected switch fuse	27
OS250D22LRP	1SCA022853R0310	Special connected switch fuse	27
OS250DS30K	1SCA022871R2260	Side operated switch fuse	25
OS250DS40FK	1SCA022871R2420	Side operated switch fuse	25
OS25FFS3010	1SCA108639R1001	Side operated switch fuse	39
OS25FFS3010-2	1SCA108808R1001	Side operated switch fuse	39
OS30FACC12	1SCA108813R1001	Front operated fusible disconnect switches	40
OS30FACC22F	1SCA108819R1001	Front operated fusible disconnect switches	40
OS30FACCS30	1SCA108822R1001	Side operated fusible disconnect switches	42
OS30FAJ12	1SCA108824R1001	Front operated fusible disconnect switches	40
OS30FAJ22F	1SCA108829R1001	Front operated fusible disconnect switches	40
OS30FAJS30	1SCA108834R1001	Side operated fusible disconnect switches	42
OS315B02P	1SCA022817R3450	Front operated switch fuse	29
OS315B03BBP	1SCA102222R1001	Special connected switch fuse	36
OS315B03K	1SCA022763R6520	Front operated switch fuse	33
OS315B03N3P	1SCA022753R8940	Front operated switch fuse	29
OS315B03P	1SCA022719R0680	Front operated switch fuse	29
OS315B04BBN2P	1SCA102225R1001	Special connected switch fuse	36
OS315B12LRP	1SCA022854R8790	Special connected switch fuse	37
OS315B21LRP	1SCA022854R8870	Special connected switch fuse	37
OS315B22LRP	1SCA022855R0000	Special connected switch fuse	37
OS315BS30K	1SCA022870R9470	Side operated switch fuse	35
OS315BS40N2K	1SCA022870R9800	Side operated switch fuse	35
OS32GB02P	1SCA116721R1001	Front operated switch fuse	28
OS32GB03K	1SCA116744R1001	Front operated switch fuse	32
OS32GB03P	1SCA115259R1001	Front operated switch fuse	28
OS32GB04N1K	1SCA116856R1001	Front operated switch fuse	32
OS32GB04N1P	1SCA114610R1001	Front operated switch fuse	28

Type	Order number	Description	Page
OS32GBS30K	1SCA115918R1001	Side operated switch fuse	34
OS32GBS40N1K	1SCA115923R1001	Side operated switch fuse	34
OS32GD02P	1SCA116714R1001	Front operated switch fuse	19
OS32GD03K	1SCA116733R1001	Front operated switch fuse	22
OS32GD03P	1SCA115189R1001	Front operated switch fuse	19
OS32GD04FK	1SCA116737R1001	Front operated switch fuse	22
OS32GD04FP	1SCA115196R1001	Front operated switch fuse	19
OS32GD04N2K	1SCA116734R1001	Front operated switch fuse	22
OS32GD04N2P	1SCA115193R1001	Front operated switch fuse	19
OS32GDS30K	1SCA115929R1001	Side operated switch fuse	24
OS32GDS40N1K	1SCA115930R1001	Side operated switch fuse	24
OS32GDS40N2K	1SCA116402R1001	Side operated switch fuse	24
OS400B02P	1SCA022813R7220	Front operated switch fuse	29
OS400B03BBP	1SCA102252R1001	Special connected switch fuse	36
OS400B03K	1SCA022763R6790	Front operated switch fuse	33
OS400B03N3P	1SCA022753R9160	Front operated switch fuse	29
OS400B03P	1SCA022719R0840	Front operated switch fuse	29
OS400B04BBN2P	1SCA102248R1001	Special connected switch fuse	36
OS400B12LRP	1SCA022855R1400	Special connected switch fuse	37
OS400B21LRP	1SCA022855R1580	Special connected switch fuse	37
OS400B22LRP	1SCA022855R2710	Special connected switch fuse	37
OS400BS30K	1SCA022871R0210	Side operated switch fuse	35
OS400BS40N2K	1SCA022871R0640	Side operated switch fuse	35
OS400D02P	1SCA022811R2740	Front operated switch fuse	20
OS400D03BBP	1SCA102260R1001	Special connected switch fuse	26
OS400D03K	1SCA022779R5410	Front operated switch fuse	23
OS400D03N3P	1SCA022753R9320	Front operated switch fuse	20
OS400D03P	1SCA022719R0250	Front operated switch fuse	20
OS400D04BBN2P	1SCA102289R1001	Special connected switch fuse	26
OS400D04FP	1SCA022753R7110	Front operated switch fuse	20
OS400D04N2K	1SCA022763R7250	Front operated switch fuse	23
OS400D04N2P	1SCA022719R2460	Front operated switch fuse	20
OS400D12LRP	1SCA022853R2280	Special connected switch fuse	27
OS400D21LRP	1SCA022853R2360	Special connected switch fuse	27
OS400D22LRP	1SCA022853R4140	Special connected switch fuse	27
OS400DS30K	1SCA022871R2930	Side operated switch fuse	25
OS400DS40FK	1SCA022871R3150	Side operated switch fuse	25
OS400J02	1SCA107592R1001	Front operated fusible disconnect switches	41
OS400J03	1SCA022755R0810	Front operated fusible disconnect switches	41
OS400J04F	1SCA022755R3660	Front operated fusible disconnect switches	41
OS50GF02P	1SCA118345R1001	Front operated switch fuses	38
OS50GF03P	1SCA115492R1001	Front operated switch fuses	38
OS50GF04FP	1SCA115498R1001	Front operated switch fuses	38
OS50GF04N1P	1SCA115495R1001	Front operated switch fuses	38
OS50GFS30K	1SCA116404R1001	Side operated switch fuse	39
OS50GFS40FK	1SCA116425R1001	Side operated switch fuse	39
OS50GFS40N1K	1SCA116013R1001	Side operated switch fuse	39
OS600J02	1SCA107593R1001	Front operated fusible disconnect switches	41
OS600J03	1SCA022825R8610	Front operated fusible disconnect switches	41
OS600J04F	1SCA022839R3900	Front operated fusible disconnect switches	41
OS60GJ03	1SCA115866R1001	Front operated fusible disconnect switches	40
OS60GJ04F	1SCA115445R1001	Front operated fusible disconnect switches	40

Type	Order number	Description	Page	Type	Order number	Description	Page
OS60GJ12	1SCA122981R1001	Front operated fusible disconnect switches	40	OSB160/4	1SCA131820R1001	Phase barriers	59
OS60GJ22F	1SCA115468R1001	Front operated fusible disconnect switches	40	OSB160/6	1SCA131821R1001	Phase barriers	59
OS60GJS30	1SCA116051R1001	Side operated fusible disconnect switches	42	OSB250/4	1SCA131822R1001	Phase barriers	59
OS60GJS40F	1SCA115970R1001	Side operated fusible disconnect switches	42	OSB250/6	1SCA131823R1001	Phase barriers	59
OS630B02P	1SCA113529R1001	Front operated switch fuse	30	OSD25P3	1SCA022192R9060	Blown fuse indicators (DPMM)	68
OS630B03K	1SCA108708R1001	Front operated switch fuse	33	OSD25P4	1SCA022196R9520	Blown fuse indicators (DPMM)	68
OS630B03N3P	1SCA100860R1001	Front operated switch fuse	30	OSGD125P3	1SCA115690R1001	Blown fuse indicators (DPMM)	68
OS630B03P	1SCA022825R5850	Front operated switch fuse	30	OSGD125P4	1SCA115692R1001	Blown fuse indicators (DPMM)	68
OS630BS30K	1SCA108148R1001	Side operated switch fuse	35	OSGD50P3	1SCA116401R1001	Blown fuse indicators (DPMM)	68
OS630BS40N2K	1SCA108151R1001	Side operated switch fuse	35	OSGD50P4	1SCA115689R1001	Blown fuse indicators (DPMM)	68
OS630D02P	1SCA107745R1001	Front operated switch fuse	21	OSGZD1	1SCA115688R1001	Mounting accessories	70
OS630D03K	1SCA108704R1001	Front operated switch fuse	23	OSM100GB3M230C	1SCA116679R1001	Motorized switch fuse	44
OS630D03N3P	1SCA100858R1001	Front operated switch fuse	21	OSM100GB4N1M230C	1SCA118779R1001	Motorized switch fuse	44
OS630D03P	1SCA022825R2830	Front operated switch fuse	21	OSM1250B3M230C	1SCA112552R1001	Motorized switch fuse	44
OS630D04FP	1SCA022825R4610	Front operated switch fuse	21	OSM1250B3N3M230C	1SCA112550R1001	Motorized switch fuse	44
OS630D04N2K	1SCA108705R1001	Front operated switch fuse	23	OSM1250B4N1M230C	1SCA118795R1001	Motorized switch fuse	44
OS630D04N2P	1SCA022825R4290	Front operated switch fuse	21	OSM1250D3M230C	1SCA112549R1001	Motorized switch fuse	43
OS630DS30K	1SCA108136R1001	Side operated switch fuse	25	OSM1250D3N3M230C	1SCA112547R1001	Motorized switch fuse	43
OS630DS40FK	1SCA108138R1001	Side operated switch fuse	25	OSM1250D4N2M230C	1SCA118850R1001	Motorized switch fuse	43
OS63GB02P	1SCA116854R1001	Front operated switch fuse	28	OSM1250DA3M230C	1SCA112546R1001	Motorized switch fuse	43
OS63GB03K	1SCA116745R1001	Front operated switch fuse	32	OSM1250DA3N3M230C	1SCA112544R1001	Motorized switch fuse	43
OS63GB03P	1SCA115235R1001	Front operated switch fuse	28	OSM1250DA4N2M230C	1SCA118851R1001	Motorized switch fuse	43
OS63GB04N1K	1SCA116746R1001	Front operated switch fuse	32	OSM125GB3M230C	1SCA116677R1001	Motorized switch fuse	44
OS63GB04N1P	1SCA115238R1001	Front operated switch fuse	28	OSM125GB4N1M230C	1SCA118780R1001	Motorized switch fuse	44
OS63GBS30K	1SCA115924R1001	Side operated switch fuse	34	OSM125GD3M230C	1SCA116674R1001	Motorized switch fuse	43
OS63GBS40N1K	1SCA115979R1001	Side operated switch fuse	34	OSM125GD4N2M230C	1SCA118828R1001	Motorized switch fuse	43
OS63GD02P	1SCA116715R1001	Front operated switch fuse	19	OSM160GB3M230C	1SCA116670R1001	Motorized switch fuse	44
OS63GD03K	1SCA116738R1001	Front operated switch fuse	22	OSM160GB4N1M230C	1SCA118781R1001	Motorized switch fuse	44
OS63GD03P	1SCA115207R1001	Front operated switch fuse	19	OSM160GD3M230C	1SCA116673R1001	Motorized switch fuse	43
OS63GD04FK	1SCA116739R1001	Front operated switch fuse	22	OSM160GD4N2M230C	1SCA118831R1001	Motorized switch fuse	43
OS63GD04FP	1SCA115228R1001	Front operated switch fuse	19	OSM200B3M230C	1SCA104272R1001	Motorized switch fuse	44
OS63GD04N2K	1SCA116876R1001	Front operated switch fuse	22	OSM200B3N3M230C	1SCA104323R1001	Motorized switch fuse	44
OS63GD04N2P	1SCA115209R1001	Front operated switch fuse	19	OSM200B4N1M230C	1SCA118784R1001	Motorized switch fuse	44
OS63GDS30K	1SCA115931R1001	Side operated switch fuse	24	OSM200D3M230C	1SCA104284R1001	Motorized switch fuse	43
OS63GDS40N1K	1SCA115932R1001	Side operated switch fuse	24	OSM200D3N3M230C	1SCA104282R1001	Motorized switch fuse	43
OS63GDS40N2K	1SCA116403R1001	Side operated switch fuse	24	OSM200D4N2M230C	1SCA118836R1001	Motorized switch fuse	43
OS800B02P	1SCA022837R6480	Front operated switch fuse	30	OSM250B3M230C	1SCA104287R1001	Motorized switch fuse	44
OS800B03K	1SCA108713R1001	Front operated switch fuse	33	OSM250B3N3M230C	1SCA104290R1001	Motorized switch fuse	44
OS800B03N3P	1SCA100861R1001	Front operated switch fuse	30	OSM250B4N1M230C	1SCA118785R1001	Motorized switch fuse	44
OS800B03P	1SCA022825R7550	Front operated switch fuse	30	OSM250D3M230C	1SCA104295R1001	Motorized switch fuse	43
OS800BS30K	1SCA108084R1001	Side operated switch fuse	35	OSM250D3N3M230C	1SCA104297R1001	Motorized switch fuse	43
OS800BS40N2K	1SCA108087R1001	Side operated switch fuse	35	OSM250D4N2M230C	1SCA118838R1001	Motorized switch fuse	43
OS800D02P	1SCA022837R2650	Front operated switch fuse	21	OSM315B3M230C	1SCA104303R1001	Motorized switch fuse	44
OS800D03K	1SCA108725R1001	Front operated switch fuse	23	OSM315B3N3M230C	1SCA104306R1001	Motorized switch fuse	44
OS800D03N3P	1SCA100859R1001	Front operated switch fuse	21	OSM315B4N1M230C	1SCA118788R1001	Motorized switch fuse	44
OS800D03P	1SCA022825R4880	Front operated switch fuse	21	OSM32GB3M230C	1SCA116662R1001	Motorized switch fuse	44
OS800D04FP	1SCA022825R5000	Front operated switch fuse	21	OSM32GB4N1M230C	1SCA118775R1001	Motorized switch fuse	44
OS800D04N2K	1SCA108722R1001	Front operated switch fuse	23	OSM32GD3M230C	1SCA116664R1001	Motorized switch fuse	43
OS800D04N2P	1SCA022825R5180	Front operated switch fuse	21	OSM32GD4N2M230C	1SCA118822R1001	Motorized switch fuse	43
OS800DS30K	1SCA108099R1001	Side operated switch fuse	25	OSM400B3M230C	1SCA104310R1001	Motorized switch fuse	44
OS800DS40FK	1SCA108101R1001	Side operated switch fuse	25	OSM400B3N3M230C	1SCA104312R1001	Motorized switch fuse	44
OS800L02	1SCA116920R1001	Front operated fusible disconnect switches	41	OSM400B4N1M230C	1SCA118789R1001	Motorized switch fuse	44
OS800L03	1SCA022825R9760	Front operated fusible disconnect switches	41	OSM400D3M230C	1SCA104315R1001	Motorized switch fuse	43
OS800L04F	1SCA022839R5350	Front operated fusible disconnect switches	41	OSM400D3N3M230C	1SCA104317R1001	Motorized switch fuse	43
				OSM400D4N2M230C	1SCA118842R1001	Motorized switch fuse	43
				OSM630B3M230C	1SCA104516R1001	Motorized switch fuse	44
				OSM630B3N3M230C	1SCA104535R1001	Motorized switch fuse	44
				OSM630B4N1M230C	1SCA118791R1001	Motorized switch fuse	44
				OSM630D3M230C	1SCA104518R1001	Motorized switch fuse	43
				OSM630D3N3M230C	1SCA104533R1001	Motorized switch fuse	43
				OSM630D4N2M230C	1SCA118846R1001	Motorized switch fuse	43

Type	Order number	Description	Page
OSM63GB3M230C	1SCA116657R1001	Motorized switch fuse	44
OSM63GB4N1M230C	1SCA118776R1001	Motorized switch fuse	44
OSM63GD3M230C	1SCA116660R1001	Motorized switch fuse	43
OSM63GD4N2M230C	1SCA118865R1001	Motorized switch fuse	43
OSM800B3M230C	1SCA104520R1001	Motorized switch fuse	44
OSM800B3N3M230C	1SCA104536R1001	Motorized switch fuse	44
OSM800B4N1M230C	1SCA118792R1001	Motorized switch fuse	44
OSM800D3M230C	1SCA104522R1001	Motorized switch fuse	43
OSM800D3N3M230C	1SCA104534R1001	Motorized switch fuse	43
OSM800D4N2M230C	1SCA118847R1001	Motorized switch fuse	43
OSP1250B	1SCA107950R1001	Fourth poles	57
OSP1250D	1SCA107946R1001	Fourth poles	57
OSP1250DA	1SCA112402R1001	Fourth poles	57
OSP1250N	1SCA107943R1001	Fourth poles	57
OSP160GB	1SCA114769R1001	Fourth poles	57
OSP160GD	1SCA114768R1001	Fourth poles	57
OSP160GN	1SCA114770R1001	Fourth poles	57
OSP200B	1SCA022735R9180	Fourth poles	57
OSP200D	1SCA022735R8960	Fourth poles	57
OSP200N	1SCA022735R8700	Fourth poles	57
OSP250B	1SCA022770R4030	Fourth poles	57
OSP250D	1SCA022735R9340	Fourth poles	57
OSP250N	1SCA022735R9260	Fourth poles	57
OSP400B	1SCA022770R3140	Fourth poles	57
OSP400D	1SCA022770R3220	Fourth poles	57
OSP400N	1SCA022770R3490	Fourth poles	57
OSP800B	1SCA100434R1001	Fourth poles	57
OSP800D	1SCA100433R1001	Fourth poles	57
OSP800N	1SCA100432R1001	Fourth poles	57
OSS1250G1L/3	1SCA107938R1001	Terminal shroud	60
OSS1250G1L/4	1SCA107940R1001	Terminal shroud	60
OSS1250G1S/3	1SCA107939R1001	Terminal shroud	60
OSS1250G1S/4	1SCA107941R1001	Terminal shroud	60
OSS160GG1L/3	1SCA114764R1001	Terminal shroud	60
OSS160GG1L/4	1SCA114765R1001	Terminal shroud	60
OSS160GG1S/3	1SCA114766R1001	Terminal shroud	60
OSS160GG1S/4	1SCA114767R1001	Terminal shroud	60
OSS160GG3LS	1SCA121570R1001	Three and four pole terminal shroud	61
OSS160GG4LS	1SCA121571R1001	Three and four pole terminal shroud	61
OSS200G1L/3	1SCA022731R8910	Terminal shroud	60
OSS200G1L/4	1SCA022731R9040	Terminal shroud	60
OSS200G1S/3	1SCA022732R0130	Terminal shroud	60
OSS200G1S/4	1SCA022732R0050	Terminal shroud	60
OSS250G1L	1SCA022727R5080	Terminal shroud	60
OSS250G1L/3	1SCA022731R9390	Terminal shroud	60
OSS250G1L/4	1SCA022731R9470	Terminal shroud	60
OSS250G1S	1SCA022727R4940	Terminal shroud	60
OSS250G1S/3	1SCA022731R9550	Terminal shroud	60
OSS250G1S/4	1SCA022731R9630	Terminal shroud	60
OSS250G1SH/1	1SCA103500R1001	Terminal shroud	60
OSS400G1L/3	1SCA022776R6650	Terminal shroud	60
OSS400G1L/4	1SCA022776R6730	Terminal shroud	60
OSS400G1S/3	1SCA022776R6900	Terminal shroud	60
OSS400G1S/4	1SCA022776R7030	Terminal shroud	60
OSS400G1SH/1	1SCA103503R1001	Terminal shroud	60
OSS400G3LS	1SCA100396R1001	Three and four pole terminal shroud	61
OSS400G3SS	1SCA100390R1001	Three and four pole terminal shroud	61

Type	Order number	Description	Page
OSS400G4LSL	1SCA100398R1001	Three and four pole terminal shroud	61
OSS400G4LSR	1SCA100400R1001	Three and four pole terminal shroud	61
OSS400G4SSL	1SCA100392R1001	Three and four pole terminal shroud	61
OSS400G4SSR	1SCA100394R1001	Three and four pole terminal shroud	61
OSS800G1L/3	1SCA022776R7200	Terminal shroud	60
OSS800G1L/4	1SCA022776R7380	Terminal shroud	60
OSS800G1S/3	1SCA022776R7540	Terminal shroud	60
OSS800G1S/4	1SCA022776R7460	Terminal shroud	60
OSV1250DK	1SCA107797R1001	Direct mount handles	50
OSV200BK	1SCA022779R7530	Direct mount handles	50
OSV250DK	1SCA022763R3510	Direct mount handles	50
OSV400BK	1SCA022763R3930	Direct mount handles	50
OSV400DK	1SCA022763R4230	Direct mount handles	50
OSV800DK	1SCA107794R1001	Direct mount handles	50
OSVY1250DK	1SCA108702R1001	Direct mount handles	50
OSVY200BK	1SCA022779R7700	Direct mount handles	50
OSVY250DK	1SCA022778R6500	Direct mount handles	50
OSVY400BK	1SCA022779R5830	Direct mount handles	50
OSVY400DK	1SCA022779R5590	Direct mount handles	50
OSVY800DK	1SCA108703R1001	Direct mount handles	50
OSZ1	1SCA022481R3710	Neutral links	58
OSZ2	1SCA022481R3800	Neutral links	58
OSZ4	1SCA022530R0200	Electronic fuse monitor	67
OSZT1A	1SCA106532R1001	Mechanism interlock kits & Electrical interlocks	69
OSZT1L	1SCA106538R1001	Mechanism interlock kits & Electrical interlocks	69
OSZT2A	1SCA106534R1001	Mechanism interlock kits & Electrical interlocks	69
OSZT2L	1SCA106539R1001	Mechanism interlock kits & Electrical interlocks	69
OSZT3A	1SCA106535R1001	Mechanism interlock kits & Electrical interlocks	69
OSZT3L	1SCA106540R1001	Mechanism interlock kits & Electrical interlocks	69
OSZT4A	1SCA106536R1001	Mechanism interlock kits & Electrical interlocks	69
OSZT4L	1SCA106541R1001	Mechanism interlock kits & Electrical interlocks	69
OSZX3	1SCA101224R1001	Blown fuse indicators (DPMM)	68
OSZX4	1SCA101225R1001	Blown fuse indicators (DPMM)	68
OTS1600G1L	1SCA106134R1001	Terminal shroud	60
OTS1600G1S	1SCA102667R1001	Terminal shroud	60
OTS250G1L	1SCA022715R5340	Terminal shroud	60
OTS250G1S	1SCA022715R5260	Terminal shroud	60
OTS800G1L	1SCA022776R7710	Terminal shroud	60
OTS800G1S	1SCA022776R8010	Terminal shroud	60
OTVS1	1SCA111413R1001	Handle and spare fuse storage clip	59
OTVS2	1SCA111414R1001	Handle and spare fuse storage clip	59
OTZT1A	1SCA106522R1001	Mechanism interlock kits & Electrical interlocks	69
OTZT1L	1SCA106527R1001	Mechanism interlock kits & Electrical interlocks	69
OTZW10	1SCA022431R5280	Conversion kits	65
OTZW25	1SCA022778R6920	Conversion kits	65
OTZW26	1SCA022778R7060	Conversion kits	65
OWC6DSH1	1SCA105251R1001	Conversion kits	65

Type	Order number	Description	Page	Type	Order number	Description	Page
OWC6DSH2	1SCA105252R1001	Conversion kits	65	EXP6X400	1SCA108226R1001	Extended shafts	51
OWM6DS1	1SCA105253R1001	Conversion kits	65	EXP6X400-451)	1SCA108229R1001	Extended shafts	51
OWM6DS2	1SCA105254R1001	Conversion kits	65	EXP6X400-451)	1SCA108229R1001	Extended shafts	51
OWP6DS1	1SCA105255R1001	Conversion kits	65	EXP6X430	1SCA022056R6030	Extended shafts	51
OWP6DS2	1SCA105256R1001	Conversion kits	65	EXP6X430	1SCA022056R6030	Extended shafts	52
OXN1250S	1SCA104163R1001	Neutral links	58	EXP6X63	1SCA111010R1001	Extended shafts	51
OXN250	1SCA022752R9950	Neutral links	58	EXP6X63	1SCA111010R1001	Extended shafts	52
OXN250	1SCA022752R9950	Neutral links	58	EXP6X90	1SCA022064R1180	Extended shafts	51
OXN400	1SCA022770R3060	Neutral links	58	EXP6X90	1SCA022064R1180	Extended shafts	52
OXN800S	1SCA022831R4880	Neutral links	58	OZXB17	1SCA022859R3230	Terminal clamp sets	62
EXP12X2503)	1SCA022325R6980	Extended shafts	52	OZXB1L	1SCA022169R2030	Terminal clamp sets	62
EXP12X280	1SCA022137R5140	Extended shafts	52	OZXB1L	1SCA022169R2030	Terminal clamp sets	62
EXP12X2802)	1SCA022137R5140	Extended shafts	53	OZXB1L	1SCA022169R2030	Terminal clamp sets	62
EXP12X280-451)	1SCA022382R0800	Extended shafts	53	OZXB2	1SCA022119R7610	Terminal clamp sets	62
EXP12X325	1SCA022042R5810	Extended shafts	52	OZXB2K	1SCA022264R0010	Single pole terminal shroud	61
EXP12X325	1SCA022042R5810	Extended shafts	53	OZXB2K/1	1SCA022644R6700	Single pole terminal shroud	61
EXP12X325-451)	1SCA022304R4450	Extended shafts	53	OZXB2L	1SCA022158R7750	Terminal clamp sets	62
EXP12X395	1SCA022042R5990	Extended shafts	52	OZXB2L	1SCA022158R7750	Terminal clamp sets	62
EXP12X395	1SCA022042R5990	Extended shafts	53	OZXB2L	1SCA022158R7750	Terminal clamp sets	63
EXP12X3952)	1SCA022042R5990	Extended shafts	53	OZXB3	1SCA022136R8100	Terminal clamp sets	62
EXP12X465	1SCA022042R6020	Extended shafts	52	OZXB3	1SCA022136R8100	Terminal clamp sets	63
EXP12X465	1SCA022042R6020	Extended shafts	53	OZXB3	1SCA022136R8100	Terminal clamp sets	63
EXP12X465	1SCA022042R6020	Extended shafts	53	OZXB3	1SCA022136R8100	Terminal clamp sets	64
EXP12X535	1SCA022042R6110	Extended shafts	52	OZXB3K	1SCA022264R0440	Single pole terminal shroud	61
EXP12X535	1SCA022042R6110	Extended shafts	53	OZXB3K/1	1SCA022644R6880	Single pole terminal shroud	61
EXP12X535	1SCA022042R6110	Extended shafts	53	OZXB4	1SCA022137R4760	Terminal clamp sets	62
EXP6X130	1SCA022057R0570	Extended shafts	51	OZXB4	1SCA022137R4760	Terminal clamp sets	63
EXP6X130	1SCA022057R0570	Extended shafts	52	OZXB4	1SCA022137R4760	Terminal clamp sets	63
EXP6X150-451)	1SCA022294R4400	Extended shafts	51	OZXB4	1SCA022137R4760	Terminal clamp sets	64
EXP6X150-451)	1SCA022294R4400	Extended shafts	51	OZXB4K	1SCA022199R2850	Single pole terminal shroud	61
EXP6X1505)	1SCA022295R5600	Extended shafts	51	OZXB4K/1	1SCA022644R6960	Single pole terminal shroud	61
EXP6X1505)	1SCA022295R5600	Extended shafts	51	OZXB5	1SCA022137R2470	Terminal clamp sets	62
EXP6X161	1SCA022067R1760	Extended shafts	52	OZXB5	1SCA022137R2470	Terminal clamp sets	63
EXP6X161	1SCA022067R1760	Extended shafts	52	OZXB5	1SCA022137R2470	Terminal clamp sets	63
EXP6X1613)	1SCA022067R1760	Extended shafts	51	OZXB5	1SCA022137R2470	Terminal clamp sets	64
EXP6X1613)	1SCA022067R1760	Extended shafts	52	OZXB5K	1SCA022283R8040	Single pole terminal shroud	61
EXP6X170	1SCA108224R1001	Extended shafts	51	OZXB5K/1	1SCA022644R7000	Single pole terminal shroud	61
EXP6X170	1SCA108224R1001	Extended shafts	51	OZXB6	1SCA022137R4920	Terminal clamp sets	63
EXP6X170-451)	1SCA108227R1001	Extended shafts	51	OZXB6	1SCA022137R4920	Terminal clamp sets	63
EXP6X170-451)	1SCA108227R1001	Extended shafts	51	OZXB6	1SCA022137R4920	Terminal clamp sets	64
EXP6X210	1SCA022295R6080	Extended shafts	51	OZXB7	1SCA022185R0040	Terminal clamp sets	63
EXP6X210	1SCA022295R6080	Extended shafts	52	OZXB7L	1SCA022185R7130	Terminal clamp sets	62
EXP6X2103)	1SCA022295R6080	Extended shafts	52	OZXB7L	1SCA022185R7130	Terminal clamp sets	63
EXP6X2103)	1SCA022295R6080	Extended shafts	52	OZXB7L	1SCA022185R7130	Terminal clamp sets	64
EXP6X210-451)	1SCA022294R4230	Extended shafts	51	OZXB8	1SCA022744R1510	Terminal clamp sets	62
EXP6X210-451)	1SCA022294R4230	Extended shafts	52	OZXB8	1SCA022744R1510	Terminal clamp sets	62
EXP6X265	1SCA108225R1001	Extended shafts	51	OZXB8	1SCA022744R1510	Terminal clamp sets	62
EXP6X265	1SCA108225R1001	Extended shafts	51	OZXB8	1SCA022744R1510	Terminal clamp sets	63
EXP6X265-451)	1SCA108228R1001	Extended shafts	51	OZXB8	1SCA022744R1510	Terminal clamp sets	63
EXP6X265-451)	1SCA108228R1001	Extended shafts	51	OZXB8	1SCA022744R1510	Terminal clamp sets	64
EXP6X290	1SCA022042R6370	Extended shafts	51	OZXB9	1SCA022750R3210	Terminal clamp sets	62
EXP6X290	1SCA022042R6370	Extended shafts	52	OZXB9	1SCA022750R3210	Terminal clamp sets	62
EXP6X290	1SCA022042R6370	Extended shafts	52	OZXB9	1SCA022750R3210	Terminal clamp sets	63
EXP6X290	1SCA022042R6370	Extended shafts	52	OZXB9	1SCA022750R3210	Terminal clamp sets	63
EXP6X290-451)	1SCA022304R4290	Extended shafts	51	OZXB9	1SCA022750R3210	Terminal clamp sets	64
EXP6X290-451)	1SCA022304R4290	Extended shafts	52	OZXP120	1SCA115540R1001	Terminal clamp sets	64
EXP6X360	1SCA022042R6530	Extended shafts	51	OZXP150	1SCA115541R1001	Terminal clamp sets	64
EXP6X360	1SCA022042R6530	Extended shafts	52	OZXP240	1SCA115542R1001	Terminal clamp sets	64
EXP6X360-451)	1SCA022341R4640	Extended shafts	51	OZXP240	1SCA115542R1001	Terminal clamp sets	64
EXP6X360-451)	1SCA022341R4640	Extended shafts	52	OZXP240	1SCA115542R1001	Terminal clamp sets	64
EXP6X400	1SCA108226R1001	Extended shafts	51	OZXP2X240	1SCA115544R1001	Terminal clamp sets	64

Type	Order number	Description	Page
OZXP2X240	1SCA115544R1001	Terminal clamp sets	64
OZXP300	1SCA115543R1001	Terminal clamp sets	64
OZXP95	1SCA115539R1001	Terminal clamp sets	64
OZXP95	1SCA115539R1001	Terminal clamp sets	64
OZXR185	1SCA115531R1001	Terminal clamp sets	64
OZXR185	1SCA115531R1001	Terminal clamp sets	64
OZXR240	1SCA115532R1001	Terminal clamp sets	64
OZXR2X185	1SCA115534R1001	Terminal clamp sets	64
OZXR2X185	1SCA115534R1001	Terminal clamp sets	64
OZXR2X185	1SCA115534R1001	Terminal clamp sets	64
OZXR2X300	1SCA115535R1001	Terminal clamp sets	64
OZXR300	1SCA115533R1001	Terminal clamp sets	64
OZXR70	1SCA115529R1001	Terminal clamp sets	64
OZXR95	1SCA115530R1001	Terminal clamp sets	64
OZXR95	1SCA115530R1001	Terminal clamp sets	64
OZXT1	1SCA022469R6310	Terminal clamp sets	62
PB200 high	1SDA054972R1	Phase barriers	59
PB200 high	1SDA054973R1	Phase barriers	59
PDAL2/110AC50Hz	1SCA106543R1001	Coils	70
PDAL2/110AC60Hz	1SCA107100R1001	Coils	70
PDAL2/110DC	1SCA107105R1001	Coils	70
PDAL2/120AC60Hz	1SCA111353R1001	Coils	70
PDAL2/125DC	1SCA111338R1001	Coils	70
PDAL2/208AC60Hz	1SCA107101R1001	Coils	70
PDAL2/220DC	1SCA112503R1001	Coils	70
PDAL2/230AC50Hz	1SCA107102R1001	Coils	70
PDAL2/240AC60Hz	1SCA111356R1001	Coils	70
PDAL2/24AC60Hz	1SCA111350R1001	Coils	70
PDAL2/24DC	1SCA106542R1001	Coils	70
PDAL2/48DC	1SCA107103R1001	Coils	70
PDAL2/60DC	1SCA107104R1001	Coils	70

For Your Notes

A large area of the page is filled with horizontal dotted lines, providing a space for taking notes.

For Your Notes

A series of horizontal dotted lines for taking notes.

Contact us

ABB Oy

Breakers and Switches

P.O. Box 622

FI-65101 Vaasa, Finland

Phone: +358 10 22 11

Fax: +358 10 22 45708

E-Mail: firstname.surname@fi.abb.com

<http://new.abb.com/low-voltage/>

You can find the address of your local sales organization on the ABB homepage:

www.abb.com/contacts

> Low Voltage Products and Systems

Note: We reserve the right to make technical changes or modify the contents of this document without prior notice. With regard to purchase orders, the agreed particulars shall prevail. ABB AG does not accept any responsibility whatsoever for potential errors or possible lack of information in this document. We reserve all rights in this document and in the subject matter and illustrations contained therein. Any reproduction, disclosure to third parties or utilization of its contents – in whole or in parts – is forbidden without prior written consent of ABB AG.

Copyright © 2014 ABB
All rights reserved

