

# CHAPTER 6

## Modular Systems

### CHAPTER CONTENTS

#### PROLINE™ MODULAR ENCLOSURE SYSTEMS

PROLINE™ Modular Enclosures Product Overview	428
PROLINE™ Modular Enclosures Product Description	429

#### PROLINE™ INDUSTRIAL PACKAGES

PROLINE™ Industrial Packages, Type 12	430
---------------------------------------	-----

#### PROLINE™ FRAMES

PROLINE™ Frames	432
Single-Bay Frames	433
Double-Bay Frames	436
EMC Frames	438

#### PROLINE™ FRAME ACCESSORIES

L Joining Bracket	440
Frame Joining Kits	440
Stainless Steel Legs	440
PROLINE™ Fastener Packages	441
Touch-Up Paint	441
Lifting Eyes	441
Lifting Angles	441

#### PROLINE™ CABLE ENTRY CABINETS AND ACCESSORIES

Cable Entry Cabinets	442
Closure Plates	443
Closure Plate Adapters for Cutouts	443

#### PROLINE™ EXTERNAL COMPONENTS FOR MODULAR ENCLOSURES

PROLINE™ External Components Product Overview	444
Selection Matrix: Doors, Covers and Sides	446
Selection Matrix: Door Accessories	450
Selection Matrix: Tops and Bases	452

#### PROLINE™ DOORS, COVERS AND SIDES

Door Gasketing, Shielding and Door Bars Overview	456
Solid Doors	457
Solid Covers	458
Solid Sides	459
Window Doors	460
Dress Frame	461
Disconnect Door for PROLINE™ Enclosures	462
Electrical Interlock	464
Mechanical Interlock	465

#### PROLINE™ BARRIER PANELS, SIDE DOOR ADAPTERS

Barrier Panels	466
Side Door Adapters	467

#### PROLINE™ DOOR ACCESSORIES

L Handle	468
----------	-----

Flush Swing Handles	468
Flush Bezels	468
Key Inserts	469
Padlock Kit	469
DIN Lock Inserts (for DIN Profile Handle Only)	469
Small Flush Swing Handle	469
Folding Shelf	469
Door Bar Grid Straps	470
180-Degree Hinge Kit	470
Door Stop Kit	470
Door Support Roller Kit	470
Thermoplastic Data Pocket	471
Steel Data Pocket	471

#### PROLINE™ TOPS AND BASES

Solid Tops	472
Vented Top with Integral Fan Tray	473
Pagoda Tops	474
Pagoda Exhaust Vents	475
High-Performance Pagoda Exhaust Vent	475
Top with Cutout for High-Performance Pagoda Exhaust Vent	476
Top-Mount Air Conditioner	477
Double-Bay Air Conditioner Top	478
Support Bracket Kit	478
0-mm Solid Base	479
100-mm Solid Base	480
100-mm Solid Base Joining, Side-to-Side	480
Cable Entry Gland Plate	481
Frame Feet	481
Levelers	481
PROLINE™ Frame Floor-Mounting Bracket	481
100-mm Plinth Base	482
200-mm Plinth Base	483
Plinth Base Stacking Kit	484
Vented Plinth Base Covers	484
Replacement Filter Kit for Filtered Gland Plate	484
Gland Plates	485
Mobile Base Leveling Kit	486
Mobile Base	486
PROLINE™ Transportation Base	487
Transportation Base Joining, Side-to-Side	487
Caster Kit	488

#### PROLINE™ INTERNAL COMPONENTS FOR MODULAR ENCLOSURES

PROLINE™ Internal Components Product Overview	490
Selection Matrix: Panel and Grid Mounting	492
Selection Matrix: Rack Mounting	494

#### PANEL AND GRID MOUNTING SYSTEM

Full Subpanel	496
---------------	-----

Joining Subpanel	497
Partial Subpanel	498
Side-Mount Subpanel	499
Panel Support Brace	500
Swing-Out Panel	500
PROLINE™ Grounding Kit	501
Transformer Rails	501
Grounding Bar System	501
Grid System	502
Center Upright	502
Full-Height Vertical Grid Straps	503
PROLINE™ Fastener Packages	503

#### SWING-OUT RACK FRAMES AND ACCESSORIES

Partial Swing-Out Rack Frame	504
Heavy-Duty Swing-Out Rack Frame	504
170-Degree Hinge Kit	506
Swing-Out Guides	506
Stop Arm Kit	507
Filler Panel Kit	507

#### PROLINE™ SHELVES, RAILS AND LIGHTING PACKAGES

Frame Pull-Out Shelf	508
Frame Shelf	508
Door-Activated Light Switch Kit	509
Printer Shelf	509
Wire Management Rails	509

#### RACK-MOUNT ANGLES AND ACCESSORIES

PROLINE™ Rack Angles Overview	510
19-in. Rack Angles	510
23-in. Rack Angles	511
24-in. Rack Angles	511
Metric Rack Angles	512
Rack Angle Adapter Bracket	512
Frame Accessory Bracket	512
Pull-Out Shelf	513
Pull-Out Shelf Lock	513
Fixed Shelf	513
Guides	514
Filler Panel for Rack Angles	514
Screw Package	514
Cage Nut Package	514
Rack Panels	515
Adjustable Rack-Mounting Rails	516
Frame-Reducing Brackets for Frames or Grid Straps	516
Slides	517
Rack-Angle Mounted Drawer	517
Writing Surface	517

#### PROLINE-PC MODULAR ENCLOSURES AND ACCESSORIES

PROLINE™-PC, Type 12	518
Selection Matrix	521
Frames	523
Covers for Upper Front	523
Doors for Upper Front	523
Window Doors for Upper Front	524
Covers for Lower Front	524
Doors for Lower Front	524
Doors with Windows for Lower Front	525
Keyboard Shelf	525
Keyboard Compartment	526
Consolet Compartment	527
Keyboard Shelves with Integrated Keyboard/Mouse	527
20-Degree Control Compartment	527
Access Cover	528
Writing Desk	528
Pencil Tray	528

#### PROLINE-SY MODULAR ENCLOSURE SYSTEM

PROLINE™-SY, Type 12	530
Selection Matrix	532
Covers for Upper and Lower Front	534
Doors for Upper and Lower Front	534
Doors with Windows for Upper and Lower Front	534
Covers with HMI Cutouts	535

#### PROLINE™ GOLD SERIES COMPUTER WORKSTATION ENCLOSURE SYSTEM

PROLINE™ Gold Series Computer Workstation, Type 12	536
Solid Covers	539
Solid Doors	539

#### PROLINE™ GOLD SERIES DESK CONSOLES AND ACCESSORIES

PROLINE™ Gold Series Desk Console, Type 12	540
PROLINE™ Gold Series Double-Bay Desk Console, Type 12	542
Wedge Consoles	544
Joining Kit	544
Full Back Panel	544
Caster Kit	545
Side-Mount Panel	545

**PROLINE™ MODULAR ENCLOSURES PRODUCT OVERVIEW**

The PROLINE™ Modular Enclosure system is designed to protect electrical and electronic equipment in industrial, local area networking and telecommunications applications. Each enclosure provides full protection from dirt, dust, moisture, oil and other contaminants. Standard versions of PROLINE also shield against electromagnetic and radio frequency interference (EMC).

PROLINE enclosures consist of a rugged frame that protects your equipment from the stresses of movement and shipping. Select from a wide variety of tops, bases, covers, sides and doors to configure a customized solution. After you've selected the external components, the complete PROLINE offering of rack angle, subpanel and grid mounting options allows you to install your equipment securely within the enclosure. Mounting options accommodate rack mount equipment, operator interfaces, industrial control equipment and computer systems, as well as manage wiring and cabling.

Pentair Technical Products manufactures and supports PROLINE worldwide to meet the needs of our global customers.

**PROLINE™ MODULAR ENCLOSURES PRODUCT DESCRIPTION****INDUSTRY STANDARDS****Gasketed assembled enclosure**

UL 508A Listed; Type 12; File Number E61997 cUL Listed per CSA C22.2 No 94; Type 12; File Number E61997
--

NEMA/EEMAC Type 12  
 CSA File Number 42186: Type 12  
 VDE IP55  
 IEC 60529, IP55

**EMC assembled enclosure**

UL 508A Listed; Type 1; File Number E61997 cUL Listed per CSA C22.2 No 94; Type 1; File Number E61997
--

NEMA/EEMAC Type 1  
 IEC 60529, IP30

**SPECIFICATIONS**

- Frames are a single-roll-formed, robotically welded design made of 12 gauge steel with solid steel fully welded corners
- External sides and doors are 16 or 14 gauge steel
- Window doors are fully welded aluminum extrusions
- Standard door bars increase strength and rigidity and provide an extra mounting surface
- Seamless foam-in-place gasket on external accessories provides a water-tight, dust-tight seal against moisture and contaminants
- Latching system assures a solid seal with low closure force
- Integral frame channels support the full weight of the subpanels
- Frames accommodate the 25-mm DIN standard and include rectangular holes for clip nuts and through-holes for use with thread-forming screws

**FINISH**

See individual product or component descriptions. Light-gray color is RAL 7035 textured polyester powder paint, and black accent color is RAL 9005 textured polyester powder paint.

**OPTIONS****Frames**

- Frames available with painted or plated finish
- Single- and double-bay frames for maximum flexibility
- Frames can be joined easily to create multi-bay applications
- Frames available specifically for protecting computer systems and operator interface applications

**External Components**

- Solid doors include standard door bars for additional mounting space and rigidity
- Window doors include safety glass or polycarbonate windows
- Doors accept a variety of aesthetic yet rugged handle options

- Bases include solid, vented, plinth and transportation styles to match your application
- Tops include solid, vented with fans, pagoda with fan, high-performance pagoda with centrifugal blower and top-mounted air conditioners for thermal management
- Solid sides and covers fasten directly to the frame
- Type 304 stainless steel offerings throughout the product line. In addition to the basic steel offering, many external components also are available for medium-level EMC shielding using a metal fabric gasket.

**Internal Components**

- Subpanels can be mounted in 22-mm increments from front to rear and on the sides
- Swing-out panels extend access from inside to outside the enclosure
- Subpanels in joined enclosures provide a flush surface for easier assembly and wire management
- Rack mounting capabilities include 19 in., 23 in., 24 in. and metric
- Swing-out rack frames allow access to plugs and connectors on back of equipment
- Grid systems support a variety of mounting applications

**ORDERING**

PROLINE products can be supplied in any of the following ways to best suit your needs:

**Customer-Specified Assemblies**

Hoffman will ship PROLINE assembled enclosures as part of our Assemble-to-Order (A-T-O) program. Most external and internal components are available and can be installed in customer-specified locations. Items available under the A-T-O program are identified with the A-T-O symbol. Work with your Hoffman Distributor to configure your PROLINE A-T-O enclosure.

**Assembled Enclosures**

PROLINE enclosures are available preconfigured for computer system (PC) applications, HMI (SY) applications, industrial applications and double-door disconnect (DD) applications. These options allow you to select a complete system that includes the frame, sides, top, base, doors and internal mounting accessories by simply ordering one catalog number.

**Individual Parts**

If your process is better-suited to receiving individual PROLINE parts and completing the assembly yourself, we can accommodate you. Frames and external components are available for shipment from our warehouse or Distributor stock.



**PROLINE™ INDUSTRIAL PACKAGES, TYPE 12**

**INDUSTRY STANDARDS**

UL 508A Listed; Type 12; File Number E61997
---

NEMA/EEMAC Type 12  
 CSA File Number 42186: Type 12  
 VDE IP55  
 IEC 60529, IP55

**APPLICATION**

PROLINE™ Industrial Packages are full-featured, ready-to-use enclosure solutions that make it unnecessary to order each component separately. For convenience, a single part number includes a frame, solid front door, solid rear cover, a solid top, a gland plate, lifting eyes and a full subpanel, so that only the side covers need to be ordered separately.

**SPECIFICATIONS**

- Frames are a roll-formed, robotically welded design made of 12 gauge steel with solid steel, fully welded corners
- External sides, covers and doors are 16 or 14 gauge steel
- Standard door bars increase strength and rigidity and allow for an extra mounting surface
- Seamless foam-in-place gasket provides a water-tight, dust-tight seal against moisture and contaminants
- Gasket and latching system together ensure a solid seal with low closure force
- Solid front doors equipped with a PROLINE latching system and flush bezel handle with defeater
- Integral frame channels support the full weight of the subpanels
- Galvanized full subpanel
- Frames accommodate the 25-mm DIN standard and include rectangular holes for clip nuts and through holes for use with thread-forming screws
- PROLINE Overlapping Doors are available in 800,1000, 1200 and 1600 mm widths. They are denoted by an OD in the part number, i.e. PPOD18106

**FINISH**

Enclosure finish is RAL 7035 textured light-gray polyester powder paint with black accent color of RAL 9005 textured polyester powder paint.

**ACCESSORIES**

A full selection of accessories is available.

**BULLETIN: P20, P21**

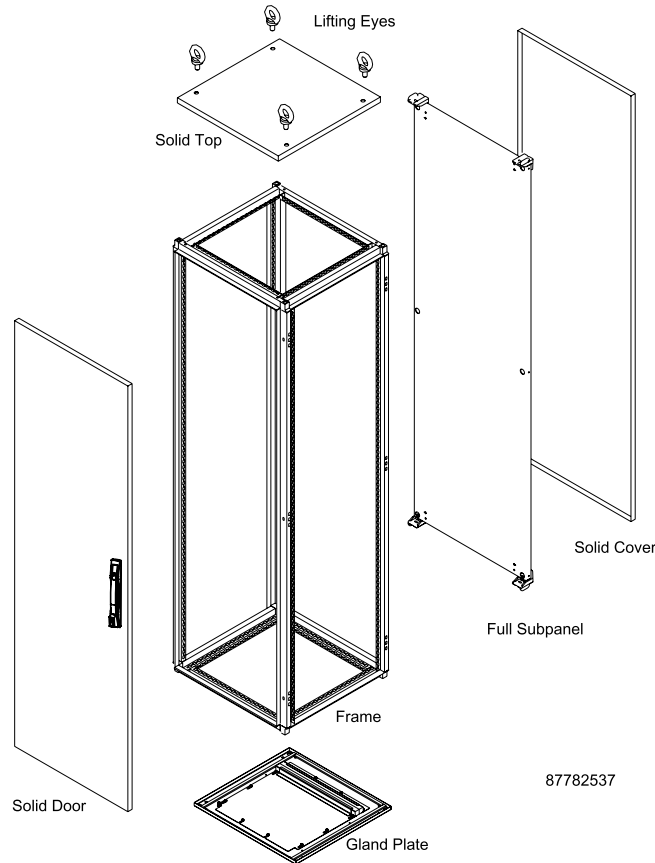
**Standard Product**

Catalog Number	AxBxC mm	AxBxC in.
PP1466	1400 x 600 x 600	55.12 x 23.62 x 23.62
PP1485	1400 x 800 x 500	55.12 x 31.50 x 19.69
PPOD1485	1400 x 800 x 500	55.12 x 31.50 x 19.69
PPOD16126	1600 x 1200 x 600	62.99 x 47.24 x 23.62
PP1666	1600 x 600 x 600	62.99 x 23.62 x 23.62
PP1668	1600 x 600 x 800	62.99 x 23.62 x 31.50
PP1686	1600 x 800 x 600	62.99 x 31.50 x 23.62
PPOD1686	1600 x 800 x 600	62.99 x 31.50 x 23.62
PP1688	1600 x 800 x 800	62.99 x 31.50 x 31.50
PPOD1688	1600 x 800 x 800	62.99 x 31.50 x 31.50
PP18105	1800 x 1000 x 500	70.87 x 39.37 x 19.69
PPOD18105	1800 x 1000 x 500	70.87 x 39.37 x 19.69
PP18106	1800 x 1000 x 600	70.88 x 39.37 x 23.62
PPOD18106	1800 x 1000 x 600	70.87 x 39.37 x 23.62
PP18108	1800 x 1000 x 800	70.87 x 39.37 x 31.50
PPOD18108	1800 x 1000 x 800	70.87 x 39.37 x 31.50
PPOD18124	1800 x 1200 x 400	70.87 x 47.24 x 15.75
PPOD18125	1800 x 1200 x 500	70.87 x 47.24 x 19.69
PPOD18126	1800 x 1200 x 600	70.87 x 47.24 x 23.62
PPOD18128	1800 x 1200 x 800	70.87 x 47.24 x 31.50
PPOD18165	1800 x 1600 x 500	70.87 x 62.99 x 19.69
PPD18166	1800 x 1600 x 600	70.87 x 62.99 x 23.62
PPOD18168	1800 x 1600 x 800	70.87 x 62.99 x 31.50
PP1866	1800 x 600 x 600	70.87 x 23.62 x 23.62
PP1868	1800 x 600 x 800	70.87 x 23.62 x 31.50
PP1885	1800 x 800 x 500	70.87 x 31.50 x 19.69
PPOD1885	1800 x 800 x 500	70.87 x 31.50 x 19.69
PPOD1886	1800 x 800 x 600	70.87 x 31.50 x 23.62
PP1888	1800 x 800 x 800	70.87 x 31.50 x 31.50
PPOD1888	1800 x 800 x 800	70.87 x 31.50 x 31.50
PP20105	2000 x 1000 x 500	78.74 x 39.37 x 19.69
PPOD20105	2000 x 1000 x 500	78.74 x 39.37 x 19.69
PP20106	2000 x 1000 x 600	78.74 x 39.37 x 23.62
PPOD20106	2000 x 1000 x 600	78.74 x 39.37 x 23.62
PP20108	2000 x 1000 x 800	78.74 x 39.37 x 31.50



Catalog Number	AxBxC mm	AxBxC in.
PP0D20108	2000 x 1000 x 800	78.74 x 39.37 x 31.50
PP0D20125	2000 x 1200 x 500	78.74 x 47.24 x 19.69
PP0D20126	2000 x 1200 x 600	78.74 x 47.24 x 23.62
PP0D20128	2000 x 1200 x 800	78.74 x 47.24 x 31.50
PP0D20165	2000 x 1600 x 500	78.74 x 62.99 x 19.69
PP0D20166	2000 x 1600 x 600	78.74 x 62.99 x 23.62
PP0D20168	2000 x 1600 x 800	78.74 x 62.99 x 31.50
PP2046	2000 x 400 x 600	78.74 x 15.75 x 23.62
PP2064	2000 x 600 x 400	78.74 x 23.62 x 15.75
PP2065	2000 x 600 x 500	78.74 x 23.62 x 19.69
PP2066	2000 x 600 x 600	78.74 x 23.62 x 23.62
PP2068	2000 x 600 x 800	78.74 x 23.62 x 31.50
PP2084	2000 x 800 x 400	78.74 x 31.50 x 15.75
PP0D2084	2000 x 800 x 400	78.74 x 31.50 x 15.75
PP2085	2000 x 800 x 500	78.74 x 31.50 x 19.69
PP0D2085	2000 x 800 x 500	78.74 x 31.50 x 19.69
PP2086	2000 x 800 x 600	78.74 x 31.50 x 23.62
PP0D2086	2000 x 800 x 600	78.74 x 31.50 x 23.62
PP2088	2000 x 800 x 800	78.74 x 31.50 x 31.50
PP0D2088	2000 x 800 x 800	78.74 x 31.50 x 31.50
PP22105	2200 x 1000 x 500	86.61 x 39.37 x 19.69
PP0D22105	2200 x 1000 x 500	86.61 x 39.37 x 19.69
PP22106	2200 x 1000 x 600	86.61 x 39.37 x 23.62
PP0D22106	2200 x 1000 x 600	86.61 x 39.37 x 23.62
PP0D22125	2200 x 1200 x 500	86.61 x 47.24 x 19.69
PP0D22126	2200 x 1200 x 600	86.61 x 47.24 x 23.62
PP0D22128	2200 x 1200 x 800	86.61 x 47.24 x 31.50
PP2266	2200 x 600 x 600	86.61 x 23.62 x 23.62
PP2268	2200 x 600 x 800	86.61 x 23.62 x 31.50
PP2286	2200 x 800 x 600	86.61 x 31.50 x 23.62
PP0D2286	2200 x 800 x 600	86.61 x 31.50 x 23.62
PP2288	2200 x 800 x 800	86.61 x 31.50 x 31.50

Standard Configuration



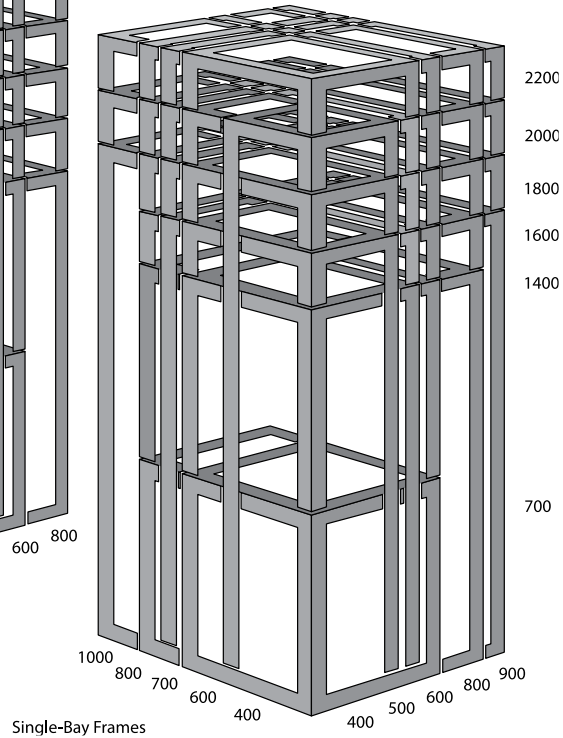
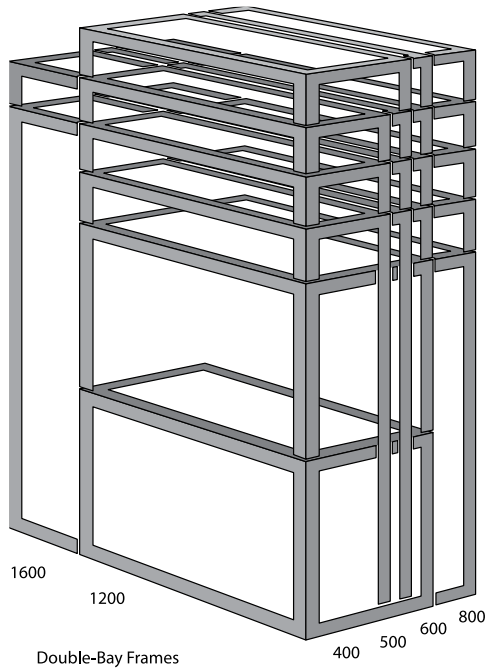
## PROLINE™ FRAMES

### Selection

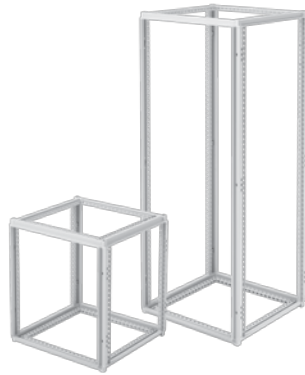
A full range of sizes for single- and double-bay applications, PROLINE™ offers the broadest range of standard sizes in the industry.



Frame Type	Heights mm/in.	Widths mm/in.	Depths mm/in.
Single-Bay Frames	700	600 and 800	600
	1400	600 and 800	500, 600 and 800
	1600	600, 700 and 800	400, 500, 600 and 800
	1800	600, 700, 800 and 1000	400, 500, 600 and 800
	2000	400, 600, 700, 800 and 1000	400, 500, 600 and 800
	2200	600, 700, 800 and 1000	500, 600, 800 and 900
Double-Bay Frames	700	1200	600
	1600	1200	400, 500, 600 and 800
	1800	1200 and 1600	400, 500, 600 and 800
	2000	1200 and 1600	400, 500, 600 and 800
	2200	1200	500, 600 and 800



**SINGLE-BAY FRAMES**



- 12 gauge, roll-formed frame sections for strength
- Flange on door and side openings deflect liquids away from the enclosure interior
- Rectangular frame holes are designed for metric cage nut fasteners
- Round frame holes allow numerous grounding locations using M5 thread-forming screws
- Access to both sides of frame mounting holes allows standard components to be easily installed
- Provisions for slide-in subpanel, rack mounting and accessory mounting
- Simple means for joining frames to create multiple-bay enclosures
- An open roll-formed profile design affords complete surface corrosion protection and assembly access
- Sealed mounting for all external accessories
- Finished with RAL 7035 textured gray polyester powder paint

**BULLETIN: P20**

**SPECIFICATIONS**

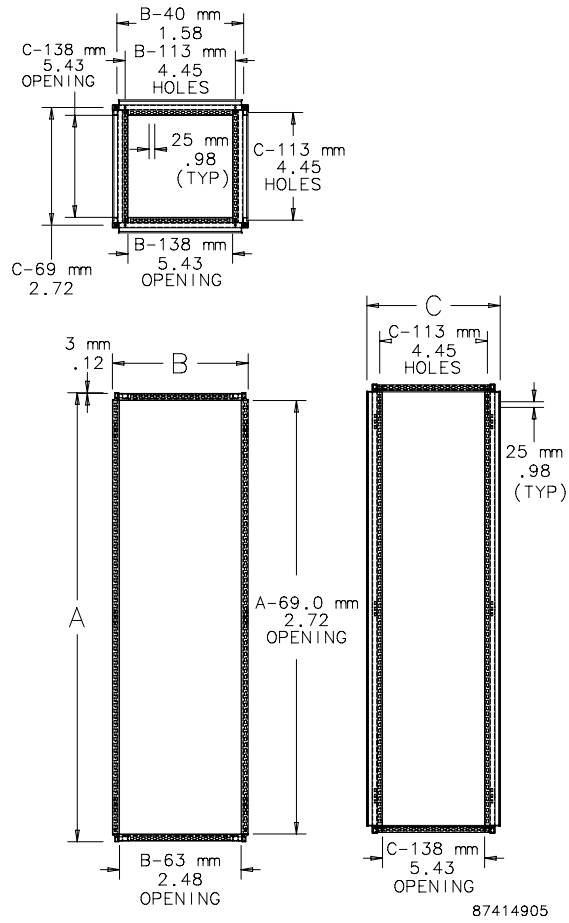
- Welded corners with steel corner blocks that add strength and rigidity

Standard Product

Catalog Number	AxBxC in.	AxBxC mm	Nominal Frame Size A x B x C	Maximum Subpanel Size (mm)	Maximum Subpanel Size (in.)	Maximum Rack Mounting Space
PF766	26.77 x 23.58 x 23.15	680 x 599 x 588	700 x 600 x 600	585 x 530	23.03 x 20.87	13U
PF786	27.56 x 31.50 x 23.62	700 x 800 x 600	700 x 800 x 600	585 x 530	23.03 x 20.87	13U
PF1466	54.33 x 23.58 x 23.15	1380 x 599 x 588	1400 x 600 x 600	1285 x 530	50.59 x 20.87	28U
PF1468	55.12 x 23.62 x 31.50	1400 x 600 x 800	1400 x 600 x 800	1285 x 530	50.59 x 20.87	28U
PF1485	55.12 x 31.50 x 19.69	1400 x 800 x 500	1400 x 800 x 500	1285 x 530	50.59 x 20.87	28U
PF1488	55.12 x 31.50 x 31.50	1400 x 800 x 800	1400 x 800 x 800	1285 x 530	50.59 x 20.87	28U
PF1664	62.99 x 23.62 x 15.75	1600 x 600 x 400	1600 x 600 x 400	1485 x 530	58.46 x 20.87	33U
PF1666	62.20 x 23.58 x 23.15	1580 x 599 x 588	1600 x 600 x 600	1485 x 530	58.46 x 20.87	33U
PF1668	62.99 x 23.62 x 31.50	1600 x 600 x 800	1600 x 600 x 800	1485 x 530	58.46 x 20.87	33U
PF1686	62.99 x 31.50 x 23.62	1600 x 800 x 600	1600 x 800 x 600	1485 x 730	58.46 x 28.74	33U
PF1688	62.99 x 31.50 x 31.50	1600 x 800 x 800	1600 x 800 x 800	1485 x 730	58.46 x 28.74	33U
PF1864	70.87 x 23.62 x 15.75	1800 x 600 x 400	1800 x 600 x 400	1685 x 530	66.34 x 20.87	38U
PF1865	70.08 x 23.58 x 19.21	1780 x 599 x 488	1800 x 600 x 500	1685 x 530	66.34 x 20.87	38U
PF1866	70.87 x 23.62 x 23.62	1800 x 600 x 600	1800 x 600 x 600	1685 x 530	66.34 x 20.87	38U
PF1868	70.87 x 23.62 x 31.50	1800 x 600 x 800	1800 x 600 x 800	1685 x 530	66.34 x 20.87	38U
PF1884	70.87 x 31.50 x 15.75	1800 x 800 x 400	1800 x 800 x 400	1685 x 730	66.34 x 28.74	38U
PF1885	70.87 x 31.50 x 19.69	1800 x 800 x 500	1800 x 800 x 500	1685 x 730	66.34 x 28.74	38U
PF1886	70.87 x 31.50 x 23.62	1800 x 800 x 600	1800 x 800 x 600	1685 x 730	66.34 x 28.74	38U
PF1888	70.87 x 31.50 x 31.50	1800 x 800 x 800	1800 x 800 x 800	1685 x 730	66.34 x 28.74	38U
PF18105	70.87 x 39.37 x 19.69	1800 x 1000 x 500	1800 x 1000 x 500	1685 x 930	66.34 x 36.61	38U
PF18106	70.87 x 39.37 x 23.62	1800 x 1000 x 600	1800 x 1000 x 600	1685 x 930	66.34 x 36.61	38U
PF18108	70.87 x 39.37 x 31.50	1800 x 1000 x 800	1800 x 1000 x 800	1685 x 930	66.34 x 36.61	38U
PF2064	78.74 x 23.62 x 15.75	2000 x 600 x 400	2000 x 600 x 400	1885 x 530	74.21 x 20.87	42U
PF2065	78.74 x 15.75 x 19.69	2000 x 400 x 500	2000 x 400 x 500	1885 x 530	74.21 x 20.87	42U
PF2066	78.74 x 23.62 x 19.69	2000 x 600 x 500	2000 x 600 x 500	1885 x 530	74.21 x 20.87	42U
PF2068	78.74 x 15.75 x 23.62	2000 x 400 x 600	2000 x 400 x 600	1885 x 530	74.21 x 20.87	42U
PF2076	78.74 x 23.62 x 31.50	2000 x 600 x 800	2000 x 600 x 800	1885 x 530	74.21 x 20.87	42U
PF2077	78.74 x 27.56 x 23.62	2000 x 700 x 600	2000 x 700 x 600	1885 x 630	74.21 x 24.80	42U
PF2078	78.74 x 27.56 x 31.50	2000 x 700 x 800	2000 x 700 x 800	1885 x 630	74.21 x 24.80	42U
PF2084	78.74 x 31.50 x 15.75	2000 x 800 x 400	2000 x 800 x 400	1885 x 730	74.21 x 28.74	42U
PF2085	78.74 x 31.50 x 19.69	2000 x 800 x 500	2000 x 800 x 500	1885 x 730	74.21 x 28.74	42U
PF2086	78.74 x 31.50 x 23.62	2000 x 800 x 600	2000 x 800 x 600	1885 x 730	74.21 x 28.74	42U
PF2088	78.74 x 31.50 x 31.50	2000 x 800 x 800	2000 x 800 x 800	1885 x 730	74.21 x 28.74	42U
PF2089	78.74 x 31.50 x 35.43	2000 x 800 x 900	2000 x 800 x 900	1885 x 730	74.21 x 28.74	42U
PF20105	78.74 x 39.37 x 19.69	2000 x 1000 x 500	2000 x 1000 x 500	1885 x 930	74.21 x 36.61	42U
PF20106	78.74 x 39.37 x 23.62	2000 x 1000 x 600	2000 x 1000 x 600	1885 x 930	74.21 x 36.61	42U
PF20108	78.74 x 39.37 x 31.50	2000 x 1000 x 800	2000 x 1000 x 800	1885 x 930	74.21 x 36.61	42U
PF2266	86.61 x 23.62 x 23.62	2200 x 600 x 600	2200 x 600 x 600	2085 x 530	82.09 x 20.87	47U
PF2268	86.61 x 23.62 x 31.50	2200 x 600 x 800	2200 x 600 x 800	2085 x 530	82.09 x 20.87	47U
PF2278	86.61 x 27.56 x 31.50	2200 x 700 x 800	2200 x 700 x 800	2085 x 630	82.09 x 24.80	47U
PF2279	86.61 x 27.56 x 35.43	2200 x 700 x 900	2200 x 700 x 900	2085 x 630	82.09 x 24.80	47U
PF2286	86.61 x 31.50 x 23.62	2200 x 800 x 600	2200 x 800 x 600	2085 x 730	82.09 x 28.74	47U
PF2288	86.61 x 31.50 x 31.50	2200 x 800 x 800	2200 x 800 x 800	2085 x 730	82.09 x 28.74	47U
PF22105	86.61 x 39.37 x 19.69	2200 x 1000 x 500	2200 x 1000 x 500	2085 x 930	82.09 x 36.61	47U
PF22106	86.61 x 39.37 x 23.62	2200 x 1000 x 600	2200 x 1000 x 600	2085 x 930	82.09 x 36.61	47U

1 rack unit = 1.75 in. (44 mm)





## Notes





**DOUBLE-BAY FRAMES**

**FEATURES**

PROLINE™ offers the broadest range of standard sizes in the industry.

**Standard Product**

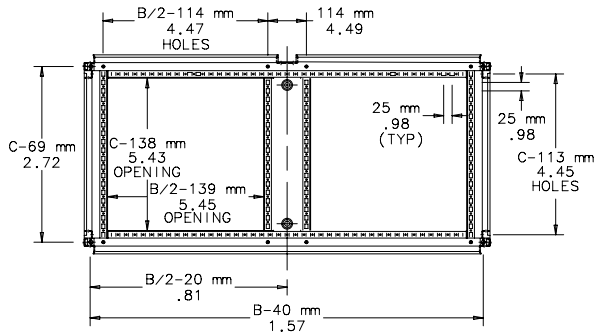
Catalog Number	AxBxC in./mm	Nominal Frame Size A x B x C	Maximum Subpanel Size mm/in.	Maximum Rack Mounting Space
PF7126	27.56 x 47.24 x 23.62 700 x 1200 x 600	700 x 1200 x 600	585 x 1130 23.03 x 44.49	13U x 2
PF16126	62.99 x 47.24 x 23.62 1600 x 1200 x 600	1600 x 1200 x 600	1485 x 1130 58.46 x 44.49	33U x 2
PF16128	62.99 x 47.24 x 31.50 1600 x 1200 x 800	1600 x 1200 x 800	1485 x 1130 58.46 x 44.49	33U x 2
PF18124	70.87 x 47.24 x 15.75 1800 x 1200 x 400	1800 x 1200 x 400	1685 x 1130 66.34 x 44.49	38U x 2
PF18125	70.87 x 47.24 x 19.69 1800 x 1200 x 500	1800 x 1200 x 500	1685 x 1130 66.34 x 44.49	38U x 2
PF18126	70.87 x 47.24 x 23.62 1800 x 1200 x 600	1800 x 1200 x 600	1685 x 1130 66.34 x 44.49	38U x 2
PF18128	70.87 x 47.24 x 31.50 1800 x 1200 x 800	1800 x 1200 x 800	1685 x 1130 66.34 x 44.49	38U x 2
PF18165	70.87 x 62.99 x 19.69 1800 x 1600 x 500	1800 x 1600 x 500	1685 x 1530 66.34 x 60.24	38U x 2
PF18166	70.87 x 62.99 x 23.62 1800 x 1600 x 600	1800 x 1600 x 600	1685 x 1530 66.34 x 60.24	38U x 2
PF18168	70.87 x 62.99 x 31.50 1800 x 1600 x 800	1800 x 1600 x 800	1685 x 1530 66.34 x 60.24	38U x 2
PF20124	78.74 x 47.24 x 15.75 2000 x 1200 x 400	2000 x 1200 x 400	1885 x 1130 74.21 x 44.49	42U x 2
PF20125	78.74 x 47.24 x 19.69 2000 x 1200 x 500	2000 x 1200 x 500	1885 x 1130 74.21 x 44.49	42U x 2
PF20126	78.74 x 47.24 x 23.62 2000 x 1200 x 600	2000 x 1200 x 600	1885 x 1130 74.21 x 44.49	42U x 2
PF20128	78.74 x 47.24 x 31.50 2000 x 1200 x 800	2000 x 1200 x 800	1885 x 1130 74.21 x 44.49	42U x 2
PF20165	78.74 x 62.99 x 19.69 2000 x 1600 x 500	2000 x 1600 x 500	1885 x 1530 74.21 x 60.24	42U x 2
PF20166	78.74 x 62.99 x 23.62 2000 x 1600 x 600	2000 x 1600 x 600	1885 x 1530 74.21 x 60.24	42U x 2
PF20168	78.74 x 62.99 x 31.50 2000 x 1600 x 800	2000 x 1600 x 800	1885 x 1530 74.21 x 60.24	42U x 2
PF22125	86.61 x 47.24 x 19.69 2200 x 1200 x 500	2200 x 1200 x 500	2085 x 1130 82.09 x 44.49	47U x 2
PF22126	86.61 x 47.24 x 23.62 2200 x 1200 x 600	2200 x 1200 x 600	2085 x 1130 82.09 x 44.49	47U x 2
PF22128	86.61 x 47.24 x 31.50 2200 x 1200 x 800	2200 x 1200 x 800	2085 x 1130 82.09 x 44.49	47U x 2

1 rack unit = 1.75 in. (44 mm)

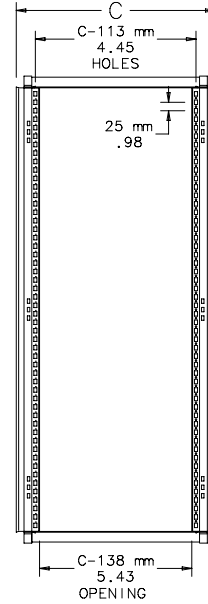
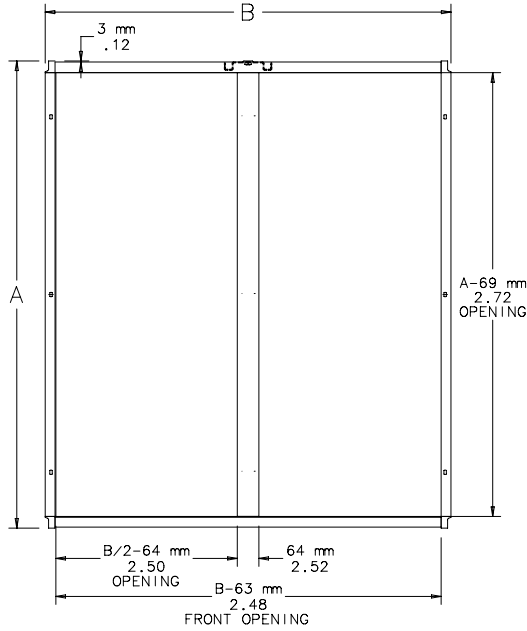
**SPECIFICATIONS**

- Welded back centerpost
- No front centerpost for easy component installation
- Center top and bottom frame sections for internal component mounting
- Optional center uprights available to support mounting options
- Welded corners with steel corner blocks that add strength and rigidity
- 12 gauge, roll-formed frame sections for strength
- Flange on door and side openings deflects liquids away from the enclosure interior
- Rectangular frame holes are designed for metric cage nut fasteners
- Round frame holes allow numerous grounding locations using M5 thread-forming screws
- Access to both sides of frame mounting holes allows standard components to be easily installed
- Provisions for slide-in subpanel, rack mounting and accessory mounting
- Simple means for joining frames to create multiple-bay enclosures
- An open roll-formed profile design affords complete surface corrosion protection and assembly access
- Sealed mounting for all external accessories
- Finished with RAL 7035 textured light-gray polyester powder paint

**BULLETIN: P20**



NOTE:  
 1. Includes frame and frame nuts (12) to attach exterior components  
 2. 700mm tall frames include frame nuts (8)



87414907



**EMC FRAMES** **A1EO**

**FEATURES**

PROLINE™ offers the broadest range of standard sizes in the industry.

**SPECIFICATIONS**

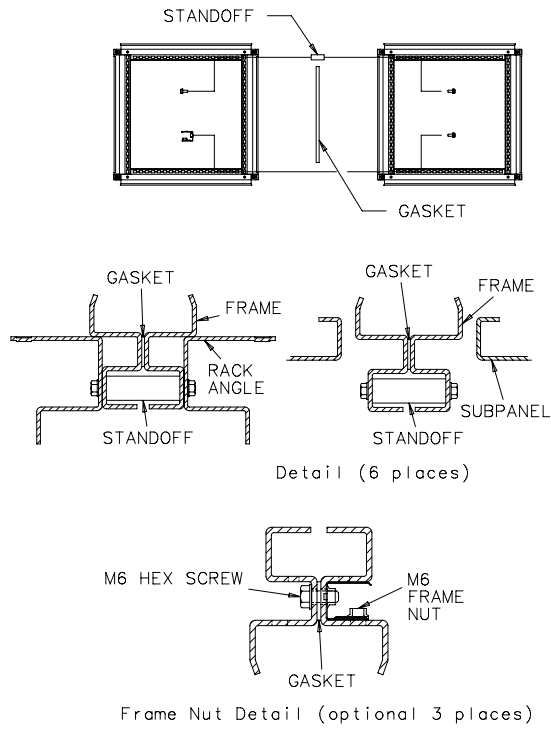
- Welded corners with steel corner blocks that add strength and rigidity
- 12 gauge, roll-formed frame sections for strength
- Flange on door and side openings deflects liquids away from the enclosure interior
- Rectangular frame holes are designed for metric cage nut fasteners
- Round frame holes allow numerous grounding locations using M5 thread-forming screws
- Access to both sides of frame mounting holes allows standard components to be easily installed
- Provisions for slide-in subpanel, rack mounting and accessory mounting
- Simple means for joining frames to create multiple-bay enclosures
- An open roll-formed profile design affords complete surface corrosion protection and assembly access
- Sealed mounting for all external accessories
- Plated finish
- All plated accessories electrically bonded to frame

**BULLETIN: P20EM**

## Standard Product

Catalog Number	AxBxC in.	AxBxC mm	Nominal Frame Size A x B x C	Maximum Subpanel Size (mm)	Maximum Subpanel Size (in.)	Maximum Rack Mounting Space
PF786HF	27.56 x 31.50 x 23.62	700 x 800 x 600	700 x 800 x 600	585 x 530	23.03 x 20.87	13U
PF1466HF	55.12 x 23.62 x 23.62	1400 x 600 x 600	1400 x 600 x 600	1285 x 530	50.59 x 20.87	28U
PF1485HF	55.12 x 31.50 x 19.69	1400 x 800 x 500	1400 x 800 x 500	1285 x 530	50.59 x 20.87	28U
PF1488HF	55.12 x 31.50 x 31.50	1400 x 800 x 800	1400 x 800 x 800	1285 x 530	50.59 x 20.87	28U
PF1664HF	62.99 x 23.62 x 15.75	1600 x 600 x 400	1600 x 600 x 400	1485 x 530	58.46 x 20.87	28U
PF1668HF	62.99 x 23.62 x 31.50	1600 x 600 x 800	1600 x 600 x 800	1485 x 530	58.46 x 20.87	33U
PF1686HF	1600.00 x 800.00 x 600.00	1580 x 799 x 588	1600 x 800 x 600	1485 x 730	58.46 x 28.74	33U
PF1688HF	1600.00 x 800.00 x 800.00	1580 x 799 x 788	1600 x 800 x 800	1485 x 730	58.46 x 28.74	33U
PF1866HF	70.87 x 23.62 x 23.62	1800 x 600 x 600	1800 x 600 x 600	1685 x 530	66.34 x 20.87	33U
PF1868HF	70.87 x 23.62 x 31.50	1800 x 600 x 800	1800 x 600 x 800	1685 x 530	66.34 x 20.87	38U
PF1884HF	70.87 x 31.50 x 15.75	1800 x 800 x 400	1800 x 800 x 400	1685 x 730	66.34 x 28.74	38U
PF1885HF	70.87 x 31.50 x 19.69	1800 x 800 x 500	1800 x 800 x 500	1685 x 730	66.34 x 28.74	38U
PF1886HF	70.87 x 31.50 x 23.62	1800 x 800 x 600	1800 x 800 x 600	1685 x 730	66.34 x 28.74	38U
PF1888HF	70.87 x 31.50 x 31.50	1800 x 800 x 800	1800 x 800 x 800	1685 x 730	66.34 x 28.74	38U
PF18105HF	70.87 x 39.37 x 19.69	1800 x 1000 x 500	1800 x 1000 x 500	1685 x 930	66.34 x 36.61	38U
PF18106HF	70.87 x 39.37 x 23.62	1800 x 1000 x 600	1800 x 1000 x 600	1685 x 930	66.34 x 36.61	38U
PF18108HF	1800.00 x 1000.00 x 800.00	1780 x 999 x 788	1800 x 1000 x 800	1685 x 930	66.34 x 36.61	38U
PF2064HF	2000.00 x 600.00 x 400.00	1980 x 599 x 388	2000 x 600 x 400	1885 x 530	74.21 x 20.87	42U
PF2065HF	78.74 x 23.62 x 19.69	2000 x 600 x 500	2000 x 600 x 500	1885 x 530	74.21 x 20.87	42U
PF2066HF	78.74 x 23.62 x 23.62	2000 x 600 x 600	2000 x 600 x 600	1885 x 530	74.21 x 20.87	42U
PF2068HF	78.74 x 23.62 x 31.50	2000 x 600 x 800	2000 x 600 x 800	1885 x 530	74.21 x 20.87	42U
PF2076HF	2000.00 x 700.00 x 600.00	1980 x 699 x 588	2000 x 700 x 600	1885 x 630	74.21 x 24.80	42U
PF2078HF	78.74 x 27.56 x 31.50	2000 x 700 x 800	2000 x 700 x 800	1885 x 630	74.21 x 24.80	42U
PF2084HF	78.74 x 31.50 x 15.75	2000 x 800 x 400	2000 x 800 x 400	1885 x 730	74.21 x 28.74	42U
PF2085HF	78.74 x 31.50 x 19.69	2000 x 800 x 500	2000 x 800 x 500	1885 x 730	74.21 x 28.74	42U
PF2086HF	2000.00 x 800.00 x 600.00	1980 x 799 x 588	2000 x 800 x 600	1885 x 730	74.21 x 28.74	42U
PF2088HF	78.74 x 31.50 x 31.50	2000 x 800 x 800	2000 x 800 x 800	1885 x 730	74.21 x 28.74	42U
PF2089HF	78.74 x 31.50 x 35.43	2000 x 800 x 900	2000 x 800 x 900	1885 x 730	74.21 x 28.74	42U
PF20105HF	78.74 x 39.37 x 19.69	2000 x 1000 x 500	2000 x 1000 x 500	1885 x 930	74.21 x 36.61	42U
PF20106HF	78.74 x 39.37 x 23.62	2000 x 1000 x 600	2000 x 1000 x 600	1885 x 930	74.21 x 36.61	42U
PF20108HF	78.74 x 39.37 x 31.50	2000 x 1000 x 800	2000 x 1000 x 800	1885 x 930	74.21 x 36.61	42U
PF2266HF	86.61 x 23.62 x 23.62	2200 x 600 x 600	2200 x 600 x 600	2085 x 530	82.09 x 20.87	47U
PF2278HF	86.61 x 27.56 x 31.50	2200 x 700 x 800	2200 x 700 x 800	2085 x 630	82.09 x 24.80	47U
PF2279HF	86.61 x 27.56 x 35.43	2200 x 700 x 900	2200 x 700 x 900	2085 x 630	82.09 x 24.80	47U
PF2286HF	2200.00 x 800.00 x 600.00	2180 x 799 x 588	2200 x 800 x 600	2085 x 730	82.09 x 28.74	47U
PF2288HF	86.61 x 31.50 x 31.50	2200 x 800 x 800	2200 x 800 x 800	2085 x 730	82.09 x 28.74	47U
PF22105HF	86.61 x 39.37 x 19.69	2200 x 1000 x 500	2200 x 1000 x 500	2085 x 930	82.09 x 36.61	47U
PF22106HF	2200.00 x 1000.00 x 600.00	2180 x 999 x 588	2200 x 1000 x 600	2085 x 930	82.09 x 36.61	47U

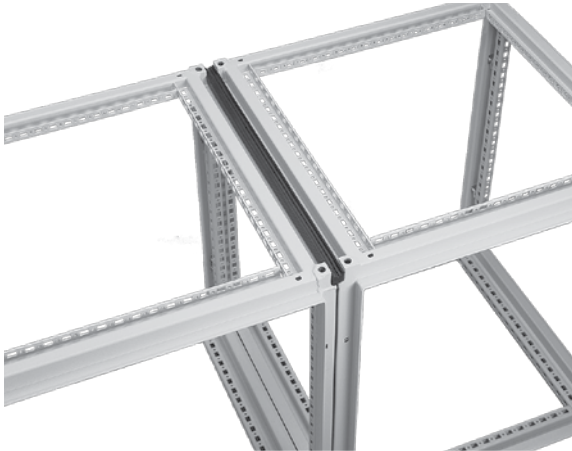
1 rack unit = 1.75 in. (44 mm)



87414918



**FRAME JOINING KITS** **AECO**



Permits joining two enclosure frames while maintaining an environmental seal.

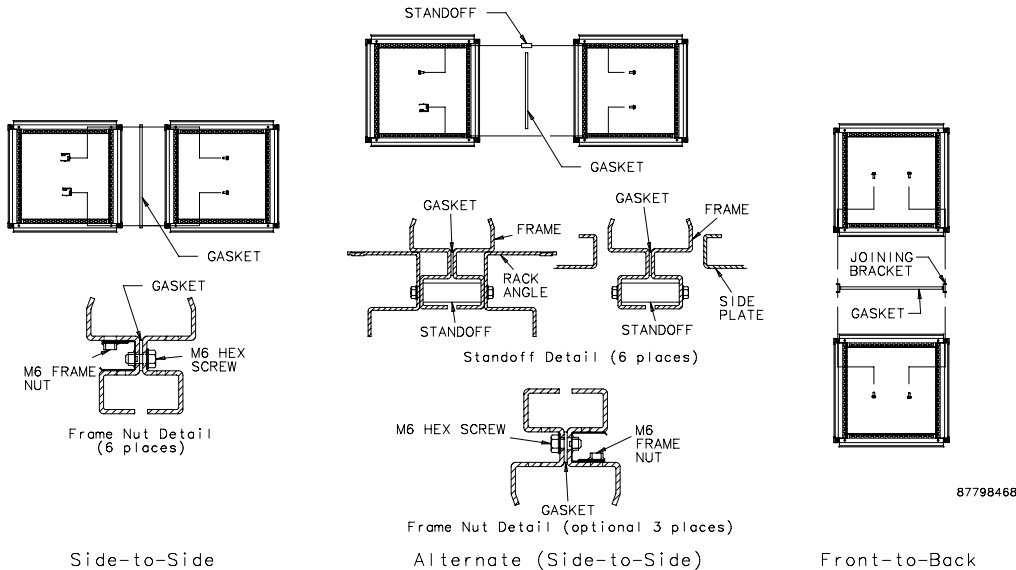
**Side-to-Side Joining Kit** consists of six frame nuts and screws, as well as gasket material to maintain a dust-tight and water-tight seal between ganged frames. Can be used if rack angles are not in the front or rearmost positions or if a subpanel is not in the rearmost position.

**Alternate Joining Kit** consists of three standoffs, six frame nuts and screws, as well as gasket material. This kit facilitates frame joining when rack angles are in the front or rearmost position, or if a subpanel is in the rearmost position.

**Front-to-Back Joining Kit** permits front-to-back joining of two single-bay enclosures. This kit does not fit 1200-mm or 1600-mm wide frames.

**BULLETIN: P20, P20EM**

Catalog Number	Description
PJ2F	Standard Frame Joining, Side-to-Side
PJ2FD	Standard Frame Joining, Side-to-Side, Non-gasketed
PJ2FHF2	EMC Standard Frame Joining, Side-to-Side
PJ2FF	Alternate Frame Joining, Side-to-Side
PJ2FBF	Frame Joining, Front-to-Back



**L JOINING BRACKET** **AECO**



The L Joining Bracket, made of 10 gauge steel, is used in conjunction with the standard joining kit as additional support. Pictured hardware is included.

**BULLETIN: P20**

Catalog Number	Description
PJB2F	L Joining Bracket

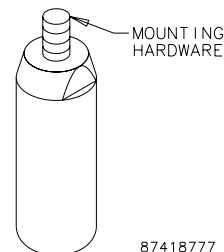
**STAINLESS STEEL LEGS**



Legs mount to the bottom of a solid base to elevate the enclosure 4 in. (100 mm) from the floor. The legs are made of Type 304 stainless steel and are appropriate for hose-down applications. Mounting hardware is included.

**BULLETIN: P20S**

Catalog Number	Description
PLEGSS	(4) Stainless Steel Legs



87418777

**LIFTING EYES**



Lifting Eyes are used for lifting PROLINE™ modular frames and for fastening PROLINE™ accessories to the frame. Lifting eyes thread

into corner blocks in a frame. Furnished in sets of four with plated finish. *Lifting Eyes are designed for overhead lifting in conjunction with shackles and a spreader bar. Use of shackles instead of hooks is preferred. The angle between the top of the enclosure and the cable or chain must be at least 45°. Use only slings and spreader bars that are designed for the specific application and are in compliance with regulations established by OSHA, ASME, ISA, ASTM and other governing agencies.*

**BULLETIN: P20**

Catalog Number	Description
PLEM12	(4) Lifting Eyes

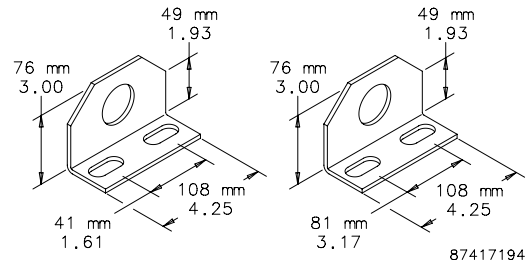
**LIFTING ANGLES**



Used to provide best load distribution while lifting two or three ganged enclosures with up to 1000 lb. of equipment and cabling in each bay. Angles mount to top of enclosure frame corner blocks and do not require removal of top cover for installation. Kit consists of two angles and four bolts and washers. Angles are clear zinc-coated 10 gauge steel.

*are designed for the specific application and are in compliance with regulations established by OSHA, ASME, ISA, ASTM and other governing agencies.*

**BULLETIN: P20**



*Lifting Angles are designed for overhead lifting in conjunction with shackles and a spreader bar. Use of shackles instead of hooks is preferred. The angle between the top of the enclosure and the cable or chain must be at least 45°. Use only slings and spreader bars that*

Catalog Number	Description
PJLBFB	Front-to-back lifting angles
PJLBSS	Side-to-side lifting angles

**PROLINE™ FASTENER PACKAGES**



Use to fasten components to the grid system. PGF Packages include 20 front-loading clip nuts (M6) and 20 combination-drive washer-head bolts (M6).

Grounding Package is used with the rectangular holes in the PROLINE™ frame to provide electrical continuity between the frame and the grid system. ASM5T Package is used with PROLINE frames having round holes. Package includes 20 M5 self-tapping screws.

**BULLETIN: DACCY, P20**

Catalog Number	Description	Use in	Pkg. Qty.
ASM5T	M5 x 12 mm thread-forming Phillips hex head screws	Round holes	20
PGFM6	Standard Package - M6 cage nuts and bolts	Rectangular holes	20
PGFGM6	Grounding Package - M6 grounding cage nuts and bolts	Tapped holes	20

**TOUCH-UP PAINT**



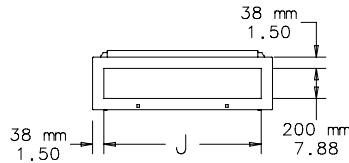
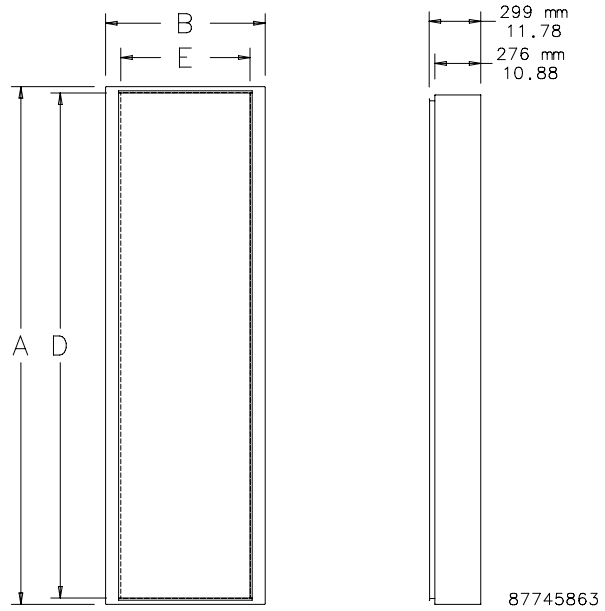
For repairing the finish of any painted parts.

**BULLETIN: DACCY, P20**

Catalog Number	Description
ATPG7035	RAL 7035 Gray
ATPB9005	RAL 9005 Black





**CABLE ENTRY CABINETS**


Cable Entry Cabinets are made from 14 gauge steel and finished in RAL 7035 textured light-gray polyester powder paint. They facilitate cable entry into the sides of enclosures. Open top and bottom of cabinet provide cable access and a means for managing cable. Closure plates, available as optional accessories, seal the open ends of the cabinet. Front opening of cabinet can be closed with either hinged solid door or screw-on solid cover. Cabinets have foam-in-place gasket and optional accessories to maintain enclosure environmental integrity.

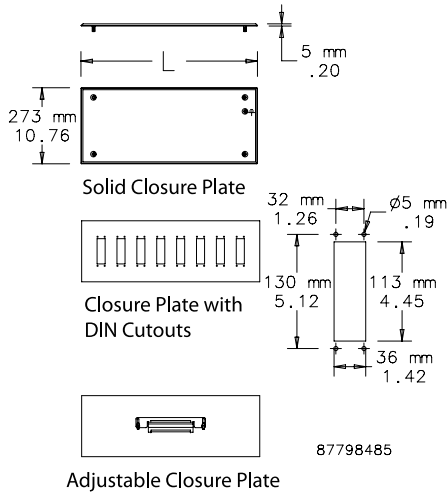
**BULLETIN: P20**

Catalog Number	AxBxC mm/in.	Fits Frame	D mm/in.	E mm/in.	J mm/in.
PCE165300	1600 x 500 62.99 x 19.69	1600 tall x 500 deep	1518 59.78	415 16.34	424 16.69
PCE166300	1600 x 600 62.99 x 23.62	1600 tall x 600 deep	1518 59.78	515 20.28	524 20.62
PCE168300	1600 x 800 62.99 x 31.50	1600 tall x 800 deep	1518 59.78	715 28.15	724 28.50
PCE186300	1800 x 600 70.87 x 23.62	1800 tall x 600 deep	1718 67.65	515 20.28	524 20.62
PCE188300	1800 x 800 70.87 x 31.50	1800 tall x 800 deep	1718 67.65	715 28.15	724 28.50
PCE205300	2000 x 500 78.74 x 19.69	2000 tall x 500 deep	1918 75.52	415 16.34	424 16.69
PCE206300	2000 x 600 78.74 x 23.62	2000 tall x 600 deep	1918 75.52	515 20.28	524 20.62
PCE208300	2000 x 800 78.74 x 31.50	2000 tall x 800 deep	1918 75.52	715 28.15	724 28.50
PCE225300	2200 x 500 86.61 x 19.69	2200 tall x 500 deep	2118 83.40	415 16.34	424 16.69
PCE226300	0.00	2200 tall x 500 deep	2118 83.40	515 20.28	524 20.62
PCE228300	2200 x 800 86.61 x 31.50	2200 tall x 500 deep	2118 83.40	715 28.15	724 28.50

## CLOSURE PLATES

Closure Plates seal the ends of the cable entry cabinet. Made from 14 gauge steel and finished with RAL 7035 textured gray polyester powder paint.

BULLETIN: P20



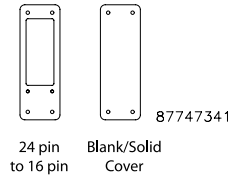
Catalog Number	Description	L mm/in.	Number of DIN Cutouts
PCECGP5	Solid-Fits 500-mm wide cable entry cabinets	497 19.57	—
PCECGP6	Solid-Fits 600-mm wide cable entry cabinets	597 23.51	—
PCECGP8	Solid-Fits 800-mm wide cable entry cabinets	797 31.38	—
PCECGPD5	With DIN cutouts-Fits 500-mm wide cable entry cabinets	497 19.57	5
PCECGPD6	With DIN cutouts-Fits 600-mm wide cable entry cabinets	597 23.51	6
PCECGPD8	With DIN cutouts-Fits 800-mm wide cable entry cabinets	797 31.38	8
PCEGPA5	Adjustable-Fits 500-mm wide cable entry cabinets	497 19.57	—
PCEGPA6	Adjustable-Fits 600-mm wide cable entry cabinets	597 23.51	—
PCEGPA8	Adjustable-Fits 800-mm wide cable entry cabinets	797 31.38	—

## CLOSURE PLATE ADAPTERS FOR CUTOUTS

Adapters are used with closure plates containing cutouts. Made from 12 gauge steel and finished with RAL 7035 textured gray polyester powder paint. Allows the option of adapting from 24-pin to 16-pin, 24-pin to 10-pin, 24-pin to 6-pin and 24-pin to no pins (blank).

BULLETIN: P20

### Closure Plate Adapters



Catalog Number	Description	Adapter Qty./Package
PAD240	From 24-pin to blank solid cover	1
PAD2416	From 24-pin to 16-pin	1
PAD2410	From 24-pin to 10-pin	1
PAD246	From 24-pin to 6-pin	1

Adapters fit all cable entry cabinets and barriers with 24-pin DIN connector cutouts.



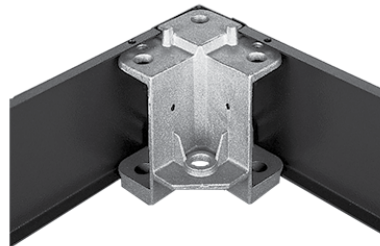
**PROLINE™ EXTERNAL COMPONENTS PRODUCT OVERVIEW**



Standard door bars give PROLINE solid doors superior strength and rigidity.



Numerous handle options offer flexible choices for meeting handle and locking requirements.



Plinth bases are designed using cast aluminum corner supports for stability and support.



Plated component surfaces and special conductive gasketing shield electronics or the environment from electrical interference.

The exceptional versatility of PROLINE™ external components allows you to configure enclosures to meet a wide range of needs—without sacrificing strength or protection.

**Strength**

PROLINE solid doors, covers and sides are constructed with 16 gauge or 14 gauge steel to provide strength and rigidity to the enclosure's exterior. Most solid doors include steel door bars to add rigidity and an extra mounting surface. PROLINE also offers cast aluminum corner supports in both the 100-mm and 200-mm plinth bases for bottom-level support and enhanced stability during the field wiring process.

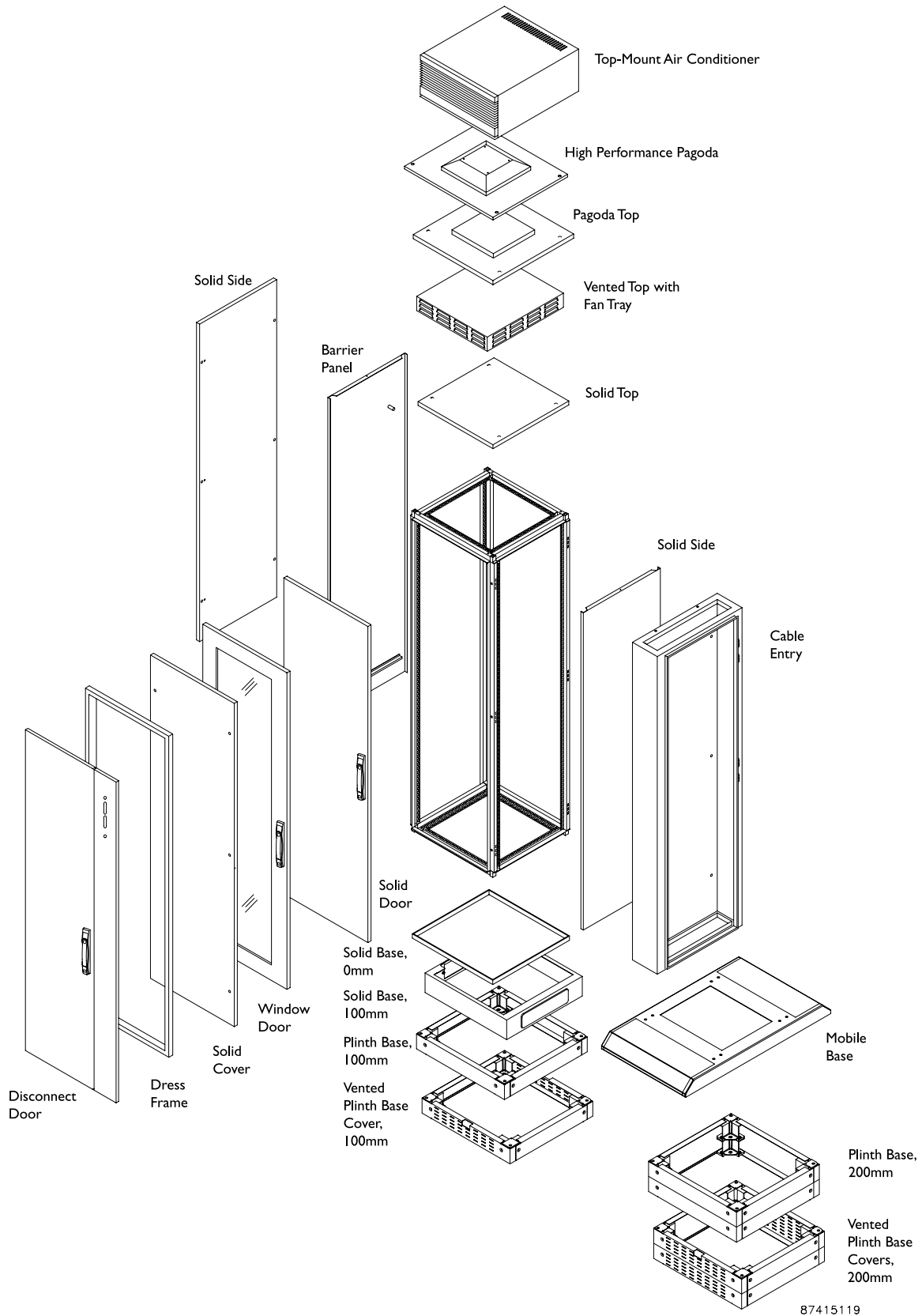
**Flexibility**

The broad range of PROLINE external components provides the flexibility you need to meet a variety of application requirements. From window doors to handles to shielding options, PROLINE components will match your design preference and specifications.

**Protection**

PROLINE enclosures protect your sensitive electronics from all the elements that can affect their performance, including dirt, moisture and EMC. The PROLINE foam-in-place gasketing and latching system provide a tight seal against contaminants. The combination of clear plating on external components and special conductive gasketing options provides superior EMC protection.





## SELECTION MATRIX: DOORS, COVERS AND SIDES

Steel Sides, Covers and Door Options

A	B	C	Solid Side <sup>a</sup>	Solid Cover <sup>a</sup>	Solid Door <sup>a</sup>	Door with Polycarbonate Window	Door with Safety Glass Window	Dress Frame	Disconnect Door System <sup>b</sup>	
700	600	600	PSS76	PCS76	PDS76R	PDW76	PDWG76	PDF76		
700	800	600	PSS76	PCS78	PDS78R	PDW78	PDWG78			
1400	600	600	PSS146	PCS146	PDS146	PDW146	PDWG146	PDF146		
1400	800	500	PSS145	PCS148	PDS148	PDW148	PDWG148			
1400	800	800	PSS148	PCS148	PDS148	PDW148	PDWG148			
1600	600	400	PSS164	PCS166	PDS166	PDW166	PDWG166	PDF166		
1600	600	600	PSS166	PCS166	PDS166	PDW166	PDWG166	PDF166		
1600	600	800	PSS168	PCS166	PDS166	PDW166	PDWG166	PDF166		
1600	800	600	PSS166	PCS168	PDS168	PDW168	PDWG168		PTDDC168	
1600	800	800	PSS168	PCS168	PDS168	PDW168	PDWG168		PTDDC168	
1800	600	600	PSS186	PCS186	PDS186	PDW186	PDWG186	PDF186		
1800	600	800	PSS188	PCS186	PDS186	PDW186	PDWG186	PDF186		
1800	800	400	PSS184	PCS188	PDS188	PDW188	PDWG188		PTDDC188	
1800	800	500	PSS185	PCS188	PDS188	PDW188	PDWG188		PTDDC188	
1800	800	600	PSS186	PCS188	PDS188	PDW188	PDWG188		PTDDC188	
1800	800	800	PSS188	PCS188	PDS188	PDW188	PDWG188		PTDDC188	
1800	1000	500	PSS185	PCS1810	PDS1810				PTDDC1810	
1800	1000	600	PSS186	PCS1810	PDS1810				PTDDC1810	
1800	1000	800	PSS188	PCS1810	PDS1810				PTDDC1810	
2000	600	400	PSS204	PCS206	PDS206	PDW206	PDWG206	PDF206		
2000	400	500	PSS205	PCS204	PDS204					
2000	600	500	PSS205	PCS206	PDS206	PDW206	PDWG206	PDF206		
2000	400	600	PSS206	PCS204	PDS204					
2000	600	600	PSS206	PCS206	PDS206	PDW206	PDWG206	PDF206		
2000	600	800	PSS208	PCS206	PDS206	PDW206	PDWG206	PDF206		
2000	700	600	PSS206	PCS207	PDS207	PDW207	PDWG207			
2000	700	800	PSS208	PCS207	PDS207	PDW207	PDWG207			
2000	800	400	PSS204	PCS208	PDS208	PDW208	PDWG208		PTDDC208	
2000	800	500	PSS205	PCS208	PDS208	PDW208	PDWG208		PTDDC208	
2000	800	600	PSS206	PCS208	PDS208	PDW208	PDWG208		PTDDC208	
2000	800	800	PSS208	PCS208	PDS208	PDW208	PDWG208		PTDDC208	
2000	800	900	PSS209	PCS208	PDS208	PDW208	PDWG208		PTDDC208	
2000	1000	500	PSS205	PCS2010	PDS2010				PTDDC2010	
2000	1000	600	PSS206	PCS2010	PDS2010				PTDDC2010	
2000	1000	800	PSS208	PCS2010	PDS2010				PTDDC2010	
2200	600	600	PSS226	PCS226	PDS226	PDW226	PDWG226	PDF226		
2200	600	800	PSS228	PCS226	PDS226	PDW226	PDWG226	PDF226		
2200	700	800	PSS228	PCS227	PDS227	PDW227	PDWG227			
2200	700	900	PSS229	PCS227	PDS227	PDW227	PDWG227			
2200	800	600	PSS226	PCS228	PDS228	PDW228	PDWG228			
2200	800	800	PSS228	PCS228	PDS228	PDW228	PDWG228			
2200	1000	500	PSS225	PCS2210	PDS2210					
2200	1000	600	PSS226	PCS2210	PDS2210					

<sup>a</sup>Also available with EMC shielding.

<sup>b</sup>Catalog numbers shown in matrix are for doors with right-hand provision. Doors with left-hand and large cutout provisions also are available.



Steel Sides, Covers and Door Options

A	B	C	Solid Side	Overlapping Solid Doors <sup>d</sup>	Solid Cover <sup>c</sup>	Solid Door <sup>c</sup>	Door with Polycarbonate Window <sup>c</sup>	Door with Glass Window <sup>c</sup>	Dress Frame <sup>c</sup>	Disconnect Door System <sup>c</sup>	
700	1200	600	PSS76	PTD712	PCS76	PDS76R	PDW76	PDWG76	PDFA76		
1600	1200	600	PSS166	PTD1612	PCS166	PDS166	PDW166	PDWG166	PDFA166		
1600	1200	800	PSS168	PTD1612	PCS166	PDS166	PDW166	PDWG166	PDFA166		
1800	1200	400	PSS184	PTD1812	PCS186	PDS186	PDW186	PDWG186	PDFA186		
1800	1200	500	PSS185	PTD1812	PCS186	PDS186	PDW186	PDWG186	PDFA186		
1800	1200	600	PSS186	PTD1812	PCS186	PDS186	PDW186	PDWG186	PDFA186		
1800	1200	800	PSS188	PTD1812	PCS186	PDS186	PDW186	PDWG186	PDFA186		
1800	1600	500	PSS185	PTD1816	PCS188	PDS188	PDW188	PDWG188		PTDDC188	
1800	1600	600	PSS186	PTD1816	PCS188	PDS188	PDW188	PDWG188		PTDDC188	
1800	1600	800	PSS188	PTD1816	PCS188	PDS188	PDW188	PDWG188		PTDDC188	
2000	1200	400	PSS204	PTD2012	PCS206	PDS206	PDW206	PDWG206	PDFA206		
2000	1200	500	PSS205	PTD2012	PCS206	PDS206	PDW206	PDWG206	PDFA206		
2000	1200	600	PSS206	PTD2012	PCS206	PDS206	PDW206	PDWG206	PDFA206		
2000	1200	800	PSS208	PTD2012	PCS206	PDS206	PDW206	PDWG206	PDFA206		
2000	1600	500	PSS205	PTD2016	PCS208	PDS208	PDW208	PDWG208		PTDDC208	
2000	1600	600	PSS206	PTD2016	PCS208	PDS208	PDW208	PDWG208		PTDDC208	
2000	1600	800	PSS208	PTD2016	PCS208	PDS208	PDW208	PDWG208		PTDDC208	
2200	1200	500	PSS225	PTD2212	PCS226	PDS225			PDFA226		
2200	1200	600	PSS226	PTD2212	PCS226	PDS226	PDW226	PDWG226	PDFA226		
2200	1200	800	PSS228	PTD2212	PCS226	PDS228	PDW228	PDWG228	PDFA226		

<sup>c</sup> Fits back of standard frame.

<sup>d</sup> Fits front of standard frame.




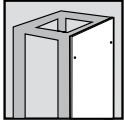
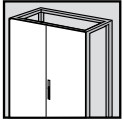
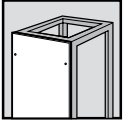
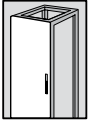



## Stainless Steel Sides, Covers and Door Options

A	B	C	Solid Side <sup>a</sup>	Solid Cover <sup>a</sup>	Solid Door <sup>a</sup>	Door with Glass Window
700	600	600	PSS76SS	PCS76SS	PDS76SS	PDWG76SS
700	800	600	PSS76SS	PCS78SS	PDS78SS	PDWG78SS
1400	600	600	PSS146SS	PCS146SS	PDS146SS	PDWG146SS
1400	800	500		PCS148SS	PDS148SS	
1400	800	800	PSS148SS	PCS148SS	PDS148SS	
1600	600	400		PCS166SS	PDS166SS	PDWG166SS
1600	600	600	PSS166SS	PCS166SS	PDS166SS	PDWG166SS
1600	600	800	PSS168SS	PCS166SS	PDS166SS	PDWG166SS
1600	800	600	PSS166SS	PCS168SS	PDS168SS	
1600	800	800	PSS168SS	PCS168SS	PDS168SS	
1800	600	600	PSS186SS	PCS186SS	PDS186SS	
1800	600	800	PSS188SS	PCS186SS	PDS186SS	
1800	700	900				
1800	800	400		PCS188SS	PDS188SS	PDWG188SS
1800	800	500		PCS188SS	PDS188SS	PDWG188SS
1800	800	600	PSS186SS	PCS188SS	PDS188SS	PDWG188SS
1800	800	800	PSS188SS	PCS188SS	PDS188SS	PDWG188SS
1800	1000	500		PCS1810SS	PDS1810SS	
1800	1000	600	PSS186SS	PCS1810SS	PDS1810SS	
1800	1000	800	PSS188SS	PCS1810SS	PDS1810SS	
2000	600	400		PCS206SS	PDS206SS	PDWG206SS
2000	400	500				
2000	600	500		PCS206SS	PDS206SS	PDWG206SS
2000	400	600	PSS206SS			
2000	600	600	PSS206SS	PCS206SS	PDS206SS	PDWG206SS
2000	600	800	PSS208SS	PCS206SS	PDS206SS	PDWG206SS
2000	700	600	PSS206SS			
2000	700	800	PSS208SS			
2000	800	400		PCS208SS	PDS208SS	PDWG208SS
2000	800	500		PCS208SS	PDS208SS	PDWG208SS
2000	800	600	PSS206SS	PCS208SS	PDS208SS	PDWG208SS
2000	800	800	PSS208SS	PCS208SS	PDS208SS	PDWG208SS
2000	800	900		PCS208SS	PDS208SS	PDWG208SS
2000	1000	500		PCS2010SS	PDS2010SS	
2000	1000	600	PSS206SS	PCS2010SS	PDS2010SS	
2000	1000	800	PSS208SS	PCS2010SS	PDS2010SS	
2200	600	600	PSS226SS	PCS226SS	PDS226SS	
2200	600	800	PSS228SS	PCS226SS	PDS226SS	
2200	700	800	PSS228SS			
2200	700	900				
2200	800	600	PSS226SS	PCS228SS	PDS228SS	PDWG228SS
2200	800	800	PSS228SS	PCS228SS	PDS228SS	PDWG228SS
2200	1000	500				
2200	1000	600	PSS226SS			

<sup>a</sup>Also available with EMC shielding.

Steel Sides, Covers and Door Options

							
A	B	C	Solid Side	Overlapping Solid Doors <sup>d</sup>	Solid Cover <sup>c</sup>	Solid Door <sup>c</sup>	Door with Glass Window <sup>c</sup>
700	1200	600	PSS76SS		PCS76SS	PDS76SS	PDWG76SS
1600	1200	600	PSS166SS		PCS166SS	PDS166SS	PDWG166SS
1600	1200	800	PSS168SS		PCS166SS	PDS166SS	PDWG166SS
1800	1200	400			PCS186SS	PDS186SS	
1800	1200	500			PCS186SS	PDS186SS	
1800	1200	600	PSS186SS		PCS186SS	PDS186SS	
1800	1200	800	PSS188SS		PCS186SS	PDS186SS	
1800	1600	500			PCS188SS	PDS188SS	PDWG188SS
1800	1600	600	PSS186SS		PCS188SS	PDS188SS	PDWG188SS
1800	1600	800	PSS188SS		PCS188SS	PDS188SS	PDWG188SS
2000	1200	400		PTD2012SS	PCS206SS	PDS206SS	PDWG206SS
2000	1200	500		PTD2012SS	PCS206SS	PDS206SS	PDWG206SS
2000	1200	600	PSS206SS	PTD2012SS	PCS206SS	PDS206SS	PDWG206SS
2000	1200	800	PSS208SS	PTD2012SS	PCS206SS	PDS206SS	PDWG206SS
2000	1600	500			PCS208SS	PDS208SS	PDWG208SS
2000	1600	600	PSS206SS		PCS208SS	PDS208SS	PDWG208SS
2000	1600	800	PSS208SS		PCS208SS	PDS208SS	PDWG208SS
2200	1200	500		PTD2212SS	PCS226SS		
2200	1200	600	PSS226SS	PTD2212SS	PCS226SS		
2200	1200	800	PSS228SS	PTD2212SS	PCS226SS		

<sup>c</sup>Fits back of standard frame.

<sup>d</sup>Fits front of standard frame.



**SELECTION MATRIX: DOOR ACCESSORIES**

		Window Doors, Polycarbonate											Window Doors, Safety Glass																
		PDW76	PDW78	PDW146	PDW148	PDW166	PDW168	PDW186	PDW188	PDW206	PDW207	PDW208	PDW226	PDW227	PDW228	PDWG76B	PDWG78B	PDGW146B	PDWG148	PDWG166B	PDWG168	PDWG186	PDWG188B	PDWG206B	PDWG207	PDWG208B	PDWG226	PDWG227	PDWG228B
Flush Swing Handles 	PFHKBL			•	•	•	•	•	•	•	•	•	•	•	•			•	•	•	•	•	•	•	•	•	•	•	•
	PFHPBL			•	•	•	•	•	•	•	•	•	•	•	•			•	•	•	•	•	•	•	•	•	•	•	•
	PFHDF			•	•	•	•	•	•	•	•	•	•	•	•			•	•	•	•	•	•	•	•	•	•	•	•
	PFHDBL			•	•	•	•	•	•	•	•	•	•	•	•			•	•	•	•	•	•	•	•	•	•	•	•
Flush Bezels 	PFBS			•	•	•	•	•	•	•	•	•	•	•			•	•	•	•	•	•	•	•	•	•	•	•	
	PSFBS	•	•													•	•												
	PFBSS																•												
	PSFBSSS																	•											
L Handle 	PLHK			•	•	•	•	•	•	•	•	•	•	•			•	•	•	•	•	•	•	•	•	•	•	•	
Small Flush Swing Handle 	PSHKBL	•	•													•	•												
Key Inserts 	PKOTM7	•	•	•	•	•	•	•	•	•	•	•	•	•	•	•	•	•	•	•	•	•	•	•	•	•	•	•	
	PKOTM8	•	•	•	•	•	•	•	•	•	•	•	•	•	•	•	•	•	•	•	•	•	•	•	•	•	•	•	
	PKOTM65	•	•	•	•	•	•	•	•	•	•	•	•	•	•	•	•	•	•	•	•	•	•	•	•	•	•	•	
	PKOSM7	•	•	•	•	•	•	•	•	•	•	•	•	•	•	•	•	•	•	•	•	•	•	•	•	•	•	•	
	PKOSM8	•	•	•	•	•	•	•	•	•	•	•	•	•	•	•	•	•	•	•	•	•	•	•	•	•	•	•	
	PKOGBK3	•	•	•	•	•	•	•	•	•	•	•	•	•	•	•	•	•	•	•	•	•	•	•	•	•	•	•	
	PKOGB	•	•	•	•	•	•	•	•	•	•	•	•	•	•	•	•	•	•	•	•	•	•	•	•	•	•	•	
	PKOATT	•	•	•	•	•	•	•	•	•	•	•	•	•	•	•	•	•	•	•	•	•	•	•	•	•	•	•	
	PKOGBK3SS															•	•	•											
Tamperproofa Screws & Bit 	PSTM6																												
	ATRSDVR																												
180° Hinge kit 	PH180	•	•	•	•	•	•	•	•	•	•	•	•	•	•	•	•	•	•	•	•	•	•	•	•	•	•	•	
Door Stop Kit 	PDSK																•	•	•	•	•	•	•	•	•	•	•		
Data Pockets 	ADP1																												
	ADP2																												
	PDP6S																												
	PDP7S																												
	PDP8S																												
	PDP10S																												

\* For use on solid sides and solid covers (all catalog numbers).  
 † Add "SS" to the catalog number for stainless steel.



Disconnect Doors					Solid Doors										Overlapping Doors																			
PTDCC168	PTDCC188	PTDCC208	PTDCC1810	PTDCC2010	PDS76RB	PDS78RB	PDS146B	PDS148B	PDS166B	PDS168B	PDS186B	PDS188B	PDS1810B	PDS204	PDS206B	PDS207	PDS208B	PDS2010B	PDS226B	PDS227	PDS228	PDS2210	PTD712	PTD1612	PTD1812B	PTD2012B	PTD2212	PTD1616	PTD1816	PTD2016				
•	•	•	•	•			•	•	•	•	•	•	•	•	•	•	•	•	•	•	•	•	•	•	•	•	•	•	•	•	•	•	PFHKBL PFHPBL PFHDF PFHDBL	Flush Swing Handles 
•	•	•	•	•		•	•	•	•	•	•	•	•	•	•	•	•	•	•	•	•	•	•	•	•	•	•	•	•	•	•	•	PFBS PSFBS PFBSSS PSFBSSS	Flush Bezels 
•	•	•	•	•			•	•	•	•	•	•	•	•	•	•	•	•	•	•	•	•	•	•	•	•	•	•	•	•	•	•	PLHK	L Handle 
					•	•															•												PSHKBL	Small Flush Swing Handle 
•	•	•	•	•	•	•	•	•	•	•	•	•	•	•	•	•	•	•	•	•	•	•	•	•	•	•	•	•	•	•	•	•	PKOTM7 PKOTM8 PKOTM65 PKOSM7 PKOSM8 PKOGBK3 PKODB PKOATT	Key Inserts 
																																	PSTM6 ATRS DVR	Tamperproof® Screws & Bit 
•	•	•	•	•	•	•	•	•	•	•	•	•	•	•	•	•	•	•	•	•	•	•	•	•	•	•	•	•	•	•	•	•	PH180	180° Hinge kit 
•	•	•	•	•			•	•	•	•	•	•	•	•	•	•	•	•	•	•	•	•	•	•	•	•	•	•	•	•	•	•	PDSK	Door Stop Kit 
•	•	•	•	•	•	•	•	•	•	•	•	•	•	•	•	•	•	•	•	•	•	•	•	•	•	•	•	•	•	•	•	•	ADP1 ADP2 PDP6S PDP7S PDP8S PDP10S	Data Pockets 



**SELECTION MATRIX: TOPS AND BASES**

Single-Bay PROLINE Frames			Tops			Bases						
			Solid Top <sup>a</sup>		Vented Top <sup>a,b</sup>	Pagoda Top	Top w/Cutout for High Performance Pagoda <sup>a</sup>	Top Mount Air Conditioner <sup>b</sup>	0-mm Solid Base <sup>a</sup>		100-mm Solid Base <sup>a</sup>	
A	B	C	Steel	Stainless				Steel	Stainless	Steel	Stainless	
700	600	600	PT66	PT66SS	PVT3F66_	PPT66	PPTHP66	PAC_T66	PB066	PB066SS	PB166	PB166SS
700	800	600	PT86	PT86SS	PVT3F86_	PPT86	PPTHP86	PAC_T86	PB086	PB086SS	PB186	PB186SS
1400	600	600	PT66	PT66SS	PVT3F66_	PPT66	PPTHP66	PAC_T66	PB066	PB066SS	PB166	PB166SS
1400	800	500	PT85		PVT3F85_	PPT85	PPTHP85	PAC_T85	PB085		PB185	
1400	800	800	PT88	PT88SS	PVT3F88_	PPT88	PPTHP88	PAC_T88	PB088	PB088SS	PB188	PB188SS
1600	600	400	PT64		PVT3F64_	PPT64		PAC_T64	PB064		PB164	
1600	600	600	PT66	PT66SS	PVT3F66_	PPT66	PPTHP66	PAC_T64	PB066	PB066SS	PB166	PB166SS
1600	600	800	PT68	PT68SS	PVT3F68_	PPT68	PPTHP68	PAC_T68	PB068	PB068SS	PB168	PB168SS
1600	800	600	PT86	PT86SS	PVT3F86_	PPT86	PPTHP86	PAC_T86	PB086	PB086SS	PB186	PB186SS
1600	800	800	PT88	PT88SS	PVT3F88_	PPT88	PPTHP88	PAC_T88	PB088	PB088SS	PB188	PB188SS
1800	600	600	PT66	PT66SS	PVT3F66_	PPT66	PPTHP66	PAC_T66	PB066	PB066SS	PB166	PB166SS
1800	600	800	PT68	PT68SS	PVT3F68_	PPT68	PPTHP68	PAC_T68	PB068	PB068SS	PB168	PB168SS
1800	800	400	PT84		PVT3F84_	PPT84		PAC_T84	PB084		PB184	
1800	800	500	PT85		PVT3F85_	PPT85	PPTHP85	PAC_T85	PB085		PB185	
1800	800	600	PT86	PT86SS	PVT3F86_	PPT86	PPTHP86	PAC_T86	PB086	PB086SS	PB186	PB186SS
1800	800	800	PT88	PT88SS	PVT3F88_	PPT88	PPTHP88	PAC_T88	PB088	PB088SS	PB188	PB188SS
1800	1000	500	PT105			PPT105	PPTHP105		PB0105		PB1105	
1800	1000	600	PT106	PT106SS		PPT106	PPTHP106		PB0106	PB0106SS	PB1106	PB1106SS
1800	1000	800	PT108	PT108SS		PPT108	PPTHP108		PB0108	PB0108SS	PB1108	PB1108SS
2000	600	400	PT64		PVT3F64_	PPT64		PAC_T64	PB064		PB1640	
2000	400	500	PT45						PB045		PB145	
2000	600	500	PT65		PVT3F65_	PPT65	PPTHP65	PAC_T65	PB065		PB165	
2000	400	600	PT46						PB046		PB146	
2000	600	600	PT66	PT66SS	PVT3F66_	PPT66	PPTHP66	PAC_T66	PB066	PB066SS	PB166	PB166SS
2000	600	800	PT68	PT68SS	PVT3F68_	PPT68	PPTHP68	PAC_T68	PB068	PB068SS	PB168	PB168SS
2000	700	600	PT76		PVT3F76_	PPT76	PPTHP76		PB076		PB176	
2000	700	800	PT78		PVT3F78_	PPT78	PPTHP78		PB078		PB178	
2000	800	400	PT84		PVT3F84_	PPT84		PAC_T84	PB084		PB184	
2000	800	500	PT85		PVT3F85_	PPT85	PPTHP85	PAC_T85	PB085		PB185	
2000	800	600	PT86	PT86SS	PVT3F86_	PPT86	PPTHP86	PAC_T86	PB086	PB086SS	PB186	PB186SS
2000	800	800	PT88	PT88SS	PVT3F88_	PPT88	PPTHP88	PAC_T88	PB088	PB088SS	PB188	PB188SS
2000	800	900	PT89			PT89	PPTHP89		PB089		PB189	
2000	1000	500	PT105			PT105	PPTHP105		PB0105		PB1105	
2000	1000	600	PT106	PT106SS		PT106	PPTHP106		PB0106	PB0106SS	PB1106	PB1106SS
2000	1000	800	PT108	PT108SS		PT108	PPTHP108		PB0108	PB0108SS	PB1108	PB1108SS
2200	600	600	PT66	PT66SS	PVT3F66_	PPT66	PPTHP66	PAC_T66	PB066	PB066SS	PB166	PB166SS
2200	600	800	PT68	PT68SS	PVT3F68_	PPT68	PPTHP68	PAC_T68	PB068	PB068SS	PB168	PB168SS
2200	700	800	PT78		PVT3F78_	PPT78	PPTHP78		PB078		PB178	
2200	700	900	PT79		PVT3F79_	PPT79	PPTHP79		PB079		PB179	
2200	800	600	PT86	PT86SS	PVT3F86_	PPT86	PPTHP86	PAC_T86	PB086	PB086SS	PB186	PB186SS
2200	800	800	PT88	PT88SS	PVT3F88_	PPT88	PPTHP88	PAC_T88	PB088	PB088SS	PB188	PB188SS
2200	1000	500	PT105			PPT105	PPTHP105		PB0105		PB1105	
2200	1000	600	PT106	PT106SS		PPT106	PPTHP106		PB0106	PB0106SS	PB1106	PB1106SS

<sup>a</sup> Also available with EMC shielding.

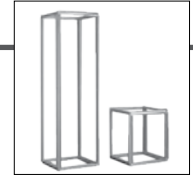
<sup>b</sup> See Thermal Management chapter for selection.

<sup>c</sup> Two covers required for 200-mm vented plinth base covers.

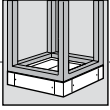
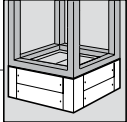
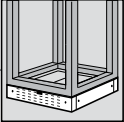
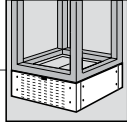
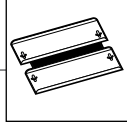
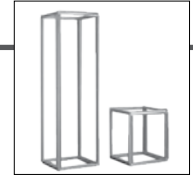


**Bases**

**Gland Plates**



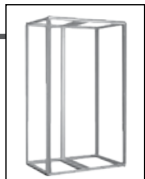
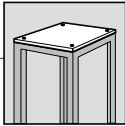
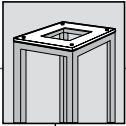

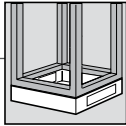
**Single-Bay PROLINE Frames**

 <b>100-mm Plinth Base</b>	 <b>200-mm Plinth Base</b>	 <b>100-mm Vented Plinth Base Covers<sup>a</sup></b>	 <b>200-mm Vented Plinth Base Covers<sup>a,c</sup></b>	 <b>Gland Plate for Rack Angles</b>	 <b>Single-Bay PROLINE Frames</b>		
					A	B	C
PPB166	PPB266	PPBCV1600	PPBCV1600	PGP66ARA	700	600	600
PPB186	PPB286	PPBCV1800	PPBCV1800	PGP86ARA	700	800	600
PPB166	PPB266	PPBCV1600	PPBCV1600	PGP66ARA	1400	600	600
PPB185	PPB285	PPBCV1800	PPBCV1800	PGP85ARA	1400	800	500
PPB188	PPB288	PPBCV1800	PPBCV1800	PGP88ARA	1400	800	800
PPB164				PGP64ARA	1600	600	400
PPB166	PPB266	PPBCV1600	PPBCV1600	PGP66ARA	1600	600	600
PPB168	PPB268	PPBCV1600	PPBCV1600	PGP68ARA	1600	600	800
PPB186	PPB286	PPBCV1800	PPBCV1800	PGP86ARA	1600	800	600
PPB188	PPB288	PPBCV1800	PPBCV1800	PGP88ARA	1600	800	800
PPB166	PPB266	PPBCV1600	PPBCV1600	PGP66ARA	1800	600	600
PPB168	PPB268	PPBCV1600	PPBCV1600	PGP68ARA	1800	600	800
PPB184	PPB284			PGP84ARA	1800	800	400
PPB185	PPB285	PPBCV1800	PPBCV1800	PGP85ARA	1800	800	500
PPB186	PPB286	PPBCV1800	PPBCV1800	PGP86ARA	1800	800	600
PPB188	PPB288	PPBCV1800	PPBCV1800	PGP88ARA	1800	800	800
PPB1105	PPB2105	PPBCV11000	PPBCV11000	PGP105ARA	1800	1000	500
PPB1106	PPB2106	PPBCV11000	PPBCV11000	PGP106ARA	1800	1000	600
PPB1108	PPB2108	PPBCV11000	PPBCV11000	PGP108ARA	1800	1000	800
PPB164				PGP64ARA	2000	600	400
PPB145	PPB245				2000	400	500
PPB165		PPBCV1600	PPBCV1600	PGP65ARA	2000	600	500
PPB146					2000	400	600
PPB166	PPB266	PPBCV1600	PPBCV1600	PGP66ARA	2000	600	600
PPB168	PPB268	PPBCV1600	PPBCV1600	PGP68ARA	2000	600	800
PPB178		PPBCV1700	PPBCV1700	PGP78ARA	2000	700	600
PPB179		PPBCV1700	PPBCV1700	PGP79ARA	2000	700	800
PPB184	PPB284			PGP84ARA	2000	800	400
PPB185	PPB285	PPBCV1800	PPBCV1800	PGP85ARA	2000	800	500
PPB186	PPB286	PPBCV1800	PPBCV1800	PGP86ARA	2000	800	600
PPB188	PPB288	PPBCV1800	PPBCV1800	PGP88ARA	2000	800	800
PPB189	PPB289	PPBCV1800	PPBCV1800	PGP89ARA	2000	800	900
PPB1105	PPB2105	PPBCV11000	PPBCV11000	PGP105ARA	2000	1000	500
PPB1106	PPB2106	PPBCV11000	PPBCV11000	PGP106ARA	2000	1000	600
PPB1108	PPB2108	PPBCV11000	PPBCV11000	PGP108ARA	2000	1000	800
PPB166	PPB266	PPBCV1600	PPBCV1600	PGP66ARA	2200	600	600
PPB168	PPB268	PPBCV1600	PPBCV1600	PGP68ARA	2200	600	800
PPB178		PPBCV1700	PPBCV1700	PGP78ARA	2200	700	800
PPB179		PPBCV1700	PPBCV1700	PGP79ARA	2200	700	900
PPB186	PPB286	PPBCV1800	PPBCV1800	PGP86ARA	2200	800	600
PPB188	PPB288	PPBCV1800	PPBCV1800	PGP88ARA	2200	800	800
PPB1105	PPB2105	PPBCV11000	PPBCV11000	PGP105ARA	2200	1000	500
PPB1106	PPB2106	PPBCV11000	PPBCV11000	PGP106ARA	2200	1000	600

Also available with EMC shielding.  
Two covers required for 200-mm vented plinth base covers

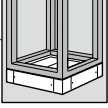
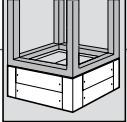
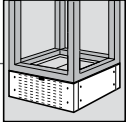
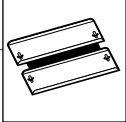





 <b>Double-Bay PROLINE Frames</b>			<b>Tops<sup>a</sup></b>				<b>Bases</b>			
			 <b>Solid Top</b>		 <b>Pagoda Top</b>		 <b>0-mm Solid Base</b>		 <b>100-mm Solid Base<sup>b</sup></b>	
A	B	C	Steel	Stainless			Steel	Stainless	Steel	Stainless
700	1200	600	PT126	PT126SS	PPT126	PPTH126	PB0126	PB0126SS	PB1126	PB1126SS
1600	1200	600	PT126	PT126SS	PPT126	PPTH126	PB0126	PB0126SS	PB1126	PB1126SS
1600	1200	800	PT128	PT128SS	PPT128	PPTH128	PB0128	PB0128SS	PB1128	PB1128SS
1800	1200	400	PT124		PPT124		PB0124		PB1124	
1800	1200	500	PT125		PPT125	PPTH125	PB0125		PB1125	
1800	1200	600	PT126	PT126SS	PPT126	PPTH126	PB0126	PB0126SS	PB1126	PB1126SS
1800	1200	800	PT128	PT128SS	PPT128	PPTH128	PB0128	PB0128SS	PB1128	PB1128SS
1800	1600	500	PT165		PPT165	PPTH165	PB0165		PB1165	
1800	1600	600	PT166		PPT166	PPTH166	PB0166		PB1166	
1800	1600	800	PT168		PPT168	PPTH168	PB0168		PB1168	
2000	1200	400	PT124		PPT124		PB0124		PB1124	
2000	1200	500	PT125		PPT125	PPTH125	PB0125		PB1125	
2000	1200	600	PT126	PT126SS	PPT126	PPTH126	PB0126	PB0126SS	PB1126	PB1126SS
2000	1200	800	PT128	PT128SS	PPT128	PPTH128	PB0128	PB0128SS	PB1128	PB1128SS
2000	1600	500	PT165		PPT165	PPTH165	PB0165		PB1165	
2000	1600	600	PT166		PPT166	PPTH166	PB0166		PB1166	
2000	1600	800	PT168		PPT168	PPTH168	PB0168		PB1168	
2200	1200	500	PT125		PPT125	PPTH125	PB0125		PB1125	
2200	1200	600	PT126	PT126SS	PPT126	PPTH126	PB0126	PB0126SS	PB1126	PB1126SS
2200	1200	800	PT128	PT128SS	PPT128	PPTH128	PB0128	PB0128SS	PB1128	PB1128SS

<sup>a</sup> Air conditioner tops PTAC126, PTAC128, PTAC166 and PTAC168 are available for mounting single-bay Top Mount Air Conditioners on double-bay frames.

<sup>b</sup> 100-mm solid bases for single-bay frames will fit double-bay frames. Two bases required for each application

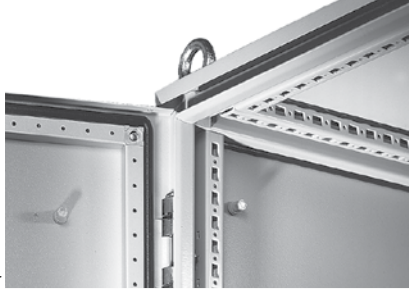
Bases				Gland Plate	Double-Bay PROLINE Frames		
							
100-mm Plinth Base	200-mm Plinth Base	100-mm Vented Plinth Base Covers <sup>a</sup>	200-mm Vented Plinth Base Covers <sup>a,b</sup>	Gland Plate for Rack Angles	A	B	C
PPB1126	PPB2126	PPBCV11200	PPBCV11200	PGP66ARA	700	1200	600
PPB1126	PPB2126	PPBCV11200	PPBCV11200	PGP66ARA	1600	1200	600
PPB1128	PPB2128	PPBCV11200	PPBCV11200	PGP68ARA	1600	1200	800
PPB1124	PPB2124	PPBCV11200	PPBCV11200	PGP64ARA	1800	1200	400
PPB1125	PPB2125	PPBCV11200	PPBCV11200	PGP65ARA	1800	1200	500
PPB1126	PPB2126	PPBCV11200	PPBCV11200	PGP66ARA	1800	1200	600
PPB1128	PPB2128	PPBCV11200	PPBCV11200	PGP68ARA	1800	1200	800
PPB1165	PPB2165	PPBCV11600	PPBCV11600	PGP85ARA	1800	1600	500
PPB1166	PPB2166	PPBCV11600	PPBCV11600	PGP86ARA	1800	1600	600
PPB1168	PPB2168	PPBCV11600	PPBCV11600	PGP88ARA	1800	1600	800
PPB1124	PPB2124	PPBCV11200	PPBCV11200	PGP64ARA	2000	1200	400
PPB1125	PPB2125	PPBCV11200	PPBCV11200	PGP65ARA	2000	1200	500
PPB1126	PPB2126	PPBCV11200	PPBCV11200	PGP66ARA	2000	1200	600
PPB1128	PPB2128	PPBCV11200	PPBCV11200	PGP68ARA	2000	1200	800
PPB1165	PPB2165	PPBCV11600	PPBCV11600	PGP85ARA	2000	1600	500
PPB1166	PPB2166	PPBCV11600	PPBCV11600	PGP86ARA	2000	1600	600
PPB1168	PPB2168	PPBCV11600	PPBCV11600	PGP88ARA	2000	1600	800
PPB1125	PPB2125	PPBCV11200	PPBCV11200	PGP65ARA	2200	1200	500
PPB1126	PPB2126	PPBCV11200	PPBCV11200	PGP66ARA	2200	1200	600
PPB1128	PPB2128	PPBCV11200	PPBCV11200	PGP68ARA	2200	1200	800

<sup>a</sup> Use with a standard plinth base.

<sup>b</sup> Two covers required for 200-mm vented plinth base cover



## DOOR GASKETING, SHIELDING AND DOOR BARS OVERVIEW



Foam-in-place gasket



*PROLINE door  
with HF2 (medium  
performance)  
shielding*

PROLINE™ external components—including doors, covers, sides, tops and bases—attach easily to the PROLINE frame in a number of configurations to suit your needs. Start with a rugged, reliable frame, then select additional components as your application dictates. Most external components are available in both EMC-shielded and non-shielded versions.

### Seamless Foam-in-Place Gasketing

Non-shielded components are painted inside and out and include a seamless foam-in-place gasket to provide a dust-tight, moisture-tight seal.

### EMC Shielding

Clear plated components (exterior painted) and a conductive fabric-over-foam gasket provide an HF2 level of shielding.

### Door Bars

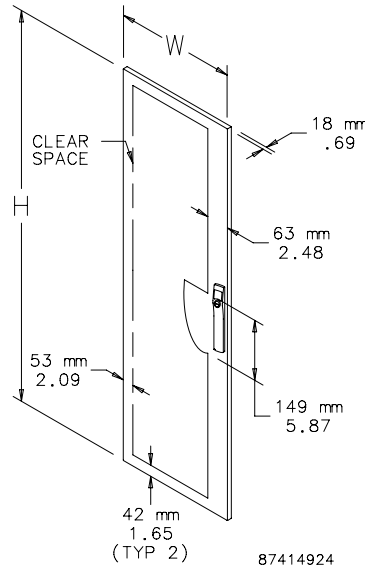
Door bars are included inside all PROLINE doors taller than 700 mm and wider than 400 mm (except window doors). These sturdy door bars provide maximum rigidity and can be used for mounting accessories. Door bars are constructed of steel with an aluminum zinc alloy coating that provides both corrosion resistance and electrical conductivity. Holes are located in the square tube profile for mounting accessories using M5 screws.

**SOLID DOORS**



Steel doors are finished with RAL 7035 textured light-gray polyester powder paint (except stainless steel). EMC doors are finished with paint over plated surfaces. A removable door bar system is included on doors taller than 700 mm and wider than 400 mm. Optional data pockets, door stops, grounding kits and 180-degree hinges are available. Hinge side is reversible. A flush bezel latch operates the 3-point latching system. Doors for 700-mm frames have 2-point latching. Hidden hinges (130-degree swing) permit attachment to the front or back of each enclosure frame. The use of a side-door adapter or a cable entry cabinet allows doors to be attached to the sides of the enclosure frame. Hinges have easy slide retained hinge pins. Door gasket is foam-in-place urethane to provide a resilient, seamless seal. Two grounding studs are furnished. All mounting hardware is included.

**BULLETIN: P20, P20EM, P20S**



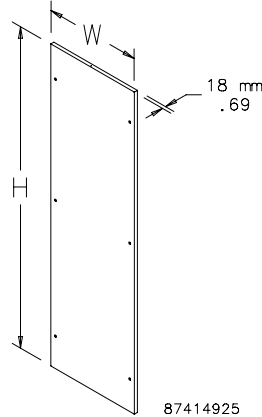
Catalog Number	Door Type	Gauge	Fits Frame		
			A x B	H x W (mm)	H x W (in.)
PDS76R	Steel	16	700 x 600	639 x 592	25.16 x 23.31
PDS76SS	Stainless Steel	16	700 x 600	639 x 592	25.16 x 23.31
PDS78R	Steel	14	700 x 800	639 x 792	25.16 x 31.18
PDS78HF2	EMC	14	700 x 800	639 x 792	25.16 x 31.18
PDS78SS	Stainless Steel	14	700 x 800	639 x 792	25.16 x 31.18
PDS146	Steel	16	1400 x 600	1339 x 592	52.72 x 23.31
PDS146HF2	EMC	16	1400 x 600	1339 x 592	52.72 x 23.31
PDS146SS	Stainless Steel	16	1400 x 600	1339 x 592	52.72 x 23.31
PDS148	Steel	14	1400 x 800	1339 x 792	52.72 x 31.18
PDS148HF2	EMC	14	1400 x 800	1339 x 792	52.72 x 31.18
PDS148SS	Stainless Steel	14	1400 x 800	1339 x 792	52.72 x 31.18
PDS165	Steel	16	1600 x 500	1539 x 492	60.59 x 19.69
PDS166	Steel	16	1600 x 600	1539 x 592	60.59 x 23.31
PDS166SS	Stainless Steel	16	1600 x 600	1539 x 592	60.59 x 23.31
PDS168	Steel	14	1600 x 800	1539 x 792	60.59 x 31.18
PDS185	Steel	16	1800 x 500	1739 x 492	68.46 x 19.69
PDS186	Steel	16	1800 x 600	1739 x 592	68.46 x 23.31
PDS186HF2	EMC	16	1800 x 600	1739 x 592	68.46 x 23.31
PDS186SS	Stainless Steel	16	1800 x 600	1739 x 592	68.46 x 23.31
PDS188	Steel	14	1800 x 800	1739 x 792	68.46 x 31.18
PDS188HF2	EMC	14	1800 x 800	1739 x 792	68.46 x 31.18
PDS188SS	Stainless Steel	14	1800 x 800	1739 x 792	68.46 x 31.18
PDS1810	Steel	14	1800 x 1000	1739 x 992	68.46 x 39.06
PDS1810HF2	EMC	14	1800 x 1000	1739 x 992	68.46 x 39.06
PDS204	Steel	16	2000 x 400	1939 x 392	76.34 x 15.75
PDS205	Steel	16	2000 x 500	1939 x 492	76.34 x 19.69
PDS206	Steel	16	2000 x 600	1939 x 592	76.34 x 23.31
PDS206HF2	EMC	16	2000 x 600	1939 x 592	76.34 x 23.31
PDS206SS	Stainless Steel	16	2000 x 600	1939 x 592	76.34 x 23.31
PDS207	Steel	16	2000 x 700	1939 x 692	76.34 x 27.24
PDS207HF2	EMC	16	2000 x 700	1939 x 692	76.34 x 27.24
PDS208	Steel	14	2000 x 800	1939 x 792	76.34 x 31.18
PDS208HF2	EMC	14	2000 x 800	1939 x 792	76.34 x 31.18
PDS208SS	Stainless Steel	14	2000 x 800	1939 x 792	76.34 x 31.18
PDS2010	Steel	14	2000 x 1000	1939 x 992	76.34 x 39.06
PDS2010HF2	EMC	14	2000 x 1000	1939 x 992	76.34 x 39.06
PDS2010SS	Stainless Steel	14	2000 x 1000	1939 x 992	76.34 x 39.06
PDS225	Steel	16	2200 x 500	2139 x 492	84.21 x 19.69
PDS226	Steel	16	2200 x 600	2139 x 592	84.21 x 23.31
PDS226SS	Stainless Steel	16	2200 x 600	2139 x 592	84.21 x 23.31
PDS227	Steel	16	2200 x 700	2139 x 692	84.21 x 27.24
PDS227HF2	EMC	16	2200 x 700	2139 x 692	84.21 x 27.24
PDS228	Steel	14	2200 x 800	2139 x 792	84.21 x 31.18
PDS228SS	Stainless Steel	14	2200 x 800	2139 x 792	84.21 x 31.18
PDS2210	Steel	14	2200 x 1000	2139 x 992	84.21 x 39.06



**SOLID COVERS**


Use a Solid Cover on the front or rear of the enclosure frame as a substitute for a door. Solid covers attach to the enclosure frame with semi-flush screws and include hangers for easy alignment of cover screws. Covers are painted RAL 7035 textured light-gray polyester powder paint (except stainless steel). EMC covers are finished with paint over plated surfaces. They include a foam-in-place urethane gasket and two ground studs. Mounting hardware is included.

**BULLETIN: P20, P20EM, P20S**



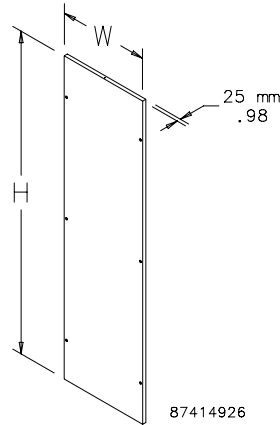
Catalog Number	Cover Type	Gauge	Fits Frame		
			A x B	H x W (mm)	H x W (in.)
PCS76	Steel	16	700 x 600	639 x 592	25.16 x 23.31
PCS76HF2	EMC	16	700 x 600	639 x 592	25.16 x 23.31
PCS76SS	Stainless Steel	16	700 x 600	639 x 592	25.16 x 23.31
PCS78	Steel	14	700 x 800	639 x 792	25.16 x 31.18
PCS78HF2	EMC	14	700 x 800	639 x 792	25.16 x 31.18
PCS78SS	Stainless Steel	14	700 x 800	639 x 792	25.16 x 31.18
PCS146	Steel	16	1400 x 600	1339 x 592	52.72 x 23.31
PCS146HF2	EMC	16	1400 x 600	1339 x 592	52.72 x 23.31
PCS146SS	Stainless Steel	16	1400 x 600	1339 x 592	52.72 x 23.31
PCS148	Steel	14	1400 x 800	1339 x 792	52.72 x 31.18
PCS148HF2	EMC	14	1400 x 800	1339 x 792	52.72 x 31.18
PCS148SS	Stainless Steel	14	1400 x 800	1339 x 792	52.72 x 31.18
PCS166	Steel	16	1600 x 600	1539 x 592	60.59 x 23.31
PCS166SS	Stainless Steel	16	1600 x 600	1539 x 592	60.59 x 23.31
PCS168	Steel	14	1600 x 800	1539 x 792	60.59 x 31.18
PCS168HF2	EMC	14	1600 x 800	1539 x 792	60.59 x 31.18
PCS186	Steel	16	1800 x 600	1739 x 592	68.46 x 23.31
PCS186HF2	EMC	16	1800 x 600	1739 x 592	68.46 x 23.31
PCS186SS	Stainless Steel	16	1800 x 600	1739 x 592	68.46 x 23.31
PCS188	Steel	14	1800 x 800	1739 x 792	68.46 x 31.18
PCS188HF2	EMC	14	1800 x 800	1739 x 792	68.46 x 31.18
PCS188SS	Stainless Steel	14	1800 x 800	1739 x 792	68.46 x 31.18
PCS1810	Steel	14	1800 x 1000	1739 x 992	68.46 x 39.06
PCS1810HF2	EMC	14	1800 x 1000	1739 x 992	68.46 x 39.06
PCS1810SS	Stainless Steel	14	1800 x 1000	1739 x 992	68.46 x 39.06
PCS204	Steel	16	2000 x 400	1939 x 392	76.34 x 15.75
PCS206	Steel	16	2000 x 600	1939 x 592	76.34 x 23.31
PCS206HF2	EMC	16	2000 x 600	1939 x 592	76.34 x 23.31
PCS206SS	Stainless Steel	16	2000 x 600	1939 x 592	76.34 x 23.31
PCS207	Steel	16	2000 x 700	1939 x 692	76.34 x 27.24
PCS207HF2	EMC	16	2000 x 700	1939 x 692	76.34 x 27.24
PCS208	Steel	14	2000 x 800	1939 x 792	76.34 x 31.18
PCS208HF2	EMC	14	2000 x 800	1939 x 792	76.34 x 31.18
PCS208SS	Stainless Steel	14	2000 x 800	1939 x 792	76.34 x 31.18
PCS2010	Steel	14	2000 x 1000	1939 x 992	76.34 x 39.06
PCS2010HF2	EMC	14	2000 x 1000	1939 x 992	76.34 x 39.06
PCS2010SS	Stainless Steel	14	2000 x 1000	1939 x 992	76.34 x 39.06
PCS226	Steel	16	2200 x 600	2139 x 592	84.21 x 23.31
PCS226HF2	EMC	16	2200 x 600	2139 x 592	84.21 x 23.31
PCS226SS	Stainless Steel	16	2200 x 600	2139 x 592	84.21 x 23.31
PCS227	Steel	16	2200 x 700	2139 x 692	84.21 x 27.24
PCS227HF2	EMC	16	2200 x 700	2139 x 692	84.21 x 27.24
PCS228	Steel	14	2200 x 800	2139 x 792	84.21 x 31.18
PCS228HF2	EMC	14	2200 x 800	2139 x 792	84.21 x 31.18
PCS228SS	Stainless Steel	14	2200 x 800	2139 x 792	84.21 x 31.18
PCS2210	Steel	14	2200 x 1000	2139 x 992	84.21 x 39.06
PCS2210HF2	EMC	14	2200 x 1000	2139 x 992	84.21 x 39.06

**SOLID SIDES** **AETO**



Solid Sides close the open sides of an enclosure frame and attach to the enclosure frame with semi-flush screws. Hangers are included for easy alignment of screws. Sides are painted with RAL 7035 textured light-gray polyester powder paint (except stainless steel) and have two grounding studs and a foam-in-place gasket. EMC Solid Sides are finished with paint over plated surfaces. Mounting hardware is included. Solid Sides are not suitable as barriers between joined enclosures.

**BULLETIN: P20, P20EM, P20S**



Catalog Number	Type	Gauge	Fits Frame		
			A x C	H x W (mm)	H x W (in.)
PSS76	Steel	16	700 x 600	639 x 553	25.16 x 21.77
PSS76HF2	EMC	16	700 x 600	639 x 553	25.16 x 21.77
PSS76SS	Stainless Steel	16	700 x 600	639 x 553	25.16 x 21.77
PSS145	Steel	16	1400 x 500	1339 x 453	52.72 x 17.83
PSS145HF2	EMC	16	1400 x 500	1339 x 453	52.72 x 17.83
PSS146	Steel	16	1400 x 600	1339 x 553	52.72 x 21.77
PSS146HF2	EMC	16	1400 x 600	1339 x 553	52.72 x 21.77
PSS146SS	Stainless Steel	16	1400 x 600	1339 x 553	52.72 x 21.77
PSS148	Steel	16	1400 x 800	1339 x 753	52.72 x 29.65
PSS148HF2	EMC	16	1400 x 800	1339 x 753	52.72 x 29.65
PSS148SS	Stainless Steel	16	1400 x 800	1339 x 753	52.72 x 29.65
PSS164	Steel	16	1600 x 400	1539 x 353	60.59 x 13.90
PSS164HF2	EMC	16	1600 x 400	1539 x 353	60.59 x 13.90
PSS165	Steel	16	1600 x 500	1539 x 453	60.59 x 17.83
PSS165HF2	EMC	16	1600 x 500	1539 x 453	60.59 x 17.83
PSS166	Steel	16	1600 x 600	1539 x 553	60.59 x 21.77
PSS166SS	Stainless Steel	16	1600 x 600	1539 x 553	60.59 x 21.77
PSS168	Steel	16	1600 x 800	1539 x 753	60.59 x 29.65
PSS168HF2	EMC	14	1600 x 800	1539 x 753	60.59 x 29.65
PSS168SS	Stainless Steel	16	1600 x 800	1539 x 753	60.59 x 29.65
PSS184	Steel	16	1800 x 400	1739 x 353	68.46 x 13.90
PSS184HF2	EMC	16	1800 x 400	1739 x 353	68.46 x 13.90
PSS185	Steel	16	1800 x 500	1739 x 453	68.46 x 17.83
PSS185HF2	EMC	16	1800 x 500	1739 x 453	68.46 x 17.83
PSS186	Steel	16	1800 x 600	1739 x 553	68.46 x 21.77
PSS186HF2	EMC	16	1800 x 600	1739 x 553	68.46 x 21.77
PSS186SS	Stainless Steel	16	1800 x 600	1739 x 553	68.46 x 21.77
PSS188	Steel	16	1800 x 800	1739 x 753	68.46 x 29.65
PSS188HF2	EMC	16	1800 x 800	1739 x 753	68.46 x 29.65
PSS188SS	Stainless Steel	16	1800 x 800	1739 x 753	68.46 x 29.65
PSS204	Steel	16	2000 x 400	1939 x 353	76.34 x 13.90
PSS204HF2	EMC	16	2000 x 400	1939 x 353	76.34 x 13.90
PSS205	Steel	16	2000 x 500	1939 x 453	76.34 x 17.83
PSS206	Steel	16	2000 x 600	1939 x 553	76.34 x 21.77
PSS206HF2	EMC	16	2000 x 600	1939 x 553	76.34 x 21.77
PSS206SS	Stainless Steel	16	2000 x 600	1939 x 553	76.34 x 21.77
PSS208	Steel	16	2000 x 800	1939 x 753	76.34 x 29.65
PSS208HF2	EMC	16	2000 x 800	1939 x 753	76.34 x 29.65
PSS208SS	Stainless Steel	16	2000 x 800	1939 x 753	76.34 x 29.65
PSS209	Steel	14	2000 x 900	1939 x 853	76.34 x 33.58
PSS209HF2	EMC	14	2000 x 900	1939 x 853	76.34 x 33.58
PSS225	Steel	16	2200 x 500	2139 x 453	84.21 x 17.83
PSS225HF2	EMC	16	2200 x 500	2139 x 453	84.21 x 17.83
PSS226	Steel	16	2200 x 600	2139 x 553	84.21 x 21.77
PSS226HF2	EMC	16	2200 x 600	2139 x 553	84.21 x 21.77
PSS228	Steel	16	2200 x 800	2139 x 753	84.21 x 29.65
PSS228HF2	EMC	16	2200 x 800	2139 x 753	84.21 x 29.65
PSS228SS	Stainless Steel	16	2200 x 800	2139 x 753	84.21 x 29.65
PSS229	Steel	14	2200 x 900	2139 x 853	84.21 x 33.58
PSS229HF2	EMC	14	2200 x 900	2139 x 853	84.21 x 33.58



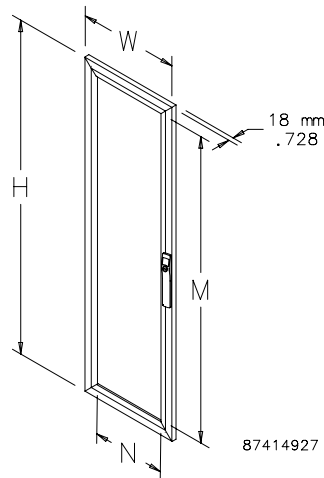
**WINDOW DOORS**


Window Doors can be used on the front or rear of PROLINE™ frames to provide viewing of electronic equipment. PROLINE Window Doors are designed around a mild steel profile. They have 140-degree hidden hinges and a flush bezel latch that operates a 3-point latching mechanism (doors for 700-mm frames have 2-point latching). Doors have either a smoke-gray tinted polycarbonate or a clear safety glass window; 180-degree hinges are available (order separately).

All Window Doors:

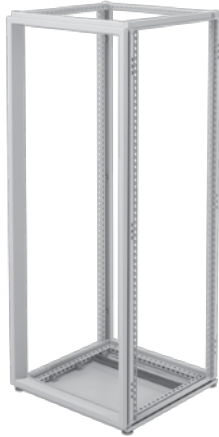
- Install easily on front or rear of enclosure frame; can be hinged on left or right
- Have a .25-in.-thick window that provides maximum protection and viewing area
- Have foam-in-place urethane gaskets for door and window to provide optimum sealing
- Have two grounding brackets with RAL 7035 gray textured polyester powder paint finish (except stainless steel)

**BULLETIN: P20, P20S**



Catalog Number	Fits Frame A x B	Window Door Type	Safety Glass H x W mm/in.	Window Size M x N mm/in.
PDWG76	700 x 600	Mild Steel and Safety Glass	639 x 593 25.16 x 23.34	518 x 446 20.38 x 17.55
PDW76	700 x 600	Mild Steel and Polycarbonate	639 x 593 25.16 x 23.34	518 x 446 20.38 x 17.55
PDWG76SS	700 x 600	Stainless Steel and Safety Glass	639 x 592 25.16 x 23.30	518 x 446 20.38 x 17.55
PDWG78	700 x 800	Mild Steel and Safety Glass	639 x 793 25.16 x 31.22	518 x 646 20.38 x 25.42
PDW78	700 x 800	Mild Steel and Polycarbonate	639 x 793 25.16 x 31.22	518 x 646 20.38 x 25.42
PDWG78SS	700 x 800	Stainless Steel and Safety Glass	639 x 792 25.16 x 31.17	518 x 646 20.38 x 25.42
PDWG146	1400 x 600	Mild Steel and Safety Glass	1339 x 593 52.72 x 23.34	1218 x 446 47.94 x 17.55
PDW146	1400 x 600	Mild Steel and Polycarbonate	1339 x 593 52.72 x 23.34	1218 x 446 47.94 x 17.55
PDWG146SS	1400 x 600	Stainless Steel and Safety Glass	1339 x 592 52.72 x 23.30	1218 x 446 47.94 x 17.55
PDWG148	1400 x 800	Mild Steel and Safety Glass	1339 x 793 52.72 x 31.22	1218 x 646 47.94 x 25.42
PDW148	1400 x 800	Mild Steel and Polycarbonate	1339 x 793 52.72 x 31.22	1218 x 646 47.94 x 25.42
PDWG166	1600 x 600	Mild Steel and Safety Glass	1539 x 593 60.59 x 23.34	1418 x 446 55.81 x 17.55
PDW166	1600 x 600	Mild Steel and Polycarbonate	1539 x 593 60.59 x 23.34	1418 x 446 55.81 x 17.55
PDWG166SS	1600 x 600	Stainless Steel and Safety Glass	1539 x 592 60.59 x 23.30	1418 x 446 55.81 x 17.55
PDWG168	1600 x 800	Mild Steel and Safety Glass	1539 x 793 60.59 x 31.22	1418 x 646 55.81 x 25.42
PDWG186	1800 x 600	Mild Steel and Safety Glass	1739 x 593 68.46 x 23.34	1618 x 446 63.69 x 17.55
PDW186	1800 x 600	Mild Steel and Polycarbonate	1739 x 593 68.46 x 23.34	1618 x 446 63.69 x 17.55
PDWG188	1800 x 800	Mild Steel and Safety Glass	1739 x 793 68.46 x 31.22	1618 x 646 63.69 x 25.42
PDW188	1800 x 800	Mild Steel and Polycarbonate	1739 x 793 68.46 x 31.22	1618 x 646 63.69 x 25.42
PDWG188SS	1800 x 800	Stainless Steel and Safety Glass	1739 x 792 68.46 x 31.17	1618 x 646 63.69 x 25.42
PDWG206	2000 x 600	Mild Steel and Safety Glass	1939 x 593 76.34 x 23.34	1818 x 446 71.56 x 17.55
PDW206	2000 x 600	Mild Steel and Polycarbonate	1939 x 593 76.34 x 23.34	1818 x 446 71.56 x 17.55
PDWG206SS	2000 x 600	Stainless Steel and Safety Glass	1939 x 592 76.34 x 23.30	1818 x 446 71.56 x 17.55
PDWG207	2000 x 700	Mild Steel and Safety Glass	1939 x 693 76.34 x 27.28	1818 x 546 71.56 x 21.48
PDW207	2000 x 700	Mild Steel and Polycarbonate	1939 x 693 76.34 x 27.28	1818 x 546 71.56 x 21.48
PDWG208	2000 x 800	Mild Steel and Safety Glass	1939 x 793 76.34 x 31.22	1818 x 646 71.56 x 25.42
PDW208	2000 x 800	Mild Steel and Polycarbonate	1939 x 793 76.34 x 31.22	1818 x 646 71.56 x 25.42
PDWG208SS	2000 x 800	Stainless Steel and Safety Glass	1939 x 792 76.34 x 31.17	1818 x 646 71.56 x 25.42
PDWG226	2200 x 600	Mild Steel and Safety Glass	2139 x 593 84.21 x 23.34	2018 x 446 79.43 x 17.55
PDW226	2200 x 600	Mild Steel and Polycarbonate	2139 x 593 84.21 x 23.34	2018 x 446 79.43 x 17.55
PDWG227	2200 x 700	Mild Steel and Polycarbonate	2139 x 693 84.21 x 27.28	2018 x 546 79.43 x 21.48
PDWG228	2200 x 800	Mild Steel and Safety Glass	2139 x 793 84.21 x 31.22	2018 x 646 79.43 x 25.42
PDW228	2200 x 800	Mild Steel and Polycarbonate	2139 x 793 84.21 x 31.22	2018 x 646 79.43 x 25.42
PDWG228SS	2200 x 800	Stainless Steel and Safety Glass	2139 x 792 84.21 x 31.17	2018 x 646 79.43 x 25.42

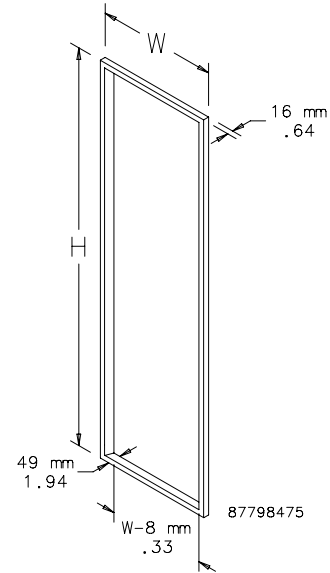
**DRESS FRAME** **A-T-O**



A Dress Frame provides a decorative trim when a front door or cover is not used. The dress frame can be installed on the front or rear of a PROLINE frame as a substitute for a door. The painted steel dress frame, finished with RAL 7035 textured light-gray polyester powder paint, is provided with a snap-in design for easy installation with no tools required. Order rack angles separately, if needed.

**BULLETIN: P20**

Catalog Number	Nominal Size	H x W (mm)	H x W (in.)
PDF76	700 x 600	639 x 591	25.16 x 23.26
PDF146	1400 x 600	1339 x 591	52.72 x 23.26
PDF166	1600 x 600	1539 x 591	60.56 x 23.26
PDF186	1800 x 600	1739 x 591	68.47 x 23.26
PDF206	2000 x 600	1939 x 591	76.34 x 23.26
PDF226	2200 x 600	2139 x 591	84.21 x 23.26





**DISCONNECT DOOR FOR PROLINE™ ENCLOSURES**


Disconnect Doors provide a means to mount flange-mount disconnects to PROLINE™ Enclosures. Hinged mullion provides unobstructed access to interior, thus easing equipment installation.

Disconnect mullion is hinged to provide easy disconnect installation and maximum access to subpanel. Removable door bar is included on disconnect door. A flush handle with defeater operates an internal 3-point latch system on disconnect door and latches to the disconnect mullion. Interlocking is provided from master door to disconnect mullion. The disconnect mullion and disconnect door include 140-degree hinges and are gasketed to maintain enclosure integrity. Steel doors are 14 gauge and painted with RAL 7035 light-gray textured polyester powder.

Enclosures with a preferred cutout will accept the disconnect switches listed in the Preferred Cutout Overview section.

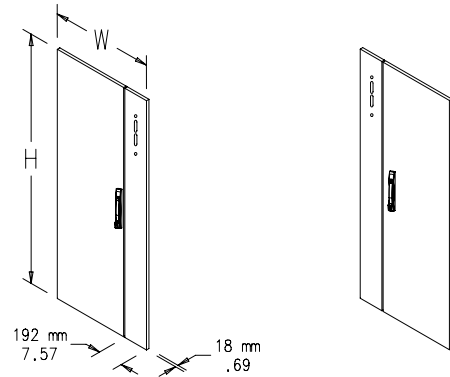
PROLINE enclosures with disconnect doors that have a large cutout provision will accept the following types of flange-mounted disconnect devices:

**Allen-Bradley**

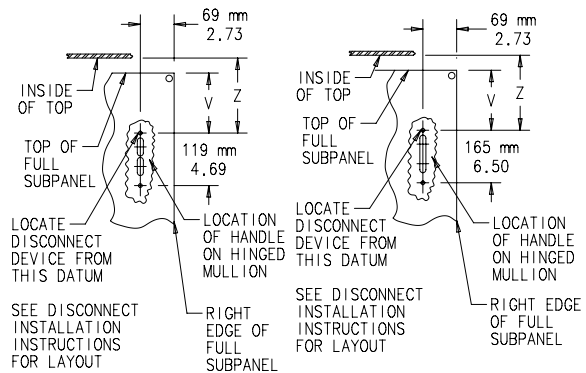
- Large handle to be used with 400A or greater disconnect switches and 600A or greater circuit breakers.

**Siemens ITE**

- MAX-FLEX™ FHOHN handle used with MD 800 amp, ND (1200 amp), PD (1600 amp) and RD (2000 amp).

**BULLETIN: P20, P20DC**


87414962



Standard Product

Catalog Number	Cutout Provision	Fits Frame A x B mm/in.	H x W mm/in.	V mm/in.	Z mm/in.
PTDDC166	Preferred right-hand	1600 x 600	1539 x 594 60.59 x 23.39	221 8.70	269 10.57
PLTDDC166	Preferred left-hand	1600 x 600	1539 x 594 60.59 x 23.39	221 8.70	269 10.57
PTDDC168	Preferred right-hand	1600 x 800	1539 x 794 60.59 x 31.26	221 8.70	269 10.57
PLTDDC168	Preferred left-hand	1600 x 800	1539 x 794 60.59 x 31.26	221 8.70	269 10.57
PTDDC186	Preferred right-hand	1800 x 600	1739 x 594 68.46 x 23.39	321 12.64	369 14.51
PTDDC188	Preferred right-hand	1800 x 800	1739 x 794 68.46 x 31.26	321 12.64	369 14.51
PLTDDC188	Preferred left-hand	1800 x 800	1739 x 794 68.46 x 31.26	321 12.64	369 14.51
PTDDC206	Preferred right-hand	2000 x 600	1939 x 594 76.34 x 23.39	421 16.57	469 18.45
PLTDDC206	Preferred left-hand	2000 x 600	1939 x 594 76.34 x 23.39	421 16.57	469 18.45
PTDDC208	Preferred right-hand	2000 x 800	1939 x 794 76.34 x 31.26	421 16.57	469 18.45
PLTDDC208	Preferred left-hand	2000 x 800	1939 x 794 76.34 x 31.26	421 16.57	469 18.45
PTDDC1810	Preferred right-hand	1800 x 1000	1739 x 994 68.46 x 39.13	321 12.64	369 14.51
PLTDDC1810	Preferred left-hand	1800 x 1000	1739 x 994 68.46 x 39.13	321 12.64	369 14.51
PTDDC2010	Preferred right-hand	2000 x 1000	1939 x 994 76.34 x 39.13	421 16.57	469 18.45
PLTDDC2010	Preferred left-hand	2000 x 1000	1939 x 994 76.34 x 39.13	421 16.57	469 18.45
PTDLDC206	Large right-hand	2000 x 600	1939 x 594 76.34 x 23.39	435 17.13	483 19.01
PTDLDC208	Large right-hand	2000 x 800	1939 x 794 76.34 x 31.26	435 17.13	483 19.01
PTDLDC2010	Large right-hand	2000 x 1000	2000 x 1000 76.34 x 39.13	435 17.13	483 19.01



**ELECTRICAL INTERLOCK**

**INDUSTRY STANDARDS**

UL Component Recognized

CSA Certified

**APPLICATION**

Provide positive internal safety lockout on electrical enclosures while the equipment is energized. Catalog numbers AEK115, AEK230 and AEK460 are used with standard Hoffman door latching mechanisms. When energized, these interlocks prevent the door handle from being turned to open the door. Fit either clockwise or counterclockwise handles in the following enclosures:

1. All two-door Type 4 and 12 enclosures
2. All Type 4X with 3-point latch enclosures
3. Free-stand Type 12 enclosures
4. All single-door Type 12 enclosures with latch kits installed

The above interlocks will fit the following enclosures, but modifications are required. Consult the factory for more information.

1. Two-Door Enclosures for Flange-Mounted Disconnects, Type 12
2. Heavy Duty Free-Stand Enclosures for Flange-Mounted Disconnects, Type 12
3. Modular Enclosures for Flange-Mounted Disconnects, Type 12
4. Multi-Door Enclosures, Type 12

The interlocks will also fit most Hoffman custom enclosures with door latching mechanisms similar to the mechanisms used on the preceding enclosures.

Non-NDH style electrical interlocks will not fit CONCEPT® Enclosures or Bulletin A25 and A26 Enclosures. Interlocks are not designed to be used in place of the standard door or cover latch. Catalog numbers AEK115NDH, AEK230NDH and AEK460NDH are designed to be used on some Hoffman enclosures and boxes which have exterior latching only. When energized, these interlocks will prevent the enclosure door from being opened. They fit on the door or cover of the following enclosures:

1. One-door Type 4 and 4X enclosures
2. Two-door Type 4 and 4X enclosures
3. One-door Type 12 enclosures
4. Larger sizes of junction boxes
5. Type 1 and large Type 1 enclosures

The above interlocks also fit in most Hoffman custom enclosures and boxes which have doors or covers hinged similar to doors or covers on the preceding enclosures.

**Installation**

Interlock mounts on bracket attached to door bar on inside of enclosure door.

**SPECIFICATIONS**

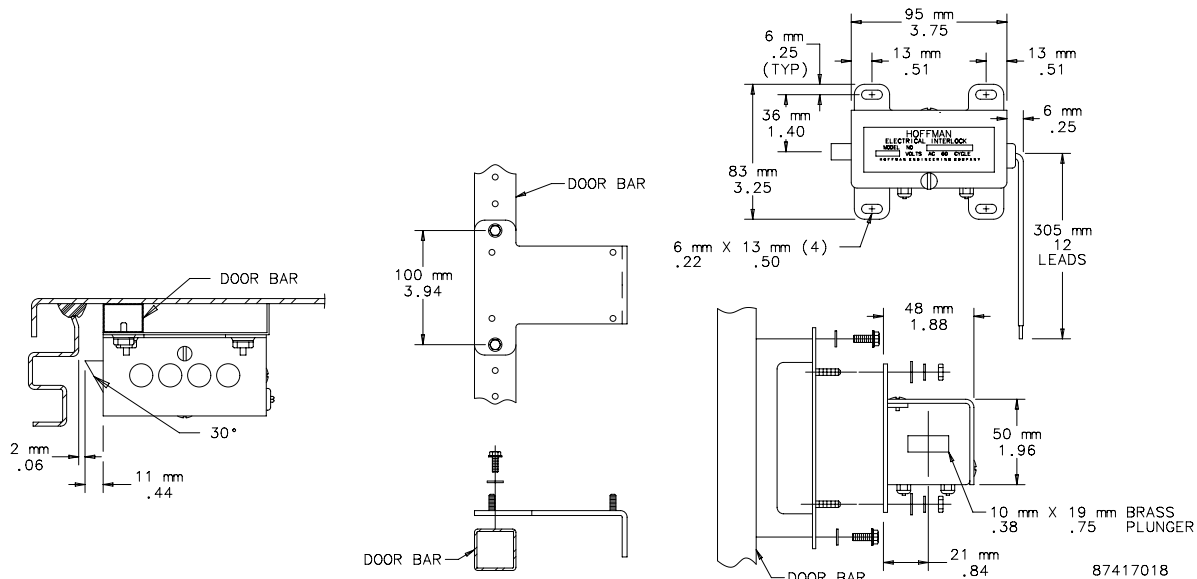
- Rugged steel construction and plated finish. Solenoids are rated for continuous duty and will stand up under heavy industrial use.
- Packaged complete with a solenoid assembly, mounting bracket and instructions for field installation.

*Door handles and latching mechanisms are not included.*

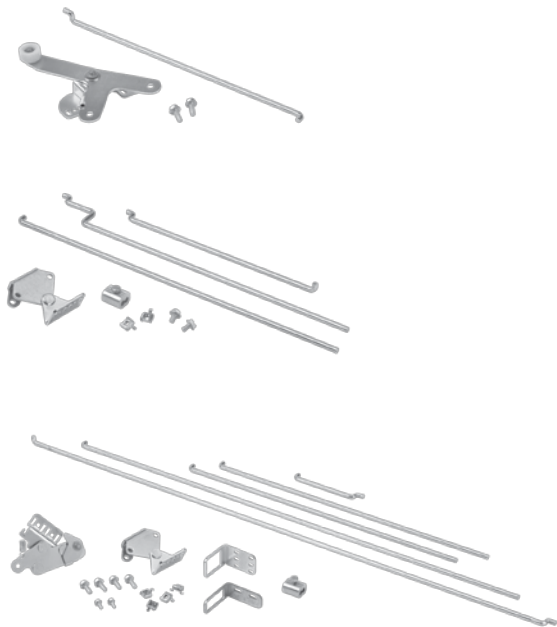
**BULLETIN: P20DC**

## Standard Product

Catalog Number	A @ 120 V/60 Hz Normal/Inrush	A @ 240 V/60 Hz Normal/Inrush	A @ 480 V/60 Hz Normal/Inrush	A @ 110 V/50 Hz Normal/Inrush	A @ 220 V/50 Hz Normal/Inrush	A @ 440 V/50 Hz Normal/Inrush
PEK115NDH	.100/.63			.120/.69		
PEK230NDH		.050/.32			.060/.35	
PEK460NDH			.025/.16			.030/.18



**MECHANICAL INTERLOCK** **A-T-O**



**Mechanical Interlock**

The PROLINE™ Mechanical Interlock can be actuated by any PROLINE solid or disconnect door in a multiple-bay enclosure system. Up to ten doors, including window doors, can be interlocked.

The interlock device engages the PROLINE door at the center to provide maximum security. The master door can be positioned in any location. Only after the master door is opened can slave doors be opened. The interlock system is modular and easy to assemble; no drilling or layout work is required to install. Brackets, rods and fasteners are heavy gauge steel. Meets interlocking requirements established by General Motors, Ford and Chrysler.

**Front-to-Back Interlock**

The Front-to-Back Interlock is used to interlock the rear doors of an enclosure in conjunction with a Master Door Actuator Kit and a Slave Door Kit. When the Master Door Actuator Kit on the front of the enclosure is activated (by a solid or disconnect master door) and the Front-to-Back Kit linkage is in place, the pivot bracket is pulled, which activates the Slave Door Kit to interlock the back doors of the enclosure with the front doors.

**BULLETIN: P20**

Catalog Number	Description
PMLMAK	Master Door Activator Kit
PMLSK	Door Slave Kit
PMLEK	Extension Kit
PMLFB	Front-to-Back Kit

For Catalog No. PMLMAK, order 1 for master door.

For Catalog No. PMLSK, order 1 for each slave door (will accommodate single door, window door and overlapping door).



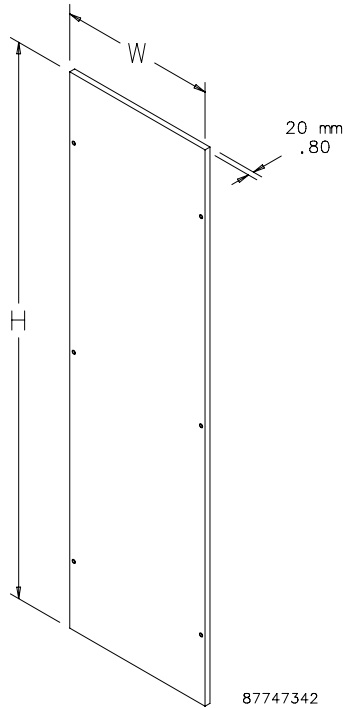
**BARRIER PANELS**

**Barrier Panels**

Optional blank Barrier Panels are designed to be used as buffers between joined or ganged enclosure systems. When mounted to the enclosure, they maintain enclosure environmental integrity. Made from 16 gauge steel and finished in RAL 7035 textured light-gray polyester powder paint.

**EMC Barrier Panels**

EMC Barrier Panels are designed to be used as electrical buffers between joined or ganged enclosure systems. Made from 16 gauge steel with a plated finish.

**BULLETIN: P20**


87747342

Catalog Number	Type	Description	H mm/in.	W mm/in.
PBB165	Painted	Fits between frames 1600-mm tall x 500-mm deep	1539 60.59	453 17.83
PBB165EMC	EMC	Fits between frames 1600-mm tall x 500-mm deep	1539 60.59	453 17.83
PBB166	Painted	Fits between frames 1600-mm tall x 600-mm deep	1539 60.59	553 21.77
PBB166EMC	EMC	Fits between frames 1600-mm tall x 600-mm deep	1539 60.59	553 21.77
PBB185	Painted	Fits between frames 1800-mm tall x 500-mm deep	1739 68.47	453 17.83
PBB185EMC	EMC	Fits between frames 1800-mm tall x 500-mm deep	1739 68.47	453 17.83
PBB186	Painted	Fits between frames 1800-mm tall x 600-mm deep	1739 68.47	553 21.77
PBB186EMC	EMC	Fits between frames 1800-mm tall x 600-mm deep	1739 68.47	553 21.77
PBB188	Painted	Fits between frames 1800-mm tall x 800-mm deep	1739 68.47	753 29.65
PBB205	Painted	Fits between frames 2000-mm tall x 500-mm deep	1939 76.34	453 17.83
PBB205EMC	EMC	Fits between frames 2000-mm tall x 500-mm deep	1939 76.34	453 17.83
PBB206	Painted	Fits between frames 2000-mm tall x 600-mm deep	1939 76.34	553 21.77
PBB206EMC	EMC	Fits between frames 2000-mm tall x 600-mm deep	1939 76.34	553 21.77
PBB208	Painted	Fits between frames 2000-mm tall x 800-mm deep	1939 76.34	753 29.65
PBB225	Painted	Fits between frames 2200-mm tall x 500-mm deep	2139 84.22	453 17.83
PBB225EMC	EMC	Fits between frames 2200-mm tall x 500-mm deep	2139 84.22	453 17.83
PBB226	Painted	Fits between frames 2200-mm tall x 600-mm deep	2139 84.22	553 21.77
PBB226EMC	EMC	Fits between frames 2200-mm tall x 600-mm deep	2139 84.22	553 21.77
PBB228	Painted	Fits between frames 2200-mm tall x 800-mm deep	2139 84.22	753 29.65
PBB228EMC	EMC	Fits between frames 2200-mm tall x 800-mm deep	2139 84.22	753 29.65

**SIDE DOOR ADAPTERS**



Side Door Adapters are made from 14 gauge steel and finished in RAL 7035 textured light-gray polyester powder paint. They allow the mounting of a standard door to the side of the enclosure. When mounted to the enclosure, they maintain enclosure environmental integrity.

**BULLETIN: P20**

Catalog Number	Description
PCE16650	Fits frames 1600-mm tall x 600-mm deep
PCE18550	Fits frames 1800-mm tall x 500-mm deep
PCE18650	Fits frames 1800-mm tall x 600-mm deep
PCE18850	Fits frames 1800-mm tall x 800-mm deep
PCE20550	Fits frames 2000-mm tall x 500-mm deep
PCE20650	Fits frames 2000-mm tall x 600-mm deep
PCE20850	Fits frames 2000-mm tall x 800-mm deep
PCE22550	Fits frames 2200-mm tall x 500-mm deep
PCE22850	Fits frames 2200-mm tall x 800-mm deep



**FLUSH SWING HANDLES**


Flush Handles are optional for any solid, window or disconnect door that includes 3-point latching, except Voice/Data and Colocation cabinets. They are ergonomically designed to provide style and function in a low profile. The handle is die-cast zinc finished with RAL 9005 textured black polyester powder paint. Provision to add your logo is included. Handle can be installed to rotate either clockwise or counterclockwise.

**Handle with Screwdriver Defeater**

Enclosure security is provided by the integrated tool-to-open feature that releases the handle when rotated, allowing access to the enclosure.

**Handle with Keylock**

Keylock feature locks the handle to provide security for the enclosure. When the key is in the unlocked position, the pushbutton releases the handle to provide access to the enclosure. Two keys are furnished.

**Handle for Padlock**

Padlocking Handle provides security when using up to a 5/16 padlock. Pushbutton releases the handle to provide access to the enclosure.

**Handle with DIN Profile Provision**

DIN Flush Handle is provided with the option to add your DIN profile lock or to accept Hoffman DIN profile lock PDKL (order separately).

**BULLETIN: P20**

Catalog Number	Description
PFHDF	Flush Handle with Defeater
PFHKBL	Keylocking Flush Handle
PFHPBL	Padlocking Flush Handle
PFHDBL	DIN Profile Flush Handle

**FLUSH BEZELS**

**Bezel with Insert**

Can be used on any solid, window or disconnect door when a low-profile, tool-to-open operating mechanism is needed. Bezel is RAL 9005 textured black plastic. Provision to add your logo is included. Flush bezels are provided with screwdriver slot insert. Other key inserts are available to fit the flush bezel (order separately).

**Small Bezel with Insert**

Can be used in place of the small Flush Swing Handle when a low-profile, tool-to-open operating mechanism is needed. Bezel is RAL 9005 textured black plastic. Provision to add your logo is included. Small flush bezels are furnished with a screwdriver slot insert. Other key inserts are available to fit the small flush bezel (order separately).

**BULLETIN: P20, P20S**

Catalog Number	Description
PFBS	Flush Bezel with insert
PSFBS	Small Flush Bezel with Insert
PFBSSS	Large Flush Bezel with Stainless Steel Insert

**L HANDLE**


The L Handle is a stylish option for any solid, window or disconnect door, except Voice/Data or Colocation cabinets. It can be installed to rotate either clockwise or counterclockwise. Handle comes with a bezel, includes keylocking provision and is finished with RAL 9005 textured black polyester powder paint. Two keys are included. The bezel permits your logo to be inserted.

**BULLETIN: P20**

Catalog Number	Description
PLHK	L Handle with 2 keys and logo slot, key code 333

**SMALL FLUSH SWING HANDLE** **A-T-O**



Swing Handles are used on smaller doors (doors 1000 mm and less in height that have two-point latching). Handles are ergonomically designed to provide style and function in a low profile. They can be installed to rotate either clockwise or counterclockwise. The shape of the design provides aesthetic compatibility with the Flush Swing Handles. This handle includes keylocking provision, two keys, provision to add your logo and is furnished in RAL 9005 textured black polyester powder paint.

**BULLETIN: P20**

Catalog Number	Description
PSHKBL	One handle and two keys

**KEY INSERTS** **A-T-O**



Key Inserts are used with Flush Bezels. Optional for any solid, window and disconnect door. Key Inserts are zinc die-cast. A matching key is included.

**BULLETIN: P20, P20S**

Catalog Number	Description
PKOTM7	7-mm triangle
PKOTM8	8-mm triangle
PKOTM65	CNOMO
PKOSM7	7-mm square
PKOSM8	8-mm square
PKOGBK3	Double-bit with 3-mm pin
PKOGBK3SS	Double-bit insert

**PADLOCK KIT**



The kit adds a padlocking capability to any of the Flush Swing Handles (except for Small Flush Swing Handle). Field modification of the flush handle is required. Includes a stainless steel locking post that will accommodate up to a 5/16-in. padlock shackle.

**BULLETIN: P20**

Catalog Number	Description
PFHPK	Padlock Kit

**DIN LOCK INSERTS (FOR DIN PROFILE HANDLE ONLY)**



The DIN profile keylock provides keylocking security for the Flush Swing Handle with DIN provision. Includes profile lock and two keys. Order one profile lock for each handle.  
 DIN Lock Kit for PROLINE™ DataCom doors includes two locks keyed alike with one of 100 different key codes and two keys (master key available).  
 All DIN Lock Inserts are zinc die-cast.

**BULLETIN: DPY, P20**

Catalog Number	Description
PKOSLFH	Slotted insert profile cylinder
PKOTM7FH	7-mm triangle insert profile cylinder
PKOSM7FH	7-mm square insert profile cylinder
PKOTM8FH	8-mm triangle insert profile cylinder
PKOGBK3FH	Double-bit 3-mm insert profile cylinder
PDKL	DIN keylock, 2 keys included, key code 333
PDKLRKPR	DIN Lock Kit for PROLINE DataCom doors

DIN profile inserts are used with DIN flush swing handles. One key is included (except for slotted insert).

**FOLDING SHELF**



The shelf mounts to door using the Door Bar Grid Straps (sold separately). Shelf is 16 gauge steel with 12 gauge brackets. Shelf finish is RAL 7035 textured light-gray polyester powder paint. Locks in two positions—90 degrees as a shelf and 15 degrees as a writing surface. Also mounts to three-row grid straps, side or back panel, or any flat surface. Holds up to 30 pounds.

**BULLETIN: P20**

Catalog Number	Description
PSHDM	Fits door widths 600, 700, 800 and 1000 mm





### DOOR BAR GRID STRAPS



Straps mount to the door bar. Used to mount accessories to the door. Constructed of 16 gauge steel with plated finish. Holds up to 100 lb.  
**BULLETIN: P20**

Catalog Number	Description
PGH1S4D	Fits 400-mm wide door
PGH1S5D	Fits 500-mm wide door
PGH1S6D	Fits 600-mm wide door
PGH1S7D	Fits 700-mm wide door
PGH1S8D	Fits 800-mm wide door
PGH1S10D	Fits 1000-mm wide door

### 180-DEGREE HINGE KIT



Optional hinging for steel solid, window or disconnect doors. The 180-degree hinges provide a door opening up to 260-degrees on single-bay enclosures. These hinges mount to the door flange and have a low-profile appearance. The kit includes three hinges with textured black polyester powder paint and all necessary mounting hardware. Cannot be used on PROLINE™ FLOTEK™ or CONNECTEK™ front doors.  
**BULLETIN: P20**

Catalog Number	Description
PH180	180-Degree Hinge Kit

### DOOR STOP KIT



The Door Stop Kit holds doors open at 130 degrees. The kit includes a slotted bracket that mounts to either the top or bottom of the door and a stop arm that attaches to the frame. The Door Stop Kit is plated, mounts without drilling and includes all necessary mounting hardware. Not suitable for use with 180-degree hinging. Drill points in window door brackets for mounting Door Stop Kit.  
**BULLETIN: P20**

Catalog Number	Description
PDSK	Door Stop Kit

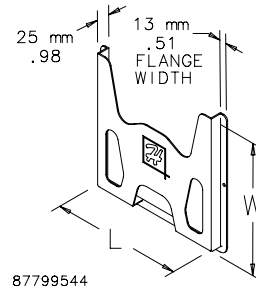
### DOOR SUPPORT ROLLER KIT



The Door Support Roller Kit supports and aligns heavy doors. Kit is suitable for all solid doors and glass window doors. Kit is not recommended for use on solid doors with door bars removed or polycarbonate window doors. Drill points in window door brackets for mounting Door Stop Kit.  
**BULLETIN: P20**

Catalog Number	Description
PDSRKL	Door Support Roller Kit

### THERMOPLASTIC DATA POCKET



87799544

Provides a convenient place to store wiring diagrams, operation manuals and other documentation inside the enclosure. Adhesive-backed pockets mount inside the solid enclosure cover. Mounting hardware included. Thermoplastic pockets are dark gray and have cut-away areas for easy inspection of contents.

BULLETIN: UX1Y

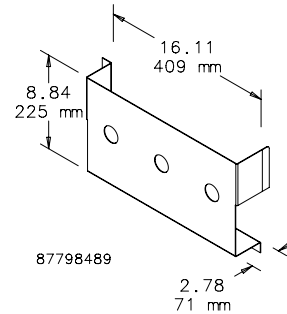
Catalog Number	Description	Size L x W in./mm
ADP1	Small pocket	6.00 x 6.00 152 x 152
ADP2	Large pocket	12.00 x 12.00 305 x 305

### STEEL DATA POCKET

Steel Data Pocket fastens to the bottom of the door. Finish is RAL 7035 textured light-gray polyester powder paint. Door Bar Grid Straps (purchased separately) must be used to change the vertical mounting position of the Data Pocket.

BULLETIN: P20

Catalog Number	AxBxC in./mm	Description
PDP1	16.46 x 8.82 x 2.83 418 x 224 x 72	Single size fits all door widths

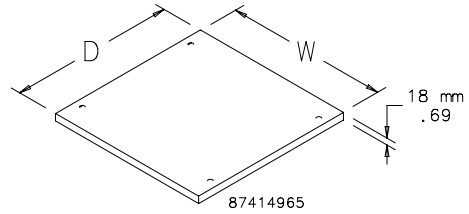


87798489



**SOLID TOPS**


Solid Tops are used to close the top opening on an enclosure frame. Steel Tops are finished in RAL 7035 textured light gray. EMC Solid Tops are finished with paint over plated surfaces. Solid Tops are gasketed and include ground studs. Bolts are included to hold the top in place (lifting eyes can be used instead of bolts). Tops are made of 16-gauge steel.


**BULLETIN: P20, P20EM, P20S**

Catalog Number	Type	Frame Type	Fits Frame B x C	W (mm)	W (in.)	D (mm)	D (in.)
PT45	Steel	Single-Bay	400 x 500	399	15.71	499	19.65
PT46	Steel	Single-Bay	400 x 600	399	15.71	599	23.58
PT64	Steel	Single-Bay	600 x 400	592	23.31	399	15.71
PT64HF2	EMC	Single-Bay	600 x 400	592	23.31	399	15.71
PT65	Steel	Single-Bay	600 x 500	592	23.31	499	19.65
PT66	Steel	Single-Bay	600 x 600	592	23.31	599	23.58
PT66HF2	EMC	Single-Bay	600 x 600	592	23.31	599	23.58
PT66SS	Stainless Steel	Single-Bay	600 x 600	592	23.31	599	23.58
PT68	Steel	Single-Bay	600 x 800	592	23.31	799	31.46
PT68HF2	EMC	Single-Bay	600 x 800	592	23.31	799	31.46
PT68SS	Stainless Steel	Single-Bay	600 x 800	592	23.31	799	31.46
PT76	Steel	Single-Bay	700 x 600	692	27.24	599	23.58
PT76HF2	EMC	Single-Bay	700 x 600	692	27.24	599	23.58
PT78	Steel	Single-Bay	700 x 800	692	27.24	799	31.46
PT78HF2	EMC	Single-Bay	700 x 800	692	27.24	799	31.46
PT79	Steel	Single-Bay	700 x 900	692	27.24	899	35.39
PT79HF2	EMC	Single-Bay	700 x 900	692	27.24	899	35.39
PT84	Steel	Single-Bay	800 x 400	792	31.18	399	15.71
PT84HF2	EMC	Single-Bay	800 x 400	792	31.18	399	15.71
PT85	Steel	Single-Bay	800 x 500	792	31.18	499	19.65
PT85HF2	EMC	Single-Bay	800 x 500	792	31.18	499	19.65
PT86	Steel	Single-Bay	800 x 600	792	31.18	599	23.58
PT86HF2	EMC	Single-Bay	800 x 600	792	31.18	599	23.58
PT86SS	Stainless Steel	Single-Bay	800 x 600	792	31.18	599	23.58
PT88	Steel	Single-Bay	800 x 800	792	31.18	799	31.46
PT88HF2	EMC	Single-Bay	800 x 800	792	31.18	799	31.46
PT88SS	Stainless Steel	Single-Bay	800 x 800	792	31.18	799	31.46
PT89	Steel	Single-Bay	800 x 900	792	31.18	799	31.46
PT89HF2	EMC	Single-Bay	800 x 900	792	31.18	799	31.46
PT105	Steel	Single-Bay	1000 x 500	992	39.06	499	19.65
PT105HF2	EMC	Single-Bay	1000 x 500	992	39.06	499	19.65
PT106	Steel	Single-Bay	1000 x 600	992	39.06	599	23.58
PT106SS	Stainless Steel	Single-Bay	1000 x 600	992	39.06	599	23.58
PT106HF2	EMC	Single-Bay	1000 x 600	992	39.06	599	23.58
PT108	Steel	Single-Bay	1000 x 800	992	39.06	799	31.46
PT108HF2	EMC	Single-Bay	1000 x 800	992	39.06	799	31.46
PT108SS	Stainless Steel	Single-Bay	1000 x 800	992	39.06	799	31.46
PT124	Steel	Double-Bay	1200 x 400	1192	46.93	399	15.71
PT125	Steel	Double-Bay	1200 x 500	1192	46.93	499	19.65
PT126	Steel	Double-Bay	1200 x 600	1192	46.93	599	23.58
PT126SS	Stainless Steel	Double-Bay	1200 x 600	1192	46.93	599	23.58
PT128	Steel	Double-Bay	1200 x 800	1192	46.93	799	31.46
PT128SS	Stainless Steel	Double-Bay	1200 x 800	1192	46.93	799	31.46
PT165	Steel	Double-Bay	1600 x 500	1592	62.68	499	19.65
PT166	Steel	Double-Bay	1600 x 600	1592	62.68	599	23.58
PT168	Steel	Double-Bay	1600 x 800	1592	62.68	799	31.46

**VENTED TOP WITH INTEGRAL FAN TRAY**



tray with three pre-wired and mounted fans provides up to 200-300 CFM of exhaust.

The deeper vented tops (500- through 800-mm deep) have integral fan trays with cutouts for mounting additional fans (see Additional Fans table). Accessory fan kits (consisting of three pre-wired fans) can be installed to provide additional airflow. Unused fan positions are provided with covers to prevent short-circuiting of airflow. Since the fan pulls air through the enclosure to cool equipment, an optional Inlet Vent (catalog number PPV32 or PPV32B) must be ordered separately. Vented tops are 16-gauge steel and finished with RAL 7035 light-gray textured polyester powder paint. EMC tops are finished with paint over plated 16-gauge surfaces.

The vented top is designed to be used in place of a standard top. Bolts are provided to secure vented top to frame. The enclosure can be lifted with a vented top installed (requires accessory lifting eyes).

**BULLETIN: DPC, P20EM**

**INDUSTRY STANDARDS**

UL Component Recognized; Type 1; File No. E61997  
 This component is rated UL Type 1. Installing this component on an enclosure brings the enclosure rating to UL Type 1.

*This component is rated UL Type 1. Installing this component on an enclosure brings the enclosure rating to UL Type 1.*  
 NEMA/EEMAC Type 1  
 IEC 60529, IP20

Vented Top with Integral Fan Tray provides a cooling/ventilation solution for electronic and networking applications. An integral fan

Catalog Number	Type	Voltage	Fits Frame Top B x C	W (mm)	W (in.)	D (mm)	D (in.)
PVT3F641	Steel	115	600 x 400	591	23.26	392	15.46
PVT3F651	Steel	115	600 x 500	592	23.31	493	19.40
PVT3F651EMC	EMC	115	600 x 500	591	23.26	493	19.40
PVT3F661	Steel	115	600 x 600	591	23.26	593	23.33
PVT3F661EMC	EMC	115	600 x 600	591	23.26	593	23.34
PVT3F681	Steel	115	600 x 800	591	23.26	793	31.12
PVT3F681EMC	EMC	115	600 x 800	591	23.26	793	31.21
PVT3F761	Steel	115	700 x 600	691	27.20	593	23.34
PVT3F761EMC	EMC	115	700 x 600	691	27.20	593	23.34
PVT3F781	Steel	115	700 x 800	691	27.20	793	31.21
PVT3F781EMC	EMC	115	700 x 800	691	27.20	793	31.21
PVT3F791	Steel	115	700 x 900	691	27.20	893	35.15
PVT3F791EMC	EMC	115	700 x 900	691	27.20	893	35.15
PVT3F841	Steel	115	800 x 400	791	31.13	393	15.46
PVT3F851	Steel	115	800 x 500	792	31.18	493	19.40
PVT3F851EMC	EMC	115	800 x 500	791	31.13	493	19.40
PVT3F861	Steel	115	800 x 600	792	31.18	593	23.34
PVT3F861EMC	EMC	115	800 x 600	791	31.13	593	23.34
PVT3F881	Steel	115	800 x 800	792	31.18	793	31.21
PVT3F881EMC	EMC	115	800 x 800	791	31.13	793	31.21
PVT3F642	Steel	230	600 x 400	591	23.26	393	15.46
PVT3F652	Steel	230	600 x 500	591	23.26	493	19.40
PVT3F652EMC	EMC	230	600 x 500	591	23.26	493	19.40
PVT3F662	Steel	230	600 x 600	591	23.26	593	23.34
PVT3F662EMC	EMC	230	600 x 600	591	23.26	593	23.34
PVT3F682	Steel	230	600 x 800	591	23.26	793	31.21
PVT3F682EMC	EMC	230	600 x 800	591	23.26	793	31.21
PVT3F762	Steel	230	700 x 600	691	27.20	593	23.34
PVT3F762EMC	EMC	230	700 x 600	691	27.20	593	23.34
PVT3F782	Steel	230	700 x 800	691	27.20	793	31.21
PVT3F782EMC	EMC	230	700 x 800	691	27.20	793	31.21
PVT3F792	Steel	230	700 x 900	691	27.20	893	35.15
PVT3F792EMC	EMC	230	700 x 900	691	27.20	893	35.15
PVT3F842	Steel	230	800 x 400	791	31.13	393	15.46
PVT3F852	Steel	230	800 x 500	791	31.13	493	19.40
PVT3F852EMC	EMC	230	800 x 500	791	31.13	493	19.40
PVT3F862	Steel	230	800 x 600	791	31.13	593	23.34
PVT3F862EMC	EMC	230	800 x 600	791	31.13	593	23.34
PVT3F882	Steel	230	800 x 800	791	31.13	793	31.21
PVT3F882EMC	EMC	230	800 x 800	791	31.13	793	31.21



**Additional Fans**

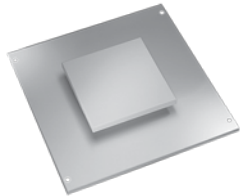
Catalog Number	Voltage	Description
PVT3F1	115	3-fan kit
PVT3F2	230	3-fan kit

**Number of Fans for Frame Depth**

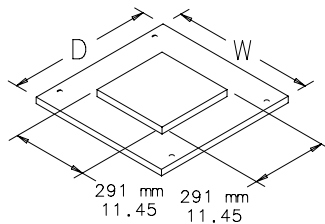
Frame Depth	Number of Fans Provided	Maximum Number of Fans Possible
400	3	3
500	3	6
600	3	6
800	3	9
900	3	9

**Individual Fan Performance**

Fan Performance	50 Hz	60 Hz
Airflow @ in. static pressure	95 CFM (162 cu. m/hr)	113 CFM (192 cu. m/hr)
Maximum static pressure W.C.	0.29 in. (73 Pa)	0.35 in. (98 Pa)
Maximum ambient temp	158 F (70 C)	158 F (70 C)
Power consumption	15 W	14 W

**PAGODA TOPS**


Pagoda Tops are available to fit on standard frames. Design features a drip-proof raised pagoda vent with a 115-volt integral axial exhaust fan. Double-bay Pagoda Tops have one drip-proof raised pagoda vent opening positioned over one bay that can be oriented for right or left ventilation. Pagoda Tops are finished with RAL 7035 textured light-gray polyester powder paint. Bolts secure pagoda top to frame (lifting eyes can be used instead of bolts).

**BULLETIN: P20**


87417326

Catalog Number	Gauge	Frame Type	Fits Frame Top B x C	W mm/in.	D mm/in.
PPT64	16	Single-Bay	600 x 400	592 23.30	399 15.70
PPT65	16	Single-Bay	600 x 500	592 23.30	499 19.64
PPT66	16	Single-Bay	600 x 600	592 23.30	599 23.57
PPT68	16	Single-Bay	600 x 800	592 23.30	799 31.45
PPT76	16	Single-Bay	700 x 600	692 27.24	599 23.57
PPT78	16	Single-Bay	700 x 800	692 27.24	799 31.45
PPT79	14	Single-Bay	700 x 900	692 27.24	899 35.39
PPT84	16	Single-Bay	800 x 400	592 23.30	399 15.70
PPT85	16	Single-Bay	800 x 500	792 31.17	499 19.64
PPT86	16	Single-Bay	800 x 600	792 31.17	599 23.57
PPT88	14	Single-Bay	800 x 800	792 31.17	799 31.45
PPT89	14	Single-Bay	800 x 900	792 31.17	899 35.39
PPT105	16	Single-Bay	1000 x 500	992 39.05	499 19.64
PPT106	16	Single-Bay	1000 x 600	992 39.05	599 23.57
PPT108	14	Single-Bay	1000 x 800	992 39.05	799 31.45
PPT125	16	Double-Bay	1200 x 500	1192 46.92	499 19.64
PPT126	16	Double-Bay	1200 x 600	1192 46.92	599 23.57
PPT128	14	Double-Bay	1200 x 800	1192 46.92	799 31.45
PPT165	16	Double-Bay	1600 x 500	1592 62.67	499 19.64
PPT166	16	Double-Bay	1600 x 600	1592 62.67	599 23.57
PPT168	14	Double-Bay	1600 x 800	1592 62.67	799 31.45

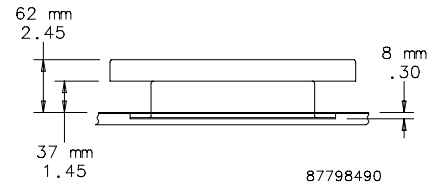
**PAGODA EXHAUST VENTS**



Pagoda Exhaust Vents can be field-installed on any PROLINE™ solid top. An axial fan and finger guard are mounted in a housing. A drip-proof raised cover is removable from inside the enclosure. Gasket and mounting hardware are included. Vent housing and raised cover are 14 gauge steel finished with RAL 7035 textured light-gray polyester powder paint.

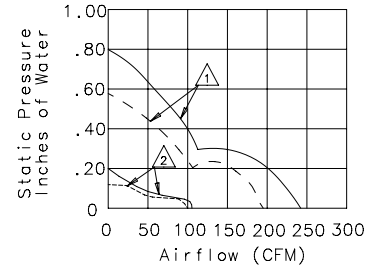
**BULLETIN: DTHRM, P20**

Catalog Number	Description	Volts
PPT1	Leadwires	115
PPT1C	Power cord	115
PPT2	Leadwires	230



87798490

**Performance Curve: 6 in. Fans**

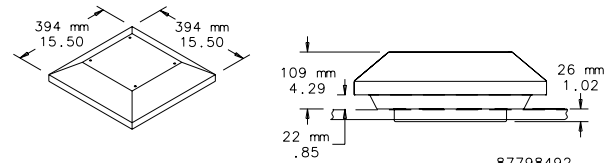
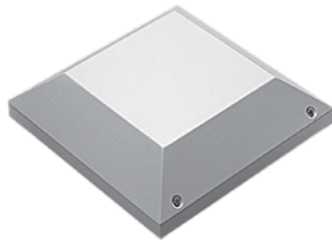


(Curves represent fan performance only.)

△ FNPG, FN, FN2 models ——— 60 Hz  
 △ FNGQ models - - - - - 50 Hz

87924791

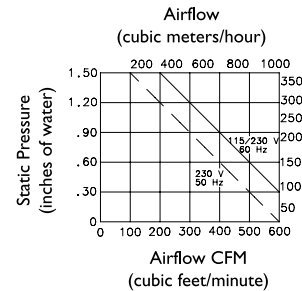
**HIGH-PERFORMANCE PAGODA EXHAUST VENT**



87798492

Vents fit on standard PROLINE™ top with vent cutout or can be field-installed on any PROLINE solid top. The Pagoda Vent features an integral centrifugal blower mounted in a housing that includes a drip-proof removable hood, wire mesh finger guard, perimeter gasket and terminal block. Electromagnetic-compatible (EMC) Pagoda Vents include a conductive screen, conductive gasket, line filter and 6-ft. power cord with stripped leads. Pagoda Vent housing and hood are rugged 16 gauge steel finished with RAL 7035 textured light-gray polyester powder paint. EMC vents are finished with paint over plated surfaces. Installation hardware is included.

**BULLETIN: DTHRM, P20, P20EM**



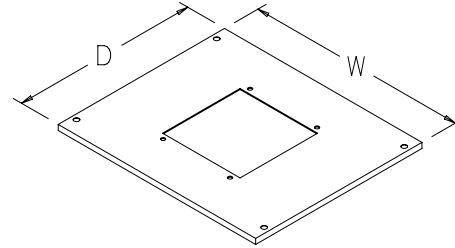
87798491

Catalog Number	Description	Voltage	Full Load Amps	Use With
PPTH1	Leadwires	115	1.7	Top with high-performance pagoda vent cutout
PPTH1C	Power cord	115	1.7	Top with high-performance pagoda vent cutout
PPTH1EMC	Power cord	115	1.7	Top with high-performance pagoda vent cutout on EMC enclosures
PPTH2	Leadwires	230	.9	Top with high-performance pagoda vent cutout
PPTH2EMC	Power cord	230	.9	Top with high-performance pagoda vent cutout



**TOP WITH CUTOUT FOR HIGH-PERFORMANCE PAGODA EXHAUST VENT**


The tops fit standard frames. Single-bay tops have a cutout that accepts one high-performance pagoda vent. Double-bay tops have one cutout that can be oriented for left-bay or right-bay pagoda ventilation. Tops are finished with textured light-gray RAL 7035 polyester powder paint. EMC tops are finished with paint over plated surfaces. Bolts are furnished to hold top in position (lifting eyes can be used in place of bolts). Top is gasketed and made of 16-gauge steel. Ground studs are included. Consult Hoffman for delivery.

**BULLETIN: P20, P20EM**


87417327

Catalog Number	Fits Frame Top B x C	W (mm)	W (in.)	D (mm)	D (in.)
PPTHP65	600 x 500	592	23.30	499	19.64
PPTHP65EMC	600 x 500	592	23.30	499	19.64
PPTHP66	600 x 600	592	23.30	599	23.57
PPTHP66EMC	600 x 600	592	23.30	599	23.57
PPTHP68	600 x 800	592	23.30	799	31.45
PPTHP76	700 x 600	692	27.24	599	23.57
PPTHP76EMC	700 x 600	692	27.24	599	23.57
PPTHP78EMC	700 x 800	692	27.24	799	31.45
PPTHP79	700 x 900	692	27.24	899	35.39
PPTHP79EMC	700 x 900	692	27.24	899	35.39
PPTHP85	800 x 500	792	31.17	499	19.64
PPTHP85EMC	800 x 500	792	31.17	499	19.64
PPTHP86	800 x 600	792	31.17	599	23.57
PPTHP86EMC	800 x 600	792	31.17	599	23.57
PPTHP88	800 x 800	792	31.17	799	31.45
PPTHP88EMC	800 x 800	792	31.17	799	31.45
PPTHP89EMC	800 x 900	792	31.17	899	35.39
PPTHP105	1000 x 500	992	39.05	499	19.64
PPTHP105EMC	1000 x 500	992	39.05	499	19.64
PPTHP106	1000 x 600	992	39.05	599	23.57
PPTHP106EMC	1000 x 600	992	39.05	599	23.57
PPTHP108	1000 x 800	992	39.05	799	31.45
PPTHP108EMC	1000 x 800	992	39.05	799	31.45
PPTHP125EMC	1200 x 500	1192	46.95	499	19.64
PPTHP126	1200 x 600	1192	46.92	599	23.57
PPTHP126EMC	1200 x 600	1192	46.92	599	23.57
PPTHP128	1200 x 800	1192	46.92	799	31.45
PPTHP128EMC	1200 x 800	1192	46.92	799	31.45
PPTHP165	1600 x 500	1192	62.67	499	19.64
PPTHP165EMC	1600 x 500	1592	62.67	499	19.64
PPTHP166	1600 x 600	1592	62.67	599	23.57
PPTHP166EMC	1600 x 600	1592	62.67	599	23.57
PPTHP168	1600 x 800	1592	62.67	799	31.45
PPTHP168EMC	1600 x 800	1592	62.67	799	31.45

**TOP-MOUNT AIR CONDITIONER**

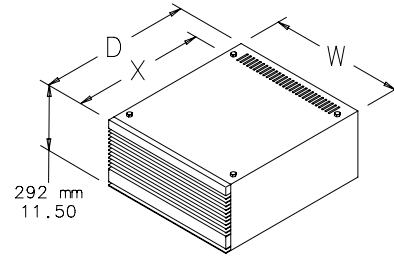


Top-Mount Air Conditioners replace the solid top in a standard assembly. Air conditioners require no hole cutting or special kits for installation. These air conditioners are available with cooling capacities of 2200 and 4000 BTU/hr. and are equipped with an adjustable thermostat for optimal enclosure temperature

regulation. Top-Mount Air Conditioners are finished with RAL 7035 textured light-gray polyester powder paint. *Installing this air conditioner on an enclosure maintains the Type 12 rating.*

1. Gasket kit and hardware for mounting to enclosure are included.
2. Condensate overflow drain hose included.

**BULLETIN: MCL, PAC**



87414969

Catalog Number	W x D mm/in.	Fits Frame Top B x C	X mm/in.	FLA @				BTU/Hr. (W) @		BTU/Hr. (W) @		Max. Amb. Temp. °F	Max. Amb. Temp. °C	Ship Wt. (lb.)	Ship Wt. (kg)
				Max. Amb. Temp. 115/60	Max. Amb. Temp. 115/50	Max. Amb. Temp. 230/60	Max. Amb. Temp. 230/50	Max. Amb. Temp. 115/60	Max. Amb. Temp. 115/50	Max. Amb. Temp. 230/60	Max. Amb. Temp. 230/50				
PAC226T64	592 x 400 23.31 x 15.75	600 x 400	315 12.38	—	—	3.6	4.2	—	—	2800 (819)	2500 (731)	125	52	125	57
PAC226T65	592 x 400 23.31 x 15.75	600 x 500	414 16.31	—	—	3.6	4.2	—	—	2800 (819)	2500 (731)	125	52	133	60
PAC216T66	592 x 600 23.31 x 23.62	600 x 600	514 20.25	6.8	6.8	—	—	2200 (702)	2200 (644)	—	—	125	52	140	64
PAC226T66	592 x 600 23.31 x 23.62	600 x 600	514 20.25	—	—	3.6	4.2	—	—	2800 (819)	2500 (731)	125	52	140	64
PAC216T84	792 x 400 31.19 x 15.75	800 x 400	315 12.38	6.8	6.8	—	—	2200 (702)	2200 (644)	—	—	125	52	140	64
PAC226T84	792 x 400 31.19 x 15.75	800 x 400	315 12.38	—	—	3.6	4.2	—	—	2800 (819)	2500 (731)	125	52	140	64
PAC216T85	792 x 499 31.19 x 19.62	800 x 500	414 16.31	6.8	6.8	—	—	2200 (702)	2200 (644)	—	—	125	52	150	68
PAC226T86	792 x 600 31.19 x 23.62	800 x 600	514 20.25	—	—	3.6	4.2	—	—	2800 (819)	2500 (731)	125	52	160	73
PAC416T66	592 x 600 23.31 x 23.62	600 x 600	376 14.80	13.6	14.7	—	—	2200 (1170)	3300 (965)	—	—	125	52	160	73
PAC426T66	592 x 600 23.31 x 23.62	600 x 600	376 14.80	—	—	7.5	8.0	—	—	4000 (1170)	3300 (965)	125	52	160	73
PAC416T68	592 x 800 23.31 x 31.50	600 x 800	476 18.74	13.6	14.7	—	—	4000 (1170)	3300 (965)	—	—	125	52	180	82
PAC426T68	592 x 800 23.31 x 31.50	600 x 800	476 18.74	—	—	7.5	8.0	—	—	4000 (1170)	3300 (965)	125	52	180	82
PAC416T86	792 x 600 31.19 x 23.62	800 x 600	376 14.80	13.6	14.7	—	—	4000 (1170)	3300 (965)	—	—	125	52	180	82
PAC426T86	792 x 600 31.19 x 23.62	800 x 600	376 14.80	—	—	7.5	8.0	—	—	4000 (1170)	3300 (965)	125	52	180	82
PAC416T88	792 x 800 31.19 x 31.50	800 x 800	476 18.74	13.6	14.7	—	—	4000 (1170)	3300 (965)	—	—	125	52	200	91
PAC426T88	792 x 800 31.19 x 31.50	800 x 800	476 18.74	—	—	7.5	8.0	—	—	4000 (1170)	3300 (965)	125	52	200	91



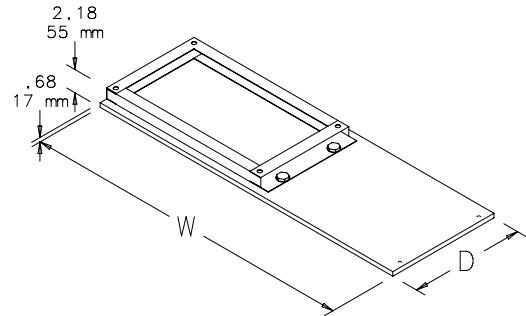


### DOUBLE-BAY AIR CONDITIONER TOP



Top provides mounting accommodations for PROLINE™ Top Mount Air Conditioners. Top can rotate for either left-side or right-side mounting for double bay frames. Finish is RAL 7035 light-gray polyester powder paint. Top cover, support bracket and mounting hardware are included in each package.

**BULLETIN: PAC**



87575760

Catalog Number	Fits Frame Top B x C	Gauge	W mm/in.	D mm/in.	Fits Top Mount Air Conditioners
PTAC126	1200 x 600	16	1192 46.93	599 23.58	PAC216T66, PAC226T66, PAC416T66, PAC426T66
PTAC128	1200 x 800	14	1192 46.93	799 31.46	PAC416T68, PAC426T68
PTAC166	1600 x 600	16	1592 62.68	599 23.58	PAC216T86, PAC226T86, PAC416T86, PAC426T86
PTAC168	1600 x 800	14	1592 62.68	799 31.46	PAC416T88, PAC426T88

### SUPPORT BRACKET KIT



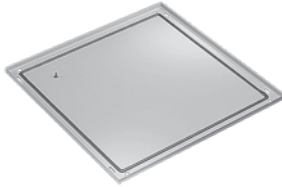
Brackets provide additional support for large air conditioners or other heavy devices that can be mounted on modular enclosure sides. Support brackets fit between the frame and sides to provide two horizontal rigid supports. They can be positioned at various heights to accommodate any size air conditioner or device.

Brackets can also be used between frames and tops for supporting heavy devices mounted on top of modular enclosures. Brackets are plated 14 gauge steel and are furnished in pairs. Hardware for mounting brackets is included.

**BULLETIN: P20**

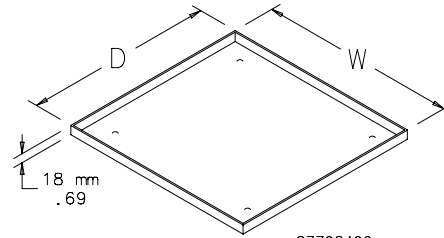
Catalog Number	Fits Frame Size
PACB4	400-mm deep frames
PACB5	500-mm deep frames
PACB6	600-mm deep frames
PACB8	800-mm deep frames

**0-MM SOLID BASE**



The 0-mm bases are finished with RAL 7035 textured light-gray polyester powder paint (except stainless steel). EMC bases are finished with paint over plated surfaces. Bases are made of 16-gauge steel.

**BULLETIN: P20, P20EM, P20S**



87798499

Catalog Number	Fits Frame B x C	W (mm)	W (in.)	D (mm)	D (in.)
PB045	400 x 500	353	13.90	453	17.83
PB046	400 x 600	353	13.90	592	23.31
PB064	600 x 400	592	23.31	353	13.90
PB064HF2	600 x 400	592	23.31	353	13.90
PB065HF2	600 x 500	592	23.31	453	17.83
PB066	600 x 600	592	23.31	553	21.77
PB066HF2	600 x 600	592	23.31	553	21.77
PB066SS	600 x 600	592	23.31	553	21.77
PB068	600 x 800	592	23.31	753	29.65
PB068HF2	600 x 800	592	23.31	753	29.65
PB068SS	600 x 800	592	23.31	753	29.65
PB076	700 x 600	692	27.24	553	21.77
PB076HF2	700 x 600	692	27.24	553	21.77
PB078	700 x 800	692	27.24	753	29.65
PB078HF2	700 x 800	692	27.24	753	29.65
PB079	700 x 900	692	27.24	853	33.58
PB079HF2	700 x 900	692	27.24	853	33.58
PB084	800 x 400	792	31.18	353	13.90
PB084HF2	800 x 400	792	31.18	353	13.90
PB085	800 x 500	792	31.18	453	17.83
PB085HF2	800 x 500	792	31.18	453	17.83
PB086	800 x 600	792	31.18	553	21.77
PB086HF2	800 x 600	792	31.18	553	21.77
PB086SS	800 x 600	792	31.18	553	21.77
PB088	800 x 800	792	31.18	753	29.65
PB088HF2	800 x 800	792	31.18	753	29.65
PB088SS	800 x 800	792	31.18	753	29.65
PB089HF2	800 x 900	792	31.18	853	33.58
PB0105	1000 x 500	992	39.06	453	17.83
PB0105HF2	1000 x 500	992	39.06	453	17.83
PB0106	1000 x 600	992	39.06	553	21.77
PB0106HF2	1000 x 600	992	39.06	553	21.77
PB0106SS	1000 x 600	992	39.06	553	21.77
PB0108	1000 x 800	992	39.06	753	29.65
PB0108SS	1000 x 800	992	39.06	753	29.65
PB0124	1200 x 400	1192	46.93	353	13.90
PB0125	1200 x 500	1192	46.93	453	17.83
PB0126	1200 x 600	1192	46.93	553	21.77
PB0126SS	1200 x 600	1192	46.93	553	21.77
PB0128	1200 x 800	1192	46.93	753	29.65
PB0165	1600 x 500	1592	62.68	453	17.83
PB0166	1600 x 600	1592	62.68	553	21.77
PB0168	1600 x 800	1592	62.68	753	29.65

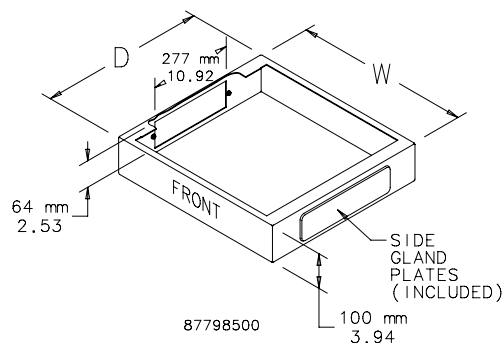


## 100-MM SOLID BASE



The 100-mm base is finished with RAL 9005 textured black polyester powder paint (except stainless steel). EMC bases are finished with paint over plated surfaces. Side gland plates and drill points for locating optional casters are included.

**BULLETIN:** P20, P20EM, P20S



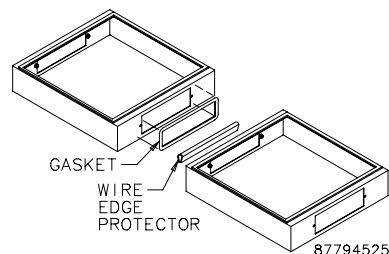
Catalog Number	Fits Frame B x C	Gauge	W (mm)	W (in.)	D (mm)	D (in.)
PB145	400 x 500	16	353	13.90	453	17.83
PB146	400 x 600	16	353	13.90	592	23.31
PB164	600 x 400	16	599	23.58	359	14.13
PB164HF	600 x 400	16	599	23.58	359	14.13
PB165	600 x 500	16	599	23.58	459	18.07
PB165HF	600 x 500	16	599	23.58	459	18.07
PB166	600 x 600	16	599	23.58	559	22.01
PB166SS	600 x 600	16	599	23.58	559	22.01
PB168	600 x 800	16	599	23.58	759	29.88
PB168HF	600 x 800	16	599	23.58	759	29.88
PB168SS	600 x 800	16	599	23.58	759	29.88
PB176	700 x 600	16	699	27.52	559	22.01
PB176HF	700 x 600	16	699	27.52	559	22.01
PB178	700 x 800	16	699	27.52	759	29.88
PB179	700 x 900	14	699	27.52	859	33.82
PB179HF	700 x 900	14	699	27.52	859	33.82
PB184	800 x 400	16	799	31.46	359	14.13
PB184HF	800 x 400	16	799	31.46	359	14.13
PB185	800 x 500	16	799	31.46	459	18.07
PB185HF	800 x 500	16	799	31.46	459	18.07
PB186	800 x 600	16	799	31.46	559	22.01
PB186HF	800 x 600	16	799	31.46	559	22.01
PB188	800 x 800	14	799	31.46	759	29.88
PB189	800 x 900	14	799	31.46	859	33.82
PB189HF	800 x 900	14	799	31.46	859	33.82
PB1105	1000 x 500	16	999	39.33	459	18.07
PB1105HF	1000 x 500	16	999	39.33	459	18.07
PB1106	1000 x 600	16	999	39.33	559	22.01
PB1106HF	1000 x 600	16	999	39.33	559	22.01
PB1106SS	1000 x 600	16	999	39.33	559	22.01
PB1108	1000 x 800	14	999	39.33	759	29.88
PB1108HF	1000 x 800	14	999	39.33	759	29.88
PB1108SS	1000 x 800	14	999	39.33	759	29.88
PB1124	1200 x 400	16	1199	47.20	359	14.13
PB1125	1200 x 500	16	1199	47.20	459	18.07
PB1126	1200 x 600	16	1199	47.20	559	22.01
PB1126SS	1200 x 600	16	1199	47.20	559	22.01
PB1128	1200 x 800	14	1199	47.20	759	29.88
PB1128SS	1200 x 800	14	1199	47.20	759	29.88
PB1165	1600 x 500	16	1599	62.95	459	18.07
PB1166	1600 x 600	16	1599	62.95	559	22.01
PB1168	1600 x 800	14	1599	62.95	759	29.88

## 100-MM SOLID BASE JOINING, SIDE-TO-SIDE

Joining provides a seal between the gland plate openings on adjacent 100-mm solid bases and is used in combination with either of the Side-to-Side Frame Joining Kits. A nylon wire edge protector (see drawing) prevents wear and abrasion of wires and cables.

**BULLETIN:** P20, P20EM

Catalog Number	Description
PJ2FB	Solid Base Joining, 100-mm Solid Bases, side-to-side
PJ2FBHF2	EMC Solid Base Joining, 100-mm Solid Bases, side-to-side



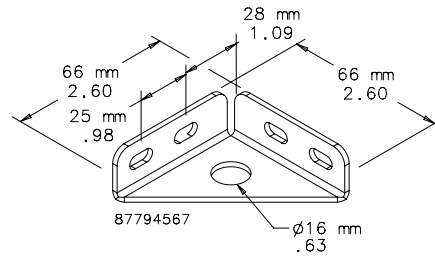
### PROLINE™ FRAME FLOOR-MOUNTING BRACKET



Provides a structural method of bolting a PROLINE™ frame to the floor. Fits all frame sizes. Made of 12 gauge steel with plated finish. Kit includes four brackets and mounting hardware. *Not for use on colocation frames, which include welded-in floor mounting brackets.*

BULLETIN: DPY

Catalog Number	Description
PFBK	PROLINE Frame Floor-Mounting Bracket



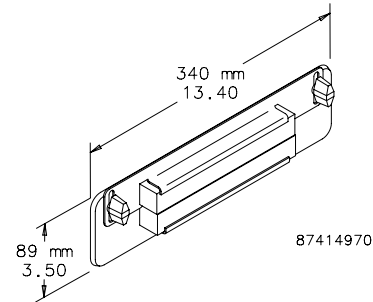
### CABLE ENTRY GLAND PLATE



Fits all standard PROLINE™ 100-mm Solid Base gland openings. Solid Base gland openings. Can be used in place of standard solid gland plates furnished with 100-mm Solid Base. Adjustable opening for cable entry is foam-lined to maintain a dust-tight seal. Cable Entry Plate is 14 gauge steel and finished with RAL 9005 textured black polyester powder paint.

BULLETIN: P20

Catalog Number	Description
PCEGP	



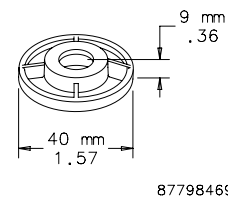
### FRAME FEET



Four die-cast feet for use on the bottom of PROLINE™ frames that raise the frame 9 mm.

BULLETIN: P20

Catalog Number	Description
PFFM12	Frame Feet



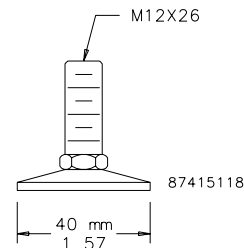
### LEVELERS

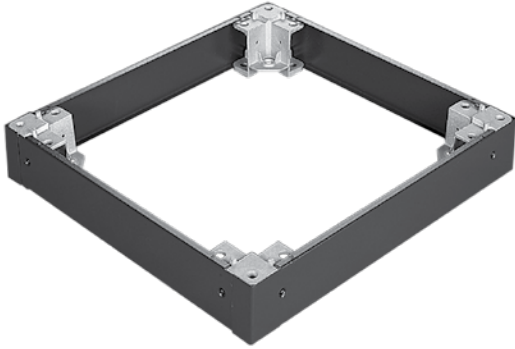


Four post-type levelers allow adjustment for uneven floors. Levelers can be attached to the bottom of a frame or to a 0-mm solid base. Levelers are plated and the leveler base is capped with plastic to provide resistance to marring. Adjustable for 17-mm to 35-mm height. Ball and socket construction. Four levelers will support a maximum of 453.6 kg (1000 lb.).

BULLETIN: P20

Catalog Number	Description
PLM12	Post-type Levelers

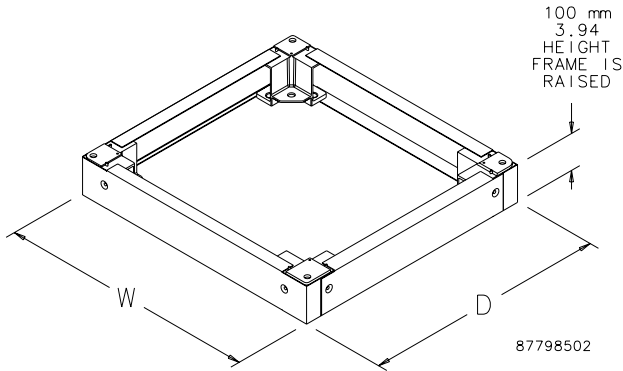


**100-MM PLINTH BASE**


Plinth Bases install under an enclosure to provide space for cables to enter from below. A Plinth Base consists of four corner supports connected to four access panels.

The corner supports are cast aluminum. The access panels are 16 gauge steel and attach to the corner supports with screws. Plinth Bases are finished with RAL 9005 black textured polyester powder paint and include all necessary mounting hardware. *Order a gland plate system to provide Type 12 protection when using a Plinth Base.*

**BULLETIN: P20**



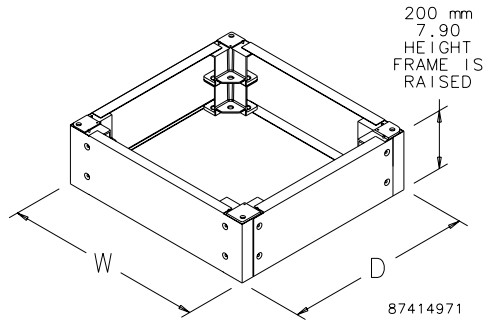
Catalog Number	Fits Frame B x C	W mm/in.	D mm/in.
PPB145	400 x 500	399 15.71	459 18.07
PPB146	400 x 600	399 15.71	559 22.01
PPB164	600 x 400	599 23.58	359 14.13
PPB165	600 x 500	599 23.58	459 18.07
PPB166	600 x 600	599 23.58	559 22.01
PPB168	600 x 800	599 23.58	759 29.88
PPB176	700 x 600	699 27.52	559 22.01
PPB178	700 x 800	699 27.52	759 29.88
PPB179	700 x 900	699 27.52	859 33.82
PPB184	800 x 400	799 31.46	359 14.13
PPB185	800 x 500	799 31.46	459 18.07
PPB186	800 x 600	799 31.46	559 22.01
PPB188	800 x 800	799 31.46	759 29.88
PPB189	800 x 900	799 31.46	859 33.82
PPB1105	1000 x 500	999 39.33	459 18.07
PPB1106	1000 x 600	999 39.33	559 22.01
PPB1108	1000 x 800	999 39.33	759 29.88
PPB1124	1200 x 400	1199 47.20	359 14.13
PPB1125	1200 x 500	1199 47.20	459 18.07
PPB1126	1200 x 600	1199 47.20	559 22.01
PPB1128	1200 x 800	1199 47.20	759 29.88
PPB1165	1600 x 500	1599 62.95	459 18.07
PPB1166	1600 x 600	1599 62.95	559 22.01
PPB1168	1600 x 800	1599 62.95	759 29.88

**200-MM PLINTH BASE** **A-TEO**



Plinth Bases install under an enclosure to provide space for cables to enter from below. A Plinth Base consists of eight corner supports connected to four access panels. The corner supports are cast aluminum. The access panels are 16 gauge steel and attach to the corner supports with screws. Plinth Bases have are finished with RAL 9005 black textured polyester powder paint and include all necessary mounting hardware.  
*Order a gland plate system to provide Type 12 protection when using a plinth base.*

**BULLETIN: P20**



Catalog Number	Fits Frame B x C	W mm/in.	D mm/in.
PPB245	400 x 500	399 15.71	459 18.07
PPB266	600 x 600	599 23.58	559 22.01
PPB268	600 x 800	599 23.58	759 29.88
PPB276	700 x 600	699 27.52	559 22.01
PPB279	700 x 900	699 27.52	859 33.82
PPB284	800 x 400	799 31.46	359 14.13
PPB285	800 x 500	799 31.46	459 18.07
PPB286	800 x 600	799 31.46	559 22.01
PPB288	800 x 800	799 31.46	759 29.88
PPB289	800 x 900	799 31.46	859 33.82
PPB2105	1000 x 500	999 39.33	459 18.07
PPB2106	1000 x 600	999 39.33	559 22.01
PPB2108	1000 x 800	999 39.33	759 29.88
PPB2124	1200 x 400	1199 47.20	359 14.13
PPB2125	1200 x 500	1199 47.20	459 18.07
PPB2126	1200 x 600	1199 47.20	559 22.01
PPB2128	1200 x 800	1199 47.20	759 29.88
PPB2165	1600 x 500	1599 62.95	459 18.07
PPB2166	1600 x 600	1599 62.95	559 22.01
PPB2168	1600 x 800	1599 62.95	759 29.88



## VENTED PLINTH BASE COVERS



Vented Plinth Base Covers install in the front and rear openings of a standard plinth base in place of Solid Covers. Vented covers allow air to circulate into the enclosure. Vented Plinth Base Covers are available in 100-mm and 200-mm heights. These covers are finished with RAL 9005 black polyester powder paint and include all necessary mounting hardware.

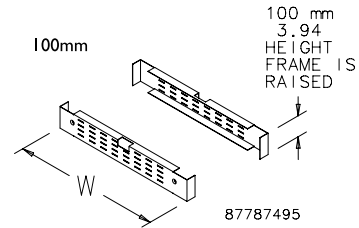
*A standard plinth base must be ordered in combination with Vented Plinth Base covers to form a Vented Plinth Base. If using a gland plate with the Vented Plinth Base, order a vented gland plate to provide air circulation through the bottom of the enclosure.*

BULLETIN: P20

### 100-mm Vented Plinth Base Covers

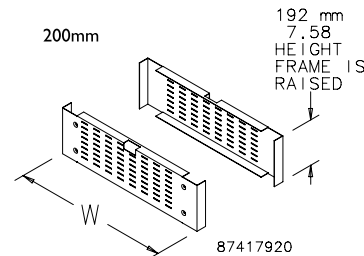
Catalog Number	Fits Frame Type	Fits Frame (B dimension)	W mm/in.
PPBCV1600	Single-Bay	600	599 23.58
PPBCV1700	Single-Bay	700	699 27.52
PPBCV1800	Single-Bay	800	799 31.46
PPBCV11000	Single-Bay	1000	999 39.33
PPBCV11200	Double-Bay	1200	1199 47.20
PPBCV11600	Double-Bay	1600	1599 62.95

Vented Plinth Base Covers



### 200-mm Vented Plinth Base Covers

Catalog Number	Fits Frame Type	Fits Frame (B dimension)	W mm/in.
PPBCV2600	Single-Bay	600	599 23.58
PPBCV2700	Single-Bay	700	699 27.52
PPBCV2800	Single-Bay	800	799 31.46
PPBCV21000	Single-Bay	1000	999 39.33
PPBCV21600	Double-Bay	1600	1599 62.95



## PLINTH BASE STACKING KIT



Plinth bases are stackable with a maximum recommendation of 400-mm high. Kit consists of eight bolts and nuts and eight each of two types of washers used to join plinth bases.

BULLETIN: P20

## REPLACEMENT FILTER KIT FOR FILTERED GLAND PLATE

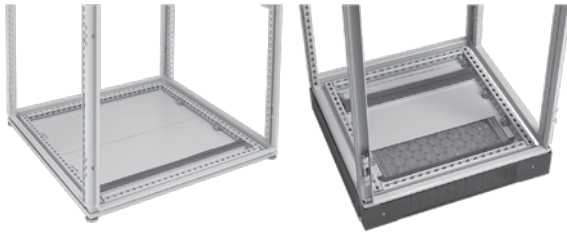
Kit includes 12 disposable two-ply polyester replacement filters for filtered gland plates. Two filters are required for double-bay frames.

BULLETIN: P20

Catalog Number	Description
PPBSK	Plinth Base Stacking Kit

Catalog Number	Filter Size mm/in.	Fits Frame B x C
PFK4012	406 x 127 16.00 x 5.00	600 x 400
PFK6020	609 x 203 24.00 x 8.00	800 x 500, 800 x 600, 800 x 800, 800 x 900, 1600 x 500, 1600 x 600, 1600 x 800
PFK8120	813 x 203 32.00 x 8.00	1000 x 500, 1000 x 600, 1000 x 800

**GLAND PLATES**



Adjustable Gland Plates are used to seal the bottom of the PROLINE™ frame. Solid, vented and shielded Gland Plates are available. Solid and filtered gland plates include covers that are gasketed to maintain Type 12 enclosure requirements. Gland plates are 16 gauge steel and are finished with RAL 7035 textured light-gray polyester powder paint. EMC Gland Plates are finished with paint over plated surfaces. All installation hardware is included.

*Solid Gland Plate and EMC Gland Plate are accessories to 100-mm Solid Base, 100-mm/200-mm Plinth Base, Mobile Base and Transportation Base. These gland plates can be used without a base if casters, levelers or frame feet are installed. EMC Gland Plate maintains a Type 1 rating.*

**Solid Gland Plate**

The Solid Gland Plate can be used with all PROLINE subpanels or rack angles. The gland plate consists of a base mounting surface and two adjustable foam-gasketed plates that permit cable entry. The plate can be rotated 180 degrees for front or rear cable entry.

**Filtered (Vented) Gland Plate**

Filtered Gland Plate is used only in conjunction with Vented Plinth Base Covers. The plate can be used with all PROLINE subpanels or rack angles. It consists of a mounting base, three adjustable plates for cable entry, a filter and filter retaining rails. Manufactured from 16 gauge steel and finished with RAL 7035 textured light-gray polyester powder paint. Replacement filters available.

**EMC Gland Plate**

This gland plate can be used with subpanels or rack angles. Gland plate consists of a base mounting surface and two adjustable gland plates (both have a conductive coating) with conductive fabric-over-foam gasket for cable entry.

**BULLETIN: P20**

**Gland Plates for Single-Bay Frames**

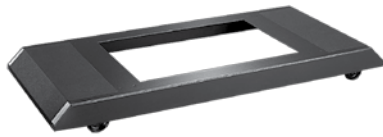
Catalog Number	Type	Fits Frame Size, Width	Fits Frame Size, Depth
PGP64	Solid	600	400
PGP64AHF	EMC	600	400
PGPV64	Filtered	600	400
PGP65	Solid	600	500
PGP65AHF	EMC	600	500
PGPV65	Filtered	600	500
PGP66	Solid	600	600
PGP66AHF	EMC	600	600
PGPV66	Filtered	600	600
PGP68	Solid	600	800
PGP68AHF	EMC	600	800
PGPV68	Filtered	600	800
PGPV76	Filtered	700	600
PGP78	Solid	700	800
PGP78AHF	EMC	700	800
PGPV78	Filtered	700	800
PGP79	Solid	700	900
PGP79AHF	EMC	700	900
PGPV79	Filtered	700	900
PGP84	Solid	800	400
PGP84AHF	EMC	800	400
PGP85	Solid	800	500
PGP85AHF	EMC	800	500
PGPV85	Filtered	800	500
PGP86	Solid	800	600
PGP86AHF	EMC	800	600
PGPV86	Filtered	800	600
PGP88	Solid	800	800
PGP88AHF	EMC	800	800
PGPV88	Filtered	800	800
PGP89	Solid	800	900
PGP89AHF	EMC	800	900
PGPV89	Filtered	800	900
PGP105	Solid	1000	500
PGP105AHF	EMC	1000	500
PGPV105	Filtered	1000	500
PGP106	Solid	1000	600
PGP106AHF	EMC	1000	600
PGPV106	Filtered	1000	600
PGP108	Solid	1000	800
PGP108AHF	EMC	1000	800
PGPV108	Filtered	1000	800





**Gland Plates for Double-Bay Frames**

Catalog Number	Type	Fits Frame Size, Width	Fits Frame Size, Depth
PGP124	Solid	1200	400
PGP125	Solid	1200	500
PGPV125	Filtered	1200	500
PGP126	Solid	1200	600
PGPV126	Filtered	1200	600
PGP128	Solid	1200	800
PGPV128	Filtered	1200	800
PGP165	Solid	1600	500
PGPV165	Filtered	1600	500
PGP166	Solid	1600	600
PGPV166	Filtered	1600	600
PGP168	Solid	1600	800
PGPV168	Filtered	1600	800
PGP185	Solid	1800	500
PGP186	Solid	1800	600

**MOBILE BASE**


Mobile Bases fit 600- and 800-mm wide frames. They extend beyond the front and rear of 600-mm cabinets to provide enhanced stability. Provides front extension only on 800-mm cabinets. Constructed of steel finished in RAL 9005 textured black polyester powder paint. The base fastens to the underside of the frame and provides integral mounting of furnished casters. The front and rear top surfaces of the base are trimmed with black rubber mats 3-mm thick. Casters and mounting hardware are furnished.

**Four non-locking casters provide a maximum load-bearing capacity of 1000 lb. (453.6 kg).**

Exercise care when using casters to move the cabinet. Avoid tipping and damage to the cabinet and its contents by slowly moving the cabinet on its casters across smooth, flat flooring. Avoid:

- large cracks
- floor displacement
- seams
- gravel
- any other obstruction

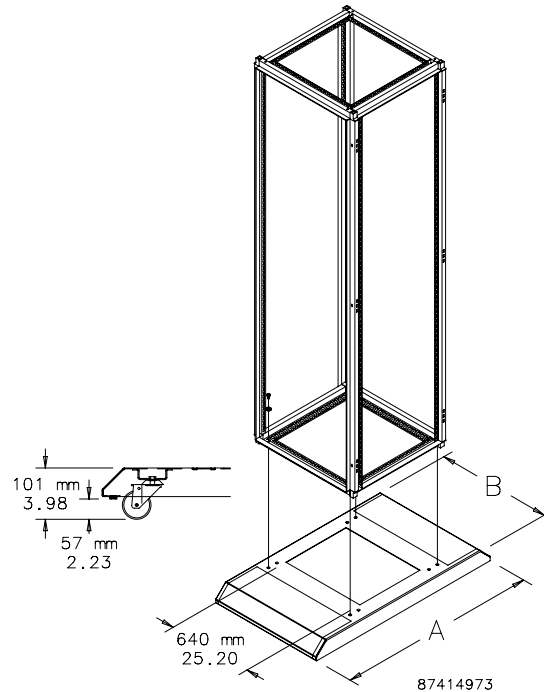
**Never use casters while transporting a cabinet by truck on roadways.**

Contact Hoffman if further information is needed.

BULLETIN: P20

Catalog Number	AxB in.	AxB mm	Fits Frame B x C (mm)
PMB66	40.91 x 23.62	1039 x 600	600 x 500 and 600 x 600
PMB69	52.72 x 23.62	1339 x 600	600 x 800 and 600 x 900

Catalog Number	AxB in.	AxB mm	Fits Frame B x C (mm)
PMB86	40.91 x 31.50	1039 x 800	800 x 500 and 800 x 600
PMB89	52.72 x 31.50	1339 x 800	800 x 800 and 800 x 900



87414973

**MOBILE BASE LEVELING KIT**


Levelers mount in the outer corners of the Mobile Base, providing load-bearing capacity of 1000 lb. (453.6 kg).

BULLETIN: P20

Catalog Number	Description	Use with
PMBLM12	Mobile Base Leveling Kit	Mobile Base

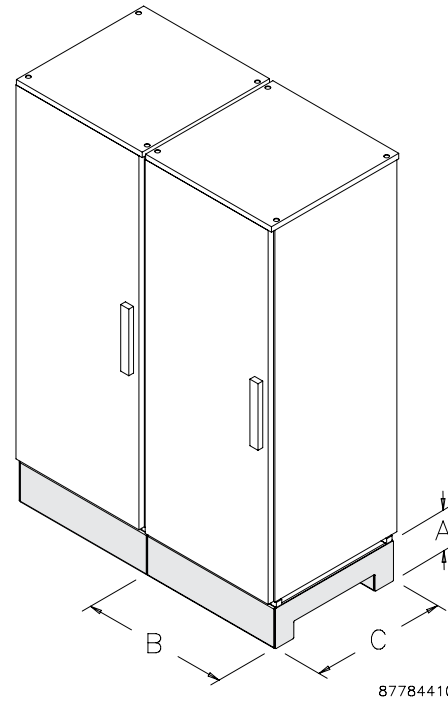
### PROLINE™ TRANSPORTATION BASE



PROLINE™ Transportation Bases provide safe transportation for PROLINE frames, from a single bay up to a maximum of 3000 mm (118.11 in.) in a multiple-bay system. Transportation bases can be configured in a variety of combinations. Constructed from 10 gauge steel and finished with RAL 9005 textured black polyester powder paint. Unique design allows ROL-A-LIFT® lifting access from each end. A removable gland plate allows wire access between bases. ROL-A-LIFT is a trademark of Skarnes Inc.

**BULLETIN: P20**

Catalog Number	AxBxC in.	AxBxC mm
PTB166	6.57 x 23.62 x 23.62	167 x 600 x 600
PTB168	6.57 x 23.62 x 31.50	167 x 600 x 800
PTB176	0.00	
PTB178	0.00	
PTB186	6.57 x 31.50 x 23.62	167 x 800 x 600
PTB188	0.00	
PTB1106	6.57 x 39.37 x 23.62	167 x 1000 x 600
PTB1108	0.00	
PTB1126	6.57 x 47.24 x 23.62	167 x 1200 x 600

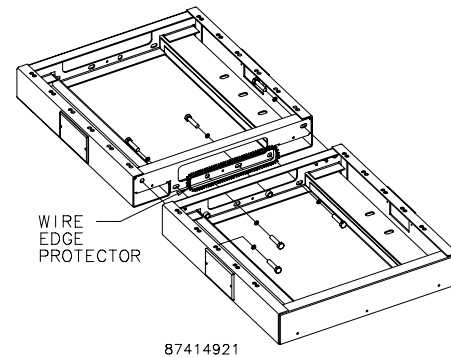


### TRANSPORTATION BASE JOINING, SIDE-TO-SIDE

Interconnects transportation bases. No provision for environmental seal. Grommet, applied to edge of wire feed, is furnished. Kit consists of six M10 bolts and washers.

**BULLETIN: P20**

Catalog Number	Description
PTJT	Transportation Base Joining, Side-to-Side



**CASTER KIT**


A set of four casters (two locking, two non-locking) that mount directly to the bottom of a PROLINE™ frame, 0-mm, or 100-mm Solid Base or a Console. **(Do not use on plinth bases.)** Casters elevate the enclosure 110 mm (4.33 in.) when installed. Caster frames are plated steel with ball-bearing pivots. Caster wheels are made of a black polyamide material. Kit includes M12 mounting hardware. Order separately.

**Casters Maximum Load: 1000 lb. (453 kg)**

Exercise care when using casters to move the cabinet. Avoid tipping and damage to the cabinet and its contents by slowly moving the cabinet on its casters across smooth, flat flooring. Avoid:

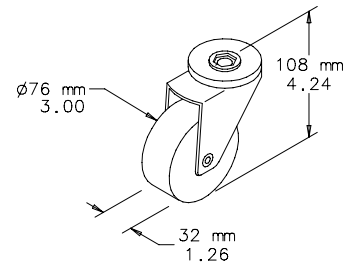
- large cracks
- floor displacement
- seams
- gravel
- any other obstruction

**Never use casters while transporting a cabinet by truck on roadways.**

Contact Hoffman if further information is needed.

BULLETIN: P20

Catalog Number	Description
PC1M12	Set of 4 Casters

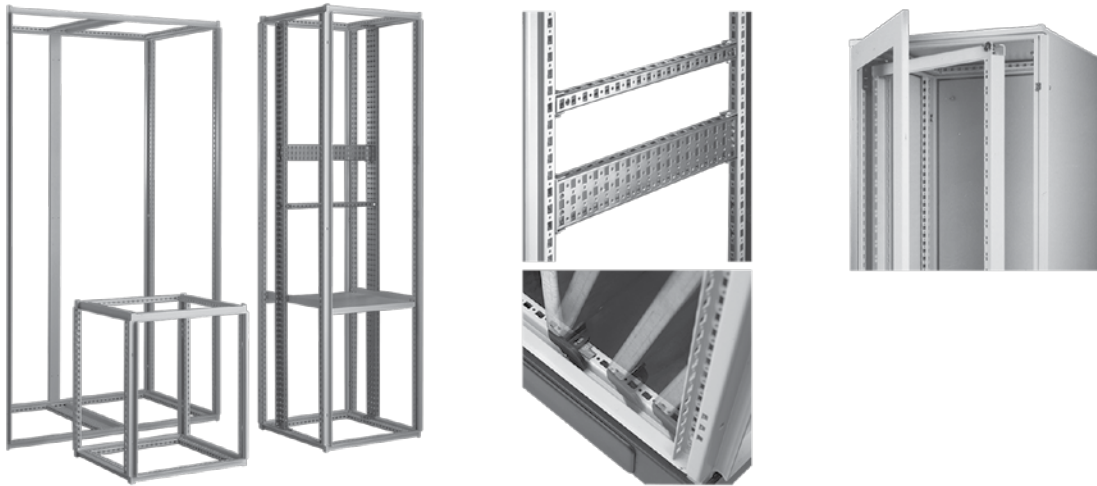


87798501

## Notes



## PROLINE™ INTERNAL COMPONENTS PRODUCT OVERVIEW



### PROLINE™ Mounting Flexibility

We designed PROLINE internal components to provide an extensive range of mounting options. Whether your application calls for rack mounting, panel mounting or grid system mounting, a combination of PROLINE components can deliver the right solution. Plus, PROLINE internal mounting systems use standard fasteners for simple installation.

#### Panel Mounting

PROLINE's complete range of panel mounting options makes optimum use of internal enclosure space.

- A wider door opening offers more usable space for component mounting. Subpanels can be mounted front-to-back in 25-mm increments.
- Subpanels installed in the rear of joined enclosures provide a flush surface for component mounting
- Side-mount panels, partial-height panels and swing-out panels offer additional flexibility

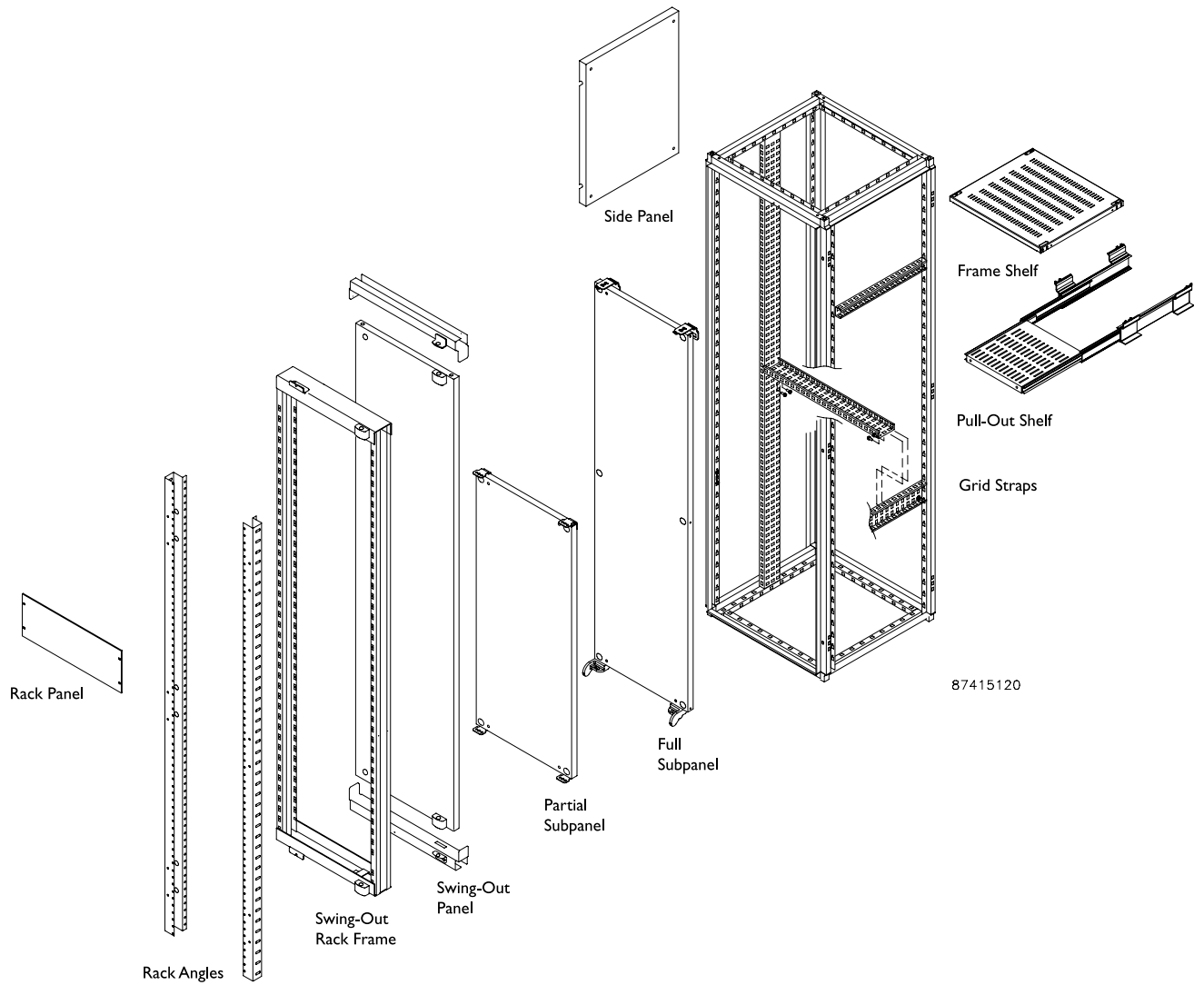
#### Rack Mounting

If your application calls for 19-in., 23-in. or 24-in. mounted devices, PROLINE has a solution.

- 19-in., 23-in. and 24-in. rack-mount accessories include shelves, drawers and panels
- Adapter brackets allow rack angles to be used in wider cabinets
- Plated rack angles offer excellent conductivity for EMC-shielded applications

#### Grid System Mounting

A variety of grid mounting options lets you mount components directly on the PROLINE frame. Vertical and horizontal grid straps extend the internal framework while standard fasteners simplify installation and allow multi-source access to fasteners.



**SELECTION MATRIX: PANEL AND GRID MOUNTING**

Single-Bay PROLINE Frame													
A	B	C	Full Subpanel <sup>a</sup>	Swing-Out Panel <sup>f</sup>	Center Upright <sup>b</sup>	Transformer Rails <sup>e</sup>	One Row	Three Row	One Row	Three Row	Full Height Vertical Grid Strap	Lutze <sup>®</sup> Adapter	Frame Shelf
700	600	600	PF76	PSF76		PTR6	PGH1S6	PGH3S6	PGH1S7	PGH3S7	PGH3S7V	PGLS6	PFSH66
700	800	600	PF78	PSF78	PCU7	PTR8	PGH1S6	PGH3S6	PGH1S9	PGH3S9	PGH3S7V	PGLS6	PFSH86
1400	600	600	PPF146	PSP146		PTR6	PGH1S6	PGH3S6	PGH1S7	PGH3S7	PGH3S14V	PGLS6	PFSH66
1400	600	800	PPF146	PSP146		PTR6	PGH1S8	PGH3S8	PGH1S7	PGH3S7	PGH3S14V	PGLS8	PFSH68
1400	800	500	PPF148	PSP148	PCU14	PTR8	PGH1S5	PGH3S5	PGH1S9	PGH3S9	PGH3S14V	PGLS5	PFSH85
1400	800	800	PPF148	PSP148	PCU14	PTR8	PGH1S8	PGH3S8	PGH1S9	PGH3S9	PGH3S14V	PGLS8	PFSH88
1600	600	400	PPF166	PSP166		PTR6	PGH1S4	PGH3S4	PGH1S7	PGH3S7	PGH3S16V	PGLS4	PFSH64
1600	600	600	PPF166	PSP166		PTR6	PGH1S6	PGH3S6	PGH1S7	PGH3S7	PGH3S16V	PGLS6	PFSH66
1600	600	800	PPF166	PSP166		PTR6	PGH1S8	PGH3S8	PGH1S7	PGH3S7	PGH3S16V	PGLS8	PFSH68
1600	800	600	PPF168	PSP168	PCU16	PTR8	PGH1S6	PGH3S6	PGH1S9	PGH3S9	PGH3S16V	PGLS6	PFSH86
1600	800	800	PPF168	PSP168	PCU16	PTR8	PGH1S8	PGH3S8	PGH1S9	PGH3S9	PGH3S16V	PGLS8	PFSH88
1800	600	400	PPF186	PSP186		PTR6	PGH1S4	PGH3S4	PGH1S7	PGH3S7	PGH3S18V	PGLS4	PFSH64
1800	600	500	PPF186	PSP186		PTR6	PGH1S5	PGH3S5	PGH1S7	PGH3S7	PGH3S18V	PGLS5	PFSH65
1800	600	600	PPF186	PSP186		PTR6	PGH1S6	PGH3S6	PGH1S7	PGH3S7	PGH3S18V	PGLS6	PFSH66
1800	600	800	PPF186	PSP186		PTR6	PGH1S8	PGH3S8	PGH1S7	PGH3S7	PGH3S18V	PGLS8	PFSH68
1800	800	400	PPF188	PSP188	PCU18	PTR8	PGH1S4	PGH3S4	PGH1S9	PGH3S9	PGH3S18V	PGLS4	PFSH84
1800	800	500	PPF188	PSP188	PCU18	PTR8	PGH1S5	PGH3S5	PGH1S9	PGH3S9	PGH3S18V	PGLS5	PFSH85
1800	800	600	PPF188	PSP188	PCU18	PTR8	PGH1S6	PGH3S6	PGH1S9	PGH3S9	PGH3S18V	PGLS6	PFSH86
1800	800	800	PPF188	PSP188	PCU18	PTR8	PGH1S8	PGH3S8	PGH1S9	PGH3S9	PGH3S18V	PGLS8	PFSH88
1800	1000	500	PPF1810		PCU18		PGH1S5	PGH3S5	PGH1S11	PGH3S11	PGH3S18V	PGLS5	PFSH105
1800	1000	600	PPF1810		PCU18		PGH1S6	PGH3S6	PGH1S11	PGH3S11	PGH3S18V	PGLS6	PFSH106
1800	1000	800	PPF1810		PCU18		PGH1S8	PGH3S8	PGH1S11	PGH3S11	PGH3S18V	PGLS8	PFSH108
2000	400	500	PPF204			PTR8	PGH1S5	PGH3S5			PGH3S20V	PGLS5	
2000	400	600	PPF204			PTR8	PGH1S6	PGH3S6			PGH3S20V	PGLS6	
2000	600	400	PPF206	PSP206		PTR6	PGH1S4	PGH3S4	PGH1S7	PGH3S7	PGH3S20V	PGLS4	PFSH64
2000	600	500	PPF206	PSP206		PTR6	PGH1S5	PGH3S5	PGH1S7	PGH3S7	PGH3S20V	PGLS5	PFSH65
2000	600	600	PPF206	PSP206		PTR6	PGH1S6	PGH3S6	PGH1S7	PGH3S7	PGH3S20V	PGLS6	PFSH66
2000	600	800	PPF206	PSP206		PTR6	PGH1S8	PGH3S8	PGH1S7	PGH3S7	PGH3S20V	PGLS8	PFSH68
2000	700	600	PPF207	PSP207			PGH1S6	PGH3S6	PGH1S8	PGH3S8	PGH3S20V	PGLS6	PFSH76
2000	700	800	PPF207	PSP207			PGH1S8	PGH3S8	PGH1S8	PGH3S8	PGH3S20V	PGLS8	PFSH78
2000	800	400	PPF208	PSP207	PCU20	PTR8	PGH1S4	PGH3S4	PGH1S9	PGH3S9	PGH3S20V	PGLS4	PFSH84
2000	800	500	PPF208	PSP208	PCU20	PTR8	PGH1S5	PGH3S5	PGH1S9	PGH3S9	PGH3S20V	PGLS5	PFSH85
2000	800	600	PPF208	PSP208	PCU20	PTR8	PGH1S6	PGH3S6	PGH1S9	PGH3S9	PGH3S20V	PGLS6	PFSH86
2000	800	800	PPF208	PSP208	PCU20	PTR8	PGH1S8	PGH3S8	PGH1S9	PGH3S9	PGH3S20V	PGLS8	PFSH88
2000	800	900	PPF208	PSP208	PCU20	PTR8	PGH1S9	PGH3S9	PGH1S9	PGH3S9	PGH3S20V	PGLS8	PFSH89
2000	1000	500	PPF2010		PCU20		PGH1S5	PGH3S5	PGH1S11	PGH3S11	PGH3S20V	PGLS5	PFSH105
2000	1000	600	PPF2010		PCU20		PGH1S6	PGH3S6	PGH1S11	PGH3S11	PGH3S20V	PGLS6	PFSH106
2000	1000	800	PPF2010		PCU20		PGH1S8	PGH3S6	PGH1S11	PGH3S11	PGH3S20V	PGLS8	PFSH108
2200	600	600	PPF226	PSP226		PTR6	PGH1S6	PGH3S6	PGH1S7	PGH3S7	PGH3S22V	PGLS6	PFSH66
2200	600	800	PPF226	PSP226		PTR6	PGH1S8	PGH3S8	PGH1S7	PGH3S7	PGH3S22V	PGLS8	PFSH68
2200	700	800	PPF227	PSP227			PGH1S8	PGH3S8	PGH1S8	PGH3S8	PGH3S22V	PGLS8	PFSH78
2200	700	900	PPF227	PSP227			PGH1S9	PGH3S9	PGH1S8	PGH3S8	PGH3S22V		PFSH79
2200	800	600	PPF228	PSP228	PCU22	PTR8	PGH1S6	PGH3S6	PGH1S9	PGH3S9	PGH3S22V	PGLS6	PFSH86
2200	800	800	PPF228	PSP228	PCU22	PTR8	PGH1S8	PGH3S8	PGH1S9	PGH3S9	PGH3S22V	PGLS8	PFSH88
2200	1000	500	PPF2210		PCU22		PGH1S5	PGH3S5	PGH1S11	PGH3S11	PGH3S22V	PGLS5	PFSH105
2200	1000	600	PPF2210		PCU22		PGH1S6	PGH3S6	PGH1S11	PGH3S11	PGH3S22V	PGLS6	PFSH106



Double-Bay PROLINE Frame													
A	B	C	Full Subpanel <sup>a</sup>	Swing-Out Panel <sup>f</sup>	Center Upright <sup>b</sup>	Transformer Rails <sup>e</sup>	One Row	Three Row	One Row	Three Row	Full Height Vertical Grid Strap	Lutze® Adapter	Frame Shelf
700	1200	600	PPF712	PSP76	PCU7	PTR6 or PTR12	PGH1S6	PGH3S6	PGH1S13	PGH3S13	PGH3S7V	PGLS6	PFSH66
1600	1200	600	PPF1612	PSP166	PCU16	PTR6 or PTR12	PGH1S6	PGH3S6	PGH1S13	PGH3S13	PGH3S16V	PGLS6	PFSH66
1600	1200	800	PPF1612	PSP166	PCU16	PTR6 or PTR12	PGH1S8	PGH3S8	PGH1S13	PGH3S13	PGH3S16V	PGLS8	PFSH68
1800	1200	400	PPF1812	PSP186	PCU18	PTR6 or PTR12	PGH1S4	PGH3S4	PGH1S13	PGH3S13	PGH3S18V	PGLS4	PFSH64
1800	1200	500	PPF1812	PSP186	PCU18	PTR6 or PTR12	PGH1S5	PGH3S5	PGH1S13	PGH3S13	PGH3S18V	PGLS5	PFSH65
1800	1200	600	PPF1812	PSP186	PCU18	PTR6 or PTR12	PGH1S6	PGH3S6	PGH1S13	PGH3S13	PGH3S18V	PGLS6	PFSH66
1800	1200	800	PPF1812	PSP186	PCU18	PTR6 or PTR12	PGH1S8	PGH3S8	PGH1S13	PGH3S13	PGH3S18V	PGLS8	PFSH68
1800	1600	500	PPF1816	PSP188	PCU18	PTR8	PGH1S5	PGH3S5	PGH1S17	PGH3S17	PGH3S18V	PGLS5	PFSH85
1800	1600	600	PPF1816	PSP188	PCU18	PTR8	PGH1S6	PGH3S6	PGH1S17	PGH3S17	PGH3S18V	PGLS6	PFSH86
1800	1600	800	PPF1816	PSP188	PCU18	PTR8	PGH1S8	PGH3S8	PGH1S17	PGH3S17	PGH3S18V	PGLS8	PFSH88
2000	1200	500	PPF2012	PSP206	PCU20	PTR6 or PTR12	PGH1S5	PGH3S5	PGH1S13	PGH3S13	PGH3S20V	PGLS5	PFSH65
2000	1200	600	PPF2012	PSP206	PCU20	PTR6 or PTR12	PGH1S6	PGH3S6	PGH1S13	PGH3S13	PGH3S20V	PGLS6	PFSH66
2000	1200	800	PPF2012	PSP206	PCU20	PTR6 or PTR12	PGH1S8	PGH3S8	PGH1S13	PGH3S13	PGH3S20V	PGLS8	PFSH68
2000	1600	500	PPF2016	PSP208	PCU20	PTR8	PGH1S5	PGH3S5	PGH1S17	PGH3S17	PGH3S20V	PGLS5	PFSH85
2000	1600	600	PPF2016	PSP208	PCU20	PTR8	PGH1S6	PGH3S6	PGH1S17	PGH3S17	PGH3S20V	PGLS6	PFSH86
2000	1600	800	PPF2016	PSP208	PCU20	PTR8	PGH1S8	PGH3S8	PGH1S17	PGH3S17	PGH3S20V	PGLS8	PFSH88
2200	1200	500	PPF2212	PSP226	PCU22	PTR6 or PTR12	PGH1S5	PGH3S5	PGH1S13	PGH3S13	PGH3S22V	PGLS5	PFSH65
2200	1200	600	PPF2212	PSP226	PCU22	PTR6 or PTR12	PGH1S6	PGH3S6	PGH1S13	PGH3S13	PGH3S22V	PGLS6	PFSH66
2200	1200	800	PPF2212	PSP226	PCU22	PTR6 or PTR12	PGH1S8	PGH3S8	PGH1S13	PGH3S13	PGH3S22V	PGLS8	PFSH68

<sup>a</sup> Mount to top and bottom of frame. Glide blocks position subpanel on frame bottom. Maximum size subpanel shown in chart.  
<sup>b</sup> Center uprights are used in 800-mm wide, 1200-mm wide and 1600-mm wide frames to allow mounting of accessories for 600-mm frames. These accessories include partial panels, swing-out panels, rack angles, rack angle accessories, and grid system components.  
<sup>c</sup> Grid system straps fit horizontally from front to back on frame top and bottom openings.  
<sup>d</sup> Grid straps and transformer rails fit horizontally from right to left between grid straps or holes in frame.  
<sup>e</sup> Use clamping nut package catalog number APS1420CN (1/4 - 20) or catalog number APS1618CN (5/16 - 18) for additional mounting options.  
<sup>f</sup> Requires center upright to install.





**SELECTION MATRIX: RACK MOUNTING**

												Rack Angles Available
Single-Bay Frames		19-in. Full Height Rack Angles <sup>a</sup>		24-in. Full Height Rack Angles <sup>b</sup>		Frame Reducing Brackets				Frame Accessory Brackets <sup>b</sup>		
H	W	Square Hole	Tapped	Square Hole	Tapped	19-in. Centered	19-in. Justified	24-in. Centered	24-in. Justified	19-in.	24-in.	
700	600	PRA197TH	PRA197TP							PFB19		19-in.
700	800	PRA197TH	PRA197TP	PRA247TH	PRA247TP	PRB100	PRB200	PRB50	PRB100	PFB19	PFB24	19-in., 24-in.
1400	600	PRA1914TH	PRA1914TP							PFB19		19-in.
1400	800	PRA1914TH	PRA1914TP	PRA2414TH	PRA2414TP	PRB100	PRB200	PRB50	PRB100	PFB19	PFB24	19-in., 24-in.
1600	600	PRA1916TH	PRA1916TP							PFB19		19-in.
1600	700	PRA1916TH	PRA1916TP	PRA2416TH	PRA2416TP			PRB50	PRB100	PFB19	PFB24	19-in., 24-in.
1600	800	PRA1916TH	PRA1916TP	PRA2416TH	PRA2416TP	PRB100	PRB200	PRB50	PRB100	PFB19	PFB24	19-in., 24-in.
1800	600	PRA1918TH	PRA1918TP							PFB19		19-in.
1800	700	PRA1918TH	PRA1918TP	PRA2418TH	PRA2418TP			PRB50	PRB100	PFB19	PFB24	19-in., 24-in.
1800	800	PRA1918TH	PRA1918TP	PRA2418TH	PRA2418TP	PRB100	PRB200	PRB50	PRB100	PFB19	PFB24	19-in., 24-in.
1800	1000	PRA1918TH	PRA1918TP	PRA2418TH	PRA2418TP		PRB200		PRB100 & PRB50	PFB19	PFB24	19-in., 24-in.
2000	600	PRA1920TH	PRA1920TP							PFB19		19-in.
2000	700	PRA1920TH	PRA1920TP	PRA2420TH	PRA2420TP			PRB50	PRB100	PFB19	PFB24	19-in., 24-in.
2000	800	PRA1920TH	PRA1920TP	PRA2420TH	PRA2420TP	PRB100	PRB200	PRB50	PRB100	PFB19	PFB24	19-in., 24-in.
2000	1000	PRA1920TH	PRA1920TP	PRA2420TH	PRA2420TP		PRB200		PRB100 & PRB50	PFB19	PFB24	19-in., 24-in.
2200	600	PRA1922TH	PRA1922TP							PFB19		19-in.
2200	700	PRA1922TH	PRA1922TP	PRA2422TH	PRA2422TP			PRB50	PRB100	PFB19	PFB24	19-in., 24-in.
2200	800	PRA1922TH	PRA1922TP	PRA2422TH	PRA2422TP	PRB100	PRB200	PRB50	PRB100	PFB19	PFB24	19-in., 24-in.
2200	1000	PRA1922TH	PRA1922TP	PRA2422TH	PRA2422TP		PRB200		PRB100 & PRB50	PFB19	PFB24	19-in., 24-in.

												Rack Angles Available
Double-Bay Frames		19-in. Full Height Rack Angles <sup>a</sup>		24-in. Full Height Rack Angles <sup>b</sup>		Frame Reducing Brackets				Frame Accessory Brackets <sup>b</sup>		
H	W	Square Hole	Tapped	Square Hole	Tapped	19-in. Centered	19-in. Justified	24-in. Centered	24-in. Justified	19-in.	24-in.	
700	1200	PRA197TH	PRA197TP							PPB19		19-in.
1400	1200	PRA1914TH	PRA1914TP							PFB19		19-in.
1600	1200	PRA1916TH	PRA1916TP							PFB19		19-in.
1800	1200	PRA1918TH	PRA1918TP							PFB19		19-in.
1800	1600	PRA1918TH	PRA1918TP	PRA2418TH	PRA2418TP	PRB100	PRB200	PRB50	PRB100	PFB19	PFB24	19-in., 24-in.
2000	1200	PRA1920TH	PRA1920TP							PFB19		19-in.
2000	1600	PRA1920TH	PRA1920TP	PRA2420TH	PRA2420TP	PRB100	PRB200	PRB50	PRB100	PFB19	PFB24	19-in., 24-in.
2200	1200	PRA1922TH	PRA1922TP							PFB19		19-in.

<sup>a</sup> 19-in. rack angles have 23-in. spacing if used in a 700-mm wide frame.

<sup>b</sup> 24-in. rack angles and frame accessory brackets are designed for 700mm wide enclosures. They can be used in 800-mm and 1000-mm wide enclosures only if frame reducing brackets also are ordered.

Rack Accessories, 19-in.

Accessory	Fits Frame Depth (mm)	Fits Accessory	Rack Units Req'd
<b>Drawer</b>			
P19DR1US	600-900		1U
P19DR2US	600-900		2U
P19DR3US	600-900		3U
<b>Writing Surface</b>			
P19WS		Drawer	
<b>Pull-Out Shelf</b>			
P19PSH4	400-900		2U
P19PSH5	500-900		2U
P19PSH6	600-900		2U
P19PSH8	800-900		2U
P19PSH9	900		2U
<b>Pull-Out Shelf Lock</b>			
PSHLOCK		Pull-Out Shelf	
<b>Screw Package</b>			
AS1032		Rack Angles	
ASM5		Rack Angles	
<b>Cage Nut Package</b>			
P1032CN		Rack Angles	
PM5CN		Rack Angles	
<b>Fixed Shelf</b>			
P19SH4	400-900		1U
P19SH5	500-900		1U
P19SH6	600-900		1U
P19SH8	800-900		1U
P19SH9	900		1U
<b>Guides</b>			
PG4	400		1U
PG5	500		1U
PG6	600		1U
PG7	700		1U
PG8	800		1U
PG9	900		1U
<b>Slides</b>			
A16SL2U	600-900		3U

Rack Accessories, 23-in.

Accessory	Fits Frame Depth (mm)	Fits Accessory	Rack Units Req'd
<b>Pull-Out Shelf</b>			
P23PSH5	500-900		
P23PSH6	600-900		
P23PSH8	800-900		
P23PSH9	900		
<b>Pull-Out Shelf Lock</b>			
PSHLOCK		Pull-Out Shelf	
<b>Screw Package</b>			
AS1032		Rack Angles	
		Rack Panels	
ASM5		Rack Angles	
		Rack Panels	
ES1224		Rack Panels	
<b>Fixed Shelf</b>			
P23SH4	400-900		1U
P23SH5	500-900		1U
P23SH6	600-900		1U
P23SH8	800-900		1U
P23SH9	900		1U

Rack Accessories, 19-in.

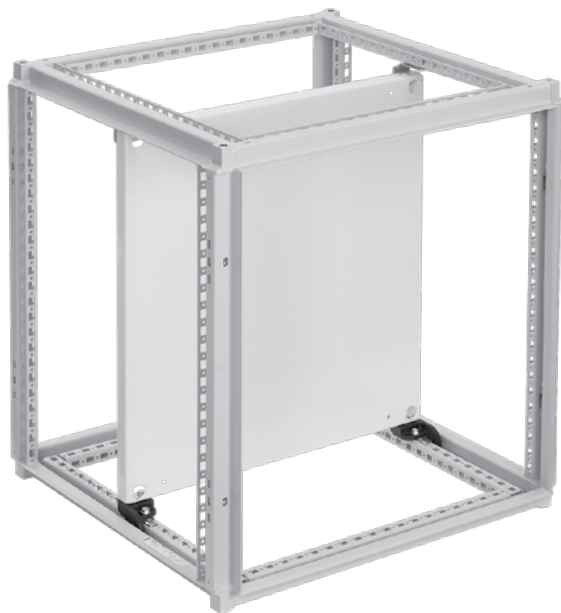
Accessory	Fits Accessory	Rack Units Req'd
<b>Rack Panels Aluminum</b>		
P19RP1UA		1U
P19RP2UA		2U
P19RP3UA		3U
P19RP4UA		4U
P19RP5UA		5U
P19RP6UA		6U
P19RP7UA		7U
P19RP8UA		8U
P19RP9UA		9U
P19RP10UA		10U
P19RP11UA		11U
P19RP12UA		12U
P19RP16A		16U
<b>Rack Panels, Painted Steel</b>		
P19RP1UP		1U
P19RP2UP		2U
P19RP3UP		3U
P19RP4UP		4U
P19RP5UP		5U
P19RP6UP		6U
P19RP7UP		7U
P19RP8UP		8U
P19RP9UP		9U
P19RP10UP		10U
P19RP11UP		11U
P19RP12UP		12U
P19RP16UP		16U
<b>Filler Panel</b>		
PFP19RA	Rack Angles	
<b>Keyboard Compartment</b>		
A19KBC2		2U
<b>Fan Tray</b>		
A19FT3		1U
A19FT6		1U

Accessory	Fits Frame Depth (mm)	Fits Accessory	Rack Units Req'd
<b>Guides</b>			
PG4	400-500		1U
PG5	500-900		1U
PG6	600-900		1U
PG7	700-900		1U
PG8	800-900		1U
PG9	900		1U
<b>Rack Panels, Painted Steel</b>			
P23RP1UP			1U
P23RP2UP			2U
P23RP3UP			3U
P23RP4UP			4U
<b>Rack Panels, Aluminum</b>			
P23RP1UA			1U
P23RP2UA			2U
P23RP3UA			3U
P23RP4UA			4U

Rack Accessories, 24-in.

Accessory	Fits Frame Depth (mm)	Fits Accessory	Rack Units Req'd
<b>Pull-Out Shelf</b>			
P24PSH4	400-900		2U
P24PSH5	500-900		2U
P24PSH6	600-900		2U
P24PSH8	800-900		2U
P24PSH9	900		2U
<b>Pull-Out Shelf Lock</b>			
PSHLOCK		Pull-Out Shelf	
<b>Screw Package</b>			
AS1032		Rack Angles	
ASM5		Rack Angles	
<b>Cage Nut Package</b>			
P1032CN		Rack Angles	
PM5CN		Rack Angles	
<b>Fixed Shelf</b>			
P24SH4	400-900		1U
P24SH5	500-900		1U
P24SH6	600-900		1U
P24SH8	800-900		1U
P24SH9	900		1U
<b>Guides</b>			
PG4	400-500		1U
PG5	500-900		1U
PG6	600-900		1U
PG7	700-900		1U
PG8	800-900		1U
PG9	900		1U
<b>Rack Panels, Painted Steel</b>			
P24RP2UP			2U
P24RP3UP			3U
P24RP4UP			4U
P24RP5UP			5U
P24RP6UP			6U
P24RP8UP			8U
<b>Rack Panels, Aluminum</b>			
P24RP2UA			2U
P24RP3UA			3U
P24RP4UA			4U
P24RP5UA			5U
P24RP6UA			6U
P24RP8UA			8U



**FULL SUBPANEL**


PROLINE™ subpanels are designed to provide maximum panel depth, panel size and ease of installation. Full subpanels slide into the frame on nylon glide blocks, which support the entire weight of the subpanel.

- All necessary mounting hardware is included
- Subpanels are 12 gauge (2.5-mm) steel (subpanels for double-bay enclosures 1400-mm tall or taller are 10 gauge steel), have flanges on all sides and are painted white
- Conductive subpanels are unpainted galvanized steel
- Subpanels can be mounted at nearly any depth in 25-mm increments
- Panels installed in the rearmost position in joined (ganged) enclosures provide a continuous mounting surface without requiring joining panels
- Mounting hardware attaches to the top or to the sides of the frame
- Additional Mounting Hardware (catalog number PMKPF) is available for applications requiring more support in the center or bottom of the subpanel. This is required if the enclosure will be tipped in transit or if the panel is not located at the bottom of the enclosure on the glide blocks. In addition, 3-row grid straps are required for installation unless the panel is in the rearmost position.

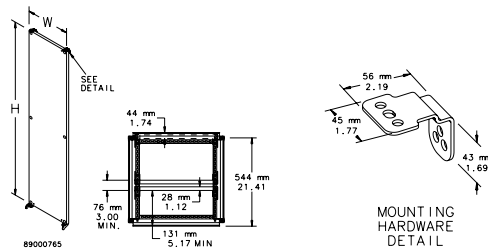
**BULLETIN: P20**
**Full Subpanel**

Catalog Number	Material	H (mm)	H (in.)	W (mm)	W (in.)
PPF76	Steel	585	23.03	530	20.87
PPF76G	Conductive	585	23.03	530	20.87
PPF78	Steel	585	23.03	730	28.74
PPF78G	Conductive	585	23.03	730	28.74
PPF712	Steel	585	23.03	1130	44.49
PPF146	Steel	1285	50.59	530	20.87
PPF146G	Conductive	1285	50.59	530	20.87
PPF148	Steel	1285	50.59	730	28.74
PPF148G	Conductive	1285	50.59	730	28.74
PPF1412	Steel	1285	50.59	1130	44.49
PPF1412G	Conductive	1285	50.59	1130	44.49
PPF166	Steel	1485	58.46	530	20.87
PPF166G	Conductive	1485	58.46	530	20.87
PPF168	Steel	1485	58.46	730	28.74
PPF168G	Conductive	1485	58.46	730	28.74
PPF1612	Steel	1485	58.46	1130	44.49
PPF1612G	Conductive	1485	58.46	1130	44.49
PPF186	Steel	1685	66.34	530	20.87
PPF186G	Conductive	1685	66.34	530	20.87
PPF188	Steel	1685	66.34	730	28.74
PPF188G	Conductive	1685	66.34	730	28.74
PPF1810	Steel	1685	66.34	930	36.61
PPF1810G	Conductive	1685	66.34	930	36.61
PPF1812	Steel	1685	66.34	1130	44.49
PPF1812G	Conductive	1685	66.34	1130	44.49
PPF1816	Steel	1685	66.34	1530	60.24
PPF1816G	Plated	1685	66.34	1530	60.24
PPF204	Steel	1885	74.21	330	13.00
PPF206	Steel	1885	74.21	530	20.87
PPF206G	Conductive	1885	74.21	530	20.87
PPF207	Steel	1885	74.21	630	24.80
PPF207G	Conductive	1885	74.21	630	24.80
PPF208	Steel	1885	74.21	730	28.74
PPF208G	Conductive	1885	74.21	730	28.74
PPF2010	Steel	1885	74.21	930	36.61
PPF2010G	Conductive	1885	74.21	930	36.61
PPF2012	Steel	1885	74.21	1130	44.49
PPF2012G	Conductive	1885	74.21	1130	44.49
PPF2016	Steel	1885	74.21	1530	60.24
PPF2016G	Plated	1885	74.21	1530	60.24
PPF226	Steel	2085	82.09	530	20.87
PPF226G	Conductive	2085	82.09	530	20.87
PPF227	Steel	2085	82.09	630	24.80
PPF227G	Conductive	2085	82.09	630	24.80
PPF228	Steel	2085	82.09	730	28.74
PPF228G	Conductive	2085	82.09	730	28.74
PPF2210	Steel	2085	82.09	930	36.61
PPF2210G	Conductive	2085	82.09	930	36.61
PPF2212	Steel	2085	82.09	1130	44.49
PPF2212G	Conductive	2085	82.09	1130	44.49

Consult Hoffman for delivery.

**Additional Mounting Hardware**

Catalog Number	Description
PMKPF	Additional Side Mounting Hardware (see Detail in drawing)

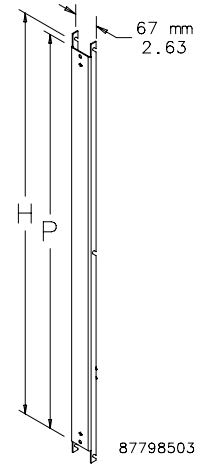


**JOINING SUBPANEL**



Provides a continuous panel surface in multiple bay enclosures. The joining subpanel is inserted between full subpanels of equal height. It can be installed from front or rear. Holes for grounding and mounting hardware are provided. Finish is white. Conductive joining subpanels are unpainted galvanized steel.

**BULLETIN: P20**



87798503

Catalog Number	Material	H (mm)	H (in.)	P (mm)	P (in.)	Fits between full subpanels
PJP7G	Conductive	585	23.03	548	21.57	PPF76, PPF78, PPF712
PJP14	Steel	1285	50.59	1248	49.13	PPF146, PPF148, PPF1412
PJP14G	Conductive	1285	50.59	1248	49.13	PPF146, PPF148, PPF1412
PJP16	Steel	1485	58.46	1448	57.00	PPF166, PPF167, PPF168, PPF1612
PJP16G	Conductive	1485	58.46	1448	57.00	PPF166, PPF167, PPF168, PPF1612
PJP18	Steel	1685	66.34	1648	64.87	PPF186, PPF187, PPF188, PPF1810, PPF1812, PPF1816
PJP18G	Conductive	1685	66.34	1648	64.87	PPF186, PPF187, PPF188, PPF1810, PPF1812, PPF1816
PJP20	Steel	1885	74.21	1848	72.75	PPF206, PPF207, PPF208, PPF2010, PPF2012, PPF2016
PJP20G	Conductive	1885	74.21	1848	72.75	PPF206, PPF207, PPF208, PPF2010, PPF2012, PPF2016
PJP22	Steel	2085	82.09	2048	80.62	PPF226, PPF227, PPF228, PPF2210, PPF2212, PPF2216
PJP22G	Conductive	2085	82.09	2048	80.62	PPF226, PPF227, PPF228, PPF2210, PPF2212, PPF2216

Consult Hoffman for delivery

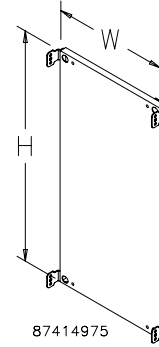


## PARTIAL SUBPANEL



Partial Subpanels are 12 gauge steel, have flanges on four sides and are painted white. Panels can be positioned vertically in 25-mm increments and also can be positioned at any depth in 25-mm increments using the optional grid straps. Conductive subpanels are unpainted galvanized steel. All necessary mounting hardware is included.

**BULLETIN: P20**



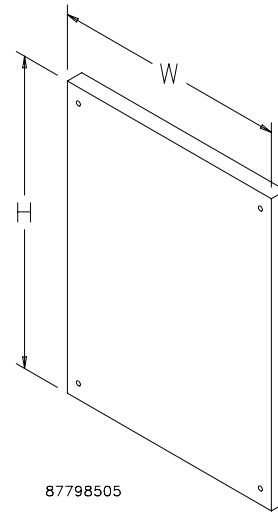
Catalog Number	Material	H (mm)	H (in.)	W (mm)	W (in.)	Fits Frame
PPP46	Steel	360	14.17	530	20.87	700 mm or taller
PPP46G	Conductive	360	14.17	530	20.87	700 mm or taller
PPP47	Steel	360	14.17	630	24.80	700 mm or taller
PPP47G	Conductive	360	14.17	630	24.80	700 mm or taller
PPP48	Steel	360	14.17	730	28.74	700 mm or taller
PPP48G	Conductive	360	14.17	730	28.74	700 mm or taller
PPP412	Steel	360	14.17	1130	44.49	700 mm or taller
PPP412G	Conductive	360	14.17	1130	44.49	700 mm or taller
PPP86	Steel	735	28.94	530	20.87	1400 mm or taller
PPP86G	Conductive	735	28.94	530	20.87	1400 mm or taller
PPP87	Steel	735	28.94	630	24.80	1400 mm or taller
PPP88	Steel	735	28.94	730	28.74	1400 mm or taller
PPP88G	Conductive	735	28.94	730	28.74	1400 mm or taller
PPP810	Steel	735	28.94	930	36.61	1400 mm or taller
PPP810G	Conductive	735	28.94	930	36.61	1400 mm or taller
PPP96	Steel	835	32.87	530	20.87	1400 mm or taller
PPP96G	Conductive	835	32.87	530	20.87	1400 mm or taller
PPP97	Steel	835	32.87	630	24.80	1400 mm or taller
PPP97G	Conductive	835	32.87	630	24.80	1400 mm or taller
PPP98	Steel	835	32.87	730	28.74	1400 mm or taller
PPP98G	Conductive	835	32.87	730	28.74	1400 mm or taller
PPP910	Steel	835	32.87	930	36.61	1400 mm or taller
PPP910G	Conductive	835	32.87	930	36.61	1400 mm or taller
PPP106	Steel	935	36.81	530	20.87	1400 mm or taller
PPP106G	Conductive	935	36.81	530	20.87	1400 mm or taller
PPP108	Steel	935	36.81	730	28.74	1400 mm or taller
PPP108G	Conductive	935	36.81	730	28.74	1400 mm or taller
PPP116	Steel	1035	40.75	530	20.87	1400 mm or taller
PPP116G	Conductive	1035	40.75	530	20.87	1400 mm or taller

**SIDE-MOUNT SUBPANEL**



Side-mounted panels can be installed on the interior sides of frames. The panel and all the hardware needed to attach the subpanels to a frame are included. Hardware is plated. Panels are 12 gauge steel with a white finish. Conductive panels are unpainted galvanized steel.

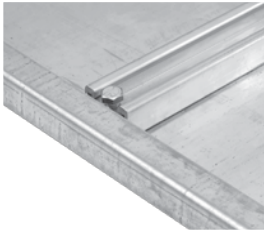
**BULLETIN: P20**



87798505

Catalog Number	Material	H (mm)	H (in.)	W (mm)	W (in.)
PPFSM76	Steel	608	23.94	447	17.60
PPFSM76G	Conductive	608	23.94	447	17.60
PPFSM145	Steel	1308	51.50	347	13.66
PPFSM145G	Conductive	1308	51.50	347	13.66
PPFSM146	Steel	1308	51.50	447	17.60
PPFSM148	Steel	1308	51.50	647	25.47
PPFSM148G	Conductive	1308	51.50	647	25.47
PPFSM164G	Conductive	1508	59.37	247	9.72
PPFSM165G	Conductive	1508	59.37	347	13.66
PPFSM166	Steel	1508	59.37	447	17.60
PPFSM166G	Conductive	1508	59.37	447	17.60
PPFSM168	Steel	1508	59.37	647	25.47
PPFSM168G	Conductive	1508	59.37	647	25.47
PPFSM169	Steel	1508	59.37	747	29.41
PPFSM169G	Conductive	1508	59.37	747	29.41
PPFSM184	Steel	1708	67.24	247	9.72
PPFSM185	Steel	1708	67.24	347	13.66
PPFSM185G	Conductive	1708	67.24	347	13.66
PPFSM186	Steel	1708	67.24	447	17.60
PPFSM186G	Conductive	1708	67.24	447	17.60
PPFSM188	Steel	1708	67.24	647	25.47
PPFSM188G	Conductive	1708	67.24	647	25.47
PPFSM189	Steel	1708	67.24	747	29.41
PPFSM189G	Conductive	1708	67.24	747	29.41
PPFSM204	Steel	1908	75.12	247	9.72
PPFSM204G	Conductive	1908	75.12	247	9.72
PPFSM205	Steel	1908	75.12	347	13.66
PPFSM205G	Conductive	1908	75.12	347	13.66
PPFSM206	Steel	1908	75.12	447	17.60
PPFSM206G	Conductive	1908	75.12	447	17.60
PPFSM208	Steel	1908	75.12	647	25.47
PPFSM208G	Conductive	1908	75.12	647	25.47
PPFSM209	Steel	1908	75.12	747	29.41
PPFSM209G	Conductive	1908	75.12	747	29.41
PPFSM225	Steel	2108	82.99	347	13.66
PPFSM225G	Conductive	2108	82.99	347	13.66
PPFSM226	Steel	2108	82.99	447	17.60
PPFSM226G	Conductive	2108	82.99	447	17.60
PPFSM228	Steel	2108	82.99	647	25.47
PPFSM228G	Conductive	2108	82.99	647	25.47
PPFSM229	Steel	2108	82.99	747	29.41
PPFSM229G	Conductive	2108	82.99	747	29.41

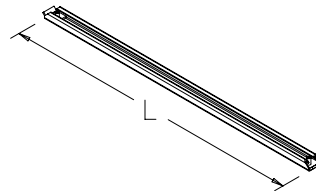


**PANEL SUPPORT BRACE**


Panel Support Braces give additional support to single- and double-bay panels in heavy loading applications and minimize the vibration created by components mounted on the panel. Braces can be installed on existing systems without removing the panel. Panel support braces are furnished in pairs. Braces are unpainted galvanized steel.

**BULLETIN: P20**

Catalog Number	L (mm)	L (in.)	Fits Panel Width (mm)
PSB10	911	35.87	1000
PSB12	1111	43.74	1200
PSB16	1511	59.49	1600
PSB18	1711	67.36	1800



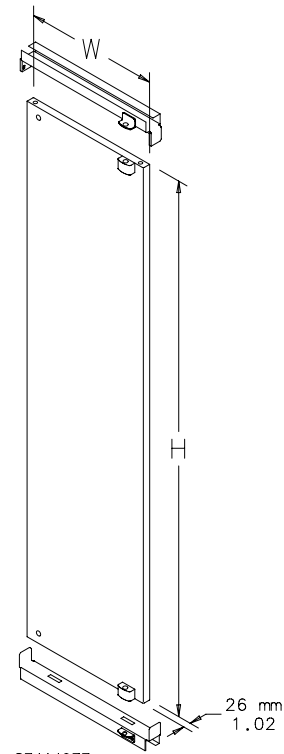
87799841

**SWING-OUT PANEL**


Swing-Out Panels allow a front-mounted panel to pivot out of an enclosure frame opening. This accessory includes a white panel and all the necessary hardware.

- Swing-Out Panels are available for 600-, 700- and 800-mm wide enclosures
- Panels provide 170 degrees of rotation, with capability to hinge from the right or left side
- Spring-loaded pivot post allows for easy installation
- Supports have a white finish. Hinge blocks are anodized black.
- Quarter-turn latches are provided to secure the Swing-Out Panel in the closed position

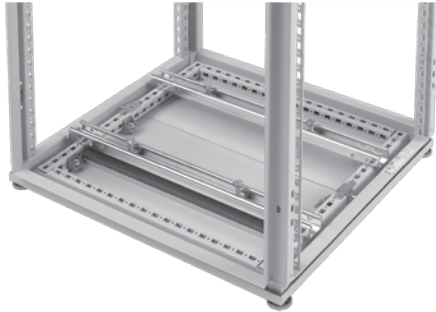
**BULLETIN: P20**



87414977

Catalog Number	H (mm)	H (in.)	W (mm)	W (in.)	Fits Frame	Fits Frame Width
PSP76	538	21.18	515	20.28	700 or taller	600
PSP146	1238	48.74	515	20.28	1400 or taller	600
PSP166	1438	56.61	515	20.28	1600 or taller	600
PSP186	1638	64.49	515	20.28	1800 or taller	600
PSP206	1838	72.36	515	20.28	2000 or taller	600
PSP226	2038	80.24	515	20.28	2200 tall	600
PSP77	538	21.18	615	24.21	700 or taller	700
PSP147	1238	48.74	615	24.21	1400 or taller	700
PSP207	1838	72.36	615	24.21	2000 or taller	700
PSP78	538	21.18	715	28.15	700 or taller	800
PSP148	1238	48.74	715	28.15	1400 or taller	800
PSP168	1438	56.61	715	28.15	1600 or taller	800
PSP188	1638	64.49	715	28.15	1800 or taller	800
PSP208	1838	72.36	715	28.15	2000 or taller	800
PSP228	2038	80.24	715	28.15	2200 tall	800

**TRANSFORMER RAILS**



Transformer Rails are used to mount heavy components and transformers in the bottom of an enclosure.

- The rails are slotted to fit the integral mounting holes in the frame
- Four clip nuts and screws are furnished to mount rails to frame
- Four M10 clamping nuts and bolts are furnished to attach equipment to the rails
- Rails can be installed side to side in the PROLINE™ frame for component mounting
- All mounting hardware is included

**BULLETIN: P20**

Catalog Number	Length (mm)	Length (in.)
PTR6	534	21.02
PTR8	734	28.90
PTR12	1134	44.65

**GROUNDING BAR SYSTEM**



**INDUSTRY STANDARDS**

UL Component Recognized; File No. E61997

Three sizes of grounding bars and insulated mounting brackets are available. Bars are plated copper with M6 and M5 tapped holes to provide a common point for grounding equipment. Fits all enclosures if mounted vertically. See table for horizontal mounting.

**BULLETIN: P20**

Catalog Number	Description	Length mm/in.	Number of Holes and Screws M6	Number of Holes and Screws M5
PGS2K	Fits 400-mm deep frame front to back horizontally	200 / 7.87	3/5	10/10
PGS4K	Fits 600-mm deep frame front to back horizontally	400 / 15.75	9/11	20/20
PGS6K	Fits 800-mm deep frame front to back horizontally	600 / 23.62	15/17	30/31

**PROLINE™ GROUNDING KIT**



The Grounding Kit allows a PROLINE™ enclosure to be grounded to VDE specifications. Includes six 12 gauge wires 411-mm (16.19-in.) long with ring terminations and M6 mounting hardware.

**BULLETIN: P9**

Catalog Number	Wire Size	Length Between Ring Terminals mm/in.	Ring Terminal Hole Diameter mm/in.
PGK	12 ga.	411 / 16.19	7 / .29





**CENTER UPRIGHT**

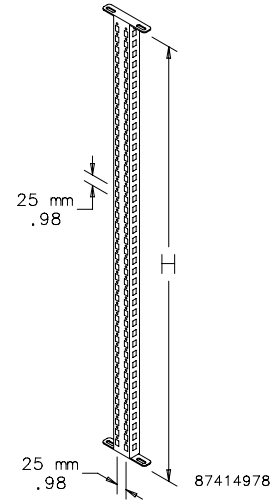


Center Uprights are vertical channels that attach to the frame (top and bottom). Can be used in 800-, 1000-, 1200- and 1600-mm wide frames to facilitate the installation of accessories for 600-mm wide frames and 19-in. rack accessories in wider frames. The vertical hole pattern matches the vertical hole pattern in the frame. Center uprights are made of 12 gauge steel and finished with RAL 7035 textured light-gray polyester powder paint. Center uprights are furnished in pairs and include mounting hardware.

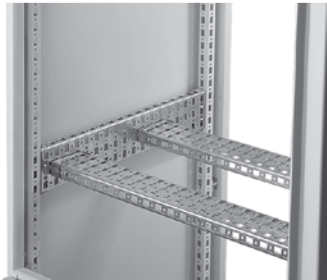
**BULLETIN: P20**

Catalog Number	H (mm)	H (in.)	Fits Frame Height
PCU7	625	24.61	700
PCU14	1325	52.16	1400

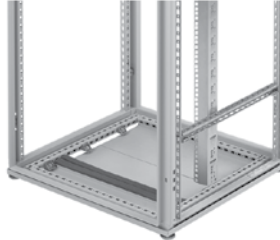
Catalog Number	H (mm)	H (in.)	Fits Frame Height
PCU16	1525	60.04	1600
PCU18	1725	67.91	1800
PCU20	1925	75.79	2000
PCU22	2125	83.66	2200



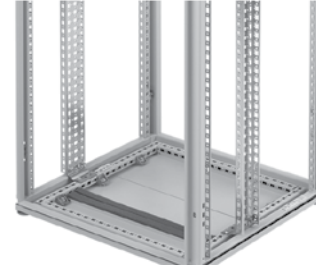
**GRID SYSTEM**



Grid Strap installation (side to side)



Grid strap installation (vertical and horizontal grid straps)

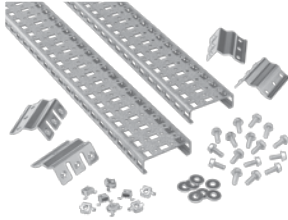


Full-height vertical grid strap

A Grid System provides a flexible extension to the internal mounting system already furnished with the PROLINE™ frame. The Grid System allows flexible mounting capabilities in height, width and depth. Accessories or equipment can be attached directly to the Grid System using either cage nuts or front-loading cage nuts.



**FULL-HEIGHT VERTICAL GRID STRAPS**



Grid Straps provide a vertical extension of the frame holes in the sides of the PROLINE™ frame. They are sold in pairs with mounting hardware included. Vertical Grid Straps are 14 gauge plated steel. Three-row 25-mm hole spacing allows the use of cage nuts or front-loading cage nuts.

**BULLETIN: P20**

Catalog Number	L (mm)	L (in.)	Fits Frame Height
PGH3S7V	595	23.43	700
PGH3S14V	1295	50.98	1400
PGH3S16V	1495	58.86	1600
PGH3S18V	1695	66.73	1800
PGH3S20V	1895	74.61	2000
PGH3S22V	2095	82.48	2200

**PROLINE™ FASTENER PACKAGES**



Use to fasten components to the grid system. PGF Packages include 20 front-loading clip nuts (M6) and 20 combination-drive washer-head bolts (M6).

Grounding Package is used with the rectangular holes in the PROLINE™ frame to provide electrical continuity between the frame and the grid system. ASM5T Package is used with PROLINE frames having round holes. Package includes 20 M5 self-tapping screws.

**BULLETIN: DACCY, P20**

Catalog Number	Description	Use in	Pkg. Qty.
ASM5T	M5 x 12 mm thread-forming Phillips hex head screws	Round holes	20
PGFM6	Standard Package - M6 cage nuts and bolts	Rectangular holes	20
PGFGM6	Grounding Package - M6 grounding cage nuts and bolts	Tapped holes	20

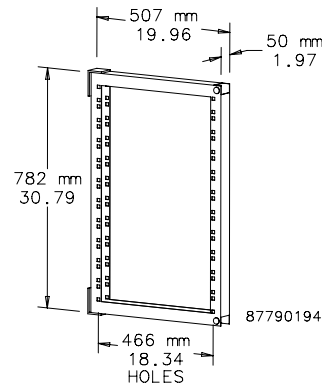


**PARTIAL SWING-OUT RACK FRAME**


This 19-in. Rack Frame is used when a smaller, medium-duty swing-out frame is desired. Light-weight rack equipment fits nicely into this 800-mm tall swing-out frame providing 90 degrees of rotation and increased accessibility.

- Side hinge brackets are used to mount the swing frame, allowing free access above and below the swing frame
- Used with any height enclosure and hinged on the right or left
- Maximum equipment load is 100 lb.

- Furnished with hinges, two quarter-turn latches and mounting hardware
- RAL 7035 textured gray finish
- Complies with ANSI/EIA RS-310-D rack mounting standards
  1. *Swing-Out Rack Frame assemblies are supplied with mounting supports. Swing-Out Rack Frames can also be installed in right, left or both bays of 1200-mm wide frames using center uprights.*
  2. *Swing-out mounting supports mount to inside of frame at any vertical location.*
  3. *Mounting supports and swing-out frame can be located deeper into frame using grid system straps. Deeper mounting affects the degree of opening of swing-out frame.*

**BULLETIN: P20**


Catalog Number	Fits Frame Width	Rack Units
PSF6	600	16
PSF8	800	16

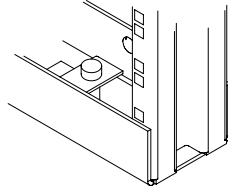
**HEAVY-DUTY SWING-OUT RACK FRAME**

- Allows 19-in. rack equipment to pivot out of the enclosure frame for better accessibility. The frames mount on hinges capable of 120-degree rotation. Hinges that provide 170-degree rotation are optional.
- Spring-loaded pivot post makes installation easy
- Rack Frames are available for 600-, 700- and 800-mm wide enclosure frames
- Mounting supports for an 800-mm wide enclosure frame permit you to either center the rack-mounting frame or position it right or left. The frame can also pivot from either the left or the right for maximum flexibility.
- Mounting supports can be assembled to the top and bottom of the frame for full-height rack-mounting frames. Smaller rack-mounting frames can be mounted to the vertical frame members or to the grid straps. Order separately.
- Furnished with hinges, two quarter-turn latches and mounting hardware RAL 7035 textured gray finish
- Complies with ANSI/EIA RS-310-D rack-mounting standards
- Maximum equipment load is 300 lb.
- Mounting holes accommodate either English or metric cage nuts, which are ordered separately
  1. *Swing-Out Rack Frame assemblies are supplied with mounting supports. Swing-Out Rack Frames can also be installed in right, left or both bays of 1200-mm wide frames using center uprights.*
  2. *Swing-out mounting supports mount to inside of frame at any vertical location.*
  3. *Mounting supports and swing-out frame can be located deeper into frame using grid system straps. Deeper mounting affects the degree of opening of swing-out frame.*

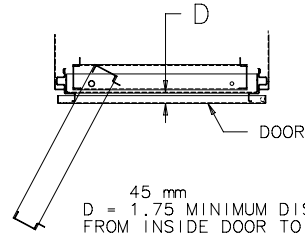
**BULLETIN: P20**

Catalog Number	H mm/in.	W mm/in.	Rack Units	Fits Frame Height	Fits Frame Width
PSF76	538 21.18	496 19.53	10	700 or taller	600
PSF77	538 21.18	496 19.53	10	700 or taller	700
PSF78	538 21.18	496 19.53	10	700 or taller	800
PSF146	1215 47.83	496 19.53	25	1400 or taller	600
PSF148	1215 47.83	496 19.53	25	1400 or taller	800
PSF166	1438 56.61	496 19.53	30	1600 or taller	600
PSF168	1438 63.58	496 19.53	30	1600 or taller	800
PSF186	1615 63.58	496 19.53	34	1800 or taller	600
PSF188	1615 63.58	496 19.53	34	1800 or taller	800
PSF206	1838 72.36	496 19.53	39	2000 or taller	600
PSF207	1838 72.36	496 19.53	39	2000 or taller	700
PSF208	1838 72.36	496 19.53	39	2000 or taller	800
PSF226	2015 79.33	496 19.53	43	2200 tall	600
PSF227	2015 79.33	496 19.53	43	2200 tall	700
PSF228	2015 79.33	496 19.53	43	2200 tall	800

Standard 120° Frame Hinging

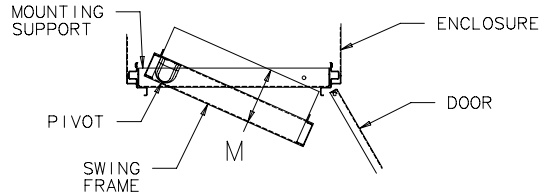
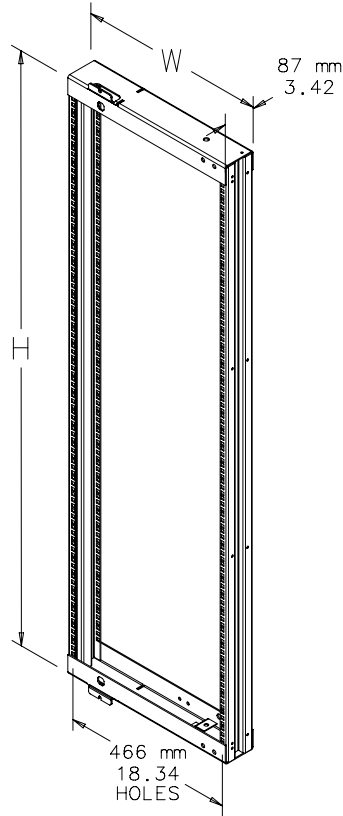


120° Mounting Position



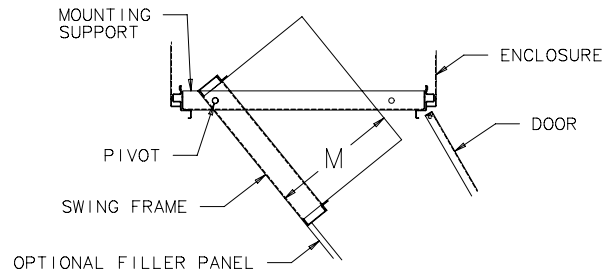
45 mm  
D = 1.75" MINIMUM DISTANCE FROM INSIDE DOOR TO FRONT SURFACE OF SWING FRAME

Maximum Installation Depth for 600 mm Wide Enclosures



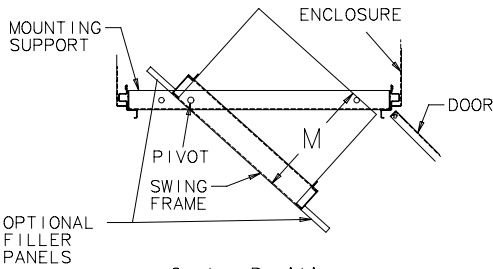
M = Max Installation Depth = 216 mm (8.50 in.)

Maximum Installation Depth for 700 mm Wide Enclosures



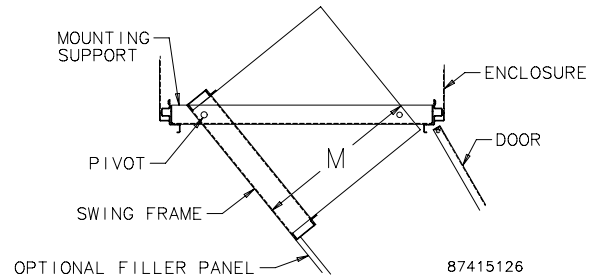
M = Max Installation Depth = 394 mm (15.50 in.)

Maximum Installation Depth for 800 mm Wide Enclosures



Center Position

M = Max Installation Depth = 394 mm (15.50 in.)



Side Position

M = Max Installation Depth = 514 mm (20.25 in.)

87415126

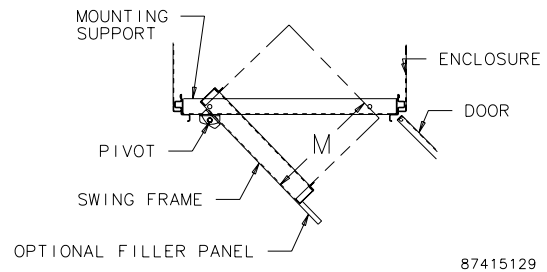
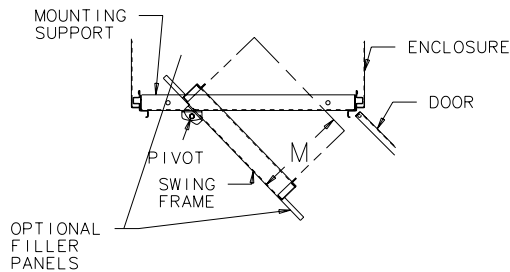
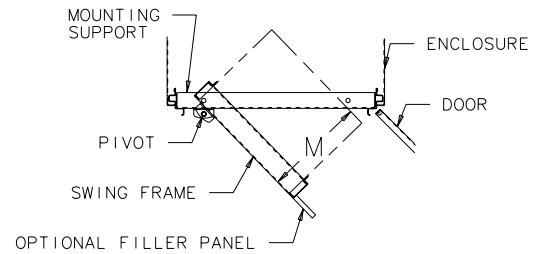
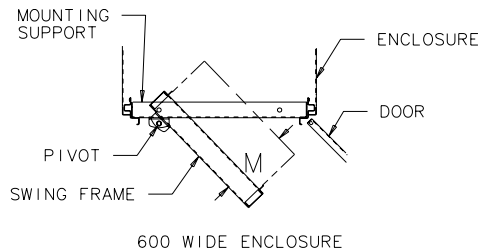
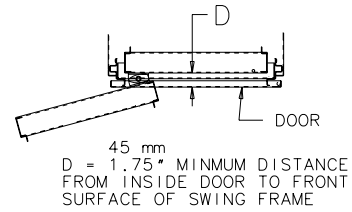
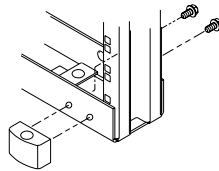
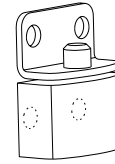


### 170-DEGREE HINGE KIT

Use this kit in conjunction with the Heavy-Duty Swing-Out Frame. It provides increased accessibility to the back of rack equipment.

**BULLETIN: P20**

Catalog Number	Fits Cabinets
PSF170K	600, 700 and 800

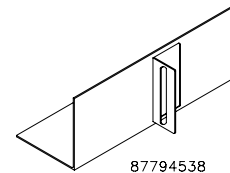


### SWING-OUT GUIDES

Guides can be mounted to a Heavy-Duty Swing-Out Rack Frame to provide extra support for rack equipment. Plated steel guides are furnished in pairs with mounting hardware included.

**BULLETIN: P20**

Catalog Number	Description
PSFG	Swing-Out Guides

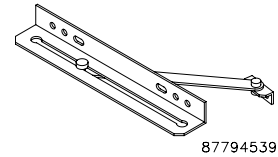


**STOP ARM KIT**

Used with Heavy-Duty Swing-Out Rack Frames to lock the frame in the open position. Consists of stop arm and mounting hardware.

BULLETIN: P20

Catalog Number	Description
PSAK120	120-degree Stop Arm Kit

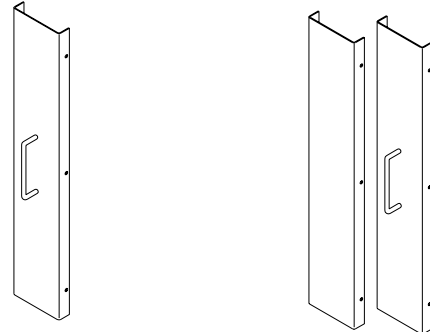


**FILLER PANEL KIT**

Used when mounting Heavy-Duty Swing-Out Rack Frames in 700- or 800-mm wide frames. The Filler Panel occupies the extra space between the frame and the swing frame. Includes a handle and all the hardware for mounting to the Swing-Out Rack Frame.

BULLETIN: P20

Catalog Number	Swing Frame Height	Enclosure Width	Mounting
PFPK77LR	700	700	Left or Right
PFPK78LR	700	800	Left or Right
PFPK78C	700	800	Center
PFPK147LR	1400	700	Left or Right
PFPK148C	1400	800	Center
PFPK167LR	1600	700	Left or Right
PFPK168LR	1600	800	Left or Right
PFPK168C	1600	800	Center
PFPK187LR	1800	700	Left or Right
PFPK188LR	1800	800	Left or Right
PFPK188C	1800	800	Center
PFPK208LR	2000	800	Left or Right
PFPK208C	2000	800	Center
PFPK227LR	2200	700	Left or Right
PFPK228LR	2200	800	Left or Right
PFPK228C	2200	800	Center



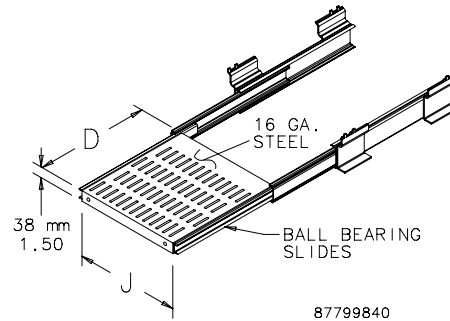
**FRAME PULL-OUT SHELF**



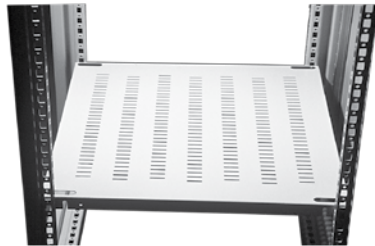
Frame Pull-Out Shelf allows easy access to shelf-mounted devices. The shelf is 16 gauge steel with 12 gauge steel supports. The entire assembly is finished with RAL 7035 textured gray polyester powder paint. The shelf mounts to the front and rear frame uprights. Load rating is 110 lb. (50 kg).

BULLETIN: P20

Catalog Number	D (mm)	D (in.)	J (mm)	J (in.)	Shelf Extension (mm)	Shelf Extension (in.)
PFSHP66	461	18.15	475	18.70	450	17.72
PFSHP68	661	26.02	475	18.70	670	26.38
PFSHP86	461	18.15	675	26.58	450	17.72
PFSHP88	661	26.02	675	26.58	670	26.38

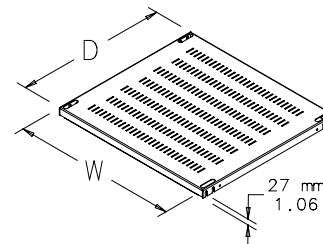


**FRAME SHELF**



Vented Frame Shelf mounts to the vertical hole pattern on a frame and provides a stationary surface for equipment. The shelf is 16 gauge steel finished with RAL 7035 textured gray polyester powder paint.

BULLETIN: P20



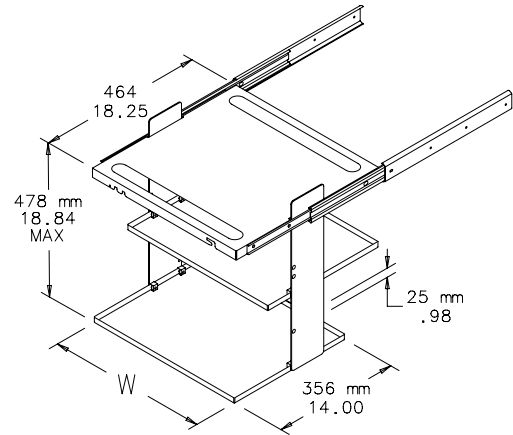
Catalog Number	D (mm)	D (in.)	W (mm)	W (in.)
PFSH64	300	11.81	548	21.57
PFSH65	400	15.75	548	21.57
PFSH66	500	19.68	548	21.57
PFSH68	700	27.56	548	21.57
PFSH69	800	31.50	548	21.57
PFSH75	400	15.75	648	25.51
PFSH76	500	19.68	648	25.51
PFSH78	700	27.56	648	25.51
PFSH84	300	11.81	748	29.45
PFSH85	400	15.75	748	29.45
PFSH86	500	19.68	748	29.45
PFSH88	700	27.56	748	29.45
PFSH89	800	31.50	748	29.45
PFSH104	300	11.81	948	37.32
PFSH105	400	15.75	948	37.32
PFSH106	500	19.68	948	37.32
PFSH108	700	27.56	948	37.32

**PRINTER SHELF** **A7-O**



The Printer Shelf is used for supporting a continuous feed printer. The shelf mounts directly to a PROLINE™ frame. Paper shelves are vertically adjustable. The entire unit slides out 17 in. from the enclosure, allowing easy accessibility. Fits 600- or 800-mm wide frames that are 600-mm or more deep.

**BULLETIN: P20**



87798509

Catalog Number	Fits (mm)	W (mm)	W (in.)
PPSH66	600 x 600 or 600 x 800	464	18.27
PPSH86	800 x 600 or 800 x 800	663	26.10

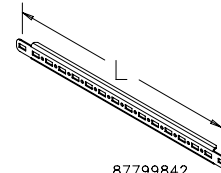
PPSH66 can be installed with paper slots positioned front and back or right and left. Grid straps are required when mounting printer shelf in frames deeper than 600 mm.

**WIRE MANAGEMENT RAILS**



Wire Management Rails are 14 gauge steel with a plated finish. They feature a unique hole pattern that allows either wire ties or fasteners to secure wires in place. Frame-mounting hardware is included. One package contains 20 rails.

**BULLETIN: P20**



87799842

Catalog Number	L (mm)	L (in.)	Total Length (mm)	Total Length (in.)	Fits Frame Depth
PWMR4	275	10.83	297	11.69	400
PWMR5	375	14.76	397	15.63	500
PWMR6	475	18.70	497	19.57	600
PWMR8	675	26.58	697	27.44	800
PWMR9	775	30.51	797	31.38	900

**DOOR-ACTIVATED LIGHT SWITCH KIT**



Door-activated switch mounts to the frame and includes mounting hardware. Mounting plate is 14 gauge steel with a plated finish.

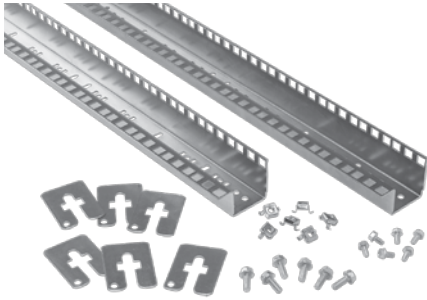
**BULLETIN: P20**

Catalog Number	Description
PLFSWD	Door-activated light switch kit





## PROLINE™ RACK ANGLES OVERVIEW



PROLINE™ Rack Angles are available in 19-, 23- and 24-in. configurations. All Rack Angles have two mounting surfaces that serve as mounts for both rack equipment and rack accessories. Rack Angles are furnished in pairs and are available with tapped holes that directly accommodate 10-32 screws or square holes for use with cage nuts and M5, M6 or 10-32 screws. Rack Angles comply with ANSI/EIA RS-310-D rack mounting standards.

Rack Angles can be mounted directly to the enclosure frame or on grid system straps at almost any depth location. Rack Angles are plated. All mounting hardware to install Rack Angles is included. (Order cage nuts for square hole Rack Angles separately.)

- The standard rack angle position is 44 mm behind the door opening. Rack Angles can be moved forward if desired. Deeper positions require the use of grid straps. 1200-mm and 1600-mm frames require center uprights to mount Rack Angles in right bay or left bay.
- For joining cabinets with Rack Angles in the full forward position, use Joining Kit PJ2FF.
- Shelves, drawer, guides and pull-out shelves require two sets of Rack Angles or frame accessory brackets installed in the frame.

### Static Load Notes

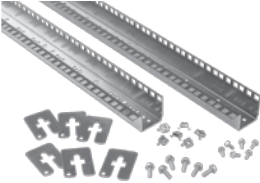
It is important to comply with manufacturers' recommendations for rack mounting support.

Follow mounting directions for individual equipment.

Max. 20 lb. (9.1 kg) per rack unit for equipment under 20-in. (508-mm) deep.

Equipment over 20-in. (508-mm) deep or over 20 lb. (9.1 kg) per rack unit requires rear support.

## 19-IN. RACK ANGLES

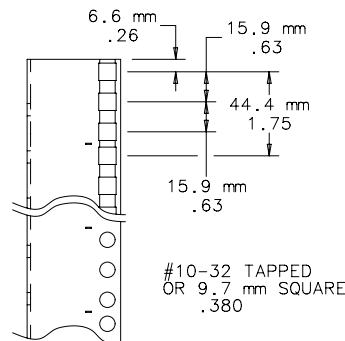
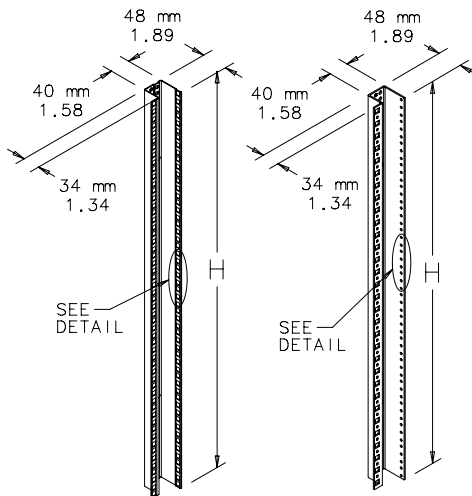


19-in. U-Shaped Rack Angles are available in square-hole and tapped-hole designs. Tapped Rack Angles are 12 gauge plated steel with 10-32 tapped holes. Square-Hole Rack Angles are 14 gauge plated steel designed to accept metric or English cage nuts. 19-in. Rack Angles are fixed directly into a 600-mm wide enclosure frame. To mount 19-in. Rack Angles in 700- or 800-mm wide frames, use frame reducing brackets.

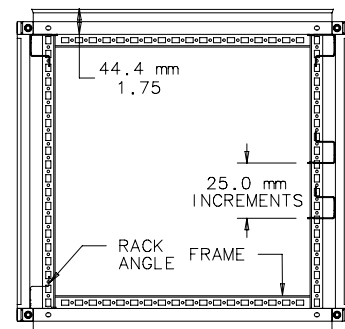
BULLETIN: P20

Catalog Number	Hole	H (mm)	H (in.)	Fits Frame	Rack Units
PRA197TH	Square	578	22.77	700 mm	13
PRA197TP	Tapped	578	22.77	700 mm	13
PRA198TH	Square	712	28.02	800 mm	16
PRA198TP	Tapped	712	28.02	800 mm	16
PRA1914TH	Square	1290	50.77	1400 mm	29
PRA1914TP	Tapped	1290	50.77	1400 mm	29
PRA1916TH	Square	1467	57.77	1600 mm	33
PRA1916TP	Tapped	1467	57.77	1600 mm	33
PRA1918TH	Square	1690	66.52	1800 mm	38
PRA1918TP	Tapped	1690	66.52	1800 mm	38
PRA1920TH	Square	1867	73.52	2000 mm	42
PRA1920TP	Tapped	1867	73.52	2000 mm	42
PRA1922TH	Square	2090	82.27	2200 mm	47
PRA1922TP	Tapped	2090	82.27	2200 mm	47

Vertical holes spaced in 1.75-in. (44.5-mm) increments.

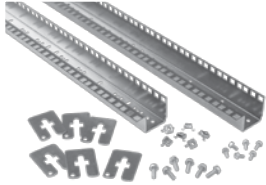


DETAIL



87798510

### 23-IN. RACK ANGLES



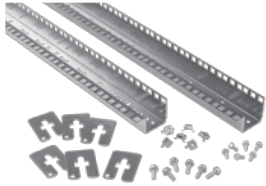
23-in. Rack Angles are available for telecom applications. They fit directly into 700-mm wide frames or into 800-mm wide frames using frame reducing brackets. Rack Angles are 12 gauge steel with 10-32 tapped holes. 23-in. Rack Angles are available with 1.00-in. vertical hole spacing.

**BULLETIN: P20**

Catalog Number	Hole	Height mm/in.	Fits Frame Height	Rack Units
PRA2377P	Tapped	584 22.99	700 mm or taller	13
PRA2314TP	Tapped	1270 50.00	1400 mm or taller	29
PRA2316TP	Tapped	1473 57.99	1600 mm or taller	33
PRA2318TP	Tapped	1676 65.98	1800 mm or taller	38
PRA2320TP	Tapped	1879 73.98	2000 mm	42
PRA2322TP	Tapped	2083 82.00	2200 mm	42

Vertical holes spaced in 1.00 in. (25.4mm) increments.

### 24-IN. RACK ANGLES

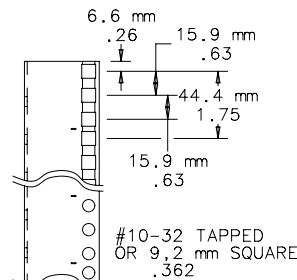
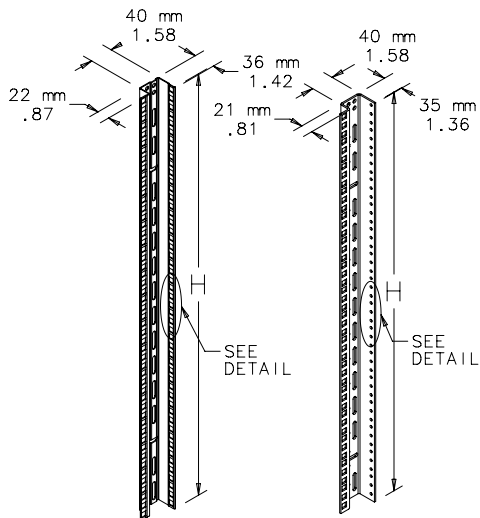


24-in. Rack Angles are available in both square-hole and tapped-hole designs. Tapped Rack Angles are 12 gauge plated steel with 10-32 tapped holes. Square-Hole Rack Angles are 14 gauge plated steel designed to accept metric or English cage nuts. 24-in. Rack Angles fit directly into 700- or 800-mm wide frames using frame reducing brackets.

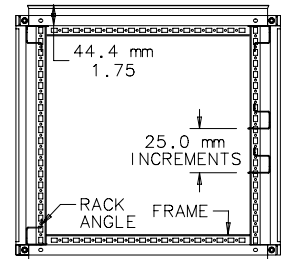
**BULLETIN: P20**

Catalog Number	Hole	H (mm)	H (in.)	Fits Frame	Rack Units
PRA247TH	Square	578	22.77	700 mm	13
PRA247TP	Tapped	578	22.77	700 mm	13
PRA2414TH	Square	1245	49.02	1400 mm	29
PRA2414TP	Tapped	1245	49.02	1400 mm	29
PRA2416TH	Square	1467	57.77	1600 mm	33
PRA2416TP	Tapped	1467	57.77	1600 mm	33
PRA2418TH	Square	1690	66.52	1800 mm	38
PRA2418TP	Tapped	1690	66.52	1800 mm	38
PRA2420TH	Square	1867	73.52	2000 mm	42
PRA2420TP	Tapped	1867	73.52	2000 mm	42
PRA2422TH	Square	2090	82.27	2200 mm	47
PRA2422TP	Tapped	2090	82.27	2200 mm	47

Vertical holes spaced in 1.75-in. (44.5-mm) increments.



DETAIL



87414972



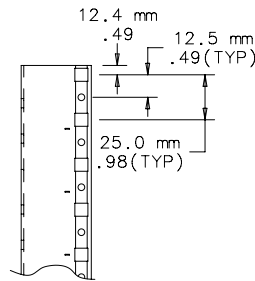
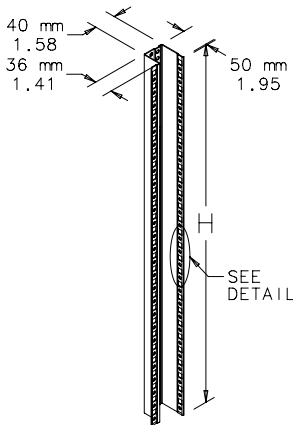
## METRIC RACK ANGLES

Metric U-Shaped Rack Angles are available with square holes spaced vertically in 25-mm increments to accept metric or English cage nuts. These Rack Angles are built in accordance with standard IEC 917-2-1 to accommodate metric subracks. They are sized to fit directly into 600-mm wide frames. Use frame reducing brackets to mount in 700- or 800-mm wide frames.

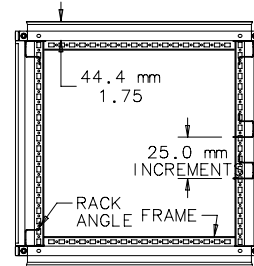
BULLETIN: P20

Catalog Number	H (mm)	H (in.)	Fits Frame Height	Rack Units
PRAM7	575	22.64	700 mm	22
PRAM14	1275	50.20	1400 mm	29
PRAM16	1475	58.07	1600 mm	33
PRAM18	1675	65.94	1800 mm	38
PRAM20	1875	73.82	2000 mm	42
PRAM22	2075	81.69	2200 mm	47

Vertical holes spaced in 25-mm increments.



DETAIL



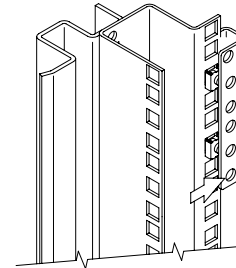
87418263

## RACK ANGLE ADAPTER BRACKET

Rack Angle Adapter Brackets mount to PROLINE™ Rack Angles. They bring out the rear leg mounting surface to allow traditional Rack Mount Slides (A16SL2U, sold separately) to be used. Fits 19-, 23- and 24-in. tapped or through-hole PROLINE Rack Angles. Rack Angle Adapter Brackets come in a quantity of four and are 14 gauge steel. They have a plated finish.

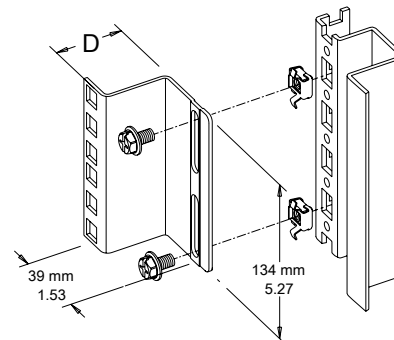
BULLETIN: P20

Catalog Number	Gauge	Use With
PBRAA	14	Rack-Mount Slides A16SL2U



87747358

## FRAME ACCESSORY BRACKET



87792500

Frame Accessory Brackets mount directly to the PROLINE™ frame and are used in place of rack angles to mount rack accessories such as shelves and pull-out shelves. Frame Accessory Brackets are furnished in sets of four and are 14 gauge plated steel. Mounting hardware is included.

BULLETIN: P20

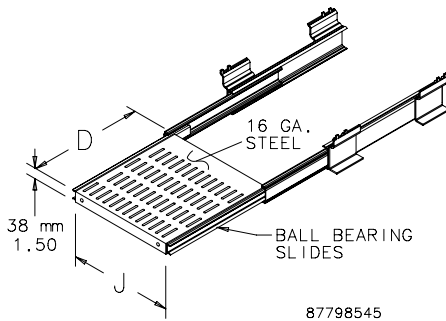
Catalog Number	Description	D (mm)	D (in.)
PFB19	19-in. EIA spacing	36	1.42
PFB23	23-in. EIA spacing	36	1.42
PFB24	24-in. EIA spacing	22	0.87
PFBM	Metric IEC 91721 spacing	36	1.42

### PULL-OUT SHELF

Pull-Out Shelf allows easy access to shelf-mounted devices. Shelf is 16 gauge steel with 12 gauge steel supports. The entire assembly is finished with RAL 7035 textured light-gray polyester powder paint. The shelf mounts to the front surface of front and back rack angles. When mounted directly to a frame, load rating is 150 lb. (68 kg) with four rack angle mountings and 75 lb. (34 kg) with front rack angle mounting.

*Rack accessories that are shorter than the enclosure depth can be mounted to rack angles or frame accessory brackets attached to grid straps. Order these items separately.*

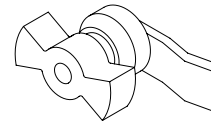
**BULLETIN: P20**



### PULL-OUT SHELF LOCK

Pull-Out Shelf Lock is used in combination with the Pull-Out Shelf to hold the shelf in the recessed position. It can be mounted on either the left or right side. This black quarter-turn lock has a wing knob for easy hand operation.

**BULLETIN: P20**



87798539

Catalog Number	D mm/in.	J mm/in.	Shelf Extension mm/in.	Fits Rack Width
P19PSH5	361	403	350	19 in.
	14.21	15.87	14.00	
P19PSH6	461	403	450	19 in.
	18.15	15.87	18.00	
P19PSH8	661	403	670	19 in.
	26.02	15.87	26.50	
P19PSH9	761	403	770	19 in.
	29.96	15.87	30.00	
P23PSH4	261	505	250	23 in.
	10.28	19.88	9.84	
P23PSH5	361	505	350	23 in.
	14.21	19.88	14.00	
P23PSH6	461	505	450	23 in.
	18.15	19.88	18.00	
P23PSH8	661	505	670	23 in.
	26.02	19.88	26.50	
P23PSH9	761	505	770	23 in.
	29.96	19.88	30.00	
P24PSH5	361	530	350	24 in.
	14.21	20.87	14.00	
P24PSH6	461	530	450	24 in.
	18.15	20.87	18.00	
P24PSH8	661	530	670	24 in.
	26.02	20.87	26.50	
P24PSH9	761	530	770	24 in.
	29.96	20.87	30.00	

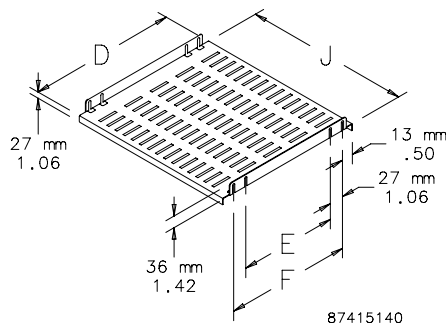
Catalog Number	Description
PSHLOCK	Pull-Out Shelf Lock

### FIXED SHELF

Fixed Shelves mount to the front and back rack angles. The shelf is 14 gauge steel with adjustable 12 gauge steel supports. Adjustable to fit multiple-depth enclosures or rack angle placements. Entire assembly is finished with RAL 7035 textured light-gray polyester powder paint. Load rating is 150 lb. (68 kg).

*Rack accessories that are shorter than the enclosure depth can be mounted to rack angles or frame accessory brackets attached to grid straps. Order these items separately.*

**BULLETIN: P20**



Catalog Number	D mm/in.	E mm/in.	F mm/in.	J mm/in.	Fits Rack Width
P19SH4	249	164.8	218.4	477	19 in.
	9.80	6.49	8.60	18.78	
P19SH5	349	264.8	318.4	477	19 in.
	13.74	10.43	12.54	18.78	
P19SH6	449	364.8	418.4	477	19 in.
	17.68	14.36	16.47	18.78	
P19SH8	649	564.8	618.4	477	19 in.
	25.55	22.24	24.35	18.78	
P19SH9	749	664.8	718.4	477	19 in.
	29.49	26.17	28.28	18.78	
P23SH4	249	170	223.6	578.6	23 in.
	9.80	6.69	8.80	22.78	
P23SH5	349	270	323.6	578.6	23 in.
	13.74	10.63	12.74	22.78	
P23SH6	449	370	423.6	578.6	23 in.
	17.68	14.57	16.68	22.78	
P23SH8	649	570	623.6	578.6	23 in.
	25.55	22.44	24.55	22.78	
P23SH9	749	670	723.6	578.6	23 in.
	29.49	26.38	28.49	22.78	
P24SH5	349	264.8	318.4	604	24 in.
	13.74	10.43	12.54	23.78	
P24SH6	449	364.8	418.4	604	24 in.
	17.68	14.36	16.47	23.78	
P24SH8	649	564.8	618.4	604	24 in.
	25.55	22.24	24.35	23.78	
P24SH9	749	664.8	718.4	604	24 in.
	29.49	26.17	28.28	23.78	

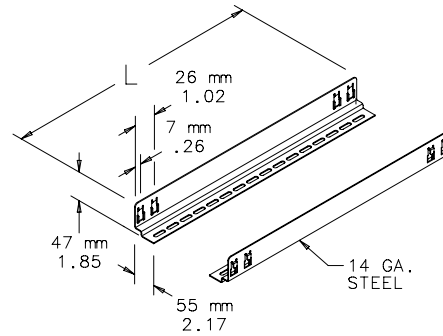


**GUIDES**


Equipment Guides help support rack-mounted equipment during installation. Guides mount between two pairs of rack angles. Slotted holes are provided for vertical or lateral adjustment. Furnished in pairs. Guides have plated finish. Mounting hardware included. Can be installed on 19-in. or 24-in. rack angles.

*Rack accessories that are shorter than the enclosure depth can be mounted to rack angles or frame accessory brackets attached to grid straps. Order these items separately.*

**BULLETIN: P20**



87415141

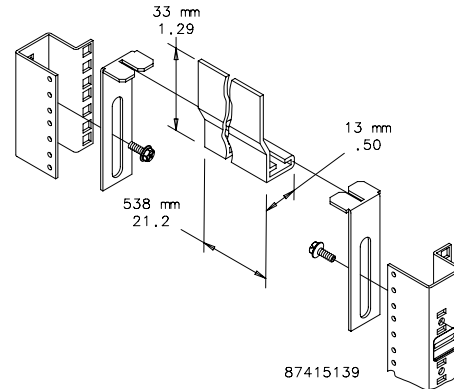
Catalog Number	L (mm)	L (in.)	Frame Depth (mm)	Frame Depth (in.)
PG4	217	8.54	400	15.75
PG5	317	12.48	500	19.68
PG6	417	16.42	600	23.62
PG7	517	20.35	700	27.56
PG8	617	24.29	800	31.49
PG9	717	28.23	900	35.43

**FILLER PANEL FOR RACK ANGLES**

Filler Panels are used to completely fill 19-in. rack mounting spaces at top and bottom of PROLINE™ door opening. Extruded aluminum Filler Panels are furnished in pairs and include mounting hardware.

**BULLETIN: P20**

Catalog Number	Description
PPF19RA	Filler Panel for Rack Angles



87415139

**SCREW PACKAGE**

Twenty plated screws are included in each package. Screws attach rack panels to rack mounting angles. Available in 10-32, 12-24, M5 and M6.

**BULLETIN: A80, DACCY, X20**

Catalog Number	Description	Pkg. Qty.
AS1032	10-32 x .75	20
ES1224	12-24 x .5	20
ASM5	Metric M5 x 20	20
ASM6	Metric M6 x 16	20
ASM6250	Metric M6 x 16	250

**CAGE NUT PACKAGE**

Twenty plated cage nuts are included in each package. Available in 10-32, 12-24, M5 and M6, these cage nuts fit all PROLINE™ rack angles with square holes.

**BULLETIN: DACCY**

Catalog Number	Description	Pkg. Qty.
P1032CN	10-32 thread	20
P1224CN	12-24 thread	20
PM5CN	Metric M5 thread	20
PM6CN	Metric M6 thread	20

**RACK PANELS**



Rack Panels are available in aluminum and painted steel. Aluminum Rack Panels are .125-in.-thick 5052-H32 alloy. Steel Rack Panels are 12 gauge steel and finished in RAL 7035 textured light-gray polyester powder paint. All panels are flat with oblong holes positioned at EIA standard spacing. Mounting hardware is sold separately.

**BULLETIN: P20**

Catalog Number	Material	Rack Angle Size	Rack Units
P19RP1UA	Aluminum	19 in.	1
P19RP1UP	Steel	19 in.	1
P19RP2UA	Aluminum	19 in.	2
P19RP2UP	Steel	19 in.	2
P19RP3UA	Aluminum	19 in.	3
P19RP3UP	Steel	19 in.	3
P19RP4UA	Aluminum	19 in.	4
P19RP4UP	Steel	19 in.	4
P19RP5UA	Aluminum	19 in.	5
P19RP5UP	Steel	19 in.	5
P19RP6UP	Steel	19 in.	6
P19RP6UA	Aluminum	19 in.	6
P19RP7UA	Aluminum	19 in.	7
P19RP7UP	Steel	19 in.	7
P19RP8UP	Steel	19 in.	8
P19RP8UA	Aluminum	19 in.	8
P19RP9UA	Aluminum	19 in.	9
P19RP9UP	Steel	19 in.	9
P19RP10UA	Aluminum	19 in.	10
P19RP10UP	Steel	19 in.	10
P19RP11UA	Aluminum	19 in.	11
P19RP11UP	Steel	19 in.	11
P19RP12UA	Aluminum	19 in.	12
P19RP12UP	Steel	19 in.	12
P19RP16UA	Aluminum	19 in.	16
P19RP16UP	Steel	19 in.	16
P23RP1UA	Aluminum	23 in.	1
P23RP1UP	Steel	23 in.	1
P23RP2UP	Steel	23 in.	2
P23RP3UA	Aluminum	23 in.	3
P23RP3UP	Steel	23 in.	3
P23RP4UA	Aluminum	23 in.	4
P23RP4UP	Steel	23 in.	4
P24RP2UA	Aluminum	24 in.	2
P24RP2UP	Steel	24 in.	2
P24RP3UP	Steel	24 in.	3
P24RP4UA	Aluminum	24 in.	4
P24RP4UP	Steel	24 in.	4
P24RP5UA	Aluminum	24 in.	5
P24RP5UP	Steel	24 in.	5
P24RP6UP	Steel	24 in.	6
P24RP8UA	Aluminum	24 in.	8
P23RP2UA	Aluminum	23 in.	2
P24RP8UP	Steel	24 in.	8
P24RP3UA	Aluminum	24 in.	3



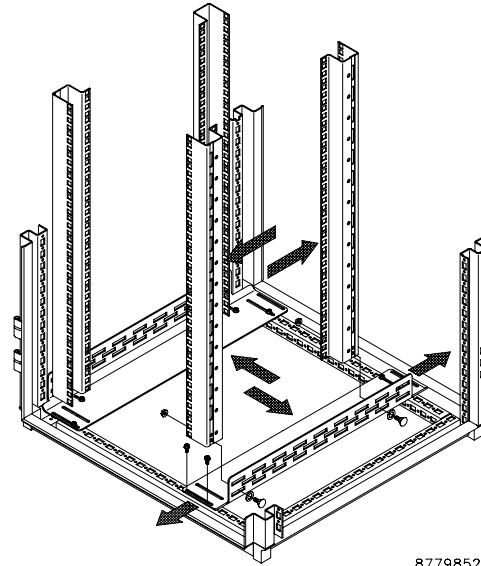
## ADJUSTABLE RACK-MOUNTING RAILS



Mounting rails allow rack angles to be positioned anywhere within the PROLINE™ frame. The left-to-right adjustment pertains only when the enclosure is wider than the minimum width required for rack angles. Includes two right-hand and two left-hand 12 gauge plated or painted steel mounting rails. Mounting hardware is included.

BULLETIN: DPY, P20

Catalog Number	L (mm)	L (in.)	Fits Frame Depth	Finish
PBARA6	511	20.11	600	Plated
PBARA8	711	27.98	800	Plated
PBARA9	811	31.92	900	Plated
PBARA9B	811	31.92	900	Painted RAL 9005 Black
PBARA10B	911	35.86	1000	Painted RAL 9005 Black
PBARA11B	1011	39.79	1100	Painted RAL 9005 Black
PBARA12B	1111	43.73	1200	Painted RAL 9005 Black



87798529

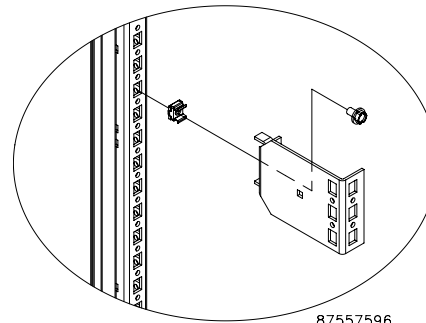
## FRAME-REDUCING BRACKETS FOR FRAMES OR GRID STRAPS



Frame-Reducing Brackets mount directly to 700- or 800-mm wide PROLINE™ frames or to grid straps. Converts wider frames to 600-mm wide, allowing 19-in. rack angles to fit, or to 700-mm wide, allowing 23-in. rack angles to fit. Can be used to left- or right-justify the rack-mounted equipment. Furnished in sets of four. 14 gauge plated steel. Mounting hardware is included.

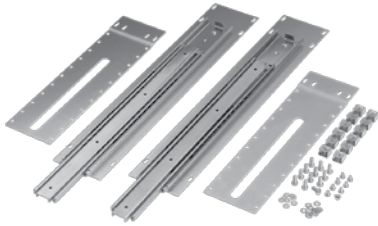
BULLETIN: P20

Catalog Number	Reduces Frame Width	W (mm)	W (in.)	Converts Frame Width
PRB50	50	50	1.97	From 700 to 600 From 800 to 700 mm
PRB100	100	100	3.94	From 800 to 600 From 800 to 700 From 700 to 600 mm
PRB200	200	200	7.87	From 1000 to 600 From 1000 to 800 From 800 to 600 mm



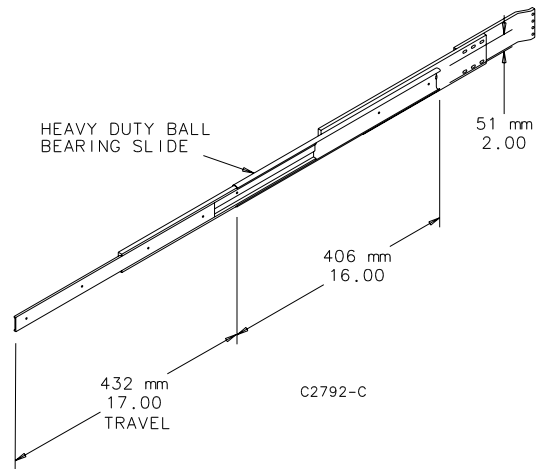
87557596

**SLIDES**



Heavy-duty ball bearing, plated three-section Slides are 16-in. (406-mm) long and allow 17-in. (423-mm) extension. They are attached to supports that mount between two pairs of rack-mounting angles that have accessory mounting legs. Mounting hardware is furnished. Equipment 16.75-in. (425-mm) wide can be mounted between Slide assemblies installed on 19-in. rack angles. A pair of Slides can support up to 160 lb. at the extended position when load is distributed evenly along the 16-in. (406-mm) Slide length. Requires Rack Angle Adapter Bracket to fit PROLINE. Needs to be used with the Rack Angle Adapter Bracket (PBRAA, PBRAA19 or PBRAA24).

BULLETIN: P20



Catalog Number	Quantity
A16SL2U	2

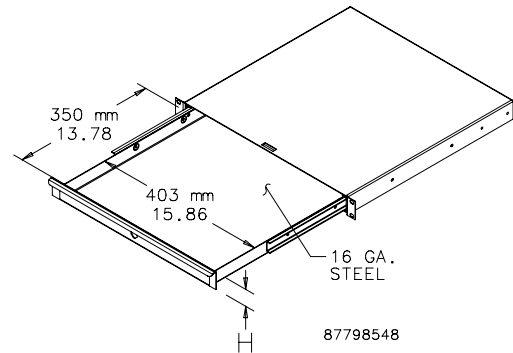
**RACK-ANGLE MOUNTED DRAWER**



Steel drawer for 19-in. rack-angle mounting mounts to the front surface of the rack angles. Integral steel box contains the drawer and protects surrounding internal equipment. Extends 13 in. (330 mm) on ball bearing slides. Front includes handle and key lock. Finish is RAL 7035 textured light-gray polyester powder paint. Mounting hardware is included.

BULLETIN: P20

Catalog Number	H (mm)	H (in.)	Fits Rack Width	Rack Units
P19DR1US	43	1.69	19 in.	1
P19DR2US	88	3.47	19 in.	2
P19DR3US	132	5.20	19 in.	3

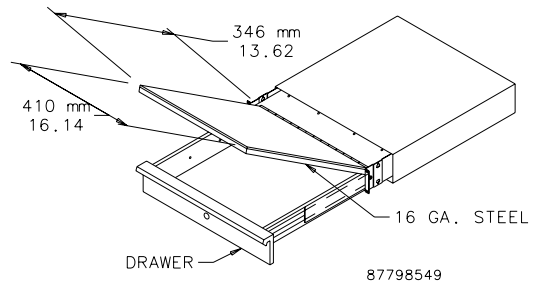


**WRITING SURFACE**



A 16 gauge steel cover mounts on top of the drawer to serve as a writing surface and drawer cover. Finish is RAL 7035 textured light-gray polyester powder paint.

BULLETIN: P20



Catalog Number	Fits
P19WS	Drawer





**PROLINE™-PC, TYPE 12**

**INDUSTRY STANDARDS**

 UL 508A Listed; Type 12; File Number E61997  
 cUL Listed per CSA C22.2 No 94; Type 12; File Number E61997

 NEMA/EEMAC Type 12  
 CSA File Number 42186: Type 12  
 VDE IP55  
 IEC 60529, IP55

**APPLICATION**

PROLINE™ -PC Modular Enclosures are ideal for applications that require housing standard PCs and keyboards. A modular system, these enclosures provide multiple configuration possibilities— simply add components to the frame to create a single enclosure, or gang multiple enclosures for larger or more complex applications.

**FEATURES**

- The frame is enclosed with solid sides, a solid top and a 100-mm solid base.
- Three doors, two in front and one in back, provide convenient access
- The sealed keyboard compartment maintains enclosure integrity when the compartment door is opened
- The 19-in. diagonal top window door, hinged on the left, offers viewing access for a variety of monitor sizes and has a small flush swing handle with keylock for system security
- The vented frame shelf in the top compartment is constructed of 14 gauge steel and is painted with RAL 7035 textured light-gray polyester powder paint
- The PROLINE keyboard compartment includes a locking feature, an angled palm rest, a cable access port for wiring and integral mouse pad holders for both left-handed and right-handed people
- The accessory front opening accommodates a number of optional components, such as keyboard shelves and control compartments. See the attached drawing for dimensions and the Accessory Front Options section for available accessories.
- The bottom compartment includes a solid door hinged on the left that has a small flush swing handle with keylocking. This compartment can be used to install computer equipment, panel-mounted equipment or rack mounted control systems.

**BULLETIN: P20PC, P20S**
**Standard Product Mild Steel**

Catalog Number	AxBxC mm/in.	M mm/in.	N mm/in.	P mm/in.	R mm/in.	Top Door Opening, Height mm/in.	Top Door Opening, Width mm/in.	Bottom Door Opening, Height mm/in.	Bottom Door Opening, Width mm/in.
PPC1666	1600 x 600 x 600	343	366	586	1363	558	536	739	536
	62.99 x 23.62 x 23.62	13.50	14.41	23.07	53.66	21.97	21.10	29.09	21.10
PPC1668	1600 x 600 x 800	343	366	586	1363	558	536	739	536
	62.99 x 23.62 x 31.50	13.50	14.41	23.07	53.66	21.97	21.10	29.09	21.10
PPC1686	1600 x 800 x 600	343	566	586	1363	558	736	739	736
	62.99 x 31.50 x 23.62	13.50	22.28	23.07	53.66	21.97	28.98	29.09	28.98
PPC1866	1800 x 600 x 600	343	366	786	1463	758	536	739	536
	70.87 x 23.62 x 23.62	13.50	14.41	30.94	57.60	29.84	21.10	29.09	21.10
PPC1868	1800 x 600 x 800	343	366	786	1563	958	536	739	536
	70.87 x 23.62 x 31.50	13.50	14.41	30.94	61.54	37.72	21.10	29.09	21.10
PPC1886	1800 x 800 x 600	343	566	786	1563	958	536	739	536
	70.87 x 31.50 x 23.62	13.50	22.28	30.94	61.54	37.72	21.10	29.09	21.10
PPC2066	2000 x 600 x 600	343	366	986	1563	958	736	739	736
	78.74 x 23.62 x 23.62	13.50	14.41	38.82	61.54	37.72	28.98	29.09	28.98
PPC2068	2000 x 600 x 800	343	366	986	1563	958	736	739	736
	78.74 x 23.62 x 31.50	13.50	14.41	38.82	61.54	37.72	28.98	29.09	28.98
PPC2086	2000 x 800 x 600	343	566	986	1563	958	736.1	738.9	736.1
	78.74 x 31.50 x 23.62	13.50	22.28	38.82	61.54	37.72	28.98	29.09	28.98
PPC2088	2000 x 800 x 800	343	566	986	1563	958	736.1	738.9	736.1
	78.74 x 31.50 x 31.50	13.50	22.28	38.82	61.54	37.72	28.98	29.09	28.98

100-mm solid base is included in the A dimension.

**Standard Product Stainless Steel**

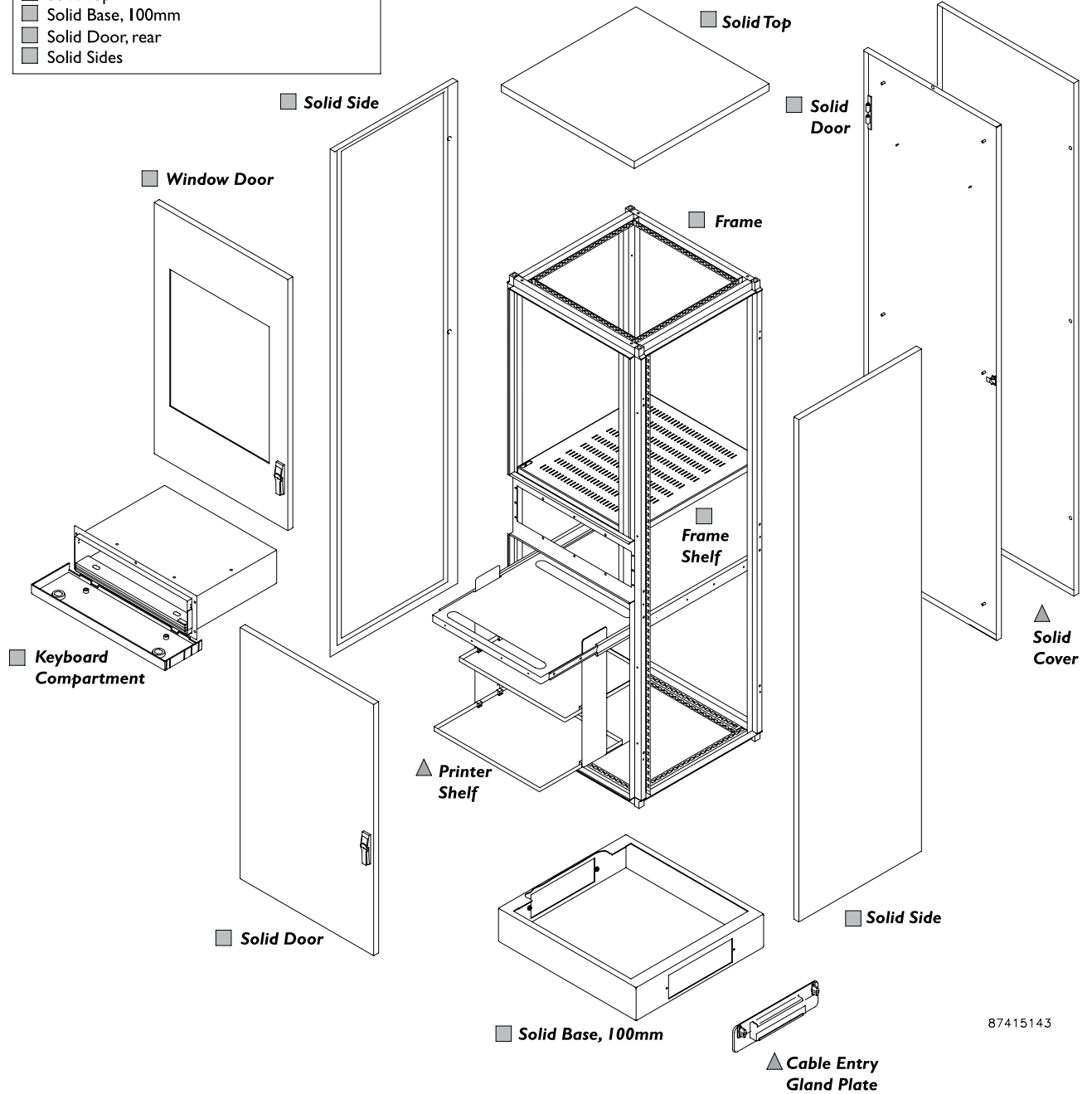
Catalog Number	AxBxC mm/in.	M mm/in.	N mm/in.	P mm/in.	R mm/in.	Top Door Opening Height mm/in.	Top Door Opening Width mm/in.	Bottom Door Opening Height mm/in.	Bottom Door Opening Width mm/in.
PPC1666SS	1688 x 608 x 599	343	366	586	1363	558	536	739	536
	66.46 x 23.94 x 23.58	13.50	14.41	23.07	53.66	21.97	21.10	29.09	21.10

100-mm solid base is included in the A dimension.

- Standard Configuration**
- Frame
  - Frame Shelf, top compartment
  - Keyboard Compartment
  - Window Door, top front
  - Solid Door, bottom front
  - Solid Top
  - Solid Base, 100mm
  - Solid Door, rear
  - Solid Sides

- Optional Components**
- ▲ A optional components may be ordered separately. Components labeled **▲** may be included in an **▲** configuration.

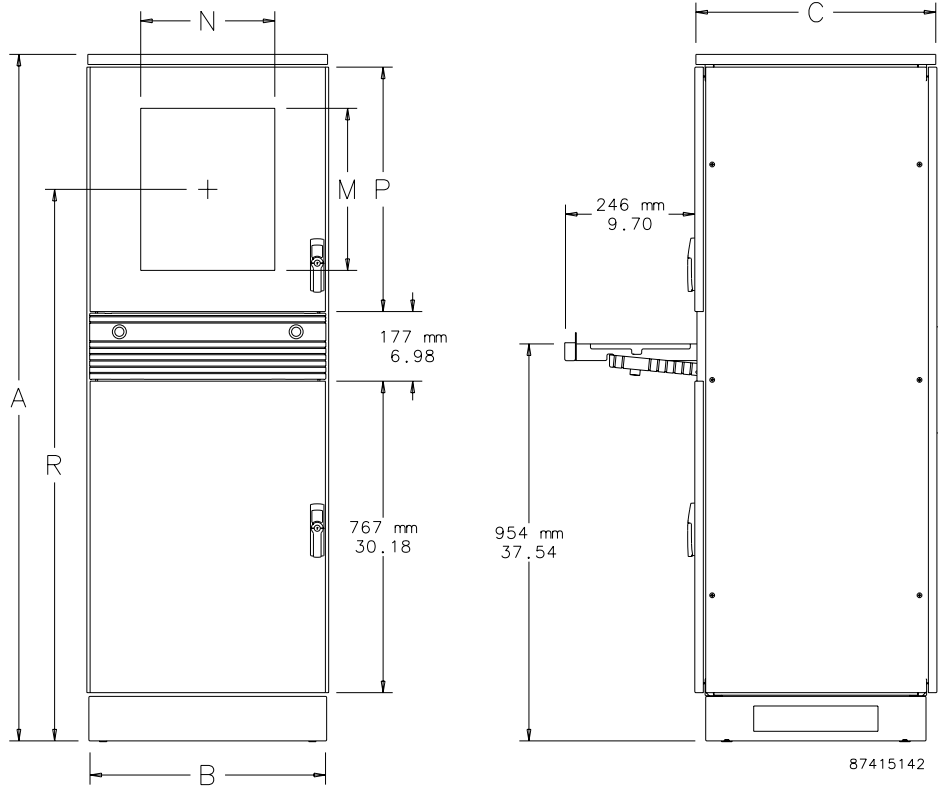
NOTE:  
PFPC\_\_\_\_\_ frames have three front openings for top, center, and bottom modular components.



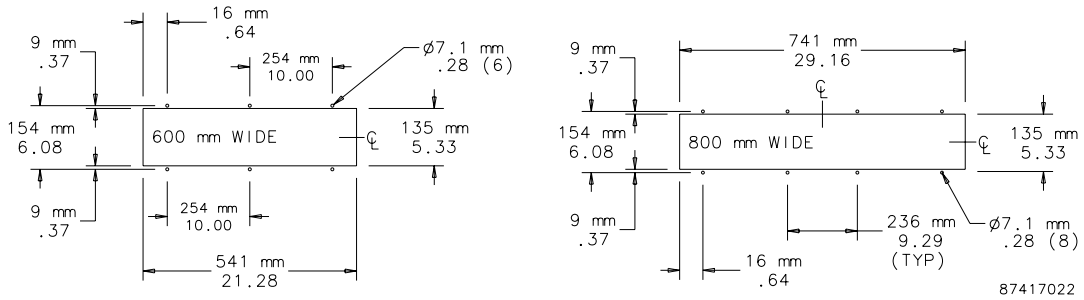
87415143



PROLINE-PC Modular Enclosure



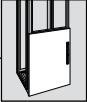
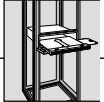
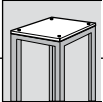


Accessory Front Opening Mounting Cutout



## SELECTION MATRIX

### Component Summary

					
<b>Standard Assembled Enclosure Catalog Number</b>	<b>Frame</b>	<b>Window Door (Top)</b>	<b>Solid Door (Bottom)</b>	<b>Keyboard Compartment</b>	<b>Solid Top</b>
PPC1666	PFPC1666	PDWT86PC	PDS86	PKBC6R	PT66
PPC1668	PFPC1668	PDWT86PC	PDS86	PKBC6R	PT68
PPC1686	PFPC1686	PDWT88PC	PDS88	PKBC8R	PT86
PPC1866	PFPC1866	PDWT96PC	PDS86	PKBC6R	PT66
PPC1868	PFPC1868	PDWT96PC	PDS86	PKBC6R	PT68
PPC1886	PFPC1886	PDWT98PC	PDS88	PKBC8R	PT86
PPC2066	PFPC2066	PDWT106PC	PDS86	PKBC6R	PT66
PPC2068	PFPC2068	PDWT106PC	PDS86	PKBC6R	PT68
PPC2086	PFPC2086	PDWT108PC	PDS88	PKBC8R	PT86
PPC2088	PFPC2088	PDWT108PC	PDS88	PKBC8R	PT88



## Door, Cover and Front Options

	Frame Catalog Number	Window Doors	Covers	Solid Doors	Keyboard Compartment	Keyboard Shelf	Consolet Compartment	Access Cover
Top Front	PFPC1666	PDWT86PC	PCST86PC	PDST86PC				
	PFPC1668	PDWT86PC	PCST86PC	PDST86PC				
	PFPC1686	PDWT88PC	PCST88PC	PDST88PC				
	PFPC1866	PDWT96PC	PCST96PC	PDST96PC				
	PFPC1868	PDWT96PC	PCST96PC	PDST96PC				
	PFPC1886	PDWT98PC	PCST98PC	PDST98PC				
	PFPC2066	PDWT106PC	PCST106PC	PDST106PC				
	PFPC2068	PDWT106PC	PCST106PC	PDST106PC				
	PFPC2086	PDWT108PC	PCST108PC	PDST108PC				
PFPC2088	PDWT108PC	PCST108PC	PDST108PC					
Middle Front	PFPC1666				PKBC6R	PKBS6	PCC6	PCS6
	PFPC1668				PKBC6R	PKBS6	PCC6	PCS6
	PFPC1686				PKBC8R	PKBS8	PCC8	PCS8
	PFPC1866				PKBC6R	PKBS6	PCC6	PCS6
	PFPC1868				PKBC6R	PKBS6	PCC6	PCS6
	PFPC1886				PKBC8R	PKBS8	PCC8	PCS8
	PFPC2066				PKBC6R	PKBS6	PCC6	PCS6
	PFPC2068				PKBC6R	PKBS6	PCC6	PCS6
	PFPC2086				PKBC8R	PKBS8	PCC8	PCS8
PFPC2088				PKBC8R	PK BS8	PCC8	PCS8	
Bottom Front	PFPC1666	PDWG86	PCS86	PDS86				
	PFPC1668	PDWG86	PCS86	PDS86				
	PFPC1686	PDWG88	PCS88	PDS88				
	PFPC1866	PDWG86	PCS86	PDS86				
	PFPC1868	PDWG86	PCS86	PDS86				
	PFPC1886	PDWG88	PCS88	PDS88				
	PFPC2066	PDWG86	PCS86	PDS86				
	PFPC2068	PDWG86	PCS86	PDS86				
	PFPC2086	PDWG88	PCS88	PDS88				
PFPC2088	PDWG88	PCS88	PDS88					

Solid Base (100mm)	Solid Sides <sup>a</sup>	Solid Door (Rear)	Frame Shelf	Flush Pushbutton Handle (keylock)	Small Flush Swing Handle
PB166	PSS166	PDS166	PFSH66	PFHKBL	PSHKBL
PB168	PSS168	PDS166	PFSH68	PFHKBL	PSHKBL
PB186	PSS166	PDS168	PFSH86	PFHKBL	PSHKBL
PB166	PSS186	PDS186	PFSH66	PFHKBL	PSHKBL
PB168	PSS188	PDS186	PFSH68	PFHKBL	PSHKBL
PB186	PSS186	PDS188	PFSH86	PFHKBL	PSHKBL
PB166	PSS206	PDS206	PFSH66	PFHKBL	PSHKBL
PB168	PSS208	PDS206	PFSH68	PFHKBL	PSHKBL
PB186	PSS206	PDS208	PFSH86	PFHKBL	PSHKBL
PB188	PSS208	PDS208	PFSH88	PFHKBL	PSHKBL

<sup>a</sup> Order two.

**FRAMES**

PROLINE-PC Frames come in a broad range of sizes to accommodate your PC applications.

BULLETIN: P20PC

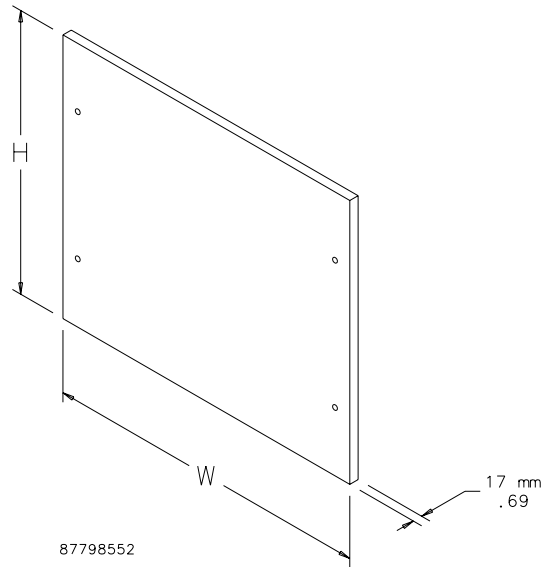
Catalog Number	AxBxC in.	AxBxC mm
PFPC1666	62.20 x 23.58 x 23.15	1580 x 599 x 588
PFPC1668	62.99 x 23.62 x 31.50	1600 x 600 x 800
PFPC1686	62.99 x 31.50 x 23.62	1600 x 800 x 600
PFPC1866	70.87 x 23.62 x 23.62	1800 x 600 x 600
PFPC1868	70.87 x 23.62 x 31.50	1800 x 600 x 800
PFPC1886	70.87 x 31.50 x 23.62	1800 x 800 x 600
PFPC2066	78.74 x 23.62 x 23.62	2000 x 600 x 600
PFPC2068	78.74 x 23.62 x 31.50	2000 x 600 x 800
PFPC2086	78.74 x 31.50 x 23.62	2000 x 800 x 600
PFPC2088	78.74 x 31.50 x 31.50	2000 x 800 x 800

**COVERS FOR UPPER FRONT**

Front Covers for the upper top opening are finished with textured light-gray RAL 7035 powder paint (except stainless steel). Noted sizes also available in stainless steel finish. Covers are secured with four semi-flush cover screws. Seamless foam-in-place gasket assures water-tight and dust-tight seal. Covers include grounding stud. All mounting hardware is furnished.

BULLETIN: P20PC, P20S

Catalog Number	Type	Gauge	H mm/in.	W mm/in.	Fits PC Frame
PCST86PC	Steel	16	586 23.07	592 23.31	1600 x 600
PCST86PCSS	Stainless Steel	16	586 23.07	592 23.31	1600 x 600
PCST96PC	Steel	16	786 30.94	592 23.31	1800 x 600
PCST106PC	Steel	16	986 38.82	592 23.31	2000 x 600
PCST106PCSS	Stainless Steel	16	986 38.82	592 23.31	2000 x 600
PCST98PC	Steel	14	786 30.94	792 31.18	1800 x 800
PCST108PC	Steel	14	986 38.82	792 31.18	2000 x 800

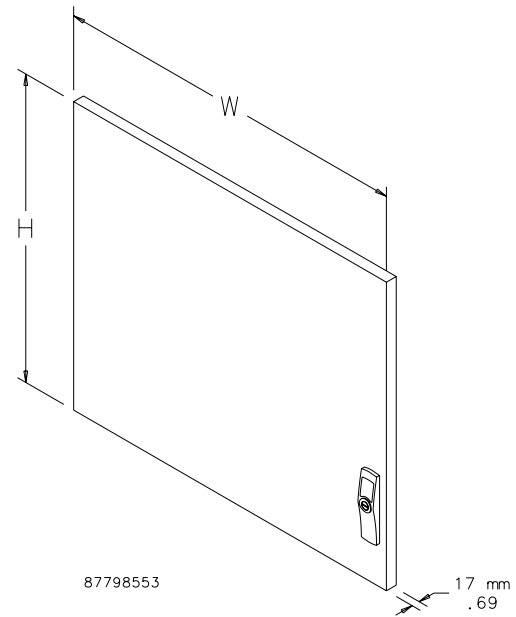


**DOORS FOR UPPER FRONT**

Doors fit on the upper front of the PC frame and are hinged on the left side. A 2-point latch system is operated by a Small Flush Bezel with tool-to-open insert located on the lower right side of the door. Other inserts and a Flush Swing Handle are also available. Doors have foam-in-place gaskets and ground studs. Doors are finished with RAL 7035 textured light-gray RAL 7035 powder paint (except stainless steel). Noted sizes also available in stainless steel.

BULLETIN: P20PC, P20S

Catalog Number	Type	Gauge	H mm/in.	W mm/in.	Fits PC Frame
PDST86PC	Steel	16	586 23.07	591 23.27	1600 x 600
PDST86PCSS	Stainless Steel	16	586 23.07	591 23.27	1600 x 600
PDST96PC	Steel	16	786 30.94	591 23.27	1800 x 600
PDST106PC	Steel	16	986 38.82	591 23.27	2000 x 600
PDST106PCSS	Stainless Steel	16	986 38.82	591 23.27	2000 x 600
PDST88PC	Steel	14	586 23.07	791 31.14	1600 x 800
PDST98PC	Steel	14	786 30.94	791 31.14	1800 x 800
PDST108PC	Steel	14	986 38.82	791 31.14	2000 x 800

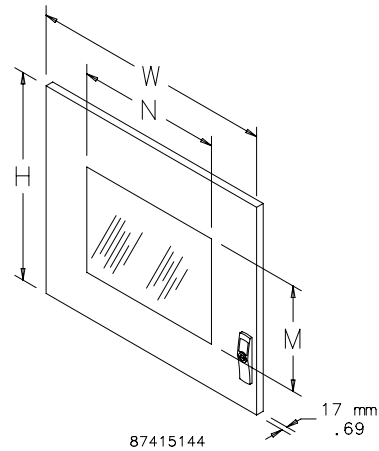


## WINDOW DOORS FOR UPPER FRONT

Window Doors fit on the upper front of the PC frame and are hinged on the left side. A 2-point latch system is operated by a Small Flush Bezel with tool-to-open insert located on the lower right side of the door. Other inserts and a Flush Swing Handle are also available. Doors have .25-in.-thick clear safety glass windows, foam-in-place gaskets for an effective seal and a finish of RAL 7035 textured light-gray polyester powder paint (except stainless steel). Noted sizes also available in stainless steel.

**BULLETIN: P20PC, P20S**

Catalog Number	Type	Gauge	H mm/in.	W mm/in.	Window Size M x N mm/in.	Fits PC Frame
PDWT86PC	Steel	16	586 23.07	591 23.27	343 x 366 13.50 x 14.41	1600 x 600
PDWT86PCSS	Stainless Steel	16	586 23.07	591 23.27	343 x 366 13.50 x 14.41	1600 x 600
PDWT96PC	Steel	16	786 30.94	591 23.27	343 x 366 13.50 x 14.41	1800 x 600
PDWT106PC	Steel	16	986 38.82	591 23.27	343 x 366 13.50 x 14.41	2000 x 600
PDWT106PCSS	Stainless Steel	16	986 38.82	591 23.27	343 x 366 13.50 x 14.41	2000 x 600
PDWT98PC	Steel	14	786 30.94	791 31.14	343 x 566 13.50 x 22.28	1800 x 800
PDWT108PC	Steel	14	986 38.82	791 31.14	343 x 566 13.50 x 22.28	2000 x 800



### 21-in. Monitor Window

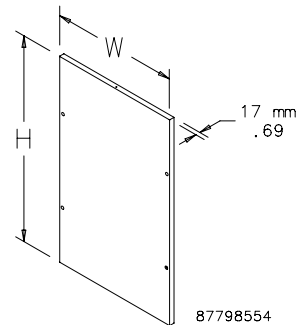
Catalog Number	H mm/in.	W mm/in.	Window Size M x N mm/in.	Fits PC Frame
PDWTL86PC	586 23.07	592 23.31	436 x 451 17.17 x 17.76	1600 x 600
PDWTL96PC	786 30.94	592 23.31	436 x 451 17.17 x 17.76	1800 x 600

## COVERS FOR LOWER FRONT

Solid 16 or 14 gauge steel construction. Steel cover is finished in RAL 7035 textured gray polyester powder paint. Noted size also available in stainless steel. Seamless foam-in-place gasket assures water-tight and dust-tight seal. Semi-flush cover screws attach cover to frame. A ground stud is provided.

**BULLETIN: P20, P20S**

Catalog Number	Material	Gauge	H mm/in.	W mm/in.	Fits PC Frame
PCS86	Steel	16	767 30.20	592 23.31	600 wide
PCS86SS	Stainless Steel	16	767 30.20	592 23.31	600 wide
PCS88	Steel	14	767 30.20	792 31.18	800 wide

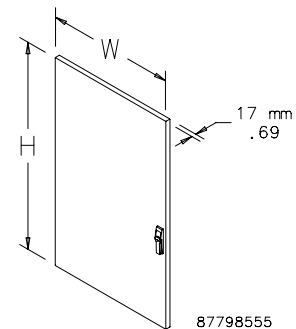


## DOORS FOR LOWER FRONT

Doors are steel construction with foam-in-place gasket and ground stud. Steel doors are finished in RAL 7035 textured light-gray polyester powder paint (except stainless steel). Noted size also available in stainless steel. Hidden hinges provide 140-degree swing from either left or right side (180-degree hinge is available). Doors have a Small Flush Bezel with tool-to-open insert. Other inserts and a Flush Swing Handle are also available. These doors will accommodate the same accessories listed for Solid Door PDS76R in the PROLINE™ External Components section.

**BULLETIN: P20PC, P20S**

Catalog Number	Material	Gauge	H (mm)	H (in.)	W (mm)	W (in.)	Fits PC Frame
PDS86	Steel	16	767	30.20	591	23.27	600 wide
PDS86SS	Stainless Steel	16	767	30.20	591	23.27	600 wide
PDS88	Steel	14	767	30.20	791	31.14	800 wide



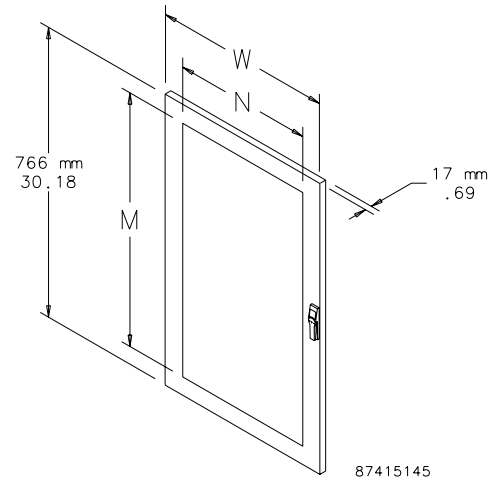
**DOORS WITH WINDOWS FOR LOWER FRONT**



Window Doors are aluminum with RAL 7035 textured light-gray polyester powder paint finish (except stainless steel). Noted size also available in stainless steel. Foam-in-place gaskets are provided for door and window seals. Window is .25-in.-thick and available in clear safety glass or gray-tint polycarbonate. Doors can be hinged on right or left; 140-degree hidden hinges have retained hinge pins. Doors have a 2-point latch system and a Small Flush Bezel with tool-to-open insert. Other inserts and a Flush Swing Handle are available.

**BULLETIN: P20, P20S**

Catalog Number	Material	Window	H mm/in.	W mm/in.	Window Size M x N mm/in.	Fits PC Frame
PDWG86	Aluminum	Safety Glass	767 30.18	593 23.35	645 x 446 25.39 x 17.56	600 wide
PDWG86SS	Stainless Steel	Safety Glass	767 30.18	593 23.35	645 x 446 25.39 x 17.56	600 wide
PDWG88	Aluminum	Safety Glass	767 30.18	793 31.22	645 x 646 25.39 x 25.43	800 wide
PDW86	Aluminum	Polycarbonate	767 30.18	593 23.35	645 x 446 25.39 x 17.56	600 wide



87415145

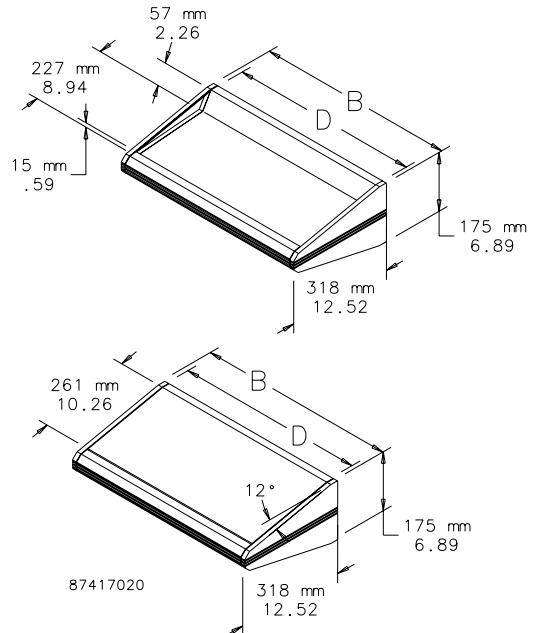
**KEYBOARD SHELF**



The stylized Keyboard Shelf is reversible, allowing two options for mounting keyboards. A standard keyboard can be placed in the recessed side. The recess is 5-degrees from horizontal and contains a knockout to allow the keyboard cord into the shelf interior. The flush side of the shelf provides a 12-degree mounting surface for membrane-type keyboards. Hole and grommet in rear surface of shelf provide keyboard cable access into the enclosure. Shelf has aluminum die-cast ends and an aluminum extrusion across the front edge to add styling detail and function as a palm rest for ergonomic keyboard orientation. Rear mounting surface is gasketed to maintain the UL and CSA integrity of the enclosure. Shelf is 14 gauge steel and finished with RAL 7035 textured light-gray polyester powder paint. Aluminum trim and die-cast sides are finished with RAL 9005 textured black polyester powder paint.

**BULLETIN: P20PC**

Catalog Number	Clear Space D (mm)	Clear Space D (in.)
PKBS6	563	22.17
PKBS8	763	30.04

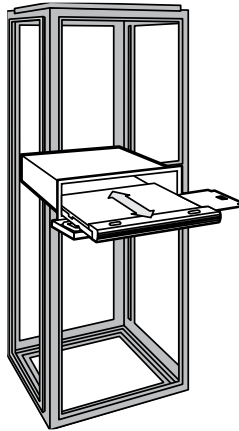


87417020





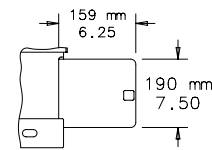
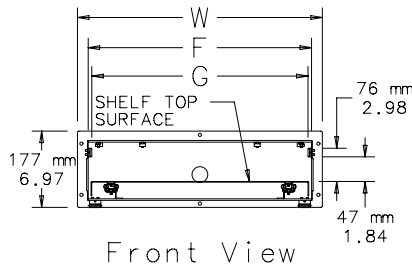
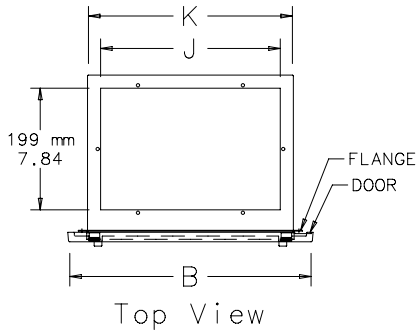
**KEYBOARD COMPARTMENT**



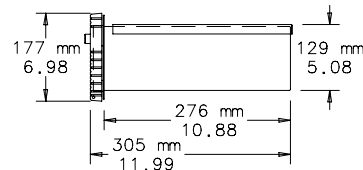
The Keyboard Compartment is a self-contained, sealed module that mounts to an accessory front opening. The lockable die-cast aluminum door is hinged along bottom edge and has pushbutton latches. PC keyboard rests on a ball-bearing glide shelf with a soft palm-rest. For PKBC6R, tray for mouse slides out from under the shelf. Seamless foam-in-place gasket on door assures a dust-tight seal. Door locks in position under extended shelf to secure shelf in open position. Hole and grommet in rear of compartment provide keyboard cable access into enclosure. Compartment is finished with RAL 7035 textured light-gray polyester powder paint. Door is finished with RAL 9005 textured black polyester powder paint.

**BULLETIN: P20**

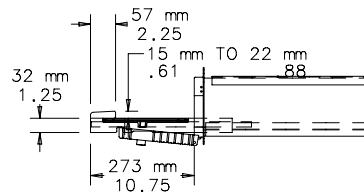
Catalog Number	F mm/in.	G mm/in.	J mm/in.	K mm/in.	M mm/in.	W mm/in.
PKBC6R	519 20.43	478 18.83	439 17.29	520 20.49	525 20.68	575 22.62
PKBC8R	722 28.42	678 26.70	639 25.16	720 28.36	725 28.55	774 30.49



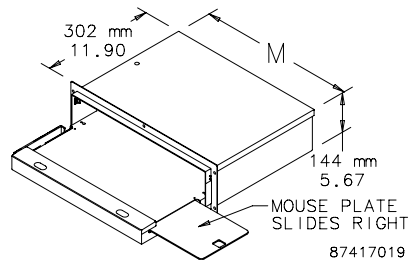
Detail Mouse Tray



Side View Compartment Closed



Side View Compartment Open

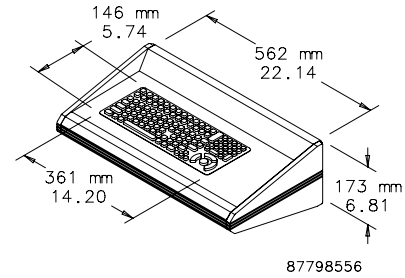


### KEYBOARD SHELVES WITH INTEGRATED KEYBOARD/ MOUSE

An elastomer keyboard/mouse combination is integrated into the keyboard shelf. The keyboard has 101 keys and the cables supplied are compatible with USB connections. The keyboard shelf is made of 14 gauge steel with RAL 7035 textured light-gray polyester powder paint or Type 304 brushed stainless steel. Rear surface is gasketed to maintain both UL and CSA integrity of the enclosure.

BULLETIN: P20, P20S

Catalog Number	Material	Description
PEKBMC6	Steel	Keyboard shelf with integrated keyboard and mouse
PEKBMC6SS	Stainless Steel	Keyboard shelf with integrated keyboard and mouse

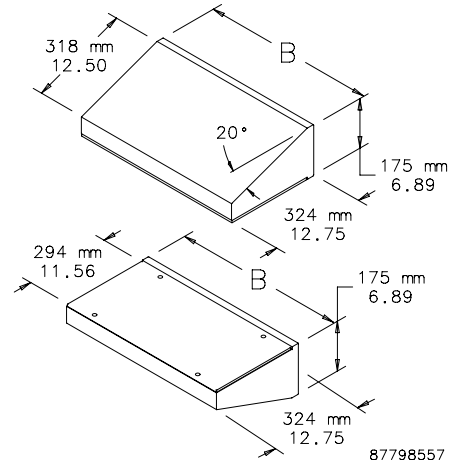


### 20-DEGREE CONTROL COMPARTMENT

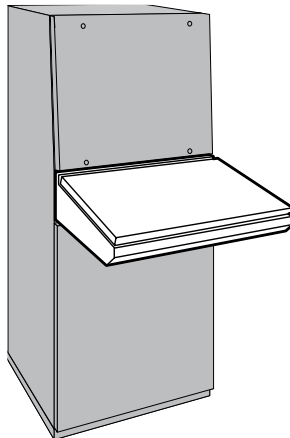
Reversible design provides 20-degree angled surface for mounting operator controls. Smaller angle maximizes mounting space available. The keyboard shelf is made of 14 gauge steel with RAL 7035 textured light-gray polyester powder paint or Type 304 brushed stainless steel. Screw cover on the flat side allows easy access inside compartment. Screw cover has foam-in-place gasketing. Compartment is gasketed around the open rear surface to extend the UL and CSA rating to the control compartment interior. Ground stud and mounting hardware are included.

BULLETIN: P20, P20S

Catalog Number	Material
PC20A6	Steel
PC20A6SS	Stainless Steel
PC20A8	Steel
PC20A8SS	Stainless Steel



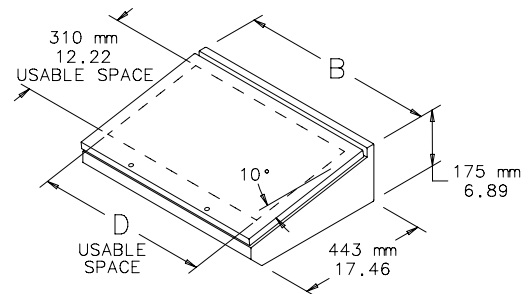
### CONSOLE COMPARTMENT



Provides sealed compartment for keyboard storage or protection for controls. Hinged door allows easy access to compartment. Door support holds door open at 90 degrees. Two quarter-turn integral latches are incorporated into the front edge of steel compartment doors. Foam-in-place gasket on door and gasket around open rear surface extend the UL and CSA rating to the console compartment interior. Compartment is Type 304 stainless steel or 14 gauge steel finished with RAL 7035 textured light-gray polyester powder paint. Ground studs and mounting hardware are provided. The Flush Keylock (PSTLO) is available as an accessory.

BULLETIN: P20, P20S

Catalog Number	Material	Clear Space D mm/in.
PCC6	Steel	525 20.66
PCC8	Steel	725 28.54
PCDS8SS	Stainless Steel	725 28.54

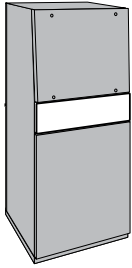


**ACCESS COVER**

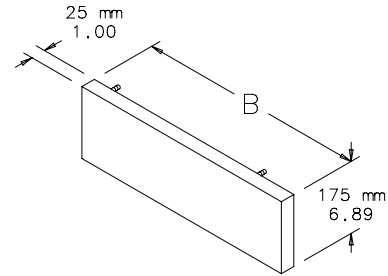


Provides a solid, flat cover or additional mounting surface for front accessory opening. Cover is gasketed to maintain enclosure integrity. Covers are stainless steel or finished with RAL 7035 textured light-gray polyester powder paint. Hardware is included.

**BULLETIN:** P20PC, P20S



Catalog Number	Material	B mm/in.
PCS6	Steel	592 23.30
PCSA6SS	Stainless Steel	592 23.30
PCS8	Steel	792 31.17
PCSA8SS	Stainless Steel	792 31.17



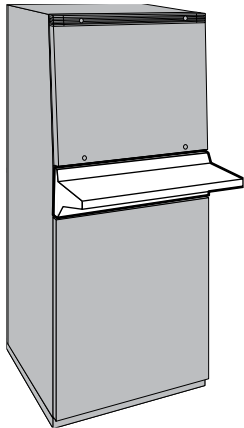
87798562

**WRITING DESK**

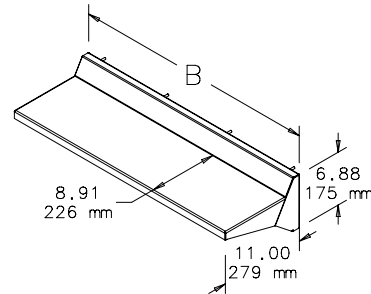


Provides a horizontal writing surface. Constructed of 14 gauge steel with RAL 7035 light-gray polyester powder paint finish. Rear surface is closed and gasketed to maintain both the UL and CSA integrity of the enclosure.

**BULLETIN:** P20PC



Catalog Number	Description	B mm/in.
PWD6	Writing Desk	592 23.30
PWD8	Writing Desk	792 31.17

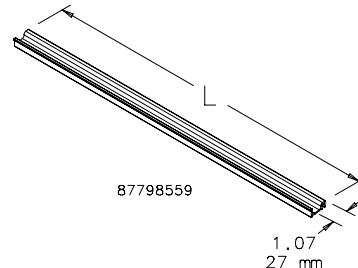


C2699-C

**PENCIL TRAY**

Use to keep pencils and papers from slipping off sloped surfaces. Tray is intended to be mounted along the bottom edge of sloped surfaces such as control compartments or console compartments. Pencil Tray is an aluminum extrusion with RAL 9005 black polyester powder paint finish. Mounting hardware is hidden when tray is installed.

**BULLETIN:** P20



87798559

## Notes



**PROLINE™-SY, TYPE 12**


IEC 60529, IP55

**APPLICATION**

Traditional PROLINE™ -SY Modular Enclosures are designed to protect many kinds of HMI systems, including panel- or rack-mount flat screens and control panels. There are multiple configuration possibilities—simply add components to the frame to create an enclosure that meets design requirements.

**FEATURES**

- The top compartment is open and can accommodate a variety of front cover, door and window door options
- Solid covers with prefabricated operator interface cutouts are available
- Internal grid straps are factory installed in top compartment to provide support for operator interfaces
- Two doors, one on the lower front and one on the back of the enclosure, provide convenient access and additional protection
- The bottom door is hinged on the left and has an attractive Keylocking Flush Swing Handle
- The solid rear door permits rear access to equipment and wiring and includes a keylocking pushbutton handle
- Standard external components include solid sides, solid top and a 100-mm solid base

**NOTES**

Top and bottom door opening size:  
 29.09 x 21.11 (739 x 536) on 600-mm wide  
 29.09 x 28.98 (739 x 736) on 800-mm wide

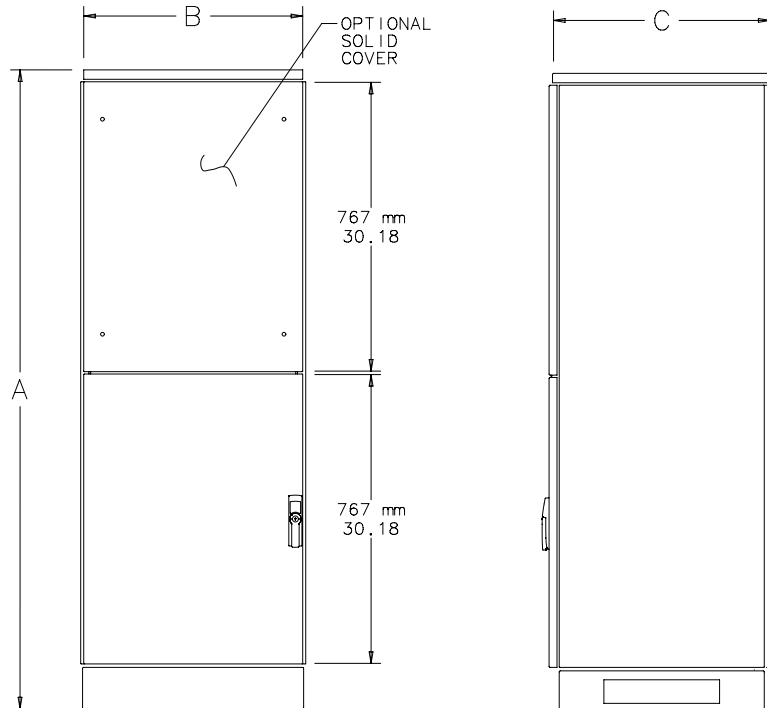
**BULLETIN: P20S, P20SY**
**INDUSTRY STANDARDS**

UL 508A Listed; Type 12; File Number E61997  
 cUL Listed per CSA C22.2 No 94; Type 12; File Number E61997

NEMA/EEMAC Type 12  
 CSA File Number 42186: Type 12  
 VDE IP55

## Standard Product

Catalog Number	AxBxC mm	AxBxC in.	Material
PSY1666	1600 x 600 x 600	62.99 x 23.62 x 23.62	Steel
PSY1666SS	1600 x 600 x 600	63.00 x 23.60 x 23.60	Stainless Steel
PSY1686	1600 x 800 x 600	62.99 x 31.50 x 23.62	Steel

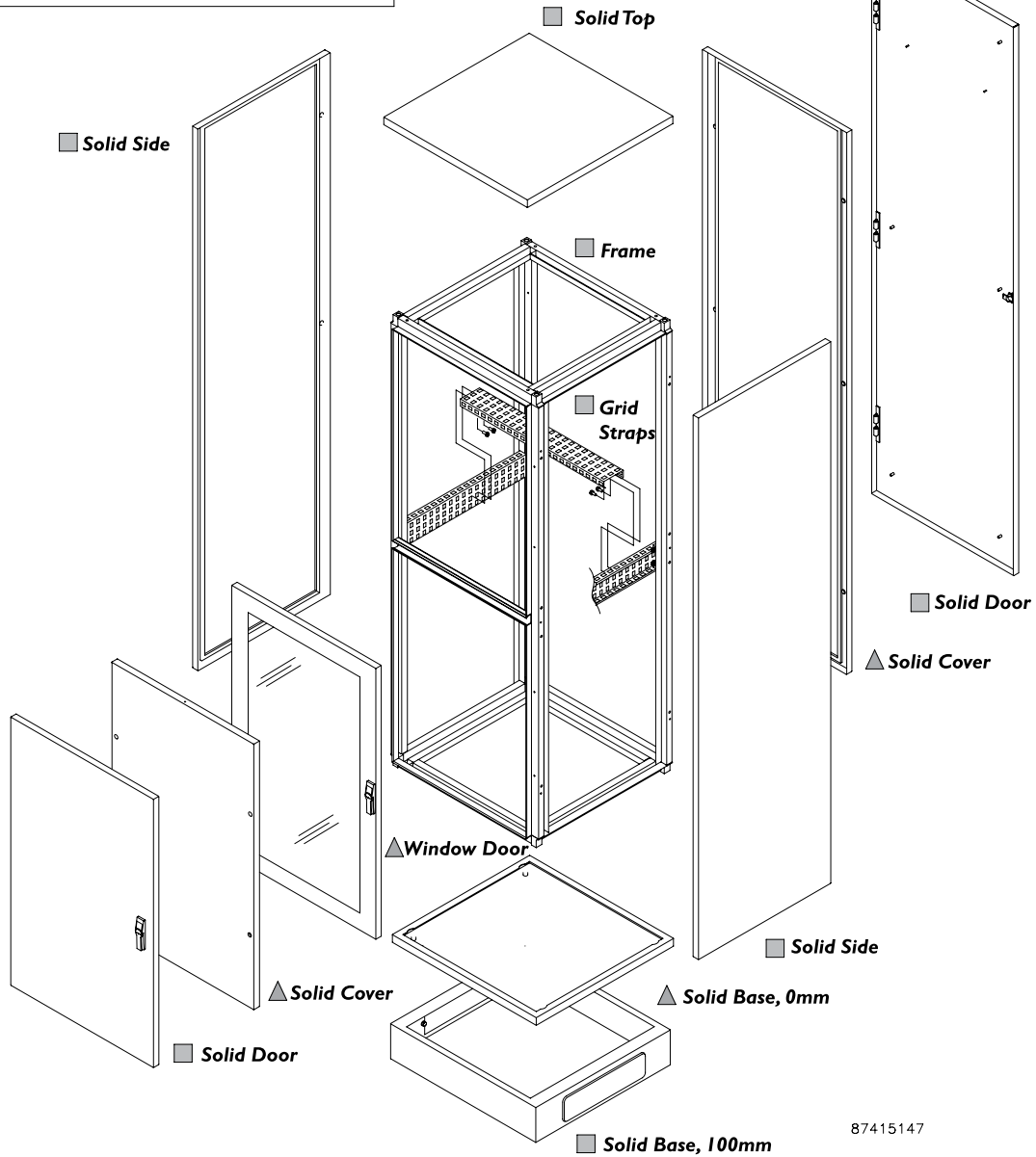


87415146

- **Standard Configuration**
- Frame
  - Grid Straps, top compartment
  - Solid Top
  - Solid Base, 100mm
  - Solid Door, rear
  - Solid Sides
  - Solid Door, bottom front

- ▲ **Optional Components**
- A optional components may be ordered separately. Components labeled **▲** may be included in an **▲** configuration.

NOTE:  
PFSY\_\_\_\_\_ frames have two front openings for top and bottom modular components.



87415147



**SELECTION MATRIX**

## Component Summary


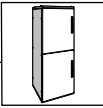
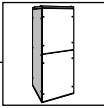
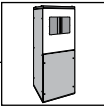
Catalog Number		Frames		Solid Top		Solid Door (Rear)		Solid Door (Bottom)	
		Steel	Stainless	Steel	Stainless	Steel	Stainless	Steel	Stainless
PSY1666	PSY1666SS	PFSY1666		PT66	PT66SS	PDS166	PDS166SS	PDS86	PDS86SS
PSY1686		PFSY1686		PT86		PDS168		PDS88	

Catalog Number		Solid Sides <sup>a</sup>		Solid Base (100 mm)		Flush Pushbutton Handle (keylock)		Small Flush Swing Handle	
		Steel	Stainless	Steel	Stainless				
PSY1666	PSY1666SS	PSS166	PSS166SS	PB166	PB166SS	PFHKBL		PSHKBL	
PSY1686		PSS166		PB186		PFHKBL		PSHKBL	

Catalog Number		Grid Straps <sup>a</sup>
PSY1666		PGH3S7 & PGH3S6
PSY1686		PGH3S9 & PGH3S6

<sup>a</sup>Quantity two.

Door and Cover Front Options

	Frame Catalog Number		 Window Doors		 Solid Doors		 Covers		 Solid Covers with OI Cutouts <sup>D</sup>
	Steel	Stainless	Steel	Stainless	Steel	Stainless	Steel	Stainless	
Top Front	PFSY1666	PSY1666SS	PDWG86	PDWG86SS	PDS86	PDS86SS	PCS86	PCS86SS	PCSK4
									PCSK5
									PCSK6
									PCSK11
									PCSK12
									PCSK13
									PCSK16
									PCSK19
									PCSK22
									PCSK25
								PCSK26	
								PCSK27	
								PCSK30	
	PFSY1686		PDWG88		PDS88		PSC88		
Bottom Front	PFSY1666	PFSY166SS	PDWG86	PDWG86SS	PDS86	PDS86SS	PCS86	PCS86SS	
	PFSY1686		PDWG88		PDS88		PCS88		





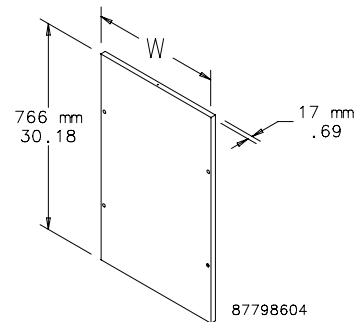
## COVERS FOR UPPER AND LOWER FRONT

Solid steel construction. Steel cover is finished in RAL 7035 textured light-gray polyester powder paint (except stainless steel). Seamless foam-in-place gasket assures watertight and dusttight seal. Semi-flush cover screws attach cover to frame. A ground stud is provided. Covers with openings precut for various manufacturers' HMI devices are available in 600-mm sizes. See Covers with HMI Cutouts.

BULLETIN: P20, P20S

Catalog Number	Material	Gauge	W (mm)	W (in.)	Fits SY Frame
PCS86	Steel	16	592	23.31	600 wide
PCS86SS	Stainless Steel	16	592	23.31	600 wide
PCS88	Steel	14	792	31.18	800 wide

Covers with openings precut for various manufacturers' HMI devices are available in 600-mm sizes. See Covers with OI Cutouts.

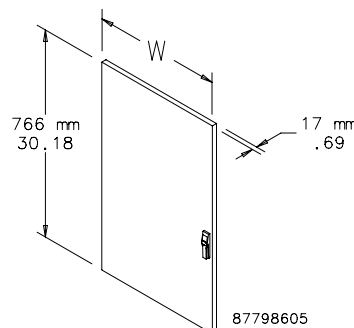


## DOORS FOR UPPER AND LOWER FRONT

Solid steel door with foam-in-place gasket. Steel doors are finished in RAL 7035 textured light-gray polyester powder paint (except stainless steel). Hidden hinges provide 140-degree swing from either left or right side (180-degree hinge is available). Doors have a Small Flush Bezel with tool-to-open insert. Other inserts and a Flush Swing Handle also are available. These doors accommodate the same accessories listed for PDS76R in the Solid Doors table in the PROLINE™ External Components section.

BULLETIN: P20PC, P20S

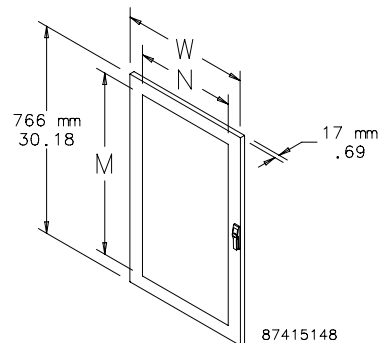
Catalog Number	Material	Gauge	W (mm)	W (in.)	Fits SY Frame
PDS86	Steel	16	591	23.27	600 wide
PDS86SS	Stainless Steel	16	591	23.27	600 wide
PDS88	Steel	14	791	31.14	800 wide



## DOORS WITH WINDOWS FOR UPPER AND LOWER FRONT

Window Doors are aluminum finished with RAL 7035 textured light-gray polyester powder paint (except stainless steel). Foam-in-place gaskets are provided for door and window seals. Window is .25-in.-thick and available in clear safety glass or gray-tint polycarbonate. Doors are hinged on the left. Hidden hinges have retained hinge pins. Window door has a 2-point latch system and a Small Flush Bezel with tool-to-open insert. Other inserts and a Flush Swing Handle also are available.

BULLETIN: P20, P20S



Catalog Number	Material	Window	W (mm)	W (in.)	Window Size M x N (mm)	Window Size M x N (in.)	Fits SY Frame
PDWG86	Aluminum	Glass	593	23.35	645 x 446	25.39 x 17.56	600 wide
PDWG86SS	Stainless Steel	Glass	593	23.35	645 x 446	25.39 x 17.56	600 wide
PDWG88	Aluminum	Glass	793	31.22	646 x 645	25.43 x 25.39	800 wide
PDW86	Aluminum	Polycarbonate	793	31.22	646 x 645	25.43 x 25.39	800 wide

**COVERS WITH HMI CUTOUTS**

Covers are 600-mm wide and are 14 gauge steel finished in RAL 7035 textured light-gray polyester powder paint. Prepunched cutout for specific HMI devices. Seamless foam-in-place gasket. Semi-flush cover screws. A ground stud is provided. Hoffman can provide pre-configured covers with cutouts to meet your specific requirements. Contact your local Hoffman Sales Representative for more information.

BULLETIN: P20SY

Catalog Number	Manufacturer One	Manufacturer Two	Pre-Cut for Manufacturer One's Model	Pre-Cut for Manufacturer Two's Model	Approx. HMI Weight for Manufacturer One (lb.)	Approx. HMI Weight for Manufacturer Two (lb.)
PCSK19	Allen-Bradley		T60		71	
PCSK4	Allen-Bradley	Xycom	T70 (1784-T35; 1784-T30A, C)	2050/60; 9450; 9475; 9485; 9486; 9403	27	
PCSK5	Allen-Bradley		PanelView 1200e / 1200 TouchScreen		33	
PCSK6	Allen-Bradley		PanelView 1200e / 1200 / 1400e Keypad		46	
PCSK26	Allen-Bradley		PanelView 1400e TouchScreen		45	
PCSK30	Cutler-Hammer IDT	Modicon	PanelMate 4200 (monitor & keyboard)	PanelMate Plus 4200 (monitor & keyboard)	55	55
PCSK27	Cutler-Hammer IDT	Modicon	PanelMate 4000 TouchPanel	PanelMate Plus 4000	55	55
PCSK25	Cutler-Hammer IDT	Modicon	PanelMate 4000 TouchScreen	PanelMate Plus 4000 TouchScreen	52	52
PCSK22	Cutler-Hammer IDT	Modicon	PanelMate Compact	PanelMate Compact	22	22
PCSK11	Nematron		IWS-10x3, -15x3, 20x3, 25x3		22	22
PCSK12	Nematron		IWS-1634, -2634, 45x4, -6515; Toolbox; MON4504		22	22
PCSK13	TCP		SmartScreen (color)		22	22
PCSK16	Xycom		2000		22	22

See Catalog No. PCSK6 in the Covers for Upper and Lower Fronts table for dimensions.



## PROLINE™ GOLD SERIES COMPUTER WORKSTATION, TYPE 12



### SPECIFICATIONS

- 14 gauge steel body
- 14 and 16 gauge steel doors and covers
- Seams continuously welded and ground smooth
- Seamless foam-in-place gasket on all doors and covers
- Smoke gray 0.25-in.-thick polycarbonate window on upper front door
- Quarter-turn latches on upper front door for 1400-mm high cabinets
- PROLINE latching system and keylocking swing door handles on upper front door for 1600- and 1800-mm high cabinets
- Solid lower front and full rear doors with keylocking swing door handles
- Internal rails facilitate mounting of PROLINE internal components
- Options include solid upper front door and solid front and rear covers with screw fasteners
- Full rear opening provides maximum mounting space and easy access to interior components
- Optional partial subpanel
- Hinges on bottom for 1400-mm enclosures
- Solid centerpost on front for 1200-mm enclosures

### FINISH

Cabinet finish is RAL 7035 textured light-gray polyester powder paint. Keyboard door finish is RAL 9005 textured black polyester powder paint.

### INDUSTRY STANDARDS

UL 508A Listed; Type 12; File Number E61997  
cUL Listed per CSA C22.2 No 94; Type 12; File No. E61997

NEMA/EEMAC Type 12  
IEC 60529, IP55

### APPLICATION

The PROLINE™ Gold Series Computer Workstation is a full-featured, off-the-shelf solution for protecting PC computer systems. Made with sturdy unibody construction, the enclosure accommodates a complete range of accessories.

### ACCESSORIES

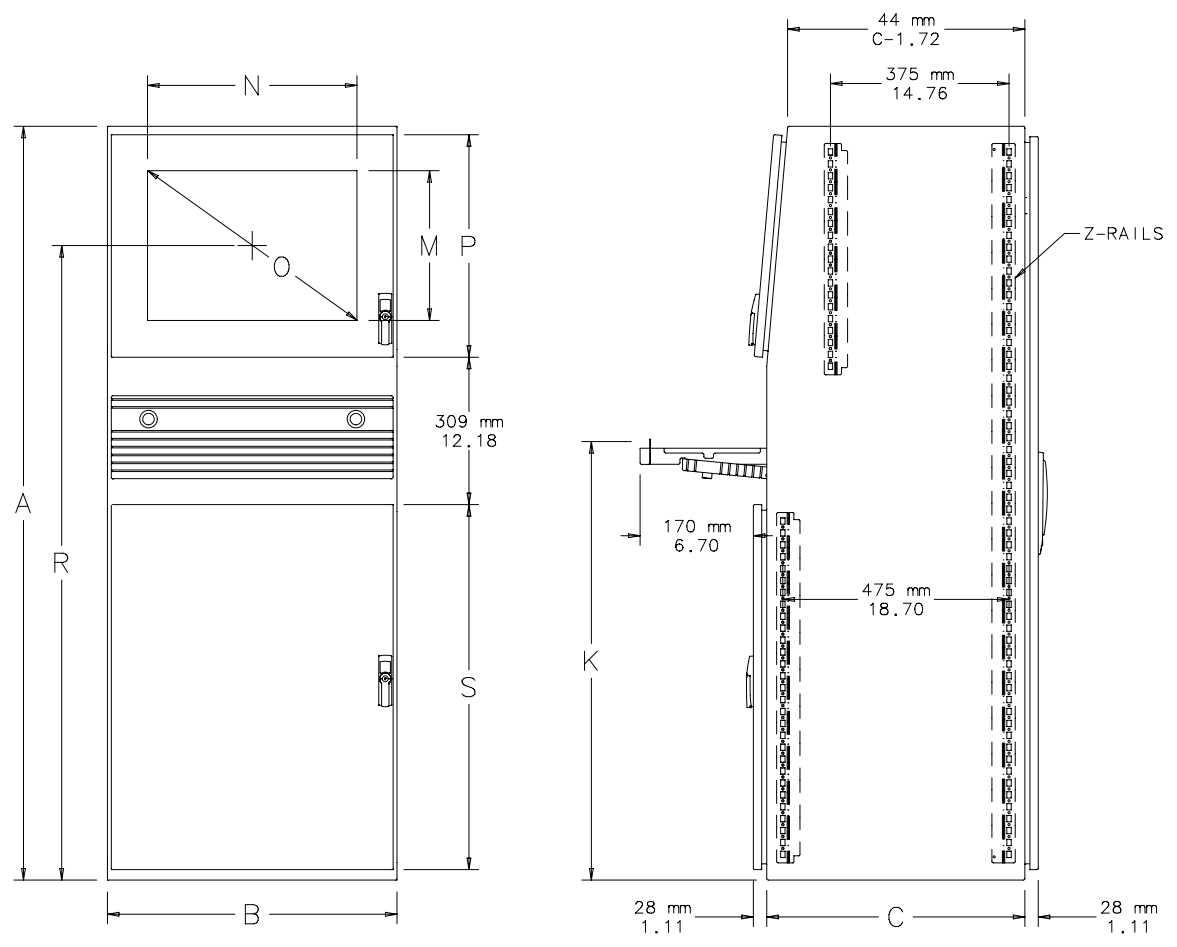
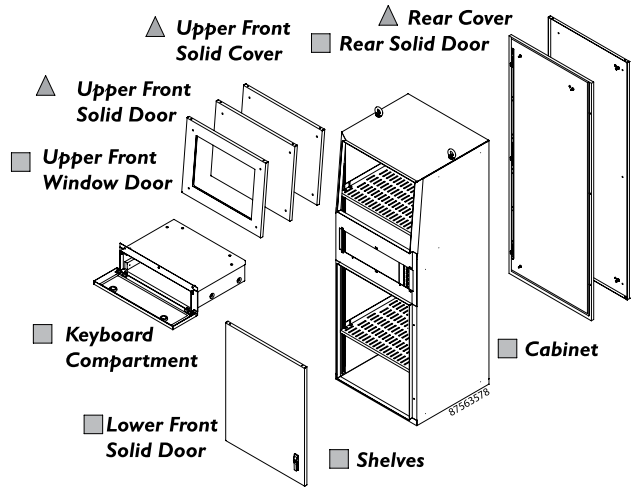
- See also Accessories.*
- Caster Kit
  - Industrial Corrosion Inhibitors
  - Thermoplastic Data Pocket
  - Electric Heater
  - Compact Cooling Fans
  - Grid Straps
  - Flush Swing Handles
  - Key Inserts
  - 180-Degree Hinge Kit
  - Perforated Panels
  - 19-in. Rack Angles

### BULLETIN: P10

### Standard Product Computer Workstation, Type 12

Catalog Number	AxBxC mm/in.	Nominal Size Height	Nominal Size Width	Nominal Size Depth	K mm/in.	M mm/in.	N mm/in.	O mm/in.	P mm/in.	R mm/in.	S mm/in.	Top Door Opening Height mm/in.	Top Door Opening Width mm/in.	Bottom Door Opening Height mm/in.	Bottom Door Opening Width mm/in.	Rear Door Opening Height mm/in.	Rear Door Opening Width mm/in.
PGLD1466CWS	1400 x 600 x 600	1400	600	600	886	319	440	544	471	1288	759	406	536	709	536	1454	536
	55.12 x 23.62 x 23.62				34.88	12.56	17.32	21.42	18.54	50.71	29.88	16.00	21.10	27.91	21.10	57.25	21.10
PGLD1468CWS	1400 x 600 x 800	1400	600	800	886	319	440	544	471	1288	759	406	536	709	536	1454	536
	55.12 x 23.62 x 31.50				34.88	12.56	17.32	21.42	18.54	50.71	29.88	16.00	21.10	27.91	21.10	57.25	21.10
PGLD1486CWS	1400 x 800 x 600	1400	800	600	886	319	640	715	471	1288	759	406	736	709	736	1454	736
	55.12 x 31.50 x 23.62				34.88	12.56	25.20	28.15	18.54	50.71	29.88	16.00	28.98	27.91	28.98	57.25	28.98
PGLD1666CWS	1600 x 600 x 600	1600	600	600	916	316	440	542	468	1331	766	436	536	739	536	1511	536
	62.99 x 23.62 x 23.62				36.06	12.44	17.32	21.34	18.43	52.40	30.16	17.17	21.10	29.09	21.10	59.49	21.10
PGLD1668CWS	1600 x 600 x 800	1600	600	800	916	316	440	542	468	1331	766	436	536	739	536	1511	536
	62.99 x 23.62 x 31.50				36.06	12.44	17.32	21.34	18.43	52.40	30.16	17.17	21.10	29.09	21.10	59.49	21.10
PGLD1686CWS	1583 x 808 x 542	1600	800	600	916	316	640	714	468	1331	766	436	736	739	736	1511	736
	62.32 x 31.81 x 21.34				36.06	12.44	25.20	28.11	18.43	52.40	30.16	17.17	28.98	29.09	28.98	59.49	28.98
PGLD1866CWS	1785 x 608 x 552	1800	600	600	916	517	440	679	669	1431	766	637	536	739	536	1711	536
	70.19 x 23.94 x 21.74				36.06	20.35	17.32	26.73	26.34	56.34	30.16	25.08	21.10	29.09	21.10	67.36	21.10
PGLD1868CWS	1800 x 600 x 800	1800	600	800	916	517	440	679	669	1431	766	637	536	739	536	1711	536
	70.87 x 23.62 x 31.50				36.06	20.35	17.32	26.73	26.34	56.34	30.16	25.08	21.10	29.09	21.10	67.36	21.10
PGLD1886CWS	1800 x 800 x 600	1800	800	600	916	517	640	823	669	1431	766	637	736	739	736	1711	736
	70.87 x 31.50 x 23.62				36.06	20.35	25.20	32.40	26.34	56.34	30.16	25.08	28.98	29.09	28.98	67.36	29.98

- | Standard Configuration   | Optional Components   |
|--|---|
| <ul style="list-style-type: none"> <li>■ Cabinet</li> <li>■ Keyboard compartment</li> <li>■ Shelf (2)</li> <li>■ Upper front window door</li> <li>■ Lower front solid door</li> <li>■ Rear solid door</li> <li>■ Lifting eyes</li> </ul> | <ul style="list-style-type: none"> <li>▲ Upper front solid door</li> <li>▲ Upper front solid cover</li> <li>▲ Rear Cover</li> </ul> |



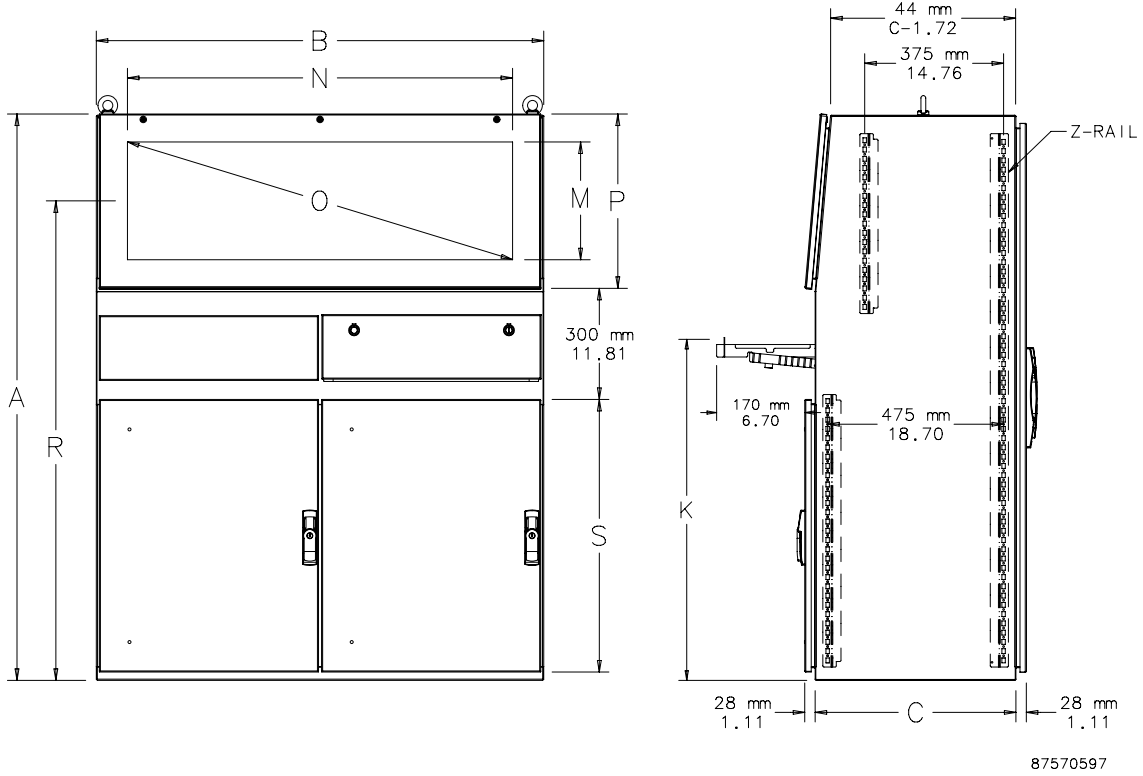
87563579



Standard Product 1200-mm Enclosure

Catalog Number	AxBxC mm/in.	Nominal Size Height	Nominal Size Width	Nominal Size Depth	K mm/in.	M mm/in.	N mm/in.	O mm/in.	P mm/in.	R mm/in.	S mm/in.	Top Door Opening Height mm/in.	Top Door Opening Width mm/in.	Bottom Door Opening Height mm/in.	Bottom Door Opening Width mm/in.	Rear Door Opening Height mm/in.	Rear Door Opening Width mm/in.
PGLD14126CWS	1400 x 1200 x 600 55.12 x 47.24 x 23.62	1400	1200	600	886 34.88	319 12.56	1040 40.94	1088 42.83	471 18.54	1288 50.71	759 29.88	406 16.00	1136 44.72	709 27.91	536 21.10	1454 57.25	1136 44.72

- **Standard Configuration**
  - Cabinet
  - Keyboard compartment
  - Keyboard compartment is on the right side and cover is on the left side
  - Shelf (4)
  - Upper front window door
  - Lower front solid door
  - Rear solid overlapping door
  - Center upright
  - Lifting eyes
- ▲ **Optional Components**
  - ▲ Upper front solid door
  - ▲ Upper front solid cover
  - ▲ Rear Cover

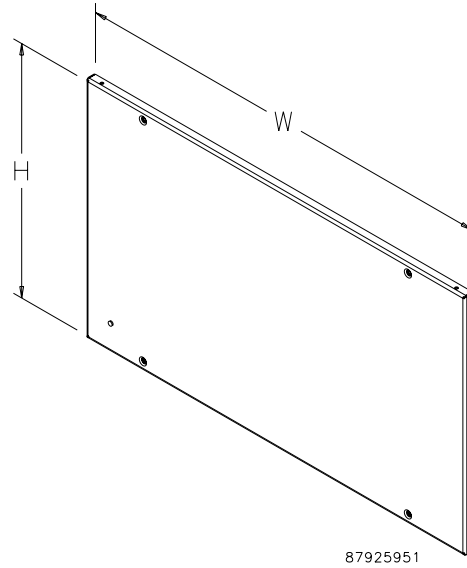


**SOLID COVERS** **AFO**

Covers are available for upper front and rear openings. Covers mount with screws provided. Material is 16 gauge steel (14 gauge for 800-mm widths) with RAL 7035 textured light-gray polyester powder paint finish.

BULLETIN: P10, P20

Catalog Number	Use on Opening	H (mm)	H (in.)	W (mm)	W (in.)	Fits Console A x B
PCS46CWS	Upper Front	471	18.54	592	23.31	1400 x 600
PCS48CWS	Upper Front	471	18.54	792	31.18	1400 x 800
PCS412GLD	Upper Front	471	18.54	1192	46.93	1400 x 1200
PCS56CWS	Upper Front	468	18.43	592	23.31	1600 x 600
PCS58CWS	Upper Front	468	18.43	792	31.18	1600 x 800
PCS66CWS	Upper Front	669	26.34	592	23.31	1800 x 600
PCS68CWS	Upper Front	669	26.34	792	31.18	1800 x 800
PCS146GLD	Rear	1482	58.35	592	23.31	1400 x 600
PCS1412GLD	Rear	1482	58.35	1196	47.10	1400 x 1200
PCS166	Rear	1539	60.59	592	23.31	1600 x 600
PCS168	Rear	1539	60.59	792	31.18	1600 x 800
PCS186	Rear	1739	68.46	592	23.31	1800 x 600
PCS188	Rear	1739	68.46	792	31.18	1800 x 800



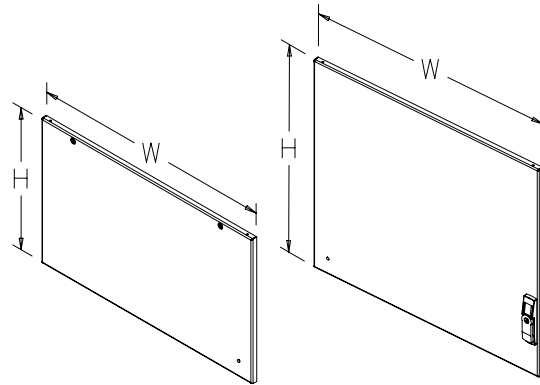
87925951

**SOLID DOORS** **AFO**

PROLINE-style upper front doors have 140-degree hidden hinges and locking swing handle. Material is 16 gauge steel (14 gauge for 800-mm widths) with RAL 7035 textured light-gray polyester powder paint finish.

BULLETIN: P10

Catalog Number	H x W (mm)	H x W (in.)	Fits Console A x B
PDS46GLD	471 x 592	18.54 x 23.30	1400 x 600
PDS48GLD	471 x 792	18.54 x 31.18	1400 x 800
PDS412GLD	471 x 1192	18.54 x 46.93	1400 x 1200
PDS56GLD	468 x 592	18.43 x 23.31	1600 x 600
PDS58GLD	468 x 792	18.43 x 31.18	1600 x 800
PDS66GLD	669 x 592	26.34 x 23.31	1800 x 600
PDS68GLD	669 x 792	26.34 x 31.18	1800 x 800



1400mm TALL 1600/1800mm TALL

87925950



## PROLINE™ GOLD SERIES DESK CONSOLE, TYPE 12



### APPLICATION

The PROLINE™ Gold Series Desk Console provides an ideal surface for mounting HMI controls such as keyboards, switches, lights or dials, and it is ergonomically designed so operators can sit or stand while working. The console also provides a large space for mounting internal components and controls and can be configured in an arc by using the wedge accessory.

### SPECIFICATIONS

- 14 gauge steel body
- 14 and 16 gauge steel doors
- 25-degree sloped top
- Seams continuously welded and ground smooth
- Top door prop allows for single-handed operation
- Built-in top door handle
- Quarter-turn latches hold top door securely closed
- PROLINE latching system and keylocking swing handles on front doors and on rear doors of dual-access enclosures
- Internal rails on dual-access enclosures facilitate mounting of PROLINE internal components
- Full access provides maximum mounting space and easy access to interior components

### FINISH

Finish is RAL 7035 textured light-gray polyester powder paint.

### ACCESSORIES

See also *Accessories*.

Caster Kit  
 Industrial Corrosion Inhibitors  
 Thermoplastic Data Pocket  
 Electric Heater  
 Compact Cooling Fans  
 Grid Straps  
 Flush Swing Handles  
 Key Inserts  
 19-in. Rack Angles  
 Touch-Up Paint

BULLETIN: P11

### INDUSTRY STANDARDS

UL 508A Listed; Type 4, 12; File Number E61997  
 cUL Listed per CSA C22.2 No 94; Type 4, 12; File No. E61997

NEMA/EEMAC Type 4, 12  
 IEC 60529, IP55, IP66

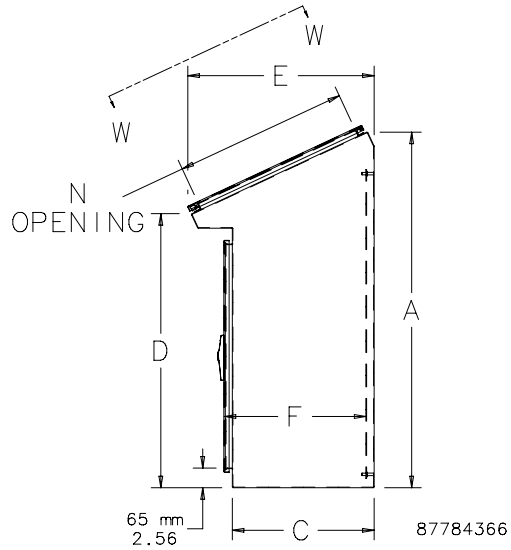
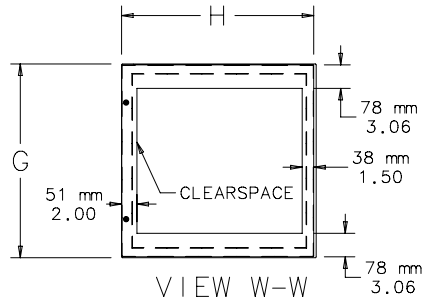
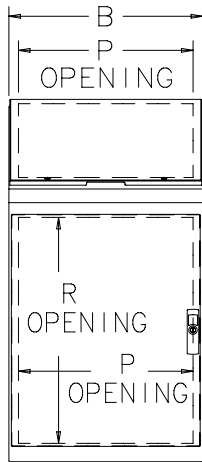
### Standard Product Gold Series Desk Console

Catalog Number	AxBxC mm/in.	D mm/in.	E mm/in.	F mm/in.	G mm/in.	H mm/in.	N mm/in.	P mm/in.	R mm/in.
PGLD1074DC	1000 x 700 x 400 39.37 x 27.56 x 15.75	779 30.69	540 21.27	384 15.12	635 25.00	552 21.72	485 19.11	569 22.40	611 24.07
PGLD10104DC	1000 x 1000 x 400 39.37 x 39.37 x 15.75	779 30.69	540 21.27	384 15.12	940 37.00	552 21.72	485 19.11	874 34.41	611 24.07
PGLD1275DC	1200 x 700 x 500 47.24 x 27.56 x 19.69	907 35.69	616 24.26	460 18.11	635 25.00	635 25.00	569 22.41	569 22.40	739 29.09
PGLD12105DC	1200 x 1000 x 500 47.24 x 39.37 x 19.69	907 35.69	616 24.26	460 18.11	940 37.00	635 25.00	569 22.41	874 34.41	739 29.09

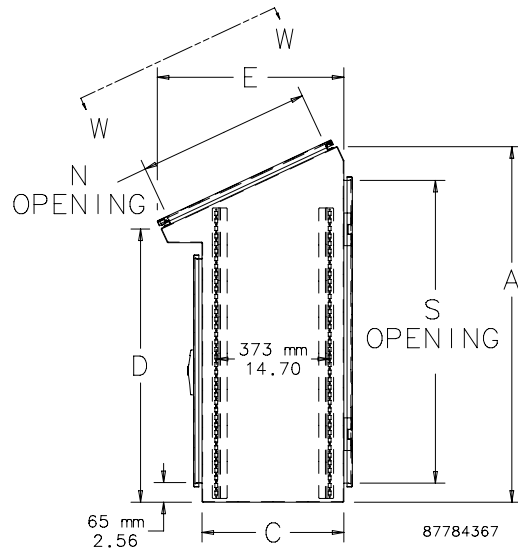
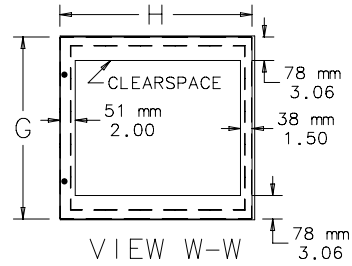
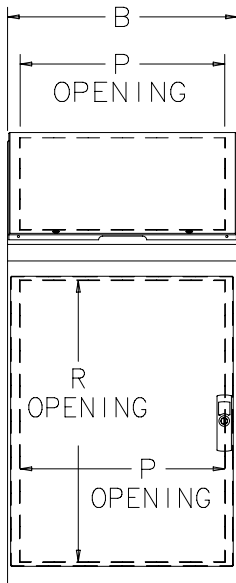
### Standard Product Single-Bay Dual-Access Consoles

Catalog Number	AxBxC mm/in.	D mm/in.	E mm/in.	G (mm)	H (mm)	N mm/in.	P mm/in.	R (mm)	S mm/in.
PGLD1265DC	1200 x 600 x 500 47.24 x 23.62 x 19.69	907 35.71	616 24.26	602 23.70	635 25.00	569 22.40	536 21.10	739 29.09	998 39.27
PGLD1285DC	1200 x 800 x 500 47.24 x 31.50 x 19.69	907 35.71	616 24.26	802 31.57	635 25.00	569 22.40	736 28.98	739 29.09	998 39.27

Gold Series Desk Console



Single-Bay Dual-Access Consoles





## PROLINE™ GOLD SERIES DOUBLE-BAY DESK CONSOLE, TYPE 12



### SPECIFICATIONS

- 14 gauge steel body
- 14 and 16 gauge steel doors
- 25-degree sloped top
- Seams continuously welded and ground smooth
- Top door prop allows for single-handed operation
- Built-in top door handle
- Quarter-turn latches hold top door securely closed
- PROLINE latching system and keylocking swing handles on front doors and on rear doors of dual-access enclosures
- Internal rails on dual-access enclosures facilitate mounting of PROLINE internal components
- Full access provides maximum mounting space and easy access to interior components

### INDUSTRY STANDARDS

UL 508A Listed; Type 12; File Number E61997  
 cUL Listed per CSA C22.2 No 94; File No. E61997

NEMA/EEMAC Type 12  
 IEC 60529, IP 55

### APPLICATION

The PROLINE™ Gold Series Double-Bay Desk Console provides an ideal surface for mounting HMI controls such as keyboards, switches, lights or dials, and it is ergonomically designed so operators can sit or stand while working. With front and rear doors for easy access, the console provides a large space for mounting internal components and controls and can be configured in an arc by using the wedge accessory.

### FINISH

Finish is RAL 7035 textured light-gray polyester powder paint.

### ACCESSORIES

- See also Accessories.*
- Caster Kit
  - Industrial Corrosion Inhibitors
  - Thermoplastic Data Pocket
  - Compact Cooling Fans
  - Grid Straps
  - Flush Swing Handles
  - Key Inserts
  - 19-in. Rack Angles
  - Touch-Up Paint

BULLETIN: P11

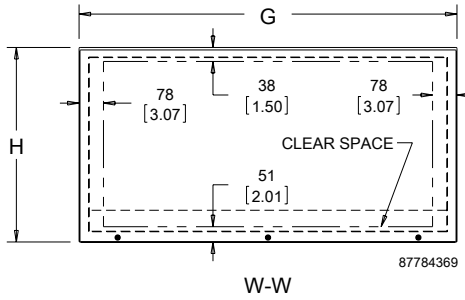
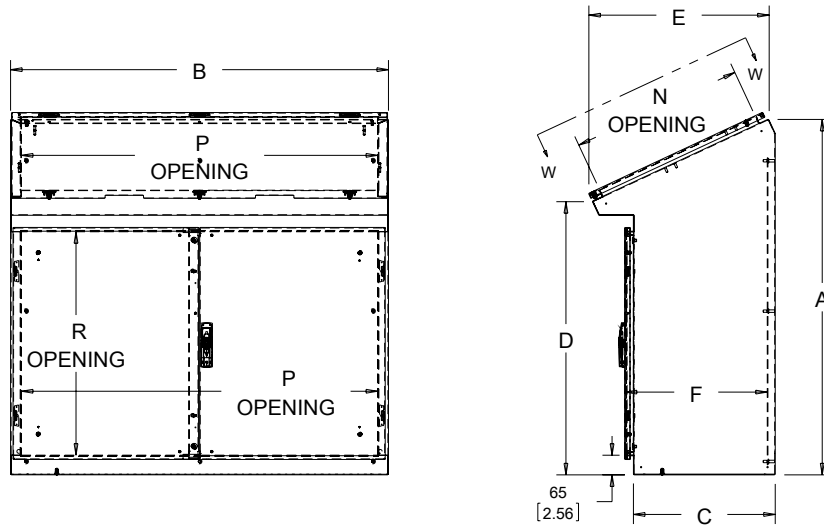
### Standard Product Double-Bay Desk Console

Catalog Number	AxBxC mm/in.	D mm/in.	E mm/in.	F mm/in.	G mm/in.	H mm/in.	N mm/in.	P mm/in.	R mm/in.
PGLD12135DC	1200 x 1300 x 500	907	616	460	1244	635	569	1178	739
	47.24 x 51.18 x 19.69	35.71	24.25	18.11	48.98	25.00	22.40	46.38	29.09
PGLD12165DC	1200 x 1600 x 500	907	616	460	1549	635	569	1482	739
	47.24 x 62.99 x 19.69	35.71	24.25	18.11	60.98	25.00	22.40	58.35	29.09

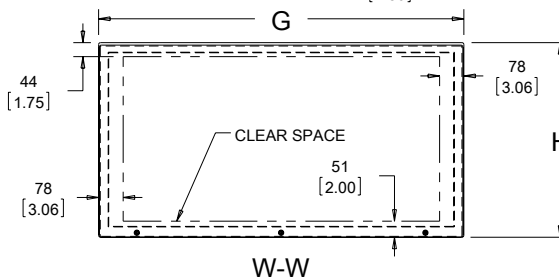
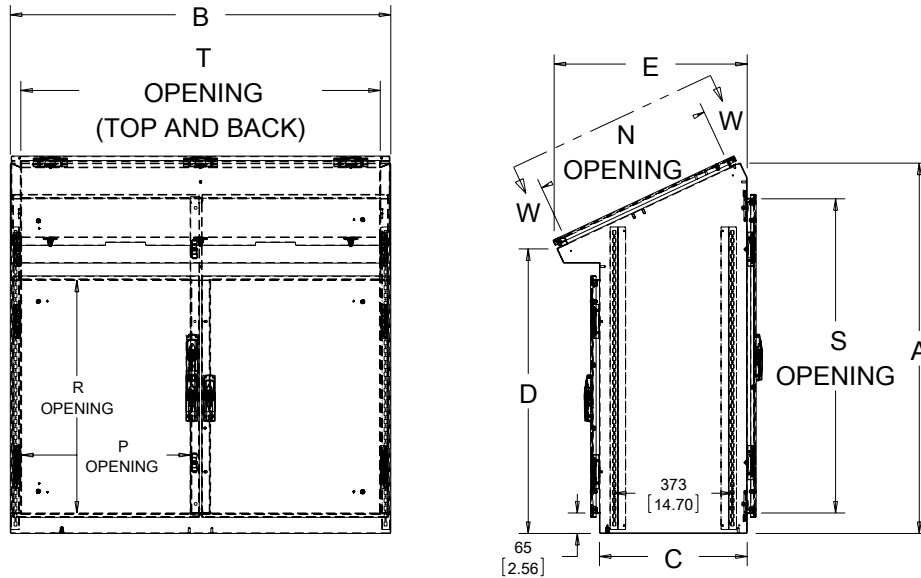
### Standard Product Double-Bay Dual-Access Desk Consoles

Catalog Number	AxBxC mm/in.	D mm/in.	E mm/in.	G mm/in.	H mm/in.	N mm/in.	P mm/in.	R mm/in.	S mm/in.	T mm/in.
PGLD12125DC	1200 x 1200 x 500	907	616	1202	635	569	536	739	998	1136
	47.24 x 47.24 x 19.69	35.71	24.25	47.32	25.00	22.40	21.10	29.09	39.29	44.72

Double-Bay  
Desk Console



Double-Bay  
Dual-Access  
Desk Consoles



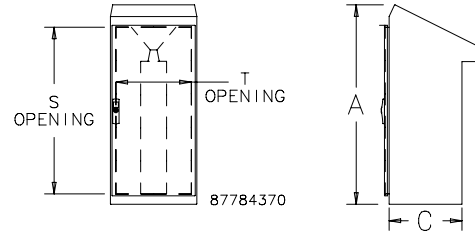
### WEDGE CONSOLES



Optional Wedge Consoles can be positioned between desk consoles. The wedge console top has a 25-degree slope. Optional levelers or casters can be attached by drilling holes at pre-marked locations in the console bottom. Hinged rear access door is standard.

**BULLETIN: P11**

Catalog Number	A mm/in.	C mm/in.	S mm/in.	T mm/in.
PGLD45DC	1198 47.17	443 17.07	998 39.27	449 17.66



### JOINING KIT



Optional Joining Kit provides a means for joining desk consoles or wedges together side to side. Kit includes six bolts, sealing washers and nuts. Two Joining Kits are required for a wedge console. Order separately.

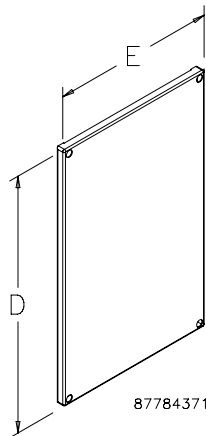
**BULLETIN: P20**

Catalog Number	Description
PJKDC	PROLINE Desk Console Joining Kit

### FULL BACK PANEL

Optional Full Back Panel is 12 gauge galvanized steel. Mounting hardware is included with the enclosure. Order separately.

**BULLETIN: P20**



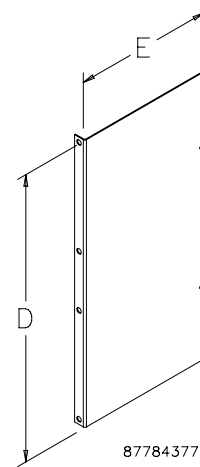
Catalog Number	D mm/in.	E mm/in.	Enclosure
PP96G	869 34.20	564 22.20	PGLD1074DC
PP99G	869 34.20	869 34.20	PGLD10104DC
PP116G	1021 40.20	564 22.20	PGLD1275DC
PP119G	1021 40.20	869 34.20	PGLD12105DC
PP1112G	1021 40.20	1173 46.20	PGLD12135DC
PP1115G	1021 40.20	1478 58.20	PGLD12165DC
PPP96G	835 32.87	530 20.87	PGLD1265DC
PPP98G	835 32.87	730 28.74	PGLD1285DC
PPP812G	835 32.87	1130 44.49	PGLD12125DC

### SIDE-MOUNT PANEL

Optional Side-Mount Panel is 12 gauge galvanized steel. Mounting hardware is included with the panel. Order separately.

BULLETIN: P20

Catalog Number	D (mm)	D (in.)	E (mm)	E (in.)
PPSM64G	627	24.70	343	13.63
PPSM84G	807	31.77	422	16.62



### CASTER KIT **A-T-O**



A set of four casters (two locking, two non-locking) that mount directly to the bottom of a PROLINE™ frame, 0-mm, or 100-mm Solid Base or a Console. **(Do not use on plinth bases.)** Casters elevate the enclosure 110 mm (4.33 in.) when installed. Caster frames are plated steel with ball-bearing pivots. Caster wheels are made of a black polyamide material. Kit includes M12 mounting hardware. Order separately.

**Casters Maximum Load: 1000 lb. (453 kg)**

Exercise care when using casters to move the cabinet. Avoid tipping and damage to the cabinet and its contents by slowly moving the cabinet on its casters across smooth, flat flooring. Avoid:

- large cracks
- floor displacement
- seams
- gravel
- any other obstruction

**Never use casters while transporting a cabinet by truck on roadways.**

Contact Hoffman if further information is needed.

BULLETIN: P20

Catalog Number	Description
PC1M12	Set of 4 Casters

