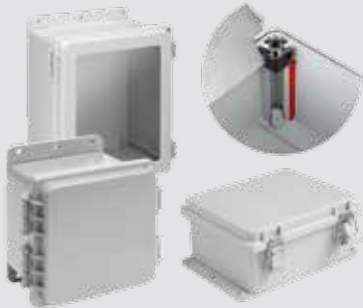




Hoffman
 CELEBRATING
70
 YEARS
 OF PROVIDING
 SUPERIOR
 EQUIPMENT
 PROTECTION
 SOLUTIONS

CHAPTER 3 NON-METALLIC



POLYPRO

POLYPRO polyester enclosures perform exceptionally well in applications where harsh chemicals, weather extremes and corrosive environments demand toughness from a lightweight enclosure. Providing excellent ultraviolet protection and a tight environmental seal, these versatile, feature-rich enclosures are also recyclable.



ULTRX

Providing outstanding protection against corrosion and the elements, the clean lines and molded, embossed design of ULTRX fiberglass enclosures make them the most stylish and aesthetically pleasing of their class.



QLINE D

QLINE D polycarbonate and ABS enclosures have contoured bodies with flush cover screws for an attractive, contemporary appearance. Tough as well as stylish, they are functional in corrosive environments and can withstand occasional submersion. The ABS series shares the same features and similar physical properties as the polycarbonate but is a more economical, non-UL rated alternative.

CHAPTER CONTENTS

POLYESTER

POLYPRO, TYPE 4X

POLYPRO Polyester Enclosures	232
POLYPRO WiFi, Type 4X	234
Adjustable Panel Block Kit	236
Polyester Mounting Bracket Kits	236
Aluminum Swing-Out Panels	236
Stainless Steel Latches (Padlockable)	237
Hinge Retainers	237

FIBERGLASS

CONTINUOUS HINGE

Continuous Hinge, Type 4X	238
Swing-Out Panel Kit	241
Quick-Release Latch Kit	241
Hinge-Cover WiFi, Type 4X	242
Swing-Out Panel Kit	244
Threaded Panel Extenders	244
Quick-Release Latch Kit	244
Panels for WiFi Cabinets and Small Wall-Mount Enclosures	245

SCREW- OR HINGE-COVER WITH QUICK-RELEASE LATCH

Screw- or Hinge-Cover with Quick-Release Latch, Type 4X	246
Fiberglass Mounting Bracket Kit	249

OVERLAPPING COVER

Raised Cover with Screws, Type 4X	250
Raised Cover with Latches, Type 4X	252
Flat Cover with Screws, Type 4X	254
Flat Cover with Latches, Type 4X	256
Flat Clear Cover with Latches, Type 4X	258

ULTRX

ULTRX, Type 4X	260
ULTRX WiFi, Type 4X	262
Panel Bracket Kit	264
Swing-Out Panel	264
Grounding Device	264
Panels for Type 3R, 4, 4X, 12 and 13 Enclosures	265
Rack Angles (Type RA)	265
Door Stop Kit	266
Keylock Kit and Padlock Kit	266
Swing Frame	266
ULTRX Key Insert	267
ULTRX Mounting Bracket Kit	267
Screw Insert Kit	267
Self-Tapping Screws	267

HINGE-COVER WITH 3-POINT LATCH OR QUICK-RELEASE LATCHES

Hinge-Cover with 3-Point Latch or Quick-Release Latches, Type 4X	268
--	-----

WALL-MOUNT DISCONNECT

Fiberglass Disconnect, Type 4X	274
Disconnect Mounting Space	277

HAZARDOUS LOCATION

ZONEX Non-Metallic Terminal Enclosure	278
---------------------------------------	-----

FREE-STAND

Free-Stand, Type 4X	280
Accessory Selection for Free-Stand, Type 4X	282
Rack Mounting Accessory Selection for Free-Stand, Type 4X	283

TWO-DOOR FREE-STAND

Two-Door Free-Stand, Type 4X	284
Bottom Support Kits	285

POLYCARBONATE AND ABS

QLINE D

QLINE D Pushbutton, Type 4X	286
QLINE D, Type 4X	288
Hinge Kit	292
Mounting Bracket Kit	292
Hardware Kit	292
Panels	292
QLINE D, EMC, Type 4X	294

QLINE E

QLINE E, Type 4X	296
Brass Inserts	300
Hinge Kit	300
Mounting Bracket Kit	300
Hardware Kit	300
Panels	300
QLINE E, EMC, Type 4X	302

QLINE I

QLINE I, Type 4X	304
Cover Screw Kit	310
Brass Insert Kit	310
Panel Depth Fitting	310
Swing Panel	310
Hinge Kit	311
Mounting Bracket Kit	311
Hardware Kit	311
Extension Rings	311
Panels	311
QLINE I, EMC, Type 4X	312

POLYPRO POLYESTER ENCLOSURES



3

INDUSTRY STANDARDS

Mounting brackets required to meet UL/CSA external mounting requirements.

UL 508A Listed; Type 4, 4X, 12, 13; File No. E61997
 cUL Listed per CSA C22.2 No 94; Type 4, 4X, 12, 13; File No. E61997
 Enclosure flammability evaluated per UL 508A
 Window flammability evaluated per UL 508A

NEMA/EEMAC Type 4, 4X, 12, 13
 CSA File No. 42186; Type 4, 4X, 12, 13 (solid covers only)
 IEC 60529, IP66

APPLICATION

POLYPRO polyester enclosures perform exceptionally well in applications where harsh chemicals, weather extremes and corrosive environments demand toughness from a lightweight enclosure. Providing excellent ultraviolet protection and a tight environmental seal, these versatile, feature-rich enclosures are also recyclable.

SPECIFICATIONS

- Non-glass-filled polyester material offers superior UV resistance; eliminates fiberbloom associated with fiberglass
- Provides excellent chemical resistance to a broad range of solvents, alkalis and acids
- Resists cracking and provides excellent impact resistance
- Lighter-weight than fiberglass
- Recyclable
- Easy, dustless in-field modifications using standard tools
- Overlapping tongue-and-groove raised cover and gasket provide a secure Type 4X seal

- Removable snap-hinge cover allows for easy access to cover and body for modifications
- Molded layout grid on inside of body and solid covers assists with component mounting
- Molded-in embosses for rear panel mounting
- Optional cover screws included with all models
- Internal rail system and adjustable panel blocks allow for panel height adjustment and installation of multiple panels
- Scratch-resistant polycarbonate windows
- Standard models include body and cover, two mounting feet, two latch assemblies with optional cover screws and hardware (adjustable panel blocks and panels sold separately)

FINISH

Standard finish is RAL 7035 light-gray textured inside and out

ACCESSORIES

See also Accessories.
 Adjustable Panel Block Kit
 Panels for Junction Boxes
 HOL-SEALERS Non-Metallic Hole Seals
 Aluminum Swing-Out Panels
 Stainless Steel Latches (Padlockable)
 Hinge Retainers

MODIFICATION AND CUSTOMIZATION

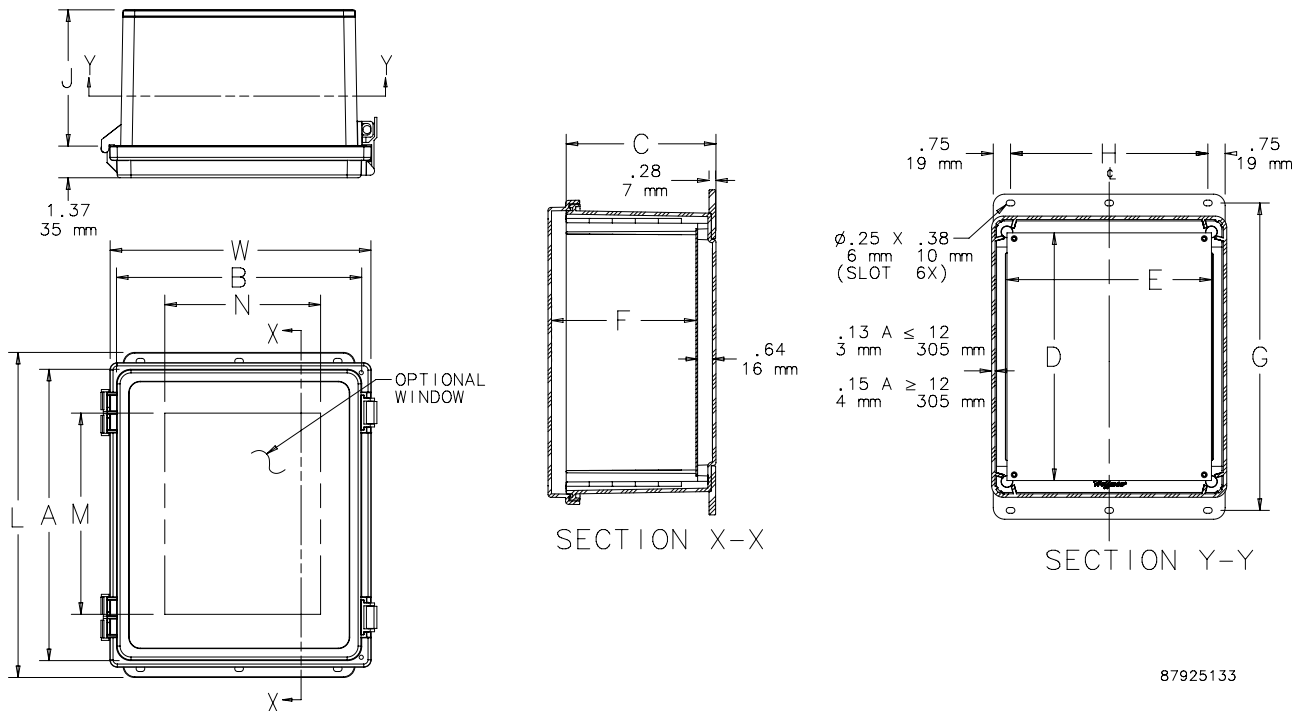
Hoffman excels at modifying and customizing products to your specifications. Contact your local Hoffman sales office or distributor for complete information.

BULLETIN: PCR

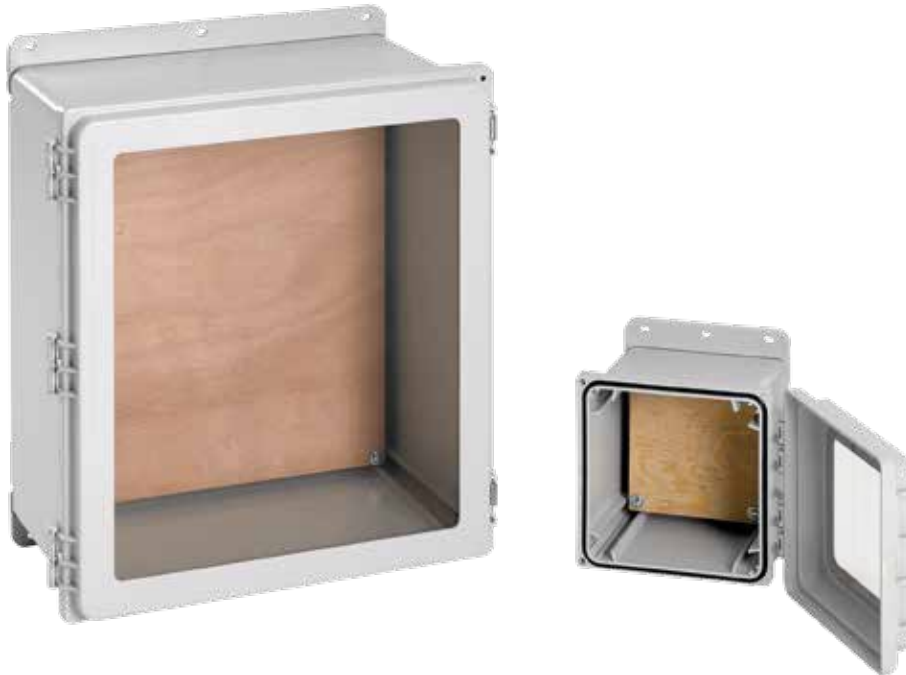
Standard Product

Catalog Number	AxBxC in./mm	Cover Type	Steel Panel	Aluminum Panel	Panel Size								
					D x E in./mm	F in./mm	G in./mm	H in./mm	J in./mm	L in./mm	M in./mm	N in./mm	W in./mm
A644PHC	6.12 x 4.12 x 4.38	Solid	A6P4	A6P4AL	4.88 x 2.88	4.32	7.38	2.56	3.91	8.15	—	—	5.23
	155 x 105 x 111				124 x 73	110	187	65	99	207	—	—	133
A644PHCW	6.12 x 4.12 x 4.38	Window	A6P4	A6P4AL	4.88 x 2.88	4.32	7.38	2.56	3.91	8.15	4.25	2.25	5.23
	155 x 105 x 111				124 x 73	110	187	65	99	207	108	57	133
A664PHC	6.12 x 6.12 x 4.38	Solid	A6P6	A6P6AL	4.88 x 4.88	4.32	7.38	4.56	3.91	8.15	—	—	7.23
	155 x 155 x 111				124 x 124	110	187	116	99	207	—	—	184
A664PHCW	6.12 x 6.12 x 4.38	Window	A6P6	A6P6AL	4.88 x 4.88	4.32	7.38	4.56	3.91	8.15	4.25	4.25	7.23
	155 x 155 x 111				124 x 124	110	187	116	99	207	108	108	184
A864PHC	8.12 x 6.12 x 4.38	Solid	A8P6	A8P6AL	6.75 x 4.88	4.32	9.38	4.56	3.91	10.15	—	—	7.23
	206 x 155 x 111				171 x 124	110	238	116	99	258	—	—	184
A864PHCW	8.12 x 6.12 x 4.38	Window	A8P6	A8P6AL	6.75 x 4.88	4.32	9.38	4.56	3.91	10.15	6.25	4.25	7.23
	206 x 155 x 111				171 x 124	110	238	116	99	258	159	108	184
A884PHC	8.12 x 8.12 x 4.38	Solid	A8P8	A8P8AL	6.75 x 6.88	4.32	9.38	6.56	3.91	10.15	—	—	9.23
	206 x 206 x 111				171 x 175	110	238	167	99	258	—	—	234
A884PHCW	8.12 x 8.12 x 4.38	Window	A8P8	A8P8AL	6.75 x 6.88	4.32	9.38	6.56	3.91	10.15	6.25	6.25	9.23
	206 x 206 x 111				171 x 175	110	238	167	99	258	159	159	234
A1084PHC	10.12 x 8.12 x 4.38	Solid	A10P8	A10P8AL	8.75 x 6.88	4.32	11.38	6.56	3.91	12.15	—	—	9.23
	257 x 155 x 111				222 x 175	110	289	167	99	309	—	—	234
A1084PHCW	10.12 x 8.12 x 4.38	Window	A10P8	A10P8AL	8.75 x 6.88	4.32	11.38	6.56	3.91	12.15	8.25	6.25	9.23
	257 x 155 x 111				222 x 175	110	289	167	99	309	210	159	234
A10106PHC	10.04 x 10.04 x 6.38	Solid	A10P10	A10P10AL	8.75 x 8.88	6.32	11.31	8.56	5.91	12.08	—	—	11.23
	255 x 255 x 162				222 x 226	161	287	217	150	307	—	—	285
A10106PHCW	10.04 x 10.04 x 6.38	Window	A10P10	A10P10AL	8.75 x 8.88	6.32	11.31	8.56	5.91	12.08	8.25	8.25	11.23
	255 x 255 x 162				222 x 226	161	287	217	150	307	210	210	285
A12106PHC	12.08 x 10.09 x 6.38	Solid	A12P10	A12P10AL	10.75 x 8.88	6.32	13.34	8.56	5.91	14.08	—	—	11.23
	307 x 256 x 162				273 x 226	161	339	217	150	358	—	—	285
A12106PHCW	12.08 x 10.09 x 6.38	Window	A12P10	A12P10AL	10.75 x 8.88	6.32	13.34	8.56	5.91	14.08	10.25	8.25	11.23
	307 x 256 x 162				273 x 226	161	339	217	150	358	260	210	285
A14128PHC	14.02 x 12.01 x 8.35	Solid	A14P12	A14P12AL	12.75 x 10.88	8.27	15.27	10.56	7.91	16.04	—	—	13.32
	356 x 305 x 212				324 x 276	210	388	268	201	407	—	—	338
A14128PHCW	14.02 x 12.01 x 8.35	Window	A14P12	A14P12AL	12.75 x 10.88	8.27	15.27	10.56	7.91	16.04	12.25	10.25	13.32
	356 x 305 x 212				324 x 276	210	388	268	201	407	311	260	338
A16148PHC	16.02 x 14.01 x 8.35	Solid	A16P14	A16P14AL	14.75 x 12.88	8.27	17.27	12.56	7.91	18.04	—	—	15.32
	407 x 356 x 212				375 x 327	210	439	319	201	458	—	—	389
A16148PHCW	16.02 x 14.01 x 8.35	Window	A16P14	A16P14AL	14.75 x 12.88	8.27	17.27	12.56	7.91	18.04	14.25	12.25	15.32
	407 x 356 x 212				375 x 327	210	439	319	201	458	362	311	389
A181610PHC	17.95 x 15.94 x 10.35	Solid	A18P16	A18P16AL	16.75 x 14.88	10.27	19.20	14.56	9.91	19.97	—	—	17.32
	456 x 405 x 263				425 x 378	261	488	370	252	507	—	—	440
A181610PHCW	17.95 x 15.94 x 10.35	Window	A18P16	A18P16AL	16.75 x 14.88	10.27	19.20	14.56	9.91	19.97	16.25	14.25	17.32
	456 x 405 x 263				425 x 378	261	488	370	252	507	413	362	440

Purchase panels separately. Panels are available in aluminum, mild steel, stainless steel, conductive and composite materials.



POLYPRO WiFi, TYPE 4X



3

INDUSTRY STANDARDS

UL 508A Listed; Type 4, 4X, 12, 13; File No. E61997
 cUL Listed per CSA C22.2 No 94; Type 4, 4X, 12, 13; File No. E61997
 Enclosure flammability evaluated per UL 508A
 Window flammability evaluated per UL 508A

NEMA/EEMAC Type 4, 4X, 12, 13
 CSA File No. 42186; Type 4, 4X, 12, 13 (solid covers only)
 IEC 60529, IP66

APPLICATION

POLYPRO WiFi enclosures provide protection for wireless equipment in both indoor and outdoor locations. The polyester construction and wood panel allow WiFi and WLAN signals to pass through the enclosure unimpeded. They perform exceptionally well in applications where harsh chemicals, weather extremes, a corrosive environment or flames demand toughness from a lightweight enclosure. Providing excellent ultraviolet protection and a tight environmental seal, these versatile, feature-rich enclosures are also recyclable.

FEATURES

- Non-glass-filled polyester material offers superior UV resistance; eliminates fiberbloom associated with fiberglass
- Provides excellent chemical resistance to a broad range of solvents, alkalis and acids
- Resists cracking and provides excellent impact resistance
- Lighter-weight than fiberglass
- Recyclable
- Easy, dustless in-field modifications using standard tools
- Overlapping tongue-and-groove raised cover and gasket provide secure Type 4X seal
- Removable snap-hinge cover allows for easy access to cover and body for modifications
- Molded layout grid on inside of body and solid covers assists with component mounting
- Molded-in embosses for rear panel mounting
- Internal rail system and adjustable panel blocks allow for panel height adjustment and installation of multiple panels

SPECIFICATIONS

- Scratch-resistant polycarbonate windows
- Standard models include body and cover, two mounting feet, two latch assemblies with optional cover screws and hardware, and 3/4-in. plywood panel

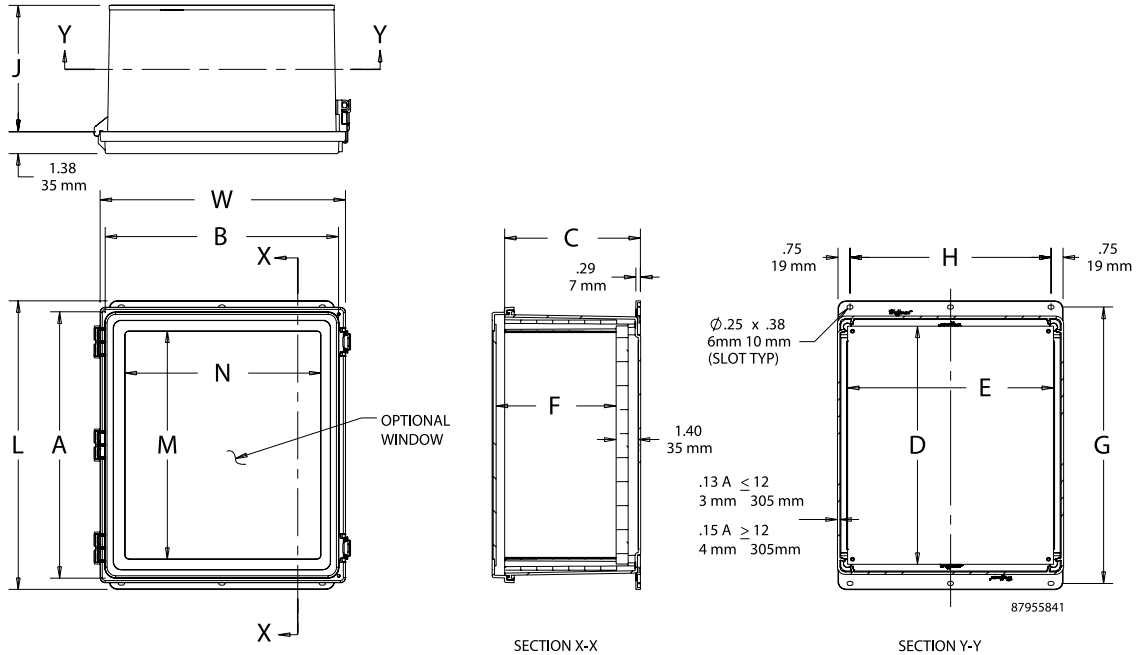
FINISH

Polyester material is RAL 7035 light-gray textured finish inside and out

BULLETIN: DWS12

Standard Product

Catalog Number	AxBxC in./mm	Door Type	Panel Size D x E in./mm	F in./mm	G in./mm	H in./mm	J in./mm	L in./mm	M in./mm	N in./mm	W in./mm
D664WF	6.12 x 6.12 x 4.38	Solid	4.88 x 4.88	4.32	7.38	2.56	3.91	8.15	—	—	5.23
	155 x 155 x 111		124 x 124	110	187	65	99	207	—	—	133
D664WFW	6.12 x 6.12 x 4.38	Window	4.88 x 4.88	4.32	7.38	2.56	3.91	8.15	4.25	2.25	5.23
	155 x 155 x 111		124 x 124	110	187	65	99	207	108	57	133
D16148WF	16.12 x 14.01 x 8.35	Solid	14.75 x 12.88	8.27	17.27	12.56	7.91	18.04	—	—	15.32
	409 x 356 x 212		375 x 327	210	439	319	201	458	—	—	389
D16148WFW	16.12 x 14.01 x 8.35	Window	14.75 x 12.88	8.27	17.27	12.56	7.91	18.04	14.25	12.25	15.32
	409 x 356 x 212		375 x 327	210	439	319	201	458	362	311	389



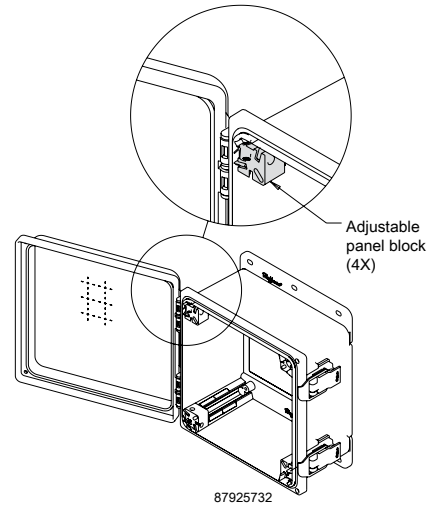
ADJUSTABLE PANEL BLOCK KIT

Panel blocks slide inside POLYPRO internal rail system for panel height adjustment within top 5 in. of enclosure. Allows for installation of multiple panels.

BULLETIN: PCRY

Catalog Number	Qty.
APNLBLK	4

Includes Allen wrench

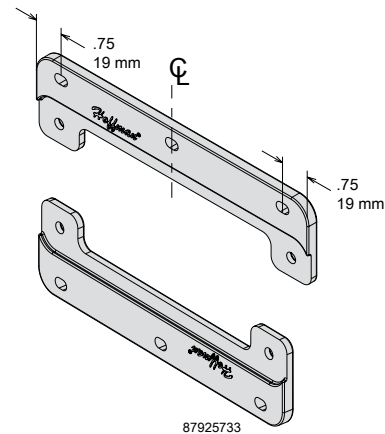


POLYESTER MOUNTING BRACKET KITS

Replacement POLYPRO mounting brackets are sold in sets of two and include hardware for mounting to enclosure. Included with standard POLYPRO models.

BULLETIN: PCRY

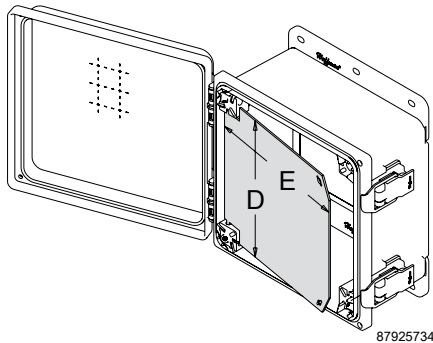
Catalog Number	Description (in.)	Qty.
APOLYFT4	4.00	2
APOLYFT6	6.00	2
APOLYFT8	8.00	2
APOLYFT10	10.00	2
APOLYFT12	12.00	2
APOLYFT14	14.00	2
APOLYFT16	16.00	2



ALUMINUM SWING-OUT PANELS

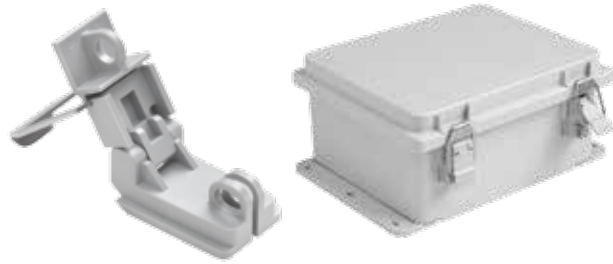
Includes four POLYPRO Adjustable Panel Blocks. No enclosure modification is required for installation.

BULLETIN: PCRY



Catalog Number	D x E (in.)	D x E (mm)
A64PSWPNL	5.00 x 3.62	127 x 92
A66PSWPNL	5.00 x 5.62	127 x 143
A86PSWPNL	7.00 x 5.62	178 x 143
A88PSWPNL	7.00 x 7.62	178 x 194
A108PSWPNL	9.00 x 7.62	229 x 194
A1010PSWPNL	9.00 x 9.62	229 x 244
A1210PSWPNL	11.00 x 9.62	279 x 244
A1412PSWPNL	13.00 x 11.62	330 x 295
A1614PSWPNL	15.00 x 13.62	381 x 346
A1816PSWPNL	17.00 x 15.62	432 x 397

STAINLESS STEEL LATCHES (PADLOCKABLE)



Stainless Steel Latches can be retrofitted on all POLYPRO models with no modification or drilling required. Hinge/latch constructed of corrosion-resistant polyester with a Type 316L stainless steel bail. Included with standard POLYPRO models.

BULLETIN: PCRY

Catalog Number	Qty.
AQRLSS6	2

HINGE RETAINERS



Hinge Retainers can be field-installed without modification to POLYPRO hinges for applications where easy cover removal is not desired. Two retainers per enclosure is recommended. Kit includes ten hinge retainers.

BULLETIN: PCRY

Catalog Number	Description	Pkg. Qty.
AHGCLP	POLYPRO Hinge Retainers	10



CONTINUOUS HINGE, TYPE 4X

INDUSTRY STANDARDS

Mounting brackets required to meet UL/CSA external mounting requirements.

UL 508A Listed; Type 4, 4X, 12, 13; File No. E61997
 cUL Listed per CSA C22.2 No 94; Type 4, 4X, 12, 13; File No. E61997
 Enclosure flammability evaluated per UL 508A
 Window flammability evaluated per UL 508A

NEMA/EEMAC Type 4, 4X, 12, 13
 CSA File No. 42186: Type 4, 4X, 12, 13
 IEC 60529, IP66

APPLICATION

The efficient design and simple construction of these enclosures make them durable in corrosive environments, yet aesthetically pleasing. Corner latches provide unobstructed access. The continuous hinge provides a secure seal, and double latching creates added security.

SPECIFICATIONS

- Compression-molded fiberglass has outstanding chemical- and temperature-resistance qualities and exhibits excellent weatherability and physical properties
- Fiberglass is easily punched, drilled, filed or sawed
- Gasket assures water-tight and dust-tight seal
- Polyester mounting brackets and stainless steel attachment screws are provided with each enclosure
- Scratch-resistant polycarbonate windows are permanently bonded in place
- Molded-in-place threaded brass inserts and plated steel screws are provided for mounting optional panels and terminal block kits
- Removable hinged cover attached to body with Type 316 stainless steel hinge pin
- Screw-cover enclosures are secured with two captivated Type 316 stainless steel slotted cover screws
- Enclosures with quick-release latches have corrosion-resistant polyester latches located in corners that provide unobstructed access to enclosure
- Hinge pin and bail are corrosion-resistant Type 316 stainless steel
- Padlock provisions included in each latch
- Material is halogen free

FINISH

Standard fiberglass material finish is light-gray inside and out. Optional steel panels are painted white. Optional stainless steel, aluminum, conductive and composite panels are unpainted.

ACCESSORIES

See also Accessories.
 H2OMIT Vent Drains, Type 4X
 HOL-SEALERS Non-Metallic Hole Seals
 Panels for Junction Boxes
 Threaded Panel Extenders
 Quick-Release Latch Kit
 Swing-Out Panel Kit

MODIFICATION AND CUSTOMIZATION

Hoffman excels at modifying and customizing products to your specifications. Contact your local Hoffman sales office or distributor for complete information.

BULLETIN: A48

Standard Product **Solid Cover**

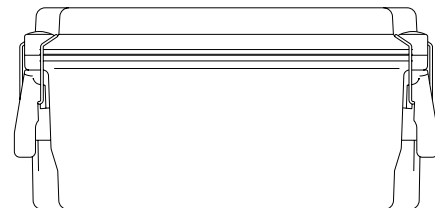
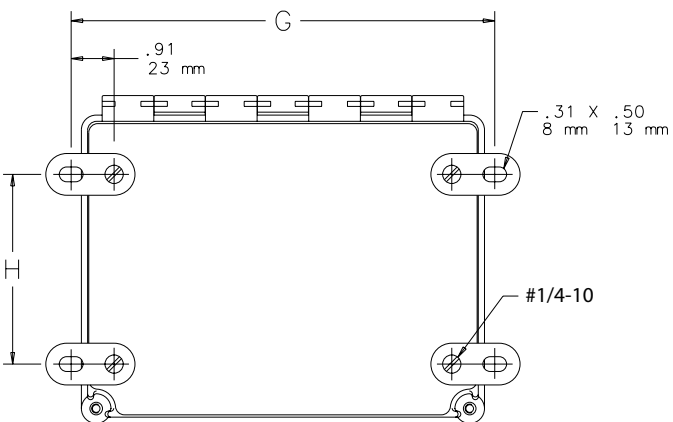
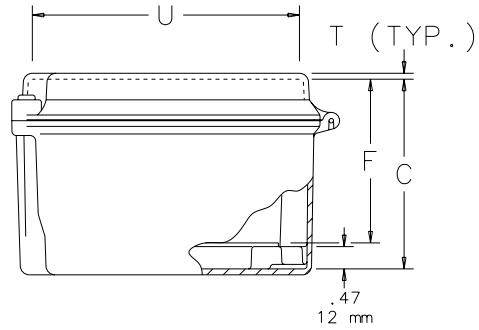
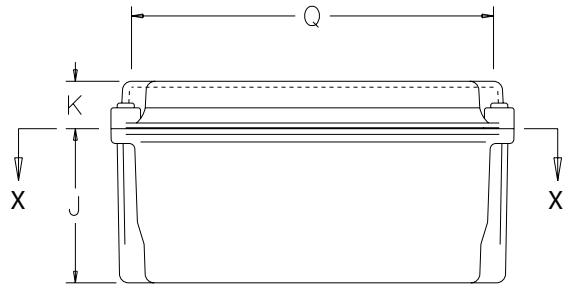
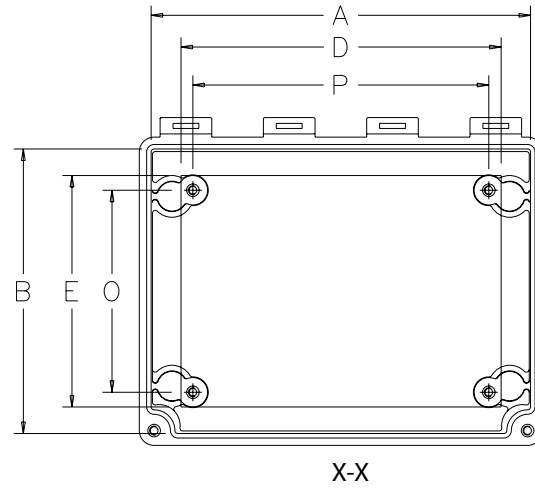
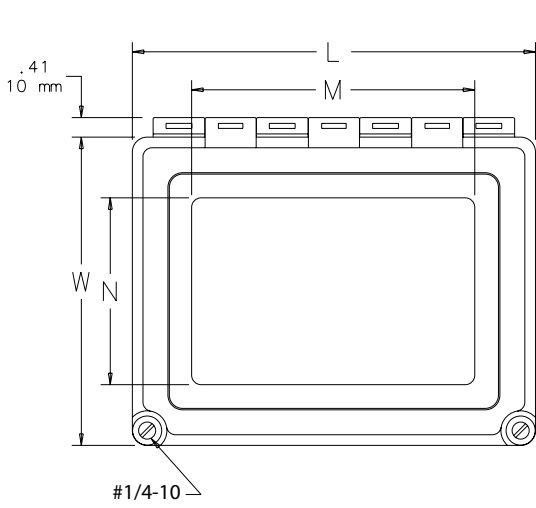
Catalog Number	AxBxC in./mm	Type	Steel Panel	Alum. Panel	Panel Size D x E in./mm	Mounting G x H in./mm	Overall L x W in./mm	F in./mm	J in./mm	K in./mm	O in./mm	P in./mm	Q in./mm	T in./mm	U in./mm
A664CHSCFG	6.00 x 6.00 x 4.00	Screw Cover	A6P6	A6P6AL	4.88 x 4.88	6.94 x 4.00	6.50 x 6.50	3.45	3.25	1.00	4.25	4.25	5.64	0.12	5.64
	152 x 152 x 102				124 x 124	176 x 102	165 x 165	88	83	25	108	108	143	3	143
A664CHQRFG	6.00 x 6.00 x 4.00	Quick Release	A6P6	A6P6AL	4.88 x 4.88	6.94 x 4.00	6.50 x 6.50	3.45	3.25	1.00	4.25	4.25	5.64	0.12	5.64
	152 x 152 x 102				124 x 124	176 x 102	165 x 165	88	83	25	108	108	143	3	143
A864CHSCFG	8.00 x 6.00 x 4.00	Screw Cover	A8P6	A8P6AL	6.75 x 4.88	8.94 x 4.00	8.50 x 6.50	3.45	3.25	1.00	4.25	6.25	7.64	0.12	5.64
	203 x 152 x 102				171 x 124	227 x 102	216 x 165	88	83	25	108	159	194	3	143
A864CHQRFG	8.00 x 6.00 x 4.00	Quick Release	A8P6	A8P6AL	6.75 x 4.88	8.94 x 4.00	8.50 x 6.50	3.45	3.25	1.00	4.25	6.25	7.64	0.12	5.64
	203 x 152 x 102				171 x 124	227 x 102	216 x 165	88	83	25	108	159	194	3	143
A1086CHSCFG	10.00 x 8.00 x 6.00	Screw Cover	A10P8	A10P8AL	8.75 x 6.88	10.94 x 6.00	10.50 x 8.50	5.45	4.94	1.31	6.25	8.25	9.61	0.12	7.61
	254 x 203 x 152				222 x 175	278 x 152	267 x 216	138	125	33	159	210	244	3	193
A1086CHQRFG	10.00 x 8.00 x 6.00	Quick Release	A10P8	A10P8AL	8.75 x 6.88	10.94 x 6.00	10.50 x 8.50	5.45	4.94	1.31	6.25	8.25	9.61	0.12	7.61
	254 x 203 x 152				222 x 175	278 x 152	267 x 216	138	125	33	159	210	244	3	193
A12106CHSCFG	12.00 x 10.00 x 6.00	Screw Cover	A12P10	A12P10AL	10.75 x 8.88	12.94 x 8.00	12.50 x 10.50	5.45	4.69	1.56	8.25	10.25	11.58	0.12	9.58
	305 x 254 x 152				273 x 226	329 x 203	318 x 267	138	119	40	210	260	294	3	243
A12106CHQRFG	12.00 x 10.00 x 6.00	Quick Release	A12P10	A12P10AL	10.75 x 8.88	12.94 x 8.00	12.50 x 10.50	5.45	4.69	1.56	8.25	10.25	11.58	0.12	9.58
	305 x 254 x 152				273 x 226	329 x 203	318 x 267	138	119	40	210	260	294	3	243
A14128CHSCFG	14.00 x 12.00 x 8.00	Screw Cover	A14P12	A14P12AL	12.75 x 10.88	14.94 x 10.00	14.55 x 12.55	7.45	6.50	1.81	10.25	12.25	13.59	0.15	11.59
	356 x 305 x 203				324 x 276	379 x 254	370 x 319	189	165	46	260	311	345	4	294
A14128CHQRFG	14.00 x 12.00 x 8.00	Quick Release	A14P12	A14P12AL	12.75 x 10.88	14.94 x 10.00	14.55 x 12.55	7.45	6.50	1.81	10.25	12.25	13.59	0.15	11.59
	356 x 305 x 203				324 x 276	379 x 254	370 x 319	189	165	46	260	311	345	4	294
A16148CHSCFG	16.00 x 14.00 x 8.00	Screw Cover	A16P14	A16P14AL	14.75 x 12.88	16.94 x 12.00	16.55 x 14.55	7.45	6.23	2.08	12.25	14.25	15.56	0.15	13.56
	406 x 356 x 203				375 x 327	430 x 305	420 x 370	189	158	53	311	362	395	4	344
A16148CHQRFG	16.00 x 14.00 x 8.00	Quick Release	A16P14	A16P14AL	14.75 x 12.88	16.94 x 12.00	16.55 x 14.55	7.45	6.23	2.08	12.25	14.25	15.56	0.15	13.56
	406 x 356 x 203				375 x 327	430 x 305	420 x 370	189	158	53	311	362	395	4	344
A181610CHSCFG	18.00 x 16.00 x 10.00	Screw Cover	A18P16	A18P16AL	16.75 x 14.88	18.94 x 14.00	18.58 x 16.58	9.45	7.66	2.66	14.25	16.25	17.53	0.16	15.53
	457 x 406 x 254				425 x 378	481 x 356	472 x 421	240	195	68	362	413	445	4	394
A181610CHQRFG	18.00 x 16.00 x 10.00	Quick Release	A18P16	A18P16AL	16.75 x 14.88	18.94 x 14.00	18.58 x 16.58	9.45	7.66	2.66	14.25	16.25	17.53	0.16	15.53
	457 x 406 x 254				425 x 378	481 x 356	472 x 421	240	195	68	362	413	445	4	394

Purchase panels separately. Optional stainless steel, aluminum, conductive and composite material panels available for most sizes.

Standard Product **Window Cover**

Catalog Number	AxBxC in./mm	Type	Steel Panel	Alum. Panel	Panel Size D x E in./mm	Mounting G x H in./mm	Overall L x W in./mm	F in./mm	J in./mm	K in./mm	M in./mm	N in./mm	O in./mm	P in./mm	Q in./mm	T in./mm	U in./mm
A664CHSCFGW	6.00 x 6.00 x 4.00	Screw Cover	A6P6	A6P6AL	4.88 x 4.88	6.94 x 4.00	6.50 x 6.50	3.45	3.25	1.00	4.25	4.25	4.25	4.25	5.64	0.12	5.64
	152 x 152 x 102				124 x 124	176 x 102	165 x 165	88	83	25	108	108	108	143	3	143	
A664CHQRFGW	6.00 x 6.00 x 4.00	Quick Release	A6P6	A6P6AL	4.88 x 4.88	6.94 x 4.00	6.50 x 6.50	3.45	3.25	1.00	4.25	4.25	4.25	4.25	5.64	0.12	5.64
	152 x 152 x 102				124 x 124	176 x 102	165 x 165	88	83	25	108	108	108	143	3	143	
A864CHSCFGW	8.00 x 6.00 x 4.00	Screw Cover	A8P6	A8P6AL	6.75 x 4.88	8.94 x 4.00	8.50 x 6.50	3.45	3.25	1.00	6.25	4.25	6.25	6.25	7.64	0.12	5.64
	203 x 152 x 102				171 x 124	227 x 102	216 x 165	88	83	25	159	108	108	159	194	3	143
A864CHQRFGW	8.00 x 6.00 x 4.00	Quick Release	A8P6	A8P6AL	6.75 x 4.88	8.94 x 4.00	8.50 x 6.50	3.45	3.25	1.00	6.25	4.25	6.25	6.25	7.64	0.12	5.64
	203 x 152 x 102				171 x 124	227 x 102	216 x 165	88	83	25	159	108	108	159	194	3	143
A1086CHSCFGW	10.00 x 8.00 x 6.00	Screw Cover	A10P8	A10P8AL	8.75 x 6.88	10.94 x 6.00	10.50 x 8.50	5.45	4.94	1.31	8.25	6.25	6.25	8.25	9.61	0.12	7.61
	254 x 203 x 152				222 x 175	278 x 152	267 x 216	138	125	33	210	159	159	210	244	3	193
A1086CHQRFGW	10.00 x 8.00 x 6.00	Quick Release	A10P8	A10P8AL	8.75 x 6.88	10.94 x 6.00	10.50 x 8.50	5.45	4.94	1.31	8.25	6.25	6.25	8.25	9.61	0.12	7.61
	254 x 203 x 152				222 x 175	278 x 152	267 x 216	138	125	33	210	159	159	210	244	3	193
A12106CHSCFGW	12.00 x 10.00 x 6.00	Screw Cover	A12P10	A12P10AL	10.75 x 8.88	12.94 x 8.00	12.50 x 10.50	5.45	4.69	1.56	10.25	8.25	8.25	10.25	11.58	0.12	9.58
	305 x 254 x 152				273 x 226	329 x 203	318 x 267	138	119	40	260	210	210	260	294	3	243
A12106CHQRFGW	12.00 x 10.00 x 6.00	Quick Release	A12P10	A12P10AL	10.75 x 8.88	12.94 x 8.00	12.50 x 10.50	5.45	4.69	1.56	10.25	8.25	8.25	10.25	11.58	0.12	9.58
	305 x 254 x 152				273 x 226	329 x 203	318 x 267	138	119	40	260	210	210	260	294	3	243
A14128CHSCFGW	14.00 x 12.00 x 8.00	Screw Cover	A14P12	A14P12AL	12.75 x 10.88	14.94 x 10.00	14.55 x 12.55	7.45	6.50	1.81	12.25	10.25	10.25	12.25	13.59	0.15	11.59
	356 x 305 x 203				324 x 276	379 x 254	370 x 319	189	165	46	311	260	260	311	345	4	294
A14128CHQRFGW	14.00 x 12.00 x 8.00	Quick Release	A14P12	A14P12AL	12.75 x 10.88	14.94 x 10.00	14.55 x 12.55	7.45	6.50	1.81	12.25	10.25	10.25	12.25	13.59	0.15	11.59
	356 x 305 x 203				324 x 276	379 x 254	370 x 319	189	165	46	311	260	260	311	345	4	294
A16148CHSCFGW	16.00 x 14.00 x 8.00	Screw Cover	A16P14	A16P14AL	14.75 x 12.88	16.94 x 12.00	16.55 x 14.55	7.45	6.23	2.08	14.25	12.25	12.25	14.25	15.56	0.15	13.56
	406 x 356 x 203				375 x 327	430 x 305	420 x 370	189	158	53	362	311	311	362	395	4	344
A16148CHQRFGW	16.00 x 14.00 x 8.00	Quick Release	A16P14	A16P14AL	14.75 x 12.88	16.94 x 12.00	16.55 x 14.55	7.45	6.23	2.08	14.25	12.25	12.25	14.25	15.56	0.15	13.56
	406 x 356 x 203				375 x 327	430 x 305	420 x 370	189	158	53	362	311	311	362	395	4	344
A181610CHSCFGW	18.00 x 16.00 x 10.00	Screw Cover	A18P16	A18P16AL	16.75 x 14.88	18.94 x 14.00	18.58 x 16.58	9.45	7.66	2.66	16.25	14.25	14.25	16.25	17.53	0.16	15.53
	457 x 406 x 254				425 x 378	481 x 356	472 x 421	240	195	68	413	362	362	413	445	4	394
A181610CHQRFGW	18.00 x 16.00 x 10.00	Quick Release	A18P16	A18P16AL	16.75 x 14.88	18.94 x 14.00	18.58 x 16.58	9.45	7.66	2.66	16.25	14.25	14.25	16.25	17.53	0.16	15.53
	457 x 406 x 254				425 x 378	481 x 356	472 x 421	240	195	68	413	362	362	413	445	4	394

Purchase panels separately. Optional stainless steel, aluminum, conductive and composite material panels available for most sizes.



SIDE VIEW
(QUICK-RELEASE COVER ENCLOSURE)

C2567-C



QUICK-RELEASE LATCH KIT



Two fiberglass-reinforced gray polyester latches with 316L stainless steel bail and screw-hole plugs are included in each package. Supplied with Continuous Hinge, Type 4X enclosures and available for Fiberglass Hinged Cover WiFi Cabinet, Type 4X. Kit converts screw-cover enclosures to quick-release without modification. No tools needed to install. Padlocking provision is included.

BULLETIN: A48Y

Catalog Number	Description	Kit Qty.
AL48	Quick-Release Latch Kit	2

SWING-OUT PANEL KIT



The Swing-Out Panel Kit provides an attractive, cost-effective solution for installing front-mounted panels in Continuous Hinge, Type 4X, and Overlapping Cover, Type 4X enclosures. No drilling required.

BULLETIN: A48Y

Catalog Number	Fits Enclosure A x B (in.)	Fits Enclosure A x B (mm)
A6SPK6C	6.00 x 6.00	152 x 152
A8SPK6C	8.00 x 6.00	203 x 152
A10SPK8C	10.00 x 8.00	254 x 203
A12SPK10C	12.00 x 10.00	305 x 254
A16SPK14C	16.00 x 14.00	406 x 356
A18SPK16C	18.00 x 16.00	457 x 406
A14SPK12C	14.00 x 12.00	356 x 305



HINGE-COVER WIFI, TYPE 4X

FEATURES

- Fiberglass is easily punched, drilled, filed or sawed
- Gasket assures watertight and dusttight seal
- Molded-in-place threaded brass inserts and plated steel screws are provided for mounting optional panels and terminal block kits
- Removable hinged cover attached to body with Type 316 stainless steel hinge pin
- Screw cover enclosures are secured with two captivated Type 316 stainless steel slotted cross-point cover screws
- Available quick-release latches are corrosion-resistant polyester located in corners to provide unobstructed access to enclosure
- Knockout padlock provisions included in each latch
- Material is halogen free

SPECIFICATIONS

- Enclosure and door made of molded fiberglass polyester that resists chemicals and temperature change
- Scratch-resistant GE Lexan Margard® windows are permanently bonded in place
- Polyester mounting brackets and stainless steel attachment screws are provided with each enclosure
- Hinge pin and bail are corrosion-resistant Type 316 stainless steel
- Includes a 3/4-in. plywood panel for mounting equipment

Margard is a trademark of General Electric

FINISH

Fiberglass material is light gray inside and out.

BULLETIN: DWS12
INDUSTRY STANDARDS

UL 508A Listed; Type 4, 4X, 12, 13; File No. E61997
 cUL Listed per CSA C22.2 No 94; Type 4, 4X, 12, 13; File No. E61997
 Enclosure flammability rating per UL 508

NEMA/EEMAC Type 4, 4X, 12, and 13
 Window flammability rating per UL 508
 CSA File No. LR42186:Type 4, 4X, 12, and 13
 IEC 60529, IP66
 Cabinets with solid doors are plenum rated.

APPLICATION

The fiberglass WiFi Cabinet is a secure, hinged enclosure that does not impede WiFi or WLAN signals. It is ideal for housing wireless equipment in locations such as tunnels, floor vaults, marinas, outside walls or rooftops.

3

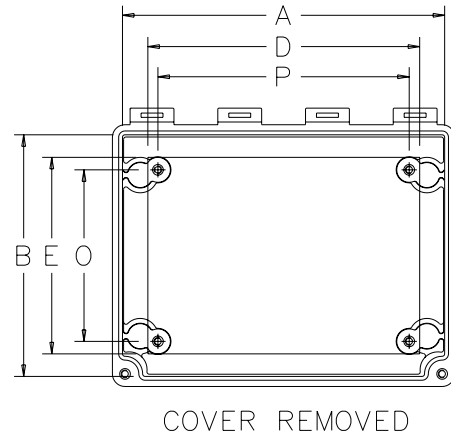
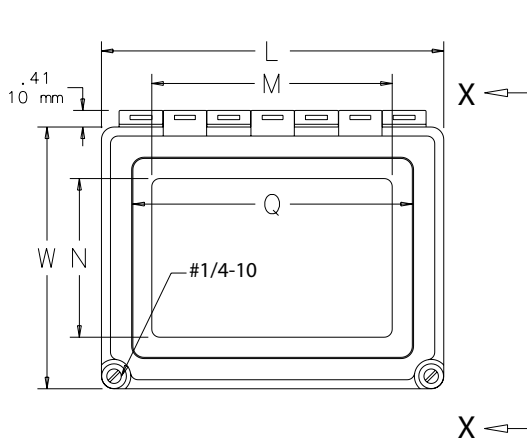
Standard Product Solid Door

Catalog Number	AxBxC in./mm	Panel	Panel	Mounting	Overall Size	J	K	O	P	Q	R	T	U
			D X E in./mm	G x H in./mm	L x W in./mm								
D664CHSCFGP	6.00 x 6.00 x 4.00	A6P6WD	4.88 x 4.88	6.94 x 4.00	6.50 x 6.50	3.25	1.00	4.25	4.25	5.64	5.12	.12	5.64
	152 x 152 x 102		124 x 124	176 x 102	165 x 165	83	25	108	108	143	130	3	143
D16148CHSCFGP	16.00 x 14.00 x 8.00	A16P14WD	14.75 x 12.88	16.94 x 12.00	16.55 x 14.55	6.23	2.08	12.25	14.25	15.56	15.12	.15	13.56
	406 x 356 x 203		375 x 327	430 x 305	420 x 370	158	53	311	362	395	384	4	344
D181610CHSCFGP	18.00 x 16.00 x 10.00	A18P16WD	16.75 x 14.88	18.94 x 14.00	18.58 x 16.58	7.66	2.66	14.25	16.25	17.53	17.12	.16	15.53
	457 x 406 x 254		425 x 378	481 x 356	472 x 421	195	68	362	413	445	435	4	394

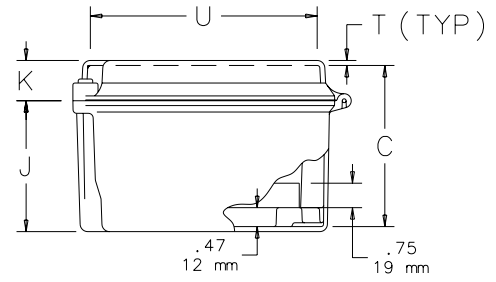
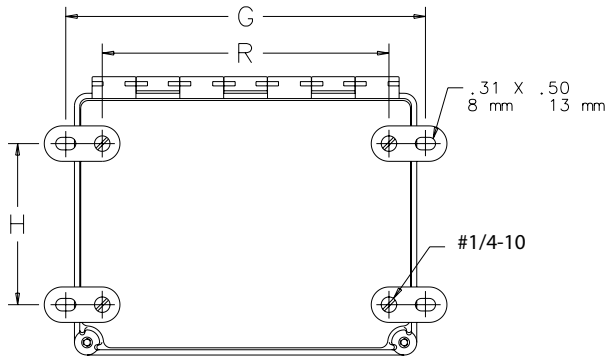
Wood panels included with enclosure. Optional steel panels must be ordered separately.

Standard Product Window Door

Catalog Number	AxBxC in./mm	Panel	Panel	Mounting	Overall Size	J	K	O	P	Q	R	T	U
			D X E in./mm	G x H in./mm	L x W in./mm								
D664CHSCFGWP	6.00 x 6.00 x 4.00	A6P6WD	4.88 x 4.88	6.94 x 4.00	6.50 x 6.50	3.25	1.00	4.25	4.25	5.64	5.12	.12	5.64
	152 x 152 x 102		124 x 124	176 x 102	165 x 165	83	25	108	108	143	130	3	143
D16148CHSCFGWP	16.00 x 14.00 x 8.00	A16P14WD	14.75 x 12.88	16.94 x 12.00	16.55 x 14.55	6.23	2.08	12.25	14.25	15.56	15.12	.15	13.56
	406 x 356 x 203		375 x 327	430 x 305	420 x 370	158	53	311	362	395	384	4	344
D181610CHSCFGWP	18.00 x 16.00 x 10.00	A18P16WD	16.75 x 14.88	18.94 x 14.00	18.58 x 16.58	7.66	2.66	14.25	16.25	17.53	17.12	.16	15.53
	457 x 406 x 254		425 x 378	481 x 356	472 x 421	195	68	362	413	445	435	4	394



COVER REMOVED



X-X

87792464



QUICK-RELEASE LATCH KIT



Two fiberglass-reinforced gray polyester latches with 316L stainless steel bail and screw-hole plugs are included in each package. Supplied with Continuous Hinge, Type 4X enclosures and available for Fiberglass Hinged Cover WiFi Cabinet, Type 4X. Kit converts screw-cover enclosures to quick-release without modification. No tools needed to install. Padlocking provision is included.

BULLETIN: A48Y

Catalog Number	Description	Kit Qty.
AL48	Quick-Release Latch Kit	2

SWING-OUT PANEL KIT



The Swing-Out Panel Kit provides an attractive, cost-effective solution for installing front-mounted panels in Continuous Hinge, Type 4X, and Overlapping Cover, Type 4X enclosures. No drilling required.

BULLETIN: A48Y

Catalog Number	Fits Enclosure A x B (in.)	Fits Enclosure A x B (mm)
A6SPK6C	6.00 x 6.00	152 x 152
A8SPK6C	8.00 x 6.00	203 x 152
A10SPK8C	10.00 x 8.00	254 x 203
A12SPK10C	12.00 x 10.00	305 x 254
A16SPK14C	16.00 x 14.00	406 x 356
A18SPK16C	18.00 x 16.00	457 x 406
A14SPK12C	14.00 x 12.00	356 x 305

THREADED PANEL EXTENDERS



Threaded Panel Extenders are made of plated steel and designed to raise the panel mounting surface. Extenders attach to threaded internal pads. Male and female thread size is 10-32. Each kit contains 4 extenders.

BULLETIN: A80

Catalog Number	Length (in.)	Length (mm)
APE050	0.50	13
APE100	1.00	25

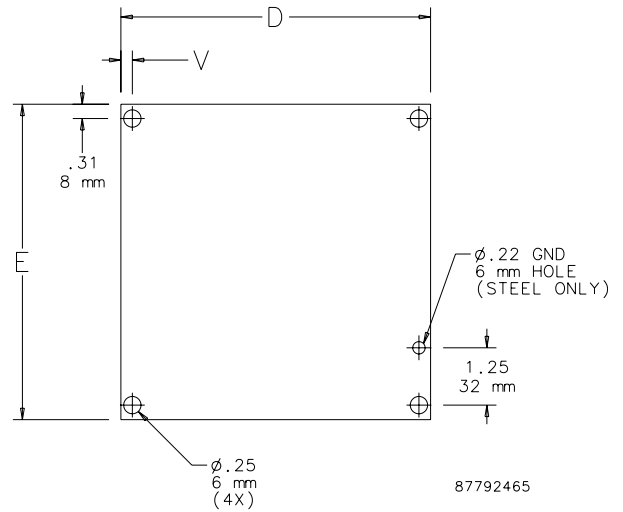
PANELS FOR WIFI CABINETS AND SMALL WALL-MOUNT ENCLOSURES



Panels are available in both steel and wood. Steel panels are 14 gauge steel with a white polyester powder paint finish. Wood panels are 3/4-in. plywood and are unfinished. Wood panels are supplied with Fiberglass Hinged-Cover and POLYPRO Type 4X WiFi Cabinets.

BULLETIN: DWS12, PNLJ, PNLWM

Catalog Number	Material	Panel Size D x E (in.)	Panel Size D x E (mm)	V (in.)	V (mm)
A6P6	Steel	4.88 x 4.88	124 x 124	0.31	8
A6P6WD	Wood	4.88 x 4.88	124 x 124	0.31	8
A16P14	Steel	14.75 x 12.88	375 x 327	0.25	6
A16P14WD	Wood	14.75 x 12.88	375 x 327	0.25	6
A18P16	Steel	16.75 x 14.88	425 x 378	0.25	6
A18P16WD	Wood	16.75 x 14.88	425 x 378	0.25	6



SCREW- OR HINGE-COVER WITH QUICK-RELEASE LATCH, TYPE 4X

INDUSTRY STANDARDS

Mounting brackets required to meet UL/CSA external mounting requirements.

UL 508A Listed; Type 3, 3R, 4, 4X, 12, 13; File No. E61997
 cUL Listed per CSA C22.2 No 94; Type 3, 3R, 4, 4X, 12, 13;
 File No. E61997
 Enclosure flammability evaluated per UL 508A
 Window flammability evaluated per UL 508A

NEMA/EEMAC Type 3, 3R, 4, 4X, 12, 13
 CSA File No. 42186: Type 3R, 4, 4X, 12
 IEC 60529, IP66
 Meets NEMA Type 3RX requirements

APPLICATION

Able to withstand harsh environments, these small enclosures feature a simple, traditional non-metallic design that is suitable for a broad range of applications.

SPECIFICATIONS

- Compression-molded fiberglass material has excellent temperature and chemical resistance qualities and exhibits outstanding physical properties
- Fiberglass material is easily punched, drilled, filed or sawed
- Seamless foam-in-place gasket assures water-tight and dust-tight seal
- Threaded internal bosses provided for mounting optional panels and terminal block kits
- Polycarbonate windows are permanently bonded in place

- Screw-cover enclosures have easily removable covers attached to body with internal plated steel hinges. Cover securely fastens to the body with four captivated Type 316 stainless steel cover screws.
- Enclosures with quick-release latches have corrosion-resistant polyester hinges and polyester latches with a Type 316L stainless steel bail. Attached with Type 316 stainless steel screws. A Type 316L stainless steel padlock hasp is furnished with each enclosure.
- Sealing washers are furnished with enclosure
- Material is halogen free

FINISH

Standard fiberglass material finish is light-gray inside and out. Optional steel panels are painted white. Optional stainless steel, aluminum and composite panels are unpainted.

ACCESSORIES

See also *Accessories*.
 H2OMIT Vent Drains, Type 4X
 HOL-SEALERS Non-Metallic Hole Seals
 Panels for Junction Boxes

MODIFICATION AND CUSTOMIZATION

Hoffman excels at modifying and customizing products to your specifications. Contact your local Hoffman sales office or distributor for complete information.

BULLETIN: A50

Standard Product **Solid Cover with Screws**

Catalog Number	AxBxC in./mm	Inside Dimensions A x B x C in./mm	Steel Panel	Aluminum Panel	Panel Size D x E in./mm	Mounting G x H in./mm	Overall L x W in./mm	F in./mm	J in./mm	K in./mm	V in./mm	X in./mm	Y in./mm
A645JFGR	6.00 x 4.00 x 5.00	5.50 x 4.00 x 4.94	No Panel	No Panel	No Panel	4.75 x 2.00	6.00 x 4.50	4.41	4.13	1.00	--	4.22	3.59
	152 x 102 x 127	140 x 102 x 125			No Panel	121 x 51	152 x 114	112	105	25	--	107	91
A845JFGR	8.00 x 4.00 x 5.00	7.50 x 4.00 x 4.94	A6P4	A6P4AL	4.88 x 2.88	6.75 x 2.00	8.00 x 4.50	4.41	4.13	1.00	0.31	6.22	3.59
	203 x 102 x 127	191 x 102 x 125			124 x 73	171 x 51	203 x 114	112	105	25	8	158	91
A865JFGR	8.00 x 6.00 x 5.00	7.50 x 6.00 x 5.19	A6P6	A6P6AL	4.88 x 4.88	6.75 x 4.00	8.00 x 6.50	4.66	4.38	1.00	0.31	6.22	5.59
	203 x 152 x 127	191 x 152 x 132			124 x 124	171 x 102	203 x 165	118	111	25	8	158	142
A1066JFGR	10.00 x 6.00 x 6.00	9.50 x 6.00 x 5.69	A8P6	A8P6AL	6.75 x 4.88	8.75 x 4.00	10.00 x 6.50	5.16	4.63	1.25	0.25	8.12	5.50
	254 x 152 x 152	241 x 152 x 145			171 x 124	222 x 102	254 x 165	131	118	32	6	206	140
A1287JFGR	12.00 x 8.00 x 7.00	11.50 x 8.00 x 6.69	A10P8	A10P8AL	8.75 x 6.88	10.75 x 6.00	12.00 x 8.50	6.16	5.13	1.75	0.25	9.97	7.34
	305 x 203 x 178	292 x 203 x 170			222 x 175	273 x 152	305 x 216	156	130	44	6	253	186
A14107JFGR	14.00 x 10.00 x 7.00	13.50 x 10.00 x 7.19	A12P10	A12P10AL	10.75 x 8.88	12.75 x 8.00	14.00 x 10.50	6.66	5.63	1.75	0.25	11.97	9.34
	356 x 254 x 178	343 x 254 x 183			273 x 226	324 x 203	356 x 267	169	143	44	6	304	237
A16128JFGR	16.00 x 12.00 x 8.00	15.50 x 12.00 x 8.19	A14P12	A14P12AL	12.75 x 10.88	14.75 x 10.00	16.00 x 12.50	7.66	6.13	2.25	0.25	13.78	11.16
	406 x 305 x 203	394 x 305 x 208			324 x 276	375 x 254	406 x 318	195	156	57	6	350	283
A18149JFGR	18.00 x 14.00 x 9.00	17.50 x 14.00 x 8.69	A16P14	A16P14AL	14.75 x 12.88	16.75 x 12.00	18.00 x 14.50	8.16	6.63	2.25	0.25	15.78	13.16
	457 x 356 x 229	445 x 356 x 221			375 x 327	425 x 305	457 x 368	207	168	57	6	401	334

Purchase panels separately. Optional stainless steel, aluminum and composite material panels available for most sizes.

Standard Product **Solid Cover with Quick-Release Latches**

Catalog Number	AxBxC in./mm	Inside Dimensions A x B x C in./mm	Steel Panel	Aluminum Panel	Panel Size D x E in./mm	Mounting G x H in./mm	Overall L x W in./mm	F in./mm	J in./mm	K in./mm	V in./mm	X in./mm	Y in./mm	Number of Latches
A645JFGQRR	6.00 x 4.00 x 5.00	5.50 x 4.00 x 5.02	No Panel	No Panel	No Panel	4.75 x 2.00	6.00 x 5.39	4.50	4.13	1.00	--	4.22	3.59	1
	152 x 102 x 127	140 x 102 x 128			No Panel	121 x 51	152 x 137	114	105	25	--	107	91	
A845JFGQRR	8.00 x 4.00 x 5.00	7.50 x 4.00 x 5.02	A6P4	A6P4AL	4.88 x 2.88	6.75 x 2.00	8.00 x 5.39	4.50	4.13	1.00	0.31	6.22	3.59	1
	203 x 102 x 127	191 x 102 x 128			124 x 73	171 x 51	203 x 137	114	105	25	8	158	91	
A865JFGQRR	8.00 x 6.00 x 5.00	7.50 x 6.00 x 5.28	A6P6	A6P6AL	4.88 x 4.88	6.75 x 4.00	8.00 x 7.39	4.75	4.38	1.00	0.31	6.22	5.59	2
	203 x 152 x 127	191 x 152 x 134			124 x 124	171 x 102	203 x 188	121	111	25	8	158	142	
A1066JFGQRR	10.00 x 6.00 x 6.00	9.50 x 6.00 x 5.78	A8P6	A8P6AL	6.75 x 4.88	8.75 x 4.00	10.00 x 7.39	5.25	4.63	1.25	0.25	8.12	5.50	2
	254 x 152 x 152	241 x 152 x 147			171 x 124	222 x 102	254 x 188	133	118	32	6	206	140	
A1287JFGQRR	12.00 x 8.00 x 7.00	11.50 x 8.00 x 6.78	A10P8	A10P8AL	8.75 x 6.88	10.75 x 6.00	12.00 x 9.39	6.25	5.13	1.75	0.25	9.97	7.34	2
	305 x 203 x 178	292 x 203 x 172			222 x 175	273 x 152	305 x 239	159	130	44	6	253	186	
A14107JFGQRR	14.00 x 10.00 x 7.00	13.50 x 10.00 x 7.28	A12P10	A12P10AL	10.75 x 8.88	12.75 x 8.00	14.00 x 11.39	6.75	5.63	1.75	0.25	11.97	9.34	2
	356 x 254 x 178	343 x 254 x 185			273 x 226	324 x 203	256 x 289	171	143	44	6	304	237	
A16128JFGQRR	16.00 x 12.00 x 8.00	15.50 x 12.00 x 8.28	A14P12	A14P12AL	12.75 x 10.88	14.75 x 10.00	16.00 x 13.39	7.75	6.13	2.25	0.25	13.78	11.16	2
	406 x 305 x 203	394 x 305 x 210			324 x 276	375 x 254	406 x 340	197	156	57	6	350	283	
A18149JFGQRR	18.00 x 14.00 x 9.00	17.50 x 14.00 x 8.78	A16P14	A16P14AL	14.75 x 12.88	16.75 x 12.00	18.00 x 15.39	8.25	6.63	2.25	0.25	15.78	13.16	2
	457 x 356 x 229	445 x 356 x 223			375 x 327	425 x 305	457 x 391	210	168	57	6	401	334	

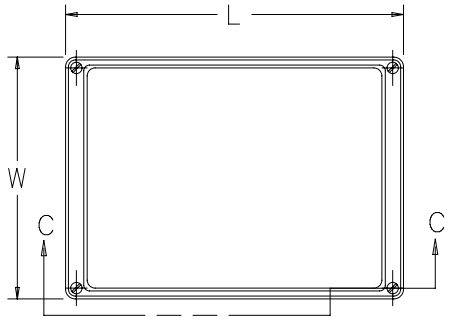
Purchase panels separately. Optional stainless steel, aluminum and composite material panels available for most sizes.

Standard Product **Window Cover with Quick-Release Latches**

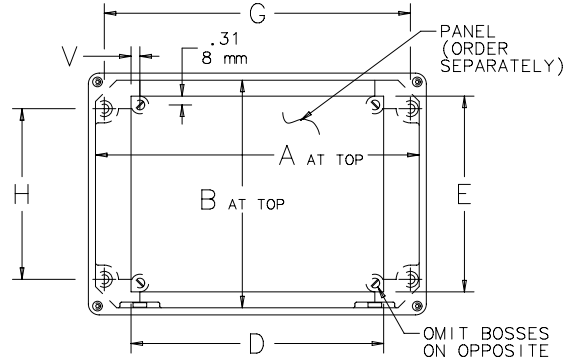
Catalog Number	AxBxC in./mm	Inside Dimensions A x B x C in./mm	Steel Panel	Aluminum Panel	Panel Size D x E in./mm	Mounting G x H in./mm	Overall L x W in./mm	Window Size M x N in./mm	F in./mm	J in./mm	K in./mm	V in./mm	Number of Latches
A865JFGQRPWR	8.00 x 6.00 x 5.00	7.50 x 6.00 x 5.03	A6P6	A6P6AL	4.88 x 4.88	6.75 x 4.00	8.00 x 7.39	4.55 x 4.00	4.52	4.38	1.00	0.31	1
	203 x 152 x 127	191 x 152 x 128			124 x 124	171 x 102	203 x 188	116 x 102	115	111	25	8	
A1066JFGQRPWR	10.00 x 6.00 x 6.00	9.50 x 6.00 x 5.53	A8P6	A8P6AL	6.75 x 4.88	8.75 x 4.00	10.00 x 7.39	6.55 x 4.00	5.00	4.63	1.25	0.25	2
	254 x 152 x 152	241 x 152 x 140			171 x 124	222 x 102	254 x 188	166 x 102	127	118	32	6	
A1287JFGQRPWR	12.00 x 8.00 x 7.00	11.50 x 8.00 x 6.53	A10P8	A10P8AL	8.75 x 6.88	10.75 x 6.00	12.00 x 9.39	8.25 x 5.84	6.00	5.13	1.75	0.25	2
	305 x 203 x 178	292 x 203 x 166			222 x 175	273 x 152	305 x 239	210 x 148	152	130	44	6	
A14107JFGQRPWR	14.00 x 10.00 x 7.00	13.50 x 10.00 x 7.03	A12P10	A12P10AL	10.75 x 8.88	12.75 x 8.00	14.00 x 11.39	10.28 x 6.84	6.52	5.63	1.75	0.25	2
	356 x 254 x 178	343 x 254 x 179			273 x 226	324 x 203	253 x 289	261 x 174	166	143	44	6	
A16128JFGQRPWR	16.00 x 12.00 x 8.00	15.50 x 12.00 x 8.03	A14P12	A14P12AL	12.75 x 10.88	14.75 x 10.00	16.00 x 13.39	12.34 x 9.10	7.52	6.13	2.25	0.25	2
	406 x 305 x 203	394 x 305 x 204			324 x 276	375 x 254	406 x 340	313 x 231	191	156	57	6	
A18149JFGQRPWR	18.00 x 14.00 x 9.00	17.50 x 14.00 x 8.53	A16P14	A16P14AL	14.75 x 12.88	16.75 x 12.00	18.00 x 15.39	14.45 x 11.06	8.00	6.63	2.25	0.25	2
	457 x 356 x 229	445 x 356 x 217			375 x 327	425 x 305	457 x 391	367 x 281	203	168	57	6	

Purchase panels separately. Optional stainless steel, aluminum and composite material panels available for most sizes.

Solid Screw Cover Enclosure



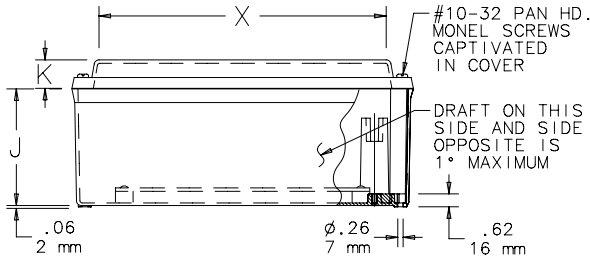
TOP VIEW WITH COVER



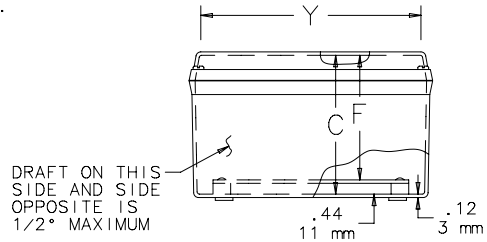
TOP VIEW WITH COVER REMOVED

OMIT BOSSES ON OPPOSITE CORNERS WHEN *A* IS LESS THAN 7.50 191 mm

NOTE: Panel screws have #10-32 threads.



SECTION C-C

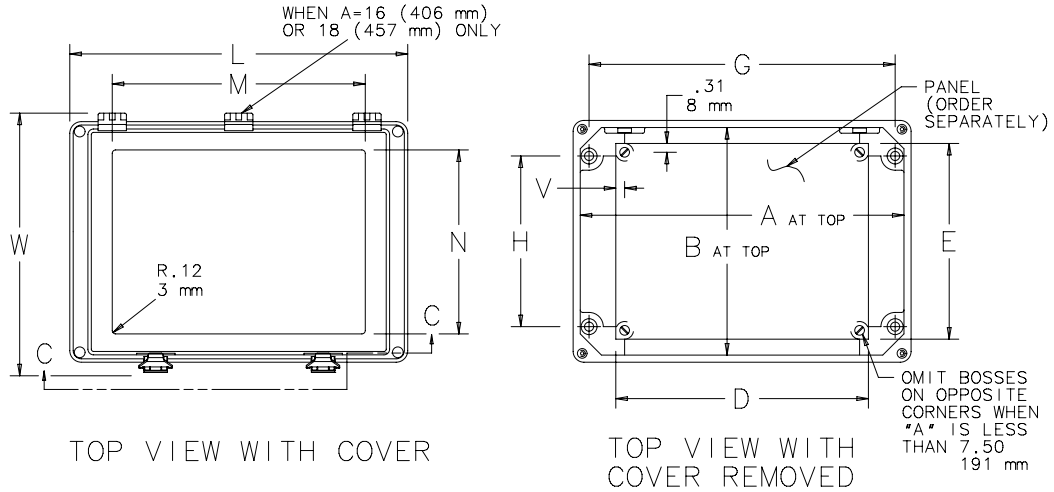


END VIEW

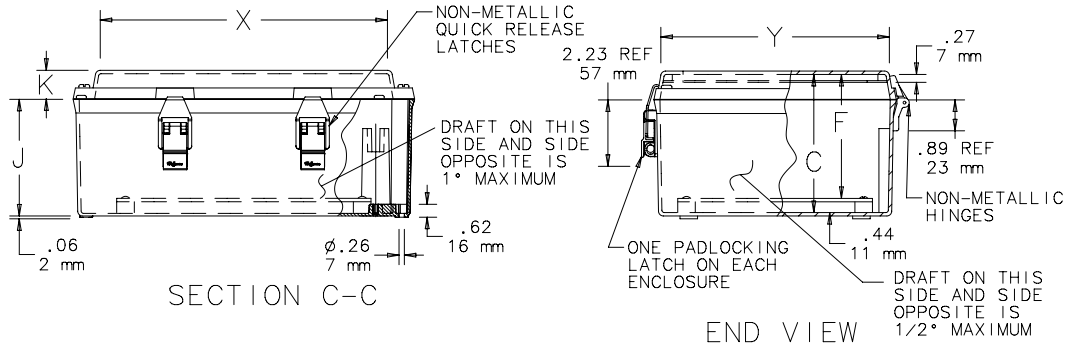
C2549-C



Quick-Release Solid Cover Enclosure and Window Cover Enclosure



NOTE: 1. Panel screws have #10-32 threads.
2. Hinged cover opens 200° maximum.



C2550-C

FIBERGLASS MOUNTING BRACKET KIT



Bracket is molded from fiberglass reinforced polyester. Kit includes four brackets, hardware and installation instructions. Mounting hole dimensions with mounting brackets installed are: $[G + 2.50 (64 \text{ mm})] \times [H + .50 (13 \text{ mm})]$
See Screw- or Hinged-Cover with Quick-Release Latch, Type 4X tables for G and H dimensions.

BULLETIN: A50Y

Catalog Number
A50MFKR



RAISED COVER WITH SCREWS, TYPE 4X



INDUSTRY STANDARDS

UL 508A Listed; Type 3, 3R, 4, 4X, 12, 13; File No. E54315
 cUL Listed per CSA C22.2 No 94; Type 3, 3R, 4, 4X, 12, 13; File No. E54315
 Enclosure flammability per UL 508A

NEMA/EEMAC Type 3, 3R, 4, 4X, 12, 13
 CSA File No. 217184: Type 3, 3R, 4, 4X, 12, 13
 IEC 60529, IP66
 Meets NEMA Type 3RX requirements

APPLICATION

Enclosures feature a raised, overlapping-cover design that ensures a more-secure seal and offers increased internal space for mounting components. Available with removable and hinged covers for application flexibility.

SPECIFICATIONS

- Compression-molded fiberglass construction
- Overlapping solid raised-cover
- Cover fastens with screws
- Type 304 stainless steel piano hinges on hinged models
- Integral mounting brackets

- Enclosures protect equipment and operators from indirect electrical contact
- Material is halogen free

FINISH

Standard fiberglass material finish is RAL 7035 light-gray inside and out. Optional steel panels are painted white. Optional stainless steel, aluminum, conductive and composite panels are unpainted.

ACCESSORIES

- See also Accessories.*
- H2OMIT Vent Drains, Type 4X
 - HOL-SEALERS Non-Metallic Hole Seals
 - Panels for Junction Boxes
 - Swing-Out Panel Kit
 - Terminal Block Kit Assembly for Junction Boxes Overview

MODIFICATION AND CUSTOMIZATION

Hoffman excels at modifying and customizing products to your specifications. Contact your local Hoffman sales office or distributor for complete information.

BULLETIN: HJ

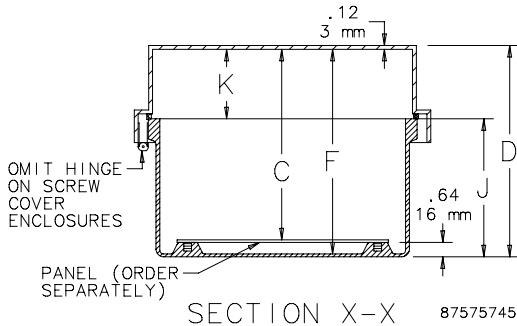
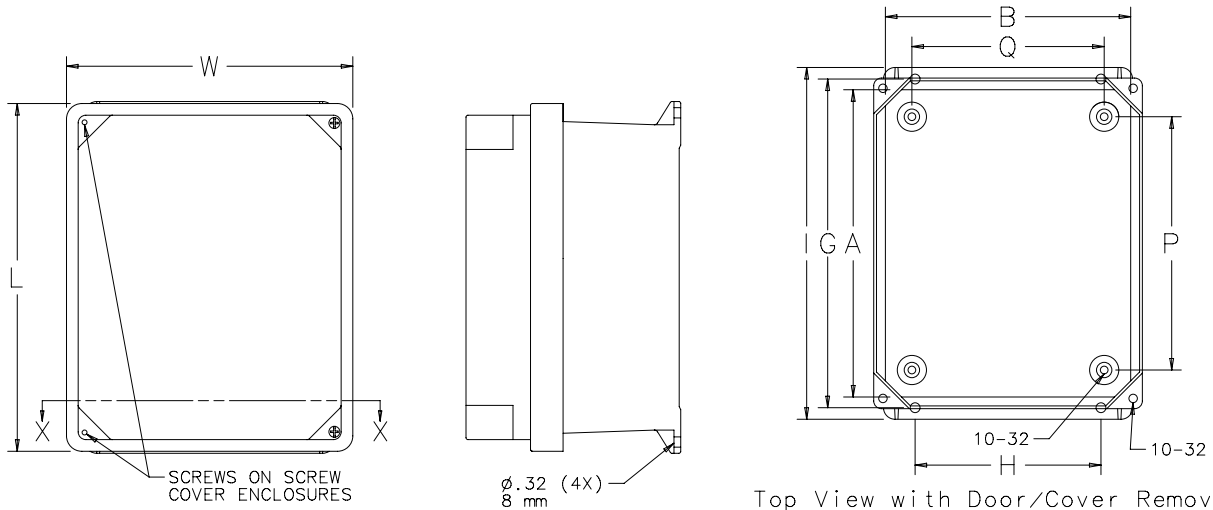


Standard Product

Catalog Number	AxBxC in./mm	Door Fasteners	D in./mm	F in./mm	G in./mm	H in./mm	I in./mm	J in./mm	K in./mm	L in./mm	P in./mm	Q in./mm	W in./mm	Steel Panel	Alum Panel	Panel Size in./mm
RHJ1008HWLG	9.70 x 7.71 x 5.91 246 x 196 x 150	Hinged, 2 screws	6.86 174	6.49 165	10.75 273	6.00 152	11.51 292	4.50 114	3.15 80	11.22 285	8.25 210	6.25 159	9.22 234	A10P8	A10P8AL	8.75 x 6.88 222 x 102
RHJ1008WLG	9.70 x 7.71 x 5.91 246 x 196 x 150	4 screws	6.86 174	6.49 165	10.75 273	6.00 152	11.51 292	4.50 114	3.15 80	11.22 285	8.25 210	6.25 159	9.22 234	A10P8	A10P8AL	8.75 x 6.88 222 x 102
RHJ1210HWLG	11.68 x 9.69 x 6.16 296 x 246 x 156	Hinged, 2 screws	7.05 179	6.73 171	12.75 324	6.00 152	13.51 343	4.66 118	3.15 80	13.22 336	10.25 260	8.25 210	11.22 285	A12P10	A12P10AL	10.75 x 8.88 273 x 226
RHJ1210WLG	11.68 x 9.69 x 6.16 296 x 246 x 156	4 screws	7.05 179	6.73 171	12.75 324	6.00 152	13.51 343	4.66 118	3.15 80	13.22 338	10.25 260	8.25 210	11.22 285	A12P10	A12P10AL	10.75 x 8.88 273 x 226
RHJ1412HWLG	13.62 x 11.62 x 7.24 346 x 295 x 184	Hinged, 2 screws	8.13 207	7.81 194	14.75 375	10.00 254	15.51 394	5.63 143	3.25 82	15.22 387	12.25 311	10.25 260	13.22 336	A14P12	A14P12AL	12.75 x 10.88 324 x 276
RHJ1412WLG	13.62 x 11.62 x 7.24 346 x 295 x 184	4 screws	8.13 207	7.81 194	14.75 375	10.00 254	15.51 394	5.63 143	3.25 82	15.22 387	12.25 311	10.25 260	13.22 336	A14P12	A14P12AL	12.75 x 10.88 324 x 276
RHJ1614HWLG	15.62 x 13.62 x 7.24 396 x 346 x 184	Hinged, 2 screws	8.13 207	7.81 194	16.75 425	12.00 305	17.51 445	5.63 143	3.25 82	17.22 437	14.25 362	12.25 311	15.22 386	A16P14	A16P14AL	14.75 x 12.88 375 x 327
RHJ1614WLG	15.62 x 13.62 x 7.24 396 x 346 x 184	4 screws	8.13 207	7.81 194	16.75 425	12.00 305	17.51 445	5.63 143	3.25 82	17.22 437	14.25 362	12.24 311	15.30 289	A16P14	A16P14AL	14.75 x 12.88 375 x 327
RHJ1816HWLG	17.48 x 15.77 x 9.44 444 x 400 x 240	Hinged, 2 screws	10.25 260	10.01 254	18.75 476	12.00 305	19.51 496	7.76 197	3.25 82	19.22 488	16.25 413	14.25 362	17.22 437	A18P16	A18P16AL	16.75 x 14.88 425 x 378
RHJ1816WLG	17.48 x 15.77 x 9.44 444 x 400 x 240	4 screws	10.25 260	10.01 254	18.75 476	12.00 305	19.51 496	7.76 197	3.25 82	19.22 488	16.25 413	14.25 362	17.22 437	A18P16	A18P16AL	16.75 x 14.88 425 x 378

A x B x C are internal dimensions.

Purchase panels separately. Optional stainless steel, composite and aluminum panels are available for most sizes.



RAISED COVER WITH LATCHES, TYPE 4X

INDUSTRY STANDARDS

UL 508A Listed; Type 3, 3R, 4, 4X, 12, 13; File No. E54315
 cUL Listed per CSA C22.2 No 94; Type 3, 3R, 4, 4X, 12, 13; File No. E54315
 Enclosure flammability per UL 508A

NEMA/EEMAC Type 3, 3R, 4, 4X, 12, 13
 CSA File No. 217184: Type 3, 3R, 4, 4X, 12, 13
 IEC 60529, IP66
 Meets NEMA Type 3RX requirements

APPLICATION

Enclosures feature a raised, hinged, overlapping cover design that ensures a more-secure seal and offers increased internal space for mounting components. Available with solid and window covers. Latches provide easy access and security.

SPECIFICATIONS

- Compression-molded fiberglass construction
- Overlapping raised solid- and window-covers
- Windows are clear polycarbonate
- Cover fastens with padlockable Type 316 stainless steel latches
- Type 304 stainless steel piano hinges
- Integral mounting brackets

- Enclosures protect equipment and operators from indirect electrical contact
- Material is halogen free

FINISH

Fiberglass material is RAL 7035 light-gray inside and out. Optional steel panels are painted white. Optional stainless steel, aluminum, conductive and composite panels are unpainted.

ACCESSORIES

See also *Accessories*.
 H2OMIT Vent Drains, Type 4X
 HOL-SEALERS Non-Metallic Hole Seals
 Panels for Junction Boxes
 Swing-Out Panel Kit
 Terminal Block Kit Assembly for Junction Boxes Overview

MODIFICATION AND CUSTOMIZATION

Hoffman excels at modifying and customizing products to your specifications. Contact your local Hoffman sales office or distributor for complete information.

BULLETIN: HJ

3

Standard Product

Catalog Number	Ax B x C in./mm	No. of Latches	Window Size		D in./mm	F in./mm	G in./mm	H in./mm	I in./mm	J in./mm	K in./mm	L in./mm	P in./mm	Q in./mm	W in./mm
			M x N in./mm												
RHJB1008HWPL1LG	9.70 x 7.71 x 5.91 246 x 196 x 150	1	8.00 x 6.00 203 x 152		6.86 174	6.49 165	10.75 273	6.00 152	11.51 292	4.50 114	3.15 80	11.22 285	8.25 210	6.25 159	9.22 234
RHJB1210HWPL2LG	11.68 x 9.69 x 6.16 296 x 246 x 156	2	10.00 x 8.00 254 x 203		7.05 179	6.73 171	12.75 324	8.00 203	13.51 343	4.66 118	3.15 80	13.22 336	10.25 260	8.25 210	11.22 285
RHJB1412HWPL2LG	13.62 x 11.62 x 7.24 346 x 295 x 184	2	12.00 x 10.00 305 x 254		8.13 207	7.81 194	14.75 375	10.00 254	15.50 394	5.63 143	3.25 82	15.32 387	12.25 311	10.25 260	13.22 336
RHJB1614HWPL2LG	15.62 x 13.62 x 7.24 396 x 346 x 184	2	14.00 x 12.00 356 x 305		8.13 207	7.81 194	16.75 425	12.00 305	17.51 445	5.63 143	3.25 82	17.22 437	14.25 362	12.25 311	15.22 386
RHJ1008HWPL1LG	9.70 x 7.71 x 5.91 246 x 196 x 150	1	---		6.86 174	6.49 165	10.75 273	6.00 152	11.51 292	4.50 114	3.15 80	11.22 285	8.25 210	6.25 159	9.22 234
RHJ1210HWPL2LG	11.68 x 9.69 x 6.16 296 x 246 x 156	2	---		7.05 179	6.73 171	12.75 324	8.00 152	13.51 343	4.66 118	3.15 80	13.22 336	10.25 260	8.25 210	11.22 285
RHJ1412HWPL2LG	13.62 x 11.62 x 7.24 346 x 295 x 184	2	---		8.13 207	7.81 194	14.75 375	10.00 254	15.51 394	5.63 143	3.25 82	15.22 387	12.25 311	10.25 260	13.22 336
RHJ1614HWPL2LG	15.62 x 13.62 x 7.24 396 x 346 x 184	2	---		8.13 207	7.81 194	16.75 425	12.00 305	17.51 445	5.63 143	3.25 82	17.22 437	14.25 362	12.25 311	15.22 386
RHJ1816HWPL2LG	17.48 x 15.77 x 9.44 444 x 400 x 240	2	---		10.25 260	10.01 254	18.74 476	12.00 305	19.51 496	7.76 197	3.25 82	19.22 488	16.25 413	14.25 3.62	17.22 437

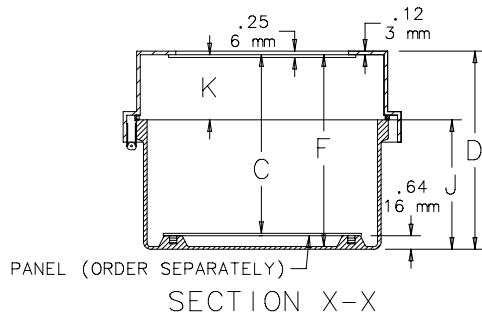
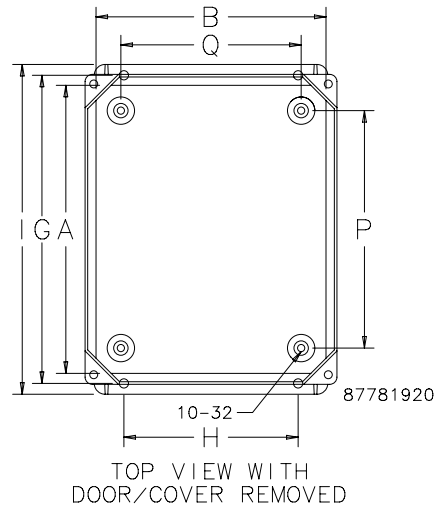
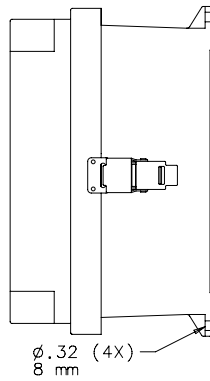
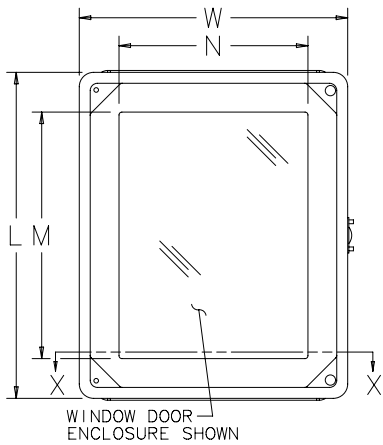
A x B x C are internal dimensions.

Purchase panels separately. Optional stainless steel, composite and aluminum panels are available for most sizes.

Panels

Enclosure Catalog Number	Steel Panel	Aluminum Panel	Panel Size in./mm
RHJB1008HWPL1LG	A10P8	A10P8AL	8.75 x 6.88 222 x 102
RHJB1210HWPL2LG	A12P10	A12P10AL	10.75 x 8.88 273 x 226
RHJB1412HWPL2LG	A14P12	A14P12AL	12.75 x 10.88 324 x 276
RHJB1614HWPL2LG	A16P14	A16P14AL	14.75 x 12.88 375 x 327
RHJ1008HWPL1LG	A10P8	A10P8AL	8.75 x 6.88 222 x 102
RHJ1210HWPL2LG	A12P10	A12P10AL	10.75 x 8.88 273 x 226
RHJ1412HWPL2LG	A14P12	A14P12AL	12.75 x 10.88 324 x 276
RHJ1614HWPL2LG	A16P14	A16P14AL	14.75 x 12.88 375 x 327
RHJ1816HWPL2LG	A18P16	A18P16AL	16.75 x 14.88 425 x 378

Raised Cover Window Enclosures



FLAT COVER WITH SCREWS, TYPE 4X

INDUSTRY STANDARDS

UL 508A Listed; Type 3, 3R, 4, 4X, 12, 13; File No. E54315
 cUL Listed per CSA C22.2 No 94; Type 3, 3R, 4, 4X, 12, 13; File No. E54315
 Enclosure flammability per UL 508A

NEMA/EEMAC Type 3, 3R, 4, 4X, 12, 13
 CSA File No. 217184: Type 3, 3R, 4, 4X, 12, 13
 IEC 60529, IP66
Meets NEMA Type 3RX requirements

APPLICATION

Enclosures feature a flat, overlapping cover design that ensures a more-secure seal. Available with removable and hinged covers for application flexibility.

SPECIFICATIONS

- Compression-molded fiberglass construction
- Overlapping flat, solid-covers
- Cover fastens with screws
- Type 304 stainless steel piano hinges on hinged models
- Integral mounting brackets
- Enclosures protect equipment and operators from indirect electrical contact
- Material is halogen free

FINISH

Standard fiberglass material finish is RAL 7035 light-gray inside and out. Optional steel panels are painted white. Optional stainless steel, aluminum, conductive and composite panels are unpainted.

ACCESSORIES

See also Accessories.
 H2OMIT Vent Drains, Type 4X
 HOL-SEALERS Non-Metallic Hole Seals
 Panels for Junction Boxes
 Swing-Out Panel Kit
 Terminal Block Kit Assembly for Junction Boxes Overview

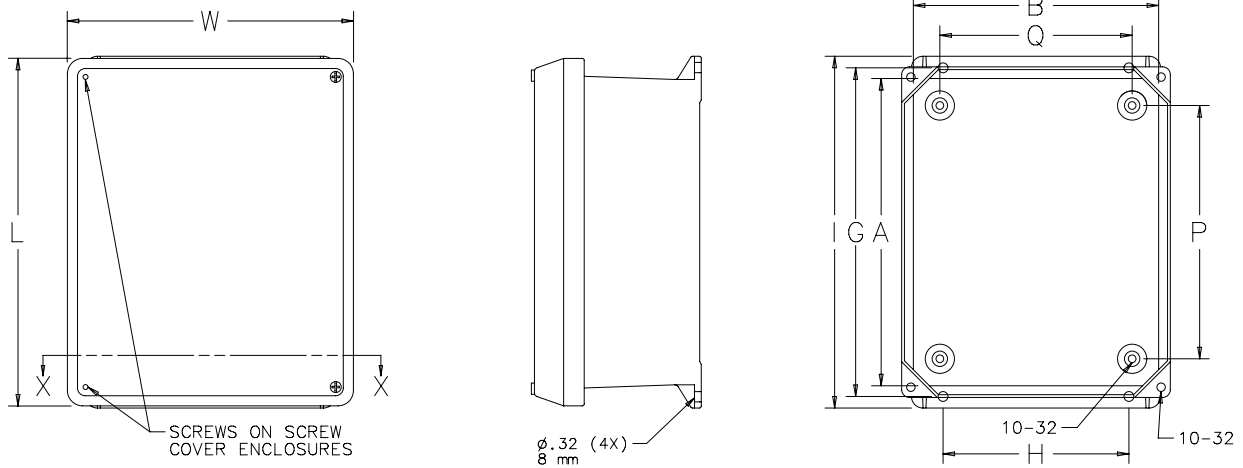
BULLETIN: HJ

Standard Product

Catalog Number	AxBxC in./mm	Door Fasteners	D in./mm	F in./mm	G in./mm	H in./mm	I in./mm	J in./mm	K in./mm	L in./mm	P in./mm	Q in./mm	W in./mm	Steel Panel	Aluminum Panel	Panel Size in./mm
HJ606HWLG	5.71 x 5.72 x 4.05 145 x 145 x 103	Hinged, 2 screws	4.90 125	4.62 118	6.75 171	4.00 102	7.51 191	4.28 109	1.38 35	6.00 152	4.25 108	4.25 108	5.97 152	A6P6	A6P6AL	4.88 x 4.88 124 x 124
HJ606WLG	5.71 x 5.72 x 4.05 145 x 145 x 103	4 screws	4.90 125	4.62 118	6.75 171	4.00 102	7.51 191	4.28 109	1.38 35	6.00 152	4.25 108	4.25 108	5.97 152	A6P6	A6P6AL	4.88 x 4.88 124 x 124
HJ806HWLG	7.71 x 5.72 x 4.05 196 x 145 x 103	Hinged, 2 screws	4.90 125	4.62 118	8.75 222	4.00 102	9.51 242	4.28 109	1.38 35	9.31 236	6.25 159	4.25 108	7.31 186	A8P6	A8P6AL	6.75 x 4.88 171 x 124
HJ806WLG	7.71 x 5.72 x 4.05 196 x 145 x 103	4 screws	4.90 126	4.62 118	8.75 222	4.00 102	9.51 242	4.28 109	1.38 35	9.31 236	6.25 159	4.25 108	7.31 186	A8P6	A8P6AL	6.75 x 4.88 171 x 124
HJ1008HWLG	9.71 x 7.21 x 4.30 247 x 196 x 109	Hinged, 2 screws	5.15 131	4.88 125	10.75 273	6.00 152	11.51 292	4.28 109	1.67 42	11.25 286	8.25 210	6.24 158	9.25 235	A10P8	A10P8AL	8.75 x 6.88 222 x 102
HJ1008WLG	9.71 x 7.21 x 4.30 247 x 196 x 109	4 screws	5.15 131	4.88 125	10.75 273	6.00 152	11.51 292	4.28 109	1.67 42	11.25 286	8.25 210	6.24 158	9.25 235	A10P8	A10P8AL	8.75 x 6.88 222 x 102
HJ1210HWLG	11.68 x 9.69 x 4.62 297 x 246 x 117	Hinged, 2 screws	5.42 138	5.20 132	12.75 324	8.00 203	13.51 343	4.66 118	1.77 45	13.23 336	10.25 260	8.25 210	11.23 285	A12P10	A12P10AL	10.75 x 8.88 273 x 226
HJ1210WLG	11.68 x 9.69 x 4.62 297 x 246 x 117	4 screws	5.42 138	5.20 132	12.75 324	8.00 203	13.51 343	4.66 118	1.77 45	13.23 336	10.25 260	8.25 210	11.23 285	A12P10	A12P10AL	10.75 x 8.88 273 x 226
HJ1412HWLG	13.81 x 11.81 x 5.99 351 x 300 x 152	Hinged, 2 screws	6.79 172	6.44 164	14.75 375	10.00 254	15.51 394	5.63 143	1.75 45	15.29 388	10.25 260	12.25 311	13.29 338	A14P12	A14P12AL	12.75 x 10.88 324 x 276
HJ1412WLG	13.81 x 11.81 x 5.99 351 x 300 x 152	4 screws	6.79 172	6.44 164	14.75 375	10.00 254	15.51 394	5.63 143	1.75 45	15.29 388	10.25 260	12.25 311	13.29 338	A14P12	A14P12AL	12.75 x 10.88 324 x 276
HJ1614HWLG	15.81 x 13.81 x 5.99 402 x 351 x 152	Hinged, 2 screws	6.68 170	6.44 164	16.75 425	12.00 305	17.51 445	5.63 143	1.75 45	17.29 439	14.25 362	12.25 311	15.29 388	A16P14	A16P14AL	14.75 x 12.88 375 x 327
HJ1614WLG	15.81 x 13.81 x 5.99 402 x 351 x 152	4 screws	6.68 170	6.44 164	16.75 425	12.00 305	17.51 445	5.63 143	1.75 45	17.29 439	14.25 362	12.25 311	15.29 388	A16P14	A16P14AL	14.75 x 12.88 375 x 327
HJ1816HWLG	17.81 x 15.81 x 8.86 452 x 402 x 225	Hinged, 2 screws	9.55 243	9.32 237	18.75 476	12.00 305	19.51 495	8.56 217	1.75 45	19.29 790	16.25 413	14.25 362	17.29 439	A18P16	A18P16AL	16.75 x 14.88 425 x 378
HJ1816WLG	17.81 x 15.81 x 8.86 452 x 402 x 225	4 screws	9.55 243	9.32 237	18.75 476	12.00 305	19.51 495	8.56 217	1.75 45	19.29 790	16.25 413	14.25 362	17.29 439	A18P16	A18P16AL	16.75 x 14.88 375 x 378

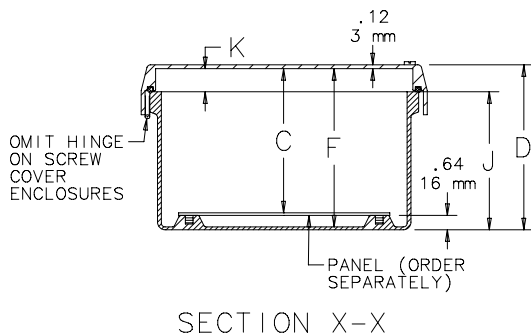
A x B x C are internal dimensions.

Purchase panels separately. Optional stainless steel, composite and aluminum panels are available for most sizes.



Top View with Door/Cover Removed

87575746



SECTION X-X

FLAT COVER WITH LATCHES, TYPE 4X



INDUSTRY STANDARDS

UL 508A Listed; Type 3, 3R, 4, 4X, 12, 13; File No. E54315
 cUL Listed per CSA C22.2 No 94; Type 3, 3R, 4, 4X, 12, 13; File No. E54315
 Enclosure flammability per UL 508A

NEMA/EEMAC Type 3, 3R, 4, 4X, 12, 13
 CSA File No. 217184: Type 3, 3R, 4, 4X, 12, 13
 IEC 60529, IP66
Meets NEMA Type 3RX requirements

APPLICATION

Enclosures feature a flat, overlapping cover design that ensures a more-secure seal. Available with solid and window covers. Latches provide easy access and security.

SPECIFICATIONS

- Compression-molded fiberglass construction
- Overlapping solid- and window-cover models are available
- Windows are clear polycarbonate
- Cover fastens with padlockable Type 316 stainless steel latches
- Type 304 stainless steel piano hinges
- Integral mounting brackets

- Enclosures protect equipment and operators from indirect electrical contact
- Material is halogen free

FINISH

Standard fiberglass material is RAL 7035 light-gray inside and out. Optional steel panels are painted white. Optional stainless steel, aluminum, conductive and composite panels are unpainted.

ACCESSORIES

See also Accessories.
 H2OMIT Vent Drains, Type 4X
 HOL-SEALERS Non-Metallic Hole Seals
 Panels for Junction Boxes
 Swing-Out Panel Kit
 Terminal Block Kit Assembly for Junction Boxes Overview

MODIFICATION AND CUSTOMIZATION

Hoffman excels at modifying and customizing products to your specifications. Contact your local Hoffman sales office or distributor for complete information.

BULLETIN: HJ



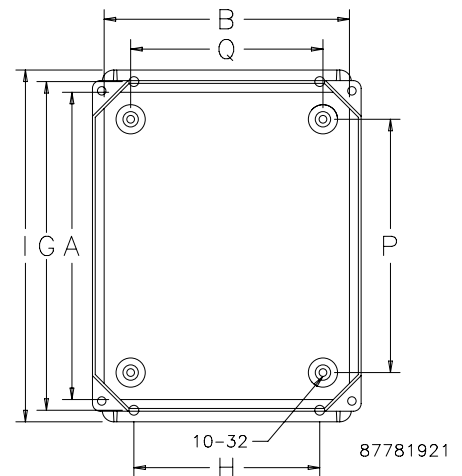
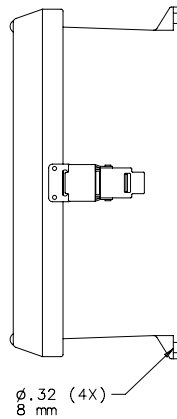
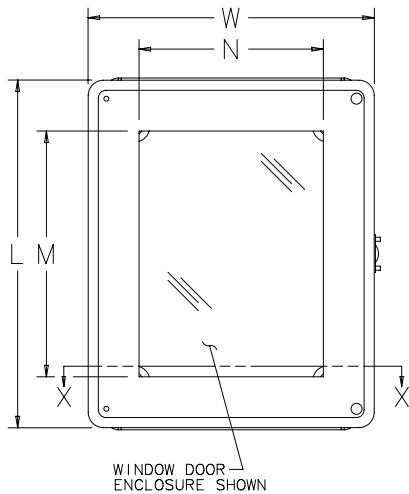
Standard Product

Catalog Number	AxBxC in./mm	No. of Latches	Window Size													Steel Panel	Aluminum Panel	Panel Size in./mm
			M x N in./mm	D in./mm	F in./mm	G in./mm	H in./mm	I in./mm	J in./mm	K in./mm	L in./mm	P in./mm	Q in./mm	W in./mm				
HJ606HWPL1LG	5.71 x 5.72 x 4.05	1	—	4.90	4.62	6.75	4.00	7.51	4.28	1.38	6.00	4.25	4.25	5.97	A6P6	A6P6AL	4.88 x 4.88	
	145 x 145 x 103		—	125	118	171	102	191	109	35	152	108	108	152			124 x 124	
HJ806HWPL1LG	7.71 x 5.72 x 4.05	1	—	4.90	4.62	8.75	4.00	9.51	4.28	1.38	9.31	6.25	4.25	7.31	A8P6	A8P6AL	6.75 x 4.88	
	196 x 145 x 103		—	126	118	222	102	242	109	35	236	159	108	186			171 x 124	
HJ1008HWPL1LG	9.71 x 7.21 x 4.30	1	—	5.15	4.88	10.75	6.00	11.51	4.28	1.67	11.25	8.25	6.24	9.25	A10P8	A10P8AL	8.75 x 6.88	
	247 x 196 x 109		—	131	125	273	152	292	109	42	286	210	158	235			222 x 102	
HJ1210HWPL2LG	11.68 x 9.69 x 4.62	2	—	5.42	5.20	12.75	8.00	13.51	4.66	1.75	13.23	10.25	8.25	11.23	A12P10	A12P10AL	10.75 x 8.88	
	297 x 246 x 117		—	138	132	324	203	343	118	45	336	260	210	285			273 x 226	
HJ1412HWPL2LG	13.81 x 11.81 x 5.99	2	—	6.79	6.44	14.75	10.00	15.51	5.63	1.75	15.29	10.24	12.26	13.29	A14P12	A14P12AL	12.75 x 10.88	
	351 x 300 x 152		—	172	142	375	254	940	143	45	388	260	311	338			324 x 276	
HJ1614HWPL2LG	15.81 x 13.81 x 5.99	2	—	6.68	6.44	16.75	12.00	17.51	5.63	1.75	17.29	14.25	12.25	15.29	A16P14	A16P14AL	14.75 x 12.88	
	402 x 351 x 152		—	170	164	425	305	445	143	45	439	363	311	388			375 x 327	
HJ1816HWPL2LG	17.81 x 15.81 x 8.86	2	—	9.55	9.32	18.75	12.00	19.51	8.56	1.75	19.29	16.25	14.25	17.29	A18P16	A18P16AL	16.75 x 14.88	
	452 x 402 x 225		—	243	237	476	305	495	217	45	790	413	362	439			425 x 378	
HJB606HWPL1LG	5.71 x 5.72 x 4.05	1	4.00 x 4.00	4.90	4.62	6.75	4.00	7.51	4.28	1.38	6.00	4.25	4.25	5.97	A6P6	A6P6AL	4.88 x 4.88	
	145 x 145 x 103		102 x 102	125	118	171	102	191	109	35	152	108	108	152			124 x 124	
HJB806HWPL1LG	7.71 x 5.72 x 4.05	1	6.00 x 4.00	4.90	4.62	8.75	4.00	9.51	4.28	1.38	9.31	6.25	4.25	7.31	A8P6	A8P6AL	6.75 x 1.88	
	196 x 145 x 103		152 x 102	125	118	222	102	252	109	35	236	159	108	186			171 x 124	
HJB1008HWPL1LG	9.71 x 7.21 x 4.30	1	8.00 x 6.00	5.15	4.88	10.75	6.00	11.51	4.28	1.67	11.25	8.25	6.24	9.25	A10P8	A10P8AL	8.75 x 6.88	
	247 x 196 x 109		203 x 152	131	125	273	152	292	109	42	286	210	158	236			222 x 102	
HJB1210HWPL2LG	11.68 x 9.69 x 4.62	2	10.00 x 8.00	5.42	5.20	12.75	8.00	13.51	4.66	1.75	13.23	10.25	8.25	11.23	A12P10	A12P10AL	10.78 x 8.88	
	297 x 246 x 117		254 x 203	138	132	324	203	343	118	45	336	260	210	285			273 x 226	
HJB1412HWPL2LG	13.81 x 11.81 x 5.99	2	12.00 x 10.00	6.79	6.44	14.75	10.00	15.51	5.63	1.75	15.29	10.24	12.26	13.29	A14P12	A14P12AL	12.75 x 10.88	
	351 x 300 x 152		305 x 254	172	164	375	254	940	143	45	388	260	311	338			324 x 276	
HJB1614HWPL2LG	15.81 x 13.81 x 5.99	2	14.00 x 12.00	6.68	6.44	16.75	12.00	17.51	5.63	1.75	17.29	14.25	12.25	15.29	A16P14	A16P14AL	14.75 x 12.88	
	402 x 351 x 152		356 x 305	170	164	425	305	445	143	45	439	363	311	388			375 x 327	
HJB1816HWPL2LG	17.81 x 15.81 x 8.86	2	16.00 x 14.00	9.55	9.32	18.75	12.00	19.51	8.56	1.75	19.29	16.25	14.25	17.29	A18P16	A18P16AL	16.75 x 14.88	
	452 x 402 x 225		406 x 356	243	237	476	305	495	217	45	490	413	362	439			425 x 378	

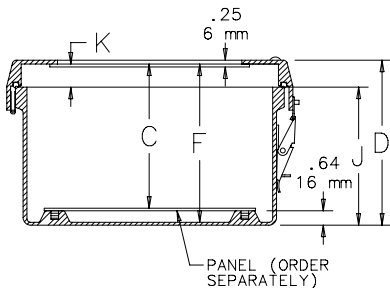
A x B x C are internal dimensions.

Purchase panels separately. Optional stainless steel, composite and aluminum panels are available for most sizes.

Flat Cover Window Enclosures



Top View with Door/Cover Removed



SECTION X-X

FLAT CLEAR COVER WITH LATCHES, TYPE 4X

SPECIFICATIONS

- Compression-molded fiberglass construction
- Clear polycarbonate viewing area
- Cover fastens with padlockable Type 316 stainless steel latches
- Type 304 stainless steel piano hinges
- Integral mounting brackets
- Enclosures protect equipment and operators from indirect electrical contact
- Material is halogen free

FINISH

Standard fiberglass material is RAL 7035 light-gray inside and out. Optional steel panels are painted white. Optional stainless steel, aluminum, conductive and composite panels are unpainted

ACCESSORIES

See also *Accessories*.

H2OMIT Vent Drains, Type 4X

HOL-SEALERS Non-Metallic Hole Seals

Panels for Junction Boxes

Swing-Out Panel Kit

Terminal Block Kit Assembly for Junction Boxes Overview

MODIFICATION AND CUSTOMIZATION

Hoffman excels at modifying and customizing products to your specifications. Contact your local Hoffman sales office or distributor for complete information.

BULLETIN: HJ
INDUSTRY STANDARDS

UL 508A Listed; Type 3, 3R, 4, 4X, 12, 13; File No. E54315
 cUL Listed per CSA C22.2 No 94; Type 3, 3R, 4, 4X, 12, 13; File No. E54315
 Enclosure flammability per UL 508A

NEMA/EEMAC Type 3, 3R, 4, 4X, 12, 13

CSA File No. 217184: Type 3, 3R, 4, 4X, 12, 13

IEC 60529, IP66

Meets NEMA Type 3RX requirements

APPLICATION

Enclosures feature a flat, overlapping clear cover design that ensures a more-secure seal and provides a larger viewing area than a traditional window. Latches provide easy access and security.

3

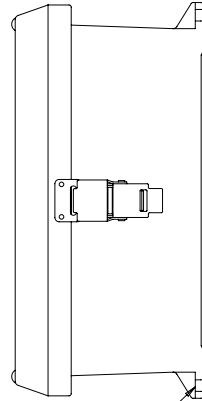
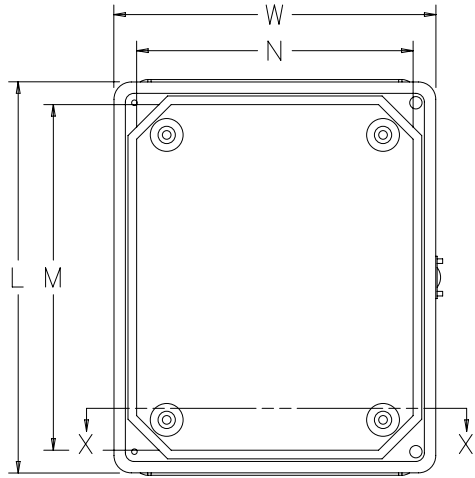
Standard Product

Catalog Number	AxBxC in./mm	No. of Latches	Window Size												Steel Panel	Aluminum Panel	Panel Size in./mm
			N x M in./mm	D in./mm	F in./mm	G in./mm	H in./mm	I in./mm	J in./mm	K in./mm	L in./mm	P in./mm	Q in./mm	W in./mm			
CHJ606HWPL1LG	5.71 x 5.72 x 4.05	1	6.00 x 6.00	4.90	4.62	6.75	4.00	7.51	4.28	1.38	6.00	4.25	4.25	5.97	A6P6	A6P6AL	4.88 x 4.88
	145 x 145 x 103		152 x 152	125	118	171	102	191	109	35	152	108	108	152			124 x 124
CHJ806HWPL1LG	7.71 x 5.72 x 4.05	1	8.00 x 6.00	4.90	4.62	8.75	4.00	9.51	4.28	1.38	9.31	6.25	4.25	7.31	A8P6	A8P6AL	6.75 x 4.88
	196 x 145 x 103		203 x 152	125	118	222	102	242	109	35	236	159	108	186			171 x 124
CHJ1008HWPL1LG	9.71 x 7.21 x 4.30	1	10.00 x 8.00	5.15	4.88	10.75	6.00	11.51	4.28	1.67	11.25	8.25	6.24	9.25	A10P8	A10P8AL	8.75 x 6.88
	247 x 196 x 109		254 x 203	131	124	273	152	292	109	42	286	210	158	235			222 x 102
CHJ1210HWPL2LG	11.68 x 9.69 x 4.62	2	12.00 x 10.00	5.42	5.20	12.75	8.00	13.51	4.66	1.77	13.23	10.25	8.25	11.23	A12P10	A12P10AL	10.75 x 8.88
	297 x 246 x 117		305 x 254	138	132	324	203	343	118	45	336	260	210	285			273 x 226
CHJ1412HWPL2LG	13.81 x 11.81 x 5.99	2	14.00 x 12.00	6.79	6.44	14.75	10.00	15.51	5.63	1.75	15.29	10.25	10.25	13.29	A14P12	A14P12AL	12.75 x 10.88
	351 x 300 x 152		356 x 305	172	164	375	254	394	143	45	388	260	260	338			324 x 276
CHJ1614HWPL2LG	15.81 x 13.81 x 5.99	2	16.00 x 14.00	6.68	6.44	16.75	12.00	17.51	5.63	1.75	17.29	14.25	12.25	15.29	A16P14	A16P14AL	14.75 x 12.88
	402 x 351 x 152		406 x 356	170	164	425	305	445	143	45	439	363	311	388			375 x 327
CHJ1816HWPL2LG	17.81 x 15.81 x 8.86	2	18.00 x 16.00	9.55	9.32	18.75	12.00	19.51	8.56	1.75	19.29	16.25	14.25	17.29	A18P16	A18P16AL	16.75 x 14.88
	452 x 402 x 225		457 x 406	243	237	476	305	495	217	45	790	413	362	439			425 x 378

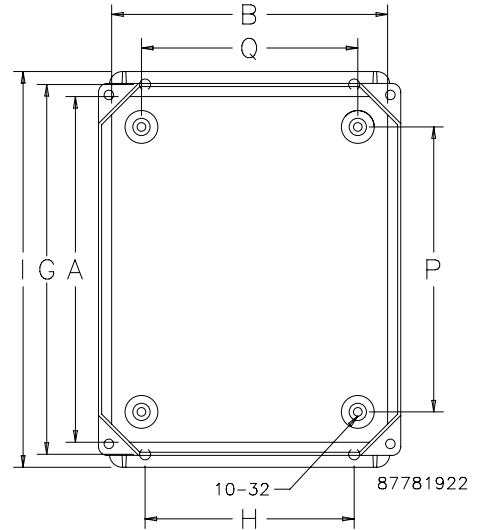
A x B x C are internal dimensions.

Purchase panels separately. Optional stainless steel, composite and aluminum panels are available for most sizes.

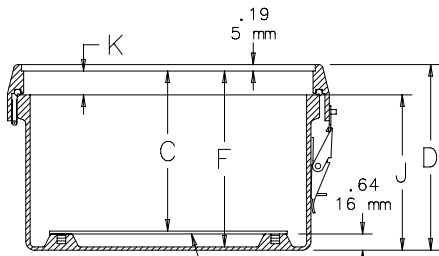
Flat Clear Cover Window Enclosures



ø.32 (4X)
8 mm



Top View with Door/Cover Removed



PANEL (ORDER SEPARATELY)

SECTION X-X



ULTRX, TYPE 4X

SPECIFICATIONS

- Compression-molded fiberglass material has excellent temperature and chemical resistance qualities and exhibits outstanding physical properties, including high-impact resistance
- Fiberglass is easily punched, drilled, filed or sawed
- Gasket assures water-tight and dust-tight seal
- Enclosure may be rotated 180 degrees for left and right hinging
- Molded-in drip shields are standard with each enclosure
- Impact-resistant polycarbonate window is permanently bonded in place
- Fiberglass mounting brackets and stainless steel attachment screws are provided with each enclosure
- Unique hinge design allows for standard 180 degree door opening with a maximum opening of 270 degrees
- Door hinges are replaceable
- Type 316 stainless steel quarter-turn latch. Optional keylocking or padlocking handle available.
- Molded-in DIN bosses
- Molded bosses on door provide additional mounting provisions
- Integral mounting rails provide infinite panel adjustment front to back
- Optional data pocket is high-impact thermoplastic
- Material is halogen free

INDUSTRY STANDARDS

Mounting brackets required to meet UL/CSA external mounting requirements.

UL 508A Listed; Type 3, 3R, 4, 4X, 12, 13; File No. E61997
 cUL Listed per CSA C22.2 No 94; Type 3, 3R, 4, 4X, 12, 13; File No. E619977
 Enclosure flammability evaluated per UL 508A
 Window flammability evaluated per UL 508A

NEMA/EEMAC Type 3, 3R, 4, 4X, 12, 13
 CSA File No. 42186: Type 3, 3R, 4, 4X, 12, 13
 IEC 60529, IP66

Meets NEMA Type 3RX requirements

APPLICATION

Providing outstanding protection against corrosion and the elements, the clean lines and molded, embossed design of ULTRX fiberglass enclosures make them the most stylish and aesthetically pleasing of their class. These enclosures feature hidden hinges, a padlocking capability for security, and flexible internal mounting options.

FINISH

Standard exterior surface painted light-gray acrylic enamel for enhanced UV protection. Optional steel panels are painted white. Optional stainless steel, aluminum, conductive and composite panels are unpainted.

ACCESSORIES

See also *Accessories*.
 H2OMIT Vent Drains, Type 4X
 H2OMIT Thermoelectric Dehumidifier
 HOL-SEALERS Non-Metallic Hole Seals
 Panels for Type 3R, 4, 4X, 12 and 13 Enclosures
 Rack Angles (Type RA)

MODIFICATION AND CUSTOMIZATION

Hoffman excels at modifying and customizing products to your specifications. Contact your local Hoffman sales office or distributor for complete information.

BULLETIN: UX1

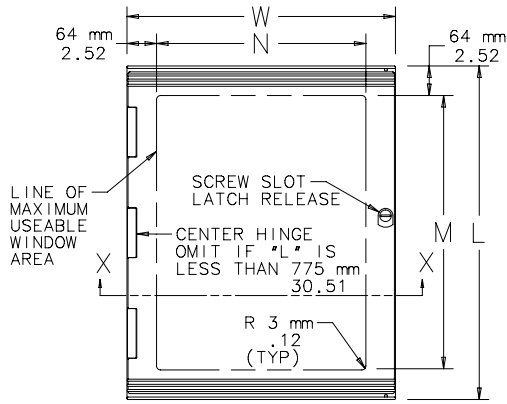
Standard Product

Catalog Number	Door Style	External Dimensions		Internal Dimensions		Panel	Conductive Panel	Panel Size		Mounting		Window Size		F	J	K	S	T
		L x W	mm/in.	A x B x C	mm/in.			D x E	mm/in.	G x H	mm/in.	M x N	mm/in.					
UU504020	Solid	513 x 413		496 x 396 x 220		A20P16	A20P16G	432 x 330		359 x 459		—	186	297	19	286	387	
		20.20 x 16.26		19.53 x 15.59 x 8.66				17.00 x 12.99		14.13 x 18.07		—	7.32	11.69	0.75	11.26	15.24	
UU504020W	Window	513 x 413		496 x 396 x 220		A20P16	A20P16G	439 x 330		359 x 459		386 x 286	186	297	19	286	387	
		20.20 x 16.26		19.53 x 15.59 x 8.66				17.00 x 12.99		14.13 x 18.07		15.20 x 11.26	7.32	11.69	0.75	11.26	15.24	
UU606020	Solid	625 x 612		608 x 595 x 220		A24P24	A24P24G	533 x 533		559 x 572		—	186	500	21	489	489	
		24.61 x 24.09		23.94 x 23.43 x 8.66				20.98 x 20.98		22.01 x 22.52		—	7.32	19.68	0.83	19.25	19.25	
UU606020W	Window	625 x 612		608 x 595 x 220		A24P24	A24P24G	533 x 533		559 x 572		498 x 486	186	500	21	489	489	
		24.61 x 24.09		23.94 x 23.43 x 8.66				20.98 x 20.98		22.01 x 22.52		19.61 x 19.13	7.32	19.68	0.83	19.25	19.25	
UU605025	Solid	625 x 513		608 x 496 x 270		A24P20	A24P20G	533 x 432		457 x 570		—	239	400	21	387	489	
		24.61 x 20.20		23.94 x 19.53 x 10.63				20.98 x 17.00		17.99 x 22.44		—	9.41	15.75	0.83	15.24	19.25	
UU605025W	Window	625 x 513		608 x 496 x 270		A24P20	A24P20G	533 x 432		457 x 570		498 x 386	239	400	21	387	489	
		24.61 x 20.20		23.94 x 19.53 x 10.63				20.98 x 17.00		17.99 x 22.44		19.61 x 15.20	9.41	15.75	0.83	15.24	19.25	
UU504030	Solid	513 x 412		496 x 395 x 321		A20P16	A20P16G	432 x 330		355 x 455		—	287	300	19	286	387	
		20.20 x 16.22		19.53 x 15.55 x 12.64				17.00 x 12.99		13.98 x 17.91		—	11.30	11.81	0.75	11.26	15.24	
UU504030W	Window	513 x 412		496 x 395 x 321		A20P16	A20P16G	432 x 330		355 x 455		386 x 286	287	300	19	286	387	
		20.20 x 16.22		19.53 x 15.55 x 12.64				17.00 x 12.99		13.98 x 17.91		15.20 x 11.26	11.30	11.81	0.75	11.26	15.24	
UU606030	Solid	625 x 612		608 x 595 x 321		A24P24	A24P24G	533 x 533		555 x 568		—	287	500	21	489	489	
		24.61 x 24.09		23.94 x 23.43 x 12.64				20.98 x 20.98		21.85 x 22.36		—	11.30	19.68	0.83	19.25	19.25	
UU606030W	Window	625 x 612		608 x 595 x 321		A24P24	A24P24G	533 x 533		555 x 568		498 x 486	287	500	21	489	489	
		24.61 x 24.09		23.94 x 23.43 x 12.64				20.98 x 20.98		21.85 x 22.36		19.61 x 19.13	11.30	19.68	0.83	19.25	19.25	
UU756030	Solid	775 x 612		758 x 595 x 321		A30P24	A30P24G	686 x 533		555 x 718		—	287	500	21	489	641	
		30.51 x 24.09		29.84 x 23.43 x 12.64				27.01 x 20.98		21.85 x 28.27		—	11.30	19.68	0.83	19.25	25.24	

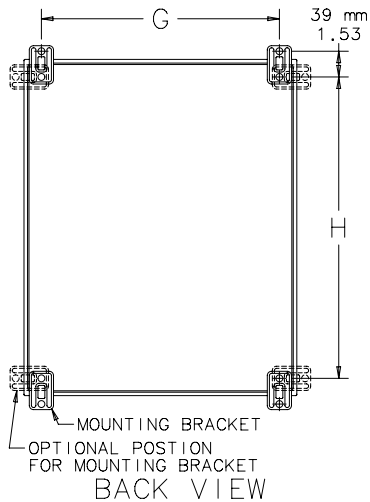
Catalog Number	Door Style	External Dimensions L x W mm/in.	Internal Dimensions A x B x C mm/in.	Panel	Conductive Panel	Panel Size D x E mm/in.	Mounting G x H mm/in.	Window Size M x N mm/in.	F mm/in.	J mm/in.	K mm/in.	S mm/in.	T mm/in.
UU756030W	Window	775 x 612 30.51 x 24.09	758 x 595 x 321 29.84 x 23.43 x 12.64	A30P24	A30P24G	686 x 533 27.01 x 20.98	555 x 718 21.85 x 28.27	648 x 486 25.51 x 19.13	287 11.30	500 19.68	21 0.83	489 19.25	641 25.24
UU1008030	Solid	1025 x 825 40.35 x 32.48	1008 x 808 x 321 39.68 x 31.81 x 12.64	A40P30	A40P30G	940 x 737 37.01 x 29.02	768 x 968 30.24 x 38.11	—	287 11.30	700 27.56	23 0.91	692 27.24	895 35.24
UU1008030W	Window	1025 x 825 40.35 x 32.48	1008 x 808 x 321 39.68 x 31.81 x 12.64	A40P30	A40P30G	940 x 737 37.01 x 29.02	768 x 968 30.24 x 38.11	898 x 698 35.35 x 27.48	287 11.30	700 27.56	23 0.91	692 27.24	895 35.24
UU606040	Solid	625 x 612 24.61 x 24.09	608 x 595 x 421 23.94 x 23.43 x 16.57	A24P24	A24P24G	533 x 533 20.98 x 20.98	555 x 568 21.85 x 22.36	—	387 15.24	500 19.68	21 0.83	489 19.25	489 19.25
UU606040W	Window	625 x 612 24.61 x 24.09	608 x 595 x 421 23.94 x 23.43 x 16.57	A24P24	A24P24G	533 x 533 20.98 x 20.98	555 x 568 21.85 x 22.36	498 x 486 19.61 x 19.13	387 15.24	500 19.68	21 0.83	489 19.25	489 19.25
UU756040	Solid	775 x 612 30.51 x 24.09	758 x 595 x 421 29.84 x 23.43 x 16.57	A30P24	A30P24G	686 x 533 27.01 x 20.98	555 x 718 21.85 x 28.27	—	387 15.24	500 19.68	21 0.83	489 19.25	641 25.24
UU756040W	Window	775 x 612 30.51 x 24.09	758 x 595 x 421 29.84 x 23.43 x 16.57	A30P24	A30P24G	686 x 533 27.01 x 20.98	555 x 718 21.85 x 28.27	648 x 486 25.51 x 19.13	387 15.24	500 19.68	21 0.83	489 19.25	641 25.24

Purchase panels separately.

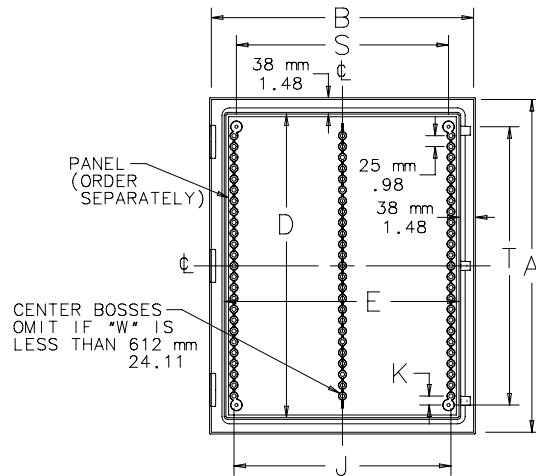
Note: When installing enclosures in a right-hand hinge application that involves vibration, Hoffman recommends the use of pad-locking or key-locking quarter-turn latch accessories for door securement (UUHPL, UUHLK).



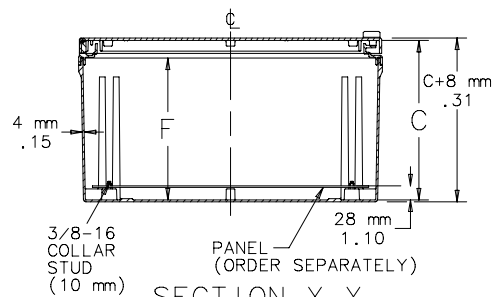
FRONT VIEW



BACK VIEW



FRONT VIEW WITH DOOR REMOVED



SECTION X-X

C2553-C



ULTRX WIFI, TYPE 4X



INDUSTRY STANDARDS

UL 508A Listed; Type 4, 4X, 12, 13; File No. E61997
 cUL Listed per CSA C22.2 No 94; Type 4, 4X, 12, 13; File No. E61997
 Enclosure flammability rating per UL 508
 Window flammability rating per UL 508

NEMA/EEMAC Type 4, 4X, 12, 13
 CSA File No. LR42186: Type 4, 4X, 12, 13
 IEC 60529, IP66
 Cabinets with solid doors are plenum rated.

APPLICATION

Ideal for locations such as tunnels, floor vaults, marinas, outside walls or rooftops, the lightweight ULTRX fiberglass WiFi cabinet does not impede WiFi or WLAN signals and has optional rack angles that can be added to support 19-in. rack-mount equipment.

FEATURES

- Fiberglass is easily punched, drilled, filed or sawed
- Gasket assures watertight and dusttight seal
- Enclosure may be rotated 180 degrees for left and right hinging
- Molded-in drip shields are standard with each enclosure
- Door opens 180 degrees
- Replaceable breakaway hinges
- Keylocking handle standard
- Molded-in DIN bosses
- Molded bosses on door provide additional mounting provisions
- Integral mounting rails provide infinite panel adjustment front to back
- Optional data pocket is high-impact thermoplastic
- Material is halogen free

SPECIFICATIONS

- Enclosure and door made of molded fiberglass polyester that resists chemicals and temperature change
- Impact-resistant polycarbonate window is permanently bonded in place
- Fiberglass mounting brackets and stainless steel attachment screws are provided with each enclosure
- Includes a 3/4-in. plywood panel for mounting equipment

FINISH

Standard exterior surface painted light-gray acrylic enamel for enhanced UV protection.

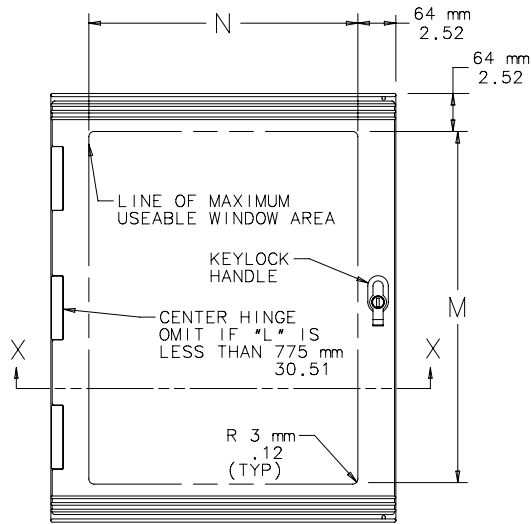
BULLETIN: DWS12

3

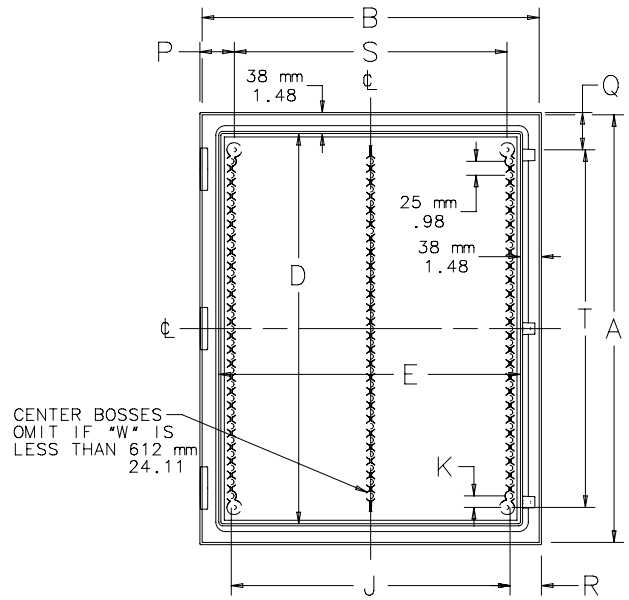
Standard Product

Catalog Number	AxBxC mm/in.	Door Type	Internal Dimensions A x B x C mm/in.	Panel	Panel Size D x E mm/in.	Mounting G x H mm/in.	Window Size M x N mm/in.								
							F	J	K	P	Q	R	S	T	
DU606030P	608 x 595 x 321	Solid	608 x 595 x 321	A24P24WD	533 x 533	555 x 568	498 x 486	287	500	21	62	68	56	489	489
	23.94 x 23.43 x 12.64		23.94 x 23.44 x 12.64		21.00 x 21.00	21.86 x 22.36	19.62 x 19.12	11.31	19.68	0.81	2.43	2.68	2.21	19.25	19.25
DU606030WP	608 x 595 x 321	Window	608 x 595 x 321	A24P24WD	533 x 533	555 x 568	498 x 486	287	500	21	62	68	56	489	489
	23.94 x 23.43 x 12.64		23.94 x 23.44 x 12.64		21.00 x 21.00	21.86 x 22.36	19.62 x 19.12	11.31	19.68	0.81	2.43	2.68	2.21	19.25	19.25

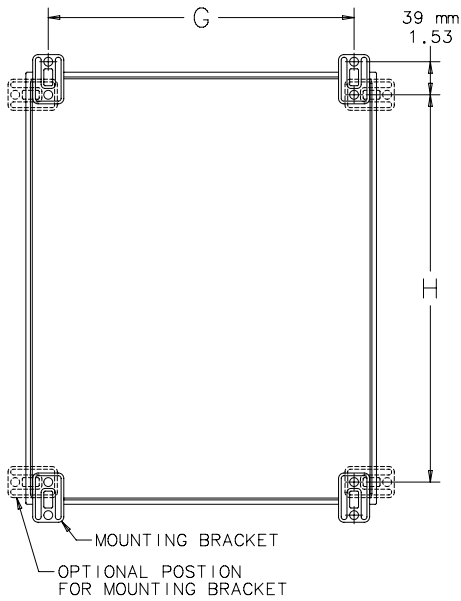
Wood panel included with enclosure. Optional steel panels must be ordered separately.
 Window size applies to window door cabinets only.



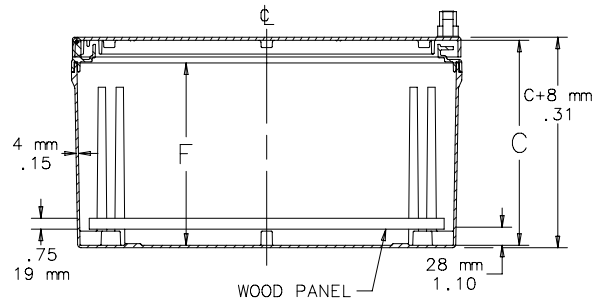
FRONT VIEW



FRONT VIEW WITH DOOR REMOVED



BACK VIEW

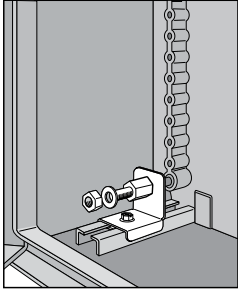


SECTION X-X

87792468



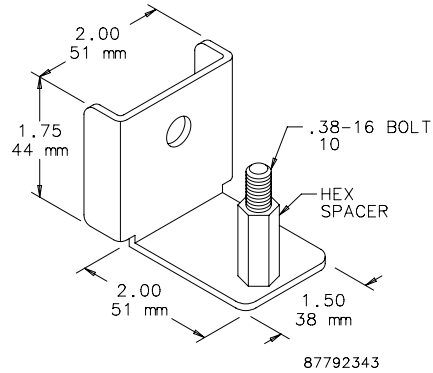
PANEL BRACKET KIT



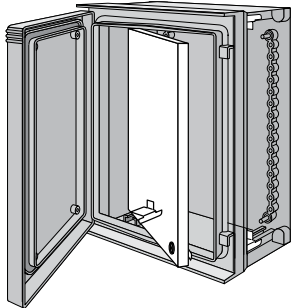
Panel Bracket Kit is used with steel panels and permits panel adjustment from front to rear. Fits all ULTRX sizes. Mounts on integrally molded body rail. Brackets are plated steel. All mounting hardware is included. *Note: Front mounting position is approximately 140mm/5.5 in. back on 400mm enclosures.*

BULLETIN: UX1Y

Catalog Number	Description	Pkg. Qty.
UUPB	ULTRX Panel Bracket Kit	4



SWING-OUT PANEL



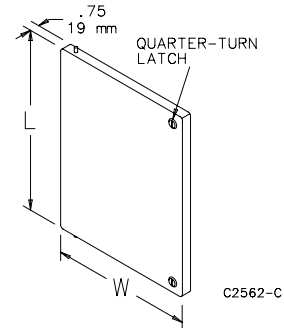
Installs front-mounted panels in ULTRX fiberglass enclosures. The front-mounted swing panel complements window-door units and is suited for any application requiring a display of gauges, dials or any type of control equipment monitor. Made of 14 gauge plated steel. Easy installation; no drilling required. Fully adjustable front to rear. Panel and mounting hardware included.

Note: Front mounting position is approximately 140mm/5.5 in. back on 400mm enclosures.

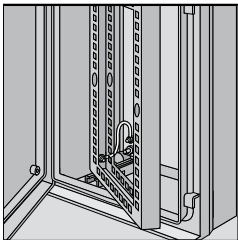
BULLETIN: UX1Y

Catalog Number	Fits A x B mm/in.	L mm/in.	W mm/in.
UU5040SP	513 x 413 20.20 x 16.26	432 17.00	330 12.99
UU6050SP	625 x 513 24.61 x 20.20	536 21.10	432 17.00
UU6060SP	625 x 612 24.61 x 24.09	540 21.25	535 21.08
UU7560SP	775 x 612 30.51 x 24.09	687 27.05	535 21.08
UU10080SP	1025 x 825 40.35 x 32.48	935 36.80	737 29.00

Use UU6060SP with DATACOM ULTRX Fiberglass Type 4X WiFi Cabinet.



GROUNDING DEVICE



Grounding Device provides a means to attach a grounding conductor to an ULTRX Swing-Out Panel or Swing-Out Frame. Includes all installation hardware and instructions.

BULLETIN: UX1Y

Catalog Number	Description
UUGK	ULTRX Grounding Device

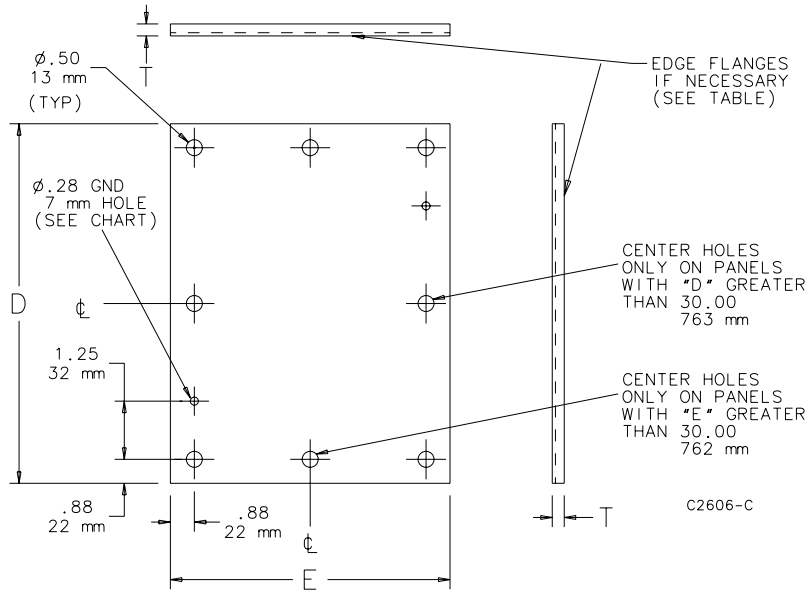
PANELS FOR TYPE 3R, 4, 4X, 12 AND 13 ENCLOSURES

Steel panels are 12 gauge with a white finish. Panel mounting hardware is furnished with all enclosures which accept these panels.

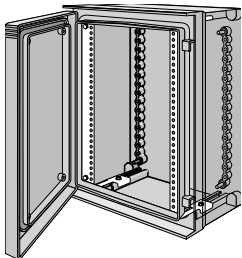
BULLETIN: DWS12, PNLWM

Catalog Number	Flange Thickness T (in.)	Flange Thickness T (mm)	Panel Size D x E (in.)	Panel Size D x E (mm)	Number of Holes	Edge Flanges
A20P16	—	—	17.00 x 13.00	432 x 330	4	0
A24P20	0.75	19	21.00 x 17.00	533 x 432	4	2
A24P24	0.75	19	21.00 x 21.00	533 x 533	4	2
A24P24WD	0.75	19	21.00 x 21.00	533 x 533	4	—
A30P24	0.75	19	27.00 x 21.00	686 x 533	4	2
A40P30	0.75	19	37.00 x 29.00	940 x 737	4	4

Catalog number with "WD" is wood.



RACK ANGLES (TYPE RA)

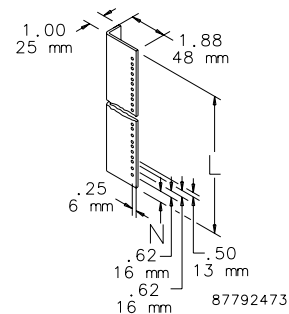


Pairs of full-length rack-mounting angles are available for mounting 1-in. (483-mm) rack-mounted equipment. Type RA angles are 14 gauge steel with .281-in. (7-mm) diameter mounting holes, spaced per EIA standard RS-310-D (universal spacing). Use Clip Nut Package (AN1032) to provide tapped holes at desired locations. Angles and mounting hardware are plated steel. Mounting hardware is furnished.

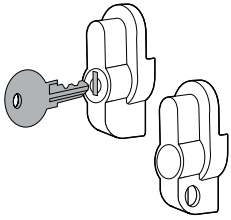
BULLETIN: UX1Y

Catalog Number	Fits A x B mm/in.	L mm/in.	N mm/in.	Rack Units	Pkg. Qty.
UURA6060	610 x 610 24.00 x 24.00	552 21.75	10 .38	12	2
UURA7560	762 x 610 30.00 x 24.00	705 27.75	19 .75	15	2

Use UURA6060 with DATACOM ULTRX Fiberglass Type 4X WiFi Cabinet.



KEYLOCK KIT AND PADLOCK KIT



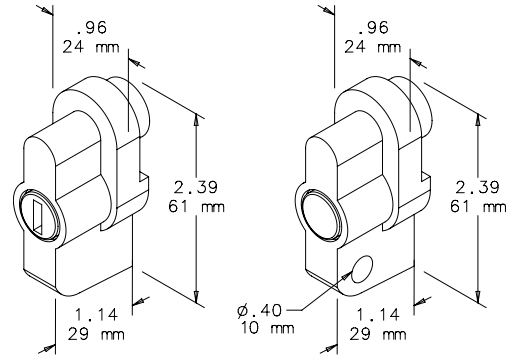
Keylock Kit or pushbutton-style Padlock Kit is easily inserted in latch hole to prevent unauthorized personnel from gaining access to enclosure contents. Each kit is fully assembled for easy installation in the field. Type 316 stainless steel construction.

BULLETIN: UX1Y

Catalog Number	Description
UUHKL	Keylock Kit
UUHPL	Padlock Kit

UUHKL: Internal key components are not stainless steel.

UUHPL: Handles maintain UL 508A, Type 3, 4, 4X and 12 when properly installed on a Hoffman enclosure. Set up for 1/4-in. or 3/8-in. padlock.

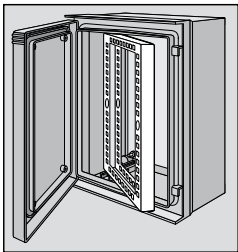


Keylock Kit

Padlock Kit

87792346

SWING FRAME



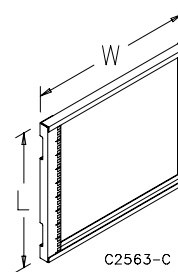
Swing Frame provides 19-in. rack-mounting capabilities with U-Style (Type RA) mounting hole pattern. Quarter-turn latch has 100-degree swing. Adjustable mounting provision. 14 gauge plated steel. Includes mounting hardware. Swing frame maintains enclosure rating if properly installed in a Hoffman enclosure.

Note: Front mounting position is approximately 140mm/5.5 in. back on 400mm enclosures.

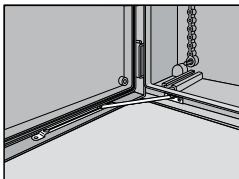
BULLETIN: UX1Y

Catalog Number	Fits A x B mm/in.	L mm/in.	W mm/in.	Rack Units
UU6060SF	610 x 610 24.00 x 24.00	540 21.25	535 21.08	11
UU7560SF	762 x 610 30.00 x 24.00	687 27.05	535 21.08	14

Use UU6060SF with DATACOM ULTRX Fiberglass Type 4X WiFi Cabinet.



DOOR STOP KIT

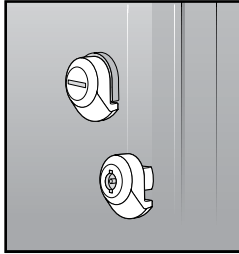


Door Stop Kit limits door to 120-degree opening. Field installable on all sizes of ULTRX enclosures. Type 304 stainless steel construction.

BULLETIN: UX1Y

Catalog Number	Description
UUDS	Door Stop Kit

ULTRX KEY INSERT

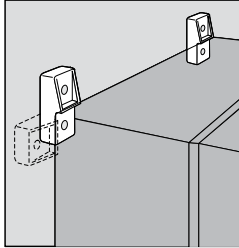


Inserts can be substituted for the standard quarter-turn latch. Inserts are Type 316 stainless steel.

BULLETIN: UX1Y

Catalog Number	Insert Type
UUL3DB	Double-bit 3 mm
UULSC	Screw driver slot

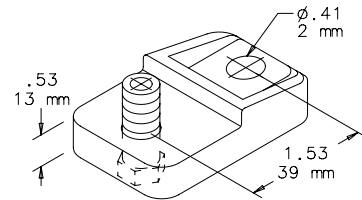
ULTRX MOUNTING BRACKET KIT



Kit is field-installable. Corrosion-resistant fiberglass material. Type 316 stainless steel mounting hardware is included. Four mounting brackets per kit.

BULLETIN: UX1Y

Catalog Number	Description	Kit Qty.
UUMF	Mounting Bracket Kit	4



11C59177

SCREW INSERT KIT

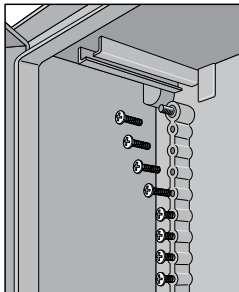


Brass threaded inserts (10-32) with plated screws. Used on door bosses and DIN bosses.

BULLETIN: UX1Y

Catalog Number	Description	Kit Qty.
UUMH2	Screw Insert Kit	4 inserts and 4 screws

SELF-TAPPING SCREWS



Plated screws (1/4-15 x .88) mount panels and accessories to DIN bosses on back of enclosure.

BULLETIN: UX1Y

Catalog Number	Description	Pkg. Qty.
UUMH1	Self-Tapping Screws	10



HINGE-COVER WITH 3-POINT LATCH OR QUICK-RELEASE LATCHES, TYPE 4X


3

INDUSTRY STANDARDS

UL 508A Listed; Type 3, 3R, 4, 4X, 12, 13; File No. E61997
 cUL Listed per CSA C22.2 No 94; Type 3, 3R, 4, 4X, 12, 13; File No. E61997
 Enclosure flammability evaluated per UL 508A

NEMA/EEMAC Type 3, 3R, 4, 4X, 12, 13
 IEC 60529, IP66
 Meets NEMA Type 3RX requirements

APPLICATION

A full range of modification options are available for wall-mount fiberglass enclosures, including variable depths to accommodate larger controls. These enclosures feature padlockable polyester latches, or Hoffman's exclusive POWERGLIDE Handle with 3-point latching, for ease of access with increased security.

SPECIFICATIONS

- Fiberglass-reinforced material has excellent temperature and chemical resistance qualities and exhibits outstanding physical properties
- Type 316L stainless steel padlocking POWERGLIDE Handle on 3-point latch versions assures security and a water-tight seal while still allowing convenient access
- Quick-release latch versions feature fiberglass-reinforced polyester latches with integral Type 316L stainless steel padlocking hasp
- Seams are sealed; no holes or knockouts
- Enclosure may be rotated 180 degrees for left and right hinging
- Molded-in angular sealing flange directs water away from gasket area

- Gasket assures water-tight and dust-tight seal
- Fiberglass material is easily punched, drilled, filed or sawed
- Data pocket is high-impact thermoplastic
- Plated steel collar studs for mounting optional panels and terminal block kits
- Material is halogen free

FINISH

Standard fiberglass enclosure is gray inside and out. Handle is Type 316L stainless steel electropolished. Optional steel panels are painted white. Optional stainless steel, aluminum and composite panels available in select sizes.

ACCESSORIES

See also Accessories
 H2OMIT Thermoelectric Dehumidifier
 H2OMIT Vent Drains, Type 4X
 HOL-SEALERS Non-Metallic Hole Seals
 Panels
 Stainless Steel Window Kits
 Terminal Block Kit Assembly
 Thermal Accessories

MODIFICATION AND CUSTOMIZATION

Hoffman excels at modifying and customizing products to your specifications. Contact your local Hoffman sales office or distributor for complete information.

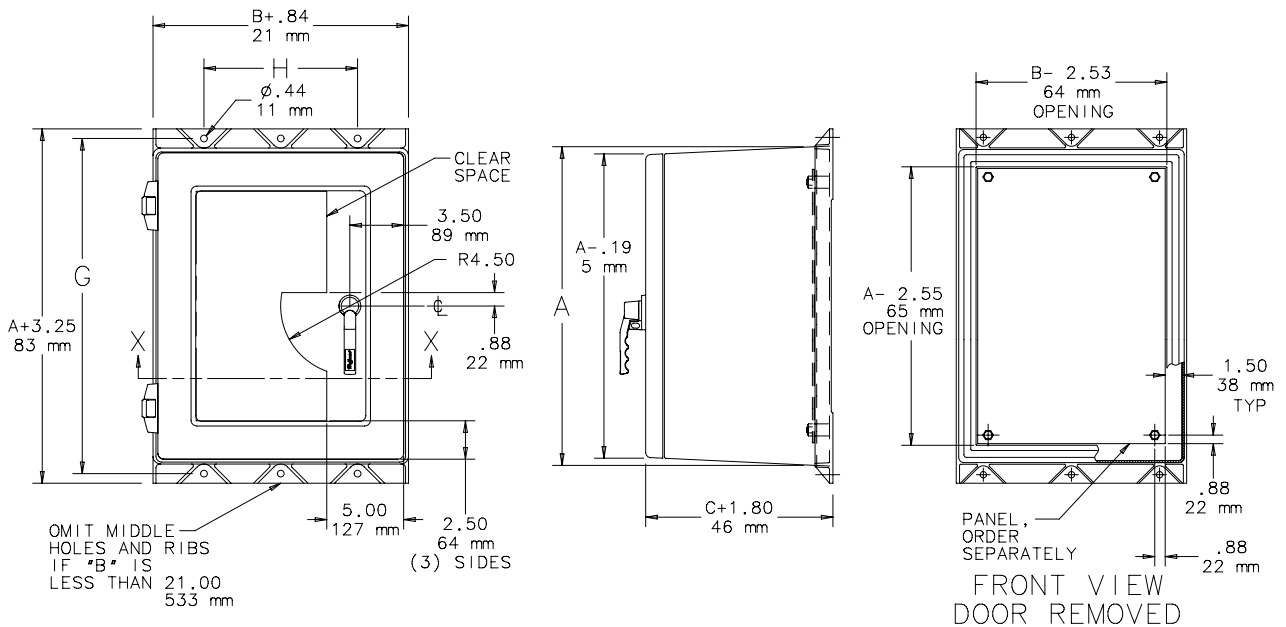
BULLETIN: A17W3, A17WM

Standard Product **3-Point Latch**

Catalog Number	AxBxC in./mm	Panel	Conductive Panel	Panel Size Height in./mm	G x H in./mm
A24H2006GQRLP3PT	24.25 x 20.25 x 6.00 616 x 514 x 152	A24P20	A24P20G	21.00 x 17.00 533 x 432	25.86 x 14.00 657 x 356
A20H2008GQRLP3PT	20.19 x 20.25 x 8.00 513 x 514 x 203	A20P20	A20P20G	17.00 x 17.00 432 x 432	21.81 x 14.00 554 x 356
A24H2008GQRLP3PT	24.25 x 20.25 x 8.00 616 x 514 x 203	A24P20	A24P20G	21.00 x 17.00 533 x 432	25.86 x 14.00 657 x 356
A24H2408GQRLP3PT	24.19 x 24.19 x 8.00 614 x 614 x 203	A24P24	A24P24	21.00 x 21.00 533 x 533	25.81 x 18.00 656 x 457
A30H2408GQRLP3PT	30.25 x 24.25 x 8.00 768 x 616 x 203	A30P24	A30P24G	27.00 x 21.00 686 x 533	31.95 x 18.00 812 x 457
A36H3008GQRLP3PT	36.25 x 30.25 x 8.00 921 x 768 x 203	A36P30	A36P30G	33.00 x 27.00 838 x 686	37.58 x 24.00 955 x 610
A24H2010GQRLP3PT	24.25 x 20.25 x 10.00 616 x 514 x 254	A24P20	A24P20G	21.00 x 17.00 533 x 432	25.86 x 14.00 657 x 356
A30H2410GQRLP3PT	30.25 x 24.25 x 10.00 768 x 616 x 254	A30P24	A30P24G	27.00 x 21.00 686 x 533	31.95 x 18.00 812 x 457
A24H2412GQRLP3PT	24.19 x 24.19 x 12.00 614 x 614 x 305	A24P24	A24P24G	21.00 x 21.00 533 x 533	25.81 x 18.00 656 x 457
A30H2412GQRLP3PT	30.25 x 24.25 x 12.00 768 x 616 x 305	A30P24	A30P24G	27.00 x 21.00 686 x 533	31.95 x 18.00 812 x 457
A36H3012GQRLP3PT	36.25 x 30.25 x 12.00 921 x 768 x 305	A36P30	A36P30G	33.00 x 27.00 838 x 686	37.58 x 24.00 955 x 610

Purchase panels separately. Optional stainless steel, composite and aluminum panels available for most sizes. See General Accessories.

Hinged with 3-Point Latch Enclosures



87786694

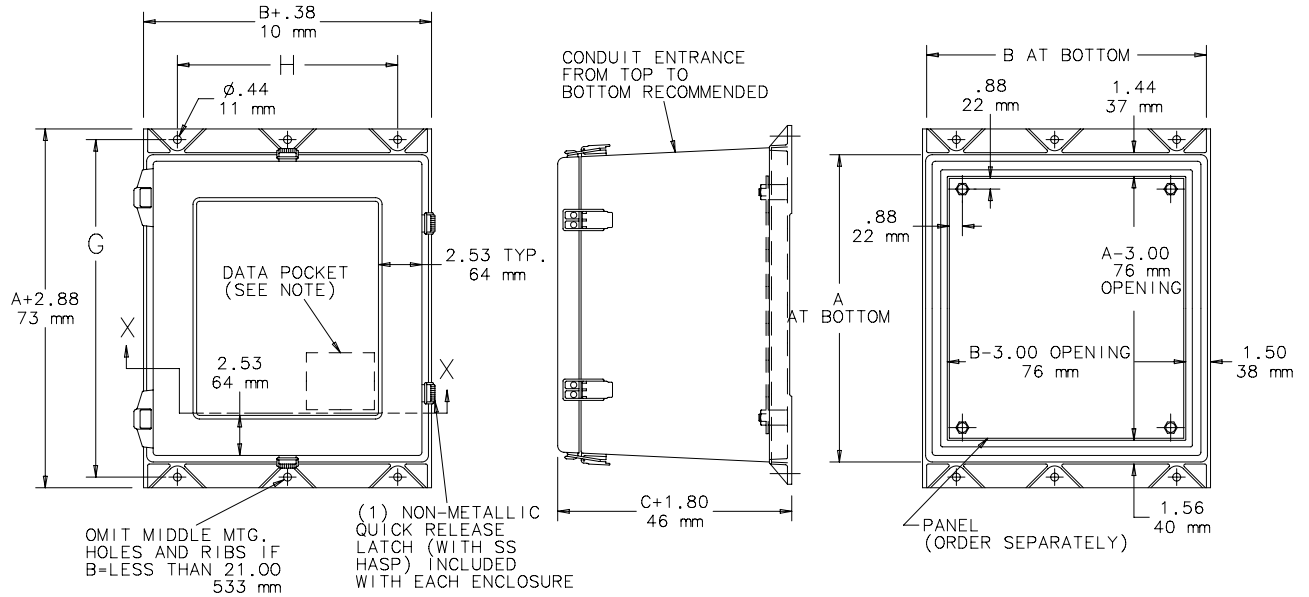


Standard Product Quick-Release Latch

Catalog Number	AxBxC in./mm	Panel	Cond. Panel	Panel Size in./mm	Mtg G x H in./mm	No. of Latches
A20H1606GQRLP	20.19 x 16.25 x 6.00 513 x 413 x 152	A20P16	A20P16G	17.00 x 13.00 432 x 330	21.81 x 10.00 554 x 254	4
A20H2006GQRLP	20.19 x 20.25 x 6.00 513 x 514 x 152	A20P20	A20P20G	17.00 x 17.00 432 x 432	21.81 x 14.00 554 x 356	4
A24H2006GQRLP	24.25 x 20.25 x 6.00 616 x 514 x 152	A24P20	A24P20G	21.00 x 17.00 533 x 432	25.86 x 14.00 657 x 356	4
A30H2406GQRLP	30.25 x 24.25 x 6.00 768 x 616 x 152	A30P24	A30P24G	27.00 x 21.00 686 x 533	31.95 x 18.00 812 x 457	5
A20H1608GQRLP	20.19 x 16.25 x 8.00 513 x 413 x 203	A20P16	A20P16G	17.00 x 13.00 432 x 330	21.81 x 10.00 554 x 254	4
A20H2008GQRLP	20.19 x 20.25 x 8.00 513 x 514 x 203	A20P20	A20P20G	17.00 x 17.00 432 x 432	21.81 x 14.00 554 x 356	4
A24H2008GQRLP	24.25 x 20.25 x 8.00 616 x 514 x 203	A24P20	A24P20G	21.00 x 17.00 533 x 432	25.86 x 14.00 657 x 356	4
A24H2408GQRLP	24.19 x 24.19 x 8.00 614 x 614 x 203	A24P24	A24P24G	21.00 x 21.00 533 x 533	25.81 x 18.00 656 x 457	4
A30H2408GQRLP	30.25 x 24.25 x 8.00 768 x 616 x 203	A30P24	A30P24G	27.00 x 21.00 686 x 533	31.95 x 18.00 812 x 457	5
A36H3008GQRLP	36.25 x 30.25 x 8.00 921 x 768 x 203	A36P30	A36P30G	33.00 x 27.00 838 x 686	37.61 x 24.00 955 x 610	5
A20H1610GQRLP	20.19 x 16.25 x 10.00 513 x 413 x 254	A20P16	A20P16G	17.00 x 13.00 432 x 330	21.81 x 10.00 554 x 254	4
A20H2010GQRLP	20.19 x 20.25 x 10.00 513 x 514 x 254	A20P20	A20P20G	17.00 x 17.00 432 x 432	21.81 x 14.00 554 x 356	4
A24H2010GQRLP	24.25 x 20.25 x 10.00 616 x 514 x 254	A24P20	A24P20G	21.00 x 17.00 533 x 432	25.86 x 14.00 657 x 356	4
A30H2410GQRLP	30.25 x 24.25 x 10.00 768 x 616 x 254	A30P24	A30P24G	27.00 x 21.00 686 x 533	31.95 x 18.00 812 x 457	5
A20H1612GQRLP	20.19 x 16.25 x 12.00 513 x 413 x 305	A20P16	A20P16G	17.00 x 13.00 432 x 330	21.81 x 10.00 554 x 254	4
A20H2012GQRLP	20.19 x 20.25 x 12.00 513 x 514 x 305	A20P20	A20P20G	17.00 x 17.00 432 x 432	21.81 x 14.00 554 x 356	4
A24H2012GQRLP	24.25 x 20.25 x 12.00 616 x 514 x 305	A24P20	A24P20G	21.00 x 17.00 533 x 432	25.86 x 14.00 657 x 356	4
A24H2412GQRLP	24.19 x 24.19 x 12.00 614 x 614 x 305	A24P24	A24P24G	21.00 x 21.00 533 x 533	25.81 x 18.00 656 x 457	4
A30H2412GQRLP	30.25 x 24.25 x 12.00 768 x 616 x 305	A30P24	A30P24G	27.00 x 21.00 686 x 533	31.95 x 18.00 812 x 457	5
A36H3012GQRLP	36.25 x 30.25 x 12.00 921 x 768 x 305	A36P30	A36P30G	33.00 x 27.00 838 x 686	37.58 x 24.00 955 x 610	5
A36H3612GQRLP	36.25 x 36.25 x 12.00 921 x 921 x 305	A36P36	A36P36G	33.00 x 33.00 838 x 838	37.61 x 30.00 955 x 762	7
A48H3612GQRLP	48.25 x 36.25 x 12.00 1226 x 921 x 305	A48P36	A48P36G	45.00 x 33.00 1143 x 838	49.58 x 30.00 1259 x 762	8
A60H3612GQRLP	60.12 x 36.31 x 12.00 1527 x 922 x 305	A60P36	A60P36G	57.00 x 33.00 1448 x 838	61.41 x 30.00 1564 x 762	8
A24H2016GQRLP	24.25 x 20.25 x 16.00 616 x 514 x 406	A24P20	A24P20G	21.00 x 17.00 533 x 432	25.86 x 14.00 657 x 356	4
A24H2416GQRLP	24.19 x 24.19 x 16.00 614 x 614 x 406	A24P24	A24P24G	21.00 x 21.00 533 x 533	25.81 x 18.00 656 x 457	4
A30H2416GQRLP	30.25 x 24.25 x 16.00 768 x 616 x 406	A30P24	A30P24G	27.00 x 21.00 686 x 533	31.95 x 18.00 812 x 457	5
A48H3616GQRLP	48.25 x 36.25 x 16.00 1226 x 921 x 406	A48P36	A48P36G	45.00 x 33.00 1143 x 838	49.58 x 30.00 1259 x 762	8
A60H3616GQRLP	60.12 x 36.31 x 16.00 1527 x 922 x 406	A60P36	A60P36G	57.00 x 33.00 1448 x 838	61.41 x 30.00 1566 x 762	8
A20H1620GQRLP	20.19 x 16.25 x 20.00 513 x 413 x 508	A20P16	A20P16G	17.00 x 13.00 432 x 330	21.81 x 10.00 554 x 254	4
A20H2020GQRLP	20.19 x 20.25 x 20.00 513 x 514 x 508	A20P20	A20P20G	17.00 x 17.00 432 x 432	21.81 x 14.00 554 x 356	4
A24H2020GQRLP	24.25 x 20.25 x 20.00 616 x 514 x 508	A24P20	A24P20G	21.00 x 17.00 533 x 432	25.86 x 14.00 657 x 356	4
A24H2420GQRLP	24.19 x 24.19 x 20.00 614 x 614 x 508	A24P24	A24P24G	21.00 x 21.00 533 x 533	25.81 x 18.00 656 x 457	4
A30H2420GQRLP	30.25 x 24.25 x 20.00 768 x 616 x 508	A30P24	A30P24G	27.00 x 21.00 686 x 533	31.95 x 18.00 812 x 457	5
A36H3020GQRLP	36.25 x 30.25 x 20.00 921 x 768 x 508	A36P30	A36P30G	33.00 x 27.00 838 x 686	37.61 x 24.00 958 x 610	5
A48H3620GQRLP	48.25 x 36.25 x 20.00 1226 x 921 x 508	A48P36	A48P36G	45.00 x 33.00 1143 x 838	49.58 x 30.00 1263 x 762	8
A24H2024GQRLP	24.25 x 20.25 x 24.00 616 x 514 x 610	A24P20	A24P20G	21.00 x 17.00 533 x 432	25.86 x 14.00 657 x 356	4
A24H2424GQRLP	24.19 x 24.19 x 24.00 614 x 614 x 610	A24P24	A24P24G	21.00 x 21.00 533 x 533	25.81 x 18.00 656 x 457	4
A30H2424GQRLP	30.25 x 24.25 x 24.00 768 x 616 x 610	A30P24	A30P24G	27.00 x 21.00 686 x 533	31.95 x 18.00 812 x 457	5

Purchase panels separately. Optional stainless steel, composite and aluminum panels are available for most sizes.

Hinged with Quick-Release Latch Enclosures 36 X 30 or Smaller Drawing

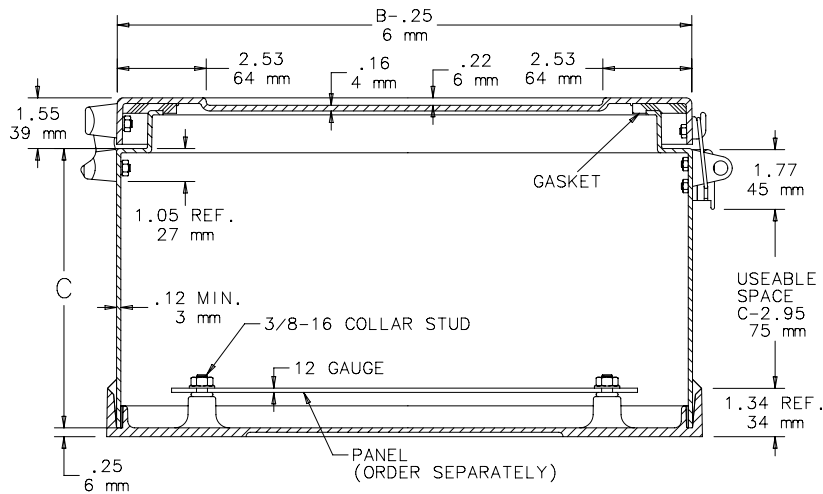


FRONT VIEW WITH DOOR

SIDE VIEW

FRONT VIEW DOOR REMOVED

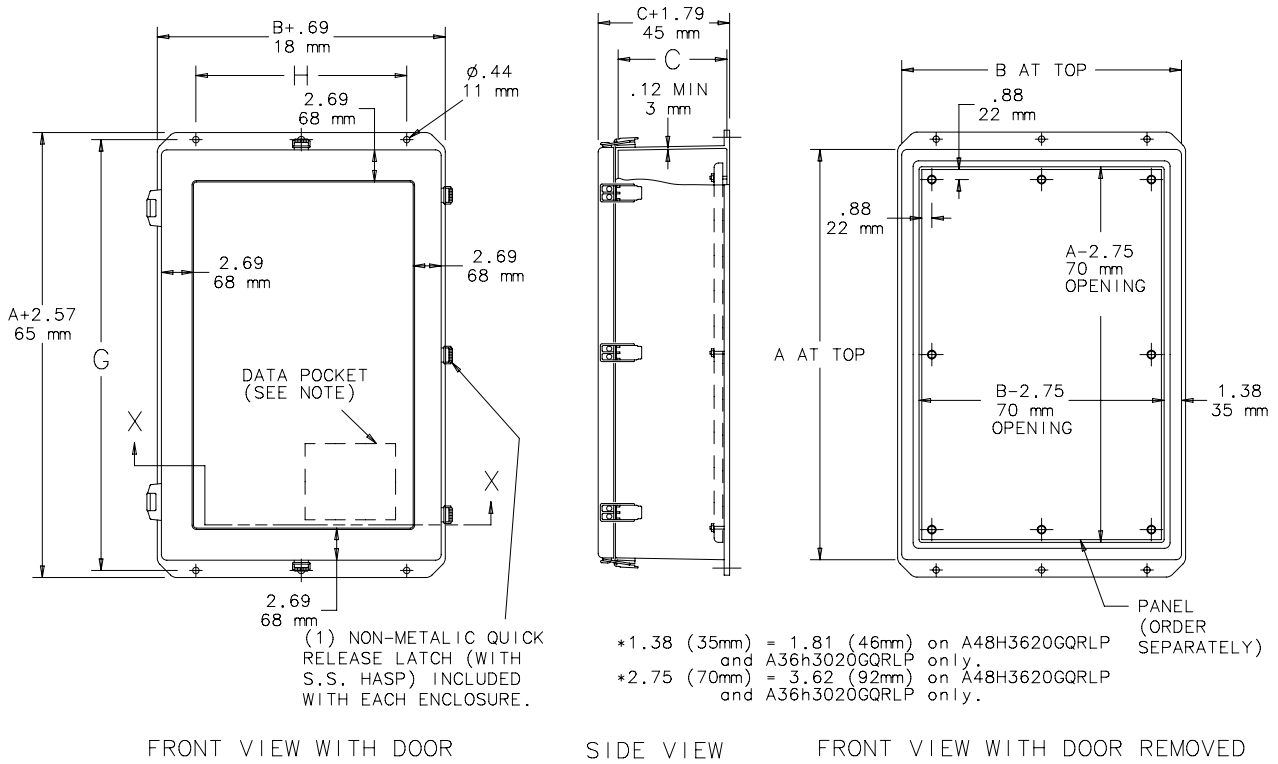
NOTE: Enclosure A36H3020GQRLP still is manufactured according to the drawing of enclosures 36 X 36 or larger.



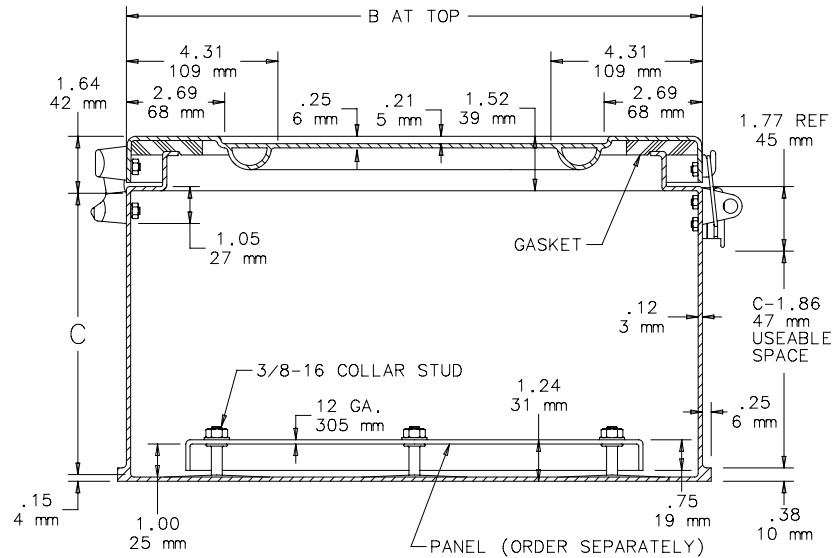
SECTION X-X



Hinged with Quick-Release Latch Enclosures 36 X 36 or Larger Drawing



NOTE: Large data pocket provision when $A = 30.00$ (7.76mm) or more. Data pocket is furnished but not installed. Large data pocket is 12.00×12.00 (305mm X 305mm); small data pocket is 6.00×6.00 (152mm X 152mm).



C2552-C

Notes



FIBERGLASS DISCONNECT, TYPE 4X

SPECIFICATIONS

- Fiberglass-reinforced material has excellent temperature and chemical resistance qualities and exhibits outstanding physical properties
- Seams are sealed; no holes or knockouts
- Gasket assures water-tight and dust-tight seal
- Fiberglass material is easily drilled, filed or sawed
- Hinges are fiberglass-reinforced polyester
- Doors are secured with Type 304 stainless steel slotted quarter-turn latches
- Data pocket is high-impact thermoplastic
- Copper flashed steel collar studs for mounting optional panels and terminal block kits
- Holes provided in body for mounting disconnect operating handle and operating mechanism
- Internal grounding provisions for quarter-turn latches
- Includes bracket affixed to door for attaching disconnect door catch (interlock) and instructions for installing disconnects
- Material is halogen free

FINISH

Standard fiberglass material is light-gray inside and out. Optional steel panels are painted white. Optional stainless steel, aluminum, conductive and composite panels are unpainted.

ACCESSORIES

See also *Accessories*.

Frameless Window Kit

Panels for Type 3R, 4, 4X, 12 and 13 Enclosures

Steel and Stainless Steel Window Kits

Terminal Block Kit Assembly for Type 4, 12 and 13 Enclosures

MODIFICATION AND CUSTOMIZATION

Hoffman excels at modifying and customizing products to your specifications. Contact your local Hoffman sales office or distributor for complete information.

BULLETIN: A17WD
INDUSTRY STANDARDS

UL 508A Listed; Type 3, 3R, 4, 4X, 12, 13; File No. E61997
 cUL Listed per CSA C22.2 No. 94; Type 3, 3R, 4, 4X, 12, 13; File No. E61997
 Enclosure flammability evaluated per UL 508A

NEMA/EEMAC Type 3, 3R, 4, 4X, 12, 13

IEC 60529, IP66

Meets NEMA Type 3RX requirements

APPLICATION

For effective and economical disconnect protection in the harshest corrosive environments, these enclosures provide secure door closure through the use of Type 304 stainless steel slotted quarter-turn latches.

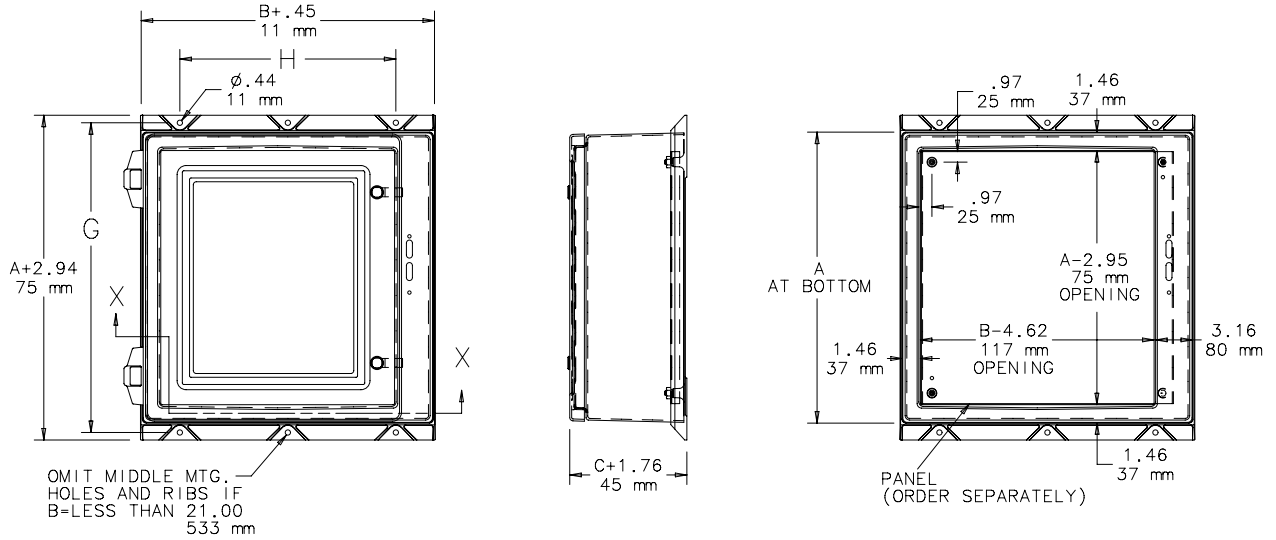
Standard Product

Catalog Number	AxBxC in./mm	Panel	Conductive Panel	Panel Size in./mm	Mounting G x H in./mm	Number of Latches
A20HS1610GQRLP	20.19 x 16.25 x 10.00 513 x 413 x 254	A20P16	A20P16G	17.00 x 13.00 432 x 330	21.81 x 10.00 554 x 254	2
A24HS2008GQRLP	24.25 x 20.25 x 8.00 616 x 514 x 203	A24P20	A24P20G	21.00 x 17.00 533 x 432	25.86 x 14.00 657 x 356	2
A24HS2408GQRLP	24.19 x 24.19 x 8.00 614 x 614 x 203	A24P24	A24P24G	21.00 x 21.00 533 x 533	25.81 x 18.00 656 x 457	2
A24HS2412GQRLP	24.19 x 24.19 x 12.00 614 x 614 x 305	A24P24	A24P24G	21.00 x 21.00 533 x 533	25.81 x 18.00 656 x 457	2
A30HS2412GQRLP	30.25 x 24.25 x 12.00 768 x 616 x 305	A30P24	A30P24G	27.00 x 21.00 686 x 533	31.95 x 18.00 812 x 457	2
A36HS3012GQRLP	36.25 x 30.25 x 12.00 921 x 768 x 305	A36P30	A36P30G	33.00 x 27.00 838 x 686	37.58 x 24.00 955 x 610	4
A48HS3612GQRLP	48.25 x 36.25 x 12.00 1226 x 921 x 305	A48P36	A48P36G	45.00 x 33.00 1143 x 838	49.58 x 30.00 1259 x 762	5
A60HS3612GQRLP	60.25 x 36.31 x 12.00 1530 x 922 x 305	A60P36	A60P36G	57.00 x 33.00 1448 x 838	61.58 x 30.00 1564 x 762	5

Purchase panels separately. Optional stainless steel, composite and aluminum panels available for most sizes. See General Accessories.

No additional "C" dimensions available.

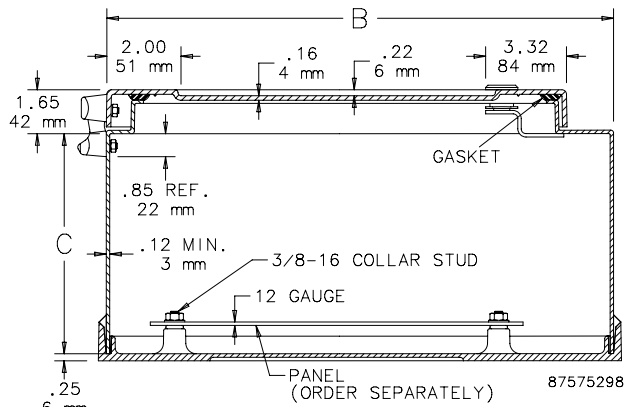
Fiberglass Disconnect, Type 4X, 30 x 24 or Smaller Drawing



FRONT VIEW WITH DOOR

SIDE VIEW

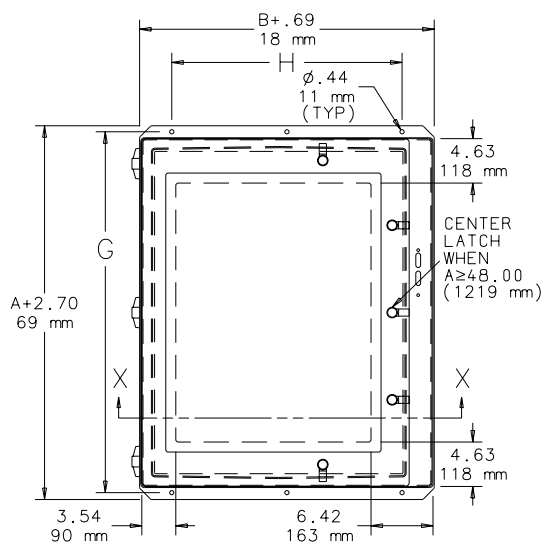
FRONT VIEW DOOR REMOVED



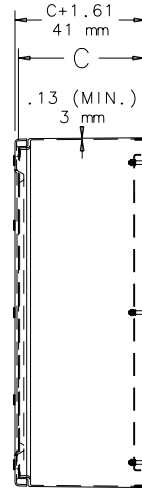
SECTION X-X



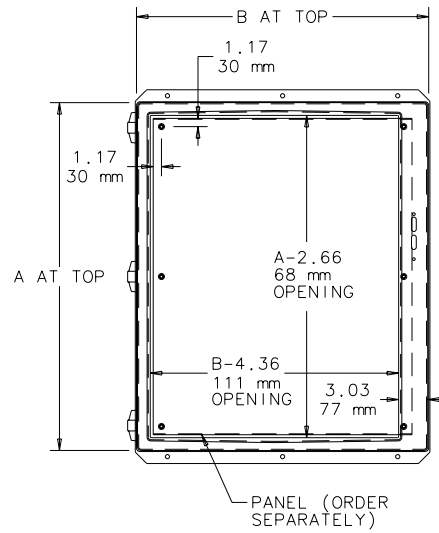
Fiberglass Disconnect, Type 4X, 36 x 30 or Larger Drawing



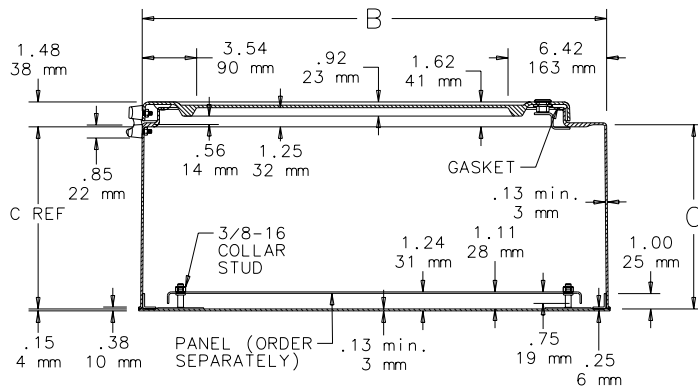
FRONT VIEW WITH DOOR



SIDE VIEW



FRONT VIEW DOOR REMOVED



SECTION X-X

87575484

- NOTE:
1. Large data pocket provision when $A=30.00$ (762mm) or more. Data pocket is furnished but not installed. Large data pocket is 12.00 x 12.00 (305mm x 305mm); small data pocket is 6.00 x 6.00 (152mm x 152mm).
 2. Internal grounding provisions on the latch side(s) of the internal body Flange.

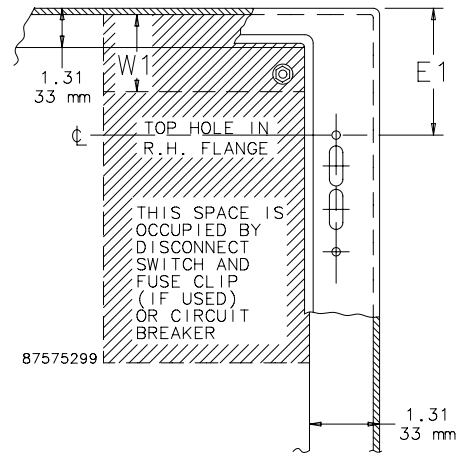
3

DISCONNECT MOUNTING SPACE

Disconnects will occupy space on panel shown in Disconnect Mounting Space Diagram. Wiring space W1 is available when disconnect is installed in the enclosure.
 E1 = 8.62 in. (219 mm) when A < 30.00 in. (768 mm) and C = 8.00 in. (203 mm), 10.00 in. (254 mm) or 12.00 in. (305 mm)
 E1 = 11.62 in. (295 mm) when A > 30.00 in. (768 mm) and C = 12.00 in. (305 mm)
 W1 = Wiring Space.

See *Technical Information for wire bend space.*
 Refer to *National Electrical Code®* 2005 article 430-10(b) for wiring space required for line side conductors to be connected to disconnect.

Verify your application to determine whether wiring space is adequate.



Consult disconnect manufacturer for F1 and G1 dimensions.



ZONEX NON-METALLIC TERMINAL ENCLOSURE



INDUSTRY STANDARDS

ATEX Directive 94/9/EC

ATEX

TUV 13 ATEX120808U

Ex e IIC Gb

Ex ta IIIC Da IP66

EN60079-0

EN60079-7

EN60079-31

Service temperature -50C to +100C

IECEX

IECEX TUV 13.0001U

Ex e IIC Gb

Ex ta IIIC Da IP66

IEC 60079-0

IEC 60079-7

IEC 60079-31

Service temperature -50C to +100C

Type 4, 4X, 12; File No. E61997

UL508A Listed

cUL Listed per CSA C22.2 No. 94; Type 4, 4X, 12; File No. E61997

NEMA / EEMAC Type 4, 4X, 12

IEC 60529, IP66

APPLICATION

ZONEX Non-Metallic Terminal Enclosure is ideal for field terminations in hazardous locations. The enclosure meets national and international standards and certifications. It can be used to protect equipment and terminations from corrosive contaminants while meeting rigorous demands. The cabinet is ideal for either panel- or din-mounted components. The enclosure meets ATEX Directives 94/9/EC and IECEx standards for increased safety in housing electrical components in Zone 1 and Zone 2 applications.

FEATURES

- Compression-molded, high-impact strength, fiberglass body and cover
- Cover includes recessed, retained, combination head (Straight blade, Phillips and Torx drive) M4 or M6 stainless steel Type 316 screws
- Retained, continuous, high-temperature silicon gasket within a labyrinth seal between cover and body
- Durable and reusable, internal M4 or M6 stainless steel inserts for DIN- and Panel-mounting
- Covered mounting screw provisions outside of gasketed area, sized M4 (#8) or M6 (1/4-in.)
- Mounting location dimensions are molded into the back side of the enclosure
- Panel mounting screws included, M4 or M6

SPECIFICATIONS

- Compression-molded fiberglass with added agents to address static charge build-up
- High-impact strength as well as high temperature-rated
- Increased Safety: Ex e applications
- Optional panels are pre-plated steel, 1.5mm (16 ga.) thick; or 2mm composite

FINISH

- Molded material has a smooth, low-gloss, black finish
- Cover screws are matte stainless steel finish

ACCESSORIES

Panels

Din Rail

Terminals

NOTES

Intrinsically safe terminal blocks can be installed through modification program to provide a populated enclosure. IECEx populated enclosures require IECEx certified components specifically listed in the approving Certification (see IECEx SIR 09.0100 for more detail).

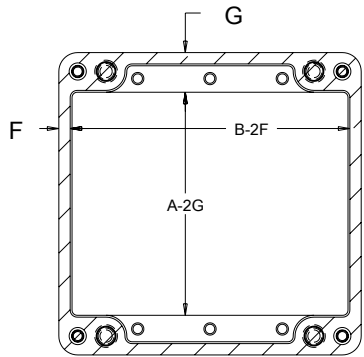
MODIFICATION AND CUSTOMIZATION

Hoffman excels at modifying and customizing products to your specifications. Hoffman offers a ZONEX-specific modification program. Contact your local Hoffman Representative or Distributor for more information.

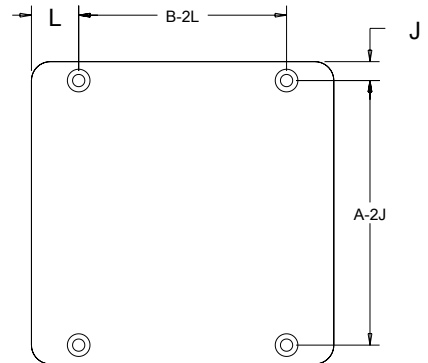
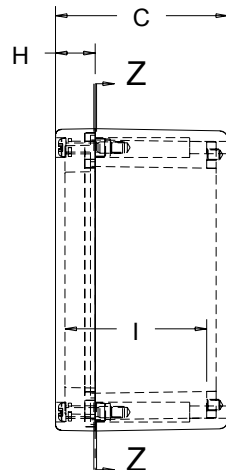
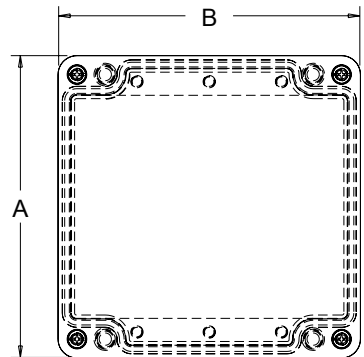
BULLETIN: HL3

Standard Product

Catalog Number	AxBxC in./mm	F in./mm	G in./mm	H in./mm	I in./mm	J in./mm	Mounting Screw Size in./mm	Panel	Panel Material	Panel Size in./mm
EXE807555	3.15 x 2.95 x 2.17 80 x 75 x 55	.17 4	.57 15	.59 15	1.65 42	.23 6	#8 4	A8075P	Composite	2.72 x 2.52 x .08 69 x 64 x 2
EXE1107555	4.33 x 2.95 x 2.17 110 x 75 x 55	.17 4	.57 15	.59 15	1.65 42	.24 6	#8 4	A11075P	Composite	3.90 x 2.52 x .08 99 x 64 x 2
EXE1607555	6.30 x 2.95 x 2.17 160 x 75 x 55	.17 4	.57 15	.59 15	1.65 42	.24 6	#8 4	A16075P	Composite	5.87 x 2.52 x .08 149 x 64 x 2
EXE1907555	7.48 x 2.95 x 2.17 190 x 75 x 55	.17 4	.57 15	.59 15	1.65 42	.23 6	#8 4	A19075P	Composite	7.05 x 2.52 x .08 179 x 64 x 2
EXE807575	3.15 x 2.95 x 2.95 80 x 75 x 75	.16 4	.56 14	.59 15	2.44 62	.23 6	#8 4	A8075P	Composite	2.72 x 2.52 x .08 69 x 64 x 2
EXE1107575	4.33 x 2.95 x 2.95 110 x 75 x 75	.16 4	.56 14	.59 15	2.44 62	.24 6	#8 4	A11075P	Composite	3.90 x 2.52 x .08 99 x 64 x 2
EXE1607575	6.30 x 2.95 x 2.95 160 x 75 x 75	.16 4	.56 14	.59 15	2.44 62	.24 6	#8 4	A16075P	Composite	5.87 x 2.52 x .08 149 x 64 x 2
EXE1907575	7.48 x 2.95 x 2.95 190 x 75 x 75	.16 4	.56 14	.59 15	2.44 62	.24 6	#8 4	A19075P	Composite	7.05 x 2.52 x .08 179 x 64 x 2
EXE12212090	4.80 x 4.72 x 3.54 122 x 120 x 90	.17 4	.75 19	.98 25	2.91 74	.32 8	1/4 6	A122120P	Plated Steel	4.25 x 4.21 x .06 108 x 107 x 1.5
EXE22012090	8.66 x 4.72 x 3.54 220 x 120 x 90	.17 4	.75 19	.98 25	2.95 75	.32 8	1/4 6	A220120P	Plated Steel	8.11 x 4.21 x .06 206 x 107 x 1.5
EXE16016090	6.30 x 6.30 x 3.54 160 x 160 x 90	.23 5.9	.79 20	.83 21	2.95 75	.39 10	1/4 6	A160160P	Plated Steel	5.63 x 5.70 x .06 143 x 144 x 1.5
EXE26016090	10.24 x 6.30 x 3.54 260 x 160 x 90	.23 5.9	.79 20	.83 21	2.95 75	.39 10	1/4 6	A260160P	Plated Steel	9.61 x 5.70 x .06 244 x 144 x 1.5
EXE36016090	14.17 x 6.30 x 3.54 360 x 160 x 90	.23 5.9	.79 20	.83 21	2.95 75	.39 10	1/4 6	A360160P	Plated Steel	13.54 x 5.70 x .06 344 x 144 x 1.5
EXE56016090	22.05 x 6.30 x 3.54 560 x 160 x 90	.21 5	.77 20	.83 21	2.95 75	.39 10	1/4 6	A560160P	Plated Steel	21.38 x 5.70 x .06 543 x 144 x 2.5
EXE255250120	10.04 x 9.84 x 4.72 255 x 250 x 120	.22 6	.79 20	.98 25	4.09 104	.39 10	1/4 6	A255250P	Plated Steel	9.45 x 9.17 x .06 240 x 233 x 1.5
EXE400250120	15.75 x 9.84 x 4.72 400 x 250 x 120	.22 6	.79 20	.98 25	4.09 104	.39 10	1/4 6	A400250P	Plated Steel	15.12 x 9.17 x .06 384 x 233 x 1.5
EXE400405120	15.75 x 15.94 x 4.72 400 x 405 x 120	.23 6	.79 20	.98 25	4.09 104	.39 10	1/4 6	A400405P	Plated Steel	15.16 x 15.35 x .06 385 x 390 x 1.5
EXE400405165	15.75 x 15.94 x 6.50 400 x 405 x 165	.20 5	.76 19	.98 25	5.87 149	.39 10	1/4 6	A400405P	Plated Steel	15.16 x 15.35 x .06 385 x 390 x 1.5



Z-Z



89103188



FREE-STAND, TYPE 4X

SPECIFICATIONS

- Fiberglass-reinforced polyester material has excellent temperature and chemical resistance and exhibits outstanding physical properties
- Fiberglass material is easily punched, drilled, filed or sawed
- Models have either a 3-point latching system with handle or stainless steel captivated door screws
- Gasket assures water-tight and dust-tight seal
- Painted steel top, bottom and side internal reinforcements standard; stainless steel corner reinforcements optional
- Heavy-duty Type 316 stainless steel lifting eyes
- Accessory mounting channels attached horizontally to interior body sides at top, bottom and center. Painted mounting channels standard; stainless steel optional.
- Panels and rack-mounting angles can be mounted anywhere along corner channels; panels can be mounted on sides or back
- Hinges are corrosion-resistant fiberglass with Type 316 stainless steel hinge pins
- Large, high-impact thermoplastic data pocket (12.00 x 12.00 in. or 305 x 305 mm) is provided
- Molded-in angular sealing flange directs water away from gasket area
- Type 316 stainless steel POWERGLIDE Handle on handle versions
- Material is halogen free

FINISH

Standard fiberglass enclosure is gray inside and out. Optional mild-steel panels are painted white. Optional conductive panels are available.

ACCESSORIES

See also Accessories.
 Accessory Selection for Free-Stand, Type 4X
 Floor Stand Kit
 H2OMIT Vent Drains, Type 4X
 H2OMIT Thermoelectric Dehumidifier
 HOL-SEALERS Non-Metallic Hole Seals

MODIFICATION AND CUSTOMIZATION

Hoffman excels at modifying and customizing products to your specifications. Contact your local Hoffman sales office or distributor for complete information.

BULLETIN: A17
INDUSTRY STANDARDS

UL 508A Listed; Type 3, 3R, 4, 4X, 12; File No. E61997
 cUL Listed per CSA C22.2 No 94; Type 3, 3R, 4, 4X, 12; File No. E61997
 Enclosure flammability evaluated per UL 508A

NEMA Type 3, 3R, 4, 4X, 12, 13
 E.I.A. RS-310-D
 IEC 60529, IP66
 Meets NEMA Type 3RX requirements

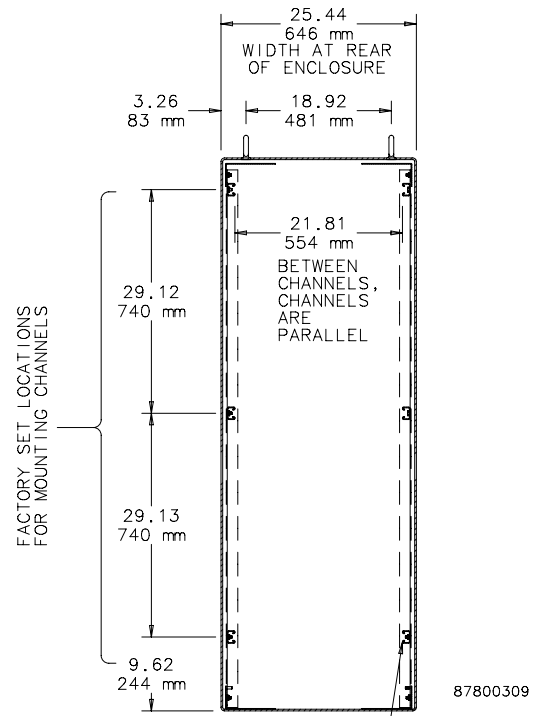
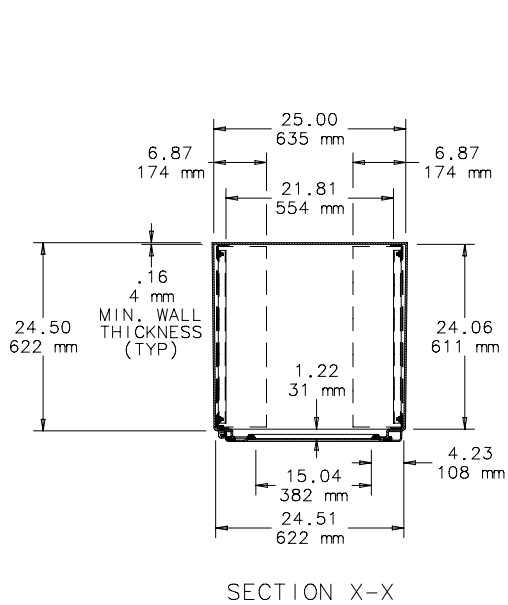
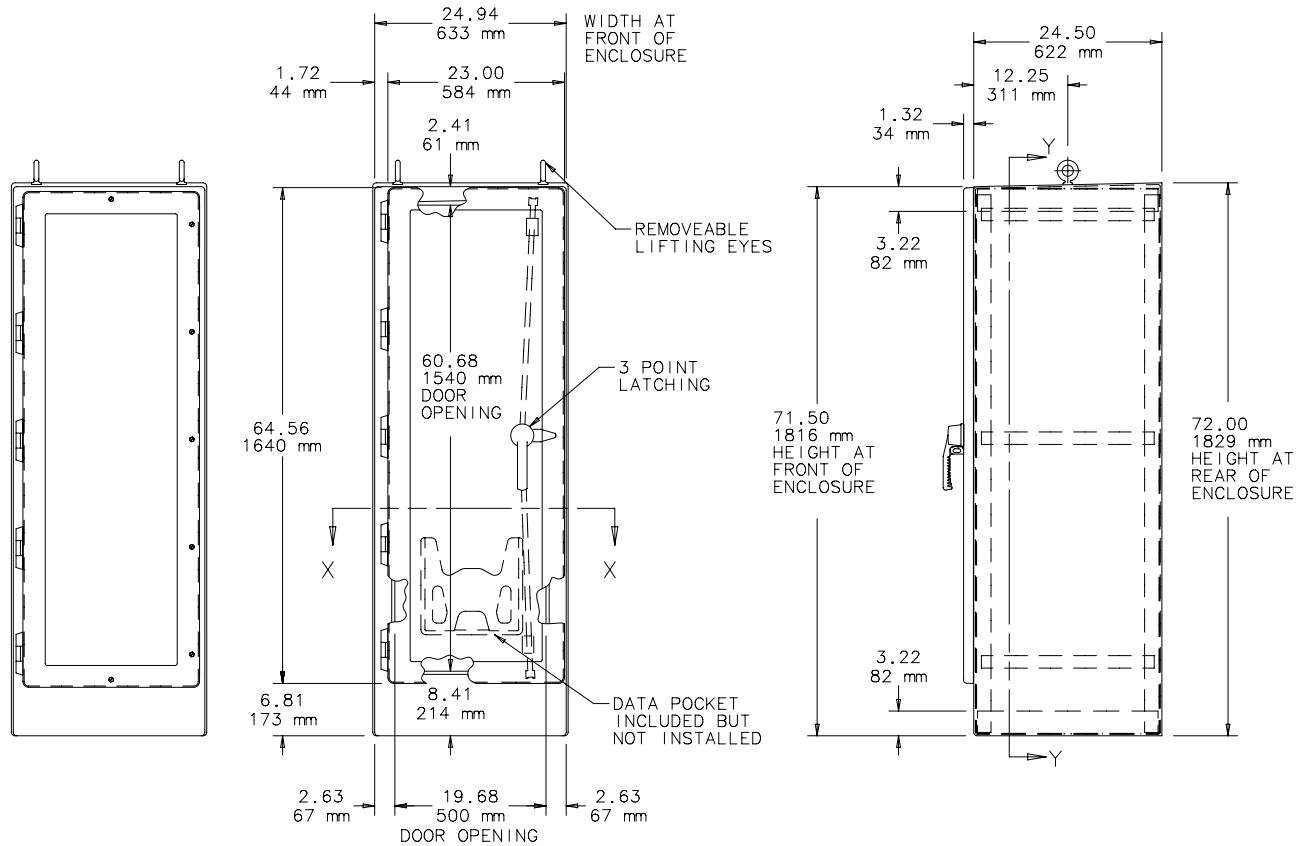
APPLICATION

An economical housing for corrosive environments, single-door, free-stand enclosures provide a versatile solution for applications that require flexibility when mounting panels and racks. Benefits include easy access to equipment, larger capacity for control systems, steel reinforcements for stability and strength, captivated door screws and an optional POWERGLIDE Handle for secure latching.

3

Standard Product

Catalog Number	AxBxC in.	AxBxC mm	Description	Estimated Ship Wt. (lb.)	Estimated Ship Wt. (kg)
A722525FGFS	72.00 x 25.00 x 24.50	1829 x 635 x 622	Stainless steel captivated door screws	215	97.5
A722525FGFS3PT	72.00 x 25.00 x 24.50	1829 x 635 x 622	3-point latching system/Type 316 stainless steel handle	215	97.5



NOTE: Door opens 175°.

MOUNTING CHANNELS FOR REGULAR PANELS, SWING OUT PANELS, AND RELAY RACK ANGLES, CHANNELS ARE REMOVEABLE AND CAN BE REPOSITIONED

87800309



ACCESSORY SELECTION FOR FREE-STAND, TYPE 4X

For details, see Accessories chapter.

BULLETIN: A17Y, A80, D10, PNL30, PNLFS

Panels

Catalog Number	Description	Size (in.)	Size (mm)
A72P24F1	Full Panel, Steel	60.00 x 20.00	1524 x 508
A72P24F2	Half Panel, Steel	30.88 x 20.00	784 x 508
A72P24F1G	Full Panel, Conductive	60.00 x 20.00	1524 x 508
A72P24F2G	Half Panel, Conductive	30.88 x 20.00	784 x 508

Purchase panels and accessories separately.

Swing-Out Panels

Catalog Number	Description	Size (in.)	Size (mm)
A72SP24F3	Full Swing-Out Panel	60.00 x 18.19	1524 x 462
A72SP24F4	Half Swing-Out Panel	30.88 x 18.19	784 x 462

Purchase panels and accessories separately.

Half Swing-Out Panel fits in top or bottom half of enclosure.

Side-Mounted Panels

Catalog Number	Description	Size (in.)	Size (mm)
A72SMP14	14.00 inch (356mm) Wide Panel, Steel	60.00 x 14.00	1524 x 356
A72SMP20	20.00 inch (508mm) Wide Panel, Steel	60.00 x 20.00	1524 x 508

Catalog Number	Description	Size (in.)	Size (mm)
A72SMP14G	14.00 inch (356mm) Wide Panel, Conductive	60.00 x 14.00	1524 x 356
A72SMP20G	20.00 inch (508mm) Wide Panel, Conductive	60.00 x 20.00	1524 x 508

Purchase panels and accessories separately.

Clamping Nuts

Catalog Number	Description	Package Qty
APS1420CN	1/4-20 Clamping Nut	20
APS51618CN	5/16-18 Clamping Nut	20

Purchase panels and accessories separately.

Casters

Catalog Number	Description	Size (in.)	Size (mm)
DMCKC	Set of four casters	4.00 x 3.00	102 x 76

Requires Bottom Support

Purchase panels and accessories separately.

Inside Bottom Support

Catalog Number	Description	Size (in.)	Size (mm)
A17SUPPORT1	Enclosure bottom support allows installation of casters or floor-stand kits.	23.70 x 23.25	602 x 591

Purchase panels and accessories separately.

RACK MOUNTING ACCESSORY SELECTION FOR FREE-STAND, TYPE 4X

For details, see Accessories chapter.

BULLETIN: A80, P20

Rack Mounting Angles

Catalog Number	Description	Length (in.)	Length (mm)	Units
A72RP24F5	Two Full-Length Angles (Type RP)	61.25	1556	35
A72RP24F6	Two Half-Length Angles (Type RP)	31.50	800	18
A60RA19TH	Two Full-Length Angles (Type RA)	49.00	1245	28
A72RA19TH	Two Full-Length Angles (Type RA)	61.25	1556	35

Purchase accessories separately.

1 unit = 1.75 in. (44mm)

Clip Nut Package

Catalog Number	Description	Package Qty	Size
AN1032	#10-32 Zinc-Plated	20	Fits U-Style (Type RA) Rack Mounting Angle

Purchase accessories separately.

Rack Panels

Catalog Number	Description	Size (in.)	Size (mm)	Units
P19RP1UA	Aluminum	19.00 x 1.75	483 x 44	1
P19RP1UP	Steel	19.00 x 1.75	483 x 44	1
P19RP2UA	Aluminum	19.00 x 3.50	483 x 89	2
P19RP2UP	Steel	19.00 x 3.50	483 x 89	2
P19RP3UA	Aluminum	19.00 x 5.25	483 x 133	3
P19RP3UP	Steel	19.00 x 5.25	483 x 133	3
P19RP4UA	Aluminum	19.00 x 7.00	483 x 178	4
P19RP4UP	Steel	19.00 x 7.00	483 x 178	4
P19RP5UA	Aluminum	19.00 x 8.75	483 x 222	5
P19RP5UP	Steel	19.00 x 8.75	483 x 222	5
P19RP6UA	Aluminum	19.00 x 10.50	483 x 267	6
P19RP6UP	Steel	19.00 x 10.50	483 x 267	6
P19RP7UA	Aluminum	19.00 x 12.25	483 x 311	7
P19RP7UP	Steel	19.00 x 12.25	483 x 311	7
P19RP8UA	Aluminum	19.00 x 14.00	483 x 356	8
P19RP8UP	Steel	19.00 x 14.00	483 x 356	8
P19RP9UP	Steel	19.00 x 15.75	483 x 400	9
P19RP10UP	Steel	19.00 x 17.50	483 x 445	10
P19RP11UA	Aluminum	19.00 x 19.25	483 x 489	11
P19RP11UP	Steel	19.00 x 19.25	483 x 489	11
P19RP12UA	Aluminum	19.00 x 21.00	483 x 533	12
P19RP12UP	Steel	19.00 x 21.00	483 x 533	12
P19RP16UP	Steel	19.00 x 28.00	483 x 711	16

Purchase panels and accessories separately.

1 unit = 1.75 in. (44 mm)

Screw Package

Catalog Number	Description	Package Qty
AS1032	10-32 Truss Head Nickel-Plated	20

Purchase accessories separately.

Drawers

Catalog Number	Description	Depth (in.)	Depth (mm)	Units
A19DR2U	Pull-Out Drawer	3.47	88	2
A19DR4U	Pull-Out Drawer	6.97	177	4

Purchase accessories separately.

1 unit = 1.75 in. (44 mm)

Requires two sets of Type RA Rack Mounting Angles for installation.

Writing Surface for Drawers

Catalog Number	Description	Size
A19WSDR	Hinged Surface	Fits Drawer A19DR2U and A19DR4U

Purchase accessories separately.

Shelves

Catalog Number	Description	Units
A19SHP6	Pull-Out Shelf	2
A19SH5	Fixed Shelf	1
A19SH6	Fixed Shelf	1

Purchase accessories separately.

1 unit = 1.75 in. (44 mm)

Guides

Catalog Number	Description	Unit
AG1U6	Chassis Guide (set of two)	1

Purchase accessories separately.

1 unit = 1.75 in. (44 mm)



TWO-DOOR FREE-STAND, TYPE 4X

INDUSTRY STANDARDS

UL 508A Listed; Type 3, 3R, 4, 4X, 12; File No. E61997
 cUL Listed per CSA C22.2 No 94; Type 3, 3R, 4, 4X, 12; File No. E61997
 Enclosure flammability evaluated per UL 508A

NEMA Type 3, 3R, 4, 4X, 12, 13
 IEC 60529, IP66
 Meets NEMA Type 3RX requirements

APPLICATION

An economical way to house electronics in corrosive environments, two-door enclosures provide easy access to equipment, larger capacity for control systems and steel reinforcements that ensure stability and strength. These enclosures feature captivated door screws and an optional POWERGLIDE Handle for secure latching.

SPECIFICATIONS

- Fiberglass-reinforced polyester material has excellent temperature and chemical resistance and exhibits outstanding physical properties
- Seams are sealed; no holes or knockouts
- Fiberglass material is easily punched, drilled, filed or sawed
- Models have either a 3-point latching system with handle or stainless steel captivated door screws
- Type 316 stainless steel POWERGLIDE Handle on handle versions
- Stainless steel captivated door screws on screw versions
- Gasket assures a water-tight and dust-tight seal
- Painted steel top, bottom and side internal reinforcements standard; stainless steel corner reinforcements optional
- Solid centerpost (not removable) has heavy-gauge stiffener

- Heavy-duty Type 316 stainless steel lifting eyes
- Hinges are corrosion-resistant fiberglass with Type 316 stainless steel hinge pins
- Large data pocket (12.00 x 12.00 in. or 305 x 305 mm) is high-impact thermoplastic
- Molded-in angular sealing flange directs water away from gasket area
- Material is halogen free

FINISH

Standard fiberglass enclosure is gray inside and out. White painted mild steel panels are included. Optional conductive panels are available.

ACCESSORIES

See also *Accessories*.
 Accessory Selection for Free-Stand, Type 4X
 Bottom Support Kits
 Floor Stand Kit
 H2OMIT Vent Drains, Type 4X
 H2OMIT Thermoelectric Dehumidifier
 HOL-SEALERS Non-Metallic Hole Seals

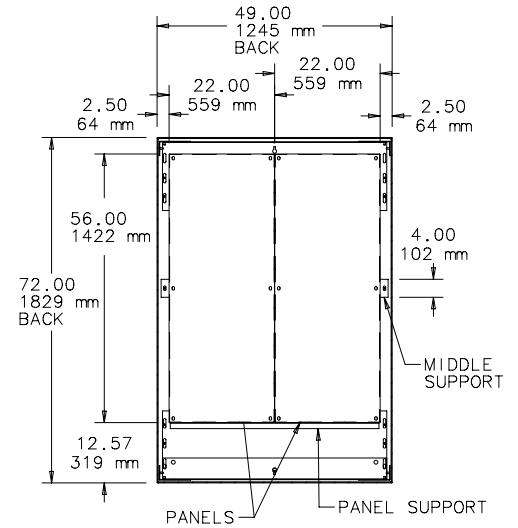
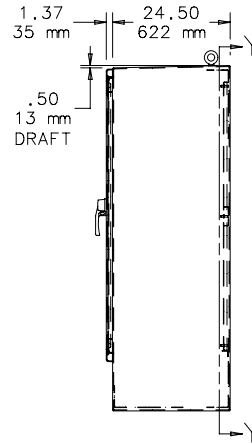
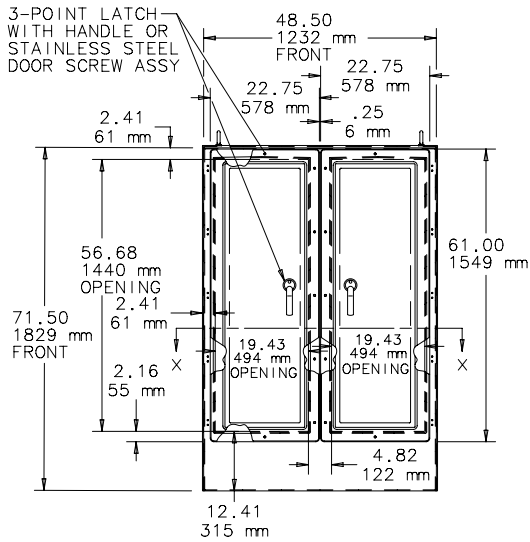
MODIFICATION AND CUSTOMIZATION

Hoffman excels at modifying and customizing products to your specifications. Contact your local Hoffman sales office or distributor for complete information.

BULLETIN: A17

Standard Product

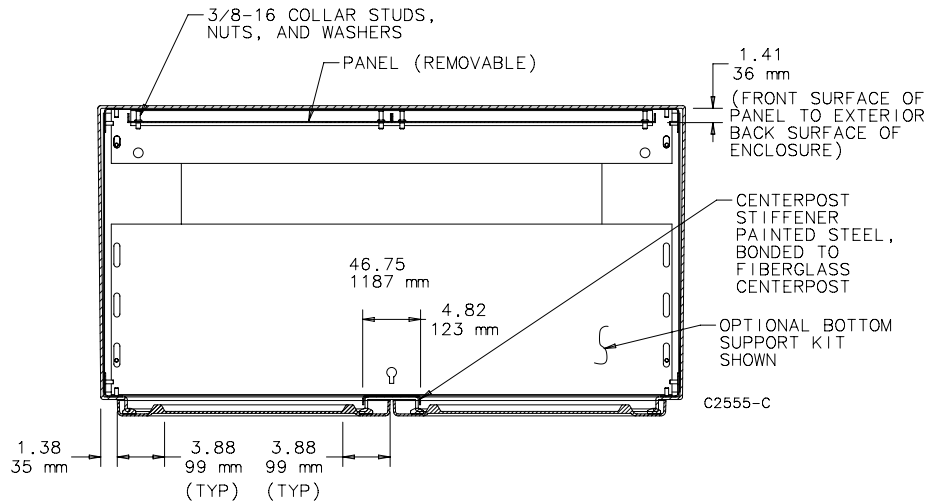
Catalog Number	AxBxC in./mm	Number of Panels	Panel Size in./mm
A724925FG	72.00 x 49.00 x 24.50 1829 x 1245 x 622	2	56.00 x 22.00 1422 x 559
A724925FGFS3PT	72.00 x 49.00 x 24.50 1829 x 1245 x 622	2	56.00 x 22.00 1422 x 559



SECTION Y-Y

- NOTE:
1. Upper, middle, and lower supports as well as centerpost stiffener are steel.
 2. Optional Bottom Support Kit required when installing Caster, Floor-Stand Kit, or Unistrut Mounting Kit.

- NOTE: Section Y-Y shown with the optional Bottom Support Kit and Unistrut Mounting Kit accessories installed.



SECTION X-X

BOTTOM SUPPORT KITS

BULLETIN: A17Y

Catalog Number	Description
A17SUPPORT2	Inside Bottom Support -- Enclosure bottom support to allow option of installing casters or floor stand kits
A17UNISTRUT	Bolt-On Unistrut Channel (8 channels) -- Painted steel unistrut for accessory mounting

A17SUPPORT2 required to install A17UNISTRUT in two-door enclosures



QLINE D PUSHBUTTON, TYPE 4X

APPLICATION

Used for insulating and housing 30.5-mm or 22.5-mm pushbuttons in hostile environments, QLINE D Enclosures have contoured bodies with flush cover screws for an attractive, contemporary appearance.

SPECIFICATIONS

- High-impact polycarbonate material is used for both body and cover
- Polycarbonate material is easily punched, drilled, filed or sawed
- Straight side walls permit ganging of multiple enclosures
- Cross-point captivated cover screws are stainless steel
- Mounting holes molded directly adjacent to cover screws
- Cover screws protected by removable caps that are both aesthetic and provide tamper resistance
- Molded internal pads for mounting optional panels, rails or other components
- Seamless foam-in-place gasket assures water-tight and dust-tight seal
- Screws provided for mounting optional panel
- Mounting hardware furnished
- Material is halogen free

FINISH

Polycarbonate enclosure material is RAL 7035 light-gray inside and out. Optional panels are unpainted plated steel.

ACCESSORIES

See also *Accessories*.
 Hardware Kit
 Hinge Kit
 Mounting Bracket Kit

BULLETIN: Q41
INDUSTRY STANDARDS

UL 508A Listed; Type 4, 4X, 12, 13; No. E61997
 cUL Listed per CSA C22.2 No 94; Type 4, 4X, 12, 13; No. E61997
 Enclosure flammability evaluated per UL 508A

NEMA/EEMAC Type 4, 4X, 12
 CSA File Number 42186: Type 4, 4X, 12
 IEC 60529, IP67

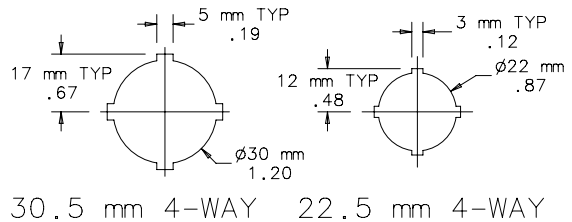
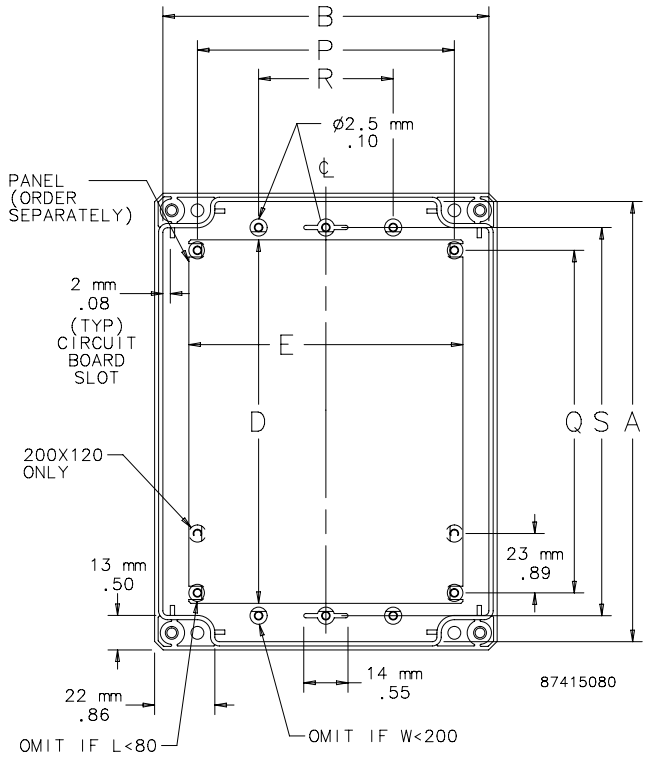
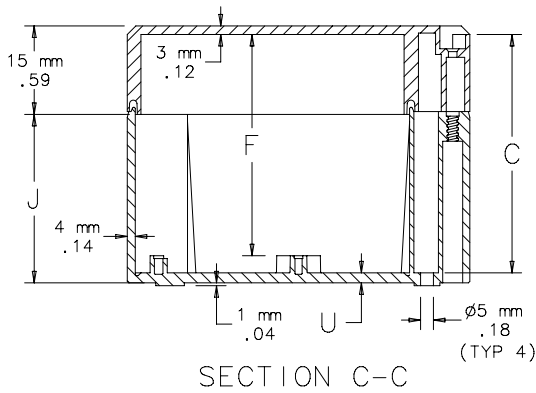
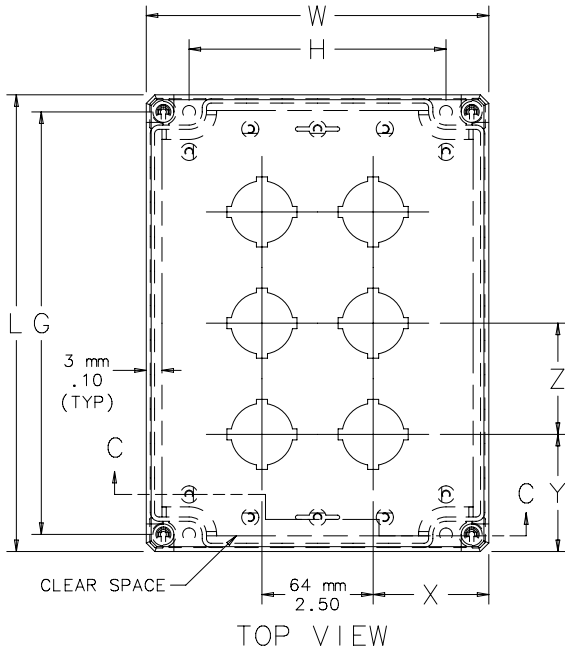
3

Standard Product

Catalog Number	AxBxC mm/in.	Hole Size mm/in.	External Dimensions L x W mm/in.	Panel	Panel Size D x E mm/in.	Mounting G x H mm/in.	F mm/in.	J mm/in.	P mm/in.	Q mm/in.	R mm/in.	S mm/in.	U mm/in.	X mm/in.	Y mm/in.	Z mm/in.
Q1PBPCD	75 x 73 x 79 2.95 x 2.87 x 3.11	30.5	82 x 80 3.23 x 3.15	Q88PD	68 x 55 2.68 x 2.17	70 x 50 2.76 x 1.97	72 2.83	70 2.76	58 2.28	44 1.73	—	58 2.28	3 0.12	40 1.57	41 1.61	—
Q1PBPCDM	75 x 73 x 79 2.95 x 2.87 x 3.11	22.5	82 x 80 3.23 x 3.15	Q88PD	68 x 55 2.68 x 2.17	70 x 50 2.76 x 1.97	72 2.83	70 2.76	58 2.28	44 1.73	—	58 2.28	3 0.12	40 1.57	41 1.61	—
Q2PBPCD	113 x 73 x 79 4.45 x 2.87 x 3.11	30.5	120 x 80 4.72 x 3.15	Q128PD	91 x 65 3.58 x 2.56	108 x 50 4.25 x 1.97	72 2.83	70 2.76	58 2.28	82 3.22	—	96 3.78	3 0.12	40 1.57	36 1.42	48 1.89
Q2PBPCDM	113 x 73 x 79 4.45 x 2.87 x 3.11	22.5	120 x 80 4.72 x 3.15	Q128PD	91 x 65 3.58 x 2.56	108 x 50 4.25 x 1.97	72 2.83	70 2.76	58 2.28	82 3.22	—	96 3.78	3 0.12	40 1.57	36 1.42	48 1.89
Q3PBPCD	153 x 73 x 79 6.02 x 2.87 x 3.11	30.5	160 x 80 6.30 x 3.15	Q168PD	131 x 65 5.16 x 2.56	148 x 50 5.83 x 1.97	72 2.83	70 2.76	58 2.28	122 4.80	—	136 5.35	3 0.12	40 1.57	32 1.26	48 1.89
Q3PBPCDM	153 x 73 x 79 6.02 x 2.87 x 3.11	22.5	160 x 80 6.30 x 3.15	Q168PD	131 x 65 5.16 x 2.56	148 x 50 5.83 x 1.97	72 2.83	70 2.76	58 2.28	122 4.80	—	136 5.35	3 0.12	40 1.57	32 1.26	48 1.89
Q4PBPCD	193 x 113 x 79 7.60 x 4.45 x 3.11	30.5	200 x 120 7.87 x 4.72	Q2012PD	170 x 100 6.69 x 3.94	188 x 90 7.40 x 3.54	72 2.83	70 2.76	90 3.54	160 6.30	40 1.57	176 6.93	3 0.12	60 2.36	28 1.10	48 1.89
Q4PBPCDM	193 x 113 x 79 7.60 x 4.45 x 3.11	22.5	200 x 120 7.87 x 4.72	Q2012PD	170 x 100 6.69 x 3.94	188 x 90 7.40 x 3.54	72 2.83	70 2.76	90 3.54	160 6.30	40 1.57	176 6.93	3 0.12	60 2.36	28 1.10	48 1.89
Q6PBPCD	233 x 153 x 84 9.17 x 6.02 x 3.29	30.5	240 x 160 9.45 x 6.30	Q2416PD	211 x 148 8.31 x 5.83	228 x 130 8.98 x 5.12	78 3.07	75 2.95	138 5.43	202 7.95	75 2.95	215 8.46	4 0.16	48 1.89	56 2.20	64 2.52

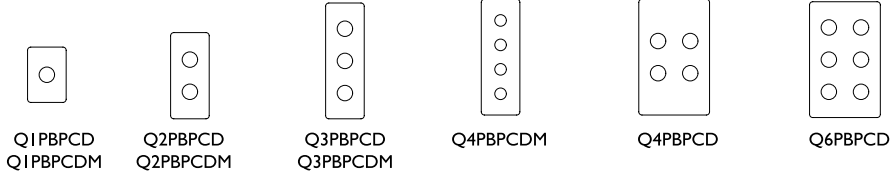
A x B x C are internal dimensions.

Purchase panels separately.



QLINE D Polycarbonate Type 4X Pushbutton Hole Arrangement Drawing

Hole Arrangement



QLINE D, TYPE 4X



INDUSTRY STANDARDS

Polycarbonate Enclosure

UL 508A Listed; Type 4, 4X, 6, 12, 13; File No. E61997
 cUL Listed per CSA C22.2 No 94; Type 4, 4X, 6, 12, 13; File No. E61997
 Enclosure flammability evaluated per UL 508A

NEMA/EEMAC Type 4, 4X, 6, 12, 13
 CSA File No. 42186: Type 4, 4X, 6, 12, 13
 IEC 60529, IP67

ABS Enclosure

NEMA/EEMAC Type 4, 4X, 6, 12, 13
 IEC 60529, IP67

APPLICATION

QLINE D polycarbonate and ABS enclosures have contoured bodies with flush cover screws for an attractive, contemporary appearance. Tough as well as stylish, they are functional in corrosive environments and can withstand occasional submersion. The ABS series shares the same features and similar physical properties as the polycarbonate but is a more economical, non-UL rated alternative.

SPECIFICATIONS

- Body is impact-resistant polycarbonate for PCD series and ABS for ABD series
- Opaque and clear covers are impact-resistant polycarbonate for PCD series and ABS for ABD series
- Polycarbonate material is easily punched, drilled, filed or sawed
- Straight side walls permit ganging of multiple enclosures
- Cross-point captivated cover screws are stainless steel
- Mounting holes molded directly adjacent to cover screws
- Cover screws protected by removable caps that are aesthetic and provide tamper resistance
- Molded internal pads for mounting optional panels, rails and other components
- Panel mounting feature on both body and cover
- Seamless foam-in-place gasket assures water-tight and dust-tight seal
- Screws provided for mounting optional panel
- Material is halogen free

FINISH

Polycarbonate and ABS enclosures are light-gray (RAL 7035) inside and out. Optional panels are plated steel.

ACCESSORIES

See also Accessories.
 Hardware Kit
 Hinge Kit
 HOL-SEALERS Non-Metallic Hole Seals
 Mounting Bracket Kit

MODIFICATION AND CUSTOMIZATION

Hoffman excels at modifying and customizing products to your specifications. Contact your local Hoffman sales office or distributor for complete information.

BULLETIN: Q41



Standard Product **Polycarbonate**

Catalog Number	AxBxC mm/in.	Cover Style	External Dimensions		Panel	Panel Size D x E mm/in.	Mounting G x H mm/in.	F mm/in.	J mm/in.	K mm/in.	P mm/in.	Q mm/in.	R mm/in.	S mm/in.	U mm/in.
			L x W mm/in.	Panel											
Q554PCD	53 x 55 x 36	Opaque	55 x 53	—	—	—	43 x 41	28	25	10	16	—	—	—	2
	2.09 x 2.17 x 1.42		2.17 x 2.09	—											
Q554PCDCC	53 x 55 x 36	Clear	55 x 53	—	—	—	43 x 41	28	25	10	16	—	—	—	2
	2.09 x 2.17 x 1.42		2.17 x 2.09	—											
Q886PCD	76 x 74 x 49	Opaque	82 x 80	Q88PD	68 x 55	70 x 50	42	40	15	58	44	—	—	58	3
	2.97 x 2.89 x 1.93		3.23 x 3.15	2.68 x 2.17	2.76 x 1.97	1.65	1.57	0.59	2.28	1.73	—	—	2.28	0.12	
Q886PCDCC	76 x 74 x 49	Clear	82 x 80	Q88PD	68 x 55	70 x 50	42	40	15	58	44	—	—	58	3
	2.97 x 2.89 x 1.93		3.23 x 3.15	2.68 x 2.17	2.76 x 1.97	1.65	1.57	0.59	2.28	1.73	—	—	2.28	0.12	
Q1286PCD	114 x 74 x 49	Opaque	120 x 80	Q128PD	91 x 65	108 x 50	42	40	15	58	82	—	—	96	3
	4.47 x 2.89 x 1.93		4.72 x 3.15	3.58 x 2.56	4.25 x 1.97	1.65	1.57	0.59	2.28	3.23	—	—	3.78	0.12	
Q1286PCDCC	114 x 74 x 49	Clear	120 x 80	Q128PD	91 x 65	108 x 50	42	40	15	58	82	—	—	96	3
	4.47 x 2.89 x 1.93		4.72 x 3.15	3.58 x 2.56	4.25 x 1.97	1.65	1.57	0.59	2.28	3.23	—	—	3.78	0.12	
Q1686PCD	154 x 74 x 49	Opaque	160 x 80	Q168PD	131 x 65	148 x 50	42	40	15	58	122	—	—	136	3
	6.04 x 2.89 x 1.93		6.30 x 3.15	5.16 x 2.56	5.83 x 1.97	1.65	1.57	0.59	2.28	4.80	—	—	5.35	0.12	
Q1686PCDCC	154 x 74 x 49	Clear	160 x 80	Q168PD	131 x 65	148 x 50	42	40	15	58	122	—	—	136	3
	6.04 x 2.89 x 1.93		6.30 x 3.15	5.16 x 2.56	5.83 x 1.97	1.65	1.57	0.59	2.28	4.80	—	—	5.35	0.12	
Q12126PCD	120 x 122 x 56	Opaque	122 x 120	Q1212PD	105 x 93	110 x 90	42	40	15	98	84	—	—	98	3
	4.72 x 4.80 x 2.20		4.80 x 4.72	4.13 x 3.66	4.33 x 3.54	1.65	1.57	0.59	3.86	3.31	—	—	3.86	0.12	
Q12126PCDCC	120 x 122 x 56	Clear	122 x 120	Q1212PD	105 x 93	110 x 90	42	40	15	98	84	—	—	98	3
	4.72 x 4.80 x 2.20		4.80 x 4.72	4.13 x 3.66	4.33 x 3.54	1.65	1.57	0.59	3.86	3.31	—	—	3.86	0.12	
Q20158PCD	150 x 200 x 76	Opaque	200 x 150	Q2015PD	170 x 128	188 x 120	62	60	15	118	160	118	176	176	3
	5.91 x 7.87 x 2.99		7.87 x 5.91	6.69 x 5.04	7.40 x 4.72	2.44	2.36	0.59	4.65	6.30	4.65	6.30	4.65	6.93	0.12
Q20158PCDCC	150 x 200 x 76	Clear	200 x 150	Q2015PD	170 x 128	188 x 120	62	60	15	118	160	118	176	176	3
	5.91 x 7.87 x 2.99		7.87 x 5.91	6.69 x 5.04	7.40 x 4.72	2.44	2.36	0.59	4.65	6.30	4.65	6.30	4.65	6.93	0.12
Q889PCD	80 x 82 x 86	Opaque	82 x 80	Q88PD	68 x 55	70 x 50	72	70	15	58	44	37	58	58	3
	3.15 x 3.23 x 3.39		3.23 x 3.15	2.68 x 2.17	2.76 x 1.97	2.83	2.76	0.59	2.28	1.73	1.46	2.28	2.28	0.12	
Q889PCDCC	80 x 82 x 86	Clear	82 x 80	Q88PD	68 x 55	70 x 50	72	70	15	58	44	37	58	58	3
	3.15 x 3.23 x 3.39		3.23 x 3.15	2.68 x 2.17	2.76 x 1.97	2.83	2.76	0.59	2.28	1.73	1.46	2.28	2.28	0.12	
Q1289PCD	113 x 73 x 79	Opaque	120 x 80	Q128PD	91 x 65	108 x 50	72	70	15	58	82	—	—	96	3
	4.45 x 2.87 x 3.11		4.72 x 3.15	3.58 x 2.56	4.25 x 1.97	2.83	2.76	0.59	2.28	3.23	—	—	3.78	0.12	
Q1289PCDCC	113 x 73 x 79	Clear	120 x 80	Q128PD	91 x 65	108 x 50	72	70	15	58	82	—	—	96	3
	4.45 x 2.87 x 3.11		4.72 x 3.15	3.58 x 2.56	4.25 x 1.97	2.83	2.76	0.59	2.28	3.23	—	—	3.78	0.12	
Q1689PCD	113 x 73 x 79	Opaque	160 x 80	Q168PD	131 x 65	148 x 50	72	70	15	58	122	—	—	136	3
	4.45 x 2.87 x 3.11		6.30 x 3.15	5.16 x 2.56	5.83 x 1.97	2.83	2.76	0.59	2.28	4.80	—	—	5.35	0.12	
Q1689PCDCC	113 x 73 x 79	Clear	160 x 80	Q168PD	131 x 65	148 x 50	72	70	15	58	122	—	—	136	3
	4.45 x 2.87 x 3.11		6.30 x 3.15	5.16 x 2.56	5.83 x 1.97	2.83	2.76	0.59	2.28	4.80	—	—	5.35	0.12	
Q12129PCD	120 x 122 x 86	Opaque	122 x 120	Q1212PD	105 x 93	110 x 90	72	70	15	98	84	97	98	98	3
	4.72 x 4.80 x 3.39		4.80 x 4.72	4.13 x 3.66	4.33 x 3.54	2.83	2.76	0.59	3.86	3.31	3.82	3.82	3.86	0.12	
Q12129PCDCC	120 x 122 x 86	Clear	122 x 120	Q1212PD	105 x 93	110 x 90	72	70	15	98	84	97	98	98	3
	4.72 x 4.80 x 3.39		4.80 x 4.72	4.13 x 3.66	4.33 x 3.54	2.83	2.76	0.59	3.86	3.31	3.82	3.82	3.86	0.12	
Q20129PCD	193 x 113 x 79	Opaque	200 x 120	Q2012PD	170 x 100	188 x 90	72	70	15	90	160	40	176	176	3
	7.60 x 4.45 x 3.11		7.87 x 4.72	6.69 x 3.94	7.40 x 3.54	2.83	2.76	0.59	3.54	6.30	1.57	6.30	4.65	6.93	0.12
Q20129PCDCC	193 x 113 x 79	Clear	200 x 120	Q2012PD	170 x 100	188 x 90	72	70	15	90	160	40	176	176	3
	7.60 x 4.45 x 3.11		7.87 x 4.72	6.69 x 3.94	7.40 x 3.54	2.83	2.76	0.59	3.54	6.30	1.57	6.30	4.65	6.93	0.12
Q30239PCD	293 x 223 x 79	Opaque	300 x 230	Q3023PD	265 x 210	288 x 200	73	55	30	198	255	160	275	275	4
	11.54 x 8.78 x 3.11		11.81 x 9.05	10.43 x 8.27	11.34 x 7.87	2.87	2.17	1.18	7.80	10.04	6.30	10.83	10.83	0.16	
Q30239PCDCC	230 x 300 x 86	Clear	300 x 230	Q3023PD	265 x 210	288 x 200	73	55	30	198	255	160	275	275	4
	9.06 x 11.81 x 3.39		11.81 x 9.05	10.43 x 8.27	11.34 x 7.87	2.87	2.17	1.18	7.80	10.04	6.30	10.83	10.83	0.16	
Q16129PCD	153 x 113 x 84	Opaque	160 x 120	Q1612PD	130 x 100	148 x 90	78	60	30	90	120	—	—	136	3
	6.02 x 4.45 x 3.29		6.30 x 4.72	5.12 x 3.94	5.83 x 3.54	3.07	2.36	1.18	3.54	4.72	—	—	5.35	0.12	
Q16129PCDCC	153 x 113 x 84	Clear	160 x 120	Q1612PD	130 x 100	148 x 90	78	60	30	90	120	—	—	136	3
	6.02 x 4.45 x 3.29		6.30 x 4.72	5.12 x 3.94	5.83 x 3.54	3.07	2.36	1.18	3.54	4.72	—	—	5.35	0.12	
Q24169PCD	233 x 153 x 84	Opaque	240 x 160	Q2416PD	211 x 148	228 x 130	78	75	15	138	202	75	215	215	4
	9.17 x 6.02 x 3.29		9.45 x 6.30	8.31 x 5.83	8.98 x 5.12	3.07	2.95	0.59	5.43	7.95	2.95	2.95	8.46	8.46	0.16
Q24169PCDCC	233 x 153 x 84	Clear	240 x 160	Q2416PD	211 x 148	228 x 130	78	75	15	138	202	75	215	215	4
	9.17 x 6.02 x 3.29		9.45 x 6.30	8.31 x 5.83	8.98 x 5.12	3.07	2.95	0.59	5.43	7.95	2.95	2.95	8.46	8.46	0.16
Q302311PCD	230 x 300 x 111	Opaque	300 x 230	Q3023PD	265 x 210	288 x 200	98	55	55	198	255	160	275	275	4
	9.06 x 11.81 x 4.37		11.81 x 9.06	10.43 x 8.27	11.34 x 7.87	3.86	2.17	2.17	7.80	10.04	6.30	10.83	10.83	0.16	
Q302311PCDCC	230 x 300 x 111	Clear	300 x 230	Q3023PD	265 x 210	288 x 200	98	55	55	198	255	160	275	275	4
	9.06 x 11.81 x 4.37		11.81 x 9.06	10.43 x 8.27	11.34 x 7.87	3.86	2.17	2.17	7.80	10.04	6.30	10.83	10.83	0.16	
Q241612PCD	160 x 240 x 121	Opaque	240 x 160	Q2416PD	211 x 148	228 x 130	108	75	45	75	202	75	215	215	4
	6.30 x 9.45 x 4.76		9.45 x 6.30	8.31 x 5.83	8.98 x 5.12	4.25	2.95	1.77	2.95	7.95	2.95	2.95	8.46	8.46	0.16
Q241612PCDCC	160 x 240 x 121	Clear	240 x 160	Q2416PD	211 x 148	228 x 130	108	75	45	75	202	75	215	215	4
	6.30 x 9.45 x 4.76		9.45 x 6.30	8.31 x 5.83	8.98 x 5.12	4.25	2.95	1.77	2.95	7.95	2.95	2.95	8.46	8.46	0.16

A x B x C are internal dimensions.

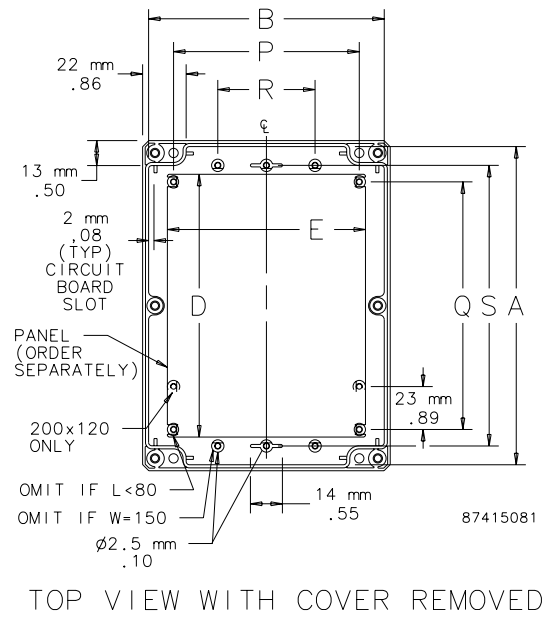
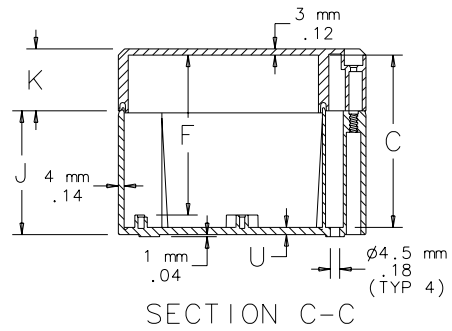
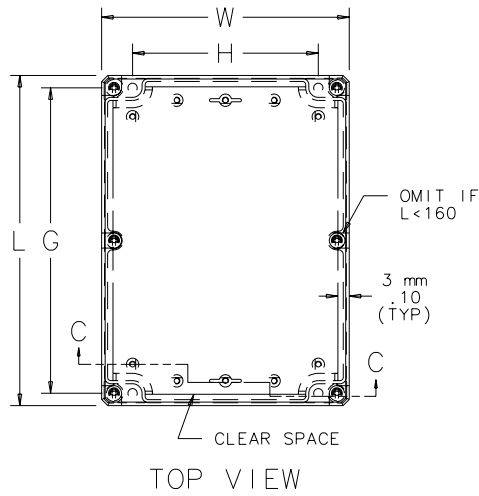
Purchase panels separately.



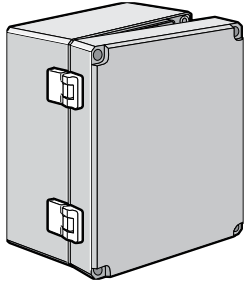
Standard Product **ABS**

Catalog Number	AxBxC mm/in.	Cover Style	External Dimensions		Panel Size D x E mm/in.	Mtg. G x H mm/in.	F mm/in.	J mm/in.	K mm/in.	P mm/in.	Q mm/in.	R mm/in.	S mm/in.	U mm/in.
			L x W mm/in.	Panel										
Q554ABD	53 x 55 x 36	Opaque	55 x 53	—	—	43 x 41	28	25	10	16	—	—	—	2
	2.09 x 2.17 x 1.42		2.17 x 2.09	—	—	1.69 x 1.61	1.10	.98	.39	.63	—	—	—	.08
Q554ABDCC	53 x 55 x 36	Clear	55 x 53	—	—	43 x 41	28	25	10	16	—	—	—	2
	2.09 x 2.17 x 1.42		2.17 x 2.09	—	—	1.69 x 1.61	1.10	.98	.39	.63	—	—	—	.08
Q886ABD	80 x 82 x 56	Opaque	82 x 80	Q88PD	68 x 55	70 x 50	42	40	15	58	44	—	58	3
	3.15 x 3.23 x 2.20		3.23 x 3.15	2.68 x 2.17	2.76 x 2.17	1.65	1.57	.59	2.28	1.73	—	2.28	.12	
Q886ABDCC	80 x 82 x 56	Clear	82 x 80	Q88PD	68 x 55	70 x 50	42	40	15	58	44	—	58	3
	3.15 x 3.23 x 2.20		3.23 x 3.15	2.68 x 2.17	2.76 x 2.17	1.65	1.57	.59	2.28	1.73	—	2.28	.12	
Q1286ABD	80 x 120 x 56	Opaque	120 x 80	Q128PD	91 x 65	108 x 50	42	40	15	58	82	—	96	3
	3.15 x 4.72 x 2.20		4.72 x 3.15	3.58 x 2.56	4.25 x 1.97	1.65	1.57	.59	2.28	3.23	—	3.78	.12	
Q1286ABDCC	80 x 120 x 56	Clear	120 x 80	Q128PD	91 x 65	108 x 50	42	40	15	58	82	—	96	3
	3.15 x 4.72 x 2.20		4.72 x 3.15	3.58 x 2.56	4.25 x 1.97	1.65	1.57	.59	2.28	3.23	—	3.78	.12	
Q1686ABD	80 x 160 x 56	Opaque	160 x 80	Q168PD	131 x 65	148 x 50	42	40	15	58	122	—	136	3
	3.15 x 6.30 x 2.20		6.30 x 3.15	5.16 x 2.56	5.83 x 1.97	1.65	1.57	.59	2.28	4.80	—	5.35	.12	
Q1686ABDCC	80 x 160 x 56	Clear	160 x 80	Q168PD	131 x 65	148 x 50	42	40	15	58	122	—	136	3
	3.15 x 6.30 x 2.20		6.30 x 3.15	5.16 x 2.56	5.83 x 1.97	1.65	1.57	.59	2.28	4.80	—	5.35	.12	
Q12126ABD	120 x 122 x 56	Opaque	122 x 120	Q1212PD	105 x 93	110 x 90	42	40	15	98	84	—	98	3
	4.72 x 4.80 x 2.20		4.80 x 4.72	4.13 x 3.66	4.33 x 3.54	1.65	1.57	.59	3.86	3.31	—	3.86	.12	
Q12126ABDCC	120 x 122 x 56	Clear	122 x 120	Q1212PD	105 x 93	110 x 90	42	40	15	98	84	—	98	3
	4.72 x 4.80 x 2.20		4.80 x 4.72	4.13 x 3.66	4.33 x 3.54	1.65	1.57	.59	3.86	3.31	—	3.86	.12	
Q20158ABD	150 x 200 x 76	Opaque	200 x 150	Q2015PD	170 x 128	188 x 120	62	60	15	118	160	118	176	3
	5.91 x 7.87 x 2.99		7.87 x 5.91	6.69 x 5.04	7.40 x 4.72	2.44	2.36	.59	4.65	6.30	4.65	6.93	.12	
Q20158ABDCC	150 x 200 x 76	Clear	200 x 150	Q2015PD	170 x 128	188 x 120	62	60	15	118	160	118	176	3
	5.91 x 7.87 x 2.99		7.87 x 5.91	6.69 x 5.04	7.40 x 4.72	2.44	2.36	.59	4.65	6.30	4.65	6.93	.12	
Q889ABD	80 x 82 x 86	Opaque	82 x 80	Q88PD	68 x 55	70 x 50	72	70	15	58	44	37	58	3
	3.15 x 3.23 x 3.39		3.23 x 3.15	2.68 x 2.17	2.76 x 1.97	2.83	2.76	.59	2.28	1.73	1.46	2.28	.12	
Q889ABDCC	80 x 82 x 86	Clear	82 x 80	Q88PD	68 x 55	70 x 50	72	70	15	58	44	37	58	3
	3.15 x 3.23 x 3.39		3.23 x 3.15	2.68 x 2.17	2.76 x 1.97	2.83	2.76	.59	2.28	1.73	1.46	2.28	.12	
Q1289ABD	80 x 120 x 86	Opaque	120 x 80	Q128PD	91 x 65	108 x 50	72	70	15	58	82	—	58	3
	3.15 x 4.72 x 3.39		4.72 x 3.15	3.58 x 2.56	4.25 x 1.97	2.83	2.76	.59	2.28	3.23	—	2.28	.12	
Q1289ABDCC	80 x 120 x 86	Clear	120 x 80	Q128PD	91 x 65	108 x 50	72	70	15	58	82	—	58	3
	3.15 x 4.72 x 3.39		4.72 x 3.15	3.58 x 2.56	4.25 x 1.97	2.83	2.76	.59	2.28	3.23	—	2.28	.12	
Q1689ABD	80 x 160 x 86	Opaque	160 x 80	Q168PD	131 x 65	148 x 50	72	70	15	58	122	—	136	3
	3.15 x 6.30 x 3.39		6.30 x 3.15	5.16 x 2.56	5.83 x 1.97	2.83	2.76	.59	2.28	4.80	—	5.35	.12	
Q1689ABDCC	80 x 160 x 86	Clear	160 x 80	Q168PD	131 x 65	148 x 50	72	70	15	58	122	—	136	3
	3.15 x 6.30 x 3.39		6.30 x 3.15	5.16 x 2.56	5.83 x 1.97	2.83	2.76	.59	2.28	4.80	—	5.35	.12	
Q12129ABD	120 x 122 x 86	Opaque	122 x 120	Q1212PD	105 x 93	110 x 90	72	70	15	98	84	97	98	3
	4.72 x 4.80 x 3.39		4.80 x 4.72	4.13 x 3.66	4.33 x 3.54	2.83	2.76	.59	3.86	3.31	3.82	3.86	.12	
Q12129ABDCC	120 x 122 x 86	Clear	122 x 120	Q1212PD	105 x 93	110 x 90	72	70	15	98	84	97	98	3
	4.72 x 4.80 x 3.39		4.80 x 4.72	4.13 x 3.66	4.33 x 3.54	2.83	2.76	.59	3.86	3.31	3.82	3.86	.12	
Q20129ABD	120 x 200 x 86	Opaque	200 x 120	Q2012PD	170 x 100	188 x 90	72	70	15	90	160	40	176	3
	4.72 x 7.87 x 3.39		7.87 x 4.72	6.69 x 3.94	7.40 x 3.54	2.83	2.76	.59	3.54	6.30	1.67	6.93	.12	
Q20129ABDCC	120 x 200 x 86	Clear	200 x 120	Q2012PD	170 x 100	188 x 90	72	70	15	90	160	40	176	3
	4.72 x 7.87 x 3.39		7.87 x 4.72	6.69 x 3.94	7.40 x 3.54	2.83	2.76	.59	3.54	6.30	1.67	6.93	.12	
Q30239ABD	230 x 300 x 86	Opaque	300 x 230	Q3023PD	265 x 210	288 x 200	73	55	30	198	255	160	275	4
	9.06 x 11.81 x 3.39		11.81 x 9.05	10.43 x 8.27	11.34 x 7.87	2.87	2.17	1.18	7.80	10.04	6.30	10.83	.16	
Q30239ABDCC	230 x 300 x 86	Clear	300 x 230	Q3023PD	265 x 210	288 x 200	73	55	30	198	255	160	275	4
	9.06 x 11.81 x 3.39		11.81 x 9.05	10.43 x 8.27	11.34 x 7.87	2.87	2.17	1.18	7.80	10.04	6.30	10.83	.16	
Q16129ABD	120 x 160 x 91	Opaque	160 x 120	Q1612PD	130 x 100	148 x 90	78	60	30	90	120	—	136	3
	4.72 x 6.30 x 3.58		6.30 x 4.72	5.12 x 3.94	5.83 x 3.54	3.07	2.36	1.18	3.54	4.72	—	5.35	.12	
Q16129ABDCC	120 x 160 x 91	Clear	160 x 120	Q1612PD	130 x 100	148 x 90	78	60	30	90	120	—	136	3
	4.72 x 6.30 x 3.58		6.30 x 4.72	5.12 x 3.94	5.83 x 3.54	3.07	2.36	1.18	3.54	4.72	—	5.35	.12	
Q24169ABD	160 x 240 x 91	Opaque	240 x 160	Q2416PD	211 x 148	228 x 130	78	75	15	138	202	75	215	4
	6.30 x 9.45 x 3.58		9.45 x 6.30	8.31 x 5.83	8.98 x 5.12	3.07	2.95	.59	5.43	7.95	2.95	8.46	.16	
Q24169ABDCC	233 x 153 x 84	Clear	240 x 160	Q2416PD	211 x 148	228 x 130	78	75	15	138	202	75	215	4
	9.17 x 6.02 x 3.31		9.45 x 6.30	8.31 x 5.83	8.98 x 5.12	3.07	2.95	.59	5.43	7.95	2.95	8.46	.16	
Q302311ABD	230 x 300 x 111	Opaque	300 x 230	Q3023PD	265 x 210	288 x 200	98	55	55	198	255	160	275	4
	9.06 x 11.81 x 4.37		11.81 x 9.06	10.43 x 8.27	11.34 x 7.87	3.86	2.17	2.17	7.80	10.04	6.30	10.83	.16	
Q302311ABDCC	230 x 300 x 111	Clear	300 x 230	Q3023PD	265 x 210	288 x 200	98	55	55	198	255	160	275	4
	9.06 x 11.81 x 4.37		11.81 x 9.06	10.43 x 8.27	11.34 x 7.87	3.86	2.17	2.17	7.80	10.04	6.30	10.83	.16	
Q241612ABD	160 x 240 x 121	Opaque	240 x 160	Q2416PD	211 x 148	228 x 130	108	75	45	75	202	75	215	4
	6.30 x 9.45 x 4.76		9.45 x 6.30	8.31 x 5.83	8.98 x 5.12	4.25	2.95	1.77	2.95	7.95	2.95	8.46	.16	
Q241612ABDCC	160 x 240 x 121	Clear	240 x 160	Q2416PD	211 x 148	228 x 130	108	75	45	75	202	75	215	4
	6.30 x 9.45 x 4.76		9.45 x 6.30	8.31 x 5.83	8.98 x 5.12	4.25	2.95	1.77	2.95	7.95	2.95	8.46	.16	





HINGE KIT

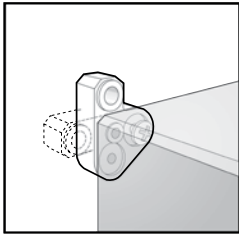


Hinge Kit includes two polyamide hinges, eight M4 self-tapping, plated screws, eight flat washers and drilling templates. Use on all QLINE D enclosures. *Hinge Kit meets Type 4 requirements.*

BULLETIN: Q41Y

Catalog Number
QDEHK

MOUNTING BRACKET KIT



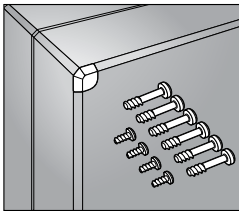
Mounting Bracket Kit has four polycarbonate brackets and four M4 self-tapping, plated screws. Kit is field-installable. Use on all QLINE D enclosures. Maintains listed ratings for enclosure.

BULLETIN: Q41Y

Catalog Number
QDMFK

3

HARDWARE KIT

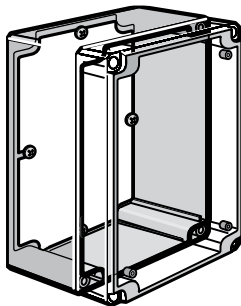


Hardware Kit includes six self-tapping, stainless steel cover screws, four self-tapping plated panel screws and six removable plastic caps that fit over the screws to provide tamper resistance as well as a clean aesthetic appearance. This kit is offered as a replacement kit for lost or damaged hardware originally furnished with the enclosure.

BULLETIN: Q41Y

Catalog Number
QDHK

PANELS



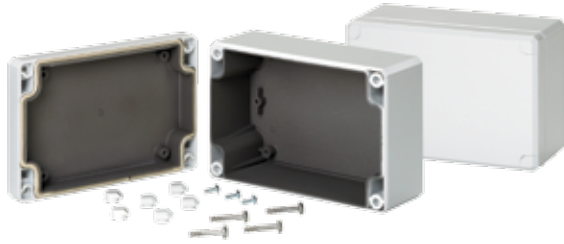
BULLETIN: Q41Y

Catalog Number	Panel Size D x E mm/in.	Mounting G x H mm/in.
Q88PD	65 x 55 2.56 x 2.17	44 x 60 1.71 x 2.28
Q128PD	93 x 65 3.66 x 2.56	82 x 60 3.21 x 2.28
Q168PD	133 x 65 5.24 x 2.56	121 x 60 4.78 x 2.28
Q1212PD	105 x 95 4.13 x 3.74	98 x 84 3.86 x 3.29
Q1612PD	132 x 105 5.20 x 4.13	160 x 90 6.30 x 3.54
Q2012PD	172 x 105 6.77 x 4.13	160 x 90 6.30 x 3.54
Q2015PD	172 x 133 6.77 x 5.24	160 x 118 6.30 x 4.65
Q2416PD	213 x 145 8.38 x 5.71	201 x 138 7.93 x 5.43
Q3023PD	285 x 210 11.22 x 8.27	255 x 198 10.04 x 7.50

Notes



QLINE D, EMC, TYPE 4X



APPLICATION

QLINE D polycarbonate EMC enclosures have contoured bodies and flush cover screws for an attractive, contemporary appearance while also providing EMC protection in corrosive environments.

SPECIFICATIONS

- Body is impact-resistant polycarbonate
- EMC conductive coating in base and cover
- Gasket of silver/silicone
- Mounting holes molded directly under cover screws
- Cross-point captivated cover screws are stainless steel
- Mounting tracks along body side walls and bosses on cover for PC card installation
- Cover screws protected by removable caps that are both aesthetic and provide tamper resistance
- Molded internal pads for mounting optional panels, rails and other components
- Screws provided for mounting optional panel

INDUSTRY STANDARDS

UL 508A Listed; Type 4, 4X, 12, 13
 cUL Listed per CSA C22.2 No 94; Type 4, 4X, 12, 13; File No. E61997
 Enclosure flammability evaluated per UL 508A

NEMA/EEMAC Type 4, 4X, 12, 13
 IEC 60529, IP66

FINISH

Enclosure material is RAL 7035 light-gray outside. Optional panels are conductive steel.

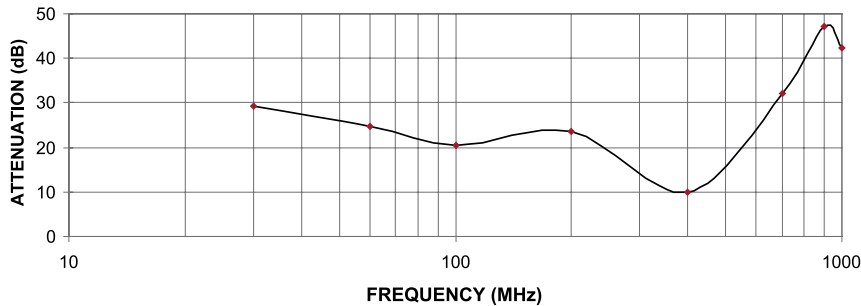
BULLETIN: Q41EM

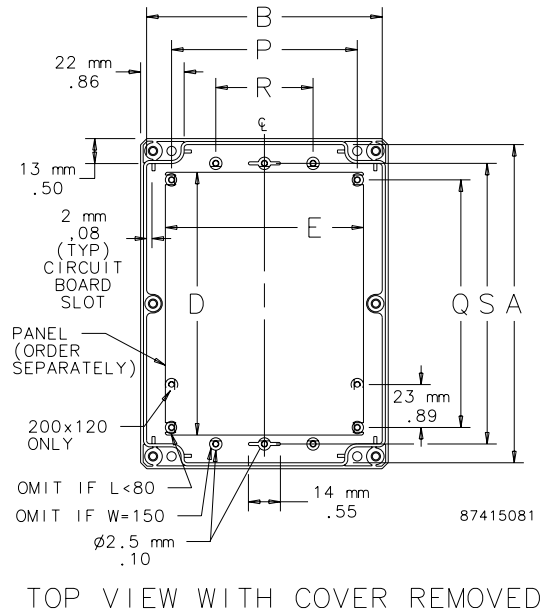
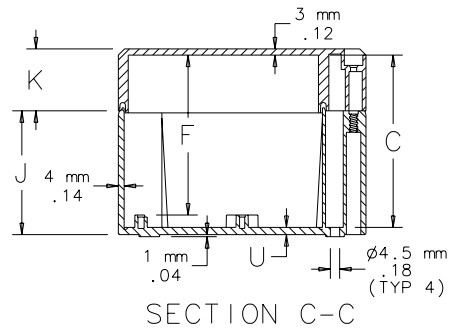
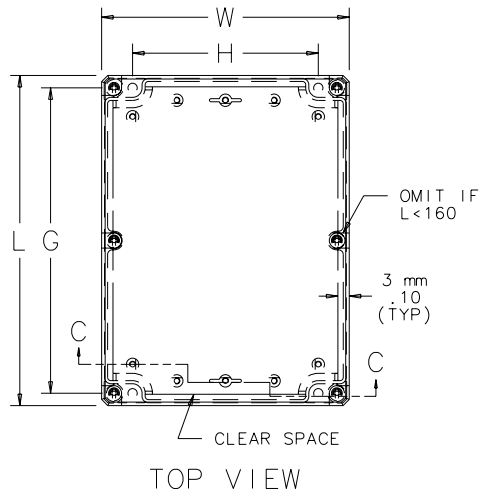
Standard Product

Catalog Number	AxBxC mm/in.	External Dimensions L x W mm/in.	Internal Dimensions A x B x C mm/in.	Panel	Panel Size D x E mm/in.	Mounting G x H mm/in.	F mm/in.	J mm/in.	K mm/in.	P mm/in.	Q mm/in.	R mm/in.	S mm/in.	U mm/in.
Q1286PCEMC	120 x 80 x 55	120 x 80	114 x 74 x 49	Q128PD	91 x 65	108 x 50	42	40	15	58	82	—	96	3
	4.72 x 3.15 x 2.17	4.72 x 3.15	4.47 x 2.89 x 1.93		3.58 x 2.56	4.25 x 1.97	1.65	1.57	0.59	2.28	3.21	—	3.78	0.12
Q1289PCEMC	120 x 80 x 85	120 x 80	113 x 73 x 79	Q128PD	91 x 65	108 x 50	72	70	15	58	82	—	96	3
	4.72 x 3.15 x 3.35	4.72 x 3.15	4.45 x 2.87 x 3.11		3.58 x 2.56	4.25 x 1.97	2.83	2.76	0.59	2.28	3.21	—	3.78	0.12
Q16129PCEMC	160 x 120 x 90	160 x 120	153 x 113 x 84	Q1612PD	130 x 100	148 x 90	77.5	60	30	90	120	—	136	3
	6.30 x 4.72 x 3.54	6.30 x 4.72	6.02 x 4.45 x 3.29		5.12 x 3.94	5.83 x 3.54	3.05	2.36	1.18	3.54	4.72	—	5.35	0.12
Q1689PCEMC	160 x 80 x 85	160 x 80	153 x 73 x 79	Q168PD	131 x 65	148 x 50	72	70	15	58	122	—	136	3
	6.30 x 3.15 x 3.35	6.30 x 3.15	6.02 x 2.87 x 3.11		5.16 x 2.56	5.83 x 1.97	2.83	2.76	0.59	2.28	4.78	—	5.35	0.12
Q20129PCEMC	200 x 120 x 85	200 x 120	193 x 113 x 79	Q2012PD	170 x 100	188 x 90	72	70	15	90	160	40	176	3
	7.87 x 4.72 x 3.35	7.87 x 4.72	7.60 x 4.45 x 3.11		6.69 x 3.94	7.40 x 3.54	2.83	2.76	0.59	3.54	6.30	1.57	6.93	0.12
Q24169PCEMC	240 x 160 x 90	240 x 160	233 x 153 x 84	Q2416PD	211 x 148	228 x 130	77.5	75	15	138	202	75	215	3.5
	9.45 x 6.30 x 3.54	9.45 x 6.30	9.17 x 6.02 x 3.29		8.31 x 5.83	8.98 x 5.12	3.05	2.95	0.59	5.43	7.93	2.95	8.46	0.14

Purchase panels separately.

Q1286PCEMC QLINE D Enclosure Shielding Effectiveness





QLINE E, TYPE 4X



APPLICATION

QLINE E Enclosures house larger controls, provide additional size-range options and offer greater internal mounting flexibility than smaller QLINE products. Featuring contoured bodies with flush cover screws, they are functional in corrosive environments and can withstand occasional submersion. The ABS series shares the same features and similar physical properties as the polycarbonate but is a more economical, non-UL rated alternative.

SPECIFICATIONS

- Body is impact-resistant polycarbonate for PCE series and ABS for ABE series
- Opaque and clear covers are impact-resistant polycarbonate for PCE, opaque covers are ABS for ABE series
- Polycarbonate and ABS material is easily punched, drilled, filed or sawed
- Cross-point flush cover screws are strong, durable polyamide
- Cover includes a molded-in wire lead hole
- Mounting tracks along body side walls for PC card installation
- Molded internal pads for mounting optional panels, rails and other components
- Seamless foam-in-place gasket assures water-tight and dust-tight seal
- Material is halogen free

FINISH

Polycarbonate and ABS enclosure material is RAL 7035 light-gray inside and out. Optional panels are plated steel.

ACCESSORIES

- See also Accessories.*
- Brass Inserts
 - Hardware Kit
 - Hinge Kit
 - HOL-SEALERS Non-Metallic Hole Seals
 - Mounting Bracket Kit

MODIFICATION AND CUSTOMIZATION

Hoffman excels at modifying and customizing products to your specifications. Contact your local Hoffman sales office or distributor for complete information.

BULLETIN: Q41

INDUSTRY STANDARDS

Polycarbonate Enclosure

UL 508A Listed; Type 4, 4X, 6, 12, 13; File No. E61997
 cUL Listed per CSA C22.2 No 94; Type 4, 4X, 6, 12, 13; File No. E61997
 Enclosure flammability evaluated per UL 508A

NEMA/EEMAC Type 4, 4X, 6, 12, 13
 CSA File No. 42186: Type 4, 4X, 12, 13
 IEC 60529, IP67

ABS Enclosure

NEMA/EEMAC Type 4, 4X, 6, 12, 13
 IEC 60529, IP67

Standard Product **Polycarbonate**

External Dimensions	Panel	Panel Size	Mounting	F	K	P	Q	S			
Catalog Number	AxBxC mm/in.	Cover Style	L x W mm/in.	D x E mm/in.	G x H mm/in.	mm/in.	mm/in.	mm/in.	mm/in.	mm/in.	
Q1388PCE	119 x 69 x 67 4.69 x 2.72 x 2.64	Opaque	125 x 75 4.92 x 2.95	Q138PE	98 x 48 3.86 x 1.89	110 x 60 4.33 x 2.36	61 2.40	25 0.98	40 1.57	75 2.95	90 3.54
Q1388PCECC	119 x 69 x 67 4.67 x 2.70 x 2.65	Clear	125 x 75 4.92 x 2.95	Q138PE	98 x 48 3.86 x 1.89	110 x 60 4.33 x 2.36	61 2.40	25 0.98	40 1.57	75 2.95	90 3.54
Q13138PCE	119 x 119 x 67 4.67 x 4.67 x 2.65	Opaque	125 x 125 4.92 x 4.92	Q1313PE	98 x 98 3.86 x 3.86	110 x 110 4.33 x 4.33	61 2.40	25 0.98	90 3.54	75 2.95	90 3.54
Q13138PCECC	119 x 119 x 67 4.67 x 4.67 x 2.65	Clear	125 x 125 4.92 x 4.92	Q1313PE	98 x 98 3.86 x 3.86	110 x 110 4.33 x 4.33	61 2.40	25 0.98	90 3.54	75 2.95	90 3.54
Q18138PCE	169 x 119 x 67 6.63 x 4.67 x 2.65	Opaque	175 x 125 6.89 x 4.92	Q1813PE	148 x 98 5.83 x 3.86	160 x 110 6.30 x 4.33	61 2.40	25 0.98	90 3.54	100 3.94	140 5.51
Q18138PCECC	169 x 119 x 67 6.63 x 4.67 x 2.65	Clear	175 x 125 6.89 x 4.92	Q1813PE	148 x 98 5.83 x 3.86	160 x 110 6.30 x 4.33	61 2.40	25 0.98	90 3.54	100 3.94	140 5.51
Q18188PCE	169 x 169 x 67 6.63 x 6.63 x 2.65	Opaque	175 x 175 6.89 x 6.89	Q1818PE	148 x 148 5.83 x 5.83	160 x 160 6.30 x 6.30	61 2.40	25 0.98	140 5.51	125 4.92	140 5.51
Q18188PCECC	169 x 169 x 67 6.63 x 6.63 x 2.65	Clear	175 x 175 6.89 x 6.89	Q1818PE	148 x 148 5.83 x 5.83	160 x 160 6.30 x 6.30	61 2.40	25 0.98	140 5.51	125 4.92	140 5.51
Q25188PCE	244 x 169 x 67 9.59 x 6.63 x 2.65	Opaque	250 x 175 9.84 x 6.89	Q2518PE	223 x 148 8.78 x 5.83	235 x 160 9.25 x 6.30	61 2.40	25 0.98	139 5.47	202 7.95	215 8.46
Q25188PCECC	244 x 169 x 67 9.59 x 6.63 x 2.65	Clear	250 x 175 9.84 x 6.89	Q2518PE	223 x 148 8.78 x 5.83	235 x 160 9.25 x 6.30	61 2.40	25 0.98	139 5.47	202 7.95	215 8.46
Q13810PCE	119 x 69 x 92 4.67 x 2.70 x 3.64	Opaque	125 x 75 4.92 x 2.95	Q138PE	98 x 48 3.86 x 1.89	110 x 60 4.33 x 2.36	86 3.39	50 1.97	40 1.57	75 2.95	90 3.54
Q13810PCECC	119 x 69 x 92 4.67 x 2.70 x 3.64	Clear	125 x 75 4.92 x 2.95	Q138PE	98 x 48 3.86 x 1.89	110 x 60 4.33 x 2.36	86 3.39	50 1.97	40 1.57	75 2.95	90 3.54
Q131310PCE	119 x 119 x 92 4.67 x 4.67 x 3.64	Opaque	125 x 125 4.92 x 4.92	Q1313PE	98 x 98 3.86 x 3.86	110 x 110 4.33 x 4.33	86 3.39	50 1.97	90 3.54	75 2.95	90 3.54
Q131310PCECC	119 x 119 x 92 4.67 x 4.67 x 3.64	Clear	125 x 125 4.92 x 4.92	Q1313PE	98 x 98 3.86 x 3.86	110 x 110 4.33 x 4.33	86 3.39	50 1.97	90 3.54	75 2.95	90 3.54
Q181310PCE	169 x 119 x 92 6.63 x 4.67 x 3.64	Opaque	175 x 125 6.89 x 4.92	Q1813PE	148 x 98 5.83 x 3.86	160 x 110 6.30 x 4.33	86 3.39	50 1.97	90 3.54	100 3.94	140 5.51
Q181310PCECC	169 x 119 x 92 6.63 x 4.67 x 3.64	Clear	175 x 125 6.89 x 4.92	Q1813PE	148 x 98 5.83 x 3.86	160 x 110 6.30 x 4.33	86 3.39	50 1.97	90 3.54	100 3.94	140 5.51
Q181810PCE	169 x 169 x 92 6.63 x 6.63 x 3.64	Opaque	175 x 175 6.89 x 6.89	Q1818PE	148 x 148 5.83 x 5.83	160 x 160 6.30 x 6.30	86 3.39	50 1.97	140 5.51	125 4.92	140 5.51
Q181810PCECC	169 x 169 x 92 6.63 x 6.63 x 3.64	Clear	175 x 175 6.89 x 6.89	Q1818PE	148 x 148 5.83 x 5.83	160 x 160 6.30 x 6.30	86 3.39	50 1.97	140 5.51	125 4.92	140 5.51
Q251810PCE	244 x 169 x 92 9.59 x 6.63 x 3.64	Opaque	250 x 175 9.84 x 6.89	Q2518PE	223 x 148 8.78 x 5.83	235 x 160 9.25 x 6.30	86 3.39	50 1.97	139 5.47	202 7.95	215 8.46
Q251810PCECC	244 x 169 x 92 9.59 x 6.63 x 3.64	Clear	250 x 175 9.84 x 6.89	Q2518PE	223 x 148 8.78 x 5.83	235 x 160 9.25 x 6.30	86 3.39	50 1.97	139 5.47	202 7.95	215 8.46
Q13813PCE	119 x 69 x 117 4.67 x 2.70 x 4.62	Opaque	125 x 75 4.92 x 2.95	Q138PE	98 x 48 3.86 x 1.89	110 x 60 4.33 x 2.36	111 4.37	75 2.95	40 1.57	75 2.95	90 3.54
Q13813PCECC	119 x 69 x 117 4.67 x 2.70 x 4.62	Clear	125 x 75 4.92 x 2.95	Q138PE	98 x 48 3.86 x 1.89	110 x 60 4.33 x 2.36	111 4.37	75 2.95	40 1.57	75 2.95	90 3.54
Q131313PCE	119 x 119 x 117 4.67 x 4.67 x 4.62	Opaque	125 x 125 4.92 x 4.92	Q1313PE	98 x 98 3.86 x 3.86	110 x 110 4.33 x 4.33	111 4.37	75 2.95	90 3.54	75 2.95	90 3.54
Q131313PCECC	119 x 119 x 117 4.67 x 4.67 x 4.62	Clear	125 x 125 4.92 x 4.92	Q1313PE	98 x 98 3.86 x 3.86	110 x 110 4.33 x 4.33	111 4.37	75 2.95	90 3.54	75 2.95	90 3.54
Q181313PCE	169 x 119 x 117 6.63 x 4.67 x 4.62	Opaque	175 x 125 6.89 x 4.92	Q1813PE	148 x 98 5.83 x 3.86	160 x 110 6.30 x 4.33	111 4.37	75 2.95	90 3.54	100 3.94	140 5.51
Q181313PCECC	169 x 119 x 117 6.63 x 4.67 x 4.62	Clear	175 x 125 6.89 x 4.92	Q1813PE	148 x 98 5.83 x 3.86	160 x 110 6.30 x 4.33	111 4.37	75 2.95	90 3.54	100 3.94	140 5.51
Q181813PCE	169 x 169 x 117 6.63 x 6.63 x 4.62	Opaque	175 x 175 6.89 x 6.89	Q1818PE	148 x 148 5.83 x 5.83	160 x 160 6.30 x 6.30	111 4.37	75 2.95	140 5.51	125 4.92	140 5.51
Q181813PCECC	169 x 169 x 117 6.63 x 6.63 x 4.62	Clear	175 x 175 6.89 x 6.89	Q1818PE	148 x 148 5.83 x 5.83	160 x 160 6.30 x 6.30	111 4.37	75 2.95	140 5.51	125 4.92	140 5.51
Q181315PCE	169 x 119 x 142 6.63 x 4.67 x 5.61	Opaque	175 x 125 6.89 x 4.92	Q1813PE	148 x 98 5.83 x 3.86	160 x 110 6.30 x 4.33	136 5.35	100 3.94	90 3.54	100 3.94	140 5.51
Q181315PCECC	169 x 119 x 142 6.63 x 4.67 x 5.61	Clear	175 x 125 6.89 x 4.92	Q1813PE	148 x 98 5.83 x 3.86	160 x 110 6.30 x 4.33	136 5.35	100 3.94	90 3.54	100 3.94	140 5.51
Q181815PCE	169 x 169 x 142 6.63 x 6.63 x 5.61	Opaque	175 x 175 6.89 x 6.89	Q1818PE	148 x 148 5.83 x 5.83	160 x 160 6.30 x 6.30	136 5.35	100 3.94	140 5.51	125 4.92	140 5.51
Q181815PCECC	169 x 169 x 142 6.63 x 6.63 x 5.61	Clear	175 x 175 6.89 x 6.89	Q1818PE	148 x 148 5.83 x 5.83	160 x 160 6.30 x 6.30	136 5.35	100 3.94	140 5.51	125 4.92	140 5.51
Q251815PCE	244 x 169 x 142 9.59 x 6.63 x 5.61	Opaque	250 x 175 9.84 x 6.89	Q2518PE	223 x 148 8.78 x 5.83	235 x 160 9.25 x 6.30	136 5.35	100 3.94	139 5.47	202 7.95	215 8.46
Q251815PCECC	244 x 169 x 142 9.59 x 6.63 x 5.61	Clear	250 x 175 9.84 x 6.89	Q2518PE	223 x 148 8.78 x 5.83	235 x 160 9.25 x 6.30	136 5.35	100 3.94	139 5.47	202 7.95	215 8.46

A x B x C are internal dimensions.

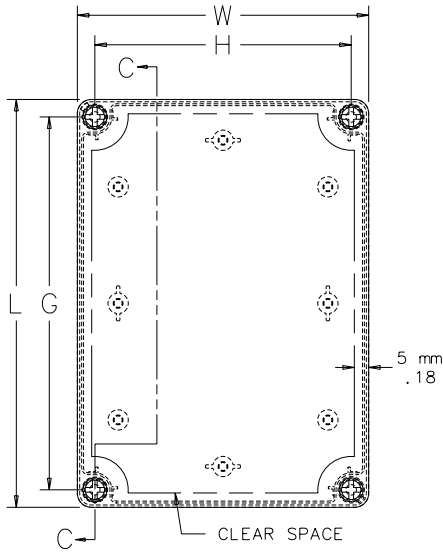
Purchase panels separately.



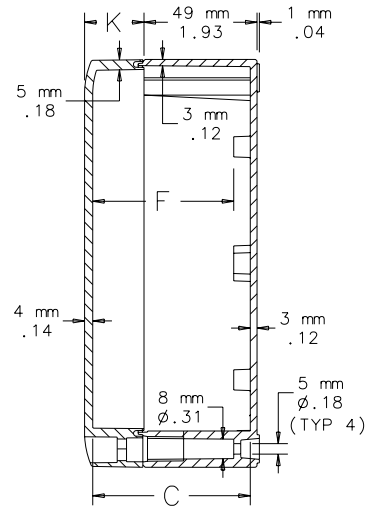
Standard Product **ABS**

Catalog Number	AxBxC mm/in.	Cover Style	External Dimensions L x W mm/in.	Panel	Panel Size D x E mm/in.	Mounting G x H mm/in.	F mm/in.	K mm/in.	P mm/in.	Q mm/in.	S mm/in.
Q1388ABE	75 x 125 x 75 2.95 x 4.92 x 2.95	Opaque	125 x 75 4.92 x 2.95	Q138PE	98 x 48 3.86 x 1.89	110 x 60 4.33 x 2.36	61 2.40	25 .98	40 1.57	75 2.95	90 3.54
Q1388ABECC	75 x 125 x 75 2.95 x 4.92 x 2.95	Clear	125 x 75 4.92 x 2.95	Q138PE	98 x 48 3.86 x 1.89	110 x 60 4.33 x 2.36	61 2.40	25 .98	40 1.57	75 2.95	90 3.54
Q13138ABE	125 x 125 x 75 4.92 x 4.92 x 2.95	Opaque	125 x 125 4.92 x 4.92	Q1313PE	98 x 98 3.86 x 3.86	110 x 110 4.33 x 4.33	61 2.40	25 .98	90 3.54	75 2.95	90 3.54
Q13138ABECC	125 x 125 x 75 4.92 x 4.92 x 2.95	Clear	125 x 125 4.92 x 4.92	Q1313PE	98 x 98 3.86 x 3.86	110 x 110 4.33 x 4.33	61 2.40	25 .98	90 3.54	75 2.95	90 3.54
Q18138ABE	125 x 175 x 75 4.92 x 6.89 x 2.95	Opaque	175 x 125 6.89 x 4.92	Q1813PE	148 x 98 5.83 x 3.86	160 x 110 6.30 x 4.33	61 2.40	25 .98	90 3.54	100 3.94	140 5.51
Q18138ABECC	125 x 175 x 75 4.92 x 6.89 x 2.95	Clear	175 x 125 6.89 x 4.92	Q1813PE	148 x 98 5.83 x 3.86	160 x 110 6.30 x 4.33	61 2.40	25 .98	90 3.54	100 3.94	140 5.51
Q18188ABE	175 x 175 x 75 6.89 x 6.89 x 2.95	Opaque	175 x 175 6.89 x 6.89	Q1818PE	148 x 148 5.83 x 5.83	160 x 160 6.30 x 6.30	61 2.40	25 .98	140 5.51	125 4.92	140 5.51
Q18188ABECC	175 x 175 x 75 6.89 x 6.89 x 2.95	Clear	175 x 175 6.89 x 6.89	Q1818PE	148 x 148 5.83 x 5.83	160 x 160 6.30 x 6.30	61 2.40	25 .98	140 5.51	125 4.92	140 5.51
Q25188ABE	175 x 250 x 75 6.89 x 9.84 x 2.95	Opaque	250 x 175 9.84 x 6.89	Q2518PE	223 x 148 8.78 x 5.83	235 x 160 9.25 x 6.30	61 2.40	25 .98	139 5.47	202 7.95	215 8.46
Q25188ABECC	175 x 250 x 75 6.89 x 9.84 x 2.95	Clear	250 x 175 9.84 x 6.89	Q2518PE	223 x 148 8.78 x 5.83	235 x 160 9.25 x 6.30	61 2.40	25 .98	139 5.47	202 7.95	215 8.46
Q13810ABE	119 x 69 x 92 4.67 x 2.70 x 3.64	Opaque	125 x 75 4.92 x 2.95	Q138PE	98 x 48 3.86 x 1.89	110 x 60 4.33 x 2.36	86 3.39	50 1.97	40 1.57	75 2.95	90 3.54
Q13810ABECC	75 x 125 x 100 2.95 x 4.92 x 3.94	Clear	125 x 75 4.92 x 2.95	Q138PE	98 x 48 3.86 x 1.89	110 x 60 4.33 x 2.36	86 3.39	50 1.97	40 1.57	75 2.95	90 3.54
Q131310ABE	119 x 119 x 92 4.67 x 4.67 x 3.64	Opaque	125 x 125 4.92 x 4.92	Q1313PE	98 x 98 3.86 x 3.86	110 x 110 4.33 x 4.33	86 3.39	50 1.97	90 3.54	75 2.95	90 3.54
Q131310ABECC	125 x 125 x 100 4.92 x 4.92 x 3.94	Clear	125 x 125 4.92 x 4.92	Q1313PE	98 x 98 3.86 x 3.86	110 x 110 4.33 x 4.33	86 3.39	50 1.97	90 3.54	75 2.95	90 3.54
Q181310ABE	169 x 119 x 92 6.63 x 4.67 x 3.64	Opaque	175 x 125 6.89 x 4.92	Q1813PE	148 x 98 5.83 x 3.86	160 x 110 6.30 x 4.33	86 3.39	50 1.97	90 3.54	100 3.94	140 5.51
Q181310ABECC	125 x 175 x 100 4.92 x 6.89 x 3.94	Clear	175 x 125 6.89 x 4.92	Q1813PE	148 x 98 5.83 x 3.86	160 x 110 6.30 x 4.33	86 3.39	50 1.97	90 3.54	100 3.94	140 5.51
Q181810ABE	169 x 169 x 92 6.63 x 6.63 x 3.64	Opaque	175 x 175 6.89 x 6.89	Q1818PE	148 x 148 5.83 x 5.83	160 x 160 6.30 x 6.30	86 3.39	50 1.97	140 5.51	125 4.92	140 5.51
Q181810ABECC	175 x 175 x 100 6.89 x 6.89 x 3.94	Clear	175 x 175 6.89 x 6.89	Q1818PE	148 x 148 5.83 x 5.83	160 x 160 6.30 x 6.30	86 3.39	50 1.97	140 5.51	125 4.92	140 5.51
Q251810ABE	244 x 169 x 92 9.59 x 6.63 x 3.64	Opaque	250 x 175 9.84 x 6.89	Q2518PE	223 x 148 8.78 x 5.83	235 x 160 9.25 x 6.30	86 3.39	50 1.97	139 5.47	202 7.95	215 8.46
Q251810ABECC	175 x 250 x 100 6.89 x 9.84 x 3.94	Clear	250 x 175 9.84 x 6.89	Q2518PE	223 x 148 8.78 x 5.83	235 x 160 9.25 x 6.30	86 3.39	50 1.97	139 5.47	202 7.95	215 8.46
Q13813ABE	75 x 125 x 125 2.95 x 4.92 x 4.92	Opaque	125 x 75 4.92 x 2.95	Q138PE	98 x 48 3.86 x 1.89	110 x 60 4.33 x 2.36	111 4.37	75 2.95	40 1.57	75 2.95	90 3.54
Q13813ABECC	75 x 125 x 125 2.95 x 4.92 x 4.92	Clear	125 x 75 4.92 x 2.95	Q138PE	98 x 48 3.86 x 1.89	110 x 60 4.33 x 2.36	111 4.37	75 2.95	40 1.57	75 2.95	90 3.54
Q131313ABE	125 x 125 x 125 4.92 x 4.92 x 4.92	Opaque	125 x 125 4.92 x 4.92	Q1313PE	98 x 98 3.86 x 3.86	110 x 110 4.33 x 4.33	111 4.37	75 2.95	90 3.54	75 2.95	90 3.54
Q131313ABECC	125 x 125 x 125 4.92 x 4.92 x 4.92	Clear	125 x 125 4.92 x 4.92	Q1313PE	98 x 98 3.86 x 3.86	110 x 110 4.33 x 4.33	111 4.37	75 2.95	90 3.54	75 2.95	90 3.54
Q181313ABE	125 x 175 x 125 4.92 x 6.89 x 4.92	Opaque	175 x 125 6.89 x 4.92	Q1813PE	148 x 98 5.83 x 3.86	160 x 110 6.30 x 4.33	111 4.37	75 2.95	90 3.54	100 3.94	140 5.51
Q181313ABECC	125 x 175 x 125 4.92 x 6.89 x 4.92	Clear	175 x 125 6.89 x 4.92	Q1813PE	148 x 98 5.83 x 3.86	160 x 110 6.30 x 4.33	111 4.37	75 2.95	90 3.54	100 3.94	140 5.51
Q181813ABE	175 x 175 x 125 6.89 x 6.89 x 4.92	Opaque	175 x 175 6.89 x 6.89	Q1818PE	148 x 148 5.83 x 5.83	160 x 160 6.30 x 6.30	111 4.37	75 2.95	140 5.51	125 4.92	140 5.51
Q181813ABECC	175 x 175 x 125 6.89 x 6.89 x 4.92	Clear	175 x 175 6.89 x 6.89	Q1818PE	148 x 148 5.83 x 5.83	160 x 160 6.30 x 6.30	111 4.37	75 2.95	140 5.51	125 4.92	140 5.51
Q181315ABE	169 x 119 x 142 6.63 x 4.67 x 5.61	Opaque	175 x 125 6.89 x 4.92	Q1813PE	148 x 98 5.83 x 3.86	160 x 110 6.30 x 4.33	136 5.35	100 3.94	90 3.54	100 3.94	140 5.51
Q181315ABECC	125 x 175 x 150 4.92 x 6.89 x 5.91	Clear	175 x 125 6.89 x 4.92	Q1813PE	148 x 98 5.83 x 3.86	160 x 110 6.30 x 4.33	136 5.35	100 3.94	90 3.54	100 3.94	140 5.51
Q181815ABE	169 x 169 x 142 6.63 x 6.63 x 5.61	Opaque	175 x 175 6.89 x 6.89	Q1818PE	148 x 148 5.83 x 5.83	160 x 160 6.30 x 6.30	136 5.35	100 3.94	140 5.51	125 4.92	140 5.51
Q181815ABECC	175 x 175 x 150 6.89 x 6.89 x 5.91	Clear	175 x 175 6.89 x 6.89	Q1818PE	148 x 148 5.83 x 5.83	160 x 160 6.30 x 6.30	136 5.35	100 3.94	140 5.51	125 4.92	140 5.51
Q251815ABE	244 x 169 x 142 9.59 x 6.63 x 5.61	Opaque	250 x 175 9.84 x 6.89	Q2518PE	223 x 148 8.78 x 5.83	235 x 160 9.25 x 6.30	136 5.35	100 3.94	139 5.47	202 7.95	215 8.46
Q251815ABECC	175 x 250 x 150 6.89 x 9.84 x 5.91	Clear	250 x 175 9.84 x 6.89	Q2518PE	223 x 148 8.78 x 5.83	235 x 160 9.25 x 6.30	136 5.35	100 3.94	139 5.47	202 7.95	215 8.46

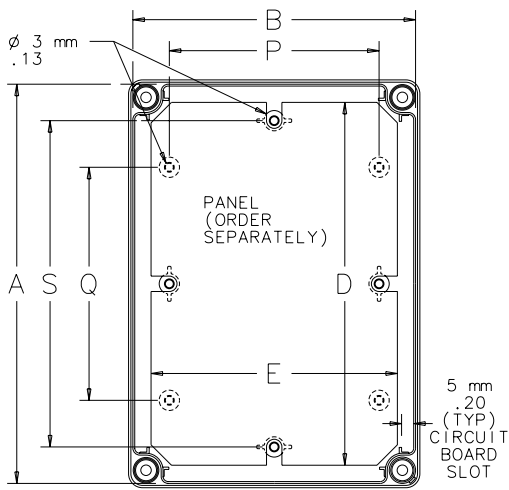




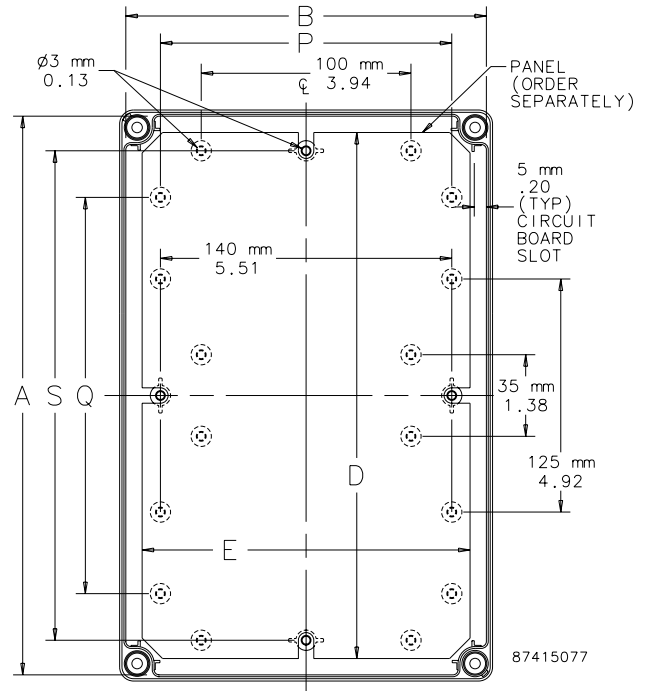
TOP VIEW



SECTION C-C



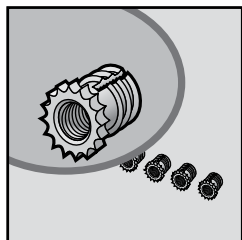
TOP VIEW WITH COVER REMOVED



TOP VIEW WITH COVER REMOVED (WHEN L=250)



BRASS INSERTS

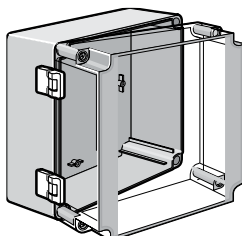


Self-tapping Brass Inserts fit into molded pads in the bottom of the enclosure. Inserts have an M2 internal machine screw thread and M4 self-tapping external thread.

BULLETIN: Q41Y

Catalog Number	Description	Qty. Pkg.
QEBI	M2 thread inserts	4

HINGE KIT



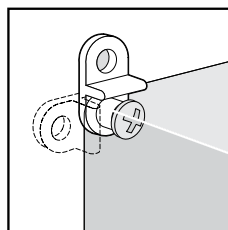
Includes two polyamid hinges, eight M4 self-tapping zinc-plated screws, eight flat washers and drilling template. Use on all QLINE E enclosures.

Kit might not meet Type 4 requirements and should, therefore, be verified by customer.

BULLETIN: Q41Y

Catalog Number
QDEHK

MOUNTING BRACKET KIT

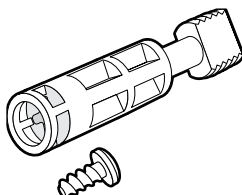


Kit includes four polycarbonate brackets and four M4 self-tapping, plated screws. Use on all QLINE E enclosures. No modification to the enclosure is required for installation. Maintains listed ratings.

BULLETIN: Q41Y

Catalog Number
QEMFK

HARDWARE KIT

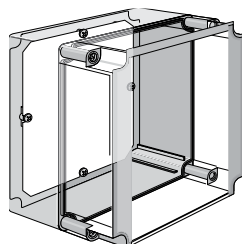


Four cross-point polyamide cover screws and four self-tapping plated screws used to mount optional panels, rails and other components. This kit is offered as a replacement kit for lost or damaged hardware originally furnished with the enclosure.

BULLETIN: Q41Y

Catalog Number	Description	Fits QLINE Enclosure
QEHK35	35-mm screw	when C = 67 mm, 117 mm or 142 mm
QEHK60	60-mm screw	when C = 92 mm

PANELS



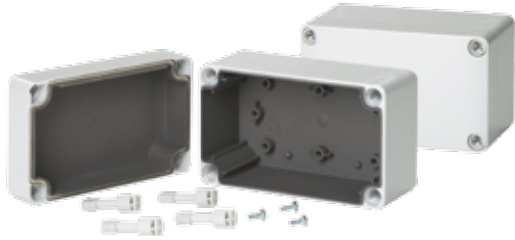
BULLETIN: Q41Y

Catalog Number	Panel Size D x E mm/in.
Q138PE	98 x 48 3.86 x 1.89
Q1313PE	98 x 98 3.86 x 3.86
Q1813PE	148 x 98 5.83 x 3.86
Q1818PE	148 x 148 5.83 x 5.83
Q2518PE	223 x 148 8.78 x 5.83

Notes



QLINE E, EMC, TYPE 4X



APPLICATION

Medium-size QLINE E polycarbonate EMC enclosures have contoured bodies and flush cover screws for an attractive, contemporary appearance while also providing EMC protection in corrosive environments.

SPECIFICATIONS

- Body is impact-resistant polycarbonate
- EMC conductive coating in base and cover
- Gasket of silver/silicone
- Mounting holes molded directly under cover screws
- Screws provided for mounting optional panel
- Polycarbonate material is easily punched, drilled, filed or sawed
- Cross-point flush cover screws are strong, durable polyamide
- Mounting tracks along body side walls for PC card installation
- Molded internal pads for mounting optional panels, rails and other components

INDUSTRY STANDARDS

UL 508A Listed; Type 4, 4X, 12, 13; File No. E61997
 cUL Listed per CSA C22.2 No 94: Type 4, 4X, 12, 13; File No. E61997
 Enclosure flammability evaluated per UL 508A

NEMA/EEMAC Type 4, 4X, 12, 13
 IEC 60529, IP66

FINISH

Enclosure material is RAL 7035 light-gray outside. Optional panels are conductive steel.

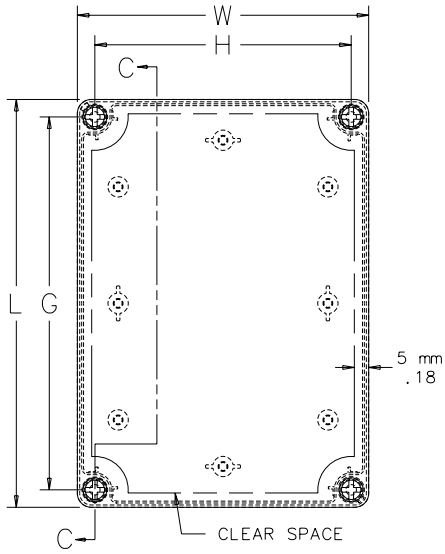
BULLETIN: Q41EM

Standard Product

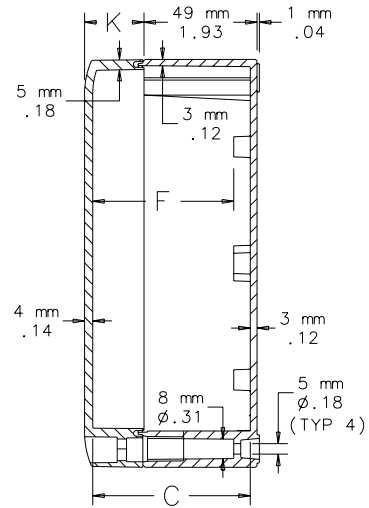
Catalog Number	AxBxC mm/in.	External Dimensions L x W mm/in.	Internal Dimensions A x B x C mm/in.	Panel	Panel Size D x E mm/in.	Mounting G x H mm/in.	F mm/in.	K mm/in.	P mm/in.	Q mm/in.	S mm/in.	T mm/in.	W mm/in.	X mm/in.
Q1388PCEMC	125 x 75 x 74	125 x 75	119 x 69 x 67	Q138PE	98 x 48	110 x 60	61	25	40	75	90	—	—	—
	4.92 x 2.95 x 2.91	4.92 x 2.95	4.67 x 2.70 x 2.65		3.86 x 1.89	4.33 x 2.36	2.38	0.98	1.57	2.95	3.54	—	—	—
Q13138PCEMC	125 x 125 x 74	125 x 125	119x 119 x 67	Q1313PE	98 x 98	110 x 110	61	25	90	75	90	—	23	—
	4.92 x 4.92 x 2.91	4.92 x 4.92	4.67 x 4.67 x 2.65		3.86 x 3.86	4.33 x 4.33	2.38	0.98	3.54	2.95	3.54	—	0.89	—
Q131310PCEMC	125 x 125 x 99	125 x 125	119 x 119 x 92	Q1313PE	98 x 98	110 x 110	86	25	90	75	90	—	23	—
	4.90 x 4.90 x 3.90	4.92 x 4.92	4.67 x 4.67 x 3.64		3.86 x 3.86	4.33 x 4.33	3.37	0.98	3.54	2.95	3.54	—	0.89	—
Q18138PCEMC	175 x 125 x 74	175 x 125	169 x 119 x 67	Q1813PE	148 x 98	160 x 110	61	25	90	100	140	15	23	—
	6.89 x 4.92 x 2.91	6.89 x 4.92	6.63 x 4.67 x 2.65		5.83 x 3.86	6.30 x 4.33	2.38	0.98	3.54	3.94	5.51	0.59	0.89	—
Q181310PCEMC	175 x 125 x 99	175 x 125	169 x 119 x 92	Q1813PE	148 x 98	160 x 110	86	50	90	100	140	15	23	—
	6.89 x 4.92 x 3.90	6.89 x 4.92	6.63 x 4.67 x 3.64		5.83 x 3.86	6.30 x 4.33	3.37	1.97	3.54	3.94	5.51	0.59	0.89	—
Q18188PCEMC	175 x 175 x 74	175 x 175	169 x 169 x 67	Q1818PE	148 x 148	160 x 160	61	25	140	125	140	—	15	35
	6.89 x 6.89 x 2.91	6.89 x 6.89	6.63 x 6.63 x 2.65		5.83 x 5.83	6.30 x 6.30	2.38	0.98	5.51	4.92	5.51	—	0.59	1.38

Purchase panels separately.

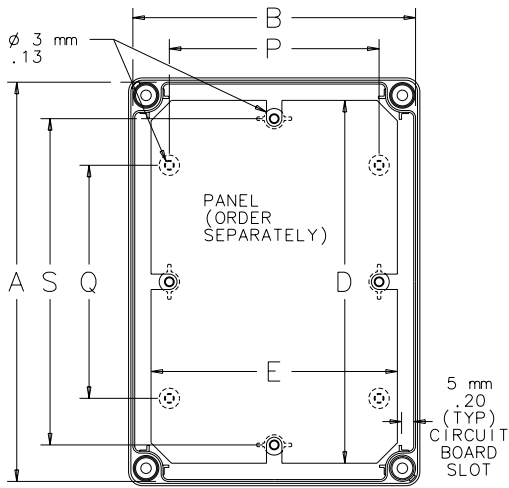




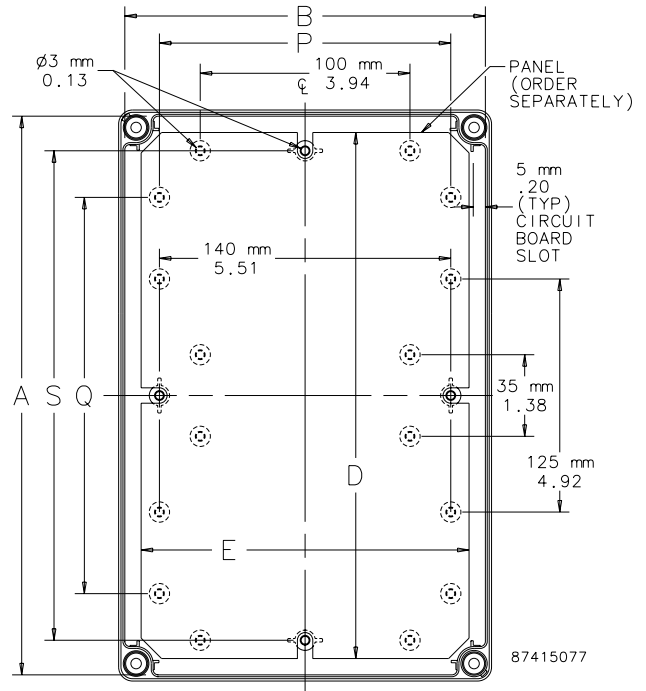
TOP VIEW



SECTION C-C



TOP VIEW WITH COVER REMOVED



TOP VIEW WITH COVER REMOVED (WHEN L=250)



QLINE I, TYPE 4X



INDUSTRY STANDARDS

Polycarbonate Enclosure

UL 508A Listed; Type 4, 4X, 12, 13; File No. E61997
 cUL Listed per CSA C22.2 No 94; Type 4, 4X, 12, 13; File No. E61997
 Enclosure flammability evaluated per UL 508A

NEMA/EEMAC Type 4, 4X, 12, 13
 CSA File No. 42186: Type 4, 4X, 12, 13
 IEC 60529, IP66

ABS Enclosure

NEMA/EEMAC Type 4, 4X, 12, 13
 IEC 60529, IP66

APPLICATION

The largest-sized QLINE enclosure, QLINE I provides easy access and protects larger controls from corrosive environments. Choose from screw cover, hinge, internal mounting, variable depth and quick-release latch options to meet your design and security requirements.

The ABS series shares the same features and similar physical properties as the polycarbonate but is a more economical, non-UL rated alternative.

SPECIFICATIONS

- Body is impact-resistant polycarbonate for PCI series and ABS for ABI series
- Opaque and clear covers are impact-resistant polycarbonate for PCI; opaque covers are ABS for ABI series
- Polycarbonate and ABS material is easily punched, drilled, filed or sawed
- Mounting holes molded directly under cover screws
- Molded internal pads for mounting optional panels, rails and other components
- Molded internal rails for mounting adjustable-depth panel kit
- Screws provided for mounting optional panel
- Optional extension rings are molded polycarbonate
- Cover includes a molded-in hole for wire lead
- Seamless foam-in-place gasket assures water-tight and dust-tight seal
- Material is halogen free

Screw Cover Enclosures have easy-to-remove covers attached to body with strong, durable polyamide cross-point cover screws.

Enclosures with Quick-Release Latches have polycarbonate hinges and polyester latches with a padlock provision.

FINISH

Polycarbonate and ABS enclosure material is RAL 7035 light-gray inside and out. Optional panels are plated steel.

ACCESSORIES

See also Accessories.

- Brass Insert Kit
- Cover Screw Kit
- Extension Rings
- Hardware Kit
- H2OMIT Vent Drains, Type 4X
- Hinge Kit
- HOL-SEALERS Non-Metallic Hole Seals
- Mounting Bracket Kit
- Panel Depth Fitting

MODIFICATION AND CUSTOMIZATION

Hoffman excels at modifying and customizing products to your specifications. Contact your local Hoffman sales office or distributor for complete information.

BULLETIN: Q41



Standard Product **Polycarbonate**

Catalog Number	AxBxC mm/in.	Cover Style	Cover Type	External Dim's L x W mm/in.	Panel	Panel Size D x E mm/in.	Extension Ring	Mounting G x H mm/in.	F mm/in.	P mm/in.	Q mm/in.	R mm/in.	S mm/in.	T mm/in.	U mm/in.	Y mm/in.	Z mm/in.	
Q202013PCI	188 x 188 x 123 7.40 x 7.40 x 4.84	Opaque	Screw Cover	200 x 200 7.87 x 7.87	Q2020PI	160 x 160 6.30 x 6.30	Q2020EXTI	180 x 180 7.09 x 7.09	115 4.53	150 5.91	150 5.91	140 5.51	140 5.51	120 4.72	110 4.33	100 3.94	100 3.94	
Q202013PICICC	188 x 188 x 123 7.40 x 7.40 x 4.84	Clear	Screw Cover	200 x 200 7.87 x 7.87	Q2020PI	160 x 160 6.30 x 6.30	Q2020EXTI	180 x 180 7.09 x 7.09	115 4.53	150 5.91	150 5.91	140 5.51	140 5.51	120 4.72	120 4.33	100 3.94	100 3.94	
Q302013PCI	288 x 188 x 123 11.34 x 7.40 x 4.84	Opaque	Screw Cover	300 x 200 11.81 x 7.87	Q3020PI	260 x 160 10.24 x 6.30	Q3020EXTI	280 x 180 11.02 x 7.09	115 4.53	150 5.91	250 9.84	140 5.51	140 5.51	120 4.72	210 8.27	100 3.94	200 7.87	
Q302013PICICC	288 x 188 x 123 11.34 x 7.40 x 4.84	Clear	Screw Cover	300 x 200 11.81 x 7.87	Q3020PI	260 x 160 10.24 x 6.30	Q3020EXTI	280 x 180 11.02 x 7.09	115 4.53	150 5.91	250 9.84	140 5.51	140 5.51	120 4.72	210 8.27	100 3.94	200 7.87	
Q402013PCI	388 x 188 x 123 15.28 x 7.40 x 4.84	Opaque	Screw Cover	400 x 200 15.75 x 7.87	Q4020PI	360 x 160 14.17 x 6.30	Q4020EXTI	380 x 180 14.96 x 7.09	115 4.53	150 5.91	350 13.78	140 5.51	137.8 5.51	120 4.72	310 12.20	100 3.94	300 11.81	
Q402013PICICC	388 x 188 x 123 15.28 x 7.40 x 4.84	Clear	Screw Cover	400 x 200 15.75 x 7.87	Q4020PI	360 x 160 14.17 x 6.30	Q4020EXTI	380 x 180 14.96 x 7.09	115 4.53	150 5.91	350 13.78	140 5.51	137.8 5.51	120 4.72	310 12.20	100 3.94	300 11.81	
Q303013PCI	288 x 288 x 123 11.34 x 11.34 x 4.84	Opaque	Screw Cover	300 x 300 11.81 x 11.81	Q3030PI	260 x 260 10.24 x 10.24	Q3030EXTI	280 x 280 11.02 x 11.02	115 4.53	250 9.84	250 9.84	240 9.45	240 9.45	220 8.66	210 8.27	200 7.87	200 7.87	
Q303013PICICC	288 x 288 x 123 11.34 x 11.34 x 4.84	Clear	Screw Cover	300 x 300 11.81 x 11.81	Q3030PI	260 x 260 10.24 x 10.24	Q3030EXTI	280 x 280 11.02 x 11.02	115 4.53	250 9.84	250 9.84	240 9.45	240 9.45	220 8.66	210 8.27	200 7.87	200 7.87	
Q403013PCI	388 x 288 x 123 15.28 x 11.34 x 4.84	Opaque	Screw Cover	400 x 300 15.75 x 11.81	Q4030PI	360 x 260 14.17 x 10.24	Q4030EXTI	380 x 280 14.96 x 11.02	115 4.53	250 9.84	350 13.78	240 9.45	137.8 5.51	340 13.39	320 12.60	310 12.20	200 7.87	300 11.81
Q403013PICICC	388 x 288 x 123 15.28 x 11.34 x 4.84	Clear	Screw Cover	400 x 300 15.75 x 11.81	Q4030PI	360 x 260 14.17 x 10.24	Q4030EXTI	380 x 280 14.96 x 11.02	115 4.53	250 9.84	350 13.78	240 9.45	137.8 5.51	340 13.39	320 12.60	310 12.20	200 7.87	300 11.81
Q603013PCI	300 x 600 x 130 11.81 x 23.62 x 5.12	Opaque	Screw Cover	600 x 300 23.62 x 11.81	Q6030PI	560 x 260 22.05 x 10.24	Q6030EXTI	580 x 280 22.83 x 11.02	115 4.53	250 9.84	550 21.65	240 9.45	540 21.26	220 8.66	510 20.08	200 7.87	500 19.69	
Q603013PICICC	300 x 600 x 130 11.81 x 23.62 x 5.12	Clear	Screw Cover	600 x 300 23.62 x 11.81	Q6030PI	560 x 260 22.05 x 10.24	Q6030EXTI	580 x 280 22.83 x 11.02	115 4.53	250 9.84	550 21.65	240 9.45	540 21.26	220 8.66	510 20.08	200 7.87	500 19.69	
Q604013PCI	400 x 600 x 130 15.75 x 23.62 x 5.12	Opaque	Screw Cover	600 x 400 23.62 x 15.75	Q6040PI	560 x 360 22.05 x 14.17	Q6040EXTI	580 x 380 22.83 x 14.96	115 4.53	350 13.78	550 21.65	340 13.39	540 21.26	320 12.60	510 20.08	300 11.81	500 19.69	
Q604013PICICC	400 x 600 x 130 15.75 x 23.62 x 5.12	Clear	Screw Cover	600 x 400 23.62 x 15.75	Q6040PI	560 x 360 22.05 x 14.17	Q6040EXTI	580 x 380 22.83 x 14.96	115 4.53	350 13.78	550 21.65	340 13.39	540 21.26	320 12.60	510 20.08	300 11.81	500 19.69	
Q202018PCI	188 x 188 x 173 7.40 x 7.40 x 6.81	Opaque	Screw Cover	200 x 200 7.87 x 7.87	Q2020PI	160 x 160 6.30 x 6.30	Q2020EXTI	180 x 180 7.09 x 7.09	165 6.50	150 5.91	150 5.91	140 5.51	140 5.51	120 4.72	110 4.33	100 3.94	100 3.94	
Q202018PICICC	188 x 188 x 173 7.40 x 7.40 x 6.81	Clear	Screw Cover	200 x 200 7.87 x 7.87	Q2020PI	160 x 160 6.30 x 6.30	Q2020EXTI	180 x 180 7.09 x 7.09	165 6.50	150 5.91	150 5.91	140 5.51	140 5.51	120 4.72	110 4.33	100 3.94	100 3.94	
Q302018PCI	288 x 188 x 173 11.34 x 7.40 x 6.81	Opaque	Screw Cover	300 x 200 11.81 x 7.87	Q3020PI	260 x 160 10.24 x 6.30	Q3020EXTI	280 x 180 11.02 x 7.09	165 6.50	150 5.91	250 9.84	140 5.51	140 5.51	120 4.72	110 4.33	100 3.94	200 7.87	
Q302018PICICC	288 x 188 x 173 11.34 x 7.40 x 6.81	Clear	Screw Cover	300 x 200 11.81 x 7.87	Q3020PI	260 x 160 10.24 x 6.30	Q3020EXTI	280 x 180 11.02 x 7.09	165 6.50	150 5.91	250 9.84	140 5.51	140 5.51	120 4.72	110 4.33	100 3.94	200 7.87	
Q402018PCI	388 x 188 x 173 15.28 x 7.40 x 6.81	Opaque	Screw Cover	400 x 200 15.75 x 7.87	Q4020PI	360 x 160 14.17 x 6.30	Q4020EXTI	380 x 180 14.96 x 7.09	165 6.50	150 5.91	350 13.78	140 5.51	137.8 5.51	120 4.72	310 12.20	100 3.94	300 11.81	
Q402018PICICC	388 x 188 x 173 15.28 x 7.40 x 6.81	Clear	Screw Cover	400 x 200 15.75 x 7.87	Q4020PI	360 x 160 14.17 x 6.30	Q4020EXTI	380 x 180 14.96 x 7.09	165 6.50	150 5.91	350 13.78	140 5.51	137.8 5.51	120 4.72	310 12.20	100 3.94	300 11.81	
Q303018PCI	288 x 288 x 173 11.34 x 11.34 x 6.81	Opaque	Screw Cover	300 x 300 11.81 x 11.81	Q3030PI	260 x 260 10.24 x 10.24	Q3030EXTI	280 x 280 11.02 x 11.02	165 6.50	250 9.84	250 9.84	240 9.45	240 9.45	220 8.66	210 8.27	200 7.87	200 7.87	
Q303018PICICC	288 x 288 x 173 11.34 x 11.34 x 6.81	Clear	Screw Cover	300 x 300 11.81 x 11.81	Q3030PI	260 x 260 10.24 x 10.24	Q3030EXTI	280 x 280 11.02 x 11.02	165 6.50	250 9.84	250 9.84	240 9.45	240 9.45	220 8.66	210 8.27	200 7.87	200 7.87	
Q403018PCI	388 x 288 x 173 15.28 x 11.34 x 6.81	Opaque	Screw Cover	400 x 300 15.75 x 11.81	Q4030PI	360 x 260 14.17 x 10.24	Q4030EXTI	380 x 280 14.96 x 11.02	165 6.50	250 9.84	350 13.78	240 9.45	137.8 5.51	340 13.39	320 12.60	310 12.20	200 7.87	300 11.81
Q403018PICICC	388 x 288 x 173 15.28 x 11.34 x 6.81	Clear	Screw Cover	400 x 300 15.75 x 11.81	Q4030PI	360 x 260 14.17 x 10.24	Q4030EXTI	380 x 280 14.96 x 11.02	165 6.50	250 9.84	350 13.78	240 9.45	137.8 5.51	340 13.39	320 12.60	310 12.20	200 7.87	300 11.81
Q603018PCI	300 x 600 x 180 11.81 x 23.62 x 7.09	Opaque	Screw Cover	600 x 300 23.62 x 11.81	Q6030PI	560 x 260 22.05 x 10.24	Q6030EXTI	580 x 280 22.83 x 11.02	165 6.50	250 9.84	550 21.65	240 9.45	540 21.26	220 8.66	510 20.08	200 7.87	500 19.69	
Q603018PICICC	300 x 600 x 180 11.81 x 23.62 x 7.09	Clear	Screw Cover	600 x 300 23.62 x 11.81	Q6030PI	560 x 260 22.05 x 10.24	Q6030EXTI	580 x 280 22.83 x 11.02	165 6.50	250 9.84	550 21.65	240 9.45	540 21.26	220 8.66	510 20.08	200 7.87	500 19.69	
Q604018PCI	400 x 600 x 180 15.75 x 23.62 x 7.09	Opaque	Screw Cover	600 x 400 23.62 x 15.75	Q6040PI	560 x 360 22.05 x 14.17	Q6040EXTI	580 x 380 22.83 x 14.96	165 6.50	350 13.78	550 21.65	340 13.39	540 21.26	320 12.60	510 20.08	300 11.81	500 19.69	
Q604018PICICC	400 x 600 x 180 15.75 x 23.62 x 7.09	Clear	Screw Cover	600 x 400 23.62 x 15.75	Q6040PI	560 x 360 22.05 x 14.17	Q6040EXTI	580 x 380 22.83 x 14.96	165 6.50	350 13.78	550 21.65	340 13.39	540 21.26	320 12.60	510 20.08	300 11.81	500 19.69	
Q202013PCIQRR	200 x 200 x 130 7.87 x 7.87 x 5.12	Opaque	QR Latch	200 x 200 7.87 x 7.87	Q2020PI	160 x 160 6.30 x 6.30	—	180 x 180 7.09 x 7.09	115 4.53	150 5.91	150 5.91	140 5.51	140 5.51	120 4.72	110 4.33	100 3.94	100 3.94	
Q202013PCIQRCCR	200 x 200 x 130 7.87 x 7.87 x 5.12	Clear	QR Latch	200 x 200 7.87 x 7.87	Q2020PI	160 x 160 6.30 x 6.30	—	180 x 180 7.09 x 7.09	115 4.53	150 5.91	150 5.91	140 5.51	140 5.51	120 4.72	110 4.33	100 3.94	100 3.94	
Q302013PCIQRR	200 x 300 x 130 7.87 x 11.81 x 5.12	Opaque	QR Latch	300 x 200 11.81 x 7.87	Q3020PI	260 x 160 10.24 x 6.30	—	280 x 180 11.02 x 7.09	115 4.53	150 5.91	250 9.84	140 5.51	140 5.51	120 4.72	210 8.27	100 3.94	200 7.87	
Q302013PCIQRCCR	200 x 300 x 130 7.87 x 11.81 x 5.12	Clear	QR Latch	300 x 200 11.81 x 7.87	Q3020PI	260 x 160 10.24 x 6.30	—	280 x 180 11.02 x 7.09	115 4.53	150 5.91	250 9.84	140 5.51	140 5.51	120 4.72	210 8.27	100 3.94	200 7.87	
Q402013PCIQRR	200 x 400 x 130 7.87 x 15.75 x 5.12	Opaque	QR Latch	400 x 200 15.75 x 7.87	Q4020PI	360 x 160 14.17 x 6.30	—	380 x 180 14.96 x 7.09	115 4.53	150 5.91	350 13.78	140 5.51	137.8 5.51	120 4.72	310 12.20	100 3.94	300 11.81	
Q402013PCIQRCCR	200 x 400 x 130 7.87 x 15.75 x 5.12	Clear	QR Latch	400 x 200 15.75 x 7.87	Q4020PI	360 x 160 14.17 x 6.30	—	380 x 180 14.96 x 7.09	115 4.53	150 5.91	350 13.78	140 5.51	137.8 5.51	120 4.72	310 12.20	100 3.94	300 11.81	
Q303013PCIQRR	300 x 300 x 130 11.81 x 11.81 x 5.12	Opaque	QR Latch	300 x 300 11.81 x 11.81	Q3030PI	260 x 260 10.24 x 10.24	—	280 x 280 11.02 x 11.02	115 4.53	250 9.84	250 9.84	240 9.45	240 9.45	220 8.66	210 8.27	200 7.87	200 7.87	
Q303013PCIQRCCR	300 x 300 x 130 11.81 x 11.81 x 5.12	Clear	QR Latch	300 x 300 11.81 x 11.81	Q3030PI	260 x 260 10.24 x 10.24	—	280 x 280 11.02 x 11.02	115 4.53	250 9.84	250 9.84	240 9.45	240 9.45	220 8.66	210 8.27	200 7.87	200 7.87	
Q403013PCIQRR	300 x 400 x 130 11.81 x 15.75 x 5.12	Opaque	QR Latch	400 x 300 15.75 x 11.81	Q4030PI	360 x 260 14.17 x 10.24	—	380 x 280 14.96 x 11.02	115 4.53	250 9.84	350 13.78	240 9.45	137.8 5.51	340 13.39	320 12.60	310 12.20	200 7.87	300 11.81
Q403013PCIQRCCR	300 x 400 x 130 11.81 x 15.75 x 5.12	Clear	QR Latch	400 x 300 15.75 x 11.81	Q4030PI	360 x 260 14.17 x 10.24	—	38										

Catalog Number	Ax B x C mm/in.	Cover Style	Cover Type	External Dim's L x W mm/in.	Panel	Panel Size D x E mm/in.	Extension Ring	Mounting G x H mm/in.	F mm/in.	P mm/in.	Q mm/in.	R mm/in.	S mm/in.	T mm/in.	U mm/in.	Y mm/in.	Z mm/in.
Q603013PCIQRR	300 x 600 x 130	Opaque	QR	600 x 300	Q6030PI	560 x 260	—	580 x 280	115	250	550	240	540	220	510	200	500
	11.81 x 23.62 x 5.12		Latch	23.62 x 11.81		22.05 x 10.24	22.83 x 11.02	4.53	9.84	21.65	9.45	21.26	8.66	20.08	7.87	19.69	
Q603013PCIQRCCR	300 x 600 x 130	Clear	QR	600 x 300	Q6030PI	560 x 260	—	580 x 280	115	250	550	240	540	220	510	200	500
	11.81 x 23.62 x 5.12		Latch	23.62 x 11.81		22.05 x 10.24	22.83 x 11.02	4.53	9.84	21.65	9.45	21.26	8.66	20.08	7.87	19.69	
Q604013PCIQRR	400 x 600 x 130	Opaque	QR	600 x 400	Q6040PI	560 x 360	—	580 x 380	115	350	550	340	540	320	510	300	500
	15.75 x 23.62 x 5.12		Latch	23.62 x 15.75		22.05 x 14.17	22.83 x 14.96	4.53	13.78	21.65	13.39	21.26	12.60	20.08	11.81	19.69	
Q604013PCIQRCCR	400 x 600 x 130	Clear	QR	600 x 400	Q6040PI	560 x 360	—	580 x 380	115	350	550	340	540	320	510	300	500
	15.75 x 23.62 x 5.12		Latch	23.62 x 15.75		22.05 x 14.17	22.83 x 14.96	4.53	13.78	21.65	13.39	21.26	12.60	20.08	11.81	19.69	
Q202018PCIQRR	200 x 200 x 180	Opaque	QR	200 x 200	Q2020PI	160 x 160	—	180 x 180	115	150	150	140	140	120	110	100	100
	7.87 x 7.87 x 7.09		Latch	7.87 x 7.87		6.30 x 6.30	7.09 x 7.09	6.50	5.91	5.91	5.51	5.51	4.72	4.33	3.94	3.94	
Q202018PCIQRCCR	200 x 200 x 180	Clear	QR	200 x 200	Q2020PI	160 x 160	—	180 x 180	165	150	150	140	140	120	110	100	100
	7.87 x 7.87 x 7.09		Latch	7.87 x 7.87		6.30 x 6.30	7.09 x 7.09	6.50	5.91	5.91	5.51	4.72	4.33	3.94	3.94		
Q302018PCIQRR	200 x 300 x 180	Opaque	QR	300 x 200	Q3020PI	260 x 160	—	280 x 180	165	150	250	140	240	120	110	100	200
	7.87 x 11.81 x 7.09		Latch	11.81 x 7.87		10.24 x 6.30	11.02 x 7.09	6.50	5.91	9.84	5.51	9.45	4.72	4.33	3.94	7.87	
Q302018PCIQRCCR	200 x 300 x 180	Clear	QR	300 x 200	Q3020PI	260 x 160	—	280 x 180	165	150	250	140	240	120	110	100	200
	7.87 x 11.81 x 7.09		Latch	11.81 x 7.87		10.24 x 6.30	11.02 x 7.09	6.50	5.91	9.84	5.51	9.45	4.72	4.33	3.94	7.87	
Q402018PCIQRR	200 x 400 x 180	Opaque	QR	400 x 200	Q4020PI	360 x 160	—	380 x 180	165	150	350	140	340	120	310	100	300
	7.87 x 15.75 x 7.09		Latch	15.75 x 7.87		14.17 x 6.30	14.96 x 7.09	6.50	5.91	13.78	5.51	13.39	4.72	12.20	3.94	11.81	
Q402018PCIQRCCR	200 x 400 x 180	Clear	QR	400 x 200	Q4020PI	360 x 160	—	380 x 180	165	150	350	140	340	120	310	100	300
	7.87 x 15.75 x 7.09		Latch	15.75 x 7.87		14.17 x 6.30	14.96 x 7.09	6.50	5.91	13.78	5.51	13.39	4.72	12.20	3.94	11.81	
Q303018PCIQRR	300 x 300 x 180	Opaque	QR	300 x 300	Q3030PI	260 x 260	—	280 x 280	165	250	250	240	240	220	210	200	200
	11.81 x 11.81 x 7.09		Latch	11.81 x 11.81		10.24 x 10.24	11.02 x 11.02	6.50	9.84	9.84	9.45	9.45	8.66	8.27	7.87	7.87	
Q303018PCIQRCCR	300 x 300 x 180	Clear	QR	300 x 300	Q3030PI	260 x 260	—	280 x 280	165	250	250	240	240	220	210	200	200
	11.81 x 11.81 x 7.09		Latch	11.81 x 11.81		10.24 x 10.24	11.02 x 11.02	6.50	9.84	9.84	9.45	9.45	8.66	8.27	7.87	7.87	
Q403018PCIQRR	300 x 400 x 180	Opaque	QR	400 x 300	Q4030PI	360 x 260	—	380 x 280	165	250	350	240	340	220	310	200	300
	11.81 x 15.75 x 7.09		Latch	15.75 x 11.81		14.17 x 10.24	14.96 x 11.02	6.50	9.84	13.78	9.45	13.39	8.66	12.20	7.87	11.81	
Q403018PCIQRCCR	300 x 400 x 180	Clear	QR	400 x 300	Q4030PI	360 x 260	—	380 x 280	165	250	350	240	340	220	310	200	300
	11.81 x 15.75 x 7.09		Latch	15.75 x 11.81		14.17 x 10.24	14.96 x 11.02	6.50	9.84	13.78	9.45	13.39	8.66	12.20	7.87	11.81	
Q603018PCIQRR	300 x 600 x 180	Opaque	QR	600 x 300	Q6030PI	560 x 260	—	580 x 280	165	250	550	240	540	220	510	200	500
	11.81 x 23.62 x 7.09		Latch	23.62 x 11.81		22.05 x 10.24	22.83 x 11.02	6.50	9.84	21.65	9.45	21.26	8.66	20.08	7.87	19.69	
Q603018PCIQRCCR	300 x 600 x 180	Clear	QR	600 x 300	Q6030PI	560 x 260	—	580 x 280	165	250	550	240	540	220	510	200	500
	11.81 x 23.62 x 7.09		Latch	23.62 x 11.81		22.05 x 10.24	22.83 x 11.02	6.50	9.84	21.65	9.45	21.26	8.66	20.08	7.87	19.69	
Q604018PCIQRR	400 x 600 x 180	Opaque	QR	600 x 400	Q6040PI	560 x 360	—	580 x 380	165	350	550	340	540	320	510	300	500
	15.75 x 23.62 x 7.09		Latch	23.62 x 15.75		22.05 x 14.17	22.83 x 14.96	6.50	13.78	21.65	13.39	21.28	12.60	20.08	11.81	19.69	
Q604018PCIQRCCR	400 x 600 x 180	Clear	QR	600 x 400	Q6040PI	560 x 360	—	580 x 380	165	350	550	340	540	320	510	300	500
	15.75 x 23.62 x 7.09		Latch	23.62 x 15.75		22.05 x 14.17	22.83 x 14.96	6.50	13.78	21.65	13.39	21.26	12.60	20.08	11.81	19.69	

A x B x C are internal dimensions.
Purchase panels and extension rings separately.

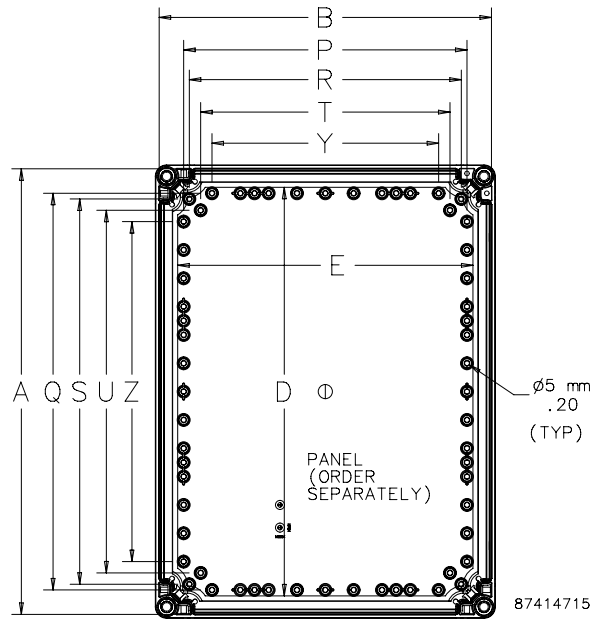
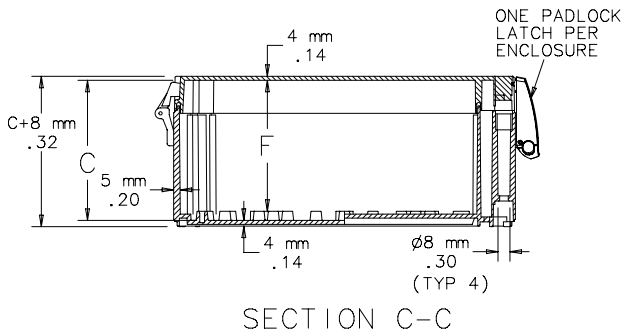
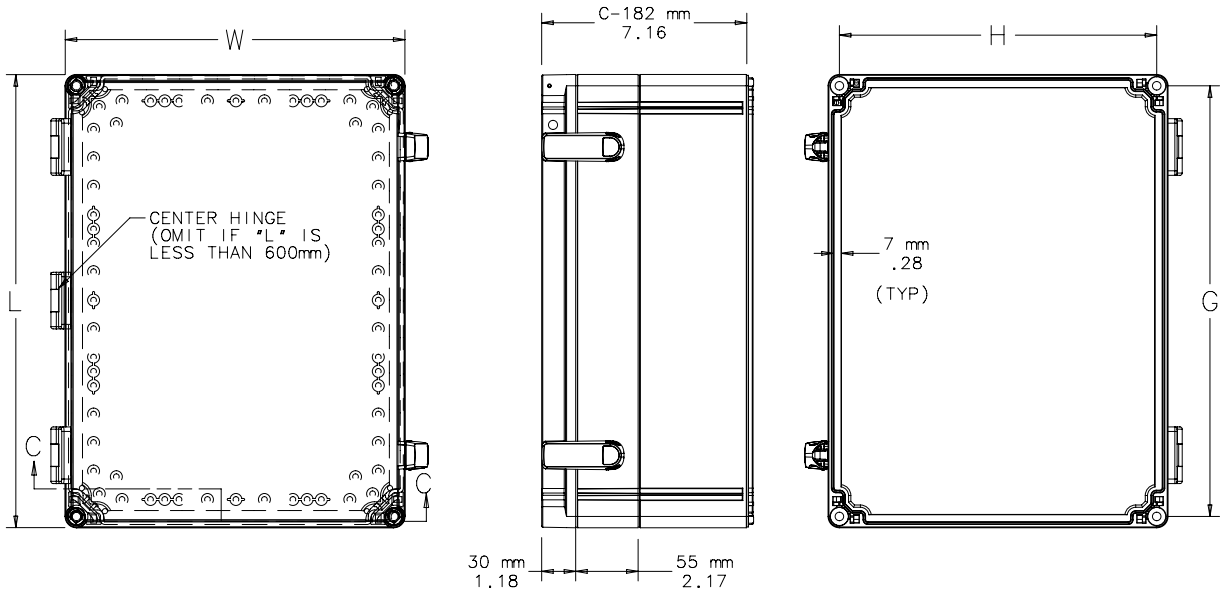


Standard Product **ABS, Screw Cover**

Catalog Number	AxBxC mm/in.	Cover Style	External Dim's		Panel	Panel Size D x E mm/in.	Extension Ring	Mounting G x H mm/in.	F mm/in.	P mm/in.	Q mm/in.	R mm/in.	S mm/in.	T mm/in.	U mm/in.	Y mm/in.	Z mm/in.
			L x W mm/in.	mm/in.													
Q202013ABI	188 x 188 x 123 7.40 x 7.40 x 4.84	Opaque	200 x 200 7.87 x 7.87	Q2020PI	160 x 160 6.30 x 6.30	Q2020EXTI	180 x 180 7.09 x 7.09	115 4.53	150 5.91	150 5.91	140 5.51	140 5.51	120 4.72	110 4.33	100 3.94	100 3.94	100 3.94
Q202013ABICC	200 x 200 x 130 7.87 x 7.87 x 5.12	Clear	200 x 200 7.87 x 7.87	Q2020PI	160 x 160 6.30 x 6.30	Q2020EXTI	180 x 180 7.09 x 7.09	115 4.53	150 5.91	150 5.91	140 5.51	140 5.51	120 4.72	110 4.33	100 3.94	100 3.94	100 3.94
Q302013ABI	300 x 200 x 123 11.81 x 7.87 x 4.84	Opaque	300 x 200 11.81 x 7.87	Q3020PI	260 x 160 10.24 x 6.30	Q3020EXTI	280 x 180 11.02 x 7.09	115 4.53	150 5.91	250 9.84	140 5.51	240 9.45	120 4.72	210 8.27	100 3.94	100 7.87	200 7.87
Q302013ABICC	200 x 300 x 130 7.87 x 11.81 x 5.12	Clear	300 x 200 11.81 x 7.87	Q3020PI	260 x 160 10.24 x 6.30	Q3020EXTI	280 x 180 11.02 x 7.09	115 4.53	150 5.91	250 9.84	140 5.51	240 9.45	120 4.72	210 8.27	100 3.94	100 7.87	200 7.87
Q402013ABI	388 x 188 x 123 15.28 x 7.40 x 4.84	Opaque	400 x 200 15.75 x 7.87	Q4020PI	360 x 160 14.17 x 6.30	Q4020EXTI	380 x 180 14.96 x 7.09	115 4.53	150 5.91	350 13.78	140 5.51	340 13.39	120 4.72	310 12.20	100 3.94	100 11.81	300 11.81
Q402013ABICC	200 x 400 x 130 7.87 x 15.75 x 5.12	Clear	400 x 200 15.75 x 7.87	Q4020PI	360 x 160 14.17 x 6.30	Q4020EXTI	380 x 180 14.96 x 7.09	115 4.53	150 5.91	350 13.78	140 5.51	340 13.39	120 4.72	310 12.20	100 3.94	100 11.81	300 11.81
Q303013ABI	288 x 288 x 123 11.34 x 11.34 x 4.84	Opaque	300 x 300 11.81 x 11.81	Q3030PI	260 x 260 10.24 x 10.24	Q3030EXTI	280 x 280 11.02 x 11.02	115 4.53	250 9.84	250 9.84	240 9.45	240 9.45	220 8.66	210 8.27	200 7.87	200 7.87	200 7.87
Q303013ABICC	300 x 300 x 130 11.81 x 11.81 x 5.12	Clear	300 x 300 11.81 x 11.81	Q3030PI	260 x 260 10.24 x 10.24	Q3030EXTI	280 x 280 11.02 x 11.02	115 4.53	250 9.84	250 9.84	240 9.45	240 9.45	220 8.66	210 8.27	200 7.87	200 7.87	200 7.87
Q403013ABI	388 x 288 x 123 15.28 x 11.34 x 4.84	Opaque	400 x 300 15.75 x 11.81	Q4030PI	360 x 260 14.17 x 10.24	Q4030EXTI	380 x 280 14.96 x 11.02	115 4.53	250 9.84	350 13.78	240 9.45	240 9.45	220 8.66	310 12.20	200 7.87	200 11.81	300 11.81
Q403013ABICC	300 x 400 x 130 11.81 x 15.75 x 5.12	Clear	400 x 300 15.75 x 11.81	Q4030PI	360 x 260 14.17 x 10.24	Q4030EXTI	380 x 280 14.96 x 11.02	115 4.53	250 9.84	350 13.78	240 9.45	240 9.45	220 8.66	310 12.20	200 7.87	200 11.81	300 11.81
Q603013ABI	300 x 600 x 130 11.81 x 23.62 x 5.12	Opaque	600 x 300 23.62 x 11.81	Q6030PI	560 x 260 22.05 x 10.24	Q6030EXTI	580 x 280 22.83 x 11.02	115 4.53	250 9.84	550 21.65	240 9.45	540 21.26	220 8.66	510 20.08	200 7.87	200 11.81	300 11.81
Q603013ABICC	300 x 600 x 130 11.81 x 23.62 x 5.12	Clear	600 x 300 23.62 x 11.81	Q6030PI	560 x 260 22.05 x 10.24	Q6030EXTI	580 x 280 22.83 x 11.02	115 4.53	250 9.84	550 21.65	240 9.45	540 21.26	220 8.66	510 20.08	200 7.87	200 11.81	300 11.81
Q604013ABI	400 x 600 x 130 15.75 x 23.62 x 5.12	Opaque	600 x 400 23.62 x 15.75	Q6040PI	560 x 360 22.05 x 14.17	Q6040EXTI	580 x 380 22.83 x 14.96	115 4.53	350 13.78	550 21.65	340 13.39	540 21.26	320 12.60	510 20.08	300 11.81	500 19.69	500 19.69
Q604013ABICC	400 x 600 x 130 15.75 x 23.62 x 5.12	Clear	600 x 400 23.62 x 15.75	Q6040PI	560 x 360 22.05 x 14.17	Q6040EXTI	580 x 380 22.83 x 14.96	115 4.53	350 13.78	550 21.65	340 13.39	540 21.26	320 12.60	510 20.08	300 11.81	500 19.69	500 19.69
Q202018ABI	188 x 188 x 173 7.40 x 7.40 x 6.81	Opaque	200 x 200 7.87 x 7.87	Q2020PI	160 x 160 6.30 x 6.30	Q2020EXTI	180 x 180 7.09 x 7.09	165 6.50	150 5.91	150 5.91	140 5.51	140 5.51	120 4.72	110 4.33	100 3.94	100 3.94	100 3.94
Q202018ABICC	200 x 200 x 180 7.87 x 7.87 x 7.09	Clear	200 x 200 7.87 x 7.87	Q2020PI	160 x 160 6.30 x 6.30	Q2020EXTI	180 x 180 7.09 x 7.09	165 6.50	150 5.91	150 5.91	140 5.51	140 5.51	120 4.72	110 4.33	100 3.94	100 3.94	100 3.94
Q302018ABI	288 x 188 x 173 11.34 x 7.40 x 6.81	Opaque	300 x 200 11.81 x 7.87	Q3020PI	260 x 160 10.24 x 6.30	Q3020EXTI	280 x 180 11.02 x 7.09	165 6.50	150 5.91	250 9.84	140 5.51	240 9.45	120 4.72	110 4.33	100 3.94	100 7.87	200 7.87
Q302018ABICC	200 x 300 x 180 7.87 x 11.81 x 7.09	Clear	300 x 200 11.81 x 7.87	Q3020PI	260 x 160 10.24 x 6.30	Q3020EXTI	280 x 180 11.02 x 7.09	165 6.50	150 5.91	250 9.84	140 5.51	240 9.45	120 4.72	110 4.33	100 3.94	100 7.87	200 7.87
Q402018ABI	388 x 188 x 173 15.28 x 7.40 x 6.81	Opaque	400 x 200 15.75 x 7.87	Q4020PI	360 x 160 14.17 x 6.30	Q4020EXTI	380 x 180 14.96 x 7.09	165 6.50	150 5.91	350 13.78	140 5.51	340 13.39	120 4.72	310 12.20	100 3.94	100 11.81	300 11.81
Q402018ABICC	200 x 400 x 180 7.87 x 15.75 x 7.09	Clear	400 x 200 15.75 x 7.87	Q4020PI	360 x 160 14.17 x 6.30	Q4020EXTI	380 x 180 14.96 x 7.09	165 6.50	150 5.91	350 13.78	140 5.51	340 13.39	120 4.72	310 12.20	100 3.94	100 11.81	300 11.81
Q303018ABI	288 x 288 x 173 11.34 x 11.34 x 6.81	Opaque	300 x 300 11.81 x 11.81	Q3030PI	260 x 260 10.24 x 10.24	Q3030EXTI	280 x 280 11.02 x 11.02	165 6.50	250 9.84	250 9.84	240 9.45	240 9.45	220 8.66	210 8.27	200 7.87	200 7.87	200 7.87
Q303018ABICC	300 x 300 x 180 11.81 x 11.81 x 7.09	Clear	300 x 300 11.81 x 11.81	Q3030PI	260 x 260 10.24 x 10.24	Q3030EXTI	280 x 280 11.02 x 11.02	165 6.50	250 9.84	250 9.84	240 9.45	240 9.45	220 8.66	210 8.27	200 7.87	200 7.87	200 7.87
Q403018ABI	388 x 288 x 173 15.28 x 11.34 x 6.81	Opaque	400 x 300 15.75 x 11.81	Q4030PI	360 x 260 14.17 x 10.24	Q4030EXTI	380 x 280 14.96 x 11.02	165 6.50	250 9.84	350 13.78	240 9.45	240 9.45	220 8.66	310 12.20	200 7.87	200 11.81	300 11.81
Q403018ABICC	300 x 400 x 180 11.81 x 15.75 x 7.09	Clear	400 x 300 15.75 x 11.81	Q4030PI	360 x 260 14.17 x 10.24	Q4030EXTI	380 x 280 14.96 x 11.02	165 6.50	250 9.84	350 13.78	240 9.45	240 9.45	220 8.66	310 12.20	200 7.87	200 11.81	300 11.81
Q603018ABI	300 x 600 x 180 11.81 x 23.62 x 7.09	Opaque	600 x 300 23.62 x 11.81	Q6030PI	560 x 260 22.05 x 10.24	Q6030EXTI	580 x 280 22.83 x 11.02	165 6.50	250 9.84	550 21.65	240 9.45	540 21.26	220 8.66	510 20.08	200 7.87	200 19.69	500 19.69
Q603018ABICC	300 x 600 x 180 11.81 x 23.62 x 7.09	Clear	600 x 300 23.62 x 11.81	Q6030PI	560 x 260 22.05 x 10.24	Q6030EXTI	580 x 280 22.83 x 11.02	165 6.50	250 9.84	550 21.65	240 9.45	540 21.26	220 8.66	510 20.08	200 7.87	200 19.69	500 19.69
Q604018ABI	400 x 600 x 180 15.75 x 23.62 x 7.09	Opaque	600 x 400 23.62 x 15.75	Q6040PI	560 x 360 22.05 x 14.17	Q6040EXTI	580 x 380 22.83 x 14.96	165 6.50	350 13.78	550 21.65	340 13.39	540 21.26	320 12.60	510 20.08	300 11.81	500 19.69	500 19.69
Q604018ABICC	400 x 600 x 180 15.75 x 23.62 x 7.09	Clear	600 x 400 23.62 x 15.75	Q6040PI	560 x 360 22.05 x 14.17	Q6040EXTI	580 x 380 22.83 x 14.96	165 6.50	350 13.78	550 21.65	340 13.39	540 21.26	320 12.60	510 20.08	300 11.81	500 19.69	500 19.69

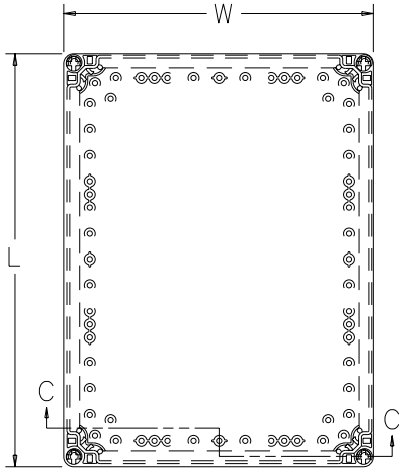


QLINE I Polycarbonate and ABS Type 4X Enclosures with Quick-Release Latches Dimension Drawing

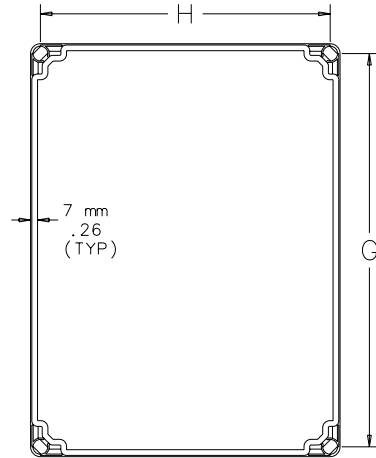


TOP VIEW WITH COVER REMOVED

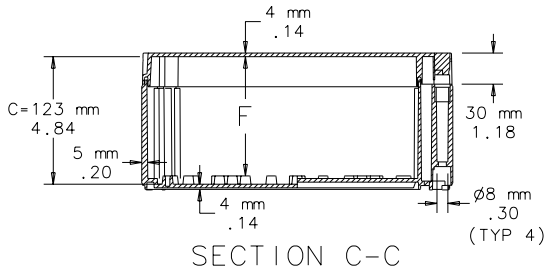
QLINE I Polycarbonate and ABS Screw Cover Dimension Drawing



TOP VIEW

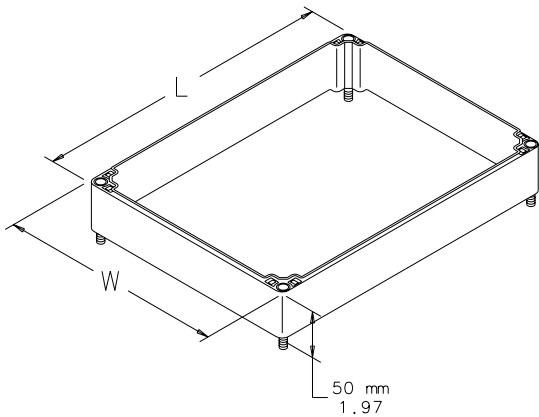


BOTTOM VIEW

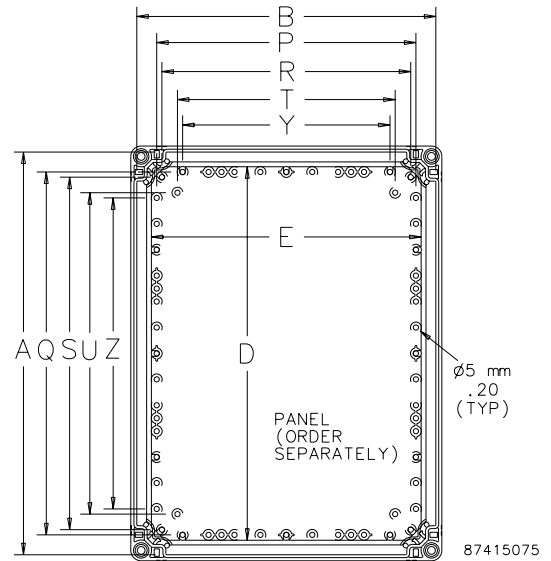


SECTION C-C

NOTE: Panel screws are M5 pan head.



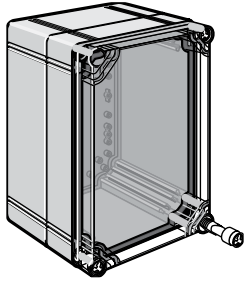
OPTIONAL EXTENSION RING



TOP VIEW WITH COVER REMOVED



COVER SCREW KIT

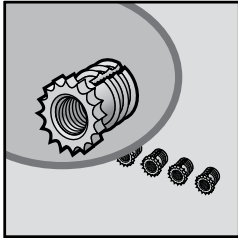


Screws are polyamide. Wing-head-style screws provide rapid access to enclosure interior without requiring special tools to open. Kit includes four polyamide cover screws and four self-tapping, plated panel screws. Tamper-resistant screws have molded 3-mm double-bit drive; kit includes four cover screws, one key and four self-tapping, plated panel screws. Use on all QLINE I enclosures.

BULLETIN: Q41Y

Catalog Number	Description
QIWHSK	wing-head screw
QITSK	3-mm tamper-resistant double-bit

BRASS INSERT KIT

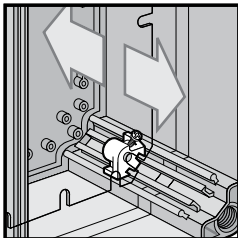


Four M5 self-tapping brass inserts screw into molded pads in bottom of enclosure. Inserts have M3 internal thread.

BULLETIN: Q41Y

Catalog Number
QBIK

PANEL DEPTH FITTING



Panel Depth Fitting attaches to corner molded rails of enclosure to facilitate full-range front-to-back panel adjustment. Package includes four polyamide fittings and plated screws. Use on all QLINE I enclosures.

BULLETIN: Q41Y

Catalog Number
QIPDF

SWING PANEL

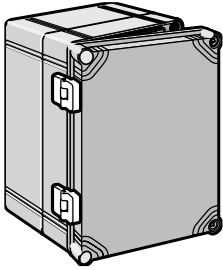


Adjustable-depth aluminum swing panels, for use in QLINE I polycarbonate enclosures, provide a convenient way to install controls and instruments near enclosure body opening while providing access and security. Suitable applications include water, pulp and paper, petroleum and chemical processing, food, packaging and pharmaceutical applications.

BULLETIN: Q41Y

Catalog Number	Panel Size D x E mm/in.	Fits Enclosure Size A x B mm/in.	Hinged Side of Enclosure
QIHFP22A	186 x 180 7.32 x 7.09	200 x 200 7.87 x 7.87	200
QIHFP23A	186 x 280 7.32 x 11.02	300 x 200 11.81 x 7.87	200
QIHFP32A	286 x 180 11.26 x 7.09	300 x 200 11.81 x 7.87	300
QIHFP42A	386 x 180 15.20 x 7.09	400 x 200 15.75 x 7.87	400
QIHFP33A	286 x 280 11.26 x 11.02	300 x 300 11.81 x 11.81	300
QIHFP43A	386 x 280 15.20 x 11.02	400 x 300 15.75 x 11.81	400
QIHFP63A	586 x 280 23.07 x 11.02	600 x 300 23.62 x 11.81	600
QIHFP64A	586 x 380 23.07 x 14.96	600 x 400 23.62 x 15.75	600

HINGE KIT



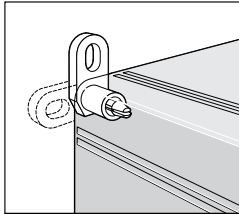
Hinge Kit includes two polyamide hinges, eight M4 self-tapping plated screws, eight flat washers and drilling template. Use on all QLINE I enclosures.

Hinge Kit meets Type 4 requirements. Three hinges required for 600-mm sides.

BULLETIN: Q41Y

Catalog Number
Q1HK

MOUNTING BRACKET KIT

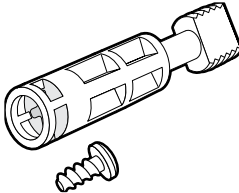


Mounting Bracket Kit has four polycarbonate brackets and four M3 self-tapping, plated screws. Kit is field-installable. Use on all QLINE I Enclosures. Maintains listed ratings for enclosure.

BULLETIN: Q41Y

Catalog Number
Q1MFK

HARDWARE KIT

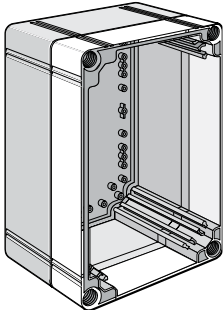


Hardware Kit includes four polyamide cover screws and four self-tapping, plated panel screws. This kit is offered as a replacement kit for lost or damaged hardware originally furnished with the enclosure.

BULLETIN: Q41Y

Catalog Number	Description
Q1HK424	42-mm screws

EXTENSION RINGS

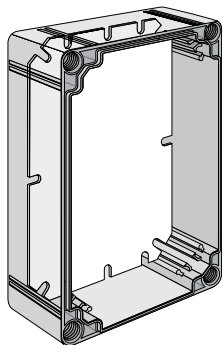


Extension rings can be added to QLINE I enclosures to provide additional 50-mm to enclosure depth. Extension rings are polycarbonate and cannot be used with quick-release latches.

BULLETIN: Q41Y

Catalog Number	Use with Enclosure Catalog Number Beginning With
Q2020EXTI	Q2020
Q3020EXTI	Q3020
Q3030EXTI	Q3030
Q4020EXTI	Q4020
Q4030EXTI	Q4030
Q6030EXTI	Q6030
Q6040EXTI	Q6040

PANELS



BULLETIN: Q41Y

Catalog Number	Panel Size D x E (mm)	Panel Size D x E (in.)
Q2020PI	160 x 160	6.30 x 6.30
Q3020PI	260 x 160	10.24 x 6.30
Q3030PI	260 x 260	10.24 x 10.24
Q4020PI	360 x 160	14.17 x 6.30
Q4030PI	360 x 260	14.17 x 10.24
Q6030PI	560 x 260	22.05 x 10.24
Q6040PI	560 X 360	22.05 x 14.17



QLINE I, EMC, TYPE 4X

INDUSTRY STANDARDS

UL 508A Listed; Type 4, 4X, 12, 13; File No. E61997
 cUL Listed per CSA C22.2 No 94; Type 4, 4X, 12, 13; File No. E61997
 Enclosure flammability evaluated per UL 508A

NEMA/EEMAC Type 4, 4X, 12, 13
 IEC 60529, IP66

APPLICATION

The largest-size enclosures in the QLINE EMC series, the screw-cover QLINE I protects larger controls from electromagnetic interference in corrosive environments.

SPECIFICATIONS

- Body is impact-resistant polycarbonate
- Polycarbonate material is easily punched, drilled, filed or sawed
- EMC coating in base and cover
- Gasket of silver/silicone
- Mounting holes molded directly under cover screws
- Molded internal pads for mounting optional panels, rails and other components
- Molded internal rails for mounting adjustable depth panel kit
- Screws provided for mounting optional panel
- Easily removable covers attached to body with strong, durable polyamide cross-point cover screws

FINISH

Enclosure material is RAL 7035 light gray outside. Optional panels are conductive steel.

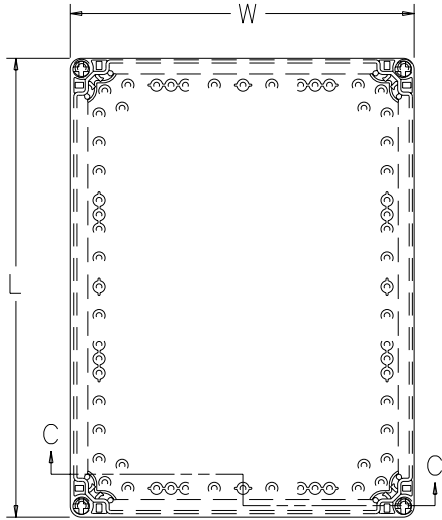
BULLETIN: Q41EM

Standard Product

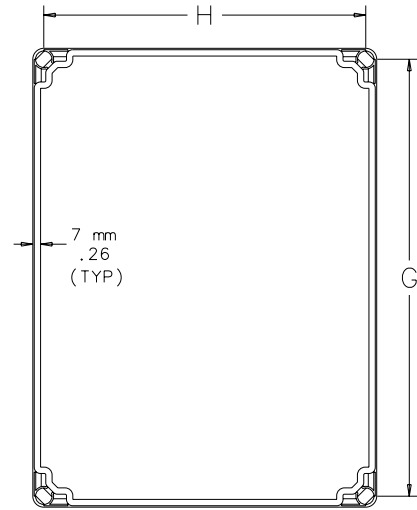
Catalog Number	AxBxC mm/in.	External Dimensions L x W mm/in.	Internal Dimensions A x B x C mm/in.	Panel	Panel Size D x E mm/in.	Mounting G x H mm/in.	F mm/in.	P mm/in.	Q mm/in.	R mm/in.	S mm/in.	T mm/in.	U mm/in.	Y mm/in.	Z mm/in.
Q202013PCEMC	200 x 200 x 123	200 x 200	188 x 188	Q2020PI	160 x 160	180 x 180	115	150	150	140	140	120	110	100	100
	7.87 x 7.87 x 4.84	7.87 x 7.87	7.40 x 7.40		6.30 x 6.30	7.09 x 7.09	4.53	5.91	5.91	5.51	5.51	4.72	4.33	3.94	3.94
Q302013PCEMC	300 x 200 x 123	300 x 200	288 x 188	Q3020PI	260 x 160	280 x 180	115	150	250	140	240	120	210	100	200
	11.81 x 7.87 x 4.84	11.81 x 7.87	11.34 x 7.40		10.24 x 6.30	11.02 x 7.09	4.53	5.91	9.84	5.51	9.45	4.72	8.27	3.94	7.87
Q402013PCEMC	400 x 200 x 123	400 x 200	388 x 188	Q4020PI	360 x 160	380 x 180	115	150	350	140	340	120	310	100	300
	15.75 x 7.87 x 4.84	15.75 x 7.87	15.28 x 7.40		14.17 x 6.30	14.96 x 7.09	4.53	5.91	13.78	5.51	13.39	4.72	12.20	3.94	11.81

Purchase panels separately.

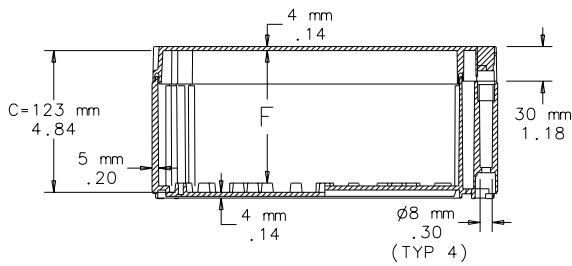
QLINE I Polycarbonate EMC Enclosures Dimension Drawing



TOP VIEW

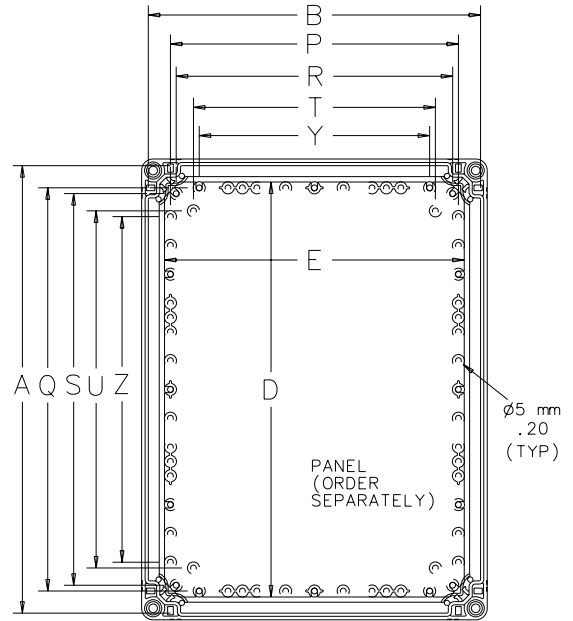


BOTTOM VIEW



SECTION C-C

Note: Panel screws are M5 pan head.



TOP VIEW WITH COVER REMOVED

