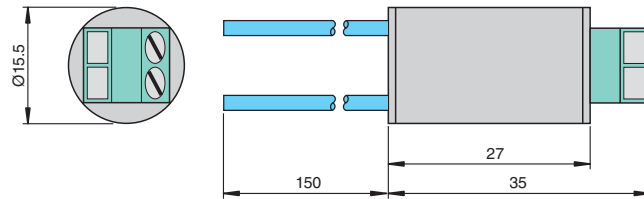


Dimensions



Technical data

Supply	
Rated voltage	max. 20 V DC
Electrical specifications	
Resistor	1.5 kΩ/0.6 W 10 kΩ/0.6 W
Ambient conditions	
Ambient temperature	-20 ... 60 °C (-4 ... 140 °F)
Mechanical specifications	
Protection degree	IP20
Connection	screw terminals , Wire cross section: ≤1.5 mm ²
Cable	0.75 mm ² x 150 mm
Mass	approx. 20 g
Dimensions	Ø15.5 x 35 mm (0.61 x 1.38 in)
Data for application in connection with Ex-areas	
Statement of conformity	
Temperature class	T5
Voltage	U _i 20 V
Power	P _i 0.6 W
Ambient temperature	60 °C (140 °F)
Internal capacitance	C _i 0 F
Internal inductance	L _i 0 H
General information	
Supplementary information	Statement of Conformity, Declaration of Conformity, Attestation of Conformity and instructions have to be observed where applicable. For information see www.pepperl-fuchs.com .

Features

- 1-channel
- Dry contact input
- For line fault detection (LFD)

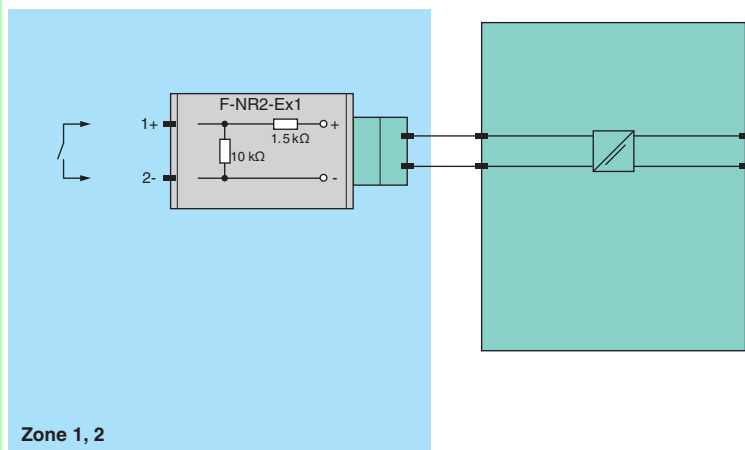
Function

The NAMUR Resistor Network is used to monitor lead breakage and short circuit detection in switch amplifier circuits controlled by mechanical contacts.

The component is installed directly to the control contact or inside its terminal box.

The component can be used with all switch amplifiers featuring line fault detection.

Electrical connection



Release date 2013-11-13 13:45 Date of issue 2013-11-13 258188_eng.xml