



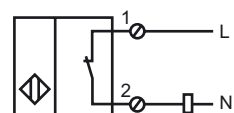
**Model Number**

NCN40+U4+U

**Features**

- **Comfort series**
- **40 mm non-flush**
- **2-wire AC/DC**

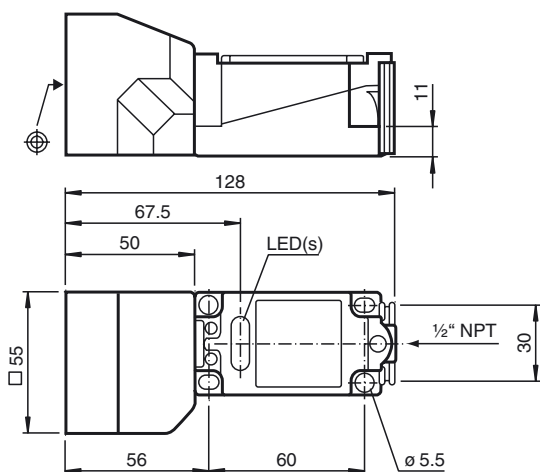
**Connection**



**Accessories**

- V1-W**  
4-pin, M12 female field-attachable connector
- V1-W-2M-PUR**  
Cable socket, M12, 4-pin, PUR cable
- MHW 01**  
Modular mounting bracket
- V1-M20-80**  
Receptacles, M12/M20; plastic version
- V1-G-2M-PUR**  
Cable socket, M12, 4-pin, PUR cable

**Dimensions**



**Technical Data**

| General specifications                   |       |   |
|--|-------|---|
| Switching element function               |       | AC/DC NO/NC                                       |
| Rated operating distance                 | $s_n$ | 40 mm   |
| Installation                             |       | non-flush   |
| Assured operating distance               | $s_a$ | 0 ... 32.4 mm                                     |
| Reduction factor $r_{Al}$                |       | 0.45  |
| Reduction factor $r_{Cu}$                |       | 0.45  |
| Reduction factor $r_{304}$               |       | 0.8   |
| Nominal ratings                          |       |   |
| Operating voltage DC                     |       | 20 ... 300 V                                      |
| Operating voltage AC                     |       | 20 ... 253 V                                      |
| Switching frequency                      | $f$   | 0 ... 25 Hz                                       |
| Hysteresis                               | $H$   | typ. 3 %  |
| Short-circuit protection                 |       | pulsing   |
| Voltage drop                             | $U_d$ | $\leq 4$ V  |
| Momentary current (20 ms, 0.1 Hz)        |       | 0 ... 3000 mA                                     |
| Operating current                        | $I_L$ | 5 ... 500 mA                                      |
| Off-state current                        | $I_r$ | 0 ... 2.5 mA typ. 1.5 mA                          |
| Operating voltage display                |       | LED, green  |
| Indication of the switching state        |       | LED, yellow                                       |
| Ambient conditions                       |       |   |
| Ambient temperature                      |       | -25 ... 70 °C (-13 ... 158 °F)                    |
| Mechanical specifications                |       |   |
| Connection type                          |       | screw terminals                                   |
| Core cross-section                       |       | $\leq 2.5$ mm <sup>2</sup>                        |
| Housing material                         |       | PBT/metal   |
| Sensing face                             |       | PBT   |
| Protection degree                        |       | IP68  |
| Compliance with standards and directives |       |   |
| Standard conformity                      |       |   |
| Standards                                |       | EN 60947-5-2:2007<br>IEC 60947-5-2:2007           |
| Approvals and certificates               |       |   |
| UL approval                              |       | cULus Listed, General Purpose                     |
| CSA approval                             |       | cCSAus Listed, General Purpose                    |
| CCC approval                             |       | Certified by China Compulsory Certification (CCC) |

Release date: 2012-05-08 11:49 Date of issue: 2012-05-08 086263\_eng.xml