

5S W2H Signaling Devices

Cl. I, Div. 2, Groups A, B, D
 Cl. II, Div. 2, Group G
 NEMA 3, 7ABCD (Div. 2), 9G (Div. 2)
 Raintight

Dust-tight
 Wet Locations

Applications:

W2H series signaling devices are used:

- As independent audible signal or warning devices
- In Class I, Division 2, Groups A, B, C, D hazardous areas where flammable vapors or gases may be present due to accidental or abnormal operation
- In Class II, Division 2, Group G hazardous areas where combustible dusts may be present due to accidental or abnormal operation

Features:

- The W2H is solid-state, compact, rugged but lightweight. The system is programmable, which allows the convenience of tone selection, without the need for separate tone modules. Each unit can be programmed for any one of four different tones (whoop, wail, hi-lo and horn), by wiring to the corresponding terminal on the unit's terminal strip. Separate sound modules not required.
- Unit may be field wired for multiple signal selection by manual or automatic control.
- 180° speaker rotation allows flexibility in direction of sound.
- Corrosion-resistant conformal coating protects the printed circuit and other interior components.

Certifications and Compliances:

- UL Standard: 1203
- NEC:
 - Class I, Division 2, Groups A, B, C, D
 - Class II, Division 2, Group G
- NEMA 3, 7ABCD Division 2, 9G Division 2

Standard Materials:

- Body – die-cast aluminum
- Projector – spun aluminum
- Hardware – stainless steel

Standard Finishes:

- Body and projector – gray hammertone enamel
- Stainless steel – natural

Sound Levels:

- Minimum audibility rating (dB) at 10': W2H Series – 93dB



Signal Selection:

Signal Terminal	Sound Description	Audible Frequency	Repetition Rate
#4 Whoop	Ascending low to high, repeated	Low tone – 400 Hz High tone – 850 Hz	48 cy/min. 48 cy/min.
#5 Wail	Conventional Siren	400 – 1100 Hz	24 cy/min.
#6 Hi-Lo	Alternating Hi-Lo	Low tone – 650 Hz High tone – 850 Hz	24 cy/min. 24 cy/min.
#7 Horn	Steady	630 Hz	Continuous

Electrical Rating Ranges:

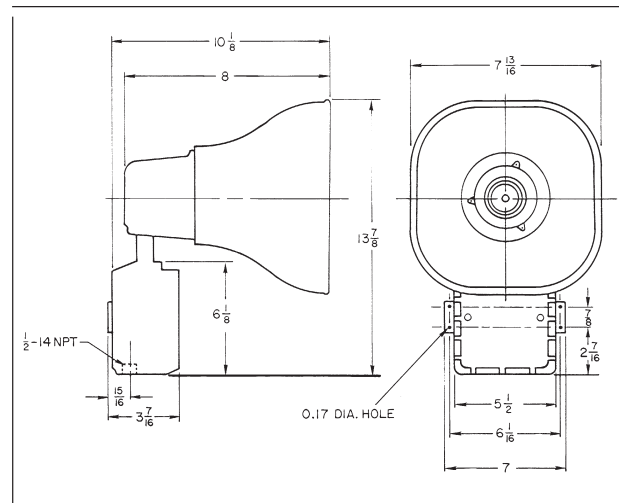
- Nominal voltage – 24, 120, 240 AC; 60 Hz 24 DC

Ordering Information - Normal Power

Nominal Voltage	Operating Current	Standby Current	Cat. #
24VDC	0.55A	0.06A	W2H840
24VAC	1.25A	0.13A	W2H640
120VAC	0.27A	0.03A	W2H620
240VAC	0.15A	0.02A	W2H660

Dimensions

In Inches:



Dimensions are approximate, not for construction purposes.

Crouse-Hinds
 by **F.T.N**