

**READ AND FOLLOW ALL SAFETY INSTRUCTIONS!
SAVE THESE INSTRUCTIONS AND DELIVER TO OWNER AFTER INSTALLATION**

- To reduce the risk of death, personal injury or property damage from fire, electric shock, falling parts, cuts/abrasions, and other hazards please read all warnings and instructions included with and on the fixture box and all fixture labels.
- Before installing, servicing, or performing routine maintenance upon this equipment, follow these general precautions.
- Installation and service of luminaires should be performed by a **qualified licensed electrician**.
- Maintenance of the luminaires should be performed by person(s) familiar with the luminaires' construction and operation and any hazards involved. Regular fixture maintenance programs are recommended.
- It will occasionally be necessary to clean the outside of the refractor/lens. Frequency of cleaning will depend on ambient dirt level and minimum light output which is acceptable to user. Refractor/lens should be washed in a solution of warm water and any mild, non-abrasive household detergent, rinsed with clean water and wiped dry. Should optical assembly become dirty on the inside, wipe refractor/lens and clean in above manner, replacing damaged gaskets as necessary.
- **DO NOT INSTALL DAMAGED PRODUCT!** This luminaire has been properly packed so that no parts should have been damaged during transit. Inspect to confirm. Any part damaged or broken during or after assembly should be replaced.
- Recycle: For information on how to recycle LED electronic products, please visit www.epa.gov.
- These instructions do not purport to cover all details or variations in equipment nor to provide every possible contingency to meet in connection with installation, operation, or maintenance. Should further information be desired or should particular problems arise which are not covered sufficiently for the purchaser's or owner's purposes, this matter should be referred to Acuity Brands Lighting, Inc.



**WARNING
RISK OF ELECTRIC SHOCK**

- ✓ Disconnect or turn off power before installation or servicing.
- ✓ Verify that supply voltage is correct by comparing it with the luminaire label information.
- ✓ Make all electrical and grounded connections in accordance with the National Electrical Code (NEC) and any applicable local code requirements.
- ✓ All wiring connections should be capped with UL approved recognized wire connectors.



**WARNING
RISK OF BURN**

- ✓ Allow lamp/fixture to cool before handling. Do not touch enclosure or light source.
- ✓ Do not exceed maximum wattage marked on luminaire label.
- ✓ Follow all manufacturer's warnings, recommendations and restrictions for: driver type, burning position, mounting locations/methods, replacement and recycling.



**CAUTION
RISK OF INJURY**

- ✓ Wear gloves and safety glasses at all times when removing luminaire from carton, installing, servicing or performing maintenance.
- ✓ Avoid direct eye exposure to the light source while it is on.



**CAUTION
RISK OF FIRE**

- ✓ Keep combustible and other materials that can burn, away from lamp/lens.
- ✓ Do not operate in close proximity to persons, combustible materials or substances affected by heat or drying.



CAUTION: RISK OF PRODUCT DAMAGE

- ✓ Never connect components under load.
- ✓ Do not mount or support these fixtures in a manner that can cut the outer jacket or damage wire insulation.
- ✓ Unless individual product specifications deem otherwise: Never connect an LED product directly to a dimmer packs, occupancy sensors, timing devices, or other related control devices. LED fixtures must be powered directly off a switched circuit.
- ✓ Unless individual product specifications deem otherwise: Do not restrict fixture ventilation. Allow for some volume of airspace around fixture. Avoid covering LED fixtures with insulation, foam, or other material that will prevent convection or conduction cooling.
- ✓ Unless individual product specifications deem otherwise: Do not exceed fixtures maximum ambient temperature.
- ✓ Only use fixture in its intended location.
- ✓ LED products are Polarity Sensitive. Ensure proper Polarity before installation.
- ✓ Electrostatic Discharge (ESD): ESD can damage LED fixtures. Personal grounding equipment must be worn during all installation or servicing of the unit.
- ✓ Do not touch individual electrical components as this can cause ESD, shorten lamp life, or alter performance.
- ✓ Some components inside the fixture may not be serviceable. In the unlikely event your unit may require service, stop using the unit immediately and contact an ABL representative for assistance.
- ✓ Always read the fixtures complete installation instructions prior to installation for any additional fixture specific warnings.

Please see product specific installation instructions for additional warnings or any applicable FCC or other regulatory statements.

Failure to follow any of these instructions could void product warranties. For a complete listing of product Terms and Conditions, please visit www.acuitybrands.com.

Our Brands	Indoor/Outdoor	Indoor Lighting	Outdoor Lighting	Controls	Daylighting
	Lithonia Lighting	Gotham	American Electric Lighting	DARK TO LIGHT	SunOptics
	Carandini	Mark Architectural Lighting	Antique Street Lamps	LC&D	
	Holophane	Peerless	Hydrel	ROAM	
	RELOC	Renaissance Lighting	Tersen	Sensor Switch	
	Light Concepts	Winona Lighting		Synergy	

Acuity Brands Lighting, Inc. assumes no responsibility for claims arising out of improper or careless installation or handling of its products.

ABL LED General Warnings, Form No. 503.203

© 2010 Acuity Brands Lighting, Inc. All rights reserved. 12/01/10

SECTION 1: INSTALLATION OF NEW LUMINAIRE

Caution: Protect lens and occupancy sensor when setting luminaire down.

- 1) If replacing existing fixtures, disconnect all power to the existing luminaire and remove the existing luminaire from the ceiling.
- 2) Remove the new LED high bay from packaging and inspect for any damages. Handle new LED fixture with care. Do not set the fixture down on the lens. If damaged do not use; call your local rep for replacement.
- 3) This fixture is designed to hang from the supplied hook or a ¾-14 NPS or NPT schedule 80 pipe (not provided). If using pipe, use a thread sealant (not provided) to seal the threads to prevent water from entering the fixture. Provide and install a suitable mounting structure in accordance with local codes that is capable of supporting the full weight (43 lbs) of the luminaire. If installing luminaire onto pipe, thread pipe a minimum of 5 full turns onto luminaire and torque pipe to 35 ft. lbs. Tighten set screw on splice box to 35 in. lbs. This luminaire is not suitable for use in high vibration areas. The luminaire shall not be located in areas where the luminaire experiences vibration in excess of 1/2G at its center of gravity point. To determine if vibration is present at or near each luminaire location, use a portable acceleration monitoring device.
- 4) Connect the LED high bay wiring to line wire, black-to-black, white-to-white and green-to-green. Purple and gray wires are for 0-10V dimming and shall be capped with a wire nut (not provided) for each wire when not used. Use only UL listed wiring connectors 90C (or greater) and UL listed wiring (90C or greater). Wires can be pulled through any of the below access plates per local code. Lead wires are normally located behind the "Access Plate For Splice Box" opening just under the hook.
- 5) Xpoint wireless controls require a secondary field commissioning to connect to the Xpoint network.
- 6) Wipe off exterior dirt and debris using a soft clean cloth. Do not use abrasive cleaners on optical surfaces as this may result in loss of optical efficiency.

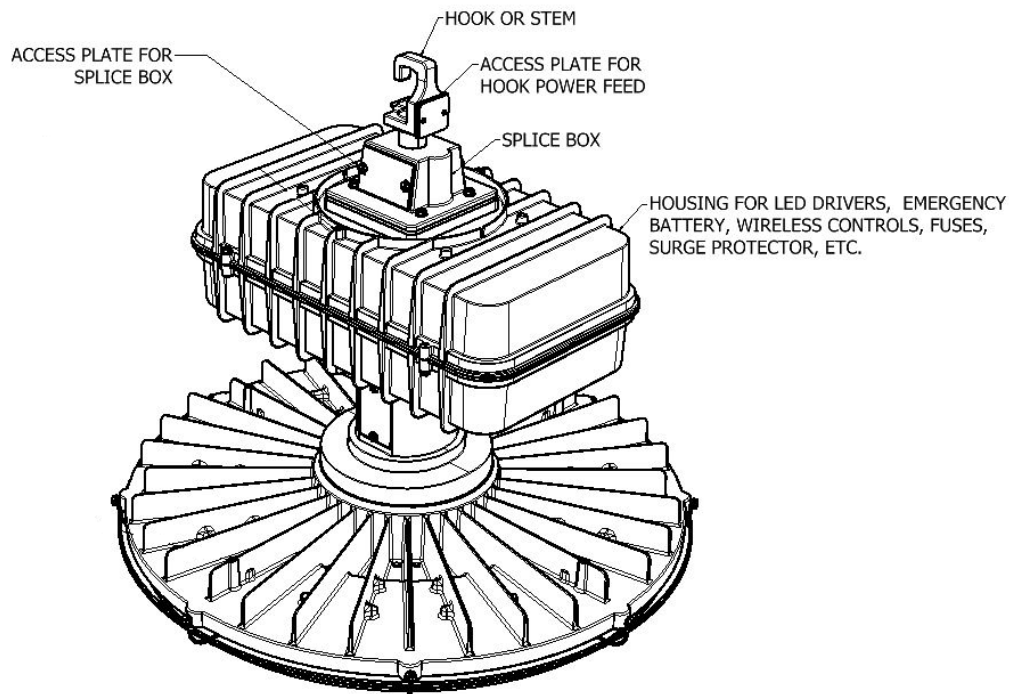


Figure 1

SECTION 2: Optional Equipment

This LED high bay fixture can be ordered with multiple options which may or may not be present on the fixture you are installing. Commons options are:

1. Wire Guard – protects the lens from damage.
2. Occupancy Sensor – turns fixture on or off based on motion detected within the space.
3. Emergency Test Switch and Indicator Light – used to test the function of the emergency battery pack which is located inside the driver housing. Pushing the switch will turn off the incoming power to the fixture and switch it over to battery power. It is normal for only one section of LEDs to light up during emergency battery mode.
4. **Emergency Lighting Maximum Mounting Height**- Fixtures equipped with emergency battery backup systems may be mounted no higher than 30ft per UL924.
5. For luminaires with acrylic or polycarbonate optical lenses, please reference the following link for chemical compatibility information: <http://www.acuitybrandslighting.com/library/II/documents/otherdocuments/acrylic-polycarbonate-compatibility.pdf>

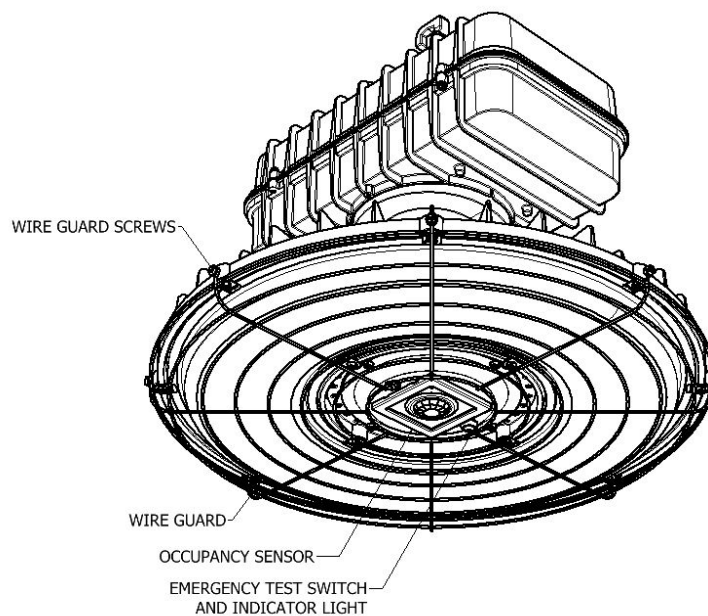


Figure 2

SECTION 3: SERVICING

- 1) Disconnect all power to the LED high bay being service.
- 2) Remove the fixture from ceiling. Service cannot be performed while fixture is installed.
- 3) All service should be performed by a qualified licensed electrician. Use only UL listed components.
- 4) Do not set the fixture on the lens or sensor.**
- 5) Remove the four corner screws so that the top half of the driver housing can be removed. Be careful not to pinch, damage, or pull any wiring.
- 6) The LED drivers may be changed by removing the mounting bracket shown below.
- 7) Fuses and surge protectors can be serviced without removing the mounting bracket.

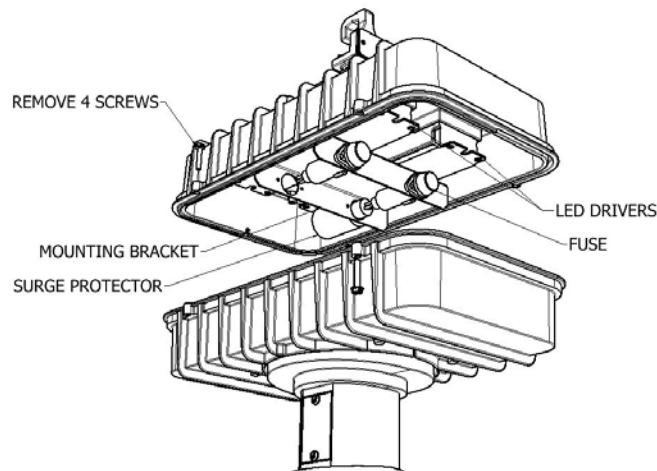


Figure 3

If there are any questions regarding this installation instruction, please contact our technical support department. Five-year limited warranty. Warranty terms are located at

www.acuitybrands.com/customerresources/term_and_conditions.aspx